



## 1 36Li

**EN** Operator's Manual, 7-33

**SE** Bruksanvisning, 34-60

**DK** Brugsanvisning, 61-87

**NO** Bruksanvisning, 88-114

**FI** Käyttöohje, 115-142

**DE** Bedienungsanweisung, 143-173

**FR** Manuel d'utilisation, 174-202

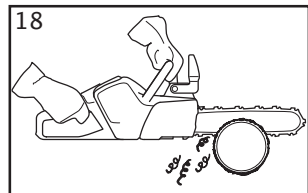
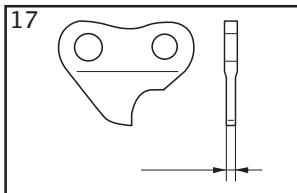
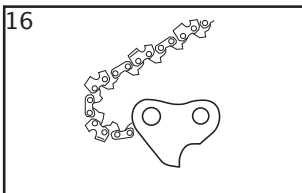
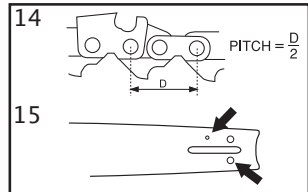
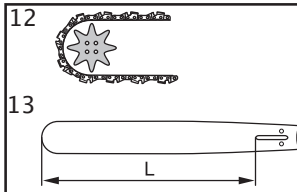
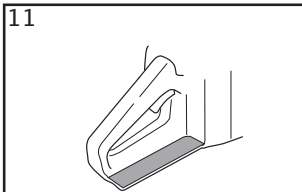
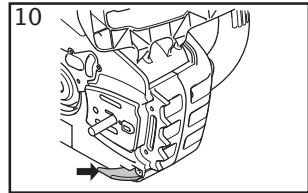
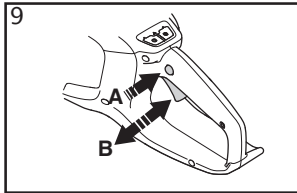
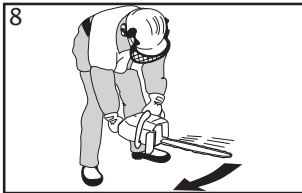
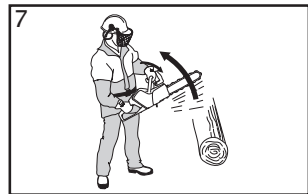
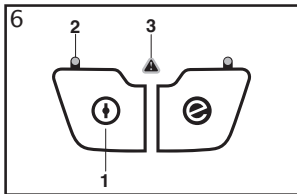
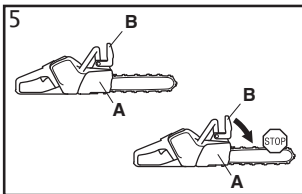
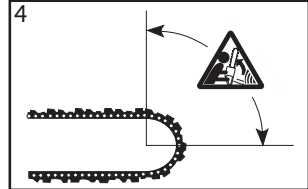
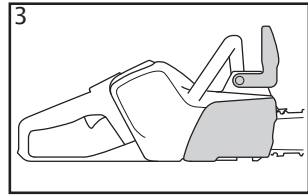
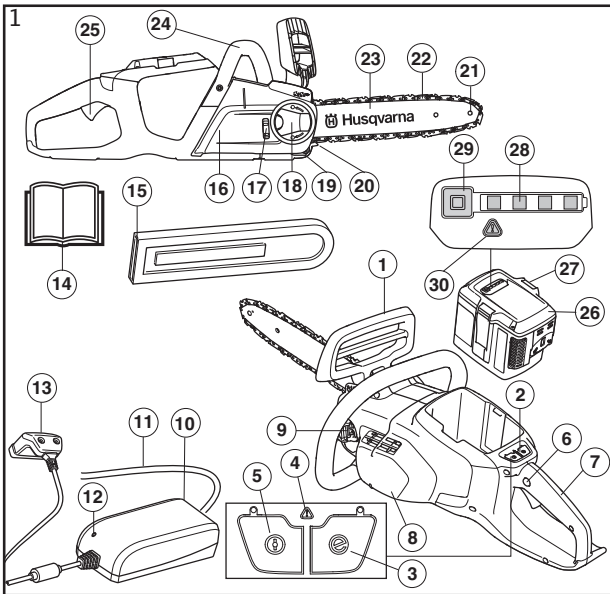
**NL** Gebruiksaanwijzing, 203-231

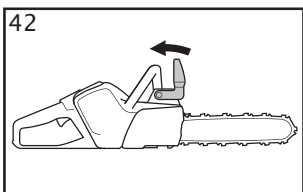
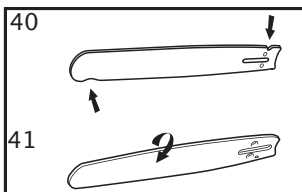
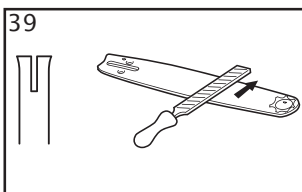
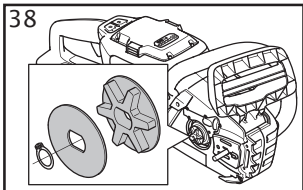
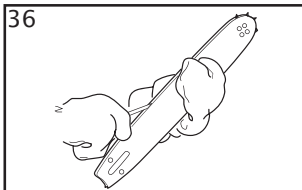
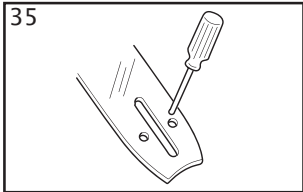
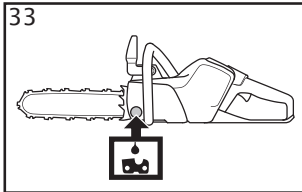
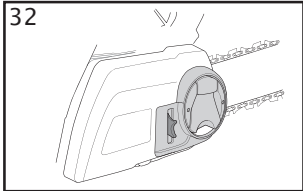
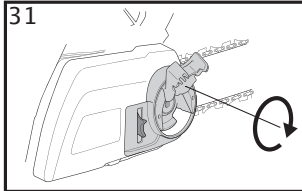
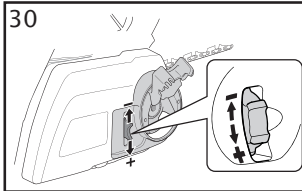
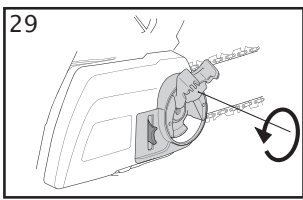
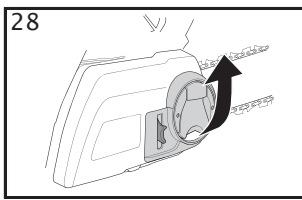
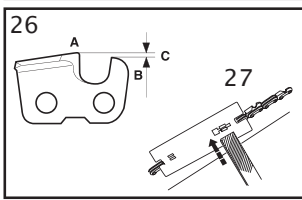
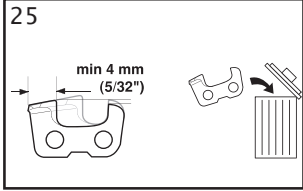
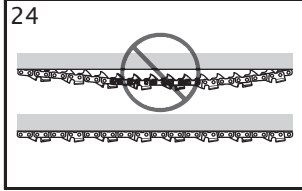
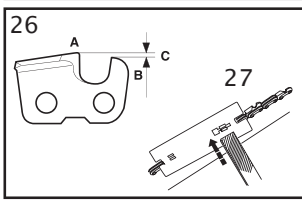
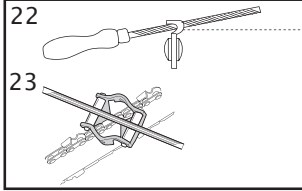
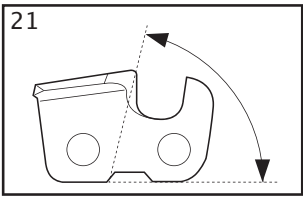
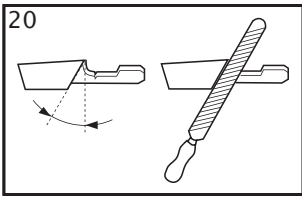
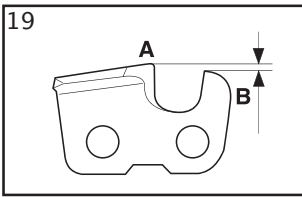
**IT** Istruzioni per l'uso, 232-260

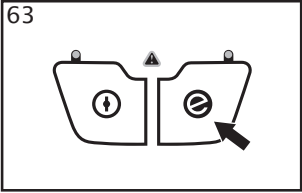
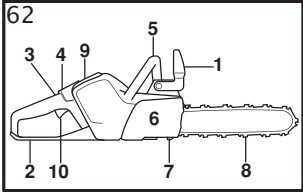
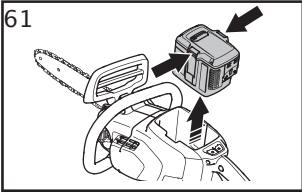
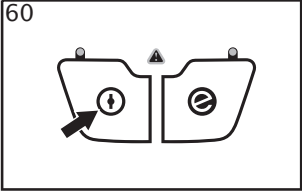
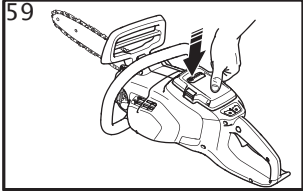
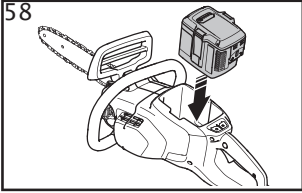
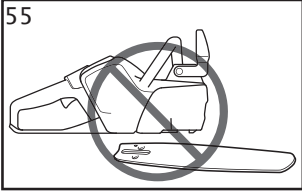
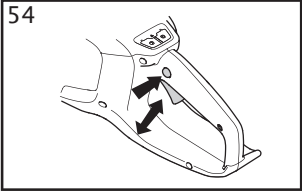
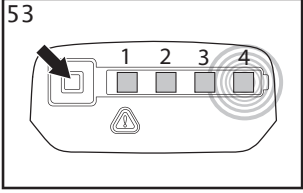
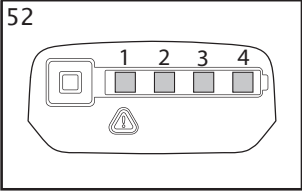
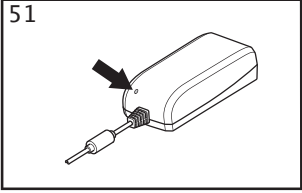
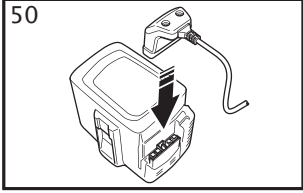
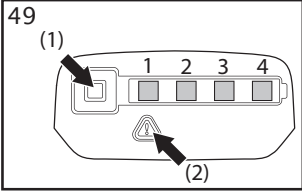
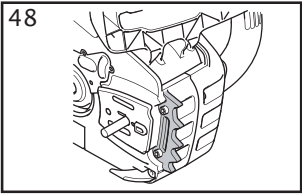
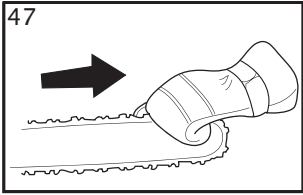
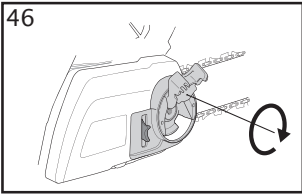
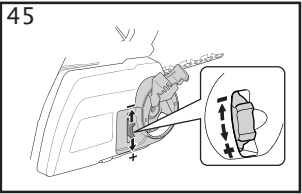
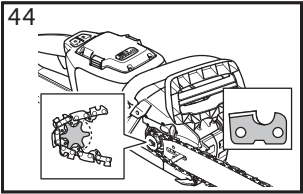
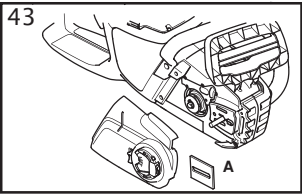
**ES** Manual de instrucciones, 261-289

**PT** Instruções para o uso, 290-318

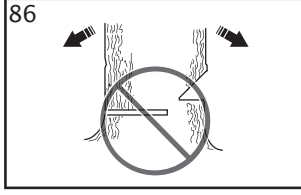
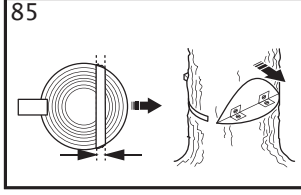
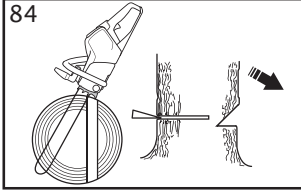
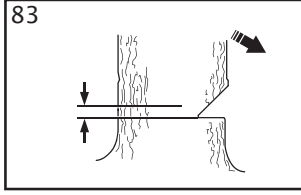
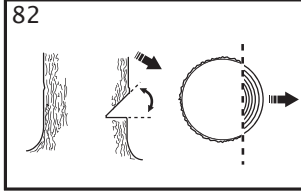
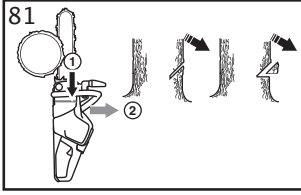
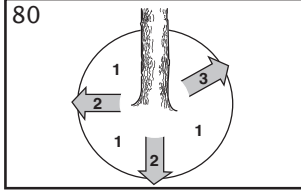
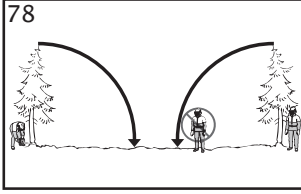
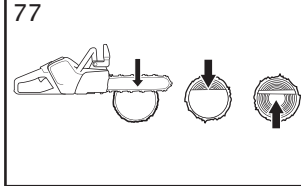
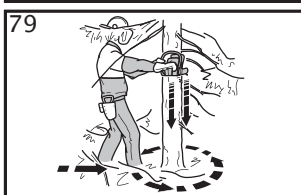
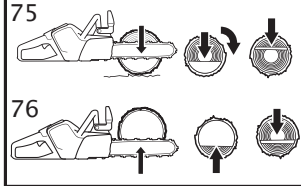
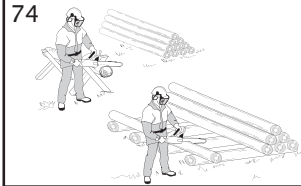
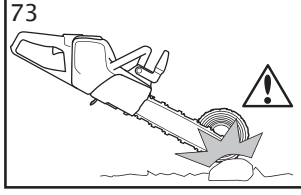
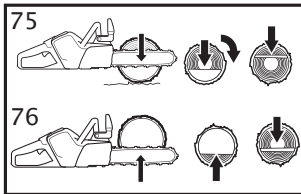
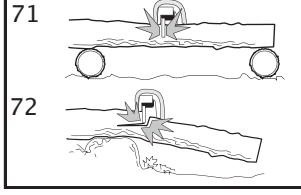
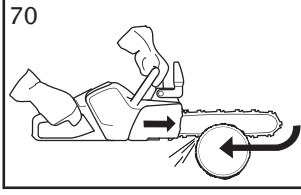
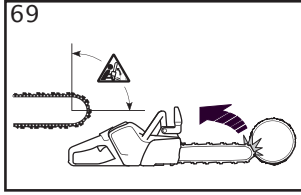
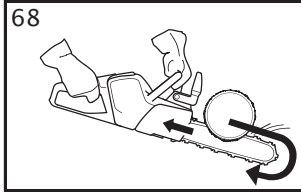
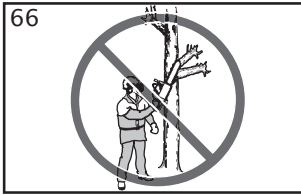
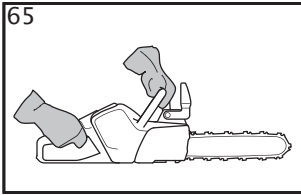
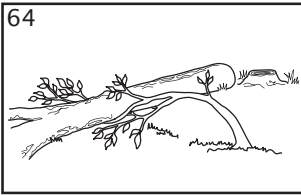




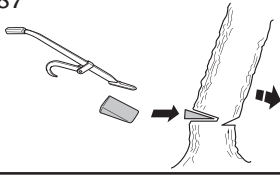




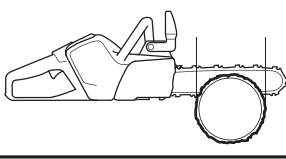




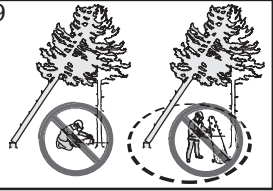
87



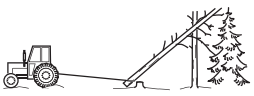
88



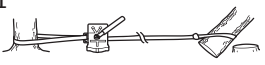
89



90



91



92



93



94



95



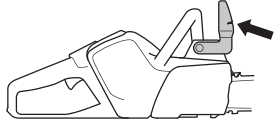
96



97



98



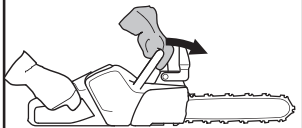
99



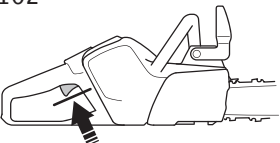
100



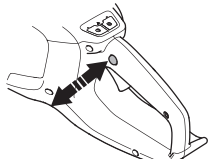
101



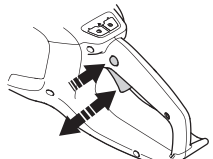
102



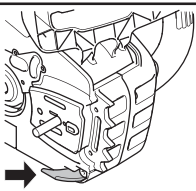
103



104



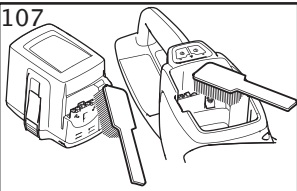
105



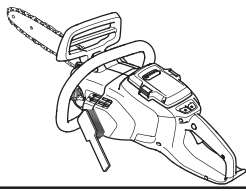
106



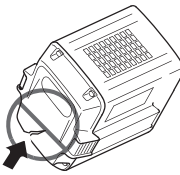
107



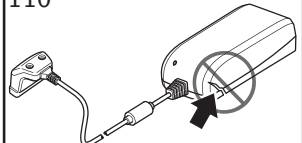
108



109



110



# KEY TO SYMBOLS

## Symbols on the machine:

Translation of the original Swedish operating instruction.

**WARNING!** Chain saws can be dangerous! Careless or incorrect use can result in serious or fatal injury to the operator or others.



Please read the operator's manual carefully and make sure you understand the instructions before using the machine.



Always wear:

- Approved protective helmet
- Approved hearing protection
- Protective goggles or a visor



This product is in accordance with applicable EC directives.



Noise emission to the environment according to the European Community's Directive. The machine's emission is specified in the Technical data chapter and on the label.



Both of the operator's hands must be used to operate the chain saw.



Never operate a chain saw holding it with one hand only.



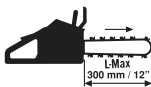
Never let the guide bar tip come in contact with any object.



**WARNING!** Kickback may occur when the nose or tip of the guide bar touches an object, and cause a lightning fast reverse reaction, kicking the guide bar up and towards the operator. May cause serious personal injury.



Direction of rotation of the saw chain and maximum length of the guide bar.



Chain brake, activated (right)  
Chain brake, not activated (left)



Chain oil fill.



**Environmental marking.** Symbols on the product or its packaging indicate that this product cannot be handled as domestic waste. It must instead be submitted to an appropriate recycling station for the recovery of electrical and electronic equipment.



Direct current.



Do not expose to rain.



**Other symbols/decals on the machine refer to special certification requirements for certain markets.**

## Symbols on the battery and/or on the battery charger:

This product must be deposited at an appropriate recycling facility.



Fail-safe transformer



Use and store battery charger only indoors.



Double insulation



# KEY TO SYMBOLS

You will find the following decals on your machine, battery and battery charger.

**WARNING**  
Read and follow all safety precautions in the owner's manual. Failure to follow instructions could result in serious injury to user. Contact of the guide bar tip with any object should be avoided. Tip contact may cause the guide bar to move suddenly toward the operator, which may cause serious injury to user. Two hands are always to be used in operation of the chain saw. Use only identical replacement bar and chain components manufactured by Husqvarna. Use only Husqvarna Battery type BL.

**AVERTISSEMENT**  
Consultez et respectez les consignes de sécurité contenues dans le manuel de l'utilisateur. Le non-respect de ces instructions peut entraîner de graves blessures chez l'utilisateur. Éviter tout contact entre le nez du guide-chaîne et un objet. Tout contact avec le nez peut entraîner des mouvements brusques du guide-chaîne vers le haut ou vers le bas susceptibles de provoquer l'éclat de l'utilisateur. L'opérateur doit toujours utiliser ses deux mains lorsqu'il fait fonctionner le tronçonneuse. Utiliser uniquement des pièces de rechange du guide-chaîne et de la chaîne homologuées ou ont été homologuées par Husqvarna. Utiliser uniquement une batterie Husqvarna de type BL.

**ADVERTENCIA**  
Lee y siga todas las precauciones de seguridad especificadas en el manual de instrucciones. El incumplimiento de estas instrucciones podría causar lesiones personales de gravedad. Debe evitarse que la punta de la espada entre en contacto con cualquier objeto. El contacto con la punta podría provocar un movimiento repentino hacia arriba y hacia abajo de la espada, que podría causar graves lesiones personales. La maniobra siempre debe manejarse con las dos manos. Utilice únicamente componentes de sustitución de la espada y la cadena autorizados a los originales y fabricados por Husqvarna. Utilice únicamente una batería de tipo BL de Husqvarna.

587134011

**Husqvarna** Class 2C Chainsaw

36V --- 136Li Article No. XXXXXXXXX  
Serial No. XXXXXXX-XX  
PNC No. XXXXXXX-XX

HUSQVARNA AB, SE-561 82 HUSQVARNA, SWEDEN

**Husqvarna AB**  
S-561 82 Huskvarna, Sweden

Type BLi  
Art.no. 36V = / Ah Li Ion Wh  
10INR19/66-2

s/n Rechargeable Li-Ion Battery

**Husqvarna AB**  
S-561 82 Huskvarna, Sweden

Type: QC

Art.No. Input: V- / Hz / 100W max.  
Output: 36V = / 2A  
Class 2 battery charger

serial-no.:

---

# CONTENTS

---

## Contents

### KEY TO SYMBOLS

Symbols on the machine: .....	7
Symbols on the battery and/or on the battery charger: .....	7

### CONTENTS

Contents .....	9
----------------	---

### INTRODUCTION

Dear Customer, .....	10
----------------------	----

### WHAT IS WHAT?

What is what on the chain saw? .....	10
--------------------------------------	----

### GENERAL SAFETY PRECAUTIONS

General power tool safety warnings .....	11
Before using a new chain saw .....	13
Important .....	14
Always use common sense .....	14
Personal protective equipment .....	14
Machine's safety equipment .....	14
Battery and battery charger .....	16
Cutting equipment .....	17

### ASSEMBLY

Fitting the bar and chain .....	20
---------------------------------	----

### BATTERY HANDLING

Battery status .....	21
Battery charger .....	21
Transport and storage .....	21
Disposal of the battery, battery charger and machine .....	22

### STARTING AND STOPPING

Starting and stopping .....	23
-----------------------------	----

### WORKING TECHNIQUES

Before use: .....	24
SaveE .....	24
General working instructions .....	24
How to avoid kickback .....	27

### MAINTENANCE

General .....	29
Checking, maintaining and servicing chain saw safety equipment .....	29
Battery connectors .....	29
Cooling system .....	29
Battery .....	29
Battery charger .....	29
Maintenance schedule .....	30
Troubleshooting schedule .....	31

### TECHNICAL DATA

Technical data .....	32
Guide bar and saw chain combinations .....	33
Saw chain filing and file gauges .....	33
EC Declaration of Conformity .....	33

---

# INTRODUCTION

---

## Dear Customer,

Congratulations on your choice to buy a Husqvarna product! Husqvarna is based on a tradition that dates back to 1689, when the Swedish King Karl XI ordered the construction of a factory on the banks of the Husqvarna River, for production of muskets. The location was logical, since water power was harnessed from the Husqvarna River to create the water-powered plant. During the more than 300 years in existence, the Husqvarna factory has produced a lot of different products, from wood stoves to modern kitchen appliances, sewing machines, bicycles, motorcycles etc. In 1956, the first motor driven lawn mowers appeared, followed by chain saws in 1959, and it is within this area Husqvarna is working today.

Today Husqvarna is one of the leading manufacturers in the world of forest and garden products, with quality as our highest priority. The business concept is to develop, manufacture and market motor-driven products for forestry and gardening, as well as for the building and construction industry. Husqvarna's aim is also to be at the front edge for ergonomics, usability, security and environmental protection. That is the reason why we have developed many different features to add to our products within these areas.

We are convinced that you will appreciate with great satisfaction the quality and performance of our product for a very long time to come. The purchase of one of our products gives you access to professional help with repairs and service whenever this may be necessary. If the retailer who sells your machine is not one of our authorised dealers, ask for the address of your nearest service workshop.

It is our wish that you will be satisfied with your product and that it will be your companion for a long time. Think of this operator's manual as a valuable document. By following its content (usage, service, maintenance, etc), the life span and the second-hand value of the machine can be extended. If you sell this machine, make sure that the operator's manual is passed on to the buyer.

Thank you for using a Husqvarna product.

Husqvarna AB has a policy of continuous product development and therefore reserves the right to modify the design and appearance of products without prior notice.

## What is what on the chain saw? (1)

- 1 Front hand guard
- 2 Keypad
- 3 SavE button
- 4 Warning indicator
- 5 Activate and deactivate button
- 6 Power trigger lockout
- 7 Rear handle with right hand guard
- 8 Fan housing
- 9 Chain oil tank
- 10 Battery charger
- 11 Power cord
- 12 Warning indicator
- 13 Connector
- 14 Operator's manual
- 15 Guide-bar cover
- 16 Drive sprocket cover
- 17 Chain tensioner wheel
- 18 Knob
- 19 Chain catcher
- 20 Spiked bumper
- 21 Bar tip sprocket
- 22 Saw chain
- 23 Guide bar
- 24 Front handle
- 25 Power trigger
- 26 Battery
- 27 Battery release buttons
- 28 Battery status
- 29 Button, battery status
- 30 Warning indicator

# GENERAL SAFETY PRECAUTIONS

## General power tool safety warnings



**WARNING! Read all safety warnings and all instructions. Failure to follow the warnings and instructions may result in electric shock, fire and/or serious injury.**

**IMPORTANT! Save all warnings and instructions for future reference.** The term "power tool" in the warnings refers to your mains-operated (corded) power tool or battery-operated (cordless) power tool.

### Work area safety

- **Keep work area clean and well lit.** Cluttered or dark areas invite accidents.
- **Do not operate power tools in explosive atmospheres, such as in the presence of flammable liquids, gases or dust.** Power tools create sparks which may ignite the dust or fumes.
- **Keep children and bystanders away while operating a power tool.** Distractions can cause you to lose control.

### Electrical safety

- **Power tool plugs must match the outlet. Never modify the plug in any way. Do not use any adapter plugs with earthed (grounded) power tools.** Unmodified plugs and matching outlets will reduce the risk of electric shock.
- **Avoid body contact with earthed or grounded surfaces, such as pipes, radiators, ranges and refrigerators.** There is an increased risk of electric shock if your body is earthed or grounded.
- **Do not expose power tools to rain or wet conditions.** Water entering a power tool will increase the risk of electric shock.
- **Do not abuse the cord. Never use the cord for carrying, pulling or unplugging the power tool. Keep cord away from heat, oil, sharp edges or moving parts.** Damaged or entangled cords increase the risk of electric shock.
- **When operating a power tool outdoors, use an extension cord suitable for outdoor use.** Use of a cord suitable for outdoor use reduces the risk of electric shock.
- **If operating a power tool in a damp location is unavoidable, use a residual current device (RCD) protected supply.** Use of an RCD reduces the risk of electric shock.

### Personal safety

- **Stay alert, watch what you are doing and use common sense when operating a power tool. Do not use a power tool while you are tired or under the influence of drugs, alcohol or medication.** A

moment of inattention while operating power tools may result in serious personal injury.

- **Use personal protective equipment. Always wear eye protection.** Protective equipment such as dust mask, non-skid safety shoes, hard hat, or hearing protection used for appropriate conditions will reduce personal injuries.
  - **Prevent unintentional starting. Ensure the switch is in the OFF-position before connecting to power source and/or battery pack, picking up or carrying the tool.** Carrying power tools with your finger on the switch or energising power tools that have the switch on invites accidents.
  - **Remove any adjusting key or wrench before turning the power tool on.** A wrench or a key left attached to a rotating part of the power tool may result in personal injury.
  - **Do not overreach. Keep proper footing and balance at all times.** This enables better control of the power tool in unexpected situations.
  - **Dress properly. Do not wear loose clothing or jewellery. Keep your hair, clothing and gloves away from moving parts.** Loose clothes, jewellery or long hair can be caught in moving parts.
  - **If devices are provided for the connection of dust extraction and collection facilities, ensure these are connected and properly used.** Use of dust collection can reduce dust-related hazards.
  - The vibration emission during actual use of the power tool can differ from the declared total value depending on the ways in which the tool is used. Operators should identify safety measures to protect themselves that are based on an estimation of exposure in the actual conditions of use (taking account of all parts of the operating cycle such as the times when the tool is switched off and when it is running idle in addition to the trigger).
- ### Power tool use and care
- **Do not force the power tool. Use the correct power tool for your application.** The correct power tool will do the job better and safer at the rate for which it was designed.
  - **Do not use the power tool if the switch does not turn it on and off.** Any power tool that cannot be controlled with the switch is dangerous and must be repaired.
  - **Disconnect the plug from the power source and/or the battery pack from the power tool before making any adjustments, changing accessories, or storing power tools.** Such preventive safety measures reduce the risk of starting the power tool accidentally.
  - **Store idle power tools out of the reach of children and do not allow persons unfamiliar with the power tool or these instructions to operate the power tool.** Power tools are dangerous in the hands of untrained users.



---

# GENERAL SAFETY PRECAUTIONS

---

- **Maintain power tools. Check for misalignment or binding of moving parts, breakage of parts and any other condition that may affect the power tool's operation. If damaged, have the power tool repaired before use.** Many accidents are caused by poorly maintained power tools.
- **Keep cutting tools sharp and clean.** Properly maintained cutting tools with sharp cutting edges are less likely to bind and are easier to control.
- **Use the power tool, accessories and tool bits etc. in accordance with these instructions, taking into account the working conditions and the work to be performed.** Use of the power tool for operations different from those intended could result in a hazardous situation.

## Battery tool use and care

- **Recharge only with the charger specified by the manufacturer.** A charger that is suitable for one type of battery pack may create a risk of fire when used with another battery pack.
- **Use power tools only with specifically designated battery packs.** Use of any other battery packs may create a risk of injury and fire.
- **When battery pack is not in use, keep it away from other metal objects, like paper clips, coins, keys, nails, screws or other small metal objects, that can make a connection from one terminal to another.** Shorting the battery terminals together may cause burns or a fire.
- **Under abusive conditions, liquid may be ejected from the battery; avoid contact. If contact accidentally occurs, flush with water. If liquid contacts eyes, additionally seek medical help.** Liquid ejected from the battery may cause irritations or burns.

## Service

- **Have your power tool serviced by a qualified repair person using only identical replacement parts.** This will ensure that the safety of the power tool is maintained.

## Chain saw safety warnings

- **Keep all parts of the body away from the saw chain when the chain saw is operating. Before you start the chain saw, make sure the saw chain is not contacting anything.** A moment of inattention while operating chain saws may cause entanglement of you clothing or body with the saw chain.
- **Always hold the chain saw with your right hand on the rear handle and your left hand on the front handle.** Holding the chain saw with a reversed hand configuration increases the risk of personal injury and should never be done.
- **Hold the power tool by insulated gripping surface only, because the saw chain may contact hidden wiring.** Saw chain contacting a "live" wire may make

exposed metal parts of the power tool "live" and could give the operator an electric shock.

- **Wear safety glasses and hearing protection. Further protective equipment for head, hands, legs and feet is recommended.** Adequate protective clothing will reduce personal injury by flying debris or accidental contact with the saw chain.
- **Do not operate a chain saw in a tree.** Operation of chain saw while up a tree may result in personal injury.
- **Always keep proper footing and operate the chain saw only when standing on fixed, secure and level surface.** Slippery or unstable surfaces such as ladders may cause a loss of balance or control of the chain saw.
- **When cutting a limb that is under tension be alert for spring back.** When the tension in the wood fibres is released the spring loaded limb may strike the operator and/or throw the chain saw out of control.
- **Use extreme caution when cutting brush and saplings.** The slender material may catch the saw chain and be whipped forward toward you or pull you off balance.
- **Carry the chain saw by the handle with the chain saw switched off and away from your body. When transporting or storing the chain saw always fit the guide bar cover.** Proper handling of the chain saw will reduce the likelihood of accidental contact with the moving saw chain.
- **Follow instruction for lubricating, chain tensioning and changing accessories.** Improperly tensioned or lubricated saw chain may either brake or increase the chance of kickback.
- **Keep handles dry, clean and free from oil and grease.** Greasy, oily handles are slippery causing loss of control.
- **Cut wood only. Do not use chain saw for purposes not intended. For example: do not use chain saw for cutting plastic, masonry or nonwood building materials.** Use of the chain saw for operations different than intended could result in a hazardous situation.
- We strongly recommend that first time users practice sawing logs on a saw horse or cradle.

## Causes and operator prevention of kickback

Kickback may occur when the nose or tip of the guide bar touches an object, or when the wood closes in and pinches the saw chain in the cut. Tip contact in some cases may cause a sudden reverse reaction, kicking the guide bar up and back towards the operator. Pinching the saw chain along the top of the guide bar may push the guide bar rapidly back towards the operator. Either of these reactions may cause you to lose control of the saw which could result in serious personal injury. Do not rely exclusively upon the safety devices built into your saw. As a chain saw user, you should take several steps to keep your cutting jobs free from accident or injury. Kickback is

# GENERAL SAFETY PRECAUTIONS

a result of tool misuse and/or incorrect operating procedures or conditions and can be avoided by taking proper precautions as given below:

- **Maintain a firm grip, with thumbs and fingers encircling the chain saw handles, with both hands on the saw and position your body and arm to allow you to resist kickback forces.** Kickback forces can be controlled by the operator, if proper precautions are taken. Do not let go of the chain saw.
- **Do not overreach and do not cut above shoulder height.** This helps prevent unintended tip contact and enables better control of the chain saw in unexpected situations.
- **Only use replacement bars and chains specified by the manufacturer.** Incorrect replacement bars and chains may cause chain breakage and/or kickback.
- **Follow the manufacturer's sharpening and maintenance instructions for the saw chain.** Decreasing the depth gauge height can lead to increased kickback.

## Before using a new chain saw

- Please read this manual carefully.
- **(1) - (110)** refer to figures on p. 2-6.
- Fully charge the battery before using it the first time. See instructions under the heading Charging the battery.
- Fill with chain oil. See instructions under the heading Filling with chain oil.
- Check that the cutting equipment is correctly fitted and adjusted. See instructions under the heading Assembly.
- Do not use the chain saw until sufficient chain oil has reached the chain. See instructions under the heading Lubricating cutting equipment.
- Long-term exposure to noise can result in permanent hearing impairment. So always use approved hearing protection.



**WARNING! Under no circumstances may the design of the machine be modified without the permission of the manufacturer. Always use original accessories. Non-authorized modifications and/or accessories can result in serious personal injury or the death of the operator or others.**



**WARNING! A chain saw is a dangerous tool if used carelessly or incorrectly and can cause serious, even fatal injuries. It is very important that you read and understand the contents of this operator's manual.**



**WARNING! Long term inhalation of chain oil mist and dust from sawdust can represent a health risk.**



**WARNING! This machine produces an electromagnetic field during operation. This field may under some circumstances interfere with active or passive medical implants. To reduce the risk of serious or fatal injury, we recommend persons with medical implants to consult their physician and the medical implant manufacturer before operating this machine.**



**WARNING! Never allow children to use or be in the vicinity of the machine. Since the machine is easy to start, children may be able to start it if they are not kept under full surveillance. This can mean a risk of serious personal injury. Therefore disconnect the battery when the machine is not under close supervision.**

# GENERAL SAFETY PRECAUTIONS

## Important

### IMPORTANT!

This chain saw for forest service is designed for forest work such as felling, limbing and cutting.

National regulations can restrict the use of the machine.

You should only use the saw with the bar and chain combinations we recommend in the chapter Technical data.

Never use the machine if you are fatigued, while under the influence of alcohol or drugs, medication or anything that could affect your vision, alertness, coordination or judgement.

Wear personal protective equipment. See instructions under the "Personal protective equipment" heading.

Do not modify this product or use it if it appears to have been modified by others.

Never use a machine, battery or battery charger that is faulty. Carry out the checks, maintenance and service instructions described in this manual. Some maintenance and service measures must be carried out by trained and qualified specialists. See instructions under the heading Maintenance.

Never use any accessories other than those recommended in this manual. See instructions under the headings Cutting equipment and Technical data.

**CAUTION!** Always wear protective glasses or a face visor to reduce the risk of injury from thrown objects. A chain saw is capable of throwing objects, such as wood chips, small pieces of wood, etc, at great force. This can result in serious injury, especially to the eyes.



**WARNING! Faulty cutting equipment or the wrong combination of bar and saw chain increases the risk of kickback! Only use the bar/saw chain combinations we recommend, and follow the filing instructions. See instructions under the heading Technical data.**

## Always use common sense

It is not possible to cover every conceivable situation you can face when using a chain saw. Always exercise care and use your common sense. Avoid all situations which you consider to be beyond your capability. If you still feel uncertain about operating procedures after reading these instructions, you should consult an expert before continuing. Do not hesitate to contact your dealer or us if you have any questions about the use of the chain saw. We will willingly be of service and provide you with advice as well as help you to use your chain saw both efficiently and safely. Attend a training course in chain saw usage if possible. Your dealer, forestry school or your library can provide information about which training materials and courses are available. (Figure 2)

Work is constantly in progress to improve the design and technology - improvements that increase your safety and efficiency. Visit your dealer regularly to see whether you can benefit from new features that have been introduced.

## Personal protective equipment



**WARNING! Most chain saw accidents happen when the chain touches the operator. You must use approved personal protective equipment whenever you use the machine. Personal protective equipment cannot eliminate the risk of injury but it will reduce the degree of injury if an accident does happen. Ask your dealer for help in choosing the right equipment.**

Always wear:

- Approved protective helmet
- Hearing protection
- Protective goggles or a visor
- Gloves with saw protection
- Trousers with saw protection
- Boots with saw protection, steel toe-cap and non-slip sole
- Always have a first aid kit nearby.

Generally clothes should be close-fitting without restricting your freedom of movement.

## Machine's safety equipment

In this section the machine's safety features and their function are explained. For inspection and maintenance see instructions under the heading Checking, maintaining and servicing chain saw safety equipment. See instructions under the heading, What is what?, to find where these parts are located on your machine.

The life span of the machine can be reduced and the risk of accidents can increase if machine maintenance is not carried out correctly and if service and/or repairs are not carried out professionally. If you need further information please contact your nearest service workshop.



**WARNING! Never use a machine with defective safety components. Safety equipment must be inspected and maintained. See instructions under the heading Checking, maintaining and servicing chain saw safety equipment. If your machine does not pass all the checks, take the saw to a servicing dealer for repair.**

# GENERAL SAFETY PRECAUTIONS

## Keypad

Make sure the machine is switched on or off when the activate/deactivate button (1) is pressed and held (>1 sec.). The green LED (2) is lit or turned off.

The warning indicator (3) flashes if the chain brake is activated or if there is a risk of overload. The overload protection temporarily deactivates the machine. When the machine is restored to normal temperature it is again ready for use. Solid light indicates need for service.

(Figure 6)

## Automatic switch off functionality

The machine is equipped with an automatic shutdown feature that deactivates the machine if not used. The machine will deactivate after 1 minute.

## Chain brake and front hand guard

Your chain saw is equipped with a chain brake that is designed to stop the chain if you get a kickback. The chain brake reduces the risk of accidents, but only you can prevent them. (Figure 3)

Take care when using your saw and make sure the kickback zone of the bar never touches any object. (Figure 4)

- The chain brake (A) can either be activated manually (by your left hand) or automatically by the inertia release mechanism. (Figure 5)
- The brake is applied when the front hand guard (B) is pushed forwards. (Figure 5)
- This movement activates a spring-loaded mechanism that stops the drive sprocket.
- The front hand guard is not designed solely to activate the chain brake. Another important feature is that it reduces the risk of your left hand hitting the chain if you lose grip of the front handle.
- The chain brake must be engaged when the chain saw is started.
- Use the chain brake as a "parking brake" when starting and when moving over short distances, to reduce the risk of moving chain accidentally hitting your leg or anyone or anything close by.
- To release the chain brake pull the front hand guard backwards, towards the front handle.
- Kickback can be very sudden and violent. Most kickbacks are minor and do not always activate the chain brake. If this happens you should hold the chain saw firmly and not let go. (Figure 65)
- The way the chain brake is activated, either manually or automatically by the inertia release mechanism, depends on the force of the kickback and the position of the chain saw in relation to the object that the kickback zone of the bar strikes.

If you get a violent kickback while the kickback zone of the bar is farthest away from you the chain brake is designed to be activated by the inertia in the kickback direction. (Figure 7)

- If the kickback is less violent or the kickback zone of the bar is closer to you the chain brake will be activated manually by the movement of your left hand.
- In the felling position the left hand is in a position that makes manual activation of the chain brake impossible. With this type of grip, that is when the left hand is placed so that it cannot affect the movement of the front hand guard, the chain brake can only be activated by the inertia action. (Figure 8)

## Will my hand always activate the chain brake during a kickback?

No. It takes a certain force to move the hand guard forward. If your hand only lightly touches the front guard or slips over it, the force may not be enough to trigger the chain brake. You should also maintain a firm grip of the chain saw handles while working. If you do and experience a kickback, your hand may never leave the front handle and will not activate the chain brake, or the chain brake will only activate after the saw has swung around a considerable distance. In such instances, the chain brake might not have enough time to stop the saw chain before it touches you.

There are also certain positions in which your hand cannot reach the front hand guard to activate the chain brake; for example, when the saw chain is held in felling position.

## Will my inertia activated chain brake always activate during kickback in the event of a kickback?

No. First your brake must be in working order. Second the kickback must be strong enough to activate the chain brake. If the chain brake is too sensitive it would activate all the time which would be a nuisance.

## Will my chain brake always protect me from injury in the event of a kickback?

No. First, the chain brake must be in working order to provide the intended protection. Second, it must be activated during the kickback as described above to stop the saw chain. Third, the chain brake may be activated but if the bar is too close to you the brake might not have enough time to slow down and stop the chain before the chain saw hits you.

**Only you and proper working technique can eliminate kickback and its danger.**

## Throttle trigger lockout

The power trigger lockout is designed to prevent accidental operation of the power trigger. When you press the power trigger lockout (A) (i.e. when you grasp the handle) it releases the power trigger (B). When you release the handle the power trigger and the power trigger lockout both move back to their original positions.

(Figure 9)

# GENERAL SAFETY PRECAUTIONS

## Chain catcher

The chain catcher is designed to catch the chain if it snaps or jumps off. This should not happen if the chain is properly tensioned (see instructions under the heading Assembly) and if the bar and chain are properly serviced and maintained (see instructions under the heading General working instructions). (Figure 10)

## Right hand guard

Apart from protecting your hand if the chain jumps or snaps, the right hand guard stops branches and twigs from interfering with your grip on the rear handle. (Figure 11)

## Vibrations

Cutting hardwoods (most broadleaf trees) creates more vibration than cutting softwoods (most conifers). Cutting with cutting equipment that is blunt or faulty (wrong type or badly sharpened) will increase the vibration level.



**WARNING! Overexposure to vibration can lead to circulatory damage or nerve damage in people who have impaired circulation. Contact your doctor if you experience symptoms of overexposure to vibration. Such symptoms include numbness, loss of feeling, tingling, pricking, pain, loss of strength, changes in skin colour or condition. These symptoms normally appear in the fingers, hands or wrists. These symptoms may be increased in cold temperatures.**

## Battery and battery charger

This section describes the battery and battery charger safety for your battery product.

Only use Husqvarna original batteries for Husqvarna products and only charge them in an original battery QC charger from Husqvarna. The batteries are software encrypted.

## Battery safety

The rechargeable Husqvarna batteries, BLi, are exclusively used as a power supply for the relevant Husqvarna cordless appliances. To avoid injury, the battery must not be used as a power source for other devices.



**WARNING! Protect the battery from direct sunlight, heat or open flame. There is a risk the battery may explode if it is thrown into an open fire. There is a risk of burns and/or chemical burns.**



**WARNING! Avoid all skin contact with battery acid. Battery acid may cause skin irritation, burns or corrosive injuries. If you get acid in your eyes, do not rub but flush your eyes with plenty of water for at least 15 minutes. See a doctor. You must wash any exposed skin with copious amounts of water and soap in case of incidental contact.**



**WARNING! Never connect the battery terminals to keys, coins, screws or other metal as this may short-circuit the battery. Never insert objects into the battery's air vents.**

**Unused batteries must be kept away from metal objects such as nails, coins, jewellery. Do not try to disassemble or crush the battery**

- Use the battery in surroundings where temperatures are between -10 °C and 60 °C.
- Do not expose the battery to microwaves or high pressure.
- Never clean the battery or the battery charger with water. See also instructions under the Maintenance heading.
- Store the battery out of reach of children.
- Protect the battery from rain and wet conditions.

## Battery charger safety

Only use Chargers, Husqvarna QC, for charging the Husqvarna replacement batteries, BLi.



**WARNING! Minimise the risk of electric shock or short circuit as follows:**

**Never insert any object into the charger's cooling slots.**

**Do not try to dismantle the battery charger.**

**Never connect the charger terminals to metal objects as this can short circuit the battery charger.**

**Use approved and intact wall sockets.**

- Regularly check that the battery charger connection wire is intact and that there are no cracks in it.
- Never carry the battery charger using the cord and never pull out the plug by pulling the cord.
- Keep all cables and extension leads away from water, oil and sharp edges. Make sure the cable is not jammed in doors, fences or the like. Otherwise it can cause the charger to become live.

# GENERAL SAFETY PRECAUTIONS



**WARNING!** Do not use the battery charger close to corrosive or flammable materials. Do not cover the battery charger. Pull out the plug to the battery charger in the event of smoke or fire. Remember the risk of fire.

Do not use:

- a faulty or damaged battery charger or never use a faulty, damaged or deformed battery.

Do not charge:

- non-rechargeable batteries in the battery charger or use them in the machine.
- the battery in the battery charger outdoors.
- the battery in the rain or in wet conditions.
- the battery in direct sunlight.

Use the battery charger only when the surrounding temperature is between 5 °C and 40 °C. Use the charger in an environment which is well ventilated, dry and free from dust.

## Cutting equipment

This section describes how to choose and maintain your cutting equipment in order to:

- Reduce the risk of kickback.
- Reduce the risk of the saw chain breaking or jumping off the bar.
- Obtain optimal cutting performance.
- Extend the life of cutting equipment.
- Avoid increasing vibration levels.

### General rules

- **Only use cutting equipment recommended by us!** See instructions under the heading Technical data.
- **Keep the chain's cutting teeth properly sharpened! Follow our instructions and use the recommended file gauge.** A damaged or badly sharpened chain increases the risk of accidents.
- **Maintain the correct depth gauge setting! Follow our instructions and use the recommended depth gauge clearance.** Too large a clearance increases the risk of kickback. (Figure 19)
- **Keep the chain properly tensioned!** If the chain is slack it is more likely to jump off and lead to increased wear on the bar, chain and drive sprocket. (Figure 24)
- **Keep cutting equipment well lubricated and properly maintained!** A poorly lubricated chain is more likely to break and lead to increased wear on the bar, chain and drive sprocket.

## Cutting equipment designed to reduce kickback



**WARNING!** Faulty cutting equipment or the wrong combination of bar and saw chain increases the risk of kickback! Only use the bar/saw chain combinations we recommend, and follow the filing instructions. See instructions under the heading Technical data.

The only way to avoid kickback is to make sure that the kickback zone of the bar never touches anything.

By using cutting equipment with "built-in" kickback reduction and keeping the chain sharp and well-maintained you can reduce the effects of kickback.

### Guide bar

The smaller the tip radius the lower the chance of kickback.

### Saw chain

A chain is made up of a number of links, which are available in standard and low-kickback versions.

**IMPORTANT!** No saw chain design eliminates the danger of kickback.



**WARNING!** Any contact with a rotating saw chain can cause extremely serious injuries.

### Some terms that describe the bar and chain

To maintain the safety features of the cutting equipment, you should replace a worn or damaged bar or chain with a bar and chain combinations recommended by Husqvarna. See instructions under the heading Technical Data for a list of replacement bar and chain combinations we recommend.

### Guide bar

- Length (inches/cm) (Figure 13)
- Number of teeth on bar tip sprocket (T). (Figure 12)
- Chain pitch (inches). The spacing between the drive links of the chain must match the spacing of the teeth on the bar tip sprocket and drive sprocket. (Figure 14)
- Number of drive links. The number of drive links is determined by the length of the bar, the chain pitch and the number of teeth on the bar tip sprocket. (Figure 16)
- Bar groove width (inches/mm). The groove in the bar must match the width of the chain drive links.
- Chain oil hole and hole for chain tensioner. The bar must be matched to the chain saw design. (Figure 15)

### Saw chain

- Chain pitch (inches) (Figure 14)
- Drive link width (mm/inches) (Figure 17)
- Number of drive links. (Figure 16)



# GENERAL SAFETY PRECAUTIONS

## Sharpening your chain and adjusting depth gauge setting



Always wear gloves, when working with the chain.

### General information on sharpening cutting teeth

- Never use a blunt chain. When the chain is blunt you have to exert more pressure to force the bar through the wood and the chips will be very small. If the chain is very blunt it will produce wood powder and no chips or shavings.
- A sharp chain eats its way through the wood and produces long, thick chips or shavings. **(Figure 18)**
- The cutting part of the chain is called the cutter and consists of a cutting tooth (A) and the depth gauge (B). The cutters cutting depth is determined by the difference in height between the two (depth gauge setting). **(Figure 19)**

When you sharpen a cutting tooth there are four important factors to remember.

- 1 Filing angle **(Figure 20)**
- 2 Cutting angle **(Figure 21)**
- 3 File position **(Figure 22)**
- 4 Round file diameter

It is very difficult to sharpen a chain correctly without the right equipment. We recommend that you use our file gauge. This will help you obtain the maximum kickback reduction and cutting performance from your chain. **(Figure 23)**

See instructions under the heading Technical data for information about sharpening your chain.



**WARNING!** Departure from the sharpening instructions considerably increases the risk of kickback.

### Sharpening cutting teeth

To sharpen cutting teeth you will need a round file and a file gauge. See instructions under the heading Technical data for information on the size of file and gauge that are recommended for the chain fitted to your chain saw.

- Check that the chain is correctly tensioned. A slack chain will move sideways, making it more difficult to sharpen correctly. **(Figure 24)**
- Always file cutting teeth from the inside face. Reduce the pressure on the return stroke. File all the teeth on one side first, then turn the chain saw over and file the teeth on the other side. **(Figure 20)**
- File all the teeth to the same length. When the length of the cutting teeth is reduced to 4 mm (5/32") the chain is worn out and should be replaced. **(Figure 25)**

### General advice on adjusting depth gauge setting

- When you sharpen the cutting tooth (A) the depth gauge setting (C) will decrease. To maintain optimal cutting performance the depth gauge (B) has to be filed down to achieve the recommended depth gauge setting. See instructions under the heading Technical data to find the correct depth gauge setting for your particular chain. **(Figure 26)**



**WARNING!** The risk of kickback is increased if the depth gauge setting is too large!

### Adjustment of depth gauge setting

- The cutting teeth should be newly sharpened before adjusting the depth gauge setting. We recommend that you adjust the depth gauge setting every third time you sharpen the cutting teeth. **NOTE!** This recommendation assumes that the length of the cutting teeth is not reduced excessively.
- You will need a flat file and a depth gauge tool. We recommend that you use our depth gauge tool to achieve the correct depth gauge setting and bevel for the depth gauge.
- Place the depth gauge tool over the chain. Detailed information regarding the use of the depth gauge tool, will be found on the package for the depth gauge tool. Use the flat file to file off the tip of the depth gauge that protrudes through the depth gauge tool. The depth gauge setting is correct when you no longer feel resistance as you draw the file along the depth gauge tool. **(Figure 27)**

### Tensioning the chain



**WARNING!** A slack chain may jump off and cause serious or even fatal injury.



**WARNING!** Always remove the battery before any assembly, maintenance and/or checking is done on the machine.

The more you use a chain the longer it becomes. It is therefore important to adjust the chain regularly to take up the slack.

Check the chain tension every time you refill with saw chain oil. **NOTE!** A new chain has a running-in period during which you should check the tension more frequently.

Tension the chain as tightly as possible, but not so tight that you cannot pull it round freely by hand. **(Figure 47)**

- Release the knob by folding it out until it snaps open. **(Figure 28)**
- Turn the knob anti clockwise to loosen the drive sprocket cover. **(Figure 29)**
- Adjust the tension on the chain by turning the chain tensioner wheel down (+) for tighter tension and up (-) to loosen the tension. **(Figure 30)**
- Tighten the bar clutch by turning the knob clockwise. **(Figure 31)**



# GENERAL SAFETY PRECAUTIONS

- Fold the knob back in to lock the tensioning. (Figure 32)

## Lubricating cutting equipment



**WARNING! Poor lubrication of cutting equipment may cause the chain to snap, which could lead to serious, even fatal injuries.**

### Chain oil

Chain oil must demonstrate good adhesion to the chain and also maintain its flow characteristics regardless of whether it is warm summer or cold winter weather.

**Never use waste oil!** Using waste oil can be dangerous to you and damage the machine and environment.

### Filling with chain oil

- Always use mineral based chain oil. (Figure 33)
- Contact your service agent when choosing chain oil.
- All our chain saws have an automatic chain lubrication system. On some models the oil flow is also adjustable.
- The saw chain oil tank is designed to last approximately three battery charges. However, this safety feature requires that you use the right sort of chain oil (if the chain oil is to thin it will last shorter time).
- Never use waste oil. This results in damage to the oil pump, the bar and the chain.
- It is important to use oil of the right grade (suitable viscosity range) to suit the air temperature.
- In temperatures below 0°C (32°F) some oils become too viscous. This can overload the oil pump and result in damage to the oil pump components.

### Checking chain lubrication

- Check the chain lubrication every third battery charge.  
Aim the tip of the bar at a light coloured surface about 20 cm (8 inches) away. After 1 minute running at 3/4 throttle you should see a distinct line of oil on the light surface. (Figure 34)

If the chain lubrication is not working:

- Check that the oil channel in the bar is not obstructed. Clean if necessary. (Figure 35)
- Check that the groove in the edge of the bar is clean. Clean if necessary. (Figure 36)
- Check that the bar tip sprocket turns freely and that the lubricating hole in the tip sprocket is not blocked. Clean and lubricate if necessary. (Figure 37)

If the chain lubrication system is still not working after carrying out the above checks and associated measures you should contact your service agent.

### Chain drive sprocket

The drive system is fitted with a drive sprocket. (Figure 38)

Regularly check the degree of wear on the drive sprocket. Replace if wear is excessive.

## Checking wear on cutting equipment

Check the chain daily for:

- Visible cracks in rivets and links.
- Whether the chain is stiff.
- Whether rivets and links are badly worn.

Replace the saw chain if it exhibits any of the points above.

We recommend you compare the existing chain with a new chain to decide how badly the existing chain is worn.

When the length of the cutting teeth has worn down to only 4 mm the chain must be replaced.

### Guide bar

Check regularly:

- Whether there are burrs on the edges of the bar. Remove these with a file if necessary. (Figure 39)
- Whether the groove in the bar has become badly worn. Replace the bar if necessary.
- Whether the tip of the bar is uneven or badly worn. If a hollow forms on the underside of the bar tip this is due to running with a slack chain. (Figure 40)
- To prolong the life of the bar you should turn it over daily. (Figure 41)



**WARNING! Most chain saw accidents happen when the chain touches the operator.**

**Wear personal protective equipment. See instructions under the "Personal protective equipment" heading.**

**Do not tackle any job that you feel you are not adequately trained for. See instructions under the headings Personal protective equipment, How to avoid kickback, Cutting equipment and General working instructions.**

**Avoid situations where there is a risk of kickback. See instructions under the heading Machine's safety equipment.**

**Use the recommended protective equipment and check its condition. See instructions under the headings Technical data and General safety precautions.**

**Check that all the chain saw safety features are working. See instructions under the headings General working instructions and General safety precautions.**

**Never use a chain saw by holding it with one hand. A chain saw is not safely controlled with one hand. Always have a secure, firm grip around the handles with both hands.**

## Fitting the bar and chain



**WARNING!** Always remove the battery before any assembly, maintenance and/or checking is done on the machine.

**Always wear gloves, when working with the chain.**

- Check that the chain brake is in disengaged position by moving the front hand guard towards the front handle. **(Figure 42)**
- Remove the drive sprocket cover by turning the knob counterclockwise. Remove the transportation guard. **(Figure 43)**
- Fit the bar over the bar bolt. Place the bar in its rearmost position. Place the chain over the drive sprocket and in the groove on the bar. Begin on the top side of the bar. **(Figure 44)**
- Make sure that the edges of the cutting links are facing forward on the top edge of the bar.

Mount the clutch cover and remember to fit the chain adjuster pin in the hole in the bar. Check that the drive links of the chain fit correctly over the drive sprocket and that the chain is correctly located in the groove in the bar.

- Tension the chain by turning the wheel down (+). The chain should be tensioned until it does not sag from the underside of the bar. **(Figure 45)**
- The chain is correctly tensioned when it does not sag from the underside of the bar, but can still be turned easily by hand. Hold up the bar tip and tighten the bar knob by turning the knob clockwise. **(Figure 46)**
- When fitting a new chain, the chain tension has to be checked frequently until the chain is run-in. Check the chain tension regularly. A correctly tensioned chain ensures good cutting performance and long life. **(Figure 47)**

## Fitting a spiked bumper

To fit a spiked bumper – contact your service agent. **(Figure 48)**

# BATTERY HANDLING

## Battery status

The display shows the battery capacity and if there are any problems with the battery. The battery capacity is displayed for 5 seconds after the machine is switched off or the battery indicator button (1) is pressed. The warning symbol on the battery is lit when an error has occurred (2). See fault codes. (Figure 49)

LED lights	Battery status
All LEDs are lit	Fully charged (75-100%).
LED 1, LED 2, LED 3 are lit.	The battery is 50%-75% charged.
LED 1, LED 2 are lit.	The battery is 25%-50% charged.
LED 1 is lit.	The battery is 0%-25% charged.
LED 1 flashes.	The battery is empty. Charge the battery.

## Battery charger



**WARNING! Risk of electric shock and short circuiting. Use approved and intact wall sockets. Make sure that the cable is not damaged. Replace cable if it appears to be damaged in any way.**

## Connect the battery charger

- Connect the battery charger to the voltage and frequency specified on the rating plate. Put the electric plug in a earthed socket-outlet. The LED on the battery charger flashes green once. (Figure 50)
- The battery will not be charged if the battery temperature is over 50 °C.

## Connect the battery to the battery charger

Regularly check that the battery charger and the battery are intact. See also instructions under the Maintenance heading.

The battery must be charged before using it the first time. The battery is only 30% charged when delivered.

- Connect the charger to the battery. (Figure 50)
- The green LED on the charger is lit during charging. (Figure 51)
- When all the LEDs are lit on the battery, it is fully charged. (Figure 52)
- Disconnect the charger from the battery.
- Pull out the plug. Never jerk the power supply cable to disconnect it from the wall socket.

## Charging status

Lithium-ion batteries can be charged at whatever charging level. The charging process can be cancelled or started whatever the battery's charge level is. (Figure 53)

LED display	Charging status
LED 1 flashes.	The battery is 0%-25% charged.
LED 1 is lit, LED 2 flashes.	The battery is 25%-50% charged.
LED 1, LED 2 are lit, LED 3 flashes.	The battery is 50%-75% charged.
LED 1, LED 2, LED 3 are lit, LED 4 flashes.	Battery is 75%-100% charged
LED 1, LED 2, LED 3, LED 4 are lit.	When all the LEDs are lit on the battery, it is fully charged.

## Transport and storage

- The contained lithium-ion-batteries are subject to the Dangerous Goods Legislation requirements.
- For commercial transports e.g. by third parties, forwarding agents, special requirement on packing and labeling must be observed.
- For preparation of the item being shipped, consulting an expert for hazardous material is required. Please also observe possibly more detailed national regulations.
- Tape or mask off open contacts and pack up the battery in such a manner that it cannot move around in the packing.
- Always remove the battery for storage or transport.
- Store the battery and the battery charger in a dry, moisture-free and frost-free space.
- Do not store the battery in places where static electricity can occur. Never store the battery in a metal box.
- Store the battery and the battery charger where the temperature is between 5 °C and 45 °C and never in direct sunlight.
- Store the battery charger only in an enclosed and dry space.
- Be sure to store the battery separate from the battery charger. Store the equipment in a lockable area so that it is out of reach of children and unauthorized persons.
- Ensure the machine is cleaned and that a complete service is carried out before long-term storage.
- The guide bar cover must always be fitted to the cutting attachment when the machine is being transported or in storage, in order to prevent accident contact with the sharp chain. Even a non-moving chain can cause serious cuts to yourself or persons you bump into with an exposed chain.
- Secure the machine during transport.

---

## BATTERY HANDLING

---

### **Disposal of the battery, battery charger and machine**

Symbols on the product or its packaging indicate that this product cannot be handled as domestic waste. It must instead be submitted to an appropriate recycling station for the recovery of electrical and electronic equipment.

By ensuring that this product is taken care of correctly, you can help to counteract the potential negative impact on the environment and people that can otherwise result through the incorrect waste management of this product. For more detailed information about recycling this product, contact your municipality, your domestic waste service or the shop from where you purchased the product.

---

# STARTING AND STOPPING

---

## Starting and stopping



**WARNING!** Note the following before starting:

**Never start a chain saw unless the bar, chain and all covers are fitted correctly. Otherwise the drive sprocket can come loose and cause personal injuries.**

**Make sure you have a secure footing and that the chain cannot touch anything.**

**Keep people and animals well away from the working area.**

- Before inserting the battery into the machine, always check to see that the power trigger actuates properly and returns to the "OFF" position when released. To prevent the power trigger from being accidentally pulled, a power trigger lockout is provided. **(Figure 54)**
- Never start a chain saw unless the bar, chain and all covers are fitted correctly. See instructions under the heading Assembly. **(Figure 55)**
- Observe your surroundings and make sure that there is no risk of people or animals coming into contact with the cutting equipment. **(Figure 56)**
- Always hold the saw with both hands. The right hand should be on the rear handle, and the left hand on the front handle. All people, whether right or left handed, should use this grip. Use a firm grip with thumbs and fingers encircling the chain saw handles. **(Figure 57)**

### Starting

- Insert the battery in the machine. The battery should slide easily into the battery holder on the machine. If the battery does not slide in easily, it is not being inserted correctly. **(Figure 58)**
- Press down on the battery. You will hear a click as the battery locks itself into place. **(Figure 59)**
- Press and hold the start button (>1 sec.) until the green LED is lit. **(Figure 60)**

### Stopping

The machine is deactivated by pressing the start/stop button on the keypad (green LED off). **(Figure 60)**

Note! To avoid involuntary start up, the battery must always be removed when the machine is not in use or is unsupervised. To remove the battery, withdraw it from the machine while pressing the battery release buttons on the battery. **(Figure 61)**

# WORKING TECHNIQUES

## Before use: (Figure 62)

- 1 Check that the chain brake works correctly and is not damaged.
- 2 Check that the rear right hand guard is not damaged.
- 3 Check that the power trigger lockout works correctly and is not damaged.
- 4 Check that the keypad works correctly and is not damaged.
- 5 Check that all handles are free from oil.
- 6 Check that all parts of the chain saw are tightened correctly and that they are not damaged or missing.
- 7 Check that the chain catcher is in place and not damaged.
- 8 Check the chain tension.
- 9 Check that the battery is fully charged and securely attached in the chain saw.
- 10 Check that the saw chain stops moving when the power trigger is released.

## SavE

The machine is equipped with a power saving function (savE). This function is activated by pressing the savE button on the keypad. With savE activated the runtime of the machine is prolonged as the chain speed is reduced. (Figure 63)

Note! Using the machine with SavE activated only reduces the chain speed not the cutting power of the machine.

## General working instructions

### IMPORTANT!

This section describes basic safety rules for using a chain saw. This information is never a substitute for professional skills and experience. If you get into a situation where you feel unsafe, stop and seek expert advice. Contact your chain saw dealer, service agent or an experienced chain saw user. Do not attempt any task that you feel unsure of!

Before using a chain saw you must understand the effects of kickback and how to avoid them. See instructions under the heading How to avoid kickback.

Before using a chain saw you must understand the difference between cutting with the top and bottom edges of the bar. See instructions under the headings How to avoid kickback and Machine's safety equipment.

Wear personal protective equipment. See instructions under the "Personal protective equipment" heading.

## Basic safety rules

- 1 Look around you:
  - To ensure that people, animals or other things cannot affect your control of the machine.

- To make sure that none of the above might come within reach of your saw or be injured by falling trees.

**CAUTION!** Follow the instructions above, but do not use a chain saw in a situation where you cannot call for help in case of an accident.

- 2 Do not use the machine in bad weather, such as dense fog, heavy rain, strong wind, intense cold, etc. Working in bad weather is tiring and often brings added risks, such as icy ground, lightning, unpredictable felling direction, etc.
- 3 Take great care when removing small branches and avoid cutting bushes (i.e. cutting many small branches at the same time). Small branches can be grabbed by the chain and thrown back at you, causing serious injury.
- 4 Make sure you can move and stand safely. Check the area around you for possible obstacles (roots, rocks, branches, ditches, etc.) in case you have to move suddenly. Take great care when working on sloping ground.
- 5 Take great care when cutting a tree that is in tension. A tree that is in tension may spring back to its normal position before or after being cut. If you position yourself incorrectly or make the cut in the wrong place the tree may hit you or the machine and cause you to lose control. Both situations can cause serious personal injury. (Figure 64)
- 6 Before moving your chain saw deactivate it and lock the saw chain using the chain brake. Carry the chain saw with the bar and chain pointing backwards. Fit a guard to the bar before transporting the chain saw or carrying it for any distance.
- 7 When you put the chain saw on the ground, lock the saw chain using the chain brake and ensure you have a constant view of the machine. Deactivate the machine and remove the battery before leaving your chain saw for any length of time.



**WARNING! Sometimes chips get stuck in the drive system causing the saw chain to jam. Always deactivate the machine and remove the battery before any cleaning.**

## General rules

- 1 If you understand what kickback is and how it happens then you can reduce or eliminate the element of surprise. By being prepared you reduce the risk. Kickback is usually quite mild, but it can sometimes be very sudden and violent.
- 2 Always hold the chain saw firmly with your right hand on the rear handle and your left hand on the front handle. Wrap your fingers and thumbs around the handles. You should use this grip whether you are right-handed or left-handed. This grip minimises the effect of kickback and lets you keep the chain saw under control. **Do not let go of the handles!** (Figure 65)

# WORKING TECHNIQUES

- 3 Most kickback accidents happen during limbing. Make sure you are standing firmly and that there is nothing in the way that might make you trip or lose your balance.

Lack of concentration can lead to kickback if the kickback zone of the bar accidentally touches a branch, nearby tree or some other object.

Have control over the workpiece. If the pieces you intend to cut are small and light, they can jam in the saw chain and be thrown towards you. Even if this does not need to be a danger, you may be surprised and lose control of the saw. Never saw stacked logs or branches without first separating them. Only saw one log or one piece at a time. Remove the cut pieces to keep your working area safe. (Figure 74)

- 4 **Never use the chain saw above shoulder height and try not to cut with the tip of the bar. Never use the chain saw one-handed!** (Figure 66)
- 5 You must have a steady stance in order to have full control over the chain saw. Never work standing on a ladder, in a tree or where you do not have firm ground to stand on. (Figure 67)
- 6 Always use a fast cutting speed, i.e. full throttle.
- 7 Take great care when you cut with the top edge of the bar, i.e. when cutting from the underside of the object. This is known as cutting on the push stroke. The chain tries to push the chain saw back towards the user. If the saw chain is jamming, the saw may be pushed back at you. (Figure 68)
- 8 Unless the user resists this pushing force there is a risk that the chain saw will move so far backwards that only the kickback zone of the bar is in contact with the tree, which will lead to a kickback. (Figure 69)

Cutting with the bottom edge of the bar, i.e. from the top of the object downwards, is known as cutting on the pull stroke. In this case the chain saw pulls itself towards the tree and the front edge of the chain saw body rests naturally on the trunk when cutting. Cutting on the pull stroke gives the operator better control over the chain saw and the position of the kickback zone. (Figure 70)

- 9 Follow the instructions on sharpening and maintaining your bar and chain. When you replace the bar and chain use only combinations that are recommended by us. See instructions under the headings Cutting equipment and Technical data.

## Basic cutting technique



**WARNING! Never use a chain saw by holding it with one hand. A chain saw is not safely controlled with one hand. Always have a secure, firm grip around the handles with both hands.**

## General

- Always use full throttle when cutting!
- Let go of the power trigger after every cut (running the motor for too long at full power without any load, i.e. without any resistance from the chain during cutting, can lead to serious damage to the motor).
- Cutting from above = Cutting on the pull stroke.
- Cutting from below = Cutting on the push stroke.

Cutting on the push stroke increases the risk of kickback. See instructions under the heading How to avoid kickback.

## Terms

Limbing = Cutting branches off a felled tree.

Splitting = When the object you are cutting breaks off before the cut is complete.

## There are five important factors you should consider before making a cut:

- 1 Make sure the cutting equipment will not jam in the cut. (Figure 71)
- 2 Make sure the object you are cutting will not split. (Figure 72)
- 3 Make sure the chain will not strike the ground or any other object during or after cutting. (Figure 73)
- 4 Is there a risk of kickback? (Figure 4)
- 5 Do the conditions and surrounding terrain affect how safely you can stand and move about?

Two factors decide whether the chain will jam or the object that you are cutting will split: the first is how the object is supported before and after cutting, and the second is whether it is in tension.

In most cases you can avoid these problems by cutting in two stages; from the top and from the bottom. You need to support the object so that it will not trap the chain or split during cutting.



**WARNING! If the saw chain jams in the cut: deactivate the machine! Do not try to pull the machine free. If you do you may be injured by the saw chain when the machine suddenly brakes free. Use a lever to open up the cut and free the machine.**

The following instructions describe how to handle the commonest situations you are likely to encounter when using a chain saw.



# WORKING TECHNIQUES

## Cutting



**WARNING! Never attempt to cut logs while they are in a pile or when a couple of logs are lying together. Such procedures drastically increase the risk of kickback which can result in a serious or fatal injury.**

If you have a pile of logs, each log you attempt to cut should be removed from the pile, placed on a saw horse or runners and cut individually.

Remove the cut pieces from the cutting area. By leaving them in the cutting area, you increase the risk for inadvertently getting a kickback, as well as increasing the risk of losing your balance while working. **(Figure 74)**

**The log is lying on the ground.** There is little risk of the chain jamming or the object splitting. However there is a risk that the chain will touch the ground when you finish the cut.

Cut all the way through the log from above. Avoid letting the chain touch the ground as you finish the cut. Maintain full throttle but be prepared for what might happen.

If it is possible (can you turn the log?) stop cutting about 2/3 of the way through the log.

Turn the log and finish the cut from the opposite side. **(Figure 75)**

**The log is supported at one end.** There is a high risk that it will split.

Start by cutting from below (about 1/3 of the way through).

Finish by cutting from above so that the two cuts meet. **(Figure 76)**

**The log is supported at both ends.** There is a high risk that the chain will jam.

Start by cutting from above (about 1/3 of the way through).

Finish by cutting from below so that the two cuts meet. **(Figure 77)**

## Tree felling technique

**IMPORTANT! It takes a lot of experience to fell a tree. Inexperienced users of chain saws should not fell trees. Do not attempt any task that you feel unsure of!**

### Safe distance

The safe distance between a tree that is to be felled and anyone else working nearby is at least 2 1/2 tree lengths. Make sure that no-one else is in this "risk zone" before or during felling. **(Figure 78)**

### Felling direction

The aim is to fell the tree in a position where you can limb and cross-cut the log as easily as possible. You want it to fall in a location where you can stand and move about safely.

Once you have decided which way you want the tree to fall you must judge which way the tree would fall naturally.

Several factors affect this:

- Lean of the tree
- Bend
- Wind direction
- Arrangement of branches
- Weight of snow
- Obstacles within the reach of the tree: for example, other trees, power lines, roads and buildings.
- Look for signs of damage and rot in the stem, this makes it more probably that the tree will break and start to fall before you expect it to.

You may find you are forced to let the tree fall in its natural direction because it is impossible or dangerous to try to make it fall in the direction you first intended.

Another very important factor, which does not affect the felling direction but does affect your safety, is to make sure the tree has no damaged or dead branches that might break off and hit you during felling.

The main point to avoid is letting the tree fall onto another tree. It is very dangerous to remove a trapped tree and there is high accident risk. See instructions under the heading Freeing a tree that has fallen badly.

**IMPORTANT! During critical felling operations, hearing protectors should be lifted immediately when sawing is completed so that sounds and warning signals can be heard.**

### Clearing the trunk and preparing your retreat

Delimb the stem up to shoulder height. It is safer to work from the top down and to have the tree between you and the saw. **(Figure 79)**

Remove any undergrowth from the base of the tree and check the area for obstacles (stones, branches, holes, etc.) so that you have a clear path of retreat when the tree starts to fall. Your path of retreat should be roughly 135 degrees away from the intended felling direction. **(Figure 80)**

- 1 Danger zone
- 2 Retreat path
- 3 Felling direction

### Felling



**WARNING! Unless you have special training we advise you not to fell trees with a diameter larger than the bar length of your saw!**

Felling is done using three cuts. First you make the directional cuts, which consist of the top cut and the bottom cut, then you finish with the felling cut. By placing these cuts correctly you can control the felling direction very accurately.

# WORKING TECHNIQUES

## Directional cuts

To make the directional cut you begin with the top cut. Aim using to the saw's felling direction mark (1) toward a goal further forward in the terrain, where you would like the tree to fall (2). Stand on the right-hand side of the tree, behind the saw, and cut with a pull stroke.

Next make the bottom cut so that it finishes exactly at the end of the top cut. (Figure 81)

The directional cuts should run 1/4 of the diameter through the trunk and the angle between the top cut and bottom cut should be 45°.

The line where the two cuts meet is called the directional cut line. This line should be perfectly horizontal and at right angles (90°) to the chosen felling direction. (Figure 82)

## Felling cut

The felling cut is made from the opposite side of the tree and it must be perfectly horizontal. Stand on the left side of the tree and cut on the pull stroke.

Make the felling cut about 3-5 cm (1.5-2 inches) above the bottom directional cut. (Figure 83)

Set the spiked bumper (if one is fitted) just behind the felling hinge. Use full throttle and advance the chain/bar slowly into the tree. Make sure the tree does not start to move in the opposite direction to your intended felling direction. Drive a wedge or breaking bar into the cut as soon as it is deep enough. (Figure 84)

Finish the felling cut parallel with the directional cut line so that the distance between them is at least 1/10 of the trunk diameter. The uncut section of the trunk is called the felling hinge.

The felling hinge controls the direction that the tree falls in. (Figure 85)

All control over the felling direction is lost if the felling hinge is too narrow or non-existent, or if the directional cuts and felling cut are badly placed. (Figure 86)

When the felling cut and directional cut are complete the tree should start to fall by itself or with the aid of a felling wedge or breaking bar. (Figure 87)

We recommend that you use a bar that is longer than the diameter of the tree, so that you can make the felling cut and directional cuts with single cutting strokes. See instructions under the heading Technical data section to find out which lengths of bar are recommended for your saw. (Figure 88)

There are methods for felling trees with a diameter larger than the bar length. However these methods involve a much greater risk that the kickback zone of the bar will come into contact with the tree. (Figure 4)

## Freeing a tree that has fallen badly

### Freeing a "trapped tree"

It is very dangerous to remove a trapped tree and there is high accident risk.

Never try to fell the tree that is trapped.

Never work in the risk zone of the hanging trapped tree. (Figure 89)

The safest method is to use a winch.

- Tractor-mounted (Figure 90)
- Portable (Figure 91)

## Cutting trees and branches that are in tension

Preparations: Work out which side is in tension and where the point of maximum tension is (i.e. where it would break if it was bent even more). (Figure 92)

Decide which is the safest way to release the tension and whether you are able to do it safely. In complicated situations the only safe method is to put aside your chain saw and use a winch.

### General advice:

Position yourself so that you will be clear of the tree or branch when the tension is released. (Figure 93)

Make one or more cuts at or near the point of maximum tension. Make as many cuts of sufficient depth as necessary to reduce the tension and make the tree or branch break at the point of maximum tension. (Figure 94)

### Never cut straight through a tree or branch that is in tension!

If you must cut across tree/limb, make two to three cuts, one inch apart, one to two inches deep. (Figure 95)

Continue to cut deeper until tree/limb bends and tension is released. (Figure 96)

Cut tree/limb from outside the bend, after tension has been released.

## How to avoid kickback



**WARNING! Kickback can happen very suddenly and violently; kicking the chain saw, bar and chain back at the user. If this happens when the chain is moving it can cause very serious, even fatal injuries. It is vital you understand what causes kickback and that you can avoid it by taking care and using the right working technique.**

## What is kickback?

The word kickback is used to describe the sudden reaction that causes the chain saw and bar to jump off an object when the upper quadrant of the tip of the bar, known as the kickback zone, touches an object. (Figure 69)

Kickback always occurs in the cutting plane of the bar. Normally the chain saw and bar are thrown backwards and upwards towards the user. However, the chain saw may move in a different direction depending on the way it was being used when the kickback zone of the bar touched the object.

Kickback only occurs if the kickback zone of the bar touches an object. (Figure 4)

---

## WORKING TECHNIQUES

---

### Limbing



**WARNING!** A majority of kickback accidents occur during limbing. Do not use the kickback zone of the guide bar. Be extremely cautious and avoid contacting the log, other limbs or objects with the nose of the guide bar. Be extremely cautious of limbs under tension. They can spring back toward you and cause loss of control resulting in injury.

Make sure that you can stand and move about safely. Work on the left side of the trunk. Work as close as possible to the chain saw for maximum control. If possible, let the weight of the chain saw rest on the trunk.

Keep the trunk between you and the chain saw as you move along the trunk. (**Figure 97**)

#### **Cutting the trunk into logs**

See instructions under the heading Basic cutting technique.

# MAINTENANCE

## General

The user must only carry out the maintenance and service work described in this Operator's Manual. More extensive work must be carried out by an authorized service workshop.

## Checking, maintaining and servicing chain saw safety equipment



**WARNING! Always remove the battery before any assembly, maintenance and/or checking is done on the machine.**

Note! All service and repair work on the machine demands special training. This is especially true of the machine's safety equipment. If your machine fails any of the checks described below we recommend that you take it to your service workshop.

Important! Never clean the battery or the battery charger with water. Strong cleaning agents can damage the plastic.

## Chain brake and front hand guard

### Checking the front hand guard

- Make sure the front hand guard is not damaged and that there are no visible defects such as cracks. (Figure 98)
- Move the front hand guard forwards and back to make sure it moves freely and that it is securely anchored to the machine. (Figure 99)

### Checking the inertia brake release

- Place the chain saw, deactivated, above a stump or other stable surface. Release the front handle and let the chain saw fall by its own weight, rotating around the rear handle towards the stump. (Figure 100)

When the bar hits the stump the brake should be activated.

### Checking the brake trigger

- Activate the chain saw. Make sure the saw chain does not touch the ground or any other object. See instructions under the heading Starting and stopping.
- Grasp the chain saw firmly, wrapping your fingers and thumbs around the handles. (Figure 65)
- Apply full power and activate the chain brake by tilting your left wrist forward onto the front hand guard. Do not let go of the front handle. **The chain should stop immediately.** (Figure 101)

## Power trigger lockout

- Make sure that the power trigger is locked at the idle setting when the power trigger lockout is released. (Figure 102)
- Press the power trigger lockout and make sure it returns to its original position when released. (Figure 103)
- Check that the power trigger and power trigger lockout move freely and that the return springs work properly. (Figure 104)
- Activate the chain saw and apply full power. Release the power trigger and check that the saw chain stops and remains stationary.

## Chain catcher

- Check that the chain catcher is not damaged and is firmly attached to the body of the chain saw. (Figure 105)

## Keypad

- Activate the chain saw (green LED on) and make sure the chain saw deactivates when the start/stop button is pressed (green LED off). (Figure 106)

## Battery connectors

Clean the battery and the machine's battery compartment with a soft brush after use. Make sure all cooling slots and battery connectors are cleaned. (Figure 107)

## Cooling system

To keep the working temperature as low as possible the machine is equipped with a cooling system.

The cooling system consists of:

- 1 Air intake (left side of the machine).
  - 2 A fan on the motor.
- Clean the cooling system with a brush once a week, more often in demanding conditions. A dirty or blocked cooling system results in overheating which causes damage to the machine. (Figure 108)

## Battery

- Make sure the battery is not damaged or deformed and that there are no visible defects such as cracks. (Figure 109)

## Battery charger

- Make sure the battery charger and the power supply cord is not damaged or deformed and that there are no visible defects such as cracks. (Figure 110)

# MAINTENANCE

## Maintenance schedule

The following is a list of the maintenance steps that must be performed on the machine. Most of the items are described in the Maintenance section.

Daily maintenance	Weekly maintenance	Monthly maintenance
Clean the outside of the machine.	File off any burrs from the edges of the bar.	Check the connections between the battery and the machine and also check the connection between battery and the battery charger.
Check that the components of the power trigger work safely. (Power trigger lockout and power trigger.)		Empty the oil tank and clean the inside.
Clean the chain brake and check that it operates safely. Make sure that the chain catcher is undamaged, and replace it if necessary.		Blow through the product and battery cooling slots gently with compressed air.
The bar should be turned daily for more even wear. Check the lubrication hole in the bar, to be sure it is not clogged. Clean the bar groove. If the bar has a sprocket tip, this should be lubricated.		
Check that the bar and chain are getting sufficient oil.		
Check the saw chain with regard to visible cracks in the rivets and links, whether the saw chain is stiff or whether the rivets and links are abnormally worn. Replace if necessary.		
Sharpen the chain and check its tension and condition. Check the drive sprocket for excessive wear and replace if necessary.		
Clean the machine's air inlet.		
Check that nuts and screws are tight.		
Check that the keypad works correctly and is not damaged.		

# MAINTENANCE

## Troubleshooting schedule

### Keypad

Possible fault codes on the chain saw keypad.

Keypad	Possible faults	Possible action
Warning indicator flashing.	Chain brake engaged.	Pull back the front hand guard to release the chain brake.
	Temperature deviation.	Allow the machine to cool down.
	Overload. Cutting attachment jammed.	The cutting attachment is jammed. Release the cutting attachment.
	The power trigger and the activate button are pressed at the same time.	Release the power trigger and the machine is active.
Green activate LED flashing.	Low battery voltage.	Charge the battery.
Warning indicator lit.	Service	Contact your service agent.

### Battery

Troubleshooting the battery and/or the battery charger during charging.

LED display	Possible faults	Possible action
Warning indicator flashing.	The battery is discharged.	Charge the battery.
	Temperature deviation.	Use the battery in surroundings where temperatures are between -10 °C and 60 °C.
	Over voltage.	Check that the mains voltage corresponds with that stated on the rating plate on the machine.
Disconnect the charger from the battery.		
Warning indicator lit.	Cell difference too much (1V).	Contact your service agent.

### Battery charger

LED display	Possible faults	Possible action
Warning indicator flashing.	Temperature deviation.	Let charger cool down (passive cooling).
Warning indicator lit.	Permanent damage.	Contact your service agent.

# TECHNICAL DATA

## Technical data

136Li

### Motor

Type 36V Brush motor

### Features

Low energy mode savE

### Lubrication system

Type of oil pump Automatic

Oil tank capacity, litre/cm<sup>3</sup> 0,20/200

### Weight

Chain saw without battery, bar and chain, empty chain oil tank, kg 4,8

### Noise emissions (see note 1)

Sound power level, measured dB (A) 97,3

Sound power level, guaranteed L<sub>WA</sub> dB (A) 101

Respective uncertainty KpA, dB(A) 3.0

### Sound levels (see note 2)

Equivalent sound pressure level at the operator's ear, dB(A) 86

### Vibration levels (see note 3)

Front handle, m/s<sup>2</sup> 3,61

Rear handle, m/s<sup>2</sup> 2,25

Respective uncertainty K, m/s<sup>2</sup> 1,5

### Equivalent vibration levels (see note 4)

Front handle, m/s<sup>2</sup> 2,29

Rear handle, m/s<sup>2</sup> 1,58

### Chain/bar

Recommended bar lengths, inch/cm 12/30

Usable cutting length, inch/cm 10/26

Type of drive sprocket/number of teeth Spur/6

Maximum chain speed / (savE), m/s 11 (10)

Approved batteries for the chain saw models above		
Battery	<b>BLi110</b>	<b>BLi150</b>
Type	Lithium-Ion	Lithium-Ion
Battery capacity, Ah	3.0	4,2
Voltage, V	36	36
Weight, kg	1,2	1,3

Approved chargers for the specified batteries, BLi.			
Battery charger	<b>QC80</b>	<b>QC120</b>	<b>QC330</b>
Mains Voltage, V	100-240	220-240	100-240
Frequency, Hz	50-60	50-60	50-60
Power,W	80	125	330

Note 1: Noise emissions in the environment measured as sound power (L<sub>WA</sub>) in conformity with EC directive 2000/14/EC.

Note 2: Equivalent sound pressure level, according to ISO 22868, is calculated as the time-weighted energy total for different sound pressure levels under various working conditions. Typical statistical dispersion for equivalent sound pressure level is a standard deviation of 1 dB (A).

Note 3: Vibration level, according to EN 60745-2-13. Reported data for vibration level has a typical statistical dispersion (standard deviation) of 1 m/s<sup>2</sup>. Declared vibration data from measurements when the machine is fitted with a bar length and recommended chain type. If the machine is fitted with a different bar length, the vibration level may vary by max ± 1.5 m/s<sup>2</sup>.

Note 4: Equivalent vibration level is measured and calculated as for combustion engine powered chainsaws. These figures are quoted to be able to compare vibration data regardless of type of engine.





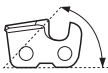
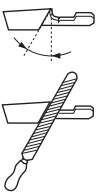

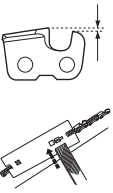
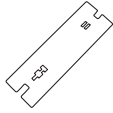

# TECHNICAL DATA

## Guide bar and saw chain combinations

The following cutting attachments are approved for the model Husqvarna 136Li.

Guide bar				Saw chain	
Length, inch	Pitch, inch	Gauge, mm	Max. nose radius	Type	Length, drive links (no.)
12	3/8	1,1	9T	Husqvarna H38	45

## Saw chain filing and file gauges

							
38	11/64 / 4,5	90°	30°	0°	0.025 / 0,65	5056981-03	5795588-01

## EC Declaration of Conformity

### (Applies to Europe only)

**Husqvarna AB**, SE-561 82 Huskvarna, Sweden, tel:+46-36-146500, declares under sole responsibility that the cordless battery chainsaws **Husqvarna 136Li** from 2016's serial numbers and onwards (the year is clearly stated in plain text on the type plate with subsequent serial number), are in conformity with the requirements of the COUNCIL'S DIRECTIVES:

- of May 17, 2006 "relating to machinery" **2006/42/EC**.
- of February 26, 2014 "relating to electromagnetic compatibility" **2014/30/EU**.
- of December 12, 2006 "relating to electrical equipment designed for use within certain voltage limits" **2006/95/EC**.
- of September 6, 2006 "on batteries and accumulators and waste batteries and accumulators" **2006/66/EC**.
- of May 8, 2000 "relating to the noise emissions in the environment" **2000/14/EC**.

The following standards have been applied: **EN 60745-1**, **EN 60745-2-13**, **EN 60335-2-29**, **EN 55014-1**, **EN 55014-2**.

Notified body: **NB905, Intertek Deutschland GmbH**, Stagenstraße 1, 70771 Leinfelden-Echterdingen, Germany, has carried out EC type examination in accordance with the machinery directive's (2006/42/EC) article 12, point 3b. The certificates for EC type examination in accordance with annex IX, have the numbers: **NB905 15SHW0344-01**.

For information relating to noise emissions, see the Technical data chapter.

The supplied chain saw conforms to the example that underwent EC type examination.

Husqvarna March 30, 2016



Lars Roos, Development manager

(Authorized representative for Husqvarna AB and responsible for technical documentation.)

# SYMBOLFÖRKLARING

## Symboler på maskinen:

Bruksanvisning i original.

**WARNING!** Motorsågar kan vara farliga! Slarvigt eller felaktigt användande kan resultera i allvarliga skador eller dödsfall för föraren eller andra.

Läs igenom bruksanvisningen noggrant och förstå innehållet innan du använder maskinen.

Använd alltid:

- Godkänd skyddshjälm
- Godkända hörselskydd
- Skyddsglasögon eller visir

Denna produkt överensstämmer med gällande EG-direktiv.

Bulleremissioner till omgivningen enligt Europeiska Gemenskapens direktiv. Maskinens emission anges i kapitel Tekniska data och på dekal.

Håll alltid motorsågen med båda händerna.

Använd aldrig motorsågen med endast en hand.

Låt aldrig svärdsspetsen komma i kontakt med något föremål.

**WARNING!** Kast kan uppstå när svärdsspetsen kommer i kontakt med ett föremål och orsakar en reaktion som kastar svärdet uppåt och bakåt mot användaren. Detta kan orsaka allvarlig personlig skada.

Sågkedjans rotationsriktning och maximal svärds längd.

Kedjebroms, aktiverad (höger)  
Kedjebroms, ej aktiverad (vänster)

Kedjeoljapåfyllning.



**Miljömärkning.** Symbolen på produkten eller dess förpackning indikerar att denna produkt ej kan hanteras som hushållsavfall. Den skall istället överlämnas till passande återvinningsstation för återvinning av elektrisk och elektronisk utrustning.



Likström.



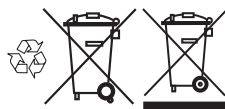
Utsätt inte maskinen för regn.



Övriga på maskinen angivna symboler/dekaler avser specifika krav för certifieringar på vissa marknader.

## Symboler på batteri och/eller batteriladdare:

Denna produkt ska överlämnas till lämplig återvinningsstation.



Felsäker transformator



Använd och förvara batteriladdaren endast inomhus.



Dubbelisolerad



# SYMBOLFÖRKLARING

Följande dekaler kommer du att finna på din maskin, batteri och batteriladdare.

**WARNING**  
Read and follow all safety precautions in the owner's manual. Failure to follow instructions could result in serious injury to user. Contact of the guide bar tip with any object should be avoided. Tip contact may cause the guide bar to move suddenly upward and backwards, which may cause serious injury to user. Two handle pins always to be used in operation of the chain saw. Use only identical replacement bar and chain components manufactured by Husqvarna. Use only Husqvarna Battery type BLi.

**AVERTISSEMENT**  
Consulter et respecter les consignes de sécurité contenues dans le manuel de l'utilisateur. Le non-respect de ces instructions peut entraîner de graves blessures chez l'utilisateur. Éviter tout contact entre le nez du guide-chaine et un objet. Tout contact avec le nez peut entraîner des mouvements brusques du guide-chaine vers le haut ou vers le bas susceptibles de provoquer des blessures. Toujours utiliser deux goujons de retenue des poignées lorsqu'il faut fonctionner la tronçonneuse. Utiliser uniquement des pièces de rechange de guide-chaine et de la chaîne identiques qui ont été homologuées par Husqvarna. Utiliser uniquement une batterie Husqvarna de type BLi.

**ADVERTENCIA**  
Leer y siga todas las precauciones de seguridad especificadas en el manual de instrucciones. El incumplimiento de estas instrucciones podría comportar lesiones personales de gravedad. Debe evitarse que la punta de la espasa entre en contacto con cualquier objeto. El contacto con la punta podría provocar el movimiento repentino hacia arriba y hacia abajo de la espasa, lo que podría causar graves lesiones personales. Si la máquina está encendida debe manipularse con las dos manos. Utilice únicamente componentes de sustitución de la espasa y la cadena idénticos a los originales y fabricados por Husqvarna. Utilice únicamente una batería de tipo BLi de Husqvarna.

587134101

**Husqvarna** Class 2C Chainsaw  
36V --- 136Li Article No. XXXXXXXXXX  
Serial No. XXXXXXXX-XX  
PNC No. XXXXXXXX-XX

HUSQVARNA AB, SE-561 82 HUSKVARNA, SWEDEN

**Husqvarna AB** S-561 82 Huskvarna, Sweden

Type BLi ---

Art.no. 36V --- / Ah Li Ion --- Wh

10INR19/66-2

Li Ion s/n Rechargeable Li-Ion Battery

**Husqvarna AB** S-561 82 Huskvarna, Sweden

Type: QC **Li-Ion**  
Art-No. Input: V~/ Hz / 100W max.  
Output: 36V ~ / 2A  
Class 2 battery charger

**Use ONLY with Husqvarna Li-Ion batteries**

serial-no.:

ハルワナ 電動工具

# INNEHÅLL

## Innehåll

### SYMBOLFÖRKLARING

Symboler på maskinen: .....	34
Symboler på batteri och/eller batteriladdare: .....	34

### INNEHÅLL

Innehåll .....	36
----------------	----

### INLEDNING

Bäste kund! .....	37
-------------------	----

### VAD ÄR VAD?

Vad är vad på motorsågen? .....	37
---------------------------------	----

### ALLMÄNNA SÄKERHETSINSTRUKTIONER

Allmänna elverktygs säkerhetsvarningar .....	38
Åtgärder före användning av ny motorsåg .....	40
Viktigt .....	41
Använd alltid sunt förnuft .....	41
Personlig skyddsutrustning .....	41
Maskinens säkerhetsutrustning .....	41
Batteri och batteriladdare .....	43
Skärutrustning .....	44

### MONTERING

Montering av svärd och kedja .....	47
------------------------------------	----

### BATTERIHANTERING

Batteri status .....	48
Batteriladdare .....	48
Transport och förvaring .....	48
Kassering av batteri, batteriladdare och Produkt ..	49

### START OCH STOPP

Start och stopp .....	50
-----------------------	----

### ARBETSTEKNIK

Före varje användning: .....	51
SavE .....	51
Allmänna arbetsinstruktioner .....	51
Kastförebyggande åtgärder .....	54

### UNDERHÅLL

Allmänt .....	56
Kontroll, underhåll och service av motorsågens säkerhetsutrustning .....	56
Batteriets kontaktstycken .....	56
Kylsystem .....	56
Batteri .....	56
Batteriladdare .....	56
Underhållsschema .....	57
Felsökningsschema .....	58

### TEKNISKA DATA

Tekniska data .....	59
Svärd och kedjekombinationer .....	60
Sågkedjans filning och filmallar .....	60
EG-försäkran om överensstämmelse .....	60

# INLEDNING

## Bäste kund!

Gratulerar till Ditt val att köpa en Husqvarna-produkt! Husqvarna har anor som går tillbaka till 1689 då kung Karl XI lät uppföra en fabrik på stranden av Huskvarnaån för tillverkning av musköter. Placeringen vid Huskvarnaån var logisk, eftersom ån användes för att alstra vattenkraft och på så sätt utgjorde ett vattenkraftverk. Under de mer än 300 år som Husqvarna-fabriken funnits har otaliga produkter tillverkats, allt från vedspisar till moderna köksmaskiner, symaskiner, cyklar, motorcyklar mm. 1956 lanserades den första motorgräsklipparen som följdes av motorsågen 1959 och det är inom detta område Husqvarna idag verkar.

Husqvarna är idag en av världens ledande tillverkare av skogs- och trädgårdsprodukter med kvalitet och prestanda som högsta prioritet. Affärsidén är att utveckla, tillverka och marknadsföra motordrivna produkter för skogs- och trädgårdsbruk samt bygg- och anläggningsindustrin. Husqvarnas mål är också att vara i framkant vad gäller ergonomi, användarvänlighet, säkerhet och miljötänkande, varför en mängd olika finesser tagits fram för att förbättra produkterna inom dessa områden.

Vi är övertygade om att Ni med tillfredsställelse kommer att uppskatta vår produkts kvalitet och prestanda under en lång tid framöver. Ett köp av någon av våra produkter ger Dig tillgång till professionell hjälp med reparationer och service om något ändå skulle hända. Om inköpsstället för maskinen inte var någon av våra auktoriserade återförsäljare, fråga dem efter närmaste serviceverkstad.

Vi hoppas att Du kommer att vara nöjd med Din maskin och att den ska få vara Din följeslagare under en lång tid framöver. Tänk på att denna bruksanvisning är en värdehandling. Genom att följa dess innehåll (användning, service, underhåll etc) kan Du väsentligt höja maskinens livslängd och även dess andrahandsvärde. Om Du säljer Din maskin, se till att överlåta bruksanvisningen till den nya ägaren.

Tack för att du använder en Husqvarna-produkt!

Husqvarna AB arbetar ständigt med att vidareutveckla sina produkter och förbehåller sig därför rätten till ändringar beträffande bl.a. form och utseende utan föregående meddelande.

## Vad är vad på motorsågen? (1)

- 1 Kastskydd
- 2 Knappsats
- 3 SavE knapp
- 4 Varningsindikator
- 5 Aktivering och avaktivering
- 6 Gasreglagepär
- 7 Bakre handtag med högerhandsskydd
- 8 Fläkthus
- 9 Kedjeoljetank
- 10 Batteriladdare
- 11 Strömkabel
- 12 Varningsindikator
- 13 Kontaktdon
- 14 Bruksanvisning
- 15 Svärdsskydd
- 16 Drivhjulskåpa
- 17 Kedjespännarhjul
- 18 Vred
- 19 Kedjefångare
- 20 Barkstöd
- 21 Noshjul
- 22 Sågkedja
- 23 Sågsvärd
- 24 Främre handtag
- 25 Gasreglage
- 26 Batteri
- 27 Batterisnäppfästen
- 28 Batteristatus
- 29 Kontrollknapp batteristatus
- 30 Varningsindikator

# ALLMÄNNA SÄKERHETSINSTRUKTIONER

## Allmänna elverktygs säkerhetsvarningar



**VARNING!** Läs alla säkerhetsinstruktioner och varningar. Om du inte följer varningarna och instruktionerna kan det leda till elektrisk stöt, brand och/eller allvarlig skada.

**VIKTIGT!** Spara alla varningar och instruktioner som referens. I varningarna syftar termen "elverktyg" på ett verktyg som antingen är anslutet till nätspänningen (med sladd) eller drivs av batteri (sladdlöst).

## Säkerhet i arbetsområdet

- **Arbetsområdet ska hållas välordnat och välbelyst.** I röriga eller mörka arbetsområden händer det lätt olyckor.
- **Använd inte elverktyg i miljöer där det finns risk för explosion, t.ex. i närheten av brännbara vätskor, gaser eller damm.** Gnistor från elverktyget kan antända dammet eller ångorna.
- **Håll barn och andra människor på avstånd när du använder ett elverktyg.** Om du blir distraherad kan du tappa kontrollen.

## Elsäkerhet

- **Elverktygets stickkontakt måste passa i vägguttaget. Förändra aldrig stickkontakten på något sätt. Använd inte adapterkontakter tillsammans med jordade elverktyg.** Oförändrade stickkontakter och motsvarande vägguttag minskar riskerna för elektrisk stöt.
- **Undvik kroppskontakt med jordade ytor, t.ex. rörledning, värmelement, spisar och kylskåp.** Om din kropp är jordad ökar risken för elektrisk stöt.
- **Utsätt inte elverktyg för regn eller väta.** Om vatten kommer in i elverktyget ökar risken för elektrisk stöt.
- **Använd inte kabeln på fel sätt. Använd inte kabeln för att bära eller dra elverktyget, eller för att koppla ur elverktyget från uttaget. Håll kabeln borta från värme, olja, vassa kanter och rörliga delar.** Skadade eller trassliga kablar ökar risken för elektrisk stöt.
- **När du använder ett elverktyg utomhus ska du även använda en förlängningskabel för utomhusbruk.** Om du använder en kabel för utomhusbruk minskar risken för elektrisk stöt.
- **Om det inte går att undvika att jobba i en fuktig miljö, använd en jordfelsbrytare.** Användning av jordfelsbrytare minskar risken för elektrisk stöt.

## Personsäkerhet

- **Var på din vakt, var uppmärksam på vad du gör och använd sunt förnuft då du använder ett elverktyg. Använd inte elverktyg om du är trött,**

**har druckit alkohol eller om du har tagit andra droger eller mediciner.** Ett ögonblick av ouppmärksamhet när du använder ett elverktyg kan leda till allvarlig personskada.

- **Använd personlig skyddsutrustning. Använd alltid ögonskydd.** Lämplig skyddsutrustning som ansiktsmask, halkfria skyddsskor, hjälm eller hörselskydd minskar risken för personskador.
- **Förebygg att elverktyget startar oavsiktligt. Se till att strömbrytaren är frånslagen innan du ansluter elverktyget till en strömkälla och/eller ett batteri samt innan du tar upp eller bär verktyget.** Risken för olyckor är stor om du bär elverktyg med fingret på strömbrytaren eller om du tillför ström till elverktyg som har strömbrytaren tillslagen.
- **Avlägsna eventuell justeringsnyckel eller skiftnyckel innan du sätter på elverktyget.** Nycklar som lämnas kvar i elverktygets rörliga delar kan orsaka personskada.
- **Sträck dig inte för långt. Ha alltid ett stadigt fotfäste och god balans.** Därmed har du större kontroll över elverktyget i oväntade situationer.
- **Klä dig rätt. Använd inte löst sittande kläder eller smycken. Håll hår, kläder och handskar borta från rörliga delar.** Lösa kläder, smycken eller långt hår kan fastna i rörliga delar.
- **Om det finns anordningar för anslutning av enheter för uppsamling av damm, se då till att dessa är ordentligt anslutna och att de används på rätt sätt.** Dammuppsamling kan minska dammrelaterade risker.
- **Vibrationsutsändningen vid faktisk användning av elverktyget kan skilja sig från det deklarerade totala värdet beroende på hur verktyget används.** Operatörer bör identifiera säkerhetsåtgärder för att skydda sig själva som baseras på en uppskattning av exponering i verkliga förhållanden (med hänsyn till alla delar av driftcykeln såsom stunder då verktyget är avstängt och när det går på tomgång förutom då det aktivt används).

## Användning och underhåll av elverktyg

- **Bruka inte våld eller onödigt kraft. Använd det elverktyg som är rätt för ditt syfte.** Med rätt elverktyg utför du ett bättre och säkrare jobb med den hastighet som elverktyget är utformat för.
- **Använd inte elverktyget om du inte kan starta och stänga av det med strömbrytaren.** Elverktyg som inte kan kontrolleras med strömbrytaren är farliga och måste repareras.
- **Koppla ur stickkontakten från strömkällan och/eller ta ur batteriet innan du gör några justeringar, byter tillbehör eller förvarar elverktyget.** Sådana förebyggande säkerhetsåtgärder minskar risken för att elverktyget startas oavsiktligt.
- **Förvara elverktyg som inte används utom räckhåll för barn. Se till att personer som inte tidigare har hanterat elverktyget, eller som inte har läst dessa**

# ALLMÄNNA SÄKERHETSINSTRUKTIONER

instruktioner, inte använder elverktyget. Elverktyg är farliga om de används av ovana användare.

- **Sköt om ditt elverktyg. Kontrollera att rörliga delar ligger i linje och inte kärvar. Kontrollera även om det finns skadade delar eller om det föreligger andra förhållanden som kan påverka elverktygets funktion. Om elverktyget är skadat ska det repareras innan det används igen.** Många olyckor orsakas av dåligt underhållna elverktyg.
- **Håll skärverktyg skarpa och rena.** Väl underhållna klippande verktyg med vassa eggar kärvar mer sällan och är lättare att kontrollera.
- **Använd elverktyg, tillbehör och verktyg etc enligt dessa instruktioner och ta hänsyn till arbetsförhållandena och det arbete som ska utföras.** Om du använder ett elverktyg för något annat syfte än vad det är avsett för kan farliga situationer uppstå.

## Batteri hantering och användning

- **Ladda batterierna endast i de laddare som är specificerad av tillverkaren.** En laddare som är lämplig för en typ av batteri kan medföra risk för brand när den används med ett annat batteri.
- **Använd endast verktyget tillsammans med avsedda batterier.** Användning av andra batterier kan medföra risk för personskador och brand.
- **När batteriet inte används, håll det borta från andra metallföremål, såsom gem, mynt, nycklar, spikar, skruvar eller andra små metallföremål, som kan göra en anslutning från en terminal till en annan.** En kortslutning av batteriets kontakter kan leda till brännskador eller brand.
- **Används batteriet på fel sätt kan vätska komma ut från batteriet, undvik kontakt. Om kontakt sker av misstag, spola med vatten. Om vätska kommer i kontakt med ögonen, sök medicinsk hjälp.** Flytande vätska från batteriet kan orsaka irritationer eller brännskador.

## Service

- **Låt en kvalificerad reparatör som endast använder identiska reservdelar underhålla ditt elverktyg.** På så sätt garanterar du att säkerheten kring ditt elverktyg upprätthålls.

## Säkerhetsvarningar för motorsåg

- **Håll alla kroppsdelar borta från motorsågen när motorsågen är i drift. Innan du startar motorsågen, se till att sågkedjan inte är i kontakt med något.** Ett ögonblick av ouppmärksamhet under drift kan leda till att dina kläder eller kropp trasslas in i med sågkedjan.
- **Håll alltid motorsågen med din högra hand på det bakre handtaget och din vänstra hand på det främre handtaget.** Att hålla motorsågen med motsatt handkonfiguration ökar risken för personskada och får inte göras.

- **Håll endast elverktyget i de isolerade greppen, eftersom sågkedjan kan komma i kontakt med gömda ledningar.** Sågkedjor som berör en spänningsförande ledning kan göra frilagda metalldelar på elverktyget spänningsförande och kan ge operatören en elchock.
- **Bär skyddsglasögon och hörselskydd. Vidare skyddsutrustning för huvud, händer, ben och fötter rekommenderas.** Aдекват skyddsklädsel reducerar personskada från flygande bråte eller oavsiktlig kontakt med sågkedjan.
- **Använd inte motorsågen i ett träd.** Drift av motorsågen medan du befinner dig i ett träd kan resultera i personskada.
- **Stå alltid ordentligt och använd endast motorsågen när du står på en fast, säker och jämn yta.** Hala eller ostabila ytor såsom stegar kan få dig att tappa balansen eller kontrollen över motorsågen.
- **När en spänd gren sågas, se upp för återfjädring.** När spänningen i träfibrerna släpps kan den spända grenen slå emot operatören och/eller kasta motorsågen ur kontroll.
- **Använd extrem försiktighet vid sågning av buskar och unga träd.** Det unga materialet kan fastna i sågkedjan och kan kastas fram emot dig eller få dig ur balans.
- **Bär motorsågen i det främre handtaget med motorsågen avstängd och bort från kroppen. Vid transport eller förvaring av motorsågen, använd alltid svärdsskyddet.** Korrekt hantering av motorsågen reducerar risken för oavsiktlig kontakt med sågkedjan.
- **Följ instruktionerna för smörjning, kedjespänning och byte av tillbehör.** Felaktigt spänd eller smörjd sågkedja kan antingen gå av eller öka risken för kast.
- **Håll handtagen torra, rena och fria från olja och smörjmedel.** Fettiga, oljiga handtag är hala och kan orsaka kontrollförlust.
- **Såga endast trä. Använd inte motorsågen för sådant den inte är ämnad för. Till exempel: använd inte motorsågen för att såga plast, murverk eller byggmaterial som inte är av trä.** Användning av motorsågen för drift annan än vad den är ämnad för kan resultera i en farlig situation.
- Vi rekommenderar starkt att förstagångs användare övar att kapa stockar i en sågbock eller vagg.

## Orsaker och operatörförhindring av kast

Kast kan uppstå när nosen eller spetsen på svärdet nuddar ett föremål, eller när träet kommer nära och klämmer sågkedjan vid sågningen. Kontakt med svärdsspetsen kan i en del fall orsaka en plötslig motsatt reaktion, som slår tillbaka svärdet uppåt och bakåt mot operatören. Klämning av sågkedjan längs med ovsidan av svärdet kan trycka svärdet snabbt tillbaka mot operatören. Dessa reaktioner kan få dig att tappa kontrollen över motorsågen som kan resultera i allvarlig

# ALLMÄNNA SÄKERHETSINSTRUKTIONER

personskada. Lita inte endast på de säkerhetsfunktioner som är inbyggda i din motorsåg. Som motorsågsanvändare bör du vidta flera steg för att hålla dina sågningsjobb olycks- och skadefria. Kast är ett resultat av felanvändning av verktyget och/eller felaktiga operatörsprocedurer och kan undvikas genom att vidta korrekta försiktighetsåtgärder enligt nedan:

- **Bibehåll ett fast grepp, med tummar och fingrar runt motorsågens handtag, med båda händer på handtagen. Positionera din kropp och arm för att låta dig motstå kraften i kastet.** Kraften i kastet kan kontrolleras av operatören, om korrekta försiktighetsåtgärder vidtas. Släpp inte motorsågen.
- **Sträck dig inte för långt och såga inte ovanför axelhöjd.** Detta hjälper till att förebygga oavsiktlig tippkontakt och ger bättre kontroll av motorsågen i oväntade situationer.
- **Använd endast svärd och kedjor specificerade av tillverkaren.** Felaktiga svärd och kedjor kan få kedjan att gå av och/eller ge kast.
- **Följ tillverkarens filnings- och underhållsinstruktioner för kedjan.** Minskning av underställningen kan leda till ökat kast.

## Åtgärder före användning av ny motorsåg

- Läs igenom bruksanvisningen noggrant.
- **(1) - (110)** hänvisar till illustrationer på sid. 2-6.
- Ladda batteriet fullt innan det används för första gången. Se anvisningar under rubriken Laddning av batteriet.
- Fyll på med sågkedjeolja. Se instruktioner under rubriken Påfyllning av sågkedjeolja.
- Kontrollera skärutrustningens montering och justering. Se anvisningar under rubrik Montering.
- Använd inte motorsågen förrän tillräckligt med kedjesmörjolja har nått sågkedjan. Se anvisningar under rubrik Smörjning av skärutrustningen.
- Långvarig exponering för buller kan ge bestående hörselskador. Använd därför alltid godkända hörselskydd.



**WARNING! Under inga förhållanden får maskinens ursprungliga utformning ändras utan tillstånd från tillverkaren. Använd alltid originaltillbehör. Icke auktoriserade ändringar och/eller tillbehör kan medföra allvarliga skador eller dödsfall för föraren eller andra.**



**WARNING! En motorsåg kan felaktigt eller slarvigt använd vara ett farligt redskap, som kan orsaka allvarlig, till och med livshotande, skada. Det är mycket viktigt att du läser och förstår innehållet i denna bruksanvisning.**



**WARNING! Långvarig inandning av kedjeolja och damm från sågspån kan utgöra en hälsorisk.**



**WARNING! Denna maskin alstrar under drift ett elektromagnetiskt fält. Detta fält kan under vissa omständigheter ge påverkan på aktiva eller passiva medicinska implantat. För att reducera risken för allvarliga eller livshotande skador rekommenderar vi därför personer med implantat att rådgöra med läkare samt tillverkaren av det medicinska implantatet innan denna maskin används.**



**WARNING! Tillåt aldrig barn att använda eller vara i närheten av maskinen. Eftersom maskinen är enkel att starta så kan även barn i ett oöversiktligt ögonblick starta maskinen. Detta kan innebära risk för allvarlig personskada. Avlägsna därför alltid batteriet när maskinen inte är under uppsikt.**



# ALLMÄNNA SÄKERHETSINSTRUKTIONER

## Viktigt

### VIKTIGT!

Denna motorsåg för skogsbruk är konstruerad för skogsarbete såsom trädfällning, kvistning och kapning.

Nationella bestämmelser kan begränsa användningen av maskinen.

Du bör endast använda de svärd/sågkedjekombinationer vi rekommenderar i kapitel Tekniska data.

Använd aldrig maskinen om du är trött, om du har druckit alkohol eller om du tar mediciner, som kan påverka din syn, ditt omdöme eller din kroppskontroll.

Använd personlig skyddsutrustning. Se anvisningar under rubrik "Personlig skyddsutrustning".

Modifiera aldrig denna maskin så att den ej längre överensstämmer med originalutförandet, och använd den inte om den verkar ha blivit modifierad av andra.

Använd aldrig en maskin, batteri eller batteriladdare som är felaktig. Följ underhålls-, kontroll- och serviceinstruktioner i denna bruksanvisning. Vissa underhålls- och serviceåtgärder skall utföras av tränade och kvalificerade specialister. Se anvisningar under rubrik Underhåll.

Använd aldrig andra än i denna bruksanvisning rekommenderade tillbehör. Se anvisningar under rubrikerna Skärutrustning och Tekniska data.

OBS! Använd alltid skyddsglasögon eller ansiktsvisir för att minska risken för skador från slungande föremål. En motorsåg är kapabel till att slunga iväg föremål, såsom sågspån, små trästycken, etc, med stor kraft. Detta kan orsaka allvarlig skada, speciellt på ögonen.



**WARNING! En felaktig skärutrustning eller en felaktig svärd/sågkedjekombination ökar risken för kast! Använd endast de svärd/sågkedjekombinationer vi rekommenderar, samt följ filningsinstruktionen. Se anvisningar under rubrik Tekniska data.**

## Använd alltid sunt förnuft

Det är omöjligt att täcka alla tänkbara situationer du kan ställas inför vid användande av motorsåg. Var alltid försiktig och använd sunt förnuft. Undvik situationer som du anser dig otillräckligt kvalificerad för. Om du efter att ha läst dessa instruktioner fortfarande känner dig osäker angående tillvägagångssätt, skall du rådfråga en expert innan du fortsätter. Tveka inte att kontakta din återförsäljare eller oss om du har frågor angående användning av motorsåg. Vi står gärna till tjänst och ger dig råd som hjälper dig att använda din motorsåg på ett bättre och säkrare sätt. Gå gärna en utbildning i motorsågsanvändning. Din återförsäljare, skogsvårdsskola eller ditt bibliotek kan upplysa dig om vilket utbildningsmaterial och vilka kurser som finns tillgängliga. (Bild 2)

1156931-38 Rev.2 2016-11-29

Det pågår ett ständigt arbete med att förbättra design och teknik - förbättringar som ökar din säkerhet och effektivitet. Besök din återförsäljare regelbundet för att se vilken nytta du kan ha av de nyheter som introduceras.

## Personlig skyddsutrustning



**WARNING! Merparten av olyckor med motorsåg inträffar när sågkedjan träffar användaren. Vid all användning av maskinen skall godkänd personlig skyddsutrustning användas. Personlig skyddsutrustning eliminerar inte skaderisken, men den reducerar effekten av en skada vid ett olyckstillbud. Be din återförsäljare om hjälp vid val av utrustning.**

Använd alltid:

- Godkänd skyddshjälm
- Hörselskydd
- Skyddsglasögon eller visir
- Handskar med sågskydd
- Byxor med sågskydd
- Stövlar med sågskydd, stålhatta och halkfri sula
- Första förband ska alltid finnas till hands.

Klädseln i övrigt bör vara åtsittande utan att begränsa dina rörelsemöjligheter.

## Maskinens säkerhetsutrustning

I detta avsnitt förklaras vilka maskinens säkerhetsdetaljer är, samt deras funktion. För kontroll och underhåll se anvisningar under rubrik Kontroll, underhåll och service av motorsågens säkerhetsutrustning. Se anvisningar under rubrik Vad är vad?, för att hitta var dessa detaljer är placerade på din maskin.

Maskinens livslängd kan förkortas och risken för olyckor kan öka om underhåll av maskinen inte utförs på rätt sätt och om service och/eller reparationer inte utförs fackmannamässigt. Om du behöver ytterligare upplysningar kontakta närmaste serviceverkstad.



**WARNING! Använd aldrig en maskin med defekt säkerhetsutrustning. Säkerhetsutrustningen ska kontrolleras och underhållas. Se anvisningar under rubrik Kontroll, underhåll och service av motorsågens säkerhetsutrustning. Om din maskin inte klarar alla kontrollerna ska serviceverkstad uppsökas för reparation.**

## Knappsats

Kontrollera att maskinen aktiveras och avaktiveras när på-/avaktiveringsknappen (1) trycks in och hålls inne (> 1 sek.), grön diod (2) tänds och släcks.

Varningsindikatorn (3) blinkar om kedjebromsen är aktiverad eller om det finns en risk för överbelastning.

# ALLMÄNNA SÄKERHETSINSTRUKTIONER

Överbelastningsskyddet avaktiverar tillfälligt maskinen. När maskinen återfått sin normala temperatur är den återigen körklar. Fast sken indikerar behov av service. (Bild 6)

## Automatisk avstängning

Maskinen är utrustad med en automatisk avaktiveringsfunktion som avaktiverar maskinen om den inte används. Maskinen avaktiveras efter 1 minut.

## Kedjebroms med kastskydd

Din motorsåg är utrustad med kedjebroms, vilken är konstruerad att stoppa sågkedjan vid kast. En kedjebroms reducerar risken för olyckor, men det är endast Du som användare som kan förhindra dem. (Bild 3)

Var försiktig vid användning och se till att svärdets kastrisksektor aldrig kommer i kontakt med ett föremål. (Bild 4)

- Kedjebromsen (A) aktiveras antingen manuellt (via vänsterhanden) eller med tröghetsfunktionen. (Bild 5)
- Aktivering sker när kastskyddet (B) förs framåt. (Bild 5)
- Den rörelsen aktiverar en fjäderspänd mekanism som stannar kedjedriverhjulet.
- Kastskyddet är inte enbart konstruerat för att aktivera kedjebromsen. En annan mycket viktig funktion är att det reducerar risken för att vänsterhanden skall träffa sågkedjan om man tappar greppet om främre handtaget.
- Kedjebromsen skall vara tillslagen när motorsågen startas.
- Använd kedjebroms som "parkeringsbroms" vid start samt vid kortare förflyttning, för att förhindra olyckor där användare eller omgivning ofrivilligt kan komma i kontakt med sågkedjan i rörelse.
- Kedjebromsen frikopplas genom att kastskyddet förs bakåt, mot främre handtaget.
- Kast kan vara blixtnabba och mycket våldsamma. De flesta kast är små och resulterar inte alltid i att kedjebromsen aktiveras. Vid sådana kast gäller att hålla motorsågen i ett stadigt grepp och att inte släppa det. (Bild 65)
- Hur kedjebromsen aktiveras, manuellt eller via tröghetsfunktionen, styrs av hur våldsamt kastet är samt motorsågens position i förhållande till det föremål svärdets kastrisksektor kommer i kontakt med. Vid våldsamma kast och där svärdets kastrisksektor befinner sig så långt bort från användaren som möjligt, är kedjebromsen konstruerad så att den aktiveras via kedjebromsens motvikt (tröghet) i kastriktningen. (Bild 7)
- Vid mindre våldsamma kast eller under arbetssituationer där kastrisksektorn befinner sig nära användaren, aktiveras kedjebromsen manuellt via vänsterhanden.

- Vid fälläge är vänsterhanden i ett läge som omöjliggör manuell aktivering av kedjebromsen. Vid denna typ av grepp, dvs när vänsterhanden är placerad så den ej kan påverka kastskyddets rörelse, kan kedjebromsen endast aktiveras via tröghetsfunktionen. (Bild 8)

## Kommer min hand alltid att aktivera kedjebromsen vid kast?

Nej. Det krävs en viss kraft för att föra kastskyddet framåt. Om din hand endast lätt snuddar vid kastskyddet eller slinter över det, kan det hända att kraften inte är tillräckligt stark för att utlösa kedjebromsen. Du skall även hålla ett stadigt grepp om motorsågens handtag när du arbetar. Om du gör det och får ett kast, släpper du kanske aldrig handen om det främre handtaget och aktiverar inte kedjebromsen, eller också aktiveras kedjebromsen först när sågen har hunnit svänga runt en bra bit. I en sådan situation kan det hända att kedjebromsen inte hinner stoppa kedjan innan den träffar dig.

Det förekommer också vissa arbetsställningar som gör att din hand inte kan nå kastskyddet för att aktivera kedjebromsen; t.ex. när sågen hålls i fällningsposition.

## Kommer tröghetsaktivering av kedjebromsen alltid ske om ett kast inträffar?

Nej. För det första måste din broms fungera. För det andra måste kastet vara tillräckligt kraftigt för att aktivera kedjebromsen. Om kedjebromsen vore för känslig skulle den ständigt aktiveras, vilket skulle vara besvärande.

## Kommer kedjebromsen alltid att skydda mig från skador om ett kast inträffar?

Nej. För det första måste din broms fungera för att ge det avsedda skyddet. För det andra måste den aktiveras så som beskrivs ovan för att stoppa sågkedjan vid ett kast. För det tredje kan kedjebromsen aktiveras, men om svärdet är för nära dig kan det hända att bromsen inte hinner sakta ner och stoppa kedjan innan motorsågen träffar dig.

## Endast du själv och en korrekt arbetsteknik kan eliminera kast och dess risker.

## Gasreglagespär

Gasreglagespärren är konstruerad att förhindra ofrivillig aktivering av gasreglaget. När spärren (A) trycks ner i handtaget (= när man håller om handtaget) frikopplas gasreglaget (B). När greppet om handtaget släpps återställs både gasreglaget samt gasreglagespärren till sina respektive ursprungslägen. (Bild 9)

## Kedjefångare

Kedjefångaren är konstruerad att fånga upp en avhoppad eller brusten kedja. Dessa händelser undviks i de flesta fall genom en korrekt kedjespänning (se anvisningar under rubrik Montering) samt korrekt underhåll och service av svärd och kedja (se anvisningar under rubrik Allmänna arbetsinstruktioner). (Bild 10)

# ALLMÄNNA SÄKERHETSINSTRUKTIONER

## Högerhandsskydd

Högerhandsskyddet skall förutom att skydda handen vid ett kedjevavhopp eller när en kedja går av, se till att grenar och kvistar inte påverkar greppet om bakre handtaget. (Bild 11)

## Vibrationer

Sågning i ett hårt träslag (de flesta lövträd) ger mer vibrationer än sågning i ett mjukt (de flesta barrträd). Sågning med en oskäppt eller felaktig (fel typ eller felaktigt filad) skärutrustning ökar vibrationsnivån.



**WARNING! Överexponering av vibrationer kan leda till blodkärls- eller nervskador hos personer som har blodcirkulationsstörningar. Uppsök läkare om ni upplever kroppsliga symptom som kan relateras till överexponering av vibrationer. Exempel på sådana symptom är domningar, avsaknad av känsel, ”kittlingar”, ”stickningar”, smärta, avsaknad eller reducering av normal styrka, förändringar i hudens färg eller dess yta. Dessa symptom uppträder vanligtvis i fingrar, händer eller handleder. Dessa symptom kan öka vid kalla temperaturer.**

## Batteri och batteriladdare

Detta avsnitt handlar om batterisäkerhet till din batteriprodukt och dess batteriladdare.

Använd endast Husqvarna originalbatterier för Husqvarnas produkter och ladda dem endast i original QC batteriladdare från Husqvarna. Batterierna är mjukvarukrypterade.

## Batterisäkerhet

De återuppladdningsbara batterierna, BLi ska endast användas till Husqvarnas batteriprodukter. Det finns risk för skada om batterierna används till någon annan produkt än vad som är angiven.



**WARNING! Skydda batteriet mot direkt solljus, värme och öppen eld. Det finns risk för att batteriet exploderar om det kastas in i öppen eld. Det finns risk för brännskador och/eller kemiska brännskador.**



**WARNING! Undvik hudkontakt med batterisyra. Batterisyra kan orsaka hudirritationer, brännskador och frätskador. Om man får vätskan i ögonen, gnugga inte utan spola ögonen med rikliga mängder vatten i minst 15 minuter. Uppsök läkare. Vid tillfällig kontakt ska man tvätta av den utsatta huden med rikliga mängder vatten och tvål.**



**WARNING! Förbind aldrig batteriets kontaktstycken med nycklar, mynt, skruvar eller andra metallföremål, batteriet kan kortslutas. Stick aldrig in några föremål i batteriets luftslitsar.**

**Önvända batterier ska hållas avskilt från metallföremål, exempelvis spikar, mynt, smycken. Försök aldrig att öppna eller dela batteriet.**

- Använd batteriet när omgivningstemperaturen är mellan -10 °C och 60 °C.
- Utsätt inte batteriet för microvågor eller högt tryck.
- Rengör aldrig batteriet eller batteriladdaren med vatten. Se även anvisningar under rubrik Underhåll.
- Förvara batteriet öaterkomligt för barn.
- Skydda batteriet mot regn och fuktiga miljöer.

## Batteriladdarsäkerhet

Husqvarnas batteriladdare, QC, är endast avsedda för att ladda Husqvarnas batterier, BLi.



**WARNING! Minimera risker för elstöt eller kortslutning genom att:**

**Stick aldrig in föremål i laddarens luftventiler.**

**Försök aldrig att öppna eller ta isär batteriladdaren.**

**Förbind aldrig laddarens kontakter med metallföremål, laddaren kan kortslutas.**

**Använd godkända och hela vägguttag.**

- Kontrollera regelbundet att laddarens anslutningskabel är hel och att inga sprickor finns.
- Bär aldrig batteriladdaren med hjälp av sladden och dra aldrig ur stickproppen genom att dra i sladden.
- Håll alla kablar och förlängningskablar borta från vatten, olja och skarpa kanter. Var uppmärksam så att

# ALLMÄNNA SÄKERHETSINSTRUKTIONER

inte kabeln kläms i dörrar, stängsel eller liknande. Det kan annars medföra att föremål blir strömförande.



**VARNING! Använd aldrig batteriladdaren i närheten av frätande eller lättantändligt material. Täck inte över batteriladdaren. Dra omedelbart ut stickkontakten till laddaren vid rökutveckling eller brand. Var uppmärksam på brandfaran.**

Använd aldrig:

- en defekt eller skadad laddare eller använd aldrig ett defekt, skadat eller deformerat batteri.

Ladda aldrig:

- ouppladdningsbara batterier i batteriladdaren eller använda dem i maskinen.
- batteriet i laddaren utomhus.
- batteriet i regn eller i våt omgivning.
- batteriet i direkt solljus.

Använd batteriladdaren endast när omgivningstemperaturen är mellan 5 °C och 40 °C. Använd laddaren i omgivning där det är välventilerat, torrt och fritt från damm.

## Skärutrustning

Detta avsnitt behandlar hur du genom korrekt underhåll samt genom användning av korrekt typ av skärutrustning:

- Reducerar maskinens kastbenägenhet.
- Minskar förekomsten av sågkedjeavhopp samt sågkedjebrott.
- Erhåller optimal skärprestanda.
- Ökar skärutrustningens livslängd.
- Undviker ökning av vibrationsnivåer.

## Grundregler

- **Använd endast den skärutrustning vi rekommenderar!** Se anvisningar under rubrik Tekniska data.
- **Håll sågkedjans skärtänder väl och korrekt skärpta! Följ våra instruktioner och använd rekommenderad fillmall.** En felskärt eller skadad sågkedja ökar risken för olyckor.
- **Håll korrekt underställning! Följ våra instruktioner och använd rekommenderad underställningsmall.** En för stor underställning ökar risken för kast. **(Bild 19)**
- **Håll sågkedjan sträckt!** En otillräckligt sträckt sågkedja ökar risken för sågkedjeavhopp samt ökar slitaget på svärd, sågkedja och sågkedjedrivhjul. **(Bild 24)**
- **Håll skärutrustningen välsmord och korrekt underhållen!** En otillräcklig smörjning av sågkedja ökar risken för sågkedjebrott samt ökar slitaget på svärd, sågkedja och sågkedjedrivhjul.

## Kastreducerande skärutrustning



**VARNING! En felaktig skärutrustning eller en felaktig svärd/sågkedjekombination ökar risken för kast! Använd endast de svärd/sågkedjekombinationer vi rekommenderar, samt följ filningsinstruktionen. Se anvisningar under rubrik Tekniska data.**

Kast kan endast undvikas genom att du som användare ser till att svärdets kastrisksektor aldrig kommer i kontakt med ett föremål.

Genom att använda skärutrustning med ”inbyggd” kastreduktion och genom att skärpa och underhålla sågkedjan korrekt kan effekten av ett kast reduceras.

### Sågsvärd

Ju mindre nosradie desto lägre kastbenägenhet.

### Sågkedja

En sågkedja är uppbyggd av ett antal olika länkar vilka finns både i standard och i kastreducerat utförande.

**VIKTIGT! Inga sågkedjor eliminerar risken för kast.**



**VARNING! Varje kontakt med en roterande sågkedja kan orsaka mycket svåra skador.**

### Några uttryck som specificerar svärd och sågkedja

För att bibehålla alla säkerhetsdetaljer på skärutrustningen, bör du ersätta slitna och skadade svärd-/kedjekombinationer mot ett svärd och en kedja som Husqvarna rekommenderar. Se anvisningar under rubrik Tekniska data för information om vilka svärd-/kedjekombinationer vi rekommenderar.

### Sågsvärd

- Längd (tum/cm) **(Bild 13)**
- Antal tänder i noshjulet (T). **(Bild 12)**
- Sågkedjedelning (=pitch) (tum). Svärdets noshjul och motorsågens kedjedrivhjul måste vara anpassad till avståndet mellan drivlänkarna. **(Bild 14)**
- Antal drivlänkar (st). Varje svärds längd ger i kombination med sågkedjedelning samt antal tänder i noshjulet ett bestämt antal drivlänkar. **(Bild 16)**
- Svärdsspårbredd (tum/mm). Svärdspårets bredd måste vara anpassad till sågkedjans drivlänksbredd.
- Sågkedjeoljehål och hål för kedjesträckartapp. Svärdet måste vara anpassat till motorsågens konstruktion. **(Bild 15)**

### Sågkedja

- Sågkedjedelning (=pitch) (tum) **(Bild 14)**
- Drivlänksbredd (mm/tum) **(Bild 17)**
- Antal drivlänkar (st) **(Bild 16)**

# ALLMÄNNA SÄKERHETSINSTRUKTIONER

## Skärpning och justering av underställning hos sågkedja



Vid all hantering av kedjan skall handskar användas.

### Allmänt angående skärpning av skärtand

- Såga aldrig med en slö sågkedja. Tecken på att sågkedjan är slö är att du måste pressa skärutrustningen genom träet och att träspånorna är mycket små. En mycket slö sågkedja ger inga träspånor alls. Det enda resultatet blir träpuder.
- En välskärpt sågkedja äter sig själv ner genom träet och ger träspånor som är stora och långa. **(Bild 18)**
- Den sågande delen hos en sågkedja kallas skärlink och består av en skärtand (A) och en underställningsklack (B). Avståndet i höjd mellan dessa avgör skärddjupet. **(Bild 19)**

Vid skärpning av skärtand finns fyra mått att ta hänsyn till.

- 1 Filningsvinkel **(Bild 20)**
- 2 Stötvinkel **(Bild 21)**
- 3 Filläge **(Bild 22)**
- 4 Rundfilisdiameter

Det är mycket svårt att skärpa en sågkedja korrekt utan hjälpmedel. Därför rekommenderar vi att du använder vår filmall. Den säkerställer att sågkedjan skärps för optimal kastreduktion och skärkapacitet. **(Bild 23)**

Se anvisningar under rubrik Tekniska data angående vilka data som gäller vid skärpning av din motorsågs sågkedja.



**WARNING! Avsteg från skärpningsinstruktionen ökar sågkedjans kastbenägenhet avsevärt.**

### Skärpning av skärtand

För skärpning av skärtand behövs en rundfil och en filmall. Se anvisningar under rubrik Tekniska data angående vilken rundfil diameter samt vilken filmall som rekommenderas till din motorsågs sågkedja.

- Kontrollera att sågkedjan är sträckt. En otillräcklig sträckning gör sågkedjan instabil i sidled vilket försvårar en korrekt skärpning. **(Bild 24)**
- Fila alltid från skärtandens insida och utåt. Lätta filen på returdraget. Fila alla tänderna på ena sidan först, vänd därefter motorsågen och fila den återstående sidans tänder. **(Bild 20)**
- Fila så att alla tänder blir lika långa. När endast 4 mm (5/32") återstår av skärtandens längd är sågkedjan utsliten och skall slängas. **(Bild 25)**

### Allmänt angående justering av underställning

- Vid skärpning av skärtanden minskar underställningen (=skärddjupet). För att behålla maximal skärkapacitet måste underställningsklacken

sänkas till rekommenderad nivå. Se anvisningar under rubrik Tekniska data angående hur stor underställningen skall vara på din motorsågs sågkedja. **(Bild 26)**



**WARNING! För stor underställning ökar sågkedjans kastbenägenhet!**

### Justering av underställning

- När justering av underställningen görs, måste skärtänderna vara nyskärpta. Vi rekommenderar att underställningen justeras efter var tredje sågkedjeskärpning. OBS! Denna rekommendation förutsätter att skärtändernas längd inte filats ner onormalt.
- För justering av underställningen behövs en flatfil och en underställningsmall. Vi rekommenderar att du använder vår filmall för underställning, för att få rätt underställningsmått och rätt vinkel på underställningsklacken.
- Lägg filmallen över sågkedjan. Information om användning av filmallen finns på förpackningen. Använd flatfilen för att fila bort överskottet på den överskjutande delen av underställningsklacken. Underställningen är korrekt då inget motstånd känns när du drar filen över mallen. **(Bild 27)**

### Sträckning av sågkedjan



**WARNING! En otillräckligt sträckt sågkedja kan resultera i sågkedjeavhopplikt vilket kan orsaka allvarlig, till och med livshotande skada.**



**WARNING! Tag alltid ur batteriet innan montering, underhåll och/eller kontroll utförs på maskinen.**

Ju mer du använder en sågkedja desto längre blir den. Det är viktigt att man justerar skärutrustningen efter denna förändring.

Sågkedjesträckningen skall kontrolleras vid varje påfyllning av sågkedjeolja. OBS! En ny sågkedja kräver en inkörningsperiod under vilken man skall kontrollera sågkedjesträckningen oftare.

Generellt gäller att man skall sträcka sågkedjan så hårt som möjligt, men inte hårdare än att den lätt kan dras runt för hand. **(Bild 47)**

- Frigör vredet genom att vika ut det. **(Bild 28)**
- Vrid vredet moturs för att lossa drivhjulskapen. **(Bild 29)**
- Justera kedjespänningen genom att vrida kedjespännarhjulet nedåt (+) för att öka spänningen och uppåt (-) för att minska spänningen. **(Bild 30)**
- Dra åt svärdskopplingen genom att vrida vredet medurs. **(Bild 31)**

# ALLMÄNNA SÄKERHETSINSTRUKTIONER

- Fäll in vredet igen för att låsa spänningen. (Bild 32)

## Smörjning av skärutrustningen



**WARNING! Otillräcklig smörjning av skärutrustningen kan resultera i sågkedjebrott vilket kan orsaka allvarlig, till och med livshotande skada.**

### Sågkedjeolja

En sågkedjeolja skall ha god vidhäftning vid sågkedjan samt ha goda flytegenskaper oavsett om det är varm sommar eller kall vinter.

**Använd aldrig spillolja!** Den är skadlig både för dig, maskinen och miljön.

### Påfyllning av sågkedjeolja

- Använd alltid mineralbaserad kedjesmörjolja. (Bild 33)
- Kontakta din serviceverkstad vid val av kedjesmörjolja.
- Samtliga våra motorsågsmodeller har automatisk sågkedjesmörjning. En del av modellerna kan även fås med justerbart oljeflöde.
- Sågkedjeoljetanken är dimensionerad för att räkka cirka tre batteriladdningar. Dock förutsätter denna säkerhetsfunktion att man använder korrekt sågkedjeolja (om oljan är för tunn räcker den inte lika länge).
- Använd aldrig spillolja. Detta medför skador på oljepumpen, svärdet och kedjan.
- Det är viktigt att använda rätt oljetyp i förhållanden till lufttemperaturen (lämplig viskositet).
- Lufttemperaturer under 0°C gör en del oljor trögflytande. Detta kan orsaka överbelastning av oljepumpen med skador på pumpdelar som följd.

### Kontroll av sågkedjesmörjning

- Kontrollera sågkedjesmörjningen efter var tredje batteriladdning.  
Rikta på ca 20 cm (8 tum) avstånd svärdsspetsen mot ett fast ljust föremål. Efter 1 minuts körning på 3/4 gas ska en tydlig oljerand synas på det ljusa föremålet. (Bild 34)

Om sågkedjesmörjningen inte fungerar:

- Kontrollera att svärdets sågkedjeoljekanal är öppen. Rengör vid behov. (Bild 35)
- Kontrollera att svärdspåret är rent. Rengör vid behov. (Bild 36)
- Kontrollera att svärdets noshjul går lätt samt att noshjulets smörjhål är öppet. Rengör och smörj vid behov. (Bild 37)

Om sågkedjesmörjningen inte fungerar efter genomgång av ovan listade kontroller och tillhörande åtgärder ska du uppsöka din serviceverkstad.

### Kedjedrivhjul

Drivsystemet är föresedd med ett kedjedrivhjul. (Bild 38)  
46 – Svenska

Kontrollera regelbundet slitagenivån hos kedjedrivhjulet. Byt om det är onormalt slitet.

### Slitagekontroll av skärutrustningen

Kontrollera sågkedjan dagligen med avseende på:

- Synliga sprickor i nitar och länkar.
- Om sågkedjan är stel.
- Om nitar och länkar är onormalt slitna.

Kassera sågkedjan om den uppvisar någon eller några av ovanstående punkter.

Vi rekommenderar att ni använder en ny sågkedja som mått på hur sliten den sågkedja ni använder är.

När endast 4 mm återstår av skärtandens längd är sågkedjan utsliten och ska slängas.

### Sågsvärd

Kontrollera regelbundet:

- Om grader bildats på svärdsbommarnas utsidor. Fila bort vid behov. (Bild 39)
- Om svärdsspåret är onormalt slitet. Byt svärd vid behov.
- Om svärdsnosen är onormalt eller ojämnt slitet. Om en "grop" bildats där svärdsnosens radie slutar på svärdets undersida, har du kört med otillräckligt sträckt sågkedja. (Bild 40)
- För maximal livslängd bör svärdet vändas dagligen. (Bild 41)



**WARNING! Merparten av olyckor med motorsåg inträffar när sågkedjan träffar användaren.**

**Använd personlig skyddsutrustning. Se anvisningar under rubrik "Personlig skyddsutrustning".**

**Undvik all användning du anser dig otillräckligt kvalificerad för. Se anvisningar under rubrikerna Personlig skyddsutrustning, Kastförebyggande åtgärder, Skärutrustning och Allmänna arbetsinstruktioner.**

**Undvik situationer där kastrisk föreligger. Se anvisningar under rubrik Maskinens säkerhetsutrustning.**

**Använd rekommenderad skärutrustning och kontrollera dess skick. Se anvisningar under rubrikerna Tekniska data och Allmänna säkerhetsinstruktioner.**

**Kontrollera funktionen hos motorsågens säkerhetsdetaljer. Se anvisningar under rubrikerna Allmänna arbetsinstruktioner och Allmänna säkerhetsinstruktioner.**

**Använd aldrig en motorsåg genom att hålla den med ena handen. En motorsåg är inte säkert kontrollerad med en hand. Ha alltid ett fast, stadigt grepp om handtagen med båda händerna.**

## Montering av svärd och kedja



**WARNING! Tag alltid ur batteriet innan montering, underhåll och/eller kontroll utförs på maskinen.**

**Vid all hantering av kedjan skall handskar användas.**

- Kontrollera att kedjebromsen ej är i utlöst läge genom att föra kedjebromsens kastskydd mot främre handtagsbygeln. **(Bild 42)**
- Ta bort drivhjulskåpn genom att vrida vredet moturs. Ta bort transportskyddet. **(Bild 43)**
- Montera svärdet över svärdsbulten. Placera svärdet i sitt bakersta läge. Placera kedjan över kedjedrivhjulet och i svärdsspåret. Börja på svärdets ovansida. **(Bild 44)**
- Kontrollera att eggen på skäränkarna är riktade framåt på ovansidan av svärdet.  
Montera kopplingskåpan och tänk på att passa in kedjespännartappen i svärdets urtag. Kontrollera att kedjans drivlänkar passar på kedjedrivhjulet och att kedjan ligger rätt i svärdsspåret.
- Spänn kedjan genom att vrida hjulet nedåt (+). Kedjan ska spännas åt så att den inte hänger ned under svärdet. **(Bild 45)**
- Kedjan är korrekt spänd när den inte hänger ned under svärdet, men samtidigt är lätt att vrida för hand. Håll upp svärdspetsen och dra åt svärdskopplingen genom att vrida vredet medurs. **(Bild 46)**
- På en ny kedja måste kedjespänningen kontrolleras ofta tills kedjan är inkörd. Kontrollera kedjespänningen regelbundet. Rätt kedja betyder bra skärkapacitet och lång livslängd. **(Bild 47)**

## Montering av barkstöd

För att montera ett barkstöd – kontakta er serviceverkstad. **(Bild 48)**



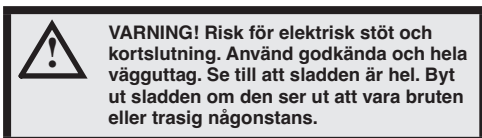
# BATTERIHANTERING

## Batteri status

Displayen visar batterikapaciteten samt om det skulle uppstå ett problem med batteriet. Batterikapaciteten visas i 5 sekunder efter det att maskinen stängts av eller att batteriindikatorknappen (1) tryckts in. Varningsymbolen på batteridisplayen tänds då ett fel uppstått (2). Se felkoder. (Bild 49)

LED lampor	Batteri status
Alla LED lampor lyser	Fulladdat (75-100%).
LED 1, LED 2, LED 3 lyser.	Batteriet laddat till 50%-75%.
LED 1, LED 2 lyser.	Batteriet laddat till 25%-50%.
LED 1 lyser.	Batteriet laddat till 0%-25%.
LED 1 blinkar.	Batteriet är tomt. Ladda batteriet.

## Batteriladdare



### Anslut batteriladdaren

- Anslut laddaren till den spänning och frekvens som anges på typplåten. Sätt i strömkabeln i ett jordat vägguttag. LED-dioden på batteriladdaren blinkar grönt 1 gång. (Bild 50)
- Batteriet laddas inte om batteritemperaturen är över 50 °C.

### Ansluta batteri till batteriladdare

Kontrollera regelbundet att batteriladdaren och batteriet är hela. Se även anvisningar under rubrik Underhåll.

Innan batteriet används för första gången måste det laddas. Vid leverans är batteriet endast laddat till 30%.

- Anslut laddaren till batteriet. (Bild 50)
- Den gröna lampan på laddaren lyser under laddning. (Bild 51)
- När alla LED lampor lyser på batteriet då är batteriet fulladdat. (Bild 52)
- Koppa isär batteriladdaren från batteriet.
- Dra ut stickkontakten. Dra aldrig i sladden.

## Laddningsstatus

Lithium-jon batterier kan laddas oavsett batteriets laddningsnivå. Laddningsprocessen kan avbrytas eller påbörjas oavsett batteriets laddningsnivå. (Bild 53)

LED display	Laddningsstatus
LED 1 blinkar.	Batteriet laddat till 0%-25%.
LED 1 lyser, LED 2 blinkar.	Batteriet laddat till 25%-50%.
LED 1, LED 2 lyser, LED 3 blinkar.	Batteriet laddat till 50%-75%.
LED 1, LED 2, LED 3 lyser, LED 4 blinkar.	Batteriet laddat till 75%-100%
LED 1, LED 2, LED 3, LED 4 lyser.	När alla LED lampor lyser på batteriet då är batteriet fulladdat.

## Transport och förvaring

- De medföljande litium-jon-batterierna är föremål för kraven i lagstiftningen för farligt gods.
- Särskilda krav på paketering och märkning måste följas för kommersiella transporter med till exempel tredje parter eller speditörer.
- En expert inom farligt gods måste tillfrågas inför förberedelse av föremålet som ska fraktas. Uppmärksamma också eventuellt mer detaljerade nationella föreskrifter.
- Tejpa eller täck öppna kontakter och förpacka batteriet på ett sådant sätt att det inte kan röra sig i förpackningen.
- Avlägsna alltid batteriet vid förvaring eller transporter.
- Förvara batteri och batteriladdare i ett torrt, fukt- och frostfritt utrymme.
- Förvara inte batteriet på ställen där statisk elektricitet kan uppkomma. Förvara aldrig batteriet i en metallåda.
- Förvara batteriet och batteriladdaren där temperaturen är mellan 5 °C och 45 °C och aldrig i direkt solljus.
- Förvara laddaren endast i slutna och torra utrymmen.
- Se till att förvara batteriet skilt från batteriladdaren. Förvara utrustningen i ett låsbart utrymme så att den är oåtkomlig för barn och obehöriga.
- Se till att maskinen är väl rengjord och att fullständig service är utförd innan långtidsförvaring.
- Skärutrustningens transportskydd ska alltid vara monterat under transport eller förvaring av maskinen, för att undvika kontakt med den vassa kedjan av misstag. Även en kedja som inte rör sig kan orsaka allvarliga skador på användaren eller andra personer som kommer åt kedjan.
- Säkra maskinen under transport.



### **Kassering av batteri, batteriladdare och Produkt**

Symbolen på produkten eller dess förpackning indikerar att denna produkt ej kan hanteras som hushållsavfall. Den skall istället överlämnas till passande återvinningsstation för återvinning av elektrisk och elektronisk utrustning.

Genom att se till att denna produkt omhändertas ordentligt kan du hjälpa till att motverka potentiella negativa konsekvenser på miljö och människor, vilka annars kan orsakas genom oriktig avfallshantering av denna produkt. För mer detaljerad information om återvinning av denna produkt, kontakta din kommun, din hushållsavfallsservice eller affären där du köpte produkten.

## Start och stopp



**VARNING!** Innan start måste följande observeras:

Starta ej motorsågen utan att svärd, kedja och samtliga kåpor är monterade. Drivhjulet kan annars lossna och orsaka personskador.

Se till att du står stadigt och att kedjan ej kan ta i något föremål.

Se till att inga obehöriga finns inom arbetsområdet.

- Innan batteriet sätts i maskinen, kontrollera alltid att gasreglaget går lätt och återgår till ursprungsläget när den släpps. För att förhindra ofrivillig aktivering av gasreglaget, är maskinen utrustad med en gasreglagespärr. **(Bild 54)**
- Starta aldrig motorsågen utan att svärd, sågkedja och samtliga kåpor är korrekt monterade. Se anvisningar under rubrik Montering. **(Bild 55)**
- Iaktta omgivningen och var säker på att det inte finns risk att människor eller djur kan komma i kontakt med skärutrustningen. **(Bild 56)**
- Håll alltid motorsågen med båda händerna. Håll den högra handen på det bakre handtaget och den vänstra handen på det främre handtaget. **Alla användare, både höger- och vänsterhänta, skall använda detta grepp.** Håll ett stadigt grepp så att tummarna och fingrarna omsluter motorsågens handtag. **(Bild 57)**

### Start

- Sätt dit batteriet i maskinen. Batteriet ska glida lätt in i batterihållaren på maskinen. Om batteriet inte glider lätt in i batterihållaren på maskinen är batteriet fel insatt. **(Bild 58)**
- Tryck ned batteriet. Du hör ett klick när batteriet låser sig på plats. **(Bild 59)**
- Tryck in och håll inne startknappen (>1 sek.) tills grön LED lyser. **(Bild 60)**

### Stopp

Maskinen avaktiveras genom att trycka på start-/stoppknappen på knappsatsen (grön LED-lampa släcks). **(Bild 60)**

Observera! För att undvika ofrivillig start, måste batteriet alltid tas ur då maskinen inte används eller inte är under uppsikt. För att ta ur batteriet, tryck in batteriets båda snäppfästen och drag ut batteriet. **(Bild 61)**

## Före varje användning: (Bild 62)

- 1 Kontrollera att kedjebromsen fungerar ordentligt och är oskadad.
- 2 Kontrollera att bakre högerhandsskyddet inte är skadat.
- 3 Kontrollera att gasreglagespärren fungerar ordentligt och är oskadad.
- 4 Kontrollera att knappsatsen fungerar ordentligt och är oskadad.
- 5 Kontrollera att samtliga handtag är fria från olja.
- 6 Kontrollera att motorsågens samtliga detaljer är åtdragna och att de inte är skadade eller saknas.
- 7 Kontrollera att kedjefångaren sitter på plats och är oskadad.
- 8 Kontrollera kedjespänningen.
- 9 Kontrollera att batteriet är fulladdat och sitter fast ordentligt i motorsågen.
- 10 Kontrollera att sågkedjan stannar när gasreglaget släpps.

## SavE

Maskinen är utrustad med en energisparfunktion (savE). Denna funktion aktiveras genom att trycka på savE-knappen på knappsatsen. Med savE-funktionen aktiverad förlängs maskinens körtid då sågkedjehastigheten minskas. (Bild 63)

Observera! Att använda maskinen med SavE-funktionen aktiverad minskar enbart sågkedjans hastighet och inte maskinens sågkraft.

## Allmänna arbetsinstruktioner

### VIKTIGT!

Detta avsnitt behandlar grundläggande säkerhetsregler för arbete med motorsåg. Given information kan aldrig ersätta den kunskap en yrkesman besitter i form av utbildning och praktisk erfarenhet. När du råkar ut för en situation som gör dig osäker angående fortsatt användning skall du rådfråga en expert. Vänd dig till din motorsågsaffär, din serviceverkstad eller en erfaren motorsågsanvändare. Undvik all användning du anser dig otillräckligt kvalificerad för!

Före användning av motorsågen måste du förstå vad kast innebär och hur de kan undvikas. Se anvisningar under rubrik Kastförebyggande åtgärder.

Före användning av motorsågen måste du förstå skillnaden i att såga med svärdets undersida respektive dess översida. Se anvisningar under rubrik Kastförebyggande åtgärder och Maskinens säkerhetsutrustning.

Använd personlig skyddsutrustning. Se anvisningar under rubrik "Personlig skyddsutrustning".

## Grundläggande säkerhetsregler

- 1 lakta omgivningen:
  - För att säkerställa att inte människor, djur eller annat kan påverka din kontroll över maskinen.
  - För att förhindra att de förutnämnda inte riskerar att komma i kontakt med sågkedjan eller träffas av ett fallande träd och skadas.

OBS! Följ ovannämnda punkter men använd aldrig en motorsåg utan möjlighet att kunna påkalla hjälp i händelse av olycka.

- 2 Undvik användning vid ogyynnsamma väderleksförhållanden. Exempelvis tät dimma, kraftigt regn, hård vind, stark kyla, osv. Att arbeta i dåligt väder är tröttsamt och kan skapa farliga omständigheter, exempelvis halt underlag, åska, påverkande på trädets fallriktning, m.m.
- 3 Var ytterst försiktig vid avsågning av smågrenar och undvik att såga i buskar (= många smågrenar samtidigt). Smågrenar kan efter avsågning fastna i sågkedjan, slungas mot dig och orsaka allvarlig personskada.
- 4 Se till att du kan gå och stå säkert. Titta efter eventuella hinder vid en oväntad förflyttning (rötter, stenar, grenar, gropar, diken, osv.). lakta stor försiktighet vid arbete i sluttande terräng.
- 5 Var ytterst försiktig vid sågning i träd som är spända. Ett spänt träd kan både före och efter genomsågning sprätta tillbaka till sitt normalläge. Felaktig placering av dig och sågsnittet kan leda till att trädet träffar dig eller maskinen så att du tappar kontrollen. Båda omständigheterna kan orsaka allvarlig personskada. (Bild 64)
- 6 Vid förflyttning skall sågkedjan låsas med kedjebromsen och motorsågen avaktiveras. Bär motorsågen med svärd och sågkedja bakåt. Vid längre förflyttningar samt transporter skall svärdsskyddet användas.
- 7 När du ställer ner motorsågen på marken, lås sågkedjan med kedjebromsen och se till att ha uppsikt över maskinen. Vid längre tids "parkering" skall maskinen avaktiveras och batteriet tas ur.



**WARNING! Ibland fastnar spån i drivsystemet vilket kan leda till att sågkedjan kör fast. Avaktivera alltid maskinen och tag ur batteriet vid rengöring.**

## Grundregler

- 1 Genom att förstå vad kast innebär och hur det uppkommer, kan du reducera eller eliminera överraskningsmomentet. Överraskning ökar olycksrisken. De flesta kast är små, men en del är blixtnabba och mycket våldsamma.
- 2 Håll alltid motorsågen i ett stadigt grepp med höger hand på bakre handtaget och vänster hand på främre handtaget. Tummar och fingrar skall omsluta

handtagen. Alla användare oavsett vänster- eller höger-fattade, ska använda detta grepp. Genom detta grepp kan du bäst reducera effekten av ett kast och samtidigt behålla kontrollen över motorsågen. **Släpp inte handtagen! (Bild 65)**

- 3 De flesta kastolyckor inträffar vid kvistning. Se till att du står stadigt och att inga föremål på marken kan få dig att snubbla eller att tappa balansen.

Genom oaksamhet kan svärdets kastrisksektor oavsiktligt träffa en gren, ett närliggande träd eller ett annat föremål, och framkalla ett kast.

Ha kontroll över arbetsstycket. Om styckena du sågar är små och lätta, kan de fastna i sågkedjan och slungas mot dig. Även om detta i sig inte behöver vara farligt, kan du bli överraskad och tappa kontrollen över sågen. Såga aldrig staplade stockar eller grenar utan att först dra isär dem. Såga endast en stock eller ett stycke åt gången. Ta bort de avsågade styckena för att hålla ditt arbetsområde säkert. **(Bild 74)**

- 4 **Använd aldrig motorsågen över skulderhöjd och undvik att såga med svärdsspetsen. Använd aldrig motorsågen med enhandsfattning! (Bild 66)**

- 5 För att ha full kontroll över din motorsåg krävs att du står stabilt. Arbeta aldrig stående på en stege, uppe i ett träd eller där du inte har ett stabilt underlag att stå på. **(Bild 67)**

- 6 Såga med hög kedjehastighet, dvs. med fullgas.

- 7 Var ytterst försiktig när du sågar med svärdets översida, dvs. när du sågar från sågobjektets undersida. Detta kallas att såga med skjutande sågkedja. Sågkedjan skjuter då motorsågen bakåt mot användaren. Om sågkedjan kläms fast kan motorsågen kastas bakåt mot dig. **(Bild 68)**

- 8 Om inte användaren håller emot motorsågens stråvan, finns det en risk att motorsågen skjuts så långt bakåt att svärdets kastrisksektor är den enda kontakten med trädet, vilket leder till ett kast. **(Bild 69)**

Att såga med svärdets undersida, dvs. att såga från sågobjektets ovansida och ner, kallas att såga med dragande sågkedja. Då dras motorsågen mot trädet och motorsågkroppens framkant blir ett naturligt stöd mot stammen. Sågning med dragande sågkedja ger användaren bättre kontroll över motorsågen samt över var svärdets kastrisksektor befinner sig. **(Bild 70)**

- 9 Följ filnings- och underhållsinstruktioner för svärd och sågkedja. Vid byte av svärd och sågkedja får endast av oss rekommenderade kombinationer användas. Se anvisningar under rubrikerna Skärutrustning och Tekniska data.

## Grundläggande sågningsteknik



**WARNING! Använd aldrig en motorsåg genom att hålla den med ena handen. En motorsåg är inte säkert kontrollerad med en hand. Ha alltid ett fast, stadigt grepp om handtagen med båda händerna.**

### Allmänt

- Ha alltid fullgas vid all sågning!
- Släpp gasreglaget efter varje sågsnitt (att köra motorn för länge på full effekt utan belastning, dvs. utan motståndet som motorn upplever via sågkedjan vid sågning, leder till allvarlig motorskada).
- Att såga ovanifrån = Att såga med "dragande" sågkedja.
- Att såga underifrån = Att såga med "skjutande" sågkedja.

Sågning med "skjutande" sågkedja innebär ökad kastrisk. Se anvisningar under rubrik Kastförebyggande åtgärder.

### Benämningar

Kvistning = Kapa av grenar från ett fällt träd.

Spjälkning = När det objekt som du skall kapa bryts av innan sågsnittet är fullbordat.

### Inför varje kapning finns det fem mycket viktiga faktorer att ta hänsyn till:

- 1 Skärutrustningen får inte klämmas fast i sågsnittet. **(Bild 71)**
- 2 Sågningsobjektet får inte spjälkas. **(Bild 72)**
- 3 Sågkedjan får inte träffa marken eller annat föremål under och efter genomgången. **(Bild 73)**
- 4 Föreligger kastrisk? **(Bild 4)**
- 5 Kan terrängen och omgivningens utseende påverka hur stabilt och säkert du kan gå och stå?

Att sågkedjan kläms fast eller att sågobjektet spjälkas orsakas av två faktorer: Vilket stöd sågobjektet har före och efter kapning samt om sågobjektet befinner sig i spänning.

Förutnämnda oönskade företeelser kan i de flesta fall undvikas genom att utföra kapningen i två steg, både från över- resp. undersidan. Det gäller att neutralisera sågobjektets "vilja" att klämma fast sågkedjan eller att spjälkas.



**WARNING! Om sågkedjan klämts fast i sågsnittet: avaktivera maskinen! Försök inte rycka loss maskinen. Om du gör det kan du skada dig på sågkedjan när maskinen plötsligt lossnar. Använd en hävarm för att få loss maskinen.**

Den listning som nu följer är en teoretisk genomgång av hur de vanligaste situationerna en motorsågsanvändare kan råka ut för skall hanteras.

# ARBETSTEKNIK

## Kapning



**WARNING! Försök aldrig såga stockar när de är travade eller när ett par stockar ligger tätt ihop. Sådana tillvägagångssätt ökar drastiskt risken för kast som kan resultera i en allvarlig eller livshotande skada.**

Om du har en trave stockar, skall varje stock som du tänker kapa tas bort från traven, placeras på en sågbock eller löpare och kapas för sig.

Ta bort de kapade styckena från arbetsområdet. Genom att lämna dem i arbetsområdet, ökar du både risken för att av misstag få ett kast, och risken för att tappa balansen när du arbetar. **(Bild 74)**

**Stocken ligger på marken.** Ingen risk för fastklämning av sågkedjan eller spjälkning av sågobjektet föreligger. Risken är dock stor att sågkedjan träffar marken efter genomsågning.

Såga ovanifrån genom hela stocken. Var försiktig under slutet av sågsnittet för att undvika att sågkedjan träffar marken. Behåll fullgas men var beredd på vad som kommer att hända.

Om möjlighet finns (= kan stocken roteras?) bör sågsnittet avslutas 2/3 in i stocken.

Rotera stocken så att resterande 1/3 kan avslutas ovanifrån. **(Bild 75)**

**Stocken har stöd i ena änden.** Stor risk för spjälkning. Börja med att såga underifrån (ca 1/3 av stockdiametern).

Avsluta ovanifrån så att sågskären möts. **(Bild 76)**

**Stocken har stöd i båda ändar.** Stor risk för fastklämning av sågkedjan.

Börja med att såga ovanifrån (ca 1/3 av stockdiametern).

Avsluta underifrån så att sågskären möts. **(Bild 77)**

## Trädfällningsteknik

**VIKTIGT!** Det krävs mycket erfarenhet för att fälla ett träd. En oerfaren motorsågsanvändare skall inte fälla träd. Undvik all användning du anser dig otillräckligt kvalificerad för!

### Säkerhetsavstånd

Säkerhetsavståndet mellan trädet som skall fällas och närmsta arbetsplats skall vara 2 1/2 trädängder. Se till att ingen befinner sig inom denna "riskzon" före och under fällning. **(Bild 78)**

### Fällriktning

Målsättningen vid trädfällning är att placera trädet på ett sådant sätt att efterföljande kvistning samt uppkapning av stock kan utföras i så "enkel" terräng som möjligt. Man skall kunna gå och stå säkert.

Efter att ha fattat beslut angående i vilken riktning du vill att trädet skall falla måste du göra en bedömning angående trädets naturliga fallriktning.

De faktorer som styr detta är:

- Lutning
- Krokighet
- Vindriktning
- Koncentration av grenar
- Eventuell snötynng
- Hinder inom trädets räckvidd: t.ex. andra träd, kraftledning, vägar och byggnader.
- Titta efter skador och röta i stammen, vilket gör det mer troligt att trädet går av och börjar falla innan du förväntar dig detta.

Efter denna bedömning kan man vara tvungen att låta trädet falla i sin naturliga fallriktning eftersom det är omöjligt eller för riskfyllt att försöka placera det i den riktning man planerat från början.

En annan mycket viktig faktor, som inte påverkar fallriktningen, men din personliga säkerhet, är att kontrollera så att trädet inte har några skadade eller "döda" grenar som kan brytas av och skada dig under fällningsarbetet.

Det som främst skall undvikas är att det fallande trädet fastnar i ett annat. Att ta ner ett fastfällt träd är mycket farligt och innebär en mycket stor olycksrisk. Se anvisningar under rubrik Hantering av ett misslyckat fällningsresultat.

**VIKTIGT!** Vid kritiska fällningsmoment bör hörselskydden vara uppfällda så snart sågningen upphört, så att ljud och varningssignaler kan uppmärksammas.

### Underkvistning och reträttväg

Kvista av stammen upp till axelhöjd. Det är säkrast att arbeta uppiifrån och ned och att ha stammen mellan dig och motorsågen. **(Bild 79)**

Rensa upp undervegetationen runt trädet och ge akt på eventuella hinder (stenar, grenar, gropar, osv.) så att du har en lättframkomlig reträttväg när trädet börjar falla. Reträttvägen bör ligga ca 135° snett bakåt från trädets planerade fallriktning. **(Bild 80)**

- 1 Riskzon
- 2 Reträttväg
- 3 Fällriktning

## Fällning



**WARNING! Vi avråder otillräckligt kvalificerade användare från att fälla ett träd med en svärds längd som är mindre än stamdiametern!**

Fällningen utförs med tre sågsnitt. Först görs riktskåret, som består av ett överskär och ett underskär, och sedan avslutas fällningen med fällskåret. Genom korrekt placering av dessa sågskär kan man styra fallriktningen mycket exakt.

### Riktskär

Vid utsågning av riktskåret börjar man med överskåret. Sikta efter sågens fallriktmärken (1) mot ett mål längre fram i terrängen, där du vill att trädet skall falla (2). Stå på höger sida om trädet, bakom sågen, och såga med dragande sågkedja.

Såga sedan underskåret så att det avslutas exakt där överskåret avslutats. (Bild 81)

Riktskårsdjupet skall vara 1/4 av stamdiametern och vinkeln mellan över- och underskär minst 45°.

De båda skärens möte kallas riktskårslinje. Riktskårslinjen skall ligga exakt horisontalt och samtidigt bilda en rät vinkel (90°) mot vald fallriktning. (Bild 82)

### Fällskär

Fällskåret sågas från andra sidan av trädet och måste ligga absolut horisontalt. Stå på vänster sida om trädet och såga med dragande sågkedja.

Placera fällskåret ca 3-5 cm (1,5-2 tum) över riktskårets horisontalplan. (Bild 83)

Sätt i barkstödet (om något är påmonterat) bakom brytmånen. Såga med fullgas och för sågkedjan/svärdet sakta in i trädet. Var observant på om trädet rör sig i motsatt riktning till vald fallriktning. Sätt i en fällkil eller ett brytjärn i fällskåret så snart skärddjupet tillåter. (Bild 84)

Fällskåret skall avslutas parallellt med riktskårslinjen så att avståndet mellan de båda är minst 1/10 av stamdiametern. Den icke genomsågade delen av stammen kallas brytmån.

Brytmånen fungerar som ett gångjärn som styr riktningen av det fallande trädet. (Bild 85)

All kontroll över trädets fallriktning förloras om brytmånen är för liten eller genomsågad eller om riktskär och fällskär är felplacerade. (Bild 86)

När fällskåret och riktskåret är fullbordade skall trädet börja falla av sig själv eller med hjälp av fällkilen eller brytjärnet. (Bild 87)

Vi rekommenderar användande av en svärds längd som överstiger trädets stamdiameter, så att fall- och riktskär kan utföras med ett s.k. "enkelt sågsnitt". Se anvisningar under rubrik Tekniska data angående vilka svärds längder som rekommenderas för din motorsågsmodell. (Bild 88)

Det finns metoder för fällning av träd med stamdiameter större än svärds längden. Dessa metoder medför en mycket stor risk att svärdets kastrisksektor kommer i kontakt med ett föremål. (Bild 4)

## Hantering av ett misslyckat fällningsresultat

### Nedtagning av ett "fastfällt träd"

Att ta ner ett fastfällt träd är mycket farligt och innebär en mycket stor olycksrisk.

Försök aldrig att såga ner det påfällda trädet.

Arbeta aldrig inom riskområdet för hängande fastfällda träd. (Bild 89)

Den säkraste metoden är att använda en vinsch.

- Traktormonterad (Bild 90)
- Bärbar (Bild 91)

### Sågning i träd och grenar som befinner sig i spänning

Förberedelser: Bedöm i vilken riktning spänningen strävar samt var den har sin brytpunkt (dvs. det ställe där den skulle brytas av om den spändes ytterligare). (Bild 92)

Avgör hur du säkrast frigör spänningen och om du klarar av att göra det. Vid extra komplicerade situationer är den enda säkra metoden att avstå från motorsågsanvändning och använda en vinsch.

### Generellt gäller:

Placera dig så att du inte riskerar att träffas av trädet/grenen när spänningen frigörs. (Bild 93)

Gör ett eller flera sågsnitt på eller i närheten av brytpunkten. Såga så djupt in i och med så många sågsnitt som krävs för att spänningen i trädet/grenen skall frigöras så lagom att trädet/grenen "bryts" av vid brytpunkten. (Bild 94)

### Såga aldrig helt igenom ett objekt som befinner sig i spänning!

Om du måste såga igenom trädet/kvisten, gör två eller tre skär med 3 cm mellanrum och 3-5 cm djup. (Bild 95)

Fortsätt att såga djupare tills trädets/kvistens bändning och spänning frigörs. (Bild 96)

Såga trädet/kvisten från den motsatta sidan, efter att spänningen har frigjorts.

## Kastförebyggande åtgärder



**WARNING! Kast kan vara blixtsnabb, plötsliga och våldsamma och kan kasta motorsåg, svärd och sågkedja mot användaren. Är sågkedjan i rörelse när och om den träffar användaren kan mycket allvarlig, till och med livshotande skada uppstå. Det är nödvändigt att förstå vad som orsakar kast och att de kan undvikas genom försiktighet och rätt arbetsteknik.**

## Vad är kast?

Kast är benämningen på en plötslig reaktion där motorsåg och svärd kastas från ett föremål som kommit i kontakt med svärdsspetsens övre kvadrant, den s.k. kastrisksektorn. (Bild 69)

Kast färdas alltid i svärdsplanets riktning. Vanligast är att motorsåg och svärd kastas uppåt och bakåt mot användaren. Dock förekommer andra kastriktningar beroende på vilket läge motorsågen har i det ögonblick svärdets kastrisksektor kommer i kontakt med ett föremål.

Kast kan endast inträffa när svärdets kastrisksektor kommer i kontakt med ett föremål. (Bild 4)

## Kvistning



**WARNING! De flesta kastolyckor inträffar vid kvistning. Använd inte svärdets kastrisksektor. Var ytterst försiktig och undvik att svärdsspetsen kommer i kontakt med stocken, andra grenar eller föremål. Var ytterst försiktig med grenar som befinner sig i spänning. De kan fjädra tillbaka mot dig och orsaka att du tappar kontrollen, vilket kan resultera i skador.**

Se till att du kan gå och stå säkert! Arbeta från den vänstra sidan av stammen. Arbeta så nära motorsågen som möjligt för bästa kontroll. När så tillåtes skall du låta sågens tyngd vila på stammen.

Förflytta dig endast då du har stammen mellan dig och motorsågen. (Bild 97)

## Uppkapning av stammen till stock

Se anvisningar under rubrik Grundläggande sågningsteknik.

# UNDERHÅLL

## Allmänt

Användaren får endast utföra sådana underhålls- och servicearbeten som beskrivs i denna bruksanvisning. Mer omfattande ingrepp skall utföras av en auktoriserad serviceverkstad.

## Kontroll, underhåll och service av motorsågens säkerhetsutrustning



**WARNING! Tag alltid ur batteriet innan montering, underhåll och/eller kontroll utförs på maskinen.**

Observera! All service och reparation av maskinen kräver specialutbildning. Detta gäller särskilt maskinens säkerhetsutrustning. Om maskinen inte klarar någon av nedan listade kontroller rekommenderar vi dig att uppsöka din serviceverkstad.

Viktigt! Rengör aldrig batteriet eller batteriladdaren med vatten. Starka rengöringsmedel kan skada plasten.

## Kedjebroms med kastskydd

### Kontroll av kastskydd

- Kontrollera att kastskyddet är helt och utan synbara defekter, t ex materialsprickor. **(Bild 98)**
- För kastskyddet fram och åter för att kontrollera att det går lätt samt att det är stabilt förankrat på maskinen. **(Bild 99)**

### Kontroll av tröghetsfunktionen

- Håll motorsågen, avaktiverad, över en stubbe eller ett annat stabilt föremål. Släpp främre handtaget och låt motorsågen falla av egen tyngd, roterande runt bakre handtaget, mot stubben. **(Bild 100)**

**Då svärdsspetsen träffar stubben ska bromsen lösa ut.**

### Kontroll av bromsverkan

- Aktivera motorsågen. Se till att sågkedjan ej kan komma i kontakt med marken eller annat föremål. Se anvisningar under rubrik Start och stopp.
- Håll motorsågen i ett stadigt grepp med tummar och fingrar slutna om handtagen. **(Bild 65)**
- Ge fullgas och aktivera kedjebromsen genom att vrida vänster handled mot kastskyddet. Släpp inte främre handtaget. **Kedjan ska omedelbart stoppas. (Bild 101)**

## Gasreglagespär

- Kontrollera att gasreglaget är låst i tomgångsläge när gasreglagespärren är i sitt ursprungsläge. **(Bild 102)**

- Tryck in gasreglagespärren och kontrollera att den återgår till sitt ursprungsläge när den släpps. **(Bild 103)**
- Kontrollera att gasreglaget och gasreglagespärren går lätt samt att deras returfjädersystem fungerar. **(Bild 104)**
- Aktivera motorsågen och ge fullgas. Släpp gasreglaget och kontrollera att sågkedjan stannar och förblir stillastående.

## Kedjefångare

- Kontrollera att kedjefångaren är hel och att den sitter fast i motorsågkroppen. **(Bild 105)**

## Knapsats

- Aktivera motorsågen och kontrollera att den avaktiveras då start-/stoppknappen trycks in (grön LED-lampa släcks). **(Bild 106)**

## Batteriets kontaktstycken

Rengör batteriet och maskinens batterifack med en mjuk borste efter användning. Se till att alla kylspår och kontaktstycken rengörs. **(Bild 107)**

## Kylsystem

För att erhålla en så låg driftstemperatur som möjligt är maskinen utrustad med ett kylsystem.

Kylsystemet består av:

- 1 Luftintag (på vänster sida av maskinen).
  - 2 En fläkt på elmotorn.
- Rengör kylsystemet med en borste en gång per vecka, vid svårare förhållanden oftare. Ett smutsigt eller igensatt kylsystem leder till överhettning vilket kan skada maskinen. **(Bild 108)**

## Batteri

- Kontrollera att batteriet inte är skadat eller deformerat och utan synbara defekter, t ex materialsprickor. **(Bild 109)**

## Batteriladdare

- Kontrollera att batteriladdaren och strömkabeln inte är skadad eller deformerad och utan synbara defekter, t ex materialsprickor. **(Bild 110)**



# UNDERHÅLL

## Underhållsschema

Nedan följer en lista över den skötsel som skall utföras på maskinen. De flesta av punkterna finns beskrivna i avsnittet Underhåll.

Daglig tillsyn	Veckotillsyn	Månadstillsyn
Rengör maskinen utvändigt.	Fila bort eventuella grader på svärdets sidor.	Kontrollera kontakterna mellan maskin och batteri samt mellan laddare och batteri.
Kontrollera att gasreglagets ingående delar fungerar säkerhetsmässigt. (Gasreglagespär och gasreglage.)		Töm oljetanken och rengör den invändigt.
Rengör kedjebromsen och kontrollera dess funktion ur säkerhetssynpunkt. Kontrollera att kedjefångaren är oskadad, byt om erforderligt.		Blås försiktigt igenom maskinens och batteriets kylspår med tryckluft.
Svärdet skall dagligen vändas för jämnare slitage. Kontrollera att hålet för smörjningen i svärdet inte är igensatt. Rengör kedjespåret. År svärdet försett med nostrissa smörjes denna.		
Kontrollera att svärd och kedja får tillräckligt med olja.		
Kontrollera sågkedjan med avseende på synliga sprickor i nitar och länkar, om sågkedjan är stel eller om nitar och länkar är onormalt slitna. Byt om det behövs.		
Skärp kedjan och kontrollera dess spänning och kondition. Kontrollera att kedjedrivhjulet inte är onormalt slitet, byt om erforderligt.		
Rengör maskinens luftintag.		
Kontrollera att skruvar och muttrar är åtdragna.		
Kontrollera att knappsatsen fungerar ordentligt och är oskadad.		

# UNDERHÅLL

## Felsökningsschema

### Knappsats

Möjliga felkoder på maskinens knappsats.

Knappsats	Möjliga felkoder	Möjlig åtgärd
Varningsindikatorn blinkar.	Kedjebromsen är tillslagen.	Återställ kedjebromsen genom att föra kastskyddet mot handtagsbygeln.
	Temperaturavvikelse.	Låt maskinen kyla ned sig.
	Överbelastning. Skärutrustningen har fastnat.	Skärutrustningen har fastnat. Frigör skärutrustningen.
	Gasreglage och aktiveringsknapp hålls in samtidigt.	Släpp på gasreglaget och maskinen är aktiverad.
Grön aktiverings LED-lampa blinkar.	Låg batterispänning.	Ladda batteriet.
Varningsindikator lyser med fast sken.	Service	Kontakta din serviceverkstad.

### Batteri

Felsökning på batteriet och/eller på batteriladdaren under laddning.

LED display	Möjliga felkoder	Möjlig åtgärd
Varningsindikatorn blinkar.	Batteriet är urladdat.	Ladda batteriet.
	Temperaturavvikelse.	Använd batteriet när omgivningstemperaturen är mellan -10 °C och 60 °C.
	Överspänning.	Kontrollera att nätspänningen stämmer med den som anges på typskylten som sitter på maskinen. Koppa isär batteriladdaren från batteriet.
Varningsindikator lyser med fast sken.	Förändringar i battericeller, 1V.	Kontakta din serviceverkstad.

### Batteriladdare

LED display	Möjliga felkoder	Möjlig åtgärd
Varningsindikatorn blinkar.	Temperaturavvikelse.	Låt laddaren svalna (passiv kylning).
Varningsindikator lyser med fast sken.	Permanent skada.	Kontakta din serviceverkstad.

# TEKNISKA DATA

## Tekniska data

136Li

### Motor

Typ 36V Borstmotor

### Funktioner

Lågenergi-läge savE

### Smörjsystem

Typ av oljepump Automatisk

Volym oljetank, liter/cm<sup>3</sup> 0,20/200

### Vikt

Motorsåg utan svärd och kedja, batteri, tom kedjeoljetank, kg 4,8

### Bulleremissioner (se anm. 1)

Ljudeffektnivå, uppmätt dB(A) 97,3

Ljudeffektnivå, garanterad L<sub>WA</sub> dB(A) 101

Respektive osäkerhet KpA, dB(A) 3,0

### Ljudnivåer (se anm. 2)

Ekvivalent ljudtrycksnivå vid användarens öra, dB(A) 86

### Vibrationsnivåer (se anm. 3)

Främre handtag, m/s<sup>2</sup> 3,61

Bakre handtag, m/s<sup>2</sup> 2,25

Respektive osäkerhet K, m/s<sup>2</sup> 1,5

### Ekvivalenta vibrationsnivåer (se anm. 4)

Främre handtag, m/s<sup>2</sup> 2,29

Bakre handtag, m/s<sup>2</sup> 1,58

### Kedja/svärd

Rekommenderade svärdsängder, tum/cm 12/30

Effektiv skärlängd, tum/cm 10/26

Typ av drivhjul/antal tänder Spur/6

Maximal kedjehastighet / (savE), m/s 11 (10)

Godkända batterier för motorsågsmodellerna ovan		
Batteri	BLi110	BLi150
Typ	Lithium-Ion	Lithium-Ion
Batterikapacitet, Ah	3,0	4,2
Spänning, V	36	36
Vikt, kg	1,2	1,3

Batteriladdare som passar till specificerade batterier, BLi.			
Batteriladdare	QC80	QC120	QC330
Nätspänning, V	100-240	220-240	100-240
Frekvens, Hz	50-60	50-60	50-60
Effekt, W	80	125	330

Anm. 1: Emission av buller till omgivningen uppmätt som ljudeffekt (L<sub>WA</sub>) enligt EG-direktiv 2000/14/EG.

Anm. 2: Ekvivalent ljudtrycksnivå, enligt ISO 22868, beräknas som den tidsviktade energisumman för ljudtrycksnivåerna vid olika driftstillstånd. Typiskt spridningsmått för ekvivalent ljudtrycksnivå är en standardavvikelse på 1 dB (A).

Anm. 3: Vibrationsnivå, enligt EN 60745-2-13. Redovisade data för vibrationsnivå har ett typiskt spridningsmått (standardavvikelse) på m/s<sup>2</sup>. Deklarerade vibrationsdata från mätningar med maskinen utrustad med en svärdsängd och rekommenderad kedjetyp. Utrustas maskinen med annan svärdsängd kan vibrationsnivå påverkas med maximalt ± 1,5 m/s<sup>2</sup>.

Anm. 4: Ekvivalent vibrationsnivå mäts och beräknas beträffande förbränningsmotordrivna motorsågar. Dessa siffror är angivna för att kunna jämföra vibrationsdata oavsett typ av motor.



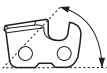
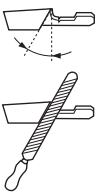

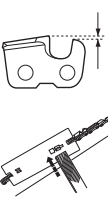
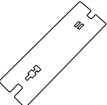

# TEKNISKA DATA

## Svärd och kedjekombinationer

Nedanstående skärutrustningar är typgodkända för modellen Husqvarna 136Li.

Sågsvärd				Sågkedja	
Längd, tum	Delning, tum	Spårbredd, mm	Max antal tänder, noshjul	Typ	Längd, drivlänkar (st)
12	3/8	1,1	9T	Husqvarna H38	45

## Sågkedjans filning och filmallar

							
38	11/64 / 4,5	90°	30°	0°	0.025 / 0,65	5056981-03	5795588-01

## EG-försäkran om överensstämmelse

### (Gäller endast Europa)

Husqvarna AB, SE-561 82 Huskvarna, Sverige, tel: +46-36-146500, försäkrar härmed att de sladdlösa batterimotorsågarna **Husqvarna 136Li** från 2016 års serienummer och framåt (året anges i klartext på typskylten plus ett efterföljande serienummer) motsvarar föreskrifterna i RÅDETS DIREKTIV:

- av den 17 maj 2006 "angående maskiner" **2006/42/EG**.
- av den 26 februari 2014 "angående elektromagnetisk kompatibilitet" **2014/30/EU**.
- av den 12 december 2006 "angående elektrisk utrustning konstruerad för användning inom vissa spänningsgränser" **2006/95/EC**.
- av den 6 september 2006 "angående batterier och ackumulatorer och avfallshantering av batterier och ackumulatorer" **2006/66/EC**.
- av den 8 maj 2000 "angående emission av buller till omgivningen" **2000/14/EG**.

Följande standarder har tillämpats: **EN 60745-1, EN 60745-2-13, EN 60335-2-29, EN 55014-1, EN 55014-2**.

Anmält organ: **NB905, Intertek Deutschland GmbH**, Stagenstraße 1, 70771 Leinfelden-Echterdingen, Tyskland, har utfört en EG-typkontroll enligt maskindirektiv (2006/42/EG) artikel 12, punkt 3b. Intygen om EG-typkontroll enligt bilaga IX, har nummer: **NB905 15SHW0344-01**.

För information angående bulleremissionerna, se kapitel Tekniska data.

Den levererade motorsågen överensstämmer med det exemplar som genomgick EG-typkontroll.

Huskvarna, 30 mars 2016



Lars Roos, Utvecklingschef

(Bemyndigad representant för Husqvarna AB samt ansvarig för tekniskt underlag.)

# SYMBOLFORKLARING

## Symboler på maskinen:

Oversættelse af engelsk udgave af den originale svenske betjeningsvejledning.

**ADVARSEL!** Motorsave kan være farlige! Skødesløs eller forkert brug kan resultere i alvorlige skader eller medføre døden for brugeren eller andre.

Læs brugsanvisningen omhyggeligt igennem og forstå indholdet, inden du bruger maskinen.

Brug altid:

- Godkendt beskyttelseshjelm
- Godkendt hørevern
- Beskyttelsesbriller eller ansigtsværn

Dette produkt er i overensstemmelse med gældende CE-direktiv.

Støjemissioner til omgivelserne i henhold til EF-direktiv. Maskinens emission fremgår af kapitlet Tekniske data og af en mærkat.

Operatøren skal bruge begge hænder til at håndtere motorsaven.

Anvend aldrig en motorsav med én hånd.

Lad aldrig sværdspidsen komme i kontakt med andre genstande.

**ADVARSEL!** Der kan opstå kast, hvis sværdspidsen kommer i kontakt med genstande og forårsager en reaktion, så sværdet kastes opad og tilbage mod brugeren. Dette kan medføre alvorlig personskade.

Savkædens rotationsretning og sværdets maksimale længde.

Kædebremse, aktiveret (højre)  
Kædebremse, ikke aktiveret (venstre)



Kædeoliepåfyldning.

**Miljømærkning.** Symbolet på produktet eller emballagen angiver, at dette produkt ikke må behandles som almindeligt husholdningsaffald. Produktet skal i stedet afleveres på en genbrugsstation, hvor de elektriske og elektroniske dele kan genvindes.

Direkte strøm.

Må ikke udsættes for regn

**Andre symboler/etiketter på maskinen gælder specifikke krav for certificering på visse markeder.**

## Symboler på batteriet og/eller på batteriladeren:

Dette produkt skal bortskaffes på et godkendt opsamlingssted.

Fejlsikker transformere

Batteriladeren må kun anvendes og opbevares indendørs.

Dobbelt isolering



# SYMBOLFORKLARING

Følgende mærkater findes på maskinen, batteriet og batteriladeren.

**WARNING**  
Read and follow all safety precautions in the owner's manual. Failure to follow instructions could result in serious injury to user. Contact of the guide bar to any object should be avoided. Tip contact may cause the guide bar to move suddenly towards the operator, which may cause serious injury to user. Two hands are always to be used in operation of the chain saw. Use only identical replacement bar and chain components manufactured by Husqvarna. Use only Husqvarna Battery type BLI.

**AVERTISSEMENT**  
Consultez et respectez les consignes de sécurité contenues dans le manuel de l'utilisateur. Le non-respect de ces instructions peut entraîner de graves blessures chez l'utilisateur. Éviter tout contact entre le nez du guide-chaîne et un objet. Tout contact avec le nez peut entraîner des mouvements brusques du guide-chaîne vers le haut ou vers le bas susceptibles de provoquer l'éclat de l'utilisateur. L'opérateur doit toujours utiliser ses deux mains lorsqu'il fait fonctionner la tronçonneuse. Utilisez uniquement des pièces de rechange du guide-chaîne et de la chaîne homologuées par Husqvarna. Utilisez uniquement une batterie Husqvarna de type BLI.

**ADVERTENCIA**  
Lee y siga todas las precauciones de seguridad especificadas en el manual de instrucciones. El cumplimiento de estas instrucciones podría evitar lesiones personales de gravedad. Debe evitarse que la punta de la espada entre en contacto con cualquier objeto. El contacto con la punta podría provocar un movimiento repentino hacia arriba y hacia abajo de la espada, que podría causar graves lesiones personales. La maniobra siempre debe manejarse con las dos manos. Utilice únicamente componentes de sustitución de la espada y la cadena homologada a los originales y fabricados por Husqvarna. Utilice únicamente una batería de tipo BLI de Husqvarna.

587134101

**Husqvarna** Class 2C Chainsaw

36V --- 136Li Article No. XXXXXXXXX  
Serial No. XXXXXX-XX  
PNC No. XXXXXX-XX

HUSQVARNA AB, SE-561 82 HUSQVARNA, SWEDEN

**Husqvarna AB**  
S-561 82 Huskvarna, Sweden

Type BLI ---  
Art.no. ---  
36V = / Ah Li Ion --- Wh  
10INR19/66-2

Rechargeable Li-Ion Battery

**Husqvarna AB**  
S-561 82 Huskvarna, Sweden  
Type: QC

Art.No. ---  
Input: --- V- / --- Hz / 100W max.  
Output: 36V = / 2A  
Class 2 battery charger

serial-no.:

## Indhold

### SYMBOLFORKLARING

Symboler på maskinen: ..... 61

Symboler på batteriet og/eller på batteriladeren: . 61

### INDHOLD

Indhold ..... 63

### INDLEDNING

Til vore kunder! ..... 64

### HVAD ER HVAD?

Hvad er hvad på motorsaven? ..... 64

### GENERELLE SIKKERHEDSINSTRUKTIONER

Generelle sikkerhedsadvarsler om elektrisk værktøj ..... 65

Forberedelser, inden en ny motorsav tages i brug 67

Vigtigt ..... 68

Brug altid din sunde fornuft ..... 68

Personligt beskyttelsesudstyr ..... 68

Maskinens sikkerhedsudstyr ..... 68

Batteri og batterilader ..... 70

Skæreudstyr ..... 71

### MONTERING

Montering af sværd og kæde ..... 74

### HÅNDTERING AF BATTERI

Batteristatus ..... 75

Batteriladere ..... 75

Transport og opbevaring ..... 75

Bortskaffelse af batteriet, batteriladeren og maskinen ..... 76

### START OG STOP

Start og stop ..... 77

### ARBEJDSTEKNIK

Før hver anvendelse: ..... 78

SavE ..... 78

Generelle arbejdsinstruktioner ..... 78

Kastforebyggende foranstaltninger ..... 82

### VEDLIGEHOLDELSE

Generelt ..... 83

Kontrol, vedligeholdelse og service af motorsavens sikkerhedsudstyr ..... 83

Batteritilslutninger ..... 83

Kølesystem ..... 83

Batteri ..... 83

Batteriladere ..... 83

Vedligeholdelseskema ..... 84

Fejlsøgningsskema ..... 85

### TEKNISKE DATA

Tekniske data ..... 86

Sværd- og kædekombinationer ..... 87

Slibeskalaer og slibning af savkæde ..... 87

EF-overensstemmelseserklæring ..... 87

# INDLEDNING

## Til vore kunder!

Til lykke med dit Husqvarna-produkt! Husqvarna har en historie, der går tilbage til 1689, da kong Karl XI lod opføre en fabrik på bredden af Huskvarna-åen til fremstilling af musketter. Placeringen ved Huskvarna-åen var logisk, da åens vandkraft dermed kunne udnyttes og således fungerede som vandkraftværk. I de mere end 300 år, Husqvarna-fabrikken har eksisteret, er utallige produkter blevet produceret her – lige fra brændekomfurer til moderne køkkenmaskiner, symaskiner, cykler, motorcykler m.m. I 1956 blev den første motorplæneklipper lanceret, den blev efterfulgt af motorsaven i 1959, og det er inden for dette område, Husqvarna i dag gør sig gældende.

Husqvarna er i dag en af verdens førende producenter af skov- og haveprodukter med kvalitet og ydeevne som højeste prioritet. Forretningsideen er at udvikle, fremstille og markedsføre motordrevne produkter til skov- og havebrug samt til bygge- og anlægsindustrien.

Husqvarnas mål er også at være på forkant hvad gælder ergonomi, brugervenlighed, sikkerhed og miljøtænkning, og vi har udviklet mange forskellige finesser for at forbedre produkterne på disse områder.

Vi er overbeviste om, at du vil komme til at sætte pris på vores produkts kvalitet og ydeevne i lang tid fremover. Når du køber vores produkter, får du samtidig adgang til professionel hjælp med reparationer og service, hvis der skulle ske noget. Hvis du ikke har købt maskinen hos en af vores autoriserede forhandlere, skal du spørge efter nærmeste serviceværksted.

Vi håber, at du vil blive tilfreds med din maskine, og at den bliver din ledsager i lang tid fremover. Husk, at denne brugsanvisning er et værdifuldt dokument. Ved at følge brugsanvisningen (brug, service, vedligeholdelse osv.) kan du forlænge maskinens levetid væsentligt og endda forøge dens værdi ved videresalg. Hvis du sælger din maskine, skal du huske at overdrage brugsanvisningen til den nye ejer.

Tak, fordi du har valgt at bruge et produkt fra Husqvarna!

Husqvarna AB forsøger hele tiden at videreudvikle sine produkter og forbeholder sig derfor ret til ændringer af bl.a. form og udseende uden forudgående varsel.

## Hvad er hvad på motorsaven? (1)

- 1 Kastbeskyttelse
- 2 Tastatur
- 3 Knappen SavE
- 4 Advarselsindikator
- 5 Knappen aktivér og deaktivér
- 6 Lås på strømudløser
- 7 Bageste håndtag med højrehåndsbeskyttelse
- 8 Blæserhus
- 9 Kædeolietank
- 10 Batteriladere
- 11 El-ledning
- 12 Advarselsindikator
- 13 Kobling
- 14 Brugsanvisning
- 15 Sværdbeskyttelse
- 16 Drivhjulsdækslet
- 17 Kædestrammingshjul
- 18 Greb
- 19 Kædefanger
- 20 Barkstøtte
- 21 Næsehjul
- 22 Savkæde
- 23 Savsværd
- 24 Forreste håndtag
- 25 Strømudløser
- 26 Batteri
- 27 Knapper til udløsning af batteri
- 28 Batteristatus
- 29 Knap, batteristatus
- 30 Advarselsindikator



# GENERELLE SIKKERHEDSINSTRUKTIONER

## Generelle sikkerhedsadvarsler om elektrisk værktøj



**ADVARSEL! Læs alle sikkerhedsadvarsler og instruktioner. Hvis advarslerne og instruktionerne ikke følges, kan det resultere i elektrisk stød, brand og/eller alvorlig personskade.**

**VIGTIGT! Opbevar alle advarsler og instruktioner til senere brug.** Betegnelsen "elværktøj" i advarslerne henviser til dit værktøj, som drives af strøm fra elektricitetsnettet (med ledning) eller fra batteri (ledningfrit).

### Sikkerhed i arbejdsområdet

- **Hold arbejdsområdet rent og godt oplyst.** Rodede eller mørke områder er en invitation til ulykker.
- **Betjen ikke elværktøj i områder med eksplosionsfare som f.eks. i nærheden af brændbare væsker, luftarter eller støv.** Elværktøj danner gnister, som kan antænde støv eller dampe.
- **Hold børn og tilskuere borte, mens elværktøjet betjenes.** Distraction kan få dig til at miste styringen.

### Elektrisk sikkerhed

- **Elværktøjet stik skal svare til stikkontakten.** Foretag aldrig nogen form for ændringer af stikket. Benyt ikke adapterstik i forbindelse med jordet elværktøj. Uændrede stik og stikkontakter, der passer dertil, vil mindske risikoen for elektrisk stød.
- **Undgå kropskontakt med jordede genstande som f.eks. rør, radiatorer, komfurer og køleskabe.** Der er øget risiko for elektrisk stød, hvis din krop har forbindelse til jord.
- **Udsæt ikke elværktøj for regn eller våde omgivelser.** Vand, som trænger ind i et elværktøj, forøger risikoen for elektrisk stød.
- **Behandl kablet forsigtigt. Benyt aldrig kablet til at bære eller trække et elværktøj eller til at trække stikket ud.** Hold kablet væk fra varme, olie, skarpe kanter og bevægelige dele. Beskadigede eller filtrerede kabler forøger risikoen for elektrisk stød.
- **Når du betjener et elværktøj uden døre, skal du benytte en forlængerledning, der egner sig til udendørs brug.** Benyttelse af et kabel, der egner sig til udendørs brug nedsætter risikoen for elektrisk stød.
- **Hvis det ikke kan undgås, at el-værktøj benyttes i fugtige omgivelser, skal der benyttes en strømforsyning, som er beskyttet med jordfejlsafbryder.** Brug af et kabel med jordfejlsafbryder nedsætter risikoen for elektrisk stød.

### Personlig sikkerhed

- **Vær altid opmærksom, hold øje med, hvad du foretager dig, og benyt sund fornuft, når du**

betjener elværktøj. Benyt ikke elværktøj, hvis du er træt eller er påvirket af narkotika, alkohol eller medicin. Et øjeblik uopmærksomhed under betjening af elværktøj kan resultere i alvorlig personskade.

- **Bær personligt beskyttelsesudstyr. Bær altid beskyttelsesbriller.** Beskyttelsesudstyr som støvmaske, skridsikre sikkerhedssko, beskyttelseshjelm eller høreværn, som benyttes til de relevante formål vil nedsætte risikoen for personskade.
- **Sørg for at forhindre uønsket start af værktøjet. Sørg for, at kontakten er i FRA-position, før du tilslutter det til strømkilden og/eller batterienheden, samt når du tager eller bærer værktøjet.** At bære elværktøj med fingeren på kontakten eller at sætte strøm til elværktøj med tændt kontakt, er en invitation til ulykker.
- **Fjern alle indstillingsnøgler eller tænger, før elværktøjet tændes.** En tang eller nøgle, der efterlades på en roterende del af elværktøjet, kan forårsage personskade.
- **Stræk dig ikke for langt. Sørg for altid at have godt fodfæste og god balance.** Det sikre bedre kontrol med elværktøjet i uventede situationer.
- **Bær det korrekte tøj. Undgå at bære løstsiddende tøj eller smykker. Hold hår, tøj og handsker væk fra bevægelige dele.** Løst tøj, smykker eller langt hår kan blive fanget af bevægelige dele.
- **Hvis der er udstyr til rådighed til støvudsugning og -opsamling, skal du sikre, at det er tilsluttet, og at det bruges korrekt.** Brug af støvopsamling kan nedbringe støvrelaterede farer.
- **Vibrationerne under brug af elværktøjet kan være anderledes end den angivne samlede vibrationsværdi, afhængigt af den måde værktøjet anvendes på.** Operatøren bør identificere sikkerhedsforanstaltninger, der er baseret på en vurdering af vibrationerne under de faktiske brugsforhold (der tager hensyn til alle dele af driftscyklussen, som f.eks. når værktøjet er slukket, og når det kører i tomgang), for at beskytte sig selv.

### Brug og pleje af elværktøj

- **Brug ikke magt ved brug af elværktøjet. Brug det korrekte elværktøj til din opgave.** Det korrekte elværktøj udfører arbejdet bedre og mere sikkert ved den norm, som det er konstrueret til.
- **Benyt ikke elværktøjet, hvis kontakten ikke kan slå til og fra.** Ethvert stykke elværktøj, som ikke kan styres med kontakten, er farligt og skal repareres.
- **Tag stikken ud af stikkontakten og/eller fjern batterienheden fra elværktøjet, før du foretager indstillinger, skifter tilbehør eller opbevarer elværktøjet.** Denne form for forebyggende sikkerhedsforanstaltning nedsætter risikoen for, at elværktøjet startes ved et uheld.

# GENERELLE SIKKERHEDSINSTRUKTIONER

- **Opbevar elværktøj der ikke er i brug uden for børns rækkevidde og lad ikke personer, der ikke er bekendt med elværktøjet eller disse instruktioner, betjene elværktøjet.** Elværktøj er farligt i hænderne på utrænede brugere.
- **Vedligehold elværktøjet. Kontroller, om bevægende dele sidder forkert eller binder, om dele er ødelagt og enhver anden tilstand, som kan påvirke elværktøjets funktion. Hvis elværktøjet er beskadiget, skal det repareres, før det bruges igen.** Mange ulykker skyldes dårligt vedligeholdt elværktøj.
- **Hold skæreredskaber skarpe og rene.** Korrekt vedligeholdt skæreredskaber med skarpe klinger er mindre tilbøjelige til at binde og er lettere at styre.
- **Benyt elværktøj, tilbehør, værktøjsbits osv. i overensstemmelse med disse instruktioner og tag højde for arbejdsforholdene og det arbejde, der skal udføres.** Brug af elværktøjet til opgaver, som det ikke er beregnet til, kan resultere i farlige situationer.
- **Hold altid motorsaven med højre hånd på det bageste håndtag og venstre hånd på det forreste håndtag.** Hvis motorsaven holdes med omvendt håndstilling, er der forøget risiko for personskade, og det bør derfor aldrig gøres.
- **Hold kun motorredskabet i de isolerede grebsoverflader, da savkæden kan komme i kontakt med skjulte ledninger.** Hvis savkæden kommer i kontakt med en strømførende ledning, kan det medføre, at redskabets fritliggende metaldele også bliver strømførende, og at brugeren får elektrisk stød.
- **Bær sikkerhedsbriller og høreværn. Yderligere beskyttelsesudstyr til hoved, hænder, ben og fødder anbefales.** Egnede beskyttelsestøj vil reducere risikoen for personskader forårsaget af omkringflyvende løse dele og utilsigtet kontakt med savkæden.
- **Betjen ikke en motorsav oppe i et træ.** Betjening af en motorsav, mens brugeren opholder sig i et træ, kan medføre personskade.

## Brug og pleje af batteriredskaber

- **Genoplad kun med den oplader, som producenten foreskriver.** En lader, der egner sig til en bestemt type batterienhed, kan medføre risiko for brand, hvis den benyttes sammen med en anden batterienhed.
- **Brug kun elværktøj sammen med de batterienheder, der er beregnet specifikt til dem.** Brug af andre batterienheder medfører risiko for skader og brand.
- **Når en batterienhed ikke er i brug, skal den holdes på afstand af andre metalgenstande som f.eks. papirclips, mønter, nøgler, søm, skruer og andre små metalgenstande, som eventuelt kan skabe forbindelse mellem batteripolerne.** Kortslutning af batteripolerne kan forårsage forbrændinger eller brand.
- **Hvis batteriet bruges forkert, kan der trænge væske ud af det; undgå berøring. Hvis væsken alligevel berøres, skal der skylles med vand. Hvis væsken kommer i øjnene, skal der søges læge.** Væske, der trænger ud af batteriet, kan forårsage irritation og øtsningssskader.
- **Hold altid for at have ordentligt fodfæste, og betjen kun motorsaven, når du står på et fast, sikkert og plant underlag.** Glatte eller ustabile overflader som f.eks. stiger kan medføre, at du taber balancen eller kontrollen over motorsaven.
- **Hvis du saver i en gren, som er under spænding, skal du være opmærksom på, at den kan fjedre tilbage.** Når spændingen i træfibrene frigives, kan den belastede gren ramme brugeren og/eller kaste motorsaven ud af kontrol.
- **Udvis stor forsigtighed ved beskæring af buske og yngre træer.** Det slanke materiale kan gribe fat i savkæden og blive pisket fremad mod dig eller trække dig ud af balance.
- **Bær motorsaven i håndtaget med motorsaven afbrudt og vendt væk fra kroppen. Sæt altid beskyttelseshylsteret på sværdet, når motorsaven transporteres eller opbevares.** Korrekt håndtering af motorsaven vil reducere risikoen for utilsigtet kontakt med den roterende savkæde.
- **Følg anvisningerne for smøring, kædespænding og udskiftning af tilbehør.** En forkert spændt eller smurt savkæde kan bryde eller forøge risikoen for kast.
- **Hold håndtagene tørre, rene og frie for olie og fedt.** Fedtede, olieindsmurte håndtag er glatte og forsager tab af kontrollen.
- **Sav kun i træ. Brug aldrig motorsaven i modstrid med det tiltænkte formål. Eksempel: Brug ikke motorsaven til at skære i plastik, murværk eller byggematerialer, som ikke er af træ.** Brug af motorsaven til andre opgaver, end den er beregnet til, kan medføre farlige situationer.
- **Vi anbefaler på det kraftigste, at nybegyndere over sig ved at save i kævlør på en buk eller en bæk.**

## Service

- **Sørg for, at dit elværktøj bliver eftersat og vedligeholdt af en kvalificeret person, og at der kun benyttes identiske reservedele.** Det vil sikre, at elværktøjets sikkerhed bliver bibeholdt.

## Sikkerhedsadvarsler vedr. motorsav

- **Hold alle dele af kroppen på sikker afstand af savkæden, når motorsaven er i brug. Før du starter motorsaven, skal du kontrollere, at savkæden ikke er i kontakt med noget.** Et øjeblikvis uopmærksomhed under betjening af motorsaven kan medføre, at savkæden griber fat i dit tøj eller dele af kroppen.

# GENERELLE SIKKERHEDSINSTRUKTIONER

## Årsager til og brugerens muligheder for at forhindre kast

Der kan opstå kast, hvis sværdspidsen kommer i kontakt med genstande, eller hvis træet lukker sig og klemmer savkæden fast i savsporet. Hvis sværdspidsen kommer i kontakt med genstande, er der risiko for en meget pludselig bagudrettet reaktion, som kaster sværdet opad og tilbage mod brugeren. Fastklemning af savkæden langs toppen af sværdet kan medføre, at sværdet skubbes tilbage imod brugeren med høj hastighed. Alle disse reaktioner kan medføre, at du mister kontrollen over motorsaven, hvilket kan forårsage alvorlig personskade. Forlad dig aldrig udelukkende på de sikkerhedsanordninger, der er bygget ind i motorsaven. Som bruger af en motorsav skal du træffe en række foranstaltninger for at holde dine saveopgaver fri for ulykker og personskader. Kast er et resultat af misbrug af redskabet og/eller forkerte betjeningsprocedurer eller -forhold og kan forhindres ved iagttagelse af de relevante sikkerhedsforholdsregler som beskrevet nedenfor:

- **Oprethold et sikkert greb med tommelfingrene og de øvrige fingre omkring motorsavens håndtag og begge hænder på motorsaven, og placer kroppen og armene, så du har mulighed for at modstå kræfterne fra eventuelle kast.** Kræfterne, der udløses af kast, kan kontrolleres af brugeren, hvis de relevante forholdsregler træffes. Slip ikke motorsaven.
- **Stræk dig aldrig under arbejdet, og sav ikke over skulderhøjde.** Dermed er det i en vis udstrækning muligt at forhindre utilsigtet kontakt imellem spidsen af sværdet og andre genstande, og kontrollen over motorsaven kan bedre opretholdes i uventede situationer.
- **Brug kun udskiftningssværd og -kæder, der er godkendt af producenten.** Forkerte udskiftningssværd og -kæder kan medføre kædebrud og/eller kast.
- **Følg producentens file- og vedligeholdelsesanvisninger for savkæden.** Reduktion af højden på dybdemåleren kan medføre forøget risiko for kast.

## Forberedelser, inden en ny motorsav tages i brug

- Læs brugsanvisningen omhyggeligt igennem.
- **(1) - (110)** henviser til illustrationer på side 2-6.
- Oplad batteriet fuldstændigt, før det tages i brug første gang. Se anvisningerne under afsnittet Opladning af batteriet.
- Påfyld kædeolie. Se anvisningerne under afsnittet Påfyldning af kædeolie.
- Kontrollér skæreudstyrets montering og justering. Se instruktionerne i afsnittet Montering.
- Brug ikke motorsaven, før en tilstrækkelig mængde kædesmøreolie har nået savkæden. Se instruktionerne i afsnittet Smøring af skæreudstyr.

- Langvarig eksponering for støj kan medføre permanente høreskader. Brug derfor altid godkendt hørevern.



**ADVARSEL! Maskinens oprindelige udformning må under ingen omstændigheder ændres uden producentens samtykke. Brug altid originaltilbehør. Ikke-autoriserede ændringer og/eller ikke-godkendt tilbehør kan medføre alvorlige skader eller døden for brugeren eller andre.**



**ADVARSEL! En motorsav kan være et farligt redskab, som kan forårsage alvorlige, ja endog livsfarlige skader, hvis den bruges forkert eller uforansigt. Det er meget vigtigt, at du læser og forstår indholdet i denne brugsanvisning.**



**ADVARSEL! Langvarig indånding af kædeolietåge og støv fra savspåner kan være sundhedsskadelig.**



**ADVARSEL! Denne maskine skaber et elektromagnetisk felt under brug. Dette felt kan i nogle tilfælde påvirke aktive eller passive medicinske implantater. For at reducere risikoen for alvorlige eller dødbringende skader anbefaler vi, at personer med medicinske implantater kontakter deres læge og producenten af det medicinske implantat, før de tager maskinen i brug.**



**ADVARSEL! Tillad aldrig børn at anvende eller være i nærheden af maskinen. Da maskinen er nem at starte, kan børn muligvis starte maskinen, hvis de ikke holdes under opsyn. Dette kan indebære risiko for alvorlige personskader. Tag derfor batteriet ud, når maskinen ikke er under opsyn.**

# GENERELLE SIKKERHEDSINSTRUKTIONER

## Vigtigt

### VIGTIGT!

Denne motorsav til skovbrug er beregnet til skovarbejde som f.eks. fældning, afgrening og savning.

National lovgivning kan lægge begrænsninger på brugen af maskinen.

Brug kun det sværd/den savkædekombination, der er anbefalet i afsnittet Tekniske data.

Brug aldrig maskinen, hvis du er træt, hvis du har drukket alkohol, eller hvis du tager medicin, som kan påvirke dit syn, dit overblik eller din kropskontrol.

Brug personligt beskyttelsesudstyr. Se instruktionerne i afsnittet "Personligt beskyttelsesudstyr".

Foretag aldrig ændringer på maskinen, så den ikke længere svarer til originaludførelsen, og undlad at bruge maskinen, hvis den ser ud til at være blevet ændret af andre.

Arbejd aldrig med en maskine, et batteri eller en batterilader, som er defekt. Følg vedligeholdelses-, kontrol- og serviceanvisningerne i denne brugsanvisning. Visse vedligeholdelses- og serviceforanstaltninger må kun udføres af erfarne og kvalificerede specialister. Se anvisningerne under afsnittet Vedligeholdelse.

Brug aldrig andet tilbehør end det, som er anbefalet i denne brugsanvisning. Se instruktionerne i afsnittene Skæreudstyr og Tekniske data.

**BEMÆRK!** Anvend altid sikkerhedsbriller og ansigtsværn for at reducere risikoen for skader fra genstande, der slynges ud. En motorsav kan slynge genstande såsom savspåner, små træstykker etc. ud med stor kraft. Dette kan medføre alvorlig skade, især på øjnene.



**ADVARSEL! Forkert skæreudstyr eller et forkert sværd/en forkert kædekombination øger risikoen for kast! Brug kun det sværd/den savkædekombination, der er anbefalet, og følg filningsanvisningerne. Se anvisningerne i afsnittet Tekniske data.**

## Brug altid din sunde fornuft

Det er ikke muligt at tage højde for alle de situationer, du kan tænkes at komme ud for, når du bruger en motorsav. Udvis derfor altid forsigtighed, og brug din sunde fornuft. Undgå situationer, som du ikke synes, du er tilstrækkeligt kvalificeret til. Hvis du stadig føler dig usikker med hensyn til fremgangsmåden, efter at du har læst disse anvisninger, skal du kontakte en ekspert, før du fortsætter. Du er velkommen til at kontakte din forhandler eller os, hvis du har spørgsmål til brugen af motorsaven. Vi står altid til disposition og giver gerne gode råd, som kan hjælpe dig med at anvende motorsaven på en bedre og mere sikker måde. Du kan også tage et kursus i brug af motorsav. Din forhandler, skovbrugsskolen eller det

lokale bibliotek kan give dig yderligere oplysninger om tilgængelige kurser og kursusmaterialer. (Figur 2)

Der udføres løbende arbejde med henblik på at forbedre design og teknik - forbedringer, som øger sikkerheden og effektiviteten. Besøg din forhandler jævnligt for at se de nyheder, som du kan få glæde af.

## Personligt beskyttelsesudstyr



**ADVARSEL! De fleste ulykker med motorsave sker, når savkæden rammer brugeren. Ved enhver anvendelse af maskinen skal der bruges godkendt personligt beskyttelsesudstyr. Det personlige beskyttelsesudstyr udelukker ikke risikoen for skader, men det mindsker effekten af en skade ved en ulykke. Bed din forhandler om hjælp ved valg af udstyr.**

Brug altid:

- Godkendt beskyttelseshjelm
- Høreværn
- Beskyttelsesbriller eller ansigtsværn
- Handsker med gennemsavningsbeskyttelse
- Bukser med gennemsavningsbeskyttelse
- Støvler med gennemsavningsbeskyttelse, stålnæser og skridsikre såler
- Forbindingskasse skal altid findes i nærheden.

Beklædningen bør i øvrigt være tætsiddende, dog uden at hæmme din bevægelsesfrihed.

## Maskinens sikkerhedsudstyr

I dette afsnit kan du læse om maskinens sikkerhedsdele og deres funktion. Du kan finde oplysninger om kontrol og vedligeholdelse i afsnittet Kontrol, vedligeholdelse og service af motorsavens sikkerhedsudstyr. Se anvisningerne i afsnittet Hvad er hvad? for at se, hvor disse dele sidder på din maskine.

Maskinens levetid kan forkortes, og risikoen for ulykker kan øges, hvis maskinen ikke vedligeholdes korrekt, og hvis service og/eller reparation ikke udføres fagligt korrekt. Hvis du har brug for yderligere oplysninger, kan du kontakte nærmeste serviceværksted.



**ADVARSEL! Brug aldrig en maskine med defekt sikkerhedsudstyr. Sikkerhedsudstyret skal kontrolleres og vedligeholdes. Se anvisningerne i afsnittet Kontrol, vedligeholdelse og service af motorsavens sikkerhedsudstyr. Hvis maskinen ikke klarer alle kontroller, skal du kontakte serviceværkstedet for at få den repareret.**

# GENERELLE SIKKERHEDSINSTRUKTIONER

## Tastatur

Sørg for, at maskinen er tændt eller slukket, når knappen aktivér og deaktivér (1) trykkes og holdes nede (>1 sek.). Den grønne LED (2) tændes eller slukkes.

Advarselindikatoren (3) blinker, hvis kædebremsen er aktiveret, eller hvis der er risiko for overbelastning.

Beskyttelsesanordningen mod overbelastning deaktivér maskinen midlertidigt. Når maskinens normale temperatur er genoprettet, er den igen klar til brug. Konstant lys angiver behov for service. **(Figur 6)**

## Automatisk sluk-funktion

Maskinen er udstyret med en automatisk slukkefunktion, der deaktivér maskinen, hvis den ikke anvendes.

Maskinen deaktivéres efter 1 minut.

## Kædebremse med kastbeskyttelse

Motorsaven er forsynet med en kædebremse, der er konstrueret til at standse savkæden i tilfælde af kast. En kædebremse reducerer risikoen for ulykker, men det er kun dig som bruger, der kan forhindre dem. **(Figur 3)**

Vær forsigtig ved anvendelse, og sørg for, at sværdets kastrisikoområde aldrig kommer i kontakt med et objekt. **(Figur 4)**

- Kædebremsen (A) aktiveres enten manuelt (med venstre hånd) eller ved hjælp af træghedsfunktionen. **(Figur 5)**
- Kastbeskyttelsen (B) aktiveres, når den føres fremad. **(Figur 5)**
- Denne bevægelse aktivérer en fjederbelastet mekanisme, som stopper drivhjullet.
- Kastbeskyttelsen er ikke kun konstrueret med henblik på en aktivéring af kædebremsen. En anden meget vigtig funktion er, at den reducerer risikoen for, at venstre hånd skal ramme savkæden, hvis man mister grebet om det forreste håndtag.
- Kædebremsen skal være aktiveret, når motorsaven startes.
- Brug kædebremsen som 'parkeringsbremse', når du starter saven eller flytter den over kortere afstand, så der ikke opstår ulykker, hvor brugeren og omgivelserne kan komme i kontakt med savkæden, mens den kører.
- Kædebremsen frikøbles ved at kastbeskyttelsen føres bagud, mod det forreste håndtag.
- Kast kan være lynhurtige og meget voldsomme. De fleste kast er små og resulterér ikke altid i, at kædebremsen aktiveres. Ved sådanne kast gælder det om at holde motorsaven i et fast greb og ikke slippe det. **(Figur 65)**
- Om kædebremsen aktiveres manuelt eller via træghedsfunktionen, bestemmes af, hvor voldsomt kastet er, samt hvor motorsaven befinder sig i forhold til det objekt, sværdets kastrisikoområde er kommet i kontakt med.

Ved voldsomme kast og i tilfælde, hvor sværdet kasterisikoområde befinder sig så langt væk fra brugeren som muligt, aktiveres kædebremsen af via kædebremsens modvægt (træghed) i kastretningen. **(Figur 7)**

- Ved mindre voldsomme kast eller i arbejdssituationer, hvor kastrisikoområdet befinder sig nærmere brugeren, aktiveres kædebremsen manuelt via venstre hånd.
- Når motorsaven er i fældestilling, er venstre hånd anbragt, så du ikke kan aktivér kædebremsen manuelt. Når du bruger dette greb, dvs. når venstre hånd er placeret, så den ikke kan påvirke kastbeskyttelsens bevægelse, kan kædebremsen kun aktiveres via træghedsfunktionen. **(Figur 8)**

## Vil min hånd altid aktivér kædebremsen i tilfælde af kast?

Nej. Der kræves en vis kraft for at føre kastbeskyttelsen fremad. Hvis din hånd kun lige rører ved kastbeskyttelsen eller glider hen over den, er det muligvis ikke tilstrækkeligt til at udløse kædebremsen. Du skal altid holde godt fast om motorsavens håndtag, når du arbejder. Hvis du gør det og oplever et kast, slipper du muligvis aldrig hånden om det forreste håndtag og aktivérer dermed ikke kædebremsen, eller også aktiveres kædebremsen først, når saven har kørt rundt et stykke tid. I en sådan situation kan det forekomme, at kædebremsen ikke kan stoppe kæden, før den rammer dig.

Der forekommer også visse arbejdsstillinger, som gør, at din hånd ikke kan nå kastbeskyttelsen og dermed aktivér kædebremsen, for eksempel når saven holdes i fældestilling.

## Vil træghedsaktiveringen af kædebremsen altid forekomme, hvis der indtræder et kast?

Nej. For det første skal bremsen fungere. For det andet skal kastet være tilstrækkeligt kraftigt til at aktivér kædebremsen. Hvis kædebremsen er for følsom, aktivérer den konstant, hvilket besværer arbejdet.

## Beskytter kædebremsen mig konstant mod skader i tilfælde af kast?

Nej. For det første skal bremsen fungere for at give den tilsigtede beskyttelse. For det andet skal bremsen aktiveres som beskrevet ovenfor, så savkæden standses i tilfælde af kast. For det tredje kan kædebremsen aktiveres, men hvis sværdet befinder sig for tæt på dig, kan det forekomme, at bremsen ikke tager farten af kæden og standser den, før motorsaven rammer dig.

**Det er kun dig, der kan eliminere kast og tilsvarende risici ved at anvende en korrekt arbejdsteknik.**

## Gasreguleringslås

Strømdløserlåsen er beregnet til at forhindre utilsigtet aktivéring af strømdløseren. Når du trykker på

# GENERELLE SIKKERHEDSINSTRUKTIONER

strømdløserlåsen (A) (dvs. når du holder om håndtaget), frigøres strømdløseren (B). Når grebet om håndtaget slippes, sættes både strømdløseren og strømdløserlåsen tilbage i deres respektive udgangsstillinger. (Figur 9)

## Kædefanger

Kædefangeren er konstrueret til at opfange en afhoppet eller knækket kæde. Disse hændelser undgås i de fleste tilfælde ved en korrekt kædespænding (se instruktionerne i afsnittet Montering) samt en korrekt vedligeholdelse og service af sværd og kæde (se instruktionerne i afsnittet Generelle arbejdsinstruktioner). (Figur 10)

## Højrehåndsbeskyttelse

Højrehåndsbeskyttelsen skal ud over at beskytte hånden ved et kædeafhopp, eller når en kæde knækker, sørge for at grene eller kviste ikke påvirker grebet om det bageste håndtag. (Figur 11)

## Vibrationer

Savning i en hård træsort (de fleste løvtræer) giver flere vibrationer end savning i en blød træsort (de fleste nåletræer). Savning med sløv eller forkert skæreudstyr (forkert type eller forkert file) øger vibrationsniveauet.



**ADVARSEL! Overeksponering af vibrationer kan medføre kredsløbsforstyrrelser eller skader på nervesystemet hos personer med kredsløbsforstyrrelser. Hvis du oplever fysiske symptomer, som kan relateres til overeksponering af vibrationer, skal du straks søge læge. Som eksempler på sådanne symptomer kan nævnes følelseløshed, mangel på følesans, 'kildren', 'stikken', smerte, manglende eller reduceret styrke, forandringer i hudens farve eller i dens overflade. Disse symptomer opleves almindeligvis i fingre, hænder eller håndled. Symptomerne kan forværres i koldt vejr.**

## Batteri og batterilader

Dette afsnit beskriver sikkerheden vedr. batteriet og batteriladeren til dit batteridrevne produkt.

Benyt kun originale Husqvarna-batterier til Husqvarna-produkter, og oplad dem altid kun i originale QC-batteriladere fra Husqvarna. Batterierne er softwarekrypteret.

## Batterisikkerhed

De genopladelige Husqvarna-batterier, BLI, anvendes udelukkende som strømforsyning til den pågældende trådløse Husqvarna-enhed. For at undgå personskade

må batteriet ikke anvendes som strømforsyning til andre enheder.



**ADVARSEL! Beskyt batteriet fra direkte sollys, varme og åben ild. Der er risiko for, at batteriet kan eksplodere, hvis det kastes på åben ild. Der er risiko for forbrændinger og/eller kemiske forbrændinger.**



**ADVARSEL! Undgå al hudkontakt med batterisyren. Batterisyre kan forårsage hudirritation, forbrændinger og ætsekader. Hvis du får syre i øjnene, må du ikke gnide øjnene, men sørge for at skylle dem med rigeligt vand i mindst 15 minutter. Søg lægehjælp. I tilfælde af kontakt skal du vaske udsat hud med rigeligt vand og sæbe.**



**ADVARSEL! Batteriterminaler må aldrig forbindes med nøgler, mønter, skruer eller andre metalgenstande, da dette kan kortslutte batteriet. Genstande må aldrig isættes batteriets luftåbninger. Ubrugte batterier skal holdes væk fra metalgenstande som f.eks. søm, mønter og smykker. Forsøg ikke at skille batteriet ad eller knuse det.**

- Brug batteriet i omgivelser, hvor temperaturerne ligger mellem  $-10^{\circ}\text{C}$  og  $60^{\circ}\text{C}$ .
- Batteriet må ikke udsættes for mikrobølger eller højt tryk.
- Batteriet eller batteriladeren må aldrig rengøres med vand. Se også anvisningerne under overskriften Vedligeholdelse.
- Opbevar batteriet utilgængeligt for børn.
- Beskyt batteriet imod regn og våde omgivelser.

## Batteriladersikkerhed

Brug kun ladere, Husqvarna QC, til opladning af Husqvarnas genopladelige batterier, BLI.



**ADVARSEL! Minimer risikoen for elektriske stød eller kortslutninger på følgende måde:**

**Stik aldrig genstande ind igennem batteriladerens køleribber.**

**Forsøg aldrig at adskille batteriladeren.**

**Forbind aldrig batteriladerens poler med metalgenstande, da dette kan kortslutte batteriladeren.**

**Brug godkendte og intakte stikkontakter.**



# GENERELLE SIKKERHEDSINSTRUKTIONER

- Kontrollér regelmæssigt, at batteriladerens forbindelsesledning er intakt, og at der ikke er revner i den.
- Løft aldrig batteriladeren i selve ledningen, og træk aldrig i ledningen for at afbryde stikket fra stikkontakten.
- Hold alle ledninger og forlængerledninger væk fra vand, olie og skarpe kanter. Pas på, at ledningen ikke bliver klemt i døre, hegn eller lignende. Ellers kan det medføre, at disse genstande bliver strømførende.



**ADVARSEL! Brug ikke batteriladeren i nærheden af ætsende eller antændelige stoffer. Batteriladeren må ikke tildækkes. I tilfælde af røgafgivelse eller brand skal batteriladeren afbrydes fra stikkontakten. Du skal være opmærksom på brandfaren.**

Brug aldrig:

- en defekt eller beskadiget batterilader og brug aldrig et defekt, beskadiget eller deformeret batteri.

Oplad ikke:

- ikkegenopladelige batterier i batteriladeren, og brug dem ikke i maskinen.
- batteriladeren til at oplade batteriet udendørs.
- batteriladeren i regn eller under fugtige forhold.
- batteriet i direkte sollys.

Brug kun batteriladeren, hvis omgivelsestemperaturen er mellem 5 °C og 40 °C. Brug batteriladeren på et sted med god ventilation, hvor den ikke udsættes for fugt eller støv.

## Skæreudstyr

Dette afsnit behandler, hvordan du med korrekt vedligeholdelse og ved brug af korrekt type skæreudstyr:

- Reducerer maskinens kasttilbøjelighed.
- Reducerer forekomsten af savkædeafhop samt savkædebrud.
- Bevarer en optimal skarphed.
- Øger skæreudstyrets levetid.
- Forebygger forøgelse af vibrationsniveauet.

## Grundregler

- **Brug kun det skæreudstyr vi anbefaler!** Se anvisningerne i afsnittet Tekniske data.
- **Hold savkædens skæretænder godt og korrekt filede!** Følg vores instruktioner, og brug anbefalet fileholder. En forkert filet eller beskadiget savkæde øger risikoen for ulykker.
- **Hold korrekt rytterhøjde!** Følg vores instruktioner, og brug det anbefalede ryttermål. Hvis ryttermålet er for stort, øges risikoen for kast! (Figur 19)
- **Hold kæden stram!** En utilstrækkeligt strammet kæde øger risikoen for kædeafhop og øger slitage på sværd, savkæde og savkædedrivhjul. (Figur 24)

- **Hold skæreudstyret velsmurt og korrekt vedligeholdt!** En utilstrækkelig smøring af savkæden øger risikoen for savkædebrud og øger slitage på sværd, savkæde og savkædedrivhjul.

## Kastreducerende skæreudstyr



**ADVARSEL! Forkert skæreudstyr eller et forkert sværd/en forkert kædekombination øger risikoen for kast! Brug kun det sværd/den savkædekombination, der er anbefalet, og følg filningsanvisningerne. Se anvisningerne i afsnittet Tekniske data.**

Kast kan kun undgås ved, at du som bruger passer på, at sværdet kastrisikoområde aldrig kommer i kontakt med et objekt.

Ved at bruge skæreudstyr med en "indbygget" kastreduktion og ved at file og vedligeholde savkæden korrekt, kan effekten af et kast reduceres.

### Sværd

Jo mindre næseradius, desto mindre kastrisiko.

### Savkæde

En savkæde er opbygget af et antal forskellige led, som fås både i standard og i kastreduceret udførelse.

**VIGTIGT! Ingen savkæder eliminerer risikoen for kast.**



**ADVARSEL! Enhver berøring af en roterende savkæde kan forårsage meget alvorlige skader.**

## Nogle udtryk, som specificerer sværd og savkæde

For at bevare alle sikkerhedsdele på skæreudstyret bør du udskifte slidte og defekte sværd- og kædekombinationer med et sværd og en kæde, som Husqvarna anbefaler. Se anvisningerne under afsnittet Tekniske data for at få yderligere oplysninger om de sværd- og kædekombinationer, vi anbefaler.

### Sværd

- Længde (tommer/cm) (Figur 13)
- Antal tænder i næsehjulet (T). (Figur 12)
- Savkædedeling (=pitch) (tommer). Sværdets og motorsavens kædedrivhjul skal være tilpasset afstanden mellem drivleddene. (Figur 14)
- Antal drivled (stk.). Hver sværdlængde giver i kombination med savkædedelingen og antallet af tænder i næsehjulet et bestemt antal drivled. (Figur 16)
- Sværdsforsbreds (tommer/mm). Sværdsforsbreds bredde skal være tilpasset savkædens drivleddsbredde.
- Savkædeoliehul og hul til kædestrammertap. Sværdet skal være tilpasset motorsavens konstruktion. (Figur 15)

# GENERELLE SIKKERHEDSINSTRUKTIONER

## Savkæde

- Savkædedeling (=pitch) (tommer) (Figur 14)
- Drivledsbredde (mm/tommer) (Figur 17)
- Antal drivled (stk.) (Figur 16)

## Filing og justering af ryttermål på savkæde



Ved al håndtering af kæden skal der bruges handsker.

### Generelt angående filing af en skæretand

- Sav aldrig med en sløv savkæde. Tegn på en sløv savkæde er, at du er nødt til at trykke skæredestyret ned gennem træet, og at træspånerne er meget små. En meget sløv savkæde giver slet ingen træspåner. Det eneste resultat bliver savsmuld.
- En skarp savkæde æder sig selv gennem træet og giver træspåner, som er store og lange. (Figur 18)
- Den savende del af en savkæde kaldes et skæreled og består af en skæretand (A) og en rytter (B). Højdeafstanden mellem disse bestemmer skæredybden. (Figur 19)

Ved filing af en skæretand er der fire mål at tage hensyn til

- 1 Filevinkel (Figur 20)
- 2 Støttevinkel (Figur 21)
- 3 Filestilling (Figur 22)
- 4 Rundfildiameter

Det er meget svært at file en savkæde korrekt uden hjælpemidler. Derfor anbefaler vi, at du bruger vores fileholder. Den sikrer, at savkæden files, så den giver optimal kastreduktion og skærekapacitet. (Figur 23)

Se anvisningerne i afsnittet Tekniske data for at få oplysninger om, hvilke data der gælder ved filing af din motorsavs savkæde.



**ADVARSEL!** Følgende fejl ved filingen øger savkædens kasttilbøjelighed i betydelig grad.

### Filing af skæretand

Til filing af skæretand kræves en rundfil og en fileholder. Se i afsnittet Tekniske data for at få oplysninger om, hvilken rundfildiameter og hvilken fileholder der anbefales til din motorsavs savkæde.

- Kontrollér, at savkæden er stram. En utilstrækkelig stramning medfører, at savkæden bliver ustabil i sideled, hvilket gør en korrekt filing svær. (Figur 24)
- Fil altid fra skæretandens inderside og udad. Tryk ikke hårdt på filen på returrækket. Fil altid tænderne på den ene side først, og vend derefter motorsaven, og fil den anden sides tænder. (Figur 20)

- Fil på en sådan måde, at alle tænder bliver lige lange. Når der kun er 4 mm (5/32") tilbage af skæretandens længde, er savkæden slidt ned og skal smides væk. (Figur 25)

### Generelt angående justering af ryttermål

- Ved filing af skæretanden mindskes rytterhøjden (=skæredybden). For at bevare en maksimal skærekapacitet skal ryttermålet sænkes til anbefalet niveau. Se anvisningerne i afsnittet Tekniske data for at få oplysninger om, hvor stort ryttermålet skal være på din motorsavs savkæde. (Figur 26)



**ADVARSEL!** Hvis ryttermålet er for stort, øges savkædens kasttilbøjelighed!

### Justering af ryttermål

- Når ryttermålet justeres, skal skæretænderne være nyfilede. Vi anbefaler, at ryttermålet justeres efter hver tredje savkædefiling. BEMÆRK! Denne anbefaling forudsætter, at skæretændernes længde ikke er blevet fileet unormalt ned.
- Ved justering af rytterhøjden kræves en fladfil og et ryttermål. Vi anbefaler, at du anvender vores slibeskala, så du er sikker på at få de korrekte ryttermål og den rigtige vinkel på rytteren.
- Læg slibeskalaen over savkæden. Du kan finde yderligere oplysninger om brug af slibeskalaen på pakken. Læg fladfilen over den overskydende del af rytteren, og fil overskuddet væk. Rytterhøjden er korrekt, når der ikke føles nogen modstand, når filen trækkes over slibeskalaen. (Figur 27)

### Stramning af savkæden



**ADVARSEL!** En utilstrækkeligt strammet savkæde kan resultere i savkædeafhop, hvilket kan forårsage alvorlige, ja endog livsfarlige personskader.



**ADVARSEL!** Fjern altid batteriet, før der udføres nogen form for montering, vedligeholdelse og/eller kontrol på maskinen.

Jo mere du bruger en savkæde, desto længere bliver den. Det er vigtigt, at man justerer skæredestyret i takt med denne forandring.

Kædespændingen skal kontrolleres hver gang, der fyldes savkædeolie på. OBS! En ny savkæde kræver en indkøringsperiode, hvor det er nødvendigt at kontrollere spændingen oftere.

Generelt gælder det, at man skal stramme savkæden så meget som muligt, men ikke mere end, at den let kan trækkes rundt med hånden. (Figur 47)

- Udløs grebet ved at folde det ud, indtil det låses fast i åben position. (Figur 28)



# GENERELLE SIKKERHEDSINSTRUKTIONER

- Drej grebet mod uret for at løse drivhjulets afskærmning. (Figur 29)
- Juster kædespændingen ved at dreje hjulet ned (+) for strammere spænding og op (-) for løsere spænding. (Figur 30)
- Stram sværdkoblingen ved at dreje grebet med uret. (Figur 31)
- Fold grebet tilbage for at låse stramningen. (Figur 32)

## Smøring af skæreudstyr



**ADVARSEL! Utilstrækkelig smøring af skæreudstyret kan resultere i savkædebrud, hvilket kan medføre alvorlige, ja endog livsfarlige personskader.**

### Savkædeolie

En savkædeolie skal have en god vedhæftning til savkæden samt en god flydeevne, uanset om det er varm sommer eller kold vinter.

**Brug aldrig spildolie!** Den er skadelig både for dig, maskinen og miljøet.

### Påfyldning af savkædeolie

- Brug altid mineralbaseret kædeolie. (Figur 33)
- Kontakt dit serviceværksted ved valg af kædesmørelolie.
- Alle vores motorsavmodeller har automatisk savkædesmøring. En del af modellerne kan også fås med justerbar olietilførsel.
- Tanken til kædeolie er udformet, så dens volumen rækker til ca. tre batteriopladninger. Denne sikkerhedsforanstaltning kræver imidlertid, at der benyttes den rigtige type kædeolie (hvis kædeolien er for tyndflydende, vil den blive forbrugt hurtigere).
- Brug aldrig spildolie. Dette medfører skader på oliepumpen, sværdet og kæden.
- Det er vigtigt at bruge korrekt olietype i forhold til lufttemperaturen (passende viskositet).
- Lufttemperaturer under 0° C gør en del olier træg flydende. Dette kan give overbelastning af oliepumpen med skader på pumpedele til følge.

### Kontrol af savkædesmøring

- Kontrollér savkædesmøringen ved hver tredje batteriladning.

Ret sværdspidsen mod et fast, lyst objekt i en afstand af ca. 20 cm (8 tommer). Efter 1 minuts kørsel på 3/4 gas skal man kunne se et tydeligt oliespor på det lyse objekt. (Figur 34)

Hvis savkædesmøringen ikke fungerer:

- Kontrollér, at sværdets savkædeoliekanal er åben. Rens den om nødvendigt. (Figur 35)
- Kontrollér, at sværdsporet er rent. Rens det om nødvendigt. (Figur 36)
- Kontrollér, at sværdets næsehjul går let, og at næsehjulets smørehul er åbent. Rens og smør om nødvendigt. (Figur 37)

Hvis savkædesmøringen ikke fungerer, efter at ovennævnte kontroller og tilhørende foranstaltninger er gennemført, skal du kontakte dit serviceværksted.

### Kædedrivhjul

Drivsystemet er udstyret med et drivhjul. (Figur 38)

Kontrollér regelmæssigt slitageniveauet for kædedrivhjulet. Udskift det, hvis det er unormalt slidt.

### Slitagekontrol af skæreudstyr

Kontrollér dagligt savkæden for:

- Synlige revner i nitter og led.
- Om savkæden er stiv.
- Om nitter og led er unormalt slidte.

Kassér savkæden, hvis den viser et eller flere af ovenstående tegn.

Vi anbefaler, at du bruger en ny savkæde til at måle, hvor slidt din savkæde er.

Når der kun er 4 mm tilbage af skæretandens højde, er savkæden slidt og skal kasseres.

### Sværd

Kontrollér regelmæssigt:

- Hvis der dannes ujævnheder på sværdbommens ydre sider. File væk om nødvendigt. (Figur 39)
- Hvis sværdsporet er unormalt slidt. Sværdet udskiftes om nødvendigt.
- Hvis sværdnæsen er unormalt eller ujævnt slidt. Hvis der er dannet en "fordybning", hvor sværdnæsens radius slutter på sværdets underside, har du kørt med utilstrækkeligt opstrammet savkæde. (Figur 40)
- For at opnå en maksimal levetid bør sværdet vendes dagligt. (Figur 41)



**ADVARSEL! De fleste ulykker med motorsave sker, når savkæden rammer brugeren.**

**Brug personligt beskyttelsesudstyr. Se instruktionerne i afsnittet "Personligt beskyttelsesudstyr".**

**Undgå at udføre opgaver, som du ikke føler dig tilstrækkeligt kvalificeret til. Se instruktionerne i afsnittene Personligt beskyttelsesudstyr, Kastforebyggende foranstaltninger, Skæreudstyr og Generelle arbejdsinstruktioner.**

**Undgå situationer, hvor der foreligger kastrisiko. Se instruktionerne i afsnittet Maskinens sikkerhedsudstyr.**

**Brug anbefalet skæreudstyr, og kontrollér dets tilstand. Se instruktionerne i afsnittet Tekniske data og Generelle sikkerhedsinstruktioner.**

**Kontrollér funktionen af motorsavens sikkerhedsdetaljer. Se instruktionerne i afsnittet Generelle arbejdsinstruktioner og Generelle sikkerhedsinstruktioner. Anvend aldrig en motorsav ved at holde den i én hånd. Du kan ikke håndtere motorsaven sikkert med én hånd. Hav altid et fast, sikkert greb om håndtagene med begge hænder.**

## Montering af sværd og kæde



**ADVARSEL!** Fjern altid batteriet, før der udføres nogen form for montering, vedligeholdelse og/eller kontrol på maskinen.

Ved al håndtering af kæden skal der bruges handsker.

- Kontrollér, at kædebremsen ikke er i udløst stilling ved at føre kædebremsens kastbeskyttelse mod den forreste håndtagsbøjle. **(Figur 42)**
- Fjern drivhjulsdækslet ved at dreje knappen mod uret. Fjern transportbeskyttelsen (A). **(Figur 43)**
- Montér sværdet over sværdbolten. Placér sværdet i bageste stilling. Placér kæden over kædedrivhjulet og i sværdsporet. Begynd på sværdets overside. **(Figur 44)**
- Kontrollér, at æggen på skæreleddene er peget fremad på sværdets overside.  
Monter koblingskappen og sørg for, at kædespændetappen passer i sværdets udtag. Kontroller, at kædens drivled passer på kædedrivhjulet, og at kæden ligger rigtigt i sværdsporet.
- Stram kæden ved at dreje hjulet ned (+). Kæden skal strammes, indtil den ikke svinger ud fra undersiden af sværdet. **(Figur 45)**
- Kæden er korrekt strammet, når den ikke svinger ud fra undersiden af sværdet, men stadig kan drejes frit manuelt. Hold sværdspidsen opad, og stram sværdekoblingen ved at dreje grebet med uret. **(Figur 46)**
- På en ny kæde skal kædestramningen kontrolleres ofte, indtil kæden er kørt til. Kontrollér kædestramningen regelmæssigt. Korrekt kæde betyder god skærekapacitet og lang levetid. **(Figur 47)**

## Montering af barkstøtte

Kontakt nærmeste serviceværksted for at få monteret en barkstøtte. **(Figur 48)**

# HÅNDTERING AF BATTERI

## Batteristatus

Displayet viser batteriets ladestatus og om der er problemer med batteriet. Batteriets ladestatus vises i fem sekunder, efter at maskinen er slukket eller batteriindikatoren (1) trykkes. Advarselssymbolet på batteriet tændes, når der er sket en fejl (2). Se fejlkoder. (Figur 49)

LED-lygter	Batteristatus
Alle LED'er tændes	Fuldt opladet (75-100 %).
LED 1, LED 2, LED 3 er tændt.	Batteriet er opladet 50-75 %.
LED 1, LED 2 er tændt.	Batteriet er opladet 25-50 %.
LED 1 er tændt.	Batteriet er opladet 0-25 %.
LED 1 blinker.	Batteriet er afladet. Oplad batteriet.

## Batteriladere



**ADVARSEL! Risiko for elektrisk stød og kortslutning. Brug godkendte og intakte stikkontakter. Kontrollér, at ledningen ikke er beskadiget. Udskift ledningen, hvis den ser ud til at være beskadiget på nogen måde.**

## Tilslutning af batteriladere

- Slut batteriladere til en strømkilde med den spænding og frekvens, der fremgår af typeskiltet. Sæt stikket i stikkontakten i væggen. LED'en på batteriladere blinker grønt en enkelt gang. (Figur 50)
- Batteriet bliver ikke ladet op, hvis batteritemperaturen er højere end 50 °C.

## Tilslutning af batteriet til batteriladere

Kontrollér regelmæssigt, at batteriladere og batteriet er intakt. Se også anvisningerne under overskriften Vedligeholdelse.

Batteriet skal lades op, inden det tages i brug første gang. Batteriet er kun ladet 30 % op, når det leveres.

- Tilslut opladere til batteriet. (Figur 50)
- Den grønne lampe på opladere er tændt under opladningen. (Figur 51)
- Når alle LED'erne er tændt på batteriet, er det fuldt opladet. (Figur 52)
- Tag opladere af batteriet.
- Træk stikket ud af stikkontakten. Der må ikke trækkes hårdt i forsyningsledningen for at afbryde den fra stikkontakten.

## Ladestatus

Lithium-ion-batterier kan oplades, uanset hvad deres ladniveau er. Ladeprocessen kan annulleres eller startes, uanset hvad batteriets ladniveau er. (Figur 53)

LED-display	Ladestatus
LED 1 blinker.	Batteriet er opladet 0-25 %.
LED 1 er tændt, LED 2 blinker.	Batteriet er opladet 25-50 %.
LED 1, LED 2 er tændt, LED 3 blinker.	Batteriet er opladet 50-75 %.
LED 1, LED 2, LED 3 er tændt, LED 4 blinker.	Batteriet er opladet 75-100 %.
LED 1, LED 2, LED 3, LED 4 er tændt.	Når alle LED'erne er tændt på batteriet, er det fuldt opladet.

## Transport og opbevaring

- De indeholdte lithium-ion-batterier er omfattet af lovkravene om farligt gods.
- For kommerciel transport, håndteret af f.eks. tredjeparter eller speditorer, skal særlige krav vedrørende emballering og mærkning overholdes.
- Som forberedelse til, at artiklen afsendes, er det nødvendigt at konsultere en ekspert i farlige stoffer. Sørg også for at overholde nationale bestemmelser, der kan være mere detaljerede.
- Afdæk åbne kontakter, og pak batteriet på en sådan måde, at det ikke kan bevæge sig rundt i emballagen.
- Udtag altid batteriet ved opbevaring eller transport.
- Opbevar batteriet og batteriladere på et tørt sted, hvor de ikke udsættes for fugt eller frost.
- Batteriet må ikke opbevares på steder, hvor statisk elektricitet kan forekomme. Batteriet må aldrig opbevares i en metalkasse.
- Opbevar batteriet og batteriladere ved temperaturer på 5 °C til 45 °C og aldrig i direkte sollys.
- Batteriladere må kun opbevares på et tørt sted indendørs.
- Sørg for at opbevare batteriet afbrudt fra batteriladere. Opbevar udstyret i et aflåseligt område, så den ikke er tilgængelig for børn og uvedkommende.
- Sørg for, at maskinen er ordentligt rengjort, og at der er udført fuldstændig service, inden langtidsofopbevaring.
- Skæredstyrets transportbeskyttelse skal altid være monteret under transport og opbevaring af maskinen, så du ikke kommer til at røre ved den skarpe kæde ved et uheld. Også en kæde, der ikke er i bevægelse, kan forårsage alvorlige skader på brugeren eller andre personer, som kommer i kontakt med den.
- Fastgør maskinen under transport.

---

## HÅNDTERING AF BATTERI

---

### **Bortskaffelse af batteriet, batteriladeren og maskinen**

Symbolet på produktet eller emballagen angiver, at dette produkt ikke må behandles som almindeligt husholdningsaffald. Produktet skal i stedet afleveres på en genbrugsstation, hvor de elektriske og elektroniske dele kan genvindes.

Ved at sørge for at dette produkt håndteres på en korrekt måde, kan du være med til at forhindre potentielt negative påvirkninger af miljø og mennesker, som ellers kan forekomme ved ukorrekt bortskaffelse af produktet. Du kan få yderligere oplysninger om genbrug af dette produkt ved at kontakte de lokale myndigheder, dit renoveringsselskab eller den butik, hvor produktet er købt.

## Start og stop



**ADVARSEL!** Inden start skal du være opmærksom på følgende:

**Start ikke motorsaven, uden at sværd, kæde og alle dæksler er monteret korrekt. Drivhjulet kan i modsat fald løse sig og forårsage personskader.**

**Sørg for, at du står stabilt, og at kæden ikke kan gribe fat i noget.**

**Sørg for, at ingen uvedkommende opholder sig inden for arbejdsområdet.**

- Før du sætter batteriet i maskinen, skal du altid kontrollere, at strømudløseren arbejder korrekt og vender tilbage til positionen "OFF", når den slippes. Maskinen er udstyret med en strømudløserlås, som forhindrer utilsigtet aktivering af strømudløseren. **(Figur 54)**
- Start aldrig motorsaven, uden at sværd, savkæde og alle dæksler er monteret korrekt. Se instruktionerne i afsnittet **Montering. (Figur 55)**
- Hold øje med omgivelserne, og kontrollér, at der ikke er nogen risiko for, at mennesker eller dyr kan komme i kontakt med skæreudstyret. **(Figur 56)**
- Hold altid fast om motorsaven med begge hænder. Hold højre hånd på det bageste håndtag og venstre hånd på det forreste håndtag. **Alle brugere, både højre- og venstrehådede, skal bruge dette håndgreb.** Hold godt fast om motorsaven, så tommelfingrene og de øvrige fingre griber om håndtaget på motorsaven. **(Figur 57)**

### Start

- Isæt batteriet i maskinen. Batteriet bør glide nemt ind i batteriholderen på maskinen. Hvis batteriet ikke nemt glider ind, isættes det ikke korrekt. **(Figur 58)**
- Tryk ned på batteriet. Du hører et klik, når batteriet låser sig på plads. **(Figur 59)**
- Tryk på knappen og hold den nede (>1 sek.), indtil den grønne LED tændes. **(Figur 60)**

### Stop

Maskinen deaktiveres ved hjælp af start/stop-knappen på tastaturet (den grønne LED går ud). **(Figur 60)**

Bemærk! Sørg altid for at forhindre utilsigtet igangsætning ved at fjerne batteriet fra maskinen, når den ikke er i brug, og når den er uden opsyn. Fjern batteriet ved at trække det ud af maskinen, samtidig med at batteriudløserknapperne på batteriet trykkes ind. **(Figur 61)**

## Før hver anvendelse: (Figur 62)

- 1 Kontrollér, at kædebremsen fungerer ordentligt og er intakt.
- 2 Kontrollér, at bageste højrehåndsbeskyttelse ikke er beskadiget.
- 3 Kontrollér, at strømudløserlåsen fungerer rigtigt og ikke er beskadiget.
- 4 Kontrollér, at tastaturet fungerer ordentligt og ikke er beskadiget.
- 5 Kontrollér, at alle håndtag er fri for olie.
- 6 Kontrollér, at alle motorsavens detaljer er fastspændte, og at de ikke er beskadigede eller mangler.
- 7 Kontrollér, at kædefangeren er på plads og er intakt.
- 8 Kontrollér kædespændingen.
- 9 Kontrollér, at batteriet er ladet helt op, og at det sidder ordentligt fast i motorsaven.
- 10 Kontrollér, at savkæden holder op med at bevæge sig, når strømudløseren slippes.

## SavE

Maskinen er udstyret med en strømsparefunktion (savE). Aktiver funktionen ved at trykke på savE-knappen på tastaturet. Med savE aktiveret forlænges savens mulige driftstid, idet kædehastigheden reduceres. (Figur 63)

Bemærk! Når maskinen bruges med SavE aktiveret, er det kun kædehastigheden, der reduceres. Maskinens skærekraft reduceres ikke.

## Generelle arbejdsinstruktioner

### VIGTIGT!

Dette afsnit behandler grundlæggende sikkerhedsregler for arbejde med motorsave. Informationen kan aldrig erstatte den kundskab, en faguddannet bruger har i form af uddannelse og praktisk erfaring. Når du kommer ud for en situation, som du er usikker på, skal du spørge en ekspert til råds. Henvend dig i din motorsavsforretning, på dit serviceværksted eller til en erfaren motorsavsbruger. Undgå at udføre opgaver, som du ikke føler dig tilstrækkeligt kvalificeret til!

Inden motorsaven tages i brug, skal du forstå, hvad et kast er for noget, og hvordan det kan undgås. Se instruktionerne i afsnittet Kastforebyggende foranstaltninger.

Inden motorsaven tages i brug, skal du forstå forskellen mellem at save med sværdets underside og dets overside. Se anvisningerne i afsnittene Kastforebyggende foranstaltninger og Maskinens sikkerhedsudstyr.

Brug personligt beskyttelsesudstyr. Se instruktionerne i afsnittet "Personligt beskyttelsesudstyr".

## Grundlæggende sikkerhedsregler

- 1 Hold øje med omgivelserne:
  - For at du kan være sikker på, at hverken mennesker, dyr eller andet kan påvirke din kontrol over maskinen.
  - For at forhindre, at førnævnte ikke risikerer at komme i kontakt med savkæden eller blive ramt af et faldende træ og derved komme til skade.
- 2 Undgå anvendelse i dårligt vejr. F.eks. i tæt tåge, kraftig regn, hård vind og kraftig kulde osv. Arbejde i dårligt vejr er trættende og medfører ofte yderligere risici, f.eks. glat underlag, lynnedslag, uforudsigelig faldretning osv.

BEMÆRK! Følg ovennævnte punkter, men brug aldrig en motorsav, hvis det ikke er muligt at tilkalde hjælp i tilfælde af en ulykke.

- 3 Vær yderst forsigtig ved afsavning af smågrene, og undgå at save i buske (= mange smågrene samtidigt). Smågrene kan efter afsavning sætte sig fast i savkæden, slynges mod dig og forårsage alvorlig personskade.
- 4 Sørg for, at du kan gå og stå sikkert. Kig efter eventuelle forhindringer ved en uventet retræte (rødder, sten, grene, huller, grøfter osv.). Vær meget forsigtig ved arbejde i skrånende terræn.
- 5 Vær yderst forsigtig ved savning i træer, som ligger i spænd. Et spændt træ kan efter gennemsavning svippe tilbage til sin normale stilling. Hvis du placerer dig forkert, og lægger savsnittet forkert, kan det betyde, at træet rammer dig eller maskinen, så du mister kontrollen. Begge omstændigheder kan forårsage alvorlig personskade. (Figur 64)
- 6 Før motorsaven flyttes, skal den deaktiveres, og savkæden skal låses ved hjælp af kædebremsen. Bær motorsaven med sværd og kæde bagudvendt. Ved transport af motorsaven skal sværdbeskyttelsen påsættes.
- 7 Når du anbringer motorsaven på jorden, skal du låse savkæden med kædebremsen og holde øje med maskinen. Deaktiver maskinen, og fjern batteriet, før motorsaven efterlades uden opsyn.



**ADVARSEL! Nogle gange sætter spåner sig fast i drivsystemet, så savkæden klemmes fast. Deaktiver altid maskinen, og tag batteriet ud, før der udføres rengøringsarbejde.**

## Grundregler

- 1 Ved at forstå, hvad et kast kan medføre, og hvordan det opstår, kan du reducere eller eliminere overraskelsesmomentet. Overraskelsen øger ulykkesrisikoen. De fleste kast er små, men en del er lynhurtige og meget voldsomme.
- 2 Hold altid motorsaven i et fast greb med højre hånd på det bageste håndtag og venstre hånd på det forreste håndtag. Tømmelignegrene og de andre fingre skal

omslutte håndtagene. Alle brugere - uanset om man er venstre- eller højrehåndet - skal bruge dette greb. Ved at anvende dette greb kan du bedst reducere effekten af et kast og samtidigt bevare kontrollen over motorsaven. **Slip ikke håndtagene!** (Figur 65)

- 3 De fleste kastulykker sker ved kvistning. Sørg derfor for, at du står stabilt, og at ingen genstande på jorden kan få dig til at snuble eller miste balancen.

Ved uagtsomhed kan sværdets kastrisikoområde utilsigtet ramme en gren, et nærliggende træ eller noget andet og fremkalde et kast.

Sørg for at have god kontrol over arbejdsområdet. Hvis de emner, du saver, er små og lette, kan de gå fast i savkæden og slynges mod dig. Selvom dette ikke i sig selv behøver at være farligt, kan du blive overrasket og miste kontrollen over saven. Sav aldrig stablede pinde eller grene uden at skille dem ad. Sav kun en pind eller gren ad gangen. Fjern de afsavede stykker, så arbejdsområdet forbliver sikkert. (Figur 74)

- 4 **Brug aldrig motorsaven over skulderhøjde, og undgå at save med sværdspidsen. Brug aldrig motorsaven kun med én hånd.** (Figur 66)

- 5 For at have fuld kontrol over din motorsav skal du stå stabilt. Arbejd aldrig stående på en stige, oppe i et træ, eller når du ikke står på et stabilt underlag. (Figur 67)

- 6 Sav med høj kædehastighed, dvs. med fuld gas.

- 7 Vær yderst forsigtig, når du saver med sværdets overside, dvs. når du saver fra saveobjektets underside. Dette kaldes at save med skubbende savkæde. Savkæden skubber da motorsaven bagud mod brugeren. Hvis savkæden klemmes fast, kan motorsaven kastes bagud mod dig. (Figur 68)

- 8 Hvis brugeren ikke holder imod motorsavens kraft, er der risiko for, at motorsaven slår så langt bagud, at sværdets kastrisikoområde er den eneste kontakt med træet, hvilket medfører til et kast. (Figur 69)

At save med sværdets underside, dvs. save fra objektets overside og ned, kaldes at save med trækkende savkæde. Da trækkes motorsaven mod træet og motorsavskroppens forkant bliver en naturlig støtte mod stammen. Savning med trækkende savkæde giver brugeren bedre kontrol over motorsaven, og man ved, hvor sværdets kastrisikoområde befinder sig. (Figur 70)

- 9 Følg file- og vedligeholdelsesinstruktionerne for sværd og savkæde. Ved udskiftning af sværd og savkæde må kun de af os anbefalede kombinationer benyttes. Se instruktionerne i afsnittet Skæredstyr og i afsnittet Tekniske data.

## Grundlæggende saveteknik



**ADVARSEL! Anvend aldrig en motorsav ved at holde den i én hånd. Du kan ikke håndtere motorsaven sikkert med én hånd. Hav altid et fast, sikkert greb om håndtagene med begge hænder.**

### Generelt

- Brug altid fuld gas ved al savning!
- Slip strømudløseren efter hvert savsnit (det kan medføre alvorlige motorskader, hvis motoren kører for længe med fulde omdrejninger uden belastning, dvs. uden modstanden fra savkæden under savningen).
- At save oppefra og ned = At save med "trækkende" savkæde.
- At save nedefra og op = At save med "skubbende" savkæde.

Savning med "skubbende" savkæde medfører en øget kastrisiko. Se instruktionerne i afsnittet Kastforebyggende foranstaltninger.

### Betegnelser

Kvistning = Kapning af grene fra fældet træ.

Spaltning = Når det objekt, som du skal kappe, brækkes af, inden gennemsavningen er færdig.

### Inden hver kapning er der fem meget vigtige faktorer at tage hensyn til:

- 1 Skæredstyret må ikke klemmes fast i savsnittet. (Figur 71)
- 2 Savobjektet må ikke spaltes. (Figur 72)
- 3 Savkæden må ikke slå ned i jorden eller andet under og efter gennemsavningen. (Figur 73)
- 4 Foreligger der kastrisiko? (Figur 4)
- 5 Kan terrænet og omgivelsernes udseende påvirke, hvor stabilt og sikkert du kan gå og stå?

At savkæden klemmes fast, eller at savobjektet spaltes skyldes to faktorer: Hvilken støtte savobjektet har før og under kapning, og om objektet er i spænd.

Førnævnte uønskede foreteelser kan i de fleste tilfælde undgås ved at udføre kapningen i to trin, både fra over- og underside. Det gælder om at neutralisere saveobjektets "vilje" til at klemme savkæden fast eller til at spaltes.



**ADVARSEL! Hvis savkæden kiler sig fast i savsporet: Deaktiver maskinen! Forsøg ikke at rykke maskinen løs. Hvis du gør det, kan du komme til skade på savkæden, hvis maskinen pludselig kommer fri. Brug en løftestang til at åbne savsporet og få maskinen fri.**

Følgende punkter er en teoretisk gennemgang af, hvordan man håndterer de mest almindelige situationer, som en motorsavsbruger kan komme ud for.

## Kapning



**ADVARSEL! Forsøg aldrig at save pinde, når de er stablede eller ligger tæt sammen. Sådanne fremgangsmåder forøger risikoen for kast markant, hvorved der kan opstå alvorlig eller livstruende skade.**

Hvis du har en stabel pinde, skal hver enkelt af de pinde, du vil save, fjernes fra stablen, placeres på en savbuk og saves for sig.

Fjern de afsavede pinde fra arbejdsområdet. Hvis du lader dem ligge i arbejdsområdet, forøger du både risikoen for kast og for at miste balancen, når du arbejder. (Figur 74)

**Stammen ligger på jorden.** Der er ingen risiko for fastklemning af savkæden eller spaltning af savobjekt. Der er dog stor risiko for, at savkæden rammer jorden efter gennemsavning.

Sav oppefra og ned gennem hele stammen. Vær forsigtig ved slutningen af savkæden eller spaltning af savobjekt. Behold fuld gas, men vær forberedt på det, der kan ske.

Hvis det er muligt (= kan stammen drejes?), bør savsnittet afsluttes 2/3 ned i stammen.

Drej stammen, så den resterende 1/3 kan afsluttes oppefra. (Figur 75)

**Stammen har støtte i den ene ende.** Stor risiko for spaltning.

Begynd med at save nedefra og op (ca. 1/3 af stammens diameter).

Afslut oppefra, så savsporene mødes. (Figur 76)

**Stammen har støtte i begge ender.** Stor risiko for fastklemning af savkæden.

Begynd med at save oppefra (ca. 1/3 af stammens diameter).

Afslut savningen nedefra, så savsporene mødes. (Figur 77)

## Træfældningsteknik

**VIGTIGT!** Det kræver stor erfaring at fælde et træ. En uerfaren motorsavsbruger skal ikke fælde træer. Undgå at udføre opgaver, som du ikke er tilstrækkelig kvalificeret til!

### Sikkerhedsafstand

Sikkerhedsafstanden mellem det træ, der skal fældes, og den nærmeste arbejdsplads skal være 2 1/2 trælængde. Sørg for, at der ikke befinder sig nogen inden for denne "risikozone" før og under fældning. (Figur 78)

## Faldretning

Hensigten ved træfældning er at placere træet på en sådan måde, at den efterfølgende kvistning samt afkapning af stammen kan udføres i så "enkelt" terræn som muligt. Man skal kunne gå og stå sikkert.

Når du har besluttet, i hvilken retning du vil fælde træet, skal du vurdere, hvad træets naturlige faldretning er.

De faktorer, som styrer dette, er:

- Hældning
- Krogethed
- Vindretning
- Koncentration af grene
- Eventuel sneyngde
- Forhindringer i nærheden af træet: f.eks. andre træer, kraftkabler, veje og bygninger.
- Kig efter skader og råd i stammen, da det øger risikoen for, at træet knækker og begynder at falde, når du ikke regner med det.

Efter denne vurdering kan man være tvunget til at lade træet falde i sin naturlige faldretning, da det er umuligt eller for farligt at placere det i den retning, man havde planlagt fra begyndelsen.

En anden vigtig faktor, som ikke påvirker faldretningen, men har med din personlige sikkerhed at gøre, er at kontrollere, at træet ikke har nogle beskadigede eller "døde" grene, som kan falde ned og skade dig under fældningsarbejdet.

Først og fremmest skal det undgås, at det faldende træ sætter sig fast i et andet. At tage et fastfældet træ ned er meget farligt og er forbundet med meget stor ulykkesrisiko. Se instruktionerne i afsnittet Håndtering af et mislykket fældningsforsøg.

**VIGTIGT!** Ved kritiske fældningsmomenter bør hørevarnet fældes op, så snart savningen er ophørt, så lyde og advarselssignaler kan høres.

### Underkvistning og retrætevej

Afgren stammen op til skulderhøjde. Det er sikrest at arbejde oppefra og ned og at have stammen mellem dig og motorsaven. (Figur 79)

Ryd undervegetationen rundt om træet, og vær opmærksom på eventuelle forhindringer (sten, grene, huller osv.), så du får en let fremkommelig retrætevej, når træet begynder at falde. Retrætevejen bør ligge ca. 135° skråt tilbage fra træets planlagte faldretning. (Figur 80)

- 1 Risikoområde
- 2 Retrætevej
- 3 Faldretning



## Fældning



**ADVARSEL! Vi fraråder utilstrækkeligt kvalificerede brugere at fælde et træ med en sværdlængde, som er kortere end stammediameteren!**

Fældningen udføres med tre savsnit. Først laves retningsnittet, som består af et oversnit og et undersnit, og derefter afsluttes fældningen med fældesnittet. Ved korrekt placering af disse savsnit, kan man styre faldretningen meget præcist.

### Retningsnit

Ved udsvaning af retningsnittet begynder man med oversnittet. Sigt efter savens faldretningsmærke (1) mod et mål længere fremme i terrænet, hvor træet skal falde (2). Stå til højre for træet bag saven, og sav med trækkende savkæde.

Sav derefter undersnittet, så det afsluttes præcis, hvor oversnittet slutter. (Figur 81)

Retningsnitydbyden skal være 1/4 af stammens diameter, og vinklen mellem over- og undersnit skal være mindst 45°.

De to snit mødes i den såkaldte retningsnitlinje. Retningsnitlinjen skal ligge præcist horisontalt og samtidig danne en ret vinkel (90°) i forhold til den valgte faldretning. (Figur 82)

### Fældesnit

Fældesnittet saves fra den anden side af træet og skal ligge absolut horisontalt. Stå på venstre side af træet og sav med trækkende savkæde.

Placér fældesnittet ca. 3-5 cm (1,5-2 tommer) over retningsnittets horisontalplan. (Figur 83)

Placer barkstøtten (hvis den er monteret) bag brudpunktet. Sav med fuld gas, og før savkæden/sværdet langsomt ind i træet. Vær opmærksom på, om træet bevæger sig i modsat retning i forhold til den valgte faldretning. Sæt en fældekeile i eller et brækjern i fældesnittet, så snart snitydbyden tillader det. (Figur 84)

Fældesnittet skal afsluttes parallelt med retningsnitlinjen, så afstanden mellem de to er mindst 1/10 af stammens diameter. Den ikke gennemsave del af stammen kaldes brudpunktet.

Brudpunktet fungerer som et hængsel, som styrer retningen af det faldende træ. (Figur 85)

Al kontrol over træets faldretning mistes, hvis brudpunktet er for lille eller gennemsavet, eller hvis retningsnit og fældesnit er forkert placeret. (Figur 86)

Når fældesnittet og retningsnittet er færdigsavet, skal træet begynde at falde af sig selv eller ved hjælp af fældekeilen eller brækjernet. (Figur 87)

Vi anbefaler at bruge en sværdlængde, som er længere end træets diameter, så fælde- og retningsnit kan udføres med et såkaldt 'enkelt savsnit'. Se anvisningerne i afsnittet Tekniske data for at få oplysninger om, hvilke sværdlængder der anbefales til din motorsavsmodel. (Figur 88)

Der findes metoder til fældning af træer med en stammediameter, der er større end sværdlængden. Disse metoder medfører en meget stor risiko for, at sværdets kastrisikoområde kommer i nærheden af et objekt. (Figur 4)

## Håndtering af et mislykket fældningsforsøg

### Nedtagning af et "fastfældet træ"

At tage et fastfældet træ ned er meget farligt og er forbundet med meget stor ulykkesrisiko.

Forsøg aldrig at save det fældede træ ned.

Undgå at arbejde inden for risikoområdet af det hængende og næsten fældede træ. (Figur 89)

Den sikreste metode er at bruge et spil.

- Traktormonteret (Figur 90)
- Bærbar (Figur 91)

### Savning i træer og grene, som befinder sig i spænd

Forberedelser: Bedøm, i hvilken retning spændingen er rettet, samt hvor den har sit brudpunkt (dvs. det sted, hvor den ville brække over, hvis den blev spændt endnu mere). (Figur 92)

Afgør, hvordan du på den sikreste måde kan frigøre spændingen, og om du kan klare det. Ved særligt komplicerede situationer er den eneste sikre metode helt at undlade at bruge motorsaven og i stedet bruge et spil.

### Generelt gælder:

Placér dig, så du ikke risikerer at blive ramt af træet / grenen, når spændingen udløses. (Figur 93)

Lav et eller flere savsnit på eller i nærheden af brudpunktet. Sav så dybt ind og med så mange snit, som der kræves, for at spændingen i træet/grenen skal udløses så meget, at træet "brækker af" ved brudpunktet. (Figur 94)

### Sav aldrig helt igennem et objekt, der er i spænd!

Hvis du skal save igennem træet/grenen, skal du lave to eller tre snit med en afstand på 3 cm og en dybde på 3-5 cm. (Figur 95)

Fortsæt med at save dybere, indtil spændingen i træet/grenen fjernes. (Figur 96)

Sav træet/grenen fra den modsatte side, når spændingen er fjernet.

## Kastforebyggende foranstaltninger



**ADVARSEL!** Kast kan være lynhurtige, pludselige og voldsomme og kan kaste motorsav, sværd og savkæde mod brugeren. Er savkæden i bevægelse, når og hvis den rammer brugeren, kan der opstå meget alvorlige, ja endog livsfarlige personskader. Det er nødvendigt at forstå, hvad der forårsager kast, og at de kan undgås ved forsigtighed og korrekt arbejdsteknik.

### Hvad er kast?

Kast er betegnelsen på en pludselig reaktion, hvor motorsav og sværd kastes fra et objekt, som er kommet i kontakt med sværdspidsens øverste kvadrant, det såkaldte kastrisikoområde. (Figur 69)

Kast slår altid i sværdplanets retning. Det mest almindelige er, at motorsav og sværd kastes opad og bagud mod brugeren. Dog forekommer der andre kastretninger afhængigt af, hvor motorsaven befandt sig i det øjeblik, sværdets kastrisikoområde var i kontakt med et objekt.

Kast kan kun ske, når sværdets kastrisikoområde kommer i kontakt med et objekt. (Figur 4)

### Kvistning



**ADVARSEL!** De fleste kastulykker sker ved afgrening. Anvend aldrig sværdet i kastrisikoområdet. Vær yderst forsigtig, og undgå, at sværdspidsen kommer i kontakt med pinden samt andre grene og genstande. Vær yderst forsigtig ved savning af grene, som befinder sig i spænd. De kan fjedre tilbage mod dig og resultere i, at du mister kontrollen, så der opstår skade.

Sørg for, at du kan gå og stå sikkert! Arbejd fra venstre side af stammen. Arbejd så tæt ved motorsaven som muligt for at få den bedste kontrol. Når det er muligt, skal du lade savens vægt hvile på stammen.

Flyt dig kun, når du har stammen mellem dig og motorsaven. (Figur 97)

### Kapning af stammen til tømmerstokke

Se instruktionerne i afsnittet Grundlæggende saveteknik.

## Generelt

Brugeren må kun udføre den form for vedligeholdelses- og servicearbejde, der beskrives i denne brugsanvisning. Mere omfattende arbejde skal udføres af et autoriseret serviceværksted.

## Kontrol, vedligeholdelse og service af motorsavens sikkerhedsudstyr



**ADVARSEL!** Fjern altid batteriet, før der udføres nogen form for montering, vedligeholdelse og/eller kontrol på maskinen.

Bemærk! Al service og alle reparationer af maskinen kræver specialuddannelse. Dette gælder især maskinens sikkerhedsudstyr. Hvis maskinen ikke klarer nogen af følgende kontroller, anbefaler vi, at du kontakter dit serviceværksted.

Vigtigt! Batteriet eller batteriladeren må aldrig rengøres med vand. Stærke rengøringsmidler kan beskadige plasten.

## Kædebremse med kastbeskyttelse

### Kontrol af kastbeskyttelse

- Kontrollér, at kastbeskyttelsen er hel og uden synlige defekter, f.eks. materialerevner. (Figur 98)
- For kastbeskyttelsen frem og tilbage for at kontrollere, at den går let, og at den er stabilt forankret på maskinen. (Figur 99)

### Kontrol af træghedsfunktionen

- Hold motorsaven, med motoren slukket, over en træstub eller et andet stabilt underlag. Slip det forreste håndtag, og lad motorsaven falde ned af sig selv mod stubben, mens den drejer omkring det bageste håndtag. (Figur 100)

Når sværdspidsen rammer stubben, skal bremsen udløses.

### Kontrol af bremsevirkning

- Aktiver motorsaven. Sørg for, at savkæden ikke er i kontakt med jorden eller noget andet. Se anvisningerne under overskriften Start og stop.
- Hold motorsaven i et fast greb med tommelfingre og fingre rundt om håndtagene. (Figur 65)
- Giv fuld gas, og aktiver kædebremsen ved at dreje venstre håndled mod kastbeskyttelsen. Slip ikke det forreste håndtag. **Kæden skal stoppe øjeblikkeligt.** (Figur 101)

## Lås på strømudløser

- Kontrollér, at strømudløseren låses i tomgangsstilling, når strømudløserlåsen slippes. (Figur 102)
- Tryk på strømudløserlåsen, og kontrollér, at den springer tilbage til udgangsstillingen, når den slippes. (Figur 103)
- Kontrollér, at strømudløseren og strømudløserlåsen går let, samt at deres returfedre fungerer korrekt. (Figur 104)
- Aktiver motorsaven, og giv fuld kraft. Slip strømudløseren, og kontrollér, at savkæden standser, og at den bliver stående stille.

## Kædefanger

- Kontrollér, at kædefangeren er intakt, og at den er fastmonteret på motorsavens krop. (Figur 105)

## Tastatur

- Aktiver motorsaven, og kontrollér, at motorsaven deaktiveres, når der trykkes på start/stop-knappen (den grønne LED går ud). (Figur 106)

## Batteritilslutninger

Rengør batteriet og maskinens batterikammer ved hjælp af en blød børste efter brug. Sørg for, at alle køleåbninger og batteritilslutninger bliver gjort rene. (Figur 107)

## Kølesystem

For at holde en så lav driftstemperatur som muligt er maskinen udstyret med et kølesystem.

Kølesystemet består af:

- 1 Luftindtag (venstre side af maskinen).
  - 2 En blæser på motoren.
- Rens kølesystemet med en børste en gang om ugen, under støvfyldte forhold oftere. Et snavset eller tilstoppet kølesystem medfører overophedning af maskinen med skader på maskinen til følge. (Figur 108)

## Batteri

- Kontrollér, at batteriet ikke er beskadiget eller deformeret, og at det ikke har synlige defekter som f.eks. materialerevner. (Figur 109)

## Batteriladere

- Kontrollér, at batteriladeren og strømforsyningsledningen ikke er beskadiget eller deformeret, og at de ikke har synlige defekter som f.eks. materialerevner. (Figur 110)

# VEDLIGEHOELDELSE

## Vedligeholdelsesskema

Nedenfor vises en oversigt over det vedligeholdelsesarbejde, der skal udføres på maskinen. De fleste af punkterne er beskrevet i afsnittet Vedligeholdelse.

Dagligt eftersyn	Ugentligt eftersyn	Månedligt eftersyn
Rengør maskinen udvendigt.	Fil eventuelle ujævnheder væk på sværdets sider.	Kontrollér forbindelserne imellem batteriet og maskinen, og kontrollér forbindelsen imellem batteriet og batteriladeren.
Kontrollér, at strømudløserens komponenter fungerer sikkerhedsmæssigt korrekt. (Strømudløserlåsen og strømudløseren.)		Tøm olietanken, og rengør den indvendigt.
Rens kædebremsen, og kontrollér dens funktion ud fra et sikkerhedsmæssigt synspunkt. Kontrollér, at kædefangeren ikke er defekt, og udskift om nødvendigt.		Blæs forsigtigt igennem produktets og batteriets koleåbninger med trykluft.
Sværdet skal vendes dagligt for at få en mere jævn slitage. Kontrollér, at smørehullet i sværdet ikke er tilstoppet. Rens kædesporet. Har sværdet en næsetrisse, skal denne smøres.		
Kontrollér, at sværd og kæde får tilstrækkelig med olie.		
Kontrollér savkæden for synlige revner i nitter og led, hvis savkæden er sløv, eller nitter og led er unormalt slidte. Skift dem om nødvendigt.		
Fil kæden, og kontrollér dens stramning og tilstand. Kontrollér, at kædedrivhjulet ikke er unormalt slidt, udskift i nødvendige tilfælde.		
Rengør maskinens luftindtag.		
Kontrollér, at skruer og møtrikker er spændte.		
Kontrollér, at tastaturet fungerer ordentligt og ikke er beskadiget.		

# VEDLIGEHOJDELSE

## Fejlsøgningskema

### Tastatur

Mulige fejlkoder på motorsavens tastatur.

Tastatur	Mulige fejl	Mulig løsning
Blinkende advarselsindikator.	Kædebremse aktiveret.	Træk kastbeskyttelsen tilbage for at frikoble kædebremsen.
	Temperaturovfølge.	Lad maskinen køle ned.
	Overbelastning. Skæreudstyret er blokeret.	Skæreudstyret er blokeret. Udløs skæreudstyret.
	Strømløseren og aktiveringsknappen trykkes ind på én gang.	Udløs strømløseren, og maskinen er aktiveret.
Den grønne aktiverings-LED blinker.	Lav batterispænding.	Oplad batteriet.
Advarselsindikatoren lyser.	Service	Kontakt dit serviceværksted.

### Batteri

Fejlsøgning på batteriet og/eller batteriladeren under opladning.

LED-display	Mulige fejl	Mulig løsning
Blinkende advarselsindikator.	Batteriet er afladet.	Opladning af batteri.
	Temperaturovfølge.	Brug batteriet i omgivelser, hvor temperaturerne ligger mellem -10 °C og 60 °C.
	Overspænding.	Kontrollér, at netspændingen svarer til den, der står på skiltet, som sidder på maskinen. Tag opladeren af batteriet.
Advarselsindikatoren lyser.	Celleforskel for stor (1 V).	Kontakt dit serviceværksted.

### Batteriladere

LED-display	Mulige fejl	Mulig løsning
Blinkende advarselsindikator.	Temperaturovfølge.	Lad opladeren køle ned (passiv køling).
Advarselsindikatoren lyser.	Permanente skader.	Kontakt dit serviceværksted.

# TEKNISKE DATA

## Tekniske data

136Li

### Motor

Type 36V børstemotor

### Egenskaber

Lavenergitilstand savE

### Smøresystem

Type af oliepumpe Automatisk

Volumen olietank, liter/cm<sup>3</sup> 0,20/200

### Vægt

Motorsav uden batteri, sværd og kæde, tom olietank, kg 4,8

### Støjmissioner (se anm. 1)

Lydeffektniveau, målt dB(A) 97,3

Lydeffektniveau, garanteret L<sub>WA</sub> dB(A) 101

Respektiv usikkerhed KpA, dB(A) 3,0

### Lyd niveauer (se anm. 2)

Ækvivalent lydtryksniveau ved brugerens øre, dB(A) 86

### Vibrationsniveauer (se anm. 3)

Forreste håndtag, m/s<sup>2</sup> 3,61

Bageste håndtag, m/s<sup>2</sup> 2,25

Respektiv usikkerhed K, m/s<sup>2</sup> 1,5

### Ækvivalente vibrationsniveauer (se anm. 4)

Forreste håndtag, m/s<sup>2</sup> 2,29

Bageste håndtag, m/s<sup>2</sup> 1,58

### Kæde/sværd

Anbefalede sværdlængder, tommer/cm 12/30

Effektiv skærelængde, tommer/cm 10/26

Type af drivhjul/antal tænder Spur/6

Maks. kædehastighed / (savE), m/s 11 (10)

### Godkendte batterier til ovenstående motorsave

Batteri	BLi110	BLi150
Type	Lithium-ion	Lithium-ion
Batterikapacitet, Ah	3,0	4,2
Spænding, V	36	36
Vægt, kg	1,2	1,3

### Ladere, der passer til de angivne batterier, BLi.

Batteriladere	QC80	QC120	QC330
Netspænding, V	100-240	220-240	100-240
Frekvens, Hz	50-60	50-60	50-60
Effekt, W	80	125	330

Anm. 1: Emission af støj til omgivelserne målt som lydeffekt (L<sub>WA</sub>) i henhold til Rådets direktiv 2000/14/EF.

Anm. 2: Ækvivalent lydtryksniveau i henhold til ISO 22868 beregnes som den tidsvægtede energisum for forskellige lydtryksniveauer ved forskellige driftstilstande. Typisk statistisk spredning for et ækvivalent lydtryksniveau er en standardafvigelse på 1 dB (A).

Bemærk 3: Vibrationsniveau iht. EN 60745-2-13. Rapporterede data for vibrationsniveau har en typisk statistisk spredning (standardafvigelse) på 1 m/s<sup>2</sup>. De angivne vibrationsdata gælder målinger, hvor maskinen er monteret med en specifik sværdlængde og den anbefalede kædetype. Hvis maskinen er monteret med en anden sværdlængde, kan vibrationsniveauet variere med maks. ± 1,5 m/s<sup>2</sup>.

Bemærk 4: Tilsvarende vibrationsniveau er målt og beregnet for motorsave med forbrændingsmotor. Disse tal er godkendt til at kunne anvendes ved sammenligninger af vibrationsdata uanset motortype.


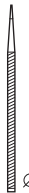

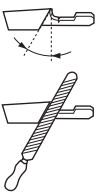

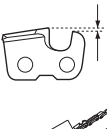
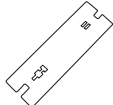

## TEKNISKE DATA

### Sværd- og kædekombinationer

Følgende skæreudstyr er godkendt til modellen Husqvarna 136Li.

Sværd				Savkæde	
Længde, tommer	Deling, tommer	Sporbredde, mm	Maks. antal tænder, næsehjul	Type	Længde, drivled (stk.)
12	3/8	1,1	9T	Husqvarna H38	45

### Slibeskalaer og slibning af savkæde

							
38	11/64 / 4,5	90°	30°	0°	0.025 / 0,65	5056981-03	5795588-01

### EF-overensstemmelseserklæring

#### (Gælder kun Europa)

**Husqvarna AB**, SE-561 82 Huskvarna, Sverige, tlf.: +46-36-146500, erklærer hermed og påtager sig det fulde ansvar for, at de ledningsfrie, batteridrevne motorsave **Husqvarna 136Li** fra 2016 årgangsserienummer og fremad (året er angivet i klartekst på typeskiltet med et efterfølgende serienummer) opfylder forskrifterne i RÅDETS DIREKTIV:

- af den 17. maj 2006 "angående maskiner" **2006/42/EF**.
- af den 26. februar 2014 "angående elektromagnetisk kompatibilitet" **2014/30/EU**.
- af den 12. december 2006 "om elektrisk materiel bestemt til anvendelse inden for visse spændingsgrænser" **2006/95/EC**.
- af den 6. september 2006 "om batterier og akkumulatorer og udtjente batterier og akkumulatorer" **2006/66/EF**.
- af den 8. maj 2000 "angående emission af støj til omgivelserne" **2000/14/EF**.

Følgende standarder er opfyldt: **EN 60745-1**, **EN 60745-2-13**, **EN 60335-2-29**, **EN 55014-1**, **EN 55014-2**.

Udpeget organ: **NB905, Intertek Deutschland GmbH**, Stagenstraße 1, 70771 Leinfelden-Echterdingen, Tyskland, har udført EF-typegodkendelse i overensstemmelse med maskindirektivets (2006/42/EF) artikel 12, punkt 3b. Attester vedrørende EF-typegodkendelse i henhold til bilag IX har numrene: **NB905 15SHW0344-01**.

Oplysninger om støjemissioner fremgår af kapitlet Tekniske data.

Den leverede motorsav er i overensstemmelse med det produkt, der er godkendt i henhold til EF-typegodkendelse.

Husqvarna, den 30. marts 2016



Lars Roos, udviklingschef

(Autoriseret repræsentant for Husqvarna AB og ansvarlig for teknisk dokumentation.)

# SYMBOLFORKLARING

## Symboler på maskinen:

Oversettelse av original svensk bruksanvisning.

**ADVARSEL!** Motorsager kan være farlige!  
Uforsiktig eller feilaktig bruk kan resultere i alvorlige skader eller dødsfall for brukeren eller andre.



Les nøye gjennom bruksanvisningen og forstå innholdet før du bruker maskinen.



Bruk alltid:

- Godkjent vernehjelm
- Godkjent hørselsvern
- Vernebriller eller visir



Dette produktet er i overensstemmelse med gjeldende CE-direktiv.



Støyutslipp til omgivelsene ifølge EFs direktiv. Maskinens utslipp angis i kapitlet Tekniske data og på klistremærke.



Brukeren må alltid bruke begge hendene til å betjene motorsagen.



Bruk aldri en motorsag ved å holde den bare med én hånd.



La aldri sverdspissen komme i kontakt med noen gjenstander.



**ADVARSEL!** Kast kan oppstå når sverdspissen kommer i kontakt med en gjenstand og forårsaker en reaksjon som kaster sverdet oppover og bakover mot brukeren. Dette kan forårsake alvorlig personskade.



Sagkjedets rotasjonsretning og maksimal lengde på sverdet.



Kjedebremser, aktivert (høyre)  
Kjedebremser, ikke aktivert (venstre)



Påfylling av kjedeolje.



**Miljømerking.** Symbolet på produktet eller dets emballasje indikerer at dette produktet ikke kan håndteres som husholdningsavfall. Det skal i stedet leveres til egnet gjenvinningsstasjon for gjenvinning av elektrisk og elektronisk utstyr.



Direktestrøm.



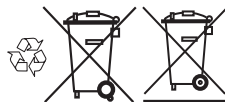
Må ikke utsettes for regn.



**Øvrige symboler/klistremærker angitt på maskinen gjelder spesifikke krav for sertifiseringer på visse markeder.**

## Symboler på batteriet og/eller batteriladeren:

Dette produktet må innleveres til et gjenvinningsanlegg.



Feilsikker transformator



Batteriladeren må bare brukes og lagres innendørs.



Dobbeltisolert





# SYMBOLFORKLARING

Følgende etiketter finnes på maskinen, batteriet og batteriladeren.

## WARNING

Read and follow all safety precautions in the owner's manual. Failure to follow instructions could result in serious injury to user. Contact of the guide bar tip with any object should be avoided. Tip contact may cause the guide bar to move suddenly upward and backwards, which may cause serious injury to user. Two handle pins always to be used in operation of the chain saw. Use only identical replacement bar and chain components manufactured by Husqvarna. Use only Husqvarna Battery Type BLi.

## AVERTISSEMENT

Consulter et respecter les consignes de sécurité contenues dans le manuel de l'utilisateur. Le non-respect de ces instructions peut entraîner de graves blessures chez l'utilisateur. Éviter tout contact entre le nez du guide-chaîne et un objet. Tout contact avec le nez peut entraîner des mouvements brusques du guide-chaîne vers le haut ou vers le bas susceptibles de provoquer de graves blessures. Toujours utiliser les deux tiges de retenue lorsque il faut fonctionner la tronçonneuse. Utiliser uniquement des pièces de rechange de guide-chaîne et de la chaîne identiques qui ont été homologuées par Husqvarna. Utiliser uniquement une batterie Husqvarna de type BLi.

## ADVERTENCIA

Lee y siga todas las precauciones de seguridad especificadas en el manual de instrucciones. El incumplimiento de estas instrucciones podría comportar lesiones personales de gravedad. Debe evitarse que la punta de la sierra entre en contacto con cualquier objeto. El contacto con la punta podría provocar un movimiento repentino hacia arriba y hacia abajo de la sierra, lo que podría causar graves lesiones personales. Siempre se utilizará siempre dos manijas con las dos manos. Utilice únicamente componentes de sustitución de la espada y la cadena idéntica a las originales y fabricadas por Husqvarna. Utilice únicamente una batería de tipo BLi de Husqvarna.

587134101



**Husqvarna** Class 2C Chainsaw  
 36V --- 136Li Article No. XXXXXXXXXX  
 Serial No. XXXXXXXX-XX  
 PNC No. XXXXXXXX-XX

HUSQVARNA AB, SE-561 82 HUSKVARNA, SWEDEN

**Husqvarna AB** (PSE)  
 S-561 82 Huskvarna, Sweden (Husqvarna Zenoah Co., Ltd)

Type BLi  
 Art.no.  
 36V --- / Ah Li Ion --- Wh  
 10INR19/66-2

**Husqvarna AB** Li-Ion  
 S-561 82 Huskvarna, Sweden (EWOB) Use ONLY with Husqvarna  
 Type: QC Li-Ion batteries

Art.-No.  
 Input: V-/ Hz / 100W max.  
 Output: 36V --- / 2A  
 Class 2 battery charger

1156931-38 Rev.2 2016-11-29

---

# INNHold

---

## Innhold

### SYMBOLFORKLARING

Symboler på maskinen: .....	88
Symboler på batteriet og/eller batteriladeren: .....	88

### INNHold

Innhold .....	90
---------------	----

### INNLEDNING

Kjære kunde .....	91
-------------------	----

### HVA ER HVA?

Hva er hva på motorsagen? .....	91
---------------------------------	----

### GENERELLE SIKKERHETSINSTRUKSJONER

Generelle sikkerhetsadvarsler for motorredskaper	92
Tiltak før bruk av en ny motorsag .....	94
Viktig .....	95
Bruk alltid sunn fornuft .....	95
Personlig verneutstyr .....	95
Maskinens sikkerhetsutstyr .....	95
Batteri og batterilader .....	97
Skjæreutstyr .....	98

### MONTERING

Montering av sverd og kjede .....	101
-----------------------------------	-----

### BATTERIHÅNTERING

Batteristatus .....	102
Batteriladere .....	102
Transport og oppbevaring .....	102
Kassering av batteri, batterilader og maskin .....	103

### START OG STOPP

Start og stopp .....	104
----------------------	-----

### ARBEIDSTEKNIKK

Før hver gangs bruk: .....	105
SavE .....	105
Generelle arbeidsinstruksjoner .....	105
Kastforebyggende tiltak .....	108

### VEDLIKEHOLD

Generelt .....	110
Kontroll, vedlikehold og service på motorsagens sikkerhetsutstyr .....	110
Batterikontakter .....	110
Kjølesystem .....	110
Batteri .....	110
Batteriladere .....	110
Vedlikeholdsskjema .....	111
Feilsøkingsskjema .....	112

### TEKNISKE DATA

Tekniske data .....	113
Sverd og kjedekombinasjoner .....	114
Sagkjedets filing og filmaler .....	114
EF-erklæring om samsvar .....	114

---

# INNLEDNING

---

## Kjære kunde

Gratulerer med ditt valg om å kjøpe et Husqvarna-produkt! Husqvarna har aner som går tilbake til 1689, da kong Karl XI fikk oppført en fabrikk ved kanten av Husqvarnaelven for produksjon av musketter.

Plasseringen ved Husqvarnaelven var logisk, ettersom elven ble benyttet til å produsere vannkraft og på den måten utgjorde et vannkraftverk. I de mer enn 300 år Husqvarna-fabrikken har eksistert er det blitt produsert utallige produkter, alt fra vedovner til moderne kjøkkenmaskiner, symaskiner, sykler, motorsykler m.m. I 1956 ble den første motorgressklipperen lansert, fulgt av motorsagen i 1959, og det er på dette området Husqvarna arbeider i dag.

Husqvarna er i dag en av verdens ledende produsenter av skogs- og hageprodukter med kvalitet og yteevne som høyeste prioritet. Forretningssidéen er å utvikle, produsere og markedsføre produkter til skogs- og hagebruk samt bygg- og anleggsindustrien. Husqvarnas mål er også å være i forkant når det gjelder ergonomi, brukervennlighet, sikkerhet og miljøtenkning, og det er derfor det er utviklet en rekke finesser for å forbedre produktene på disse områdene.

Vi er overbevist om at du vil sette pris på vårt produkts kvalitet og yteevne i lang tid fremover. Et kjøp av et av våre produkter gir deg tilgang til profesjonell hjelp med reparasjoner og service dersom noe tross alt skulle skje. Hvis maskinen ikke er kjøpt hos en av våre autoriserte forhandlere, så spør dem etter nærmeste serviceverksted.

Vi håper du vil bli fornøyd med maskinen din og at den vil være din følgesvenn i lang tid fremover. Husk at denne bruksanvisningen er et verdipapir. Ved å følge dens innhold (bruk, service, vedlikehold osv.) kan du vesentlig forlenge maskinens levetid og også øke dens bruktværdi. Sørg for å overlate bruksanvisningen til den nye eieren hvis du selger maskinen din.

Takk for at du bruker et Husqvarna-produkt!

Husqvarna AB arbeider løpende med å videreutvikle sine produkter, og forbeholder seg derfor retten til endringer vedrørende bl.a. form og utseende uten varsel.

## Hva er hva på motorsagen? (1)

- 1 Kastbeskyttelse
- 2 Taster
- 3 Lagre-knapp
- 4 Advarselsindikator
- 5 Aktiver- og deaktivert-knapp
- 6 Effektreulatorspærre
- 7 Bakre håndtak med høyrehåndsbeskyttelse
- 8 Viftelhus
- 9 Kjedefanger
- 10 Batteriladere
- 11 Strømledning
- 12 Advarselsindikator
- 13 Kobling
- 14 Bruksanvisning
- 15 Sverdbeskyttelse
- 16 Drivhjuldeksel
- 17 Kjedefangerhjul
- 18 Knott
- 19 Kjedefanger
- 20 Barkstøtte
- 21 Nesehjul
- 22 Sagkjede
- 23 Sagsverd
- 24 Fremre håndtak
- 25 Effektreulator
- 26 Batteri
- 27 Batteriløserknapper
- 28 Batteristatus
- 29 Knapp, batteristatus
- 30 Advarselsindikator

# GENERELLE SIKKERHETSINSTRUKSJONER

## Generelle sikkerhetsadvarsler for motorredskaper



**ADVARSEL!** Les alle sikkerhetsadvarsler og instruksjoner. Hvis advarslene og instruksjonene ikke følges kan det føre til elektrisk støt, brann og/eller alvorlig personskade.

**VIGTIG!** Ta vare på alle advarsler og instruksjoner for fremtidig bruk. Begrepet "el-verktøy" i advarslene refererer til elektrisk verktøy som drives av nettstrøm (med ledning) eller batteri (uten ledning).

## Sikkerhet i arbeidsområdet

- **Hold arbeidsområdet rent og godt opplyst.** Rot og dårlig opplyste områder kan lett føre til ulykker.
- **Bruk ikke el-verktøy i eksplosiv atmosfære, for eksempel der det finnes brennbare væsker, gasser eller støv.** El-verktøy danner gnister som kan antenne støv eller gasser.
- **Hold barn og andre tilskuere på avstand når el-verktøyet er i bruk.** Distraksjoner kan føre til at du mister kontrollen.

## Elektrisk sikkerhet

- **Støpselet til el-verktøyet må passe til stikkkontakten.** Støpselet må ikke modifiseres på noen måte. Adapterpluggen må ikke brukes sammen med jordet el-verktøy. Umodifiserte pluggen og tilsvarende uttak reduserer faren for elektrisk støt.
- **Unngå kroppskontakt med jodede flater, for eksempel rør, radiatorer, komfyrer og kjøleskap.** Faren for elektrisk støt øker hvis kroppen til brukeren er forbundet med jord.
- **El-verktøy må ikke utsettes for regn eller fuktighet.** Vann i el-verktøyet øker faren for elektrisk støt.
- **Ledningen må håndteres forsiktig.** Bruk aldri ledningen til å bære eller trekke noe, eller til å trekke ut støpselet. Hold ledningen borte fra varme, olje, skarpe kanter og bevegelige deler. Skadde eller sammenflokete ledninger øker faren for elektrisk støt.
- **Når el-verktøyet brukes utendørs må det brukes en skjøteledning som er egnet for bruk utendørs.** Bruk av skjøteledning som er egnet for bruk utendørs reduserer faren for elektrisk støt.
- **Hvis det ikke er mulig å unngå å anvende elektroverktøy i fuktige omgivelser, må det anvendes en strømforsyning som er beskyttet mot jordfeil/overbelastning.** Bruk av jordfeilbryter/automatsikring reduserer faren for elektrisk støt.

## Personlig sikkerhet

- **Vær oppmerksom, følg med på det du gjør, og bruk sunn fornuft når du bruker el-verktøyet. Ikke bruk el-verktøyet hvis du er trett eller påvirket av medikamenter, alkohol eller medisiner.** Et øyeblikks uoppmerksomhet ved bruk av el-verktøy kan føre til alvorlig personskade.
- **Bruk personlig verneutstyr. Bruk alltid vernebriller.** Bruk av verneutstyr som støvmaske, vernesko med antisklisåle, hjelm og hørselvern der det kreves reduserer faren for personskade.
- **Unngå utilsikket oppstart. Forsikre deg om at bryteren står i AV-stilling før du kobler til strømforsyningen og/eller batteripakken, plukker opp eller bærer verktøyet.** Hvis du bærer verktøyet med en finger på bryteren eller med el-verktøyet påslått kan lett føre til ulykker.
- **Fjern eventuelle justeringsnøkler før du slår på el-verktøyet.** En nøkkel som sitter på en roterende del av el-verktøyet kan føre til personskade.
- **Ikke strekk deg for langt. Hold alltid føttene på bakken og en balansert stilling.** Dette gir deg bedre kontroll over el-verktøyet i uventede situasjoner.
- **Bruk egnede klær. Bruk ikke løstsittende klær eller smykker.** Hold hår, klær og hanske borte fra bevegelige deler. Løstsittende klær, smykker eller langt hår kan sette seg fast i bevegelige deler.
- **Hvis apparatet er forsynt med tilkopling for støvsuger eller oppsamlar, må du forsikre deg om at disse er riktig tilkoplede og brukes på riktig måte.** Bruk av støvopsamlar kan redusere faren for støvrelaterte skader.
- **Vibrasjonsnivået under faktisk bruk av det motoriserte redskapet kan avvike fra den oppgitte totalverdien, avhengig av hvordan redskapet brukes.** Brukeren må treffe sikkerhetstiltak for å beskytte seg, basert på et anslag av eksponeringen under de faktiske bruksforholdene (med hensyn til alle deler av operasjonssyklusen, for eksempel når verktøyet slås av og når det går på tomgang).

## Bruk og vedlikehold av el-verktøy

- **Bruk ikke makt på el-verktøyet. Bruk riktig el-verktøy for arbeidet som skal utføres.** Riktig el-verktøy gjør jobben på en bedre og sikrere måte i den hastigheten det er konstruert for.
- **Bruk ikke el-verktøyet hvis bryteren ikke lar seg slå på og av.** El-verktøy som ikke kan kontrolleres med bryteren er farlig, og må repareres.
- **Kople pluggen fra strømforsyningen og/eller batteripakken fra el-verktøyet før du foretar justeringer, skifter tilbehør eller lagrer el-verktøyet.** Slike forebyggende sikkerhetstiltak reduserer faren for at el-verktøyet starter ved et uhell.
- **El-verktøy som ikke er i bruk må oppbevares utilgjengelig for barn. La ikke el-verktøyet brukes av personer som ikke er kjent med el-verktøyet**

# GENERELLE SIKKERHETSINSTRUKSJONER

eller disse instruksjonene. El-verktøy er farlige i hendene på uerfarne brukere.

- **Vedlikehold av el-verktøy. Kontroller justeringen av bevegelige deler, samt at de ikke sitter fast. Kontroller at det ikke finnes odelagte deler eller andre feil som kan påvirke bruken av el-verktøyet. Hvis el-verktøyet er skadet må det repareres før bruk.** Mange ulykker forårsakes av dårlig vedlikeholdt el-verktøy.
- **Hold skjæreverktøy skarpe og rene.** Riktig vedlikeholdte skjæreverktøy med skarpe skjærekanter har mindre fare for å sette seg fast, og er lettere å kontrollere.
- **Bruk el-verktøyet, tilbehør og verktøybits osv. i henhold til disse instruksjonene, med hensyn til arbeidsforholdene og arbeidet som skal utføres.** Bruk av el-verktøy til andre formål enn det er ment for kan føre til farlige situasjoner.

## Bruk og pleie av batteriverktøy

- **Må bare lades med laderen som er spesifisert av produsenten.** En lader som passer til én batteripakke kan skape brannfare hvis den brukes med en annen batteripakke.
- **Bruk elektriske verktøy bare med spesielt designede batteripakker.** Bruk av andre batteripakker kan medføre fare for personskade og brann.
- **Når en batteripakke ikke er i bruk, må den oppbevares beskyttet mot andre metallgjenstander som binders, mynter, nøkler, spiker, skruer og andre små metallgjenstander som kan kortslutte batteripolene.** Kortslutning av batteripolene kan føre til forbrenning eller brann.
- **Hvis batteriet brukes feil kan det føre til at væske kommer ut av batteriet. Unngå kontakt med væsken. Skyll med vann hvis kontakt oppstår ved et uhell. Kontakt lege hvis du får væsken i øynene.** Væske som kommer ut av batteriet kan forårsake irritasjon eller forbrenninger.

## Service

- **Få el-verktøyet ettersett av et kvalifisert verksted som bare bruker identiske reservedeler.** Dette sikrer at el-verktøyet sikkerhet opprettholdes.

## Sikkerhetsadvarsler for motorsag

- **Hold alle deler av kroppen unna sagkjedet når motorsagen er i bruk. Kontroller at sagkjedet ikke berører noe før du starter motorsagen.** Et øyeblikks uoppmerksomhet mens du bruker motorsagen kan føre til at klær eller kroppsdeler setter seg fast i sagkjedet.
- **Hold alltid motorsagen med høyre hånd på det bakerste håndtaket og venstre hånd på det fremste håndtaket.** Motorsagen må aldri holdes med hendene i motsatt posisjon. Dette øker faren for personskade.

- **Hold det elektriske verktøyet bare i den isolerte gripeflaten, ettersom sagkjedet kan komme i kontakt med skjulte ledninger.** Sagkjede som kommer i kontakt med en strømførende ledning, kan gjøre blottlagte metalldeleer på det elektriske verktøyet strømførende, og dette kan gi brukeren elektrisk støt.
- **Bruk vernebriller og hørselsvern.** Det anbefales å bruke ytterligere verneutstyr til hode, hender, ben og føtter. Egnert vernebekledning reduserer faren for å bli skadet av flygende gjenstander eller utilsikket kontakt med sagkjedet.
- **Bruk aldri motorsag i et tre.** Bruk av motorsag opppe i et tre kan føre til personskade.
- **Sørg for at du alltid står støtt, og bruk motorsagen bare mens du står på fast, sikkert og flatt underlag.** Glatte eller ustabile underlag som for eksempel stiger kan føre til at du mister balansen eller mister kontrollen over motorsagen.
- **Vær oppmerksom på at gjenstanden kan bevege seg når du sager i treverk som står i spenn.** Når spenningen i trefibrene utløses, kan gjenstanden som står i spenn treffe brukeren og/eller føre til at motorsagen kommer ut av kontroll.
- **Vær ekstremt forsiktig ved saging i busker og ungrtrær.** Det slanke materialet kan sette seg fast i sagkjedet og bli slynget mot deg, eller føre til at du mister balansen.
- **Bær motorsagen i håndtaket med saken avslått og vendt bort fra kroppen. Sverddekslet må alltid være montert ved transport eller lagring av motorsagen.** Riktig håndtering av motorsagen reduserer faren for utilsikket kontakt med det roterende sagkjedet.
- **Følg instruksjonene for smøring, kjedestramming og utskifting av tilbehør.** Kjedet kan ryke og faren for kast økes hvis sagkjedet ikke er riktig strammet og smurt.
- **Hold håndtakene tørre, rene og frie for olje og fett.** Fettete eller oljete håndtak er glatte, og kan føre til at du mister kontrollen.
- **Sag bare i tre. Motorsagen må ikke brukes til andre formål enn den er ment for. Eksempel: Motorsagen må ikke brukes til å sage i plast, murverk eller andre byggematerialer enn tre.** Hvis motorsagen brukes til andre formål enn den er ment for, kan det føre til farlige situasjoner.
- Vi anbefaler sterkt at førstegangsbrukere øver på å sage stammer i en sagbukk.

## Årsaker til og forholdsregler mot kast

Kast kan forekomme når sverdspissen kommer i kontakt med en gjenstand, eller hvis treet klemmer fast sagkjedet i sagsporet. Hvis sverdspissen kommer i kontakt med en gjenstand, kan det i enkelte tilfeller føre til en plutselig motsatt reaksjon der sverdspissen kastes oppover og bakover mot brukeren. Hvis sagkjedet klemmes fast på oversiden av sverdet, kan sverdet bli skjøvet raskt tilbake mot brukeren. Disse reaksjonene kan føre til at du mister

# GENERELLE SIKKERHETSINSTRUKSJONER

kontrollen over sagen, noe som kan føre til alvorlig personskade. Du må ikke stole blindt på sikkerhetsinnretningene som er innebygd i sagen. Som bruker av motorsag må du følge flere forholdsregler for å sikre at arbeidet ikke fører til ulykker eller personskader. Kast er et resultat av feil bruk av redskapet og/eller feil prosedyrer eller arbeidsforhold, og kan unngås ved å følge forholdsreglene nedenfor:

- **Sørg for at du har godt grep med tomler og fingre rundt saghåndtakene, med begge hender på sagen og med kroppen og armen i en stilling der du kan motstå kraften i et kast.** Kreftene i et kast kan kontrolleres av brukeren hvis de riktige forholdsreglene følges. Ikke slipp motorsagen.
- **Unngå å strekke deg for å øke rekkevidden, og sag ikke over skulderhøyde.** Dette bidrar til å hindre utilsiktet kontakt med sverdspissen, og gir bedre kontroll over motorsagen i uventede situasjoner.
- **Bruk bare sverd og kjeder som er spesifisert av produsenten.** Bruk av feil sverd eller kjede kan føre til at kjedet ryker og/eller at det oppstår kast.
- **Følg produsentens instruksjoner for filing og vedlikehold av sagkjedet.** Hvis dybdemålerens høyde reduseres, kan det føre til økt fare for kast.

## Tiltak før bruk av en ny motorsag

- Les nøye gjennom bruksanvisningen.
- **(1) - (110)** viser til illustrasjoner på side 2-6.
- Lad batteriet helt opp før det brukes for første gang. Se instruksjonene under overskriften Skifte batteriet.
- Fyll på kjedeolje. Se anvisningene under overskriften Fyll kjedeolje.
- Kontroller skjæreutstyrets montering og justering. Se anvisninger under overskriften Montering
- Bruk ikke motorsagen før nok kjedesmøreolje har nådd sagkjedet. Se anvisninger under overskriften Smøring av skjæreutstyret.
- Langvarig eksponering overfor støy kan gi varige hørselsskader. Bruk derfor alltid godkjent hørselsvern.



**ADVARSEL! Maskinens opprinnelige konstruksjon må ikke under noen omstendighet endres uten produsentens tillatelse. Bruk alltid originalt tilleggsutstyr. Uautoriserte endringer og/eller tilleggsutstyr kan medføre alvorlige skader eller dødsfall for brukeren eller andre.**



**ADVARSEL! En motorsag som brukes skjedesløst eller galt kan være et farlig redskap som kan forårsake alvorlige, til og med livstruende skader. Det er meget viktig at du leser og forstår innholdet i denne bruksanvisningen.**



**ADVARSEL! Langvaring innånding av kjedeoljetåke og støv fra sagspon kan utgjøre en helsefare.**



**ADVARSEL! Denne maskinen skaper et elektromagnetisk felt når den er i bruk. Dette feltet kan under visse omstendigheter forstyrre aktive eller passive medisinske implantater. For å redusere risikoen for alvorlig eller livstruende skade, anbefaler vi at personer med medisinske implantater rådfører seg med sin lege og produsenten av det medisinske implantatet for denne maskinen tas i bruk.**



**ADVARSEL! La aldri barn bruke eller oppholde seg i nærheten av maskinen. Siden maskinen er lett å starte, kan barn starte den hvis de ikke holdes under oppsyn. Dette kan medføre risiko for alvorlig personskade. Batteriet må derfor kobles fra når maskinen ikke er under oppsyn.**

# GENERELLE SIKKERHETSINSTRUKSJONER

## Viktig

### VIGTIG!

Denne kjedesagen for skogbruk er konstruert for skogsarbeid som felling, kvisting og kapping.

Bruken av maskinen kan være underlagt nasjonale forskrifter.

Du bør kun bruke de sverd/sagkjedekombinasjoner vi anbefaler i kapitlet Tekniske data.

Bruk aldri maskinen hvis du er trett, har drukket alkohol eller bruker medisiner som kan påvirke syn, vurderingsevne eller kroppskontroll.

Bruk personlig verneutstyr. Se anvisninger under overskriften "Personlig verneutstyr".

Modifiser aldri denne maskinen slik at den ikke lenger stemmer overens med originalutførelsen, og bruk den ikke hvis den synes å ha blitt modifisert av andre.

Bruk aldri maskinen, batteriet eller batteriladeren hvis det er feil på dem. Følg vedlikeholds-, kontroll- og serviceinstruksjonene i denne bruksanvisningen. Noen vedlikeholds- og servicetiltak må utføres av erfarne og kvalifiserte spesialister. Se anvisninger under overskriften Vedlikehold.

Bruk aldri annet tilleggsutstyr enn det som er anbefalt i denne bruksanvisningen. Se avvisninger under overskriften Skjæretutstyr og Tekniske data.

OBS! Bruk alltid vernebriller eller ansiktsvisir for å redusere risikoen for skader fra gjenstander som slynges ut. En motorsag kan slynge i vei gjenstander som sagspon, små trebiter osv. med stor kraft. Dette kan forårsake alvorlig skade, spesielt på øynene.



**ADVARSEL! Feil skjæretutstyr eller feil sverd/sagkjedekombinasjon øker risikoen for kast! Bruk bare de sverd/sagkjedekombinasjonene vi anbefaler, og følg instruksjonene for filing. Se anvisninger under overskriften Tekniske data.**

## Bruk alltid sunn fornuft

Det er umulig å dekke alle tenkelige situasjoner du kan stilles overfor ved bruk av motorsag. Vær alltid forsiktig og bruk sunn fornuft. Unngå situasjoner du ikke føler deg tilstrekkelig kvalifisert for. Hvis du etter å ha lest disse instruksjonene fortsatt føler deg usikker vedrørende bruken, skal du rådføre deg med en ekstert før du fortsetter. Ikke nøl med å kontakte din forhandler eller oss dersom du har spørsmål vedørende bruk av motorsag. Vi står gjerne til tjeneste og gir deg råd som hjelper deg å bruke din motorsag på en bedre og sikrere måte. Ta gjerne opplæring i bruk av motorsag. Din forhandler, skogpleieskole eller ditt bibliotek kan opplyse deg om hvilket opplæringsmaterieell og hvilke kurs som er tilgjengelige. (Figur 2)

Det pågår et løpende arbeid med å forbedre design og teknikk - forbedringer som øker din sikkerhet og

effektivitet. Besøk din forhandler jevnlig for å se hvilken nytte du kan ha av de nyhetene som lanseres.

## Personlig verneutstyr



**ADVARSEL! De fleste motorsagsulykker inntreffer når sagkjedet treffer brukeren. Ved all bruk av maskinen skal det brukes godkjent personlig verneutstyr. Personlig verneutstyr eliminerer ikke skaderisikoen, men det reduserer virkningen av en skade hvis ulykken skulle være ute. Be forhandleren om hjelp ved valg av utstyr.**

Bruk alltid:

- Godkjent vernehjelm
- Hørselsvern
- Vernebriller eller visir
- Hansker med sagvern
- Bukser med sagvern
- Støvler med sagvern, ståttupp og sklisikker såle
- Førstehjelpsutstyr må alltid finnes for hånden.

Klærne bør ellers være ettersittende uten å begrense bevegelsesfriheten.

## Maskinens sikkerhetsutstyr

I dette avsnittet forklares hva maskinens sikkerhetsdetaljer er, samt deres funksjon. For kontroll og vedlikehold, se anvisninger under overskriften Kontroll, vedlikehold og service av motorsagens sikkerhetsutstyr. Se anvisninger under overskriften Hva er hva? for å se hvor disse detaljene er plassert på din maskin.

Maskinens levetid kan forkortes og risikoen for ulykker kan øke dersom vedlikehold av maskinen ikke utføres på riktig måte og dersom service og/eller reparasjoner ikke er fagmessig utført. Kontakt nærmeste serviceverksted dersom du trenger ytterligere opplysninger.



**ADVARSEL! Bruk aldri en maskin med defekt sikkerhetsutstyr. Sikkerhetsutstyret skal kontrolleres og vedlikeholdes. Se anvisninger under overskriften Kontroll, vedlikehold og service av motorsagens sikkerhetsutstyr. Hvis maskinen ikke består alle kontrollene, må serviceverksted oppsøkes for reparasjon.**

## Taster

Pass på at maskinen slås på og av ved å trykke og holde inne aktiver-/deaktiver-knappen (1) (>1 sec.). Den grønne indikatorlampen (2) tennes eller slukkes.

Varsellampen (3) blinker hvis kjedebremsen aktiveres eller hvis det er fare for overbelastning. Overlastvernet deaktiverer maskinen midlertidig. Når maskinen har nådd

# GENERELLE SIKKERHETSINSTRUKSJONER

normal temperatur, er den klar til bruk igjen. Fast lys indikerer at det er behov for service. (Figur 6)

## Automatisk av-funksjon

Maskinen er utstyrt med en automatisk avstengningsfunksjon som deaktiverer maskinen hvis den ikke brukes. Maskinen deaktiveres etter ett minutt.

## Kjedebremser med kastbeskyttelse

Din motorsag er utstyrt med kjedebremser som er konstruert slik at den stanser sagkjedet ved kast. En kjedebremser reduserer faren for ulykker, men det er bare du som bruker som kan hindre at de oppstår. (Figur 3)

Vær forsiktig ved bruk og påse at sverdet kastrisikosektor aldri kommer i berøring med noe. (Figur 4)

- Kjdebremsen (A) aktiveres enten manuelt (via ventrehånden) eller med tregthetsfunksjonen. (Figur 5)
- Aktivering skjer når kastbeskyttelsen (B) føres fremover. (Figur 5)
- Denne bevegelsen aktiverer en fjærbelastet mekanisme som stopper drivhjulet.
- Kastbeskyttelsen er ikke bare konstruert for å aktivere kjedebremsen. En annen meget viktig funksjon er at den reduserer faren for at venstrehanden skal treffe sagkjedet hvis man mister taket rundt det fremste håndtaket.
- Kjdebremsen skal være satt på når motorsagen startes.
- Bruk kjdebremser som 'parkeringsbremser' ved start samt ved kortere forflytting for å hindre ulykker der bruker eller omgivelser ufrivillig kan komme i kontakt med sagkjedet i bevegelse.
- Kjdebremsen frikoples ved at kastbeskyttelsen føres bakover, mot det fremste håndtaket.
- Kast skje lynraskt og meget voldsomt. De fleste kast er små og fører ikke alltid til at kjdebremsen aktiveres. Ved slike kast gjelder det å holde motorsagen i et fast grep og ikke slippe den. (Figur 6)
- Om kjdebremsen aktiveres manuelt eller via tregthetsfunksjonen styres av hvor voldsomt kastet er, og av motorsagen posisjon i forhold til det som kastrisikosektoren på sverdet har kommet i kontakt med.

Ved voldsomme kast og når sverdet kastrisikosektor befinner seg så langt borte fra brukeren som mulig, er kjdebremsen konstruert slik at den aktiveres av kjdebremsens motvækt (tregthet) i kastretningen. (Figur 7)

- Ved mindre voldsomme kast eller i arbeidssituasjoner hvor kastrisikosektoren befinner seg nær brukeren, aktiveres kjdebremsen manuelt med venstre hånd.
- Ved felling er venstrehanden i en stilling som umuliggjør aktivering av kjdebremsen. Ved denne typen grep, dvs. når venstre hånd er plassert slik at

den ikke kan utløse kastbeskyttelsen, kan kjdebremsen bare aktiveres via tregthetsfunksjonen. (Figur 8)

## Vil min hånd alltid aktivere kjdebremsen ved kast?

Nei. Det kreves en viss kraft for å føre kastbeskyttelsen forover. Hvis hånden din bare streifer lett bort fra kastbeskyttelsen eller glir over den, kan det hende at kraften ikke er tilstrekkelig sterk til å utløse kjdebremsen. Du skal også ha et fast grep om motorsagens håndtak når du arbeider. Hvis du gjør det og får et kast, slipper du kanskje taket i det fremre håndtaket og aktiverer ikke kjdebremsen, eller så aktiveres kjdebremsen først når saken har rukket å svinge et godt stykke rundt. I en slik situasjon kan det hende at kjdebremsen ikke rekker å stanse kjedet før det treffer deg.

Det forekommer også visse arbeidsstillinger som gjør at hånden din ikke kan nå kastbeskyttelsen for å aktivere kjdebremsen, f.eks. når saken holdes i fellingsstilling.

## Vil tregthetsaktivering av kjdebremsen alltid skjer hvis det inntreffer et kast?

Nei. For det første må bremsen din fungere. For det andre må kastet være tilstrekkelig kraftig for å aktivere kjdebremsen. Hvis kjdebremsen hadde vært for følsom, ville den aktiveres stadig vekk, og det ville være tungvint.

## Vil kjdebremsen alltid beskytte meg mot skader hvis et kast inntreffer?

Nei. For det første må bremsen din fungere for å gi den tiltenkte beskyttelsen. For det andre må den aktiveres som beskrevet over for å stanse sagkjedet ved et kast. For det tredje kan kjdebremsen aktiveres, men hvis sverdet er for nær deg, kan det hende at bremsen ikke rekker å bremse og stanse kjedet for motorsagen treffer deg.

**Det er bare du selv og en korrekt arbeidsteknikk som kan eliminere kast og dets farer.**

## Gassregulatorsperre

Effektregulatorsperren er konstruert for å hindre at effektregulatoren aktiveres ved et uhell. Når du trykker inn effektregulatorsperren (A) (dvs. når du griper håndtaket), utløses effektregulatoren (B). Når grepet rundt håndtaket slippes, tilbakestilles både effektregulatoren og sperren til sin opprinnelige posisjon. (Figur 9)

## Kjedefanger

Kjedefangeren er konstruert for å fange opp et avhoppet eller avslitt kjede. Dette unngås i de fleste tilfeller ved korrekt kjedespenning (se anvisninger under overskriften Montering) og korrekt vedlikehold og service på sverd og kjede (se anvisninger under overskriften Generelle arbeidsinstruksjoner). (Figur 10)

## Høyrehåndsvern

Høyrehåndsvernet skal beskytte hånden hvis kjedet hopper av eller ryker, og sørge for at greiner og kvister



# GENERELLE SIKKERHETSINSTRUKSJONER

ikke påvirker grepet rundt det bakerste håndtaket. (Figur 11)

## Vibrasjoner

Saging i harde treslag (de fleste løvtrær) gir mer vibrasjoner enn saging i myke treslag (de fleste bartrær). Saging med uskarpt eller feil skjærestyrt (feil type eller feil filt), øker vibrasjonsnivået.



**ADVARSEL!** Overeksponering for vibrasjoner kan føre til blodkar- eller nerveskader hos personer som har blodsirkulasjonsforstyrrelser. Oppsøk lege hvis du opplever fysiske symptomer som kan relateres til overeksponering for vibrasjoner. Eksempel på slike symptomer er dovning, manglende følelse, "kiling", "stikk", smerte, manglende eller redusert styrke, forandringer i hudens farge eller overflate. Disse symptomene opptrer vanligvis i fingrer, hender eller håndledd. Disse symptomene kan øke ved lave temperaturer.

## Batteri og batterilader

Denne delen beskriver sikkerhet i forbindelse med batteriet og batteriladeren til det batteridrevne produktet.

Det må bare brukes originale Husqvarna-batterier i Husqvarna-produkter, og batteriene må bare lades i en original batterilader fra Husqvarna. Batteriene er programvarekryptert.

## Batterisikkerhet

De oppladbare Husqvarna-batteriene, BLI, brukes kun som strømforsyning til relevante Husqvarna ledningsfrie apparater. For å unngå skade må batteriet ikke brukes som strømkilde til andre apparater.



**ADVARSEL!** Beskytt batteriet mot direkte sollys, varme og åpen ild. Batteriet kan eksplodere hvis det blir kastet på åpen ild. Det er fare for forbrenninger og eller kjemiske forbrenninger.



**ADVARSEL!** Unngå all hudkontakt med batterisyre. Batterisyre kan forårsake hudirritasjon, forbrenning og etseskader. Unngå å gni hvis du får syre i øynene. Skyll øynene med rikelig vann i minst 15 minutter. Kontakt lege. Ved hudkontakt må eksponerte hudområder vaskes med rikelig vann og såpe.



**ADVARSEL!** Batteripolene må aldri berøres med nøkler, mynter, skruer eller andre metallgjenstander. Dette kan kortslutte batteriet. Stikk aldri gjenstander inn i ventilasjonsåpningene i batteriet.

**Ubrukte batterier må holdes borte fra metallgjenstander som spiker, mynter og smykker. Prøv ikke å demontere eller knuse batteriet**

- Bruk batteriet i temperaturer fra  $-10^{\circ}\text{C}$  til  $60^{\circ}\text{C}$ .
- Batteriet må ikke utsettes for mikrobølger eller høyt trykk.
- Rengjør aldri batteriet eller batteriladeren med vann. Se også anvisninger under overskriften Vedlikehold.
- Oppbevar batteriet utilgjengelig for barn.
- Beskytt batteriet mot regn og fuktighet.

## Sikker bruk av batteriladeren

Bruk bare ladere av typen Husqvarna QC til å lade Husqvarna-batterier av typen BLI.



**ADVARSEL!** Reduser faren for elektrisk støt eller kortslutning ved å følge disse forholdsreglene:

**Stikk aldri gjenstander inn i laderens ventilasjonsåpninger.**

**Prøv ikke å demontere batteriladeren.**

**Berør aldri ladekontaktene med metallgjenstander. Dette kan kortslutte batteriladeren.**

**Bruk en godkjent og intakt stikkontakt.**

- Kontroller regelmessig at ledningen til batteriladeren er intakt og at den ikke er sprukket.
- Batteriladeren må aldri bæres ved å holde i kabelen, og støpselet må ikke trekkes ut ved å dra i kabelen.
- Hold alle ledninger og skjoteledninger borte fra vann, olje og skarpe kanter. Pass på at ledningen ikke klemmes i dører, grinder eller liknende. Ellers kan det medføre at gjenstander blir strømførende.



**ADVARSEL!** Bruk ikke batteriladeren i nærheten av korroderende eller brennbare materialer. Batteriladeren må ikke tildekkes. Trekk ut støpselet til batteriladeren hvis det oppstår røyk eller brann. Vær oppmerksom på brannfaren.

# GENERELLE SIKKERHETSINSTRUKSJONER

## Merk!

- Bruk ikke batteriladeren hvis den er defekt eller skadet. Bruk aldri et defekt, skadet eller deformert batteri.

## Følgende må ikke lades:

- engangs batterier i batteriladeren eller bruk dem i maskinen.
- batteriladeren til å lade batteriet utendørs.
- Bruk ikke batteriet i regn eller fuktige omgivelser.
- Bruk ikke batteriet i direkte sollys.

Bruk batteriladeren bare i temperaturer fra 5 °C til 45 °C. Bruk laderen i godt ventilerte, tørre og støvfrie omgivelser.

## Skjæreutstyr

Dette avsnittet omhandler hvordan du ved korrekt vedlikehold og bruk av riktig type skjæreutstyr:

- Gjør maskinen mindre utsatt for kast.
- Reduserer forekomsten av sagkjedeavhopp og sagkjedebrudd.
- Gir optimal skjæreytelse.
- Øker skjæreutstyrets levetid.
- Unngår økning av vibrasjonsnivåer.

## Grunnregler

- **Bruk bare det skjæreutstyret vi anbefaler!** Se anvisninger under overskriften Tekniske data.
- **Hold sagkjedets tenner godt og korrekt fyllt! Følg våre instruksjoner og bruk anbefalt filmal.** Et sagkjede som er slipt feil eller skadet øker risikoen for ulykker.
- **Hold korrekt understilling! Følg våre instruksjoner og bruk anbefalt understillingsmal.** For stor understilling øker risikoen for kast. (Figur 19)
- **Hold sagkjedet stramt!** Et kjede som er for slakt øker risikoen for sagkjedeavhopp og gir større slitasje på sverd, sagkjede og sagkjedets drivhjul. (Figur 24)
- **Sørg for god smøring og korrekt vedlikehold av skjæreutstyret!** Utilstrekkelig smøring av sagkjedet øker risikoen for sagkjedebrudd og øker slitasjen på sverd, sagkjede og sagkjedets drivhjul.

## Kastreduserende skjæreutstyr



**ADVARSEL! Feil skjæreutstyr eller feil sverd/sagkjedekombinasjon øker risikoen for kast! Bruk bare de sverd/sagkjedekombinasjonene vi anbefaler, og følg instruksjonene for filing. Se anvisninger under overskriften Tekniske data.**

Kast kan bare unngås ved at du som bruker sørger for at sverdet's kastrisikosektor aldri kommer i kontakt med en gjenstand.

Ved å bruke skjæreutstyr med "innebygd" kastreduksjon og å file og vedlikeholde sagkjedet korrekt, kan effekten av et kast reduseres.

## Sverd

Jo mindre neseradius, desto lavere risiko for kast.

## Sagkjede

Et sagkjede er oppbygd av et antall ulike lenker som leveres både i standard- og kastredusert utførelse.

**VIGTIG! Ingen sagkjeder eliminerer risikoen for kast.**



**ADVARSEL! Enhver kontakt med en roterende sagkjede kan forårsake svære alvorlige skader.**

## Noen uttrykk som spesifiserer sverd og sagkjede

For å opprettholde alle sikkerhetsdetaljer på skjæreutstyret, bør du erstatte slitte og skadde sverd-/kjedekombinasjoner med et sverd og et kjede som Husqvarna anbefaler. Se anvisninger under overskriften Tekniske data for informasjon om hvilke sverd-/kjedekombinasjoner vi anbefaler.

## Sverd

- Lengde (tommer/cm) (Figur 13)
- Antall tenner i nesehjulet (T). (Figur 12)
- Sagkjededeling (=pitch) (tommer). Sverdet's nesehjul og motorsagens kjededrivhjul må være tilpasset til avstanden mellom drivlenkene. (Figur 14)
- Antall drivlenker (stk). Hver sverdlengde gir, i kombinasjon med sagkjededeling og antall tenner i nesehjulet, et bestemt antall drivlenker. (Figur 16)
- Sverdsporbredde (tommer/mm). Sverdsporets bredde må være tilpasset til bredden på sagkjedets drivlenke.
- Sagkjedehull og hull for kjedestrømmertapp. Sverdet må være tilpasset motorsagens konstruksjon. (Figur 15)

## Sagkjede

- Sagkjededeling (=pitch) (tommer) (Figur 14)
- Drivlenkebredde (mm/tommer) (Figur 17)
- Drivlenkeantall (stk.) (Figur 16)

## Filing og justering av understilling for sagkjede



**Bruk hansker ved all håndtering av kjedet.**

## Generelt angående filing av skjærtenner

- Sag aldri med sløvt sagkjede. Et tegn på at sagkjedet er sløvt er at du må presse skjæreutstyret gjennom treet og at tresponene er meget små. Et meget sløvt sagkjede gir ikke trespon i hele tatt. Det gir bare sagflis.
- Et godt skjærpet sagkjede eter seg gjennom treet selv og gir trespon som er store og lange. (Figur 18)

# GENERELLE SIKKERHETSINSTRUKSJONER

- Den sagende delen av et sagkjede kalles tannlenke og består av en skjærtann (A) og en rytter (B). Høydeavstanden mellom disse avgjør skjæredybden. (Figur 19)

Ved filing av skjærtenner er det fire mål som må tas hensyn til.

- 1 Filingvinkel (Figur 20)
- 2 Støtvinkel (Figur 21)
- 3 Filstilling (Figur 22)
- 4 Rundfil diameter

Det er meget vanskelig å file sagkjedet korrekt uten hjelpemiddel. Derfor anbefaler vi at du bruker vår filmal. Den sikrer at sagkjedet files med optimal kastreduksjon og skjærekapasitet. (Figur 23)

Se anvisninger under oevrskriften Tekniske data angående hvilke data som gjelder ved filing av din motorsags sagkjede.



**ADVARSEL! Avvik fra filingsinstruksjonen gir en betydelig større fare for kast.**

## Filing av skjærtenner

Til filing av skjærtenner trengs en rundfil og en filmal. Se anvisninger under overskriften Tekniske data angående hvilken rundfil diameter og hvilken filmal som anbefales til sagkjedet på din motorsag.

- Kontroller at sagkjedet er stramt. For dårlig stramming gjør sagkjedet ustabil i sideretningen, noe som gjør det vanskelig å file korrekt. (Figur 24)
- Fil alltid fra skjærtannens innside og utover. Løft filen når den føres tilbake. Fil alle tennene på den ene siden først, deretter snus motorsagen og tennene på den andre siden files. (Figur 20)
- Fil slik at alle tennene blir like lange. Når det bare gjenstår 4 mm (5/32") av skjærtennenes lengde, er sagkjedet utslitt og må kastes. (Figur 25)

## Generelt angående justering av understilling

- Ved filing av skjærtennene reduseres understillingen (=skjæredybden). For å beholde maksimal skjærekapasitet må rytteren senkes til anbefalt nivå. Se anvisninger under overskriften Tekniske data angående hvor stor understillingen skal være på ditt din motorsags sagkjede. (Figur 26)



**ADVARSEL! For stor understilling øker sagkjedets risiko for kast!**

## Justering av understilling

- Når understillingen justeres, må skjærtennene være nyfild. Vi anbefaler at understillingen justeres hver tredje gang sagkjedet files. OBS! Denne anbefalingen forutsetter at skjærtennenes lengde ikke er litt unormalt langt ned.

- Til justering av understillingen trengs en flatfil og en understillingsmal. Vi anbefaler at du bruker vår filmal for understilling for å få riktig understillingsmål og riktig vinkel på rytteren.
- Legg filmalen over sagkjedet. Informasjon om bruk av filmalen er å finne på emballasjen. Bruk flatfilen for å file vekk overskuddet på den overskytende delen av rytteren. Understillingen er korrekt når det ikke merkes motstand når du drar filen over malen. (Figur 27)

## Stramming av sagkjedet



**ADVARSEL! Et for slakt sagkjede kan føre til at kjedet hopper av, noe som kan forårsake alvorlig, til og med livstruende skade.**



**ADVARSEL! Fjern alltid batteriet før det utføres montering, vedlikehold og/eller inspeksjon.**

Jo mer du bruker et sagkjede, jo lengre blir det. Det er viktig at skjæreutstyret justeres etter denne forandringen.

Kontroller kjedestrammingen hver gang du fyller kjedeolje. MERK! Et nytt sagkjede trenger en innkjøringsperiode. Kontroller strammingen oftere under denne perioden.

Generelt skal sagkjedet strammes så hardt som mulig, men ikke hardere enn at det lett kan dras rundt for hånd. (Figur 47)

- Løs ut knotten ved å folde den ut til den åpnes. (Figur 28)
- Drei knappen mot urviseren for å løse drivhjuldekslet. (Figur 29)
- Juster kjedestrammingen ved å dreie hjulet ned (+) for økt stramming og opp (+) for å slippe opp strammingen. (Figur 30)
- Trekk til stangkoplingen ved å dreie knotten med urviseren. (Figur 31)
- Fold inn knotten igjen for å låse strammingen. (Figur 32)

## Smøring av skjæreutstyret



**ADVARSEL! For dårlig smøring av skjæreutstyret kan resultere i sagkjedebrudd som kan medføre alvorlig, til og med livstruende skade.**

## Sagkjedeolje

En sagkjedeolje må ha god vedheft til kjedet samt ha gode flyteegenskaper uansett om det er varmt eller kaldt.

**Bruk aldri spillolje!** Den er skadelig både for deg, maskinen og miljøet.

# GENERELLE SIKKERHETSINSTRUKSJONER

## Påfylling av sagkjedeolje

- Bruk alltid mineralbasert kjedeolje. (Figur 33)
- Kontakt serviceverkstedet ved valg av kjedesmerolje.
- Alle motorsagsmodellene våre har automatisk smøring av sagkjedet. En del av modellene kan også fås med justerbar oljetilførsel.
- Tanken for kjedeolje er utformet for å holde til ca. tre batteriladninger. Denne sikkerhetsfunksjonen krever imidlertid at du bruker riktig type kjedeolje (hvis kjedeoljen er tynn, varer den i kortere tid).
- Bruk aldri spillolje. Dette medfører skader på oljepumpe, sverd og kjede.
- Det er viktig å bruke riktig oljetype i forhold til lufttemperaturen (riktig viskositet).
- Lufttemperaturer under 0°C gjør en del oljer tregtflytende. Dette kan medføre overbelastning av oljepumpen, med skader på pumpens deler som følge.

## Kontroll av sagkjedesmøring

- Kontroller kjedesmøringen ved hver tredje batterilading.  
Rett sverdspissen mot noe fast og lyst i en avstand på ca 20 cm (8 tum). Etter 1 minutt kjøring på 3/4 gass skal det vises en tydelig oljestrype på den lyse flaten. (Figur 34)

Hvis sagkjedesmøringen ikke fungerer:

- Kontroller at sverdets sagkjedeoljekanal er åpen. Rengjør ved behov. (Figur 35)
- Kontroller at sverdsporet er rent. Rengjør ved behov. (Figur 36)
- Kontroller at sverdets nesehjul går lett og at nesehjulets smørehull er åpent. Rengjør og smør ved behov. (Figur 37)

Hvis sagkjedesmøringen ikke fungerer etter gjennomgang av de kontrollene og tiltakene som er nevnt ovenfor, må du oppsøke serviceverksted.

## Kjededrivhjul

Drivsystemet er utstyrt med et drivhjul. (Figur 38)

Kontroller slitasjenivået på kjededrivhjulet regelmessig. Skift det hvis det er unormalt slitt.

## Kontroll av slitasje på skjæreutstyret

Kontroller sagkjedet hver dag med tanke på:

- Synlige sprekker i nagler og lenker.
- Om sagkjedet er stivt.
- Om nagler og lenker er unormalt kraftig slitt.

Skift sagkjedet hvis det oppviser ett eller flere av ovennevnte punkter.

Vi anbefaler at det brukes et nytt sagkjede som mål på hvor slitt det sagkjedet du nå bruker er.

Når det gjenstår bare 4 mm av lengden på skjærtannen, er sagkjedet utslitt og må kastes.

## Sverd

Kontroller regelmessig:

- Om det har dannet seg grader på utsidene av sverdbommene. Fil bort ved behov. (Figur 39)
- Om sverdsporet er unormalt slitt. Skift sverd ved behov.
- Om sverdnesen er unormalt eller ujevnt slitt. Hvis det har dannet seg en "grop" der sverdneseens radius slutter på sverdets underside, har du kjørt med for slakt sagkjede. (Figur 40)
- For maksimal levetid bør sverdet snus hver dag. (Figur 41)



**ADVARSEL! De fleste motorsagsulykker inntreffer når sagkjedet treffer brukeren.**

**Bruk personlig verneutstyr. Se anvisninger under overskriften "Personlig verneutstyr".**

**Unngå all bruk som du ikke føler deg tilstrekkelig kvalifisert for. Se anvisninger under overskriftene Personlig verneutstyr, Kastforebyggende tiltak, Skjæreutstyr og Generelle arbeidsinstruksjoner.**

**Unngå situasjoner der det er risiko for kast. Se anvisninger under overskriften Maskinens sikkerhetsutstyr.**

**Bruk anbefalt skjæreutstyr og kontroller at det er i god stand. Se anvisninger under overskriften Tekniske data og Generelle sikkerhetsinstruksjoner.**

**Kontroller at motorsagens sikkerhetsutstyr fungerer. Se anvisninger under Generelle arbeidsinstruksjoner og Generelle sikkerhetsinstruksjoner.**

**Bruk aldri en motorsag vde å holde den med én hånd. En motorsag er ikke sikkert kontrollert med én hånd. Ha alltid et fast, stabilt grep om håndtakene mde begge hender.**

## Montering av sverd og kjede



**ADVARSEL!** Fjern alltid batteriet før det utføres montering, vedlikehold og/eller inspeksjon.

**Bruk hansker ved all håndtering av kjedet.**

- Kontroller at kjedebremsen ikke er i utløst stilling ved å føre kjedebremsens kastbeskyttelse mot den fremre håndtaksbøylen. **(Figur 42)**
- Fjern drivhjuldekselet ved å dreie knotten mot urviseren. Fjern transportbeskyttelsen (A). **(Figur 43)**
- Monter sverdet over sverdbolten. Plasser sverdet i bakerste stilling. Legg kjedet over drivhjulet og i sverdsporet. Begynn på oversiden av sverdet. **(Figur 44)**
- Kontroller at eggen på tannlenkene er vendt forover på oversiden av sverdet.  
Monter koplingsdekselet og pass på å tilpasse kjedestrammertappen til sverdet's uttak. Kontroller at kjedets drivledd passer på kjededrivhjulet, og at kjedet ligger rett i sverdsporet.
- Stram kjedet ved å dreie hjulet ned (+). Kjedet skal strammes til det ikke henger ned fra undersiden av stangen. **(Figur 45)**
- Kjedet er riktig strammet når det ikke henger ned fra undersiden av stangen, men fortsatt kan dreies lett for hånd. Hold opp spissen av stangen og trekk til stangkoplingen ved å dreie knotten med urviseren. **(Figur 46)**
- På et nytt kjede må kjedespenningen kontrolleres ofte til kjedet er kjørt inn. Kontroller kjedespenningen regelmessig. Riktig kjede betyr god skjærekapasitet og lang levetid. **(Figur 47)**

## Montering av barkstøtte

For montering av barkstøtte, kontakt ditt serviceverksted. **(Figur 48)**

# BATTERIHÅNDTERING

## Batteristatus

Displayet viser batterikapasitet og eventuelle problemer med batteriet. Batterikapasiteten vises i 5 sekunder etter at maskinen er slått av og når batteriindikatorknappen (1) trykkes inn. Advarselssymbolet på batteriet lyser hvis en feil oppstår (2). Se feilkoder. (Figur 49)

LED-lamper	Batteristatus
Alle LED-indikatorer lyser	Fullt ladet (75-100 %).
LED 1, LED 2, LED 3 lyser.	Batteriet er 50 %-75 % ladet.
LED 1, LED 2 lyser.	Batteriet er 25 %-50 % ladet.
LED 1 lyser.	Batteriet er 0 %-25 % ladet.
LED 1 blinker.	Batteriet er utladet. Lad batteriet.

## Batteriladere



**ADVARSEL! Fare for elektrisk støt og kortslutning. Bruk en godkjent og intakt stikkontakt. Kontroller at kabelen er uskadet. Skift kabelen hvis den ser ut til å være skadet på noen måte.**

### Koble til batteriladeren

- Koble batteriladeren til den spenningen og frekvensen som er angitt på spesifikasjonsplaten. Sett støpset i stikkontakten. LED-indikatoren på batteriladeren blinker grønt én gang. (Figur 50)
- Batteriet lades ikke hvis batteritemperaturen er over 50 °C.

### Koble batteriet til batteriladeren

Kontroller regelmessig at batteriladeren og batteriet er intakt. Se også visninger under overskriften Vedlikehold.

Batteriet må lades før første gangs bruk. Batteriet er bare 30 % ladet ved levering.

- Koble laderen til batteriet. (Figur 50)
- Den grønne lysdioden på laderen lyser under lading. (Figur 51)
- Når alle LED-indikatorerne på batteriet lyser, er det fullt ladet. (Figur 52)
- Koble laderen fra batteriet.
- Trekk ut støpset. Rykk aldri i strømkabelen for å koble den fra stikkontakten.

## Ladestatus

Litium-ion-batterier kan lades uansett ladenivå. Ladeprosessen kan avbrytes eller startes uavhengig av batteriets ladenivå. (Figur 53)

LED-display	Ladestatus
LED 1 blinker.	Batteriet er 0 %-25 % ladet.
LED 1 lyser, LED 2 blinker.	Batteriet er 25 %-50 % ladet.
LED 1, LED 2 lyser, LED 3 blinker.	Batteriet er 50 %-75 % ladet.
LED 1, LED 2, LED 3 lyser, LED 4 blinker.	Batteriet er 75 %-100 % ladet
LED 1, LED 2, LED 3, LED 4 lyser.	Når alle LED-indikatorerne på batteriet lyser, er det fullt ladet.

## Transport og oppbevaring

- Litiumionbatteriene som er inkludert, er underlagt kravene i loven om farlige varer.
- Spesifikke krav for innpakking og merking må overholdes for kommersiell transport av f.eks. tredjeparter, fraktleverandører.
- Ved klargjøring av produktet som skal sendes, må man rådføre seg med en ekspert på farlige materialer. Man må også overholde nasjonale forskrifter, som kan være mer detaljerte.
- Sett på vanlig teip eller maskeringsteip over åpne kontakter, og pakk inn batteriene slik at de ikke forflyttes rundt i pakken.
- Fjern alltid batteriet ved lagring og transport.
- Lagre batteriet og laderen på et tørt, fuktfritt og frostfritt sted.
- Batteriet må ikke lagres på steder der det kan forekomme statisk elektrisitet. Lagre aldri batteriet i en metallkasse.
- Lagre batteriet og batteriladeren i en temperatur mellom 5 °C og 45 °C, og aldri i direkte sollys.
- Lagre batteriladeren bare på et innelukket og tørt sted.
- Batteriet må oppbevares adskilt fra batteriladeren. Oppbevar utstyret i et låsbart rom slik at det er utilgjengelig for barn og uvedkommende.
- Påse at maskinen er ordentlig rengjort og at fullstendig service er utført for langtids oppbevaring.
- Skjæreutstyrets transportbeskyttelse slår øøtid være montert under transport eller oppbevaring av maskinen for å unngå kontakt med det skarpe kjedet i vanvare. Selv et kjede som ikke beveger seg kan forårsake alvorlige skader åp brukeren eller andre som kommer til kjedet.
- Sikre maskinen under transport.

### **Kassering av batteri, batterilader og maskin**

Symbolet på produktet eller dets emballasje indikerer at dette produktet ikke kan håndteres som husholdningsavfall. Det skal i stedet leveres til egnet gjenvinningsstasjon for gjenvinning av elektrisk og elektronisk utstyr.

Ved å sørge for at dette produktet tas hånd om på ordentlig måte, kan du hjelpe til å motvirke eventuelle negative konsekvenser for miljø og mennesker, som ellers kan forårsakes ved feilaktig avfallshåndtering av dette produktet. For mer detaljert informasjon om gjenvinning av dette produktet, kontakt din kommune, renovasjonsservice eller butikken der du kjøpte produktet.

## Start og stopp



**ADVARSEL!** Før start må man legge merke til følgende:

**Ikke start motorsagen uten at sverd, sagkjede og samtlige deksler er montert. Ellers kan drivhjulet løsne og forårsake personskader.**

**Sørg for at du står stødig og at kjedet ikke kan hekte seg opp i noe.**

**Sørg for at ikke uvedkommende oppholder seg i arbeidsområdet.**

- Før batteriet settes inn i maskinen må du alltid kontrollere at effektregulatoren fungerer som den skal og går tilbake til "AV"-stilling når du slipper den. En effektregulatorsperre er montert for å hindre at effektregulatoren trykkes inn ved et uhell. **(Figur 54)**
- Start aldri motorsagen uten at sverd, sagkjede og samtlige deksler er korrekt montert. Se anvisninger under overskriften Montering **(Figur 55)**
- Pass på omgivelsene og forviss deg om at det ikke er fare for at mennesker eller dyr kan komme i kontakt med skjærestyr. **(Figur 56)**
- Hold alltid motorsagen med begge hender. Hold høyre hånd på det bakre håndtaket og venstre hånd på det fremre håndtaket. **Alle brukere, både høyre- og venstrehendte, skal bruke dette grepet.** Hold et fast grep slik at tomlene og fingrene lukker om motorsagens håndtak. **(Figur 57)**

## Start

- Sett batteriet inn i maskinen. Batteriet skal gli lett på plass i batteriholderen på maskinen. Hvis batteriet ikke gli lett på plass, settes det ikke inn på riktig måte. **(Figur 58)**
- Trykk ned på batteriet. Du hører et klikk når batteriet låses på plass. **(Figur 59)**
- Hold inne startknappen (>1 sek.) til den grønne LED-indikatoren lyser. **(Figur 60)**

## Stopp

Maskinen deaktiveres ved å trykke på start/stoppknappen på tastaturet (grønn LED-indikator slukket). **(Figur 60)**

Bemerk! For å unngå utilsiktet oppstart må batteriet alltid fjernes når maskinen ikke er i bruk eller er uten tilsyn. Batteriet fjernes ved å trekke det ut av maskinen mens du trykker inn utløserknappene på batteriet. **(Figur 61)**



## Før hver gangs bruk: (Figur 62)

- 1 Kontroller at kjedebremsen fungerer ordentlig og er uskadd.
- 2 Kontroller at bakre høyrehåndsværn ikke er skadd.
- 3 Kontroller at effektregulatorsperren fungerer som den skal, og at den ikke er skadet.
- 4 Kontroller at tastene fungerer som de skal, og at de ikke er skadet.
- 5 Kontroller at samtlige håndtak er frie for olje.
- 6 Kontroller at motorsagens samtlige detaljer er trukket til og at de ikke er skadd eller mangler.
- 7 Kontroller at kjedefangeren sitter på plass og er uskadd.
- 8 Kontroller kjedestrømmingen.
- 9 Kontroller at batteriet er fullt ladet og at det er montert riktig i motorsagen.
- 10 Kontroller at sagkjedet stopper når du slipper gassregulatoren.

## SavE

Maskinen er utstyrt med en strømsparefunksjon (savE). Denne funksjonen aktiveres ved å trykke på savE-knappen på tastaturet. Når savE er aktivert blir maskinens driftstid forlenget, samtidig som kjedehastigheten reduseres. (Figur 63)

Bemerk! Når maskinen brukes med SavE aktivert, blir bare kjedehastigheten redusert, ikke maskinens sageeffekt.

## Generelle arbeidsinstruksjoner

### VIGTIG!

Dette avsnittet behandler grunnleggende sikkerhetsregler for arbeid med motorsag. Denne informasjonen kan aldri erstatte den kunnskap en profesjonell bruker besitter i form av opplæring og praktisk erfaring. Når du kommer ut for en situasjon som gjør deg usikker på fortsatt bruk, skal du rådføre deg med en ekspert. Henvend deg til din motorsagforhandler, ditt serviceverksted eller en erfaren motorsagbruker. Unngå all bruk som du ikke føler deg tilstrekkelig kvalifisert til!

Før bruk av motorsagen må du forstå hva kast innebærer og hvordan de kan unngås. Se anvisninger under overskriften Kastforebyggende tiltak.

Før bruk av motorsagen må du forstå forskjellen på å sage med sverdets underside og overside. Se anvisninger under overskriften Kastforebyggende tiltak og Maskinens sikkerhetsutstyr.

Bruk personlig verneutstyr. Se anvisninger under overskriften "Personlig verneutstyr".

## Grunnleggende sikkerhetsregler

- 1 Pass på omgivelsene:
    - For å være sikker på at ikke mennesker, dyr eller annet kan påvirke din kontroll over maskinen.
    - For å hindre at de ovennevnte risikerer å komme i kontakt med sagkjedet eller treffes av et fallende tre og bli skadet.
- OBS! Følg de ovennevnte punktene, men bruk aldri en motorsag uten mulighet til å kunne påkalle hjelp ved en ulykke.
- 2 Unngå bruk i dårlig vær. Slik som tett tåke, kraftig regn, sterk vind, kraftig kulde osv. Å arbeide i dårlig vær er slitsomt og kan medføre ekstra faremomenter, for eksempel glatt underlag, lyn, at treets fallretning blir uforutsigbar osv.
  - 3 Vær ytterst forsiktig ved avsaging av smågreiner og unngå å sage i busker (= mange smågreiner samtidig). Smågreiner kan etter avsaging feste seg i sagkjedet, slynges mot deg og forårsake alvorlig personskade.
  - 4 Sørg for at du kan gå og stå sikkert. Se etter eventuelle hinder ved uventet forflytting (røtter, steiner, greiner, groper, forhøyninger osv). Vær meget forsiktig ved arbeid i skrånende terreng.
  - 5 Vær ytterst forsiktig ved saging i trær som står i spenn. Et spent tre kan både før og etter gjennomsaging sprette tilbake til normalstilling. Feil plassering av deg og sagskåret kan føre til at treet treffer deg eller maskinen slik at du mister kontrollen. I begge tilfeller kan det medføre alvorlig personskade. (Figur 64)
  - 6 Før maskinen flyttes, må motorsagen deaktiveres og låses med kjedebremsen. Bær motorsagen med sverd og sagkjede bakover. Ved lengre forflyttinger og transport skal sverdbeskyttelsen brukes.
  - 7 Når du setter motorsagen ned på bakken, lås sagkjedet med kjedebremsen og sørg for å ha tilsyn med maskinen. Deaktiver maskinen og fjern batteriet før du forlater motorsagen i et lengre tidsrom.



**ADVARSEL! Noen ganger kan fliser sette seg fast i drivsystemet og føre til at sagkjedet setter seg fast. Maskinen må alltid deaktiveres og batteriet må fjernes før rengjøring.**

## Grunnregler

- 1 Ved å forstå hva kast innebærer og hvordan det oppstår, kan du redusere eller eliminere overraskelsesmomentet. Overraskelser øker ulykkesrisikoen. De fleste kast er små, men en del er lynraske og meget voldsomme.
- 2 Hold alltid motorsagen i et stadig grep med høyre hånd på det bakerste håndtaket og venstre hånd på det fremste håndtaket. Tomler og fingre skal omslutte håndtakene. Alle brukere, uansett om de er høyre- eller venstrehendte, skal bruke dette grepet. Med

# ARBEIDSTEKNIKK

dette grepet kan du best redusere effekten av et kast og samtidig beholde kontrollen over motorsagen.

**Slipp ikke håndtakene! (Figur 65)**

- 3 De fleste kastulykker inntreffer ved kvisting. Sørg for at du står stødig og at ingenting på bakken kan få deg til å snuble eller miste balansen.

Er du uaktsom, kan sverdets kastrisikosektor treffe en grein, et tre som ligger i nærheten eller et annet objekt og fremkalle et kast.

Ha kontroll over arbeidsstykket. Hvis stykkene du sager er små og lette, kan de sette seg fast i sagkjedet og slynges mot deg. Selv om dette som sådan ikke behøver å være farlig, kan du bli overrasket og miste kontrollen over sagen. Sag aldri stablede stokker eller greiner uten å trekke dem fra hverandre først. Sag bare én stokk eller ett stykke av gangen. Fjern de avsgadde stykkene for å holde arbeidsområdet sikkert. (Figur 74)

- 4 **Bruk aldri motorsagen over skulderhøyde og unngå å sage med sverdspissen. Bruk aldri motorsagen med etthåndsgrep! (Figur 66)**

- 5 For å ha full kontroll over motorsagen, kreves det at du står stabilt. Arbeid aldri stående på en stige, oppe i et tre eller der du ikke har et stabilt underlag å stå på. (Figur 67)

- 6 Sag med høy kjedehastighet, dvs. på full gass.

- 7 Vær ytterst forsiktig når du sager med oversiden av sverdet, dvs. når du sager fra objektets underside. Dette kalles å sage med skyvende sagkjede. Sagkjedet skyver da motorsagen bakover mot brukeren. Hvis sagkjedet klemmes fast, kan motorsagen kastes bakover mot deg. (Figur 68)

- 8 Hvis brukeren ikke holder imot kreftene i motorsagen, er det fare for at motorsagen skyves så langt bakover at sverdets kastrisikosektor er den eneste kontakten med treet, noe som utløser et kast. (Figur 69)

Å sage med sverdets underside, dvs. å sage fra sagobjektets overside og ned, kalles å sage med dragende sagkjede. Da dras motorsagen mot treet, og motorsagkroppens forkant blir en naturlig støtte mot stammen. Saging med dragende sagkjede gir brukeren bedre kontroll over motorsagen og over hvor sverdets kastrisikosektor befinner seg. (Figur 70)

- 9 Følg file- og vedlikeholdsinstruksjonene for sverd og sagkjede. Ved skifte av sverd og sagkjede må det bare brukes kombinasjoner anbefalt av oss. Se avsnitt Skjæreutstyr og kapitlet Tekniske data.

## Grunnleggende sageteknikk



**ADVARSEL! Bruk aldri en motorsag vde å holde den med én hånd. En motorsag er ikke sikkert kontrollert med én hånd. Ha alltid et fast, stabilt brep om håndtakene mde begge hender.**

### Generelt

- Bruk alltid full gass ved saging!
- Slipp effektregulatoren etter hvert sagskår (hvis motoren kjøres lenge på full effekt uten belastning, dvs. uten motstand fra kjedet under saging, kan føre til alvorlig skade på motoren.
- Å sage ovenfra = Å sage med "dragende" sagkjede.
- Å sage nedenfra = Å sage med "skyvende" sagkjede.

Saging med skyvende sagkjede innebærer økt kastrisiko. Se anvisninger under overskriften Kastforebyggende tiltak.

### Betegnelser

Kvisting = Kappe av greiner fra et felt tre.

Splintring = Når objektet du skal kappe brytes av før sagsnittet er fullført.

### Ved hver kapping er det fem meget viktige faktorer å ta hensyn til:

- 1 Skjæreutstyret må ikke klemmes fast i sagsnittet. (Figur 71)
- 2 Sageobjektet må ikke splintres. (Figur 72)
- 3 Sagkjedet må ikke treffe bakken eller andre gjenstander under og etter gjennomsagingen. (Figur 73)
- 4 Foreligger det risiko for kast? (Figur 4)
- 5 Kan terrenget og omgivelsenes utseende påvirke hvor stabilt og sikkert du kan gå og stå?

Det er to grunner til at sagkjedet klemmes fast eller at sagobjektet splintres: Hva slags støtte sagobjektet har før og etter kapping, og om sagobjektet står i spenn.

Disse uønskede situasjonene kan i de fleste tilfeller unngås ved at kappingen gjøres i to trinn, både fra over- og undersiden. Det gjelder å nøytralisere sagobjektets "vilje" til å klemme fast sagkjedet eller splintres.



**ADVARSEL! Hvis sagkjedet setter seg fast i sagsnittet: Deaktiver maskinen! Prøv ikke å rykke maskinen løs. Hvis du gjør dette, kan du bli skadet av sagkjedet når maskinen plutselig løsner. Bruk et brekkjern til å åpne snittet og frigjøre maskinen.**

Nedenfor følger en teoretisk gjennomgang av hvordan de vanligste situasjonene en motorsagsbruker kan komme ut for skal håndteres.

# ARBEIDSTEKNIKK

## Kapping



**ADVARSEL! Forsøk aldri å sage stokker når de er stablet eller når et par stokker ligger tett sammen. Slik fremgangsmåte øker drastisk risikoen for kast, som kan føre til alvorlig eller livstruende skade.**

Hvis du har en stabel stokker, skal hver stokk du vil kappe tas bort fra stabelen, plasseres på en sagkrakk og kappes for seg.

Fjern de kappede stykkene fra arbeidsområdet. Lar du dem bli værende i arbeidsområdet, øker du både risikoen for å få et kast i vanvare og risikoen for å miste balansen når du arbeider. (Figur 74)

**Stokken ligger på bakken.** Det er ingen fare for at sagkjedet skal klemmes fast eller at sagobjektet skal splintres. Det er imidlertid stor fare for at sagkjedet treffer bakken etter gjennomsaging.

Sag ovenfra gjennom hele stokken. Vær forsiktig på slutten av sagsnittet for å unngå at sagkjedet treffer bakken. Behold full gass, men vær forberedt på hva som vil skje.

Hvis det er mulig (= kan stokken roteres?) bør sagsnittet avsluttes 2/3 inn i stokken.

Roter stokken slik at den resterende 1/3 kan avsluttes ovenfra. (Figur 75)

**Stokken har støtte i den ene enden.** Stor fare for splintring.

Begynn med å sage nedenfra (ca 1/3 av stokkens diameter).

Avslutt ovenfra slik at sagskårene møtes. (Figur 76)

**Stokken har støtte i begge ender.** Stor fare for fastklemming av sagkjedet.

Begynn med å sage ovenfra (ca 1/3 av stokkens diameter).

Avslutt nedenfra slik at sagskårene møtes. (Figur 77)

## Trefellingsteknikk

**VIGTIG!** Det kreves mye erfaring for å felle et tre. En uerfaren motorsagsbruker skal ikke felle trær. Unngå all bruk du ikke føler deg kvalifisert til!

### Sikkerhetsavstand

Sikkerhetsavstanden mellom treet som skal felles og nærmeste arbeidsplass skal være 2 1/2 trelengde. Påse at ingen befinner seg i denne "faresonen" før og under fellingen. (Figur 78)

### Fallretning

Målsettingen ved felling av trær er å plassere treet på en slik måte at etterfølgende kvisting og kapping av stokken kan utføres i et mest mulig "enkelt" terreng. Man skal kunne gå og stå sikkert.

Etter å ha bestemt hvilken retning du vil at treet skal falle i, må du gjøre en vurdering av trets naturlige fallretning.

De faktorene som styrer dette er:

- Helling
- Krokethet
- Vindretning
- Konsentrasjon av greiner
- Eventuell snøtyngde
- Hindringer innen trets rekkevidde: f.eks. andre trær, kraftledninger, veier og bygninger.
- Se etter skader og råte i stammen, hvilket gjører det mer trolig at treet ryker og begynner å falle før du forventer dette.

Etter denne vurderingen kan man bli nødt til å la treet falle i sin naturlige fallretning, fordi det er umulig eller for farlig å forsøke å plassere det i den retningen man i utgangspunktet hadde tenkt.

En annen meget viktig faktor som ikke påvirker fallretningen men din personlige sikkerhet, er å kontrollere at treet ikke har skadde eller "døde" greiner som kan brytes av og skade deg under fellingsarbeidet.

Det som først og fremst må unngås er at det fallende treet blir sittende fast i et annet. Å ta ned et fastfelt tre er meget farlig, og det innebærer meget stor ulykkesrisiko. Se anvisninger under overskriften Håndtering av mislykket felling.

**VIGTIG!** I kritiske fellingsøyeblikk må hørselsvernet felles opp med en gang sagingen har opphørt slik at det er mulig å fange opp lyder og varselsignaler.

### Underkvisting og retrettvei

Kvist stammen opp til skulderhøyde. Det er sikrest å arbeide ovenfra og ned og ha stammen mellom deg og motorsagen. (Figur 79)

Rensk opp i vegetasjonen rundt treet og legg merke til eventuelle hinder (steiner, greiner, groper osv), slik at du har en lett tilgjengelig retrettvei når treet begynner å falle. Retrettveien bør ligge ca 135° på skrå bakover fra trets planlagte fallretning. (Figur 80)

- 1 Faresone
- 2 Retrettvei
- 3 Fallretning

### Felling



**ADVARSEL! Vi fraråder brukere som ikke er tilstrekkelig kvalifisert å felle et tre med en sverdlengde som er mindre enn stammens diameter!**

Fellingen utføres med tre sagskår. Først sages styreskjæret, som består av et overskjær og et underskjær, deretter avsluttes fellingen med hovedskåret. Ved korrekt plassering av disse kan man styre fallretningen meget nøyaktig.

# ARBEIDSTEKNIKK

## Styreskår

Ved utsaging av styreskåret begynner man med overskjæret. Sikt etter sagens fellingsretningsmerke (1) mot et mål lengre fram i terrenget, der du vil at treet skal falle (2). Stå på høyre side av treet, bak sagen, og sag med 'dragende' sagkjede.

Sag deretter underskjæret slik at det slutter på nøyaktig samme sted som overskjæret. (Figur 81)

Dybden på styreskåret skal være 1/4 av stammens diameter og vinkelen mellom over- og underskjær minst 45°.

Stedet hvor de to skjærene møtes kalles styreskårlinje. Denne linjen skal ligge nøyaktig horisontalt og samtidig danne en rett vinkel (90°) mot valgt fallretning. (Figur 82)

## Hovedskår

Hovedskåret sages fra den andre siden av treet og må ligge helt horisontalt. Stå på venstre side av treet og sag med dragende sagkjede.

Plasser hovedskåret ca. 3-5 cm (1,5-2 tommer) over styreskårets horisontalplan. (Figur 83)

Sett i barkstøtten (hvis en slik er montert) bak brytekanten. Sag med full gass og før sagkjedet/sverdet sakte inn i treet. Vær på vakt mot at treet beveger seg i motsatt retning av det som er valgt som fallretning. Sett i en fellekile eller et brytejern i hovedskåret så snart skjæredybden tillater det. (Figur 84)

Hovedskåret skal avsluttes parallelt med styreskårlinjen slik at avstanden mellom dem er minst 1/10 av stammens diameter. Den delen av stammen som ikke er gjennomsagd, kalles brytekant.

Brytekanten fungerer som et hengsel som styrer retningen til det fallende treet. (Figur 85)

Hvis brytekanten er for liten eller gjennomsaget eller hvis styreskår og hovedskår er feil plassert, mister man all kontroll over trets fallretning. (Figur 86)

Når hovedskåret og styreskåret er ferdig, skal treet begynne å falle, enten av seg selv eller ved hjelp av fellekilen eller brytejernet. (Figur 87)

Vi anbefaler bruk av en sverdlengde som er større enn trets diameter, slik at hoved- og styreskår kan utføres med et såkalt "enkelt sagskår". Se anvisninger under overskriften Tekniske data ang. hvilke sverdlengder som anbefales for din motorsagsmodell. (Figur 88)

Det finnes metoder for felling av trær med en stammediameter som er større enn sverdlengden. Disse medfører meget stor risiko for at sverdet's kastrisikosektor kommer i kontakt med et objekt. (Figur 8)

## Håndtering av mislykket felling

### Nedtaking av et "fastfelt tre"

Å ta ned et fastfelt tre er meget farlig, og det innebærer meget stor ulykkesrisiko.

Forsøk aldri å sage ned det treet det andre treet har falt mot.

Arbeid aldri innenfor risikoområdet for hengende fastfellede trær. (Figur 89)

108 – Norwegian

Den sikreste metoden er å bruke vinsj.

- Traktormontert (Figur 90)
- Bærbar (Figur 91)

## Saging i trær og greiner som står i spenn

Forberedelser: Vurder hvilken retning spenningen går i og hvor den har sitt brytepunkt (dvs. det stedet hvor den ville brette hvis den ble spent ytterligere). (Figur 92)

Avgjør hvordan du frigjør spenningen på sikreste måte og om du klarer å gjøre det. Ved ekstra kompliserte situasjoner er den eneste sikre metoden å avstå fra bruk av motorsag og bruke vinsj.

### Generelt gjelder:

Plasser deg slik at du ikke risikerer å bli truffet av treet/greinen når spenningen blir frigjort. (Figur 93)

Lag ett eller flere sagskår på eller i nærheten av brytepunktet. Sag så dypt inn og med så mange sagsnitt som er nødvendig for at spenningen i treet/greinen skal bli frigjort slik at treet/greinen "brytes" av ved brytepunktet. (Figur 94)

### Sag aldri helt gjennom et objekt som står i spenn!

Hvis du må sage gjennom treet/kvisten, lag to eller tre skjær med 3 cm mellomrom og 3-5 cm dybde. (Figur 95)

Fortsett å sage dypere til trets/kvistens bending og spenning frigjøres. (Figur 96)

Sag treet/kvisten fra motsatt side etter at spenningen er frigjort.

## Kastforebyggende tiltak



**ADVARSEL! Kast kan forekomme lynraskt og være plutselige og voldsomme, og kan kaste motorsag, sverd og sagkjede mot brukeren. Hvis sagkjedet er i bevegelse når og hvis det treffer brukeren, kan det oppstå meget alvorlige og til og med livstruende skader. Det er nødvendig å forstå hva som forårsaker kast og at de kan unngås ved forsiktighet og riktig arbeidsteknikk.**

### Hva er kast?

Kast er betegnelsen på en plutselig reaksjon der motorsag og sverd kastes fra et objekt som har kommet i kontakt med den øvre kvadranten av sverdspissen, den såkalte kastrisikosektoren. (Figur 69)

Kast skjer alltid i samme retning som sverdplanet. Det mest vanlige er at motorsag og sverd kastes opp- og bakover mot brukeren. Andre kastretninger kan imidlertid forekomme, avhengig av hvilken stilling motorsagen har i det øyeblikket sverdet's kastrisikosektor kommer i kontakt med et objekt.

Kast kan bare inntreffe når sverdet's kastrisikosektor kommer i kontakt med et objekt. (Figur 4)

## Kvisting



**ADVARSEL!** De fleste kastulykker inntreffer ved kvisting. Ikke bruk sverdets kastrisikosektor. Vær ytterst forsiktig og unngå at sverdspissen kommer i kontakt med stokken, andre greiner eller gjenstander. Vær ytterst forsiktig med greiner som står i spenn. De kan fjære tilbake mot deg og gjøre at du mister kontrollen, hvilket kan medføre skader.

Sørg for at du kan gå og stå sikkert! Arbeid fra venstre side av stammen. Arbeid så nær motorsagen som mulig for beste kontroll. Når det er mulig skal du la tyngden av sagen hvile på stammen.

Flytt deg bare når du har stammen mellom deg og motorsagen. **(Figur 97)**

### **Oppkapping av stammen til stukk**

Se anvisninger under overskriften Generelle sageteknikk.

# VEDLIKEHOLD

## Generelt

Brukeren må kun utføre det vedlikeholds- og servicearbeidet som beskrives i denne bruksanvisningen. Mer omfattende inngrep skal utføres av et autorisert serviceverksted.

## Kontroll, vedlikehold og service på motorsagens sikkerhetsutstyr



**ADVARSEL! Fjern alltid batteriet før det utføres montering, vedlikehold og/eller inspeksjon.**

Bemerk! All service og reparasjon av maskinen krever spesialutdanning. Dette gjelder særlig maskinens sikkerhetsutstyr. Hvis maskinen ikke består alle kontrollene som er oppgitt nedenfor, anbefaler vi at du oppsøker ditt serviceverksted.

Viktig! Rengjør aldri batteriet eller batteriladeren med vann. Sterke rengjøringsmidler kan skade plastmaterialet.

## Kjedebremser med kastbeskyttelse

### Kontroll av kastbeskyttelse

- Kontroller at kastbeskyttelsen er hel og uten synlige defekter, f.eks. materialsprekker. (Figur 98)
- Før kastbeskyttelsen fram og tilbake for å kontrollere at den går lett og at den er stabilt forankret i maskinen. (Figur 99)

### Kontroll av tregheitsfunksjonen

- Slå av motorsagen og hold den over en stubbe eller en annen stabil gjenstand. Slipp det fremre håndtaket og la motorsagen falle av egen tyngde, slik at den roterer mot stubben rundt det bakre håndtaket. (Figur 100)

Når sverdspissen treffer stubben, skal bremsen løse ut.

### Kontroll av bremsevirkning

- Aktiver motorsagen. Sørg for at motorsagen ikke berører bakken eller andre gjenstander. Se anvisninger under overskriften Start og stopp.
- Hold motorsagen i et stødig grep med tomler og fingrer lukket om håndtakene. (Figur 65)
- Gi full gass og aktiver kjedebremsen ved å vri venstre håndledd mot kastbeskyttelsen. Ikke slipp det fremste håndtaket. **Kjedet skal stanse umiddelbart.** (Figur 101)

## Effektregulatorsperre

- Sørg for at effektregulatoren er låst i tomgangsstilling når effektregulatorsperren løses ut. (Figur 102)
- Trykk inn effektregulatorsperren og kontroller at den går tilbake til sin opprinnelige stilling når du slipper den. (Figur 103)
- Kontroller at effektregulatoren og effektregulatorsperren går lett og at returfjærene fungerer som den skal. (Figur 104)
- Aktiver motorsagen og gi full gass. Slipp gassregulatoren og kontroller at sagkjedet stopper og blir stående stille.

## Kjedefanger

- Kontroller at kjedefangeren er hel og at den sitter fast i motorsagkroppen. (Figur 105)

## Taster

- Aktiver motorsagen og kontroller at motorsagen deaktiveres når du trykker inn start/stopp-knappen (grønn LED-indikator slukket). (Figur 106)

## Batterikontakter

Rengjør batteriet og maskinens batterirom med en myk børste etter bruk. Sørg for at alle kjøleribber og batterikontakter holdes rene. (Figur 107)

## Kjølesystem

For å oppnå lavest mulig driftstemperatur er maskinen utstyrt med et kjølesystem.

Kjølesystemet består av:

- 1 Luftinntak (venstre side av maskinen).
  - 2 En vifte på motoren.
- Rengjør kjølesystemet med en børste en gang i uken, ved vanskelige forhold oftere. Hvis kjølesystemet er skittent eller tilstoppet, fører det til overoppheting som forårsaker skade på maskinen. (Figur 108)

## Batteri

- Kontroller at batteriet ikke er skadet eller deformert, og at det ikke finnes synlige feil, for eksempel sprekker. (Figur 109)

## Batteriladere

- Kontroller at batteriladeren og strømledningen ikke er skadet eller deformert, og at det ikke finnes synlige feil, for eksempel sprekker. (Figur 110)

# VEDLIKEHOLD

## Vedlikeholdsskjema

Under følger en liste over det vedlikehold som skal utføres på maskinen. De fleste av punktene er beskrevet i avsnittet Vedlikehold.

Daglig ettersyn	Ukentlig ettersyn	Månedlig ettersyn
Rengjør maskinen utvendig.	Fil bort eventuelle grader på sidene av sverdet.	Kontroller forbindelsen mellom batteriet og maskinen, og kontroller forbindelsen mellom batteriet og batteriladeren.
Kontroller at komponentene i effektrekulatoren fungerer sikkert. (Effektrekulatorsperre og effektrekulator.)		Tøm oljetanken og rengjør den innvendig.
Rengjør kjedebremser og kontroller at den fungerer sikkert. Kontroller at kjedefangeren er uskadet, skift om nødvendig.		Blås forsiktig gjennom produktet og batterikjøleåpningene med trykkluft.
Sverdet skal snus daglig for jevnere slitasje. Kontroller at smørehullet i sverdet ikke er tett. Rengjør kjedespoet. Hvis sverdet har nesehjul, smøres dette.		
Kontroller at sverd og kjede får nok olje.		
Kontroller sagkjedet med henblikk på synlige sprekker i nagler og ledd, om sagkjedet er stivt eller hvis nagler og ledd er unormalt slitt. Skift om nødvendig.		
Fil kjedet og kontroller stramming og tilstand. Kontroller at kjededrivhjulet ikke er unormalt slitt, skift om nødvendig.		
Rengjør luftinntakene på maskinen.		
Kontroller at skruer og mutre er trukket til.		
Kontroller at tastene fungerer som de skal, og at de ikke er skadet.		

# VEDLIKEHOLD

## Feilsøkingsskjema

### Taster

Mulige feilkoder på motorsagens tastatur.

Taster	Mulige feil	Mulig handling
Varsellampen blinker.	Kjedebrems innkoblet.	Trekk kastbeskyttelsen tilbake for å løse ut kjedebremsen.
	Temperaturavvik.	La maskinen kjøles ned.
	Overbelastning. Skjæreutstyret har satt seg fast.	Skjæreutstyret har satt seg fast. Løsne skjæreutstyret.
	Effektregulatoren og aktiveringsknappen trykkes samtidig.	Slipp effektregulatoren for å aktivere maskinen.
Grønn aktivert-diode blinker.	Lav batterispenning.	Lad batteriet.
Varsellampen lyser.	Service	Kontakt serviceverkstedet.

### Batteri

Feilsøking på batteri og/eller batterilader under lading.

LED-display	Mulige feil	Mulig tiltak
Varsellampen blinker.	Batteriet er utladet.	Lade batteri.
	Temperaturavvik.	Bruk batteriet i temperaturer fra -10 °C til 60 °C.
	Overspenning.	Kontroller at nettspenningen stemmer med det som er angitt på skiltet som sitter på maskinen. Koble laderen fra batteriet.
Varsellampen lyser.	For stor forskjell mellom cellene (1V).	Kontakt serviceverkstedet.

### Batteriladere

LED-display	Mulige feil	Mulig tiltak
Varsellampen blinker.	Temperaturavvik.	La laderen kjøles ned (passiv kjøling).
Varsellampen lyser.	Permanent skade.	Kontakt serviceverkstedet.



# TEKNISKE DATA

## Tekniske data

	<b>136Li</b>
<b>Motor</b>	
Type	36 V børstemotor
<b>Egenskaper</b>	
Lavenergimodus	savE
<b>Smøresystem</b>	
Type av oljepumpe	Automatisk
Volum oljetank, liter/cm <sup>3</sup>	0,20/200
<b>Vekt</b>	
Motorsag uten batteri, sverd og kjede, tom kjedeoljetank, kg	4,8
<b>Støyutslipp (se anm. 1)</b>	
Lydeffektnivå, mål dB(A)	97,3
Lydeffektnivå, garantert L <sub>WA</sub> dB(A)	101
Respektiv usikkerhet KpA, dB(A)	3,0
<b>Ljudnivåer (se anm. 2)</b>	
Ekvivalent lydtryknivå ved brukerens øre, dB(A)	86
<b>Vibrasjonsnivåer (se anm. 3)</b>	
Fremre håndtak, m/s <sup>2</sup>	3,61
Bakre håndtak, m/s <sup>2</sup>	2,25
Respektiv usikkerhet K, m/s <sup>2</sup>	1,5
<b>Ekvivalente vibrasjonsnivåer (se merknad 4)</b>	
Fremre håndtak, m/s <sup>2</sup>	2,29
Bakre håndtak, m/s <sup>2</sup>	1,58
<b>Kjede/sverd</b>	
Anbefalte sverdlengder, tommer/cm	12/30
Effektiv skjærelengde, tommer/cm	10/26
Type drivhjul/antall tenner	Spur/6
Maksimal kjedehastighet / (savE), m/s	11 (10)

Godkjente batterier til motorsagmodellene over		
Batteri	BLi110	BLi150
Type	Lithium-Ion	Lithium-Ion
Batterikapasitet, Ah	3,0	4,2
Spenning, V	36	36
Vekt, kg	1,2	1,3

Ladere som passer til de spesifiserte batteriene, BLi.			
Batteriladere	QC80	QC120	QC330
Strømforsyning, V	100-240	220-240	100-240
Frekvens, Hz	50-60	50-60	50-60
Effekt, W	80	125	330

Anm.1: Utslipp av støy til omgivelsene målt som lydeffekt (L<sub>WA</sub>) ifølge EF-direktiv 2000/14/EC.

Merknad 2: Ekvivalent støytryknivå i henhold til ISO 22868 beregnes som tidsvektet total energi for ulike tryknivåer under forskjellige driftsforhold. Typisk statistisk spredning for ekvivalent støytryknivå er et standard avvik på 1 dB (A).

Merknad 3: Vibrasjonsnivå i henhold til EN 60745-2-13. Rapporterte data for vibrasjonsnivå har en typisk statistisk spredning (standard avvik) på 1 m/s<sup>2</sup>. De oppgitte vibrasjonsdataene fra målinger når maskinen er utstyrt med en sverdlengde og anbefalt kjedetype. Hvis maskinen er utstyrt med en annen sverdlengde, kan vibrasjonsnivået variere med maksimalt ±1,5 m/s<sup>2</sup>.

Merknad 4: Ekvivalent vibrasjonsnivå måles og beregnes som for motorsager med forbrenningsmotor. Disse tallene er oppgitt slik at de kan brukes til å sammenligne vibrasjonsdata uavhengig av motortype.



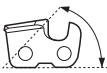
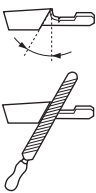

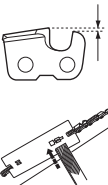
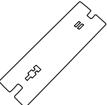

# TEKNISKE DATA

## Sverd og kjedekombinasjoner

Følgende skjæreutstyr er godkjent for modellen Husqvarna 136Li.

Sverd				Sagkjede	
Lengde, tommer	Deling, tommer	Sporbredde, mm	Maks. antall tenner nesehjul	Type	Lengde, drivlenke (stk.)
12	3/8	1,1	9T	Husqvarna H38	45

## Sagkjedets filing og filmaler

							
38	11/64 / 4,5	90°	30°	0°	0.025 / 0,65	5056981-03	5795588-01

## EF-erklæring om samsvar

### (Gjelder kun Europa)

**Husqvarna AB**, SE-561 82 Huskvarna, Sverige, tlf. +46-36-146500, erklærer med dette under eneansvar at de batteridrevne motorsagene **Husqvarna 136Li** med serienummer fra 2016 og senere (året oppgis i klartekst på typeskiltet, etterfulgt av serienummeret), samsvarer med forskriftene i følgende RÅDSDIREKTIVER:

- fra 17. mai 2006, "angående maskiner" **2006/42/EC**.
- av 26. februar 2014 "angående elektromagnetisk kompatibilitet" **2014/30/EU**.
- fra 12. desember 2006 "som gjelder elektrisk utstyr konstruert for bruk innenfor bestemte spenningsgrenser" **2006/95/EC**.
- fra 6. september 2006 "om batterier og akkumulatører samt kassering av batterier og akkumulatører" **2006/66/EC**.
- av 8. mai 2000 "angående utslipp av støy til omgivelsene" **2000/14/EC**.

Følgende standarder er blitt tillempet: **EN 60745-1**, **EN 60745-2-13**, **EN 60335-2-29**, **EN 55014-1**, **EN 55014-2**.

Kontrollorgan: **NB905, Intertek Deutschland GmbH**, Stagenstraße 1, 70771 Leinfelden-Echterdingen, Tyskland, har utført EC-typekontroll i henhold til maskindirektivets (2006/42/EF) artikkel 12, punkt 3b. Bekreftelsene om EF-typekontroll ifølge vedlegg IX, har nummer: **NB905 15SHW0344-01**.

For informasjon angående støytutslippene, se kapitlet Tekniske data.

Den leverte motorsagen samsvarer med det eksemplaret som gjennomgikk EF-typeprøving.

Huskvarna 30. mars 2016



Lars Roos, Utviklingssjef

(Autorisert representant for Husqvarna AB og ansvarlig for teknisk dokumentasjon.)

# MERKKIEN SELITYKSET

## Koneessa esiintyvät tunnukset:

Alkuperäisen ruotsinkielisen käyttöohjeen käännös.

**VAROITUS!** Moottorisahat saattavat olla vaarallisia! Huolimaton tai virheellinen käyttö saattaa aiheuttaa käyttäjälle tai sivullisille vakavia vammoja tai kuoleman.



Lue käyttöohje huolellisesti ja ymmärrä sen sisältö, ennen kuin alat käyttää konetta.



Käytä aina:

- Hyväksytyä suojakypärää
- Hyväksytyjä kuulonsuojaimia
- Suojalasit tai visiiri



Tämä tuote täyttää voimassa olevan CE-direktiivin vaatimukset.



Melupäästöt ympäristöön Euroopan yhteisön direktiivin mukaisesti. Koneen päästöt ilmoitetaan luvussa Tekniset tiedot ja arvokilvessä.



Käyttäjän on käytettävä moottorisahaa molemmiin käsiin.



Älä koskaan käytä moottorisahaa pitämällä sitä vain yhdellä kädellä.



Älä anna terälevyn kärjen osua koskaan mihinkään esineeseen.



**VAROITUS!** Terälevyn kärjen osuminen esineeseen voi synnyttää takapotkun ja aiheuttaa terälevyn sinkoutumisen ylöspäin ja kohti käyttäjää. Se voi aiheuttaa vakavia henkilövahinkoja.



Ketjun pyörimissuunta ja terälevyn maksimipituus.



Ketjujarru, aktiivinen (oikealla)  
Ketjujarru, ei aktiivinen (vasemmalla)



Teräketjuöljyn täyttö.



**Ympäristömerkki.** Tuotteeseen tai sen pakkaukseen kiinnitetty merkki osoittaa, että tätä tuotetta ei voi käsitellä kotitalousjätteenä. Se on toimitettava sopivaan kierrätyskeskukseen sähkö- ja elektroniikkalaitteiden uusiokäyttöä varten.



Suora virta.



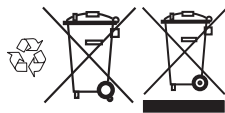
Ei saa altistaa sateelle.



Muita koneen tunnuksia/tarroja tarvitaan tietyillä markkina-alueilla ilmaisemaan erityisiä sertifiointivaatimuksia.

## Akun ja/tai akkulaturin symbolit:

Tuote on vietävä kierrätykseen asianmukaiseen kierrätyskeskukseen.



Vikasuojattu muuntaja



Käytä ja säilytä akkulaturia ainoastaan sisätiloissa.



Kaksoiseristys



# MERKKIEN SELITYKSET

Koneessa, akussa ja akkulatorissa on seuraavat tarrat.

## WARNING

Read and follow all safety precautions in the owner's manual. Failure to follow instructions could result in serious injury to user. Contact of the guide bar tip with any object should be avoided. Tip contact may cause the guide bar to move suddenly forward and backward, which may cause serious injury to user. Two hands are always to be used to control motion of the chain saw. Use only identical replacement bar and chain components manufactured by Husqvarna. Use only Husqvarna Battery type BL.

## AVERTISSEMENT

Consultez et respectez les consignes de sécurité contenues dans le manuel de l'utilisateur. Le non-respect de ces instructions peut entraîner de graves blessures chez l'utilisateur. Éviter tout contact entre le nez du guide-chaîne et un objet. Tout contact entre le nez pour entraîner des mouvements brusques du guide-chaîne vers le haut ou vers le bas susceptibles de provoquer des blessures. L'utilisateur doit toujours utiliser ses deux mains lorsqu'il fait fonctionner la tronçonneuse. Utiliser uniquement des pièces de rechange du guide-chaîne et de la chaîne identiques qui ont été fabriquées par Husqvarna. Utiliser uniquement une batterie Husqvarna de type BL.

## ADVERTENCIA

Leer y seguir todas las precauciones de seguridad especificadas en el manual de instrucciones. El incumplimiento de estas instrucciones podría comportar lesiones personales graves. Evitar el contacto con la punta de la espada entre en contacto con cualquier objeto. El contacto con la punta podría provocar un movimiento repentino hacia arriba y hacia abajo de la espada, que podría causar graves lesiones personales. La motosierra siempre debe manejarse con las dos manos. Utilice únicamente componentes de sustitución del guía-cadena y la cadena idénticos a los originales y fabricados por Husqvarna. Utilice únicamente una batería de tipo BL de Husqvarna.

587134201



Class 2C Chainsaw

36V --- 136Li Article No. XXXXXXXXX

Serial No. XXXXXXX-XX

PNC No. XXXXXXX-XX



HUSQVARNA AB, SE-561 82 HUSKVARNA, SWEDEN

**Husqvarna AB**  
S-561 82 Huskvarna, Sweden

Type BLi  
Art.no. 36V --- / Ah Li Ion Wh  
10INR19/66-2

**Husqvarna AB**  
S-561 82 Huskvarna, Sweden

Type QC

Art.No. V- / Hz / 100W max.

Input: 36V --- / 2A

Output: 36V --- / 2A

Class 2 battery charger

serial-no.:

**Li-ion**  
Use ONLY with Husqvarna  
Li-ion batteries

## Sisältö

### MERKKIEN SELITYKSET

Koneessa esiintyvät tunnuksat: .....	115
Akun ja/tai akkulaturin symbolit: .....	115

### SISÄLTÖ

Sisältö .....	117
---------------	-----

### JOHDANTO

Hyvä asiakas! .....	118
---------------------	-----

### KONEEN OSAT

Moottorisahan osat .....	118
--------------------------	-----

### YLEISET TURVAOHJEET

Yleiset sähkötyökaluja koskevat varoitukset .....	119
Toimenpiteet ennen uuden moottorisahan käyttöä	121
Tärkeää .....	122
Käytä aina tervettä järkeä .....	122
Henkilökohtainen suojavarustus .....	122
Koneen turvalaitteet .....	122
Akku ja akkulaturi .....	124
Terälaite .....	125

### ASENNUS

Terälevyn ja ketjun asennus .....	129
-----------------------------------	-----

### AKUN KÄSITTELY

Akun varaustila .....	130
Akkulaturilla .....	130
Kuljetus ja säilytys .....	130
Akun, akkulaturin ja koneen hävittäminen .....	131

### KÄYNNISTYS JA PYSÄYTYS

Käynnistys ja pysäytys .....	132
------------------------------	-----

### PERUSTEKNIikka

Aina ennen käyttöä: .....	133
SavE .....	133
Yleiset työohjeet .....	133
Takapotkua ehkäisevät toimenpiteet .....	137

### KUNNOSSAPITO

Yleistä .....	138
Moottorisahan turvalaitteiden tarkastus, kunnossapito ja huolto .....	138
Akkuliittimet .....	138
Jäähdytysjärjestelmä .....	138
Akku .....	138
Akkulaturilla .....	138
Huoltokaavio .....	139
Vianetsintäkaavio .....	140

### TEKNISET TIEDOT

Tekniset tiedot .....	141
Terälevy- ja ketjuyhdistelmät .....	142
Teräketjun teroittaminen ja viilausohjaimet .....	142
EY-vaatimustenmukaisuusvakuutus .....	142

# JOHDANTO

## **Hyvä asiakas!**

Onnittelemme Husqvarna-tuotteen valinnan johdosta! Husqvarnan perinteet ulottuvat vuoteen 1689 saakka, jolloin kuningas Kaarle XI antoi pystyttää Husqvarna-joen rannalle tehtaan muskettien valmistukseen. Sijoitus Husqvarna-joen rannalle oli looginen, koska jokea käytettiin vesivoiman tuottamiseen ja se toimi siten vesivoimalana. Näiden yli 300 vuoden ajan, joina Husqvarnan tehdas on ollut toiminnassa, siellä on valmistettu lukemattomia tuotteita, aina puuliesistä moderneihin keittiökoneisiin, ompelukoneisiin, polkupyöriin, moottoripyöriin jne. 1956 lanseerattiin ensimmäinen moottoriruohonleikkuri, jota seurasi vuonna 1959 moottorisaha, ja sillä alalla Husqvarna nykyisin toimii.

Husqvarna tänä päivänä yksi maailman johtavista metsä- ja puutarhatuotteiden valmistajista, jonka tärkeimpänä kriteerinä on laatu ja suorituskyky. Liikeideana on kehittää, valmistaa ja markkinoida moottorikäyttöisiä tuotteita metsän- ja puutarhanhoitoon sekä rakennus- ja laiteosteollisuudelle. Husqvarnan tavoitteena on myös olla eturivissä ergonomiassa, käyttäjäturvallisuudessa, turvallisuudessa ja ympäristöajattelussa, minkä vuoksi olemme kehittäneet lukuisia onnistuneita yksityiskohtia tuotteiden parantamiseksi näillä alueilla.

Olemme vakuuttuneita, että tulette tyytyväisenä arvostamaan tuotteemme laatua ja suorituskykyä vielä pitkälle tulevaisuudessa. Ostaessasi jonkin tuotteistamme saat ammattitaitoista korjaus- ja huoltoapua, jos jotakin kaikesta huolimatta tapahtuu. Jos ostat koneen muualta kuin valtuutetulta jälleenmyyjältämme, pyydä myyjää neuvomaan lähin huoltoliike.

Toivomme, että olet tyytyväinen koneeseesi, ja että se saa olla seuralaisenasi pitkän aikaa eteenpäin. Muista, että tämä käyttöohje on arvokas asiakirja. Noudattamalla sen käyttö-, huolto- ja kunnossapito- ja muita ohjeita voit huomattavasti pidentää koneen elinikää ja lisätä myös sen jälleenmyyntiarvoa. Jos myyt koneesi, muista luovuttaa käyttöohje uudelle omistajalle.

Kiitämme Husqvarna-tuotteen valitsemisesta!

Husqvarna AB kehittää jatkuvasti tuotteitaan ja pidättää siksi itselleen oikeuden mm. muotoa ja ulkonäköä koskeviin muutoksiin ilman ennakkoilmoitusta.

## **Moottorisahan osat (1)**

- 1 Takapotkusuojaus
- 2 Näppäimistö
- 3 SavE-painike
- 4 Varoitusten merkkivalo
- 5 Käynnistys- ja pysäytyspainike
- 6 Käyttöliipaisimen varmistin
- 7 Takakahva oikean käden suojuksella
- 8 Tuuletin kotelon
- 9 Ketjuöljysäiliö
- 10 Akkukurilla
- 11 Virtajohto
- 12 Varoitusten merkkivalo
- 13 Liitin
- 14 Käyttöohje
- 15 Teräsuojus
- 16 Ketjupyörän suoja
- 17 Ketjun kiristyspyörä
- 18 Väänni
- 19 Ketjusieppo
- 20 Kuorituki
- 21 Kärkipyörä
- 22 Teräketju
- 23 Terälevy
- 24 Etukahva
- 25 Käyttöliipaisin
- 26 Akku
- 27 Akun vapautuspainikkeet
- 28 Akun tila
- 29 Painike, akun tila
- 30 Varoitusten merkkivalo

## Yleiset sähkötyökaluja koskevat varoitukset



**VAROITUS!** Lue kaikki turvavaroitukset ja kaikki ohjeet. Varoitusten ja ohjeiden huomiotta jättämisestä voi seurata sähköisku, tulipalo ja/tai vakava henkilövahinko.

**TÄRKEÄÄ!** Säädä kaikki varoitukset ja ohjeet tulevaa käyttöä varten. Termillä ”sähkötyökalu” tarkoitetaan varoituksissa verkkosähköllä toimivaa (johdollista) sähkötyökalua tai akkukäyttöistä (johdotonta) sähkötyökalua.

## Työalueen turvallisuus

- **Pidä työalue siistinä ja hyvin valaistuna.** Sotkuiset tai hämärit alueet ovat alttiita onnettomuuksille
- **Älä käytä sähkötyökaluja räjähdysriskissä ympäristössä, esimerkiksi herkästi syttyvien nesteiden, kaasujen tai pölyn läheisyydessä.** Sähkötyökaluista lähtevät kipinät voivat sytyttää pölyn tai kaasut.
- **Pidä lapset ja sivulliset poissa, kun käytät sähkötyökalua.** Häiriöt voivat saada sinut menettämään työkalun hallinnan.

## Sähköturvallisuus

- **Sähkötyökalun pistokkeen on sovittava pistorasiaan.** Älä koskaan muuta pistoketta mitenkään. Älä käytä mitään pistokesovittimia maadoitettujen sähkötyökalujen kanssa. Alkuperäiset pistokkeet ja niihin sopivat pistorasiat vähentävät sähköiskun riskiä.
- **Varo koskettamasta maadoitettuja pintoja, kuten putkia, pattereita, liesiä ja jääkaappeja.** Sähköiskun riski kasvaa, jos käyttäjän keho on maadoitettu.
- **Älä altista sähkötyökaluja sateelle tai märille olosuhteille.** Sähkötyökaluun päässyt vesi lisää sähköiskun riskiä.
- **Älä vahingoita johtoa.** Älä koskaan käytä johtoa kantamiseen, vetämiseen tai pistokkeen irrottamiseen pistorasiasta. Pidä johto etäällä lämmönlähteistä, öljystä, terävistä reunoista ja liikkuvista osista. Vahingoittuneet tai sotkeutuneet johdot lisäävät sähköiskun riskiä.
- **Kun käytät sähkötyökalua ulkona, käytä ulkotiloihin sopivaa jatkojohtoa.** Ulkotiloihin sopivan johdon käyttäminen vähentää sähköiskun riskiä.
- **Mikäli et voi välttää sähkötyökalun käyttöä kosteissa olosuhteissa, käytä maavuotokatkaisinta.** Maavuotokatkaisimen käyttö vähentää sähköiskun vaaraa.

## Henkilökohtainen turvallisuus

- **Pysy valppaana, katso mitä teet ja käytä tervettä järkeä käyttäessäsi sähkötyökalua.** Älä käytä sähkötyökalua väsyneenä tai alkoholin, huumeiden tai lääkeytyksen vaikutuksen alaisena. Hetken epähuomio sähkötyökaluja käytettäessä voi johtaa vakavaan henkilövahinkoon.
- **Käytä henkilökohtaisia suojavarusteita. Pidä aina silmäsuojia.** Suojavarusteet, kuten pölysuoja, luistamattomat turvakengät, kypärä ja kuulosuojaimet, käytettynä niitä vaativissa oloissa vähentävät henkilövahinkoja.
- **Estä tahaton käynnistys. Varmista, että katkaisin on POIS-asennossa ennen virtalähteeseen ja/tai akkuun kytkemistä, työkaluun tarttumista tai sen kantamista.** Sähkötyökalujen kantaminen sormi katkaisijalla tai niiden kytkeminen sähköverkkoon tai akkuun katkaisimen ollessa päällä altistaa onnettomuuksille.
- **Irrota mahdolliset säätöavaimet ennen virran kytkemistä sähkötyökaluun.** Sähkötyökalun pyörivään osaan kiinnitetty avain voi aiheuttaa henkilövahingon.
- **Älä kurota. Säilytä aina tukeva asento ja tasapaino.** Tämä mahdollistaa sähkötyökalun paremman hallinnan odottamattomissa tilanteissa.
- **Pukeudu oikein. Älä käytä löysästi istuvia vaatteita tai koruja. Pidä hiuksesi, vaatteesi ja käsineesi poissa liikkuvista osista.** Löysät vaatteet, korut tai pitkät hiukset voivat tarttua liikkuviin osiin.
- **Jos käytettävissä on kytkentämahdollisuus pölynpoistojärjestelmälle, varmista, että se kytketään ja että sitä käytetään oikein.** Pölynpoistojärjestelmän käyttö voi vähentää pölyyn liittyviä riskejä.
- **Tärinäpäästöt** sähkötyökalun varsinaisen käytön aikana voivat poiketa ilmoitetusta kokonaisarvosta työkalun käyttötavasta riippuen. Käyttäjien tulee itsensä suojaamiseksi noudattaa turvatoimia, jotka perustuvat päästöjen arviointiin todellisissa käyttöolosuhteissa (huomioon ottaen kaikki käyttöjakson osat, kuten työkalun päältäkytkemisaika ja se, milloin se käy joutokäynnillä, liipaisimen lisäksi).

## Sähkötyökalujen käyttö ja huolto

- **Älä pakota sähkötyökalua.** Käytä käyttötarkoitukseen sopivaa sähkötyökalua. Oikea sähkötyökalu tekee työn paremmin ja turvallisemmin nopeudella, jota varten se on suunniteltu.
- **Älä käytä sähkötyökalua, jos virtaa ei voi katkaista ja katkaista virtakatkaisimella.** Mikä tahansa sähkötyökalu, jota ei voi hallita katkaisimella, on vaarallinen, ja se pitää korjata.
- **Irrota pistoke pistorasiasta ja/tai akku sähkötyökalusta ennen kuin teet mitään säätöjä, vaihdat lisävarusteita tai varastoit sähkötyökalun.** Sellaiset varoitimet vähentävät riskiä, että sähkötyökalu käynnistetään vahingossa.

# YLEISET TURVAOHJEET

- **Varastoi käyttämättömät sähkötyökalut pois lasten ulottuvilta, äläkä anna henkilöiden, jotka eivät tunne sähkötyökalua tai näitä ohjeita, käyttää sähkötyökalua.** Sähkötyökalut ovat vaarallisia kouluttamattomien käyttäjien käsissä.
- **Huolla sähkötyökaluja.** Tarkista, etteivät liikkuvat osat ole väärin suunnattuja tai tarttuvia, ettei mikään osa ole murtunut sekä kaikki muut tekijät, jotka voivat vaikuttaa sähkötyökalun toimintaan. **Jos sähkötyökalu on vahingoittunut, korjauta se ennen käyttöä.** Monet onnettomuudet johtuvat huonosti huolletuista sähkötyökaluista.
- **Pidä leikkaustyökalut terävinä ja puhtaina.** Oikein huolletut leikkaustyökalut, joiden leikkausreunat ovat terävät, eivät juutu kiinni niin helposti ja ovat helpommin hallittavissa.
- **Käytä sähkötyökalua, lisävarusteita, teriä jne. näiden ohjeiden mukaisesti ottaen huomioon työskentelyolosuhteet ja suoritettavan työn laadun.** Sähkötyökalun käyttö työtehtäviin, joihin sitä ei ole tarkoitettu, voi aiheuttaa vaaratilanteita.

## Akkukäyttöisten työkalujen käyttö ja huolto

- **Lataa akku ainoastaan valmistajan tarkoitukseen nimeämällä laturilla.** Tietynlaiseen akustoon soveltuva laturi voi aiheuttaa toisen akuston lataamiseen käytettynä tulipalon vaaran.
- **Liitä työkaluihin ainoastaan niissä käytettäviksi hyväksyttyjä akkuja.** Muunlaisen akuston käyttö voi aiheuttaa tapaturmien tai tulipalon vaaran.
- **Kun akusto ei ole käytössä, pidä se poissa sellaisten metalliesineiden läheisyydestä, joilla akkuliittimet voitaisiin kytkeä toisiinsa.** Tällaisia ovat esimerkiksi paperiliittimet, kolikot, avaimet, naulat, ruuvit ja pienet metalliesineet. Akkuliittinten saattaminen keskenään oikosulkuun voi aiheuttaa palovammoja tai tulipalon.
- **Akusta voi tihkua nestettä vaikeissa olosuhteissa.** Vältä kosketusta. Jos akkunestettä joutuu iholle, huuhtele ihoalue vedellä. Jos nestettä joutuu silmiin, hakeudu lääkäriin. Akkuneste voi aiheuttaa ihoärsytystä tai palovammoja.

## Huolto

- **Anna pätevän huoltohenkilön huoltaa sähkötyökalusi käyttäen vain täysin samankaltaisia vaihto-osia.** Tämä varmistaa, että sähkötyökalu säilyy turvallisena käyttöä.

## Moottorisahan turvamuistutukset

- **Pidä kaikki ruumiinosat poissa teräketjun luota moottorisahan ollessa käynnissä. Ennen kuin käynnistät moottorisahan, varmista, ettei teräketju osu mihinkään.** Hetken huolimattomuus moottorisahaa käytettäessä voi aiheuttaa vaatteiden tai kehon tarttumisen teräketjuun.

- **Pidä moottorisahaa aina oikea käsi takakavassa ja vasen käsi etukavassa.** Moottorisahan pitäminen kädet päinvastaisessa asennossa lisää henkilövahingon riskiä, joten sitä ei pidä tehdä koskaan.
- **Pitele työkonetta vain eristetystä tarttumapinnasta, koska sahan ketju voi osua piilotettuihin johtoihin.** Jos sahan ketju koskettaa jännitteellistä johtoa, työkonteen paljaat metalliosat tulevat jännitteellisiksi ja käyttäjä voi saada niistä sähköiskun.
- **Käytä suojalaseja ja kuulonsuojaimia. Lisäsuojauستا päälle, käsille ja jaloille suositellaan.** Asianmukainen turva-asu pienentää lentävistä roskista tai teräketjun tahattomasta koskettamisesta aiheutuvien henkilövahinkojen riskiä.
- **Älä käytä moottorisahaa ylhäällä puussa.** Moottorisahan käyttö ylhäällä puussa voi johtaa henkilövahinkoihin.
- **Pidä aina kunnollinen jalansija, ja käytä moottorisahaa vain seistessäsi kiinteällä, turvallisella ja tasaisella pinnalla.** Liukkaat tai epätasaiset pinnat, kuten tikkaat, voivat aiheuttaa tasapainon tai moottorisahan hallinnan menettämisen.
- **Varo takaisinlammahdusta jännityksessä olevaa oksaa sahatessasi.** Kun puun kuitujen jännitys vapautuu, jännittynyt oksa voi osua käyttäjään ja/tai heittää moottorisahaa hallitsemattomasti.
- **Ole erittäin varovainen sahatessasi pensaita ja taimia.** Ohut materiaali voi tarttua teräketjuun ja lyödä sinua kohti tai vetää sinut pois tasapainosta.
- **Kanna moottorisahaa kahvasta virta katkaistuna ja poispäin kehostasi.** Kun kuljetat moottorisahaa tai viet sitä varastoon, käytä aina terälevyn suojaa. Moottorisahan asianmukainen käsittely pienentää tahattoman, pyörivään teräketjuun kosketuksen riskiä.
- **Noudata voittoa, ketjun kiristämistä ja lisävarusteiden vaihtoa koskevia ohjeita.** Virheellisesti kiristetty tai voideltu teräketju voi joko katketa tai kasvattaa takapotkun riskiä.
- **Pidä kahvat kuivina, puhtaina ja öljyttöminä sekä puhtaana vaseliinista.** Rasvaiset ja öljyiset kahvat ovat liukkaita, mikä voi aiheuttaa hallinnan menettämisen.
- **Sahaa vain puuta. Älä käytä moottorisahaa muihin kuin asianmukaisiin tarkoituksiin.** Esimerkki: Älä käytä moottorisahaa muovin, kiven tai muiden kuin puisten rakennusmateriaalien sahaamiseen. Moottorisahan käyttö muihin kuin sille tarkoitettuihin tehtäviin voi aiheuttaa vaaratilanteen.
- Suosittelemme, että sahaa ensi kertaa käyttävät harjoittelevat runkojen sahausta sahapukilla.



# YLEISET TURVAOHJEET

## Takapotkun syyt ja keinot sen estämiseen

Terälevyn kärjen osuminen esineeseen tai puun sulkeutuminen ja teräketjun sahausuraan puristuksiin jääminen voi aiheuttaa takapotkun. Joissakin tilanteissa kärjen osuminen voi aiheuttaa äkillisen vastareaktion, jolloin terälevy sinkoutuu ylöspäin ja kohti käyttäjää. Teräketjun nipistämisen terälevyn yläosassa voi työntää terälevyvä nopeasti taakse kohti käyttäjää. Kumpi tahansa näistä reaktioista voi aiheuttaa sahan hallinnan menettämisen, minkä seurauksena voi olla vakava loukkaantuminen. Älä luota yksinomaan sahaan asennettuihin turvalaitteisiin. Moottorisahan käyttäjän tulee suorittaa useita toimenpiteitä, joilla pyritään estämään tapaturmat tai loukkaantumiset sahaustöiden yhteydessä. Takapotku on tulosta työkalun virheellisestä käytöstä ja/tai virheellisistä toimintatavoista tai olosuhteista, ja se voidaan välttää alla kuvatuilla asianmukaisilla varotoimilla:

- **Säilytä pitävä ote sahasta siten, että peukalot ja etusormet ympäröivät moottorisahan kahvat ja molemmat kädet ovat sahan päällä, ja pidä kehosi ja käsivartesi asennossa, jossa pystyt vastaanottamaan takapotkuvoimat.** Käyttäjää voi hallita takapotkuvoimat, jos ryhtyy asianmukaisiin varotoimiin. Älä päästä irti moottorisahasta.
- **Älä kurkota liian kauas, äläkä koskaan sahaa olkapäätasoa yläpuolelta.** Tämä auttaa estämään tahatonta kärikosketusta ja mahdollistaa paremman moottorisahan hallinnan odottamattomissa tilanteissa.
- **Käytä ainoastaan valmistajan määrittämiä varaterälevyjä ja -ketjuja.** Väärien terälevyjen ja teräketjujen käytöstä voi seurata teräketjun katkeaminen ja/tai takapotku.
- **Noudata valmistajan ohjeita teräketjun viilaukseen ja kunnossapitoon.** Syvyyden säädön korkeuden laskeminen voi lisätä takapotkua.

## Toimenpiteet ennen uuden moottorisahan käyttöä

- Lue käyttöohje huolellisesti.
- **(1) - (110)** viittaa kuviin sivulla 2-6.
- Lataa akku täyteen ennen ensimmäistä käyttökertaa. Katso ohjeet kohdasta Akun lataaminen.
- Täytä teräketjuöljyllä. Katso ohjeet kohdasta Teräketjuöljyllä täyttäminen.
- Tarkasta terälaitteen asennus ja säätö. Katso otsikon Asennus alla annetut ohjeet.
- Älä käytä moottorisahaa, ennen kuin teräketjuun on päässyt riittävästi ketjuöljyä. Katso otsikon Terälaitteen voitelu alla annetut ohjeet.
- Pitkäaikainen altistuminen melulle saattaa aiheuttaa pysyviä kuulovammoja. Käytä siksi aina hyväksytyjä kuulonsuojaimia.



**VAROITUS!** Koneen alkuperäistä rakennetta ei missään tapauksessa saa muuttaa ilman valmistajan lupaa. Käytä aina alkuperäisiä varaosia. Hyväksymättömien muutosten ja/tai lisävarusteiden käyttö voi aiheuttaa käyttäjälle tai muille vakavia vahinkoja tai kuoleman.



**VAROITUS!** Moottorisaha voi huolimattomasti tai virheellisesti käytettynä olla vaarallinen työväline, joka voi aiheuttaa vakavan tai jopa hengenvaarallisen tapaturman. On erittäin tärkeää, että luet ja ymmärrät tämän käyttöohjeen sisällön.



**VAROITUS!** Teräketjuöljyysumun ja sahanpurupölyn pitkäaikainen sisäänhengittäminen voi olla terveydelle vaarallista.



**VAROITUS!** Kone muodostaa käytön aikana sähkömagneettisen kentän. Kenttä saattaa joissakin tapauksissa häiritä aktiivisten tai passiivisten lääketieteellisten implanttien toimintaa. Vakavien tai kohtalokkaiden onnettomuuksien ehkäisemiseksi kehoitamme lääketieteellisiä implantteja käyttäviä henkilöitä neuvottelemaan lääkärin ja lääketieteellisen implantin valmistajan kanssa ennen koneen käyttämistä.



**VAROITUS!** Älä anna koskaan lasten käyttää konetta tai oleskella sen läheisyydessä. Koska kone on helppo käynnistää, myös lapset saattavat pystyä käynnistämään sen, ellei heitä valvota. Tämä voi johtaa vakaviin henkilövahinkoihin. Irrota sen vuoksi akku aina, kun kone on ilman valvontaa.

## Tärkeää

### TÄRKEÄÄ!

Tämä metsäkäyttöön tarkoitettu moottorisaha on suunniteltu metsätöihin, kuten puiden kaatamiseen, karsimiseen ja katkomiseen.

Kansallinen lainsäädäntö voi asettaa rajoituksia tämän koneen käyttöön.

Sahassa tulee käyttää ainoastaan kappaleessa Tekniset tiedot suositteluja terälevy/teräketjuyhdistelmiä.

Älä koskaan käytä konetta, jos olet väsynyt tai nauttinut alkoholia, tai käytät lääkkeitä, jotka voivat vaikuttaa näkökykyysi, harkintakykyysi tai kehosi hallintaan.

Käytä henkilökohtaisia suojavarusteita. Katso otsikon Henkilökohtainen suojavarustus alla annetut ohjeet.

Älä tee tähän koneeseen koskaan sellaisia muutoksia, jotka muuttavat sen alkuperäistä rakennetta, äläkä käytä sitä, mikäli epäilet jonkun muun muuttaneen konetta.

Älä koskaan käytä viallista konetta, akkua tai akkulatoria. Noudata tässä käyttöohjeessa annettuja kunnossapito-, tarkastus- ja huolto-ohjeita. Tietty kunnossapito- ja huoltotyöt on annettava koulutettujen ja pätevien asiantuntijoiden tehtäviksi. Lue kohdassa Kunnossapito annetut ohjeet.

Älä koskaan käytä muita kuin tässä käyttöohjeessa suositeltuja lisävarusteita. Katso otsikoiden Terälaite ja Tekniset tiedot alla annetut ohjeet.

**HUOM!** Käytä aina suojalaseja tai kasvovisiiriä, jotta sinkoavien kappaleiden aiheuttamia vahinkoriski olisi pienempi. Moottorisaha voi singota suurella voimalla liikkeelle sahanpurun, pienien puunpalojen ja vastaavan kaltaisia kappaleita. Ne voivat aiheuttaa vakavia vahinkoja, etenkin silmille.



**VAROITUS!** Väärä terälaite tai väärä terälevy/teräketjuyhdistelmä lisää takapotkun vaaraa! Käytä vain suosittelemiamme terälevy/teräketjuyhdistelmiä ja noudata teroitushjeita. Katso ohjeita kappaleessa Tekniset tiedot.

## Käytä aina tervettä järkeä

On mahdotonta kuvata kaikkia mahdollisia tilanteita, joita moottorisahan käytössä voi ilmetä. Ole aina varovainen ja käytä tervettä järkeä. Vältä tilanteita, mihin et katso taitosi riittävän. Mikäli olet vielä näiden ohjeiden lukemisen jälkeen epävarma menettelytavoista, sinun on kysyttävä neuvoa asiantuntijalta ennen jatkamista. Älä epäoiri ottaa yhteyttä jälleenmyyjäsi tai meihin, mikäli sinulla on kysyttävää moottorisahan käytöstä. Olemme mielellämme avuksi ja annamme neuvoja, joiden avulla voit käyttää moottorisahaasi paremmin ja turvallisemmin. Moottorisahan käyttöön kannattaa hankkia opetusta. Jälleenmyyjäsi, metsäopistot tai kirjastot voi antaa tietoja  
122 – Finnish

saatavilla olevista koulutusmateriaaleista ja kursseista. (Kuva 2)

Työ rakenteiden ja tekniikan parantamiseksi on jatkuvasti käynnissä - parannuksilla halutaan lisätä sinun turvallisuuttasi ja tehokkuuttasi. Käy jälleenmyyjäsi luona säännöllisesti kuulemassa, millaista hyötyä voit saada kulloinkin esitteillä olevista uutuuksista.

## Henkilökohtainen suojavarustus



**VAROITUS!** Suurin osa moottorisahaonnettomuuksista tapahtuu niin, että teräketju osuu käyttäjään. Konetta käytettäessä on aina pidettävä hyväksytyjä henkilökohtaisia suojavarusteita. Henkilökohtaiset suojavarusteet eivät poista tapaturmien vaaraa, mutta lieventävät vaurioita onnettomuustilanteissa. Pyydä jälleenmyyjältä apua varusteiden valinnassa.

Käytä aina:

- Hyväksytyä suojakypärää
- Kuulonsuojaimet
- Suojalasi tai visiiri
- Viiltosuojalla varustetut käsiineet
- Viiltosuojalla varustetut housut
- Viiltosuojalla, teräksisellä varvassuojalla ja luistamattomalla pohjalla varustetut saappaat
- Ensiapulaukun on aina oltava lähellä.

Vaatteiden pitää olla ihonmyötäisiä, mutta ne eivät saa vaikeuttaa liikkumista.

## Koneen turvalaitteet

Tässä luvussa selvitetään koneen turvalaitteet ja niiden toiminta. Katso tarkastus- ja kunnossapito-ohjeet otsikon Koneen turvalaitteiden tarkastus, kunnossapito ja huolto alta. Katso luvusta Koneen osat, missä nämä laitteet koneessasi sijaitsevat.

Koneen käyttöikä voi lyhentyä ja onnettomuusriski kasvaa, jos koneen kunnossapitoa ei suoriteta oikealla tavalla ja jos huoltoa ja/tai korjauksia ei tehdä ammattitaitoisesti. Jos tarvitset lisäohjeita, ota yhteys huoltokorjaamoon.



**VAROITUS!** Älä koskaan käytä konetta, jos sen turvalaitteet ovat rikki. Turvalaitteet on tarkastettava ja huollettava. Katso ohjeet otsikon Koneen turvalaitteiden tarkastus, kunnossapito ja huolto alta. Jos koneessasi ilmenee tarkastettaessa puutteita, se on toimitettava huoltoilikkeeseen korjattavaksi.

## Näppäimistö

Varmista, että kone käynnistyy/sammutuu, kun käynnistys-/pysäytyspainiketta (1) painetaan ja pidetään pohjassa > 1 sekunnin ajan. Vihreä LED-valo (2) syttyy tai sammuu.

Varoitusvalo (3) vilkkuu, jos ketjujarru on aktiivinen ja on olemassa ylikuormituksen riski. Ylikuormitusuojia poistaa koneen tilapäisesti käytöstä. Kun koneen lämpötila palautuu normaaliiksi, se on taas valmis käyttöön. Jatkuvasti palava valo merkitsee huollon tarvetta. **(Kuva 6)**

## Automaattinen sammutustoiminto

Kone on varustettu automaattisella sammutusominaisuudella, joka kytkee koneen virran pois, jos sitä ei käytetä. Kone sammuu 1 minuutin kuluttua.

## Takapotkusuojuksella varustettu ketjujarru

Moottorisahasi on varustettu ketjujarrulla, joka pysäyttää teräketjun takapotkun sattuessa. Ketjujarru vähentää onnettomuusrisiä, mutta vain sinä käyttäjänä voit estää ne. **(Kuva 3)**

Käytä sahaa varovasti äläkä koskaan päästä terälevyn takapotkuille altista aluetta osumaan esineisiin. **(Kuva 4)**

- Ketjujarru (A) laukaistaan joko käsin (vasemmalla kädellä) tai automaattisella pysäytystoiminnolla. **(Kuva 5)**
- Ketjujarru laukeaa, kun takapotkusuojusta (B) työnnetään eteenpäin. **(Kuva 5)**
- Tämä liike käynnistää jousikuormitteisen mekanismin, joka pysäyttää vetopyörän.
- Takapotkusuojusta ei ole tarkoitettu vain ketjujarrun laukaisemiseen. Sen toinen erittäin tärkeä tehtävä on vähentää vaaraa, että vasen käsi osuu teräketjuun, jos ote irtoaa etukahvasta.
- Ketjujarrun on oltava kytkettynä, kun moottorisaha käynnistetään.
- Käytä ketjujarrua "seisontajarruna" käynnistyksessä sekä lyhyiden siirtymien aikana, jotta käyttäjä tai ympäristö ei joutuisi tekemisiin liikkuvan teräketjun kanssa.
- Ketjujarru vapautetaan työntämällä takapotkusuojus taaksepäin etukahvaan päin.
- Takapotkut voivat olla salamannopeita ja erittäin voimakkaita. Useimmat takapotkut ovat heikkoja, eivätkä ne aina laukaise ketjujarrua. Näissä tilanteissa moottorisaha on pidettävä tukevassa otteessa eikä sitä saa päästä käsistä. **(Kuva 65)**
- Se, laukaistaanko ketjujarru käsin vai automaattisella pysäytystoiminnolla, riippuu takapotkun voimakkuudesta ja moottorisahan asennosta siihen esineeseen nähden, johon terälevyn takapotkusektori on osunut.

Rajuissa takapotkuissa ja kun terälevyn takapotkusektori on mahdollisimman kaukana käyttäjästä, ketjujarru laukeaa automaattisella pysäytystoiminnolla, jonka ketjujarrun vastavoima (hitaus) aktivoi takapotkun suunnassa. **(Kuva 7)**

- Lievemmissä takapotkuissa, tai kun takapotkusektori on lähellä käyttäjää, laukeaa ketjujarru vasemman käden vaikutuksesta.
- Kaatoasennossa vasen käsi on sellaisessa asennossa, että ketjujarrun aktivointi käsin on mahdollonta. Pidettäessä sahasta tällaisella otteella, ts. kun vasen käsi on asetettu niin, ettei se pysty vaikuttamaan takapotkusuojuksen liikkeeseen, voi ketjujarru lauetta vain automaattisen pysäytystoiminnon vaikutuksesta. **(Kuva 8)**

## Aktivoiko käteni aina ketjujarrun takapotkun yhteydessä?

Ei. Takapotkusuojan viemiseksi eteen tarvitaan tietyn suuruista voimaa. Jos kätesi hipaisee vain kevyesti takapotkusuojaa tai luiskahtaa sen yli, saattaa voima olla liian pieni ketjujarrun laukaisuun. Moottorisahan kahvasta on myös pidettävä tukevasti kiinni työskentelyn aikana. Kun teet niin, et ehkä koskaan irrota otetta etukahvasta ja aktivoi ketjujarrua, tai ketjujarru voi mennä päälle vasta kun saha on ehtinyt liikkua melkoisen matkan. Tällaisessa tapauksessa saattaa käydä niin, ettei ketjujarru ehdi pysäyttää ketjua ennen kuin se osuu sinuun.

Myös tietyissä työasennoissa kätesi ei ylety takapotkusuojaan ketjujarrun aktivoimiseksi, esim. kun sahaa pidetään kaatoasennossa.

## Pysäyttääkö automaattinen pysäytystoiminto ketjun aina, jos takapotku tapahtuu?

Ei. Ensinnäkin jarrun on toimittava. Toiseksi takapotkun on oltava riittävän voimakas, jotta se aktivoisi ketjujarrun. Jos ketjujarru olisi hyvin herkkä, se aktivoituisi tämän tästä, ja se olisi melko vaivalloista.

## Suojaako ketjujarru minua vahingoilta aina, jos takapotku tapahtuu?

Ei. Ensinnäkin jarrun on toimittava, jotta se suojaisi tarkoitettulla tavalla. Toiseksi se on aktivoitava yllä kuvatulla tavalla, jotta se pysäyttäisi teräketjun takapotkun yhteydessä. Kolmanneksi ketjujarru voi kyllä aktivoitua, mutta jos terälevy on liian lähellä sinua, voi käydä niin ettei jarru ehdi hidastamaan ja pysäyttämään ketjua ennen kuin moottorisaha osuu sinuun.

**Vain sinä itse ja oikea työtekniikka voitte eliminoida takapotkun ja sen aiheuttamat vaaratilanteet.**

## Kaasuliipasimen varmistin

Käyttöliipasimen varmistin on suunniteltu estämään tahaton käyttöliipasimen käyttö. Kun painat käyttöliipasimen varmistinta (A) (kahvaan tarttuessasi), käyttöliipaisin (B) vapautuu. Kun ote kahvasta irrotetaan,

# YLEISET TURVAOHJEET

palautuvat sekä käyttöliipaisin että varmistin lähtöasentoonsa. (Kuva 9)

## Ketjusiippo

Ketjusiippo pyydystää terälevystä irronneen tai katkenneen ketjun. Nämä tilanteet voidaan useimmiten välttää kiristämällä ketju oikein (ks. otsikon Asennus alla annetut ohjeet) sekä terälevyn ja ketjun oikealla kunnossapidolla ja huollolla (ks. otsikon Yleiset työohjeet alla annetut ohjeet). (Kuva 10)

## Rystyssuojus

Rystyssuojuksen on paitsi suojattava kättä ketjun irrotessa tai katketessa, myös varmistettava, etteivät oksat ja risut vaikuta käden otteeseen takakahvasta. (Kuva 11)

## Tärinä

Kovat puulajit (useimmat lehtipuut) aiheuttavat enemmän tärinöitä kuin pehmeät (useimmat havupuut). Tylsällä tai väärällä (väärä tyyppi tai väärä viilaus) terälaitteella sahaaminen lisää tärinää.



**VAROITUS!** Liiallinen altistuminen tärinöille saattaa aiheuttaa verisuoni- tai hermovaurioita verenkiertohäiriöistä kärsiville henkilöille. Hakeudu lääkäriin, jos havaitset oireita, jotka voivat liittyä liialliseen tärinöille altistumiseen. Esimerkkejä tällaisista oireista ovat puutumiset, tunnottomuus, kutinat, pistelyt, kipu, voimattomuus tai heikkous, ihon värin tai pinnan muutokset. Näitä oireita esiintyy tavallisesti sormissa, käsissä tai ranteissa. Nämä oireet voivat voimistua alhaisissa lämpötiloissa.

## Akku ja akkulaturi

Tässä osiossa kuvataan akkukäyttöisen tuotteen akun ja akkulaturin turvallinen käyttö.

Käytä vain Husqvarna-tuotteisiin tarkoitettuja Husqvarnan alkuperäisakkuja ja lataa ne Husqvarnan alkuperäisellä QC-laturilla. Akkujen ohjelmisto on kryptattu.

## Akkuturvallisuus

Husqvarnan ladattavia BLI-akkuja käytetään niihin yhteensopivien Husqvarnan langattomien laitteiden virtalähteenä. Tapaturmien välttämiseksi akkuja ei saa käyttää muiden laitteiden virtalähteenä.



**VAROITUS!** Suojaa akku suoralta auringonvalolta, kuumuudelta ja avotulelta. Akussa on räjähdysvaara, jos se heitetään avotuleen. Palovammojen ja kemiallisten palovammojen vaara on olemassa.



**VAROITUS!** Vältä akkuhapon joutumista iholle. Akkuhappo voi aiheuttaa ihoärsytystä ja palovammoja tai syövyttää ihoa. Jos happoa joutuu silmiisi, älä hankaa silmiä, vaan huuhtele niitä runsaalla vedellä ainakin 15 minuuttia. Ota yhteys lääkäriin. Jos ihosi joutuu kosketuksiin akkuhapon kanssa, pese altistunut ihoalue runsaalla saippuavedellä.



**VAROITUS!** Älä koskaan koske akkuliittimeen avaimella, kolikolla, ruuvilla tai muulla metallilla, koska tämä saattaa aiheuttaa akun oikosulun. Älä koskaan työnnä mitään esineitä akun ilmaventtiileihin.

**Käyttämättömät akut on pidettävä poissa metalliesineistä, kuten nauloista, kolikoista tai koruista. Älä yritä purkaa tai murskata akkuja.**

- Käytä akkuja -10 °C – 60 °C:een lämpötiloissa.
- Älä altista akkuja mikroaaltoille tai korkealle paineelle.
- Älä koskaan pese akkuja tai akkulaturia vedellä. Katso myös otsikon Kunnossapito alla olevat ohjeet.
- Säilytä akku lasten ulottumattomissa.
- Suojaa akku sateelta ja kosteilta olosuhteilta.

## Akkulaturin turvallisuus

Käytä Husqvarna QC -latureita ainoastaan Husqvarnan BLI-vara-akkujen lataamiseen.



**VAROITUS!** Minimoi sähköiskun tai oikosulun riski seuraavasti:

**Älä koskaan työnnä mitään esineitä laturin jäähdytysaukkoihin.**

**Älä yritä purkaa akkulaturia.**

**Älä koskaan liitä laturin liittimiä metalliesineisiin, sillä tämä voi aiheuttaa akkulaturin oikosulun.**

**Käytä hyväksytyjä ja ehjiä seinäpistorasioita.**

- Tarkasta säännöllisesti, että akkulaturin liitinjohto on ehjä, eikä siinä ole murtumia.
- Älä koskaan kannaa akkulaturia pitämällä kiinni sen johdosta äläkä koskaan irrota pistoketta johdosta vetämällä.
- Pidä kaikki johdot ja jatkojohdot poissa veden, öljyn ja terävien reunojen ulottuvilta. Pidä huolta, ettei johto kiristy ovien, aitojen tai muiden vastaavien esineiden kohdalla. Se voi muuttaa esineen virtaa johtavaksi.

# YLEISET TURVAOHJEET



**VAROITUS!** Älä käytä akkulatoria syövyttävien tai helposti palavien materiaalien läheisyydessä. Älä peitä akkulatoria. Jos havaitset savua tai tulta, irrota akkulatorin pistoke pistorasiasta. Huomioi tulipalon vaara.

Älä käytä:

- viallista tai vaurioitunutta akkulatoria viallista, vaurioitunutta tai vääntynyttä akkua

Älä lataa:

- ei-ladattavia paristoja akkulatorissa (älä myöskään käytä niitä koneessa).
- akkulatoria akkujen lataamiseen ulkotiloissa.
- akkua sateessa tai märissä olosuhteissa
- akkua suorassa auringonpaisteessa.

Käytä akkulatoria ainoastaan 5–40 °C:een lämpötiloissa. Käytä laturia kuivassa ja pölyttömässä ympäristössä, jossa on hyvä ilmanvaihto.

## Terälaite

Tässä osassa kerrotaan, miten oikealla kunnossapidolla ja oikeantyyppisiä terälaitteita käyttämällä:

- Vähennät koneen takapotkua.
- Vähentää ketjun irtoamis- ja katkeamisvaaraa.
- Saavuttaa parhaan sahaustehon.
- Pidentää terälaitteen kestoikää.
- Estää tärinätason kasvamista.

## Perussäännöt

- **Käytä vain suosittelemamme terälaitteita!** Katso ohjeita kappaleessa Tekniset tiedot.
- **Pidä teräketjun leikkuuhampaat hyvin ja oikein teroitettuina!** Noudata ohjeitamme ja käytä suositeltua viilausohjainta. Väärin teroitettu tai vaurioitunut teräketju lisää onnettomuuksien vaaraa.
- **Pidä kouru- ja säätöhampaan korkeusero oikeana!** Noudata ohjeitamme ja käytä suositeltua säätöhampaan viilausohjainta. Liian suuri korkeusero lisää takapotkun vaaraa. **(Kuva 19)**
- **Pidä teräketju kireällä!** Liian löysä teräketju lisää teräketjun irtoamisvaaraa sekä lisää terälevyn, teräketjun ja ketjupyörän kulumista. **(Kuva 24)**
- **Voitele terälaite hyvin ja huolla se oikein!** Riittämättömästi voideltu teräketju lisää teräketjun katkeamisvaaraa sekä lisää terälevyn, teräketjun ja ketjupyörän kulumista.

## Takapotkuja ehkäisevä terälaite



**VAROITUS!** Väärä terälaite tai väärä terälevy/teräketjuyhdistelmä lisää takapotkun vaaraa! Käytä vain suosittelemamme terälevy/teräketjuyhdistelmiä ja noudata teroitusohjeita. Katso ohjeita kappaleessa Tekniset tiedot.

Takapotkut voidaan välttää vain siten, että sinä käyttäjänä huolehdit siitä, että terälevyn takapotkusektori ei koskaan osu mihinkään esineeseen.

Käyttämällä terälaitetta, jossa on "sisäänrakennettu" takapotkusuoja, sekä teroittamalla ja huoltamalla teräketjun oikein voidaan takapotkun voimakkuutta vähentää.

### Terälevy

Mitä pienempi kärkisäde, sitä pienempi takapotkua.

### Teräketju

Teräketju koostuu erilaisista lenkeistä, joiden rakenne voi olla joko vakio tai takapotkuja ehkäisevä.

**TÄRKEÄÄ!** Yksikään teräketju ei eliminoi takapotkuvaaraa.



**VAROITUS!** Jokainen pyörivän teräketjun kosketus voi aiheuttaa erittäin vakavia vahinkoja.

## Terälevyn ja teräketjun määritteleviä käsitteitä

Kaikkien terälaitteen turvalaitteiden pitäminen toimintakelpoisena edellyttää, että kuluneet ja vaurioituneet terälevy/teräketjuyhdistelmät vaihdetaan Husqvarnan suosittelemiin terälevyihin ja teräketjuihin. Katso tiedot suosittelemistamme terälevy/teräketjuyhdistelmistä otsikon Tekniset tiedot alta.

### Terälevy

- Pituus (tuumaa/cm) **(Kuva 13)**
- Kärkipyörän hampaiden lukumäärä (T). **(Kuva 12)**
- Teräketjun jako (=pitch) (tuumaa). Terälevyn kärkipyörän ja moottorisahan ketjupyörän on oltava sovitettu vetolenkkien välisen etäisyyden mukaan. **(Kuva 14)**
- Vetolenkkien lukumäärä (kpl). Vetolenkkien lukumäärä riippuu terälevyn pituudesta, ketjujaosta ja kärkipyörän hampaiden lukumäärästä. **(Kuva 16)**
- Terälevyn ohjausuran leveys (tuumaa/mm). Ohjausuran leveyden on oltava sovitettu teräketjun vetolenkkien vahvuuden mukaan.
- Teräketjun öljyreikä ja ketjunkturistystapin reikä. Terälevyn on oltava sovitettu moottorisahan rakenteen mukaan. **(Kuva 15)**

# YLEISET TURVAOHJEET

## Teräketju

- Teräketjun jako (=pitch) (tuumaa) **(Kuva 14)**
- Vetolenkin vahvuus (mm/tuumaa) **(Kuva 17)**
- Vetolenkien lukumäärä (kpl) **(Kuva 16)**

## Teräketjun teroitus ja kouru- ja säätöhampaan korkeuseron säätö



**Terälevyä käsiteltäessä on aina käytettävä käsineitä.**

## Yleistä kouruhampaan teroittamisesta

- Älä koskaan sahaa tylsällä teräketjulla. Teräketju on tylsä, jos sinun täytyy painaa terälaitetta puuhun ja jos sahanpuru on erittäin hienoa. Jos teräketju on erittäin tylsä, ei lastuja synny lainkaan. Tuloksena on vain sahajauhoa.
- Hyvin teroitettu teräketju painuu itsestään puun läpi ja tekee suuria ja pitkiä lastuja. **(Kuva 18)**
- Teräketjun leikkaavaa osaa kutsutaan hammaslenkiksi ja sen osat ovat kouruhammas (A) ja säätöhammas (B). Näiden korkeusero ratkaisee leikkusyvyyden. **(Kuva 19)**

Kouruhampaan teroituksessa on otettava huomioon neljä mittaa.

- 1 Viilauksulma **(Kuva 20)**
- 2 Etukulma **(Kuva 21)**
- 3 Viilan asento **(Kuva 22)**
- 4 Pyöröviilan halkaisija

Teräketjua on erittäin vaikea teroittaa oikein ilman apuvälineitä. Siksi suosittelemme viilausohjaimemme käyttöä. Ohjain varmistaa, että teräketju teroitetaan niin, että se ehkäisee mahdollisimman hyvin takapotkua ja antaa mahdollisimman hyvän sahaustehon. **(Kuva 23)**

Katso luvusta Tekniset tiedot, mitkä arvot pätevät sinun moottorisahasasi teräketjun teroittamiseen.



**VAROITUS! Teroitushjeista poikkeaminen lisää teräketjun takapotkualttiutta merkittävästi.**

## Kouruhampaan teroitus

Kouruhampaan teroitusta varten tarvitaan pyöröviila ja viilausohjain. Katso luvusta Tekniset tiedot, mitä pyöröviilan halkaisijaa ja viilausohjainta suositellaan moottorisahasasi teräketjulle.

- Tarkasta, että teräketju on kireällä. Riittämätön kiristys tekee teräketjusta epävakaan sivusuunnassa, mikä vaikeuttaa oikeaa teroitusta. **(Kuva 24)**
- Viilaa aina kouruhampaan sisäsviltulta ulospäin. Kevennä otetta paluuvendon ajaksi. Viilaa kaikki hampaat ensin toiselta sviltulta, käännä sen jälkeen moottorisaha ja viilaa hampaat myös toiselta sviltulta. **(Kuva 20)**

- Viilaa kaikki hampaat yhtä pitkiksi. Kun kouruhampaan pituudesta on jäljellä enää 4 mm (5/32"), on teräketju loppuunkulunut ja se on vaihdettava. **(Kuva 25)**

## Yleistä kouru- ja säätöhampaan korkeuseron säädöstä

- Kouruhammasta teroitettaessa pienenee kouru- ja säätöhampaan korkeusero (= leikkusyvyyys). Parhaimman leikkuutehon säilyttämiseksi täytyy säätöhampmas alentaa suositellulle tasolle. Katso luvusta Tekniset tiedot, kuinka suuri korkeusero sinun moottorisahasasi teräketjussa tarvitaan. **(Kuva 26)**



**VAROITUS! Liian suuri korkeusero lisää teräketjun takapotkualttiutta!**

## Kouru- ja säätöhampaan korkeuseron säätäminen

- Kun kouru- ja säätöhampaan korkeuseroa säädetään, täytyy kouruhampaiden olla vastateroitettut. Suosittelemme, että korkeusero säädetään joka kolmannellla teräketjun teroituskerralla. HUOM! Tämä suositus edellyttää, ettei kouruhampaita ole viilattu poikkeuksellisen lyhyiksi.
- Kouru- ja säätöhampaan säätöä varten tarvitaan lattaviila ja säätöhampaan viilausohjain. Suosittelemme, että käytät säätämässä viilausohjaintamme, jotta säätöhampaan mitta ja kulma tulevat oikeiksi.
- Paina viilausohjain teräketjun päälle. Ohjeita viilausohjaimen käytöstä löytyy pakkauksesta. Hio lattaviilalla pois liika materiaali säätöhampaan ylityöntyvistä osasta. Korkeusero on oikea, kun viilaa ohjaimen yli vedettäessä ei tunnu lainkaan vastusta. **(Kuva 27)**

## Teräketjun kiristäminen



**VAROITUS! Riittämätön kiristys voi aiheuttaa teräketjun irtoamisen, mikä voi aiheuttaa vakavan, jopa hengenvaarallisen tapaturman.**



**VAROITUS! Irrota akku laitteesta aina ennen asennusta, huoltoa ja/tai tarkistuksia.**

Mitä enemmän käytät teräketjua, sitä pitemmäksi se venyy. On tärkeää säätää terälaitetta ketjun pituusmuutoksen mukaan.

Tarkista ketjun kireys aina, kun lisäät teräketjuöljyä. HUOMAA! Uusi teräketju vaatii sisäänajon, jonka aikana teräketjun kireys on tarkistettava useammin.

Teräketju on kiristettävä mahdollisimman tiukalle, ei kuitenkaan niin kireälle, ettei se pyöri kevyesti käsin pyöritettäessä. **(Kuva 47)**

- Vapauta väännin kääntämällä sitä ulos, kunnes se napsahtaa auki. **(Kuva 28)**

# YLEISET TURVAOHJEET

- Avaa vetopyörän suoja kääntämällä väännintä vastapäivään. **(Kuva 29)**
- Lisää (+) ketjun kireyttä kääntämällä ketjunkturistyspyörää alas tai vähennä (-) sitä kääntämällä pyörää ylös. **(Kuva 30)**
- Kiristä laipan kiinnitys kääntämällä väännintä myötäpäivään. **(Kuva 31)**
- Lukitse kireys kääntämällä väännin takaisin sisään. **(Kuva 32)**

## Terälaitteen voitelu



**VAROITUS! Riittämätön terälaitteen voitelu voi aiheuttaa teräketjun katkeamisen, mikä voi aiheuttaa vakavan, jopa hengenvaarallisen tapaturman.**

### Teräketjuöljy

Teräketjuöljyn ketjuun tarttuvuuden ja juoksevuusominaisuuksien on oltava hyvät huolimatta siitä, onko lämmin kesä tai kylmä talvi.

**Älä koskaan käytä jäteöljyä!** Se on vahingollista sekä sinulle, koneelle että ympäristölle.

### Teräketjuöljyn lisääminen

- Käytä aina mineraalipohjaista teräketjuöljyä. **(Kuva 33)**
- Kysy huoltoilikkeestäsi neuvoa ketjuvoiteluöljyn valinnassa.
- Kaikissa moottorisahamalleissamme on automaattinen teräketjuvoitelu. Osaan malleista on saatavana myös öljynvirtauksen säätö.
- Teräketjun öljysäiliö on suunniteltu riittämään noin kolmen akun latauksen ajan. Tämä turvatoiminto kuitenkin edellyttää, että käytät oikeanlaista teräketjuöljyä (jos teräketjuöljy on liian ohutta, se kestää vähemmän aikaa).
- Älä koskaan käytä jäteöljyä. Se vaurioittaa öljypumppua, terälevyä ja ketjua.
- On tärkeää käyttää ilman lämpötilaan sopivaa öljytyyppiä (oikea viskositeetti).
- Osa öljyistä menettää juoksevuttaan, kun ilman lämpötila laskee alle 0°C:n. Tästä voi aiheutua öljypumpun ylikuormittuminen ja pumpun osien vaurioituminen.

### Teräketjuvoitelun tarkastus

- Tarkista teräketjuvoitelu joka kolmannella akun latauskerralla.  
Aseta terän kärki noin 20 cm:n (8 tuuman) päähän kiinteästä vaaleapintaisesta esineestä. Kun moottorisahaa käytetään 3/4-kaasulla 1 minuutin ajan, on vaaleaan esineeseen jäätävä selvästi erottuva öljyvana. **(Kuva 34)**

Jos teräketjuvoitelu ei toimi:

- Tarkasta, että terälevyn teräketjuöljykanava on auki. Puhdista tarvittaessa. **(Kuva 35)**
- Tarkasta, että ohjausura on puhdas. Puhdista tarvittaessa. **(Kuva 36)**
- Tarkasta, että terälevyn kärkipyörä pyörii kevyesti ja että kärkipyörän voitelureikä on auki. Puhdista ja voitele tarvittaessa. **(Kuva 37)**

Jos teräketjuvoitelu ei toimi edellä lueteltujen tarkastusten ja korjaustoimenpiteiden jälkeenkään, on sinun otettava yhteys huoltoilikkeeseen.

### Ketjupyörä

Vetojärjestelmä on varustettu vetopyörällä. **(Kuva 38)**

Tarkasta säännöllisesti ketjupyörän kuluneisuus. Vaihda, jos se on epätavallisen kulunut.

### Terälaitteen kulumisen tarkastus

Tarkasta teräketjusta päivittäin:

- Onko niiteissä ja lenkeissä näkyviä säröjä.
- Onko teräketju jäykkä.
- Ovatko niitit ja lenkit epätavallisen kuluneet.

Poista teräketju käytöstä, mikäli siinä on havaittavissa yksi tai useampi yllä mainituista kohdista.

Suosittelemme, että tarkastat teräketjun kuluneisuuden vertaamalla sitä uuteen teräketjuun.

Kun kouruhampaan pituudesta on jäljellä enää 4 mm, on teräketju loppuunkulunut ja se on vaihdettava.

### Terälevy

Tarkasta säännöllisesti:

- Onko ohjauskiskojen ulkosivuilla kierrettä. Poista tarvittaessa villaamalla. **(Kuva 39)**
- Onko ohjausura epätavallisen kulunut. Vaihda terälevy tarvittaessa.
- Onko terälevyn kärki kulunut epätavallisesti tai epätasaisesti. Jos terälevyn kärkisäteen päähän terälevyn alapuolelle on tullut ”kuoppa”, olet sahannut liian löysällä teräketjulla. **(Kuva 40)**
- Terälevyn maksimaalisen kestoian varmistamiseksi se on käännettävä päivittäin. **(Kuva 41)**



## YLEISET TURVAOHJEET



**VAROITUS!** Suurin osa moottorisahaonnettomuuksista tapahtuu niin, että teräketju osuu käyttäjään.

Käytä henkilökohtaisia suojavarusteita. Katso otsikon Henkilökohtainen suojavarustus alla annetut ohjeet.

Älä tee mitään sellaista, mihin et katso taitosi riittävän Katso otsikoiden Henkilökohtainen suojavarustus, Takapotkua ehkäisevät toimenpiteet, Terälaite ja Yleiset työohjeet alla annetut ohjeet.

Vältä tilanteita, joihin liittyy takapotkuvaara. Katso otsikon Koneen turvalaitteet alla annetut ohjeet.

Käytä suositeltua terälaitetta ja tarkasta sen kunto. Katso otsikoiden Tekniset tiedot ja Yleiset turvaohjeet alla annetut ohjeet.

Tarkasta moottorisahan turvalaitteiden toiminta. Katso otsikoiden Yleiset työohjeet ja Yleiset turvaohjeet alla annetut ohjeet.

Älä koskaan käytä moottorisahaa pitämällä sitä yhdellä kädellä. Moottorisahaa ei voi hallita turvallisesti yhdellä kädellä. Pidä aina kahvoista molemmin käsin lujalla ja tukevalla otteella.



## Terälevyn ja ketjun asennus



**VAROITUS!** Irrota akku laitteesta aina ennen asennusta, huoltoa ja/tai tarkistuksia.

**Terälevyvä käsiteltäessä on aina käytettävä käsineitä.**

- Tarkasta, että ketjujarru ei ole lauenneessa asennossa siirtämällä ketjujarrun takapotkusuojusta etukahvaan päin. **(Kuva 42)**
- Irrota vetopyörän suojuus kiertämällä nuppia vastapäivään. Poista kuljetussuoja (A). **(Kuva 43)**
- Asenna terälevy terälevyn pulttiin. Aseta terälevy takimmaiseen asentoonsa. Aseta ketju ketjupyörälle ja terälevyn ohjausuraan. Aloita terälevyn yläpuolelta. **(Kuva 44)**
- Tarkasta, että hammaslenkkien teräsarmat ovat eteenpäin terälevyn yläpuolella.  
Asenna kytkentäkuori ja suunnittele ketjunkturistystapin sovittaminen terän syvennykseen. Tarkista, että ketjun lenkit sopivat ketjun käyttöpyörään ja että ketju sijaitsee oikein terän urassa.
- Kiristä ketjua kääntämällä pyörää alas (+). Ketju tulee kiristää niin, ettei se roiku laipan alapuolella. **(Kuva 45)**
- Ketju on oikein kiristetty silloin, kun se ei roiku laipan alapuolella, mutta liikkuu kuitenkin helposti kädellä siirrettäessä. Pidä laipan kärkeä ylhäällä ja kiristä laipan kiinnitys kääntämällä väännintä myötöpäivään. **(Kuva 46)**
- Uuden ketjun kireys on tarkastettava usein ketjun sisäänajon aikana. Tarkasta ketjun kireys säännöllisesti. Oikein kiristetty ketju takaa hyvän leikkuutehon ja pitkän kestoian. **(Kuva 47)**

## Kuorituen asennus

Ota yhteys huoltoliikkeeseen kuorituen asentamiseksi. **(Kuva 48)**

# AKUN KÄSITTELY

## Akun varaustila

Näyttö osoittaa akun varaustason ja mahdolliset akkuun liittyvät ongelmat. Akun varaustaso näytetään viiden sekunnin ajan koneen sammuttamisen tai akun varaustilan ilmaisimen painamisen jälkeen (1). Virheen tapahtuessa akun varoitussymboli syttyy (2). Katso vikakoodit. (Kuva 49)

LED-valot	Akun varaustila
Kaikki LED-valot palavat.	Täysin ladattu (75–100 %).
LED 1, LED 2 ja LED 3 palavat.	Akku on 50–75 %:sti ladattu.
LED 1 ja LED 2 palavat.	Akku on 25–50 %:sti ladattu.
LED 1 palaa.	Akku on 0–25 %:sti ladattu.
LED 1 vilkkuu.	Akku on tyhjä. Lataa akku.

## Akkulaturilla



**VAROITUS!** Sähköiskun ja oikosulun vaara. Käytä hyväksytyjä ja ehjiä seinäpistorasioita. Varmista, ettei kaapeli ole vaurioitunut. Vaihda kaapeli uuteen, jos siinä on mitään vaurioita.

## Kytke akkulaturi.

- Kytke akkulaturi tyyppikilven mukaiseen verkkovirtaan ja taajuuteen. Työnnä pistoke pistorasiaan. Akkulaturin vihreä LED-valo vilkkuu kerran. (Kuva 50)
- Akku ei lataudu, jos lämpötila ylittää 50 °C.

## Kytke akku akkulaturiin.

Tarkasta säännöllisesti, että akkulaturi ja akku ovat ehjiä. Katso myös otsikon Kunnossapito alla olevat ohjeet.

Akku on ladattava ennen ensimmäistä käyttökertaa. Akun varaus on toimitettaessa vain 30 %.

- Liitä laturi akkuun. (Kuva 50)
- Laturin vihreä LED-merkkivalo palaa latauksen aikana. (Kuva 51)
- Kun akun kaikki LED-valot palavat, akku on ladattu täyteen. (Kuva 52)
- Irrota laturi akusta.
- Irrota pistoke pistorasiasta. Älä koskaan irrota pistoketta pistorasiasta vetämällä virtajohdosta.

## Varaustila

Litiumioniakkuja voidaan ladata niiden varaustasosta riippumatta. Lataaminen voidaan keskeyttää tai aloittaa uudelleen akun varaustasosta riippumatta. (Kuva 53)

LED-näyttö	Varaustila
LED 1 vilkkuu.	Akku on 0–25 %:sti ladattu.
LED 1 palaa ja LED 2 vilkkuu.	Akku on 25–50 %:sti ladattu.
LED 1 ja LED 2 palavat ja LED 3 vilkkuu.	Akku on 50–75 %:sti ladattu.
LED 1, LED 2 ja LED 3 palavat, LED 4 vilkkuu.	Akku on 75–100 %:sti ladattu.
LED 1, LED 2, LED 3 ja LED 4 palavat.	Kun akun kaikki LED-valot palavat, akku on ladattu täyteen.

## Kuljetus ja säilytys

- Litiumioniakkuja koskevat vaarallisten aineiden lainsäädännön määräykset.
- Esimerkiksi kolmansien osapuolten tai huoltisijoiden järjestämässä tavarakuljetuksessa on noudatettava pakkausta ja merkintöjä koskevia erityismääräyksiä.
- Tuotteen kuljetuksen valmisteluun on kysyttävä neuvoa vaarallisten aineiden asiantuntijalta. Myös maakohtaisia määräyksiä on noudatettava.
- Teippaa tai peitä paljaat liittimet ja pakkaa akku niin, että se ei pääse liikkumaan pakkauksessaan.
- Irrota akku aina varastoinnin tai kuljetuksen ajaksi.
- Säilytä akkua ja akkulaturia kuivassa paikassa, johon kosteus tai pakkanen eivät pääse.
- Älä säilytä akkua paikassa, jossa on staattista sähköä. Älä koskaan säilytä akkua metallilaatikossa.
- Säilytä akkua ja akkulaturia 5–45 °C:ssa, äläkä koskaan säilytä niitä suorassa auringonvalossa.
- Säilytä akkulaturia ainoastaan suljetussa ja kuivassa paikassa.
- Säilytä akku erillään akkulaturista. Säilytä varustusta lukittavassa tilassa, jotta lapset ja asiattomat henkilöt eivät pääse siihen käsiksi.
- Varmista, että kone on puhdistettu hyvin ja että täydellinen huolto on tehty ennen pitkäaikaissäilytystä.
- Terälaitteen kuljetussuojuksen on aina oltava asennettuna koneen kuljetuksen tai säilytyksen aikana, jotta terävä teräketju ei vahingossa osu mihinkään. Myös liikkumaton ketju voi aiheuttaa vakavia vammoja käyttäjälle tai henkilöille, jotka koskevat ketjuun.
- Varmista koneen kiinnitys kuljetuksen aikana.

### **Akun, akkulaturin ja koneen hävittäminen**

Tuotteeseen tai sen pakkaukseen kiinnitetty merkki osoittaa, että tätä tuotetta ei voi käsitellä kotitalousjätteenä. Se on toimitettava sopivaan kierrätyskeskukseen sähkö- ja elektroniikkalaitteiden uusiokäyttöä varten.

Kun huolehdit tuotteen oikeasta talteenotosta, olet mukana estämässä mahdollisten negatiivisten vaikutusten kohdistumista ympäristöön ja ihmisiin, joita muutoin voisi seurata tämän tuotteen epäasiallisesta jätekäsittelystä. Lisätietoja tämän tuotteen kierrätyksestä saat kunnalta, talousjätehuollosta tai liikkeestä, josta ostit tuotteen.

## Käynnistys ja pysäytys



**VAROITUS!** Ennen käynnistystä on huomioitava seuraavaa:

**Älä koskaan käynnistä moottorisahaa ilman, että terälevy, sahaketju ja kaikki kotelot on asennettu. Muussa tapauksessa vetopyörä voi irrota ja aiheuttaa henkilövahinkoja.**

**Seiso tukevasti ja varmista, ettei terälevy pääse koskettamaan esineisiin.**

**Varmista, ettei työalueella ole asiaankuulumattomia.**

- Ennen kuin asetat akun koneeseen, tarkista aina, että käyttöliipaisin kytkeytyy oikein ja palaa vapautettaessa "OFF"-asentoon. Estä käyttöliipaisimen vetäminen vahingossa varmistimen avulla. **(Kuva 54)**
- Älä koskaan käynnistä moottorisahaa ilman, että terälevy, sahaketju ja kaikki kotelot on asennettu oikein. Katso otsikon Asennus alla annetut ohjeet. **(Kuva 55)**
- Tarkkaile ympäristöä ja varmista, ettei terälaite pääse osumaan ihmisiin tai eläimiin. **(Kuva 56)**
- Pidä moottorisahasta aina kiinni molemmilla käsillä. Pidä oikea käsi takakahvalla ja vasen käsi etukahvalla. **Kaikkien käyttäjien, sekä oikea- että vasenkätisten, tulee käyttää tätä otetta.** Pidä tukeva ote niin, että peukalot ja sormet ovat moottorisahan kahvan ympärillä. **(Kuva 57)**

## Käynnistys

- Kiinnitä akku koneeseen. Akun kuuluu liukua vaivattomasti koneessa olevan akun pidikkeeseen. Jos akku ei liu'u paikalleen vaivatta, sitä ei ole kohdistettu oikein. **(Kuva 58)**
- Paina akkua alaspäin. Kuulet napsahduksen, kun akku lukittuu paikalleen. **(Kuva 59)**
- Paina ja pidä pohjassa käynnistinpainiketta > yhden sekunnin ajan, kunnes vihreä LED-valo syttyy. **(Kuva 60)**

## Pysäytys

Kone sammutetaan painamalla näppäimistön käynnistys-/pysäytyspainiketta (vihreä LED-valo sammuksissa). **(Kuva 60)**

Huom! Tahattoman käynnistykseen estämiseksi akku on aina irrotettava, kun kone ei ole käytössä tai sitä ei valvota. Irrota akku vetämällä se irti koneesta samalla, kun painat akun vapautuspainikkeita. **(Kuva 61)**

## Aina ennen käyttöä: (Kuva 62)

- 1 Tarkasta, että ketjujarru toimii kunnolla ja että se on ehjä.
- 2 Tarkasta, että takimmainen rystyssuojus on ehjä.
- 3 Tarkista, että käyttöliipaisimen varmistin toimii asianmukaisesti eikä siinä ole vaurioita.
- 4 Tarkista, että näppäimistö toimii kunnolla ja että se on ehjä.
- 5 Tarkasta, että kaikki kahvat ovat öljyttömät.
- 6 Tarkasta, että moottorisahan kaikki osat on kiristetty ja etteivät ne ole vioittuneet tai puutu.
- 7 Tarkasta, että ketjusieppo on paikallaan ja että se on ehjä.
- 8 Tarkasta ketjun kireys.
- 9 Tarkasta, että akku on täyteen ladattu ja kunnolla kiinni moottorisahan rungossa.
- 10 Tarkasta, että teräketju pysähtyy, kun käyttöliipaisinta ei paineta.

## Save

Koneessa on virtaa säästävä toiminto (savE). Tämä toiminto aktivoidaan painamalla näppäimistön savE-painiketta. Kun savE-toiminto on käytössä, koneen käyttöaika pitenee ja teräketjun nopeus hidastuu. (Kuva 63)

Huom! Koneen käyttö SavE-toiminto aktivoituna pienentää ainoastaan ketjun nopeutta, ei koneen sahaustehoa.

## Yleiset työohjeet

### TÄRKEÄÄ!

Tässä osassa käsitellään moottorisahan käyttöön liittyviä yleisiä turvamääräyksiä. Annetut tiedot eivät voi koskaan korvata osaamista, jonka ammattimies on hankkinut koulutuksessa ja käytännön työssä. Kun joudut tilanteeseen, jossa moottorisahan käytön jatkaminen tuntuu epävarmalta, on sinun kysyttävä neuvoa asiantuntijalta. Käänny moottorisahaliikkeen, huoltoliikkeen tai kokeneen moottorisahan käyttäjän puoleen. Älä tee mitään sellaista, mihin et katso taitosi riittävän!

Ennen moottorisahan käyttöä sinun täytyy ymmärtää, mitä takapotku tarkoittaa ja miten se voidaan välttää. Katso otsikon Takapotkua ehkäisevät toimenpiteet alla annetut ohjeet.

Ennen moottorisahan käyttöä sinun täytyy ymmärtää terälevyn ala- ja yläosalla sahaamisen ero. Katso otsikoiden Takapotkua ehkäisevät toimenpiteet ja Koneen turvalaitteet alla annetut ohjeet.

Käytä henkilökohtaisia suojavarusteita. Katso otsikon Henkilökohtainen suojavarustus alla annetut ohjeet.

## Yleiset turvamääräykset

- 1 Tarkkaile ympäristöä:
    - Varmistaaksesi, etteivät ihmiset, eläimet tai muut tekijät pääse vaikuttamaan koneen hallintaan.
    - Estääksesi, etteivät edellämainitut pääse koskemaan teräketjuun tai jää kaatuvan puun alle.
- HUOM! Noudata edellä annettuja määräyksiä, mutta älä koskaan käytä moottorisahaa niin, ettei sinulla onnettomuustapauksissa ole mahdollisuutta kutsua apua.
- 2 Vältä käyttöä epäsuotuisissa sääoloissa. Esimerkiksi tiheässä sumussa, rankkasateessa, kovassa tuulessa, pakkasessa jne. Huonossa säässä työskentely on väsyttävää ja siihen liittyy usein riskitekijöitä, esimerkiksi jäinen alusta, salamanisku tai puun ennalta arvaamaton kaatumissuunta.
  - 3 Ole erittäin varovainen pieniä oksia katkoessasi ja vältä sahaamista pensaita (= paljon pikkuoksia yhdellä kertaa). Katkotut pikkuokset voivat tarttua teräketjuun, sinkoutua itseäsi päin ja aiheuttaa vakavan tapaturman.
  - 4 Varmista, että voit siirtyä ja seisoa turvallisesti. Katso, onko äkilliselle siirtymiselle esteitä (juuria, kiviä, oksia, kuoppia, oja jne.). Noudata suurta varovaisuutta viettäessä maastossa työskennellessäsi.
  - 5 Ole erittäin varovainen jännityksessä olevia puita sahatessasi. Jännittynyt puu voi sekä ennen läpisahausta että sen jälkeen sinkoutua takaisin normaaliasentoonsa. Jos olet väärin sijoittunut tai sahaat puun väärästä kohdasta, se voi osua sinuun tai koneeseen niin, että menetät koneen hallinnan. Molemmat tilanteet voivat aiheuttaa vakavan tapaturman. (Kuva 64)
  - 6 Ennen kuin siirrä moottorisahaa, sammuta se ja lukitse teräketju ketjujarrun avulla. Kanna moottorisahaa niin, että terälevy ja teräketju ovat taaksepäin. Pitempiä matkoja siirryttäessä ja kuljetuksen aikana on käytettävä teräsuojusta.
  - 7 Kun asetat moottorisahan maahan, lukitse teräketju ketjujarrulla ja varmista, että kone on valvonnassasi koko ajan. Sammuta kone ja irrota akku, ennen kuin jätät moottorisahan valvomatta pidemmäksi ajaksi.



**VAROITUS! Joskus rouhe juuttuu vetojärjestelmään ja saa teräketjun jumittumaan. Sammuta aina kone ja irrota akku ennen puhdistusta.**

## Perussäännöt

- 1 Ymmärtämällä, mitä takapotku tarkoittaa ja miten se syntyy, pystyt vähentämään yllättäviä tilanteita tai kokonaan poistamaan ne. Yllättävä tilanne lisää onnettomuusvaaraa. Useimmat takapotkut ovat pieniä, mutta osa on salamanopeita ja erittäin rajuja.
- 2 Pidä moottorisaha aina tukevassa otteessa oikea käsi takakahvassa ja vasen käsi etukahvassa.

Peukaloiden ja sormien on oltava kahvan ympärillä. Kaikkien käyttäjien, olivatpa he oikea- tai vasenkätisiä, on käytettävä tätä otetta. Tällä otteella pystyt parhaiten pienentämään takapotkun vaikutusta ja samalla pitämään moottorisahan hallinnassasi. **Älä irrota käsiä kahvoista!** (Kuva 65)

- 3 Useimmat takapotkuonnettomuudet sattuvat karsinnassa. Seiso tukevasti ja varmista, ettet pääse kompastumaan tai menettämään tasapainoasi maassa olevien esteiden vuoksi.

Huolimattomasti toimittaessa takapotkusektori voi osua tahattomasti esimerkiksi oksaan tai lähellä olevaan puuhun ja aiheuttaa takapotkun.

Valvo työkalappaletta. Jos sahattavat kappaleet ovat pieniä ja kevyitä, ne voivat juuttua teräketjuun ja sinkoutua sinua kohti. Vaikka se ei itsessään olisikaan vaarallista, saatat yllättyä ja menettää sahan hallinnan. Älä koskaan sahaa pinnoituja pöllejä tai oksia ottamatta niitä ensin erilleen. Sahaa vain yksi pöllä tai kappale kerrallaan. Siirrä sahatut kappaleet pois, jotta työalue pysyy turvallisena. (Kuva 74)

- 4 **Älä koskaan pidä moottorisahaa olkapäitteesi yläpuolella ja vältä sahaamista terälevyn kärjellä. Älä koskaan käytä moottorisahaa vain yhdellä kädellä!** (Kuva 66)

- 5 Voidaksesi täysin hallita moottorisahaasi sinun on seisottava tukevassa asennossa. Älä koskaan työskentele seisoen tikkailla, puussa tai paikassa, jossa et voi seisoa tukevalla alustalla. (Kuva 67)
- 6 Sahaa suurella ketju nopeudella, ts. täydellä kaasulla.
- 7 Ole erittäin varovainen, kun sahaat terälevyn yläosalla, ts. sahattavan alapuolelta. Tätä kutsutaan työntävällä teräketjulla sahaamiseksi. Teräketju työntää tällöin moottorisahaa taaksepäin käyttäjään päin. Jos teräketju juuttuu kiinni, saattaa moottorisaha lennähtää taaksepäin sinua kohti. (Kuva 68)
- 8 Jos käyttäjä ei pidä paina moottorisahaa työntösuuntaan vastaan, on vaara, että moottorisaha työntyy niin kauas taaksepäin, että terästä osuu puuhun vain takapotkusektori, mistä seuraa takapotku. (Kuva 69)

Terälevyn alaosalla sahaamista, ts. sahattavan yläpuolelta sahaamista, kutsutaan vetävällä teräketjulla sahaamiseksi. Tällöin teräketju vetää moottorisahaa puuta kohti ja moottorisahan rungon etureuna tukee luonnollisella tavalla runkoon. Vetävällä teräketjulla sahattaessa käyttäjä pystyy paremmin hallitsemaan moottorisahaa ja näkee paremmin, missä terälevyn takapotkusektori kulloinkin on. (Kuva 70)

- 9 Noudata terälevyn ja teräketjun viilaus- ja kunnossapito-ohjeita. Sahassa saa käyttää vain suosittelemiamme terälevy- ja teräketjuyhdistelmiä. Katso otsikoiden Terälaite ja Tekniset tiedot alla annetut ohjeet.

## Sahausten perustekniikka



**VAROITUS! Älä koskaan käytä moottorisahaa pitämällä sitä yhdellä kädellä. Moottorisahaa ei voi hallita turvallisesti yhdellä kädellä. Pidä aina kahvoista molemmin käsin lujalla ja tukevalla otteella.**

### Yleistä

- Sahaa aina täydellä kaasulla!
- Vapautu käyttöliipaisin jokaisen sahausten jälkeen (pitkäaikainen käyttö täydellä kaasulla moottoria kuormittamatta, ts. ilman vastusta, jonka moottori sahattaessa saa teräketjun välityksellä, voi aiheuttaa vakavan moottorivaurion).
- Sahaus päältä = Sahaus "vetävällä" teräketjulla.
- Sahaus alta = Sahaus "työntävällä" teräketjulla.

Sahaus "työntävällä" teräketjulla lisää takapotkuvaaraa. Katso otsikon Takapotkua ehkäisevät toimenpiteet alla annetut ohjeet.

### Nimitykset

Karsinta = Oksien katkonta kaadetusta puusta.

Repeäminen = Katkaistava puu repeää poikki, ennen kuin sahaus on lävistänyt sen.

**Ennen katkontaa on aina otettava huomioon viisi erittäin tärkeää seikkaa:**

- 1 Terälaite ei saa juuttua kiinni sahausrakoon. (Kuva 71)
- 2 Sahattava puu ei saa revetä. (Kuva 72)
- 3 Teräketju ei saa osua maahan tai mihinkään esineeseen läpisahausten aikana tai sen jälkeen. (Kuva 73)
- 4 Onko olemassa takapotkun vaara? (Kuva 4)
- 5 Voivatko maasto ja ympäristöolosuhteet vaikuttaa siihen, kuinka vakaasti pystyt kävelemään ja seisomaan?

Teräketjun kiinnijuuttuminen tai sahattavan puun repeäminen johtuu kahdesta tekijästä: Miten sahattava puu on tuettu ennen ja jälkeen katkaisun, ja onko sahattava puu jännityksessä.

Edellä mainitut epätoivotut ilmiöt voidaan useimmissa tapauksissa välttää suorittamalla katkonta kahdessa vaiheessa, sekä ylä- että alapuolelta. On pystyttävä estämään sahattavan puun "taipumus" tarttua teräketjuun tai haljeta.



**VAROITUS! Jos teräketju on juuttunut sahausrakoon: Sammuta kone! Älä yritä nykäistä konetta irti. Jos teet niin, voit loukata itsesi teräketjuun, kun kone yhtäkkiä irtoaa. Käytä vääntörautaa raon avaamiseen ja koneen irrottamiseen.**

Seuraavassa on annettu teoreettiset toimitaohjeet tavallisimpien moottorisahan käytössä eteen tulevien tilanteiden varalta.

## Katkonta



**VAROITUS! Älä yritä koskaan sahata pinossa olevia pöllejä, tai kun useampi pölli on tiiviisti yhdessä. Sellainen menettely lisää dramaattisesti takapotkun vaaraa, josta voi aiheutua vakavia tai hengenvaarallisia vahinkoja.**

Jos pölli ovat pinossa, on jokainen sahattavaksi tarkoitettu pölli otettava pois pinosta, sijoitettava sahapukille tai juoksuuttimelle ja katkaistava erikseen.

Siirrä katkaistut kappaleet pois, jotta työalue pysyy turvallisena. Jos jätät ne työalueelle, kasvatat sekä vahingossa tapahtuvan takapotkun vaaraa että tasapainosi menettämisen vaaraa työskentelyn aikana. (Kuva 74)

**Tukki on maassa.** Vaaraa teräketjun juuttumisesta tai puun repeämisestä ei ole. Vaara, että teräketju osuu maahan läpisahauksen jälkeen, on kuitenkin suuri.

Sahaa päältä tukin läpi. Sahaa loppuosa varovasti estääksesi teräketjuja osumasta maahan. Sahaa täydellä kaasulla, mutta ole varuillasi.

Jos mahdollista (= voiko tukkia pyörittää?), sahaa tukin läpimitasta vain 2/3.

Pyöräytä tukkia niin, että loput 1/3 voidaan sahata päältä. (Kuva 75)

**Tukki on tuettu toisesta päästään.** Repeämisvaara on suuri.

Sahaa ensin alapuolelta (noin 1/3 tukin läpimitasta).

Sahaa lopuksi päältä tarkasti alasahauksen kohdalle. (Kuva 76)

**Tukki on tuettu molemmista päistään.** Teräketjun juuttumisen vaara on suuri.

Aloita sahaamalla päältä (noin 1/3 tukin läpimitasta).

Sahaa lopuksi alapuolelta tarkasti yläsahauksen kohdalle. (Kuva 77)

## Puunkaatotekniikka

**TÄRKEÄÄ!** Puun kaatamiseen tarvitaan paljon kokemusta. Kokemattoman moottorisahankäyttäjän ei tule kaataa puita. Älä tee mitään sellaista, mihin et katso taitosi riittävän!

### Turvaetäisyys

Kaadettavan puun ja lähimmän työskentelypaikan välille on jätettävä turvaväliksi 2,5 x puun pituus. Varmista, ettei tällä "vaaravyöhykkeellä" ole ketään ennen kaatoa ja sen jälkeen. (Kuva 78)

### Kaatosuunta

Puunkaadossa pyritään puu saamaan sellaiseen paikkaan, että tukin karsinta ja katkonta voidaan tehdä niin "helpossa" maastossa kuin mahdollista. Kävelyn ja seisomisen on oltava turvallista.

Kun olet päättänyt, mihin suuntaan haluat kaataa puun, sinun on arvioitava puun luonnollinen kaatosuunta.

Tähän vaikuttavat:

- Puun kaltevuus
- Puun vääryys
- Tuulen suunta
- Oksisto
- Mahdollinen lumikuorma
- Puun ulottuman alueella olevat esteet: esim. muut puut, voimajohdot, tiet ja rakennukset.
- Tarkasta, onko rungossa vaurioita tai lahoja kohtia, jotka saattavat aiheuttaa puun murtumisen ja ennenaikaisen putoamisen.

Tämän arvioinnin jälkeen saattaa olla pakko kaataa puu luonnolliseen kaatosuuntaansa, koska voi olla mahdotonta tai liian vaarallista yrittää kaataa se alunperin suunniteltuun suuntaan.

Toinen hyvin tärkeä tekijä, joka ei vaikuta kaatosuuntaan, mutta kylläkin henkilökohtaiseen turvallisuuteesi, on tarkastaa, ettei puussa ole vaurioituneita tai "kuolleita" oksia, jotka saattavat katketa ja vahingoittaa sinua kaadon aikana.

Ennen kaikkea on vältettävä kaatuvan puun tarttuminen toiseen puuhun. Kiinni kaadetun puun pudottaminen on erittäin vaarallista. Tilanteessa on erittäin suuri onnettomuusvaara. Katso otsikon Epäonnistuneiden kaatojen käsittely alla annetut ohjeet.

**TÄRKEÄÄ!** Kriittisen kaatovaiheen aikana on kuulonsuojaimet käännettävä ylös heti sahouksen jälkeen, jotta äänet ja varoitussignaalit voidaan huomioida.

### Alaoksien karsinta ja väistämistie

Karsi runko hartiatasoon asti. Turvallisinta on työskennellä ylhäältä alaspäin ja niin, että runko on aina itsesi ja moottorisahan välissä. (Kuva 79)

Raivaa alakasvillisuus ja huomioi mahdolliset esteet (kivet, oksat, kuopat jne.), niin että sinulla on esteetön väistämistie, kun puu alkaa kaatua. Väistämistie on tehtävä noin 135° takaviistoon puun suunniteltuun kaatosuuntaan nähden. (Kuva 80)

- 1 Vaaravyöhyke
- 2 Väistämistie
- 3 Kaatosuunta

## Kaato



**VAROITUS! Kehotamme käyttäjiä, joilla ei ole riittävää pätevyyttä, luopumaan kaadosta, jos terälevyn pituus on pienempi kuin kaadettavan rungon läpimitta!**

Kaato tehdään kolmella sahauskella. Ensinnä sahataan kaatolovi, joka käsittää yläsahauksen ja alahasauksen, minkä jälkeen tehdään lopullinen kaato kaatosahauksella. Tekemällä nämä sahauskset oikeisiin kohtiin voidaan puun kaatosuunta ohjata erittäin tarkasti.

### Kaatolovi

Kaatoloven sahaus aloitetaan tekemällä tyveen yläsahaus. Etsi sahan kaatosuuntamerkin (1) avulla edempänä maastossa kohta, jonne haluat puun kaatuvan (2). Seiso puun oikealla puolella, sahan takana, ja sahaa vetävällä teräketjulla.

Sahaa sen jälkeen alahasaus tarkasti yläsahauksen kärkeen. **(Kuva 81)**

Kaatoloven syvyyden tulee olla 1/4 rungon läpimitasta ja ylä- ja alahasauksen välisen kulman vähintään 45°.

Ylä- ja alahasauksen kohtaamispistettä kutsutaan kaatoloviliinjaksi. Kaatoloviliinjan on oltava tarkasti vaakasuorassa ja muodostettava samalla suora kulma (90°) valittuun kaatosuuntaan nähden. **(Kuva 82)**

### Kaatosahaus

Kaatosahaus tehdään puun toiselta puolelta ja ehdottomasti vaakasuoraan. Seiso puun vasemmalla puolella ja sahaa vetävällä teräketjulla.

Tee kaatosahaus noin 3-5 cm (1,5-2 tuumaa) vaakasuoraan kaatoloven pohjatason yläpuolelle. **(Kuva 83)**

Työnnä kuorituki (jos sellainen on asennettu) pitopuun taakse. Sahaa täydellä kaasulla ja työnnä teräketju/terälevy hitaasti puuhun. Ole varuillasi siltä varalta, että puu liikkuu valitun kaatosuunnan päinvastaiseen suuntaan. Pane kaatokiila tai kaatorauta kaatosahausrakoon heti, kun se on riittävän syvä. **(Kuva 84)**

Kaatosahauksen on päätyttävä samansuuntaisesti kaatoloviliinjan nähden, niin että niiden väliin jää vähintään 1/10 rungon läpimitasta. Läpisaahaamatonta rungon osaa kutsutaan pitopuiksi.

Pitopuu toimii saranana, joka ohjaa puun oikeaan kaatosuuntaan. **(Kuva 85)**

Puun kaatosuunta ei pysy hallinnassa, jos pitopuu on liian pieni tai jos kaatolovi ja kaatosahaus on tehty väärään paikkaan. **(Kuva 86)**

Kun kaatolovi ja kaatosahaus on tehty, on puun kaaduttava itsestään tai kaatokiilan tai kaatoraudan avulla. **(Kuva 87)**

Suosittellemme rungon läpimittaa pitemmän terälevyn käyttämistä, jolloin kaatosahaus ja -lovi voidaan tehdä nk. "yksinkertaisella pistosahauksella". Katso luvusta

Tekniset tiedot, mitä terälevypituutta suositellaan sinun moottorisahamallillesi. **(Kuva 88)**

Käytössä on menetelmiä, joilla voidaan kaataa terälevyn pituutta paksumpia puita. Näitä menetelmiä käytettäessä on erittäin suuri vaara, että terälevyn takapotkusektori osuu johonkin. **(Kuva 4)**

## Epäonnistuneiden kaatojen käsittely

### "Kiinni kaadetun" puun pudottaminen

Kiinni kaadetun puun pudottaminen on erittäin vaarallista. Tilanteessa on erittäin suuri onnettomuusvaara.

Älä yritä koskaan sahata toisen puun alle jäänyttä puuta.

Älä työskentele koskaan toisen puun päälle riippumaan jääneen puun vaara-alueella. **(Kuva 89)**

Turvallinen tapa on käyttää vinssiä.

- Traktoriin asennettu **(Kuva 90)**
- Siirrettävä **(Kuva 91)**

### Jännityksessä olevien puiden ja oksien sahaus

Valmistelut: Arvioi, mihin suuntaan jännitys vaikuttaa ja missä katkaisupiste on (ts. se kohta, jossa puu katkeaisi, jos se jännittyisi vielä enemmän). **(Kuva 92)**

Päätä, miten parhaiten laukaiset jännityksen ja pystytkö tekemään sen. Erittäin vaikeissa tilanteissa ainoa turvallinen menetelmä on luopua moottorisahan käytöstä ja käyttää vinssiä.

### Yleissääntö:

Sijoitu niin, ettei ole vaaraa, että puu/oksa osuu sinuun, kun jännitys laukeaa. **(Kuva 93)**

Tee yksi tai useampia sahausviiltoja lähelle katkaisupistettä. Sahaa niin syväälle ja niin monta viiltoa, että puun/oksan jännitys laukeaa ja puu/oksa "katkeaa" katkaisupisteestä. **(Kuva 94)**

### Älä koskaan sahaa jännityksessä olevaa puuta kokonaan poikki!

Jos sahaat puun/oksan läpi, tee kaksi tai kolme sahausrakoa 3 cm välein, syvyys 3-5 cm. **(Kuva 95)**

Jatka sahaamista symmetrisesti kunnes puun/oksan vääntäminen ja jännitys vapautuvat. **(Kuva 96)**

Sahaa puu/oksa vastakkaiselta puolelta, kun jännitys on vapautunut.



## Takapotkua ehkäisevät toimenpiteet



**VAROITUS!** Takapotkut voivat olla salamannopeita, yllättäviä ja rajuja ja voivat singota moottorisahan, terälevyn ja teräketjun päin käyttäjää. Jos teräketju pyörii osuessaan käyttäjään, saattaa seurauksena olla erittäin vakava, jopa hengenvaarallinen tapaturma. On tärkeää ymmärtää, mikä aiheuttaa takapotkut ja että ne voidaan välttää varovaisuudella ja oikealla työtekniikalla.

### Mikä takapotku on?

Takapotkuksi kutsutaan äkillistä ilmiötä, jossa moottorisaha ja terälevy sinkoutuvat esineestä, johon terälevyn kärjen ylin neljännes, nk. takapotkusektori, on osunut. **(Kuva 69)**

Takapotkut suuntautuvat aina terätason suuntaan. Tavallisimmin moottorisaha ja terälevy sinkoutuvat ylös taaksepäin käyttäjää kohti. Kuitenkin takapotku voi suuntautua myös muihin suuntiin riippuen siitä, missä asennossa moottorisaha on sillä hetkellä, kun terälevyn takapotkusektori osuu esineeseen.

Takapotku voi tapahtua vain, kun terälevyn takapotkusektori osuu johonkin esineeseen. **(Kuva 4)**

### Karsinta



**VAROITUS!** Useimmat takapotkuonnettomuudet sattuvat karsinnassa. Älä käytä terälevyn takapotkusektoria. Ole äärimmäisen varovainen ja välttää terälevyn kärjen osumista pölliin, muihin oksiiin tai esineisiin. Ole äärimmäisen varovainen jännitteessä olevien oksien kohdalla. Ne voivat joustaa takaisin sinuun päin ja aiheuttaa kontrollin menettämisen, jolloin seurauksena voi olla vahinkoja.

Varmista, että voit liikkua ja seisoa turvallisesti! Seiso rungon vasemmalla puolella. Ole mahdollisimman lähellä moottorisahaa voidaksesi hallita sitä mahdollisimman hyvin. Aina kun mahdollista tulee sahan painon antaa levätä runkoa vasten.

Siirry vain silloin, kun runko on sinun ja moottorisahan välissä. **(Kuva 97)**

### Rungon katkenta

Katso otsikon Sahauksen perustekniikka alla annetut ohjeet.

## Yleistä

Käyttäjää saa tehdä ainoastaan sellaisia huolto- ja kunnostustehtäviä, jotka on kuvattu tässä käyttöohjeessa. Laajemmat toimenpiteet tulee antaa valtuutetun huoltokorjaamon tehtäväksi.

## Moottorisahan turvalaitteiden tarkastus, kunnossapito ja huolto



**VAROITUS! Irrota akku laitteesta aina ennen asennusta, huoltoa ja/tai tarkistuksia.**

Huom! Kaikki koneen huolto- ja korjaustyöt vaativat erikoiskoulutusta. Tämä koskee erityisesti koneen turvalaitteita. Jos koneessa havaitaan puutteita alla luetelluissa tarkastuksissa, suosittelemme että otat yhteyttä huoltoliikkeeseen.

Tärkeää! Älä koskaan pese akkua tai akkulaturia vedellä. Vahvat puhdistusaineet voivat vaurioittaa muoviosia.

## Takapotkusuojuksella varustettu ketjujarru

### Takapotkusuojuksen tarkastus

- Tarkasta, että takapotkusuojus on ehjä eikä siinä ole näkyviä vikoja, esim. materiaalihalkeamia. **(Kuva 98)**
- Siirrä takapotkusuojusta edestakaisin varmistaaksesi, että se liikkuu kevyesti ja että se on tukevasti kiinni koneessa. **(Kuva 99)**

### Automaattisen pysäytystoiminnon tarkastus

- Aseta moottorisaha moottori sammutettuna kannon tai muun kiinteän pinnan päälle. Irrota ote etukahvasta ja anna moottorisahan pyörähtää takakahvan ympäri omalla painollaan alas kantoa kohden. **(Kuva 100)**

### Kun terälevyn kärki osuu kantoon, on jarrun lauettava.

### Jarrutustehon tarkastus

- Käynnistä moottorisaha. Varmista, että teräketju ei pääse osumaan maahan tai mihinkään esineeseen. Katso ohjeet otsikon Käynnistys ja pysäytys alla annetut ohjeet.
- Pidä moottorisahasta tukevalla otteella peukalot ja sormet kierrettyinä kahvojen ympärille. **(Kuva 65)**
- Anna täyskaasu ja laukaise ketjujarru kääntämällä vasen ranne takapotkusuojusta vasten. Älä päästä otetta irti etukahvasta. **Ketjun on pysähdyttävä välittömästi. (Kuva 101)**

## Käyttöliipaisimen varmistin

- Tarkasta, että käyttöliipaisin on lukittu joutokäyntiasetukselle, kun käyttöliipaisimen varmistin vapautetaan. **(Kuva 102)**
- Paina käyttöliipaisinta ja varmista, että se palautuu vapautettaessa alkuasentoonsa. **(Kuva 103)**
- Tarkasta, että käyttöliipaisin ja sen varmistin liikkuvat vapaasti ja että niiden palautusjouset toimivat. **(Kuva 104)**
- Käynnistä moottorisaha ja anna täyskaasu. Vapauta käyttöliipaisin ja tarkista, että teräketju pysähtyy ja pysyy liikkumattomana.

## Ketjusieppo

- Tarkasta, että ketjusieppo on ehjä ja että se on kiinni moottorisahan rungossa. **(Kuva 105)**

## Näppäimistö

- Käynnistä moottorisaha ja varmista, että teräketju pysähtyy, kun painetaan käynnistys-/pysäytyspainiketta (vihreä LED-valo sammuu). **(Kuva 106)**

## Akkuliittimet

Puhdista akku ja koneen akkulokero käytön jälkeen pehmeällä harjalla. Varmista, että kaikki jäähdytysaukot ja akkuliittimet on puhdistettu. **(Kuva 107)**

## Jäähdytysjärjestelmä

Käyntilämpötilan pitämiseksi mahdollisimman alhaisena kone on varustettu jäähdytysjärjestelmällä.

Jäähdytysjärjestelmän osat ovat:

- Ilmanottoaukko (koneen vasemmalla puolella).
- Moottorin puhallin.

- Puhdista jäähdytysjärjestelmä harjalla kerran viikossa, vaikeammissa käyttöolosuhteissa useammin. Likainen tai tukkeutunut jäähdytysjärjestelmä johtaa ylikuumenemiseen, josta on seurauksena koneen vaurioituminen. **(Kuva 108)**

## Akku

- Tarkasta, ettei akku ole vaurioitunut tai vääntynyt eikä siinä ole näkyviä vikoja, esim. materiaalihalkeamia. **(Kuva 109)**

## Akkulaturilla

- Varmista, ettei akkulaturi eikä sähkönsyöttöjohto ole vaurioitunut tai vääntynyt eikä niissä ole näkyviä vikoja, esim. materiaalihalkeamia. **(Kuva 110)**

# KUNNOSSAPITO

## Huoltokaavio

Seuraavassa on esitetty luettelo koneelle suoritettavista huoltotoimista. Useimmat kohdista on kuvattu kappaleessa Huolto.

Päivittaiset toimenpiteet	Viikoittaiset toimenpiteet	Kuukausittaiset toimenpiteet
Puhdista kone ulkopuolelta.	Viilaa mahdollinen kierre pois terälevyn sivuilta.	Tarkasta akun ja koneen väliset kytkennät, samoin kuin akun ja akkulaturin väliset kytkennät.
Tarkista, että käyttöliipaisimen komponentit toimivat oikein. (Käyttöliipaisimen varmistin ja käyttöliipaisin.)		Tyhjennä öljysäiliö ja puhdista se sisäpuolelta.
Puhdista ketjujarru ja tarkasta, että se toimii turvallisesti. Tarkasta, että ketjusieppo on ehjä, vaihda tarvittaessa.		Puhalla tuote ja akun jäähdytysaukot varovasti puhtaiksi paineilmalla.
Terälevy on käännettävä päivittäin, jotta se kuluu tasaisesti. Tarkasta, että terälevyn voitelureikä ei ole tukossa. Puhdista ketjun ohjausura. Jos terälevyssä on kärkipyörä, voitele se.		
Tarkasta, että terälevy ja ketju saavat riittävästi öljyä.		
Tarkasta, ettei teräketjun niiteissä tai lenkeissä ole näkyviä halkeamia, ettei teräketju ole jäykkä tai etteivät niitit ja lenkit ole epänormaalisti kuluneet. Vaihda tarvittaessa.		
Teroita ketju ja tarkasta sen kireys ja kunto. Tarkasta, ettei ketjupyörä ole epätavallisen kulunut, vaihda tarvittaessa.		
Puhdista koneen ilmanottoaukko.		
Tarkasta, että ruuvit ja mutterit ovat kireällä.		
Tarkista, että näppäimistö toimii kunnolla ja että se on ehjä.		

# KUNNOSSAPITO

## Vianetsintäkaavio

### Näppäimistö

Mahdolliset vikakoodit moottorisahan näppäimistössä.

Näppäimistö	Mahdolliset viat	Mahdolliset toimenpiteet
Merkkivalo vilkkuu.	Ketjujarru kytketty.	Vedä takapotkusuojausta taakse vapauttaaksesi ketjujarrun.
	Lämpötilavaihtelu.	Anna koneen jäähtyä.
	Ylikuormitus. Terälaite on juuttunut.	Terälaite on juuttunut. Vapauta terälaite.
	Käyttöliipaisinta ja aktivointipainiketta painetaan samaan aikaan.	Vapauta käyttöliipaisin, jolloin kone aktivoituu.
Vihreä LED vilkkuu.	Matala akun jännite.	Lataa akku.
Varoitusvalo palaa.	Huolto	Käännä huoltoliikkeen puoleen.

### Akku

Akun ja/tai akkulaturin vianmääritys latauksen aikana.

LED-näyttö	Mahdolliset viat	Mahdolliset toimenpiteet
Merkkivalo vilkkuu.	Akku on tyhjentynyt.	Akun lataus.
	Lämpötilavaihtelu.	Käytä akkua -10 °C – 60 °C:een lämpötiloissa.
	Ylijännite.	Tarkasta, että verkkojännite vastaa koneeseen kiinnitetyssä kilvessä ilmoitettua jännitettä. Irrota laturi akusta.
Varoitusvalo palaa.	Akkukennoston väli liian suuri (1 V).	Käännä huoltoliikkeen puoleen.

### Akkulaturilla

LED-näyttö	Mahdolliset viat	Mahdolliset toimenpiteet
Merkkivalo vilkkuu.	Lämpötilavaihtelu.	Anna laturin jäähtyä (passiivinen jäähdytys).
Varoitusvalo palaa.	Pysyvä vaurio.	Käännä huoltoliikkeen puoleen.

# TEKNISET TIEDOT

## Tekniset tiedot

<b>Moottori</b>	136Li
Tyyppi	36 V:n harjamoottori
<b>Ominaisuudet</b>	
Virransäästötila	savE
<b>Voitelujärjestelmä</b>	
Öljypumpun tyyppi	Automaattinen
Öljysäiliön tilavuus, litraa	0,20
<b>Paino</b>	
Moottorisaha ilman akkua, terälevyä ja teräketjua, teräketjuöljysäiliö tyhjänä, kg	4,8
<b>Melupäästöt (ks. huom. 1)</b>	
Äänentehotaso, mitattu dB(A)	97,3
Äänentehotaso, taattu $L_{WA}$ dB(A)	101
Suhteellinen epävarmuus $K_{pA}$ , dB(A)	3,0
<b>Äänitasot (ks. huom. 2)</b>	
Ekvivalentti äänenpainetaso käyttäjän korvaan, dB (A)	86
<b>Tärinätasot (ks. huom. 3)</b>	
Etukahva, $m/s^2$	3,61
Takakahva, $m/s^2$	2,25
Suhteellinen epävarmuus $K$ , $m/s^2$	1,5
<b>Vastaavat tärinätasot (ks. huom. 4)</b>	
Etukahva, $m/s^2$	2,29
Takakahva, $m/s^2$	1,58
<b>Ketju/terälevy</b>	
Suosittelavat terälevypituudet, tuumaa/cm	12/30
Tehokas leikkuupituus, tuumaa/cm	10/26
Ketjupyörän tyyppi/hampaiden lkm	Spur/6
Ketjunopeus enintään (savE), m/s	11 (10)

Yllä mainittujen moottorisahamallien hyväksytyt akut		
Akku	<b>BLi110</b>	<b>BLi150</b>
Tyyppi	Litiumioni	Litiumioni
Akun kapasiteetti, Ah	3,0	4,2
Jännite, V	36	36
Paino, kg	1,2	1,3

Tiettyihin BLi-akkuihin sopivat laturit.			
Akkulaturilla	<b>QC80</b>	<b>QC120</b>	<b>QC330</b>
Verkkovirta, V	100-240	220-240	100-240
Taajuus, Hz	50-60	50-60	50-60
Teho, W	80	125	330

Huom. 1: Melupäästö ympäristöön äänentehona ( $L_{WA}$ ) EY-direktiivin 2000/14/EY mukaisesti mitattuna.

Huom. 2: Standardin ISO 22868 mukainen ekvivalentti äänenpainetaso lasketaan eri äänenpainetasojen aikapainotteisena energiasummana eri käyttötiloissa. Tyypillinen ekvivalentin äänenpainetason tilastollinen hajonta on 1 dB:n (A) vakiopoikkeama.

Huomautus 3: Tärinätaso standardin EN 60745-2-13 mukaan. Tärinätasolle ilmoitetuissa tiedoissa tyypillinen tilastollinen hajonta (vakiopoikkeama) on  $1 m/s^2$ . Ilmoitetut tärinäarvot on mitattu, kun kone on varustettu suositellulla terälevyn pituisella teräketjulla. Jos kone on varustettu eripituisella terälevyllä, tärinätaso voi vaihdella enintään  $\pm 1,5 m/s^2$ .

Huomautus 4: Vastaava tärinätaso on mitattu ja laskettu polttomoottorikäyttöisellä moottorisahalla. Näitä lukuja on lainattu, jotta tärinäarvoja voidaan vertailla moottorin tyypistä riippumatta.



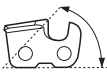
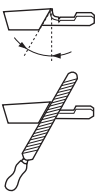

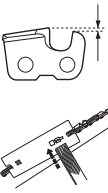
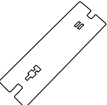

# TEKNISET TIEDOT

## Terälevy- ja ketjuyhdistelmät

Seuraavat terälaitteet on hyväksytty Husqvarna-mallille 136Li.

Terälevy				Teräketju	
Pituus, tuumaa	Jako, tuumaa	Ohjausuran leveys, mm	Kärkipyörän hampaiden maks. lkm	Tyyppi	Pituus, vetolenkit (kpl)
12	3/8	1,1	9T	Husqvarna H38	45

## Teräketjun teroittaminen ja viilausohjaimet

							
38	11/64 / 4,5	90°	30°	0°	0.025 / 0,65	5056981-03	5795588-01

## EY-vaatimustenmukaisuusvakuutus

### (Koskee ainoastaan Eurooppaa)

**Husqvarna AB**, SE-561 82 Huskvarna, Ruotsi, puh. +46-36-146500, vakuuttaa täten, että johdottomat akkutoimiset moottorisahat **Husqvarna 136Li** alkaen vuoden 2016 sarjanumeroista (vuosi on ilmoitettu arvokilvessä ennen sarjanumeroa) on valmistettu noudattaen seuraavia NEUVOSTON DIREKTIIVEJÄ:

- 17. toukokuuta 2006 "koskien koneita" **2006/42/EY**.
- 26. helmikuuta 2014 "sähkömagneettista yhteensopivuutta koskeva" direktiivi **2014/30/EU**.
- annettu 12. päivänä joulukuuta 2006, tietyllä jännitealueella toimivia sähkölaitteita koskevan jäsenvaltioiden lainsäädännön lähentämisestä **2006/95/EY**.
- annettu 6. päivänä syyskuuta 2006, paristoista ja akuista sekä käytetyistä paristoista ja akuista **2006/66/EY**.
- 8. toukokuuta 2000 "koskien melupäästöä ympäristöön" **2000/14/EY**.

Seuraavia standardeja on sovellettu: **EN 60745-1, EN 60745-2-13, EN 60335-2-29, EN 55014-1, EN 55014-2.**

Ilmoitettu elin: **NB905, Intertek Deutschland GmbH**, Stagenstraße 1, 70771 Leinfelden-Echterdingen, Saksa, on suorittanut EY-tyyppitarkastuksen konedirektiivin (2006/42/EY) artiklan 12 kohdan 3b mukaisesti. Liitteen IX mukaisen EY-tyyppitarkastuksen todistusten numerot ovat: **NB905 15SHW0344-01**.

Katso melupäästöjä koskevat tiedot luvusta Tekniset tiedot.

Toimitettu moottorisaha vastaa EY-tyyppitarkastettua sahaa.

Husqvarna 30. maaliskuuta 2016



Lars Roos, kehityspäällikkö

(Husqvarna AB:n valtuutettu ja teknisestä dokumentaatiosta vastaava edustaja.)

# SYMBOLERKLÄRUNG

## Symbole am Gerät:

Übersetzung der originalen schwedischen Bedienungsanleitung.

**WARNUNG!** Motorsägen können gefährlich sein! Durch unsachgemäße oder nachlässige Handhabung können schwere Verletzungen oder sogar tödliche Unfälle von Anwendern oder anderen Personen verursacht werden.

Lesen Sie die Bedienungsanweisung sorgfältig durch und machen Sie sich mit dem Inhalt vertraut, bevor Sie das Gerät benutzen.

Benutzen Sie immer:

- Einen zugelassenen Schutzhelm
- Einen zugelassenen Gehörschutz
- Schutzbrille oder Visier

Dieses Produkt stimmt mit den geltenden CE-Richtlinien überein.

Umweltbelastende Geräuschemissionen gemäß der Richtlinie der Europäischen Gemeinschaft. Die Emission des Gerätes ist im Kapitel Technische Daten und auf dem Geräteschild angegeben.

Die Motorsäge muss immer mit beiden Händen betrieben werden.

Halten Sie die Motorsäge bei der Anwendung niemals nur mit einer Hand.

Die Führungsschienenspitze darf niemals Gegenstände berühren.

**WARNUNG!** Sollte die Führungsschienenspitze einen Gegenstand berühren, kann dies zu einem Rückschlag führen, sodass die Schiene nach oben und zurück zum Bediener geschleudert wird. Schwere Verletzungen können die Folge sein.

Rotationsrichtung der Sägekette und maximale Länge des Schwerts.



Kettenbremse, aktiviert (rechts) Kettenbremse, nicht aktiviert (links)



Befüllung mit Sägekettenöl.



**Umweltkennzeichnung.** Das Symbol auf dem Produkt oder der Verpackung gibt an, dass dieses Produkt nicht im Hausmüll entsorgt werden darf. Zur Entsorgung ist es stattdessen an eine entsprechende Recyclinganlage für elektrische und elektronische Geräte zu übergeben.

Gleichstrom.



Nicht dem Regen aussetzen.



**Sonstige Symbole/Aufkleber am Gerät beziehen sich auf spezielle Zertifizierungsanforderungen, die in bestimmten Ländern gelten.**

## Symbole auf dem Akku und/oder auf dem Ladegerät:

Dieses Produkt muss in einer angemessenen Verwertungsanlage entsorgt werden.



Störungsfreier Transformator



Ladegerät nur in Innenräumen verwenden und lagern.



Doppelt isoliert



# SYMBOLERKLÄRUNG

Folgende Aufkleber sind auf Maschine, Batterie und Ladegerät zu finden:

### WARNING

Read and follow all safety precautions in the owner's manual. Failure to follow instructions could result in serious injury to user. Contact of the guide bar tip with any object should be avoided. Tip contact may cause the guide bar to move suddenly toward the operator, which may cause serious injury to user. Two hands are always to be used in operation of the chain saw. Use only identical replacement bar and chain components manufactured by Husqvarna. Use only Husqvarna Battery type BLI.

### AVERTISSEMENT


Consultez et respectez les consignes de sécurité contenues dans le manuel de l'utilisateur. Le non-respect de ces instructions peut entraîner de graves blessures chez l'utilisateur. Éviter tout contact entre le nez du guide-chaîne et un objet. Tout contact avec le nez peut entraîner des mouvements brusques du guide-chaîne vers le haut ou vers le bas susceptibles de provoquer l'éclatement de l'utilisateur. L'utilisateur doit toujours utiliser ses deux mains lorsqu'il fait fonctionner la tronçonneuse. Utiliser uniquement des pièces de rechange du guide-chaîne et de la chaîne homologuées qui ont été homologuées par Husqvarna. Utiliser uniquement une batterie Husqvarna de type BLI.

### ADVERTENCIA

Lee y siga todas las precauciones de seguridad especificadas en el manual de instrucciones. El incumplimiento de estas instrucciones podría causar lesiones personales de gravedad. Debe evitarse que la punta de la espada entre en contacto con cualquier objeto. El contacto con la punta podría provocar un movimiento repentino hacia arriba y hacia abajo de la espada, que podría causar graves lesiones personales. La maniobra siempre debe manejarse con las dos manos. Utilice únicamente componentes de sustitución de la espada y la cadena autorizados a los originales y fabricados por Husqvarna. Utilice únicamente una batería de tipo BLI de Husqvarna.

587134101



 Husqvarna

Class 2C Chainsaw

36V — 136Li Article No. XXXXXXXXX

Serial No. XXXXXX-XX

PNC No. XXXXXX-XX



HUSQVARNA AB, SE-561 82 HUSKVARNA, SWEDEN



**Husqvarna AB**  
S-561 82 Huskvarna, Sweden



Husqvarna  
Service Co., Ltd

Type BLi

Art.no.

36V = / Ah Li Ion Wh

10INR19/66-2



s/n

Rechargeable  
Li-Ion Battery



**Husqvarna AB**

S-561 82 Huskvarna, Sweden

Type: QC

Art.-No.

Input: V- / Hz / 100W max.

Output: 36V ~ / 2A

Class 2 battery charger



**Li-Ion**  
Use **ONLY** with Husqvarna  
Li-Ion batteries



serial-no.:



# INHALT

## Inhalt

### SYMBOLERKLÄRUNG

Symbole am Gerät: .....	143
Symbole auf dem Akku und/oder auf dem Ladegerät: .....	143

### INHALT

Inhalt .....	145
--------------	-----

### EINLEITUNG

Sehr geehrter Kunde! .....	146
----------------------------	-----

### WAS IST WAS?

Was ist was an der Motorsäge? .....	146
-------------------------------------	-----

### ALLGEMEINE SICHERHEITSVORSCHRIFTEN

Allgemeine Sicherheitshinweise für elektrisch betriebene Werkzeuge .....	147
Maßnahmen vor der Benutzung einer neuen Motorsäge .....	149
Wichtig .....	150
Stets mit gesundem Menschenverstand arbeiten! Persönliche Schutzausrüstung .....	151
Sicherheitsausrüstung des Gerätes .....	151
Batterie und Ladegerät .....	153
Schneidausrüstung .....	154

### MONTAGE

Montage von Schiene und Kette .....	159
-------------------------------------	-----

### HANDHABUNG DER BATTERIE

Batteriestatus .....	160
Batterieladegerät .....	160
Transport und Aufbewahrung .....	160
Entsorgung von Batterie, Ladegerät und Maschine	161

### STARTEN UND STOPPEN

Starten und stoppen .....	162
---------------------------	-----

### ARBEITSTECHNIK

Vor jeder Anwendung: .....	163
SavE .....	163
Allgemeine Arbeitsvorschriften .....	163
Vorbeugende Maßnahmen gegen Rückschlag ....	168

### WARTUNG

Allgemeines .....	169
Kontrolle, Wartung und Service der Sicherheitsausrüstung der Motorsäge .....	169
Batteriestecker .....	169
Kühlsystem .....	169
Batterie .....	169
Batterieladegerät .....	169
Wartungsschema .....	170
Störungssuchplan .....	171

### TECHNISCHE DATEN

Technische Daten .....	172
Führungsschiene- und Kettenkombinationen ....	173
Feilen und Schärfler der Sägekette .....	173

EG-Konformitätserklärung .....	173
--------------------------------	-----

# EINLEITUNG

## Sehr geehrter Kunde!

Herzlichen Glückwunsch zu Ihrem Kauf eines Husqvarna-Produkts! Husqvarnas Geschichte reicht bis ins Jahr 1689 zurück, als König Karl XI eine Fabrik an den Ufern des Flusses Huskvarna errichten ließ, in der Musketen gefertigt werden sollten. Die Lage am Huskvarna bot sich an, da der Fluss zur Erzeugung von Wasserkraft verwendet wurde und so als Wasserkraftwerk diente. In den mehr als 300 Jahren seit dem Bestehen des Husqvarna-Werks wurden unzählige Produkte hergestellt, angefangen von Holzöfen bis hin zu modernen Küchenmaschinen, Nähmaschinen, Fahr- und Motorrädern usw. 1956 wurde der erste Motorrasenmäher auf den Markt gebracht, gefolgt von der Motorsäge 1959, und in diesem Bereich ist Husqvarnas auch heute tätig.

Husqvarna ist gegenwärtig einer der weltführenden Hersteller von Forst- und Gartenmaschinen und legt vor allem Wert auf Qualität und Leistungskraft. Das Unternehmenskonzept umfasst die Entwicklung, Herstellung und den Vertrieb von Produkten für den Einsatz in Wald und Garten sowie in der Bauindustrie. Husqvarnas Ziel ist es, auch in den Bereichen Ergonomie, Benutzerfreundlichkeit, Sicherheit und Umwelt führend zu sein – dies lässt sich an vielen Details erkennen, die aus diesen Gesichtspunkten heraus entwickelt wurden.

Wir sind überzeugt, dass Sie mit der Qualität und Leistung unserer Produkte über lange Jahre mehr als zufrieden sein werden. Mit dem Erwerb unserer Produkte erhalten Sie professionelle Hilfe bei Reparaturen und Service, falls doch einmal etwas passieren sollte. Haben Sie die Maschine nicht bei einem unserer Vertragshändler gekauft, fragen Sie dort nach der nächsten Servicewerkstatt.

Wir hoffen, dass Sie mit Ihrer Maschine über lange Jahre zufrieden sein werden. Denken Sie daran, diese Bedienungsanleitung sicher aufzubewahren. Die genaue Befolgung ihres Inhalts (Verwendung, Service, Wartung usw.) verlängert die Lebensdauer der Maschine erheblich und erhöht zudem ihren Wiederverkaufswert. Sollten Sie Ihre Maschine verkaufen, händigen Sie dem neuen Besitzer bitte auch die Bedienungsanleitung aus.

Vielen Dank, dass Sie sich für ein Husqvarna-Produkt entschieden haben.

Die Husqvarna AB arbeitet ständig an der Weiterentwicklung ihrer Produkte und behält sich daher das Recht auf Änderungen ohne vorherige Ankündigung, z. B. von Form und Aussehen, vor.

## Was ist was an der Motorsäge? (1)

- 1 Handschutz
- 2 Tastatur
- 3 SavE-Taste (Energiespartaste)
- 4 Warnanzeiger
- 5 Ein-/Aus-Taste
- 6 Gashebelsperre
- 7 Hinterer Handgriff mit Rechtshandschutz
- 8 Lüftergehäuse
- 9 Kettenöltank
- 10 Batterieladegerät
- 11 Netzkabel
- 12 Warnanzeiger
- 13 Verbinder
- 14 Bedienungsanleitung
- 15 Führungsschienenschutz
- 16 Abdeckung des Antriebsrads
- 17 Kettenspannrolle
- 18 Knauf
- 19 Kettenfänger
- 20 Rindenstütze
- 21 Umlenkstern
- 22 Sägekette
- 23 Führungsschiene
- 24 Vorderer Handgriff
- 25 Gashebel
- 26 Batterie
- 27 Batterieentriegelungstaste
- 28 Batterieladezustand
- 29 Taste, Batterieladezustand
- 30 Warnanzeiger

# ALLGEMEINE SICHERHEITSVORSCHRIFTEN

## Allgemeine Sicherheitshinweise für elektrisch betriebene Werkzeuge



**WARNUNG!** Lesen Sie sämtliche Sicherheitshinweise und Anweisungen durch. Die Nichtbeachtung der Warnhinweise und Anweisungen kann Stromschlag, Brand und/oder schwere Verletzungen zur Folge haben.

**WICHTIG!** Bewahren Sie alle Warnhinweise und Anweisungen für spätere Referenzzwecke auf. Die Bezeichnung "Elektrowerkzeug" in den Warnhinweisen bezieht sich auf ein Elektrowerkzeug mit Netzbetrieb (über ein Kabel) oder Akkubetrieb (kabellos).

### Sicherheit im Arbeitsbereich

- **Sorgen Sie für einen sauberen und gut ausgeleuchteten Arbeitsbereich.** Durch zugestellte oder dunkle Arbeitsbereiche steigt die Unfallgefahr stark an.
- **Betreiben Sie Elektrowerkzeuge niemals an Orten, an denen Explosionsgefahr besteht, z. B. in der Nähe von leicht entflammaren Flüssigkeiten, Gasen oder Stäuben.** Bei der Arbeit mit Elektrowerkzeugen kann es zu Funkenbildung kommen, wodurch sich Stäube oder Dämpfe entzünden können.
- **Sorgen Sie bei der Arbeit mit Elektrowerkzeugen dafür, dass sich keine Kinder oder unbefugten Personen in der Nähe befinden.** Durch Ablenkungen können Sie die Kontrolle über das Werkzeug verlieren.

### Elektrische Sicherheit

- **Elektrowerkzeuge müssen mit passender Stromversorgung betrieben werden. Nehmen Sie niemals Änderungen am Anschlussstecker vor. Verwenden Sie bei Elektrowerkzeugen mit Schutzkontakt (geerdet) niemals Adapterstecker.** Stecker im Originalzustand und passende Steckdosen reduzieren das Stromschlagrisiko.
- **Vermeiden Sie Körperkontakt mit geerdeten Gegenständen wie Rohrleitungen, Heizungen, Herden oder Kühlschränken.** Bei Körperkontakt mit geerdeten Gegenständen besteht ein erhöhtes Stromschlagrisiko.
- **Setzen Sie Elektrowerkzeuge niemals Regen oder sonstiger Feuchtigkeit aus.** Wenn Wasser in ein Elektrowerkzeug eindringt, erhöht sich das Stromschlagrisiko.
- **Verwenden Sie das Anschlusskabel nicht missbräuchlich. Verwenden Sie das Anschlusskabel niemals zum Tragen oder Heranziehen des Elektrowerkzeugs, und ziehen Sie den Stecker nicht mit dem Anschlusskabel**

**aus der Steckdose.** Halten Sie das Anschlusskabel von Hitzequellen, Öl, scharfen Kanten und beweglichen Teilen fern. Beschädigte oder verdrehte Anschlusskabel erhöhen das Stromschlagrisiko.

- **Wenn Sie ein Elektrowerkzeug im Freien benutzen, verwenden Sie ein für den Außeneinsatz geeignetes Verlängerungskabel.** Ein für den Außeneinsatz geeignetes Kabel vermindert das Stromschlagrisiko.
- **Ist der Betrieb eines Elektrowerkzeugs in feuchter Umgebung unvermeidbar, sollten Sie eine Stromversorgung mit FI-Schutzschalter verwenden.** Die Verwendung eines FI-Schutzschalters verringert die Gefahr elektrischer Schläge.

### Persönliche Sicherheit

- **Bleiben Sie wachsam, achten Sie auf das, was Sie tun, und setzen Sie gesunden Menschenverstand ein, wenn Sie mit Elektrowerkzeugen arbeiten. Benutzen Sie keine Elektrowerkzeuge, wenn Sie müde sind oder unter Einfluss von Drogen, Alkohol oder Medikamenten stehen.** Bei der Arbeit mit Elektrowerkzeugen können bereits kurze Phasen der Unaufmerksamkeit zu schweren Verletzungen führen.
- **Benutzen Sie Schutzausrüstung. Tragen Sie stets einen Augenschutz.** Schutzausrüstung wie Staubmaske, rutschsichere Sicherheitsschuhe, Schutzhelm und Gehörschutz senkt bei angemessenem Einsatz das Verletzungsrisiko.
- **Vermeiden Sie ein unbeabsichtigtes Anlaufen. Achten Sie darauf, dass sich der Schalter in der Aus-Stellung (OFF) befindet, bevor Sie das Elektrowerkzeug an das Netz und/oder den Akku anschließen oder es hochheben oder herumtragen.** Durch Herumtragen von Elektrowerkzeugen mit dem Finger am Schalter und das Einstecken des Steckers bei betätigtem Schalter steigt das Unfallrisiko stark an.
- **Entfernen Sie sämtliche Einstellschlüssel, bevor Sie das Elektrowerkzeug einschalten.** Ein an einem beweglichen Teil des Elektrowerkzeugs angebrachter Schlüssel kann zu Verletzungen führen.
- **Sorgen Sie für einen festen Stand. Achten Sie jederzeit darauf, sicher zu stehen und das Gleichgewicht zu bewahren.** Dadurch haben Sie das Elektrowerkzeug in unerwarteten Situationen besser im Griff.
- **Kleiden Sie sich richtig. Tragen Sie niemals lose sitzende Kleidung oder Schmuck. Halten Sie Haar, Kleidung und Handschuhe von beweglichen Teilen fern.** Lose Kleidung, Schmuck oder langes Haar kann von beweglichen Teilen erfasst werden.
- **Wenn Anschlüsse für Staubsaug- und Staubsammelvorrichtungen vorhanden sind, sorgen Sie dafür, dass diese richtig angeschlossen und eingesetzt werden.** Die

# ALLGEMEINE SICHERHEITSVORSCHRIFTEN

Verwendung von Staubsammelvorrichtungen kann staubbezogene Gefahren mindern.

- Die Vibrationsemissionen während der tatsächlichen Verwendung des Elektrowerkzeugs können abhängig von der Verwendungsart des Werkzeugs vom angegebenen Gesamtwert abweichen. Bediener sollten Sicherheitsmaßnahmen für den eigenen Schutz ergreifen, die auf einer Beurteilung der Exposition unter tatsächlichen Nutzungsbedingungen beruht. Dabei sind alle Teile des Betriebszyklus zu berücksichtigen, z. B. abgesehen vom Gashebelbetrieb, die Zeiten, wenn das Werkzeug ausgeschaltet ist und wenn es im Leerlauf betrieben wird.

## Verwendung und Pflege von Elektrowerkzeugen

- **Überbeanspruchen Sie Elektrowerkzeuge nicht. Benutzen Sie das richtige Elektrowerkzeug für Ihren Einsatzzweck.** Das richtige Elektrowerkzeug erledigt seine Arbeit bei bestimmungsgemäßem Einsatz besser und sicherer.
- **Benutzen Sie das Elektrowerkzeug nicht, wenn es sich nicht am Schalter ein- und ausschalten lässt.** Jedes Elektrowerkzeug, das nicht mit dem Schalter betätigt werden kann, stellt eine Gefahr dar und muss repariert werden.
- **Trennen Sie das Elektrowerkzeug von der Stromversorgung bzw. vom Akku, bevor Sie Einstellarbeiten vornehmen, Zubehörteile austauschen oder das Elektrowerkzeug verstauen.** Solche präventiven Sicherheitsmaßnahmen verhindern den unbeabsichtigten Anlauf des Elektrowerkzeugs.
- **Lagern Sie nicht benutzte Elektrowerkzeuge außerhalb der Reichweite von Kindern und lassen Sie nicht zu, dass Personen das Elektrowerkzeug bedienen, die nicht mit dem Werkzeug selbst und/oder diesen Anweisungen vertraut sind.** Elektrowerkzeuge stellen in ungeschulten Händen eine Gefahr dar.
- **Halten Sie Elektrowerkzeuge in Stand. Prüfen Sie auf Fehlausrichtungen, sicheren Halt und Leichtgängigkeit beweglicher Teile, Beschädigungen von Teilen sowie auf jegliche andere Zustände, die sich auf den Betrieb des Elektrowerkzeugs auswirken können. Bei Beschädigungen lassen Sie das Elektrowerkzeug reparieren, bevor Sie es benutzen.** Viele Unfälle mit Elektrowerkzeugen sind auf schlechte Wartung zurückzuführen.
- **Halten Sie Schneidwerkzeuge scharf und sauber.** Ordnungsgemäß gewartete Schneidwerkzeuge mit scharfen Schneidkanten bleiben seltener hängen und sind einfacher zu beherrschen.
- **Benutzen Sie Elektrowerkzeuge, Zubehör, Werkzeugspitzen und Ähnliches in Übereinstimmung mit diesen Anweisungen und auf die für das jeweilige Elektrowerkzeug**

**bestimmungsgemäße Weise und beachten Sie dabei die jeweiligen Arbeitsbedingungen und die Art der auszuführenden Arbeiten.** Der bestimmungswidrige Einsatz von Elektrowerkzeugen kann zu gefährlichen Situationen führen.

## Verwendung und Pflege von batteriebetriebenen Werkzeugen

- **Eine Aufladung darf nur mit dem vom Hersteller vorgeschriebenen Ladegerät durchgeführt werden.** Durch ein für einen bestimmten Batterietyp geeignetes Ladegerät kann Brandgefahr entstehen, wenn es für eine andere Batterie verwendet wird.
- **Verwenden Sie Elektrowerkzeuge nur mit speziell ausgezeichneten Batterien.** Die Verwendung anderer Batterien kann zu Verletzungs- und Brandgefahr führen.
- **Wenn eine Batterie nicht verwendet wird, muss sie von anderen Metallgegenständen wie Büroklammern, Münzen, Schlüsseln, Nägeln, Schrauben o. Ä. ferngehalten werden, durch die die beiden Klammern miteinander verbunden werden könnten.** Durch Kurzschluss der Batterieklammern kann es zu Verbrennungen oder Bränden kommen.
- **Bei falschem Gebrauch kann Flüssigkeit aus der Batterie austreten; vermeiden Sie dabei jeglichen Hautkontakt. Bei versehentlichem Hautkontakt sofort mit Wasser abspülen. Wenn Flüssigkeit in die Augen gelangt, suchen Sie einen Arzt auf.** Durch austretende Flüssigkeit aus der Batterie kann es zu Reizungen oder Verbrennungen kommen.

## Service

- **Lassen Sie Elektrowerkzeuge durch qualifiziertes Fachpersonal und unter Verwendung identischer Ersatzteile warten.** Auf diese Weise wird dafür gesorgt, dass die Sicherheit des Elektrowerkzeugs nicht beeinträchtigt wird.

## Motorsäge - Sicherheitswarnungen

- **Halten Sie alle Körperteile von der Sägekette fern, wenn die Motorsäge läuft. Bevor Sie die Motorsäge starten, stellen Sie sicher, dass die Sägekette keine anderen Gegenstände berührt.** Unaufmerksamkeit während des Betriebs der Motorsäge kann dazu führen, dass Sie sich mit Ihrer Kleidung oder mit einem Körperteil in der Sägekette verfangen.
- **Halten Sie die Motorsäge stets mit der rechten Hand am hinteren Griff und mit der linken Hand am vorderen Griff fest.** Wenn Sie die Motorsäge auf andere Weise festhalten, wird das Verletzungsrisiko erhöht. Vermeiden Sie dies.
- **Halten Sie das Elektrowerkzeug nur an der isolierten Griffoberfläche fest, da die Sägekette sonst ggf. in Kontakt mit verborgener Verkabelung kommt.** Eine Sägekette, die mit einem stromführenden Leiter in Kontakt kommt, kann

# ALLGEMEINE SICHERHEITSVORSCHRIFTEN

freiliegende Metallteile des Elektrowerkzeugs unter Strom setzen und dem Bediener einen elektrischen Schlag versetzen.

- **Tragen Sie eine Schutzbrille und einen Gehörschutz. Weitere Schutzkleidung für Kopf, Hände, Beine und Füße wird empfohlen.** Angemessene Schutzkleidung verringert das Verletzungsrisiko durch umherfliegende Bruchstücke oder durch versehentlichen Kontakt mit der Sägekette.
- **Benutzen Sie in einem Baum keine Motorsäge.** Die Verwendung einer Motorsäge auf einem Baum kann zu Verletzungen führen.
- **Achten Sie stets auf festen Stand, und betreiben Sie die Motorsäge nur, wenn Sie auf einer festen, sicheren und geraden Oberfläche stehen.** Eine rutschige oder instabile Oberfläche (z. B. eine Leiter) kann zu Gleichgewichtsverlust oder zum Verlust der Kontrolle über die Motorsäge führen.
- **Rechnen Sie beim Durchtrennen eines Asts, der unter Spannung steht, mit dem Zurückschnellen.** Wird die Spannung in den Holzfasern abgebaut, kann der unter Spannung stehende Ast den Bediener treffen und/oder die Motorsäge zur Seite drücken.
- **Gehen Sie beim Schneiden von Dickicht und Jungbäumen besonders umsichtig vor.** Das dünne Material kann sich in der Sägekette verfangen und in Ihre Richtung geschleudert werden bzw. Sie aus dem Gleichgewicht bringen.
- **Tragen Sie die Motorsäge am Griff. Diese muss dabei ausgeschaltet sein und von Ihrem Körper weg weisen. Beim Transportieren oder Lagern der Motorsäge muss immer die Schwertabdeckung angebracht werden.** Der richtige Umgang mit der Motorsäge verringert die Wahrscheinlichkeit des Kontakts mit der sich bewegenden Sägekette.
- **Befolgen Sie die Anweisungen zum Schmieren, zum Spannen der Kette und zum Wechseln des Zubehörs.** Eine falsch gespannte oder geschmierte Sägekette kann reißen oder das Rückschlagrisiko erhöhen.
- **Halten Sie die Griffe trocken, sauber und frei von Öl und Fett.** Rutschige, ölige Griffe können zum Kontrollverlust führen.
- **Schneiden Sie nur Holz. Verwenden Sie die Säge nicht für andere Zwecke. Beispiel: Verwenden Sie die Säge nicht zum Schneiden von Kunststoff, Mauerwerk oder anderen Materialien, die nicht aus Holz bestehen.** Der bestimmungswidrige Einsatz der Motorsäge kann zu gefährlichen Situationen führen.
- Erstanwendern empfehlen wir mit Nachdruck, das Sägen von Holzklötzen auf einem Sägebock oder einem Gestell zu üben.

## Ursachen für Rückschlag und Vermeiden durch den Bediener

Es kann zu einem Rückschlag kommen, wenn die Schwertschneidspitze ein Objekt berührt oder wenn sich ein Spalt im Holz schließt und die Sägekette einklemmt. Der Kontakt mit der Schwertschneidspitze kann zu einer plötzlichen Umkehrreaktion führen, sodass das Schwert nach oben und in Richtung des Bedieners geschleudert wird. Wird die Sägekette an der Schwertoberseite eingeklemmt, kann das Schwert schnell in Richtung des Bedieners geschleudert werden. Durch diese Reaktionen können Sie die Kontrolle über die Säge verlieren, was wiederum zu schweren Verletzungen führen kann. Verlassen Sie sich nicht ausschließlich auf die Sicherheitsvorrichtungen Ihrer Säge. Als Benutzer einer Motorsäge müssen Sie verschiedene Maßnahmen ergreifen, um unfall- und verletzungsfrei zu arbeiten. Ein Rückschlag ist das Ergebnis von unsachgemäßer Anwendung des Werkzeugs und/oder von falschem Betrieb. Dies lässt sich durch die nachfolgend aufgeführten Vorsichtsmaßnahmen vermeiden:

- **Halten Sie die Säge stets mit Daumen und Fingern an den Griffen fest. Beide Hände sind an der Säge, und Ihr Körper sowie die Arme ermöglichen das Abfangen von Rückschlägen.** Rückschläge können bei Beachten der entsprechenden Vorsichtsmaßnahmen vom Bediener abgefangen werden. Lassen Sie die Motorsäge nicht los.
- **Beugen Sie sich nicht zu weit vor, und sägen Sie nicht über Schulterhöhe.** Auf diese Weise können Sie den unabsichtlichen Spitzenkontakt vermeiden und die Säge in unerwarteten Situationen besser kontrollieren.
- **Verwenden Sie nur die vom Hersteller angegebenen Ersatzschwerter und Ketten.** Falsche Schwerter und Ketten können zum Kettenbruch und/oder zu Rückschlägen führen.
- **Befolgen Sie die Herstelleranweisungen zum Schärfen und Warten der Sägekette.** Das Verringern der Tiefenmesserhöhe kann zu stärkeren Rückschlägen führen.

## Maßnahmen vor der Benutzung einer neuen Motorsäge

- Die Bedienungsanleitung aufmerksam durchlesen.
- (1)–(110) verweisen auf Illustrationen auf S. 2–6.
- Laden Sie die Batterie vollständig, bevor Sie diese zum ersten Mal verwenden. Anweisungen hierzu finden Sie im Abschnitt zum Laden der Batterie.
- Mit Kettenöl befüllen. Anweisungen hierzu finden Sie im Abschnitt zum Füllen mit Kettenöl.
- Montage und Einstellung der Schneidausrüstung kontrollieren. Siehe die Anweisungen unter der Überschrift Montage.
- Die Motorsäge nicht benutzen, bevor die Sägekette ausreichend Öl erhalten hat. Siehe die Anweisungen unter der Überschrift Schmierung der Schneidausrüstung.

# ALLGEMEINE SICHERHEITSVORSCHRIFTEN

- Eine längerfristige Beschallung mit Lärm kann zu bleibenden Gehörschäden führen. Daher stets einen zugelassenen Gehörschutz tragen.



**WARNUNG! Unter keinen Umständen darf die ursprüngliche Konstruktion des Gerätes ohne Genehmigung des Herstellers geändert werden. Es ist immer Originalzubehör zu verwenden. Unzulässige Änderungen und/oder unzulässiges Zubehör können zu schweren oder sogar tödlichen Verletzungen des Anwenders oder anderer Personen führen.**



**WARNUNG! Eine Motorsäge, die falsch oder nachlässig benutzt wird, ist ein gefährliches Gerät, das schwere und sogar tödliche Verletzungen verursachen kann. Es ist deshalb von größter Wichtigkeit, dass diese Bedienungsanleitung aufmerksam durchgelesen und verstanden wird.**



**WARNUNG! Das Einatmen des Kettenölnebels und des Staubs von Sägespänen über längere Zeit kann eine Gefahr für die Gesundheit darstellen.**



**WARNUNG! Diese Maschine erzeugt beim Betrieb ein elektromagnetisches Feld. Dieses Feld kann sich unter bestimmten Bedingungen auf die Funktionsweise aktiver oder passiver medizinischer Implantate auswirken. Um die Gefahr für schwere oder tödliche Verletzungen auszuschließen, sollten Personen mit einem medizinischen Implantat vor der Nutzung dieser Maschine ihren Arzt und den Hersteller des Implantats konsultieren.**



**WARNUNG! Niemals Kindern erlauben, das Gerät zu benutzen oder sich in seiner Nähe aufzuhalten. Da das Gerät leicht zu starten ist, könnten auch Kinder bei unzureichender Aufsicht in der Lage sein, das Gerät zu starten. Dies kann zu schweren Verletzungen führen. Daher stets die Batterie entfernen, wenn das Gerät unbeaufsichtigt ist.**

## Wichtig

### WICHTIG!

Diese Motorsäge wurde für forsttechnische Anwendungen wie Fällen, Entasten und Sägen entwickelt.

Die Benutzung der Maschine kann durch nationale Vorschriften eingeschränkt werden.

Nur die Kombinationen von Führungsschiene und Sägekette verwenden, die wir im Kapitel Technische Daten empfehlen.

Niemals das Gerät verwenden, wenn Sie müde sind, Alkohol getrunken oder Medikamente eingenommen haben, die Ihre Sehkraft, Urteilsvermögen oder Körperkontrolle beeinträchtigen können.

Tragen Sie persönliche Schutzausrüstung. Siehe die Anweisungen unter der Überschrift "Persönliche Schutzausrüstung".

Das Gerät nicht so modifizieren, dass es nicht länger mit der Originalausführung übereinstimmt, und nicht benutzen, wenn es scheinbar von anderen modifiziert wurde.

Verwenden Sie keine defekte Maschine, Batterie oder Lade-Einrichtung. Die Wartungs-, Kontroll- und Serviceanweisungen in dieser Bedienungsanleitung sind sorgfältig zu befolgen. Gewisse Wartungs- und Servicemaßnahmen sind von geschulten, qualifizierten Fachleuten auszuführen. Siehe die Anweisungen unter der Überschrift **Wartung**.

Nur Zubehörteile verwenden, die in dieser Bedienungsanleitung empfohlen werden. Siehe die Anweisungen unter den Überschriften **Schneidausrüstung** und **Technische Daten**.

**ACHTUNG!** Stets eine Schutzbrille oder einen Gesichtsschutz tragen, um die von weggeschleuderten Gegenständen ausgehende Gefahr zu reduzieren. Eine Motorsäge kann Gegenstände wie Sägespäne, Holzstückchen usw. mit großer Kraft wegschleudern. Schwere Verletzungen, besonders an den Augen, können die Folge sein.



**WARNUNG! Eine falsche Schneidausrüstung oder eine falsche Schienen/Kettenkombination erhöhen die Rückschlaggefahr! Nur die Kombinationen von Führungsschiene und Sägekette verwenden, die wir im Kapitel Technische Daten empfehlen, und die Feilanweisungen befolgen. Siehe die Anweisungen unter der Überschrift Technische Daten.**

## Stets mit gesundem Menschenverstand arbeiten!

Es ist unmöglich, hier alle denkbaren Situationen zu beschreiben, die beim Gebrauch der Motorsäge auftreten

# ALLGEMEINE SICHERHEITSVORSCHRIFTEN

könnten. Stets vorsichtig vorgehen und mit gesundem Menschenverstand arbeiten. Vermeiden Sie Situationen, denen Sie sich nicht gewachsen fühlen. Wenn Sie sich nach dem Lesen dieser Anweisungen immer noch unsicher fühlen, wie Sie vorgehen sollen, bitten Sie einen Fachmann um Rat, bevor Sie fortfahren. Zögern Sie nicht, Ihren Händler oder uns anzusprechen, wenn Sie Fragen bezüglich dem Gebrauch der Motorsäge haben. Wir sind gerne für Sie da und helfen Ihnen beim optimalen und sicheren Einsatz Ihrer Motorsäge. Auch ein Kurs zum Thema Anwendung der Motorsäge kann hilfreich sein. Händler, Forstfachschulen oder Bibliotheken informieren Sie über verfügbares Weiterbildungsmaterial und das Kursangebot. **(Abbildung 2)**

Wir arbeiten ständig an der Verbesserung von Konstruktion und Technik, um Ihre Sicherheit und die Effektivität des Geräts zu optimieren. Schauen Sie regelmäßig bei Ihrem Händler vorbei, so bleiben Sie über für Sie nützliche Neuerungen auf dem Laufenden.

## Persönliche Schutzausrüstung



**WARNUNG! Die Mehrzahl der Unfälle mit Motorsägen passiert, wenn die Sägekette den Anwender trifft. Bei der Benutzung des Gerätes muss die vorgeschriebene persönliche Schutzausrüstung angewendet werden. Die persönliche Schutzausrüstung beseitigt nicht die Unfallgefahr, begrenzt aber den Umfang der Verletzungen und Schäden. Bei der Wahl der Schutzausrüstung einen Fachhändler um Rat fragen.**

Benutzen Sie immer:

- Einen zugelassenen Schutzhelm
- Gehörschutz
- Schutzbrille oder Visier
- Handschuhe mit Schnittschutz
- Hosen mit Sägeschutz
- Stiefel mit Schnittschutz, Stahlkappe und rutschfester Sohle
- Ein Erste-Hilfe-Set soll immer griffbereit sein.

Die übrige Arbeitskleidung sollte dicht anliegen, ohne die Bewegungsfreiheit zu begrenzen.

## Sicherheitsausrüstung des Gerätes

Dieser Abschnitt beschreibt die Sicherheitskomponenten der Maschine und ihre Funktion. Kontrolle und Wartung werden unter der Überschrift Kontrolle, Wartung und Service der Sicherheitsausrüstung der Motorsäge erläutert. Die Position dieser Komponenten ist unter der Überschrift Was ist was? gelistet.

Die Lebensdauer der Maschine kann verkürzt werden und die Unfallgefahr kann steigen, wenn die Wartung der Maschine nicht ordnungsgemäß und Service und/oder

Reparaturen nicht fachmännisch ausgeführt werden. Weitere Informationen erteilt Ihnen gerne die nächste Servicewerkstatt.



# ALLGEMEINE SICHERHEITSVORSCHRIFTEN



**WARNUNG! Niemals ein Gerät mit defekter Sicherheitsausrüstung verwenden. Die Sicherheitsausrüstung muss überprüft und gewartet werden. Siehe die Anweisungen unter der Überschrift Kontrolle, Wartung und Service der Sicherheitsausrüstung der Motorsäge. Finden sich Mängel bei der Kontrolle des Geräts, ist eine Servicewerkstatt zur Reparatur aufzusuchen.**

## Tastatur

Sicherstellen, dass das Gerät wirklich ein- bzw. ausgeschaltet ist, wenn die Ein-/Aus-Taste (1) gedrückt und für mindestens 1 Sekunde gehalten wird. Die grüne LED (2) geht an bzw. aus.

Die Warnanzeige (3) blinkt, wenn die Kettenbremse aktiviert ist oder wenn das Risiko einer Überlastung besteht. Der Überlastungsschutz deaktiviert die Maschine vorübergehend. Wird die Maschine wieder auf Normaltemperatur heruntergekühlt, ist sie wieder betriebsbereit. Ein dauerhaft leuchtendes Licht weist auf Wartungsbedarf hin. **(Abbildung 6)**

## Ausschalt-Automatik

Die Maschine verfügt über eine automatische Abschaltfunktion, die die Maschine deaktiviert, wenn Sie nicht genutzt wird. Die Maschine wird nach einer Minute deaktiviert.

## Kettenbremse mit Handschutz

Ihre Motorsäge ist mit einer Kettenbremse versehen, die die Sägekette beim Rückschlag stoppt. Eine Kettenbremse reduziert die Gefahr für Unfälle, doch es sind ausschließlich Sie als Bediener, der sie verhindern kann. **(Abbildung 3)**

Vorsichtig arbeiten und dafür sorgen, dass der Rückschlagbereich der Führungsschiene nicht mit einem Gegenstand in Berührung kommt. **(Abbildung 4)**

- Die Kettenbremse (A) wird entweder manuell (mit der linken Hand) oder mit der Trägheitsfunktion aktiviert. **(Abbildung 5)**
- Die Kettenbremse wird betätigt, wenn der Handschutz (B) nach vorn geführt wird. **(Abbildung 5)**
- Diese Bewegung aktiviert einen gefederten Mechanismus, der das Antriebsrad stoppt.
- Der Handschutz wurde nicht nur konstruiert, um die Kettenbremse zu betätigen. Er soll auch verhindern, dass die linke Hand von der Sägekette getroffen wird, wenn der Anwender die Kontrolle über den linken Handgriff verliert.
- Die Kettenbremse soll eingeschaltet sein, wenn die Motorsäge gestartet wird.
- Die Kettenbremse als Feststellbremse beim Starten sowie bei kürzeren Transporten verwenden, so wird verhindert, dass Bediener oder die Umgebung

unfreiwillig in Kontakt mit der sich bewegenden Sägekette und womöglich zu Schaden kommen.

- Die Kettenbremse wird gelöst, wenn der Handschutz nach hinten zum vorderen Handgriff geführt wird.
- Rückschläge können blitzschnell und mit großer Kraft auftreten. Die meisten Rückschläge sind von geringer Kraft und bewirken nicht immer ein Auslösen der Kettenbremse. Bei solchen Rückschlägen muss die Motorsäge mit festem Griff gehalten und darf nicht losgelassen werden. **(Abbildung 65)**
- Wie die Kettenbremse ausgelöst wird, ob manuell oder durch die Trägheitsfunktion, hängt davon ab, wie kräftig der Rückschlag ist und in welcher Stellung sich die Motorsäge im Verhältnis zu dem Gegenstand befindet, der mit dem Rückschlagbereich in Berührung kommt.  
Bei heftigen Rückschlägen und wenn sich der Rückschlaggefahrsektor der Führungsschiene so weit wie möglich vom Bediener weg befindet, ist die Kettenbremse so konstruiert, dass sie über das Gegengewicht der Kettenbremse (Trägheit) in Rückschlagrichtung aktiviert wird. **(Abbildung 7)**
- Bei weniger kräftigen Rückschlägen oder wenn sich der Rückschlagbereich in der Nähe des Anwenders befindet, wird die Kettenbremse mit der linken Hand manuell betätigt.
- In der Fällposition befindet sich die linke Hand in einer Position, die die manuelle Aktivierung der Kettenbremse unmöglich macht. Bei diesen Griffen, d. h. wenn die linke Hand so platziert ist, dass sie die Bewegung des Rückschlagschutzes nicht beeinflussen kann, lässt sich die Kettenbremse nur über die Trägheitsfunktion aktivieren. **(Abbildung 8)**

## Wird meine Hand die Kettenbremse beim Rückschlag stets aktivieren?

Nein. Es ist eine bestimmte Kraft erforderlich, um den Rückschlagschutz nach vorne zu führen. Wenn Ihre Hand den Rückschlagschutz nur leicht berührt oder darüber gleitet, kann es sein, dass die Kraft nicht ausreicht, um die Kettenbremse auszulösen. Auch bei der Arbeit ist der Griff der Motorsäge fest zu umfassen. Wenn Sie dies tun und ein Rückschlag auftritt, lassen Sie vielleicht nicht den vorderen Griff los und aktivieren nicht die Kettenbremse, oder die Kettenbremse wird erst aktiviert, wenn sich die Säge bereits ein Stück gedreht hat. In einer solchen Situation kann es vorkommen, dass die Kettenbremse es nicht schafft, die Kette anzuhalten, bevor sie Sie trifft.

Auch bestimmte Arbeitsstellungen können es unmöglich machen, dass Ihre Hand den Rückschlagschutz erreicht, um die Kettenbremse zu aktivieren, z. B. wenn die Säge in der Fällposition gehalten wird.



# ALLGEMEINE SICHERHEITSVORSCHRIFTEN

## Wird die Trägheitsfunktion der Kettenbremse stets aktiviert, wenn ein Rückschlag eintrifft?

Nein. Zum einen muss Ihre Bremse funktionieren. Zum anderen muss der Rückschlag stark genug sein, um die Kettenbremse zu aktivieren. Eine zu empfindliche Kettenbremse würde ständig aktiviert werden, was sich störend auswirken würde.

## Wird mich die Kettenbremse im Fall von Rückschlag stets vor Verletzungen schützen?

Nein. Zum einen muss Ihre Bremse funktionieren, damit die Schutzfunktion gewährt ist. Zum anderen muss sie wie oben beschrieben aktiviert werden, um die Sägekette beim Rückschlag zu stoppen. Und zum dritten kann die Kettenbremse aktiviert werden, doch wenn sich die Führungsschiene zu nahe bei Ihnen befindet, kann es passieren, dass die Bremse nicht mehr verlangsamen und die Kette stoppen kann, bevor die Motorsäge Sie trifft.

**Nur Sie selbst und eine vorschriftsmäßige Arbeitstechnik können den Rückschlag und seine Risiken ausschalten.**

## Gashebelsperre

Die Gashebelsperre ist dazu bestimmt, ein versehentliches Auslösen des Gashebels zu verhindern. Wenn Sie die Gashebelsperre (A) drücken (z. B. wenn Sie den Griff erfassen), wird der Gashebel (B) freigegeben. Wird der Handgriff losgelassen, werden Gashebel und Gashebelsperre wieder in ihre Ausgangsstellung zurückgestellt. **(Abbildung 9)**

## Kettenfänger

Der Kettenfänger soll eine abgesprungene oder gerissene Kette auffangen. Eine solche Situation kann in den meisten Fällen durch eine korrekte Kettenspannung (siehe die Anweisungen unter der Überschrift Montage) und durch eine regelmäßige Wartung der Führungsschiene und Kette verhindert werden (siehe die Anweisungen unter der Überschrift Allgemeine Arbeitsvorschriften). **(Abbildung 10)**

## Rechtshandschutz

Der Rechtshandschutz soll die Hand nicht nur schützen, wenn die Kette abspringt oder reißt, sondern auch sicherstellen, dass Äste und Zweige nicht den Griff um den hinteren Handgriff beeinflussen. **(Abbildung 11)**

## Vibrationen

Das Sägen in einer harten Holzart (meist Laubbäume) verursacht mehr Vibrationen als das Sägen in weichem Holz (meist Nadelbäume). Durch das Sägen mit einer falschen, ungeschärften oder falsch geschärften Schneidusrüstung werden die Vibrationen erhöht.



**WARNUNG!** Personen mit Blutkreislaufstörungen, die zu oft Vibrationen ausgesetzt werden, laufen Gefahr, Schäden an den Blutgefäßen oder am Nervensystem davonzutragen. Gehen Sie zum Arzt, wenn Sie an Ihrem Körper Symptome feststellen, die darauf hinweisen, dass Sie übermäßigen Vibrationen ausgesetzt waren. Beispiele für solche Symptome sind: Einschlafen von Körperteilen, Gefühlsverlust, Jucken, Stechen, Schmerzen, Verlust oder Beeinträchtigung der normalen Körperkraft, Veränderungen der Hautfarbe oder der Haut. Diese Symptome treten üblicherweise in Fingern, Händen und Handgelenken auf. Bei niedrigen Temperaturen können sich diese Symptome verstärken.

## Batterie und Ladegerät

In diesem Abschnitt werden die Sicherheitsvorkehrungen für die Batterie und das Ladegerät erläutert.

Verwenden Sie Husqvarna Produkte nur mit Original Husqvarna Akkus. Verwenden Sie zum Aufladen ausschließlich Original Husqvarna-QC-Akkuladegeräte. Die Batterien verfügen über eine Softwareverschlüsselung.

## Sicherer Umgang mit der Batterie

Die wiederaufladbaren BLi-Batterien von Husqvarna dürfen nur zur Energieversorgung des dazugehörigen batteriebetriebenen Husqvarna-Geräts verwendet werden. Um Verletzungen zu vermeiden, darf die Batterie nicht für die Energieversorgung anderer Geräte verwendet werden.



**WARNUNG!** Die Batterie muss vor direkter Sonneneinstrahlung, Hitze oder offenem Feuer geschützt werden. Die Batterie könnte explodieren, wenn sie in offenes Feuer geworfen wird. Es besteht Verbrennungs- bzw. Verätzungsgefahr.



**WARNUNG!** Jeglicher Kontakt mit Batteriesäure sollte vermieden werden. Batteriesäure kann zu Hautreizungen und Verätzungen führen. Sollte Batteriesäure in die Augen gelangen, diese nicht reiben. Augen für die Dauer von 15 Minuten mit reichlich Wasser ausspülen. Suchen Sie einen Arzt auf. Bei Hautkontakt sind die betroffenen Hautstellen mit reichlich Wasser und Seife abzuwaschen.

# ALLGEMEINE SICHERHEITSVORSCHRIFTEN



**WARNUNG!** Die Batterie darf niemals mit Schlüsseln, Münzen, Schrauben oder anderen metallischen Gegenständen zusammengeschlossen werden, da dies zu einem Kurzschluss der Batterie führen kann. Keine Gegenstände in die Lüftungsöffnungen der Batterie einführen.

**Nicht gebrauchte Batterien müssen von metallischen Gegenständen, wie Nägeln, Münzen und Schmuck, ferngehalten werden. Nicht versuchen, die Batterie zu zerlegen oder aufzubrechen.**

- Die Batterie darf nur in Umgebungen mit Temperaturen zwischen -10 °C und 60 °C verwendet werden.
- Die Batterie keinen Mikrowellen oder hohen Drücken aussetzen.
- Die Batterie und das Ladegerät dürfen keinesfalls mit Wasser gereinigt werden. Siehe auch die Anweisungen unter der Überschrift Wartung.
- Die Batterie für Kinder unzugänglich aufbewahren.
- Die Batterie vor Regen und Feuchtigkeit schützen.

## Sicherer Umgang mit dem Ladegerät

Die Husqvarna QC-Ladegeräte dürfen nur für das Laden von BLi-Ersatzbatterien von Husqvarna verwendet werden.



**WARNUNG!** Die Gefahr eines Stromschlags oder eines Kurzschlusses kann wie folgt minimiert werden:

**Niemals Gegenstände in die Kühlschlitze des Ladegeräts einführen.**

**Das Ladegerät nicht zerlegen.**

**Die Anschlüsse des Ladegeräts niemals mit Metallgegenständen verbinden. Dies kann zu einem Kurzschluss im Ladegerät führen.**

**Zugelassene und intakte Steckdosen verwenden.**

- Regelmäßig überprüfen, ob das Anschlusskabel des Ladegeräts intakt ist und keine Risse aufweist.
- Das Gerät niemals am Kabel tragen und niemals den Stecker am Kabel aus der Steckdose ziehen.
- Achten Sie darauf, dass Kabel und Verlängerungskabel nicht mit Wasser, Öl oder scharfen Kanten in Berührung kommen. Darauf achten, dass die Kabel nicht in Türen, Zäunen o. ä. eingeklemmt werden. Es besteht sonst die Gefahr, dass Gegenstände unter Strom gestellt werden.



**WARNUNG!** Das Ladegerät darf nicht in der Nähe ätzender oder entflammbarer Materialien verwendet werden. Das Ladegerät darf nicht abgedeckt werden. Bei Raumentwicklung oder Feuer muss der Stecker des Ladegeräts sofort aus der Steckdose gezogen werden. Achten Sie auf die Feuergefahr!

Folgendes vermeiden:

- Verwendung eines fehlerhaften oder beschädigten Ladegeräts Verwendung einer fehlerhaften, beschädigten oder verformten Batterie

Nicht aufladen:

- nicht wieder aufladbare Batterien im Ladegerät (diese dürfen auch nicht in der Maschine verwendet werden).
- Verwendung des Ladegeräts draußen.
- Verwendung der Batterie im Regen oder in feuchter Umgebung.
- Verwendung der Batterie bei direkter Sonneneinstrahlung.

Das Ladegerät darf nur verwendet werden, wenn die Umgebungstemperatur zwischen 5 und 40 °C liegt. Das Ladegerät nur in einer gut belüfteten, trockenen und staubfreien Umgebung verwenden.

## Schneidaustrüstung

Dieser Abschnitt beschreibt, wie man durch vorchriftsmäßige Wartung und Anwendung der richtigen Schneidaustrüstung:

- Verringert die Rückschlagneigung des Gerätes.
- Reduziert die Gefahr des Abspringens oder Brechens der Sägekette.
- Erhält eine optimale Schnittleistung.
- Verlängert die Lebensdauer der Schneidaustrüstung.
- Vermeidet die Steigerung der Vibrationspegel.

## Grundregeln

- **Benutzen Sie nur von uns empfohlene Schneidaustrüstungen!** Siehe die Anweisungen unter der Überschrift Technische Daten.
- **Sorgen Sie dafür, dass die Schneidezähne die richtige Länge haben und gut geschärft sind! Befolgen Sie unsere Anweisungen und benutzen Sie die empfohlene Feillehre.** Eine falsch geschärfte oder beschädigte Sägekette erhöht die Unfallgefahr.
- **Korrekten Tiefenbegrenzerabstand beibehalten! Anweisungen befolgen und die empfohlene Tiefenbegrenzerlehre verwenden.** Ein zu großer Tiefenbegrenzerabstand erhöht die Rückschlaggefahr. **(Abbildung 19)**
- **Halten Sie die Sägekette gespannt!** Wenn die Sägekette unzureichend gespannt ist, erhöht sich die

# ALLGEMEINE SICHERHEITSVORSCHRIFTEN

Gefahr, dass sie abspringt. Zudem werden Führungsschiene, Sägekette und Kettenantriebsrad stärker abgenutzt. **(Abbildung 24)**

- **Sorgen Sie für eine gute Schmierung und Wartung der Schneid-ausrüstung!** Wenn die Sägekette unzureichend geschmiert wird, erhöht sich die Gefahr, dass sie reißt. Zudem werden Führungsschiene, Sägekette und Kettenantriebsrad stärker abgenutzt.

## Rückschlag reduzierende Schneid-ausrüstung



**WARNUNG! Eine falsche Schneid-ausrüstung oder eine falsche Schienen/Kettenkombination erhöhen die Rückschlaggefahr! Nur die Kombinationen von Führungsschiene und Sägekette verwenden, die wir im Kapitel Technische Daten empfehlen, und die Feilanweisungen befolgen. Siehe die Anweisungen unter der Überschrift Technische Daten.**

Ein Rückschlag kann nur vermieden werden, wenn der Anwender dafür sorgt, dass der Rückschlagbereich der Schiene nicht mit einem Gegenstand in Berührung kommt.

Die Kraft eines Rückschlags kann reduziert werden, indem eine Schneid-ausrüstung mit "eingebauter" Rückschlagreduzierung benutzt und die Sägekette richtig geschärft und gewartet wird.

### Führungsschiene

Je kleiner der Radius des Umlenksterns, desto geringer die Rückschlagneigung.

### Sägekette

Eine Sägekette besteht aus einer Anzahl von verschiedenen Kettengliedern, die in Standardausführung und mit Rückschlagreduzierung erhältlich sind.

**WICHTIG!** Keine Sägeketten können die Rückschlaggefahr ausschließen.



**WARNUNG! Jeder Kontakt mit einer rotierenden Sägekette kann sehr schwere Verletzungen hervorrufen.**

### Einige Ausdrücke, die Führungsschiene und Sägekette beschreiben

Um alle Sicherheitskomponenten der Schneid-ausrüstung zu erhalten, sind verschlissene und beschädigte Schienen/Kettenkombinationen durch eine von Husqvarna empfohlene Führungsschiene und Sägekette zu ersetzen. Siehe die Anweisungen unter der Überschrift Technische Daten für Informationen, welche Schienen/Kettenkombinationen wir empfehlen.

### Führungsschiene

- Länge (Zoll/cm) **(Abbildung 13)**
- Anzahl Zähne des Umlenksterns (T). **(Abbildung 12)**
- Teilung der Sägekette (=pitch) (in Zoll). Der Umlenkstern der Führungsschiene und das Kettenantriebsrad der Motorsäge müssen dem Abstand zwischen den Treibgliedern angepasst sein. **(Abbildung 14)**
- Anzahl Treibglieder (St.). Jede Führungsschienenlänge hat je nach der Sägekettenteilung sowie der Anzahl Zähne des Umlenksterns eine bestimmte Anzahl Treibglieder. **(Abbildung 16)**
- Nutbreite der Schiene (Zoll/mm). Die Breite der Führungsschienennut muss der Treibgliedbreite der Sägekette angepasst sein.
- Loch für Kettenöl und Loch für Kettenspannzapfen. Die Führungsschiene muss der Motorsägenkonstruktion angepasst sein. **(Abbildung 15)**

### Sägekette

- Teilung der Sägekette (=pitch) (Zoll) **(Abbildung 14)**
- Treibgliedbreite (mm/Zoll) **(Abbildung 17)**
- Anzahl Treibglieder (St.) **(Abbildung 16)**

## Sägekette schärfen und Tiefenbegrenzerabstand justieren



**Bei Arbeiten mit der Kette sind stets Schutzhandschuhe zu tragen.**

### Allgemeines über das Schärfen von Schneidezähnen

- Niemals mit einer stumpfen Sägekette sägen. Die Sägekette ist stumpf, wenn die Schneid-ausrüstung durch das Holz gepresst werden muss und die Holzspäne sehr klein sind. Bei einer sehr stumpfen Sägekette sind überhaupt keine Holzspäne vorhanden. In diesem Fall entsteht nur Holzstaub.
- Eine gut geschärfte Sägekette frisst sich durch das Holz und erzeugt große, lange Holzspäne. **(Abbildung 18)**
- Das sägende Element einer Sägekette, das Schneideglied, besteht aus einem Schneidezahn (A) und einer Tiefenbegrenzernase (B). Der Höhenabstand zwischen den beiden entscheidet über die Schnitttiefe. **(Abbildung 19)**

Beim Schärfen von Schneidezähnen sind vier Werte zu berücksichtigen.

- 1 Schärfwinkel **(Abbildung 20)**
- 2 Brustwinkel **(Abbildung 21)**
- 3 Schärfposition **(Abbildung 22)**
- 4 Durchmesser der Rundfeile

# ALLGEMEINE SICHERHEITSVORSCHRIFTEN

Ohne Hilfsmittel ist es äußerst schwierig, eine Sägekette korrekt zu schärfen. Daher empfehlen wir die Anwendung unserer Schärfllehre. Sie stellt sicher, dass die Sägekette für optimale Rückschlagreduktion und Schnittleistung geschärft wird. **(Abbildung 23)**

Siehe die Anweisungen unter der Überschrift Technische Daten bezüglich des Schärfens Ihrer Motorsägenkette.



**WARNUNG! Das Nichtbefolgen der Schärfanweisungen erhöht die Rückschlagneigung der Sägekette erheblich!**

## Schärfen der Schneidezähne

Zum Schärfen der Schneidezähne ist eine Rundfeile und eine Schärfllehre erforderlich. Siehe die Anweisungen unter der Überschrift Technische Daten bezüglich des Durchmessers der Rundfeile sowie einer Schärfllehrenempfehlung für Ihre Motorsägenkette.

- Kontrollieren, ob die Sägekette gespannt ist. Bei unzureichender Spannung ist die Sägekette in seitlicher Richtung instabil, was das korrekte Schärfen erschwert. **(Abbildung 24)**
- Immer von der Innenseite des Schneidezahns nach außen schärfen. Die Feile beim Zurücksetzen anheben. Zuerst alle Zähne der einen Seite schärfen, dann die Motorsäge drehen und die Zähne der anderen Seite schärfen. **(Abbildung 20)**
- So schärfen, dass alle Zähne gleich lang sind. Wenn die Schneidezähne bis auf 4 mm (5/32") Länge abgenutzt sind, ist die Sägekette unbrauchbar und muss weggeworfen werden. **(Abbildung 25)**

## Allgemeines über die Justierung der Tiefenbegrenzung

- Beim Schärfen des Schneidezahns wird die Tiefenbegrenzung (= Schnitttiefe) verringert. Um die maximale Schneidleistung beizubehalten, muss die Tiefenbegrenznase auf die empfohlene Höhe gesenkt werden. Siehe die Anweisungen unter der Überschrift Technische Daten über die Justierung des Tiefenbegrenzerabstands an der Sägekette Ihrer Motorsäge. **(Abbildung 26)**



**WARNUNG! Ein zu großer Tiefenbegrenzerabstand erhöht die Rückschlagneigung der Sägekette!**

## Justierung des Tiefenbegrenzerabstands

- Wenn die Justierung des Tiefenbegrenzerabstands vorgenommen wird, müssen die Schneidezähne neu geschärft sein. Wir empfehlen, den Tiefenbegrenzerabstand nach jeder dritten Sägekettenschärfung zu justieren. **ACHTUNG!** Diese Empfehlung setzt voraus, dass die Länge der Schneidezähne nicht unnormal verkürzt worden ist.
- Zur Justierung des Tiefenbegrenzerabstands sind eine Flachfeile und eine Tiefenbegrenzerlehre erforderlich. Wir empfehlen die Verwendung unserer

Schärfllehre für den Tiefenbegrenzerabstand, um das korrekte Maß und den richtigen Winkel der Tiefenbegrenznase zu erhalten.

- Schärfllehre über die Sägekette legen. Informationen über die Verwendung der Schärfllehre sind auf der Verpackung angegeben. Mit der Flachfeile den überschüssigen Teil der Tiefenbegrenznase abfeilen. Der Tiefenbegrenzerabstand ist korrekt, wenn beim Feilen über die Lehre kein Widerstand mehr zu spüren ist. **(Abbildung 27)**

## Spannen der Sägekette



**WARNUNG! Eine unzureichend gespannte Sägekette kann abspringen und schwere oder sogar lebensgefährliche Verletzungen verursachen.**



**WARNUNG! Entfernen Sie stets die Batterie, bevor Sie Montage-, Wartungs- und/oder Kontrollarbeiten durchführen.**

Je öfter man eine Sägekette benutzt, desto länger wird sie. Es ist wichtig, dass die Schneidausrüstung dieser Veränderung entsprechend justiert wird.

Die Kettenspannung ist regelmäßig beim Nachfüllen von Sägekettenöl zu kontrollieren. **HINWEIS!** Eine neue Sägekette muss eine gewisse Zeit eingefahren werden, in der die Sägekettenspannung öfter kontrolliert werden muss.

Allgemein gilt, dass man die Sägekette so straff wie möglich spannen soll, aber nur so straff, dass man sie noch leicht von Hand drehen kann. **(Abbildung 47)**

- Den Knauf durch Herausklappen lösen, bis er aufschnappt. **(Abbildung 28)**
- Durch Drehen des Knaufs im Gegenuhrzeigersinn wird die Abdeckung des Antriebsrads gelöst. **(Abbildung 29)**
- Das Rad nach unten drehen (+), um die Spannung zu erhöhen, und nach oben (-), um die Spannung zu lockern. **(Abbildung 30)**
- Durch Drehen des Knaufs im Uhrzeigersinn wird die Schienenkupplung angezogen. **(Abbildung 31)**
- Knauf wieder einklappen, um die Spannung zu sichern. **(Abbildung 32)**

# ALLGEMEINE SICHERHEITSVORSCHRIFTEN

## Schmierung der Schneidausrüstung



**WARNUNG! Eine unzureichende Schmierung der Schneidausrüstung kann zu einem Bruch der Sägekette führen und schwere oder sogar lebensgefährliche Verletzungen verursachen.**

### Sägekettenöl

Sägekettenöl soll gut an der Sägekette haften und im warmen Sommer wie im kalten Winter gute Fließeigenschaften aufweisen.

**Niemals Altöl verwenden!** Es ist schädlich für Anwender, Gerät und Umwelt.

### Nachfüllen von Sägekettenöl

- Verwenden Sie immer mineralische Kettenöle. **(Abbildung 33)**
- Informieren Sie sich bei Ihrer Servicewerkstatt über das geeignete Kettenschmieröl.
- Alle unsere Motorsägenmodelle sind mit automatischer Kettenschmierung versehen. Bei einigen Modellen kann auch die Öldurchflussmenge eingestellt werden.
- Der Öltank der Sägekette ist auf mindestens drei Batterieladungen ausgelegt. Diese Sicherheitsfunktion setzt jedoch voraus, dass Sie das richtige Kettenöl verwenden (ist das Kettenöl zu dünn, hält es nicht so lange).
- Auf keinen Fall Altöl verwenden. Dadurch können Schäden an Ölpumpe, Schiene und Kette entstehen.
- Es ist wichtig, eine für die aktuelle Lufttemperatur geeignete Ölart (mit entsprechender Viskosität) zu verwenden.
- Bei Lufttemperaturen unter 0°C können gewisse Öle dickflüssig werden. Dies kann zu Überlastung der Ölpumpe führen und hat Schäden an den Pumpenteilen zur Folge.

### Kontrolle der Sägekettenschmierung

- Die Kettenschmierung ist bei jedem dritten Aufladen des Akkus zu kontrollieren.

Die Führungsschienspitze im Abstand von etwa 20 cm (8 Zoll) auf einen festen, hellen Gegenstand richten. Nach 1 Minute Betrieb mit 3/4 Vollgas muss ein deutlicher Ölrand am hellen Gegenstand sichtbar sein. **(Abbildung 34)**

Wenn die Sägekettenschmierung nicht funktioniert:

- Kontrollieren, ob der Sägekettenölkanal verstopft ist. Bei Bedarf reinigen. **(Abbildung 35)**
- Kontrollieren, ob die Nut der Führungsschiene sauber ist. Bei Bedarf reinigen. **(Abbildung 36)**
- Kontrollieren, ob der Umlenkstern der Führungsschiene sich leicht bewegen lässt und sein

Schmierloch offen ist. Bei Bedarf reinigen und schmieren. **(Abbildung 37)**

Wenn die Schmierung der Sägekette nach einem Durchgang der oben aufgeführten Kontrollen und Maßnahmen nicht funktioniert, muss die Servicewerkstatt aufgesucht werden.

### Kettenantriebsrad

Das Antriebssystem verfügt über ein Antriebsritzel. **(Abbildung 38)**

Regelmäßig den Verschleiß des Kettenantriebsrades kontrollieren. Austauschen, wenn das Rad unnormal verschlissen ist.

### Verschleißkontrolle der Schneidausrüstung

Die Sägekette täglich im Hinblick auf Folgendes kontrollieren:

- Sichtbare Risse an Nieten und Gliedern.
- Steifigkeit der Sägekette.
- Unnormaler Verschleiß an Nieten und Gliedern.

Die Sägekette entsorgen, wenn sie einen der o. g. Punkte aufweist.

Wir empfehlen, eine neue Sägekette zu benutzen, um den Verschleiß der alten Kette beurteilen zu können.

Wenn die Schneidezähne nur noch eine Länge von 4 mm haben, ist die Sägekette verschlissen und muss weggeworfen werden.

### Führungsschiene

Regelmäßig kontrollieren:

- Ob sich an den Außenseiten der Führungsschiennut Grate gebildet haben. Bei Bedarf abfeilen. **(Abbildung 39)**
- Ob die Führungsschiennut unnormal verschlissen ist. Wenn ja, Führungsschiene auswechseln.
- Ob der Umlenkstern der Führungsschiene unnormal oder ungleichmäßig verschlissen ist. Wenn sich eine Vertiefung gebildet hat, wo der Radius des Umlenksterns an der Unterseite der Führungsschiene endet, war die Sägekette unzureichend gespannt. **(Abbildung 40)**
- Tägliches Wenden der Führungsschiene verlängert ihre Lebensdauer. **(Abbildung 41)**

# ALLGEMEINE SICHERHEITSVORSCHRIFTEN



**WARNUNG!** Die Mehrzahl der Unfälle mit Motorsägen passiert, wenn die Sägekette den Anwender trifft.

Tragen Sie persönliche Schutzausrüstung. Siehe die Anweisungen unter der Überschrift "Persönliche Schutzausrüstung".

Meiden Sie alle Arbeitsaufgaben, für die Sie sich nicht ausreichend qualifiziert fühlen. Siehe die Anweisungen unter den Überschriften **Persönliche Schutzausrüstung, Vorbeugende Maßnahmen gegen Rückschlag, Schneidausrüstung und Allgemeine Arbeitsvorschriften.**

Vermeiden Sie Situationen, in denen Rückschlaggefahr besteht. Siehe die Anweisungen unter der Überschrift **Sicherheitsausrüstung des Gerätes.**

Benutzen Sie die empfohlene Schneidausrüstung und kontrollieren Sie deren Zustand. Siehe die Anweisungen unter den Überschriften **Technische Daten und Allgemeine Sicherheitsvorschriften.**

Kontrollieren Sie die Funktion der Sicherheitsausrüstung der Motorsäge. Siehe die Anweisungen unter den Überschriften **Allgemeine Arbeitsvorschriften und Allgemeine Sicherheitsvorschriften.**

Die Motorsäge beim Einsatz niemals nur mit einer Hand halten. Die Motorsäge lässt sich mit nur einer Hand nicht sicher bedienen. Die Griffe stets mit beiden Händen fest und sicher halten.

## Montage von Schiene und Kette



**WARNUNG!** Entfernen Sie stets die Batterie, bevor Sie Montage-, Wartungs- und/oder Kontrollarbeiten durchführen.

**Bei Arbeiten mit der Kette sind stets Schutzhandschuhe zu tragen.**

- Kontrollieren, dass die Kettenbremse nicht in ausgelöster Position ist, indem der Handschutz der Kettenbremse gegen den vorderen Griff geführt wird. **(Abbildung 42)**
- Entfernen Sie die Abdeckung des Kettenantriebsrads, indem Sie den Knopf gegen den Uhrzeigersinn drehen. Den Transportschutz (A) entfernen. **(Abbildung 43)**
- Die Schiene über den Schienenbolzen montieren. Die Schiene in der hintersten Position aufsetzen. Die Kette um das Kettenantriebsrad und in die Schienennut legen. Auf der Oberseite der Schiene beginnen. **(Abbildung 44)**
- Darauf achten, dass die Schneiden der Sägezähne auf der Schienenoberseite nach vorn gerichtet sind. Bringen Sie die Kupplungsabdeckung an und setzen Sie den Kettenspannzapfen in das Loch in der Schiene ein. Überprüfen Sie, ob die Treibglieder der Kette auf das Kettenantriebsrad passen und die Kette richtig in der Schienennut liegt.
- Das Rad nach unten drehen (+), um die Kette zu spannen. Die Kette sollte so gespannt werden, dass sie von der Schienenunterseite nicht durchhängt. **(Abbildung 45)**
- Die Kette ist korrekt gespannt, wenn sie von der Schienenunterseite nicht durchhängt, aber noch problemlos von Hand gedreht werden kann. Die Schienenspitze nach oben halten und die Schienenkupplung durch Drehen des Knaufs im Uhrzeigersinn anziehen. **(Abbildung 46)**
- An einer neuen Kette muss die Kettenspannung oft kontrolliert werden, bis die Kette eingefahren ist. Die Kettenspannung regelmäßig prüfen. Mit einer richtig gespannten Kette wird eine gute Schnittleistung und eine lange Lebensdauer erzielt. **(Abbildung 47)**

## Montage der Rindenstütze

Zur Montage einer Rindenstütze wenden Sie sich bitte an Ihre Servicewerkstatt. **(Abbildung 48)**



# HANDHABUNG DER BATTERIE

## Batteriestatus

Auf der Anzeige werden der Ladezustand und eventuelle Störungen der Batterie angezeigt. Die Batteriekapazität wird nach dem Ausschalten des Geräts bzw. nach Drücken der Batterieanzeigtaste (1) für 5 Sekunden angezeigt. Das Warnsymbol auf der Batterie leuchtet auf, wenn eine Störung vorliegt (2). Siehe Fehlercodes. (Abbildung 49)

LED-Leuchten	Batteriestatus
Alle LEDs leuchten	Volle Ladung (75-100 %).
LED 1, LED 2 und LED 3 leuchten	Die Batterie ist zu 50-75 % geladen.
LED 1 und LED 2 leuchten	Die Batterie ist zu 25-50 % geladen.
LED 1 leuchtet	Die Batterie ist zu 0-25 % geladen.
LED 1 blinkt.	Die Batterie ist leer. Laden Sie die Batterie.

## Batterieladegerät



**WARNUNG! Stromschlag- und Kurzschlussgefahr. Zugelassene und intakte Steckdosen verwenden. Sicherstellen, dass das Kabel nicht beschädigt ist. Das Kabel muss ausgetauscht werden, wenn es beschädigt erscheint.**

## Anschließen des Ladegeräts

- Das Ladegerät an eine Quelle mit der auf dem Typenschild angegebenen Spannung und Frequenz anschließen. Den Stecker an die Steckdose anschließen. Die LED am Ladegerät blinkt einmal grün. (Abbildung 50)
- Die Batterie kann nicht aufgeladen werden, wenn die Batterietemperatur über 50 °C liegt.

## Anschließen der Batterie an das Ladegerät

Regelmäßig prüfen, ob Batterie und Ladegerät unbeschädigt sind. Siehe auch die Anweisungen unter der Überschrift **Wartung**.

Vor der ersten Verwendung muss die Batterie aufgeladen werden. Die Batterie ist bei Auslieferung nur zu 30% aufgeladen.

- Verbinden Sie das Ladegerät mit dem Akku. (Abbildung 50)
- Während dem Ladevorgang leuchtet die grüne LED auf dem Ladegerät. (Abbildung 51)
- Wenn alle LEDs leuchten, ist die Batterie voll geladen. (Abbildung 52)
- Trennen Sie das Ladegerät von der Batterie.

- Den Stecker ziehen. Niemals am Stromkabel ziehen, um es aus der Steckdose zu entfernen.

## Ladezustand

Lithium-Ionen-Batterien können unabhängig vom Ladezustand geladen werden. Der Ladevorgang kann bei jedem Ladezustand der Batterie begonnen oder unterbrochen werden. (Abbildung 53)

LED-Anzeige	Ladezustand
LED 1 blinkt.	Die Batterie ist zu 0-25 % geladen.
LED 1 leuchtet, LED 2 blinkt	Die Batterie ist zu 25-50 % geladen.
LED 1 und LED 2 leuchten, LED 3 blinkt.	Die Batterie ist zu 50-75 % geladen.
LED 1, LED 2 und LED 3 leuchten, LED 4 blinkt.	Die Batterie ist zu 75-100 % geladen.
LED 1, LED 2, LED 3 und LED 4 leuchten	Wenn alle LEDs leuchten, ist die Batterie voll geladen.

## Transport und Aufbewahrung

- Die enthaltenen Lithium-Ionen-Batterien unterliegen den gesetzlichen Bestimmungen zu gefährlichen Gütern.
- Für gewerbliche Transporte z. B. durch Dritte oder Spediteure, müssen besondere Anforderungen bei Verpackung und Kennzeichnung eingehalten werden.
- Für die Vorbereitung zum Versand des Produkts muss ein Sachverständiger für gefährliche Materialien hinzugezogen werden. Bitte beachten Sie auch eventuell genauere, nationale Vorschriften.
- Sichern oder kleben Sie offene Kontakte fest und verpacken Sie die Batterie so, dass sie nicht in der Verpackung herum rutschen kann.
- Für die Lagerung oder den Transport die Batterie entnehmen.
- Die Batterie und das Ladegerät an einem trockenen sowie feuchtigkeits- und frostfreien Ort lagern.
- Batterie nicht in Räumen lagern, in denen es zu elektrostatischen Entladungen kommen kann. Batterie niemals in einer Metallkiste lagern.
- Die Batterie und das Ladegerät an einem Ort mit einer Temperatur zwischen 5 und 45 °C lagern und nicht direkter Sonneneinstrahlung aussetzen.
- Die Batterie stets an einem geschlossenen und trockenen Ort aufbewahren.
- Batterie und Ladegerät müssen getrennt voneinander aufbewahrt werden. Bewahren Sie das Gerät für Kinder und Unbefugte unzugänglich in einem abschließbaren Raum auf.



- Vor der Langzeitaufbewahrung sicherstellen, dass die Maschine gründlich gesäubert und komplett gewartet wurde.
- Bei Transport oder Aufbewahrung des Geräts muss der Transportschutz für die Schneidausrüstung immer montiert sein, um einen versehentlichen Kontakt mit der scharfen Kette zu vermeiden. Auch eine sich nicht bewegendes Kette kann schwere Verletzungen beim Bediener oder anderen Personen in der Nähe verursachen.
- Sichern Sie die Maschine während des Transports.

## **Entsorgung von Batterie, Ladegerät und Maschine**

Das Symbol auf dem Produkt oder der Verpackung gibt an, dass dieses Produkt nicht im Hausmüll entsorgt werden darf. Zur Entsorgung ist es stattdessen an eine entsprechende Recyclinganlage für elektrische und elektronische Geräte zu übergeben.

Durch eine korrekte Entsorgung dieses Produkts tragen Sie dazu bei, mögliche negative Auswirkungen auf Ihre Umwelt und Mitmenschen zu verhindern. Durch eine unsachgemäße Entsorgung dieses Produkts können Schäden entstehen. Ausführliche Recyclinginformationen zu diesem Produkt erhalten Sie von Ihrer Kommune, Entsorgungsunternehmen für Hausmüll oder dem Geschäft, in dem Sie das Produkt erworben haben.

# STARTEN UND STOPPEN

## Starten und stoppen



**WARNUNG! Vor dem Start ist Folgendes zu beachten:**

**Starten Sie die Motorsäge nur dann, wenn Schwert, Kette und sämtliche Abdeckungen montiert sind. Andernfalls kann sich das Antriebsrad lösen und Verletzungen verursachen.**

**Sorgen Sie dafür, dass Sie fest und sicher stehen, und dass die Kette nicht mit einem Gegenstand in Berührung kommen kann.**

**Sorgen Sie dafür, dass sich im Arbeitsbereich keine Unbefugten aufhalten.**

- Prüfen Sie vor dem Einsetzen der Batterie in die Maschine stets, ob der Gashebel korrekt aktiviert wird und nach dem Loslassen wieder in die Stellung „Aus“ zurückkehrt. Damit der Gashebel nicht versehentlich gezogen wird, steht eine Gashebelsperre zur Verfügung. **(Abbildung 54)**
- Die Motorsäge niemals starten, ohne dass Schiene, Sägekette und sämtliche Abdeckungen korrekt montiert sind. Siehe die Anweisungen unter der Überschrift Montage. **(Abbildung 55)**
- Bei der Arbeit auf die Umgebung achten und sicherstellen, dass weder Menschen noch Tiere mit der Schneidausrüstung in Berührung kommen können. **(Abbildung 56)**
- Die Motorsäge stets mit beiden Händen halten. Mit der rechten Hand den hinteren Griff und mit der linken den vorderen Griff umfassen. **Alle Benutzer, ob Links- oder Rechtshänder, müssen die Handgriffe so greifen.** Fest umfassen, sodass Daumen und Finger den Handgriff umschließen. **(Abbildung 57)**

## Starten

- Batterie in das Gerät einsetzen. Die Batterie sollte leicht in den Batteriehalter des Geräts hineingleiten. Sollte die Batterie nicht leicht hineingleiten können, ist sie nicht richtig eingesetzt. **(Abbildung 58)**
- Drücken Sie den Akku nach unten. Sie hören ein Klicken, wenn der Akku eingerastet ist. **(Abbildung 59)**
- Ein-/Aus-Taste (1) drücken und solange gedrückt halten, bis die grüne LED aufleuchtet. **(Abbildung 60)**

## Stoppen

Die Maschine wird durch Drücken der Taste Start/Stop auf der Tastatur deaktiviert (die grüne LED erlischt). **(Abbildung 60)**

Hinweis! Um das unbeabsichtigte Starten zu vermeiden, muss die Batterie stets entfernt werden, wenn die Maschine nicht verwendet oder überwacht wird. Zum Entfernen der Batterie muss diese bei gedrückter Freigabetaste an der Batterie herausgezogen werden. **(Abbildung 61)**

## Vor jeder Anwendung: (Abbildung 62)

- 1 Kontrollieren, ob die Kettenbremse ordnungsgemäß funktioniert und unbeschädigt ist.
- 2 Kontrollieren, ob der hintere Rechtshandschutz unbeschädigt ist.
- 3 Kontrollieren, ob Gashebelsperre ordnungsgemäß funktioniert und unbeschädigt ist.
- 4 Kontrollieren, ob die Tastatur ordnungsgemäß funktioniert und unbeschädigt ist.
- 5 Kontrollieren, ob sämtliche Handgriffe frei von Öl sind.
- 6 Kontrollieren, ob sämtliche Teile der Motorsäge vorhanden, fest angezogen und unbeschädigt sind.
- 7 Kontrollieren, ob der Kettenfänger an seinem Platz sitzt und unbeschädigt ist.
- 8 Kettenspannung überprüfen.
- 9 Prüfen Sie, ob der Akku voll geladen ist und fest in der Kettensäge angebracht ist.
- 10 Prüfen Sie, ob die Kettensäge stoppt, wenn der Gashebel losgelassen wird.

## SavE

Die Maschine ist mit einer Energiesparfunktion (savE) ausgestattet. Diese Funktion wird durch Drücken der Taste savE auf der Tastatur aktiviert. Bei aktivierter savE-Funktion wird die Laufzeit der Maschine verlängert, da die Kettengeschwindigkeit verringert wird. **(Abbildung 63)**

Hinweis! Bei Verwendung der SavE-Funktion wird nur die Kettengeschwindigkeit, nicht aber die Schnittleistung der Maschine verringert.

## Allgemeine Arbeitsvorschriften

### WICHTIG!

Dieser Abschnitt behandelt die grundlegenden Sicherheitsvorschriften bei der Arbeit mit einer Motorsäge. Diese Information kann natürlich in keiner Weise die Ausbildung und langjährige Erfahrung eines Fachmanns ersetzen. Wenn Sie in eine Situation geraten, in der Sie unsicher sind, sollten Sie einen Fachmann um Rat fragen. Wenden Sie sich an Ihren Fachhändler, Ihre Servicewerkstatt oder einen erfahrenen Motorsägenführer. Vermeiden Sie jede Arbeit, für die Sie nicht ausreichend qualifiziert sind!

Vor der Benutzung der Motorsäge müssen Sie wissen, was ein Rückschlag ist, und wie er vermieden werden kann. Siehe die Anweisungen unter der Überschrift Vorbeugende Maßnahmen gegen Rückschlag.

Vor der Benutzung der Motorsäge müssen Sie den Unterschied verstehen zwischen dem Sägen mit der Unterseite bzw. Oberseite der Führungsschiene. Siehe die Anweisungen unter den Überschriften Vorbeugende Maßnahmen gegen Rückschlag und Sicherheitsausrüstung des Geräts.

Tragen Sie persönliche Schutzausrüstung. Siehe die Anweisungen unter der Überschrift "Persönliche Schutzausrüstung".

## Grundlegende Sicherheitsvorschriften

- 1 Behalten Sie die Umgebung im Auge:
  - Um sicherzustellen, dass weder Menschen noch Tiere oder anderes Ihre Kontrolle über das Gerät beeinflussen können.
  - Um zu verhindern, dass Menschen oder Tiere mit der Sägekette in Berührung kommen oder von einem fallenden Baum verletzt werden.

**ACHTUNG!** Befolgen Sie die oben genannten Punkte, aber benutzen Sie nie eine Motorsäge, ohne die Möglichkeit zu haben, bei einem eventuellen Unfall Hilfe herbeizurufen.

- 2 Vermeiden Sie es, das Gerät bei schlechtem Wetter zu benutzen. Z.B. bei dichtem Nebel, starkem Regen oder Wind, großer Kälte usw. Bei schlechtem Wetter ist das Arbeiten nicht nur ermüdend, es können außerdem gefährliche Arbeitsbedingungen entstehen, z.B. glatter Boden, unberechenbare Fällrichtung des Baumes usw.
- 3 Beim Absägen von kleinen Ästen ist Vorsicht geboten, und das Sägen in Büschen ist zu vermeiden (= viele Äste gleichzeitig). Kleine Äste können nach dem Absägen in der Sägekette hängenbleiben, gegen den Anwender geschleudert werden und schwere Verletzungen verursachen.
- 4 Sicherstellen, dass Sie sicher gehen und stehen können. Achten Sie auf evtl. Hindernisse (Wurzeln, Steine, Äste, Löcher, Gräben usw.), wenn Sie unvermittelt Ihren Standort wechseln. Beim Arbeiten auf abschüssigem Boden immer sehr vorsichtig sein.
- 5 Beim Sägen von Bäumen, die unter Spannung stehen, äußerst vorsichtig sein. Ein unter Spannung stehender Baum kann sowohl vor als auch nach dem Durchsägen in seine normale Stellung zurückschnellen. Wenn Sie an der falschen Stelle stehen oder den Sägeschnitt falsch setzen, könnte der Baum Sie oder das Gerät so treffen, dass Sie die Kontrolle verlieren. Beide Fälle können schwere Verletzungen zur Folge haben. **(Abbildung 64)**
- 6 Bevor Sie Ihre Motorsäge transportieren, müssen Sie diese ausschalten und die Sägekette mithilfe der Kettenbremse arretieren. Die Motorsäge mit Schwert und Sägekette nach hinten gerichtet tragen. Bei längeren Wegen und Transporten muss ein Schwertschutz verwendet werden.
- 7 Beim Abstellen der Motorsäge auf den Boden die Sägekette mit der Kettenbremse sichern und das Gerät immer im Auge behalten. Wenn Sie die Arbeit unterbrechen, deaktivieren Sie die Maschine, und entfernen Sie die Batterie.



**WARNUNG! Gelegentlich werden Späne im Antriebssystem eingeklemmt, sodass die Sägekette blockiert. Vor dem Reinigen müssen Sie stets die Maschine ausschalten und die Batterie entnehmen.**

## Grundregeln

- 1 Wenn man verstanden hat, was ein Rückschlag ist und wie er entsteht, kann man das Überraschungsmoment verringern oder beseitigen. Eine Überraschung erhöht die Unfallgefahr. Die meisten Rückschläge sind schwach, einige können jedoch blitzschnell und sehr kraftvoll auftreten.
- 2 Die Motorsäge immer in einem festen Griff halten, mit der rechten Hand am hinteren Handgriff und der linken Hand am vorderen Handgriff. Daumen und Finger sollen die Handgriffe fest umschließen. Alle Anwender, ob Links- oder Rechtshänder, sollen die Handgriffe so greifen. Durch diesen Griff kann man die Rückschlagkraft am besten verringern und gleichzeitig die Kontrolle über die Motorsäge behalten. **Die Handgriffe nicht loslassen! (Abbildung 65)**
- 3 Die meisten Rückschlagunfälle ereignen sich beim Entasten. Der Anwender hat dafür zu sorgen, dass er fest und sicher steht und keine Gegenstände am Boden liegen, über die er stolpern könnte, so dass er sein Gleichgewicht verliert.

Durch Unachtsamkeit kann der Rückschlagbereich der Führungsschiene einen Ast, einen nahen Baum oder einen anderen Gegenstand berühren und einen Rückschlag auslösen.

Das Werkstück stets beobachten. Sind die gesägten Abschnitte klein und leicht, können sie sich in der Sägekette verfangen und gegen den Bediener geschleudert werden. Auch wenn dies allein nicht immer gefährlich sein muss, können Sie überrascht werden und die Kontrolle über die Säge verlieren. Niemals gestapelte Stämme oder Äste sägen, sondern sie erst auseinander ziehen. Jeweils nur einen Stamm oder einen Abschnitt sägen. Die abgesägten Abschnitte entfernen, um die Sicherheit des Arbeitsbereichs zu bewahren. **(Abbildung 74)**

- 4 **Die Motorsäge darf niemals über Schulterhöhe benutzt werden, und es ist zu vermeiden, mit der Schienenspitze zu sägen. Die Motorsäge niemals mit nur einer Hand halten und benutzen. (Abbildung 66)**
- 5 Um Ihre Motorsäge voll unter Kontrolle zu haben, müssen Sie fest und sicher stehen. Arbeiten Sie niemals auf einer Leiter stehend, oben auf einem Baum oder in anderen Positionen, in denen Sie keinen festen Grund unter den Füßen haben, auf dem Sie sicher stehen. **(Abbildung 67)**
- 6 Immer mit hoher Kettengeschwindigkeit sägen, d.h. mit Vollgas.
- 7 Beim Sägen mit der Oberseite der Führungsschiene besonders vorsichtig sein, d.h. wenn von der Unterseite des Objekts gesägt wird. Diese Technik wird als Sägen mit schiebender Kette bezeichnet. Die Sägekette schiebt dabei die Motorsäge nach hinten zum Anwender. Bei klemmender Sägekette kann die Motorsäge zurück zum Bediener geschleudert werden. **(Abbildung 68)**

- 8 Wenn der Anwender die nach hinten schiebende Kraft der Motorsäge nicht durch seine Körperkraft ausgleicht, besteht die Gefahr, dass die Motorsäge sich so weit nach hinten schiebt, dass nur noch der Rückschlagbereich Kontakt mit dem Baumstamm hat und ein Rückschlag ausgelöst wird. **(Abbildung 69)**

Das Sägen mit der Unterseite der Führungsschiene, d.h. von der Oberseite des Baumstammes nach unten, wird als Sägen mit ziehender Kette bezeichnet. Die Motorsäge wird zum Baumstamm hingezogen und die Vorderkante des Motorsägenkörpers fungiert als natürliche Stütze am Stamm. Beim Sägen mit ziehender Kette hat der Anwender eine bessere Kontrolle über die Motorsäge und über den Rückschlagbereich der Führungsschiene. **(Abbildung 70)**

- 9 Die Anweisungen zum Schärfen und Warten der Führungsschiene und Sägekette sind zu befolgen. Beim Auswechseln der Führungsschiene und Sägekette sind nur von uns empfohlene Kombinationen zu verwenden. Siehe die Anweisungen unter den Überschriften Schneidausrüstung und Technische Daten.

## Grundlegende Sägetechnik



**WARNUNG!** Die Motorsäge beim Einsatz niemals nur mit einer Hand halten. Die Motorsäge lässt sich mit nur einer Hand nicht sicher bedienen. Die Griffe stets mit beiden Händen fest und sicher halten.

### Allgemeines

- Immer mit Vollgas sägen!
- Nach jedem Sägeschnitt den Gashebel loslassen (wenn der Motor längere Zeit mit der Höchstleistung läuft, ohne belastet zu werden, d.h., wenn der Motor nicht den beim Sägen durch die Sägekette erzeugten Widerstand verspürt, können schwere Motorschäden die Folge sein).
- Von der Oberseite sägen = Mit "ziehender" Kette sägen.
- Von der Unterseite sägen = Mit "schiebender" Kette sägen.

Beim Sägen mit "schiebender" Kette besteht erhöhte Rückschlaggefahr. Siehe die Anweisungen unter der Überschrift Vorbeugende Maßnahmen gegen Rückschlag.

### Bezeichnungen

Entasten = Absägen von Ästen von einem gefällten Baum.

Brechen = Wenn z.B. der Baumstamm bricht, der abgelängt werden soll, bevor der Sägeschnitt vollendet ist.

### Vor jeder Ablängung sind fünf wichtige Faktoren zu berücksichtigen.

- 1 Die Schneidausrüstung darf nicht im Sägeschnitt festgeklemmt werden. **(Abbildung 71)**
- 2 Der Baumstamm darf nicht abbrechen. **(Abbildung 72)**
- 3 Die Sägekette darf während des Durchsägens und danach weder den Erdboden noch einen anderen Gegenstand berühren. **(Abbildung 73)**
- 4 Besteht Rückschlaggefahr? **(Abbildung 4)**
- 5 Haben die Geländestruktur und die Beschaffenheit der Umgebung einen Einfluß darauf, wie sicher Sie gehen und stehen können?

Ob die Sägekette festklemmt oder der Baumstamm bricht, ist von zwei Faktoren abhängig: Wie der Baumstamm vor und nach dem Ablängen gestützt wird und ob er unter Spannung steht.

Das Festklemmen und Brechen kann in den meisten Fällen vermieden werden, in dem in zwei Arbeitsgängen abgelängt wird, d.h. von der Oberseite und von der Unterseite. Es gilt ganz einfach die "Neigung" des Baumstammes zu eliminieren, die Sägekette festzuklemmen oder zu brechen.



**WARNUNG!** Wenn sich die Sägekette im Schnitt verklemt: Deaktivieren Sie die Maschine! Versuchen Sie nicht, die Maschine herauszuziehen. In diesem Fall können Sie durch die Sägekette verletzt werden, wenn die Maschine plötzlich freikommt. Verwenden Sie einen Hebel, um den Schnitt zu öffnen und die Maschine freizubekommen.

Die nachfolgenden Punkte sind eine theoretische Durchsicht der häufigsten Situationen, in die ein Motorsägenführer geraten kann.

### Ablängen



**WARNUNG!** Niemals versuchen, gestapelte oder dicht beieinander liegende Stämme zu sägen. Solches Vorgehen steigert die Rückschlaggefahr und somit das Risiko einer schweren oder lebensgefährlichen Verletzung erheblich.

Bei einem Stapel mit Stämmen ist jeder zu sägende Stamm vom Stapel wegzubewegen, auf einen Sägebock o. Ä. zu legen und einzeln zu sägen.

Die gesägten Abschnitte aus dem Arbeitsbereich entfernen. Wenn sie im Arbeitsbereich liegen bleiben, erhöhen sie sowohl das Risiko für einen versehentlichen Rückschlag als auch die Stolpergefahr beim Arbeiten. **(Abbildung 74)**

**Der Stamm liegt auf dem Erdboden.** Es besteht keine Gefahr, dass die Sägekette festklemmt oder der Baumstamm bricht. Es besteht jedoch die Gefahr, dass

die Sägekette nach dem Durchsägen den Erdboden berührt.

Von oben durch den ganzen Stamm sägen. Am Ende des Sägeschnittes ist Vorsicht geboten, um zu verhindern, dass die Sägekette den Erdboden berührt. Mit Vollgas weiterarbeiten, aber vorsichtig sein.

Wenn die Möglichkeit vorhanden ist (= kann der Stamm gedreht werden?), sollte der Stamm zu 2/3 durchgesägt werden.

Den Stamm dann drehen, um das restliche Drittel des Stammes von oben durchzusägen. **(Abbildung 75)**

**Der Stamm wird an einem Ende gestützt.** Es besteht große Gefahr, dass er bricht.

Zuerst von unten sägen (etwa 1/3 des Stammdurchmessers).

Das Durchsägen von oben beenden, bis die Sägeschnitte aufeinander treffen. **(Abbildung 76)**

**Der Stamm wird an beiden Enden gestützt.** Es besteht große Gefahr, dass die Sägekette eingeklemmt wird.

Zuerst von oben sägen (etwa 1/3 des Stammdurchmessers).

Dann von unten sägen, bis die Sägeschnitte aufeinander treffen. **(Abbildung 77)**

## Technik beim Fällen von Bäumen

**WICHTIG!** Es ist viel Erfahrung erforderlich, um einen Baum zu fällen. Ein unerfahrener Motorsägenanwender sollte keine Bäume fällen. Meiden Sie alle Arbeiten, für die Sie sich nicht ausreichend qualifiziert fühlen!

### Sicherheitsabstand

Der Sicherheitsabstand zwischen dem zu fällenden Baum und dem nächstgelegenen Arbeitsplatz soll 2 1/2 Baumrängen betragen. Sorgen Sie dafür, dass sich in diesem Gefahrenbereich weder vor noch nach dem Fällen jemand aufhält. **(Abbildung 78)**

### Fällrichtung

Beim Bäumefällen ist es wichtig, dass ein Baum nach dem Fällen leicht abzulängen und zu entasten ist. Der Anwender soll in der Nähe des gefällten Stammes sicher gehen und stehen können.

Nachdem sich der Anwender für die Fällrichtung des Baumes entschieden hat, muss er dessen natürliche Fallrichtung beurteilen.

Folgende Faktoren sind dabei zu berücksichtigen:

- Neigung
- Krümmhaftigkeit
- Windrichtung
- Anordnung der Äste
- Evtl. Schneegewicht
- Hindernisse in Reichweite des Baums: z. B. andere Bäume, Stromleitungen, Straßen und Gebäude.

- Den Stamm auf Schäden und Fäulnis untersuchen; dadurch erhöht sich die Wahrscheinlichkeit, dass der Baum sich löst und fällt, bevor Sie damit rechnen.

Nach Berücksichtigung dieser Faktoren kann der Anwender gezwungen sein, die natürliche Fallrichtung des Baumes zu akzeptieren, da es unmöglich oder zu gefährlich ist, den Baum in die gewünschte Richtung zu fällen.

Ein anderer wichtiger Faktor, der nicht die Fällrichtung, wohl aber die persönliche Sicherheit des Anwenders beeinflusst, ist das Überprüfen des zu fällenden Baumes auf beschädigte oder abgestorbene Äste, die den Anwender während der Fällarbeit verletzen können, wenn sie abbrechen.

Es ist absolut zu vermeiden, dass der fallende Baum sich in einem anderen Baum verfängt. Es ist sehr gefährlich, einen Baum zu entfernen, der sich beim Fällen verfangen hat. Es besteht sehr große Unfallgefahr. Siehe die Anweisungen unter der Überschrift Vorgehen bei einer mißglückten Fällung.

**WICHTIG!** Bei gefährlichen Arbeitsmomenten beim Fällen sollten die Gehörschützer direkt nach Beendigung des Sägevorgangs hochgeklappt werden, damit Geräusche und Warnsignale wahrgenommen werden können.

### Entfernen von Ästen im unteren Stammbereich und Rückzugsweg

Den Stamm bis auf Schulterhöhe entasten. Dabei ist es am sichersten, von oben nach unten zu arbeiten und den Stamm zwischen Körper und Motorsäge zu haben. **(Abbildung 79)**

Unterholz rund um den Baum entfernen und auf evtl. Hindernisse achten (Steine, Äste, Löcher usw.), so dass ein leichter Rückzugsweg gesichert ist, wenn der Baum zu fallen beginnt. Der Rückzugsweg sollte etwa 135° schräg hinter der geplanten Fällrichtung des Baumes liegen. **(Abbildung 80)**

- 1 Gefahrenbereich
- 2 Rückzugsweg
- 3 Fällrichtung

### Fällen



**WARNUNG! Wir raten unerfahrenen Anwendern davon ab, einen Baumstamm mit einer Schienenlänge zu fällen, die kleiner ist als der Stammdurchmesser!**

Gefällt wird mit drei Sägeschnitten. Zuerst wird eine Kerbe geschnitten, d.h. ein Schnitt von oben und ein Schnitt von unten, dann wird der eigentliche Fallschnitt gesägt. Wenn diese Sägeschnitte richtig ausgeführt werden, kann man die Fällrichtung sehr genau bestimmen.

### Kerbe

Beim Schneiden einer Kerbe mit dem Sägeschnitt von oben beginnen. An der Fällrichtungsmarkierung der Säge

(1) ein entferntes Ziel im Gelände anvisieren, wo der Baum fallen soll (2). Rechts vom Baumstamm, hinter der Säge stehen und mit ziehender Kette sägen.

Dann einen Sägeschnitt von unten machen, der genau auf den Sägeschnitt von oben trifft. **(Abbildung 81)**

Die Schnitttiefe der Kerbe soll etwa 1/4 des Stammdurchmessers und der Winkel zwischen dem oberen und unteren Schnitt mindestens 45° betragen.

Der Schnittpunkt der beiden Schnitte wird als Kerbschnittlinie bezeichnet. Die Kerbschnittlinie soll exakt horizontal verlaufen und gleichzeitig einen rechten Winkel (90°) zur Fallrichtung bilden. **(Abbildung 82)**

## Fällschnitt

Der Fällschnitt wird von der anderen Seite des Stammes ausgeführt und muss absolut horizontal verlaufen. Links vom Baumstamm stehen und mit ziehender Kette sägen.

Den Fällschnitt etwa 3-5 cm (1,5-2 Zoll) oberhalb der Horizontalebene des Kerbschnitts anbringen. **(Abbildung 83)**

Die Rindenstütze (falls montiert) hinter dem Brechmaß ansetzen. Mit Vollgas sägen und mit der Sägekette/Führungsschiene langsam in den Baumstamm schneiden. Aufpassen, ob sich der Baumstamm entgegengesetzt zur Fällrichtung bewegt. Einen Fällkeil oder einen Fällheber in den Fällschnitt schieben, sobald die Schnitttiefe dies gestattet. **(Abbildung 84)**

Der Fällschnitt soll parallel zur Kerbschnittlinie abschließen, so dass der Abstand zwischen beiden Schnitten mindestens 1/10 des Stammdurchmessers beträgt. Der nicht durchgesägte Teil des Stamm wird als Brechmaß bezeichnet.

Das Brechmaß funktioniert wie ein Scharnier, das die Richtung des fallenden Baumstammes bestimmt. **(Abbildung 85)**

Man verliert völlig die Kontrolle über die Fallrichtung des Baumes, wenn das Brechmaß zu klein oder durchgesägt ist oder wenn Kerb- und Fällschnitt an falscher Stelle ausgeführt wurden. **(Abbildung 86)**

Wenn Kerb- und Fällschnitt ausgeführt sind, soll der Baum von selbst oder mit Hilfe von Fällkeil oder Fällheber fallen. **(Abbildung 87)**

Wir empfehlen eine Führungsschiene mit Länge zu benutzen, die größer ist als der Stammdurchmesser, sodass Kerb- und Fällschnitt mit einem sog. einfachen Sägeschnitt ausgeführt werden können. Siehe die Anweisungen unter der Überschrift Technische Daten hinsichtlich der Schienenlängen, die für Ihr Motorsägenmodell empfohlen werden. **(Abbildung 88)**

Es gibt Methoden zum Fällen von Bäumen, deren Stammdurchmesser größer ist als die Führungsschiene mit einem Gegenstand in Berührung kommt. **(Abbildung 4)**

## Vorgehen bei einer mißglückten Fällung

### Herunterholen eines gefälltten und festgeklemmten Baumstammes

Es ist sehr gefährlich, einen Baum zu entfernen, der sich beim Fällen verfangen hat. Es besteht sehr große Unfallgefahr.

Niemals den Baum sägen, auf den sich ein anderer gefällter Baum stützt.

Niemals im Gefahrenbereich von hängenden, festgeklemmten Bäumen arbeiten. **(Abbildung 89)**

Am sichersten ist die Benutzung einer Winde.

- Am Traktor **(Abbildung 90)**
- Tragbar **(Abbildung 91)**

### Sägen in Baumstämmen und Ästen, die unter Spannung stehen

Vorbereitungen: Versuchen Sie herauszufinden, in welche Richtung die Spannung wirkt und wo die Bruchstelle liegt (= die Stelle, an der das Holz brechen würde, wenn die Spannung zusätzlich erhöht würde). **(Abbildung 92)**

Überlegen Sie, wie die Spannung am sichersten beseitigt werden kann, und ob Sie dies schaffen. Ist die Situation zu kompliziert, gibt es nur eine sichere Methode nämlich anstelle der Motorsäge eine Winde zu benutzen.

#### Allgemein gilt:

Stellen Sie sich an eine Stelle, an der Sie nicht Gefahr laufen, getroffen zu werden, wenn der Baumstamm/Ast von der Spannung befreit wird. **(Abbildung 93)**

Machen Sie einen oder mehrere Sägeschnitte an oder in der Nähe der Bruchstelle. So tief sägen und so viele Schnitte machen wie erforderlich sind, um die Spannung im Baumstamm/Ast so zu lösen, dass der Baumstamm/Ast an der Bruchstelle bricht. **(Abbildung 94)**

### Einen Baumstamm, der unter Spannung steht, nie ganz durchsägen!

Muss der Baum/Ast durchsägt werden, sind zwei oder drei Schnitte im Abstand von 3 cm und mit einer Tiefe von 3-5 cm vorzunehmen. **(Abbildung 95)**

Fortfahren und tiefer sägen, bis sich die Spannung und Verklebung des Baums/Astes löst. **(Abbildung 96)**

Ist die Spannung gelockert, den Baum/Ast von der gegenüberliegenden Seite sägen.

## Vorbeugende Maßnahmen gegen Rückschlag



**WARNUNG!** Ein Rückschlag kann blitzschnell, plötzlich und sehr kraftvoll auftreten. Motorsäge, Führungsschiene und Sägekette können auf den Anwender zu geschleudert werden. Ist die Sägekette in Bewegung, wenn sie den Anwender trifft, können schwere und sogar lebensgefährliche Verletzungen verursacht werden. Deshalb ist es wichtig zu wissen, wie ein Rückschlag verursacht wird, und wie er durch Vorsicht und die richtige Sägetechnik vermieden werden kann.

## Ablängen des Stamms in Stammabschnitte

Siehe die Anweisungen unter der Überschrift Grundlegende Sägetechnik.

### Was ist ein Rückschlag?

Rückschlag ist die Bezeichnung für eine plötzliche Reaktion, bei der Motorsäge und Führungsschiene von einem Gegenstand zurückprallen, der mit einem Teilstück der Führungsschienenenspitze in Berührung gekommen ist, dem sogenannten Rückschlagbereich. **(Abbildung 69)**

Ein Rückschlag ist immer in Richtung der Führungsschiene gerichtet. Am häufigsten erfolgt der Stoß von Motorsäge und Führungsschiene nach oben und nach hinten zum Anwender. Rückschläge erfolgen aber auch in andere Richtungen, je nachdem in welcher Stellung sich die Motorsäge in dem Augenblick befindet, in dem der Rückschlagbereich mit einem Gegenstand in Berührung kommt.

Ein Rückschlag kann nur eintreffen, wenn der Rückschlagbereich einen Gegenstand berührt. **(Abbildung 4)**

### Entasten



**WARNUNG!** Die meisten Rückschlagunfälle ereignen sich beim Entasten. Nicht den Rückschlaggefahrsektor der Führungsschiene nutzen! Äußerst vorsichtig vorgehen und vermeiden, dass die Führungsschienenenspitze in Kontakt mit dem Stamm, anderen Ästen oder Gegenständen kommt. Äußerst vorsichtig vorgehen bei unter Spannung stehenden Ästen. Sie können zurückfedern und dazu führen, dass der Bediener die Kontrolle verliert und sich verletzt.

Sorgen Sie dafür, dass Sie sicher gehen und stehen können! Arbeiten Sie von der linken Seite des Stammes aus. Arbeiten Sie so nahe wie möglich an der Motorsäge, dann haben Sie die beste Übersicht. Nach Möglichkeit soll das Gewicht der Säge auf dem Stamm ruhen.

Ändern Sie Ihren Standort nur, wenn sich der Stamm zwischen Ihnen und der Motorsäge befindet.

**(Abbildung 97)**



## Allgemeines

Der Bediener darf nur die Wartungs- und Servicearbeiten ausführen, die in dieser Bedienungsanleitung beschrieben sind. Größere Eingriffe sind von einer autorisierten Servicewerkstatt auszuführen.

## Kontrolle, Wartung und Service der Sicherheitsausrüstung der Motorsäge



**WARNUNG! Entfernen Sie stets die Batterie, bevor Sie Montage-, Wartungs- und/oder Kontrollarbeiten durchführen.**

Hinweis! Für alle Service- und Reparaturarbeiten am Gerät ist eine spezielle Ausbildung erforderlich. Dies gilt besonders für die Sicherheitsvorrichtungen des Geräts. Besteht das Gerät eine der nachstehend aufgeführten Kontrollen nicht, empfehlen wir, eine Servicewerkstatt aufzusuchen.

Wichtig! Die Batterie und das Ladegerät dürfen keinesfalls mit Wasser gereinigt werden. Aggressive Reinigungsmittel können die Kunststoffteile beschädigen.

## Kettenbremse mit Handschutz

### Kontrolle des Handschutzes

- Kontrollieren, ob der Handschutz unbeschädigt ist, er darf keine sichtbaren Defekte wie z.B. Risse aufweisen. (**Abbildung 98**)
- Bewegen Sie den vorderen Handschutz nach vorn und zurück, um sicherzustellen, dass sich dieser frei bewegen lässt und dass er sicher an der Maschine verankert ist. (**Abbildung 99**)

### Kontrolle der Trägheitsfunktion

- Die Motorsäge abgeschaltet über einen Baumstumpf oder einen anderen stabilen Gegenstand halten. Vorderen Handgriff loslassen und die Motorsäge durch ihr eigenes Gewicht auf den Baumstumpf fallen lassen, mit einer Drehung um den hinteren Handgriff. (**Abbildung 100**)

Wenn die Schienenspitze den Stubben trifft, soll die Bremse auslösen.

### Kontrolle der Bremswirkung

- Aktivieren Sie die Motorsäge. Stellen Sie sicher, dass die Sägekette nicht den Boden oder ein anderes Objekt berührt. Siehe die Anweisungen unter der Überschrift Starten und Stoppen.
- Halten Sie die Motorsäge mit festem Griff, in dem Sie die Handgriffe fest mit Daumen und Fingern umschließen. (**Abbildung 65**)
- Geben Sie Vollgas und betätigen Sie die Kettenbremse, in dem Sie das linke Handgelenk

gegen den Handschutz drehen. Lassen Sie den vorderen Handgriff nicht los. **Die Kette soll sofort stoppen. (Abbildung 101)**

## Gashebelsperre

- Stellen Sie sicher, dass der Gashebel in der Leerlaufstellung verriegelt ist, wenn die Gashebelsperre freigegeben wird. (**Abbildung 102**)
- Drücken Sie die Gashebelsperre und stellen Sie sicher, dass diese beim Loslassen wieder in die Ausgangsposition zurückkehrt. (**Abbildung 103**)
- Prüfen Sie, ob sich der Gashebel und die Gashebelsperre frei bewegen lassen und ob die Rückholfeder korrekt funktioniert. (**Abbildung 104**)
- Aktivieren Sie die Motorsäge, und geben Sie Vollgas. Lassen Sie den Gashebel los, und prüfen Sie, ob die Sägekette stoppt und stehenbleibt.

## Kettenfänger

- Kontrollieren, ob der Kettenfänger unbeschädigt ist und im Motorsägenkörper festsitzt. (**Abbildung 105**)

## Tastatur

- Aktivieren Sie die Motorsäge und stellen Sie sicher, dass diese deaktiviert wird, wenn die Start-/Stopptaste gedrückt wird (grüne LED aus). (**Abbildung 106**)

## Batteriestecker

Reinigen Sie die Batterie und das Batteriefach des Geräts nach dem Gebrauch mit einer weichen Bürste. Reinigen Sie die Kühlrippen und Batteriestecker. (**Abbildung 107**)

## Kühlsystem

Damit die Betriebstemperatur so niedrig wie möglich bleibt, ist das Gerät mit einem Kühlsystem ausgestattet.

Das Kühlsystem besteht aus folgenden Komponenten:

- 1 Lufteinlass (linke Seite der Maschine).
- 2 Ein Lüfter am Motor.

- Reinigen Sie das Kühlsystem einmal pro Woche mit einer Bürste, bei anspruchsvollen Bedingungen öfter. Ein verschmutztes oder blockiertes Kühlsystem führt zum Überhitzen und damit zu Schäden an der Maschine. (**Abbildung 108**)

## Batterie

- Stellen Sie sicher, dass die Batterie nicht beschädigt oder verformt ist und dass keine sichtbaren Schäden (z. B. Risse) erkennbar sind. (**Abbildung 109**)

## Batterieladegerät

- Stellen Sie sicher, dass das Ladegerät und das Netzteilkabel weder beschädigt noch verformt sind und dass keine sichtbaren Schäden (z. B. Risse) vorhanden sind. (**Abbildung 110**)

# WARTUNG

## Wartungsschema

Nachstehend sind die an der Maschine vorzunehmenden Wartungsmaßnahmen aufgelistet. Die meisten der Punkte werden im Abschnitt "Wartung" beschrieben.

Tägliche Wartung	Wöchentliche Wartung	Monatliche Wartung
Das Gerät äußerlich reinigen.	Falls erforderlich, Grate an den Schienenseiten planfeilen.	Verbindungen zwischen Batterie und Gerät sowie zwischen Batterie und Ladegerät prüfen.
Prüfen Sie, ob die Teile des Gashebels sicher funktionieren. (Gashebelsperre und Gashebel)		Öltank leeren und innen reinigen.
Kettenbremse reinigen und auf Funktionssicherheit prüfen. Den Kettenfänger auf Beschädigungen hin kontrollieren, bei Bedarf austauschen.		Blasen Sie das Produkt und die Kühlrippen der Batterie leicht mit Druckluft durch.
Die Schiene täglich wenden, damit sie gleichmäßig abgenutzt wird. Das Schmierungsloch in der Schiene kontrollieren; es darf nicht verstopft sein. Die Kettennut reinigen. Bei Schienen mit Umlenkstern den Stern schmieren.		
Kontrollieren, ob Schiene und Kette ausreichend mit Öl versorgt werden.		
Die Sägekette in Bezug auf sichtbare Risse in Nieten und Gliedern untersuchen, ob die Kette steif ist oder Nieten und Glieder außergewöhnlichen Verschleiß aufweisen. Bei Bedarf austauschen.		
Kette schärfen und auf Spannung und Zustand prüfen. Kettenantriebsrad auf Verschleiß kontrollieren, bei Bedarf austauschen.		
Reinigen Sie den Lufteinlass der Maschine.		
Schrauben und Muttern nachziehen.		
Kontrollieren, ob die Tastatur ordnungsgemäß funktioniert und unbeschädigt ist.		

# WARTUNG

## Störungssuchplan

### Tastatur

Mögliche Fehlercodes im Tastenfeld der Motorsäge.

Tastatur	Mögliche Fehler	Mögliche Fehlerbehebung
Warnanzeige blinkt.	Kettenbremse aktiviert.	Ziehen Sie den vorderen Handschutz zurück, um die Kettenbremse freizugeben.
	Temperaturabweichung.	Warten, bis sich das Gerät abgekühlt hat.
	Überlastung Schneidausrüstung ist verklemmt.	Die Schneidausrüstung ist verklemmt. Schneidausrüstung abnehmen.
	Der Gashebel und die Starttaste werden gleichzeitig gedrückt.	Gashebel loslassen. Das Gerät startet.
Grüne LED des Einschaltknopfes blinkt.	Geringe Batteriespannung.	Laden Sie die Batterie.
Warnanzeige leuchtet.	Service	Setzen Sie sich mit Ihrer Servicewerkstatt in Verbindung.

### Batterie

Fehlerbehebung der Batterie und/oder des Ladegeräts bei der Aufladung.

LED-Anzeige	Mögliche Fehler	Mögliche Fehlerbehebung
Warnanzeige blinkt.	Die Batterie ist entladen.	Batterie laden.
	Temperaturabweichung.	Die Batterie darf nur in Umgebungen mit Temperaturen zwischen -10 °C und 60 °C verwendet werden.
	Überspannung.	Kontrollieren, ob die Netzspannung mit der auf dem Geräteschild angegebenen übereinstimmt.
Trennen Sie das Ladegerät von der Batterie.		
Warnanzeige leuchtet.	Zellendifferenz zu groß (1 V).	Setzen Sie sich mit Ihrer Servicewerkstatt in Verbindung.

### Batterieladegerät

LED-Anzeige	Mögliche Fehler	Mögliche Fehlerbehebung
Warnanzeige blinkt.	Temperaturabweichung.	Lassen Sie das Ladegerät abkühlen (passive Abkühlung).
Warnanzeige leuchtet.	Dauerhafte Schäden.	Setzen Sie sich mit Ihrer Servicewerkstatt in Verbindung.

# TECHNISCHE DATEN

## Technische Daten

136Li

### Motor

Typ 36-V-Bürstenmotor

### Merkmale

Energiesparmodus savE

### Schmiersystem

Ölpumpe, Typ Automatisch

Öltank, Volumen, Liter/cm<sup>3</sup> 0,20/200

### Gewicht

Motorsäge ohne Batterie, Schwert und Kette, leerer Öltank (kg) 4,8

### Geräuschemissionen (siehe Anmerkung 1)

Gemessene Schalleistung dB(A) 97,3

Garantierte Schalleistung L<sub>WA</sub> dB(A) 101

Jeweilige Unsicherheit KpA, dB(A) 3,0

### Lautstärke (siehe Anmerkung 2)

Äquivalenter Schalldruckwert am Ohr des Bedieners, dB (A) 86

### Vibrationspegel (siehe Anmerkung 3)

Vorderer Handgriff, m/s<sup>2</sup> 3,61

Hinterer Handgriff, m/s<sup>2</sup> 2,25

Jeweilige Unsicherheit K, m/s<sup>2</sup> 1,5

### Äquivalente Vibrationspegel (siehe Anmerkung 4)

Vorderer Handgriff, m/s<sup>2</sup> 2,29

Hinterer Handgriff, m/s<sup>2</sup> 1,58

### Kette und Schiene

Empfohlene Schienenlängen, Zoll/cm 12/30

Effektive Schnittlänge, Zoll/cm 10/26

Antriebsradtyp/Anzahl Zähne Spur/6

Maximale Kettengeschwindigkeit / (savE), m/s 11 (10)

Für die obigen Motorsägen-Modelle zugelassenen Akkus		
Batterie	<b>BLi110</b>	<b>BLi150</b>
Typ	Lithium-Ionen	Lithium-Ionen
Batteriekapazität, Ah	3,0	4,2
Spannung, V	36	36
Gewicht, kg	1,2	1,3

Zur Verwendung mit den angegebenen BLi-Batterien geeignete Ladegeräte			
Batterieladegerät	<b>QC80</b>	<b>QC120</b>	<b>QC330</b>
Netzspannung, V	100-240	220-240	100-240
Frequenz, Hz	50-60	50-60	50-60
Leistung, W	80	125	330

Anmerkung 1: Umweltbelastende Geräuschemission gemessen als Schalleistung (L<sub>WA</sub>) gemäß EG-Richtlinie 2000/14/EG.

Anmerkung 2: Äquivalente Schalldruckpegel, nach der ISO-Norm ISO 22868, werden berechnet als die zeitgewichtete energetische Summe der Schalldruckpegel bei verschiedenen Betriebsarten. Die typische Ausbreitungsklasse für einen äquivalenten Schalldruckpegel ist eine standardmäßige Ausbreitung von 1 dB (A).

Hinweis 3: Vibrationspegel gemäß EN 60745-2-13. Berichten zufolge liegt der Vibrationspegel normalerweise bei einer Ausbreitungsklasse (Standardabweichung) von 1 m/s<sup>2</sup>. Angegebene Vibrationsdaten aus Messungen, bei denen das Gerät mit einer Schienenlänge und dem empfohlenen Kettentyp ausgestattet ist. Ist das Gerät mit einer anderen Schienenlänge ausgestattet, kann der Vibrationspegel um maximal ± 1,5 m/s<sup>2</sup> variieren.

Hinweis 4: Bei Motorsägen mit Verbrennungsmotor kann ein äquivalenter Vibrationspegel gemessen und berechnet werden. Anhand dieser Angaben können Vibrationsdaten aller Motortypen verglichen werden.



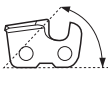
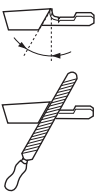

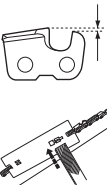
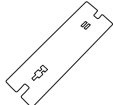

# TECHNISCHE DATEN

## Führungsschienen- und Kettenkombinationen

Die nachfolgend aufgeführten Schneidausrüstungen werden für das Modell Husqvarna 136Li empfohlen.

Führungsschiene				Sägekette	
Länge, Zoll	Teilung, Zoll	Nutbreite, mm	Max. Anzahl Zähne des Umlenksterns	Typ	Länge, Treibglieder (st)
12	3/8	1,1	9T	Husqvarna H38	45

## Feilen und Schärflerhaken der Sägekette

							
	inch/mm				inch/mm		
38	11/64 / 4,5	90°	30°	0°	0.025 / 0,65	5056981-03	5795588-01

## EG-Konformitätserklärung

### (nur für Europa)

**Husqvarna AB**, SE-561 82 Huskvarna, Schweden, Tel. +46-36-146500, erklären hiermit unsere alleinige Haftung dafür, dass die Akku-Kettensägen **Husqvarna 136Li**, auf die sich diese Erklärung bezieht, von den Seriennummern des Baujahrs 2016 an (die Jahreszahl wird im Klartext auf dem Typenschild angegeben, mitsamt einer nachfolgenden Seriennummer) den Vorschriften folgender RICHTLINIE DES RATES entspricht:

- vom 17. Mai 2006 „Maschinen-Richtlinie“ **2006/42/EG**.
- vom 26. Februar 2014 "über elektromagnetische Verträglichkeit" **2014/30/EU**.
- vom 12. Dezember 2006 über „elektrische Betriebsmittel zur Verwendung innerhalb bestimmter Spannungsgrenzen“ (Niederspannungsrichtlinie) **2006/95/EG**.
- vom 6. September 2006 über „Batterien und Akkumulatoren sowie Altbatterien und Altakkumulatoren“ **2006/66/EG**.
- vom 8. Mai 2000 "über umweltbelastende Geräuschemissionen von zur Verwendung im Freien vorgesehenen Geräten und Maschinen" **2000/14/EG**.

Folgende Normen wurden angewendet: **EN 60745-1, EN 60745-2-13, EN 60335-2-29, EN 55014-1, EN 55014-2**.

Die angemeldete Prüfstelle: **NB905, Intertek Deutschland GmbH**, Stagenstraße 1, 70771 Leinfelden-Echterdingen, hat die EG-Baumusterprüfung gemäß Maschinenrichtlinie (2006/42/EG) Artikel 12, Absatz 3b durchgeführt. Die Prüfnachweise über die EG-Typenprüfung gemäß Anlage IX haben die Nummern: **NB905 15SHW0344-01**.

Für Information betreffend die Geräuschemissionen, siehe das Kapitel Technische Daten.

Die gelieferte Motorsäge entspricht dem Exemplar, das der EG-Typenprüfung unterzogen wurde.

Husqvarna, den 30. März 2016



Tom Söberg, Entwicklungsleiter

(Bevollmächtigter Vertreter für Husqvarna AB, verantwortlich für die technische Dokumentation.)

# EXPLICATION DES SYMBOLES

## Symboles sur la machine:

Traduction du manuel d'utilisation original du suédois.

**AVERTISSEMENT!** Cette tronçonneuse peut être dangereuse! Une utilisation erronée ou négligente peut occasionner des blessures graves, voire mortelles pour l'utilisateur ou une tierce personne.



Lire attentivement et bien assimiler le manuel d'utilisation avant d'utiliser la machine.



Toujours utiliser:

- Casque de protection homologué
- Protecteurs d'oreilles homologués
- Lunettes protectrices ou visière



Ce produit est conforme aux directives CE en vigueur.



Émissions sonores dans l'environnement selon la directive de la Communauté européenne. Les émissions de la machine sont indiquées au chapitre Caractéristiques techniques et sur les autocollants.



L'opérateur doit utiliser ses deux mains lorsqu'il fait fonctionner la tronçonneuse.



Ne jamais utiliser une tronçonneuse en la tenant seulement d'une main.



Ne jamais laisser le nez du guide entrer en contact avec un objet.



**AVERTISSEMENT!** Il risque de se produire un rebond si le nez du guide entre en contact avec un objet et entraîne une réaction qui projette le guide vers le haut et vers l'utilisateur. Ceci risque de causer de graves blessures personnelles.



Sens de rotation de la chaîne et longueur maximale du guide-chaîne.



Frein de chaîne, activé (droit)  
Frein de chaîne, non activé (gauche)



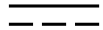
Remplissage d'huile de chaîne.



**Marquage environnemental.** Ce symbole figurant sur le produit ou sur son emballage indique que ce produit ne peut pas être traité comme déchet ménager. Il doit être collecté et amené à une installation de récupération appropriée de déchets d'équipements électriques et électroniques.



Courant continu.



Ne les exposez pas à la pluie.



**Les autres symboles/autocollants présents sur la machine concernent des exigences de certification spécifiques à certains marchés.**

## Symboles sur la batterie et/ou son chargeur :

Ce produit doit être remis à un centre de recyclage approprié.



Transformateur non dangereux en cas de défaillance



Utilisez et stockez le chargeur de batterie uniquement en intérieur.



Double isolation



# EXPLICATION DES SYMBOLES

Vous trouverez les étiquettes suivantes sur votre machine, la batterie et le chargeur de batterie :

## WARNING

Read and follow all safety precautions in the owner's manual. Failure to follow instructions could result in serious injury to user. Contact of the guide bar tip with any object should be avoided. Tip contact may cause the guide bar to move suddenly upward and backwards, which may cause serious injury to user. Two hands are always to be used in operation of the chain saw. Use only identical replacement bar and chain components manufactured by Husqvarna. Use only Husqvarna Battery type BLi.

## AVERTISSEMENT

Consulter et respecter les consignes de sécurité contenues dans le manuel de l'utilisateur. Le non-respect de ces instructions peut entraîner de graves blessures chez l'utilisateur. Éviter tout contact entre le nez et la guide-chaîne et un objet. Tout contact avec le nez peut entraîner des mouvements brusques du guide-chaîne vers le haut ou vers le bas susceptibles de provoquer le mouvement brusque de la guide-chaîne qui peut entraîner de graves blessures. Toujours utiliser les deux mains lorsqu'il faut fonctionner la tronçonneuse. Utiliser uniquement des pièces de rechange de guide-chaîne et de la chaîne identiques qui ont été homologuées par Husqvarna. Utiliser uniquement une batterie Husqvarna de type BLi.

## ADVERTENCIA

Leer y seguir todas las precauciones de seguridad especificadas en el manual de instrucciones. El incumplimiento de estas instrucciones podría comportar lesiones personales de gravedad. Debe evitarse que la punta de la sierra entre en contacto con cualquier objeto. El contacto con la punta podría provocar el movimiento repentino hacia arriba y hacia abajo de la sierra, lo que podría causar graves lesiones personales. Siempre utilizar siempre las dos manos cuando se opere la sierra. Utilice únicamente componentes de sustitución de la espada y la cadena idénticos a los originales y fabricados por Husqvarna. Utilice únicamente una batería de tipo BLi de Husqvarna.

587134101



**Husqvarna** Class 2C Chainsaw  
36V --- 136Li Article No. XXXXXXXXX  
Serial No. XXXXXX-XX  
PNC No. XXXXXX-XX

Logos for safety and certification: a triangle with a hand, ENEC, CE, a crossed-out trash can, and UL US LISTED EXXXXXX.

HUSQVARNA AB, SE-561 82 HUSKVARNA, SWEDEN

**Husqvarna AB** (PSE)  
S-561 82 Huskvarna, Sweden (Husqvarna Zenoah Co., Ltd)

Type BLi  
Art.no. \_\_\_\_\_  
36V --- / Ah Li Ion --- Wh  
10INR19/66-2

Logos for safety and certification: CE, ENEC, a recycling symbol with 'Li Ion', a crossed-out trash can with 's/n', and a QR code.

Rechargeable Li-Ion Battery

**Husqvarna AB**  
S-561 82 Huskvarna, Sweden (EWOB)  
Type: QC

Art.-No. \_\_\_\_\_  
Input: V- / Hz / 100W max.  
Output: 36V --- / 2A  
Class 2 battery charger

Logos for safety and certification: ENEC, CE, a crossed-out trash can, a crossed-out battery, and a crossed-out fire.

Use ONLY with Husqvarna Li-Ion batteries

serial-no.: \_\_\_\_\_

# SOMMAIRE

## Sommaire

Déclaration CE de conformité ..... 202

### EXPLICATION DES SYMBOLES

Symboles sur la machine: .....	174
Symboles sur la batterie et/ou son chargeur : .....	174

### SOMMAIRE

Sommaire .....	176
----------------	-----

### INTRODUCTION

Cher client, .....	177
--------------------	-----

### QUELS SONT LES COMPOSANTS?

Quels sont les composants de la tronçonneuse? .	177
---	-----

### INSTRUCTIONS GÉNÉRALES DE SÉCURITÉ

Consignes générales de sécurité relatives à l'outil à moteur .....	178
Mesures à prendre avant de mettre en usage une tronçonneuse neuve .....	180
Important! .....	181
Utilisez toujours votre bon sens .....	181
Équipement de protection personnelle .....	182
Équipement de sécurité de la machine .....	182
Batterie et chargeur de batterie .....	183
Équipement de coupe .....	185

### MONTAGE

Montage du guide-chaîne et de la chaîne .....	189
---	-----

### MANIPULATION DE LA BATTERIE

Status batterie .....	190
Chargeur de batterie .....	190
Transport et rangement .....	190
Mettez au rebut la batterie, le chargeur de batterie et la machine lorsqu'ils sont usagés .....	191

### DÉMARRAGE ET ARRÊT

Démarrage et arrêt .....	192
--------------------------	-----

### TECHNIQUES DE TRAVAIL

Avant chaque utilisation: .....	193
SavE .....	193
Méthodes de travail .....	193
Mesures anti-rebond .....	197

### ENTRETIEN

Généralités .....	198
Contrôle, maintenance et entretien des équipements de sécurité de la tronçonneuse .....	198
Connecteurs de batterie .....	198
Système de refroidissement .....	198
Batterie .....	198
Chargeur de batterie .....	198
Schéma d'entretien .....	199
Plan de recherche de pannes .....	200

### CARACTÉRISTIQUES TECHNIQUES

Caractéristiques techniques .....	201
Combinaisons guide-chaîne et chaîne .....	202
Affûtage de la chaîne et gabarits d'affûtage .....	202



# INTRODUCTION

## Cher client,

Félicitations pour ce choix d'un produit Husqvarna. Husqvarna a vu le jour en 1689 lorsque le roi Karl XI décida de construire un arsenal pour la fabrication des mousquets au bord de la rivière Huskvarna. Le choix de l'emplacement était logique puisque la rivière Huskvarna servait à produire de l'énergie hydraulique et constituait donc une sorte de centrale hydraulique. En plus de 300 ans d'existence, l'usine Husqvarna a fabriqué de nombreux produits, depuis les cuisinières à bois jusqu'aux équipements de cuisine modernes, sans oublier les machines à coudre, les bicyclettes, les motos, etc. La première tondeuse à moteur a été lancée en 1956, suivie en 1959 de la première tronçonneuse. C'est dans ce secteur que Husqvarna est actif aujourd'hui.

Husqvarna est aujourd'hui un des plus grands fabricants du monde de produits destinés à l'entretien des forêts et des jardins. La qualité et les performances sont nos priorités. Notre concept d'affaires est de développer, fabriquer et commercialiser des produits à moteur pour l'entretien des forêts et des jardins et pour les entreprises de construction et d'aménagement des sols. L'objectif d'Husqvarna est aussi d'être à la pointe du progrès en matière d'ergonomie, de facilité d'utilisation, de sécurité et de protection de l'environnement; un grand nombre d'innovations ont été développées pour améliorer les produits dans ces domaines.

Nous sommes persuadés que vous apprécierez la qualité et les performances de nos produits pendant de longues années. L'achat d'un de nos produits vous garantit une assistance professionnelle au niveau du service et des réparations en cas de besoin. Si la machine n'a pas été achetée chez un de nos revendeurs autorisés, demandez à un revendeur l'adresse de l'atelier d'entretien le plus proche.

Nous espérons que cette machine vous donnera toute satisfaction et qu'elle vous accompagnera pendant de longues années. N'oubliez pas que ce manuel d'utilisation est important. En suivant les instructions qu'il contient (utilisation, révision, entretien, etc.), il est possible d'allonger considérablement la durée de vie de la machine et d'augmenter sa valeur sur le marché de l'occasion. En cas de vente de la machine, ne pas oublier de remettre le manuel d'utilisation au nouveau propriétaire.

Nous vous remercions d'utiliser un produit Husqvarna !

Husqvarna AB travaille continuellement au développement de ses produits et se réserve le droit d'en modifier, entre autres, la conception et l'aspect sans préavis.

## Quels sont les composants de la tronçonneuse? (1)

- 1 Arceau protecteur
- 2 Clavier
- 3 Bouton SavE
- 4 Avertisseur
- 5 Bouton d'activation/désactivation
- 6 Blocage de la gâchette de puissance
- 7 Poignée arrière avec protection de la main droite
- 8 Logement de ventilateur
- 9 Réservoir d'huile pour chaîne
- 10 Chargeur de batterie
- 11 Cordon d'alimentation
- 12 Avertisseur
- 13 Raccord
- 14 Manuel d'utilisation
- 15 Fourreau protecteur du guide-chaîne
- 16 Carter d'embrayage
- 17 Manette de tension de chaîne
- 18 Bouton
- 19 Capteur de chaîne
- 20 Griffes d'abattage
- 21 Pignon avant
- 22 Chaîne
- 23 Guide-chaîne
- 24 Poignée avant
- 25 Gâchette de puissance
- 26 Batterie
- 27 Boutons de libération de la batterie
- 28 État de la batterie
- 29 Bouton, état de la batterie
- 30 Avertisseur

# INSTRUCTIONS GÉNÉRALES DE SÉCURITÉ

## Consignes générales de sécurité relatives à l'outil à moteur



**AVERTISSEMENT!** Lire toutes les consignes et instructions de sécurité. Le non-respect des consignes et instructions peut provoquer une électrocution, un incendie et/ou des blessures graves.

**IMPORTANT!** Conserver toutes ces consignes et instructions pour toute consultation ultérieure. Le terme "machine à usiner" utilisé dans les consignes fait référence à la machine branchée sur secteur ou à la machine alimentée par batterie (sans fil).

## Sécurité dans l'espace de travail

- **Maintenir un espace de travail propre et bien éclairé.** Les espaces encombrés ou sombres exposent à des accidents.
- **Ne pas utiliser de machines à usiner dans des atmosphères explosives, en présence de liquides, de gaz ou de poussières inflammables par exemple.** Les machines à usiner provoquent des étincelles qui peuvent enflammer la poussière ou les vapeurs.
- **Tenir les enfants et les spectateurs à distance lorsque la machine à usiner est en marche.** Un moment d'inattention peut vous faire perdre le contrôle.

## Sécurité électrique

- **Les fiches des machines à usiner doivent être adaptées à la prise. Ne jamais modifier la fiche. Ne pas utiliser de fiches d'adaptation avec des machines mises à la terre.** Les fiches non modifiées et les prises adaptées permettent de réduire le risque d'électrocution.
- **Éviter tout contact physique avec les surfaces mises à la terre telles que les tuyaux, les radiateurs, les cuisinières et les réfrigérateurs.** Le risque d'électrocution est plus important si le corps est relié à la terre.
- **Ne pas exposer les outils électriques à la pluie ou à l'humidité.** L'infiltration d'eau dans une machine à usiner augmente le risque d'électrocution.
- **Ne pas malmenier le cordon. Ne jamais utiliser le cordon pour porter, tirer ou débrancher la machine.** Tenir le cordon éloigné de toute source de chaleur, de l'huile, des bords tranchants ou des pièces mobiles. Les cordons endommagés ou emmêlés augmentent le risque d'électrocution.
- **Lorsqu'une machine à usiner est utilisée à l'extérieur, installer une rallonge adaptée à un usage extérieur.** L'utilisation d'un cordon adapté à un usage extérieur réduit le risque d'électrocution.

- **Si la machine doit être mise sous tension dans un endroit humide, utilisez une alimentation protégée par un disjoncteur-détecteur de fuite à la terre.** L'utilisation d'un DDFT réduit le risque de choc électrique.

## Sécurité du personnel

- **Restez attentif, regardez ce que vous faites et ayez recours à votre bon sens lorsque vous utilisez une machine à usiner. N'utilisez pas de machine à usiner si vous êtes fatigué ou si vous êtes sous l'emprise de drogues, de l'alcool ou de médicaments.** Un moment d'inattention pendant l'utilisation des machines à usiner peut entraîner des blessures corporelles graves.
- **Utilisez un équipement de protection personnelle. Travaillez toujours avec des lunettes de protection.** Les équipements de protection tels que les masques antipoussières, les chaussures de sécurité antidérapantes, le casque ou le protecteur d'oreilles utilisés dans les conditions qui conviennent réduisent les blessures corporelles.
- **Évitez tout démarrage intempestif. Vérifiez que l'interrupteur est en position OFF avant de brancher la machine à la prise et/ou au bloc d'alimentation, de la ramasser ou de la transporter.** Le fait de garder le doigt sur l'interrupteur pendant le transport des outils ou le branchement des machines alors que l'interrupteur est en position ON expose à des accidents.
- **Retirez toute clé ou clavette de calage avant de mettre la machine à usiner sous tension.** Une clé ou une clavette reliée à une pièce mobile de la machine à usiner peut entraîner des blessures corporelles.
- **Ne vous éloignez pas trop. Restez toujours en équilibre et sur vos appuis.** Cela favorise le contrôle de la machine à usiner dans les situations inattendues.
- **Habilitez-vous correctement. Ne portez jamais de vêtements amples ou de bijoux. Éloignez vos cheveux, vêtements et gants des pièces mobiles.** Les vêtements amples, les bijoux et les cheveux longs peuvent rester coincés dans les pièces mobiles.
- **Si des dispositifs sont fournis pour raccorder des systèmes de collecte et d'extraction de la poussière, vérifiez qu'ils sont correctement branchés et utilisés.** L'utilisation de dépoussiéreurs peut réduire les risques associés à la poussière.
- Les émissions de vibrations durant l'utilisation de l'appareil peuvent différer de la valeur totale déclarée en fonction de la manière dont l'outil est utilisé. En vue de se protéger, les opérateurs devraient établir des mesures de sécurité basées sur une estimation de leur exposition dans les conditions d'utilisation réelles (en tenant compte de toutes les phases du cycle opératoire, comme, par exemple, lorsque l'outil est éteint et lorsqu'il fonctionne en mode ralenti ou au gaz).

# INSTRUCTIONS GÉNÉRALES DE SÉCURITÉ

## Utilisation et entretien de la machine à usiner

- **Ne pas forcer sur la machine à usiner. Utiliser la machine à usiner qui convient à l'application.** La machine qui convient réalisera mieux son travail et de façon plus sûre, à la vitesse pour laquelle elle a été conçue.
- **Ne pas utiliser la machine à usiner si l'interrupteur ne permet pas la mise sous tension ou l'arrêt.** Toute machine à usiner impossible à commander avec l'interrupteur est dangereuse et doit être réparée.
- **Débrancher la fiche de la prise et/ou du bloc d'alimentation avant de procéder aux réglages, de changer les accessoires ou de stocker la machine.** Ces mesures de sécurité préventive réduisent le risque de mise sous tension accidentelle de la machine à usiner.
- **Ranger les machines à usiner hors de la portée des enfants et ne pas laisser des personnes qui ne connaissent pas la machine ou ces consignes utiliser l'appareil.** Les machines à usiner sont dangereuses si elles sont entre les mains d'utilisateurs non formés.
- **Entretenir les machines à usiner. Vérifier le mauvais alignement ou la fixation des pièces mobiles, l'éventuelle rupture des pièces ou toute autre condition susceptible d'altérer le fonctionnement de la machine. Si elle est endommagée, la machine à usiner doit être réparée avant toute réutilisation.** De nombreux accidents sont dus à des machines mal entretenues.
- **Maintenir les outils tranchants aiguisés et propres.** Des outils tranchants correctement entretenus avec des bords aiguisés sont moins susceptibles de se coincer et sont plus faciles à contrôler.
- **Utiliser la machine à usiner, les accessoires, les grains, etc. en suivant ces consignes et en tenant compte des conditions de travail et de la tâche à réaliser.** L'utilisation de la machine à usiner pour des opérations autres que celles pour lesquelles elle a été prévue peut entraîner des situations dangereuses.

## Utilisation et entretien d'un outil à batterie

- **Ne rechargez la machine qu'avec le chargeur indiqué par le fabricant.** Un chargeur convenant à un type de bloc de batteries particulier peut entraîner un risque d'incendie s'il est utilisé avec un autre bloc.
- **N'utilisez des outils à moteur qu'avec des blocs de batteries spécifiquement désignés.** L'utilisation d'un autre bloc de batteries peut entraîner un risque de blessure et d'incendie.
- **Lorsque vous n'utilisez pas un bloc de batteries, maintenez-le à distance d'objets métalliques, tels que des trombones, pièces de monnaie, clés, clous, vis, ou autres petits objets en métal**

risquant de relier une borne à l'autre. Court-circuiter les bornes de batterie entraîne un risque de brûlures et d'incendie.

- **Une utilisation abusive peut faire s'échapper du liquide de la batterie ; évitez tout contact de ce liquide avec votre peau. En cas de contact accidentel, rincez à l'eau. Si du liquide pénètre dans vos yeux, consultez un médecin.** Le liquide échappé de la batterie peut causer irritations et brûlures.

## Service

- **Confier la réparation de la machine à usiner à un réparateur qualifié utilisant uniquement des pièces de rechange identiques.** Cela permet de garantir la sécurité de la machine.

## Consignes de sécurité concernant la tronçonneuse

- **Lorsque la tronçonneuse est en marche, maintenez la chaîne éloignée de toute partie du corps. Avant de démarrer la tronçonneuse, assurez-vous que la chaîne n'est en contact avec aucun objet.** Lorsque la tronçonneuse est en marche, il suffit d'un moment d'inattention pour que la chaîne accroche vos vêtements ou vous blesse.
- **Tenez toujours la tronçonneuse fermement des deux mains, la main droite sur la poignée arrière, la gauche sur la poignée avant.** N'inversez pas cette position, même si vous êtes gaucher, le risque de blessure serait plus élevé.
- **Tenez l'outil électrique uniquement par la surface de préhension isolée, car la chaîne pourrait entrer en contact avec un câble électrique non apparent.** Si la chaîne entre en contact avec un câble sous tension, elle risque de mettre également sous tension les parties métalliques de l'outil électrique et vous pourriez recevoir un choc électrique.
- **Portez des lunettes de sécurité et des protecteurs d'oreilles. Il est recommandé de porter également un équipement de protection pour la tête, les mains, les jambes et les pieds.** Des vêtements de protection appropriés réduisent les blessures causées par la projection de débris ou un contact accidentel avec la chaîne.
- **N'utilisez pas une tronçonneuse si vous êtes dans un arbre.** Vous risqueriez de vous blesser ou de blesser quelqu'un.
- **Ayez toujours un bon appui et n'utilisez la tronçonneuse que si vous êtes debout sur une surface plane, fixe et sécurisée.** Sur une surface glissante ou instable telle qu'une échelle, vous pourriez perdre l'équilibre ou le contrôle de la tronçonneuse.
- **Lorsque vous sciez une branche en tension, attention à l'effet de rebond.** Lorsque la tension des fibres du bois est libérée, la branche peut vous frapper ou dévier la tronçonneuse.

# INSTRUCTIONS GÉNÉRALES DE SÉCURITÉ

- **Soyez extrêmement prudent lorsque vous coupez des broussailles ou de jeunes arbres.** Les branches minces peuvent bloquer la chaîne, vous fouetter ou vous déséquilibrer.
- **Portez la tronçonneuse en la tenant par la poignée, toujours éteinte et éloignée de votre corps. Pour transporter ou ranger la tronçonneuse, remettez toujours le fourreau du guide-chaîne.** Un maniement approprié de la tronçonneuse réduit le risque de contact accidentel avec la chaîne.
- **Suivez les instructions pour la lubrification, la tension de la chaîne et le changement d'accessoires.** Une chaîne mal tendue ou mal lubrifiée peut freiner et accroître les risques de rebond.
- **Les poignées doivent toujours être propres, sèches et sans traces d'huile ni de graisse.** La présence d'huile ou de graisse sur les poignées les rendrait glissantes et vous pourriez perdre le contrôle de la tronçonneuse.
- **Ne coupez que du bois. N'utilisez pas la tronçonneuse pour un autre usage. Par exemple : n'utilisez pas une tronçonneuse pour couper du plastique, un ouvrage de maçonnerie ni aucun matériau de construction autre que le bois.** L'utilisation d'une tronçonneuse pour un usage non prévu peut entraîner un risque.
- Nous recommandons fortement aux débutants de commencer par s'entraîner en sciant des bûches sur un chevalet de sciage ou une traverse.
- **N'utilisez que les chaînes et guide-chaînes spécifiés par le fabricant.** Une chaîne ou un guide-chaîne inappropriés peuvent se rompre ou provoquer un rebond.
- **Suivez les instructions du fabricant pour l'affûtage et l'entretien de la chaîne.** Réduire la hauteur de la butée de profondeur peut accroître le risque de rebond.

## Mesures à prendre avant de mettre en usage une tronçonneuse neuve

- Lisez attentivement ce manuel d'utilisation.
- (1) - (110) fait référence aux figures des p. 2-6.
- Chargez complètement la batterie avant la première utilisation. Voir les instructions du chapitre Charge de la batterie.
- Remplissage du réservoir d'huile de chaîne. Voir les instructions du chapitre Remplissage du réservoir d'huile de chaîne.
- Vérifier le montage et le réglage de l'outil de coupe. Voir les instructions au chapitre Montage.
- Ne pas utiliser la tronçonneuse avant que la chaîne ait reçu une quantité suffisante d'huile de chaîne. Voir les instructions au chapitre Lubrification de l'équipement de coupe.
- Une exposition prolongée au bruit risque de causer des lésions auditives permanentes. Toujours utiliser des protecteurs d'oreille agréés.

## Causes et prévention des rebonds

Un rebond peut se produire si l'extrémité avant du guide-chaîne touche un objet, ou si le bois bloque la tronçonneuse. Dans certains cas, lorsque l'avant du guide entre en contact avec un objet, la tronçonneuse rebondit vers l'opérateur. Si la chaîne est bloquée sur l'avant du guide, celui-ci peut rebondir soudainement vers l'opérateur. L'un ou l'autre de ces accidents peut vous faire perdre le contrôle de la tronçonneuse et provoquer une blessure grave. Ne vous fiez pas exclusivement aux dispositifs de sécurité de votre tronçonneuse. Lorsque vous utilisez une tronçonneuse, prenez plusieurs mesures pour éviter tout accident ou blessure. Un rebond est le résultat de conditions inappropriées, d'une procédure incorrecte ou d'une mauvaise utilisation de l'outil, et peut être évité en prenant les précautions suivantes :

- **Tenez fermement la tronçonneuse des deux mains, les pouces sous les poignées, et placez votre corps et vos bras de manière à résister à la force d'un éventuel rebond.** La force de rebond peut être contrôlée si vous prenez les bonnes précautions. Ne lâchez pas la tronçonneuse.
- **Ne coupez jamais au-dessus de la hauteur de vos épaules.** Cela permet de réduire les contacts accidentels et de mieux contrôler la tronçonneuse dans des situations inattendues.



**AVERTISSEMENT!** Ne jamais modifier sous aucun prétexte la machine sans l'autorisation du fabricant. N'utiliser que des accessoires et des pièces d'origine. Des modifications non-autorisées et l'emploi d'accessoires non-homologués peuvent provoquer des accidents graves et même mortels, à l'utilisateur ou d'autres personnes.



**AVERTISSEMENT!** Utilisée de manière erronée ou négligente, la tronçonneuse peut être un outil dangereux pouvant causer des blessures personnelles graves, voire mortelles. Il importe donc de lire attentivement et de bien assimiler le contenu de ce manuel d'utilisation.



**AVERTISSEMENT!** L'inhalation prolongée de brume d'huile de chaîne et de poussière de sciure peut représenter un risque pour la santé.

# INSTRUCTIONS GÉNÉRALES DE SÉCURITÉ



**AVERTISSEMENT!** Cette machine génère un champ électromagnétique en fonctionnement. Ce champ peut dans certaines circonstances perturber le fonctionnement d'implants médicaux actifs ou passifs. Pour réduire le risque de blessures graves ou mortelles, les personnes portant des implants médicaux doivent consulter leur médecin et le fabricant de leur implant avant d'utiliser cette machine.



**AVERTISSEMENT!** Ne laissez jamais des enfants utiliser la machine ou s'en approcher. Dans la mesure où la machine est facile à démarrer, il est possible que des enfants arrivent à la mettre en route lorsque vous les quittez des yeux. Ceci peut entraîner un risque de graves blessures personnelles. Retirez donc la batterie lorsque vous n'êtes pas en mesure de surveiller la machine de près.

## Important!

### IMPORTANT!

Cette tronçonneuse pour l'administration des forêts est conçue pour des travaux forestiers tels que l'abattage, l'ébranchage et la coupe.

La législation nationale peut restreindre l'utilisation de la machine.

Utilisez seulement les combinaisons guide-chaîne/chaîne recommandées au chapitre Caractéristiques techniques.

N'utilisez jamais la machine si vous êtes fatigué, avez bu de l'alcool ou pris des médicaments susceptibles d'affecter votre vue, votre jugement ou la maîtrise de votre corps.

Utiliser les équipements de protection personnelle. Voir au chapitre "Équipement de protection personnelle".

Ne modifiez jamais cette machine de façon à ce qu'elle ne soit plus conforme au modèle d'origine et n'utilisez jamais une machine qui semble avoir été modifiée.

N'utilisez jamais une machine, une batterie ou un chargeur de batterie défectueux. Suivez les instructions de contrôle, de maintenance et d'entretien indiquées dans ce manuel. Certaines opérations de maintenance et d'entretien doivent être réalisées par un spécialiste dûment formé et qualifié. Voir les instructions du chapitre Entretien.

N'utiliser que les accessoires recommandés dans ce manuel. Voir les chapitres Équipement de coupe et Caractéristiques techniques.

**REMARQUE!** Utilisez toujours des lunettes de protection ou une visière faciale pour vous protéger d'une éventuelle projection d'objet. Une tronçonneuse peut projeter avec violence des objets, de la sciure et de petits morceaux de bois par exemple. Il peut en résulter des blessures graves, surtout au niveau des yeux.



**AVERTISSEMENT!** Un équipement de coupe inapproprié ou une mauvaise combinaison guide-chaîne/chaîne augmente le risque de rebond !  
N'utilisez que les combinaisons chaîne et guide-chaîne recommandées et respectez les instructions d'affûtage.  
Voir les instructions au chapitre Caractéristiques techniques.

## Utilisez toujours votre bon sens

Il est impossible de prévoir toutes les situations que vous pouvez rencontrer lorsque vous utilisez une tronçonneuse. Soyez toujours prudent et utilisez votre bon sens. Évitez les situations que vous n'êtes pas sûr de maîtriser. Si, après avoir lu ces instructions, vous n'êtes toujours pas sûr de la procédure à suivre, demandez conseil à un expert avant de poursuivre. N'hésitez pas à prendre contact avec votre revendeur ou avec nous si vous avez des questions sur l'utilisation de la

# INSTRUCTIONS GÉNÉRALES DE SÉCURITÉ

tronçonneuse. Nous sommes à votre disposition et vous conseillons volontiers pour vous aider à mieux utiliser votre tronçonneuse en toute sécurité. N'hésitez pas à suivre une formation sur l'utilisation des tronçonneuses. Votre revendeur, votre établissement de formation forestière et votre bibliothèque peuvent vous renseigner sur le matériel de formation et les cours disponibles. (Figure 2)

Nous travaillons en permanence à l'amélioration de la conception et de la technique, des améliorations qui augmentent votre sécurité et votre efficacité. Rendez régulièrement visite à votre revendeur pour vous tenir au courant des nouveautés qui peuvent vous être utiles.

## Équipement de protection personnelle



**AVERTISSEMENT! La plupart des accidents surviennent quand la chaîne de la tronçonneuse touche l'utilisateur. Un équipement de protection personnelle homologué doit impérativement être utilisé lors de tout travail avec la machine. L'équipement de protection personnelle n'élimine pas les risques mais réduit la gravité des blessures en cas d'accident. Demander conseil au concessionnaire afin de choisir un équipement adéquat.**

Toujours utiliser:

- Casque de protection homologué
- Protecteur d'oreilles
- Lunettes protectrices ou visière
- Gants protecteurs anti-chaîne
- Pantalon avec protection anti-chaîne
- Bottes avec protection anti-chaîne, embout acier et semelle antidérapante
- Une trousse de premiers secours doit toujours être disponible.

Porter des vêtements près du corps et ne risquant pas de gêner les mouvements.

## Équipement de sécurité de la machine

Cette section traite des équipements de sécurité de la machine et de leur fonction. Pour le contrôle et l'entretien, voir les instructions au chapitre Contrôle, maintenance et entretien des équipements de sécurité de la tronçonneuse. Voir le chapitre Quels sont les composants? pour savoir où se trouvent équipements sur la machine.

La durée de vie de la machine risque d'être écourtée et le risque d'accidents accru si la maintenance de la machine n'est pas effectuée correctement et si les mesures d'entretien et/ou de réparation ne sont pas effectuées de manière professionnelle. Pour obtenir de plus amples informations, contacter l'atelier de réparation le plus proche.



**AVERTISSEMENT! N'utilisez jamais une machine dont les équipements de sécurité sont défectueux. Les équipements de sécurité doivent être contrôlés et entretenus. Voir les instructions au chapitre Contrôle, maintenance et entretien des équipements de sécurité de la tronçonneuse. Si les contrôles ne donnent pas un résultat positif, faites réparer votre machine par un atelier d'entretien.**

## Clavier

Assurez-vous que la machine est selon le cas allumée ou éteinte lorsque vous appuyez sur le bouton d'activation/désactivation (1) et le maintenez enfoncé (>1 sec.). La DEL verte (2) est allumée ou éteinte.

L'indicateur d'avertissement (3) clignote si le frein de chaîne est enclenché ou s'il y a un risque de surcharge. La protection de surcharge désactive temporairement la machine. Lorsque la machine retrouve sa température normale, vous pouvez à nouveau l'utiliser. Une lumière fixe indique la nécessité d'une opération de maintenance. (Figure 6)

## Fonction d'arrêt automatique

La machine est équipée d'une fonction d'arrêt qui l'éteint lorsqu'elle n'est pas utilisée. La machine s'éteint au bout d'une minute.

## Frein de chaîne avec arceau protecteur

Votre tronçonneuse est équipée d'un frein de chaîne conçu pour arrêter la chaîne en cas de rebond. Le frein de chaîne réduit le risque d'accidents, mais seul l'utilisateur peut prévenir les accidents. (Figure 3)

Observer la plus grande prudence en utilisant la tronçonneuse et s'assurer que la zone de rebond du guide-chaîne ne touche rien. (Figure 4)

- Le frein de chaîne (A) est activé soit manuellement (de la main gauche), soit avec la fonction d'inertie. (Figure 5)
- Pousser l'arceau (B) vers l'avant pour activer le frein de chaîne. (Figure 5)
- Ce mouvement active un mécanisme à ressort qui arrête le pignon d'entraînement.
- L'arceau protecteur ne déclenche pas seulement le frein de chaîne. Il réduit aussi le risque que la main gauche ne se blesse à la chaîne en cas de perte de la prise sur la poignée avant.
- Le frein de chaîne doit être activé quand la tronçonneuse est démarrée.
- Utilisez le frein de chaîne comme "frein de stationnement" au démarrage et lors de courts déplacements, pour éviter une mise en marche involontaire de la tronçonneuse et les accidents.
- Tirer l'arceau vers l'arrière contre la poignée avant pour désactiver le frein de chaîne.



# INSTRUCTIONS GÉNÉRALES DE SÉCURITÉ

- Un rebond peut être rapide et très violent. Toutefois la plupart des rebonds sont courts et n'activent pas nécessairement le frein de chaîne. Dans ce cas, tenir fermement la tronçonneuse et ne pas la lâcher. **(Figure 65)**
- Le mode d'activation du frein de chaîne (manuel ou automatique par inertie) dépend de l'ampleur du rebond et de la position de la tronçonneuse par rapport à l'objet rencontré par la zone de danger du guide.  
Si le rebond est violent et si la zone de danger du guide se trouve loin de l'utilisateur, le frein de chaîne est activé par le contrepoids (inertie) du frein de chaîne dans le sens du rebond. **(Figure 7)**
- En cas de rebond moins violent ou si, en raison de la situation de travail, la zone de danger du guide est proche de l'utilisateur, le frein de chaîne est activé manuellement par la main gauche.
- En position d'abattage, la main gauche se trouve dans une position qui rend l'activation manuelle du frein de chaîne impossible. Dans cette position, quand la main gauche ne peut pas agir sur le mouvement de la protection anti-rebond, le frein de chaîne ne peut être activé que par inertie. **(Figure 8)**

## Ma main active-t-elle toujours le frein de chaîne en cas de rebond?

Non. Il faut une certaine force pour pousser la protection anti-rebond vers l'avant. Si votre main ne fait qu'effleurer la protection anti-rebond ou glisse dessus, la force peut ne pas suffire pour déclencher le frein de chaîne. Vous devez aussi tenir fermement la poignée de la tronçonneuse quand vous travaillez. Ainsi, vous ne lâchez peut être jamais la poignée avant en cas de rebond et n'activez pas le frein de chaîne, ou n'activez pas le frein de chaîne avant que la tronçonneuse n'ait eu le temps de tourner sur une certaine distance. Dans un tel cas, il se peut que le frein de chaîne n'ait pas le temps d'arrêter la chaîne avant qu'elle ne vous heurte.

Certaines positions de travail empêchent aussi votre main d'atteindre la protection anti-rebond pour activer le frein de chaîne, quand la tronçonneuse est tenue en position d'abattage par exemple.

## L'inertie du frein de chaîne est-elle toujours activée en cas de rebond?

Non. Le frein doit fonctionner. Le rebond doit aussi être suffisamment violent pour activer le frein de chaîne. Si le frein de chaîne était trop sensible, il serait continuellement activé, ce qui serait gênant.

## Le frein de chaîne me protège-t-il toujours des blessures en cas de rebond?

Non. Tout d'abord, votre frein doit fonctionner pour assurer la protection souhaitée. Ensuite, il doit être activé comme décrit ci-dessus pour arrêter la chaîne en cas de rebond. Pour finir, le frein de chaîne peut être activé mais

si le guide-chaîne est trop près de vous, le frein peut ne pas avoir le temps de ralentir et arrêter la chaîne avant que la tronçonneuse ne vous heurte.

**La seule façon d'éviter les rebonds et le danger qu'ils représentent est de faire attention et d'utiliser une méthode de travail correcte.**

## Blocage de l'accélération

Le blocage de la gâchette est conçu de manière à empêcher son activation accidentelle. Lorsque vous appuyez sur le blocage de la gâchette (A), c'est-à-dire lorsque vous saisissez la poignée, la gâchette (B) se libère. Relâchez la poignée pour remettre la gâchette et son blocage en position initiale. **(Figure 9)**

## Capteur de chaîne

Le capteur de chaîne est construit pour rattraper une chaîne qui a sauté ou s'est brisée. Dans la plupart des cas, ces situations peuvent être évitées par une tension correcte de la chaîne (voir le chapitre Montage) et en entretenant correctement le guide et la chaîne (voir le chapitre Méthodes de travail). **(Figure 10)**

## Protection de la main droite

La protection de la main droite protège la main si la chaîne saute ou se casse et empêche les branchettes et brindilles de gêner la prise sur la poignée arrière. **(Figure 11)**

## Vibrations

Le sciage de bois durs (la plupart des feuillus) produit davantage de vibrations que celui des bois tendres (la plupart des conifères). Si la chaîne est mal affûtée ou défectueuse (type inadéquat ou affûtage défectueux), le taux de vibrations augmente.



**AVERTISSEMENT! Une exposition excessive aux vibrations peut entraîner des troubles circulatoires ou nerveux chez les personnes sujettes à des troubles cardio-vasculaires. Consultez un médecin en cas de symptômes liés à une exposition excessive aux vibrations. De tels symptômes peuvent être: engourdissement, perte de sensibilité, chatouillements, picotements, douleur, faiblesse musculaire, décoloration ou modification épidermique. Ces symptômes affectent généralement les doigts, les mains ou les poignets. Ces symptômes peuvent être accentués par le froid.**

## Batterie et chargeur de batterie

Cette section présente les consignes de sécurité relatives à la batterie et au chargeur de batterie associés à votre produit alimenté par batterie.

Utilisez exclusivement des batteries d'origine Husqvarna pour alimenter des produits Husqvarna et ne les

# INSTRUCTIONS GÉNÉRALES DE SÉCURITÉ

rechargez qu'avec un chargeur de batterie QC d'origine Husqvarna. Les batteries sont codées par logiciel.

## Consignes de sécurité relatives à l'utilisation de la batterie

Les batteries rechargeables Husqvarna, BLi, sont exclusivement utilisées comme alimentation électrique des appareils sans fil Husqvarna adaptés. Pour éviter toute blessure, n'utilisez pas la batterie pour d'autres appareils.



**AVERTISSEMENT! Protégez la batterie des rayons directs du soleil, de la chaleur et de flammes nues. La batterie risque d'exploser si elle est jetée dans un foyer ouvert. Risque de brûlures et/ou de brûlures chimiques.**



**AVERTISSEMENT! Évitez tout contact de la peau avec l'acide de batterie. L'acide de batterie peut irriter la peau, la brûler ou la blesser par son effet corrosif. Si vous recevez de l'acide dans les yeux, ne les frottez pas ; rincez-les abondamment à l'eau pendant au moins 15 minutes. Consultez un médecin. Si votre peau entre accidentellement en contact avec de l'acide, lavez-la abondamment à l'eau et au savon.**



**AVERTISSEMENT! Ne branchez jamais les bornes de la batterie à des clés, des pièces de monnaie, des vis ou tout autre élément métallique ; cela pourrait causer un court-circuit de la batterie. N'insérez jamais d'objets dans les événements d'aération de la batterie.**

**Les batteries inutilisées doivent rester à distance d'objets métalliques tels que des clous, des pièces de monnaie ou des bijoux. N'essayez pas de démonter ou d'écraser la batterie.**

- Utilisez la batterie dans des environnements où règne une température comprise entre -10 °C et 60 °C.
- N'exposez pas la batterie à des micro-ondes ou à une pression élevée.
- Ne nettoyez jamais la batterie ou le chargeur de batterie avec de l'eau. Voir également les indications au chapitre Entretien.
- Rangez la batterie hors de portée des enfants.
- Protégez la batterie de la pluie et de l'humidité.

## Consignes de sécurité relatives au chargeur de batterie

Utilisez uniquement des chargeurs Husqvarna QC pour le chargement des batteries de rechange Husqvarna, BLi.



**AVERTISSEMENT! Réduisez les risques de choc électrique ou de court-circuit au minimum en respectant les consignes suivantes :**

**N'introduisez jamais un quelconque objet dans les fentes de refroidissement du chargeur.**

**N'essayez pas de démonter le chargeur de batterie.**

**Ne raccordez jamais les bornes du chargeur à des objets métalliques car cela peut court-circuiter le chargeur de batterie.**

**Utilisez des prises de courant agréées et intactes.**

- Vérifiez régulièrement que le fil de raccordement du chargeur de batterie est intact et ne présente aucune fissure.
- Ne portez jamais le chargeur de batterie par le câble et ne débranchez jamais la fiche en tirant sur le câble.
- Conserver tous les câbles et toutes les rallonges loin de l'eau, de l'huile et des bords tranchants. Veiller à ce que le câble ne soit pas coincé dans des portes, des clôtures ou d'autres équipements similaires. Des objets pourraient alors être sous tension.



**AVERTISSEMENT! N'utilisez pas le chargeur de batterie à proximité de matières corrosives ou inflammables. Ne recouvrez pas le chargeur de batterie. En cas de dégagement de fumée ou de début d'incendie, débranchez aussitôt la fiche reliée au chargeur de batterie. Attention au risque d'incendie.**

N'utilisez jamais :

- un chargeur de batterie défectueux ou endommagé ni une batterie défectueuse, endommagée ou déformée,

Ne rechargez pas :

- de batteries non-rechargeables dans le chargeur de batterie et ne pas en utiliser dans la machine.
- le chargeur de batterie pour recharger la batterie à l'extérieur.
- la batterie par temps de pluie ou en milieu humide,
- la batterie en plein soleil.

N'utilisez le chargeur de batterie que si la température ambiante est comprise entre 5 °C et 40 °C. Utilisez le chargeur dans un environnement bien ventilé, sec et exempt de poussières.



# INSTRUCTIONS GÉNÉRALES DE SÉCURITÉ

## Équipement de coupe

Cette section explique comment, grâce à l'utilisation du bon équipement de coupe et grâce à un entretien correct:

- Réduire le risque de rebond de la machine.
- Réduit le risque de saut ou de rupture de chaîne.
- Permet des performances de coupe optimales.
- Augmenter la durée de vie de l'équipement de coupe.
- Évite l'augmentation du niveau de vibration.

## Règles élémentaires

- **N'utiliser que l'équipement de coupe recommandé!** Voir les instructions au chapitre Caractéristiques techniques.
- **Veiller à ce que les dents de la chaîne soient toujours bien affûtées! Suivre les instructions et utiliser le gabarit d'affûtage recommandé.** Une chaîne émoussée ou endommagée augmente le risque d'accidents.
- **Veillez à travailler avec une épaisseur de copeau correcte! Suivez les instructions et utilisez le gabarit d'épaisseur de copeau recommandé.** Une épaisseur de copeau trop importante augmente le risque de rebond. (Figure 19)
- **Veiller à ce que la chaîne soit toujours bien tendue!** Une tension de chaîne insuffisante augmente le risque de rupture de chaîne ainsi que l'usure du guide, de la chaîne et du pignon. (Figure 24)
- **Maintenir l'équipement de coupe bien lubrifié et bien entretenu!** Un équipement insuffisamment lubrifié augmente le risque de rupture de chaîne ainsi que l'usure du guide, de la chaîne et du pignon.

## Équipement de coupe anti-rebond



**AVERTISSEMENT! Un équipement de coupe inapproprié ou une mauvaise combinaison guide-chaîne/chaîne augmente le risque de rebond ! N'utilisez que les combinaisons chaîne et guide-chaîne recommandées et respectez les instructions d'affûtage. Voir les instructions au chapitre Caractéristiques techniques.**

La seule manière d'éviter un rebond est de s'assurer que la zone de danger du nez du guide n'entre jamais en contact avec un objet.

L'utilisation d'un équipement de coupe avec fonction anti-rebond "intégrée" et un affûtage et un entretien corrects de la chaîne permettent de réduire les effets de rebond.

### Guide-chaîne

Plus le rayon du nez est petit, plus la tendance au rebond est petite.

## Chaîne

Une chaîne comporte un certain nombre de maillons, tant en modèle standard qu'en version anti-rebond.

**IMPORTANT! Aucune chaîne n'élimine le risque de rebond.**



**AVERTISSEMENT! Chaque contact avec une chaîne en rotation peut entraîner des blessures graves.**

## Terminologie concernant le guide-chaîne et la chaîne

Afin de maintenir toutes les fonctions de sécurité sur l'équipement de coupe, vous devez remplacer les combinaisons chaîne/guide-chaîne usées ou abîmées par un guide-chaîne et une chaîne recommandés par Husqvarna. Voir le chapitre Caractéristiques techniques pour les combinaisons chaîne/guide-chaîne recommandées.

### Guide-chaîne

- Longueur (pouces/cm) (Figure 13)
- Nombre de dents par pignon (T). (Figure 12)
- Pas de chaîne (=pitch) (pouces). Le pignon du nez et le pignon d'entraînement doivent correspondre à l'espace entre les maillons. (Figure 14)
- Nombre de maillons entraîneurs (pce). La longueur du guide, le pas de chaîne et le nombre de dents au pignon donnent un nombre déterminé de maillons entraîneurs. (Figure 16)
- Jauge du guide-chaîne (mm/pouces). Celle-ci doit correspondre à la jauge des maillons entraîneurs de la chaîne.
- Trou de graissage de chaîne et trou du tendeur de chaîne. Le guide-chaîne doit correspondre au modèle de tronçonneuse. (Figure 15)

### Chaîne

- Pas de chaîne (=pitch) (pouces) (Figure 14)
- Jauge du maillon entraîneur (mm/pouces) (Figure 17)
- Nombre de maillons entraîneurs (pce) (Figure 16)

## Affûtage et réglage de l'épaisseur du copeau de la chaîne



**Utiliser des gants pour toute manipulation de la chaîne.**

## Généralités concernant l'affûtage des dents

- N'utilisez jamais une tronçonneuse dont les dents sont émoussées. Les dents de la chaîne sont considérées comme émoussées quand il faut forcer sur l'équipement de coupe pour qu'il traverse le bois et quand les copeaux sont très petits. Une chaîne très

# INSTRUCTIONS GÉNÉRALES DE SÉCURITÉ

émoussée ne produit pas de copeaux du tout, seulement de la poudre de bois.

- Une chaîne bien affûtée avance tout seule dans le bois, laissant de gros et longs copeaux. (Figure 18)
- La partie coupante de la chaîne consiste en un maillon coupant qui comporte une dent (A) et un limiteur d'épaisseur de copeau (B). La distance verticale entre ces éléments détermine la profondeur de coupe. (Figure 19)

Quatre dimensions doivent être prises en compte lors de l'affûtage d'une dent.

- 1 Angle d'affûtage (Figure 20)
- 2 Angle d'impact (Figure 21)
- 3 Position de la lime (Figure 22)
- 4 Diamètre de la lime ronde

Il est très difficile d'affûter correctement une chaîne de tronçonneuse sans outils spéciaux. Nous recommandons donc d'utiliser notre gabarit d'affûtage qui assure un affûtage permettant une réduction du risque de rebond et des performances de coupe optimales. (Figure 23)

Vous trouverez les informations nécessaires pour l'affûtage de la chaîne de votre tronçonneuse au chapitre Caractéristiques techniques.



**AVERTISSEMENT!** La tendance au rebond augmente considérablement si les instructions d'affûtage ne sont pas respectées.

## Affûtage de la dent

Pour affûter une dent, une lime ronde et un gabarit d'affûtage sont nécessaires. Vous trouverez des informations sur le diamètre de lime ronde et le gabarit d'affûtage recommandés pour la chaîne de votre tronçonneuse au chapitre Caractéristiques techniques.

- S'assurer que la chaîne est tendue. Une tension insuffisante rend la chaîne instable latéralement, gênant ainsi l'affûtage de la chaîne. (Figure 24)
- Toujours limer de l'intérieur de la dent vers l'extérieur. Soulaguer la lime sur le mouvement de retour. Commencer par limer toutes les dents du même côté, retourner la tronçonneuse et limer de l'autre côté. (Figure 20)
- Limer de manière à amener toutes les dents à la même hauteur. Si la hauteur de dent est inférieure à 4 mm (5/32"), la chaîne est usée et doit être remplacée. (Figure 25)

## Généralités sur le réglage de l'épaisseur du copeau

- Quand la dent est affûtée, l'épaisseur du copeau (=profondeur de coupe) diminue. Pour conserver une capacité de coupe maximale, le limiteur d'épaisseur du copeau doit être abaissé au niveau recommandé. Voir l'épaisseur de copeau recommandée pour la chaîne de votre tronçonneuse au chapitre Caractéristiques techniques. (Figure 26)



**AVERTISSEMENT!** Une épaisseur de copeau excessive augmente la tendance au rebond de la chaîne!

## Réglage de l'épaisseur du copeau

- Le réglage de l'épaisseur du copeau doit être effectué sur des dents nouvellement affûtées. Nous recommandons de régler l'épaisseur du copeau tous les trois affûtages de chaîne. REMARQUE! Cette recommandation suppose que les dents n'ont pas été anormalement réduites lors de l'affûtage.
- Pour le réglage de l'épaisseur du copeau, une lime plate et un gabarit d'épaisseur sont nécessaires. Nous vous recommandons d'utiliser notre gabarit d'affûtage pour l'épaisseur afin d'obtenir l'épaisseur souhaitée et le bon angle pour le limiteur d'épaisseur du copeau.
- Mettez le gabarit d'affûtage sur la chaîne. Vous trouverez des informations sur l'utilisation du gabarit d'affûtage sur l'emballage. Utilisez une lime plate pour retirer l'excès sur la partie qui dépasse du limiteur d'épaisseur du copeau. L'épaisseur est correcte quand vous pouvez passer la lime sur le gabarit sans ressentir de résistance. (Figure 27)

## Tension de la chaîne



**AVERTISSEMENT!** Une tension insuffisante de la chaîne augmente le risque que la chaîne saute et donc de blessures graves, voire mortelles.



**AVERTISSEMENT!** Retirez toujours la batterie avant toute opération de montage, de maintenance ou de contrôle sur la machine.

Plus on utilise une chaîne, plus elle s'allonge. L'équipement de coupe doit être réglé après une telle altération.

Vérifiez la tension de la chaîne chaque fois que vous faites l'appoint en huile de chaîne. REMARQUE ! Une nouvelle chaîne exige une période de rodage durant laquelle il faudra vérifier la tension plus souvent.

En règle générale, il faut tendre la chaîne au maximum, mais pas au point de ne plus pouvoir la faire tourner manuellement. (Figure 47)

- Libérer le bouton en le dépliant jusqu'à ce qu'il s'ouvre d'un coup sec. (Figure 28)
- Tournez le bouton dans le sens contraire des aiguilles d'une montre pour libérer le couvercle du pignon d'entraînement. (Figure 29)
- Régler la tension de la chaîne en tournant le tendeur de chaîne vers le bas (+) pour augmenter la tension ou vers le haut (-) pour relâcher la tension. (Figure 30)
- Serrer l'embrayage du guide en tournant le bouton dans le sens des aiguilles d'une montre. (Figure 31)

# INSTRUCTIONS GÉNÉRALES DE SÉCURITÉ

- Rabattre le bouton pour verrouiller la tension de chaîne. (Figure 32)

## Lubrification de l'équipement de coupe



**AVERTISSEMENT! Une lubrification insuffisante de l'équipement de coupe augmente le risque de rupture de chaîne et donc de blessures graves, voire mortelles.**

### Huile de chaîne de tronçonneuse

L'huile de chaîne doit bien adhérer à la chaîne et posséder d'excellentes qualités de fluidité par tous les temps, aussi bien en été qu'en hiver.

**Ne jamais utiliser de l'huile usagée!** Cela représente un danger pour vous, pour la machine et pour l'environnement.

### Remplissage d'huile de chaîne

- Utilisez toujours de l'huile de chaîne minéralisée. (Figure 33)
- Contacter l'atelier spécialisé pour obtenir des conseils sur le choix d'une huile de chaîne adéquate.
- Toutes nos tronçonneuses sont dotées d'un dispositif de lubrification automatique de la chaîne. Certains modèles ont également un débit réglable.
- Le réservoir d'huile de chaîne est conçu pour une durée d'environ trois charges de batterie. Cette caractéristique de sécurité nécessite néanmoins que vous utilisiez l'huile de chaîne recommandée. Si l'huile est trop fluide, elle durera moins longtemps.
- Ne jamais utiliser d'huile usagée. Ceci endommagerait la pompe à huile, le guide-chaîne et la chaîne.
- Il est important d'utiliser une huile adaptée à la température de l'air (viscosité appropriée).
- Les températures inférieures à 0°C rendent certaines huiles visqueuses. Ceci peut causer une surcharge de la pompe à huile, endommageant les pièces de la pompe.

### Contrôle de la lubrification de la chaîne

- Vérifiez la lubrification tous les trois rechargements de batterie.

Diriger le nez du guide sur un objet fixe clair à une distance de 20 cm (8 pouces). Après 1 minute de marche à 3/4 de régime, l'objet clair doit nettement présenter un film d'huile en forme de ruban.

(Figure 34)

En cas de mauvais fonctionnement de la lubrification de la chaîne:

- Vérifier que le canal de graissage du guide-chaîne est bien ouvert. Le nettoyer au besoin. (Figure 35)
- S'assurer que la gorge du guide est propre. La nettoyer au besoin. (Figure 36)

- Vérifier que le pignon du nez tourne librement et que l'orifice de graissage est propre. Nettoyer et graisser au besoin. (Figure 37)

Si, après les contrôles et mesures ci-dessus, la lubrification de la chaîne n'est toujours pas satisfaisante, s'adresser obligatoirement à un atelier spécialisé.

### Pignon d'entraînement

Le système d'entraînement comprend un pignon. (Figure 38)

Vérifier régulièrement le degré d'usure du pignon. Le remplacer en cas d'usure excessive.

### Contrôle de l'usure de l'équipement de coupe

Vérifier quotidiennement l'état de la chaîne et s'assurer:

- Que les rivets et les maillons ne comportent pas de fissures.
- Que la chaîne n'est pas raide.
- Que les rivets et les maillons ne sont pas anormalement usés.

Jetez la chaîne si un des points ci-dessus est vérifié.

Il est recommandé de comparer avec une chaîne neuve pour évaluer le degré d'usure.

Si la hauteur de dent est inférieure à 4 mm, la chaîne est usée et doit être remplacée.

### Guide-chaîne

Vérifier régulièrement:

- Qu'il n'y a pas de bavures sur les côtés extérieurs de la gorge. Les limer au besoin. (Figure 39)
- Que la gorge du guide n'est pas anormalement usée. Remplacer le guide si nécessaire.
- Que le nez n'est pas anormalement ou irrégulièrement usé. Si un creux s'est formé à l'extrémité du rayon du nez (bord inférieur), la chaîne n'était pas suffisamment tendue. (Figure 40)
- Retourner le guide quotidiennement pour assurer une durée de vie optimale. (Figure 41)

# INSTRUCTIONS GÉNÉRALES DE SÉCURITÉ



**AVERTISSEMENT!** La plupart des accidents surviennent quand la chaîne de la tronçonneuse touche l'utilisateur.

Utiliser les équipements de protection personnelle. Voir au chapitre "Équipement de protection personnelle".

L'utilisateur se doit d'éviter tous les travaux pour lesquels il se sent mal préparé. Voir aux chapitres Équipement de protection personnelle, Mesures anti-rebond, Équipement de coupe et Méthodes de travail.

Éviter les situations susceptibles de provoquer des rebonds. Voir le chapitre Équipement de sécurité de la machine.

Utiliser les équipements de coupe recommandés et en vérifier le bon état. Voir aux chapitres Caractéristiques techniques et Instructions générales de sécurité.

Vérifier le bon fonctionnement des équipements de sécurité de la tronçonneuse. Voir aux chapitres Méthodes de travail et Instructions générales de sécurité.

N'utilisez jamais une tronçonneuse en la tenant d'une seule main. Il n'est pas possible de contrôler correctement une tronçonneuse d'une seule main. Tenez toujours fermement les poignées des deux mains.

## Montage du guide-chaîne et de la chaîne



**AVERTISSEMENT!** Retirez toujours la batterie avant toute opération de montage, de maintenance ou de contrôle sur la machine.

Utiliser des gants pour toute manipulation de la chaîne.

- S'assurer que le frein de chaîne ne s'est pas déclenché en amenant l'arceau protecteur contre l'étrier de la poignée avant. **(Figure 42)**
- Retirez le couvercle du pignon d'entraînement en tournant le bouton dans le sens inverse des aiguilles d'une montre. Déposer la protection de transport (A). **(Figure 43)**
- Monter le guide-chaîne sur le boulon du guide. Placer le guide sur sa position la plus reculée. Placer la chaîne sur le pignon d'entraînement et dans la rainure du guide-chaîne. Commencer par le dessus du guide-chaîne. **(Figure 44)**
- S'assurer que la face tranchante des dents est vers l'avant sur le dessus du guide.  
Monter le carter d'embrayage et veillez à placer le goujon de tension de la chaîne dans l'ouverture du guide. S'assurer que les maillons d'entraînement s'engagent dans le pignon et que la chaîne est correctement placée dans la gorge du guide.
- Serrer la chaîne en tournant la manette vers le bas. La chaîne doit être tendue jusqu'à ce qu'elle ne pende plus sous le guide. **(Figure 45)**
- La chaîne est tendue correctement quand elle ne pend plus sous le guide et peut encore être tournée facilement à la main. Tenir le nez du guide et serrer l'embrayage du guide en tournant la manette dans le sens contraire des aiguilles d'une montre. **(Figure 46)**
- La tension d'une chaîne neuve doit être vérifiée fréquemment pendant son rodage. Vérifier régulièrement la tension. Une tension correcte est synonyme de bonne capacité de coupe et de longue durée de vie. **(Figure 47)**

## Montage du griffe d'abattage

Pour monter le griffe d'abattage, contacter un atelier d'entretien. **(Figure 48)**

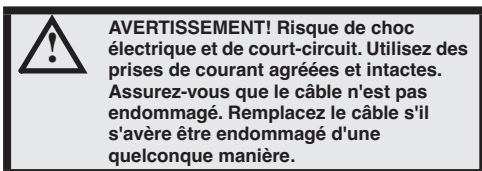
# MANIPULATION DE LA BATTERIE

## Status batterie

L'écran indique la capacité de la batterie et tout problème éventuel lié à son fonctionnement. La capacité de la batterie s'affiche pendant 5 secondes après l'arrêt de la machine ou l'enfoncement de l'indicateur de batterie (1). L'avertisseur sur la batterie s'allume en cas d'erreur (2). Voir les codes d'erreur. (Figure 49)

Voyants DEL	Status batterie
Toutes les DEL sont allumées.	Batterie complètement chargée (75-100 %).
Les DEL 1, 2 et 3 sont allumées.	La batterie est chargée à 50-75 %.
Les DEL 1 et 2 sont allumées.	La batterie est chargée à 25-50 %.
La DEL 1 est allumée.	La batterie est chargée à 0-25 %.
La DEL 1 clignote.	La batterie est vide. Rechargez la batterie.

## Chargeur de batterie



### Branchez le chargeur de batterie.

- Branchez le chargeur de batterie sur une prise électrique dont les caractéristiques de tension et de fréquence correspondent aux spécifications mentionnées sur la plaque signalétique. Branchez la fiche électrique dans la prise de courant. La LED sur le chargeur de batterie clignote une fois en vert. (Figure 50)
- La batterie ne se recharge pas si sa température dépasse 50 °C.

### Insérez la batterie dans le chargeur de batterie.

Vérifiez régulièrement que la batterie et son chargeur sont en parfait état. Voir également les indications au chapitre Entretien.

La batterie doit être chargée avant sa première utilisation. La batterie n'est chargée qu'à 30 % au moment de la livraison.

- Branchez le chargeur à la batterie. (Figure 50)
- Le voyant vert du chargeur est allumé pendant la charge. (Figure 51)
- Lorsque toutes les DEL sont allumées, la batterie est pleine. (Figure 52)
- Débranchez le chargeur de la batterie.

- Débranchez la fiche. Ne tirez jamais sur le câble d'alimentation pour le débrancher de la prise de courant.

## État de charge

Les batteries lithium-ion peuvent être rechargées quel que soit leur niveau de charge. Vous pouvez annuler ou lancer le processus de charge quel que soit le niveau de charge de la batterie. (Figure 53)

Affichage à LED	État de charge
La DEL 1 clignote.	La batterie est chargée à 0-25 %.
La DEL 1 est allumée, la DEL 2 clignote.	La batterie est chargée à 25-50 %.
Les DEL 1 et 2 sont allumées, la DEL 3 clignote.	La batterie est chargée à 50-75 %.
Les DEL 1, 2 et 3 sont allumées, la DEL 4 clignote.	La batterie est chargée à 75-100 %.
Les DEL 1, 2, 3 et 4 sont allumées	Lorsque toutes les DEL sont allumées, la batterie est pleine.

## Transport et rangement

- Les batteries lithium-ion contenues sont soumises aux exigences de la législation concernant les marchandises dangereuses.
- Lors du transport commercial (par exemple par un transporteur tiers), des exigences spéciales doivent être respectées sur les emballages et étiquettes.
- Il est nécessaire de consulter un expert en matière dangereuse pour préparer l'élément à expédier. Veuillez également respecter les autres réglementations nationales éventuellement applicables.
- Bouchez ou masquez les contacts ouverts à l'aide de ruban adhésif et emballez la batterie de façon à ce qu'elle ne puisse pas bouger dans l'emballage.
- Retirez toujours la batterie lorsque vous rangez ou déplacez la machine.
- Rangez la batterie et le chargeur de batterie dans un endroit sec, à l'abri du gel et de l'humidité.
- Ne remisez pas la batterie dans des endroits présentant un risque d'électricité statique. Ne remisez jamais la batterie dans une boîte métallique.
- Rangez la batterie et le chargeur de batterie à un endroit où la température reste comprise entre 5 °C et 45 °C et ne les exposez jamais en plein soleil.
- Rangez le chargeur de batterie uniquement dans un endroit sec et fermé.
- Assurez-vous de ranger la batterie séparément du chargeur de batterie. Stockez l'équipement dans un endroit verrouillé afin de le maintenir hors de portée des enfants et de toute personne incompétente.

---

## MANIPULATION DE LA BATTERIE

---

- Avant de remiser la machine pour une période prolongée, veiller à ce qu'elle soit bien nettoyée et que toutes les mesures d'entretien aient été effectuées.
- La protection pour le transport doit toujours être montée sur l'équipement de coupe au cours du transport et du remisage de la machine, pour éviter tout contact involontaire avec la chaîne acérée. Même une chaîne immobile peut blesser gravement la personne qui la heurte.
- Sécurisez la machine pendant le transport.

### **Mettez au rebut la batterie, le chargeur de batterie et la machine lorsqu'ils sont usagés**

Ce symbole figurant sur le produit ou sur son emballage indique que ce produit ne peut pas être traité comme déchet ménager. Il doit être collecté et amené à une installation de récupération appropriée de déchets d'équipements électriques et électroniques.

En veillant à ce que ce produit soit correctement éliminé, vous pouvez contribuer à prévenir les conséquences négatives potentielles sur l'environnement et les hommes, qui pourraient sinon être le résultat d'un traitement incorrect des déchets de ce produit. Pour des informations plus détaillées sur le recyclage de ce produit, contactez votre commune ou le magasin où vous avez acheté le produit.

# DÉMARRAGE ET ARRÊT

## Démarrage et arrêt



**AVERTISSEMENT! Contrôler les points suivants avant la mise en marche:**

**Ne démarrez pas la tronçonneuse si le guide, la chaîne et tous les capots ne sont pas montés. Sinon, l'embrayage risque de se détacher et de provoquer des blessures.**

**Veiller à adopter une position stable et à ce que la chaîne ne puisse pas entrer en contact avec quoi que ce soit.**

**Veiller à ce qu'aucune personne non autorisée ne se trouve dans la zone la**

- Avant d'insérer la batterie dans la machine, vérifiez toujours si la gâchette fonctionne correctement et revient en position OFF lorsque vous la relâchez. Pour éviter d'appuyer accidentellement sur la gâchette, celle-ci est munie d'un dispositif de blocage. **(Figure 54)**
- Ne jamais démarrer la tronçonneuse si le guide, la chaîne et tous les capots ne sont pas correctement montés. Voir les instructions au chapitre Montage. **(Figure 55)**
- S'assurer que la zone de travail est bien dégagée et qu'aucune personne et aucun animal ne risquent d'entrer en contact avec l'équipement de coupe. **(Figure 56)**
- Tenez toujours la tronçonneuse à deux mains. Tenez la main droite sur la poignée arrière et la main gauche sur la poignée avant. **Tous les utilisateurs, droitiers et gauchers, doivent la tenir ainsi.** Tenez fermement en entourant la poignée de la tronçonneuse avec les pouces et les autres doigts. **(Figure 57)**

## Démarrage

- Insérez la batterie dans la machine. Vous devez pouvoir faire glisser facilement la batterie dans son support sur la machine. Si vous n'y parvenez pas, c'est que la batterie est mal insérée. **(Figure 58)**
- Appuyez sur la batterie. Vous entendrez un clic lorsque la batterie est en place et verrouillée. **(Figure 59)**
- Appuyez sur le bouton de démarrage et maintenez-le enfoncé (>1 sec.) jusqu'à ce que la DEL verte s'allume. **(Figure 60)**

## Arrêt

La machine est éteinte en appuyant sur le bouton marche/arrêt du clavier (témoin vert éteint). **(Figure 60)**

Remarque! Pour éviter tout démarrage accidentel, la batterie doit toujours être retirée lorsque la machine n'est pas utilisée ou laissée sans surveillance. Pour retirer la batterie, appuyez sur les boutons de libération et sortez-la de son logement. **(Figure 61)**



## Avant chaque utilisation: (Figure 62)

- 1 Contrôler que le frein de chaîne fonctionne correctement et n'est pas endommagé.
- 2 Contrôler que la protection arrière de la main droite n'est pas endommagée.
- 3 Vérifiez que le blocage de la gâchette de puissance fonctionne correctement et n'est pas endommagé.
- 4 Vérifiez que le clavier fonctionne correctement et n'est pas endommagé.
- 5 Contrôler que toutes les poignées ne comportent pas d'huile.
- 6 Contrôler que tous les éléments de la tronçonneuse sont serrés et qu'ils ne sont ni endommagés ni absents.
- 7 Contrôler que le capteur de chaîne est bien en place et qu'il n'est pas endommagé.
- 8 Contrôlez la tension de la chaîne.
- 9 Vérifiez que la batterie est complètement chargée et bien fixée sur la tronçonneuse.
- 10 Vérifiez que la chaîne cesse de bouger dès que la gâchette de puissance est relâchée.

## SavE

La machine est équipée d'une fonction d'économie de la batterie (savE). Activez cette fonction en appuyant sur le bouton savE. Lorsque cette fonction est activée, la durée de fonctionnement de la tronçonneuse est prolongée en réduisant la vitesse de la chaîne. **(Figure 63)**

Remarque! La fonction SavE ne réduit que la vitesse de la chaîne et non la puissance de coupe de la tronçonneuse.

## Méthodes de travail

### IMPORTANT!

Ce chapitre traite des mesures élémentaires de sécurité à respecter en travaillant avec la tronçonneuse. Cependant, aucune information ne peut remplacer l'expérience et le savoir-faire d'un professionnel. En cas de doute ou de difficulté quant à l'utilisation de la machine, consulter un spécialiste. Demander conseil au point de vente de la tronçonneuse, à l'atelier d'entretien ou à un utilisateur expérimenté. L'utilisateur doit éviter d'utiliser la machine s'il ne se sent pas suffisamment qualifié pour le travail à effectuer!

Avant d'utiliser la tronçonneuse, il convient de comprendre le phénomène de rebond et de savoir comment l'éviter. Voir au chapitre Mesures anti-rebond.

Avant d'utiliser la tronçonneuse, il faut connaître les différences entre les deux méthodes de sciage: sciage avec la partie supérieure ou sciage avec la partie inférieure de la chaîne. Voir les instructions aux chapitres Mesures anti-rebond et Équipement de sécurité de la machine.

Utiliser les équipements de protection personnelle. Voir au chapitre "Équipement de protection personnelle".

## Règles élémentaires de sécurité

- 1 Bien observer la zone de travail:
  - S'assurer qu'aucune personne, aucun animal ou aucun autre facteur ne risque de gêner l'utilisateur de la machine.
  - S'assurer que les susnommés ne risquent pas d'entrer en contact avec la chaîne de la tronçonneuse ou d'être blessés par la chute de l'arbre coupé.

REMARQUE! Observer les règles ci-dessus mais ne jamais utiliser une tronçonneuse sans s'assurer la possibilité de pouvoir appeler à l'aide en cas d'accident.

- 2 Ne pas travailler par mauvais temps: brouillard épais, pluie diluvienne, vent violent, grand froid, etc. Travailler par mauvais temps est éprouvant et ajoute des risques tels qu'un sol glissant, de l'orage, direction de chute d'arbre modifiée, etc.
- 3 Observer la plus grande prudence en élaguant les petites branches et éviter de scier un bosquet (ou plusieurs branchettes en même temps). Les branchettes peuvent se coincer dans la chaîne, être projetées vers l'utilisateur et causer des blessures personnelles graves.
- 4 S'assurer de pouvoir se tenir et se déplacer en toute sécurité. Repérer les éventuels obstacles en cas de déplacement imprévu: souches, pierres, branchages, fondrières, etc. Observer la plus grande prudence lors de travail sur des terrains en pente.
- 5 Observer la plus grande prudence lors de l'abattage des arbres sous tension. Avant et après le sciage, les arbres sous tension risquent de brutalement retrouver leur position initiale. Un mauvais placement de l'utilisateur ou de l'entaille d'abattage peut entraîner un choc avec l'arbre pouvant résulter en une chute ou en une perte du contrôle de la machine. Ces deux cas de figure sont susceptibles de provoquer des blessures graves. (Figure 64)
- 6 Avant de vous déplacer, désactivez la tronçonneuse et bloquez la chaîne avec le frein. Lorsque vous portez la tronçonneuse, le guide et la chaîne doivent être orientés vers l'arrière. Pour un transport plus long, remettez le fourreau du guide-chaîne.
- 7 Quand vous posez la tronçonneuse sur le sol, bloquez la chaîne avec le frein et veillez à ne jamais perdre de vue la machine. Éteignez la tronçonneuse et retirez la batterie si vous ne devez pas vous en servir durant une période prolongée.



**AVERTISSEMENT! Des copeaux se coincent parfois dans le carter de l'embrayage, ce qui bloque la chaîne. Éteignez toujours la machine et retirez la batterie avant de procéder au nettoyage.**

## Règles élémentaires

- 1 En comprenant en quoi consiste et comment se produit un rebond, il est possible de limiter et même

d'éliminer l'effet de surprise qui augmente le risque d'accident. La plupart des rebonds sont courts, mais certains peuvent être extrêmement rapides et violents.

- 2 Toujours tenir la tronçonneuse fermement des deux mains, la main droite sur la poignée arrière, la gauche sur la poignée avant. Tenir les poignées solidement avec les doigts et le pouce. Toujours tenir la tronçonneuse dans cette position, que l'on soit droitier ou gaucher. Une prise solide aide à maîtriser les rebonds et à mieux contrôler la tronçonneuse. **Ne pas lâcher les poignées! (Figure 65)**
- 3 La plupart des accidents dus à un rebond se produisent lors de l'élagage. Se tenir fermement sur les jambes et s'assurer que la zone de travail est bien dégagée pour ne pas risquer de trébucher ou de perdre l'équilibre.

Par manque d'attention, la zone de rebond du nez du guide peut buter sur une souche, un rondin, une branche ou un arbre voisin et occasionner un rebond.

Gardez le contrôle de la pièce de travail. Si les pièces que vous sciez sont petites et légères, elles peuvent se coincer dans la chaîne et être projetées sur vous. Même si cela n'est pas dangereux en soi, vous pouvez être surpris et perdre le contrôle de la tronçonneuse. Ne sciez jamais des branches ou des billes empilées sans les séparer. Sciez seulement une bille ou un morceau à la fois. Retirez les morceaux sciés pour que votre zone de travail reste sûre. (Figure 74)

- 4 **Ne jamais se servir de la tronçonneuse à un niveau trop élevé, plus haut que les épaules, et éviter de couper avec la pointe du guide-chaîne. Ne jamais tenir la tronçonneuse d'une seule main! (Figure 66)**
- 5 Afin de conserver le contrôle de la tronçonneuse, toujours conserver une position stable. Ne jamais travailler sur une échelle, dans un arbre ou sur tout autre support ne garantissant pas une bonne sécurité. (Figure 67)
- 6 Toujours travailler à la vitesse maximale, c'est à dire à plein régime.
- 7 Observer la plus grande prudence en utilisant le tranchant supérieur du guide-chaîne, c'est à dire en sciant la pièce par en dessous (de bas en haut). Ceci s'appelle travailler en poussée. La force réactionnelle de la chaîne pousse la tronçonneuse vers l'utilisateur. Si la chaîne se coince, la tronçonneuse peut être rejetée contre vous. (Figure 68)
- 8 Il importe de résister à la poussée en arrière du guide-chaîne. En effet, si le guide-chaîne est repoussé suffisamment en arrière pour que la zone de rebond du nez se trouve en contact avec l'arbre, un rebond peut se produire. (Figure 69)

Le tronçonnage avec la partie inférieure de la chaîne, c'est à dire par dessus (de haut en bas), s'appelle méthode "poussée". La tronçonneuse est attirée vers l'arbre et le bord avant de la tronçonneuse devient un

# TECHNIQUES DE TRAVAIL

appui naturel contre l'arbre. Dans ce cas, l'utilisateur contrôle mieux à la fois sa tronçonneuse et la zone de rebond du nez. (Figure 70)

- 9 Suivre les instructions du fabricant relatives à l'affûtage et à l'entretien. Lors du remplacement du guide et de la chaîne, n'utiliser que les combinaisons chaîne et guide-chaîne recommandées. Voir aux chapitres Équipement de coupe et Caractéristiques techniques.

## Technique de base pour la coupe



**AVERTISSEMENT! N'utilisez jamais une tronçonneuse en la tenant d'une seule main. Il n'est pas possible de contrôler correctement une tronçonneuse d'une seule main. Tenez toujours fermement les poignées des deux mains.**

### Généralités

- Toujours travailler à plein régime!
- Relâchez la gâchette de puissance après chaque coupe (le maintien du régime maximal hors charge, c'est à dire sans que le moteur ait à supporter le travail de la chaîne, risque d'endommager gravement le moteur).
- Scier de haut en bas = méthode "tirée"
- Scier de bas en haut = méthode "poussée".

Scier en utilisant la méthode "poussée" implique un risque accru de rebond. Voir au chapitre Mesures anti-rebond.

### Terminologie

Élagage = consiste à ébrancher un arbre abattu.

Fendage = consiste à casser la pièce avant que l'entaille ne soit terminée.

**Avant toute opération de sciage, observer les cinq facteurs suivants:**

- 1 Ne pas coincer l'outil de coupe dans l'entaille. (Figure 71)
- 2 Ne pas casser la pièce en cours de sciage. (Figure 72)
- 3 La chaîne ne doit rencontrer ni le sol ni tout autre obstacle pendant ou après le sciage. (Figure 73)
- 4 Y a-t-il risque de rebond? (Figure 4)
- 5 L'aspect du site et du terrain peut-il gêner la sécurité de la position de travail et des déplacements?

Si la chaîne se coince ou si la pièce à scier se casse, cela dépend de deux raisons: le support de la pièce avant et après le sciage et l'état de tension de la pièce.

Il est en général possible d'éviter les inconvénients indiqués ci-dessus en effectuant le sciage en deux temps, soit de haut en bas, soit de bas en haut. Il s'agit alors de neutraliser la tendance naturelle de la pièce à coincer la chaîne ou à se fendre.



**AVERTISSEMENT! Si la chaîne se coince dans l'entaille : éteignez-la ! Ne tirez pas sur la tronçonneuse pour la dégager, vous risqueriez de vous blesser avec la chaîne si elle se libère subitement. Utilisez un levier pour écarter l'entaille et décoincer la tronçonneuse.**

La liste suivante indique comment se tirer des situations les plus couramment rencontrées par les utilisateurs de tronçonneuses.

### Sciage



**AVERTISSEMENT! N'essayez jamais de scier des billes empilées ou serrées les unes contre les autres. Vous augmenteriez considérablement le risque de rebond et de blessures graves et même mortelles.**

Si vous avez une pile de billes, chaque bille à scier doit être retirée du tas, placée sur un chevalet ou un autre support approprié et être sciée séparément.

Retirez les morceaux sciés de la zone de travail. Si vous les laissez dans la zone de travail, vous augmentez le risque de rebond accidentel et le risque de perdre l'équilibre quand vous travaillez. (Figure 74)

**Le tronc est couché à même le sol.** Il n'y a aucun risque de coincage de la chaîne ou de fendage de la pièce à scier. Par contre, il existe un risque important que la chaîne rencontre le sol après le sciage.

Couper le tronc de haut en bas. Faire attention à la fin de l'entaille pour éviter que la chaîne ne rencontre le sol. Maintenir le plein régime et se préparer à toute éventualité.

Si cela est possible (= s'il est possible de retourner le tronc), interrompre de préférence l'entaille aux 2/3 du tronc.

Retourner le tronc de manière à pouvoir couper le 1/3 restant de haut en bas. (Figure 75)

**Une extrémité du tronc repose sur un support.** Risque important de fendage.

Commencer par couper le tronc par en bas (environ 1/3 du diamètre).

Finir la coupe par en haut, de manière que les deux traits de coupe se rencontrent. (Figure 76)

**Les deux extrémités du tronc reposent sur des supports.** Risque important de coincage de la chaîne.

Commencer par couper le tronc par le haut (environ 1/3 du diamètre).

Finir la coupe par en dessous, de manière que les traits de coupe se rencontrent. (Figure 77)

# TECHNIQUES DE TRAVAIL

## Techniques d'abattage

**IMPORTANT!** L'abattage d'un arbre demande beaucoup d'expérience. Un utilisateur non expérimenté ne doit pas effectuer d'abattages. L'utilisateur se doit d'éviter toute utilisation qu'il ne maîtrise par suffisamment!

### Distance de sécurité

La distance de sécurité à respecter entre un arbre à abattre et le lieu de travail doit être d'au moins 2 1/2 fois la hauteur de l'arbre. Veiller à ce que personne ne se trouve dans la "zone dangereuse" avant et pendant l'abattage. (Figure 78)

### Sens d'abattage

Le but consiste à placer l'arbre abattu de façon à ce que l'ébranchage et le tronçonnage ultérieurs du tronc puissent être effectués sur un terrain aussi favorable que possible. Chercher à sécuriser au maximum la position de travail.

Après avoir décidé du sens d'abattage de l'arbre, déterminer dans quel sens l'arbre aura tendance à s'abattre naturellement.

Les facteurs déterminants sont:

- L'inclinaison
- La courbure
- La direction du vent
- La densité des branches
- Le poids éventuel de la neige
- Obstacles autour de l'arbre: d'autres arbres, des lignes électriques, des routes et des bâtiments par exemples.
- Observez si l'arbre est abîmé ou pourri, car il risque alors de se rompre et de commencer à tomber plus tôt que prévu.

Cette estimation peut amener à juger plus prudent de laisser l'arbre tomber dans son sens naturel de chute, soit que le sens d'abattage décidé auparavant soit impossible à obtenir, soit qu'il constitue un danger.

Un autre facteur important (qui n'a aucune incidence sur le sens d'abattage mais concerne la sécurité), est la présence éventuelle de branches mortes ou abîmées qui, en se détachant, risquent de provoquer des blessures.

Il convient avant tout d'éviter que l'arbre abattu ne s'accroche à un autre arbre. Décrocher un arbre coincé dans un autre peut s'avérer très dangereux et présente un grand risque d'accident. Voir les instructions au chapitre Solution à un abattage raté.

**IMPORTANT!** Lors de délicates opérations d'abattage, les protecteurs d'oreilles devront être retirés dès la fin du tronçonnage afin que tout bruit ou signal d'avertissement puisse être entendu.

## Émondage des branches basses et voie de retraite

Ébranchez le tronc jusqu'à hauteur d'épaule. Pour des raisons de sécurité, il est préférable de travailler de haut en bas avec le tronc entre la tronçonneuse et vous. (Figure 79)

Dégager les taillis autour du tronc et éviter les obstacles tels que pierres, branches cassées, fondrières, etc. pour s'assurer d'une voie de retraite facile au moment de la chute. La voie de retraite doit être à 135° derrière le sens de chute prévu de l'arbre. (Figure 80)

- 1 Zone de danger
- 2 Voie de retrait
- 3 Sens d'abattage

### Abattage



**AVERTISSEMENT! Il est déconseillé aux utilisateurs non expérimentés d'abattre un arbre dont le diamètre du tronc est supérieur à la longueur du guide-chaîne!**

L'abattage est constitué de trois entailles. On procède d'abord à l'encoche qui comprend une entaille supérieure et une entaille inférieure, puis à l'abattage proprement dit grâce au trait de chute. Un emplacement correct de ces entailles permet de déterminer le point de chute de l'arbre de manière très précises.

### Encoche

Pour effectuer l'encoche, commencer par l'entaille supérieure. Aligner la marque d'abattage située la tronçonneuse sur un but, plus loin sur le terrain, là où l'arbre doit tomber (2). Se tenir à droite de l'arbre, derrière la tronçonneuse et utiliser la méthode de sciage dite tirée.

Effectuer ensuite l'entaille inférieure de façon que les deux entailles correspondent. (Figure 81)

L'encoche doit faire 1/4 du diamètre du tronc et l'angle entre les deux entailles doit être d'au moins 45°.

La ligne de jointure entre les deux entailles s'appelle le trait de chute. Le trait de chute doit être horizontal et former un angle de 90° avec le sens de chute prévu.

### (Figure 82)

### Trait de chute

Le trait de chute se fait de l'autre côté du tronc et doit être parfaitement horizontal. Se tenir à gauche de l'arbre et utiliser la méthode tirée.

Placer le trait de chute à environ 3-5 cm (1,5-2 pouces) au-dessus du plan horizontal de l'encoche. (Figure 83)

Placer la griffe d'abattage (s'il y en a un de monté) derrière la charnière. Scier à plein régime et enfoncez graduellement le guide-chaîne dans le tronc. Attention si l'arbre se déplace dans le sens opposé au sens de chute choisi. Introduire un coin ou un bras de levier dans le trait de chute dès que la profondeur de coupe le permet. (Figure 84)

# TECHNIQUES DE TRAVAIL

Le trait de chute doit s'achever parallèlement à l'encoche, l'espace entre les deux étant 1/10 du diamètre du tronc. La partie non coupée du tronc s'appelle la charnière.

La charnière guide le tronc dans la direction de chute. (Figure 85)

Le contrôle de la direction de chute de l'arbre fonctionne mal si la charnière est trop petite ou coupée trop profondément ou si les deux entailles ne coïncident pas. (Figure 86)

Une fois l'encoche et le trait de chute terminés, l'arbre commence à tomber de lui-même ou à l'aide d'un coin ou d'un bras de levier. (Figure 87)

Nous recommandons une longueur de guide-chaîne supérieure au diamètre du tronc, pour que le trait de chute et l'encoche soient réalisés d'un simple trait de scie. Vous trouverez des informations sur les longueurs de guide-chaîne recommandées pour votre modèle de tronçonneuse au chapitre Caractéristiques techniques. (Figure 88)

Il existe des méthodes d'abattage spécifiques pour les troncs dont le diamètre est supérieur à la longueur du guide-chaîne. Ces méthodes comportent un risque important de choc entre la zone de rebond du guide-chaîne et un objet. (Figure 4)

## Solution à un abattage raté

### Récupération d'un arbre accroché

Décrocher un arbre coincé dans un autre peut s'avérer très dangereux et présente un grand risque d'accident.

N'essayez jamais de faire tomber un arbre qui s'est coincé dans un autre.

Ne travaillez jamais sous un arbre abattu resté coincé dans un autre arbre. (Figure 89)

Le plus sûr est d'utiliser un treuil.

- Monté sur tracteur (Figure 90)
- Mobile (Figure 91)

### Sciage d'un arbre ou d'une branche pliés

Préparations: Apprécier la direction dans laquelle l'arbre ou la branche est susceptible de se détendre, ainsi que son point de rupture (en cas de flexion supplémentaire). (Figure 92)

S'assurer de pouvoir agir sans risque et déterminer si une solution de toute sécurité est possible. En cas de difficulté, le plus sûr moyen est de ne pas se servir de la tronçonneuse et d'avoir recours à un treuil.

### Règles générales:

Se placer de façon à ne pas se trouver dans la trajectoire de la branche/de l'arbre lors de la détente. (Figure 93)

Faire plusieurs entailles à proximité du point de rupture en nombre et de profondeur suffisants pour libérer la tension dans la branche/l'arbre et donc provoquer la cassure de la branche/de l'arbre au point de rupture. (Figure 94)

**Ne jamais scier de part en part un arbre ou une branche pliés!**

Si vous devez scier à travers l'arbre/la branche, faites trois découpes de 3 à 5 cm de profondeur à 3 cm d'intervalle. (Figure 95)

Continuez à scier plus profondément jusqu'à ce que la tension de l'arbre/la branche se libère. (Figure 96)

Sciez l'arbre/la branche sur le côté opposé une fois la tension libérée.

## Mesures anti-rebond



**AVERTISSEMENT! Un rebond peut-être soudain, rapide et violent et renvoyer la tronçonneuse, le guide-chaîne et la chaîne en direction de l'utilisateur. Si la chaîne est alors en rotation, les blessures encourues sont graves et quelquefois mortelles. Il convient donc de comprendre les raisons d'un rebond afin de pouvoir éviter ce phénomène grâce à une bonne méthode de travail et un comportement prudent.**

### Qu'est-ce qu'un rebond?

Un rebond est la réaction de recul qui peut se produire quand le quart supérieur du nez du guide-chaîne (la zone de rebond) touche un objet quelconque. (Figure 69)

Le rebond se produit toujours dans le plan du guide-chaîne. En général, tronçonneuse et guide-chaîne sont relevés simultanément en direction de l'utilisateur. Néanmoins, la direction du rebond peut varier suivant la position de la tronçonneuse au moment où la zone de rebond du guide-chaîne touche un objet quelconque.

Le rebond ne peut se produire que quand la pointe ou nez du guide-chaîne (zone de rebond) touche un objet quelconque. (Figure 4)

### Élagage



**AVERTISSEMENT! La plupart des accidents de rebond se produisent lors de l'ébranchage. N'utilisez pas la zone de rebond du guide. Soyez très prudent et évitez que le nez du guide n'entre en contact avec la bille, d'autres branches ou d'autres objets. Soyez particulièrement prudent avec les branches sous tension. Elles peuvent revenir vers vous et vous faire perdre le contrôle, ce qui pourrait entraîner des blessures.**

Se tenir bien d'aplomb et en position sûre. Travailler depuis la gauche du tronc. Se tenir aussi proche que possible de la tronçonneuse pour mieux la maîtriser. Si possible, prendre appui sur le tronc avec le corps de la tronçonneuse.

Ne se déplacer qu'avec le tronc entre soi et la tronçonneuse. (Figure 97)

### Tronçonnage en rondins

Voir les instructions au chapitre Technique de base pour la coupe.

## Généralités

L'utilisateur ne peut effectuer que les travaux d'entretien et de révision décrits dans ce manuel d'utilisation. Les mesures plus importantes doivent être effectuées dans un atelier d'entretien agréé.

## Contrôle, maintenance et entretien des équipements de sécurité de la tronçonneuse



**AVERTISSEMENT! Retirez toujours la batterie avant toute opération de montage, de maintenance ou de contrôle sur la machine.**

Remarque! L'entretien et la réparation de la machine exigent une formation spéciale, et plus particulièrement l'équipement de sécurité de la machine. Si les contrôles suivants ne donnent pas un résultat positif, nous vous recommandons de prendre contact avec votre atelier d'entretien.

Important! Ne nettoyez jamais la batterie ou le chargeur de batterie avec de l'eau. Des produits de nettoyage puissants peuvent endommager le plastique.

## Frein de chaîne avec arceau protecteur

### Contrôle de l'arceau protecteur

- Vérifier que l'arceau est intact et sans aucun défaut apparent tel que fissures. (Figure 98)
- Actionnez l'arceau d'avant en arrière pour vous assurer qu'il se meut librement et qu'il est solidement fixé à son articulation dans le carter d'embrayage. (Figure 99)

### Contrôle de la fonction d'inertie

- Placez la tronçonneuse, éteinte, sur une souche ou sur toute autre base stable. Relâchez la poignée avant et laissez la tronçonneuse tomber contre la souche de son propre poids, en pivotant autour de la poignée arrière. (Figure 100)

Dès que le nez du guide rencontre l'obstacle, le frein doit se déclencher automatiquement.

### Contrôle de l'effet de freinage

- Démarrez la tronçonneuse. Vérifiez que la chaîne ne touche pas le sol ou tout autre objet. Voir les instructions au chapitre Démarrage et arrêt.
- Tenir fermement la tronçonneuse des deux mains, les doigts et le pouce épousant bien les poignées. (Figure 65)
- Donner le plein régime puis activer le frein de chaîne en poussant le poignet gauche contre l'arceau protecteur. Ne pas lâcher la poignée avant. **La chaîne doit s'arrêter immédiatement.** (Figure 101)

## Blocage de la gâchette de puissance

- Vérifiez que la gâchette est bloquée en position de ralenti lorsqu'elle est relâchée. (Figure 102)
- Appuyez sur le blocage de la gâchette et vérifiez qu'elle revient en position initiale lorsque vous la relâchez. (Figure 103)
- Vérifiez que la gâchette et son blocage se déplacent librement et que le ressort de rappel fonctionne correctement. (Figure 104)
- Mettez la tronçonneuse en marche et accélérez au maximum. Lâchez la gâchette et vérifiez que la chaîne s'arrête et demeure immobile.

## Capteur de chaîne

- Vérifier que le capteur de chaîne est en bon état et qu'il est bien fixé dans le corps de la tronçonneuse. (Figure 105)

## Clavier

- Activez la tronçonneuse et vérifiez qu'elle s'éteint lorsque vous appuyez sur le bouton marche/arrêt (témoin vert éteint). (Figure 106)

## Connecteurs de batterie

Nettoyez la batterie et son compartiment après utilisation, à l'aide d'une brosse douce. Veillez à bien nettoyer toutes les fentes de refroidissement et tous les connecteurs de la batterie. (Figure 107)

## Système de refroidissement

La machine est équipée d'un système de refroidissement permettant d'obtenir une température de fonctionnement aussi basse que possible.

Le système de refroidissement est composé des éléments suivants:

- 1 Admission d'air (côté gauche de la machine).
  - 2 Ventilateur sur le moteur.
- Nettoyez le système de refroidissement à l'aide d'une brosse une fois par semaine, voire plus souvent dans des conditions difficiles. Un système de refroidissement sale ou colmaté provoque une surchauffe pouvant endommager la machine. (Figure 108)

## Batterie

- Vérifiez que la batterie n'est pas endommagée ou déformée et ne présente aucun défaut apparent (fissure, etc.). (Figure 109)

## Chargeur de batterie

- Assurez-vous que le chargeur de batterie et le câble d'alimentation électrique ne sont pas endommagés ou déformés et qu'ils ne présentent aucun défaut apparent (fissure, etc.). (Figure 110)

# ENTRETIEN

## Schéma d'entretien

La liste ci-dessous indique l'entretien à effectuer sur la machine. La plupart des points sont décrits à la section Entretien.

Entretien quotidien	Entretien hebdomadaire	Entretien mensuel
Nettoyer l'extérieur de la machine.	Limer les bavures éventuelles sur les côtés du guide-chaîne.	Vérifiez les connexions entre la batterie et la machine, ainsi que la connexion entre la batterie et son chargeur.
Vérifiez que les composants de la gâchette fonctionnent correctement et en toute sécurité. (Gâchette et son dispositif de blocage).		Vider le réservoir d'huile et le nettoyer à l'intérieur.
Nettoyer le frein de chaîne et en contrôler le bon fonctionnement. S'assurer que le capteur de chaîne est en bon état, le remplacer si nécessaire.		Nettoyez les fentes de refroidissement de la tronçonneuse et de la batterie avec de l'air comprimé à faible pression.
Retourner le guide-chaîne tous les jours afin de répartir l'usure. S'assurer que le trou de lubrification n'est pas obturé. Nettoyer la gorge de la chaîne. Lubrifier la roulette si le guide en comporte une.		
S'assurer que le guide et la chaîne sont correctement alimentés en huile.		
Vérifier que les rivets et les maillons de la chaîne sont dépourvus de fissures, que la chaîne n'est pas raide et que les rivets et les maillons ne sont pas anormalement usés. Remplacer au besoin.		
Affûter la chaîne et en contrôler la tension et l'état général. Examiner le pignon d'entraînement de la chaîne et le remplacer s'il est usé.		
Nettoyez l'orifice d'admission d'air.		
S'assurer que toutes les vis et tous les écrous sont bien serrés.		
Vérifiez que le clavier fonctionne correctement et n'est pas endommagé.		

# ENTRETIEN

## Plan de recherche de pannes

### Clavier

Codes d'erreurs sur le clavier de la tronçonneuse.

Clavier	Défaillances possibles	Action possible
Témoin d'avertissement clignote.	Frein de chaîne enclenché.	Tirez l'arceau vers l'arrière pour désactiver le frein de chaîne.
	Écart de température.	Laissez la machine refroidir.
	Surcharge. Équipement de coupe coincé.	L'équipement de coupe est coincé. Relâchez l'équipement de coupe.
	Il convient d'appuyer simultanément sur la gâchette de puissance et le bouton d'activation.	Relâchez la gâchette de puissance pour activer la machine.
La diode verte clignote.	Tension de batterie faible.	Rechargez la batterie.
Témoin d'avertissement s'allume.	Entretien	Contactez votre atelier spécialisé.

### Batterie

Résolution des problèmes liés à la batterie et/ou au chargeur de batterie pendant une phase de charge.

Affichage à LED	Défaillances possibles	Action possible
Témoin d'avertissement clignote.	La batterie est déchargée.	Charge de la batterie.
	Écart de température.	Utilisez la batterie dans des environnements où règne une température comprise entre -10 °C et 60 °C.
	Surtension.	Contrôler que la tension secteur est conforme aux indications sur la plaque de la machine.
Débranchez le chargeur de la batterie.		
Témoin d'avertissement s'allume.	Écart de tension entre cellules trop important (1 V).	Contactez votre atelier spécialisé.

### Chargeur de batterie

Affichage à LED	Défaillances possibles	Action possible
Témoin d'avertissement clignote.	Écart de température.	Laissez refroidir le chargeur (refroidissement passif).
Témoin d'avertissement s'allume.	Domages permanents.	Contactez votre atelier spécialisé.



# CARACTÉRISTIQUES TECHNIQUES

## Caractéristiques techniques

136Li

### Moteur

Type Balai de moteur 36 V

### Fonctions

Mode faible consommation savE

### Système de graissage

Type de pompe à huile Automatique

Contenance du réservoir d'huile, litres/cm<sup>3</sup> 0,20/200

### Poids

Tronçonneuse sans batterie, guide, ni chaîne et avec réservoirs vides, kg 4,8

### Émissions sonores (voir remarque 1)

Niveau de puissance sonore mesuré dB(A) 97,3

Niveau de puissance sonore garanti L<sub>WA</sub>dB(A) 101

Incertitude respectives KpA, dB(A) 3,0

### Niveaux sonores (voir remarque 2)

Niveau de pression sonore équivalent au niveau de l'oreille de l'utilisateur, dB(A) 86

### Niveaux de vibrations (voir remarque 3)

Poignée avant, m/s<sup>2</sup> 3,61

Poignée arrière, m/s<sup>2</sup> 2,25

Incertitude respectives K, m/s<sup>2</sup> 1,5

### Niveaux de vibrations équivalents (voir remarque 4)

Poignée avant, m/s<sup>2</sup> 2,29

Poignée arrière, m/s<sup>2</sup> 1,58

### Chaîne/guide-chaîne

Longueurs de guide recommandées, pouces/cm 12/30

Longueur de coupe effective, pouces/cm 10/26

Type de roue d'entraînement/nombre de dents Spur/6

Vitesse de chaîne maximum/(SavE), m/s 11 (10)

### Batteries homologuées pour les modèles de tronçonneuse ci-dessus

Batterie	BLi110	BLi150
Type	Lithium-Ion	Lithium-Ion
Capacité de la batterie, Ah	3,0	4,2
Tension, V	36	36
Poids, kg	1,2	1,3

### Chargeurs compatibles avec les batteries spécifiées, BLi.

Chargeur de batterie	QC80	QC120	QC330
Tension secteur, V	100-240	220-240	100-240
Fréquence, Hz	50-60	50-60	50-60
Effet, W	80	125	330

Remarque 1 : émission sonore dans l'environnement mesurée comme puissance acoustique (L<sub>WA</sub>) selon la directive UE 2000/14/CE.

Remarque 2 : Le niveau de pression sonore équivalent, selon ISO 22868, correspond à la somme d'énergie pondérée pour divers niveaux de pression sonore à différents régimes. La dispersion statistique typique pour le niveau de pression sonore équivalent se traduit par une déviation standard de 1 dB (A).

Remarque 3 : Niveau de vibrations conformément à EN 60745-2-13. Les données reportées pour le niveau de vibrations montrent une dispersion statistique typique (déviation standard) de 1 m/s<sup>2</sup>. Mesures des vibrations déclarées lorsque la machine est équipée d'une longueur de guide et du type de chaîne recommandé. Si la machine est équipée d'une longueur de guide différente, le niveau de vibrations peut varier de ± 1,5m/s<sup>2</sup> au maximum.

Remarque 4 : Le niveau de vibrations équivalent est mesuré et calculé de la même façon que pour les tronçonneuses alimentées par un moteur à combustion. Ces chiffres sont indiqués afin de comparer les données de vibrations quelque soit le type de moteur.


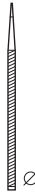

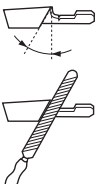

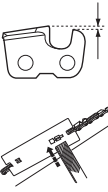
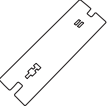

# CARACTÉRISTIQUES TECHNIQUES

## Combinaisons guide-chaîne et chaîne

Les équipements de coupe suivants sont homologués pour le modèle Husqvarna 136Li.

Guide-chaîne				Chaîne	
Longueur, pouces	Pas, pouces	Largeur de rainure, mm	Nombre max. de dents, pignon avant	Type	Longueur, maillons entraîneurs (pce)
12	3/8	1,1	9T	Husqvarna H38	45

## Affûtage de la chaîne et gabarits d'affûtage

							
	inch/mm				inch/mm		
38	11/64 / 4,5	90°	30°	0°	0.025 / 0,65	5056981-03	5795588-01

## Déclaration CE de conformité

### (Concerne seulement l'Europe)

Nous, **Husqvarna AB**, SE-561 82 Huskvarna, Suède, tél. : +46-36-146500, déclarons, sous notre seule responsabilité, que les tronçonneuses électriques sans fil **Husqvarna 136Li** à partir des numéros de série de l'année de fabrication 2016 et ultérieurement (l'année est clairement indiquée sur la plaque d'identification et suivie d'un numéro de série) sont conformes aux dispositions des DIRECTIVES EUROPÉENNES :

- du 17 mai 2006 "directive machines" **2006/42/CE**.
- du 26 février 2014 "compatibilité électromagnétique" **2014/30/UE**.
- du 12 décembre 2006, directive **2006/95/CE** « relative au matériel électrique destiné à être employé dans certaines limites de tension ».
- du 6 septembre 2006, directive **2006/66/CE** « relative aux piles et aux accumulateurs ainsi qu'aux déchets de piles et d'accumulateurs ».
- du 8 mai 2000 "émissions sonores dans l'environnement" **2000/14/CE**.

Les normes harmonisées suivantes ont été appliquées: **EN 60745-1, EN 60745-2-13, EN 60335-2-29, EN 55014-1, EN 55014-2**.

L'organisme notifié: **NB905, Intertek Deutschland GmbH**, Stagenstraße 1, 70771 Leinfelden-Echterdingen, Allemagne, a procédé à des tests de type européen conformément à l'article 12, point 3b de la directive machines (2006/42/CE). Les certificats du contrôle de type UE selon l'annexe IX ont les numéros: **NB905 15SHW0344-01**.

Pour des informations sur les émissions sonores, voir le chapitre Caractéristiques techniques.

La tronçonneuse livrée est conforme à l'exemplaire ayant subi le test de type européen.

Husqvarna, le 30 mars 2016



Lars Roos, directeur du développement

(Représentant autorisé d'Husqvarna AB et responsable de la documentation technique.)

# VERKLARING VAN DE SYMBOLEN

## Symbolen op de machine:

Vertaling van de originele Zweedse bedieningsinstructies.

**WAARSCHUWING!** Motorkettingzagen kunnen gevaarlijk zijn! Slordig of onjuist gebruik kan resulteren in ernstig letsel of overlijden van de gebruiker of anderen.

Neem de gebruiksaanwijzing grondig door en gebruik de machine niet voor u alles duidelijk heeft begrepen.

Draag altijd:

- Goedgekeurde veiligheidshelm
- Goedgekeurde gehoorbeschermers
- Veiligheidsbril of vizier

Dit product voldoet aan de geldende CE-richtlijnen.

Geluidsemissie naar de omgeving volgens de richtlijnen van de Europese Gemeenschap. De emissie van de machine wordt aangegeven in het hoofdstuk Technische gegevens en op plaatjes.

De gebruiker moet steeds beide handen gebruiken om de kettingzaag te bedienen.

Bedien een kettingzaag nooit terwijl u deze slechts met één hand vasthoudt.

Laat de punt van het zaagblad nooit in contact komen met een voorwerp.

**WAARSCHUWING!** Er kan terugslag optreden wanneer de punt van het zaagblad in contact komt met een voorwerp en een reactie veroorzaken waardoor het zaagblad omhoog en naar achteren naar de gebruiker toe komt. Dit kan ernstig persoonlijk letsel veroorzaken.

Rotatierichting van de zaagketting en maximale lengte van het zaagblad.

Kettingrem geactiveerd (rechts) Kettingrem, niet geactiveerd (links)



Zaagkettingolie aanbrengen.

**Milieuetikettering.** Dit symbool op het product of de verpakking geeft aan dat het product niet mag worden behandeld als huishoudelijk afval. Het moet in plaats daarvan ingeleverd worden bij een geschikt recyclestation voor de recycling van elektrische en elektronische apparatuur.

Gelijkstroom.

Stel het product niet bloot aan regen.

**Overige op de machine aangegeven symbolen/plaatjes verwijzen naar specifieke eisen aan certificering op bepaalde markten.**

## Symbolen op de accu en/of op de acculader:

Dit product moet worden afgevoerd via de daartoe aangewezen recyclingfaciliteiten.

Faalveilige transformator

Gebruik en bewaar de acculader uitsluitend binnenshuis.

Dubbele isolatie



# VERKLARING VAN DE SYMBOLEN

Op de machine, accu en acculader treft u de volgende plaatjes aan:

## WARNING

Read and follow all safety precautions in the owner's manual. Failure to follow instructions could result in serious injury to user. Contact of the guide bar to any object should be avoided. Tip contact may cause the guide bar to move suddenly towards the operator, which may cause serious injury to user. Two hands are always to be used in operation of the chain saw. Use only identical replacement bar and chain components manufactured by Husqvarna. Use only Husqvarna Battery type BLI.

## AVERTISSEMENT

Consultez et respectez les consignes de sécurité contenues dans le manuel de l'utilisateur. Le non-respect de ces instructions peut entraîner de graves blessures chez l'utilisateur. Éviter tout contact entre le nez du guide-chaîne et un objet. Tout contact avec le nez peut entraîner des mouvements brusques du guide-chaîne vers le haut ou vers le bas susceptibles de provoquer l'éclat de l'utilisateur. L'opérateur doit toujours utiliser ses deux mains lorsqu'il fait fonctionner la tronçonneuse. Utiliser uniquement des pièces de rechange du guide-chaîne et de la chaîne homologuées qui ont été homologuées par Husqvarna. Utiliser uniquement une batterie Husqvarna de type BLI.

## ADVERTENCIA

Lee y siga todas las precauciones de seguridad especificadas en el manual de instrucciones. El incumplimiento de estas instrucciones podría causar lesiones personales de gravedad. Debe evitarse que la punta de la espada entre en contacto con cualquier objeto. El contacto con la punta podría provocar un movimiento repentino hacia arriba y hacia abajo de la espada, que podría causar graves lesiones personales. La maniobra siempre debe manejarse con las dos manos. Utilice únicamente componentes de sustitución de la espada y la cadena autorizados a los originales y fabricados por Husqvarna. Utilice únicamente una batería de tipo BLI de Husqvarna.

587134201



Class 2C Chainsaw

36V --- 136Li Article No. XXXXXXXXX

Serial No. XXXXXX-XX

PNC No. XXXXXX-XX



HUSQVARNA AB, SE-561 82 HUSKVARNA, SWEDEN



**Husqvarna AB**  
S-561 82 Huskvarna, Sweden



Husqvarna  
Service Co., Ltd

Type BLI ---

Art.no. ---

36V --- / Ah Li Ion --- Wh

10INR19/66-2



Rechargeable  
Li-Ion Battery

**Husqvarna AB**

S-561 82 Huskvarna, Sweden

Type: QC

Art.-No. ---

Input: --- V --- / Hz / 100W max.

Output: 36V --- / 2A

Class 2 battery charger



**Li-Ion**  
Use ONLY with Husqvarna

Li-Ion batteries



serial-no.: ---

---

# INHOUD

---

## Inhoud

### VERKLARING VAN DE SYMBOLEN

Symbolen op de machine: .....	203
Symbolen op de accu en/of op de acculader: .....	203

### INHOUD

Inhoud .....	205
--------------	-----

### INLEIDING

Beste klant! .....	206
--------------------	-----

### WAT IS WAT?

Wat is wat op de motorkettingzaag? .....	206
--	-----

### ALGEMENE VEILIGHEIDSIINSTRUCTIES

Algemene veiligheidswaarschuwingen voor elektrisch gereedschap .....	207
Maatregelen voor gebruik van een nieuwe motorkettingzaag .....	209
Belangrijk .....	210
Gebruik altijd uw gezond verstand .....	210
Persoonlijke veiligheidsuitrusting .....	211
Veiligheidsuitrusting van de machine .....	211
Accu en acculader .....	213
Snijuitrusting .....	214

### MONTEREN

Monteren van zaagblad en ketting .....	218
--	-----

### DE ACCU GEBRUIKEN

Batterijstatus .....	219
Batterijlader .....	219
Transport en opbergen .....	219
De accu, acculader en machine afvoeren .....	220

### STARTEN EN STOPPEN

Starten en stoppen .....	221
--------------------------	-----

### ARBEIDSTECHNIEK

Voor ieder gebruik: .....	222
SavE .....	222
Algemene werkinstructies .....	222
Maatregelen die terugslag voorkomen .....	226

### ONDERHOUD

Algemeen .....	227
Controle, onderhoud en service van de veiligheidsuitrusting van de motorkettingzaag .....	227
Accuaansluitingen .....	227
Koelsysteem .....	227
Accu .....	227
Batterijlader .....	227
Onderhoudsschema .....	228
Storingsschema .....	229

### TECHNISCHE GEGEVENS

Technische gegevens .....	230
Zaagblad- en kettingcombinaties .....	231
Vijlen en vijlmallen van de zaagketting .....	231
EG-verklaring van overeenstemming .....	231

# INLEIDING

## Beste klant!

Gefeliciteerd met de aankoop van een Husqvarna-product! Husqvarna heeft een geschiedenis die terugvoert tot 1689 toen koning Karl XI aan het strand van het riviertje Huskvarna een fabriek liet bouwen voor de productie van musketten. De locatie aan de Huskvarna was logisch omdat het riviertje werd gebruikt om waterkracht op te wekken en op die manier een waterkrachtcentrale vormde. In de meer dan 300 jaar van het bestaan van de Husqvarna-fabriek zijn ontelbare producten geproduceerd, van houtfornuizen tot moderne keukenmachines, naaimachines, fietsen, motorfietsen enz. In 1956 werd de eerste motormaaier geïntroduceerd, die in 1959 werd gevolgd door een motorkettingzaag. Het is op dit terrein dat Husqvarna tegenwoordig actief is.

Husqvarna is heden ten dage een van de meest vooraanstaande producenten ter wereld van producten voor bos en tuin met kwaliteit en prestatie als de hoogste prioriteit. De missie is het ontwikkelen, produceren en op de markt brengen van gemotoriseerde producten voor bos- en tuinbouw en de bouw- en constructie-industrie. Het doel van Husqvarna is ook voorop te lopen met betrekking tot ergonomie, gebruikersvriendelijkheid, veiligheid en milieubewustzijn. Daarom is een grote hoeveelheid verschillende snufjes ontwikkeld om de producten op deze terreinen te verbeteren.

We zijn ervan overtuigd dat u de kwaliteit en prestaties van ons product gedurende een lange periode naar volle tevredenheid zult waarderen. Door de aankoop van één van onze producten krijgt u de beschikking over professionele hulp bij reparaties en service mocht er toch iets gebeuren. Wanneer u de machine niet heeft gekocht bij een van onze erkende dealers, kunt u hen vragen naar de dichtstbijzijnde servicewerkplaats.

Wij hopen dat u tevreden zult zijn met uw machine en dat deze u gedurende lange tijd zal vergezellen. Denk erom dat deze gebruiksaanwijzing een waardevol document is. Door de inhoud (gebruik, service, onderhoud enz.) te volgen kunt u de levensduur van uw machine én de tweedehands waarde aanzienlijk verlengen. Mocht u uw machine verkopen moet u ervoor zorgen de gebruiksaanwijzing aan de nieuwe eigenaar over te dragen.

Hartelijk dank voor het feit dat u een Husqvarna-product gebruikt!

Husqvarna AB werkt voortdurend aan het verder ontwikkelen van haar producten en houdt zich dan ook het recht voor om zonder aankondiging vooraf wijzigingen in o.a. vorm en uiterlijk door te voeren.

## Wat is wat op de motorkettingzaag? (1)

- 1 Terugslagbeveiliging
- 2 Toetsenbord
- 3 SavE-knop
- 4 Waarschuwinglampje
- 5 Activeer- en deactiveerknop
- 6 Vergrendeling voedingschakelaar
- 7 Achterhandgreep met rechterhandbescherming
- 8 Ventilatorbehuizing
- 9 Kettingolietank
- 10 Batterijlader
- 11 Snoer
- 12 Waarschuwinglampje
- 13 Aansluiting
- 14 Gebruiksaanwijzing
- 15 Zaagbladbescherming
- 16 Afdekking kettingwielaandrijving
- 17 Kettingspanwiel
- 18 Knop
- 19 Kettingvanger
- 20 Schorssteun
- 21 Neuswiel
- 22 Ketting
- 23 Zaagblad
- 24 Voorste handvat
- 25 Voedingsschakelaar
- 26 Accu
- 27 Accuontgrendelknoppen
- 28 Accustatus
- 29 Knop, accustatus
- 30 Waarschuwinglampje

# ALGEMENE VEILIGHEIDSLINSTRUCTIES

## Algemene veiligheidswaarschuwingen voor elektrisch gereedschap



**WAARSCHUWING!** Lees alle veiligheidswaarschuwingen en instructies door. Het negeren van waarschuwingen en instructies kan elektrische schokken, brand en/of ernstig letsel tot gevolg hebben.

**BELANGRIJK!** Bewaar alle waarschuwingen en instructies voor later gebruik. De term "elektrisch gereedschap" in de waarschuwingen verwijst zowel naar gereedschappen die op het lichtnet (met snoer) werken als gereedschappen die met een accu (snoerloos) werken.

## Veiligheid op de werkplek

- **Zorg ervoor dat de werkplek schoon en goed verlicht is.** Rommelige of donkere werkplekken werken ongelukken in de hand.
- **Gebruik elektrisch gereedschap niet in een omgeving waar ontploffingsgevaar bestaat, zoals in de buurt van brandbare vloeistoffen, gassen of stof.** Elektrische gereedschappen geven vonken af die ontbranding van het stof of de dampen kunnen veroorzaken.
- **Houd kinderen en omstanders op afstand wanneer u elektrisch gereedschap gebruikt.** Als u wordt afgeleid, bestaat de kans dat u de controle over het gereedschap verliest.

## Elektrische veiligheid

- **Elektrisch gereedschap moet geschikt zijn voor het betreffende stopcontact. Breng nooit wijzigingen aan in de stekker. Gebruik nooit een adapterstekker in combinatie met geaarde elektrische gereedschappen.** Ongemodificeerde stekkers en passende stopcontacten beperken het risico op elektrische schokken.
- **Vermijd lichamelijk contact met geaarde oppervlakken, zoals buizen, radiatoren, fornuizen en koelkasten.** Er bestaat een verhoogd risico op elektrische schokken wanneer uw lichaam met aarde verbonden is.
- **Stel elektrische gereedschappen niet bloot aan regen of vochtige omstandigheden.** Water dat in elektrisch gereedschap binnendringt, verhoogt het risico op elektrische schokken.
- **Gebruik het snoer niet voor oneigenlijke doeleinden. Gebruik het snoer nooit om elektrisch gereedschap te dragen, op te tillen of uit het stopcontact te trekken.** Houd het snoer uit de buurt van warmtebronnen, olie, scherpe randen of bewegende delen. Beschadigde of verwarde snoeren verhogen het risico op elektrische schokken.

- **Gebruik een verlengsnoer dat geschikt is voor gebruik buitenshuis wanneer u buiten werkt met elektrisch gereedschap.** Het gebruik van een snoer dat geschikt is voor gebruik buitenshuis verlaagt het risico op elektrische schokken.
- **In het geval dat het onvermijdelijk is om elektrisch gereedschap in een vochtige locatie te gebruiken, maak dan gebruik van een voeding die beschermd wordt door een aardlekbeveiliging.** Het gebruik van een aardlekbeveiliging verlaagt het risico op elektrische schokken.

## Persoonlijke veiligheid

- **Wees altijd alert, kijk wat u doet en gebruik uw gezond verstand wanneer u elektrisch gereedschap gebruikt. Gebruik elektrisch gereedschap niet wanneer u vermoed bent of onder invloed van drugs, alcohol of medicijnen bent.** Eén moment van onoplettendheid tijdens het werken met elektrisch gereedschap kan ernstig persoonlijk letsel tot gevolg hebben.
- **Maak altijd gebruik van persoonlijke beschermingsmiddelen. Gebruik altijd oogbescherming.** Beschermingsmiddelen zoals een stofmasker, veiligheidsschoenen met antislipprofiel, een veiligheidshelm of gehoorbescherming in relevante werkomstandigheden beperken persoonlijk letsel.
- **Voorkom een onbedoelde start. Verzeker u ervan dat de schakelaar in de OFF-positie (uit) staat voordat u het gereedschap aansluit op een spanningsbron en/of accu, oppakt of draagt.** Het dragen van elektrisch gereedschap met de vinger op de schakelaar of het aansluiten van elektrisch gereedschap terwijl de schakelaar is ingeschakeld, werkt ongelukken in de hand.
- **Verwijder eventuele (instel)sleutels voordat u het elektrisch gereedschap inschakelt.** Een sleutel die is bevestigd aan een draaiend onderdeel van het elektrische gereedschap kan persoonlijk letsel tot gevolg hebben.
- **Voorkom overstrekken. Zorg dat u altijd stevig en in balans staat.** Zo hebt u een betere controle over het elektrisch gereedschap in onverwachte situaties.
- **Draag geschikte kleding. Draag geen loszittende kleding of sieraden. Houd uw haar, kleding en handschoenen uit de buurt van bewegende delen.** Loszittende kleding, sieraden of lang haar kan vast komen te zitten in bewegende delen.
- **Als de mogelijkheid bestaat voor het opvangen van stof moet u ervoor zorgen dat deze is aangesloten en op de juiste wijze wordt gebruikt.** Het gebruik van stofopvang kan stofgerelateerde gevaren beperken.
- De trillingsemisatie tijdens het feitelijke gebruik van de machine kan afwijken van de opgegeven totaalwaarde en is afhankelijk van de manier waarop het gereedschap wordt gebruikt. Om zichzelf te beschermen, moeten gebruikers de nodige

# ALGEMENE VEILIGHEIDSINSTRUCTIES

veiligheidsmaatregelen nemen op basis van een schatting van de blootstelling in de feitelijke gebruiksomstandigheden. Hierbij moet rekening worden gehouden met alle elementen van de bedrijfscyclus, dus niet alleen de tijd dat het gereedschap actief wordt gebruikt, maar ook de tijd dat het gereedschap is uitgeschakeld of stationair draait.

## Gebruik en onderhoud van elektrisch gereedschap

- **Gebruik elektrische gereedschap niet voor taken waarvoor het niet geschikt is. Gebruik voor iedere klus het juiste elektrische gereedschap.** Het juiste elektrische gereedschap doet de klus beter en veiliger op het vermogen waarvoor het ontworpen is.
- **Gebruik het elektrische gereedschap niet als de aan/uitschakelaar niet werkt.** Elektrisch gereedschap dat niet kan worden in- en uitgeschakeld via de schakelaar is gevaarlijk en moet worden gerepareerd.
- **Haal de stekker uit het stopcontact en/of verwijder de accu van het elektrische gereedschap voordat u aanpassingen maakt, accessoires verwisselt of het elektrische gereedschap opbergt.** Dergelijke voorzorgsmaatregelen verlagen de kans dat het elektrische gereedschap per ongeluk wordt ingeschakeld.
- **Berg elektrisch gereedschap dat u niet nodig hebt op buiten het bereik van kinderen en laat personen die onbekend zijn met het elektrische gereedschap of deze instructies niet werken met het elektrische gereedschap.** Elektrisch gereedschap is gevaarlijk in de handen van onervaren gebruikers.
- **Onderhoud elektrisch gereedschap goed. Controleer op onjuiste montage of vastlopen van bewegende delen, gebroken onderdelen en andere condities die de werking van het elektrische gereedschap kunnen beïnvloeden. Laat elektrisch gereedschap in geval van beschadiging repareren voordat u het weer gebruikt.** Veel ongelukken worden veroorzaakt door slecht onderhouden elektrische gereedschappen.
- **Houd snijgereedschappen scherp en schoon.** Goed onderhouden snijgereedschappen met scherpe snijranden zullen minder gauw vastlopen en zijn eenvoudiger onder controle te houden.
- **Gebruik het elektrische gereedschap, de accessoires, gereedschapsbits en dergelijke in overeenstemming met deze instructies en houd hierbij rekening met de werkomstandigheden en het type klus dat moet worden uitgevoerd.** Gebruik van het elektrische gereedschap op een andere wijze dan waarvoor het bedoeld is, kan tot gevaarlijke situaties leiden.

## Gebruik en onderhoud van gereedschap met accu

- **Laad het gereedschap alleen op met de lader die door de fabrikant is gespecificeerd.** Een lader die voor een bepaald type accu geschikt is, kan een risico op brand creëren als de lader met een andere accu wordt gebruikt.
- **Gebruik elektrisch gereedschap enkel met de specifiek hiervoor bedoelde accu.** Als er een andere accu wordt gebruikt, bestaat er risico op letsel en brand.
- **Als een accu niet wordt gebruikt, houd deze dan uit de buurt van andere metalen voorwerpen, zoals paperclips, munten, sleutels, spijkers, schroeven en andere kleine metalen voorwerpen, omdat die ervoor kunnen zorgen dat de aansluitingen contact maken.** Als er kortsluiting tussen de accuaansluitingen ontstaat, kunnen er brandwonden of brand ontstaan.
- **Als de accu op de verkeerde manier wordt gebruikt, kan er vloeistof uit lopen; vermijd contact. Als u per ongeluk in contact komt met de vloeistof, afspoelen met water. Als er vloeistof in de ogen komt, moet u een arts raadplegen.** Vloeistof die uit accu's loopt, kan irritatie of brandwonden veroorzaken.

## Service

- **Laat uw elektrische gereedschap repareren door een erkend reparateur die uitsluitend gebruik maakt van identieke vervangende onderdelen.** Dit zorgt ervoor dat de veiligheid van het elektrische gereedschap wordt gehandhaafd.

## Veiligheidswaarschuwingen voor de motorkettingzaag

- **Houd alle lichaamsdelen weg van de zaagketting als de motorkettingzaag in werking is. Controleer voordat u de motorkettingzaag start of de zaagketting niets raakt.** Als u even niet oplet, kan uw kleding of lichaam vast komen te zitten in de zaagketting bij het gebruik van een motorkettingzaag.
- **Houd de motorkettingzaag altijd vast met uw rechterhand op de achterhandgreep en uw linkerhand op de voorhandgreep.** Als u de motorkettingzaag andersom vasthoudt, neemt de kans op persoonlijk letsel toe; doe dat dus nooit.
- **Houd het gereedschap alleen vast aan de geïsoleerde handgrepen, omdat de zaagketting verborgen bedrading kan raken.** Als de zaagketting een onder stroom staande draad aanraakt, kan dit ervoor zorgen dat niet-geïsoleerde delen van het gereedschap ook onder stroom komen, waardoor de gebruiker een elektrische schok kan krijgen.
- **Draag een veiligheidsbril en gehoorbescherming. We raden u aan verdere beschermingsuitrusting voor hoofd, handen, benen en voeten te gebruiken.** Als u voldoende beschermende kleding



# ALGEMENE VEILIGHEIDINSTRUCTIES

draagt, neemt de kans op persoonlijk letsel door rondvliegend vuil of onbedoeld contact met de zaagketting af.

- **Bedien een motorkettingzaag nooit terwijl u in een boom staat.** Als u een motorkettingzaag gebruikt terwijl u in een boom staat, kan dat persoonlijk letsel veroorzaken.
- **Ga altijd goed staan en bedien de motorkettingzaag alleen terwijl u op een vaste, stevige en vlakke ondergrond staat.** Gladde of instabiele oppervlakken, zoals ladders, kunnen ervoor zorgen dat u uw evenwicht of de controle over de motorkettingzaag verliest.
- **Als u een tak doorzaagt die onder spanning staat, zorg dan dat de tak u niet kan raken.** Als de spanning in de houtvezels vrijkomt, kan de geveerde tak de gebruiker raken en/of ervoor zorgen dat de gebruiker de motorkettingzaag niet meer onder controle heeft.
- **Wees zeer voorzichtig als u struiken en jonge bomen zaagt.** Het dunne materiaal kan vast komen te zitten in de zaagketting en naar voren naar u toe zwiepen of u uit uw evenwicht brengen.
- **Draag de motorkettingzaag bij de handgreep met de motorkettingzaag uitgeschakeld en uit de buurt van uw lichaam.** Als u de motorkettingzaag vervoert of opbergt, moet u altijd de afdekking over het zaagblad aanbrengen. Als u de motorkettingzaag goed hanteert, verlaagt u de kans op onbedoeld contact met de bewegende zaagketting.
- **Volg de instructies voor het smeren, het spannen van de ketting en het verwisselen van accessoires.** Als de zaagketting niet goed is gespannen of gesmeerd, kan de ketting breken en neemt de kans op terugslag toe.
- **Houd de handgrepen droog, schoon en vrij van olie en vet.** Vettige, met olie bedekte handgrepen zijn glad, waardoor u de controle kunt verliezen.
- **Zaag alleen hout. Gebruik de motorkettingzaag alleen waarvoor hij is bedoeld. Voorbeeld: gebruik de motorkettingzaag niet om plastic, metselwerk of ander bouw materiaal dan hout door te zagen.** Als de motorkettingzaag voor andere toepassingen dan bedoeld wordt gebruikt, kan dat tot gevaarlijke situaties leiden.
- We raden nieuwe gebruikers ten sterkste aan om het zagen van stammen op een zaagbok of -houder te oefenen.

## Oorzaken van terugslag en het voorkomen ervan door de gebruiker

Er kan terugslag optreden wanneer de punt van het zaagblad in contact komt met een voorwerp of wanneer de zaagsnede dichtkapt en de zaagketting in de snede wordt geblokkeerd. Soms kan er bij contact met de punt een reactie in tegengestelde richting ontstaan, waardoor het zaagblad omhoog en naar achteren naar de gebruiker

toe komt. Als de zaagketting aan de bovenkant van het zaagblad klem komt te zitten, kan het zaagblad snel op de gebruiker af komen. Bij deze reacties kunt u de controle over de zaag verliezen, wat kan leiden tot ernstig persoonlijk letsel. Vertrouw niet uitsluitend op de veiligheidsvoorzieningen die in de zaag zijn geïntegreerd. Bij het gebruik van een motorkettingzaag moet u een aantal stappen nemen om ongevallen of letsel bij het zagen te voorkomen. Terugslag is het gevolg van verkeerd gebruik en/of verkeerde bedrijfsprocedures of -omstandigheden en kan worden vermeden door de juiste voorzorgsmaatregelen te nemen, zoals hieronder wordt beschreven:

- **Houd de zaag stevig vast, met uw duimen en vingers rond de handgrepen van de motorkettingzaag, met beide handen op de zaag en uw lichaam en arm zodanig geplaatst dat u eventuele terugslag kunt opvangen.** De kracht van een terugslag kan door de gebruiker onder controle worden gehouden, mits de juiste voorzorgsmaatregelen worden genomen. Laat de motorkettingzaag niet los.
- **Reik niet te ver en zaag niet boven schouderhoogte.** Zo voorkomt u onbedoeld contact met de punt en houdt u de motorkettingzaag in onverwachte situaties beter onder controle.
- **Gebruik alleen vervangende zaagbladen en kettingen die door de fabrikant worden gespecificeerd.** Als er verkeerde vervangende zaagbladen en kettingen worden gebruikt, kan de ketting breken en/of kan er terugslag ontstaan.
- **Volg de instructies van de fabrikant voor het slijpen en onderhouden van de zaagketting.** Als de zaagdiepte wordt verkleind, kan de terugslag toenemen.

## Maatregelen voor gebruik van een nieuwe motorkettingzaag

- Lees de gebruiksaanwijzing zorgvuldig door.
- **(1) - (110)** verwijst naar illustraties op blz. 2-6.
- Laad de accu volledig op voordat u hem voor het eerst gebruikt. Zie de instructies in het hoofdstuk De accu opladen.
- Vul met kettinolie. Zie de instructies in het hoofdstuk Kettinolie bijvullen.
- Controleer de montage en de afstelling van de snijuitrusting. Zie de instructies in het hoofdstuk Monteren.
- Gebruik de motorkettingzaag niet voor er voldoende kettingsmerolie bij de zaagketting is gekomen. Zie de instructies in het hoofdstuk Smeren van de snijuitrusting.
- Langdurige blootstelling aan lawaai kan leiden tot permanente gehoorbeschadiging. Gebruik daarom altijd goedgekeurde gehoorbescherming.

# ALGEMENE VEILIGHEIDSINSTRUCTIES



**WAARSCHUWING!** De oorspronkelijke vormgeving van de machine mag in geen enkel geval gewijzigd worden zonder toestemming van de fabrikant. Men moet altijd originele onderdelen gebruiken. Niet goedgekeurde wijzigingen en/of niet-originele onderdelen kunnen tot ernstige verwondingen of de dood van zowel gebruiker als omstanders leiden.



**WAARSCHUWING!** Als motorkettingzagen slordig of verkeerd gebruikt worden, kunnen ze gevaarlijk gereedschap zijn en tot ernstige, zelfs levensgevaarlijke verwondingen leiden. Het is erg belangrijk dat u deze gebruiksaanwijzing leest en begrijpt.



**WAARSCHUWING!** Langdurige inademing van kettingolienevel en het stof van zaagsel kan een gezondheidsrisico vormen.



**WAARSCHUWING!** Deze machine produceert tijdens bedrijf een elektromagnetisch veld. Dit veld kan onder bepaalde omstandigheden de werking van actieve of passieve medische implantaten verstoren. Om het risico op ernstig of fataal letsel te beperken, raden we personen met een medisch implantaat aan om contact op te nemen met hun arts en de fabrikant van het medische implantaat voordat ze deze machine gaan bedienen.



**WAARSCHUWING!** Sta nooit toe dat kinderen de machine gebruiken of in de buurt van de machine komen. De machine start gemakkelijk, zodat kinderen deze mogelijk kunnen starten wanneer ze niet onder volledig toezicht staan. In dat geval kan er een risico op ernstig persoonlijk letsel bestaan. Koppel de accu daarom los wanneer de machine niet onder streng toezicht staat.

## Belangrijk

### BELANGRIJK!

Deze motorkettingzaag voor bosbouwtoepassingen is bestemd voor boswerkzaamheden zoals vellen, verwijderen van zijtakken en zagen.

Mogelijk gelden er nationale wettelijke voorschriften die het gebruik van de machine beperken.

U mag alleen de zaagblad/zaagkettingcombinaties gebruiken, die wij aanbevelen in het hoofdstuk Technische gegevens.

Gebruik de machine nooit als u moe bent, alcohol heeft gedronken of medicijnen heeft ingenomen, die uw gezichtsvermogen, beoordelingsvermogen of coördinatievermogen kunnen beïnvloeden.

Draag altijd persoonlijke veiligheidsuitrusting. Zie instructies in het hoofdstuk "Persoonlijke veiligheidsuitrusting".

Wijzig deze machine nooit zo dat hij niet langer overeenstemt met de originele uitvoering, en gebruik de machine niet als u denkt dat anderen hem hebben gewijzigd.

Gebruik een machine, accu of acculader nooit als deze defect is. Volg de onderhouds-, controle- en service-instructies van deze gebruiksaanwijzing. Bepaalde onderhouds- en servicemaatregelen moeten door opgeleide en gekwalificeerde specialisten worden uitgevoerd. Zie de instructies in het hoofdstuk Onderhoud.

Gebruik uitsluitend de in deze gebruiksaanwijzing aanbevolen accessoires. Zie instructies in de hoofdstukken Snijuitrusting en Technische gegevens.

N.B.! Gebruik altijd een beschermingsbril of gezichtsvizier om het risico van verwonding door wegvliegende voorwerpen te verminderen. Een motorzaag is in staat om met grote kracht voorwerpen, zoals zaagsel, kleine stukjes hout enz., weg te slingeren. Dit kan leiden tot ernstig letsel, vooral aan ogen.



**WAARSCHUWING!** Een verkeerde snijuitrusting of een verkeerde zaagblad/kettingcombinatie verhoogt het risico op terugslag! Gebruik uitsluitend de zaagblad/kettingcombinaties die wij aanbevelen, en volg de veiligheidsinstructie. Zie de instructies in het hoofdstuk Technische gegevens.

## Gebruik altijd uw gezond verstand

Het is onmogelijk om alle denkbare situaties, waarvoor u zich geplaatst kunt zien bij het gebruik van een motorzaag, af te dekken. Wees altijd voorzichtig en gebruik gezond verstand. Vermijd situaties, waarvoor u

# ALGEMENE VEILIGHEIDSLINSTRUCTIES

zich niet voldoende gekwalificeerd acht. Wanneer u zich, na het lezen van deze instructies, nog steeds onzeker voelt over de handelwijze, moet u een expert om advies vragen voor u verdergaat. Aarzel niet om contact op te nemen met uw dealer of met ons, wanneer u vragen heeft over het gebruik van motorzagen. We zijn u graag van dienst om u adviezen te geven, die u helpen uw motorzaag op een betere en veiliger manier te gebruiken. Volg een opleiding in het gebruik van motorzagen. Uw dealer, bosbouwschool of uw bibliotheek kunnen u vertellen welk opleidingsmateriaal en welke cursussen beschikbaar zijn. (Figuur 2)

Er wordt voortdurend gewerkt aan het verbeteren van design en techniek - verbeteringen waardoor uw veiligheid en effectiviteit toenemen. Breng regelmatig een bezoek aan uw dealer om te zien welk nut u kunt hebben van de noviteiten die worden geïntroduceerd.

## Persoonlijke veiligheidsuitrusting



**WAARSCHUWING! Het grootste gedeelte van de ongevallen met motorkettingzagen gebeurt wanneer de ketting de gebruiker raakt. Bij al het gebruik van de machine moet goedgekeurde persoonlijke beschermingsuitrusting gebruikt worden. Persoonlijke beschermingsuitrusting elimineert de risico's niet, maar vermindert het schadelijk effect in geval van een ongeval. Vraag uw dealer om raad wanneer u uw uitrusting koopt.**

Draag altijd:

- Goedgekeurde veiligheidshelm
- Gehoorbeschermers
- Veiligheidsbril of vizier
- Handschoenen met zaagbescherming
- Broeken met zaagbescherming
- Laarzen met zaagbescherming, stalen neus en anti-slip zool
- U moet altijd een EHBO-kit bij de hand hebben.

Verder moet de kleding goed aansluiten zonder u in uw bewegingen te belemmeren.

## Veiligheidsuitrusting van de machine

In dit hoofdstuk wordt uitgelegd wat de veiligheidsonderdelen van de machine zijn, en hun functie. Voor controle en onderhoud zie de instructies in het hoofdstuk Controle, onderhoud en service van de veiligheidsuitrusting van de motorzaag. Zie de instructies in het hoofdstuk Wat is wat?, om te zien waar deze onderdelen zich bevinden op uw machine.

De levensduur van de machine kan worden verkort en het risico van ongelukken kan toenemen wanneer het onderhoud aan de machine niet op de juiste manier wordt uitgevoerd en wanneer service en/of reparaties niet vakkundig worden gedaan. Indien u meer informatie nodig heeft, verzoeken wij u contact op te nemen met de dichtstbijzijnde servicewerkplaats.



**WAARSCHUWING! Gebruik de machine nooit wanneer de veiligheidsuitrusting defect is. De veiligheidsuitrusting moet worden gecontroleerd en onderhouden. Zie de instructies in het hoofdstuk Controle, onderhoud en service van de veiligheidsuitrusting van de motorzaag. Als uw machine niet door alle controles komt, moet u ermee naar uw servicewerkplaats voor reparatie.**

## Toetsenbord

Verzekeer u ervan dat de machine in- of uitschakelt wanneer u de activeer-/deactiveerknop (1) indrukt en ingedrukt houdt (> 1 sec.). De groene led (2) brandt of is uit.

Het waarschuwinglampje (3) knippert als de kettingrem wordt geactiveerd of als het risico van overbelasting bestaat. De overbelastingsbeveiliging schakelt de machine tijdelijk uit. Wanneer de machine weer een normale temperatuur heeft bereikt, is deze weer klaar voor gebruik. Als het lampje constant brandt, moet er onderhoud worden uitgevoerd. (Figuur 6)

## Functie voor automatisch uitschakelen

De machine is uitgerust met een automatische uitschakelfunctie, waarbij de machine wordt gedeactiveerd als deze niet wordt gebruikt. De machine wordt na 1 minuut gedeactiveerd.

## Kettingrem met terugslagbeveiliging

Uw motorzaag is voorzien van een kettingrem, die de ketting in geval van terugslag stopt. Een kettingrem vermindert het risico op ongevallen, maar alleen u als gebruiker kunt ze voorkomen. (Figuur 3)

Wees voorzichtig wanneer u de motorkettingzaag gebruikt en zorg ervoor dat de terugslagrisico-sector van het zaagblad nooit in contact komt met een voorwerp. (Figuur 4)

- De kettingrem (A) wordt of handmatig geactiveerd (via uw linkerhand) of met het traagheidsmechanisme. (Figuur 5)
- Het activeren vindt plaats wanneer de terugslagbeveiliging (B) naar voren wordt geduwd. (Figuur 5)
- Er wordt dan een veermechanisme geactiveerd, dat de kettingwiel aandrijving stopt.
- De terugslagbeveiliging werd niet alleen geconstrueerd om de kettingrem te activeren. Een andere belangrijke functie is dat ze het risico

# ALGEMENE VEILIGHEIDSINSTRUCTIES

vermindert dat de linkerhand de ketting raakt wanneer men de greep op het voorste handvat verliest.

- De kettingrem moet geactiveerd zijn wanneer u de motorkettingzaag start.
- Gebruik de kettingrem als 'parkeerrem' bij starten en bij kortere verplaatsingen, om ongelukken te voorkomen waarbij gebruikers of omgeving onvrijwillig in contact komen met een bewegende zaagketting.
- De ketting wordt ontkoppeld door de terugslagbeveiliging naar achter te duwen, naar het voorste handvat.
- Een terugslag kan bliksemsnel gebeuren en erg krachtig zijn. Meestal is de terugslag erg licht en wordt de kettingrem niet altijd geactiveerd. In die gevallen is het belangrijk dat men de motorkettingzaag stevig vasthoudt en niet laat vallen. **(Figuur 65)**
- Hoe de kettingrem geactiveerd wordt, manueel of via het traagheidsmechanisme, wordt bepaald door de sterkte van de terugslag en door de positie van de motorkettingzaag in verhouding tot het voorwerp waarmee de terugslagrisico-sector in contact komt. Bij hevige terugslag en wanneer de terugslagrisico-sector van de motorkettingzaag zich zo ver mogelijk van de gebruiker bevindt, is de kettingrem zo geconstrueerd, dat hij wordt geactiveerd via het tegenwicht van de kettingrem (traagheid) in de terugslagrichting. **(Figuur 7)**
- Bij minder hevige terugslag en wanneer de terugslagrisico-sector van de motorkettingzaag zich dichterbij de gebruiker bevindt, wordt de kettingrem manueel geactiveerd met de linkerhand.
- Bij velstand is de linkerhand in een stand, waardoor het onmogelijk is de kettingrem handmatig te activeren. Bij deze greep, d.w.z. wanneer de linkerhand zo geplaatst is dat ze de beweging van de terugslagbeveiliging niet kan beïnvloeden, kan de kettingrem uitsluitend geactiveerd worden via het traagheidsmechanisme. **(Figuur 8)**

## Zal mijn hand de kettingrem bij terugslag altijd activeren?

Nee. Er is een zekere kracht voor nodig om de terugslagbeveiliging naar voren te bewegen. Als uw hand de terugslagbeveiliging slechts licht beroert of eroverheen gaat, kan het gebeuren dat de kracht niet voldoende groot is om de kettingrem te activeren. Ook wanneer u werkt, moet u de handgrepen van de motorzaag stevig beet houden. Als u dat doet en u krijgt terugslag, laat u misschien nooit uw hand los van de voorhandgreep en activeert u de kettingrem niet, of de kettingrem wordt pas geactiveerd wanneer de zaag al eventjes heeft kunnen rondslingeren. In zo'n situatie kan het voorkomen dat de kettingrem de ketting niet kan stoppen voor deze u raakt.

Er zijn ook bepaalde werkhoudingen waardoor uw hand niet bij de terugslagbeveiliging kan om de kettingrem te

activeren, bijv. wanneer de zaag in velpositie wordt gehouden.

## Zal de kettingrem altijd door de traagheid worden geactiveerd, wanneer terugslag optreedt?

Nee. Ten eerste moet uw rem functioneren. Ten tweede moet de terugslag voldoende sterk zijn om de kettingrem te activeren. Als de kettingrem gevoelig zou zijn, zou deze voortdurend worden geactiveerd, wat lastig zou zijn.

## Zal de kettingrem me altijd beschermen tegen letsel als terugslag voorkomt?

Nee. Ten eerste moet uw rem functioneren om de bedoelde bescherming te geven. Ten tweede moet hij zo worden geactiveerd als hierboven beschreven, om de zaagketting bij terugslag te stoppen. Ten derde kan de kettingrem worden geactiveerd, maar wanneer het zaagblad te dicht bij u is, kan het gebeuren dat de rem niet op tijd afgeremd is om de ketting te stoppen voor de motorzaag u raakt.

## Alleen uzelf en een juiste arbeidstechniek kunnen terugslag en de bijbehorende risico's elimineren.

## Gashendelvergrendeling

De gashendelvergrendeling is bedoeld om te voorkomen dat de gashendel per ongeluk wordt ingeschakeld. Wanneer u de gashendelvergrendeling (A) indrukt (bijvoorbeeld wanneer u de handgreep vastpakt), wordt de gashendel (B) vrijgegeven. Wanneer u de handgreep loslaat, gaan de gashendel en de gashendelvergrendeling weer terug naar hun beginposities. **(Figuur 9)**

## Kettingvanger

De kettingvanger is geconstrueerd om een losgeraakte of gebarsten ketting op te vangen. Dit kan meestal voorkomen worden door de ketting juist aan te spannen (zie instructies in het hoofdstuk Monteren) en voor goed onderhoud en service van het zaagblad en de ketting te zorgen (zie de instructies in het hoofdstuk Algemene werkinstructies). **(Figuur 10)**

## Rechterhandbescherming

De rechterhandbescherming moet er behalve de hand beschermen wanneer de ketting losraakt of breekt, ook voor zorgen dat de takken en twijgen de grip op het achterste handvat niet beïnvloeden. **(Figuur 11)**

## Trillingen

Zagen in een harde houtsoort (de meeste loofbomen) veroorzaakt meer trillingen dan zagen in een zachte houtsoort (de meeste naaldbomen). Zagen met een botte of verkeerde snijuitrusting (verkeerd type of verkeerd geslepen) verhoogt het trillingniveau.

# ALGEMENE VEILIGHEIDSLINSTRUCTIES



**WAARSCHUWING!** Als men teveel wordt blootgesteld aan trillingen, kan dit tot bloedvat- en zenuwbeschadigingen leiden bij personen die een slechte bloedcirculatie hebben. Consulteer uw dokter wanneer u symptomen heeft die wijzen op te grote blootstelling aan trillingen. Voorbeelden van zulke symptomen zijn slapen, geen gevoel, "kriebels", "speldeprikken", pijn, geen of minder kracht, huidverkleuringen of veranderingen van het huidoppervlak. Deze symptomen komen meestal voor op vingers, handen of polsen. Deze symptomen kunnen toenemen bij koude temperaturen.

## Accu en acculader

Deze sectie bevat veiligheidsinformatie over de accu en acculader voor uw accuproduct.

Gebruik alleen originele Husqvarna accu's voor producten van Husqvarna, en laad ze uitsluitend op met een originele QC-acculader van Husqvarna. De accu's zijn voorzien van softwarematige encryptie.

## Veiligheidsvoorschriften voor accu

De oplaadbare Husqvarna-accu's, BLI, zijn uitsluitend bedoeld als voeding voor de relevante draadloze machines van Husqvarna. Om letsel te voorkomen, mag de accu niet worden gebruikt als voedingsbron voor andere apparaten.



**WAARSCHUWING!** Bescherm de accu tegen direct zonlicht, warmte of open vlammen. Er bestaat een risico dat de accu explodeert wanneer deze in een open vuur wordt gegooid. Er bestaat een kans op brandwonden en/of chemische brandwonden.



**WAARSCHUWING!** Voorkom dat de huid in contact komt met accuzuur. Accuzuur kan huidirritatie, brandwonden of bijtend letsel veroorzaken. Wrijf niet in uw ogen wanneer u zuur in uw ogen krijgt, maar spoel uw ogen minstens 15 minuten met veel water. Raadpleeg een arts. Bij aanraking met de huid moet u de aangetaste huid wassen met overvloedig water en zeep.



**WAARSCHUWING!** Verbind de laadcontacten nooit met sleutels, munten, schroeven of andere metalen voorwerpen, omdat dit kortsluiting in de accu kan veroorzaken. Steek nooit voorwerpen in de koelsleuven van de accu.

Houd ongebruikte accu's uit de buurt van metalen voorwerpen zoals spijkers, munten en sieraden. Probeer de accu niet te demonteren of te pletten.

- Gebruik de accu in een omgeving met temperaturen tussen -10 °C en 60 °C.
- Stel de accu niet bloot aan microgolven of hoge druk.
- Reinig de accu of de acculader nooit met water. Zie ook de instructies bij het hoofdstuk Onderhoud.
- Bewaar de accu buiten het bereik van kinderen.
- Bescherm de accu tegen regen en vocht.

## Veiligheidsvoorschriften voor acculader

Gebruik uitsluitend laders, Husqvarna QC, voor het laden van vervangende accu's van Husqvarna, BLI.



**WAARSCHUWING!** Minimaliseer de kans op een elektrische schok of kortsluiting als volgt:

**Steek nooit voorwerpen in de koelsleuven van de lader.**

**Probeer de acculader niet te demonteren.**

**Verbind de laadcontacten nooit met metalen objecten, omdat dit kortsluiting in de acculader kan veroorzaken.**

**Gebruik goedgekeurde en onbeschadigde stopcontacten.**

- Controleer regelmatig of de aansluitkabel van de acculader onbeschadigd is en geen scheurtjes vertoont.
- Draag de acculader nooit aan de kabel en trek de stekker nooit uit het stopcontact door aan de kabel te trekken.
- Houdt alle kabels en verlengsnoeren uit de buurt van water, olie en scherpe kanten. Let op dat de kabel niet bekneld raakt tussen deuren, hekken e.d. Dit kan ertoe leiden dat voorwerpen stroom gaan geleiden.



**WAARSCHUWING!** Gebruik de acculader niet in de buurt van agressieve of ontvlambare materialen. Dek de acculader niet af. Haal de stekker van de acculader uit het stopcontact bij rookontwikkeling of brand. Denk om het brandgevaar.

# ALGEMENE VEILIGHEIDSINSTRUCTIES

Gebruik geen:

- defecte of beschadigde acculader; defecte, beschadigde of vervormde accu en gebruik deze ook niet.

Laad geen:

- niet-oplaadbare accu's in de acculader en gebruik ze niet in de machine.
- acculader om accu's buitenshuis op te laden.
- accu's in de regen of in vochtige omstandigheden;
- accu's in direct zonlicht.

Gebruik de acculader enkel bij omgevingstemperaturen tussen 5 en 40 °C. Gebruik de lader in een omgeving die goed geventileerd, droog en stofvrij is.

## Snijuitrusting

In dit hoofdstuk wordt behandeld hoe u door het juiste onderhoud en door het juiste type snijuitrusting te gebruiken:

- Het terugslagrisico van uw machine reduceert.
- Vermindert het risico op losraken en barsten van de ketting.
- Bereikt optimale snijprestaties.
- De levensduur van de snijuitrusting verlengt.
- Voorkomt toename van trillingsniveau.

## Basisregels

- **Gebruik uitsluitend de door ons aanbevolen snijuitrusting!** Zie de instructies in het hoofdstuk Technische gegevens.
- **Zorg ervoor dat de tanden van de ketting goed en juist geslepen zijn! Volg onze instructies en gebruik de aanbevolen vijlmal.** Een verkeerd geslepen of beschadigde ketting verhoogt het risico op ongevallen.
- **Zorg ervoor dat de tanddiepte juist is! Volg onze instructies en gebruik de aanbevolen dieptestellermal.** Als de tanddiepte te groot is, verhoogt dit het risico op terugslag. **(Figuur 19)**
- **Hou de ketting gestrekt!** Als de ketting niet voldoende gestrekt is, neemt het risico toe dat de ketting losraakt en de slijtage van zaagblad, ketting en kettingwiel neemt toe. **(Figuur 24)**
- **Zorg ervoor dat de snijuitrusting voldoende gesmeerd is en onderhoud ze op de juiste manier!** Als de ketting niet voldoende gesmeerd wordt, neemt het risico op barsten toe en verhoogt de slijtage van zaagblad, ketting en kettingwiel.

## Snijuitrusting die het risico op terugslag vermindert



**WAARSCHUWING!** Een verkeerde snijuitrusting of een verkeerde zaagblad/kettingcombinatie verhoogt het risico op terugslag! Gebruik uitsluitend de zaagblad/kettingcombinaties die wij aanbevelen, en volg de vijf instructie. Zie de instructies in het hoofdstuk Technische gegevens.

Terugslag kan alleen voorkomen worden doordat u er als gebruiker voor zorgt dat de terugslagrisico-sector van het zaagblad nooit in contact komt met een voorwerp.

Door snijuitrusting met een "ingebouwde" terugslagreductie te gebruiken en door de ketting correct te slijpen en te onderhouden kan het effect van een terugslag gereduceerd kan worden.

### Zaagblad

Hoe kleiner de neusradius, hoe minder neiging tot terugslag.

### Ketting

Een ketting bestaat uit een aantal verschillende schakels die leverbaar zijn in standaarduitvoering en in een uitvoering die het risico op terugslag reduceert.

**BELANGRIJK!** Geen enkele zaagketting elimineert het risico op terugslag.



**WAARSCHUWING!** Ieder contact met een draaiende zaagketting kan ernstig letsel veroorzaken.

## Een aantal uitdrukkingen die de specificaties van het zaagblad en de ketting aangeven.

Om alle veiligheidsonderdelen op de snijuitrusting te behouden, moet u versleten of beschadigde zaagblad-/kettingcombinaties vervangen door een zaagblad en ketting die Husqvarna aanbeveelt. Zie de instructies in het hoofdstuk Technische gegevens voor informatie welke zaagblad-/kettingcombinaties we aanbevelen.

### Zaagblad

- Lengte (duim/cm) **(Figuur 13)**
- Aantal tanden in het neuswiel (T). **(Figuur 12)**
- Kettingsteek (=pitch) (duim). Het neuswiel van het zaagblad en het kettingaandrijfandwiel van de motorkettingzaag moeten aangepast zijn aan de afstand tussen de aandrijfschakels. **(Figuur 14)**
- Aantal aandrijfschakels (stuks). Elke zaagbladlengte levert in combinatie met de kettingsteek en het aantal tanden van het neuswiel een bepaald aantal aandrijfschakels op. **(Figuur 16)**
- Zaagbladgroefbreedte (duim/mm). De breedte van de zaagbladgroef moet aangepast zijn aan de aandrijfschakelbreedte van de ketting.



# ALGEMENE VEILIGHEIDSLINSTRUCTIES

- Kettingolie-opening en opening voor kettingstrekkerven. Het zaagblad moet aangepast zijn aan de constructie van de motorkettingzaag. (Figuur 15)

## Ketting

- Kettingsteek (=pitch) (duim) (Figuur 14)
- Aandrijfschakel-breedte (mm/duim) (Figuur 17)
- Aantal aandrijfschakels (stuks) (Figuur 16)

## Slijpen en afstellen van de tanddiepte van de ketting



Wanneer u aan de ketting werkt, moet u altijd handschoenen dragen.

### Algemeen met betrekking tot het slijpen van de tanden

- Zaag nooit met een botte ketting. De ketting is bot wanneer u de snijuitrusting door de boom moet drukken en wanneer de houten spaanders erg klein zijn. Met een zeer botte ketting zijn er zelfs helemaal geen spaanders. Dan krijgt men alleen houtpoeder.
- Een goed geslepen ketting eet zich door het hout en geeft houten spaanders die groot en lang zijn. (Figuur 18)
- De zagende delen van een ketting worden zaagschakels genoemd en bestaan uit een snijtand (A) en een dieptestellernok (B). Het verschil in hoogte tussen deze beide bepaalt de snijdiepte. (Figuur 19)

Bij het slijpen van snijtanden moet men rekening houden met vier verschillende afmetingen.

- 1 Vijlhoek (Figuur 20)
- 2 Snijhoek (Figuur 21)
- 3 Vijlpositie (Figuur 22)
- 4 Diameter van de ronde vijl

Het is erg moeilijk om zonder hulpmiddelen een ketting correct te slijpen. Daarom raden we u aan onze vijlmal te gebruiken. Die garandeert dat de ketting wordt geslepen voor een optimale terugslagreductie en zaagcapaciteit. (Figuur 23)

Zie de instructies in het hoofdstuk Technische gegevens voor de gegevens die van toepassing zijn bij het slijpen van de ketting van uw motorzaag.



WAARSCHUWING! Het niet volgen van de slijpinstructies, verhoogt het terugslagrisico van de ketting aanzienlijk.

### Slijpen van de snijtand

Om de snijtand te slijpen heeft u een ronde vijl en een vijlmal nodig. Zie de instructies in het hoofdstuk Technische gegevens met betrekking tot de diameter van

de ronde vijl en welke vijlmal wordt aanbevolen voor de ketting van uw motorzaag.

- Controleer of de ketting gestrekt is. Als de ketting niet voldoende gestrekt is, is ze zijdelings onstabiel waardoor ze niet juist geslepen kan worden. (Figuur 24)
- Vijl altijd van de binnenkant van de snijtand naar buiten toe. Til de vijl op wanneer u naar de volgende tand gaat. Vijl eerst alle tanden aan één kant, draai daarna de motorzaag om en vijl de tanden van de andere kant. (Figuur 20)
- Vijl zo dat alle tanden even lang zijn. Wanneer de lengte van de snijtand slechts 4 mm (5/32") bedraagt, is de ketting versleten en moet ze vervangen worden. (Figuur 25)

### Algemeen betreffende het instellen van de snijdiepte

- Wanneer men de snijtanden slijpt, vermindert de tanddiepte (=snijdiepte). Om de maximum zaagcapaciteit te behouden, moet de dieptestellernok verlaagd worden tot de aanbevolen hoogte. Zie de instructies in het hoofdstuk Technische gegevens hoe groot de tanddiepte moet zijn voor de ketting van uw motorzaag. (Figuur 26)



WAARSCHUWING! Een te grote snijdiepte vergroot het terugslagrisico van de ketting!

### Afstelling van de tanddiepte

- Wanneer de snijdiepte wordt afgesteld, moeten de snijtanden net geslepen zijn. We raden aan de snijdiepte bij te stellen na elke derde kettingslijpbeurt. N.B.! Bij deze aanbeveling wordt ervan uitgegaan dat de lengte van de snijtanden niet abnormaal afgevlind werd.
- Om de snijdiepte in te stellen heeft u een platte vijl en een dieptestellernok nodig. We raden u aan onze vijlmal voor de tanddiepte te gebruiken, om de juiste maat voor de tanddiepte en de juiste hoek van de dieptestellernok te krijgen.
- Leg de vijlmal over de zaagketting. Informatie over het gebruik van de vijlmal staat op de verpakking. Gebruik de platte vijl om het overschot van het deel van de dieptestellernok dat onder de mal uitkomt, weg te vijlen. De snijdiepte is correct als u geen weerstand voelt wanneer u de vijl over de mal haalt. (Figuur 27)

# ALGEMENE VEILIGHEIDSINSTRUCTIES

## Ketting strekken



**WAARSCHUWING!** Een onvoldoende gestrekte ketting kan resulteren in het losraken van de ketting wat tot ernstige en zelfs dodelijke verwondingen kan leiden.



**WAARSCHUWING!** Verwijder altijd de accu voordat u montage-, onderhouds- en/of controlewerkzaamheden aan de machine uitvoert.

Hoe meer u de ketting gebruikt, hoe langer ze wordt. Het is belangrijk dat u de snijuitrusting aan deze verandering aanpast.

Controleer de kettingspanning elke keer dat u de zaagkettingolie bijvult. LET OP! Een nieuwe ketting heeft een inlooperperiode waarin de spanning vaker moet worden gecontroleerd.

Algemeen geldt dat de ketting zo hard mogelijk gestrekt moet worden, maar niet harder dan dat men ze manueel rond kan draaien. (Figuur 47)

- Maak de knop los door hem uit te klappen totdat hij open klikt. (Figuur 28)
- Draai de knop linksom om de afdekking van de kettingwielaandrijving los te maken. (Figuur 29)
- Stel de kettingspanning af door het kettingspannerwiel omlaag (+) te draaien voor meer spanning of omhoog (-) voor minder spanning. (Figuur 30)
- Zet de zaagbladkoppeling vast door de knop met de klok mee te draaien. (Figuur 31)
- Klap de knop terug om de spanning vast te zetten. (Figuur 32)

## Snijuitrusting smeren



**WAARSCHUWING!** Onvoldoende smeren van de snijuitrusting kan een breuk van de ketting veroorzaken wat tot ernstige en zelfs dodelijke verwondingen kan leiden.

### Zaagkettingolie

Zaagkettingolie moet een goede hechting aan de motorzaagketting en tevens goede vloeieigenschappen hebben, of het nu een warme zomer of een koude winter is.

**Gebruik nooit afvalolie!** Deze is schadelijk voor uzelf, voor de machine en het milieu.

### Kettingolie bijvullen

- Gebruik altijd kettingolie op basis van mineralen. (Figuur 33)

- Neem contact op met uw dealer voor het kiezen van de juiste kettingolie.
- Al onze motorkettingzaagmodellen hebben automatische kettingsmering. Een aantal modellen is ook leverbaar met verstelbare oliestroom.
- De tank van de zaagkettingolie moet ongeveer drie acculadingen meegaan. Bij deze veiligheidsvoorziening moet u echter wel de juiste soort kettingolie gebruiken (als de kettingolie te dun is, gaat die korter mee).
- Gebruik nooit gebruikte olie. Dit kan de oliepomp, het zaagblad en de ketting beschadigen.
- Het is belangrijk het juiste olietype te gebruiken in verhouding tot de luchttemperatuur (juiste viscositeit).
- Bij temperaturen onder 0°C worden bepaalde oliesoorten minder visceus. Dit kan de pomp overbelasten en de componenten van de pomp beschadigen.

### Controle van de kettingsmering

- Controleer de kettingsmering elke derde keer dat u de accu vervangt.  
Hou de zaagbladpunt op ca. 20 cm (8 duim) op een vast licht voorwerp gericht. Na 1 minuut draaien met 3/4 gas geven, moet er een duidelijke olierland te zien zijn op het lichte voorwerp. (Figuur 34)

Als de kettingsmering niet werkt:

- Controleer of het kettingoliekanaal van het zaagblad open is. Maak schoon indien nodig. (Figuur 35)
- Controleer of de zaagbladgroef schoon is. Maak schoon indien nodig. (Figuur 36)
- Controleer of het neuswiel van het zaagblad soepel draait en of de smeeroening van het neuswiel open is. Maak schoon en smeer indien nodig. (Figuur 37)

Als de kettingsmering niet werkt na de bovenstaande controles en de bijbehorende maatregelen, moet u de motorkettingzaag naar uw servicewerkplaats brengen.

### Kettingaandrijftandwiel

Het aandrijfsysteem is voorzien van een kettingwielaandrijving. (Figuur 38)

Controleer regelmatig het slijtageniveau van het kettingaandrijf-tandwiel. Vervang het als het abnormaal versleten is.

### Slijtagecontrole van de snijuitrusting

Controleer de ketting dagelijks:

- Of er zichtbare barsten in klinken en schakels zijn.
- Of de ketting stijf is.
- Of klinken en schakels abnormaal versleten zijn.

Gooi de zaagketting weg als deze een of enkele van bovenstaande punten vertoont.

We raden aan een nieuwe zaagketting te gebruiken om de slijtage van de ketting die u gebruikt te controleren.



# ALGEMENE VEILIGHEIDSINSTRUCTIES

Wanneer de lengte van de snijtanden slechts 4 mm bedraagt, is de ketting versleten en moet ze vervangen worden.

## Zaagblad

Controleer regelmatig:

- Of er braam zit op de buitenzijden van het zaagblad. Vrijl weg indien nodig. **(Figuur 39)**
- Of de zaagbladgroef abnormaal versleten is. Vervang het zaagblad indien nodig.
- Als de zaagbladneus abnormaal of ongelijkmatig versleten is. Als er een "holte" ontstaat in waar de radius van de zaagbladneus ophoudt, was de ketting niet voldoende gestrekt. **(Figuur 40)**
- Voor een zo lang mogelijke levensduur moet het zaagblad elke dag omgedraaid worden. **(Figuur 41)**



**WAARSCHUWING! Het grootste gedeelte van de ongevallen met motorkettingzagen gebeurt wanneer de ketting de gebruiker raakt.**

**Draag altijd persoonlijke veiligheidsuitrusting. Zie instructies in het hoofdstuk "Persoonlijke veiligheidsuitrusting".**

**Voer geen taken uit waarvoor u zich niet voldoende gekwalificeerd acht. Zie instructies in de hoofdstukken Persoonlijke veiligheidsuitrusting, Maatregelen om terugslag te voorkomen, Snijuitrusting en Algemene werkinstructies.**

**Voorkom situaties waar risico op terugslag bestaat. Zie instructies in het hoofdstuk Veiligheidsuitrusting voor de machine.**

**Gebruik de aanbevolen snijuitrusting en controleer de conditie waarin ze zich bevindt. Zie instructies in de hoofdstukken Technische gegevens en Algemene veiligheidsinstructies.**

**Controleer de werking van de veiligheidsonderdelen van de motorkettingzaag. Zie instructies in de hoofdstukken Algemene werkinstructies en Algemene veiligheidsinstructies.**

**Gebruik nooit een motorzaag door hem met een hand vast te houden. U kunt een motorzaag niet veilig controleren met een hand. Hou de handgrepen altijd met beide handen stevig vast.**

## Monteren van zaagblad en ketting



**WAARSCHUWING!** Verwijder altijd de accu voordat u montage-, onderhouds- en/of controlewerkzaamheden aan de machine uitvoert.

**Wanneer u aan de ketting werkt, moet u altijd handschoenen dragen.**

- Controleer of de kettingrem ontkoppeld is door de terugslagbeveiliging van de kettingrem naar de voorste handvatbeugel te duwen. **(Figuur 42)**
- Verwijder de afdekking van het aandrijftandwiel door de knop linksom te draaien. Verwijder de transportbescherming (A). **(Figuur 43)**
- Monteer het zaagblad over de zaagbladbout. Plaats het zaagblad in de achterste stand. Plaats de ketting over het kettingaandrijftandwiel en in de zaagbladgroef. Begin aan de bovenkant van het zaagblad. **(Figuur 44)**
- Controleer of de randen van de motorzaagschakels op de bovenkant van het zaagblad naar voren zijn gericht.

Monteer het koppelingdeksel en vergeet niet om de kettingafstelpen in de opening van het zaagblad te plaatsen. Controleer of de aandrijfschakels van de ketting op het aandrijftandwiel passen en of de ketting juist in de groef van het zaagblad zit.

- Breng de ketting op spanning door het wiel naar beneden te draaien (+). De ketting moet zover gespannen zijn dat ze aan de onderkant van het zaagblad niet doorzakt. **(Figuur 45)**
- De ketting is correct gespannen wanneer ze aan de onderkant van het zwaard niet doorzakt, maar nog wel makkelijk met de hand bewogen kan worden. Houd de neus van het zwaard omhoog en zet de zwaardkoppeling vast door de knop tegen de klok in te draaien. **(Figuur 46)**
- Op een nieuwe ketting moet de kettingspanning vaak gecontroleerd worden tot de ketting goed "ingelopen" is. Controleer regelmatig de kettingspanning. Correct aangespannen kettingen geven goede bedrijfsprestaties en hebben een lange levensduur. **(Figuur 47)**

## Monteren van schorssteun

Voor het monteren van een schorssteun – neem contact op met uw servicewerkplaats. **(Figuur 48)**

# DE ACCU GEBRUIKEN

## Batterijstatus

Het display toont de accucapaciteit en geeft aan of er problemen met de accu zijn. Nadat de machine is uitgeschakeld of wanneer de accu-indicatiemknop (1) wordt ingedrukt, wordt gedurende 5 seconden de accucapaciteit weergegeven. Het waarschuwingssymbool op de accu brandt wanneer er een fout is opgetreden (2). Zie de foutcodes. (Figuur 49)

Led gaat branden	Batterijstatus
Alle leds branden	Volledig geladen (75-100%).
Led 1, led 2 en led 3 branden.	De accu is 50-75% geladen.
Led 1 en led 2 branden.	De accu is 25-50% geladen.
Led 1 brandt.	De accu is 0-25% geladen.
Led 1 knippert.	De accu is leeg. Laad de accu op.

## Batterijlader



**WAARSCHUWING! Gevaar voor elektrische schokken en kortsluiting. Gebruik goedgekeurde en onbeschadigde stopcontacten. Verzekert u ervan dat de kabel niet beschadigd is. Vervang de kabel als deze beschadigingen vertoont.**

## De acculader aansluiten

- Sluit de acculader alleen aan als de spanning en frequentie overeenkomen met de specificaties op het productplaatje. Steek de stekker in een stopcontact. De led op de acculader licht eenmaal groen op. (Figuur 50)
- De accu zal niet worden geladen als de temperatuur van de accu hoger is dan 50 °C.

## De accu aansluiten op de acculader

Controleer regelmatig of de acculader en de accu in een goede staat verkeren. Zie ook de instructies bij het hoofdstuk Onderhoud.

De accu moet voor het eerste gebruik worden geladen. De accu is bij levering voor slechts 30% geladen.

- Sluit de lader aan op de accu. (Figuur 50)
- Het groene LED-lampje op de oplader brandt tijdens het opladen. (Figuur 51)
- Wanneer alle leds op de accu branden, is de accu volledig geladen. (Figuur 52)
- Koppel de lader los van de accu.
- Haal de stekker uit het stopcontact. Trek nooit aan de voedingskabel om deze los te koppelen van het stopcontact.

## Laadstatus

Lithium-ionaccu's kunnen bij elk laadniveau worden geladen. Het laadproces kan worden afgebroken of gestart bij elk laadniveau. (Figuur 53)

Led-display	Laadstatus
Led 1 knippert.	De accu is 0-25% geladen.
Led 1 brandt, led 2 knippert.	De accu is 25-50% geladen.
Led 1 en led 2 branden, led 3 knippert.	De accu is 50-75% geladen.
Led 1, led 2 en led 3 branden, led 4 knippert.	De accu is 75-100% geladen.
Led 1, led 2, led 3 en led 4 branden.	Wanneer alle leds op de accu branden, is de accu volledig geladen.

## Transport en opbergen

- De verpakte lithium-ion-accu's zijn onderworpen aan de wettelijke vereisten voor gevaarlijke goederen.
- Voor commercieel transport door derden of expediteurs moeten de bijzondere voorschriften voor de verpakking en etiketten worden opgevolgd.
- Voor de voorbereiding van het te verzenden item moet een expert op het gebied van gevaarlijke stoffen worden geraadpleegd. Neem tevens de mogelijk meer gedetailleerde nationale regelgeving in acht.
- Bescherm of plak open contactoppervlakken af en verpak de accu zodanig dat deze niet kan bewegen in de verpakking.
- Verwijder de accu altijd wanneer de machine wordt opgeborgen of vervoerd.
- Bewaar de accu en de acculader op een droge, vochtvrije en vorstvrije plaats.
- Bewaar de accu niet op plaatsen waar statische elektriciteit kan optreden. Bewaar de accu nooit in een metalen box.
- Bewaar de accu en de acculader bij een temperatuur tussen 5 en 45 °C en stel ze niet bloot aan direct zonlicht.
- Bewaar de acculader uitsluitend in een afgesloten en droge ruimte.
- Zorg dat u de accu en de acculader gescheiden van elkaar opbergt. Sla de apparatuur op in een afsluitbare ruimte zodat het buiten het bereik is van kinderen en onbevoegde personen.
- Zorg ervoor dat de machine goed is schoongemaakt en dat een volledige servicebeurt is gegeven voor een lange periode van stalling.
- De transportbescherming van de snij-uitrusting moet tijdens transport of opslag van de machine altijd aangebracht zijn, om abusievelijk contact met de scherpe ketting te vermijden. Ook een ketting die niet

---

## DE ACCU GEBRUIKEN

---

beweegt, kan ernstig letsel toebrengen aan de gebruiker of andere personen, die de ketting aanraken.

- Zet de machine vast tijdens transport.

### **De accu, acculader en machine afvoeren**

Dit symbool op het product of de verpakking geeft aan dat het product niet mag worden behandeld als huishoudelijk afval. Het moet in plaats daarvan ingeleverd worden bij een geschikt recyclestation voor de recycling van elektrische en elektronische apparatuur.

Door ervoor te zorgen dat dit product goed wordt verwerkt, kunt u meehelpen aan het voorkomen van potentiële negatieve effecten voor milieu en mensen, die anders veroorzaakt kunnen worden door een niet juiste afvalverwerking van dit product. Voor meer gedetailleerde informatie over recycling van dit product kunt u contact opnemen met uw gemeente, uw vuilophaalcentrale of de winkel waar u het product hebt gekocht.

## Starten en stoppen



**WAARSCHUWING!** Voor het starten moet u rekening houden met de volgende punten:

**Start de motorkettingzaag nooit zonder dat zaagblad, ketting en alle kappen gemonteerd zijn. Anders kan de kettingwielaandrijving losraken en persoonlijk letsel veroorzaken.**

**Zorg ervoor dat u stevig staat en dat de ketting niet in contact kan komen met een voorwerp.**

**Hou onbevoegden uit het werkgebied.**

- Controleer voordat u de accu in de machine plaatst of de gashendel goed werkt en terug naar de stand OFF gaat als de hendel wordt losgelaten. Er is een gashendelvergrendeling voorzien om te voorkomen dat de gashendel per ongeluk wordt ingeschakeld. **(Figuur 54)**
- Start de motorkettingzaag nooit zonder dat zaagblad, zaagketting en alle kappen correct gemonteerd zijn. Zie de instructies in het hoofdstuk Monteren. **(Figuur 55)**
- Controleer de omgeving en vergewis u ervan dat er geen risico bestaat dat mensen of dieren in contact komen met de snijuitrusting. **(Figuur 56)**
- Hou de motorzaag altijd met beide handen beet. Hou uw rechterhand op de achterhandgreep en uw linkerhand op de voorhandgreep. **Alle gebruikers, zowel rechts- als linkshandigen, moeten deze greep gebruiken.** Hou stevig vast zodat uw duimen en vingers de handgrepen van de motorzaag omsluiten. **(Figuur 57)**

### Starten

- Plaats de accu in de machine. De accu moet makkelijk in de accuhouder op de machine glijden. Als de accu niet makkelijk naar binnen schuift, is hij niet goed ingestoken. **(Figuur 58)**
- Druk de accu omlaag. U hoort een klink wanneer de accu op zijn plaats is vergrendeld. **(Figuur 59)**
- Druk de startknop in en houd deze ingedrukt (> 1 sec.) totdat de groene led brandt. **(Figuur 60)**

### Stoppen

De machine wordt uitgeschakeld door de start-/stopknop op het toetsenbord in te drukken (groen lampje uit). **(Figuur 60)**

Let op! De accu moet altijd worden verwijderd als de machine niet in gebruik is of onbeheerd worden achtergelaten, om te voorkomen dat de machine per ongeluk wordt ingeschakeld. Verwijder de accu door deze uit de machine te halen terwijl u de ontgrendelknoppen op de accu indrukt. **(Figuur 61)**

## Voor ieder gebruik: (Figuur 62)

- 1 Controleer of de kettingrem goed werkt en niet beschadigd is.
- 2 Controleer of de achterste rechterhandbescherming niet beschadigd is.
- 3 Controleer of de voedingsschakelaarvergrendeling correct werkt en niet beschadigd is.
- 4 Controleer of het toetsenblok correct werkt en niet beschadigd is.
- 5 Controleer of alle handvatten vrij van olie zijn.
- 6 Controleer of alle onderdelen van de motorkettingzaag vastgedraaid zijn en dat ze niet beschadigd zijn of ontbreken.
- 7 Controleer of de kettingvanger op zijn plaats zit en niet beschadigd is.
- 8 Controleer de kettingspanning.
- 9 Controleer of de accu volledig is opgeladen en stevig is bevestigd in de motorkettingzaag.
- 10 Controleer of de zaagketting stopt zodra de gashendel wordt losgelaten.

## SavE

De machine is uitgerust met een accubesparende functie (savE). Druk op de knop savE op het toetsenbord om de functie in te schakelen. Als savE is geactiveerd, wordt de gebruikstijd van de machine verlengd omdat de kettingsnelheid lager is. (Figuur 63)

Let op! Als de machine wordt gebruikt met SavE ingeschakeld, neemt alleen de kettingsnelheid af, niet het zaagvermogen van de machine.

## Algemene werkinstructies

### BELANGRIJK!

In dit hoofdstuk nemen we de basisveiligheidsregels voor het werken met een motorkettingzaag door. Deze informatie kan nooit de kennis vervangen die een vakman via opleidingen en praktische ervaring heeft verworven. Wanneer u in een situatie belandt waarin u niet goed weet hoe u verder te werk moet gaan, moet u een expert raadplegen. Wend u tot uw dealer, uw servicewerkplaats of een ervaren motorkettingzaaggebruiker. Vermijd gebruik waarvan u vindt dat u niet voldoende gekwalificeerd bent!

Voor u de motorkettingzaag gaat gebruiken, moet u weten wat terugslag is en hoe dit voorkomen kan worden. Zie instructies in het hoofdstuk Maatregelen die terugslag voorkomen.

Voor u de motorkettingzaag gaat gebruiken moet u begrijpen wat het verschil is tussen zagen met de onderkant en zagen met de bovenkant van het zaagblad. Zie de instructies in het hoofdstuk Maatregelen om terugslag te voorkomen en De veiligheidsuitrusting van de machine.

Draag altijd persoonlijke veiligheidsuitrusting. Zie instructies in het hoofdstuk "Persoonlijke veiligheidsuitrusting".

## Basisveiligheidsregels

- 1 Controleer de omgeving:
    - Om ervoor te zorgen dat u de controle over uw machine niet kunt verliezen vanwege omstanders, dieren of een andere reden.
    - Om te voorkomen dat omstanders en dieren in contact komen met de ketting of geraakt worden door de vallende boom en gewond raken.
- N.B.! Volg de hierboven genoemde punten maar gebruik de motorkettingzaag nooit als u niet de mogelijkheid heeft om hulp in te roepen in geval van een ongeval.
- 2 Gebruik de motorkettingzaag niet in ongunstige weersomstandigheden. B.v. bij dichte mist, hevige regen, harde wind, hevige koude enz. Werken in slechte weersomstandigheden is vermoeiend en brengt vaak risico's met zich mee, zoals bevroren grond, bliksem, onvoorspelbare valrichting van de boom enz.
  - 3 Wees extra voorzichtig bij het afzagen van kleine takken en zaag niet in struiken (= veel kleine takken tegelijkertijd). Kleine takken kunnen na het afzagen vastraken in de ketting, in uw gezicht e.d. geslingerd worden en ernstige verwondingen veroorzaken.
  - 4 Zorg ervoor dat u veilig kunt gaan en staan. Controleer of er eventuele hindernissen zijn als u onverwacht snel moet kunnen wegkomen (wortels, stenen, takken, kuilen, greppels enz.). Wees extra voorzichtig wanneer u op hellend terrein werkt.
  - 5 Wees extra voorzichtig wanneer u in bomen zaagt die gespannen zijn. Een gespannen boom kan zowel voor

als na het doorzagen in zijn normale stand terug vliegen. Als u op de verkeerde plaats staat of de inkeping op de verkeerde plaats maakt, kan dit ertoe leiden dat de boom u of de machine raakt zodat u de controle verliest. In beide gevallen kunt u ernstig gewond raken. (Figuur 64)

- Schakel de motorkettingzaag uit en vergrendel de zaagketting met behulp van de kettingrem voordat u hem verplaatst. Draag de motorkettingzaag met het zaagblad en de ketting naar achteren gericht. Als het om een langere verplaatsing gaat, moet u de zaagbladbescherming gebruiken.
- Wanneer u de motorkettingzaag op de grond plaatst, moet u de zaagketting met de kettingrem blokkeren en ervoor zorgen dat u de machine continu in de gaten kunt houden. Als de motorkettingzaag langere tijd niet wordt gebruikt, moet u de machine uitschakelen en de accu verwijderen.



**WAARSCHUWING! Soms komen er snippers vast te zitten in het aandrijfsysteem waardoor de zaagketting vastloopt. Schakel de machine altijd uit en verwijder de accu voordat u begint met reinigen.**

## Basisregels

- Door te begrijpen wat terugslag is en hoe het veroorzaakt wordt, kunt u het verrassingseffect reduceren of elimineren. Het verrassingseffect verhoogt het ongevalsrisico. De meeste terugslagen zijn klein, maar sommige kunnen bliksemsnel en erg krachtig zijn.
- Hou de motorzaag altijd stevig vast met uw rechterhand op het achterste handvat en uw linker handvat op het voorste handvat. Plaats uw duimen en vingers rond de handvatten. Iedereen, of men nu rechts- of linkshandig is, moet de motorzaag op deze manier vastgrijpen. Want dit is de beste greep om het terugslageffect te reduceren en de controle over de motorzaag te behouden. **Laat de handvatten niet los!** (Figuur 65)
- De meeste terugslagongevallen gebeuren bij het snoeien. Zorg ervoor dat u stevig staat en dat er niets op de grond ligt waarover u kunt struikelen of uw evenwicht kunt verliezen.

Door onoplettendheid kan de terugslagrisico-sector van de motorzaag onopzettelijk een tak, een boom in de buurt of een ander voorwerp raken, en terugslag veroorzaken.

Zorg dat u controle over het werkstuk hebt. Als de stukken, die u zaagt, klein en licht zijn kunnen ze in de ketting vastraken en naar u geworpen worden. Al hoeft dit op zich niet gevaarlijk te zijn, u kunt erdoor verrast worden en de controle over de zaag verliezen. Zaag nooit opgestapelde stammen of takken zonder ze eerst uit elkaar te trekken. Zaag slechts een stam

of een stuk per keer. Verwijder de afgezaagde stukken om uw werkterrein veilig te houden. (Figuur 74)

- Gebruik de motorzaag nooit hoger dan schouderhoogte en zaag niet met de tip van het zaagblad. Zaag nooit wanneer u de motorzaag slechts met één hand vasthoudt!** (Figuur 66)
  - Om volledige controle te hebben over uw motorkettingzaag is het noodzakelijk dat u stabiel staat. Werk nooit terwijl u op een trap staat, hoog in een boom of op plaatsen waar u geen stabiele ondergrond hebt om op te staan. (Figuur 67)
  - Zaag met een hoge kettingsnelheid, d.w.z. met volgas.
  - Wees extra voorzichtig wanneer u met de bovenkant van het zaagblad zaagt, d.w.z. wanneer u van de onderkant van het zaagvoorwerp zaagt. Dit wordt zagen met duwende ketting genoemd. De ketting duwt de motorzaag dan naar achteren naar de gebruiker toe. Wanneer de ketting beklemd raakt, kan de motorzaag naar achteren naar u toe worden geworpen. (Figuur 68)
  - Als de gebruiker deze duwende beweging niet pareert, bestaat het risico dat de motorzaag zo ver naar achter wordt geduwd dat de terugslagrisico-sector van het zaagblad het enige contact met de boom vormt, wat tot terugslag leidt. (Figuur 69)
- Met de onderkant van het zaagblad zagen, d.w.z. van de bovenkant van het zaagvoorwerp naar beneden, wordt zagen met trekkende ketting genoemd. Dan wordt de motorzaag naar de boom getrokken en de voorkant van de motorzaaghuis vormt dan een natuurlijke steun tegen de stam. Bij zagen met trekkende ketting heeft de gebruiker meer controle over de motorkettingzaag en waar de terugslagrisico-sector van het zaagblad zich bevindt. (Figuur 70)
- Volg de vijl- en onderhoudsinstructies voor het zaagblad en de ketting. Als u het zaagblad en de ketting vervangt, mag slechts één van de door ons aanbevolen combinaties gebruikt worden. Zie instructies in de hoofdstukken Snijuitrusting en Technische gegevens.

## Basistechniek zagen



**WAARSCHUWING! Gebruik nooit een motorzaag door hem met een hand vast te houden. U kunt een motorzaag niet veilig controleren met een hand. Hou de handgrepen altijd met beide handen stevig vast.**

### Algemeen

- Geef altijd volgas bij het zagen!
- Laat de voedingsschakelaar los na elke zaagsnede (als de motor te lang onbelast op vol vermogen draait, d.w.z. zonder de weerstand die de motor bij het zagen via de ketting ondervindt, kan dit tot ernstige beschadigingen van de motor leiden).

# ARBEIDSTECHNIEK

- Vanaf de bovenkant zagen = met "trekkende" ketting zagen.
- Vanaf de onderkant zagen = met "duwende" ketting zagen.

Zagen met een "duwende" ketting betekent een groter risico op terugslag. Zie instructies in het hoofdstuk Maatregelen die terugslag voorkomen.

## Benamingen

Snoeien = Takken van een geveld boom afzagen.

Splijten = Wanneer het voorwerp dat u door/af wilt zagen afbreekt voor u de hele zaagsnede aangebracht heeft.

## Voor het zagen moet u rekening houden met vijf erg belangrijke factoren:

- 1 De snijtrusting mag niet vastgeklemd worden in de motorzaagsnede. **(Figuur 71)**
- 2 Het zaagvoorwerp mag niet splijten. **(Figuur 72)**
- 3 De ketting mag tijdens en na het zagen niet in contact komen met de grond of een ander voorwerp. **(Figuur 73)**
- 4 Bestaat er risico op terugslag? **(Figuur 4)**
- 5 Kunt u op deze grond en in deze omgeving veilig gaan en staan?

Dat de ketting wordt vastgeklemd of dat het zaagvoorwerp splijt is te wijten aan twee oorzaken: welke steun het zaagvoorwerp voor en na het zagen heeft en of het zaagvoorwerp onder spanning staat.

De eerder genoemde ongewenste verschijnselen kunnen in de meeste gevallen voorkomen worden door het zagen in twee stappen uit te voeren: vanaf de boven- en de onderkant. Het gaat erom de "wil" van het zaagvoorwerp om de ketting vast te klemmen of te splijten, te neutraliseren.



**WAARSCHUWING!** Als de zaagketting vastslaat in de zaagsnede: schakel de machine uit! Probeer de machine niet los te trekken. Als u dit doet, kunt u zich verwonden aan de zaagketting wanneer de machine plotseling losschiet. Gebruik een hefboom om de zaagsnede te openen en de machine los te maken.

Hieronder volgt een theoretische beschrijving van hoe de meeste voorkomende situaties waarmee de gebruiker van een motorkettingzaag te maken krijgt, gehanteerd moeten worden.

## Zagen



**WAARSCHUWING!** Probeer nooit te zagen in stammen als ze opgestapeld liggen of wanneer een paar stammen dicht bij elkaar liggen. Dergelijke handelwijzen vergroten het risico van terugslag aanzienlijk, wat kan leiden tot ernstig of levensbedreigend letsel.

Als u een stapel stammen heeft, moet iedere stam die u wilt zagen, van de stapel af, op een zaagbok of -tafel worden gelegd en apart worden doorgezaagd.

Verwijder de doorgezaagde stukken uit het werkterrein. Door ze in het werkterrein te laten liggen, vergroot u zowel het risico om per ongeluk terugslag te krijgen als het risico om uw balans te verliezen terwijl u werkt. **(Figuur 74)**

**De stam ligt op de grond.** Er bestaat geen risico dat de ketting wordt vastgeklemd of dat de stam splijt. Het risico dat de ketting na het doorzagen de grond raakt, is echter wel groot.

Zaag van boven naar beneden door de hele stam. Wees voorzichtig op het einde van de motorzaagsnede zodat u voorkomt dat de ketting de grond raakt. Blijf vol gas geven maar wees bereid om te reageren indien dit nodig mocht zijn.

Als dit mogelijk is (kan de stam geroteerd worden?) zaag de stam dan voor 2/3 door.

Roteer de stam zo dat de resterende 1/3 van bovenaf kunt zagen. **(Figuur 75)**

**De stam wordt aan één kant ondersteund.** Groot risico op splijten.

Begin met van onder naar boven te zagen (ca. 1/3 van de stamdiameter).

Zaag de stam daarna van boven naar beneden door zodat de twee zaagsneden elkaar ontmoeten. **(Figuur 76)**

**De stam wordt aan beide kanten ondersteund.** Groot risico dat de ketting wordt vastgeklemd.

Begin met van onder naar boven te zagen (ca. 1/3 van de stamdiameter).

Zaag de stam daarna van boven naar beneden door zodat de twee zaagsneden elkaar ontmoeten. **(Figuur 77)**

## Veltechniek

**BELANGRIJK!** Voor het vellen van een boom is veel techniek vereist. Een onervaren motorkettingzaaggebruiker mag geen bomen vellen met de motorzaag. Voer nooit taken uit waarvoor u niet voldoende gekwalificeerd bent!

## Veiligheidsafstand

De veiligheidsafstand tussen de boom die geveld zal worden en de dichtstbijzijnde werkplek moet ten minste 2 1/2 boom lengtes bedragen. Zorg ervoor dat niemand zich



voor en tijdens het vellen in deze "risicozone" bevindt. (Figuur 78)

## Velrichting

Bij het vellen van bomen is het de bedoeling dat de boom zo geveld wordt dat het snoeien en het doorzagen van de geveldde boom in zulk "eenvoudig" terrein als mogelijk kan gebeuren. U moet er veilig kunnen gaan en staan.

Nadat u bepaald heeft in welke richting u wilt dat de boom valt, moet u ook beoordelen wat de natuurlijke valrichting van de boom is.

Die wordt bepaald door de volgende factoren:

- Helling
- Hoe gebogen de boom is
- Windrichting
- Takkenconcentratie
- Eventueel gewicht van de sneeuw op de boom
- Obstakels binnen de reikwijdte van de boom: bijv. andere bomen, elektriciteitsleidingen, wegen en gebouwen.
- Kijk naar schade of rot in de stam, waardoor het waarschijnlijk is dat de boom breekt en valt voordat u dit verwacht.

Na deze beoordeling kan men gedwongen zijn om de boom in zijn natuurlijke richting te laten vallen omdat blijkt dat het onmogelijk of te gevaarlijk is om te proberen de boom in de gewenste richting te laten vallen.

Een andere belangrijke factor, die geen invloed heeft op de valrichting, maar wel belangrijk is voor uw persoonlijke veiligheid, is dat u moet controleren of de boom geen beschadigde of "dode" takken heeft die af kunnen breken en u kunnen verwonden.

In de eerste plaats moet voorkomen worden dat de vallende boom vastraakt in een andere boom. Het is erg gevaarlijk om zo'n vastgeraakte boom op de grond te krijgen en het ongevalsrisico is erg groot. Zie instructies in het hoofdstuk Hanteren van een mislukte poging.

**BELANGRIJK!** Op kritieke velmomenten moeten de gehoorbeschermers direct na het voltooiën van de motorzaagwerkzaamheden opgeklapt worden, zodat u geluiden en waarschuwingssignalen kunt opmerken.

## Onderste gedeelte van de stam snoeien en vluchtweg

Haal altijd tot schouderhoogte de takken van de stam. Het is het veiligst van onder naar boven te werken en de stam tussen u en de motorkettingzaag te houden. (Figuur 79)

Verwijder de vegetatie rond de boom en controleer of er eventuele hindernissen (stenen, takken, kuilen enz.) zijn zodat u gemakkelijk weg kunt komen wanneer de boom begint te vallen. De vluchtweg moet in een hoek van circa 135° (schuin achterwaarts) tegenover de geplande valrichting liggen. (Figuur 80)

- 1 Risicozone
- 2 Vluchtweg

## 3 Velrichting

### Vellen



**WAARSCHUWING! We raden invloeden gekwalificeerde gebruikers ten sterkste af bomen te vellen met een zaagbladen die kleiner is dan de stamdiameter!**

Het vellen gebeurt met drie zaagsneden. Eerst maakt men een inkeping die bestaat uit een bovenste inkeping en een onderste inkeping, en daarna wordt het vellen beëindigd met een zaagsnede. Door de inkepingen en de motorzaagsnede op de juiste plaats aan te brengen, kan men de valrichting erg nauwkeurig sturen.

### Inkeping

Bij het aanbrengen van de inkeping begint men met de bovenste inkeping. Kijk langs de velrichtpunten (1) op de zaag naar een doel verderop in het terrein, waar u wilt dat de boom neervalt (2). Sta aan de rechterkant van de boom, achter de zaag, en zaag met trekkende ketting.

Breng daarna de onderste inkeping aan zodat die eindigt waar de bovenste inkeping eindigt. (Figuur 81)

De inkepingdiepte moet 1/4 van de stamdiameter bedragen en de hoek tussen de bovenste en de onderste inkeping ten minste 45°.

De beide inkepingen ontmoeten elkaar op de inkepinglijn. De inkepinglijn moet volkomen horizontaal liggen en tegelijkertijd een rechte hoek (90°) vormen met de gekozen valrichting. (Figuur 82)

### Zaagsnede

De motorzaagsnede wordt aangebracht vanaf de andere kant van de boom en moet volkomen horizontaal liggen. Sta links van de boom en zaag met trekkende ketting.

Breng de motorzaagsnede ca. 3-5 cm (1,5-2") boven de horizontale lijn van de inkeping aan. (Figuur 83)

Steek de schorssteen (indien deze gemonteerd is) achter het scharnierstuk. Zaag met vol gas en duw de ketting/het zaagblad langzaam in de boom. Let op of de boom niet in een richting beweegt die tegenovergesteld is aan de gekozen valrichting. Breng zodra de snijdiepte dit toelaat, een velwig of een breekijzer aan in de motorzaagsnede. (Figuur 84)

De motorzaagsnede moet parallel met de inkepinglijn beëindigd worden zodat de afstand tussen beiden tenminste 1/10 van de stamdiameter bedraagt. Het niet doorgezaagde gedeelte wordt scharnierstuk genoemd.

Het scharnierstuk doet dienst als scharnier en stuurt de richting van de vallende boom. (Figuur 85)

Als het scharnierstuk te klein is of doorgezaagd is of als de inkeping of de motorzaagsnede verkeerd geplaatst zijn, kan men alle controle over de valrichting van de boom verliezen. (Figuur 86)

Wanneer de motorzaagsnede en de inkeping klaar zijn, moet de boom uit zichzelf beginnen te vallen of met behulp van de velwig of het breekijzer. (Figuur 87)

We raden aan een zaagbladlengte te gebruiken die groter is dan de stamdiameter van de boom, zodat de zaagsnede en de inkeping aangebracht kunnen worden met een zogenaamde "enkelvoudige snede". Zie de instructies in het hoofdstuk Technische gegevens welke zaagbladlengtes wij aanbevelen voor uw motorkettingzaag. (Figuur 88)

Er zijn methodes om bomen te vellen met een stamdiameter die groter is dan de zaagbladlengte. Bij deze methodes is het risico dat de terugslagrisico-sector van het zaagblad in contact komt met een voorwerp erg groot. (Figuur 4)

## Hanteren van een mislukte poging

### "Vastgeraakte boom" omlaag halen

Het is erg gevaarlijk om zo'n vastgeraakte boom op de grond te krijgen en het ongevalsrisico is erg groot.

Probeer de boom die ergens opgevalen is nooit naar beneden te zagen.

Werk nooit binnen het risicogebied van bomen die vast hangen in een andere boom. (Figuur 89)

De veiligste methode is een takel gebruiken.

- Gemonteerd op een trekker (Figuur 90)
- Draagbaar (Figuur 91)

### Bomen en takken zagen die onder spanning staan

Vorbereidingen: Beoordeel in welke richting de bomen/takken gespannen zijn en waar het breekpunt (d.w.z. het punt waar de boom/tak zou breken als hij nog meer gespannen zou worden) zich bevindt. (Figuur 92)

Beoordeel hoe u de spanning het best kunt wegnemen en of u dit zelf kunt. In extra gecompliceerde situaties is de enige veilige methode geen motorkettingzaag te gebruiken en een takel te gebruiken.

### In het algemeen geldt:

Sta zo dat u niet het risico loopt geraakt te worden door de boom/tak wanneer de spanning wordt weggenomen. (Figuur 93)

Maak één of meerdere sneden op of in de buurt van het breekpunt. Zaag zo diep en breng zoveel sneden aan als nodig is om de spanning in de boom/tak voldoende weg te nemen zodat de boom/tak "afbreekt" bij het breekpunt. (Figuur 94)

### Zaag een voorwerp dat onder spanning staat nooit helemaal door!

Wanneer u de boom/tak moet doorzagen, maakt u twee of drie sneden van 3-5 cm diep met 3 cm tussenruimte. (Figuur 95)

Zaag vervolgens steeds dieper tot de spanning van de boom/tak verdwijnt. (Figuur 96)

Zaag de boom/tak vervolgens vanaf de andere kant door, nadat de spanning eraf is.

## Maatregelen die terugslag voorkomen



**WAARSCHUWING!** De terugslag kan bliksemsnel, plotseling en krachtig zijn en kan ertoe leiden dat de motorzaag, het zaagblad en de ketting tegen de gebruiker slaan. Als de ketting in beweging is wanneer ze de gebruiker raakt, kan dit tot ernstige en zelfs dodelijke verwondingen leiden. Het is noodzakelijk om te begrijpen waardoor terugslag wordt veroorzaakt en hoe terugslag voorkomen kan worden door voorzichtig en op de juiste manier te werken.

## Wat is terugslag?

Terugslag is de benaming van een plotselinge reactie waarbij de motorzaag en het zaagblad terugslaan van een voorwerp dat geraakt werd door de terugslagrisico-sector van de zaagbladpunt. (Figuur 69)

Terugslag gebeurt altijd in de richting van het zaagbladoppervlak. Meestal slaan de motorzaag en het zaagblad omhoog en naar achteren naar de gebruiker toe. Maar dit kan ook in andere richtingen zijn, afhankelijk van de positie waarin de motorzaag zich bevindt op het ogenblik dat de terugslagrisico-sector in contact komt met een voorwerp.

Terugslag vindt uitsluitend plaats wanneer de terugslagrisico-sector van het zaagblad in contact komt met een voorwerp. (Figuur 4)

### Snoeien



**WAARSCHUWING!** De meeste terugslagongevallen gebeuren bij het snoeien. Gebruik de terugslagrisico-sector van het zaagblad niet. Wees uiterst voorzichtig en vermijd dat de punt van het zaagblad in contact komt met de stam, andere takken of voorwerpen. Wees uiterst voorzichtig met takken die op spanning staan. Ze kunnen naar u terugveren en ertoe leiden dat u de controle verliest, wat letsel kan veroorzaken.

Zorg ervoor dat u veilig kunt gaan en staan! Werk vanaf de linkerkant van de stam. Werk zo dicht mogelijk bij de motorkettingzaag voor een zo goed mogelijke controle. Indien mogelijk moet u het gewicht van de motorkettingzaag op de stam laten rusten.

Verplaats u uitsluitend wanneer de stam zich tussen u en de motorkettingzaag bevindt. (Figuur 97)

### Stam van geveld boom doorzagen

Zie instructies in het hoofdstuk Basistechniek zagen.

## Algemeen

De gebruiker mag alleen die onderhouds- en servicewerkzaamheden uitvoeren die in deze gebruiksaanwijzing worden beschreven. Meer ingrijpende maatregelen moeten door een erkende servicewerkplaats worden uitgevoerd.

## Controle, onderhoud en service van de veiligheidsuitrusting van de motorkettingzaag



**WAARSCHUWING!** Verwijder altijd de accu voordat u montage-, onderhouds- en/of controlewerkzaamheden aan de machine uitvoert.

Let op! Om service en reparaties aan de machine uit te voeren, is een speciale opleiding nodig. Dit geldt vooral voor de veiligheidsuitrusting van de machine. Als de machine één van de volgende controles niet goed doorstaat, raden wij aan dat u naar uw servicewerkplaats gaat.

Belangrijk! Reinig de accu of de acculader nooit met water. Krachtige reinigingsmiddelen kunnen het kunststof beschadigen.

## Kettingrem met terugslagbeveiliging

### Terugslagbeveiliging controleren

- Controleer of de terugslagbeveiliging geen zichtbare beschadigingen vertoont zoals materiaalbarsten. **(Figuur 98)**
- Duw de terugslagbeveiliging naar voren en naar achteren om te controleren of deze makkelijk loopt en stabiel op de machine is verankerd. **(Figuur 99)**

### Controle van het traagheidsmechanisme

- Houd de motorkettingzaag, met de motor uitgeschakeld, boven een stobbe of ander stabiel oppervlak. Laat de voorhandgreep los en laat de motorkettingzaag door zijn eigen gewicht, draaiend rond de achterhandgreep, naar de stobbe vallen. **(Figuur 100)**

**Wanneer de punt van het zaagblad de stronk raakt, moet de rem geactiveerd worden.**

### Remvermogen controleren

- Schakel de motorkettingzaag in. Zorg dat de zaagketting niet in contact kan komen met de grond of een ander voorwerp. Zie instructies onder de kop Starten en stoppen.
- Hou de motorkettingzaag stevig vast met uw duimen en vingers stevig om de handvatten. **(Figuur 65)**
- Geef volgas en activeer de kettingrem door uw linkerpols naar de terugslagbeveiliging te bewegen.

Laat het voorste handvat niet los. **De ketting moet onmiddellijk stoppen. (Figuur 101)**

## Vergrendeling voedingsschakelaar

- Controleer of de gashendel in de stationaire stand is vergrendeld wanneer de gashendelvergrendeling wordt ontgrendeld. **(Figuur 102)**
- Druk de gashendelvergrendeling in en controleer of deze na het loslaten weer terugkeert naar de beginpositie. **(Figuur 103)**
- Controleer of de gashendel en de gashendelvergrendeling makkelijk in te drukken zijn en of de retourveren goed werken. **(Figuur 104)**
- Schakel de motorkettingzaag in en geef vol gas. Laat de gashendel los en controleer of de zaagketting stopt en stil blijft staan.

## Kettingvanger

- Controleer of de kettingvanger niet beschadigd is en of hij vast zit in de het motorzaaghuis. **(Figuur 105)**

## Toetsenbord

- Schakel de motorkettingzaag in en controleer of de motorkettingzaag wordt uitgeschakeld als de start-/stopknop wordt ingedrukt (groen lampje uit). **(Figuur 106)**

## Accuaansluitingen

Reinig de accu en het accucompartiment van de machine na gebruik met behulp van een zachte borstel. Zorg dat alle koelsleuven en accuaansluitingen gereinigd zijn. **(Figuur 107)**

## Koelsysteem

Om de werktemperatuur zo laag mogelijk te houden, is de machine uitgerust met een koelsysteem.

Het koelsysteem bestaat uit:

- 1 Luchtinlaat (links op de machine).
  - 2 Een ventilator op de motor.
- Maak het koelsysteem één keer per week schoon met een borstel; dit moet vaker gebeuren wanneer u onder zware omstandigheden werkt. Een vuil of verstopt koelsysteem leidt tot oververhitting waardoor de machine beschadigd kan raken. **(Figuur 108)**

## Accu

- Controleer of de accu niet is beschadigd of vervormd en geen zichtbare beschadigingen vertoont zoals barsten. **(Figuur 109)**

## Batterijlader

- Controleer of de acculader en het stroomsnoer niet beschadigd of vervormd zijn en of er geen duidelijk zichtbare defecten, zoals barsten, aanwezig zijn. **(Figuur 110)**

# ONDERHOUD

## Onderhoudsschema

Hieronder volgt een lijst van het onderhoud dat aan de machine moet worden uitgevoerd. De meeste punten staan beschreven in het hoofdstuk Onderhoud.

Dagelijks onderhoud	Wekelijks onderhoud	Maandelijks onderhoud
Maak de machine uitwendig schoon.	Verwijder eventuele braam op de zijkanen van het zaagblad met een vijl.	Controleer de aansluitingen tussen de accu en de machine en controleer tevens de aansluiting tussen de accu en de acculader.
Controleer of de onderdelen van de gashendel veilig werken. (Gashendelvergrendeling en gashendel.)		Leeg de olietank en maak deze inwendig schoon.
Maak de kettingrem schoon en controleer de remfunctie. Controleer de kettingvanger op beschadigingen en vervang indien nodig.		Blaas voorzichtig perslucht door het product en door de koelsleuven van de accu.
Het zaagblad moet voor evenwichtig afslijten dagelijks worden omgekeerd. Controleer of de smeeropening niet verstopt is. Maak de groef schoon. Als het zaagblad uitgerust is met een poelie, moet die gesmeerd worden.		
Controleer of de ketting en het zaagblad voldoende olie krijgen.		
Controleer de zaagketting op zichtbare barsten in klinken en schakels, of de ketting stijf is en of klinken en schakels abnormaal versleten zijn. Vervang indien nodig.		
Slijp de ketting en controleer de conditie en de spanning. Controleer het kettingwiel op abnormale slijtage, vervang indien nodig.		
Reinig de luchtinlaat van de machine.		
Controleer of de bouten en moeren en vastgedraaid zijn.		
Controleer of het toetsenblok correct werkt en niet beschadigd is.		

# ONDERHOUD

## Storingsschema

### Toetsenbord

Mogelijke storingscodes op het toetsenbord van de motorkettingzaag.

Toetsenbord	Mogelijke fouten	Mogelijke actie
Waarschuwinglampje knippert.	Kettingrem ingeschakeld.	Trek de terugslagbeveiliging naar achteren om de kettingrem los te maken.
	Temperatuurafwijking.	Laat de machine afkoelen.
	Overbelasting. Snijuitrusting vastgelopen.	De snijuitrusting is vastgeslagen. Haal de snijuitrusting los.
	De gashendel en de activeringsknop worden tegelijkertijd ingedrukt.	Laat de voedingsschakelaar los, waarna de machine is geactiveerd.
Groen activeringslampje knippert.	Lage accuspanning.	Laad de accu op.
Waarschuwinglampje brandt.	Service	Neem contact op met de servicewerkplaats.

### Accu

Foutopsporing voor de accu en/of de acculader tijdens het laden.

Led-display	Mogelijke fouten	Mogelijke handeling
Waarschuwinglampje knippert.	De accu is leeg.	Batterij opladen.
	Temperatuurafwijking.	Gebruik de accu in een omgeving met temperaturen tussen -10 °C en 60 °C.
	Overspanning.	Controleer of de netspanning overeenkomt met de spanning die is aangegeven op het typeplaatje op de machine.
Koppel de lader los van de accu.		
Waarschuwinglampje brandt.	Te groot verschil in de cellen (1 V).	Neem contact op met de servicewerkplaats.

### Batterijlader

Led-display	Mogelijke fouten	Mogelijke handeling
Waarschuwinglampje knippert.	Temperatuurafwijking.	Laat de oplader afkoelen (passieve koeling).
Waarschuwinglampje brandt.	Permanente schade.	Neem contact op met de servicewerkplaats.

# TECHNISCHE GEGEVENS

## Technische gegevens

<b>Motor</b>	136Li
Type	36V-borstelmotor
<b>Kenmerken</b>	
Energiebesparende stand	savE
<b>Smeersysteem</b>	
Type oliepomp	Automatisch
Inhoud olietank, liter/cm <sup>3</sup>	0,20/200
<b>Gewicht</b>	
Motorkettingzaag zonder accu, zaagblad en ketting, lege kettingolietank, kg	4,8
<b>Lawaai-emissie (zie opm. 1)</b>	
Geluidsvermogen, gemeten dB(A)	97,3
Geluidsvermogen, gegarandeerd L <sub>WA</sub> dB(A)	101
Onzekerheidsmarge K <sub>pA</sub> , dB(A)	3,0
<b>Geluidsniveau (zie opm. 2)</b>	
Equivalent geluidsniveau bij oor van de gebruiker, dB(A)	86
<b>Trillingsniveau (zie opm. 3)</b>	
Voorste handvat, m/s <sup>2</sup>	3,61
Achterste handvat, m/s <sup>2</sup>	2,25
Onzekerheidsmarge K, m/s <sup>2</sup>	1,5
<b>Equivalent trillingsniveau (zie opm. 4)</b>	
Voorste handvat, m/s <sup>2</sup>	2,29
Achterste handvat, m/s <sup>2</sup>	1,58
<b>Ketting/zaagblad</b>	
Aanbevolen zaagbladlengtes, duim/cm	12/30
Effectieve zaaglengte, duim/cm	10/26
Type aandrijfwielen/aantal tanden	Spur/6
Maximale kettingsnelheid / (savE), m/s	11 (10)

Goedgekeurde accu's voor de bovenstaande modellen motorkettingzaag		
Accu	BLi110	BLi150
Type	Lithium-ion	Lithium-ion
Accucapaciteit, Ah	3,0	4,2
Spanning, V	36	36
Gewicht, in kg	1,2	1,3

Laders die geschikt zijn voor de gespecificeerde accu's, BLi.			
Batterijlader	QC80	QC120	QC330
Netspanning, V	100-240	220-240	100-240
Frequentie, Hz	50-60	50-60	50-60
Vermogen, W	80	125	330

Opm.1: Emissie van geluid naar de omgeving gemeten als geluidsvermogen (L<sub>WA</sub>) volgens EG-richtlijn 2000/14/EG.

Opm. 2: Het equivalente geluidsdrukniveau, volgens ISO 22868, wordt berekend als de tijdsgewogen energiesom van de geluidsdrukniveaus onder verschillende werkomstandigheden. De typische statistische spreiding voor het equivalente geluidsdrukniveau geeft een standaardafwijking van 1 dB (A).

Opmerking 3: Trillingsniveau, volgens EN 60745-2-13. De gerapporteerde gegevens voor het trillingsniveau vertonen een normale statistische spreiding (standaarddeviatie) van 1 m/s<sup>2</sup>. Vermelde trillingsgegevens uit metingen bij een machine met aanbevolen zaagbladlengte en kettingtype. Als de machine een andere zaagbladlengte heeft, kan het trillingsniveau variëren met max. ± 1,5 m/s<sup>2</sup>.

Opmerking 4: Equivalent trillingsniveau wordt op dezelfde wijze gemeten als bij kettingzagen met verbrandingsmotor. Deze cijfers worden vermeld om trillingsgegevens ongeacht het motortype te kunnen vergelijken.


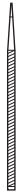
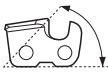


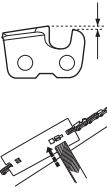
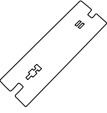

# TECHNISCHE GEGEVENS

## Zaagblad- en kettingcombinaties

De volgende snijuitrustingen zijn goedgekeurd voor het model Husqvarna 136Li.

Zaagblad				Ketting	
Lengte, duim	Steek, duim	Spoorbreedte, mm	Maximum aantal tanden neuswiel	Type	Lengte, aandrijfschakels (stuks)
12	3/8	1,1	9T	Husqvarna H38	45

## Vijlen en vijlmallen van de zaagketting

							
	inch/mm				inch/mm		
38	11/64 / 4,5	90°	30°	0°	0.025 / 0,65	5056981-03	5795588-01

## EG-verklaring van overeenstemming

### (Alleen geldig voor Europa)

**Husqvarna AB**, SE-561 82 Huskvarna, Zweden, tel.: +46-36-146500, verklaart onder eigen verantwoordelijkheid dat de draadloze accukettingzagen **Husqvarna 136Li** vanaf serienummers voor 2016 en later (het jaar wordt duidelijk in gewone tekst op het productplaatje vermeld met opeenvolgend serienummer) voldoen aan de vereisten van de RICHTLIJNEN VAN DE RAAD:

- van 17 mei 2006 "betreffende machines" **2006/42/EG**.
- van 26 februari 2014 "betreffende elektromagnetische compatibiliteit" **2014/30/EU**.
- van 12 december 2006 "inzake elektrisch materiaal bestemd voor gebruik binnen bepaalde spanningsgrenzen" **2006/95/EG**.
- van 6 september 2006 "inzake batterijen en accu's, alsook afgedankte batterijen en accu's" **2006/66/EG**.
- van 8 mei 2000 "betreffende geluidsemissie door materieel voor gebruik buitenshuis" **2000/14/EG**.

De volgende normen zijn van toepassing: **EN 60745-1**, **EN 60745-2-13**, **EN 60335-2-29**, **EN 55014-1**, **EN 55014-2**.

Aangemelde instantie: **NB905, Intertek Deutschland GmbH**, Stagenstraße 1, 70771 Leinfelden-Echterdingen, Duitsland, heeft een EG-typeonderzoek uitgevoerd volgens de richtlijn voor machines (2006/42/EG), artikel 12, punt 3b. De certificaten van de EG-typecontrole volgens bijlage IX hebben nummer: **NB905 15SHW0344-01**.

Voor informatie betreffende lawaaiemissies, zie hoofdstuk Technische gegevens.

De geleverde motorkettingzaag komt overeen met het exemplaar dat een EG-typecontrole heeft ondergaan.

Husqvarna, 30 maart 2016



Lars Roos, Hoofd Ontwikkeling

(erkende vertegenwoordiger voor Husqvarna AB en verantwoordelijk voor technische documentatie.)

# SIMBOLOGIA

## I simboli sulla macchina:

Traduzione della versione originale svedese delle istruzioni per l'uso.

**AVVERTENZA!** La motosega può essere pericolosa! L'uso improprio del mezzo può provocare lesioni anche mortali all'operatore o a terzi.

Prima di usare la macchina, leggere per intero le istruzioni per l'uso e accertarsi di averne compreso il contenuto.

Usare sempre:

- Elmetto protettivo omologato
- Protezioni acustiche omologate
- Occhiali o visiera di protezione

Il presente prodotto è conforme alle vigenti direttive CEE.

Emissioni di rumore nell'ambiente in base alla direttiva della Comunità Europea. L'emissione della macchina è indicata al capitolo Dati tecnici e sulla decalcomania.

L'operatore deve usare la motosega afferrandola con entrambe le mani.

Non deve mai usare la motosega tenendola con una sola mano.

Prevenire il contatto della punta della lama con corpi estranei.

**AVVERTENZA!** Il contatto fra punta della lama e corpi estranei può dare origine a sobbalzo, provocando una reazione che scaglia la lama verso l'alto e all'indietro, in direzione dell'utente. Possono insorgere gravi lesioni personali.

Senso di rotazione della catena e lunghezza massima della lama.

Freno della catena attivato (a destra) Freno della catena non attivato (a sinistra)

Rabbocco olio della catena.



**Marchio ambientale.** Il simbolo riportato sul prodotto o sulla confezione indica che il prodotto non può essere smaltito fra i rifiuti domestici. Il prodotto deve invece essere consegnato a un centro di raccolta autorizzato per il riciclaggio dei componenti elettrici ed elettronici.



Corrente diretta.



Non esporre alla pioggia.



**I restanti simboli/decalcomanie riguardano particolari requisiti necessari per ottenere la certificazione in alcuni mercati.**

## Simboli sulla batteria e/o sul caricabatterie

Questo prodotto deve essere depositato in un apposito impianto di riciclaggio.



Trasformatore a prova di guasti



Utilizzare e conservare il caricabatterie solo all'interno.



Doppio isolamento





# SIMBOLOGIA

Le seguenti etichette si trovano sulla macchina, sulla batteria e sul caricabatterie.

**WARNING**  
Read and follow all safety precautions in the owner's manual. Failure to follow instructions could result in serious injury to user. Contact of the guide bar tip with any object should be avoided. Tip contact may cause the guide bar to move suddenly upward and backwards, which may cause serious injury to user. Two hands are always to be used in operation of the chain saw. Use only identical replacement bar and chain components manufactured by Husqvarna. Use only Husqvarna Battery type BLi.

**AVERTISSEMENT**  
Consulter et respecter les consignes de sécurité contenues dans le manuel de l'utilisateur. Le non-respect de ces instructions peut entraîner de graves blessures chez l'utilisateur. Éviter tout contact entre le nez du guide-chaîne et un objet. Tout contact avec le nez peut entraîner des mouvements brusques du guide-chaîne vers le haut ou vers le bas susceptibles de provoquer le déplacement soudain de la chaîne vers l'arrière et vers le haut, ce qui peut entraîner de graves blessures. Utiliser uniquement des pièces de rechange de guide-chaîne et de la chaîne identiques qui ont été homologuées par Husqvarna. Utiliser uniquement une batterie Husqvarna de type BLi.

**ADVERTENCIA**  
Leer y seguir todas las precauciones de seguridad especificadas en el manual de instrucciones. El incumplimiento de estas instrucciones podría comportar lesiones personales de gravedad. Debe evitarse que la punta de la espada entre en contacto con cualquier objeto. El contacto con la punta podría provocar un movimiento repentino hacia arriba y hacia atrás de la espada, lo que podría causar graves lesiones personales. Si se requiere una sierra debe manipularse con las dos manos. Utilice únicamente componentes de sustitución de la espada y la cadena idénticos a los originales y fabricados por Husqvarna. Utilice únicamente una batería de tipo BLi de Husqvarna.

587134101

**Husqvarna** Class 2C Chainsaw

36V --- 136Li Article No. XXXXXXXXXX  
Serial No. XXXXXXXX-XX  
PNC No. XXXXXXXX-XX

HUSQVARNA AB, SE-561 82 HUSKVARNA, SWEDEN

**Husqvarna AB** (PSE)  
S-561 82 Husqvarna, Sweden (Husqvarna Zenoah Co., Ltd)

Type BLi  
Art.no. 36V --- / Ah Li Ion --- Wh  
10INR19/66-2

Rechargeable Li-Ion Battery

**Husqvarna AB** Li-Ion  
S-561 82 Husqvarna, Sweden Use ONLY with Husqvarna Li-Ion batteries

Type: QC  
Art.-No. Input: V- / Hz / 100W max.  
Output: 36V --- / 2A  
Class 2 battery charger

serial-no.:

## Indice

### **SIMBOLOGIA**

I simboli sulla macchina: .....	232
Simboli sulla batteria e/o sul caricabatterie .....	232

### **INDICE**

Indice .....	234
--------------	-----

### **INTRODUZIONE**

Alla gentile clientela .....	235
------------------------------	-----

### **CHE COSA C'È?**

Che cosa c'è nella motosega? .....	235
------------------------------------	-----

### **NORME GENERALI DI SICUREZZA**

Avvertenze generali di sicurezza dell'attrezzo elettrico .....	236
Interventi prima di usare una nuova motosega .....	238
Importante .....	239
Impiegare sempre il buon senso .....	239
Abbigliamento protettivo .....	240
Dispositivi di sicurezza della macchina .....	240
Batteria e caricabatterie .....	242
Attrezzatura di taglio .....	243

### **MONTAGGIO**

Montaggio di lama e catena .....	247
----------------------------------	-----

### **MANIPOLAZIONE DELLA BATTERIA**

Stato della batteria .....	248
Caricabatterie .....	248
Trasporto e rimessaggio .....	248
Smaltimento della batteria, del caricabatterie e della macchina .....	249

### **AVVIAMENTO E ARRESTO**

Avviamento e arresto .....	250
----------------------------	-----

### **TECNICA DI LAVORO**

Ad ogni utilizzo: .....	251
SavE .....	251
Istruzioni generali di lavoro .....	251
Prevenzione del contraccolpo .....	255

### **MANUTENZIONE**

Generalità .....	256
Controllo, manutenzione e servizio dei dispositivi di sicurezza della motosega .....	256
Collegamenti della batteria .....	256
Sistema di raffreddamento .....	256
Batteria .....	256
Caricabatterie .....	256
Schema di manutenzione .....	257
Schema ricerca guasti .....	258

### **CARATTERISTICHE TECNICHE**

Caratteristiche tecniche .....	259
Combinazioni di lama e catena .....	260
Affilatura della catena e affilatori .....	260
Dichiarazione di conformità CE .....	260

# INTRODUZIONE

## Alla gentile clientela

Congratulazioni per aver scelto di acquistare un prodotto Husqvarna! Le origini della Husqvarna risalgono al 1689 quando il re Karl XI fece costruire una fabbrica sulle rive del fiume Huskvarnaån per la produzione di moschetti. La posizione sul fiume Huskvarnaån è spiegata dal fatto che il fiume veniva usato per produrre energia, rappresentando così una vera e propria centrale idroelettrica. Durante gli oltre 300 anni della sua esistenza, l'azienda Husqvarna ha fabbricato innumerevoli prodotti, dalle stufe a legna fino ai moderni elettrodomestici, dalle macchine da cucire alle biciclette e alle motociclette. Nel 1956 venne lanciato il primo rasaerba a motore, seguito dalla motosega nel 1959 ed è proprio questo il settore di competenza odierno della Husqvarna.

La Husqvarna è oggi uno dei leader mondiali nella produzione di articoli per giardinaggio e silvicoltura, con qualità e prestazioni come priorità assoluta. L'idea commerciale si basa sullo sviluppo, la produzione e la commercializzazione di prodotti a motore destinati a giardinaggio e silvicoltura ed anche al settore edilizio e a quello dell'installazione di impianti. La Husqvarna vuole inoltre essere all'avanguardia per quanto concerne l'ergonomia, le esigenze dell'operatore, la sicurezza e il rispetto dell'ambiente, motivi per cui sono state introdotte una serie di innovazioni tecnologiche al fine di migliorare i prodotti da questi punti di vista.

Siamo convinti che sarete pienamente soddisfatti della qualità e delle prestazioni del nostro prodotto per un lungo tempo a venire. L'acquisto di uno dei nostri prodotti vi garantisce l'accesso alla competenza di personale qualificato per l'assistenza e le riparazioni in caso di necessità. Se non avete acquistato la macchina presso uno dei nostri rivenditori autorizzati, rivolgetevi alla più vicina officina di assistenza.

Ci auguriamo che rimarrete soddisfatti della vostra macchina e speriamo di potervi servire per molto tempo in futuro. Non dimenticate che questo manuale delle istruzioni è un documento di valore. Seguendone il contenuto (uso, assistenza, manutenzione ecc.) potrete aumentare notevolmente la durata della vostra macchina e anche il suo valore di usato. Se vendete la macchina, ricordate di consegnare il manuale delle istruzioni al nuovo proprietario.

La ringraziamo per aver scelto un prodotto Husqvarna.

La Husqvarna AB procede costantemente allo sviluppo dei propri prodotti e si riserva quindi il diritto di apportare, senza alcun preavviso, modifiche riguardanti fra l'altro la forma e l'aspetto esteriore.

## Che cosa c'è nella motosega? (1)

- 1 Protezione anticoraccolpo
- 2 Tastiera
- 3 Pulsante SavE
- 4 Indicatore d'avvertimento
- 5 Attivare e disattivare il pulsante
- 6 Fermo della leva comando
- 7 Impugnatura posteriore con paramani destro
- 8 Alloggiamento della ventola
- 9 Serbatoio olio catena
- 10 Caricabatterie
- 11 Cavo di alimentazione
- 12 Indicatore d'avvertimento
- 13 Connettore
- 14 Istruzioni per l'uso
- 15 Coprilama
- 16 Coperchio della rotella di trascinamento
- 17 Ruota tendicatena
- 18 Manopola
- 19 Fermo della catena
- 20 Appoggio per la corteccia
- 21 Rotella di punta della catena
- 22 Catena
- 23 Lama
- 24 Impugnatura anteriore
- 25 Leva comando
- 26 Batteria
- 27 Pulsanti per il rilascio della batteria
- 28 Stato della batteria
- 29 Pulsante, stato della batteria
- 30 Indicatore d'avvertimento

# NORME GENERALI DI SICUREZZA

## Avvertenze generali di sicurezza dell'attrezzo elettrico



**AVVERTENZA!** Leggere attentamente tutte le avvertenze di sicurezza e tutte le istruzioni. Dalla mancata osservazione di avvertenze e istruzioni possono derivare scosse elettriche, incendi e/o danni gravi.

**IMPORTANTE!** Conservare tutte le avvertenze e le istruzioni per la futura consultazione. Nelle avvertenze, il termine "attrezzo elettrico" si riferisce al vostro attrezzo elettrico alimentato tramite rete elettrica (con cavo) o a batteria (cordless).

## Sicurezza dell'area di lavoro

- **Tenere l'area di lavoro pulita e ben illuminata.** Le zone in disordine o male illuminate possono provocare incidenti.
- **Non mettere in funzione attrezzi elettrici in ambienti esplosivi, quali quelli che comportano la presenza di liquidi infiammabili, gas o polvere.** Gli attrezzi elettrici generano scintille che possono incendiare polveri o fumi.
- **Tenere lontani bambini e spettatori mentre si fa funzionare un attrezzo elettrico.** Le distrazioni possono causare la perdita del controllo.

## Sicurezza elettrica

- **Le spine degli attrezzi elettrici devono essere adatte alle prese. Mai modificare la spina in alcun modo. Non utilizzare adattatori per spine con attrezzi elettrici dotati di messa a terra.** Le spine non modificate e che si adattano bene alle prese ridurranno il rischio di scosse elettriche.
- **Evitare il contatto del corpo con superfici messe a massa o collegate a terra, come condutture, radiatori, stufe e frigoriferi.** In casi simili si verificherebbe un aumento del rischio di scosse elettriche.
- **Non esporre gli attrezzi elettrici a pioggia o umidità.** L'ingresso di acqua in un attrezzo elettrico fa aumentare il rischio di scosse elettriche.
- **Non rovinare il cavo elettrico. Non usare mai il cavo per trasportare, tirare o staccare dalla presa l'attrezzo elettrico.** Tenere il cavo lontano da fonti di calore, olio, parti affilate o in movimento. I cavi danneggiati o attorcigliati fanno aumentare il rischio di scosse elettriche.
- **Facendo funzionare un attrezzo elettrico all'aperto, usare una prolunga adatta per l'uso all'aperto.** L'utilizzo di cavi adatti per l'uso all'aperto riduce il rischio di scosse elettriche.
- **Se è inevitabile l'uso di una macchina utensile in una ubicazione umida, utilizzare una fonte di alimentazione protetta con interruttore di circuito**

**per guasto di messa a terra (GFCI).** L'uso di un GFCI riduce il rischio di scossa elettrica.

## Sicurezza personale

- **Nell'uso di un attrezzo elettrico, restare allerta, fare attenzione a ciò che si sta facendo e usare il buon senso. Non usare un attrezzo elettrico quando si è stanchi o sotto l'effetto di droga, alcol o farmaci.** Un attimo di disattenzione può comportare gravi danni alla persona.
- **Usare sempre abbigliamento protettivo. Usare sempre gli occhiali protettivi.** L'uso in condizioni adeguate dell'attrezzatura di protezione (come mascherina, calzature di sicurezza antiscivolo, copricapo rigido o protezioni per le orecchie) ridurrà i danni alla persona.
- **Prevenire la messa in funzione accidentale. Accertarsi che l'interruttore sia in posizione OFF prima di effettuare il collegamento alla presa dell'alimentazione e/o alla batteria, di sollevare o trasportare l'attrezzo.** Il trasporto di attrezzi elettrici tenendo le dita sull'interruttore o su attrezzi che producono corrente e il cui interruttore è acceso, può provocare incidenti.
- **Rimuovere qualunque chiave o strumento di regolazione prima di accendere l'attrezzo elettrico.** Qualunque chiave o attrezzo lasciato attaccato a parti rotanti può causare danni alla persona.
- **Operare in sicurezza. Operare sempre facendo attenzione a posizionare bene i piedi e a mantenere l'equilibrio.** Ciò permette un migliore controllo dell'attrezzo elettrico in situazioni inattese.
- **Vestirsi in maniera adeguata. Non indossare abiti troppo ampi o gioielli. Tenere capelli, indumenti e guanti lontani dalle parti in movimento.** Lasciati liberi, indumenti, gioielli o capelli lunghi possono restare impigliati nelle parti in movimento.
- **Qualora vengano forniti strumenti per il collegamento a strutture di estrazione e raccolta della polvere, accertarsi che queste siano collegate e usate in modo adeguato.** La raccolta della polvere può ridurre i rischi legati alla presenza di quest'agente.
- **La produzione di vibrazioni durante l'utilizzo del dispositivo elettrico può essere differente dal valore totale dichiarato, a seconda delle modalità di impiego del dispositivo.** Gli operatori devono identificare le misure di sicurezza necessarie per la protezione in base a una stima dell'esposizione in condizioni pratiche di utilizzo (tenendo in considerazione le diverse fasi di funzionamento, vale a dire i momenti in cui il dispositivo è spento, quando è in regime di minimo nonché quando è innestato il comando).

## Uso e cura dell'attrezzo elettrico

- **Non forzare l'attrezzo elettrico. Usare l'attrezzo elettrico adatto all'applicazione.** L'attrezzo elettrico

# NORME GENERALI DI SICUREZZA

giusto farà il lavoro meglio e in modo più sicuro se usato alla velocità per la quale è stato progettato.

- **Non usare l'attrezzo elettrico se non è possibile accenderlo o spegnerlo tramite interruttore.** Qualunque attrezzo elettrico che non possa essere controllato tramite interruttore è pericoloso e deve essere riparato.
- **Staccare la spina dalla presa dell'alimentazione e/o la batteria prima di procedere a qualunque regolazione, cambio di accessori o alla conservazione degli attrezzi.** Tali misure di sicurezza preventive riducono il rischio di avvio accidentale dell'attrezzo elettrico.
- **Riporre gli attrezzi elettrici fuori dalla portata dei bambini e non permettere l'uso dei suddetti a persone che non hanno familiarità con tali attrezzi e con queste istruzioni.** Nelle mani di persone inesperte, gli attrezzi elettrici sono pericolosi.
- **Manutenzione degli attrezzi elettrici. Controllare che non si verifichi un errato allineamento o collegamento delle parti in movimento, la rottura di pezzi e qualsivoglia altra condizione che possa inficiare il funzionamento dell'attrezzo elettrico. Qualora danneggiato, riparare l'attrezzo elettrico prima dell'uso.** Molti incidenti sono causati da attrezzi elettrici con una manutenzione inadeguata.
- **Mantenere affilati e puliti gli strumenti da taglio.** Con una manutenzione adeguata, gli strumenti da taglio con bordi affilati risultano più facili da controllare e meno pericolosi.
- **Usare l'attrezzo elettrico, gli accessori, le punte ecc. come indicato dalle presenti istruzioni, tenendo conto delle condizioni di lavoro e della prestazione da effettuare.** L'uso dell'attrezzo elettrico per operazioni differenti da quelle per le quali è stato progettato potrebbe creare situazioni di pericolo.

## Utilizzo e manutenzione della batteria

- **Ricaricare l'attrezzo esclusivamente utilizzando il caricabatterie specificato dal produttore.** L'utilizzo di un caricabatterie indicato per un altro tipo di batteria potrebbe provocare rischio di incendio.
- **Utilizzare i dispositivi esclusivamente con le batterie specificate.** L'utilizzo di un'altra batteria potrebbe provocare lesioni e incendi.
- **Se la batteria non viene utilizzata, tenerla lontana da altri oggetti metallici, come graffette, monete, chiavi, chiodi, viti o altri piccoli oggetti metallici che potrebbero consentire il collegamento tra i terminali.** Provocare il cortocircuito dei terminali della batteria potrebbe causare ustioni o provocare un incendio.
- **In condizioni non ottimali, la batteria potrebbe perdere liquido; evitare il contatto con esso. Qualora il contatto avvenisse, sciacquare la parte con acqua. Qualora il liquido entrasse in contatto con gli occhi, consultare un medico.** Il liquido

fuoriuscito dalla batteria potrebbe causare irritazioni o ustioni.

## Assistenza

- **Far riparare l'attrezzo elettrico solo da personale qualificato, usando esclusivamente pezzi sostitutivi identici.** Questo garantirà che sia salvaguardata la sicurezza dell'attrezzo elettrico.

## Avvertenze di sicurezza della motosega

- **Tenere tutte le parti del corpo lontane dalla motosega durante il funzionamento. Prima di avviare la motosega, assicurarsi che la catena non è in contatto con corpi estranei.** Un semplice momento di disattenzione durante il funzionamento della motosega può provocare l'intrappolamento di abiti o parti del corpo da parte della catena.
- **Impugnare sempre la motosega con la mano destra sull'impugnatura posteriore e la mano sinistra sull'impugnatura anteriore.** È assolutamente vietato impugnare la motosega invertendo la posizione delle mani in quanto ciò aumenta il rischio di lesioni personali.
- **Impugnare l'elettroutensile utilizzando esclusivamente le apposite superfici isolate, in quanto la catena può entrare in contatto con cavi nascosti.** Se una catena entra in contatto con un cavo sotto tensione potrebbe eccitare eventuali parti di metallo esposte dell'elettroutensile e provocare una scossa elettrica all'operatore.
- **Indossare occhiali e cuffie protettive. Si raccomanda di utilizzare dispositivi di protezione aggiuntivi per la testa, le mani, le gambe e i piedi.** L'uso di abbigliamento di protezione adeguato riduce il rischio di lesioni personali causate da frammenti volanti o dal contatto accidentale con la catena.
- **Non utilizzare la motosega sugli alberi.** Utilizzare una motosega mentre si è in cima a un albero potrebbe provocare lesioni personali.
- **Mantenere sempre una posizione stabile dei piedi e utilizzare la motosega esclusivamente stando in piedi su una superficie fissa, stabile e piana.** Superfici scivolose e instabili, come ad esempio scale, possono causare la perdita dell'equilibrio o del controllo della motosega.
- **Fare attenzione al movimento di rimbalzo quando si sega un ramo sottoposto a tensione.** Quando viene rilasciata la tensione nelle fibre di legno, il ramo caricato a molla può colpire l'operatore e/o causare la perdita di controllo della motosega.
- **Prestare estrema attenzione quando si segano cespugli e alberelli.** Il materiale sottile può incastrarsi nella catena e colpire l'operatore facendogli perdere l'equilibrio.
- **Trasportare la motosega per la maniglia dopo averla spenta, tenendola lontano dal corpo.** Durante il trasporto o la conservazione della motosega, posizionare sempre il coperchio sulla lama. La corretta movimentazione della motosega

# NORME GENERALI DI SICUREZZA

riduce il rischio di contatto accidentale con la catena in movimento.

- **Seguire le istruzioni per la lubrificazione, la messa in tensione della catena e la sostituzione degli accessori.** Il tensionamento e la lubrificazione non adeguati della catena possono frenare la motosega e aumentare la possibilità di subire un contraccolpo.
- **Mantenere le mani asciutte, pulite e prive di olio e grasso.** La presenza di residui di grasso e olio rende le maniglie scivolose, provocando la perdita di controllo.
- **Segare esclusivamente legno. Non usare la motosega per scopi diversi. Ad esempio: non usare la motosega per segare plastica, muri o materiali da costruzione diversi dal legno.** L'uso della motosega per operazioni diverse da quelle per le quali è stata progettata può creare situazioni di pericolo.
- Consigliamo vivamente a tutti coloro che utilizzano la motosega per la prima volta di utilizzare un cavalletto o una sella.

## Cause del contraccolpo e prevenzione da parte dell'operatore

Il contraccolpo può verificarsi quando la punta della lama entra in contatto con un corpo estraneo o quando il legno si chiude e schiaccia la catena nel taglio. In alcuni casi il contatto con la punta della lama può provocare una reazione inversa repentina che scaglia la lama verso l'alto e all'indietro in direzione dell'operatore. Lo schiacciamento della catena lungo la parte superiore della lama può spingere rapidamente la lama verso l'operatore. Queste reazioni possono causare la perdita di controllo della motosega, provocando gravi lesioni personali. Non affidarsi esclusivamente ai dispositivi di sicurezza incorporati nella motosega. L'operatore della motosega deve mettere in atto misure adeguate per impedire il verificarsi di incidenti o lesioni personali durante il lavoro. Il contraccolpo è il risultato dell'uso errato della motosega o di procedure o condizioni di funzionamento errate e può essere evitato seguendo le opportune avvertenze riportate a continuazione:

- **Mantenere una presa salda, afferrando le maniglie della motosega tra i pollici e le dita della mano, mantenendo entrambe le mani sulla motosega e posizionando il corpo e il braccio in modo appropriato per resistere alla forza esercitata dal contraccolpo.** La forza esercitata dal contraccolpo può essere controllata dall'operatore nel caso in cui vengano seguite le opportune avvertenze. Non lasciare andare la motosega.
- **Non allungarsi eccessivamente e non utilizzare la motosega a una altezza superiore alla spalla.** Ciò aiuterà a impedire il contatto accidentale con la punta della lama, consentendo un controllo migliore della motosega in situazioni impreviste.
- **Utilizzare esclusivamente le lame e le catene di ricambio specificate dal fabbricante.** La sostituzione di lame e catene con pezzi di ricambio

non adeguati può causare la rottura e/o il contraccolpo della catena.

- **Seguire le istruzioni di affilatura e manutenzione della motosega fornite dal fabbricante.** La diminuzione dell'altezza dell'angolo di spoglia può aumentare il contraccolpo.

## Interventi prima di usare una nuova motosega

- Leggere attentamente le istruzioni per l'uso.
- **(1) - (110)** si riferiscono alle illustrazioni a pag. 2-6.
- Caricare completamente la batteria prima di usare la motosega per la prima volta. Vedere le istruzioni alla sezione Caricare la batteria.
- Rabboccare con olio per catena. Vedere le istruzioni alla sezione Rabboccare l'olio della catena.
- Controllare il montaggio e la messa a punto dell'attrezzatura di taglio. Vedi istruzioni alla voce Montaggio.
- Non usare la motosega prima che la catena sia stata raggiunta da una quantità sufficiente di olio. Vedi istruzioni alla voce Lubrificazione dell'attrezzatura di taglio
- Una lunga esposizione al rumore può comportare lesioni permanenti all'udito. Usare quindi sempre cuffie di protezione omologate.



**AVVERTENZA!** Evitare assolutamente di modificare la versione originale della macchina senza l'autorizzazione del fabbricante. Usare sempre accessori originali. Modifiche e/o accessori non autorizzati possono causare lesioni gravi o mortali all'operatore o a terzi.



**AVVERTENZA!** Se usata in modo improprio o non attento, la motosega può essere un attrezzo pericoloso, in grado di causare lesioni gravi o addirittura mortali. È di estrema importanza leggere e comprendere il contenuto di questo manuale di istruzioni.



**AVVERTENZA!** L'inalazione prolungata dell'olio della catena nebulizzato e della polvere della segatura può essere dannosa per la salute.

# NORME GENERALI DI SICUREZZA



**AVVERTENZA!** Questa macchina genera un campo elettromagnetico durante il funzionamento che in determinate circostanze può interferire con impianti medici attivi o passivi. Per ridurre il rischio di gravi lesioni personali o mortali, i portatori di tali impianti devono consultare il proprio medico e il relativo produttore prima di utilizzare la macchina.



**AVVERTENZA!** Non consentire mai a bambini di utilizzare la macchina o avvicinarsi a essa. Data l'estrema facilità di avviamento della macchina, i bambini potrebbero essere in grado di avviarla se non sorvegliati. Sussiste il rischio di gravi lesioni personali. Quindi scollegare la batteria quando la macchina è lasciata incustodita.

## Importante

### IMPORTANTE!

Questa motosega è pensata per lavori di selvicoltura come l'abbattimento, la potatura e il taglio.

I regolamenti nazionali possono imporre limitazioni all'uso della macchina.

Si raccomanda di utilizzare esclusivamente le combinazioni lama/catena indicate nel capitolo Dati tecnici.

Non utilizzare mai la macchina in condizioni di stanchezza oppure sotto l'effetto di alcolici, stupefacenti o farmaci in grado di alterare la vista, la capacità di valutazione o la coordinazione.

Usare sempre abbigliamento protettivo. Vedi istruzioni alla voce Abbigliamento protettivo.

Non modificare mai la macchina né utilizzarla se sembra essere stata modificata da altri.

Non utilizzare mai la macchina, la batteria o il caricabatterie se difettosi. Seguire le istruzioni per l'uso e la manutenzione contenute nel presente manuale. Alcuni interventi devono essere eseguiti da personale specializzato. Vedere le istruzioni alla sezione Manutenzione.

Usare solo i ricambi e gli accessori consigliati nel presente manuale. Vedi istruzioni alle voci Attrezzatura di taglio e Caratteristiche tecniche.

N.B! Indossare sempre occhiali protettivi o una visiera per ridurre il rischio di danni legati alla proiezione di oggetti. Una motosega è in grado di proiettare con elevata violenza oggetti quali segatura, trucioli ecc. Possono insorgere seri danni, in particolare agli occhi.



**AVVERTENZA!** Il rischio di sobbalzo è maggiore in caso di gruppo di taglio errato o combinazione lama/catena errata! Utilizzare esclusivamente le combinazioni lama/catena raccomandate e attenersi alle istruzioni per l'affilatura. Vedere le istruzioni alla sezione Dati tecnici.

## Impiegare sempre il buon senso

È impossibile prevedere tutte le situazioni che possono insorgere durante l'utilizzo di una motosega. Agire sempre con cautela e impiegare il buon senso. Evitare situazioni per le quali non si ritiene di essere sufficientemente qualificati. Se restano dubbi in merito alle procedure di lavoro anche dopo aver letto le presenti istruzioni, rivolgersi a un esperto prima di continuare. Non esitare a contattare il rivenditore o il produttore per qualsiasi domanda sull'utilizzo della motosega. Siamo a vostra disposizione per fornirvi consigli che vi permettono di utilizzare la motosega in modo migliore e più sicuro. Vi consigliamo di frequentare un corso sull'utilizzo delle motoseghe. Il rivenditore, un istituto professionale o la biblioteca possono consigliarvi il materiale didattico disponibile oppure informarvi sui corsi di addestramento. (Figura 2)

# NORME GENERALI DI SICUREZZA

Lavoriamo continuamente al miglioramento di design e tecnologia; queste migliorie aumentano la vostra sicurezza e la vostra efficienza. Recatevi regolarmente dal vostro rivenditore, che sarà lieto di illustrarvi le novità più utili.

## Abbigliamento protettivo



**AVVERTENZA!** La maggior parte degli incidenti si verifica quando la catena colpisce l'operatore. Lavorando con la macchina usare sempre abbigliamento protettivo omologato. L'uso di abbigliamento protettivo non elimina i rischi di lesioni, ma riduce gli effetti del danno in caso di incidente. Consigliatevi con il vostro rivenditore di fiducia per la scelta dell'attrezzatura adeguata.

Usare sempre:

- Elmetto protettivo omologato
- Cuffie auricolari protettive
- Occhiali o visiera di protezione
- Guanti con protezione antitaglio
- Pantaloni con protezione antitaglio
- Stivali con protezione antitaglio, calotta di acciaio e suola antiscivolo.
- Tenere sempre a portata di mano la cassetta di pronto soccorso.

L'abbigliamento in generale deve essere tale da non ostacolare la libertà di movimento.

## Dispositivi di sicurezza della macchina

Questa sezione descrive i dispositivi di sicurezza della macchina e la loro funzione. Per i controlli e gli interventi di manutenzione, vedere le istruzioni alla sezione Controllo, manutenzione e assistenza dei dispositivi di sicurezza della motosega. Vedere le istruzioni alla sezione Identificazione delle parti per localizzare questi dispositivi sulla macchina.

La durata della macchina può ridursi e il rischio di incidenti aumentare se la manutenzione non viene eseguita correttamente e se l'assistenza e/o le riparazioni non vengono effettuate da personale qualificato. Per

ulteriori informazioni rivolgersi alla più vicina officina di assistenza.



**AVVERTENZA!** Non utilizzare mai una macchina con dispositivi di sicurezza difettosi. I dispositivi di sicurezza devono essere controllati e sottoposti a manutenzione. Vedere le istruzioni alla sezione Controllo, manutenzione e assistenza dei dispositivi di sicurezza della motosega. Se la macchina non supera anche uno solo dei controlli, rivolgersi a un centro di assistenza per le necessarie riparazioni.

## Tastiera

Accertarsi che l'apparecchio sia acceso o spento quando si tiene premuto (>1 sec.) il pulsante di accensione/spengimento (1). Il LED verde (2) è acceso o spento.

La spia (3) lampeggia se il freno della catena viene attivato o in presenza di un rischio di sovraccarico. La protezione dal sovraccarico spegne temporaneamente la macchina. Quando la macchina ritorna alla temperatura normale è nuovamente pronta per l'uso. La spia fissa indica che è necessario eseguire la manutenzione. **(Figura 6)**

## Funzione di spegnimento automatico

La macchina è dotata di una funzione di spegnimento automatico che la spegne quando non viene utilizzata. La macchina si spegne dopo 1 minuto.

## Freno della catena con protezione anticontraccolpo

La motosega è dotata di freno della catena progettato per fermare la catena in caso di sobbalzo. Un freno della catena riduce il rischio di incidenti, ma solamente l'utente può prevenirli con il suo operato. **(Figura 3)**

Lavorate con cautela e fate in modo che il settore "a rischio di contraccolpo" non venga mai in contatto con nessun oggetto. **(Figura 4)**

- Il freno della catena (A) si attiva manualmente (con la mano sinistra) o tramite la funzione di inerzia. **(Figura 5)**
- Il freno si attiva quando la protezione (B) viene spinta in avanti. **(Figura 5)**
- Il movimento attiva un meccanismo caricato a molla che blocca la rotella di trascinamento.
- La protezione anticontraccolpo non serve solo ad attivare il freno della catena: Riduce anche ad un minimo il rischio che la mano sinistra entri in contatto con la catena qualora si perda la presa dell'impugnatura.
- Il freno della catena dev'essere inserito all'avviamento della motosega.
- Utilizzare il freno della catena come 'freno di stazionamento' all'avviamento e durante i brevi



# NORME GENERALI DI SICUREZZA

spostamenti per prevenire incidenti dovuti al contatto involontario fra utente o altri e catena in movimento.

- Il freno della catenaviene disattivato portando indietro la protezione anticorralcolpo verso l'impugnatura anteriore.
- Il corralcolpo è improvviso e può essere molto violento. Nella maggior parte dei casi questi fenomeni sono leggeri e non provocano l'arresto della catena. In queste situazioni basta tenere ben salda la motosega e non lasciarla andare. **(Figura 65)**
- Il modo di attivazione del freno, manuale o inerziale, dipende dalla violenza del corralcolpo e dalla posizione della motosega rispetto all'oggetto venuto in contatto con il settore "a rischio".

In caso di sobbalzo violento e laddove il settore a rischio di sobbalzo della lama è più distante possibile dall'utente, il freno della catena è progettato in modo da attivarsi per effetto del relativo corralcolpo (inerzia) nel senso di sobbalzo. **(Figura 7)**

- In caso di movimenti meno violenti o in quelle situazioni in cui il settore "a rischio" è vicino all'operatore, il freno della catena viene azionato dalla mano sinistra.
- In posizione di abbattimento, la mano sinistra si trova in una posizione che non permette l'attivazione manuale del freno della catena. Durante questo tipo di interventi, cioè quando la mano sinistra per la sua posizione non è in grado di agire sulla protezione dal sobbalzo, il freno della catena può essere attivato solo tramite la funzione di inerzia. **(Figura 8)**

## È sufficiente il contatto con la mano per attivare sempre il freno della catena in caso di sobbalzo?

No. È necessaria una certa forza per spingere in avanti la protezione dal sobbalzo. Se la mano sfiora solamente la protezione dal sobbalzo oppure ci scivola sopra, può darsi che la forza non sia sufficiente ad attivare il freno della catena. Durante il lavoro è necessario mantenere inoltre una presa sicura dell'impugnatura della motosega. Così facendo, in caso di sobbalzo potreste non rilasciare la mano dall'impugnatura anteriore e non attivare il freno della catena oppure il freno della catena potrebbe attivarsi dopo che la motosega ha continuato a girare un altro po'. In questa situazione il freno della catena potrebbe non fermare la catena in tempo e la catena potrebbe colpirvi.

Vi sono anche posizioni di lavoro nelle quali la mano non può raggiungere la protezione dal sobbalzo e attivare il freno della catena, per esempio quando si tiene la motosega in posizione di abbattimento.

## Il freno della catena è sempre attivato dalla funzione di inerzia in caso di sobbalzo?

No. In primo luogo il freno deve essere funzionante. In secondo luogo il sobbalzo deve essere di forza sufficiente ad attivare il freno della catena. Se il freno della catena

fosse troppo sensibile, si attiverebbe continuamente causando inutili interruzioni del lavoro.

## Il freno della catena protegge sempre l'utente da danni in caso di sobbalzo?

No. In primo luogo il freno deve essere funzionante, per dare la protezione prevista. In secondo luogo deve attivarsi come descritto in precedenza, affinché la catena si fermi in caso di sobbalzo. In terzo luogo il freno della catena potrebbe attivarsi, ma se la lama è troppo vicina all'utente, può darsi che il freno non abbia il tempo di rallentare e fermare la catena prima che la motosega venga a contatto con l'utente.

**Solamente l'utente e una corretta tecnica di lavoro possono eliminare sobbalzi e relativi rischi.**

## Fermo del gas

Il fermo della leva di comando è destinato a prevenire l'avviamento accidentale della leva di comando. Premendo il fermo della leva di comando (A) (ad esempio, quando si impugna la maniglia) si rilascia la leva di comando (B). Rilasciando l'impugnatura, la leva di comando e il fermo della leva di comando ritornano entrambi alla posizione iniziale. **(Figura 9)**

## Fermo della catena

È costruito in modo da bloccare la catena qualora questa salti o si strappi. Questi fenomeni si evitano normalmente con un tensionamento corretto della catena (vedi istruzioni alla voce Montaggio) e con la corretta manutenzione di lama e catena (vedi istruzioni alla voce Istruzioni generali di lavoro). **(Figura 10)**

## Protezione della mano destra

Oltre a proteggere la mano in caso di salto o rottura della catena, assicura la presa sull'impugnatura posteriore nonostante la presenza di rami o frasche. **(Figura 11)**

## Vibrazioni

Il taglio in un legno duro (la maggior parte delle latifoglie) produce più vibrazioni del taglio in un legno tenero (gran parte delle conifere). Le vibrazioni aumentano se l'attrezzatura di taglio non è ben affilata o se è di tipo non adeguato.

# NORME GENERALI DI SICUREZZA



**AVVERTENZA!** La sovraesposizione a vibrazioni può provocare lesioni vascolari o nervose in soggetti che soffrono di disfunzioni circolatorie. Rivolgersi a un medico se si provano sintomi ricollegabili alla sovraesposizione a vibrazioni. Esempi di questi sintomi: intorpidimento, perdita di sensibilità, "formicolio", "torpore", dolore, mancanza di forza o riduzione delle forze normali, alterazioni di colore o aspetto della pelle. Questi sintomi si manifestano solitamente a dita, mani o polsi. I sintomi possono accentuarsi a temperature rigide.

## Batteria e caricabatterie

Questa sezione descrive le misure di sicurezza per la batteria e il caricabatterie per i prodotti dotati di batteria.

Utilizzare solo batterie originali per i prodotti Husqvarna e caricarle soltanto in un caricabatterie QC originale Husqvarna. Le batterie sono codificate mediante software.

## Sicurezza della batteria

Le batterie ricaricabili Husqvarna, BLi, si utilizzano esclusivamente come alimentazione per gli apparecchi cordless Husqvarna in questione. Per evitare lesioni, la batteria non deve essere utilizzata come fonte di alimentazione per altri dispositivi.



**AVVERTENZA!** Proteggere la batteria dalla luce diretta del sole, dal calore o da fiamme libere. Sussiste il rischio che la batteria esploda se gettata nel fuoco. Sussiste il rischio di ustioni e/o ustioni chimiche.



**AVVERTENZA!** Evitare qualsiasi contatto della pelle con l'acido della batteria. L'acido della batteria può provocare irritazioni della pelle, ustioni o lesioni corrosive. In caso di contatto con gli occhi, non strofinare, ma sciacquare gli occhi con acqua abbondante per almeno 15 minuti. Consultare un medico. È necessario lavare la pelle esposta con abbondante acqua e sapone in caso di contatto accidentale.



**AVVERTENZA!** Evitare il contatto del terminale della batteria con chiavi, monete, viti o metallo in genere; può causare un corto circuito della batteria. Non inserire mai oggetti nelle prese d'aria della batteria.

Le batterie non utilizzate devono essere tenute lontano da oggetti metallici come chiodi, monete, gioielli. Non tentare di smontare o distruggere la batteria

- Utilizzare la batteria in ambienti con una temperatura compresa tra -10 °C e 60 °C.
- Non esporre la batteria a microonde o ad alta pressione.
- Non pulire mai la batteria o il caricabatterie con acqua. Vedere anche le istruzioni alla voce Manutenzione.
- Conservare la batteria fuori dalla portata dei bambini.
- Non esporre la batteria a pioggia o umidità.

## Sicurezza del caricabatterie

Utilizzare solo i caricabatterie Husqvarna QC per caricare le batterie di ricambio Husqvarna, BLi.



**AVVERTENZA!** Ridurre il rischio di scosse elettriche o cortocircuiti come segue:

Non inserire mai alcun oggetto nei vani di raffreddamento del caricabatterie.

Non cercare di smontare il caricabatterie.

Non collegare mai i terminali del caricabatterie a oggetti metallici, poiché questo può provocare un cortocircuito del caricabatterie.

Utilizzare prese di rete omologate e integre.

- Verificare regolarmente che il cavo di collegamento del caricabatterie sia integro e che non vi siano crepe.
- Non trasportare mai il caricabatterie tenendolo per il cavo, né tirare quest'ultimo per staccare la spina.
- Tenere tutti i cavi e le prolunghie lontani da acqua, olio e bordi appuntiti. Fare attenzione affinché il cavo non si incastri in porte, strette e simili. Questo potrebbe causare scosse elettriche al contatto.



**AVVERTENZA!** Non utilizzare il caricabatterie vicino a materiali corrosivi o infiammabili. Non coprire il caricabatterie. Staccare la spina del caricabatterie in caso di fumo o incendio. Pericolo di incendio.

# NORME GENERALI DI SICUREZZA

Non utilizzare:

- un caricabatterie difettoso o danneggiato oppure non utilizzare mai una batteria difettosa, danneggiata o deformata

Non ricaricare:

- batterie non ricaricabili nel caricabatterie e non utilizzarle nella macchina;
- il caricabatterie per caricare la batteria all'esterno;
- la batteria in presenza di pioggia o umidità
- la batteria alla luce diretta del sole

Utilizzare il caricabatterie soltanto quando la temperatura circostante è compresa tra 5 °C e 45 °C. Utilizzare il caricabatterie in un ambiente ben ventilato, asciutto e privo di polvere.

## Attrezzatura di taglio

Questa parte vi indica, con la corretta manutenzione e l'uso del tipo di attrezzatura di taglio, come:

- Ridurre la tendenza al contraccolpo della macchina.
- Riduce il pericolo di caduta o rottura della catena.
- Fornisce prestazioni di taglio ottimali.
- Aumentare la durata dell'attrezzatura di taglio.
- Previene l'aumento dei livelli di vibrazioni.

## Regole basilari

- **Usare solo attrezzatura di taglio da noi consigliata!** Vedere le istruzioni alla sezione Dati tecnici.
- **Tenere sempre ben affilati i denti della catena! Seguire le istruzioni e usare i riscontri raccomandati.** Se la catena non è ben affilata, aumenta il rischio di incidenti.
- **Mantenere un angolo di spoglia corretto! Seguire le nostre istruzioni, utilizzando l'affilatore raccomandato per l'angolo di spoglia.** Un angolo di spoglia troppo grande aumenta il rischio di sobbalzo. (Figura 19)
- **Controllare la tensione della catena!** Una catena troppo lenta salta facilmente e aumenta l'usura di ruota di rinvio, lama e catena. (Figura 24)
- **Curare la lubrificazione e la manutenzione dell'attrezzatura di taglio!** Una lubrificazione insufficiente aumenta il rischio di rottura della catena e di usura di ruota di rinvio, lama e catena.

## Gruppo di taglio a sobbalzo ridotto



**AVVERTENZA! Il rischio di sobbalzo è maggiore in caso di gruppo di taglio errato o combinazione lama/catena errata! Utilizzare esclusivamente le combinazioni lama/catena raccomandate e attenersi alle istruzioni per l'affilatura. Vedere le istruzioni alla sezione Dati tecnici.**

Il contraccolpo si può prevenire solo evitando di toccare un qualsiasi oggetto con la parte superiore della punta della lama, il così detto settore "a rischio".

Adottando attrezzatura di taglio con riduzione del contraccolpo "incorporata" e mantenendo sempre ben affilata la catena è possibile ridurre gli effetti del contraccolpo.

### Lama

Minore è il raggio del puntale, minore è la propensione al sobbalzo.

### Catena

La catena è costituita da una serie di maglie disponibili in versione standard o a riduzione del contraccolpo.

**IMPORTANTE! Nessuna catena è in grado di eliminare completamente il rischio di sobbalzo.**



**AVVERTENZA! Il contatto con una catena in rotazione può provocare danni molto seri.**

### Alcuni termini relativi a lama e catena

Per mantenere tutti i dispositivi di sicurezza del gruppo di taglio, si raccomanda di sostituire le combinazioni lama/catena usurate o danneggiate con ricambi raccomandati da Husqvarna. Vedere le istruzioni alla sezione Dati tecnici in merito alle combinazioni lama/catena raccomandate.

### Lama

- Lunghezza (pollici/cm) (Figura 13)
- Numero di denti nella rotella di punta (T). (Figura 12)
- Partitura della catena (=pitch) (pollici). La rotella di punta della lama e l'ingranaggio di trascinamento della catena devono essere adeguati alla distanza tra le maglie di trascinamento. (Figura 14)
- Numero di maglie di trascinamento (pz). Ogni lunghezza di lama, unita alla partitura della catena e ai denti della rotella di punta, risulta in un preciso numero di maglie di trascinamento. (Figura 16)
- Larghezza della guida della lama (pollici/mm). La larghezza della guida della lama deve essere adeguata alla larghezza delle maglie di trascinamento.

# NORME GENERALI DI SICUREZZA

- Foro di lubrificazione della catena e foro del perno tendicatena. La lama dev'essere adeguata alla costruzione della motosega. **(Figura 15)**

## Catena

- Partitura (=pitch) (pollici) **(Figura 14)**
- Larghezza della maglia di trascinamento (mm/pollici) **(Figura 17)**
- Numero di maglie di trascinamento (pz) **(Figura 16)**

## Affilatura e regolazione dell'angolo di spoglia della catena



**Intervenendo sulla catena, usare sempre guanti protettivi.**

### Generalità sull'affilatura della catena

- Non segare mai con una catena usurata. La catena è usurata quando è necessario forzare il gruppo di taglio nel legno e i trucioli sono molto piccoli. Se la catena è molto usurata, non produce alcun truciolo. Si produce solamente segatura.
- Se la catena è affilata correttamente, penetra nel legno e produce trucioli grandi e lunghi. **(Figura 18)**
- La parte tagliente di una catena è definita anello tagliente e si compone di un dente di taglio (A) e un oggetto di spoglia (B). La distanza in altezza fra queste parti rappresenta la profondità di taglio. **(Figura 19)**

Per l'affilatura del dente di taglio occorre considerare quattro misure.

- 1 Angolo di affilatura **(Figura 20)**
- 2 Angolo di appoggio **(Figura 21)**
- 3 Posizione della lima **(Figura 22)**
- 4 Diametro della lima tonda

È estremamente difficile affilare correttamente una catena senza gli attrezzi adatti. Per questo consigliamo il nostro affilatore. Affilando la catena con esso, si otterranno la massima riduzione del sobbalzo e le migliori prestazioni di taglio. **(Figura 23)**

Vedere le istruzioni alla sezione Dati tecnici in merito ai fattori da osservare per l'affilatura della catena della motosega.



**AVVERTENZA! Il mancato rispetto delle istruzioni di affilatura aumenta sensibilmente la propensione al sobbalzo della catena.**

### Affilatura dei denti

Per l'affilatura del dente di taglio occorrono una lima tonda e un affilatore. Vedere le istruzioni alla sezione Dati tecnici in merito al diametro della lima tonda e all'affilatore raccomandato per la catena della motosega.

- Controllare che la catena sia ben tesa. In caso contrario la catena si muove lateralmente ed è più difficile ottenere una corretta affilatura. **(Figura 24)**
- Affilare sempre il dente di taglio dall'interno verso l'esterno. Allentare la pressione sulla lima in fase di ritorno. Affilare prima tutti i denti di un lato, girare poi la motosega e ripetere l'operazione. **(Figura 20)**
- Affilare facendo in modo che tutti i denti siano di uguale lunghezza. Quando il dente di taglio è di soli 4 mm (5/32"), la catena è usurata e va rottamata. **(Figura 25)**

### Generalità sulla regolazione dell'angolo di spoglia

- Affilando il dente di taglio si riduce l'angolo di spoglia (= profondità di taglio). Per mantenere le migliori prestazioni di taglio, l'oggetto di spoglia deve essere abbassato al livello raccomandato. Vedere le istruzioni alla sezione Dati tecnici in merito all'angolo di spoglia adatto alla catena della motosega. **(Figura 26)**



**AVVERTENZA! Un angolo di spoglia troppo grande aumenta la propensione al sobbalzo della catena!**

### Regolazione dell'angolo di spoglia

- Prima di regolare l'angolo di spoglia, verificare che i denti di taglio siano stati affilati di recente. Si raccomanda di regolare l'angolo di spoglia ogni tre affilature della catena. NB - Questa raccomandazione presuppone che i denti di taglio non siano stati affilati a una lunghezza anomala.
- Per la regolazione dell'angolo di spoglia occorrono una lima piatta e un affilatore. Si raccomanda l'utilizzo del nostro affilatore per l'angolo di spoglia, che garantisce un angolo di spoglia corretto e un angolazione corretta dell'oggetto di spoglia.
- Appoggiare l'affilatore sulla catena. Le informazioni per l'uso dell'affilatore sono riportate sulla confezione. Utilizzando la lima piatta, asportare l'eccedenza della sporgenza dell'oggetto di spoglia. L'angolo di spoglia è corretto quando, facendo passare la lima sull'affilatore, non si incontra alcuna resistenza. **(Figura 27)**

# NORME GENERALI DI SICUREZZA

## Tensionamento della catena



**AVVERTENZA! Una catena troppo lente salta facilmente, e rappresenta motivo di pericolo in quanto può provocare lesioni gravi o mortali.**



**AVVERTENZA! Rimuovere sempre la batteria prima di procedere a operazioni di montaggio, manutenzione e/o ispezione sulla macchina.**

La lunghezza della catena aumenta con l'uso. È importante quindi regolare l'attrezzatura di taglio in seguito a cambiamenti del genere.

Controllare la tensione della catena ad ogni rifornimento dell'olio della catena. **NOTA!** Se la catena è nuova, richiede un periodo di rodaggio durante il quale va controllata più spesso.

Tendere la catena il più possibile, ma in modo che possa essere facilmente fatta girare con la mano. **(Figura 47)**

- Rilasciare la manopola tirandola all'esterno. **(Figura 28)**
- Girare la manopola in senso orario per allentare il coperchio della rotella di trascinamento. **(Figura 29)**
- Regolare la tensione della catena girando la ruota verso il basso (+) per aumentarla o verso l'alto (-) per diminuirla. **(Figura 30)**
- Serrare la frizione della barra girando la manopola in senso orario. **(Figura 31)**
- Ripiegare la manopola all'interno per bloccare il tensionamento. **(Figura 32)**

## Lubrificazione dell'attrezzatura di taglio



**AVVERTENZA! Una lubrificazione insufficiente dell'attrezzatura di taglio provoca la rottura della catena con gravi rischi di lesioni personali anche mortali.**

### Olio per catena

L'olio per catena deve presentare una buona aderenza e buone proprietà di scorrimento, sia d'estate che d'inverno.

**Non utilizzare mai oli esausti!** È nocivo per voi, la macchina e l'ambiente.

### Rifornimento dell'olio per catena

- Utilizzare sempre olio della catena minerale. **(Figura 33)**
- Per la scelta dell'olio contattare l'officina di servizio.
- Tutti le nostre motoseghe sono dotate di lubrificazione automatica della catena. Su alcuni modelli il flusso dell'olio è regolabile.
- Il serbatoio dell'olio della catena è progettato per durare per circa tre cicli di carica della batteria. Tuttavia, questa funzione di sicurezza richiede l'utilizzo del tipo appropriato di olio della catena (la

durata è inferiore se l'olio della catena è troppo sottile).

- Non usare mai olio di recupero. Ciò comporterebbe danni alla pompa, alla lama e alla catena.
- È importante usare olio adatto alla temperatura dell'aria (corretta viscosità).
- Con temperature inferiori a 0°C alcuni olio diventano più densi. Questo può sovraccaricare la pompa danneggiandone i componenti.

### Controllo della lubrificazione della catena

- Controllare la lubrificazione della catena ogni terzo cambio della batteria.

Puntare la lama contro una superficie chiara, da una ventina di centimetri (8 pollici) di distanza. Dopo un minuto circa, a 3/4 di gas, la superficie dovrà presentare evidenti tracce d'olio. **(Figura 34)**

Se la lubrificazione non funziona:

- Controllare che il canale di lubrificazione della lama non sia ostruito. Pulire se necessario. **(Figura 35)**
- Controllare che la scanalatura sulla lama sia pulita. Pulire se necessario. **(Figura 36)**
- Controllare che la rotella di punta giri liberamente e che il foro di lubrificazione sia pulito. Pulire e lubrificare se necessario. **(Figura 37)**

Se la lubrificazione non funziona, nonostante i controlli e gli interventi relativi, contattare immediatamente un'officina autorizzata.

# NORME GENERALI DI SICUREZZA

## Rotella di trascinamento della catena

Il sistema di trasmissione è dotato di rotella di trascinamento. **(Figura 38)**

Controllare regolarmente il livello di usura della rotella di trascinamento. Sostituire se necessario.

## Controllo dell'usura dell'attrezzatura di taglio

Controllare giornalmente la catena, ed in particolare:

- Presenza di fratture o lesioni sui perni o sulle maglie.
- Elasticità della catena.
- Usura inconsueta di maglie e denti.

Gettare la catena se mostra uno o più dei suddetti difetti.

Per riferimento usare una catena nuova.

Quando la lunghezza del dente di taglio è di soli 4 mm, sostituire la catena con una nuova.

## Lama

Controllare con regolarità:

- La presenza di graffi sui lati della lama. Eliminare con una lima se necessario. **(Figura 39)**
- Se la scanalatura della lama è usurata oltre il normale. Sostituire la lama se necessario.
- Se la punta della lama è usurata irregolarmente. In caso di formazione di un "affossamento" alla fine della curvatura della punta, la catena non è correttamente tesa. **(Figura 40)**
- Per la massima durata girare la lama giornalmente. **(Figura 41)**



**AVVERTENZA!** La maggior parte degli incidenti si verifica quando la catena colpisce l'operatore.

**Usare sempre abbigliamento protettivo. Vedi istruzioni alla voce Abbigliamento protettivo.**

**Evitare operazioni per le quali non vi sentite qualificati. Vedi istruzioni alle voci Abbigliamento protettivo, Prevenzione del contraccolpo, Attrezzatura di taglio e Istruzioni generali di lavoro.**

**Evitare situazioni con rischio di contraccolpo. Vedi istruzioni alle voci Dispositivi di sicurezza sulla macchina.**

**Usare attrezzatura di taglio raccomandata e controllarne lo stato. Vedi istruzioni alle voci Caratteristiche tecniche e Normi generali di sicurezza.**

**Controllare il funzionamento dei dispositivi di sicurezza della motosega. Vedi istruzioni alle voci Istruzioni generali di lavoro e Norme generali di sicurezza.**

**Non utilizzare mai una motosega tenendola con una mano sola. Una mano non è sufficiente per il controllo sicuro di una motosega. Mantenere una presa sicura e stabile delle impugnature, con entrambe le mani.**

## Montaggio di lama e catena



**AVVERTENZA!** Rimuovere sempre la batteria prima di procedere a operazioni di montaggio, manutenzione e/o ispezione sulla macchina.

**Intervenendo sulla catena, usare sempre guanti protettivi.**

- Controllare che il freno della catena non sia attivato tirando la protezione anticontraccolpo verso l'impugnatura anteriore. **(Figura 42)**
- Togliere il coperchio della rotella di trascinamento ruotando la manopola in senso antiorario. Eliminare la protezione per il trasporto (A). **(Figura 43)**
- Montare la lama sul relativo bullone. Situare la lama il più indietro possibile. Situare la catena sopra la ruota motrice e nella scanalatura della lama. Cominciare dalla parte superiore della lama. **(Figura 44)**
- Controllare che il taglio dei denti sia rivolto in avanti, sul lato superiore della lama.

Montare il coperchio frizione e ricordarsi di inserire il perno del tendicatena nel foro della barra. Controllare che le maglie di trasmissione della catena si incastrino correttamente sul pignone e che la catena sia adeguatamente posizionata nella scanalatura della barra.

- Tendere la catena girando la ruota verso il basso (+). La catena deve essere tesa in modo che non penda sotto la barra. **(Figura 45)**
- La catena è tesa correttamente se non pende sotto la barra, ma può comunque essere girata facilmente con una mano. Sollevare la punta della barra e serrare la frizione della barra girando la manopola in senso orario. **(Figura 46)**
- Controllare spesso la tensione di una nuova catena fino al termine del rodaggio. Eseguire il controllo regolarmente. Una catena correttamente tesa significa migliori caratteristiche di taglio e lunga durata. **(Figura 47)**

## Montaggio dell'appoggio per la corteccia

Per il montaggio dell'appoggio della corteccia contattare il rivenditore autorizzato. **(Figura 48)**

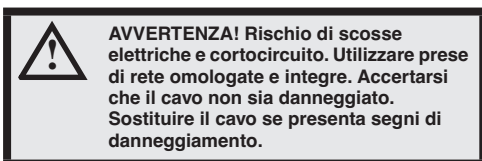
# MANIPOLAZIONE DELLA BATTERIA

## Stato della batteria

Il display mostra la capacità della batteria e se sussistono problemi con la batteria stessa. La capacità della batteria viene visualizzata per 5 secondi dopo lo spegnimento della macchina o dopo aver premuto il pulsante di spegnimento (1). Il simbolo d'avvertimento sulla batteria si accende quando si verifica un errore (2). Vedere i codici di errore. (Figura 49)

Spie LED	Stato della batteria
Tutti i LED accesi	Completamente carica (75-100%).
LED 1, LED 2, LED 3 accesi.	La batteria è carica al 50-75%
LED 1, LED 2 accesi.	La batteria è carica al 25-50%.
LED 1 acceso.	La batteria è carica allo 0-25%.
LED 1 lampeggia.	La batteria è scarica. Caricare la batteria.

## Caricabatterie



## Collegamento del caricabatterie

- Collegare il caricabatterie alla tensione e alla frequenza indicate sulla targhetta dati di funzionamento. Inserire la spina elettrica nella presa di rete. Il LED sul caricabatterie lampeggia di verde per una volta. (Figura 50)
- La batteria non viene ricaricata se la sua temperatura è superiore a 50 °C.

## Collegamento della batteria al caricabatterie

Controllare regolarmente che il caricabatterie e la batteria siano intatti. Vedere anche le istruzioni alla voce Manutenzione.

È necessario ricaricare la batteria prima di utilizzarla per la prima volta. Alla consegna la batteria è caricata solo per il 30%.

- Collegare il caricabatteria alla batteria. (Figura 50)
- Il LED verde sul caricabatterie è acceso durante la ricarica. (Figura 51)
- Quando tutti i LED sono accesi, la batteria è completamente carica. (Figura 52)
- Scollegare il caricabatteria dalla batteria.
- Estrarre la spina. Non stratonare mai il cavo di alimentazione per scollegarlo dalla presa di rete.

## Livello di carica

Le batterie agli ioni di litio possono essere ricaricate a qualunque livello di carica. È possibile annullare o avviare il processo di carica qualunque sia il livello di carica della batteria. (Figura 53)

Display a LED	Livello di carica
LED 1 lampeggia.	La batteria è carica allo 0-25%.
LED 1 acceso, LED 2 lampeggia.	La batteria è carica al 25-50%.
LED 1, LED 2 accesi, LED 3 lampeggia.	La batteria è carica al 50-75%
LED 1, LED 2, LED 3 accesi, LED 4 lampeggia.	La batteria è carica al 75-100%
LED 1, LED 2, LED 3, LED 4 accesi.	Quando tutti i LED sono accesi, la batteria è completamente carica.

## Trasporto e rimessaggio

- Le batterie agli ioni di litio sono soggette ai requisiti di legge sulle merci pericolose.
- Per il trasporto commerciale, ad esempio ad opera di terzi, spedizionieri, occorre soddisfare speciali requisiti di imballaggio e di etichettatura.
- Per la preparazione del materiale da spedire, è necessaria la consultazione di un esperto di materiali pericolosi. Si prega di attenersi anche alle regolamentazioni nazionali più dettagliate.
- Avvolgere con nastro o bloccare i contatti aperti e imballare la batteria in modo che non possa spostarsi all'interno della confezione.
- Rimuovere sempre la batteria per la conservazione o il trasporto.
- Conservare la batteria e il caricabatterie in un luogo asciutto, privo di umidità e protetto dal gelo.
- Non conservare la batteria in ambienti elettricamente statici. Non conservare mai la batteria in scatole di metallo.
- Conservare la batteria e il caricabatterie a una temperatura compresa tra 5 °C e 45 °C e non esposti alla luce diretta del sole.
- Conservare il caricabatterie soltanto in un ambiente chiuso e asciutto.
- Assicurarsi di conservare la batteria separatamente dal caricabatterie. Conservate l'attrezzatura in un luogo chiuso a chiave e quindi lontano dalla portata di bambini e di persone non autorizzate.
- Accertarsi che la macchina sia ben pulita e che sia stata sottoposta a tutte le operazioni di assistenza prima di ogni rimessaggio a lungo termine.
- Per prevenire il contatto involontario con le parti affilate della catena, la protezione per il trasporto del



---

## MANIPOLAZIONE DELLA BATTERIA

---

gruppo di taglio deve essere sempre montata durante il trasferimento o il rimessaggio della macchina.

Anche una catena immobile può provocare serie lesioni all'utente o altri, in caso di contatto.

- Mettere in sicurezza la macchina durante il trasporto.

### **Smaltimento della batteria, del caricabatterie e della macchina**

Il simbolo riportato sul prodotto o sulla confezione indica che il prodotto non può essere smaltito fra i rifiuti domestici. Il prodotto deve invece essere consegnato a un centro di raccolta autorizzato per il riciclaggio dei componenti elettrici ed elettronici.

Smaltendo correttamente questo prodotto si contribuisce a ridurre l'impatto ambientale e sulla salute che potrebbe verificarsi in caso di procedure di smaltimento errate. Per maggiori informazioni sul riciclaggio di questo prodotto, rivolgersi al proprio comune, al centro di raccolta rifiuti locale o al rivenditore.

## Avviamento e arresto



**AVVERTENZA!** Prima dell'avviamento osservare quanto segue:

**Non avviare mai la motosega prima che la lama, la catena e tutti i carter siano correttamente montati. In caso contrario la rotella di trascinamento potrebbe allentarsi e causare danni alle persone.**

**Accertarsi di avere una posizione stabile e che la catena non venga a contatto con corpi estranei.**

**Osservare che non vi siano non addetti ai lavori nelle vicinanze.**

- Prima di inserire la batteria nella macchina, verificare sempre che la leva di comando funzioni correttamente e che ritorni nella posizione "OFF" al momento del rilascio. Per impedire di tirare accidentalmente la leva di comando, è presente un fermo della leva di comando. **(Figura 54)**
- Non avviare mai la motosega prima che la lama, la catena e tutti i carter siano correttamente montati. Vedi istruzioni alla voce Montaggio. **(Figura 55)**
- Osservare l'ambiente circostante per escludere il rischio che persone o animali vengano a contatto con gli attrezzi di taglio. **(Figura 56)**
- Tenere sempre saldamente la motosega con entrambe le mani. Tenere la mano destra sull'impugnatura posteriore e la mano sinistra su quella anteriore. **Tutti gli utenti, destri o mancini che siano, devono utilizzare questa presa.** Mantenere una presa stabile, in modo che pollici e dita circondino le impugnature della motosega. **(Figura 57)**

## Avviamento

- Inserire la batteria nella macchina. La batteria deve entrare facilmente nel supporto della batteria della macchina. Se la batteria non entra facilmente, non è stata inserita correttamente. **(Figura 58)**
- Premere verso il basso sulla batteria. Si udirà uno scatto quando la batteria entra in sede. **(Figura 59)**
- Tenere premuto il pulsante d'accensione (>1 sec.) fino all'accensione del LED verde. **(Figura 60)**

## Arresto

La macchina può essere spenta premendo il pulsante di accensione/spegnimento sulla tastiera (il LED verde si spegne). **(Figura 60)**

Osservare! Per evitare l'avviamento accidentale, rimuovere sempre la batteria quando la macchina non viene utilizzata o non è sottoposta a sorveglianza. Per rimuovere la batteria estrarla dalla macchina premendo i pulsanti di rilascio della batteria. **(Figura 61)**

## Ad ogni utilizzo: (Figura 62)

- 1 Controllare che il freno della catena funzioni adeguatamente e che non sia danneggiato.
- 2 Controllare che la protezione posteriore della mano destra non sia danneggiata.
- 3 Controllare che il blocco della leva comando funzioni correttamente e che non sia danneggiato.
- 4 Controllare che la tastiera funzioni correttamente e che non sia danneggiata.
- 5 Controllare che tutte le impugnature siano prive di olio.
- 6 Controllare che tutti i componenti della motosega siano serrati e che non siano danneggiati o mancanti.
- 7 Controllare che il perno fermacatena sia al suo posto e che non sia danneggiato.
- 8 Controllare la tensione della catena.
- 9 Controllare che la batteria sia completamente carica e ben fissata nella motosega.
- 10 Controllare che la catena smetta di muoversi quando viene rilasciata la leva di comando.

## SavE

La macchina è dotata di una funzione di risparmio energetico (savE). La funzione può essere attivata premendo il pulsante savE sulla tastiera. Quando la funzione savE è attivata il tempo di esecuzione della macchina è maggiore in quanto viene ridotta la velocità della catena. (Figura 63)

Osservare! L'uso della macchina con la funzione SavE attivata riduce solamente la velocità della catena, non la potenza di taglio della macchina.

## Istruzioni generali di lavoro

### IMPORTANTE!

Questo capitolo affronta le regole di sicurezza basilari per lavorare con una motosega. Queste informazioni non possono assolutamente sostituire l'esperienza e la professionalità di un professionista. In caso di dubbi o insicurezza consultatevi con un esperto. Rivolgetevi al vostro rivenditore, ad un officina autorizzata o un operatore competente. Evitare qualsiasi operazione per la quale non vi riteniate sufficientemente qualificati!

Prima di usare la motosega è necessario comprendere cos'è il contraccolpo e come può essere evitato. Vedi istruzioni alla voce Prevenzione del contraccolpo.

Prima di usare la motosega assicurarsi di avere capito la differenza tra il taglio con la parte inferiore e superiore della lama. Vedere le istruzioni alle sezioni Provvedimenti di prevenzione del sobbalzo e Dispositivi di sicurezza della macchina.

Usare sempre abbigliamento protettivo. Vedi istruzioni alla voce Abbigliamento protettivo.

## Norme basilari di sicurezza

- 1 Osservare l'ambiente circostante:
    - Per escludere la presenza di persone, animali o altro che possa interferire sul vostro controllo della macchina.
    - Per evitare che i suddetti non vengano a contatto con la catena o siano colpiti dall'albero in caduta.
- N.B! Osservare quanto sopra e non lavorare mai con la motosega se non potete chiedere aiuto in caso di incidente.

- 2 Evitare di lavorare in condizioni di tempo sfavorevoli. Ad esempio nebbia, pioggia intensa, vento forte ecc. Lavorare in condizioni meteorologiche avverse è spesso stancante e comporta situazioni di rischio, come ad esempio: terreno scivoloso, fulmini, cambio di direzione di caduta dell'albero ecc.
- 3 Prestare la massima cautela durante il taglio di rametti sottili ed evitare di segare i cespugli (più rametti in una volta). I rametti possono essere afferrati dalla catena, posti i rotazione e causare lesioni.
- 4 Accertarsi di poter camminare e lavorare in posizione sicura. In caso di spostamenti, controllare che non vi siano ostacoli (ceppi, radici, rami, fossati ecc.) Fare particolare attenzione lavorando su terreni in pendenza.
- 5 Usare la massima prudenza segando alberi in tensione. Un albero in tensione può scattare indietro per riassumere la sua posizione originaria, sia prima che dopo l'operazione. Una posizione sbagliata dell'operatore o del taglio può far sì che l'albero colpisca l'operatore o la macchina in modo da fargli perdere il controllo. In entrambi i casi vi è rischio di gravi danni personali. (Figura 64)
- 6 Prima di spostare la motosega spegnere la macchina e bloccare la catena agendo sul freno della catena. Trasportare la motosega con la lama e la catena rivolte all'indietro. Montare un carter sulla lama prima di effettuare qualsiasi spostamento con la motosega.
- 7 Quando si appoggia la motosega a terra, bloccare la catena agendo sul freno della catena e sorvegliare costantemente la macchina. Spegnerla la macchina e rimuovere la batteria prima di lasciare la motosega senza sorveglianza.



**AVVERTENZA! A volte possono restare incastrate delle schegge nel sistema di trasmissione, causando l'inceppamento della catena. Spegnerla sempre la macchina e rimuovere la batteria prima di effettuare operazioni di pulizia.**

## Regole basilari

- 1 Conoscendo il fenomeno del contraccolpo e i motivi che lo causano, è possibile eliminare il fattore "sorpresa". La sorpresa aumenta il rischio di incidenti. La maggior parte dei contraccolpi sono di entità

limitata, ma possono verificarsi anche fenomeni improvvisi e molto violenti.

- 2 Impugnare saldamente la motosega con la mano destra sull'impugnatura posteriore e quella sinistra sull'anteriore. Tutte le dita devono essere ben chiuse intorno alle impugnature. Questa presa vale per tutti gli operatori, anche se mancini. In questo modo si riduce al massimo l'effetto del contraccolpo e si mantiene il controllo della motosega. **Non abbandonare ma le impugnature! (Figura 65)**

- 3 La maggior parte degli incidenti causati da contraccolpo si verifica durante la diramatura. Accertarsi di avere una posizione stabile e che non vi siano corpi estranei sul terreno che possano farvi inciampare o perdere l'equilibrio.

Una mancanza di cautela può far sì che il settore a rischio della lama incontri inavvertitamente un ramo, un albero abbattuto o altri oggetti che potrebbero causare il contraccolpo.

Tenere d'occhio il pezzo. Se i pezzi da segare sono piccoli e leggeri, possono restare impigliati alla catena ed essere proiettati con violenza. Anche se questa situazione non è necessariamente pericolosa, potrebbe coglierli di sorpresa e farvi perdere il controllo della motosega. Non segare mai cataste di tronchi o rami. Separarli prima del taglio. Segare un solo tronco o pezzo alla volta. Rimuovere i pezzi segati, in modo da mantenere sicura l'area di lavoro. **(Figura 74)**

- 4 **Non usare la motosega ad un'altezza superiore alle spalle. Non segare con la punta della lama. Non usare mai la motosega con una sola mano! (Figura 66)**

- 5 Per avere il pieno controllo della motosega è necessario assumere una posizione stabile. Non lavorare mai in piedi su una scala, su un albero o senza un piano stabile su cui stare. **(Figura 67)**
- 6 Tagliare sempre con un'elevata velocità della catena, cioè con il motore al massimo.
- 7 Fare particolare attenzione lavorando con la parte superiore della lama, cioè dalla sezione inferiore dell'oggetto. Questa tecnica è definita con catena a spingere. La catena ha la tendenza a spingere la motosega all'indietro, contro l'operatore. Se la catena resta impigliata, la motosega può essere scagliata all'indietro verso l'utente. **(Figura 68)**
- 8 Se l'operatore non tiene ben salda la motosega, c'è il rischio che questa si sposti all'indietro di modo che il settore a rischio della lama incontra il tronco, provocando un contraccolpo improvviso. **(Figura 69)**

Il taglio con la parte inferiore della lama, cioè dalla parte superiore dell'oggetto verso il basso, si chiama taglio con catena a tirare. La motosega viene tirata verso il tronco e il bordo anteriore del corpo della motosega diventa un appoggio naturale. Questa tecnica assicura il massimo controllo della motosega e della posizione del settore a rischio. **(Figura 70)**

- 9 Seguire le istruzioni di affilatura e manutenzione di lama e catena. Sostituendo la lama e la catena,

utilizzare solo le combinazioni raccomandate. Vedi istruzioni alle voci Attrezzatura di taglio e Caratteristiche tecniche.

## Tecnica basilare di taglio



**AVVERTENZA! Non utilizzare mai una motosega tenendola con una mano sola. Una mano non è sufficiente per il controllo sicuro di una motosega. Mantenere una presa sicura e stabile delle impugnature, con entrambe le mani.**

### Generalità

- Tagliare sempre con il motore al massimo!
- Lasciare la leva comando dopo ogni taglio (l'esercizio prolungato del motore a piena potenza senza essere sotto carico, vale a dire se la catena gira a vuoto, provoca gravi avarie).
- Tagliare dall'alto verso il basso = con la catena a tirare.
- Tagliare dal basso verso l'alto = con la catena a spingere.

La tecnica di taglio con catena a spingere implica un maggior rischio di contraccolpo. Vedi istruzioni alla voce Prevenzione del contraccolpo.

### Terminologia

Diramatura = Si intende il taglio dei rami da un tronco abbattuto.

Taglio con rottura = Quando il tronco da tagliare si rompe prima di aver completato il taglio.

### Prima di apprestarsi al taglio considerare cinque fattori di estrema importanza:

- 1 L'attrezzatura di taglio non deve bloccarsi nel taglio stesso. **(Figura 71)**
- 2 L'oggetto da tagliare non deve separarsi per rottura. **(Figura 72)**
- 3 La catena non deve andare a batter sul terreno o altri oggetti durante e alla conclusione del taglio. **(Figura 73)**
- 4 Sussiste il rischio di contraccolpo? **(Figura 4)**
- 5 Il terreno e altri fattori circostanti possono compromettere l'equilibrio della vostra posizione?

Il blocco della motosega nel taglio e la rottura del tronco da tagliare dipendono da due fattori: il sostegno dato al tronco da tagliare durante e dopo il taglio e l'eventuale tensione a cui è sottoposto.

Quanto sopra può essere evitato eseguendo il taglio in due fasi successive, da sopra e da sotto. Si tratta di neutralizzare la tendenza naturale del tronco a bloccare lama e catena o a rompersi.

# TECNICA DI LAVORO



**AVVERTENZA!** Se la motosega si blocca nel taglio: spegnere la macchina! Non provare a liberare la macchina scuotendola o tirandola. La catena può provocare lesioni personali se la macchina si libera improvvisamente. Utilizzare una leva per aprire il taglio e liberare la macchina.

L'elenco che segue è una descrizione teorica delle situazioni più comuni che l'operatore può essere costretto ad affrontare lavorando con una motosega.

## Taglio



**AVVERTENZA!** Non segare mai tronchi accatastati o vicini fra loro. Queste procedure aumentano sensibilmente il rischio di sobbalzo, provocando gravi lesioni o morte.

Se si dispone di una catasta di tronchi, è necessario prendere un tronco alla volta, sistemarlo su un cavalletto o simile e quindi segarlo.

Rimuovere i pezzi segati dall'area di lavoro. Lasciandoli nell'area di lavoro si corre sia un maggior rischio di sobbalzo involontario, sia il rischio di inciampare e perdere l'equilibrio durante il lavoro. (Figura 74)

**Il tronco è per terra.** Nessun rischio di bloccaggio della catena o di rottura del tronco. Esiste il rischio che la catena vada a colpire il terreno alla conclusione del taglio.

Tagliare dall'alto verso il basso attraverso tutto il tronco. Procedere con cautela alla fine del taglio per evitare che la catena incontri il terreno. Mantenere la massima velocità della catena ma essere pronti ad affrontare eventuali sorprese.

Se è possibile (si può girare il tronco?) terminare a 2/3 dello spessore del tronco.

Ruotare il tronco e tagliare la parte rimanente dall'alto verso il basso. (Figura 75)

**Il tronco appoggia da una parte sola.** Rischio elevato di rottura durante il taglio.

Cominciare il taglio dal di sotto (circa 1/3 del diametro).

Terminare il taglio dal di sopra andando ad incontrare il taglio già eseguito. (Figura 76)

**Il tronco appoggia alle due estremità.** Rischio elevato che la catena si incastri.

Cominciare il taglio dal di sopra (circa 1/3 del diametro).

Terminare il taglio dal di sotto andando ad incontrare il taglio già eseguito. (Figura 77)

## Tecnica di abbattimento

**IMPORTANTE!** L'abbattimento di un albero richiede molta esperienza ed è un'operazione che un principiante deve evitare. Non eseguire alcuna operazione per la quale non vi ritenete sufficientemente qualificati!

### Distanza di sicurezza

La distanza di sicurezza dall'albero da abbattere è di 2,5 volte l'altezza dell'albero stesso. Osservare che non vi siano nessuno nella zona di pericolo prima e durante l'abbattimento. (Figura 78)

### Direzione di abbattimento

Scopo dell'abbattimento è di far cadere l'albero nella migliore posizione per la successiva diramatura e il sezionamento del tronco. Dev'essere possibile camminare e sostare senza pericolo.

Dopo aver deciso in quale direzione far cadere l'albero, valutare la direzione naturale di caduta dell'albero.

I fattori decisivi sono:

- L'inclinazione dell'albero
- La sua curvatura
- La direzione del vento
- La concentrazione di rami
- Il peso della neve eventualmente accumulata
- Ostacoli nel raggio di azione dell'albero: per esempio altri alberi, linee elettriche, strade ed edifici.
- Controllare se il tronco presenta danni o segni di decomposizione per i quali l'albero potrebbe cedere e cadere prima del previsto.

Può darsi che risulti necessario far cadere l'albero lungo la sua direzione naturale di caduta, in quanto cercare di farlo cadere in un'altra direzione potrebbe essere impossibile o troppo pericoloso.

Un altro fattore importante da non trascurare, che non influisce sulla direzione di caduta ma che riguarda la vostra sicurezza personale, è la presenza di rami morti o spezzati che potrebbero staccarsi durante l'abbattimento e rappresentare un pericolo.

Evitare che un albero in caduta vada ad impigliarsi in un'altro. Far cadere un albero che si è impigliato è un'operazione molto pericolosa sussiste un grave pericolo di incidenti. Vedi istruzioni alla voce Movimentazione di un abbattimento mal riuscito.

**IMPORTANTE!** Durante operazioni di abbattimento critiche, sollevare immediatamente le protezioni acustiche dopo il taglio, in modo da poter percepire rumori insoliti ed eventuali segnali di avvertimento.

### Diramatura prima del taglio e percorso di ritirata

Sramare il tronco fino all'altezza delle spalle. La tecnica più sicura è lavorare dall'alto verso il basso, tenendo il tronco fra se stessi e la motosega. (Figura 79)

Eliminare la vegetazione bassa intorno all'albero e osservare eventuali ostacoli (pietre, radici, fosse ecc.) in modo da avere un percorso di ritirata senza ostacoli. Il percorso dovrebbe essere a circa 135° all'indietro rispetto alla direzione di caduta del tronco. **(Figura 80)**

- 1 Zona di rischio
- 2 Via di fuga
- 3 Direzione di abbattimento

## Abbattimento



**AVVERTENZA! Sconsigliamo agli operatori meno esperti di abbattere un albero con una lama più corta del diametro del tronco!**

Per l'abbattimento eseguire tre tagli. Prima di tutto il taglio direzionale che si compone di taglio superiore e taglio inferiore, e quindi il taglio di abbattimento. La posizione corretta di questi tre tagli assicura un perfetto controllo della direzione di caduta.

### Taglio direzionale

Dovendo eseguire il taglio direzionale, iniziare dal taglio superiore. Seguendo i segni direzionali della motosega (1), puntare contro un obiettivo sul terreno nella direzione in cui si intende abbattere l'albero (2). Posizionarsi a destra dell'albero, dietro la motosega, e segare con la catena a traino.

Eseguire poi la parte inferiore del taglio direzionale che deve andare a finire esattamente alla fine della parte superiore. **(Figura 81)**

La profondità del taglio direzionale deve essere di 1/4 del diametro del tronco, con un angolo tra il taglio superiore e quello inferiore di almeno 45°.

L'incontro tra i due tagli è chiamato linea del taglio direzionale. La linea deve essere perfettamente orizzontale e ad angolo retto (90°) rispetto alla direzione di caduta. **(Figura 82)**

### Taglio di abbattimento

Sull'altro lato effettuare il taglio di abbattimento, appena al di sopra della linea del taglio direzionale. Stare sulla sinistra dell'albero e tagliare con la catena a tirare.

Posizionare il taglio di abbattimento 3-5 cm (1,5-2") sopra il piano della linea del taglio direzionale. **(Figura 83)**

Inserire l'appoggio per la corteccia dietro il fulcro (se è stato montato l'apposito dispositivo). Lavorare a pieno gas e far avanzare la catena/lama lentamente nel tronco. Controllare che l'albero non si muova in direzione opposta a quella prevista per la caduta. Inserire un cuneo di abbattimento o un grimaldello non appena possibile. **(Figura 84)**

Il taglio di abbattimento deve finire parallelo alla linea del taglio direzionale, con una distanza tra i due di almeno 1/10 del diametro del tronco. La parte di tronco non tagliata è il fulcro.

Il fulcro è la cerniera che guida l'albero nella sua caduta. **(Figura 85)**

Se il fulcro è insufficiente, se è stato segato completamente o se il taglio direzionale è male eseguito, non è possibile controllare la caduta dell'albero. **(Figura 86)**

Non appena il taglio direzionale e quello di abbattimento sono completati, l'albero deve cominciare a cadere, da solo o con l'aiuto di un cuneo di abbattimento o di un grimaldello. **(Figura 87)**

Si raccomanda l'utilizzo di una lama di lunghezza superiore al diametro del tronco, in modo che tagli di abbattimento e direzionali possano essere eseguiti in un'unica operazione. Vedere le istruzioni alla sezione Dati tecnici in merito alla lunghezza della lama raccomandata per la motosega. **(Figura 88)**

Vi sono metodi per abbattere alberi con lame più corte del diametro del tronco. Questi metodi aumentano però in modo considerevole il rischio di contraccolpo. **(Figura 4)**

## Movimentazione di un abbattimento mal riuscito

### Abbattimento di un albero impigliatosi in un altro.

Far cadere un albero che si è impigliato è un'operazione molto pericolosa sussiste un grave pericolo di incidenti.

Non segare mai un albero su cui sia caduto un altro albero.

Non lavorare mai nell'area di pericolo intorno ad alberi semicaduti e rimasti in sospeso. **(Figura 89)**

Il metodo più sicuro è di usare un argano.

- Montato sul trattore **(Figura 90)**
- Manuale **(Figura 91)**

### Taglio di tronchi e rami in tensione

Preparativi: Giudicare verso quale direzione tende a muoversi la tensione e dove si trova il punto di rottura (vale a dire il punto dove si romperebbe se aumentasse la tensione). **(Figura 92)**

Valutare come alleggerire la tensione e se pensate di riuscirci. In casi più complessi la soluzione migliore è di rinunciare al taglio e di lavorare con un argano.

### In generale:

Mettetevi in modo tale da non essere colpiti dall'albero/ramo quando si libera dalla tensione. **(Figura 93)**

Eseguire uno o più tagli su o in prossimità del punto di rottura. I tagli devono essere di profondità tale da liberare la tensione e ottenere la rottura proprio nel punto di rottura. **(Figura 94)**

### Non tagliare mai completamente un ramo o un tronco in tensione!

Se è necessario praticare un taglio passante nell'albero/ramo, eseguire due o tre tagli di profondità di 3-5 cm a intervalli di 3 cm. **(Figura 95)**

Praticare tagli sempre più profondi finché non si allenta la tensione dell'albero/ramo. (Figura 96)

Segare l'albero/ramo dal lato opposto, dopo aver tolto la tensione.

### Prevenzione del contraccolpo



**AVVERTENZA!** Il contraccolpo è un fenomeno improvviso e violento che fa impennare motosega, lama e catena contro l'operatore. Se la catena è in movimento e colpisce l'operatore può provocare lesioni anche mortali. È importante capire come si verifica il contraccolpo e come sia possibile evitarlo con una corretta tecnica di lavoro e un'adeguata prudenza.

### Che cos'è il contraccolpo?

Il contraccolpo è un movimento violento che fa impennare la motosega e la lama verso l'operatore, quando la lama incontra un oggetto con la parte superiore della punta, il settore a rischio di contraccolpo.

(Figura 69)

Il contraccolpo avviene sempre lungo il piano di taglio della lama. Di solito il movimento di motosega e lama è verso l'alto e verso l'operatore. Possono tuttavia verificarsi altre situazioni a seconda della posizione della motosega nel momento in cui il settore a rischio viene a contatto con un corpo estraneo.

Il contraccolpo può verificarsi solo quando il settore "a rischio" della lama incontra un oggetto. (Figura 4)

### Diramatura



**AVVERTENZA!** La maggioranza degli incidenti per sobbalzo si verifica durante la diramatura. Non utilizzare il settore a rischio di sobbalzo della lama. Prestare la massima cautela ed evitare che la punta della lama venga a contatto con tronco, altri rami o corpi estranei. Prestare la massima cautela a rami in tensione. Possono rimbalzare in direzione dell'utente, provocando la perdita del controllo della macchina e gravi danni.

Accertarsi di avere una posizione stabile! Lavorare dal lato sinistro del tronco, con il corpo vicino alla motosega. Non appena possibile appoggiare tutto il peso del corpo al tronco.

Spostarsi solo con il tronco tra voi e la motosega.

(Figura 97)

### Taglio di un tronco in sezioni

Vedi istruzioni alla voce Tecnica basilare di taglio.

## Generalità

L'utilizzatore può eseguire solo le operazioni di manutenzione e assistenza descritte in questo manuale delle istruzioni. Per operazioni di maggiore entità rivolgersi ad un'officina autorizzata.

## Controllo, manutenzione e servizio dei dispositivi di sicurezza della motosega



**AVVERTENZA! Rimuovere sempre la batteria prima di procedere a operazioni di montaggio, manutenzione e/o ispezione sulla macchina.**

Osservare! Per l'assistenza e la riparazione della macchina occorre una formazione specifica. Quanto detto vale in particolare per i dispositivi di sicurezza della macchina. Se la macchina non supera anche uno solo dei seguenti controlli, si raccomanda di rivolgersi al centro di assistenza.

Importante! Non pulire mai la batteria o il caricabatterie con acqua. Detergenti forti possono danneggiare la plastica.

## Freno della catena con protezione anticontraccolpo

### Controllo della protezione anticontraccolpo

- Controllare che la protezione sia integra e senza difetti evidenti, come lesioni del materiale. (Figura 98)
- Spostare la protezione anticontraccolpo in avanti e indietro per verificare che si muova liberamente e che sia fissata saldamente alla macchina. (Figura 99)

### Controllo dell'automatismo ad inerzia

- Tenere la motosega, spenta, su un ceppo o altro oggetto stabile. Rilasciare l'impugnatura anteriore e lasciare cadere la motosega per gravità, in rotazione attorno all'impugnatura posteriore, in direzione del ceppo. (Figura 100)

**La punta della lama battendo contro il ceppo deve far scattare il freno della catena.**

### Controllo dell'effetto frenante

- Accendere la motosega. Assicurarsi che la catena non venga a contatto con il terreno o con corpi estranei. Vedi indicazioni alla voce Avviamento e arresto.
- Reggere l'impugnatura con entrambe le mani, secondo quanto indicato in figura. (Figura 65)
- Accelerare al massimo e attivare il freno della catena girando il polso sinistro verso la protezione anticontraccolpo. Non lasciare l'impugnatura

anteriore. **La catena deve bloccarsi immediatamente.** (Figura 101)

## Fermo della leva comando

- Assicurarsi che la leva di comando sia bloccata sul minimo quando viene rilasciato il fermo della leva di comando. (Figura 102)
- Premere il fermo della leva di comando e assicurarsi che, una volta rilasciato, ritorni alla posizione iniziale. (Figura 103)
- Verificare che la leva di comando e il fermo della leva di comando si muovano liberamente e che le molle di ritorno funzionino correttamente. (Figura 104)
- Accendere la motosega e accelerare al massimo. Rilasciare la leva di comando e controllare che la catena si fermi e rimanga ferma.

## Fermo della catena

- Controllare che il fermo della catena sia integro e ben montato nel corpo della motosega. (Figura 105)

## Tastiera

- Accendere la motosega e verificare che la motosega si spenga quando viene premuto il pulsante di accensione/spegnimento (il LED verde si spegne). (Figura 106)

## Collegamenti della batteria

Dopo l'uso, pulire la batteria e il relativo vano nella macchina con una spazzola morbida. Accertarsi che tutte le feritoie di raffreddamento e tutti i collegamenti della batteria siano puliti. (Figura 107)

## Sistema di raffreddamento

La macchina è dotata di sistema di raffreddamento per mantenere al minimo la temperatura di esercizio.

Il sistema è costituito da:

- 1 Presa d'aria (lato sinistro della macchina).
  - 2 Ventola del motore.
- Pulire il sistema di raffreddamento con una spazzola una volta alla settimana o più spesso se necessario. Se il sistema di raffreddamento è sporco o ostruito, il surriscaldamento della macchina può provocare danni alla macchina stessa. (Figura 108)

## Batteria

- Controllare che la batteria non sia danneggiata o deformata e che non ci siano difetti evidenti, come lesioni del materiale. (Figura 109)

## Caricabatterie

- Controllare che il caricabatterie e il cavo dell'alimentazione non siano danneggiati o deformati e che non ci siano difetti evidenti, come lesioni del materiale. (Figura 110)



# MANUTENZIONE

## Schema di manutenzione

Qui di seguito troverete una lista delle operazioni di manutenzione da eseguire sulla macchina. La maggior parte dei punti è descritta al capitolo Manutenzione.

Manutenzione giornaliera	Manutenzione settimanale	Manutenzione mensile
Pulire le parti esterne della macchina.	Limare eventuali irregolarità sui lati della lama.	Controllare le connessioni tra la batteria e la macchina e la connessione tra la batteria e il caricabatterie.
Controllare che i componenti della leva di comando funzionino in modo sicuro. (Fermo della leva di comando e leva di comando).		Svuotare e pulire internamente il serbatoio dell'olio.
Pulire il freno della catena e controllarne il funzionamento dal punto di vista della sicurezza. Controllare che il fermo della catena sia integro e sostituire se necessario.		Soffiare delicatamente aria compressa all'interno del prodotto e sulle feritoie di raffreddamento della batteria.
Girare la lama giornalmente per ottenere un'usura uniforme. Controllare che il foro per la lubrificazione della lama sia libero. Pulire la guida della catena. Se la lama è dotata di ruota di rinvio terminale, pulirla e lubrificarla.		
Controllare che lama e catena siano sufficientemente lubrificate.		
Controllare se rivetti e anelli della catena presentano crepe superficiali, se la catena è rigida oppure se rivetti e anelli sono usurati in modo anomalo. Sostituire all'occorrenza.		
Affilare la catena e controllarne lo stato e la tensione. Controllare che la ruota motrice della catena non sia particolarmente consumata, sostituire se necessario.		
Pulire la presa d'aria della macchina.		
Controllare che dadi e viti siano ben serrati.		
Controllare che la tastiera funzioni correttamente e che non sia danneggiata.		

# MANUTENZIONE

## Schema ricerca guasti

### Tastiera

Codici errore della tastiera delle motosega.

Tastiera	Possibili guasti	Possibile soluzione
La spia lampeggia.	Il freno della catena è inserito.	Tirare indietro la protezione anticontraccolpo per rilasciare il freno della catena.
	Deviazione di temperatura.	Attendere che la macchina si raffreddi.
	Sovraccarico. Gruppo di taglio bloccato.	Il gruppo di taglio è bloccato. Rilasciare il gruppo di taglio.
	La leva di comando e il pulsante di accensione vengono premuti contemporaneamente.	Rilasciare la leva comando per attivare la macchina.
Il LED verde attivo lampeggia.	La tensione della batteria è bassa.	Caricare la batteria.
La spia è accesa.	Assistenza	Contattare un'officina autorizzata.

### Batteria

Risoluzione dei problemi della batteria e/o del caricabatterie durante la ricarica.

Display a LED	Possibili guasti	Possibile soluzione
La spia lampeggia.	La batteria è scarica.	Ricarica della batteria.
	Deviazione di temperatura.	Utilizzare la batteria in ambienti con una temperatura compresa tra -10 °C e 60 °C.
	Sovratensione.	Controllare che la tensione di rete corrisponda a quella indicata sul marchio della macchina. Scollegare il caricabatteria dalla batteria.
La spia è accesa.	Differenza troppo elevata nella cella (1 V).	Contattare un'officina autorizzata.

### Caricabatterie

Display a LED	Possibili guasti	Possibile soluzione
La spia lampeggia.	Deviazione di temperatura.	Lasciare raffreddare il caricabatterie (raffreddamento passivo).
La spia è accesa.	Danni permanenti.	Contattare un'officina autorizzata.

# CARATTERISTICHE TECNICHE

## Caratteristiche tecniche

136Li

### Motore

Tipo Motore a spazzola 36V

### Caratteristiche

Modalità risparmio energetico savE

### Sistema di lubrificazione

Tipo di pompa dell'olio Automatico

Capacità serbatoio olio, litri/cm<sup>3</sup> 0,20/200

### Peso

Motosega senza batteria, lama e catena, serbatoio dell'olio della catena a secco, kg 4,8

### Emissioni di rumore (vedi nota 1)

Livello potenza acustica, misurato dB(A) 97,3

Livello potenza acustica, garantito L<sub>WA</sub>dB(A) 101

Incertezza rispettiva KpA, dB(A) 3,0

### Livelli di rumorosità (vedi nota 2)

Livello di pressione acustica equivalente, all'udito dell'utente, dB(A) 86

### Livelli di vibrazioni (vedi nota 3)

Impugnatura anteriore, m/s<sup>2</sup> 3,61

Impugnatura posteriore, m/s<sup>2</sup> 2,25

Incertezza rispettiva K, m/s<sup>2</sup> 1,5

### Livelli equivalenti di vibrazione (vedi nota 4)

Impugnatura anteriore, m/s<sup>2</sup> 2,29

Impugnatura posteriore, m/s<sup>2</sup> 1,58

### Lama/catena

Lunghezze raccomandate della lama, pollici/cm 12/30

Lunghezza di taglio effettiva, pollici/cm 10/26

Tipo di puleggia/numero di denti Spur/6

Velocità massima della catena/(savE), m/secondo 11 (10)

### Batterie approvate per i modelli di motosega sopra indicati

Batteria	BLi110	BLi150
Tipo	Litio	Litio
Capacità della batteria, Ah	3,0	4,2
Tensione, V	36	36
Peso, kg	1,2	1,3

### Caricabatterie idonei alle batterie specificate, BLi.

Caricabatterie	QC80	QC120	QC330
Tensione di rete, V	100-240	220-240	100-240
Frequenza, Hz	50-60	50-60	50-60
Potenza, W	80	125	330

Nota 1: Emissione di rumore nell'ambiente misurato come potenza acustica (L<sub>WA</sub>) in base alla direttiva CE 2000/14/CE.

Nota 2: il livello di pressione acustica equivalente, ai sensi della norma ISO 22868, è calcolato come la quantità di energia, in media ponderata rispetto al tempo, dei livelli di pressione acustica a diverse condizioni di esercizio. La dispersione statistica tipica del livello di pressione acustica equivalente è una deviazione standard di 1 dB (A).

Nota 3: Livello di vibrazioni in ottemperanza alla norma EN 60745-2-13. I dati riportati per il livello di vibrazioni presentano una dispersione statistica tipica (deviazione standard) di 1 m/s<sup>2</sup>. Dati dichiarati sulle vibrazioni provenienti da misurazioni nel caso in cui la macchina presenti una lunghezza barra e il tipo di catena raccomandati. Se la macchina presenta una lunghezza barra differente, il livello di vibrazioni potrebbe variare di  $\pm 1,5$  m/s<sup>2</sup> max.

Nota 4: Il livello di vibrazioni equivalente viene misurato e calcolato come avviene per le motoseghe con motore a combustione. I valori citati possono essere utilizzati per confrontare i livelli di vibrazioni a prescindere dal tipo di motore.



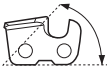
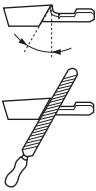

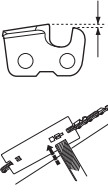
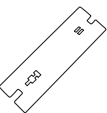

# CARATTERISTICHE TECNICHE

## Combinazioni di lama e catena

I seguenti gruppi di taglio sono approvati per il modello Husqvarna 136Li.

Lama				Catena	
Lunghezza, pollici	Partitura, pollici	Larghezza della scanalatura, mm	Numero max di denti sul puntale a rocchetto	Tipo	Lunghezza dei giunti di azionamento (pz)
12	3/8	1,1	9T	Husqvarna H38	45

## Affilatura della catena e affilatori

							
38	11/64 / 4,5	90°	30°	0°	0.025 / 0,65	5056981-03	5795588-01

## Dichiarazione di conformità CE

### (Solo per l'Europa)

**Husqvarna AB**, SE-561 82 Huskvarna, Svezia, tel: +46-36-146500, dichiara con la presente che le motoseghe a batteria senza fili **Husqvarna 136Li** a partire dai numeri di serie del 2016 (l'anno viene evidenziato sulla piastrina modello ed è seguito da un numero di serie) sono conformi alle disposizioni della DIRETTIVA DEL CONSIGLIO:

- del 17 maggio 2006 "sulle macchine" **2006/42/CE**.
- del 26 febbraio 2014 "sulla compatibilità elettromagnetica" **2014/30/UE**.
- del 12 dicembre 2006 "riguardanti le apparecchiature elettriche destinate all'uso entro certi limiti di tensione" **2006/95/CE**.
- del 6 settembre 2006, "sulle batterie e gli accumulatori e lo spreco degli stessi" **2006/66/CE**.
- dell'8 maggio 2000 "sull'emissione di rumore nell'ambiente" **2000/14/CE**.

Sono state applicate le seguenti norme: **EN 60745-1, EN 60745-2-13, EN 60335-2-29, EN 55014-1, EN 55014-2**.

Organo competente: **NB905, Intertek Deutschland GmbH**, Stagenstraße 1, 70771 Leinfelden-Echterdingen, Germania, ha eseguito il controllo-tipo CE in conformità all'articolo 12, punto 3b della direttiva macchine (2006/42/CE). I certificati-tipo CE in base all'allegato IX, portano i numeri: **NB905 15SHW0344-01**.

Per informazioni relative alle emissioni di rumore, vedi capitolo Dati tecnici.

La motosega consegnata è conforme all'esemplare sottoposto al controllo-tipo CE.

Husqvarna 30 marzo 2016



Lars Roos, Responsabile ricerca e sviluppo

(Rappresentante autorizzato per Husqvarna AB e responsabile della documentazione tecnica.)

# ACLARACIÓN DE LOS SÍMBOLOS

## Símbolos en la máquina:

Traducción del manual de funcionamiento original sueco.

¡ATENCIÓN! ¡Las motosierras pueden ser peligrosas! Su uso descuidado o erróneo puede provocar heridas graves o mortales al operador o terceros.

Lea detenidamente el manual de instrucciones y asegúrese de entender su contenido antes de utilizar la máquina.

Utilice siempre:

- Casco protector homologado
- Protectores auriculares homologados
- Gafas protectoras o visor

Este producto cumple con la directiva CE vigente.

Las emisiones sonoras en el entorno según la directiva de la Comunidad Europea. Las emisiones de la máquina se indican en el capítulo Datos técnicos y en la etiqueta.

El operador debe manejar la motosierra con ambas manos.

No manejar nunca una motosierra sujetándola sólo con una mano.

No permita nunca que la punta de la espada entre en contacto con ningún objeto.

¡ATENCIÓN! Si la punta de la espada toca en un objeto se puede producir reculada que lanza la espada hacia arriba y atrás contra el usuario. Ello puede causar daños personales graves.

Sentido de rotación de la cadena de sierra y longitud máxima de la espada.

Freno de cadena, activado (derecha). Freno de cadena, no activado (izquierda).

Rellenado de aceite para cadena.



**Etiquetado ecológico.** El símbolo en el producto o en su envase indica que no se puede tratar este producto como desperdicio doméstico. Deberá por lo tanto depositarse en un centro de recogida adecuado para el reciclado de equipos eléctricos y electrónicos.



Corriente continua.



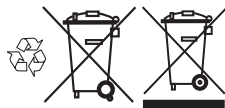
No deben exponerse a la lluvia.



**Los demás símbolos/etiquetas que aparecen en la máquina corresponden a requisitos de homologación específicos en determinados mercados.**

## Símbolos que aparecen en la batería o el cargador de la batería:

El producto debe depositarse en las instalaciones de reciclaje correspondientes.



Transformador a prueba de fallos



Utilice y guarde el cargador de la batería solo en interiores.



Doble aislamiento



# ACLARACIÓN DE LOS SÍMBOLOS

En la máquina, así como en la batería y el cargador de esta, encontrará las siguientes etiquetas.

**WARNING**  
Read and follow all safety precautions in the owner's manual. Failure to follow instructions could result in serious injury, or worse. Contact of the guide bar tip with any object should be avoided. Tip contact may cause the guide bar to move suddenly toward the operator, which may cause serious injury to user. Two hands are always to be used in operation of the chain saw. Use only identical replacement bar and chain components manufactured by Husqvarna. Use only Husqvarna Battery type BLI.

**AVERTISSEMENT**  
Consultez et respectez les consignes de sécurité contenues dans le manuel de l'utilisateur. Le non-respect de ces instructions peut entraîner de graves blessures chez l'utilisateur. Évitez tout contact entre le nez du guide-chaîne et un objet. Tout contact avec le nez peut entraîner des mouvements brusques du guide-chaîne vers le haut ou vers le bas susceptibles de provoquer l'éclat de l'utilisateur. L'opérateur doit toujours utiliser ses deux mains lorsqu'il fait fonctionner la tronçonneuse. Utilisez uniquement des pièces de rechange du guide-chaîne et de la chaîne identiques qui ont été homologuées par Husqvarna. Utilisez uniquement une batterie Husqvarna de type BLI.

**ADVERTENCIA**  
Lee y siga todas las precauciones de seguridad especificadas en el manual de instrucciones. El incumplimiento de estas instrucciones podría causar lesiones personales de gravedad. Debe evitarse que la punta de la espada entre en contacto con cualquier objeto. El contacto con la punta podría provocar un movimiento repentino hacia arriba y hacia abajo de la espada, que podría causar graves lesiones personales. La maniobra siempre debe manejarse con las dos manos. Utilice únicamente componentes de sustitución de la espada y la cadena idénticos a los originales y fabricados por Husqvarna. Utilice únicamente una batería de tipo BLI de Husqvarna.

587134101

**Husqvarna** Class 2C Chainsaw

36V --- 136Li Article No. XXXXXXXXX  
Serial No. XXXXXX-XX  
PNC No. XXXXXX-XX

HUSQVARNA AB, SE-561 82 HUSKVARNA, SWEDEN

**Husqvarna AB**  
S-561 82 Huskvarna, Sweden

Type BLI ---  
Art.no. ---  
36V --- / --- Ah Li Ion --- Wh  
10INR19/66-2

Rechargeable Li-Ion Battery

**Husqvarna AB**  
S-561 82 Huskvarna, Sweden

Type QC  
Art.No. ---  
Input: --- V- / --- Hz / 100W max.  
Output: 36V --- / 2A  
Class 2 battery charger

**Li-Ion**  
Use **ONLY** with Husqvarna Li-Ion batteries

serial-no.: ---

# ÍNDICE

## Índice

### ACLARACIÓN DE LOS SÍMBOLOS

Símbolos en la máquina: .....	261
Símbolos que aparecen en la batería o el cargador de la batería: .....	261

### ÍNDICE

Índice .....	263
--------------	-----

### INTRODUCCIÓN

Apreciado cliente: .....	264
--------------------------	-----

### ¿QUÉ ES QUÉ?

¿Qué es qué en la motosierra? .....	264
-------------------------------------	-----

### INSTRUCCIONES GENERALES DE SEGURIDAD

Advertencias generales de seguridad relacionadas con la herramienta eléctrica .....	265
Medidas a tomar antes de utilizar una motosierra nueva .....	267
Importante .....	268
Emplee siempre el sentido común .....	268
Equipo de protección personal .....	269
Equipo de seguridad de la máquina .....	269
Batería y cargador de batería .....	271
Equipo de corte .....	272

### MONTAJE

Montaje de la espada y la cadena .....	276
--	-----

### MANEJO DE LA BATERÍA

Estado de la batería .....	277
Cargador de batería .....	277
Transporte y almacenamiento .....	277
Eliminación de la batería, el cargador y la máquina .....	278

### ARRANQUE Y PARADA

Arranque y parada .....	279
-------------------------	-----

### TÉCNICA DE TRABAJO

Antes de utilizar la máquina: .....	280
SavE .....	280
Instrucciones generales de trabajo .....	280
Medidas preventivas de las reculadas .....	284

### MANTENIMIENTO

Generalidades .....	285
Control, mantenimiento y servicio del equipo de seguridad de la motosierra .....	285
Conectores de la batería .....	285
Sistema refrigerante .....	285
Batería .....	285
Cargador de batería .....	286
Programa de mantenimiento .....	286
Tabla de localización de fallos .....	287

### DATOS TÉCNICOS

Datos técnicos .....	288
Combinaciones de espada y cadena .....	289

Afilado y calibres de afilado de la cadena de sierra 289

Declaración CE de conformidad ..... 289

# INTRODUCCIÓN

## Apreciado cliente:

¡Felicidades por haber adquirido un producto Husqvarna! La historia de Husqvarna data del año 1689, cuando el Rey Karl XI encargó la construcción de una fábrica en la ribera del río Huskvarna para la fabricación de mosquetes. La ubicación junto al río Huskvarna era lógica dado que el río se utilizaba para generar energía hidráulica. Durante los más de 300 años de existencia de la fábrica Husqvarna, se han fabricado productos innumerables; desde estufas de leña hasta modernas máquinas de cocina, máquinas de coser, bicicletas, motocicletas, etc. En 1956 se introdujo el primer cortacésped motorizado, seguido de la motosierra en 1959; y es en este segmento en el que actualmente trabaja Husqvarna.

Husqvarna es hoy uno de los principales fabricantes del mundo de productos de bosque y jardín, con la calidad y las prestaciones como principal prioridad. La idea de negocio es desarrollar, fabricar y comercializar productos motorizados para silvicultura y jardinería, así como para las industrias de construcción y obras públicas. Husqvarna tiene como objetivo estar en la vanguardia por lo que respecta a ergonomía, facilidad de empleo, seguridad y consideración ambiental; motivo por el cual ha desarrollado una serie de detalles para mejorar los productos en estas áreas.

Estamos convencidos de que usted apreciará con satisfacción la calidad y prestaciones de nuestro producto por mucho tiempo en adelante. Con la adquisición de alguno de nuestros productos, usted dispone de asistencia profesional con reparaciones y servicio en caso de ocurrir algo. Si ha adquirido el producto en un punto de compra que no es uno de nuestros concesionarios autorizados, pregúnteles por el taller de servicio más cercano.

Esperamos que su máquina le proporcione plena satisfacción y le sirva de ayuda por mucho tiempo en adelante. Tenga en cuenta que este manual de instrucciones es un documento de valor. Siguiendo sus instrucciones (de uso, servicio, mantenimiento, etcétera) puede alargar considerablemente la vida útil de la máquina e incrementar su valor de reventa. Si vende su máquina, entregue el manual de instrucciones al nuevo propietario.

¡Gracias por utilizar un producto Husqvarna!

Husqvarna AB trabaja constantemente para perfeccionar sus productos y se reserva, por lo tanto, el derecho a introducir modificaciones en la construcción y el diseño sin previo aviso.

## ¿Qué es qué en la motosierra? (1)

- 1 Protección contra reculadas
- 2 Teclado
- 3 Botón SavE
- 4 Indicador de advertencias
- 5 Botón de activación y desactivación
- 6 Bloqueo del gatillo de alimentación
- 7 Empuñadura trasera con protección para la mano derecha
- 8 Carcasa de ventilador
- 9 Depósito de aceite de cadena
- 10 Cargador de batería
- 11 Cable eléctrico
- 12 Indicador de advertencias
- 13 Conector
- 14 Manual de instrucciones
- 15 Protección de la espada
- 16 Cubierta del piñón de arrastre
- 17 Rueda de tensor de cadena
- 18 Manija
- 19 Captor de cadena
- 20 Apoyo de corteza
- 21 Cabezal de rueda
- 22 Cadena
- 23 Espada
- 24 Mango delantero
- 25 Gatillo de alimentación
- 26 Batería
- 27 Botones para extraer la batería
- 28 Estado de la batería
- 29 Botón, estado de la batería
- 30 Indicador de advertencias



# INSTRUCCIONES GENERALES DE SEGURIDAD

## Advertencias generales de seguridad relacionadas con la herramienta eléctrica



**¡ATENCIÓN!** Lea todas las advertencias e instrucciones de seguridad. No atender a estas advertencias e instrucciones puede provocar descargas eléctricas, incendios y lesiones graves.

**¡IMPORTANTE!** Conserve todas las advertencias e instrucciones para su consulta. El término «herramienta eléctrica» empleado en las advertencias hace referencia a una herramienta eléctrica que funciona con conexión a la red de suministro (con cable) o a una herramienta que funciona con batería (sin cable).

## Seguridad en el área de trabajo

- **Mantenga el área de trabajo limpia y bien iluminada.** Las zonas abarrotadas de cosas u oscuras favorecen los accidentes.
- **No maneje herramientas eléctricas en ambientes explosivos como aquellos en los que hay líquidos, gases o polvo inflamables.** Las herramientas eléctricas producen chispas que pueden inflamar el polvo o los vapores.
- **Mantenga alejados a los niños y a otras personas mientras trabaje con una herramienta eléctrica.** Las distracciones pueden hacer que pierda el control de esta.

## Seguridad eléctrica

- **Los enchufes de las herramientas eléctricas deben corresponder a la toma de corriente utilizada.** No modifique nunca el enchufe de modo alguno. No utilice adaptadores para las herramientas eléctricas con conexión a tierra. No modificar los enchufes y usar las tomas de corriente que se adaptan a estos reducirán el riesgo de descarga eléctrica.
- **Evite el contacto de su cuerpo con superficies puestas a tierra como tuberías, radiadores, cocinas y neveras.** Si su cuerpo está en contacto con el suelo, existe un mayor riesgo de descarga eléctrica.
- **No exponga las herramientas eléctricas a la lluvia o a ambientes húmedos.** El riesgo de recibir descargas eléctricas aumentará si penetra agua en la herramienta eléctrica.
- **Maneje el cable con cuidado. No lo utilice nunca para transportar, tirar o desenchufar la herramienta eléctrica.** Manténgalo alejado de fuentes de calor, aceite, aristas vivas o piezas móviles. Los cables dañados o enredados incrementan el riesgo de descarga eléctrica.

- **Cuando trabaje con una herramienta eléctrica en exteriores, utilice un alargador indicado para este uso.** Utilizar un cable adecuado para su uso en exteriores reduce el riesgo de descarga eléctrica.
- **Si es necesario utilizar una herramienta eléctrica en un lugar húmedo, utilice suministro eléctrico protegido con un interruptor diferencial.** La utilización de un interruptor diferencial reduce el riesgo de descargas eléctricas.

## Seguridad personal

- **Esté siempre atento, fíjese en lo que está haciendo y utilice el sentido común cuando maneje una herramienta eléctrica. No utilice herramientas eléctricas si está cansado o bajo los efectos de estupefacientes, alcohol o medicamentos.** Un momento de descuido, mientras se trabaja con herramientas eléctricas, puede causar lesiones graves.
- **Utilice el equipo de protección individual. Utilice siempre protección para los ojos.** El equipo de protección, como la mascarilla antipolvo, los zapatos de seguridad antideslizantes, el casco o los protectores auditivos, utilizados en función de las condiciones de trabajo, reducirán el riesgo de lesiones.
- **Evite el encendido accidental de la herramienta. Asegúrese de que el interruptor está en la posición de apagado antes de conectar la máquina a la fuente de alimentación y/o la batería, cogerla o transportarla.** Transportar herramientas eléctricas con el dedo puesto sobre el interruptor o encenderlas con el interruptor en la posición de encendido puede provocar accidentes.
- **Quite todas las clavijas de ajuste o llaves de tuercas antes de encender la herramienta eléctrica.** Una llave de tuercas o clavija de ajuste que se ha dejado colocada en una pieza giratoria de la herramienta eléctrica puede causar lesiones.
- **No se estire demasiado. Mantenga una posición correcta y el equilibrio en todo momento.** Esto le permitirá controlar mejor la herramienta eléctrica en situaciones imprevistas.
- **Utilice la ropa adecuada. No utilice nunca ropa amplia ni joyas. Mantenga el pelo, la ropa y los guantes alejados de las piezas móviles.** La ropa amplia, las joyas o el pelo largo pueden quedar atrapados en las piezas móviles.
- **Si se suministran equipos de aspiración o captación de polvo, asegúrese de que estén conectados y se utilicen correctamente.** El uso de estos equipos puede reducir los riesgos derivados del polvo.
- La emisión de vibración durante el uso de la herramienta eléctrica puede ser diferente del valor indicado en función del uso de la misma. El usuario debe conocer las medidas de seguridad necesarias que se basan en una estimación de la exposición en

# INSTRUCCIONES GENERALES DE SEGURIDAD

condiciones de uso reales (teniendo en cuenta todas las partes del ciclo de funcionamiento, como el periodo en que la herramienta está apagada y el funcionamiento en ralentí además del gatillo).

## Uso y cuidado de la herramienta eléctrica

- **No sobrecargue la herramienta eléctrica. Utilice la herramienta eléctrica adecuada para el trabajo que debe realizar.** Con la herramienta eléctrica apropiada hará el trabajo mejor y con mayor seguridad a la potencia para la que fue diseñada.
- **No utilice la herramienta eléctrica si el interruptor no funciona.** Las herramientas que no se puedan controlar con el interruptor son peligrosas y deben repararse.
- **Desconecte el enchufe de la fuente de alimentación y/o la batería de la herramienta eléctrica antes de realizar cualquier ajuste, cambiar accesorios o guardarla.** Estas medidas de seguridad preventivas reducen el riesgo de encendido accidental de la herramienta eléctrica.
- **Guarde las herramientas eléctricas que no se utilicen fuera del alcance de los niños y no permita que personas no familiarizadas con su uso o con estas instrucciones las manejen.** Las herramientas eléctricas resultan peligrosas en manos de usuarios no cualificados.
- **Cuide las herramientas.** Compruebe que no haya partes móviles mal alineadas o trabadas, piezas rotas o cualquier otra circunstancia que pueda afectar al funcionamiento de la herramienta eléctrica. Si detecta daños, haga reparar la herramienta eléctrica antes de utilizarla. Muchos accidentes se deben al uso de herramientas eléctricas que carecen de un mantenimiento adecuado.
- **Mantenga las herramientas de corte afiladas y limpias.** Las herramientas de corte con aristas afiladas y un mantenimiento adecuado tienen menos probabilidades de trabarse y son más fáciles de controlar.
- **Utilice la herramienta eléctrica, los accesorios, útiles, etc. según se indica en estas instrucciones, teniendo en cuenta las condiciones de trabajo y la tarea que debe realizar.** El uso de la herramienta eléctrica para trabajos distintos a aquellos para los que fue diseñada podría dar lugar a situaciones peligrosas.

## Uso y cuidado de la herramienta con batería

- **Efectúe las recargas únicamente con el cargador especificado por el fabricante.** Un cargador apto para un tipo de batería puede comportar riesgo de incendio al utilizarse con otra batería distinta.
- **Utilice las herramientas eléctricas únicamente con las baterías específicas para ellas.** El uso de

otra batería puede comportar riesgo de lesiones e incendio.

- **Cuando una batería no se esté utilizando, manténgala alejada de objetos metálicos que puedan conectar un terminal a otro, como clips, monedas, llaves, clavos, tornillos u otros objetos metálicos pequeños.** Un cortocircuito en los terminales de la batería puede causar quemaduras o un incendio.
- **En condiciones extremas, el líquido puede expulsarse de la batería; evite el contacto. Si se produjera un contacto accidentalmente, enjuáguese con agua. Si el líquido se introdujera en los ojos, acuda a un médico.** El líquido expulsado de la batería puede causar irritaciones o quemaduras.

## Servicio

- **Solicite que su herramienta eléctrica sea reparada por personal cualificado y utilizando únicamente piezas de repuesto originales.** Esto garantizará la seguridad de la herramienta.

## Advertencias de seguridad sobre la motosierra

- **Mantenga todas las partes del cuerpo alejadas de la cadena de sierra mientras la motosierra se encuentre en funcionamiento. Antes de arrancar la motosierra, asegúrese de que la cadena de sierra no está en contacto con ningún elemento.** Un único instante de distracción mientras maneja una motosierra basta para que la cadena de sierra cause un accidente con sus prendas o cuerpo.
- **Sujete siempre la motosierra con la mano derecha en el mango trasero y la mano izquierda en el mango delantero.** Nunca debe manejarse la motosierra con una posición invertida de las manos, ya que aumenta considerablemente el riesgo de daños personales.
- **Sujete la herramienta eléctrica únicamente por la superficie de agarre aislada, ya que la cadena de sierra puede entrar en contacto con algún cable oculto.** Si la cadena de sierra entra en contacto con un cable con tensión, puede hacer que las partes metálicas de la herramienta eléctrica expuestas a tensión produzcan al usuario una sacudida eléctrica.
- **Lleve gafas de seguridad y protectores auriculares. Se recomienda utilizar equipos de protección adicionales para la cabeza, manos, piernas y pies.** Una ropa de protección adecuada reducirá los daños personales a causa de fragmentos desprendidos o de un contacto accidental con la cadena de sierra.
- **No utilice una motosierra en un árbol.** Utilizar una motosierra mientras que está subido en un árbol, comporta riesgo de daños personales.
- **Mantenga en todo momento una posición correcta y manipule la motosierra únicamente**

# INSTRUCCIONES GENERALES DE SEGURIDAD

- **cuando se encuentre en una superficie nivelada, sólida y segura.** Una superficie inestable o resbaladiza, como una escalera, puede hacerle perder el equilibrio o el control de la motosierra.
- **Preste especial atención a las reculadas al cortar ramas tensas.** Cuando la tensión de las fibras de madera se libera, la rama puede golpear al usuario y / o provocar la pérdida del control de la motosierra.
- **Sea especialmente cauto al cortar broza y árboles jóvenes.** Los materiales delgados pueden atascarse en la cadena de sierra y golpearle o hacerle perder el equilibrio.
- **Transporte la motosierra apagada, agarrándola por el mango y alejada de su cuerpo. Cuando transporte o almacene la motosierra, coloque siempre la cubierta de la espada.** Manipular la motosierra de manera adecuada reducirá la posibilidad de sufrir un contacto accidental con la cadena de sierra en funcionamiento.
- **Siga las instrucciones correspondientes para la lubricación, el tensado de la cadena y el cambio de accesorios.** Una cadena con una tensión o lubricación inadecuadas puede romperse y aumentar el riesgo de reculadas.
- **Mantenga los mangos secos, limpios y sin aceites o grasas.** Un mango grasiento resulta resbaladizo y puede provocar que se pierda el control de la herramienta.
- **Corte únicamente madera. No utilice la motosierra con otros fines. Por ejemplo: no utilice la motosierra para cortar plásticos, materiales de albañilería u otros distintos a la madera.** El uso de la motosierra con fines distintos a aquellos para los que fue diseñada podría dar lugar a situaciones peligrosas.
- Recomendamos encarecidamente que aquellos que utilicen por primera vez la motosierra practiquen antes con troncos en soportes para serrar.

## Causas y prevención de las reculadas

Las reculadas pueden producirse cuando la punta de la espada roza un objeto o cuando la madera se cierra y atasca la cadena durante el corte. El contacto con la punta de la espada, en algunos casos, puede provocar una reculada repentina que golpee al usuario al lanzar la espada hacia arriba y atrás. Un atasco en la cadena de sierra en la parte superior de la espada puede empujar a esta rápidamente hacia atrás, hacia el usuario. Cualquiera de estas reacciones puede hacerle perder el control de la sierra, lo que a su vez puede provocar daños personales de gravedad. Su seguridad no solo depende de los dispositivos de seguridad incorporados en la motosierra. Como usuario de una motosierra, debe tomar ciertas precauciones para realizar cortes sin riesgo de accidentes ni lesiones. Una reculada es consecuencia de un uso inapropiado y / o incorrecto de la herramienta, en cuanto a sus procedimientos o condiciones de funcionamiento. Por lo tanto, puede evitarse tomando las siguientes precauciones:

- **Mantenga un agarre firme de la motosierra con ambas manos, con los pulgares y el resto de dedos rodeando los mangos. El cuerpo y el brazo deben encontrarse en una postura que le permita resistir las fuerzas de las reculadas.** El usuario puede controlar las fuerzas de las reculadas si toma las precauciones correspondientes. No suelte la motosierra.
- **No intente acceder a lugares demasiado altos y no corte a una altura superior a la de sus hombros.** De esta manera, se evita el contacto involuntario de la punta y se obtiene un control mayor de la motosierra en caso de imprevistos.
- **Utilice únicamente las espadas y cadenas de repuesto indicadas por el fabricante.** Una sustitución incorrecta de la espada y cadena puede causar la rotura de la cadena y / o reculadas.
- **Siga las instrucciones de afilado y mantenimiento de la cadena de sierra facilitadas por el fabricante.** Disminuir el calibre de profundidad puede aumentar las reculadas.

## Medidas a tomar antes de utilizar una motosierra nueva

- Lea detenidamente el manual de instrucciones.
- **(1) - (110)** refiérase a las figuras en p. 2-6.
- Cargue la batería completamente antes de utilizarla por primera vez. Consulte las instrucciones en el título Carga de la batería.
- Llene con aceite para cadena. Consulte las instrucciones en el título Repostaje de aceite para cadena de motosierra.
- Compruebe el montaje y ajuste del equipo de corte. Vea las instrucciones bajo el título Montaje.
- No utilice la motosierra hasta que haya llegado suficiente aceite lubricante a la cadena. Lea las instrucciones bajo el título Lubricación del equipo de corte.
- La exposición prolongada al ruido puede causar daños crónicos en el oído. Por consiguiente, use siempre protectores auriculares homologados.



**¡ATENCIÓN! Bajo ninguna circunstancia debe modificarse la configuración original de la máquina sin autorización del fabricante. Utilizar siempre recambios originales. Las modificaciones y/o la utilización de accesorios no autorizados pueden ocasionar accidentes graves o incluso la muerte del operador o de terceros.**

# INSTRUCCIONES GENERALES DE SEGURIDAD



**¡ATENCIÓN!** La utilización errónea o descuidada de una motosierra puede convertirla en una herramienta peligrosa que puede causar accidentes graves e incluso mortales. Es muy importante que lea y comprenda el contenido de este manual de instrucciones.



**¡ATENCIÓN!** La inhalación prolongada de la neblina de aceite para cadena y el polvo de serrín puede poner en riesgo la salud.



**¡ATENCIÓN!** Esta máquina genera un campo electromagnético durante el funcionamiento. Este campo magnético puede, en determinadas circunstancias, interferir con implantes médicos activos o pasivos. Para reducir el riesgo de lesiones graves o letales, las personas que utilizan implantes médicos deben consultar a su médico y al fabricante del implante antes de emplear esta máquina.



**¡ATENCIÓN!** No permita nunca que los niños utilicen la máquina ni permanezcan cerca de ella. La máquina es muy fácil de arrancar y los niños podrían hacerlo si no se les vigila lo suficiente. Ello puede comportar riesgo de daños personales graves. Por consiguiente, desconecte la batería cuando la máquina no esté bajo control.

## Importante

**¡IMPORTANTE!**

Esta motosierra para los servicios forestales está concebida para realizar tareas en el bosque como la tala, la poda y el corte.

La utilización de esta máquina podría estar regulada por la legislación nacional.

Utilice solamente las combinaciones de espada/cadena de sierra recomendadas en el capítulo Datos técnicos.

Nunca utilice la máquina si está cansado, si ha ingerido alcohol o si toma medicamentos que puedan afectarle la vista, su capacidad de discernimiento o el control del cuerpo.

Utilice el equipo de protección personal. Vea las instrucciones bajo el título "Equipo de protección personal".

No modifique nunca esta máquina de forma que se desvíe de la versión original, y no la utilice si parece haber sido modificada por otras personas.

No utilice en ningún caso una máquina, batería o cargador de batería defectuoso. Siga las instrucciones de mantenimiento, control y servicio de este manual. Algunas medidas de mantenimiento y servicio deben ser efectuadas por especialistas formados y cualificados. Consulte las instrucciones en el título Mantenimiento.

Nunca utilice otros accesorios que los recomendados en este manual. Vea las instrucciones bajo los títulos Equipo de corte y Datos técnicos.

**¡NOTA!** Utilice siempre gafas protectoras o visera para reducir el riesgo de daños causados por objetos lanzados. Una motosierra puede lanzar con gran fuerza objetos como virutas, trozos de madera pequeños, etc. Ello comporta riesgo de daños personales graves, especialmente en los ojos.



**¡ATENCIÓN!** Un equipo de corte defectuoso o una combinación errónea de espada/cadena de sierra aumentan el riesgo de reculadas. Utilice solamente las combinaciones de espada/cadena de sierra recomendadas y siga las instrucciones. Vea las instrucciones bajo el título Datos técnicos.

## Emplee siempre el sentido común

Es imposible abarcar todas las situaciones imaginables que se pueden producir al utilizar una motosierra. Proceda con cuidado y emplee el sentido común. Evite todo uso para el cual no se sienta suficientemente calificado. Si después de leer estas instrucciones todavía se siente inseguro en cuanto al procedimiento de uso, consulte con un experto antes de proseguir. No dude en ponerse en contacto con el distribuidor o con nosotros si tiene alguna duda en cuanto al empleo de la motosierra.

# INSTRUCCIONES GENERALES DE SEGURIDAD

Estamos a su disposición para darle consejos que le ayuden a emplear su motosierra de forma mejor y más segura. Le recomendamos hacer un cursillo sobre empleo de motosierras. El distribuidor local, una escuela de silvicultura o una biblioteca pueden informarle acerca del material de formación y los cursos disponibles.

(Figura 2)

Se realiza un trabajo constante de mejoras del diseño y la técnica, que aumentan su seguridad y eficacia. Visite al distribuidor local regularmente para averiguar qué provecho pueden proporcionarle las novedades que se introducen.

## Equipo de protección personal



**¡ATENCIÓN! La mayoría de los accidentes con la motosierra se producen cuando la cadena toca al usuario. Para trabajar con la máquina debe utilizarse un equipo de protección personal homologado. El equipo de protección personal no elimina el riesgo de lesiones, pero reduce su efecto en caso de accidente. Pida a su distribuidor que le asesore en la elección del equipo.**

Utilice siempre:

- Casco protector homologado
- Protectores auriculares
- Gafas protectoras o visor
- Guantes con protección anticorte
- Pantalones con protección contra sierra
- Botas con protección anticorte, puntera de acero y suela antideslizante
- Tenga siempre a mano el equipo de primeros auxilios.

Utilice prendas ajustadas que no limiten su movilidad.

## Equipo de seguridad de la máquina

En este capítulo se explican los componentes de seguridad de la máquina y sus funciones. Para el control y mantenimiento, vea las instrucciones del capítulo Control, mantenimiento y servicio del equipo de seguridad de la motosierra. Vea el capítulo Componentes de la máquina para ver dónde están situados estos componentes en su máquina.

La vida útil de la máquina puede acortarse y el riesgo de accidentes puede aumentar si el mantenimiento de la máquina no se hace de forma adecuada y si los trabajos de servicio y/o reparación no se efectúan de forma profesional. Para más información, consulte con el taller de servicio oficial más cercano.



**¡ATENCIÓN! No emplee nunca una máquina con equipo de seguridad defectuoso. El equipo de seguridad se debe controlar y mantener. Vea las instrucciones del capítulo Control, mantenimiento y servicio del equipo de seguridad de la motosierra. Si el control de su máquina no da resultado satisfactorio, hay que acudir a un taller de servicio para la reparación.**

## Teclado

Asegúrese de que la máquina se enciende y apaga al pulsar y mantener pulsado durante más de un segundo el botón de activación y desactivación (1). El LED verde (2) está encendido o apagado.

El indicador de advertencia (3) parpadea si el freno de la cadena está activado o hay riesgo de sobrecarga. La protección contra sobrecarga desactiva temporalmente la máquina. Cuando la máquina recupere la temperatura normal, estará lista para funcionar de nuevo. Una luz fija significa que es necesario reparar la máquina. (Figura 6)

## Función de apagado automático

La máquina está equipada con una función automática que la desactiva cuando no se utiliza. La máquina se desactivará tras 1 minuto.

## Freno de cadena con protección contra reculadas

Su motosierra está equipada con un freno de cadena diseñado para detener la cadena de sierra en caso de reculada. Un freno de cadena reduce el riesgo de accidentes, pero sólo es usted, el usuario, quien puede impedirlos. (Figura 3)

Proceda con cuidado en la utilización de la sierra, procurando que el sector de riesgo de reculada de la espada nunca toque ningún objeto. (Figura 4)

- El freno de cadena (A) se activa bien manualmente (con la mano izquierda) o por efecto de la inercia. (Figura 5)
- La activación se produce al empujar hacia delante la protección contra reculadas (B). (Figura 5)
- Este movimiento activa un mecanismo de muelle que detiene el piñón de arrastre.
- La protección contra reculadas no sólo activa el freno de cadena. También cumple otra función importante: reduce el riesgo de que la mano izquierda toque la cadena si el usuario suelta el mango delantero.
- El freno de cadena debe estar activado al poner en marcha la motosierra.
- Utilice el freno de cadena como 'freno de estacionamiento' al arrancar y para los traslados cortos a fin de prevenir accidentes por contacto involuntario de usted o el entorno con la cadena de sierra en movimiento.

# INSTRUCCIONES GENERALES DE SEGURIDAD

- El freno de cadena se desacopla empujando la protección contra reculadas hacia atrás, contra el mango delantero.
- Las reculadas pueden ser rapidísimas y muy violentas. La mayoría de las reculadas son pequeñas y, por tanto, no siempre activan el freno de cadena. En estos casos debe sujetarse la motosierra con fuerza, sin soltarla. **(Figura 65)**
- El modo de activación del freno de cadena, manual o por inercia, depende de la fuerza de la reculada y de la posición de la motosierra en relación al objeto con el que toca el sector de riesgo de reculada de la espada.  
En reculadas fuertes y con el sector de riesgo de reculada de la espada lo más lejos posible del usuario, el freno de cadena está diseñado para ser activado por su propio contrapeso (inercia) en el sentido de reculada. **(Figura 7)**
- En las reculadas poco violentas, o al trabajar con el sector de riesgo de reculada cerca del usuario, el freno de cadena se activa manualmente con la mano izquierda.
- En posición de tala, la mano izquierda está en una posición que permite la activación manual del freno de cadena. Con este agarre, cuando la mano izquierda está colocada de forma que no puede influir en el movimiento de la protección contra reculada, el freno de cadena sólo se puede activar mediante la función de inercia. **(Figura 8)**

## ¿Activará siempre mi mano el freno de cadena en caso de reculada?

No. Hace falta una fuerza determinada para mover la protección contra reculada hacia adelante. Si su mano sólo roza la protección contra reculada o resbala sobre ella, puede ocurrir que la fuerza no sea suficiente para activar el freno de cadena. También debe agarrar con firmeza la empuñadura de la motosierra cuando trabaja. Si lo hace y se produce una reculada, puede ocurrir que no suelte el agarre de la empuñadura delantera y que no active el freno de cadena, o que el freno de cadena no se active hasta que la sierra haya girado bastante. En casos así puede suceder que el freno de cadena no tenga tiempo de detener la cadena antes de que le toque a usted.

Ello ocurre también en determinadas posturas de trabajo que impiden que su mano llegue a la protección contra reculada para activar el freno de cadena; por ejemplo, cuando se sujeta la sierra en posición de tala.

## ¿Se activa siempre por inercia el freno de cadena cuando se produce una reculada?

No. En primer lugar, su freno debe funcionar. En segundo lugar, la reculada debe tener la fuerza suficiente para activar el freno de cadena. Si el freno de cadena fuera demasiado sensible, se activaría constantemente, lo que sería molesto.

## ¿Me protegerá siempre el freno de cadena contra daños si se produce una reculada?

No. En primer lugar, su freno debe funcionar para proporcionar la protección prevista. En segundo lugar, el freno se debe activar tal como se describe arriba para detener la cadena de sierra en una reculada. En tercer lugar, el freno de cadena se puede activar, pero si la espada está demasiado cerca de usted puede ocurrir que el freno no tenga tiempo de reducir la velocidad y parar la cadena antes de que la motosierra le toque.

**Solamente usted y empleando una técnica de trabajo correcta puede eliminar el efecto de reculada y los riesgos que comporta.**

## Fiador del acelerador

El bloqueo del gatillo de alimentación está destinado a evitar un uso accidental del gatillo. El gatillo de alimentación (B) se libera cuando se presiona el bloqueo (A); por ejemplo, cuando se agarra el mango. Al soltar el mango, el gatillo de alimentación y el bloqueo vuelven a sus posiciones originales. **(Figura 9)**

## Captor de cadena

El captor de cadena está diseñado para captar las cadenas que se sueltan o se rompen. Normalmente esto se evita con el tensado correcto de la cadena (vea las instrucciones bajo el título Montaje) y con un mantenimiento adecuado de la espada y la cadena (vea las instrucciones bajo el título Instrucciones generales de trabajo). **(Figura 10)**

## Protección de la mano derecha

La protección de la mano derecha, además de proteger la mano cuando una cadena se suelta o se rompe, impide que las ramas perjudiquen el agarre del mango posterior. **(Figura 11)**

## Vibraciones

El corte de maderas duras (la mayoría de los árboles caducifolios) produce más vibraciones que el de maderas blandas (la mayoría de las coníferas). El corte con un equipo de corte desafilado o incorrecto (modelo incorrecto o mal afilado) incrementa el nivel de vibraciones.



# INSTRUCCIONES GENERALES DE SEGURIDAD



**¡ATENCIÓN!** La sobreexposición a las vibraciones puede provocar problemas circulatorios y dolencias de carácter nervioso, especialmente en personas con patologías circulatorias. Acuda a un médico si nota síntomas corporales que puedan relacionarse con la sobreexposición a las vibraciones. Son ejemplos de tales síntomas la pérdida de sensibilidad, el 'cosquilleo', las 'punzadas', el dolor, la pérdida o reducción de la fuerza normal o los cambios en el color y la superficie de la piel. Estos síntomas se presentan normalmente en dedos, manos y muñecas. Los síntomas pueden aumentar en temperaturas frías.

## Batería y cargador de batería

En este apartado se describe la seguridad de la batería y del cargador del producto.

Utilice únicamente baterías originales de Husqvarna para los productos de Husqvarna y cárguelas exclusivamente en un cargador de baterías QC original de Husqvarna. Las baterías están encriptadas mediante software.

## Seguridad de la batería

Las baterías recargables Husqvarna, BLi, solo pueden utilizarse como fuente de alimentación de los aparatos sin cables Husqvarna para los que han sido diseñadas. Para evitar daños, la batería no debe utilizarse como fuente de alimentación de otros dispositivos.



**¡ATENCIÓN!** Mantenga la batería lejos de la luz directa del sol, de fuentes de calor o de llamas abiertas. Existe el riesgo de que la batería explote si se arroja a un fuego abierto. Existe riesgo de quemaduras por calor o quemaduras químicas.



**¡ATENCIÓN!** Evite que el ácido de la batería entre en contacto con la piel. El ácido de la batería puede causar irritación cutánea, quemaduras o heridas corrosivas. Si el ácido entra en contacto con los ojos, no los frote: enjuáguelos con abundante agua durante al menos 15 minutos. Consulte con un médico. En caso de contacto accidental, lave siempre la piel expuesta con abundante agua y jabón.



**¡ATENCIÓN!** No conecte nunca los bornes de la batería a llaves, monedas, tornillos u otros objetos metálicos, ya que podría causar un cortocircuito en la batería. No inserte nunca objetos en los conductos de ventilación de la batería.

Las baterías que no se utilicen deben mantenerse alejadas de objetos metálicos como clavos, monedas o joyas. No intente desmontar o aplastar la batería.

- Utilice la batería en entornos en los que la temperatura se encuentre entre los -10 °C y los 60 °C.
- No exponga la batería a microondas o altas presiones.
- Nunca limpie la batería o el cargador con agua. Consulte también las instrucciones bajo el título Mantenimiento.
- Guarde la batería lejos del alcance de los niños.
- Mantenga la batería resguardada de la lluvia y la humedad.

## Seguridad del cargador de la batería

Utilice únicamente cargadores Husqvarna QC para cargar las baterías de sustitución Husqvarna BLi.



**¡ATENCIÓN!** Reduzca al mínimo el riesgo de sufrir una descarga eléctrica o un cortocircuito del siguiente modo:

No introduzca nunca un objeto en las ranuras de refrigeración del cargador.

No intente desmontar el cargador.

No conecte nunca los bornes del cargador a objetos metálicos: pueden cortocircuitar el cargador.

Utilice tomas de corriente homologadas y en perfecto estado.

- Compruebe periódicamente que el cable de conexión del cargador esté en buen estado y que no tenga grietas.
- Nunca agarre el cargador por el cable y no tire del cable para desenchufarlo.
- Mantenga todos los cables y cables de empalme apartados de agua, aceite y cantos agudos. Proceda con cuidado para evitar que el cable se apriete en puertas, vallas o similares. Hay riesgo de cargar objetos con electricidad.

# INSTRUCCIONES GENERALES DE SEGURIDAD



**¡ATENCIÓN!** No utilice el cargador cerca de materiales corrosivos o inflamables. No cubra el cargador. Desenchufe el cargador en caso de humareda o incendio. Preste atención al riesgo de incendio.

No utilice:

- un cargador defectuoso o dañado o una batería defectuosa, dañada o deformada;

No cargue:

- baterías no recargables en el cargador ni las utilice en la máquina;
- el cargador de batería para cargar la batería en el exterior.
- la batería en ambientes húmedos o con lluvia;
- la batería expuesta a la luz solar directa.

Utilice el cargador únicamente cuando la temperatura del entorno se encuentre entre los 5 y los 40 °C. Utilice el cargador en un entorno ventilado, seco y sin polvo.

## Equipo de corte

Este capítulo describe cómo Ud., con un mantenimiento correcto y utilizando el equipo de corte adecuado, podrá:

- Reducir la propensión a las reculadas de la máquina.
- Reduce la ocurrencia de salidas y roturas de la cadena de sierra.
- Proporciona un resultado de corte óptimo.
- Aumentar la duración del equipo de corte.
- Evita el aumento de los niveles de vibraciones.

## Reglas básicas

- **¡Utilice solamente el equipo de corte recomendado por nosotros!** Vea las instrucciones bajo el titular Datos técnicos.
- **¡Mantenga los dientes cortantes de la cadena bien y correctamente afilados!** Siga nuestras instrucciones y utilice el calibrador de limado recomendado. Una cadena mal afilada o defectuosa aumenta el riesgo de accidentes.
- **¡Mantenga la profundidad de corte correcta!** Siga nuestras instrucciones y utilice el calibrador de profundidad recomendado. Una profundidad de corte demasiado grande aumenta el riesgo de reculada. (Figura 19)
- **¡Mantenga la cadena correctamente tensada!** Con un tensado insuficiente se incrementa el riesgo de solturas de la cadena y se aumenta el desgaste de la espada, la cadena y el piñón de arrastre. (Figura 24)
- **¡Mantenga el equipo de corte bien lubricado y efectúe el mantenimiento adecuado!** Con una lubricación insuficiente se incrementa el riesgo de roturas de cadena y se aumenta el desgaste de la espada, la cadena y el piñón de arrastre.

## Equipo de corte reductor de reculadas



**¡ATENCIÓN!** Un equipo de corte defectuoso o una combinación errónea de espada/cadena de sierra aumentan el riesgo de reculadas. Utilice solamente las combinaciones de espada/cadena de sierra recomendadas y siga las instrucciones. Vea las instrucciones bajo el titular Datos técnicos.

Las reculadas sólo puede evitarlas Ud. el usuario, impidiendo que el sector de riesgo de reculada de la espada toque algún objeto.

El efecto de las reculadas puede reducirse utilizando un equipo de corte con reducción de reculada "incorporada", así como con un afilado y mantenimiento correctos de la cadena.

### Espada

Cuanto más pequeño es el radio de punta, menor es la propensión a la reculada.

### Cadena

Una cadena de sierra consta de distintos eslabones que se presentan en versión estándar y en versión reductora de reculada.

**¡IMPORTANTE!** Ninguna cadena de sierra elimina el riesgo de reculada.



**¡ATENCIÓN!** Cualquier contacto con una sierra de cadena en girando puede causar daños muy graves.

## Expresiones características de la espada y cadena

Para conservar la eficacia de todos los componentes de seguridad del equipo de corte, debe sustituir las combinaciones de espada/cadena de sierra gastadas o dañadas por una espada y una cadena recomendadas por Husqvarna. Vea las instrucciones del capítulo Datos técnicos para información sobre las combinaciones de espada/cadena de sierra que recomendamos.

### Espada

- Longitud (pulgadas/cm) (Figura 13)
- Número de dientes en el cabezal de rueda (T). (Figura 12)
- Paso de cadena (=pitch) (pulgadas). El cabezal de rueda de la espada y el piñón de arrastre de la cadena de la motosierra deben adaptarse a la distancia entre los eslabones de arrastre. (Figura 14)
- Número de eslabones de arrastre (unidades). A cada combinación de longitud de cadena, paso de cadena y número de dientes del cabezal de rueda, le corresponde un número determinado de eslabones de arrastre. (Figura 16)



# INSTRUCCIONES GENERALES DE SEGURIDAD

- Ancho de la guía de la espada (pulgadas/mm). El ancho de la guía de la espada debe estar adaptado al ancho del eslabón de arrastre de la cadena.
- Orificio para aceite de cadena y orificio para pasador tensor de cadena. La espada debe estar adaptada al diseño de la motosierra. (Figura 15)

## Cadena

- Paso de cadena (=pitch) (pulgadas) (Figura 14)
- Ancho del eslabón de arrastre (mm/pulgadas) (Figura 17)
- Número de eslabones de arrastre (unidades) (Figura 16)

## Afilado y ajuste del talón de profundidad de una cadena de sierra



Para manipular la cadena deben utilizarse guantes protectores.

### Generalidades sobre el afilado de los dientes cortantes

- No corte nunca con una sierra roma. Es señal de sierra roma cuando es necesario presionar el equipo de corte a través de la madera y el que las virutas son muy pequeñas. Una cadena de sierra muy roma no produce virutas. El único resultado es polvo de madera.
- Una sierra de cadena bien afilada atraviesa por sí sola la madera y produce virutas grandes y largas. (Figura 18)
- La parte cortante de una cadena de sierra se denomina eslabón de corte, formado por un diente de corte (A) y un talón de profundidad (B). La distancia en altura entre ellos determina la profundidad de corte. (Figura 19)

Hay tres medidas a considerar para el afilado del diente de corte.

- 1 Ángulo de afilado (Figura 20)
- 2 Ángulo de corte (Figura 21)
- 3 Posición de la lima (Figura 22)
- 4 Diámetro de la lima redonda

Es muy difícil afilar correctamente una cadena de sierra sin los accesorios adecuados. Por ello le recomendamos que utilice nuestro calibrador de afilado. La plantilla garantiza un afilado de la cadena de sierra para una reducción de la reculada y una capacidad de corte óptimas. (Figura 23)

Vea las instrucciones del capítulo Datos técnicos en lo referente a los datos para el afilado de la cadena de su motosierra.



¡ATENCIÓN! La negligencia en seguir las instrucciones de afilado aumenta considerablemente la propensión a la reculada de la cadena de sierra.

### Afilado de dientes cortantes

Para afilar dientes de corte se requiere una lima redonda y un calibrador de afilado. Vea las instrucciones del capítulo Datos técnicos en lo referente al diámetro de lima redonda y el calibrador de afilado recomendados para la cadena de su motosierra.

- Compruebe que la cadena esté bien tensada. Con un tensado insuficiente, la cadena tiene inestabilidad lateral, lo cual dificulta el afilado correcto. (Figura 24)
- Afile siempre desde el interior del diente hacia fuera. En el retorno, suavice la presión de la lima. Primero, afile todos los dientes de un lado y, luego, vuelva la motosierra y afile los dientes del otro lado. (Figura 20)
- Afile todos los dientes a la misma longitud. Cuando sólo queden 4 mm (5/32") de la longitud de diente, la cadena está desgastada y debe cambiarse. (Figura 25)

### Generalidades sobre el ajuste de la profundidad de corte

- Al afilar el diente de corte se reduce la altura del talón de profundidad (= profundidad de corte). Para mantener una capacidad máxima de corte hay que bajar el talón de profundidad al nivel recomendado. En lo referente a la profundidad de corte de la cadena de su motosierra, vea el capítulo Datos técnicos. (Figura 26)



¡ATENCIÓN! ¡Una profundidad de corte excesiva aumenta la propensión a las reculadas de la cadena!

### Ajuste de la profundidad de corte

- El ajuste de la profundidad de corte debe hacerse con los dientes cortantes recién afilados. Recomendamos ajustar la profundidad de corte después de cada tercer afilado de la cadena de sierra. ¡ATENCIÓN! Esta recomendación presupone que la longitud de los dientes de corte no se ha reducido anormalmente.
- Para ajustar la profundidad de corte se necesita una lima plana y un calibrador de profundidad de corte. Recomendamos utilizar nuestro calibrador de afilado de profundidad para obtener la medida de profundidad correcta y el ángulo correcto del talón de profundidad.
- Ponga el calibrador de afilado sobre la cadena de sierra. En el envase del calibrador hay instrucciones sobre su empleo. Utilice la lima plana para limar el sobrante de la parte sobresaliente del talón de profundidad. La profundidad de corte es correcta cuando no se nota resistencia alguna al pasar la lima sobre el calibrador. (Figura 27)

# INSTRUCCIONES GENERALES DE SEGURIDAD

## Tensado de la cadena



**¡ATENCIÓN! Una cadena insuficientemente tensada puede soltarse y ocasionar accidentes graves, incluso mortales.**



**¡ATENCIÓN! No olvide extraer la batería antes de realizar cualquier tarea de montaje, mantenimiento y / o comprobación de la máquina.**

La cadena se alarga con la utilización. Por consiguiente, es importante ajustar el equipo de corte para compensar este cambio.

El tensado de la cadena debe controlarse cada vez que se reposte aceite. **NOTA:** Las cadenas nuevas requieren un periodo de rodaje, durante el que debe controlarse el tensado con mayor frecuencia.

En general, la cadena debe tensarse tanto como sea posible, aunque debe ser posible girarla fácilmente con la mano. (Figura 47)

- Afloje la manija abriéndola en su totalidad. (Figura 28)
- Gire la manija a izquierdas para soltar la cubierta del piñón de arrastre. (Figura 29)
- Ajuste la tensión de la cadena girando la rueda hacia abajo (+) para aumentarla y hacia arriba (-) para reducirla. (Figura 30)
- Apretar el acoplamiento de la espada, girando la manija a derechas. (Figura 31)
- Cerrar la manija para fijar el tensado. (Figura 32)

## Lubricación del equipo de corte



**¡ATENCIÓN! La lubricación insuficiente del equipo de corte puede ocasionar roturas de cadena, con el riesgo consiguiente de accidentes graves e incluso mortales.**

### Aceite para cadena de motosierra

Un aceite para cadena de motosierra ha de tener buena adhesión a la cadena, así como buena fluidez tanto en climas cálidos como fríos.

**¡No utilizar nunca aceite residual!** Es nocivo para usted, la máquina y el medio ambiente.

### Repostaje de aceite para cadena de motosierra

- Utilice siempre aceite para cadena de base mineral. (Figura 33)
- Para la selección de aceite lubricante de cadena, consulte con su taller de servicio.
- Todos nuestros modelos de motosierra tienen lubricación automática de la cadena. Algunos modelos pueden obtenerse también con flujo de aceite regulable.

- El depósito de aceite para la cadena de sierra está diseñado para una duración de aproximadamente tres cargas de batería. No obstante, esta función de seguridad requiere el uso del tipo correcto de aceite para cadenas, ya que si su densidad es inferior, durará menos tiempo.
- No utilice nunca aceite residual. Puede ocasionar averías en la bomba de aceite, la espada y la cadena.
- Es importante utilizar un aceite adecuado para la temperatura ambiente (con la viscosidad correcta).
- Con temperaturas bajo cero, algunos aceites se espesan. Ello puede causar sobrecargas en la bomba de aceite, con averías subsiguientes de las piezas de la bomba.

### Control de la lubricación de la cadena

- Compruebe la lubricación de la cadena cada tres cargas de batería.  
Apunte la punta de la espada a unos 20 cm (8 pulgadas) de un objeto fijo y claro. Después de 1 minuto de funcionamiento a 3/4 de aceleración debe verse una línea de aceite clara en el objeto. (Figura 34)

Si no funciona la lubricación de la cadena:

- Compruebe que el canal de aceite de cadena en la espada esté abierto. Límpielo si es necesario. (Figura 35)
- Compruebe que la guía de la espada esté limpia. Límpiela si es necesario. (Figura 36)
- Compruebe que el cabezal de rueda de la espada gire con facilidad y que su orificio de lubricación esté abierto. Limpie y lubrique si es necesario. (Figura 37)

Si la lubricación de la cadena no funciona después de efectuar los controles y medidas anteriores, contacte a su taller de servicio.

### Piñón de arrastre de la cadena

El sistema de transmisión cuenta con un piñón de arrastre. (Figura 38)

Compruebe regularmente el nivel de desgaste del piñón de arrastre de la cadena y cámbielo si presenta un desgaste anormal.

### Control del desgaste del equipo de corte

Controle diariamente la cadena para comprobar si:

- Hay grietas visibles en los remaches y eslabones.
- La cadena está rígida.
- Los remaches y eslabones presentan un desgaste anormal.

Deseche la cadena de sierra si concuerda con alguno o varios de los puntos anteriores.

Para comprobar el desgaste de la cadena que utiliza, le recomendamos que la compare con una cadena nueva.

Cuando sólo queden 4 mm de longitud de diente cortante, la cadena está gastada y debe cambiarse.

# INSTRUCCIONES GENERALES DE SEGURIDAD

## Espada

Controle a intervalos regulares:

- Si se han formado rebabas en los lados de la espada. Lime si es necesario. **(Figura 39)**
- Si la guía de la espada presenta un desgaste anormal. Cambie la espada si es necesario.
- Si la punta de la espada presenta un desgaste anormal o irregular. Si se ha formado una "cavidad" al final del radio de la punta, en la parte inferior de la espada, es señal de que Ud. ha utilizado la máquina con un tensado de cadena insuficiente. **(Figura 40)**
- Para obtener una duración óptima, la espada debe girarse cada día. **(Figura 41)**



**¡ATENCIÓN! La mayoría de los accidentes con la motosierra se producen cuando la cadena toca al usuario.**

**Utilice el equipo de protección personal. Vea las instrucciones bajo el título "Equipo de protección personal".**

**Evite los trabajos para los que no se sienta suficientemente capacitado. Vea las instrucciones bajo los títulos Equipo de protección personal, Medidas preventivas de reculadas, Equipo de corte e Instrucciones generales de trabajo.**

**Evite situaciones con riesgo de reculada. Vea las instrucciones bajo el título Equipo de seguridad de la máquina.**

**Utilice el equipo de corte recomendado y controle su estado. Vea las instrucciones bajo los títulos Datos técnicos e Instrucciones generales de seguridad.**

**Compruebe el funcionamiento de las piezas de seguridad de la motosierra. Vea las instrucciones bajo los títulos Instrucciones generales de trabajo e Instrucciones generales de seguridad.**

**No utilice nunca una motosierra agarrándola solamente con una mano. Una motosierra no se controla con seguridad con una mano. Agarre con fuerza y firmeza las empuñaduras con ambas manos.**

## Montaje de la espada y la cadena



**¡ATENCIÓN! No olvide extraer la batería antes de realizar cualquier tarea de montaje, mantenimiento y / o comprobación de la máquina.**

**Para manipular la cadena deben utilizarse guantes protectores.**

- Compruebe que no esté activado el freno de cadena empujando la protección contra reculadas del freno de cadena hacia el mango delantero. **(Figura 42)**
- Desmonte la cubierta del piñón de arrastre girando el bloqueo hacia la izquierda. Saque la protección de transporte (A). **(Figura 43)**
- Monte la espada sobre el perno de la espada. Coloque la espada en la posición posterior extrema. Coloque la cadena sobre el piñón de arrastre y en la guía de la espada. Empiece con la parte superior de la cadena. **(Figura 44)**
- Compruebe que los filos de los eslabones de corte estén orientados hacia delante en la parte superior de la espada.

Monte la cubierta del embrague y no olvide poner el vástago de tensado de cadena en el orificio de la espada. Compruebe que los eslabones de arrastre de la cadena encajen en el piñón de arrastre y que la cadena esté bien colocada en la guía de la espada.

- Tensar la cadena girando la rueda hacia abajo (+). La cadena se debe tensar hasta que no tenga deflexión en la parte inferior de la espada. **(Figura 45)**
- La cadena está correctamente tensada cuando no tiene deflexión en la parte inferior de la espada y se puede girar fácilmente a mano. Sujetar la punta de la espada y apretar el embrague de la espada girando la manija a derechas. **(Figura 46)**
- El tensado de una cadena nueva debe controlarse con frecuencia, hasta que se haya hecho el rodaje. Controle el tensado regularmente. Una cadena correcta significa buena capacidad de corte y larga duración. **(Figura 47)**

## Montaje del apoyo de corteza

Para montar el apoyo de corteza, consulte a su taller de servicio local. **(Figura 48)**

# MANEJO DE LA BATERÍA

## Estado de la batería

En la pantalla puede verse la carga de la batería y si hay algún problema con ella. La carga de la batería se muestra durante cinco segundos después de apagar la máquina o pulsar el botón del indicador de la batería (1). El símbolo de advertencia de la batería se enciende cuando se produce un error (2). Consulte los códigos de error. (Figura 49)

Indicadores LED	Estado de la batería
Todos los LED están encendidos	Carga completa (75-100 %).
LED 1, LED 2 y LED 3 encendidos.	La batería está entre el 50 y el 75 % de su carga.
LED 1 y LED 2 encendidos.	La batería está cargada en un 25-50 %.
LED 1 encendido.	La batería registra una carga del 0-25 %.
El LED 1 parpadea.	La batería está descargada. Cargue la batería.

## Cargador de batería



**¡ATENCIÓN! Riesgo de descarga eléctrica y cortocircuito. Utilice tomas de corriente homologadas y en perfecto estado. Asegúrese de que el cable no esté dañado. En caso de que así sea, sustitúyalo.**

## Conexión del cargador

- Conecte el cargador a la tensión y la frecuencia indicadas en la placa de características. Conecte el enchufe a la toma de corriente. El LED del cargador parpadea en verde una vez. (Figura 50)
- La batería no se cargará si su temperatura supera los 50 °C.

## Conexión de la batería al cargador

Compruebe periódicamente que el cargador y la batería están intactos. Consulte también las instrucciones bajo el título Mantenimiento.

La batería debe cargarse antes de utilizarse por primera vez. La batería cuenta con el 30 % de carga cuando se entrega.

- Conecte el cargador a la batería. (Figura 50)
- El LED verde del cargador permanece encendido durante la carga. (Figura 51)
- Cuando todos los LED de la batería están encendidos, indica que está completamente cargada. (Figura 52)
- Desconecte el cargador de la batería.
- Desenchufe el cargador. Nunca tire del cable de alimentación para desenchufar el cargador de la toma de corriente.

## Estado de carga

Las baterías de iones de litio pueden cargarse independientemente de su nivel de carga. El proceso de carga puede interrumpirse o iniciarse independientemente del nivel de carga de la batería. (Figura 53)

Pantalla LED	Estado de carga
El LED 1 parpadea.	La batería registra una carga del 0-25 %.
LED 1 encendido y LED 2 parpadeando.	La batería está cargada en un 25-50 %.
LED 1 y LED 2 encendidos; LED 3 parpadeando.	La batería está entre el 50 y el 75 % de su carga.
LED 1, LED 2 y LED 3 encendidos; LED 4 parpadeando.	La batería está cargada en un 75-100 %.
LED 1, LED 2, LED 3 y LED 4 encendidos.	Cuando todos los LED de la batería están encendidos, indica que está completamente cargada.

## Transporte y almacenamiento

- Las baterías de iones de litio que contiene el producto están sujetas a los requisitos de la normativa sobre mercancías peligrosas.
- Deben cumplirse los requisitos de embalaje y etiquetado a la hora de realizar transportes comerciales por parte de terceros o agentes de transporte.
- Es necesario consultar a un experto en materiales peligrosos para preparar el artículo que se va a enviar. También debe tener en cuenta cualquier normativa nacional más detallada aplicable.
- Coloque cinta aislante sobre los contactos abiertos o tápelos y embale la batería de tal forma que no se mueva dentro del paquete.
- No olvide extraer la batería para el almacenamiento o transporte.
- Almacene la batería y el cargador en un lugar seco, sin humedad ni escarcha.
- No almacene la batería en lugares donde pueda generarse electricidad estática. No transporte nunca la batería en una caja metálica.
- Almacene la batería y el cargador en un lugar con una temperatura entre los 5 y los 45 °C y alejado de la luz solar directa.
- Almacene el cargador únicamente en un lugar cerrado y seco.
- Asegúrese de almacenar la batería y el cargador por separado. Guarde el equipo en un lugar seguro fuera del alcance de los niños y las personas no autorizadas.
- Antes del almacenaje prolongado, limpie bien la máquina y haga el servicio completo.

---

## MANEJO DE LA BATERÍA

---

- La protección de transporte del equipo de corte debe estar siempre montada para el transporte y almacenamiento de la máquina, a fin de evitar el contacto fortuito con la cadena aguda. Una cadena inmóvil también puede causar daños graves al usuario u otras personas que llegan a la cadena.
- Asegure la máquina durante el transporte.

### **Eliminación de la batería, el cargador y la máquina**

El símbolo en el producto o en su envase indica que no se puede tratar este producto como desperdicio doméstico. Deberá por lo tanto depositarse en un centro de recogida adecuado para el reciclado de equipos eléctricos y electrónicos.

Haciendo que este producto sea manipulado adecuadamente, se ayuda a evitar consecuencias negativas potenciales para el medio ambiente y las personas, lo que puede ocurrir con la manipulación inadecuada como residuos del producto. Para obtener información más detallada sobre el reciclado de este producto, contacte con la oficina municipal local, con el servicio de eliminación de desperdicios domésticos o con la tienda donde compró el producto.

## Arranque y parada



**¡ATENCIÓN!** Antes de arrancar, observe lo siguiente:

**No ponga en marcha la motosierra sin haber montado antes la espada, la cadena y todas las cubiertas. De lo contrario, el piñón de arrastre puede aflojarse y causar daños personales.**

**Asegúrese de tener buena estabilidad y de que la cadena no pueda tocar ningún objeto.**

**Asegúrese de que no haya terceros desautorizados en la zona de trabajo.**

- Antes de introducir la batería en la máquina, compruebe siempre que el gatillo de alimentación funciona correctamente y que vuelve a la posición de apagado cuando se suelta. Para evitar un arranque accidental del gatillo de alimentación, este dispone de un bloqueo. **(Figura 54)**
- Nunca ponga en marcha la motosierra sin haber montado antes correctamente la espada, la cadena y todas las cubiertas. Vea las instrucciones bajo el título Montaje. **(Figura 55)**
- Observe el entorno y asegúrese de que no haya riesgo de tocar a personas o animales con el equipo de corte. **(Figura 56)**
- Sujete siempre la motosierra con ambas manos. Agarre la empuñadura trasera con la mano derecha y la empuñadura delantera con la mano izquierda. **Todos los usuarios, diestros o zurdos, deben usar este agarre.** Agarre con firmeza, con todos los dedos alrededor de las empuñaduras de la motosierra. **(Figura 57)**

## Arranque

- Coloque la batería en la máquina. La batería debe deslizarse fácilmente en su compartimento de la máquina. Si la batería no se desliza con facilidad, es porque no se está colocando correctamente. **(Figura 58)**
- Presione hacia abajo en la batería. Oirá un 'clic' cuando la batería se quede fija en su posición. **(Figura 59)**
- Mantenga pulsado el botón de arranque durante más de un segundo, hasta que se encienda el LED verde. **(Figura 60)**

## Parada

La máquina se detiene pulsando el botón de inicio / parada del teclado (LED verde apagado). **(Figura 60)**

Aclaración! Para evitar arranques accidentales, la batería debe extraerse siempre cuando la máquina no se esté utilizando o no esté vigilada. Para extraer la batería de la máquina, presione los dos botones de esta. **(Figura 61)**

## Antes de utilizar la máquina: (Figura 62)

- 1 Compruebe que el freno de cadena funcione correctamente y no esté dañado.
- 2 Compruebe que la protección trasera de la mano derecha no esté dañada.
- 3 Compruebe que el bloqueo del gatillo de alimentación funcione correctamente y no esté dañado.
- 4 Compruebe que el teclado funcione correctamente y no esté dañado.
- 5 Compruebe que todos los mangos estén libres de aceite.
- 6 Compruebe que todas las piezas de la motosierra estén bien apretadas, no presenten daños y estén presentes.
- 7 Compruebe que el retén de cadena esté montado y en buenas condiciones.
- 8 Controle el tensado de la cadena.
- 9 Compruebe que la batería está completamente cargada y bien fijada a la motosierra.
- 10 Compruebe que la cadena de sierra se detiene cuando se suelta el gatillo de alimentación.

## Save

La batería cuenta con una función de ahorro de potencia (savE). Esta función se activa pulsando el botón savE del teclado. Con la función savE activada, se prolonga el tiempo de funcionamiento de la máquina, ya que se reduce la velocidad de la cadena. **(Figura 63)**

Aclaración! Utilizar la máquina con la función SavE activada únicamente reduce la velocidad de la cadena, no la potencia de la máquina.

## Instrucciones generales de trabajo

### ¡IMPORTANTE!

Este capítulo se refiere a las reglas de seguridad básicas para el trabajo con una motosierra. En ningún caso, su contenido podrá sustituir a los conocimientos, formación y experiencia práctica de un profesional. Por consiguiente, cuando no esté seguro de cómo utilizar la máquina, consulte a un experto. Diríjase a la tienda donde compró la motosierra, al taller de servicio o a un usuario de motosierras experto. ¡Evite los trabajos para los que no se sienta suficientemente cualificado!

No utilice la motosierra hasta que haya comprendido el significado de las reculadas y la forma de evitarlas. Vea las instrucciones bajo el título Medidas preventivas de las reculadas.

No utilice la motosierra hasta que haya comprendido la diferencia entre las técnicas de corte con la parte superior y la parte inferior de la espada. Vea las instrucciones de los capítulos Medidas preventivas de las reculadas y Equipo de seguridad de la máquina.

Utilice el equipo de protección personal. Vea las instrucciones bajo el título "Equipo de protección personal".

## Reglas básicas de seguridad

- 1 Observe el entorno para:
    - Comprobar que no hayan personas, animales, etc., que puedan influir en su control de la máquina.
    - Impedir que eventuales personas o animales puedan entrar en contacto con la cadena o sean alcanzadas o lesionadas por un árbol derribado.
- ¡NOTA! Siga las instrucciones mencionadas arriba y no utilice la motosierra sin que haya alguien a quien recurrir en caso de accidente.
- 2 No trabaje en condiciones atmosféricas desfavorables como niebla, lluvia intensa, tempestad, frío intenso, etc. El trabajo con mal tiempo es fatigoso y puede crear circunstancias peligrosas, como terreno resbaladizo, cambio imprevisto de la dirección de derribo de los árboles, etc.
  - 3 Proceda con sumo cuidado en el corte de ramas pequeñas y evite cortar arbustos (= varias ramas al mismo tiempo). Después del corte, las ramas pequeñas pueden atascarse en la cadena, ser lanzadas hacia Ud. y herirle de gravedad.
  - 4 Compruebe que pueda caminar y mantenerse de pie con seguridad. Vea si hay eventuales impedimentos para desplazamientos imprevistos (raíces, piedras, ramas, fosos, zanjas, etc.). Proceda con sumo cuidado al trabajar en terreno inclinado.
  - 5 Sea sumamente cuidadoso al cortar en árboles en tensión. Un árbol en tensión puede, tanto antes como después de terminar de cortar, volver a su posición normal. Si Ud. o el corte están mal ubicados, el árbol



# TÉCNICA DE TRABAJO

puede golpearlo a Ud. o a la máquina y hacerle perder el control. Las dos situaciones pueden ocasionar daños personales graves. **(Figura 64)**

- 6 Para los desplazamientos, desactive y bloquee la cadena con el freno. Lleve la motosierra con la espada y cadena orientadas hacia atrás. Para los desplazamientos largos y los transportes utilice siempre la protección de la espada.
- 7 Cuando ponga la motosierra en el suelo, bloquee la cadena de sierra con el freno de cadena y no pierda de vista la motosierra. Desactive la máquina y extraiga la batería antes de almacenar la motosierra durante un periodo prolongado.



**¡ATENCIÓN! A veces las astillas se quedan atascadas en el sistema de transmisión, lo que hace que la cadena se bloquee. Detenga siempre la máquina y retire la batería antes de efectuar la limpieza.**

## Reglas básicas

- 1 Entendiendo las implicaciones y causas de la reculada, Ud. puede reducir o eliminar sorpresas que incrementen el riesgo de accidente. La mayoría de reculadas son pequeñas, aunque algunas son rapidísimas y muy violentas.
- 2 Sujete siempre la motosierra con firmeza, con la mano derecha en el mango trasero y la mano izquierda en el mango delantero, agarrando los mangos con todos los dedos. Este agarre deben utilizarlo todos los usuarios, incluso los zurdos. Este agarre es la mejor forma de reducir el efecto de una reculada y, al mismo tiempo, mantener el control de la motosierra. **¡No suelte los mangos!** **(Figura 65)**
- 3 La mayoría de los accidentes por reculada se producen al desramar. Procure trabajar con una postura estable y que en el suelo no hayan objetos que puedan hacerle tropezar y perder el equilibrio.

Si se trabaja con negligencia, el sector de riesgo de reculada de la espada puede tocar involuntariamente una rama, un árbol u otro objeto y producir una reculada.

Controle la pieza de trabajo. Si las piezas de trabajo que sierra son pequeñas y ligeras, pueden atascarse en la cadena de sierra y ser lanzadas contra usted. Esto, aunque no es necesariamente peligroso, puede sorprenderle y hacerle perder el control de la motosierra. No sierre nunca troncos apilados ni ramas sin separarlos antes. Sierre solamente los troncos de trozo en trozo. Aparte los trozos aserrados para mantener segura su zona de trabajo. **(Figura 74)**

- 4 **No utilice nunca la motosierra por encima de los hombros y evite cortar con la punta de la motosierra. ¡No utilice nunca la motosierra con una sola mano!** **(Figura 66)**
- 5 Para obtener máximo control de la motosierra, es necesario adoptar una posición estable. No trabaje nunca subido a una escalera, trepado a un árbol o en

una posición que carezca de una base firme. **(Figura 67)**

- 6 Corte con velocidad de cadena alta, acelerando al máximo.
- 7 Para cortar con la parte superior de la espada, en sentido ascendente desde la parte inferior del objeto a cortar, proceda con muchísimo cuidado. Al trabajar con esta técnica, llamada de cadena impelente, la cadena empuja la motosierra hacia atrás, hacia el usuario. Si la cadena de sierra se atasca, la motosierra puede ser lanzada hacia atrás contra usted. **(Figura 68)**
- 8 Si el usuario no resiste la fuerza de la motosierra, puede ocurrir que ésta retroceda tanto que el sector de riesgo de reculada de la espada toque el árbol y se produzca una reculada. **(Figura 69)**

El corte con la parte inferior de la espada, en sentido descendente desde la parte superior del objeto a cortar, se denomina de corte con cadena tirante. La motosierra es tirada hacia el árbol y el canto delantero del cuerpo se apoya contra el tronco. Con esta técnica de cadena tirante, el usuario controla mejor la motosierra y la situación del sector de riesgo de reculada de la espada. **(Figura 70)**

- 9 Siga las instrucciones de afilado y mantenimiento de la espada y la cadena. Al cambiar la espada y la cadena sólo deben utilizarse las combinaciones recomendadas por nosotros. Vea las instrucciones bajo los títulos Equipo de corte y Datos técnicos.

## Técnica básica de corte



**¡ATENCIÓN! No utilice nunca una motosierra agarrándola solamente con una mano. Una motosierra no se controla con seguridad con una mano. Agarre con fuerza y firmeza las empuñaduras con ambas manos.**

## Generalidades

- ¡Para cortar, utilice siempre la aceleración máxima!
- Después de cada corte de sierra, suelte el gatillo de alimentación (dejar el motor durante demasiado tiempo en aceleración máxima prolongada sin carga, es decir, sin que el motor tenga la resistencia de la cadena en el aserrado, produce avería grave del motor).
- Corte descendente = con cadena "tirante".
- Corte ascendente = con cadena "impelente".

La técnica con cadena "impelente" supone un mayor riesgo de reculada. Vea las instrucciones bajo el título Medidas preventivas de las reculadas.

## Designaciones

Desramado = corte de las ramas de un árbol talado.

Partición = rotura del objeto que se corta antes de concluir el corte.

# TÉCNICA DE TRABAJO

**Para los trabajos de tronzado deben tenerse en cuenta cinco factores muy importantes:**

- 1 El equipo de corte no debe quedar apretado en el surco. (Figura 71)
- 2 El objeto que se corta no debe partirse. (Figura 72)
- 3 Durante el tronzado y después del mismo, la cadena de la sierra no debe tocar el suelo ni objeto alguno. (Figura 73)
- 4 ¿Hay riesgo de reculada? (Figura 4)
- 5 ¿Puede la configuración del terreno y el entorno influir en su estabilidad y seguridad para caminar y mantenerse de pie?

El atasco de la cadena y la partición del objeto de corte pueden deberse a dos factores: el apoyo del objeto antes y después del tronzado, y si el objeto a cortar está tenso.

En la mayoría de casos, estos factores pueden evitarse efectuando el tronzado en dos etapas: por arriba y por abajo. Así se neutraliza la propensión del objeto a cortar a apretar la cadena o a partirse.



**¡ATENCIÓN! Si la cadena de sierra se atasca en el corte; desactive la máquina! No intente sacar la máquina por la fuerza. Si lo hace, puede sufrir lesiones con la cadena de sierra cuando se suelta repentinamente la máquina. Para soltar la máquina, utilice una palanca.**

A continuación, se indica un listado teórico de la forma de tratar las situaciones más comunes con que puede enfrentarse un usuario de motosierra.

## Tronzado



**¡ATENCIÓN! No intente nunca serrar troncos apilados ni dos troncos que están muy juntos. Estos métodos incrementan drásticamente el riesgo de reculada, que comportan riesgo de daños personales graves y peligro de muerte.**

Si hay una pila de troncos, se debe separar de ella cada tronco que se va a cortar, colocarlo en un soporte para serrar guiadera y cortarlo por separado.

Aparte los trozos cortados de la zona de trabajo. Si los deja en la zona de trabajo, aumenta el riesgo de reculada por equivocación y el riesgo de perder el equilibrio cuando trabaja. (Figura 74)

**El tronco en el suelo.** No hay riesgo de atasco de la cadena o de partición del objeto de corte. Sin embargo, hay un riesgo considerable de que la cadena toque el suelo después del corte.

Corte desde arriba todo el tronco. Al final del corte, proceda con cuidado para evitar que la cadena toque el suelo. Mantenga la aceleración máxima y esté alerta a lo que va a pasar.

Si es posible (¿puede girarse el tronco?), termine el corte a 2/3 del diámetro del tronco.

Gire el tronco para cortar el tercio restante desde arriba. (Figura 75)

**El tronco está apoyado en un extremo.** Gran riesgo de partición.

Empiece cortando desde abajo (aproximadamente 1/3 del diámetro del tronco).

Termine el corte desde arriba, hasta que se encuentren los dos surcos. (Figura 76)

**El tronco está apoyado en ambos extremos.** Gran riesgo de atasco de la cadena.

Empiece cortando desde arriba (aproximadamente 1/3 del diámetro del tronco).

Termine el corte desde abajo, hasta que se encuentren los dos surcos. (Figura 77)

## Técnica de tala

**¡IMPORTANTE!** La tala de árboles requiere mucha experiencia. Un usuario de motosierra inexperto no debe talar árboles. ¡Evite los trabajos para los que no se considere suficientemente capacitado!

### Distancia de seguridad

La distancia de seguridad entre el árbol a talar y el lugar de trabajo más cercano debe ser de 2,5 longitudes de árbol. Asegúrese de que no haya nadie en esta "zona de riesgo" antes de la tala y durante la misma. (Figura 78)

### Dirección de derribo

El derribo tiene por objeto la colocación del árbol de forma que el desramado y tronzado subsiguientes puedan efectuarse en un terreno lo más "fácil" posible. El talador debe poder caminar y mantenerse de pie con seguridad.

Cuando haya decidido en qué dirección quiere derribar el árbol, debe considerar la dirección natural de caída del mismo.

Ésta depende de varios factores:

- Inclinación
- Torcimiento
- Dirección del viento
- Concentración de las ramas
- Peso de la nieve, si la hay
- Obstáculos dentro del alcance del árbol: como otros árboles, cables eléctricos, paredes y edificios.
- Compruebe si el tronco tiene daños o podredumbre, que aumentan la probabilidad de que el árbol se rompa y empiece a caer antes de lo previsto.

Una vez considerados estos factores, puede verse obligado a dejar que el árbol caiga en su dirección natural, ya que es imposible, o demasiado arriesgado, intentar colocarlo en la dirección decidida en un principio.

# TÉCNICA DE TRABAJO

Otro factor muy importante, que no afecta a la dirección de derribo pero sí a su seguridad personal, es el control de que el árbol no tenga ramas dañadas o "muertas" que puedan romperse por sí solas y dañarle a Ud. durante la tala.

Ante todo, debe evitarse que el árbol derribado se atasque en otro árbol. Es muy peligroso retirar un árbol atascado y hay un elevado riesgo de accidente. Vea las instrucciones bajo el título Tratamiento de una tala fallida.

**¡IMPORTANTE!** En momentos críticos de la tala deberán levantarse los protectores auriculares apenas termine el aserrado, a fin de poder advertir ruidos y señales de advertencia.

## Corte de ramas bajas y camino de retirada

Desrame el ronco hasta la altura del hombro. Es más seguro trabajar de arriba a abajo y tener el tronco entre usted y la motosierra. (Figura 79)

Limpie la vegetación que hay alrededor del árbol y elimine los eventuales obstáculos (piedras, ramas, huecos, etc.) para tener preparado un camino de retirada cuando empiece a caer el árbol. El camino de retirada debe estar a unos 135°, oblicuamente hacia atrás, de la dirección de derribo prevista. (Figura 80)

- 1 Zona de riesgo
- 2 Vía de retirada
- 3 Dirección de derribo

## Tala



**¡ATENCIÓN! ¡Desaconsejamos a los usuarios insuficientemente cualificados que talen árboles con espada de longitud más pequeña que el diámetro del tronco a cortar!**

La tala se hace con tres cortes. Se empieza con el corte de indicación, compuesto por un corte superior y un corte inferior; y se termina con el corte de derribo. Con la ubicación correcta de estos cortes puede controlarse con gran exactitud la dirección de derribo.

### Corte de indicación

Para cortar el corte de indicación se empieza con el corte superior. Oriente las marcas de dirección de tala (1) hacia un objeto del terreno en el sentido en que se quiere abatir el árbol (2). Sitúese en el lado derecho del árbol, detrás de la sierra, y corte con cadena tirante.

Luego, efectúe el corte inferior, que debe terminar exactamente donde terminó el corte superior. (Figura 81)

La profundidad del corte de indicación debe ser igual a 1/4 del diámetro del tronco, y el ángulo entre los cortes superior e inferior debe ser de 45° como mínimo.

La convergencia de ambos cortes se denomina línea de corte de indicación. La línea de corte de indicación debe ser perfectamente horizontal y formar un ángulo recto (90°) con la dirección de derribo elegida. (Figura 82)

## Corte de derribo

El corte de derribo se hace en el lado opuesto del árbol y debe ser perfectamente horizontal. Sitúese a la izquierda del árbol y corte con cadena tirante.

Sitúe el corte de derribo a unos 3-5 cm (1,5-2 pulgadas) por encima del plano horizontal del corte de indicación. (Figura 83)

Coloque el apoyo de corteza (si ha sido montado) detrás de la faja de desgaje. Corte con aceleración máxima introduciendo lentamente la cadena/espada en el tronco. Preste atención a si el árbol se mueve en dirección opuesta a la elegida para el derribo. Tan pronto lo permita la profundidad de corte, ponga una cuña de derribo o una barra desgajadora en el corte de derribo. (Figura 84)

El corte de derribo debe quedar paralelo con la línea de corte de indicación, con una distancia mínima entre ambos de 1/10 del diámetro del tronco. La parte del tronco sin cortar se denomina faja de desgaje.

La faja de desgaje funciona como una bisagra que dirige la dirección de derribo del árbol. (Figura 85)

Se pierde completamente el control de la dirección de derribo del árbol si la faja de desgaje es demasiado pequeña o se atraviesa al cortar, o si los cortes de indicación y derribo están mal situados. (Figura 86)

Cuando están terminados los cortes de indicación y de derribo, el árbol debe empezar a caer; bien por sí solo, o con ayuda de la cuña de derribo o de la barra desgajadora. (Figura 87)

Recomendamos emplear una longitud de espada mayor que el diámetro del tronco para que los cortes de derribo e indicación se puedan hacer con un 'corte sencillo'. Vea las instrucciones del capítulo Datos técnicos en lo referente a las longitudes de espada recomendadas para su modelo de motosierra. (Figura 88)

Hay técnicas para la tala de árboles con diámetros de tronco más grandes que la longitud de la espada. Estas técnicas conllevan un riesgo considerable de que el sector de riesgo de reculada de la espada toque un objeto. (Figura 4)

## Tratamiento de una tala fallida

### Derribo de un árbol "atascado"

Es muy peligroso retirar un árbol atascado y hay un elevado riesgo de accidente.

No intente nunca cortar árboles talados apoyados sobre otros.

No trabaje nunca dentro de la zona de riesgo de árboles talados atascados y suspendidos. (Figura 89)

El método más seguro es utilizar un torno.

- Montado en un tractor (Figura 90)
- Portátil (Figura 91)

# TÉCNICA DE TRABAJO

## Corte de árboles y ramas tensos

Preparativos: Estime el sentido de la tensión y dónde tiene su punto de ruptura (es decir, el punto en el que se rompería si se siguiera tensando). (Figura 92)

Determine la forma más segura de soltar la tensión y también, si Ud. puede hacerlo. En situaciones muy complicadas, el único método seguro consiste en utilizar un torno en vez de la motosierra.

### Generalidades:

Sitúese de modo que no haya riesgo de que sea alcanzado por el tronco/la rama cuando se suelte. (Figura 93)

Haga uno o varios cortes en el punto de ruptura o cerca del mismo. Corte a la profundidad requerida y con el número de cortes necesarios para que la tensión del tronco/la rama se suelte lo suficiente para que el tronco/la rama se "parta" en el punto de ruptura. (Figura 94)

### ¡No corte nunca del todo un objeto en tensión!

Si necesita cortar a través del árbol/rama, haga dos o tres cortes con una separación de 3 cm y una profundidad de 3 a 5 cm. (Figura 95)

Continúe serrando a más profundidad hasta que soltar la fuerza y la tensión del árbol/rama. (Figura 96)

Sierre el árbol/rama desde el lado opuesto después de soltar la tensión.

## Medidas preventivas de las reculadas



**¡ATENCIÓN! Las reculadas pueden ser rapidísimas, repentinas y violentas, lanzando la motosierra, la espada y la cadena contra el usuario. Si la cadena en movimiento toca al usuario, pueden producirse lesiones muy graves e incluso mortales. Es necesario comprender las causas de las reculadas y que pueden evitarse procediendo con cuidado y trabajando con la técnica correcta.**

### ¿Qué es la reculada?

Reculada es la denominación de una reacción repentina por la que la motosierra y la espada salen despedidas de un objeto que ha entrado en contacto con el cuadrante superior de la punta de la espada, denominado sector de riesgo de reculada. (Figura 69)

La reculada sigue siempre el sentido del plano de la espada. Lo más común es que la motosierra y la espada reboten hacia atrás en sentido ascendente, hacia el usuario. También hay otros sentidos de reculada dependiendo de la posición de la motosierra en el momento en que el sector de riesgo de reculada de la espada toca un objeto.

La reculada sólo puede producirse cuando el sector de riesgo de reculada de la espada toca un objeto.

(Figura 4)

### Desramado



**¡ATENCIÓN! La mayoría de accidentes por reculada ocurren al desramar. No use el sector de riesgo de reculada de la espada. Proceda con sumo cuidado y evite que la punta de la espada entre toque en el tronco, en otras ramas o en objetos. Proceda con sumo cuidado con las ramas que están tensadas. Pueden ser despedidas contra usted y hacerle perder el control, con el riesgo consiguiente de daños.**

¡Cerciórese de que pueda caminar y mantenerse de pie con seguridad! Trabaje desde el lado izquierdo del tronco. Trabaje lo más cerca posible de la motosierra para máximo control. Cuando sea posible, descargue el peso de la motosierra apoyándola en el tronco.

Desplácese solamente cuando el tronco esté situado entre Ud. y la motosierra. (Figura 97)

### Tronzado del tronco

Vea las instrucciones bajo el título Técnica básica de corte.

## Generalidades

El usuario sólo puede efectuar los trabajos de mantenimiento y servicio descritos en este manual. Los trabajos de mayor envergadura debe efectuarlos un taller de servicio oficial.

## Control, mantenimiento y servicio del equipo de seguridad de la motosierra



**¡ATENCIÓN! No olvide extraer la batería antes de realizar cualquier tarea de montaje, mantenimiento y / o comprobación de la máquina.**

Aclaración! Para todos los trabajos de servicio y reparación de la máquina es necesaria una capacitación especial. Esto es especialmente aplicable al equipo de seguridad. Si la máquina no da resultados satisfactorios en alguno de los controles de la lista abajo, le recomendamos que acuda a un taller de servicio.

Importante! Nunca limpie la batería o el cargador con agua. Los agentes de limpieza agresivos pueden dañar el plástico.

## Freno de cadena con protección contra reculadas

### Control de la protección contra reculadas

- Compruebe que la protección contra reculadas esté intacta, sin defectos visibles como, por ejemplo, grietas. (Figura 98)
- Empuje la protección contra reculadas hacia adelante y atrás para comprobar que se mueve con facilidad y que está firmemente anclada a la máquina. (Figura 99)

### Control de la función de inercia

- Mantenga la motosierra, desactivada, sobre un tocón u otro objeto estable. Suelte la empuñadura delantera y deje caer la motosierra por su propio peso, rotando en la empuñadura trasera, contra el tocón. (Figura 100)

**El freno de cadena debe activarse cuando la punta de la espada toca el tocón.**

### Control del efecto de frenado

- Arranque la motosierra. Tenga cuidado de que la cadena de sierra no entre en contacto con el suelo u otro objeto. Consulte las instrucciones bajo el título Arranque y parada.
- Sostenga la motosierra con firmeza, agarrando los mangos con todos los dedos. (Figura 65)
- Acelere al máximo y active el freno de cadena girando la muñeca izquierda hacia la protección contra

reculadas. No suelte el mango delantero. **La cadena debe detenerse inmediatamente. (Figura 101)**

## Bloqueo del gatillo de alimentación

- Asegúrese de que el gatillo de alimentación está bloqueado en la posición de ralentí cuando el bloqueo se suelta. (Figura 102)
- Presione el bloqueo del gatillo de alimentación y compruebe que vuelve a su posición inicial al soltarlo. (Figura 103)
- Compruebe que el gatillo de alimentación y el bloqueo se mueven con facilidad y que sus sistemas de muelles de retorno funcionan correctamente. (Figura 104)
- Arranque la motosierra y aplique la máxima potencia. Suelte el gatillo de alimentación y compruebe que la cadena de sierra se para y permanece inmóvil.

## Captor de cadena

- Compruebe que el captor de cadena esté intacto y que esté firmemente montado al cuerpo de la motosierra. (Figura 105)

## Teclado

- Arranque la motosierra y asegúrese de que se detiene cuando se pulsa el botón de inicio / parada (LED verde apagado). (Figura 106)

## Conectores de la batería

Limpie la batería y los compartimentos de la batería con un cepillo de cerdas suaves tras el uso. Asegúrese de limpiar todas las ranuras de ventilación y los conectores de la batería. (Figura 107)

## Sistema refrigerante

Para lograr una temperatura de funcionamiento lo más baja posible, la máquina incorpora un sistema refrigerante.

El sistema refrigerante está compuesto por:

- 1 Toma de aire (lado izquierdo de la máquina).
  - 2 Ventilador en el motor.
- Limpie el sistema de refrigeración con un cepillo una vez por semana (en condiciones difíciles, con mayor frecuencia). Un sistema de refrigeración sucio u obstruido provoca el sobrecalentamiento de la máquina, que a su vez genera daños en esta. (Figura 108)

## Batería

- Compruebe que la batería no presenta daños, deformaciones ni defectos visibles, como grietas. (Figura 109)

# MANTENIMIENTO

## Cargador de batería

- Asegúrese de que el cargador de la batería y el cable de alimentación no presentan daños, deformaciones ni defectos visibles, como grietas. (Figura 110)

## Programa de mantenimiento

A continuación incluimos una lista con los puntos de mantenimiento a efectuar en la máquina. La mayoría de los puntos se describen en el capítulo "Mantenimiento".

Mantenimiento diario	Mantenimiento semanal	Mantenimiento mensual
Limpie la parte exterior de la máquina.	Lime las eventuales rebabas en los lados de la espada.	Compruebe las conexiones entre la batería y la máquina, así como la conexión entre la batería y el cargador.
Compruebe que los componentes del gatillo de alimentación funcionan de manera segura (gatillo de alimentación y bloqueo).		Vacíe el depósito de aceite y límpiolo interiormente.
Limpie el freno de cadena y compruebe que funcione con seguridad. Verifique que el captor de cadena esté intacto y cámbielo si es necesario.		Aplique cuidadosamente aire comprimido en el producto y las ranuras de refrigeración de la batería.
Dé vuelta la espada cada día para que el desgaste sea regular. Compruebe que el orificio de lubricación de la espada no esté obturado. Limpie la guía de la cadena. Si la espada lleva cabezal de rueda, engráselo.		
Compruebe que la espada y la cadena reciban aceite suficiente.		
Revise la cadena de sierra en lo referente a grietas en remaches y eslabones, rigidez de la cadena o desgaste anormal de remaches y eslabones. Cambie las piezas gastadas.		
Afile la cadena y compruebe su tensado y su estado. Verifique que el piñón de arrastre de la cadena no esté demasiado desgastado, cámbielo si es necesario.		
Limpie la toma de aire de la máquina.		
Compruebe que los tornillos y las tuercas estén apretados.		
Compruebe que el teclado funcione correctamente y no esté dañado.		

# MANTENIMIENTO

## Tabla de localización de fallos

### Teclado

Posibles códigos de error del teclado de la motosierra.

Teclado	Posibles errores	Posible acción
Indicador de advertencia parpadeando.	Freno de cadena aplicado.	Tire de la protección contra reculadas hacia atrás para liberar el freno de cadena.
	Desviación de la temperatura.	Deje que la máquina se enfríe.
	Sobrecarga. Equipo de corte atascado.	El equipo de corte está atascado. Desmonte el equipo de corte.
	El gatillo de alimentación y el botón de activación se pulsan simultáneamente.	Suelte el gatillo de alimentación y se activará la máquina.
LED verde de activación parpadeando.	Tensión de la batería baja.	Cargue la batería.
Indicador de advertencia encendido.	Servicio técnico	Contacte con su taller de servicio.

### Batería

Resolución de problemas de la batería y / el cargador durante la carga.

Pantalla LED	Posibles errores	Posible acción
Indicador de advertencia parpadeando.	Batería agotada.	Cargar la batería.
	Desviación de la temperatura.	Utilice la batería en entornos en los que la temperatura se encuentre entre los -10 °C y los 60 °C.
	Sobretensión.	Compruebe que la tensión de red concuerda con la que se indica en la placa de características de la máquina.
Desconecte el cargador de la batería.		
Indicador de advertencia encendido.	Demasiada diferencia de célula (1V).	Contacte con su taller de servicio.

### Cargador de batería

Pantalla LED	Posibles errores	Posible acción
Indicador de advertencia parpadeando.	Desviación de la temperatura.	Deje que se enfríe el cargador (refrigeración pasiva).
Indicador de advertencia encendido.	Daño permanente.	Contacte con su taller de servicio.

# DATOS TECNICOS

## Datos técnicos

	<b>136Li</b>
<b>Motor</b>	
Tipo	Motor con escobillas de 36 V
<b>Características</b>	
Modo de energía baja	savE
<b>Sistema de lubricación</b>	
Tipo de bomba de aceite	Automática
Capacidad del depósito de aceite, litros/cm <sup>3</sup>	0,20/200
<b>Peso</b>	
Motosierra sin batería, espada ni cadena, depósito de aceite de cadena vacío, kg	4,8
<b>Emisiones de ruido (vea la nota 1)</b>	
Nivel de potencia acústica medido dB(A)	97,3
Nivel de potencia acústica garantizado L <sub>WA</sub> dB(A)	101
Incertidumbre respectiva KpA, dB(A)	3,0
<b>Niveles acústicos (vea la nota 2)</b>	
Nivel de presión acústica equivalente en el oído del usuario, dB(A).	86
<b>Niveles de vibraciones (vea la nota 3)</b>	
Mango delantero, m/s <sup>2</sup>	3,61
Mango trasero, m/s <sup>2</sup>	2,25
Incertidumbre respectiva K, m/s <sup>2</sup>	1,5
<b>Niveles de vibración equivalentes (véase la nota 4).</b>	
Mango delantero, m/s <sup>2</sup>	2,29
Mango trasero, m/s <sup>2</sup>	1,58
<b>Cadena/espada</b>	
Longitudes de espada recomendadas, pulgadas/cm	12/30
Longitud efectiva de corte, pulgadas/cm	10/26
Tipo de piñón de arrastre/número de dientes	Spur/6
Velocidad máxima de la cadena / (savE), m/s	11 (10)

<b>Batería homologada para anteriores modelos de motosierra</b>		
Batería	<b>BLi110</b>	<b>BLi150</b>
Tipo	iones de litio	iones de litio
Capacidad de la batería, Ah	3,0	4,2
Tensión, V	36	36
Peso, kg	1,2	1,3

<b>Cargadores compatibles con las baterías especificadas, BLi.</b>			
Cargador de batería	<b>QC80</b>	<b>QC120</b>	<b>QC330</b>
Tensión de red (V)	100-240	220-240	100-240
Frecuencia, Hz	50-60	50-60	50-60
Potencia, W	80	125	330

Nota 1: Emisiones sonoras en el entorno medidas como potencia acústica (L<sub>WA</sub>) según la directiva CE 2000/14/CE.

Nota 2: el nivel de presión sonora equivalente, según la norma ISO 22868, se calcula como la suma de energía, ponderada en el tiempo, de los niveles de presión sonora en diferentes condiciones de trabajo. La dispersión estadística habitual del nivel de presión sonora equivalente es la desviación típica de 1 dB (A).

Nota 3: Nivel de vibración conforme a EN 60745-2-13. Los datos referidos del nivel de vibración poseen una dispersión estadística habitual (desviación típica) de 1 m/s<sup>2</sup>. Lecturas de vibración cuando la máquina está equipada con una barra de determinada longitud y el tipo de cadena recomendado. Si la máquina está equipada con una barra de diferente longitud, el nivel de vibración puede variar aproximadamente  $\pm 1,5$  m/s<sup>2</sup>.

Nota 4: El nivel de vibración equivalente se mide y calcula del mismo modo que para las motosierras con motor de combustión. Estos números se proporcionan para poder comparar los datos de vibración independientemente del tipo de motor.




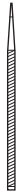
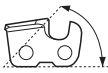
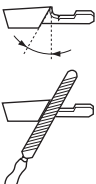

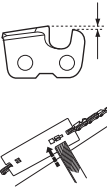
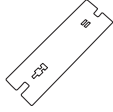

## DATOS TECNICOS

### Combinaciones de espada y cadena

Los siguientes equipos de corte están homologados para el modelo Husqvarna 136Li.

Espada				Cadena	
Longitud, pulgadas	Paso, pulgadas	Anchura de ranura, mm	Máximo número de dientes, cabezal de rueda	Tipo	Longitud, eslabones de arrastre (unidad)
12	3/8	1,1	9T	Husqvarna H38	45

### Afilado y calibres de afilado de la cadena de sierra

							
	inch/mm				inch/mm		
38	11/64 / 4,5	90°	30°	0°	0.025 / 0,65	5056981-03	5795588-01

### Declaración CE de conformidad

#### (Rige sólo para Europa)

**Husqvarna AB**, SE-561 82 Huskvarna (Suecia), tel:+46-36-146500, declara bajo su responsabilidad que las motosierras con batería sin cable **Husqvarna 136Li** a partir del número de serie del año 2016 en adelante (el año se indica claramente en la placa de identificación, seguido del número de serie), cumple con las siguientes disposiciones en las DIRECTIVAS DEL CONSEJO:

- **2006/42/CE** «relativa a máquinas» del 17 de mayo de 2006.
- **2014/30/UE**, "referente a compatibilidad electromagnética", del 26 de febrero de 2014.
- **2006/95/CE** del 12 de diciembre de 2006 relativa a equipos eléctricos destinados a utilizarse con determinados límites de tensión.
- **2006/66/CE** del 6 de septiembre de 2006 relativa a las pilas y acumuladores.
- **2000/14/CE**, "sobre emisiones sonoras en el entorno" del 8 de mayo de 2000.

Se han aplicado las siguientes normas: **EN 60745-1**, **EN 60745-2-13**, **EN 60335-2-29**, **EN 55014-1**, **EN 55014-2**.

Organismo inscrito: **NB905, Intertek Deutschland GmbH**, Stagenstraße 1, 70771 Leinfelden-Echterdingen, Alemania, ha efectuado el examen de la CE en conformidad con lo estipulado en el artículo 12, punto 3b de la directiva sobre maquinaria (2006/42/EC). Los certificados sobre el examen CE de tipo conforme al Anexo IX tienen el número: **NB905 15SHW0344-01**.

Para más información sobre las emisiones sonoras, consulte el capítulo Datos técnicos.

La motosierra entregada coincide con el ejemplar que fue sometido al examen CE de tipo.

Husqvarna, 30 de marzo de 2016



Lars Roos, Jefe de Desarrollo

(Presentante autorizado de Husqvarna AB y responsable de la documentación técnica.)

# EXPLICAÇÃO DOS SÍMBOLOS

## Símbolos na máquina:

Tradução das instruções de operação originais em Sueco.

**ATENÇÃO!** Moto-serras podem ser perigosas! O uso indevido ou incorrecto poderá causar sérios ferimentos ou até mesmo a morte do utilizador ou outras pessoas.

Leia as instruções para o uso com toda a atenção e compreenda o seu conteúdo antes de fazer uso da máquina.

Use sempre:

- Capacete protector aprovado
- Protectores acústicos aprovados
- Óculos ou viseira de protecção

Este produto está conforme as directivas em validade da CE.

Emissões sonoras para o meio ambiente conforme directiva da Comunidade Europeia. A emissão da máquina é indicada no capítulo Especificações técnicas e no autocolante.

As duas mãos do operador têm de ser utilizadas para operar a moto-serra.

Nunca opere a moto-serra pegando nela apenas com uma mão.

Não permita nunca que a ponta da lâmina toque em algum objecto.

**ATENÇÃO!** Quando a ponta da lâmina entra em contacto com um objecto, pode causar uma reacção de retrocesso, em que a lâmina é atirada para cima e para trás, contra o utilizador. Isso pode causar graves ferimentos.

Sentido de rotação da corrente da serra e comprimento máximo da lâmina.

Travão da corrente, activado (direita) Travão da corrente, não activado (esquerda)



Enchimento com óleo de corrente.



**Marca ambiental.** O símbolo no produto ou respectiva embalagem indica que este produto não pode ser processado como detritos domésticos. O produto deve então ser entregue a uma estação de reciclagem adequada para reciclagem de equipamento eléctrico e electrónico.

Corrente contínua.



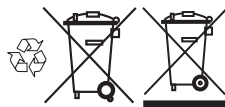
Evite expô-las à chuva.



**Os restantes símbolos e autocolantes existentes na máquina dizem respeito a exigências específicas para homologação em alguns países.**

## Símbolos na bateria e/ou no carregador da bateria:

Este produto deve ser depositado numa instalação de reciclagem adequada.



Transformador contra-falhas



Utilize e armazene sempre o carregador da bateria no interior.



Isolamento duplo



# EXPLICAÇÃO DOS SÍMBOLOS

Encontrará os seguintes autocolantes na máquina, bateria e carregador de bateria.

**WARNING**  
 Read and follow all safety precautions in the owner's manual. Failure to follow instructions could result in serious injury to user. Contact of the guide bar tip with any object should be avoided. Tip contact may cause the guide bar to move suddenly upward and backwards, which may cause serious injury to user. Two hands are always to be used in operation of the chain saw. Use only identical replacement bar and chain components manufactured by Husqvarna. Use only Husqvarna Battery type BLi.

**AVERTISSEMENT**  
 Consulter et respecter les consignes de sécurité contenues dans le manuel de l'utilisateur. Le non-respect de ces instructions peut entraîner de graves blessures chez l'utilisateur. Éviter tout contact entre le nez du guide-barrière et un objet. Tout contact avec le nez peut entraîner des mouvements brusques du guide-barrière vers le haut ou vers le bas susceptibles de provoquer de graves blessures. L'utilisateur doit toujours utiliser ses deux mains lorsqu'il fait fonctionner la tronçonneuse. Utiliser uniquement des pièces de rechange de guide-barrière et de la chaîne identiques qui ont été développées par Husqvarna. Utiliser uniquement une batterie Husqvarna de type BLi.

**ADVERTENCIA**  
 Lea y siga todas las precauciones de seguridad especificadas en el manual de instrucciones. El incumplimiento de estas instrucciones podría comportar lesiones personales de gravedad. Debe evitarse que la punta de la sierra entre en contacto con cualquier objeto. El contacto con la punta podría provocar un movimiento repentino hacia arriba y hacia abajo de la sierra, lo que podría causar graves lesiones personales. La operación siempre debe manejarse con las dos manos. Utilice únicamente componentes de sustitución de la espada y la cadena idénticos a los originales y fabricados por Husqvarna. Utilice únicamente una batería de tipo BLi de Husqvarna.

587134101

**Husqvarna** Class 2C Chainsaw

36V == 136Li Article No. XXXXXXXXXX  
 Serial No. XXXXXXX-XX  
 PNC No. XXXXXXX-XX

HUSQVARNA AB, SE-561 82 HUSKVARNA, SWEDEN

**Husqvarna AB** S-561 82 Huskvarna, Sweden

Type BLi  
 Art.no. 36V = / Ah Li Ion Wh  
 10INR19/66-2

s/n

Rechargeable Li-Ion Battery

**Husqvarna AB** S-561 82 Huskvarna, Sweden

Type: QC

Art.-No. Input: V-/ Hz / 100W max.  
 Output: 36V = / 2A  
 Class 2 battery charger

serial-no.: .....

**Li-Ion**  
 Use ONLY with Husqvarna Li-Ion batteries

# ÍNDICE

## Índice

### EXPLICAÇÃO DOS SÍMBOLOS

Símbolos na máquina: .....	290
Símbolos na bateria e/ou no carregador da bateria: .....	290

### ÍNDICE

Índice .....	292
--------------	-----

### INTRODUÇÃO

Prezado cliente! .....	293
------------------------	-----

### COMO SE CHAMA?

Como se chama, na moto-serra? .....	293
-------------------------------------	-----

### INSTRUÇÕES GERAIS DE SEGURANÇA

Avisos gerais de segurança da ferramenta eléctrica .....	294
Precauções antes de usar a nova moto-serra .....	296
Importante .....	297
Use sempre o seu bom senso .....	297
Equipamento de protecção pessoal .....	298
Equipamento de segurança da máquina .....	298
Bateria e carregador da bateria .....	300
Equipamento de corte .....	301

### MONTAGEM

Montagem da lâmina e corrente .....	305
-------------------------------------	-----

### MANUSEIO DAS BATERIAS

Estado de bateria .....	306
Carregador da bateria .....	306
Transporte e armazenagem .....	306
Eliminação da bateria, do carregador da bateria e da máquina .....	307

### ARRANQUE E PARAGEM

Arranque e paragem .....	308
--------------------------	-----

### TÉCNICA DE TRABALHO

Sempre, antes de usar: .....	309
SavE .....	309
Instruções gerais de trabalho .....	309
Medidas de prevenção contra retrocessos .....	313

### MANUTENÇÃO

Noções gerais .....	314
Controlo, manutenção e assistência ao equipamento de segurança da moto-serra .....	314
Conectores de bateria .....	314
Sistema de arrefecimento .....	314
Bateria .....	314
Carregador da bateria .....	314
Esquema de manutenção .....	315
Esquema de detecção de avarias .....	316

### ESPECIFICAÇÕES TÉCNICAS

Especificações técnicas .....	317
Combinações de lâmina e corrente .....	318
Limagem e calibradores de lima da corrente da serra. ....	318
Certificado CE de conformidade .....	318

# INTRODUÇÃO

## Prezado cliente!

Parabéns pela sua preferência na compra de um produto Husqvarna! A história da Husqvarna recua no tempo até 1689, quando o rei Karl XI mandou construir uma fábrica na margem da ribeira Huskvarna para fabricar mosquetes. A localização junto à ribeira Huskvarna era lógica, dado que as água da ribeira eram usadas para gerar energia e desta forma se tinha acesso a uma hidrogeradora de energia. Durante os mais de 300 anos de existência da fábrica Husqvarna foram fabricados inúmeros produtos, desde os antigos fogões a lenha às modernas máquinas de cozinha, máquinas de coser, bicicletas, motocicletas, etc. Em 1956 foi lançada a primeira máquina de cortar relva motorizada que em 1959 foi seguida da motosserra, e é neste sector que a Husqvarna actualmente actua.

A Husqvarna é actualmente um dos maiores fabricantes mundiais de produtos florestais e para jardinagem, com a qualidade e o desempenho como prioridade máxima. A ideia comercial é projectar, fabricar e comercializar produtos motorizados para uso florestal e de jardinagem, bem como para a indústria da construção e a indústria fabril. A meta da Husqvarna é também ser ponta de lança no que diz respeito a ergonomia, facilidade de utilização, segurança e consciência ambiental, razão pela qual foram criados vários aperfeiçoamentos para melhorar os produtos nessas áreas.

Estamos convencidos de que será com satisfação que apreciará a qualidade e desempenho dos nossos produtos durante muito tempo no futuro. A compra de qualquer dos nossos produtos dá-lhe acesso a ajuda profissional com reparações e assistência técnica, na eventualidade de, apesar de tudo, acontecer qualquer coisa. No caso do local de compra da máquina não ter sido nenhum dos nossos revendedores autorizados, pergunte-lhes aonde fica a oficina especializada mais próxima.

Esperamos que ficará satisfeito com a sua nova máquina e que ela o acompanhará durante muito tempo. Lembre-se de que estas instruções de utilização são um documento valioso. Seguindo o seu conteúdo (utilização, assistência técnica, manutenção, etc) aumentará consideravelmente a vida útil da máquina bem como o preço de venda em segunda mão da mesma. Se vender a sua máquina, entregue as instruções de utilização ao novo proprietário.

Muito obrigado por usar um produto Husqvarna!

Husqvarna AB efectua o desenvolvimento contínuo dos seus produtos, reservando-se o direito de introduzir modificações referentes, entre outros, ao aspecto e forma dos mesmos sem aviso prévio.

## Como se chama, na moto-serra? (1)

- 1 Protecção anti-retrocesso
- 2 Teclado
- 3 Botão SavE (economia)
- 4 Indicador de avisos
- 5 Botão de activação e desactivação
- 6 Bloqueio do interruptor de alimentação
- 7 Punho traseiro com protecção para a mão direita
- 8 Alojamento da ventoinha
- 9 Depósito de óleo da corrente
- 10 Carregador da bateria
- 11 Cabo de alimentação
- 12 Indicador de avisos
- 13 Conector
- 14 Instruções para o uso
- 15 Protector de lâmina
- 16 Cobertura do pinhão
- 17 Roda tensora da corrente
- 18 Manipulo
- 19 Retentor de corrente
- 20 Apoio para casca
- 21 Roleto
- 22 Corrente
- 23 Lâmina
- 24 Punho dianteiro
- 25 Interruptor de alimentação
- 26 Bateria
- 27 Botões de desengate da bateria
- 28 Estado da bateria
- 29 Botão, estado da bateria
- 30 Indicador de avisos

# INSTRUÇÕES GERAIS DE SEGURANÇA

## Avisos gerais de segurança da ferramenta eléctrica



**ATENÇÃO!** Leia todos os avisos de segurança e todas as instruções. A inobservância dos avisos e instruções pode resultar em choques eléctricos, incêndio e/ou lesões graves.

**IMPORTANTE!** Guarde todos os avisos e instruções para referência futura. O termo "ferramenta eléctrica" nos avisos refere-se a ferramentas (com fio) ligadas à corrente eléctrica ou a ferramentas (sem fio) de funcionamento a bateria.

## Segurança no local de trabalho

- **Mantenha a área de trabalho limpa e bem iluminada.** Áreas desarrumadas ou escuras convidam ao acidente.
- **Não maneje ferramentas eléctricas em ambientes explosivos, tal como na presença de líquidos inflamáveis, gases ou poeiras.** As ferramentas eléctricas criam faíscas que podem poeiras ou gases.
- **Mantenha as crianças e restantes pessoas afastadas enquanto maneja uma ferramenta eléctrica.** As distrações podem fazê-lo perder o controlo.

## Segurança no manejo de electricidade

- **As fichas das ferramentas eléctricas têm de corresponder à tomada eléctrica. Nunca modifique a ficha de qualquer forma. Não use quaisquer fichas adaptadoras com ferramentas eléctricas ligadas à terra.** As fichas não modificadas e tomadas eléctricas correspondentes reduzirão o risco de choque eléctrico.
- **Evite o contacto corporal com superfícies ligadas à terra, tais como tubos, radiadores, fogões e frigoríficos.** Existe um risco acrescido de choque eléctrico se o seu corpo estiver ligado à terra.
- **Não exponha ferramentas eléctricas a chuva ou condições de elevada humidade.** Se a água entrar numa ferramenta eléctrica irá aumentar o risco de choque eléctrico.
- **Não danifique o fio eléctrico. Nunca use o fio eléctrico para transportar, puxar ou desligar a ferramenta eléctrica da tomada. Mantenha o fio eléctrico fora do alcance de calor, óleo, arestas cortantes ou peças em movimento.** Fios eléctricos danificados ou emaranhados aumentam o risco de choque eléctrico.
- **Ao manejar uma ferramenta eléctrica no exterior, use uma extensão eléctrica adequada para utilização em exteriores.** A utilização de uma extensão eléctrica adequada para utilização em exteriores reduz o risco de choque eléctrico.

- **Caso a operação da ferramenta eléctrica num local húmido seja inevitável, utilize uma fonte de alimentação com corta-circuito em caso de falha de terra.** A utilização de um corta circuito em caso de falha de terra reduz o risco de choques eléctricos.

## Segurança pessoal

- **Mantenha-se alerta, tenha atenção às suas acções e use o bom senso ao manejar uma ferramenta eléctrica. Não use uma ferramenta eléctrica se estiver cansado ou sob a influência de drogas, álcool ou medicação.** Um momento de desatenção durante o manejo de ferramentas eléctricas pode resultar em lesões pessoais graves.
- **Use equipamento de protecção pessoal. Use sempre protecção ocular.** O equipamento de protecção como máscara respiratória, calçado de segurança antiderrapante, capacete de segurança ou protecção dos ouvidos, usados para as condições adequadas, reduzirão as lesões pessoais.
- **Evite o arranque não intencional. Assegure-se de que o interruptor está na posição OFF (desligado) antes de ligar a uma fonte de alimentação eléctrica e/ou baterias, antes de pegar ou transportar a ferramenta.** Transportar ferramentas eléctricas com o dedo no interruptor ou ligar ferramentas eléctricas à corrente eléctrica com o interruptor ligado é um convite aos acidentes.
- **Remova qualquer chave de ajuste ou chave de porcas antes de ligar a ferramenta à corrente eléctrica.** Uma chave de porcas ou uma chave ligada a uma peça em rotação da ferramenta eléctrica pode resultar em lesões pessoais.
- **Não se debruce. Mantenha o equilíbrio e os pés sempre bem assentes.** Isto permite um melhor controlo da ferramenta eléctrica em situações inesperadas.
- **Vista-se adequadamente. Não use peças de roupa soltas ou jóias. Mantenha o cabelo, roupas e luvas longe de quaisquer peças em movimento.** Roupas soltas, jóias ou cabelo comprido podem ser apanhados nas peças em movimento.
- **Se forem fornecidos dispositivos para a ligação a equipamentos de extracção e de recolha de poeiras, certifique-se de que os mesmos estão ligados e são usados adequadamente.** A utilização de um equipamento de recolha de poeiras pode reduzir os riscos relacionados com poeiras.
- **A emissão de vibrações durante a utilização da ferramenta pode ser diferente do valor total declarado, dependendo da forma como a ferramenta é utilizada. Os operadores devem identificar as medidas de segurança necessárias à sua protecção, com base numa estimativa de exposição em condições reais de utilização (tendo em conta todas as fases do ciclo de operação, tais como o número de vezes que a ferramenta é ligada e desligada e quando está em rotação em vazio ou activada).**

# INSTRUÇÕES GERAIS DE SEGURANÇA

## Utilização e manutenção de ferramentas eléctricas

- **Não force a ferramenta eléctrica.** Use a ferramenta eléctrica correcta para a sua aplicação. A ferramenta eléctrica correcta fará um trabalho melhor e mais seguro ao ritmo para o qual foi desenhada.
- **Não use a ferramenta eléctrica se o interruptor não ligar ou desligar.** Qualquer ferramenta eléctrica que não possa ser controlada com o interruptor é perigosa e tem de ser reparada.
- **Desligue a ficha da fonte de alimentação eléctrica e/ou baterias da ferramenta eléctrica antes de fazer qualquer ajuste, mudar acessórios ou guardar ferramentas eléctricas.** Estas medidas de prevenção reduzem o risco de ligar a ferramenta eléctrica acidentalmente.
- **Guarde ferramentas eléctricas que não estão na ser utilizadas fora do alcance das crianças e não permita que qualquer pessoa não familiarizada com a ferramenta eléctrica ou com as suas instruções manje a ferramenta eléctrica.** As ferramentas eléctricas são perigosas nas mãos de utilizadores inexperientes.
- **Faça a manutenção às ferramentas eléctricas.** Verifique quanto a desalinhamentos ou bloqueio de peças móveis, danos de peças e qualquer outra condição que possa afectar o funcionamento da ferramenta eléctrica. Se estiver danificada, repare a ferramenta eléctrica antes de a usar. Muitos acidentes são causados por ferramentas eléctricas com má manutenção.
- **Mantenha as ferramentas de corte afiadas e limpas.** Ferramentas de corte com as zonas de corte afiadas e bem mantidas têm menos probabilidades de bloquear e são mais fáceis de controlar.
- **Use a ferramenta eléctrica, acessórios e brocas, etc. de acordo com estas instruções, tomando em consideração as condições de funcionamento e o trabalho a ser executado.** A utilização da ferramenta eléctrica para operações diferentes das previstas pode resultar em situações perigosas.

## Utilização e manutenção da bateria

- **Recarregue a bateria apenas com o carregador especificado pelo fabricante.** Um carregador adequado para um tipo de bateria pode criar risco de incêndio quando usado com outra bateria.
- **Use ferramentas eléctricas apenas com as baterias concebidas para as mesmas.** A utilização de qualquer outra bateria pode criar risco de ferimentos e incêndio.
- **Quando as baterias não estão a ser utilizadas, mantenha-as afastadas de outros objectos metálicos, como clips, moedas, chaves, pregos, parafusos ou outros objectos metálicos pequenos que possam fazer a ligação entre os dois terminais.** Provocar curto-circuitos nos

terminais das baterias pode provocar queimaduras ou um incêndio.

- **Em condições extremas, é possível que o líquido da bateria verta; evite o contacto. Se ocorrer algum contacto acidental, lave com água. Se o líquido entrar em contacto com os olhos, consulte o médico.** O líquido vertido da bateria pode provocar irritações ou queimaduras.

## Assistência

- **Em caso de necessidade de assistência, leve a sua ferramenta eléctrica a um técnico de reparações qualificado e que utilize apenas peças de substituição idênticas.** Isto irá assegurar que a segurança das ferramentas eléctricas é mantida.

## Avisos de segurança da moto-serra

- **Mantenha todas as partes do corpo afastadas corrente da serra quando a moto-serra está em funcionamento. Antes do arranque da moto-serra, certifique-se de que a corrente da serra não está em contacto com qualquer objecto.** Um momento de desatenção ao operar moto-serras pode causar o emaranhamento das roupas ou do corpo com a corrente da serra.
- **Segure sempre a moto-serra com a mão direita no punho traseiro e a esquerda no punho dianteiro.** Se segurar a moto-serra com a posição invertida das mãos aumentará o risco de ferimentos pessoais e, portanto, não deverá fazê-lo.
- **Agarre na ferramenta eléctrica apenas pela superfície de agarre isolada uma vez que a corrente da serra pode entrar em contacto com cablagem oculta.** O contacto da corrente da serra com um fio com tensão pode energizar as peças metálicas expostas da ferramenta eléctrica e, por conseguinte, provocar um choque eléctrico no operador.
- **Use óculos de protecção e protectores acústicos. Recomenda-se o uso de equipamento de protecção adicional para a cabeça, as mãos, as pernas e os pés.** O uso de vestuário de protecção adequado irá reduzir o risco de ferimentos pessoais provocados por detritos arremessados ou por contacto acidental com a corrente da serra.
- **Não opere a motosserra em cima de uma árvore.** Operar uma motosserra em cima de uma árvore poderá resultar em ferimentos pessoais.
- **Mantenha sempre uma boa colocação dos pés e opere a moto-serra apenas quando se encontrar sobre uma superfície fixa, segura e plana.** As superfícies escorregadias ou instáveis, tais como escadotes, podem causar uma perda de equilíbrio ou do controlo da moto-serra.
- **Ao cortar um ramo que esteja sob tensão, tenha cuidado para que este não seja arremessado contra si.** Quando a tensão nas fibras da madeira é libertada, o ramo sob tensão pode ser arremessado contra o operador e/ou descontrolar a moto-serra.

# INSTRUÇÕES GERAIS DE SEGURANÇA

- **Tenha muito cuidado ao cortar silvado e árvores jovens.** O material fino poderá ficar preso na corrente da serra e ser chicoteado para a frente na sua direcção ou fazer com que perca o equilíbrio.
- **Transporte a moto-serra pelo punho, desligada e afastada do corpo. Quando transportar ou armazenar a moto-serra, coloque sempre a cobertura da lâmina.** O manuseamento correcto da moto-serra irá reduzir a probabilidade de contacto acidental com a corrente da serra em rotação.
- **Siga as instruções relativamente à lubrificação, à tensão da corrente e à troca de acessórios.** Uma corrente da serra que não esteja devidamente esticada ou lubrificada poderá partir-se ou aumentar o risco de retrocesso.
- **Mantenha os punhos secos, limpos e sem óleo nem massa lubrificante.** Os punhos com massa lubrificante ou óleo ficam escorregadios, podendo causar a perda de controlo.
- **Corte apenas madeira. Não utilize a moto-serra para fins a que esta não se destine. Por exemplo: não utilize a moto-serra para cortar plástico, alvenaria ou materiais de construção que não sejam de madeira.** A utilização da moto-serra para operações diferentes das previstas poderá resultar em situações perigosas.
- Recomendamos fortemente que pessoas que estejam a utilizar a motosserra pela primeira vez pratiquem a operação em troncos num cavalete.

## Causas de retrocesso e respectiva prevenção pelo operador

O retrocesso pode ocorrer quando a ponta da lâmina entra em contacto com um objecto, ou quando a máquina se retrai e entala a corrente da serra durante o corte. Nalguns casos, quando a ponta da lâmina entra em contacto com um objecto, pode ocorrer uma reacção de retrocesso em que a lâmina é atirada para cima e para trás, contra o operador. Se a corrente da serra ficar entalada ao longo da parte superior da lâmina, esta poderá ser empurrada rapidamente contra o operador. Qualquer uma destas reacções poderá fazer com que perca o controlo da moto-serra, o que poderá resultar em graves ferimentos pessoais. Não se fie exclusivamente nos dispositivos de segurança da moto-serra. Como utilizador de moto-serra, deverá tomar várias medidas para manter as suas tarefas de corte isentas de acidentes ou ferimentos. O retrocesso é um resultado da má utilização da ferramenta e/ou procedimentos de operação incorrectos ou condições que podem ser evitadas, tomando as devidas precauções indicadas abaixo:

- **Agarre com firmeza, com os polegares e os dedos em volta dos punhos da motosserra, com ambas as mãos na serra, e posicione o corpo e os braços de forma a que consiga resistir às forças de retrocesso.** Se forem tomadas as devidas

precauções, o operador poderá controlar as forças de retrocesso. Não largue a moto-serra.

- **Não se debruce nem corte acima da altura dos ombros.** Isto ajuda a evitar o contacto acidental da ponta com objectos e oferece um melhor controlo da moto-serra em situações imprevistas.
- **Use apenas lâminas e correntes de substituição especificadas pelo fabricante.** As lâminas e correntes de substituição incorrectas poderão partir a corrente e/ou provocar o retrocesso.
- **Siga as instruções do fabricante relativamente à afiação e manutenção da corrente da serra.** A diminuição da altura da abertura de corte, aumentará o retrocesso.

## Precauções antes de usar a nova moto-serra

- Leia atentamente as instruções para o uso.
- **(1) - (110)** refere a ilustrações na página 2-6.
- Antes da primeira utilização, carregue a bateria totalmente. Veja as instruções na secção Carregar a bateria.
- Encha com óleo de corrente. Veja as instruções na secção Enchimento com óleo de corrente.
- Controle a montagem e o ajuste do equipamento de corte. Ver as instruções na secção Montagem,
- Não use a moto-serra antes de haver penetrado suficiente óleo lubrificante na corrente. Ver as instruções na secção Lubrificação do equipamento de corte.
- A exposição prolongada a ruídos pode provocar danos auditivos permanentes. Por isso, use sempre protectores acústicos aprovados.



**ATENÇÃO! Sob nenhuma circunstância é permitido modificar a configuração original da máquina sem a autorização expressa do fabricante. Devem usar-se sempre acessórios originais. Modificações e/ou acessórios não autorizados podem acarretar em sérias lesões ou perigo de vida para o utilizador ou outros.**



**ATENÇÃO! Uma moto-serra usada inadvertida ou erradamente pode transformar-se numa ferramenta perigosa, causando sérias lesões, até mesmo mortais. É muito importante que você leia e compreenda o conteúdo destas instruções para o uso.**



**ATENÇÃO! A inspiração prolongada da névoa do óleo de corrente ou do serrim pode ser um risco para a saúde.**



# INSTRUÇÕES GERAIS DE SEGURANÇA



**ATENÇÃO!** Esta máquina produz um campo electromagnético durante o funcionamento. Em determinadas circunstâncias, este campo pode interferir com o funcionamento de implantes médicos activos ou passivos. Para reduzir o risco de lesões graves ou mortais, recomendamos que portadores de dispositivos implantados consultem o seu médico e o fabricante do implante antes de utilizar a máquina.



**ATENÇÃO!** Não permita em nenhuma circunstância que uma criança use a máquina ou se encontre na proximidade da mesma. Uma vez que a máquina se liga facilmente, as crianças podem conseguir ligá-la se não forem vigiadas em permanência. Isso pode implicar perigo de ferimentos pessoais graves. Por isso, desligue a bateria quando a máquina não estiver sob vigilância.

## Importante

### IMPORTANTE!

Esta moto-serra para silvicultura foi concebida para trabalhos na floresta, tais como abate de árvores, desramação e corte.

A legislação nacional poderá restringir a utilização desta máquina.

Só deverão ser usadas as combinações de lâmina/corrente por nós recomendadas no capítulo Especificações técnicas.

Nunca use a máquina quando estiver cansado, tiver bebido álcool ou tomado remédios que possam afectar a sua vista, a sua capacidade de discernimento ou o seu controlo físico.

Use equipamento de protecção pessoal. Ver as instruções na secção "Equipamento de protecção pessoal".

Não modifique nunca esta máquina de forma a deixar de corresponder à versão original e não a use caso pareça ter sido modificada por outros.

Nunca utilize uma máquina, uma bateria ou um carregador de bateria defeituoso. Siga as instruções de inspecção, manutenção e assistência técnica contidas neste manual. Alguns serviços de manutenção e de assistência técnica deverão ser executados por especialistas qualificados. Veja as instruções na secção Manutenção.

Nunca use outros acessórios além dos recomendados nestas instruções para o uso. Ver as instruções nas secções Equipamento de corte e Especificações técnicas.

**NOTA!** Use sempre óculos de protecção ou viseira para reduzir o risco de danos causados por objectos arremessados. Uma motosserra pode projectar objectos, tais como serradura, pequenos pedaços de madeira etc. com muita força. Isso pode causar ferimentos graves, especialmente nos olhos.



**ATENÇÃO!** Um equipamento de corte defeituoso ou uma combinação lâmina/corrente incorrecta, aumentam o perigo de retrocesso! Use apenas as combinações lâmina/corrente por nós recomendadas e siga as instruções de afiação. Consulte as instruções na secção Especificações técnicas.

## Use sempre o seu bom senso

É impossível cobrir todas as possíveis situações que se lhe podem deparar ao usar uma motosserra. Por isso, tenha cuidado e use o seu bom senso. Evite todas as situações para as quais se sinta insuficientemente capacitado! Se após ter lido estas instruções ainda se sentir inseguro quanto ao modo de proceder, aconselhe-

# INSTRUÇÕES GERAIS DE SEGURANÇA

se com um especialista antes de prosseguir. No caso de ter dúvidas sobre a forma de utilizar a motosserra, não hesite em entrar em contacto com o seu revendedor ou conosco. Estamos ao seu dispor e dar-lhe-emos conselhos que o ajudarão a usar a sua motosserra de uma forma melhor e mais segura. Considere frequentar um curso de silvicultura. O seu revendedor, escola de silvicultura ou a sua biblioteca poderão informá-lo sobre o material de instrução e cursos disponíveis. **(Figura 2)**

Decorre um trabalho constante para aperfeiçoar o design e a técnica, melhoramentos esses que aumentam a sua segurança e eficiência. Visite regularmente o seu revendedor para ver que proveito pode tirar das novidades lançadas.

## Equipamento de protecção pessoal



**ATENÇÃO! A maioria dos acidentes com moto-serras ocorrem quando a corrente da serra atinge o utilizador. Em quaisquer circunstâncias de utilização da máquina deve ser utilizado equipamento de protecção pessoal aprovado. O equipamento de protecção pessoal não elimina o risco de lesão mas reduz os seus efeitos em caso de acidente. Consulte o seu concessionário na escolha do equipamento.**

Use sempre:

- Capacete protector aprovado
- Protectores acústicos
- Óculos ou viseira de protecção
- Luvas com protecção anti-serra
- Calças com protecção contra serra
- Botas com protecção anti-serra, biqueira de aço e sola anti-deslizante
- Os primeiros socorros devem sempre estar à mão.

As roupas de um modo geral devem assentar bem e não limitar a sua liberdade de movimentos.

## Equipamento de segurança da máquina

Nesta secção são apresentados os componentes de segurança da máquina e explicadas as respectivas funções. Para inspecção, manutenção e serviço, consultar as instruções na secção Inspeção, manutenção e serviço do equipamento de segurança da motosserra. Veja as indicações na secção Como se chama?, para localizar esses componentes na sua máquina.

A duração da máquina pode ser afectada e o perigo de acidentes pode aumentar se a manutenção da máquina não for correcta e se as revisões e reparações não forem executadas de forma profissional. Se necessitar de mais

esclarecimentos, entre em contacto com uma oficina autorizada.

# INSTRUÇÕES GERAIS DE SEGURANÇA



**ATENÇÃO! Nunca use uma máquina com equipamento de segurança defeituoso. O equipamento de segurança deve ser verificado e mantido em bom estado. Veja instruções na secção Inspeção, manutenção e serviço do equipamento de segurança da motosserra. Se a sua máquina não cumprir todos os pontos de verificação, deverá ser enviada a uma oficina para reparação.**

## Teclado

Certifique-se de que a máquina se liga ou desliga quando o botão de activação/desactivação (1) é premido e mantido (>1 seg.). O LED verde (2) acende-se ou apaga-se.

O indicador de aviso (3) fica intermitente se o travão da corrente for activado ou se existir o risco de sobrecarga. A protecção contra sobrecarga desactiva a máquina temporariamente. Quando a máquina regressa à temperatura normal, fica novamente pronta a usar. A luz constante indica a necessidade de assistência técnica. (Figura 6)

## Funcionalidade de desligar automático

A máquina está equipada com uma funcionalidade de paragem automática que desactiva a máquina quando esta não é utilizada. A máquina desativa-se passado um minuto.

## Travão de corrente com protector anti-retrocesso

A sua motosserra está equipada com travão de corrente, o qual está projectado para parar a corrente em caso de retrocesso. O travão da corrente reduz o risco de acidentes, mas só Você como utilizador os poderá evitar. (Figura 3)

Tenha cuidado ao usar e controle para que o sector de risco de retrocesso da lâmina nunca entre em contacto com algum objecto. (Figura 4)

- O travão da corrente é activado, ou manualmente (com a mão esquerda) ou pela função de inércia. (Figura 5)
- A activação ocorre quando o protector anti-retrocesso (B) é impulsionado para a frente. (Figura 5)
- Este movimento activa um mecanismo de mola que pára o pinhão.
- O protector anti-retrocesso não é somente construído para activar o travão de corrente. Uma outra função muito importante é a de reduzir o risco de que a mão esquerda seja atingida pela corrente, caso não consiga fixar-se no punho dianteiro.
- O travão da corrente deve estar activado no arranque da moto-serra.
- Use o travão da corrente como 'travão de estacionamento' durante o arranque e ao deslocar-se

por distâncias curtas, para impedir acidentes em que o utilizador ou circundantes entrem em contacto involuntário com a corrente da serra em movimento.

- O travão de corrente é libertado movendo-se o protector anti-retrocesso para trás, em direcção ao punho dianteiro.
- Os retrocessos podem ocorrer subitamente e ser muito violentos. A maior parte dos retrocessos é pequena e nem sempre activa o travão de corrente. No caso de tais retrocessos é importante segurar a moto-serra bem firme sem a soltar. (Figura 65)
- O que determina como o travão de corrente é accionado, manualmente ou por inércia, é a violência do retrocesso e também a posição da moto-serra em relação ao objecto com o qual o sector de risco de retrocesso da lâmina entrou em contacto.

Na ocorrência de retrocessos violentos ou quando o sector de risco de retrocesso se encontra o mais longe possível do utilizador, o travão da corrente está construído de modo a ser activado através do contrapeso do travão (inércia) na direcção do retrocesso. (Figura 7)

- Em casos de retrocessos menos violentos ou durante situações de trabalho onde o sector de risco de retrocesso se encontra próximo ao utilizador, activa-se o travão de corrente manualmente através da mão esquerda.
- Na posição de abate, a mão esquerda está numa posição que impossibilita a activação manual do travão. Nesta forma de segurar, ou seja, quando a mão esquerda está colocada de forma que não pode influenciar o movimento da protecção contra retrocesso, o travão da corrente só pode ser activado através da função de inércia. (Figura 8)

## A minha mão activará sempre o travão da corrente na ocorrência de um retrocesso?

Não. É necessária uma certa força para empurrar para a frente a protecção anti-retrocesso. Se a sua mão apenas tocar ligeiramente na protecção anti-retrocesso ou resvalar por cima da mesma, pode a força não ser suficiente para fazer disparar o travão da corrente. Durante o trabalho, você deve agarrar a motosserra firmemente pelos punhos. Se o fizer e ocorrer um retrocesso, a sua mão talvez não chegue nunca a soltar o punho dianteiro e não activará o travão da corrente, ou então o travão só é activado após a serra ter girado uma distância considerável. Neste tipo de situação, pode acontecer que o travão não tenha tempo de fazer parar a corrente antes de ela lhe tocar.

Existem também certas posições de trabalho que fazem com que a sua mão não alcance a protecção anti-retrocesso para activar o travão; por exemplo quando a serra é empunhada na posição de abate.

# INSTRUÇÕES GERAIS DE SEGURANÇA

## A activação do travão da corrente por inércia funcionará sempre na ocorrência de um retrocesso?

Não. Em primeiro lugar o travão tem que estar em boas condições de funcionamento. Em segundo lugar o retrocesso tem que ser suficientemente forte para activar o travão da corrente. Se o travão da corrente fosse demasiado sensível, seria activado constantemente estorvando o trabalho.

## O travão da corrente proteger-me-á sempre de ferimentos na ocorrência de um retrocesso?

Não. Em primeiro lugar o travão tem que estar em bom estado de funcionamento para proporcionar a protecção prevista. Em segundo lugar tem que ser activado como descrito acima para parar a corrente na ocorrência de um retrocesso. Em terceiro lugar, o travão da corrente pode ser activado, mas se a lâmina se encontrar muito perto de si, pode acontecer que o travão não tenha tempo de abrandar e fazer parar a corrente antes da motosserra lhe acertar.

**Só você mesmo, com uma técnica de trabalho correcta, poderá eliminar os retrocessos e os perigos inerentes aos mesmos.**

## Bloqueio do acelerador

O bloqueio do interruptor de alimentação tem como função impedir a activação involuntária do interruptor de alimentação. Quando prime o bloqueio do interruptor de alimentação (A) (i.e. quando agarra o punho), o interruptor de alimentação (B) é libertado. Quando solta o punho, o interruptor de alimentação e o bloqueio do interruptor de alimentação retornam às suas posições originais. (Figura 9)

## Retentor de corrente

O retentor de corrente é construído para captar a corrente se esta saltar ou se romper. Geralmente, estas ocorrências são evitadas por uma tensão de corrente correcta (ver as instruções na secção Montagem), bem como por manutenção e assistência adequadas à lâmina e corrente (ver as instruções na secção Instruções gerais de trabalho). (Figura 10)

## Protector da mão direita

O protector da mão direita deverá, além de proteger a mão se a corrente saltar ou se romper, evitar que galhos e ramos interfiram na operação do punho traseiro. (Figura 11)

## Vibrações

Serrar um tipo de madeira duro (geralmente árvores de folhas caducas) provoca vibrações maiores do que serrar um tipo macio (geralmente coníferas). Serrar com um equipamento de corte não afiado ou errado (tipo errado ou erradamente afiado), aumenta o nível de vibrações.



**ATENÇÃO!** A sobreexposição a vibrações pode causar lesões cardiovasculares e nervosas a pessoas com problemas de circulação sanguínea. No caso de sentir sintomas físicos que o façam suspeitar de sobreexposição a vibrações, consulte um médico. Estes sintomas podem manifestar-se como torpor, ausência de sensibilidade, 'côcegas', 'picadelas', dor, falta ou redução de força normal, alterações de cor da pele ou da sua superfície. Estes sintomas manifestam-se normalmente nos dedos, nas mãos e nos punhos. Estes sintomas são mais evidentes a temperaturas baixas.

## Bateria e carregador da bateria

Esta secção descreve os detalhes de segurança da bateria e do carregador da bateria do seu produto.

Utilize exclusivamente baterias originais da Husqvarna nos nossos produtos e carregue-as apenas nos carregadores QC originais da Husqvarna. As baterias contêm software encriptado.

## Segurança da bateria

As baterias recarregáveis da Husqvarna, BLi, são usadas exclusivamente como fonte de alimentação nas ferramentas sem fio relevantes da Husqvarna. Para evitar ferimentos, a bateria não deve ser usada como fonte de alimentação em outras ferramentas.



**ATENÇÃO!** Proteja a bateria da exposição à luz solar directa, do calor e de chamas. A bateria pode explodir se atirada para o lume. Existe risco de queimaduras e/ou queimaduras químicas.



**ATENÇÃO!** Evite todo o contacto da pele com o ácido da bateria. Este pode causar irritação da pele, queimaduras ou lesões por corrosão. Se o ácido entrar em contacto com os olhos, não os esfregue; lave os olhos com bastante água durante, pelo menos, 15 minutos. Consulte o médico. Caso ocorra contacto accidental, deve lavar qualquer parte do corpo exposta com quantidades abundantes de água e sabão.

# INSTRUÇÕES GERAIS DE SEGURANÇA



**ATENÇÃO!** Nunca ligue o terminal da bateria a chaves, moedas, parafusos ou outros objectos metálicos para não provocar um curto-circuito na bateria. Nunca insira objectos nos respiradouros da bateria.

**Baterias não usadas devem ficar afastadas de objectos metálicos tais como pregos, moedas, jóias. Não tente desmontar ou esmagar a bateria**

- Utilize a bateria em ambientes em que as temperaturas se encontrem entre -10 °C e 60 °C.
- Não exponha a bateria a microondas ou pressões elevadas.
- Nunca limpe a bateria ou o carregador da bateria com água. Veja mais instruções em Manutenção.
- Mantenha a bateria fora do alcance de crianças.
- Proteja a bateria da chuva e de condições de elevada humidade.

## Segurança do carregador de bateria

Utilize apenas Carregadores Husqvarna QC para carregar as baterias de substituição da Husqvarna, Bli.



**ATENÇÃO!** Minimize o risco de choques eléctricos ou curto-circuitos da seguinte forma:

**Nunca insira qualquer objecto nas ranhuras de arrefecimento do carregador.**

**Não tente desmontar o carregador da bateria.**

**Nunca ligue os terminais do carregador a objectos metálicos, dado que pode provocar um curto-circuito no carregador da bateria.**

**Utilize tomadas eléctricas aprovadas e que não apresentem danos.**

- Verifique regularmente que o cabo de ligação do carregador da bateria se encontra intacto e que não apresenta rachaduras.
- Nunca transporte o carregador da bateria pelo cabo, nem desligue a tomada puxando pelo mesmo
- Mantenha todos os fios e extensões longe de água, de óleo e de arestas vivas. Certifique-se de que o fio não fica entalado em portas, cercas e similares. Se isso acontecer podem objectos tornar-se condutores.



**ATENÇÃO!** Não utilize o carregador da bateria perto de materiais corrosivos ou inflamáveis. Não cubra o carregador da bateria. Em caso de fumo ou fogo, desligue o carregador da bateria da tomada. Cuidado com os riscos de incêndio.

Não utilize:

- um carregador da bateria avariado ou danificado uma bateria avariada, danificada ou deformada.

Não carregar:

- baterias não recarregáveis no carregador da bateria nem as utilize na máquina.
- o carregador de bateria para carregar a bateria no exterior.
- a bateria à chuva ou em condições de humidade forte.
- a bateria exposta à luz solar directa.

Utilize o carregador da bateria apenas quando a temperatura ambiente se encontra entre os 5 °C e os 40 °C. Utilize o carregador em ambientes bem ventilados, secos e isentos de poeiras.

## Equipamento de corte

Esta secção mostra como você, através de uma correcta manutenção e uso do equipamento de corte correcto, poderá:

- Reduzir as tendências da máquina a retrocesso.
- Reduz a ocorrência de saltos e ruptura da corrente.
- Obtém o melhor rendimento de corte.
- Aumentar a vida útil do equipamento de corte.
- Evita o aumento de níveis de vibração.

## Regras básicas

- **Use somente o equipamento de corte por nós recomendado!** Consulte as instruções na secção Especificações técnicas.
- **Mantenha os dentes de corte da corrente bem e correctamente afiados! Siga as nossas instruções e use o calibrador de lima recomendado.** Uma corrente mal afiada ou danificada aumenta os riscos de acidente.
- **Mantenha a abertura de corte correcta! Siga as nossas instruções e use a matriz de abertura de corte correcta.** Uma abertura de corte grande demais aumenta o risco de retrocesso da serra. (Figura 19)
- **Mantenha a corrente esticada!** Se estiver mal esticada, aumenta o risco de saltar a corrente bem como o desgaste da lâmina, da corrente e do pinhão. (Figura 24)
- **Conserva o equipamento de corte bem lubrificado e com a manutenção correcta!** Uma lubrificação deficiente da corrente aumenta os riscos desta

# INSTRUÇÕES GERAIS DE SEGURANÇA

romper-se bem como aumenta o desgaste da lâmina, da corrente e do pinhão.

## Equipamento de corte que reduz a ocorrência de retrocesso



**ATENÇÃO! Um equipamento de corte defeituoso ou uma combinação lâmina/corrente incorrecta, aumentam o perigo de retrocesso! Use apenas as combinações lâmina/corrente por nós recomendadas e siga as instruções de afiação. Consulte as instruções na secção Especificações técnicas.**

O retrocesso só se pode evitar se você, como utilizador, evitar sempre que o sector de risco de retrocesso da lâmina entre em contacto com qualquer objecto.

Usando o equipamento de corte com redução de retrocesso "incorporada" e afiando e mantendo a corrente da serra correctamente, pode-se reduzir o efeito de retrocesso.

### Lâmina

Quanto menor for o raio da ponta da lâmina, menor será a tendência de retrocesso.

### Corrente

A corrente é composta por elos que existem tanto no modelo standard como no modelo redutor de retrocesso.

**IMPORTANTE!** Nenhuma corrente de serra elimina o risco de retrocesso.



**ATENÇÃO! Todo e qualquer contacto com a corrente da serra pode causar ferimentos graves.**

## Algumas expressões que especificam a lâmina e a corrente

Para conservar em bom estado todos os componentes de segurança do equipamento de corte, é importante substituir combinações de lâmina/corrente gastas ou danificadas por uma lâmina e uma corrente recomendadas pela Husqvarna. Para informação sobre as combinações de lâmina/corrente por nós recomendadas, veja as instruções na secção Especificações técnicas.

### Lâmina

- Comprimento (pol/cm) (**Figura 13**)
- Número de dentes no rolete (T). (**Figura 12**)
- Passo da corrente (=pitch) (pol). O rolete da lâmina e o pinhão da moto-serra devem estar adequados à distância entre os elos de condução. (**Figura 14**)
- Total de elos de condução (unid). Cada comprimento de lâmina fornece, em combinação com o passo da corrente e com o total de dentes no rolete da lâmina

um número determinado de elos de condução. (**Figura 16**)

- Largura da ranhura da lâmina (pol/mm). A largura da ranhura da lâmina deve estar ajustada à largura dos elos de condução da corrente.
- Orifício de lubrificação da corrente e orifício da cavilha do esticador da corrente. A lâmina deverá estar ajustada à construção da moto-serra. (**Figura 15**)

### Corrente

- Passo da corrente (=pitch) (pol) (**Figura 14**)
- Largura dos elos de condução (mm/pol) (**Figura 17**)
- Total de elos de condução (unid) (**Figura 16**)

## Afiação e ajuste da abertura de corte da corrente de serra.



**Qualquer manuseio da corrente requer o uso de luvas.**

### Noções gerais sobre afiação dos dentes de corte

- Não use nunca uma corrente romba. Um dos sintomas de que a corrente está romba, é ser necessário forçar o equipamento de corte através da madeira e as aparas produzidas serem muito pequenas. Uma corrente de serra muito romba não produz aparas nenhuma. O único resultado é pó de madeira.
- Uma corrente de serra bem afiada avança facilmente através da madeira e produz aparas grandes e compridas. (**Figura 18**)
- O componente cortante duma corrente de serra chama-se elo de corte e consiste de um dente de corte (A) e dum salto de abertura de corte (B). A distância em altura entre os dois determina a profundidade de corte. (**Figura 19**)

Ao afiar o dente de corte, há quatro medidas a considerar.

- 1 Ângulo de afiação (**Figura 20**)
- 2 Ângulo de ataque (**Figura 21**)
- 3 Posição da lima (**Figura 22**)
- 4 Diâmetro da lima redonda

É muito difícil afiar correctamente uma corrente de serra sem os instrumentos auxiliares apropriados. Por isso aconselhamos que use o nosso calibrador de lima. Desse modo assegura-se que a corrente da serra é afiada de modo a reduzir ao máximo a ocorrência de retrocessos e a maximizar a capacidade de corte. (**Figura 23**)

# INSTRUÇÕES GERAIS DE SEGURANÇA

Para informação sobre os dados específicos para afiação da corrente da sua motosserra, veja as instruções na secção Especificações técnicas.



**ATENÇÃO! A não observância das instruções de afiação aumenta consideravelmente a tendência da motosserra a retrocessos.**

## Afiação do dente de corte

Para afiar os dentes de corte requer-se uma lima redonda e um calibrador de lima. Para informação sobre o diâmetro da lima redonda e o calibrador de lima recomendados para a corrente da sua motosserra, veja as instruções na secção Especificações técnicas.

- Verifique se a corrente está esticada. Uma corrente insuficientemente esticada, torna-se instável no sentido transversal, o que dificulta a sua afiação correcta. (Figura 24)
- Lime sempre começando do interior para o exterior do dente de corte. Pressione menos a lima no movimento de retorno. Lime todos os dentes de um lado primeiro e depois vire a moto-serra e lima os dentes do outro lado. (Figura 20)
- Lime de modo que todos os dentes tenham o mesmo tamanho. Quando restarem apenas 4 mm (5/32") do comprimento dos dentes de corte, considera-se a corrente desgastada e deve-se a deitar fora. (Figura 25)

## Generalidades sobre o ajuste da abertura de corte.

- Quando se afia o dente de corte, a abertura de corte (=profundidade de corte) diminui. Para manter a capacidade máxima de corte, o salto da abertura de corte tem que ser reduzido para o nível recomendado. Para informação sobre a dimensão da abertura de corte da corrente da sua motosserra, veja as instruções na secção Especificações técnicas. (Figura 26)



**ATENÇÃO! Uma abertura de corte demasiado grande aumenta a tendência da corrente da serra a provocar retrocessos!**

## Ajuste da abertura de corte

- Para se poder ajustar a abertura de corte, os dentes têm que estar recém-afiados. Recomendamos que a abertura de corte seja ajustada a cada três afiações da corrente da serra. NOTA! Esta recomendação pressupõe que o comprimento dos dentes de corte não foi limado demais.
- Para ajustar a abertura de corte é preciso uma lima plana e uma matriz de abertura de corte. Para obter a dimensão correcta de abertura de corte e o ângulo correcto do salto da abertura de corte, recomendamos que use o nosso calibrador de lima para ajuste da abertura de corte.
- Coloque o calibrador de lima sobre a corrente da serra. As instruções de utilização do calibrador de

lima encontram-se na embalagem respectiva. Use a lima plana para eliminar a parte excedente do salto da abertura de corte. A abertura de corte será correcta quando não se sentir resistência ao passar a lima sobre o calibrador. (Figura 27)

## Esticamento da corrente



**ATENÇÃO! Uma corrente de serra insuficientemente esticada pode provocar um salto da corrente, o que pode acarretar em sérias lesões, até mesmo mortais.**



**ATENÇÃO! Retire sempre a bateria antes de realizar qualquer tipo de montagem, manutenção e/ou inspecção na máquina.**

Quanto mais usar uma corrente de serra, mais comprida ela fica. É importante que ajuste o equipamento de corte após essa modificação.

A tensão da corrente deverá ser controlada sempre que reabastecer a serra com óleo de corrente. NOTA! Uma corrente nova tem um período de rodagem durante o qual se deve controlar a tensão da corrente com mais frequência.

Em geral é recomendável esticar-se a corrente ao máximo possível, mas não deve estar tão tensa que não se possa girar a corrente facilmente à mão. (Figura 47)

- Abra o manípulo dobrando-o para fora até ele se abrir. (Figura 28)
- Rode a cabeça da porca no sentido anti-horário para desapertar a cobertura do pinhão. (Figura 29)
- Ajuste a tensão da corrente rodando a roda tensora da corrente para baixo (+) para aumentar a tensão e para cima (-) para diminuir a tensão. (Figura 30)
- Aperte a embraiagem da lâmina rodando o manípulo para a direita. (Figura 31)
- Dobre o manípulo para dentro para fixar a tensão. (Figura 32)

## Lubrificação do equipamento de corte



**ATENÇÃO! Lubrificação insuficiente do equipamento de corte pode ocasionar um rompimento da corrente que por sua vez pode causar sérias lesões, até mesmo mortais.**

## Óleo de corrente

O óleo de corrente deve aderir bem à mesma e possuir boas características de fluidez, independentemente de um verão muito quente ou inverno de frio intenso.

**Nunca empregue óleo usado!** É perigoso para tanto para si como para o meio ambiente.



# INSTRUÇÕES GERAIS DE SEGURANÇA

## Abastecimento do óleo de corrente

- Utilize sempre óleo de corrente de base mineral. **(Figura 33)**
- Consulte a sua oficina autorizada ao escolher óleo de lubrificação de corrente.
- Todos os nossos modelos de moto-serra possuem lubrificação de corrente automática. Alguns deles podem até ser fornecidos com fluxo de óleo regulável.
- O depósito de óleo da corrente da serra está concebido para durar cerca de três cargas da bateria. No entanto, esta funcionalidade de segurança requer que seja utilizado o tipo de óleo de corrente correcto (se o óleo de corrente for demasiado fino, durará menos tempo).
- Nunca aplique óleo usado. Isto acarreta danos à bomba de óleo, lâmina e corrente.
- É importante o uso do tipo de óleo correcto em relação à temperatura do ar (viscosidade adequada).
- Temperaturas abaixo de 0°C conferem a determinados óleos uma baixa fluidez. Isto acarreta sobrecarga na bomba de óleo, danificando suas peças.

## Controlo da lubrificação da corrente

- Verifique a lubrificação da corrente a cada terceira troca de bateria.  
Com a ponta da lâmina a uma distância de aprox. 20 cm (8 pol.), aponte para um objecto sólido e claro. Após 1 minuto de funcionamento com 3/4 de aceleração, deverá aparecer uma nítida faixa de óleo sobre o objecto claro. **(Figura 34)**

Se a lubrificação da corrente não funciona:

- Verifique se o canal do óleo de corrente na lâmina está aberto. Limpe-o se for necessário. **(Figura 35)**
- Verifique se a ranhura da lâmina está limpa. Limpe se necessário. **(Figura 36)**
- Verifique se o rolete da lâmina gira facilmente e se o orifício de lubrificação do rolete está aberto. Limpe e lubrifique se necessário. **(Figura 37)**

Se a lubrificação da corrente não funcionar após a verificação e execução dos pontos acima, procure a sua oficina autorizada.

## Pinhão da corrente

O sistema de propulsão está equipado com um pinhão. **(Figura 38)**

Verifique regularmente o nível de desgaste do pinhão da corrente. Substitua-o caso apresente desgaste anormal.

## Controlo de desgaste no equipamento de corte

Controle diariamente a corrente, verificando se:

- Há rachaduras visíveis em rebites e elos.
- A corrente está rija.
- Os rebites e elos apresentam desgaste anormal.

Se a corrente da serra apresentar algum dos sintomas nos pontos acima, deite-a fora.

Recomendamos o uso de uma corrente nova para poder avaliar o desgaste da sua corrente.

Quando restarem apenas 4 mm do comprimento do dente de corte, a corrente está completamente gasta e deverá ser deitada fora.

## Lâmina

Verifique regularmente:

- Se ocorreu a formação de rebarbas nos bordos externos da lâmina. Remova com a lima se necessário. **(Figura 39)**
- Se a ranhura da lâmina está com desgaste anormal. Substitua a lâmina quando necessário.
- Se a extremidade da lâmina apresenta desgaste anormal ou irregular. Se ocorrer a formação de uma depressão onde o raio da extremidade termina, na parte inferior da lâmina, significa que você operou com a corrente insuficientemente esticada. **(Figura 40)**
- Para obter vida útil máxima, a lâmina deve ser virada diariamente. **(Figura 41)**



**ATENÇÃO! A maioria dos acidentes com moto-serras ocorrem quando a corrente da serra atinge o utilizador.**

**Use equipamento de protecção pessoal. Ver as instruções na secção "Equipamento de protecção pessoal".**

**Evite qualquer forma de uso para a qual não se sinta suficientemente qualificado. Ver as instruções nas secções Equipamento de protecção pessoal, Medidas de prevenção contra retrocessos, Equipamento de corte e Instruções gerais de trabalho.**

**Evite situações em que exista o risco de retrocesso. Ver as instruções na secção Equipamento de segurança da máquina.**

**Use o equipamento de corte recomendado e verifique o seu estado. Ver as instruções nas secções Especificações técnicas e Instruções gerais de segurança.**

**Controle o funcionamento dos detalhes de segurança da moto-serra. Ver as instruções nas secções Instruções gerais de trabalho e Instruções gerais de segurança.**

**Não use nunca uma motosserra empunhando-a com uma mão apenas. É impossível controlar uma motosserra com segurança com apenas uma mão. Agarre sempre a motosserra firmemente, com as duas mãos nos punhos.**



## Montagem da lâmina e corrente



**ATENÇÃO!** Retire sempre a bateria antes de realizar qualquer tipo de montagem, manutenção e/ou inspecção na máquina.

Qualquer manuseio da corrente requer o uso de luvas.

- Verifique se o travão de corrente não está activado, movendo o protector anti-retrocesso do travão de corrente no sentido do punho dianteiro. (**Figura 42**)
- Remova a cobertura do pinhão da transmissão rodando o manípulo para a esquerda. Retire o protector para transporte (A). (**Figura 43**)
- Monte a lâmina sobre o parafuso da lâmina. Coloque a lâmina na posição mais recuada. Ponha a corrente sobre o pinhão e na ranhura da lâmina. Comece pela parte superior da lâmina. (**Figura 44**)
- Verifique se o fio dos elos de corte está voltado para a frente, na parte superior da lâmina.  
Monte a cobertura da embraiagem e lembre-se de ajustar o pino do esticador da corrente no encaixe da lâmina. Verifique se os elos de condução da corrente passam pelo pinhão da corrente e se a corrente está em posição correcta na ranhura da lâmina.
- Estique a corrente rodando a roda para baixo (+). A corrente deve ser esticada até não pender na parte inferior da lâmina. (**Figura 45**)
- A corrente está correctamente esticada quando não pende na parte inferior da lâmina, mas pode ainda ser rodada facilmente à mão. Segure a ponta da lâmina e aperte a embraiagem da lâmina rodando o manípulo para a direita. (**Figura 46**)
- Numa corrente nova, a tensão deverá ser controlada constantemente até concluir a rodagem. Verifique a tensão da corrente regularmente. Uma corrente correcta significa boa capacidade de corte e longa vida útil. (**Figura 47**)

## Montagem do apoio para casca

Para montar um apoio para casca, contacte uma oficina autorizada. (**Figura 48**)

# MANUSEIO DAS BATERIAS

## Estado de bateria

O visor mostra a capacidade da bateria e se existem quaisquer problemas com a mesma. A capacidade da bateria é apresentada durante 5 segundos depois da máquina ser desligada ou quando o botão indicador da bateria é premido (1). O símbolo de aviso na bateria acende-se quando ocorre um erro (2). Consulte os códigos de aviso. (Figura 49)

Luzes LED	Estado de bateria
Todos os LED acesos	Carga completa (75-100%).
LED 1, LED 2 e LED 3 acesos.	A bateria está carregada a 50%-75%.
LED 1 e LED 2 acesos.	A bateria está carregada a 25%-50%.
LED 1 aceso.	A bateria está carregada a 0%-25%.
LED 1 intermitente.	A bateria está descarregada. Carregue a bateria.

## Carregador da bateria



**ATENÇÃO! Risco de choque eléctrico e curto-circuitos. Utilize tomadas eléctricas aprovadas e que não apresentem danos. Assegure-se de que o cabo não se danifica. Substitua o cabo caso este aparente ter qualquer tipo de danos.**

## Ligar o carregador da bateria

- Ligue o carregador da bateria a uma rede eléctrica com tensão e frequência especificadas na etiqueta de tipo. Insira a ficha na tomada de parede. O LED do carregador da bateria pisca uma vez a verde. (Figura 50)
- A bateria não será carregada se a sua temperatura exceder os 50 °C.

## Ligue a bateria ao carregador da bateria.

Verifique regularmente se a bateria e o carregador da bateria se encontram intactos. Veja mais instruções em Manutenção.

A bateria deve ser carregada antes da primeira utilização. Quando fornecida, a bateria encontra-se carregada em apenas 30%.

- Ligue o carregador à bateria. (Figura 50)
- O LED verde no carregador está aceso durante o carregamento. (Figura 51)
- Quando todos os LED da bateria estão acesos, esta está totalmente carregada. (Figura 52)
- Desligue o carregador da bateria.

- Desligue a ficha da corrente. Nunca puxe pelo cabo de alimentação para desligar da tomada.

## Estado de carga

As baterias de iões de lítio podem ser carregadas independentemente do seu nível de carga. O processo de carregamento pode ser cancelado ou iniciado independentemente do nível de carga da bateria. (Figura 53)

Ecrã LED	Estado de carga
LED 1 intermitente.	A bateria está carregada a 0%-25%.
LED 1 aceso, LED 2 intermitente.	A bateria está carregada a 25%-50%.
LED 1 e LED 2 acesos, LED 3 intermitente.	A bateria está carregada a 50%-75%.
LED 1, LED 2 e LED 3 acesos, LED 4 intermitente.	A bateria está carregada a 75%-100%
LED 1, LED 2, LED 3 e LED 4 acesos.	Quando todos os LED da bateria estão acesos, esta está totalmente carregada.

## Transporte e armazenagem

- As baterias de iões de lítio incluídas estão sujeitas aos requisitos da legislação sobre mercadorias perigosas.
- No âmbito do transporte comercial, por exemplo, realizado por terceiros ou agentes aduaneiros, têm de ser respeitados os requisitos especiais relativos à embalagem e etiquetagem das mercadorias.
- Para a preparação do item a enviar, obtenha informações junto de um especialista em materiais perigosos. Respeite ainda os regulamentos nacionais aplicáveis, provavelmente mais detalhados.
- Envolver com fita ou proteja os contactos abertos e coloque a bateria numa posição em que não seja possível mover-se no interior da embalagem.
- Retire sempre a bateria para armazenamento e transporte.
- Guarde a bateria e o carregador da bateria num local seco e em que não se forme humidade ou gelo.
- Não armazene a bateria em locais onde possa haver electricidade estática. Nunca armazene a bateria numa caixa metálica.
- Armazene a bateria e o carregador da bateria num local onde a temperatura varie entre 5 °C e 45 °C e nunca expostos à luz solar directa.
- Guarde o carregador da bateria no interior, num espaço seco.
- Assegure-se de que guarda a bateria separada do carregador da bateria. Armazene o equipamento

numa área que seja possível de trancar, de modo a mantê-lo fora do alcance de crianças e pessoas não autorizadas.

- Certifique-se de que a máquina foi cuidadosamente limpa e submetida a uma revisão completa antes de ser armazenada por tempo prolongado.
- A protecção de transporte do equipamento de corte deve sempre ser montada durante o transporte ou armazenamento da máquina, de modo a evitar contacto involuntário com a corrente afiada. A corrente, mesmo estando parada, pode causar ferimentos graves ao utilizador ou outras pessoas que entrem em contacto com a mesma.
- Trave a máquina durante o transporte.

### **Eliminação da bateria, do carregador da bateria e da máquina**

O símbolo no produto ou respectiva embalagem indica que este produto não pode ser processado como detritos domésticos. O produto deve então ser entregue a uma estação de reciclagem adequada para reciclagem de equipamento eléctrico e electrónico.

Providenciando para que este produto seja processado de forma correcta, você pode contribuir para contrariar potenciais consequências negativas para o meio ambiente e pessoas, que caso contrário, podem ser provocadas pela gestão inadequada dos resíduos deste produto. Para mais informação sobre a reciclagem deste produto, contacte os serviços competentes da sua autarquia, o serviço de recolha de resíduos domésticos ou o estabelecimento onde adquiriu o produto.

## Arranque e paragem



**ATENÇÃO!** Antes de arrancar, observe o seguinte:

**Não arranque a moto-serra sem que a lâmina, a corrente da serra e todas as coberturas estejam montadas. Caso contrário, o pinhão pode soltar-se e causar ferimentos pessoais.**

**Certifique-se de que está numa posição estável e que a corrente não entra em contacto com nenhum objecto.**

**Certifique-se de que nenhuma pessoa estranha se encontra na zona de trabalho.**

- Antes de inserir a bateria na máquina, certifique-se sempre de que o interruptor de alimentação se move devidamente e volta à posição "OFF" quando é libertado. A máquina dispõe de um bloqueio do interruptor de alimentação para evitar que o interruptor de alimentação seja puxado acidentalmente. **(Figura 54)**
- Nunca arranque a moto-serra sem que a lâmina, a corrente e todas as coberturas estejam devidamente montadas. Ver as instruções na secção Montagem, **(Figura 55)**
- Observe a vizinhança e certifique-se de que não há risco de pessoas ou animais entrarem em contacto com o equipamento de corte. **(Figura 56)**
- Segure sempre a motosserra com as duas mãos. Mantenha a mão direita no punho traseiro e a mão esquerda no punho dianteiro. **Todos os utilizadores, quer os que usam a mão direita quer os canhotos, deverão usar esta forma de agarrar.** Agarre com firmeza, com os polegares e os dedos em volta dos punhos da motosserra. **(Figura 57)**

## Arranque

- Insira a bateria na máquina. A bateria deve deslizar facilmente até ao suporte de bateria da máquina. Se a bateria não deslizar facilmente até ao suporte, não está a ser inserida correctamente. **(Figura 58)**
- Pressione a bateria para baixo. Ouvirá um clique quando a bateria bloquear na posição correcta. **(Figura 59)**
- Prima e mantenha premido o botão de início (>1 seg.) até o LED verde se acender. **(Figura 60)**

## Paragem

A máquina é desactivada premindo o botão de arranque/paragem no teclado (LED verde desligado). **(Figura 60)**

Observe! Para evitar o arranque involuntário, a bateria deverá ser sempre retirada quando a máquina não estiver em uso ou não estiver supervisionada. Para retirar a bateria, retire-a da máquina enquanto que prime os botões de libertação na bateria. **(Figura 61)**

## Sempre, antes de usar: (Figura 62)

- 1 Verifique se o travão da corrente funciona devidamente e se está em bom estado.
- 2 Verifique se a protecção traseira da mão direita está em bom estado.
- 3 Verifique que o bloqueio do interruptor de alimentação funciona corretamente e não se encontra danificado.
- 4 Verifique que o teclado funciona devidamente e não se encontra danificado.
- 5 Verifique se todos os punhos estão isentos de óleo.
- 6 Verifique se todos os componentes da moto-serra estão apertados e se não estão danificados ou em falta.
- 7 Verifique se a protecção da corrente está no seu lugar e em bom estado.
- 8 Verifique o esticamento da corrente.
- 9 Verifique que a bateria se encontra totalmente carregada e que está correta e fixamente colocada na motosserra.
- 10 Verifique que a corrente da serra deixa de se mover quando o interruptor de alimentação é libertado.

## SavE

A máquina está equipada com uma função de poupança de energia (savE). Esta função é activada, premindo o botão savE no teclado. Com a função savE activada, o tempo de funcionamento da máquina é prolongado através da redução da velocidade da corrente.

### (Figura 63)

Observe! A utilização da máquina com a função SavE activada apenas reduz a velocidade da corrente, mas não o poder de corte da máquina.

## Instruções gerais de trabalho

### IMPORTANTE!

Esta secção aborda regras básicas de segurança para o trabalho com a moto-serra. A informação fornecida nunca poderá substituir os conhecimentos adquiridos de forma teórica e prática por um profissional. Se você se sentir inseguro sobre a melhor maneira de continuar a trabalhar, pergunte a um especialista. Dirija-se ao seu revendedor de moto-serras, à sua oficina autorizada ou a um utilizador de moto-serras experiente. Evite qualquer forma de uso para a qual não se sinta suficientemente qualificado!

Antes de usar a moto-serra, você deve entender o que significa retrocesso e como o pode evitar. Ver as instruções na secção Medidas de prevenção contra retrocessos.

Antes de usar a moto-serra, você deve compreender a diferença em serrar com a parte inferior da lâmina e com a superior, respectivamente. Ver instruções nas secções 'Medidas de prevenção contra retrocesso' e 'Equipamento de segurança da máquina'.

Use equipamento de protecção pessoal. Ver as instruções na secção "Equipamento de protecção pessoal".

## Regras básicas de segurança

- 1 Observe a vizinhança:
  - Para assegurar-se de que pessoas, animais ou outro factor não possam interferir no seu controlo sobre a máquina.
  - Para evitar o risco dos acima citados entrarem em contacto com a corrente da serra ou serem atingidos por uma árvore em queda e se ferirem.

NOTA! Siga os pontos acima mas nunca use uma moto-serra sem ter a possibilidade de pedir ajuda em caso de acidente.

- 2 Evite o uso em condições meteorológicas desfavoráveis. Por exemplo, em denso nevoeiro, chuva e vento fortes, frio intenso, etc. Trabalhar com mau tempo é cansativo e pode ocasionar situações perigosas, por exemplo, solo escorregadio, trovoadas, direcção de abate das árvores imprevisível, etc.
- 3 Seja extremamente cauteloso ao serrar pequenos galhos e evite serrar em arbustos (= muitos pequenos ramos ao mesmo tempo). Pequenos galhos podem, após o corte, prender-se à corrente da serra, ser projectados contra si e causar sérios acidentes pessoais.
- 4 Certifique-se de que pode andar e estar de pé com segurança. Tenha cuidado com eventuais obstáculos em caso de um deslocamento inesperado (raízes, pedras, galhos, buracos, valas, etc.). Use de extrema precaução ao trabalhar em terreno inclinado.

# TÉCNICA DE TRABALHO

- 5 Tenha a máxima cautela ao serrar árvores que estejam entesadas. Uma árvore entesada pode, tanto antes como após a serração, retornar à sua posição normal. Uma postura incorrecta da sua parte ou do corte da serra poderão levar a árvore a atingi-lo a si ou à máquina, fazendo com que perca o controlo. Ambas as situações podem causar sérias lesões pessoais. (Figura 64)
- 6 Antes de transportar a moto-serra, desactive-a e bloqueie a corrente da serra com o travão da corrente. Transporte a moto-serra com a lâmina e corrente voltadas para trás. Em deslocamentos mais longos, bem como ao transportar, coloque a protecção na lâmina.
- 7 Quando deixar a moto-serra no solo, trave a corrente da serra com o travão da corrente e mantenha a máquina sob vigilância. Antes de se afastar da moto-serra durante algum tempo, desactive a máquina e retire a bateria.



**ATENÇÃO!** Por vezes, ficam aparas presas no sistema de propulsão, bloqueando a corrente da serra. Antes de efectuar qualquer limpeza, desactive sempre a máquina e retire a bateria.

## Regras básicas

- 1 Compreendendo o que significa retrocesso e como este ocorre, você poderá reduzir ou eliminar o efeito de surpresa. O inesperado aumenta o risco de acidente. A maioria dos retrocessos é pequena mas alguns deles são extremamente rápidos e muito violentos.
- 2 Empunhe sempre a moto-serra numa posição firme, com a mão direita no punho traseiro e a esquerda no punho dianteiro. Polegares e dedos devem envolver os punhos. Todos os utilizadores, independentemente de serem direitos ou canhotos deverão usar esta posição. Com esta posição você poderá reduzir mais facilmente o efeito de retrocesso e simultaneamente manter o controlo sobre a moto-serra. **Não solte os punhos!** (Figura 65)
- 3 A maioria dos acidentes de retrocesso ocorrem na poda de ramos. Assuma uma postura firme e verifique se nenhum objecto no solo pode fazê-lo tropeçar ou perder o equilíbrio.

Por decaído, o sector de risco de retrocesso da lâmina pode atingir um ramo, uma árvore próxima ou outro objecto, provocando um retrocesso.

Mantenha a peça de trabalho sob controlo. Se os pedaços que está a serrar forem pequenos e leves, podem prender-se na corrente da serra e ser atirados contra si. Mesmo que isso não seja necessariamente perigoso, você pode assustar-se e perder o controlo sobre a motosserra. Não serre nunca toras ou ramos empilhados sem primeiro os separar. Serre apenas uma tora ou um pedaço de cada vez. Remova os

pedaços serrados para manter o local de trabalho seguro. (Figura 74)

- 4 **Nunca use a moto-serra acima da altura dos ombros e evite serrar com a ponta da lâmina. Nunca use a moto-serra segurando-a apenas com uma das mãos!** (Figura 66)
- 5 É necessário que esteja em equilíbrio estável para que possa dominar totalmente a moto-serra. Nunca use a moto-serra se estiver numa escada, numa árvore ou em local em que não esteja apoiado numa base firme e segura. (Figura 67)
- 6 Serre com a corrente em alta velocidade, isto é, com aceleração total.
- 7 Seja extremamente cuidadoso ao serrar com a parte superior da lâmina, isto é, ao serrar pela parte inferior do objecto a ser serrado. Isto é chamado de serrar com a corrente a empurrar. A corrente empurra a moto-serra de volta, contra o utilizador. Se a corrente da serra ficar entalada, a motosserra pode ser atirada para trás contra si. (Figura 68)
- 8 Se o utilizador não aparar o esforço da moto-serra, há um risco de que a moto-serra seja empurrada de tal modo para trás que o sector de risco de retrocesso da lâmina será o único contacto com a árvore, o que conduz a um retrocesso. (Figura 69)

Serrar com a parte inferior da lâmina, ou seja, serrar a partir do lado superior do objecto a ser serrado, e para baixo, chama-se serrar com a corrente a puxar. Então a moto-serra é puxada contra a árvore e o canto anterior do corpo da moto-serra forma um apoio natural contra o tronco. Serração com a corrente a puxar possibilita ao utilizador um melhor controlo sobre a moto-serra bem como sobre onde o sector de risco de retrocesso da lâmina está localizado. (Figura 70)

- 9 Siga as instruções de limpeza e manutenção da lâmina e corrente. Ao trocar de lâmina e corrente, só é permitido o uso das nossas combinações recomendadas. Ver as instruções nas secções Equipamento de corte e Especificações técnicas.

## Técnica básica de serração



**ATENÇÃO!** Não use nunca uma motosserra empunhando-a com uma mão apenas. É impossível controlar uma motosserra com segurança com apenas uma mão. Agarre sempre a motosserra firmemente, com as duas mãos nos punhos.

### Noções gerais

- Mantenha sempre aceleração total em todos trabalhos de serração!
- Solte o interruptor de alimentação após cada corte de serra (períodos longos à potência máxima sem sobrecarga para o motor, ou seja, sem a resistência

que o motor experimenta na serração, podem originar sérios danos no motor).

- Serrar de cima para baixo = Serrar com a corrente "a puxar".
- Serrar de baixo para cima = Serrar com a corrente "a empurrar".

Serrar com a corrente "a empurrar" representa um aumento do risco de retrocesso. Ver as instruções na secção Medidas de prevenção contra retrocessos.

## Denominações

Desrama = Serrar os galhos de uma árvore abatida.

Fendilhamento = Quando o objecto que você irá traçar, se parte antes de se completar o corte com a serra.

## Antes de cada traçagem há cinco factores muito importantes a considerar:

- 1 O equipamento de corte não pode ficar entalado no corte de serra. (Figura 71)
- 2 O objecto a serrar não pode fender-se. (Figura 72)
- 3 A corrente da serra não pode tocar o solo ou outro objecto, durante ou após uma serração de fora a fora. (Figura 73)
- 4 Há risco de retrocesso? (Figura 4)
- 5 Pode o aspecto do terreno e das zonas vizinhas influir na sua estabilidade e segurança ao andar ao estar de pé?

Os motivos da corrente se prender ou do objecto a serrar se fender podem ser dois: O apoio que o objecto a serrar tem antes e depois da traçagem e a tensão sob a qual se encontra se o objecto a serrar.

Os factos indesejáveis acima mencionados podem, na maioria dos casos, evitar-se através da traçagem em duas etapas, pela parte superior e pela inferior. Trata-se de neutralizar a tendência do objecto a serrar em prender a corrente da serra ou em fender-se.



**ATENÇÃO!** Se a corrente da serra ficar encravada durante o corte: desactive a máquina! Não tente puxar a máquina para a libertar. Se o fizer pode ferir-se na corrente da serra, se a máquina se desprender repentinamente. Use uma alavanca para abrir o corte e libertar a máquina.

A listagem a seguir é uma exposição teórica de como proceder nas situações mais comuns que podem ocorrer a um utilizador de moto-serras.

## Traçagem



**ATENÇÃO!** Não tente nunca serrar toras empilhadas ou juntas. Esse tipo de procedimento aumenta drasticamente o perigo de retrocesso e pode causar ferimentos graves e até mesmo mortais.

Caso estejam empilhadas, cada tora que quiser cortar deverá ser colocada num cavalete ou sobre travessas e ser cortada individualmente.

Remova os pedaços cortados do local de trabalho. Se os deixar no local de trabalho, aumenta o risco de retrocesso da máquina e também o risco de você se desequilibrar durante o trabalho. (Figura 74)

**O tronco está deitado sobre o solo.** Não há nenhum risco da corrente se prender ou de fendilhamento do objecto a serrar. O risco é, entretanto, grande de que a corrente toque o solo após a serração de fora a fora.

Serre de cima para baixo através de todo o tronco. Tenha cuidado durante o final do corte para evitar que a corrente toque no solo. Mantenha aceleração total mas prepare-se para o que possa acontecer.

Se possível (= pode-se girar o tronco?) deve o corte de serra terminar a 2/3 do diâmetro do tronco.

Gire o tronco de modo a poder completar o restante 1/3, serrando de cima para baixo. (Figura 75)

**O tronco tem apoio numa extremidade.** Grande risco de fendilhamento.

Começa a serrar de baixo para cima (cerca de 1/3 do diâmetro do tronco).

Termine de cima para baixo de modo que os dois cortes se encontrem. (Figura 76)

**O tronco está apoiado em ambas as extremidades.** Grande risco da corrente se prender.

Comece a serrar de cima para baixo (cerca de 1/3 do diâmetro do tronco).

Termine de baixo para cima de modo que os dois cortes se encontrem. (Figura 77)

## Técnica de abate de árvores

**IMPORTANTE!** Muita experiência é exigida para abater uma árvore. Um utilizador de moto-serra inexperiente não deverá abater árvores. Evite qualquer forma de uso para a qual não se sinta suficientemente qualificado!

## Distância de segurança

A distância de segurança entre a árvore a abater e o próximo local de trabalho deverá ser de 2 1/2 vezes o comprimento da árvore. Controle para que ninguém se encontre dentro desta "área de risco" antes ou durante o abate. (Figura 78)

## Direcção de abate

O objectivo no abate é colocar a árvore de um modo tal que a desrama a seguir, bem como a traçagem do tronco possam realizar-se num terreno tão "simples" quanto possível. Deve-se poder andar e estar de pé com segurança.

Após decidir sobre a direcção de abate que desejada, você deverá fazer uma avaliação sobre a direcção natural de queda da árvore.

Os factores determinantes são:

- Inclinação
- Sinuosidade
- Direcção do vento
- Concentração de galhos
- Eventual peso da neve
- Obstáculos ao alcance da árvore: por exemplo outras árvores, cabos de alta tensão, caminhos e construções.
- Verifique se há sinais de danos ou podridão no tronco, o que aumenta a probabilidade da árvore se quebrar e começar a cair antes do previsto.

Após essa avaliação pode-se ser obrigado a deixar a árvore cair na sua direcção natural de queda, já que é impossível ou demasiado arriscado tentar colocá-la na direcção que se tinha planeado no início.

Um outro factor importante, que não influi na direcção de queda, mas na sua segurança pessoal é verificar se a árvore não tem galhos partidos ou "mortos" que se podem romper e feri-lo durante o trabalho de abate.

O que se deve evitar principalmente é que a árvore abatida se prenda a outra. Retirar uma árvore abatida que se prendeu é muito perigoso e existe um risco muito elevado de acidente. Consulte as instruções na secção Libertar uma árvore que tombou mal.

**IMPORTANTE!** Em situações de abate críticas, os protectores acústicos devem ser levantados assim que cessar a serração, afim de se poderem perceber os sons e sinais de perigo.

## Desrama da parte inferior e caminho de fuga

Desrame o tronco até à altura dos ombros. O mais seguro é trabalhar de cima para baixo e ter o tronco entre si e a motosserra. (Figura 79)

Remova a vegetação do solo em volta da árvore e prepare-se para eventuais obstáculos (pedras, galhos, buracos, etc.) de modo que possa fugir facilmente quando a árvore começar a cair. O caminho de fuga deve estar situada a cerca de 135° diagonalmente para trás da direcção de abate planeada para a árvore. (Figura 80)

- 1 Zona de risco
- 2 Linha de retirada
- 3 Direcção de abate

## Abate



**ATENÇÃO!** Desaconselhamos os utilizadores insuficientemente qualificados a abater uma árvore com comprimento de lâmina menor que o diâmetro do tronco!

O abate é executado com três cortes de serra. Primeiro faz-se o corte direccional que se compõe dum corte superior e dum corte inferior e depois finaliza-se o abate com o corte de abate. Posicionando-se correctamente estes cortes, pode-se determinar a direcção da queda com grande exactidão.

### Corte direccional

Ao efectuar o corte direccional, começa-se com o corte superior. Aponte segundo a marca de direcção de abate (1) em direcção a um alvo mais adiante no terreno, aonde pretenda que a árvore caia (2). Posicione-se à direita da árvore, atrás da serra, e serre com a corrente da serra a puxar.

Depois, serre o corte inferior de modo que este termine exactamente onde termina o corte superior. (Figura 81)

A profundidade do corte direccional deve ser de 1/4 do diâmetro do tronco e o ângulo entre o corte superior e o inferior, no mínimo de 45°.

O encontro de ambos os cortes chama-se linha do corte direccional. Esta linha deverá situar-se em posição rigorosamente horizontal e ao mesmo tempo formar um ângulo recto (90°) com a direcção de queda escolhida. (Figura 82)

### Corte de abate

O corte de abate é feito do outro lado da árvore e deve estar em posição rigorosamente horizontal. Ponha-se do lado esquerdo da árvore e serre com a corrente a puxar.

Localize o corte de abate a cerca de 3-5 cm (1,5-2 pol) sobre o plano horizontal do corte direccional. (Figura 83)

Coloque o apoio para casca (se estiver montado) atrás da linha de ruptura. Serre com aceleração total e deixa a corrente/lâmina penetrar devagar na árvore. Observe se a árvore se move no sentido contrário ao da direcção de queda pretendida. Introduza uma cunha de abate ou barra extractora logo que a profundidade de corte o permita. (Figura 84)

O corte de abate deverá terminar paralelamente à linha de corte direccional de modo que a distância entre ambos seja no mínimo de 1/10 do diâmetro do tronco. A parte não serrada no tronco é designada de linha de ruptura.

A linha de ruptura funciona como uma dobradiça que comanda a direcção da queda da árvore. (Figura 85)

Perde-se todo o controlo sobre a direcção de queda da árvore se a linha de ruptura for demasiado pequena ou muito serrada, ou se o corte direccional e o corte de abate estiverem incorrectamente posicionados. (Figura 86)



Quando o corte de abate e o corte direccional estiverem concluídos, a árvore deverá começar a cair por si própria ou com a ajuda da cunha de abate ou barra extractora. (Figura 87)

Recomendamos o uso de um comprimento de lâmina superior ao diâmetro do tronco na copa da árvore, de modo que o corte de abate e o corte direccional possam ser executados com o chamado 'corte simples'. Ver o capítulo Especificações técnicas com relação ao comprimento de lâmina adequado ao seu modelo de motosserra. (Figura 88)

Há métodos para abate de árvores com os diâmetros do tronco maiores do que o comprimento da lâmina. Esses métodos acarretam o grande perigo de que o sector de risco de retrocesso da lâmina entre em contacto com algum objecto. (Figura 4)

## Tratamento de um resultado de abate mal-sucedido

### Remoção de uma "árvore presa no abate"

Retirar uma árvore abatida que se prendeu é muito perigoso e existe um risco muito elevado de acidente.

Não tente nunca cortar uma árvore caída sobre outra.

Nunca trabalhe dentro da zona de perigo de uma árvore presa noutra. (Figura 89)

O método mais seguro é usar um guincho.

- Montado num tractor (Figura 90)
- Transportável (Figura 91)

### Serração em árvores ou galhos que se encontram entesados

Preparativos: Avalie em que direcção o entesamento ocorre e também onde está o seu ponto de ruptura (ou seja, o ponto onde se partiria se fosse ainda mais entesado). (Figura 92)

Decida qual o modo mais seguro de aliviar o entesamento e se você é capaz de o fazer. Em situações extremamente complicadas, o único método seguro é abster-se de usar a moto-serra e usar um guincho.

### Aplica-se em geral:

Posicione-se de modo tal que não se arrisque a ser atingido pela árvore/galho quando se desfizer o entesamento. (Figura 93)

Faça um ou vários cortes no ponto de ruptura ou nas suas proximidades. Serre com profundidade suficiente e com tantos cortes quantos forem necessários para que o entesamento da árvore/galho se dissipe, e em proporções suficientes para que a árvore/galho "se rompam" no ponto de ruptura. (Figura 94)

### Nunca serre de fora a fora um objecto que se encontra entesado!

Se for necessário serrar através da árvore/ramo, faça dois ou três golpes espaçados 3 cm, e com 3-5 cm de profundidade. (Figura 95)

Continue a serrar mais fundo até a tensão da árvore/ramo vergado desaparecer. (Figura 96)

Após a tensão ter sido eliminada, cortar a árvore/ramo pelo lado oposto.

## Medidas de prevenção contra retrocessos



**ATENÇÃO! Retrocessos podem ser extremamente rápidos, repentinos e violentos e podem arremessar a moto-serra, lâmina e corrente contra o utilizador. Se a corrente estiver em movimento quando ou se atingir o utilizador, poderão ocorrer lesões muito graves, até mesmo mortais. É necessário compreender o que provoca retrocessos e que é possível evitá-los através de cautela e técnicas de trabalho correctas.**

### Que é retrocesso?

Retrocesso é a denominação de uma reacção repentina, onde a moto-serra e a lâmina são expelidas de um objecto que entrou em contacto com o quadrante superior da extremidade da lâmina, o chamado sector de risco de retrocesso. (Figura 69)

O retrocesso desloca-se sempre na direcção do plano da lâmina. Mais comum é que a moto-serra e a lâmina sejam arremessadas para cima e para trás, contra o utilizador. Entretanto, ocorrem outras direcções de retrocesso, dependendo da posição da moto-serra no momento em que o sector de risco de retrocesso a lâmina entrou em contacto com um objecto.

Retrocesso somente pode ocorrer quando o sector de risco de retrocesso da lâmina entrar em contacto com um objecto. (Figura 4)

### Desrama



**ATENÇÃO! A maioria dos acidentes por retrocesso ocorrem durante o desrame. Não use o sector de risco de retrocesso da lâmina. Tenha o máximo cuidado e evite que a ponta da lâmina entre em contacto com o tronco, outros ramos ou objectos. Tenha muito cuidado com ramos vergados e sob tensão. Eles podem desprender-se e rebater contra si, fazendo com que perca o controlo sobre a máquina e causando ferimentos.**

Certifique-se de que pode andar e estar de pé com segurança! Trabalhe a partir do lado esquerdo do tronco. Trabalhe o mais próximo possível da moto-serra para um melhor controlo. Quando possível deixe o peso da serra apoiar-se sobre o tronco.

Desloque-se somente quando o tronco estiver entre si e a moto-serra. (Figura 97)

### Corte do tronco em toros

Ver as instruções na secção Técnica básica de serração.

## Noções gerais

O utente só pode efectuar trabalhos de manutenção e assistência do tipo descrito nestas instruções. Intervenções maiores devem ser efectuadas por uma oficina autorizada.

## Controlo, manutenção e assistência ao equipamento de segurança da moto-serra



**ATENÇÃO!** Retire sempre a bateria antes de realizar qualquer tipo de montagem, manutenção e/ou inspecção na máquina.

Observe! Todas as reparações e assistência técnica à máquina requerem formação especializada. Isto aplica-se especialmente ao equipamento de segurança da máquina. Se a máquina não satisfizer os controlos abaixo relacionados, consulte a sua oficina especializada.

Importante! Nunca limpe a bateria ou o carregador da bateria com água. Agentes fortes de limpeza podem danificar o plástico.

## Travão de corrente com protector anti-retrocesso

### Controlo da protecção anti-retrocesso

- Verifique se a protecção anti-retrocesso está completa e sem defeitos aparentes, p. ex., rachaduras no material. **(Figura 98)**
- Mova a protecção anti-retrocesso para a frente e para trás, para se certificar de que se move livremente e que está solidamente fixa à máquina. **(Figura 99)**

### Controlo da função de accionamento por inércia

- Coloque a motosserra desativada num cepo ou noutra superfície estável. Solte o punho dianteiro e deixe que a serra descaia devido ao seu próprio peso enquanto roda em torno do punho traseiro na direcção do cepo. **(Figura 100)**

**Quando a ponta da lâmina encontrar o cepo, o travão deverá entrar em funcionamento.**

### Controlo da acção de travagem

- Active a moto-serra. Certifique-se de que a corrente da serra não toca no solo nem noutro objecto. Ver instruções no capítulo Arranque e paragem.
- Segure a moto-serra numa posição firme, com os polegares e dedos à volta do punho. **(Figura 65)**
- Acelere ao máximo e active o travão de corrente, virando o pulso esquerdo contra a protecção anti-retrocesso. Não solte o punho dianteiro. **A corrente deverá parar imediatamente. (Figura 101)**

## Bloqueio do interruptor de alimentação

- Certifique-se de que o interruptor de alimentação está bloqueado na posição de marcha em vazio quando o bloqueio do interruptor de alimentação é libertado. **(Figura 102)**
- Prima o bloqueio do interruptor de alimentação e verifique se este retorna à posição original quando é libertado. **(Figura 103)**
- Verifique se o interruptor de alimentação e o bloqueio do interruptor de alimentação se movem livremente e se as molas de retorno funcionam correctamente. **(Figura 104)**
- Active a moto-serra e acelere ao máximo. Solte o interruptor de alimentação e verifique se a corrente da serra pára e permanece imóvel.

## Retentor de corrente

- Verifique se o retentor de corrente está completo e se está fixo ao corpo da moto-serra. **(Figura 105)**

## Teclado

- Active a moto-serra e certifique-se de que esta é desactivada quando o botão de arranque/paragem é premido (LED verde desligado). **(Figura 106)**

## Conectores de bateria

Após a utilização, limpe a bateria e o compartimento da bateria com um pincel suave. Certifique-se de que estão limpas todas as ranhuras de arrefecimento e os conectores de bateria. **(Figura 107)**

## Sistema de arrefecimento

Para obter uma temperatura de funcionamento tão baixa quanto possível, a máquina está equipada com um sistema de arrefecimento.

O sistema de arrefecimento é composto por:

- 1 Entrada de ar (lado esquerdo da máquina).
- 2 Uma ventoinha no motor.

- Limpe o sistema de arrefecimento com uma escova, uma vez por semana, ou com mais frequência em condições de trabalho intensas. Um sistema de arrefecimento sujo ou obstruído conduz a um sobreaquecimento, danificando a máquina. **(Figura 108)**

## Bateria

- Certifique-se de que a bateria não está danificada nem deformada, e de que não tem defeitos aparentes, tais como rachas. **(Figura 109)**

## Carregador da bateria

- Certifique-se de que o carregador da bateria e o cabo de alimentação não estão danificados nem deformados, e de que não têm defeitos aparentes, tais como rachas. **(Figura 110)**

# MANUTENÇÃO

## Esquema de manutenção

Abaixo segue uma lista dos cuidados a ter com a máquina. A maioria dos pontos encontram-se descritos na secção Manutenção.

Controle diário	Controle semanal	Controle mensal
Limpe a máquina externamente.	Remova com a lima eventuais rebarbas nas laterais da lâmina.	Verifique as ligações entre a bateria e a máquina e verifique também a ligação entre a bateria e o carregador da bateria.
Verifique se todos os componentes do interruptor de alimentação funcionam em segurança. (Bloqueio do interruptor de alimentação e interruptor de alimentação.)		Esvaziar o depósito de óleo e lavá-lo por dentro.
Limpe o travão de corrente e controle o seu funcionamento em segurança. Verifique se o retentor de corrente está intacto, troque se necessário.		Sopre ar comprimido através do produto e das ranhuras de refrigeração da bateria.
A lâmina deverá ser virada diariamente para um desgaste mais homogéneo. Verifique se o orifício de lubrificação da lâmina está obstruído. Limpe a ranhura da lâmina. Se a lâmina estiver equipada com um rolete na extremidade, lubrifique-o.		
Verifique se a lâmina e a corrente recebem óleo suficiente.		
Verificar se a corrente da serra tem fissuras visíveis nos rebites e elos, se a corrente está rígida e se os rebites e elos estão muito gastos. Se necessário, substituir.		
Afie a corrente e verifique a sua tensão e estado. Verifique se o pinhão da corrente não está com desgaste anormal e troque se necessário.		
Limpe a entrada de ar da máquina.		
Verifique se os parafusos e porcas estão apertados.		
Verifique que o teclado funciona devidamente e não se encontra danificado.		

# MANUTENÇÃO

## Esquema de detecção de avarias

### Teclado

Códigos de falha possíveis no teclado da moto-serra.

Teclado	Avarias possíveis	Acção possível
Indicador de aviso intermitente.	Travão da corrente accionado.	Puxe a protecção anti-retrocesso para trás, para libertar o travão da corrente.
	Desvio de temperatura.	Aguarde que a máquina arrefeça.
	Sobrecarga. O equipamento de corte está encravado.	O acessório de corte está obstruído. Solte o acessório de corte.
	O interruptor de alimentação e o botão de activação devem ser premidos ao mesmo tempo.	Solte o interruptor de alimentação e a máquina fica activa.
LED verde activado intermitente.	Tensão da bateria baixa.	Carregue a bateria.
Indicador de aviso aceso.	Assistência	Contacte o sua oficina autorizada.

### Bateria

Resolução de problemas da bateria e/ou do carregador da bateria durante o carregamento.

Ecrã LED	Avarias possíveis	Acção possível
Indicador de aviso intermitente.	A bateria está descarregada.	Carregar bateria.
	Desvio de temperatura.	Utilize a bateria em ambientes em que as temperaturas se encontrem entre -10 °C e 60 °C.
	Sobretensão.	Verifique se a tensão de rede coincide com a indicada na placa que se encontra na máquina. Desligue o carregador da bateria.
Indicador de aviso aceso.	A diferença entre as células célula é demasiada (1V).	Contacte o sua oficina autorizada.

### Carregador da bateria

Ecrã LED	Avarias possíveis	Acção possível
Indicador de aviso intermitente.	Desvio de temperatura.	Permita que o carregador arrefeça (arrefecimento passivo).
Indicador de aviso aceso.	Danos permanentes.	Contacte o sua oficina autorizada.

# ESPECIFICAÇÕES TÉCNICAS

## Especificações técnicas

	<b>136Li</b>
<b>Motor</b>	
Tipo	Motor de escovas de 36 V
<b>Características</b>	
Modo de baixa energia	savE
<b>Sistema de lubrificação</b>	
Tipo de bomba de óleo	Automática
Volume do depósito de óleo, litros/cm <sup>3</sup>	0,20/200
<b>Peso</b>	
Moto-serra sem bateria, lâmina nem corrente e depósito de óleo de corrente vazio, kg	4,8
<b>Emissões de ruído (ver nota 1)</b>	
Nível de potência sonora, medido em dB(A)	97,3
Nível de potência sonora, L <sub>WA</sub> garantido dB(A)	101
Incerteza respetiva KpA, dB(A)	3,0
<b>Níveis acústicos (ver nota 2)</b>	
Nível de pressão sonora equivalente junto ao ouvido do utente, dB(A)	86
<b>Níveis de vibração (ver nota 3)</b>	
Punho dianteiro, m/s <sup>2</sup>	3,61
Punho traseiro, m/s <sup>2</sup>	2,25
Incerteza respetiva K, m/s <sup>2</sup>	1,5
<b>Níveis de vibração equivalentes (ver nota 4)</b>	
Punho dianteiro, m/s <sup>2</sup>	2,29
Punho traseiro, m/s <sup>2</sup>	1,58
<b>Corrente/lâmina</b>	
Comprimentos de lâmina recomendados, pol/cm	12/30
Comprimento de corte efectivo, pol/cm	10/26
Tipo de pinhão/n.º de dentes	Spur/6
Velocidade da corrente máxima / (savE), m/s	11 (10)

Baterias aprovadas para uso nos modelos de motosserra indicados acima		
Bateria	BLi110	BLi150
Tipo	lões de lítio	lões de lítio
Capacidade da bateria, Ah	3,0	4,2
Tensão, V	36	36
Peso, kg	1,2	1,3

Carregadores adequados a baterias específicas, BLi.			
Carregador da bateria	QC80	QC120	QC330
Tensão da corrente, V	100-240	220-240	100-240
Frequência, Hz	50-60	50-60	50-60
Potência, W	80	125	330

Nota 1: Emissões sonoras para as imediações, medidas sob forma de potência sonora (L<sub>WA</sub>) conforme a directiva da CE 2000/14/CE.

Nota 2: O nível de pressão de ruído equivalente, segundo a norma ISO 22868, é calculado como a soma da energia ponderada no tempo dos diferentes níveis de pressão sonora, em diferentes condições de funcionamento. A dispersão estatística típica do nível de pressão do ruído equivalente é um desvio padrão de 1 dB (A).

Nota 3: Nível de vibração em conformidade com a norma EN 60745-2-13. Os dados comunicados relativamente ao nível de vibração têm uma dispersão estatística típica (desvio padrão) de 1 m/s<sup>2</sup>. Dados de vibração declarados a partir de medições efectuadas com a máquina equipada com um determinado comprimento da barra e o tipo de corrente recomendado. Se a máquina estiver equipada com um comprimento da barra diferente, o nível de vibrações pode variar no máx. ± 1,5 m/s<sup>2</sup>.

Nota 4: O nível de vibração equivalente é medido e calculado do mesmo modo que para as motosserras com motor de combustão. Estes números são fornecidos para ser possível comparar os dados de vibração independentemente do tipo de motor.


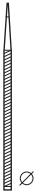

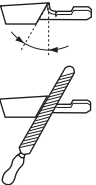

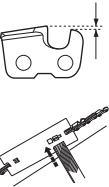
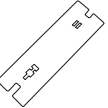

# ESPECIFICAÇÕES TÉCNICAS

## Combinações de lâmina e corrente

O equipamento de corte seguinte foi aprovado para o modelo Husqvarna 136Li.

Lâmina				Corrente	
Comprimento, pol	Passo, pol	Largura do sulco, mm	N.º máx. de dentes no rolete da ponta da lâmina	Tipo	Comprimento, elementos de accionamento (qtd.)
12	3/8	1,1	9T	Husqvarna H38	45

## Limagem e calibradores de lima da corrente da serra.

							
	inch/mm				inch/mm		
38	11/64 / 4,5	90°	30°	0°	0.025 / 0,65	5056981-03	5795588-01

## Certificado CE de conformidade

### (Válido unicamente na Europa)

**Husqvarna AB**, SE-561 82 Huskvarna, Suécia, tel:+46-36-146500, declara sob sua inteira responsabilidade que as motosserras a bateria sem fios **Husqvarna 136Li** com números de série do ano de 2016 e seguintes (o ano é claramente identificado na etiqueta de tipo, seguido de um número de série), estão conforme os requisitos da DIRETIVA DO CONSELHO:

- de 17 de Maio de 2006 "referente a máquinas" **2006/42/CE**.
- de 26 de Fevereiro de 2014 "referente a compatibilidade electromagnética" **2014/30/UE**.
- de 12 de Dezembro de 2006, "relativa ao material eléctrico destinado a ser utilizado dentro de certos limites de tensão" **2006/95/CE**.
- de 6 de Setembro de 2006 "relativa a pilhas e acumuladores e respectivos resíduos" **2006/66/CE**.
- de 8 de Maio de 2000 "referente à emissões sonoras para as imediações" **2000/14/CE**.

Foram respeitadas as normas seguintes: **EN 60745-1**, **EN 60745-2-13**, **EN 60335-2-29**, **EN 55014-1**, **EN 55014-2**.

Entidade competente: **NB905, Intertek Deutschland GmbH**, Stagenstraße 1, 70771 Leinfelden-Echterdingen, Alemanha, realizou o exame CE de tipo em conformidade com a diretiva de máquinas (2006/42/CE), artigo 12, ponto 3b. Os certificados do controle de tipo da CE conforme anexo IX têm os números: **NB905 15SHW0344-01**.

Para informações referentes às emissões sonoras, ver o capítulo Especificações técnicas.

A moto-serra fornecida está em conformidade com a que foi apresentada para controle de tipo da CE.

Husqvarna, 30 de Março de 2016



Lars Roos, Chefe de Desenvolvimento

(Representante autorizado da Husqvarna AB e responsável pela documentação técnica.)



[www.husqvarna.com](http://www.husqvarna.com)

1156931-38



2016-11-29, Rev.2