



# Operator Manual / Manual del operador

## Zero Turn Mower / Z 246

### 967271601-00

Please read the operator manual carefully and make sure you understand the instructions before using the machine.

Gasoline containing up to 10% ethanol (E10) is acceptable for use in this machine. The use of gasoline with more than 10% ethanol (E10) will void the product warranty.

Lea el manual de instrucciones detenidamente y asegúrese de comprender las instrucciones antes de utilizar la máquina.


La gasolina que contiene hasta 10 % de etanol (E10) se puede usar en esta máquina. El uso de gasolina que tenga más de 10 % de etanol (E10) anulará la garantía del producto.




## CONFORMITY CERTIFICATES


### USA requirements


Labels are placed on the engine and/or in the engine compartment stating that the machine will fulfill the requirements. This is also applicable to special requirements for any of the states, (California emission rules etc.). Do not remove these labels. Certificates can also be supplied with the machine at delivery or written in the Engine manual. Take care of them as they are valuable documents.

 **WARNING!** Failure to follow cautious operating practices can result in dangerous injury to the operator or other persons. The owner must understand these instructions, and must let only approved persons who understand these instructions to operate the mower.

Each person operating the mower must be of sound mind and body and must not be under the influence of mind altering substances.

 **WARNING!** Engine exhaust, some of its constituents, and certain vehicle components contain or emit chemicals known to the State of California to cause cancer and birth defects or other reproductive harm.

 **WARNING!** Battery posts, terminals and related accessories contain lead and lead compounds, chemicals known to the State of California to cause cancer and birth defects or other reproductive harm. Clean your hands after handling.

 **WARNING!** Engine exhaust and certain vehicle components contain or emit chemicals considered to cause cancer, birth defects, or other reproductive system damage. The engine exhaust contains carbon monoxide, which is an odorless, colorless, poisonous gas. Do not use the machine in enclosed spaces.

When this product is worn out and no longer used, return it to the reseller or other party for recycling.

To implement improvements, specifications and designs can be altered without prior notification.

Note that no legal demands can be placed based on the information contained in these instructions.

Use only original parts for repairs. The use of other parts voids the warranty.

Do not modify or install non-standard equipment to the unit without consent from the manufacturer. Modifications to the unit may cause unsafe operations or damage the unit.

# CONTENTS

INTRODUCTION .....	4	INTRODUCCIÓN .....	39
Driving and Transport on Public Roads .....	4	Conducción y transporte en vías públicas .....	39
Towing .....	4	Remolque.....	39
Operating .....	4	Funcionamiento .....	39
SYMBOLS AND DECALS .....	6	SÍMBOLOS Y RÓTULOS.....	41
SAFETY .....	7	SEGURIDAD.....	42
Protecting Children .....	7	Seguridad infantil .....	42
Personal Safety Equipment .....	8	Equipo de seguridad personal .....	43
Slope Operation .....	8	Funcionamiento en pendientes.....	43
Safe Handling of Gasoline .....	9	Manipulación segura de la gasolina.....	44
Transport.....	10	Transporte.....	46
Towing.....	11	Remolque.....	46
Spark Arrestor .....	11	Parachispas .....	46
CONTROLS .....	12	CONTROLES.....	47
Steering Control Levers .....	13	Palancas de control de la dirección .....	48
Park Brake .....	13	Freno de estacionamiento .....	48
Ignition Switch.....	13	Interruptor de encendido .....	49
Throttle Control .....	14	Medidor de servicio .....	49
Service Meter.....	14	Control del acelerador.....	49
Blade Switch .....	14	Interruptor de cuchilla .....	50
Fuse .....	15	Fusible .....	50
Seat Adjustment Lever .....	15	Palanca de ajuste del asiento .....	50
Fuel Shut Off Valve .....	15	Válvula de corte de combustible .....	50
Cutting Height Lever .....	15	Palanca de altura de corte .....	50
Bypass Linkages .....	15	Varillajes de derivación .....	51
Fuel Tank .....	16	Depósito de combustible .....	51
Tracking .....	16	Desplazamiento .....	51
OPERATION .....	17	OPERACIÓN .....	53
Training .....	17	Capacitación .....	53
Operating on Hills .....	19	Trabajo en pendientes .....	56
Moving Machine By Hand .....	19	Mover la máquina manualmente.....	56
MAINTENANCE .....	21	MANTENIMIENTO .....	57
Battery.....	23	Batería .....	59
Safety System.....	24	Sistema de seguridad .....	60
Park Brake .....	24	Freno de estacionamiento .....	60
Tire Pressures.....	24	Presión de los neumáticos.....	61
Caster Wheels .....	25	Ruedecillas .....	61
Anti-scalp Rollers .....	25	Ruedas de apoyo .....	61
V-belts .....	25	Correas en V.....	62
Adjusting the Mower Deck .....	26	Ajuste del equipo de corte .....	62
Cutting Blades.....	27	Discos de corte .....	63
Cleaning.....	27	Limpieza.....	64
LUBRICATION .....	28	LUBRICACIÓN .....	65
Transmission .....	28	Transmisión.....	65
Wheel and Deck Zerk.....	29	Engrasadores de rueda y equipo.....	66
Engine oil .....	29	Cambio de aceite del motor.....	66
TROUBLESHOOTING .....	30	SOLUCIÓN DE PROBLEMAS .....	67
STORAGE .....	31	ALMACENAMIENTO .....	68
SCHEMATIC .....	32	ESQUEMA .....	69
TECHNICAL DATA.....	33	DATOS TÉCNICOS .....	70
SERVICE JOURNAL.....	35	REGISTRO DE SERVICIO .....	72

# INTRODUCTION

## Congratulations

Thank you for purchasing a Husqvarna ride-on mower. This machine is built for superior efficiency to rapidly mow primarily large areas. A control panel easily accessible to the operator and a hydrostatic transmission regulated by steering controls both contribute to the machine's performance.

This manual is a valuable document. Read the contents carefully before using or servicing the machine. The following of instructions (use, service, maintenance) by all who operate this machine is important for the safety of the operator and others. It can also considerably increase the life span of the machine and increase its resale value.

If you sell the machine, be sure to give the operator manual to the new owner.

The final chapter of this operator manual provides a Service Journal. Make sure that service and repair work are documented. A correctly kept service journal reduces service costs for the maintenance and affects the machine's resale value. Please contact the dealer for more information. Take the operator manual along when the machine is taken to the dealer for service.

## General

In this operator manual, left and right, backward and forward are used in relation to the machine's usual driving direction.

Continuous dedication to improve our products require that specifications and design are subject to change without notice.

## Driving and Transport on Public Roads

Check applicable road traffic regulations before transporting on public roads. If the machine is transported, you must always use approved fastening equipment and make sure that the machine is correctly attached. DO NOT operate this machine on public roadways.

## Towing

If machine is equipped with a tow hitch, use much more caution when towing. Do not let children or others in or on the towed equipment. Make wide turns to avoid jack-knifing. Travel slowly and leave more distance to stop.

Do not tow on sloped ground. The weight of the towed equipment may cause loss of traction and loss of control.

Follow the manufacturer's recommendation for weight limits for towed equipment. Do not tow near ditches, canals, and other hazards.

## Operating

This machine is constructed only for mowing grass on lawns and even ground without obstacles such as stones, tree stumps, etc. The machine can also be used for other tasks when equipped with special accessories provided by the manufacturer. Operating instructions for the accessories are provided with delivery. All other types of uses are incorrect. The manufacturer's directions concerning operation, maintenance, and repairs must be carefully followed.

Lawn mowers and all power equipment, can be potentially dangerous if used improperly. Safety requires good judgment, careful use in accordance with these instructions and common sense.

The machine must only be operated, maintained, and repaired by persons familiar with the machine's special characteristics and who are also knowledgeable about the safety instructions. Use only approved repair parts to maintain this machine.

Accident prevention regulations, other general safety regulations, occupational safety rules, and traffic regulations must be followed without fail.

Unauthorized modifications to the design of the machine may absolve the manufacturer from liability for resulting personal injury or property damage.



# INTRODUCTION

## Good Service

Husqvarna's products are sold throughout the world and only in specialized retail stores with complete service. This ensures that you as a customer receive only the best support and service. Before the product is delivered, the machine has, for example, been inspected and adjusted by the retailer. See the certificate in the Service Journal in this operator manual.

When you need spare parts or support in service questions, warranty issues, etc., please consult the following professional:

This manual belongs to the machine with the manufacturing number:	Engine	Transmission

## Manufacturing Number

*The machine's manufacturing number can be found on the printed plate affixed to the engine compartment.*

Stated on the plate, from the top are:

- The machine's type designation (I.D.).
- The manufacturer's type number (Model).
- The machine's serial number (Serial no.)

*Please have the type designation and serial number available when ordering spare parts.*

The engine's manufacturing number is stamped on one of the valve covers.

The plate states:

- The engine's model.
- The engine's type.
- Code

*Please have these available when ordering spare parts.*

The wheel motors and hydrostatic pumps have a barcode decal affixed at the rear.

# SYMBOLS AND DECALS

These symbols are found on the machine and in the operator manual.

Study them carefully so that you know what they mean.

reader neglects to follow the instructions in the manual.

**IMPORTANT INFORMATION** Xxxx xxxxxx  
xxxxx xxxx xxxxxxxxxxx xxxxxx xxxxxxxxxxx.

**WARNING!** Xxxx xxxxxx xxxxxx xxxxxx  
xxxxxxxx xxxxxx xxxxxxxxxxx.

Used in this publication to tell the reader of a risk of personal injury or death, particularly if the

Used in this publication to tell the reader of a risk of material damage, particularly if the reader neglects to follow the instructions in the manual. Used also when there is a possibility for misuse or misassembly.

**R**

Reverse

**N**

Neutral



Fast



Slow



Cold Weather Start



Fuel



Park Brake



Danger



Cut Height Low



Cut Height High



Use protective glasses



Use protective gloves



Wear hearing protection



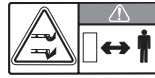
Do not stand here



**Warning!**  
Battery acid is corrosive, explosive and flammable



**Warning!**  
Do not touch parts



**Warning!**  
Keep away from the discharge deck



**Warning!**  
Do not use without deflector or grass catcher

Read Operator Manual

Shut off engine, remove key before maintenance or repair

Keep a safe distance from the machine

Use on slopes no greater than 10°

No passengers



Full body exposure to thrown objects

Severing of fingers and toes

Do not open or remove safety shields with engine running

Careful backing up, watch for other persons

Careful going forward, watch for other persons

# SAFETY

## Safety Instructions

These instructions are for your safety. Read them carefully.

**⚠ WARNING!** THIS CUTTING MACHINE IS CAPABLE OF AMPUTATING HANDS AND FEET AND THROWING OBJECTS. FAILURE TO OBEY THE FOLLOWING SAFETY INSTRUCTIONS COULD RESULT IN DANGEROUS INJURY OR DEATH.

**⚠ WARNING!** CHILDREN CAN BE SERIOUSLY INJURED OR KILLED BY THIS EQUIPMENT. Carefully read and follow all the safety instruction that follow.

**IMPORTANT INFORMATION** The American Academy of Pediatrics recommends that children be a minimum of 16 years of age before operating a riding lawn mower.

## Protecting Children

Tragic accidents can occur if the operator is not alert to the presence of children. Children are frequently attracted to the machine and the mowing activity. **Do not** assume that children will stay where you last saw them.

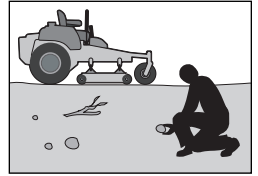
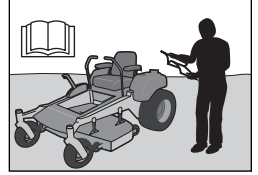
- Keep children out of the mowing area and in the watchful care of a responsible adult **other than** the operator.
- Be alert and turn machine off if a child enters the area.
- Before and while backing, look behind and down for small children.
- Do not carry children, even with the blades shut off. They may fall off and be seriously injured or interfere with safe machine operation. Children who have been given rides in the past may suddenly come into the mowing area for another ride and be run over or backed over by the machine.



- Do not let children to operate the machine.
- Use extreme care when going near blind corners, shrubs, trees, or other objects that may block your view of a child.

## General Operation

- Read, understand, and follow all instructions on the machine and in the manual before starting.
- It is recommended that someone be aware that you are mowing and can provide help in case of injury or accident.
- Anyone who operates, maintains, and/or services this machine must first read and understand this Operator Manual. Local laws may regulate the age of the user. The owner is responsible for training the users of this equipment.
- The owner and operator of this equipment can prevent accidents and is responsible for accidents or injuries occurring to themselves, other people and/or property.
- Do not put hands or feet near rotating parts or under the machine. Keep clear of the discharge opening at all times.
- Only let responsible adults, who are familiar with the instructions, to operate the machine.
- Clear the area of objects such as rocks, toys, wire, etc., which could be picked up and thrown by the blades.
- Be sure the area is clear of bystanders before operating. Stop machine if anyone enters the area.
- Do not mow in reverse unless fully necessary. Always look down and behind before and while backing.
- Do not direct discharged material toward anyone. Avoid discharging material against a wall or obstruction. Material may ricochet back toward the operator. Stop the blades when crossing gravel surfaces.
- Do not operate machine without the full grass catcher, discharge guard, or other safety devices in place and working.
- Slow down before turning.



## SAFETY

- Always turn off blades, move the steering control lever out to the park brake position, stop engine and remove keys before dismounting.
- Do not carry passengers. The machine is only intended for use by one person.
- Disengage blades when not mowing. Shut off engine and wait for all parts to come to a complete stop before cleaning the machine, removing the grass catcher or unclogging the discharge guard.
- Operate the machine only in daylight or good artificial light.
- Do not operate the machine while under the influence of alcohol or drugs.
- Watch for traffic when operating near or crossing roadways.
- Use extra care when loading or unloading the machine into a trailer or truck.
- Always wear eye protection when operating machine.

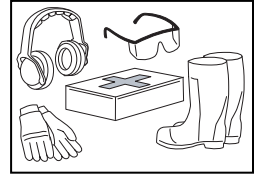


**WARNING!** When using the machine, approved personal protective equipment must be used. Personal protective equipment cannot eliminate the risk of injury but it will reduce the degree of injury if an accident does happen. Ask your retailer for help in choosing the right equipment.

- Wear proper Personal Protective Equipment (PPE) while operating this machine, including (at a minimum) sturdy footwear, eye protection, and hearing protection. Do not mow in shorts and/or footwear with open toes.
- Data indicates that operators age 60 years and above are involved in a large percentage of riding mower-related injuries. These operators must evaluate if they can safely operate the riding mower sufficiently to protect themselves and others from serious injury.
- Follow the manufacturer's recommendation for wheel weights or counterweights.
- Keep machine free of grass, leaves or other debris buildup which can touch hot exhaust or engine parts and burn. Do not let the mower deck plow leaves or other debris that can cause a buildup to occur. Clean oil or fuel spillage before operating or storing the machine.
- Let machine cool before storage.

## Personal Safety Equipment

- Make sure that first aid equipment is close at hand when using the machine.

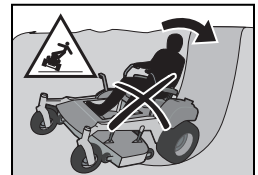
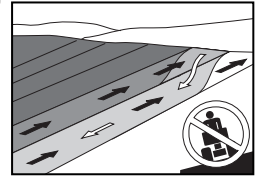


- Do not use the machine when barefoot.
- Always wear protective shoes or boots, preferably with steel toe caps.
- Always wear approved protective glasses or a full visor when assembling or driving.
- Always wear gloves when handling the blades.
- Do not wear loose clothing that can get caught in moving parts.
- Use ear protectors to avoid damage to hearing.

## Slope Operation

Slopes are a major factor related to loss of control and tip-over accidents, which can result in severe injury or death. Operation on slopes requires much more caution. If you cannot back up the slope or if you feel uneasy on it, do not mow it.

- Mow up and down slopes (10 degrees maximum), not across.
- Watch for holes, ruts, bumps, rocks, or other hidden objects. Uneven terrain could overturn the machine. Tall grass can hide obstacles.
- Choose a low ground speed so that you will not have to stop while on the slope.
- Do not mow on wet grass. Tires may lose traction.
- Avoid starting, stopping, or turning on a slope. If the tires lose traction, disengage the blades and proceed slowly straight down the slope.
- Keep movement on the slopes slow and gradual. Do not make sudden changes in speed or direction, which could cause machine to roll over.
- Use extra care while operating machine with grass catchers or other attachments; the stability of the machine can be effected.
- Do not use on steep slopes.



## SAFETY

- Do not try to stabilize the machine by putting a foot on the ground.
- Do not mow near drop-offs, ditches, or embankments. The machine could suddenly roll over if a wheel is over the edge or the edge caves in.

**⚠ WARNING!** Do not drive up or down hills with slopes greater than 10 degrees. Do not drive across slopes.

**⚠ WARNING!** The engine and the exhaust system become very hot during operation. There is a risk for burns if touched. Let engine and exhaust system to cool before refueling.

### Safe Handling of Gasoline

To avoid personal injury or property damage, use much more care in handling gasoline. Gasoline is very flammable and the vapors are explosive.

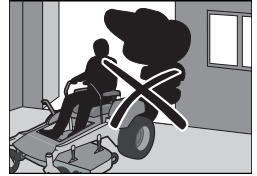
- Extinguish all cigarettes, cigars, pipes, and other sources of ignition.
- Use only approved gasoline containers.
- Do not remove gas cap or add fuel with the engine running. Let engine cool before refueling.
- Do not fuel the machine indoors.
- Do not keep the machine or fuel container where there is an open flame, spark or pilot light such as on a water heater or other appliance.
- Before you begin refueling, minimize the risk of static electricity by touching a metal surface.
- Do not fill containers inside a vehicle or on a truck or trailer bed with plastic liner. Always place containers on the ground away from the vehicle when filling.
- Do not overfill fuel tank. Replace gas cap and tighten securely.
- Remove gas-powered equipment from the truck or trailer and refuel it on the ground. If this is not possible, refuel such equipment with a portable container, rather than from a gasoline dispenser nozzle.
- Keep the nozzle in contact with the rim of the fuel tank or container opening at all times until fueling is complete. Do not use a nozzle lock-open device.



- If fuel is spilled on clothing, change clothing immediately.
- Do not start the engine near spilled fuel.
- Do not use gasoline as a cleaning agent.
- If leaks arise in fuel system, the engine must not be started until problem has been resolved.
- Check the fuel level before each use and leave space for the fuel to expand, as the heat from the engine and the sun may otherwise cause the fuel to expand and overflow.

### General Maintenance

- Do not use the machine indoors or in spaces lacking proper ventilation. The exhaust fumes contain carbon monoxide, an odorless and poisonous lethal gas.



**CAUTION!** Use protective glasses for maintenance work.

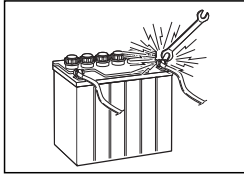
- Make sure that the equipment is in good condition and that all nuts and bolts, especially those fastening the blade attachments, are properly tightened and torqued.
- Maintain or replace safety and instruction labels as necessary.
- Do not interfere with the intended function of a safety device or reduce the protection provided by a safety device. Check their proper operation regularly. NEVER operate a machine with a safety device that does not function properly.

**⚠ WARNING!** The engine must not be started when the driver's floor plate or protective plates for the mower deck's drive belt is removed.

- Check grass catcher components and the discharge guard frequently and replace with manufacturer's recommended parts when necessary.
- Do not change the settings of governors and avoid running the engine with overly high engine speeds. If you run the engine too fast, machine components could be damaged.
- To reduce the risk of fire, keep machine free of grass, leaves or other debris buildup. Clean oil or fuel spills and remove fuel-soaked debris. Let machine cool before storing.

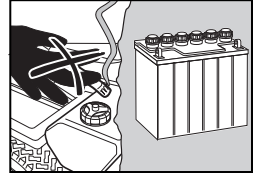
## SAFETY

- Stop to inspect the equipment if you run over or into anything. If necessary, make repairs before starting.
- Do not make adjustments or repairs with the engine running.
- The blades are sharp and can cause cuts and gashes. Wrap blades or use protective gloves when handling them.
- Check the park brake's functionality regularly. Adjust and service as necessary.
- Do not work with the starter circuit if there is spilled fuel.
- Make sure that the fuel filler cap is mounted tightly and no flammable substances are kept in an open vessel.
- Sparking can occur when working with the battery and the heavy cables of the starter circuit. This can cause battery explosion, fire or eye injury. Sparking will not occur after the grounding cable (normally negative, black) is removed from the battery.
- Disconnect the grounding cable from the battery first and reconnect it last.
- Do not make a bridge short circuit across the starter relay to run the starter.
- Be very careful when handling battery acid. Acid on skin can cause serious corrosive burns. If you spill battery acid on your skin, rinse immediately with water.
- Acid in the eyes can cause blindness, contact a doctor immediately.
- Be careful when servicing the battery. Explosive gases form in the battery. Do not perform maintenance on the battery when smoking or near open flames or sparks. The battery can explode and cause serious injury or damage.
- The machine is tested and approved only with the equipment originally provided or recommended by the manufacturer. Only use approved repair parts for the machine.
- The mulch blades must only be used in familiar areas when higher quality mowing is desired.
- Regularly clean deck and underside of deck, avoid spraying engine and electrical components with water.



## Transport

- The machine is heavy and can cause serious crushing injuries. Be extra cautious when it is loaded on or unloaded from a vehicle or trailer.
- Use full width ramps for loading machine into a trailer or truck.
- Use an approved trailer to transport the machine. Operate the park brake by securing the steering controls in the outboard position with elastic or ratcheting straps. Turn off the fuel supply. Fasten the machine down with approved devices such as bands, chains or straps.
- Both front and rear tie down straps must be used and directed down and out from the machine.



**⚠ WARNING!** Use much more caution when loading the machine into a truck or trailer using ramps. There is the possibility of dangerous injury or death if the machine falls off the ramps.

**IMPORTANT INFORMATION** The park brake is not sufficient to lock the machine in position during transport. Make sure that the machine is correctly fastened to the transport vehicle. Always reverse the machine onto the transport vehicle to avoid tipping it over.

- Do not operate this machine on public roadways.
- Check and abide by local traffic regulations before transporting the machine on roads.
- Do not tow this machine, it may cause damage to the drive system.
- Do not tow trailers, etc. with this mower. They may jackknife or overturn, causing damage to the mower and possible serious injury to the operator.
- Load the unit onto truck or trailer by driving up ramps of suitable strength using a slow speed. Do not lift! The machine is not intended to be lifted by hand.
- When loading or unloading this machine, do not use more than the maximum recommended operation angle of 10°.

## **SAFETY**

### **Towing**

If machine is equipped with a tow hitch, use much more caution when towing. Do not let children or others in or on towed equipment.

Make wide turns to avoid jack-knifing. Travel slowly and leave more distance to stop. Do not tow on sloped ground. The weight of the towed equipment may cause loss of traction and loss of control.

Follow the manufacturer's recommendation for weight limits for towed equipment. Do not tow near ditches, canals, and other hazards.

### **Spark Arrestor**

This mower is equipped with an internal combustion engine and must not be used on or near unimproved forested, bush covered or grassy lands unless the engine's system is equipped with a spark arrestor meeting applicable local or state laws.

Federal laws apply on federal lands.

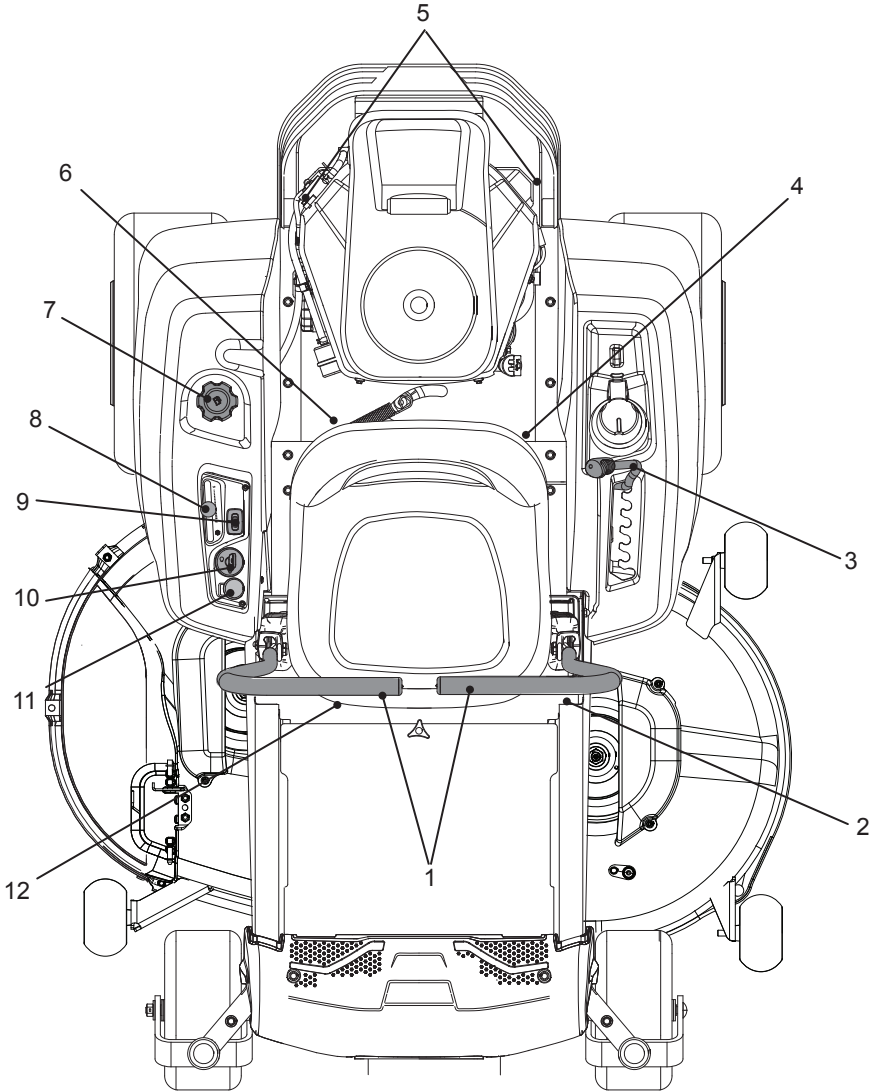
If a spark arrestor is used, it must be maintained in effective working order by the operator.

A spark arrestor for the muffler is available through an authorized Husqvarna dealer.

## CONTROLS

This operator manual describes the Husqvarna Zero Turn Rider. The rider is fitted with a four-stroke overhead valve engine.

Transmission from the engine is made via belt-driven hydraulic pumps. Using the left and right steering controls, the flow is regulated and thereby the direction and speed.

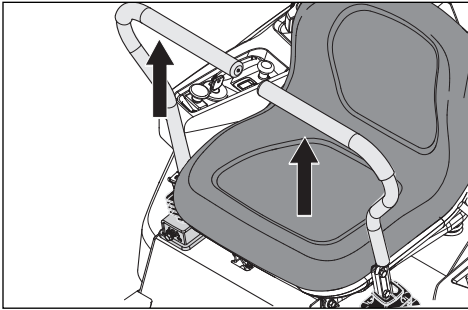


- |                                   |                        |                     |
|-----------------------------------|------------------------|---------------------|
| 1. Steering / park brake controls | 5. Bypass Linkages     | 9. Service meter    |
| 2. Tracking bolt, left            | 6. Fuel shut off valve | 10. Ignition switch |
| 3. Deck lift                      | 7. Fuel tank           | 11. Blade switch    |
| 4. Fuse                           | 8. Throttle control    | 12. Seat adjustment |



# CONTROLS

## Steering Control Levers



The machine's speed and direction are continuously variable using the two steering controls. The steering controls can be moved forward or backward about a neutral position. There is a neutral position, which is locked if the steering controls are moved out.

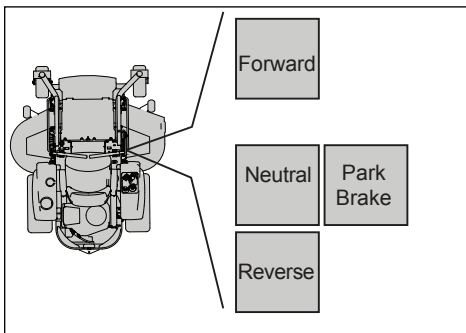
When both controls are in the neutral position (N), the machine stands still.

By equally moving both controls forward or backward, the machine moves in a straight line forward or backward.

For example, to turn right while moving forward, move the right control towards the neutral position. The rotation of the right wheel is reduced and the machine turns to the right.

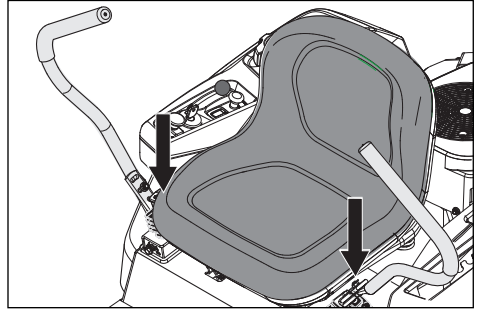
Zero turn can be achieved by moving one control backward (behind the neutral position) and carefully moving the other steering control forward from its neutral position. The rotation direction when zero turning is determined by which steering control is moved backward behind the neutral position. If the left steering control is pulled backward, the machine turns to the left. Use more care when using this maneuver.

If the steering controls are in uneven positions when standing still or do not fit in the slots for moving the controls out, they can be adjusted.



**⚠ WARNING!** The machine can turn very rapidly if one steering control is moved much further forward than the other.

## Park Brake

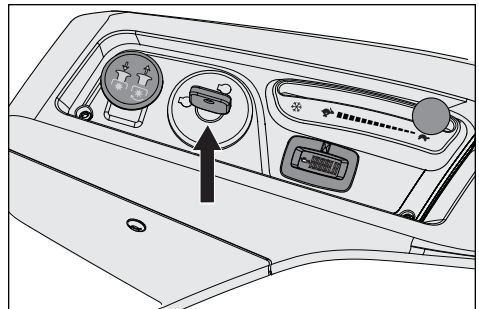


The park brake is integrated with the steering control levers. Move **both** levers out from the neutral position to engage the park brake.

To release the park brake, pull both steering control levers inwards to the neutral position at the same time. Do not try to operate the unit without both levers being inwards out of the engaged position or machine components could be damaged.

**IMPORTANT INFORMATION** Failure to bring the steering / park brake controls inwards at the same time will cause the unit's safety system to shut the unit down.

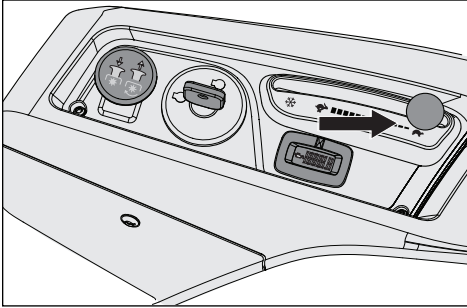
## Ignition Switch



The ignition switch is on the control panel and is used to start and stop the engine.

## CONTROLS

### Throttle Control

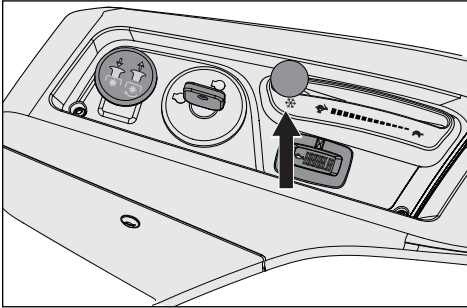


The throttle control regulates the engine speed and thereby the rate of rotation of the blades, assuming the blade switch is pulled out.

To increase or decrease the engine speed, the control is moved forward or back respectively.

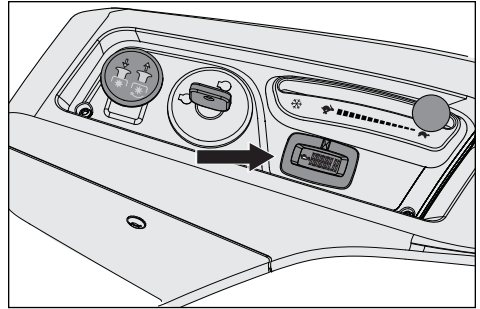
Avoid idling the engine for long periods, as there is a risk of fouling the spark plugs. **USE FULL THROTTLE WHEN MOWING**, for best mower performance and battery charging.

### Cold Weather Control



In temperatures below 32°F, move the throttle control forward past the start detent to the snowflake symbol. Once the engine has started, slowly move the throttle control back to the full throttle position.

### Service Meter

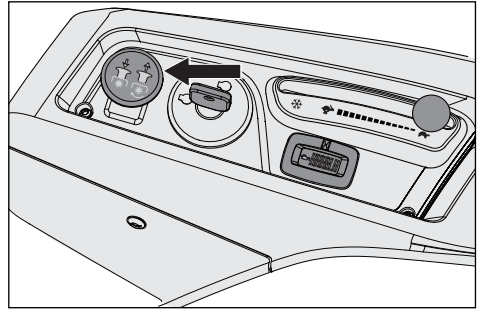


The service meter displays the total operating time with the blade activated.

At 50 hour intervals of operation, an oil can icon shows and stays on for two hours before an automatic reset occurs. To manually reset the meter, turn the key off and on five times at one second intervals. To service the engine and mower, see the Service Journal of this manual.

*Note: The service meter operates (clocks hours) only when the engine is running. Be sure to turn the key off when the unit is not in use, to prevent meter hours from accumulating.*

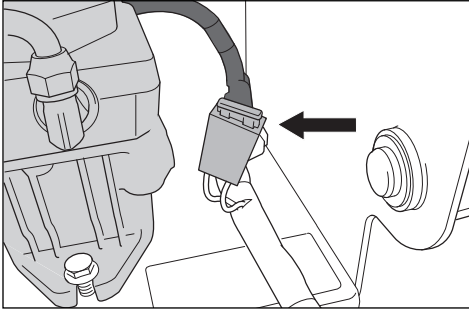
### Blade Switch



To engage the mower deck, pull the knob out; mower blades are disengaged when the knob is pressed down.

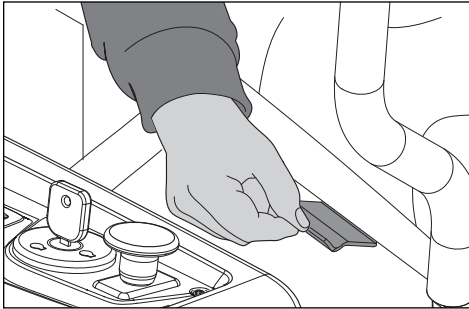
## CONTROLS

### Fuse



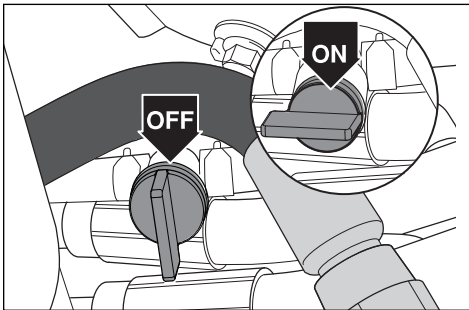
The 20 amp primary fuse is located on the left hand side of the machine. It is accessed by tilting the seat forward. The fuse is a flat pin type used in automobiles.

### Seat Adjustment Lever



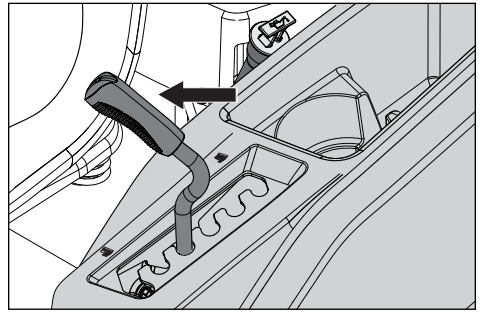
The seat can be adjusted lengthways. When making adjustments, the lever below the right side of the seat is pulled up, after which the seat can be moved backward or forward.

### Fuel Shut Off Valve



The fuel shut off valve is located at the right rear of the seat. The valve is off when the handle tab is turned perpendicular to the fuel line.

### Cutting Height Lever

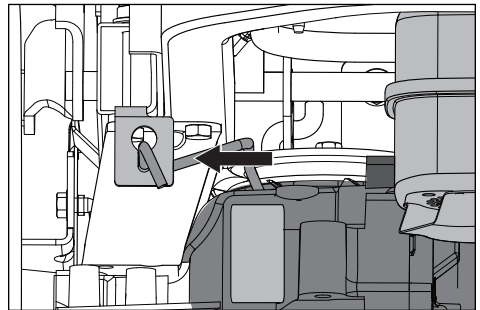


To set the deck cutting height, pull the cutting height lever inwards and move it to the desired height notch.

**IMPORTANT INFORMATION** Always raise the deck to the highest position for transport.

**IMPORTANT INFORMATION** To obtain an even cutting height, it is important that the air pressure in all tires is 15 psi / 103 kPa / 1 bar.

### Bypass Linkages

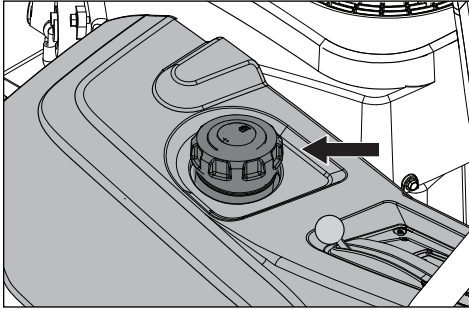


Transaxle bypass linkages must be engaged when pushing or pulling the mower. The release levers are located on each side of the unit below the rear engine guard. See **Moving Machine By Hand** in the Operation section.

**! WARNING!** Bypass linkages are located close to the muffler. To prevent burns, the engine should be shut off and allowed to cool before the bypass linkage levers are handled.

## CONTROLS

### Fuel Tank



Read the safety instructions before refueling. The capacity for each tank is 5-1/2 gallons.

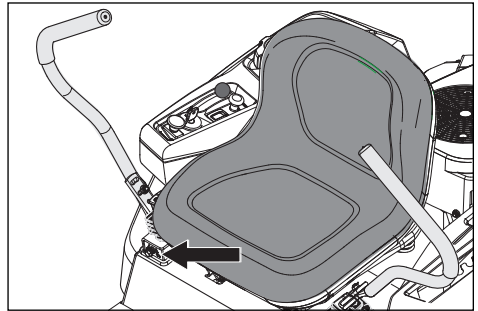
Regularly check the gas cap gasket for damage and keep the cap correctly tightened.

The engine will operate on a minimum of 87-octane unleaded gasoline (no oil mix). Environmentally adapted alkylate gasoline can be used. See Technical Data concerning ethanol fuel. Methanol fuel is not allowed. Do not use E85 alcohol based fuel. Damage to the engine and components may occur.

When operating in temperatures below 32° F, use fresh, clean winter grade gasoline to help insure good cold weather starting.

**IMPORTANT INFORMATION** Experience indicates that alcohol blended fuels (called gasohol, ethanol or methanol) can attract moisture which leads to separation and formation of acids during storage. Acidic gas can damage the fuel system of an engine while in storage. To avoid engine problems, the fuel system should be emptied before storage of 30 days or longer. Drain the gas tank, start the engine and let it operate until the fuel lines and carburetor are empty. Use fresh fuel the next season. See **Storage** for additional information. Do not use engine or carburetor cleaners in the fuel tank or permanent damage may occur.

### Tracking



If the mower is not tracking straight, check the air pressure in both rear tires. Recommended air pressure for the rear tires is 15 psi (1 bar).

Tracking adjustments are made using the tracking bolts. The tracking bolts limit the motion control levers when in the full-forward position.

1. For preliminary tracking adjustment, move unit to an open, unobstructed area such as an empty parking lot or open field.
2. Using a 1/2" wrench, back the tracking bolts out until flush with nut.
3. Test operate unit by driving it at full throttle and the full forward position on both motion control levers. Gradually turn in the tracking bolt on the right hand side until the unit noticeably starts drifting right.
4. Drive forward at full throttle with both motion control levers in the full forward position. Gradually turn in the left tracking bolt until unit tracks straight.

**WARNING!** The engine and the exhaust system, become very hot during operation. There is a risk for burns if touched. Let engine and exhaust system to cool before refueling.

**WARNING!** Fill to bottom of filler neck. Do not overfill. Clean off spilled oil or fuel. Do not keep, spill or use gasoline near an open flame.

## OPERATION

Read the *Safety* section and following pages, if you are unfamiliar with the machine.

### Training

Due to unique steering capabilities, zero turn mowers are far more maneuverable than typical riding mowers.

Review this section fully prior to trying to move the mower under its own power. When first operating the mower or until becoming comfortable with controls, use a reduced throttle speed and reduced ground speed. DO NOT move control levers to the furthest forward or reverse positions during initial operation.

First time users must become familiar with the mower's movement on a hard surface, such as concrete or blacktop PRIOR to trying to operate on turf. Until the operator becomes comfortable with the mower controls and zero turning capability, overly aggressive maneuvers may damage turf.

### Steering

#### To move forward and backward

The direction and speed of the mower's movements are effected by the movement of the control lever(s) on each side of mower. The left control lever controls the left wheel. The right control lever controls the right wheel.

First time users must push the mower (see **Moving Machine By Hand** in the *Operation* section) to an open, flat area without other persons, vehicles or obstacles nearby. To move the unit under its own power, the operator must sit in the seat and start the engine (see **Before Starting** in the *Operation* section). Adjust the engine speed to idle, disengage the park brake but do not engage the blades at this time. Pull control levers inward. As long as the control levers have not been moved forward or backwards, the mower will not move.

Slowly move both control levers forward slightly. This will let the mower start moving forward in a straight line. Pull the control levers back to the neutral position and stop the mower from moving.

Pull back slightly on control levers, allowing the mower to move backwards. Push the control levers forward to the neutral position to stop the mower from moving.

#### To turn to the right

While moving in a forward direction, pull the right lever back towards the neutral position while maintaining the position of the left lever, this will slow the rotation of the right wheel and cause the machine to turn in that direction.

#### To turn to the left

While moving in a forward direction pull the left lever back towards the neutral position while maintaining the position of the right lever, this will slow the rotation of the left wheel and cause the machine to turn in that direction.

#### To zero turn

While moving in a forward direction, first pull both control levers back until the mower stops or slows dramatically.

Then by alternating one lever slightly to the forward position and the other in the reverse position, complete the turn.

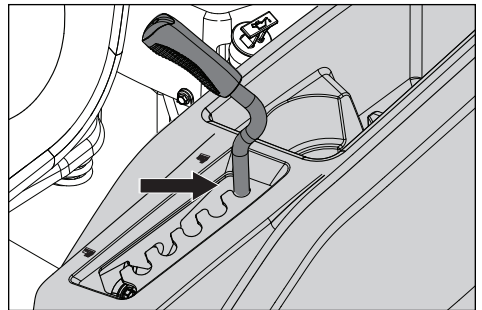
### Before Starting

1. Read the sections on *Safety* and *Controls* before starting the machine.
2. Do the daily maintenance before starting (see **Maintenance Schedule** in the *Maintenance* section).
3. Check that there is sufficient fuel in the fuel tank.
4. Adjust the seat to the desired position.

**WARNING!** The engine exhaust contains carbon monoxide, which is an odorless, colorless, poisonous gas. Do not use the machine in enclosed spaces.

### Starting the Engine

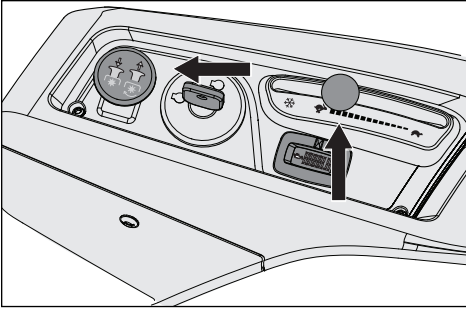
1. Sit on the seat.
2. Raise the mower deck to the highest position.



3. Disengage the mower blades by pressing the blade switch downwards.
4. Move the steering / park brake controls firmly out to the locked position.
5. Move the throttle lever to the full throttle position.

*NOTE: There is a detent at the full throttle position to aid in setting the control.*

## OPERATION



If the temperature is below 32°F, move the throttle lever up to the cold weather (snowflake) starting position.

When the engine has started, move the throttle lever back to full throttle detent and let the engine to warm up for a short period before operating the unit. Failure to move the throttle from the cold weather starting position will result in unsatisfactory engine performance, smoke and spark plug fouling.

6. Push in and turn the ignition key to the start position.

**IMPORTANT INFORMATION** Do not operate the starter for more than five seconds each time. If the engine does not start, wait approximately ten seconds before retrying.

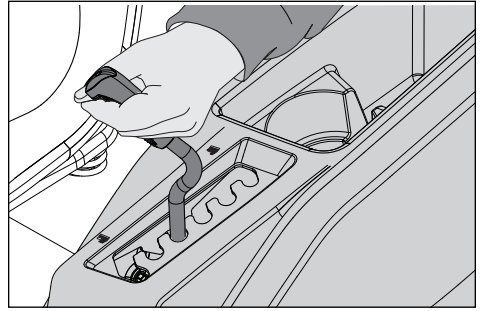
7. When the engine starts, immediately release the ignition key back to the run position.
8. Set the engine speed with the throttle. Let the engine to operate at a moderate speed, approximately mid throttle, for a short time before use.
9. **USE FULL THROTTLE WHEN MOWING.**

### Running

1. Release the park brake by pulling the steering / park brake controls inwards to the neutral position at the same time.

*NOTE: The mower is equipped with an operator presence system. If the operator tries to leave the seat with the engine running, without first setting the park brake, the engine will shut off.*

2. Lower the mower deck to the desired cutting height.



3. Move throttle control to full throttle (rabbit symbol).
4. Engage the mower deck by pulling the blade switch up.

**WARNING!** Make sure that no one is near mower when engaging blade switch. Make sure the work area is free from objects that could be thrown by the rotating blades.

5. Pull control levers inward and slowly move both control levers slightly forward to move forward in a straight line.

**IMPORTANT INFORMATION** When stopping and leaving the machine, both steering / park brake controls must be moved out to the locked position at the same time.

### Stopping the Engine

1. Move the throttle to the minimum position (tortoise symbol).
2. Move the steering controls at the same time out to the park brake position.
3. Disengage the mower deck by pressing the blade switch down.
4. Raise the mower deck to the highest position. If the engine has been worked hard, let it idle at least 60 seconds to attain a usual operating temperature before stopping. To prevent fouling the spark plugs, avoid idling the engine for longer periods.
5. Turn the ignition key to the stop position. Remove key. Always remove key when leaving the mower to prevent unauthorized use.

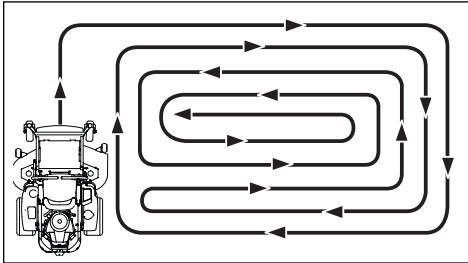
**IMPORTANT INFORMATION** Leaving the ignition switch in a position than OFF will cause the battery to be discharged.



## OPERATION

### Mowing Tips

- Observe and flag rocks and other fixed objects to avoid collisions.
- Begin with a high cutting height and reduce it until the desired mowing result is attained. The average lawn must be cut to 2-1/2" during the cool season and over 3" during the hot months. For healthier and better looking lawns, mow often after moderate growth.
- For best cutting performance, grass over 6" in height must be mowed twice. Make the first cut relatively high; the second to the desired height.
- The mowing result will be best with a high engine speed (the blades rotate rapidly) and low speed (the rider moves slowly). If the grass is not too long and dense, the driving speed can be increased without negatively affecting the mowing result.
- The finest lawns are obtained by mowing often. The lawn becomes more even and the grass clippings more equally distributed over the mown area. The total time taken is not increased as a higher operating speed can be used without poor mowing results.
- When mowing large areas, start by turning to the right so that clippings will discharge away from shrubs, fences, driveways, etc. After one or two rounds, mow in the opposite direction making left hand turns until finished.



- Avoid mowing wet lawns. The mowing result is poorer because the wheels sink into the soft lawn, clumps build, and grass clippings fasten under the cowlings.
- Hose the mower deck underside with water after each use. When cleaning, the mower deck shall be raised into the transport position. Make sure the mower is cooled and the engine is off.
- Use compressed air to clean top surface of the deck. Avoid flooding water on top surface, engine and electrical components.
- When the mulching kit is used, it is important that the mowing interval is frequent.

### Operating on Hills

Read the Safety Instructions *Driving on Slopes* in the *Safety* section.

- Use the slowest speed possible before starting up or down hills.
- Avoid stopping or changing speed on hills.
- If stopping is fully necessary, pull steering / park brake controls into the neutral position and push outward to engage the park brake.
- Pull the steering / park brake controls back to the center of the mower and push forward to regain forward movement.
- Make all turns slowly.

**WARNING!** Do not drive the rider on terrain that slopes more than 10 degrees. Mow slopes up and down, never side to side. Avoid sudden directional changes. Do not drive across slopes.

### Moving Machine By Hand

When pushing or pulling the mower, engage the EZT bypass linkages. The EZT bypass linkages are located on the rear of the frame, below the rear engine guard.

**WARNING!** Make no adjustments without:

- the engine stopped,
- the ignition key removed,
- the park brake activated

**IMPORTANT INFORMATION** To manually push the mower, engage the hydro bypass levers on both sides, pull both steering / park brake controls inwards and push machine.

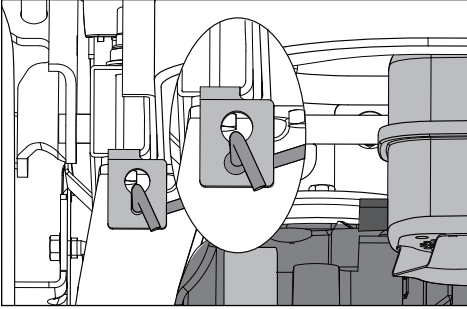
**WARNING!** Bypass linkages are located close to the muffler. To prevent burns, the engine should be shut off and allowed to cool before the bypass linkage levers are handled.

**WARNING!** Use more caution when loading the machine into a truck or trailer using ramps. There is the possibility of dangerous injury or death if the machine falls off the ramps.

1. Raise the deck into the highest cutting position.
2. Move the steering / park brake controls inwards to the neutral position.

## OPERATION

3. Pull the EZT bypass linkages up and out of the keyhole slots. Release the levers with the head outside the frame and held in the bypass position.



4. To reengage the EZT's to drive, reverse the above procedure.

Load the machine into truck or trailer by driving slowly up the ramps. **DO NOT LIFT!** The machine is not intended to be lifted by hand.



# MAINTENANCE

## Maintenance Schedule

Following is a list of maintenance procedures that must be performed on the machine. For those points not described in this manual, visit an authorized service workshop. An annual service

carried out by an authorized service workshop is recommended to maintain the machine in the best possible condition and to make sure of safe operation.

Read **General Maintenance** in the *Safety* section.

MAINTENANCE	DAILY		AT LEAST ONCE EACH YEAR	MAINTENANCE INTERVAL IN HOURS			
	BEFORE	AFTER		25	50	100	300
<b>CHECK</b>							
Park brake for adjustment	●						
Engine's oil level (each refueling)	■						
Safety system	●						
For fuel and oil leakages	◆						
For damage		◆					
For loose hardware (screws, nuts)		◆					
For mower deck damage		◆					
Tire pressures				●	●	●	●
Battery connections			●	●	●	●	●
<b>CLEAN</b>							
Below the mower deck		●					
Around the engine		◆					
Around belts, belt pulleys		◆			◆	◆	◆
Engine's cooling air intake <sup>2)</sup>			■	■			
Air cleaner foam pre-filter <sup>2)</sup>			■	■			
Air cleaner paper filter cartridge <sup>2)</sup>			■	■			
<b>ALSO</b>							
Inspect muffler/spark arrestor			◆		◆	◆	◆
Start the engine & blades, listen for unusual sounds		◆					
Sharpen <sup>3)</sup> / Replace mower blades			●	●			

- = Described in this manual
- ◆ = Not described in this manual
- = Refer to the engine manufacturer's manual

- 1) First change after 8-10 hours. When operating with a heavy load or at high ambient temperatures, replace at 50 hour intervals.
- 2) In dusty conditions, cleaning and replacement are required more frequently.
- 3) Performed by authorized service workshop.

**⚠ WARNING!** Before performing service or adjustment:

- Engage the park brake.
- Disengage the blade switch.
- Turn the ignition switch to OFF position and remove the key.
- Make sure the blades and all moving parts have completely stopped.

# MAINTENANCE

MAINTENANCE	DAILY		AT LEAST ONCE EACH YEAR	MAINTENANCE INTERVAL IN HOURS			
	BEFORE	AFTER		25	50	100	300
<b>CHECK</b>							
Throttle cable for adjustment						■	
Mower deck for adjustment			●				●
Condition of belts, belt pulleys			●			●	
Caster wheels (at 200 hour intervals)			●			●	
Engine valve clearance <sup>3)</sup>			◆				◆
<b>CHANGE</b>							
Spark plugs			■			■	
Engine oil <sup>1)</sup>			■	■			
Engine oil filter			■			■	
Fuel filter			■			■	
Paper air filter <sup>2)</sup>			■			■	
Air cleaner foam pre-filter <sup>2) 4)</sup>			■				
<b>ALSO</b>							
Do the 300-hour service <sup>3)</sup>			◆				◆

● = Described in this manual

◆ = Not described in this manual

■ = Refer to the engine manufacturer's manual

1) First change after 8-10 hours. When operating with a heavy load or at high ambient temperatures, replace at 50 hour intervals.

2) In dusty conditions, cleaning and replacement are required more frequently.

3) Performed by authorized service workshop.

4) If equipped.

**⚠ WARNING!** Escaping hydraulic oil under pressure can have sufficient force to penetrate the skin, causing dangerous injury. If injured by escaping fluid, see a doctor immediately. Dangerous infection or reaction can develop if proper medical treatment is not administered.

**⚠ WARNING!** Do not short battery terminals by allowing a wrench or other objects to contact both terminals at the same time. Before connecting battery, remove metal bracelets, wristwatch bands, rings, etc. Positive terminal must be connected first to prevent sparks from accidental grounding.

**🕶 CAUTION!** Always wear eye protection when around batteries.

**IMPORTANT INFORMATION** The mower is equipped with a 12-volt negative grounded system. The other vehicle must also be a 12-volt negative grounded system. Do not use the mower to start other vehicles.

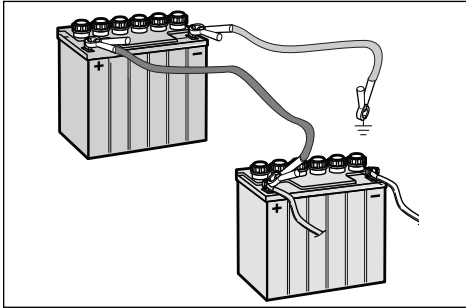
# MAINTENANCE

## Battery

If the battery is too weak to start the engine, it must be recharged.

### Jumper Cable Use

1. Connect each end of the RED cable to the POSITIVE (+) terminal on each battery, taking care not to short against chassis.
2. Connect one end of the BLACK cable to the NEGATIVE (-) terminal of the fully charged battery.
3. Connect the other end of the BLACK cable to a good CHASSIS GROUND on the mower with the discharged battery, away from the fuel tank and battery.



### To remove cables, reverse order

1. Remove BLACK cable first from chassis and then from the fully charged battery.
2. Remove RED cable last from both batteries.

**CAUTION!** Lead-acid batteries generate explosive gases. Keep sparks, flame and smoking materials away from batteries. Always wear eye protection when around batteries.

**IMPORTANT INFORMATION** Do not open or remove battery caps or covers. Adding or checking level of electrolyte is not necessary. Always use two wrenches for the terminal screws.

The mower is equipped with a maintenance free battery. Servicing is not necessary. Periodic charging of the battery with an automotive type battery charger will extend its life.

- Keep battery and terminals clean.
- Keep battery bolts tight.
- See chart for charging times.

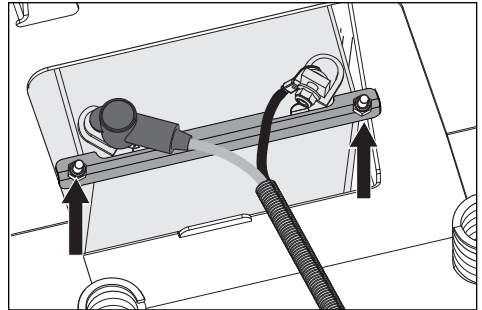
STD BATTERY	STATE OF CHARGE	APPROXIMATE CHARGING TIME* TO FULL CHARGE AT 80° F			
		Maximum Rate at:			
		50 Amps	30 Amps	20 Amps	10 Amps
12.6V	100%	- FULL CHARGE -			
12.4V	75%	20 min.	35 min.	48 min.	90 min.
12.2V	50%	45 min.	75 min.	95 min.	180 min.
12.0V	25%	65 min.	115 min.	145 min.	280 min.
11.8V	0%	85 min.	150 min.	195 min.	370 min.

\*Charging time depends on battery capacity, condition, age, temperature and efficiency of charger

### Cleaning battery and terminals

Corrosion and dirt on the battery and terminals can cause the battery to lose power.

1. Loosen the two nuts attached to the side J bolts just enough that the battery mount bracket slides down off the battery.



2. Using two 1/2" wrenches disconnect BLACK battery cable then RED battery cable.
3. Carefully remove the battery from the mower
4. Rinse the battery with plain water and dry.
5. Clean terminals and battery cable ends with a wire brush until shiny.
6. Coat the terminals with grease or petroleum jelly.

### Replacing battery

1. Install the new battery with terminals in the same position as the old battery.
2. Connect RED battery cable first to positive (+) battery terminal.
3. Connect BLACK grounding cable to negative (-) battery terminal.
4. Slide mount bracket back up over battery and tighten nuts.
5. Replace terminal boot cover.

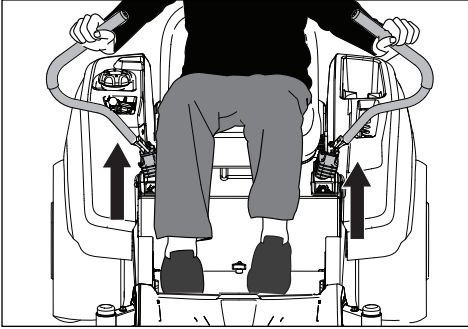
## MAINTENANCE

### Safety System

The machine is equipped with a safety system that prevents starting or driving under the following conditions.

The engine can only be started when:

- the mower deck is disengaged.
- the steering / park brake controls are in the outer, locked neutral position, making sure of full parking brake engagement for a safe startup.



**NOTE:** If the steering / park brake controls are not holding in the full outboard position, the tension can be adjusted by tightening the nut on the backside of the pivot. (See Park Brake in this section).

Make daily inspections to make sure that the safety system works by trying to start the engine when one of the conditions is not met. Change the conditions and try again.

If the machine starts when one of these conditions is not met, turn the machine off and repair the safety system before using the machine again.

Make sure the engine stops when the park brake is not engaged and the operator leaves the seated position.

Check that the engine stops if the mower blades are engaged and the driver temporarily moves off the driver's seat.

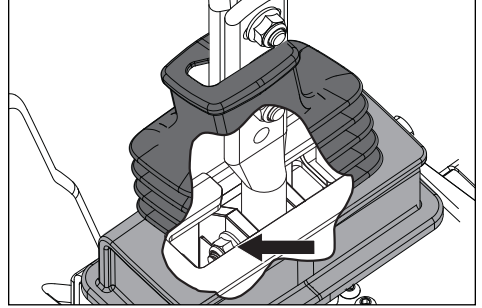
**IMPORTANT INFORMATION** To be able to drive, the driver must sit in the seat and the steering / park brake controls must be moved into the engaged (outer) position. Otherwise the engine will stop.

### Park Brake

Visually check that no damage is found on the steering control levers, links or switches belonging to the park brake. Do a standstill test and check that there is sufficient braking action.

To adjust the park brake tension, move the boot covering the steering control base. Tighten the 1/2" pivot nut until the braking action is correct. Replace the steering boot, making sure the boot top sits between the two adjustment bolts on the steering control.

For further adjustments to the park brake, contact the Husqvarna service workshop.

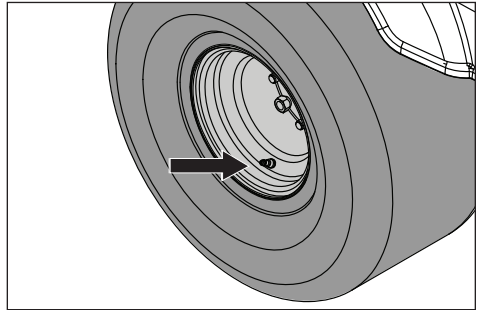


**IMPORTANT INFORMATION** The machine must be standing still when applying the park brake.

**WARNING!** Faulty adjustment will result in reduced braking ability and can cause an accident.

### Tire Pressures

All tires must be at 15 psi / 103 kPa / 1 bar.



**IMPORTANT INFORMATION** DO NOT add a tire liner or foam fill material to the tires. Excessive loads created by foam filled tires will cause premature failures. Only use O.E.M. specified tires.

## MAINTENANCE

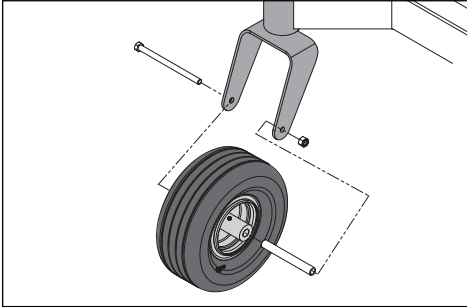
### Caster Wheels

Check at 200 hour intervals. Check that wheels turn freely. If wheels do not turn freely take the unit to the dealer for service.

Foam filled tires or solid tires will void the warranty.

### Removal and installation

Remove nut and caster bolt. Pull the wheel out of the yoke and take care of the spacers. Install in reverse order. Tighten caster bolt.



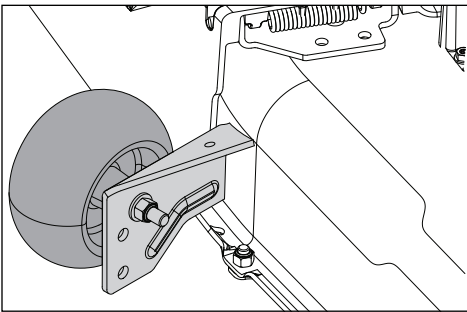
### Anti-scalp Rollers

Anti-scalp rollers are correctly adjusted when they are slightly off the ground when the deck is at the desired cutting height in the operating position. Anti-scalp rollers keep the deck in the proper position to help prevent scalping in most terrain conditions.

The anti-scalp rollers can be set in three positions:

- Upper position 1-1/2" to 2-1/2" grass
- Middle position 2-1/2" to 4" grass
- Lower position 4" to 6" grass.

The rollers must be approximately 1/4" from the ground.



### V-belts

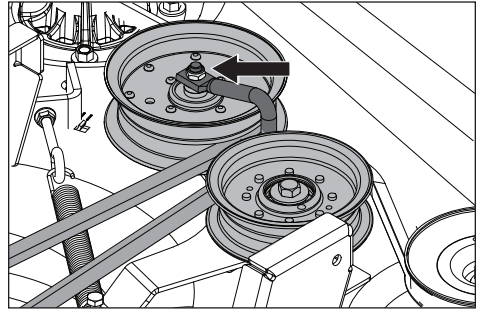
Check at 100 hour intervals of operation. Check for severe cracking and large nicks.

*NOTE: The belt will show some small cracks in usual operation.*

The belts are not adjustable. Replace belts if they begin to slip from wear.

### Deck Belt Removal

1. Park on a level surface. Apply park brake.
2. Lower the deck into the lowest cutting position.
3. Remove bolts from belt shields and remove shields.
4. Remove any dirt or grass that may have accumulated around the cutter housings and entire deck surface.
5. Loosen the nut securing the belt guide. Note the position of the belt guide for reinstallation.



6. Push inward on the idler arm to release the tension on the belt.
7. Carefully lift the belt over the top of the cutter housing pulleys and remove belt from the deck.

### Deck Belt Installation

*NOTE: For ease in installing the deck belt, refer to the routing decal on the top of the deck.*

1. Wind the deck belt around the electric clutch pulley located on the engine shaft.
2. Route the belt forward and up onto the deck.
3. Position the belt around spring loaded idler pulley.
4. Wind the belt around the stationary idler pulley and the mandrel housings.
5. Push inward on the idler arm and carefully put the belt over the stationary idler pulley. When the belt is correctly routed, slowly release the idler arm to tension the belt.
6. Double check the belt routing to make sure it matches the routing decal, and the belt does not have twists.
7. Set the loosened belt guide into the idler arm hole and tighten the pulley bolt.
8. Replace belt shields on both mandrel housings and secure with fasteners.

## MAINTENANCE

### Adjusting the Mower Deck

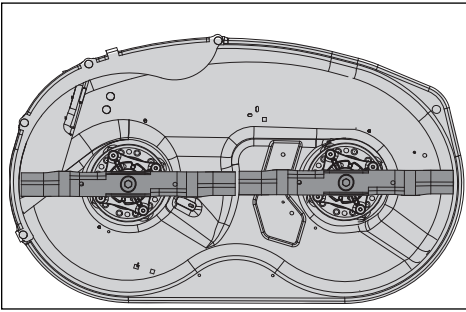
#### Leveling deck

Adjust the deck while the mower is on a level surface. Make sure the tires are inflated to the correct pressure. See *Technical Data / Transmission*. If tires are under or over inflated, the deck cannot be correctly adjusted. Raise the deck to the highest (transport) position.

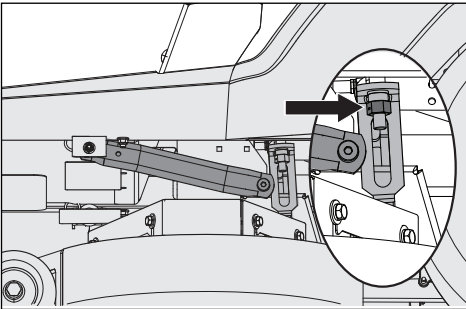
The deck must be adjusted slightly higher in the rear.

**NOTE:** To insure the precision of the leveling procedure, the mower deck drive belt must be installed before leveling the deck.

1. Wear heavy gloves. Turn each outer blade tip to align front to rear with the deck side-to-side.

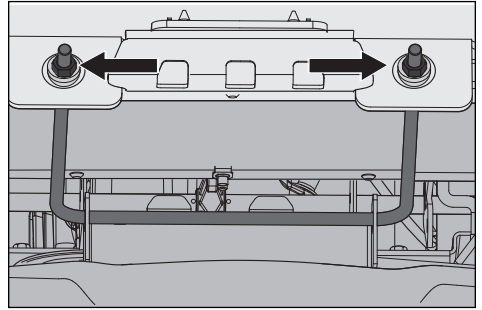


2. Measure from the floor surface up to the bottom of the blade tip on the discharge side of the mower deck. Record the measurement.
3. Move to the opposite side, check that measurement is the same. If adjustment is required—with a 3/4" or adjustable wrench, turn the lift link adjustment nuts on either side counter clockwise to lower or clockwise to raise. Adjust until both measurements are equal.



4. Turn either blade to align with the deck front-to-rear. If the front blade tip does not measure 1/8" to 1/2" higher in the rear—with a 5/8" or adjustable wrench, turn the nuts on the front suspension linkage. Clockwise raises the front of the mower, counter clockwise will lower the front. Adjust nuts until rear of mower deck is positioned level to 1/8" higher in the rear than the side-to-side measurement.

**NOTE:** For illustration, the front foot rest has been removed. The adjustment can be made without removal.



**NOTE:** This will position the mower deck in a standard measurement position. Depending on the type of grass being mowed or environmental conditions, additional adjustments may be required to get the desired cut.

# MAINTENANCE

## Cutting Blades

For the best mowing results, it is important that blades are correctly sharpened and not damaged.

Replace blades that have been bent or cracked when hitting obstacles.

Let the service workshop decide if a blade with large nicks can be repaired/ground or must be replaced. Balance the blades after sharpening.

Check the blade mounts.

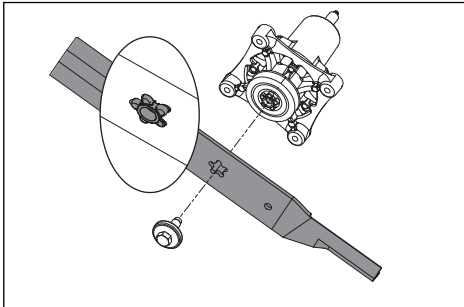
### Blade replacement

1. Remove blade bolt by turning counter clockwise.
2. Install new or resharpened blade with stamped GRASS SIDE facing towards ground/grass (down) or THIS SIDE UP facing deck and cutter housing.
3. Seat the blade's opening firmly onto the cutter housing.
4. Tighten blade bolt securely.
5. Torque blade bolt to 45-60 ft/lbs (60-81 Nm).

**CAUTION!** Blades are sharp. Protect your hands with gloves and/or wind heavy cloth around the blades before handling. The sharpening of blades must be carried out by an authorized service workshop.



**IMPORTANT INFORMATION** Special blade bolt is heat treated. Replace with a Husqvarna bolt if required. Do not use lower grade hardware than specified.

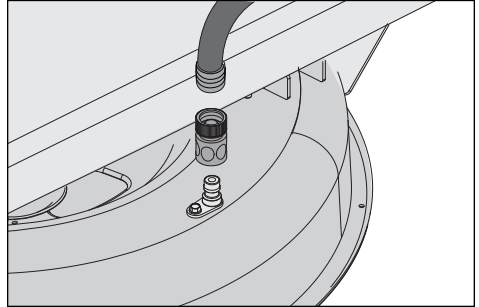


## Cleaning

Regular cleaning, especially under the mower deck, will increase the machine's life-span. Clean the machine directly after use (after it is cooled), before the debris sticks.

Do not spray water on the top of the mower deck. Use compressed air to clean the top side of the mower deck. Do not use a high pressure washer or steam cleaner. Avoid spraying engine and electrical components with water.

Clean the underside of the deck with normal water pressure. Attach the quick connect (from the accessory packet) to any garden hose. After mowing, snap the hose to the cleanout port and turn on water supply.



Restart the mower and engage the blades to use the spinning action to wash away debris. Make sure the hose is away from the mower blades.

Do not rinse hot surfaces with cold water. Let unit cool before washing.



**CAUTION!** Use protective glasses when cleaning and washing.

## Hardware

Check daily. Inspect the entire machine for loose or missing hardware.

# LUBRICATION

12/12	1/52	1/365		25h	50h	100h	200h	300h
				(2x)				
				(2x)				
				(2x)				
		5						
				4				

12/12	Each year	Lubricate with grease gun	
1/52	Each Week	Filter change	
1/365	Each day	Oil change	
		Level check	

## General

Remove the ignition key to prevent unintentional movements during lubrication.

When lubricating with an oil can, it must be filled with engine oil.

When lubricating with grease, unless otherwise stated, use a high grade molybdenum disulphide grease.

For daily use, the machine must be lubricated twice weekly.

Clean away unwanted grease after lubrication.

It is important to avoid getting lubricant on the belts or the drive surfaces of the belt pulleys. If this happens, try to clean them with spirits. If the belt continues to slip after cleaning, the belt must be replaced. Gasoline or other petroleum products must not be used to clean belts.

**IMPORTANT INFORMATION** Use minimal lubrication and remove excess lubricant so that it does not come into contact with belts or belt pulley drive surfaces.

## Transmission

The transmission is maintenance free. It is not necessary to do level checks or oil changes. If a leak occurs, replace the unit or contact any Husqvarna dealer.



## LUBRICATION

### Wheel and Deck Zerk

Use only good quality bearing grease.

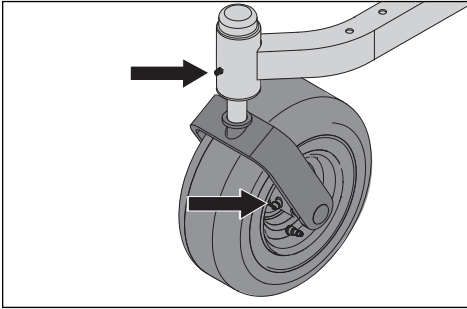
Grease from well-known brand names (petrochemical companies, etc.) usually maintains a good quality.

### Front Wheel Mount

Lubricate 3-4 strokes with a grease gun on each set of wheel bearings.

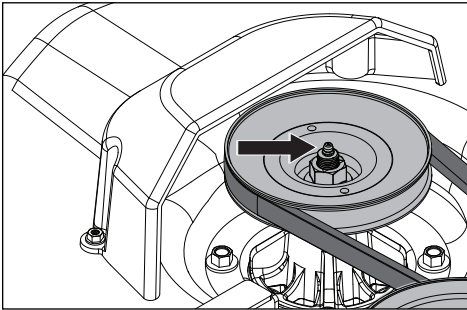
### Front Wheel Bearings

Lubricate 3-4 strokes with a grease gun on each set of wheel bearings.



### Deck Spindles

Lower the cutting deck completely. Lubricate with a grease gun, 2-3 strokes per spindle through the openings in the belt shields.

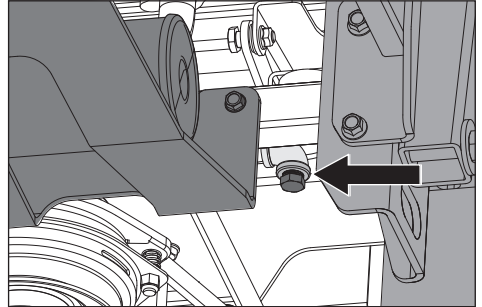


### Engine oil

*NOTE: Change the engine oil when the engine is warm. Refer to the engine owner's manual for the correct replacement oil and filter change recommendations.*

**⚠ WARNING!** The engine drain plug is located close to the muffler. To prevent burns, the engine should be shut off and allowed to cool slightly so the engine is still warm but the surrounding surfaces and oil are not.

1. Park on a level surface. Apply parking brake.
2. Clean the dirt and debris from the area around the oil fill cap.
3. Remove the cap/dipstick.
4. Locate the drain hose at the right rear of the engine below the muffler. Place an adequately sized container under the end of the drain hose and remove the oil drain plug.



5. Allow the oil to fully drain from the engine.
6. Replace the drain hose plug and tighten securely.
7. Fill the engine with new oil to the bottom of the fill tube threads. Check the level with the dipstick.
8. Replace the oil fill cap securely when the oil level is FULL.
9. Refer to the Service Journal for oil checking and changing intervals.

# TROUBLESHOOTING

## Problem / Cause

### Engine will not start

Blade switch is engaged

Steering controls are not locked in the outer position

Dead battery

Contamination in the carburetor or fuel line

Fuel supply shutoff valve is closed or in the wrong position

Clogged fuel filter or fuel line

Ignition system faulty

### Starter does not turn the engine over

Dead battery

Battery terminal cable contacts are defective

Blown fuse

Fault in the starter safety circuit. See **Safety System** in the *Maintenance* Section

### Engine runs rough

Faulty carburetor

Clogged fuel filter or jet

Throttle lever in the Cold Weather starting position

Clogged ventilation valve on the fuel cap

Fuel tank almost empty

Fouled spark plugs

Rich fuel mixture or fuel-air mixture

Wrong fuel type

Water in fuel

Clogged air filter

### Engine seems weak

Clogged air filter

Fouled spark plugs

Carburetor incorrectly adjusted

Air trapped in the hydraulic system

### Machine vibrates

Blades are loose

Blades are incorrectly balanced

Engine is loose

### Engine overheats

Clogged air intake or cooling fins

Engine overloaded

Inadequate ventilation around engine

Defective engine speed regulator

Too little or no oil in the engine

Contamination in the fuel line

Fouled spark plugs

### Battery not charging

Battery terminal cable contacts are defective

Charging lead is disconnected

### Mower moves slowly, unevenly, or not at all

Bypass linkages are engaged

Transmission drive belt is slack or off

Air trapped in the hydraulic system

### Mower deck not engaging

Drive belt for the mower deck is loose

Electromagnetic coupling contact is loose

Blade switch is faulty or loose from cable contact

Blown fuse

### Transaxle leaks oil

Damaged seals, housing or gaskets

Air trapped in the hydraulic system

### Uneven mowing results

Unequal air pressures in the tires

Bent blades

Suspension for the mower deck is uneven

Blades are dull

Driving speed is too high

Grass is too long

Grass collected below the mower deck

## STORAGE

### Winter Storage

The machine should be readied for storage at the end of the mowing season or if it will not be in use for more than 30 days. Fuel allowed to stand for long periods of time (30 days or more) can leave sticky residues that can clog the carburetor and disrupt engine function.

Fuel stabilizers are an acceptable option to prevent the sticky residues that can occur during storage.

Add stabilizer to the fuel in the tank or in the storage container. Always use the mixing ratios specified by the manufacturer of the stabilizer. Operate the engine for at least ten minutes after adding the stabilizer so that it reaches the carburetor. Do not empty the fuel tank and the carburetor if stabilizer has been added.



**WARNING!** Do not keep an engine with fuel in the tank indoors or in poorly ventilated spaces where fuel vapor can come in contact with open flames, sparks, or a pilot light such as in a boiler, hot water tank, clothes dryer, etc. Handle the fuel with care. It is very flammable and can cause dangerous personal injury and property damage. Drain the fuel into an approved container outdoors and keep far away from open flame or sources of ignition. Do not use gasoline for cleaning. Use a degreaser and warm water.

To ready the machine for storage:

1. Thoroughly clean the machine, especially below the mower deck. Touch up damage to the paint and spray a thin layer of oil on the underside of the mower deck to avoid corrosion.
2. Inspect the machine for worn or damaged parts and tighten nuts or screws that may have become loose.
3. Change the engine oil; dispose correctly.
4. Empty the fuel tanks or add a fuel stabilizer. Start the engine and let it operate until the carburetor is drained of fuel or the stabilizer has reached the carburetor.
5. Remove the spark plug and put about a tablespoon of engine oil into the cylinder. Turn over the engine so that the oil is evenly distributed and then refit the spark plug.
6. Lubricate all grease zerks, joints and axles.
7. Remove the battery. Clean, charge and keep the battery in a cool area and protected from direct cold.
8. Store the machine in a clean, dry area and cover it for more protection.

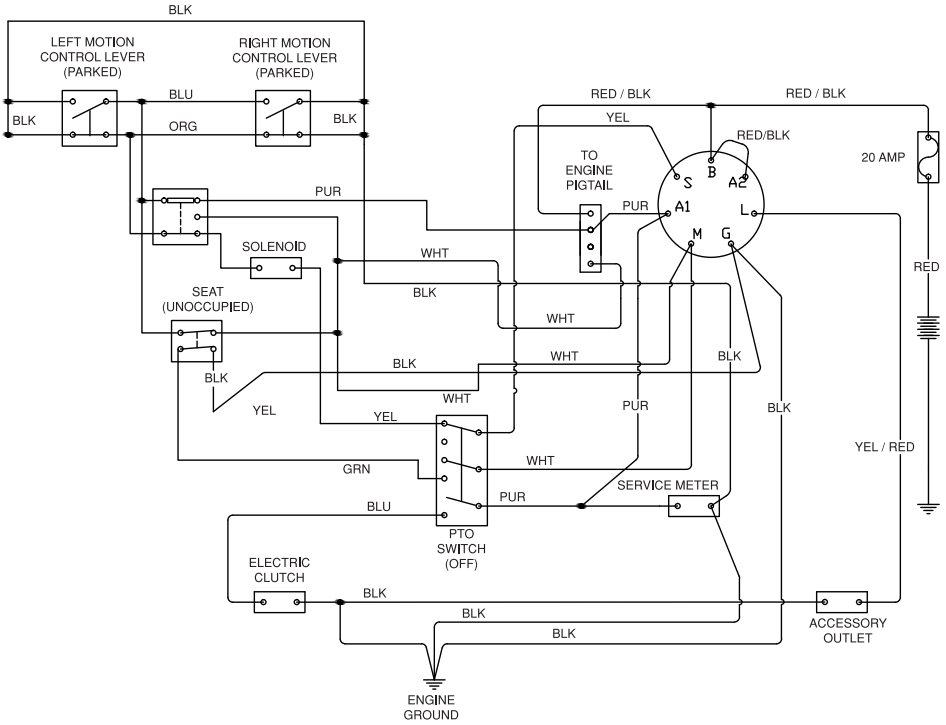
### Service

When ordering spare parts, please specify the purchase year, model, type, and serial number.

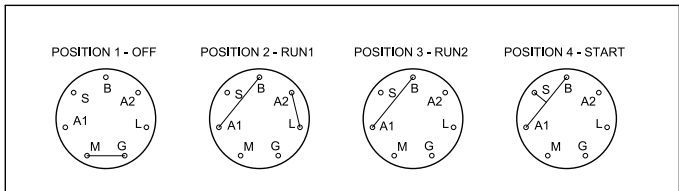
Always use genuine Husqvarna spare parts.

An annual check-up at an authorized service workshop is a good way to make sure that the machine performs its best the following season.

# SCHEMATIC



KEY SWITCH POSITIONS



## TECHNICAL DATA

ENGINE	
Manufacturer	Briggs & Stratton
Type	40S877
Power	20 hp <sup>1)</sup>
Lubrication	Pressure with oil filter
Fuel	Min 87 octane unleaded (Max ethanol 10%, Max MTBE 15%)
Fuel tank capacity	3-1/2 gallons (13.25 litres)
Cooling	Air cooled
Air filter	Standard
Alternator	12v 15 amp @ 3600 rpm
Starter	Electric
TRANSMISSION	
Transmission	Hydrostatic transaxles
Steering control	Dual levers, foam gripped
Speed forward	0-6.5 mph
Speed reverse	0-3.5 mph
Brakes	Mechanical park brake
Front caster tires	11 x 4-5
Rear tires, turf pneumatic	18 x 9.5-8
Tire pressure	15 PSI / 103 kPa / 1 bar
FRAME	
Cutting Width	46" (117 cm)
Cutting Height	1-1/2 - 4" (3,8 - 10,2 cm)
Number of Blades	2
Blade Length	22-3/4" (57,8 cm)
Anti-scalp Rollers	3 Adjustable
Sprung Seat	Standard
Hinged Arm Rests	Optional
Service Meter	Digital
Blade Engagement	Electromagnetic Clutch
Deck Construction	Stamped
Productivity	2.4 acres/h (9,712 m <sup>2</sup> /h)
DIMENSIONS	
Weight	580 lbs (263 kg)
Base Machine Length	75" (191 cm)
Base Machine Height	40" (102 cm)
Base Machine Width	41-1/2" (106 cm)
Overall Width, Chute Up	48" (122 cm)
Overall Width, Chute Down	56" (142 cm)

<sup>1)</sup> The power rating as declared by the engine manufacturer is the average gross power output at the specified RPM of a typical production engine for the engine model measured using SAE Standards for engine gross power. Refer to the engine manufacturer engine specifications.

# TECHNICAL DATA

## Torque Specifications

Engine crankshaft bolt	50 ft/lb	Standard 1/4" fasteners	9 ft/lb
Deck pulley bolts	150 ft/lb	Standard 5/16" fasteners	18 ft/lb
Lug nuts	75 ft/lb	Standard 3/8" fasteners	33 ft/lb
Blade bolt	90 ft/lb	Standard 7/16" fasteners	52 ft/lb
		Standard 1/2" fasteners	80 ft/lb

## HEX HEAD CAP SCREWS

The torque values shown should be used as a general guideline when specific torque values are not given.

## U.S. Standard Hardware

Grade		SAE Grade 5		SAE Grade 8		Flangelock Screw w/Flangelock Nut	
	Size	ft./lbs	Nm	ft./lbs	Nm	ft./lbs	Nm
Shank Size (Diameter in inches, fine or coarse thread)	1/4	9	12	13	18		
	5/16	18	24	28	38	24	33
	3/8	31	42	46	62	40	54
	7/16	50	68	75	102		
	1/2	75	102	115	156		
	9/16	110	149	165	224		
	5/8	150	203	225	305		
	3/4	250	339	370	502		
	7/8	378	512	591	801		
1-1/8	782	1060	1410	1912			

\*\* Grade 5 - Minimum commercial quality (lower quality not recommended)

## Metric Standard Hardware

Grade		Grade 8.8		Grade 10.9		Grade 12.9	
	Size	ft./lbs	Nm	ft./lbs	Nm	ft./lbs	Nm
Shank Size (Diameter in inches, fine or coarse thread)	M4	1.5	2	2.2	3	2.7	3.7
	M5	3	4	4.5	6	5.2	7
	M6	5.2	7	7.5	10	8.2	11
	M7	8.2	11	12	16	15	20
	M8	13.5	18	18.8	25	21.8	30
	M10	24	33	35.2	48	43.5	59
	M12	43.5	59	62.2	84	75	102
	M14	70.5	96	100	136	119	161
	M16	108	146	147	199	176	239
	M18	142	193	202	274	242	328
	M20	195	264	275	373	330	447
	M22	276	374	390	529	471	639
	M24	353	478	498	675	596	808
M27	530	719	735	996	904	1226	

# SERVICE JOURNAL

## DELIVERY SERVICE

Action	Date, mtr reading, stamp, sign
Charge and connect the battery	<input type="checkbox"/>
Adjust the tire pressure of all wheels to 15 PSI (1 bar)	<input type="checkbox"/>
Connect the contact box to the cable for the seat's safety switch	<input type="checkbox"/>
Check that the right quantity of oil is in the engine	<input type="checkbox"/>
Adjust the position of the steering controls	<input type="checkbox"/>
Fill with fuel and open the fuel shut off valve	<input type="checkbox"/>
Start the engine	<input type="checkbox"/>
Check:	
Drive to both wheels	<input type="checkbox"/>
Mower deck pitch and adjustment	<input type="checkbox"/>
Safety switch for the park brake	<input type="checkbox"/>
Safety switch for the mower deck	<input type="checkbox"/>
Safety switch in the seat	<input type="checkbox"/>
Safety switch in the steering controls	<input type="checkbox"/>
Park brake functionality and adjustment	<input type="checkbox"/>
Driving forward	<input type="checkbox"/>
Driving backward	<input type="checkbox"/>
Engaging the blades	<input type="checkbox"/>
Idle speed	<input type="checkbox"/>
Engine high idle speed	<input type="checkbox"/>
Inform the customer about:	
Need and advantages of following the service schedule	<input type="checkbox"/>
Need and advantages of leaving the machine for service	<input type="checkbox"/>
Effects of service and maintaining a service journal on the machine's resale value	<input type="checkbox"/>
Application areas for mulching	<input type="checkbox"/>
Fill in the sales papers, etc.	

Delivery service has  
been carried out

No remaining notes

Certified:

# SERVICE JOURNAL

## AFTER 10 HOURS

Action	Date, mtr reading, stamp, sign
Change the engine oil	<input type="checkbox"/>

## DAILY SERVICE

Action	Date, mtr reading, stamp, sign
Clean debris from mower	<input type="checkbox"/>
Check engine oil level	<input type="checkbox"/>
Check the tire pressures	<input type="checkbox"/>
Check underside of deck	<input type="checkbox"/>
Check safety system	<input type="checkbox"/>
Check fuel system for leaks	<input type="checkbox"/>
Inspect safety guards and shields	<input type="checkbox"/>
Check brake adjustment	<input type="checkbox"/>

## 25-HOUR SERVICE

Action	Date, mtr reading, stamp, sign
Check the fuel pump's air filter	<input type="checkbox"/>
Sharpen/Replace mower blades if required	<input type="checkbox"/>
Check the tire pressures	<input type="checkbox"/>
Check battery cables	<input type="checkbox"/>
Lubricate according to lubrication chart	<input type="checkbox"/>
Check/clean the engine's cooling air intake	<input type="checkbox"/>
Clean the air cleaner's foam pre-filter	<input type="checkbox"/>

## 50-HOUR SERVICE

Action	Date, mtr reading, stamp, sign
Do the 25-hour service	<input type="checkbox"/>
Clean / replace the air cleaner's paper filter cartridge (shorter intervals for dusty operating conditions)	<input type="checkbox"/>
Change engine oil	<input type="checkbox"/>
Lubricate according to lubrication chart	<input type="checkbox"/>



# SERVICE JOURNAL

## 100-HOUR SERVICE

Action	Date, mtr reading, stamp, sign
Do the 25-hour service	<input type="checkbox"/>
Do the 50-hour service	<input type="checkbox"/>
Change the engine oil filter	<input type="checkbox"/>
Clean/replace the spark plugs	<input type="checkbox"/>
Replace the fuel filter	<input type="checkbox"/>
Check V-belts	<input type="checkbox"/>
Check / tighten caster wheel axle bolts (at 200 hour intervals)	<input type="checkbox"/>
Change the air filter's paper cartridge	<input type="checkbox"/>

## 300-HOUR SERVICE

Action	Date, mtr reading, stamp, sign
Do the 25-hour service	<input type="checkbox"/>
Do the 50-hour service	<input type="checkbox"/>
Do the 100-hour service	<input type="checkbox"/>
Check / adjust the mower deck	<input type="checkbox"/>
Clean the combustion chamber and grind the valve seats	<input type="checkbox"/>
Check the engine valve clearance	<input type="checkbox"/>
Replace the air cleaner's foam pre-filter	<input type="checkbox"/>


## AT LEAST ONCE EACH YEAR

Action	Date, mtr reading, stamp, sign
Clean the engine's cooling air intake (at 25 hour intervals)	<input type="checkbox"/>
Replace the air cleaner's foam pre-filter (at 50 hour intervals)	<input type="checkbox"/>
Replace the air filter's paper cartridge	<input type="checkbox"/>
Change the engine oil (50 hours)	<input type="checkbox"/>
Replace the engine oil filter (100 hours)	<input type="checkbox"/>
Check / adjust the cutting height	<input type="checkbox"/>
Check / adjust the park brake (50 hours)	<input type="checkbox"/>
Clean / change the spark plugs (100 hours)	<input type="checkbox"/>
Change the fuel filter (100 hours)	<input type="checkbox"/>
Check the engine valve clearance	<input type="checkbox"/>


## CERTIFICADOS DE CONFORMIDAD


### Requisitos para EE.UU.


En el motor y/o en el compartimiento del motor hay etiquetas que indican que la máquina cumple con los requisitos. Esto también es aplicable a requisitos especiales para cualquiera de los estados, (normas de emisiones de California, etc.). No retire ninguna de estas etiquetas. También es posible que se incluyan certificados con la máquina en el momento de su entrega o que estén escritos en el manual del motor. Cuidelos porque son documentos valiosos.

 **ADVERTENCIA:** No seguir las prácticas de operación con cautela puede provocar lesiones graves al operador o a otras personas. El propietario debe comprender estas instrucciones, y debe permitir que solo personas con la debida capacitación y que comprendan estas instrucciones utilicen el cortacésped.

Cada persona que maneje el cortacésped debe estar en buenas condiciones físicas y mentales y no debe estar bajo la influencia de ninguna sustancia que altere la mente.

 **ADVERTENCIA:** Los gases de escape del motor, algunos de sus componentes y algunos componentes del vehículo contienen o emiten químicos que según el Estado de California provocan cáncer y malformaciones congénitas u otros daños reproductivos.

 **ADVERTENCIA:** Los postes de batería, terminales y accesorios relacionados contienen plomo y compuestos de plomo, químicos que según el Estado de California provocan cáncer y malformaciones congénitas u otros daños reproductivos. Lávese las manos luego de su uso.

 **ADVERTENCIA:** Los gases de escape del motor y ciertos componentes del vehículo contienen o emiten productos químicos que se consideran causantes de cáncer, malformaciones congénitas u otros daños en el sistema reproductor. Los gases de escape del motor contienen monóxido de carbono, un gas venenoso, inodoro e incoloro. No utilice la máquina en espacios cerrados.

Cuando este producto esté desgastado y ya no se use, debe devolverse al distribuidor o a un tercero para su reciclaje.

Para implementar mejoras, las especificaciones y diseños pueden modificarse sin previo aviso.

Tenga en cuenta que no es posible presentar demandas legales en función de la información contenida en estas instrucciones.

Utilice únicamente piezas originales para las reparaciones. El uso de otras piezas anula la garantía.

No modifique ni instale equipo no estándar en la unidad sin el consentimiento del fabricante. Las modificaciones a la unidad pueden provocar operaciones inseguras o daños en la unidad.

# INTRODUCCIÓN

## Felicitaciones

Gracias por adquirir un cortacésped Husqvarna. Esta máquina se ha fabricado para lograr una eficiencia superior al cortar con rapidez áreas grandes. Un panel de control fácilmente accesible para el operador y una transmisión hidrostática regulada por controles de la dirección contribuyen al rendimiento de la máquina.

Este manual es un documento valioso. Lea el contenido con atención antes de utilizar la máquina o de realizar tareas de mantenimiento. Es importante que todas las personas que operen esta máquina cumplan estas instrucciones (uso, servicio, mantenimiento) para proteger la seguridad del operador y de las demás personas. Asimismo, este cumplimiento puede aumentar considerablemente la vida útil de la máquina y su valor de reventa.

Si vende la máquina, asegúrese de proporcionar el manual del operador al nuevo propietario.

El último capítulo de este manual del operador proporciona un registro de servicio. Asegúrese de documentar las labores de servicio y reparación realizadas. Un registro de servicio bien mantenido reduce costos de servicio para el mantenimiento y mejora el valor de reventa de la máquina. Póngase en contacto con su concesionario para obtener más información. Cuando lleve la máquina a mantenimiento en el concesionario, lleve con ella el manual del operador.

## Información general

En este manual del operador, hacia la izquierda y hacia la derecha, hacia atrás y hacia adelante se utilizan en relación con la dirección de conducción normal de la máquina. La dedicación continua a mejorar nuestros productos requiere que las especificaciones y el diseño estén sujetos a cambios sin previo aviso.

## Conducción y transporte en vías públicas

Consulte las normas de circulación vigentes antes del transporte en vías públicas. Si va a transportar la máquina, siempre debe utilizar anclajes homologados y asegurarse de que la máquina esté bien sujeta. NO utilice esta máquina en vías públicas.

## Remolque

Si la máquina está equipada con un sistema de remolque, extreme las precauciones al remolcar. No lleve a niños ni otras personas dentro del equipo remolcado o sobre él. Realice giros amplios para evitar el efecto tijera. Desplácese lentamente y guarde más distancia para detenerse.

No remolque en una superficie en pendiente. En las pendientes, el peso del equipo remolcado puede provocar pérdida de tracción y pérdida de control. Obedezca las recomendaciones del fabricante sobre los límites de peso para el equipo remolcado. No remolque cerca de zanjas, canales y otras zonas de riesgo.

## Funcionamiento

Esta máquina está diseñada solo para cortar pasto en céspedes y tierra nivelada sin obstáculos tales como piedras, tocones de árboles, etc. La máquina también puede utilizarse para otras tareas cuando está equipada con accesorios especiales proporcionados por el fabricante. Las instrucciones de operación de los accesorios se suministran con la entrega. Cualquier otra clase de uso es incorrecta. Las instrucciones del fabricante sobre el funcionamiento, mantenimiento y reparación deberán seguirse atentamente.

Los cortacésped y todos los equipos electrónicos pueden ser peligrosos si no se usan correctamente. Para mantener la seguridad, se requiere tener buen juicio, utilizar la máquina de acuerdo con estas instrucciones y con sentido común.

Solo personas que conozcan las características especiales de la máquina y que además conozcan las instrucciones de seguridad pueden utilizar, mantener o reparar la máquina. Utilice exclusivamente piezas de repuesto aprobadas para mantener esta máquina.

Las normas de prevención de accidentes, otras reglas de seguridad generales, reglas de seguridad laboral y las leyes de tránsito deben seguirse sin excepción.

Las modificaciones no autorizadas en el diseño de la máquina absuelven al fabricante de cualquier tipo de responsabilidad por daños personales o daños a la propiedad resultantes.

## INTRODUCTION

### Buen servicio

Los productos Husqvarna se venden en todo el mundo y solo en tiendas minoristas especializadas con servicio completo. Esto asegura que como cliente, usted reciba solo el mejor nivel de asistencia y servicio. Antes de la entrega del producto, el distribuidor ha sometido la máquina, por ejemplo, a inspecciones y ajustes. Consulte el certificado en el Registro de servicio de este manual del operador.

Cuando necesite piezas de repuesto o ayuda con respecto a preguntas de servicio, asuntos de garantía, etc., consulte a los siguientes profesionales:

Este manual pertenece a la máquina con el número de fabricación:	Motor	Transmisión

### Número de fabricación

El número de fabricación de la máquina se puede encontrar en la placa impresa colocada en el compartimiento del motor.

En la placa se indican los siguientes detalles, desde la parte superior:

- La designación del tipo de máquina (I. D.).
- El número de tipo del fabricante (Modelo).
- El número de serie de la máquina (Número de serie)

*Tenga a mano la designación del tipo y el número de serie cuando haga pedidos de piezas de repuesto.*

El número de fabricación del motor se encuentra estampado en una de las tapas de las válvulas.

La placa indica:

- El modelo del motor.
- El tipo de motor.
- Código

*Tenga esta información disponible cuando haga pedidos de piezas de repuesto.*

Los motores de las ruedas y las bombas hidrostáticas tienen un código de barras adherido en la parte trasera.

# SÍMBOLOS Y RÓTULOS

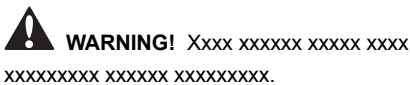
Estos símbolos se encuentran en la máquina y en el manual del operador.

Estúdielos atentamente para que sepa qué significan.

lector no sigue las instrucciones proporcionadas en el manual.

**IMPORTANT INFORMATION** Xxxx xxxxxx  
xxxxx xxxx xxxxxxxxxxx xxxxxx xxxxxxxxxxx.

Se usan en esta publicación para notificar al lector de un riesgo de daños en el material, sobre todo si el lector no sigue las instrucciones proporcionadas en el manual. Se usan también cuando hay un riesgo potencial de uso indebido o montaje incorrecto.



Se usan en esta publicación para notificar al lector de un riesgo de daños personales o que puede causar la muerte, especialmente si el



Reversa    Neutro    Rápido    Lento    Arranque en clima frío    Combustible    Freno de estacionamiento



Advertencia    Altura de corte baja    Altura de corte alta    Use gafas de protección    Use guantes protectores    Use protectores auriculares    No se pare aquí



**Advertencia!**  
El ácido de la batería es corrosivo, explosivo e inflamable



**Advertencia!**  
No toque las piezas



**Advertencia!**  
Mantenga una distancia segura de la máquina



**Advertencia!** No utilice sin deflector recogedor de césped

Apague el motor y retire la llave antes de realizar tareas de mantenimiento o reparación

Mantenga una distancia segura de la máquina

Uso en pendientes no superiores a 10°

No se permite llevar pasajeros



Exposición del cuerpo entero a objetos arrojados

Corte de dedos de manos y pies

No abra ni retire las protecciones de seguridad con el motor en marcha

Tenga cuidado al dar marcha atrás, observe si hay otras personas

Tenga cuidado al avanzar, observe si hay otras personas

# SEGURIDAD

## Instrucciones de seguridad

Estas instrucciones son para su propia seguridad. Léalas atentamente.

**⚠ ADVERTENCIA:** ESTA MÁQUINA CORTADORA PUEDE AMPUTAR MANOS Y PIES Y ARROJAR OBJETOS. SI NO SIGUE LAS INSTRUCCIONES DE SEGURIDAD PUEDE CAUSAR DAÑOS GRAVES O LA MUERTE.

**⚠ ADVERTENCIA** ESTE EQUIPO ES PELIGROSO PARA LOS NIÑOS, PUEDE CAUSAR LESIONES GRAVES O LA MUERTE. Lea y siga atentamente todas las instrucciones de seguridad que se indican a continuación.

**INFORMACIÓN IMPORTANTE** La Academia Norteamericana de Pediatría recomienda que solo niños mayores de 16 años operen o se suban a un cortacésped.

## Seguridad infantil

Pueden ocurrir trágicos accidentes si el operador no está atento a la presencia de niños. A los niños suelen atraerles las máquinas y el corte del césped. No dé por un hecho que los niños permanecerán donde usted los vio por última vez.

- Mantenga a los niños alejados del área de corte y bajo la supervisión de un adulto responsable además del operador.

- Esté alerta y apague la máquina si un niño entra en el área.



- Antes y mientras avance en reversa, mire hacia atrás y hacia abajo por si hay niños presentes.

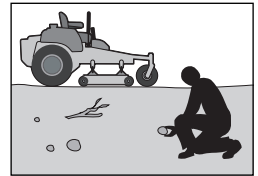
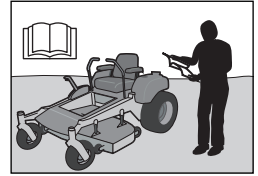
- No lleve niños arriba de la máquina, incluso cuando las cuchillas estén desactivadas. Pueden caerse y lesionarse gravemente o interferir con la operación segura de la máquina. Los niños a quienes se les da una vuelta en la máquina pueden aparecer de repente en el área de corte para otra vuelta y ser atropellados o golpeados con la máquina.



- No permita que los niños operen la máquina.
- Tenga cuidado extremo al acercarse a curvas sin visibilidad, arbustos, árboles u otros objetos que puedan bloquear su visión e impedir que vea a un niño.

## Uso general

- Lea, entienda y siga todas las instrucciones sobre la máquina en el manual antes de comenzar.
- Se recomienda que alguien esté al tanto de que está usando la máquina y pueda prestar ayuda en caso de lesión o accidente.
- Cualquier persona que opere, realice mantenimiento y/o servicio en esta máquina primero debe leer y comprender este manual del operador. Las leyes locales pueden controlar la edad del usuario. El propietario es responsable de capacitar a los usuarios de este equipo.
- Tanto el propietario como el operador de este equipo pueden evitar que se produzcan accidentes y son responsables de accidentes o lesiones que sufran ellos mismos u otras personas y/o de daños a la propiedad.
- No coloque las manos ni los pies cerca de las partes giratorias ni debajo de la máquina. Manténgase alejado de la abertura de descarga en todo momento.
- Sólo permita que los adultos responsables, que estén familiarizados con las instrucciones, operen la máquina.
- Quite de la zona los objetos como rocas, juguetes, cables, etc. que podrían engancharse en la cuchilla y ser arrojados.
- Asegúrese de que el área esté libre de curiosos antes de operar la máquina. Detenga la máquina si alguien entra en el área.
- No corte en reversa, a menos que sea absolutamente necesario. Siempre mire hacia abajo y hacia atrás antes y cuando vaya en reversa.
- No dirija el material que se descarga hacia nadie. Evite descargar el material contra una pared u otra obstrucción. El material puede rebotar hacia el operador. Detenga las cuchillas cuando atraviese superficies de grava.



## SEGURIDAD

- No maneje la máquina si no tiene el recogedor de césped completo, la protección de descarga u otros dispositivos de seguridad en su lugar y en funcionamiento.
- Desacelere antes de dar la vuelta.
- No deje la máquina en funcionamiento sin vigilar. Siempre detenga las cuchillas, active el freno de estacionamiento, detenga el motor y retire la llave antes de descender.
- No transporte pasajeros La máquina se ha diseñado solamente para que la use una sola persona.
- Desenganche las hojas cuando no esté cortando césped. Apague el motor y espere hasta que todas las partes se detengan por completo antes de limpiar la máquina, retirar el recogedor de césped o destapar la protección de descarga.
- Opere la máquina únicamente durante el día o con buena luz artificial.
- No opere la máquina mientras esté bajo la influencia de alcohol o drogas.
- Esté pendiente del tráfico cuando opere la máquina cerca de caminos o al cruzarlos.
- Tenga cuidado extremo cuando cargue o descargue la máquina de un trailer o camión.
- Use siempre protección ocular cuando opere la máquina.



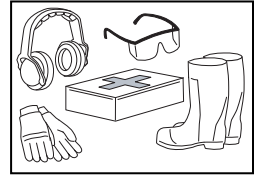
**ADVERTENCIA:** Cuando utilice la máquina, debe utilizar un equipo de protección personal homologado. El equipo de protección personal no puede eliminar el riesgo de lesiones pero reducirá el grado de lesiones en caso de que se produzca un accidente. Pida ayuda a su distribuidor para elegir los equipos de protección adecuados.

- Use equipo de protección personal (PPE, Personal Protective Equipment) mientras usa esta máquina, incluido (como mínimo) un calzado resistente, protección ocular y protectores auriculares. No corte en pantalones cortos ni con calzado que deje los dedos descubiertos.
- Los datos indican que los operadores de 60 años o más son víctimas de un gran porcentaje de lesiones relacionadas con la conducción de un cortacésped. Estos operadores deben evaluar su habilidad para operar la cortadora de césped en forma suficientemente segura como para protegerse a sí mismos y a los demás de una lesión grave.

- Siga las recomendaciones del fabricante para los pesos de las ruedas o los contrapesos.
- Mantenga la máquina libre de cualquier acumulación de césped, hojas u otra basura, pues podrían entrar en contacto con el escape caliente y/o las partes del motor y quemarse. No permita que la plataforma de la cortadora de césped levante hojas u otra basura que pueda causar acumulaciones. Limpie cualquier derrame de aceite o combustible antes de operar o almacenar la máquina.
- Permita que la máquina se enfríe antes de almacenarla.

### Equipo de seguridad personal

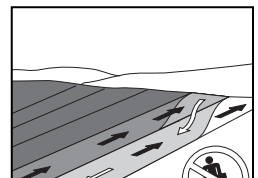
- Asegúrese de tener a mano el equipo de primeros auxilios durante la utilización de la máquina.
- No utilice la máquina si está descalzo.
- Es imperativo usar zapatos o botas de protección, preferiblemente con puntera de acero.
- Siempre use gafas protectoras homologadas o un visor completo al realizar el montaje o durante la conducción.
- Siempre use guantes al manipular las cuchillas.
- No lleve ropa ancha que pueda quedar atrapada en las piezas móviles.
- Utilice protectores auriculares para evitar daños en los oídos.



### Funcionamiento en pendientes

Las pendientes son un factor importante relacionado con la pérdida de control y accidentes donde se vuelca, que pueden causar daños graves o la muerte. El uso en todas las pendientes requiere tener especial precaución. Si usted no puede retroceder de una pendiente o si se siente incómodo en la pendiente, no la pade.

- Corte las pendientes hacia arriba y hacia abajo, no de un lado a otro.
- Tenga cuidado con los hoyos, surcos, protuberancias, piedras y otros objetos ocultos. El terreno disparejo podría volcar la máquina. El césped alto puede ocultar obstáculos.
- Elija una velocidad absoluta baja, así no tiene que detenerse mientras está en la pendiente.



## SEGURIDAD

- No corte el césped húmedo. Los neumáticos podrían perder tracción.
- Evite arrancar, parar o girar en una pendiente. Si los neumáticos pierden tracción, desacople las cuchillas y avance lentamente y en línea recta bajando la pendiente.
- Mantenga el desplazamiento lento y gradual en las pendientes. No haga cambios repentinos de velocidad o dirección, pues podría causar que la máquina se vuelque.
- Ponga especial atención mientras usa la máquina con recogedores de césped u otros accesorios, ya que pueden afectar la estabilidad de la máquina.
- No use la máquina en pendientes pronunciadas.
- No intente estabilizar la máquina poniendo el pie en el suelo.
- No corte cerca de declives, zanjas o terraplenes. La máquina podría volcarse de repente si una rueda pasa sobre la orilla o si la orilla termina en un hoyo.



**⚠ ADVERTENCIA:** No conduzca en lomas con pendientes superiores a 10 grados. Y no conduzca a través de pendientes.

### Manipulación segura de la gasolina

**⚠ ADVERTENCIA:** El motor y el sistema de escape se calientan mucho durante el funcionamiento. Existe riesgo de quemaduras si se tocan. Deje que el motor y el sistema de escape se enfríen antes de llenar el depósito de combustible.

Para evitar una lesión personal o un daño en la propiedad, tenga cuidado extremo al manejar la gasolina. La gasolina es extremadamente inflamable y los vapores son explosivos.

- Apague los cigarrillos, habanos, pipas y otras fuentes de ignición.
- Use solo recipientes de gasolina aprobados.
- No retire el tapón de la gasolina ni agregue combustible con el motor en funcionamiento. Permita que el motor se enfríe antes de volver a llenar el tanque de combustible.

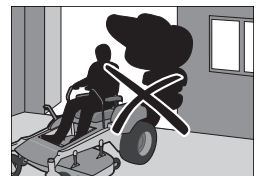
- No llene la máquina de combustible en interiores.
- No almacene la máquina o el recipiente de combustible donde haya una flama abierta, chispa o una luz de piloto como la de un calentador de agua u otros aparatos.



- Antes de comenzar el reabastecimiento de combustible, reducir al mínimo el riesgo de electricidad estática tocando una superficie de metal.
- No llene los recipientes adentro de un vehículo o en un camión o trailer con forro de plástico. Coloque siempre los recipientes en el suelo y lejos del vehículo durante el llenado.
- No llene de más el tanque de combustible. Vuelva a colocar la tapa de la gasolina y asegúrela apretándola.
- Retire el equipo que funciona con gasolina del camión o trailer y rellénelo en el suelo. Si esto no es posible, rellene el equipo con un recipiente portátil, en lugar de hacerlo directamente con la boquilla del dispensador de gasolina.
- Mantenga la boquilla en contacto con el borde del tanque o recipiente de combustible abriéndolo en todo momento hasta que el llenado de combustible esté completo. No use un dispositivo que mantenga abierta la boquilla.
- Si el combustible se derrama sobre la ropa, cámbiesela de inmediato.
- No arranque el motor cerca de combustible derramado.
- No utilice gasolina como producto de limpieza.
- Si surgen fugas en el sistema de combustible, no se debe arrancar el motor hasta que el problema se haya resuelto.
- Compruebe el nivel de combustible antes de cada uso y deje espacio para que se expanda el combustible, ya que el calor del motor y el sol pueden hacer que el combustible se expanda y se desborde.

### Mantenimiento general

- No utilice la máquina en un espacio interior o en espacios sin ventilación adecuada. Los gases de escape contienen monóxido de carbono, un gas inodoro, venenoso y letal.





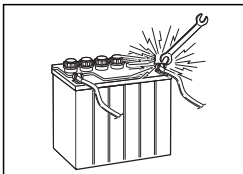
## SEGURIDAD

- Cuide el estado de las etiquetas de seguridad e instructivas, o sustítúyalas, según sea necesario.
- No interfiera con la función propia de los dispositivos de seguridad ni reduzca la protección provista por un dispositivo de seguridad. Revise con regularidad que operen bien. NO haga funcionar una máquina con un dispositivo de seguridad que no funcione correctamente.

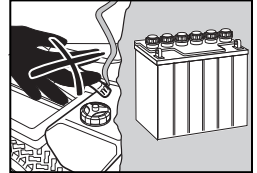


**ADVERTENCIA:** El motor no debe arrancarse si se he retirado la placa del piso del conductor o cualquier placa protectora de la correa de transmisión del equipo de corte.

- Revise frecuentemente los componentes del recogedor de césped y la protección de descarga y realice los reemplazos necesarios con piezas recomendadas por el fabricante.
- No cambie los ajustes de los reguladores y evite usar la máquina con un régimen del motor demasiado alto. Si hace funcionar el motor demasiado rápido, los componentes de la máquina podrían dañarse.
- Para reducir el riesgo de incendio, mantenga la máquina limpia y sin acumulación de césped, hojas u otra basura. Limpie las salpicaduras de aceite o combustible y quite los restos mojados con combustible. Permita que la máquina se enfríe antes de almacenarla.
- Deténgase para inspeccionar el equipo si pasa por encima de algo o topa algo. Si es necesario, haga reparaciones antes de arrancar la máquina.
- No haga ajustes o reparaciones con el motor en funcionamiento.
- No trabaje con el circuito del motor de arranque si hay combustible derramado.
- Asegúrese de que el equipo esté en buen estado y que todas las tuercas y los pernos, sobre todo los que aseguran los accesorios de la cuchilla, estén correctamente apretados con el par de apriete adecuado.
- Asegúrese de que el tapón del depósito de combustible esté cerrado firmemente y no haya sustancias inflamables almacenadas en un recipiente abierto.



- Pueden producirse chispas cuando se trabaja con la batería y los cables pesados del circuito del motor de arranque. Esto puede causar una explosión de la batería, incendio o daños en los ojos. No se producirán chispas una vez que el cable de conexión a tierra (por lo general negativo, negro) se extraiga de la batería.
- Desconecte el cable de conexión a tierra de la batería primero y vuelva a conectarlo en último lugar.
- No haga un cortocircuito de puente en el relé del motor de arranque para activar el motor de arranque.
- Tenga mucho cuidado al manipular el ácido de la batería. El ácido puede causar graves quemaduras corrosivas en la piel. Si se derrama ácido de la batería sobre la piel, enjuague inmediatamente con agua. El ácido en los ojos puede causar ceguera, póngase en contacto con un médico de inmediato.
- Tenga cuidado cuando efectúe trabajos en la batería. En ella se forman gases explosivos. No lleve a cabo el mantenimiento de la batería mientras esté fumando o si se encuentra cerca de llamas abiertas o chispas. La batería puede explotar y causar daños graves o lesiones.
- La máquina ha sido probada y aprobada solo con el equipo proporcionado originalmente o recomendado por el fabricante. Utilice solo piezas de repuesto aprobadas para la máquina.
- Las cuchillas están afiladas y pueden causar cortes y heridas profundas. Envuelva las cuchillas o use guantes protectores durante su manipulación.
- Compruebe el funcionamiento del freno de estacionamiento con regularidad. Hágale los ajustes y el servicio necesarios.
- Las cuchillas para mantillo solo deben usarse en áreas conocidas donde se desee un corte de mayor calidad.
- Limpie regularmente la plataforma y la parte inferior de la plataforma, evite salpicar con agua el motor y los componentes eléctricos.



**AVISO:** Utilice gafas de protección para trabajos de mantenimiento.

# SEGURIDAD

## Transporte

- La máquina es pesada y puede causar daños graves por aplastamiento. Extreme las precauciones cuando se cargue o descargue de un vehículo o un remolque.
- Utilice un remolque aprobado para transportar la máquina. Active el freno de estacionamiento, apague el suministro de combustible y sujete la máquina con anclajes homologados, como bandas, cadenas o correas durante el transporte.



**ADVERTENCIA:** Tenga mucho cuidado cuando cargue la máquina en un camión o remolque usando las rampas. Existe la posibilidad de daños graves o peligro de muerte si la máquina se cae de las rampas.

**INFORMACIÓN IMPORTANTE** El freno de estacionamiento no es suficiente para bloquear la máquina en su lugar durante el transporte. Asegúrese de que la máquina esté bien sujeta al vehículo de transporte. Siempre ingrese la máquina marcha atrás al vehículo de transporte para evitar el volcamiento.

- No utilice esta máquina en vías públicas.
- Consulte y respete las normas de tráfico locales antes de transportar la máquina en cualquier camino.
- No remolque esta máquina, ya que podrían producirse daños en el sistema de transmisión.
- No remolque ningún elemento con este cortacésped, a menos que esté equipado con un gancho de remolque. Puede producirse un efecto tijera o volcarse y dañar el cortacésped y posiblemente causar daños graves al operador.
- Cargue la unidad en un camión o remolque utilizando rampas de una resistencia correcta y a baja velocidad. ¡No levante la máquina! La máquina no está diseñada para ser levantada manualmente.
- Al cargar o descargar la máquina, no exceda el ángulo de operación máximo recomendado de 10°.

## Remolque

Si la máquina está equipada con un sistema de remolque, exteme las precauciones al remolcar. No lleve a niños ni otras personas dentro del equipo remolcado o sobre éste.

Realice giros amplios para evitar el efecto tijera. Desplácese lentamente y guarde más distancia para detenerse. No remolque en una superficie en pendiente. En las pendientes, el peso del equipo remolcado puede provocar pérdida de tracción y pérdida de control.

Obedezca las recomendaciones del fabricante sobre los límites de peso para el equipo remolcado. No remolque cerca de zanjas, canales y otros peligros.

## Parachispas

Este cortacésped está equipado con un motor de combustión interna y no se debe usar sobre ninguna porción de tierra sin mejorar, cubierta por arbustos o malezas a menos que el sistema del motor cuente con un dispositivo apagachispas que cumpla con las leyes locales o estatales pertinentes (si las hay). Las leyes federales se aplican a las tierras federales.

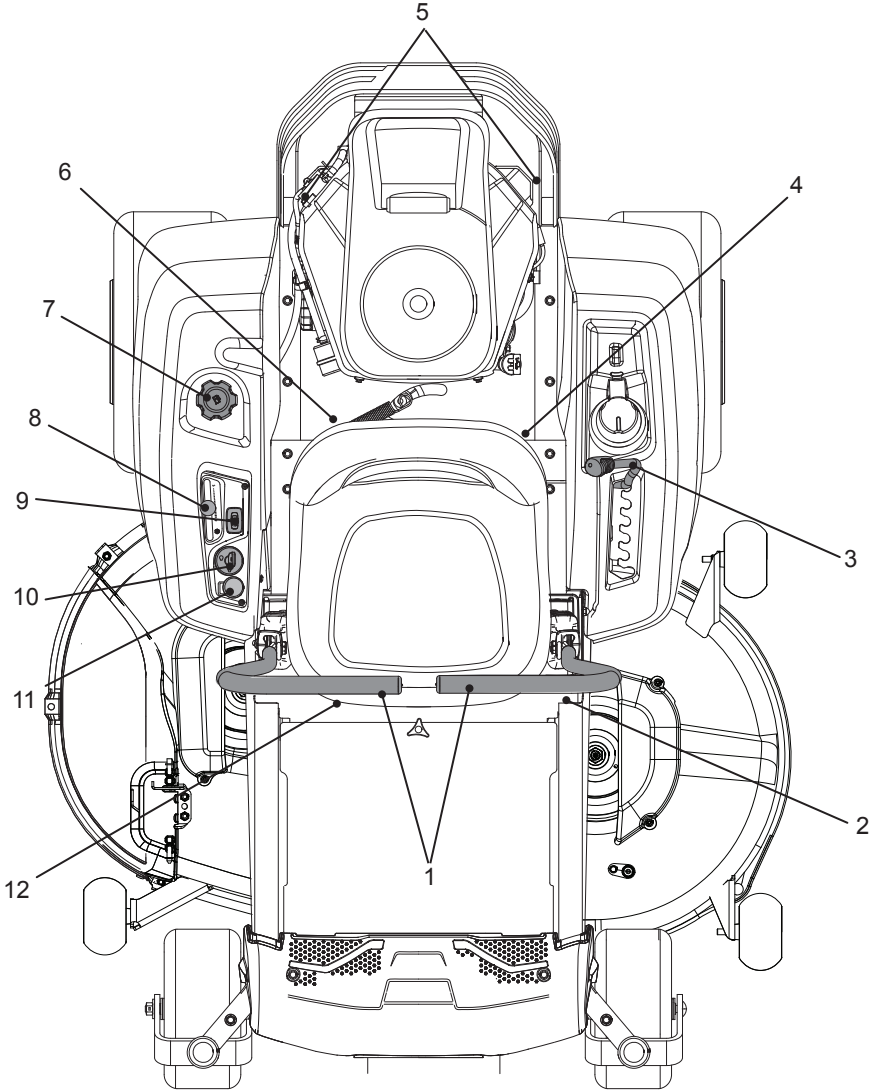
Si se usa un dispositivo apagachispas, el operador debe mantenerlo en buenas condiciones de trabajo.

Se puede obtener un apagachispas para el silenciador a través de un distribuidor de Husqvarna autorizado.

## CONTROLES

Este manual del operador corresponde al cortacésped Zero Turn de Husqvarna. El cortacésped está equipado con un motor de válvula superior de cuatro tiempos.

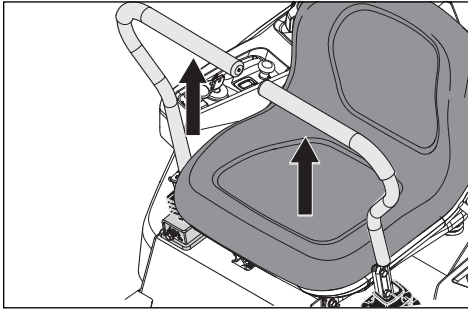
La transmisión del motor se hace mediante bombas hidráulicas accionadas por correa. Utilizando los controles de la dirección izquierdo y derecho, el caudal regula el sentido de marcha y la velocidad.



- |                                |                                    |                                   |
|--------------------------------|------------------------------------|-----------------------------------|
| 1. Palancas de dirección/freno | 5. Varillajes de derivación        | 9. Medidor de servicio            |
| 2. Ajuste de la alineación     | 6. Válvula de corte de combustible | 10. Interruptor de encendido      |
| 3. Elevación del equipo        | 7. Depósito de combustible         | 11. Interruptor de cuchilla       |
| 4. Fusibles                    | 8. Control del acelerador          | 12. Palanca de ajuste del asiento |

## CONTROLES

### Palancas de control de la dirección



La velocidad y la dirección de la máquina son de tipo variable continua con los dos controles de la dirección. Los controles de la dirección se pueden mover hacia adelante o hacia atrás sobre una posición neutra. Además, hay una posición neutra que se bloquea si los controles de la dirección se mueven hacia afuera.

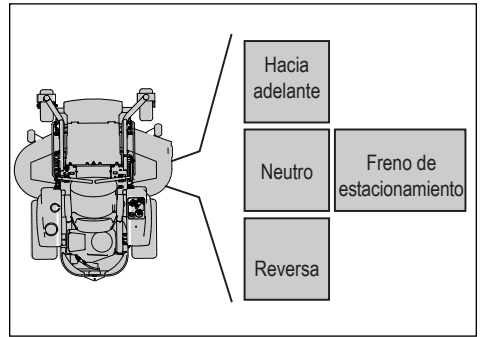
Cuando ambos controles están en la posición neutra (N), la máquina permanece fija.

Al mover los dos controles la misma cantidad hacia adelante o hacia atrás, la máquina se mueve en línea recta hacia adelante o hacia atrás respectivamente.

Por ejemplo, para girar hacia la derecha mientras se desplaza hacia adelante, mueva el control de la derecha hacia la posición neutra. La rotación de la rueda derecha se reduce y la máquina gira a la derecha.

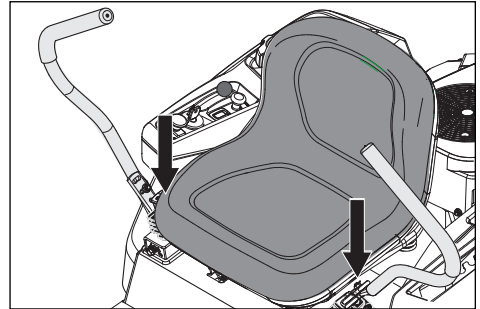
El giro cero se puede lograr moviendo un control hacia atrás (detrás de la posición neutra) y desplazando con cuidado el otro control de la dirección hacia adelante desde su posición neutra. El sentido de rotación durante el giro cero se determina según el control de la dirección que se mueva hacia atrás por detrás de la posición neutra. Si el control de la dirección izquierda se mueve hacia atrás, la máquina gira a la izquierda. Tenga mucho cuidado al llevar a cabo esta maniobra.

Si los controles de la dirección están en posiciones irregulares cuando está detenido o no encajan en las ranuras para mover los controles hacia afuera, pueden ajustarse.



**⚠ ADVERTENCIA:** La máquina puede girar muy rápidamente si mueve un control de la dirección mucho más que el otro.

### Freno de estacionamiento



El freno de estacionamiento está integrado con las palancas de control de la dirección. Mueva las palancas hacia afuera de la posición neutra para acoplar el freno de estacionamiento.

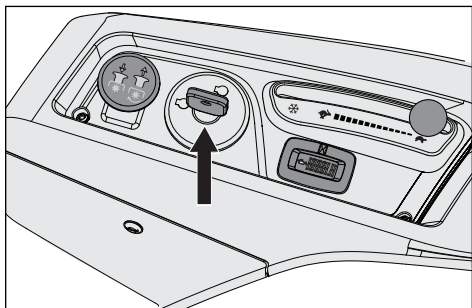
Para soltar el freno de estacionamiento, gire ambas palancas de control de dirección hacia dentro hasta la posición neutra. No intente operar la unidad sin que ambas palancas estén hacia dentro, fuera de la posición de acoplamiento, o los componentes de la máquina se pueden dañar.

**INFORMACIÓN IMPORTANTE** Si no trae las palancas de control de dirección hacia adentro simultáneamente hará que el sistema de seguridad de la unidad apague el aparato.

**INFORMACIÓN IMPORTANTE** La máquina debe estar absolutamente detenida cuando se aplica el freno de estacionamiento. Ponga siempre el freno de estacionamiento antes de descender de la máquina. Suelte el freno de estacionamiento antes de mover el cortacésped.

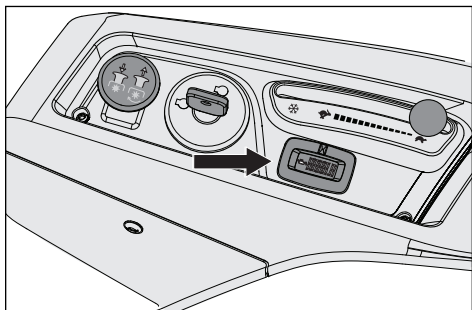
## CONTROLES

### Interruptor de encendido



El interruptor de encendido se encuentra en el panel de control y se utiliza para arrancar y detener el motor.

### Medidor de servicio

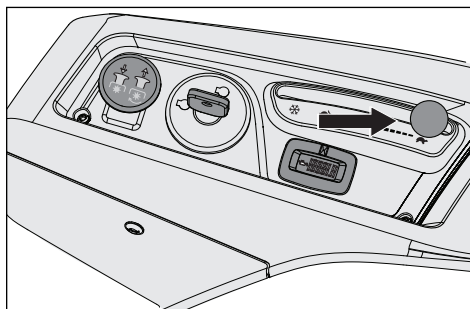


El medidor de servicio muestra la cantidad total de horas que el motor ha estado funcionando e indica cuando el motor y el cortacésped necesitan reparación.

Cada 50 horas de funcionamiento, aparecerá un icono de lata de aceite que permanecerá encendido durante dos horas, antes de que se produzca un reinicio automático. Para restablecer manualmente el medidor, gire la llave a la posición de apagado cinco veces con intervalos de un segundo. Para obtener información sobre el mantenimiento del motor y el cortacésped, consulte el Registro de servicio de este manual.

*Tenga en cuenta: El indicador de servicio funciona (horas de reloj) solo cuando el motor está en marcha. Asegúrese de poner la llave en posición de apagado cuando la unidad no esté en uso, para evitar la acumulación de horas del medidor.*

### Control del acelerador



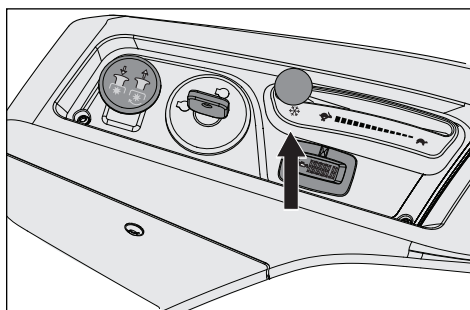
El acelerador regula el régimen del motor y la velocidad de rotación de las cuchillas, asumiendo que el interruptor de cuchilla se haya accionado. Consulte Interruptor de cuchilla.

Para aumentar o disminuir el régimen del motor, el control se mueve hacia adelante o hacia atrás respectivamente.

Evite el funcionamiento del motor en ralentí durante períodos prolongados, ya que existe el riesgo de contaminar las bujías. USE ACELERACIÓN MÁXIMA AL CORTAR, para un mejor rendimiento del cortacésped y carga de la batería.

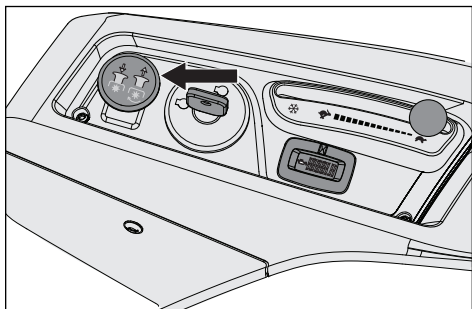
### Control de clima frío

En temperaturas inferiores a 32°F, mueva la palanca del acelerador hacia adelante, más allá de la posición inicial, hasta el símbolo de copo de nieve. Una vez que el motor haya arrancado, mueva lentamente el acelerador a la posición de aceleración máxima.



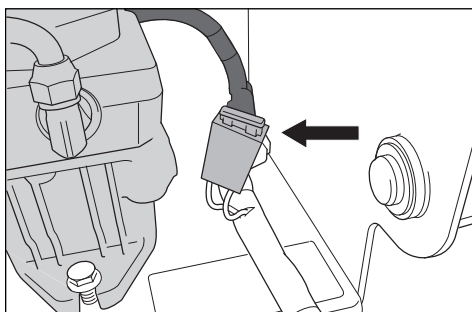
## CONTROLES

### Interruptor de cuchilla



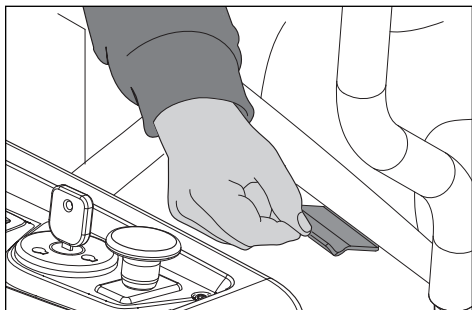
Para acoplar el equipo de corte, tire de la perilla hacia afuera; las cuchillas de corte se desacoplan cuando la perilla se presiona hacia abajo.

### Fusible



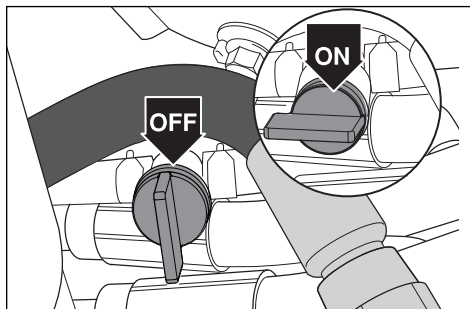
El fusible principal de 20 amperios está ubicado en el lado izquierdo de la máquina. Acceda a él inclinando el asiento hacia adelante. El fusible es del tipo plano que se usa en los automóviles.

### Palanca de ajuste del asiento



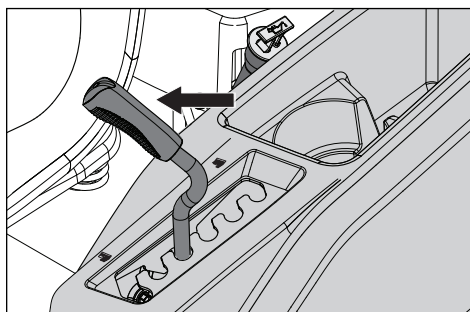
El asiento se puede ajustar longitudinalmente. Al realizar los ajustes, la palanca situada bajo el lado derecho del asiento se levanta, tras lo cual el asiento se puede mover hacia delante o hacia atrás.

### Válvula de corte de combustible



La válvula de corte de combustible está ubicada en la parte trasera derecha del asiento. La válvula está desconectada cuando el manillar está en posición perpendicular a la tubería de combustible.

### Palanca de altura de corte



Para ajustar la altura de corte del equipo, tire de la palanca de altura de corte hacia dentro y muévala a la muesca de la altura deseada.

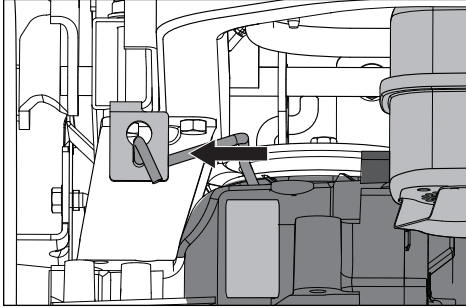
**INFORMACIÓN IMPORTANTE** Eleve siempre la plataforma a la posición más alta para el transporte.

**INFORMACIÓN IMPORTANTE** Para obtener una altura de corte uniforme, es importante que la presión de aire de los neumáticos sea de 15 psi / 103 kPa / 1 bar.



## CONTROLES

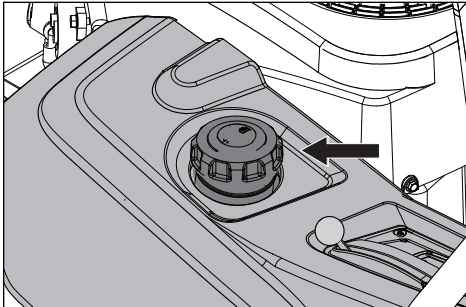
### Varillajes de derivación



Los varillajes de derivación del transeje deben acoplarse cuando empuje o tire del cortacésped. Las palancas de liberación están ubicadas en cada lado de la parte trasera de la unidad por debajo de la protección trasera del motor. Consulte Mover la máquina manualmente en la sección Operación.

**⚠ ADVERTENCIA:** Los varillajes de derivación están situados cerca del silenciador. Para prevenir quemaduras, el motor debe estar apagado y debe dejarse enfriar antes de manipular las palancas del varillaje de derivación.

### Depósito de combustible



Lea las instrucciones de seguridad antes de cargar combustible. La máquina tiene un solo depósito de combustible, justo detrás de la consola. La capacidad del depósito es de 13,25 litros.

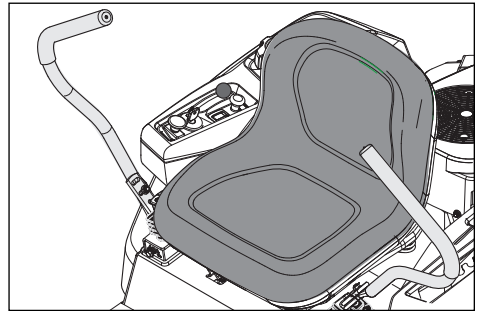
Revise con regularidad la junta del tapón de la gasolina para ver si hay daños y mantenga la tapa debidamente apretada.

El motor se pondrá en funcionamiento en un mínimo de 85 octanos gasolina sin plomo (no mezcla de aceite). Se puede utilizar gasolina de alquiler adaptada para el medio ambiente. Consulte también la sección Datos técnicos

relacionada con el combustible etanol. No se admite el uso de combustible metanol. No utilice combustible E85 a base de alcohol. Pueden producirse daños en el motor y sus componentes. Cuando use la máquina en temperaturas inferiores a 0° C, use gasolina de invierno limpia y nueva para asegurar un buen arranque en climas fríos.

**INFORMACIÓN IMPORTANTE** La experiencia indica que los combustibles mezclados con alcohol (llamados gasohol, etanol o metanol) pueden atraer la humedad, lo que lleva a la separación y la formación de ácidos durante el almacenamiento. El gas ácido puede dañar el sistema de combustible de un motor mientras está almacenado. Para evitar problemas en el motor, el sistema de combustible se debe vaciar antes de ser almacenado por 30 días o más. Drene el tanque de gasolina, encienda el motor y déjelo en marcha hasta que los tubos de combustible y el carburador estén vacíos. Use combustible nuevo la temporada siguiente. Consulte la sección *Almacenamiento* para obtener más información. No use productos de limpieza para motor o carburador en el depósito de combustible porque puede ocurrir un daño permanente.

### Desplazamiento



Si el cortacésped no se mueve en línea recta, revise la presión de aire de los dos neumáticos traseros. La presión de aire recomendada para los neumáticos traseros es de 15 psi (1 bar).

1. Los ajustes de la rodadura se realizan mediante pernos de alineación. Los pernos de alineación actúan como dispositivos limitadores para las palancas de control de movimiento cuando la máquina está en posición completamente hacia delante.
2. Para realizar un ajuste preliminar de la alineación, traslade la unidad a un área abierta y sin obstrucciones, como un estacionamiento vacío o campo abierto.

## CONTROLES

3. Con una llave de 1/2", gire los pernos de alineación hacia fuera hasta que queden a ras con la tuerca.
4. Pruebe la unidad conduciéndola a aceleración máxima y con ambas palancas de control de movimiento en la posición completamente hacia delante. Gire gradualmente el perno de alineación del lado derecho hasta que la unidad comience a desviarse notablemente hacia la derecha.
5. Conduzca hacia delante a aceleración máxima con ambas palancas de control de movimiento en la posición completamente hacia adelante. Gire gradualmente el perno de alineación izquierdo hasta que la unidad se desplace en línea recta.



**ADVERTENCIA:** La gasolina es altamente inflamable. Respete las precauciones y llene el depósito de combustible al aire libre (consulte las instrucciones de seguridad).



**ADVERTENCIA:** Llene hasta la parte inferior del tubo de llenado. No lo llene de más. Limpie las salpicaduras de aceite o combustible. No almacene, derrame ni use gasolina cerca de una flama abierta.



## OPERACIÓN

Lea la sección *Seguridad* y las páginas siguientes si no está familiarizado con la máquina.

### Capacitación

Debido a su exclusiva capacidad de dirección, los cortacésped de giro cero son mucho más maniobrables que los cortacésped típicos.

Esta sección se debe analizar en su totalidad antes de intentar mover el cortacésped con su propia potencia. Antes de utilizar por primera vez el cortacésped o hasta que se sienta cómodo con los controles, utilice una menor velocidad de aceleración y una velocidad de desplazamiento reducida. NO mueva las palancas de control a la posición más adelantada ni a las posiciones de marcha atrás durante el funcionamiento inicial.

Los usuarios primerizos deben familiarizarse con el movimiento del cortacésped en una superficie dura, como el hormigón o el asfalto ANTES de intentar conducir en césped. Hasta que el operador se sienta cómodo con los controles del cortacésped y la capacidad de giro cero, las maniobras excesivamente bruscas pueden dañar el césped.

### Dirección

#### Para mover la máquina hacia adelante y hacia atrás

El sentido de marcha y la velocidad de los movimientos del cortacésped se ven afectados por el movimiento de las palancas de control a cada lado del cortacésped. La palanca de control izquierda controla la rueda izquierda. La palanca de control derecha controla la rueda derecha.

Los usuarios primerizos deben empujar el cortacésped (consulte *Mover la máquina manualmente* en la sección *Operación*) hasta un lugar abierto y plano, sin otras personas, vehículos u obstáculos cerca. Para mover la máquina con su propia potencia, el operador debe sentarse en el asiento y arrancar el motor (consulte *Antes de arrancar* en la sección *Operación*). Ajuste el régimen del motor en ralentí y quite el freno de estacionamiento moviendo las palancas de control de la dirección hacia adentro. No conecte las cuchillas. Mientras las palancas de control no se muevan hacia delante o hacia atrás, el cortacésped no se moverá.

Mueva lentamente ambas palancas de control un poco hacia delante. Esto permitirá que el cortacésped se mueva hacia delante en línea recta. Tire las palancas de control hacia atrás a la posición neutra y el cortacésped dejará de moverse.

Tire ligeramente hacia atrás las palancas de control para que el cortacésped se mueva hacia atrás. Empuje las palancas de control hacia delante, hasta la posición neutra y el cortacésped dejará de moverse.

#### Para girar a la derecha

Mientras se mueve en la dirección de avance, tire de la palanca derecha hacia atrás hacia la posición neutra y mantenga a la vez la posición de la palanca izquierda, esto reducirá la velocidad de rotación de la rueda derecha y hará que la máquina gire en esa dirección.

#### Para girar a la izquierda

Mientras se mueve en la dirección de avance, tire de la palanca izquierda hacia atrás hacia la posición neutra y mantenga a la vez la posición de la palanca derecha, esto reducirá la velocidad de rotación de la rueda izquierda y hará que la máquina gire en esa dirección.

#### Para realizar el giro cero

Mientras se mueve en el sentido de avance, primero tire de ambas palancas de control hacia atrás hasta que el cortacésped se detenga o reduzca drásticamente su velocidad.

A continuación, alternando una palanca ligeramente hacia la posición de avance y la otra en la posición de retroceso, realice el giro.

#### Antes de arrancar

1. Lea las secciones sobre Seguridad y *Controles* antes de arrancar la máquina.
2. Realice el mantenimiento diario antes de arrancar (consulte el *Programa de mantenimiento* en la sección *Mantenimiento*).
3. Compruebe que haya suficiente combustible en el depósito de combustible.
4. Ajuste el asiento en la posición deseada.

Las condiciones siguientes deben cumplirse antes de que se pueda arrancar el motor:

- El interruptor de cuchilla se debe presionar hacia abajo a la posición desacoplada.
- Ambos controles de dirección/freno de estacionamiento deben estar en la posición neutra bloqueada (exterior).

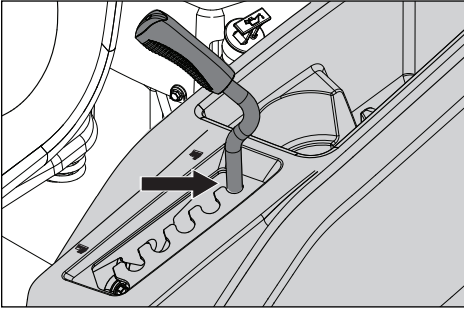


**ADVERTENCIA!** Los gases de escape del motor contienen monóxido de carbono, que es un gas venenoso inodoro e incoloro. No utilice la máquina en espacios cerrados.

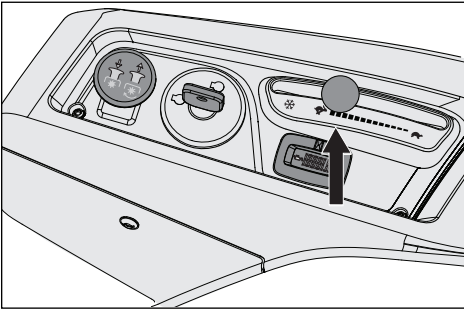
## OPERACIÓN

### Arranque del motor

1. Siéntese en el asiento.
2. Levante el equipo de corte hasta la posición más alta.



3. Desacople las cuchillas de corte presionando el interruptor de cuchilla hacia abajo.
4. Mueva los controles de la dirección/freno de estacionamiento firmemente hacia afuera, hasta la posición de bloqueo.
5. Mueva la palanca de acelerador hasta la posición de aceleración máxima.  
**TENGA EN CUENTA:** La posición de aceleración máxima cuenta con un bloqueo para facilitar el ajuste del control.



**Si la temperatura es inferior a 0°C,** mueva la palanca de acelerador hasta la posición de arranque en clima frío (con el icono de copo de nieve).

Cuando el motor haya arrancado, mueva la palanca de acelerador hasta el tope de la aceleración máxima y deje que el motor se caliente durante un breve período antes de poner en funcionamiento la unidad. Si no mueve el acelerador de la posición el arranque en frío provocará problemas de rendimiento del motor, humo y suciedad en las bujías.

6. Presione y gire la llave de encendido a la posición de arranque.

**INFORMACIÓN IMPORTANTE** No haga funcionar el motor de arranque durante más de cinco segundos cada vez. Si el motor no arranca, espere unos diez segundos antes de volver a intentarlo.

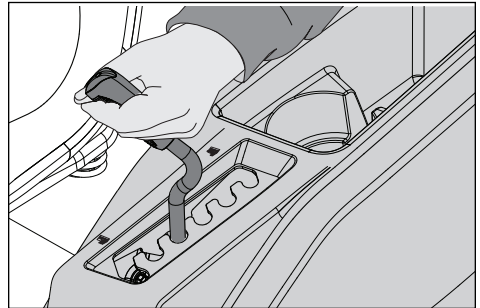
7. Cuando el motor arranque, suelte inmediatamente la llave de encendido para volver a la posición de funcionamiento.
8. Ajuste el régimen del motor con el acelerador. Deje que el motor funcione a una velocidad moderada, aproximadamente a media aceleración, durante un breve instante antes de su uso.
9. **USE LA ACCELERACIÓN MÁXIMA AL CORTAR.**

### Operación

1. Suelte el freno de estacionamiento moviendo los controles de la dirección/freno de estacionamiento hacia dentro, hasta la posición neutra.

**TENGA EN CUENTA:** El cortacésped está equipado con un sistema de detección de presencia del operador. Cuando el motor esté en funcionamiento, cualquier intento del operador de dejar el asiento sin primero activar el freno de estacionamiento apagará el motor.

2. Baje el equipo de corte hasta la altura de corte deseada.



3. Mueva el acelerador hasta la posición de aceleración máxima (con el símbolo de conejo).
4. Conecte el equipo de corte tirando el interruptor de cuchilla hacia arriba.

## OPERACIÓN

**⚠ ADVERTENCIA!** Asegúrese de que no haya nadie cerca del cortacésped al activar el interruptor de cuchilla.

Asegúrese de que el área de trabajo esté libre de objetos que puedan ser lanzados por las cuchillas giratorias.

5. Gire las palancas de control hacia adentro y mueva despacio ambas palancas de control ligeramente hacia adelante para avanzar en una línea recta.

### Detención del motor

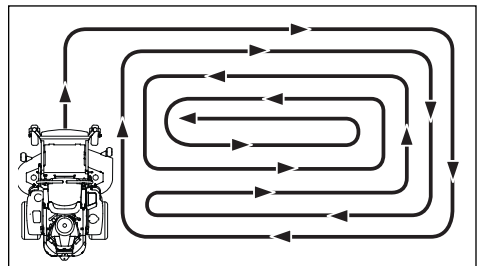
1. Mueva el acelerador a la posición mínima (con el símbolo en forma de tortuga).
2. Mueva los controles de la dirección/freno de estacionamiento fuera de la posición neutra.
3. Desacople el equipo de corte presionando el interruptor de cuchilla hacia abajo.
4. Levante el equipo de corte hasta la posición más alta. Si el motor ha trabajado duro, déjelo funcionar en ralentí durante al menos 60 segundos para que alcance una temperatura normal de operación antes de detenerlo. Para no ensuciar las bujías de encendido, evite dejar el motor en ralentí durante períodos más largos.
5. Coloque la llave de encendido en la posición de parada. Retire la llave. Siempre retire la llave cuando termine de usar el cortacésped para evitar el uso no autorizado.

**INFORMACIÓN IMPORTANTE** Cuando se detenga y salga de la máquina, tanto el freno de dirección como el de estacionamiento deben moverse a la posición de bloqueo al mismo tiempo.

### Consejos para cortar el césped

- Observe e identifique rocas y otros objetos fijos para evitar colisiones.
- Comience con una altura de corte elevada y redúzcala hasta lograr el resultado de corte deseado. El césped promedio se debe cortar aproximadamente a 6,35 cm durante la temporada fría y a más de 7,62 durante los meses de calor. Para que el césped crezca más sano y tenga mejor aspecto, córtelo con frecuencia después de un crecimiento moderado. Para un mejor rendimiento del corte, el césped de más de 15,20 cm de altura debe cortar dos veces. Haga el primer corte relativamente alto; el segundo a la altura deseada.

- El resultado del corte será mejor con un régimen del motor alto (cuando las cuchillas giran rápidamente) y a baja velocidad (el cortacésped se mueve lentamente). Si el pasto no está demasiado largo y denso, la velocidad de conducción puede aumentarse sin afectar negativamente el resultado de corte.
- Las mejores jardines se obtienen cortando el césped con frecuencia. El césped se vuelve más uniforme y los recortes de pasto se distribuyen de manera más homogénea en el área de corte. El tiempo total que se tarda no aumenta ya que se puede usar una velocidad mayor sin que ello perjudique los resultados del corte.
- Use una manguera para limpiar el equipo de corte por debajo después de cada uso. Durante la operación de limpieza, el equipo de corte debe levantarse a la posición de transporte. Asegúrese de que el cortacésped se haya enfriado y el motor esté apagado.
- Cuando corte áreas grandes, comience girando hacia la derecha, de modo que los recortes se descarguen lejos de los arbustos, bardas, caminos, etc. Después de una o dos vueltas, corte en la dirección opuesta, dando vueltas hacia la izquierda hasta que termine.



- Evite cortar césped húmedo. El resultado del corte es deficiente porque las ruedas se hunden en el césped blando, se acumulan huellas y los recortes de pasto se atoran bajo el carenado.
- Use una manguera para limpiar el equipo de corte por debajo después de cada uso. Durante la operación de limpieza, el equipo de corte debe levantarse a la posición de transporte. Asegúrese de que el cortacésped se haya enfriado y el motor esté apagado.
- Utilice aire comprimido para limpiar la superficie superior del equipo. Evite que se acumule agua en la superficie superior, en el motor y los componentes eléctricos.
- Cuando se utiliza el kit para triturar, es importante que el intervalo de corte sea frecuente.

# OPERACIÓN

## Trabajo en pendientes

Lea las instrucciones de seguridad de *Conducción en pendientes* en la sección *Seguridad*.

- Se debe usar la velocidad más lenta posible antes de comenzar a bajar o subir colinas.
- Evite detenerse o cambiar de velocidad en las colinas.
- Si es absolutamente necesario detenerse, mueva los controles de la dirección a la posición neutra, empújelos hacia fuera de la unidad y acople el freno de estacionamiento.
- Para volver a iniciar el movimiento, mueva los controles de la dirección nuevamente a la posición neutra.
- Presione hacia delante para recobrar el movimiento de avance.
- Dé todas las vueltas despacio.



**ADVERTENCIA:** No conduzca en lomas con pendientes superiores a 10 grados. No conduzca a través de pendientes.

No conduzca el cortacésped en terrenos con pendientes de más de 10 grados. Realice el corte en las pendientes hacia arriba y hacia abajo, nunca de lado a lado. Evite cambios repentinos en el sentido de marcha.



**AVISO:** Las baterías de plomo y ácido generan gases explosivos. Mantenga las baterías alejadas de chispas, llamas y tabaquería. Use siempre protección ocular cuando esté cerca de las baterías.

**INFORMACIÓN IMPORTANTE** El cortacésped está equipado con un sistema de conexión a tierra negativo de 12 voltios. El otro vehículo también debe tener un sistema de conexión a tierra negativo de 12 voltios. No utilice el cortacésped con sistema para hacer arrancar otros vehículos.

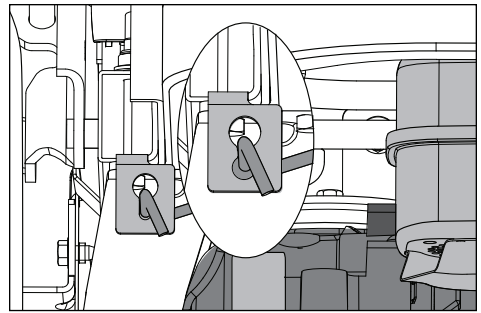


**ADVERTENCIA:** No realice ningún ajuste sin:  
el motor detenido,  
la llave de contacto retirada,  
el freno de estacionamiento activado

## Mover la máquina manualmente

Cuando empuje o tira del cortacésped, acople los varillajes de derivación EZT. Los varillajes de derivación EZT se encuentran en la parte trasera del bastidor, debajo de la protección trasera del motor.

1. Levante el equipo a la posición de corte más alta.
2. Mueva los controles de la dirección/freno de estacionamiento simultáneamente hacia dentro, hasta la posición neutra.
3. Tire de los varillajes de derivación EZT hacia arriba y retírelos de las ranuras de la chaveta. Suelte las palancas con la cabeza fuera del bastidor y manténgala en la posición de derivación.



4. Para volver a acoplar el EZT a la marcha, realice el procedimiento anterior a la inversa.

Cargue la máquina en un camión o remolque conduciendo lentamente por rampas. ¡NO LEVANTE LA MÁQUINA! La máquina no está diseñada para ser levantada manualmente.

**INFORMACIÓN IMPORTANTE** Para empujar manualmente la cortacésped, acople las palancas de desvío hidráulicas en ambos lados, tire el freno de dirección y de estacionamiento hacia dentro y empuje la máquina.



**ADVERTENCIA:** Los varillajes de derivación están situados cerca del silenciador. Para prevenir quemaduras, el motor debe estar apagado y debe dejarse enfriar antes de manipular las palancas del varillaje derivación.



**ADVERTENCIA:** Tenga mucho cuidado cuando cargue la máquina en un camión o remolque usando rampas. Existe la posibilidad de daños graves o peligro de muerte si la máquina se cae de las rampas.

# MANTENIMIENTO

## Programa de mantenimiento

La siguiente es una lista de procedimientos de mantenimiento que se deben realizar en la máquina. Para los puntos que no se describen en este manual, visite un taller de servicio autorizado. Se recomienda enviar la máquina a

revisión una vez al año en un taller de servicio autorizado para mantenerla en las mejores condiciones posibles y para garantizar un funcionamiento seguro. Lea *Mantenimiento general* en la sección *Seguridad*.

MANTENIMIENTO	DIARIO		AL MENOS UNA VEZ AL AÑO	INTERVALO DE MANTENIMIENTO EN HORAS			
	ANTES	DESPUÉS		25	50	100	300
<b>COMPROBAR</b>							
El freno de estacionamiento	●						
El nivel de aceite del motor (cada reabastecimiento)	■						
El sistema de seguridad	●						
Que no haya fugas de combustible ni aceite	◆						
Si hay daños		◆					
Si hay tornillería floja		◆					
El equipo de corte		◆					
La presión de los neumáticos				●	●	●	●
Las conexiones de la batería			●	●	●	●	●
<b>LIMPIAR</b>							
Debajo del equipo de corte		●					
A fondo la zona alrededor del motor		◆					
La zona que rodea correas, poleas de correas		◆			◆	◆	◆
La toma de aire de refrigeración del motor <sup>2)</sup>			■	■			
El prefiltro del purificador de aire de espuma <sup>2)</sup>			■	■			
El cartucho del filtro del purificador de aire de papel <sup>2)</sup>			■	■			
<b>TAMBIÉN</b>							
Inspeccionar el silenciador/parachispas			◆		◆	◆	◆
Arrancar el motor y las cuchillas, revisar si hay ruidos inusuales		◆					
Afilarse <sup>3)</sup> / reemplazar las cuchillas de corte			●	●			

- = Descrito en este manual
- ◆ = No se describe en este manual
- = Consulte el manual del fabricante del motor

- 1) Primer cambio, después de 8 a 10 horas. Cuando se trabaja con una carga pesada o a temperaturas ambiente elevadas, el reemplazo se debe realizar cada 50 horas.
- 2) En condiciones de mucho polvo, se debe aumentar la frecuencia de la limpieza y el reemplazo.
- 3) Realizado por un taller de servicio autorizado.

# MANTENIMIENTO

MANTENIMIENTO	DIARIO		AL MENOS UNA VEZ AL AÑO	INTERVALO DE MANTENIMIENTO EN HORAS			
	ANTES	DESPUÉS		25	50	100	300
<b>CHECK</b>							
Ajustar el cable del acelerador						■	
Ajustar el equipo de corte			●				●
El estado de las correas, poleas de correa			●			●	
Las ruedecillas (cada 200 horas)			●			●	
El reglaje de la válvula del motor <sup>3)</sup>			◆				◆
<b>CHANGE</b>							
Las bujías			■			■	
El aceite del motor			■	■			
El filtro de aceite del motor			■			■	
El filtro de combustible			■			■	
El filtro de aire de papel <sup>2)</sup>			■			■	
El prefiltro de espuma del purificador de aire <sup>2) 4)</sup>			■				
El filtro de aire de papel <sup>2) 4)</sup>			■				
<b>ALSO</b>							
Realizar el mantenimiento después de 300 horas <sup>3)</sup>			◆				◆

● = Descrito en este manual

◆ = No se describe en este manual

■ = Consulte el manual del fabricante del motor

1) Primer cambio, después de 8 a 10 horas. Cuando se trabaja con una carga pesada o a temperaturas ambiente elevadas, el reemplazo se debe realizar cada 50 horas.

2) En condiciones de mucho polvo, se debe aumentar la frecuencia de la limpieza y el reemplazo.

3) Realizado por un taller de servicio autorizado.

4) Si está provisto.

**⚠ ADVERTENCIA:** Lista de comprobación para antes de realizar cualquier operación de mantenimiento o ajuste

- Aplique el freno de estacionamiento.
- Coloque el interruptor de cuchilla en la posición desacoplada.
- Gire la llave de contacto a la posición de apagado y saque la llave.
- Asegúrese de que la cuchilla y todas las partes móviles se hayan detenido por completo.



**AVISO:** Use siempre protección ocular cuando esté cerca de las baterías.

**⚠ ADVERTENCIA:** Las fugas de aceite hidráulico a presión pueden tener fuerza suficiente para penetrar en la piel y causar daños graves. Si sufre alguna lesión por un escape de fluido, consulte a un médico de inmediato. Pueden desarrollarse infecciones o reacciones graves si no se recibe tratamiento médico inmediatamente.

**⚠ ADVERTENCIA:** No produzca un corto en las terminales de la batería al permitir que una llave o cualquier otro objeto entre en contacto con ambas terminales al mismo tiempo. Antes de conectar la batería, quítese pulseras metálicas, relojes, anillos, etc.

La terminal positiva debe conectarse primero para evitar que se produzcan chispas por conexiones a tierra accidentales.

# MANTENIMIENTO

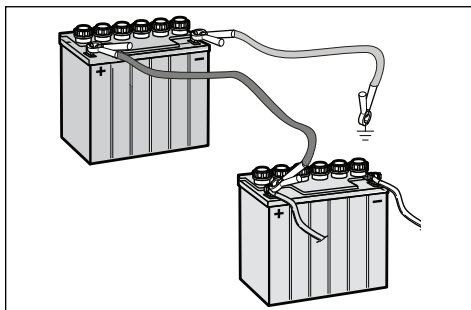
## Batería

Si la batería está demasiado baja como para arrancar el motor, se debe recargar.

Si utiliza los cables de puente para realizar un arranque de emergencia, siga este procedimiento:

### Uso del cable puente

1. Conecte cada extremo del cable rojo a la terminal POSITIVA (+) de cada batería, teniendo cuidado de no hacer cortocircuito contra el chasis.
2. Conecte un extremo del cable NEGRO a la terminal NEGATIVA (-) de la batería totalmente cargada.
3. Conecte el otro extremo del cable NEGRO a una CONEXIÓN A TIERRA DEL CHASIS en buenas condiciones del cortacésped con la batería descargada, lejos del depósito de combustible y la batería.



### Para quitar los cables, invierta el orden

1. Quite el cable NEGRO primero del chasis y luego de la batería completamente cargada.
2. Quite el cable ROJO de las dos baterías en último lugar.

### INFORMACIÓN IMPORTANTE

El cortacésped está equipado con un sistema de conexión a tierra negativo de 12 voltios. El otro vehículo también debe tener un sistema de conexión a tierra negativo de 12 voltios. No utilice el cortacésped con sistema para hacer arrancar otros vehículos.

**⚠ AVISO:** Las baterías de plomo y ácido generan gases explosivos. Mantenga las baterías alejadas de chispas, llamas y tabaquería. Use siempre protección ocular cuando esté cerca de las baterías.

El cortacésped está equipado con una batería que no requiere mantenimiento. Sin embargo, cargar periódicamente la batería con un cargador de batería automatizada prolongará su vida útil.

- Mantenga la batería y las terminales limpias.
- Mantenga los pernos de la batería apretados.
- Consulte la tabla para conocer los tiempos de carga.

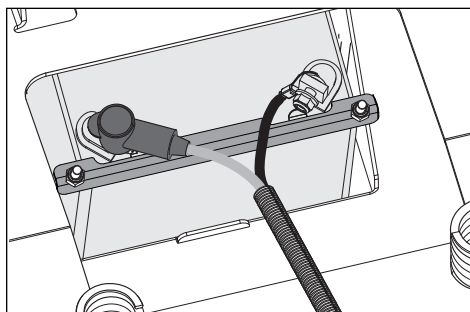
BATERÍA ESTÁNDAR	ESTADO DE CARGA	TIEMPO DE CARGA APROXIMADO DE LA BATERÍA* PARA LA CARGA COMPLETA A 27°C			
		Régimen máximo en:			
		50 amperios	30 amperios	20 amperios	10 amperios
12,6 V	100%	- CARGA COMPLETA -			
12,4V	75%	20 min.	35 min.	48 min.	90 min.
12,2V	50%	45 min.	75 min.	95 min.	180 min.
12,0V	25%	65 min.	115 min.	145 min.	280 min.
11,8V	0%	85 min.	150 min.	195 min.	370 min.

\*El tiempo de carga depende de la capacidad, el estado y la antigüedad de la batería, la temperatura y la eficacia de cargador

### Limpeza de la batería y las terminales

La corrosión y la suciedad de la batería y las terminales pueden hacer que la batería pierda potencia.

1. Afloje las dos tuercas puestas en los pernos de tipo J laterales solo lo suficiente para que el soporte de montaje de la batería se deslice hacia abajo de la batería.



2. Con dos llaves 1/2", desconecte el cable de la batería NEGRO y después el cable de la batería ROJO.
3. Retire con cuidado la batería del cortacésped
4. Enjuague la batería con agua pura y séquela.
5. Limpie las terminales y los extremos del cable de la batería con un cepillo de alambre hasta que brillen.
6. Cubra los terminales con grasa o vaselina.

### Cambio de la batería

1. Instale una batería nueva con las terminales en la misma posición que en la batería antigua.



## MANTENIMIENTO

2. Conecte el cable ROJO de la batería en la terminal positiva (+) de la batería.
3. Conecte el cable de la tierra NEGRO en la terminal negativa (-) de la batería.
4. Deslice el soporte de montaje nuevamente sobre la batería y vuelva a apretar las tuercas.
5. Vuelva a poner la cubierta de las terminales.

**INFORMACIÓN IMPORTANTE** No intente abrir o quitar las tapas o cubiertas. No es necesario agregar ni revisar el nivel del electrolito.

Use siempre dos llaves para los tornillos de las terminales.

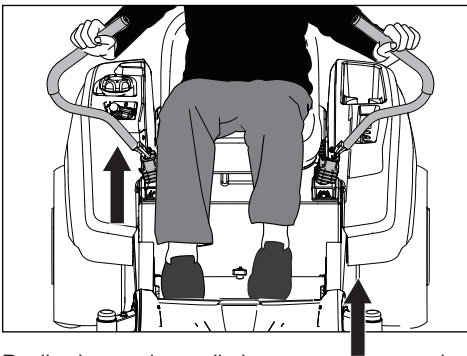
### Sistema de seguridad

La máquina está equipada con un sistema de seguridad que impide el arranque o la conducción en las condiciones siguientes.

El motor solo puede arrancarse cuando:

- el equipo de corte está desacoplado.
- los controles de la dirección/freno de estacionamiento están en la posición neutra externa y bloqueada, lo que asegura que haya una activación completa del freno de estacionamiento para un arranque seguro.

*NOTA: Si los controles de la dirección no se mantienen en la posición exterior completa, la tensión se puede ajustar apretando la tuerca en la parte trasera del pivote. (Consulte Freno de Estacionamiento en esta sección).*



Realice inspecciones diarias para asegurarse de que el sistema de seguridad funciona intentando arrancar el motor sin cumplir una de las condiciones anteriores. Cambie las condiciones y vuelva a intentarlo.

Si la máquina arranca cuando una de estas condiciones no se cumple, apáguela y repare el sistema de seguridad antes de volver a usarla.

Asegúrese de que el motor se detenga cuando el freno de estacionamiento no está activado y el operador abandone el asiento.

Compruebe que el motor se detenga si las cuchillas de corte están acopladas y el conductor abandona temporalmente el asiento.

**INFORMACIÓN IMPORTANTE** Para poder conducir, el operador debe sentarse en el asiento y los controles de la dirección/freno de estacionamiento deben ponerse en la posición de acoplado (exterior). En caso contrario, el motor se detendrá.

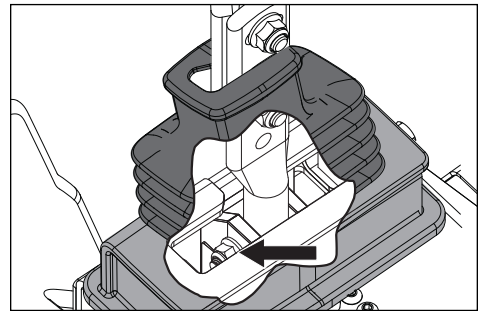
### Freno de estacionamiento

Compruebe visualmente que no haya daños en las palancas de control de la dirección, las conexiones o los interruptores del freno de estacionamiento. Realice una prueba de detención y compruebe que haya suficiente acción de frenado.

Para ajustar el freno de estacionamiento, póngase en contacto con el taller de servicio de Husqvarna.

Para ajustar la tensión del freno de estacionamiento, mueva la cubierta que cubre la base de control de la dirección. Apriete la tuerca del pivote de 1/2" hasta que la acción de frenado sea la adecuada. Reemplace la cubierta de la dirección y asegúrese de que la parte superior de la cubierta se posicione entre los dos pernos de ajuste del control de la dirección.

Para realizar cualquier otro ajuste en el freno de estacionamiento, póngase en contacto con el taller de servicio de Husqvarna.



**INFORMACIÓN IMPORTANTE** La máquina debe estar absolutamente detenida cuando se aplica el freno de estacionamiento.

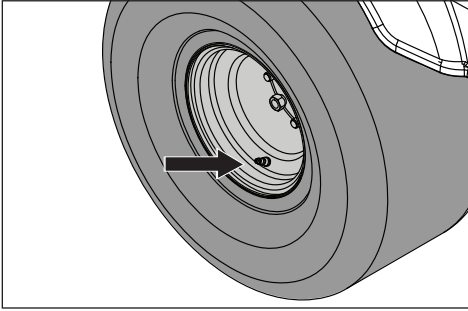
**⚠ ADVERTENCIA:** Un ajuste defectuoso reducirá la capacidad de frenado y puede provocar un accidente.



## MANTENIMIENTO

### Presión de los neumáticos

Todos los neumáticos deben tener una presión de 15 psi / 103 kPa / 1 bar.



**INFORMACIÓN IMPORTANTE** NO agregue ningún tipo de camisa de neumático ni material de relleno de espuma a los neumáticos. Las cargas excesivas creadas por neumáticos rellenos de espuma causan fallas prematuras. Utilice solo neumáticos especificados por el fabricante original.

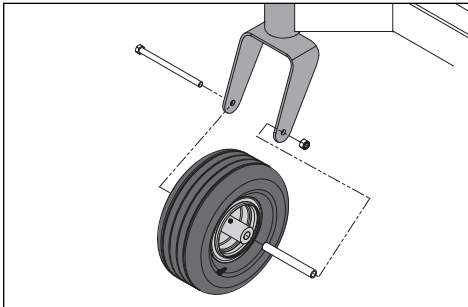
### Ruedecillas

Reviselas cada 200 horas. Compruebe que las ruedas giren libremente. Si las ruedas no giran libremente, lleve la unidad al distribuidor para el servicio.

Los neumáticos rellenos con espuma o neumáticos macizos anulan la garantía.

### Desmontaje y montaje

Quite la tuerca y el perno de la rueda. Tire de la rueda hacia fuera de la horquilla y tenga cuidado con los separadores. Para su instalación, siga el proceso inverso. Apriete el perno de la rueda.



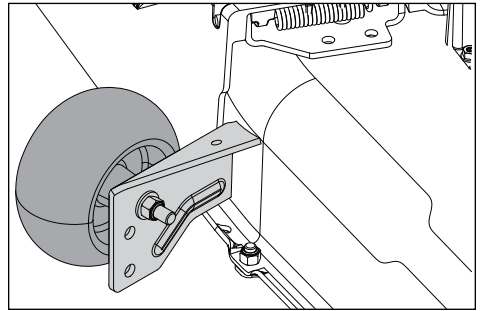
### Ruedas de apoyo

Las ruedas de apoyo están correctamente ajustadas cuando están ligeramente separadas del suelo cuando el equipo está a la altura de corte deseada en la posición de funcionamiento. De esta forma, las ruedas de apoyo mantienen el equipo en la posición correcta para ayudar a evitar el corte al ras en la mayoría de las condiciones del terreno.

Las ruedas de apoyo se pueden ajustar en tres posiciones:

- Posición superior, hierba 38 mm to 63 mm
- Posición media, hierba 63 mm a 102 mm
- Posición inferior, hierba de 102 mm a 152 mm

Las ruedas deben estar aproximadamente a 6,5 mm del suelo.



**INFORMACIÓN IMPORTANTE** Ajuste las ruedas de apoyo con el cortacésped en una superficie plana y nivelada.

Para evitar dañar el equipo, las ruedas de apoyo no se deben ajustar para sostener el equipo.

## MANTENIMIENTO

### Correas en V

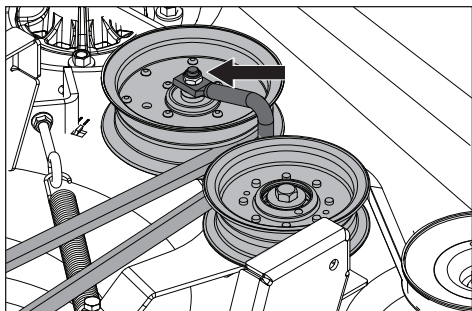
Reviselas cada 100 horas de funcionamiento. Revise si hay grietas profundas y mellas grandes.

**TENGA EN CUENTA:** La correa mostrará algunas pequeñas grietas en la operación normal.

Las correas no son ajustables. Reemplace las correas si empiezan a deslizarse por desgaste.

### Extracción de la correa del equipo

1. Estacione la máquina en una superficie nivelada. Aplique el freno de estacionamiento.
2. Baje el equipo a la posición de corte más baja.
3. Quite los pernos de las protecciones de la correa y quite las protecciones.
4. Retire cualquier resto de suciedad o hierba que se pueda haber acumulado alrededor de los alojamientos de la cortadora y toda superficie del equipo.
5. Afloje la tuerca que sujeta la guía de la correa. Tome nota de la posición de la guía de la correa para la reinstalación.



6. Presione hacia adentro el brazo guía para liberar la tensión de la correa.
7. Levante con cuidado la correa hacia la parte superior de las poleas de la carcasa de la cortadora y quite la correa del equipo.

### Instalación de la correa del equipo

**TENGA EN CUENTA:** Para facilitar la instalación de la cinta de la plataforma, consulte la etiqueta sobre la ruta que está en la parte superior del equipo.

1. Envuelva la correa del equipo alrededor de la polea del embrague eléctrico que está ubicada en el eje del motor.
2. Pase la correa hacia adelante y hacia arriba en el equipo.
3. Coloque la correa alrededor de la polea tensora de resorte.
4. Enrolle la correa alrededor de la polea tensora fija y de los alojamientos del mandril.

5. Empuje hacia dentro el brazo guía y dirija cuidadosamente la correa sobre la polea tensora fija. Una vez que correa está correctamente instalada, suelte lentamente del brazo guía para tensar la correa.
6. Vuelva a revisar la ruta de la cinta para asegurarse de que coincida con la etiqueta sobre la ruta, y que la cinta no esté torcida.
7. Ajuste a la guía de la correa suelta en el agujero del brazo polea y apriete el perno de la polea.
8. Vuelva a colocar las protecciones de la correa en ambas carcasas de los mandriles y asegúrelas con los broches.

### Ajuste del equipo de corte

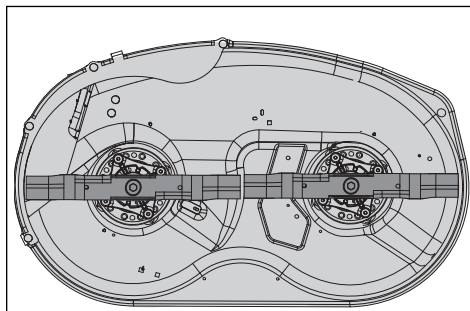
#### Nivelación del equipo

Ajuste el equipo mientras el cortacésped esté en una superficie nivelada. Asegúrese de que los neumáticos estén inflados a la presión correcta. Consulte **Datos técnicos** / Transmisión. Si los neumáticos tienen aire de menos o de más, el equipo no puede ajustarse correctamente. Levante el equipo hasta la posición más alta (de transporte).

El equipo se debe ajustar en un punto ligeramente más alto en la parte trasera.

**TENGA EN CUENTA:** Para garantizar la precisión del procedimiento de nivelación, la correa de transmisión del equipo de corte debe instalarse antes de nivelar el equipo.

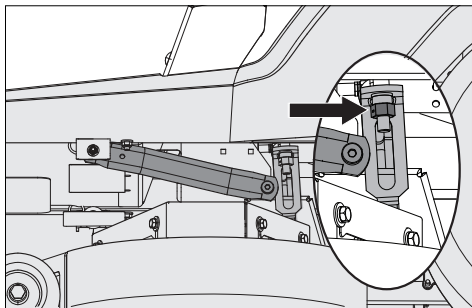
1. Use guantes resistentes. Gire cada punta de la cuchilla para alinearla la parte delantera con la trasera con el equipo de lado a lado.



2. Mida desde la superficie del suelo hasta la parte inferior de la punta de la cuchilla en el lado de descarga del equipo de corte. Registre esta medida.
3. Vaya al lado opuesto y compruebe que la medida sea la misma. Si es necesario hacer ajustes, con una llave de 3/4" o una llave inglesa, gire las tuercas de ajuste de la articulación de elevación en cada lado hacia

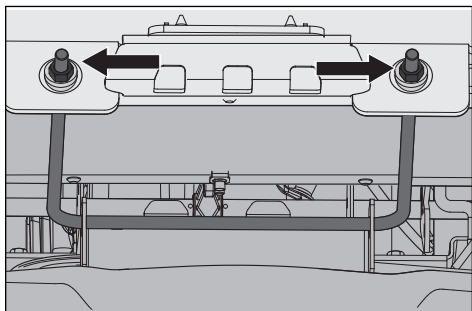
## MANTENIMIENTO

la izquierda para bajar o hacia la derecha para subir. Ajuste hasta que ambas medidas sean iguales.



4. Gire cada cuchilla para alinearla con el equipo desde la parte delantera a la trasera. Si la punta de la cuchilla delantera no se encuentra 3.175 mm a .500 mm más arriba en la parte trasera, use una llave de 5/8 o una llave inglesa para girar las tuercas en el varillaje de la suspensión delantera. Girar en el sentido de las agujas del reloj hará que se levante la parte delantera del cortacésped, y contra el sentido de las agujas del reloj se baja la parte delantera. Ajuste las tuercas hasta que la parte trasera del equipo de corte esté en un nivel 3.175 mm más alto en la parte trasera que en la medida de lado a lado.

**TENGA EN CUENTA:** Para fines ilustrativos, se quitó el reposapiés en la parte delantera. El ajuste puede hacerse sin extracción.



**TENGA EN CUENTA:** Esto colocará el equipo de corte en una posición de medida estándar. En función del tipo de pasto que éste cortando o las condiciones ambientales, es posible que deba realizar ajustes adicionales para lograr el corte deseado.

## Discos de corte

Para conseguir el mejor resultado de corte, es importante que las cuchillas estén bien afiladas y sin daños.

Reemplace las cuchillas que estén dobladas o agrietadas después de golpear obstáculos.

Deje que el taller de servicio decida si una cuchilla con mellas grandes se puede reparar o si hay que reemplazarla. Equilibre las cuchillas después del afilado.

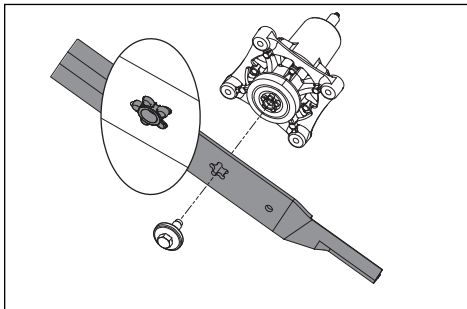
Revise los montajes de las cuchillas.



**AVISO:** Las cuchillas son afiladas. Protéjase las manos con guantes y/o envuelva las cuchillas con un paño grueso cuando las manipule. El afilado de las cuchillas debe realizarlo un taller de servicio autorizado.

## Reemplazo de las cuchillas

1. Quite el perno de la cuchilla girándolo en contra del sentido de las agujas del reloj.
2. Instale cuchillas nuevas o reafiladas con el lado que lleva estampadas las palabras GRASS SIDE (lado del pasto) orientado hacia el suelo/hierba (hacia abajo) o THIS SIDE UP (este lado hacia arriba) orientado hacia el equipo y la carcasa de la cortadora.
3. Asiente la apertura de la cuchilla firmemente en la carcasa de la cortadora.
4. Apriete el perno de la cuchilla con firmeza.
5. Apriete el perno de la cuchilla a un par de 45-55 lb-pie (60-81 Nm).



**INFORMACIÓN IMPORTANTE** El perno de la cuchilla especial está tratado con calor. Reemplácelo por un perno Husqvarna si es necesario. No utilice tornillería de grado inferior al especificado.

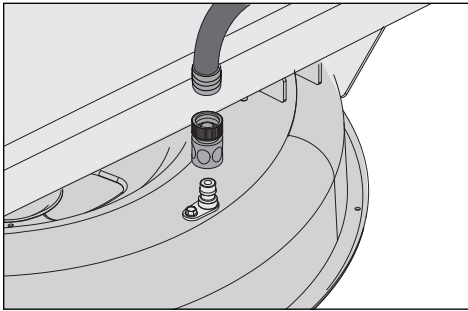
## MANTENIMIENTO

### Limpieza

La limpieza regular, especialmente por debajo del equipo de corte, aumenta la vida útil de la máquina. Limpiar la máquina directamente después de cada uso (una vez que se haya enfriado), antes de que la suciedad se adhiera.

No rocíe con agua la parte superior del equipo de corte. Utilice aire comprimido para limpiar la superficie superior del equipo de corte. No utilice lavadoras de alta presión ni equipos de limpieza al vapor. Evite rociar el motor y los componentes eléctricos con agua.

Limpie regularmente la parte inferior del equipo con presión de agua normal. Conecte el conector rápido (del paquete de accesorios) en cualquier manguera de jardín. Después de cortar, coloque la manguera en el orificio de limpieza y abra el suministro de agua.



Vuelva a arrancar el cortacésped y conecte las cuchillas para utilizar la acción giratoria para eliminar los residuos. Asegúrese de que la manguera quede alejada de las cuchilla de corte.

No lave las superficies calientes con agua fría. Deje que la unidad se enfríe antes de lavarla.



**AVISO:** Utilice gafas de protección para realizar las tareas de limpieza y lavado.

### Tornillería

Revísela diariamente. Inspeccione toda la máquina para ver si faltan tornillos o si hay tornillos sueltos.

# LUBRICACIÓN

12/12	1/52	1/365			25h	50h	100h	200h	300h
					1	← (2x)			
					2	← (2x)			
					3	← (2x)			
⚠		👁	5						
					4				🗑

12/12	Cada año	Lubricar con pistola de engrase	←
1/52	Cada semana	Cambiar filtro	🗑
1/365	Todos los días	Cambiar aceite	⚠
		Comprobar el nivel	👁

## Información general

Retire la llave de contacto para evitar movimientos involuntarios durante las tareas de lubricación.

Si realiza la lubricación con una lata de aceite, debe contener aceite de motor.

Si lubrica con grasa, a menos que se indique lo contrario, use grasa de bisulfuro de molibdeno de grado alto.

Para el uso diario, la máquina debe lubricarse dos veces por semana.

Limpie el exceso de grasa después de la lubricación.

Es importante evitar que quede lubricante en las correas o las superficies de avance de las poleas de correa. Si esto ocurre, intente limpiarlas con alcohol. Si la correa continúa deslizándose después de la limpieza, se debe reemplazar.

No se debe usar gasolina ni otros productos derivados del petróleo para limpiar las correas.

**INFORMACIÓN IMPORTANTE** Utilice lubricación mínima y quite el exceso de lubricante para que no entre en contacto con las correas o las superficies de avance de la polea de correa.

## Transmisión

La transmisión no necesita mantenimiento ni comprobaciones de nivel o cambios de aceite.

Si se produce una fuga, reemplace la unidad o póngase en contacto con su distribuidor Husqvarna.

## LUBRICACIÓN

### Engrasadores de rueda y equipo

Utilice únicamente grasa para cojinetes de buena calidad.

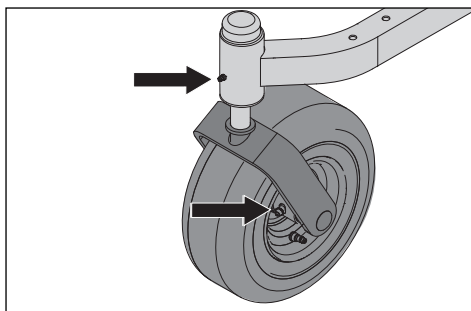
La grasa de marcas reconocidas (empresas petroquímicas, etc.) generalmente mantiene una buena calidad.

### Montaje de la rueda delantera

Lubrique las carreras 3-4 con una pistola de engrase en cada juego de cojinetes de las ruedas.

### Cojinetes de las ruedas delanteras

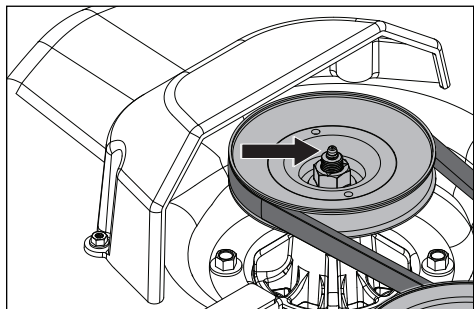
Lubrique las carreras 3-4 con una pistola de engrase en cada juego de cojinetes de las ruedas.



### Ejes del equipo

Baje el equipo de corte completamente. Lubrique con una pistola de engrase, 2-3 recorridos por el eje a través las aberturas que hay en las protecciones de la correa.

Si usa una pistola de engrase sin manguera de goma, debe retirar la placa de pie para acceder al eje central.

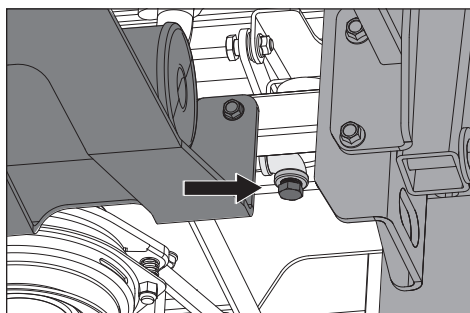


## Cambio de aceite del motor

*NOTA: Cambie el aceite del motor cuando el motor esté caliente. Consulte el manual del propietario del motor para ver las recomendaciones para realizar un cambio de aceite y de filtro adecuado.*

**⚠ ADVERTENCIA!** El tapón de drenaje del motor está situado cerca del silenciador. Para prevenir quemaduras, se debe apagar el motor y dejar que se enfríe un poco para que aún esté caliente, pero para que las áreas que rodean el motor no lo estén.

1. Estacione la máquina en una superficie nivelada. Aplique el freno de estacionamiento.
2. Limpie la suciedad y los desechos del área alrededor de la tapa del tanque de llenado de aceite.
3. Quite la tapa/varilla de nivel.
4. Ubique la manguera de drenado que se encuentra al lado trasero derecha del motor cerca del silenciador. Ponga un contenedor de un tamaño adecuado bajo el extremo de la manguera de drenado y quite el tapón de vaciado de aceite.



5. Permita que el aceite se drene completamente del motor.
6. Vuelva a poner el tapón de la manguera de drenado y apriétela firmemente.
7. Llene el motor con un aceite nuevo hasta la parte de abajo de las marcas del tubo de llenado. Compruebe el nivel con la varilla de nivel.
8. Vuelva a poner la tapa del tanque de llenado de aceite firmemente cuando el nivel de aceite indique FULL.
9. Consulte el historial de mantenimiento para ver los intervalos de cambio y de verificación del aceite.

# SOLUCIÓN DE PROBLEMAS

## Problema / Causa

### El motor no arranca

- El interruptor de la cuchilla está activado
- Los controles de dirección no están bloqueados en la posición externa
- La batería está agotada
- Hay contaminación en el carburador o la tubería de combustible
- La válvula de corte del suministro de combustible está cerrada
- Filtro de combustible obstruido o la tubería de combustible
- Sistema de encendido defectuoso

### El arranque no hace girar el motor

- La batería está agotada
- Mal contacto de las conexiones de cable de la terminal de la batería
- Fusible fundido
- Falla en el circuito de seguridad del arranque. Consulte Sistema de seguridad en la sección Mantenimiento

### El motor funciona con dificultad

- Carburador defectuoso
- Obstrucción en el filtro o suministro de combustible
- El estrangulador se tira hacia fuera con el motor caliente
- Válvula de ventilación obstruida en el tapón de combustible
- Depósito de combustible prácticamente vacío
- Bujías sucias
- Mezcla de combustible enriquecida o mezcla de combustible-aire.
- Tipo de combustible incorrecto

### Agua en el combustible

### Filtro de aire obstruido

### El motor parece débil

### Filtro de aire obstruido

### Bujías sucias

### Ajuste incorrecto del carburador

### Aire atrapado en el sistema hidráulico

### La máquina vibra

- Las cuchillas están sueltas
- Las cuchillas están mal equilibradas
- El motor está suelto

### El motor se sobrecalienta

- Obstrucción en la entrada de aire o las aletas de refrigeración
- Sobrecarga del motor
- Ventilación deficiente alrededor del motor
- Regulador del régimen del motor defectuoso
- Escasez o ausencia de aceite en el motor
- Hay contaminación en el carburador o la tubería de combustible
- Bujías sucias

### La batería no se carga

- Mal contacto de las conexiones de cable de la terminal de la batería
- El cable de carga está desconectado

### La máquina se mueve lentamente, de forma irregular, o no se mueve en absoluto

- El freno de estacionamiento está activado
- Varillaje de desviación de la bomba hidráulica conectado

### La correa de transmisión está suelta o se salió

### Aire atrapado en el sistema hidráulico

### El equipo de corte no está acoplado

- La correa de transmisión del equipo de corte se soltó
- El contacto del acoplamiento electromagnético se soltó
- El interruptor de la cuchilla está defectuoso o se soltó de contacto del cable

### Fusible fundido

### El transeje tiene fugas de aceite

- Daño en los sellos, el alojamiento o las juntas
- Aire atrapado en el sistema hidráulico

### Resultados de corte desiguales

- Diferente presión de aire en los neumáticos en los lados izquierdo y derecho.
- Cuchillas dobladas
- La suspensión del equipo de corte es desigual
- Las cuchillas están desafiladas
- La velocidad de conducción es demasiado alta
- La hierba es demasiado larga
- Hay hierba acumulada debajo del equipo de corte

## ALMACENAMIENTO

### Almacenamiento durante el invierno

La máquina debe prepararse para el almacenamiento al final de la temporada de corte o si se no se va a utilizar durante más de 30 días. El combustible que se deja en el depósito durante largos períodos de tiempo (30 días o más) puede dejar residuos pegajosos que pueden obstruir el carburador y alterar la función del motor.

Los estabilizadores de combustible son una opción aceptable para evitar la acumulación de residuos pegajosos que se producen durante el almacenamiento.

Agregue estabilizador al combustible del depósito o al contenedor de almacenamiento. Utilice siempre la proporción de mezcla indicada por el fabricante del estabilizador. Haga funcionar el motor durante al menos 10 minutos después de agregar el estabilizador para que llegue al combustible. No vacíe el depósito de combustible ni el carburador si ha agregado estabilizador.



**ADVERTENCIA:** No almacene el motor con combustible en el depósito en interiores o espacios con poca ventilación donde los vapores del combustible puedan entrar en contacto con llamas abiertas, chispas o una llama piloto como la de una caldera, depósito de agua caliente, secadora de ropa, etc. Manipule el combustible con cuidado. Es muy inflamable y puede provocar daños personales graves y daños a la propiedad. Drene el combustible en un recipiente aprobado al aire libre y almacénelo lejos de llamas abiertas o fuentes de ignición. No utilice gasolina para la limpieza. Utilice un desengrasador y agua tibia.

Para preparar la máquina para el almacenamiento:

1. Limpie la máquina completamente, en especial debajo del equipo de corte. Retoque los daños en la pintura y rocíe una capa delgada de aceite en la parte inferior del equipo de corte para evitar la corrosión.
2. Inspeccione la máquina para ver si hay piezas dañadas o desgastadas y apriete las tuercas y los tornillos que se hayan aflojado.
3. Cambie el aceite del motor y deséchelo de forma adecuada.
4. Vacíe los depósitos de combustible o agregue un estabilizador de combustible. Arranque el motor y déjelo funcionar hasta que el carburador se quede sin combustible o el estabilizador haya llegado al carburador.
5. Extraiga la bujía de encendido y vierta aproximadamente una cucharada de aceite de motor en el cilindro. Arranque el motor para que el aceite se distribuya uniformemente y a continuación, vuelva a colocar la bujía.
6. Lubrique todos los engrasadores, juntas y ejes.
7. Extraiga la batería. Limpie, cargue y guarde la batería en un lugar fresco, pero protegida del frío directo.
8. Guarde la máquina en un lugar limpio y seco y cúbrala para protegerla mejor.

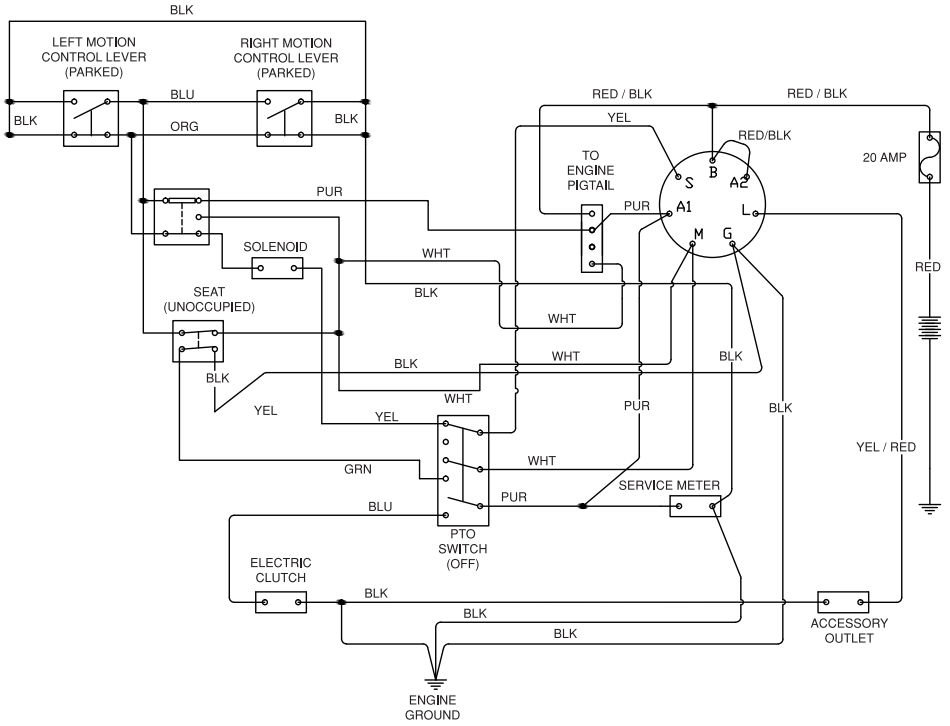
### Servicio

Cuando solicite piezas de repuesto, indique el año de compra, modelo, tipo y número de serie. Utilice siempre piezas de repuesto Husqvarna originales.

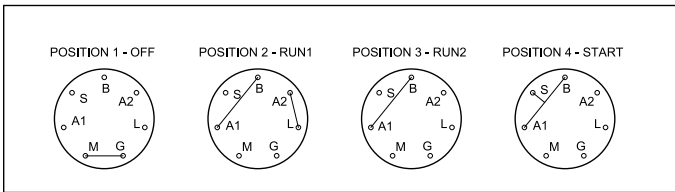
Una comprobación anual en un taller de servicio autorizado es una buena forma de garantizar que la máquina funcione de manera óptima en la temporada siguiente.



# ESQUEMA



KEY SWITCH POSITIONS



## DATOS TÉCNICOS

MOTOR	
Fabricante	Briggs & Stratton
Tipo	40S877
Electricidad	20 hp <sup>1)</sup>
Lubricación	Presión con filtro de aceite
Combustible	Mínimo sin plomo de 87 octanos (máx. etanol al 10%, máx. MTBE al 15%)
Capacidad del depósito de combustible	13,25 litros
Refrigeración	Refrigerado por aire
Filtro de aire	Estándar
Alternador	12v
Motor de partida	Eléctrico
TRANSMISIÓN	
Transmisión	Transejes hidrostáticos
Control de la dirección	Palancas dobles, sujeción de espuma
Velocidad de avance	0-10,5 km/h
Velocidad de retroceso	0-5,6 km/h
Frenos	Freno de estacionamiento mecánico
Neumáticos de la ruedecilla delantera	11 x 4-5
Neumáticos traseros, neumático ara césped	18 x 9.5-8
Presión de los neumáticos	15 PSI / 103 kPa / 1 bar
BASTIDOR	
Ancho de corte	117 cm
Altura de corte	3,8 - 10,2 cm
Número de cuchillas	2
Longitud de la cuchilla	57,8 cm
Ruedas de apoyo	3 ajustables
Asiento neumático	Estándar
Reposabrazos con bisagras	Opcional
Medidor de horas	Digital
Acoplamiento de la cuchilla	Embrague electromagnético
Construcción del equipo	Grabado
Productividad	8,093 m <sup>2</sup> /h
DIMENSIONES	
Peso	263 kg
Longitud base de la máquina	191 cm
Altura base de la máquina	102 cm
Ancho base de la máquina	106 cm
Ancho total, tolva arriba	122 cm
Ancho total, tolva abajo	142 cm

<sup>1)</sup> La clasificación de potencia declarada por el fabricante del motor es la potencia bruta de salida promedio en la RPM especificada de un motor de producción típico para el modelo de motor que se mide con las normas SAE para potencia bruta del motor. Consulte las especificaciones del motor del fabricante.

## DATOS TÉCNICOS

### Especificaciones de par

Perno del cigüeñal del motor	75 pies/lb (102 Nm)	Sujetadores estándar 1/4"	9 pies/lb (12 Nm)
Tornillos de polea de corte	75 pies/lb (102 Nm)	Sujetadores estándar 5/16"	18 pies/lb (25 Nm)
Tuercas del asa	75 pies/lb (102 Nm)	Sujetadores estándar 3/8"	33 pies/lb (44 Nm)
Tornillo de la cuchilla	60 pies/lb (81 Nm)	Sujetadores estándar 7/16"	52 pies/lb (70 Nm)
		Sujetadores estándar 1/2"	80 pies/lb (110 Nm)

### TORNILLOS HEXÁGONOS

Los valores de par indicados se deben utilizar como pauta general cuando no se tenga información de los valores de par específicos.

### Tornillería estándar de EE. UU.

Grade	SAE Grade 5			SAE Grade 8		Flangelock Screw w/Flangelock Nut	
	Size	ft./lbs	Nm	ft./lbs	Nm	ft./lbs	Nm
Tamaño de culata (diámetro en pulgadas, rosca fina o gruesa)	1/4	9	12	13	18		
	5/16	18	24	28	38	24	33
	3/8	31	42	46	62	40	54
	7/16	50	68	75	102		
	1/2	75	102	115	156		
	9/16	110	149	165	224		
	5/8	150	203	225	305		
	3/4	250	339	370	502		
	7/8	378	512	591	801		
1-1/8	782	1060	1410	1912			

\*\* Grado 5 - Calidad comercial mínima (no se recomienda una menor calidad)

### Tornillería estándar en sistema métrico

Grade	Size	Grade 8.8		Grade 10.9		Grade 12.9	
		ft./lbs	Nm	ft./lbs	Nm	ft./lbs	Nm
Tamaño de culata (diámetro en milímetros, rosca fina o gruesa)	M4	1.5	2	2.2	3	2.7	3.7
	M5	3	4	4.5	6	5.2	7
	M6	5.2	7	7.5	10	8.2	11
	M7	8.2	11	12	16	15	20
	M8	13.5	18	18.8	25	21.8	30
	M10	24	33	35.2	48	43.5	59
	M12	43.5	59	62.2	84	75	102
	M14	70.5	96	100	136	119	161
	M16	108	146	147	199	176	239
	M18	142	193	202	274	242	328
	M20	195	264	275	373	330	447
	M22	276	374	390	529	471	639
	M24	353	478	498	675	596	808
M27	530	719	735	996	904	1226	

# REGISTRO DE SERVICIO

## SERVICIO DE ENTREGA

Acción	Fecha, Lectura De Medidor, Sello, Firma
Cargar y conecte la batería	<input type="checkbox"/>
Ajustar la presión de los neumáticos de todas las ruedas a 15 psi (1 bar)	<input type="checkbox"/>
Conectar la caja de contacto al cable para el interruptor de seguridad del asiento	<input type="checkbox"/>
Verificar que el motor tenga la cantidad correcta de aceite	<input type="checkbox"/>
Ajustar la posición de los controles de la dirección	<input type="checkbox"/>
Llenar con combustible y abrir la válvula de corte de combustible	<input type="checkbox"/>
Arrancar el motor	<input type="checkbox"/>
Comprobar:	
Que haya impulso en ambas ruedas	<input type="checkbox"/>
El ajuste del equipo de corte	<input type="checkbox"/>
Interruptor de seguridad del freno de estacionamiento	<input type="checkbox"/>
Interruptor de seguridad del equipo de corte	<input type="checkbox"/>
Interruptor de seguridad en el asiento	<input type="checkbox"/>
Interruptor de seguridad en los controles de la dirección	<input type="checkbox"/>
Funcionalidad del freno de estacionamiento	<input type="checkbox"/>
Avance hacia delante	<input type="checkbox"/>
Marcha atrás	<input type="checkbox"/>
Acoplamiento de las cuchillas	<input type="checkbox"/>
Velocidad de ralentí	<input type="checkbox"/>
Revisar el régimen de ralentí alto del motor	<input type="checkbox"/>
Informar al cliente acerca de:	
Necesidad y ventajas de seguir el programa de mantenimiento	<input type="checkbox"/>
Necesidad y ventajas de dejar la máquina para el servicio	<input type="checkbox"/>
Efectos del servicio y de mantener un registro de servicio en el valor de reventa de la máquina	<input type="checkbox"/>
Áreas de aplicación para triturar	<input type="checkbox"/>
Llenar los documentos de venta, etc.	

## REGISTRO DE SERVICIO

### DESPUÉS DE 10 HORAS

Acción	Fecha, Lectura De Medidor, Sello, Firma
Cambiar el aceite del motor	<input type="checkbox"/>

### MANTENIMIENTO DIARIO

Acción	Fecha, Lectura De Medidor, Sello, Firma
Limpiar los residuos del cortacésped	<input type="checkbox"/>
Revisar el nivel del aceite del motor	<input type="checkbox"/>
Comprobar la presión de los neumáticos	<input type="checkbox"/>
Revisar la parte inferior del equipo	<input type="checkbox"/>
Comprobar el sistema de seguridad	<input type="checkbox"/>
Comprobar si hay fugas en el sistema de combustible	<input type="checkbox"/>
Inspeccionar las protecciones y blindajes de seguridad	<input type="checkbox"/>
Revisar el ajuste del freno	<input type="checkbox"/>

### SERVICIO DE 25 HORAS

Acción	Fecha, Lectura De Medidor, Sello, Firma
Comprobar el filtro de aire de la bomba de combustible	<input type="checkbox"/>
Afilar/reemplazar las cuchillas de corte si es necesario	<input type="checkbox"/>
Comprobar la presión de los neumáticos	<input type="checkbox"/>
Revisar los cables de la batería	<input type="checkbox"/>
Lubricar de acuerdo con la tabla de lubricación	<input type="checkbox"/>
Comprobar/limpiar las tomas de aire de refrigeración del motor	<input type="checkbox"/>
Limpiar el prefiltro de espuma del purificador de aire	<input type="checkbox"/>

### SERVICIO DE 50 HORAS

Acción	Fecha, Lectura De Medidor, Sello, Firma
Realizar el mantenimiento después de 25 horas	<input type="checkbox"/>
Limpiar/reemplazar el cartucho de filtro de papel del purificador de aire (intervalos más cortos para condiciones de funcionamiento con mucho polvo)	<input type="checkbox"/>
Cambiar el aceite del motor	<input type="checkbox"/>
Lubricar de acuerdo con la tabla de lubricación	<input type="checkbox"/>

## REGISTRO DE SERVICIO

### SERVICIO DE 100 HORAS

Acción	Fecha, Lectura De Medidor, Sello, Firma
Realizar el mantenimiento después de 25 horas	<input type="checkbox"/>
Realizar el mantenimiento después de 50 horas	<input type="checkbox"/>
Change the engine oil filter	<input type="checkbox"/>
Clean/replace the spark plugs	<input type="checkbox"/>
Reemplazar el filtro de combustible	<input type="checkbox"/>
Revisar las correas en V	<input type="checkbox"/>
Comprobar/apretar los pernos de los ejes de las ruedecillas (cada 200 horas)	<input type="checkbox"/>
Cambiar el cartucho de papel del filtro de aire	<input type="checkbox"/>

### SERVICIO DE 300 HORAS

Acción	Fecha, Lectura De Medidor, Sello, Firma
Realizar el mantenimiento después de 25 horas	<input type="checkbox"/>
Realizar el mantenimiento después de 50 horas	<input type="checkbox"/>
Realizar el mantenimiento después de 100 horas	<input type="checkbox"/>
Revisar/ajustar el equipo de corte	<input type="checkbox"/>
Limpiar la cámara de combustión y rectificar los asientos de las válvulas	<input type="checkbox"/>
Comprobar el reglaje de la válvula del motor	<input type="checkbox"/>
Reemplazar el prefiltro de espuma del purificador de aire	<input type="checkbox"/>

### AL MENOS UNA VEZ AL AÑO

Acción	Fecha, Lectura De Medidor, Sello, Firma
Limpiar la toma de aire de refrigeración del motor (25 horas)	<input type="checkbox"/>
Reemplazar el prefiltro de espuma del purificador de aire (300 horas)	<input type="checkbox"/>
Reemplazar el cartucho de papel del filtro de aire	<input type="checkbox"/>
Cambiar el aceite del motor (50 horas)	<input type="checkbox"/>
Reemplazar el filtro de aceite del motor (100 horas)	<input type="checkbox"/>
Comprobar/ajustar la altura de corte	<input type="checkbox"/>
Comprobar/ajustar el freno de estacionamiento (50 horas)	<input type="checkbox"/>
Limpiar/cambiar las bujías (100 horas)	<input type="checkbox"/>
Cambiar el filtro de combustible (100 horas)	<input type="checkbox"/>
Comprobar el reglaje de la válvula del motor	<input type="checkbox"/>



[www.husqvarna.com](http://www.husqvarna.com)

115 84 92-27 Rev A  
2016-06-30