

POULAN PRO®

ENGLISH



Please do not return product to retailer.
Por favor, no devuelva el producto al lugar de compra.
Veuillez ne pas retourner le produit au détaillant.

1-855-378-6903

Register your product online at:
Registre su producto en línea en:
Enregistrez votre produit en ligne à l'adresse :
www.poulanpro.com

Instruction Manual Manual de Instrucciones Manuel d'Instructions



Intertek
3091488

40V 20" Snow Thrower PPB40SB



WARNING:

Read and follow all Safety Rules and Operating Instructions before using this product. Failure to do so can result in serious injury.

ADVERTENCIA:

Lea el manual de instrucciones y siga todas las advertencias e instrucciones de seguridad. El no hacerlo puede resultar en lesiones graves.

AVERTISSEMENT:

Lire le manuel d'instructions et bien respecter tous les avertissements et toutes les instructions de sécurité. Tout défaut de le faire pourrait entraîner des blessures graves.

Poulan PRO
9335 Harris Corners Parkway
Charlotte, NC 28269

Poulan PRO
850 Matheson Blvd. West
Mississauga, Ontario L5V 0B4

Rev. 01 10/10/16











ESPAÑOL

FRANÇAIS

TABLE OF CONTENTS




CONTENTS.....	2
IDENTIFICATION OF SAFETY SYMBOLS.....	3
SPECIFICATIONS.....	4
SAFETY RULES.....	5
ASSEMBLY.....	8
OPERATION.....	11
MAINTENANCE.....	14
TROUBLESHOOTING.....	16
LIMITED WARRANTY.....	17
EXPLODED VIEW / PARTS LIST.....	18

IDENTIFICATION OF SAFETY SYMBOLS

Symbol	Name	Designation/Explanation
V	Volts	Voltage
A	Amperes	Current
HZ	Hertz	Frequency (cycles per second)
Wh	Watt Hour	Energy Storage Capacity
Ah	Amp Hour	Current Capacity
DC	Direct Current	Type of current
	Direct Current	Type or a characteristic of current
RPM	Rotating Speed	Revolutions per minute
/min	Per Minute	Revolutions, strokes, surface speed, orbits etc., per minute
	Safety Alert Symbol	Indicates a potential personal injury hazard.
	Read Operator's Manual	To reduce the risk of injury user must read and understand operator's manual before using this product.
	Eye Protection	Always wear safety glasses with side shields that are marked to comply with ANSI Z87.1.
	Stop the Machine	Stop the motor and remove the battery before leaving the machine.
	Ricochet	Thrown objects can ricochet and result in personal injury or property damage.
	Safety Alert	Danger – Keep hands and feet away from openings while the machine is running. Do not use hands to unclog chute. Stop motor and remove the battery before removing debris.
	Discharge Area	Keep hands, feet away from the discharge area.
	Safe Distance	Keep bystanders a safe distance from the machine.
	Moving Parts	Stay away from moving parts. Keep all guards and shields in place.

IDENTIFICATION OF SAFETY SYMBOLS

The following signal words and meanings are intended to explain the levels of risk associated with this product.

SYMBOL	SIGNAL	MEANING
	DANGER	Indicates an imminently hazardous situation, which, if not avoided, will result in death or serious injury.
	WARNING	Indicates a potentially hazardous situation, which, if not avoided, could result in death or serious injury.
	CAUTION	Indicates a potentially hazardous situation, which, if not avoided, may result in minor or moderate injury.
	CAUTION	(Without Safety Alert Symbol) Indicates a situation that may result in property damage.

SPECIFICATIONS

Motor:	40V Brushless Motor
Battery Type:	40V Lithium-ion
No-Load Speed:	1,900 RPM
Clearing Width:	20" (50.8 cm)
Clearing Depth	10" (25.4 cm)
Wheels:	7" (17.78 cm)
Weight (without battery):	33 lb (15 kg)

SAFETY RULES

FOLLOW THESE RULES WHILE OPERATING THE SNOW THROWER.

⚠ IMPORTANT: Read and understand all instructions. Failure to follow all instructions listed below may result in electric shock, fire, and/or serious personal injury.

- Walk. Do not run.
- Verify that the snow thrower is not in contact with anything before turning it on.
- Stay away from the discharge chute and impeller openings at all times. Keep face, hands, and feet away from concealed, moving, or rotating parts.
- Be attentive when using the snow thrower, and stay alert for holes in the terrain and other hidden hazards or traffic.
- Do not use the snow thrower on a gravel or crushed rock surface. Use extreme caution when crossing gravel/crushed rock drives, walks, or roads.
- Move up and down slopes when clearing snow. Do not go across a slope. Use caution when changing direction. Do not use this Snow Thrower to clear snow from steep slopes.
- Do not attempt to use the snow thrower on a roof or on any steeply inclined slippery surface.
- Do not operate the snow thrower if the guards, plates, and other safety protective devices are not in place.
- Do not operate the snow thrower near glass enclosures, automobiles, trucks, window wells, drop-offs, etc. without properly adjusting the angle of the snow discharge. Keep children and pets away from the work area.
- Do not force or overload the snow thrower. The snow thrower will perform better and safer when it is used at the rate that it was designed to work at.
- Do not operate the snow thrower at high speeds on slippery surfaces. Look behind when backing up and exercise caution.
- Do not direct the discharge toward anyone. Do not allow anyone to move in front of the snow thrower while it is in use.
- Wear safety glasses or goggles that meet ANSI Z87.1 standards.
- Use the snow thrower in daylight or in good artificial light. If using at night, turn on the LED lights and be aware of your surroundings.
- To avoid accidental start-ups, remain in the starting position when turning the snow thrower on. The operator and the Snow Thrower must be in a stable position during start-up. See the section titled Starting/Stopping Instructions.
- Use this snow thrower only for the purposes it was designed.
- Do not overreach. Always keep proper footing and balance.
- Hold the snow thrower with both hands while it is in use. Keep a firm grip on the handles.
- If the impeller does not rotate freely due to ice, thaw the snow thrower thoroughly before attempting to use it.
- Keep the impeller clear of debris.
- Do not attempt to clear the impeller while the motor is running.
- Keep clothing and body parts away from the impeller.
- Stop the motor when stopped or when moving from one location to another.
- Remove the battery pack when it is being transported and when it is not in use.
- After striking a foreign object, turn the snow thrower off and remove the battery pack, and then inspect it for damage. Repair any damage before restarting and using the snow thrower.
- If the snow thrower starts to vibrate abnormally, stop the snow thrower immediately and attempt to determine the cause. Vibration is generally an indication of danger.
- Stop the motor and remove the battery pack whenever the operator is not in the operating position, before unclogging the impeller, and before making any repairs, adjustments, or inspections.
- Do not discharge snow onto public roads or near moving traffic.
- Allow the snow thrower to run for a few minutes after clearing snow in order to prevent moving parts from freezing.
- Only use identical replacement parts and accessories for this snow thrower. The use of nonidentical parts or accessories could lead to serious injury to the user or damage the snow thrower, and will void the warranty.


SAFETY RULES

- Do not pick up the snow thrower while it is running. The snow thrower is designed to travel along the ground.
- Dress Properly – Do not wear loose clothing or jewelry. They can be caught in moving parts.
- Wear rubber boots when operating the snow thrower.
- Operation of the snow thrower in the hand-held position is unsafe, except in accordance with the special instructions for such use provided in the operator's manual.
- Store Idle Snow Throwers Indoors – When not in use, snow throwers should be stored indoors in dry, locked-up place – out of reach of children.

GENERAL SAFETY RULES

- Verify that the snow thrower is secure while transporting.
- Store the snow thrower in a dry place that will prevent unauthorized use or damage. Keep out of the reach of children.
- Keep handles dry, clean, and free of debris. Clean the snow thrower after each use. Refer to the Maintenance Section in this manual for more information.
- If the labels on the snow thrower become defaced or start to lift off, contact the toll-free helpline, at 1-855-378-6903.
- Keep these instructions in a safe place for future reference. Refer to them often, and use them to instruct other users. Anyone who uses this snow thrower must read these instructions carefully.
- Maintain the snow thrower with care. Follow the instructions for lubricating and changing accessories.

BATTERY & CHARGER

 **CAUTION:** Use only Poulan PRO approved replacement batteries, other batteries may cause injury or damage to the snow thrower. Use only with Poulan PRO 40V batteries (model#: PPB404AH) and Poulan PRO 40V Charger (model#: PPB40CGR).

BATTERY & CHARGER

- Battery tools do not have to be plugged into an electrical outlet; therefore, they are always in operating condition. Be aware of possible hazards when not using your battery tool or when changing accessories. Following this rule will reduce the risk of electric shock, fire, or serious personal injury.
- Do not place battery tools or their batteries near fire or heat. This will reduce the risk of explosion and possibly injury.
- Do not crush, drop or damage battery pack. Do not use a battery pack or charger that has been dropped or received a sharp blow. A damaged battery is subject to explosion. Properly dispose of a dropped or damaged battery immediately.
- Batteries can explode in the presence of a source of ignition, such as a pilot light. To reduce the risk of serious personal injury, never use any cordless product in the presence of open flame. An exploded battery can propel debris and chemicals. If exposed, flush with water immediately.
- Do not charge battery tool in a damp or wet location. Following this rule will reduce the risk of electric shock.
- For best results, your battery tool should be charged in a location where the temperature is more than 45°F but less than 104°F. To reduce the risk of serious personal injury, do not store outside or in vehicles.
- Under extreme usage or temperature conditions, battery leakage may occur. If liquid comes in contact with your skin, wash immediately with soap and water. If liquid gets into your eyes, flush them with clean water for at least 10 minutes, then seek immediate medical attention. Following this rule will reduce the risk of serious personal injury.
- When battery pack is not in use, keep it away from other metal objects like: paper clips, coins, nails, screws, or other small metal objects that can make a connection from one terminal to another. Shorting the battery terminals together may cause sparks, burns, or a fire.
- Always remove battery pack from your tool when you are assembling parts, making adjustments, cleaning, or when not in use. Removing battery pack will prevent accidental starting that could cause serious personal injury.
- Always remove battery pack before storing the device. When battery becomes fully charged, unplug the charger from the power supply and remove the battery pack from the charger.

SAFETY RULES

- Always wear eye protection with side shields marked to comply with ANSI Z87.1. Failure to do so could result in objects being thrown into your eyes and other possible serious injuries.
- Keep battery pack dry, clean, and free from oil and grease. Always use a clean cloth when cleaning. Never use brake fluids, gasoline, petroleum-based products, or any solvents to clean battery pack.

PROPER CARE FOR BATTERY

Off-season storage

To obtain the longest possible battery life, we suggest the following:

- Remove the battery pack from the charger once it is fully charged and ready for use.

For battery pack storage longer than 30 days:

- Store the battery pack where the temperature is below 80°F and away from moisture.
- Store battery packs in a 30%-50% charged condition.
- Every six months of storage, charge the pack as normal.

CHARGER SAFETY RULES

- DO NOT ABUSE THE CHARGE CORD. Never carry the charger by the cord.
- Do not use a damaged charger. Replace the charger cords or the charger immediately.
- Keep the charger away from water, heat sources (radiators, heaters, stoves, etc.), flames, and chemicals.
- Make sure the battery pack is secured in the charger before beginning operation.
- The battery pack will become slightly warm to the touch while charging. This is normal and does not indicate a problem.
- Do not place the charger and battery pack in an area of extreme heat or cold. They will work best at normal room temperature.
- When batteries become fully charged, unplug the charger from the power supply and remove the battery pack.



WARNING: (PROPOSITION 65)

Some dust created by power sanding, sawing, grinding, drilling, and other construction activities contains chemicals known to cause cancer, birth defects or other reproductive harm. Some examples of these chemicals are:

- Lead from lead-based paints;
- Crystalline silica from bricks and cement and other masonry products, and
- Arsenic and chromium from chemically treated lumber.

Your risk of exposure to these chemicals varies depending on how often you do this type of work. To reduce your exposure to these chemicals, work in a well-ventilated area, and work with approved safety equipment, such as dust masks that are specially designed to filter out microscopic particles.

SAVE ALL WARNINGS AND INSTRUCTIONS FOR FUTURE REFERENCE

ASSEMBLY

UNPACKING

- Carefully remove the product and any accessories from the box. Make sure that all items listed in the packing list are included.
- Inspect the product carefully to make sure no breakage or damage occurred during shipping.
- Do not discard the packing material until you have carefully inspected and satisfactorily operated the product.
- If any parts are damaged or missing, please call 1-855-378-6903 for assistance.

PACKING LIST

- Snow Thrower
- Upper Chute Control Rod
- Lower Chute Control Rod
- Middle Handle Assembly
- Chute Deflector
- Cam Locks (2)
- Bolts (2)
- Handle Knobs (4)
- Hitch Pin (1)
- 40V 4Ah Battery (PPB404AH)
- 40V Charger (PPB40CGR)
- Owner's Manual

WARNING: If any parts are damaged or missing, do not operate this product until the parts are replaced. Failure to heed this warning could result in serious personal injury.

WARNING: Do not install the battery until assembly is complete. Failure to comply could result in accidental starting and possible serious personal injury.

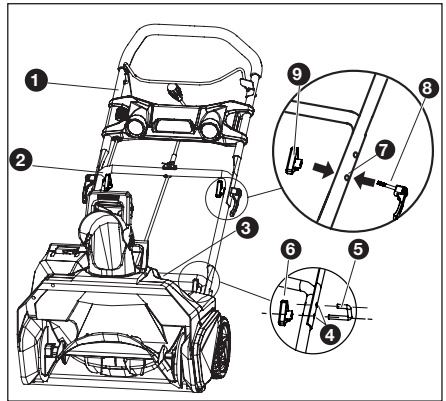
WARNING: Do not attempt to modify this product or create accessories not recommended for use with this product. Any such alteration or modification is misuse, and could result in a hazardous condition leading to possible serious personal injury.

ASSEMBLING THE HANDLE

Align the holes (4) on the middle handle (2) and the lower handle (3). Insert the bolts (5), and use the handle knobs (6) to tighten them.

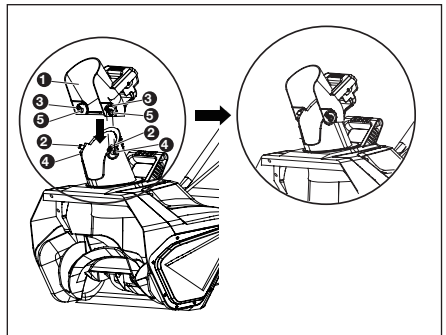
- Align the hole (7) on the middle handle (2) and the upper handle (1). Insert the cam locks (8) and tighten them with the handle knobs (9) provided. Once tightened, close the cam locks to secure them in place.

NOTE: If the upper handle is loose or separated from the middle handle, tighten the cam lock handle knobs by turning them clockwise. Do not overtighten the handle knobs.



ASSEMBLING THE DISCHARGE CHUTE

Push the chute deflector (1) until the latching tabs (2) on either side click into the slots (3) and the posts (4) on either side click into the keyed holes (5).

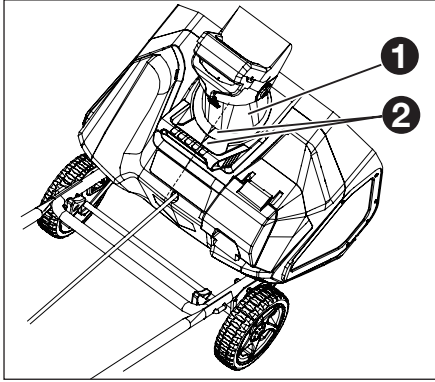


ASSEMBLY

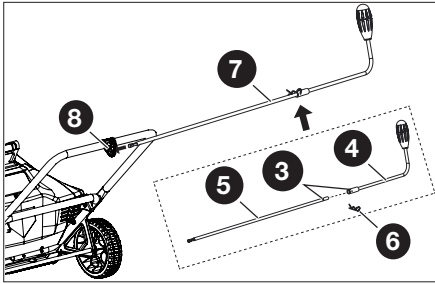
CHUTE CONTROL INSTALLATION

- Position the discharge chute (1) so that it faces forward.

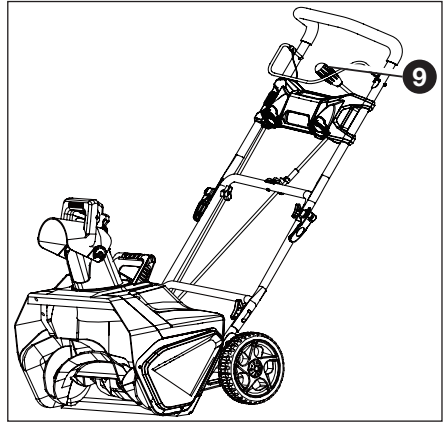
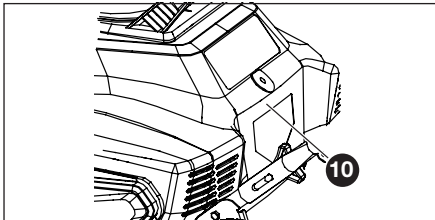
NOTE: Align the arrow (2) on the discharge chute with the arrow on the housing.



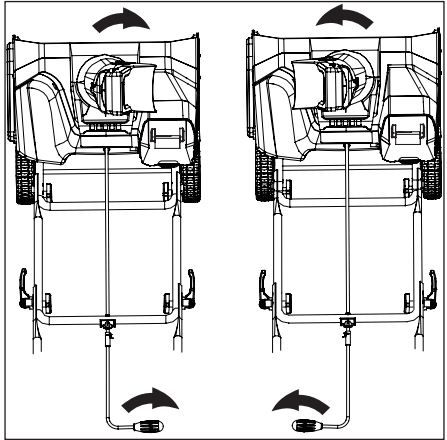
1. Align the holes (3) on the upper chute control rod (4) with the holes on the lower chute control rod (5). Insert the hitch pin (6). Insert the end of the chute control rod (7) through the keyed hole (8) in the bracket that is attached to the top of the middle handle.



- Ensure that the handle (9) of the chute control rod points upward, and insert the rod into the keyed hole (10) in the back of the housing.



- Firmly push the rod into the keyed hole in the back of the housing until it snaps into place.
- Rotate the handle on the chute control rod to ensure that it moves in the same direction as the chute.



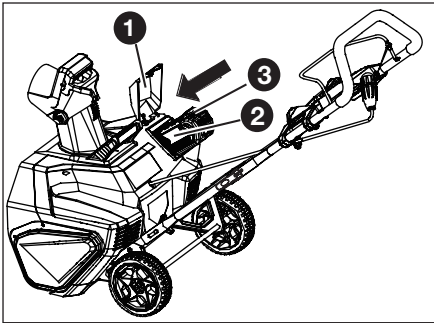
ASSEMBLY

BATTERY INSTALLATION

1. Open the battery compartment cover (1).
2. Slide the battery (2) down to lock it into position. The battery is fully inserted into the snow thrower when you hear an audible “click”.
3. Close the battery compartment cover (1).

BATTERY REMOVAL

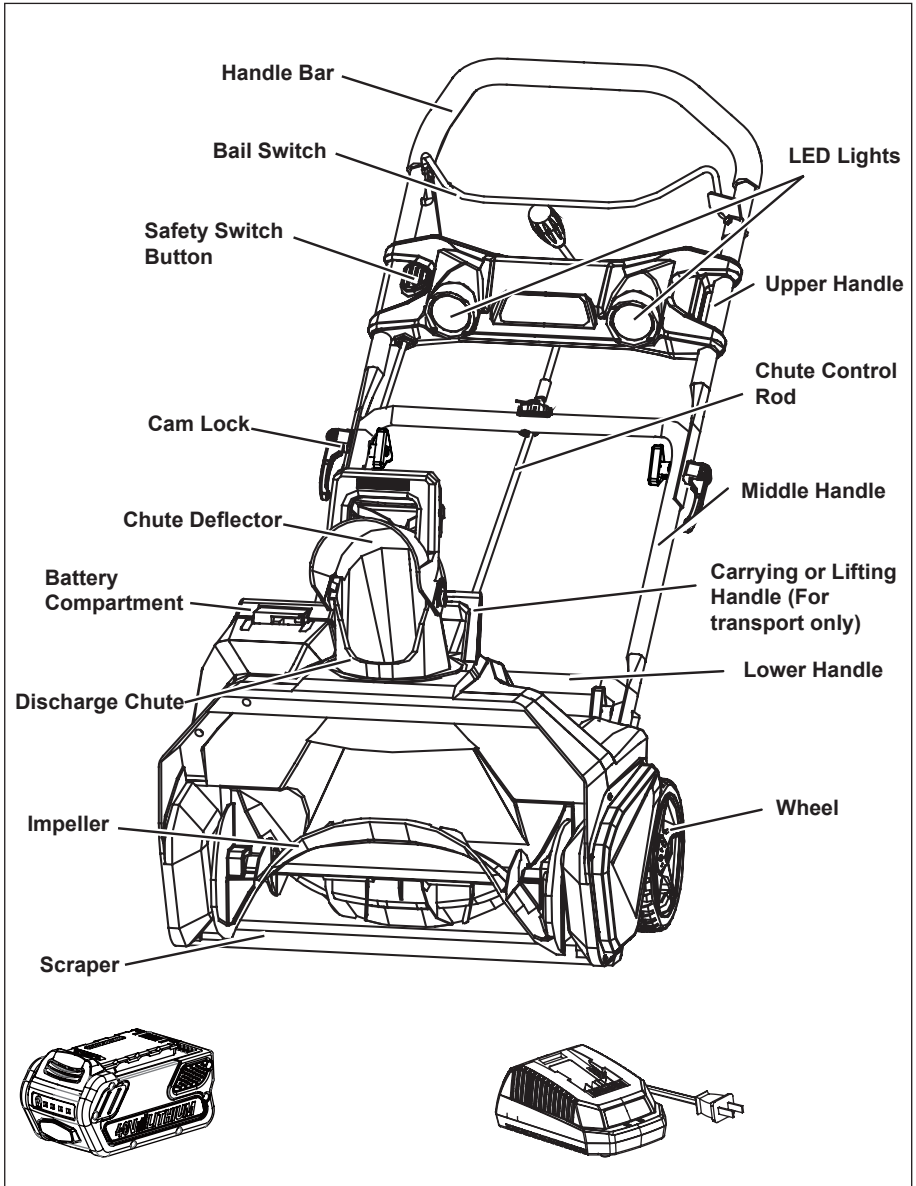
1. Release your grip on the ON/OFF switch bar lever to stop the snow thrower.
2. Press and hold the battery latch button (3) at the bottom of the battery pack.
3. Remove battery pack from the snow thrower.



OPERATION

KNOW YOUR SNOW THROWER

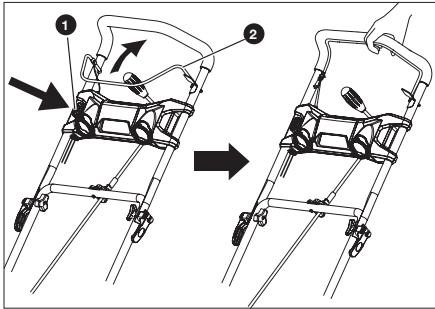
Read this operator's manual and safety rules before operating your snow thrower. Compare the illustration to your snow thrower in order to familiarize yourself with the location of various controls and adjustments. Save this manual for future reference.



OPERATION

POWERING ON AND OFF

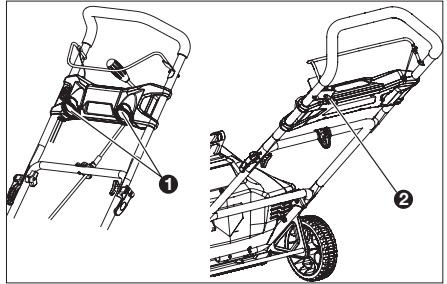
- To power on, first press the safety switch button (1).
- While pressing the safety switch button with one hand, use your other hand to simultaneously pull the bail switch (2) toward you. Once the machine powers on, release the safety switch button and proceed with operation. The snow thrower can only be started by pressing the safety switch button first, followed by squeezing the bail switch; reverse operation will not start the machine.
- To power off, release your grip on the bail switch.



UTILIZING THE LED LIGHTS

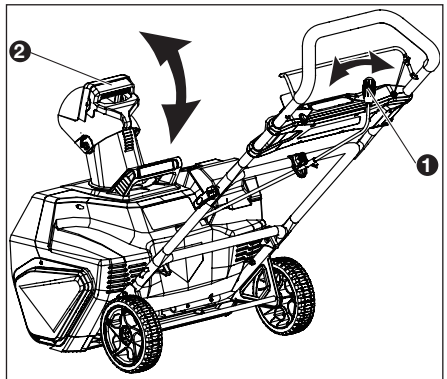
To utilize the LED lights (1) for night time snow removal, activate the LED light switch (2).

NOTE: After you have finished using your snow thrower, remember to turn off the light switch.



ADJUSTING THE DISCHARGE CHUTE AND CHUTE DEFLECTOR

- To adjust the discharge chute, rotate the handle (1) on the chute control rod in the direction that you wish to direct the snow stream.
- To adjust the chute deflector (and therefore the height of the snow stream), squeeze the trigger (2) and raise or lower the chute deflector.



CAUTION: Do not attempt to override the operation of the safety switch button or bar lever.

WARNING: The operation of any snow thrower can result in foreign objects being thrown into the eyes, which can cause severe eye damage. Always wear safety glasses while operating the snow thrower and while performing any adjustments or repairs.

WARNING: Keep bystanders a safe distance from the machine.

INSPECT THE CLEARING AREA. Remove all stones, sticks, wire, bones, and other debris that might be thrown by the rotating impeller.

OPERATION

OPERATING TIPS

⚠ WARNING: If the Snow Thrower hits a foreign object while it is in use, the object could be thrown in the direction of the operator or a bystander. Thrown objects could cause serious personal injury. Keep the area to be cleared free of all foreign objects that may be picked up and thrown by the impeller.

- Keep the area of operation free of foreign objects that can become thrown by the impeller. Perform a thorough inspection of the area since some objects may be hidden from view by surrounding snow. If the snow thrower hits an obstruction or picks up a foreign object during use, stop the snow thrower, remove the battery, remove the obstruction, and inspect the unit for damage. Repair or replace any damaged part before restarting and operating the unit.
- Keep children, pets, and bystanders away from the area of operation. Be aware that the normal noise of the machine when turned on may make it difficult for you to hear approaching people.
- When moving the snow thrower, use the wheels on one side as the pivot point. Slightly tilt the snow thrower on this pivot point to move it forward or backward.
- Start your clearing path outward, throwing snow in a back and forth motion. To clear in the opposite direction, pivot the snow thrower on its wheels. Make sure to overlap clearing paths.
- Note the wind direction. If possible, move in the same direction as the wind so that the snow is not thrown against the wind (and thus back onto you and on the just cleared path).
- Do not push the snow thrower with excessive force. You should push the machine gently and at a consistent speed in accordance with the unit's throw rate.
- Some parts of the snow thrower may freeze under extreme temperature conditions. Do not attempt to operate the snow thrower with frozen parts. If the parts freeze while the snow thrower is in use, stop the snow thrower, remove the battery, and inspect for frozen parts. Free

all parts before restarting or operating the snow thrower. Never force controls that have frozen.

- When working on pebbles, gravel, or unpaved surfaces, avoid throwing loose surface material along with the snow by pushing down on the handle to raise the scraper at the base of the unit above the pebbles or gravel.
- Cold Weather Operation: Lithium Ion batteries can be safely used from temperatures ranging from -20 degrees to 45 degrees Celsius. NOTE: Do not store or charge battery outside. Battery must be charged and stored indoors prior to use of the snow thrower.
- If the snow thrower does not start initially remove battery from snow thrower. Place battery on charger and allow to charge for 10 minutes. Remove from charger and install in snow thrower for use. The start-up issue may be caused from the battery being too cold. To avoid this issue, ensure battery is stored in a dry cool place for storage and charging and leave indoors until ready for use.

MAINTENANCE

SERVICING

Servicing should be performed by a qualified technician. Replacement parts for this Snow Thrower must be identical to the parts that they replace. If repairs are necessary, contact the Toll-Free Helpline, at 1-855-378-6903.

NOTE: Identify the left and right sides of the Snow Thrower when standing in the normal operating position.

⚠ WARNING: If the battery pack is installed into the snow thrower, the snow thrower could start accidentally while the operator is performing maintenance on it, which could cause serious personal injury. Remove the battery pack before performing any maintenance.

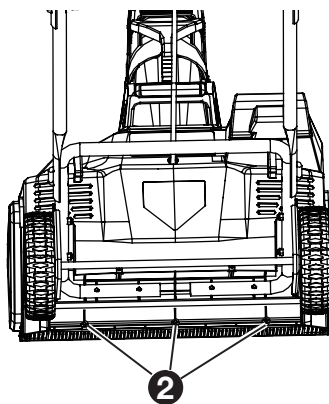
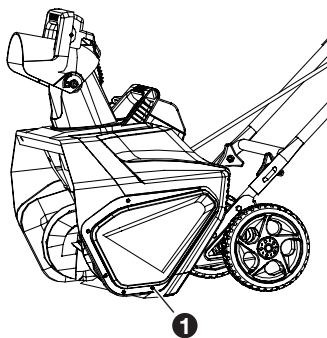
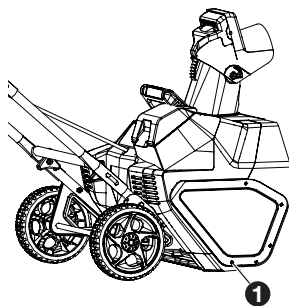
STORAGE

- Run the snow thrower for a few minutes in order to melt any snow that may be left on the snow thrower.
- Wipe the snow thrower off with a dry cloth before storage. This will help prevent ice building up on the unit and parts freezing.
- Remove the battery and store it in a cool and dry location, if possible. Charge the battery every six months when not in use in order to increase its life.
- Inspect the snow thrower thoroughly for worn, loose, or damaged parts. If any parts must be repaired or replaced, contact the Toll-Free Helpline, at 1-855-378-6903.
- Store the snow thrower in a clean, dry place. Cover it in order to provide added protection.
- Always store battery and charger indoors.

SCRAPER REPLACEMENT

The scraper is located at the bottom of the impeller housing.

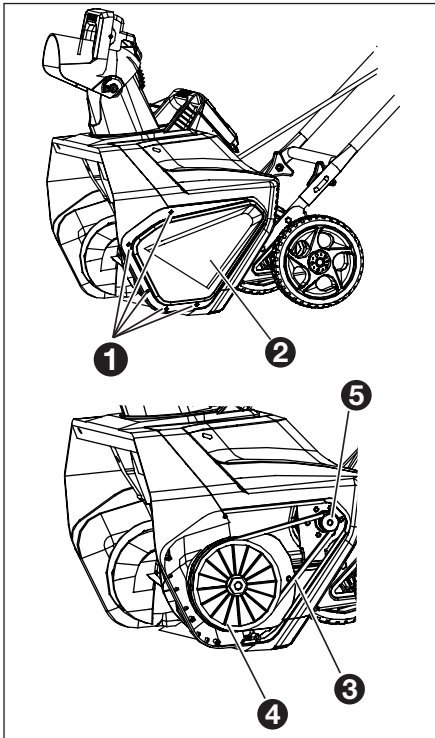
- Ensure that the battery is not installed in the tool.
- Remove the screw (1) from each side plate that holds the scraper and 3 screws (2) from under the machine that secure the scraper to the machine.
- Remove and discard the old scraper.
- Install the new scraper, and fasten it securely with the 5 screws that you previously removed.



MAINTENANCE

DRIVE BELT REPLACEMENT

- Ensure that the battery is not installed in the tool.
- Remove the 5 screws (1) that secure the left side plate (2) to the frame of the snow thrower. Remove the side cover.
- Remove the old belt (3) from the small pulley (5) and large pulley (4).
- Loop one end of the new belt over the small pulley.
- Rotate the impeller with the left hand while positioning the belt on the large pulley with the right hand.
- Install the left side cover, and secure it using the 5 screws that you previously removed.



TROUBLESHOOTING TABLE

PROBLEM	POSSIBLE CAUSE	SOLUTION
The handle is not in position.	The bolts are not properly seated.	Make sure the bolts are correctly installed through the handle bars. Check to see if the hand knobs are tight. Refer to Assembling the Handle section in this manual.
The snow thrower doesn't start.	The battery is not charged.	Charge the battery by following the procedures in the battery and charger manual.
	The switch is defective.	Have the switch replaced by an authorized service center.
	Battery is too cold.	Remove battery from snow thrower. Place battery on charger and allow to charge for 10 minutes. Remove from charger and install in Snow thrower for use.
	The battery is not attached to the motor.	Check the connection between the motor connector and the battery.
	Battery may require service or replacement.	Call toll free helpline, at 1-855-378-6903 or replace battery.
The motor is on, but the impeller does not turn.	The belt is damaged.	Replace the belt (see the section entitled Inspecting/Replacing the Drive Belt).
The snow thrower leaves a thin layer of snow behind.	The scraper is worn.	Inspect the scraper for wear or damage. Replace the scraper (see the section entitled Replacing the Scraper).

LIMITED WARRANTY

POULAN PRO, a division of Husqvarna Consumer Outdoor Products N.A., Inc., hereby warrants this product, to the original purchaser with proof of purchase, for a period of four (4) years against defects in materials, parts, or workmanship.

POULAN PRO, at its own discretion will repair or replace any and all parts found to be defective, through normal use, free of charge to the customer. This warranty is valid only for units which have been used for personal use that have not been hired or rented for industrial/commercial use, and that have been maintained in accordance with the instructions in the owners manual supplied with the product.

Battery carries a two (2) year warranty against defects in workmanship and materials. Batteries must be charged in accordance with the operator's manuals directions and regulations in order to be valid.

This warranty is not transferable. This warranty does not cover damaged parts from improper handling, commercial use, abuse, neglect, accident, improper maintenance, alteration, or the use of accessories and/or attachments not specifically recommended by **POULAN PRO** for this product. Additionally, this warranty does not cover parts that will wear from normal use, and normal deterioration of the exterior finish due to use or exposure. This warranty does not cover pre-delivery setup, or normal adjustments explained in the instruction manual.

Transportation Charges: Transportation charges for the movement of any power equipment unit or attachment are the responsibility of the purchaser. It is the purchaser's responsibility to pay transportation charges for any part submitted for replacement under this warranty unless such return is requested writing by **POULAN PRO**.

Should you have any unanswered questions concerning this warranty, please contact: **POULAN PRO**, a division of Husqvarna Consumer Outdoor Products N.A., Inc.
9335 Harris Corners Parkway
Charlotte, NC 28269
1-855-378-6903

In Canada, contact:

POULAN PRO

850 Matheson Blvd. West
Mississauga, Ontario L5V 0B4
Giving the model number, serial number and date of purchase of your product and the name and address of the authorized dealer from whom it was purchased.

THIS WARRANTY GIVES YOU SPECIFIC LEGAL RIGHTS, AND YOU MAY HAVE OTHER RIGHTS WHICH VARY FROM STATE TO STATE.

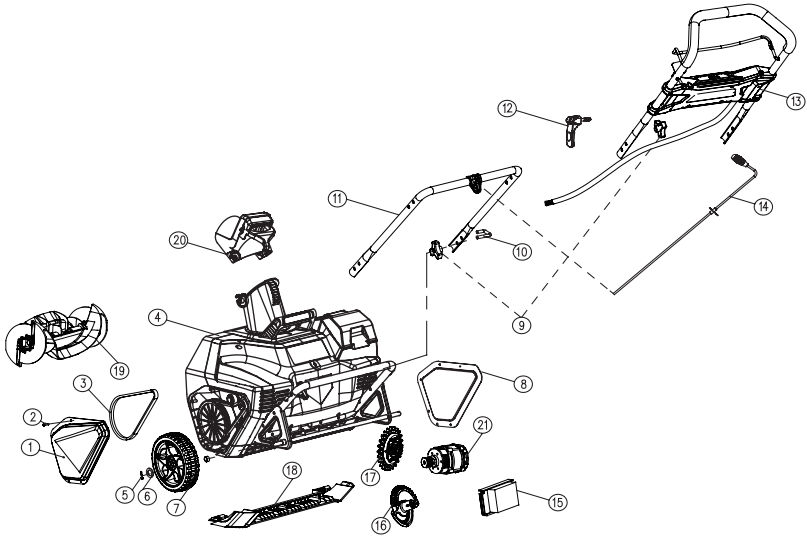
NO CLAIMS FOR CONSEQUENTIAL OR OTHER DAMAGES WILL BE ALLOWED, AND THERE ARE NO OTHER EXPRESS WARRANTIES EXCEPT THOSE EXPRESSLY STIPULATED HERIN.

SOME STATES DO NOT ALLOW LIMITATIONS ON HOW LONG AN IMPLIED WARRANTY LASTS OR THE EXCLUSION OR LIMITATIONS OF INCIDENTAL OR CONSEQUENTIAL DAMAGES, SO THE ABOVE LIMITATIONS OR EXCLUSION MAY NOT APPLY TO YOU.

This limited warranty within the meaning of that term as defined in the Magnuson-Moss Act of 1975.

The policy of **POULAN PRO** is to continuously improve its products. Therefore, **POULAN PRO** reserves the right to change, modify, or discontinue models, designs, specifications, and accessories of all products at any time without notice or obligation to any purchaser.

EXPLODED VIEW / PARTS LIST



ITEM NO.	PART NO.	DESCRIPTION	QTY
1	332041205	Left Side Cover	1
2	32205877	Screw	20
3	329151205	Belt	1
4	311011201AB	Bare Tool Assembly	1
5	3290135	Split Pin	2
6	3220898	Washer	2
7	34103486-7	7" Wheel Assembly	2
8	332051205	Right Side Cover	1
9	3410835-4	Knob	4
10	333041205	U Bolt and Knob Assembly	2
11	311021201AB	Middle Handle Assembly	1
12	311031201AB	Cam Lock Assembly	2
13	311031201	Handle Bar and Control Panel Assembly	1
14	311041208	Chute Control Rod Assembly	1
15	36201630T	PCB Board	1
16	341081205AB	Big Gear	1
17	341071205	Small Gear	1
18	341111205AC	Scraper	1
19	341171205AC	Impeller	1
20	311081201	Chute Deflector Assembly	1
21	361011201A	Motor	1