

GARDENA[®] Robotic Lawn Mower

SILENO: R100Li/R100LiC

SILENO+: R130Li/R130LiC/R160Li/R160LiC

2017

Spare parts

Ersatzteile

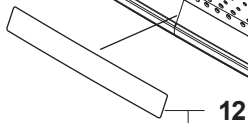
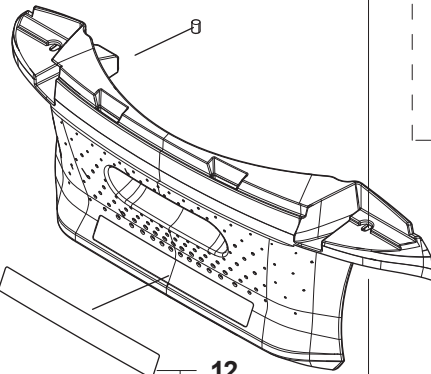
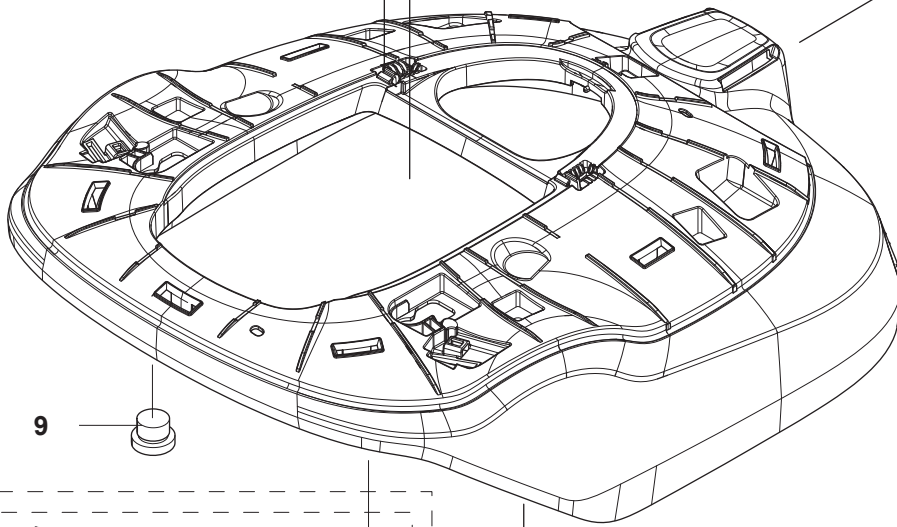
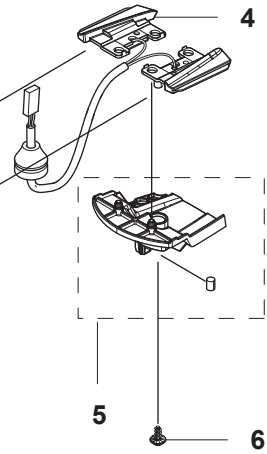
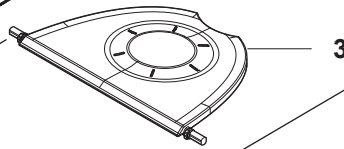
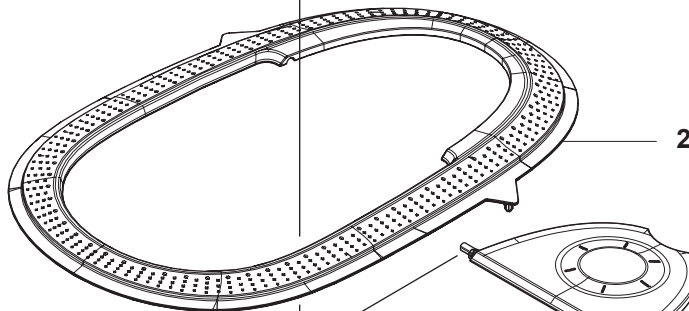
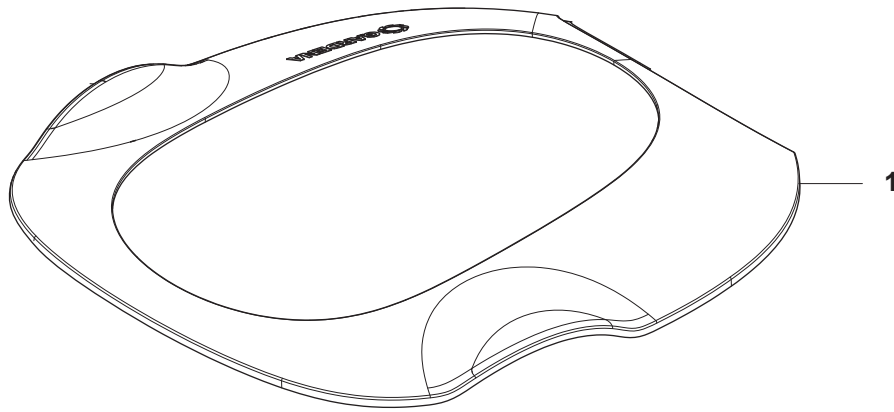
Pièces détachées

Reserve onderdelen

Repuestos

Reservdelar

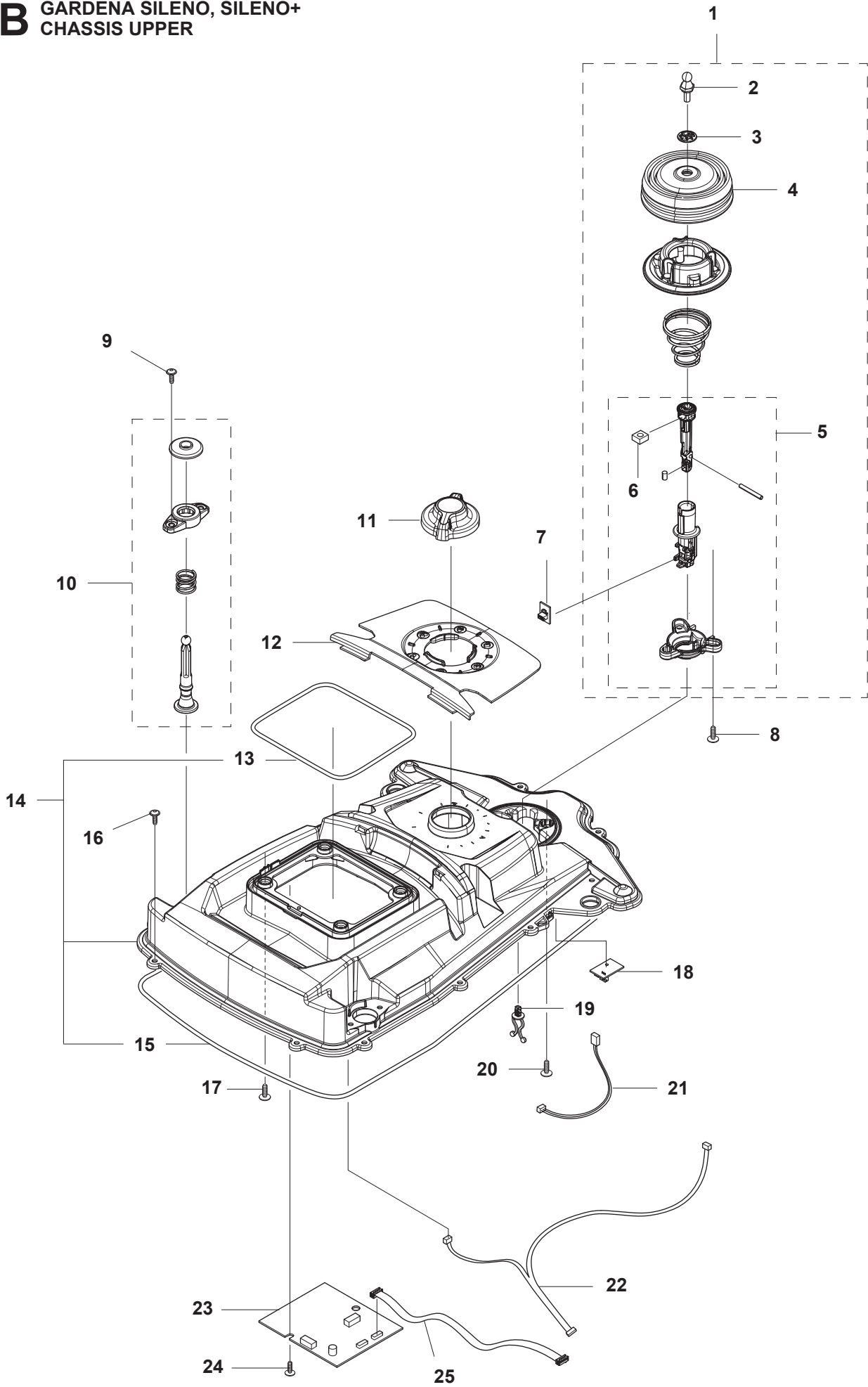
A GARDENA SILENO, SILENO+
COVER



PAGE A GARDENA SILENO, SILENO+ COVER

Position	Article	Quantity	Notes	Kit / Assy
1	587 98 69-01	1	Top Cover Turquoise (R100Li, R100LiC)	
1	587 98 69-02	1	Top Cover Grey (R130Li, R130LiC, R160Li)	
2	587 98 67-01	1	Frame Turquoise (R130Li, R130LiC, R160Li)	
2	587 98 67-02	1	Frame Silver (R100Li, R100LiC)	
3	587 98 66-01	1	Hood Grey (R100Li, R130Li, R160Li)	
3	587 98 66-02	1	Hood Smokey (R100LiC, R130LiC)	
4	585 53 92-02	1	Charging Plate Wiring	
5	501 10 57-01	1	Holder ASSY	
6	574 45 01-01	1	Screw	
7	501 10 56-01	1	Body ASSY	
8	588 47 02-01	1	Spring Hood	7
9	580 52 68-01	3	Cap Snaploc	7
10	501 10 58-01	1	Bumper ASSY	
11	574 45 01-01	2	Screw	
12	586 35 97-01	1	Label Warning	10

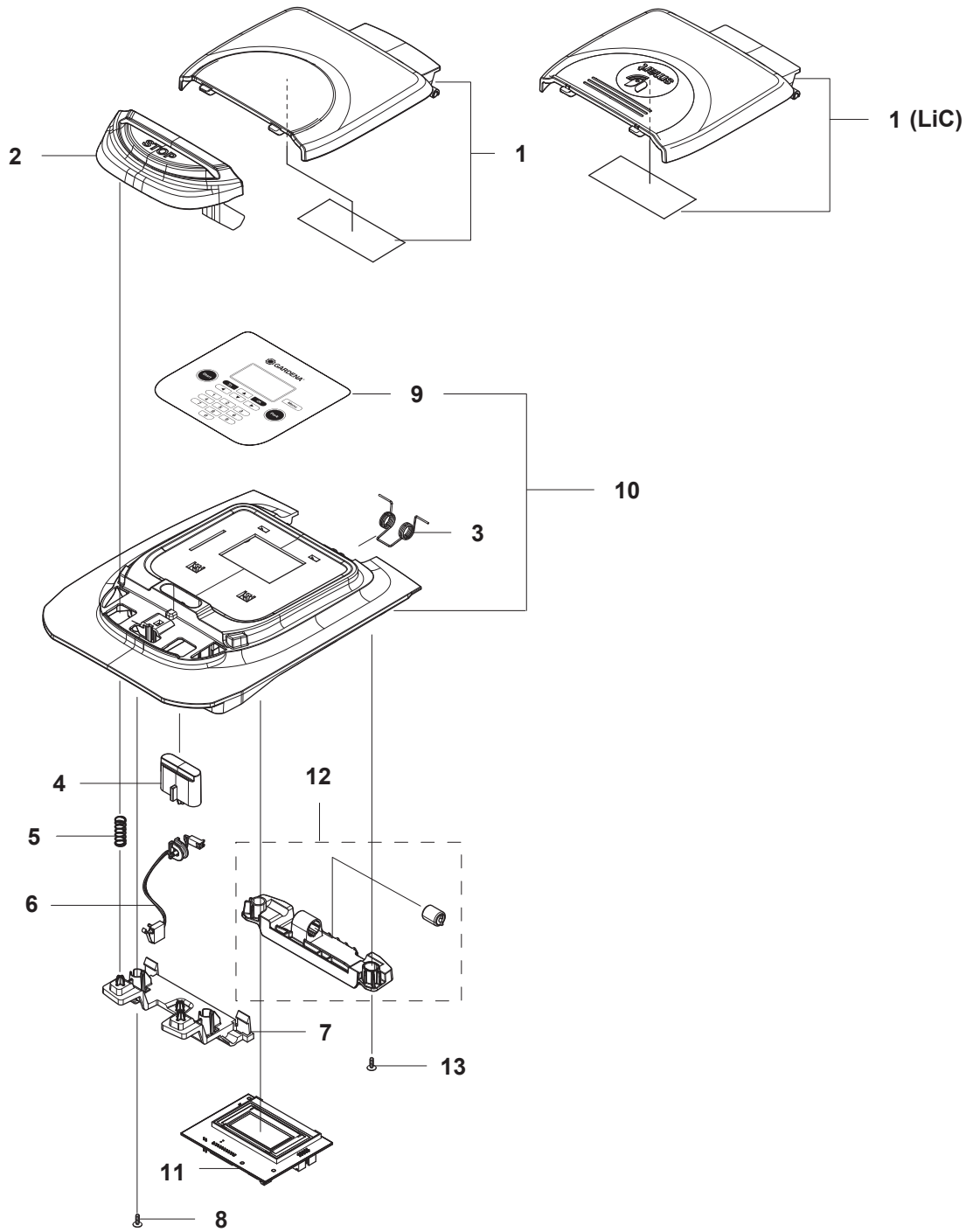
B GARDENA SILENO, SILENO+
CHASSIS UPPER



PAGE B GARDENA SILENO, SILENO+ CHASSIS UPPER

Position	Article	Quantity	Notes	Kit / Assy
1	581 62 09-03	1	Joystick KIT Front	
2	580 52 67-01	1	Stud	1
3	579 52 57-01	1	Washer	1
4	579 47 46-01	1	Bellows	1
5	587 44 88-02	1	Joystick ASSY	1
6	503 22 66-01	1	Square Nut	1,5
7	579 66 90-01	1	PCBA Lift Sensor	
8	575 54 33-14	3	Screw	
9	574 45 01-01	4	Screw	
10	501 10 62-01	2	Joystick KIT Rear	
11	587 98 65-01	1	Knob	
12	587 98 70-01	1	Plate Height Indication	
13	574 87 47-08	1	Sealing Strip (1 pcs, Ø5 mm)	
14	587 44 89-02	1	Chassis KIT	
15	574 87 47-09	1	Sealing Strip (1 pcs, Ø5 mm)	
16	574 45 01-01	12	Screw	
17	574 45 01-01	4	Screw	
18	584 96 90-01	1	PCBA Collision Sensor	
19	580 68 29-01	3	Holder Twist Lock	
20	574 45 01-01	3	Screw	
21	585 20 85-01	1	Lift Cable	
22	588 79 78-01	1	Wiring	
23	588 13 62-03	1	PCBA smart system (R100LiC, R130LiC)	
24	574 45 01-01	2	Screw	
25	579 70 86-01	1	AUX Cable	

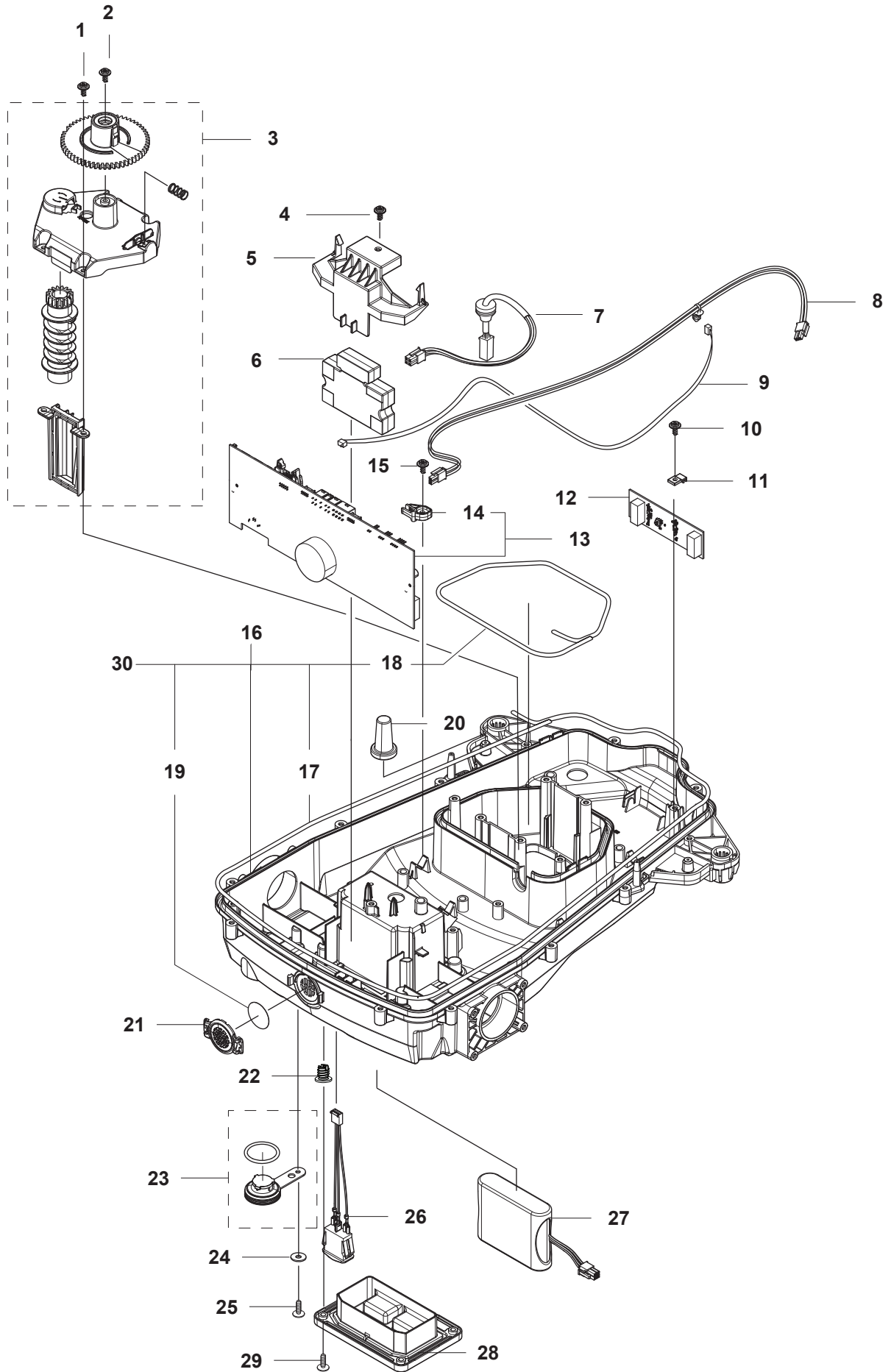
C GARDENA SILENO, SILENO+
CENTER CONSOL



PAGE C GARDENA SILENO, SILENO+ CENTER CONSOL

Position	Article	Quantity	Notes	Kit / Assy
1	501 10 59-01	1	Hatch KIT Grey (R100Li, R130Li, R160Li)	
1	501 16 69-01	1	Hatch KIT smart system (R100LiC, R130LiC)	
2	587 98 72-01	1	Stop Button	
3	585 25 54-01	1	Torsion Spring	
4	587 98 74-01	1	Lock	
5	576 24 22-01	3	Spring	
6	574 48 03-02	1	Switch	
7	585 27 57-01	1	Support Rear	
8	575 54 33-14	2	Screw	
9	588 27 28-01	1	Keyboard	10
10	501 10 60-01	1	Cover ASSY	
11	588 64 17-01	1	PCBA HMI	
12	501 10 61-01	1	Support KIT	
13	575 54 33-14	2	Screw	

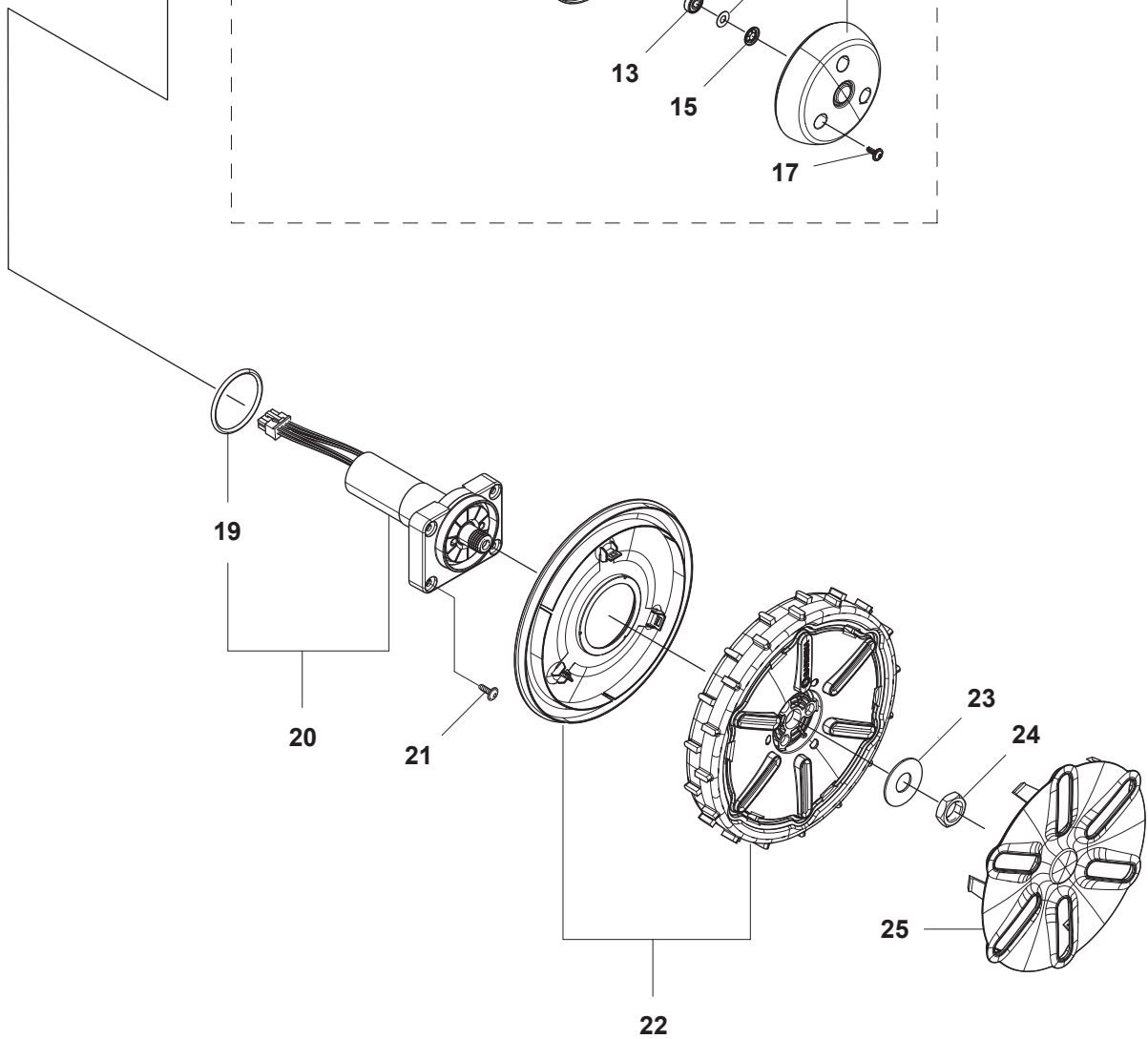
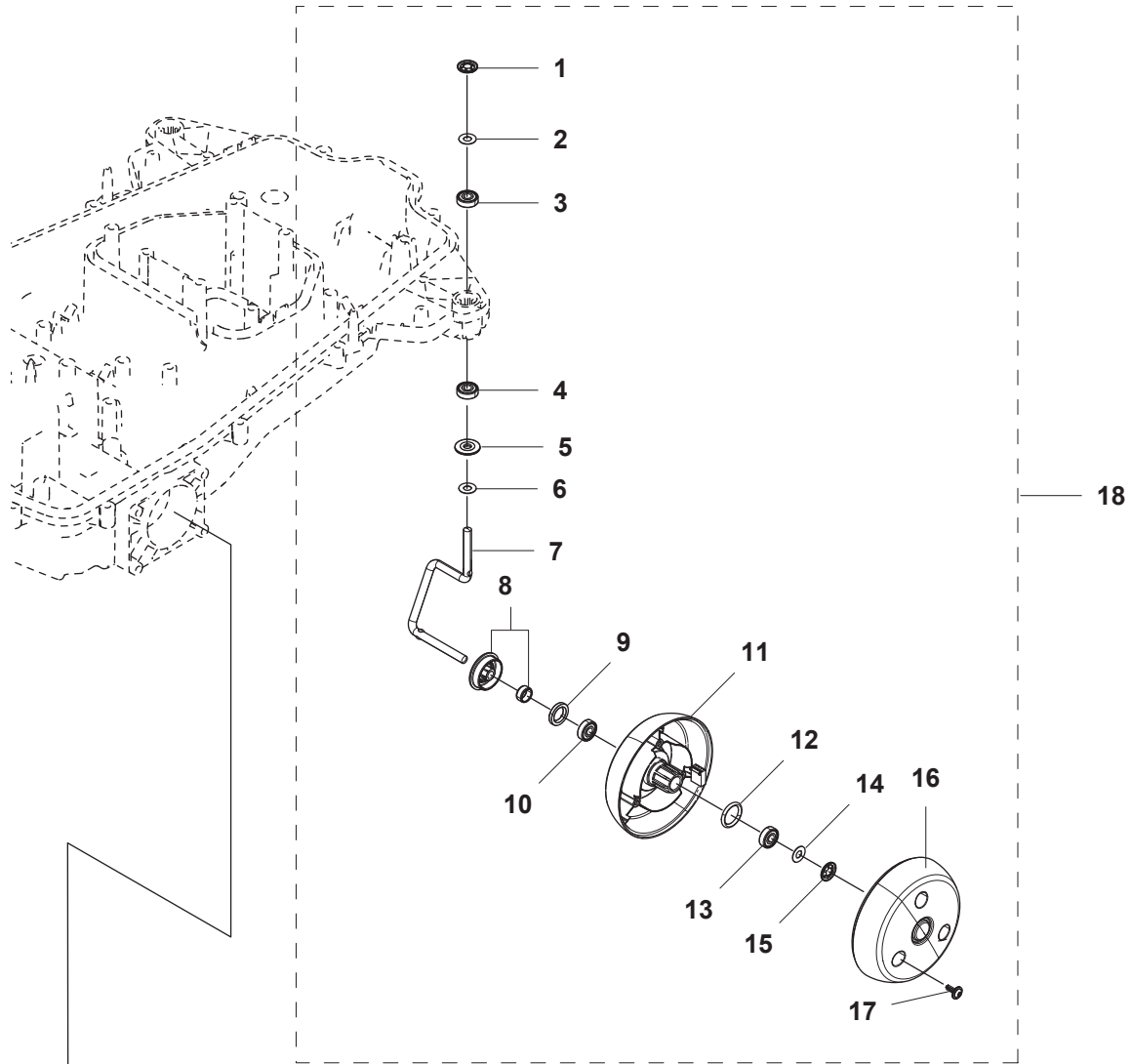
D GARDENA SILENO, SILENO+
CHASSIS LOWER



PAGE D GARDENA SILENO, SILENO+ CHASSIS LOWER

Position	Article	Quantity	Notes	Kit / Assy
1	574 45 01-01	2	Screw	
2	574 45 01-01	1	Screw	
3	501 10 66-01	1	Cover KIT	
4	574 45 01-01	1	Screw	
5	587 80 58-01	1	Holder Weight	
6	587 24 96-01	1	Weight	
7	588 12 49-01	1	Battery Cable	
8	585 53 90-01	1	Charging Cable	
9	579 70 82-01	1	Sensor Cable	
10	574 45 01-01	1	Screw	
11	579 52 94-01	1	Clamp	
12	588 90 30-01	1	Sensor Board	
13	588 77 90-03	1	Main Board	
14	579 52 94-01	2	Clamp	
15	574 45 01-01	2	Screw	
16	501 10 65-01	1	Chassis KIT	
17	574 87 47-09	1	Sealing Strip (1 pcs, Ø5 mm)	
18	574 87 47-08	1	Sealing Strip (1 pcs, Ø5 mm)	
19	577 75 37-01	1	Air Filter 10 pcs	16
20	586 34 26-01	2	Pillar	
21	586 03 89-01	1	Cover Filter	
22	588 71 70-01	4	Metal Insert Battery Hatch 1 pcs	
23	581 62 12-02	1	Plug KIT	
24	734 11 37-41	1	Washer	
25	574 45 01-01	1	Screw	
26	579 70 87-01	1	Switch On-Off	
27	584 85 28-01	1	Battery LI-Ion 18V	
28	587 80 57-01	1	Hatch Battery	
29	588 22 22-01	4	Screw	
30	589 89 97-01	1	Seal KIT incl. Sealing Strip Chassis (1 pcs), Sealing Strip Short (2 pcs), Air Filter (1 pcs)	

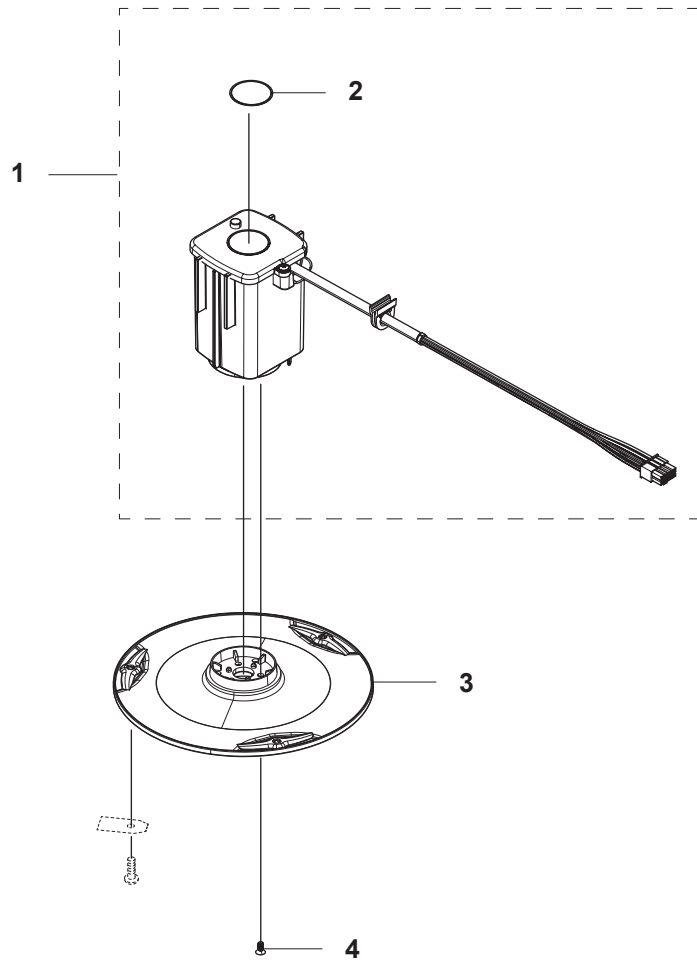
E GARDENA SILENO, SILENO+ WHEELS & TIRES



PAGE E GARDENA SILENO, SILENO+ WHEELS & TIRES

Position	Article	Quantity	Notes	Kit / Assy
1	576 01 94-02	2	Lock Washer	18
2	585 19 68-01	2	Washer	18
3	585 21 42-01	2	Ball Bearing	18
4	585 21 42-01	2	Ball Bearing	18
5	535 08 78-02	2	Washer	18
6	585 19 68-01	2	Washer	18
7	585 18 72-01	2	Spindle	18
8	587 44 93-01	2	Shield KIT	18
9	580 48 71-01	2	Sealing	18
10	585 21 42-01	2	Ball Bearing	18
11	585 18 68-01	2	Wheel Inside	18
12	580 44 51-01	2	O-ring	18
13	585 21 42-01	2	Ball Bearing	18
14	585 19 68-01	2	Washer	18
15	576 01 94-01	2	Lock Washer	18
16	585 18 69-01	2	Wheel Outside	18
17	575 54 33-14	6	Screw	18
18	501 10 64-01	2	Front Wheel KIT	
19	580 44 39-02	2	O-Ring	
20	587 44 94-02	2	Wheel Motor ASSY	
21	574 45 01-01	8	Screw	
22	501 10 63-01	2	Rear Wheel ASSY	
23	586 21 06-01	2	Washer	
24	731 43 24-01	2	Thin Nut	
25	587 80 60-01	2	Hub Cap	

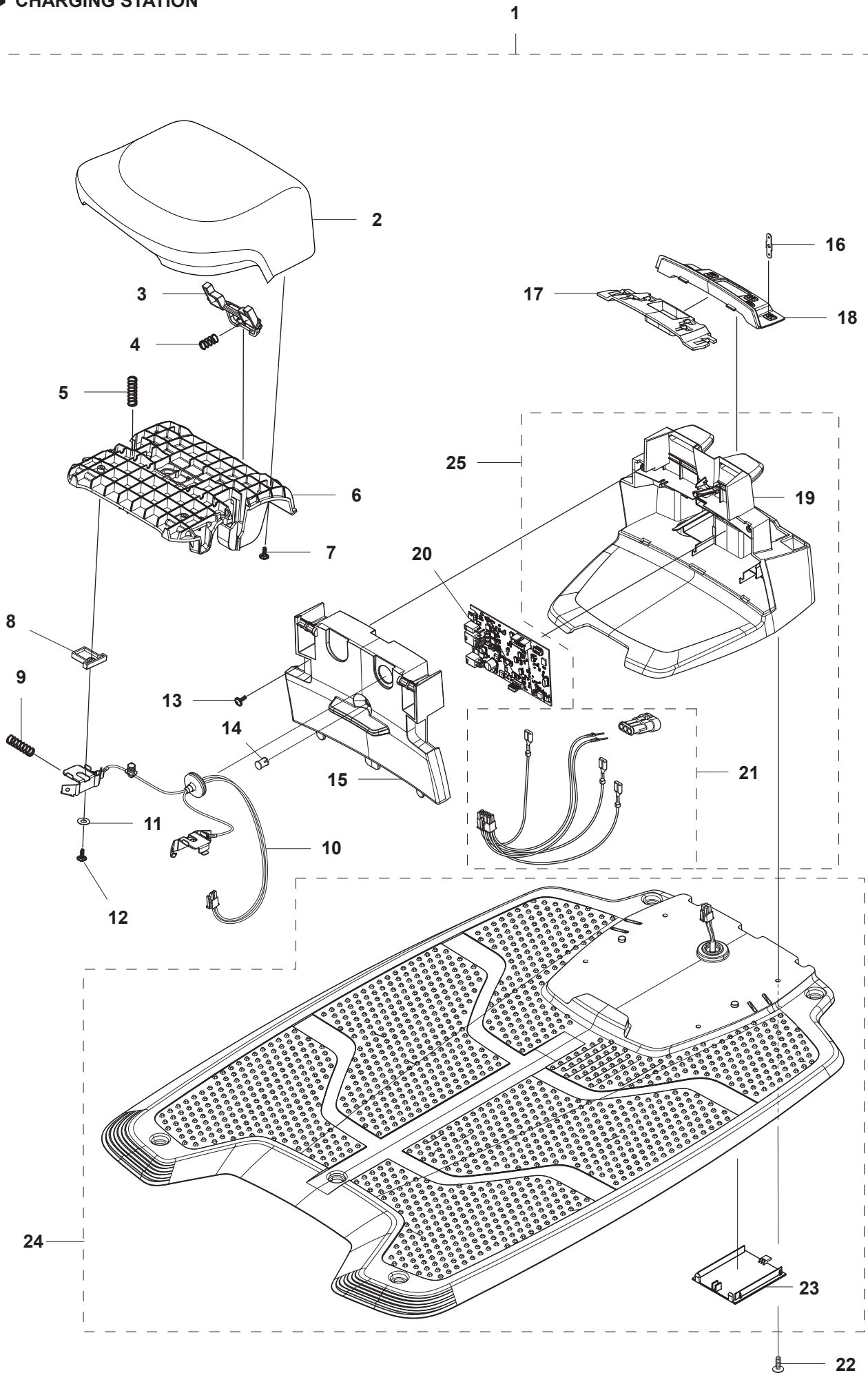
F GARDENA SILENO, SILENO+
BLADE MOTOR & CUTTING EQUIPMENT



PAGE F GARDENA SILENO, SILENO+ BLADE MOTOR & CUTTING EQUIPMENT

Position	Article	Quantity	Notes	Kit / Assy
1	501 84 36-01	1	Motor ASSY	2
2	577 75 37-01	1	Air Filter 10 pcs	
3	588 83 12-01	1	Cutting Disc	
4	535 13 05-02	3	Screw	

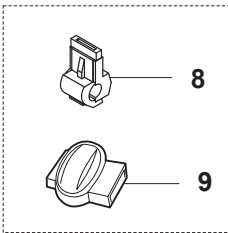
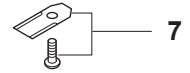
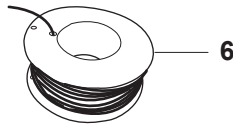
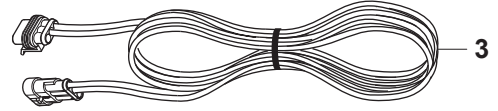
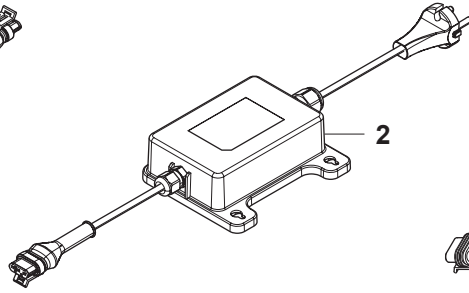
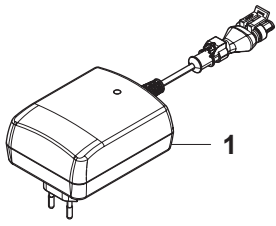
G GARDENA SILENO, SILENO+
CHARGING STATION



PAGE G GARDENA SILENO, SILENO+ CHARGING STATION

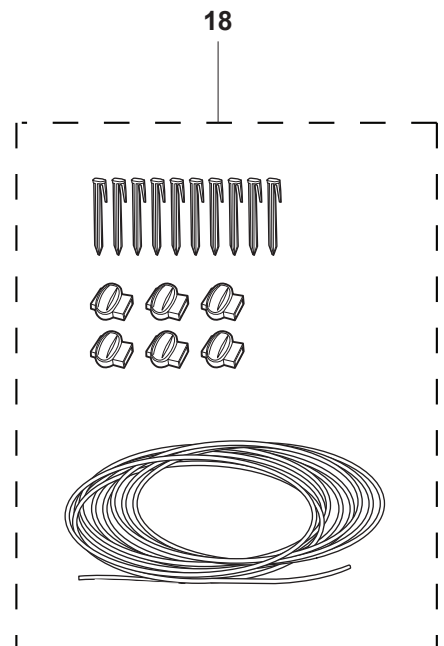
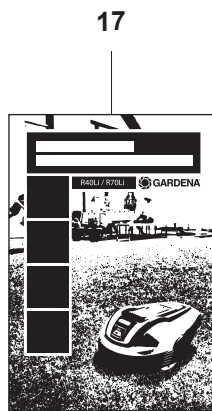
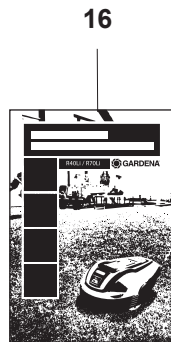
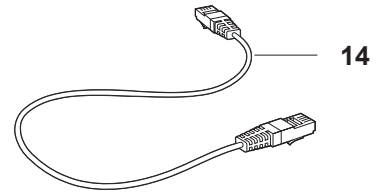
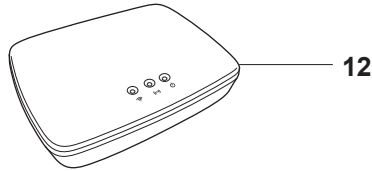
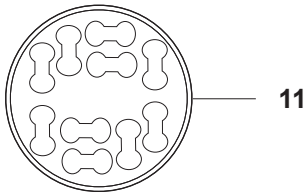
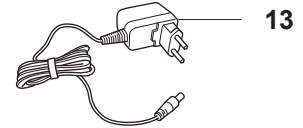
Position	Article	Quantity	Notes	Kit / Assy
1	587 83 29-02	1	Charging Station	
2	588 04 26-01	1	Cap	1
3	579 46 24-02	1	Button - Release	1
4	574 48 70-01	1	Spring	1
5	580 51 14-01	2	Spring	1
6	579 45 80-04	1	Frame	1
7	575 54 33-14	4	Screw	1
8	579 46 05-01	2	Distance	1
9	580 51 14-01	2	Spring	1
10	585 53 95-02	1	Loom Charging Contact	1
11	734 11 37-41	2	Washer	1
12	575 54 33-14	2	Screw	1
13	575 54 33-14	2	Screw	1
14	535 12 87-02	1	Lens	1
15	585 07 14-01	1	Lid	1
16	580 50 41-01	3	Terminal	1
17	579 45 98-01	1	Panel	1
18	579 45 99-01	1	Holder	1
19	585 07 12-01	1	Housing	1, 25
20	589 60 21-01	1	PCBA Charging Station	1
21	587 65 15-01	1	Wiring CS	1, 25
22	575 54 33-14	4	Screw	1
23	585 91 93-01	1	Cover	1, 24
24	587 65 16-02	1	Charging Plate KIT	1
25	588 41 61-01	1	Housing KIT	1

H GARDENA SILENO, SILENO+ INSTALLATION ACCESSORIES



10

18

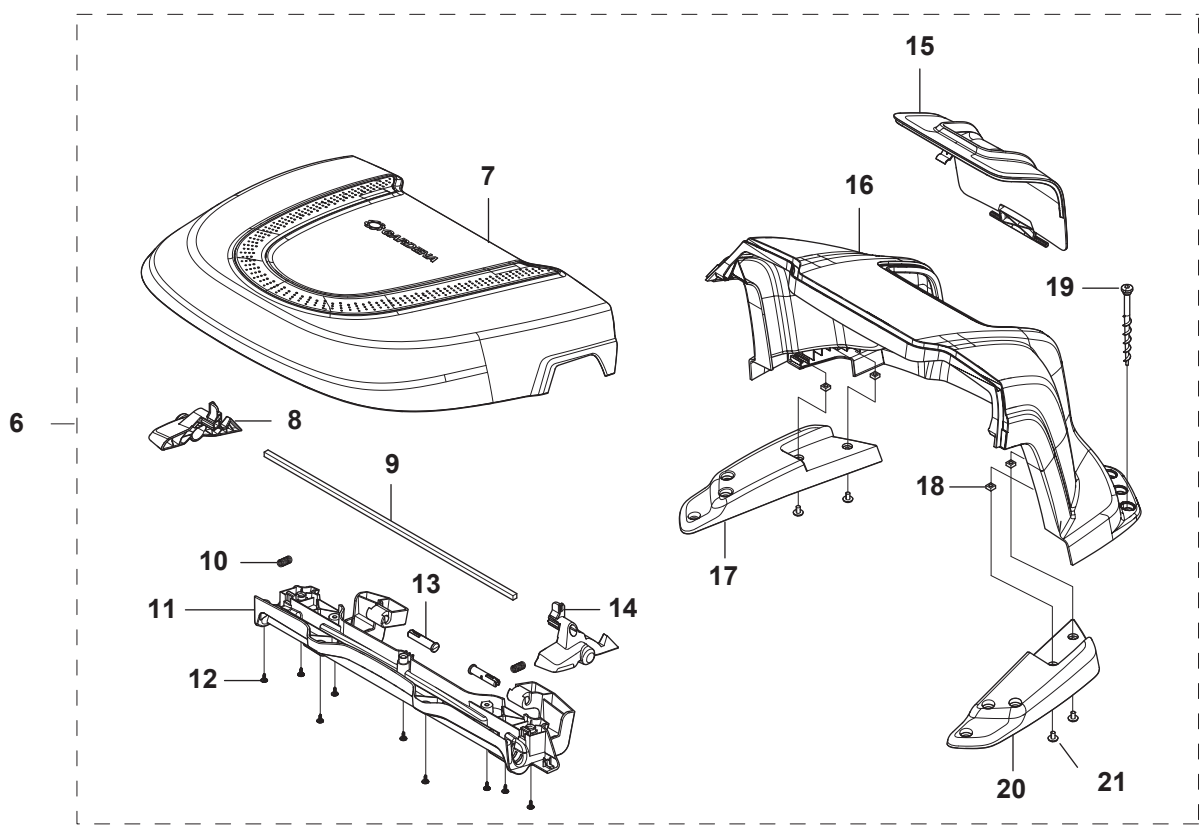
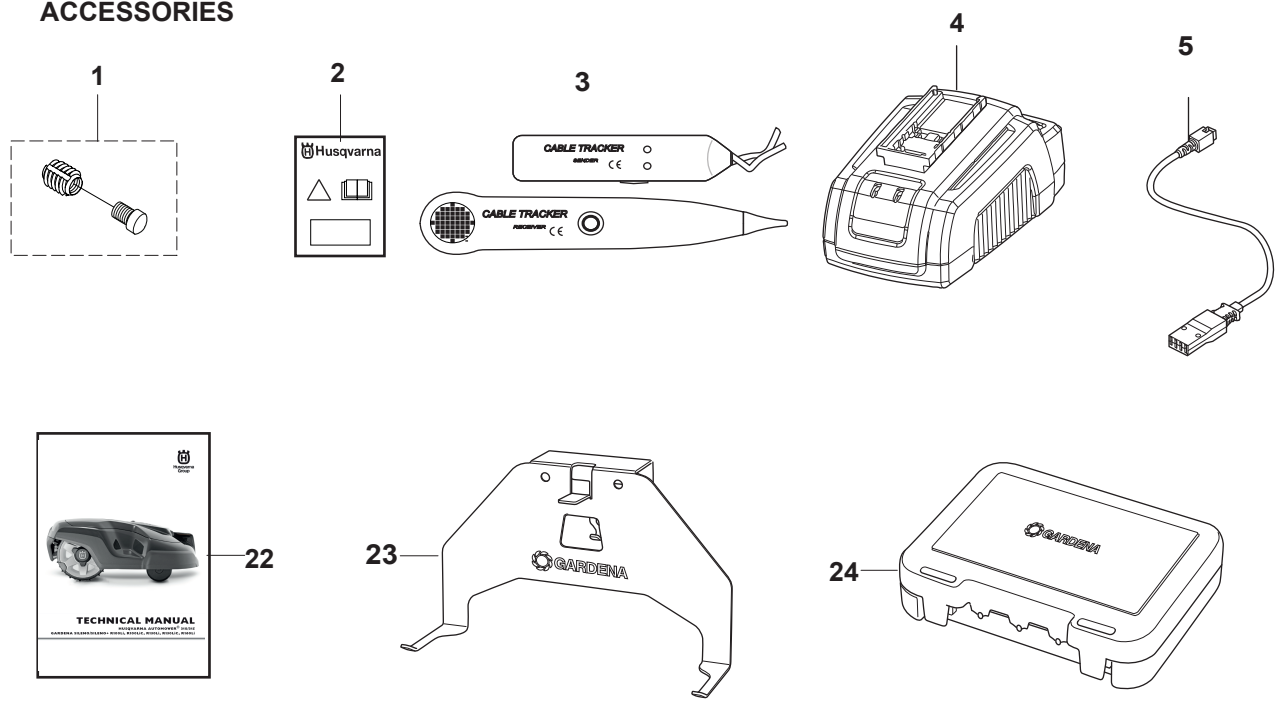


PAGE H GARDENA SILENO, SILENO+ INSTALLATION ACCESSORIES

Position	Article	Quantity	Notes	Kit / Assy
1	584 86 25-01	1	Power Supply EU	
2	584 86 26-03	1	Power Supply CH	
3	579 82 51-01	1	Low Voltage Cable 20 m	
3	579 82 51-02	1	Low Voltage Cable 10 m	
3	579 82 51-03	1	Low Voltage Cable 3 m	
4	966 80 98-01	1	Staples 100 pcs, Gardena Blister Pack	
4	Gardena 4090-20	1	Staples 100 pcs, Gardena Blister Pack	
5	575 23 86-03	1	Screw KIT	
6	967 10 48-01	1	Loop Wire 50 m, Gardena Blister Pack	
6	Gardena 4058-20	1	Loop Wire 50 m, Gardena Blister Pack	
6	577 86 43-02	1	Loop Wire 50 m, Husqvarna Blister Pack	
6	966 80 96-01	1	Loop Wire 150 m, Gardena Blister Pack	
6	Gardena 4088-20	1	Loop Wire 150 m, Gardena Blister Pack	
6	577 86 43-01	1	Loop Wire 150 m, Husqvarna Blister Pack	
6	580 66 20-03	1	Loop Wire 200 m	
6	580 66 20-01	1	Loop Wire 250 m	
6	580 66 20-04	1	Loop Wire 800 m	
7	966 80 95-01	1	Blades 9 pcs, Gardena Blister Pack	
7	Gardena 4087-20	1	Blades 9 pcs, Gardena Blister Pack	
7	577 86 46-03	1	Long Life Safety Blades, 9 pcs, Husqvarna Blister Pack	
7	577 60 65-05	1	Long Life Safety Blades, 45 pcs	
7	577 60 66-04	1	Long Life Safety Blades, 300 pcs	
8	535 12 90-01	1	Loop Wire Connector 1 pcs	
9	501 98 02-01	1	Splice 1 pcs	
9	501 98 02-02	1	Splice KIT 50 pcs	
10	966 80 97-01	1	2 Connectors + 6 Splices, Gardena Blister Pack	
10	Gardena 4089-20	1	2 Connectors + 6 Splices, Gardena Blister Pack	
10	579 04 81-01	1	5 Connectors + 5 Splices	
11	586 27 79-01	1	Sticker Cable Markers 10 pcs	
12	588 98 66-01	1	Gateway, Gardena smart system (LiC)	
13	589 20 95-01	1	Power Supply, Gardena smart system (LiC) EU	
13	589 83 81-01	1	Power Supply, Gardena smart system (LiC) UK	
14	501 65 70-01	1	LAN Cable, Gardena smart system (LiC)	
15	502 40 53-01	1	Label Anti-Theft	
16	115 86 00-01	1	Operator's Manual, Swedish	
16	115 86 00-06	1	Operator's Manual, Danish	
16	115 86 00-11	1	Operator's Manual, Finnish	
16	115 86 00-21	1	Operator's Manual, Norwegian	
16	115 86 00-26	1	Operator's Manual, English	
16	115 86 00-31	1	Operator's Manual, French	
16	115 86 00-36	1	Operator's Manual, Dutch	
16	115 86 00-41	1	Operator's Manual, Italian	
16	115 86 00-46	1	Operator's Manual, Spanish	
16	115 86 00-51	1	Operator's Manual, German	
16	115 86 00-58	1	Operator's Manual, Hungarian	
16	115 86 00-59	1	Operator's Manual, Portuguese	
16	115 86 00-61	1	Operator's Manual, Polish	
16	115 86 00-63	1	Operator's Manual, Estonian	
16	115 86 00-64	1	Operator's Manual, Lettish	
16	115 86 00-65	1	Operator's Manual, Lithuanian	
16	115 86 00-68	1	Operator's Manual, Slovak	
16	115 86 00-84	1	Operator's Manual, Slovenian	
16	115 86 00-90	1	Operator's Manual, Czech	
17	579 83 91-01	1	Smart Quick Guide (R100LiC, R130LiC)	
17	579 83 94-01	1	Smart Quick Guide smart system Set 967049490	
17	115 84 40-01	1	Quick Guide, Swedish	
17	115 84 40-06	1	Quick Guide, Danish	
17	115 84 40-11	1	Quick Guide, Finnish	
17	115 84 40-21	1	Quick Guide, Norwegian	
17	115 84 40-26	1	Quick Guide, English	
17	115 84 40-31	1	Quick Guide, French	
17	115 84 40-36	1	Quick Guide, Dutch	
17	115 84 40-41	1	Quick Guide, Italian	
17	115 84 40-46	1	Quick Guide, Spanish	
17	115 84 40-51	1	Quick Guide, German	
17	115 84 40-58	1	Quick Guide, Hungarian	
17	115 84 40-59	1	Quick Guide, Portuguese	

17	115 84 40-61	1	Quick Guide, Polish	
17	115 84 40-63	1	Quick Guide, Estonian	
17	115 84 40-64	1	Quick Guide, Lettish	
17	115 84 40-65	1	Quick Guide, Lithuanian	
17	115 84 40-68	1	Quick Guide, Slovak	
17	115 84 40-84	1	Quick Guide, Slovenian	
17	115 84 40-90	1	Quick Guide, Czech	
18	967 10 49-01	1	Boundary repair kit, 5m boundary wire, 6x connectors, 10x staples	
18	Gardena 4059-20	1	Boundary repair kit, 5m boundary wire, 6x connectors, 10x staples	

GARDENA SILENO, SILENO+ ACCESSORIES



PAGE I GARDENA SILENO, SILENO+ ACCESSORIES

Position	Article	Quantity	Notes	Kit / Assy
1	581 16 57-01	1	Metal Insert Repair KIT 4 pcs	
2	580 68 95-02	1	Warranty Seal 1pcs	
3	577 60 68-01	1	Interruption Detector	
4	588 40 84-01	1	Quick Charger with Battery Test	
5	588 20 26-01	1	Cable Quick Charger	
6	588 97 73-01	1	Housing ASSY	
7	501 11 82-01	1	Lid ASSY	6
8	585 32 40-04	1	Handle Left	6
9	585 32 41-01	1	Rod	6
10	580 51 14-01	2	Spring	6
11	585 34 16-01	1	Beam	6
12	575 54 33-14	9	Screw	6
13	585 34 15-01	2	Hinge Pin	6
14	585 32 40-03	1	Handle Right	6
15	585 32 36-01	1	Hatch	6
16	586 99 38-01	1	Cover	6
17	585 32 38-02	1	Support Left	6
18	503 22 66-01	4	Square Nut	6
19	575 23 86-01	1	Screw KIT	6
20	585 32 38-01	1	Support Right	6
21	535 12 93-03	4	Screw	6
22	115 82 03-01	1	Technical Handbook -310, 315, Sileno: Swedish	
22	115 82 03-06	1	Technical Handbook -310, 315, Sileno: Danish	
22	115 82 03-11	1	Technical Handbook -310, 315, Sileno: Finnish	
22	115 82 03-21	1	Technical Handbook -310, 315, Sileno: Norwegian	
22	115 82 03-26	1	Technical Handbook -310, 315, Sileno: English	
22	115 82 03-31	1	Technical Handbook -310, 315, Sileno: French	
22	115 82 03-36	1	Technical Handbook -310, 315, Sileno: Dutch	
22	115 82 03-41	1	Technical Handbook -310, 315, Sileno: Italian	
22	115 82 03-46	1	Technical Handbook -310, 315, Sileno: Spanish	
22	115 82 03-51	1	Technical Handbook -310, 315, Sileno: German	
22	115 82 03-56	1	Technical Handbook -310, 315, Sileno: Russian	
22	115 82 03-58	1	Technical Handbook -310, 315, Sileno: Hungarian	
22	115 82 03-59	1	Technical Handbook -310, 315, Sileno: Portuguese	
22	115 82 03-61	1	Technical Handbook -310, 315, Sileno: Polish	
22	115 82 03-62	1	Technical Handbook -310, 315, Sileno: Romanian	
22	115 82 03-63	1	Technical Handbook -310, 315, Sileno: Estonian	
22	115 82 03-64	1	Technical Handbook -310, 315, Sileno: Latvian	
22	115 82 03-65	1	Technical Handbook -310, 315, Sileno: Lithuanian	
22	115 82 03-68	1	Technical Handbook -310, 315, Sileno: Slovakian	
22	115 82 03-71	1	Technical Handbook -310, 315, Sileno: Greek	
22	115 82 03-76	1	Technical Handbook -310, 315, Sileno: Turkish	
22	115 82 03-79	1	Technical Handbook -310, 315, Sileno: Japanese	
22	115 82 03-81	1	Technical Handbook -310, 315, Sileno: Croatian	
22	115 82 03-84	1	Technical Handbook -310, 315, Sileno: Slovenian	
22	115 82 03-90	1	Technical Handbook -310, 315, Sileno: Czech	
22	115 82 03-96	1	Technical Handbook -310, 315, Sileno: Spanish (USA)	
23	967 10 46-01	1	WALL HANGER	
23	Gardena 4042-20	1	WALL HANGER	
24	967 10 45-01	1	Cable Connector Protection	
24	Gardena 4056-20	1	Cable Connector Protector	