

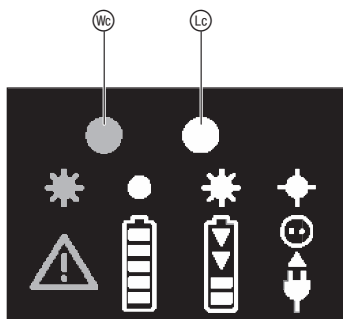
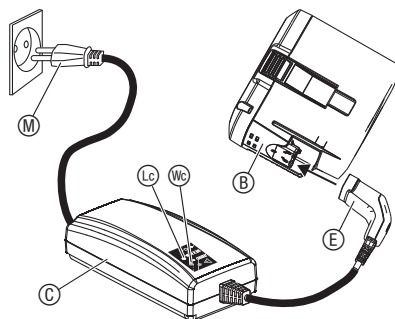
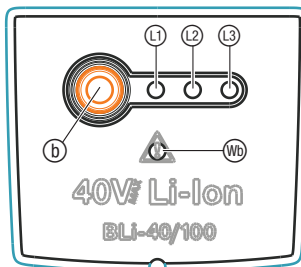
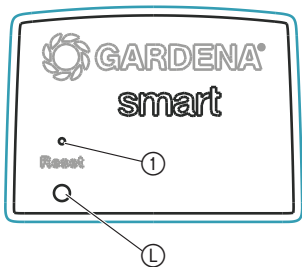


BLi-40/100 Art. 19090

BLi-40/160 Art. 19091

EN Operator's manual
smart Battery

BLi-40/100 / 2,6 Ah (Art. 19090)
BLi-40/160 / 4,2 Ah (Art. 19091)



GARDENA smart Battery

1. SAFETY	5
2. INITIAL OPERATION	7
3. OPERATION	10
4. MAINTENANCE	13
5. STORAGE	13
6. TROUBLESHOOTING	14
7. TECHNICAL DATA	15
8. SERVICE / WARRANTY	16

Original instructions.



Please read these operating instructions carefully and read the notes given. Acquaint yourself with the use of the battery, the charging technology (see operating instructions GARDENA Rechargeable Battery unit) and read the safety instructions.

For safety reasons, children under the age of 16 as well as people, who are not acquainted with the instructions should not use the battery. Persons with reduced physical or mental abilities may use the product only if they are supervised or instructed by a responsible person. Children must be supervised to ensure that they do not play with the product. Never operate the product when you are tired, ill or under the influence of alcohol, drugs or medicine.

Intended use:

The **GARDENA smart Battery** is used as a power supply for the relevant GARDENA cordless products and is intended for use in private house and hobby gardens. The battery must not be used in public facilities, parks, sports grounds, next to roads or in agriculture or forestry.

The **GARDENA smart Battery** is part of the GARDENA smart system and can only be programmed together with the **GARDENA smart Gateway Art. 19000**.

1. SAFETY

Important!

Read the operator's manual carefully before use and keep for future reference.

Symbols on the product:



→ Observe the safety instructions on the battery.



→ Do not expose the battery to rain or wet conditions.
Water entering a battery will increase the risk of electric shock.

General safety warnings

Electrical safety



DANGER! Fire risk!

- The battery to be charged must be placed on a non-flammable, heat resistant and non-conductive surface while charging.
- Keep corrosive, flammable and easily combustible objects clear of the battery charger and the battery.
- Do not cover the battery charger and the battery while charging.

- Disconnect the battery charger immediately in the event of smoke formation or fire.
- Only use the original GARDENA Charger to charge the battery. The use of other battery chargers may damage the batteries irreparably and even cause a fire.
- Regularly check the charging status during charging. Never charge the battery overnight.
- If you notice fire: Extinguish the flames with oxygen reducing materials.
- Do not bridge the contacts of the battery with metal components.



DANGER!
Risk of explosion!

Protect batteries from heat and fire. Do not leave on radiators or expose to strong sunshine for long periods.

Do not operate in explosive atmospheres, such as in the presence of flammable liquids, gases, or dust.

Batteries may create sparks which could ignite the dust or fumes.

Check your battery before each use:

Visually check the battery before each use. A non-functioning battery must be disposed of correctly.

For Art. 19091: Do not send by post. For further details, please contact your local disposal companies.

For risks of injury do not use the battery as a power source for other products. Only use the battery for the GARDENA product intended.

Only charge the battery in ambient temperatures of between 0 °C and 40 °C. Allow battery to cool down after long periods of use.

Check the charging cable regularly for signs of damage or ageing (brittleness).

Only use it in perfect condition.

Do not store the battery above 45 °C or in direct sunlight. Ideally, the battery should be stored below 25 °C so that self-discharge is low.

Keep battery in order (clean) especially air vents.

If usage of the battery is not planned for a certain time (winter period) reload the battery to avoid a deep discharge.

Do not store while still attached to a tool, this prevents misuse and accidents.

Do not store the battery in places where static electricity is present.

Additional safety warnings



DANGER!

This product makes an electromagnetic field while it operates. This field may under some conditions interfere with active or passive medical implants. To decrease the risk of conditions that can possibly injure or kill, we recommend persons with medical implants to speak with their physician and the medical implant manufacturer before you operate the product.

Small parts can be easily swallowed. There is also a risk that the polybag can suffocate toddlers. Keep toddlers away when you assemble the product.

2. INITIAL OPERATION

To charge the battery:



CAUTION!

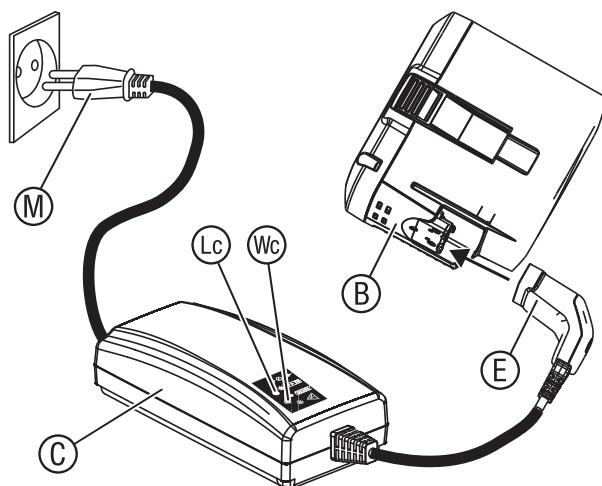
Overvoltage damages the battery and the battery charger.

→ Make sure that you use the correct mains voltage.

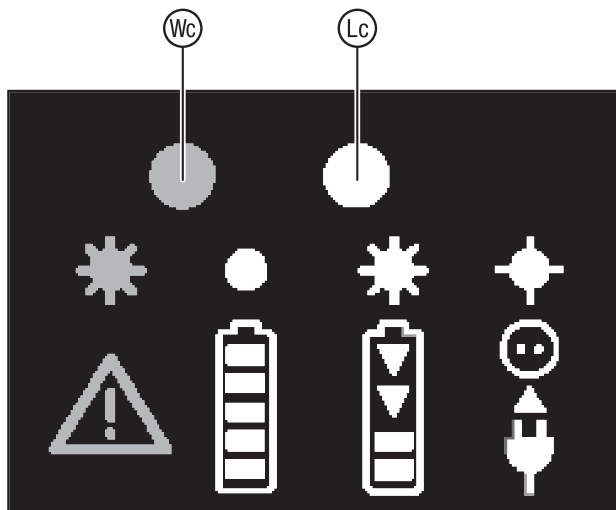
Before you use the battery the first time, the battery must be completely charged.

We recommend to charge the battery after a push-up message to keep the smart function available.

The lithium-ion battery can be charged in any state of charge and the charging process can be disconnected at any time without to damage the battery (no memory effect).

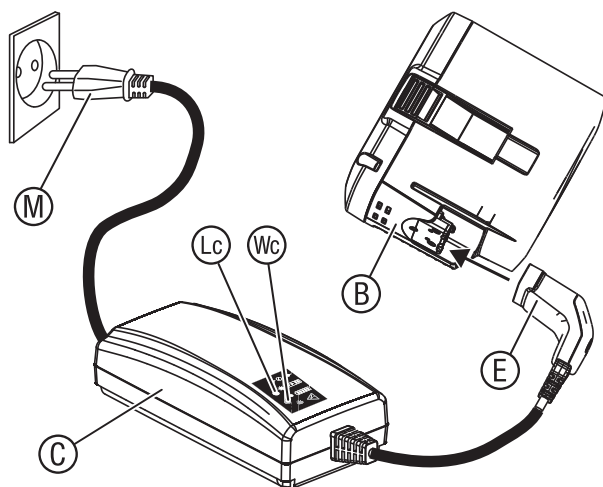


1. Connect the mains cable (M) to the battery charger (C).
2. Connect the mains cable (M) to a mains socket.
3. Connect the battery charger cable (E) to the battery (B).

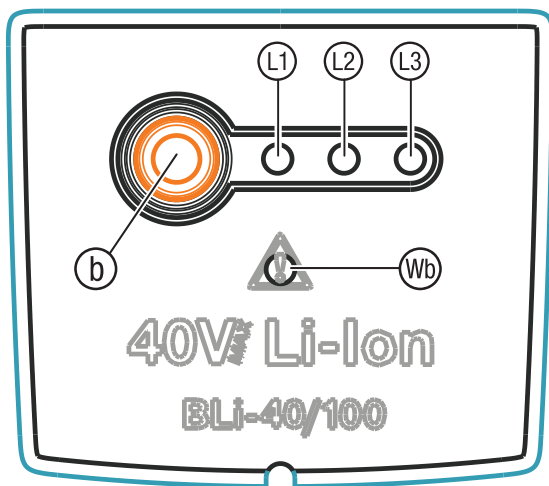


When the charging control lamp **Lc** at the charger flashes green once per second the battery is being charged.

When the charging control lamp **Lc** at the charger illuminates green the battery is completely charged (For charging time, see 7. TECHNICAL DATA).



4. Examine the charge status regularly while you charge.
5. When the battery **B** is completely charged, disconnect the battery **B** from the battery charger **C**.
6. Disconnect the battery charger **C** from the mains.



Battery charging indicator during charging:

100 % charged	Ⓐ, Ⓑ and Ⓒ illuminate
66 – 99 % charged	Ⓐ and Ⓑ illuminate, Ⓒ flashes
33 – 65 % charged	Ⓐ illuminates, Ⓑ flashes
0 – 32 % charged	Ⓐ flashes

Battery charging indicator during operation:

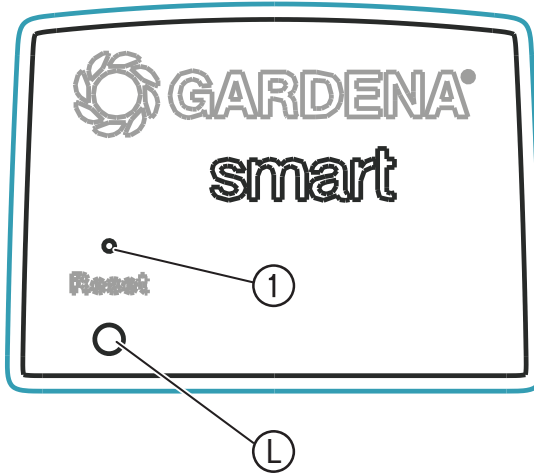
→ Push the button Ⓓ on the battery.

66 – 99 % charged	Ⓐ, Ⓑ and Ⓒ illuminate
33 – 65 % charged	Ⓐ and Ⓑ illuminate
10 – 32 % charged	Ⓐ illuminates
0 – 10 % charged	Ⓐ flashes

3. OPERATION

LED Connection display/Signal (L):

The battery must be connected to the charger!



Green flashing:	While connecting
Green for 20 sec:	Signal strength high
Yellow for 20 sec:	Signal strength medium
Red for 20 sec:	Signal strength low

Operation with the GARDENA smart system App:

You can use the **GARDENA smart system app** to control all smart system products from anywhere at any time. You can download the free **GARDENA smart system app** from the Apple App Store or from the Google Play Store.

In order to include, a **GARDENA smart Gateway** with internet connectivity is needed. All GARDENA smart products are integrated via the app. Follow the instructions inside the App.

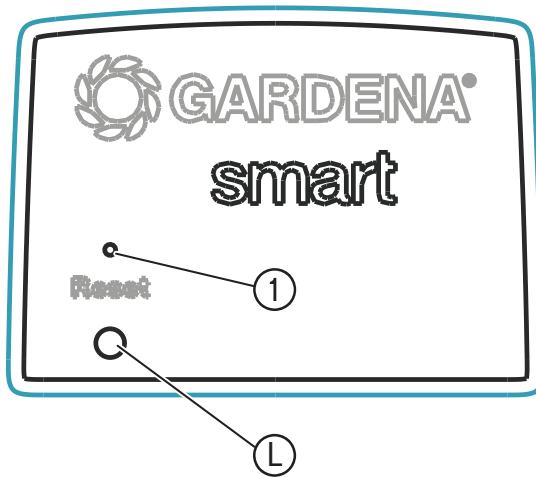
Settings of the smart Battery:

According to the smart system App:

- Battery capacity

Factory Reset:

The smart Battery will be reset to the factory settings.



→ Push the Reset key ① for a short time.
New connection.

- or -

→ Push and hold down the Reset key ① for at least 5 seconds.
 Cancels the existing connection and allows a new connection to be established, e. g. different Gateway.

4. MAINTENANCE

To clean the battery:

Make sure that the surface and the contacts of the battery and the battery charger always are clean and dry before you connect the battery charger.

Do not use running water.

→ Clean the contacts with a soft and dry cloth.

5. STORAGE

To put into storage:

The product must be stored away from children.

1. Charge the battery.
2. Store the battery in a dry, moisture-free and frost-free place.

Disposal of the battery:



Li-ion

The GARDENA battery contains lithium-ion cells that should not be disposed of with normal household waste at the end of its life.







IMPORTANT!

Dispose of the batteries through or via your municipal recycling collection centre.

1. Discharge the lithium-ion cells completely (contact the GARDENA Service).
2. Protect the contacts on the lithium-ion cells against short circuits.
3. Dispose of the lithium-ion cells properly.

6. TROUBLESHOOTING

Error messages of the error-LED / (see page 2).

Problem	Possible Cause	Remedy
Error-LED  on the battery flashes	Under voltage.	→ Charge the battery.
	Battery temperature is out of range.	→ Use the battery in surroundings where temperatures are between -10 °C and 40 °C.
Error-LED  on the battery illuminates	Battery error/battery defective.	→ Contact the GARDENA Service.
Charging control lamp  on the charger does not illuminate	Battery charger or charging cable are not connected correctly.	→ Connect the battery charger and charging cable correctly.
Charging control lamp  on the charger flashes rapidly (4 times per second)	Battery temperature is out of range.	→ Use the battery in surroundings where temperatures are between -10 °C and 40 °C.
Error-LED  on the charger flashes	Battery error.	→ Remove the battery and check that you use an original GARDENA battery.
Error-LED  on the charger illuminates	Temperature inside the charger is too high.	→ Contact the GARDENA service.



NOTE: For any other malfunctions please contact the GARDENA service department. Repairs must only be done by GARDENA service departments or specialist dealers approved by GARDENA.

7. TECHNICAL DATA

	Unit	Value (Art. 19090)	Value (Art. 19091)
Max. Battery voltage	V (AC)	40*	40*
Battery capacity	Ah	2.6	4.2
Battery charging time 80 % / 100 % (approx.)	min.	65/90	105/140

* The maximum initial no-load voltage of the battery is 40 V, the nominal voltage is 36 V.

EC Declaration of Conformity:

Hereby, GARDENA Manufacturing GmbH declares that the radio equipment type (smart Battery Art. 19090) is in compliance with directive 2014/53/EU.

The full text of the EC declaration of conformity is available at the following internet address:

<http://www.gardena.com/int/support/safety-regulations>

8. SERVICE / WARRANTY

Service:

Please contact the address on the back page.

Warranty:

In the event of a warranty claim, no charge is levied to you for the services provided.

GARDENA Manufacturing GmbH offers a two-year warranty (effective as of the date of purchase) for this product. This warranty includes all significant defects of the product that can be proved to be material or manufacturing faults.

For Art. 19090: This warranty is fulfilled by supplying a fully functional replacement product or by repairing the faulty product sent to us free of charge; we reserve the right to choose between these options. This service is subject to the following provisions:

For Art. 19091: The warranty will be fulfilled by the supply of a working replacement product provided that the following conditions are met:

- The product was used for its intended purpose as per the recommendations in the operating instructions.
- Neither the purchaser nor a third party has attempted to repair the product.

This manufacturer's warranty does not affect warranty entitlements against the dealer/retailer.

For Art. 19090:

If problems arise with this product, please contact our Service department or send the defective product along with a brief description of the fault to GARDENA Manufacturing GmbH, making sure to have sufficiently covered any shipping costs and to have followed the relevant postage and packaging guidelines. A warranty claim must be accompanied by a copy of the proof of purchase.

For Art. 19091:

For troubleshooting, please contact our Service department (contact details see back page). It is not permitted to send a product to us without prior agreement.

Product Liability:

In accordance with the German Product Liability Act, we hereby expressly declare that we accept no liability for damage incurred from our products where said products have not been properly repaired by a GARDENA-approved service partner or where original GARDENA parts or parts authorised by GARDENA were not used.

