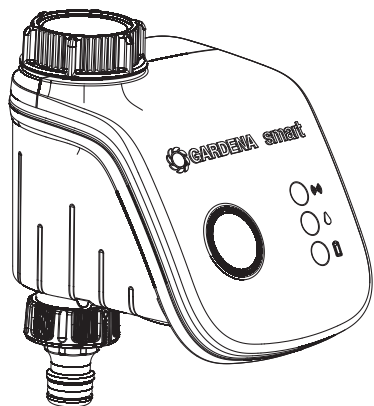


 **GARDENA®**  
smartsystem



Art. 19031

**EN Operator's manual**  
smart Water Control

---

# GARDENA smart Water Control

1. SAFETY . . . . .	2	unit only if they are supervised or instructed by a responsible person. Children must be supervised to ensure that they do not play with the unit. Never operate the unit when you are tired, ill or under the influence of alcohol, drugs or medicine.
2. FUNCTION . . . . .	3	
3. INITIAL OPERATION . . . . .	3	
4. OPERATION . . . . .	5	
5. MAINTENANCE . . . . .	6	
6. STORAGE . . . . .	6	
7. TROUBLESHOOTING . . . . .	6	
8. TECHNICAL DATA . . . . .	7	
9. ACCESSORIES . . . . .	7	
10. SERVICE/WARRANTY . . . . .	8	
11. PRODUCT LIABILITY . . . . .	8	

## Translation of the original instructions.



For safety reasons, children and young people under 16 as well as anyone who is not familiar with these operating instructions should not use the unit. Persons with reduced physical or mental abilities may use the

### **Intended use:**

The GARDENA smart Water Control is intended for private use in domestic and hobby gardens, exclusively for outdoor use, to control sprinklers and watering systems. The smart Water Control can be used for automatic watering during holidays.

The smart Water Control can only be programmed together with the GARDENA smart Gateway Art. 19000.

**The GARDENA smart Water Control must not be used for industrial purposes or in conjunction with chemicals, foodstuffs, easily flammable and explosive materials.**

## 1. SAFETY

### **Read the operator's manual carefully before use and keep for future reference.**

**DANGER!** Small parts can be easily swallowed. There is also a risk that the polybag can suffocate toddlers. Keep toddlers away when you assemble the product.

**DANGER!** This product makes an electromagnetic field while it operates. This field may under some conditions interfere with active or passive medical implants. To decrease the risk of conditions that can possibly injure or kill, we recommend persons with medical implants to speak with their physician and the medical implant manufacturer before you operate the product.

The unit can be used in the temperature range +5 °C – +50 °C outdoors.

Examine the product for damage prior to every commissioning.

Keep damaged parts out of the reach of children.

Regularly examine the batteries for damage.

Do not use damaged batteries. Ensure that they are correctly disposed of (please see Chapter 6. STORAGE "Disposal/Disposing of flat batteries").

Keep damaged batteries out of the reach of children.

Do not use the Water Control in explosive areas.

Examine the unit for leaks prior to every commissioning.

The product will become hot when exposed to sunlight. Touching the product in such a condition can result in slight burns if touched.

Ensure that the product is only used within the stated temperature range (see Chapter 1. SAFETY: +5 °C – +50 °C).

### **Batteries:**

To ensure the Water Control runs safely, only 3 x alkalimanganese (alkaline) batteries type LR6 (AA) (Mignon) must be used for the authorized temperature range +5 °C – +50 °C.



**DANGER!**

**There is a risk of explosion if batteries are not replaced in the proper manner.**

**See 6. STORAGE for information on how to dispose of used batteries.**

Do not use re-chargeable batteries.

In order to stop the Water Control from failing because of a weak battery if you are away for a long time, the battery must be replaced when the battery display flashes yellow.

The batteries should not be removed while watering (leads to continuous watering).

### Setting up



**CAUTION!**

**The Water Control must not be used indoors.**

→ **Only use the Water Control outdoors.**

The Water Control may only be set up vertically with the sleeve nut to the top to prevent water penetrating into the battery compartment.

The minimum water output to ensure that the Water Control functions correctly is 20 – 30 l/h. For example, at least 10 – 15 x 2-litre Drip Heads are required to control the Micro-Drip-System.

The max. temperature for the water flow is 40 °C.

→ **Only use clear fresh water.**

The minimum operating pressure is 0.5 bar, the maximum operating pressure is 12 bar.

Avoid tensile strain.

→ **Do not pull the hose connected to the Water Computer.**

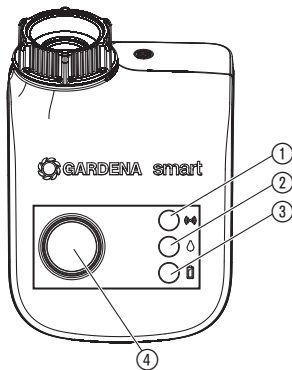
## 2. FUNCTION

### Water Control:

The Water Control is controlled automatically with the GARDENA smart system App. Sprinklers, a sprinkler system or a drip head watering system can be used for watering.

The Water Control carries out watering fully automatically according to the set program and can therefore also be used during holidays. Early in the morning or late in the evening, evaporation and therefore water consumption is lowest.

### Controls/Display:



#### ① Connection-LED:

**Green flashing:** While connecting

**Green for 10 sec:** Signal strength high

**Yellow for 10 sec:** Signal strength medium

**Red for 10 sec:** Signal strength low

#### ② LED Active watering:

**Green for 10 sec.**

#### ③ LED Battery display:

**Green for 20 sec:** Capacity > 4 weeks

**Yellow flashing:** Capacity < 4 weeks

**Red flashing:** Capacity < 2 weeks

**Red lightning:** battery flat

If the LED lights red, the valve is no longer opened. A valve opened by the program will also close again if the battery is flat. The battery display is reset when the batteries are changed.

→ Replace batteries (see 3. INSTALLATION "To insert batteries").

#### ④ Man. Button:

For switching the water throughput on or off manually.

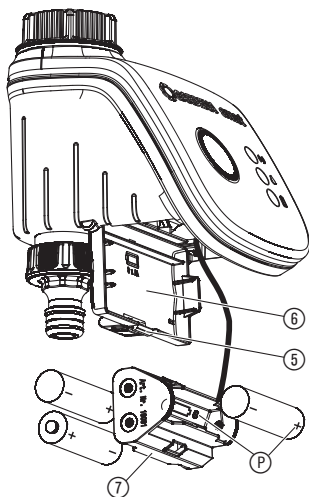
## 3. INITIAL OPERATION

### To insert batteries:

The batteries are not included in the scope of delivery.

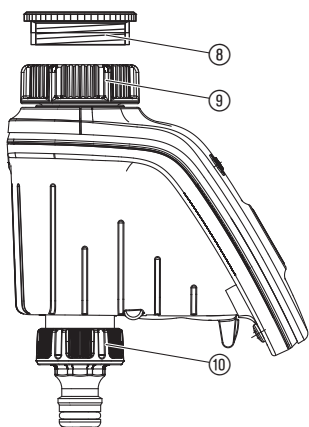
The Water Control must only be operated with 3 x alkalimanganese (alkaline) batteries type LR6 (AA) (Mignon).

The operating period is approx. 6 months. The operating period can vary depending on ambient temperature and transmission frequency.

**CAUTION!**

**Rechargeable batteries should not be used!**

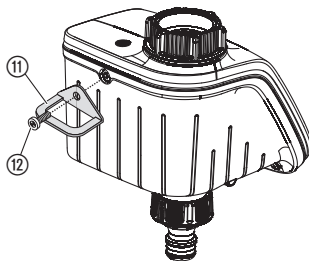
1. Press the tab (5) and open the cover (6).
2. Remove the battery holder (7).
3. Insert batteries into the battery holder (7). In doing so, ensure that the polarity (P) is correct.
4. Push the battery holder (7) back into the battery compartment.
5. Close the cover (6).

**To connect the Water Control:**

The Water Control is fitted with a sleeve nut (9) for taps with (G 1" ) (33.3 mm) thread. The adaptor supplied (8) allows the Water Control to be connected to taps with a (G 3/4") (26.5 mm) thread.

**1. For tap with a G 3/4" (26.5 mm) thread:**

1. Screw adaptor (8) on to the tap manually (do not use pliers).
2. Screw sleeve nut (9) of the Water Control on to the adaptor thread by hand (do not use pliers).
3. Screw tap connector (10) on to the Water Control.

**To fit anti-theft device (optional):**

To secure your Water Control against theft, you can obtain the GARDENA Anti-theft device Art. 1815-00.791.00 from GARDENA Service.

1. Screw clamp (11) with screw (12) firmly to the back of the Water Control.
2. Use clamp (11) e.g. for fixing a chain.

**It is no longer possible to remove the screw after it has been screwed in.**

## 4. OPERATION

### Operation with the GARDENA smart system App:

You can use the GARDENA smart system app to control all smart system devices from anywhere at any time. You can download the free GARDENA smart system app from the Apple App Store or from the Google Play Store.

In order to include, a smart gateway with internet connectivity is needed. All GARDENA smart devices are integrated via the app. Follow the instructions inside the App.

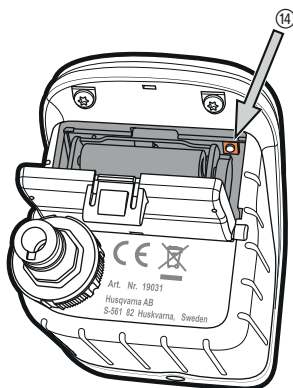
### Settings of the Water Control:

- According to the timings in the smart system App:  
Watering days, start, duration
- As required in the smart system App:  
Start and finish
- Manual operation at the water control

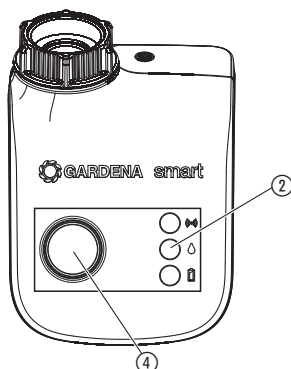
### Factory Reset:

The smart Water Control will be reset to the factory settings.

→ **Press and hold down the Reset key ⑭ for at least ten seconds.**



### Manual operation by Water Control:



The valve can be opened or closed manually at any time (manual watering is only not possible during integration mode). A program-controlled open valve can also be closed early without changing the program data.

1. Press **Man.-**button to open the valve manually (or to close an open valve).

*The **LED Active Watering** ② is lighting green for 10 sec.*

2. Press **Man.-**button to close the valve early.

If the Water Control is in "Sleep Mode", press the **Man.-**button 2 times.

The watering duration (0 to 59 min.) is according to the parameter of the GARDENA smart system App.

If a program-controlled watering has been stopped manually, this program-controlled watering cannot start again.

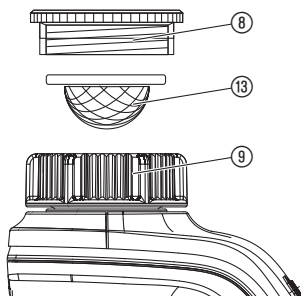
If the valve has been opened manually and a programmed start of a watering period overlaps the manual opening period, the programmed starting time is suppressed.

### Example:

The valve is opened at 9.00 a.m. manually, the opening period is 30 minutes. A program with a start time (**START**) between 9.00 and 9.30 a.m. will not be undertaken in this case.

## 5. MAINTENANCE

### To clean the filter:



The filter ⑬ should be checked regularly and cleaned when necessary.

1. Unscrew sleeve nut ⑨ of the Water Control by hand from the tap thread (do not use pliers).
2. If necessary unscrew the adaptor ⑧.
3. Remove filter ⑬ from sleeve nut ⑨ and clean.
4. Fit the Water Control again (see 3. INITIAL OPERATION "To connect the Water Control").

### To clean Water Control:

No caustic/abrasive cleaning agents should be used.

→ **Clean Water Control with a damp cloth (do not use solvent).**

## 6. STORAGE

### To put into storage:

The product must be stored away from children.

1. To preserve the batteries, these should be removed (see 3. INITIAL OPERATION).
2. Stow the Water Control in a dry area where it has protection from frost.

**Disposal:**  
(in accordance with  
RL2012/19/EC)



The product must not be disposed of to normal household waste. It must be disposed of in line with local environmental regulations.

### IMPORTANT!

Dispose of the product through or via your municipal recycling collection centre.

### Disposing of flat batteries:

Please return flat batteries to a GARDENA dealer or dispose of them properly at your nearest recycling centre.

Only dispose of batteries when they are flat.

## 7. TROUBLESHOOTING

Problem	Possible Cause	Remedy
<b>No LED-display appears</b>	Batteries inserted incorrectly.	→ Check polarity markings match (+/-).
	Flat batteries.	→ Insert new (alkaline) batteries.
<b>Manual watering is not possible using the Man. button</b>	Water Control in Sleep Mode.	→ Press <b>Man.</b> button.
	Batteries flat (LED Batterie display lights red).	→ Insert new (alkaline) batteries.
	Tap turned off.	→ Turn tap on.

Problem	Possible Cause	Remedy
<b>Watering program is not being undertaken (no watering)</b>	Valve was opened manually previously.	→ Avoid possible program overlaps.
	Tap turned off.	→ Turn tap on.
	Batteries flat (LED Batterie display lights red).	→ Insert new (alkaline) batteries.
<b>Water Computer does not close</b>	Minimum quantity of water drawn is less than 20 l/h.	→ Connect more drip heads.



**NOTE: For any other malfunctions please contact the GARDENA service department. Repairs must only be done by GARDENA service departments or specialist dealers approved by GARDENA.**

## 8. TECHNICAL DATA

smart Water Control	Unit	Value (Art. 19031-20)
<b>Operation temperature range (outdoors)</b>	°C	5 – 50
<b>SRD:</b>		
<b>Frequency range</b>	MHz	863 – 870
<b>Maximum power</b>	mW	25
<b>free field radio range</b>	m	approx. 100
<b>Min./max. operating pressure</b>	bar	0.5 / 12
<b>Flow medium</b>		Clear fresh water
<b>Max. liquid temperature</b>	°C	40
<b>Batteries required</b>		3 x alkalimanganese (alkaline) batteries type LR6 (AA) Mignon
<b>Operating time of the batteries</b>		approx. 6 months with alkaline batteries (min. 2000 mAh)

### **CE Declaration:**

The complete Declaration of Conformity can be found at:  
<http://www.gardena.com/int/support/safety-regulations>

## 9. ACCESSORIES

GARDENA Anti-theft device

**Art. 1815-00.791.00**  
 (from GARDENA Service)

## 10. SERVICE/WARRANTY

---

### **Service:**

Please contact the address on the back page.

### **Warranty:**

In the event of a warranty claim, no charge is levied to you for the services provided.

GARDENA Manufacturing GmbH offers a two-year warranty (effective as of the date of purchase) for this product. This warranty includes all significant defects of the product that can be proved to be material or manufacturing faults. This warranty is fulfilled by supplying a fully functional replacement product or by repairing the faulty product sent to us free of charge; we reserve the right to choose between these options. This service is subject to the following provisions:

- The product was used for its intended purpose as per the recommendations in the operating instructions.

- Neither the purchaser nor a third party has attempted to repair the product.

This manufacturer's warranty does not affect warranty entitlements against the dealer/retailer.

If problems arise with this product, please contact our Service department or send the defective product along with a brief description of the fault to GARDENA Manufacturing GmbH, making sure to have sufficiently covered any shipping costs and to have followed the relevant postage and packaging guidelines. A warranty claim must be accompanied by a copy of the proof of purchase.

Faults which occur as a result of incorrectly installed or leaking batteries are not covered by the guarantee.

Damage caused by frost is not covered by the warranty.

## 11. PRODUCT LIABILITY

---

In accordance with the German Product Liability Act, we hereby expressly declare that we accept no liability for damage incurred from our products where said products have not been properly repaired by a GARDENA-approved service partner or where original GARDENA parts or parts authorised by GARDENA were not used.



**Deutschland / Germany**

GARDENA  
Manufacturing GmbH  
Central Service  
Hans-Lorenser-Straße 40  
D-89079 Ulm  
Produktfragen:  
(+49) 731 490 - 123  
Reparaturen:  
(+49) 731 490 - 290  
service@gardena.com

**Albania**

COBALT Sh.p.k.  
Rr. Siri Kodra  
10000 Tirana

**Argentina**

Husqvarna Argentina S.A.  
Av.del Libertador 5954 –  
Piso 11 – Torre B  
(C1428ARP) Buenos Aires  
Phone: (+54) 11 5194 5000  
info.gardena@  
ar.husqvarna.com

**Armenia**

Garden Land Ltd.  
61 Tigran Mets  
0005 Yerevan

**Australia**

Husqvarna Australia Pty. Ltd.  
Locked Bag 5  
Central Coast BC  
NSW 2252  
Phone: (+61) (0) 2 4352 7400  
customer.service@  
husqvarna.com.au

**Austria / Österreich**

Husqvarna Austria GmbH  
Industriezeile 36  
4010 Linz  
Tel.: (+43) 732 77 01 01-485  
service.gardena@  
husqvarnagroup.com

**Azerbaijan**

Firm Progress  
a. Aliyev Str. 26A  
1052 Bakı

**Belgium**

Husqvarna België nv/sa  
Gardena Division  
Rue Egide Van Ophem 111  
1180 Uccle / Ukkel  
Tel.: (+32) 2 72 92 12  
info@gardena.be

**Bosnia / Herzegovina**

SILK TRADE d.o.o.  
Industrijska zona Bukva bb  
74260 Tešanj

**Brazil**

Husqvarna do Brasil Ltda  
Av. Francisco Matarazzo,  
1400 – 19º andar  
São Paulo – SP  
CEP: 05001-903  
Tel: 0800-112252  
marketing.br.husqvarna@  
husqvarna.com.br

**Bulgaria**

AGROLAND България АД  
бул. 8 Декември, №13  
Офис 5  
1700 Студентски град  
София  
Тел.: (+359) 246669 10  
info@agroland.eu

**Canada / USA**

GARDENA Canada Ltd.  
100 Summerlea Road  
Brampton, Ontario L6T 4X3  
Phone: (+1) 905 792 9330  
info@gardenacanada.com

**Chile**

Maquinarias Agroforestales  
Ltda. (Maga Ltda.)  
Santiago, Chile  
Avda. Chesteron  
# 8355 comuna Las Condes  
Phone: (+56) 2 202 4417  
Daiton@maga.cl  
Zipcode: 7560330

**China**

Husqvarna (Shanghai)  
Management Co., Ltd.  
富世华 (上海) 管理有限公司  
3F, Benq Square B,  
No207, Song Hong Rd.,  
Chang Ning District,  
Shanghai, PRC. 200335  
上海市长宁区崧浜路207号明  
基广场B座3楼, 邮编: 200335

**Colombia**

Husqvarna Colombia S.A.  
Calle 1 No. 68 D-31, zona  
Industrial de Montevideo  
Bogotá, Cundinamarca  
Tel. 571 2922700 ext. 105  
jairo.salazar@  
husqvarna.com.co

**Costa Rica**

Compania Exim  
Euroberoamericana S.A.  
Los Colegios, Moravia,  
200 metros al Sur del Colegio  
Saint Francis – San José  
Phone: (+506) 297 68 83  
exim\_euro@racsa.co.cr

**Croatia**

SILK ADRIA d.o.o.  
Josipa Lončara 3  
10090 Zagreb  
Phone: (+385) 1 3794 580  
silk.adria@zg.t-com.hr

**Cyprus**

Med Marketing  
17 Digeni Akrita Ave  
P.O. Box 27017  
1641 Nicosia

**Czech Republic**

Husqvarna Česko s.r.o.  
Türkova 2319/5b  
149 00 Praha 4 – Chodov  
Bezplatná infolinka:  
800 100 425  
servis@cz.husqvarna.com

**Denmark**

GARDENA DANMARK  
Lervvej 19, st.  
3500 Værløse  
Tlf.: (+45) 70264770  
husqvarna@husqvarna.dk  
www.gardena.com/dk

**Dominican Republic**

BOSQUESA, S.R.L  
Carretera Santiago Licey  
Km. 5 ½  
Esquina Copal II,  
Santiago  
Dominican Republic  
Phone: (+809) 736-0333  
joserbosquesa@claro.net.do

**Ecuador**

Husqvarna Ecuador S.A.  
Arupos E1-181 y 10 de  
Agosto Quito, Pichincha  
Tel. (+593) 22800739  
francisco.jacome@  
husqvarna.com.ec

**Estonia**

Husqvarna Eesti OÜ  
Gardena Division  
Valdeku 132  
Tallinn  
11216, Estonia  
info@gardena.ee

**Finland**

Oy Husqvarna Ab  
Gardena Division  
Lautatarhankatu 8 / PL 3  
00581 HELSINKI  
info@gardena.fi

**France**

Husqvarna France  
9/11 Allée des pierres mayettes  
92635 Gennevilliers Cedex  
France  
http://www.gardena.com/fr  
NF AZUR: 0 810 0 78 23  
(Prix d'un appel local)

**Georgia**

ALD Group  
Bellashvili 8  
1159 Tbilisi

**Great Britain**

Husqvarna UK Ltd  
Preston Road  
Aycliffe Industrial Park  
Newton Aycliffe  
County Durham  
DL5 6UP  
info.gardena@  
husqvarna.co.uk

**Greece**

Π.ΠΑΠΑΔΟΠΟΥΛΟΣ ΑΕΒΕ  
Λεωφ. Αθηνών 92  
Αθήνα  
T.K.104 42  
ΕΛΑδδα  
Τηλ. (+30) 210 5193100  
info@papadopoulos.com.gr

**Hungary**

Husqvarna Magyarorszáig Kft.  
Ezred u. 1-3  
1044 Budapest  
Telefon: (+36) 1 251-4161  
vevoszolgalat.husqvarna@  
husqvarna.hu

**Iceland**

O. Johnson & Kaaber  
Tunguhalsi 1  
110 Reykjavik  
ojo@ojk.is

**Ireland**

Husqvarna UK Ltd  
Preston Road  
Aycliffe Industrial Park  
Newton Aycliffe  
County Durham  
DL5 6UP  
info.gardena@  
husqvarna.co.uk

**Italy**

Husqvarna Italia S.p.A.  
Via Santa Vecchia 15  
23868 VALMADRERA (LC)  
Phone: (+39) 0341.203.111  
assistenza.italia@  
it.husqvarna.com

**Japan**

KAJUICHI Co. Ltd.  
Sumitomo Realty &  
Development Kojimachi  
BLDG., 8F  
5-1 Nibancyo  
Chiyoda-ku  
Tokyo 102-0084  
Phone: (+81) 33 264 4721  
m\_ishihara@kaku-ichi.co.jp

**Kazakhstan**

LAMED Ltd.  
155/1, Tazhibayevoy Str.  
050060 Almaty  
IP Schmidt  
Abayavenue 3B  
110 005 Kostanay

**Korea**

Kyung Jin Trading CO.,LTD.  
107-4, SunDuk Bid.,  
YangJae-dong,  
Seochoo-gu,  
Seoul, (zipcode: 137-891)  
Phone: (+82) (0)2 574-6300

**Kyrgyzstan**

Alye Maki  
av. Molodaya Guardir J 3  
720014  
Bishkek

**Latvia**

Husqvarna Latvija SIA  
Gardena Division  
Ulbrokas 19A  
LV-1021 Riga  
info@gardena.lv

**Lithuania**

UAB Husqvarna Lietuva  
Gardena Division  
Ateities pl. 77C  
LT-52104 Kaunas  
info@gardena.lt

**Luxembourg**

Magasins Jules Neuberg  
39, rue Jacques Stas  
Luxembourg-Gasperich 2549  
Case Postale No. 12  
Luxembourg 2010  
Phone: (+352) 40 14 01  
api@neuberg.lu

**Mexico**

AFOSA  
Av. Lopez Mateos Sur # 5019  
Col. La Calma 45070  
Zapopan, Jalisco  
Mexico  
Phone: (+52) 33 3818-3434  
icoimejo@afosa.com.mx

**Moldova**

Convel S.R.L.  
290A Muncesti Str.  
2002 Chisinau

**Netherlands**

Husqvarna Nederland B.V.  
GARDENA Division  
Postbus 50131  
1305 AC ALMERE  
Phone: (+31) 36 521 00 10  
info@gardena.nl

**Neth. Antilles**

Jonka Enterprises N.V.  
Sta. Rosa Weg 196  
P.O. Box 8200  
Curaçao  
Phone: (+599) 9 767 66 55  
pgm@jonka.com

**New Zealand**

Husqvarna New Zealand Ltd.  
PO Box 76-437  
Manukau City 2241  
Phone: (+64) (0) 9 9202410  
support.nz@husqvarna.co.nz

**Norway**

Husqvarna Norge AS  
Gardena Division  
Troskenveien 36  
1708 Sarpsborg  
Tel: 69 10 47 00  
www.gardena.no

**Peru**

Husqvarna Perú S.A.  
Jr. Ramón Cárcamo 710  
Lima 1  
Tel: (+51) 1 3320400 ext.416  
juan.remuzgo@  
husqvarna.com

**Poland**

Husqvarna  
Poland Spółka z o.o.  
ul. Wysockiego 15 b  
03-371 Warszawa  
Phone: (+48) 22 330 96 00  
gardena@husqvarna.com.pl

**Portugal**

Husqvarna Portugal, SA  
Lagaa – Albarraque  
2635 – 595 Rio de Mouro  
Tel.: (+351) 21 922 85 30  
Fax : (+351) 21 922 85 36  
info@gardena.pt

**Romania**

Madex International Srl  
Soseaua Odaii 117 – 123,  
RO 013603 Bucuresti, S1  
Phone: (+40) 21 352.76.03  
madex@ines.ro

**Russia / Россия**

ООО „Хускварна“  
141400, Московская обл.,  
г. Химки,  
улица Ленинградская,  
владение 39, стр.6  
Бизнес Центр  
„Химки Бизнес Парк“,  
помещение 0802\_04  
http://www.gardena.ru

**Serbia**

Domel d.o.o.  
Autoput za Novi Sad bb  
11 273 Belgrade  
Phone: (+381) 11 848 88 12  
milorav.jejina@domel.rs

**Singapore**

Hy-Ray PRIVATE LIMITED  
40 Jalan Pemimpin  
#02-08 Tat Ann Building  
Singapore 577185  
Phone: (+65) 6253 2277  
shying@hyray.com.sg

**Slovak Republic**

Husqvarna Cesko s.r.o.  
Türkova 2319/5b  
149 00 Praha 4 – Chodov  
Bezplatná infolinka:  
800 154 044  
servis@sk.husqvarna.com

**Slovenia**

Husqvarna Austria GmbH  
Industriezeile 36  
4010 Linz  
Tel.: (+43) 732 77 01 01-485  
service.gardena@  
husqvarna.com

**South Africa**

Husqvarna  
South Africa (Pty) Ltd  
Postnet Suite 250  
Private Bag X6,  
Cascades, 3202  
South Africa  
Phone: (+27) 33 846 9700  
info@gardena.co.za

**Spain**

Husqvarna España S.A.  
Calle de Rivas nº10  
28052 Madrid  
Phone: (+34) 91 708 05 00  
atencioncliente@gardena.es

**Suriname**

Agrofix n.v.  
Verlengde Hogestraat # 22  
Bonaire : (+597) 472426  
agrofix@sr.net  
Pobox : 2006  
Paramaribo

**Sweden**

Husqvarna AB  
Gardena Division  
S-561 82 Huskvarna  
info@gardena.se

**Switzerland / Schweiz**

Husqvarna Schweiz AG  
Consumer Products  
Industriestrasse 10  
5506 Mägenwil  
Phone: (+41) (0) 62 887 37 90  
info@gardena.ch

**Turkey**

Dost Bağcı Diş Ticaret  
Müsteslikli A.Ş  
Yunus Mah. Adil Sok. No:3  
İç Kapı No: 1 Kartal  
34873 İstanbul  
Phone: (+90) 216 38 93 939  
info@dobstbagci.com.tr

**Ukraine / Україна**

ТОВ „Хускварна Україна“  
вул. Васильківська, 34,  
офіс 204-р  
03022, Київ  
Тел. (+38) 044 498 39 20  
info@gardena.ua

**Uruguay**

FELI SA  
Entre Rios 1083 CP 1800  
Montevideo – Uruguay  
Tel: (+598) 22 03 18 44  
info@felisa.com.uy

**Venezuela**

Corporación Casa y Jardín C.A.  
Av. Caroní, Edif. Trezmen, PB.  
Colinas de Bello Monte.  
1050 Caracas.  
Tlf: (+58) 212 992 33 22  
info@casayjardin.net.ve

19031-20.961.03/0717  
© GARDENA  
Manufacturing GmbH  
D-89070 Ulm  
http://www.gardena.com