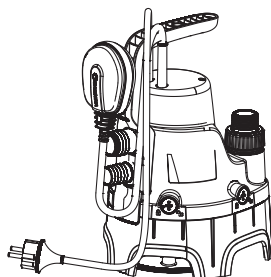

 7000/C
Art. 1661

 7000/D
Art. 1665

DE Betriebsanleitung

 Klarwasser-Tauchpumpe /
Schmutzwasser-Tauchpumpe

EN Operator's manual

 Clear Water Submersible Pump /
Dirty Water Submersible Pump

FR Mode d'emploi

 Pompe pour eaux claires /
Pompe pour eaux chargées

NL Gebruiksaanwijzing

Dompelpomp / Vuilwaterpomp

SV Bruksanvisning

Dränkbar pump / Spillvattenpump

DA Brugsanvisning

Dykpumpe / Pumpe til snavset vand

FI Käyttöohje

Upporumppu / Likavesipumppu

NO Bruksanvisning

 Lensepumpe /
Lensepumpe for urent vann

IT Istruzioni per l'uso

 Pompa sommersa /
Pompa sommersa per acqua
sporca

ES Instrucciones de empleo

 Bomba sumergible /
Bomba para aguas sucias

PT Manual de instruções

 Bomba submersível /
Bomba para esgotos

PL Instrukcja obsługi

 Pompa zanurzeniowa /
Pompa do brudnej wody

HU Használati utasítás

Merülőszivattyú / Szennyvízszivattyú

CS Návod k obsluze

Ponorné čerpadlo / Kalové čerpadlo

SK Návod na obsluhu

Ponorné čerpadlo / Kalové čerpadlo

EL Οδηγίες χρήσης

Υποβρύχια αντλία / αντλία λυμάτων

RU Инструкция по эксплуатации

Погружной насос / Грязевой насос

SL Navodilo za uporabo

 Potopna črpalka /
Črpalka za odpadno vodo

HR Upute za uporabu

 Uronjiva pumpa /
Pumpa za prijavu vodu

SR/ Uputstvo za rad
BS Potopna pumpa /
Pumpa za prijavu vodu

UK Інструкція з експлуатації

 Занурений насос /
Грязьовий насос

RO Instrucțiuni de utilizare

 Pompă submersibilă /
Pompă pentru apă murdară

TR Kullanma Kılavuzu

Dalgiç Pompa / Kirlı Su Pompası

BG Инструкция за експлоатация

 Потопяема дренажна помпа /
Помпа за мръсна вода

SQ Manual përdorimi

 Pompë zhytëse /
Pompë për ujın e ndotur

ET Kasutusjuhend

Uputatav pump / Reoveepump

LT Eksploatavimo instrukcija

 Panardinamas siurblys /
Purvino vandens siurblys

LV Lietošanas instrukcija

 Legremdējamais sūknis /
Netīrā ūdens sūknis

GARDENA Clear Water Submersible Pump 7000/C / Dirty Water Submersible Pump 7000/D

1. SAFETY	10
2. INSTALLATION	11
3. OPERATION	13
4. MAINTENANCE	14
5. STORAGE	14
6. TROUBLESHOOTING	14
7. TECHNICAL DATA	15
8. ACCESSORIES	16
9. SERVICE/WARRANTY	16

Original instructions.



This product may be used under supervision, or if instruction regarding the safe use of the product has been provided and the resulting dangers have been understood, by children aged 8 and above, as well as by persons with physical, sensory or mental disabilities or a lack of experience and knowledge. Children must not be allowed to play with the product. Cleaning and user maintenance must not be performed by children without supervision. The use of this product by young people under the age of 16 is not recommended.

Intended use:

The GARDENA 7000/C / 7000/D is intended for private use around the house and garden. It is primarily intended for drainage purposes if flooding occurs but also for transferring water to and from tanks and pumping them out, for drawing water from wells and shafts, for draining boats and yachts and for aerating and circulating water for limited periods.

The product is not intended for long term use (e.g. use for continuous circulation) in a pond. The length of life of the product will be shortened accordingly if used in this way. Corrosive, flammable or explosive substances (e.g. petrol, paraffin, cellulose, thinners); grease, oil, salt water and sewage must not be conveyed by the pump. The temperature of the liquid conveyed may not exceed 35 °C.

Product description:

The product is correct for conveying:

- **Art. 1661 – 7000/C:** clean to slightly dirty water with a max. particle size of 5 mm,
- **Art. 1665 – 7000/D:** dirty water with a max. particle size of 25 mm,

and swimming pool water (provided that the additives have been measured and added in accordance with manufacturers' instructions) and soapy water. The product can be fully submerged (water-tight encapsulation) and can be lowered down to a depth of 7 m into the water.

1. SAFETY

Symbols on the product



CAUTION!

Careless or incorrect use of this product can result in injury to the user or others. Read and understand the content of the operators manual. Keep the manual for future reference.



Read the operator's manual.

General safety instructions

Electrical safety



WARNING! Electric shock!

Risk of injury due to electric shock.

→ **Disconnect the product from the mains before you do maintenance or you replace parts. Thereby the disconnected socket must be in the visual range.**



WARNING!

Electric shock!

- **The product must not be operated if there are people in the swimming pool or garden pond.**
- **Ensure that the electrical plug and socket connections are fitted in an area which cannot flood.**
- **Protect power plug from moisture.**



WARNING!

Electric shock!

→ **With a cut off mains plug, moisture can get into electrical parts via the mains cable and cause a short circuit.**

→ **Never cut the mains plug off (e. g. to feed through wall).**

→ **Don't use the power cable for plugging off.**

The connection cable of the product cannot be replaced. If the cable is damaged the product must be scrapped.



WARNING! Electric shock !

Risk of injury due to electric shock.

→ **The product must be supplied through a residual current device (RCD) having a rated residual operating current not exceeding 30 mA.**

Personal safety

Leaking lubricants can contaminate the pumped liquid.

Additional safety instructions

Electrical safety



WARNING! Cardiac arrest!

This product makes an electromagnetic field while it operates. This field may under some conditions interfere with active or passive medical implants. To decrease the risk of conditions that can possibly injure or kill, we recommend persons with medical implants to speak with their physician and the medical implant manufacturer before you operate the product.

Swimming pools and garden ponds should be designed according to international and national design regulations.

According to DIN VDE (German Electrical Engineers' Association) 0620, mains power cables must not have a smaller cross-section than the rubber-sheathed cables of the designation H05 RN-F. The cable length must be at least 10 m.

Data indicated on the type plate must match technical data of the mains supply.

Disconnect the product from the mains if it is not in use.

Protect plug and power cable from heat, oil and sharp edges.

The power cable or the float switch must not be used for mounting or relocating the pump. For submerging or lift-

ing/securing the pump, fix a rope to the pump's carrying handle.

In Austria, according to ÖVE B/EN 60 555 parts 1 to 3, pumps which are used in swimming pools and garden ponds, and equipped with firm power cable should be fed via an ÖVE approved isolating transformer-rated voltage must not exceed 230 V.

In Switzerland mobile appliances which are used outdoors must be connected via a residual-current device.

A damaged pump must not be used. Before operating the pump look to see if there is any damage to the pump (especially to the power cable and plug). In case of damage, please have the pump checked by our GARDENA Service Centre.

Personal safety



WARNING! Risk of suffocation!

Small parts can be easily swallowed.

There is also a risk that the polybag can suffocate toddlers. Keep toddlers away when you assemble the product.

Never operate the product when you are tired, ill or under the influence of alcohol, drugs or medicine.

Never operate the product with open hairs or scarfs.

Keep bystanders away from the pumped medium.

Clear the outlet line before use. Avoid running the pump with the outlet side closed off for more than 10 minutes. against closed delivery side of the pump.

Observe the minimum water level and the max. delivery height (see 7. TECHNICAL DATA).

Observe the pump at all times during manual operation.

Dry-running operation causes increased wear and is to be avoided. Therefore, in manual operation the pump must be immediately unplugged when water fails to flow.

Take care that the pump is located where the inlet openings at the suction base are not obstructed neither completely nor partly.

Stand the pump on a brick if using in a pond. Use gloves when you remove the suction base.

2. INSTALLATION



WARNING! Electric shock!

Risk of injury due to electric shock.

→ **Disconnect the product from the mains before you do installation.**

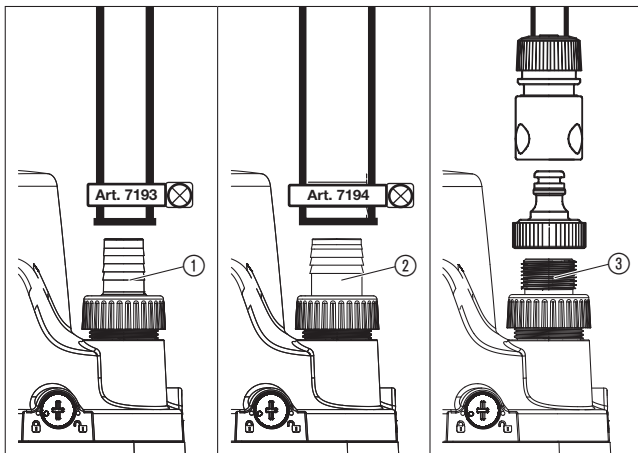
Hose connections:

The hose can be connected via the 3 provided connections:

**Connection
nippel ①**
25 mm (1")

**Connection
nippel ②**
32 mm (1 1/4")

**Connection
thread ③**
33,3 mm (G1)



With GARDENA Hose
Clamp Art. 7193

With GARDENA Hose
Clamp Art. 7194

With the Original
GARDENA System

Note:

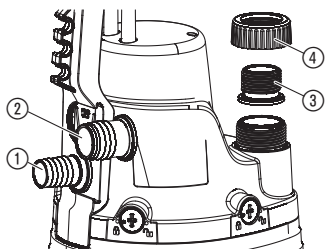
When using a connection with maximum hose diameter, the pump has the maximum delivery capacity.

**Pump connections for the
Original GARDENA System:**

Hose diameter	Pump connection
13 mm (1/2")	GARDENA Pump Connection Set Art. 1750
16 mm (5/8")	GARDENA Tap Connector Art. 18202 with GARDENA Hose Connector Art. 18216
19 mm (3/4")	GARDENA Pump Connection Set Art. 1752

Note:

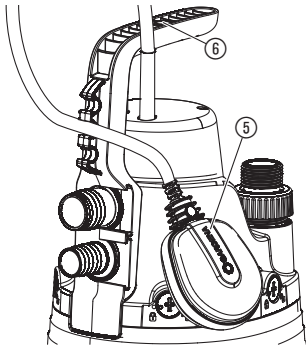
The 13 mm (1/2")/ 16 mm (3/4")-fittings can also be equipped with a GARDENA Regulator Valve Art. No. 2942 for 13 mm (1/2")-hose and Art. No 2943 for 16 mm (3/4")-hose, so that the contents of the outlet line do not flow back through the pump after pumping. The Regulator Valves can be ordered from your GARDENA dealer.

To connect the hose:

1. Put the connection ①, ② or ③ with the collar ④ on the outlet of the pump.
2. Tighten the collar ④.
3. Connect the hose with the connection.

The pump can be operated in both automatic and manual modes.

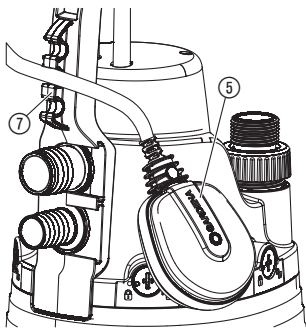
Automatic operation:



The float switch (5) turns the pump on automatically when the water level exceeds the cut-in height and the water is pumped out. The float switch (5) turns the pump off again as soon as the water level falls below the cut-out height.

1. Stand the pump on a firm surface – or – use a rope attached through the bore hole (6) in the carrying handle to immerse the pump in a well or shaft. During automatic operation, ensure that the float switch (5) can move freely.
2. Connect the power cable into a mains socket.

To adjust the cut-in and cut-out height:

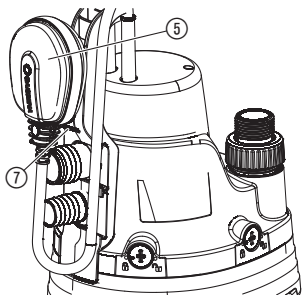


The cut-in height and cut-out height (see 7. TECHNICAL DATA) can be adjusted.

→ Press the cable of the float switch (5) into an opening in the float switch lock (7).

- To ensure the pump is switched off safely, always fix the cable of the float switch in place in one of the three float switch locks on the pump handle.
- Do not select a cable length that is too long or short to ensure that the float switch can turn on and off properly.
- The higher the opening of the float switch lock (7), the higher the cut-in and cut-out height.
- The shorter the length of cable between the float switch (5) and the float switch lock (7), the lower the cut-in height and the higher the cut-out height.
- The cable length between the float switch (5) and the float switch lock (7) must always be at least 10 cm.

Manual operation:



The minimum residual water depth (see 7. TECHNICAL DATA) is only achieved in manual mode because the float switch already switches off the pump before this when in automatic mode.

1. Push the float switch (5) onto the float switch lock (7) with the cable downward.
2. Stand the pump on a firm surface – or – use a rope attached through the bore hole (6) in the carrying handle to immerse the pump in a well or shaft.
3. Connect the power cable into a mains socket.

The pump remains in constant operation because the float switch is bypassed.



WARNING! Electric shock!
Risk of injury due to electric shock.

→ **Disconnect the product from the mains before you do maintenance.**

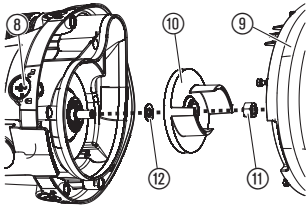
To flush the pump:

The GARDENA Clear Water Submersible Pump/Dirty Water Submersible Pump should not require regular maintenance.

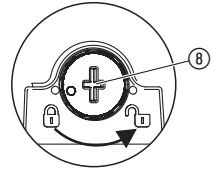
After pumping pumped chlorinated swimming pool water or other liquids leaving residues, the pump should be flushed with clear water.

1. Immerse the pump in clear water.
2. Flush the pump with clear water.

To clean the suction base and the feed impeller:



1. Unlock (counterclockwise) the 5 turn-locks ⑧ with a screwdriver.
2. Remove the suction base ⑨.
3. Loosen the nut ⑪.
4. Remove the feed impeller ⑩ and the washer ⑫.
5. Clean the suction base ⑨ and the feed impeller ⑩.
6. Put the washer ⑫ and the feed impeller ⑩ on the motor shaft.
7. Screw the nut ⑪ on the motor shaft.
8. Put the suction base ⑨ on the pump.
9. Lock (clockwise) the turn-locks ⑧ with a screwdriver.



5. STORAGE

To put into storage:



The product must be stored away from children.

1. Clean and stowe the product in a frost-free place before the first frost arrives.

Disposal:

(in accordance with
 RL2012/19/EC)



The product must not be added to normal household waste. It must be disposed of in line with local environmental regulations.

IMPORTANT!

Make sure that the product is discarded through or via your municipal recycling collection centre.

6. TROUBLESHOOTING



WARNING! Electric shock!
Risk of injury due to electric shock.

→ **Disconnect the product from the mains before you do troubleshooting.**

Problem	Possible Cause	Remedy
Pump is running, but does not deliver	Air cannot escape as pressure line is closed (e.g. kinked pressure hose).	→ Open the pressure line.
	Air locks in the suction base.	→ Wait for max. 60 sec. until the pump deaerates automatically over the vent valve. If necessary, switch off and start it again.
	Feed impeller is clogged.	→ Clean the feed impeller (see 4. MAINTENANCE).
	Water height falls below the minimum water level.	→ Submerge the pump deeper into the water.
Pump doesn't start or suddenly stops during operation	Thermal overload switch has switched the pump off due to overheating.	→ Clean the feed impeller (see 4. MAINTENANCE). → Observe the maximum water temperature of 35 °C.
	No power.	→ Check fuse and electrical plug and socket connections.
	Dirt particles are jammed in the suction base.	→ Clean the suction base (see 4. MAINTENANCE).
Pump runs, but output suddenly decreases	Suction base is clogged.	→ Clean the suction base (see 4. MAINTENANCE).



NOTE: For any other malfunctions please contact the GARDENA service department. Repairs must only be done by GARDENA service departments or specialist dealers approved by GARDENA.

7. TECHNICAL DATA

<i>Clear Water Submersible Pump/ Dirty Water Submersible Pump</i>	Unit	Value (Art. 1661)	Value (Art. 1665)
Rated Power	W	300	300
Mains voltage	V	230	230
Mains frequency	Hz	50	50
Connection cable length	m	10	10
Max. delivery capacity	l/h	7000	7000
Max. pressure	bar	0.5	0.5
Max. head	m	5	5
Max. submersion depth	m	7	7
Min./Max. depth for switching on	mm	approx. 260 / 460	approx. 285 / 485
Min./Max. depth for switching off	mm	approx. 50 / 150	approx. 75 / 175
Residual depth of water	mm	Empties down to 5	30

<i>Clear Water Submersible Pump/ Dirty Water Submersible Pump</i>	Unit	Value (Art. 1661)	Value (Art. 1665)
Dirty water with max. particle diameter	mm	5	25
Pump connections		1" / 1 1/4" / 1" thread	1" / 1 1/4" / 1" thread
Min. water level at start-up	mm	25	40
Weight	kg	3.8	4.0
Max. water temperature	°C	35	35

Cut-in/Cut-out height:

The cut-in and cut-out height varies. The residual water height is only reached during manual operation (see 3. OPERATION).

8. ACCESSORIES

GARDENA Hose Clamp	for 25 mm (1") hoses	Art. 7193
GARDENA Hose Clamp	for 32 mm (1 1/4") hoses	Art. 7194
GARDENA Pump Connection Set	for 13 mm (1/2") hoses	Art. 1750
GARDENA Tap Connector with GARDENA Hose Connector	for 16 mm (5/8") hoses	Art. 18202 with Art. 18216
GARDENA Pump Connection Set	for 19 mm (3/4") hoses	Art. 1752

9. SERVICE/WARRANTY

Service:

Please contact the address on the back page.

Warranty:

In the event of a warranty claim, no charge is levied to you for the services provided.

GARDENA Manufacturing GmbH offers a two-year warranty (effective as of the date of purchase) for this product. This warranty includes all significant defects of the product that can be proved to be material or manufacturing faults. This warranty is fulfilled by supplying a fully functional replacement product or by repairing the faulty product sent to us free of charge; we reserve the right to choose between these options. This service is subject to the following provisions:

- The product was used for its intended purpose as per the recommendations in the operating instructions.

- Neither the purchaser nor a third party has attempted to repair the product.

This manufacturer's warranty does not affect warranty entitlements against the dealer/retailer.

If problems arise with this product, please contact our Service department or send the defective product along with a brief description of the fault to GARDENA Manufacturing GmbH, making sure to have sufficiently covered any shipping costs and to have followed the relevant postage and packaging guidelines. A warranty claim must be accompanied by a copy of the proof of purchase.

Consumables:

The feed impeller is a consumable and is not included in the warranty.

DE Produkthaftung

Wir weisen ausdrücklich darauf hin, dass wir in Übereinstimmung mit dem Produkthaftungsgesetz nicht für Schäden haften, die durch unsere Produkte entstehen, wenn diese unsachgemäß und nicht durch einen von uns autorisierten Servicepartner repariert wurden oder wenn keine Original GARDENA Teile oder von uns zugelassene Teile verwendet wurden.

EN Product liability

In accordance with the German Product Liability Act, we hereby expressly declare that we accept no liability for damage incurred from our products where said products have not been properly repaired by a GARDENA-approved service partner or where original GARDENA parts or parts authorised by GARDENA were not used.

FR Responsabilité

Conformément à la loi relative à la responsabilité du fait des produits défectueux, nous déclarons expressément par la présente que nous déclinons toute responsabilité pour les dommages résultant de nos produits, si lesdits produits n'ont pas été correctement réparés par un partenaire d'entretien agréé GARDENA ou si des pièces d'origine GARDENA ou des pièces agréées GARDENA n'ont pas été utilisées.

NL Productaansprakelijkheid

Conform de Duitse wet inzake productaansprakelijkheid verklaren wij hierbij uitdrukkelijk dat wij geen aansprakelijkheid aanvaarden voor schade ontstaan uit onze producten waarbij deze producten niet zijn gerepareerd door een GARDENA-erkende servicepartner of waarbij geen originele GARDENA-onderdelen of onderdelen die door GARDENA zijn goedgekeurd zijn gebruikt.

SV Produktsvar

I enlighet med tyska produktansvarslagar förklarar vi härmed uttryckligen att vi inte åtar oss något ansvar för skador som orsakas av våra produkter där produkterna inte har genomgått korrekt reparation från en GARDENA-godkänd servicepartner eller där originaldelar från GARDENA eller delar godkända av GARDENA inte använts.

DA Produktsvar

I overensstemmelse med den tyske produktansvarslov erklærer vi hermed udtrykkeligt, at vi ikke påtager os noget ansvar for skader på vores produkter, hvis de pågældende produkter ikke er blevet repareret korrekt af en GARDENA-godkendt servicepartner, eller hvor der ikke er brugt originale GARDENA-reservedele eller godkendte reservedele fra GARDENA.

FI Tuotevastuu

Saksan tuotevastuulain mukaisesti emme ole vastuussa laitteiden vaurioista, jos korjauksia ei ole tehnyt GARDENAn hyväksymä huoltoliike tai jos niiden syyinä on muiden kuin alkuperäisten GARDENA-varaosien tai GARDENAn hyväksymien varaosien käyttö.

IT Responsabilità del prodotto

In conformità con la Legge tedesca sulla responsabilità del prodotto, con la presente dichiariamo espressamente che decliniamo qualsiasi responsabilità per danni causati dai nostri prodotti qualora non siano stati correttamente riparati presso un partner di assistenza approvato GARDENA o laddove non siano stati utilizzati ricambi originali o autorizzati GARDENA.

ES Responsabilidad sobre el producto

De acuerdo con la Ley de responsabilidad sobre productos alemana, por la presente declaramos expresamente que no aceptamos ningún tipo de responsabilidad por los daños ocasionados por nuestros productos si dichos productos no han sido reparados por un socio de mantenimiento aprobado por GARDENA o si no se han utilizado piezas originales GARDENA o piezas autorizadas por GARDENA.

PT Responsabilidade pelo produto

De acordo com a lei alemã de responsabilidade pelo produto, declaramos que não nos responsabilizamos por danos causados pelos nossos produtos, caso os tais produtos não tenham sido devidamente reparados por um parceiro de assistência GARDENA aprovado ou se não tiverem sido utilizadas peças GARDENA originais ou peças autorizadas pela GARDENA.

PL Odpowiedzialność za produkt

Zgodnie z niemiecką ustawą o odpowiedzialności za produkt, niniejszym wyraźnie oświadczamy, że nie ponosimy żadnej odpowiedzialności za szkody poniesione na skutek użytkowania naszych produktów, w przypadku gdy naprawa tych produktów nie była odpowiednio przeprowadzana przez zatwierdzonego przez firmę GARDENA partnera serwisowego lub nie stosowano oryginalnych części GARDENA albo części autoryzowanych przez tę firmę.

HU Termékszavatosság

A németországi termékzsavatossági törvénnyel összhangban ezzel nyomatékosan kijelentjük, hogy nem vállalunk felelősséget a termékeinkben keletkezett olyan károkért, amelyek valamely GARDENA által jóváhagyott szervizpartner által nem megfelelően végzett javításból adódtak, vagy amely során nem eredeti GARDENA alkatrészeket vagy a GARDENA által jóváhagyott alkatrészeket használtak fel.

CS Odpovědnost za výrobek

V souladu s německým zákonem o odpovědnosti za výrobek tímto výslovně prohlašujeme, že nepřijímáme žádnou odpovědnost za poškození vzniklá na našich výrobcích, kdy zmíněné výrobky nebyly řádně opraveny schváleným servisním partnerem GARDENA nebo kdy nebyly použity originální náhradní díly GARDENA nebo náhradní díly autorizované společností GARDENA.

SK Zodpovednosť za produkt

V súlade s nemeckými právnymi predpismi upravujúcimi zodpovednosť za výrobok týmto výslovne prehlasujeme, že nenesieme žiadnu zodpovednosť za škody spôsobené našimi výrobkami, v prípade ktorých neboli náležité opravy vykonané servisným partnerom schváleným spoločnosťou GARDENA alebo neboli použité diely spoločnosti GARDENA alebo diely schválené spoločnosťou GARDENA.

EL Ευθύνη προϊόντος

Σύμφωνα με τον γερμανικό νόμο περί Ευθύνης για τα Προϊόντα, με το παρόν δηλώνουμε ρητώς ότι δεν αποδεχόμαστε καμία ευθύνη για τυχόν ζημιές που προκύπτουν από τα προϊόντα μας εάν αυτά δεν έχουν επισκευαστεί σωστά από κάποιον εγκεκριμένο συνεργάτη επισκευών της GARDENA ή εάν δεν έχουν χρησιμοποιηθεί αυθεντικά εξαρτήματα GARDENA ή εξαρτήματα εγκεκριμένα από την GARDENA.

SL Odgovornost proizvajalca

V skladu z nemškimi zakoni o odgovornosti za izdelke, izrecno izjavljajo, da ne sprejemamo nobene odgovornosti za škodo, ki jo povzročijo naši izdelki, če teh niso ustrezno popravili GARDENINI odobreni servisni partnerji ali pri tem niso bili uporabljeni originalni GARDENINI nadomestni deli ali GARDENINIMI homologiranimi nadomestnimi deli.

HR Pouzdanost proizvoda

Sukladno njemačkom zakonu o pouzdanosti proizvoda, ovime izričito izjavljujemo kako ne prihvaćamo nikakvu odgovornost za oštećenja na našim proizvodima nastala uslijed neispravnog popravka od strane servisnog partnera kojeg odobrava GARDENA ili uslijed nekorištenja originalnih GARDENA dijelova ili dijelova koje odobrava GARDENA.

RO Răspunderea pentru produs

În conformitate cu Legea germană privind răspunderea pentru produs, declarăm în mod expres prin prezentul document că nu acceptăm nicio răspundere pentru defecțiunile suferite de produsele noastre atunci când acestea nu au fost reparate în mod corect de un atelier de service partener, aprobat de GARDENA, sau când nu au fost utilizate piese GARDENA originale sau piese autorizate de GARDENA.

BG Отговорност за вреди, причинени от стоки

Съгласно германския Закон за отговорността за вреди, причинени от стоки, с настоящото изрично декларираме, че не носим отговорност за щети, причинени от нашите продукти, ако те не са били правилно ремонтирани от одобрен от GARDENA сервиз или ако не са използвани оригинални части на GARDENA или части, одобрени от GARDENA.

ET Tootevastutus

Vastavalt Saksamaa tootevastutusseadusele deklareerime kaesolevaga selgesõnaliselt, et me ei kannu mingisugust vastutust meie toodetest tingitud kahjude eest, kui need tooted ei ole korrektselt parandatud GARDENA heakskiidetud hoolduspartneri poolt või kui parandamisel ei ole kasutatud GARDENA originaalosi või GARDENA volitatud osi.

LT Gaminio patikimumas

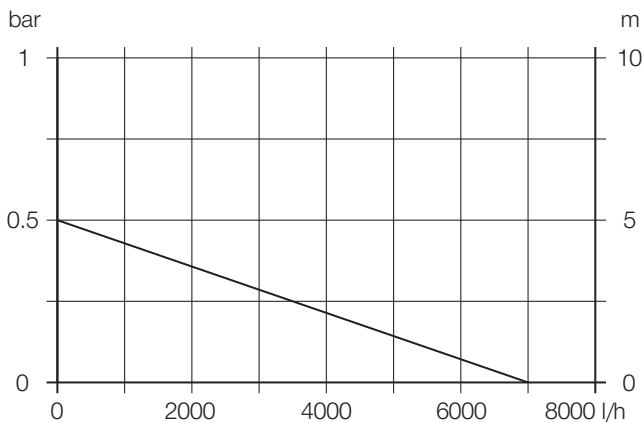
Mes aiškiai pareiškiame, kad, atsižvelgiant į Vokietijos gaminių patikimumo įstatymą, neprisiimame atsakomybės dėl bet kokios žalos, patirtos dėl mūsų gaminių, jeigu jie buvo netinkamai taisomi arba jų dalys buvo pakeistos neoriginaliomis GARDENA dalimis ar nepatvirtintomis dalimis, arba jeigu remonto darbai buvo atliekami ne GARDENA techninės priežiūros centro specialistų.

LV Atbildība par produkcijas kvalitāti

Saskaņā ar Vācijas likumu par atbildību par produkcijas kvalitāti ar šo mēs paziņojam, ka neuzņemamies atbildību par bojājumiem, kas radušies, lietojot mūsu izstrādājumus, kuru remontu nav veicis uzņēmuma GARDENA apstiprināts apkopes partneris vai kuru remontam netika izmantotas oriģinālās GARDENA detaļas vai detaļas, kuru lietošanu apstiprinājis uzņēmums GARDENA.

<p>DE EU-Konformitätserklärung Der Unterzeichner, Husqvarna AB, 561 82 Huskvarna, Schweden, bescheinigt hiermit, dass die nachstehend aufgeführten Geräte bei Verlassen des Werks die harmonisierten EU-Leitlinien, EU-Normen für Sicherheit und besondere Normen erfüllen. Dieses Zertifikat verliert seine Gültigkeit, wenn die Geräte ohne unsere Genehmigung verändert werden.</p>	<p>HU EK megfeleléségi nyilatkozat Alulírott Husqvarna AB, 561 82 Huskvarna, Svédország ezzel tanúsítja, hogy az alábbiakban leírt egységek a gyár elhagyásakor megfelelték a harmonizált uniós előírásoknak és biztonsági és termékspecifikus szabványoknak. Ez a tanúsítvány érvényes veszt, ha az egységeket jóváhagyásunk nélkül átalakítják.</p>
<p>EN EC Declaration of Conformity The undersigned, Husqvarna AB, 561 82 Huskvarna, Sweden, hereby certifies that, when leaving our factory, the units indicated below are in accordance with the harmonised EU guidelines, EU standards of safety and product specific standards. This certificate becomes void if the units are modified without our approval.</p>	<p>CS Prohlášení o shodě ES Niže uvedená společnost Husqvarna AB, 561 82 Huskvarna, Švédsko, tímto potvrzuje, že při opuštění naší továrny jsou jednotky uvedené níže v souladu s harmonizačními pokyny EU, standardy EU ohledně bezpečnosti a specifickými produktovými standardy. Tento certifikát pozbyvá platnosti, pokud dojde k úpravě jednotek bez našeho schválení.</p>
<p>FR Déclaration de conformité CE Le constructeur, soussigné : Husqvarna AB, 561 82 Huskvarna, Suède, déclare qu'à la sortie de ses usines le matériel neuf désigné ci-dessous était conforme aux prescriptions des directives européennes énoncées ciaprès et conforme aux règles de sécurité et autres règles qui lui sont applicables dans le cadre de l'Union européenne. Toute modification apportée à cet appareil sans notre accord annule la validité de ce certificat.</p>	<p>SK EÚ vyhlásenie o zhode Dolu podpísaná spoločnosť Husqvarna AB, 561 82 Huskvarna, Švédsko týmto osvedčuje, že nižšie uvedené jednotky boli v súlade s harmonizačnými usmerneniami EÚ, normami EÚ v oblasti bezpečnosti a špecifickými normami týkajúcimi sa produktu v čase opustenia výrobného závodu. Toto osvedčenie stráca platnosť, ak boli jednotky zmenené bez nášho súhlasu.</p>
<p>NL EG-conformiteitsverklaring De ondergetekende, Husqvarna AB, 561 82 Huskvarna, Zweden, verklaart hierbij dat de producten die hieronder staan vermeld, wanneer ze onze fabriek verlaten, in overeenstemming zijn met de geharmoniseerde Europese richtlijnen, EU-normen voor veiligheid en productspecifieke normen. Dit certificaat vervalt als de producten worden aangepast zonder onze toestemming.</p>	<p>EL Δήλωση Συμμόρφωσης EK Η υπογεγραμμένη εταιρεία, Husqvarna AB, 561 82 Huskvarna, Σουηδία, πιστοποιεί ότι, κατά την έξοδο από το εργοστάσιο, οι μονάδες που αναφέρονται κατωτέρω συμμορφώνονται με τις ευρωπαϊκές οδηγίες ΕΕ, τα πρότυπα ασφαλείας της ΕΕ και τα συγκεκριμένα πρότυπα προϊόντος. Αυτό το πιστοποιητικό καθίσταται άκυρο εάν οι μονάδες έχουν τροποποιηθεί χωρίς την έγκρισή μας.</p>
<p>SV EG-försäkran om överensstämmelse Undertecknad firma Husqvarna AB, 561 82 Huskvarna, Sverige, intygar härmed att nedan nämnda produkter, när de lämnar vår fabrik, överensstämmer med EUs riktlinjer, EUs säkerhetsstandarder och produktspecifika standarder. Detta intyg skall ogiltigförklaras om produkten ändras utan vårt godkännande.</p>	<p>SL Izjava ES o skladnosti Spodaj podpisana, Husqvarna AB, 561 82 Huskvarna, Švedska, s to izjavo potrjuje, da je bila spodaj navedena enota ob izhodu iz tovarne skladna z usklajalnimi smernicami EÚ, standardi EÚ za varnost in standardi, specifičnimi za izdelek. Izjava postane neveljavna v primeru neodobrene spremembe enote.</p>
<p>DA EU-overensstemmelseserklæring Undertegnede, Husqvarna AB, 561 82 Huskvarna, Sverige erklærer hermed, at nedenfor anførte enheder er i overensstemmelse med de harmoniserede EU-retningslinjer, EU-standarder for sikkerhed og produktspecifikke standarder, når de forlader fabrikken. Denne erklæring ugyldiggøres, hvis enhederne ændres uden vores godkendelse.</p>	<p>HR Izjava o uskladenosti EZ Niže potpisana Husqvarna AB, 561 82 Huskvarna, Švedska, ovime potvrđuje kako su u nastavku navedene jedinice prilikom napuštanja tvornice bile u skladu s uskladenim smjernicama EU, EU sigurnosnim standardima i standardima specifičnima za proizvod. Ova certifikacija poništava se ako se jedinice izmjenjuju bez odobrenja.</p>
<p>FI EY-vaatimustenmukaisuusvakuutus Husqvarna AB, 561 82 Huskvarna, Ruotsi, vakuuttaa täten, että alla mainitut lait-teet ovat tehtaalta lähtiesään yhdenmukaiset EU-säännösten, EU:n turva-standardien ja tuotekohtaisten standardien mukaisia. Tämä vakuutus mitätöityy, jos laitteita muokataan ilman hyväksyntäämme.</p>	<p>RO Declarație de conformitate CE Subscrisa, Husqvarna AB, 561 82 Huskvarna, Suedia, certifică prin prezenta că, la momentul ieșirii din fabrica noastră, unitățile indicate mai jos sunt în conformitate cu directivele UE armonizate, cu standardele UE de siguranță și cu standardele specifice ale produsului. Prezentul certificat devine nul dacă unitățile sunt modificate fără aprobarea noastră.</p>
<p>IT Dichiarazione di conformità CE La sottoscritta Husqvarna AB, 561 82 Huskvarna, Svezia, certifica che il prodotto qui di seguito indicato, nei modelli da noi commercializzati, è conforme alle direttive armonizzate UE nonché agli standard di sicurezza UE e agli standard specifici di prodotto. Qualunque modifica apportata al prodotto senza nostra specifica autorizzazione invalida la presente dichiarazione.</p>	<p>BG Декларация за съответствие на ЕО С настоящото долуподписаната, Husqvarna AB, 561 82 Huskvarna, Швеция, удостоверява, че при напускане на фабриката модулите, посочени по-долу, са в съответствие с хармонизираните директиви на ЕС, стандартите на ЕС за безопасност и специфичните за продукта стандарти. Този сертификат става невалиден, ако модулите са променени без нашето одобрение.</p>
<p>ES Declaración de conformidad CE El abajo firmante, Husqvarna AB, 561 82 Huskvarna, Suecia, certifica por la presente que, cuando salen de la fábrica, las unidades indicadas a continuación cumplen las normas de armonización de la UE, las normas de la UE sobre seguridad y las normas específicas del producto. Este certificado quedará sin efecto si se modifican las unidades sin nuestra autorización.</p>	<p>ET EÜ vastavusdeklaratsioon Allkirjutanu Husqvarna AB, 561 82 Huskvarna, Rootsi, kinnitab käesolevaga, et tehased väljaminev vastavad alpool nimetatud seadmed harmoneeritud EL-i suunistele, EL-i ohutusstandarditele ja tootete eriomastele standarditele. See vastavuskinnitus kaotab kehtivuse, kui seadet muudetakse ilma meie heakskiuduta.</p>
<p>PT Declaração de conformidade CE O abaixo assinado, Husqvarna AB, 561 82 Huskvarna, Suécia, certifica por este meio que, ao sair da nossa fábrica, as unidades indicadas acima estão em conformidade com as diretivas uniformizadas da UE, os padrões de segurança da UE e os padrões específicos do produto. Este certificado deixa de ser válido se as unidades forem modificadas sem a nossa aprovação.</p>	<p>LT EB atitikties deklaracija Husqvarna AB, 561 82 Huskvarna, Sweden, garantuoja, kad iš gamyklos siunčiami toliau nurodyti įrenginiai atitinka suderintus EB reikalavimus, EB saugos ir konkretaus gaminio standartus. Pakeltus gaminį be mūsų patvirtinimo, nutraukiamas šio sertifikato galiojimas.</p>
<p>PL Deklaracja zgodności WE Niżej podpisany przedstawiciel firmy Husqvarna AB, 561 82 Huskvarna, Szwecja, niniejszym oświadcza, że podane poniżej wyroby opuszczające fabrykę są zgodne ze zharmonizowanymi normami UE oraz z obowiązującymi w UE przepisami bezpieczeństwa i normami dotyczącymi danego produktu. Modyfikacja wyrobów bez naszej zgody powoduje unieważnienie niniejszego certyfikatu.</p>	<p>LV EK atbilstības deklarācija Uzņēmums Husqvarna AB, 561 82 Huskvarna, Zviedrija, ar parakstu apliecina, ka tālāk minētās vienības, pametot rūpniec, atbilst saskatotajām ES vadlīnijām, ES drošības standartiem un izstrādājumu specifiskajiem standartiem. Šis sertifikāts tiek anulēts, ja šīs vienības tiek modificētas bez mūsu apstiprinājuma.</p>

Pumpen-Kennlinien
Performance characteristics
Courbes de performance
Prestatiegrafiek
Kapacitetskurva
Ydelses karakteristika
Pumpun ominaiskäyrä
Pumpekarakteristikk
Curva di rendimento
Curva característica de la bomba
Características de performance
Charakterystyka pompy
Szivattyú-jelleggörbe
Charakteristika čerpadla
Charakteristiky čerpadla
Χαρακτηριστικό διάγραμμα
Характеристика насоса
Karakteristika črpalka
Obilježja pumpe
Karakteristika pumpe
Крива характеристики насоса
Characteristică pompi
Pompa karakter eğrisi
Помпена характеристика
Fuqia e pompës
Pumba karakteristik
Siurblio charakteristinė kreivė
Σύκφη ρακστurlíkne



Deutschland / Germany

GARDENA
 Manufacturing GmbH
 Central Service
 Hans-Lorenser-Straße 40
 D-89079 Ulm
 Produktfragen:
 (+49) 731 490-123
 Reparaturen:
 (+49) 731 490-290
 service@gardena.com

Albania

COBALT Sh.p.k.
 Rr. Siri Kodra
 1000 Tirana

Argentina

Husqvarna Argentina S.A.
 Av.del Libertador 5954 –
 Piso 11 – Torre B
 (C1428ARP) Buenos Aires
 Phone: (+54) 11 5194 5000
 info.gardena@
 ar.husqvarna.com

Armenia

Garden Land Ltd.
 61 Tigran Mets
 0005 Yerevan

Australia

Husqvarna Australia Pty. Ltd.
 Locked Bag 5
 Central Coast BC
 NSW 2252
 Phone: (+61) (0) 2 4352 7400
 customer.service@
 husqvarna.com.au

Austria / Österreich

Husqvarna Austria GmbH
 Industriezeile 36
 4010 Linz
 Tel.: (+43) 732 77 01 01-485
 service.gardena@
 husqvarnagroup.com

Azerbaijan

Firm Progress a.
 Aliyev Str. 26A
 1052 Baku

Belgium

Husqvarna België nv/sa
 Gardena Division
 Rue Egide Van Ophem 111
 1180 Uccle/Ukkel
 Tel.: (+32) 2 720 92 12
 info@gardena.be

Bosnia / Herzegovina

SILK TRADE d.o.o.
 Industrijska zona Bukva bb
 74260 Tešanj

Brazil

Husqvarna do Brasil Ltda
 Av. Francisco Matarazzo,
 1400 – 19º andar
 São Paulo – SP
 CEP: 05001-903
 Tel: 0800-112252
 marketing.br.husqvarna@
 husqvarna.com.br

Bulgaria

AGROLAND България АД
 бул. 8 Декември, №13
 София
 1700 Студентски град
 София
 Tel.: (+359) 2466 69 10
 info@agroland.eu

Canada / USA

GARDENA Canada Ltd.
 100 Summerlea Road
 Brampton, Ontario L6T 4X3
 Phone: (+1) 905 792 93 30
 info@gardenacanada.com

Chile

Maquinarias Agroforestales
 Ltda. (Maga Ltda.)
 Santiago, Chile
 Avda. Chesteron
 # 8355 comuna Las Condes
 Phone: (+56) 2 202 4417
 Dalton@maga.cl
 Zipcode: 7560330

China

Husqvarna (China) Machinery
 Manufacturing Co., Ltd.
 No. 1355, Jia Xin Rd.,
 Ma Lu Zhen, Jia Ding Dist.,
 Shanghai
 201801
 Phone: (+86) 21 59159629
 Domestic Sales
 www.gardena.com.cn

Colombia

Husqvarna Colombia S.A.
 Calle 18 No. 68 D-31, zona
 Industrial de Montevideo
 Bogotá, Cundinamarca
 Tel. 571 2922700 ext. 105
 jairo.salazar@
 husqvarna.com.co

Costa Rica

Compania Exim
 Euroiberoamericana S.A.
 Los Colegios, Moravia,
 200 metros al Sur del Colegio
 Saint Francis – San José
 Phone: (+506) 297 68 83
 exim_euro@racsa.co.cr

Croatia

SILK ADRIA d.o.o.
 Josipa Lončara 3
 10090 Zagreb
 Phone: (+385) 1 3794 580
 silk.adria@zg.t-com.hr

Cyprus

Med Marketing
 17 Digeni Akritia Ave
 P.O. Box 27017
 1641 Nicosia

Czech Republic

Husqvarna Česko s.r.o.
 Tůrkova 2319/5b
 149 00 Praha 4 – Chodov
 Bezplatná infolinika:
 800 100 425
 servis@cz.husqvarna.com

Denmark

GARDENA DANMARK
 Leirvej 19, st.
 3500 Værløse
 Tlf.: (+45) 70264770
 husqvarna@husqvarna.dk
 www.gardena.com/dk

Dominican Republic

BOSQUESA, S.R.L
 Carretera Santiago Licey
 Km. 5 ½
 Esquina Copal II,
 Santiago
 Dominican Republic
 Phone: (+809) 736-0333
 josebosquesa@claro.net.do

Ecuador

Husqvarna Ecuador S.A.
 Arupos E1-181 y 10 de
 Agosto Quito, Pichincha
 Tel. (+593) 22800739
 francisco.jacom@
 husqvarna.com.ec

Estonia

Husqvarna Eesti OÜ
 Gardena Division
 Valdeku 132
 Tallinn
 11216, Estonia
 info@gardena.ee

Finland

Oy Husqvarna Ab
 Gardena Division
 Lauttarhankatu 8 / PL 3
 00581 HELSINKI
 info@gardena.fi

France

Husqvarna France
 9/11 Allée des pierres mayettes
 92635 Gennevilliers Cedex
 France
 http://www.gardena.com/fr
 N° AZJUR: 0 810 00 78 23
 (Prix d'un appel local)

Georgia

ALD Group
 Belashvili 8
 1159 Tbilisi

Great Britain

Husqvarna UK Ltd
 Preston Road
 Aycliffe Industrial Park
 Newton Aycliffe
 County Durham
 DL5 6UP
 info.gardena@
 husqvarna.co.uk

Greece

Π. ΠΑΠΑΔΟΠΟΥΛΟΣ ΑΕΒΕ
 Λεωφ. Αθηνών 92
 Αθήνα
 T.K. 104 42
 Ελλάδα
 Τηλ. (+30) 210 5193 100
 info@papadopoulos.com.gr

Hungary

Husqvarna Magyarország Kft.
 Ezred u. 1-3
 1044 Budapest
 Telefon: (+36) 1 251-4161
 nevoszolgalat.husqvarna@
 husqvarna.hu

Iceland

Ó. Johnson & Kaaber
 Tunguhalsi 1
 110 Reykjavik
 ooj@ojk.is

Ireland

Husqvarna UK Ltd
 Preston Road
 Aycliffe Industrial Park
 Newton Aycliffe
 County Durham
 DL5 6UP
 info.gardena@
 husqvarna.co.uk

Italy

Husqvarna Italia S.p.A.
 Via Santa Vecchia 15
 23868 VALMADRERA (LC)
 Phone: (+39) 0341.203.111
 assistenza.italia@
 it.husqvarna.com

Japan

KAKUICHI Co. Ltd.
 Sumitomo Realty &
 Development Kojimachi
 BLDG., 8F
 5-1 Nibanncyo
 Chiyoda-ku
 Tokyo 102-0084
 Phone: (+81) 33 264 4721
 m_ishihara@kaku-ichi.co.jp

Kazakhstan

LAMED Ltd.
 155/1, Tazhibayevoy Str.
 050060 Almaty
 IP Schmidt
 Abayavenue 3B
 110 005 Kostanay

Korea

Kyung Jin Trading CO., LTD.
 107-4, SunDuk Bid.,
 YangJae-dong,
 Seocho-gu,
 Seoul, (zipcode: 137-891)
 Phone: (+82) (0)2 574-6300

Kyrgyzstan

Alive Maki
 av. Molodaya Guardir J 3
 720014
 Bishkek

Latvia

Husqvarna Latvija SIA
 Gardena Division
 Ulbrokas 19A
 LV-1021 Riga
 info@gardena.lv

Lithuania

UAB Husqvarna Lietuva
 Gardena Division
 Ateities pl. 77C
 LT-52104 Kaunas
 info@gardena.lt

Luxembourg

Magasins Jules Neuberg
 39, rue Jacques Stas
 Luxembourg-Gasperich 2549
 Case Postale No. 12
 Luxembourg 2010
 Phone: (+352) 40 14 01
 api@neuberg.lu

Mexico

AFOSA
 Av. Lopez Mateos Sur # 5019
 Col. La Calma 45070
 Zapopan, Jalisco
 Mexico
 Phone: (+52) 33 3818-3434
 icornejo@afosa.com.mx

Moldova

Convel S.R.L.
 290A Muncesti Str.
 2002 Chisinau

Netherlands

Husqvarna Nederland B.V.
 GARDENA Division
 Postbus 50131
 1305 AC ALMERE
 Phone: (+31) 36 521 00 10
 info@gardena.nl

Neth. Antilles

Jonka Enterprises N.V.
 Sta. Rosa Weg 196
 P.O. Box 8200
 Curaçao
 Phone: (+599) 9 767 66 55
 pgm@jonka.com

New Zealand

Husqvarna New Zealand Ltd.
 PO Box 76-437
 Manukau City 2241
 Phone: (+64) (0) 9 9202410
 support.nz@husqvarna.co.nz

Norway

Husqvarna Norge AS
 Gardena Division
 Trøskeneveien 36
 1708 Sarpsborg
 Tel: 69 10 47 00
 www.gardena.no

Peru

Husqvarna Perú S.A.
 Jr. Ramón Cárcamo 710
 Lima 1
 Tel: (+51) 1 3320400 ext. 4176
 juan.rumzogo@
 husqvarna.com

Poland

Husqvarna
 Poland Spółka z o.o.
 ul. Wysockiego 15 b
 03-371 Warszawa
 Phone: (+48) 22 330 96 00
 gardena@husqvarna.com.pl

Portugal

Husqvarna Portugal, SA
 Lagoa - Albartraque
 2635 - 595 Rio de Mouro
 Tel.: (+351) 21 922 85 30
 Fax.: (+351) 21 922 85 36
 info@gardena.pt

Romania

Madex International Srl
 Soseaua Odail 117 - 123,
 RO 013603 Bucuresti, S.R.
 Phone: (+40) 21 352.76.03
 madex@ines.ro

Russia / Россия

ООО „Хускварна“
 141400, Московская обл.,
 г. Химки,
 улица Ленинградская,
 владение 39, стр.6
 Бизнес Центр
 „Химки Бизнес Парк“,
 помещение OB02_04
 http://www.gardena.ru

Serbia

Domei d.o.o.
 Autoput za Novi Sad bb
 11273 Belgrade
 Phone: (+381) 11 848 88 12
 miroslav.jejina@domex.rs

Singapore

Hy-Ray PRIVATE LIMITED
 40 Jatan Pampinjan
 #02-08 Tat Ann Building
 Singapore 577185
 Phone: (+65) 6253 2277
 shiyang@hyray.com.sg

Slovak Republic

Husqvarna Česko s.r.o.
 Tůrkova 2319/5b
 149 00 Praha 4 – Chodov
 Bezplatná infolinika:
 800 154 044
 servis@sk.husqvarna.com

Slovenia

Husqvarna Austria GmbH
 Industriezeile 36
 4010 Linz
 Tel.: (+43) 732 77 01 01-485
 service.gardena@
 husqvarnagroup.com

South Africa

Husqvarna
 Husqvarna (Pty) Ltd
 Postnet Suite 250
 Private Bag X6,
 Cascades, 3202
 South Africa
 Phone: (+27) 33 846 9700
 info@gardena.co.za

Spain

Husqvarna España S.A.
 Calle de Rivas nº 10
 28052 Madrid
 Phone: (+34) 91 708 05 00
 atencioncliente@gardena.es

Suriname

Agrofix n.v.
 Verlengde Hogestraat # 22
 Phone: (+597) 472426
 agrofix@sr.net
 Pobox : 2006
 Paramaribo
 Suriname – South America

Sweden

Husqvarna AB
 Gardena Division
 S-561 82 Huskvarna
 info@gardena.se

Switzerland / Schweiz

Husqvarna Schweiz AG
 Consumer Products
 Industriestrasse 10
 5506 Mägenwil
 Phone: (+41) (0) 62887 37 90
 info@gardena.ch

Turkey

Dost Bahçe Diş Ticaret
 Müessesilik A.Ş
 Yunus Mah. Adli Sok. No:3
 İc Kapı No: 1 Kartal
 34873 İstanbul
 Phone: (+90) 216 38 93 939
 info@dosbtahce.com.tr

Ukraine / Україна

ТОВ «Хусварна Україна»
 вул. Васильківська, 34,
 офіс 204-р
 03022, Київ
 Тен. (+38) 044 498 39 02
 info@gardena.ua

Uruguay

FELI SA
 Entre Rios 1083 CP 1800
 Montevideo – Uruguay
 Tel: (+598) 22 03 18 44
 info@felisa.com.uy

Venezuela

Corporación Casa y Jardín C.A.
 Av. Caroni, Edif. Tрезmen, P.B.
 Colinas de Bello Monte,
 1050 Caracas
 Tlf: (+58) 212 992 33 22
 info@casayjardin.net.ve

1661-20.960.02/0517
 © GARDENA
 Manufacturing GmbH
 D-89070 Ulm
 http://www.gardena.com