



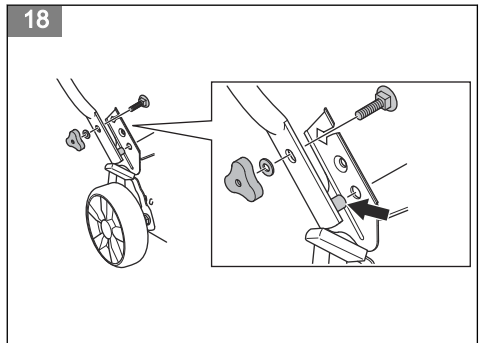
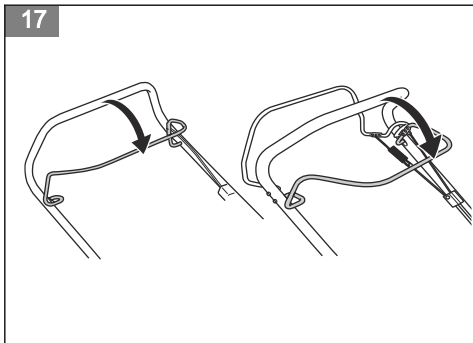
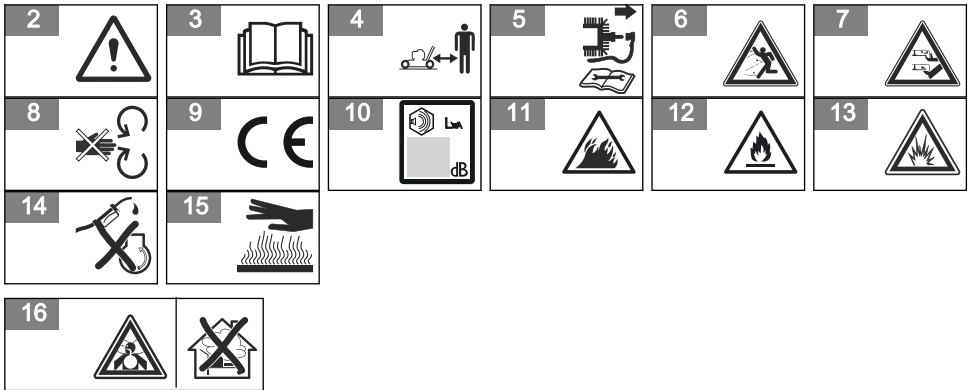
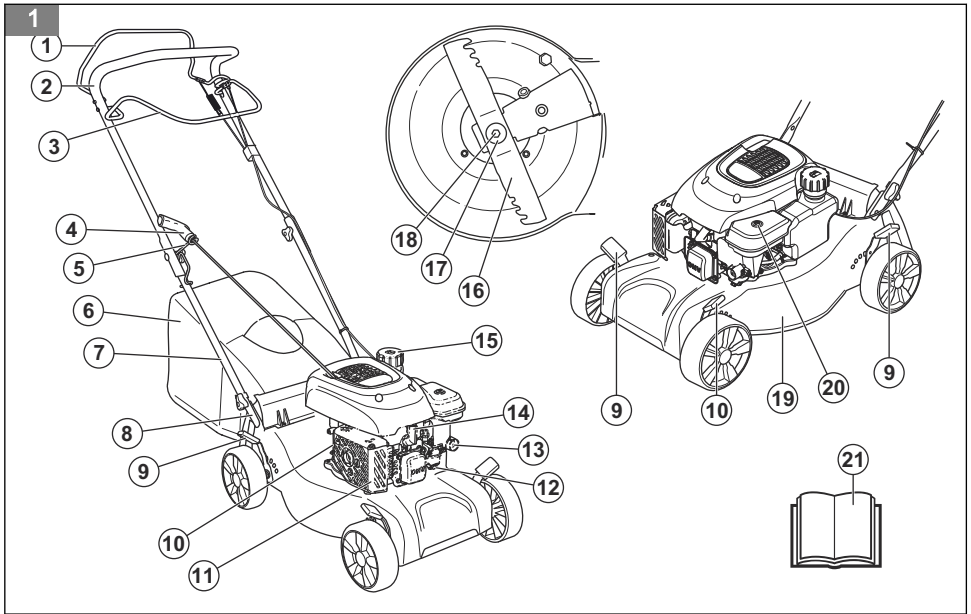
McCULLOCH®



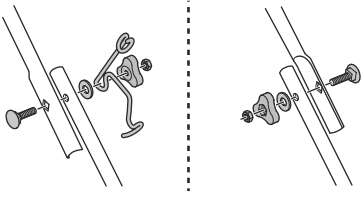
M40-120 CLASSIC, M40-125 CLASSIC+, M46-120 CLASSIC
M46-120R CLASSIC, M46-125 CLASSIC+, M46-125R CLASSIC+
M46-150WR CLASSIC, M51-140WR CLASSIC+
M51-150R CLASSIC, M51-150WR CLASSIC, M53-150WR CLASSIC



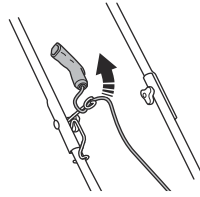
EN	Operator's manual	5–15
BG	Ръководство за експлоатация	16–28
CS	Návod k použití	29–40
DA	Brugsanvisning	41–52
DE	Bedienungsanweisung	53–65
EL	Οδηγίες χρήσης	66–78
ES	Manual de usuario	79–91
ET	Kasutusjuhend	92–102
FI	Käyttöohje	103–114
FR	Manuel d'utilisation	115–127
HR	Priručnik za korištenje	128–139
HU	Használati utasítás	140–151
IT	Manuale dell'operatore	152–164
LT	Operatoriaus vadovas	165–176
LV	Lietošanas pamācība	177–188
NL	Gebruiksaanwijzing	189–200
NO	Bruksanvisning	201–211
PL	Instrukcja obsługi	212–224
PT	Manual do utilizador	225–237
RO	Instrucțiuni de utilizare	238–249
RU	Руководство по эксплуатации	250–262
SK	Návod na obsluhu	263–274
SL	Navodila za uporabo	275–286
SV	Bruksanvisning	287–297
UK	Посібник користувача	298–310



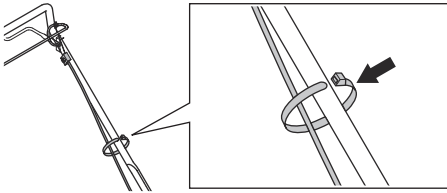
19



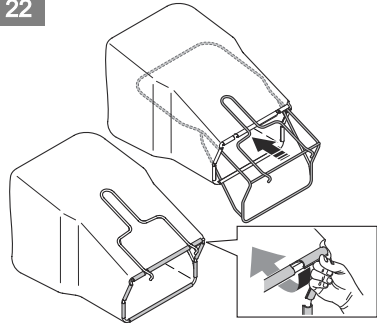
20



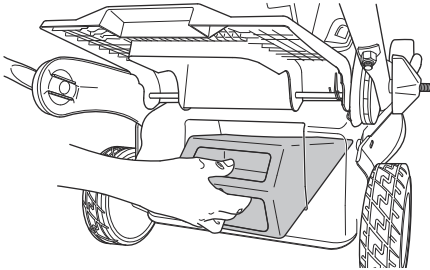
21



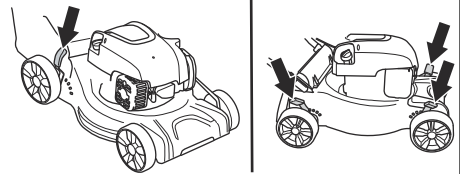
22



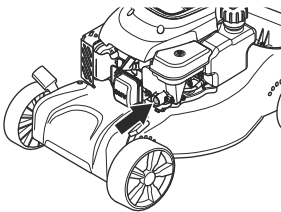
23



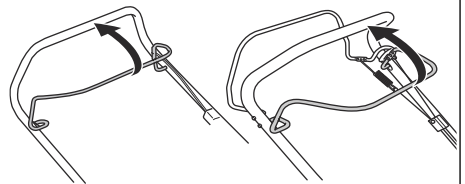
24



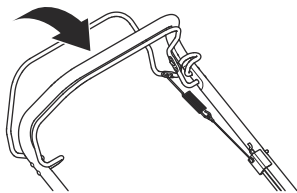
25



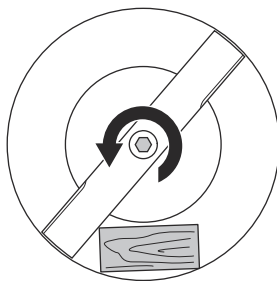
26



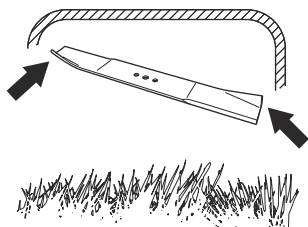
27



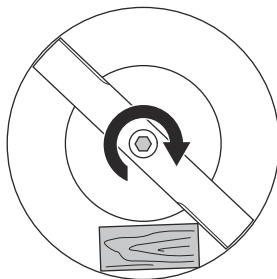
28



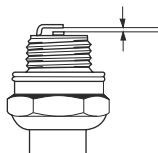
29



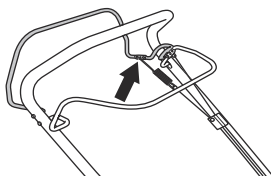
30



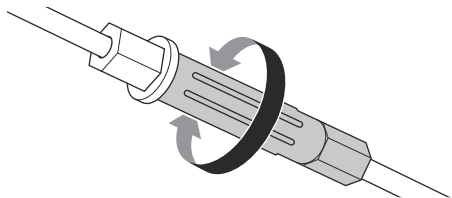
31



32



33



Contents

Introduction	5	Maintenance	10
Safety	6	Transportation, storage and disposal	12
Safety instructions for maintenance	8	Technical data	12
Assembly	8	EC Declaration of Conformity	15
Operation	9		

Introduction

Product description

The product is a pedestrian-controlled rotary lawn mower. The grass is collected in a grass catcher. Remove the grass catcher to get rear discharge of the grass. Attach a mulch kit (accessory) to cut the grass into fertilizer.

Product overview

(Fig. 1)

1. Drive bail (M46-120R CLASSIC, M46-125R CLASSIC+, M46-150WR CLASSIC, M51-140WR CLASSIC+, M51-150R CLASSIC, M51-150WR CLASSIC, M53-150WR CLASSIC)
2. Upper handle / handlebar
3. Engine brake handle
4. Starter rope handle
5. Loop for starter rope
6. Grass catcher
7. Lower handle
8. Lower handle assembly
9. Cutting height levers
10. Oil cap
11. Muffler
12. Drain plug for carburetor bowl
13. Primer bulb
14. Spark plug
15. Fuel tank
16. Blade
17. Spring washer
18. Blade bolt
19. Cutting deck
20. Air filter
21. Operator's manual

Symbols on the product

(Fig. 2) **WARNING:** Careless or incorrect use can result in injury or death to the operator or bystanders.

(Fig. 3) Please read the operator's manual carefully and make sure that you understand the instructions before use.

Intended use

Use the product to cut grass in private gardens. Do not use the product for other tasks.

(Fig. 4) Keep persons and animals at a safe distance from the work area.

(Fig. 5) Stop the engine and remove the ignition cable before repairs or maintenance.

(Fig. 6) Look out for thrown objects and ricochets.

(Fig. 7) **Warning:** rotating blade. Keep hands and feet clear.

(Fig. 8) **Warning:** rotating parts. Keep hands and feet clear.

(Fig. 9) This product is in accordance with applicable EC directives

(Fig. 10) Noise emission to the environment according to the European Community's Directive. The product's emission is specified in the Technical data chapter and on the label.

(Fig. 11) Risk of fire.

(Fig. 12) Risk of fire.

(Fig. 13) Risk of explosion.

(Fig. 14) Always stop the engine before refueling.

(Fig. 15) Hot surface.

(Fig. 16) The exhaust fumes from the engine contain carbon monoxide, an odourless, poisonous and very dangerous gas. Do not run the product indoors or in closed spaces.

Note: Other symbols/decals on the product refer to certification requirements for other commercial areas.

Product liability

As referred to in the product liability laws, we are not liable for damages that our product causes if:

- the product is incorrectly repaired.

- the product is repaired with parts that are not from the manufacturer or not approved by the manufacturer.
- the product has an accessory that is not from the manufacturer or not approved by the manufacturer.
- the product is not repaired at an approved service center or by an approved authority.

Safety

Safety definitions

Warnings, cautions and notes are used to point out specially important parts of the operator's manual.



WARNING: Used if there is a risk of injury or death for the operator or bystanders if the instructions in the manual are not obeyed.



CAUTION: Used if there is a risk of damage to the product, other materials or the adjacent area if the instructions in the manual are not obeyed.

Note: Used to give more information that is necessary in a given situation.

General safety instructions



WARNING: Read the warning instructions that follow before you use the product.

- This product is dangerous if used incorrectly or if you are not careful. Injury or death can occur if you do not obey the safety instructions.
- This product produces an electromagnetic field during operation. This field may under some circumstances interfere with active or passive medical implants. To reduce the risk of serious or fatal injury we recommend persons with medical implants to consult their physician and the medical implant manufacturer before operating this product.
- Always be careful and use your common sense. If you are not sure how to operate the product in a special situation, stop and speak to your McCulloch dealer before you continue.
- Keep in mind that the operator will be held responsible for accidents that involve other persons or their property.
- Keep the product clean. Make sure that you can clearly read signs and decals.
- Do not let a person use the product unless you make sure that they read and understand the contents of the operator's manual.
- Do not let a child operate the product.

- Do not let a person, without knowledge of the instructions, operate the product.
- Always monitor a person, with decreased physical capacity or mental capacity, that uses the product. A responsible adult must be there at all times.
- Do not use the product if you are tired, ill, or under the influence of alcohol, drugs or medicine. This has a negative effect on your vision, alertness, coordination and judgment.
- Do not use the product if it is defective.
- Do not change this product or use it if it is possible that it has been changed by others.

Work area safety



WARNING: Read the warning instructions that follow before you use the product.

- Remove objects such as branches, twigs and stones from the work area before you use the product.
- Objects that hit against the cutting equipment can eject and cause damage to persons and objects. Keep bystanders and animals at a safe distance from the product.
- Never use the product in bad weather such as fog, rain, strong winds, intense cold and risk of lightning. To use the product in bad weather or in moist or wet locations is tiring. Bad weather can cause dangerous conditions, such as slippery surfaces.
- Look out for persons, objects and situations that can prevent safe operation of the product.
- Look out for obstacles, such as roots, stones, twigs, pits and ditches. Long grass can hide obstacles.
- To cut grass on slopes can be dangerous. Do not use the product on ground that slopes more than 15°.
- Operate the product across the face of slopes. Do not move up and down.
- Be careful when you go near hidden corners and objects that prevent a clear view.

Work safety



WARNING: Read the warning instructions that follow before you use the product.

- Use this product to cut grass lawns only. It is not permitted to use it for other tasks.
- Use personal protective equipment. See *Personal protective equipment on page 7*.
- Never start the engine in a closed space or near flammable material. The exhaust fumes from the engine are hot and can contain sparks which can start a fire.
- Do not operate the product unless the blade and all covers are attached correctly. An incorrectly attached blade can come loose and cause personal injury.
- Make sure that the blade does not hit objects such as stones and roots. This can do damage to the blade and bend the engine shaft. A bent axle causes heavy vibration and a very high risk that the blade becomes loose.
- If the blade hits an object or if vibrations occur, stop the product immediately. Disconnect the ignition cable from the spark plug. Examine the product for damages. Repair damages or let an authorised service agent do the repair.
- Never attach the engine brake handle permanently to the handle when the engine is started.
- Put the product on a stable, flat surface and start it. Make sure that the blade does not hit the ground or other objects.
- Always stay behind the product when you operate it.
- Let all the wheels stay on the ground and keep 2 hands on the handle when you operate the product. Keep your hands and feet away from the rotating blades.
- Do not tilt the product when the engine is started.
- Be careful when you pull the product rearward.
- Never lift up the product when the engine is started. If you must lift the product, first stop the engine and disconnect the ignition cable from the spark plug.
- Do not walk rearward when you operate the product.
- Stop the engine when you move across areas without grass, for example paths made of gravel, stone and asphalt.
- Do not run with the product when the engine is started. Always walk when you operate the product.
- Stop the engine before you change the cutting height. Never make adjustments with the engine started.
- Never let the product stay out of view with the engine started. Stop the engine and make sure that the cutting equipment does not rotate.

Safety instructions for operation

Personal protective equipment



WARNING: Read the warning instructions that follow before you use the product.

- Personal protective equipment cannot fully prevent injury but it decreases the degree of injury if an accident does occur. Let your dealer help you select the right equipment.
- Use heavy-duty slip-resistant boots or shoes. Do not use open shoes or go with bare feet.
- Use heavy, long pants.
- Use protective gloves when necessary, for example when you attach, examine or clean the cutting equipment.

Safety devices on the product



WARNING: Read the warning instructions that follow before you use the product.

- Do not use a product with defective safety devices.
- Do a check of the safety devices regularly. If the safety devices are defective, speak to your McCulloch service agent.

Cutting cover

- Examine the cutting cover to make sure that there are no damages such as cracks.

Engine brake handle

The engine brake handle stops the engine. When the engine brake handle is released, the engine stops.

To do an inspection of the engine brake, start the engine and then release the engine brake handle. If the engine does not stop in 3 seconds, let an approved McCulloch service agent adjust the engine brake.

(Fig. 17)

Muffler

The muffler keeps the noise levels to a minimum and sends the exhaust fumes away from the operator.

Do not use the product if the muffler is missing or defective. A defective muffler increases the noise level and the risk of fire.

Examine the muffler regularly to make sure that it is attached correctly and not damaged.



CAUTION: The muffler becomes very hot during and after use and when the engine operates at idle speed. Be careful near flammable materials and/or fumes to prevent fire.

Fuel safety



WARNING: Read the warning instructions that follow before you use the product.

- Do not start the product if there is fuel or engine oil on the product. Remove the unwanted fuel/oil and let the product dry.
- If you spill fuel on your clothing, change clothing immediately.
- Do not get fuel on your body, it can cause injury. If you get fuel on your body, use soap and water to remove the fuel.
- Do not start the product if the engine has a leak. Examine the engine for leaks regularly.
- Be careful with fuel. Fuel is flammable and the fumes are explosive and can cause injuries or death.
- Do not breathe in the fuel fumes, it can cause injury. Make sure that there is a sufficient airflow.
- Do not smoke near the fuel or the engine.
- Do not put warm objects near the fuel or the engine.
- Do not add the fuel when the engine is on.
- Make sure that the engine is cool before you refuel.
- Before you refuel, open the fuel tank cap slowly and release the pressure carefully.
- Do not add fuel to the engine in an indoor area. Not sufficient airflow can cause injury or death because of asphyxiation or carbon monoxide.
- Tighten the fuel tank cap fully. If the fuel tank cap is not tightened, there is a risk of fire.
- Move the product a minimum of 3 m (10 ft) from the position where you filled the tank before a start.
- Do not put too much fuel in the fuel tank.

Safety instructions for maintenance



WARNING: Read the warning instructions that follow before you use the product.

- The exhaust fumes from the engine contain carbon monoxide, an odourless, poisonous and very dangerous gas. Do not start the engine indoors or in closed spaces.
- Before you do the maintenance on the product, stop the engine and remove the ignition cable from the spark plug.
- Use protective gloves when you do maintenance on the cutting equipment. The blade is very sharp and cuts can easily occur.
- Accessories and changes to the product that are not approved by the manufacturer, can cause serious injury or death. Do not change the product. Always use accessories that are approved by the manufacturer.
- If the maintenance is not done correctly and regularly, the risk of injury and damage to the product increases.
- Only do the maintenance as given in this owner's manual. All other servicing must be done by an approved McCulloch service agent.
- Let an approved McCulloch service agent do servicing on the product regularly.
- Replace damaged, worn or broken parts.

Assembly

To assemble the handle

Lower handle section

1. Put the pins at the bottom of the lower handle into the holes as given in the illustration. Align the screw holes and attach the screws, washers and knobs. (Fig. 18)

Upper handle section

1. Align the holes in the handlebar with the holes in the lower handle and attach the screws, washers and knobs. On the right side also attach the loop for the starter rope. Tighten the knobs fully.(Fig. 19)
2. Pull the starter rope handle and put the starter rope around the loop for the starter rope.(Fig. 20)
3. Use the straps to attach the cables to the handle. (Fig. 21)

Note: Make sure that the tension in the cables is not too high.

To assemble the grass catcher

1. Put the grass catcher frame into the fabric grass bag. Make sure that the handle on the grass catcher frame is on top of the grass bag.
2. Attach the grass bag to the grass catcher frame with the clips found on the fabric bag edge.(Fig. 22)
3. Lift the rear cover.
4. Attach the grass catcher to the top edge of the chassis.
5. Put the lower part of the grass catcher into the grass discharge channel.

To assemble the mulch plug

A mulch kit is available as an optional accessory for selected models only. Models M51-150WR CLASSIC, M53-150WR CLASSIC come with the mulch kit supplied. Models M40-120 CLASSIC, M40-125 CLASSIC+ can not be used with a mulch kit.

1. Lift up the rear cover and remove the grass catcher.

- Put the mulch plug into the discharge channel.(Fig. 23)

Operation

Introduction



WARNING: Before you operate the product, you must read and understand the safety chapter.

Before you operate the product

- Read the operator's manual carefully and make sure that you understand the instructions.
- Examine the cutting equipment to make sure that it is correctly attached and adjusted. See *To examine the cutting equipment on page 10.*
- Fill the fuel tank. See *To fill fuel on page 9.*
- Fill the oil tank and do a check of the oil level. See *To do a check of the oil level on page 11.*

To fill fuel

If available, use low-emission/alkylate gasoline. If low-emission/alkylate gasoline is not available, use good quality unleaded gasoline or leaded gasoline. Use gasoline with no lower octane number than 90 and with a maximum of 10% ethanol (E10).



WARNING: To fill with incorrect type of fuel can result in engine damage.

- Open the fuel tank cap slowly to release the pressure.
- Fill slowly with a fuel can. If you spill fuel, remove it with a cloth and let remaining fuel dry off.
- Clean the area around the fuel tank cap.
- Tighten the fuel tank cap fully. If the fuel tank cap is not tightened, there is a risk of fire.
- Move the product a minimum of 3 m (10 ft) from the position where you filled the tank, before a start.

To set the cutting height

- Move the cutting height lever rearward to increase the cutting height.
- Move the cutting height lever forward to decrease the cutting height.(Fig. 24)



CAUTION: Do not set the cutting height too low. The blades can hit the ground if the surface of the lawn is not level.

To start the product

- Make sure that the ignition cable is connected to the spark plug.
- The very first time you start the product, press the primer bulb 5 times. The next time you start the product when the engine is cold, press the primer bulb 3 times.(Fig. 25)
- Stay behind the product.
- Hold the engine brake handle against the handlebar. (Fig. 26)
- Hold the starter rope handle with your right hand.
- Slowly pull out the starter rope until you feel some resistance.
- Pull with force to start the engine.



WARNING: Do not twist the starter rope around your hand.

To use the drive on the wheels

- Push the drive bail in the direction of the handlebar. (Fig. 27)
- Before you pull the product rearward, disengage the drive and push the product forward approximately 10cm.
- Release the drive bail to disengage the drive, for example when you go near an obstacle.

To stop the product

- To stop the drive only, release the drive bail.
- To stop the engine, release the engine brake handle.

To get a good result

- Always use a sharp blade. A blunt blade gives an irregular result and the cut surface of the grass becomes yellow. A sharp blade also uses less energy than a blunt blade.
- Do not cut more than $\frac{1}{3}$ of the length of the grass. Cut first with the cutting height set high. Examine the result and lower the cutting height to an applicable level. If the grass is very long, drive slowly and cut 2 times if necessary.
- Cut in different directions each time to prevent stripes in the lawn.

Maintenance

Introduction



WARNING: Before you do maintenance, you must read and understand the safety chapter.

For all servicing and repair work on the product, special training is necessary. We guarantee the availability of professional repairs and servicing. If your dealer is not a service agent, speak to them for information about the nearest service agent.

Maintenance schedule

The maintenance intervals are calculated from daily use of the product. The intervals change if the product is not used daily.

For maintenance identified with * see instructions in *Safety devices on the product on page 7.*

Maintenance	Daily	Weekly	Monthly
Do a general inspection	X		
Examine the oil level	X		
Clean the product	X		
Examine the cutting equipment	X		
Examine the cutting cover*	X		
Examine the engine brake handle*	X		
Examine and adjust the drive (clutch wire)	X		
Examine the muffler*		X	
Examine the spark plug		X	
Change the oil (the first time after 5 h use, then after each 50 h use)			X
Change the air filter			X
Examine the fuel system			X

To do a general inspection

- Make sure that the nuts and screws on the product are tightened.

To clean the product externally

- Use a brush to remove leaves, grass and dirt.
- Make sure that the air intake on the top of the engine is not blocked.
- Do not use a high pressure washer to clean the product.
- If you use water to clean the product, do not flush water directly on the engine.

To clean the inner surface of the cutting cover

1. Empty the fuel tank.
2. Put the product on its side with the muffler down.



CAUTION: If the product is put with the air filter down, the engine can become damaged.

3. Hose down the inner surface of the cutting cover with water.

To examine the cutting equipment



WARNING: To prevent accidental start remove the ignition cable from the spark plug.



WARNING: Use protective gloves when you do maintenance on the cutting equipment. The blade is very sharp and cuts can easily occur.

1. Examine the cutting equipment for damage or cracks. Always replace a damaged cutting equipment.

2. Look at the blade to see if it is damaged or blunt.

Note: It is necessary to balance the blade after it is sharpened. Let a service center sharpen, replace and balance the blade. If you hit an obstacle that causes the product to stop, replace the damaged blade. Let the service center estimate if the blade can be sharpened or must be replaced.

To replace the blade

1. Lock the blade with a block of wood.(Fig. 28)
2. Remove the blade bolt.
3. Remove the blade.
4. Examine the blade support and blade bolt to see if there are damages.
5. Examine the engine shaft to make sure that it is not bent.
6. When you attach the new blade, point the angled ends of the blade in the direction of the cutting cover. (Fig. 29)
7. Make sure that the blade is aligned with the center of the engine shaft.
8. Lock the blade with a block of wood. Attach the spring washer and tighten the bolt and washer with a torque of 45–60 Nm.(Fig. 30)
9. Pull the blade around by hand and make sure that it turns freely.



WARNING: Use heavy duty gloves. The blade is very sharp and cuts can easily occur.

10. Start the product to do a test of the blade. If the blade is not correctly attached, there is vibration in the product or the cutting result is unsatisfactory.

To do a check of the oil level



CAUTION: A too low oil level can do damage to the engine. Do a check of the oil level before you start the product.

1. Put the product on level ground.
2. Remove the oil tank cap with the attached dipstick.
3. Clean the oil from the dipstick.
4. Put the dipstick fully into the oil tank to give a correct picture of the oil level.
5. Remove the dipstick.
6. Examine the oil level on the dipstick.
7. If the oil level is low, fill with engine oil and do a check of the oil level again.

To change the engine oil



WARNING: Engine oil is very hot directly after the engine is stopped. Let the engine become cool before you drain the engine oil. If you spill engine oil on your skin, clean with soap and water.

1. Operate the product until the fuel tank is empty.
2. Remove the ignition cable from the spark plug.
3. Remove the oil tank cap.
4. Put a container below the product to collect the engine oil in.
5. Tilt the product to drain the engine oil from the oil tank.
6. Fill with new engine oil of the type recommended in *Technical data on page 12*.
7. Do a check of the oil level. See *To do a check of the oil level on page 11*.

Air filter

An air filter that is used for a long time cannot be fully cleaned. Replace the air filter at regular intervals.

Note: Always replace a damaged air filter.

To clean the paper filter

1. Remove the air filter cover and remove the paper filter.
2. Hit the filter against a flat surface to make the particles fall off.



CAUTION: Do not use solvent or compressed air to clean the paper filter.

3. Put the air filter back. Make sure that the air filter fully seals against the air filter holder.
4. Put the air filter cover back.

To clean the foam plastic filter

1. Remove the air filter cover and remove the foam plastic filter.
2. Clean the foam plastic filter with soap and water.
3. Flush the foam plastic filter in clean water.
4. Squeeze the water from the foam plastic filter and let it dry.



CAUTION: Do not use compressed air. It can cause damage to the foam plastic filter.

5. Lubricate the foam plastic filter with engine oil.
6. Press a clean cloth against the foam plastic filter to remove unwanted oil.

7. Put the air filter back. Make sure that the air filter fully seals against the air filter holder.
8. Put the air filter cover back.

- Examine the fuel hose to make sure that there are no leaks. If the fuel hose is damaged, let a service agent replace it.

To examine the spark plug



CAUTION: Always use the recommended spark plug type. Incorrect spark plug type can cause damage to the product.

- Examine the spark plug if the engine is low on power, is not easy to start or does not operate correctly at idle speed.
- To decrease the risk of unwanted material on the spark plug electrodes, obey these instructions:
 - a) Make sure that the idle speed is correctly adjusted.
 - b) Make sure that the fuel mixture is correct.
 - c) Make sure that the air filter is clean.
- If the spark plug is dirty, clean it and make sure that the electrode gap is correct, see *Technical data on page 12* (Fig. 31)
- Replace the spark plug if it is necessary.

To adjust the clutch wire

If the drive feels slow, it is necessary to adjust the clutch wire.

1. Attach the clutch wire in different holes on the drive bail to adjust the length of the clutch wire. Decrease the length of the clutch wire to increase the drive speed. Extend the clutch wire to decrease the drive speed. (Fig. 32)

Note: If the drive is engaged when you do not pull the drive bail, it is necessary to extend the clutch wire.

2. For small adjustment of the drive speed, turn the adjuster screw. To increase the drive speed, turn the adjuster screw counterclockwise. To decrease the drive speed, turn the adjustment screw clockwise. (Fig. 33)

If the drive feels slow also after the adjustment, let an approved service agent replace the drive belt.

To examine the fuel system

- Examine the fuel tank cap and the seal for the fuel tank cap to make sure that there are no damages.

Transportation, storage and disposal

Transportation and storage

- For storage and transportation of the product and fuel, make sure that there are no leaks or fumes. Sparks or open flames, for example from electrical devices or boilers, can start a fire.
- Always use approved containers for storage and transportation of fuel.
- Empty the fuel tank and the carburetor bowl before you put the product in storage for a long period of time. Discard the fuel at an applicable disposal location
- Safely attach the product during transportation to prevent damage and accidents.

- Keep the product in a locked area to prevent access for children or persons that are not approved.
- Keep the product in a dry and frost free area.

Disposal

- Obey the local recycling requirements and applicable regulations.
- Discard all chemicals, such as engine oil or fuel, at a service center or at an applicable disposal location.
- When the product is no longer in use, send it to a McCulloch dealer or discard it at a recycling location.

Technical data

Technical data

	M40-120 CLASSIC	M40-125 CLASSIC+	M46-120 CLASSIC	M46-120R CLASSIC	M46-125 CLASSIC+	M46-125R CLASSIC+
Engine						
Brand	McCulloch	Briggs & Stratton	McCulloch	McCulloch	Briggs & Stratton	Briggs & Stratton

	M40-120 CLASSIC	M40-125 CLASSIC+	M46-120 CLASSIC	M46-120R CLASSIC	M46-125 CLASSIC+	M46-125R CLASSIC+
Displacement, cm ³	120	125	120	120	125	125
Speed, rpm	2900	2900	2900	2900	2900	2900
Nominal engine output, kW ¹	2.0	1.6	2.0	2.0	1.6	1.6
Ignition system						
Spark plug	K7RTC	RC12YC	K7RTC	K7RTC	RC12YC	RC12YC
Electrode gap, mm	0.7	0.5	0.7	0.7	0.5	0.5
Fuel and lubrication system						
Fuel tank capacity, litre	0.8	0.8	0.8	0.8	0.8	0.8
Oil tank capacity, litre	0.4	0.4	0.4	0.4	0.4	0.4
Engine oil ²	SAE 30/SAE 10W-30	SAE 30/SAE 10W-30	SAE 30/SAE 10W-30	SAE 30/SAE 10W-30	SAE 30/SAE 10W-30	SAE 30/SAE 10W-30
Weight						
With empty tanks, kg	24	25	28	29	28	29
Noise emissions³						
Sound power level, measured dB (A)	93	93	95	95	95	95
Sound power level, guaranteed L _{WA} dB (A)	94	94	96	96	96	96
Sound levels⁴						
Sound pressure level at the operator's ear, dB (A)	80	80	82	82	82	82
Vibration levels, a_{hveq}⁵						
Handle, m/s ²	14.75	14.75	15.68	15.68	15.68	15.68
Cutting equipment						
Cutting height, mm	20–75	20–75	30–80	30–80	30–80	30–80
Cutting width, mm	400	400	460	460	460	460
Blade	Mulcher 40	Mulcher 40	Mulcher 46	Mulcher 46	Mulcher 46	Mulcher 46
Article number	5871590-10	5871590-10	5811889-10	5811889-10	5811889-10	5811889-10

¹ The power rating of the engine indicated is the average net output (at specified rpm) of a typical production engine for the engine model measured to SAE standard J1349/ISO1585. Mass production engines may differ from this value. Actual power output for the engine installed on the final product will depend on the operating speed, environmental conditions and other values.

² Use engine oil of quality SJ or higher. See the viscosity chart in the engine manufacturer's manual and select the best viscosity based on the expected outside temperature.

³ Noise emissions in the environment measured as sound power (L_{WA}) in conformity with EC directive 2000/14/EC.

⁴ Noise pressure level according to ISO 5395:2103. Reported data for noise pressure level has a typical statistical dispersion (standard deviation) of 1.2 dB (A).

⁵ Vibration level according to ISO 5395:2013. Reported data for vibration level has a typical statistical dispersion (standard deviation) of 0.2 m/s².

	M40-120 CLASSIC	M40-125 CLASSIC+	M46-120 CLASSIC	M46-120R CLASSIC	M46-125 CLASSIC+	M46-125R CLASSIC+
Grass catcher capacity, liter	50	50	50	50	50	50

	M46-150WR CLASSIC	M51-140WR CLASSIC+	M51-150R CLASSIC	M51-150WR CLASSIC	M53-150WR CLASSIC
Engine					
Brand	McCulloch	Briggs & Stratton	McCulloch	McCulloch	McCulloch
Displacement, cm ³	150	140	150	150	150
Speed, rpm	2900	2900	2900	2900	2900
Nominal engine output, kW ⁶	2.4	1.9	2.4	2.4	2.4
Ignition system					
Spark plug	K7RTC	RC12YC	K7RTC	K7RTC	K7RTC
Electrode gap, mm	0.7	0.5	0.7	0.7	0.7
Fuel and lubrication system					
Fuel tank capacity, liter	1.0	0.8	1.0	1.0	1.0
Oil tank capacity, liter	0.4	0.4	0.4	0.4	0.4
Engine oil ⁷	SAE 30/SAE 10W-30	SAE 30/SAE 10W-30	SAE 30/SAE 10W-30	SAE 30/SAE 10W-30	SAE 30/SAE 10W-30
Weight					
With empty tanks, kg	32	32	33	33	33
Noise emissions⁸					
Sound power level, measured dB (A)	97	97	95	97	98
Sound power level, guaranteed L _{WA} dB (A)	98	98	98	98	98
Sound levels⁹					
Sound pressure level at the operator's ear, dB (A)	82	82	81	84	82

⁶ The power rating of the engine indicated is the average net output (at specified rpm) of a typical production engine for the engine model measured to SAE standard J1349/ISO1585. Mass production engines may differ from this value. Actual power output for the engine installed on the final product will depend on the operating speed, environmental conditions and other values.

⁷ Use engine oil of quality SJ or higher. See the viscosity chart in the engine manufacturer's manual and select the best viscosity based on the expected outside temperature.

⁸ Noise emissions in the environment measured as sound power (L_{WA}) in conformity with EC directive 2000/14/EC.

⁹ Noise pressure level according to ISO 5395:2103. Reported data for noise pressure level has a typical statistical dispersion (standard deviation) of 1.2 dB (A).

	M46-150WR CLASSIC	M51-140WR CLASSIC+	M51-150R CLASSIC	M51-150WR CLASSIC	M53-150WR CLASSIC
Vibration levels, a_{hveq}¹⁰					
Handle, m/s ²	4.27	4.27	4.06	5.55	3.39
Cutting equipment					
Cutting height, mm	30–80	30–90	30–90	30–90	30–90
Cutting width, mm	460	510	510	510	530
Blade	Mulcher 46	Mulcher 51	Mulcher 51	Mulcher 51	Mulcher 53
Article number	5811889-10	5041133-10	5041133-10	5041133-10	5811886-10
Grass catcher capacity, liter	50	55	55	55	55

EC Declaration of Conformity

Contents of the EC Declaration of Conformity

We, Husqvarna AB, SE 561 82 Huskvarna, SWEDEN, declare under our sole responsibility that the represented product:	
Description	Combustion-engine-powered pedestrian-controlled lawn mower
Brand	McCulloch
Platform / Type / Model	M40-120 CLASSIC, M40-125 CLASSIC+, M46-120 CLASSIC, M46-120R CLASSIC, M46-125 CLASSIC+, M46-125R CLASSIC+, M46-150WR CLASSIC, M51-140WR CLASSIC+, M51-150R CLASSIC, M51-150WR CLASSIC, M53-150WR CLASSIC
Batch	Serial number dating 2017 and onwards
complies fully with the following EU directives and regulations:	
Directive/Regulation	Description
2006/42/EC	"relating to machinery"
2014/30/EU	"relating to electromagnetic compatibility"
2000/14/EC; 2005/88/EC	"relating to outdoor noise"
Harmonized standards and/or technical specifications applied are as follows: EN ISO 12100, ISO 14982, ISO 5395-1 & 2, ISO 3744, ISO 11094, EN 1032	
In accordance with directive 2000/14/EC, Annex V, the declared sound values are stated in the technical data section of this manual and in the signed EC Declaration of Conformity.	
The supplied combustion-engine-powered pedestrian-controlled lawn mower conforms to the example that underwent examination.	

¹⁰ Vibration level according to ISO 5395:2013. Reported data for vibration level has a typical statistical dispersion (standard deviation) of 0.2 m/s².

Содержание

Въведение.....	16	Работа.....	20
Безопасност.....	17	Поддръжка.....	21
Инструкции за безопасност при техническо обслужване.....	19	Транспортиране, съхранение и изхвърляне.....	24
Монтаж.....	20	Технически характеристики.....	25
		Декларация за съответствие на ЕО.....	28

Въведение

Описание на продукта

Продуктът е пешеходна ротационна косачка. Тревата се събира в кош за трева. Свалете коша за трева, за да се получи задно разтоварване на тревата. Поставете комплект за мулчиране (допълнителна принадлежност), за да нарежете тревата в тора.

Общ преглед на продукта

(Фиг. 1)

1. Дръжка за задвижване (M46-120R CLASSIC, M46-125R CLASSIC+, M46-150WR CLASSIC, M51-140WR CLASSIC+, M51-150R CLASSIC, M51-150WR CLASSIC, M53-150WR CLASSIC)
2. Горна дръжка/управление
3. Ръчка за спирачката на двигателя
4. Дръжка на въжето на стартера
5. Ухо за стартерното въже
6. Кош за трева
7. Ниска ръкохватка
8. Долна част на дръжката
9. Лостове за височината на рязане
10. Капачка за маслото
11. Ауслух
12. Канал за източване за камерата на карбуратора
13. Подкачваща помпа
14. Запалителна свещ
15. Резервоар за гориво
16. Нож
17. Пружинна шайба
18. Болт на режещ диск
19. Косилен апарат
20. Въздушен филтър
21. Инструкция за експлоатация

Символи върху машината

ПРЕДУПРЕЖДЕНИЕ: Непредпазливото или неправилното използване може да доведе до нараняване или смърт на оператора или страничните наблюдатели.

(Фиг. 2)

Предназначение

Използвайте продукта, за да косите трева в частни градини. Не използвайте продукта за други задачи.

Прочетете внимателно ръководството за оператора и се уверете, че разбирате инструкциите, преди да използвате машината.

(Фиг. 3)

Дръжте хората и животните на безопасно разстояние от работната зона.

(Фиг. 4)

Спрете двигателя и отстранете запалителния кабел преди ремонти или техническо обслужване.

(Фиг. 5)

Пазете се от отскачащи предмети и рикошети.

(Фиг. 6)

Предупреждение: въртящ се нож. Осигурете пространство около ръцете и краката си.

(Фиг. 7)

Предупреждение: въртящи се части. Осигурете пространство около ръцете и краката си.

(Фиг. 8)

Този продукт е в съответствие с приложимите директиви на ЕО

(Фиг. 9)

Шумови емисии в околната среда в съответствие с Директивата на Европейската общност Емисиите на продукта са посочени в раздела за технически характеристики и на табелката.

(Фиг. 10)

(Фиг. 11) Риск от пожар.

(Фиг. 12) Риск от пожар.

(Фиг. 13) Риск от експлозия.

(Фиг. 14) Винаги изключвайте двигателя преди зареждане с гориво.

(Фиг. 15) Гореща повърхност.

(Фиг. 16) Отработените газове от двигателя съдържат въглероден окис – много опасен, отровен газ без миризма. Не работете с машината на закрито или в затворени пространства.

Забележка: Останалите символи/стикери на продукта се отнасят до изисквания по отношение на сертификати за други търговски зони.

Отговорност за вреди, причинени от стоки

Както е посочено в законите за отговорност за вреди, причинени от стоки, ние не носим отговорност за щети, причинени от нашия продукт, ако:

- продуктът е неправилно ремонтиран.
- продуктът е ремонтиран с части, които не са от производителя или не са одобрени от производителя.
- продуктът има принадлежност, която не е от производителя или не е одобрена от производителя.
- продуктът не е ремонтиран в одобрен сервизен център или от одобрен орган.

Безопасност

Дефиниции за безопасност

Предупреждения, знаци за внимание и бележки се използват за указване на особено важни части на инструкцията за експлоатация.



ПРЕДУПРЕЖДЕНИЕ: Използва се, ако има опасност от нараняване или смърт за оператора или за околните, ако не се спазват инструкциите в ръководството.



ВНИМАНИЕ: Използва се, ако има опасност от повреждане на машината, други материали или съседната зона, ако не се спазват инструкциите в ръководството.

Забележка: Използва се за предоставяне на повече информация, която е необходимо в дадена ситуация.

Общи инструкции за безопасност



ПРЕДУПРЕЖДЕНИЕ: Прочетете следващите предупредителни указания, преди да използвате машината.

- Този продукт е опасен, ако се използва неправилно или ако не сте внимателни. Неспазването на инструкциите за безопасност може да доведе до нараняване или смърт.
- Тази машина създава електромагнитно поле по време на работа. При някои условия това поле може да интерферира с активни или пасивни медицински имплантанти. За да намалите риска от тежко или смъртоносно нараняване, ние

препоръчваме лицата с медицински импланти да говорят с лекаря си и производителя на медицинския имплант, преди да започнат да работят с тази машина.

- Винаги бъдете внимателни и подхождайте разумно. Ако не сте сигурни как да работите с продукта при специална ситуация, спрете и се обърнете към Вашия дилър на McCulloch, преди да продължите.
- Имайте предвид, че операторът носи отговорност за нещастни случаи, включващи други хора или тяхното имущество.
- Поддържайте продукта чист. Уверете се, че разчитате ясно знаците и стикерите.
- Не позволявайте на когото и да е да работи с продукта, докато не се уверите, че е прочел и разбрал съдържанието на инструкцията за експлоатация.
- Не позволявайте на деца да работят с продукта.
- Не позволявайте на лица, които не са запознати с инструкциите, да работят с продукта.
- Винаги наблюдавайте лица с намален физически или умствен капацитет, които използват продукта. През цялото време трябва да присъства отговорен възрастен.
- Не използвайте продукта, ако сте уморени, болни или под въздействието на алкохол, наркотици или лекарства. Това състояние оказва отрицателно въздействие върху Вашето зрение, бдителност, координация и преценка.
- Не използвайте продукта, ако е неизправен.
- Не променяйте този продукт или не го използвайте, ако има вероятност той да е бил променен от друг.

Безопасност на работната област



ПРЕДУПРЕЖДЕНИЕ: Прочетете следващите предупредителни указания, преди да използвате машината.

- Отстранете препятствия като клони, пръчки и камъни от работната зона, преди да използвате продукта.
- Обектите, които се удрят в режещото оборудване, могат да бъдат изхвърлени и да причинят нараняване на лицата и щети на предметите. Дръжте страничните наблюдатели и животните на безопасно разстояние от продукта.
- Никога не използвайте продукта в лошо време – например при мъгла, дъжд, силни ветрове, много силен студ и риск от мълнии. Използването на продукта в лошо време или върху влажни или мокри терени е изморително. Лошото време може да създаде опасни условия, като например хлъзгави повърхности.
- Внимавайте за лица, предмети и ситуации, които могат да са причина за намаляване на безопасната работа на продукта.
- Внимавайте за препятствия като корени, камъни, клони, ями и канавки. Дългата трева може да крие препятствия.
- Косенето на трева на склон може да бъде опасно. Не работете с продукта, когато наклонът на повърхността е повече от 15°.
- Използвайте продукта напречно на склона. Не се движете нагоре и надолу.
- Внимавайте, когато преминавате покрай закриват ъгли и предмети, които скриват зрителното Ви поле.

Безопасност при работа



ПРЕДУПРЕЖДЕНИЕ: Прочетете следващите предупредителни указания, преди да използвате машината.

- Използвайте този продукт само за косене на морави. Не се допуска използването му за други цели.
- Използвайте лични предпазни средства. Вижте *Лични предпазни средства на страница 18*.
- Никога не стартирайте двигателя в затворено пространство или близо до запалими материали. Отработените газове от двигателя са горещи и могат да съдържат искри, които да предизвикат пожар.
- Не работете с продукта, докато ножът и всички капаци не се монтират правилно. Неправилно монтираният нож може да се разхлаби и да причини телесна повреда.
- Уверете се, че ножът няма да се удря в обекти, като например камъни и корени. Това може да доведе до повреда на ножа и до огъване на двусекционния вал на двигателя. Огънатата ос

предизвиква силни вибрации и има много голяма опасност ножът да се разхлаби.

- Ако ножът се удари в някакъв обект или се получат вибрации, спрете веднага продукта. Изключете запалителния кабел от запалителната свещ. Проверете продукта за повреди. Ремонтирайте повредите или потърсете оторизиран сервиз за това.
- Никога не прикрепяйте ръчката на спирачката на двигателя за постоянно върху дръжката, когато двигателят е стартиран.
- Поставете продукта върху стабилна, равна повърхност и го стартирайте. Уверете се, че ножът не се допира в земята или в други предмети.
- Винаги стойте зад продукта, когато го използвате.
- Всички колела трябва да бъдат на земята и да държите дръжката с 2 ръце, когато работите с продукта. Дръжте ръцете и краката си далеч от въртящите се остриета.
- Не накланяйте продукта при стартиран двигател.
- Бъдете внимателни, когато дърпате продукта назад.
- Никога не повдигайте продукта при стартиран двигател. Ако се налага да вдигнете продукта, първо спрете двигателя и изключете запалителния кабел от запалителната свещ.
- Не се движете назад при работа с продукта.
- Спрете двигателя, когато преминавате през области без трева, например пътеки от чакъл, камък или асфалт.
- Не тичайте с продукта, когато двигателят работи. Винаги ходете, когато работите с продукта.
- Спрете двигателя, преди да промените височината на рязане. Никога не регулирайте при стартиран двигател.
- Никога не оставяйте продукта без надзор, когато двигателят работи. Спрете двигателя и се уверете, че режещото оборудване не се върти.

Инструкции за безопасност за работа

Лични предпазни средства



ПРЕДУПРЕЖДЕНИЕ: Прочетете следващите предупредителни указания, преди да използвате машината.

- Личните предпазни средства не изключват изцяло риска от нараняване, но намаляват степента на нараняването при злополука. Нека вашият дилър Ви помогне да изберете подходящото оборудване.
- Носете ботуши или обувки, устойчиви на хлъзгане. Не носете отворени обувки и не ходете боси.
- Използвайте дълги панталони от здрав плат.

- Когато е необходимо, носете защитни ръкавици, например, когато закрепвате, проверявате или почиствате режещото оборудване.

внимателни близо до запалими материали и/или газове, за да предотвратите възникването на пожар.

Приспособления за безопасност на машината



ПРЕДУПРЕЖДЕНИЕ: Прочетете следващите предупредителни указания, преди да използвате машината.

- Не използвайте машина с неизправни приспособления за безопасност.
- Проверявайте редовно приспособленията за безопасност. Ако приспособленията за безопасност са дефектни, говорете с Вашия сервиз McCulloch.

Капак срещу порязване

- Проверете капака срещу порязване, за да се уверите, че няма повреди, като например пукнатини.

Ръчка за спирачката на двигателя

Ръчката за спирачката на двигателя спира двигателя. Когато ръчката за спирачката на двигателя бъде пусната, двигателят спира.

За да проверите дали спирачката на двигателя работи, стартирайте двигателя и след това отпуснете дръжката на спирачката на двигателя. Ако двигателят не спре след 3 секунди, позволете на одобрен McCulloch сервиз да регулира спирачката на двигателя.

(Фиг. 17)

Ауспух

Ауспухът е предназначен за максимално намаляване на нивата на шума и за отвеждане на отработените газове настрана от потребителя.

Не използвайте машината, ако ауспухът липсва или е дефектен. Дефектен ауспух увеличава нивото на шума и риска от злополука.

Проверявайте ауспуха редовно, за да сте сигурни, че е закрепен правилно и не е повреден.



ВНИМАНИЕ: Ауспухът се нагрява много по време и след работа и също при обороти на празен ход. Бъдете



ПРЕДУПРЕЖДЕНИЕ: Прочетете следващите предупредителни указания, преди да използвате машината.

- Не включвайте продукта, ако върху него има гориво или моторно масло. Отстранете нежеланото гориво/масло и оставете продукта да изсъхне.
- Ако разлеете гориво по дрехите си, сменете ги незабавно.
- Внимавайте да не попадне гориво върху тялото Ви, това може да доведе до телесни увреждания. Ако гориво попадне върху тялото Ви, използвайте сапун и вода, за да го отстраните.
- Не стартирайте продукта, ако от двигателя има теч. Проверявайте редовно двигателя за течове.
- Внимавайте с горивото. Горивото е запалимо, изпаренията са взривоопасни и могат да причинят телесни увреждания или смърт.
- Не вдишвайте горивните изпарения, това може да доведе до телесни увреждания. Уверете се, че има достатъчен въздушен поток.
- Не пушете близо до горивото или двигателя.
- Не поставяйте топли предмети близо до горивото или двигателя.
- Не добавяйте гориво, когато двигателят работи.
- Уверете се, че двигателят е изстинал преди зареждане с гориво.
- Преди зареждане с гориво отворете бавно капачката на резервоара за гориво и освободете внимателно налягането.
- Не добавяйте гориво към двигателя на закрито. Недостатъчният въздушен поток може да доведе до нараняване или смърт поради задушаване или въглероден окис.
- Затегнете капачката на резервоара за гориво докрай. Ако капачката на резервоара за гориво не е затегната, има риск от злополука.
- Преди да включите двигателя, преместете продукта най-малко на 3 m (10 ft) от мястото, където сте заредили резервоара.
- Не препълвайте резервоара за гориво.

Инструкции за безопасност при техническо обслужване



ПРЕДУПРЕЖДЕНИЕ: Прочетете следващите предупредителни указания, преди да използвате машината.

- Отработените газове от двигателя съдържат въглероден окис – много опасен, отровен газ без миризма. Не стартирайте двигателя на закрито или в затворени пространства.

- Преди техническо обслужване на продукта спрете двигателя и изключете запалителния кабел от запалителната свещ.
- Носете защитни ръкавици, когато ще изпълнявате дейности, свързани с техническото обслужване на режещото оборудване. Ножът е много остър и можете лесно да се порежете.
- Аксесоари и промени на продукта, които не са одобрени от производителя, могат да доведат до сериозно нараняване или смърт. Не правете промени по продукта. Винаги използвайте само аксесоари, които са одобрени от производителя.
- Ако техническото обслужване не се изпълнява правилно и редовно, рискът от нараняване и повреда на продукта се увеличава.
- Изпълнявайте техническото обслужване само както е посочено в това ръководство на собственика. Всички останали сервизни дейности трябва да се извършват от одобрен McCulloch сервиз.
- Позволете одобрен McCulloch сервиз редовно да обслужва продукта.
- Заменете повредени, износени или счупени части.

Монтаж

За да монтирате ръкохватката

Долна част на дръжката

1. Поставете щифтовете в долната част на дръжката в отворите, както е показано на илюстрацията. Подравнете отворите за винтовете и прикрепете винтовете, шайбите и фиксаторите.(Фиг. 18)

Горна част на дръжката

1. Подравнете отворите в ръкохватката с отворите в долната част на дръжката и прикрепете винтовете, шайбите и фиксаторите. От дясната страна поставете и ухото за стартерното въже. Затегнете напълно фиксаторите.(Фиг. 19)
2. Дръпнете дръжката на стартерното въже и поставете стартерното въже около ухото за стартерното въже.(Фиг. 20)
3. Използвайте лентите, за да прикрепите кабелите към дръжката.(Фиг. 21)

Забележка: Уверете се, че напрежението в кабелите не е твърде високо.

За сглобяване на коша за трева

1. Поставете рамката на коша за трева в платнената торба за трева. Уверете се, че

дръжката на рамката на коша за трева е в горната част на торбата за трева.

2. Прикрепете торбата за трева към рамката на коша с фиксаторите на ръба на платнената торба.(Фиг. 22)
3. Вдигнете задния капак.
4. Прикрепете коша за трева към горния ръб на шасито.
5. Поставете долната част на коша за трева в канала за разтоварване на тревата.

За монтиране на приставката за мулчиране

Комплектът за мулчиране се предлага като допълнителна принадлежност само за определени модели. Моделите M51-150WR CLASSIC, M53-150WR CLASSIC са с включен комплект за мулчиране. Моделите M40-120 CLASSIC, M40-125 CLASSIC+ не може да се използват с комплект за мулчиране.

1. Повдигнете задния капак и извадете коша за трева.
2. Поставете приставката за мулчиране в канала за разтоварване на тревата.(Фиг. 23)

Работа

Въведение



ПРЕДУПРЕЖДЕНИЕ: Преди работа с продукта трябва да прочетете и разберете главата за безопасност.

Преди да започнете работа с продукта

1. Прочетете внимателно ръководството за оператора и се уверете, че разбирате инструкциите.

2. Проверете режещото оборудване, за да се уверите, че то е правилно монтирано и регулирано. Вижте *За проверка на режещото оборудване на страница 22.*
3. Напълнете резервоара за гориво. Вижте *За наливане на гориво на страница 21.*
4. Напълнете резервоара за масло и проверете нивото на маслото. Вижте *За проверка на нивото на маслото на страница 23.*

За наливане на гориво

Ако има наличен, използвайте нискоемисионен/алкалитен бензин. Ако няма наличен нискоемисионен/алкалитен бензин, използвайте висококачествен безоловен бензин или оловен бензин. Използвайте бензин с октаново число, което е не по-малко от 90, и с максимум 10% етанол (Е10).



ПРЕДУПРЕЖДЕНИЕ: Зареждането на неподходящ тип гориво може да доведе до повреда на двигателя.

1. Отворете бавно капачката на резервоара за гориво, за да освободите налягането.
2. Заредете бавно резервоара от туба с гориво. Ако разлеее гориво, поийте го с кърпа и оставете горивото, което остане да изсъхне.
3. Почистете областта около капачката на резервоара за гориво.
4. Затегнете капачката на резервоара за гориво докрай. Ако капачката на резервоара за гориво не е затегната, има риск от злополука.
5. Преди да включите двигателя, преместете продукта най-малко на 3 m (10 ft) от мястото, където сте заредили резервоара.

За регулиране на височината на рязане

1. Преместете назад лоста за височина на рязане, за да увеличите височината на рязане.
2. Преместете напред лоста за височина на рязане, за да намалите височината на рязане.(Фиг. 24)



ВНИМАНИЕ: Не настройвайте твърде ниска височина на рязане. Ножовете могат да се ударят в земята, ако повърхността на моравата не е равна.

За стартиране на продукта

1. Уверете се, че запалителният кабел е свързан към запалителната свещ.
2. При първото стартиране на машината натиснете подкачващата помпа 5 пъти. При следващото стартиране, когато двигателят е студен, натиснете подкачващата помпа 3 пъти.(Фиг. 25)

3. Оставете зад продукта.
4. Задържете ръчката на спирачката на двигателя до управлението.(Фиг. 26)
5. Дръжте дръжката на стартерното въже с дясната си ръка.
6. Бавно издърпайте стартерното въже, докато почувствате някакво съпротивление.
7. Издърпайте силно шнура, докато двигателят запали.



ПРЕДУПРЕЖДЕНИЕ: Не навивайте въжето за стартиране около ръчката си.

За използването на задвижването на колелата

- Дръпнете дръжката за задвижване по посока на ръкохватката.(Фиг. 27)
- Преди да дръпнете продукта назад, изключете задвижването и бутнете продукта напред приблизително 10cm.
- Освободете дръжката за задвижване, за да изключите задвижването, например, когато приближите препятствие.

Спиране на продукта

- За да спрете само задвижването, освободете дръжката за задвижване.
- За да спрете двигателя, освободете ръчката за спирачката на двигателя.

За получаване на добър резултат

- Винаги използвайте остър нож. Косенето със затъпен нож е неравномерно и окосената повърхност пожълтява. При работа с остър нож също така се използва по-малко енергия отколкото при работа със затъпен нож.
- Не отрязвайте повече от $\frac{1}{3}$ от дължината на тревата. Първо, косете със зададена висока височина на рязане. Вижте какъв е резултатът и намалете височината на рязане до подходящо ниво. Ако тревата е много висока, карайте бавно и – ако е необходимо – окосете два пъти.
- Режете всеки път в различни посоки, за да избегнете образуването на линии в моравата.

Поддръжка

Въведение



ПРЕДУПРЕЖДЕНИЕ: Преди да извършите техническо обслужване, трябва да прочетете и разберете раздела за безопасност.

За всички работи по поддръжката и поправката на продукта е необходимо специално обучение. Осигуряваме предлагане на професионални ремонти и обслужване. Ако Вашият дилър не предлага сервизно обслужване, говорете с него, за да Ви даде информация за най-близкия сервиз.

График за техническо обслужване

Интервалите за техническо обслужване са изчислени в зависимост от ежедневната употреба на продукта. Интервалите се променят, ако продуктът не се използва ежедневно.

Поддръжка	Ежедневно	Всяка седмица	Всеки месец
Обща проверка	X		
Проверка на нивото на маслото	X		
Почистване на продукта	X		
Преглед на режещото оборудване	X		
Проверка на капака на режещите части*	X		
Проверка на ръчката за спирачката на двигателя*	X		
Проверка и регулиране на задвижването (кабела на съединителя)	X		
Проверка на ауслуха*		X	
Проверка на запалителната свещ		X	
Смяна на маслото (първи път след 5 ч. работа, след това на всеки 50 ч. работа)			X
Смяна на въздушния филтър			X
Проверка на горивната система			X

За извършване на обща проверка

- Уверете се, че всички гайки и винтове на продукта са затегнати.

За външно почистване на машината

- За отстраняване на листа, трева и прах използвайте четка.
- Уверете се, че смукателният въздухопровод в горната част на двигателя не е блокиран.
- Не мийте продукта с устройство за миене под високо налягане.
- Ако използвате вода за почистване на продукта, не насочвайте струята вода директно върху двигателя.

За почистване на вътрешната повърхност на капака на режещите части

- Изпразнете резервоара за гориво.
- Поставете продукта да легне настрани с ауслуха надолу.



ВНИМАНИЕ: Ако продуктът се постави с въздушния филтър надолу, двигателят може да се повреди.

За техническо обслужване, маркирано със *, вижте инструкциите в *Приспособления за безопасност на машината на страница 19.*

- Промийте вътрешната повърхност на капака на режещите части с вода.

За проверка на режещото оборудване



ПРЕДУПРЕЖДЕНИЕ: За предотвратяване на случайно стартиране извадете запалителния кабел от запалителната свещ.



ПРЕДУПРЕЖДЕНИЕ: Носете защитни ръкавици, когато ще изпълнявате дейности, свързани с техническото обслужване на режещото оборудване. Ножът е много остър и можете лесно да се порежете.

- Проверете режещото оборудване за повреди или пукнатини. Винаги заменяйте повреденото режещо оборудване.
- Погледнете ножа, за да разберете дали не е повреден или затъпен.

Забележка: Необходимо е да балансирате ножа след заточване. Ножът се заточва, сменя и балансира от сервизен център. Ако ударите препятствие и вследствие на това продуктът спре, сменете

повредения нож. Оставете специалистите в сервиса да преценят дали ножът ще трябва да се заточи, или да се смени.

За сменяне на ножовете

1. Застопорете ножа с дървен блок (Фиг. 28)
2. Свалете придържащия болт на ножовете.
3. Свалете ножа.
4. Проверете носача на ножа и придържащия болт на ножовете, за да видите дали има повреди.
5. Проверете дали двусекционният вал на двигателя не е огънат.
6. Когато поставяте новия нож, насочете извитите краища на ножа по посока към капака на режещите части.(Фиг. 29)
7. Уверете се, че ножът е подравнен с центъра на двусекционния вал на двигателя.
8. Застопорете ножа с дървен блок. Поставете пружинната шайба и затегнете болта и шайбата с въртящ момент 45–60 Nm.(Фиг. 30)
9. Раздвижете ножа на ръка и се уверете, че той се върти свободно.



ПРЕДУПРЕЖДЕНИЕ: Използвайте ръкавици с висока здравина. Ножът е много остър и можете лесно да се порежете.

10. Стартирайте продукта, за да тествате ножа. Ако ножът не е поставен правилно, продуктът вибрира или резултатът от косенето е незадоволителен.

За проверка на нивото на маслото



ВНИМАНИЕ: Твърде ниското ниво на маслото може да доведе до повреда на двигателя. Проверете нивото на маслото, преди да стартирате продукта.

1. Позиционирайте машината на равна повърхност.
2. Отстранете капачката на резервоара с прикрепена мерителна пръчка.
3. Почистете маслото от мерителната пръчка.
4. Потопете мерителната пръчка докрай в резервоара за масло, за да получите точна информация за нивото на маслото.
5. Извадете мерителната пръчка.
6. Вижте колко е нивото на маслото на мерителната пръчка.
7. Ако нивото на маслото е ниско, долейте моторно масло и отново проверете нивото му.

За смяна на моторното масло



ПРЕДУПРЕЖДЕНИЕ: Моторното масло е много горещо непосредствено след спирването на двигателя. Оставете двигателя да изстине, преди да източите маслото. Ако разлеее моторно масло върху кожата си, почистете със сапун и вода.

1. Работете с продукта, докато резервоара за гориво се изпразни.
2. Извадете запалителния кабел от запалителната свещ.
3. Свалете капачката на резервоара за масло.
4. Поставете съд под продукта, в който да се събере моторното масло.
5. Наклонете продукта, за да изтече моторното масло от резервоара за масло.
6. Заредете с ново моторно масло от препоръчания тип в *Технически характеристики на страница 25*.
7. Проверете нивото на моторното масло. Вижте *За проверка на нивото на маслото на страница 23*.

Въздушен филтър

Въздушен филтър, който е използван дълго време, не може да се изчисти напълно. Подменяйте въздушния филтър редовно.

Забележка: Винаги заменяйте повреден въздушен филтър.

За почистване на хартиения филтър

1. Свалете капака на въздушния филтър и отстранете хартиения филтър.
2. Ударете филтъра в плоска повърхност, за да накарате частиците да паднат.



ВНИМАНИЕ: Не използвайте разтворител или въздух под налягане за почистване на хартиения филтър.

3. Поставете въздушния филтър обратно на мястото му. Уверете се, че въздушният филтър напълно прилепва към държача на въздушния филтър.
4. Поставете капака на въздушния филтър обратно на мястото му.

За почистване на филтъра от пореста пластмаса

1. Свалете капака на въздушния филтър и махнете филтъра от пореста пластмаса.
2. Почистете филтъра от пореста пластмаса със сапун и вода.

3. Измийте филтъра от пореста пластмаса в чиста вода.
4. Изстискайте водата от филтъра от пореста пластмаса и го оставете да изсъхне.



ВНИМАНИЕ: Не използвайте въздух под налягане. Това може да причини повреда на филтъра от пореста пластмаса.

5. Смажете филтъра от пореста пластмаса с моторно масло.
6. Притиснете чиста кърпа върху филтъра от пореста пластмаса, за да отстраните нежеланото масло.
7. Поставете въздушния филтър обратно на мястото му. Уверете се, че въздушният филтър напълно прилепва към държача на въздушния филтър.
8. Оставете капачката на въздушния филтър обратно на мястото му.

За проверка на запалителната свещ



ВНИМАНИЕ: Използвайте винаги запалителните свещи от препоръчания вид. Използването на запалителна свещ от неправилен тип може да повреди продукта.

- Проверете запалителната свещ, ако двигателят е с понижена мощност, стартира трудно или работи неправомерно при обороти на празен ход.
- За да намалите опасността от попадане на нежелани материали върху електродите на запалителната свещ, следвайте тези инструкции:
 - a) Проверете дали оборотите на празния ход са правилно регулирани.
 - b) Уверете се, че горивната смес е правилна.
 - c) Уверете се, че въздушният филтър е чист.
- Ако запалителната свещ е замърсена, почистете я и проверете дали разстоянието между

електродите е правилно, вижте *Технически характеристики на страница 25* (Фиг. 31)

- Сменете запалителната свещ, ако е необходимо.

За проверка на горивната система

- Проверете капачката на резервоара за гориво и уплътнението на капачката на резервоара за гориво, за да се уверите, че не са повредени.
- Проверете маркучката за горивото, за да се уверите, че не тече. Ако маркучът за горивото е повреден, той трябва да се смени от сервиз.

За регулиране на кабела на съединителя

Ако Ви се струва, че задвижването е бавно, необходимо е да регулирате кабела на съединителя.

1. Поставете жилото на съединителя в различни отвори на дръжката за задвижване, за да регулирате дължината му. Намалете дължината на жилото на съединителя, за да увеличите скоростта на задвижването. Увеличете дължината на жилото на съединителя, за да намалите скоростта на задвижването. (Фиг. 32)

Забележка: Ако задвижването е задействано, когато не дърпате дръжката за задвижване, необходимо е да удължите кабела на съединителя.

2. За леко коригиране на скоростта на задвижване въртете винта на регулатора. За да увеличите скоростта на задвижването, завъртете винта за регулиране обратно на часовниковата стрелка. За да намалите скоростта на задвижването, завъртете регулиращия винт по посока на часовниковата стрелка. (Фиг. 33)

Ако Ви се струва, че задвижването е бавно и след настройката, задвижващият ремък трябва да се смени в одобрен сервиз.

Транспортиране, съхранение и изхвърляне

Транспорт и съхранение

- При съхранението и транспортирането на продукта и горивото се уверете, че няма течове или изпарения. Искри или открит огън, например от електрически уреди или котли може да възникне пожар.
- Винаги използвайте одобрени контейнери за съхранение и транспортиране на гориво.
- Преди да приберете продукта за съхранение за дълъг период от време, изпразнете резервоара за гориво и камерата на карбуратора. Изхвърлете горивото на подходящо за целта място

- Прикрепете продукта по безопасен начин по време на транспортирането, за да се предотвратят повреди и злополуки.
- Съхранявайте продукта под ключ, за да предотвратите достъпа до него на деца или лица, които не са упълномощени да го използват.
- Съхранявайте продукта на сухо и незамръзващо място.

Изхвърляне

- Съблюдавайте местните изисквания за рециклиране и приложимите разпоредби.

- Изхвърлете всички химикали, като например двигателно масло или гориво, в сервизен център или на подходящо за целта място.
- Когато продуктът вече не се използва, изпратете го на McCulloch дилър или го изхвърлете на място за рециклиране.

Технически характеристики

Технически характеристики

	M40-120 CLASSIC	M40-125 CLASSIC+	M46-120 CLASSIC	M46-120R CLASSIC	M46-125 CLASSIC+	M46-125R CLASSIC+
Двигател						
Марка	McCulloch	Briggs & Stratton	McCulloch	McCulloch	Briggs & Stratton	Briggs & Stratton
Работен обем, cm ³	120	125	120	120	125	125
Скорост, об./мин	2900	2900	2900	2900	2900	2900
Номинална изходна мощност на двигателя, kW ¹¹	2,0	1,6	2,0	2,0	1,6	1,6
Запалителна система						
Запалителна свещ	K7RTC	RC12YC	K7RTC	K7RTC	RC12YC	RC12YC
Разстояние между електродите, mm	0,7	0,5	0,7	0,7	0,5	0,5
Горивна и смазочна система						
Вместимост на резервоара за гориво, литри	0,8	0,8	0,8	0,8	0,8	0,8
Вместимост на резервоара за масло, литри	0,4	0,4	0,4	0,4	0,4	0,4
Моторно масло ¹²	SAE 30/SAE 10W-30	SAE 30/SAE 10W-30	SAE 30/SAE 10W-30	SAE 30/SAE 10W-30	SAE 30/SAE 10W-30	SAE 30/SAE 10W-30
Тегло						
С празни резервоари, kg	24	25	28	29	28	29
Шумови емисии¹³						
Ниво на звуковата мощност, измерена dB(A)	93	93	95	95	95	95

¹¹ Номиналната мощност на електродвигателя е средната нетна мощност (при указаните об./мин.) на двигател със стандартна производителност за модела електродвигател, измерен спрямо SAE стандарта J1349/ISO1585. Двигателите масово производство може да се отклоняват от тази стойност. Действителната изходна мощност за двигателя, инсталиран на крайната машина, ще зависи от работната скорост, условията на околната среда и други стойности.

¹² Използвайте моторно масло с качество SJ или с по-високо качество. Вижте таблицата с вискозитети в наръчника на производителя на двигателя и изберете оптималния вискозитет спрямо очакваната околна температура.

¹³ Шумови емисии в околната среда, измерени като звукова мощност (L_{WA}) в съответствие с директива на ЕО 2000/14/ЕО.

	M40-120 CLASSIC	M40-125 CLASSIC+	M46-120 CLASSIC	M46-120R CLASSIC	M46-125 CLASSIC+	M46-125R CLASSIC+
Ниво на звуковата мощност, гарантирана [L _{WA} dB(A)]	94	94	96	96	96	96
Нива на звука¹⁴						
Ниво на шума при ухото на оператора, dB (A)	80	80	82	82	82	82
Нива на вибрациите, a_{hveq}¹⁵						
Ръкохватка, m/s ²	14,75	14,75	15,68	15,68	15,68	15,68
Режещо оборудване						
Височина на рязане, mm	20-75	20-75	30 – 80	30 – 80	30 – 80	30 – 80
Ширина на рязане, mm	400	400	460	460	460	460
Нож	Нож за мулчиране 40	Нож за мулчиране 40	Нож за мулчиране 46	Нож за мулчиране 46	Нож за мулчиране 46	Нож за мулчиране 46
Артикул номер	5871590-10	5871590-10	5811889-10	5811889-10	5811889-10	5811889-10
Капацитет на коша за трева, литър	50	50	50	50	50	50

	M46-150WR CLASSIC	M51-140WR CLASSIC+	M51-150R CLASSIC	M51-150WR CLASSIC	M53-150WR CLASSIC
Двигател					
Марка	McCulloch	Briggs & Stratton	McCulloch	McCulloch	McCulloch
Работен обем, cm ³	150	140	150	150	150
Скорост, об./мин	2900	2900	2900	2900	2900
Номинална изходна мощност на двигателя, kW ¹⁶	2.4	1.9	2.4	2.4	2.4
Запалителна система					
Запалителна свещ	K7RTC	RC12YC	K7RTC	K7RTC	K7RTC
Разстояние между електродите, mm	0,7	0,5	0,7	0,7	0,7

¹⁴ Ниво на звуковото налягане съгласно ISO 5395:2103. Отчетените данни за нивото на звуковото налягане имат типична статистическа дисперсия (стандартно отклонение) от 1,2 dB (A).

¹⁵ Ниво на вибрациите съгласно ISO 5395:2013. Отчетените данни за равнището на вибрации имат типична статистическа дисперсия (стандартно отклонение) от 0,2 m/s².

¹⁶ Номиналната мощност на електродвигателя е средната нетна мощност (при указаните об./мин.) на двигател със стандартна производителност за модела електродвигател, измерен спрямо SAE стандарта J1349/ISO1585. Двигателите масово производство може да се отклоняват от тази стойност. Действителната изходна мощност за двигателя, инсталиран на крайната машина, ще зависи от работната скорост, условията на околната среда и други стойности.

	M46-150WR CLASSIC	M51-140WR CLASSIC+	M51-150R CLASSIC	M51-150WR CLASSIC	M53-150WR CLASSIC
Горивна и смазочна система					
Вместимост на резервоара за гориво, литри	1,0	0,8	1,0	1,0	1,0
Вместимост на резервоара за масло, литри	0,4	0,4	0,4	0,4	0,4
Моторно масло ¹⁷	SAE 30/SAE 10W-30	SAE 30/SAE 10W-30	SAE 30/SAE 10W-30	SAE 30/SAE 10W-30	SAE 30/SAE 10W-30
Тегло					
С празни резервоари, kg	32	32	33	33	33
Шумови емисии¹⁸					
Ниво на звуковата мощност, измерена dB(A)	97	97	95	97	98
Ниво на звуковата мощност, гарантирана [L _{WA} dB(A)]	98	98	98	98	98
Нива на звука¹⁹					
Ниво на шума при ухото на оператора, dB (A)	82	82	81	84	82
Нива на вибрациите, a_{hveq}²⁰					
Ръкохватка, m/s ²	4,27	4,27	4,06	5,55	3,39
Режещо оборудване					
Височина на рязане, mm	30 – 80	30-90	30-90	30-90	30-90
Ширина на рязане, mm	460	510	510	510	530
Нож	Нож за мулчиране 46	Нож за мулчиране 51	Нож за мулчиране 51	Нож за мулчиране 51	Нож за мулчиране 53
Артикул номер	5811889-10	5041133-10	5041133-10	5041133-10	5811886-10
Капацитет на коша за трева, литър	50	55	55	55	55

¹⁷ Използвайте моторно масло с качество SJ или с по-високо качество. Вижте таблицата с вискозитети в наръчника на производителя на двигателя и изберете оптималния вискозитет спрямо очакваната околна температура.

¹⁸ Шумови емисии в околната среда, измерени като звукова мощност (L_{WA}) в съответствие с директива на ЕО 2000/14/ЕО.

¹⁹ Ниво на звуковото налягане съгласно ISO 5395:2103. Отчетените данни за нивото на звуковото налягане имат типична статистическа дисперсия (стандартно отклонение) от 1,2 dB (A).

²⁰ Ниво на вибрациите съгласно ISO 5395:2013. Отчетените данни за равнището на вибрации имат типична статистическа дисперсия (стандартно отклонение) от 0,2 m/s².

Декларация за съответствие на ЕО

Съдържание на ЕО декларацията за съответствие

Ние, Husqvarna AB, SE 561 82 Huskvarna, ШВЕЦИЯ, декларираме на своя собствена отговорност, че представеният продукт:	
Описание	Пешеходна косачка, задвижвана от двигател с вътрешно горене
Марка	McCulloch
Платформа/вид/модел	M40-120 CLASSIC, M40-125 CLASSIC+, M46-120 CLASSIC, M46-120R CLASSIC, M46-125 CLASSIC+, M46-125R CLASSIC+, M46-150WR CLASSIC, M51-140WR CLASSIC+, M51-150R CLASSIC, M51-150WR CLASSIC, M53-150WR CLASSIC
Партида	Сериен номер, датиращ от 2017 г. и след това
отговаря напълно на следните директиви и регламенти на ЕС:	
Директива/регламент	Описание
2006/42/ЕО	"относно машините"
2014/30/ЕС	"относно електромагнитната съвместимост"
2000/14/ЕО; 2005/88/ЕО	"относно шумовите емисии в околната среда"
Приложените хармонизирани стандарти и/или технически спецификации са следните: EN ISO 12100, ISO 14982, ISO 5395-1 & 2, ISO 3744, ISO 11094, EN 1032	
В съответствие с Директива 2000/14/ЕО, приложение V, декларираните стойности на звука са посочени в раздела с технически характеристики на настоящето ръководство и в подписаната Декларация за съответствие на ЕО.	
Доставената пешеходна косачка, задвижвана от двигател с вътрешно горене, съответства на екземпляра, който е преминал изпитания.	

Obsah

Úvod.....	29	Údržba.....	34
Bezpečnost.....	30	Přeprava, skladování a likvidace.....	36
Bezpečnostní pokyny pro údržbu.....	32	Technické údaje.....	37
Montáž.....	32	Prohlášení o shodě ES.....	39
Provoz.....	33		

Úvod

Popis výrobku

Výrobek je rotační sekačka na trávu s pěší obsluhou. Koš na trávu slouží ke sběru posečené trávy. Chcete-li otevřít zadní výhoz trávy, sejměte koš na trávu. Připevňte mulčovací sadu (příslušenství), chcete-li používat posečenou trávu jako hnojivo.

Popis výrobku

(Obr. 1)

1. Páka pojezdu (M46-120R CLASSIC, M46-125R CLASSIC+, M46-150WR CLASSIC, M51-140WR CLASSIC+, M51-150R CLASSIC, M51-150WR CLASSIC, M53-150WR CLASSIC)
2. Horní rukojeť / řídítko
3. Páka brzdy motoru
4. Rukojeť startéru
5. Držadlo startovací šňůry
6. Sběrací koš
7. Dolní část řídítek
8. Sestava dolní části rukojeti
9. Páky pro nastavení výšky sečení
10. Víčko nádrže na olej
11. Tlumič výfuku
12. Vypouštěcí zátka komory karburátoru
13. Palivová pumpička
14. Zapalovací svíčka
15. Palivová nádrž
16. Žací nůž
17. Pružná podložka
18. Šroub nože
19. Žací ústrojí
20. Vzduchový filtr
21. Návod k používání

Symboly na výrobku

(Obr. 2) **VAROVÁNÍ:** Nepozorné nebo nesprávné použití může vést k vážnému zranění nebo usmrcení obsluhy či osob v okolí.

(Obr. 3) Před použitím si pozorně prostudujte tento návod k používání a nepoužívejte výrobek, pokud návodu zcela nerozumíte.

Doporučené použití

Výrobek použijte k sečení trávy na soukromých zahradách. K jiným činnostem výrobek nepoužívejte.

(Obr. 4) Zajistěte, aby se v pracovní oblasti a jejím okolí nezdřžovaly nepovolané osoby či zvířata.

(Obr. 5) Před prováděním oprav a údržby vypněte motor a odpojte kabel zapalování.

(Obr. 6) Pozor na odvržené a odražené předměty.

(Obr. 7) Varování: rotující nůž. Udržujte v čistotě ruce a nohy.

(Obr. 8) Varování: rotující části. Udržujte v čistotě ruce a nohy.

(Obr. 9) Tento výrobek je v souladu s příslušnými směrnice EU

(Obr. 10) Emise hluku do okolí dle direktivy Evropského společenství. Emise produktu jsou uvedeny v kapitole Technické údaje a na štítku.

(Obr. 11) Nebezpečí požáru.

(Obr. 12) Nebezpečí požáru.

(Obr. 13) Nebezpečí výbuchu.

(Obr. 14) Před doplňováním paliva vždy vypněte motor.

(Obr. 15) Horký povrch.

(Obr. 16) Výfukové plyny obsahují oxid uhelnatý, jedovatý a velmi nebezpečný plyn bez zápachu. Nenechávejte výrobek spuštěný ve vnitřních nebo uzavřených prostorech.

Povšimněte si: Další symboly/štítky na produktu se týkají certifikačních požadavků pro další komerční oblasti.

Odovědnost za výrobek

Jak uvádí zákon o odpovědnosti za výrobek, neneseme odpovědnost za žádnou škodu způsobenou našim výrobkem, pokud:

- byl produkt nesprávně opraven,
- byl produkt opraven pomocí součástí od jiného výrobce nebo součástí, které nejsou výrobcem schváleny,
- má produkt příslušenství od jiného výrobce nebo příslušenství, které není výrobcem schváleno,
- produkt nebyl opraven ve schváleném servisním středisku nebo schváleným odborníkem.

Bezpečnost

Definice týkající se bezpečnosti

Varování, upozornění a poznámky slouží jako upozornění na specifické důležité části návodu k používání.



VÝSTRAHA: Používá se v případě nebezpečí úrazu nebo usmrcení obsluhy nebo okolních osob, pokud nejsou dodrženy pokyny uvedené v této příručce.



VAROVÁNÍ: Používá se v případě nebezpečí poškození výrobku, dalších materiálů či škod na majetku v blízkém okolí, pokud nejsou dodrženy pokyny uvedené v této příručce.

Povšimněte si: Používá se k poskytnutí dalších informací, které jsou nezbytné v dané situaci.

Obecné bezpečnostní pokyny



VÝSTRAHA: Před použitím výrobku si přečtěte následující varování.

- Tento výrobek je nebezpečný, nepoužívá-li se správně nebo není-li věnována provozu řádná pozornost. Nedodržení bezpečnostních pokynů může vést ke zranění nebo usmrcení.
- Tento výrobek vytváří během provozu elektromagnetické pole. Toto pole může za určitých okolností narušovat funkci aktivních či pasivních implantovaných lékařských přístrojů. Za účelem snížení rizika možného zranění nebo smrtelného úrazu doporučujeme osobám s implantovanými lékařskými přístroji poradit se před použitím výrobku s lékařem a s výrobcem implantovaného lékařského přístroje.
- Buďte stále opatrní a používejte zdravý rozum. Nejste-li si jisti, jak ovládat výrobek ve zvláštních situacích, vypněte jej a promluvte si s prodejcem McCulloch, než budete pokračovat v práci.
- Mějte na paměti, že obsluha je odpovědná za nehody a škody vzniklé jiným osobám nebo na jejich majetku.

- Udržujte výrobek čistý. Ujistěte se, že jsou značky a štítky dobře čitelné.
- Nedovolte osobám používat výrobek, nejste-li si jisti, že si přečetly návod k používání a porozuměly jeho obsahu.
- Zamezte používání výrobku dětmí.
- Zamezte používání výrobku osobami, které naznají pokyny.
- Vždy sledujte osoby s fyzickým nebo mentálním postižením při práci s výrobkem. Vždy musí být přítomna zodpovědná dospělá osoba.
- Nepoužívejte výrobek, jste-li unavení, nemocní nebo pod vlivem alkoholu, drog nebo léků. To by mohlo ovlivnit váš zrak, ostražitost, koordinaci a úsudek.
- Nepoužívejte výrobek, pokud je vadný.
- Nikdy neupravujte výrobek a nepoužívejte jej, pokud je možné, že jej upravil někdo jiný.

Bezpečnost pracovního prostoru



VÝSTRAHA: Před použitím výrobku si přečtěte následující varování.

- Před použitím výrobku, odklíďte z pracovní oblasti předměty, jako jsou větve, větvičky a kameny.
- Předměty, které mohou být zachyceny žacími ústrojími mohou být odmrštěny a způsobit zranění osob a poškození předmětů. Udržujte osoby v okolí a zvířata v bezpečné vzdálenosti od výrobku.
- Nikdy nepoužívejte výrobek za špatného počasí, jako je mlha, déšť, silný vítr, intenzivní chlad a nebezpečí blesku. Použití výrobku za špatného počasí nebo ve vlhkých či mokrych podmínkách je namáhavé. Nepříznivé počasí může vytvořit nebezpečné podmínky, např. kluzký povrch.
- Dávejte pozor na osoby, předměty a situace, které mohou bránit bezpečnému provozu výrobku.
- Dávejte pozor na překážky, jako jsou kořeny, kameny, větve, díry a příkopy. Vysoká tráva může překážky skrýt.
- Sečení trávy na svazích může být nebezpečné. Nepoužívejte výrobek na svahu se sklonem větším než 15°.
- S výrobkem jezděte po vrstevnicích. Nepohybujte se na svahu nahoru a dolů.

- Postupujte opatrně v blízkosti skrytých rohů a objektů, které mohou bránit ve výhledu.

Bezpečnost práce



VÝSTRAHA: Před použitím výrobku si přečtěte následující varování.

- Tento výrobek používejte výhradně k sečení trávy. Není dovoleno používat výrobek k jiným činnostem.
- Používejte osobní ochranné prostředky. Viz *Osobní ochranné prostředky na strani 31*.
- Nikdy nespustíte motor v uzavřených prostorech nebo v blízkosti hořlavého materiálu. Výfukové plyny z motoru jsou horké a mohou obsahovat jiskry, které by mohly zažehnout požár.
- Neprovazujte výrobek, pokud není správně namontovaný nůž a všechny kryty. V opačném případě by se mohl nůž uvolnit a způsobit zranění osob.
- Zajistěte, aby nůž nenarazil do předmětů, jako jsou kameny a kořeny. Mohlo by dojít k poškození nože a ohnutí hřídele motoru. Ohnutý hřídel způsobuje velké vibrace a hrozí velmi vysoké riziko uvolnění nože.
- Pokud nůž narazí do nějakého předmětu nebo se objeví vibrace, okamžitě zastavte výrobek. Odpojte kabel zapalování od zapalovací svíčky. Zkontrolujte, zda není výrobek poškozený. Opravte poškozené díly nebo svěťte opravu schválenému servisnímu pracovníkovi.
- Po nastartování motoru nikdy nepřipevňujte páku brzdy motoru trvale k rukojeti sekačky.
- Umístěte výrobek na stabilní, rovný povrch a nastartujte jej. Zkontrolujte, zda nůž nemůže přijít do kontaktu se zemí nebo cizími objekty.
- Při provozu vždy stůjte za výrobkem.
- Při provozu nechte všechna kola spočívat na zemi a držte rukojeť oběma rukama. Ruce a nohy udržujte mimo dosah rotujících nožů.
- Nenaklánějte výrobek, když je spuštěný motor.
- Dávejte pozor při tažení výrobku dozadu.
- Nikdy nezvedejte výrobek, když je spuštěný motor. Pokud musíte výrobek zvednout, nejprve vypněte motor a odpojte kabel zapalování od zapalovací svíčky.
- Při provozování výrobku nechoďte směrem dozadu.
- Před přejezdem ploch bez trávy, jako jsou cesty vytvořené ze šterku, kamenů nebo asfaltu, vypněte motor.
- Neběhejte s výrobkem, když je spuštěný motor. Při provozu výrobku vždy pouze chodte.
- Před změnou výšky sečení vypněte motor. Nikdy neprovádějte seřizování při spuštěném motoru.
- Nikdy nenechte výrobek se spuštěným motorem bez dozoru. Vypněte motor a ujistěte se, že se žací ústrojí neotáčí.

Bezpečnostní pokyny pro provoz

Osobní ochranné prostředky



VÝSTRAHA: Před použitím výrobku si přečtěte následující varování.

- Osobní ochranné prostředky nemohou zcela eliminovat nebezpečí úrazu, ale v případě nehody pomáhají snížit míru poranění. Požádejte prodejce, aby vám pomohl vybrat správné vybavení.
- Používejte odolnou obuv s protiskluzovou podrážkou. Nepoužívejte otevřenou obuv ani nepracujte naboso.
- Používejte silné, dlouhé kalhoty.
- Při určitých činnostech používejte ochranné rukavice, například při nasazování, prohlídce nebo čištění žacího ústrojí.

Bezpečnostní zařízení na produktu



VÝSTRAHA: Před použitím výrobku si přečtěte následující varování.

- Nepoužívejte výrobek, jehož bezpečnostní zařízení jsou vadná!
- Pravidelně kontrolujte bezpečnostní zařízení. Pokud je zařízení vadné, obraťte se na servis McCulloch.

Kryt žacího ústrojí

- Zkontrolujte kryt žacího ústrojí, aby bylo zajištěno, že nevykazuje známky poškození, např. praskliny.

Páka brzdy motoru

Páka brzdy motoru slouží k zastavení motoru. Když uvolníte páku brzdy motoru, motor se zastaví.

Chcete-li zkontrolovat brzdu motoru, nastartujte motor a uvolněte páku brzdy motoru. Pokud se motor nevypne během 3 sekund, požádejte schváleného servisního pracovníka McCulloch o seřízení brzdy motoru.

(Obr. 17)

Tlumič výfuku

Tlumič výfuku je určen k omezení úrovně hluku na minimum a k usměrnění výfukových plynů směrem od obsluhy.

Nepoužívejte výrobek bez tlumiče výfuku nebo pokud je vadný. Vadný tlumič výfuku zvyšuje hladinu hluku a nebezpečí požáru.

Pravidelně kontrolujte tlumič výfuku, aby bylo zajištěno, že je řádně upevněný a že není poškozený.



VAROVÁNÍ: Tlumič výfuku je během provozu a po použití velmi horký, i když motor pracuje na volnoběžné otáčky. Aby se zabránilo požáru, dbejte zvýšené opatrnosti v blízkosti hořlavých materiálů a plynů.

Bezpečnost při manipulaci s palivem



VÝSTRAHA: Před použitím výrobku si přečtěte následující varování.

- Pokud je na výrobku palivo nebo olej, nespouštějte ho. Nechtěně palivo/olej z výrobku odstraňte a nechte výrobek uschnout.
- Pokud si palivem polijete oblečení, okamžitě se převlékněte.
- Zabraňte styku paliva s tělem, může způsobit zranění. Pokud se polijete palivem, omyjte zasažené místo vodou a mýdlem.
- Nepouštějte motor, pokud z něj něco uniká. Pravidelně kontrolujte, jestli z motoru nic neuniká.
- Při manipulaci s palivem buďte opatrní. Palivo je hořlavé a výfary jsou výbušné a mohou způsobit zranění nebo smrt.

- Nevdechujte palivové výfary, mohou způsobit zranění. Zajistěte dostatečný průtok vzduchu.
- V blízkosti paliva ani motoru nekuřte.
- Do blízkosti paliva ani motoru neumísťujte horké předměty.
- Když je spuštěný motor, nedoplňujte palivo.
- Než začnete doplňovat palivo, přesvědčte se, že je motor studený.
- Než doplníte palivo, pomalu otevřete uzávěr palivové nádrže a opatrně uvolněte tlak.
- Palivo do motoru nedoplňujte ve vnitřních prostorech. Nedostatečné proudění vzduchu může způsobit zranění nebo smrt udušením nebo otravou kyslíčnickem uhelnatým.
- Pevně dotáhněte víčko palivové nádrže. Není-li víčko palivové nádrže dotažené, hrozí nebezpečí požáru.
- Než výrobek spustíte, přejděte s ním minimálně 3 m (10 stop) od místa, kde jste doplňovali palivo.
- Palivovou nádrž nepřepněte.

Bezpečnostní pokyny pro údržbu



VÝSTRAHA: Před použitím výrobku si přečtěte následující varování.

- Výfukové plyny obsahují oxid uhelnatý, jedovatý a velmi nebezpečný plyn bez zápachu. Nenechávejte motor spuštěný ve vnitřních nebo uzavřených prostorech.
- Před prováděním údržby výrobku nejprve vypněte motor a odpojte kabel zapalování od zapalovací svíčky.
- Při provádění údržby žacího ústrojí používejte ochranné rukavice. Nůž je velmi ostrý a může snadno dojít k pořezání.

- Příslušenství a změny výrobku, které neschválí výrobce, mohou způsobit vážné zranění nebo úmrtí. Neprovádějte změny na výrobku. Vždy používejte výhradně příslušenství schválené výrobcem.
- Při nesprávném nebo nepravidelném provádění údržby se zvyšuje nebezpečí poranění a poškození výrobku.
- Provádějte pouze údržbu uvedenou v tomto návodu k používání. Veškerý ostatní servis musí provést schválený servisní pracovník McCulloch.
- Servis výrobku by měl provádět schválený servisní pracovník McCulloch v pravidelných intervalech.
- Poškozené, opotřebované či prasklé součásti vyměňte.

Montáž

Montáž rukojeti

Dolní část rukojeti

1. Umístěte šroubky na spodek dolní části rukojeti a našroubujte je do děr, jak je uvedeno v návodu. Díry zarovnejte a připevněte šrouby, podložky a knoflíky. (Obr. 18)

Horní část rukojeti

1. Díry v rukojeti i v její dolní části zarovnejte a připevněte šrouby, podložky a knoflíky. Na pravou

stranu připevněte držadlo startovací šňůry. Knoflíky řádně utáhněte. (Obr. 19)

2. Zatáhněte za rukojeť startéru a zahákněte startovací šňůru za její držadlo. (Obr. 20)
3. Pomocí pásků upevněte lanka k rukojeti. (Obr. 21)

Povšimněte si: Zkontrolujte, zda není napnutí lanek příliš velké.

Montáž koše na trávu

1. Vložte rám sběracího koše do koše na trávu. Zkontrolujte, zda je rukojeť rámu sběracího koše na horní části koše na trávu.
2. Připevněte koš na trávu na rám sběracího koše pomocí svorek, které najdete na bočním okraji.(Obr. 22)
3. Zvedněte zadní kryt.
4. Upevněte sběrací koš k hornímu okraji podvozku.
5. Umístěte dolní část koše na trávu do kanálu výhozu trávy.

Montáž mulčovací vložky

Mulčovací sada je dostupná pouze jako volitelné příslušenství a to jen u vybraných modelů. Modely M51-150WR CLASSIC, M53-150WR CLASSIC jsou dodávány s mulčovacím nástavcem. Modely M40-120 CLASSIC, M40-125 CLASSIC+ nelze s mulčovacím nástavcem použít.

1. Zvedněte zadní kryt a vyjměte koš na trávu.
2. Vložte do kanálu výhozu trávy mulčovací vložku. (Obr. 23)

Provoz

Úvod



VÝSTRAHA: Před používáním produktu je třeba, abyste si přečetli a porozuměli kapitole o bezpečnosti.

Před použitím výrobku

1. Pozorně si prostudujte tento návod k používání a nepoužívejte výrobek, pokud návodu zcela nerozumíte.
2. Zkontrolujte žací ústrojí, aby bylo zajištěno, že je řádně připevněné a nastavené. Viz *Kontrola žacího ústrojí na strani 35*.
3. Naplňte palivovou nádrž. Viz *Doplňování paliva na strani 33*.
4. Doplněte olej do olejové nádrže a zkontrolujte hladinu oleje. Viz *Kontrola hladiny oleje na strani 35*.

Doplňování paliva

Pokud možno používejte alkylátový benzin s nízkými emisemi. Není-li k dostání alkylátový benzin s nízkými emisemi, používejte kvalitní bezolovnatý benzin nebo olovnatý benzin. Používejte benzin s oktanovým číslem nejméně 90 a s obsahem etanolu maximálně 10 % (E10).



VÝSTRAHA: Používání nesprávného typu paliva může vést k poškození motoru.

1. Víčko palivové nádrže otevírejte pomalu, aby se uvolnil tlak.
2. Palivo doplňte pomalu z kanystru. Dojde-li k rozlítí paliva, odstraňte jej utěrkou a zbývající palivo nechte vypařit.
3. Očistěte plochu kolem víčka palivové nádrže.
4. Pevně dotáhněte víčko palivové nádrže. Není-li víčko palivové nádrže dotažené, hrozí nebezpečí požáru.

5. Než výrobek spustíte, přejděte s ním minimálně 3 m (10 stop) od místa, kde jste doplňovali palivo.

Nastavení výšky sečení

1. Chcete-li zvýšit výšku sečení, posuňte páku pro nastavení výšky sečení dozadu.
2. Posunem páky pro nastavení výšky sečení dopředu výšku sečení snížíte.(Obr. 24)



VAROVÁNÍ: Nenastavujte výšku sečení příliš nízkou. V případě, že není povrch trávníku rovinný, mohou nože přijít do styku se zemí.

Spuštění výrobku

1. Zkontrolujte, zda je kabel zapalování připojený k zapalovací svíčke.
2. Při úplném prvním použití pětkrát za sebou stiskněte palivovou pumpičku. Při úplném prvním použití, když je motor studený, třikrát za sebou stiskněte palivovou pumpičku.(Obr. 25)
3. Postavte se za výrobek.
4. Držte páku motorové brzdy přitisknutou k rukojeti sekačky.(Obr. 26)
5. Uchopte rukojeť startovací šňůry pravou rukou.
6. Pomalu vytáhněte startovací šňůru, dokud neucítíte odpor.
7. Nastartujte motor silným zatáhnutím za šňůru.



VÝSTRAHA: Nikdy si neomotávejte startovací šňůru kolem ruky.

Použití pohonu kol

- Zatlačte páku pojezdu směrem k rukojeti.(Obr. 27)
- Pokud chcete táhnout výrobek dozadu, odpojte pohon a zatlačte výrobek dopředu přibližně 10 cm.
- V blízkosti překážek uvolněte páku pojezdu, aby se deaktivoval pohon.

Zastavení výrobku

- Chcete-li zastavit pojezd, uvolněte páku pojezdu.
- Motor zastavíte uvolněním páky brzdy motoru.

Jak docílit dobrých výsledků

- Používejte vždy ostrý nůž. Při použití tupého nože je stříh nepravidelný a posečený povrch trávy žlutne. Ostrý nůž také vyžaduje méně energie než tupý nůž.

- Nesekejte více než $\frac{1}{3}$ výšky trávy. Nejprve sekejte se žací ústrojím nastaveným vysoko. Zkontrolujte výsledek a případně snižte výšku sečení na požadovanou úroveň. Pokud je tráva velmi vysoká, jezděte pomalu a v případě potřeby sekejte 2krát.
- Sekejte vždy v jiném směru, aby na trávníku nevznikly pruhy.

Údržba

Úvod



VÝSTRAHA: Před prováděním údržby je třeba, abyste si přečetli a porozuměli kapitole o bezpečnosti.

Pro servis a opravy výrobku je nezbytné speciální školení. Garantujeme dostupnost profesionálních oprav a servisu. Pokud neposkytuje prodejce servisní služby, požádejte jej o informace o nejbližším servisu.

Plán údržby

Intervaly údržby se vypočítávají na základě každodenního používání výrobku. Intervaly se mění, není-li výrobek používán denně.

U údržby označené symbolem * vyhledejte pokyny v části *Bezpečnostní zařízení na produktu na strani 31.*

Údržba	Denně	Týdně	Měsíčně
Provedte běžnou kontrolu.	X		
Zkontrolujte hladinu oleje.	X		
Vyčistěte výrobek.	X		
Zkontrolujte žací ústrojí.	X		
Zkontrolujte kryt žacího ústrojí.*	X		
Zkontrolujte páku brzdy motoru.*	X		
Zkontrolujte a nastavte pohon (lanko spojky).	X		
Zkontrolujte tlumič výfuku.*		X	
Zkontrolujte zapalovací svíčku.		X	
Vyměňte olej (poprvé po 5 h použití, poté po každých 50 h použití).			X
Vyměňte vzduchový filtr.			X
Zkontrolujte palivový systém.			X

Provedení běžné kontroly

- Zajistěte, aby byly matice a šrouby na výrobku správně dotažené.

Čištění výrobku zvnějšku

- Pomocí kartáče odstraňte listí, trávu a nečistoty.
- Zkontrolujte, zda není přívod vzduchu v horní části motoru ucpaný.
- K čištění produktu nepoužívejte vodu pod vysokým tlakem.

- Pokud používáte vodu k čištění motoru, nestříkejte ji přímo na motor.

Čištění vnitřního povrchu krytu žacího ústrojí

1. Vyprázdněte palivovou nádrž.
2. Položte výrobek na bok s výfukem dole.



VAROVÁNÍ: Pokud byste položili výrobek se vzduchovým filtrem dole, mohl by se poškodit motor.

3. Opláchněte vodou z hadice vnitřní povrch krytu žacího ústrojí.

Kontrola žacího ústrojí



VÝSTRAHA: Aby se zabránilo náhodnému spuštění, odpojte kabel zapalování od zapalovací svíčky.



VÝSTRAHA: Při provádění údržby žacího ústrojí používejte ochranné rukavice. Nůž je velmi ostrý a může snadno dojít k pořezání.

1. Zkontrolujte žací ústrojí ohledně poškození a prasklin. Poškozené žací ústrojí vždy vyměňte.
2. Prohlédněte nůž a zkontrolujte, zda není poškozený nebo tupý.

Povšimněte si: Po ostření je nezbytné nůž vyvážit. Výměnu, ostření a vyvážení nože svěťte servisnímu středisku. Dojde-li k nárazu do překážky, po kterém dochází k vypínání výrobku, vyměňte poškozený nůž. O tom, zda je možné nůž nabrousit či zda je nutné ho vyměnit, rozhodne servisní středisko.

Postup výměny nože

1. Zajistěte nůž pomocí dřevěného špalíku. (Obr. 28)
2. Demontujte šroub nože.
3. Odmontujte nůž.
4. Prohlédněte držák nože a šroub nože a zkontrolujte, zda nejsou poškozené.
5. Prohlédněte hřídel motoru a ujistěte se, zda není ohnutý.
6. Při montáži nového nože nasměrujte zahnuté konce nože ve směru krytu žacího ústrojí. (Obr. 29)
7. Zkontrolujte, zda je nůž zarovnaný se středem hřídele motoru.
8. Zajistěte nůž pomocí dřevěného špalíku. Nasaďte pružnou podložku a utáhněte šroub a podložku utahovacím momentem 45–60 Nm. (Obr. 30)
9. Otočte nožem rukou a zkontrolujte, zda se volně otáčí.



VÝSTRAHA: Používejte odolné rukavice. Nůž je velmi ostrý a může snadno dojít k pořezání.

10. Nastartujte výrobek a proveďte test nože. Pokud není nůž správně připevněn, výrobek vibruje a výsledky sečení nejsou uspokojivé.

Kontrola hladiny oleje



VAROVÁNÍ: Příliš nízká hladina oleje může způsobit poškození motoru. Před spuštěním výrobku zkontrolujte hladinu oleje.

1. Umístěte výrobek na rovnou plochu.
2. Sejměte víčko olejové nádrže s olejovou měrkou.
3. Setřete olej z olejové měry.
4. Zasuňte olejovou měрку do olejové nádrže, abyste mohli zkontrolovat hladinu oleje.
5. Vyměňte olejovou měрку.
6. Zkontrolujte hladinu oleje na olejové měrce.
7. Pokud je hladina nízká, doplňte motorový olej a znovu zkontrolujte hladinu oleje.

Výměna motorového oleje



VÝSTRAHA: Motorový olej je bezprostředně po vypnutí motoru velmi horký. Před vypuštěním nechte motorový olej vychladnout. Pokud si potřísníte pokožku motorovým olejem, omyjte ji mýdlem a vodou.

1. Nechte výrobek běžet, dokud nebude palivová nádrž prázdná.
2. Odmontujte kabel zapalování od zapalovací svíčky.
3. Sejměte víčko olejové nádrže.
4. Umístěte nádobu pod výrobek tak, aby do něj mohl vytéct motorový olej.
5. Nakloňte výrobek, aby se vypustil olej z olejové nádrže.
6. Doplněte nový motorový olej typu doporučeného v části *Technické údaje na strani 37*.
7. Zkontrolujte hladinu oleje. Viz *Kontrola hladiny oleje na strani 35*.

Vzduchový filtr

Vzduchový filtr, který byl používán po delší dobu, již nelze zcela vyčistit. V pravidelných intervalech měňte vzduchový filtr.

Povšimněte si: Poškozený vzduchový filtr vždy vyměňte.

Čištění papírového filtru

1. Odmontujte kryt vzduchového filtru a papírový filtr.
2. Pоклепejte filtrem o rovný povrch, aby se uvolnily částice.



VAROVÁNÍ: Filtr nečistěte rozpouštědlem ani stlačeným vzduchem.

3. Vložte vzduchový filtr zpět. Zkontrolujte, zda vzduchový filtr dokonale těsní proti držáku vzduchového filtru.
4. Nasaďte zpět kryt vzduchového filtru.

Čištění pěnového plastového filtru

1. Odmontujte kryt vzduchového filtru a pěnový plastový filtr.
2. Vyčistěte pěnový plastový filtr mýdlem a vodou.
3. Opláchněte pěnový plastový filtr čistou vodou.
4. Vymačkejte vodu z pěnového plastového filtru a nechte jej vyschnout.



VAROVÁNÍ: Nepoužívejte stlačený vzduch. Mohl by poškodit pěnový plastový filtr.

5. Namažte pěnový plastový filtr motorovým olejem.
6. Zatlačte čistou utěrku na pěnový plastový filtr, aby se odstranil nadbytečný olej.
7. Vložte vzduchový filtr zpět. Zkontrolujte, zda vzduchový filtr dokonale těsní proti držáku vzduchového filtru.
8. Nasadte zpět kryt vzduchového filtru.

Kontrola zapalovací svíčky



VAROVÁNÍ: Vždy používejte doporučený typ zapalovacích svíček. Nesprávný typ zapalovací svíčky může způsobit poškození výrobku.

- Zkontrolujte zapalovací svíčku, pokud má motor malý výkon, špatně startuje nebo nefunguje správně ve volnoběžných otáčkách.
- Aby se snížilo nebezpečí přítomnosti nechtěných materiálů na elektrodách zapalovací svíčky, dodržujte tyto pokyny:
 - a) Zkontrolujte, zda jsou správně nastaveny volnoběžné otáčky.
 - b) Zkontrolujte správnost palivové směsi.

c) Zkontrolujte, zda je vzduchový filtr čistý.

- Jestliže je zapalovací svíčka znečištěná, vyčistěte ji a zkontrolujte, zda je vzdálenost elektrod zapalovací svíčky správná, viz část *Technické údaje na strani 37*.(Obr. 31)
- V případě potřeby zapalovací svíčku vyměňte.

Kontrola palivového systému

- Prohlédněte víčko palivové nádrže a těsnění víčka a ujistěte se, že nejsou poškozené.
- Prohlédněte hadici přívodu paliva a ujistěte se, že nedochází k úniku. Pokud je hadice přívodu paliva poškozená, požádejte servisního pracovníka o výměnu.

Seřízení lanka spojky

Pokud je pojezd pomalý, je nezbytné seřídit lanko spojky.

1. Délku lanka spojky nastavíte tak, že jej zapojíte do různých děr na páce pojezdu. Pro zvýšení rychlosti pojezdu zkrátte lanko spojky. Pro snížení rychlosti pojezdu prodlužte lanko spojky.(Obr. 32)

Povšimněte si: Pokud se pohon zapojí, i když nepřitahujete páku pojezdu, je nezbytné prodloužit lanko spojky.

2. S rychlostí pojezdu můžete lehce manipulovat otáčením seřizovacího šroubu. Chcete-li zvýšit rychlost pojezdu, otočte seřizovacím šroubem proti směru hodinových ručiček. Chcete-li snížit rychlost pojezdu, otočte seřizovacím šroubem ve směru hodinových ručiček.(Obr. 33)

Pokud je pojezd pomalý i po seřízení, požádejte schváleného servisního agenta o výměnu hnacího řemenu.

Přeprava, skladování a likvidace

Přeprava a skladování

- Před uskladněním a přepravou výrobku či paliva zkontrolujte, zda nejsou přítomny známky úniku nebo výparů. Jiskry a otevřený oheň, například z elektrických zařízení nebo kotlů, mohou zažehnout požár.
- Vždy používejte schválené nádoby na skladování a přepravu paliva.
- Před dlouhodobým skladováním výrobku vyprázdněte palivovou nádrž a komoru karburátoru. Odevzdejte palivo na příslušném sběrném místě
- Během přepravy musí být výrobek bezpečně upevněn, aby se zabránilo jeho poškození a nehodám.

- Skladujte výrobek na uzamčeném místě, aby se zamezilo přístupu dětí a neoprávněných osob.
- Uchovávejte výrobek na suchém a bezprašném místě.

Likvidace

- Dodržujte místní požadavky ohledně recyklace a platné předpisy.
- Odevzdejte všechny chemikálie, například motorový olej nebo palivo, v servisním středisku nebo na příslušném sběrném místě.
- Nehodláte-li výrobek dále používat, odešlete jej prodejci McCulloch nebo jej dopravte do recyklační stanice.

Technické údaje

Technické údaje

	M40-120 CLASSIC	M40-125 CLASSIC+	M46-120 CLASSIC	M46-120R CLASSIC	M46-125 CLASSIC+	M46-125R CLASSIC+
Motor						
Značka	McCulloch	Briggs & Stratton	McCulloch	McCulloch	Briggs & Stratton	Briggs & Stratton
Zdvihový objem, cm ³	120	125	120	120	125	125
Rychlost, ot./min	2900	2900	2900	2900	2900	2900
Jmenovitý výkon motoru, kW ²¹	2,0	1,6	2,0	2,0	1,6	1,6
Systém zapalování						
Zapalovací svíčka	K7RTC	RC12YC	K7RTC	K7RTC	RC12YC	RC12YC
Vzdálenost elektrod, mm	0,7	0,5	0,7	0,7	0,5	0,5
Systém mazání a palivový systém						
Objem palivové nádrže, l	0,8	0,8	0,8	0,8	0,8	0,8
Objem olejové nádrže, litry	0,4	0,4	0,4	0,4	0,4	0,4
Motorový olej ²²	SAE 30/ SAE 10W-3 0	SAE 30/ SAE 10W-3 0	SAE 30/ SAE 10W-3 0	SAE 30/ SAE 10W-3 0	SAE 30/ SAE 10W-3 0	SAE 30/ SAE 10W-3 0
Hmotnost						
S prázdnými nádržemi, kg	24	25	28	29	28	29
Emise hluku²³						
Hladina akustického výkonu, změřená dB (A)	93	93	95	95	95	95
Hladina akustického výkonu, zaručená L _{WA} dB (A)	94	94	96	96	96	96
Hladina hluku²⁴						
Hladina akustického tlaku na sluch obsluhy, dB (A)	80	80	82	82	82	82

²¹ Uvedený jmenovitý výkon motoru je průměrný čistý výkon (při specifikovaných ot./min.) typického motoru pro model motoru měřený podle normy SAE J1349/ISO1585. Sériové vyráběné motory se od této hodnoty mohou lišit. Skutečný výstupní výkon motoru instalovaného na konečném výrobku závisí na provozních otáčkách, povětrnostních podmínkách a dalších hodnotách.

²² Použijte pouze motorový olej kvality SJ nebo vyšší. Podívejte se do tabulky viskozity v návodu výrobce motoru a vyberte nejlepší viskozitu podle předpokládané venkovní teploty.

²³ Emise hluku v životním prostředí měřené jako akustický výkon (L_{WA}) v souladu se směrnici 2000/14/ES.

²⁴ Hladina akustického tlaku měřená podle normy ISO 5395:2103. Uváděná data pro hladinu tlaku zvuku mají typickou statistickou odchylku (standardní odchylku) 1,2 dB (A).

	M40-120 CLASSIC	M40-125 CLASSIC+	M46-120 CLASSIC	M46-120R CLASSIC	M46-125 CLASSIC+	M46-125R CLASSIC+
Úrovně vibrací, a_{hveq}²⁵						
Rukojeť, m/s ²	14,75	14,75	15,68	15,68	15,68	15,68
Řezací vybavení						
Výška sečení, mm	20-75	20-75	30-80	30-80	30-80	30-80
Šířka sečení, mm	400	400	460	460	460	460
Žací nůž	Mulčovací 40	Mulčovací 40	Mulčovací 46	Mulčovací 46	Mulčovací 46	Mulčovací 46
Objednáací číslo	5871590-10	5871590-10	5811889-10	5811889-10	5811889-10	5811889-10
Kapacita koše na trávu, li- try	50	50	50	50	50	50

	M46-150WR CLASSIC	M51-140WR CLASSIC+	M51-150R CLASSIC	M51-150WR CLASSIC	M53-150WR CLASSIC
Motor					
Značka	McCulloch	Briggs & Strat- ton	McCulloch	McCulloch	McCulloch
Zdvihový objem, cm ³	150	140	150	150	150
Rychlost, ot./min	2900	2900	2900	2900	2900
Jmenovitý výkon motoru, kW ²⁶	2.4	1.9	2.4	2.4	2.4
Systém zapalování					
Zapalovací svíčka	K7RTC	RC12YC	K7RTC	K7RTC	K7RTC
Vzdálenost elektrod, mm	0,7	0,5	0,7	0,7	0,7
Systém mazání a palivový systém					
Objem palivové nádrže, litry	1,0	0,8	1,0	1,0	1,0
Objem olejové nádrže, litry	0,4	0,4	0,4	0,4	0,4
Motorový olej ²⁷	SAE 30/ SAE 10W-30	SAE 30/ SAE 10W-30	SAE 30/ SAE 10W-30	SAE 30/ SAE 10W-30	SAE 30/ SAE 10W-30
Hmotnost					
S prázdnými nádržemi, kg	32	32	33	33	33

²⁵ Úroveň vibrací měřená podle normy ISO 5395:2013. Uváděná data o úrovni vibrací mají typickou statistickou odchylku (standardní odchylku) 0,2 m/s².

²⁶ Uvedený jmenovitý výkon motoru je průměrný čistý výkon (při specifikovaných ot./min.) typického motoru pro model motoru měřený podle normy SAE J1349/ISO1585. Sériově vyráběné motory se od této hodnoty mohou lišit. Skutečný výstupní výkon motoru instalovaného na konečném výrobku závisí na provozních otáčkách, povětrnostních podmínkách a dalších hodnotách.

²⁷ Používejte pouze motorový olej kvality SJ nebo vyšší. Podívejte se do tabulky viskozity v návodu výrobce motoru a vyberte nejlepší viskozitu podle předpokládané venkovní teploty.

	M46-150WR CLASSIC	M51-140WR CLASSIC+	M51-150R CLASSIC	M51-150WR CLASSIC	M53-150WR CLASSIC
Emise hluku ²⁸					
Hladina akustického výkonu, změřená dB (A)	97	97	95	97	98
Hladina akustického výkonu, zaručená L _{WA} dB (A)	98	98	98	98	98
Hladina hluku ²⁹					
Hladina akustického tlaku na sluch obsluhy, dB (A)	82	82	81	84	82
Úroveň vibrací, a_{hveq} ³⁰					
Rukojeť, m/s ²	4,27	4,27	4,06	5,55	3,39
Řezací vybavení					
Výška sečení, mm	30–80	30–90	30–90	30–90	30–90
Šířka sečení, mm	460	510	510	510	530
Žací nůž	Mulčovací 46	Mulčovací 51	Mulčovací 51	Mulčovací 51	Mulčovací 53
Objednací číslo	5811889-10	5041133-10	5041133-10	5041133-10	5811886-10
Kapacita koše na trávu, litry	50	55	55	55	55

Prohlášení o shodě ES

Obsah prohlášení o shodě EU

My, společnost Husqvarna AB, SE 561 82 Huskvarna, ŠVÉDSKO, zcela zodpovědně prohlašujeme, že příslušný výrobek:	
Popis	Sekačka na trávu s péší obsluhou poháněná spalovacím motorem
Značka	McCulloch
Platforma / typ / model	M40-120 CLASSIC, M40-125 CLASSIC+, M46-120 CLASSIC, M46-120R CLASSIC, M46-125 CLASSIC+, M46-125R CLASSIC+, M46-150WR CLASSIC, M51-140WR CLASSIC+, M51-150R CLASSIC, M51-150WR CLASSIC, M53-150WR CLASSIC
Šarže	Výrobní číslo od roku 2017 a dále
je zcela ve shodě s následujícími směrnici a předpisy EU:	
Směrnice/předpis	Popis
2006/42/ES	„o strojních zařízeních“

²⁸ Emise hluku v životním prostředí měřené jako akustický výkon (L_{WA}) v souladu se směrnicí 2000/14/ES.

²⁹ Hladina akustického tlaku měřená podle normy ISO 5395:2103. Uváděná data pro hladinu tlaku zvuku mají typickou statistickou odchylku (standardní odchylku) 1,2 dB (A).

³⁰ Úroveň vibrací měřená podle normy ISO 5395:2013. Uváděná data o úrovni vibrací mají typickou statistickou odchylku (standardní odchylku) 0,2 m/s².

2014/30/EU	„o elektromagnetické kompatibility“
2000/14/ES; 2005/88/ES	„o venkovním hluku“
<p data-bbox="60 161 1034 204">Platí následující harmonizované normy anebo technické specifikace: EN ISO 12100, ISO 14982, ISO 5395-1 & 2, ISO 3744, ISO 11094, EN 1032</p> <p data-bbox="60 233 1034 276">Deklarované úrovně hluku jsou uvedeny v části s technickými údaji této příručky a podepsaném prohlášení o shodě EU ve shodě se směrnicí 2000/14/ES, příloha V.</p> <p data-bbox="60 304 1034 347">Dodaná sekačka na trávu s pěší obsluhou poháněná spalovacím motorem je shodná se vzorkem, který prošel zkouškou.</p>	

Indhold

Indledning.....	41	Vedligeholdelse.....	46
Sikkerhed.....	42	Transport, opbevaring og bortskaftelse.....	48
Sikkerhedsinstruktioner for vedligeholdelse.....	44	Tekniske data.....	49
Montering.....	44	EU-overensstemmelseserklæring.....	51
Drift.....	45		

Indledning

Produktbeskrivelse

Produktet er en roterende plæneklipper med gående fører. Græsset opsamles i en græsopsamler. Fjern græsopsamleren for at få bagudkast af græsset. Monter et bioklipsæt (ekstraudstyr), og klip græsset til gødning.

Produktoversigt

(Fig. 1)

1. Bøjle til fremtræk (M46-120R CLASSIC, M46-125R CLASSIC+, M46-150WR CLASSIC, M51-140WR CLASSIC+, M51-150R CLASSIC, M51-150WR CLASSIC, M53-150WR CLASSIC)
2. Øverste håndtag/styr
3. Motorbremsehåndtag
4. Startsnorens håndgreb
5. Løkke til startsnor
6. Græsopsamler
7. Nederste håndtag
8. Nederste håndtagsenhed
9. Klippehøjdehåndtag
10. Olieåbning
11. Lyddæmper
12. Aftapningsprop til karburatorhus
13. Spædepumpe
14. Tændrør
15. Brændstoffank
16. Klinge
17. Fjederskive
18. Klingebolt
19. Klippeskjold
20. Luftfilter
21. Brugervejledning

Symboler på produktet

(Fig. 2) ADVARSEL: Skødesløs eller forkert brug kan resultere i personskade eller dødsfald for føreren eller omkringstående.

(Fig. 3) Læs brugsanvisningen omhyggeligt igennem, og sørg for at have forstæet instruktionerne, inden du bruger produktet.

Anvendelsesformål

Brug produktet til græsklipning i private haver. Brug ikke produktet til andre opgaver.

(Fig. 4) Hold uvedkommende personer og dyr på sikker afstand af arbejdsstedet.

(Fig. 5) Stands motoren, og fjern tændingskablet, før der udføres reparationer eller vedligeholdelsesarbejde.

(Fig. 6) Pas på udslyngede genstande og rikolettering.

(Fig. 7) Advarsel: roterende klinge. Hold hænder og fødder på sikker afstand.

(Fig. 8) Advarsel: roterende dele. Hold hænder og fødder på sikker afstand.

(Fig. 9) Dette produkt er i overensstemmelse med gældende EF-direktiver

(Fig. 10) Støjemissioner til omgivelserne i henhold til EF-direktiv. Produktets emission fremgår af kapitlet Tekniske data og af mærkaten.

(Fig. 11) Brandfare.

(Fig. 12) Brandfare.

(Fig. 13) Risiko for eksplosion.

(Fig. 14) Stands altid motoren ved brændstofpåfyldning.

(Fig. 15) Varm overflade.

(Fig. 16) Udstødningsgasserne fra motoren indeholder kullite, som er en lugtfri, giftig og meget farlig gasart. Undlad at tænde produktet indendørs eller i lukkede rum.

Bemærk: Andre symboler/mærkater på produktet henviser til certificeringskrav i andre handelsområder.

Produktansvar

Som nævnt i produktansvarsbestemmelserne hæfter vi ikke for skader forårsaget af vores produkt, hvis:

- produktet er forkert repareret
- produktet er repareret med dele, der ikke er fra producenten eller ikke er godkendt af producenten

- produktet har tilbehør, der ikke er fra producenten eller ikke er godkendt af producenten.
- produktet ikke er repareret på et godkendt servicecenter eller af en godkendt myndighed.

Sikkerhed

Sikkerhedsdefinitioner

Advarsler, forholdsregler og bemærkninger bruges til at pege på særligt vigtige dele af brugsanvisningen.



ADVARSEL: Bruges, hvis føreren udsætter sig selv eller omkringstående personer for risiko for personskade eller dødsfald ved tilsidesættelse af instruktionerne i brugsanvisningen.



BEMÆRK: Bruges, hvis der er risiko for skader på produktet, andre materialer eller det omgivende område ved tilsidesættelse af instruktionerne i brugsanvisningen.

Bemærk: Bruges til at give yderligere oplysninger, der er nødvendige i en given situation.

Generelle sikkerhedsinstruktioner



ADVARSEL: Læs følgende advarselsinstruktioner, inden du bruger produktet.

- Dette produkt er farligt, hvis det bruges forkert, eller hvis du ikke er forsigtig. Personskade eller dødsfald kan forekomme, hvis du ikke overholder sikkerhedsinstruktionerne.
- Dette produkt danner et elektromagnetisk felt under drift. Dette felt kan i nogle tilfælde påvirke aktive eller passive medicinske implantater. For at reducere risikoen for alvorlige eller dødbringende kvæstelser anbefaler vi, at personer med medicinske implantater kontakter deres læge og producenten af det medicinske implantat, før de tager produktet i brug.
- Vær altid forsigtig, og brug din sunde fornuft. Hvis du ikke er sikker på, hvordan produktet betjenes en særlig situation: Stop, og kontakt McCulloch forhandleren, inden du fortsætter.
- Vær opmærksom på, at føreren er ansvarlig for ulykker, der involverer andre personer eller disses ejendom.
- Hold produktet rent. Sørg for, at skilte og mærkater er tydeligt læsbare.

- Lad ikke en person bruge produktet, medmindre du er sikker på, at vedkommende har læst og forstået indholdet i denne brugsanvisning.
- Lad ikke børn betjene produktet.
- Lad ikke en person uden kendskab til vejledningen betjene produktet.
- Hold altid øje med personer med nedsat fysisk eller mental kapacitet, der bruger produktet. En voksen skal være til stede hele tiden.
- Brug ikke produktet, hvis du er træt, syg eller påvirket af alkohol, narkotika eller medicin. Det har en negativ virkning på synet, overblikket, koordinationssevnen og dømmekraften.
- Brug ikke produktet, hvis det er fejlbehæftet.
- Foretag ikke ændringer på produktet, og undlad at bruge det, hvis der er risiko for, at det er blevet ændret af andre.

Sikkerhed i arbejdsområdet



ADVARSEL: Læs følgende advarselsinstruktioner, inden du bruger produktet.

- Fjern genstande såsom grene, kviste og sten fra arbejdsområdet, inden du bruger produktet.
- Genstande, som rammer skæreudstyret, kan udslynges og forårsage person- og tingskade. Hold omkringstående personer og dyr på sikker afstand af produktet.
- Undlad at bruge produktet i dårligt vejr, som f.eks. tåge, regn, hård vind, kraftig kulde og ved risiko for lynnedslag. Det kan være trættende at bruge produktet i dårligt vejr eller i fugtige eller våde områder. Dårligt vejr kan medføre farlige forhold, f.eks. glatte underlag.
- Pas på personer, genstande og situationer, som kan forhindre sikker brug af produktet.
- Pas på forhindringer som f.eks. rødder, sten, kviste, huller og grøfter. Langt græs kan skjule hindringer.
- Det kan være farligt at klippe græs på skrånninger. Brug ikke produktet på skrånninger, der hældes mere end 15°.
- Lad produktet køre på tværs af skrånninger. Køj ikke op og ned.
- Vær forsigtig, når du nærmer dig uoverskuelige hjørner og genstande, som blokerer for udsynet.

Arbejdssikkerhed



ADVARSEL: Læs følgende advarselsinstruktioner, inden du bruger produktet.

- Brug kun produktet til græsslåning. Det er ikke tilladt at bruge det til andre opgaver.
- Bær personligt beskyttelsesudstyr. Se *Personligt beskyttelsesudstyr på side 43*.
- Start aldrig motoren i et lukket rum eller i nærheden af brandfarlige materialer. Motorens udstødningsgasser er varme og kan indeholde gnister, som kan forårsage brand.
- Betjen ikke produktet, medmindre klingens og alle afskærmninger er monteret korrekt. En forkert monteret klinge kan løse sig og forårsage personskade.
- Sørg for, at klingens ikke rammer genstande som f.eks. sten og rødder. Det kan beskadige klingens og bøje motoraksel. En bøjet aksel giver kraftige vibrationer og stor risiko for, at klingens løsner sig.
- Hvis klingens rammer en genstand, eller der opstår vibrationer, skal du straks standse produktet. Tag tændkablet af tændrøret. Undersøg, om produktet er blevet beskadiget. Reparer skader, eller lad et autoriseret serviceværksted udføre reparationen.
- Fastgør aldrig motorbremsehåndtaget permanent på styret, når motoren er startet.
- Anbring produktet på et stabilt, fladt underlag, og start det. Sørg for, at klingens ikke rammer jorden eller andre genstande.
- Hold dig altid bag produktet, mens du betjener det.
- Lad alle hjulene blive på jorden, og hold 2 hænder på styret, når du betjener produktet. Hold hænder og fødder på sikker afstand af de roterende klinger.
- Tip ikke produktet, når motoren er startet.
- Vær forsigtig, når du trækker produktet baglæns.
- Løft aldrig produktet, når motoren er startet. Hvis du skal løfte produktet, skal du først standse motoren og frakoble tændkablet fra tændrøret.
- Gå ikke baglæns, når du bruger produktet.
- Stands motoren, når du bevæger dig hen over områder uden græs, f.eks. stier med grus, sten og asfalt.
- Undlad at køre med produktet, når motoren er startet. Gå altid fremad, når du bruger produktet.
- Stands motoren, inden du ændrer klippehøjden. Foretag aldrig justeringer, når motoren er startet.
- Efterlad aldrig produktet uden opsyn, når motoren er startet. Stands motoren, og sørg for, at skæreudstyret ikke roterer.

Sikkerhedsinstruktioner for drift

Personligt beskyttelsesudstyr



ADVARSEL: Læs følgende advarselsinstruktioner, inden du bruger produktet.

- Personligt beskyttelsesudstyr udelukker ikke fuldstændigt risikoen for personskader, men det mindsker graden af skaderne i tilfælde af, at der skulle ske en ulykke. Lad forhandleren hjælpe dig med at vælge det rigtige udstyr.
- Brug kraftige, skridsikre støvler eller sko. Brug ikke åbne sko, og gå heller ikke på bare fødder.
- Brug kraftige, lange bukser.
- Brug om nødvendigt beskyttelseshandsker, f.eks. ved montering, eftersyn eller rengøring af skæreudstyret.

Sikkerhedsanordninger på produktet



ADVARSEL: Læs følgende advarselsinstruktioner, inden du bruger produktet.

- Brug ikke et produkt med defekte sikkerhedsanordninger.
- Kontrollér sikkerhedsanordningerne regelmæssigt. Hvis sikkerhedsanordningerne er defekte, skal du henvende dig til dit McCulloch-serviceværksted.

Klippeskjold

- Undersøg klippeskjoldet for at sikre, at der ikke er skader såsom revner.

Motorbremsehåndtag

Motorbremsehåndtaget standser motoren. Når motorbremsehåndtaget slippes, standser motoren.

Ved eftersyn af motorbremsen, startes motoren, hvorefter motorbremsehåndtaget slippes. Hvis motoren ikke standser inden for 3 sekunder, skal et godkendt McCulloch serviceværksted justere motorbremsen.

(Fig. 17)

Lyddæmper

Lyddæmperen sikrer et minimalt støjniveau og sender udstødningsgasserne væk fra føreren.

Brug ikke produktet, hvis lyddæmperen mangler eller er defekt. En defekt lyddæmper øger støjniveauet og risikoen for brand.

Efterse lyddæmperen regelmæssigt for at sikre, at den er monteret korrekt og ikke er beskadiget.



BEMÆRK: Lyddæmperen bliver meget varm under og efter brug, og når motoren kører i tomgang. Vær forsigtig i nærheden af

brandfarlige materialer og/eller dampe for at forhindre brand.

Brændstofsikkerhed



ADVARSEL: Læs følgende advarselsinstruktioner, inden du bruger produktet.

- Start ikke produktet, hvis der er brændstof eller motorolie på produktet. Fjern uønsket brændstof/olie og lad produktet tørre.
- Hvis du får brændstof på dit tøj, skal du skifte tøj med det samme.
- Undgå at få brændstof på kroppen, da det kan forårsage personskader. Hvis du får brændstof på kroppen, skal du bruge sæbe og vand til at fjerne brændstoffet.
- Start ikke produktet, hvis motoren lækker. Undersøg regelmæssigt motoren for lækager.
- Vær forsigtig med brændstof. Brændstof er letantændeligt og dampe er eksplosive og kan medføre personskader eller dødsfald.
- Undgå at indånde brændstoffdampene, da det kan forårsage personskader. Sørg for, at der er tilstrækkelig luftstrøm.
- Ryg ikke i nærheden af brændstof eller motor.
- Anbring ikke varme genstande i nærheden af brændstof eller motor.
- Fyld ikke brændstof på, når motoren er tændt.
- Sørg for, at motoren er afkølet, inden du fylder brændstof på.
- Før du fylder brændstof på, skal du åbne brændstoftankens dæksel langsomt og forsigtigt udløse trykket.
- Fyld ikke brændstof på motoren i et indendørs område. Utilstrækkelig med luftstrøm kan forårsage personskader eller dødsfald på grund af kvælning eller kulilte.
- Spænd brændstoftankens dæksel helt. Hvis brændstoftankens dæksel ikke spændes, opstår der risiko for brand.
- Flyt produktet minimum 3 m fra det sted, hvor du fyldte tanken, før du starter det.
- Fyld ikke for meget brændstof i brændstoftanken.

Sikkerhedsinstruktioner for vedligeholdelse



ADVARSEL: Læs følgende advarselsinstruktioner, inden du bruger produktet.

- Udstødningsgasserne fra motoren indeholder kulilte, som er en lugtfri, giftig og meget farlig gasart. Undlad at starte motoren indendørs eller i lukkede rum.
- Før der udføres vedligeholdelse af produktet, standses motoren, og tændkablet tages af tændrøret.
- Brug handsker, når du udfører vedligeholdelse på skæreudstyret. Kliven er meget skarp, og du kan nemt komme til at skære dig.
- Tilbehør til og ændringer på produktet, som ikke er godkendt af producenten, kan medføre alvorlig

personskade eller dødsfald. Undlad at ændre produktet. Brug altid reservedele, der er godkendt af producenten.

- Hvis vedligeholdelsen ikke udføres korrekt og regelmæssigt, øges risikoen for personskade og beskadigelse af produktet.
- Foretag kun den form for vedligeholdelse, der er angivet i denne instruktionsbog. Eventuel anden service skal udføres af et godkendt McCulloch serviceværksted.
- Lad et godkendt McCulloch serviceværksted foretage regelmæssig service af produktet.
- Udskift beskadigede, slidte eller defekte dele.

Montering

Sådan samles styret

Nederste håndtag

1. Sæt stifterne i bunden af det nederste håndtag ind i hullerne som vist i illustrationen. Flugt skruehullerne, og monter skruerne, skiver og skruehåndtag.(Fig. 18)

Øverste håndtag

1. Juster hullerne på styret med hullerne i det nederste håndtag, og monter skruerne, skiver og knopper. På højre side skal du også montere løkken til

startsnoren. Spænd skruehåndtagene hårdt.(Fig. 19)

2. Træk i startsnorens håndgreb, og sæt startsnoren omkring løkken.(Fig. 20)
3. Brug stropperne til at fastgøre kablerne på styret. (Fig. 21)

Bemærk: Sørg for, at opspændingen af kablerne ikke er for høj.

Sådan samles græsopsamleren

1. Sæt rammen til græsopsamleren ind i græsposen. Sørg for, at håndtaget på rammen til græsopsamleren er i toppen af græsposen.
2. Fastgør græsposen til græsopsamlerens ramme med clipsene, der findes på posens kant.(Fig. 22)
3. Løft det bageste dæksel.
4. Fastgør græsopsamleren på chassissets øverste kant.
5. Sæt græsopsamlerens nederste del i græsudkastkanalen.

Sådan samles bioklipproppen

Et findelersæt fås som ekstraudstyr til udvalgte modeller. Modellerne M51-150WR CLASSIC, M53-150WR CLASSIC leveres med findelingssæt. Modellerne M40-120 CLASSIC, M40-125 CLASSIC+ kan ikke anvendes med et findelersæt.

1. Løft det bageste dæksel, og fjern græsopsamleren.
2. Sæt bioklipproppen i udkastkanalen.(Fig. 23)

Drift

Indledning



ADVARSEL: Før du bruger produktet, skal du læse og forstå kapitlet om sikkerhed.

Før du bruger produktet

1. Læs brugsanvisningen omhyggeligt igennem, og sørg for at have forstået instruktionerne.
2. Undersøg skæreudstyret for at sikre, at det er korrekt monteret og justeret. Se *Sådan efterses skæreudstyret på side 47.*
3. Fyld brændstoftanken. Se *Sådan påfyldes brændstof på side 45.*
4. Fyld olietanken, og efterse oliestanden. Se *Sådan kontrolleres oliestanden på side 47.*

Sådan påfyldes brændstof

Brug om muligt miljø-/alkylatbenzin. Hvis miljø-/alkylatbenzin ikke er tilgængeligt, skal du bruge blyfri eller blyholdig benzin af god kvalitet. Brug aldrig benzin med lavere oktantal end 90 og med maksimalt 10 % ætanol (E10).



ADVARSEL: Hvis der påfyldes en forkert type brændstof, kan det medføre beskadigelse af motoren.

1. Åbn brændstoftankens dæksel langsomt for at aflaste trykket.
2. Påfyld brændstof langsomt med en benzindunk. Hvis du spilder brændstof, fjernes det med en klud, og lad resterende brændstof fordampe.
3. Rengør omkring brændstoftankens dæksel.
4. Spænd brændstoftankens dæksel helt. Hvis brændstoftankens dæksel ikke spændes, opstår der risiko for brand.
5. Flyt produktet minimum 3 m fra det sted, hvor du fyldte tanken, før du starter det.

Sådan indstilles klippehøjden

1. Flyt klippehøjdehåndtaget bagud for at øge klippehøjden.
2. Flyt klippehøjdehåndtaget fremad for at mindske klippehøjden.(Fig. 24)



BEMÆRK: Indstil ikke klippehøjden for lavt. Knivene kan ramme jorden, hvis græsplænnens overflade ikke er jævn.

Sådan startes produktet

1. Kontroller, at tændkablet er tilsluttet til tændrøret.
2. Allerførste gang du starter produktet, skal du trykke på spædepumpen 5 gange. Næste gang du starter produkt, når motoren er kold, skal du trykke på spædepumpen 3 gange.(Fig. 25)
3. Stil dig bag produktet.
4. Hold motorbremsehåndtaget ind mod styret.(Fig. 26)
5. Hold fast i startsnorens håndgreb med højre hånd.
6. Træk langsomt startsnoren ud, indtil der føles modstand.
7. Træk kraftigt, indtil motoren starter.



ADVARSEL: Vikl aldrig startsnoren rundt om hånden.

Sådan bruges hjulenes fremtræk

- Skub bøjlen til fremtrækket i retning mod styret.(Fig. 27)
- Før produktet trækkes baglæns, frakobles fremtrækket, og produktet skubbes ca. 10cm fremad.
- Slip bøjlen til fremtrækket for at frakoble det, f.eks. når du nærmer dig en forhindring.

Sådan standses produktet

- For kun at standse drevet slippes bøjlen til fremtrækket.
- Motoren standses ved at slippe motorbremsehåndtaget.

Sådan opnår du et godt resultat

- Sørg altid for, at klingen er skarp. En sløv klinge giver et uregelmæssigt resultat, og græssets

snitflade bliver gul. En skarp klinge bruger desuden mindre energi end en sløv klinge.

- Klip aldrig mere end $\frac{1}{3}$ af græssets længde. Klip først med klippehøjden indstillet højt. Efterse resultatet, og sænk derefter klippehøjden til det ønskede niveau. Hvis græsset er meget højt, skal du køre langsomt og om nødvendigt klippe 2 gange.
- Klip i forskellige retninger hver gang for at undgå striber i græsplænen.

Vedligeholdelse

Indledning



ADVARSEL: Inden der foretages vedligeholdelse, skal du læse og forstå kapitlet om sikkerhed.

Alt service- og reparationsarbejde på produktet kræver specialuddannelse. Vi garanterer faglig korrekt reparation og service. Hvis forhandleren ikke er et serviceværksted, kan vedkommende oplyse om nærmeste serviceværksted.

Vedligeholdelsesskema

Vedligeholdelsesintervallerne er fastlagt baseret på daglig brug af produktet. Intervallerne ændres, hvis produktet ikke bruges dagligt.

For vedligeholdelse identificeret med * henvises til vejledningen i *Sikkerhedsanordninger på produktet på side 43*.

Vedligeholdelse	Hver dag	Ugentligt	Månedligt
Foretag et generelt eftersyn	X		
Kontroller oliestanden	X		
Rengør produktet	X		
Efterse skæreudstyret	X		
Efterse klippeskjoldet*	X		
Efterse motorbremsehåndtaget*	X		
Efterse og justér drevet (koblingskablet)	X		
Efterse lyddæmperen*		X	
Efterse tændrøret		X	
Skift olie (første gang efter 5 timers brug, derefter efter hver 50 timers brug)			X
Skift luftfilteret			X
Efterse brændstofsystemet			X

Sådan udføres et generelt eftersyn

- Sørg for, at møtrikker og skruer på produktet er spændt.

Sådan rengøres produktet udvendigt

- Brug en børste til at fjerne blade, græs og snavs.
- Sørg for, at luftindtaget oven på motoren ikke er blokeret.

- Brug ikke en højtryksrenser til at rengøre produktet.
- Hvis du bruger vand til at rengøre produktet, må vandet ikke sprøjtes direkte på motoren.

Sådan rengøres indersiden af klippeskjoldet

1. Tøm brændstoftanken.
2. Placer produktet på siden med lyddæmperen nedad.



BEMÆRK: Hvis produktet anbringes med luftfilteret nedad, kan motoren tage skade.

3. Spul indersiden af klippeskjoldet med vand.

Sådan efterses skæreudstyret



ADVARSEL: Tændkablet tages af tændrøret for at undgå utilsigtet start af motoren.



ADVARSEL: Brug handsker, når du udfører vedligeholdelse på skæreudstyret. Klinge er meget skarp, og du kan nemt komme til at skære dig.

1. Efterses skæreudstyret for skader eller revner. Udskift altid skæreudstyret, hvis det er beskadiget.
2. Kig på klingen for at se, om den er beskadiget eller sløv.

Bemærk: Kniven skal afbalanceres, efter den er blevet slebet. Lad et servicecenter skærpe, udskift og afbalancere klingen. Hvis du rammer en forhindring, der får produktet til at standse, udskiftes den beskadigede klinge. Lad servicecenteret vurdere, om klingen kan files, eller om den skal udskiftes.

Sådan udskiftes klingen

1. Lås klingen med en trækloids.(Fig. 28)
2. Fjern klingeboltens.
3. Afmonter klingens.
4. Efterses klingeophæng og klinge bolt for at se, om der er skader.
5. Efterses motorakslen for at sikre, at den ikke er bøjet.
6. Når du sætter den nye klinge på, skal klingens ender pege i retning af klippeskjoldet.(Fig. 29)
7. Sørg for, at klingens flugter med motorakslens centrum.
8. Lås klingens med en trækloids. Monter fjederskiven, og spænd boltens og skiven med et tilspændingsmoment på 45–60 Nm.(Fig. 30)
9. Træk klingens rundt pr. håndkraft, og kontrollér, at den drejer frit.



ADVARSEL: Brug sikkerhedshandsker. Klingens er meget skarp, og du kan nemt komme til at skære dig.

10. Start produktet for at afprøve klingens. Hvis skiven ikke er korrekt fastgjort, forekommer der vibrationer i produkt, eller klipperesultatet bliver utilfredsstillende.

Sådan kontrolleres oliestanden



BEMÆRK: Hvis olieniveauet er for lavt, kan det medføre motorskader. Kontroller oliestanden, før du starter produktet.

1. Anbring produktet på et plant underlag.
2. Afmonter olietankens dæksel, hvorpå oliepipinden sidder.
3. Tør olien af oliepipinden.
4. Stik oliepipinden helt ned i olietanken for at få et korrekt billede af oliestanden.
5. Fjern oliepipinden.
6. Kontroller oliestanden på målepipinden.
7. Hvis oliestanden er lav, skal der efterfyldes med motorolie, og foretag derefter en kontrol af oliestanden igen.

Sådan skiftes motorolien



ADVARSEL: Motorolien er meget varm umiddelbart efter, at motoren er standset. Lad motoren køle af, før du aftapper motorolien. Hvis du spilder motorolie på huden, kan den fjernes med vand og sæbe.

1. Brug produktet, indtil brændstoftanken er tom.
2. Tag tændkablet af tændrøret.
3. Tag olietankens dæksel af.
4. Stil en beholder under produktet til at opsamle motorolien i.
5. Vip produktet for at aftappe motorolien fra olietanken.
6. Påfyld ny motorolie af den type, der anbefales i *Tekniske data på side 49.*
7. Kontroller oliestanden. Se *Sådan kontrolleres oliestanden på side 47.*

Luftfilter

Et luftfilter, der har været brugt i lang tid, kan ikke blive helt rent. Udskift luftfilteret med regelmæssige mellemrum.

Bemærk: Udskift altid et beskadiget luftfilter.

Sådan rengør du papirfilteret.

1. Fjern luftfilterdækslet og papirfilteret.
2. Slå filteret ind mod en flad overflade for at få partiklerne til at falde af.



BEMÆRK: Brug ikke opløsningsmidler eller trykluft til at rengøre papirfilteret.

3. Sæt luftfilteret på igen. Sørg for, at luftfilteret ligger helt tæt ind til luftfilterholderen.

4. Sæt luftfilterdækslet på igen.

Sådan rengøres skumplastfilteret

1. Fjern luftfilterdækslet og skumplastfilteret.
2. Rens skumplastfilteret med vand og sæbe.
3. Skyl skumplastfilteret i rent vand.
4. Vrid vandet ud af skumplastfilteret, og lad det tørre.



BEMÆRK: Brug ikke trykluft. Det kan medføre beskadigelse af skumplastfilteret.

5. Smør skumplastfilteret med motorolie.
6. Pres en ren klud ind mod skumplastfilteret for at fjerne uønsket olie.
7. Sæt luftfilteret på igen. Sørg for, at luftfilteret ligger helt tæt ind til luftfilterholderen.
8. Sæt luftfilterdækslet på igen.

Sådan undersøger du tændrøret



BEMÆRK: Brug altid anbefalet tændrørstype. Forkert tændrørstype kan forårsage skader på produktet.

- Undersøg tændrøret, hvis motoren mangler kraft, ikke starter nemt eller ikke fungerer korrekt i tomgangshastighed.
- Sådan mindsker du risikoen for uønsket materiale på tændrørets elektroder, følg disse instruktioner:
 - a) Sørg for, at omdrejningstallet i tomgang er indstillet korrekt.
 - b) Sørg for, at brændstofblandingen er korrekt.

- c) Sørg for, at luftfilteret er rent.

- Hvis tændrøret er beskidt, skal det renses, og samtidig skal det kontrolleres, at elektrodeafstanden er korrekt, se *Tekniske data på side 49*.(Fig. 31)
- Udskift tændrøret, når det er nødvendigt.

Sådan undersøger du brændstofsyste

- Efterse brændstoftankens dæksel og pakningen til brændstoftankens dæksel for at sikre, at der ikke er nogen skader.
- Efterse brændstofslangen for at sikre, at der ikke er utætheder. Hvis brændstofslangen er beskadiget, skal du lade et serviceværksted skifte den.

Sådan justeres koblingskablet

Hvis drevet føles trægt, skal koblingskablet justeres.

1. Sæt koblingskablet i forskellige huller på bøjlen til fremtræk for at justere længden. Reducer længden af koblingskablet for at øge kørehastigheden. Forlæng koblingskablet for at reducere kørehastighed.(Fig. 32)

Bemærk: Hvis drevet aktiveres, når du ikke trækker i bøjlen til fremtrækket, skal koblingskablet forlænges.

2. Drej justerskruen for små justeringer af kørehastigheden. For at øge kørehastigheden drejes justerskruen mod uret. For at reducere kørehastigheden drejes justerskruen med uret.(Fig. 33)

Hvis drevet føles trægt selv efter justeringen, skal du lade et godkendt serviceværksted skifte drivremmen.

Transport, opbevaring og bortskaffelse

Transport og opbevaring

- Ved opbevaring og transport af produktet og brændstoffet, skal du sørge for, at der ikke er utætheder eller dampe. Gnister eller åben ild, f.eks. fra elektriske enheder eller kedler, kan starte en brand.
- Brug altid godkendte beholdere til opbevaring og transport af brændstof.
- Tøm brændstoftanken og karburatorhuset, inden du stiller produktet væk i en længere periode. Bortskaf brændstoffet på en lokal miljøstation
- Fastgør produktet sikkert under transport for at undgå skader og uheld.

- Opbevar produktet i et aflåst område utilgængeligt for børn eller personer, som ikke er godkendt.
- Opbevar produktet på et tørt og frostfrit sted.

Bortskaffelse

- Overhold de lokale krav til genanvendelse og de gældende regler.
- Bortskaf alle kemikalier, som f.eks. motorolie eller brændstof, hos et servicecenter eller på en lokal miljøstation.
- Når produktet ikke længere er i brug, skal det sendes til en McCulloch forhandler eller bortskaffes på en lokal genbrugsstation.

Tekniske data

Tekniske data

	M40-120 CLASSIC	M40-125 CLASSIC+	M46-120 CLASSIC	M46-120R CLASSIC	M46-125 CLASSIC+	M46-125R CLASSIC+
Motor						
Mærke	McCulloch	Briggs & Stratton	McCulloch	McCulloch	Briggs & Stratton	Briggs & Stratton
Slagvolumen, cm ³	120	125	120	120	125	125
Hastighed, o/min.	2900	2900	2900	2900	2900	2900
Nominel motoreffekt, kW ³¹	2,0	1,6	2,0	2,0	1,6	1,6
Tændingssystem						
Tændrør	K7RTC	RC12YC	K7RTC	K7RTC	RC12YC	RC12YC
Elektrodeafstand, mm	0,7	0,5	0,7	0,7	0,5	0,5
Brændstof-/smøresystem						
Brændstoftankvolumen, liter	0,8	0,8	0,8	0,8	0,8	0,8
Olietankens kapacitet, liter	0,4	0,4	0,4	0,4	0,4	0,4
Motorolie ³²	SAE 30/SAE 10W-30	SAE 30/SAE 10W-30	SAE 30/SAE 10W-30	SAE 30/SAE 10W-30	SAE 30/SAE 10W-30	SAE 30/SAE 10W-30
Vægt						
Med tomme tanke, kg	24	25	28	29	28	29
Støjemissioner³³						
Lydeffektniveau, målt dB (A)	93	93	95	95	95	95
Lydeffektniveau, garanteret L _{WA} dB (A)	94	94	96	96	96	96
Lyd niveauer³⁴						
Lydtryksniveau ved brugers øre, dB (A)	80	80	82	82	82	82

³¹ Motorens effekttangivelse er den gennemsnitlige nettoeffekt (ved det anførte omdrejningstal) for en typisk produktionsmodel af motoren målt iht. SAE-standarden J1349/ISO1585. Motorer fra masseproduktionen kan afvige fra denne værdi. Den faktiske effekt på motoren, som monteres i det færdige produkt, vil afhænge af driftshastigheden, miljøhensyn og andre værdier.

³² Brug motorolie af kvaliteten SJ eller bedre. Se tabellen over viskositet i motorproducentens manual, og vælg en olie med optimal viskositet i forhold til den forventede udendørstemperatur.

³³ Emission af støj til omgivelserne målt som lydeffekt (L_{WA}) i henhold til EF-direktiv 2000/14/EF.

³⁴ Lydtryksniveau iht. ISO 5395:2103. Rapporterede data for lydtryksniveau har en typisk statistisk spredning (standardafvigelse) på 1,2 dB (A).

	M40-120 CLASSIC	M40-125 CLASSIC+	M46-120 CLASSIC	M46-120R CLASSIC	M46-125 CLASSIC+	M46-125R CLASSIC+
Vibrationsniveauer, a_{hved}³⁵						
Håndtag, m/s ²	14,75	14,75	15,68	15,68	15,68	15,68
Skæredstyr						
Klippehøjde, mm	20-75	20-75	30-80	30-80	30-80	30-80
Klippebredde, mm	400	400	460	460	460	460
Klinge	Findeler 40	Findeler 40	Findeler 46	Findeler 46	Findeler 46	Findeler 46
Artikelnummer	5871590-10	5871590-10	5811889-10	5811889-10	5811889-10	5811889-10
Græsopsamlerens kapacitet, liter	50	50	50	50	50	50

	M46-150WR CLASSIC	M51-140WR CLASSIC+	M51-150R CLASSIC	M51-150WR CLASSIC	M53-150WR CLASSIC
Motor					
Mærke	McCulloch	Briggs & Stratton	McCulloch	McCulloch	McCulloch
Slagvolumen, cm ³	150	140	150	150	150
Hastighed, o/min.	2900	2900	2900	2900	2900
Nominal motoreffekt, kW ³⁶	2,4	1,9	2,4	2,4	2,4
Tændingssystem					
Tændrør	K7RTC	RC12YC	K7RTC	K7RTC	K7RTC
Elektrodeafstand, mm	0,7	0,5	0,7	0,7	0,7
Brændstof-/smøresystem					
Benzintankens kapacitet, liter	1,0	0,8	1,0	1,0	1,0
Olietankens kapacitet, liter	0,4	0,4	0,4	0,4	0,4
Motorolie ³⁷	SAE 30/SAE 10W-30	SAE 30/SAE 10W-30	SAE 30/SAE 10W-30	SAE 30/SAE 10W-30	SAE 30/SAE 10W-30
Vægt					
Med tomme tanke, kg	32	32	33	33	33
Støjemissioner³⁸					

³⁵ Vibrationsniveau iht. ISO 5395:2013. Rapporterede data for vibrationsniveau har en typisk statistisk spredning (standardafvigelse) på 0,2 m/s².

³⁶ Motorens effektangivelse er den gennemsnitlige nettoeffekt (ved det anførte omdrejningstal) for en typisk produktionsmodel af motoren målt iht. SAE-standarden J1349/ISO1585. Motorer fra masseproduktionen kan afvige fra denne værdi. Den faktiske effekt på motoren, som monteres i det færdige produkt, vil afhænge af driftshastigheden, miljøhensyn og andre værdier.

³⁷ Brug motorolie af kvaliteten SJ eller bedre. Se tabellen over viskositet i motorproducentens manual, og vælg en olie med optimal viskositet i forhold til den forventede udendørstemperatur.

³⁸ Emission af støj til omgivelserne målt som lydeffekt (L_{WA}) i henhold til EF-direktiv 2000/14/EF.

	M46-150WR CLASSIC	M51-140WR CLASSIC+	M51-150R CLASSIC	M51-150WR CLASSIC	M53-150WR CLASSIC
Lydeffektniveau, målt dB (A)	97	97	95	97	98
Lydeffektniveau, garanteret L _{WA} dB (A)	98	98	98	98	98
Lydniveauer ³⁹					
Lydtryksniveau ved brugerens øre, dB (A)	82	82	81	84	82
Vibrationsniveauer, a_{hveq} ⁴⁰					
Håndtag, m/s ²	4,27	4,27	4,06	5,55	3,39
Skæreudstyr					
Klippehøjde, mm	30-80	30-90	30-90	30-90	30-90
Klippebredde, mm	460	510	510	510	530
Klinge	Findeler 46	Findeler 51	Findeler 51	Findeler 51	Findeler 53
Artikelnummer	5811889-10	5041133-10	5041133-10	5041133-10	5811886-10
Græsopsamlerens kapacitet, li- ter	50	55	55	55	55

EU-overensstemmelseserklæring

Indhold i EF-overensstemmelseserklæring

Vi, Husqvarna AB, SE 561 82 Huskvarna, SVERIGE, erklærer under eget ansvar, at det repræsenterede produkt:	
Beskrivelse	Forbrændingsmotordrevet plæneklipper med gående fører
Mærke	McCulloch
Platform / type / model	M40-120 CLASSIC, M40-125 CLASSIC+, M46-120 CLASSIC, M46-120R CLASSIC, M46-125 CLASSIC+, M46-125R CLASSIC+, M46-150WR CLASSIC, M51-140WR CLASSIC+, M51-150R CLASSIC, M51-150WR CLASSIC, M53-150WR CLASSIC
Batch	Serienumre fra 2017 og fremefter
overholder følgende EU-direktiver og bestemmelser:	
Direktiv/bestemmelser	Beskrivelse
2006/42/EF	"angående maskiner"
2014/30/EU	"angående elektromagnetisk kompatibilitet"
2000/14/EF; 2005/88/EF	"vedrørende udendørs støj"

³⁹ Lydtryksniveau iht. ISO 5395:2013. Rapporterede data for lydtryksniveau har en typisk statistisk spredning (standardafvigelse) på 1,2 dB (A).

⁴⁰ Vibrationsniveau iht. ISO 5395:2013. Rapporterede data for vibrationsniveau har en typisk statistisk spredning (standardafvigelse) på 0,2 m/s².

Harmoniserede standarder og/eller tekniske specifikationer anvendt er følgende: EN ISO 12100, ISO 14982, ISO 5395-1 & 2, ISO 3744, ISO 11094, EN 1032

I overensstemmelse med direktiv 2000/14/EF, bilag V, er de erklærede lydverdier angivet i afsnittet om tekniske data i denne manual og i den underskrevne EF-overensstemmelseserklæring.

Den leverede forbrændingsmotordrevne ride-on plæneklipper med gående fører stemmer overens med det eksemplar, der har gennemgået afprøvningen.

Inhalt

Einleitung.....	53	Wartung.....	59
Sicherheit.....	54	Transport, Lagerung und Entsorgung.....	61
Sicherheitshinweise für die Wartung.....	57	Technische Daten.....	62
Montage.....	57	EG-Konformitätserklärung.....	64
Betrieb.....	58		

Einleitung

Produktbeschreibung

Das Produkt ist ein handgeführter Rasenmäher. Das Gras wird in einem Grasfänger gesammelt. Entfernen Sie den Grasfänger, um an den Heckauswurf des Grases zu gelangen. Befestigen Sie ein Mulch-Kit (Zubehör), um das Gras in Dünger zu schneiden.

Produktübersicht

(Abb. 1)

1. Antriebsgriff (M46-120R CLASSIC, M46-125R CLASSIC+, M46-150WR CLASSIC, M51-140WR CLASSIC+, M51-150R CLASSIC, M51-150WR CLASSIC, M53-150WR CLASSIC)
2. Oberer Griff/Lenker
3. Motorbremsgriff
4. Startseilhandgriff
5. Schlaufe für Startseil
6. Grasfänger
7. Unterer Griff
8. Untere Griffbaugruppe
9. Schnitthöhenhebel
10. Ölkappe
11. Schalldämpfer
12. Ablasshahn für Vergaserschwimmerraum
13. Kraftstoffpumpe
14. Zündkerze
15. Kraftstofftank
16. Klinge
17. Federring
18. Klingenschraube
19. Mähdeck
20. Luftfilter
21. Bedienungsanleitung

Symbole auf dem Produkt

(Abb. 2) **WARNUNG:** Bei nachlässiger oder nicht ordnungsgemäßer Bedienung kann es zu Verletzungen oder zum Tode des Benutzers oder anderer Personen kommen.

Verwendungszweck

Verwenden Sie das Produkt, um Gras in privaten Gärten zu schneiden. Verwenden Sie das Gerät nicht für andere Aufgaben.

(Abb. 3) Lesen Sie die Bedienungsanleitung sorgfältig durch und machen Sie sich vor der Benutzung mit dem Inhalt vertraut.

(Abb. 4) Andere Personen oder Tiere müssen sich in sicherem Abstand vom Arbeitsbereich befinden.

(Abb. 5) Schalten Sie vor der Durchführung von Reparatur- oder Wartungsarbeiten den Motor aus und entfernen Sie das Zündkabel.

(Abb. 6) Achten Sie auf hochgeschleuderte und abprallende Gegenstände.

(Abb. 7) **Achtung:** rotierende Klinge. Halten Sie Hände und Füße von der Gefahrenzone fern.

(Abb. 8) **Achtung:** rotierende Teile. Halten Sie Hände und Füße von der Gefahrenzone fern.

(Abb. 9) Dieses Produkt stimmt mit den geltenden EU-Richtlinien überein

(Abb. 10) Umweltbelastende Geräuschemissionen gemäß der Richtlinie der Europäischen Gemeinschaft. Die Emission des Gerätes ist im Abschnitt „Technische Daten“ und auf dem Geräteschild angegeben.

(Abb. 11) Es besteht die Gefahr von Brandentwicklungen.

(Abb. 12) Es besteht die Gefahr von Brandentwicklungen.

(Abb. 13) Explosionsgefahr.

(Abb. 14) Stellen Sie zum Betanken grundsätzlich den Motor ab.

(Abb. 15) Heiße Oberfläche.

(Abb. 16)

Die Abgase des Motors enthalten Kohlenmonoxid, ein geruchloses, giftiges und sehr gefährliches Gas. Betreiben Sie das Gerät nicht in geschlossenen Räumen.

- das Gerät nicht ordnungsgemäß repariert wurde.
- das Gerät mit Teilen repariert wurde, die nicht vom Hersteller stammen oder vom Hersteller zugelassen sind.
- ein Zubehörteil mit dem Gerät verwendet wird, das nicht vom Hersteller stammt oder vom Hersteller zugelassen ist.
- das Gerät nicht bei einem autorisierten Service Center oder von einem zugelassenen Fachmann repariert wurde.

Hinweis: Weitere Symbole/Aufkleber auf dem Gerät beziehen sich auf die Zertifizierungsanforderungen für andere kommerzielle Bereiche.

Produkthaftung

Im Sinne der Produkthaftungsgesetze übernehmen wir keine Haftung für Schäden, die unser Gerät verursacht, wenn...

Sicherheit

Sicherheitsdefinitionen

Warnungen, Vorsichtsmaßnahmen und Hinweise werden verwendet, um auf besonders wichtige Teile der Bedienungsanleitung hinzuweisen.



WARNUNG: Wird verwendet, wenn bei Nichtbeachtung der Anweisungen in diesem Handbuch die Gefahr von Verletzung oder Tod des Bedieners oder anderer Personen besteht.



ACHTUNG: Wird verwendet, wenn bei Nichtbeachtung der Anweisungen in diesem Handbuch die Gefahr von Schäden am Gerät, an anderen Materialien oder in der Umgebung besteht.

Hinweis: Für weitere Informationen, die in bestimmten Situationen nötig sind.

Allgemeine Sicherheitshinweise



WARNUNG: Lesen Sie die folgenden Warnhinweise, bevor Sie das Gerät benutzen.

- Dieses Produkt ist gefährlich, wenn es falsch verwendet wird oder wenn Sie nicht vorsichtig sind. Wenn die Sicherheitshinweise nicht befolgt werden, kann es zu Verletzungen oder zum Tod führen.
- Dieses Gerät erzeugt beim Betrieb ein elektromagnetisches Feld. Dieses Feld kann sich unter bestimmten Bedingungen auf die Funktionsweise aktiver oder passiver medizinischer Implantate auswirken. Um die Gefahr von Situationen, die zu schweren oder tödlichen Verletzungen führen können, auszuschließen, sollten Personen mit einem medizinischen Implantat

vor der Nutzung dieses Geräts ihren Arzt und den Hersteller des Implantats konsultieren.

- Lassen Sie immer Vorsicht walten und arbeiten Sie mit gesundem Menschenverstand. Wenn Sie nicht sicher sind, wie Sie das Produkt in einer besonderen Situation betreiben müssen, hören Sie auf und sprechen Sie mit Ihrem McCulloch Händler, bevor Sie fortfahren.
- Denken Sie daran, dass der Bediener für Unfälle mit anderen Personen oder deren Eigentum verantwortlich ist.
- Halten Sie das Produkt sauber. Stellen Sie sicher, dass Sie die Zeichen und Abziehbilder deutlich lesen können.
- Lassen Sie keine Person das Produkt verwenden, es sei denn, Sie haben vorher sichergestellt, dass die Person den Inhalt der Bedienungsanleitung gelesen und verstanden hat.
- Lassen Sie nicht zu, dass Kinder das Gerät verwenden.
- Erlauben Sie nicht, dass Personen ohne Kenntnis der Anweisungen das Gerät bedienen.
- Stellen Sie sicher, dass Personen mit verminderter physischer oder psychischer Leistungsfähigkeit dieses Gerät nicht unbeobachtet verwenden. Es muss immer ein verantwortlicher Erwachsener anwesend sein.
- Benutzen Sie das Produkt nicht, wenn Sie müde oder krank sind oder unter Einfluss von Alkohol, Drogen oder Medikamenten stehen. Dies wirkt sich negativ auf Ihre Sehkraft, Ihre Wachsamkeit sowie Ihr Koordinations- und Urteilsvermögen aus.
- Verwenden Sie das Produkt nicht, wenn es defekt ist.
- Verändern oder verwenden Sie dieses Produkt nicht, wenn es möglich ist, dass andere es verändert haben.

Sicherheit im Arbeitsbereich



WARNUNG: Lesen Sie die folgenden Warnhinweise, bevor Sie das Gerät benutzen.

- Entfernen Sie Gegenstände wie Äste, Zweige und Steine aus dem Arbeitsbereich, bevor Sie das Produkt verwenden.
- Gegenstände, die auf die Schneid-ausrüstung treffen, können herausgeschleudert werden und Personen und Gegenständen Schaden zufügen. Halten Sie andere Personen und Tiere in einem sicheren Abstand zum Produkt.
- Benutzen Sie das Produkt niemals bei schlechtem Wetter wie Nebel, Regen, starkem Wind, intensiver Kälte und bei der Gefahr eines Blitzeinschlags. Die Verwendung des Produkts bei schlechtem Wetter oder an feuchten oder nassen Stellen ist anstrengend. Schlechtes Wetter kann gefährliche Zustände wie rutschige Oberflächen verursachen.
- Achten Sie auf Personen, Gegenstände und Situationen, die einen sicheren Betrieb des Produkts verhindern könnten.
- Achten Sie auf Hindernisse wie Wurzeln, Steine, Zweige, Löcher und Gräben. Langes Gras kann Hindernisse verdecken.
- Das Mähen von Gras an Steigungen kann gefährlich sein. Verwenden Sie das Produkt nicht in einem Gelände mit einer Neigung von mehr als 15°.
- Betreiben Sie das Produkt quer zum Hang. Bewegen Sie sich nicht nach oben und nach unten.
- Seien Sie vorsichtig, wenn Sie um versteckte Ecken oder Objekte herum fahren, die Ihre freie Sicht verhindern.

Arbeitssicherheit



WARNUNG: Lesen Sie die folgenden Warnhinweise, bevor Sie das Gerät benutzen.

- Verwenden Sie dieses Produkt nur zum Mähen von Rasenflächen. Es ist nicht erlaubt, das Produkt für andere Aufgaben zu verwenden.
- Benutzen Sie eine persönliche Schutzausrüstung. Siehe *Persönliche Schutzausrüstung auf Seite 55*.
- Starten Sie den Motor niemals in einem geschlossenen Raum oder in der Nähe von brennbarem Material. Die Motorabgase sind heiß und können Funken enthalten, die einen Brand verursachen können.
- Starten Sie das Produkt nicht, bevor die Klinge und alle Abdeckungen korrekt befestigt sind. Eine falsch befestigte Klinge kann sich lösen und Personenschaden verursachen.
- Stellen Sie sicher, dass die Klinge nicht auf Gegenstände wie Steine und Wurzeln trifft. Dies kann die Klinge beschädigen und die Motorwelle verbiegen. Eine verbogene Achse führt zu starken

Vibrationen und birgt ein hohes Risiko, dass die Klinge sich löst.

- Wenn die Klinge auf ein Objekt trifft oder Vibrationen auftreten, müssen Sie das Produkt sofort abstellen. Ziehen Sie das Zündkabel von der Zündkerze ab. Untersuchen Sie das Produkt auf beschädigte Teile. Reparieren Sie Schäden oder lassen Sie einen autorisierten Kundendienst die Reparatur durchführen.
- Befestigen Sie die Motorbremse niemals fest am Griff, wenn der Motor läuft.
- Stellen Sie das Produkt auf eine stabile, flache Oberfläche und starten Sie es. Stellen Sie sicher, dass die Klinge nicht den Boden oder ein anderes Objekt berührt.
- Bleiben Sie immer hinter dem Produkt, wenn Sie es betreiben.
- Lassen Sie alle Räder auf dem Boden bleiben und halten Sie den Griff mit 2 Händen, wenn Sie das Produkt betreiben. Halten Sie Hände und Füße von den rotierenden Rasenmäherklingen fern.
- Kippen Sie das Produkt nicht, wenn der Motor läuft.
- Seien Sie vorsichtig, wenn Sie das Produkt nach hinten ziehen.
- Heben Sie das Produkt nicht hoch, wenn der Motor läuft. Wenn Sie das Produkt anheben müssen, schalten Sie zunächst den Motor aus und ziehen Sie das Zündkabel von der Zündkerze ab.
- Gehen Sie nicht rückwärts, wenn Sie das Produkt betreiben.
- Stellen Sie den Motor ab, wenn Sie sich über Bereiche ohne Gras bewegen, zum Beispiel Wege aus Kies, Stein und Asphalt.
- Rennen Sie nicht mit dem Produkt, wenn der Motor läuft. Gehen Sie immer, wenn Sie das Produkt benutzen.
- Stellen Sie den Motor ab, bevor Sie die Schnitthöhe verändern. Verändern Sie die Einstellungen niemals, wenn der Motor läuft.
- Lassen Sie das Produkt niemals aus den Augen, wenn der Motor läuft. Stellen Sie den Motor ab und stellen Sie sicher, dass sich die Schneid-ausrüstung nicht dreht.

Sicherheits-hinweise für den Betrieb

Persönliche Schutzausrüstung



WARNUNG: Lesen Sie die folgenden Warnhinweise, bevor Sie das Gerät benutzen.

- Die persönliche Schutzausrüstung kann Verletzungen nicht vollständig vermeiden, vermindert aber den Umfang der Verletzungen und Schäden bei einem Unfall. Lassen Sie sich von Ihrem Händler bei der Auswahl der richtigen Ausrüstung unterstützen.

- Tragen Sie rutschfeste Sicherheitstiefel oder -schuhe. Verwenden Sie keine offenen Schuhe, und gehen Sie nicht barfuß.
- Tragen Sie schwere, lange Hosen.
- Tragen Sie bei Bedarf Schutzhandschuhe, beispielsweise bei der Montage, der Untersuchung oder der Reinigung der Schneidaurüstung.

in der Nähe von entzündlichen Materialien und/oder Dämpfen besonders vorsichtig, um Brandgefahr zu verhindern.

Sicherer Umgang mit Kraftstoff



WARNUNG: Lesen Sie die folgenden Warnhinweise, bevor Sie das Gerät benutzen.

- Starten Sie das Gerät nicht, wenn sich Kraftstoff oder Öl darauf befindet. Entfernen Sie den unerwünschten Kraftstoff bzw. das Öl und lassen Sie das Gerät trocknen.
- Wechseln Sie sofort die Kleidung, wenn Sie Kraftstoff darauf verschütten.
- Lassen Sie keinen Kraftstoff auf Ihren Körper gelangen, denn dies kann zu Verletzungen führen. Wenn Kraftstoff auf Ihre Haut gelangt, waschen Sie diesen mit Wasser und Seife ab.
- Starten Sie das Gerät nicht, wenn der Motor undicht ist. Überprüfen Sie den Motor regelmäßig auf Undichtigkeiten.
- Gehen Sie vorsichtig mit Kraftstoff um. Kraftstoff ist feuergefährlich, und die Dämpfe sind explosiv und können zu Verletzungen oder sogar zum Tod führen.
- Atmen Sie die Kraftstoffdämpfe nicht ein, denn sie sind gesundheitsschädigend. Achten Sie auf ausreichende Belüftung.
- Rauchen Sie nicht in der Nähe des Kraftstoffs oder des Motors.
- Stellen Sie keine heißen Gegenstände in der Nähe des Kraftstoffs oder Motors ab.
- Füllen Sie keinen Kraftstoff nach, während der Motor läuft.
- Vergewissern Sie sich, dass der Motor abgekühlt ist, bevor Sie Kraftstoff nachfüllen.
- Öffnen Sie vor dem Nachfüllen den Tankdeckel langsam und lassen Sie den Druck vorsichtig entweichen.
- Füllen Sie keinen Kraftstoff in den Motor, wenn Sie sich in einem Innenraum befinden. Eine mangelhafte Luftzirkulation kann zu schweren oder tödlichen Verletzungen durch Ersticken oder eine Kohlenmonoxidvergiftung führen.
- Schrauben Sie den Kraftstofftankdeckel fest zu. Wenn der Tankverschluss nicht fest zugeschraubt ist, besteht Feuergefahr.
- Bewegen Sie das Produkt vor dem Starten mindestens 3 m von der Stelle fort, an der Sie den Tank befüllt hatten.
- Überfüllen Sie den Kraftstofftank nicht.

Sicherheitsvorrichtungen am Gerät



WARNUNG: Lesen Sie die folgenden Warnhinweise, bevor Sie das Gerät benutzen.

- Benutzen Sie kein Gerät mit defekten Sicherheitsvorrichtungen.
- Führen Sie regelmäßig eine Überprüfung der Sicherheitsvorrichtungen durch. Wenn die Sicherheitsvorrichtungen defekt sind, wenden Sie sich an Ihre McCulloch-Servicewerkstatt.

Schneidschutz

- Untersuchen Sie die Schneidewerkabdeckung, um sicherzustellen, dass es keine Beschädigungen wie zum Beispiel Risse gibt.

Motorbremsgriff

Der Motorbremshebel stoppt den Motor. Wenn der Motorbremshebel losgelassen wird, stoppt der Motor.

Um eine Inspektion der Motorbremse durchzuführen, starten Sie den Motor und lassen dann den Motorbremshebel los. Wenn der Motor nicht innerhalb von 3 Sekunden stoppt, lassen Sie die Motorbremse von einer autorisierten McCulloch Servicewerkstatt einstellen.

(Abb. 17)

Schalldämpfer

Der Schalldämpfer senkt den Geräuschpegel so weit wie möglich und hält die Abgase des Motors vom Anwender fern.

Verwenden Sie das Gerät nicht, wenn der Schalldämpfer fehlt oder defekt ist. Ein defekter Schalldämpfer erhöht den Geräuschpegel und die Brandgefahr.

Überprüfen Sie den Schalldämpfer regelmäßig, um sicherzustellen, dass er richtig angebracht und nicht beschädigt ist.



ACHTUNG: Der Schalldämpfer wird während und nach Gebrauch und wenn der Motor im Leerlauf läuft, sehr heiß. Seien Sie

Sicherheitshinweise für die Wartung



WARNUNG: Lesen Sie die folgenden Warnhinweise, bevor Sie das Gerät benutzen.

- Die Abgase des Motors enthalten Kohlenmonoxid, ein geruchloses, giftiges und sehr gefährliches Gas. Starten Sie den Motor nicht in Innenräumen oder in geschlossenen Räumen.
- Bevor Sie an dem Produkt eine Wartung durchführen, schalten Sie den Motor aus und ziehen Sie das Zündkabel von der Zündkerze ab.
- Tragen Sie Schutzhandschuhe, wenn Sie an der Schneidausrüstung eine Wartung durchführen. Die Klinge ist sehr scharf und man schneidet sich sehr leicht.
- Zubehörteile und Änderungen am Produkt, die vom Hersteller nicht genehmigt wurden, können zu schweren Verletzungen oder zum Tod führen. Verändern Sie das Produkt nicht. Verwenden Sie immer Teile, die vom Hersteller genehmigt wurden.
- Wenn die Wartung nicht ordnungsgemäß und regelmäßig erfolgt, erhöht sich die Verletzungsgefahr und das Risiko für eine Beschädigung des Produkts.
- Führen Sie die Wartung nur gemäß dieser Betriebsanleitung durch. Alle anderen Wartungsarbeiten müssen von einer autorisierten McCulloch Servicewerkstatt durchgeführt werden.
- Lassen Sie eine autorisierte McCulloch Servicewerkstatt das Produkt regelmäßig warten.
- Ersetzen Sie beschädigte, abgenutzte oder defekte Teile.

Montage

Für die Montage des Griffs

Unterer Griff

1. Setzen Sie die Stifte auf der Unterseite des unteren Griffs in die Löcher entsprechend den Angaben in der Abbildung ein. Richten Sie die Schraublöcher aus, und befestigen Sie die Schrauben, Unterlegscheiben und Knöpfe.(Abb. 18)

Oberer Griff

1. Richten Sie die Schraublöcher im Handgriff an den Löchern am unteren Griff aus, und befestigen Sie die Schrauben, Unterlegscheiben und Knöpfe. Befestigen Sie an der rechten Seite auch die Schlaufe des Startseils. Ziehen Sie die Knöpfe vollständig fest.(Abb. 19)
2. Ziehen Sie den Griff des Startseils und legen Sie das Startseil um die Schlaufe des Startseils.(Abb. 20)
3. Verwenden Sie die Riemen, um die Kabel am Griff zu befestigen.(Abb. 21)

Hinweis: Stellen Sie sicher, dass die Spannung in den Kabeln nicht zu hoch ist.

So montieren Sie den Grasfänger

1. Setzen Sie den Grasfängerrahmen in den Grassack ein. Stellen Sie sicher, dass der Griff am Grasfängerrahmen über dem Grassack befindet.

2. Befestigen Sie den Grassack am Grasfängerrahmen mithilfe der Klammern am Rand des Grassacks. (Abb. 22)
3. Heben Sie die hintere Abdeckung an.
4. Befestigen Sie den Grasfänger an der Oberkante des Chassis.
5. Setzen Sie den unteren Teil des Grasfängers in den Grasaustrittskanal.

Montage des Mulcheinsatzes

Ein Mulch-Kit ist als optionales Zubehör nur für bestimmte Modelle erhältlich. Modelle M51-150WR CLASSIC, M53-150WR CLASSIC enthalten ein Mulch-Kit im Lieferumfang. Modelle M40-120 CLASSIC, M40-125 CLASSIC+ können nicht mit Mulch-Kit verwendet werden.

1. Heben Sie die hintere Abdeckung an, und entfernen Sie den Grasfänger.
2. Setzen Sie den Mulcheinsatz in den Austrittskanal. (Abb. 23)

Betrieb

Einleitung



WARNUNG: Vor dem Betrieb des Gerätes müssen Sie die Sicherheitsinformationen lesen und verstehen.

Bevor Sie das Produkt in Betrieb nehmen

1. Lesen Sie die Bedienungsanleitung sorgfältig durch, und vergewissern Sie sich, dass Sie die Anweisungen verstehen.
2. Untersuchen Sie die Schneidausrüstung, um sicherzustellen, dass sie ordnungsgemäß befestigt und eingestellt ist. Siehe *So prüfen Sie die Schneidausrüstung auf Seite 60.*
3. Füllen Sie es in den Kraftstofftank. Siehe *So füllen Sie Kraftstoff ein auf Seite 58.*
4. Füllen Sie den Öltank, und überprüfen Sie den Ölstand. Siehe *So prüfen Sie den Ölstand auf Seite 60.*

So füllen Sie Kraftstoff ein

Falls vorhanden, verwenden Sie schadstoffarmes Benzin/Alkylatbenzin. Wenn schadstoffarmes Benzin/Alkylatbenzin nicht verfügbar ist, verwenden Sie ein qualitativ hochwertiges bleifreies Benzin oder verbleites Benzin. Verwenden Sie ein Benzin mit einer Oktanzahl von mindestens 90 und mit maximal 10 % Ethanol (E10).



WARNUNG: Die Befüllung mit einem falschen Kraftstoff kann zu einer Beschädigung des Motors führen.

1. Öffnen Sie den Tankdeckel langsam, damit der Druck entweichen kann.
2. Füllen Sie langsam mit einem Kraftstoffkanister auf. Wenn Sie Kraftstoff verschütten, entfernen Sie ihn mit einem Tuch und lassen Sie den verbleibenden Treibstoff trocknen.
3. Säubern Sie den Bereich um den Tankdeckel herum.
4. Schrauben Sie den Kraftstofftankdeckel fest zu. Wenn der Tankverschluss nicht fest zugeschraubt ist, besteht Feuergefahr.
5. Bewegen Sie das Produkt vor dem Starten mindestens 3 m von der Stelle fort, an der Sie den Tank befüllt hatten.

So stellen Sie die Schnitthöhe ein

1. Bewegen Sie den Schnitthöhenhebel nach hinten, um die Schnitthöhe zu erhöhen.

2. Bewegen Sie den Schnitthöhenhebel nach vorne, um die Schnitthöhe zu verringern. (Abb. 24)



ACHTUNG: Stellen Sie die Schnitthöhe nicht zu niedrig ein. Die Klingen können auf den Boden treffen, wenn die Oberfläche des Rasens nicht eben ist.

So starten Sie das Produkt

1. Stellen Sie sicher, dass das Zündkabel mit der Zündkerze verbunden ist.
2. Beim ersten Start des Produkts drücken Sie die Kraftstoffpumpe 5-mal. Wenn Sie das Produkt das nächste Mal mit kaltem Motor starten, drücken Sie die Kraftstoffpumpe 3-mal. (Abb. 25)
3. Bleiben Sie hinter dem Produkt.
4. Halten Sie den Motorbremsgriff gegen den Lenker. (Abb. 26)
5. Ziehen Sie den Griff am Starterseilhandgriff mit Ihrer rechten Hand.
6. Ziehen Sie langsam das Starterseil, bis Sie etwas Widerstand spüren.
7. Kräftig ziehen, um den Motor anzulassen.



WARNUNG: Wickeln Sie das Starterseil nicht um Ihre Hand.

So treiben Sie die Räder an

- Drücken Sie den Antriebsgriff in die Richtung des Lenkers. (Abb. 27)
- Bevor Sie das Produkt nach hinten ziehen, kuppeln Sie den Antrieb aus und drücken Sie das Produkt ca. 10 cm vorwärts.
- Lassen Sie den Antriebsgriff los, um den Antrieb auszuschalten, z. B., wenn Sie sich in die Nähe eines Hindernisses bewegen.

So stoppen Sie das Produkt

- Um nur den Antrieb zu stoppen, lassen Sie den Antriebsgriff los.
- Um den Motor zu stoppen, lassen Sie den Motorbremsgriff los.

So erhalten Sie ein gutes Mähergebnis

- Benutzen Sie immer eine scharfe Klinge. Eine stumpfe Klinge liefert ein unregelmäßiges Ergebnis, und die Schnittfläche des Grases wird gelb. Eine scharfe Klinge verbraucht außerdem weniger Energie als eine stumpfe Klinge.
- Schneiden Sie nicht mehr als $\frac{1}{3}$ der Länge des Grases ab. Mähen Sie zuerst mit einer hohen

Schnitthöhe. Überprüfen Sie das Ergebnis, und senken Sie die Schnitthöhe auf eine entsprechende Stufe. Wenn das Gras sehr lang ist, fahren Sie langsam und mähen bei Bedarf 2-mal.

- Mähen Sie bei jedem Mal in eine andere Richtung, um Streifen auf dem Rasen zu vermeiden.

Wartung

Einleitung



WARNUNG: Bevor Sie eine Wartung durchführen, müssen Sie das Kapitel über die Sicherheit lesen und verstehen.

Für alle Wartungs- und Reparaturarbeiten am Produkt ist eine spezielle Schulung erforderlich. Wir garantieren die Verfügbarkeit von professionellen Reparaturen und Wartungsarbeiten. Wenn Ihr Händler keine Servicewerkstatt ist, sprechen Sie mit ihm, um

Informationen über die nächste Servicewerkstatt zu erhalten.

Wartungsplan

Die Wartungsintervalle werden anhand der täglichen Nutzung des Produkts berechnet. Die Intervalle ändern sich, wenn das Produkt nicht täglich verwendet wird.

Für Wartungsarbeiten, die mit * gekennzeichnet sind, siehe Anweisungen in *Sicherheitsvorrichtungen am Gerät auf Seite 56*.

Wartung	Täglich	Wöchentlich	Monatlich
Führen Sie eine allgemeine Inspektion durch	X		
Prüfen Sie den Ölstand	X		
Reinigen Sie das Produkt	X		
Prüfen Sie die Schneidausrüstung	X		
Prüfen Sie die Schneidwerkabdeckung*	X		
Prüfen Sie den Motorbremsgriff*	X		
Prüfen und justieren Sie den Antrieb (Kupplungsdraht)	X		
Prüfen Sie den Schalldämpfer*		X	
Prüfen Sie die Zündkerze		X	
Wechseln Sie das Öl (das erste Mal nach 5 Betriebsstunden und danach alle 50 Betriebsstunden)			X
Den Luftfilter auswechseln			X
Prüfen Sie den Kraftstofffilter			X

So führen Sie eine allgemeine Inspektion durch

- Stellen Sie sicher, dass die Muttern und Schrauben am Produkt nicht beschädigt sind.

So reinigen Sie das Produkt außen

- Verwenden Sie einen Pinsel, um Blätter, Gras und Schmutz zu entfernen.
- Achten Sie darauf, dass der Lufteinlass auf der Oberseite des Motors nicht blockiert ist.
- Reinigen Sie das Gerät nicht mit einem Hochdruckreiniger.

- Wenn Sie Wasser verwenden, um das Produkt zu reinigen, bringen Sie das Wasser nicht direkt auf den Motor auf.

So reinigen Sie die Innenseite der Schneidwerkabdeckung

1. Leeren Sie den Kraftstofftank.
2. Legen Sie das Produkt mit dem Schalldämpfer nach unten auf die Seite.



ACHTUNG: Wenn das Produkt mit dem Luftfilter nach unten gelegt wird, kann der Motor beschädigt werden.

3. Spritzen Sie die Innenfläche der Schneidwerkabdeckung mit dem Wasserschlauch ab.

So prüfen Sie die Schneidausrüstung



WARNUNG: Um ein unbeabsichtigtes Starten zu vermeiden, entfernen Sie das Zündkabel von der Zündkerze.



WARNUNG: Tragen Sie Schutzhandschuhe, wenn Sie an der Schneidausrüstung eine Wartung durchführen. Die Klinge ist sehr scharf und man schneidet sich sehr leicht.

1. Prüfen Sie die Schneidausrüstung auf Beschädigungen oder Risse. Wechseln Sie eine beschädigte Schneidausrüstung unbedingt aus.
2. Schauen Sie sich die Klinge an, um festzustellen, ob sie beschädigt oder stumpf ist.

Hinweis: Nach dem Schärfen muss die Klinge ausbalanciert werden. Lassen Sie eine Servicewerkstatt die Klinge schärfen, ersetzen und ausbalancieren. Wenn Sie auf ein Hindernis treffen, das das Produkt zum Halten bringt, ersetzen Sie die beschädigte Klinge. Lassen Sie die Werkstatt beurteilen, ob die Klinge geschliffen werden kann oder ersetzt werden muss.

So tauschen Sie das Messer aus

1. Arretieren Sie die Klinge mit einem Holzblock. (Abb. 28)
2. Entfernen Sie den Bolzen der Klinge.
3. Entfernen Sie die Klinge.
4. Prüfen Sie die Halterung und den Bolzen der Klinge, um festzustellen, ob Beschädigungen vorliegen.
5. Prüfen Sie die Motorwelle, um sicherstellen, dass sie nicht geknickt ist.
6. Wenn Sie die neue Klinge montieren, zeigen die abgewinkelten Enden der Klinge in die Richtung der Schneidwerkabdeckung. (Abb. 29)
7. Stellen Sie sicher, dass das Messer mit der Mitte der Motorwelle ausgerichtet ist.
8. Arretieren Sie die Klinge mit einem Holzblock. Befestigen Sie die Federscheibe und ziehen Sie die Schraube und die Unterlegscheibe mit einem Drehmoment von 45–60 Nm an. (Abb. 30)
9. Drehen Sie die Klinge mit der Hand, um sicherzustellen, dass sie sich einwandfrei dreht.



WARNUNG: Tragen Sie Sicherheitshandschuhe. Die Klinge ist sehr scharf und man schneidet sich sehr leicht.

10. Starten Sie das Produkt, um die Klinge zu prüfen. Wenn die Klinge nicht richtig befestigt ist, gibt es im

Produkt Vibrationen oder das Schneidergebnis ist unbefriedigend.

So prüfen Sie den Ölstand



ACHTUNG: Ein zu niedriger Ölstand kann den Motor beschädigen. Prüfen Sie den Ölstand, bevor Sie das Produkt starten.

1. Stellen Sie das Produkt auf einer ebenen Fläche ab.
2. Entfernen Sie den Öltankverschluss mit dem beigefügten Messstab.
3. Reinigen Sie den Messstab von Öl.
4. Tauchen Sie den Messstab vollständig in den Ölbehälter ein, um ein korrektes Bild über den Ölstand zu erhalten.
5. Entfernen Sie den Messstab.
6. Prüfen Sie den Ölstand am Messstab.
7. Wenn der Ölstand zu niedrig ist, füllen Sie Motoröl ein, und kontrollieren Sie den Ölstand erneut.

So wechseln Sie das Motoröl



WARNUNG: Motoröl ist direkt nach dem Anhalten des Motors sehr heiß. Lassen Sie den Motor abkühlen, bevor Sie das Motoröl ablassen. Wenn Sie Motoröl auf Ihre Haut verschütten, reinigen Sie sie mit Wasser und Seife.

1. Lassen Sie das Produkt so lange arbeiten, bis der Tank leer ist.
2. Trennen Sie das Zündkabel von der Zündkerze.
3. Entfernen Sie den Öltankdeckel.
4. Stellen Sie einen Behälter unter das Produkt, um das Motoröl einzusammeln.
5. Kippen Sie das Produkt, um das Öl aus dem Öltank zu entleeren.
6. Füllen Sie ein Motoröl der Type ein, die empfohlen wird in *Technische Angaben auf Seite 62*.
7. So prüfen Sie den Ölstand. Siehe *So prüfen Sie den Ölstand auf Seite 60*.

Luftfilter

Ein Luftfilter, der über lange Zeit verwendet wurde, kann nicht vollständig gereinigt werden. Tauschen Sie den Luftfilter in regelmäßigen Abständen aus.

Hinweis: Tauschen Sie einen beschädigten Luftfilter unbedingt aus.

So reinigen Sie den Papierfilter

1. Entfernen Sie den Luftfilterdeckel, und entfernen Sie den Papierfilter.
2. Schlagen Sie den Filter gegen eine flache Oberfläche, um die Partikel auszuklopfen.



ACHTUNG: Verwenden Sie kein Lösungsmittel und keine komprimierte Luft, um den Papierfilter zu reinigen.

3. Setzen Sie den Luftfilter wieder ein. Darauf achten, dass der Luftfilter vollständig die Luftfilterhalterung abdichtet.
4. Setzen Sie den Luftfilterdeckel wieder zurück.

So reinigen Sie den Schaumstofffilter

1. Entfernen Sie den Luftfilterdeckel und den Schaumstofffilter.
2. Reinigen Sie den Schaumstofffilter mit Seife und Wasser.
3. Spülen Sie den Schaumstofffilter in klarem Wasser ab.
4. Drücken Sie das Wasser aus dem Schaumstofffilter, und lassen Sie ihn trocknen.



ACHTUNG: Benutzen Sie keine Druckluft. Sie kann den Schaumstofffilter beschädigen.

5. Schmier Sie den Schaumstofffilter mit Motoröl ein.
6. Drücken Sie ein sauberes Tuch gegen den Schaumstofffilter, um unerwünschtes Öl zu entfernen.
7. Setzen Sie den Luftfilter wieder ein. Darauf achten, dass der Luftfilter vollständig die Luftfilterhalterung abdichtet.
8. Setzen Sie den Luftfilterdeckel wieder zurück.

So überprüfen Sie die Zündkerze



ACHTUNG: Verwenden Sie stets den vom Hersteller empfohlenen Zündkerzentyp! Die Verwendung eines falschen Zündkerzentyps kann zu Schäden am Gerät führen.

- Überprüfen Sie die Zündkerze, wenn der Motor nur schwache Leistung bringt, sich nur schwer starten lässt oder im Leerlauf nicht ordnungsgemäß funktioniert.
- Wenn Sie diese Anweisungen befolgen, verringern Sie die Gefahr von unerwünschtem Material an den Elektroden der Zündkerze:

- a) Stellen Sie sicher, dass die Leerlaufdrehzahl richtig eingestellt ist.
 - b) Vergewissern Sie sich, dass das Kraftstoffgemisch korrekt ist.
 - c) Vergewissern Sie sich, dass der Luftfilter sauber ist.
- Ist die Zündkerze verschmutzt, so ist sie zu reinigen; gleichzeitig ist zu prüfen, ob der Elektrodenabstand korrekt ist, siehe *Technische Angaben auf Seite 62*. (Abb. 31)
 - Tauschen Sie die Zündkerze bei Bedarf aus.

So prüfen Sie die Kraftstoffanlage

- Prüfen Sie den Kraftstofftankdeckel und die Dichtung für den Tankdeckel, um sicherzustellen, dass keine Beschädigungen vorliegen.
- Untersuchen Sie den Kraftstoffschlauch, um sicherzustellen, dass keine undichten Stellen vorhanden sind. Wenn der Schlauch beschädigt ist, lassen Sie ihn durch eine Servicewerkstatt austauschen.

So passen Sie das Kupplungsseil an

Wenn sich der Antrieb langsam anfühlt, muss das Kupplungsseil angepasst werden.

1. Verbinden Sie das Kupplungsseil mit den verschiedenen Bohrungen am Antriebsgriff, um die Länge des Kupplungsseils einzustellen. Verringern Sie die Länge des Kupplungsseils, um die Antriebsdrehzahl zu erhöhen. Verlängern Sie das Kupplungsseil, um die Antriebsdrehzahl zu reduzieren.(Abb. 32)

Hinweis: Wenn der Antrieb eingekuppelt ist, wenn Sie den Antriebsbügel nicht ziehen, ist es notwendig, den Kupplungsdraht zu verlängern.

2. Für eine kleine Anpassung der Antriebsdrehzahl drehen Sie die Einstellschraube. Um die Antriebsgeschwindigkeit zu erhöhen, drehen Sie die Einstellschraube gegen den Uhrzeigersinn. Um die Antriebsgeschwindigkeit zu reduzieren, drehen Sie die Einstellschraube im Uhrzeigersinn.(Abb. 33)

Wenn sich der Antrieb nach der Einstellung immer noch langsam anfühlt, lassen Sie den Antriebsriemen von einer autorisierten Servicewerkstatt ersetzen.

Transport, Lagerung und Entsorgung

Transport und Lagerung

- Für die Lagerung und den Transport des Produkts und des Kraftstoffs ist darauf zu achten, dass keine Lecks oder Dämpfe vorhanden sind. Funken oder offene Flammen, zum Beispiel von elektrischen Geräten oder einem Boiler, können ein Feuer auslösen.

- Verwenden Sie für die Lagerung und den Transport von Kraftstoff immer zugelassene Behälter.
- Leeren Sie den Kraftstofftank und den Vergaserschwimmerraum, bevor Sie das Produkt über einen längeren Zeitraum einlagern. Entsorgen Sie den Kraftstoff in einer geeigneten Abfallentsorgungsstelle.
- Sichern Sie das Produkt während des Transports ab, um Schäden und Unfälle zu vermeiden.

- Bewahren Sie das Produkt in einem verschlossenen Bereich auf, um einen unerlaubten Zugriff durch Kinder oder andere Personen zu verhindern.
- Bewahren Sie das Produkt an einem trockenen und frostfreien Raum auf.
- Entsorgen Sie alle Chemikalien, z. B. Motoröl oder Kraftstoff, in einer Servicewerkstatt oder in einer geeigneten Abfallentsorgungsstelle.
- Wenn Sie das Produkt nicht mehr benutzen, senden Sie es an einen McCulloch Händler oder entsorgen Sie es in einer Wiederverwertungsanlage.

Entsorgung

- Befolgen Sie die örtlichen Recyclinganforderungen und geltenden Vorschriften.

Technische Daten

Technische Angaben

	M40-120 CLASSIC	M40-125 CLASSIC+	M46-120 CLASSIC	M46-120R CLASSIC	M46-125 CLASSIC+	M46-125R CLASSIC+
Motor						
Marke	McCulloch	Briggs & Stratton	McCulloch	McCulloch	Briggs & Stratton	Briggs & Stratton
Hubraum, cm ³	120	125	120	120	125	125
Drehzahl, U/min	2900	2900	2900	2900	2900	2900
Nennleistung des Motors, kW ⁴¹	2,0	1,6	2,0	2,0	1,6	1,6
Zündanlage						
Zündkerze	K7RTC	RC12YC	K7RTC	K7RTC	RC12YC	RC12YC
Elektrodenabstand, mm	0,7	0,5	0,7	0,7	0,5	0,5
Kraftstoff- und Schmiersystem						
Kraftstofftank, Volumen, Liter	0,8	0,8	0,8	0,8	0,8	0,8
Öltank, Volumen, Liter	0,4	0,4	0,4	0,4	0,4	0,4
Motoröl ⁴²	SAE 30/SAE 10W-30	SAE 30/SAE 10W-30	SAE 30/SAE 10W-30	SAE 30/SAE 10W-30	SAE 30/SAE 10W-30	SAE 30/SAE 10W-30
Gewicht						
Mit leeren Tanks, kg	24	25	28	29	28	29
Geräuschemissionen⁴³						

⁴¹ Die Nennleistung der Maschine ist die durchschnittlich nach SAE-Standard J1349/ISO1585 gemessene Nettoleistung einer typischen Produktionsmaschine, die (bei einer bestimmten Drehzahl) an das Maschinenmodell abgegeben wird. Maschinen für die Massenproduktion können von diesem Wert abweichen. Die tatsächliche Ausgangsleistung des eingebauten Motors hängt von der Betriebsdrehzahl, den Umgebungsbedingungen und anderen Werten ab.

⁴² Verwenden Sie ein Motoröl der Qualität SJ oder höher. Werfen Sie einen Blick auf die Viskositätstabelle im Motorhandbuch und wählen Sie die beste Viskosität je nach erwarteter Außentemperatur aus.

⁴³ Umweltbelastende Geräuschemissionen, gemessen als Schalleistung (L_{WA}) gemäß EG-Richtlinie 2000/14/EG.

	M40-120 CLASSIC	M40-125 CLASSIC+	M46-120 CLASSIC	M46-120R CLASSIC	M46-125 CLASSIC+	M46-125R CLASSIC+
Gemessener Schallleistungspegel dB (A)	93	93	95	95	95	95
Schallleistungspegel, garantiert L_{WA} dB (A)	94	94	96	96	96	96
Lautstärke⁴⁴						
Schalldruckpegel am Ohr des Bedieners, dB (A)	80	80	82	82	82	82
Vibrationspegel, a_{hveq}⁴⁵						
Griff, m/s^2	14,75	14,75	15,68	15,68	15,68	15,68
Schneidausrüstung						
Schnitthöhe	20-75	20-75	30-80	30-80	30-80	30-80
Schnittbreite, mm	400	400	460	460	460	460
Klinge	Mulcher 40	Mulcher 40	Mulcher 46	Mulcher 46	Mulcher 46	Mulcher 46
Artikelnummer	5871590-10	5871590-10	5811889-10	5811889-10	5811889-10	5811889-10
Grasfängervolumen, Liter	50	50	50	50	50	50

	M46-150WR CLASSIC	M51-140WR CLASSIC+	M51-150R CLASSIC	M51-150WR CLASSIC	M53-150WR CLASSIC
Motor					
Marke	McCulloch	Briggs & Stratton	McCulloch	McCulloch	McCulloch
Hubraum, cm^3	150	140	150	150	150
Drehzahl, U/min	2900	2900	2900	2900	2900
Nennleistung des Motors, kW ⁴⁶	2,4	1,9	2,4	2,4	2,4
Zündanlage					
Zündkerze	K7RTC	RC12YC	K7RTC	K7RTC	K7RTC
Elektrodenabstand, mm	0,7	0,5	0,7	0,7	0,7
Kraftstoff- und Schmiersystem					
Volumen des Kraftstofftanks, Liter	1,0	0,8	1,0	1,0	1,0

⁴⁴ Schalldruckpegel gemäß ISO 5395:2103. Berichten zufolge liegt der Schalldruckpegel normalerweise bei einer Ausbreitungsklasse (standardmäßige Ausbreitung) von 1,2 dB (A).

⁴⁵ Vibrationspegel gemäß ISO 5395:2013. Berichten zufolge liegt der Vibrationspegel normalerweise bei einer Ausbreitungsklasse (Standardabweichung) von 0,2 m/s^2 .

⁴⁶ Die Nennleistung der Maschine ist die durchschnittlich nach SAE-Standard J1349/ISO1585 gemessene Nettoleistung einer typischen Produktionsmaschine, die (bei einer bestimmten Drehzahl) an das Maschinenmodell abgegeben wird. Maschinen für die Massenproduktion können von diesem Wert abweichen. Die tatsächliche Ausgangsleistung des eingebauten Motors hängt von der Betriebsdrehzahl, den Umgebungsbedingungen und anderen Werten ab.

	M46-150WR CLASSIC	M51-140WR CLASSIC+	M51-150R CLASSIC	M51-150WR CLASSIC	M53-150WR CLASSIC
Volumen des Öltanks, Liter	0,4	0,4	0,4	0,4	0,4
Motoröl ⁴⁷	SAE 30/SAE 10W-30	SAE 30/ SAE 10W-30	SAE 30/ SAE 10W-30	SAE 30/ SAE 10W-30	SAE 30/ SAE 10W-30
Gewicht					
Mit leeren Tanks, kg	32	32	33	33	33
Geräuschemissionen ⁴⁸					
Gemessener Schalleistungspegel dB (A)	97	97	95	97	98
Schalleistungspegel, garantiert L _{WA} dB (A)	98	98	98	98	98
Lautstärke ⁴⁹					
Schalldruckpegel am Ohr des Bedieners, dB (A)	82	82	81	84	82
Vibrationspegel, a_{hveq} ⁵⁰					
Griff, m/s ²	4,27	4,27	4,06	5,55	3,39
Schneidausrüstung					
Schnitthöhe	30–80	30-90	30-90	30-90	30-90
Schnittbreite, mm	460	510	510	510	530
Klinge	Mulcher 46	Mulcher 51	Mulcher 51	Mulcher 51	Mulcher 53
Artikelnummer	5811889-10	5041133-10	5041133-10	5041133-10	5811886-10
Grasfängervolumen, Liter	50	55	55	55	55

EG-Konformitätserklärung

INHALT DER EG-KONFORMITÄTSEKTLÄRUNG

Wir, Husqvarna AB, SE 561 82 Huskvarna, SCHWEDEN, erklären in alleiniger Verantwortung, dass das Gerät Folgendem genügt:	
Beschreibung	Mit Verbrennungsmotor betriebener, per Flurbedienung gesteuerter Rasenmäher
Marke	McCulloch

⁴⁷ Verwenden Sie ein Motoröl der Qualität SJ oder höher. Werfen Sie einen Blick auf die Viskositätstabelle im Motorhandbuch und wählen Sie die beste Viskosität je nach erwarteter Außentemperatur aus.

⁴⁸ Umweltbelastende Geräuschemissionen, gemessen als Schalleistung (L_{WA}) gemäß EG-Richtlinie 2000/14/EG.

⁴⁹ Schalldruckpegel gemäß ISO 5395:2103. Berichten zufolge liegt der Schalldruckpegel normalerweise bei einer Ausbreitungsklasse (standardmäßige Ausbreitung) von 1,2 dB (A).

⁵⁰ Vibrationspegel gemäß ISO 5395:2013. Berichten zufolge liegt der Vibrationspegel normalerweise bei einer Ausbreitungsklasse (Standardabweichung) von 0,2 m/s².

Plattform/Typ/Modell	M40-120 CLASSIC, M40-125 CLASSIC+, M46-120 CLASSIC, M46-120R CLASSIC, M46-125 CLASSIC+, M46-125R CLASSIC+, M46-150WR CLASSIC, M51-140WR CLASSIC+, M51-150R CLASSIC, M51-150WR CLASSIC, M53-150WR CLASSIC
Charge	Seriennummer ab Baujahrs 2017
Es erfüllt die folgenden EU-Vorschriften und -Richtlinien:	
Richtlinie/Verordnung	Beschreibung
2006/42/EG	Maschinenrichtlinie
2014/30/EG	EMV-Richtlinie
2000/14/EG, 2005/88/EG	Richtlinie über umweltbelastende Geräuschemissionen
Harmonisierte Normen und/oder technische Spezifikationen gelten wie folgt: EN ISO 12100, ISO 14982, ISO 5395-1 & 2, ISO 3744, ISO 11094, EN 1032	
Die im Abschnitt „Technische Daten“ in dieser Bedienungsanleitung und in der signierten EU-Konformitätserklärung angegebenen Schallwerte entsprechen der EU-Richtlinie 2000/14/EG, Anhang V.	
Der gelieferte mit Verbrennungsmotor betriebene und per Flurbedienung gesteuerte Rasenmäher entspricht dem Geräteexemplar, das die Prüfung durchlaufen hat.	

Περιεχόμενα

Εισαγωγή.....	66	Συντήρηση.....	72
Ασφάλεια.....	67	Μεταφορά, αποθήκευση και απόρριψη.....	74
Οδηγίες ασφαλείας για τη συντήρηση.....	70	Τεχνικά στοιχεία.....	75
Συναρμολόγηση.....	70	Δήλωση Συμμόρφωσης ΕΚ.....	78
Λειτουργία.....	71		

Εισαγωγή

Περιγραφή προϊόντος

Το προϊόν είναι ένα χλοοκοπτικό γκαζόν πεζού χειριστή με κύλινδρο. Το γρασίδι συλλέγεται σε έναν συλλέκτη χόρτου. Αφαιρέστε το συλλέκτη χόρτου για να εξαγάγετε το χόρτο από την πίσω πλευρά. Συνδέστε ένα κιτ κοπής χορτολιπάσματος (αξεσουάρ) για κοπή του γρασιδιού σε λίσασμα.

Επισκόπηση προϊόντος

(Εικ. 1)

1. Ασφάλεια οδήγησης (M46-120R CLASSIC, M46-125R CLASSIC+, M46-150WR CLASSIC, M51-140WR CLASSIC+, M51-150R CLASSIC, M51-150WR CLASSIC, M53-150WR CLASSIC)
2. Επάνω λαβή / χειρολαβή
3. Λαβή φρένου κινητήρα
4. Λαβή εκκίνησης
5. Βρόχος για κορδόνι μίζας
6. Συλλέκτης χόρτου
7. Κάτω λαβή
8. Διάταξη κάτω λαβής
9. Λεβιέδες ρύθμισης του ύψους κοπής
10. Τάπα λαδιού
11. Εξάτμιση (σιγαστήρας)
12. Τάπα αποστράγγισης του δοχείου καρμπυρατέ
13. Φούσκα πλήρωσης
14. Μπουζί
15. Ντεπόζιτο καυσίμου
16. Λεπίδα
17. Ροδέλα ελατηρίου
18. Βίδα λεπίδας
19. Πλαίσιο κοπής
20. Φίλτρο αέρα
21. Εγχειρίδιο χρήσης

Σύμβολα πάνω στο προϊόν

ΠΡΟΕΙΔΟΠΟΙΗΣΗ: Η απρόσεκτη ή λανθασμένη χρήση μπορεί να προκαλέσει τραυματισμό ή θάνατο του χειριστή ή των περιβαλλόμενων.

(Εικ. 2)

Προβλεπόμενη χρήση

Χρησιμοποιήστε το προϊόν για κοπή γρασιδιού σε ιδιωτικούς κήπους. Μην χρησιμοποιείτε το προϊόν για άλλες εργασίες.

Προτού χρησιμοποιήσετε το προϊόν, διαβάστε το εγχειρίδιο χρήσης προσεκτικά και βεβαιωθείτε ότι έχετε κατανοήσει τις οδηγίες.

(Εικ. 3)

Διατηρήστε τα άλλα άτομα και τα ζώα σε απόσταση ασφαλείας από την περιοχή εργασίας.

(Εικ. 4)

Πριν πραγματοποιήσετε εργασίες επισκευής ή συντήρησης, σταματήστε τη μηχανή και αφαιρέστε το καλώδιο ανάφλεξης ηλεκτρονικής.

(Εικ. 5)

Προσέχετε για αντικείμενα που μπορεί να εκτοξευθούν ή να εξστρακιστούν.

(Εικ. 6)

Προειδοποίηση: περιστρεφόμενη λεπίδα. Μην πλησιάζετε τα χέρια και τα πόδια σας.

(Εικ. 7)

Προειδοποίηση: περιστρεφόμενα μέρη. Μην πλησιάζετε τα χέρια και τα πόδια σας.

(Εικ. 8)

Αυτό το προϊόν συμμορφώνεται με τις ισχύουσες οδηγίες ΕΚ

(Εικ. 9)

Εκπομπές θορύβου στο περιβάλλον σύμφωνα με την Οδηγία της Ευρωπαϊκής Κοινότητας. Οι εκπομπές του προϊόντος ορίζονται στο κεφάλαιο "Τεχνικά στοιχεία", καθώς και στην πινακίδα του.

(Εικ. 10)

(Εικ. 11) Κίνδυνος πυρκαγιάς.

(Εικ. 12) Κίνδυνος πυρκαγιάς.

(Εικ. 13) Κίνδυνος έκρηξης.

(Εικ. 14) Να σβήνεται πάντα τον κινητήρα πριν τον ανεφοδιασμό.

(Εικ. 15) Καυτή επιφάνεια.

(Εικ. 16)

Οι αναθυμιάσεις της εξάτμισης από τον κινητήρα περιέχουν μονοξείδιο του άνθρακα, ένα άοσμο, δηλητηριώδες και ιδιαίτερα επικίνδυνο αέριο. Μην χρησιμοποιείτε το προϊόν σε εσωτερικούς ή κλειστούς χώρους.

- Το προϊόν έχει επισκευαστεί λανθασμένα.
- Το προϊόν έχει επισκευαστεί με εξαρτήματα που δεν προέρχονται από τον κατασκευαστή ή που δεν έχουν εγκριθεί από τον κατασκευαστή.
- Το προϊόν διαθέτει ένα αξεσουάρ που δεν προέρχεται από τον κατασκευαστή ή που δεν έχει εγκριθεί από τον κατασκευαστή.
- Το προϊόν δεν έχει επισκευαστεί σε εγκεκριμένο κέντρο σέρβις ή από εγκεκριμένη αρχή.

Περιεχόμενα Άλλα σύμβολα/σήματα που υπάρχουν στο προϊόν αναφέρονται σε απαιτήσεις πιστοποίησης για άλλες εμπορικές περιοχές.

Ευθύνη προϊόντος

Όπως αναφέρεται στη νομοθεσία περί ευθύνης για τα προϊόντα, δεν φέρουμε καμία ευθύνη για ζημιές που οφείλονται στο προϊόν μας εάν:

Ασφάλεια

Ορισμοί για την ασφάλεια

Για την επισήμανση ειδικών σημαντικών τμημάτων του εγχειριδίου χρήσης χρησιμοποιούνται προειδοποιήσεις, συστάσεις προσοχής και σημειώσεις.



ΠΡΟΕΙΔΟΠΟΙΗΣΗ: Χρησιμοποιείται όταν υπάρχει κίνδυνος τραυματισμού ή θανάτου του χειριστή ή άλλων παριστάμενων ατόμων, αν δεν τηρηθούν οι οδηγίες που παρέχονται στο εγχειρίδιο.



ΠΡΟΣΟΧΗ: Χρησιμοποιείται όταν υπάρχει κίνδυνος πρόκλησης ζημιάς στο προϊόν, σε άλλα υλικά ή στον παρακείμενο χώρο, αν δεν τηρηθούν οι οδηγίες που παρέχονται στο εγχειρίδιο.

Περιεχόμενα Χρησιμοποιείται για παροχή περισσότερων πληροφοριών, οι οποίες χρειάζονται σε μια δεδομένη κατάσταση.

Γενικές οδηγίες ασφαλείας



ΠΡΟΕΙΔΟΠΟΙΗΣΗ: Προτού χρησιμοποιήσετε το προϊόν, διαβάστε τις παρακάτω προειδοποιητικές οδηγίες.

- Αυτό το προϊόν είναι επικίνδυνο αν δεν χρησιμοποιηθεί σωστά ή αν δεν είστε προσεκτικοί. Αν δεν τηρείτε τις οδηγίες ασφαλείας, μπορεί να προκληθεί τραυματισμός ή θάνατος.
- Αυτό το προϊόν παράγει ηλεκτρομαγνητικό πεδίο κατά τη λειτουργία του. Το πεδίο αυτό, υπό ορισμένες συνθήκες, ενδέχεται να προκαλεί παρεμβολές σε ενεργά ή παθητικά ιατρικά εμφυτεύματα. Για να μειωθεί ο κίνδυνος σοβαρών ή

θανατηφόρων τραυματισμών, συνιστούμε στα άτομα με ιατρικά εμφυτεύματα να συμβουλευτούνται το θεράποντα ιατρό τους και τον κατασκευαστή του ιατρικού εμφυτεύματος, προτού θέσουν το προϊόν σε λειτουργία.

- Πρέπει πάντα να προσέχετε και να χρησιμοποιείτε την κοινή λογική. Αν δεν είστε βέβαιοι πώς να χειριστείτε το προϊόν σε μια ιδιαίτερη κατάσταση, σταματήστε και μιλήστε με τον αντιπρόσωπο της McCulloch προτού συνεχίσετε.
- Πρέπει να θυμάστε ότι ο χειριστής θεωρείται υπεύθυνος για ατυχήματα που μπορεί να προκληθούν σε άλλα άτομα ή στην περιουσία τους.
- Να διατηρείτε το προϊόν καθαρό. Βεβαιωθείτε ότι μπορείτε να διαβάσετε καθαρά τις ενδείξεις και τα σήματα.
- Μην επιτρέπετε σε κανένα άτομο να χρησιμοποιήσει το προϊόν αν δεν βεβαιωθείτε ότι έχει διαβάσει και κατανοήσει τα περιεχόμενα του εγχειριδίου χρήσης.
- Μην επιτρέψετε σε παιδιά να χρησιμοποιήσουν το προϊόν.
- Μην επιτρέψετε σε άτομα που δεν έχουν διαβάσει τις οδηγίες να χρησιμοποιήσουν το προϊόν.
- Αν το προϊόν χρησιμοποιείται από ένα άτομο με μειωμένη σωματική ή διανοητική ικανότητα, θα πρέπει πάντα να το επιβλέπετε. Πρέπει να είναι παρών ένας υπεύθυνος ενήλικας ανά πάσα στιγμή.
- Μην χρησιμοποιείτε το προϊόν αν είστε κουρασμένοι, άρρωστοι ή υπό την επήρεια αλκοόλ, ναρκωτικών ή φαρμάκων. Αυτά έχουν αρνητικές συνέπειες στην όραση, την αυτοσυγκέντρωση, τον συντονισμό και την κρίση σας.
- Μην χρησιμοποιείτε το προϊόν αν είναι ελαττωματικό.
- Μην τροποποιείτε το προϊόν και μην το χρησιμοποιείτε αν είναι εμφανές ότι έχει τροποποιηθεί από άλλους.

Ασφάλεια στο χώρο εργασίας



ΠΡΟΕΙΔΟΠΟΙΗΣΗ: Προτού χρησιμοποιήσετε το προϊόν, διαβάστε τις παρακάτω προειδοποιητικές οδηγίες.

- Αφαιρέστε αντικείμενα όπως κλαδιά, κλωνάρια και πέτρες από την περιοχή εργασίας πριν χρησιμοποιήσετε το προϊόν.
- Τα αντικείμενα που χτυπούν πάνω στον εξοπλισμό κοπής μπορεί να πεταχτούν και να προκαλέσουν ζημιές σε πρόσωπα και αντικείμενα. Να διατηρείτε τους παρευρισκόμενους και τα ζώα σε απόσταση ασφαλείας από το προϊόν.
- Μην χρησιμοποιείτε ποτέ το προϊόν σε κακές καιρικές συνθήκες, όπως ομίχλη, βροχή, ισχυρό άνεμο, έντονο κρύο και κίνδυνο κεραυνού. Η χρήση του προϊόντος σε κακές καιρικές συνθήκες, σε συνθήκες υγρασίας ή σε υγρές τοποθεσίες είναι εξαιρετικά κούραστική. Οι κακές καιρικές συνθήκες μπορεί να προκαλέσουν επικίνδυνες καταστάσεις, όπως ολισθηρές επιφάνειες.
- Να προσέχετε για πρόσωπα, αντικείμενα και καταστάσεις που μπορεί να αποτρέψουν την ασφαλή λειτουργία του προϊόντος.
- Να προσέχετε για εμπόδια, όπως ρίζες, πέτρες, κλωνάρια, λακούβες και χαντάκια. Το μακρύ γρασίδι μπορεί να κρύβει εμπόδια.
- Η κοπή χόρτου σε πλαγιές μπορεί να είναι επικίνδυνη. Μην χρησιμοποιείτε το προϊόν σε πλαγιές με κλίση πάνω από 15°.
- Να κατευθύνετε το προϊόν κατά πλάτος στις επιφάνειες με κλίση. Να μην μετακινείστε προς τα πάνω και προς τα κάτω.
- Να είστε ιδιαίτερα προσεκτικοί κοντά σε κρυφές γωνίες και αντικείμενα που εμποδίζουν το οπτικό σας πεδίο.

Ασφάλεια στην εργασία



ΠΡΟΕΙΔΟΠΟΙΗΣΗ: Προτού χρησιμοποιήσετε το προϊόν, διαβάστε τις παρακάτω προειδοποιητικές οδηγίες.

- Να χρησιμοποιείτε το προϊόν μόνο για την κοπή χόρτου γκαζόν. Δεν επιτρέπεται η χρήση του για άλλες εργασίες.
- Χρησιμοποιείτε ατομικό προστατευτικό εξοπλισμό. Ανατρέξτε στην ενότητα *Προσωπικός εξοπλισμός προστασίας στη σελίδα 68*.
- Μην εκκινείτε ποτέ τον κινητήρα μέσα σε κλειστό χώρο ή κοντά σε εύφλεκτα υλικά. Τα καυσαέρια του κινητήρα είναι ζεστά και ενδέχεται να έχουν σπινθήρες που μπορεί να προκαλέσουν πυρκαγιά.
- Μην λειτουργείτε το προϊόν αν δεν είναι σωστά συνδεδεμένη η λεπίδα και όλα τα καλύμματα. Αν η λεπίδα δεν είναι σωστά συνδεδεμένη, μπορεί να χαλαρώσει και να προκληθεί προσωπικός τραυματισμός.

- Να βεβαιώνετε ότι ο δίσκος δεν χτυπάει αντικείμενα, όπως πέτρες και ρίζες. Αυτό μπορεί να κάνει ζημιά στη λεπίδα και να λυγίσει τον άξονα του κινητήρα. Ο λυγισμένος άξονας προκαλεί ισχυρή δόνηση και πολύ υψηλό κίνδυνο χαλάρωσης της λεπίδας.
- Σε περίπτωση πρόσκρουσης της λεπίδας σε αντικείμενο ή αν διαπιστώσετε κραδασμούς, διακόψτε αμέσως τη λειτουργία του προϊόντος. Αφαιρέστε το καλώδιο ανάφλεξης από το μπουζί. Ελέγξτε το προϊόν για ζημιές. Επισκευάστε τις ζημιές ή αναθέστε την επισκευή σε έναν εξουσιοδοτημένο αντιπρόσωπο σέρβις.
- Μην συνδέετε ποτέ μόνιμα τη λαβή φρένου κινητήρα στη χειρολαβή κατά την εκκίνηση του κινητήρα.
- Τοποθετήστε το προϊόν σε μια σταθερή, επίπεδη επιφάνεια και εκκινήστε το. Να βεβαιώνετε ότι η λεπίδα δεν χτυπάει στο έδαφος ή σε άλλα αντικείμενα.
- Να παραμένετε πάντα πίσω από το προϊόν κατά τη λειτουργία.
- Κατά τη λειτουργία του προϊόντος, θα πρέπει όλοι οι τροχοί να ακουμπούν στο έδαφος και να διατηρείτε και τα 2 χέρια πάνω στη λαβή. Διατηρήστε τα χέρια και τα πόδια σας μακριά από τις περιστρεφόμενες λεπίδες.
- Μην γέρνετε το προϊόν όταν εκκινείται ο κινητήρας.
- Να είστε προσεκτικοί όταν τραβάτε το προϊόν προς τα πίσω.
- Να μην ανασηκώνετε ποτέ το προϊόν όταν εκκινείται ο κινητήρας. Αν πρέπει να ανασηκώσετε το προϊόν, σβήστε πρώτα τον κινητήρα και αποσυνδέστε το καλώδιο ανάφλεξης από το μπουζί.
- Να μην περπατάτε προς τα πίσω όταν χρησιμοποιείτε το προϊόν.
- Να σβήνετε τον κινητήρα όταν μετακινείστε σε περιοχές χωρίς χόρτα, για παράδειγμα μονοπάτια από χαλίκι, πέτρα και ασφάλτο.
- Μην τρέχετε με το προϊόν όταν εκκινείται ο κινητήρας. Να περπατάτε πάντα προς τα εμπρός όταν χρησιμοποιείτε το προϊόν.
- Να σβήνετε τον κινητήρα προτού αλλάξετε το ύψος κοπής. Μην προβείτε ποτέ σε τροποποιήσεις με τον κινητήρα σε λειτουργία.
- Μην αφήνετε ποτέ το προϊόν εκτός ορατότητας με τον κινητήρα σε λειτουργία. Να σβήνετε τον κινητήρα και να βεβαιώνετε ότι το παρελκόμενο κοπής δεν περιστρέφεται.

Οδηγίες ασφαλείας για τη λειτουργία

Προσωπικός εξοπλισμός προστασίας



ΠΡΟΕΙΔΟΠΟΙΗΣΗ: Προτού χρησιμοποιήσετε το προϊόν, διαβάστε τις παρακάτω προειδοποιητικές οδηγίες.

- Ο προσωπικός εξοπλισμός προστασίας δεν μπορεί να εξαλείψει τον κίνδυνο τραυματισμών, ωστόσο μειώνει τη σοβαρότητά τους σε περίπτωση

ατυχήματος. Ο αντιπρόσωπος θα σας βοηθήσει να επιλέξετε το σωστό εξοπλισμό.

- Να χρησιμοποιείτε αντιολισθητικές μπότες ή παπούτσια βαρέος τύπου. Να μην χρησιμοποιείτε το προϊόν με ανοιχτά παπούτσια ή ζυπόλυτοι.
- Χρησιμοποιήστε χοντρά, μακριά παντελόνια.
- Όταν χρειάζεται, να χρησιμοποιείτε προστατευτικά γάντια, για παράδειγμα κατά την τοποθέτηση, την αντίθεωση ή τον καθαρισμό του εξοπλισμού κοπής.

Συσκευές ασφαλείας στο προϊόν



ΠΡΟΕΙΔΟΠΟΙΗΣΗ: Προτού χρησιμοποιήσετε το προϊόν, διαβάστε τις παρακάτω προειδοποιητικές οδηγίες.

- Μην χρησιμοποιείτε ποτέ το προϊόν, αν υπάρχουν ελαττωματικές συσκευές ασφαλείας.
- Πρέπει να κάνετε τακτικά έλεγχο των συσκευών ασφαλείας. Αν οι συσκευές ασφαλείας είναι ελαττωματικές, απευθυνθείτε στον αντιπρόσωπο σέρβις της McCulloch.

Κάλυμμα κοπής

- Εξετάστε το κάλυμμα κοπής για να βεβαιωθείτε ότι δεν υπάρχουν φθορές όπως ρωγμές.

Λαβή φρένου κινητήρα

Η λαβή του φρένου κινητήρα σταματάει τον κινητήρα. Όταν απελευθερωθεί η λαβή του φρένου κινητήρα, ο κινητήρας σταματάει.

Για να γίνει επιθεώρηση του φρένου κινητήρα, εκκινήστε τον κινητήρα και στη συνέχεια απελευθερώστε τη λαβή του φρένου κινητήρα. Αν ο κινητήρας δεν σταματά σε 3 δευτερόλεπτα, αναθέστε τη ρύθμιση του φρένου κινητήρα σε έναν εγκεκριμένο αντιπρόσωπο σέρβις McCulloch.

(Εικ. 17)

Εξάτμιση (σιγαστήρας)

Η εξάτμιση (σιγαστήρας) διατηρεί τα επίπεδα θορύβου στο ελάχιστο και κατευθύνει τις αναθυμιάσεις της εξάτμισης μακριά από το χειριστή.

Μην χρησιμοποιείτε το προϊόν, αν η εξάτμιση (σιγαστήρας) λείπει ή είναι ελαττωματική. Αν η εξάτμιση (σιγαστήρας) είναι ελαττωματική, αυξάνεται το επίπεδο θορύβου και ο κίνδυνος φωτιάς.

Πρέπει να εξετάζετε την εξάτμιση (το σιγαστήρα) τακτικά, για να βεβαιωθείτε ότι είναι σωστά συνδεδεμένη και δεν έχει υποστεί ζημιά.



ΠΡΟΣΟΧΗ: Η εξάτμιση (σιγαστήρας) θερμαίνεται πολύ κατά τη διάρκεια της

χρήσης και παραμένει θερμή μετά τη χρήση, καθώς και όταν ο κινητήρας λειτουργεί στο ρελαντί. Προσέχετε όταν κινείστε κοντά σε εύφλεκτα υλικά ή/και αναθυμιάσεις, για να αποφύγετε την εκδήλωση πυρκαγιάς.

Ασφάλεια καυσίμου



ΠΡΟΕΙΔΟΠΟΙΗΣΗ: Προτού χρησιμοποιήσετε το προϊόν, διαβάστε τις παρακάτω προειδοποιητικές οδηγίες.

- Μην θέτετε το προϊόν σε λειτουργία, εάν υπάρχει καύσιμο ή λάδι κινητήρα στο προϊόν. Αφαιρέστε το ανεπιθύμητο καύσιμο/λάδι και αφήστε το προϊόν να στεγνώσει.
- Εάν χύσετε καύσιμο στα ρούχα σας, αλλάξτε τα αμέσως.
- Μην χύσετε καύσιμο στο σώμα σας, καθώς μπορεί να προκληθεί τραυματισμός. Αν χύσετε καύσιμο στο σώμα σας, χρησιμοποιήστε σαπούνι και νερό για να αφαιρέσετε το καύσιμο.
- Μην θέσετε το προϊόν σε λειτουργία, εάν ο κινητήρας έχει διαρροή. Εξετάζετε τακτικά τον κινητήρα για διαρροές.
- Να είστε προσεκτικοί με το καύσιμο. Το καύσιμο είναι εύφλεκτο και οι αναθυμιάσεις είναι εκρηκτικές και μπορούν να προκαλέσουν τραυματισμό ή θάνατο.
- Μην εισπνεύσετε τις αναθυμιάσεις καυσίμου, καθώς μπορεί να προκληθεί τραυματισμός. Βεβαιωθείτε ότι υπάρχει επαρκής ροή αέρα.
- Μην καπνίζετε κοντά στο καύσιμο ή τον κινητήρα.
- Μην τοποθετείτε ζεστά αντικείμενα κοντά στο καύσιμο ή τον κινητήρα.
- Μην προσθέτετε καύσιμο όταν λειτουργεί ο κινητήρας.
- Βεβαιωθείτε ότι ο κινητήρας έχει κρυώσει πριν από τον ανεφοδιασμό.
- Πριν από τον ανεφοδιασμό, ανοίξτε αργά την τάπα του ντεπόζιτου καυσίμου και εκτονώστε προσεκτικά την πίεση.
- Μην προσθέτετε καύσιμο στον κινητήρα σε εσωτερικό χώρο. Η αναπαρκής ροή αέρα μπορεί να προκαλέσει τραυματισμό ή θάνατο λόγω ασφυξίας ή μονοξειδίου του άνθρακα.
- Να σφίγγετε πλήρως την τάπα του ντεπόζιτου καυσίμου. Αν η τάπα του ντεπόζιτου καυσίμου δεν είναι σφιγμένη, υπάρχει κίνδυνος πυρκαγιάς.
- Πριν από την εκκίνηση, μετακινήστε το προϊόν σε απόσταση τουλάχιστον 3 m (10 ft) από το σημείο όπου γεμίσατε το ντεπόζιτο.
- Μην προσθέτετε υπερβολική ποσότητα καυσίμου στο ντεπόζιτο καυσίμου.

Οδηγίες ασφαλείας για τη συντήρηση



ΠΡΟΕΙΔΟΠΟΙΗΣΗ: Προτού χρησιμοποιήσετε το προϊόν, διαβάστε τις παρακάτω προειδοποιητικές οδηγίες.

- Οι αναθυμιάσεις της εξάτμισης από τον κινητήρα περιέχουν μονοξείδιο του άνθρακα, ένα άσμο, δηλητηριώδες και ιδιαίτερα επικίνδυνο αέριο. Να μην εκκινείτε τον κινητήρα σε εσωτερικούς ή κλειστούς χώρους.
- Πριν πραγματοποιήσετε συντήρηση στο προϊόν, σβήστε τον κινητήρα και αποσυνδέστε το καλώδιο ανάφλεξης από το μπουζί.
- Να χρησιμοποιείτε προστατευτικά γάντια όταν κάνετε συντήρηση του εξοπλισμού κοπής. Η λεπίδα είναι πολύ κοφτερή και μπορεί εύκολα να κοπείτε.
- Τα αξεσουάρ και οι τροποποιήσεις του προϊόν που δεν είναι εγκεκριμένες από τον κατασκευαστή, μπορεί

να προκαλέσουν σοβαρό τραυματισμό ή θάνατο. Να μην πραγματοποιείτε αλλαγές στο προϊόν. Να χρησιμοποιείτε μόνο εξαρτήματα που έχουν εγκριθεί από τον κατασκευαστή.

- Αν η συντήρηση δεν γίνεται σωστά και τακτικά, αυξάνεται ο κίνδυνος τραυματισμού και ζημιές στο προϊόν.
- Να πραγματοποιείτε μόνο τις εργασίες συντήρησης όπως δίνονται σε αυτό το εγχειρίδιο κατόχου. Όλες οι άλλες εργασίες συντήρησης πρέπει να γίνονται από εγκεκριμένο αντιπρόσωπο σέρβις McCulloch.
- Να αναθέτετε τη συντήρηση του προϊόντος σε έναν εγκεκριμένο αντιπρόσωπο σέρβις McCulloch σε τακτά χρονικά διαστήματα.
- Να αντικαθιστάτε τυχόν κατεστραμμένα, φθαρμένα ή σπασμένα εξαρτήματα.

Συναρμολόγηση

Για να συναρμολογήσετε την λαβή

Κάτω τμήμα λαβής

1. Τοποθετήστε τους πείρους στο κάτω μέρος της κάτω λαβής μέσα στις οπές, όπως αναγράφεται στο σχήμα. Ευθυγραμμίστε τις οπές των βιδών και προσαρτήστε τις βίδες, τις ροδέλες και τους τροχίσκους.(Εικ. 18)

Επάνω τμήμα λαβής

1. Ευθυγραμμίστε τις οπές στη χειρολαβή με τις οπές στην κάτω λαβή και προσαρτήστε τις βίδες, τις ροδέλες και τους τροχίσκους. Στη δεξιά πλευρά, προσαρτήστε επίσης το βρόχο για το κορδόνι της μίζας. Σφίξτε πλήρως τους τροχίσκους.(Εικ. 19)
2. Τραβήξτε τη λαβή του κορδονιού της μίζας και τοποθετήστε το κορδόνι της μίζας γύρω από το βρόχο για το κορδόνι της μίζας.(Εικ. 20)
3. Χρησιμοποιήστε τους ιμάντες για να συνδέσετε τα καλώδια στη λαβή.(Εικ. 21)

Περιεχόμενα Βεβαιωθείτε ότι η τάση στα καλώδια δεν είναι υπερβολικά υψηλή.

Για να συναρμολογήσετε το συλλέκτη χόρτου

1. Τοποθετήστε το πλαίσιο του συλλέκτη χόρτου στον υφασμάτινο σάκο χόρτου. Βεβαιωθείτε ότι η λαβή

στο πλαίσιο του συλλέκτη χόρτου βρίσκεται πάνω από το σάκο χόρτου.

2. Συνδέστε το σάκο χόρτου στο πλαίσιο του συλλέκτη χόρτου με τα κλιπ που βρίσκονται στο άκρο του υφασμάτινου σάκου.(Εικ. 22)
3. Ανασηκώστε το πίσω κάλυμμα.
4. Συνδέστε το συλλέκτη χόρτου στο επάνω άκρο του σασί.
5. Τοποθετήστε το κάτω μέρος του συλλέκτη χόρτου στο κανάλι εκτόξευσης γρασιδιού.

Συναρμολόγηση του πώματος χορτολιπάσματος

Το κιτ κοπής χορτολιπάσματος διατίθεται ως προαιρετικό αξεσουάρ μόνο σε επιλεγμένα μοντέλα. Τα μοντέλα M51-150WR CLASSIC, M53-150WR CLASSIC περιλαμβάνουν το παρεχόμενο κιτ κοπής χορτολιπάσματος. Τα μοντέλα M40-120 CLASSIC, M40-125 CLASSIC+ δεν μπορούν να χρησιμοποιηθούν με το κιτ κοπής χορτολιπάσματος.

1. Ανασηκώστε το πίσω κάλυμμα και αφαιρέστε το συλλέκτη χόρτου.
2. Τοποθετήστε το πώμα χορτολιπάσματος μέσα στο κανάλι εκτόξευσης.(Εικ. 23)

Λειτουργία

Εισαγωγή



ΠΡΟΕΙΔΟΠΟΙΗΣΗ: Προτού χρησιμοποιήσετε το προϊόν, πρέπει να διαβάσετε και να κατανοήσετε το κεφάλαιο για την ασφάλεια.

Πριν χρησιμοποιήσετε το προϊόν

1. Διαβάστε το εγχειρίδιο χρήσης προσεκτικά και βεβαιωθείτε ότι έχετε κατανοήσει τις οδηγίες.
2. Εξετάστε τον εξοπλισμό κοπής για να βεβαιωθείτε ότι είναι σωστά συνδεδεμένος και ρυθμισμένος. Ανατρέξτε στην ενότητα *Για να ελέγξετε τον εξοπλισμό κοπής στη σελίδα 73*.
3. Γεμίστε το ντεπόζιτο καυσίμου. Ανατρέξτε στην ενότητα *Ανεφοδιασμός με καύσιμο στη σελίδα 71*.
4. Γεμίστε το ντεπόζιτο λαδιού και κάντε έναν έλεγχο της στάθμης λαδιού. Ανατρέξτε στην ενότητα *Έλεγχος της στάθμης λαδιού στη σελίδα 73*.

Ανεφοδιασμός με καύσιμο

Αν διατίθεται, χρησιμοποιήστε βενζίνη χαμηλών εκπομπών/αλκυλίωσης. Σε περίπτωση που δεν είναι διαθέσιμη βενζίνη χαμηλών εκπομπών/αλκυλίωσης, χρησιμοποιήστε καλής ποιότητας αμόλυβδη βενζίνη ή βενζίνη με μόλυβδο. Χρησιμοποιήστε βενζίνη με αριθμό οκτανίων όχι μικρότερο από 90 και με έως 10% αιθανόλη (E10).



ΠΡΟΕΙΔΟΠΟΙΗΣΗ: Το γέμισμα με καύσιμο εσφαλμένου τύπου μπορεί να προκαλέσει ζημιά στον κινητήρα.

1. Ανοίξτε αργά την τάπα του ντεπόζιτου καυσίμου για να εκτονώσετε την πίεση.
2. Γεμίστε αργά με ένα δοχείο καυσίμων. Αν χύσετε καύσιμο, καθαρίστε το με ένα πανί και αφήστε το καύσιμο που απομένει να στεγνώσει.
3. Καθαρίστε την περιοχή γύρω από την τάπα του ντεπόζιτου καυσίμου.
4. Να σφίγγετε πλήρως την τάπα του ντεπόζιτου καυσίμου. Αν η τάπα του ντεπόζιτου καυσίμου δεν είναι σφιγμένη, υπάρχει κίνδυνος πυρκαγιάς.
5. Πριν από την εκκίνηση, μετακινήστε το προϊόν σε απόσταση τουλάχιστον 3 m (10 ft) από το σημείο όπου γεμίσατε το ντεπόζιτο.

Για να ρυθμίσετε το ύψος κοπής

1. Μετακινήστε το μοχλό ύψους κοπής προς τα πίσω για να αυξήσετε το ύψος κοπής.
2. Μετακινήστε το μοχλό ύψους κοπής προς τα εμπρός για να μειώσετε το ύψος κοπής.(Εικ. 24)



ΠΡΟΣΟΧΗ: Μην ρυθμίζετε το ύψος κοπής πολύ χαμηλά. Οι λεπίδες μπορεί να χτυπήσουν στο έδαφος αν η επιφάνεια του χλοοτάπητα δεν είναι επίπεδη.

Εκκίνηση του προϊόντος

1. Βεβαιωθείτε ότι το καλώδιο ανάφλεξης είναι συνδεδεμένο στο μπουζί.
2. Την πρώτη φορά που θα εκκινήσετε το προϊόν, πατήστε τη φούσκα πλήρωσης 5 φορές. Την επόμενη φορά που θα εκκινήσετε το προϊόν ενώ ο κινητήρας είναι κρύος, πατήστε τη φούσκα πλήρωσης 3 φορές.(Εικ. 25)
3. Να παραμένετε πίσω από το προϊόν.
4. Κρατήστε τη λαβή του φρένου κινητήρα προς τη χειρολαβή.(Εικ. 26)
5. Πιάστε τη λαβή του κορδονιού εκκίνησης με το δεξιό σας χέρι.
6. Τραβήξτε αργά έξω το κορδόνι της μίζας μέχρι να αισθανθείτε κάποια αντίσταση.
7. Τραβήξτε δυνατά για να εκκινήσει ο κινητήρας.



ΠΡΟΕΙΔΟΠΟΙΗΣΗ: Μην τυλίγετε ποτέ το σχοινί της τροχαλίας του συστήματος εκκίνησης γύρω από το χέρι σας.

Χρήση της κίνησης στους τροχούς

- Πιέστε την ασφάλεια κίνησης προς την κατεύθυνση της χειρολαβής.(Εικ. 27)
- Πριν τραβήξετε το προϊόν προς τα πίσω, αποσυμπλέξτε την κίνηση και στρώξτε το προϊόν προς τα εμπρός περίπου 10cm.
- Απελευθερώστε την ασφάλεια κίνησης για να αποδεσμεύσετε την κίνηση, για παράδειγμα όταν βρίσκατε κοντά σε κάποιο εμπόδιο.

Διακοπή λειτουργίας του προϊόντος

- Για να διακόψετε μόνο την κίνηση, απελευθερώστε την ασφάλεια οδήγησης.
- Για να διακόψετε τη λειτουργία του κινητήρα, απελευθερώστε τη λαβή του φρένου κινητήρα.

Για ένα καλό αποτέλεσμα

- Να χρησιμοποιείτε πάντα μια ακονισμένη λεπίδα. Η στομωμένη λεπίδα δίνει ένα ακανόνιστο αποτέλεσμα και η επιφάνεια κοπής του γρασιδιού γίνεται κίτρινη. Επίσης, η ακονισμένη λεπίδα χρησιμοποιεί λιγότερη ενέργεια από μια στομωμένη λεπίδα.
- Να μην κόβετε ποτέ πάνω από το 1/3 του μήκους του γρασιδιού. Να κόβετε πρώτα με το ύψος κοπής ρυθμισμένο σε υψηλό. Εξετάστε το αποτέλεσμα και χαμηλώστε το ύψος κοπής σε κατάλληλο επίπεδο.

Αν το γρασίδι είναι πολύ μακρύ, οδηγήστε αργά και κόψτε 2 φορές, αν είναι απαραίτητο.

- Να κόβετε κάθε φορά σε διαφορετικές κατευθύνσεις για να αποφεύγετε τις ρίγες στο γκαζόν.

Συντήρηση

Εισαγωγή



ΠΡΟΕΙΔΟΠΟΙΗΣΗ: Προτού εκτελέσετε εργασίες συντήρησης, πρέπει να διαβάσετε και να κατανοήσετε το κεφάλαιο για την ασφάλεια.

Για όλες τις εργασίες συντήρησης και επισκευής στο προϊόν, είναι απαραίτητη ειδική εκπαίδευση. Μπορούμε να εγγυηθούμε για τη διαθεσιμότητα των επαγγελματικών επισκευών και τη συντήρηση. Αν ο αντιπρόσωπός σας δεν είναι αντιπρόσωπος σέρβις,

μιλήστε του για πληροφορίες σχετικά με τον πλησιέστερο αντιπρόσωπο σέρβις.

Πρόγραμμα συντήρησης

Τα διαστήματα συντήρησης υπολογίζονται με βάση την καθημερινή χρήση του προϊόντος. Τα διαστήματα αλλάζουν αν το προϊόν δεν χρησιμοποιείται καθημερινά.

Για τις εργασίες συντήρησης που προσδιορίζονται με *, βλ. οδηγίες στην ενότητα *Συσκευές ασφαλείας στο προϊόν στη σελίδα 69*.

Συντήρηση	Καθημερινά	Κάθε εβδομάδα	Κάθε μήνα
Εκτέλεση γενικής επιθεώρησης	X		
Έλεγχος της στάθμης λαδιού	X		
Καθαρισμός του προϊόντος	X		
Έλεγχος του εξοπλισμού κοπής	X		
Έλεγχος του καλύμματος κοπής*	X		
Έλεγχος λαβής του φρένου κινητήρα*	X		
Έλεγχος και προσαρμογή της κίνησης (ντίζα συμπλέκτη)	X		
Έλεγχος της εξάτμισης (σιγαστήρα)*		X	
Έλεγχος του μπουζι		X	
Αλλαγή λαδιού (την πρώτη φορά μετά από 5 ώρες χρήσης, έπειτα μετά από κάθε 50 ώρες χρήσης)			X
Αντικατάσταση του φίλτρου αέρα			X
Έλεγχος του συστήματος καυσίμου			X

Για να εκτελέσετε γενική επιθεώρηση

- Βεβαιωθείτε ότι τα παξιμαδία και οι βίδες πάνω στο προϊόν είναι σφιγμένα.

Για να καθαρίσετε εξωτερικά το προϊόν

- Χρησιμοποιήστε μια βούρτσα για να αφαιρέσετε φύλλα, γρασίδι και ακαθαρσίες.
- Βεβαιωθείτε ότι η εισαγωγή αέρα στο επάνω μέρος του κινητήρα δεν είναι φραγμένη.
- Μην χρησιμοποιείτε σύστημα πλύσης με υψηλή πίεση για να καθαρίσετε το προϊόν.
- Αν χρησιμοποιείτε νερό για να καθαρίσετε το προϊόν, μην ρίχνετε νερό απευθείας επάνω στον κινητήρα.

Για να καθαρίσετε την εσωτερική επιφάνεια του καλύμματος κοπής

1. Αδειάστε το νεπετόζιτο καυσίμου.
2. Τοποθετήστε το προϊόν στο πλάι με την εξάτμιση (σιγαστήρα) προς τα κάτω.



ΠΡΟΣΟΧΗ: Αν το προϊόν τοποθετηθεί με το φίλτρο αέρα προς τα κάτω, ο κινητήρας μπορεί να υποστεί ζημιά.

3. Ξεπλύνετε την εσωτερική επιφάνεια του καλύμματος κοπής ρίχνοντας νερό προς τα κάτω με ένα λάστιχο.

Για να ελέγξετε τον εξοπλισμό κοπής



ΠΡΟΕΙΔΟΠΟΙΗΣΗ: Για να αποτρέψετε ακούσια εκκίνηση, αφαιρέστε το καλώδιο ανάφλεξης από το μπουζί.



ΠΡΟΕΙΔΟΠΟΙΗΣΗ: Να χρησιμοποιείτε προστατευτικά γάντια όταν κάνετε συντήρηση του εξοπλισμού κοπής. Η λεπίδα είναι πολύ κοφτερή και μπορεί εύκολα να κοπείτε.

1. Ελέγξτε τον εξοπλισμό κοπής για ζημιές ή ρωγμές. Πρέπει πάντα να αντικαθιστάτε τον εξοπλισμό κοπής, αν έχει υποστεί ζημιά.
2. Κοιτάξτε τη λεπίδα για να δείτε εάν είναι φθαρμένη ή στομαωμένη.

Περιεχόμενα Είναι απαραίτητο να ζυγοσταθμιστεί η λεπίδα μετά το ακόνισμα. Να αναθέτετε το ακόνισμα, την αντικατάσταση και τη ζυγοστάθμιση της λεπίδας σε ένα κέντρο σέρβις. Αν χτυπήσετε κάποιο εμπόδιο και σταματήσετε το προϊόν, αντικαταστήστε τη φθαρμένη λεπίδα. Το κέντρο σέρβις θα αξιολογήσει αν η λεπίδα μπορεί να ακονιστεί ή πρέπει να αντικατασταθεί.

Για να αντικαταστήσετε τη λεπίδα

1. Ασφαλίστε τη λεπίδα με έναν ξύλινο τάκο. (Εικ. 28)
2. Αφαιρέστε τη βίδα της λεπίδας.
3. Αφαιρέστε τη λεπίδα.
4. Εξετάστε την υποστήριξη και τη βίδα της λεπίδας για να δείτε εάν υπάρχουν φθορές.
5. Εξετάστε τον άξονα του κινητήρα για να βεβαιωθείτε ότι δεν είναι λυγισμένος.
6. Κατά τη σύνδεση της νέας λεπίδας, στρέψτε τα άκρα της λεπίδας που σχηματίζουν γωνία προς την κατεύθυνση του καλύμματος κοπής. (Εικ. 29)
7. Βεβαιωθείτε ότι η λεπίδα είναι ευθυγραμμισμένη με το κέντρο του άξονα του κινητήρα.
8. Ασφαλίστε τη λεπίδα με έναν ξύλινο τάκο. Τοποθετήστε τη ροδέλα του ελατηρίου και σφίξτε τη βίδα και τη ροδέλα με ροπή 45–60 N. m. (Εικ. 30)
9. Περιστρέψτε τη λάμα με το χέρι και βεβαιωθείτε ότι μπορεί να περιστραφεί χωρίς προβλήματα.



ΠΡΟΕΙΔΟΠΟΙΗΣΗ: Να χρησιμοποιείτε γάντια βαρέος τύπου. Η λεπίδα είναι πολύ κοφτερή και μπορεί εύκολα να κοπείτε.

10. Εκκινήστε το προϊόν για να δοκιμάσετε τη λεπίδα. Αν η λεπίδα δεν είναι σωστά συνδεδεμένη, θα υπάρχουν κραδασμοί στο προϊόν ή το αποτέλεσμα κοπής δεν θα είναι ικανοποιητικό.

Έλεγχος της στάθμης λαδιού



ΠΡΟΣΟΧΗ: Το πολύ χαμηλό επίπεδο λαδιού μπορεί να προκαλέσει βλάβη στον κινητήρα. Να κάνετε έλεγχο της στάθμης λαδιού πριν από την εκκίνηση του προϊόντος.

1. Τοποθετήστε το προϊόν σε οριζόντιο έδαφος.
2. Αφαιρέστε το καπάκι του ντεπόζιτου λαδιού με τον συνδεδεμένο δείκτη στάθμης.
3. Καθαρίστε το λάδι από το δείκτη στάθμης.
4. Τοποθετήστε το δείκτη στάθμης πλήρως μέσα στο ντεπόζιτο λαδιού για να έχετε μια σωστή εικόνα της στάθμης λαδιού.
5. Αφαιρέστε το δείκτη στάθμης.
6. Εξετάστε τη στάθμη λαδιού πάνω στο δείκτη στάθμης.
7. Αν η στάθμη του λαδιού είναι χαμηλή, συμπληρώστε με λάδι κινητήρα και ελέγξτε ξανά τη στάθμη λαδιού.

Αλλαγή του λαδιού του κινητήρα



ΠΡΟΕΙΔΟΠΟΙΗΣΗ: Το λάδι του κινητήρα είναι πολύ καυτό αμέσως μετά το σβήσιμο του κινητήρα. Αφήστε τον κινητήρα να κρυώσει προτού αδειάσετε το λάδι του κινητήρα. Αν πέσει λάδι κινητήρα στο δέρμα σας, καθαρίστε το με σαπούνι και νερό.

1. Λειτουργήστε το προϊόν μέχρι να αδειάσει το ντεπόζιτο καυσίμου.
2. Αφαιρέστε το καλώδιο της μίζας από το μπουζί.
3. Αφαιρέστε την τάπα ντεπόζιτου λαδιού.
4. Τοποθετήστε ένα δοχείο κάτω από το προϊόν για να συλλέξετε το λάδι του κινητήρα.
5. Γείρετε το προϊόν για να αδειάσετε το λάδι του κινητήρα από το ντεπόζιτο λαδιού.
6. Γεμίστε με καινούργιο λάδι κινητήρα που έχει τον προτεινόμενο τύπο στο *Τεχνικά στοιχεία στη σελίδα 75*.
7. Ελέγξτε τη στάθμη λαδιού. Ανατρέξτε στην ενότητα *Έλεγχος της στάθμης λαδιού στη σελίδα 73*.

Φίλτρο αέρα

Αν το φίλτρο αέρα χρησιμοποιείται για μεγάλο χρονικό διάστημα, δεν μπορεί να καθαριστεί εντελώς. Να αντικαθιστάτε το φίλτρο αέρα σε τακτά διαστήματα.

Περιεχόμενα Πρέπει πάντα να αντικαθιστάτε το φίλτρο αέρα, εάν έχει υποστεί ζημιά.

Για να καθαρίσετε το χάρτινο φίλτρο

1. Αφαιρέστε το κάλυμμα του φίλτρου αέρα και το χάρτινο φίλτρο.

2. Χτυπήστε το φίλτρο πάνω σε μια επίπεδη επιφάνεια για να πέσουν τα σωματίδια.



ΠΡΟΣΟΧΗ: Να μην χρησιμοποιείτε διαλύτες ή συμπιεσμένο αέρα για να καθαρίσετε το χάρτινο φίλτρο.

3. Τοποθετήστε το φίλτρο αέρα στη θέση του. Βεβαιωθείτε ότι το φίλτρο αέρα εφαρμόζει πλήρως στον συγκρατητή του φίλτρου αέρα.
4. Τοποθετήστε το κάλυμμα του φίλτρου αέρα στη θέση του.

Για να καθαρίσετε το αφρώδες πλαστικό φίλτρο

1. Αφαιρέστε το κάλυμμα του φίλτρου αέρα και το αφρώδες πλαστικό φίλτρο.
2. Καθαρίστε το αφρώδες πλαστικό φίλτρο με σαπούνι και νερό.
3. Ξεπλύνετε το αφρώδες πλαστικό φίλτρο με καθαρό νερό.
4. Στραγγίξτε το νερό από το αφρώδες πλαστικό φίλτρο και αφήστε το να στεγνώσει.



ΠΡΟΣΟΧΗ: Μην χρησιμοποιείτε συμπιεσμένο αέρα. Ενδέχεται να προκληθεί ζημιά στο αφρώδες πλαστικό φίλτρο.

5. Λιπάνετε το αφρώδες πλαστικό φίλτρο με λάδι κινητήρα.
6. Πιέστε ένα καθαρό πανί πάνω στο αφρώδες πλαστικό φίλτρο για να αφαιρέσετε το ανεπιθύμητο λάδι.
7. Τοποθετήστε το φίλτρο αέρα στη θέση του. Βεβαιωθείτε ότι το φίλτρο αέρα εφαρμόζει πλήρως στον συγκρατητή του φίλτρου αέρα.
8. Τοποθετήστε το κάλυμμα του φίλτρου αέρα στη θέση του.

Για να εξετάσετε το μπουζί



ΠΡΟΣΟΧΗ: Χρησιμοποιείτε πάντα τον συνιστώμενο τύπο μπουζί. Η χρήση λάθος τύπου μπουζί μπορεί να προκαλέσει ζημιά στο προϊόν.

- Αν ο κινητήρας έχει χαμηλή ισχύ, δεν εκκινείται εύκολα ή δεν λειτουργεί σωστά στο ρελαντί, ελέγξτε το μπουζί.

- Για να μειώσετε τον κίνδυνο συσσώρευσης ανεπιθύμητων υλικών στα ηλεκτρόδια του μπουζί, ακολουθήστε τις παρακάτω οδηγίες:

- a) Βεβαιωθείτε ότι οι στροφές ανά λεπτό ρελαντί έχουν ρυθμιστεί σωστά.
 - b) Βεβαιωθείτε ότι το μίγμα καυσίμου είναι σωστό.
 - c) Βεβαιωθείτε ότι το φίλτρο αέρα είναι καθαρό.
- Αν το μπουζί είναι βρόμικο, καθαρίστε το και βεβαιωθείτε ότι το διάκενο του ηλεκτροδίου είναι σωστό. βλ. *Τεχνικά στοιχεία στη σελίδα 75* (Εικ. 31)
 - Αν χρειάζεται, αντικαταστήστε το μπουζί.

Για να ελέγξετε το σύστημα καυσίμου

- Ελέγξτε την τάπα του ντεπόζιτου καυσίμου και την τσιμούκα στεγανότητας της τάπας του ντεπόζιτου καυσίμου για να βεβαιωθείτε ότι δεν υπάρχουν φθορές.
- Ελέγξτε το σωλήνα καυσίμου για να βεβαιωθείτε ότι δεν υπάρχουν διαρροές. Αν ο σωλήνας καυσίμου έχει υποστεί φθορά, αναθέστε την αντικατάστασή του σε έναν αντιπρόσωπο σέρβις.

Για να ρυθμίζετε την ντίζα του συμπλέκτη

Αν νιώθετε αργή την κίνηση, είναι απαραίτητο να ρυθμίσετε την ντίζα του συμπλέκτη.

1. Συνδέστε το καλώδιο του συμπλέκτη σε διάφορες οπές στην ασφάλεια οδήγησης για να προσαρμόσετε το μήκος του καλωδίου συμπλέκτη. Μειώστε το μήκος του καλωδίου συμπλέκτη για να αυξήσετε την ταχύτητα κίνησης. Επεκτείνετε το καλώδιο του συμπλέκτη για να μειώσετε την ταχύτητα κίνησης. (Εικ. 32)

Περιεχόμενα Αν η κίνηση μπλοκάρει όταν δεν τραβάτε την ασφάλεια κίνησης, είναι απαραίτητο να επεκταθεί η ντίζα του συμπλέκτη.

2. Για μικρή προσαρμογή της ταχύτητας κίνησης, γυρίστε τη βίδα ρύθμισης. Για να αυξήσετε την ταχύτητα κίνησης, στρίψτε τη βίδα ρύθμισης αριστερόστροφα. Για να μειώσετε την ταχύτητα κίνησης, στρίψτε τη βίδα ρύθμισης δεξιόστροφα. (Εικ. 33)

Αν εξακολουθείτε να νιώθετε αργή την κίνηση μετά από τη ρύθμιση, αναθέστε την αντικατάσταση του μίαντα μετάδοσης κίνησης σε έναν εγκεκριμένο αντιπρόσωπο σέρβις.

Μεταφορά, αποθήκευση και απόρριψη

Μεταφορά και αποθήκευση

- Για την αποθήκευση και τη μεταφορά του προϊόντος και του καυσίμου, βεβαιωθείτε ότι δεν υπάρχουν διαρροές ή αναθυμιάσεις. Τυχόν σπινθήρες ή ακάλυπτες φλόγες, για παράδειγμα από ηλεκτρικές

συσκευές ή λέβητες, μπορεί να προκαλέσουν πυρκαγιά.

- Να χρησιμοποιείτε πάντα εγκεκριμένα δοχεία για την αποθήκευση και τη μεταφορά των καυσίμων.
- Να αδειάζετε το ντεπόζιτο καυσίμου και το δοχείο του καρμπυρατέρ πριν την αποθήκευση του προϊόντος

για μεγάλο χρονικό διάστημα. Να απορρίπτετε το καύσιμο σε μια κατάλληλη τοποθεσία απόρριψης

- Να στερεώνετε με ασφάλεια το προϊόν κατά τη μεταφορά για να αποφύγετε βλάβες και ατυχήματα.
- Να διατηρείτε το προϊόν σε μια κλειδωμένη περιοχή για να αποτρέψετε την πρόσβαση σε παιδιά ή μη εγκεκριμένα άτομα.
- Να διατηρείτε το προϊόν σε μια περιοχή στεγνή και χωρίς πάγο.

Απόρριψη

- Πρέπει να συμμορφώσετε με τις τοπικές απαιτήσεις ανακύκλωσης και τους ισχύοντες κανονισμούς.
- Πετάξτε όλα τα χημικά, όπως το λάδι κινητήρα ή το καύσιμο, σε ένα κέντρο σέρβις ή σε μια κατάλληλη τοποθεσία απόρριψης.
- Όταν το προϊόν δεν είναι πλέον σε χρήση, στείλτε το σε έναν αντιπρόσωπο McCulloch ή απορρίψτε το σε μια τοποθεσία ανακύκλωσης.

Τεχνικά στοιχεία

Τεχνικά στοιχεία

	M40-120 CLASSIC	M40-125 CLASSIC+	M46-120 CLASSIC	M46-120R CLASSIC	M46-125 CLASSIC+	M46-125R CLASSIC+
Κινητήρας						
Επωνυμία	McCulloch	Briggs & Stratton	McCulloch	McCulloch	Briggs & Stratton	Briggs & Stratton
Κυβισμός, cm ³	120	125	120	120	125	125
Ταχύτητα, σ.α.λ	2900	2900	2900	2900	2900	2900
Ονομαστική απόδοση ισχύος κινητήρα, kW ⁵¹	2,0	1,6	2,0	2,0	1,6	1,6
Σύστημα ανάφλεξης						
Μπουζί	K7RTC	RC12YC	K7RTC	K7RTC	RC12YC	RC12YC
Διάκενο ηλεκτροδίου, mm	0,7	0,5	0,7	0,7	0,5	0,5
Σύστημα καυσίμου και λίπανσης						
Χωρητικότητα ντεπόζιτου καυσίμου, λίτρα	0,8	0,8	0,8	0,8	0,8	0,8
Χωρητικότητα δοχείου λαδιού, λίτρα	0,4	0,4	0,4	0,4	0,4	0,4
Λάδι κινητήρα ⁵²	SAE 30/SAE 10W-30	SAE 30/SAE 10W-30	SAE 30/SAE 10W-30	SAE 30/SAE 10W-30	SAE 30/SAE 10W-30	SAE 30/SAE 10W-30
Βάρος						
Με κενά ντεπόζιτα, kg	24	25	28	29	28	29

⁵¹ Η ονομαστική ισχύς του εν λόγω κινητήρα είναι η μέση ωφέλιμη ισχύς (σε συγκεκριμένες στροφές κινητήρα) ενός τυπικού κινητήρα παραγωγής για το μοντέλο του κινητήρα μετρημένης βάσει του προτύπου SAE J1349/ISO1585. Οι κινητήρες μαζικής παραγωγής μπορεί να διαφέρουν από την τιμή αυτή. Η πραγματική ωφέλιμη απόδοση ισχύος του κινητήρα που τοποθετείται στο τελικό προϊόν εξαρτάται από την ταχύτητα λειτουργίας, τις συνθήκες του περιβάλλοντος και άλλες τιμές.

⁵² *Να χρησιμοποιείτε λάδι κινητήρα ποιότητας SJ ή υψηλότερης. Ανατρέξτε στο διάγραμμα ιξώδους στο εγχειρίδιο του κατασκευαστή κινητήρα και επιλέξτε το καλύτερο ιξώδες με βάση την αναμενόμενη εξωτερική θερμοκρασία.

	M40-120 CLASSIC	M40-125 CLASSIC+	M46-120 CLASSIC	M46-120R CLASSIC	M46-125 CLASSIC+	M46-125R CLASSIC+
Εκπομπές θορύβου⁵³						
Στάθμη ηχητικής ισχύος, μετρούμενη τιμή σε dB (A)	93	93	95	95	95	95
Στάθμη ηχητικής ισχύος, εγγυημένη τιμή L _{WA} σε dB (A)	94	94	96	96	96	96
Επίπεδα ήχου⁵⁴						
Στάθμη πίεσης ήχου στο αυτί του χειριστή, σε dB (A)	80	80	82	82	82	82
Επίπεδα κραδασμών, a_{hv}⁵⁵						
Λαβή, m/s ²	14,75	14,75	15,68	15,68	15,68	15,68
Εξοπλισμός κοπής						
Ύψος κοπής, mm	20-75	20-75	30-80	30-80	30-80	30-80
Πλάτος κοπής, mm	400	400	460	460	460	460
Λεπίδα	Mulcher 40	Mulcher 40	Mulcher 46	Mulcher 46	Mulcher 46	Mulcher 46
Κωδ. είδους	5871590-10	5871590-10	5811889-10	5811889-10	5811889-10	5811889-10
Χωρητικότητα συλλέκτη χόρτου, λίτρο	50	50	50	50	50	50

	M46-150WR CLASSIC	M51-140WR CLASSIC+	M51-150R CLASSIC	M51-150WR CLASSIC	M53-150WR CLASSIC
Κινητήρας					
Επωνυμία	McCulloch	Briggs & Strat- ton	McCulloch	McCulloch	McCulloch
Κυβισμός, cm ³	150	140	150	150	150
Ταχύτητα, σ.α.λ	2900	2900	2900	2900	2900
Ονομαστική απόδοση ισχύος κινητήρα, kW ⁵⁶	2.4	1,9	2.4	2.4	2.4
Σύστημα ανάφλεξης					

⁵³ Οι εκπομπές θορύβου στο περιβάλλον, οι οποίες μετρούνται ως ηχητική ισχύος (L_{WA}), σε συμμόρφωση με την Οδηγία 2000/14/ΕΚ.

⁵⁴ Στάθμη πίεσης θορύβου σύμφωνα με το πρότυπο ISO 5395:2103. Τα καταγεγραμμένα στοιχεία για τη στάθμη πίεσης θορύβου έχουν τυπική στατιστική διασπορά (τυπική απόκλιση) 1,2 dB(A).

⁵⁵ Επίπεδο κραδασμών σύμφωνα με το πρότυπο ISO 5395:2013. Τα καταγεγραμμένα στοιχεία για τη στάθμη κραδασμών έχουν τυπική στατιστική διασπορά (τυπική απόκλιση) της τάξης του 0,2 m/s².

⁵⁶ Η ονομαστική ισχύος του εν λόγω κινητήρα είναι η μέση ωφέλιμη ισχύος (σε συγκεκριμένες στροφές κινητήρα) ενός τυπικού κινητήρα παραγωγής για το μοντέλο του κινητήρα μετρημένης βάσει του προτύπου SAE J1349/ISO 1585. Οι κινητήρες μαζικής παραγωγής μπορεί να διαφέρουν από την τιμή αυτή. Η πραγματική ωφέλιμη απόδοση ισχύος του κινητήρα που τοποθετείται στο τελικό προϊόν εξαρτάται από την ταχύτητα λειτουργίας, τις συνθήκες του περιβάλλοντος και άλλες τιμές.

	M46-150WR CLASSIC	M51-140WR CLASSIC+	M51-150R CLASSIC	M51-150WR CLASSIC	M53-150WR CLASSIC
Μπουζί	K7RTC	RC12YC	K7RTC	K7RTC	K7RTC
Διάκενο ηλεκτροδίου, mm	0,7	0,5	0,7	0,7	0,7
Σύστημα καυσίμου και λίπανσης					
Χωρητικότητα ντεπόζιτου καυσίμου, λίτρα	1,0	0,8	1,0	1,0	1,0
Χωρητικότητα δοχείου λαδιού, λίτρα	0,4	0,4	0,4	0,4	0,4
Λάδι κινητήρα ⁵⁷	SAE 30/SAE 10W-30	SAE 30/SAE 10W-30	SAE 30/SAE 10W-30	SAE 30/SAE 10W-30	SAE 30/SAE 10W-30
Βάρος					
Με κενά ντεπόζιτα, kg	32	32	33	33	33
Εκπομπές θορύβου⁵⁸					
Στάθμη ηχητικής ισχύος, μετρούμενη τιμή σε dB (A)	97	97	95	97	98
Στάθμη ηχητικής ισχύος, εγγυημένη τιμή L _{WA} σε dB (A)	98	98	98	98	98
Επίπεδα ήχου⁵⁹					
Στάθμη πίεσης ήχου στο αυτί του χειριστή, σε dB (A)	82	82	81	84	82
Επίπεδα κραδασμών, a_{nv}⁶⁰					
Λαβή, m/s ²	4,27	4,27	4,06	5,55	3,39
Εξοπλισμός κοπής					
Ύψος κοπής, mm	30-80	30-90	30-90	30-90	30-90
Πλάτος κοπής, mm	460	510	510	510	530
Λεπίδα	Mulcher 46	Mulcher 51	Mulcher 51	Mulcher 51	Mulcher 53
Κωδ. είδους	5811889-10	5041133-10	5041133-10	5041133-10	5811886-10
Χωρητικότητα συλλέκτη χόρτου, λίτρο	50	55	55	55	55

⁵⁷ *Να χρησιμοποιείτε λάδι κινητήρα ποιότητας SJ ή υψηλότερης. Ανατρέξτε στο διάγραμμα ιξώδους στο εγχειρίδιο του κατασκευαστή κινητήρα και επιλέξτε το καλύτερο ιξώδες με βάση την αναμενόμενη εξωτερική θερμοκρασία.

⁵⁸ Οι εκπομπές θορύβου στο περιβάλλον, οι οποίες μετρούνται ως ηχητική ισχύς (L_{WA}), σε συμμόρφωση με την Οδηγία 2000/14/EK.

⁵⁹ Στάθμη πίεσης θορύβου σύμφωνα με το πρότυπο ISO 5395:2103. Τα καταγεγραμμένα στοιχεία για τη στάθμη πίεσης θορύβου έχουν τυπική στατιστική διασπορά (τυπική απόκλιση) 1,2 dB(A).

⁶⁰ Επίπεδο κραδασμών σύμφωνα με το πρότυπο ISO 5395:2013. Τα καταγεγραμμένα στοιχεία για τη στάθμη κραδασμών έχουν τυπική στατιστική διασπορά (τυπική απόκλιση) της τάξης του 0,2 m/s².

Δήλωση Συμμόρφωσης ΕΚ

Περιεχόμενα της Δήλωσης Συμμόρφωσης ΕΚ

Εμείς, η Husqvarna AB, SE 561 82 Huskvarna, Σουηδία, δηλώνουμε με αποκλειστική μας ευθύνη ότι το εκπροσωπούνται προϊόν:	
Περιγραφή	Χλοοκοπτικό γκαζόν πεζού χειριστή με κινητήρα εσωτερικής καύσης
Επωνυμία	McCulloch
Πλατφόρμα / Τύπος / Μοντέλο	M40-120 CLASSIC, M40-125 CLASSIC+, M46-120 CLASSIC, M46-120R CLASSIC, M46-125 CLASSIC+, M46-125R CLASSIC+, M46-150WR CLASSIC, M51-140WR CLASSIC+, M51-150R CLASSIC, M51-150WR CLASSIC, M53-150WR CLASSIC
Παρτίδα	Σειριακός αριθμός σειράς 2017 και εφεξής
συμμορφώνεται πλήρως με τις ακόλουθες οδηγίες της ΕΕ και τους κανονισμούς:	
Οδηγία/κανονισμού	Περιγραφή
2006/42/ΕΚ	"σχετικά με τις μηχανές"
2014/30 /ΕΕ	"σχετικά με την ηλεκτρομαγνητική συμβατότητα"
2000/14/ΕΚ, 2005/88/ΕΚ	"σχετικά με τον θόρυβο σε εξωτερικούς χώρους"
Τα εναρμονισμένα πρότυπα ή/και οι τεχνικές προδιαγραφές που εφαρμόζονται είναι τα εξής: EN ISO 12100, ISO 14982, ISO 5395-1 & 2, ISO 3744, ISO 11094, EN 1032	
Σύμφωνα με την οδηγία 2000/14/ΕΚ, Παράρτημα V, οι δηλωθείσες τιμές για τον ήχο αναφέρονται στο κεφάλαιο Τεχνικά στοιχεία αυτού του εγχειριδίου και στην υπογεγραμμένη Δήλωση συμμόρφωσης ΕΚ.	
Το παρεχόμενο χλοοκοπτικό γκαζόν πεζού χειριστή με κινητήρα εσωτερικής καύσης είναι σύμφωνο με το δείγμα που υποβλήθηκε σε εξέταση.	

Contenido

Introducción.....	79	Mantenimiento.....	84
Seguridad.....	80	Transporte, almacenamiento y eliminación.....	87
Instrucciones de seguridad para el mantenimiento.....	82	Datos técnicos.....	87
Montaje.....	83	Declaración de conformidad CE.....	90
Funcionamiento.....	83		

Introducción

Descripción del producto

El producto es un cortacésped giratorio conducido a pie. La hierba se recoge en un recogedor de césped. Retire el recogedor de césped para utilizar la descarga trasera de hierba. Fije un kit de trituración (accesorio) para cortar la hierba y utilizarla como abono.

Descripción del producto

(Fig. 1)

1. Mango de transmisión (M46-120R CLASSIC, M46-125R CLASSIC+, M46-150WR CLASSIC, M51-140WR CLASSIC+, M51-150R CLASSIC, M51-150WR CLASSIC, M53-150WR CLASSIC)
2. Parte superior del manillar / manillar
3. Palanca del freno del motor
4. Empuñadura de la cuerda de arranque
5. Gancho para la cuerda de arranque
6. Recogedor de césped
7. Empuñadura inferior
8. Conjunto de manillar inferior
9. Palancas de la altura de corte
10. Tapón del depósito de aceite
11. Silenciador
12. Tapón de vaciado de la taza del carburador
13. Bomba de combustible
14. Bujía
15. Depósito de combustible
16. Hoja
17. Arandela elástica
18. Tornillo de la cuchilla
19. Equipo de corte
20. Filtro de aire
21. Manual de usuario

Símbolos que aparecen en el producto

(Fig. 2) **ADVERTENCIA:** Su uso descuidado o erróneo puede provocar heridas graves o mortales al operador o a otras personas.

(Fig. 3) Lea detenidamente el manual de usuario y asegúrese de que entiende las instrucciones antes de usar la máquina.

Uso previsto

Utilice el producto para cortar la hierba en jardines privados. No utilice el producto para otras tareas.

(Fig. 4) Mantenga a las personas y animales a una distancia de seguridad respecto a la zona de trabajo.

(Fig. 5) Detenga el motor y quite el cable de encendido antes de realizar tareas de mantenimiento o reparación.

(Fig. 6) Tenga cuidado con los objetos lanzados o rebotados.

(Fig. 7) Advertencia: cuchilla giratoria. Mantenga alejados las manos y los pies.

(Fig. 8) Advertencia: piezas giratorias. Mantenga alejados las manos y los pies.

(Fig. 9) Este producto cumple con la directiva CE vigente.

(Fig. 10) Las emisiones sonoras en el entorno según la directiva de la Comunidad Europea. Las emisiones del producto se indican en el capítulo «Datos técnicos» y en la etiqueta.

(Fig. 11) Riesgo de incendio.

(Fig. 12) Riesgo de incendio.

(Fig. 13) Riesgo de explosión.

(Fig. 14) Pare el motor siempre antes de repostar combustible.

(Fig. 15) Superficie caliente.

(Fig. 16) Los gases de escape del motor contienen monóxido de carbono, que es un gas inodoro, tóxico y muy peligroso. No use el producto en interiores ni en espacios cerrados.

Nota: Los demás símbolos/etiquetas que aparecen en el producto corresponden a requisitos de homologación específicos en otras zonas comerciales.

Responsabilidad sobre el producto

Como se estipula en las leyes de responsabilidad del producto, no nos hacemos responsables de los daños y perjuicios causados por nuestro producto si:

- El producto se ha reparado incorrectamente.
- El producto se ha reparado con piezas que no eran del fabricante o no autorizadas por el fabricante.
- El producto tiene un accesorio que no es del fabricante o no está autorizado por este.
- El producto no se ha reparado en un centro de servicio autorizado o por un organismo homologado.

Seguridad

Definiciones de seguridad

Las advertencias, precauciones y notas se utilizan para destacar información especialmente importante del manual de usuario.



ADVERTENCIA: Indica un riesgo de lesiones o incluso de muerte del operador o de las personas cercanas si no se respetan las instrucciones del manual.



PRECAUCIÓN: Indica un riesgo de daños en el producto, otros materiales o el área adyacente si no se respetan las instrucciones del manual.

Nota: Se usa para proporcionar más información necesaria en una situación determinada.

Instrucciones generales de seguridad



ADVERTENCIA: Lea las siguientes instrucciones de advertencia antes de utilizar el producto.

- Este producto es una herramienta peligrosa si se usa incorrectamente o si no se tiene cuidado. Puede causar lesiones graves o incluso la muerte si no siguen las instrucciones de seguridad.
- Este producto genera un campo electromagnético durante el funcionamiento. Este campo magnético puede, en determinadas circunstancias, interferir con implantes médicos activos o pasivos. Para reducir el riesgo de que se den condiciones que provocarían lesiones graves o letales, las personas que utilizan implantes médicos deben consultar con su médico y con el fabricante del implante antes de poner en marcha este producto.
- Proceda siempre con cuidado y utilice siempre el sentido común. Si no está seguro de cómo manejar el producto en una situación especial, pare y consulte con su distribuidor McCulloch antes de continuar.
- Debe tenerse en cuenta que el operador será responsable de los accidentes que involucren a otras personas o a su propiedad.

- Mantenga el producto limpio. Asegúrese de que puede leer claramente las etiquetas.
- No permita que nadie utilice el producto a menos que se asegure de que haya leído y comprendido el contenido del manual de usuario.
- No deje que un niño maneje el producto.
- No permita que nadie maneje el producto sin conocer las instrucciones.
- Si una persona con discapacidad física o mental usa el producto, asegúrese de supervisarla en todo momento. Debe haber presente en todo momento una persona mayor de edad responsable.
- No utilice el producto si está cansado, enfermo o si se encuentra bajo los efectos de alcohol, drogas o medicamentos. Esto tiene un efecto negativo en su visión, vigilancia, coordinación y capacidad de decisión.
- No utilice el producto si está defectuoso.
- No modifique este producto ni lo utilice si puede haber sido modificado por otras personas.

Seguridad en el área de trabajo



ADVERTENCIA: Lea las siguientes instrucciones de advertencia antes de utilizar el producto.

- Retire objetos tales como ramas, palos y piedras de la zona de trabajo antes de usar el producto.
- Los objetos que chocan contra el equipo de corte pueden salir despedidos y causar daños a personas y objetos. Mantenga a las personas y los animales a una distancia de seguridad respecto al producto.
- No utilice el producto en condiciones climáticas desfavorables, como niebla, lluvia, viento fuerte, frío intenso y riesgo de relámpagos. El uso del producto en condiciones climáticas desfavorables o en entornos húmedos o mojados produce mucho cansancio. El mal tiempo puede causar condiciones peligrosas, como superficies resbaladizas.
- Preste atención a las personas, objetos y situaciones que puedan impedir el funcionamiento seguro del producto.
- Tenga cuidado con los posibles obstáculos, como raíces, piedras, ramas, hoyos y zanjas. El césped recido puede esconder obstáculos.

- Cortar el césped en pendientes puede resultar peligroso. No utilice el producto en pendientes de más de 15°.
- Utilice el producto a lo largo de las laderas de las pendientes. No se desplace hacia arriba y hacia abajo.
- Tenga cuidado cuando se acerque a esquinas y objetos escondidos que puedan bloquear su campo de visión.

Seguridad en el trabajo



ADVERTENCIA: Lea las siguientes instrucciones de advertencia antes de utilizar el producto.

- Utilice este producto para cortar solamente césped. No está permitido utilizar el producto para otras tareas.
- Utilice el equipo de protección individual. Consulte *Equipo de protección personal en la página 81*.
- Nunca arranque el motor en un espacio cerrado ni cerca de materiales inflamables. Los gases de escape del motor están calientes y pueden contener chispas que pueden provocar un incendio.
- No utilice el producto a menos que la cuchilla y todas las cubiertas estén fijadas correctamente. Una cuchilla fijada incorrectamente puede soltarse y provocar daños personales.
- Asegúrese de que la cuchilla no golpea ningún objeto, como piedras y raíces. Esto puede causar daños a la cuchilla y doblar el eje del motor. Un eje doblado causa vibraciones excesivas y un riesgo muy alto de que la cuchilla se suelte.
- Si la cuchilla choca con algún objeto o si se producen vibraciones, pare el producto inmediatamente. Desconecte el cable de encendido de la bujía. Examine el producto para comprobar si presenta daños. Repare los daños o lleve el producto a un taller de servicio autorizado para realizar la reparación.
- No acople la maneta del freno del motor permanentemente al mango cuando el motor esté encendido.
- Ponga el producto en una superficie plana y estable, y arránquelo. Asegúrese de que la cuchilla no entre en contacto con el suelo u otros objetos.
- Manténgase siempre detrás del producto durante su uso.
- Mientras utilice el producto, mantenga todas las ruedas apoyadas en el suelo y las dos manos en el mango. Mantenga alejados las manos y los pies de las cuchillas giratorias.
- No incline el producto con el motor en marcha.
- Tenga cuidado cuando tire del producto hacia atrás.
- Nunca levante el producto con el motor en marcha. Si tiene que levantar el producto, primero apague el motor y desconecte el cable de encendido de la bujía.

- No camine hacia atrás mientras utiliza el producto.
- Detenga el motor cuando se desplace por áreas sin hierba, por ejemplo, caminos de grava, piedra y asfalto.
- No corra con el producto con el motor en marcha. Camine siempre mientras utiliza el producto.
- Detenga el motor antes de cambiar la altura de corte. Nunca realice ajustes con el motor en marcha.
- No deje el producto desatendido con el motor en marcha. Pare el motor y asegúrese de que el equipo de corte no gire.

Instrucciones de seguridad para el funcionamiento

Equipo de protección personal



ADVERTENCIA: Lea las siguientes instrucciones de advertencia antes de utilizar el producto.

- El equipo de protección personal no elimina completamente el riesgo de lesiones, pero reduce la gravedad de las lesiones en caso de accidente. Deje que el distribuidor le ayude a seleccionar el equipo adecuado.
- Utilice botas o zapatos de trabajo antideslizantes. No utilice calzado abierto ni vaya descalzo.
- Utilice pantalones largos gruesos.
- Utilice guantes protectores cuando sea necesario, por ejemplo, para el montaje, inspección o limpieza del equipo de corte.

Dispositivos de seguridad en el producto



ADVERTENCIA: Lea las siguientes instrucciones de advertencia antes de utilizar el producto.

- No utilice un producto que tenga dispositivos de seguridad defectuosos.
- Realice una comprobación de los dispositivos de seguridad con frecuencia. Si los dispositivos de seguridad están defectuosos, hable con su taller de servicio McCulloch.

Cubierta del equipo de corte

- Examine la cubierta de corte para asegurarse de que no haya daños como, por ejemplo, grietas.

Palanca del freno del motor

La maneta del freno del motor detiene el motor. Cuando se suelta la maneta del freno del motor, el motor se para.

Para realizar una inspección del freno del motor, arranque el motor y luego suelte la maneta del freno del motor. Si el motor no se detiene en 3 segundos, lleve el

producto a un taller de servicio McCulloch autorizado para realizar el ajuste del freno del motor.

(Fig. 17)

Silenciador

El silenciador mantiene al mínimo los niveles de ruido y aparta los gases de escape del operador.

No utilice el producto si el silenciador no está instalado o está defectuoso. Un silenciador defectuoso aumenta el nivel de ruido y el riesgo de incendio.

Examine el silenciador con frecuencia para asegurarse de que está montado correctamente y que no está dañado.



PRECAUCIÓN: El silenciador se calienta mucho durante y después de su uso, y cuando el motor funciona a ralentí. Tenga cuidado cerca de materiales inflamables o gases para evitar incendios.

Seguridad en el uso del combustible



ADVERTENCIA: Lea las siguientes instrucciones de advertencia antes de utilizar el producto.

- No arranque el producto si está manchado con combustible o aceite del motor. Retire el combustible/aceite no deseado y deje secar el producto.
- Si derrama combustible sobre la ropa, cámbiese inmediatamente.

- Evite el contacto con el combustible; puede provocarle lesiones. Si entra en contacto con el combustible, utilice agua y jabón para eliminar el combustible.
- No arranque el motor si el producto tiene una fuga. Examine frecuentemente si hay fugas en el motor.
- Tenga cuidado con el combustible. El combustible es inflamable, sus vapores son explosivos y puede provocar lesiones o la muerte.
- No inhale los vapores de combustible, ya que pueden causar lesiones. Asegúrese de que hay ventilación suficiente.
- No fume cerca del combustible o el motor.
- No coloque objetos calientes cerca del combustible o el motor.
- No agregue el combustible con el motor encendido.
- Asegúrese de que el motor esté frío antes de repostar.
- Antes de repostar, abra la tapa del depósito de combustible lentamente y deje salir el exceso de presión con cuidado.
- No añada combustible al motor en interiores. Una circulación de aire insuficiente puede causar lesiones o la muerte por asfixia o inhalación de monóxido de carbono.
- Apriete el tapón del depósito de combustible completamente. Si el tapón del depósito de combustible no se aprieta, existe riesgo de incendio.
- Antes de arrancarlo, lleve el producto a 3 m (10 pies) de distancia como mínimo del punto en el que llenó el depósito.
- No ponga demasiado combustible en el depósito de combustible.

Instrucciones de seguridad para el mantenimiento



ADVERTENCIA: Lea las siguientes instrucciones de advertencia antes de utilizar el producto.

- Los gases de escape del motor contienen monóxido de carbono, que es un gas inodoro, tóxico y muy peligroso. No arranque el motor en interiores ni en espacios cerrados.
- Antes de realizar el mantenimiento del producto, detenga el motor y desconecte el cable de encendido de la bujía.
- Utilice guantes protectores cuando realice el mantenimiento del equipo de corte. La cuchilla está muy afilada y se pueden producir cortes con mucha facilidad.
- Los accesorios y modificaciones en el producto que no estén aprobados por el fabricante pueden causar daños graves o la muerte. No modifique el producto. Utilice siempre accesorios autorizados por el fabricante.
- Si el mantenimiento no se realiza correctamente y de forma regular, aumenta el riesgo de lesiones y daños en el producto.
- Realice únicamente las tareas de mantenimiento que se indican en este manual del propietario. Todos los demás trabajos de mantenimiento deben llevarse a cabo en un taller de servicio McCulloch autorizado.
- Lleve el producto a un taller de servicio McCulloch autorizado para realizar el mantenimiento de forma regular.
- Cambie las piezas dañadas, desgastadas o rotas.

Montaje

Para montar el manillar

Sección inferior del manillar

1. Coloque los pasadores en los orificios de la parte inferior del manillar como se indica en la ilustración. Alinee los orificios y fije los tornillos, arandelas y ruedecillas.(Fig. 18)

Sección superior del manillar

1. Alinee los orificios de la parte superior del manillar con los de la parte inferior y fije los tornillos, arandelas y ruedecillas. En el lado derecho, acople también el gancho para la cuerda de arranque. Apriete las ruedecillas por completo.(Fig. 19)
2. Tire de la cuerda de arranque y colóquela alrededor del gancho.(Fig. 20)
3. Utilice las bridas para fijar los cables al mango.(Fig. 21)

Nota: Asegúrese de los cables no estén demasiado tensos.

Para montar el recogedor de césped

1. Coloque el bastidor del recogedor de césped en la bolsa de tela para césped. Asegúrese de que el

mango del bastidor del recogedor de césped está encima de la bolsa para césped.

2. Fije la bolsa para césped en el bastidor del recogedor de césped con los clips que se encuentran en el borde de la bolsa de tela.(Fig. 22)
3. Levante la cubierta trasera.
4. Encaje el recogedor de césped en el borde superior del chasis.
5. Coloque la parte inferior del recogedor de césped en el canal de descarga.

Para montar el accesorio triturador

Hay disponible un kit de trituración como accesorio opcional solo para los modelos seleccionados. Los modelos M51-150WR CLASSIC, M53-150WR CLASSIC vienen con el kit de trituración suministrado. Los modelos M40-120 CLASSIC, M40-125 CLASSIC+ no se pueden utilizar con un kit de trituración.

1. Levante la cubierta trasera y extraiga el recogedor de césped.
2. Coloque el accesorio triturador en el canal de descarga.(Fig. 23)

Funcionamiento

Introducción



ADVERTENCIA: Antes de utilizar el producto, debe leer y entender el capítulo sobre seguridad.

Antes de utilizar el producto

1. Lea detenidamente el manual de usuario y asegúrese de que entiende las instrucciones.
2. Examine el equipo de corte para asegurarse de que está conectado y ajustado correctamente. Consulte *Para inspeccionar el equipo de corte en la página 85.*
3. Llene el depósito de combustible. Consulte *Repostaje de combustible en la página 83.*
4. Llene el depósito de aceite y realice una comprobación del nivel de aceite. Consulte *Para realizar una comprobación del nivel de aceite en la página 86.*

Repostaje de combustible

Si es posible, utilice de gasolina de bajas emisiones/alquilatos. Si no puede utilizar gasolina de bajas emisiones/alquilatos, utilice una gasolina sin plomo o

gasolina con plomo de buena calidad. Utilice gasolina de octanaje no inferior a 90 y con un máximo de 10 % de etanol (E10).



ADVERTENCIA: Llenar el depósito con un tipo de combustible incorrecto puede producir daños en el motor.

1. Abra el tapón del depósito de combustible lentamente para liberar la presión.
2. Llene lentamente con una lata de combustible. Si derrama combustible, límpielo con un paño y deje que el combustible restante se seque.
3. Limpie la zona de alrededor del tapón del depósito de combustible.
4. Apriete el tapón del depósito de combustible completamente. Si el tapón del depósito de combustible no se aprieta, existe riesgo de incendio.
5. Antes de arrancarlo, lleve el producto a 3 m (10 pies) de distancia como mínimo del punto en el que llenó el depósito.

Para ajustar la altura de corte

1. Mueva la palanca de altura de corte hacia atrás para aumentar la altura de corte.

- Mueva la palanca de altura de corte hacia delante para reducir la altura de corte.(Fig. 24)



PRECAUCIÓN: No ajuste la altura de corte demasiado baja. Las cuchillas pueden golpear el suelo si la superficie del césped no está nivelada.

Para arrancar el producto

- Asegúrese de que el cable de encendido está conectado a la bujía.
- La primera vez que arranque el producto, presione la bomba de combustible cinco veces. La siguiente vez que arranque el producto con el motor frío, presione la bomba tres veces.(Fig. 25)
- Manténgase detrás del producto.
- Sujete la maneta del freno del motor contra el manillar.(Fig. 26)
- Sostenga la empuñadura de arranque con la mano derecha.
- Tire lentamente de la cuerda de arranque hasta sentir cierta resistencia.
- Tire con fuerza para arrancar el motor.



ADVERTENCIA: No se enrolle la cuerda de arranque alrededor de la mano.

Para usar de la transmisión en las ruedas

- Empuje el mango de transmisión hacia el manillar. (Fig. 27)

- Antes de tirar del producto hacia atrás, desacople la transmisión y empuje el producto hacia adelante aproximadamente 10cm.
- Suelte el mango de transmisión para desacoplar la transmisión, por ejemplo, cuando se acerque a un obstáculo.

Para detener el producto

- Para detener solo la transmisión, basta con soltar el mango de transmisión.
- Para detener el motor, suelte la maneta del freno del motor.

Para obtener un buen resultado

- Use siempre una cuchilla afilada. Una cuchilla roma proporciona un resultado irregular y la superficie de corte de la hierba adquiere un tono amarillo. Una cuchilla afilada también utiliza menos energía que una cuchilla roma.
- No corte más de 1/3 de la longitud del césped. Corte primero con una altura de corte alta. Examine el resultado y baje la altura de corte al nivel que corresponda. Si la hierba está muy larga, vaya despacio y corte dos veces si es necesario.
- Corte en direcciones distintas cada vez para evitar crear rayas en el césped.

Mantenimiento

Introducción



ADVERTENCIA: Antes de realizar cualquier trabajo de mantenimiento, debe leer y entender el capítulo sobre seguridad.

Para todos los trabajos de mantenimiento y reparación del producto, es necesario realizar una formación especial. Nosotros garantizamos que los trabajos de mantenimiento y reparación sean realizados por profesionales. Si su distribuidor no es un taller de

servicio, pídale información sobre el taller de servicio más cercano.

Programa de mantenimiento

Los intervalos de mantenimiento se calculan a partir del uso diario del producto. Los intervalos cambian si el producto no se utiliza a diario.

Para las tareas de mantenimiento identificadas con un *, consulte las instrucciones de *Dispositivos de seguridad en el producto en la página 81*.

Mantenimiento	Diario	Semanal	Mensual
Inspección general	X		
Comprobación del nivel de aceite	X		
Limpieza del producto	X		
Inspección del equipo de corte	X		

Mantenimiento	Diario	Semanal	Mensual
Inspección de la cubierta de corte*	X		
Inspección de la maneta del freno del motor*	X		
Inspección y ajuste de la transmisión (cable de embrague)	X		
Inspección del silenciador*		X	
Inspección de la bujía		X	
Cambio de aceite (primer cambio a las 5 horas de uso; después, cada 50 h)			X
Cambie el filtro de aire			X
Inspección del sistema de combustible			X

Para realizar una inspección general

- Asegúrese de que las tuercas y los tornillos del producto estén bien apretados.

Para limpiar el producto externamente

- Use un cepillo para retirar las hojas, la hierba y la suciedad.
- Asegúrese de que la toma de aire de la parte superior del motor no esté obstruida.
- No utilice un equipo de limpieza a alta presión para limpiar el producto.
- Si utiliza agua para limpiar el producto, no dirija el chorro directamente sobre el motor.

Para limpiar la superficie interior de la cubierta de corte

1. Vacíe el depósito de combustible.
2. Apoye el producto sobre su costado con el silenciador hacia abajo.



PRECAUCIÓN: Si el producto se pone con el filtro de aire hacia abajo, el motor puede dañarse.

3. Limpie la superficie interior de la cubierta de corte con una manguera de agua.

Para inspeccionar el equipo de corte



ADVERTENCIA: Para evitar el arranque accidental, desconecte el cable de encendido de la bujía.



ADVERTENCIA: Utilice guantes protectores cuando realice el mantenimiento del equipo de corte. La cuchilla está muy afilada y se pueden producir cortes con mucha facilidad.

1. Inspeccione el equipo de corte para comprobar si presenta daños o grietas. Sustituya siempre un equipo de corte dañado.
2. Inspeccione la cuchilla para comprobar si está dañada o roma.

Nota: Después de afilar la cuchilla, es necesario equilibrarla. El afilado, la sustitución y el equilibrado de la cuchilla deben realizarse en un centro de servicio. Si choca con un obstáculo que haga que el producto se pare, sustituya la cuchilla dañada. Lleve el producto a un centro de servicio, donde estimarán si la cuchilla puede afilarse o debe sustituirse.

Para sustituir la cuchilla

1. Bloquee la cuchilla con un bloque de madera.(Fig. 28)
2. Extraiga el tornillo de la cuchilla.
3. Desmonte la cuchilla.
4. Inspeccione el soporte de la cuchilla y el tornillo de la cuchilla para comprobar si presentan daños.
5. Inspeccione el eje del motor para asegurarse de que no está doblado.
6. Cuando instale la nueva cuchilla, colóquela con los extremos en ángulo en dirección a la cubierta de corte.(Fig. 29)
7. Asegúrese de que la cuchilla quede alineada con el centro del eje del motor.
8. Bloquee la cuchilla con un bloque de madera. Coloque la arandela elástica, y apriete el perno y la arandela con un par de 45–60 Nm.(Fig. 30)
9. Mueva la cuchilla en distintas direcciones manualmente y compruebe que gira libremente.



ADVERTENCIA: Use guantes resistentes. La cuchilla está muy afilada y se pueden producir cortes con mucha facilidad.

10. Arranque el producto para hacer una prueba de la cuchilla. Si la cuchilla no está correctamente fijada, se produce una vibración en el producto o el resultado de corte no es satisfactorio.

Para realizar una comprobación del nivel de aceite



PRECAUCIÓN: Un nivel de aceite demasiado bajo puede causar daños en el motor. Compruebe el nivel de aceite antes de arrancar el producto.

1. Coloque el producto sobre una superficie nivelada.
2. Retire el tapón del depósito de aceite con la varilla de nivel acoplada.
3. Limpie el aceite de la varilla de nivel de aceite.
4. Introduzca la varilla de nivel totalmente en el depósito de aceite para obtener un resultado correcto del nivel de aceite.
5. Quite la varilla de nivel.
6. Compruebe el nivel de aceite que indica la varilla de nivel.
7. Si el nivel de aceite es bajo, llene con aceite de motor y vuelva a comprobar el nivel de aceite.

Para cambiar el aceite del motor



ADVERTENCIA: El aceite del motor está muy caliente inmediatamente después de apagar el motor. Deje que el motor se enfríe antes de vaciar el aceite del motor. Si derrama aceite del motor y entra en contacto con la piel, lávese con agua y jabón.

1. Ponga el producto en funcionamiento hasta que el depósito de combustible se vacíe.
2. Quite el cable de encendido de la bujía.
3. Retire el tapón del depósito de aceite.
4. Coloque un recipiente debajo del producto para recoger el aceite del motor.
5. Incline el producto para drenar el aceite de motor del depósito de aceite.
6. Llene el depósito con aceite de motor nuevo del tipo recomendado en *Datos técnicos en la página 87*.
7. Compruebe el nivel de aceite. Consulte *Para realizar una comprobación del nivel de aceite en la página 86*.

Filtro de aire

Un filtro de aire que se haya utilizado durante mucho tiempo no se puede limpiar por completo. Sustituya el filtro de aire con regularidad.

Nota: Sustituya siempre el filtro de aire si se avería.

Para limpiar el filtro de papel

1. Saque la cubierta del filtro de aire y extraiga el filtro de papel.
2. Golpee el filtro contra una superficie plana para que caigan las partículas.



PRECAUCIÓN: No use disolvente ni aire comprimido para limpiar el filtro de papel.

3. Vuelva a colocar el filtro de aire. Asegúrese de que el filtro de aire selle totalmente el soporte del filtro de aire.
4. Vuelva a colocar la cubierta del filtro de aire.

Para limpiar el filtro de espuma plástica

1. Saque la cubierta del filtro de aire y extraiga el filtro de espuma plástica.
2. Limpie el filtro de espuma plástica con agua y jabón.
3. Enjuague el filtro de espuma plástica con agua limpia.
4. Escurra el agua del filtro de espuma plástica y deje que se seque.



PRECAUCIÓN: No utilice aire comprimido. Esto puede provocar daños en el filtro de espuma plástica.

5. Lubrique el filtro de espuma plástica con aceite de motor.
6. Frote el filtro de espuma plástica con un paño limpio para retirar el aceite sobrante.
7. Vuelva a colocar el filtro de aire. Asegúrese de que el filtro de aire selle totalmente el soporte del filtro de aire.
8. Vuelva a colocar la cubierta del filtro de aire.

Para examinar la bujía



PRECAUCIÓN: Utilice siempre el tipo de bujía recomendado. El uso de un tipo de bujía incorrecto puede causar averías en el producto.

- Examine la bujía si el motor tiene baja potencia, no es fácil de arrancar o no funciona correctamente al régimen de ralentí.
- Para reducir el riesgo de material no deseado en los electrodos de la bujía, siga estas instrucciones:
 - a) Asegúrese de que el régimen de ralentí está bien ajustado.
 - b) Asegúrese de que la mezcla de combustible sea correcta.
 - c) Asegúrese de que el filtro de aire esté limpio.
- Si la bujía está muy sucia, límpiela y asegúrese de que la distancia entre los electrodos sea la correcta, consulte *Datos técnicos en la página 87*.(Fig. 31)

- Sustituya la bujía si fuese necesario.

Para inspeccionar el sistema de combustible

- Examine el tapón del depósito de combustible y la junta del tapón para comprobar que no presenten daños.
- Examine la manguera de combustible para asegurarse de que no haya fugas. Si la manguera de combustible está dañada, lleve el producto a un taller de servicio para sustituirla.

Para ajustar el cable de embrague

Si la transmisión funciona con lentitud, será necesario ajustar el cable de embrague.

1. Fije el cable del embrague en los distintos orificios del mango de la transmisión para ajustar la longitud

del cable del embrague. Reduzca la longitud del cable del embrague para aumentar la velocidad de transmisión. Alargue el cable del embrague para disminuir la velocidad de la transmisión.(Fig. 32)

Nota: Si la transmisión está acoplada sin tirar del mango de transmisión, es necesario extender el cable de embrague.

2. Para un pequeño ajuste de la velocidad de la transmisión, gire el tornillo de ajuste. Para aumentar la velocidad de la transmisión, gire el tornillo de ajuste hacia la izquierda. Para reducir la velocidad de la transmisión, gire el tornillo de ajuste hacia la derecha.(Fig. 33)

Si la transmisión sigue funcionando con lentitud después de realizar el ajuste, lleve el producto a un taller de servicio autorizado para la sustitución de la correa de transmisión.

Transporte, almacenamiento y eliminación

Transporte y almacenamiento

- Para el transporte y almacenamiento del producto y del combustible, asegúrese de que no haya fugas ni humos. Las chispas o llamas abiertas, por ejemplo, de dispositivos eléctricos o calderas, pueden producir un incendio.
- Use siempre recipientes homologados para el transporte y almacenamiento de combustible.
- Vacíe el depósito de combustible y la taza del carburador antes de poner el producto en almacenamiento durante un largo período de tiempo. Deseche el combustible en una ubicación adecuada para su eliminación.
- Asegure el producto durante el transporte para evitar daños y accidentes.
- Mantenga el producto en un área cerrada para impedir el acceso a niños o personas no autorizadas.

- Mantenga el producto en un lugar seco y al abrigo de las heladas.

Eliminación

- Respete los requisitos de reciclaje locales y las normas aplicables.
- Deseche todos los productos químicos, como el aceite de motor o el combustible, en un centro de servicio o una ubicación adecuada para su eliminación.
- Cuando ya no use el producto, envíelo a un distribuidor McCulloch o deséchelo en un punto de reciclaje.

Datos técnicos

Datos técnicos

	M40-120 CLASSIC	M40-125 CLASSIC+	M46-120 CLASSIC	M46-120R CLASSIC	M46-125 CLASSIC+	M46-125R CLASSIC+
Motor						
Marca	McCulloch	Briggs & Stratton	McCulloch	McCulloch	Briggs & Stratton	Briggs & Stratton
Cilindrada, cm ³	120	125	120	120	125	125
Velocidad, rpm	2900	2900	2900	2900	2900	2900

	M40-120 CLASSIC	M40-125 CLASSIC+	M46-120 CLASSIC	M46-120R CLASSIC	M46-125 CLASSIC+	M46-125R CLASSIC+
Potencia nominal del motor, kW ⁶¹	2,0	1,6	2,0	2,0	1,6	1,6
Sistema de encendido						
Bujía	K7RTC	RC12YC	K7RTC	K7RTC	RC12YC	RC12YC
Distancia de electrodos, mm	0,7	0,5	0,7	0,7	0,5	0,5
Sistema de combustible y lubricación						
Capacidad del depósito de gasolina, litros	0,8	0,8	0,8	0,8	0,8	0,8
Capacidad del depósito de aceite, litros	0,4	0,4	0,4	0,4	0,4	0,4
Aceite de motor ⁶²	SAE 30/SAE 10W-30	SAE 30/SAE 10W-30	SAE 30/SAE 10W-30	SAE 30/SAE 10W-30	SAE 30/SAE 10W-30	SAE 30/SAE 10W-30
Peso						
Con los depósitos vacíos, kg	24	25	28	29	28	29
Emisiones de ruido⁶³						
Nivel de potencia acústica medida, dB(A)	93	93	95	95	95	95
Nivel de potencia acústica garantizado L _{WA} dB(A)	94	94	96	96	96	96
Niveles acústicos⁶⁴						
Nivel de presión sonora en el oído del operario, dB (A)	80	80	82	82	82	82
Niveles de vibración, a_{hveq}⁶⁵						
Mango, m/s ²	14,75	14,75	15,68	15,68	15,68	15,68
Equipo de corte						
Altura de corte, mm	20-75	20-75	30-80	30-80	30-80	30-80
Anchura de corte, mm	400	400	460	460	460	460
Hoja	Mulcher 40	Mulcher 40	Mulcher 46	Mulcher 46	Mulcher 46	Mulcher 46
Referencia	5871590-10	5871590-10	5811889-10	5811889-10	5811889-10	5811889-10

⁶¹ La potencia de salida del motor indicada es la potencia neta media (a la velocidad especificada) de un motor de producción típico para el modelo de motor conforme a la norma SAE J1349/ISO1585. Los motores fabricados en serie podrían presentar valores diferentes. La potencia de salida real del motor instalado en el producto final dependerá de la velocidad de funcionamiento, las condiciones medioambientales y otros valores.

⁶² Utilice aceite de motor de calidad SJ o superior. Consulte la tabla de los valores de viscosidad en el manual del fabricante del motor y seleccione la mejor viscosidad según la temperatura ambiente prevista.

⁶³ Emisiones sonoras en el entorno medidas como potencia acústica (L_{WA}) según la directiva CE 2000/14/CE.

⁶⁴ Nivel de presión sonora conforme a la norma ISO 5395:2103. Los datos referidos del nivel de presión sonora tienen una dispersión estadística habitual (desviación típica) de 1,2 dB (A).

⁶⁵ Nivel de vibración conforme a la norma ISO 5395:2013. Los datos referidos del nivel de vibración poseen una dispersión estadística habitual (desviación típica) de 0,2 m/s².

	M40-120 CLASSIC	M40-125 CLASSIC+	M46-120 CLASSIC	M46-120R CLASSIC	M46-125 CLASSIC+	M46-125R CLASSIC+
Capacidad del recogedor de césped, litros	50	50	50	50	50	50

	M46-150WR CLASSIC	M51-140WR CLASSIC+	M51-150R CLASSIC	M51-150WR CLASSIC	M53-150WR CLASSIC
Motor					
Marca	McCulloch	Briggs & Stratton	McCulloch	McCulloch	McCulloch
Cilindrada, cm ³	150	140	150	150	150
Velocidad, rpm	2900	2900	2900	2900	2900
Potencia nominal del motor, kW ⁶⁶	2,4	1,9	2,4	2,4	2,4
Sistema de encendido					
Bujía	K7RTC	RC12YC	K7RTC	K7RTC	K7RTC
Distancia de electrodos, mm	0,7	0,5	0,7	0,7	0,7
Sistema de combustible y lubricación					
Capacidad del depósito de combustible, litros	1,0	0,8	1,0	1,0	1,0
Capacidad del depósito de aceite, litros	0,4	0,4	0,4	0,4	0,4
Aceite de motor ⁶⁷	SAE 30/SAE 10W-30	SAE 30/SAE 10W-30	SAE 30/SAE 10W-30	SAE 30/SAE 10W-30	SAE 30/SAE 10W-30
Peso					
Con los depósitos vacíos, kg	32	32	33	33	33
Emisiones de ruido ⁶⁸					
Nivel de potencia acústica medida, dB(A)	97	97	95	97	98
Nivel de potencia acústica garantizado L _{WA} dB(A)	98	98	98	98	98
Niveles acústicos ⁶⁹					

⁶⁶ La potencia de salida del motor indicada es la potencia neta media (a la velocidad especificada) de un motor de producción típico para el modelo de motor conforme a la norma SAE J1349/ISO1585. Los motores fabricados en serie podrían presentar valores diferentes. La potencia de salida real del motor instalado en el producto final dependerá de la velocidad de funcionamiento, las condiciones medioambientales y otros valores.

⁶⁷ Utilice aceite de motor de calidad SJ o superior. Consulte la tabla de los valores de viscosidad en el manual del fabricante del motor y seleccione la mejor viscosidad según la temperatura ambiente prevista.

⁶⁸ Emisiones sonoras en el entorno medidas como potencia acústica (L_{WA}) según la directiva CE 2000/14/CE.

⁶⁹ Nivel de presión sonora conforme a la norma ISO 5395:2103. Los datos referidos del nivel de presión sonora tienen una dispersión estadística habitual (desviación típica) de 1,2 dB (A).

	M46-150WR CLASSIC	M51-140WR CLASSIC+	M51-150R CLASSIC	M51-150WR CLASSIC	M53-150WR CLASSIC
Nivel de presión sonora en el oído del operario, dB (A)	82	82	81	84	82
Niveles de vibración, a_{hveq}⁷⁰					
Mango, m/s ²	4,27	4,27	4,06	5,55	3,39
Equipo de corte					
Altura de corte, mm	30-80	30-90	30-90	30-90	30-90
Anchura de corte, mm	460	510	510	510	530
Hoja	Mulcher 46	Mulcher 51	Mulcher 51	Mulcher 51	Mulcher 53
Referencia	5811889-10	5041133-10	5041133-10	5041133-10	5811886-10
Capacidad del recogedor de césped, litros	50	55	55	55	55

Declaración de conformidad CE

Contenido de la declaración de conformidad CE

Nosotros, Husqvarna AB, SE 561 82 Huskvarna, SUECIA, declaramos bajo nuestra exclusiva responsabilidad que el producto representado:	
Descripción	Cortacésped conducido a pie con motor de combustión
Marca	McCulloch
Plataforma/tipo/modelo	M40-120 CLASSIC, M40-125 CLASSIC+, M46-120 CLASSIC, M46-120R CLASSIC, M46-125 CLASSIC+, M46-125R CLASSIC+, M46-150WR CLASSIC, M51-140WR CLASSIC+, M51-150R CLASSIC, M51-150WR CLASSIC, M53-150WR CLASSIC
Lote	Número de serie a partir del año 2017 y en adelante
Cumple las siguientes directivas y normas de la UE:	
Directiva/Norma	Descripción
2006/42/EC	"relativa a las máquinas"
2014/30/EU	"relativa a la compatibilidad electromagnética"
2000/14/EC; 2005/88/EC	"relativa al ruido en exteriores"

⁷⁰ Nivel de vibración conforme a la norma ISO 5395:2013. Los datos referidos del nivel de vibración poseen una dispersión estadística habitual (desviación típica) de 0,2 m/s².

Las normas armonizadas o especificaciones técnicas aplicadas son las siguientes: EN ISO 12100, ISO 14982, ISO 5395-1 & 2, ISO 3744, ISO 11094, EN 1032

De acuerdo con la directiva 2000/14/CE, Anexo V, los valores de sonido declarados se indican en el capítulo Datos técnicos de este manual y en la declaración de conformidad CE firmada.

El cortacésped conducido a pie con motor de combustión suministrado concuerda con el ejemplar que fue sometido a examen.

Sisukord

Sissejuhatus.....	92	Hooldamine.....	97
Ohutus.....	93	Transportimine, hoiulepanek ja utiliseerimine.....	99
Ohutusjuhised hooldamisel.....	95	Tehnilised andmed.....	99
Kokkupanek.....	95	EÜ vastavusdeklaratsioon.....	102
Töö.....	96		

Sissejuhatus

Toote kirjeldus

Tooteks on lükatav ja pöörlev muruniiduk. Muru kogutakse rohukogurisse. Kui soovite, et muru väljutataks tagant, eemaldage rohukogur. Selleks et muru lõigataks väetiseks, paigaldage multšimiskomplekt (lisavarustus).

Toote tutvustus

(Joon. 1)

1. Veo käepide (M46-120R CLASSIC, M46-125R CLASSIC+, M46-150WR CLASSIC, M51-140WR CLASSIC+, M51-150R CLASSIC, M51-150WR CLASSIC, M53-150WR CLASSIC)
2. Ülemine käepide / juhtraud
3. Mootori pidurikäepide
4. Käivitusnööri käepide
5. Käivitusnööri aas
6. Rohukogur
7. Alumine käepide
8. Alumise käepideme koost
9. Lõikamiskõrguse hoovad
10. Õlikork
11. Summuti
12. Karburaatori ujukikambri äravoolukork
13. Kütusepump
14. Süüteküünl
15. Kütusepaak
16. Lõikeketas
17. Vedruseib
18. Lõikeketta polt
19. Lõikeosa
20. Õhufilter
21. Kasutusjuhend

Sümbolid tootel

HOIATUS! Hooletu või väär käsitlemine võib põhjustada vigastusi või surma kasutajale või juuresolijatele.

(Joon. 2)

Enne seadme kasutamist lugege kasutusjuhend põhjalikult läbi, et kõik juhised oleksid täiesti arusaadavad.

(Joon. 3)

Kasutusotstarve

Toote abil saab eraaedades muru niita. Ärge kasutage toodet muude tööde tegemiseks.

(Joon. 4) Teised inimesed ja loomad peavad viibima tööalast ohutus kauguses.

(Joon. 5) Enne seadme remontimist või hooldamist seisake mootor ja eemaldage süütejuhe.

(Joon. 6) Olge ettevaatlik - lenduvad esemed ning tagasipõrkumise oht.

(Joon. 7) Hoiatus: pöörlev lõiketera. Hoidke käed ja jalad eemal.

(Joon. 8) Hoiatus: pöörlevad osad. Hoidke käed ja jalad eemal.

(Joon. 9) See toode on kooskõlas kohaldatavate EÜ-direktiividega

(Joon. 10) Ümbritsevasse keskkonda leviv müra vastavalt Euroopa Ühenduse direktiivile. Seadme müratase on ära toodud tehniliste andmete peatükis ja etiketil.

(Joon. 11) Tuleoht.

(Joon. 12) Tuleoht.

(Joon. 13) Plahvatusoht!

(Joon. 14) Enne tankimist seisake mootor.

(Joon. 15) Kuum pind.

(Joon. 16) Mootori heitgaasid sisaldavad vingugaasi: lõhnutat, mürgist ja väga ohtlikku gaasi. Ärge laske seadmel töötada siseruumis või väikesel suletud alal.

Märkus: Seadmel toodud ülejäänud sümbolid/tähised vastavad muude kommertsvaldkondade sertifitseerimisnõuetele.

Tootevastutus

Tootevastutusseaduste alusel ei vastuta me tootest tingitud kahjustuste eest, kui:

- toodet on valesti parandatud;
- toote parandamisel on kasutatud osi, mis ei ole tootja poolt valmistatud või heaks kiidetud;
- tootel on kasutatud varvikut, mis ei ole tootja poolt valmistatud või heaks kiidetud;
- toodet ei ole parandatud volitatud hoolduskeskuses või volitatud isiku poolt.

Ohutus

Ohutuse määratlused

Mõistetega „hoiatus”, „ettevaatus” ja „märkus” juhitakse tähelepanu eriti olulistele kohtadele kasutusjuhendis.



HOIATUS: Tähistab kasutusjuhendi juhiste eiramise korral kasutaja või kõrvalseisjate kehavigastuse või surmaga lõppeva õnnetuse ohtu.



ETTEVAATUST: Tähistab kasutusjuhendi juhiste eiramise korral seadme, muude esemete või läheduses asuvate objektide kahjustamise ohtu.

Märkus: Tähistab antud olukorras vajalikku lisateavet.

Üldised ohutuseeskirjad



HOIATUS: Enne seadme kasutamist lugege läbi järgnevad hoiatused.

- Toode on ohtlik, kui seda kasutada valesti või ettevaatamatult. Ohutuseeskirjade eiramine võib põhjustada kehavigastuse või surma.
- Seade tekitab töötades elektromagnetvälja. Teatud tingimustel võib väli häirida aktiivsete või passiivsete meditsiiniliste implantaatide tööd. Raskete või surmaga lõppevate kehavigastuste ohtu vähendamiseks soovitame meditsiinilisi implantaate kasutataval inimestel pidada enne selle seadme kasutamist nõu oma arsti ja implantaadi valmistajaga.
- Olge alati ettevaatlik ja kasutage tervet mõistust. Kui te pole kindel, kuidas toodet eriolukorras kasutada, lõpetage töö ja pidage enne jätkamist nõu McCulloch edasimüüjaga.
- Arvestage, et teiste isikute ja nende varaga seotud õnnetuste korral kannab vastutust seadme kasutaja.
- Hoidke toode puhas. Veenduge, et märgid ja tähised oleksid selgelt loetavad.
- Ärge lubage kellelgi toodet kasutada enne, kui ta on lugenud kasutusjuhendit ja selle sisu endale selgeks teinud.
- Ärge lubage lastel toodet käsitseda.



HOIATUS: Enne seadme kasutamist lugege läbi järgnevad hoiatused.

- Enne toote kasutamist eemaldage tööalalt oksad ja kivid.
- Lõikeosaga kokku puutuvad esemed võivad õhku paiskuda ning inimesi vigastada ja esemeid kahjustada. Juuresolijad ja loomad peavad viibima tootest ohutus kauguses.
- Ärge kasutage toodet halva ilmaga, näiteks udu, vihma, tugeva tuule, tugeva pakase ja pikseohu korral. Toote kasutamine halva ilma ning niiskete ja märgade tingimuste korral on väsitav. Halb ilm võib põhjustada ohtlikke tingimusi (nt libedaid pindu).
- Suhtuge tähelepanelikult inimestesse, esemetesse ja olukordadesse, mis võivad takistada toote ohutut kasutamist.
- Olge ettevaatlik takistuste (nt juurte, kivide, oksade, aukude ja kraavide) suhtes. Kõrge rohi võib peita takistusi.
- Muru niitmine kallakutel võib olla ohtlik. Ärge kasutage toodet alal, mille kalle ületab 15°.
- Kasutage toodet kallakul risti liikudes. Ärge liikuge üles ja alla.
- Olge ettevaatlik varjatud nurkade ja vaatevälja varjavate esemete läheduses.

Tööohutus



HOIATUS: Enne seadme kasutamist lugege läbi järgnevad hoiatused.

- Kasutage seda toodet ainult muru niitmiseks. Muude toimingute tegemiseks toodet kasutada ei tohi.
- Kasutage isikukaitsevahendeid. Vt jaotist *Isiklik kaitsevarustus lk 94*.
- Ärge käivitage mootorit suletud ruumis ega tuleohtlike materjalide lähedal. Mootori heitgaasid on kuumad ja võivad sisaldada sädemeid, mis võivad tekitada tulekahju.
- Ärge kasutage toodet enne, kui lõiketera ja katted on õigesti kinnitatud. Valesti kinnitatud lõiketera võib lahti tulla ja inimesi vigastada.
- Veenduge, et lõiketera ei puutuks kokku esemetega (nt kivide ja juurtega). See võib lõiketera kahjustada ja põhjustada mootori võlli väändumist. Paindega telg põhjustab tugevat vibratsiooni ja suurt lõiketera lahtitulemise ohtu.
- Kui lõiketera puutub kokku mõne esemega või esineb vibratsioon, peatage toode viivitamatult. Lahutage süüteküünla süütejuhe. Kontrollige toodet kahjustuste suhtes. Parandage kahjustused või laske toodet remontida volitatud hooldustöökojas.
- Kui mootor töötab, ärge kinnitage mootori pidurikäepidid käepidemele jäädavalt.
- Asetage toode stabiilsele ja tasasele pinnale ning käivitage see. Veenduge, et lõiketera ei puutuks vastu maad ega muid esemeid.
- Olge toote kasutamisel alati toote taga.
- Toote kasutamisel hoidke mõlema käega käepidemest ja kõik toote rattad maas. Hoidke käed ja jalad liikuvatest teradest eemal.
- Kui mootor on käivitatud, ärge kallutage toodet.
- Olge toote tagasisuunas tõmbamisel ettevaatlik.
- Kui mootor on käivitatud, ärge tõstke toodet. Kui teil on vaja toodet tõsta, seisake esmalt mootor ja lahutage süütejuhe süüteküünlast.
- Ärge kõndige toote kasutamise ajal tagurpidi.
- Seisake mootor, kui liigute alal, kus pole muru, näiteks kruusast, kivist ja asfaldist teedel.
- Ärge lükake toodet joostes, kui mootor on käivitatud. Toote kasutamise ajal kõndige.
- Enne lõikamiskõrguse muutmist seisake mootor. Ärge tehke seadistusi, kui mootor töötab.
- Ärge laske toodet silmist, kui mootor töötab. Seisake mootor ja veenduge, et lõikeosa ei pöörleks.

Ohutusjuhised kasutamisel

Isiklik kaitsevarustus



HOIATUS: Enne seadme kasutamist lugege läbi järgnevad hoiatused.

- Isiklik kaitsevarustus ei välista täielikult kehavigastuste ohtu, kuid vähendab õnnetusjuhtumi korral kehavigastuse raskusastet. Õige varustuse valimiseks pöörduge edasimüüja poole.
- Kandke vastupidavaid saapaid või jalatseid, mis on libisemiskindlad. Ärge kandke avatud jalatseid ega olge paljajalu.
- Kandke tugevaid pikki pükse.
- Vajaduse korral kandke kaitsekindaid, näiteks lõikeosa kinnitades, kontrollides või puhastades.

Toote ohutusseadised



HOIATUS: Enne seadme kasutamist lugege läbi järgnevad hoiatused.

- Ärge kunagi kasutage seadet, kui selle ohutusseadised on defektised.
- Kontrollige ohutusseadiseid regulaarselt. Kui ohutusseadised on defektised, pöörduge McCulloch hooldustöökotta.

Lõikekorpus

- Kontrollige lõikeosa kahjustuste (nt pragude) suhtes.

Mootori pidurikäepide

Mootori pidurikäepideme abil saab mootori seisata. Mootori pidurikäepideme vabastamisel mootor seiskub.

Mootoripiduri kontrollimiseks käivitage mootori ja vabastage mootoripiduri käepide. Kui mootor kolme sekundi jooksul ei seisku, laste mootoripidurit reguleerida McCulloch volitatud hooldustöökojas.

(Joon. 17)

Summuti

Summuti ülesandeks on hoida müratase võimalikult madalal ja suunata mootori heitgaasid kasutajast eemale.

Ärge kasutage seadet, kui summuti puudub või on kahjustatud. Kahjustatud summuti tõstab mürataset ja suurendab tulekahju ohtu.

Kontrollige summutit regulaarselt ning veenduge, et see oleks õigesti kinnitatud ja kahjustamata.



ETTEVAATUST: Seadme töötamise ajal ja vahetult pärast töötamist ning mootori tühikäigul töötamise ajal on summuti väga kuum. Tulekahju vältimiseks olge tuleohtlike materjalide ja/või aurude läheduses väga ettevaatlik.

Ohutusnõuded kütuse käsitsemisel



HOIATUS: Enne seadme kasutamist lugege läbi järgnevad hoiatused.

- Ärge käivitage toodet, kui toote pinnale on sattunud kütust või mootoriõli. Eemaldage kütus/õli toote pinnalt ja laske tootel kuivada.
 - Kui kütus satub rõivastele, siis vahetage kohe riideid.
 - Välistage kütuse sattumist nahale, see võib põhjustada kehavigastusi. Kui kütus satub kehale, puhastage piirkond seebi ja veega.
 - Ärge käivitage toodet, kui mootor lekib. Kontrollige regulaarselt mootori lekkekindlust.
 - Olge kütuse käsitsemisel ettevaatlik. Kütus on tuleohtlik ja kütuse aarud on plahvatusohtlikud ning võivad põhjustada kehavigastusi või surma.
 - Ärge hingake sisse kütuseaure, see võib põhjustada kehavigastuse. Tagage piisav õhuvahetus.
- Ärge suitsetage kütuse ega mootori läheduses.
 - Ärge asetage kuumi esemeid kütuse ega mootori lähedusse.
 - Ärge tankige kütust, kui mootor töötab.
 - Enne tankimise alustamist veenduge, et mootor oleks külm.
 - Enne tankimise alustamist avage aeglaselt kütusepaagi kork ja laske survel alaneda.
 - Ärge tankige mootorit siseruumis. Ebapiisav õhuvahetus võib põhjustada lämbumisest või vingugaasimürgitusest tingitud kehavigastuse või surma.
 - Pingutage kütusepaagi korki korralikult. Pingutamata kütusepaagi kork põhjustab tuleohtu.
 - Enne käivitamist viige toode vähemalt 3 m kaugusele kohast, kus toimus kütusepaagi täitmine.
 - Ärge tankige paaki liiga palju kütust.

Ohutusjuhised hooldamisel



HOIATUS: Enne seadme kasutamist lugege läbi järgnevad hoiatused.

- Mootori heitgaasid sisaldavad vingugaasi: lõhnatud, mürgist ja väga ohtlikku gaasi. Ärge käivitage mootorit siseruumis ega suletud alal.
 - Enne toote hooldamist seisake mootor ja eemaldage süüteküünla süütejühe.
 - Lõikeosa hooldamisel kandke kaitsekindaid. Lõiketera on väga terav ja võib kergesti põhjustada lõikevigastusi.
 - Tootja heakskiiduta tarvikud ja muudatused toote juurest võivad põhjustada tõsisid kehavigastusi või surma. Ärge muutke toodet. Kasutage tootja heakskiidetud tarvikuid.
- Kui toodet regulaarselt ja õigesti ei hooldata, suureneb oht, et toode saab kahjustada ja võib kedagi vigastada.
 - Hooldage toodet ainult selle kasutusjuhendi järgi. Muid hooldustööd tuleb lasta teha McCulloch heakskiiduga hooldustöökojas.
 - Laske toodet regulaarselt hooldada McCulloch heakskiiduga hooldustöökojas.
 - Asendage kahjustatud, kulunud ja katkised osad.

Kokkupanek

Käepideme kokkupanek

Alumise käepideme osa

1. Pange alumise käepideme allosa tihvtid avadesse, nagu joonisel näidatud. Asetage poldiavad kohakuti ning paigaldage poldid, sibid ja nupud. (Joon. 18)

Ülemise käepideme osa

1. Asetage alumise käepideme avad kohakuti juhtraua avadega ning paigaldage poldid, seibid ja nupud. Paremale paigaldage ka käivitusnööri aas. Keerake nupud korralikult kinni. (Joon. 19)
2. Tõmmake käivitusnööri käepidet ja mähkige käivitusnäär ümber käivitusnööri aasa. (Joon. 20)
3. Kinnitage juhtmed käepideme külge kinnitite abil. (Joon. 21)

Märkus: Veenduge, et juhtmed poleks liigselt pingul.

Rohukoguri kokkupanek

1. Asetage rohukoguri raam riidest rohkotti. Veenduge, et rohukoguri raami juhtraud asuks rohkoti peal.
2. Kinnitage rohukott rohukoguri raami külge riidest koti servas olevate klambritega. (Joon. 22)
3. Kergitage tagakaant.
4. Kinnitage rohukoguri raami ülaservale.
5. Asetage rohukoguri alaosa muru väljaviskekanaalisse.

Multšikorgi kokkupanek

Multšimiskomplekt on lisatarvikuna saadaval vaid teatud mudelitele. Mudelitega M51-150WR CLASSIC, M53-150WR CLASSIC on multšimiskomplekt kaasas.

Mudeleid M40-120 CLASSIC, M40-125 CLASSIC+ multšimiskomplektiga kasutada ei saa.

1. Kergitage tagakaant ja eemaldage rohukogur.
2. Asetage multšikork väljaviskekanalisse. (Joon. 23)

Töö

Sissejuhatus



HOIATUS: Enne seadme kasutamist lugege põhjalikult läbi ohutust puudutav jaotis.

pole tasane, võivad lõiketerad puutuda vastu maad.

Enne toote kasutamist

1. Lugege kasutusjuhend põhjalikult läbi, et kõik juhised oleksid täiesti arusaadavad.
2. Veenduge, et lõikeosa oleks õigesti kinnitatud ja reguleeritud. Vt jaotist *Lõikeosa kontrollimine lk 97.*
3. Täitke kütusepaak. Vt jaotist *Kütuse tankimine lk 96.*
4. Täitke õlipaak ja kontrollide õlitaset. Vt jaotist *Õlitaseme kontrollimine lk 98.*

Toote käivitamine

1. Veenduge, et süütejuhe ja süüteküünl oleksid omavahel ühendatud.
2. toote esmakäivitamisel vajutage kütusepumpa viis korda. Järgmine kord vajutage toote käivitamisel kütusepumpa kolm korda. (Joon. 25)
3. Olge toote taga.
4. Hoidke mootori pidurikäepidet juhtraua vastas. (Joon. 26)
5. Hoidke starteri nööri käepidet paremas käes.
6. Tõmmake starteri nööri väljasuunas, kuni tunnete vastujõudu.
7. Tõmmake hooga, nii et mootor käivitub.

Kütuse tankimine

Võimaluse korral kasutage keskkonnasäästlikku bensiini/alkülaatbensiini. Kui keskkonnasäästlik bensiin või alkülaatbensiin pole saadaval, kasutage kvaliteetset pliivaba bensiini või pliibensiini. Kasutage bensiini, mille oktaaniarv on vähemalt 90 ja mis sisaldab maksimaalselt 10% etanooli (E10).



HOIATUS: Käivitusnööri ei tohi kerida käe ümber.



HOIATUS: Vale kütuse kasutamine võib mootorit kahjustada.

Veo kasutamine ratastel

- Lükake veo käepidet juhtraua suunas. (Joon. 27)
- Enne toote tagasisuunas tõmbamist, vabastage vedu ja lükake toodet umbes 10 cm edasisuunas.
- Veo vabastamiseks vabastage veo käepide näiteks siis, kui lähene teakistusele.

1. Surve vabastamiseks avage kütusepaagi kork aeglaselt.
2. Lisage kütust aeglaselt kütusenõust. Mahavalgumise korral eemaldage osa kütust lapiga ja laske ülejäänud ära kuivada.
3. Puhastage kütusepaagi korgi ümbrus.
4. Pingutage kütusepaagi korki korralikult. Pingutamata kütusepaagi kork põhjustab tuleohtu.
5. Enne käivitamist viige toode vähemalt 3 m kaugusele kohast, kus toimus kütusepaagi täitmine.

Toote seiskamine

- Veo peatamiseks vabastage veojõu käepide.
- Mootori seiskamiseks vabastage mootoripiduri käepide.

Hea tulemuse saavutamine

- Kasutage vahedat lõiketera. Nüri tera annab ebaühtlase tulemuse ja muru lõigatud osa muutub kollaseks. Terav lõiketera on nüri teraga võrreldes energiasäästlikum.
- Lõigake kuni pool muru pikkusest. Niitke kõigepealt kõrgele reguleeritud lõikamiskõrgusega. Vaadake tulemust ja seadistage lõikamiskõrgus soovitud madalamale tasemele. Kui muru on väga pikk, sõitke aeglaselt ja vajadusel niitke kaks korda.
- Niitke iga kord erinevas suunas, et ära hoida triipude tekkimist murule.

Lõikamiskõrguse reguleerimine

1. Lõikamiskõrguse suurendamiseks tõmmake lõikamiskõrguse hooba tagasisuunas.
2. Lõikamiskõrguse vähendamiseks lükake lõikamiskõrguse hooba edasisuunas. (Joon. 24)



ETTEVAATUST: Ärge seadistage lõikamiskõrgust liiga madalaks. Kui muru

Hooldamine

Sissejuhatus



HOIATUS: Enne seadme hooldamist lugege põhjalikult läbi ohutust puudutav peatükk.

Toote hooldamiseks ja remontimiseks on vaja erioskusi. Tagame asjatundliku remondi- ja hooldustöö. Kui edasimüüjal, kellelt toote ostsite, pole hooldustöökoda, küsige neilt teavet lähima hooldustöökoja kohta.

Hoolduskeem

Hooldusintervallide arvutamisel on aluseks võetud toote igapäevane kasutamine. Intervallid muutuvad, kui toodet igapäevaselt ei kasutata.

Tärniga (*) tähistatud hooldustööde kohta leiata juhised peatükist *Toote ohutusseadised lk 94*.

Hooldamine	Üks kord päevas	Üks kord nädalas	Üks kord kuus
Üldkontrolli läbiviimine	X		
Õlitaseme kontrollimine	X		
Toote puhastamine	X		
Lõikeosa kontrollimine	X		
Lõikekorpuse kontrollimine*	X		
Mootoripiduri käepideme kontrollimine*	X		
Veojõu (siduritrossi) kontrollimine ja reguleerimine	X		
Summuti kontrollimine*		X	
Süüteküünla kontrollimine		X	
Õlivahetus (esmalt pärast 5 töötundi, seejärel iga kord 50 töötunni järel)			X
Vahetage õhufilter.			X
Kütusesüsteemi kontrollimine			X

Üldkontrolli läbiviimine

- Veenduge, et toote mutrid ja kruvid oleksid pingutatud.

Toote välikorpuse puhastamine

- Eemaldage lehed, muru ja pori harja abil.
- Veenduge, et mootori peal asuv õhuvõtuava oleks takistustest vaba.
- Ärge kasutage seadme puhastamiseks survepesurit.
- Kui kasutate toote puhastamiseks vett, ärge suunake vett otse mootorile.

Lõikekorpuse sisepinnapuhastamine

1. Tühjendage kütusepaak.
2. Asetage toode külili nii, et summuti jääb allapoole.



ETTEVAATUST: Kui toode on asetatud selliselt, et õhufilter jääb allapoole, võib mootor kahjustada saada.

3. Loputage lõikekorpuse sisepinda veega.

Lõikeosa kontrollimine



HOIATUS: Tahtmatu käivitamine ärahoidmiseks eemaldage süüteküünalt süütejuhe.



HOIATUS: Lõikeosa hooldamisel kandke kaitsekindaid. Lõiketera on väga terav ja võib kergesti põhjustada lõikevigastusi.

1. Kontrollige lõikeosa kahjustuste ja mõrade suhtes. Kahjustatud lõikeosa tuleb alati välja vahetada.
2. Kontrollige, kas lõiketera on kahjustatud või nürri.

Märkus: Teritamise järel tuleb lõiketera tasakaalustada. Lõiketera teritamine, asendamine ja tasakaalustamine usaldage hooldustehnikule. Kui toode põrkub vastu eset, mis põhjustab toote seiskumise, vahetage välja

kahjustatud lõiketera. Laske hoolduskeskuses hinnata, kas tera saab teritada või tuleb see välja vahetada.

Lõiketera vahetamine

1. Lukustage lõiketera mõne puuklotsiga. (Joon. 28)
2. Eemaldage lõiketera polt.
3. Eemaldage lõiketera.
4. Eemaldage lõiketera tugi ja polt ning kontrollige, kas esineb kahjustusi.
5. Kontrollige mootori võlli ja veenduge, et see poleks väändunud.
6. Uue lõiketera kinnitamisel suunake nurksed otsad lõikekorpuse poole. (Joon. 29)
7. Veenduge, et lõiketera ja mootori võlli kese oleksid kohakuti.
8. Lukustage lõiketera mõne puuklotsiga. Kinnitage vedruseib ning pingutage polti ja seibi momendiga 45–60 Nm. (Joon. 30)
9. Keerake tera käega, veendumaks, et see pöörleb vabalt.



HOIATUS: Kasutage tugevaid kindaid. Lõiketera on väga terav ja võib kergesti põhjustada lõikevigastusi.

10. Tera katsetamiseks käivitage toode. Kui tera on valesti kinnitatud, siis toode vibreerib ja niitmistulemus pole rahuldav.

Õlitamise kontrollimine



ETTEVAATUST: Liiga madal õlitase võib mootorit kahjustada. Enne toote käivitamist kontrollige õlitaset.

1. Asetage toode tasasele pinnale.
2. Eemaldage õlipaagi kork koos kinnitatud mõõtevardaga.
3. Puhastage mõõtevarras õlist.
4. Õlitamise õigesti mõõtmiseks asetage mõõtevarras täies pikkuses õlipaaki.
5. Eemaldage õlivarras.
6. Vaadake mõõtevardalt õlitaset.
7. Kui õlitase on madal, lisage mootoriõli ja kontrollige õlitaset uuesti.

Mootoriõli vahetamine



HOIATUS: Vahetult pärast mootori seiskamist on mootoriõli väga kuum. Enne mootoriõli väljutamist laske mootoril maha jahtuda. Kui mootoriõli satub nahale, puhastage piirkond vee ja seebiga.

1. Kasutage toodet, kuni kütusepaak on tühi.

2. Eemaldage süüteküünla süütejuhe.
3. Eemaldage õlipaagi kork.
4. Asetage toote alla mõni mahuti, kuhu mootoriõli saaks valguda.
5. Kallutage toodet, et mootoriõli valguks õlipaagist välja.
6. Lisage uut mootoriõli (vt jaotises *Tehnilised andmed lk 99* soovitatud tüüpi).
7. Kontrollige õlitaset. Vt jaotist *Õlitamise kontrollimine lk 98*.

Õhufilter

Pikemat aega kasutatud õhufiltrit ei saa enam täiesti puhtaks. Vahetage õhufiltrit regulaarselt.

Märkus: Kahjustatud õhufilter tuleb alati välja vahetada.

Paberfiltri puhastamine

1. Eemaldage õhufiltri kate ja paberfilter.
2. Lööge filtrit vastu mõnda tasast pinda, et osakesed selle küljest lahti tuleksid.



ETTEVAATUST: Ärge kasutage paberfiltri puhastamiseks lahustit ega suruõhku.

3. Asetage õhufilter tagasi. Veenduge, et õhufilter liibuks tihedalt vastu õhufiltri hoidikut.
4. Asetage õhufiltri kate tagasi.

Vahtkummist plastfiltri puhastamine

1. Eemaldage õhufiltri kate ja vahtkummist plastfilter.
2. Puhastage vahtkummist plastfiltrit seebi ja veega.
3. Loputage vahtkummist plastfiltrit puhtas vees.
4. Pigistage vahtkummist plastfiltrit vesi välja ja laske sel kuivada.



ETTEVAATUST: Ärge kasutage suruõhku. See võib vahtkummist plastfiltrit kahjustada.

5. Määrige vahtkummist plastfiltrit mootoriõliga.
6. Üleliigse õli eemaldamiseks suruge vahtkummist plastfiltrile riidetükk.
7. Asetage õhufilter tagasi. Veenduge, et õhufilter liibuks tihedalt vastu õhufiltri hoidikut.
8. Asetage õhufiltri kate tagasi.

Süüteküünla kontrollimine



ETTEVAATUST: Kasutage alati soovitatud tüüpi süüteküünalt. Vale tüüpi süüteküünal võib toodet kahjustada.

- Kontrollige süüteküünalt, kui mootori võimsus on madal, mootor ei käivitu kergesti või ei tööta tühikäigul korralikult.
- Süüteküünla elektrootodidele võorainete kogunemise ohu vähendamiseks täitke järgmisi juhiseid.
 - a) Veenduge, et tühikäigu pöörete arv on õigesti seadistatud.
 - b) Veenduge, et kütusesegu oleks õige.
 - c) Veenduge, et õhufilter oleks puhas.
- Kui süüteküünal on määratud, puhastage see ja kontrollige, kas elektrootodide vahe on õige, vt *Tehnilised andmed lk 99*.(Joon. 31)
- Vajaduse korral vahetage süüteküünal välja.

Kütusesüsteemi kontrollimine

- Kontrollige kütusepaagi korki ja selle tihendit kahjustuste suhtes.
- Kontrollige kütusevoolikut lekete suhtes. Kahjustatud kütusevoolik laske hooldustöökojas välja vahetada.

Siduritrossi reguleerimine

Kui vedu on aeglane, tuleb siduritrossi reguleerida.

1. Siduritrossi pikkuse reguleerimiseks kinnitage see veo käepideme vastavasse avasse. Veokiiruse suurendamiseks lühendage siduritrossi. Veokiiruse vähendamiseks pikendage siduritrossi. (Joon. 32)

Märkus: Kui vedu on sisse lülitatud siis, kui te veo käepidemat ei tõmba, tuleb siduritrossi pikendada.

2. Veokiiruse väheseks reguleerimiseks keerake reguleerimiskruvi. Veokiiruse suurendamiseks keerake reguleerimiskruvi vastupäeva. Veokiiruse vähendamiseks keerake reguleerimiskruvi vastupäeva. (Joon. 33)

Kui vedu on aeglane ka pärast reguleerimist, laske hooldustöökojas veorihm välja vahetada.

Transportimine, hoiulepanek ja utiliseerimine

Transportimine ja hoiustamine

- Toote ja kütuse transportimisel ning hoiustamisel veenduge, et puuduvad leked ja aurud. Elektriseadmetest või boileritest pärit sädemed ja lahtine leek võivad põhjustada tulekahju.
- Kütuse transportimiseks ja hoiustamiseks kasutage heakskiidetud mahuteid.
- Toote pikaks ajaks hoiule panemisel tühjendage eelnevalt kütusepaak ja karburaatori ujukikamber. Kõrvaldage kütus spetsiaalses jäätmejaamas.
- Transportimisel kinnitage toode ohutult, et ära hoida kahjustusi ja õnnetusi.

- Hoidke toodet lukustatud kohas, kus sellele ei pääse juurde lapsed ega volitamata isikud.
- Hoidke toodet kuivas kohas, mis ei külmu.

Kõrvaldamine

- Järgige kohalikke jäätmekäitluseeskirju ja kehtivaid seadusi.
- Kemikaalid (nt mootoriõli ja kütus) kõrvaldage hoolduskeskuses või spetsiaalses jäätmejaamas.
- Kui toodet enam ei kasutata, toimetage see McCulloch edasimüüjale või kõrvaldage see taaskasutuskeskuses.

Tehnilised andmed

Tehnilised andmed

	M40-120 CLASSIC	M40-125 CLASSIC+	M46-120 CLASSIC	M46-120R CLASSIC	M46-125 CLASSIC+	M46-125R CLASSIC+
Mootor						
Kaubamärk	McCulloch	Briggs & Stratton	McCulloch	McCulloch	Briggs & Stratton	Briggs & Stratton
Silindrimaht, cm ³	120	125	120	120	125	125
Kiirus, p/min	2900	2900	2900	2900	2900	2900

	M40-120 CLASSIC	M40-125 CLASSIC+	M46-120 CLASSIC	M46-120R CLASSIC	M46-125 CLASSIC+	M46-125R CLASSIC+
Mootori nimivõimsus, kW ⁷¹	2,0	1,6	2,0	2,0	1,6	1,6
Süütesüsteem						
Süüteküünl	K7RTC	RC12YC	K7RTC	K7RTC	RC12YC	RC12YC
Elektroodide vahe, mm	0,7	0,5	0,7	0,7	0,5	0,5
Kütuse-/määrimissüsteem						
Bensiinipaagi maht, l	0,8	0,8	0,8	0,8	0,8	0,8
Õlipaagi maht, liitrit	0,4	0,4	0,4	0,4	0,4	0,4
Mootoriõli ⁷²	SAE 30/SAE 10W-30	SAE 30/SAE 10W-30	SAE 30/SAE 10W-30	SAE 30/SAE 10W-30	SAE 30/SAE 10W-30	SAE 30/SAE 10W-30
Mass						
Tühjade paakidega, kg	24	25	28	29	28	29
Müratasemed⁷³						
Helitugevuse tase, dB(A)	93	93	95	95	95	95
Müravõimsustase, garanteeritud L _{WA} dB(A)	94	94	96	96	96	96
Müratase⁷⁴						
Helirõhutase kasutaja kõrva juures, dB(A)	80	80	82	82	82	82
Vibratsioonitasemed, a_{hveq}⁷⁵						
Käepide, m/s ²	14,75	14,75	15,68	15,68	15,68	15,68
Lõikeosa						
Lõikekõrgus, mm	20-75	20-75	30-80	30-80	30-80	30-80
Lõikamislaius, mm	400	400	460	460	460	460
Lõikeketas	Multšer 40	Multšer 40	Multšer 46	Multšer 46	Multšer 46	Multšer 46
Toote number	5871590-10	5871590-10	5811889-10	5811889-10	5811889-10	5811889-10
Rohukoguri maht liitrites	50	50	50	50	50	50

⁷¹ Mootori näidatud võimsusklass on antud mootorimudeli järgi toodetud tüüp mootori keskmine netovõimsus (kindla pöörde arvu juures), mõõdetud vastavalt SAE standardile J1349/ISO1585. Masstoodangust tulnud mootoritel võib see väärtus pisut erineda. Seadmele paigaldatud mootori tegelik võimsus oleneb töökiirusest, keskkonnatingimustest ja muudest teguritest.

⁷² Kasutage vähemalt SJ-kvaliteediga mootoriõli. Vaadake mootori tootja juhendis olevat viskoossuste tabelit ja valige vastavalt oodatavale väliskeskkonna temperatuurile sobivaim viskoossus.

⁷³ Müraemissioon ümbritsevasse keskkonda, mõõdetud helivõimsuse tasemena (L_{WA}) vastavalt EÜ direktiivile 2000/14/EÜ.

⁷⁴ Helirõhutase vastavalt standardile ISO 5395:2103. Müra rõhutase kohta toodud andmete statistiline dispersioon (standardhälve) on 1,2 dB(A).

⁷⁵ Vibratsioonitase vastavalt standardile ISO 5395:2013. Vibratsioonitase kohta toodud andmete tüüpiline statistiline dispersioon (standardhälve) on 0,2 m/s².

	M46-150WR CLASSIC	M51-140WR CLASSIC+	M51-150R CLASSIC	M51-150WR CLASSIC	M53-150WR CLASSIC
Mootor					
Kaubamärk	McCulloch	Briggs & Stratton	McCulloch	McCulloch	McCulloch
Silindrimaht, cm ³	150	140	150	150	150
Kiirus, p/min	2900	2900	2900	2900	2900
Mootori nimivõimsus, kW ⁷⁶	2.4	1,9	2.4	2.4	2.4
Süütesüsteem					
Süüteküünlal	K7RTC	RC12YC	K7RTC	K7RTC	K7RTC
Elektroodide vahe, mm	0,7	0,5	0,7	0,7	0,7
Kütuse-/määrimissüsteem					
Kütusepaagi maht, liitrit	1.0	0,8	1.0	1.0	1.0
Õlipaagi maht, liitrit	0,4	0,4	0,4	0,4	0,4
Mootoriõli ⁷⁷	SAE 30/SAE 10W-30	SAE 30/SAE 10W-30	SAE 30/SAE 10W-30	SAE 30/SAE 10W-30	SAE 30/SAE 10W-30
Mass					
Tühjade paakidega, kg	32	32	33	33	33
Müratasemed ⁷⁸					
Helitugevuse tase, dB(A)	97	97	95	97	98
Müravõimsustase, garanteeritud L _{WA} dB(A)	98	98	98	98	98
Müratase ⁷⁹					
Helirõhutase kasutaja kõrva juures, dB(A)	82	82	81	84	82
Vibratsioonitasemed, a_{hveq} ⁸⁰					
Käepide, m/s ²	4,27	4,27	4,06	5,55	3,39
Lõikeosa					
Lõikekõrgus, mm	30–80	30-90	30-90	30-90	30-90

⁷⁶ Mootori näidatud võimsusklass on antud mootorimudeli järgi toodetud tüüpmootori keskmine netovõimsus (kindla pöörete arvu juures), mõõdetud vastavalt SAE standardile J1349/ISO1585. Masstoodangust tulnud mootoritel võib see väärtus pisut erineda. Seadmele paigaldatud mootori tegelik võimsus oleneb töökiirusest, keskkonnamitingimustest ja muudest teguritest.

⁷⁷ Kasutage vähemalt SJ-kvaliteediga mootoriõli. Vaadake mootori tootja juhendis olevat viskoossuste tabelit ja valige vastavalt oodatavale väliskeskkonna temperatuurile sobivaim viskoossus.

⁷⁸ Müraremissioon ümbritsevasse keskkonda, mõõdetud helivõimsuse tasemena (L_{WA}) vastavalt EÜ direktiivile 2000/14/EÜ.

⁷⁹ Helirõhutase vastavalt standardile ISO 5395:2103. Mürarõhutase kohta toodud andmete statistiline dispersioon (standardhälve) on 1,2 dB(A).

⁸⁰ Vibratsioonitase vastavalt standardile ISO 5395:2013. Vibratsioonitase kohta toodud andmete tüüpiline statistiline dispersioon (standardhälve) on 0,2 m/s².

	M46-150WR CLASSIC	M51-140WR CLASSIC+	M51-150R CLASSIC	M51-150WR CLASSIC	M53-150WR CLASSIC
Lõikamislaius, mm	460	510	510	510	530
Lõikeketas	Multšer 46	Multšer 51	Multšer 51	Multšer 51	Multšer 53
Toote number	5811889-10	5041133-10	5041133-10	5041133-10	5811886-10
Rohukoguri maht liitrites	50	55	55	55	55

EÜ vastavusdeklaratsioon

EL-i vastavusdeklaratsiooni sisu

Meie, Husqvarna AB, SE 561 82 Huskvarna, ROOTSI, deklareerime ainuvastutusel, et kirjeldatud toode:	
Kirjeldus	Sisepõlemismootoriga lükatav muruniiduk
Kaubamärk	McCulloch
Platvorm/tüüp/mudel	M40-120 CLASSIC, M40-125 CLASSIC+, M46-120 CLASSIC, M46-120R CLASSIC, M46-125 CLASSIC+, M46-125R CLASSIC+, M46-150WR CLASSIC, M51-140WR CLASSIC+, M51-150R CLASSIC, M51-150WR CLASSIC, M53-150WR CLASSIC
Partii	Seerianumber alates 2017. aastast
vastab täielikult järgmistele EÜ direktiividele ja eeskirjadele:	
Direktiiv/eeskiri	Kirjeldus
2006/42/EÜ	„masinadirektiiv“
2014/30/EL	„elektromagnetilise ühilduvuse direktiiv“
2000/14/EÜ; 2005/88/EÜ	„välitingimustes kasutatavate seadmete müra direktiiv“
Kohalduvad järgmised ühtlustatud standardid ja/või tehnilised spetsifikatsioonid: EN ISO 12100, ISO 14982, ISO 5395-1 & 2, ISO 3744, ISO 11094, EN 1032	
Vastavalt direktiivi 2000/14/EÜ lisale V on deklareeritud helitaseme väärtused toodud tehniliste andmete jaotises ja allkirjastatud EÜ vastavusdeklaratsioonis.	
Tarnitud sisepõlemismootoriga lükatav muruniiduk vastab ekspertiisiks esitatud näidisele.	

Sisältö

Johdanto.....	103	Huolto.....	108
Turvallisuus.....	104	Kuljettaminen, säilyttäminen ja hävittäminen.....	110
Turvaohjeet huoltoa varten.....	106	Tekniset tiedot.....	111
Asentaminen.....	106	EY-vaatimustenmukaisuusvakuutus.....	113
Toiminta.....	107		

Johdanto

Tuotekuvaus

Tuote on kävellen ohjattava ja pyörivä ruohonleikkuri. Leikattu ruoho kerätään ruohonkerääjään. Voit ottaa ruohon taakseheittotoiminnon käyttöön irrottamalla ruohonkerääjän. Voit tehdä ruohon leikkuujätteestä lannoitetta liittämällä ruohonleikkuriin silppurin (lisävaruste).

Tuotteen kuvaus

(Kuva 1)

1. Vetojärjestelmän sanka (M46-120R CLASSIC, M46-125R CLASSIC+, M46-150WR CLASSIC, M51-140WR CLASSIC+, M51-150R CLASSIC, M51-150WR CLASSIC, M53-150WR CLASSIC)
2. Yläkahva/kahvasto
3. Moottorin jarrukahva
4. Käynnistysköyden kahva
5. Käynnistysnarun kiinnike
6. Ruohonkerääjä
7. Alavarsi
8. Alempi työntöaisakokoonpano
9. Leikkuukorkeuden säätövivut
10. Öljysäiliön korkki
11. Äänenvaimennin
12. Kaasutinsäiliön tyhjennystulppa
13. Polttoainepumppu
14. Sytytystulppa
15. Polttoainesäiliö
16. Terä
17. Jousialuslevy
18. Terän pultti
19. Leikkuulaite
20. Ilmansuodatin
21. Käyttöohjekirja

Laitteen symbolit

(Kuva 2) VAROITUS: Huolimaton tai virheellinen käyttö voi aiheuttaa käyttäjälle tai sivullisille vammoja tai kuoleman.

Käyttötarkoitus

Käytä tuotetta ruohon leikkaamiseen yksityisissä puutarhoissa. Älä käytä laitetta muihin tehtäviin.

(Kuva 3) Lue käyttöohje huolellisesti ja varmista, että ymmärrät sen sisällön, ennen kuin alat käyttää konetta.

(Kuva 4) Pidä sivulliset ja eläimet turvallisen välimatkan päässä työalueesta.

(Kuva 5) Pysäytä moottori ja poista sytytyskaapeli ennen korjaus- tai huoltotöitä.

(Kuva 6) Varo sinkoutuvia esineitä ja kimmokkeita.

(Kuva 7) Varoitus: pyörivä terä. Pidä kädet ja jalat poissa niiden läheltä.

(Kuva 8) Varoitus: pyöriviä osia. Pidä kädet ja jalat poissa niiden läheltä.

(Kuva 9) Tämä tuote täyttää sovellettavien EY-direktiivien vaatimukset.

(Kuva 10) Melupäästöt ympäristöön Euroopan yhteisön direktiivin mukaisesti. Laitteen päästöt ilmoitetaan luvussa Tekniset tiedot ja arvokilvessä.

(Kuva 11) Tulipalon vaara.

(Kuva 12) Tulipalon vaara.

(Kuva 13) Räjähdyksivaara.

(Kuva 14) Pysäytä aina moottori ennen polttoaineen lisäämistä.

(Kuva 15) Kuuma pinta.

(Kuva 16)

Moottorin pakokaasut sisältävät hiilimonoksidia, joka on hajuton, myrkyllinen ja erittäin vaarallinen kaasu. Älä käytä konetta säällä tai suljetussa tilassa.

- tuote on korjattu virheellisesti
- tuotteen korjaamiseen on käytetty muita kuin valmistajan omia tai sen hyväksymiä osia
- tuotteessa on muu kuin valmistajan oma tai sen hyväksymä lisävaruste
- tuotetta ei ole korjattu valtuutetussa huoltopisteessä tai hyväksytyllä asiantuntijalla.

Huomautus: Muita laitteen symboleita/tarroja tarvitaan muilla markkina-alueilla ilmaisemaan sertifiointivaatimuksia.

Tuotevastuu

Tuotevastuulain mukaisesti emme ole vastuussa tuotteen aiheuttamasta vaurioista, jos

Turvallisuus

Turvallisuusmääritelmät

Varoituksia, huomioita ja huomautuksia käytetään, kun jotakin käyttöohjeen osaa halutaan erityisesti korostaa.



VAROITUS: Tätä käytetään, jos käyttöohjeen noudattamatta jättämisestä voi seurata käyttäjän tai sivullisen vamma tai kuolema.



HUOMAUTUS: Tätä käytetään, jos käyttöohjeen noudattamatta jättämisestä voi ympäristön vaurioituminen.

Huomautus: Tätä käytetään tietyissä tilanteissa tarvittavien lisätietojen antamiseen.

Yleiset turvaohjeet



VAROITUS: Lue seuraavat varoitusohjeet ennen koneen käyttämistä.

- Tämä tuote on vaarallinen, jos sitä käytetään huolimattomasti tai virheellisesti. Turvaohjeiden noudattamatta jättäminen voi aiheuttaa vammoja tai kuoleman.
- Kone muodostaa käytön aikana sähkömagneettisen kentän. Kenttä saattaa joissakin olosuhteissa häiritä aktiivisten tai passiivisten lääketieteellisten implanttien toimintaa. Vakavien tai hengenvaarallisten tapaturmien ehkäisemiseksi kehotamme lääketieteellisiä implantteja käyttäviä henkilöitä neuvottelemaan lääkärin ja lääketieteellisen implantin valmistajan kanssa ennen koneen käyttämistä.
- Ole aina varovainen ja käytä tervettä järkeä. Jos et ole varma, miten tuotetta käytetään erityistilanteessa, sammuta kone ja ota yhteys McCulloch-jälleenmyyjään, ennen kuin jatkat.

- Muista, että käyttäjä on vastuussa muille ihmisille tai heidän omaisuudelleen aiheutuvista vahingoista.
- Pidä tuote puhtaana. Varmista, että tuotteen merkit ja tarrat ovat luettavissa.
- Älä anna kenenkään käyttää tuotetta, ellet ole varma, että käyttäjä on lukenut käyttöohjekirjan ja ymmärtänyt siinä annetut ohjeet.
- Älä anna lasten käyttää laitetta.
- Älä anna kenenkään sellaisen henkilön käyttää laitetta, joka ei tunne ohjeita.
- Valvo aina laitetta käyttävää henkilöä, jonka fyysiset tai psyykkiset taidot ovat heikentyneet. Vastuullisen aikuisen on oltava aina paikalla.
- Älä käytä tuotetta ollessasi väsynyt tai sairas tai jos olet alkoholin, huumaavien aineiden tai lääkkeiden vaikutuksen alaisena. Niillä on negatiivinen vaikutus näkökykyysi, vireytesi, harkintakykyysi ja kehosi hallintaan.
- Älä käytä tuotetta, jos se on viallinen.
- Älä tee tuotteeseen muutoksia tai käytä tuotetta, mikäli epäilet jonkun muun muuttaneen sitä.

Työalueen turvallisuus



VAROITUS: Lue seuraavat varoitusohjeet ennen koneen käyttämistä.

- Poista työskentelyalueelta oksat, risut ja kivet ennen tuotteen käyttämistä.
- Terävarustukseen osuvat esineet sinkoutuvat edelleen ja voivat siten aiheuttaa vahinkoa ihmisille ja esineille. Pidä sivulliset ja eläimet turvallisen välimatkan päässä tuotteesta.
- Älä koskaan käytä tuotetta huonolla säällä esimerkiksi sumussa, sateessa, kovassa tuulessa, ankarassa pakkasessa tai ukkosella. Tuotteen käyttäminen huonolla säällä tai kosteissa tai märissä olosuhteissa on raskasta. Huono sää voi aiheuttaa vaaratilanteita, kuten liukastumisvaaran.

- Varo henkilöitä, esineitä ja tilanteita, jotka voivat estää tuotteen turvallisen käytön.
- Varo esteitä, kuten juuria, kiviä, risuja, kuoppia ja oja. Pitkän ruohon seassa voi olla esteitä.
- Ruohon leikkaaminen rinteissä voi olla vaarallista. Älä käytä tuotetta rinteessä, jonka kaltevuus on yli 15°.
- Käytä tuotetta sivusuunnassa rinteeseen nähden. Älä käytä tuotetta pystysuunnassa.
- Ole varovainen lähestyessäsi piilossa olevia kulmia ja esineitä, jotka estävät näkyvyyden.

Työturvallisuus



VAROITUS: Lue seuraavat varoitusohjeet ennen koneen käyttämistä.

- Käytä tätä tuotetta ainoastaan nurmikoiden leikkaamiseen. Tuotteita ei saa käyttää muihin käyttötarkoituksiin.
- Käytä henkilökohtaisia suojarusteita. Katso *Henkilökohtainen suojarustus sivulla 105*.
- Älä koskaan käynnistä moottoria suljetussa tilassa tai lähellä herkästi syttyviä materiaaleja. Moottorin pakokaasu on kuumaa ja se voi sisältää kipinöitä, jotka voivat aiheuttaa tulipalon.
- Älä käytä tuotetta, ellei sen terää ja kaikkia suojuksia ole kiinnitetty asianmukaisesti. Virheellisesti kiinnitetty terä saattaa irrota ja aiheuttaa henkilövahinkoja.
- Varmista, ettei terä osu kiviin ja juuriin. Tämä voi vaurioittaa terää, ja kampiakseli voi vääntyä. Vääntynyt akseli aiheuttaa voimakasta värinää. Tällöin on erittäin suuri riski, että terä irtoaa.
- Jos terä osuu esineeseen tai alkaa täristä, pysäytä tuote välittömästi. Irrota sytytyskaapeli sytytystulpasta. Tarkista tuote vaurioiden varalta. Korjaa vauriot tai tee korjaustyöt valtuutetussa huoltoliikkeessä.
- Älä koskaan liitä moottorin jarrukahvaa pysyvästi kahvaan moottoria käynnistettäessä.
- Aseta tuote kiinteälle, tasaiselle alustalle ja käynnistä se. Varmista, ettei terä pääse osumaan maahan tai mihinkään esineeseen.
- Ole aina tuotteen takana käyttäessäsi sitä.
- Pidä kaikki renkaat maassa ja molemmat kätesi työntöaisalla käyttäessäsi tuotetta. Pidä kätesi ja jalkasi poissa pyörievien terien läheisyydestä.
- Älä kallista tuotetta moottorin käynnistyksen aikana.
- Ole varovainen vetäessäsi tuotetta taaksepäin.
- Älä koskaan nosta tuotetta moottorin käynnistyksen aikana. Jos tuotetta täytyy nostaa, sammuta ensin moottori ja irrota sytytyskaapeli sytytystulpasta.
- Älä kävele taaksepäin käyttäessäsi tuotetta.
- Sammuta moottori, kun siirät tuotteen ruohottoman alueen yli, esimerkiksi ylittäessäsi sora-, kivi- tai asfalttipolkuja.

- Älä juokse tuotteen kanssa, kun moottoria käynnistetään. Kävele aina, kun käytät tuotetta.
- Sammuta moottori ennen kuin muutat leikkauskorkeutta. Älä koskaan tee säätöjä moottorin käytössä.
- Älä koskaan jätä laitetta ilman valvontaa moottorin käytössä. Sammuta moottori ja varmista, ettei terävarustus pyöri.

Turvallisuusohjeet käyttöä varten

Henkilökohtainen suojarustus



VAROITUS: Lue seuraavat varoitusohjeet ennen koneen käyttämistä.

- Henkilökohtaiset suojarusteet eivät poista tapaturmien vaaraa, mutta ne lieventävät vammoja onnettomuustilanteessa. Anna jälleenmyyjän auttaa oikeiden varusteiden valinnassa.
- Käytä kestäviä luistamattomia saappaita tai kenkiä. Älä käytä avonaisia jalkineita tai kulje paljain jaloin.
- Käytä vahvakankaisia, pitkiä housuja.
- Käytä suojakäsineitä tarvittaessa, esimerkiksi terävarustuksen asennuksen, tarkastuksen ja puhdistuksen aikana.

Tuotteen turvalaitteet



VAROITUS: Lue seuraavat varoitusohjeet ennen koneen käyttämistä.

- Älä käytä konetta, jos jokin sen turvalaitteista on rikki.
- Tarkasta turvalaitteet säännöllisesti. Jos turvalaitteissa on vikoja, ota yhteyttä McCulloch-huoltoliikkeeseen.

Leikkusuojus

- Tarkista leikkusuojus vaurioiden, kuten halkeamien, varalta.

Moottorin jarrukahva

Moottorin jarrukahva pysäyttää moottorin. Kun moottorin jarrukahva vapautetaan, moottori pysähtyy.

Tarkista moottorijarru käynnistämällä moottori ja vapauttamalla sitten moottorin jarrukahva. Jos moottori ei pysähdy 3 sekunnissa, anna valtuutetun McCulloch-huoltoliikkeen säätää moottorijarru.

(Kuva 17)

Äänenvaimennin

Äänenvaimennin pitää äänitason mahdollisimman alhaisena ja ohjaa moottorin pakokaasut käyttäjältä pois päin.

Älä käytä konetta, jos äänenvaimennin on vaurioitunut tai puuttuu kokonaan. Viallinen äänenvaimennin suurentaa melutasoa ja tulipalon vaaraa.

Tarkista äänenvaimennin säännöllisesti vaurioiden varalta ja varmista, että se on kiinnitetty oikein.



HUOMAUTUS: Äänenvaimennin on erittäin kuuma käytön aikana, heti käytön jälkeen ja moottorin käydessä joutokäyntinopeudella. Ole varovainen syttyvien materiaalien ja/tai kaasujen lähistöllä, jotta et aiheuta tulipaloa.

Polttoaineturvallisuus



VAROITUS: Lue seuraavat varoitusohjeet ennen koneen käyttämistä.

- Älä käynnistä laitetta, jos sen päällä on polttoainetta tai moottoriöljyä. Poista ylimääräinen polttoaine tai öljy ja anna laitteen kuivua.
- Jos olet läikyttänyt polttoainetta vaatteillesi, vaihda vaatteet heti.
- Varo, ettei iholle pääse polttoainetta, sillä se voi aiheuttaa vamman. Jos ihollesi joutuu polttoainetta, pese se pois vedellä ja saippualla.
- Älä käynnistä laitetta, jos moottori vuotaa. Tarkista moottori säännöllisesti vuotojen varalta.

- Käsittele polttoainetta varoen. Polttoaine on syttyvää ja kaasut ovat räjähdysherkkiä, mikä voi aiheuttaa tapaturman tai kuoleman.
- Älä hengitä polttoainehöyryjä, sillä ne voivat aiheuttaa vamman. Varmista, että ilmanvirtaus on riittävä.
- Älä tupakoi polttoaineen tai moottorin lähistöllä.
- Älä sijoita lämpimiä esineitä polttoaineen tai moottorin lähelle.
- Älä lisää polttoainetta, kun moottori on käynnissä.
- Varmista ennen polttoaineen lisäämistä, että moottori on jäähtynyt.
- Ennen kuin lisäät polttoainetta, avaa polttoainesäiliön korkki hitaasti ja vapauta paine varovasti.
- Älä lisää polttoainetta moottoriin sisätilassa. Jos ilmanvirtaus ei ole riittävä, tukehtuminen tai hiilimonoksidin hengittäminen voi aiheuttaa vamman tai kuoleman.
- Kiristä polttoainesäiliön korkki tiukasti. Polttoainesäiliön korkin riittämätön kiristys aiheuttaa tulipalovaaran.
- Siirrä tuote ennen käynnistystä vähintään 3 metrin (10 jalan) päähän paikasta, jossa lisäsit polttoainetta.
- Älä lisää säiliöön liikaa polttoainetta.

Turvaohjeet huoltoa varten



VAROITUS: Lue seuraavat varoitusohjeet ennen koneen käyttämistä.

- Moottorin pakokaasut sisältävät hiilimonoksidia, joka on hajuton, myrkyllinen ja erittäin vaarallinen kaasu. Älä käynnistä moottoria sisällä tai suljetuissa tiloissa.
- Jos tuotetta täytyy huoltaa, sammuta ensin moottori ja irrota sytytyskaapeli sytytystulpasta.
- Käytä suojakäsineitä huoltaessasi terävarustusta. Terä on erittäin terävä ja aiheuttaa helposti haavoja.
- Lisävarusteet ja muut kuin valmistajan hyväksymät muutokset tuotteeseen voivat aiheuttaa vakavan

vamman tai kuoleman. Älä tee tuotteeseen muutoksia. Käytä vain valmistajan hyväksymiä lisävarusteita.

- Jos tuotetta ei ole huollettu asianmukaisesti ja säännöllisesti, tapaturmien ja tuotteen vaurioitumisen vaara kasvaa.
- Huolla tuote ainoastaan käyttöohjekirjassa annettujen ohjeiden mukaisesti. Kaikki muut huoltotoimet on tehtävä valtuutetussa McCulloch-huoltoliikkeessä.
- Anna valtuutetun McCulloch-huoltoliikkeen huoltaa tuote säännöllisesti.
- Vaihda vaurioituneet, kuluneet tai rikkoutuneet osat.

Asentaminen

Työntöaisan asentaminen

Aisan alaosa

1. Aseta alemman aisan alaosassa olevat tapit reikiin kuvan osoittamalla tavalla. Kohdista ruuvireiät ja kiinnitä ruuvit, aluslevyt ja nupit. (Kuva 18)

Aisan yläosa

1. Kohdista kahvaston reiät alemman työntöaisan reikien kanssa ja kiinnitä ruuvit, aluslevyt ja nupit.

Kiinnitä myös käynnistysnarun kiinnike oikealle puolelle. Kiristä nupit huolellisesti. (Kuva 19)

2. Vedä käynnistysnarun kahvasta ja aseta käynnistysnaru narun kiinnikkeen ympärille. (Kuva 20)
3. Kiinnitä kaapelit työntöaisaan hihnoilla. (Kuva 21)

Huomautus: Varmista, ettei kaapeleita ole kiristetty liian tiukalle.

Ruohonkerääjän asentaminen

1. Aseta ruohonkerääjän runko keruupussiin. Varmista, että ruohonkerääjän rungon kahva on keruupussin päällä.
2. Kiinnitä keruupussi ruohonkerääjän runkoon keruupussin reunassa olevilla kiinnikkeillä. (Kuva 22)
3. Nosta takasuojus ylös.
4. Kiinnitä ruohonkerääjän rungon yläreunaan.
5. Aseta ruohonkerääjän alempi osa ruohon ulosheittokanavaan.

Silppurin tulpan asentaminen

Silppurisarja on saatavana varusteena vain tietyille malleille. Malleissa M51-150WR CLASSIC, M53-150WR CLASSIC on varusteena silppurisarja. Malleissa M40-120 CLASSIC, M40-125 CLASSIC+ ei voi käyttää silppurisarjaa.

1. Nosta takasuojus ylös ja irrota ruohonkerääjä.
2. Aseta silppurin tulppa ruohonkerääjän ulosheittokanavaan. (Kuva 23)

Toiminta

Johdanto



VAROITUS: Lue turvallisuutta käsittelevä luku niin, että ymmärrät sen sisällön, ennen laitteen käyttämistä.

Ennen tuotteen käyttöä

1. Lue käyttöohje huolellisesti ja varmista, että ymmärrät sen sisältämät ohjeet.
2. Tutki terävarustus ja varmista, että se on kiinnitetty ja säädetty asianmukaisesti. Katso *Terävarustuksen tarkistaminen sivulla 109*.
3. Täytä polttoainesäiliö. Katso *Polttoaineen lisääminen sivulla 107*.
4. Lisää öljysäiliöön öljyä ja tarkista öljytaso. Katso *Öljyn määrän tarkistaminen sivulla 109*.

Polttoaineen lisääminen

Käytä ympäristöstä säästävää bensiiniä tai alkylaattibensiiniä, jos niitä on saatavilla. Jos ympäristöstä säästävää bensiiniä tai alkylaattibensiiniä ei ole saatavilla, käytä lyijytöntä tai lyijyllistä laatubensiiniä. Käytä bensiiniä, jonka oktaaniluku on vähintään 90 ja jossa on enintään 10 % etanolia (E10).



VAROITUS: Vääräntyyppinen polttoaine voi vaurioittaa moottoria.

1. Vapauta polttoainesäiliöstä painetta avaamalla polttoainesäiliön korkki hitaasti.
2. Kaada polttoainesäiliöön hitaasti polttoainetta. Jos öljyä läikkyy, pyyhi öljy pois linalla ja anna öljyjäämien kuivua.
3. Pyyhi polttoainesäiliön korkin ympäristö puhtaaksi.
4. Kiristä polttoainesäiliön korkki tiukasti. Polttoainesäiliön korkin riittämätön kiristys aiheuttaa tulipalovaaran.
5. Siirrä tuote ennen käynnistystä vähintään 3 metrin (10 jalan) päähän paikasta, jossa lisäsit polttoainetta.

Leikkuukorkeuden asettaminen

1. Lisää leikkuukorkeutta siirtämällä leikkuukorkeuden säätövipua taaksepäin.
2. Vähennä leikkuukorkeutta siirtämällä leikkuukorkeuden säätövipua eteenpäin. (Kuva 24)



HUOMAUTUS: Älä aseta leikkuukorkeutta liian alhaiseksi. Jos ruohikon pinta ei ole tasainen, terät voivat osua maahan.

Tuotteen käynnistäminen

1. Varmista, että sytytyskaapeli on liitettynä sytytystulppaan.
2. Paina polttoainepumppua viisi kertaa, kun käynnistät laitteen ensimmäisen kerran. Kun käynnistät laitteen myöhemmin moottori kylmänä, paina polttoainepumppua kolme kertaa. (Kuva 25)
3. Seiso laitteen takana.
4. Pidä moottorin jarrukahvaa kahvastoaa vasten. (Kuva 26)
5. Pitele käynnistysnarun kahvaa oikealla kädelläsi.
6. Vedä käynnistysnarusta hitaasti, kunnes tunnet hieman vastusta.
7. Käynnistä moottori vetämällä voimakkaasti.



VAROITUS: Älä kiedo käynnistysnarua kätesi ympärille.

Vetojärjestelmän käyttäminen pyörillä

- Työnnä vetojärjestelmän sankaa kahvaston suuntaan. (Kuva 27)
- Ennen kuin vedät tuotetta taaksepäin, kytke vetojärjestelmä pois käytöstä ja työnnä tuotetta eteenpäin noin 10cm.
- Kytke vetojärjestelmä pois käytöstä vapauttamalla vetojärjestelmän sankaa esimerkiksi lähestyessäsi estettä.

Laitteen pysäyttäminen

- Jos haluat pysäyttää vain vetojärjestelmän, vapauta vetojärjestelmän sanka.
- Pysäytä moottori vapauttamalla moottorin jarrukahva.

Hyvän tuloksen saavuttaminen

- Käytä aina hyvin teroitettua terää. Tylsä terä leikkaa epätasaisesti ja ruohosta tulee keltaista leikatun

pinnan kohdalta. Hyvin teroitettu terä käyttää myös tylsää terää vähemmän energiaa.

- Älä leikkaa enempää kuin 1/3 ruohon pituudesta. Aseta leikkuukorkeus ensimmäisellä leikkuukerralla korkeaksi. Tutkittuasi leikkuutuloksen voit laskea leikkuukorkeuden haluamalle tasolle. Jos ruoho on erittäin pitkää, kulje hitaasti ja leikkaa nurmikko tarvittaessa kaksi kertaa.
- Leikkaa joka kerta eri suuntiin, jotta nurmikkoon ei tule raitoja.

Huolto

Johdanto



VAROITUS: Ennen minkäänlaisten huoltotöiden aloittamista sinun on luettava turvallisuutta käsittelevä luku niin, että ymmärrät sen sisällön.

Kaikkiin tuotteelle tehtäviin huolto- ja korjaustöihin tarvitaan erityiskoulutus. Takaamme, että tuotteemme huolletaan ja korjataan ammattimaisesti. Jos

jälleenmyyjäsi ei ole huoltoliike, pyydä jälleenmyyjää neuvomaan lähin huoltoliike.

Huoltokaavio

Huoltovälit on laskettu tuotteen päivittäisen käytön perusteella. Välit voivat muuttua, jos tuotetta ei käytetä päivittäin.

Saat lisätietoja *-merkillä merkityistä huolloista kohdasta *Tuotteen turvalaitteet sivulla 105.*

Huolto	Päivittäin	Viikoittain	Kuukausittain
Tee yleistarkastus	X		
Tarkista öljytaso	X		
Puhdista tuote	X		
Tarkista terävarustus	X		
Tarkista leikkuusuojus*	X		
Tarkista moottorin jarrukahva*	X		
Tarkista ja säädä vetojärjestelmä (kytkinjohto)	X		
Tarkista äänenvaimennin*		X	
Tarkista sytytystulppa		X	
Vaihda öljy (ensimmäisten 5 käyttötunnin jälkeen ja sitten 50 käyttötunnin välein)			X
Vaihda ilmansuodatin			X
Tarkista polttoainejärjestelmä			X

Yleistarkastus

- Varmista, että tuotteen kaikki ruuvit ja mutterit on kiristetty.

Laitteen puhdistaminen ulkopuolelta

- Poista lehdet, ruoho ja lika harjalla.
- Varmista, ettei moottorin yläosassa sijaitseva ilmanottoaukko ole tukkeutunut.

- Älä käytä laitteen puhdistamiseen painepesuria.
- Jos käytät tuotteen puhdistamiseen vettä, älä suinkuta vettä suoraan moottoriin.

Leikkuusuojuksen sisäpinnan puhdistaminen

1. Tyhjennä polttoainesäiliö.
2. Aseta tuote kyljelleen äänenvaimennin alaspäin.



HUOMAUTUS: Jos tuote asetetaan ilmansuodatin alaspäin, moottori saattaa vaurioitua.

3. Pese leikkuusuojuksen sisäpinta vesiletkulla.

Terävarustuksen tarkistaminen



VAROITUS: Estä tuotteen tahaton käynnistyminen irrottamalla sytytyskaapeli sytytystulpasta.



VAROITUS: Käytä suojakäsineitä huoltaessasi terävarustusta. Terä on erittäin terävä ja aiheuttaa helposti haavoja.

1. Tutki terävarustus vaurioiden tai halkeamien varalta. Vaurioitunut terävarustus on aina vaihdettava.
2. Tarkista, onko terä vaurioitunut tai tylsä.

Huomautus: Terä on tasapainotettava oikein teroituksen jälkeen. Anna huoltoliikkeen teroittaa, vaihtaa ja tasapainottaa terä. Jos osut esteeseen niin, että tuote pysähtyy, vaihda vaurioitunut terä. Anna huoltoliikkeen arvioida, voiko terän teroittaa vai onko se vaihdettava.

Terän vaihtaminen

1. Lukitse terä puukiilalla.(Kuva 28)
2. Irrota teräpultti.
3. Irrota terä.
4. Tutki terän tuki ja teräpultti vaurioiden varalta.
5. Tutki kampiakseli ja varmista, ettei se ole väännyt.
6. Asenna uusi terä siten, että terän kulmikkaat päät osoittavat leikkuusuojuksen suuntaan.(Kuva 29)
7. Varmista, että terä on kohdistettu moottorin akselin keskiosan kanssa.
8. Lukitse terä puukiilalla. Kiinnitä jousialuslevy paikalleen ja kiristä pultti ja aluslevy momenttiin 45–60 Nm.(Kuva 30)
9. Pyöritä terää käsin ja varmista, että se pyörii vapaasti.



VAROITUS: Käytä työrukkasia. Terä on erittäin terävä ja aiheuttaa helposti haavoja.

10. Testaa terää käynnistämällä tuote. Jos terä ei ole kiinnitetty asianmukaisesti, tuote tärisee tai sen leikkuutulokset eivät tyydyttävä.

Öljyn määrän tarkistaminen



HUOMAUTUS: Liian alhainen öljytaso voi vaurioittaa moottoria. Tarkista öljytaso ennen kuin käynnistät tuotteen.

1. Aseta tuote tasaiselle alustalle.

2. Irrota polttoainesäiliön korkki ja mittatikku.
3. Pyyhi mittatikku puhtaaksi öljystä.
4. Työnnä mittatikku kokonaan öljysäiliöön, jotta saat öljytasosta oikean kuvan.
5. Poista mittatikku.
6. Tarkista öljytaso mittatikusta.
7. Jos öljytaso on alhainen, lisää moottoriöljyä ja tarkista öljytaso uudelleen.

Moottoriöljyn vaihtaminen



VAROITUS: Moottoriöljy on erittäin kuumaa moottorin sammuttamisen jälkeen. Anna moottorin jäähtyä ennen kuin valutat moottoriöljyn pois moottorista. Jos moottoriöljyä joutuu iholle, pese öljy pois vedellä ja saippualla.

1. Käytä tuotetta, kunnes polttoainesäiliö on tyhjä.
2. Irrota sytytyskaapeli sytytystulpasta.
3. Irrota polttoainesäiliön korkki.
4. Aseta tuotteen alle säiliö, johon valutat öljyn.
5. Tyhjennä moottoriöljy säiliöstä kallistamalla tuotetta.
6. Lisää uutta moottoriöljyä, jota suositellaan kohdassa *Tekniset tiedot sivulla 111*.
7. Tarkista öljytaso. Katso *Öljyn määrän tarkistaminen sivulla 109*.

Ilmansuodatin

Pitkään käytössä ollut ilmansuodatinta ei voi koskaan puhdistaa täysin puhtaaksi. Vaihda ilmansuodatin säännöllisin väliajoin.

Huomautus: Vaurioitunut ilmansuodatin on aina vaihdettava.

Paperisuodattimen puhdistaminen

1. Irrota ilmansuodattimen kansi ja paperisuodatin.
2. Napauta suodatinta tasaista pintaa vasten, jotta kaikki hiukkaset irtoavat.



HUOMAUTUS: Älä käytä paperisuodattimen puhdistamiseen liuotinta tai paineilmaa.

3. Aseta ilmansuodatin takaisin paikalleen. Varmista, että ilmansuodatin tulee tiiviisti ilmansuodattimen pidintä vasten.
4. Aseta ilmansuodattimen kansi takaisin paikalleen.

Vaahtomuovisuodattimen puhdistaminen

1. Irrota ilmansuodattimen kansi ja vaahtomuovisuodatin.
2. Puhdista vaahtomuovisuodatin vedellä ja saippualla.
3. Huuhtelee vaahtomuovisuodatin puhtaalla vedellä.

- Purista vaahtomuovisuodatimesta vesi ja anna suodatimen kuivua.



HUOMAUTUS: Älä käytä paineilmaa. Se voi vaurioittaa vaahtomuovisuodatinta.

- Voitele vaahtomuovisuodatin moottoriöljyllä.
- Poista ylimääräinen öljy painamalla puhdas liina vaahtomuovisuodatinta vasten.
- Aseta ilmansuodatin takaisin paikalleen. Varmista, että ilmansuodatin tulee tiiviisti ilmansuodatimen pidintä vasten.
- Aseta ilmansuodatimen kansi takaisin paikalleen.

Sytytystulpan tarkistus



HUOMAUTUS: Käytä aina suositeltua sytytystulppaa. Väärä sytytystulpan tyyppi voi aiheuttaa laitteen vaurioitumisen.

- Tarkista sytytystulppa, jos moottorin teho on heikko, moottoria on vaikea saada käyntiin tai se ei toimi oikein joutokäyntinopeudella.
- Ehkäise ylimääräisen materiaalin joutuminen sytytystulpan elektrodeihin noudattamalla seuraavia ohjeita:
 - Varmista, että joutokäyntinopeus on säädetty oikein.
 - Varmista, että polttoaineseos on oikea.
 - Varmista, että ilmansuodatin on puhdas.
- Jos sytytystulppa on karstoittunut, puhdista se ja tarkista samalla, että kärkiväli on oikea *Tekniset tiedot sivulla 111.*(Kuva 31)

- Vaihda sytytystulppa tarvittaessa.

Polttoainejärjestelmän tarkistaminen

- Tutki polttoainesäiliön korkki ja polttoainesäiliön korkin tiiviste vaurioiden varalta.
- Tutki polttoaineletku vuotojen varalta. Jos polttoaineletku on vaurioitunut, vaihdata se huoltoliikkeessä.

Kytkinjohdon säätäminen

Jos vetojärjestelmä tuntuu hitaalta, kytkinjohtoa on säädettävä.

- Sääda kytkinjohtoa kiinnittämällä kytkinjohto vetojärjestelmän sangan eri reikiin. Lisää vetojärjestelmän nopeutta lyhentämällä kytkinjohdon pituutta. Vähennä vetojärjestelmän nopeutta pidentämällä kytkinjohdon pituutta. (Kuva 32)

Huomautus: Jos vetojärjestelmä on kytkettynä, kun et vedä vetojärjestelmän sangasta, kytkinjohtoa on pidennettävä.

- Voit hienosäätää vetojärjestelmän nopeutta kääntämällä säätöruuvia. Voit lisätä vetojärjestelmän nopeutta kääntämällä säätöruuvia vastapäivään. Voit vähentää vetojärjestelmän nopeutta kääntämällä säätöruuvia myötäpäivään. (Kuva 33)

Jos vetojärjestelmä tuntuu hitaalta säädön jälkeen, vaihdata vetohinna valtuutetussa huoltoliikkeessä.

Kuljettaminen, säilyttäminen ja hävittäminen

Kuljetus ja säilytys

- Kun säilytät ja kuljetat tuotetta ja polttoainetta, varmista, ettei tuote vuoda polttoainetta tai polttoainehöyryä. Esimerkiksi sähkölaitteista tai lämmityskattiloista peräisin olevat kipinät tai avotuli voivat aiheuttaa tulipalon.
- Käytä polttoaineen säilytyksessä ja kuljettamisessa aina hyväksytyjä polttoainesäiliöitä.
- Tyhjennä tuotteen polttoainesäiliö ja kaasutinsäiliö, jos varastoit tuotteen pitkäksi ajaksi. Hävitä polttoaine viemällä se asianmukaiseen keräyspisteeseen.
- Vältä onnettomuudet ja tuotteen vaurioituminen kiinnittämällä tuote turvallisesti kuljetuksen ajaksi.

- Säilytä tuotetta lukitussa varastossa, jonne lapset ja asiattomat henkilöt eivät pääse.
- Säilytä tuotetta kuivassa paikassa, jossa lämpötila ei laske pakkasen puolelle.

Hävittäminen

- Noudata paikallisia kierrätysvaatimuksia ja säädöksiä.
- Hävitä kaikki kemikaalit, kuten moottoriöljy ja polttoaine viemällä ne huoltoliikkeeseen tai asianmukaiseen keräyspisteeseen.
- Kun tuote tulee elinkaarensa päähän, hävitä tuote lähettämällä se McCulloch-jälleenmyyjälle tai kierrätyspisteeseen.

Tekniset tiedot

Tekniset tiedot

	M40-120 CLASSIC	M40-125 CLASSIC+	M46-120 CLASSIC	M46-120R CLASSIC	M46-125 CLASSIC+	M46-125R CLASSIC+
Moottori						
Tuotemerkki	McCulloch	Briggs & Stratton	McCulloch	McCulloch	Briggs & Stratton	Briggs & Stratton
Iskutilavuus, cm ³	120	125	120	120	125	125
Nopeus, r/min	2 900	2900	2900	2900	2900	2 900
Moottorin nimellisteho, kW ⁸¹	2,0	1,6	2,0	2,0	1,6	1,6
Sytytysjärjestelmä						
Sytytystulppa	K7RTC	RC12YC	K7RTC	K7RTC	RC12YC	RC12YC
Kärkiväli, mm	0,7	0,5	0,7	0,7	0,5	0,5
Polttoaine-/voitelujärjestelmä						
Polttoainesäiliön tilavuus, litraa	0,8	0,8	0,8	0,8	0,8	0,8
Öljysäiliön tilavuus, litraa	0,4	0,4	0,4	0,4	0,4	0,4
Moottoriöljy ⁸²	SAE 30/SAE 10W-30	SAE 30/SAE 10W-30	SAE 30/SAE 10W-30	SAE 30/SAE 10W-30	SAE 30/SAE 10W-30	SAE 30/SAE 10W-30
Paino						
Säiliöt tyhjinä, kg	24	25	28	29	28	29
Melupäästöt⁸³						
Äänen tehotaso, mitattu dB(A)	93	93	95	95	95	95
Äänen tehotaso, taattu L _{WA} dB(A)	94	94	96	96	96	96
Äänitasot⁸⁴						
Äänenpainetaso käyttäjän korvan tasalla, dB(A)	80	80	82	82	82	82

⁸¹ Moottorin ilmoitettu nimellisteho on moottorimallia edustavan tyyppillisen tuotantomoottorin keskimääräinen nettoteho (rpm) mitattuna SAE-standardin J1349/ISO1585 mukaisesti. Massatuotantomoottorit voivat poiketa tästä arvosta. Koneeseen asennetun moottorin todellinen lähtöteho riippuu käyttönopeudesta, ympäristön olosuhteista ja muista arvoista.

⁸² Käytä vähintään laatuiluokituksen SJ moottoriöljyä. Tarkista viskositeetti moottorin valmistajan käyttöoppaassa olevasta viskositeettikaaviosta ja valitse sopiva viskositeetti ulkolämpötilan perusteella.

⁸³ Melupäästö ympäristöön äänen tehona (L_{WA}) EY-direktiivin 2000/14/EY mukaisesti mitattuna.

⁸⁴ Äänenpainetaso standardin ISO 5395:2103 mukaan. Äänenpainetasoista ilmoitettujen tietojen tyyppillinen tilastollinen hajonta (keskihajonta) on 1,2 dB(A).

	M40-120 CLASSIC	M40-125 CLASSIC+	M46-120 CLASSIC	M46-120R CLASSIC	M46-125 CLASSIC+	M46-125R CLASSIC+
Tärinätasot, $a_{hv, eq}$⁸⁵						
Kahva, m/s ²	14,75	14,75	15,68	15,68	15,68	15,68
Terälaite						
Leikkuukorkeus, mm	20-75	20-75	30-80	30-80	30-80	30-80
Leikkuuleveys, mm	400	400	460	460	460	460
Terä	Silppuri 40	Silppuri 40	Silppuri 46	Silppuri 46	Silppuri 46	Silppuri 46
Tuotenumero	5871590-10	5871590-10	5811889-10	5811889-10	5811889-10	5811889-10
Ruohonkerääjän tilavuus li- troina	50	50	50	50	50	50

	M46-150WR CLASSIC	M51-140WR CLASSIC+	M51-150R CLASSIC	M51-150WR CLASSIC	M53-150WR CLASSIC
Moottori					
Tuotemerkki	McCulloch	Briggs & Strat- ton	McCulloch	McCulloch	McCulloch
Iskutilavuus, cm ³	150	140	150	150	150
Nopeus, r/min	2 900	2900	2900	2900	2 900
Moottorin nimellisteho, kW ⁸⁶	2,4	1,9	2,4	2,4	2,4
Sytytysjärjestelmä					
Sytytystulppa	K7RTC	RC12YC	K7RTC	K7RTC	K7RTC
Kärkiväli, mm	0,7	0,5	0,7	0,7	0,7
Polttoaine-voitelujärjestelmä					
Polttoainesäiliön tilavuus, litraa	1,0	0,8	1,0	1,0	1,0
Öljysäiliön tilavuus, litraa	0,4	0,4	0,4	0,4	0,4
Moottoriöljy ⁸⁷	SAE 30/SAE 10W-30	SAE 30/SAE 10W-30	SAE 30/SAE 10W-30	SAE 30/SAE 10W-30	SAE 30/SAE 10W-30
Paino					
Säiliöt tyhjinä, kg	32	32	33	33	33
Melupäästöt⁸⁸					

⁸⁵ Tärinätasot standardin ISO 5395:2013 mukaan. Tärinätasolle ilmoitetuissa tiedoissa tyyppillinen tilastollinen hajonta (vakiopoikkeama) on 0,2 m/s².

⁸⁶ Moottorin ilmoitettu nimellisteho on moottorimallia edustavan tyyppillisen tuotantomoottorin keskimääräinen nettoteho (rpm) mitattuna SAE-standardin J1349/ISO1585 mukaisesti. Massatuotantomoottorit voivat poiketa tästä arvosta. Koneeseen asennetun moottorin todellinen lähtöteho riippuu käyttönopeudesta, ympäristön olosuhteista ja muista arvoista.

⁸⁷ Käytä vähintään laatu-luokituksen SJ moottoriöljyä. Tarkista viskositeetti moottorin valmistajan käyttöoppaassa olevasta viskositeettikaaviosta ja valitse sopiva viskositeetti ulkolämpötilan perusteella.

⁸⁸ Melupäästö ympäristöön äänentehona (L_{WA}) EY-direktiivin 2000/14/EY mukaisesti mitattuna.

	M46-150WR CLASSIC	M51-140WR CLASSIC+	M51-150R CLASSIC	M51-150WR CLASSIC	M53-150WR CLASSIC
Äänen tehotaso, mitattu dB(A)	97	97	95	97	98
Äänen tehotaso, taattu L _{WA} dB(A)	98	98	98	98	98
Äänitasot ⁸⁹					
Äänenpainetaso käyttäjän korvan tasalla, dB(A)	82	82	81	84	82
Tärinätasot, a_{hv, eq} ⁹⁰					
Kahva, m/s ²	4,27	4,27	4,06	5,55	3,39
Terälaite					
Leikkuukorkeus, mm	30–80	30–90	30–90	30–90	30–90
Leikkuuleveys, mm	460	510	510	510	530
Terä	Silppuri 46	Silppuri 51	Silppuri 51	Silppuri 51	Silppuri 53
Tuotenumero	5811889-10	5041133-10	5041133-10	5041133-10	5811886-10
Ruohonkerääjän tilavuus litroina	50	55	55	55	55

EY-vaatimustenmukaisuusvakuutus

EU:n vaatimustenmukaisuusvakuutus

Husqvarna AB, SE 561 82 Huskvarna, RUOTSI, vakuuttaa täten, että oheinen tuote:	
Kuvaus	Polttomootorillinen kävellen ohjattava ruohonleikkuri
Tuotemerkki	McCulloch
Alusta / Tyyppi / Malli	M40-120 CLASSIC, M40-125 CLASSIC+, M46-120 CLASSIC, M46-120R CLASSIC, M46-125 CLASSIC+, M46-125R CLASSIC+, M46-150WR CLASSIC, M51-140WR CLASSIC+, M51-150R CLASSIC, M51-150WR CLASSIC, M53-150WR CLASSIC
Erä	Sarjanumero 2017 alkaen
vastaa täysin seuraavien EU:n direktiivien ja asetusten vaatimuksia:	
Direktiivi/asetus	Kuvaus
2006/42/EY	Konedirektiivi
2014/30/EU	EMC-direktiivi
2000/14/EY; 2005/88/EY	Melupäästädirektiivi

⁸⁹ Äänenpainetaso standardin ISO 5395:2103 mukaan. Äänenpainetasoista ilmoitettujen tietojen tyypillinen tilastollinen hajonta (keskihajonta) on 1,2 dB(A).

⁹⁰ Tärinätaaso standardin ISO 5395:2013 mukaan. Tärinätasolle ilmoitetuissa tiedoissa tyypillinen tilastollinen hajonta (vakioepikeama) on 0,2 m/s².

Asiassa sovelletaan seuraavia yhdenmukaistettuja standardeja ja/tai teknisiä määräyksiä: EN ISO 12100, ISO 14982, ISO 5395-1 & 2, ISO 3744, ISO 11094, EN 1032

Ilmoitetut meluarvot on annettu direktiivin 2000/14/EY liitteen V mukaisesti tämän käyttöohjekirjan teknisissä tiedoissa sekä allekirjoitetussa EY:n vaatimustenmukaisuusvakuutuksessa.

Oheinen polttomoottorillinen kävellen ohjattava ruohonleikkuri on tarkistetun mallikappaleen mukainen.

Sommaire

Introduction.....	115	Maintenance.....	120
Sécurité.....	116	Transport, entreposage et mise au rebut.....	123
Consignes de sécurité pour l'entretien.....	118	Caractéristiques techniques.....	124
Montage.....	119	Déclaration de conformité CE.....	126
Utilisation.....	119		

Introduction

Description du produit

Le produit est une tondeuse rotative à pousser. L'herbe est recueillie dans un collecteur d'herbe. Retirez le collecteur d'herbe pour permettre l'éjection arrière de l'herbe. Fixez un kit de mulching (accessoire) pour broyer l'herbe et la transformer en engrais.

Aperçu du produit

(Fig. 1)

1. Manette de commande (M46-120R CLASSIC, M46-125R CLASSIC+, M46-150WR CLASSIC, M51-140WR CLASSIC+, M51-150R CLASSIC, M51-150WR CLASSIC, M53-150WR CLASSIC)
2. Poignée supérieure/guidon
3. Poignée de frein moteur
4. Poignée du câble du démarreur
5. Boucle pour câble du démarreur
6. Collecteur d'herbe
7. Poignée inférieure
8. Ensemble de poignée inférieure
9. Leviers de hauteur de coupe
10. Bouchon d'huile
11. Silencieux
12. Bouchon de vidange de la cuve du carburateur
13. Pompe à carburant
14. Bougie
15. Réservoir de carburant
16. Lame
17. Rondelle élastique
18. Boulon de lames
19. Carter de coupe
20. Filtre à air
21. Manuel de l'opérateur

Symboles concernant le produit

(Fig. 2) **AVERTISSEMENT** : une utilisation erronée ou négligente peut occasionner des blessures graves, voire mortelles, pour l'utilisateur ou les personnes à proximité.

Utilisation prévue

Utilisez le produit pour couper l'herbe dans des jardins privés. N'utilisez pas ce produit pour d'autres travaux.

(Fig. 3) Veuillez lire attentivement le manuel d'utilisation et assurez-vous de bien comprendre les instructions avant utilisation.

(Fig. 4) Maintenez les personnes et les animaux à une distance suffisante de la zone de travail.

(Fig. 5) Coupez le moteur et retirez le câble d'allumage avant toute réparation ou opération d'entretien.

(Fig. 6) Attention : projections et ricochets.

(Fig. 7) Avertissement : lame rotative. Gardez les mains et les pieds éloignés.

(Fig. 8) Avertissement : pièces rotatives. Gardez les mains et les pieds éloignés.

(Fig. 9) Ce produit est conforme aux directives CE en vigueur.

(Fig. 10) Émissions sonores dans l'environnement selon la directive de la Communauté européenne. Les émissions du produit sont indiquées au chapitre Caractéristiques techniques et sur les autocollants.

(Fig. 11) Risque d'incendie.

(Fig. 12) Risque d'incendie.

(Fig. 13) Risque d'explosion.

(Fig. 14) Arrêtez toujours le moteur avant de faire le plein.

(Fig. 15) Surface chaude.

(Fig. 16)

Les gaz d'échappement du moteur contiennent du monoxyde de carbone, un gaz inodore, toxique et très dangereux. Ne faites pas tourner le moteur en intérieur ou dans des espaces fermés.

- le produit n'est pas correctement réparé ;
- le produit est réparé avec des pièces qui ne proviennent pas du fabricant ou qui ne sont pas homologuées par le fabricant ;
- le produit est équipé d'un accessoire qui ne provient pas du fabricant ou qui n'est pas homologué par le fabricant.
- le produit n'est pas réparé par un centre d'entretien agréé ou par une autorité homologuée.

Remarque: Les autres symboles/autocollants présents sur le produit concernent des exigences de certification spécifiques à d'autres zones commerciales.

Responsabilité

Conformément à la loi sur la responsabilité du fait des produits, nous déclinons toute responsabilité pour tout dommage causé par notre produit si :

Sécurité

Définitions de sécurité

Avertissements, recommandations et remarques sont utilisés pour souligner spécialement les parties importantes de manuel d'utilisation.



AVERTISSEMENT: Symbole utilisé en cas de risque de blessures graves ou mortelles pour l'opérateur ou à d'autres personnes si les instructions du manuel ne sont pas respectées.



REMARQUE: Utilisé en cas de risque de dommages pour le produit, d'autres les matériaux ou la zone adjacente si les instructions du manuel ne sont pas respectées.

Remarque: Utilisé pour donner plus d'informations qui est nécessaire dans une situation donnée.

Instructions générales de sécurité



AVERTISSEMENT: Lisez les instructions qui suivent avant d'utiliser le produit.

- Ce produit est dangereux s'il est utilisé de manière incorrecte ou imprudente. Des blessures graves ou mortelles peuvent se produire si vous ne respectez pas les instructions de sécurité.
- Ce produit génère un champ électromagnétique durant son fonctionnement. Ce champ peut dans certaines circonstances perturber le fonctionnement d'implants médicaux actifs ou passifs. Pour réduire le risque de blessures graves ou mortelles, les personnes portant des implants médicaux doivent

consulter leur médecin et le fabricant de leur implant avant d'utiliser ce produit.

- Soyez toujours prudent et utilisez votre bon sens. Si vous ne savez pas comment faire fonctionner le produit dans une situation particulière, ne l'utilisez pas et contactez votre McCulloch revendeur avant de poursuivre.
- N'oubliez pas que l'opérateur sera tenu responsable des accidents occasionnés à des tiers et à leurs biens.
- Maintenez le produit propre. Assurez-vous que vous pouvez lire clairement les avertissements et les autocollants.
- Ne laissez personne utiliser le produit avant d'avoir lu et compris le contenu du manuel de l'opérateur.
- Ne laissez pas un enfant utiliser le produit.
- Ne laissez pas une personne utiliser le produit si elle ne connaît pas les instructions.
- Surveillez constamment les personnes aux capacités physiques ou mentales réduites qui utilisent ce produit. Un adulte responsable doit être présent à tout moment.
- N'utilisez jamais l'appareil si vous êtes fatigué ou malade, ou si vous êtes sous l'emprise d'alcool, de drogues ou de médicaments. Cela a un effet négatif sur votre vision, votre vigilance, votre coordination et votre jugement.
- N'utilisez pas le produit si celui-ci est défectueux.
- Ne modifiez jamais le produit et ne l'utilisez jamais s'il est susceptible d'avoir été modifié par un tiers.

Sécurité dans l'espace de travail



AVERTISSEMENT: Lisez les instructions qui suivent avant d'utiliser le produit.

- Retirez les objets tels que les branches, les brindilles et les pierres de la zone de travail avant d'utiliser le produit.
- Les objets heurtant l'équipement de coupe peuvent être éjectés et causer des blessures ou des dégâts matériels. Maintenez les personnes aux alentours et les animaux à une distance suffisante du produit.
- N'utilisez jamais le produit par mauvais temps, par exemple en cas de brouillard, de pluie, de vent violent, de froid intense et de risque d'éclair. Utiliser le produit par mauvais temps ou dans des environnements humides est fatigant. Le mauvais temps peut rendre les conditions de travail dangereuses : des surfaces peuvent par exemple devenir glissantes.
- Identifiez les éventuels personnes, objets et situations susceptibles de nuire à la sécurité du fonctionnement du produit.
- Soyez attentif aux obstacles tels que les racines, les pierres, les brindilles, les fosses et les fossés. L'herbe haute peut cacher des obstacles.
- Il peut être dangereux de couper l'herbe sur des terrains en pente. N'utilisez pas le produit sur un sol dont la pente est supérieure à 15°.
- Faites fonctionner le produit en travers de la courbe de la pente, jamais de haut en bas.
- Soyez prudent lorsque vous vous approchez de coins cachés et d'objets qui empêchent d'avoir une vue dégagée.

Sécurité du travail



AVERTISSEMENT: Lisez les instructions qui suivent avant d'utiliser le produit.

- Utilisez le produit uniquement pour couper les pelouses. Il est interdit d'utiliser le produit pour d'autres travaux.
- Utilisez un équipement de protection personnelle. Consultez la section *Équipement de protection individuelle à la page 117*.
- Ne démarrez jamais le moteur dans un espace clos ou à proximité de matériaux inflammables. Les gaz d'échappement du moteur sont très chauds et peuvent contenir des étincelles pouvant provoquer un incendie.
- Faites fonctionner le produit uniquement si la lame et tous les couvercles sont fixés correctement. Une lame fixée de manière inadéquate risque de se détacher et de causer des blessures personnelles.
- Assurez-vous que la lame ne touche pas des objets tels que des pierres et des racines. Cela peut endommager la lame et tordre l'arbre du moteur. Un arbre tordu génère de fortes vibrations, il y a alors un risque important que la lame se détache.
- Arrêtez immédiatement le produit s'il vibre ou bute sur un objet. Débranchez le câble d'allumage de la bougie. Vérifiez que le produit n'est pas endommagé. Réparez les éventuels dommages ou

demandez à un atelier spécialisé agréé procéder aux réparations.

- N'attachez jamais la poignée de frein moteur en permanence à la poignée de commande quand le moteur est mis en marche.
- Placez le produit sur une surface stable et plane, puis lancez-le. Vérifiez que la lame ne touche pas le sol ou tout autre objet.
- Restez toujours derrière le produit lorsque vous l'utilisez.
- Faites reposer toutes les roues sur le sol et conservez vos deux mains sur la poignée lorsque vous faites fonctionner le produit. Maintenez les mains et les pieds à distance des lames en rotation.
- N'inclinez pas le produit quand le moteur est mis en marche.
- Soyez prudent lorsque vous tirez le produit vers l'avant.
- Ne soulevez jamais le produit quand le moteur est mis en marche. Si vous devez soulever le produit, coupez d'abord le moteur et débranchez le câble d'allumage de la bougie.
- Ne marchez pas vers l'arrière lorsque vous utilisez le produit.
- Arrêtez le moteur lorsque vous vous déplacez à travers des zones exemptes d'herbe, par exemple des chemins de gravier, de pierre ou d'asphalte.
- Ne courez pas lorsque vous utilisez le produit et que le moteur est mis en marche. Vous devez toujours marcher lorsque vous utilisez le produit.
- Arrêtez le moteur avant de modifier la hauteur de coupe. N'effectuez jamais de réglages pendant que le moteur tourne.
- Ne quittez jamais le produit des yeux pendant que le moteur tourne. Arrêtez le moteur et assurez-vous que l'équipement de coupe ne tourne pas.

Consignes de sécurité pour le fonctionnement

Équipement de protection individuelle



AVERTISSEMENT: Lisez les instructions qui suivent avant d'utiliser le produit.

- L'équipement de protection individuel ne protège pas complètement des blessures, mais il diminue la gravité des blessures en cas d'accident. Faites appel à votre revendeur pour vous aider à sélectionner l'équipement adéquat.
- Portez des bottes ou chaussures antidérapantes à usage intensif. Ne portez pas de chaussures ouvertes et ne soyez pas pieds nus lorsque vous utilisez le produit.
- Utilisez des pantalons longs et épais.
- Portez des gants de protection en cas de besoin, par exemple lorsque vous fixez, examinez ou nettoyez l'équipement de coupe.

Dispositifs de sécurité sur le produit



AVERTISSEMENT: Lisez les instructions qui suivent avant d'utiliser le produit.

- N'utilisez pas un produit avec des dispositifs de sécurité défectueux.
- Contrôlez les dispositifs de sécurité régulièrement. Si les dispositifs de sécurité sont défectueux, parlez-en à votre agent d'entretien McCulloch.

Capot de coupe

- Examinez le capot de coupe pour vous assurer qu'il ne présente pas de dommages tels que des fissures.

Poignée de frein moteur

La poignée de freinage du moteur arrête le moteur. Lorsque la poignée de frein moteur est relâchée, le moteur s'arrête.

Pour inspecter le frein du moteur, démarrez le moteur, puis relâchez la poignée de freinage du moteur. Si le moteur ne s'arrête pas au bout de 3 secondes, demandez à un McCulloch atelier spécialisé agréé de régler le frein moteur.

(Fig. 17)

Silencieux

Le silencieux maintient les niveaux sonores à un minimum et envoie les gaz d'échappement loin de l'utilisateur.

N'utilisez pas ce produit si le silencieux est manquant ou défectueux. Le silencieux est en mauvais état augmente le niveau sonore et le risque d'incendie.

Examinez le silencieux régulièrement pour s'assurer qu'il est correctement connecté et qu'il n'est pas endommagé.



REMARQUE: Le silencieux devient très chaud pendant et après utilisation et lorsque le moteur fonctionne au ralenti. Faites attention à proximité des matériaux inflammables et/ou des fumées afin d'éviter tout risque d'incendie.

Sécurité carburant



AVERTISSEMENT: Lisez les instructions qui suivent avant d'utiliser le produit.

- Ne démarrez pas le produit si du carburant ou de l'huile moteur a été renversé(e) sur le produit. Essayez le carburant/l'huile et attendez que le produit sèche.
- Si vous avez renversé du carburant sur vos vêtements, changez de vêtements immédiatement.
- Évitez tout contact de la peau avec le carburant. Le carburant peut causer des blessures. Si votre peau entre en contact avec le carburant, lavez les parties qui ont été en contact avec de l'eau et du savon.
- Ne démarrez pas le produit s'il y a une fuite de moteur. Vérifiez régulièrement s'il y a des fuites de moteur.
- Faites attention avec le carburant. Le carburant est inflammable et ses vapeurs sont explosives. Il peut causer des blessures graves, voire mortelles.
- Ne respirez pas les vapeurs de carburant, elles peuvent causer des blessures. Assurez-vous que la ventilation est suffisante.
- Ne fumez pas à proximité du carburant ou du moteur.
- Ne mettez pas d'objets chauds à proximité du carburant ou du moteur.
- N'ajoutez pas de carburant lorsque le moteur est allumé.
- Assurez-vous que le moteur est froid avant de faire le plein de carburant.
- Avant de faire le plein, ouvrez le bouchon du réservoir de carburant lentement et relâchez la pression avec précaution.
- N'ajoutez pas de carburant au moteur dans un espace intérieur. Un débit d'air insuffisant peut causer des blessures graves, voire mortelles dues à une asphyxie ou au monoxyde de carbone.
- Serrez complètement le bouchon du réservoir de carburant. Si le bouchon du réservoir de carburant n'est pas serré, il y a un risque d'incendie.
- Déplacez le produit à un minimum de 3 m (10 ft) de l'endroit où a été fait le plein de carburant avant de démarrer le produit.
- Ne remplissez pas trop le réservoir de carburant.

Consignes de sécurité pour l'entretien



AVERTISSEMENT: Lisez les instructions qui suivent avant d'utiliser le produit.

- Les gaz d'échappement du moteur contiennent du monoxyde de carbone, un gaz inodore, toxique et très dangereux. Ne démarrez pas le moteur en intérieur ou dans des espaces fermés.
- Avant de procéder à l'entretien du produit, arrêtez le moteur et débranchez le câble d'allumage de la bougie.
- Utilisez des gants de protection lorsque vous procédez à l'entretien de l'équipement de coupe. La lame est très tranchante et des coupures peuvent survenir facilement.

- Les accessoires et les modifications apportées au produit qui ne sont pas approuvés par le fabricant peuvent causer des blessures très graves, voire mortelles. Ne modifiez pas le produit. Utilisez toujours des accessoires qui sont approuvés par le fabricant.
- Si l'entretien n'est pas effectué correctement et régulièrement, le risque de blessures et d'endommagement du produit augmente.
- Effectuez uniquement les tâches d'entretien décrites dans le présent manuel d'utilisation. Toutes les autres tâches d'entretien doivent être effectuées par un McCulloch atelier spécialisé agréé.
- Demandez à un McCulloch atelier spécialisé d'effectuer régulièrement l'entretien du produit.
- Remplacez les pièces endommagées, usées ou cassées.

Montage

Pour monter la poignée

Section de la poignée inférieure

1. Placez les broches situées dans la partie basse de la poignée inférieure dans les trous, comme indiqué sur l'illustration. Alignez les trous de vis et fixez les vis, les rondelles et les boutons.(Fig. 18)

Section de la poignée supérieure

1. Alignez les trous du guidon avec les trous de la poignée inférieure et fixez les vis, les rondelles et les boutons. Sur le côté droit, fixez également la boucle du câble du démarreur. Serrez fermement les boutons.(Fig. 19)
2. Tirez la poignée du câble du démarreur et enroulez le câble du démarreur autour de la boucle du câble du démarreur.(Fig. 20)
3. Utilisez les sangles pour fixer les câbles à la poignée.(Fig. 21)

Remarque: Assurez-vous que la tension dans les câbles n'est pas trop élevée.

châssis du collecteur d'herbe est au-dessus du sac à herbe.

2. Fixez le sac à herbe sur le châssis du collecteur d'herbe avec les clips trouvés sur le bord du sac en tissu.(Fig. 22)
3. Soulevez le capot arrière.
4. Attachez le collecteur d'herbe au bord supérieur du châssis.
5. Placez la partie inférieure du collecteur d'herbe dans le canal d'éjection de l'herbe.

Pour assembler l'obturateur du broyeur

Un kit broyeur est disponible en option pour certains modèles uniquement. Les modèles M51-150WR CLASSIC, M53-150WR CLASSIC sont fournis avec le kit broyeur. Un kit de broyage ne peut être utilisé sur les modèles M40-120 CLASSIC, M40-125 CLASSIC+.

1. Relevez le capot arrière et retirez le collecteur d'herbe.
2. Placez l'obturateur du broyeur dans le canal d'éjection.(Fig. 23)

Pour monter le bac de ramassage

1. Placez le châssis du collecteur d'herbe dans le sac à herbe en tissu. Assurez-vous que la poignée sur le

Utilisation

Introduction



AVERTISSEMENT: Avant d'utiliser le produit, vous devez lire et comprendre le chapitre sur la sécurité.

Avant d'utiliser le produit

1. Lisez attentivement le manuel d'utilisation et assurez-vous de bien comprendre les instructions.
2. Examinez l'équipement de coupe pour vous assurer qu'il est bien fixé et réglé. Consultez la section *Pour inspecter l'équipement de coupe à la page 121.*
3. Remplissez le réservoir de carburant. Consultez la section *Pour remplir le réservoir de carburant à la page 119.*

4. Remplissez le réservoir d'huile et contrôlez le niveau d'huile. Consultez la section *Pour contrôler le niveau d'huile à la page 122.*

Pour remplir le réservoir de carburant

Si cela est possible, utilisez de l'essence d'alkylate/écologique. Si vous ne pouvez pas vous procurer de l'essence d'alkylate/écologique, utilisez de l'essence au plomb ou de l'essence sans plomb de bonne qualité. Utilisez de l'essence dont le taux d'octane n'est pas inférieur à 90 et avec un maximum de 10 % d'éthanol (E10).



AVERTISSEMENT: Remplir le réservoir avec un type de carburant inadéquat peut endommager le moteur.

1. Ouvrez lentement le couvercle du réservoir de carburant pour relâcher la pression.
2. Remplissez lentement le réservoir à l'aide d'un bidon de carburant. Si vous renversez du carburant, essuyez-le à l'aide d'un chiffon et laissez le carburant restant sécher.
3. Essuyez le pourtour du bouchon du réservoir de carburant.
4. Serrez complètement le bouchon du réservoir de carburant. Si le bouchon du réservoir de carburant n'est pas serré, il y a un risque d'incendie.
5. Déplacez le produit à un minimum de 3 m (10 ft) de l'endroit où a été fait le plein de carburant avant de démarrer le produit.

Pour régler la hauteur de coupe

1. Déplacez le levier de hauteur de coupe vers l'arrière pour augmenter la hauteur de coupe.
2. Déplacez le levier de hauteur de coupe vers l'avant pour diminuer la hauteur de coupe.(Fig. 24)



REMARQUE: La hauteur de coupe ne doit pas être réglée trop bas. Les lames peuvent toucher le sol si la surface de la pelouse n'est pas plane.

Pour démarrer le produit

1. Assurez-vous que le câble d'allumage est branché sur la bougie.
2. La première fois que vous mettez le produit en marche, appuyez 5 fois sur la poire d'amorçage. La prochaine fois que vous démarrez le produit lorsque le moteur est froid, appuyez 3 fois sur la poire d'amorçage.(Fig. 25)
3. Restez derrière le produit.
4. Tenez la poignée de freinage du moteur contre le guidon.(Fig. 26)
5. Tenez la poignée du câble du démarreur de votre main droite.

6. Tirez lentement sur le câble du démarreur jusqu'à ce que vous sentiez une certaine résistance.
7. Tirez avec force pour démarrer le moteur.



AVERTISSEMENT: N'enroulez pas le câble du démarreur autour de votre main.

Pour appliquer l'entraînement aux roues

- Poussez la manette de commande en direction du guidon.(Fig. 27)
- Avant de tirer le produit vers l'arrière, désengagez l'entraînement et poussez le produit d'environ 10cm vers l'avant.
- Relâchez la manette de commande pour désengager l'entraînement, lorsque vous vous rendez à proximité d'un obstacle par exemple.

Pour arrêter le produit

- Pour arrêter uniquement l'entraînement, relâchez la manette de commande.
- Pour arrêter le moteur, relâchez la poignée de freinage du moteur.

Obtenir de bons résultats

- Utilisez toujours une lame correctement affûtée. Une lame émoussée produit un résultat irrégulier et l'herbe jaunira à la surface de la coupe. De plus, une lame affûtée consomme moins d'énergie qu'une lame émoussée.
- Ne coupez pas plus d'un tiers de la longueur de l'herbe. Coupez d'abord avec une hauteur de coupe élevée. Examinez le résultat et abaissez la hauteur de coupe à un niveau convenable. Si l'herbe est très longue, tondez lentement, et deux fois si nécessaire.
- Tondez toujours dans différentes directions afin d'éviter de faire des lignes dans la pelouse.

Maintenance

Introduction



AVERTISSEMENT: Avant d'effectuer des travaux d'entretien, vous devez lire et comprendre le chapitre sur la sécurité.

Une formation spécifique est nécessaire pour effectuer tous les travaux d'entretien et de réparation du produit. Nous garantissons qu'il vous est possible d'obtenir des services de réparation et d'entretien effectués par des professionnels. Si votre concessionnaire n'est pas un

atelier spécialisé, demandez-lui des informations à propos de l'atelier spécialisé le plus proche.

Schéma d'entretien

Les intervalles d'entretien sont calculés selon une utilisation quotidienne du produit. Les intervalles sont différents si le produit n'est pas utilisé tous les jours.

Pour les travaux d'entretien suivis d'un astérisque (*), consultez les instructions dans la section *Dispositifs de sécurité sur le produit à la page 118.*

Entretien	Au quotidien	Toutes les semaines	Une fois par mois
Faites une inspection générale	X		
Inspectez le niveau d'huile	X		
Nettoyez le produit	X		
Inspectez l'équipement de coupe	X		
Inspectez le capot de coupe*	X		
Inspectez la poignée de freinage du moteur*	X		
Inspectez et réglez l'entraînement (câble d'embrayage)	X		
Inspectez le silencieux*		X	
Inspectez la bougie		X	
Changez l'huile (la première fois après 5 h d'utilisation, puis toutes les 50 h d'utilisation)			X
Remplacez le filtre à air			X
Inspectez le système de carburant			X

Pour faire une inspection générale

- Assurez-vous que les vis et les écrous du produit sont serrés.

Pour nettoyer la partie extérieure du produit

- Utilisez une brosse pour enlever les feuilles, l'herbe et la saleté.
- Assurez-vous que la prise d'air sur le dessus du moteur n'est pas obstruée.
- N'utilisez pas de nettoyeur haute pression pour le nettoyage du produit.
- Si vous utilisez de l'eau pour nettoyer le produit, ne projetez jamais d'eau directement sur le moteur.

Pour nettoyer la surface interne du capot de coupe

- Videz le réservoir de carburant.
- Placez le produit sur le côté, silencieux vers le bas.



REMARQUE: Si le produit est posé avec le filtre à air vers le bas, le moteur peut être endommagé.

- Lavez au jet la surface intérieure du capot de coupe.

Pour inspecter l'équipement de coupe



AVERTISSEMENT: Afin d'éviter tout démarrage accidentel, débranchez le câble d'allumage de la bougie.



AVERTISSEMENT: Utilisez des gants de protection lorsque vous procédez à l'entretien de l'équipement de coupe. La lame est très tranchante et des coupures peuvent survenir facilement.

- Inspectez l'équipement de coupe afin de détecter d'éventuels dommages ou fissures. Remplacez toujours un équipement de coupe endommagé.
- Inspectez la lame pour voir si elle est endommagée ou émoussée.

Remarque: Il est nécessaire d'équilibrer la lame après l'avoir affûtée. Demandez à un centre d'entretien d'affûter, de remplacer et d'équilibrer la lame. Si vous heurtez un obstacle qui entraîne l'arrêt du produit, remplacez la lame endommagée. Demandez au centre d'entretien d'évaluer si la lame peut être affûtée ou si elle doit être remplacée.

Pour remplacer la lame

- Bloquez la lame avec un bloc en bois.(Fig. 28)
- Retirez le boulon de lame.
- Retirez la lame.
- Examinez le support de lame et le boulon de lame pour voir s'ils sont endommagés.
- Examinez l'arbre du moteur pour vous assurer qu'il n'est pas tordu.
- Lorsque vous fixez la nouvelle lame, orientez le tranchant en direction du capot de coupe.(Fig. 29)

7. Assurez-vous que la lame est alignée par rapport au centre de l'arbre du moteur.
8. Bloquez la lame avec un bloc en bois. Fixez la rondelle ressort, puis serrez le boulon et la rondelle à un couple de 45–60 Nm.(Fig. 30)
9. Déplacez la lame à la main et vérifiez qu'elle tourne librement.



AVERTISSEMENT: Utilisez des gants de travail épais. La lame est très tranchante et des coupures peuvent survenir facilement.

10. Démarrez le produit pour tester la lame. Si la lame n'est pas correctement fixée, le produit vibre ou le résultat de coupe n'est pas satisfaisant.

Pour contrôler le niveau d'huile



REMARQUE: Un niveau d'huile trop bas peut endommager le moteur. Contrôlez le niveau d'huile avant de démarrer le produit.

1. Placez le produit sur un sol plat.
2. Retirez le bouchon du réservoir d'huile et la jauge qui y est attachée.
3. Nettoyez l'huile sur la jauge.
4. Insérez entièrement la jauge dans le réservoir d'huile pour connaître le véritable niveau d'huile.
5. Enlevez la jauge.
6. Inspectez le niveau d'huile sur la jauge.
7. Si le niveau d'huile est bas, faites l'appoint d'huile moteur et contrôlez à nouveau le niveau d'huile.

Pour vidanger l'huile moteur



AVERTISSEMENT: L'huile moteur est très chaude juste après l'arrêt du moteur. Laissez le moteur refroidir avant de vidanger l'huile moteur. Si vous renversez de l'huile moteur sur votre peau, nettoyez avec de l'eau et du savon.

1. Faites fonctionner le produit jusqu'à ce que le réservoir de carburant soit vide.
2. Débranchez le câble d'allumage de la bougie.
3. Retirez le bouchon du réservoir d'huile.
4. Placez un récipient sous le produit pour recueillir l'huile moteur.
5. Inclinez le produit pour vidanger l'huile moteur dans le réservoir d'huile.
6. Faites le plein avec de la nouvelle huile moteur du type recommandé dans *Caractéristiques techniques à la page 124*.
7. Contrôlez le niveau d'huile. Consultez la section *Pour contrôler le niveau d'huile à la page 122*.

Filtre à air

Un filtre à air ayant servi longtemps ne peut pas être complètement nettoyé. Remplacez le filtre à air à intervalles réguliers.

Remarque: Remplacez toujours un filtre à air endommagé.

Pour nettoyer le filtre en papier

1. Retirez le couvercle du filtre à air et le filtre en papier.
2. Frappez le filtre contre une surface plane pour en faire tomber les particules.



REMARQUE: N'utilisez pas de solvant ou d'air comprimé pour nettoyer le filtre en papier.

3. Remettez le filtre à air en place. Veillez à assurer une bonne étanchéité entre le filtre à air et le support du filtre.
4. Remettez le couvercle de filtre à air en place.

Pour nettoyer le filtre en mousse plastique

1. Retirez le couvercle du filtre à air et le filtre en mousse plastique.
2. Nettoyez le filtre en mousse plastique avec de l'eau et du savon.
3. Rincez le filtre en mousse plastique dans de l'eau propre.
4. Pressez le filtre en mousse plastique pour en faire sortir l'eau et laissez-le sécher.



REMARQUE: N'utilisez pas d'air comprimé. Cela peut endommager le filtre en mousse plastique.

5. Lubrifiez le filtre en mousse plastique à l'aide d'huile moteur.
6. Appliquez un chiffon propre sur le filtre en mousse plastique pour retirer l'excédent d'huile.
7. Remettez le filtre à air en place. Veillez à assurer une bonne étanchéité entre le filtre à air et le support du filtre.
8. Remettez le couvercle de filtre à air en place.

Pour vérifier la bougie



REMARQUE: Utilisez toujours le type de bougie recommandé. Un type de bougie inadéquat peut endommager le produit.

- Inspectez la bougie si le moteur manque de puissance, n'est pas facile à démarrer ou ne fonctionne pas correctement lorsqu'il tourne au régime de ralenti.

- Afin de réduire le risque de matériaux indésirables présents sur les électrodes de la bougie, procédez comme suit :
 - a) Assurez-vous que le régime de ralenti est correctement réglé.
 - b) Assurez-vous que le mélange de carburant est correct.
 - c) Assurez-vous que le filtre à air est propre.
- Si la bougie est encrassée, nettoyez-la et vérifiez que l'écartement des électrodes est correct, consultez les *Caractéristiques techniques à la page 124*.(Fig. 31)
- Remplacez la bougie si nécessaire.

Pour examiner le système de carburant

- Examinez le couvercle du réservoir de carburant et le joint du couvercle du réservoir de carburant pour vous assurer qu'ils ne sont pas endommagés.
- Examinez le tuyau à carburant pour vous assurer qu'il n'y a pas de fuite. Si le tuyau à carburant est endommagé, demandez à un atelier spécialisé de le remplacer.

Pour régler le câble d'embrayage

Lorsque l'entraînement ralentit, vous devez régler le câble d'embrayage.

1. Fixez le câble d'embrayage dans différents trous sur la manette de commande pour régler la longueur du câble d'embrayage. Diminuez la longueur du câble d'embrayage pour augmenter la vitesse d'entraînement. Allongez le câble d'embrayage pour réduire la vitesse d'entraînement.(Fig. 32)

Remarque: Si l'entraînement est engagé alors que vous ne tirez pas la manette de commande, vous devez allonger le câble d'embrayage.

2. Pour effectuer de petits ajustements de la vitesse d'entraînement, tournez la vis de réglage. Pour augmenter la vitesse d'entraînement, tournez la vis de réglage dans le sens contraire des aiguilles d'une montre. Pour diminuer la vitesse d'entraînement, tournez la vis de réglage dans le sens des aiguilles d'une montre.(Fig. 33)

Si l'entraînement ralentit malgré ces modifications, demandez à un atelier spécialisé agréé de remplacer la courroie d'entraînement.

Transport, entreposage et mise au rebut

Transport et stockage

- Pour le stocker et transporter le produit et le carburant, assurez-vous qu'il n'y a pas de fuite ou de vapeurs. Les étincelles ou les flammes nues produites par exemple par des appareils électriques ou chaudières peuvent provoquer un incendie.
- Utilisez uniquement des récipients homologués pour le transport et le stockage de carburant.
- Videz le réservoir de carburant et la cuve du carburateur avant de remiser le produit pendant une longue période. Mettez le carburant au rebut dans une déchetterie appropriée
- Sécurisez le produit lors de son transport pour éviter tout dommage ou accident.
- Conservez le produit dans un endroit verrouillé afin que des enfants ou personnes qui ne sont pas autorisées à l'utiliser ne puissent pas y avoir accès.

- Conservez le produit dans un endroit sec et à l'abri du gel.

Mise au rebut

- Respectez les consignes locales de recyclage et la réglementation en vigueur.
- Mettez au rebut tous les produits chimiques tels que l'huile moteur ou le carburant à un centre d'entretien ou à une déchetterie appropriée.
- Lorsque vous n'utilisez plus le produit, renvoyez-le à un McCulloch concessionnaire ou mettez-le au rebut dans une déchetterie.

Caractéristiques techniques

Caractéristiques techniques

	M40-120 CLASSIC	M40-125 CLASSIC+	M46-120 CLASSIC	M46-120R CLASSIC	M46-125 CLASSIC+	M46-125R CLASSIC+
Moteur						
Marque	McCulloch	Briggs & Stratton	McCulloch	McCulloch	Briggs & Stratton	Briggs & Stratton
Cylindrée, cm ³	120	125	120	120	125	125
Vitesse, tr/min.	2 900	2 900	2 900	2 900	2 900	2 900
Puissance nominale du moteur, kW ⁹¹	2,0	1,6	2,0	2,0	1,6	1,6
Système d'allumage						
Bougie	K7RTC	RC12YC	K7RTC	K7RTC	RC12YC	RC12YC
Écartement des électrodes, mm	0,7	0,5	0,7	0,7	0,5	0,5
Système de graissage/de carburant						
Capacité du réservoir de carburant, litres	0,8	0,8	0,8	0,8	0,8	0,8
Contenance du réservoir d'huile, litres	0,4	0,4	0,4	0,4	0,4	0,4
Huile moteur ⁹²	SAE 30/SAE 10 W-30	SAE 30/SAE 10 W-30	SAE 30/SAE 10 W-30	SAE 30/SAE 10 W-30	SAE 30/SAE 10 W-30	SAE 30/SAE 10 W-30
Poids						
Réservoirs vides, en kg	24	25	28	29	28	29
Émissions sonores⁹³						
Niveau de puissance sonore mesuré dB(A)	93	93	95	95	95	95
Niveau de puissance sonore, garanti L _{WA} dB(A)	94	94	96	96	96	96

⁹¹ la puissance nominale du moteur indiquée est la puissance nette moyenne (à un régime en tr/min spécifié) d'un moteur de production typique pour le modèle de moteur mesurée selon la norme SAE J1349/ISO1585. Les moteurs de production de masse peuvent s'écarter de cette valeur. La puissance effective du moteur installé sur le produit fini dépend de la vitesse de fonctionnement, des conditions environnementales et d'autres valeurs.

⁹² Utilisez de l'huile moteur de qualité SJ ou supérieure. Reportez-vous au tableau de viscosité du manuel du fabricant du moteur pour sélectionner la viscosité la mieux adaptée en fonction de la température extérieure anticipée.

⁹³ émissions sonores dans l'environnement mesurées comme puissance sonore (L_{WA}) selon la directive européenne CE 2000/14/CE.

	M40-120 CLASSIC	M40-125 CLASSIC+	M46-120 CLASSIC	M46-120R CLASSIC	M46-125 CLASSIC+	M46-125R CLASSIC+
Niveaux sonores⁹⁴						
Niveau de pression sonore à l'oreille de l'utilisateur, dB (A)	80	80	82	82	82	82
Niveaux de vibration, a_{hveq}⁹⁵						
Poignée, m/s ²	14,75	14,75	15,68	15,68	15,68	15,68
Équipement de coupe						
Hauteur de coupe, en mm	20-75	20-75	30-80	30-80	30-80	30-80
Profondeur de coupe, en mm	400	400	460	460	460	460
Lame	Mulcher 40	Mulcher 40	Mulcher 46	Mulcher 46	Mulcher 46	Mulcher 46
Références	5871590-10	5871590-10	5811889-10	5811889-10	5811889-10	5811889-10
Capacité du collecteur d'herbe, en litres	50	50	50	50	50	50

	M46-150WR CLASSIC	M51-140WR CLASSIC+	M51-150R CLASSIC	M51-150WR CLASSIC	M53-150WR CLASSIC
Moteur					
Marque	McCulloch	Briggs & Stratton	McCulloch	McCulloch	McCulloch
Cylindrée, cm ³	150	140	150	150	150
Vitesse, tr/min.	2 900	2 900	2 900	2 900	2 900
Puissance nominale du moteur, kW ⁹⁶	2,4	1,9	2,4	2,4	2,4
Système d'allumage					
Bougie	K7RTC	RC12YC	K7RTC	K7RTC	K7RTC
Écartement des électrodes, mm	0,7	0,5	0,7	0,7	0,7
Système de graissage/de carburant					
Capacité du réservoir de carburant, en litres	1,0	0,8	1,0	1,0	1,0

⁹⁴ Niveau de pression sonore conformément à la norme ISO 5395:2103. Les données reportées pour le niveau de pression sonore montrent une dispersion statistique typique (déviations standard) de 1,2 dB(A).

⁹⁵ Niveau de vibrations conformément à la norme ISO 5395:2013. Les données reportées pour le niveau de vibrations montrent une dispersion statistique typique (déviations standard) de 0,2 m/s².

⁹⁶ la puissance nominale du moteur indiquée est la puissance nette moyenne (à un régime en tr/min spécifié) d'un moteur de production typique pour le modèle de moteur mesurée selon la norme SAE J1349/ISO1585. Les moteurs de production de masse peuvent s'écarter de cette valeur. La puissance effective du moteur installé sur le produit fini dépend de la vitesse de fonctionnement, des conditions environnementales et d'autres valeurs.

	M46-150WR CLASSIC	M51-140WR CLASSIC+	M51-150R CLASSIC	M51-150WR CLASSIC	M53-150WR CLASSIC
Capacité du réservoir d'huile, en litres	0,4	0,4	0,4	0,4	0,4
Huile moteur ⁹⁷	SAE 30/SAE 10 W-30	SAE 30/SAE 10 W-30	SAE 30/SAE 10 W-30	SAE 30/SAE 10 W-30	SAE 30/SAE 10 W-30
Poids					
Réservoirs vides, en kg	32	32	33	33	33
Émissions sonores ⁹⁸					
Niveau de puissance sonore mesuré dB(A)	97	97	95	97	98
Niveau de puissance sonore, garanti L _{WA} dB(A)	98	98	98	98	98
Niveaux sonores ⁹⁹					
Niveau de pression sonore à l'oreille de l'utilisateur, dB (A)	82	82	81	84	82
Niveaux de vibration, a_{hveq} ¹⁰⁰					
Poignée, m/s ²	4,27	4,27	4,06	5,55	3,39
Équipement de coupe					
Hauteur de coupe, en mm	30-80	30-90	30-90	30-90	30-90
Profondeur de coupe, en mm	460	510	510	510	530
Lame	Mulcher 46	Mulcher 51	Mulcher 51	Mulcher 51	Mulcher 53
Références	5811889-10	5041133-10	5041133-10	5041133-10	5811886-10
Capacité du collecteur d'herbe, en litres	50	55	55	55	55

Déclaration de conformité CE

Contenu de la déclaration de conformité de la CE

Nous, Husqvarna AB, SE 561 82 Huskvarna, SUÈDE, déclarons sous notre responsabilité exclusive que le produit représenté :

⁹⁷ Utilisez de l'huile moteur de qualité SJ ou supérieure. Reportez-vous au tableau de viscosité du manuel du fabricant du moteur pour sélectionner la viscosité la mieux adaptée en fonction de la température extérieure anticipée.

⁹⁸ émissions sonores dans l'environnement mesurées comme puissance sonore (L_{WA}) selon la directive européenne CE 2000/14/CE.

⁹⁹ Niveau de pression sonore conformément à la norme ISO 5395:2103. Les données reportées pour le niveau de pression sonore montrent une dispersion statistique typique (déviation standard) de 1,2 dB(A).

¹⁰⁰ Niveau de vibrations conformément à la norme ISO 5395:2013. Les données reportées pour le niveau de vibrations montrent une dispersion statistique typique (déviation standard) de 0,2 m/s².

Description	Tondeuse à pousser alimentée par moteur à combustion
Marque	McCulloch
Plate-forme / Type / Modèle	M40-120 CLASSIC, M40-125 CLASSIC+, M46-120 CLASSIC, M46-120R CLASSIC, M46-125 CLASSIC+, M46-125R CLASSIC+, M46-150WR CLASSIC, M51-140WR CLASSIC+, M51-150R CLASSIC, M51-150WR CLASSIC, M53-150WR CLASSIC
Lot	Numéro de série à partir de 2017
est entièrement conforme à la réglementation et aux directives de l'UE suivantes :	
Directive/Réglementation	Description
2006/42/EC	« relative aux machines »
2014/30/UE	« relative à la compatibilité électromagnétique »
2000/14/CE ; 2005/88/CE	« relative au bruit extérieur »
<p>Les normes harmonisées et/ou les spécifications techniques appliquées sont comme suit : EN ISO 12100, ISO 14982, ISO 5395-1 & 2, ISO 3744, ISO 11094, EN 1032</p> <p>Conformément à la directive 2000/14/CE, Annexe V, les valeurs déclarées saines sont stipulées dans la section Données techniques de ce manuel et dans la Déclaration de Conformité signée de la CE.</p> <p>La tondeuse à pousser alimentée par moteur à combustion fournie correspond à l'exemplaire soumis à l'examen.</p>	

Sadržaj

Uvod.....	128	Održavanje.....	133
Sigurnost.....	129	Prijevoz, spremanje i zbrinjavanje.....	135
Sigurnosne upute za održavanje.....	131	Tehnički podaci.....	135
Sastavljanje.....	131	Izjava o usklađenosti EZ.....	138
Rad.....	132		

Uvod

Opis proizvoda

Proizvod je rotacijska kosilica za travu kojom upravlja pješak. Trava se skuplja u sakupljaču trave. Uklonite sakupljač trave kako biste omogućili izbacivanje trave na stražnjoj strani. Postavite komplet za sječku (dodatna oprema) kako biste travu rezali u gnojivo.

Pregled proizvoda

(Sl. 1)

1. Poluga pogona (M46-120R CLASSIC, M46-125R CLASSIC+, M46-150WR CLASSIC, M51-140WR CLASSIC+, M51-150R CLASSIC, M51-150WR CLASSIC, M53-150WR CLASSIC)
2. Gornja ručka / upravljač
3. Kočna poluga motora
4. Drška uzeta startera
5. Karika za uže startera
6. Sakupljač trave
7. Donja ručka
8. Sklop donje ručke
9. Poluge za visinu rezanja
10. Čep za ulje
11. Prigušivač
12. Čep ispusta na posudi rasplinjača
13. Pumpica za gorivo
14. Svjećica
15. Spremnik za gorivo
16. Nož
17. Opružna brtva
18. Vijak noža
19. Režno kućište
20. Filtar zraka
21. Korisnički priručnik

Simboli na proizvodu

(Sl. 2) UPOZORENJE: Neoprezna ili nepravilna upotreba može uzrokovati ozljede ili smrt rukovatelja ili promatrača.

(Sl. 3) Pažljivo pročitajte korisnički priručnik i prije korištenja dobro usvojite sadržaj.

Namjena

Proizvod upotrebljavajte za rezanje trave u privatnim vrtovima. Proizvod nemojte koristiti za druge zadatke.

(Sl. 4) Osobe i životinje držite na sigurnoj udaljenosti od radnog područja.

(Sl. 5) Prije popravaka ili održavanja zaustavite motor i uklonite kabel za paljenje.

(Sl. 6) Pazite na izbačene predmete i odbijanja.

(Sl. 7) Upozorenje: okretni nož. Držite podalje šake i stopala.

(Sl. 8) Upozorenje: okretni dijelovi. Držite podalje šake i stopala.

(Sl. 9) Ovaj proizvod je u skladu s primjenjivim direktivama EU

(Sl. 10) Stvaranje buke prema okruženju prema EC uputi. Emisije proizvoda navedene su u poglavlju s tehničkim podacima i na naljepnici.

(Sl. 11) Opasnost od požara.

(Sl. 12) Opasnost od požara.

(Sl. 13) Opasnost od eksplozije.

(Sl. 14) Prije ponovnog ulijevanja goriva obavezno zaustavite motor.

(Sl. 15) Vruća površina.

(Sl. 16) Ispušni plinovi iz motora sadrže ugljikov monoksid, vrlo opasan otrovni plin bez mirisa. Proizvod nemojte pogoniti u zatvorenom ili uskom prostoru.

Napomena: Drugi simboli/naljepnice na proizvodu odnose se na zahtjeve za certifikaciju na drugim tržišnim područjima.

Pouzdanost proizvoda

Sukladno zakonima o pouzdanosti proizvoda nismo odgovorni za oštećenja uzrokovana našim proizvodima ako je:

- proizvod nepravilno popravljen.
- proizvod popravljen dijelovima koje nije proizveo proizvođač ili nemaju odobrenje proizvođača.
- proizvod ima dodatnu opremu koje nije proizveo proizvođač ili nemaju odobrenje proizvođača.
- proizvod nije popravljen u odobrenom servisnom centru ili kod ovlaštene osobe.

Sigurnost

Sigurnosne definicije

Upozorenjima, oprezima i napomenama naglašavaju se posebno važni dijelovi uputa za rukovanje.



UPOZORENJE: Koristi se kada nepoštivanje uputa iz priručnika može uzrokovati smrt ili ozljede rukovatelja ili promatrača.



OPREZ: Koristi se kada nepoštivanje uputa iz priručnika može uzrokovati oštećenje proizvoda ili drugih materijala u neposrednoj blizini.

Napomena: Koristi se prikaz neophodnih dodatnih informacija za zadanu situaciju.

Opće sigurnosne upute



UPOZORENJE: Prije korištenja proizvoda pročitajte upozoravajuće upute u nastavku.

- Proizvod je opasan ako ga koristite nepravilno ili ako niste oprezni. Nepoštivanje sigurnosnih uputa može uzrokovati ozljede ili smrt.
- Proizvod tijekom rada proizvodi elektromagnetsko polje. To polje u određenim okolnostima može ometati aktivne ili pasivne medicinske implantate. Za smanjenje opasnosti od smrtonosne ozljede osobama s medicinskim implantatima prije korištenja uređaja preporučujemo obraćanje liječniku i proizvođaču medicinskog implantata.
- Uvijek budite pažljivi i razumni. Ako u posebnim situacijama niste sigurni u način upotrebe stroja, prije nastavka stanite i obratite se svom distributeru tvrtke McCulloch.
- Imajte na umu kako se rukovatelj smatra odgovornim za nezgode koje uključuju druge osobe ili njihovo vlasništvo.
- Proizvod održavajte čistim. Znakovi i naljepnice moraju biti jasno čitljivi.
- Osobama dopustite upotrebu proizvoda samo ako su pročitali i usvojili sadržaj uputa za rukovanje.
- Djeci nemojte dopustiti korištenje proizvoda.

- Osobama koje nisu upoznate s uputama nemojte dopustiti korištenje proizvoda.
- Osobu smanjenih fizičkih ili mentalnih sposobnosti obavezno nadzirite tijekom uporabe proizvoda. Cijelo vrijeme mora biti prisutna odgovorna odrasla osoba.
- Proizvod nemojte koristiti kada ste umorni, bolesni ili pod utjecajem alkohola, droge ili lijekova. To negativno utječe na vaš vid, pažnju, koordinaciju i prosudbu.
- Nemojte upotrebljavati neispravi proizvod.
- Nemojte izmjenjivati proizvod ili ga upotrebljavati ako postoji mogućnost da je izmijenjen.

Sigurnost na radnom mjestu



UPOZORENJE: Prije korištenja proizvoda pročitajte upozoravajuće upute u nastavku.

- Prije upotrebe proizvoda iz radnog područja uklonite sve predmete poput grana, prutova i kamenja.
- Objekti koji udare u reznu opremu mogu biti izbačeni te uzrokovati ozljede ili oštećenja. Promatrače i životinje držite na sigurnoj udaljenosti od proizvoda.
- Proizvod nikada nemojte upotrebljavati u lošim vremenskim uvjetima kao što su magla, kiša, jak vjetar, intenzivna hladnoća i pri opasnosti od grmljavinskog nevremena. Upotreba proizvoda po lošem vremenu ili na vlažnim ili mokrim lokacijama je zamorna. Pri lošem vremenu mogu nastati opasni uvjeti, primjerice skliske površine.
- Pazite na osobe, predmete i situacije koje mogu onemogućiti siguran rad proizvoda.
- Pazite na prepreke poput korijenja, kamenja, prutova, jama i jaraka. Visoka trava može sakrivati prepreke.
- Košenje trave na nagibima može biti opasno. Proizvod nemojte upotrebljavati na tlu s nagibom većim od 15°.
- Proizvod upotrebljavajte poprečno preko nagiba. Nemojte se kretati prema gore i dolje.
- Oprezno prilazite skrivenim kutovima i predmetima koji onemogućavaju jasan pregled.

Sigurnost pri radu



UPOZORENJE: Prije korištenja proizvoda pročitatite upozoravajuće upute u nastavku.

- Proizvod upotrebljavajte samo za košenje travnjaka. Upotreba za druge zadatke nije dopuštena.
- Upotrebljavajte osobnu zaštitnu opremu. Pogledajte *Oprema za osobnu zaštitu na stranici 130*.
- Nikada nemojte pokretati motor u zatvorenom prostoru ili u blizini zapaljivog materijala. Ispušne pare motora vruće su i mogu sadržavati vruće iskre koje mogu uzrokovati požar.
- Proizvod upotrebljavajte samo ako su nož i svi štitnici pravilno postavljeni. Nepravilno postavljen nož može se otpustiti i uzrokovati osobne ozljede.
- Pazite da nožem ne udarate u predmete poput kamenja ili korijenja. Time možete oštetiti nož i saviti vratilo motora. Savijena osovina uzrokuje snažne vibracije i vrlo visoku opasnost od otpuštanja noža.
- Ako nožem udarite u predmet ili osjetite vibracije, odmah zaustavite proizvod. Odspojite kabel za paljenje od svjeće. Pregledajte je li proizvod oštećen. Popravite oštećenja ili popravak prepustite ovlaštenom serviseru.
- Ručicu kočnice motora nikada trajno nemojte pričvrstiti za ručku kada je motor u pogonu.
- Proizvod postavite na stabilnu, ravnu površinu i pokrenite ga. Noževi ne smiju udarati u tlo ili druge predmete.
- Tijekom rukovanja proizvodom obavezno budite iza njega.
- Tijekom rukovanja proizvodom svi kotači trebaju biti na tlu, a 2 ruke na ručki. Ruke i stopala držite podalje od rotirajućih noževa.
- Proizvod nemojte naginjati kada je motor pokrenut.
- Budite pažljivi pri povlačenju proizvoda unatrag.
- Proizvod nikada nemojte podizati kada je motor pokrenut. Ako proizvod morate podići, prvo zaustavite motor i odspojite kabel za paljenje od svjeće.
- Tijekom rada s proizvodom nemojte hodati unatrag.
- Zaustavite motor prilikom prelaska preko velikih površina bez trave, primjerice šljunčanih, kamenih i asfaltnih staza.
- Nemojte trčati s proizvodom kada je motor pokrenut. Obavezno hodajte tijekom rada s proizvodom.
- Prije promjene visine rezanja zaustavite motor. Nemojte provoditi prilagodbe s pokrenutim motorom.
- Proizvod s pokrenutim motorom ne ispuštajte iz vida. Zaustavite motor i provjerite je li rezna oprema zaustavljena.

Sigurnosne upute za rad

Oprema za osobnu zaštitu



UPOZORENJE: Prije korištenja proizvoda pročitatite upozoravajuće upute u nastavku.

- Oprema za osobnu zaštitu ne može u potpunosti spriječiti ozljede, no smanjuje stupanj ozljede u slučaju nezgode. Pri odabiru odgovarajuće opreme zatražite pomoć ovlaštenog trgovca.
- Nosite čizme otporne na klizanje ili cipele za teške uvjete rada. Nemojte nositi otvorene cipele ili biti bos.
- Nosite teške, duge hlače.
- Prema potrebi nosite zaštitne rukavice, primjerice prilikom pričvršćivanja, pregleda ili čišćenja rezne opreme.

Sigurnosne upute za proizvod



UPOZORENJE: Prije korištenja proizvoda pročitatite upozoravajuće upute u nastavku.

- Nemojte koristiti proizvod s oštećenim zaštitnim uređajima.
- Redovito pregledavajte sigurnosne uređaje. Ako su sigurnosni uređaji neispravni, obratite se McCulloch ovlaštenom trgovcu.

Pokrov noža

- Provjerite ima li na pokrovu noža oštećenja, primjerice napuklina.

Kočna poluga motora

Kočnom polugom motora zaustavljate motor. Motor se zaustavlja po otpuštanju kočne poluge motora.

Za pregled kočne poluge motora pokrenite motor i potom otpustite kočnu polugu motora. Ako se motor ne zaustavi za 3 sekunde, podesite kočnicu motora kod serviseru tvrtke McCulloch.

(Sl. 17)

Prigušivač

Prigušivač razinu buke održava na minimumu i ispušne plinove usmjerava dalje od rukovatelja.

Nemojte koristiti proizvod bez prigušivača ili s oštećenim prigušivačem. Neispravni prigušivač povećava razinu buke i opasnost od požara.

Redovito provjerite je li prigušivač pravilno pričvršćen i neoštećen.



OPREZ: Prigušivač se tijekom rada, nakon rada te kada motor pogonite u praznom hodu jako zagrije. Budite oprezni u blizini

zapaljivih materijal i/ili para kako biste spriječili požar.

Sigurnost pri rukovanju s gorivom



UPOZORENJE: Prije korištenja proizvoda pročitajte upozoravajuće upute u nastavku.

- Nemojte pokretati proizvod ako u njemu ima goriva ili motornog ulja. Uklonite neželjeno gorivo/ulje i pričekajte na sušenje proizvoda.
- Ako gorivo prolijete po odjeći, odmah ju zamijenite.
- Gorivu nemojte dopustiti kontakt s tijelom jer može uzrokovati ozljede. Ako dođe do kontakta goriva s tijelom, sapunom i vodom isperite gorivo.
- Nemojte pokretati proizvod ako motor propušta. Redovito pregledavajte ima li na motoru propuštanja.
- Budite pažljivo s gorivom. Gorivo je zapaljivo, a pare su eksplozivne i mogu uzrokovati ozljede i smrt.
- Nemojte udisati pare goriva, one mogu uzrokovati ozljede. Osigurajte dovoljan protok zraka.
- U blizini goriva ili motora nemojte pušiti.
- U blizinu goriva ili motora nemojte stavljati vruće predmete.
- Nemojte ulijevati gorivo kada je motor uključen.
- Prije ulijevanja goriva provjerite je li motor hladan.
- Prije ulijevanja goriva polako otvorite čep spremnika goriva i pažljivo ispuštite tlak.
- Gorivo u motor nemojte ulijevati u zatvorenom prostoru. Nedovoljan protok zraka može uzrokovati ozljede ili smrt zbog gušenja ili trovanja ugljičnim monoksidom.
- Potpuno zategnite čep spremnika za gorivo. Ako čep spremnika za gorivo nije zategnut, postoji opasnost od požara.
- Prije pokretanja proizvod odmaknite najmanje 3 m (10') od mjesta punjenja spremnika.
- U spremnik za gorivo nemojte uliti previše goriva.

Sigurnosne upute za održavanje



UPOZORENJE: Prije korištenja proizvoda pročitajte upozoravajuće upute u nastavku.

- Ispušni plinovi iz motora sadrže ugljikov monoksid, vrlo opasan otrovni plin bez mirisa. Proizvod nemojte pokretati u zatvorenom ili uskom prostoru.
- Prije održavanja proizvoda zaustavite motor i odspojite kabel za paljenje od svjećice.
- Tijekom održavanja rezne opreme nosite zaštitne rukavice. Nož je vrlo oštar i lako dolazi do posjekotina.
- Dodatna oprema i izmjene proizvoda bez odobrenja proizvođača mogu uzrokovati ozbiljne ozljede ili smrt. Nemojte mijenjati proizvod. Obavezno upotrebljavajte dijelove s odobrenjem proizvođača.
- Ako se održavanje ne provodi ispravno i redovno, povećava se opasnost od ozljede i oštećenja proizvoda.
- Održavanje provodite isključivo prema uputama iz ovog priručnika za vlasnika. Sva druga servisiranja mora provoditi ovlašteni serviser tvrtke McCulloch.
- Redovno servisirajte proizvod kod ovlaštenog servisera tvrtke McCulloch.
- Zamijenite oštećene, istrošene ili polomljene dijelove.

Sastavljanje

Za sastavljanje ručke

Odjeljak donje ručke

1. Klinove na dnu donje ručke umetnite u otvore kako je prikazano na slici. Poravnajte otvore za vijke i umetnite vijke, podloške i kotačiće. (Sl. 18)

Odjeljak gornje ručke

1. Otvore na upravljaču poravnajte s otvorima na donjoj ručki i umetnite vijke, podloške i kotačiće. Na desnoj strani također postavite kariku za uže startera. Kotačiće zategnite do kraja. (Sl. 19)
2. Povucite ručicu uže startera i postavite startno uže oko karike za startno uže. (Sl. 20)
3. Trakama pričvrstite kabele za ručku. (Sl. 21)

Napomena: Kabeli ne smiju biti previše zategnuti.

Za montažu sakupljača trave

1. Okvir sakupljača trave stavite u platnenu vreću za travu. Ručka na okviru sakupljača trave mora biti na vrhu vreće za travu.
2. Vreću za travu pričvrstite za okvir sakupljača trave kopčama na rubu vreće za travu. (Sl. 22)
3. Podignite stražnji poklopac.
4. Pričvrstite hvatač trave za gornji rub šasije.
5. Donji dio sakupljača trave umetnite u kanal za izbacivanje trave.

Sastavljanje priključka za sječku

Komplet za sječku dostupan je kao dodatna oprema na nekim modelima. Modeli M51-150WR CLASSIC, M53-150WR CLASSIC isporučuju se s kompletom za sječku. Modele M40-120 CLASSIC, M40-125 CLASSIC+ nije moguće upotrebljavati s kompletom za sječku.

1. Podignite stražnji poklopac i uklonite sakupljač trave.
2. Priključak za sječku umetnite u kanal za izbacivanje. (Sl. 23)

Rad

Uvod



UPOZORENJE: Prije rada s proizvodom morate pročitati i usvojiti poglavlje o sigurnosti.

Prije rada s proizvodom

1. Pažljivo pročitajte korisnički priručnik i prije upotrebe dobro usvojite sadržaj.
2. Pregledajte reznu opremu i uvjerite se da je pravilno pričvršćena i podešena. Pogledajte *Za pregled rezne opreme na stranici 133*.
3. Napunite spremnik goriva. Pogledajte *Ulijevanje goriva na stranici 132*.
4. Napunite spremnik za ulje i provjerite razinu ulja. Pogledajte *Provjera razine ulja na stranici 134*.

Ulijevanje goriva

Ako je dostupan, upotrebljavajte benzin s niskim emisijama/alkilatni benzin. Ako benzin s niskim emisijama/alkilatni benzin nije dostupan, upotrebljavajte kvalitetno bezolovni benzin ili olovni benzin. Upotrebljavajte benzin s oktanskim brojem većim od 90 i s maksimalno 10% etanola (E10).



UPOZORENJE: Neispravna vrsta goriva može uzrokovati oštećenje motora.

1. Čep spremnika za gorivo otvarajte polako kako biste otpustili tlak.
2. Punitel polako pomoću kantice za gorivo. Ako prolijeete gorivo, obrišite ga krpom i pričekajte na sušenje preostalog goriva.
3. Očistite područje oko čepa spremnika za gorivo.
4. Potpuno zategnite čep spremnika za gorivo. Ako čep spremnika za gorivo nije zategnut, postoji opasnost od požara.
5. Prije pokretanja proizvod odmaknite najmanje 3 m (10') od mjesta punjenja spremnika.

Za postavljanje visine rezanja

1. Polugu za visinu rezanja pomaknite unatrag kako biste povećali visinu rezanja.
2. Polugu za visinu rezanja pomaknite naprijed kako biste smanjili visinu rezanja.(Sl. 24)



OPREZ: Visinu rezanja nemojte postaviti prenisako. Noževi mogu udariti u tlo ako površina travnjaka nije ravna.

Pokretanje proizvoda

1. Provjerite je li kabel za paljenje priključen na svjećicu.
2. Pri prvom pokretanju proizvoda pumpicu za gorivo pritisnite 5 puta. Pri sljedećem pokretanju proizvoda s hladnim motorom pumpicu za gorivo pritisnite 3 puta.(Sl. 25)
3. Stanite iza proizvoda.
4. Pritisnite kočnu polugu motora uz upravljač.(Sl. 26)
5. Ručicu užeta pokretača držite desnom rukom.
6. Polako izvlačite užu pokretača dok ne osjetite otpor.
7. Snažno povucite za pokretanje motora.



UPOZORENJE: Nikad ne omotavajte užu za paljenje oko šake.

Upotreba pogona na kotačima

- Gurnite polugu pogona u smjeru upravljača.(Sl. 27)
- Prije povlačenja proizvoda unatrag isključite pogon i gurnite proizvod prema naprijed za pribl. 10cm.
- Otpustite polugu pogona kako biste odspojili pogon, primjerice kada se približavate prepreci.

Zaustavljanje proizvoda

- Kako biste zaustavili samo pogon, otpustite polugu pogona.
- Za zaustavljanje motora otpustite kočnu polugu motora.

Za dobar ishod

- Uvijek upotrebljavajte oštar nož. Tup nož daje nepravilne rezultate, a rezana površina trave požuti. Oštar nož također troši manje energije od tupog.
- Nemojte rezati više od 1/3 od duljine trave. Prvo kosite s visoko postavljenom visinom za rezanje. Provjerite rezultat i spustite visinu rezanja na prihvatljivu razinu. Ako je trava vrlo dugačka, vozite polako i po potrebi kosite 2 puta.
- Svaki put kosite u drugom smjeru kako biste spriječili nastanak traka na travnjaku.

Održavanje

Uvod



UPOZORENJE: Prije održavanja morate pročitati i usvojiti poglavlje o sigurnosti.

Za sve radove servisiranja i održavanja na proizvodu potrebna je posebna obuka. Jamčimo dostupnost profesionalnih popravaka i servisa. Ako vaš distributer nije serviser, od njega zatražite informacije o najbližem serviseru.

Raspored održavanja

Intervali održavanja izračunati su za dnevnu upotrebu proizvoda. Intervali se mijenjaju ako se proizvod ne upotrebljava svakodnevno.

Za održavanja označena s * pogledajte upute u *Sigurnosne upute za proizvod na stranici 130.*

Održavanje	Dnevno	Tjedno	Mjesečno
Provedite opći pregled	X		
Provjerite razinu ulja	X		
Očistite proizvod	X		
Pregledajte reznu opremu	X		
Pregledajte pokrov noža*	X		
Pregledajte kočnu polugu motora*	X		
Pregledajte i podesite pogon (sajla spojke)	X		
Pregledajte prigušivač*		X	
Pregledajte svjećicu		X	
Zamijenite ulje (prvi put nakon 5 h upotrebe, potom nakon svakih 50 h upotrebe)			X
Zamijenite filter za zrak			X
Pregledajte sustav goriva			X

Za opći pregled

- Provjerite jesu li zategnuti matice i vijci na proizvodu.

Za vanjsko čišćenje proizvoda

- Četkom uklonite lišće, travu i onečišćenja.
- Provjerite prohodnost dovoda zraka na vrhu motora.
- Za čišćenje proizvoda nemojte koristiti visokotlačni stroj za pranje.
- Ako proizvod čistite vodom, nemojte izljevati vodu izravno na motor.

Za čišćenje unutarnje površine pokrova noža

1. Ispraznite spremnik goriva.
2. Položite proizvod na bok s prigušivačem na donjoj strani.



OPREZ: Ako proizvod položite tako da je filter zraka na donjoj strani, možete oštetiti motor.

3. Unutarnju površinu pokrova noža isperite vodom.

Za pregled rezne opreme



UPOZORENJE: Odvojite kabel za paljenje od svjećice kako biste spriječili slučajno pokretanje.



UPOZORENJE: Tijekom održavanja rezne opreme nosite zaštitne rukavice. Nož je vrlo oštar i lako dolazi do posjekotina.

1. Pregledajte ima li na reznoj opremi oštećenja ili pukotina. Oštećenu reznu opremu obavezno zamijenite.

2. Pregledajte nož kako biste ustanovili je li oštećen ili tup.

se ohladi. Ako motorno ulje proljete po koži, očistite ju sapunom i vodom.

Napomena: Nakon oštrenja nož je nužno uravnotežiti. Nož naoštrite, zamijenite i uravnotežite u servisnom centru. Ako se pri udaru u prepreku proizvod zaustavi, zamijenite oštećeni nož. Procjenu za oštrenje ili zamjenu noža prepustite servisnom centru.

Zamjena noža

1. Blokirate nož drvenim blokom.(Sl. 28)
2. Uklonite vijak noža.
3. Uklonite nož.
4. Provjerite jesu li nosač noža i vijak noža neoštećeni.
5. Pregledajte vratilo motora kako biste se uvjerali da je neoštećeno.
6. Zaobljene rubove novog noža pri postavljanju usmjerite prema pokrovu noža.(Sl. 29)
7. Nož mora biti poravnat sa središtem vratila motora.
8. Blokirate nož drvenim blokom. Postavite elastični rasječeni prsten i zategnite vijak i podlošku na zatezni moment od 45–60 Nm.(Sl. 30)
9. Ručno povucite nož u krug kako biste provjerili okreće li se slobodno.



UPOZORENJE: Nosite rukavice za teške uvjete rada. Nož je vrlo oštar i lako dolazi do posjekotina.

10. Pokrenite proizvod kako biste ispitali nož. Ako nož nije ispravno pričvršćen, proizvod vibrira ili ishod košenja nije zadovoljavajući.

Provjera razine ulja



OPREZ: Preniska razina ulja može uzrokovati oštećenje motora. Prije pokretanja proizvoda provjerite razinu ulja.

1. Postavite proizvod na ravno tlo.
2. Skinite čep spremnika za ulje s pričvršćenom šipkom za mjerenje ulja.
3. Očistite ulje sa šipke za mjerenje razine ulja.
4. Šipku za mjerenje ulja u potpunosti umetnite u spremnik za ulje kako biste dobili ispravan prikaz razine ulja.
5. Uklonite mjernu šipku.
6. Provjerite razinu ulja na šipci za mjerenje ulja.
7. Ako je razina ulja niska, napunite motornim uljem i ponovno provjerite razinu ulja.

Zamjena motornog ulja



UPOZORENJE: Motorno ulje vrlo je vruće neposredno nakon zaustavljanja motora. Prije ispuštanja motornog ulja pričekajte da

1. Proizvod upotrebljavajte dok ne ispraznite spremnik za gorivo.
2. Odvojite kabel za paljenje od svjećice.
3. Uklonite čep spremnika za ulje.
4. Ispod proizvoda stavite posudu za skupljanje motornog ulja.
5. Nagnite proizvod kako biste ispuštali motorno ulje iz spremnika za ulje.
6. Napunite novim motornim uljem preporučenim u *Tehnički podaci na stranici 135*.
7. Provjerite razinu ulja. Pogledajte *Provjera razine ulja na stranici 134*.

Filtar zraka

Dugo upotrebljavani filtari zraka nije moguće u potpunosti očistiti. Filtar zraka mijenjajte u redovnim intervalima.

Napomena: Oštećeni filtari zraka obavezno zamijenite.

Čišćenje papirnato g filtra

1. Skinite poklopac filtra zraka i izvadite papirnati filtari.
2. Udarajte filtrom po ravnoj površini kako biste otresli čestice.



OPREZ: Za čišćenje papirnato g filtra nemojte upotrebljavati otopinu ili stlačeni zrak.

3. Ponovno ugradite filtari zraka. Provjerite je li filtari zraka u potpunosti brtvi uz nosač filtra zraka.
4. Ponovno ugradite poklopac filtra zraka.

Čišćenje pjenasto g plastičnog filtra

1. Skinite poklopac filtra zraka i izvadite pjenasti plastični filtari.
2. Pjenasti plastični filtari očistite sapunom i vodom.
3. Isperite pjenasti plastični filtari čistom vodom.
4. Istisnite vodu iz pjenasto g plastičnog filtra i pustite ga da se osuši.



OPREZ: Nemojte upotrebljavati stlačeni zrak. Njime možete oštetiti pjenasti plastični filtari.

5. Podmažite pjenasti plastični filtari motornim uljem.
6. Pjenasti plastični filtari pritisnite čistom krpom kako biste uklonili višak ulja.
7. Ponovno ugradite filtari zraka. Provjerite je li filtari zraka u potpunosti brtvi uz nosač filtra zraka.
8. Ponovno ugradite poklopac filtra zraka.

Pregled svječiće



OPREZ: Uvijek koristite preporučenu vrstu svječiće. Neodgovarajuća vrsta svječiće može oštetiti proizvod.

- Ako motor nema snage, teško se pokreće ili ne radi ispravno u praznom hodu, pregledajte svječiću.
- Za smanjenje opasnosti od nepoželjnog materijala na elektrodama svječiće pratite sljedeće upute:
 - a) Provjerite je li broj okretaja pri praznom hodu pravilno podešen.
 - b) Provjerite ispravnost mješavine goriva.
 - c) Provjerite je li filter zraka čist.
- Ako je svječića prljava, očistite ju i provjerite ispravnost razmaka između elektroda, pogledajte *Tehnički podaci na stranici 135*.(Sl. 31)
- Ako je potrebno, zamijenite svječiću.

Pregled sustav goriva

- Pregledajte čep spremnika za gorivo i brtvu čepa spremnika za gorivo i uvjerite se kako su neoštećeni.

- Pregledajte crijevo goriva kako biste se uvjerali da nema propuštanja. Ako je crijevo goriva oštećeno, zamijenite ga kod servisera.

Podešavanje sajle spojke

Ako pogon djeluje sporo, nužno je podesiti sajlu spojke.

1. Sajlu spojke pričvrstite u različite otvore na poluzi pogona kako biste prilagodili duljinu sajle spojke. Smanjite duljinu sajle spojke kako biste povećali brzinu pogona. Produljite sajlu spojke za smanjenje brzine pogona.(Sl. 32)

Napomena: Ako je pogon uključen kada ne povlačite polugu pogona, nužno je produljiti sajlu spojke.

2. Mala podešavanja brzine pogona izvode se okretanjem vijka za podešavanje. Za povećanje brzine pogona vijak za podešavanje okrenite u smjeru suprotnom od kazaljke na satu. Za smanjenje brzine pogona vijak za podešavanje okrenite u smjeru kazaljke na satu.(Sl. 33)

Ako pogon djeluje sporo i nakon podešavanja, zamijenite pogonski remen kod ovlaštenog servisera.

Prijevoz, spremanje i zbrinjavanje

Prijevoz i skladištenje

- Za prijevoz i skladištenje proizvoda i goriva uvjerite se kako nema propuštanja ili isparavanja. Iskre ili otvoren plamen, primjerice od električnih uređaja ili bojlera, mogu uzrokovati požar.
- Za prijevoz i skladištenje goriva obavezno upotrebljavajte odobrene spremnike.
- Prije dugotrajnog skladištenja proizvoda ispraznite spremnik za gorivo i posudu rasplinjača. Zbrinite gorivo na prikladnoj lokaciji za zbrinjavanje
- Čvrsto osigurajte proizvod za prijevoz kako biste spriječili oštećenja i nezgode.
- Proizvod čuvajte u zaključanom prostoru kako biste onemogućili pristup djeci ili osobama bez odobrenja.

- Proizvod skladištite u suhom prostoru bez mraza.

Odlaganje

- Poštujte lokalne zahtjeve za reciklažu i važeće propise.
- Sve kemikalije, poput motornog ulja ili goriva, zbrinite u servisnom centru ili na prikladnoj lokaciji za zbrinjavanje.
- Ako proizvod više ne upotrebljavate, pošaljite ga distributeru tvrtke McCulloch ili ga zbrinite na lokaciji za reciklažu.

Tehnički podaci

Tehnički podaci

	M40-120 CLASSIC	M40-125 CLASSIC+	M46-120 CLASSIC	M46-120R CLASSIC	M46-125 CLASSIC+	M46-125R CLASSIC+
Motor						
Marka	McCulloch	Briggs & Stratton	McCulloch	McCulloch	Briggs & Stratton	Briggs & Stratton
Zapremnina, cm ³	120	125	120	120	125	125
Brzina, o/min	2900	2900	2900	2900	2900	2900

	M40-120 CLASSIC	M40-125 CLASSIC+	M46-120 CLASSIC	M46-120R CLASSIC	M46-125 CLASSIC+	M46-125R CLASSIC+
Nazivna izlazna snaga motora, kW ¹⁰¹	2,0	1,6	2,0	2,0	1,6	1,6
Sustav uključivanja						
Svječica	K7RTC	RC12YC	K7RTC	K7RTC	RC12YC	RC12YC
Zazor elektroda, mm	0,7	0,5	0,7	0,7	0,5	0,5
Sustav za gorivo i podmazivanje						
Zapremnina spremnika goriva, litre	0,8	0,8	0,8	0,8	0,8	0,8
Zapremnina spremnika ulja, litre	0,4	0,4	0,4	0,4	0,4	0,4
Motorno ulje ¹⁰²	SAE 30/SAE 10W-30	SAE 30/SAE 10W-30	SAE 30/SAE 10W-30	SAE 30/SAE 10W-30	SAE 30/SAE 10W-30	SAE 30/SAE 10W-30
Masa						
S praznim spremnicima, kg	24	25	28	29	28	29
Buka¹⁰³						
Razina jačine zvuka, mjerena u dB (A)	93	93	95	95	95	95
Razina jačine zvuka, zadržana L _{WA} dB (A)	94	94	96	96	96	96
Razine buke¹⁰⁴						
Razine tlaka zvuka na uhu rukovatelja, dB (A)	80	80	82	82	82	82
Razine vibracija, a_{hveq}¹⁰⁵						
Ručka, m/s ²	14,75	14,75	15,68	15,68	15,68	15,68
Oprema za rezanje						
Visina rezanja, mm	20 – 75	20 – 75	30 – 80	30 – 80	30 – 80	30 – 80
Visina rezanja u mm	400	400	460	460	460	460
Nož	Stroj za sječku 40	Stroj za sječku 40	Stroj za sječku 46	Stroj za sječku 46	Stroj za sječku 46	Stroj za sječku 46
Kataloški broj	5871590-10	5871590-10	5811889-10	5811889-10	5811889-10	5811889-10

¹⁰¹ Navedena nazivna snaga motora je prosječna neto izlazna snaga (pri navedenom broju okretaja u minuti) tipičnog proizvodnog motora za određeni model mjerena prema standardu SAE J1349/ISO1585. Vrijednost se može razlikovati za motore za masovnu proizvodnju. Stvarna izlazna snaga motora ugrađenog u krajnji proizvod ovisi o radnoj brzini, uvjetima u okolišu i drugim vrijednostima.

¹⁰² Upotrebljavajte motorno ulje kvalitete SJ ili više. Tablice viskoznosti potražite u korisničkom priručniku proizvođača motora i odaberite najbolju viskoznost s obzirom na očekivanu vanjsku temperaturu.

* Emisije buke u okoliš izmjerene kao jakost zvuka (L_{WA}) u skladu s EZ direktivom 2000/14/EZ.

¹⁰⁴ Razina tlaka zvuka u skladu s ISO 5395:2103. Navedeni podaci za razinu pritiska zvuka uključuju tipično statističko raspršenje (standardno odstupanje) od 1,2 dB (A).

¹⁰⁵ Razina vibracija u skladu s ISO 5395:2013. Podaci o razini vibracije pokazuju tipičnu statističku disperziju (standardnu devijaciju) od 0,2 m/s².

	M40-120 CLASSIC	M40-125 CLASSIC+	M46-120 CLASSIC	M46-120R CLASSIC	M46-125 CLASSIC+	M46-125R CLASSIC+
Zapremnina sakupljača trave, litre	50	50	50	50	50	50

	M46-150WR CLASSIC	M51-140WR CLASSIC+	M51-150R CLASSIC	M51-150WR CLASSIC	M53-150WR CLASSIC
Motor					
Marka	McCulloch	Briggs & Stratton	McCulloch	McCulloch	McCulloch
Zapremnina, cm ³	150	140	150	150	150
Brzina, o/min	2900	2900	2900	2900	2900
Nazivna izlazna snaga motora, kW ¹⁰⁶	2.4	1,9	2.4	2.4	2.4
Sustav uključivanja					
Svjećica	K7RTC	RC12YC	K7RTC	K7RTC	K7RTC
Zazor elektroda, mm	0,7	0,5	0,7	0,7	0,7
Sustav za gorivo i podmazivanje					
Zapremnina spremnika goriva, litre	1,0	0,8	1,0	1,0	1,0
Zapremnina spremnika ulja, litre	0,4	0,4	0,4	0,4	0,4
Motorno ulje ¹⁰⁷	SAE 30/SAE 10W-30	SAE 30/SAE 10W-30	SAE 30/SAE 10W-30	SAE 30/SAE 10W-30	SAE 30/SAE 10W-30
Masa					
S praznim spremnicima, kg	32	32	33	33	33
Buka ¹⁰⁸					
Razina jačine zvuka, mjerena u dB (A)	97	97	95	97	98
Razina jačine zvuka, zajamčena L _{WA} dB (A)	98	98	98	98	98
Razine buke ¹⁰⁹					

¹⁰⁶ Navedena nazivna snaga motora je prosječna neto izlazna snaga (pri navedenom broju okretaja u minuti) tipičnog proizvodnog motora za određeni model mjerena prema standardu SAE J1349/ISO1585. Vrijednost se može razlikovati za motore za masovnu proizvodnju. Stvarna izlazna snaga motora ugrađenog u krajnji proizvod ovisi o radnoj brzini, uvjetima u okolišu i drugim vrijednostima.

¹⁰⁷ Upotrebljavajte motorno ulje kvalitete SJ ili više. Tablice viskoznosti potražite u korisničkom priručniku proizvođača motora i odaberite najbolju viskoznost s obzirom na očekivanu vanjsku temperaturu.

¹⁰⁸ * Emisije buke u okoliš izmjerene kao jakost zvuka (L_{WA}) u skladu s EZ direktivom 2000/14/EZ.

¹⁰⁹ Razina tlaka zvuka u skladu s ISO 5395:2103. Navedeni podaci za razinu pritiska zvuka uključuju tipično statističko raspršenje (standardno odstupanje) od 1,2 dB (A).

	M46-150WR CLASSIC	M51-140WR CLASSIC+	M51-150R CLASSIC	M51-150WR CLASSIC	M53-150WR CLASSIC
Razine tlaka zvuka na uhu rukovatelja, dB (A)	82	82	81	84	82
Razine vibracija, a_{Hveq}¹¹⁰					
Ručka, m/s ²	4,27	4,27	4,06	5,55	3,39
Oprema za rezanje					
Visina rezanja, mm	30 – 80	30 – 90	30 – 90	30 – 90	30 – 90
Visina rezanja u mm	460	510	510	510	530
Nož	Stroj za sječku 46	Stroj za sječku 51	Stroj za sječku 51	Stroj za sječku 51	Stroj za sječku 53
Kataloški broj	5811889-10	5041133-10	5041133-10	5041133-10	5811886-10
Zapremnina sakupljača trave, litre	50	55	55	55	55

Izjava o usklađenosti EZ

Sadržaj europske deklaracije o usklađenosti

Tvrtka Husqvarna AB, SE 561 82 Huskvarna, ŠVEDSKA izjavljuje pod izričitom odgovornosti kako je predstavljeni proizvod:	
Opis	Kosilica za travu pogonjena motorom s unutarnjim izgaranjem kojom se upravlja pješice
Marka	McCulloch
Platforma / Vrsta / Model	M40-120 CLASSIC, M40-125 CLASSIC+, M46-120 CLASSIC, M46-120R CLASSIC, M46-125 CLASSIC+, M46-125R CLASSIC+, M46-150WR CLASSIC, M51-140WR CLASSIC+, M51-150R CLASSIC, M51-150WR CLASSIC, M53-150WR CLASSIC
Grupa	Serijski brojevi iz 2017. i noviji
u potpunosti sukladan sljedećim EU direktivama i propisima:	
Direktiva/propis	Opis
2006/42/EC	"koja se odnosi na strojeve"
2014/30/EU	"koja se odnosi na elektromagnetsku kompatibilnost"
2000/14/EZ; 2005/88/EZ	"koja se odnosi na vanjsku buku"

¹¹⁰ Razina vibracija u skladu s ISO 5395:2013. Podaci o razini vibracije pokazuju tipičnu statističku disperziju (standardnu devijaciju) od 0,2 m/s².

Primijenjene su sljedeće usklađene norme i/ili tehničke specifikacije: EN ISO 12100, ISO 14982, ISO 5395-1 & 2, ISO 3744, ISO 11094, EN 1032

U skladu s dodatkom V direktive 2000/14/EC, objavljene vrijednosti zvuka navedene su u odjeljku s tehničkim podacima u ovom priručniku i u potpisanoj EC izjavi o sukladnosti.

Isporučena kosilica za travu s motorom s unutarnjim izgaranjem kojom se upravlja pješice sukladna je s primjerkom koji je podvrgnut ispitivanju.

TARTALOMJEGYZÉK

Bevezető.....	140	Karbantartás.....	145
Biztonság.....	141	Szállítás, tárolás és ártalmatlanítás.....	148
Biztonsági utasítások a karbantartáshoz.....	143	Műszaki adatok.....	148
Összeszerelés.....	144	EK megfeleléségi nyilatkozat.....	151
Üzemelés.....	144		

Bevezető

Termékleírás

A termék egy gyalog kísért forgókéses fűnyíró. A fű egy fűgyűjtőben kerül gyűjtésre. Vegye ki a fűgyűjtőt a fű hátsó ürítéséhez. Csatlakoztasson egy porhanyító készletet (tartozék) a fű műtrágyázásra való vágásához.

A termék áttekintése

(ábra 1)

1. Kerékajtás kapcsoló kar (M46-120R CLASSIC, M46-125R CLASSIC+, M46-150WR CLASSIC, M51-140WR CLASSIC+, M51-150R CLASSIC, M51-150WR CLASSIC, M53-150WR CLASSIC)
2. Felső fogantyú / fogantyú
3. Fékkar
4. Berántókötél fogantyú
5. Berántókötél-hurok
6. Fűgyűjtő
7. Alsó fogantyú
8. Alsó fogantyú szerelvénye
9. Vágási magasságot szabályozó karok
10. Olajbeöntő nyílás fedele
11. Kipufogódob
12. Leeresztő zárócsavar a porlasztófedélhez
13. Üzemanyagpumpa
14. Gyújtógyertya
15. Üzemanyagtartály
16. Kés
17. Rugóalátét
18. Késtartó csavar
19. Vágóasztal
20. Légszűrő
21. Kezelői kézikönyv

A termék szimbólumai

(ábra 2) FIGYELMEZTETÉS: A gondatlan vagy helytelen használat a kezelő vagy a közelben állók sérülését vagy halálát okozhatja.

(ábra 3) Olvassa el figyelmesen a használati utasítást, és győződjön meg róla, hogy

Rendeltetésszerű használat

Használja a terméket magánkertekben történő fűnyírásra. Ne használja a terméket egyéb feladatokra.

megértette azt, mielőtt a terméket használatba veszi.

(ábra 4) A személyeket és állatokat tartsa biztonságos távolságban a munkaterülettől.

(ábra 5) Javítás vagy karbantartás előtt állítsa le a motort, és vegye le a gyújtáskábelét.

(ábra 6) Legyen óvatos a kivetett és visszapattanó tárgyakkal.

(ábra 7) Figyelem: forgó kés. Tartsa kezét és lábát biztonságos távolságban.

(ábra 8) Figyelmeztetés: forgó alkatrészek. Tartsa kezét és lábát biztonságos távolságban.

(ábra 9) Ez a termék megfelel a vonatkozó EK irányelveknek

(ábra 10) Az Európai Közösség irányelvének megfelelő környezeti zajkibocsátás. A termék kibocsátási adatai megtalálhatók a Műszaki adatok című fejezetben és a címkén.

(ábra 11) Tűzveszély.

(ábra 12) Tűzveszély.

(ábra 13) Robbanásveszély.

(ábra 14) Üzemanyagöltés előtt mindig állítsa le a motort.

(ábra 15) Forró felület.

(ábra 16)

A motorból származó kipufogógázok szén-monoxidot tartalmaznak, amely szagtalan, mérgező, rendkívül veszélyes gáz. Ne működtesse a járművet beltérben vagy zárt helyen.

- a termék javítását helytelenül végezték;
- a termék javítása nem a gyártótól származó vagy általa jóváhagyott alkatrészekkel történt;
- a terméket nem a gyártótól származó vagy általa jóváhagyott kiegészítővel szerelték fel;
- a termék javítását nem hivatalos szakszerviz vagy jóváhagyott egyéb szerviz végezte.

Megjegyzés: A terméken szereplő többi jelölés/címke a további piacok specifikus vizsgáztatási követelményeire vonatkozik.

Termékszavatosság

A termékszavatosságra vonatkozó jogszabályok értelmében nem vagyunk felelősek a termékeink által okozott károkért az alábbi esetekben:

Biztonság

Biztonsági meghatározások

A figyelmeztetések, óvintézkedések és megjegyzések a használati utasítás kiemelten fontos részeire hívják fel a figyelmet.



FIGYELMEZTETÉS: Akkor használatos, ha a kézikönyv utasításainak be nem tartása esetén fennáll a kezelő vagy a közelben tartózkodók sérülésének vagy halálának veszélye.



VIGYÁZAT: Akkor használatos, ha a kézikönyv utasításainak be nem tartása esetén fennáll a vagyoni kár, illetve a termék vagy a környező terület károsodásának veszélye.

Megjegyzés: További információt biztosít az adott helyzetben szükséges tennivalóról.

Általános biztonsági utasítások



FIGYELMEZTETÉS: A termék használata előtt olvassa el az alábbi figyelmeztetéseket.

- Ez a termék veszélyes, ha helytelenül használja, vagy ha nem vigyáz. A biztonsági utasítások be nem tartása sérüléssel vagy halállal járhat.
- A termék működés közben elektromágneses mezőt hoz létre. Ez bizonyos körülmények esetén hatással lehet az aktív vagy passzív orvosi implantátumokra. A súlyos vagy halálos sérülés kockázatának csökkentése érdekében azt javasoljuk, hogy az orvosi implantátumot használó személyek a termék alkalmazása előtt kérjék ki orvosuk vagy az orvosi implantátum gyártójának tanácsát.

- Mindig megfontoltan és előrelátóan cselekedjen. Ha nem biztos benne, hogyan kell a terméket speciális helyzetben üzemeltetni, akkor hagyja abba a tevékenységet, és beszéljen a McCulloch kereskedőjével a folytatás előtt.
- Ne feledje, hogy a kezelő felelős a másokat és a mások tulajdonát érő balesetekért is.
- Tartsa tisztán a terméket. Ügyeljen arra, hogy a jelek és címkék jól olvashatóak legyenek.
- Ne engedje, hogy használják a terméket, amíg nem gondoskodott róla, hogy elolvassák és megértsék a használati utasítás tartalmát.
- A terméket gyermekek nem használhatják.
- Ne használja a terméket olyan személy, aki nem ismeri a kezelési utasítást.
- Csökkent fizikai vagy szellemi képességekkel rendelkező személy csak felügyelet mellett használhatja a terméket. Egy felelős felnőttnek mindig jelen kell lennie.
- Ne használja a terméket, ha fáradt, beteg, illetve alkohol, drog vagy gyógyszer hatása alatt áll. Ez negatív hatással van a látására, az éberségére, a koordinációjára és az ítélőképességére.
- Ne használja a terméket, ha hibás.
- Ne változtassa meg a terméket, vagy ne használja, ha feltehetőleg valaki más változtatásokat hajtott végre rajta.

A munkaterület biztonsága



FIGYELMEZTETÉS: A termék használata előtt olvassa el az alábbi figyelmeztetéseket.

- A termék használata előtt távolítsa el a különböző tárgyakat, például ágakat, gallyakat és köveket a munkaterületről.
- A vágószerszereknek ütköző tárgyak elrepülve személyek vagy tárgyak sérülését okozhatják. A

közben állókat és az állatokat tartsa biztonságos távolságban a terméktől.

- Ne használja a terméket rossz időben, például ködben, esőben, erős szélben, nagy hidegben, villámás veszélyes esetén. A termék rossz időjárási körülmények között vagy nyirkos, nedves helyeken történő használata ferasztó. A rossz időjárás veszélyes körülményeket, például csúszós felületeket okozhat.
- Ügyeljen az olyan személyekre, tárgyra és helyzetekre, amelyek akadályozzák a termék biztonságos üzemeltetését.
- Ügyeljen az olyan akadályokra, mint a gyökerek, kövek, gallyak, gödrök és árkok. A magas fű akadályokat rejtget.
- A lejtőkön levő fű nyírása veszélyes lehet. Ne használja a terméket 15 foknál meredekebb lejtőn.
- Az emelkedőnél/lejtőknél mindig oldalirányban működtesse a terméket. Ne haladjon felfelé vagy lefelé.
- Legyen körültekintő, ha olyan sarkok és tárgyak közelébe ér, amelyek gátolják a tiszta kilátást.

- A termék üzemeltetése során minden kerék legyen a talajon, és tartsa két kézzel a fogantyút. Tartsa távol kezét és lábát a forgó késektől.
- Ne döntse meg a terméket, ha a motor jár.
- Legyen óvatos, amikor hátrafelé húzza a terméket.
- Soha ne emelje fel a terméket, ha a motor jár. Ha fel kell emelnie a terméket, előbb kapcsolja ki a motort, és válassza le a gyújtásvezérlést a gyújtógyertyáról.
- Ne sétáljon hátrafelé a termék működtetése során.
- Állítsa le a motort, ha olyan területeken halad át, ahol nincs fű, például kavicsos, kövezett és aszfaltozott járdák.
- Ne fusson a termékkel, ha a motor jár. Mindig sétáljon a termék működtetése során.
- Mielőtt megváltoztatná a vágási magasságot, állítsa le a motort. Soha ne végezzen beállításokat, amikor a motor jár.
- Soha ne hagyja a terméket felügyelet nélkül járó motor esetén. Állítsa le a motort és győződjön meg arról, hogy a vágószerkezet nem forog.

Munkabiztonság



FIGYELMEZTETÉS: A termék használata előtt olvassa el az alábbi figyelmeztetéseket.



FIGYELMEZTETÉS: A termék használata előtt olvassa el az alábbi figyelmeztetéseket.

- Ezt a terméket kizárólag fűves pázsitok nyírására használja. A termék más feladatokra történő használata nem megengedett.
- Használjon személyi védőfelszerelést. Lásd *Személyi védőfelszerelés 142. oldalon*.
- Soha ne indítsa el a motort zárt térben vagy gyúlékony anyag közelében. A motorból kijutó kipufogó füstök forrók és szikrákat tartalmazhatnak, amelyek tüzet okozhatnak.
- Ne használja a készüléket, ha csak a kés és az összes borítás nincs megfelelően rögzítve. A nem megfelelően rögzített kés kilazulhat, és személyi sérülést okozhat.
- Ügyeljen arra, hogy a kés ne ütközzön olyan tárgyakba, mint például kövek és gyökerek. Ez kárt tehet a késben, és meghajlíthatja a motor tengelyét. A meghajlott tengely erős rezgést okoz, és így nagyon nagy a kockázata annak, hogy a kés meglazul.
- Ha a kés valamilyen tárgynak ütközik vagy rezegni kezd, azonnal állítsa le a terméket. Húzza ki a gyújtáskábelt a gyújtógyertyából. Ellenőrizze, hogy a termék sérülésmentes-e. Javítsa meg a sérüléseket, vagy végeztesse el a szakszervizzel a javításokat.
- Amikor a motor működésben van, soha ne rögzítse tartósan a fékkart a fogantyúhoz.
- Helyezze a terméket stabil, vízszintes felületre, és kapcsolja be. Gondoskodjon arról, hogy a kés ne ütközzön se a talajba, se egyéb tárgyakba.
- Mindig maradjon a termék mögött, amikor működteti.

- A személyi védőfelszerelés nem küszöböli ki teljes mértékben a sérülés kockázatát, de csökkenti a sérülés mértékét, ha bekövetkezik a baleset. A megfelelő felszerelés kiválasztásában kérje a kereskedő segítségét.
- Használjon nagy teherbírást, csúszásmentes bakancsot vagy cipőt. Ne használja nyitott cipőben vagy mezítláb a terméket.
- Viseljen vastag, hosszú szárú nadrágot.
- Viseljen védőkesztyűt, például a vágószerkezet felhelyezésekor, ellenőrzésekor vagy tisztításakor.

Biztonsági eszközök a terméken



FIGYELMEZTETÉS: A termék használata előtt olvassa el az alábbi figyelmeztetéseket.

- Ne használjon olyan terméket, amelynek hibásak a biztonsági eszközei.
- Rendszeresen ellenőrizze a biztonsági eszközöket. A biztonsági eszközök meghibásodása esetén vegye fel a kapcsolatot a McCulloch szervizműhellyel.

Vágóburkolat

- Vizsgálja meg a vágóburkolatot, hogy nincs rajta sérülés, például repedés.

Fékkar

A fékkar a motor leállítására szolgál. Ha elengedi a fékkart, a motor leáll.

A motorfék ellenőrzéséhez indítsa el a motort, majd engedje el a fékkart. Ha a motor 3 másodpercen belül nem áll le, állítsa be egy hivatalos McCulloch szakszervizben a motorféket.

(ábra 17)

Kipufogódob

A kipufogódob minimálisra csökkenti a zajszintet, és elvezeti a kipufogógázokat a kezelő közeléből.

Hiányzó vagy hibás kipufogódob esetén ne használja a terméket. A hibás kipufogódob növeli a zajszintet és a tűzveszélyt.

Rendszeresen ellenőrizze a kipufogódob megfelelő rögzítését és épségét.



VIGYÁZAT: A kipufogódob erősen felhevül használat közben és után, illetve, amikor a motor alapjáraton működik. Legyen óvatos gyúlékony anyagok és/vagy gázok közelében a tűzveszély elkerülése érdekében.

Üzemanyaggal kapcsolatos biztonság



FIGYELMEZTETÉS: A termék használata előtt olvassa el az alábbi figyelmeztetéseket.

- Ne indítsa be a terméket, ha üzemanyag vagy motorolaj került rá. Távolítsa el a nem kívánt

üzemanyagot/motorolajat és hagyja megszáradni a terméket.

- Ha a kiömlött üzemanyag a ruhájára csöppent, öltözzön át azonnal.
- Ügyeljen arra, hogy ne kerüljön üzemanyag a testére, mert az sérülést okozhat. Ha üzemanyag került a testére, távolítsa el szappannal és vízzel.
- Ne indítsa be a motort, ha szivárog a motor.
- Vizsgálja meg rendszeresen a motort szivárgás szempontjából.
- Bánjon óvatosan az üzemanyaggal. Az üzemanyag gyúlékony, a gőzei robbanásveszélyesek, ezért súlyos, akár végzetes sérülést is okozhat.
- Ne lélegezze be az üzemanyag gőzeit, egészségkárosodást okozhatnak. Gondoskodjon megfelelő légáramlásról.
- Az üzemanyag vagy a motor közelében ne dohányozzon.
- Az üzemanyag vagy a motor közelébe ne tegyen forró tárgyakat.
- Ne tankoljon járó motornál.
- Várja meg a tankolással, amíg lehűl a motor.
- Tankolás előtt nyissa meg lassan a tanksapkát, engedje ki óvatosan a nyomást.
- Ne beltérben tankoljon. A nem elegendő mértékű légáramlás fulladás vagy szén-monoxid miatt egészségkárosodást, akár halált is okozhat.
- Húzza meg teljesen az üzemanyagtartály sapkáját. Ha az üzemanyagtartály sapkája nincs meghúzva, tűzveszélyt okozhat.
- Vigye legalább 3 m (10 láb) távolságra a terméket a tankolás helyétől, mielőtt beindítaná.
- Ne töltsen túl üzemanyaggal a terméket.

Biztonsági utasítások a karbantartáshoz



FIGYELMEZTETÉS: A termék használata előtt olvassa el az alábbi figyelmeztetéseket.

- A motorból származó kipufogógázok szén-monoxidot tartalmaznak, amely szagtalan, mérgező, rendkívül veszélyes gáz. Ne indítsa be a motort beltérben vagy zárt helyen.
- A termék karbantartása előtt állítsa le a motort, és húzza ki a gyújtáskábelt a gyújtógyertyából.
- A vágószerkezet karbantartásakor használjon védőkesztyűt. A kés nagyon éles, könnyen megvághatja magát.
- A gyártó által nem jóváhagyott tartozékok és változtatások súlyos sérülést vagy halált okozhatnak. Ne végezzen módosításokat a terméken. Csak a gyártó által jóváhagyott tartozékokat használjon.
- Ha a karbantartást nem megfelelően és rendszeresen végezték el, nő a termék sérülésének és károsodásának kockázata.
- Csak a felhasználói kézikönyvben megadott karbantartást végezze el. Minden egyéb szervizelés csak hivatalos McCulloch szervizműhely végezhet.
- Végeztesse a termék rendszeres szervizelését hivatalos McCulloch szervizműhellyel.
- A sérült, kopott vagy törött alkatrészt cserélje ki.

Összeszerelés

A fogantyú összeszerelése

Alsó fogantyú rész

1. Az ábra szerint tegye a csapokat az alsó fogantyú aljának nyílásaiba. Igazítsa megfelelően a csavarfuratokat, és rögzítse a csavarokat, alátéteket és gombokat.(ábra 18)

Felső fogantyú rész

1. Igazítsa össze a fogantyú nyílásait az alsó fogantyú nyílásaival, majd rögzítse a csavarokat, alátéteket és gombokat. A berántókötél-hurkot is rögzítse a jobb oldalon. Teljesen húzza meg a gombokat.(ábra 19)
2. Húzza meg a berántókötél fogantyúját, és tegye a berántókötélet a berántókötél-hurok köré.(ábra 20)
3. Használja a pántokat, hogy a kábeleket a fogantyúhoz rögzítse.(ábra 21)

Megjegyzés: Győződjön meg róla, hogy a kábelek nem túl feszesek.

A fűgyújtó doboz felszerelése

1. Helyezze a fűgyújtó keretet a szövet fűzsákba. Győződjön meg arról, hogy a fűgyújtó kereten lévő fogantyú a fűzsák tetején van.

2. Csatlakoztassa a fűzsákot a fűgyújtó kerethez a szövetszák peremén található kapcsok segítségével.(ábra 22)
3. Emelje fel a hátsó burkolatot.
4. Csatlakoztassa a fűgyújtót a vázszekrény felső széléhez.
5. Helyezze a fűgyújtó alsó részét a fűkidobó csatornába.

A mulcsozó dugó összeszerelése

Bizonyos modelleknél porhanyító készlet is rendelkezésre áll külön megvásárolható tartozékként. A(z) M51-150WR CLASSIC, M53-150WR CLASSIC modelleket porhanyító készlettel szállítják. A(z) M40-120 CLASSIC, M40-125 CLASSIC+ modellek nem használhatók porhanyító készlettel.

1. Emelje fel a hátsó burkolatot, és vegye ki a fűgyújtót.
2. Helyezze a mulcsozó dugót a fűkidobó csatornába.(ábra 23)

Üzemelés

Bevezető



FIGYELMEZTETÉS: A termék működtetése előtt el kell olvasnia és meg kell értenie a biztonságról szóló fejezetet.

használjon, amely legfeljebb 10% etanolt (E10) tartalmaz.



FIGYELMEZTETÉS: A nem megfelelő üzemanyag használata a motor károsodásához vezethet.

A termék működtetése előtt

1. Olvassa el figyelmesen a használati utasítást, és győződjön meg róla, hogy megértette azt.
2. Vizsgálja meg a vágószerkezetet, hogy megbizonyosodjon róla, hogy megfelelően van-e rögzítve és beállítva. Lásd *A vágószerkezet ellenőrzése 146. oldalon.*
3. Töltse fel az üzemanyagtartályt. Lásd *Tankolás 144. oldalon.*
4. Töltse fel az olajtartályt, és ellenőrizze az olajszintet. Lásd *Az olajszint ellenőrzése 146. oldalon.*

Tankolás

Ha elérhető, használjon környezetbarát/alkilát benzint. Ha környezetbarát/alkilát benzin nem áll rendelkezésre, használjon jó minőségű ólommentes vagy ólomtartalmú benzint. Legalább 90-es oktánszámú benzint

1. Lassan nyissa ki az üzemanyagtartály sapkáját, hogy kiengedje a nyomást.
2. Töltsön fel lassan a tartályt az üzemanyagkannával. Ha kiömlött az üzemanyag, törölje le egy kendővel, és hagyja, hogy a megmaradt üzemanyag felszáradjon.
3. Tartsa tisztán az üzemanyagtartály sapkájának környékét.
4. Húzza meg teljesen az üzemanyagtartály sapkáját. Ha az üzemanyagtartály sapkája nincs meghúzva, tűzveszélyt okozhat.
5. Vigye legalább 3 m (10 láb) távolságra a terméket a tankolás helyétől, mielőtt beindítaná.

A vágási magasság beállítása

1. Mozgassa a vágási magasságot szabályozó kart hátrafelé a vágási magasság növeléséhez.

- Mozgassa a vágási magasságot szabályozó kart előre felé a vágási magasság csökkentéséhez. (ábra 24)



VIGYÁZAT: Ne állítsa túl alacsonyra a vágási magasságot. A kések a talajba ütközhetnek, ha a pázsit felülete nem egyenletes.

A termék elindítása

- Győződjön meg róla, hogy a gyújtáskábel csatlakozik a gyújtógyertyához.
- A készülék legelső beindításakor nyomja meg 5-ször az üzemanyagpumpát. Ha a készülék legközelebbi indításakor a motor hideg, 3-szor nyomja meg az üzemanyagpumpát. (ábra 25)
- Maradjon a termék mögött.
- Húzza a fékkart a fogantyúhoz. (ábra 26)
- Fogja meg a berántókötél fogantyúját jobb kézzel.
- Lassan húzza ki a berántókötetet, amíg ellenállást érez.
- Erőteljes mozdulattal rántsa be a motort.



FIGYELMEZTETÉS: Ne tekerje a berántókötetet a keze köré.

A kerekeken levő meghajtó használata

- Nyomja a kerékajítás kapcsoló kart a fogantyú irányába. (ábra 27)
- Mielőtt maga felé húzza a gépet, kapcsolja ki a meghajtást, és tolja előre a gépet kb. 10cm-re.
- Engedje el a kerékajítás kapcsoló kart, hogy kikapcsolja a meghajtást, például amikor akadály közelébe ér.

A termék leállítás

- Csak a meghajtás leállításához engedje el a kerékajítás kapcsoló kart.
- A motor leállításához engedje el a fékkart.

Megfelelő eredmény elérése

- Használjon mindig éles kést. A tompa kés egyetlen eredményt ad, és a fű vágási felülete megsárgul. Az éles kés egyben kevesebb energiát igényel, mint a tompa kés.
- Ne nyírjon le többet a fű hosszának 1/3-ánál. Először nagy vágási magasságot állítson be, és úgy nyírjon. Vizsgálja meg az eredményt, és csökkentse a vágási magasságot egy megfelelő szintre. Ha nagyon magas a fű, lassan és szükség esetén 2-szer nyírjon.
- Minden alkalommal más irányban haladjon, hogy ne alakuljanak ki sávok a pázsiton.

Karbantartás

Bevezető



FIGYELMEZTETÉS: Karbantartás előtt el kell olvasnia és meg kell értenie a biztonságról szóló fejezetet.

A gépen végzett minden szerviz- és javítási munkát szakképzettséget igényel. Garantáljuk a professzionális javítások és szervizelés lehetőségét. Ha viszonteladója nem szervizműhely, forduljon hozzájuk a legközelebbi szervizműhellyel kapcsolatban.

Karbantartási terv

A karbantartási intervallumok meghatározásakor a termék napi használatát feltételeztük. Az intervallum változik, ha a terméket nem napi rendszerességgel használja.

A *-gal jelölt karbantartásokhoz az utasításokat lásd: *Biztonsági eszközök a terméken* 142. oldalon.

Karbantartás	Naponta	Hetente	Havonta
Végezzen általános ellenőrzés	X		
Ellenőrizze az olajsintet	X		
Tisztítsa meg a terméket	X		
Ellenőrizze a vágószerkezetet	X		
Ellenőrizze a vágóburkolatot*	X		
Ellenőrizze a fékkart*	X		
Ellenőrizze és állítsa be a hajtást (tengelykapcsoló vezeték)	X		
Ellenőrizze a hangfogót*		X	

Karbantartás	Naponta	Hetente	Havonta
Ellenőrizze a gyújtógyertyát		X	
Cserélje ki az olajat (először 5 óra után, majd minden 50 óra használat után)			X
Cserélje ki a légszűrőt			X
Ellenőrizze az üzemanyagrendszer			X

Általános ellenőrzés

- Ellenőrizze, hogy az anyák és csavarok meg vannak-e szorítva a terméken.

A termék külső tisztítása

- Kefével távolítsa el a leveleket, a fűvet és az egyéb szennyeződések.
- Győződjön meg róla, hogy a motor tetején levő levegőbeömlő nyílás nincs eltömődve.
- Ne használjon nagynyomású mosót a termék tisztításához.
- Ha vízzel tisztítja a terméket, ne irányítsa a vízugarat közvetlenül a motorra.

A vágóburkolat belső felületének tisztítása

- Ürítse ki a benzintartályt.
- Fordítsa a terméket az oldalára a hangfogóval lefelé.



VIGYÁZAT: Ha a terméket a légszűrővel lefelé fordítva állítja, a motor károsodhat.

- Mossa le vízzel a vágóburkolat belső felületét.

A vágószerkezet ellenőrzése



FIGYELMEZTETÉS: A termék véletlen elindítását elkerülendő, húzza ki a gyújtáskábelt a gyújtógyertyából.



FIGYELMEZTETÉS: A vágószerkezet karbantartásakor használjon védőkesztyűt. A kés nagyon éles, könnyen megvághatja magát.

- Ellenőrizze a vágószerkezetet sérülés, repedés szempontjából. Mindig cserélje ki a sérült vágószerkezetet.
- Nézz meg a kést, hogy sérült-e vagy tompa-e.

Megjegyzés: A kés élezését követően ki kell egyensúlyozni. Végeztesse a kés élezését, cseréjét és kiegyensúlyozását szervizközponttal. Ha olyan akadályba ütközött, amely megállította a terméket, cserélje ki a sérült kést. Vizsgálta meg a

szervizközpontban, hogy élezhető-e a kés, vagy pedig cserét igényel-e.

A kés cseréje

- Rögzítse a kést egy fadarabbal.(ábra 28)
- Távolítsa el a késtartó csavart.
- Vegye le a kést.
- Ellenőrizze a késtámaszt és a késtartó csavart, hogy sérült-e.
- Ellenőrizze a motor tengelyét, hogy nincs-e meghajolva.
- Az új kés rögzítésekor a kés ferde vége a vágóburkolat felé nézzen.(ábra 29)
- Győződjön meg róla, hogy a kés igazodik a motortengely középpontjához.
- Rögzítse a kést egy fadarabbal. Helyezze fel a rugós alátétet, és húzza meg a csavart 45–60 Nm nyomatékkal.(ábra 30)
- Forgassa meg a kést kézzel, és figyelje, hogy szabadon forog-e.



FIGYELMEZTETÉS: Használjon strapabíró kesztyűt. A kés nagyon éles, könnyen megvághatja magát.

- Indítsa be a terméket, hogy tesztelje a kést. Ha a kés nincs megfelelően rögzítve, a termékben rezgés tapasztalható, vagy a vágási eredmény nem kielégítő.

Az olajsint ellenőrzése



VIGYÁZAT: Ha az olajsint túlságosan alacsony, kár keletkezhet a motorban. Ellenőrizze az olajsintet, mielőtt elindítja a terméket.

- Helyezze a terméket vízszintes talajra.
- Vegye le az olajtartály sapkáját a rögzített nivópálcával együtt.
- Törölje le a nivópálcáról az olajat.
- Tegye a nivópálcát teljesen az olajtartályba, hogy pontos képet kapjon az olajsintről.
- Vegye ki a nivópálcát.
- Vizsgálja meg az olajsintet a nivópálcán.

- Ha az olajsint alacsony, töltsse fel a tartályt motorolajjal, és ellenőrizze újra az olajsintet.

A motorolaj cseréje



FIGYELMEZTETÉS: A motorolaj rendkívül forró közvetlenül a motor leállítása után. Várja meg, amíg lehűl a motor, mielőtt leereszti az olajat. Ha motorolaj kerül a bőrére, vízzel és szappannal mossa le.

- Használja a terméket addig, amíg kiürül az üzemyagtartály.
- Húzza ki a gyújtáskábelt a gyújtógyertyából.
- Vegye le az olajtartály sapkáját.
- Tegyen egy tartályt a termék alá, hogy a motorolajat összegyűjtse.
- Döntse meg a terméket, hogy az olajtartályból kifolyjon a motorolaj.
- Töltsse fel az olajtartályt a(z) *Műszaki adatok 148. oldal*on részben ajánlott típusú, új motorolajjal.
- Ellenőrizze az olajsintet. Lásd *Az olajsint ellenőrzése 146. oldal*on.

Légszűrő

A hosszú ideje használt légszűrőt nem lehet teljesen kicserélni. A légszűrőt rendszeres időközönként cserélje ki.

Megjegyzés: Mindig cserélje ki a sérült levegőszűrőt.

A papírszűrő tisztítása

- Távolítsa el a levegőszűrő fedelét és a papírszűrőt.
- A szűrőt ütögesse sima felülethez, hogy a rátapadt részecskék leessenek.



VIGYÁZAT: Ne tisztítsa a papírszűrőt oldószerrel vagy sűrített levegővel.

- Tegye vissza a légszűrőt. Győződjön meg arról, hogy a szűrő szorosan illeszkedik a levegőszűrő-tartóba.
- Tegye vissza a légszűrő fedelet.

A műanyaghab szűrő tisztítása

- Távolítsa el a levegőszűrő fedelét és a műanyaghab szűrőt.
- Tisztítsa meg a műanyaghab szűrőt szappannal és vízzel.
- Öblítse le tiszta vízzel a műanyaghab szűrőt.
- Nyomja ki a vizet a műanyaghab szűrőből, és hagyja megszáradni.



VIGYÁZAT: Ne használjon sűrített levegőt. Az károsíthatja a műanyaghab szűrőt.

- Kenje be a műanyaghab szűrőt motorolajjal.
- Nyomjon tiszta kendőt a műanyaghab szűrőhöz a felesleges olaj eltávolításához.
- Tegye vissza a légszűrőt. Győződjön meg arról, hogy a szűrő szorosan illeszkedik a levegőszűrő-tartóba.
- Tegye vissza a légszűrő fedelet.

A gyújtógyertya ellenőrzése.



VIGYÁZAT: Használja mindig az előírt típusú gyújtógyertyát. A nem megfelelő gyújtógyertya károsíthatja a terméket.

- Vizsgálja meg a gyújtógyertyát, ha gyenge a motor, nehezen indul, vagy egyenetlen az alapjárata.
- A gyújtógyertya elektródái közötti lerakódások kialakulásának csökkentése érdekében tartsa be az alábbi utasításokat:
 - gondoskodjon az alapjárat fordulatszám megfelelő beállításáról;
 - gondoskodjon a megfelelő üzemyag-keverékről;
 - gondoskodjon a levegőszűrő tisztaságáról.
- Ha a gyújtógyertya piszkos, tisztítsa meg, és ellenőrizze, hogy a szikraköz megfelelő-e, lásd: *Műszaki adatok 148. oldal*on.(ábra 31)
- Szükség esetén cserélje ki a gyújtógyertyát.

Az üzemyagrendszer ellenőrzése

- Vizsgálja meg az üzemyagtartály sapkáját és a sapka tömítését, hogy ellenőrizze, nincs-e megsérülve.
- Vizsgálja meg az üzemyag-vezetékét, hogy ellenőrizze, nincs-e szivárgás. Ha az üzemyag-vezeték sérült, cseréltesse ki egy szervizműhellyel.

A tengelykapcsoló bovdén beállítása

Ha a hajtás lassúnak tűnik, akkor be kell állítani a tengelykapcsoló bovdent.

- Csatlakoztassa a tengelykapcsoló bovdent a kerékajtás kapcsoló karon levő különböző furatokhoz a bovdén hosszának beállításához. A tengelykapcsoló bovdén hosszának csökkentésével a hajtási sebesség növelhető. A tengelykapcsoló bovdén hosszának növelésével a hajtási sebesség csökkenthető. (ábra 32)

Megjegyzés: Ha a hajtás be van kapcsolva, amikor nem húzza a kerékajtás kapcsoló kart, meg kell hosszabbítani a tengelykapcsoló bovdent.

- A hajtási sebesség kis mértékű módosításához forgassa el a beállító csavart. A hajtási sebesség

növelése érdekében forgassa el a beállító csavart az óramutató járásával ellentétes irányba. A hajtási sebesség csökkentése érdekében forgassa el a beállító csavart az óramutató járásával megegyező irányba.(ábra 33)

Ha a hajtás a beállítás után is lassú, cseréltesse ki a hajtó ékszíjat egy hivatalos szervizműhellyel.

Szállítás, tárolás és ártalmatlanítás

Szállítás és raktározás

- A termék és az üzemanyag tárolásához és szállításához győződjön meg róla, hogy nincsenek szivárgások vagy gőzök. Szikra vagy nyílt láng, például elektromos készülékektől vagy kazánoktól, tüzet okozhat.
- Mindig engedélyezett tartályokat használjon az üzemanyag tárolására és szállítására.
- Ha a terméket hosszabb ideig tárolja, ürítse ki az üzemanyagtartályt és a porlasztófelelet. A felesleges üzemanyagot adja le egy erre kijelölt gyűjtőpontra.
- Biztonságosan rögzítse a terméket szállítás során, a sérülés és baleset elkerülése érdekében.

- Tartsa a terméket zárható helyen, ahol gyermek vagy jogosulatlan személy nem férhet hozzá.
- Tartsa a terméket száraz és fagymentes helyen.

Hulladékkezelés

- Kövesse a helyi újrahasznosítási előírásokat és a vonatkozó szabályozásokat.
- A használt vagy felesleges vegyi anyagot, például a motorolajat vagy az üzemanyagot, adja le egy szervizközpontban vagy egy erre kijelölt gyűjtőpontra.
- A már nem használt terméket, küldje vissza a McCulloch kereskedőhöz, vagy adja le egy újrahasznosítási pontra.

Műszaki adatok

Műszaki adatok

	M40-120 CLASSIC	M40-125 CLASSIC+	M46-120 CLASSIC	M46-120R CLASSIC	M46-125 CLASSIC+	M46-125R CLASSIC+
Motor						
Márka	McCulloch	Briggs & Stratton	McCulloch	McCulloch	Briggs & Stratton	Briggs & Stratton
Lökettérfogat, cm ³	120	125	120	120	125	125
Fordulatszám, ford./perc	2900	2900	2900	2900	2900	2900
Névleges motorteljesítmény, kW ¹¹¹	2,0	1,6	2,0	2,0	1,6	1,6
Gyújtásrendszer						
Gyújtógyertya	K7RTC	RC12YC	K7RTC	K7RTC	RC12YC	RC12YC
Elektródahézag, mm	0,7	0,5	0,7	0,7	0,5	0,5
Üzemanyag- és olajozási rendszer						
Üzemanyagtartály úrtartalma, liter	0,8	0,8	0,8	0,8	0,8	0,8
Olajtartály úrtartalma, liter	0,4	0,4	0,4	0,4	0,4	0,4

¹¹¹ A motor feltüntetett névleges teljesítménye az adott motormodell tipikus legyártott motorjának a J1349/ISO1585 sz. SAE-szabvány szerint mért átlagos nettó teljesítménye (a megadott fordulatszám mellett). A sorozatgyártott motorok esetén ez az érték eltérő lehet. A végső termékbe épített motor tényleges leadott teljesítménye az üzemi fordulatszámtól, a környezeti körülményektől és egyéb értékektől függ.

	M40-120 CLASSIC	M40-125 CLASSIC+	M46-120 CLASSIC	M46-120R CLASSIC	M46-125 CLASSIC+	M46-125R CLASSIC+
Motorolaj ¹¹²	SAE 30/SAE 10W-30	SAE 30/SAE 10W-30	SAE 30/SAE 10W-30	SAE 30/SAE 10W-30	SAE 30/SAE 10W-30	SAE 30/SAE 10W-30
Tömeg						
Üres tartályokkal, kg	24	25	28	29	28	29
Zajkibocsátás¹¹³						
Hangteljesítményszint, mért dB (A) érték	93	93	95	95	95	95
Hangteljesítményszint, ga- rantált, L _{WA} dB (A)	94	94	96	96	96	96
Zajszintek¹¹⁴						
Hangnyomásszint a fel- használó fülénél, dB (A)	80	80	82	82	82	82
Rezgésszintek, a_{hveq}¹¹⁵						
Fogyóú, m/s ²	14,75	14,75	15,68	15,68	15,68	15,68
Vágószerkezet						
Vágási magasság, mm	20-75	20-75	30-80	30-80	30-80	30-80
Vágószélesség, mm	400	400	460	460	460	460
Kés	Mulcher 40	Mulcher 40	Mulcher 46	Mulcher 46	Mulcher 46	Mulcher 46
Cikkszám	5871590-10	5871590-10	5811889-10	5811889-10	5811889-10	5811889-10
Fűgyűjtő űrtartalma, liter	50	50	50	50	50	50

	M46-150WR CLASSIC	M51-140WR CLASSIC+	M51-150R CLASSIC	M51-150WR CLASSIC	M53-150WR CLASSIC
Motor					
Márka	McCulloch	Briggs & Strat- ton	McCulloch	McCulloch	McCulloch
Lökettérfogat, cm ³	150	140	150	150	150
Fordulatszám, ford./perc	2900	2900	2900	2900	2900

¹¹² SJ vagy jobb minőségű motorolajat használjon. Tekintse meg a viszkozitási táblázatot a motor gyártójának kézikönyvében, és válassza a várható kinti hőmérsékletnek leginkább megfelelő viszkozitást.

¹¹³ A környezetben a 2000/14/EK sz. EK irányelvvvel összhangban hangteljesítményként mért zajkibocsátás (L_{WA}).

¹¹⁴ Hangnyomásszint az ISO 5395:2103 szabvány szerint. A zajnyomásszintre vonatkozó jelentési adatok az 1,2 dB (A) tipikus statisztikus ingadozásával (szórásával) rendelkeznek.

¹¹⁵ Regzésszint az ISO 5395:2013 szabvány szerint. A rezgésszintre vonatkozó jelentési adatok az 0,2 m/s² tipikus statisztikus ingadozásával (szórásával) rendelkeznek.

	M46-150WR CLASSIC	M51-140WR CLASSIC+	M51-150R CLASSIC	M51-150WR CLASSIC	M53-150WR CLASSIC
Névleges motorteljesítmény, kW ¹¹⁶	2,4	1,9	2,4	2,4	2,4
Gyújtásrendszer					
Gyújtógyertya	K7RTC	RC12YC	K7RTC	K7RTC	K7RTC
Elektródahezag, mm	0,7	0,5	0,7	0,7	0,7
Üzemanyag- és olajozási rendszer					
Üzemanyagtartály űrtartalma, liter	1,0	0,8	1,0	1,0	1,0
Olajtartály űrtartalma, liter	0,4	0,4	0,4	0,4	0,4
Motorolaj ¹¹⁷	SAE 30/SAE 10W-30	SAE 30/SAE 10W-30	SAE 30/SAE 10W-30	SAE 30/SAE 10W-30	SAE 30/SAE 10W-30
Tömeg					
Üres tartályokkal, kg	32	32	33	33	33
Zajkibocsátás ¹¹⁸					
Hangteljesítményszint, mért dB (A) érték	97	97	95	97	98
Hangteljesítményszint, garan- tált , L _{WA} dB (A)	98	98	98	98	98
Zajszintek ¹¹⁹					
Hangnyomásszint a felhasználó fülénél, dB (A)	82	82	81	84	82
Rezgésszintek, a_{hveq} ¹²⁰					
Fogantyú, m/s ²	4,27	4,27	4,06	5,55	3,39
Vágószerkezet					
Vágási magasság, mm	30–80	30-90	30-90	30-90	30-90
Vágószélesség, mm	460	510	510	510	530
Kés	Mulcher 46	Mulcher 51	Mulcher 51	Mulcher 51	Mulcher 53
Cikkszám	5811889-10	5041133-10	5041133-10	5041133-10	5811886-10

¹¹⁶ A motor feltüntetett névleges teljesítménye az adott motormodell tipikus legyártott motorjának a J1349/ISO 1585 sz. SAE-szabvány szerint mért átlagos nettó teljesítménye (a megadott fordulatszám mellett). A sorozatgyártott motorok esetén ez az érték eltérő lehet. A végső termékbe épített motor tényleges leadott teljesítménye az üzemi fordulatszámtól, a környezeti körülményektől és egyéb értékektől függ.

¹¹⁷ SJ vagy jobb minőségű motorolajat használjon. Tekintse meg a viszkozitási táblázatot a motor gyártójának kézikönyvében, és válassza a várható kinti hőmérsékletnek leginkább megfelelő viszkozitást.

¹¹⁸ A környezetben a 2000/14/EK sz. EK irányelvvel összhangban hangteljesítményként mért zajkibocsátás (L_{WA}).

¹¹⁹ Hangnyomásszint az ISO 5395:2103 szabvány szerint. A zajnyomásszintre vonatkozó jelentési adatok az 1,2 dB (A) tipikus statisztikus ingadozásával (szórásával) rendelkeznek.

¹²⁰ Regzésszint az ISO 5395:2013 szabvány szerint. A rezgésszintre vonatkozó jelentési adatok az 0,2 m/s² tipikus statisztikus ingadozásával (szórásával) rendelkeznek.

	M46-150WR CLASSIC	M51-140WR CLASSIC+	M51-150R CLASSIC	M51-150WR CLASSIC	M53-150WR CLASSIC
Fügyújtő ürtartalma, liter	50	55	55	55	55

EK megfelelési nyilatkozat

Az EK-megfelelési nyilatkozat tartalma

A Husqvarna AB, SE 561 82 Huskvarna, SVÉDORSZÁG a saját felelősségére kijelenti, hogy a jelzett termék:	
Leírás	Belső égésű motorral működő, gyalog kísért fűnyíró
Márka	McCulloch
Platform / Típus / Modell	M40-120 CLASSIC, M40-125 CLASSIC+, M46-120 CLASSIC, M46-120R CLASSIC, M46-125 CLASSIC+, M46-125R CLASSIC+, M46-150WR CLASSIC, M51-140WR CLASSIC+, M51-150R CLASSIC, M51-150WR CLASSIC, M53-150WR CLASSIC
Köteg	2017-es és újabb sorozatszámok
teljes mértékben megfelel a következő EU-irányelveknek és rendeleteknek:	
Irányelv/rendelet	Leírás
2006/42/EK	„gépre vonatkozó”
2014/30/EU	„elektromágneses megfelelésre vonatkozó”
2000/14/EC; 2005/88/EC	„kültéri zajkibocsátásra vonatkozó”
Az alábbi harmonizált szabványok és/vagy műszaki előírások kerültek alkalmazásra: EN ISO 12100, ISO 14982, ISO 5395-1 & 2, ISO 3744, ISO 11094, EN 1032	
A zajértékek a 2000/14/EK irányelv V. mellékletének megfelelően a használati utasításban, a műszaki adatok fejezetben, valamint az aláírt EK-megfelelési nyilatkozatban találhatóak.	
A szállított belső égésű motorral működő, gyalog kísért fűnyíró megfelel a vizsgálaton átesett példadarabnak.	

Sommario

Introduzione.....	152	Manutenzione.....	157
Sicurezza.....	153	Trasporto, stoccaggio e smaltimento.....	160
Istruzioni di sicurezza per la manutenzione.....	155	Dati tecnici.....	160
Montaggio.....	156	Dichiarazione di conformità CE.....	163
Funzionamento.....	156		

Introduzione

Descrizione del prodotto

Il prodotto è un rasaerba rotativo con operatore a piedi. L'erba viene raccolta in un raccogliherba. Rimuovere il raccogliherba per scaricare l'erba dalla parte posteriore del prodotto. Agganciare un kit di pacciamatura (accessorio) per tagliare l'erba da utilizzare come fertilizzante.

Illustrazione del prodotto

(Fig. 1)

1. Impugnatura di comando (M46-120R CLASSIC, M46-125R CLASSIC+, M46-150WR CLASSIC, M51-140WR CLASSIC+, M51-150R CLASSIC, M51-150WR CLASSIC, M53-150WR CLASSIC)
2. Impugnatura superiore / manubrio
3. Impugnatura del freno motore
4. Maniglia della fune di avviamento
5. Anello per fune di avviamento
6. Raccogliherba
7. Impugnatura inferiore
8. Complessivo impugnatura inferiore
9. Leve dell'altezza di taglio
10. Tappo dell'olio
11. Marmitta
12. Tappo di drenaggio del serbatoio del carburatore
13. Bulbo di adescamento
14. Candela
15. Serbatoio del carburante
16. Lama
17. Rondella elastica
18. Bullone lama
19. Piatto di taglio
20. Filtro dell'aria
21. Manuale operatore

Simboli riportati sul prodotto

(Fig. 2) **AVVERTENZA:** L'uso improprio del mezzo può provocare lesioni anche mortali all'operatore o alle persone circostanti.

Uso previsto

Utilizzare il prodotto per tagliare l'erba nei giardini privati. Non utilizzare il prodotto per altre attività.

(Fig. 3) Prima dell'uso, leggere per intero il manuale dell'operatore e accertarsi di aver compreso le istruzioni.

(Fig. 4) Mantenere le persone e gli animali a una distanza di sicurezza dalla zona di lavoro.

(Fig. 5) Arrestare il motore e rimuovere il cavo di accensione prima di effettuare interventi di riparazione o manutenzione.

(Fig. 6) Prestare attenzione a oggetti lanciati o rimbalzati.

(Fig. 7) Avvertenza: lama rotante. Tenere lontani mani e piedi.

(Fig. 8) Avvertenza: parti rotanti. Tenere lontani mani e piedi.

(Fig. 9) Il presente prodotto è conforme alle vigenti direttive CE

(Fig. 10) Emissioni di rumore nell'ambiente in base alla direttiva della Comunità Europea. Le emissioni del prodotto sono indicate nel capitolo Dati tecnici e sull'etichetta.

(Fig. 11) Rischio di incendio.

(Fig. 12) Rischio di incendio.

(Fig. 13) Rischio di esplosione.

(Fig. 14) Spegnerne sempre il motore prima del rifornimento.

(Fig. 15) Superficie calda.

(Fig. 16)

I fumi di scarico del motore contengono monossido di carbonio, un gas inodore, velenoso e altamente pericoloso. Non far funzionare il prodotto in ambienti chiusi o in spazi angusti.

Nota: I restanti simboli/decalcomanie sul prodotto riguardano particolari requisiti necessari per ottenere la certificazione in altre aree commerciali.

Responsabilità del prodotto

Come indicato nelle leggi vigenti in materia di responsabilità obbligatoria sul prodotto, non siamo

responsabili per eventuali danni causati dal nostro prodotto se:

- Il prodotto viene riparato in modo errato.
- Il prodotto viene riparato con parti che non provengono o non sono omologate dal produttore.
- Il prodotto contiene un accessorio che non proviene o non è omologato dal produttore.
- Il prodotto non viene riparato presso un centro di assistenza autorizzato o presso un'autorità competente.

Sicurezza

Definizioni di sicurezza

I simboli di avvertenza e cautela e le note vengono utilizzati per evidenziare le parti importanti del manuale dell'operatore.



AVVERTENZA: Utilizzato se è presente un rischio di lesioni o morte dell'operatore o di passanti nel caso in cui le istruzioni del manuale non vengano rispettate.



ATTENZIONE: Utilizzato se è presente un rischio di danni al prodotto, ad altri materiali oppure alla zona adiacente nel caso in cui le istruzioni del manuale non vengano rispettate.

Nota: Utilizzato per fornire ulteriori informazioni necessarie in una determinata situazione.

Istruzioni di sicurezza generali



AVVERTENZA: Leggere le seguenti avvertenze prima di utilizzare il prodotto.

- Questo prodotto è pericoloso se utilizzato in maniera impropria o se non si presta attenzione. La mancata osservanza delle istruzioni di sicurezza può causare lesioni anche fatali.
- Durante il funzionamento, questo prodotto genera un campo elettromagnetico. Tale campo può interferire, in alcuni casi, con persone portatrici di impianti medici attivi o passivi. Per ridurre il rischio di condizioni che possono implicare lesioni gravi o mortali, i portatori di tali impianti devono consultare il proprio medico e il produttore dell'impianto prima di utilizzare questo prodotto.
- Usare la massima cautela e il buon senso. Se non si è sicuri di come utilizzare il prodotto in una

particolare situazione, fermarsi e rivolgersi al proprio rivenditore McCulloch prima di continuare.

- Tenere presente che l'operatore potrà essere ritenuto responsabile di eventuali incidenti che coinvolgano altre persone o i loro beni.
- Tenere pulito il prodotto. Assicurarsi che sia possibile leggere chiaramente simboli e decalcomanie.
- Non consentire ad altre persone di utilizzare il prodotto se non si è sicuri che abbiano letto e compreso il contenuto del manuale dell'operatore.
- Non consentire ai bambini di utilizzare il prodotto.
- Non permettere a chiunque non conosca le istruzioni di utilizzare il prodotto.
- Controllare sempre qualsiasi persona, dalle capacità fisiche o mentali ridotte, che utilizzi il prodotto. È necessaria sempre la supervisione di un adulto responsabile.
- Non utilizzare l'apparecchio quando si è stanchi, ammalati o sotto effetto di alcool, farmaci o medicinali. Essi potrebbero compromettere la vista, l'attenzione, il coordinamento e il giudizio.
- Se difettoso, non utilizzare il prodotto.
- Non modificare il prodotto né utilizzarlo nel caso in cui vi sia la possibilità che sia stato modificato da altri.

Sicurezza dell'area di lavoro



AVVERTENZA: Leggere le seguenti avvertenze prima di utilizzare il prodotto.

- Rimuovere oggetti quali rami, ramoscelli o pietre dall'area di lavoro prima di utilizzare il prodotto.
- Gli oggetti che urtano contro l'attrezzatura di taglio potrebbero essere proiettati e causare danni a cose e persone. Mantenere persone e animali a una distanza di sicurezza dal prodotto.

- Non utilizzare mai il prodotto in condizioni meteorologiche avverse quali nebbia, pioggia, vento forte, freddo intenso e rischio di fulmini. L'uso del prodotto in condizioni meteorologiche avverse o in ambienti umidi è stancante. Condizioni meteorologiche avverse possono causare situazioni di pericolo quali superfici scivolose.
- Prestare attenzione a persone, cose e situazioni che possono impedire un utilizzo sicuro del prodotto.
- Prestare attenzione a ostacoli quali radici, pietre, ramoscelli, fossi e avvallamenti. L'erba alta può nascondere eventuali ostacoli.
- Tagliare l'erba in pendenza può risultare pericoloso. Non utilizzare il prodotto su terreni con pendenze superiori a 15°.
- Utilizzare il prodotto trasversalmente lungo i pendii. Non spostarsi seguendo tragitti verso l'alto e verso il basso.
- Prestare attenzione in prossimità di angoli e oggetti nascosti che potrebbero ostacolare la visuale.
- Consentire a tutte le ruote di restare a contatto con il suolo e tenere le 2 mani sull'impugnatura mentre si aziona il prodotto. Tenere mani e piedi lontani dalle lame rotanti.
- Non ribaltare il prodotto a motore acceso.
- Prestare attenzione quando si tira il prodotto verso di sé.
- Non sollevare mai il prodotto a motore avviato. Se si deve sollevare il prodotto, arrestare innanzitutto il motore e scollegare il cavo di accensione dalla candela.
- Non camminare all'indietro quando si utilizza il prodotto.
- Arrestare il motore quando si attraversano zone prive d'erba quali vialetti in ghiaia, pietra e asfalto.
- Non correre con il prodotto quando il motore è acceso. Camminare sempre durante l'utilizzo del prodotto.
- Spegnerne il motore prima di apportare qualsiasi modifica all'altezza di taglio. Non effettuare mai regolazioni a motore acceso.
- Non perdere mai di vista il prodotto quando il motore è acceso. Arrestare il motore e assicurarsi che l'attrezzatura di taglio non giri.

Sicurezza sul lavoro



AVVERTENZA: Leggere le seguenti avvertenze prima di utilizzare il prodotto.

- Utilizzare il prodotto esclusivamente per tagliare il prato. Non è consentito utilizzare il prodotto per altri scopi.
- Usare sempre abbigliamento protettivo personale. Vedere *Abbigliamento protettivo personale alla pagina 154*.
- Non avviare il motore in uno spazio chiuso o in prossimità di materiali infiammabili. I fumi di scarico del motore sono molto caldi e possono contenere scintille in grado di provocare incendi.
- Non azionare il prodotto senza prima aver montato correttamente la lama e tutti i coperchi. Una lama non correttamente fissata potrebbe allentarsi e causare lesioni personali.
- Assicurarsi che la lama non urti oggetti quali pietre e radici. Ciò potrebbe provocare danni alla lama e piegare l'albero motore. Un'asse piegato provoca forti vibrazioni e un alto rischio di allentamento della lama.
- Qualora la lama urti contro un oggetto o all'insorgere di vibrazioni arrestare immediatamente il prodotto. Staccare il cavo di accensione dalla candela. Verificare la presenza di eventuali danni al prodotto. Riparare eventuali danni o contattare un'officina autorizzata per far svolgere la riparazione.
- Non fissare l'impugnatura del freno motore in modo permanente al manubrio quando il motore è avviato.
- Posizionare il prodotto su una superficie piana e stabile e avviarlo. Assicurarsi che la lama non venga a contatto con il terreno o con altri oggetti.
- Collocarsi sempre posteriormente al prodotto quando lo si utilizza.

Istruzioni di sicurezza per il funzionamento

Abbigliamento protettivo personale



AVVERTENZA: Leggere le seguenti avvertenze prima di utilizzare il prodotto.

- L'uso di abbigliamento protettivo personale non elimina il rischio di lesioni, ma ne riduce la gravità in caso di incidente. Farsi consigliare dal rivenditore per la scelta dell'attrezzatura adatta.
- Utilizzare robusti stivali o scarpe antiscivolo. Non utilizzare il prodotto con calzature aperte o a piedi nudi.
- Utilizzare pantaloni lunghi di tessuto pesante.
- Indossare guanti protettivi ove necessario, ad esempio per montare, ispezionare o pulire l'attrezzatura di taglio.

Dispositivi di sicurezza sul prodotto



AVVERTENZA: Leggere le seguenti avvertenze prima di utilizzare il prodotto.

- Non utilizzare un prodotto con dispositivi di sicurezza difettosi.
- Effettuare un controllo dei dispositivi di sicurezza con regolarità. Se i dispositivi di sicurezza sono difettosi, rivolgersi alla propria officina McCulloch.

Coperchio di taglio

- Esaminare il coperchio di taglio per accertarsi che non presenti danni quali crepe.

Impugnatura del freno motore

L'impugnatura del freno motore arresta il motore. Quando si rilascia l'impugnatura del freno motore, il motore si arresta.

Per ispezionare il freno motore, avviare il motore e quindi rilasciare l'impugnatura del freno motore. Se il motore non si arresta entro 3 secondi, far regolare il freno motore presso un'officina McCulloch autorizzata.

(Fig. 17)

Marmitta

La marmitta assicura il minimo livello acustico e allontana i fumi di scarico dall'operatore.

Non utilizzare il prodotto se la marmitta è mancante o difettosa. Una marmitta difettosa aumenta il livello acustico e il rischio di incendio.

Esaminare la marmitta periodicamente per assicurarsi che sia collegata correttamente e che non sia danneggiata.



ATTENZIONE: La marmitta si surriscalda durante e dopo l'uso e quando il motore funziona al regime minimo. Prestare attenzione in prossimità di materiali infiammabili e/o fumi per evitare incendi.

Sicurezza nell'uso del carburante



AVVERTENZA: Leggere le seguenti avvertenze prima di utilizzare il prodotto.

- Non avviare il prodotto nel caso in cui vi sia carburante o olio motore su di esso. Rimuovere il

carburante/olio indesiderato e lasciare che il prodotto si asciughi.

- In caso di perdite di carburante sugli indumenti, cambiarsi immediatamente.
- Il carburante non deve arrivare a contatto con il corpo, poiché può causare lesioni. In caso di contatto del carburante con il corpo, rimuoverlo con acqua e sapone.
- Non avviare il prodotto se il motore presenta una perdita. Esaminare regolarmente il motore per verificare la presenza di eventuali perdite.
- Prestare la massima attenzione con il carburante. Il carburante è infiammabile e i fumi sono esplosivi quindi possono causare lesioni o morte.
- Non respirare i fumi del carburante perché possono causare lesioni. Accertarsi che ci sia un flusso d'aria sufficiente.
- Non fumare in prossimità del carburante o del motore.
- Non posizionare oggetti caldi in prossimità del carburante o del motore.
- Non aggiungere carburante a motore acceso.
- Assicurarsi che il motore sia freddo prima di effettuare il rifornimento.
- Prima di effettuare il rifornimento, aprire lentamente il tappo del serbatoio carburante e rilasciare la pressione con cautela.
- Non aggiungere carburante al motore in un ambiente chiuso. Un flusso d'aria insufficiente può causare lesioni o la morte dovute ad asfissia o al monossido di carbonio.
- Stringere completamente il tappo del serbatoio del carburante. Se il tappo del serbatoio carburante non è serrato, vi è il rischio di incendio.
- Prima dell'avviamento, spostare il prodotto di almeno 3 m (10 ft) dal punto in cui è stato riempito il serbatoio del carburante.
- Non rabboccare il serbatoio con una quantità eccessiva di carburante.

Istruzioni di sicurezza per la manutenzione



AVVERTENZA: Leggere le seguenti avvertenze prima di utilizzare il prodotto.

- I fumi di scarico del motore contengono monossido di carbonio, un gas inodore, velenoso e altamente pericoloso. Non avviare il motore in ambienti o spazi chiusi.
- Prima di eseguire la manutenzione del prodotto, arrestare il motore e rimuovere il cavo di accensione dalla candela.
- Indossare guanti protettivi quando si esegue la manutenzione dell'attrezzatura di taglio. La lama è molto affilata e ci si può ferire facilmente.
- Accessori e modifiche apportate al prodotto che non siano stati approvati dal costruttore possono causare infortuni gravi, anche fatali. Non apportare modifiche al prodotto. Utilizzare sempre accessori approvati dal produttore.
- Se la manutenzione non viene eseguita correttamente e con regolarità, aumenta il rischio di lesioni personali e danni al prodotto.
- Eseguire esclusivamente gli interventi di manutenzione riportati nel presente manuale. Tutti gli altri interventi di manutenzione devono essere svolti da un'officina McCulloch autorizzata.
- Rivolgersi a un'officina McCulloch autorizzata per far svolgere regolarmente interventi di manutenzione sul prodotto.

- Sostituire le parti danneggiate, usurate o rotte.

Montaggio

Per montare l'impugnatura

Sezione impugnatura inferiore

1. Inserire i perni sulla parte inferiore dell'impugnatura inferiore nei fori come indicato nell'illustrazione. Allineare i fori delle viti e fissare le viti, le rondelle e le manopole. (Fig. 18)

Sezione impugnatura superiore

1. Allineare i fori nel manubrio con i fori nell'impugnatura inferiore e fissare le viti, le rondelle e le manopole. Sul lato destro, agganciare anche l'anello per la fune di avviamento. Stringere completamente le manopole. (Fig. 19)
2. Tirare la maniglia della fune di avviamento e avvolgere la fune di avviamento intorno al rispettivo anello. (Fig. 20)
3. Utilizzare le fascette per fissare i cavi all'impugnatura. (Fig. 21)

Nota: Assicurarsi che la tensione dei cavi non sia eccessiva.

2. Fissare il sacco per erba sul telaio del raccoglierba utilizzando i fermi disponibili sul bordo del sacco in tessuto. (Fig. 22)
3. Sollevare il coperchio posteriore.
4. Fissare il raccoglierba al bordo superiore del telaio.
5. Inserire la parte inferiore del raccoglierba nel canale di scarico dell'erba.

Per montare la spina di pacciamatura

Un kit di pacciamatura è disponibile come accessorio opzionale solo per alcuni modelli. I modelli M51-150WR CLASSIC, M53-150WR CLASSIC vengono forniti con il kit di pacciamatura in dotazione. I modelli M40-120 CLASSIC, M40-125 CLASSIC+ non possono essere utilizzati con un kit di pacciamatura.

1. Sollevare il coperchio posteriore e rimuovere il raccoglierba.
2. Inserire la spina di pacciamatura nel canale di scarico. (Fig. 23)

Per assemblare il raccoglierba

1. Posizionare il telaio del raccoglierba nel sacco per erba in tessuto. Accertarsi che l'impugnatura del telaio del raccoglierba sia sopra il sacco per erba.

Funzionamento

Introduzione



AVVERTENZA: Prima di utilizzare il prodotto, è necessario leggere e comprendere il capitolo relativo alla sicurezza.

Prima di utilizzare il prodotto

1. Leggere il Manuale dell'operatore con attenzione e accertarsi di averne compreso il contenuto.
2. Esaminare l'attrezzatura di taglio per assicurarsi che sia correttamente collegata e regolata. Vedere *Per controllare l'attrezzatura di taglio alla pagina 158*.
3. Riempire il serbatoio del carburante. Vedere *Per il rifornimento del carburante alla pagina 156*.
4. Riempire il serbatoio dell'olio ed effettuare il controllo del livello dell'olio. Vedere *Per eseguire il controllo del livello dell'olio alla pagina 159*.

Per il rifornimento del carburante

Se disponibile, utilizzare benzina alchilata/a basso livello di emissioni. Se non è disponibile benzina alchilata/a basso livello di emissioni, utilizzare benzina senza piombo di buona qualità o benzina contenente piombo. Non utilizzare la benzina con numero di ottani inferiore a 90 e con un massimo del 10% di etanolo (E10).



AVVERTENZA: Il rifornimento con un carburante di tipo errato può causare danni al motore.

1. Aprire lentamente il tappo del serbatoio del carburante per rilasciare la pressione.
2. Riempire lentamente il serbatoio con una tanica di carburante. Se si versa del carburante, rimuoverlo con un panno e lasciare asciugare eventuali residui.
3. Pulire l'area intorno al tappo del serbatoio del carburante.
4. Stringere completamente il tappo del serbatoio del carburante. Se il tappo del serbatoio carburante non è serrato, vi è il rischio di incendio.

- Prima dell'avviamento, spostare il prodotto di almeno 3 m (10 ft) dal punto in cui è stato riempito il serbatoio del carburante.

Per impostare l'altezza di taglio

- Per aumentare l'altezza di taglio, spingere la leva dell'altezza di taglio all'indietro.
- Per diminuire l'altezza di taglio, spingere la leva dell'altezza di taglio in avanti.(Fig. 24)



ATTENZIONE: Non impostare l'altezza di taglio troppo in basso. Se la superficie del prato non è piana, le lame possono urtare il terreno.

Per avviare il prodotto

- Accertarsi che il cavo di accensione sia collegato alla candela.
- La prima volta che si avvia il prodotto, premere 5 volte il bulbo di adescamento. Quando si avvia il prodotto la volta seguente a motore freddo, premere il bulbo di adescamento per 3 volte.(Fig. 25)
- Collocarsi dietro il prodotto.
- Tenere l'impugnatura del freno motore contro il manubrio.(Fig. 26)
- Tenere l'impugnatura della fune di avviamento con la mano destra.
- Estrarre lentamente l'impugnatura della fune di avviamento fino a che non si avverte una leggera resistenza.
- Tirare con forza per avviare il motore.



AVVERTENZA: Non avvolgere la fune di avviamento intorno alla mano.

Per applicare trazione alle ruote

- Premere l'impugnatura di comando in direzione del manubrio.(Fig. 27)
- Prima di tirare il prodotto verso di sé, disinnestare la trazione e spingere il prodotto in avanti di circa 10cm.
- Rilasciare l'impugnatura di comando per disinnestare la trazione, ad esempio quando ci si avvicina a un ostacolo.

Per arrestare il prodotto

- Per arrestare la sola trazione, rilasciare l'impugnatura di comando.
- Per spegnere il motore, rilasciare l'impugnatura del freno motore.

Per ottenere un buon risultato

- Utilizzare sempre una lama ben affilata. Una lama non tagliente fornisce un risultato irregolare e la superficie di taglio dell'erba ingiallisce. Una lama affilata inoltre consuma minore energia di una lama affilata.
- Non tagliare più di $\frac{1}{3}$ dell'altezza dell'erba. Iniziare l'operazione di taglio impostando l'altezza di taglio su un livello alto. Esaminare il risultato e ridurre l'altezza di taglio al livello applicabile. Se l'erba è molto alta, procedere lentamente e tagliarla 2 volte, se necessario.
- Tagliare sempre in direzioni diverse per evitare il formarsi di strisce sul prato.

Manutenzione

Introduzione



AVVERTENZA: Prima di svolgere la manutenzione, leggere e comprendere il capitolo relativo alla sicurezza.

Per tutti gli interventi di assistenza e riparazione sul prodotto, è necessaria una formazione specifica. La nostra azienda garantisce la disponibilità di personale qualificato per le riparazioni e l'assistenza. Se non avete acquistato il prodotto presso un rivenditore dotato di

officina, informatevi sull'ubicazione della più vicina officina autorizzata.

Programma di manutenzione

Gli intervalli di manutenzione sono calcolati sulla base di un uso quotidiano del prodotto. Gli intervalli cambiano se il prodotto non viene usato quotidianamente.

Per gli interventi di manutenzione contrassegnati con il simbolo *, vedere le istruzioni in *Dispositivi di sicurezza sul prodotto alla pagina 154*.

Manutenzione	Giomaliera	Una volta a settimana	Una volta al mese
Svolgere un'ispezione generale	X		
Controllare il livello dell'olio	X		

Manutenzione	Giornaliera	Una volta a settimana	Una volta al mese
Pulire il prodotto	X		
Controllare l'attrezzatura di taglio	X		
Controllare il coperchio di taglio*	X		
Controllare l'impugnatura del freno motore*	X		
Controllare e regolare la trazione (cavo della frizione)	X		
Controllare la marmitta*		X	
Controllare la candela		X	
Cambiare l'olio (la prima volta dopo 5 ore, quindi dopo ogni 50 ore di funzionamento)			X
Sostituire il filtro aria			X
Esaminare il sistema di alimentazione			X

Per effettuare un'ispezione generale

- Controllare che tutti i dadi e le viti del prodotto siano ben serrati.

Per pulire esternamente il prodotto

- Utilizzare una spazzola per rimuovere foglie, erba e sporczia.
- Assicurarsi che la presa d'aria nella parte superiore del motore non sia ostruita.
- Non utilizzare una lancia ad alta pressione per pulire il prodotto.
- Se si utilizza dell'acqua per pulire il prodotto, non versare l'acqua direttamente sul motore.

Per pulire la superficie interna del coperchio di taglio

- Svuotare il serbatoio del carburante.
- Collocare il prodotto su un lato con la marmitta rivolta verso il basso.



ATTENZIONE: Se il prodotto è stato collocato con il filtro dell'aria rivolto verso il basso, il motore potrebbe danneggiarsi.

- Lavare la superficie interna del coperchio di taglio con acqua.

Per controllare l'attrezzatura di taglio



AVVERTENZA: Per evitare l'avviamento accidentale del prodotto, rimuovere il cavo di accensione dalla candela.



AVVERTENZA: Indossare guanti protettivi quando si esegue la manutenzione dell'attrezzatura di taglio. La lama è molto affilata e ci si può ferire facilmente.

- Controllare l'attrezzatura di taglio per individuare danni o crepe. Sostituire sempre l'attrezzatura di taglio danneggiata.
- Osservare la lama per controllare che non sia danneggiata o usurata.

Nota: Dopo l'affilatura la lama deve essere bilanciata. Rivolgersi a un centro assistenza per l'affilatura, la sostituzione e il bilanciamento. Se si urta un ostacolo che provoca l'arresto del prodotto, sostituire la lama danneggiata. Il centro di assistenza può valutare se la lama può essere affilata o deve essere sostituita.

Per sostituire la lama

- Bloccare la lama con un blocco di legno.(Fig. 28)
- Rimuovere il bullone della lama.
- Rimuovere la lama.
- Esaminare il supporto e il bullone della lama per verificare la presenza di eventuali danni.
- Esaminare l'albero motore per accertarsi che non sia piegato.
- Quando si fissa la nuova lama, assicurarsi che le estremità inclinate della lama puntino in direzione del coperchio di taglio.(Fig. 29)
- Assicurarsi che la lama sia allineata con il centro dell'albero motore.
- Bloccare la lama con un blocco di legno. Inserire la rondella reggispira e serrare il bullone e la rondella a una coppia di 45-60 Nm.(Fig. 30)

9. Girare manualmente la lama per verificare che possa ruotare liberamente.



AVVERTENZA: Utilizzare dei guanti da lavoro spessi. La lama è molto affilata e ci si può ferire facilmente.

10. Avviare il prodotto per eseguire una prova della lama. Se la lama non è collegata correttamente, si verificano delle vibrazioni nel prodotto o il risultato del taglio è insoddisfacente.

Per eseguire il controllo del livello dell'olio



ATTENZIONE: Se il livello dell'olio è troppo basso si possono verificare danni al motore. Controllare il livello dell'olio prima di avviare il prodotto.

1. Posizionare il prodotto su un terreno in piano.
2. Rimuovere il tappo del serbatoio dell'olio con l'annessa asta di livello.
3. Pulire l'olio dall'asta di livello.
4. Inserire l'asta di livello interamente all'interno del serbatoio dell'olio per avere un'immagine corretta del livello dell'olio.
5. Rimuovere l'asta di livello.
6. Controllare il livello dell'olio sull'asta di livello.
7. Se il livello dell'olio è basso, rabboccare con olio motore ed eseguire nuovamente un controllo del livello dell'olio.

Per sostituire l'olio motore



AVVERTENZA: L'olio motore è molto caldo subito dopo lo spegnimento del motore. Lasciare che il motore si raffreddi prima di scaricare l'olio motore. Se si versa accidentalmente dell'olio motore sulla pelle, lavare con acqua e sapone.

1. Azionare il prodotto fino a quando il serbatoio carburante è vuoto.
2. Rimuovere il cavo di accensione dalla candela.
3. Rimuovere il tappo del serbatoio dell'olio.
4. Posizionare un recipiente sotto il prodotto per raccogliervi l'olio motore.
5. Inclinare il prodotto per scaricare l'olio motore dal serbatoio dell'olio.
6. Riempire con nuovo olio motore del tipo raccomandato in *Dati tecnici alla pagina 160*.
7. Eseguire il controllo del livello dell'olio. Vedere *Per eseguire il controllo del livello dell'olio alla pagina 159*.

Filtro dell'aria

Un filtro dell'aria utilizzato per un lungo periodo non può essere pulito completamente. Sostituire il filtro dell'aria a intervalli regolari.

Nota: Sostituire sempre un filtro dell'aria danneggiato.

Per pulire il filtro di carta.

1. Rimuovere il filtro dell'aria e il relativo filtro di carta.
2. Scuotere il filtro contro una superficie piana per liberarlo dalle particelle.



ATTENZIONE: Non utilizzare solventi o aria compressa per pulire il filtro di carta.

3. Rimontare il filtro dell'aria. Assicurarsi che il filtro dell'aria sia correttamente a tenuta rispetto al portafiltro dell'aria.
4. Rimontare il coperchio del filtro dell'aria.

Per pulire il filtro in materiale espanso

1. Rimuovere il coperchio del filtro dell'aria e il filtro in materiale espanso.
2. Pulire il filtro in materiale espanso con acqua e sapone.
3. Sciacquare il filtro in materiale espanso con acqua pulita.
4. Strizzare via l'acqua dal filtro materiale espanso e lasciarlo asciugare.



ATTENZIONE: Non usare aria compressa. Ciò può causare danni al filtro in materiale espanso.

5. Lubrificare il filtro in materiale espanso con olio motore.
6. Premere un panno pulito contro il filtro in materiale espanso per rimuovere residui di olio indesiderati.
7. Rimontare il filtro dell'aria. Assicurarsi che il filtro dell'aria sia correttamente a tenuta rispetto al portafiltro dell'aria.
8. Rimontare il coperchio del filtro dell'aria.

Per esaminare la candela



ATTENZIONE: Usare candele originali o del tipo raccomandato. Un tipo di candela errato può danneggiare il prodotto.

- Controllare la candela nel caso in cui il motore giri a bassa potenza, risulti difficile da avviare o non funzioni correttamente al regime minimo.
- Per ridurre il rischio di materiale superfluo sugli elettrodi delle candele, osservare le seguenti istruzioni:

- a) Accertarsi che il regime minimo sia regolato correttamente.
- b) Accertarsi che la miscela sia corretta.
- c) Accertarsi che il filtro dell'aria sia pulito.
- Se la candela è incrostata, pulirla e controllare che la distanza tra gli elettrodi sia corretta; vedere *Dati tecnici alla pagina 160*.(Fig. 31)
- Sostituire la candela secondo necessità.

Per controllare il sistema di alimentazione

- Esaminare il tappo del serbatoio del carburante e la relativa guarnizione di tenuta per verificare che non vi siano danni.
- Esaminare il tubo pescante per accertarsi che non presenti perdite. Se il tubo pescante è danneggiato, farlo sostituire presso un'officina.

Per regolare il filo della frizione

Quando si avverte che il funzionamento dell'unità è rallentato, è necessario regolare il cavo della frizione.

1. Collegare il filo della frizione ai diversi fori sull'impugnatura di comando per regolarne la lunghezza. Ridurre la lunghezza del filo della frizione per aumentare la velocità di marcia. Estendere il filo della frizione per diminuire la velocità di marcia.(Fig. 32)

Nota: Se la trazione si innesta quando non si tira l'impugnatura di comando, è necessario allungare il cavo della frizione.

2. Per piccole regolazioni della velocità di marcia, girare la vite di regolazione. Per aumentare la velocità di marcia, girare la vite di regolazione in senso antiorario. Per ridurre la velocità di marcia, girare la vite di regolazione in senso orario.(Fig. 33)

Se l'unità risulta lenta anche dopo la regolazione, consultare un'officina autorizzata per far sostituire la cinghia di trasmissione.

Trasporto, stoccaggio e smaltimento

Trasporto e conservazione

- Per trasportare e conservare il prodotto e il carburante, accertarsi che non vi siano perdite o fumi. Scintille o fiamme aperte, provocate ad esempio da dispositivi elettrici o caldaie, possono innescare un incendio.
- Utilizzare sempre contenitori approvati per la conservazione e il trasporto del carburante.
- Svuotare il serbatoio del carburante e il serbatoio del carburatore prima di riporre il prodotto per un lungo periodo di tempo. Smaltire il carburante presso un apposito centro di smaltimento
- Fissare in sicurezza il prodotto durante il trasporto per evitare danni o incidenti.
- Conservare il prodotto in un'area chiusa a chiave per impedire l'accesso a bambini o persone non autorizzate.

- Conservare il prodotto in un luogo asciutto e al riparo dal gelo.

Smaltimento

- Rispettare le norme locali sul riciclaggio e le normative vigenti.
- Smaltire tutte le sostanze chimiche, quali olio motore o carburante, presso un centro assistenza o un centro di smaltimento applicabili.
- Quando il prodotto non è più in uso, inviarlo a un rivenditore McCulloch o smaltirlo presso un impianto di riciclo.

Dati tecnici

Dati tecnici

	M40-120 CLASSIC	M40-125 CLASSIC+	M46-120 CLASSIC	M46-120R CLASSIC	M46-125 CLASSIC+	M46-125R CLASSIC+
Motore						
Marchio	McCulloch	Briggs & Stratton	McCulloch	McCulloch	Briggs & Stratton	Briggs & Stratton
Cilindrata, cm ³	120	125	120	120	125	125

	M40-120 CLASSIC	M40-125 CLASSIC+	M46-120 CLASSIC	M46-120R CLASSIC	M46-125 CLASSIC+	M46-125R CLASSIC+
Velocità, giri/min	2900	2900	2900	2900	2900	2900
Potenza nominale motore, kW ¹²¹	2,0	1,6	2,0	2,0	1,6	1,6
Impianto di accensione						
Candela	K7RTC	RC12YC	K7RTC	K7RTC	RC12YC	RC12YC
Distanza tra gli elettrodi, mm	0,7	0,5	0,7	0,7	0,5	0,5
Carburante e sistema di lubrificazione						
Capacità serbatoio carburante, litri	0,8	0,8	0,8	0,8	0,8	0,8
Capacità serbatoio olio, litri	0,4	0,4	0,4	0,4	0,4	0,4
Olio motore ¹²²	SAE 30/SAE 10W-30	SAE 30/SAE 10W-30	SAE 30/SAE 10W-30	SAE 30/SAE 10W-30	SAE 30/SAE 10W-30	SAE 30/SAE 10W-30
Peso						
Con serbatoi vuoti, kg	24	25	28	29	28	29
Emissioni di rumore¹²³						
Livello acustico, misurato dB(A)	93	93	95	95	95	95
Livello acustico, garantito L _{WA} dB(A)	94	94	96	96	96	96
Livelli di rumorosità¹²⁴						
Livello di pressione acustica all'orecchio dell'operatore, dB(A)	80	80	82	82	82	82
Livelli di vibrazioni, a_{hveq}¹²⁵						
Impugnatura, m/s ²	14,75	14,75	15,68	15,68	15,68	15,68
Attrezzatura di taglio						
Altezza di taglio, mm	20-75	20-75	30-80	30-80	30-80	30-80
Larghezza di taglio, mm	400	400	460	460	460	460

¹²¹ La potenza nominale del motore indicata corrisponde alla potenza netta media (al rapporto giri/min. specificato) di un tipico motore in fase di produzione per il modello di motore misurato dalla normativa SAE J1349/ISO1585. I motori per produzione di massa potrebbero presentare un valore diverso da questo. La potenza effettiva del motore installato nel prodotto finale dipende dalla velocità di funzionamento, dalle condizioni ambientali e da altri valori.

¹²² Utilizzare olio motore di qualità SJ o superiore. Vedere la tabella delle viscosità presente nel manuale del costruttore del motore e selezionare la migliore viscosità in base alla temperatura esterna prevista.

¹²³ Emissioni di rumore nell'ambiente misurate come potenza sonora (L_{WA}) in base alla direttiva CE 2000/14/CE.

¹²⁴ Livello di pressione acustica in ottemperanza alla norma ISO 5395:2103. I dati riportati per il livello di pressione acustica hanno una dispersione statistica tipica (deviazione standard) di 1,2 dB(A).

¹²⁵ Livello di vibrazioni in base alla norma ISO 5395:2013. I dati riportati per il livello di vibrazioni presentano una dispersione statistica tipica (deviazione standard) di 0,2 m/s².

	M40-120 CLASSIC	M40-125 CLASSIC+	M46-120 CLASSIC	M46-120R CLASSIC	M46-125 CLASSIC+	M46-125R CLASSIC+
Lama	Trinciasiepi 40	Trinciasiepi 40	Trinciasiepi 46	Trinciasiepi 46	Trinciasiepi 46	Trinciasiepi 46
Codice articolo	5871590-10	5871590-10	5811889-10	5811889-10	5811889-10	5811889-10
Capacità del sacco raccogli- erba, litri	50	50	50	50	50	50

	M46-150WR CLASSIC	M51-140WR CLASSIC+	M51-150R CLASSIC	M51-150WR CLASSIC	M53-150WR CLASSIC
Motore					
Marchio	McCulloch	Briggs & Strat- ton	McCulloch	McCulloch	McCulloch
Cilindrata, cm ³	150	140	150	150	150
Velocità, giri/min	2900	2900	2900	2900	2900
Potenza nominale motore, kW ¹²⁶	2,4	1,9	2,4	2,4	2,4
Impianto di accensione					
Candela	K7RTC	RC12YC	K7RTC	K7RTC	K7RTC
Distanza tra gli elettrodi, mm	0,7	0,5	0,7	0,7	0,7
Carburante e sistema di lubrificazione					
Capacità del serbatoio carbur- ante, litri	1,0	0,8	1,0	1,0	1,0
Capacità del serbatoio olio, litri	0,4	0,4	0,4	0,4	0,4
Olio motore ¹²⁷	SAE 30/SAE 10W-30	SAE 30/SAE 10W-30	SAE 30/SAE 10W-30	SAE 30/SAE 10W-30	SAE 30/SAE 10W-30
Peso					
Con serbatoi vuoti, kg	32	32	33	33	33
Emissioni di rumore ¹²⁸					
Livello acustico, misurato dB(A)	97	97	95	97	98
Livello acustico, garantito L _{WA} dB(A)	98	98	98	98	98

¹²⁶ La potenza nominale del motore indicata corrisponde alla potenza netta media (al rapporto giri/min. specifica-
to) di un tipico motore in fase di produzione per il modello di motore misurato dalla normativa SAE J1349/
ISO1585. I motori per produzione di massa potrebbero presentare un valore diverso da questo. La potenza
effettiva del motore installato nel prodotto finale dipende dalla velocità di funzionamento, dalle condizioni am-
bientali e da altri valori.

¹²⁷ Utilizzare olio motore di qualità SJ o superiore. Vedere la tabella delle viscosità presente nel manuale del
costruttore del motore e selezionare la migliore viscosità in base alla temperatura esterna prevista.

¹²⁸ Emissioni di rumore nell'ambiente misurate come potenza sonora (L_{WA}) in base alla direttiva CE 2000/14/CE.

	M46-150WR CLASSIC	M51-140WR CLASSIC+	M51-150R CLASSIC	M51-150WR CLASSIC	M53-150WR CLASSIC
Livelli di rumorosità ¹²⁹					
Livello di pressione acustica all'orecchio dell'operatore, dB(A)	82	82	81	84	82
Livelli di vibrazioni, a_{hveq} ¹³⁰					
Impugnatura, m/s ²	4,27	4,27	4,06	5,55	3,39
Attrezzatura di taglio					
Altezza di taglio, mm	30-80	30-90	30-90	30-90	30-90
Larghezza di taglio, mm	460	510	510	510	530
Lama	Trinciasiepi 46	Trinciasiepi 51	Trinciasiepi 51	Trinciasiepi 51	Trinciasiepi 53
Codice articolo	5811889-10	5041133-10	5041133-10	5041133-10	5811886-10
Capacità del sacco raccogliereba, litri	50	55	55	55	55

Dichiarazione di conformità CE

Contenuto della Dichiarazione di conformità CE

Husqvarna AB, SE-561 82 Huskvarna, Svezia, dichiara sotto la propria esclusiva responsabilità che il prodotto indicato:	
Descrizione	Rasaerba con operatore a piedi e motore a combustione
Marchio	McCulloch
Piattaforma / Tipo / Modello	M40-120 CLASSIC, M40-125 CLASSIC+, M46-120 CLASSIC, M46-120R CLASSIC, M46-125 CLASSIC+, M46-125R CLASSIC+, M46-150WR CLASSIC, M51-140WR CLASSIC+, M51-150R CLASSIC, M51-150WR CLASSIC, M53-150WR CLASSIC
Lotto	A partire dal numero di serie 2017
È pienamente conforme alle seguenti norme e direttive UE:	
Direttiva/norma	Descrizione
2006/42/CE	"relativa alle macchine"
2014/30/UE	"sulla compatibilità elettromagnetica"
2000/14/CE; 2005/88/CE	"sul rumore esterno"

¹²⁹ Livello di pressione acustica in ottemperanza alla norma ISO 5395:2103. I dati riportati per il livello di pressione acustica hanno una dispersione statistica tipica (deviazione standard) di 1,2 dB(A).

¹³⁰ Livello di vibrazioni in base alla norma ISO 5395:2013. I dati riportati per il livello di vibrazioni presentano una dispersione statistica tipica (deviazione standard) di 0,2 m/s².

Le norme armonizzate e/o le specifiche tecniche applicate sono le seguenti: EN ISO 12100, ISO 14982, ISO 5395-1 & 2, ISO 3744, ISO 11094, EN 1032

In conformità alla direttiva 2000/14/CE, Allegato V, i valori per i livelli sonori dichiarati sono riportati nella sezione Dati tecnici del presente manuale e nel documento firmato Dichiarazione di conformità CE.

Il rasaerba con operatore a piedi e motore a combustione fornito è conforme agli esemplari sottoposti a omologazione.

TURINYS

Įvadas	165	Priežiūra	170
Sauga	166	Transportavimas, saugojimas ir utilizavimas	172
Priežiūros saugos instrukcijos	168	Techniniai duomenys	173
Surinkimas	168	EB atitikties deklaracija	175
Naudojimas	169		

Įvadas

Gaminio aprašas

Šis produktas yra savaeigė sukamoji vejapjovė. Žolė renkama į žolės rinktuvą. Jei norite, kad žolė būtų išmetama per galą, išimkite žolės rinktuvą. Jei žolę norite susmulkinti kaip trąšas, pridėkite mulčiavimo priedą.

Gaminio apžvalga

(Pav. 1)

1. Pavaros rankena (M46-120R CLASSIC, M46-125R CLASSIC+, M46-150WR CLASSIC, M51-140WR CLASSIC+, M51-150R CLASSIC, M51-150WR CLASSIC, M53-150WR CLASSIC)
2. Viršutinė rankena / rankena
3. Variklio stabdymo rankena
4. Starterio virvės rankena
5. Starterio virvės kilpelė
6. Žolės rinktuvas
7. Apatinė rankena
8. Apatinės rankenos komplektas
9. Pjovimo aukščio reguliavimo svirtys
10. Alyvos dangtelis
11. Duslintuvas
12. Karbiuratoriaus kameros išleidimo kaištis
13. Kuro siurbliukas
14. Uždegimo žvakė
15. Kuro bakelis
16. Peilis
17. Spyruoklės poveržlė
18. Disko varžtas
19. Pjovimo agregatas
20. Oro filtras
21. Naudojimo instrukcija

Simboliai ant gaminio

(Pav. 2) ĮSPĖJIMAS. Aplaidžiai ar netinkamai naudojant gali būti sužeistas ar net mirti naudotojas ar kiti žmonės.

(Pav. 3) Prieš naudodami, atidžiai perskaitykite naudotojo instrukciją ir įsitinkinkite, kad viską gerai supratote.

Naudojimas

Gaminį naudokite žolei privačiuose soduose pjauti. Nenaudokite gaminio kitiems darbams.

(Pav. 4) Asmenims ir gyvūnams būtina laikytis saugaus atstumo nuo darbo zonos.

(Pav. 5) Prieš taisydami ar prižiūredami sustabdykite variklį ir atjunkite uždegimo kabelį.

(Pav. 6) Saugokitės išmetamų ir rikošetu atšokusių daiktų.

(Pav. 7) Įspėjimas: besisukantis peilis. Saugokite rankas ir kojas.

(Pav. 8) Įspėjimas: besisukančio dalys. Saugokite rankas ir kojas.

(Pav. 9) Šis gaminys atitinka jam taikomas EB direktyvas.

(Pav. 10) Triukšmo emisijos į aplinką pagal Europos Bendrijos direktyvą. Gaminio emisijos nurodytos skyriuje „Techniniai duomenys“ ir ant etiketės.

(Pav. 11) Gaisro pavojus.

(Pav. 12) Gaisro pavojus.

(Pav. 13) Sprogimo pavojus.

(Pav. 14) Prieš pildami degalus visada sustabdykite variklį.

(Pav. 15) Karštas paviršius.

(Pav. 16) Variklio išmetamosiose dujose yra anglies monoksido – nuodingų, bekvapių ir labai pavojingų dujų. Nepaleiskite gaminio patalpose ar uždaroje erdvėje.

Pasižymėkite: Kiti ant gaminio pateikti simboliai (lipdukai), skirti kitų komercinių teritorijų sertifikavimo reikalavimams.

Gaminio patikimumas

Kaip nurodyta atsakomybės už gaminį įstatymuose, mes nesame atsakingi už mūsų gaminio sukeltą žalą, jei:

- gaminys netinkamai suremontuotas.
- gaminys suremontuotas naudojant kito gamintojo arba gamintojo nepatvirtintas dalis.
- gaminys turi kito gamintojo arba gamintojo nepatvirtintą priedą.
- gaminys suremontuotas ne patvirtintame techninės priežiūros centre arba jį suremontavo ne patvirtintas atstovas.

Sauga

Saugos ženklų reikšmės

Išpėjimai, perspėjimai ir pastabos yra skirtos atkreipti dėmesį į ypač svarbias naudotojo instrukcijos dalis.



PERSPĖJIMAS: Naudojamas, kai naudotojui ar šalia esantiems asmenims kyla mirtino arba sunkaus sužeidimo pavojus arba, jei nesilaikoma naudotojo instrukcijoje pateiktų nurodymų.



PASTABA: Naudojamas, kai kyla pavojus sugadinti gaminį, kitas medžiagas arba padaryti žalą aplinkai, jei nesilaikoma naudotojo instrukcijoje pateiktų nurodymų.

Pasižymėkite: Naudojama pateikti daugiau, nei būtina esamoje situacijoje, informacijos.

Bendrieji saugos nurodymai



PERSPĖJIMAS: Prieš naudodami gaminį, perskaitykite toliau esančius išpėjimus.

- Netinkamai arba neatidžiai naudojant šis gaminys yra pavojingas. Jei nesilaikysite saugos nurodymų, kyla sužeidimų arba mirties pavojus.
- Šis gaminys veikdamas sukuria elektromagnetinį lauką. Tam tikromis aplinkybėmis šis laukas gali trikdyti aktyviųjų arba pasyviųjų medicininių implantų veiklą. Kad sumažėtų sunkių ar mirtinų sužeidimų pavojus, medicininių implantų turintiems asmenims rekomenduojame prieš naudojant šį gaminį pasitarti su gydytoju ir implanto gamintoju.
- Visada elkitės atsargiai ir vadovaukitės sveiku protu. Jei tiksliai nežinote, kaip naudoti gaminį konkrečioje situacijoje, sustabdykite darbą ir prieš tęsdami darbą pasitarkite su „McCulloch“ pardavimo atstovu.
- Atsiminkite, kad už nelaimingus atsitikimus, kurių metu nukentės asmenys ar turtas, bus atsakingas naudotojas.
- Rūpinkitės gaminio švara. Įsitinkite, kad aiškiai perskaitėte ženklus ir lipdukus.
- Neleiskite kitiems naudotis gaminiumi, jei neįsitikinote, kad jie perskaitė ir suprato naudojimo instrukcijos turinį.



PERSPĖJIMAS: Prieš naudodami gaminį, perskaitykite toliau esančius išpėjimus.

- Prieš naudodami gaminį nuo darbo zonos pašalinkite tokius objektus, kaip šakos, šakelės ir akmenys.
- Atsitrenkę į pjovimo įrangą objektai gali atšokti ir sužeisti asmenis bei sugadinti daiktus. Šalia esantiems asmenims ir gyvūnams būtina laikytis saugaus atstumo nuo gaminio.
- Gaminio niekuomet nenaudokite blogu oru, pvz., kai pakyla rūkas, lyja, pučia stiprus vėjas, stipriai šąla ir gali žaibuoti. Darbas gaminiumi blogu oru arba drėgnose ar šlapiose vietose yra varginantis. Blogu oru gali susidaryti pavojingos sąlygos, pvz., slidūs paviršiai.
- Saugokitės asmenų, daiktų ir tam tikrų situacijų kurios gali neleisti saugiai naudoti gaminio.
- Saugokitės kliūčių, pvz., šaknų, akmenų, šakelių, duobių ir griovių. Aukštoje žolėje kliūtys gali būti nematomos.
- Gali būti pavojinga pjauti žolę įkalnėse. Nenaudokite gaminio, jei šlaitas yra statenesis nei 15°.
- Šlaitus pjaukite skersai. Nevažiuokite į viršų ir žemyn.
- Būkite atsargūs artėdami prie nematomų kampų ir daiktų, kurie užstoja vaizdą.



PERSPĖJIMAS: Prieš naudodami gaminį, perskaitykite toliau esančius įspėjimus.

- Gaminį naudokite tik vejų žolei pjauti. Neleidžiama jo naudoti kitoms užduotims atlikti.
- Naudokite asmenines apsaugines priemones. Žr. *Asmeninės apsauginės priemonės psl. 167.*
- Niekada neužveskite variklio uždaroje erdvėje ar netoli degių medžiagų. Variklio išmetamosios dujos yra karštos, jose gali būti kibirkščių, kurios gali sukelti gaisrą.
- Nenaudokite gaminio tinkamai neuždengę peilio ir neuždėję kitų dangčių. Netinkamai uždėtas peilis gali atsilaisvinti ir sužeisti.
- Užtikrinkite, kad peilis neatsitrenktų į tokius objektus, kaip akmenys ir šaknys. Tai gali sugadinti peilį ir sulenkėti variklio veleną. Sulenkta ašis sukelia didelę vibraciją ir kyla didžiulis pavojus, kad peilis atsilaisvins.
- Jei į peilį atsitrenkia objektas arba susidaro vibracijos, nedelsdami sustabdykite gaminį. Atjunkite uždegimo kabelį nuo uždegimo žvakės. Patikrinkite, ar gaminys neapgadintas. Pataisykite sugadintas dalis arba remonto darbus perleiskite įgaliotajam techninės priežiūros atstovui.
- Niekada neprijunkite variklio stabdžio rankenos prie rankenos visam laikui, kai variklis veikia.
- Padėkite gaminį ant stabilaus, plokščio paviršiaus ir paleiskite jį. Patikrinkite, ar peilis neliečia žemės ar kokių kitų daiktų.
- Visada būkite už gaminio, kai jį naudojate.
- Prižiūrėkite, kad visi ratukai būtų ant žemės ir abi rankas laikykite ant rankenos, kai naudojate gaminį. Saugokite rankas bei kojas ir neikiškite jų prie besisukančių peilių.
- Dirbant varikliui nepakreipkite gaminio.
- Būkite atsargūs, kai gaminį traukiate atgal.
- Dirbant varikliui nepakelkite gaminio. Jei gaminį turite pakelti, pirmiausia sustabdykite variklį ir atjunkite uždegimo kabelį nuo uždegimo žvakės.
- Naudodami gaminį neikite atgal.
- Veždami įrenginį per zonas be žolės, pvz., žvirgždo, akmenų ir asfalto takelius, sustabdykite variklį.
- Dirbant varikliui nebėkite su gaminiumi. Naudodami gaminį visada eikite.
- Prieš pakeisdami pjovimo aukštį pirmiausia išjunkite variklį. Draudžiama reguliuoti, kai veikia variklis.
- Niekada nepaleiskite gaminio iš akių, kai veikia variklis. Išjunkite variklį ir įsitinkite, kad pjovimo įranga nesisuka.

Naudojimo saugos instrukcijos

Asmeninės apsauginės priemonės



PERSPĖJIMAS: Prieš naudodami gaminį, perskaitykite toliau esančius įspėjimus.

- Asmeninės apsauginės priemonės nepadės visiškai išvengti pavojaus susižeisti, tačiau nelaimingo atsitikimo atveju mažiau nukentėsite. Leiskite prekybos atstovui padėti pasirinkti tinkamą įrangą.
- Avėkite patvarius, neslystančius batus. Neavėkite atvirų batų ir nebūkite basi.
- Dėvėkite storas, ilgas kelnes.
- Kai būtina, pvz., montuojant, apžiūrint arba valant pjovimo įrangą, užsimaukite apsaugines pirštines.

Gaminio apsauginės priemonės



PERSPĖJIMAS: Prieš naudodami gaminį, perskaitykite toliau esančius įspėjimus.

- Nesinaudokite gaminiumi, jei jo apsauginės priemonės yra netvarkingos.
- Reguliariai tikrinkite apsaugines priemones. Jei apsauginės priemonės yra pažeistos, pasitarkite su McCulloch techninės priežiūros atstovu.

Pjovimo gaubtas

- Apžiūrėkite pjovimo gaubtą, kad įsitikintumėte, jog nėra pažeidimų, pvz., įtrūkių.

Variklio stabdymo rankena

Variklio stabdžio rankena sustabdo variklį. Atleidus variklio stabdžio rankeną variklis sustoja.

Kad patikrintumėte variklio stabdį, paleiskite variklį ir atleiskite variklio stabdžio rankeną. Jei variklis nesustoja per 3 sekundes, paprašykite, kad įgaliotasis „McCulloch“ techninės priežiūros atstovas sureguliuotų variklio rankeną.

(Pav. 17)

Duslintuvas

Duslintuvas iki minimumo sumažina triukšmo lygį ir nukreipia nuo naudotojo variklio išmetamąsias dujas.

Nenaudokite gaminio, jei nėra duslintuvo arba jis yra pažeistas. Esant pažeistam duslintuvui padidėja triukšmo lygis ir kyla gaisro pavojus.

Norėdami įsitikinti, kad duslintuvas yra tinkamai pritvirtintas ir nėra pažeistas, jį tikrinkite reguliariai.



PASTABA: Darbo metu ir tada, kai variklis veikia tuščiąja eiga, duslintuvas labai įkaista ir kurį laiką išlieka karštas. Elkitės atsargiai

su degiomis medžiagomis ir (arba) garais, kad išvengtumėte gaisro.

Degalų naudojimo sauga



PERSPĖJIMAS: Prieš naudodami gaminį, perskaitykite toliau esančius įspėjimus.

- Neužveskite gaminio, jei ant gaminio yra kuro arba variklio alyvos. Nuvalykite nepageidaujamą kurą / alyvą ir palaukite, kol gaminys išdžius.
- Apsipykę drabužius kuru nedelsiant persirenkite.
- Neapsipilkite kūno kuru, nes jis gali sužaloti. Apsipykę kūną kuru, jį nusiplaukite muilu ir vandeniu.
- Neužveskite gaminio, jei iš variklio sunkiasi skysčiai. Reguliariai tikrinkite, ar iš variklio nesisunkia skysčiai.
- Atsargiai elkitės su kuru. Kuras yra degus, o jo garai – sprogūs, todėl neatsargiai elgiantis galima susižaloti arba žūti.

- Neįkvėpkite kuro garų, nes jie gali sužaloti. Pasirūpinkite tinkamu vėdinimu.
- Nerūkykite greta kuro arba variklio.
- Nedėkite šiltų objektų greta kuro arba variklio.
- Nepilkite kuro, kai variklis užvestas.
- Prieš pildami kurą įsitinkinkite, ar variklis ataušęs.
- Prieš pildami kurą lėtai atidarykite kuro bakelio dangtelį ir atsargiai išleiskite slėgį.
- Nepilkite į variklį kuro būdami patalpoje. Dėl oro stygiaus galima susižaloti arba žūti uždusos arba apsinuodijus anglies monoksidu.
- Stipriai užsukite kuro bakelio dangtelį. Nepakankamai stipriai užsukus kuro bakelį kyla gaisro pavojus.
- Prieš pradėdami darbą patraukite gaminį mažiausiai 3 m (10 pėdų) nuo vietos, kurioje pylėte kurą.
- Nepripilkite į kuro bakelį pernelyg daug kuro.

Priežiūros saugos instrukcijos



PERSPĖJIMAS: Prieš naudodami gaminį, perskaitykite toliau esančius įspėjimus.

- Variklio išmetamosiose dujose yra anglies monoksido – nuodingų, bekvapių ir labai pavojingų dujų. Nepaleiskite variklio patalpose ar uždaroje erdvėje.
- Prieš atlikdami techninę gaminio priežiūrą, sustabdykite variklį ir atjunkite uždegimo kabelį nuo uždegimo žvakės.
- Pjovimo įrangos techninės priežiūros darbus atlikite apsimovę apsaugines pirštines. Peilis labai aštrus ir gali lengvai įpjauti.
- Gamintojo nepatvirtinti priedai ir gaminio pakeitimai gali rimtai ar net mirtinai sužeisti. Nekeiskite gaminio. Visada naudokite tik gamintojo patvirtintus priedus.

- Jei techninė priežiūra atliekama netinkamai ir nereguliariai, padidėja sužeidimų ir žalos gaminiui pavojus.
- Atlikite tik savininko vadove nurodytus techninės priežiūros darbus. Visus kitus techninės priežiūros darbus turi atlikti patvirtintas „McCulloch“ techninės priežiūros atstovas.
- Patvirtintas „McCulloch“ techninės priežiūros atstovas turi reguliariai atlikti gaminio techninę priežiūrą.
- Pakeiskite pažeistas, sulūžusias arba susidėvėjusias dalis.

Surinkimas

Rankenos surinkimas

Apatinė rankenos dalis

1. Įdėkite apatinės rankenos galinės dalies kaiščius į angas, kaip parodyta iliustracijoje. Sulygiuokite angas ir prisukite varžtus, poveržles ir rankenėles. (Pav. 18)

Apatinė rankenos dalis

1. Sulygiuokite rankenos angas su apatinės rankenos angomis ir prisukite varžtus, poveržles ir rankenėles. Dešinėje pusėje taip pat pritvirtinkite starterio virvės kilpelę. Iki galo priveržkite rankenėles. (Pav. 19)

2. Patraukite starterio virvės rankeną ir starterio virvę apskukite aplink starterio virvės kilpelę. (Pav. 20)
3. Kabelius prie rankenos priiriškite raišteliais. (Pav. 21)

Pasižymėkite: Įsitinkinkite, kad kabeliai nėra per daug įtempti.

Žolės rinktuvo montavimas

1. Įdėkite žolės rinktuvo rėmą į medžiaginį žolės krepšį. Įsitinkinkite, kad žolės rinktuvo rėmo rankena yra žolės krepšio viršuje.
2. Prijunkite žolės krepšio rėmą medžiaginio krepšio krašte esančiais fiksatoriais. (Pav. 22)

3. Pakelkite galinį dangtelį.
4. Prikabinkite žolės rinktuvą prie viršutinio važiuoklės krašto.
5. Įdėkite apatinę žolės rinktuvo dalį į žolės išmetimo kanalą.

Mulčiavimo priedo montavimas

Mulčiavimo priedas pateikiamas tik kaip papildoma pasirinktų modelių įranga. M51-150WR CLASSIC,

M53-150WR CLASSIC modeliai pateikiami su mulčiavimo priedu. M40-120 CLASSIC, M40-125 CLASSIC+ modelių negalima naudoti su mulčiavimo priedu.

1. Pakelkite galinį gaubtą ir išimkite žolės rinktuvą.
2. Įstatykite mulčiavimo priedą į išmetimo kanalą. (Pav. 23)

Naudojimas

Įvadas



PERSPĖJIMAS: Prieš naudodami gaminį perskaitykite ir supraskite saugos skyriaus informaciją.

Prieš naudodami gaminį

1. Atidžiai perskaitykite naudojimo instrukciją ir įsitikinkite, kad viską gerai supratote.
2. Apžiūrėkite pjovimo įrangą ir įsitikinkite, kad ji tinkamai prijungta ir sureguliuota. Žr. *Pjovimo įrangos patikrinimas psl. 171.*
3. Užpildykite kuro bakelį. Žr. *Norėdami pripildyti degalų psl. 169.*
4. Pripilkite alyvos bakelį ir patikrinkite alyvos lygį. Žr. *Alyvos lygio tikrinimas psl. 171.*

Norėdami pripildyti degalų

Jei įmanoma, naudokite ekologišką / alkilato benzina. Jei ekologiško / alkilato benzino naudoti negalite, naudokite geros kokybės bešvinį benzina arba benzina su švinu. Naudokite benzina, kurio oktaniškas skaičius ne mažesnis nei 90 ir kurio sudėtyje yra ne daugiau nei 10 % etanolio (E10).



PERSPĖJIMAS: Pripylus netinkamo tipo degalų gali būti sugadintas variklis.

1. Lėtai atsukite kuro bakelio dangtelį, kad išleistumėte slėgį.
2. Lėtai pilkite iš degalų kanistro. Jei išliejate kurą, nuvalykite jį audiniu ir palaukite, kol kuras išdžiūsi.
3. Nuvalykite sritį aplink kuro bakelio dangtelį.
4. Stipriai užsukite kuro bakelio dangtelį. Nepakankamai stipriai užsukus kuro bakelį kyla gaisro pavojus.
5. Prieš pradėdami darbą patraukite gaminį mažiausiai 3 m (10 pėdų) nuo vietos, kurioje pylėte kurą.

Pjovimo aukščio nustatymas

1. Kad padidintumėte pjovimo aukštį, pjovimo aukščio svirtį palenkite atgal.

2. Kad sumažintumėte pjovimo aukštį, pjovimo aukščio svirtį palenkite į priekį. (Pav. 24)



PASTABA: Nenustatykite per žemo pjovimo aukščio. Peiliai gali užkliudyti žemę, jei vejos paviršius nelygus.

Įrenginio paleidimas

1. Įsitikinkite, kada uždegimo kabelis prijungtas prie uždegimo žvakės.
2. Pirmą kartą paleisdami įrenginį paspauskite kuro siurbliuką 5 kartus. Kitą kartą paleisdami įrenginį, kai variklis šaltas, paspauskite kuro siurbliuką 3 datus. (Pav. 25)
3. Būkite už įrenginio.
4. Laikykite variklio stabdymo rankeną prispaudę prie rankenos. (Pav. 26)
5. Dešine ranka laikykite starterio lynelį.
6. Lėtai patraukite starterio lynelį, kol pajusite pasipriešinimą.
7. Tada stipriai patraukite, kad paleistumėte variklį.



PERSPĖJIMAS: Nevyniokite starterio virvės sau ant rankos.

Ratų pavaros naudojimas

- Pavaros rankeną pastumkite rankenos kryptimi. (Pav. 27)
- Prieš patraukdami produktą atgal, išjunkite pavarą ir pastumkite įrenginį į priekį apie 10cm.
- Atleiskite pavaros rankeną, kad išjungtumėte pavarą, pvz., kai priartėjate prie kliūtis.

Įrenginio sustabdymas

- Norėdami tik sustabdyti pavarą, atleiskite pavaros rankeną.
- Norėdami išjungti variklį, atleiskite variklio stabdymo rankeną.

Gerų rezultatų gavimas

- Visada naudokite pagalastą peilį. Atšipęs peilis netaisyklingai nupjauna ir žolės paviršius pagelsta. Be to, aštrus peilis naudoja mažiau energijos nei atšipęs.
- Nepjaukite daugiau nei 1/3 žolės ilgio. Pirmiausia nupjaukite nustatę didelį aukštį. Patikrinkite rezultatą

ir sumažinkite pjovimo aukštį iki tinkamo lygio. Jeigu žolė tikrai aukšta, judėkite lėtai ir, jei reikia, pjaukite 2 kartus.

- Kiekvieną kartą pjaukite skirtingomis kryptimis, kad vejoje nesusidarytų dryžiai.

Priežiūra

Įvadas



PERSPĖJIMAS: Prieš atlikdami priežiūros darbus perskaitykite ir supraskite saugos skyriaus informaciją.

Visiems gaminio techninės priežiūros ir remonto darbams reikia specialių apmokymų. Garantuojame profesionalaus remonto ir techninės priežiūros darbų pasiekiamumą. Jei jūsų pardavėjas nėra techninės priežiūros atstovas, paprašykite jo informacijos apie artimiausią techninės priežiūros atstovą.

Priežiūros grafikas

Techninės priežiūros intervalai apskaičiuojami pagal kasdienį gaminio naudojimą. Intervalai keičiasi, jei gaminys naudojamas kasdien.

Techninės priežiūros informacijos, pažymėtos *, žr. instrukcijas, pateikiamas *Gaminio apsauginės priemonės psl. 167.*

Techninės priežiūros darbas	Kasdien	Kiekvieną savaitę	Kiekvieną mėnesį
Atlikti bendrąją apžiūrą	X		
Patikrinti alyvos lygį	X		
Nuvalyti įrenginį	X		
Patikrinti pjovimo įrangą	X		
Patikrinti pjovimo įrangos gaubtą*	X		
Patikrinti variklio stabdymo rankeną*	X		
Patikrinti ir sureguliuoti pavarą (sankabos laidas)	X		
Patikrinti duslintuvą*		X	
Patikrinti uždegimo žvakę		X	
Pakeisti alyvą (pirmą kartą po 5 naudojimo valandų, tada kas 50 naudojimo valandų)			X
Pakeisti oro filtrą			X
Patikrinti kuro sistemą			X

Bendroji apžiūra

- Įsitikinkite, kad gaminio varžzlės ir varžtai priveržti.

Gaminio valymas iš išorės

- Lapus, žolę ir purvą nuvalykite šepetiu.
- Apžiūrėkite ar neužsikūsi oro įsiurbimo anga variklio viršuje.
- Gaminio neplaukite aukšto slėgio pjovimo aparatu.

- Jei gaminį valote vandeniu, nepilkite vandens tiesiai ant variklio.

Pjovimo įrangos gaubto vidinio paviršiaus valymas

1. Ištuštinkite kuro bakelį.
2. Paverskite įrenginį ant šono ant duslintuvo.



PASTABA: Jei gaminį paversite ant oro filtro, galite sugadinti variklį.

3. Vandeniui aplykite vidinį pjovimo įrangos gaubto paviršių.

Pjovimo įrangos patikrinimas



PERSPĖJIMAS: Kad įranga netyčia nepasileistų, ištraukite uždegimo kabelį iš uždegimo žvakės.



PERSPĖJIMAS: Pjovimo įrangos techninės priežiūros darbus atlikite apsimovę apsaugines pirštines. Peilis labai aštrus ir gali lengvai įpjauti.

1. Patikrinkite, ar pjovimo įranga nepažeista ir neįskilusi. Visada pakeiskite pažeistą pjovimo įrangą.
2. Apžiūrėkite peilį, ar jis nepažeistas ir neatšipęs.

Pasižymėkite: Pagalاندus peilį jį reikia subalansuoti. Pagalasti, pakeisti ir subalansuoti peilį turi techninės priežiūros centro darbuotojai. Jei susidūrėte su kliūtimi, dėl kurios įrenginys sustoja, pakeiskite pažeistą peilį. Leiskite techninės priežiūros centro darbuotojams nuspręsti, ar peilį dar galima galasti, ar jau reikia keisti.

Peilio keitimas

1. Užfiksokite peilį medžio bloku. (Pav. 28)
2. Nusukite peilio tvirtinimo varžtą.
3. Nuimkite peilį.
4. Patikrinkite peilio atramą ir peilio tvirtinimo varžtą, ar jie nepažeisti.
5. Patikrinkite variklio veleną, kad įsitikintumėte, ar jis nesulenktas.
6. Įdėję naują peilį nukreipkite jo kampus pjovimo įrangos gaubto kryptimi. (Pav. 29)
7. Įsitikinkite, kad peilis sulygiuotas su peilio veleno centru.
8. Užfiksokite peilį medžio bloku. Uždėkite spyruoklės poveržlę ir pritvirtinkite varžtą ir poveržlę 45–60 Nm sukimo momento jėga. (Pav. 30)
9. Ranka pasukite peilį ir patikrinkite, ar jis laisvai sukasi.



PERSPĖJIMAS: Apsimaukite pirštines sunkiam darbui. Peilis labai aštrus ir gali lengvai įpjauti.

10. Paleiskite gaminį, kad išbandytumėte peilį. Jei peilis netinkamai uždėtas, gaminys vibruoja arba pjaunama nepakankamai gerai.

Alyvos lygio tikrinimas



PASTABA: Per mažas alyvos kiekis gali sukelti variklio gedimus. Prieš paleisdami gaminį patikrinkite alyvos lygį.

1. Pastatykite gaminį ant lygaus paviršiaus.
2. Nusukite alyvos bakelio dangtelį su pridėtu alyvos lygio matuokliu.
3. Nuvalykite alyvą nuo matuoklės.
4. Visiškai įmerkite alyvos lygio matuoklį į alyvos bakelį, kad tinkamai išsiaiškintumėte alyvos lygį.
5. Ištraukite lygio matuoklę.
6. Patikrinkite alyvos lygį matuoklio pagalba.
7. Jei alyvos lygis nedidelis, pripilkite variklio alyvos ir vėl jį patikrinkite.

Variklio alyvos keitimas



PERSPĖJIMAS: Iš karto sustabdžius variklį variklio alyva yra labai karšta. Prieš išleidami variklio alyvą leiskite varikliui atvėsti. Jei užsipsilpėte variklio alyvos ant odos, nuvalykite ją muilu ir vandeniu.

1. Eksploatuokite gaminį, kol kuro bakelis ištuštės.
2. Nuimkite uždegimo kabelį nuo uždegimo žvakės.
3. Nuimkite alyvos bakelio dangtelį.
4. Po gaminių padėkite konteinerį, į kurį surinksite variklio alyvą.
5. Pakreipkite įrenginį, kad išleistumėte variklio alyvą iš alyvos bakelio.
6. Pripilkite naujos variklio alyvos. Rekomenduojamo tipo ieškokite *Techniniai duomenys psl. 173*.
7. Patikrinkite alyvos lygį. Žr. *Alyvos lygio tikrinimas psl. 171*.

Oro filtras

Ilgai naudoto oro filtro negalima iki galo išvalyti. Reguliariai pakeiskite oro filtrą.

Pasižymėkite: Visada pakeiskite pažeistą oro filtrą.

Popierinio filtro išvalymas

1. Nuimkite popierinio filtro dangtelį ir išimkite popierinį filtrą.
2. Sutrenkite filtrą į plokščią paviršių, kad nukristų dalelės.



PASTABA: Popierinio filtro nevalykite tirpikliu arba suspaustu oru.

3. Vėl įdėkite filtrą. Įsitikinkite, kad oro filtras visiškai sandarus oro filtro laikiklyje.

4. Vėl uždėkite oro filtro dangtelį.

Polistirolo filtro valymas

1. Nuimkite oro filtro dangtelį ir išimkite polistirolo filtrą.
2. Polistirolo filtrą nuvalykite muilu ir vandeniui.
3. Nuplaukite polistirolo filtrą švari vandeniu.
4. Nugręžkite vandenį iš polistirolo filtro ir palikite jį išdžiūti.



PASTABA: Nenaudokite suspausto oro. Jis gali pažeisti polistirolo filtrą.

5. Sutepkite polistirolo filtrą variklio alyva.
6. Nuspauskite polistirolo filtrą švaria šluoste, kad pašalintumėte nepageidaujamus riebalus.
7. Vėl įdėkite filtrą. Įsitikinkite, kad oro filtras visiškai sandarus oro filtro laikiklyje.
8. Vėl uždėkite oro filtro dangtelį.

Uždegimo žvakės tikrinimas



PASTABA: Visada naudokite rekomenduojamo tipo žvakes. Netinkamo tipo uždegimo žvakė gali pažeisti gaminį.

- Patikrinkite uždegimo žvakę, jei variklio galingumas mažas, jį sunku paleisti arba jis netinkamai veikia tuščiajame eiga.
- Norėdami sumažinti pašalinių medžiagų atsiradimą ant uždegimo žvakės elektrodo, laikykitės šių instrukcijų:
 - a) Įsitikinkite, kad tinkamai sureguliuotas greitis tuščiajame eiga.
 - b) Įsitikinkite, kad naudojate tinkamą kuro mišinį.

- c) Patikrinkite, ar oro filtras yra švarus.

- Jeigu uždegimo žvakė purvina, nuvalykite ją ir patikrinkite, ar nustatytas tinkamas tarpas tarp elektrodo. Žr. *Techniniai duomenys psl. 173* (Pav. 31)
- Esant reikalui pakeiskite uždegimo žvakę.

Kuro sistemos tikrinimas

- Patikrinkite kuro bakelio dangtelį ir užsandarinkite jį, kad nepažeistumėte.
- Patikrinkite kuro žarnelę ir įsitikinkite, kad ji neprateka. Jei kuro žarnelė pažeista, paprašykite, kad techninės priežiūros atstovas ją pakeistų.

Sankabos laido reguliavimas

Jei pavara veikia lėtai, būtina sureguliuoti sankabos laidą.

1. Norėdami reguliuoti sankabos troselio ilgį, sankabos troselį prijunkite skirtingose pavaros rankenos angose. Sutrumpinkite sankabos laidą, kad padidintumėte pavaros greitį. Pailginkite sankabos laidą, kad sumažintumėte pavaros greitį. (Pav. 32)

Pasižymėkite: Jei pavara įjungiamą nepatraukus pavaros rankenos, būtina pailginti pavaros laidą.

2. Norėdami tik šiek tiek pakoreguoti pavaros greitį, pasukite reguliavimo varžtą. Norėdami padidinti pavaros greitį, pasukite reguliavimo varžtą prieš laikrodžio rodyklę. Norėdami sumažinti pavaros greitį, pasukite reguliavimo varžtą pagal laikrodžio rodyklę. (Pav. 33)

Jei pavara veikia lėtai ją sureguliuavus, paprašykite, kad įgalios techninės priežiūros atstovas pakeistų pavaros diržą.

Transportavimas, saugojimas ir utilizavimas

Transportavimas ir laikymas

- Norėdami laikyti ir transportuoti gaminį ir kurą, įsitikinkite, kad jis neprateka ir neskleidžia išmetamųjų dujų. Žiežirbos arba atvira ugnis, pvz., elektriniai įrenginiai arba džiovintuvai, gali sukelti gaisrą.
- Laikydami ir transportuodami kurą visada naudokite patvirtintus kontenerius.
- Ištuštinkite kuro bakelį ir karbiuratoriaus kamerą prieš padėdami gaminį laikyti ilgam laikui. Kurą išpilkite tinkamoje šalinimo vietoje.
- Saugiai pritvirtinkite gaminį jį transportuodami, kad nepažeistumėte ir išvengtumėte nelaimingų atsitikimų.

- Laikykite gaminį užrakintoje patalpoje, kad jo nepasiektų vaikai arba neįgalios asmenys.
- Laikykite gaminį sausoje neužšalancioje vietoje.

Šalinimas

- Laikykitės vietinių atliekų tvarkymo reikalavimų ir galiojančių teisės aktų.
- Išpilkite visas chemines medžiagas, pvz., variklio alyvą arba kurą techninės priežiūros centre arba tinkamoje šalinimo vietoje.
- Kai gaminys nebenaudojamas, nusiųskite jį „McCulloch“ pardavėjui arba atiduokite jį perdirbimo vietai.

Techniniai duomenys

Techniniai duomenys

	M40-120 CLASSIC	M40-125 CLASSIC+	M46-120 CLASSIC	M46-120R CLASSIC	M46-125 CLASSIC+	M46-125R CLASSIC+
Variklis						
Gamintojas	„McCulloch“	„Briggs & Stratton“	„McCulloch“	„McCulloch“	„Briggs & Stratton“	„Briggs & Stratton“
Darbinis tūris, cm ³	120	125	120	120	125	125
Greitis, aps. / min	2900	2900	2900	2900	2900	2900
Nominali variklio galia, kW ¹³¹	2,0	1,6	2,0	2,0	1,6	1,6
Uždegimo sistema						
Uždegimo žvakė	K7RTC	RC12YC	K7RTC	K7RTC	RC12YC	RC12YC
Tarpas tarp elektrodų, mm	0,7	0,5	0,7	0,7	0,5	0,5
Kuro / tepimo sistema						
Kuro bakelio talpa, litrai	0,8	0,8	0,8	0,8	0,8	0,8
Alyvos bako talpa, litrai	0,4	0,4	0,4	0,4	0,4	0,4
Variklio alyva ¹³²	SAE 30/SAE 10W-30	SAE 30/SAE 10W-30	SAE 30/SAE 10W-30	SAE 30/SAE 10W-30	SAE 30/SAE 10W-30	SAE 30/SAE 10W-30
Svoris						
Su tuščiais skysčių bakeliais, kg	24	25	28	29	28	29
Skleidžiamas triukšmas¹³³						
Garso stiprumo lygis, išmatuotas dB (A)	93	93	95	95	95	95
Garso galios lygis, garantuojamas L _{WA} dB (A)	94	94	96	96	96	96
Garso lygiai¹³⁴						
Naudotojo ausį veikiantis garso slėgis, dB (A)	80	80	82	82	82	82

¹³¹ Nurodyta variklio galia atitinka to modelio tipinės gamybos būdu pagaminto variklio vidutinę naudingąją atiduodamą galią (varikliui veikiant nurodytu greičiu), išmatuotą pagal SAE standartą J1349 / ISO1585. Masinės gamybos būdu pagamintų variklių galia gali skirtis. Faktinė gaminyje įmontuoto variklio galia priklausys nuo darbinio greičio, aplinkos sąlygų ir kitų aplinkybių.

¹³² Naudokite SJ ar aukštesnės kokybės variklio alyvą. Žiūrėkite klampumo lentelę variklio gamintojo instrukcijoje ir pasirinkite geriausią klampumą, atsižvelgdami į numatomą lauko temperatūrą.

¹³³ Triukšmas, skleidžiamas į aplinką, išmatuotas kaip garso galia (L_{WA}) pagal EB direktyvą 2000/14/EB.

¹³⁴ Triukšmo slėgio lygis pagal ISO 5395:2103. Pateiktųjų triukšmo slėgio duomenų būdingoji statistinė sklaida (standartinis nuokrypis) lygi 1,2 dB (A).

	M40-120 CLASSIC	M40-125 CLASSIC+	M46-120 CLASSIC	M46-120R CLASSIC	M46-125 CLASSIC+	M46-125R CLASSIC+
Vibracijos lygiai, a_{Hveq}¹³⁵						
Rankena, m/s ²	14,75	14,75	15,68	15,68	15,68	15,68
Pjovimo įranga						
Pjovimo aukštis, mm	20-75	20-75	30-80	30-80	30-80	30-80
Pjovimo plotis, mm	400	400	460	460	460	460
Peilis	Mulcher 40	Mulcher 40	Mulcher 46	Mulcher 46	Mulcher 46	Mulcher 46
Gaminio numeris	5871590-10	5871590-10	Nuo 5811889 iki 10	Nuo 5811889 iki 10	Nuo 5811889 iki 10	Nuo 5811889 iki 10
Žolės rinktuvo galia, litrais	50	50	50	50	50	50

	M46-150WR CLASSIC	M51-140WR CLASSIC+	M51-150R CLASSIC	M51-150WR CLASSIC	M53-150WR CLASSIC
Variklis					
Gamintojas	„McCulloch“	„Briggs & Stratton“	„McCulloch“	„McCulloch“	„McCulloch“
Darbinis tūris, cm ³	150	140	150	150	150
Greitis, aps. / min	2900	2900	2900	2900	2900
Nominali variklio galia, kW ¹³⁶	2,4	1,9	2,4	2,4	2,4
Uždegimo sistema					
Uždegimo žvakė	K7RTC	RC12YC	K7RTC	K7RTC	K7RTC
Tarpas tarp elektrodų, mm	0,7	0,5	0,7	0,7	0,7
Kuro / tepimo sistema					
Kuro bakelio talpa, litrai	1,0	0,8	1,0	1,0	1,0
Alyvos bakelio talpa, litrai	0,4	0,4	0,4	0,4	0,4
Variklio alyva ¹³⁷	SAE 30/SAE 10W-30	SAE 30/SAE 10W-30	SAE 30/SAE 10W-30	SAE 30/SAE 10W-30	SAE 30/SAE 10W-30
Svoris					
Su tuščiais skysčių bakeliais, kg	32	32	33	33	33

¹³⁵ Vibracijos lygis pagal ISO 5395:2013. Pateiktuose vibracijos lygio duomenyse yra 0,2 m/s² tipiška statistinė sklaida (standartinis nuokrypis).

¹³⁶ Nurodyta variklio galia atitinka to modelio tipinės gamybos būdu pagaminto variklio vidutinę naudingąją atiduodamą galią (varikliui veikiant nurodytu greičiu), išmatuotą pagal SAE standartą J1349 / ISO1585. Masinės gamybos būdu pagamintų variklių galia gali skirtis. Faktinė gaminyje įmontuoto variklio galia priklausys nuo darbinio greičio, aplinkos sąlygų ir kitų aplinkybių.

¹³⁷ Naudokite SJ ar aukštesnės kokybės variklio alyvą. Žiūrėkite klampumo lentelę variklio gamintojo instrukcijoje ir pasirinkite geriausią klampumą, atsižvelgdami į numatomą lauko temperatūrą.

	M46-150WR CLASSIC	M51-140WR CLASSIC+	M51-150R CLASSIC	M51-150WR CLASSIC	M53-150WR CLASSIC
Skleidžiamas triukšmas ¹³⁸					
Garso stiprumo lygis, išmatuotas dB (A)	97	97	95	97	98
Garso galios lygis, garantuojamas L _{WA} dB (A)	98	98	98	98	98
Garso lygiai ¹³⁹					
Naudotojo ausį veikiantis garso slėgis, dB (A)	82	82	81	84	82
Vibracijos lygiai, a_{hveq} ¹⁴⁰					
Rankena, m/s ²	4,27	4,27	4,06	5,55	3,39
Pjovimo įranga					
Pjovimo aukštis, mm	30–80	30-90	30-90	30-90	30-90
Pjovimo plotis, mm	460	510	510	510	530
Peilis	Mulcher 46	Mulcher 51	Mulcher 51	Mulcher 51	Mulcher 53
Gaminio numeris	Nuo 5811889 iki 10	5041133-10	5041133-10	5041133-10	5811886-10
Žolės rinktuvo galia, litrais	50	55	55	55	55

EB atitikties deklaracija

EB atitikties deklaracijos turinys

Mes, „Husqvarna AB“, SE 561 82 Huskvarna, ŠVEDIJA, savo atsakomybe pareiškiame, kad pateiktas gaminys:	
Aprašymas	Vidaus degimo variklio varoma savaeigė vežajpvė
Gamintojas	McCulloch
Platforma / tipas / modelis	M40-120 CLASSIC, M40-125 CLASSIC+, M46-120 CLASSIC, M46-120R CLASSIC, M46-125 CLASSIC+, M46-125R CLASSIC+, M46-150WR CLASSIC, M51-140WR CLASSIC+, M51-150R CLASSIC, M51-150WR CLASSIC, M53-150WR CLASSIC
Partija	Serijos numerių data nuo 2017
visiškai atitinka šias ES direktyvas ir reikalavimus:	
Direktyva / reikalavimas	Aprašas
2006/42/EB	„dėl mašinų“

¹³⁸ Triukšmas, skleidžiamas į aplinką, išmatuotas kaip garso galia (L_{WA}) pagal EB direktyvą 2000/14/EB.

¹³⁹ Triukšmo slėgio lygis pagal ISO 5395:2103. Pateiktamų triukšmo slėgio duomenų būdingoji statistinė sklaida (standartinis nuokrypis) lygi 1,2 dB (A).

¹⁴⁰ Vibracijos lygis pagal ISO 5395:2013. Pateiktuose vibracijos lygio duomenyse yra 0,2 m/s² tipiška statistinė sklaida (standartinis nuokrypis).

2014/30/ES	„dėl elektromagnetinio suderinamumo“
2000/14/EB; 2005/88/EB	„dėl triukšmo lauke“
<p>Taikomi tokie darnieji standartai ir (arba) techninės specifikacijos: EN ISO 12100, ISO 14982, ISO 5395-1 & 2, ISO 3744, ISO 11094, EN 1032</p> <p>Pagal 2000/14/EB direktyvos V priedą nustatytosios garso vertės pateikiamos šios instrukcijos techninių duomenų skyriuje iri pasirašytoje EB atitikties deklaracijoje.</p> <p>Pateikta vidaus degimo varikliu varoma savaeigė vejapjovė atitinka kontrolę praėjusį pavyzdį.</p>	

Saturs

levads.....	177	Tehniskā apkope.....	182
Drošība.....	178	Transportēšana, glabāšana un utilizēšana.....	184
Norādījumi par drošu apkopi.....	180	Tehniskie dati.....	185
Montāža.....	180	EK atbilstības deklarācija.....	187
Darbība.....	181		

Ievads

Izstrādājuma apraksts

Izstrādājums ir gājējam vadāmais rotējošais zāles plāvējs. Zāle tiek savākta zāles savācējā. Lai piekļūtu zāles aizmugurējam izmetējam, noņemiet zāles savācēju. Lai sagrieztu zāli mēslojumam, piestipriniet mulčēšanas komplektu (papildpiederumu).

Izstrādājuma pārskats

(Att. 1)

1. Piedziņas rokturis (M46-120R CLASSIC, M46-125R CLASSIC+, M46-150WR CLASSIC, M51-140WR CLASSIC+, M51-150R CLASSIC, M51-150WR CLASSIC, M53-150WR CLASSIC)
2. Augšējais rokturis/stūre
3. Dzinēja bremžu rokturis
4. Startera auklas rokturis
5. Startera auklas loks
6. Zāles savācējs
7. Apakšējais rokturis
8. Apakšējā roktura korpus
9. Griešanas augstuma sviras
10. Eļļas tvertnes vāciņš
11. Trokšņa slāpētājs
12. Noliešanas aizgrieznis karburatora pludiņkamerai
13. Degvielas sūknis
14. Aizdedzes svece
15. Degvielas tvertne
16. Asmens
17. Atsperpaplāksne
18. Asmens skrūve
19. Pļaušanas bloks
20. Gaisa filtrs
21. Lietotāja rokasgrāmatu

Simboli uz izstrādājuma

(Att. 2) BRĪDINĀJUMS! Pavirša vai nepareiza lietošana var radīt traumas vai nāvi lietotājam vai blakus esošajiem cilvēkiem.

(Att. 3) Lūdzu, rūpīgi izlasiet šo lietotāja rokasgrāmatu un pirms izstrādājuma

Paredzētā lietošana

Izmantojiet izstrādājumu zāles pļaušanai privātos dārzos. Nelietojiet izstrādājumu citiem darbiem.

lietošanas pārliecinieties, vai izprotat instrukcijas.

(Att. 4) Nodrošiniet, lai darba zonā neatrastos cilvēki un dzīvnieki.

(Att. 5) Pirms veicat remontdarbus vai tehnisko apkopi, apturiet dzinēju un izņemiet aizdedzes vadu.

(Att. 6) Uzmanieties no mestiem un rikošetā atlecošiem priekšmetiem.

(Att. 7) Brīdinājums! Rotējošs asmens. Turiet rokas un kājas drošā attālumā.

(Att. 8) Brīdinājums! Rotējošas daļas. Turiet rokas un kājas drošā attālumā.

(Att. 9) Šis izstrādājums atbilst spēkā esošajām EK direktīvām.

(Att. 10) Trokšņu emisijas līmenis atbilstoši Eiropas Kopienas direktīvai. Izstrādājuma emisiju līmenis ir norādīts sadaļā "Tehniskie dati" un uz uzlīmes.

(Att. 11) Ugunsgrēka risks.

(Att. 12) Ugunsgrēka risks.

(Att. 13) Eksplozijas risks.

(Att. 14) Pirms degvielas uzpildes vienmēr apturiet dzinēju.

(Att. 15) Karsta virsma

Dzinēja gāzu izplūdes satur oglekļa monoksīdu, kas ir bezkrāsaina, indīga un ļoti bīstama gāze. Nedarbiniet izstrādājumu iekšstelpās vai slēgtās telpās.

- ir veikts nepareizs izstrādājuma remonts;
- izstrādājuma remonts ir veikts, izmantojot detaļas, ko nav nodrošinājis vai apstiprinājis ražotājs;
- izstrādājumam tiek pievienots piederums, ko nav nodrošinājis vai apstiprinājis ražotājs;
- izstrādājuma remonts nav veikts pilnvarotā apkopes centrā vai pie pilnvarota speciālista.

Piezīme: Pārējie uz izstrādājuma norādītie simboli/uzlīmes attiecas uz citu tirdzniecības nozaru prasībām.

Atbildība par izstrādājuma kvalitāti

Saskaņā ar likumiem par izstrādājuma kvalitāti mēs neuzņemamies atbildību par bojājumiem, ko radījis mūsu izstrādājums, ja:

Drošība

Drošības definīcijas

Brīdinājumi, norādes "Uzmanību!" un piezīmes tiek izmantotas, lai izceltu īpaši svarīgas lietotāja rokasgrāmatas daļas.



BRĪDINĀJUMS: Tiek izmantota tad, ja rokasgrāmatā sniegto instrukciju neievērošanas dēļ operatoram vai blakus esošajām personām draud traumu vai nāves risks.



IEVĒROJIET: Tiek izmantota tad, ja rokasgrāmatā sniegto instrukciju neievērošanas dēļ rodas izstrādājuma, citu materiālu vai blakus esošās teritorijas bojājuma risks.

Piezīme: Tiek izmantota, lai sniegtu plašāku informāciju, kas nepieciešama attiecīgajā situācijā.

Vispārīgi norādījumi par drošību



BRĪDINĀJUMS: Pirms sākat lietot izstrādājumu, izlasiet tālāk izklāstītās brīdinājuma instrukcijas.

- Šis izstrādājums ir bīstams, ja to lieto nepareizi vai ja nerīkojaties piesardzīgi. Drošības instrukciju neievērošana var izraisīt traumas vai nāvi.
- Šis izstrādājums darbības laikā rada elektromagnētisko lauku. Noteiktos apstākļos šis lauks var traucēt aktīvā vai pasīvā medicīniskā implantāta darbību. Lai samazinātu nopietnas traumas gūšanas vai dzīvības zaudēšanas risku, mēs iesakām personām, kam ir medicīniskie implantāti, pirms šī izstrādājuma lietošanas konsultēties ar savu ārstu un medicīniskā implantāta ražotāju.
- Vienmēr rīkojieties piesardzīgi un saprātīgi. Ja neesat drošs par to, kā izmantot šo izstrādājumu

konkrētā situācijā, pārtrauciet darbu un sazinieties ar savu McCulloch izplatītāju, pirms turpināt.

- Paturiet prātā, ka operators ir atbildīgs par negadījumiem, kuros iesaistītas citas personas.
- Gādājiet, lai izstrādājums ir tīrs. Pārļiecinieties, ka varat skaidri izlasīt zīmes un uzlīmes.
- Neļaujiet nevienai personai izmantot izstrādājumu, ja neesat pārļiecinājies, ka šī persona ir izlasījis un izprot lietotāja rokasgrāmatas saturu.
- Neļaujiet bērniem lietot šo izstrādājumu.
- Neļaujiet lietot izstrādājumu personai, kas nav iepazinusies ar lietošanas norādījumiem.
- Ja izstrādājumu izmanto persona ar samazinātām fiziskajām vai garīgajām spējām, vienmēr uzraugiet šo personu. Tuvumā vienmēr jābūt pieaugušajam.
- Neizmantojiet šo izstrādājumu, ja esat noguris, slims vai esat alkohola, narkotiku vai medikamentu izraisītā reibumā. Šāds stāvoklis negatīvi ietekmē jūsu redzi, modrību, koordināciju un spriestspēju.
- Neizmantojiet izstrādājumu, ja tas ir bojāts.
- Neveiciet izmaiņas šajā izstrādājumā un neizmantojiet to, ja ir iespējams, ka citas personas tajā ir veikušas izmaiņas.

Darba zonas drošība



BRĪDINĀJUMS: Pirms sākat lietot izstrādājumu, izlasiet tālāk izklāstītās brīdinājuma instrukcijas.

- Pirms izmantojat izstrādājumu, noņemiet no darba zonas priekšmetus, piemēram, zarus, žagarus un akmeņus.
- Priekšmeti, kas saskaras ar griešanas ierīci, var atlēkt un nodarīt kaitējumu personām vai citiem priekšmetiem. Gādājiet, lai citi cilvēki un dzīvnieki atrastos drošā attālumā no izstrādājuma.
- Nekad neizmantojiet izstrādājumu sliktos laikapstākļos, piemēram, miglā, lietū, stiprā vējā, lielā aukstumā un pastāvot zibenošanas riskam. Izstrādājuma izmantošana sliktos laikapstākļos vai

- mitrā vai slapjā vietā ir nogurdinoša. Slikti laikapstākļi var izraisīt bīstamus apstākļus, piemēram, slidenas virsmas.
- Pārliecinieties, vai nav personu, priekšmetu un situāciju, kas varētu kavēt izstrādājuma drošu darbību.
- Uzmanīgi skatieties, vai nav šķēršļu, piemēram, sakņu, akmeņu, zaru, bedru un grāvju. Garā zālē var atrasties dažādi šķēršļi.
- Plaušana uz nogāzēm var būt bīstama. Neizmantojiet izstrādājumu uz virsmas, kuras slīpums pārsniedz 15°.
- Uz nogāzēm izstrādājumu izmantojiet garenvirzienā. Nepļaujiet uz augšu un uz leju.
- Esiet uzmanīgi, kad tuvojaties stūriem, aiz kuriem nekas nav redzams, un priekšmetiem, kas aizsedz skaidru skatu.

Darba drošība



BRĪDINĀJUMS: Pirms sākat lietot izstrādājumu, izlasiet tālāk izklāstītās brīdinājuma instrukcijas.

- Izmantojiet šo izstrādājumu tikai zālienu plaušanai. Izstrādājumu nav atļauts izmantot citu darbu veikšanai.
- Lietojiet individuālos aizsardzības līdzekļus. Skatiet šeit: *Personīgais aizsargaprīkojums lpp. 179.*
- Nekad nedarbiniet dzinēju slēgtās telpās vai uzliesmojošu materiālu tuvumā. Dzinēja izplūdes gāzes ir karstas, un tajās var būt dzirksteles, kas var izraisīt ugunsgrēku.
- Nedarbiniet izstrādājumu, ja asmens un visi pārsegi nav piestiprināti pareizi. Nepareizi piestiprināts asmens var kļūt vaļīgs un izraisīt traumas personai.
- Pārliecinieties, ka asmens neatsitas pret priekšmetiem, piemēram, akmeņiem un saknēm. Tas var sabojāt asmeni un saliekt dzinēja vārpstu. Saliekts asmens izraisa stipru vibrāciju un rada ļoti lielu risku, ka asmens kļūst vaļīgs.
- Ja asmens saskaras ar priekšmetu vai rodas spēcīgas vibrācijas, nekavējoties izslēdziet izstrādājumu. Atvienojiet aizdedzes vadu no aizdedzes sveces. Pārbaudiet, vai izstrādājumā nav bojājumu. Novērsiet bojājumus vai ļaujiet pilnvarotā servisa pārstāvim veikt remontu.
- Nekad nepiestipriniet dzinēja bremžu rokturi pastāvīgi rokturim, kad dzinējs ir iedarbināts.
- Novietojiet izstrādājumu uz stabilas, līdzsvarotās virsmas un iedarbiniet to. Pārliecinieties, vai asmens nepieskaras zemei vai citiem priekšmetiem.
- Darbinot izstrādājumu, vienmēr stāviet aiz tā.
- Darbinot izstrādājumu, raugiet, lai visi četri riteņi atrodas uz zemes un turiet rokturi ar abām rokām. Turiet rokas un kājas drošā attālumā no rotējošajiem asmeņiem.
- Nekad nenolieciet izstrādājumu dzinēja darbības laikā.

- Esiet piesardzīgs, velkot izstrādājumu uz aizmuguri.
- Nekad neceliet izstrādājumu uz augšu dzinēja darbības laikā. Ja jums jāpacel izstrādājums, vispirms izslēdziet dzinēju un atvienojiet aizdedzes vadu no aizdedzes sveces.
- Neejiet at muguriski izstrādājuma lietošanas laikā.
- Izslēdziet dzinēju, kad pārvietojaties pa teritorijām, ko neklāj zāle, piemēram, pa grants, akmens vai asfalta celiņiem.
- Nekad neskrieniet ar izstrādājumu dzinēja darbības laikā. Darbinot izstrādājumu, vienmēr ejiet.
- Apturiet dzinēju, pirms maināt griešanas augstumu. Nekad nemēģiniet veikt regulēšanas darbus dzinēja darbības laikā.
- Nekad neatstājiet izstrādājumu bez uzraudzības dzinēja darbības laikā. Izslēdziet dzinēju un pārliecinieties, vai griešanas ierīce nerotē.

Norādījumi par drošu darbu

Personīgais aizsargaprīkojums



BRĪDINĀJUMS: Pirms sākat lietot izstrādājumu, izlasiet tālāk izklāstītās brīdinājuma instrukcijas.

- Šāds aprīkojums nevar pilnībā novērst traumu gūšanas risku, taču samazina smaguma pakāpi, ja negadījums tomēr notiek. Ļaujiet izplatītajam palīdzēt jums izvēlēties pareizo aprīkojumu.
- Velciet izturīgas zābakus vai kurpes, kas neslīd. Nevelciet valējas kurpes un neejiet ar basām kājām.
- Velciet izturīgas garās bikses.
- Vajadzības gadījumā izmantojiet aizsargcimdus, piemēram, piestiprinot, pārbaudot vai tīrot griešanas aprīkojumu.

Produkta drošības ierīces



BRĪDINĀJUMS: Pirms sākat lietot izstrādājumu, izlasiet tālāk izklāstītās brīdinājuma instrukcijas.

- Nelietojiet izstrādājumu ar bojātām drošības ierīcēm.
- Regulāri pārbaudiet drošības ierīces. Ja drošības ierīces ir bojātas, sazinieties ar savu McCulloch servisa pārstāvi.

Griezēja pārsegs

- Pārbaudiet griezēja pārsegu, lai pārliecinātos, vai nav bojājumu, piemēram, plaisu.

Dzinēja bremžu rokturis

Dzinēja bremžu rokturis aptur dzinēju. Atlaižot dzinēja bremžu rokturi, dzinējs apstājas.

Lai pārbaudītu dzinēja bremzes, iedarbiniet dzinēju un pēc tam atlaidiet dzinēja bremžu rokturi. Ja dzinējs

neapstājas 3 sekundēs, lieciet pilnvarotā McCulloch servisa pārstāvim noregulēt dzinēja bremzes.

(Att. 17)

Slāpētājs

Slāpētājs maksimāli mazina troksni un novirza motora izplūdes gāzes prom no operatora.

Nelietojiet izstrādājumu, ja slāpētājs nav piestiprināts vai ir bojāts. Bojāts slāpētājs palielina trokšņa līmeni un aizdegšanās risku.

Regulāri pārbaudiet slāpētāju, lai pārlicinātos, ka tas ir pareizi piestiprināts un nav bojāts.



IEVĒROJIET: Lietošanas laikā, tūlīt pēc tās un tad, kad motors darbojas tukšgaitā, slāpētājs ļoti uzkarst. Lai novērstu aizdegšanos, esiet piesardzīgs uzliesmojošu materiālu un/vai gāzu tuvumā.

Drošības norādījumi, rīkojoties ar degvielu



BRĪDINĀJUMS: Pirms sākat lietot izstrādājumu, izlasiet tālāk izklāstītās brīdinājuma instrukcijas.

- Nelietojiet izstrādājumu, ja uz tā ir degviela vai dzinēja eļļa. Notīriet nevēlamo degvielu/eļļu un ļaujiet izstrādājumam nožūt.
- Ja degviela ir nokļuvusi uz apģērba, nekavējoties pārģērbieties.

Norādījumi par drošu apkopi



BRĪDINĀJUMS: Pirms sākat lietot izstrādājumu, izlasiet tālāk izklāstītās brīdinājuma instrukcijas.

- Dzinēja gāzu izplūdes satur oglekļa monoksīdu, kas ir bezkrāsaina, indīga un ļoti bīstama gāze. Nedarbiniēt dzinēju iekštelpās vai slēgtās telpās.
- Pirms veicat izstrādājuma apkopi, vispirms izslēdziet dzinēju un atvienojiet aizdedzes vadu no aizdedzes sveces.
- Veicot griešanas aprīkojuma apkopi, velciet aizsargcimdus. Asmens ir ļoti ass, un ar to var viegli sagriezties.
- Piederumi un pārveidojumi izstrādājumā, kurus ražotājs nav apstiprinājis, var izraisīt nopietnas

- Neļaujiet degvielai nonākt uz ķermeņa, jo tā var izraisīt savainojumus. Ja degviela ir nonākusi uz ķermeņa, izmantojiet ziepes un ūdeni, lai to nomazgātu.
- Nelietojiet izstrādājumu, ja dzinējā ir sūce. Regulāri pārbaudiet, vai dzinējam nav radusies sūce.
- Rīkojoties ar degvielu, esiet uzmanīgs. Degviela ir viegli uzliesmojoša, tās tvaiki ir sprādzienbīstami, un var izraisīt savainojumus vai nāvi.
- Neieelpojiet degvielas tvaikus, jo tie var izraisīt savainojumus. Pārlicinieties, vai gaisa plūsma ir pietiekama.
- Nesmēķējiet degvielas vai dzinēja tuvumā.
- Nenovietojiet siltus objektus degvielas vai dzinēja tuvumā.
- Nepievienojiet degvielu dzinēja darbības laikā.
- Pirms degvielas uzpildes pārlicinieties, vai dzinējs ir atdzisis.
- Pirms uzpildes lēni atveriet degvielas tvertnes vāciņu un uzmanīgi izlaiđiet spiedienu.
- Neveiciet dzinēja degvielas uzpildi telpās. Nepietiekama gaisa plūsma var izraisīt savainojumus vai nāvi, nosmokot vai saindējoties ar oglekļa monoksīdu (tvana gāzi).
- Pildnībā piegrieziet degvielas tvertnes vāciņu. Ja degvielas tvertnes vāciņš nav piegriezts, pastāv aizdegšanās risks.
- Pirms iedarbināšanas pārvietojiet izstrādājumu vismaz 3 m (10 pēdu attālumā) no vietas, kur veicāt uzpildi.
- Neļieiet degvielas tvertnē pārāk daudz degvielas.

traumas vai nāvi. Nepārveidojiet izstrādājumu. Izmantojiet tikai tādus piederumus, ko ir apstiprinājis ražotājs.

- Ja apkope netiek veikta pareizi un regulāri, traumu gūšanas risks un bojājumu izstrādājumam risks palielinās.
- Veiciet tikai to apkopi, kas norādīta īpašnieka rokasgrāmatā. Visi pārējie apkopes darbi jāveic pilnvarotā McCulloch servisa pārstāvim.
- Ļaujiet pilnvarotā McCulloch servisa pārstāvim regulāri veikt izstrādājuma apkopi.
- Nomainiet bojātās, nodilušās un salūzušās detaļas.

Montāža

Roktura montāža

caurumus un piestipriniet skrūves, paplāksnes un fiksatorus.(Att. 18)

Apakšējā roktura sadaļa

1. Ievietojiet tapas apakšējā roktura apakšdaļas caurumos (kā norādīts ilustrācijā). Salāgojiet skrūvju

Augšējā roktura sadaļa

1. Salāgojiet roktura caurumus ar apakšējā roktura caurumiem un piestipriniet skrūves, paplāksnes un fiksatorus. Labajā pusē piestipriniet arī startera auklas loku. Pilnībā pievelciet fiksatorus.(Att. 19)
2. Pavecliet startera auklas rokturi un aplieciet startera auklu ap startera auklas loku.(Att. 20)
3. Izmantojiet siksnas, lai piestiprinātu kabelus pie roktura.(Att. 21)

Piezīme: Pārļiecinieties, vai kabeli nav nospriegoti pārāk stingri.

Zāles savācēja montāža

1. Ielieciet zāles savācēja rāmi auduma zāles maisā. Pārļiecinieties, vai zāles savācēja rāmja rokturis zāles maisa virspusē.
2. Pievienojiet zāles maisu zāles savācēja rāhim, izmantojot spaiļes, kas atrodas uz auduma maisa malas.(Att. 22)

3. Noceliet aizmugurējo pārsegu.
4. Piestipriniet zāles savācēju pie šasijas augšmalas.
5. Ievietojiet zāles savācēja apakšējo daļu zāles izmešanas atverē.

Mulčēšanas ieliktna montāža

Mulčēšanas komplekts kā izvēles papildpiederums ir pieejams tikai atsevišķiem modeļiem. Modeļi M51-150WR CLASSIC, M53-150WR CLASSIC ir aprīkoti ar mulčēšanas komplektu. Modeļus M40-120 CLASSIC, M40-125 CLASSIC+ nevar izmantot ar mulčēšanas komplektu.

1. Paceliet aizmugurējo pārsegu un noņemiet zāles savācēju.
2. Ievietojiet mulčēšanas ieliktni zāles izmešanas atverē.(Att. 23)

Darbība

Ievads



BRĪDINĀJUMS: Pirms sākat darbu ar produktu, izlasiet nodaļu par drošību un pārļiecinieties, vai saprotat to.

Pirms izstrādājuma darbināšanas

1. Uzmanīgi izlasiet lietotāja rokasgrāmatu un pārļiecinieties, vai izprotat instrukcijas.
2. Pārbaudiet griešanas aprīkojumu, lai pārļiecinātos, vai tas ir pareizi piestiprināts un noregulēts. Skatiet šeit: *Griešanas aprīkojuma pārbaudīšana lpp. 183.*
3. Uzpildiet degvielas tvertni. Skatiet šeit: *Degvielas uzpildīšana lpp. 181.*
4. Uzpildiet degvielas tvertni un pārbaudiet eļļas līmeni. Skatiet šeit: *Eļļas līmeņa pārbaude lpp. 183.*

Degvielas uzpildīšana

Ja iespējams, izmantojiet zemu emisiju/alkilātu degvielu. Ja zemu emisiju/alkilātu benzīns nav pieejams, izmantojiet labas kvalitātes bezsvina benzīnu vai svina benzīnu. Izmantojiet benzīnu ar zemāku oktānskaitli nekā 90 un ne vairāk kā 10% etanola (E10).



BRĪDINĀJUMS: Ja uzpildīsiet nepareiza veida degvielu, var tikt sabojāts dzinējs.

1. Lēni atveriet degvielas tvertnes vāciņu, lai samazinātu spiedienu.

2. Lēni uzpildiet ar degvielas kannu. Ja esat izšakstījis degvielu, notīriet to ar drāniņu un ļaujiet atlikušajai degvielai nožūt.
3. Notīriet vietu ap degvielas tvertnes vāciņu.
4. Pilnībā piegrieziet degvielas tvertnes vāciņu. Ja degvielas tvertnes vāciņš nav piegriezts, pastāv aizdegšanās risks.
5. Pirms iedarbināšanas pārvietojiet izstrādājumu vismaz 3 m (10 pēdas) no vietas, kur piepildījāt tvertni.

Plaušanas augstuma regulēšana

1. Lai palielinātu griešanas augstumu, pārvietojiet griešanas augstuma sviru uz aizmuguri.
2. Lai samazinātu griešanas augstumu, pārvietojiet griešanas augstuma sviru uz priekšu.(Att. 24)



IEVĒROJĪET: Neiestatiet griešanas augstumu pārāk zemu. Ja zāliena virsma nav līdzena, asmeņi var saskarties ar zemi.

Izstrādājuma iedarbināšana

1. Pārļiecinieties, vai aizdedzes vads ir pievienots aizdedzes svecei.
2. pirmo reizi iedarbinot izstrādājumu, nospiediet startēšanas sūkni piecas reizes. Nākamreiz iedarbinot izstrādājumu (kad dzinējs ir atdzisis), nospiediet startēšanas sūkni trīs reizes.(Att. 25)
3. Stāviet aiz izstrādājuma.
4. Turiet dzinēja bremžu rokturi pretī stūrei.(Att. 26)
5. Turiet startera auklas rokturi ar labo roku.

6. Lēni velciet startera auklu, līdz sajūtat pretestību.
7. Lai iedarbinātu dzinēju, spēcīgi to pavelciet.



BRĪDINĀJUMS: Netiniet startera auklu ap roku.

Piedziņas izmantošana riteņiem

- Pabīdīet piedziņas rokturi stūres virzienā. (Att. 27)
- Pirms velkat izstrādājumu uz aizmuguri, atvienojiet piedziņu un pastumiet izstrādājumu uz priekšu par aptuveni 10cm.
- Atlaidiet piedziņas rokturi, lai atvienotu piedziņu, piemēram, ja ejat tuvu šķērslim.

Izstrādājuma apturēšana

- Lai apturētu tikai piedziņu, atlaidiet piedziņas rokturi.

- Lai apturētu dzinēju, atlaidiet dzinēja bremžu rokturi.

Labā rezultāta panākšana

- Vienmēr lietojiet tikai asus asmeņus. Lietojot trulu asmeni, pļaušanas rezultāts ir nevienmērīgs, un nopļautā zāles virsma kļūst dzeltena. Ass asmens arī patērē mazāk enerģijas nekā truls asmens.
- Nepļaujiet vairāk par 1/3 no zāles garuma. Vispirms pļaujiet ar lielu pļaušanas augstuma iestatījumu. Pārbaudiet rezultātu un nolaidiet pļaušanas augstumu līdz pieņemamam līmenim. Ja zāle ir ļoti gara, pļaujiet lēni un, ja nepieciešams, dariet to divreiz.
- Katru reizi pļaujiet dažādos virzienus, lai zālienā neatstātu svītras.

Tehniskā apkope

Ievads



BRĪDINĀJUMS: Pirms veicat apkopi, izlasiet nodaļu par drošību un pārliecinieties, vai izprotat to.

Lai veiktu visus izstrādājuma apkopes un remonta darbus, ir nepieciešama īpaša apmācība. Mēs garantējam profesionāla remonta un apkopes pieejamību. Ja jūsu izplatītājs nav servisa pārstāvis,

vēršieties pie viņa, lai iegūtu informāciju par tuvāko servisa pārstāvi.

Apkopes grafiks

Apkopes intervāli tiek aprēķināti atbilstoši izstrādājuma ikdienas lietošanai. Intervāli mainās, ja izstrādājumu neizmanto ikdienā.

Apkopei, kas atzīmēta ar zīmi *, skatiet instrukcijas sadaļā *Produkta drošības ierīces lpp. 179.*

Apkope	Katru dienu	Reizi nedēļā	Reizi mēnesī
Vispārējās pārbaudes veikšana	X		
Pārbaudiet eļļas līmeni	X		
Nofīriet izstrādājumu	X		
Pārbaudiet griešanas aprīkojumu	X		
Pārbaudiet griešanas pārsegu*	X		
Pārbaudiet dzinēja bremžu rokturi*	X		
Pārbaudiet un noregulējiet piedziņu (sajūga vadu)	X		
Pārbaudiet slāpētāju*		X	
Pārbaudiet aizdedzes sveci		X	
Nomainiet eļļu (pirmo reizi pēc 5 h lietošanas, pēc tam — ik pēc 50 h lietošanas)			X
Nomainiet gaisa filtru			X
Pārbaudiet degvielas sistēmu			X

Vispārējās pārbaudes veikšana

- Pārlicinieties, vai uzgriežņi un skrūves uz izstrādājuma ir cieši pievilkti.

Produkta tīrīšana no ārpuses

- Izmantojiet suku, lai notīrītu lapas, zāli un nefīrumus.
- Pārlicinieties, vai gaisa iepļūde dzinēja augšpusē nav bloķēta.
- Produktu nedrīkst skalot ar augstspiediena ūdens strūklu.
- Ja izstrādājuma tīrīšanai izmantojat ūdeni, neļejiet to tieši uz dzinēja.

Griešanas pārsega iekšējās virsmas tīrīšana

1. Iztukšojiet degvielas tvertni.
2. Novietojiet izstrādājumu uz sāniem ar slāpētāju uz leju.



IEVĒROJIET: Novietojot izstrādājumu ar gaisa filtru uz leju, var sabojāt dzinēju.

3. Ar šļūteni noskalojiet griešanas pārsega iekšējo virsmu.

Griešanas aprikojuma pārbaudīšana



BRĪDINĀJUMS: Lai novērstu nejaušu palaišanu, atvienojiet aizdedzes vadu no aizdedzes sveces.



BRĪDINĀJUMS: Veicot griešanas aprikojuma apkopi, velciet aizsargcimdus. Asmens ir ļoti ass, un ar to var viegli sagriezties.

1. Pārbaudiet, vai griešanas aprikojums nav bojāts vai ielplaisājis. Vienmēr nomainiet bojātu griešanas ierīci.
2. Apskatiet asmeni, lai redzētu, vai tas nav bojāts vai truls.

Piezīme: Vajadzības gadījumā pēc asmens uzasināšanas to balansējiet. Ļaujiet servisa centram asināt, nomainīt un balansēt asmeni. Ja saskaraties ar šķērslī, kas liek izstrādājumam apstāties, nomainiet bojāto asmeni. Lai apkopes centra pārstāvis novērtē, vai asmens ir jāuzasina, vai arī tas ir jānomaina.

Asmens nomainīšana

1. Bloķējiet asmeni ar koka klucīti. (Att. 28)
2. Izņemiet asmens skrūvi.
3. Noņemiet asmeni.
4. Pārbaudiet asmens atbalstu un asmens skrūvi, lai redzētu, vai nav bojājumu.

5. Pārbaudiet dzinēja vārpstu, lai pārliecinātos, vai tā nav saliekta.
6. Kad piestiprināt jauno asmeni, vērsiet asmens saliekto galus griešanas pārsega virzienā. (Att. 29)
7. Pārlicinieties, vai asmens ir salāgots ar dzinēja vārpstas centru.
8. Bloķējiet asmeni ar koka klucīti. Piestipriniet atspēraplāksni un piegrieziet skrūvi un aplāksni ar 45–60 Nm griezes momentu. (Att. 30)
9. Ar roku pagrieziet asmeni un pārbaudiet, vai tas griežas brīvi.



BRĪDINĀJUMS: Velciet biezus cimdus. Asmens ir ļoti ass, un ar to var viegli sagriezties.

10. Iedarbiniet izstrādājumu, lai pārbaudītu asmeni. Ja asmens nav pareizi piestiprināts, izstrādājums vibrē vai pļaušanas rezultāts nav apmierinošs.

Eļļas līmeņa pārbaude



IEVĒROJIET: Pārāk zems eļļas līmenis var izraisīt dzinēja bojājumus. Pirms iedarbināt izstrādājumu, pārbaudiet eļļas līmeni.

1. Novietojiet izstrādājumu uz līdzenas virsmas.
2. Noņemiet eļļas tvertnes vāciņu ar piestiprināto mērstieni.
3. Notīriet no mērstieņa eļļu.
4. Ievietojiet mērstieni pilnībā eļļas tvertnē, lai iegūtu pareizu priekšstatu par eļļas līmeni.
5. Izņemiet mērstieni.
6. Pārbaudiet eļļas līmeni uz mērstieņa.
7. Ja eļļas līmenis ir pārāk zems, uzpildiet dzinēja eļļu un pārbaudiet eļļas līmeni vēlreiz.

Dzinēja eļļas maiņa



BRĪDINĀJUMS: Uzreiz pēc dzinēja izslēgšanas dzinēja eļļa ir ļoti karsta. Ļaujiet dzinējam atdzist, pirms noļemat dzinēja eļļu. Ja esat uzšļakstījies dzinēja eļļu uz ādas, nomazgājiet to ar ziepēm un ūdeni.

1. Darbiniet izstrādājumu, līdz degvielas tvertne ir tukša.
2. Atvienojiet aizdedzes vadu no aizdedzes sveces.
3. Noņemiet eļļas tvertnes vāciņu.
4. Novietojiet trauku zem izstrādājuma, lai savāktu dzinēja eļļu.
5. Sasveriet izstrādājumu, lai nolietu dzinēja eļļu no eļļas tvertnes.
6. Uzpildiet ar vajadzīgā veida jaunu dzinēja eļļu, kas ieteikta sadaļā *Tehniskie dati lpp. 185.*

7. Pārbaudiet eļļas līmeni. Skatiet šeit: *Eļļas līmeņa pārbaude lpp. 183.*

aizdedzes svece var radīt izstrādājuma bojājumus.

Gaisa filtrs

Gaisa filtru, kas ir izmantots ilgu laiku, nevar iztīrīt. Regulāri nomainiet gaisa filtru.

Piezīme: Vienmēr nomainiet bojātu gaisa filtru.

Papīra filtra tīrīšana

1. Noņemiet gaisa filtra pārsegu un izņemiet papīra filtru.
2. Padauziet filtru pret plakanu virsmu, lai daļiņas izkristu.



IEVĒROJIET: Papīra filtra tīrīšanai neizmantojiet šķīdinātāju vai saspiesto gaisu.

3. Novietojiet gaisa filtru atpakaļ. Pārliecinieties, vai gaisa filtrs pilnībā atbalstās pret gaisa filtra turētāju.
4. Novietojiet atpakaļ gaisa filtra pārsegu.

Putuplasta filtra tīrīšana

1. Noņemiet gaisa filtra pārsegu un izņemiet putuplasta filtru.
2. Iztīriet putuplasta filtru ar ziepēm un ūdeni.
3. Noskalojiet putuplasta filtru tīrā ūdenī.
4. Izspiediet ūdeni no putuplasta filtra un ļaujiet tam nožūt.



IEVĒROJIET: Neizmantojiet saspiesto gaisu. Tas var izraisīt putuplasta filtra bojājumus.

5. Ieeļļojiet putuplasta filtru ar dzinēja eļļu.
6. Uzspiediet ar tīru drāniņu uz putuplasta filtra, lai noņemtu lieko eļļu.
7. Novietojiet gaisa filtru atpakaļ. Pārliecinieties, vai gaisa filtrs pilnībā atbalstās pret gaisa filtra turētāju.
8. Novietojiet atpakaļ gaisa filtra pārsegu.

Aizdedzes sveces pārbaude



IEVĒROJIET: Vienmēr lietojiet ieteikto aizdedzes sveces tipu. Nepiemērota

- Pārbaudiet aizdedzes sveci, ja dzinējam nepietiek jaudas, dzinēju nevar viegli iedarbināt vai arī tas nedarbojas pareizi tukšgaitā.
- Lai samazinātu nevēlamu materiālu uzkrāšanos uz aizdedzes sveces elektrodiem, ievērojiet turpmākos norādījumus.

- a) Pārliecinieties, vai tukšgaitas apgriezīgu skaitu ir noregulēts pareizi.
- b) Pārliecinieties, vai degvielas maisījums ir atbilstošs.
- c) Pārliecinieties, vai gaisa filtrs ir tīrs.

- Ja aizdedzes svece ir netīra, notīriet to un pārbaudiet, vai atstatums starp elektrodiem ir pareizs; skatiet šeit: *Tehniskie dati lpp. 185* (Att. 31)
- Ja nepieciešams, nomainiet aizdedzes sveci.

Degvielas sistēmas pārbaude

- Pārbaudiet degvielas tvertnes vāciņu un degvielas tvertnes vāciņa blīvi, lai pārliecinātos, vai nav bojājumu.
- Pārbaudiet degvielas šļūtenes, lai pārbaudītu, vai nav noplūdes. Ja degvielas šļūtene ir bojāta, ļaujiet servisa pārstāvim to nomainīt.

Sajūga vada regulēšana

Ja šķiet, ka braukšana notiek lēni, ir jānoregulē sajūga vads.

1. Pievienojiet sajūga trosi dažādās piedziņas roktura atverēs, lai regulētu sajūga troses garumu. Lai palielinātu braukšanas ātrumu, saīsiniet sajūga vadu. Lai samazinātu braukšanas ātrumu, pagariniet sajūga vadu. (Att. 32)

Piezīme: Ja piedziņa ir aktivizēta, kad jūs nevelkat piedziņas rokturi, ir jāpagarina sajūga vads.

2. Lai nedaudz noregulētu braukšanas ātrumu, pagrieziet regulētāja skrūvi. Lai palielinātu braukšanas ātrumu, pagrieziet regulētāja skrūvi pretēji pulksteņrādītāja kustības virzienam. Lai samazinātu braukšanas ātrumu, pagrieziet regulētāja skrūvi pulksteņrādītāja kustības virzienā. (Att. 33)

Ja šķiet, ka braukšana ir lēna arī pēc regulēšanas, ļaujiet pilnvarotā servisa pārstāvim nomainīt piedziņas siksnu.

Transportēšana, glabāšana un utilizēšana

Transportēšana un glabāšana

- Attiecībā uz izstrādājuma un degvielas glabāšanu un transportēšanu pārliecinieties, vai nav noplūdes vai tvaiku. Dzirksteles vai atklātas liesmas, ko rada,

piemēram, elektroierīces vai tvaika katli, var izraisīt ugunsgrēku.

- Vienmēr izmantojiet apstiprinātas tvertnes degvielas glabāšanai un transportēšanai.
- Iztukšojiet degvielas tvertni un karburatora pludiņkameru, pirms novietojat izstrādājumu ilgstoši

glabāšanai. Nododiet degvielu piemērojamā utilizēšanas vietā.

- Transportēšanas laikā droši nostipriniet izstrādājumu, lai novērstu bojājumus un negadījumus.
- Glabājiet izstrādājumu norobežotā vietā, lai novērstu to, ka tam var piekļūt bērni vai personas, kam tas nav atļauts.
- Glabājiet izstrādājumu sausā vietā, kurā temperatūra nepazeminās zem 0°C.

Utilizēšana

- Ievērojiet vietējās pārstrādes prasības un piemērojamus noteikumus.
- Utilizējiet visas ķīmikālijas, piemēram, dzinēja eļļu vai degvielu, servisa centrā vai piemērojamā utilizācijas vietā.
- Kad izstrādājums vairs netiek izmantots, nosūtiet to McCulloch izplatītājam vai nogādājiet to pārstrādes vietā.

Tehniskie dati

Tehniskie dati

	M40-120 CLASSIC	M40-125 CLASSIC+	M46-120 CLASSIC	M46-120R CLASSIC	M46-125 CLASSIC+	M46-125R CLASSIC+
Dzinējs						
Zīmols	McCulloch	"Briggs & Stratton"	McCulloch	McCulloch	"Briggs & Stratton"	"Briggs & Stratton"
Dzinēja tilpums, cm ³	120	125	120	120	125	125
Ātrums, apgriezieni minūtē	2900	2900	2900	2900	2900	2900
Dzinēja nomināljauda, kW ¹⁴¹	2,0	1,6	2,0	2,0	1,6	1,6
Aizdedzes sistēma						
Aizdedzes svece	K7RTC	RC12YC	K7RTC	K7RTC	RC12YC	RC12YC
Elektrodu attālums, mm	0,7	0,5	0,7	0,7	0,5	0,5
Degvielas un eļļošanas sistēma						
Degvielas tvertnes ietilpība, litri	0,8	0,8	0,8	0,8	0,8	0,8
Eļļas tvertnes tilpums, litros	0,4	0,4	0,4	0,4	0,4	0,4
Dzinēja eļļa ¹⁴²	SAE 30/SAE 10W-30	SAE 30/SAE 10W-30	SAE 30/SAE 10W-30	SAE 30/SAE 10W-30	SAE 30/SAE 10W-30	SAE 30/SAE 10W-30
Svars						
Svars ar tukšu tvertni, kg	24	25	28	29	28	29
Trokšņa emisijas¹⁴³						
Skaņas jaudas līmenis, izmēritais dB(A)	93	93	95	95	95	95

¹⁴¹ Maksimāli pieļaujamā dzinēja jauda ir vidējā tipiskā ražošanas dzinēja neto jauda (pēc noteiktajiem apgr./min.) dzinēja modelim, kas mērīta pēc SAE standarta J1349/ISO1585. Vairākumam dzinēju šis lielums var atšķirties no šeit norādītā. Faktiskā izejas jauda dzinējam, kas uzstādīts gala izstrādājumam, būs atkarīga no darbības ātruma, vides apstākļiem un citiem lienumiem.

¹⁴² Izmantojiet SJ vai augstākas kvalitātes dzinēja eļļu. Skat. viskozitātes tabulu dzinēja ražotāja rokasgrāmatā un izvēlieties piemērotāko viskozitātes līmeni atbilstoši paredzamajai āra temperatūrai.

¹⁴³ Atbilstoši EK Direktīvai 2000/14/EK trokšņu emisija apkārtne ir mērīta kā trokšņa jauda (L_{WA}).

	M40-120 CLASSIC	M40-125 CLASSIC+	M46-120 CLASSIC	M46-120R CLASSIC	M46-125 CLASSIC+	M46-125R CLASSIC+
Skaņas jaudas līmenis, garantētais L_{WA} dB(A)	94	94	96	96	96	96
Skaņas līmenis¹⁴⁴						
Skaņas spiediena līmenis pie operatora auss, dB(A)	80	80	82	82	82	82
Vibrācijas līmeņi, a_{hveq}¹⁴⁵						
Rokturis, m/s^2	14.75	14.75	15.68	15.68	15.68	15.68
Griešanas ierīce						
Griešanas augstumss, mm	20–75	20–75	30–80	30–80	30–80	30–80
Pļaušanas platums, cm	400	400	460	460	460	460
Asmens	Mulcher 40	Mulcher 40	Mulcher 46	Mulcher 46	Mulcher 46	Mulcher 46
Izstrādājuma numurs	5871590-10	5871590-10	5811889-10	5811889-10	5811889-10	5811889-10
Zāles savācēja tilpums, litri	50	50	50	50	50	50

	M46-150WR CLASSIC	M51-140WR CLASSIC+	M51-150R CLASSIC	M51-150WR CLASSIC	M53-150WR CLASSIC
Dzinējs					
Zīmols	McCulloch	"Briggs & Stratton"	McCulloch	McCulloch	McCulloch
Dzinēja tilpums, cm^3	150	140	150	150	150
Ātrums, apgriezieni minūtē	2900	2900	2900	2900	2900
Dzinēja nomināljauda, kW ¹⁴⁶	2.4	1.9	2.4	2.4	2.4
Aizdedzes sistēma					
Aizdedzes svece	K7RTC	RC12YC	K7RTC	K7RTC	K7RTC
Elektrodu attālums, mm	0,7	0.5	0,7	0,7	0,7
Degvielas un elļošanas sistēma					
Degvielas tvertnes ietilpība, litri	1.0	0,8	1.0	1.0	1.0
Elļas tvertnes ietilpība, litri	0.4	0.4	0.4	0.4	0.4

¹⁴⁴ Skaņas spiediena līmenis atbilstoši standartam ISO 5395:2103. Sniegtajos datos par skaņas spiediena līmeni ir tipiska statistiskā izkliede 1,2 dB(A) (standartnovirze).

¹⁴⁵ Vibrāciju līmenis atbilstoši standartam ISO 5395:2013. Sniegtajos datos par vibrācijas līmeni ir tipiska 0,2 m/s^2 statistiskā izkliede (standarta novirze).

¹⁴⁶ Maksimāli pieļaujamā dzinēja jauda ir vidējā tipiskā ražošanas dzinēja neto jauda (pēc noteiktajiem aprg./min.) dzinēja modelim, kas mērita pēc SAE standarta J1349/ISO1585. Vairākumam dzinēju šis lielums var atšķirties no šeit norādītā. Faktiskā izejas jauda dzinējam, kas uzstādīts gala izstrādājumam, būs atkarīga no darbības ātruma, vides apstākļiem un citiem lielumiem.

	M46-150WR CLASSIC	M51-140WR CLASSIC+	M51-150R CLASSIC	M51-150WR CLASSIC	M53-150WR CLASSIC
Dzinēja eļļa ¹⁴⁷	SAE 30/SAE 10W-30	SAE 30/SAE 10W-30	SAE 30/SAE 10W-30	SAE 30/SAE 10W-30	SAE 30/SAE 10W-30
Svars					
Svars ar tukšu tvertni, kg	32	32	33	33	33
Trokšņa emisijas ¹⁴⁸					
Skaņas jaudas līmenis, izmēri- tais dB(A)	97	97	95	97	98
Skaņas jaudas līmenis, garan- tētais L _{WA} dB(A)	98	98	98	98	98
Skaņas līmeņi ¹⁴⁹					
Skaņas spiediena līmenis pie operatora auss, dB(A)	82	82	81	84	82
Vibrācijas līmeņi, a_{hveq} ¹⁵⁰					
Rokturis, m/s ²	4.27	4.27	4.06	5.55	3.39
Griešanas ierīce					
Griešanas augstumss, mm	30–80	30–90	30–90	30–90	30–90
Plaušanas platums, cm	460	510	510	510	530
Asmens	Mulcher 46	Mulcher 51	Mulcher 51	Mulcher 51	Mulcher 53
Izstrādājuma numurs	5811889-10	5041133-10	5041133-10	5041133-10	5811886-10
Zāles savācēja tilpums, litri	50	55	55	55	55

EK atbilstības deklarācija

EK atbilstības deklarācijas saturs

Ar šo mēs, Husqvarna AB, SE 561 82 Huskvarna, ZVIEDRIJĀ, ar pilnu atbildību apliecinām, ka šis izstrādājums:	
Apraksts	Gājējam vadāmais zāles pļāvējs ar iekšdedzes dzinēju
Zīmols	McCulloch
Platforma/tips/modelis	M40-120 CLASSIC, M40-125 CLASSIC+, M46-120 CLASSIC, M46-120R CLASSIC, M46-125 CLASSIC+, M46-125R CLASSIC+, M46-150WR CLASSIC, M51-140WR CLASSIC+, M51-150R CLASSIC, M51-150WR CLASSIC, M53-150WR CLASSIC

¹⁴⁷ Izmantojiet SJ vai augstākas kvalitātes dzinēja eļļu. Skat. viskozitātes tabulu dzinēja ražotāja rokasgrāmatā un izvēlieties piemērotāko viskozitātes līmeni atbilstoši paredzamajai āra temperatūrai.

¹⁴⁸ Atbilstoši EK Direktīvai 2000/14/EK trokšņu emisija apkārtne ir mērita kā trokšņa jauda (L_{WA}).

¹⁴⁹ Skaņas spiediena līmenis atbilstoši standartam ISO 5395:2103. Sniegtajos datos par skaņas spiediena līmeni ir tipiska statistiskā izkliede 1,2 dB(A) (standartnovirze).

¹⁵⁰ Vibrāciju līmenis atbilstoši standartam ISO 5395:2013. Sniegtajos datos par vibrācijas līmeni ir tipiska 0,2 m/s² statistiskā izkliede (standarta novirze).

Partija	Sērijas numurs, sākot no 2017
pilnībā atbilst šādām ES direktīvām un noteikumiem:	
Direktīva/regula	Apraksts
2006/42/EK	par mašīnām
2014/30/EK	par elektromagnētisko savietojamību
2000/14/EK; 2005/88/EK	par trokšņa emisiju vidē
<p>Ir lietoti šādi saskaņotie standarti un/vai tehniskie dati (specifikācijas): EN ISO 12100, ISO 14982, ISO 5395-1 & 2, ISO 3744, ISO 11094, EN 1032</p> <p>Saskaņā ar direktīvas 2000/14/EK V pielikumu deklarētie skaņas līmeņi ir norādīti šīs rokasgrāmatas tehnisko datu sadaļā un parakstītajā EK atbilstības deklarācijā.</p> <p>Piegādātais gājējam vadāmais zāles plāvējs ar iekšdedzes dzinēju atbilst parauga eksemplāram, kam veiktas pārbaudes.</p>	

Inhoud

Inleiding.....	189	Onderhoud.....	194
Veiligheid.....	190	Vervoer, opslag en verwerking.....	197
Veiligheidsinstructies voor onderhoud.....	192	Technische gegevens.....	197
Montage.....	193	EG-conformiteitsverklaring.....	200
Bediening.....	193		

Inleiding

Productbeschrijving

Het product is een roterende duwmaaier. Het gras wordt verzameld in een grasopvangbak. Verwijder de grasopvangbak om het gras aan de achterkant af te voeren. Bevestig een mulchkit (accessoire) om het gras te snijden tot meststof.

Productoverzicht

(Fig. 1)

1. Aandrijfhendel (M46-120R CLASSIC, M46-125R CLASSIC+, M46-150WR CLASSIC, M51-140WR CLASSIC+, M51-150R CLASSIC, M51-150WR CLASSIC, M53-150WR CLASSIC)
2. Bovenste hendel/handgreep
3. Remhendel motor
4. Startkoordhendel
5. Oog voor startkoord
6. Grasopvangbak
7. Onderste hendel
8. Montagepunt onderste hendel
9. Maaihoogtehendels
10. Oliekop
11. Geluiddemper
12. Aftapplug voor vlotterkamer
13. Balgje voor extra brandstofvoevoer
14. Bougie
15. Brandstoftank
16. Mes
17. Veerring
18. Mesbout
19. Maaidek
20. Luchtfilter
21. Husqvarna Automower® 420/430X/440

Symbolen op het product

(Fig. 2) **WAARSCHUWING:** Onzorgvuldig of onjuist gebruik kan leiden tot letsel of overlijden van de gebruiker of omstanders.

(Fig. 3) Lees de gebruikershandleiding zorgvuldig door en zorg dat u de instructies hebt begrepen voordat u het product gebruikt.

Gebruik

Gebruik het product voor het snijden van gras in particuliere tuinen. Gebruik het product niet voor andere taken.

(Fig. 4) Houd personen en dieren op veilige afstand van het werkgebied.

(Fig. 5) Zet de motor uit en verwijder de ontstekingskabel voordat u reparaties of onderhoud uitvoert.

(Fig. 6) Kijk uit voor weggeslingerde en afgeketste voorwerpen.

(Fig. 7) **Waarschuwing:** roterend mes. Houd de handen en voeten vrij.

(Fig. 8) **Waarschuwing:** draaiende delen. Houd de handen en voeten vrij.

(Fig. 9) Dit product voldoet aan de geldende EG-richtlijnen

(Fig. 10) Geluidsemissie naar de omgeving volgens de richtlijn van de Europese Gemeenschap. De emissie van het product is vermeld in het hoofdstuk "Technische gegevens" en op het label.

(Fig. 11) **Risico op brand.**

(Fig. 12) **Risico op brand.**

(Fig. 13) **Explosiegevaar.**

(Fig. 14) Zet altijd de motor uit vóór het tanken.

(Fig. 15) **Warm oppervlak.**

(Fig. 16) Uitlaatgassen van de motor bevatten koolmonoxide, een geurloos, giftig en uiterst gevaarlijk gas. Laat het product nooit binnenshuis of in gesloten ruimten draaien.

Let op: Andere symbolen/stickers op het product hebben betrekking op certificeringseisen voor overige commerciële markten.

Productaansprakelijkheid

Zoals uiteengezet in de wet voor productaansprakelijkheid zijn wij niet aansprakelijk voor schade die door ons product wordt veroorzaakt, indien:

- het product niet goed is gerepareerd.
- het product is gerepareerd met onderdelen die niet van de fabrikant afkomstig zijn, of onderdelen die niet zijn goedgekeurd door de fabrikant.
- het product een accessoire bevat die niet afkomstig is van de fabrikant of niet is goedgekeurd door de fabrikant.
- het product niet is gerepareerd door een erkend servicepunt of door een erkende autoriteit.

Veiligheid

Veiligheidsdefinitie

Waarschuwingen, voorzorgsmaatregelen en opmerkingen worden gebruikt om te wijzen op belangrijke delen van de gebruikershandleiding.



WAARSCHUWING: Wordt gebruikt om te wijzen op de kans op ernstig of fataal letsel voor de gebruiker of omstanders wanneer de instructies in de handleiding niet worden gevolgd.



OPGELET: Wordt gebruikt indien er een risico bestaat op schade aan het product en andere eigendommen of aan de omgeving wanneer de instructies in de handleiding niet worden gevolgd.

Let op: Geven verdere informatie die nodig is in een bepaalde situatie.

Algemene veiligheidsinstructies



WAARSCHUWING: Lees de volgende waarschuwingen voordat u het product gaat gebruiken.

- Dit product is gevaarlijk als het verkeerd wordt gebruikt, of als u niet voorzichtig bent. Letsel of overlijden kunnen het gevolg zijn als u de veiligheidsvoorschriften negeert.
- Dit product produceert tijdens bedrijf een elektromagnetisch veld. Dit veld kan onder bepaalde omstandigheden de werking van actieve of passieve medische implantaten verstoren. Om het risico op ernstig of dodelijk letsel te beperken, raden we personen met een medisch implantaat aan om contact op te nemen met hun arts en de fabrikant van het medische implantaat alvorens dit product te gaan gebruiken.
- Wees altijd voorzichtig en gebruik uw gezond verstand. Als u niet zeker weet hoe u het product moet bedienen in een bepaalde situatie, stop dan en informeer bij uw McCulloch dealer voordat u verdergaat.

- Denk erom dat de bediener of gebruiker verantwoordelijk is voor ongelukken of beschadigingen aan eigendommen.
- Houd het product schoon. Zorg ervoor dat u de aanduidingen en stickers duidelijk kunt lezen.
- Laat niemand het product gebruiken tenzij u zeker weet dat deze de inhoud van de gebruikershandleiding hebben gelezen en begrepen.
- Laat het product niet door een kind bedienen.
- Laat het product niet bedienen door een persoon die de instructies niet heeft gelezen.
- Houd personen met een lichamelijke of geestelijke beperking die het product gebruiken, altijd in de gaten. Er moet te allen tijde een verantwoordelijke volwassene aanwezig zijn.
- Gebruik het product nooit als u moe of ziek bent, of onder invloed van alcohol, drugs of medicijnen verkeert. Dit heeft een negatief effect op uw visie, alertheid, coördinatie en oordeel.
- Gebruik het product niet als het defect is.
- Wijzig dit product niet of gebruik het niet als het door anderen kan zijn gewijzigd.

Veiligheid van het werkgebied



WAARSCHUWING: Lees de volgende waarschuwingen voordat u het product gaat gebruiken.

- Verwijder objecten zoals takken, twijgen en stenen uit het werkgebied voordat u het product gaat gebruiken.
- Objecten die tegen de snijuitrusting aankomen, kunnen worden uitgeworpen en schade veroorzaken aan personen en objecten. Houd omstanders en dieren op veilige afstand van het product.
- Gebruik het product nooit in slechte weersomstandigheden zoals mist, regen, sterke wind, hevige kou of als er gevaar is voor blikseminslag. Het gebruik van dit product bij slecht weer of op vochtige of natte plaatsen is vermoeiend. Slecht weer kan leiden tot gevaarlijke situaties zoals gladde ondergronden.
- Kijk uit voor personen, objecten en situaties die een veilig gebruik van het product kunnen verhinderen.

- Kijk uit voor obstakels zoals wortels, stenen, takjes, kuilen en greppels. Obstakels kunnen moeilijk te zien zijn door hoog gras.
- Gras maaien op hellingen kan gevaarlijk zijn. Gebruik het product niet op een helling van meer dan 15°.
- Gebruik het product dwars over het oppervlak van hellingen. Ga niet van boven naar beneden.
- Wees voorzichtig wanneer u in de buurt komt van onoverzichtelijke bochten en voorwerpen die uw zicht kunnen belemmeren.

Werkveiligheid



WAARSCHUWING: Lees de volgende waarschuwingen voordat u het product gaat gebruiken.

- Gebruik dit product alleen om grasvelden te maaien. Het is niet toegestaan om het product voor andere doeleinden te gebruiken.
- Maak altijd gebruik van persoonlijke beschermingsmiddelen. Zie *Persoonlijke beschermingsmiddelen* op pagina 191.
- Start de motor nooit in een gesloten ruimte of in de buurt van brandbaar materiaal. De uitlaatdampen van de motor zijn heet en kunnen vonken bevatten die brand kunnen veroorzaken.
- Gebruik dit product alleen als het mes en alle afdekkingen correct zijn bevestigd. Een verkeerd bevestigd mes kan losraken en letsel veroorzaken.
- Zorg ervoor dat het mes geen voorwerpen raakt zoals stenen en wortels. Hierdoor kan het mes beschadigen en de motoras verbuigen. Een gebogen as veroorzaakt zware trillingen en een zeer groot risico dat het mes losraakt.
- Stop het product onmiddellijk als het mes een voorwerp wordt geraakt of als zich trillingen voordoen. Ontkoppel de ontstekingskabel van de bougie. Controleer het product op schade. Repareer schade of laat een erkende servicewerkplaats de reparatie uitvoeren.
- Bevestig de motorremhendel nooit permanent aan de handgreep wanneer de motor wordt gestart.
- Plaats het product op een stabiele, vlakke ondergrond en start het. Zorg ervoor dat het mes niet in aanraking komt met de grond of andere voorwerpen.
- Blijf altijd achter het product wanneer u het gebruikt.
- Zorg dat alle wielen op de grond blijven en houd 2 handen op de handgreep tijdens de bediening van het product. Houd uw handen en voeten uit de buurt van de roterende messen.
- Kantel het product niet terwijl de motor draait.
- Wees voorzichtig wanneer u het product naar achteren trekt.
- Til het product nooit op terwijl de motor draait. Als het product toch moet worden opgetild, zet dan eerst

de motor uit en ontkoppel de ontstekingskabel van de bougie.

- Loop niet achteruit wanneer u het product bedient.
- Stop de motor als u in gebieden zonder gras komt, bijvoorbeeld op paden van grind, stenen en asfalt.
- Loop niet hard met het product wanneer de motor is ingeschakeld. Loop altijd rustig wanneer u het product bedient.
- Zet de motor uit voordat u de maaiahogte wijzigt. Voer nooit afstellingen uit terwijl de motor draait.
- Houd altijd toezicht op het product wanneer de motor draait. Schakel de motor uit en zorg ervoor dat de snijuitrusting niet draait.

Veiligheidsinstructies voor bediening

Persoonlijke beschermingsmiddelen



WAARSCHUWING: Lees de volgende waarschuwingen voordat u het product gaat gebruiken.

- Persoonlijke beschermingsmiddelen kunnen niet alle risico's uitsluiten maar kunnen de ernst van eventueel letsel helpen beperken. Vraag uw dealer u te helpen bij het kiezen van de juiste beschermingsmiddelen.
- Gebruik zware antisliplaarzen of -schoenen. Draag geen open schoenen en loop niet op blote voeten.
- Draag een lange broek van stevige stof.
- Draag zo nodig beschermende handschoenen, bijvoorbeeld bij het monteren, inspecteren of reinigen van de snijuitrusting.

Veiligheidsvoorzieningen op het product



WAARSCHUWING: Lees de volgende waarschuwingen voordat u het product gaat gebruiken.

- Gebruik het product nooit wanneer de veiligheidsvoorzieningen defect zijn.
- Controleer de veiligheidsvoorzieningen regelmatig op een juiste werking. Als de veiligheidsvoorzieningen defect zijn, neem dan contact op met uw McCulloch servicewerkplaats.

Kap van maaidek

- Controleer de kap van het maaidek om te zien of er geen schade is, zoals barsten.

Remhendel motor

De motorrem schakelt de motor uit. Als de remhendel van de motor wordt losgelaten, stopt de motor.

Voor een inspectie van de motorrem start u de motor en laat de motorremhendel los. Als de motor niet binnen 3 seconden stopt, laat u een erkende McCulloch servicewerkplaats de motorrem afstellen.

(Fig. 17)

Geluiddemper

De uitlaatdemper is bedoeld om het geluidsniveau zo laag mogelijk te houden en om de uitlaatgassen weg te voeren van de gebruiker.

Gebruik het product niet als de demper ontbreekt of beschadigd is. Bij een defecte uitlaatdemper stijgt het geluidsniveau en neemt het risico op brand toe.

Inspecteer de uitlaatdemper regelmatig om te verifiëren of die goed vastzit en niet beschadigd is.



OPGELET: De uitlaatdemper wordt erg heet tijdens en na gebruik en wanneer de motor draait bij stationair toerental. Wees voorzichtig in de buurt van brandbare materialen en/of dampen om brand te voorkomen.

Brandstofveiligheid



WAARSCHUWING: Lees de volgende waarschuwingen voordat u het product gaat gebruiken.

- Start het product niet als er brandstof of motorolie op het product aanwezig is. Verwijder de ongewenste brandstof/olie en laat het product drogen.
- Als u brandstof op uw kleding morst, trek dan direct andere kleding aan.
- Zorg dat er geen brandstof op uw lichaam terecht komt, dit kan letsel veroorzaken. Als er brandstof op

uw lichaam terecht komt, verwijder deze dan met water en zeep.

- Start het product niet als er sprake is van een motorlekkage. Controleer de motor regelmatig op lekkage.
- Wees voorzichtig met brandstof. Brandstof is licht ontvlambaar en de dampen zijn explosief. Ze kunnen letsel veroorzaken of leiden tot de dood.
- Adem geen brandstofdampen in, dit kan letsel veroorzaken. Zorg voor voldoende ventilatie.
- Rook niet in de buurt van de brandstof of de motor.
- Plaats geen warme voorwerpen in de buurt van de brandstof of de motor.
- Vul geen brandstof bij terwijl de motor is ingeschakeld.
- Zorg ervoor dat de motor koud is wanneer u brandstof bijvult.
- Draai de tankdop langzaam open en laat de druk voorzichtig ontsnappen voordat u brandstof bijvult.
- Vul geen brandstof voor de motor bij in een afgesloten ruimte. Onvoldoende ventilatie kan leiden tot ernstig letsel of de dood door verstikking of het inademen van koolmonoxide.
- Draai de tankdop volledig aan. Als de tankdop niet volledig is aangedraaid, bestaat een risico op brand.
- Verplaats het product minstens 3 m (10 ft) van de plaats waar u de brandstoftank hebt gevuld, voordat u het product start.
- Doe niet te veel brandstof in de brandstoftank.

Veiligheidsinstructies voor onderhoud



WAARSCHUWING: Lees de volgende waarschuwingen voordat u het product gaat gebruiken.

- Uitlaatgassen van de motor bevatten koolmonoxide, een geurloos, giftig en uiterst gevaarlijk gas. Start de motor nooit binnenshuis of in gesloten ruimten.
- Voordat u het onderhoud van het product uitvoert, zet u de motor uit en verwijdert u de ontstekingskabel van de bougie.
- Draag beschermende handschoenen wanneer u onderhoud aan de snijtrusting uitvoert. Het mes is zeer scherp en kan gemakkelijk snijwonden veroorzaken.
- Accessoires en wijzigingen aan het product die niet zijn goedgekeurd door de fabrikant, kunnen leiden

tot ernstig letsel of overlijden. Breng geen wijzigingen aan het product aan. Gebruik alleen accessoires die zijn goedgekeurd door de fabrikant.

- Als het onderhoud niet correct en regelmatig wordt uitgevoerd, neemt de kans op letsel of schade aan het product toe.
- Voer alleen onderhoud uit zoals beschreven in deze gebruikershandleiding. Alle overige onderhoudswerkzaamheden moeten worden uitgevoerd door een erkende McCulloch servicewerkplaats.
- Laat een erkende McCulloch servicewerkplaats regelmatig onderhoud aan het product uitvoeren.
- Vervang beschadigde, versleten of defecte onderdelen.

Montage

Hendel monteren

Onderste gedeelte van de hendel

1. Plaats de pennen onderaan de hendel in de gaten zoals weergegeven in de afbeelding. Lijn de schroefgaten uit en breng de schroeven, sluitringen en knoppen aan.(Fig. 18)

Bovenste gedeelte van de hendel

1. Lijn de gaten in de handgreep uit met de openingen in de onderste hendel en breng de schroeven, sluitringen en knoppen aan. Breng aan de rechterkant ook het oog voor het startkoord aan. Draai de knoppen volledig vast.(Fig. 19)
2. Trek aan de startkoordhendel en voer het startkoord door het oog voor het startkoord.(Fig. 20)
3. Gebruik de spanbanden om de kabels aan het handvat te bevestigen.(Fig. 21)

Let op: Zorg ervoor dat de spanning in de kabels niet te hoog is.

Grasopvangbak monteren

1. Plaats het frame van de grasopvangbak in de stoffen zak. Zorg ervoor dat de handgreep op het frame van de grasopvangbak bovenop de zak zit.

2. Bevestig de zak aan het frame van de grasopvangbak met de klemmen aan de rand van de zak.(Fig. 22)
3. Til de achterklep op.
4. Bevestig de grasopvangbak aan de bovenrand van het chassis.
5. Plaats het onderste deel van de grasopvangbak in het grasuitwerpkanaal.

Mulchplug monteren

Er is een mulchkit verkrijgbaar als accessoire, alleen voor bepaalde modellen. De modellen M51-150WR CLASSIC, M53-150WR CLASSIC worden standaard geleverd met een mulchkit. De modellen M40-120 CLASSIC, M40-125 CLASSIC+ kunnen niet worden gebruikt met een mulchkit.

1. Til de achterklep op en verwijder de grasopvangbak.
2. Steek de mulchplug in het afvoerkanaal.(Fig. 23)

Bediening

Inleiding



WAARSCHUWING: Voordat u het product gaat gebruiken, dient u het hoofdstuk over veiligheid te lezen en hebben begrepen.



WAARSCHUWING: Gebruik van het verkeerde soort brandstof kan leiden tot motorschade.

Voordat u het product gaat bedienen

1. Lees de gebruikershandleiding zorgvuldig door en zorg dat u de instructies hebt begrepen.
2. Controleer de snijuitrusting om te zien of deze correct is gemonteerd en afgesteld. Zie *Snijuitrusting controleren op pagina 195*.
3. Vul de brandstoftank. Zie *Brandstof bijvullen op pagina 193*.
4. Vul de olietank en controleer het oliepeil. Zie *Oliepeil controleren op pagina 195*.

Brandstof bijvullen

Gebruik emissiearme of alkylaatzbenzine, indien beschikbaar. Als er geen emissiearme of alkylaatzbenzine beschikbaar is, gebruik dan een loodvrije benzine van goede kwaliteit, of loodhoudende

benzine. Gebruik een benzine met een octaangetal van minimaal 90 en met maximaal 10% ethanol (E10).

1. Draai de brandstoftankdop langzaam los om de druk te laten ontsnappen.
2. Vul langzaam met een benzinejerrycan. Als u brandstof morst, verwijder deze dan met een doek en laat de resterende brandstof opdrogen.
3. Maak het gebied rondom de brandstoftankdop goed schoon.
4. Draai de tankdop volledig aan. Als de tankdop niet volledig is aangedraaid, bestaat een risico op brand.
5. Verplaats het product minstens 3 m (10 ft) van de plaats waar u de brandstoftank hebt gevuld, voordat u het product start.

Maaihoogte afstellen

1. Breng de maaihoogtehendel naar achteren om de maaihoogte te vergroten.

- Breng de maaihoogtehendel naar voren om de maaihoogte te verkleinen.(Fig. 24)



OPGELET: Stel de maaihoogte niet te laag in. Als het oppervlak van het gazon niet waterpas is, kunnen de messen de grond raken.

Product starten

- Controleer of de ontstekingskabel is verbonden met de bougie.
- Druk het balgje voor extra brandstofvoer 5 keer in wanneer u het product voor de allereerste keer start. Druk het balgje voor extra brandstofvoer 3 keer in wanneer u het product een volgende keer start met een koude motor.(Fig. 25)
- Blijf achter het product.
- Houd de motorremhendel tegen de handgreep.(Fig. 26)
- Houd het startkoord in uw rechterhand.
- Trek het startkoord langzaam naar buiten totdat u enige weerstand voelt.
- Krachtig trekken om de motor te starten.



WAARSCHUWING: Wikkel het startkoord niet rond uw hand.

De aandrijving op de wielen gebruiken

- Druk de aandrijfhendel in de richting van de handgreep.(Fig. 27)
- Voordat u het product naar achteren trekt, moet u de aandrijving uitschakelen en het product ongeveer 10cm naar voren duwen.
- Laat de aandrijfhendel los om de aandrijving uit te schakelen, bijvoorbeeld wanneer u bij een obstakel komt.

Product stoppen

- Als u de alleen de aandrijving wilt stoppen, laat u de aandrijfhendel los.
- Als u de motor wilt stoppen, laat u de motorremhendel los.

Een goed resultaat verkrijgen

- Gebruik altijd een scherp mes. Een bot mes geeft een onregelmatig resultaat en het snijvlak van het gras wordt geel. Een scherp mes verbruikt ook minder energie dan een bot mes.
- Maai nooit meer dan 1/3e van de lengte van het gras af. Maai eerst met een hoog ingestelde maaihoogte. Controleer het resultaat en verlaag de snijhoogte tot een geschikt niveau. Als het gras echt lang is, rijd dan langzaam en maai zo nodig 2 keer.
- Maai elke keer in een andere richting, om het ontstaan van strepen in het gazon te voorkomen.

Onderhoud

Inleiding



WAARSCHUWING: Voordat u onderhoud gaat uitvoeren, dient u het hoofdstuk over veiligheid te lezen en hebben begrepen.

Voor alle onderhouds- en reparatiewerkzaamheden aan het product is speciale training nodig. Wij garanderen de beschikbaarheid van professionele reparaties en onderhoud. Indien uw dealer geen servicewerkplaats heeft, vraag hem dan naar de dichtstbijzijnde servicewerkplaats.

Onderhoudsschema

De onderhoudsintervallen worden berekend op basis van het dagelijks gebruik van het product. De intervallen veranderen als het product niet dagelijks wordt gebruikt.

Voor onderhoud dat is gemarkeerd met *: zie de instructies in *Veiligheidsvoorzieningen op het product op pagina 191*.

Onderhoud	Elke dag	Wekelijks	Maandelijks
Algemene inspectie uitvoeren	X		
Motoroliepeil controleren	X		
Product reinigen	X		
Snijuitrusting controleren	X		
Kap van het maaidek controleren*	X		
Motorremhendel controleren*	X		
Aandrijving controleren en afstellen (koppelingskabel)	X		

Onderhoud	Elke dag	Wekelijks	Maandelijks
Demper controleren*		X	
Bougie controleren		X	
Olie verversen (de eerste keer na 5 uur gebruik, dan na elke 50 uur gebruik)			X
Vervang het luchtfilter			X
Brandstofsysteem controleren			X

Algemene inspectie uitvoeren

- Controleer of de moeren en schroeven op het product goed zijn vastgedraaid.

Product aan de buitenkant reinigen

- Gebruik een borstel om bladeren, gras en vuil te verwijderen.
- Zorg dat de luchtinlaat op de bovenkant van de motor niet is geblokkeerd.
- Reinig het product niet met een hogedrukspuit.
- Als u water gebruikt om het product te reinigen, spuit dan geen water rechtstreeks op de motor.

Binnenoppervlak van de kap van het maaidek reinigen

- Leeg de brandstoftank.
- Plaats het product op zijn kant met de demper naar beneden.



OPGELET: Als het product met het luchtfilter naar beneden wordt geplaatst, kan de motor beschadigd raken.

- Spuit de binnenkant van het maaidek schoon met water.

Snijuitrusting controleren



WAARSCHUWING: Verwijder de ontstekingskabel van de bougie om te voorkomen dat de motor per ongeluk wordt gestart.



WAARSCHUWING: Draag beschermende handschoenen wanneer u onderhoud aan de snijuitrusting uitvoert. Het mes is zeer scherp en kan gemakkelijk snijwonden veroorzaken.

- Controleer de snijuitrusting op beschadiging of scheuren. Vervang beschadigde snijuitrusting altijd.
- Kijk naar het mes om te zien of dit is beschadigd of bot is.

Let op: Het mes moet na het slijpen worden gebalanceerd. Laat het slijpen, vervangen en balanceren door een servicecentrum uitvoeren. Als u een obstakel raakt waardoor het product stopt, vervang dan het beschadigde mes. Laat het servicecentrum beoordelen of het mes kan worden geslepen of moet worden vervangen.

Mes vervangen

- Zet het mes vast met een houten blok.(Fig. 28)
- Verwijder de mesbout.
- Verwijder het mes.
- Controleer de messteun en de mesbout om te zien of er schade is.
- Controleer de motoras om te controleren of deze niet is verbogen.
- Wanneer u het nieuwe mes bevestigt, richt dan de gebogen uiteinden van het mes naar de kap van het maaidek.(Fig. 29)
- Controleer of het mes is uitgelijnd met het midden van de motoras.
- Zet het mes vast met een houten blok. Bevestig de veerring en draai de bout en ring vast met een aanhaalmoment van 20 Nm.45–60(Fig. 30)
- Draai het mes met de hand rond en controleer of het vrij draait.



WAARSCHUWING: Draag handschoenen van dikke stof. Het mes is zeer scherp en kan gemakkelijk snijwonden veroorzaken.

- Start het product om het mes te testen. Als het mes niet goed is bevestigd, zijn er trillingen in het product of is het maaieresultaat niet goed.

Oliepeil controleren



OPGELET: Een te laag oliepeil kan ernstige schade aan de motor veroorzaken. Voer een controle van het oliepeil uit voordat u het product start.

- Zet het product op een vlakke ondergrond.

2. Verwijder de olietankdop met de bijgevoegde peilstok.
3. Veeg de olie van de peilstok.
4. Steek de peilstok volledig in de olietank om een goed beeld van het oliepeil te krijgen.
5. Verwijder de peilstok.
6. Controleer het oliepeil op de peilstok.
7. Als het oliepeil laag is, vult u bij met motorolie en controleert u het oliepeil opnieuw.

Motorolie verversen



WAARSCHUWING: Motorolie is nog erg heet direct nadat de motor is uitgezet. Laat de motor afkoelen voordat u de motorolie aftapt. Als u motorolie morst op uw huid, was die dan af met water en zeep.

1. Gebruik het product totdat de brandstoftank leeg is.
2. Verwijder de ontstekingskabel van de bougie.
3. Verwijder de olietankdop.
4. Plaats een opvangbak onder het product om de motorolie in op te vangen.
5. Kantel het product om de motorolie uit de olietank af te tappen.
6. Vul bij met nieuwe motorolie van het type dat wordt aanbevolen in *Technische gegevens op pagina 197*.
7. Controleer het oliepeil. Zie *Oliepeil controleren op pagina 195*.

Luchtfilter

Een luchtfilter dat lange tijd is gebruikt, kan niet volledig worden gereinigd. Vervang het luchtfilter regelmatig.

Let op: Vervang een beschadigd luchtfilter altijd.

Papierfilter reinigen

1. Verwijder het luchtfilterdeksel en verwijder het papierfilter.
2. Tik het filter tegen een vlakke ondergrond om de deeltjes te verwijderen.



OPGELET: Gebruik geen oplosmiddel of perslucht om het papierfilter te reinigen.

3. Zet het luchtfilter terug. Controleer of het luchtfilter de luchtfilterhouder volledig afsluit.
4. Zet het luchtfilterdeksel terug.

Kunststof schuimfilter reinigen

1. Verwijder het luchtfilterdeksel en verwijder het kunststof schuimfilter.
2. Reinig het kunststof schuimfilter met water en zeep.
3. Spoel het kunststof schuimfilter af in schoon water.

4. Knijp het water uit het kunststof schuimfilter en laat het drogen.



OPGELET: Gebruik geen perslucht. Dit kan het kunststof schuimfilter beschadigen.

5. Smeer het kunststof schuimfilter met motorolie.
6. Duw een schone doek tegen het kunststof schuimfilter om overtollige olie te verwijderen.
7. Zet het luchtfilter terug. Controleer of het luchtfilter de luchtfilterhouder volledig afsluit.
8. Zet het luchtfilterdeksel terug.

Bougie controleren



OPGELET: Gebruik altijd het juiste bougietype. Een verkeerd type bougie kan schade aan het product veroorzaken.

- Controleer de bougie als de motor weinig vermogen heeft, niet gemakkelijk te starten is of stationair niet goed draait.
- Volg deze instructies om het risico van ongewenst materiaal op de elektroden van de bougie te beperken:
 - a) Zorg ervoor dat het stationair toerental altijd juist is afgesteld.
 - b) Zorg dat het brandstofmengsel correct is.
 - c) Zorg dat het luchtfilter schoon is.
- Maak de bougie schoon als deze vuil is en controleer of de afstand tussen de elektroden correct is, zie *Technische gegevens op pagina 197* (Fig. 31)
- Vervang de bougie indien nodig.

Brandstofsysteem controleren

- Controleer de brandstoftankdop en de afdichting van de brandstoftankdop om te zien of er geen schade is.
- Controleer de brandstofslang om te controleren of er geen lekken zijn. Als de brandstofslang beschadigd is, laat deze dan door een servicemonteur vervangen.

Koppelingskabel afstellen

Als de aandrijving traag lijkt, moet de koppelingskabel worden afgesteld.

1. Bevestig de koppelingskabel in een ander gat op de aandrijfhendel om de lengte ervan af te stellen. Verkort de koppelingskabel om de rijsnelheid te verhogen. Verleng de koppelingskabel om de rijsnelheid te verlagen. (Fig. 32)

Let op: Als de aandrijving is ingeschakeld terwijl u niet aan de aandrijfhendel trekt, moet u de koppelingskabel verlengen.

2. Gebruik de stelschroef voor de fijnafstelling van de rijsnelheid. Draai de stelschroef linksom om de rijsnelheid te verhogen. Draai de stelschroef rechtsom om de rijsnelheid te verlagen.(Fig. 33)

Als de aandrijving ook na de afstelling traag lijkt, laat dan de aandrijfriem vervangen door een erkende servicemonteur.

Vervoer, opslag en verwerking

Transport en opslag

- Controleer voor opslag en vervoer van het product en de brandstof of er geen lekken of dampen zijn. Vonken of open vuur, bijvoorbeeld van elektrische apparaten of ketels, kunnen tot brand leiden.
- Gebruik altijd goedgekeurde containers voor opslag en transport van brandstof.
- Leeg de brandstoftank en de vlotterkamer voordat u het product voor langere tijd opslaat. De brandstof via een geschikte verwijderingslocatie afvoeren
- Zet het product tijdens het vervoer veilig vast om schade en ongevallen te voorkomen.
- Bewaar het product in een afgesloten ruimte om toegang door kinderen of onbevoegde personen te verhinderen.

- Bewaar het product in een droge en vorstvrije ruimte.

Afvoeren

- Neem de plaatselijk geldende wet- en regelgeving voor recycling in acht.
- Voer alle chemicaliën, zoals olie of brandstof, af via een servicecentrum of een geschikte verwijderingslocatie.
- Wanneer het product niet langer in gebruik is, stuur het dan naar een McCulloch dealer of voer het af via een recyclingslocatie.

Technische gegevens

Technische gegevens

	M40-120 CLASSIC	M40-125 CLASSIC+	M46-120 CLASSIC	M46-120R CLASSIC	M46-125 CLASSIC+	M46-125R CLASSIC+
Motor						
Merk	McCulloch	Briggs & Stratton	McCulloch	McCulloch	Briggs & Stratton	Briggs & Stratton
Cilinderinhoud, cm ³	120	125	120	120	125	125
Toerental, tpm	2900	2900	2900	2900	2900	2900
Nominaal motorvermogen, kW ¹⁵¹	2,0	1,6	2,0	2,0	1,6	1,6
Ontstekingsysteem						
Bougie	K7RTC	RC12YC	K7RTC	K7RTC	RC12YC	RC12YC
Elektrodenafstand, mm	0,7	0,5	0,7	0,7	0,5	0,5
Brandstof-/smeersysteem						
Inhoud brandstoftank, liter	0,8	0,8	0,8	0,8	0,8	0,8
Inhoud olietank, liter	0,4	0,4	0,4	0,4	0,4	0,4

¹⁵¹ Het aangegeven nominale vermogen van de motor heeft betrekking op het gemiddelde nettovermogen (bij het opgegeven toerental) van een typische productiemotor voor het betreffende motormodel, gemeten volgens de SAE-norm J1349/ISO1585. In massa geproduceerde motoren kunnen een afwijkende waarde geven. Het werkelijk geleverde vermogen van de geïnstalleerde motor in het product hangt af van de bedrijfssnelheid, de omgevingscondities en andere waarden.

	M40-120 CLASSIC	M40-125 CLASSIC+	M46-120 CLASSIC	M46-120R CLASSIC	M46-125 CLASSIC+	M46-125R CLASSIC+
Motorolie ¹⁵²	SAE 30/SAE 10W-30	SAE 30/SAE 10W-30	SAE 30/SAE 10W-30	SAE 30/SAE 10W-30	SAE 30/SAE 10W-30	SAE 30/SAE 10W-30
Gewicht						
Met lege tanks, kg	24	25	28	29	28	29
Geluidsemissies ¹⁵³						
Geluidsvermogeniveau, gemeten dB(A)	93	93	95	95	95	95
Geluidsvermogeniveau, gegarandeerd L _{WA} dB (A)	94	94	96	96	96	96
Geluidsniveau ¹⁵⁴						
Geluidsdrukniveau bij het oor van de gebruiker, dB (A)	80	80	82	82	82	82
Trillingsniveaus, a_{hveq} ¹⁵⁵						
Handgreep, m/s ²	14,75	14,75	15,68	15,68	15,68	15,68
Snijtrusting						
Maaihogte, mm	20-75	20-75	30-80	30-80	30-80	30-80
Maaibreedte, mm	400	400	460	460	460	460
Mes	Mulcher 40	Mulcher 40	Mulcher 46	Mulcher 46	Mulcher 46	Mulcher 46
Artikelnummer	5871590-10	5871590-10	5811889-10	5811889-10	5811889-10	5811889-10
Capaciteit grasopvangbak, liter	50	50	50	50	50	50

	M46-150WR CLASSIC	M51-140WR CLASSIC+	M51-150R CLASSIC	M51-150WR CLASSIC	M53-150WR CLASSIC
Motor					
Merk	McCulloch	Briggs & Stratton	McCulloch	McCulloch	McCulloch
Cilinderinhoud, cm ³	150	140	150	150	150
Toerental, tpm	2900	2900	2900	2900	2900

¹⁵² Gebruik motorolie van kwaliteit SJ of hoger. Zie het viscositeitsoverzicht in de handleiding van de motorfabrikant en selecteer de beste viscositeit op basis van de verwachte buitentemperatuur.

¹⁵³ Geluidsemissie naar de omgeving gemeten als geluidsvermogen (L_{WA}) volgens EG-richtlijn 2000/14/EG.

¹⁵⁴ Geluidsdrukniveau volgens ISO 5395:2103. De gerapporteerde gegevens voor het geluidsdrukniveau vertonen een typische statistische spreiding (standaardafwijking) van 1,2 dB (A).

¹⁵⁵ Trillingsniveau volgens ISO 5395:2013. De gerapporteerde gegevens voor een trillingsniveau vertonen een typische statistische spreiding (standaardafwijking) van 0,2 m/s².

	M46-150WR CLASSIC	M51-140WR CLASSIC+	M51-150R CLASSIC	M51-150WR CLASSIC	M53-150WR CLASSIC
Nominaal motorvermogen, kW ¹⁵⁶	2,4	1,9	2,4	2,4	2,4
Ontstekingsysteem					
Bougie	K7RTC	RC12YC	K7RTC	K7RTC	K7RTC
Elektrodenafstand, mm	0,7	0,5	0,7	0,7	0,7
Brandstof-/smeersysteem					
Inhoud brandstoftank, liter	1,0	0,8	1,0	1,0	1,0
Inhoud olietank, liter	0,4	0,4	0,4	0,4	0,4
Motorolie ¹⁵⁷	SAE 30/SAE 10W-30	SAE 30/SAE 10W-30	SAE 30/SAE 10W-30	SAE 30/SAE 10W-30	SAE 30/SAE 10W-30
Gewicht					
Met lege tanks, kg	32	32	33	33	33
Geluidsemissies ¹⁵⁸					
Geluidsvermogeniveau, gemeten dB(A)	97	97	95	97	98
Geluidsvermogeniveau, gegarandeerd L _{WA} dB (A)	98	98	98	98	98
Geluidsniveau ¹⁵⁹					
Geluidsdrukkniveau bij het oor van de gebruiker, dB (A)	82	82	81	84	82
Trillingsniveau, a_{hveq} ¹⁶⁰					
Handgreep, m/s ²	4,27	4,27	4,06	5,55	3,39
Snijuitrusting					
Maaihoogte, mm	30-80	30-90	30-90	30-90	30-90
Maai breedte, mm	460	510	510	510	530
Mes	Mulcher 46	Mulcher 51	Mulcher 51	Mulcher 51	Mulcher 53
Artikelnummer	5811889-10	5041133-10	5041133-10	5041133-10	5811886-10
Capaciteit grasopvangbak, liter	50	55	55	55	55

¹⁵⁶ Het aangegeven nominale vermogen van de motor heeft betrekking op het gemiddelde nettovermogen (bij het opgegeven toerental) van een typische productiemotor voor het betreffende motormodel, gemeten volgens de SAE-norm J1349/ISO1585. In massa geproduceerde motoren kunnen een afwijkende waarde geven. Het werkelijk geleverde vermogen van de geïnstalleerde motor in het product hangt af van de bedrijfssnelheid, de omgevingscondities en andere waarden.

¹⁵⁷ Gebruik motorolie van kwaliteit SJ of hoger. Zie het viscositeitsoverzicht in de handleiding van de motorfabrikant en selecteer de beste viscositeit op basis van de verwachte buitentemperatuur.

¹⁵⁸ Geluidsemissie naar de omgeving gemeten als geluidsvermogen (L_{WA}) volgens EG-richtlijn 2000/14/EG.

¹⁵⁹ Geluidsdrukkniveau volgens ISO 5395:2103. De gerapporteerde gegevens voor het geluidsdrukkniveau vertonen een typische statistische spreiding (standaardafwijking) van 1,2 dB (A).

¹⁶⁰ Trillingsniveau volgens ISO 5395:2013. De gerapporteerde gegevens voor een trillingsniveau vertonen een typische statistische spreiding (standaardafwijking) van 0,2 m/s².

EG-conformiteitsverklaring

Inhoud van de EG-verklaring van overeenstemming

Wij, Husqvarna AB, SE 561 82 Huskvarna, ZWEDEN, verklaren onder onze alleenverantwoordelijkheid dat het gepresenteerde product:	
Beschrijving	Loopmaaier met verbrandingsmotor
Merk	McCulloch
Platform / Type / Model	M40-120 CLASSIC, M40-125 CLASSIC+, M46-120 CLASSIC, M46-120R CLASSIC, M46-125 CLASSIC+, M46-125R CLASSIC+, M46-150WR CLASSIC, M51-140WR CLASSIC+, M51-150R CLASSIC, M51-150WR CLASSIC, M53-150WR CLASSIC
Partij	Serienummer vanaf 2017 en verder
volledig voldoet aan de volgende EU-richtlijnen en -regelgeving:	
Richtlijn/Verordening	Beschrijving
2006/42/EG	"betreffende machines"
2014/30/EU	"betreffende elektromagnetische compatibiliteit"
2000/14/EG; 2005/88/EG	"betreffende geluid buitenshuis"
Toegepaste geharmoniseerde normen en/of technische specificaties zijn als volgt: EN ISO 12100, ISO 14982, ISO 5395-1 & 2, ISO 3744, ISO 11094, EN 1032	
In overeenstemming met richtlijn 2000/14/EG, bijlage V, staan de verklaarde geluidswaarden vermeld in de sectie met technische gegevens van deze handleiding en in de ondertekende EG-verklaring van overeenstemming.	
De geleverde duwmaaier met verbrandingsmotor is conform het geteste exemplaar.	

INNHold

Innledning.....	201	Vedlikehold.....	206
Sikkerhet.....	202	Transport, oppbevaring og avhending.....	208
Sikkerhetsinstruksjoner for vedlikehold.....	204	Tekniske data.....	208
Montering.....	204	EC-samsvarserklæring.....	211
Drift.....	205		

Innledning

Produktbeskrivelse

Produktet er en roterende skyveggressklipper. Gresset samles i oppsamleren. Ta av oppsamleren for å få bakutkast for gress. Fest et bioklippsett (tilbehør) for å klippe gresset til gjødsel.

Produktoversikt

(Fig. 1)

1. Sikkerhetsbøyle (M46-120R CLASSIC, M46-125R CLASSIC+, M46-150WR CLASSIC, M51-140WR CLASSIC+, M51-150R CLASSIC, M51-150WR CLASSIC, M53-150WR CLASSIC)
2. Øvre håndtak / styrestang
3. Motorbremsehåndtak
4. Håndtak på startsnoren
5. Sløyfe for startsnor
6. Gressoppsamler
7. Nedre håndtak
8. Nedre håndtaksenhet
9. Spaker for regulering av klippehøyde
10. Oljelokk
11. Lyddemper
12. Avtappingsplugg for forgasser
13. Brennstoffpumpe
14. Tennplugg
15. Drivstofftank
16. Hode
17. Sprengskive
18. Knivbolt
19. Klippeaggregat
20. Luftfilter
21. Bruksanvisning

Symboler på produktet

(Fig. 2) **ADVARSEL:** Uforsiktig eller feilaktig bruk kan resultere i skader eller dødsfall for brukeren eller tilskuere.

(Fig. 3) Les nøye gjennom bruksanvisningen og sørg for at du har forstått instruksjonene før bruk.

Bruksområder

Bruk produktet til å klippe gress i private hager. Ikke bruk produktet til andre oppgaver.

(Fig. 4) Hold personer og dyr på trygg avstand fra arbeidsområdet.

(Fig. 5) Stopp motoren og fjern tenningskabelen før det utføres reparasjoner eller vedlikehold.

(Fig. 6) Se opp for gjenstander som slynges ut og rikosjetterer.

(Fig. 7) **Advarsel:** roterende kniv Hold hender og føtter unna.

(Fig. 8) **Advarsel:** roterende deler. Hold hender og føtter unna.

(Fig. 9) Dette produktet er i overensstemmelse med gjeldende EU-direktiver.

(Fig. 10) Støytuslipp til omgivelsene ifølge EFs direktiv. Produktutslippene angis i kapittelet Tekniske data og på klistremerket.

(Fig. 11) Brannfare.

(Fig. 12) Brannfare.

(Fig. 13) Eksplosjonsfare.

(Fig. 14) Stans alltid motoren før påfylling av drivstoff.

(Fig. 15) Varm overflate.

(Fig. 16) Eksosen fra motoren inneholder karbonmonoksid, en luktfri, giftig og svært farlig gass. Ikke bruk produktet innendørs eller i lukkede rom.

Merk: Øvrige symboler/klistremerker angitt på produktet gjelder sertifiseringskrav for andre markeder.

Produktansvar

Som nevnt i lovverket om produktansvar er vi ikke ansvarlig for skader som produktet vårt forårsaker, hvis

- produktet er reparert på feil måte
- produktet er reparert med deler som ikke kommer fra produsenten eller som ikke er godkjent av produsenten

- produktet har et tilbehør som ikke kommer fra produsenten eller som ikke er godkjent av produsenten.
- produktet ikke er reparert på et godkjent servicesenter eller av en godkjent aktør

Sikkerhet

Sikkerhetsdefinisjoner

Advarsler, oppfordringer og merknader brukes for å understreke spesielt viktige deler av bruksanvisningen.



ADVARSEL: Brukes hvis det er fare for personskade eller død for føreren eller andre personer om instruksjonene i håndboken ikke følges.



OBS: Brukes hvis det er fare for skade på produktet, annet materiell eller nærliggende områder om instruksjonene i håndboken ikke følges.

Merk: Brukes for å gi mer nødvendig informasjon for en spesifikk situasjon.

Generelle sikkerhetsinstruksjoner



ADVARSEL: Les de følgende advarslene før du bruker produktet.

- Dette produktet er farlig hvis det brukes feil, eller hvis du ikke er forsiktig. Personskade eller død kan forekomme hvis du ikke følger sikkerhetsinstruksjonene.
- Dette produktet danner et elektromagnetisk felt når det er i bruk. Dette feltet kan under visse forhold forstyrre aktive eller passive medisinske implantater. For å redusere faren for hendelser som kan føre til alvorlig eller livstruende skade, anbefaler vi at personer med medisinske implantater rådfører seg med lege og produsenten av det medisinske implantatet før dette produktet tas i bruk.
- Vær alltid forsiktig og bruk sunn fornuft. Hvis du ikke er sikker på hvordan du skal bruke produktet i en bestemt situasjon, må du stoppe og snakke med McCulloch-forhandleren før du fortsetter.
- Husk at brukeren er ansvarlig for ulykker som involverer andre personer eller deres eiendom.
- Hold produktet rent. Sørg for at du kan lese skilt og merker.
- Ikke la en person bruke produktet med mindre du forsikrer deg om at de har lest og forstått innholdet i bruksanvisningen.

- Ikke la barn bruke produktet.
- Ikke la en person bruke produktet uten kunnskap om instruksjonene.
- Overvåk alltid personer med redusert fysisk eller mental kapasitet når de bruker produktet. En ansvarlig voksen må alltid være til stede.
- Ikke bruk produktet dersom du er trett eller syk eller under påvirkning av alkohol, andre rusmidler eller medisiner. Disse tingene har en negativ effekt på synet, vurderingsevnen og dømmekraften din.
- Ikke bruk produktet hvis det er defekt.
- Ikke modifier dette produktet, og ikke bruk det dersom det er mulig at andre har modificert det.

Sikkerhet i arbeidsområdet



ADVARSEL: Les de følgende advarslene før du bruker produktet.

- Fjern gjenstander som greiner, kvister og steiner fra området før du bruker produktet.
- Gjenstander som treffer skjæreutstyret, kan slynges ut og forårsake skade på personer og gjenstander. Hold tilskuere og dyr på trygg avstand fra produktet.
- Bruk aldri produktet i dårlig vær, for eksempel i tåke, regn, sterk vind, sterk kulde, eller ved fare for lyn. Det er slitsomt å bruke produktet i dårlig vær eller på fuktige eller våte steder. Dårlig vær kan forårsake farlige forhold, for eksempel glatt underlag.
- Hold utkikk etter personer, objekter og situasjoner som kan forhindre sikker bruk av produktet.
- Se etter hindringer, for eksempel røtter, steiner, kvister, fordypninger og grøfter. Høyt gress kan skjule hindringer.
- Det kan være farlig å klippe gress i skråninger. Ikke bruk produktet i skråninger som heller mer enn 15 grader.
- Bruk produktet på tvers av skråninger. Ikke gå opp og ned.
- Vær forsiktig når du nærmer deg skjulte hjørner eller gjenstander som blokkerer sikten.

Arbeidssikkerhet



ADVARSEL: Les de følgende advarslene før du bruker produktet.

- Bruk dette produktet bare til å klippe gressplener. Det er ikke tillatt å bruke det til andre formål.
- Bruk personlig verneutstyr. Se *Personlig verneutstyr på side 203*.
- Start aldri motoren i et lukket rom eller i nærheten av brennbar materiale. Motorens avgasser er varme og kan inneholde gnister som kan forårsake brann.
- Ikke bruk produktet med mindre kniven og alle deksler er riktig montert. En kniv som er feilmontert, kan løsne og forårsake personskade.
- Pass på at kniven ikke kommer bort i gjenstander som steiner og røtter. Dette kan gjøre skade på bladet og bøye motorakselen. En bøyd aksel kan forårsake mye vibrasjon og utgjør en svært høy fare for at kniven blir løs.
- Hvis kniven treffer en gjenstand eller det oppstår kraftige vibrasjoner, må produktet stanses øyeblikkelig. Koble tenningskabelen fra tennpluggen. Kontroller produktet for skader. Reparer skader, eller la et autorisert serviceverksted utføre reparasjon.
- Du må aldri feste motorbremsehåndtaket permanent til håndtaket når motoren startes.
- Plasser produktet på et stabilt, flatt underlag, og start det. Pass på at kniven ikke berører bakken eller andre gjenstander.
- Hold deg alltid bak produktet når du bruker det.
- La alle hjulene være på bakken og hold begge hender på håndtaket når du bruker produktet. Hold hender og føtter borte fra de roterende knivene.
- Unngå å vippe produktet opp mens motoren startes.
- Vær forsiktig når du trekker produktet bakover.
- Du må aldri løfte produktet når motoren startes. Hvis du må løfte produktet, må du først stoppe motoren og koble tenningskabelen fra tennpluggen.
- Ikke gå bakover når du bruker produktet.
- Stopp motoren når du går over områder uten gress, for eksempel gangveier av grus, stein og asfalt.
- Ikke løp med produktet når motoren er på. Du må alltid gå mens du bruker produktet.
- Stopp motoren før du endrer klippehøyde. Utfør aldri justeringer mens motoren er i gang.
- La aldri produktet være ute av syne mens motoren er i gang. Stopp motoren, og forsikre deg om at skjæreutstyret ikke roterer.

Sikkerhetsinstruksjoner for drift

Personlig verneutstyr



ADVARSEL: Les de følgende advarslene før du bruker produktet.

- Verneutstyr kan aldri fullstendig forhindre skade, men det reduserer skadeomfanget hvis ulykken inntreffer. Spør forhandleren din om hjelp til å velge riktig utstyr.
- Bruk kraftige, sklisikre støvler eller sko. Ikke bruk åpne sko eller gå barbeint.
- Bruk tykke langbukser.
- Bruk vernehansker når det er nødvendig, for eksempel når du fester, undersøker eller rengjør skjæreutstyret.

Sikkerhetsutstyr på produktet



ADVARSEL: Les de følgende advarslene før du bruker produktet.

- Ikke bruk produktet dersom sikkerhetsutstyret er defekt.
- Utfør regelmessig kontroll av sikkerhetsutstyret. Ta kontakt med ditt McCulloch-serviceverksted, dersom sikkerhetsutstyret er defekt.

Klippedeksel

- Undersøk klippedekselet for å sikre at det ikke er noen skader, for eksempel sprekker.

Motorbremsehåndtak

Motorbremsehåndtaket stopper motoren. Når du slipper motorbremsehåndtaket, stopper motoren.

Hvis du vil kontrollere motorbremsehåndtaket, starter du motoren og slipper deretter motorbremsehåndtaket. Hvis motoren ikke stopper innen tre sekunder, må du la et godkjent McCulloch-serviceverksted justere motorbremsen.

(Fig. 17)

Lyddemper

Lyddemperen begrenser støynivået og sender avgassen bort fra brukeren.

Bruk ikke produktet hvis lyddemperen mangler eller er defekt. En defekt lyddemper øker støynivået og faren for brann.

Kontroller lyddemperen regelmessig for å sikre at den er riktig montert og ikke skadet.



OBS: Lyddemperen blir svært varm under og etter bruk, og når motoren går på tomgang. Vær forsiktig i nærheten av brannfarlige materialer og/eller avgasser for å unngå brann.

Drivstoffsikkerhet



ADVARSEL: Les de følgende advarslene før du bruker produktet.

- Ikke start produktet hvis det er drivstoff eller motorolje på produktet. Fjern uønsket drivstoff/olje, og la produktet tørke.
 - Skift klær umiddelbart hvis du søler drivstoff på klærne.
 - Ikke få drivstoff på kroppen, det kan føre til personskade. Bruk såpe og vann for å fjerne drivstoff hvis du får drivstoff på kroppen.
 - Ikke start produktet hvis motoren lekker. Kontroller motoren for lekkasjer med jevne mellomrom.
 - Vær forsiktig med drivstoff. Drivstoff er brannfarlig, og avgassene er eksplosive og kan forårsake personskade eller død.
 - Ikke pust inn bensindamp, det kan føre til personskade. Pass på at det er tilstrekkelig luftstrøm.
- Du må ikke røyke i nærheten av drivstoff eller motoren.
 - Ikke sett varme gjenstander i nærheten av drivstoff eller motoren.
 - Ikke fyll på drivstoff når motoren er på.
 - Kontroller at motoren er avkjølt før du fyller på drivstoff.
 - Åpne tanklokket sakte og slipp ut trykket forsiktig før du fyller.
 - Ikke fyll drivstoff på motoren innendørs. Utilstrekkelig luftstrøm kan føre til personskade eller død på grunn av kveling eller karbonmonoksidforgiftning.
 - Trekk til drivstofflokket helt. Hvis drivstofflokket ikke er strammet, kan det utgjøre en risiko for brann.
 - Flytt produktet minst 3 m fra stedet du fylte tanken før du starter det.
 - Ikke fyll for mye drivstoff på tanken.

Sikkerhetsinstruksjoner for vedlikehold



ADVARSEL: Les de følgende advarslene før du bruker produktet.

- Eksosen fra motoren inneholder karbonmonoksid, en luktfri, giftig og svært farlig gass. Ikke start motoren innendørs eller i lukkede rom.
 - Før du utfører vedlikehold på produktet, må du stoppe motoren og fjerne tenningskabelen fra tennpluggen.
 - Bruk vernehansker når du utfører vedlikehold på skjærestyret. Kniven er svært skarp, og det er lett å kutte seg.
- Tilbehør og endringer på produktet som ikke er godkjent av produsenten, kan føre til alvorlig personskade eller død. Ikke foreta endringer av produktet. Bruk bare tilbehør som er godkjent av produsenten.
 - Hvis vedlikeholdet ikke utføres riktig og regelmessig, øker faren for personskade og skade på produktet.
 - Bare utfør vedlikehold som beskrevet i denne brukerveiledningen. Alt annet vedlikehold må utføres av et godkjent McCulloch-serviceverksted.
 - La et godkjent McCulloch-serviceverksted utføre service på produktet regelmessig.
 - Skift ut alle skadde, slitte eller ødelagte deler.

Montering

Slik monterer du håndtaket

Nedre håndtaksdel

1. Sett pinnene nederst på det nedre håndtaket inn i hullene, som angitt i illustrasjonen. Rett inn skruhullene, og fest skruene, skivene og knottene. (Fig. 18)

Øvre håndtaksdel

1. Rett inn hullene i håndtaket med hullene i det nedre håndtaket, og fest skruene, skivene og knottene. På høyre side fester du også sløyfen for startsnoren. Trekk til knottene helt. (Fig. 19)
2. Trekk i håndtaket til startsnoren, og fest startsnoren rundt sløyfen for startsnoren. (Fig. 20)

3. Bruk stroppene for å feste kablene til håndtaket. (Fig. 21)

Merk: Kontroller at spenningen i kablene ikke er for høy.

Slik monterer du gressoppsamleren

1. Sett gressoppsamlerrammen inn i stoffposen for gress. Kontroller at håndtaket på gressoppsamlerrammen er øverst på gressposen.
2. Fest gressposen til gressoppsamlerrammen med klemmene på kanten av posen. (Fig. 22)
3. Løft det bakre dekselet.
4. Fest gressoppsamleren til den øverste kanten av chassiset.

5. Sett den nedre delen av gressoppsamleren inn i utkasterkanalen.

Slik monterer du finfordelingspluggen

Et bioklippsett er tilgjengelig som tilleggsgutstyr for utvalgte modeller. Modellene M51-150WR CLASSIC, M53-150WR CLASSIC leveres med bioklippsett.

Modellene M40-120 CLASSIC, M40-125 CLASSIC+ kan ikke brukes sammen med bioklippsett.

1. Løft opp det bakre dekselet, og ta av gressoppsamleren.
2. Sett finfordelingspluggen inn i utkasterkanalen. (Fig. 23)

Drift

Innledning



ADVARSEL: Før du bruker produktet, må du lese og forstå kapittelet om sikkerhet.

Før du bruker produktet

1. Les nøye gjennom bruksanvisningen, og sørg for at du har forstått instruksjonene.
2. Undersøk skjæreutstyret for å sikre at det er riktig festet og justert. Se *Slik kontrollerer du skjæreutstyret på side 206*.
3. Fyll drivstofftanken. Se *Slik fyller du drivstoff på side 205*.
4. Fyll oljetanken, og kontroller oljenivået. Se *Slik kontrollerer du oljenivået på side 207*.

Slik fyller du drivstoff

Bruk miljøbensin/alkylatbensin, hvis det er tilgjengelig. Hvis miljøbensin/alkylatbensin ikke er tilgjengelig, bruk blyfri bensin av god kvalitet eller blybensin. Bruk bensin med oktantal 90 eller høyere og med maksimalt 10 % etanol (E10).



ADVARSEL: Feil type drivstoff kan føre til skader på motoren.

1. Åpne drivstofflokket sakte for å slippe ut trykket.
2. Fyll langsomt med en bensinkanne. Hvis du søler drivstoff, kan du tørke det opp med en klut og la det som måtte være igjen, lufttørke.
3. Tørk rent rundt drivstofflokket.
4. Trekk til drivstofflokket helt. Hvis drivstofflokket ikke er strammet, kan det utgjøre en risiko for brann.
5. Flytt produktet minst 3 m fra stedet du fylte tanken, før du starter det.

Slik regulerer du klippehøyden

1. Flytt spaken for klippehøyde bakover for å øke klippehøyden.
2. Flytt spaken for klippehøyde forover for å senke klippehøyden. (Fig. 24)



OBS: Ikke sett klippehøyden for lavt. Knivene kan treffe bakken hvis overflaten av plenen ikke er vannrett.

Starte produktet

1. Sørg for at tenningskabelen er koblet til tennpluggen.
2. Før du starter produktet for aller første gang, trykker du på primeren fem ganger. Neste gang du starter produktet når motoren er kald, trykker du på primeren tre ganger. (Fig. 25)
3. Stå bak produktet.
4. Hold motorbremseshåndtaket mot håndtaket. (Fig. 26)
5. Hold i startsnoren med høyrehånden.
6. Dra startsnoren langsomt ut til du kjenner litt motstand.
7. Trekk kraftig for å starte motoren.



ADVARSEL: Surr aldri startsnoren rundt hånden.

Bruke hjuldriften

- Skyv sikkerhetsbøylen i retning av håndtaket. (Fig. 27)
- Før du trekker produktet bakover, koble ut driften og skyv produktet forover ca. 10cm.
- Løsne sikkerhetsbøylen for å frakoble driften, for eksempel når du går nær en hindring.

Slik stopper du produktet

- Hvis du vil stoppe kun driften, slipper du sikkerhetsbøylen.
- Hvis du vil stoppe motoren, slipper du motorbremseshåndtaket.

Slik får du et godt resultat

- Bruk alltid en godt slipt kniv. En sløv kniv gir ujevnt resultat, og gressets klippeoverflate blir gul. En skarp kniv bruker også mindre energi enn en sløv kniv.
- Ikke klipp mer enn 1/3 av lengden på gresset. Klipp først med klippehøyden stilt høyt. Undersøk resultatet og senk klippehøyden til det aktuelle

nivået. Hvis gresset er veldig langt, kjører du sakte og klipper to ganger om nødvendig.

- Klipp i forskjellige retninger hver gang, for å unngå striper i plenen.

Vedlikehold

Innledning



ADVARSEL: Før du utfører vedlikeholdsarbeid, må du lese og forstå kapittelet om sikkerhet.

For alt vedlikehold og reparasjonsarbeid på produktet er det nødvendig med spesiell opplæring. Vi garanterer fagmessig reparasjon og service. Hvis forhandleren ikke er et serviceverksted, må du snakke med dem for å få informasjon om nærmeste serviceverksted.

Vedlikeholdsskjema

Vedlikeholdsintervallene er beregnet med utgangspunkt i daglig bruk av produktet. Intervallene kan endres hvis produktet ikke brukes daglig.

For vedlikehold merket med * kan du se instruksjonene i *Sikkerhetsutstyr på produktet på side 203*.

Vedlikehold	Daglig	Ukentlig	Månedlig
Slik utfører du en generell inspeksjon	X		
Kontroller oljenivået.	X		
Rengjør produktet.	X		
Kontroller skjæreutstyret.	X		
Kontroller klippedekselet*.	X		
Kontroller motorbremsehåndtaket*.	X		
Kontroller og juster driften (clutchvaieren).	X		
Kontroller lyddemperen*.		X	
Kontroller tennpluggen.		X	
Skift olje (første gang etter fem timers bruk og deretter etter hver femtiende times bruk).			X
Skift luftfilteret.			X
Kontroller drivstoffsystemet.			X

Slik utfører du en generell inspeksjon

- Kontroller at mutrene og skruene på produktet er trukket til.

Slik rengjør du produktet på utsiden

- Bruk en børste for å fjerne løv, gress og smuss.
- Kontroller at luftinntaket på toppen av motoren ikke er blokkert.
- Produktet må ikke rengjøres med høytrykksspyler.
- Hvis du bruker vann til å rengjøre produktet, må du ikke spyle vann direkte på motoren.

Slik rengjør du den indre overflaten av klippedekselet

1. Tøm drivstofftanken.
2. Plasser produktet på siden med lyddemperen ned.



OBS: Hvis produktet settes med luftfilteret ned, kan motoren bli skadet.

3. Spyl innsiden av klippedekselet med vann.

Slik kontrollerer du skjæreutstyret



ADVARSEL: For å hindre utilsiktet start må du fjerne tenningskabelen fra tennpluggen.



ADVARSEL: Bruk vernehansker når du utfører vedlikehold på skjæreutstyret. Kniven er svært skarp, og det er lett å kutte seg.

1. Kontroller skjæreutstyret med henblikk på skader og sprekkdannelse. Bytt alltid ut skadet skjæreutstyr.

2. Sjekk om kniven er skadet eller sløv.

Merk: Kniven må balanseres etter at den er slipt. La et servicecenter slippe, skifte og balansere kniven. Hvis du treffer en hindring som fører til at produktet stopper, må du skifte ut den skadde kniven. La serviceverkstedet vurdere om kniven kan slipes eller om den må skiftes ut.

Slik bytter du kniven

1. Lås kniven med en trekloss.(Fig. 28)
2. Fjern knivbolten.
3. Fjern kniven.
4. Undersøk knivstøtten og knivbolten for å se om det finnes skader.
5. Undersøk motorakselen for å forsikre deg om at den ikke er bøyd.
6. Når du fester den nye kniven, må du peke de vinklede endene av kniven i retning av klippedekselet.(Fig. 29)
7. Kontroller at kniven er på linje med midten av motorakselen.
8. Lås kniven med en trekloss. Fest sprengskiven, og trekk til bolten og skiven med et moment på 45–60 Nm.(Fig. 30)
9. Trekk kniven rundt for hånd for å kontrollere at den roterer fritt.



ADVARSEL: Bruk kraftige arbeidshansker. Kniven er svært skarp, og det er lett å kutte seg.

10. Start produktet for å teste kniven. Hvis kniven ikke er riktig tilkoblet, vil produktet vibrere, eller klipperesultatet vil ikke bli bra nok.

Slik kontrollerer du oljenivået



OBS: For lavt oljenivå kan forårsake alvorlige motorskader. Kontroller oljenivået før du starter produktet.

1. Sett produktet på et flatt underlag.
2. Ta av oljetankklokke med den medfølgende peilepinnen.
3. Fjern gjenværende olje fra peilepinnen.
4. Sett peilepinnen helt ned i oljetanken for å gi et korrekt bilde av oljenivået.
5. Fjern peilepinnen.
6. Kontroller oljenivået på peilepinnen.
7. Hvis oljenivået er lavt, fyller du på motorolje og utfører en ny kontroll av oljenivået.

Slik skifter du motorolje



ADVARSEL: Motorolje er svært varm rett etter at motoren har stoppet. La motoren bli avkjølt før du tapper ut motorolje. Rengjør med såpe og vann hvis du søler motorolje på huden.

1. Bruk produktet til drivstofftanken er tom.
2. Fjern tenningskabelen fra tennpluggen.
3. Ta av oljetankklokke.
4. Sett en beholder under produktet for å samle opp olje.
5. Vipp produktet for å tappe av oljen fra tanken.
6. Fyll på ny motorolje av typen som anbefales i *Tekniske data på side 208*.
7. Kontroller oljenivået. Se *Slik kontrollerer du oljenivået på side 207*.

Luftfilter

Et luftfilter som brukes i lang tid aldri bli fullstendig rent. Skift luftfilteret med jevne mellomrom.

Merk: Bytt alltid ut skadet luftfilter.

Slik rengjør du papirfilteret

1. Ta av luftfilterdekselet og fjern papirfilteret.
2. Slå filteret mot en jevn flate slik partikkelene faller av.



OBS: Bruk ikke løsemidler eller trykkluft til å rengjøre papirfilteret.

3. Sett luftfilteret tilbake. Kontroller at luftfilteret er helt forsegle mot luftfilterholderen.
4. Sett luftfilterdekselet på plass.

Slik rengjør du skumplastfilteret

1. Ta av luftfilterdekselet og fjern skumplastfilteret.
2. Rengjør skumplastfilteret med såpe og vann.
3. Skyll skumplastfilteret i rent vann.
4. Klem ut vannet fra skumplastfilteret, og la det tørke.



OBS: Ikke bruk trykkluft. Det kan føre til skade på skumplastfilteret.

5. Smør skumplastfilteret med motorolje.
6. Trykk en ren klut mot skumplastfilteret for å fjerne overflødig olje.
7. Sett luftfilteret tilbake. Kontroller at luftfilteret er helt forsegle mot luftfilterholderen.
8. Sett luftfilterdekselet på plass.

Kontrollere tennpluggen



OBS: Bruk alltid anbefalt type tennplugg. Feil tennpluggtype kan føre til skade på produktet.

- Undersøk tennpluggen hvis motorens effekt er for lav, ikke er enkel å starte eller ikke fungerer riktig på tomgang.
- Følg disse instruksjonene for å redusere risikoen for uønsket materiale på tennpluggenes elektroder:
 - a) Pass på at tomgangsturtallet er riktig justert.
 - b) Pass på at drivstoffblandingen er riktig.
 - c) Kontroller at luftfilteret er rent.
- Hvis tennpluggen har mye belegg, rengjør den, og kontroller samtidig at elektrodeavstanden er riktig. Se *Tekniske data på side 208*.(Fig. 31)
- Skift tennpluggen når det er nødvendig.

Slik undersøker du drivstoffsystemet

- Undersøk drivstofflokket og pakningen til lokket for å sikre at det ikke er noen skader.

- Undersøk drivstoffslangen for å sikre at det ikke finnes lekkasjer. Hvis drivstoffslangen er ødelagt, må du la et serviceverksted skifte den ut.

Slik justerer du clutchvaieren

Hvis driften føles langsam, er det nødvendig å justere clutchvaieren.

1. Du kan justere lengden ved å feste den i forskjellige hull på sikkerhetsbøylen. Reduser lengden på clutchvaieren for å øke hastigheten. Forleng clutchvaieren for å redusere hastigheten.(Fig. 32)

Merk: Hvis driften er innkoblet når du ikke trekker i sikkerhetsbøylen, må du forleng clutchvaieren.

2. For små justeringer av hastigheten kan du vri på justeringsskruen. Hvis du vil øke hastigheten, dreier du justeringsskruen mot urviseren. Hvis du vil senke hastigheten, dreier du justeringsskruen med urviseren.(Fig. 33)

Hvis driften fremdeles føles langsam etter justeringen, må du la et godkjent serviceverksted skifte drivremmen.

Transport, oppbevaring og avhending

Transport og oppbevaring

- Før oppbevaring og transport av produktet og drivstoff, må du kontrollere at det ikke finnes lekkasjer eller gasser. Gnister eller åpen ild, for eksempel fra elektriske apparater eller varmekjeler, kan starte en brann.
- Bruk alltid godkjente beholdere for oppbevaring og transport av drivstoff.
- Tøm drivstofftanken og forgasseren før du setter produktet til oppbevaring over en lengre periode. Lever drivstoffet hos en returstasjon.
- Sørg for sikkert feste av produktet under transport for å unngå skader og ulykker.

- Oppbevar produktet på et låst sted for å hindre tilgang for barn eller personer som ikke er godkjent.
- Oppbevar produktet på et tørt og frostfritt sted.

Kassering

- Følg lokale gjenvinningsbestemmelser og gjeldende regelverk.
- Kast alle kjemikalier, for eksempel motorolje eller drivstoff, på et servicesenter eller en returstasjon.
- Når produktet ikke lenger er i bruk, kan du sende det til en McCulloch-forhandler eller kaste det ved et returpunkt.

Tekniske data

Tekniske data

	M40-120 CLASSIC	M40-125 CLASSIC+	M46-120 CLASSIC	M46-120R CLASSIC	M46-125 CLASSIC+	M46-125R CLASSIC+
Motor						
Merke	McCulloch	Briggs & Stratton	McCulloch	McCulloch	Briggs & Stratton	Briggs & Stratton
Volum, cm ³	120	125	120	120	125	125
Hastighet, o/min.	2900	2900	2900	2900	2900	2900

	M40-120 CLASSIC	M40-125 CLASSIC+	M46-120 CLASSIC	M46-120R CLASSIC	M46-125 CLASSIC+	M46-125R CLASSIC+
Nominell motoreffekt, kW ¹⁶¹	2,0	1,6	2,0	2,0	1,6	1,6
Tenningsystem						
Tennplugg	K7RTC	RC12YC	K7RTC	K7RTC	RC12YC	RC12YC
Elektrodeavstand, mm	0,7	0,5	0,7	0,7	0,5	0,5
Brennstoff-/smøresystem						
Volum bensintank, liter	0,8	0,8	0,8	0,8	0,8	0,8
Volum oljetank, liter	0,4	0,4	0,4	0,4	0,4	0,4
Motorolje ¹⁶²	SAE 30 / SAE 10W-30	SAE 30 / SAE 10W-30	SAE 30 / SAE 10W-30	SAE 30 / SAE 10W-30	SAE 30 / SAE 10W-30	SAE 30 / SAE 10W-30
Vekt						
Med tomme tanker, kg	24	25	28	29	28	29
Støynivå¹⁶³						
Lydeffektnivå, målt dB (A)	93	93	95	95	95	95
Lydeffektnivå, garantert L _{WA} dB (A)	94	94	96	96	96	96
Lydnivåer¹⁶⁴						
Lydtrykksnivå ved brukens øre, dB (A)	80	80	82	82	82	82
Vibrasjonsnivåer, a_{hverq}¹⁶⁵						
Håndtak, m/s ²	14,75	14,75	15,68	15,68	15,68	15,68
Skjæreutstyr						
Klippehøyde, mm	20-75	20-75	30-80	30-80	30-80	30-80
Klippebredde, cm	400	400	460	460	460	460
Hode	Mulcher 40	Mulcher 40	Mulcher 46	Mulcher 46	Mulcher 46	Mulcher 46
Artikkelnummer	5871590-10	5871590-10	5811889-10	5811889-10	5811889-10	5811889-10
Gressoppsamlerkapasitet, liter	50	50	50	50	50	50

¹⁶¹ Motorens merkeeffekt er gjennomsnittlig nettoeffekt (ved angitt turtall) for en typisk produksjonsmotor for motormodellen, målt ifølge SAE-standarden J1349/ISO1585. Masseproduserte motorer kan avvike fra denne verdien. Faktisk effekt for motoren montert på det ferdige produktet vil avhenge av driftshastighet, klimaforhold og andre verdier.

¹⁶² Bruk motorolje av kvaliteten SJ eller høyere. Se viskositetstabellen i motorprodusentens håndbok, og velg viskositeten som er best egnet, basert på forventet utendørstemperatur.

¹⁶³ Utslipp av støy til omgivelsene målt som lydeffekt (L_{WA}) samsvarer med EF-direktiv 2000/14/EF.

¹⁶⁴ Lydtrykksnivå i henhold til ISO 5395:2103 Rapporterte data for ekvivalent lydtrykksnivå for maskinen har en typisk statistisk spredning (standardavvik) på 1,2 dB (A).

¹⁶⁵ Vibrasjonsnivå i henhold til ISO 5395:2013 Rapporterte data for vibrasjonsnivå har en typisk statistisk spredning (standard avvik) på 0,2 m/s².

	M46-150WR CLASSIC	M51-140WR CLASSIC+	M51-150R CLASSIC	M51-150WR CLASSIC	M53-150WR CLASSIC
Motor					
Merke	McCulloch	Briggs & Strat- ton	McCulloch	McCulloch	McCulloch
Volum, cm ³	150	140	150	150	150
Hastighet, o/min.	2900	2900	2900	2900	2900
Nominell motoreffekt, kW ¹⁶⁶	2,4	1,9	2,4	2,4	2,4
Tenningsystem					
Tennplugg	K7RTC	RC12YC	K7RTC	K7RTC	K7RTC
Elektrodeavstand, mm	0,7	0,5	0,7	0,7	0,7
Brennstoff-/smøresystem					
Volum bensintank, liter	1.0	0,8	1.0	1.0	1.0
Volum oljetank, liter	0,4	0,4	0,4	0,4	0,4
Motorolje ¹⁶⁷	SAE 30 / SAE 10W-30	SAE 30 / SAE 10W-30	SAE 30 / SAE 10W-30	SAE 30 / SAE 10W-30	SAE 30 / SAE 10W-30
Vekt					
Med tomme tanker, kg	32	32	33	33	33
Støynivå ¹⁶⁸					
Lydeffektnivå, målt dB (A)	97	97	95	97	98
Lydeffektnivå, garantert L _{WA} dB (A)	98	98	98	98	98
Lydnivåer ¹⁶⁹					
Lydtrykksnivå ved brukerens øre, dB (A)	82	82	81	84	82
Vibrasjonsnivåer, a_{hveq} ¹⁷⁰					
Håndtak, m/s ²	4,27	4,27	4,06	5,55	3,39
Skjæreutstyr					
Klippehøyde, mm	30–80	30-90	30-90	30-90	30-90
Klippebredde, cm	460	510	510	510	530

¹⁶⁶ Motorens merkeeffekt er gjennomsnittlig nettoeffekt (ved angitt turtall) for en typisk produksjonsmotor for motormodellen, målt ifølge SAE-standarden J1349/ISO1585. Masseproduserte motorer kan avvike fra denne verdien. Faktisk effekt for motoren montert på det ferdige produktet vil avhenge av driftshastighet, klimaforhold og andre verdier.

¹⁶⁷ Bruk motorolje av kvaliteten SJ eller høyere. Se viskositetstabellen i motorprodusentens håndbok, og velg viskositeten som er best egnet, basert på forventet utendørstemperatur.

¹⁶⁸ Utslipp av støy til omgivelsene målt som lydeffekt (L_{WA}) samsvarer med EF-direktiv 2000/14/EF.

¹⁶⁹ Lydtrykksnivå i henhold til ISO 5395:2103 Rapporterte data for ekvivalent lydtrykksnivå for maskinen har en typisk statistisk spredning (standardavvik) på 1,2 dB (A).

¹⁷⁰ Vibrasjonsnivå i henhold til ISO 5395:2013 Rapporterte data for vibrasjonsnivå har en typisk statistisk spredning (standard avvik) på 0,2 m/s².

	M46-150WR CLASSIC	M51-140WR CLASSIC+	M51-150R CLASSIC	M51-150WR CLASSIC	M53-150WR CLASSIC
Hode	Mulcher 46	Mulcher 51	Mulcher 51	Mulcher 51	Mulcher 53
Artikkelnummer	5811889-10	5041133-10	5041133-10	5041133-10	5811886-10
Gressoppsamlerkapasitet, liter	50	55	55	55	55

EC-samsvarserklæring

Innholdet i EF-samsvarserklæringen

Vi, Husqvarna AB, SE 561 82 Huskvarna, SVERIGE, erklærer under eneansvar at dette produktet:	
Beskrivelse	Skyvegressklipper med forbrenningsmotor
Merke	McCulloch
Plattform/type/modell	M40-120 CLASSIC, M40-125 CLASSIC+, M46-120 CLASSIC, M46-120R CLASSIC, M46-125 CLASSIC+, M46-125R CLASSIC+, M46-150WR CLASSIC, M51-140WR CLASSIC+, M51-150R CLASSIC, M51-150WR CLASSIC, M53-150WR CLASSIC
Parti	Serienummer datert 2017 og senere
fullstendig overholder følgende EU-direktiver og -forskrifter:	
Direktiv/regulering	Beskrivelse
2006/42/EF	«angående maskiner»
2014/30/EU	«angående elektromagnetisk kompatibilitet»
2000/14/EC, 2005/88/EC	«angående utendørsstøy»
Harmoniserte standarder og/eller tekniske spesifikasjoner anvendt er som følger:	
I samsvar med direktivet 2000/14/EF, tillegg V står de oppgitte lydverdiene oppført i kapittelet om tekniske data i denne håndboken og i den signerte EF-samsvarserklæringen.	
Den medfølgende skyvegressklipperen med forbrenningsmotor samsvarer med det eksemplaret som undergikk undersøkelsen.	

SPIS TREŚCI

Wstęp.....	212	Konserwacja.....	217
Bezpieczeństwo.....	213	Transport, przechowywanie i utylizacja.....	220
Instrukcje bezpieczeństwa dotyczące konserwacji.....	215	Dane techniczne.....	220
Montaż.....	216	Deklaracja zgodności WE.....	223
Obsługa.....	216		

Wstęp

Opis produktu

Produkt jest rotacyjną kosiarką obsługiwaną przez operatora. Trawa zbierana jest do pojemnika na trawę. Zdjąć pojemnik na trawę, aby usunąć z niego trawę przez tylny otwór wylotowy. Zamontować zestaw mulczujący (akcesorium), aby pociąć trawę na nawóz.

Przegląd produktu

(Rys. 1)

1. Dźwignia napędu (M46-120R CLASSIC, M46-125R CLASSIC+, M46-150WR CLASSIC, M51-140WR CLASSIC+, M51-150R CLASSIC, M51-150WR CLASSIC, M53-150WR CLASSIC)
2. Uchwyt górny/drażkę sterującą
3. Uchwyt hamulca silnika
4. Rączka linki rozrusznika
5. Pętla do linki rozrusznika
6. Pojemnik na trawę
7. Uchwyt dolny
8. Montaż uchwytu dolnego
9. Dźwignie wysokości koszenia
10. Korek zbiorniczka oleju
11. Tłumik
12. Korek spustowy do miski gaźnika
13. Pompka
14. Świeca zapłonowa
15. Zbiornik paliwa
16. Pręt
17. Podkładka sprężynowa
18. Śruba ostrza
19. Zespół tnący
20. Filtr powietrza
21. Instrukcja obsługi

Symbole znajdujące się na produkcie

(Rys. 2) OSTRZEŻENIE! Następstwem nieuważnej lub nieprawidłowej obsługi mogą być obrażenia lub śmierć użytkownika bądź innych osób.

Przeznaczenie

Korzystać z produktu do koszenia trawy w prywatnych ogrodach. Nie używać produktu do innych zadań.

(Rys. 3) Przed przystąpieniem do pracy prosimy dokładnie i ze zrozumieniem zapoznać się z treścią niniejszej instrukcji obsługi.

(Rys. 4) Ludzie i zwierzęta powinny przebywać w bezpiecznej odległości od obszaru roboczego.

(Rys. 5) Przed rozpoczęciem napraw lub konserwacji urządzenia wyłączyć silnik i zdjąć przewód zapłonowy.

(Rys. 6) Należy uważać na odrzucane i rykoszetujące przedmioty.

(Rys. 7) Ostrzeżenie: obrotowe ostrze. Nie zbliżać rąk ani stóp.

(Rys. 8) Ostrzeżenie: części obrotowe. Nie zbliżać rąk ani stóp.

(Rys. 9) Niniejszy produkt jest zgodny z obowiązującymi dyrektywami UE

(Rys. 10) Emisja hałasu zgodna z Dyrektywą Wspólnoty Europejskiej. Hałas emitowany przez urządzenie jest określony w rozdziale „Dane techniczne” oraz na tabliczce znamionowej.

(Rys. 11) Ryzyko pożaru.

(Rys. 12) Ryzyko pożaru.

(Rys. 13) Ryzyko eksplozji.

(Rys. 14) Przed przystąpieniem do tankowania zawsze należy wyłączyć silnik.

(Rys. 15) Gorąca powierzchnia.

(Rys. 16)

Spaliny z silnika zawierają tlenek węgla, który jest bezwonnym, trującym i niebezpiecznym gazem. nie uruchamiać maszyny w pomieszczeniach ani zamkniętych przestrzeniach.

- produkt jest nieprawidłowo naprawiany.
- produkt jest naprawiany przy użyciu części niepochodzących od producenta lub niezatwierdzonych przez producenta.
- produkt jest wyposażony w akcesoria niepochodzące od producenta lub niezatwierdzone przez producenta.
- produkt nie jest naprawiany w autoryzowanym centrum serwisowym lub przez autoryzowaną placówkę.

Uwaga: Pozostałe symbole/naklejki samoprzylepne umieszczone na produkcie dotyczą wymogów związanych z certyfikatami w innych obszarach komercyjnych.

Odpowiedzialność za produkt

Zgodnie z przepisami dotyczącymi odpowiedzialności za produkt nie ponosimy odpowiedzialności za szkody spowodowane przez nasz produkt, jeśli:

Bezpieczeństwo

Definicje dotyczące bezpieczeństwa

Ostrzeżenia, uwagi i informacje są używane do zwrócenia uwagi na szczególnie ważne sekcje instrukcji obsługi.



OSTRZEŻENIE: Stosuje się, gdy istnieje ryzyko poważnych obrażeń lub śmierci operatora albo osób postronnych w wyniku nieprzestrzegania instrukcji obsługi.



UWAGA: Stosuje się, gdy istnieje ryzyko uszkodzenia produktu, innych materiałów lub otoczenia w wyniku nieprzestrzegania instrukcji obsługi.

Uwaga: stosuje się, aby przekazać więcej informacji, które są przydatne w danej sytuacji.

Ogólne zasady bezpieczeństwa



OSTRZEŻENIE: Przed rozpoczęciem użytkowania produktu przeczytać następujące ostrzeżenia.

- Produkt ten może być niebezpieczny w przypadku jego nieprawidłowego użytkowania i niezachowania ostrożności. Nieprzestrzeganie instrukcji bezpieczeństwa może spowodować obrażenia ciała lub śmierć.
- Niniejszy produkt podczas pracy wytwarza pole elektromagnetyczne. W pewnych okolicznościach pole to może zakłócać pracę aktywnych lub pasywnych implantów medycznych. Przed użyciem tego produktu osoby z wszczepionym implantem medycznym powinny skonsultować się z lekarzem i producentem implantu w celu ograniczenia ryzyka poważnych lub śmiertelnych obrażeń.

- Zawsze zachowywać ostrożność i kierować się zdrowym rozsądkiem. Jeśli nie ma pewności, w jaki sposób należy obsługiwać ten produkt w konkretnej sytuacji, przed wznowieniem pracy należy porozmawiać z dealerem McCulloch.
- Pamiętać o tym, że operator ponosi odpowiedzialność za wypadki z udziałem innych ludzi i ich własności.
- Utrzymywać produkt czystym. Upewnić się, że można łatwo odczytać oznaczenia i naklejki.
- Nie pozwalać używać maszyny jakimkolwiek osobom, które nie zapoznały się i nie zrozumiały zawartości instrukcji obsługi.
- Nie pozwalać dzieciom używać maszyny.
- Nie pozwalać osobom nieznanym instrukcji używać maszyny.
- Należy zawsze kontrolować osobę o ograniczonych możliwościach fizycznych lub umysłowych podczas używania produktu. Zawsze musi jej towarzyszyć odpowiedzialna osoba dorosła.
- Osoba, która jest zmęczona, chora lub pod wpływem alkoholu, narkotyków lub lekarstw nie może obsługiwać urządzenia. Stany te mają negatywny wpływ na wzrok, uwagę, koordynację i osąd.
- Nie stosować uszkodzonego produktu.
- Nie wolno dokonywać w maszynie zmian stanowiących modyfikację jej oryginalnej wersji. Nie używać maszyny, jeżeli istnieje podejrzenie, że ktoś inny wprowadził w niej zmiany.

Bezpieczeństwo miejsca pracy



OSTRZEŻENIE: Przed rozpoczęciem użytkowania produktu przeczytać następujące ostrzeżenia.

- Usunąć obiekty, takie jak gałęzie, gałązki i kamienie z obszaru roboczego przed rozpoczęciem korzystania z maszyny.
- Obiekty, które zderzają się z elementami tnącymi, mogą zostać wyrzucone i spowodować obrażenia osób i uszkodzenia przedmiotów. Osoby znajdujące się w pobliżu i zwierzęta powinny zachować bezpieczną odległość od maszyny.
- Nigdy nie należy używać produktu w niesprzyjających warunkach np. we mgle, w deszczu, przy silnym wietrze, na silnym mrozie, gdy występuje ryzyko wyładowań atmosferycznych. Korzystanie z maszyny w niesprzyjających warunkach lub w wilgotnych czy mokrych lokalizacjach jest męczące. Niesprzyjające warunki pogodowe mogą stworzyć niebezpieczne warunki, takie jak śliskie powierzchnie.
- Należy uważać na osoby, przedmioty i sytuacje, które mogą uniemożliwić bezpieczną obsługę maszyny.
- Należy zwracać uwagę na przeszkody, takie jak korzenie, kamienie, gałązki, dziury i doły. Wysoka trawa może zasłaniać przeszkody.
- Koszenie trawy na pochyłościach może być niebezpieczne. Nie należy używać maszyny na pochyłościach terenu przekraczających 15°.
- Należy używać maszyny, prowadząc ją w poprzek zbocza. Nie należy jeździć w górę i w dół zbocza.
- Zachować ostrożność podczas zbliżania się do narożników lub innych obiektów, które mogą ograniczać widoczność.

Pracuj bezpiecznie



OSTRZEŻENIE: Przed rozpoczęciem użytkowania produktu przeczytać następujące ostrzeżenia.

- Używać maszyny wyłącznie do przycinania trawników. Nie jest dozwolone wykorzystanie maszyny do innych zadań.
- Stosuj środki ochrony osobistej. Patrz *Środki ochrony osobistej na stronie 214*.
- Nigdy nie należy uruchamiać silnika w zamkniętej przestrzeni lub w pobliżu łatwopalnych materiałów. Spaliny silnikowe mają wysoką temperaturę, mogą zawierać iskry, które mogą się stać przyczyną pożaru.
- Nie należy obsługiwać maszyny, jeśli ostrze oraz wszystkie pokrywy nie zostały prawidłowo zamocowane. Nieprawidłowo zamocowane ostrze może się obluźwiać i spowodować obrażenia.
- Należy upewnić się, że ostrze nie uderza w żadne obiekty, takie jak kamienie czy korzenie. Może to spowodować uszkodzenie ostrza oraz wygięcie wału silnika. Zgięta oś powoduje silne wibracje oraz bardzo wysokie zagrożenie obluźwaniem ostrza.
- Jeśli ostrze uderzy w jakikolwiek obiekt lub jeśli wystąpią wibracje, należy natychmiast wyłączyć maszynę. Odłączyć przewód zapłonowy od świecy

zapłonowej. Należy sprawdzić maszynę pod kątem uszkodzeń. Należy naprawić uszkodzenia lub zlecić przeprowadzenie naprawy przez autoryzowany punkt serwisowy.

- Nigdy nie należy na stałe przymocowywać uchwyty hamulca silnikowego do uchwyty podczas pracy silnika.
- Maszynę należy ustawić na stabilnej, płaskiej powierzchni i ją uruchomić. Należy upewnić się, że ostrza nie uderzają w podłoże lub inne przedmioty.
- Podczas obsługi maszyny zawsze należy stać za nią.
- Podczas obsługi maszyny należy upewnić się, że wszystkie koła dotykają podłoża oraz trzymać na kierownicy obie dłonie. Ręce i stopy należy trzymać z dala od obracających się noży.
- Nie przechylać produktu, kiedy uruchomiony jest silnik.
- Należy zachować ostrożność podczas ciągnięcia maszyny do tyłu.
- Nigdy nie należy podnosić maszyny przy włączonym silniku. Jeśli konieczne jest podniesienie maszyny, najpierw należy wyłączyć silnik i odłączyć przewód zapłonowy od świecy zapłonowej.
- Nie należy poruszać się do tyłu podczas obsługi maszyny.
- Podczas poruszania się po obszarach bez trawy, na przykład po zwirowych, kamiennych lub asfaltowych ścieżkach, należy wyłączyć silnik.
- Nie należy biegać z maszyną przy włączonym silniku. Podczas obsługi maszyny zawsze należy poruszać się chodem.
- Przed zmianą wysokości koszenia należy wyłączyć silnik. Nigdy nie należy wykonywać regulacji przy uruchomionym silniku.
- Nigdy nie należy pozostawiać maszyny poza zasięgiem wzroku przy włączonym silniku. Należy wyłączyć silnik i upewnić się, że narzędzia tnące nie obracają się.

Instrukcje bezpieczeństwa dotyczące obsługi

Środki ochrony osobistej



OSTRZEŻENIE: Przed rozpoczęciem użytkowania produktu przeczytać następujące ostrzeżenia.

- Środki ochrony osobistej nie eliminują całkowicie ryzyka odniesienia obrażeń, natomiast ograniczają ich rozmiar w razie zaistnienia wypadku. Skorzystać z pomocy dealera przy wyborze odpowiedniego sprzętu.
- Należy używać mocnego, przeciwpoślizgowego obuwia ochronnego lub obuwia roboczego. Nie należy używać otwartego obuwia lub chodzić boso.
- Stosować wytrzymałe, długie spodnie.

- W razie potrzeby, na przykład podczas mocowania, badania czy czyszczenia narzędzi tnących, stosować rękawice ochronne.

Zespoły zabezpieczające na urządzeniu



OSTRZEŻENIE: Przed rozpoczęciem użytkowania produktu przeczytać następujące ostrzeżenia.

- Nie należy używać maszyny z uszkodzonymi urządzeniami zabezpieczającymi.
- Regularnie przeprowadzać kontrole urządzeń zabezpieczających. Jeśli urządzenia zabezpieczające są uszkodzone, skontaktować się z warsztatem obsługi technicznej McCulloch.

Ochrona modułu tnącego

- Zbadaj osłonę modułu tnącego, aby upewnić się, że nie nosi ona znamion uszkodzenia, takich jak pęknięcia.

Uchwyt hamulca silnika

Uchwyt hamulca silnika zatrzymuje silnik. Po zwolnieniu uchwytu hamulca silnika następuje wyłączenie silnika.

Aby przeprowadzić badanie hamulca silnika, uruchomić silnik, a następnie zwolnić uchwyt hamulca silnika. Jeśli silnik nie wyłączy się w czasie 3 sekund, zatwierdzony serwis obsługi technicznej McCulloch powinien wyregulować hamulec silnika.

(Rys. 17)

Tłumik

Tłumik ogranicza do minimum poziom hałasu i odprowadza spaliny poza strefę pracy operatora.

Nie używać produktu, jeśli tłumik nie jest zamontowany lub jest uszkodzony. Uszkodzony tłumik zwiększa poziom hałasu oraz ryzyko pożaru.

Przeprowadzać regularne kontrole tłumika, aby upewnić się, że jest prawidłowo zamontowany i sprawny.



UWAGA: Tłumik nagrzewa się do wysokiej temperatury podczas użytkowania oraz gdy silnik pracuje na obrotach biegu jałowego, oraz pozostaje gorący przez pewien czas po wyłączeniu silnika. W przypadku zbliżenia

się do łatwopalnych materiałów i/lub spalin należy zachować szczególną ostrożność, aby zapobiec pożarowi.

Zasady bezpieczeństwa dotyczące paliwa



OSTRZEŻENIE: Przed rozpoczęciem użytkowania produktu przeczytać następujące ostrzeżenia.

- Nie uruchamiać produktu, jeśli znajduje się na nim paliwo lub olej silnikowy. Usunąć zabrudzenia paliwem/olejem i odczekać, aż produkt wyschnie.
- W przypadku rozlania paliwa na ubranie należy je natychmiast zmienić.
- Nie dopuścić do kontaktu paliwa z ciałem, ponieważ może to spowodować obrażenia. W przypadku kontaktu paliwa z ciałem należy użyć wody z mydłem w celu jego usunięcia.
- Nie uruchamiać maszyny, jeśli silnik jest nieszczelny. Regularnie sprawdzać silnik pod kątem nieszczelności.
- Zachować ostrożność przy pracy z paliwem. Paliwo jest łatwopalne, a jego opary mogą wybuchnąć, powodując obrażenia lub śmierć.
- Nie wdychać oparów paliwa, ponieważ może to być groźne dla zdrowia lub życia. Zapewnić odpowiednią wentylację.
- Nie palić tytoniu w pobliżu paliwa lub silnika.
- Nie umieszczać gorących przedmiotów w pobliżu paliwa lub silnika.
- Nie dolewać paliwa podczas pracy silnika.
- Przed tankowaniem upewnić się, że silnik jest zimny.
- Przed tankowaniem pomału odkręcić korek zbiornika paliwa i ostrożnie zwolnić ciśnienie.
- Nie dolewać paliwa do silnika w zamkniętym pomieszczeniu. Niewystarczający przepływ powietrza może doprowadzić do obrażeń lub śmierci na skutek uduszenia lub zatrucia tlenkiem węgla.
- Do końca dokręcić korek zbiornika paliwa. W przypadku braku dokręcenia korka zbiornika paliwa istnieje ryzyko powstania pożaru.
- Przed uruchomieniem należy przenieść maszynę co najmniej 3 metry od miejsca, w którym napełniany był zbiornik paliwa.
- Nie wlewać zbyt dużo paliwa do zbiornika.

Instrukcje bezpieczeństwa dotyczące konserwacji



OSTRZEŻENIE: Przed rozpoczęciem użytkowania produktu przeczytać następujące ostrzeżenia.

- Spaliny z silnika zawierają tlenek węgla, który jest bezwonnym, trującym i niebezpiecznym gazem. Nie

należy uruchamiać silnika wewnątrz pomieszczeń lub w zamkniętych przestrzeniach.

- Przed rozpoczęciem konserwacji produktu wyłączyć silnik i odłączyć przewód zapłonowy ze świecy zapłonowej.
- W trakcie konserwacji narzędzi tnących należy korzystać z rękawic ochronnych. Ostrze jest bardzo ostre i może łatwo doprowadzić do skaleczenia.

- Niezatwierdzone przez producenta akcesoria i modyfikacje maszyny mogą spowodować poważne obrażenia lub śmierć. Nie należy modyfikować maszyny. Należy korzystać wyłącznie z akcesoriów zatwierdzonych do użytku przez producenta.
- W przypadku nieprawidłowo lub nieregularnie przeprowadzanej konserwacji wzrasta ryzyko obrażeń oraz uszkodzenia produktu.
- Konserwację należy przeprowadzać wyłącznie w sposób określony w instrukcji użytkownika. Wszelkie

prace serwisowe muszą być wykonywane przez zatwierdzonego serwis McCulloch.

- Należy dopilnować przeprowadzania regularnej konserwacji maszyny przez autoryzowany serwis McCulloch.
- Wymienić uszkodzone, zużyte lub zniszczone części.

Montaż

Montaż uchwytu sterowniczego

Dolna część uchwytu

1. Umieścić zawlecзки w otworach na spodzie uchwytu dolnego, jak pokazano na rysunku. Wyrównać otwory na śruby i zamocować śruby, podkładki i pokrętła. (Rys. 18)

Górna część uchwytu

1. Wyrównać otwory w drążku sterującym z otworami w uchwycie dolnym i zamocować śruby, podkładki i pokrętła. Zamocować również pętlę do linki rozrusznika po prawej stronie. Dokręcić do końca pokrętła. (Rys. 19)
2. Pociągnąć za rączkę linki rozrusznika i umieścić linkę wokół pętli. (Rys. 20)
3. Użyć pasków w celu zamocowania przewodów do uchwytu. (Rys. 21)

Uwaga: Upewnić się, że napięcie przewodów nie jest zbyt wysokie.

na trawę znajduje się w górnej części worka na trawę z tkaniny.

2. Zamocować worek do ramy zbiornika na trawę za pomocą zacisków, które znajdują się na krawędzi worka. (Rys. 22)
3. Unieść tylną pokrywę.
4. Zamocować zbiornik na trawę do górnej krawędzi obudowy.
5. Włożyć dolną część pojemnika na trawę do kanału otworu wylotowego trawy.

Montaż wkładki mulczującej

Zestaw mulczujący stanowi opcjonalne akcesorium wyłącznie dla wybranych modeli. Modele M51-150WR CLASSIC, M53-150WR CLASSIC są wyposażone w zestaw mulczujący. Modeli M40-120 CLASSIC, M40-125 CLASSIC+ nie można używać z zestawem mulczującym.

1. Unieść tylną pokrywę i wyjąć pojemnik na trawę.
2. Zamontować wkładkę rozdrabniającą w kanale otworu wylotowego. (Rys. 23)

Montaż pojemnika na trawę

1. Umieścić ramę zbiornika na trawę w worku na trawę z tkaniny. Upewnić się, że uchwyt na ramie zbiornika

Obsługa

Wstęp



OSTRZEŻENIE: Przed użyciem urządzenia należy przeczytać ze zrozumieniem rozdział poświęcony bezpieczeństwu.

Przed użyciem urządzenia

1. Należy dokładnie i ze zrozumieniem zapoznać się z treścią niniejszej instrukcji.
2. Należy sprawdzić narzędzia tnące, aby upewnić się, że są one prawidłowo zamontowane i wyregulowane. Patrz *Kontrola osprzętu tnącego na stronie 218*.
3. Napełnić zbiornik paliwa. Patrz *Uzupełnianie paliwa na stronie 216*.

4. Napełnić zbiornik oleju i wykonać kontrolę poziomu oleju. Patrz *Kontrola poziomu oleju na stronie 219*.

Uzupełnianie paliwa

Jeśli to możliwe, należy korzystać z niskoemisyjnej benzyny alkilatowej. W przypadku braku dostępności niskoemisyjnej benzyny alkilatowej należy korzystać z dobrej jakości benzyny bezołowiowej lub ołowiowej. Użyć benzyny o liczbie oktanowej nie niższej niż 90 i z maksymalną zawartością etanolu 10% (E10).



OSTRZEŻENIE: Napełnienie nieprawidłowym rodzajem paliwa może doprowadzić do uszkodzenia silnika.

1. Powoli otworzyć korek wlewowy w celu wyrównania ciśnienia.
2. Powoli napełniać zbiornik paliwa. W przypadku rozlania paliwa należy je usunąć przy użyciu ściereki i pozwolić na wyschnięcie pozostałego paliwa.
3. Oczyszczyć korek wlewowy i powierzchnię wokół niego.
4. Do końca dokręcić korek zbiornika paliwa. W przypadku braku dokręcenia korka zbiornika paliwa istnieje ryzyko powstania pożaru.
5. Przed uruchomieniem należy przenieść maszynę co najmniej 3 metry od miejsca, w którym napełniany był zbiornik paliwa.

Regulacja wysokości koszenia

1. Przesunąć dźwignię wysokości koszenia do tyłu w celu zwiększenia wysokości koszenia.
2. Przesunąć dźwignię wysokości koszenia do przodu w celu zmniejszenia wysokości koszenia. (Rys. 24)



UWAGA: Nie należy ustawiać zbyt niskiej wysokości koszenia. Ostrza mogą uderzyć w podłoże, jeśli powierzchnia trawnika nie jest równa.

Uruchamianie maszyny

1. Należy upewnić się, że przewód zapłonowy jest połączony ze świecą zapłonową.
2. W przypadku pierwszego uruchamiania urządzenia należy nacisnąć pompkę paliwową 5 razy. W przypadku kolejnego uruchomienia urządzenia, gdy silnik jest zimny, należy nacisnąć pompkę paliwową 3 razy. (Rys. 25)
3. Należy pozostawać za maszyną.
4. Przytrzymać dźwignię hamulca silnika przy drążku sterującym. (Rys. 26)
5. Należy trzymać rączkę linki rozrusznika prawą dłoń.

6. Powoli pociągnąć za linkę rozrusznika do poczucia oporu.
7. Pociągnąć, używając odpowiedniej siły, aby uruchomić silnik.



OSTRZEŻENIE: Nie owijaj linki rozrusznika wokół dłoni.

Korzystanie z napędu kół

- Nacisnąć dźwignię napędu w stronę drążka sterującego. (Rys. 27)
- Przed pociągnięciem maszyny do tyłu należy odłączyć napęd i popchnąć maszynę do przodu o około 10cm.
- Zwolnić dźwignię napędu, aby odłączyć napęd na przykład w sytuacji zbliżania się do przeszkody.

Zatrzymywanie urządzenia

- Aby wyłączyć wyłącznie napęd, należy zwolnić dźwignię napędu.
- Aby zatrzymać silnik, należy zwolnić dźwignię hamulca silnika.

Uzyskiwanie dobrych rezultatów

- Używać zawsze dobrze naostrzonych ostrzy. Stępione ostrze daje nierównomierne rezultaty, a ścinana powierzchnia żółknie. Naostrzone ostrze zużywa również mniej energii niż ostre stępione.
- Nie należy kosić więcej niż 1/3 długości trawy. Najpierw należy kosić przy użyciu dużej wysokości koszenia. Zbadać rezultaty i obniżyć wysokość koszenia do odpowiedniego poziomu. Jeśli trawa jest bardzo długa, w razie konieczności należy przejechać powoli i ścinać dwukrotnie.
- Kosić za każdym razem w różnych kierunkach, aby uniknąć powstawania pasów na trawniku.

Konserwacja

Wstęp



OSTRZEŻENIE: Przed przeprowadzeniem konserwacji należy przeczytać i zrozumieć rozdział o bezpieczeństwie.

Do wykonywania wszelkich prac serwisowych i naprawczych konieczne jest specjalistyczne przeszkolenie. Gwarantujemy dostępność profesjonalnych napraw i usług serwisowych. Jeśli dany dealer nie jest autoryzowanym punktem serwisowym,

poprosz sprzedawcę o informacje na temat najbliższego autoryzowanego punktu serwisowego.

Plan konserwacji

Odstępy pomiędzy konserwacjami obliczane są w oparciu o codzienne wykorzystanie produktu. Odstępy te ulegają zmianie, jeśli maszyna nie jest użytkowana codziennie.

W przypadku konserwacji oznaczonych gwiazdką *, patrz instrukcję w *Zespoły zabezpieczające na urządzeniu na stronie 215.*

Przeгляд	Codziennie	Co tydzień	Co miesiąc
Przeprowadzenie ogólnego przeglądu	X		

Przegląd	Codziennie	Co tydzień	Co miesiąc
Kontrola poziomu oleju	X		
Wyczyszczenie maszyny	X		
Kontrola osprzętu tnącego	X		
Sprawdzanie osłony cięcia*	X		
Kontrola dźwigni hamulca silnikowego*	X		
Kontrola i regulacja napędu (linka sprzęgła)	X		
Kontrola tłumika*		X	
Kontrola świecy zapłonowej		X	
Wymiana oleju (pierwszy raz po 5 godzinach użytkowania, następnie co 50 godzin)			X
Wymienić filtr powietrza			X
Kontrola układu paliwowego			X

Przegląd ogólny

- Należy upewnić się, że nakrętki i śruby maszyny są dokręcone.

Czyszczenie maszyny od zewnątrz

- W celu usunięcia liści, trawy i brudu należy użyć szczotki.
- Należy upewnić się, że wlot powietrza zlokalizowany nad silnikiem nie jest zablokowany.
- Nie używać myjek wysokociśnieniowych do czyszczenia urządzenia.
- Jeśli do czyszczenia maszyny używana jest woda, nie należy polewać nią bezpośrednio silnika.

Czyszczenie powierzchni wewnętrznych osłony osprzętu tnącego.

- Opróżnić zbiornik paliwa.
- Położyć maszynę na boku przy tłumiku skierowanym ku dołowi.



UWAGA: Jeśli maszyna położona zostanie ze skierowanym do dołu filtrem powietrza, może dojść do uszkodzenia silnika.

- Należy spłukać powierzchnie wewnętrzne osłony osprzętu tnącego wodą.

Kontrola osprzętu tnącego



OSTRZEŻENIE: Aby zapobiec przypadkowemu uruchomieniu, należy odłączyć przewód zapłonowy od świecy zapłonowej.



OSTRZEŻENIE: W trakcie konserwacji narzędzi tnących należy korzystać z rękawic ochronnych. Ostrze jest bardzo ostre i może łatwo doprowadzić do skaleczenia.

- Należy skontrolować, czy osprzęt tnący nie jest uszkodzony bądź pęknięty. Zawsze wymieniać uszkodzony osprzęt tnący.
- Obejrzeć ostrze i upewnić się, że nie jest uszkodzone lub stępione.

Uwaga: Po ostrzeniu ostrze należy wypoziomować. Ostrzenie, wymiana i poziomowanie ostrza winno zostać przeprowadzone przez centrum serwisowe. W przypadku uderzenia w przeszkodę, która zatrzymuje maszynę, należy wymienić uszkodzone ostrze. Pozwolić, aby przedstawiciel serwisowy oszacował, czy ostrze można naostrzyć czy wymienić.

Wymiana ostrza

- Zablokować ostrze przy użyciu drewnianego bloku. (Rys. 28)
- Wymontować śrubę ostrza.
- Zdjąć ostrze.
- Skontrolować wspornik ostrza oraz śrubę ostrza pod kątem uszkodzeń.
- Skontrolować wał silnika, aby upewnić się, że nie jest zgięty.
- Podczas mocowania nowego ostrza należy skierować zakrzywione końce ostrza ku osłonie osprzętu tnącego.(Rys. 29)
- Upewnić się, że ostrze jest wyrównane względem środka wału silnika.
- Zablokować ostrze przy użyciu drewnianego bloku. Zamocować podkładkę sprężynową i dokręcić śrubę

oraz podkładkę momentem dokręcania wynoszącym 45–60 Nm. (Rys. 30)

9. Obracać ostrzem za pomocą ręki i sprawdzić, czy obraca się swobodnie.



OSTRZEŻENIE: Nosić solidne rękawice ochronne. Ostrze jest bardzo ostre i może łatwo doprowadzić do skaleczenia.

10. Uruchomić maszynę w celu przetestowania ostrza. Jeśli ostrze nie zostało zamontowane prawidłowo, maszyna będzie wibrować lub rezultaty koszenia będą niezadowalające.

Kontrola poziomu oleju



UWAGA: Za niski poziom oleju może doprowadzić do poważnego uszkodzenia silnika. Przed uruchomieniem maszyny należy skontrolować poziom oleju.

1. Postawić maszynę na równym podłożu.
2. Odkręcić korek zbiornika oleju z zamocowanym wskaźnikiem prętowym.
3. Zetrzeć olej z prętowego wskaźnika poziomu oleju.
4. Włożyć prętowy wskaźnik całkowicie do zbiornika, aby sprawdzić rzeczywisty poziom oleju.
5. Wyjąć prętowy wskaźnik poziomu oleju.
6. Sprawdzić poziom oleju na wskaźniku prętowym.
7. Jeśli poziom oleju jest zbyt niski, nappełnić zbiornik olejem silnikowym i wykonać ponowną kontrolę poziomu oleju.

Wymiana oleju silnikowego



OSTRZEŻENIE: Olej silnikowy jest niezwykle gorący bezpośrednio po wyłączeniu silnika. Poczekać na ostygnięcie silnika przed spuszczeniem oleju silnikowego. W przypadku rozlania oleju silnikowego na skórę, zmyć go wodą z mydłem.

1. Obsługiwać maszynę do momentu opróżnienia zbiornika paliwowego.
2. Odłączyć przewód zapłonowy od świecy zapłonowej.
3. Odkręcić korek zbiornika oleju.
4. Umieścić pod maszyną pojemnik, do którego zebrany zostanie olej silnikowy.
5. Przechylić maszynę w celu spuszczenia oleju ze zbiornika.
6. Nappełnić nowym olejem silnikowym zgodnym z zaleceniami zawartymi w *Dane techniczne na stronie 220*.
7. Skontrolować poziom oleju. Patrz *Kontrola poziomu oleju na stronie 219*.

Filtr powietrza

Całkowite oczyszczenie filtra po długim okresie użytkowania nie jest możliwe. Należy wymieniać filtr powietrza w równomiernych odstępach czasu.

Uwaga: Zawsze wymieniać uszkodzony filtr powietrza.

Czyszczenie filtra papierowego

1. Zdjąć pokrywę filtra powietrza i usunąć filtr papierowy.
2. Uderzyć filtrem o płaską powierzchnię w celu usunięcia z niego cząstek.



UWAGA: Do czyszczenia filtra papierowego nie używać rozpuszczalnika ani sprężonego powietrza.

3. Założyć filtr z powrotem. Upewnić się, że filtr powietrza ściśle przylega do uchwyty filtra powietrza.
4. Założyć ponownie pokrywę filtra powietrza.

Czyszczenie filtra gąbkowego

1. Zdjąć pokrywę filtra powietrza i wyjąć filtr gąbkowy.
2. Wyczyścić filtr gąbkowy wodą z mydłem.
3. Wyplukać filtr gąbkowy w czystej wodzie.
4. Wycisnąć wodę z filtra gąbkowego i pozostawić do wyschnięcia.



UWAGA: Nie używać sprężonego powietrza. Może ono spowodować uszkodzenie filtra gąbkowego.

5. Nasmarować filtr gąbkowy olejem silnikowym.
6. Przycisnąć do filtra gąbkowego czystą ściereczkę w celu usunięcia nadmiaru oleju.
7. Założyć filtr z powrotem. Upewnić się, że filtr powietrza ściśle przylega do uchwyty filtra powietrza.
8. Założyć ponownie pokrywę filtra powietrza.

Sprawdzanie świecy zapłonowej



UWAGA: Stosuj wyłącznie świece zapłonowe zalecane przez producenta. Niewłaściwy typ świecy zapłonowej może spowodować uszkodzenie produktu.

- Sprawdzić świecę zapłonową, jeśli silnik ma za małą moc, trudno go uruchomić lub nie działa prawidłowo na biegu jałowym.
- Aby zmniejszyć ryzyko przedostawania się niepożądanych materiałów na elektrody świecy zapłonowej, należy przestrzegać poniższych instrukcji:
 - a) Dopilnować, by obroty biegu jałowego zostały prawidłowo wyregulowane.

- b) Dopilnować, aby używana była odpowiednia mieszanka paliwowa.
- c) Zadbąć o czystość filtra powietrza.
- Jeśli świeca zapłonowa jest zabrudzona, należy ją wyczyścić i upewnić się, że odstęp między elektrodami jest prawidłowy, patrz *Dane techniczne na stronie 220*.(Rys. 31)
- W razie potrzeby wymienić świecę zapłonową.

Kontrolowanie instalacji paliwowej

- Skontrolować korek zbiornika paliwa oraz uszczelkę korka zbiornika paliwa w celu upewnienia się, że nie występują żadne uszkodzenia.
- Skontrolować przewód paliwowy w celu upewnienia się, że nie przecieka. W przypadku uszkodzenia przewodu paliwowego zlecić jego wymianę przedstawicielowi serwisowemu.

Regulacja linki sprzęgła

Jeśli napęd wydaje się działać powoli, konieczne będzie wyregulowanie linki sprzęgła.

1. W celu regulacji długości linki sprzęgła należy mocować ją w różnych otworach na dźwigni napędu. W celu zwiększenia prędkości napędu skrócić linkę sprzęgła. W celu zmniejszenia prędkości napędu wydłużyć linkę sprzęgła.(Rys. 32)

Uwaga: Jeśli napęd jest uruchamiany przy braku pociągnięcia dźwigni napędowej, należy wydłużyć linkę sprzęgła.

2. W celu niewielkiej regulacji prędkości napędu należy obrócić śrubę regulacyjną. W celu zwiększenia prędkości napędu należy obrócić śrubę regulującą przeciwnie do ruchu wskazówek zegara. W celu zmniejszenia prędkości napędu obrócić śrubę regulacyjną w prawo.(Rys. 33)

Jeśli napęd wydaje się działać powoli po regulacji, autoryzowany punkt serwisowy powinien wymienić pasek napędowy.

Transport, przechowywanie i utylizacja

Transport i przechowywanie

- W zakresie przechowywania i transportu maszyny i paliwa należy upewnić się, że nie ma żadnych przecieków ani nie wydostają się z urządzenia żadne opary. Iskry lub otwarty płomień pochodzące, na przykład, z urządzeń elektrycznych lub kotłów, mogą wzniecić pożar.
- Zawsze należy korzystać z zatwierdzonych pojemników do przechowywania i transportu paliwa.
- Opróżnić zbiornik paliwa i miskę gaźnika przed odłożeniem maszyny na dłuższy okres. Utylizacja paliwa w odpowiednim miejscu
- Podczas transportu, w celu zapobieżenia uszkodzeniom i wypadkom, maszynę należy bezpiecznie zamocować.
- Maszynę należy przechowywać w zamkniętym obszarze w celu uniemożliwienia dzieciom lub

nieupoważnionym osobom uzyskania do niej dostępu.

- Produkt przechowywać w suchym obszarze nie narażonym na przymrozki.

Utylizacja

- Przestrzegać lokalnych wymogów dotyczących recyklingu oraz obowiązujących przepisów.
- Zutyliżować wszelkie środki chemiczne, takie jak olej silnikowy i paliwo, w centrum serwisowym lub w odpowiednim miejscu utylizacji.
- Gdy produkt nie jest już użytkowany, należy go odesłać McCulloch do dealera lub zutyliżować w centrum utylizacji.

Dane techniczne

Dane techniczne

	M40-120 CLASSIC	M40-125 CLASSIC+	M46-120 CLASSIC	M46-120R CLASSIC	M46-125 CLASSIC+	M46-125R CLASSIC+
Silnik						
Marka	McCulloch	Briggs & Stratton	McCulloch	McCulloch	Briggs & Stratton	Briggs & Stratton
Pojemność, cm ³	120	125	120	120	125	125

	M40-120 CLASSIC	M40-125 CLASSIC+	M46-120 CLASSIC	M46-120R CLASSIC	M46-125 CLASSIC+	M46-125R CLASSIC+
Prędkość, obr./min	2900	2900	2900	2900	2900	2900
Nominalna moc wyjściowa silnika (kW) ¹⁷¹	2,0	1,6	2,0	2,0	1,6	1,6
Układ zapłonowy						
Świeca zapłonowa	K7RTC	RC12YC	K7RTC	K7RTC	RC12YC	RC12YC
Odstęp między elektrodami świecy, w mm	0,7	0,5	0,7	0,7	0,5	0,5
Układ zasilania/smarowania						
Pojemność zbiornika paliwa, litry	0,8	0,8	0,8	0,8	0,8	0,8
Pojemność zbiornika oleju, w litrach	0,4	0,4	0,4	0,4	0,4	0,4
Olej silnikowy ¹⁷²	SAE 30/SAE 10W-30	SAE 30/SAE 10W-30	SAE 30/SAE 10W-30	SAE 30/SAE 10W-30	SAE 30/SAE 10W-30	SAE 30/SAE 10W-30
Waga						
Z pustymi zbiornikami, kg	24	25	28	29	28	29
Poziom hałas¹⁷³						
Zmierzony poziom mocy akustycznej, w dB(A)	93	93	95	95	95	95
Poziom głośności, gwarantowana moc akustyczna [L _{WA} dB(A)]	94	94	96	96	96	96
Poziomy głośności¹⁷⁴						
Poziom ciśnienia akustycznego przy uchu operatora, dB(A)	80	80	82	82	82	82
Poziomy wibracji a_{hveq}¹⁷⁵						
Uchwyt, m/s ²	14,75	14,75	15,68	15,68	15,68	15,68
Osprzęt tnący						
Wysokość cięcia, mm	20-75	20-75	30-80	30-80	30-80	30-80
Szerokość koszenia, mm	400	400	460	460	460	460

¹⁷¹ Moc silnika podana jest jako średnia, wyjściowa moc znamionowa (przy podanych obrotach) dla typowego modelu produkowanego silnika zmierzonego wg normy SAE J1349/ISO1585. Silniki produkowane masowo mogą odbiegać od tej wartości. Aktualna moc wyjściowa zainstalowanego na maszynie silnika zależy będzie od prędkości obrotowej, warunków otoczenia oraz innych wartości.

¹⁷² Używać olejów silnikowych wyłącznie o jakości SJ lub wyższej. Należy zapoznać się z tabelą lepkości oleju umieszczoną w instrukcji producenta silnika i wybrać optymalną lepkość, na podstawie przewidywanej temperatury zewnętrznej.

¹⁷³ Emisję hałasu do otoczenia zmierzono jako moc akustyczną (L_{WA}), zgodnie z dyrektywą WE 2000/14/WE.

¹⁷⁴ Poziom ciśnienia akustycznego zgodnie z normą ISO 5395:2103. Odnotowane dane dla ciśnienia akustycznego mają typowe rozproszenie statystyczne (odchylenie standardowe) w wysokości 1,2 dB (A).

¹⁷⁵ Poziom wibracji zgodnie z normą ISO 5395:2013. Odnotowane dane dla poziomu wibracji mają typowe rozproszenie statystyczne (odchylenie standardowe) w wysokości 0,2 m/s².

	M40-120 CLASSIC	M40-125 CLASSIC+	M46-120 CLASSIC	M46-120R CLASSIC	M46-125 CLASSIC+	M46-125R CLASSIC+
Pręt	Zestaw mulczujący 40	Zestaw mulczujący 40	Zestaw mulczujący 46	Zestaw mulczujący 46	Zestaw mulczujący 46	Zestaw mulczujący 46
Numer produktu	5871590-10	5871590-10	5811889-10	5811889-10	5811889-10	5811889-10
Pojemność zbiornika na trawę, l	50	50	50	50	50	50

	M46-150WR CLASSIC	M51-140WR CLASSIC+	M51-150R CLASSIC	M51-150WR CLASSIC	M53-150WR CLASSIC
Silnik					
Marka	McCulloch	Briggs & Stratton	McCulloch	McCulloch	McCulloch
Pojemność, cm ³	150	140	150	150	150
Prędkość, obr./min	2900	2900	2900	2900	2900
Nominalna moc wyjściowa silnika (kW) ¹⁷⁶	2,4	1,9	2,4	2,4	2,4
Układ zapłonowy					
Świeca zapłonowa	K7RTC	RC12YC	K7RTC	K7RTC	K7RTC
Odstęp między elektrodami świecy, w mm	0,7	0,5	0,7	0,7	0,7
Układ zasilania/smarowania					
Pojemność zbiornika paliwa, litry	1,0	0,8	1,0	1,0	1,0
Pojemność zbiornika oleju, litry	0,4	0,4	0,4	0,4	0,4
Olej silnikowy ¹⁷⁷	SAE 30/SAE 10W-30	SAE 30/SAE 10W-30	SAE 30/SAE 10W-30	SAE 30/SAE 10W-30	SAE 30/SAE 10W-30
Waga					
Z pustymi zbiornikami, kg	32	32	33	33	33
Poziom hałasu ¹⁷⁸					
Zmierzony poziom mocy akustycznej, w dB(A)	97	97	95	97	98

¹⁷⁶ Moc silnika podana jest jako średnia, wyjściowa moc znamionowa (przy podanych obrotach) dla typowego modelu produkowanego silnika zmierzonego wg normy SAE J1349/ISO1585. Silniki produkowane masowo mogą odbiegać od tej wartości. Aktualna moc wyjściowa zainstalowanego na maszynie silnika zależeć będzie od prędkości obrotowej, warunków otoczenia oraz innych wartości.

¹⁷⁷ Używać olejów silnikowych wyłącznie o jakości SJ lub wyższej. Należy zapoznać się z tabelą lepkości oleju umieszczoną w instrukcji producenta silnika i wybrać optymalną lepkość, na podstawie przewidywanej temperatury zewnętrznej.

¹⁷⁸ Emisję hałasu do otoczenia zmierzono jako moc akustyczną (L_{WA}), zgodnie z dyrektywą WE 2000/14/WE.

	M46-150WR CLASSIC	M51-140WR CLASSIC+	M51-150R CLASSIC	M51-150WR CLASSIC	M53-150WR CLASSIC
Poziom głośności, gwarantowana moc akustyczna [L _{WA} dB(A)]	98	98	98	98	98
Poziomy głośności ¹⁷⁹					
Poziom ciśnienia akustycznego przy uchu operatora, dB(A)	82	82	81	84	82
Poziomy wibracji a _{hveq} ¹⁸⁰					
Uchwyt, m/s ²	4,27	4,27	4,06	5,55	3,39
Osprzęt tnący					
Wysokość cięcia, mm	30-80	30-90	30-90	30-90	30-90
Szerokość koszenia, mm	460	510	510	510	530
Pręt	Zestaw mulczujący 46	Zestaw mulczujący 51	Zestaw mulczujący 51	Zestaw mulczujący 51	Zestaw mulczujący 53
Numer produktu	5811889-10	5041133-10	5041133-10	5041133-10	5811886-10
Pojemność zbiornika na trawę, l	50	55	55	55	55

Deklaracja zgodności WE

Treść deklaracji zgodności z normami WE

Firma Husqvarna AB, SE 561 82 Huskvarna, SZWECJA, deklaruje z pełną odpowiedzialnością, że przedstawiony produkt:	
Opis	Zasilana silnikiem spalinowym kosiarka samojezdna kierowana przez operatora pieszego
Marka	McCulloch
Platforma/typ/model	M40-120 CLASSIC, M40-125 CLASSIC+, M46-120 CLASSIC, M46-120R CLASSIC, M46-125 CLASSIC+, M46-125R CLASSIC+, M46-150WR CLASSIC, M51-140WR CLASSIC+, M51-150R CLASSIC, M51-150WR CLASSIC, M53-150WR CLASSIC
Partia produkcyjna	Począwszy od numerów seryjnych z roku 2017
spełnia wszystkie wymogi określone w odpowiednich dyrektywach i przepisach UE:	
Dyrektywa/przepis	Opis
2006/42/WE	„maszynowa”
2014/30/UE	„dotycząca zgodności elektromagnetycznej”
2000/14/WE; 2005/88/WE	„dotycząca emisji hałasu”

¹⁷⁹ Poziom ciśnienia akustycznego zgodnie z normą ISO 5395:2103. Odnotowane dane dla ciśnienia akustycznego mają typowe rozproszenie statystyczne (odchylenie standardowe) w wysokości 1,2 dB (A).

¹⁸⁰ Poziom wibracji zgodnie z normą ISO 5395:2013. Odnotowane dane dla poziomu wibracji mają typowe rozproszenie statystyczne (odchylenie standardowe) w wysokości 0,2 m/s².

Zostały zastosowane następujące normy zharmonizowane i/lub specyfikacje techniczne: EN ISO 12100, ISO 14982, ISO 5395-1 & 2, ISO 3744, ISO 11094, EN 1032

Zgodnie z dyrektywą 2000/14/WE, Aneks V, deklarowane wartości dźwięku są podane w rozdziale „Dane techniczne” niniejszej instrukcji i w podpisanej deklaracji zgodności WE.

Dostarczona kosiarka samojezdna kierowana przez operatora pieszego zasilana silnikiem spalinowym jest zgodna ze specyfikacją prototypu poddanego badaniom.

ÍNDICE

Introdução.....	225	Manutenção.....	230
Segurança.....	226	Transporte, armazenamento e eliminação.....	233
Instruções de segurança para manutenção.....	228	Especificações técnicas.....	233
Montagem.....	229	Declaração CE de conformidade.....	236
Funcionamento.....	229		

Introdução

Descrição do produto

O produto é um corta-relva giratório de controlo apeado. A relva é apanhada num coletor de relva. Remova o coletor de relva para recolher a descarga traseira da relva. Prenda um kit de trituração (acessório) para cortar a relva e torná-la fertilizante.

Vista geral do produto

(Fig. 1)

1. Manípulo de direção (M46-120R CLASSIC, M46-125R CLASSIC+, M46-150WR CLASSIC, M51-140WR CLASSIC+, M51-150R CLASSIC, M51-150WR CLASSIC, M53-150WR CLASSIC)
2. Barra de direção/barra superior
3. Manípulo de travão do motor
4. Pega da corda do motor de arranque
5. Laço para cabo de arranque
6. Coletor de relva
7. Barra inferior do guiador
8. Conjunto da barra inferior
9. Alavancas da altura de corte
10. Tampão do óleo
11. Silenciador
12. Bujão de drenagem para o reservatório do carburador
13. Bomba de combustível
14. Vela de ignição
15. Depósito de combustível
16. Lâmina
17. Anilha de pressão
18. Perno da lâmina
19. Bancada de corte
20. Filtro de ar
21. Manual do utilizador

Símbolos no produto

(Fig. 2) AVISO: A utilização indevida ou incorreta poderá provocar ferimentos graves ou até mesmo a morte do utilizador ou de terceiros.

Finalidade

Utilize o produto para cortar relva em jardins privados. Não utilize o produto para outras tarefas.

- (Fig. 3) Leia o manual do utilizador com atenção e certifique-se de que compreende as instruções antes de utilizar o produto.
- (Fig. 4) Mantenha as pessoas e os animais a uma distância de segurança da área de trabalho.
- (Fig. 5) Desligue o motor e retire o cabo de ignição antes de realizar tarefas de reparação ou manutenção.
- (Fig. 6) Tenha cuidado com objetos projetados e ricochetes.
- (Fig. 7) Aviso: lâmina rotativa. Mantenha as mãos e os pés afastados.
- (Fig. 8) Aviso: peças rotativas. Mantenha as mãos e os pés afastados.
- (Fig. 9) Este produto está em conformidade com as diretivas aplicáveis da CE
- (Fig. 10) Emissões de ruído para o meio ambiente conforme diretiva da Comunidade Europeia. As emissões do produto são indicadas no capítulo de Especificações técnicas e na etiqueta.
- (Fig. 11) Risco de incêndio.
- (Fig. 12) Risco de incêndio.
- (Fig. 13) Risco de explosão.
- (Fig. 14) Desligue sempre o motor antes de reabastecer.
- (Fig. 15) Superfície quente.

Os gases de escape do motor contêm monóxido de carbono, um gás inodoro, tóxico e altamente perigoso. Não utilize o produto em zonas interiores ou espaços fechados.

- o produto tiver sido incorretamente reparado.
- o produto tiver sido reparado com peças que não sejam do fabricante ou que não sejam aprovadas pelo fabricante.
- o produto tiver um acessório que não seja do fabricante ou que não seja aprovado pelo fabricante.
- o produto não tiver sido reparado por um centro de assistência autorizado ou por uma autoridade aprovada.

Nota: Os restantes símbolos/autocolantes existentes no produto dizem respeito a exigências para homologação em outras áreas comerciais.

Responsabilidade pelo produto

Como referido nas leis de responsabilidade pelo produto, não somos responsáveis por danos causados pelo nosso produto se:

Segurança

Definições de segurança

Os avisos, as precauções e as notas são utilizados para indicar partes especialmente importantes do manual do utilizador.



ATENÇÃO: Utilizado no caso de existir risco de ferimento ou morte para o utilizador ou transeuntes, se não forem respeitadas as instruções do manual.



CUIDADO: Utilizado se existir risco de danos para o produto, para outros materiais ou para a área adjacente, se não forem respeitadas as instruções do manual.

Nota: Utilizado para disponibilizar informações adicionais necessárias numa determinada situação.

Instruções de segurança gerais



ATENÇÃO: Leia as instruções de aviso que se seguem antes de utilizar o produto.

- Este produto é perigoso se for utilizado de forma incorreta ou se não o utilizador for cuidadoso. Podem ocorrer ferimentos graves ou mesmo morte se as instruções de segurança não forem respeitadas.
- Este produto produz um campo eletromagnético durante o funcionamento. Em determinadas circunstâncias, este campo pode interferir com o funcionamento de implantes médicos ativos ou passivos. Para diminuir o risco de ferimentos graves ou mortais, recomendamos que os portadores de implantes médicos consultem o seu médico e o fabricante do implante antes de utilizar este produto.

- Seja sempre cuidadoso e use o seu senso comum. Se não tiver a certeza sobre como utilizar o produto numa situação especial, pare e fale com o seu revendedor McCulloch antes de continuar.
- Tenha em atenção que o utilizador é responsável pelos acidentes que incluam outras pessoas ou a respetiva propriedade.
- Mantenha o produto limpo. Certifique-se de que pode ler claramente os sinais e os autocolantes.
- O produto só pode ser utilizado por pessoas que lerem e compreenderam o conteúdo do manual do operador.
- Não deixe uma criança utilizar o produto.
- Não deixe que o produto seja utilizado por uma pessoa que não conhece as instruções.
- Monitorize sempre a utilização do produto por pessoas com diminuição da capacidade física ou mental. Tem de estar sempre presente um adulto responsável.
- Não utilize o produto se estiver cansado, doente ou sob a influência de álcool, drogas ou medicamentos. Estes têm um efeito negativo na sua visão, atenção, capacidade de discernimento ou controlo físico.
- Não utilize o produto se este apresentar algum defeito.
- Não altere este produto e não o utilize se houver a possibilidade de ter sido alterado por outros.

Segurança no local de trabalho



ATENÇÃO: Leia as instruções de aviso que se seguem antes de utilizar o produto.

- Retire objetos como ramos, galhos e pedras da área de trabalho antes de utilizar o produto.
- Os objetos que embatem no equipamento de corte podem ser projetados e causar danos a pessoas e

- objetos. Mantenha terceiros e animais a uma distância de segurança do produto.
- Nunca utilize o produto em más condições meteorológicas, como nevoeiro, chuva, ventos fortes, frio intenso e risco de trovoadas. A utilização do produto em más condições meteorológicas ou em localizações molhadas ou com humidade é cansativa. As más condições meteorológicas podem causar condições perigosas, como superfícies escorregadias.
 - Observe se há pessoas, objetos e situações que possam impedir o funcionamento seguro do produto.
 - Observe se há obstáculos como raízes, pedras, ramos, buracos e valas. A relva longa pode ocultar obstáculos.
 - Cortar relva em declives pode ser perigoso. Não utilize o produto em terrenos com um declive superior a 15°.
 - Utilize o produto ao longo da face dos declives. Não se desloque para cima e para baixo.
 - Tenha cuidado ao aproximar-se de esquinas com pouca visibilidade e de objetos que possam impedir uma boa visibilidade.

Segurança do trabalho



ATENÇÃO: Leia as instruções de aviso que se seguem antes de utilizar o produto.

- Utilize este produto apenas para cortar relva. Não é permitido utilizá-lo para outras tarefas.
- Use equipamento de protecção pessoal. Consulte o capítulo *Equipamento de protecção pessoal na página 227*.
- Nunca ligue o motor num espaço fechado ou perto de material inflamável. Os gases de escape do motor são quentes e podem conter faíscas causadoras de incêndios.
- Não utilize o produto, a menos que a lâmina e todas as coberturas estejam corretamente montadas. Uma lâmina montada incorretamente pode soltar-se e causar ferimentos pessoais.
- Certifique-se de que a lâmina não atinge objetos como pedras e raízes. Isto pode causar danos à lâmina e dobrar o eixo do motor. Um eixo dobrado provoca fortes vibrações e um elevado risco de a lâmina se soltar.
- Se a lâmina atingir um objeto ou ocorrerem vibrações, pare o produto imediatamente. Desligue o cabo de ignição da vela de ignição. Examine se o produto apresenta sinais de danos. Repare os danos ou solicite a reparação numa oficina autorizada.
- Nunca ligue o manípulo de travão do motor de modo permanente ao punho durante o arranque do motor.
- Coloque o produto numa superfície estável e plana e ligue-o. Certifique-se de que a lâmina não atinge o solo ou outros objetos.

- Mantenha-se sempre por trás do produto quando o operar.
- Mantenha todas as rodas no chão e as duas mãos sobre o punho quando utilizar o produto. Mantenha as mãos e os pés afastados das lâminas rotativas.
- Não incline o produto quanto ligar o motor.
- Tenha cuidado quando puxar o produto para trás.
- Nunca levante o produto quando ligar o motor. Se tiver de levantar o produto, desligue primeiro o motor e o cabo de ignição da vela de ignição.
- Não caminhe para trás quando operar o produto.
- Desligue o motor quando se deslocar em zonas sem relva, por exemplo caminhos de gravilha, pedra e asfalto.
- Não corra com o produto quando o motor está ligado. Caminhe sempre que operar o produto.
- Pare o motor antes de mudar a altura de corte. Nunca efetue ajustes com o motor ligado.
- Nunca deixe o produto fora de vista com o motor ligado. Pare o motor e certifique-se de que o equipamento de corte não roda.

Instruções de segurança para funcionamento

Equipamento de proteção pessoal



ATENÇÃO: Leia as instruções de aviso que se seguem antes de utilizar o produto.

- O equipamento de proteção pessoal não previne totalmente os ferimentos mas diminui a respetiva gravidade em caso de acidente. Obtenha ajuda junto do seu concessionário para selecionar o equipamento certo.
- Use botas ou sapatos antiderrapantes resistentes. Não use calçado aberto nem ande com os pés descalços.
- Use calças compridas e resistentes.
- Use luvas de proteção sempre que necessário, por exemplo, ao fixar, examinar ou limpar o equipamento de corte.

Dispositivos de segurança no produto



ATENÇÃO: Leia as instruções de aviso que se seguem antes de utilizar o produto.

- Não utilize o produto com dispositivos de segurança defeituosos.
- Verifique regularmente os dispositivos de segurança. Se os dispositivos de segurança estiverem defeituosos, fale com a sua oficina McCulloch autorizada.

Cobertura de corte

- Examine a cobertura de corte para se certificar de que não existem danos, como fissuras.

Manípulo de travão do motor

O manípulo de travão do motor para o motor. Quando o manípulo de travão do motor é libertado, o motor para.

Para fazer uma inspeção do travão do motor, ligue o motor e, em seguida, liberte o respetivo manípulo do travão. Se o motor não parar em 3 segundos, solicite o ajuste do travão do motor numa oficina McCulloch autorizada.

(Fig. 17)

Silenciador

O silenciador mantém o mais baixo nível de ruído possível e afasta os gases de escape do utilizador.

Não utilize o produto se o silenciador estiver defeituoso ou estiver em falta. Um silenciador defeituoso aumenta o nível de ruído e o risco de incêndio.

Examine o silenciador regularmente para se certificar de que está bem fixo e não está danificado.



CUIDADO: O silenciador fica muito quente durante e após a utilização e quando o motor funciona ao ralenti. Tenha cuidado junto de materiais inflamáveis e/ou vapores para evitar incêndios.

Segurança no manuseamento do combustível



ATENÇÃO: Leia as instruções de aviso que se seguem antes de utilizar o produto.

- Não ligue o produto se houver combustível ou óleo do motor sobre o produto. Remova o combustível/óleo indesejado e deixe o produto secar.

- Se derramar combustível na sua roupa, troque de roupa imediatamente.
- Não deixe que o combustível entre em contacto com o seu corpo, pois pode causar ferimentos. Se o combustível entrar em contacto com o seu corpo, use sabão e água para o remover.
- Não ligue o produto se o motor tiver uma fuga. Examine regularmente o motor quanto a fugas.
- Tenha cuidado com o combustível. O combustível é inflamável e os gases são explosivos e podem causar ferimentos ou morte.
- Não respire os gases do combustível, podem causar ferimentos. Certifique-se de que existe um fluxo de ar suficiente.
- Não fume perto de combustível ou do motor.
- Não coloque objetos quentes perto do combustível ou do motor.
- Não acrescente combustível com o motor em funcionamento.
- Certifique-se de que o motor está frio antes de reabastecer.
- Antes de reabastecer, abra lentamente a tampa do depósito de combustível e liberte a pressão com cuidado.
- Não adicione combustível ao motor numa área interior. O fluxo de ar insuficiente pode causar ferimentos ou morte devido a asfíxia ou monóxido de carbono.
- Aperte completamente a tampa de depósito de combustível. Se a tampa de depósito de combustível não estiver apertada, existe um risco de incêndio.
- Desloque o produto a uma distância mínima de 3 m (10 pés) da posição onde abasteceu o depósito antes de começar.
- Não encha demasiado o depósito de combustível.

Instruções de segurança para manutenção



ATENÇÃO: Leia as instruções de aviso que se seguem antes de utilizar o produto.

- Os gases de escape do motor contêm monóxido de carbono, um gás inodoro, tóxico e altamente perigoso. Não ligue o motor em zonas interiores ou em espaços fechados.
- Antes de proceder à manutenção do produto, desligue o motor e retire o cabo de ignição da vela de ignição.
- Use luvas de proteção quando realizar a manutenção do equipamento de corte. A lâmina é muito afiada e pode facilmente provocar cortes.
- A utilização de acessórios e a realização de alterações no produto que não sejam aprovadas pelo fabricante podem causar ferimentos graves ou morte. Não altere o produto. Utilize sempre acessórios que sejam aprovados pelo fabricante.
- Se a manutenção não for realizada de forma correta e regular, o risco de ferimentos e danos no produto aumenta.
- Realize apenas tarefas de manutenção indicadas neste manual do proprietário. Todas as outras operações de manutenção devem ser realizadas por uma oficina McCulloch autorizada.
- Leve o produto regularmente a uma oficina McCulloch autorizada para realizar a manutenção.
- Substitua as peças danificadas, gastas ou partidas.

Montagem

Montar a barra

Secção da barra inferior

1. Coloque os pinos na parte de baixo da barra inferior nos orifícios conforme indicado na imagem. Alinhe os orifícios dos parafusos e fixe os parafusos, as arruelas e os botões.(Fig. 18)

Secção da barra superior

1. Alinhe os orifícios da barra de direção com os orifícios da barra inferior e fixe os parafusos, as arruelas e os botões. No lado direito fixe também o laço para o cabo de arranque. Aperte os botões totalmente.(Fig. 19)
2. Puxe o punho do cabo de arranque e coloque o cabo de arranque à volta do laço para o cabo de arranque.(Fig. 20)
3. Utilize as alças para prender os cabos ao punho. (Fig. 21)

Nota: Certifique-se de que a tensão nos cabos não é demasiado elevada.

Montar o coletor de relva

1. Coloque a estrutura do coletor de relva no saco de relva de tecido. Certifique-se de que o punho da

estrutura do coletor de relva está no topo do saco de relva.

2. Prenda o saco de relva na estrutura do coletor de relva com os grampos existentes na extremidade do saco de tecido.(Fig. 22)
3. Levante a cobertura traseira.
4. Prenda o coletor de relva à extremidade superior do chassi.
5. Coloque a parte inferior do coletor de relva no canal de descarga da relva.

Para montar o tampão de trituração

Um kit de trituração está disponível como acessório opcional apenas para modelos selecionados. Os modelos M51-150WR CLASSIC, M53-150WR CLASSIC são fornecidos com kit de trituração. Os modelos M40-120 CLASSIC, M40-125 CLASSIC+ não podem ser utilizados com kit de trituração.

1. Levante a cobertura traseira e retire o coletor de relva.
2. Coloque o tampão de trituração no canal de descarga.(Fig. 23)

Funcionamento

Introdução



ATENÇÃO: Antes de utilizar o produto, tem ler e compreender o capítulo sobre segurança.

Antes de utilizar o produto

1. Leia o manual do utilizador com atenção e certifique-se de que compreende as instruções.
2. Examine o equipamento de corte para se certificar de que está corretamente montado e ajustado. Consulte o capítulo *Para examinar o equipamento de corte na página 231*.
3. Encha o depósito de combustível. Consulte o capítulo *Encher o depósito de combustível na página 229*.
4. Encha o depósito de combustível e verifique o nível do óleo. Consulte o capítulo *Para verificar o nível do óleo na página 232*.

Encher o depósito de combustível

Se disponível, utilize gasolina com base em alquilatos/ ecológica. Se não estiver disponível gasolina com base

em alquilatos/ecológica, utilize gasolina sem chumbo de boa qualidade ou gasolina com chumbo. Utilize gasolina com um índice de octanas de pelo menos 90 e com, no máximo, 10% de etanol (E10).



ATENÇÃO: O abastecimento com o tipo errado de combustível pode resultar em danos no motor.

1. Abra a tampa do depósito de combustível devagar para libertar a pressão.
2. Encha lentamente com um recipiente de combustível. Se derramar combustível, retire-o com um pano e deixe o combustível restante secar.
3. Limpe bem à volta da tampa do depósito de combustível.
4. Aperte completamente a tampa de depósito de combustível. Se a tampa de depósito de combustível não estiver apertada, existe um risco de incêndio.
5. Desloque o produto a uma distância mínima de 3 m (10 pés) da posição onde abasteceu o depósito antes de começar.

Para definir a altura de corte

1. Mova a alavanca da altura de corte para trás para aumentar a altura de corte.
2. Mova a alavanca da altura de corte para a frente para diminuir a altura de corte.(Fig. 24)



CUIDADO: Não regule a altura de corte demasiado baixa. As lâminas podem entrar em contacto com o solo se a superfície do relvado não estiver nivelada.

Para ligar o produto

1. Certifique-se de que o cabo de ignição está ligado à vela de ignição.
2. A primeira vez que ligar o produto, prima a bomba de combustível 5 vezes. A próxima vez que ligar o produto quando o motor estiver frio, prima a bomba de combustível 3 vezes.(Fig. 25)
3. Mantenha-se atrás do produto.
4. Segure o manípulo de travão do motor contra a barra de direção.(Fig. 26)
5. Segure o punho do cabo de arranque com a mão direita.
6. Puxe lentamente o cabo de arranque até sentir alguma resistência.
7. Puxe com força para fazer arrancar o motor.



ATENÇÃO: Não enrole a corda de arranque na mão.

Para utilizar a tração das rodas

- Empurre o manípulo de direção no sentido da barra de direção.(Fig. 27)
- Antes de puxar o produto para trás, desengate a transmissão e empurre o produto para a frente aproximadamente 10cm.
- Solte o manípulo de direção para desengatar a transmissão, por exemplo quando se aproximar de um obstáculo.

Para desligar o produto

- Para parar apenas a transmissão, solte o manípulo de direção.
- Para parar o motor solte o manípulo de travão do motor.

Para obter bons resultados

- Utilize sempre uma lâmina bem afiada. Uma lâmina romba produz um resultado irregular e a superfície de corte da relva fica amarela. Uma lâmina afiada também gasta menos energia que uma lâmina romba.
- Não corte mais do que $\frac{1}{3}$ do comprimento da relva. Corte primeiro com a altura de corte alta. Examine o resultado e reduza a altura de corte para um nível aplicável. Caso a relva esteja muito comprida, avance lentamente e corte duas vezes, se necessário.
- Corte em diferentes direções de cada vez, para evitar a formação de linhas no relvado.

Manutenção

Introdução



ATENÇÃO: Antes de efetuar a manutenção, tem de ler e compreender o capítulo sobre segurança.

É necessária formação especial para realizar qualquer tarefa de manutenção ou reparação. Garantimos a disponibilidade de reparações e manutenção profissionais. Se o seu revendedor não for uma oficina autorizada, pergunte-lhes onde se situa a oficina autorizada mais próxima.

Esquema de manutenção

Os intervalos de manutenção são calculados a partir da utilização diária do produto. Os intervalos são alterados se o produto não for utilizado diariamente.

Para manutenção identificada com * consulte as instruções em *Dispositivos de segurança no produto na página 227.*

Manutenção	Diariamente	Semanalmente	Mensalmente
Efetuar uma inspeção geral	X		
Examinar o nível do óleo	X		
Limpar o produto	X		
Examinar o equipamento de corte	X		

Manutenção	Diariamente	Semanalmente	Mensalmente
Examinar a cobertura de corte*	X		
Examinar o manípulo de travão do motor*	X		
Examinar e ajustar a transmissão (cabo da embraiagem)	X		
Examinar o silenciador*		X	
Examinar a vela de ignição		X	
Mudar o óleo (pela primeira vez após 5 horas de utilização e posteriormente após cada 50 horas de utilização)			X
Substitua o filtro de ar			X
Examinar o sistema de combustível			X

Para efetuar uma inspeção geral

- Certifique-se de que as porcas e os parafusos do produto estão apertados.

Para limpar o produto externamente

- Utilize uma escova para remover folhas, relva e sujidade.
- Certifique-se de que a entrada de ar na parte superior do motor não está bloqueada.
- Não utilize uma máquina de lavar à pressão para limpar o produto.
- Se utilizar água para limpar o produto, não verta água diretamente sobre o motor.

Para limpar a superfície interior da cobertura de corte

1. Esvazie o depósito de combustível.
2. Coloque o produto de lado com o silenciador virado para baixo.



CUIDADO: Se o produto for colocado com o filtro de ar para baixo, o motor pode sofrer danos.

3. Utilize uma mangueira para enxaguar a superfície interna da cobertura de corte com água.

Para examinar o equipamento de corte



ATENÇÃO: Para evitar o arranque acidental retire o cabo de ignição da vela de ignição.



ATENÇÃO: Use luvas de proteção quando realizar a manutenção do equipamento de corte. A lâmina é muito afiada e pode facilmente provocar cortes.

1. Examine se o equipamento de corte está danificado ou se apresenta fissuras. Substitua sempre um equipamento de corte danificado.
2. Olhe para a lâmina para verificar se está danificada ou romba.

Nota: É necessário estabilizar a lâmina depois de ser afiada. Afe, substitua e estabilize a lâmina numa oficina especializada. Se atingir um obstáculo que faça o produto parar, substitua a lâmina danificada. Um centro de assistência deve avaliar se a lâmina pode ser afiada ou se tem de ser substituída.

Para substituir a lâmina

1. Bloqueie a lâmina com um bloco de madeira.(Fig. 28)
2. Remova o parafuso da lâmina.
3. Retire a lâmina.
4. Examine o suporte e o parafuso da lâmina para verificar se existem danos.
5. Examine o eixo do motor para se certificar de que não se encontra dobrado.
6. Quando colocar a lâmina nova, aponte as extremidades inclinadas da lâmina na direção da cobertura de corte.(Fig. 29)
7. Certifique-se de que a lâmina está alinhada com a parte central do eixo do motor.
8. Bloqueie a lâmina com um bloco de madeira. Prenda a arruela de pressão e aperte o parafuso e a arruela com um binário de 45–60 Nm.(Fig. 30)
9. Faça rodar a lâmina com a mão de modo a assegurar-se de que roda livremente.



ATENÇÃO: Use luvas resistentes. A lâmina é muito afiada e pode facilmente provocar cortes.

10. Ligue o produto para testar a lâmina. Se a lâmina não estiver corretamente ligada, o produto vibra ou o resultado de corte não é satisfatório.

Para verificar o nível do óleo



CUIDADO: Um nível de óleo demasiado baixo causa danos no motor. Verifique o nível do óleo antes de ligar o produto.

1. Coloque o produto num piso nivelado.
2. Remova a tampa do depósito de óleo juntamente com a vareta de nível.
3. Limpe o óleo da vareta de nível.
4. Coloque a vareta de nível completamente dentro do depósito de óleo para obter uma imagem correta do nível do óleo.
5. Remova a vareta de nível.
6. Examine o nível do óleo na vareta de nível.
7. Se o nível do óleo estiver baixo, encha com óleo de motor e verifique novamente o nível do óleo.

Para mudar o óleo de motor



ATENÇÃO: O óleo de motor está muito quente imediatamente após desligar o motor. Deixe o motor arrefecer antes de drenar o óleo de motor. Se derramar óleo de motor na pele, limpe com água e sabão.

1. Utilize o produto até esvaziar o depósito de combustível.
2. Remova o cabo de ignição da vela de ignição.
3. Retire a tampa do depósito de óleo.
4. Coloque um recipiente por baixo do produto para recolher o óleo de motor.
5. Incline o produto para drenar o óleo de motor do depósito de óleo.
6. Encha com óleo de motor novo do tipo recomendado em *Especificações técnicas na página 233*.
7. Verifique o nível do óleo. Consulte o capítulo *Para verificar o nível do óleo na página 232*.

Filtro de ar

Um filtro de ar que é utilizado durante muito tempo não pode ficar completamente limpo. Substitua o filtro de ar em intervalos regulares.

Nota: Substitua sempre um filtro de ar danificado.

Para limpar o filtro de papel

1. Retire a cobertura do filtro de ar e o filtro de papel.
2. Bata com o filtro sobre uma superfície plana para garantir que as partículas caem.



CUIDADO: Não utilize solvente ou ar comprimido para limpar o filtro de papel.

3. Volte a colocar o filtro de ar. Certifique-se de que o filtro de ar está completamente encostado ao suporte do filtro de ar.
4. Volte a colocar a cobertura do filtro de ar.

Para limpar o filtro de espuma plástica

1. Retire a cobertura do filtro de ar e o filtro de espuma plástica.
2. Limpe o filtro de espuma plástica com água e sabão.
3. Lave o filtro de espuma plástica com água limpa.
4. Aperte a água do filtro de espuma plástica e deixe secar.



CUIDADO: Não utilize ar comprimido. Pode causar danos ao filtro de espuma plástica.

5. Lubrifique o filtro de espuma plástica com óleo de motor.
6. Prima um pano limpo contra o filtro de espuma plástica para remover óleo indesejado.
7. Volte a colocar o filtro de ar. Certifique-se de que o filtro de ar está completamente encostado ao suporte do filtro de ar.
8. Volte a colocar a cobertura do filtro de ar.

Examinar a vela de ignição



CUIDADO: utilize sempre o tipo de vela de ignição recomendado. Um tipo de vela de ignição incorreto pode provocar danos no produto.

- Examine a vela de ignição para verificar se o motor apresenta uma potência reduzida ou dificuldades de arranque, ou se não funciona corretamente ao ralenti.
- Para diminuir o risco de materiais indesejados nos elétrodos da vela de ignição, siga estas instruções:
 - a) Assegure-se de que a rotação em vazio está correctamente regulada.
 - b) Certifique-se de que a mistura de combustível está correta.
 - c) Certifique-se de que o filtro de ar está limpo.
- Se a vela de ignição estiver suja, limpe-a e certifique-se de que a distância entre os elétrodos está correta; consulte *Especificações técnicas na página 233*.(Fig. 31)
- Se for necessário, substitua a vela de ignição.

Para examinar o sistema de combustível

- Examine a tampa do depósito de combustível e o vedante da tampa do depósito de combustível para se certificar de que não existem danos.
- Examine a mangueira de combustível para se certificar de que não existem fugas. Se a mangueira de combustível estiver danificada, deverá ser substituída por uma oficina autorizada.

Para ajustar o cabo de embraiagem

Se o veículo começar a ficar lento, é necessário ajustar o cabo de embraiagem.

1. Para ajustar o comprimento do cabo da embraiagem, prenda-o em diferentes orifícios do manípulo de direção. Diminua o comprimento do

cabo da embraiagem para aumentar a velocidade de condução. Alongue o cabo da embraiagem para diminuir a velocidade de condução.(Fig. 32)

Nota: Se a transmissão estiver engatada quando não puxa o manípulo de condução, é necessário alargar o cabo de embraiagem.

2. Para um pequeno ajuste da velocidade de condução, rode o parafuso de ajuste. Para aumentar a velocidade de condução, rode o parafuso de ajuste para a esquerda. Para diminuir a velocidade de condução, rode o parafuso de ajuste para a direita.(Fig. 33)

Se o veículo começar a ficar lento depois do ajuste, a correia de transmissão deve ser substituída por uma oficina autorizada.

Transporte, armazenamento e eliminação

Transporte e armazenamento

- Para o transporte e armazenamento do produto e do combustível, certifique-se de que não existem fugas ou fumos. Faíscas ou chamas abertas, por exemplo de dispositivos elétricos ou mesmo caldeiras, podem causar um incêndio.
- Utilize recipientes aprovados para o transporte e armazenamento de combustível.
- Esvazie o depósito de combustível e o reservatório do carburador antes de armazenar o produto durante um longo período de tempo. Elimine o combustível numa localização de eliminação aplicável
- Fixe o produto de forma segura durante o transporte para evitar danos e acidentes.

- Mantenha o produto numa área trancada para impedir o acesso a crianças ou pessoas que não disponham de aprovação.
- Mantenha o produto num local seco e sem gelo.

Eliminação

- Respeite os requisitos de reciclagem locais e os regulamentos aplicáveis.
- Elimine todos os produtos químicos, como óleo de motor ou combustível, num centro de assistência ou numa localização de eliminação aplicável.
- Quando o produto deixar de ser utilizado, envie-o para um revendedor McCulloch ou elimine-o numa localização de reciclagem.

Especificações técnicas

Especificações técnicas

	M40-120 CLASSIC	M40-125 CLASSIC+	M46-120 CLASSIC	M46-120R CLASSIC	M46-125 CLASSIC+	M46-125R CLASSIC+
Motor						
Marca	McCulloch	Briggs & Stratton	McCulloch	McCulloch	Briggs & Stratton	Briggs & Stratton
Deslocamento, cm ³	120	125	120	120	125	125
Velocidade, rpm	2900	2900	2900	2900	2900	2900

	M40-120 CLASSIC	M40-125 CLASSIC+	M46-120 CLASSIC	M46-120R CLASSIC	M46-125 CLASSIC+	M46-125R CLASSIC+
Potência nominal do motor, kW ¹⁸¹	2,0	1,6	2,0	2,0	1,6	1,6
Sistema de ignição						
Vela de ignição	K7RTC	RC12YC	K7RTC	K7RTC	RC12YC	RC12YC
Distância entre os eletrodos, mm	0,7	0,5	0,7	0,7	0,5	0,5
Sistema de lubrificação e combustível						
Capacidade do depósito, litros	0,8	0,8	0,8	0,8	0,8	0,8
Volume do depósito de óleo, litros	0,4	0,4	0,4	0,4	0,4	0,4
Óleo do motor ¹⁸²	SAE 30/SAE 10W-30	SAE 30/SAE 10W-30	SAE 30/SAE 10W-30	SAE 30/SAE 10W-30	SAE 30/SAE 10W-30	SAE 30/SAE 10W-30
Peso						
Com depósitos vazios, kg	24	25	28	29	28	29
Emissões de ruído¹⁸³						
Nível de potência sonora, dB(A) medidos	93	93	95	95	95	95
Nível de potência sonora, garantido L _{WA} dB (A)	94	94	96	96	96	96
Níveis acústicos¹⁸⁴						
Nível de pressão sonora ao nível do ouvido do operador, dB (A)	80	80	82	82	82	82
Níveis de vibração, a_{hveq}¹⁸⁵						
Pega, m/s ²	14,75	14,75	15,68	15,68	15,68	15,68
Equipamento de corte						
Altura de corte, mm	20-75	20-75	30-80	30-80	30-80	30-80
Largura de corte, mm	400	400	460	460	460	460
Lâmina	Mulcher 40	Mulcher 40	Mulcher 46	Mulcher 46	Mulcher 46	Mulcher 46

¹⁸¹ A potência nominal indicada para o motor é a potência líquida média (a um valor de rpm especificado) de um motor de produção típico do modelo de motor avaliado de acordo com a norma J1349/ISO1585 da SAE. Motores produzidos em série poderão divergir deste valor. A potência real do motor instalado no produto final dependerá da velocidade de operação, das condições ambientais e de outros parâmetros.

¹⁸² Utilize um óleo de motor de qualidade SJ ou superior. Consulte a tabela de viscosidade no manual do fabricante do motor e selecione a melhor viscosidade com base na temperatura exterior prevista.

¹⁸³ emissões de ruído para as imediações, medidas sob forma de potência sonora (L_{WA}) em conformidade com a diretiva da CE 2000/14/CE.

¹⁸⁴ Nível de ruído em conformidade com a norma ISO 5395:2103. Os dados comunicados relativamente ao nível de pressão de ruído têm uma dispersão estatística típica (desvio padrão) de 1,2 dB (A).

¹⁸⁵ Nível de vibração em conformidade com a norma ISO 5395:2013. Os dados comunicados relativamente ao nível de vibração têm uma dispersão estatística típica (desvio padrão) de 0,2 m/s².

	M40-120 CLASSIC	M40-125 CLASSIC+	M46-120 CLASSIC	M46-120R CLASSIC	M46-125 CLASSIC+	M46-125R CLASSIC+
Número do artigo	5871590-10	5871590-10	5811889-10	5811889-10	5811889-10	5811889-10
Capacidade do coletor de relva, litros	50	50	50	50	50	50

	M46-150WR CLASSIC	M51-140WR CLASSIC+	M51-150R CLASSIC	M51-150WR CLASSIC	M53-150WR CLASSIC
Motor					
Marca	McCulloch	Briggs & Stratton	McCulloch	McCulloch	McCulloch
Deslocamento, cm ³	150	140	150	150	150
Velocidade, rpm	2900	2900	2900	2900	2900
Potência nominal do motor, kW ¹⁸⁶	2,4	1,9	2,4	2,4	2,4
Sistema de ignição					
Vela de ignição	K7RTC	RC12YC	K7RTC	K7RTC	K7RTC
Distância entre os eletrodos, mm	0,7	0,5	0,7	0,7	0,7
Sistema de lubrificação e combustível					
Capacidade do depósito de combustível, litros	1,0	0,8	1,0	1,0	1,0
Capacidade do depósito de óleo, litros	0,4	0,4	0,4	0,4	0,4
Óleo do motor ¹⁸⁷	SAE 30/SAE 10W-30	SAE 30/SAE 10W-30	SAE 30/SAE 10W-30	SAE 30/SAE 10W-30	SAE 30/SAE 10W-30
Peso					
Com depósitos vazios, kg	32	32	33	33	33
Emissões de ruído ¹⁸⁸					
Nível de potência sonora, dB(A) medidos	97	97	95	97	98
Nível de potência sonora, garantido L _{WA} dB (A)	98	98	98	98	98

¹⁸⁶ A potência nominal indicada para o motor é a potência líquida média (a um valor de rpm especificado) de um motor de produção típico do modelo de motor avaliado de acordo com a norma J1349/ISO1585 da SAE. Motores produzidos em série poderão divergir deste valor. A potência real do motor instalado no produto final dependerá da velocidade de operação, das condições ambientais e de outros parâmetros.

¹⁸⁷ Utilize um óleo de motor de qualidade SJ ou superior. Consulte a tabela de viscosidade no manual do fabricante do motor e selecione a melhor viscosidade com base na temperatura exterior prevista.

¹⁸⁸ emissões de ruído para as imediações, medidas sob forma de potência sonora (L_{WA}) em conformidade com a diretiva da CE 2000/14/CE.

	M46-150WR CLASSIC	M51-140WR CLASSIC+	M51-150R CLASSIC	M51-150WR CLASSIC	M53-150WR CLASSIC
Níveis acústicos ¹⁸⁹					
Nível de pressão sonora ao nível do ouvido do operador, dB (A)	82	82	81	84	82
Níveis de vibração, a_{hveq} ¹⁹⁰					
Pega, m/s ²	4,27	4,27	4,06	5,55	3,39
Equipamento de corte					
Altura de corte, mm	30-80	30-90	30-90	30-90	30-90
Largura de corte, mm	460	510	510	510	530
Lâmina	Mulcher 46	Mulcher 51	Mulcher 51	Mulcher 51	Mulcher 53
Número do artigo	5811889-10	5041133-10	5041133-10	5041133-10	5811886-10
Capacidade do coletor de relva, litros	50	55	55	55	55

Declaração CE de conformidade

Conteúdo da Declaração de Conformidade CE

A Husqvarna AB, SE 561 82 Huskvarna, SUÉCIA, declara, sob sua inteira responsabilidade, que o produto representado:	
Descrição	Corta-relva de controlo apeado alimentado por motor de combustão
Marca	McCulloch
Plataforma/Tipo/Modelo	M40-120 CLASSIC, M40-125 CLASSIC+, M46-120 CLASSIC, M46-120R CLASSIC, M46-125 CLASSIC+, M46-125R CLASSIC+, M46-150WR CLASSIC, M51-140WR CLASSIC+, M51-150R CLASSIC, M51-150WR CLASSIC, M53-150WR CLASSIC
Lote	Número de série referente a 2017 e posteriores
está em plena conformidade com as seguintes diretivas e regulamentos da UE:	
Diretiva/Regulamento	Descrição
2006/42/CE	"relativa a máquinas"
2014/30/UE	"relativa à compatibilidade eletromagnética"
2000/14/CE; 2005/88/CE	"relativa ao ruído exterior"

¹⁸⁹ Nível de ruído em conformidade com a norma ISO 5395:2103. Os dados comunicados relativamente ao nível de pressão de ruído têm uma dispersão estatística típica (desvio padrão) de 1,2 dB (A).

¹⁹⁰ Nível de vibração em conformidade com a norma ISO 5395:2013. Os dados comunicados relativamente ao nível de vibração têm uma dispersão estatística típica (desvio padrão) de 0,2 m/s².

As normas harmonizadas e/ou especificações técnicas aplicadas são as seguintes: EN ISO 12100, ISO 14982, ISO 5395-1 & 2, ISO 3744, ISO 11094, EN 1032

Em conformidade com a Diretiva 2000/14/CE, Anexo V, os valores de som declarados são indicados na secção de especificações técnicas deste manual e na Declaração de conformidade da CE assinada.

O corta-relva de controlo apeado alimentado por motor de combustão fornecido está em conformidade com o exemplo que foi examinado.

CUPRINS

Introducere.....	238	Întreținerea.....	243
Siguranță.....	239	Transportul, depozitarea și eliminarea.....	246
Instrucțiuni de siguranță pentru întreținere.....	241	Date tehnice.....	246
Asamblarea.....	242	Declarație de conformitate CE.....	249
Funcționarea.....	242		

Introducere

Descrierea produsului

Produsul este o mașină rotativă pentru tuns gazonul controlată de un operator-pieton. Iarba se adună într-un colector de iarbă. Demontați colectorul de iarbă pentru a efectua descărcarea ierbii prin partea posterioară a mașinii. Atașați un kit de mărunțire (accesoriu) pentru a tăia iarba și a o transforma în îngrășământ.

Prezentarea generală a produsului

(Fig. 1)

1. Manetă de transmisie (M46-120R CLASSIC, M46-125R CLASSIC+, M46-150WR CLASSIC, M51-140WR CLASSIC+, M51-150R CLASSIC, M51-150WR CLASSIC, M53-150WR CLASSIC)
2. Mâner superior/mâner
3. Manetă frână de motor
4. Mâner pentru șnurul de pornire
5. Buclă pentru firul de pornire
6. Colectorul de iarbă
7. Mâner inferior
8. Ansamblu mâner inferior
9. Pârghii pentru înălțimea de tăiere
10. Dopul pentru ulei
11. Amortizor de zgomot
12. Bușon scurgere pentru recipient carburator
13. Pompă de amorsare
14. Bujia
15. Rezervor de carburant
16. Cuțit
17. Șaibă de siguranță
18. Bolț cuțit
19. Punte de tăiere
20. Filtru de aer
21. Manualul operatorului

Simbolurile de pe produs

AVERTISMENT: Utilizarea neatență sau incorectă poate cauza vătămări corporale grave sau mortale operatorului sau persoanelor aflate în apropiere.

(Fig. 2)

Domeniul de utilizare

Utilizați produsul pentru a tunde iarba în grădini private. Nu utilizați produsul pentru alte sarcini.

Citiți cu atenție manualul operatorului și asigurați-vă că înțelegeți instrucțiunile înainte de utilizare.

(Fig. 3)

Țineți persoanele și animalele la o distanță sigură de zona de lucru.

(Fig. 4)

Oprii motorul și scoateți cablul de alimentare a aprinderii înainte de a efectua lucrări de întreținere sau reparații.

(Fig. 5)

Feriți-vă de obiectele proiectate sau care ricoșează.

(Fig. 6)

AVERTISMENT: cuțit rotativ. Feriți mâinile și picioarele.

(Fig. 7)

AVERTISMENT: piese rotative. Feriți mâinile și picioarele.

(Fig. 8)

Acest produs este în conformitate cu directivele UE aplicabile.

(Fig. 9)

Emisia de zgomot în mediu conform Directivei Comunității Europene. Nivelul de emisii al produsului este specificat în capitolul Date tehnice și pe etichetă.

(Fig. 10)

Pericol de incendiu.

(Fig. 11)

Pericol de incendiu.

(Fig. 12)

Risc de explozie.

(Fig. 13)

Oprii întotdeauna motorul înainte de realimentare.

(Fig. 14)

Suprafață fierbinte.

(Fig. 15)

(Fig. 16)

Gazele de eșapament ale motorului conțin monoxid de carbon, care este un gaz inodor, toxic și deosebit de periculos. Nu porniți produsul în interior sau în spații închise.

Nota: Alte simboluri/autocolante de pe produs se referă la cerințele de certificare pentru alte zone comerciale.

Răspunderea pentru produs

Conform prevederilor legislației privind răspunderea pentru produs, nu ne asumăm răspunderea pentru daunele cauzate de produsul nostru dacă:

- produsul este reparat necorespunzător.
- produsul este reparat cu piese care nu provin de la producător sau care nu sunt aprobate de acesta.
- produsul are un accesoriu care nu provine de la producător sau care nu este aprobat de acesta.
- produsul nu este reparat la un centru de service omologat sau de o autoritate omologată.

Siguranță

Definiții privind siguranța

Avertizările, atenționările și notele sunt utilizate pentru a desemna părți foarte importante din manualul operatorului.



AVERTISMENT: Se utilizează dacă există risc de vătămare sau de deces pentru operator sau pentru trecători, în cazul în care instrucțiunile din manual nu sunt respectate.



ATENȚIE: Se utilizează dacă există un risc de deteriorare a produsului, a altor materiale sau a zonelor învecinate, dacă instrucțiunile din manual nu sunt respectate.

Nota: Se utilizează pentru a furniza mai multe informații care sunt necesare într-o situație dată.

Instrucțiuni generale de siguranță



AVERTISMENT: Înainte de a utiliza produsul, citiți instrucțiunile de avertizare de mai jos.

- Acest produs este periculos dacă este utilizat incorect sau dacă nu sunteți atent. Nerespectarea instrucțiunilor de siguranță poate cauza vătămări corporale sau decesul.
- În timpul funcționării, acest produs produce un câmp electromagnetic. În anumite condiții, acest câmp poate interfera cu implanturile medicale active sau pasive. Pentru a reduce riscul de vătămări corporale grave sau mortale, recomandăm persoanelor cu implanturi medicale să consulte medicul și producătorul implantului medical înainte de a utiliza acest produs.
- Procedați întotdeauna cu atenție și folosiți-vă judecata. Dacă nu sunteți sigur cum să utilizați

produsul într-o situație specială, opriți-l și adresați-vă distribuitorului McCulloch înainte de a continua.

- Rețineți că operatorul poartă responsabilitatea privind orice accidente care implică alte persoane sau bunurile acestora.
- Păstrați produsul curat. Asigurați-vă că puteți citi clar semnele și etichetele.
- Nu permiteți niciunei persoane să utilizeze produsul dacă aceasta nu a citit și înțeles conținutul manualului operatorului.
- Nu permiteți copiilor să utilizeze produsul.
- Nu permiteți unei persoane care nu cunoaște instrucțiunile să utilizeze produsul.
- Monitorizați permanent o persoană cu capacități fizice sau mentale reduse care utilizează produsul. Un adult responsabil trebuie să fie prezent în permanență.
- Nu utilizați produsul atunci când sunteți obosit, bolnav sau dacă ați consumat alcool, droguri sau ați luat medicamente. Acestea vă afectează negativ acuitatea vizuală, atenția, coordonarea și judecata.
- Nu utilizați produsul dacă este defect.
- Nu modificați acest produs și nu îl utilizați dacă este posibil să fi fost modificat de către alte persoane.

Siguranța zonei de lucru



AVERTISMENT: Înainte de a utiliza produsul, citiți instrucțiunile de avertizare de mai jos.

- Înainte de a utiliza produsul, îndepărtați obiectele precum crengile, rămurelele și pietrele din zona de lucru.
- Obiectele care se lovesc de echipamentul de tăiere pot fi aruncate, provocând vătămări corporale și pagube materiale. Țineți trecătorii și animalele la o distanță sigură de produs.
- Nu utilizați produsul pe vreme rea, de exemplu pe ceață, ploaie, vânt puternic, la temperaturi exterioare

foarte scăzute și atunci când există riscul de descărcări electrice. Utilizarea produsului pe vreme nefavorabilă sau pe teren umed sau inundat este oboseitoare. Vremea nefavorabilă poate conduce la apariția de situații periculoase, de exemplu suprafețe alunecoase.

- Verificați dacă există persoane, obiecte și situații care pot împiedica funcționarea în siguranță a produsului.
- Atenție la obstacole, precum rădăcini, pietre, ramuri, gropi și șanțuri. În iarba înaltă se pot ascunde obstacole.
- Tunderea ierbii pe pante poate fi periculoasă. Nu utilizați produsul pe pante cu înclinație mai mare de 15°.
- Utilizați produsul de-a curmezișul pantei. Nu efectuați mișcări în sus și în jos.
- Procedați cu atenție atunci când vă apropiați de colțuri ascuse și de obiecte care blochează vederea.

Siguranța în lucru



AVERTISMENT: Înainte de a utiliza produsul, citiți instrucțiunile de avertizare de mai jos.

- Utilizați acest produs numai pentru tunderea gazonului. Nu este permisă utilizarea acestui produs pentru alte lucrări.
- Utilizați echipamentul personal de protecție. Consultați *Echipament de protecție personală la pagina 240*.
- Nu porniți niciodată motorul într-un spațiu închis sau lângă materiale inflamabile. Gazele de eșapament de la motor sunt fierbinți și pot conține scântei care pot cauza un incendiu.
- Nu utilizați produsul decât dacă au fost montate corect cușitul și toate capacele. Un cușit montat incorect se poate slăbi, provocând vătămări corporale.
- Asigurați-vă că lama nu lovește obiecte, precum pietre și rădăcini. Acestea pot deteriora cușitul și pot îndoi arborele motorului. Un ax îndoit poate genera vibrații puternice și prezintă un risc foarte ridicat de slăbire a cușitului.
- Dacă lama lovește un obiect sau dacă observați vibrații, opriți produsul imediat. Decuplați cablul de alimentare a aprinderii de la bujie. Examinați dacă produsul este deteriorat. Reparați defecțiunile sau solicitați unui agent de service autorizat să le repare.
- Nu fixați niciodată de mâner maneta frânei de motor, în mod permanent, atunci când motorul este pornit.
- Poziționați produsul pe o suprafață stabilă, plană și porniți-l. Asigurați-vă că lama nu atinge solul sau alte obiecte.
- Stați întotdeauna în spatele produsului atunci când îl utilizați.

- Mențineți toate roțile pe sol și țineți ambele mâini pe mâner când utilizați produsul. Feriți-vă mâinile și picioarele de cușitele rotative.
- Nu înclinați produsul când motorul este pornit.
- Fiți atent atunci când trageți produsul în spate.
- Nu ridicați niciodată produsul când motorul este pornit. Dacă trebuie să ridicați produsul, mai întâi opriți motorul și deconectați cablul de alimentare a aprinderii de la bujie.
- Nu mergeți cu spatele în timp ce utilizați produsul.
- Opriți motorul când traversați zone fără iarbă, de exemplu alei din pițriș, piatră și asfalt.
- Nu alergați cu produsul când motorul este pornit. Întotdeauna mergeți în timp ce utilizați produsul.
- Opriți motorul înainte de a schimba înălțimea de tăiere. Nu efectuați niciodată reglări cu motorul pornit.
- Nu lăsați niciodată produsul să iasă din câmpul vizual cu motorul pornit. Opriți motorul și asigurați-vă că echipamentul de tăiere nu se rotește.

Instrucțiuni de siguranță pentru utilizare

Echipament de protecție personală



AVERTISMENT: Înainte de a utiliza produsul, citiți instrucțiunile de avertizare de mai jos.

- Echipamentele de protecție personală nu pot elimina complet riscul de rănire, însă pot reduce gravitatea rănilor în cazul unui accident. Distribuitorul vă poate ajuta să alegeți echipamentul corect.
- Utilizați întotdeauna ghetă sau pantofi pentru regim greu de lucru, cu rezistență la alunecare. Nu folosiți pantofi decupați și nu operați produsul desculț.
- Utilizați pantaloni lungi, groși.
- Purtați mănuși de protecție atunci când este necesar, de exemplu atunci când conectați, inspecți sau curățați echipamentul de tăiere.

Dispozitivele de siguranță de pe produs



AVERTISMENT: Înainte de a utiliza produsul, citiți instrucțiunile de avertizare de mai jos.

- Nu utilizați un produs cu dispozitive de siguranță deteriorate.
- Verificați regulat dispozitivele de siguranță. Dacă dispozitivele de siguranță sunt defecte, contactați agentul de service McCulloch.

Capac de tăiere

- Examinați capacul de tăiere și asigurați-vă că nu există defecte, precum fisuri.

Manetă frână de motor

Maneta frânei de motor oprește motorul. Când maneta frânei de motor este eliberată, motorul se oprește.

Pentru a efectua o inspecție a frânei de motor, porniți motorul, apoi eliberați maneta frânei de motor. Dacă motorul nu se oprește în 3 secunde, solicitați unui agent de service autorizat McCulloch să regleze frâna de motor.

(Fig. 17)

Eșapamentul

Amortizorul de zgomot este proiectat pentru a reduce la minimum nivelul de zgomot și a dirija gazele de eşapament departe de utilizator.

Nu utilizați produsul dacă amortizorul de zgomot nu este instalat sau este defect. Un amortizor de zgomot defect determină creșterea nivelului de zgomot și a pericolului de incendiu.

Verificați regulat amortizorul de zgomot pentru a vă asigura că este montat corect și nu este deteriorat.



ATENȚIE: Amortizorul de zgomot atinge temperaturi înalte în timpul utilizării, imediat după oprire și atunci când motorul funcționează la turația de mers în gol. Procedați cu atenție în apropierea materialelor și/sau gazelor inflamabile pentru a preveni incendiile.

Reguli de siguranță referitoare la carburant



AVERTISMENT: Înainte de a utiliza produsul, citiți instrucțiunile de avertizare de mai jos.

- Nu porniți produsul dacă pe acesta se află carburant sau ulei pentru motor. Îndepărtați carburantul/uleiul nedorit și lăsați produsul să se usuce.

Instrucțiuni de siguranță pentru întreținere



AVERTISMENT: Înainte de a utiliza produsul, citiți instrucțiunile de avertizare de mai jos.

- Gazele de eşapament ale motorului conțin monoxid de carbon, care este un gaz inodor, toxic și deosebit de periculos. Nu porniți motorul în interior sau în spații închise.
- Înainte de a efectua întreținerea produsului, opriți motorul și deconectați cablul de alimentare a aprinderii de la bujie.
- Purtați mănuși de protecție când efectuați întreținerea echipamentului de tăiere. Cuțitul este foarte ascuțit și vă puteți tăia foarte ușor.
- Dacă vărsați carburantul pe îmbrăcăminte, schimbați imediat hainele.
- Nu vărsați carburantul pe corp - poate provoca vătămări corporale. Dacă vărsați carburant pe corp, utilizați apă și săpun pentru a elimina carburantul.
- Nu porniți produsul dacă motorul prezintă scurgeri. Examinați cu regularitate motorul, pentru a identifica eventuale scurgeri.
- Manipulați cu atenție carburantul. Carburantul este inflamabil, vaporii sunt explozivi și pot cauza vătămări corporale sau deces.
- Nu respirați vaporii de carburant, se pot produce vătămări corporale. Asigurați-vă că fluxul de aer este suficient.
- Nu fumați în apropierea carburantului sau a motorului.
- Nu amplasați obiecte calde în apropierea carburantului sau a motorului.
- Nu adăugați carburant atunci când motorul este pornit.
- Asigurați-vă că motorul este rece înainte de a realimenta.
- Înainte de a realimenta, deschideți lent capacul rezervorului de carburant și eliberați cu atenție presiunea.
- Nu adăugați carburant la motor într-o zonă interioară. Un flux de aer insuficient poate cauza vătămare corporală sau deces din cauza asfrierii sau a monoxidului de carbon.
- Strângeți până la capăt capacul rezervorului de carburant. Dacă acesta nu este strâns, există pericol de incendiu.
- Înainte de a porni, mutați produsul la o distanță de minimum 3 m (10 ft) față de poziția unde ați umplut rezervorul.
- Nu introduceți prea mult carburant în rezervorul de carburant.
- Accesorii și modificările aduse produsului care nu sunt autorizate de către producător pot provoca vătămări corporale grave sau fatale. Nu modificați produsul. Utilizați întotdeauna numai accesorii omologate de producător.
- Dacă întreținerea nu se efectuează corect și periodic, crește pericolul de vătămări corporale și de deteriorare a produsului.
- Efectuați numai operațiile de întreținere care se regăsesc în acest manual al proprietarului. Toate celelalte operații de service trebuie efectuate de către un agent de service autorizat McCulloch.
- Solicitați unui agent de service autorizat McCulloch să efectueze în mod regulat operații de service la produs.
- Înlocuiți piesele deteriorate, uzate sau defecte.

Asamblarea

Pentru a asambla mânerul

Zona mânerului inferior

1. Introduceți știfturile din partea de jos a mânerului inferior în orificii, așa cum se indică în ilustrație. Aliniați orificiile șuruburilor și atașați șuruburile, șaibele și rozetele.(Fig. 18)

Zona mânerului superior

1. Aliniați orificiile din mâner cu orificiile din mânerul inferior și atașați șuruburile, șaibele și rozetele. Pe partea dreaptă, atașați, de asemenea, bucla pentru firul de pornire. Strângeți rozetele până la capăt.(Fig. 19)
2. Trageți mânerul pentru firul de pornire și înfășurați firul de pornire în jurul buclei acestuia.(Fig. 20)
3. Utilizați curele pentru a fixa cablurile pe mâner.(Fig. 21)

Nota: Asigurați-vă că tensionarea cablurilor nu este exagerată.

Pentru a asambla colectorul de iarbă

1. Introduceți cadrul colectorului de iarbă în sacul de iarbă din material textil. Asigurați-vă că mânerul de

pe cadrul colectorului de iarbă este deasupra sacului de iarbă.

2. Prindeți sacul de iarbă de cadrul colectorului de iarbă cu ajutorul clemelor de pe marginea sacului din material textil.(Fig. 22)
3. Ridicați capacul posterior.
4. Fixați colectorul de iarbă de marginea superioară a carcasei.
5. Introduceți partea inferioară a colectorului de iarbă în canalul de evacuare a ierbii.

Pentru a asambla obturatorul pentru resturi vegetale.

Un kit de mărunțire este disponibil ca accesoriu opțional numai pentru modelele selectate. Modelele M51-150WR CLASSIC, M53-150WR CLASSIC sunt echipate cu un kit de mărunțire. Modelele M40-120 CLASSIC, M40-125 CLASSIC+ nu pot fi utilizate cu un kit de mărunțire.

1. Ridicați capacul posterior și scoateți colectorul de iarbă.
2. Introduceți obturatorul pentru resturi vegetale în canalul colector.(Fig. 23)

Funcționarea

Introducere



AVERTISMENT: Înainte de a utiliza produsul, trebuie să citiți și să înțelegeți capitolul privind siguranța.

Înainte de a utiliza produsul

1. Citiți cu atenție manualul operatorului și asigurați-vă că înțelegeți instrucțiunile.
2. Examinați echipamentul de tăiere și asigurați-vă că este corect montat și reglat. Consultați *Pentru a examina echipamentul de tăiere la pagina 244.*
3. Umpleți rezervorul de carburant. Consultați *Alimentarea cu carburant la pagina 242.*
4. Umpleți rezervorul de ulei și verificați nivelul uleiului. Consultați *Pentru a verifica nivelul de ulei la pagina 244.*

Alimentarea cu carburant

Dacă este disponibilă, folosiți benzină alchilată/cu emisii scăzute. Dacă benzina alchilată/cu emisii scăzute nu este disponibilă, folosiți benzină fără plumb sau benzină cu plumb de bună calitate. Utilizați benzină cu o cifră

octanică nu mai mică de 90 și cu maximum 10 % etanol (E10).



AVERTISMENT: Umplerea cu un tip incorect de carburant poate deteriora motorul.

1. Deschideți încet capacul rezervorului de carburant pentru a elibera presiunea.
2. Umpleți încet, cu o canistră de carburant. Dacă vărsați carburant, îndepărtați-l cu o cârpă și lăsați-l să se usuce.
3. Curățați suprafața din jurul capacului rezervorului de carburant.
4. Strângeți până la capăt capacul rezervorului de carburant. Dacă acesta nu este strâns, există pericol de incendiu.
5. Înainte de pornire, mutați produsul la o distanță de minimum 3 m (10 ft) față de poziția unde ați umplut rezervorul.

Pentru a seta înălțimea de tăiere

1. Deplasați spre spate pârghia înălțimii de tăiere pentru a mări înălțimea de tăiere.

2. Deplasați înainte pârghia înălțimii de tăiere pentru a reduce înălțimea de tăiere.(Fig. 24)



ATENȚIE: Nu setați o înălțime de tăiere prea scăzută. Cușitele pot atinge solul dacă suprafața gazonului nu este plană.

Pentru a porni produsul

1. Cablul de alimentare a aprinderii trebuie să fie conectat la bujie.
2. La prima pornire a produsului, apăsați pe butonul de amorsare de 5 ori. La următoarea pornire a produsului atunci când motorul este rece, apăsați pe butonul de amorsare de 3 ori.(Fig. 25)
3. Stați în spatele produsului.
4. Țineți maneta frânei de motor lipită de mâner.(Fig. 26)
5. Țineți mânerul șnurului de pornire cu mâna dreaptă.
6. Trageți încet de șnurul de pornire până ce simțiți o anumită rezistență.
7. Trageți cu forță pentru a porni motorul.



AVERTISMENT: Nu răsuciți cablul de pornire în jurul mâinii.

Pentru a utiliza transmisia pe roți

- Împingeți maneta de transmisie în direcția mânerului. (Fig. 27)

- Înainte de a trage produsul în spate, decuplați transmisia și împingeți produsul înainte cu aproximativ 10cm.
- Eliberați maneta de transmisie pentru a dezactiva transmisia, de exemplu atunci când vă apropiați de un obstacol.

Pentru a opri produsul

- Pentru a opri doar transmisia, eliberați maneta de transmisie.
- Pentru a opri motorul, eliberați maneta frânei de motor.

Pentru a obține rezultate bune

- Utilizați întotdeauna o lamă ascuțită. O lamă tocită oferă rezultate neregulate, iar suprafața tăiată a ierbii se îngălbenește. De asemenea, o lamă ascuțită folosește mai puțină energie decât o lamă tocită.
- Nu tăiați niciodată mai mult de 1/3 din lungimea ierbii. Inițial, tundeți cu o înălțime mare de tăiere. Verificați rezultatul și coborâți înălțimea de tăiere la un nivel convenabil. Dacă iarba este foarte înaltă, deplasați aparatul încet și tundeți de două ori, dacă este necesar.
- Tăiați de fiecare dată în altă direcție, pentru a preveni formarea de dungi pe gazon.

Întreținerea

Introducere



AVERTISMENT: Înainte de a efectua orice operații de întreținere, citiți și înțelegeți capitolul privind siguranța.

Toate lucrările de service și de reparații la produs necesită instruire specială. Garantăm disponibilitatea unor lucrări profesionale de reparații și service. Dacă distribuitorul dvs. nu este agent de service, solicitați acestuia informații cu privire la cel mai apropiat agent de service.

Program de întreținere

Intervalele de întreținere sunt calculate având în vedere o utilizare zilnică a produsului. Intervalele se modifică dacă produsul nu este utilizat zilnic.

Pentru operațiile de întreținere marcate cu *, consultați instrucțiunile din *Dispozitivele de siguranță de pe produs la pagina 240.*

Întreținerea	Zilnic	Săptămânal	Lunar
Efectuați o inspecție generală	X		
Examinați nivelul uleiului	X		
Curățați produsul	X		
Examinați echipamentul de tăiere	X		
Examinați capacul de tăiere*	X		

Întreținerea	Zilnic	Săptămânal	Lunar
Examinați maneta frânei de motor*	X		
Examinați și reglați transmisia (cablul de ambreiaj)	X		
Examinați amortizorul de zgomot*		X	
Examinați bujia		X	
Schimbați uleiul (prima dată după 5 h de utilizare, apoi la fiecare 50 h de utilizare)			X
Schimbați filtrul de aer			X
Examinați sistemul de alimentare cu carburant			X

Pentru a efectua o inspecție generală

- Asigurați-vă că șuruburile și piulițele produsului sunt strânse.

Pentru a curăța produsul la exterior

- Folosiiți o perie pentru a elimina frunzele, iarba și murdăria.
- Asigurați-vă că priza de aer din partea superioară a motorului nu este înfundată.
- Nu utilizați o instalație de spălare cu presiune ridicată pentru a curăța produsul.
- Dacă utilizați apă pentru a curăța produsul, nu stropiți direct către motor.

Pentru a curăța suprafața interioară a capacului de tăiere

- Goliți rezervorul de carburant.
- Așezați produsul pe o parte, cu amortizorul de zgomot în jos.



ATENȚIE: Dacă produsul este așezat cu filtrul de aer în jos, motorul se poate deteriora.

- Spălați cu apă suprafața interioară a capacului de tăiere.

Pentru a examina echipamentul de tăiere



AVERTISMENT: Pentru a preveni pornirea accidentală, decuplați cablul de alimentare a aprinderii de la bujie.



AVERTISMENT: Purtați mănuși de protecție când efectuați întreținerea echipamentului de tăiere. Cuțitul este foarte ascuțit și vă puteți tăia foarte ușor.

- Examinați echipamentul de tăiere pentru a identifica eventuale deteriorări sau crăpături. Înlocuiți întotdeauna un echipament de tăiere deteriorat.

- Observați cuțitul pentru a vedea dacă este deteriorat sau tocit.

Nota: După ascuțirea cuțitului, acesta trebuie echilibrat. Solicitați unui centru de service să ascuțe, să monteze la loc și să echilibreze cuțitul. Dacă loviți un obstacol care determină produsul să se oprească, înlocuiți cuțitul deteriorat. Solicitați centrului de service să estimeze dacă lama poate fi ascuțită sau trebuie înlocuită.

Pentru a înlocui lama

- Blocați lama cu o bucată de lemn.(Fig. 28)
- Scoateți bolțul cuțitului.
- Demontați cuțitul.
- Examinați suportul cuțitului și bolțul acestuia pentru a vedea dacă există deteriorări.
- Examinați arborele motorului pentru a vă asigura că nu s-a îndoit.
- Când montați un cuțit nou, îndreptați capetele oblice ale cuțitului în direcția capacului de tăiere.(Fig. 29)
- Asigurați-vă de alinierea cuțitului cu centrul arborelui motorului.
- Blocați lama cu o bucată de lemn. Montați șaiba elastică și strângeți bolțul și șaiba la un cuplu de 45–60 Nm.(Fig. 30)
- Învârțiți cuțitul cu mâna și asigurați-vă că se rotește liber.



AVERTISMENT: Purtați mănuși de protecție rezistente. Cuțitul este foarte ascuțit și vă puteți tăia foarte ușor.

- Porniți produsul pentru a efectua un test al cuțitului. Dacă acesta nu este fixat corect, produsul vibrează sau rezultatele sunt nesatisfăcătoare.

Pentru a verifica nivelul de ulei



ATENȚIE: Un nivel de ulei prea redus poate deteriora motorul. Efectuați o verificare a nivelului de ulei înainte să porniți produsul.

1. Așezați produsul pe teren drept.
2. Scoateți bușonul rezervorului cu joja atașată.
3. Curățați joja de ulei.
4. Introduceți joja complet în rezervorul de ulei pentru o înregistrare corectă a nivelului de ulei.
5. Scoateți joja.
6. Examinați nivelul de ulei de pe joja.
7. Dacă nivelul uleiului este scăzut, alimentați cu ulei de motor și verificați din nou nivelul.

Pentru a schimba uleiul de motor



AVERTISMENT: Imediat după oprirea motorului, uleiul de motor este foarte fierbinte. Lăsați motorul să se răcească înainte de a îl goli de ulei. Dacă uleiul de motor intră în contact cu pielea, curățați cu apă și săpun.

1. Utilizați produsul până când rezervorul de carburant se golește.
2. Scoateți cablu de alimentare a aprinderii din bujie.
3. Scoateți bușonul rezervorului de ulei.
4. Amplasați sub produs un recipient în care să colectați uleiul de motor.
5. Înclinați produsul pentru a scurge uleiul de motor din rezervorul de ulei.
6. Umpleți cu ulei de motor proaspăt și de tipul recomandat în *Date tehnice la pagina 246*.
7. Verificați nivelul de ulei. Consultați *Pentru a verifica nivelul de ulei la pagina 244*.

Filtru de aer

Un filtru de aer aflat în uz timp îndelungat nu poate fi curățat complet. Înclocuiți filtrul de aer la intervale regulate.

Nota: Întotdeauna înclocuiți un filtru de aer deteriorat.

Pentru a curăța filtrul de hârtie

1. Îndepărtați capacul filtrului de aer și scoateți filtrul de hârtie.
2. Loviți filtrul de o suprafață plană pentru a desprinde particulele.



ATENȚIE: Nu folosiți solvenți sau aer comprimat pentru a curăța filtrul de hârtie.

3. Montați filtrul de aer înapoi. Asigurați-vă că filtrul de aer se etanșează pe suportul filtrului de aer.
4. Montați la loc capacul filtrului de aer.

Pentru a curăța filtrul din spumă de plastic

1. Demontați capacul filtrului de aer și scoateți filtrul din spumă de plastic.
2. Curățați filtrul din spumă de plastic cu apă și săpun.
3. Clătiți filtrul din spumă de plastic cu apă curată.
4. Scurgeți apa din filtrul din spumă de plastic și lăsați-l să se usuce.



ATENȚIE: Nu folosiți aer comprimat. Acesta poate deteriora filtrul din spumă de plastic.

5. Ungeți filtrul din spumă de plastic cu ulei de motor.
6. Presați o lavetă curată pe filtrul din spumă de plastic pentru a îndepărta uleiul nedorit.
7. Montați filtrul de aer înapoi. Asigurați-vă că filtrul de aer se etanșează pe suportul filtrului de aer.
8. Montați la loc capacul filtrului de aer.

Pentru a verifica bujia



ATENȚIE: Folosiți întotdeauna tipul recomandat de bujie. Tipul incorect de bujie poate defecta produsul.

- Verificați bujia dacă motorul nu are putere, nu pornește ușor sau nu funcționează corect la turație de mers în gol.
- Pentru a reduce riscul prezenței materialelor nedorite la electrozii bujiei, respectați aceste instrucțiuni:
 - a) Asigurați-vă că turația de mers în gol este corect reglată.
 - b) Asigurați-vă că amestecul este corect.
 - c) Asigurați-vă că filtrul de aer este curat.
- Dacă bujia este murdară, curățați-o și asigurați-vă că distanța dintre electrozi este cea corectă, consultați *Date tehnice la pagina 246*. (Fig. 31)
- Înclocuiți bujia atunci când este necesar.

Pentru a examina sistemul de alimentare cu carburant

- Examinați bușonul rezervorului de carburant și garnitura bușonului rezervorului de carburant pentru a vă asigura că nu există deteriorări.
- Examinați furtunul de carburant pentru a vă asigura că nu există scurgeri. Dacă furtun de carburant este deteriorat, trebuie înclocuit de către un agent de service.

Pentru a regla cablul de ambreiaj

Dacă transmisia este lentă, trebuie reglat cablul de ambreiaj.

1. Atașați firul de ambreiaj în diferite orificii de pe maneta de transmisie pentru a regla lungimea firului de ambreiaj. Reduceți lungimea cablului de ambreiaj

pentru a mări viteza de transmisie. Extindeți cablul de ambreiaj pentru a reduce viteza de transmisie. (Fig. 32)

Nota: Dacă transmisia se cuplează fără a trage maneta de transmisie, trebuie să extindeți cablul de ambreiaj.

2. Pentru ajustări mici ale vitezei de transmisie, rotiți șurubul de reglare. Pentru a mări viteza de

transmisie, rotiți în sens antiorar șurubul de reglaj. Pentru a reduce viteza de transmisie, rotiți în sensul acelor de ceasornic șurubul de reglaj.(Fig. 33)

Dacă transmisia este lentă și după reglaj, solicitați unii agent de service autorizat înlocuirea curelei de transmisie.

Transportul, depozitarea și eliminarea

Transportul și depozitarea

- Pentru depozitarea și transportul produsului și a carburantului, asigurați-vă că nu există scurgeri și gaze. Scântele sau flăcările deschise, de exemplu cele provenite de la dispozitive sau boilere electrice, pot cauza un incendiu.
- Utilizați întotdeauna recipiente omologate pentru depozitarea și transportarea combustibilului.
- Goliți rezervorul de carburant și recipientul carburatorului și depozitați produsul pentru o perioadă lungă de timp. Eliminați carburantul într-o locație de eliminare autorizată
- Fixați în siguranță produsul în timpul transportului pentru a preveni daunele și accidentele.
- Păstrați produsul într-o zonă restricționată pentru a preveni accesul copiilor sau al persoanelor neautorizate.

- Păstrați produsul într-un spațiu uscat și ferit de îngheț.

Dezafectarea

- Respectați cerințele de reciclare și reglementările locale aplicabile.
- Eliminați toate substanțele chimice, precum uleiul de motor sau carburantul, la un centru de service sau într-o locație de eliminare autorizată.
- Atunci când produsul nu mai este în uz, trimiteți-l la un distribuitor McCulloch sau casați-l într-o locație de reciclare.

Date tehnice

Date tehnice

	M40-120 CLASSIC	M40-125 CLASSIC+	M46-120 CLASSIC	M46-120R CLASSIC	M46-125 CLASSIC+	M46-125R CLASSIC+
Motor						
Marcă	McCulloch	Briggs & Stratton	McCulloch	McCulloch	Briggs & Stratton	Briggs & Stratton
Cilindree, cm ³	120	125	120	120	125	125
Turație, rpm	2900	2900	2900	2900	2900	2900
Putere nominală de ieșire motor, kW ¹⁹¹	2	1,6	2	2	1,6	1,6
Sistem de aprindere						
Bujia	K7RTC	RC12YC	K7RTC	K7RTC	RC12YC	RC12YC

¹⁹¹ Puterea nominală indicată a motorului este puterea de ieșire medie netă (la turația specificată) a unui motor de producție normal pentru modelul de motor, măsurată conform standardului SAE J1349/ISO1585. Motoarele de producție în masă pot prezenta valori diferite de aceasta. Puterea de ieșire efectivă pentru motorul instalat pe produsul final va depinde de viteza de funcționare, de condițiile de mediu și de alte valori.

	M40-120 CLASSIC	M40-125 CLASSIC+	M46-120 CLASSIC	M46-120R CLASSIC	M46-125 CLASSIC+	M46-125R CLASSIC+
Distanță între electrozi, mm	0,7	0,5	0,7	0,7	0,5	0,5
Carburant și sistem de ungere						
Capacitate rezervor de carburant, litri	0,8	0,8	0,8	0,8	0,8	0,8
Capacitate rezervor de ulei, litri	0,4	0,4	0,4	0,4	0,4	0,4
Uleiul de motor ¹⁹²	SAE 30/SAE 10W-30	SAE 30/SAE 10W-30	SAE 30/SAE 10W-30	SAE 30/SAE 10W-30	SAE 30/SAE 10W-30	SAE 30/SAE 10W-30
Greutate						
Cu rezervoare goale, kg	24	25	28	29	28	29
Emisii de zgomot¹⁹³						
Nivel de putere acustică măsurat dB(A)	93	93	95	95	95	95
Nivel de putere acustică garantat L _{WA} dB(A)	94	94	96	96	96	96
Niveluri de zgomot¹⁹⁴						
Nivel de presiune a sunetului la urechea operatorului, dB(A)	80	80	82	82	82	82
Niveluri de vibrații, a_{hveq}¹⁹⁵						
Măner, m/s ²	14,75	14,75	15,68	15,68	15,68	15,68
Echipment de tăiere						
Înălțime de tăiere, mm	20-75	20-75	30-80	30-80	30-80	30-80
Lățime de tăiere, mm	400	400	460	460	460	460
Cuțit	Tocător 40	Tocător 40	Tocător 46	Tocător 46	Tocător 46	Tocător 46
Număr articol	5871590-10	5871590-10	5811889-10	5811889-10	5811889-10	5811889-10
Capacitate colector de iarbă, litri	50	50	50	50	50	50

	M46-150WR CLASSIC	M51-140WR CLASSIC+	M51-150R CLASSIC	M51-150WR CLASSIC	M53-150WR CLASSIC
Motor					

¹⁹² *Utilizați ulei pentru motor de calitate SJ sau superioară. Consultați diagrama de vâscozitate din manualul producătorului motorului și selectați vâscozitatea optimă pe baza temperaturii exterioare prevăzute.

¹⁹³ Emisiile de zgomot în mediu măsurate ca putere acustică (L_{WA}) în conformitate cu directiva CE 2000/14/CE.

¹⁹⁴ Presiunea nivelului de zgomot conform ISO 5395:2103. Datele raportate pentru presiunea nivelului de zgomot prezintă o distribuție statistică tipică (abatere standard) de 1,2 dB(A).

¹⁹⁵ Nivel de vibrații conform ISO 5395:2013. Datele raportate pentru nivelul de vibrații prezintă o dispersie statistică tipică (abatere standard) de 0,2 m/s².

	M46-150WR CLASSIC	M51-140WR CLASSIC+	M51-150R CLASSIC	M51-150WR CLASSIC	M53-150WR CLASSIC
Marcă	McCulloch	Briggs & Stratton	McCulloch	McCulloch	McCulloch
Cilindree, cm ³	150	140	150	150	150
Turație, rpm	2900	2900	2900	2900	2900
Putere nominală de ieșire motor, kW ¹⁹⁶	2,4	1,9	2,4	2,4	2,4
Sistem de aprindere					
Bujia	K7RTC	RC12YC	K7RTC	K7RTC	K7RTC
Distanță între electrozi, mm	0,7	0,5	0,7	0,7	0,7
Carburant și sistem de ungere					
Capacitate rezervor de carburant, litri	1,0	0,8	1,0	1,0	1,0
Capacitate rezervor de ulei, litri	0,4	0,4	0,4	0,4	0,4
Uleiul de motor ¹⁹⁷	SAE 30/SAE 10W-30	SAE 30/SAE 10W-30	SAE 30/SAE 10W-30	SAE 30/SAE 10W-30	SAE 30/SAE 10W-30
Greutate					
Cu rezervoare goale, kg	32	32	33	33	33
Emisii de zgomot ¹⁹⁸					
Nivel de putere acustică măsurat dB(A)	97	97	95	97	98
Nivel de putere acustică garantat L _{WA} dB(A)	98	98	98	98	98
Niveluri de zgomot ¹⁹⁹					
Nivel de presiune a sunetului la urechea operatorului, dB(A)	82	82	81	84	82
Niveluri de vibrații, a_{hveq} ²⁰⁰					
Mâner, m/s ²	4,27	4,27	4,06	5,55	3,39
Echipament de tăiere					
Înălțime de tăiere, mm	30-80	30-90	30-90	30-90	30-90
Lățime de tăiere, mm	460	510	510	510	530

¹⁹⁶ Puterea nominală indicată a motorului este puterea de ieșire medie netă (la turația specificată) a unui motor de producție normal pentru modelul de motor, măsurată conform standardului SAE J1349/ISO1585. Motoarele de producție în masă pot prezenta valori diferite de aceasta. Puterea de ieșire efectivă pentru motorul instalat pe produsul final va depinde de viteza de funcționare, de condițiile de mediu și de alte valori.

¹⁹⁷ *Utilizați ulei pentru motor de calitate SJ sau superioară. Consultați diagrama de vâscozitate din manualul producătorului motorului și selectați vâscozitatea optimă pe baza temperaturii exterioare prevăzute.

¹⁹⁸ Emisiile de zgomot în mediu măsurate ca putere acustică (L_{WA}) în conformitate cu directiva CE 2000/14/CE.

¹⁹⁹ Presiunea nivelului de zgomot conform ISO 5395:2103. Datele raportate pentru presiunea nivelului de zgomot prezintă o distribuție statistică tipică (abatere standard) de 1,2 dB(A).

²⁰⁰ Nivel de vibrații conform ISO 5395:2013. Datele raportate pentru nivelul de vibrații prezintă o dispersie statistică tipică (abatere standard) de 0,2 m/s².

	M46-150WR CLASSIC	M51-140WR CLASSIC+	M51-150R CLASSIC	M51-150WR CLASSIC	M53-150WR CLASSIC
Cuțit	Tocător 46	Tocător 51	Tocător 51	Tocător 51	Tocător 53
Număr articol	5811889-10	5041133-10	5041133-10	5041133-10	5811886-10
Capacitate colector de iarbă, litri	50	55	55	55	55

Declarație de conformitate CE

Conținutul declarației de conformitate CE

Noi, Husqvarna AB, SE 561 82 Huskvarna, SUECIA, declarăm pe propria răspundere că produsul reprezentat:	
Descriere	Mașină pentru tuns gazonul cu motor cu combustie internă, controlată de un operator-pieton
Marcă	McCulloch
Platformă / Tip / Model	M40-120 CLASSIC, M40-125 CLASSIC+, M46-120 CLASSIC, M46-120R CLASSIC, M46-125 CLASSIC+, M46-125R CLASSIC+, M46-150WR CLASSIC, M51-140WR CLASSIC+, M51-150R CLASSIC, M51-150WR CLASSIC, M53-150WR CLASSIC
Lot	Serie cu data 2017 și în continuare
respectă în totalitate următoarele directive și reglementări UE:	
Directivă/Reglementare	Descriere
2006/42/CE	„aferență utilajelor”
2014/30/UE	„aferență compatibilității electromagnetice”
2000/14/CE; 2005/88/CE	„privind zgomotul exterior”
Standardele armonizate și/sau specificațiile tehnice aplicate sunt următoarele: EN ISO 12100, ISO 14982, ISO 5395-1 & 2, ISO 3744, ISO 11094, EN 1032	
În conformitate cu directiva 2000/14/CE, Anexa V, valorile sonore declarate sunt declarate în secțiunea Date tehnice a prezentului manual și în Declarația de conformitate CE semnată.	
Mașina pentru tuns gazonul cu motor cu combustie internă, controlată de un operator-pieton se conformează exemplului supus examinării.	

Содержание

Введение.....	250	Эксплуатация.....	255
Безопасность.....	251	Техническое обслуживание.....	256
Инструкции по технике безопасности во время технического обслуживания.....	254	Транспортировка, хранение и утилизация.....	259
Сборка.....	254	Технические данные.....	259
		ДЕКЛАРАЦИЯ СООТВЕТСТВИЯ ЕС.....	262

Введение

Описание изделия

Изделие представляет собой пешеходную роторную газонокосилку. Трава собирается в травосборник. Снимите травосборник, чтобы трава отбрасывалась назад. Установите комплект для мульчирования (дополнительная принадлежность), чтобы использовать скошенную траву в качестве удобрения.

Обзор изделия

(Рис. 1)

1. Петля привода (M46-120R CLASSIC, M46-125R CLASSIC+, M46-150WR CLASSIC, M51-140WR CLASSIC+, M51-150R CLASSIC, M51-150WR CLASSIC, M53-150WR CLASSIC)
2. Верхняя ручка / рукоятка
3. Рукоятка тормоза двигателя
4. Ручка шнура стартера
5. Петля для шнура стартера
6. Травосборник
7. Нижняя рукоятка
8. Узел нижней рукоятки
9. Рычаги регулировки высоты стрижки
10. Крышка отверстия для заливки масла
11. Глушитель
12. Сливная пробка поплавковой камеры карбюратора
13. Кнопка подкачивающего насоса
14. Свеча зажигания
15. Топливный бак
16. Нож
17. Пружинная шайба
18. Болт ножа
19. Режущая дека
20. Воздушный фильтр
21. Руководство по эксплуатации

Условные обозначения на изделии

(Рис. 2) ПРЕДУПРЕЖДЕНИЕ: Небрежная или неправильная эксплуатация может

Назначение

Изделие предназначено для стрижки травы в частных садах. Запрещается использовать изделие для других видов работ.

привести к травме или смерти оператора или посторонних наблюдателей.

Перед началом работы внимательно прочитайте руководство по эксплуатации и убедитесь, что понимаете приведенные здесь инструкции.

Следите за тем, чтобы в зоне проведения работ не было посторонних людей или животных.

Остановите двигатель и отсоедините кабель зажигания, прежде чем приступать к ремонту или техобслуживанию.

Берегитесь отскакивающих предметов и рикошетов.

Внимание: вращающийся нож. Держите руки и ноги на безопасном расстоянии.

Предупреждение: вращающиеся части. Держите руки и ноги на безопасном расстоянии.

Данное изделие отвечает требованиям соответствующих нормативов ЕС

Излучение шума в окружающую среду согласно Директиве Европейского Сообщества. Звуковое излучение машины приведено в главе "Технические характеристики" и на табличке.

(Рис. 10) (Рис. 11) Риск пожара.

(Рис. 12) Риск пожара.

(Рис. 13) Опасность взрыва.

(Рис. 14) Перед дозаправкой обязательно остановите двигатель.

(Рис. 15) Горячая поверхность.

(Рис. 16) Выхлопные газы из двигателя содержат окись углерода — не имеющий запаха, токсичный и чрезвычайно опасный газ. Запрещается эксплуатировать изделие в помещении или в замкнутых пространствах.

Примечание: Остальные символы/этикетки на изделии отвечают требованиям, предъявляемым к сертификации в других коммерческих зонах.

Ответственность изготовителя

В соответствии с законами об ответственности изготовителя мы не несем ответственности за ущерб, вызванный эксплуатацией нашего изделия в результате:

- ненадлежащего ремонта изделия;
- использования для ремонта изделия неоригинальных деталей или деталей, неодобренных производителем;
- использования неоригинальных дополнительных принадлежностей или неодобренных производителем;
- ремонта изделия в неавторизованном сервисном центре или неквалифицированным специалистом.

Безопасность

Инструкции по технике безопасности

Предупреждения, предостережения и примечания используются для выделения особо важных пунктов руководства по эксплуатации.



ПРЕДУПРЕЖДЕНИЕ: Используется, когда несоблюдение инструкций руководства может привести к травмам или смерти оператора или находящихся рядом посторонних лиц.



ВНИМАНИЕ: Используется, когда несоблюдение инструкций руководства может привести к повреждению изделия, других материалов или прилегающей территории.

Примечание: Используется для предоставления дополнительных сведений о конкретной ситуации.

Общие инструкции по технике безопасности



ПРЕДУПРЕЖДЕНИЕ: В обязательном порядке прочитайте следующие инструкции по технике безопасности, прежде чем приступать к эксплуатации изделия.

- При небрежном или неправильном обращении изделие может оказаться опасным инструментом. Несоблюдение инструкций по технике безопасности может привести к травмам или смерти.

- Во время работы данное изделие создает электромагнитное поле. В определенных обстоятельствах это поле может создавать помехи для пассивных и активных медицинских имплантатов. В целях снижения риска серьезной или смертельной травмы лицам с медицинскими имплантатами рекомендуется проконсультироваться с врачом и изготовителем имплантата, прежде чем приступать к эксплуатации данного изделия.
- Будьте всегда осторожны и руководствуйтесь здравым смыслом. Если вы не уверены, как правильно эксплуатировать изделие в определенной ситуации, прекратите работу и проконсультируйтесь со своим дилером McCulloch, прежде чем продолжить.
- Помните: ответственность за аварии, угрожающие другим людям или их имуществу, несет оператор.
- Содержите изделие в чистоте. Следите за тем, чтобы знаки и наклейки были легко читаемыми.
- Не разрешайте пользоваться изделием людям, не убедившись сначала в том, что они прочитали и поняли содержание руководства по эксплуатации.
- Не позволяйте детям использовать изделие.
- Не разрешайте пользоваться изделием людям, которые не знакомы с данными инструкциями.
- Не оставляйте без присмотра людей с физическими или умственными нарушениями, использующих изделие. Они должны постоянно находиться под присмотром взрослого.
- Ни в коем случае не используйте изделие, если вы устали, больны или находитесь под воздействием спиртного, наркотических веществ или лекарственных препаратов. Это может

повлиять на ваше зрение, реакцию, координацию или оценку действительности.

- Запрещается использовать изделие, если оно повреждено.
- Запрещается вносить в изделие модификации или использовать изделие, если вы подозреваете, что в его конструкцию внесены изменения другими лицами.

Техника безопасности на рабочем месте



ПРЕДУПРЕЖДЕНИЕ: В обязательном порядке прочитайте следующие инструкции по технике безопасности, прежде чем приступить к эксплуатации изделия.

- Уберите ветви, сучья, камни и прочие посторонние предметы из рабочей зоны перед началом эксплуатации изделия.
- Предметы, ударяющиеся о режущий инструмент, могут быть отброшены, что приведет к травмам или повреждению имущества. Следите за тем, чтобы посторонние лица и животные находились на безопасном расстоянии от изделия.
- Ни в коем случае не используйте изделие при неблагоприятных погодных условиях, например, в туман, дождь, при сильном ветре, низких температурах и риске удара молнии. Эксплуатация изделия при плохих погодных условиях или на сырых участках утомительна. Плохие погодные условия могут создавать опасные условия для работы, например, скользкие поверхности.
- Следите за возможным появлением посторонних лиц, предметов или условий, которые могут препятствовать безопасной эксплуатации изделия.
- Следите за возможным появлением препятствий, таких как корни, камни, сучья, ямы или рвы. Высокая трава может скрывать препятствия.
- Стрижка травы на склоне может представлять опасность. Запрещается использовать изделие на участках с уклоном более 15°.
- Используйте изделие поперек поверхности склона. Не передвигайтесь вверх и вниз по поверхности склона.
- Проявляйте особую осторожность при приближении к скрытым из видимости поворотам или предметам, которые могут затруднять обзор.

Техника безопасности



ПРЕДУПРЕЖДЕНИЕ: В обязательном порядке прочитайте следующие инструкции по технике безопасности, прежде чем приступить к эксплуатации изделия.

- Изделие предназначено исключительно для скашивания травы на газонах. Запрещается использовать изделие не по назначению.
- Пользуйтесь средствами индивидуальной защиты. См. раздел *Средства индивидуальной защиты на стр. 253*.
- Запрещается запускать двигатель в закрытом помещении или вблизи легковоспламеняющихся материалов. Выхлопные газы двигателя имеют высокую температуру и могут содержать искры, которые в свою очередь могут привести к пожару.
- Ни в коем случае не используйте изделие с отсутствующими или неправильно установленными кожухами или ножом. Неправильно установленный нож может высвободиться и причинить травму.
- Следите за тем, чтобы в нож не попали посторонние предметы, например, камни и корни. Это может затупить нож и привести к искривлению вала двигателя. При сгибании оси увеличивается уровень вибрации, что может привести к снижению надежности крепления ножа.
- В случае столкновения ножа с посторонним предметом или возникновения вибрации немедленно остановите изделие. Отсоедините кабель от свечи зажигания. Проверьте изделие на наличие повреждений. Выполните ремонт повреждений или обратитесь в авторизованный сервисный центр для выполнения ремонта.
- Запрещается на постоянной основе фиксировать рукоятку тормоза двигателя при работающем двигателе.
- При запуске изделие должно находиться на устойчивой, ровной поверхности. Убедитесь, что нож не касается грунта или любого другого предмета.
- При работе с изделием всегда стойте сзади.
- При работе с изделием все колеса должны стоять на земле; держите рукоятку обеими руками. Не приближайте руки или ноги к вращающимся ножам.
- Запрещается наклонять изделие при работающем двигателе.
- Соблюдайте осторожность, когда тянете изделие назад.
- Запрещается поднимать изделие при работающем двигателе. Если вам необходимо поднять изделие, сначала остановите двигатель и отсоедините кабель от свечи зажигания.
- Запрещается двигаться назад при работе с изделием.
- Останавливайте двигатель, когда пересекаете непокрытые травой зоны, например, дорожки из гравия, камня или асфальта.
- Запрещается бегать с изделием при работающем двигателе. Работайте с изделием в спокойном темпе.

- Выключайте двигатель, прежде чем изменить высоту стрижки. Ни в коем случае не выполняйте регулировку при работающем двигателе.
- Ни в коем случае не выпускайте изделие из вида при работающем двигателе. Остановите двигатель и убедитесь, что режущее оборудование не вращается.

Инструкции по безопасности во время эксплуатации

Средства индивидуальной защиты



ПРЕДУПРЕЖДЕНИЕ: В обязательном порядке прочтите следующие инструкции по технике безопасности, прежде чем приступать к эксплуатации изделия.

- Средства индивидуальной защиты не могут полностью исключить риск получения травмы, но при несчастном случае они снижают тяжесть травмы. За помощью по правильному выбору оборудования обращайтесь к дилеру.
- Используйте прочные, противоскользящие ботинки. Запрещается надевать открытую обувь или работать босиком.
- Надевайте прочные длинные брюки.
- При необходимости надевайте защитные перчатки, например, при закреплении, проверке или очистке режущего оборудования.

Защитные устройства на изделии



ПРЕДУПРЕЖДЕНИЕ: В обязательном порядке прочтите следующие инструкции по технике безопасности, прежде чем приступать к эксплуатации изделия.

- Запрещается использовать изделие с неисправными защитными устройствами.
- Регулярно выполняйте проверку защитных устройств. Если защитные устройства неисправны, обратитесь в сервисный центр McCulloch.

Режущая дека

- Проверьте режущую дека и убедитесь, что на ней отсутствуют повреждения, такие как трещины.

Рукоятка тормоза двигателя

Рукоятка тормоза двигателя предназначена для останова двигателя. При отпускании рукоятки тормоза двигатель останавливается.

Для выполнения проверки тормоза двигателя запустите двигатель, а затем отпустите рукоятку тормоза. Если двигатель не остановится через 3

секунды, обратитесь в авторизованный сервисный центр McCulloch для регулировки тормоза двигателя.

(Рис. 17)

Глушитель

Глушитель предназначен для максимального снижения уровня шума и отвода выхлопных газов в сторону от оператора.

Запрещается использовать изделие, если глушитель поврежден или отсутствует. Повреждение глушителя приводит к увеличению уровня шума и риску возгорания.

Регулярно осматривайте глушитель и проверяйте, что он правильно закреплен и не поврежден.



ВНИМАНИЕ: Глушитель значительно нагревается во время эксплуатации и сразу после остановки, а также во время работы двигателя на холостых оборотах. Во избежание возгорания соблюдайте осторожность при работе вблизи легковоспламеняющихся материалов и/или паров.

Правила безопасного обращения с топливом



ПРЕДУПРЕЖДЕНИЕ: В обязательном порядке прочтите следующие инструкции по технике безопасности, прежде чем приступать к эксплуатации изделия.

- Запрещается запускать изделие, если на него попало топливо или моторное масло. Удалите постороннее топливо/масло и дайте изделию высохнуть.
- Если топливо попало на одежду, немедленно смените ее.
- Не допускайте попадания топлива на тело, это может причинить вред здоровью. При попадании топлива на тело смойте его водой с мылом.
- Запрещается запускать изделие при наличии утечки из двигателя. Регулярно проверяйте двигатель на наличие утечек.
- Соблюдайте осторожность при обращении с топливом. Топливо является легковоспламеняющейся жидкостью со взрывоопасными парами и может привести к серьезным или смертельным травмам.
- Запрещается вдыхать пары топлива, т. к. это может причинить вред здоровью. Убедитесь в наличии достаточного потока воздуха.
- Запрещается курить вблизи топлива или двигателя.
- Запрещается ставить теплые предметы рядом с топливом или двигателем.

- Запрещается доливать топливо при работающем двигателе.
- Прежде чем заправить изделие, убедитесь, что двигатель полностью остыл.
- Перед заправкой топлива медленно откройте крышку топливного бака и осторожно сбросьте давление.
- Запрещается заливать топливо в двигатель в помещении. Недостаточная вентиляция может привести к травме или смерти в результате удушья или отравления угарным газом.
- Плотно затяните крышку топливного бака. Если крышка топливного бака не затянута, возникает риск пожара.
- Переместите изделие минимум на 3 м (10 футов) от места заправки топливом, прежде чем запустить его.
- Не наливайте в топливный бак слишком много топлива.

Инструкции по технике безопасности во время технического обслуживания



ПРЕДУПРЕЖДЕНИЕ: В обязательном порядке прочитайте следующие инструкции по технике безопасности, прежде чем приступить к эксплуатации изделия.

- Выхлопные газы из двигателя содержат окись углерода — не имеющий запаха, токсичный и чрезвычайно опасный газ. Запрещается запускать двигатель в помещении или в замкнутых пространствах.
- Прежде чем приступить к техобслуживанию изделия, остановите двигатель и отсоедините кабель от свечи зажигания.
- Надевайте защитные перчатки при техобслуживании режущего оборудования. Нож очень острый, что при неосторожном обращении может легко привести к порезам.
- Использование принадлежностей или внесение изменений в конструкцию изделия, не одобренных производителем, может привести к серьезным или смертельным травмам. Запрещается вносить изменения в конструкцию изделия. Пользуйтесь только рекомендованными производителем принадлежностями.
- При несоблюдении правил и сроков выполнения техобслуживания риск получения травмы или повреждения изделия возрастает.
- Выполняйте техобслуживание строго в соответствии с инструкциями, приведенными в руководстве по эксплуатации. Все прочие виды сервисного обслуживания должны проводиться в авторизованном сервисном центре McCulloch.
- Регулярно обращайтесь в авторизованный сервисный центр McCulloch для проведения техобслуживания изделия.
- Замените поврежденные, сломанные или изношенные детали.

Сборка

Сборка рукоятки

Секция нижней рукоятки

1. Вставьте штифты в нижние отверстия нижней рукоятки, как показано на рисунке. Совместите резьбовые отверстия и установите винты, шайбы и ручки. (Рис. 18)

Секция верхней рукоятки

1. Совместите отверстия на рукоятке с отверстиями на нижней рукоятке и установите винты, шайбы и ручки. Закрепите также на правой стороне петлю для шнура стартера. Надежно затяните ручки. (Рис. 19)
2. Потяните рукоятку шнура стартера и намотайте шнур стартера на петлю для шнура стартера. (Рис. 20)
3. С помощью ремней закрепите кабели на рукоятке. (Рис. 21)

Примечание: Убедитесь, что кабели не натянуты слишком сильно.

Установка травосборника

1. Наденьте тканевой мешок на раму травосборника. Убедитесь, что рукоятка рамы травосборника расположена поверх мешка.
2. Закрепите мешок на раме травосборника с помощью зажимов по краю мешка. (Рис. 22)
3. Поднимите заднюю крышку.
4. Установите травосборник на верхний край шасси.
5. Поместите нижнюю часть травосборника в канал для выброса травы.

Установка пробки для мульчирования

Комплект для мульчирования поставляется в качестве дополнительной принадлежности только с определенными моделями. Модели M51-150WR CLASSIC, M53-150WR CLASSIC поставляются с комплектом для мульчирования. Модели M40-120

CLASSIC, M40-125 CLASSIC+ не предназначены для использования с комплектом для мульчирования.

1. Поднимите заднюю крышку и снимите травосборник.
2. Вставьте пробку для мульчирования в канал для выброса травы. (Рис. 23)

Эксплуатация

Введение



ПРЕДУПРЕЖДЕНИЕ: Перед эксплуатацией прибора необходимо внимательно изучить раздел безопасности.

Перед началом эксплуатации изделия

1. Внимательно прочитайте руководство по эксплуатации и убедитесь, что понимаете приведенные здесь инструкции.
2. Осмотрите режущее оборудование и убедитесь, что оно правильно закреплено и отрегулировано. См. раздел *Проверка режущего оборудования на стр. 257.*
3. Заполните топливный бак. См. раздел *Заправка топливом на стр. 255.*
4. Заполните масляный бак и проверьте уровень масла. См. раздел *Проверка уровня масла на стр. 257.*

Заправка топливом

По возможности пользуйтесь экологическим/ алкилатным бензином. При невозможности использовать экологический/алкилатный бензин используйте качественный неэтилированный или этилированный бензин. Используйте бензин с октановым числом не ниже 90 и максимальным содержанием этанола 10% (E10).



ПРЕДУПРЕЖДЕНИЕ: Заправка изделия неподходящим типом топлива может привести к повреждению двигателя.

1. Медленно откройте крышку топливного бака, чтобы сбавить давление.
2. Медленно залейте топливо из канистры. Если вы пролили топливо, протрите его тряпкой и дайте оставшемуся топливу высохнуть.
3. Очистите поверхность вокруг крышки топливного бака.
4. Плотно затяните крышку топливного бака. Если крышка топливного бака не затянута, возникает риск пожара.

5. Переместите изделие минимум на 3 м (10 футов) от места заправки топливом, прежде чем запустить его.

Регулировка высоты стрижки

1. Переведите рычаг регулировки высоты стрижки назад, чтобы увеличить высоту стрижки.
2. Переведите рычаг регулировки высоты стрижки вперед, чтобы уменьшить высоту стрижки. (Рис. 24)



ВНИМАНИЕ: Не устанавливайте высоту стрижки слишком низко. Ножи могут ударяться о землю, если поверхность газона неровная.

Запуск изделия

1. Убедитесь, что кабель подсоединен к свече зажигания.
2. При первом запуске изделия нажмите кнопку подкачивающего насоса пять раз. При следующем запуске холодного двигателя нажмите кнопку подкачивающего насоса три раза. (Рис. 25)
3. Стойте сзади изделия.
4. Прижмите рукоятку тормоза двигателя к рукоятке. (Рис. 26)
5. Держите рукоятку стартера правой рукой.
6. Медленно потяните за шнур стартера, пока не почувствуете некоторое сопротивление.
7. Резко потяните трос, чтобы завести двигатель.



ПРЕДУПРЕЖДЕНИЕ: Не накручивайте шнур стартера вокруг руки.

Использование привода колес

- Потяните петлю привода в направлении рукоятки. (Рис. 27)
- Прежде чем потянуть изделие назад, отключите привод и толкните изделие вперед примерно на 10см.
- Отпустите петлю привода, чтобы отключить привод, например, при приближении к препятствию.

Остановка изделия

- Для того чтобы остановить только привод, отпустите петлю привода.
- Для того чтобы остановить двигатель, отпустите рукоятку тормоза двигателя.

Достижение оптимальных результатов

- Всегда пользуйтесь хорошо заточенным ножом. Затупившийся нож будет стричь траву неровно, и в месте среза трава будет желтеть. При

использовании острого ножа также затрачивается меньше энергии, чем при работе с затупившимся ножом.

- Не срезайте более $\frac{1}{3}$ всей длины травы. Выполните первую стрижку на большей высоте. Проверьте полученный результат и уменьшите высоту стрижки до необходимого уровня. Если трава высокая, передвигайте газонокосилку медленно и, при необходимости, используйте газонокосилку 2 раза.
- Если вы хотите избежать образования полос на вашем газоне, следует каждый раз стричь его в разных направлениях.

Техническое обслуживание

Введение



ПРЕДУПРЕЖДЕНИЕ: Перед выполнением техобслуживания необходимо внимательно изучить и понять раздел безопасности.

Для выполнения любых работ по сервисному обслуживанию и ремонту изделия необходимо пройти специальное обучение. Мы гарантируем доступность услуг по профессиональному ремонту и сервисному обслуживанию. Если ваш дилер не занимается сервисным обслуживанием, обратитесь к

нему для получения информации о ближайшем сервисном центре.

График технического обслуживания

График технического обслуживания рассчитан исходя из ежедневного использования изделия. Если изделие не используется ежедневно, интервалы техобслуживания изменятся.

Информацию о техническом обслуживании, отмеченном знаком *, см. в инструкциях в *Защитные устройства на изделии на стр. 253.*

Техническое обслуживание	Ежедневно е обслуживан ие	Еженедель но	Ежемесячн о
Выполните общий осмотр	X		
Проверьте уровень масла	X		
Очистите изделие	X		
Проверьте режущее оборудование	X		
Проверьте режущую деку*	X		
Проверьте рукоятку тормоза двигателя*	X		
Осмотрите и отрегулируйте привод (трос сцепления)	X		
Проверьте глушитель*		X	
Проверьте свечу зажигания		X	
Замените масло (первый раз через 5 часов использования, в дальнейшем примерно через каждые 50 часов использования)			X
Замените воздушный фильтр			X
Проверьте топливную систему			X

Выполнение общего осмотра

- Проверьте затяжку гаек и винтов на изделии.

Очистка изделия снаружи

- Используйте щетку для удаления листьев, травы и грязи.
- Убедитесь, что воздухозаборник в верхней части двигателя не заблокирован.
- Не используйте моечный агрегат высокого давления для чистки устройства.
- Если вы используете воду для очистки изделия, не допускайте попадания воды непосредственно на двигатель.

Очистка внутренней поверхности режущей деки

1. Опорожните топливный бак.
2. Положите изделие на бок таким образом, чтобы сторона с глушителем была направлена вниз.



ВНИМАНИЕ: Если положить изделие так, что воздушный фильтр будет направлен вниз, можно повредить двигатель.

3. Промойте водой из шланга внутренние поверхности режущей деки.

Проверка режущего оборудования



ПРЕДУПРЕЖДЕНИЕ: Во избежание непреднамеренного запуска отсоедините кабель от свечи зажигания.



ПРЕДУПРЕЖДЕНИЕ: Надевайте защитные перчатки при техобслуживании режущего оборудования. Нож очень острый, что при неосторожном обращении может легко привести к порезам.

1. Проверьте режущее оборудование на наличие повреждений или трещин. Всегда заменяйте поврежденное режущее оборудование.
2. Осмотрите нож на наличие повреждений или следов притупления.

Примечание: После заточки ножа необходимо выполнить его балансировку. Обратитесь в сервисный центр для выполнения заточки, замены и балансировки ножа. При столкновении с препятствием, которое привело в остановке изделия, замените поврежденный нож. Сервисный центр должен определить, следует ли заточить нож или лучше его заменить.

Замена ножа

1. Заблокируйте нож деревянным бруском.(Рис. 28)
2. Снимите болт ножа.
3. Снимите нож.

4. Проверьте опору и болт ножа на наличие повреждений.
5. Проверьте вал двигателя на наличие деформации.
6. При установке нового ножа находящиеся под углом края должны быть обращены в направлении режущей деки.(Рис. 29)
7. Убедитесь, что нож совмещен с центром вала двигателя.
8. Заблокируйте нож деревянным бруском. Установите пружинную шайбу и затяните болт с шайбой моментом 45–60 Нм.(Рис. 30)
9. Проверните нож рукой и убедитесь, что он свободно вращается.



ПРЕДУПРЕЖДЕНИЕ: Используйте прочные перчатки. Нож очень острый, что при неосторожном обращении может легко привести к порезам.

10. Запустите изделие, чтобы проверить работу ножа. Если нож установлен неправильно, вы ощутите вибрацию изделия, или результат стрижки будет неудовлетворительным.

Проверка уровня масла



ВНИМАНИЕ: Слишком низкий уровень масла может привести к повреждениям двигателя. Проверьте уровень масла перед запуском изделия.

1. Расположите изделие на ровной поверхности.
2. Снимите крышку масляного бака вместе с щупом.
3. Очистите щуп от масла.
4. Поместите щуп полностью в масляный бак, чтобы получить достоверную информацию об уровне масла.
5. Извлеките щуп.
6. Проверьте уровень масла на щупе.
7. Если уровень масла низкий, залейте моторное масло и проверьте уровень масла еще раз.

Замена моторного масла



ПРЕДУПРЕЖДЕНИЕ: Моторное масло очень горячее сразу после остановки двигателя. Дайте двигателю остыть, прежде чем сливать моторное масло. При попадании моторного масла на кожу смойте его мылом и водой.

1. Запустите изделие до полного расхода топлива в баке.
2. Отсоедините провод от свечи зажигания.
3. Снимите крышку масляного бака.

4. Поместите емкость под изделие для сбора моторного масла.
5. Наклоните изделие, чтобы слить моторное масло из масляного бака.
6. Заправьте бак новым моторным маслом; используйте тип масла, рекомендованный в *Технические данные на стр. 259*.
7. Проверьте уровень моторного масла. См. раздел *Проверка уровня масла на стр. 257*.

Воздушный фильтр

Воздушный фильтр после эксплуатации в течение некоторого времени невозможно полностью вычистить. Регулярно выполняйте замену воздушного фильтра.

Примечание: Всегда заменяйте поврежденный воздушный фильтр.

Очистка бумажного фильтра

1. Снимите крышку воздушного фильтра и бумажный фильтр.
2. Постучите фильтром о плоскую поверхность, чтобы удалить твердые частицы.



ВНИМАНИЕ: Не используйте для очистки бумажного фильтра растворитель или сжатый воздух.

3. Установите воздушный фильтр на место. Убедитесь, что воздушный фильтр плотно посажен на место.
4. Установите крышку воздушного фильтра на место.

Очистка пенопластового фильтра

1. Снимите крышку воздушного фильтра и пенопластовый фильтр.
2. Очистите пенопластовый фильтр с помощью мыла и воды.
3. Промойте пенопластовый фильтр чистой водой.
4. Выжмите воду из пенопластового фильтра и дайте ему высохнуть.



ВНИМАНИЕ: Не используйте сжатый воздух. Это может привести к повреждению пенопластового фильтра.

5. Пропитайте пенопластовый фильтр моторным маслом.
6. Прижмите чистую ткань к пенопластовому фильтру, чтобы удалить излишки масла.
7. Установите воздушный фильтр на место. Убедитесь, что воздушный фильтр плотно посажен на место.

8. Установите крышку воздушного фильтра на место.

Проверка свечи зажигания



ВНИМАНИЕ: Всегда используйте только указанный тип свечи. Использование неправильного типа свечи зажигания может привести к повреждению изделия.

- Проверьте свечу зажигания, если двигатель не набирает мощность, плохо заводится или плохо работает на холостых оборотах.
- Чтобы уменьшить риск появления нежелательного материала на электродах свечи зажигания, соблюдайте следующие инструкции:
 - a) Убедитесь в правильности регулировки частоты оборотов холостого хода.
 - b) Убедитесь, что используется надлежащая топливная смесь.
 - c) Убедитесь, что воздушный фильтр чист.
- Если свеча зажигания загрязнена, очистите ее и проверьте зазор между электродами, см *Технические данные на стр. 259* (Рис. 31)
- При необходимости замените свечу зажигания.

Проверка топливной системы

- Проверьте крышку топливного бака и уплотнение крышки топливного бака на наличие повреждений.
- Проверьте топливный шланг на наличие утечек. Если топливный шланг поврежден, обратитесь в сервисный центр для его замены.

Регулировка троса сцепления

Если привод кажется медленным, необходимо отрегулировать трос сцепления.

1. Чтобы отрегулировать длину троса сцепления, закрепите его в одном из отверстий петли привода. Уменьшите длину троса сцепления, чтобы увеличить скорость. Увеличьте длину троса сцепления, чтобы уменьшить скорость. (Рис. 32)

Примечание: Если привод включается, когда вы не тянете петлю привода, необходимо удлинить трос сцепления.

2. Для небольшого изменения скорости поверните винт регулировки. Для того чтобы увеличить скорость, поверните винт регулировки против часовой стрелки. Для того чтобы уменьшить скорость, поверните винт регулировки по часовой стрелке. (Рис. 33)

Если привод кажется медленным даже после регулировки, обратитесь в авторизованный сервисный центр для замены приводного ремня.

Транспортировка, хранение и утилизация

Транспортировка и хранение

- Перед помещением на хранение и транспортировкой изделия и топлива убедитесь в отсутствии утечек или испарения топлива. Искры или источники открытого огня, например, от электрических устройств или котлов, могут привести к пожару.
- Всегда используйте рекомендованные контейнеры для хранения и транспортировки топлива.
- Перед помещением изделия на длительное хранение опорожните топливный бак и поплавковую камеру карбюратора. Утилизируйте топливо в специально предназначенном для этого месте
- Надежно закрепите изделие на время транспортировки для предотвращения повреждений или аварий.

- Храните изделие в запечатом помещении для предотвращения доступа к изделию детей или посторонних лиц.
- Храните изделие в сухом и защищенном от низких температур месте.

Утилизация

- Соблюдайте местное законодательство и действующие нормы в области переработки.
- Утилизируйте все химические вещества, такие как моторное масло или топливо, в сервисном центре или в специально предназначенном для этого месте.
- Если изделие больше не эксплуатируется, отправьте его дилеру McCulloch или утилизируйте в пункте переработки.

Технические данные

Технические данные

	M40-120 CLASSIC	M40-125 CLASSIC+	M46-120 CLASSIC	M46-120R CLASSIC	M46-125 CLASSIC+	M46-125R CLASSIC+
Двигатель						
Марка	McCulloch	Briggs & Stratton	McCulloch	McCulloch	Briggs & Stratton	Briggs & Stratton
Рабочий объем, см ³	120	125	120	120	125	125
Частота вращения, об/мин	2900	2900	2900	2900	2900	2900
Номинальная мощность двигателя, кВт ²⁰¹	2,0	1,6	2,0	2,0	1,6	1,6
Система зажигания						
Свеча зажигания	K7RTC	RC12YC	K7RTC	K7RTC	RC12YC	RC12YC
Зазор между электродами, мм	0,7	0,5	0,7	0,7	0,5	0,5
Топливная система и система смазки						

²⁰¹ Указанная номинальная мощность двигателя — это средняя полезная мощность типичного серийного двигателя при указанной частоте вращения (об/мин) для определенной модели двигателя, измеренная в соответствии со стандартом SAE J1349/ISO1585. Показатели двигателей массового производства могут отличаться от этого значения. Фактическая выходная мощность двигателя, установленного на определенном изделии, зависит от рабочей скорости, условий окружающей среды и других параметров.

	M40-120 CLASSIC	M40-125 CLASSIC+	M46-120 CLASSIC	M46-120R CLASSIC	M46-125 CLASSIC+	M46-125R CLASSIC+
Емкость топливного бака, л	0,8	0,8	0,8	0,8	0,8	0,8
Емкость масляного бака, л	0,4	0,4	0,4	0,4	0,4	0,4
Моторное масло ²⁰²	SAE 30/SAE 10W-30	SAE 30/SAE 10W-30	SAE 30/SAE 10W-30	SAE 30/SAE 10W-30	SAE 30/SAE 10W-30	SAE 30/SAE 10W-30
Вес						
С пустыми баками, кг	24	25	28	29	28	29
Излучение шума²⁰³						
Уровень мощности звука, измеренный, дБ(A)	93	93	95	95	95	95
Уровень мощности шума, гарантированный L _{WA} дБ (A)	94	94	96	96	96	96
Уровни шума²⁰⁴						
Уровень шумового давления на уши оператора, дБ(A)	80	80	82	82	82	82
Уровни вибрации, a_{hveq}²⁰⁵						
На ручке, м/с ²	14,75	14,75	15,68	15,68	15,68	15,68
Режущее оборудование						
Высота реза, мм	20-75	20-75	30-80	30-80	30-80	30-80
Ширина стрижки, мм	400	400	460	460	460	460
Нож	Mulcher 40	Mulcher 40	Mulcher 46	Mulcher 46	Mulcher 46	Mulcher 46
Артикул	5871590-10	5871590-10	5811889-10	5811889-10	5811889-10	5811889-10
Емкость травосборника, л	50	50	50	50	50	50

	M46-150WR CLASSIC	M51-140WR CLASSIC+	M51-150R CLASSIC	M51-150WR CLASSIC	M53-150WR CLASSIC
Двигатель					

²⁰² Используйте моторное масло качества SJ или выше. См. таблицу вязкости в руководстве производителя двигателя и выберите оптимальное значение в соответствии с ожидаемой температурой окружающей среды.

²⁰³ Излучение шума в окружающую среду измеряется как шумовой эффект (L_{WA}) согласно Директиве ЕС 2000/14/ЕС.

²⁰⁴ Уровень шумового давления в соответствии с ISO 5395:2103. Указанные данные об уровне шумового давления имеют типичный статистический разброс (стандартное отклонение) в 1,2 дБ (A).

²⁰⁵ Уровень вибрации в соответствии с ISO 5395:2013. Указанные данные об уровне вибрации имеют типичный статистический разброс (стандартное отклонение) 0,2 м/с².

	M46-150WR CLASSIC	M51-140WR CLASSIC+	M51-150R CLASSIC	M51-150WR CLASSIC	M53-150WR CLASSIC
Марка	McCulloch	Briggs & Stratton	McCulloch	McCulloch	McCulloch
Рабочий объем, см ³	150	140	150	150	150
Частота вращения, об/мин	2900	2900	2900	2900	2900
Номинальная мощность двигателя, кВт ²⁰⁶	2,4	1,9	2,4	2,4	2,4
Система зажигания					
Свеча зажигания	K7RTC	RC12YC	K7RTC	K7RTC	K7RTC
Зазор между электродами, мм	0,7	0,5	0,7	0,7	0,7
Топливная система и система смазки					
Емкость топливного бака, л	1,0	0,8	1,0	1,0	1,0
Емкость масляного бака, л	0,4	0,4	0,4	0,4	0,4
Моторное масло ²⁰⁷	SAE 30/SAE 10W-30	SAE 30/SAE 10W-30	SAE 30/SAE 10W-30	SAE 30/SAE 10W-30	SAE 30/SAE 10W-30
Вес					
С пустыми баками, кг	32	32	33	33	33
Излучение шума ²⁰⁸					
Уровень мощности звука, измеренный, дБ(А)	97	97	95	97	98
Уровень мощности шума, гарантированный L _{WA} дБ (А)	98	98	98	98	98
Уровни шума ²⁰⁹					
Уровень шумового давления на уши оператора, дБ(А)	82	82	81	84	82
Уровни вибрации, a_{hveq} ²¹⁰					
На ручке, м/с ²	4,27	4,27	4,06	5,55	3,39
Режущее оборудование					

²⁰⁶ Указанная номинальная мощность двигателя — это средняя полезная мощность типичного серийного двигателя при указанной частоте вращения (об/мин) для определенной модели двигателя, измеренная в соответствии со стандартом SAE J1349/ISO1585. Показатели двигателей массового производства могут отличаться от этого значения. Фактическая выходная мощность двигателя, установленного на определенном изделии, зависит от рабочей скорости, условий окружающей среды и других параметров.

²⁰⁷ Используйте моторное масло качества SJ или выше. См. таблицу вязкости в руководстве производителя двигателя и выберите оптимальное значение в соответствии с ожидаемой температурой окружающей среды.

²⁰⁸ Излучение шума в окружающую среду измеряется как шумовой эффект (L_{WA}) согласно Директиве ЕС 2000/14/ЕС.

²⁰⁹ Уровень шумового давления в соответствии с ISO 5395:2103. Указанные данные об уровне шумового давления имеют типичный статистический разброс (стандартное отклонение) в 1,2 дБ (А).

²¹⁰ Уровень вибрации в соответствии с ISO 5395:2013. Указанные данные об уровне вибрации имеют типичный статистический разброс (стандартное отклонение) 0,2 м/с².

	M46-150WR CLASSIC	M51-140WR CLASSIC+	M51-150R CLASSIC	M51-150WR CLASSIC	M53-150WR CLASSIC
Высота реза, мм	30-80	30-90	30-90	30-90	30-90
Ширина стрижки, мм	460	510	510	510	530
Нож	Mulcher 46	Mulcher 51	Mulcher 51	Mulcher 51	Mulcher 53
Артикул	5811889-10	5041133-10	5041133-10	5041133-10	5811886-10
Емкость травосборника, л	50	55	55	55	55

ДЕКЛАРАЦИЯ СООТВЕТСТВИЯ ЕС

Содержание декларации о соответствии ЕС

Компания Husqvarna AB, SE 561 82 Huskvarna, ШВЕЦИЯ, под свою исключительную ответственность заявляет, что представленное изделие:	
Описание	Пешеходная газонокосилка с двигателем внутреннего сгорания
Марка	McCulloch
Платформа / Тип / Модель	M40-120 CLASSIC, M40-125 CLASSIC+, M46-120 CLASSIC, M46-120R CLASSIC, M46-125 CLASSIC+, M46-125R CLASSIC+, M46-150WR CLASSIC, M51-140WR CLASSIC+, M51-150R CLASSIC, M51-150WR CLASSIC, M53-150WR CLASSIC
Партия	Серийный номер с 2017 года и далее
полностью соответствует следующим директивам и нормам ЕС:	
Директива/Норматив	Описание
2006/42/ЕС	"о механическом оборудовании"
2014/30/EU	"об электромагнитной совместимости"
2000/14/ЕС; 2005/88/ЕС	"об излучении шума от оборудования, размещенного вне помещения"
Применяются следующие согласованные стандарты и/или технические спецификации: EN ISO 12100, ISO 14982, ISO 5395-1 & 2, ISO 3744, ISO 11094, EN 1032	
В соответствии с директивой 2000/14/ЕС, приложение V, заявленные значения звукового давления указаны в разделе технических данных настоящего руководства и в подписанной декларации соответствия ЕС.	
Поставляемая пешеходная газонокосилка с двигателем внутреннего сгорания соответствует эталону, прошедшему контроль.	

141400, Московская обл., Г. Химки, ул. Ленинградская,
владение 39, строение 6, здание II этаж 4, 8-800-200-1689

Obsah

Úvod.....	263	Údržba.....	268
Bezpečnosť.....	264	Preprava, skladovanie a likvidácia.....	270
Bezpečnostné pokyny pre údržbu.....	266	Technické údaje.....	271
Montáž.....	266	EÚ vyhlásenie o zhode.....	273
Prevádzka.....	267		

Úvod

Popis výrobku

Tento výrobok je rotačná kosačka na trávu s chodiacou obsluhou. Tráva sa zhromažďuje do zberného koša. Na vyprázdenie trávy zo zadnej časti odstráňte zberný kôš. Ak chcete trávu nasekať a použiť ako hnojivo, použite mulčovací súpravu (príslušenstvo).

Prehľad výrobku

(Obr. 1)

1. Páka pohonu (M46-120R CLASSIC, M46-125R CLASSIC+, M46-150WR CLASSIC, M51-140WR CLASSIC+, M51-150R CLASSIC, M51-150WR CLASSIC, M53-150WR CLASSIC)
2. Horná rukoväť
3. Rukoväť motorovej brzdy
4. Rukoväť štartovacieho lanka
5. Oko na štartovacie lanko
6. Zberný kôš
7. Spodná rukoväť
8. Zostava spodnej rukoväte
9. Páky výšky rezu
10. Viečko na olej
11. Tlmič výfuku
12. Vypúšťacia skrútka valca karburátora
13. Nastrekovací balónik
14. Zapaľovacia sviečka
15. Palivová nádrž
16. Nôž
17. Perová podložka
18. Skrútka kotúča
19. Kosiace zariadenie
20. Vzduchový filter
21. Návod na obsluhu

Symboly na výrobku

(Obr. 2) UPOZORNENIE: Neopatrné a nesprávne používanie kosačky môže spôsobiť vážne až smrteľné zranenia obsluhu alebo okolo stojacim osobám.

Plánované použitie

Výrobok používajte na kosenie trávy v súkromných záhradách. Výrobok nepoužívajte na iné účely.

(Obr. 3) Skôr než začnete stroj používať, pozorne si prečítajte návod na obsluhu a presvedčíte sa, že ste porozumeli jeho obsahu.

(Obr. 4) Dbajte na to, aby osoby a zvieratá nevstupovali do pracovnej oblasti.

(Obr. 5) Pred vykonávaním opráv a údržby vypnite motor a odpojte kábel zapaľovania.

(Obr. 6) Dávajte pozor na vymrštené predmety a spätné nárazy.

(Obr. 7) Upozornenie: rotujúca čepeľ. Nepribližujte ruky a nohy.

(Obr. 8) Upozornenie: rotujúce diely. Nepribližujte ruky a nohy.

(Obr. 9) Tento výrobok spĺňa požiadavky smerníc ES

(Obr. 10) Hlukové emisie do okolia sú v súlade so smernicou Európskej únie. Emisie výrobku sú špecifikované v kapitole s technickými údajmi tohto návodu a na štítku.

(Obr. 11) Hrozí nebezpečenstvo požiaru.

(Obr. 12) Hrozí nebezpečenstvo požiaru.

(Obr. 13) Nebezpečenstvo výbuchu.

(Obr. 14) Pred dopĺňaním paliva vždy zastavte motor.

(Obr. 15) Horúci povrch.

(Obr. 16) Výfukové plyny z motora obsahujú oxid uhoľnatý, plyn bez zápachu, ktorý je jedovatý a veľmi nebezpečný. Produkt neštartujte v interiéri ani v uzavretých priestoroch.

Poznámka: Ostatné symboly/emblémy na výrobku odkazujú na požiadavky certifikácie pre ďalšie komerčné oblasti.

Zodpovednosť za výrobok

V súlade s právnymi predpismi upravujúcimi zodpovednosť za výrobok nenesieme zodpovednosť za škody spôsobené naším výrobkom v dôsledku:

- nesprávne vykonanej opravy výrobku,
- opravy výrobku, pri ktorej neboli použité diely od výrobcu alebo diely schválené výrobcom,
- používania príslušenstva od iného výrobcu alebo príslušenstva, ktoré nie je schválené výrobcom,
- opravy výrobku, ktorá nebola vykonaná v schválenom servisnom stredisku alebo schválenými kompetentnými osobami,

Bezpečnosť

Bezpečnostné definície

Výstrahy, upozornenia a poznámky slúžia na zdôraznenie mimoriadne dôležitých častí návodu na obsluhu.



VÝSTRAHA: Používa sa, ak pre obsluhu alebo osoby v okolí existuje nebezpečenstvo poranenia alebo smrti v prípade nedodržania pokynov v návode.



VAROVANIE: Používa sa, ak hrozí nebezpečenstvo poškodenia produktu, iných materiálov alebo okolitej oblasti v prípade nedodržania pokynov v návode.

Poznámka: Používa sa na poskytnutie informácií nad rámec nevyhnutných informácií v danej situácii.

Všeobecné bezpečnostné pokyny



VÝSTRAHA: Skôr než budete používať produkt, prečítajte si nasledujúce výstrahy.

- Tento výrobok je nebezpečný, ak sa nepoužíva správne alebo ak nie ste pri jeho používaní opatrní. V prípade nedodržania bezpečnostných pokynov hrozí poranenie alebo usmrtenie.
- Tento produkt vytvára počas prevádzky elektromagnetické pole. Toto pole môže za určitých okolností spôsobovať rušenie aktívnych alebo pasívnych implantovaných lekárskeho prístrojov. Na zníženie rizika vážneho alebo smrteľného zranenia odporúčame, aby sa osoby s implantovanými lekárskeho prístrojmi poradili so svojím lekárom a výrobcom pomôcky ešte pred použitím tohto produktu.
- Vždy zachovávajúte opatrnosť a riadte sa zdravým úsudkom. Ak si v určitých situáciách nie ste istí, ako máte výrobok používať, výrobok nepoužívajte a pred pokračovaním v práci sa poraďte s predajcom spoločnosti McCulloch.
- Myslite na to, že operátor bude zodpovedný za nehody zahŕňajúce iné osoby alebo ich majetok.

- Výrobok udržiavajte čistý. Uistite sa, že sú symboly a emblémy čitateľné.
- Nedovoľte, aby výrobok používali iné osoby, pokiaľ sa neustíte, že si prečítali tento návod na obsluhu a porozumeli jeho obsahu.
- Nedovoľte, aby výrobok používali deti.
- Nedovoľte, aby výrobok používali osoby, ktoré nepoznajú potrebné pokyny.
- Osoby so zníženými fyzickými alebo duševnými schopnosťami musia byť počas používania výrobku vždy pod dozorom. Vyžaduje sa neustála prítomnosť zodpovednej dospeléj osoby.
- Výrobok nepoužívajte, ak ste unavení, chorí alebo ste pod vplyvom alkoholu, drog alebo liekov. Vyššie uvedené prípady majú negatívny vplyv na váš zrak, ostražitosť, koordináciu a úsudok.
- Výrobok nepoužívajte, ak je poškodený.
- Výrobok žiadnym spôsobom neupravujte ani nepoužívajte, ak existuje možnosť, že bol upravený inými osobami.

Bezpečnosť na pracovisku



VÝSTRAHA: Skôr než budete používať produkt, prečítajte si nasledujúce výstrahy.

- Pred používaním výrobku odstráňte z pracovnej oblasti všetky predmety, ako sú napr. konáre, vetvy a kamene.
- Predmety, ktoré narazia na rezné zariadenie, môžu byť vymrštené a spôsobiť poranenie osôb alebo poškodenie iných predmetov. Dávajte pozor, aby okolo stojace osoby a zvieratá nevstupovali do pracovnej oblasti.
- Výrobok nikdy nepoužívajte počas nepriaznivých poveternostných podmienok, napríklad v hmle, v daždi, v silnom vetre, v silnom mraze, pri vysokom riziku búrky. Používanie výrobku počas nepriaznivých poveternostných podmienok alebo na vlhkých alebo mokrych miestach je namáhavé. Nepriaznivé poveternostné podmienky môžu mať za následok vznik nebezpečných podmienok, akými sú napr. kĺzké povrchy.
- Dávajte pozor na osoby, predmety a situácie, ktoré môžu zamedziť bezpečnej prevádzke výrobku.

- Dávajte pozor na prekážky, ako sú napr. korene, kamene, halúzky, jamy a priekopy. Vysoká tráva môže zakrývať prekážky.
- Kosenie trávy na svahoch môže byť nebezpečné. Výrobok nepoužívajte na svahoch so sklonom viac ako 15 °.
- S výrobkom sa pohybujte po vrstevnici. Nepohybujte sa smerom do svahu a zo svahu.
- V blízkosti skrytých rohov a objektov, ktoré vám bránia vo výhlade, sa pohybujte opatrne.

Bezpečnosť pri práci



VÝSTRAHA: Skôr než budete používať produkt, prečítajte si nasledujúce výstrahy.

- Tento výrobok používajte len na kosenie trávy. Výrobok sa nesmie používať na iné úlohy.
- Používajte osobné ochranné pomôcky. Pozrite si kapitolu *Osobné ochranné prostriedky na strane 265*.
- Nikdy neštartujte motor v uzavretých priestoroch alebo v blízkosti horľavého materiálu. Výfukové plyny z motora sú horúce a môžu obsahovať iskry, ktoré môžu vyvolať požiar.
- Výrobok nepoužívajte, pokiaľ nie sú nôž a všetky kryty správne upevnené. Nesprávne pripojený nôž sa môže uvoľniť a spôsobiť poranenia osôb.
- Uistite sa, že nôž nenarazí na predmety, ako sú napr. kamene alebo korene. Môže dôjsť k poškodeniu noža a ohnutiú hriadeľa motora. Ohnutá náprava spôsobuje silné vibrácie a vzniká veľké nebezpečenstvo uvoľnenia noža.
- Ak nôž narazí na predmet alebo ak cítite vibrácie, výrobok okamžite vypnite. Odpojte kábel zapáľovania od zapáľovacej sviečky. Skontrolujte, či nie je výrobok poškodený. Opravte akékoľvek poškodenie alebo kontaktujte servisného zástupcu.
- Keď je naštartovaný motor, rukoväť motorovej brzdy nesmie byť nikdy trvalo pripevnená k rukoväti.
- Položte výrobok na stabilný, rovný povrch a naštartujte ho. Uistite sa, že sa nôž nedostane do kontaktu so zemou alebo inými predmetmi.
- Pri obsluhu vždy stojte za výrobkom.
- Pri obsluhu výrobku dávajte pozor, aby všetky kolesá dosadali na zem a rukoväť držte oboma rukami. Udržiavajte ruky a chodidlá mimo dosahu rotujúcich nožov.
- Keď je motor spustený, výrobok nenakláňajte.
- Pri ťahaní výrobku smerom dozadu buďte opatrní.
- Výrobok nikdy nedvíhajte, keď je spustený motor. Ak musíte výrobok zdvihnúť, najprv vypnite motor a odpojte kábel zapáľovania od zapáľovacej sviečky.
- Počas obsluhy výrobku necúvajte.
- Pri prechádzaní cez oblasti bez trávy, ako sú napr. štrkové, kamenné a asfaltové chodníky, vypnite motor.

- Keď je zapnutý motor, s výrobkom neutekajte. Počas obsluhy výrobku vždy kráčajte.
- Pred zmenou výšky rezu zastavte motor. Nikdy nevykonávajte nastavenia so spusteným motorom.
- Nikdy nenechávajte výrobok bez dozoru, keď je zapnutý motor. Zastavte motor a uistite sa, že sa rezné zariadenie neotáča.

Bezpečnostné pokyny pre prevádzku

Osobné ochranné prostriedky



VÝSTRAHA: Skôr než budete používať produkt, prečítajte si nasledujúce výstrahy.

- Osobné ochranné prostriedky nedokážu úplne vylúčiť riziko, ale môžu znížiť vážnosť zranenia v prípade nehody. Váš predajca vám pomôže pri výbere správnych prostriedkov.
- Noste odolné protišmykové topánky. Výrobok neobsluhujte v otvorených topánkach ani s bosými nohami.
- Noste dlhé odolné nohavice.
- Keď je to potrebné, používajte ochranné rukavice, ako napríklad pri montáži, kontrole alebo čistení rezného zariadenia.

Bezpečnostné zariadenia na výrobku



VÝSTRAHA: Skôr než budete používať produkt, prečítajte si nasledujúce výstrahy.

- Nepoužívajte produkt, ktorý má chybné bezpečnostné zariadenia.
- Pravidelne kontrolujte bezpečnostné zariadenia. Ak sú bezpečnostné zariadenia chybné, obráťte sa na servisného zástupcu spoločnosti McCulloch.

Kryt rezacej časti

- Skontrolujte kryt rezacej časti, aby ste sa uistili, že na ňom nie sú žiadne známky poškodenia, ako sú napr. praskliny.

Rukoväť motorovej brzdy

Rukoväť motorovej brzdy slúži na zastavenie motora. Keď rukoväť motorovej brzdy uvoľníte, motor sa zastaví.

Ak chcete motorovú brzdú skontrolovať, naštartujte motor a potom uvoľníte rukoväť motorovej brzdy. Ak sa motor v priebehu 3 sekúnd nezastaví, požiadať servisného zástupcu spoločnosti McCulloch o nastavenie motorovej brzdy.

(Obr. 17)

Tlmič výfuku

Tlmič výfuku slúži na udržovanie minimálnej hladiny hluku a na smerovanie výfukových plynov smerom od operátora.

Nepoužívajte produkt, ak tlmič výfuku chýba alebo je poškodený. Poškodený tlmič výfuku zvyšuje hladinu hluku a riziko požiaru.

Pravidelne kontrolujte, či je tlmič výfuku správne pripevnený a či nie je poškodený.



VAROVANIE: Tlmič výfuku je veľmi horúci počas prevádzky, po nej a tiež počas behu motora na voľnobeh. Zachovávajúte opatrnosť v okolí horľavých materiálov alebo výparov, aby ste nespôsobili požiar.

Bezpečnosť paliva



VÝSTRAHA: Skôr než budete používať produkt, prečítajte si nasledujúce výstrahy.

- Výrobok neštartujte, ak sú na ňom zvyšky paliva alebo motorového oleja. Odstráňte neželané palivo/olej a nechajte výrobok vyschnúť.
- Ak vylejete palivo na odev, okamžite sa prezlečte.
- Dávajte pozor, aby ste si palivo nevyliali na telo, pretože môže spôsobiť poranenie. Ak si palivo vylejete na telo, umyte sa pomocou mydla vody.

- Výrobok neštartujte, ak sa na motore vyskytuje netesnosť. Pravidelne kontrolujte výskyt netesností na motore.
- Pri manipulácii s palivom zachovajte opatrnosť. Palivo je horľavá látka a výpary z paliva sú výbušné a môžu spôsobiť poranenia alebo smrť.
- Vyhnite sa vdychovaniu výparov paliva, pretože môžu spôsobiť poranenie. Zabezpečte dostatočné prúdenie vzduchu.
- V blízkosti paliva alebo motora nefajčite.
- Neukladajte do blízkosti paliva alebo motora teplé predmety.
- Nedopĺňajte palivo, keď je zapnutý motor.
- Pred dopĺňaním paliva sa uistite, že motor vychladol.
- Pred dopĺňaním paliva pomaly otvorte veko palivovej nádrže a opatrne uvoľnite tlak.
- Palivo do motora nedopĺňajte v interiéri. Nedostatočné prúdenie vzduchu môže spôsobiť poranenie alebo smrť v dôsledku udusenía alebo otravy oxidom uhoľnatým.
- Veko palivovej nádrže pevne utiahnite. Ak nie je veko palivovej nádrže pevne utiahnuté, existuje riziko vzniku požiaru.
- Pred spustením premiestnite výrobok minimálne 3 m od miesta, na ktorom ste dopĺňali palivo do nádrže.
- Neprepĺňajte palivovú nádrž.

Bezpečnostné pokyny pre údržbu



VÝSTRAHA: Skôr než budete používať produkt, prečítajte si nasledujúce výstrahy.

- Výfukové plyny z motora obsahujú oxid uhoľnatý, plyn bez zápachu, ktorý je jedovatý a veľmi nebezpečný. Motor neštartujte v interiéri ani v uzavretých priestoroch.
- Pred vykonávaním údržby výrobku zastavte motor a odpojte kábel zapalovania od zapalovacej sviečky.
- Pri vykonávaní údržby rezného zariadenia používajte ochranné rukavice. Čepel je veľmi ostrá a ľahko môže dôjsť k porezaniu.
- Príslušenstvo a úprava výrobku, ktoré neschválil výrobca, môžu spôsobiť vážne poranenia alebo

smrť. Výrobok neupravujte. Vždy používajte príslušenstvo schválené výrobcom.

- Nepravidelná a nesprávne vykonaná údržba zvyšuje nebezpečenstvo poranenia a poškodenia výrobku.
- Vykonávajte len údržbu uvedenú v tomto návode na používanie. Všetky ostatné práce týkajúce sa údržby musí vykonávať schválený servisný zástupca spoločnosti McCulloch.
- Výrobok nechajte pravidelne kontrolovať kvôli údržbe u schváleného servisného zástupcu spoločnosti McCulloch.
- Vymeňte všetky poškodené, opotrebované alebo zlomené diely.

Montáž

Montáž rukoväti

Spodná časť rukoväti

1. Zasuňte kolíky v dolnej časti spodnej rukoväti do otvorov, ako je znázornené na nákrese. Zarovnajte

otvory skrutiek a upevnite skrutky, podložky a gombíky.(Obr. 18)

Horná časť rukoväti

1. Zarovnajte otvory na rukoväti s otvormi na spodnej rukoväti a upevnite skrutky, podložky a gombíky. Na

- pravej strane nasadte tiež oko na štartovacie lanko. Gombíky utiahnite na doraz.(Obr. 19)
- Potiahnite rukoväť štartovacieho lanka a štartovacie lanko prevlečte okolo oka na štartovacie lanko.(Obr. 20)
 - Na upevnenie káblov k rukoväti použite upevňovacie pásky.(Obr. 21)

Poznámka: Uistite sa, že káble nie sú príliš napnuté.

Zostavenie zberného koša

- Rám zberného koša vložte do textilného vaku na trávu. Rukoväť na ráme zberného koša musí byť navrchu vaku na trávu.
- Vak na trávu upevnite k rámu zberného koša pomocou úchytiak, ktoré sa nachádzajú na okrají textilného vaku.(Obr. 22)

- Nadvihnite zadný kryt.
- Upevnite zberný kôš na horný okraj rámu.
- Vložte spodnú časť zberného koša do kanála na vyhadzovanie trávy.

Montáž prípojky na mulčovanie

Mulčovacia súprava je k dispozícii ako voľiteľné príslušenstvo iba pre vybrané modely. Modely M51-150WR CLASSIC, M53-150WR CLASSIC sa dodávajú spolu s mulčovacou súpravou. Modely M40-120 CLASSIC, M40-125 CLASSIC+ nemožno používať s mulčovacou súpravou.

- Nadvihnite zadný kryt a vyberte zberný kôš.
- Do kanála na vyhadzovanie trávy vložte prípojku na mulčovanie.(Obr. 23)

Prevádzka

Úvod



VÝSTRAHA: Pred používaním výrobku si musíte prečítať kapitolu o bezpečnosti a porozumieť informáciám, ktoré sa v nej uvádzajú.

Pred obsluhou zariadenia

- Pozorne si prečítajte tento návod na obsluhu a uistite sa, že ste porozumeli pokynom.
- Skontrolujte rezné zariadenie a uistite sa, že je správne upevnené a nastavené. Pozrite si kapitolu *Kontrola rezného zariadenia na strane 269.*
- Nalejte palivo do palivovej nádrže. Pozrite si kapitolu *Doplňanie paliva na strane 267.*
- Naplňte nádrž a skontrolujte hladinu oleja. Pozrite si kapitolu *Kontrola hladiny oleja na strane 269.*

Doplňanie paliva

Ak je to možné, používajte alkylátový benzín s nízkymi emisiami. Ak nízkoemisný/alkylátový benzín nemáte k dispozícii, používajte kvalitný bezolovnatý benzín alebo olovnatý benzín. Používajte benzín s oktanovým číslom 90 alebo vyšším a s maximálnym obsahom etanolu na úrovni 10 % (E10).



VÝSTRAHA: Používanie nesprávneho typu paliva môže viesť k poškodeniu motora.

- Pomalým otvorením veka palivovej nádrže uvoľnite tlak.
- S použitím kanistra opatrne doplňte palivo. Ak sa palivo vyleje, pomocou handričky ho utrite a zvyšné palivo nechajte vyschnúť.
- Vyčistite priestor okolo veka palivovej nádrže.

- Veko palivovej nádrže pevne utiahnite. Ak nie je veko palivovej nádrže pevne utiahnuté, existuje riziko vzniku požiaru.
- Pred naštartovaním premiestnite výrobok minimálne 3 m od miesta, kde ste dopĺňali palivo do nádrže.

Nastavenie výšky rezu

- Ak chcete zvýšiť výšku rezu, posuňte páku výšky rezu smerom dozadu.
- Ak chcete znížiť výšku rezu, posuňte páku výšky rezu smerom dopredu.(Obr. 24)



VAROVANIE: Nenastavujte výšku rezu príliš nízko. Ak nie je povrch trávnik rovinný, nože môžu narážať o zem.

Zapnutie výrobku

- Uistite sa, že je kábel zapalovania pripojený k zapalovacej sviečke.
- Pri prvom naštartovaní výrobku 5-krát stlačte nastrekovací balónik. Pri ďalšom naštartovaní výrobku so studeným motorom stlačte nastrekovací balónik 3-krát.(Obr. 25)
- Stojte za výrobkom.
- Rukoväť motorovej brzdy držte oproti hornej rukoväti.(Obr. 26)
- Pevne uchopte rukoväť štartovacieho lanka pravou rukou.
- Pomaly potiahnite štartovacie lanko, kým nepocítite istý odpor.
- Silným potiahnutím naštartujte motor.



VÝSTRAHA: Štartovacie lanko si neovíjajte okolo ruky.

Používanie pohonu na kolesách

- Potlačte páku pohonu smerom k hornej rukoväti. (Obr. 27)
- Pred potiahnutím výrobku smerom dozadu deaktivujte pohon a potlačte výrobok smerom dopredu pribl. 10cm.
- Uvoľnením páky pohonu deaktivujte pohon, napr. keď sa pohybujete v blízkosti prekážok.

Vypnutie výrobku

- Ak chcete vypnúť len pohon, uvoľnite páku pohonu.
- Ak chcete vypnúť motor, uvoľnite rukoväť motorovej brzdy.

Zabezpečenie optimálnych výsledkov kosenia

- Vždy používajte ostrý nôž. Tupý nôž poskytuje nepravidelné výsledky kosenia a pokosený povrch trávnikova zožltne. Ostrý nôž spotrebuje menej energie ako tupý nôž.
- Nekoste viac ako 1/3 dĺžky trávy. Najprv koste s nastavenou vysokou výškou rezu. Skontrolujte výsledok a znížte výšku rezu na príslušnú úroveň. Ak je tráva veľmi vysoká, pohybujte sa pomaly a ak je to potrebné, pokoste ju dvakrát.
- Zakaždým koste iným smerom, aby ste predišli vzniku pruhov na trávniku.

Údržba

Úvod



VÝSTRAHA: Pred vykonávaním akejkoľvek údržby si musíte prečítať kapitolu o bezpečnosti a porozumieť jej.

Údržba a opravné práce na výrobku si vyžadujú špeciálne školenie. Zaručujeme dostupnosť profesionálnych opravných prác a údržby. Ak váš predajca nie je servisný zástupca, kontaktujte predajcu, ktorý vám poskytne informácie o najbližšom servisnom zástupcovi.

Plán údržby

Intervaly údržby sú vypočítané na základe každodenného používania výrobku. Ak sa výrobok nepoužíva každý deň, tieto intervaly sa menia.

V prípade údržby označenej symbolom * si pozrite pokyny v kapitole *Bezpečnostné zariadenia na výrobku na strane 265*.

Údržba	Denne	Týždenne	Mesačne
Vykonaňte všeobecnú kontrolu	X		
Skontrolujte hladinu oleja	X		
Vyčistite výrobok	X		
Skontrolujte rezné zariadenie	X		
Skontrolujte kryt rezacej časti*	X		
Skontrolujte rukoväť motorovej brzdy*	X		
Skontrolujte a nastavte pohon (lanko spojky)	X		
Skontrolujte tlmič výfuku*		X	
Skontrolujte zapaľovaciu sviečku		X	
Vymeňte olej (prvýkrát po 5 hodinách používania, potom po 50 hodinách používania)			X
Vymeňte vzduchový filter			X
Skontrolujte palivový systém			X

Vykonanie všeobecnej kontroly

- Uistite sa, že sú dotiahnuté matice a skrutky na výrobku.

Čistenie externých povrchov výrobku

- Pomocou kefy odstráňte listy, trávu a nečistoty.
- Uistite sa, že nie je zablokované nasávanie vzduchu vo vrchnej časti motora.

- Na čistenie výrobku nepoužívajte vysokotlakový čistič.
- Ak na čistenie výrobku použijete vodu, nelejte vodu priamo na motor.

Čistenie vnútorného povrchu krytu rezacej časti

1. Vyprázdňte palivovú nádrž.
2. Položte výrobok na stranu tak, aby tlmič výfuku smeroval nadol.



VAROVANIE: Ak výrobok položíte tak, že vzduchový filter bude smerovať nadol, môže dôjsť k poškodeniu motora.

3. Pomocou hadice vystriekajte vnútorné povrchy krytu rezacej časti.

Kontrola rezného zariadenia



VÝSTRAHA: Aby ste zabránili náhodnému naštartovaniu, odpojte kábel zapalovania od zapalovacej sviečky.



VÝSTRAHA: Pri vykonávaní údržby rezného zariadenia používajte ochranné rukavice. Čepel je veľmi ostrá a ľahko môže dôjsť k porezaniu.

1. Skontrolujte, či sa na reznom zariadení nenachádzajú známky poškodenia alebo praskliny. Poškodené rezné zariadenie vždy vymeňte.
2. Skontrolujte, či nie je poškodený alebo tupý nôž.

Poznámka: Po nabrúsení je potrebné nôž vyrovať. Nôž nechajte nabrúsiť, vymeniť a vyrovať v servisnom stredisku. Ak narazíte na predmet, ktorý spôsobí zastavenie výrobku, vymeňte poškodený nôž. Nechajte, aby servisné stredisko rozhodlo, či je možné nôž nabrúsiť alebo sa musí vymeniť.

Výmena noža

1. Pomocou dreveného bloku zaistite nôž. (Obr. 28)
2. Odstráňte skrutku noža.
3. Odstráňte čepel.
4. Skontrolujte držiak noža a skrutku noža kvôli známkam poškodenia.
5. Skontrolujte hriadeľ motora a uistite sa, že nie je ohnutý.
6. Pri upevňovaní nového noža nasmerujte zošikmené konce noža v smere krytu rezacej časti. (Obr. 29)
7. Uistite sa, že je nôž zarovnaný so stredom hriadeľa motora.
8. Pomocou dreveného bloku zaistite nôž. Pripevnite párovú podložku a utiahnite skrutku a podložku momentom 45–60 Nm. (Obr. 30)

9. Rukou potočte nožom a uistite sa, že sa voľne otáča.



VÝSTRAHA: Používajte odolné rukavice. Čepel je veľmi ostrá a ľahko môže dôjsť k porezaniu.

10. Zapnite výrobok a otestujte nôž. Ak nôž nie je správne upevnený, výrobok vibruje alebo poskytuje neuspokojivé výsledky kosenia.

Kontrola hladiny oleja



VAROVANIE: Príliš nízka hladina oleja môže viesť k poškodeniu motora. Pred zapnutím výrobku skontrolujte hladinu oleja.

1. Položte výrobok na rovný povrch.
2. Odstráňte uzáver nádrže na olej s olejovou mierkou.
3. Očistite olej z olejovej miery.
4. Aby ste získali presnú úroveň hladiny oleja, olejovú mierku úplne zasuňte do nádrže na olej.
5. Vytiahnite olejovú mierku.
6. Skontrolujte hladinu oleja na olejovej mierke.
7. V prípade príliš nízkej hladiny doplňte motorový olej a opätovne skontrolujte hladinu oleja.

Výmena motorového oleja



VÝSTRAHA: Bezprostredne po vypnutí motora je motorový olej veľmi horúci. Nechajte motor vychladnúť pred vypustením oleja. Ak sa motorový olej dostane na pokožku, očistite ho mydlom a vodou.

1. Výrobok používajte, kým nebude palivová nádrž prázdna.
2. Vytiahnite kábel zapalovania zo zapalovacej sviečky.
3. Odstráňte veko palivovej nádrže.
4. Položte pod výrobok nádobu na zachytenie motorového oleja.
5. Naklonením výrobku vylejte motorový olej z nádrže na olej.
6. Nalejte do nádrže nový motorový olej, pričom sa riaďte odporúčaniami v kapitole *Technické údaje na strane 271*.
7. Skontrolujte hladinu oleja. Pozrite si kapitolu *Kontrola hladiny oleja na strane 269*.

Vzduchový filter

Vzduchový filter, ktorý bol používaný dlhší čas, nemožno úplne vyčistiť. Vzduchový filter pravidelne vymieňajte.

Poznámka: Poškodený vzduchový filter vždy vymeňte.

Čistenie papierového filtra

1. Odstráňte kryt vzduchového filtra a vyberte papierový filter.
2. Úderom filtra o rovný povrch z neho odstráňte nečistoty.



VAROVANIE: Na čistenie papierového filtra nepoužívajte rozpúšťadlá alebo stlačený vzduch.

3. Vložte vzduchový filter späť na svoje miesto. Uistite sa, že filter pevne dosadá proti držiaku vzduchového filtra.
4. Nasadte kryt vzduchového filtra.

Čistenie penového plastového filtra

1. Odstráňte kryt vzduchového filtra a vyberte penový plastový filter.
2. Vyčistite penový plastový filter pomocou mydla a vody.
3. Opláchnite penový plastový filter čistou vodou.
4. Vytlačte z penového plastového filtra vodu a nechajte ho vysušiť.



VAROVANIE: Nepoužívajte stlačený vzduch. Môže spôsobiť poškodenie penového plastového filtra.

5. Namažte penový plastový filter motorovým olejom.
6. Neželaný olej odstráňte prítlačným čistej handričky na penový plastový filter.
7. Vložte vzduchový filter späť na svoje miesto. Uistite sa, že filter pevne dosadá proti držiaku vzduchového filtra.
8. Nasadte kryt vzduchového filtra.

Kontrola zapaľovacej sviečky



VAROVANIE: Vždy používajte odporúčaný typ zapaľovacej sviečky. Nesprávny typ zapaľovacej sviečky môže spôsobiť poškodenie výrobku.

- Ak má motor slabý výkon, ťažko sa štartuje alebo pri voľnobežných otáčkach nefunguje správne, skontrolujte zapaľovaciu sviečku.
- Ak chcete znížiť riziko prítomnosti neželaného materiálu na elektródach zapaľovacej sviečky, postupujte takto:
 - a) Uistite sa, že voľnobežné otáčky sú správne nastavené.
 - b) Uistite sa, že používate správnu zmes paliva.
 - c) Uistite sa, že je čistý vzduchový filter.
- Ak je zapaľovacia sviečka špinavá, očistite ju a skontrolujte, či je medzera medzi elektródami správna. Pozrite si časť *Technické údaje na strane 271*. (Obr. 31)
- V prípade potreby vymeňte zapaľovaciu sviečku.

Kontrola palivového systému

- Skontrolujte veko palivovej nádrže a tesnenie veka palivovej nádrže a uistite sa, že nie sú poškodené.
- Skontrolujte palivovú hadicu a uistite sa, že z nej nevyteká palivo. Ak je palivová hadica poškodená, nechajte servisného zástupcu, aby ju vymenil.

Nastavenie lanka spojky

Ak pohon pracuje príliš pomaly, je potrebné nastaviť lanko spojky.

1. Pripojením lanka spojky k rôznym otvorom na páke pohonu upravte dĺžku lanka spojky. Skrátčením lanka spojky zvýšite rýchlosť pohonu. Predĺžením lanka spojky znížite rýchlosť pohonu. (Obr. 32)

Poznámka: Ak sa pohon aktivuje bez potiahnutia páky pohonu, je potrebné predĺžiť lanko spojky.

2. Rýchlosť pohonu je možné mierne upraviť otočením nastavovacej skrutky. Ak chcete zvýšiť rýchlosť pohonu, otáčajte nastavovaciu skrutku proti smeru hodinových ručičiek. Ak chcete znížiť rýchlosť pohonu, otáčajte nastavovaciu skrutku v smere hodinových ručičiek. (Obr. 33)

Ak pohon pracuje pomaly aj po nastavení, nechajte autorizovaného servisného zástupcu, aby vymenil hnací remeň.

Preprava, skladovanie a likvidácia

Preprava a uskladnenie

- Pri uskladňovaní a preprave výrobku a paliva sa uistite, že nedochádza k úniku kvapaliny a výparov. Iskry alebo otvorené plamene, napr. z elektrických zariadení alebo bojlerov, môžu vyvolať požiar.
- Na uskladnenie a prepravu paliva vždy používajte schválené kanistre.
- Pred uskladnením výrobku na dlhšiu dobu vyprázdňte palivovú nádrž a valec karburátora. Palivo zlikvidujte v príslušnom zariadení na likvidáciu.

- Počas prepravy výrobok bezpečne upevnite, aby ste zabránili poškodeniu alebo nehodám.
- Výrobok skladujte v uzamknutom priestore mimo dosahu detí a neoprávnených osôb.
- Výrobok skladujte na suchom mieste, ktoré je chránené pred mrazom.

Likvidácia

- Dodržiavajte miestne požiadavky v oblasti recyklácie a platné predpisy.

- Všetky chemikálie, ako napr. motorový olej alebo palivo, zlikvidujte v servisnom stredisku alebo v príslušnom zariadení na likvidáciu.
- Keď už výrobok nepoužívate, pošlite ho predajcovi spoločnosti McCulloch alebo ho zlikvidujte v recyklačnom zariadení.

Technické údaje

Technické údaje

	M40-120 CLASSIC	M40-125 CLASSIC+	M46-120 CLASSIC	M46-120R CLASSIC	M46-125 CLASSIC+	M46-125R CLASSIC+
Motor						
Značka	McCulloch	Briggs & Stratton	McCulloch	McCulloch	Briggs & Stratton	Briggs & Stratton
Objem, cm ³	120	125	120	120	125	125
Rýchlosť, ot./min.	2900	2900	2900	2900	2900	2900
Menovitý výkon motora, kW ²¹¹	2,0	1,6	2,0	2,0	1,6	1,6
Systém zapalovania						
Zapaľovacia sviečka	K7RTC	RC12YC	K7RTC	K7RTC	RC12YC	RC12YC
Vzdialenosť elektród, mm	0,7	0,5	0,7	0,7	0,5	0,5
Systém paliva a mazania						
Objem palivovej nádrže, litre	0,8	0,8	0,8	0,8	0,8	0,8
Objem olejovej nádrže, litre	0,4	0,4	0,4	0,4	0,4	0,4
Motorový olej ²¹²	SAE 30/SAE 10W-30	SAE 30/SAE 10W-30	SAE 30/SAE 10W-30	SAE 30/SAE 10W-30	SAE 30/SAE 10W-30	SAE 30/SAE 10W-30
Hmotnosť						
S prázdnyimi nádržami, kg	24	25	28	29	28	29
Emisie hluku²¹³						
Nameraná úroveň hlučnosti dB(A)	93	93	95	95	95	95
Zaručená úroveň hlučnosti L _{WA} dB(A)	94	94	96	96	96	96
Úroveň hlučnosti²¹⁴						

²¹¹ Vyznačený výkon motora je priemerný čistý výkon (pri uvedených ot./min) typického sériového motora pre model motora meraný podľa normy SAE J1349/ISO 1585. Sériovo vyrábané motory sa môžu od tejto hodnoty odlišovať. Skutočný výkon motora nainštalovaného na koncovom produkte závisí od prevádzkovej rýchlosti, podmienok okolitého prostredia a iných hodnôt.

²¹² Používajte motorový olej kvality SJ alebo vyššej. Pozrite si tabuľku s viskozitou v príručke od výrobcu motora a vyberte najvhodnejšiu viskozitu na základe očakávanej vonkajšej teploty.

²¹³ Hladina hluku meraná ako akustický tlak (L_{WA}) v súlade s európskou smernicou 2000/14/ES.

²¹⁴ Hladina akustického tlaku podľa smernice ISO 5395:2103. Uvádzané údaje pre hladinu akustického tlaku majú typický štatistický rozptyl (štandardnú odchýlku) 1,2 dB (A).

	M40-120 CLASSIC	M40-125 CLASSIC+	M46-120 CLASSIC	M46-120R CLASSIC	M46-125 CLASSIC+	M46-125R CLASSIC+
Hladina akustického tlaku pri uchu obsluhy, dB (A)	80	80	82	82	82	82
Stupne vibrácií, $a_{\text{hveď}}$²¹⁵						
Rukoväť, m/s ²	14,75	14,75	15,68	15,68	15,68	15,68
Rezné zariadenie						
Výška rezu, mm	20 – 75	20 – 75	30 – 80	30 – 80	30 – 80	30 – 80
Šírka rezu, mm	400	400	460	460	460	460
Nôž	Mulčovač Mulcher 40	Mulčovač Mulcher 40	Mulčovač Mulcher 46	Mulčovač Mulcher 46	Mulčovač Mulcher 46	Mulčovač Mulcher 46
Objednávacie číslo	5871590-10	5871590-10	5811889-10	5811889-10	5811889-10	5811889-10
Kapacita zberného koša, liter	50	50	50	50	50	50

	M46-150WR CLASSIC	M51-140WR CLASSIC+	M51-150R CLASSIC	M51-150WR CLASSIC	M53-150WR CLASSIC
Motor					
Značka	McCulloch	Briggs & Stratton	McCulloch	McCulloch	McCulloch
Objem, cm ³	150	140	150	150	150
Rýchlosť, ot./min.	2900	2900	2900	2900	2900
Menovitý výkon motora, kW ²¹⁶	2,4	1,9	2,4	2,4	2,4
Systém zapalovania					
Zapaľovacia sviečka	K7RTC	RC12YC	K7RTC	K7RTC	K7RTC
Vzdialenosť elektród, mm	0,7	0,5	0,7	0,7	0,7
Systém paliva a mazania					
Objem palivovej nádrže, litre	1,0	0,8	1,0	1,0	1,0
Objem olejovej nádrže, litre	0,4	0,4	0,4	0,4	0,4
Motorový olej ²¹⁷	SAE 30/SAE 10W-30	SAE 30/SAE 10W-30	SAE 30/SAE 10W-30	SAE 30/SAE 10W-30	SAE 30/SAE 10W-30
Hmotnosť					

²¹⁵ Stupeň vibrácií podľa smernice ISO 5395:2013. Uvádzané údaje pre ekvivalentný stupeň vibrácií majú typický štatistický rozptyl (štandardnú odchýlku) 0,2 m/s².

²¹⁶ Vyznačený výkon motora je priemerný čistý výkon (pri uvedených ot./min) typického sériového motora pre model motora meraný podľa normy SAE J1349/ISO 1585. Sériovo vyrábané motory sa môžu od tejto hodnoty odlišovať. Skutočný výkon motora nainštalovaného na koncovom produkte závisí od prevádzkovej rýchlosti, podmienok okolitého prostredia a iných hodnôt.

²¹⁷ Používajte motorový olej kvality SJ alebo vyššej. Pozrite si tabuľku s viskozitou v príručke od výrobcu motora a vyberte najvhodnejšiu viskozitu na základe očakávanej vonkajšej teploty.

	M46-150WR CLASSIC	M51-140WR CLASSIC+	M51-150R CLASSIC	M51-150WR CLASSIC	M53-150WR CLASSIC
S prázdnyimi nádržami, kg	32	32	33	33	33
Emisie hluku ²¹⁸					
Nameraná úroveň hlučnosti dB(A)	97	97	95	97	98
Zaručená úroveň hlučnosti L _{WA} dB(A)	98	98	98	98	98
Úrovne hlučnosti ²¹⁹					
Hladina akustického tlaku pri uchu obsluhy, dB (A)	82	82	81	84	82
Stupne vibrácií, a_{hveq} ²²⁰					
Rukoväť, m/s ²	4,27	4,27	4,06	5,55	3,39
Rezné zariadenie					
Výška rezu, mm	30 – 80	30 – 90	30 – 90	30 – 90	30 – 90
Šírka rezu, mm	460	510	510	510	530
Nôž	Mulčovač Mulcher 46	Mulčovač Mulcher 51	Mulčovač Mulcher 51	Mulčovač Mulcher 51	Mulčovač Mulcher 53
Objednávacie číslo	5811889-10	5041133-10	5041133-10	5041133-10	5811886-10
Kapacita zberného koša, liter	50	55	55	55	55

EÚ vyhlásenie o zhode

Obsah vyhlásenia o zhode ES

V mene spoločnosti Husqvarna AB, SE 561 82 Huskvarna, ŠVÉDSKO, vyhlasujeme s plnou zodpovednosťou, že reprezentovaný výrobok:

Popis	Kosačka na trávnu s chodiacou obsluhou vybavená spaľovacím motorom
Značka	McCulloch
Platforma/Typ/Model	M40-120 CLASSIC, M40-125 CLASSIC+, M46-120 CLASSIC, M46-120R CLASSIC, M46-125 CLASSIC+, M46-125R CLASSIC+, M46-150WR CLASSIC, M51-140WR CLASSIC+, M51-150R CLASSIC, M51-150WR CLASSIC, M53-150WR CLASSIC
Séria	Výrobné číslo z roku 2017 a nasledujúcich rokov
plne spĺňa nasledujúce smernice a nariadenia EÚ:	

²¹⁸ Hladina hluku meraná ako akustický tlak (L_{WA}) v súlade s európskou smernicou 2000/14/ES.

²¹⁹ Hladina akustického tlaku podľa smernice ISO 5395:2103. Uvádzané údaje pre hladinu akustického tlaku majú typický štatistický rozptyl (štandardnú odchýlku) 1,2 dB (A).

²²⁰ Stupeň vibrácií podľa smernice ISO 5395:2013. Uvádzané údaje pre ekvivalentný stupeň vibrácií majú typický štatistický rozptyl (štandardnú odchýlku) 0,2 m/s².

Smernice/Nariadenia	Popis
2006/42/EC	„o strojových zariadeniach“
2014/30/EÚ	„týkajúca sa elektromagnetickej kompatibility“
2000/14/ES; 2005/88/ES	„týkajúca sa hluku na voľnom priestranstve“
<p data-bbox="60 223 1034 279">Splňa nasledujúce použité harmonizované normy a/alebo technické špecifikácie: EN ISO 12100, ISO 14982, ISO 5395-1 & 2, ISO 3744, ISO 11094, EN 1032</p> <p data-bbox="60 303 1034 359">V súlade s ustanovením prílohy V smernice 2000/14/ES sú deklarované úrovne hluku uvedené v časti o technických údajoch tohto návodu na obsluhu a v podpísanom Vyhlásení o zhode ES.</p> <p data-bbox="60 383 1034 432">Dodaná kosačka na trávu s chodiacou obsluhou vybavená spaľovacím motorom sa zhoduje so vzorkou, ktorá prešla skúškou.</p>	

VSEBINA

Uvod.....	275	Vzdrževanje.....	280
Varnost.....	276	Transport skladiščenje in odstranitev.....	282
Varnostna navodila za vzdrževanje.....	278	Tehnični podatki.....	282
Montaža.....	278	Izjava ES o skladnosti.....	285
Delovanje.....	279		

Uvod

Opis izdelka

Naprava je rotacijska kosilnica. Pokošena trava se zbira v zbiralniku za travo. Če želite uporabiti zadenjski izmet trave, odstranite zbiralnik za travo. Če želite travo razrezati v gnojilo, namestite mulčer (dodatna oprema).

Pregled izdelka

(Sl. 1)

1. Pogonska ročica (M46-120R CLASSIC, M46-125R CLASSIC+, M46-150WR CLASSIC, M51-140WR CLASSIC+, M51-150R CLASSIC, M51-150WR CLASSIC, M53-150WR CLASSIC)
2. Zgornji del ročaja/ročaj
3. Ročica zavore motorja
4. Ročica zaganjalne vrvice
5. Zanka zaganjalne vrvi
6. Zbiralnik za travo
7. Spodnji ročaj
8. Sklop spodnje ročice
9. Ročice za nastavitev višine košnje
10. Pokrovček posode za olje
11. Dušilnik
12. Odtočni vijak komore uplinjalnika
13. Membrana črpalke za gorivo
14. Vžigalna svečka
15. Posoda za gorivo
16. Rezilo
17. Podložka vzmeti
18. Vijak rezila
19. Kosišče
20. Zračni filter
21. Navodila za uporabo

Simboli na izdelku

(Sl. 2) **POZOR:** Površna in napačna uporaba lahko povzroči poškodbe in celo smrt uporabnika ali opazovalcev.

(Sl. 3) Pred začetkom uporabe izdelka natančno preberite navodila za uporabo in se prepričajte, da ste jih razumeli.

Namen uporabe

Izdelek lahko uporabite, da kosite travo na zasebnih vrtovih. Izdelka ne uporabljajte za druga opravila.

(Sl. 4) Osebe in živali naj bodo na varni razdalji od delovnega območja.

(Sl. 5) Izklopite motor in odstranite vžigalni kabel, šele nato opravite popravila ali vzdrževalna dela.

(Sl. 6) Pazite na leteče in odbite predmete.

(Sl. 7) Opozorilo: vrtljivo rezilo. Držite roke in noge stran.

(Sl. 8) Opozorilo: vrtljivi deli. Držite roke in noge stran.

(Sl. 9) Izdelek je v skladu z veljavnimi direktivami ES

(Sl. 10) Emisija hrupa v okolje v skladu z direktivo Evropske skupnosti. Podatek za emisijo izdelka je naveden v poglavju "Tehnični podatki" ter na nalepki.

(Sl. 11) Nevarnost požara.

(Sl. 12) Nevarnost požara.

(Sl. 13) Nevarnost eksplozije.

(Sl. 14) Vedno ugasnite motor, preden začnete napravo napolnite z gorivom.

(Sl. 15) Vroča površina.

(Sl. 16) Izpušni plini vsebujejo ogljikov monoksid iz motorja, ki je brezbarven, strupen in zelo nevaren plin. Izdelka ne uporabljajte v zaprtih prostorih.

Opomba: Ostali simboli in oznake na izdelku se nanašajo na zahteve za certifikacijo, ki veljajo za druga komercialna območja.

Odgovornost proizvajalca

Kot je navedeno v zakonodaji, ki ureja odgovornost proizvajalca, ne prevzemamo nikakršne odgovornosti za poškodbe, ki bi jih naši izdelki povzročili v naslednjih primerih:

- Izdelek ni pravilno popravljen.
- Izdelek je popravljen z deli, ki jih ni izdelal ali odobril proizvajalec.
- Na izdelku je nameščena dodatna oprema, ki je ni izdelal ali odobril proizvajalec.
- Izdelek ni bil popravljen v pooblaščenem servisnem centru ali pri pooblaščenem organu.

Varnost

Varnostne definicije

Opozorila, previdnostni ukrepi in opombe se uporabljajo za izpostavljanje zlasti pomembnih delov navodil za uporabo.



OPOZORILO: Se uporabi, če obstaja nevarnost poškodbe ali življenjske ogroženosti operaterja ali opazovalcev ob neupoštevanju navodil v tem priročniku.



POZOR: Se uporabi, če obstaja nevarnost poškodb izdelka, drugega materiala ali bližnjega območja ob neupoštevanju navodil v tem priročniku.

Opomba: Se uporabi za podajanje podrobnejših informacij, potrebnih v dani situaciji.

Splošna varnostna navodila



OPOZORILO: Pred uporabo izdelka preberite navodila v povezavi z opozorili v nadaljevanju.

- Ta izdelek je lahko nevaren, če ga ne uporabljate pravilno ali če niste previdni. Če ne upoštevate varnostnih navodil, lahko nastopijo poškodbe ali celo smrt.
- Izdelek med delovanjem ustvarja elektromagnetno polje. To polje lahko v nekaterih pogojih moti delovanje aktivnih ali pasivnih medicinskih vsadkov. Da bi zmanjšali nevarnost, ki bi lahko povzročila resne poškodbe ali smrt, priporočamo, da se osebe z medicinskimi vsadki pred uporabo izdelka posvetujejo s svojim zdravnikom in proizvajalcem vsadka.
- Vedno bodite previdni in ravnajte razumno. Če niste prepričani, kako upravljati ta izdelek v določeni situaciji, prenehajte z delom in se pogovorite z vašim prodajalcem McCulloch.
- Ne pozabite, da je uporabnik odgovoren za nesreče, ki jih povzroči drugim ljudem ali njihovi lastnini.
- Stroj redno čistite. Pozorno preberite znake in nalepke.

- Ne dovolite osebi, ki ni prebrala in ne razume vsebine navodil za uporabo, da upravlja ta izdelek.
- Izdelka ne smejo uporabljati otroci.
- Izdelka ne smejo uporabljati osebe, ki ne poznajo navodil za uporabo.
- Če izdelek uporabljajo osebe z zmanjšanimi fizičnimi ali intelektualnimi sposobnostmi, jih nenehno nadzorujte. Vedno mora biti prisotna odgovorna odrasla oseba.
- Izdelka ne uporabljajte, ko ste utrujeni, bolni, ali pod vplivom alkohola, drog ali zdravil. To negativno vpliva na vaš vid, pozornost, koordinacijo in presojo.
- Izdelka ne uporabljajte, če je poškodovan.
- Izdelka ne spreminjajte ali uporabljajte, če obstaja možnost, da so ga spremenile tretje osebe.

Varnost delovnega področja



OPOZORILO: Pred uporabo izdelka preberite navodila v povezavi z opozorili v nadaljevanju.

- Z delovnega območja pred začetkom dela odstranite predmete, kot so veje, vejice in kamni.
- Predmeti, ki pridejo v kontakt z rezalno opremo, lahko odletijo in poškodujejo osebe in ostale predmete. Opazovalci in živali naj bodo na varni razdalji od izdelka.
- Izdelka nikoli ne uporabljajte v slabem vremenu, kot je megla, dež, močan veter, izreden mraz ter nevarnost strele. Če izdelek uporabljate v slabem vremenu ali v vlažnih ali mokrih okoljih, vas bo to utrudilo. Slabo vreme lahko povzroči nevarne pogoje, kot je spolzka podlaga.
- Bodite pozorni na osebe, predmete in situacije, ki lahko preprečijo varno obratovanje izdelka.
- Bodite pozorni na ovire, kot so korenine, kamni, veje, jame in jarki. Visoka trava lahko prekriva ovire.
- Košnja trave na pobočju je lahko nevarna. Izdelka ne uporabljajte na pobočjih z naklonom, večjim od 15°.
- Izdelek uporabljajte prečno na pobočje. Ne premikajte se navzgor in navzdol.
- Bodite previdni, kadar se približujete kotom in predmetom, ki omejujejo pogled.

Varnost pri delu



OPOZORILO: Pred uporabo izdelka preberite navodila v povezavi z opozorili v nadaljevanju.

- Ta izdelek uporabljajte izključno za košnja trave. Ne uporabljajte ga za druga opravila.
- Uporabljajte osebno zaščitno opremo. Glejte *Osebna zaščitna oprema na strani 277*.
- Motorja nikoli ne vklopite v zaprtem prostoru ali v bližini vnetljivega materiala. Izpušni plini iz motorja so vroči in lahko vsebujejo iskre, ki lahko povzročijo požar.
- Izdelka ne uporabljajte, če rezilo in vsi pokrovi niso nameščeni pravilno. Nepravilno nameščeno rezilo lahko odleti in povzroči poškodbe.
- Pazite, da rezilo ne udarja ob predmete, npr. kamenje in korenine. To lahko poškoduje rezilo in ukrivi motorno gred. Zvita os povzroča vibracije in zelo visoko tveganje, da rezilo odleti.
- Če rezilo trči ob predmet ali začutite vibracije, izdelek nemudoma izklopite. S svečke odstranite vžigalni kabel. Preglejte, ali je izdelek morda poškodovan. Poškodbe popravite ali pa popravilo prepustite pooblaščenemu serviserju.
- Ročico zavore motorja nikoli ne pritrđite trajno na ročaj, ko je motor obratuje.
- Izdelek vklopite na stabilni in ravni podlagi. Prepričajte se, da rezilo ne trči ob tla ali druge predmete.
- Vedno bodite za izdelkom, ko ga upravljate.
- Ko upravljate izdelek, morajo biti vsa kolesa na tleh, prav tako pa imejte na ročaju obe roki. Roke in noge držite stran od vrtljivih rezil.
- Pri delujočem motorju izdelka nikoli ne nagibajte.
- Ko izdelek potegnete nazaj, bodite previdni.
- Izdelka ne dvigajte, ko motor deluje. Če morate izdelek dvigniti, motor izklopite in s svečke odstranite vžigalni kabel.
- Med uporabo izdelka ne hodite vzvratno.
- Izklopite motor, ko se premikate prek področij brez trave, npr. poti iz gramoza, kamna in asfalta.
- Pri delujočem motorju ne tecite z izdelkom. Pri uporabi tega izdelka vedno hodite.
- Preden spreminjate višino reza, ustavite motor. Ne izvajajte prilagoditev, ko motor deluje.
- Ko je motor vklopljen, imejte izdelek vedno v pogledu. Motor izklopite in se prepričajte, da se rezalna oprema ne vrti.

Varnostna navodila za uporabo

Osebna zaščitna oprema



OPOZORILO: Pred uporabo izdelka preberite navodila v povezavi z opozorili v nadaljevanju.

- Osebna zaščitna oprema ne more v celoti preprečiti poškodb, vendar v primeru nesreče omili posledice. Prodajalec vam pomaga izbrati ustrezno opremo.
- Uporabite trpežno obutev, ki ne drsi. Ne bodite bosí ali nosite odprtih čevljev.
- Oblečene imejte trpežne, dolge hlače.
- Po potrebi uporabite zaščitne rokavice, npr. kadar pritrđujete, pregledujete ali čistite rezalno opremo.

Varnostne naprave na izdelku



OPOZORILO: Pred uporabo izdelka preberite navodila v povezavi z opozorili v nadaljevanju.

- Ne uporabljajte izdelka s poškodovanimi varnostnimi napravami.
- Redno preverjajte varnostne naprave. Če so varnostne naprave poškodovane, se obrnite na pooblaščen servisno delavnico McCulloch.

Pokrov rezila

- Preglejte pokrov rezila in se prepričajte, da nima poškodb, kot so razpoke.

Ročica zavore motorja

Ročica zavore motorja izklopi motor. Ko je ročica zavore motorja sproščena, se motor ustavi.

Če želite preveriti zavoro motorja, vklopite motor, potem pa sprostite ročico zavore motorja. Če se motor ne izklopi v 3 sekundah, peljite izdelek k pooblaščenemu serviserju McCulloch, da nastavi zavoro motorja.

(Sl. 17)

Dušilec

Dušilnik zmanjšuje hrup na najnižjo možno raven in pošilja izpušne pline stran od operaterja.

Ne uporabljajte izdelka, če dušilnik manjka ali je poškodovan. Poškodovan dušilnik zviša nivo hrupa in poveča nevarnost požara.

Dušilnik redno preverjajte in se tako prepričajte, da je pravilno nameščen in nepoškodovan.



POZOR: Dušilnik se med in po uporabi ter med delovanjem motorja v prostem teku zelo segreje. V bližini vnetljivih materialov in/ali hlapov bodite previdni, da preprečite požar.

Varnost pri delu z gorivom



OPOZORILO: Pred uporabo izdelka preberite navodila v povezavi z opozorili v nadaljevanju.

- Če so na izdelku ostanki goriva ali motornega olja, izdelka ne zaganjajte. Očistite ostanke goriva/olja in počakajte, da se izdelek posuši.
- Če se z gorivom polijete po obleki, se nemudoma preoblecite.
- Pazite, da goriva ne polijete po telesu, saj lahko pride do poškodb. Če gorivo polijete po telesu, se očistite z milom in vodo.
- Če motor pušča, izdelka ne zaganjajte. Redno preverjajte, ali motor pušča.
- Z gorivom ravnajte previdno. Gorivo je vnetljivo, hlapi pa so eksplozivni, zato lahko pride do poškodb ali smrti.
- Ne vdihavajte hlapov goriva, saj lahko pride do poškodb. Zagotovite zadosten pretok zraka.
- V bližini goriva ali motorja ne kadite.
- Vročih predmetov ne postavljajte v bližino goriva ali motorja.
- Goriva ne dolivajte, ko je motor vklopljen.
- Pred dolivanjem goriva se prepričajte, da je motor ohlajen.
- Pred dolivanjem počasi odprite pokrovček posode za gorivo in previdno sprostite pritisk.
- Goriva ne dolivajte v zaprtih prostorih. Nezadosten pretok zraka lahko povzroči poškodbe ali smrt zaradi zadušitve ali zastrupitve z ogljikovim monoksidom.
- Skrbno privijte pokrovček posode za gorivo. Če pokrovček posode za gorivo ni dobro zatesnjen, obstaja nevarnost požara.
- Preden izdelek vklopite, ga premaknite najmanj 3 m (10 čevljev) stran od mesta, kjer ste napolnili posodo za gorivo.
- V posodo za gorivo ne nalijte preveč goriva.

Varnostna navodila za vzdrževanje



OPOZORILO: Pred uporabo izdelka preberite navodila v povezavi z opozorili v nadaljevanju.

- Izpušni plini vsebujejo ogljikov monoksid iz motorja, ki je brezbarven, strupen in zelo nevaren plin. Motorja ne vklopite v zaprtih prostorih.
- Preden začnete z vzdrževanjem izdelka, ustavite motor in s svečke odstranite vžigalni kabel.
- Pri vzdrževanju rezalne opreme uporabite zaščitne rokavice. Rezilo je izjemno ostro, zato lahko hitro pride do ureznin.
- Dodatki in spremembe izdelka, ki niso odobrene s strani proizvajalca, lahko vodijo k resnim poškodbam

ali celo v smrt. Ne spreminjajte izdelka. Vedno uporabljajte samo dodatke, ki jih je odobril proizvajalec.

- Če izdelka ne vzdržujete pravilno in redno, se poveča nevarnost poškodb osebam in izdelku.
- Vzdrževanje opravite tako, kot piše v teh navodilih za uporabo. Vsakršno drugačno vzdrževanje mora opraviti osebe pooblašene servisne delavnice McCulloch.
- Redno dovolite osebu pooblašene servisne delavnice McCullochizvajati vzdrževalna dela.
- Zamenjajte poškodovane, obrabljene ali zlomljene dele.

Montaža

Montaža ročice

Spodnji del ročaja

1. Zatiča v skladu s sliko vstavite v odprtini na dnu spodnjega dela ročaja. Poravnajte navojne vrtnice in privijte vijaka, podložki in gumbni vijaka.(Sl. 18)

Zgornji del ročaja

1. Odprtine v ročaju poravnajte z odprtinami v spodnjem delu ročaja ter namestite vijaka, podložki in gumbna vijaka. Na desni strani pritrđite tudi zanko zaganjalne vrvice. Popolnoma zategnite gumbne vijake.(Sl. 19)
2. Povlecite ročico zaganjalne vrvice in zaganjalno vrvico speljete okrog zanke zaganjalne vrvice.(Sl. 20)
3. S paški pritrđite kable na ročaj.(Sl. 21)

Opomba: Ne pritrđite jih preveč na tesno, da ne bodo prenapeti.

Namestititev zbiralnika za travo

1. Okvir zbiralnika za travo vstavite v košaro za travo iz tkanine. Ročaj zbiralnika za travo mora biti vedno na vrhu.
2. Košaro za travo pritrđite na okvir zbiralnika za travo s sponkami na robu košare iz blaga.(Sl. 22)
3. Dvignite zadnji pokrov.
4. Zbiralnik za travo pritrđite na zgornji rob ohišja.
5. Vstavite spodnji del zbiralnika za travo v izpustni kanal za travo.

Kako montirati vložek za mulčenje

Komplet za mulčenje je za določene modele na voljo kot dodatna oprema. Modeli M51-150WR CLASSIC,

M53-150WR CLASSIC so že opremljeni s kompletom za mulčenje. Modelov M40-120 CLASSIC, M40-125 CLASSIC+ ni mogoče uporabiti s kompletom za mulčenje.

1. Privzdignite zadnji pokrov in odstranite zbiralnik za travo.
2. Vložek za mulčenje vtaknite v izpustni kanal.(Sl. 23)

Delovanje

Uvod



OPOZORILO: Pred uporabo izdelka morate prebrati in razumeti poglavje o varnosti.

Pred uporabo izdelka

1. Natančno preberite navodila za uporabo in se prepričajte, da ste jih razumeli.
2. Preglejte rezalno opremo in se prepričajte, da je pravilno pritrjena in nastavljena. Glejte *Kako pregledati rezalno opremo na strani 280.*
3. Napolnite rezervoar za gorivo. Glejte *Polnjenje goriva na strani 279.*
4. Napolnite rezervoar olja in preverite nivo olja. Glejte *Kako preveriti nivo olja na strani 281.*

Polnjenje goriva

Če je na voljo, uporabite nizkoemisijsko/alkilatno gorivo. Če gorivo z nizko stopnjo emisij/alkilatov ni na voljo, uporabljajte neosvinčen ali osvinčen bencin dobre kakovosti. Uporabljajte le goriva, katerih število oktanov je najmanj 90, in goriva z največ 10-% vsebnostjo etanola (E10).



OPOZORILO: Če uporabite napačno vrsto goriva, lahko poškodujete motor.

1. Počasi odprite rezervoar za gorivo, da sprostite pritisk.
2. Napolnite počasi s posodo za gorivo. Če gorivo polijete, ga pobrišite s krpo in pustite, da se preostalo gorivo posuši.
3. Očistite področje okrog pokrova rezervoarja za gorivo.
4. Skrbno privijte pokrovček posode za gorivo. Če pokrovček posode za gorivo ni dobro zatesnjen, obstaja nevarnost požara.
5. Preden izdelek vklopite, ga premaknite najmanj 3 m (10 čevljev) stran od mesta, kjer ste napolnili posodo za gorivo.

Nastavitev višine košnje

1. Povlecite ročico za nastavitev višine košnje nazaj, da povečate višino rezanja.
2. Potisnite ročico za nastavitev višine košnje naprej, da znižate višino rezanja.(Sl. 24)



POZOR: Ne nastavite višino rezanja prenizko. Rezila lahko trčijo ob tla, če površina travnika ni ravna.

Zagon izdelka

1. Prepričajte se, da je vžigalni kabel priklopljen na svečko.
2. Pred prvim zagonom izdelka 5-krat pritisnite membrano črpalke za gorivo. Ob vsakem naslednjem zagonu izdelka s hladnim motorjem membrano pritisnite 3-krat.(Sl. 25)
3. Ostanite za izdelkom.
4. Ročico zavore motorja držite ob ročaju.(Sl. 26)
5. Z desno roko držite ročico zaganjalne vrvice.
6. Zaganjalno ročico počasi izvlecite, da začitite nekoliko upora.
7. Močno povlecite, da zaženete motor.



OPOZORILO: Zaganjalne vrvice ne navijajte okoli zapestja.

O uporabi pogona koles

- Pogonsko ročico potisnite v smer ročaja.(Sl. 27)
- Preden povlečete izdelek vzvratno, izklopite pogon in potisnite izdelek naprej približno 10cm.
- Sprostite pogonsko ročico, da izklopite pogon, npr. ko ste blizu ovire.

Kako izklopiti izdelek

- Če želite izklopiti samo pogon, sprostite pogonsko ročico.
- Če želite izklopiti motor, sprostite ročico zavore motorja.

Kako doseči dober rezultat

- Vedno uporabljajte ostra rezila. Če uporabljate topo rezilo, bo trava pokošena neenakomerno, ob zarezah pa lahko postane tudi rumena. Ostro rezilo prav tako porabi manj energije kot topo rezilo.
- Ne odrežite več kot tretjino dolžine travnih bilk. Najprej kosite z visoko nastavitvijo višine košnje. Preglejte rezultat in nastavite višino košnje na ustrezno višino. Če je trava zelo visoka, vozite počasi in po potrebi kosite dvakrat.
- Vsakič kosite v različnih smereh, da se na travi ne bi pojavile črte.

Vzdrževanje

Uvod



OPOZORILO: Pred izvajanjem vzdrževalnih del morate prebrati in razumeti poglavje o varnosti.

Za servisiranje in popravila na izdelku posebno usposabljanje ni potrebno. Zagotavljamo, da vam bodo na voljo strokovna popravila in servisiranje. Če vaš prodajalec ni pooblaščen serviser, ga povprašajte, kje je naslednja najbližja pooblaščen servisna delavnica.

Urnik vzdrževanja

Izračunani intervali vzdrževanja veljajo za vsakodnevno uporabo izdelka. Intervali se spremenijo, če izdelka ne uporabljate vsakodnevno.

Za vzdrževalna dela, označena z *, glejte navodila v *Varnostne naprave na izdelku na strani 277.*

Vzdrževanje	Dnevno	Tedensko	Mesečno
Izvedite splošne preglede	X		
Preverite nivo olja	X		
Izdelek očistite	X		
Preglejte rezalno opremo	X		
Preglejte pokrov rezila*	X		
Preglejte ročico zavoro motorja*	X		
Preglejte in nastavite pogon (žica za sklopko)	X		
Preglejte dušilec*		X	
Preglejte svečko		X	
Zamenjajte olje (prvič po 5 urah uporabe, potem po vsakih 50 urah uporabe)			X
Zamenjajte zračni filter			X
Preglejte sistem za gorivo			X

Izvajanje splošnih pregledov

- Prepričajte se, da so matice in vijaki na izdelku dobro priviti.

Kako čistiti zunanost izdelka

- S krtačo odstranite listje, travo in umazanijo.
- Prepričajte se, da dovod zraka na vrhu motorja ni oviran.
- Izdelek ne čistite z visokotlačnim čistilnikom.
- Če izdelek operete z vodo, pazite, da voda ne teče neposredno na motor.

Kako očistiti notranjo površino pokrova rezila

1. Izpraznite posodo za gorivo.
2. Izdelek položite na stran tako, da je dušilec na spodnji strani.



POZOR: Če položite izdelek na stran tako, da je na tleh zračni filter, lahko poškodujete motor.

3. Izperite notranjo površino pokrova rezila z vodo.

Kako pregledati rezalno opremo



OPOZORILO: Odstranite vžigalni kabel s svečke, da preprečite naključni vklop motorja.



OPOZORILO: Pri vzdrževanju rezalne opreme uporabite zaščitne rokavice. Rezilo je izjemno ostro, zato lahko hitro pride do ureznin.

1. Preverite, ali je rezalna oprema poškodovana oziroma razpokana. Če je rezalna oprema poškodovana, jo zamenjajte.

- Preverite, ali je rezilo poškodovano ali topo.

Opomba: Rezilo morate po brušenju postaviti v ravnovesje. Izdelek peljite na servisni center, da rezilo nabrusijo, zamenjajo in uravnovesijo. Če trčite ob oviro in se izdelek ustavi, zamenjajte poškodovano rezilo. Pooblaščen servisna delavnica naj oceni, ali lahko rezilo izostrijo ali pa ga je treba zamenjati.

Zamenjava rezil

- Rezilo blokirajte z leseno klado. (Sl. 28)
- Odstranite vijak rezila.
- Odstranite rezilo.
- Preglejte, ali sta nosilec in vijak rezila poškodovana.
- Preglejte, ali je motorna gred zvita.
- Ko pritrdite novo rezilo, usmerite nagnjene strani rezila v smer pokrova rezila. (Sl. 29)
- Prepričajte se, da je rezilo poravnano s središčem motorne gredi.
- Rezilo blokirajte z leseno klado. Pritrdite podložko vzmeti in privijte vijak in podložko z zateznim momentom 45–60 Nm. (Sl. 30)
- Ročno zavrtite rezilo in se prepričajte, da se prosto obrača.



OPOZORILO: Nosite trpežne rokavice. Rezilo je izjemno ostro, zato lahko hitro pride do ureznin.

- Izdelek vklopite, da preizkusite rezilo. Če rezilo ni pritrjeno pravilno, bo izdelek vibriral, rezultat košnje pa ne bo zadovoljiv.

Kako preveriti nivo olja



POZOR: Če je nivo olja prenizek, se lahko poškoduje motor. Preden zaženete izdelek, preverite nivo olja.

- Izdelek naj bo na ravnih tleh.
- Odstranite pokrov rezervoarja olja s priloženo merilno palico.
- Z merilne palice očistite olje.
- Merilno palico do konca vstavite v rezervoar olja, da dobite pravi nivo olja.
- Odstranite merilno palico.
- Na merilni palici preučite nivo olja.
- Če je nivo olja nizek, dolijte motorno olje in še enkrat preverite nivo olja.

Kako zamenjati motorno olje



OPOZORILO: Tik po zaustavitvi motorja je motorno olje zelo vroče. Preden iztočite motorno olje, se motor mora ohladiti. Če

polijete motorno olje po koži, se umijte z milom in vodo.

- Izdelek uporabljajte, dokler imate v rezervoarju gorivo.
- S svečke odstranite vžigalni kabel.
- Odstranite pokrovček posode za olje.
- Pod izdelek postavite posodo, kamor se bo izteklo motorno olje.
- Izdelek nagnite, da iz rezervoarja olja izteče motorno olje.
- Dolijte novo motorno olje, priporočila najdete v *Tehnični podatki na strani 282*.
- Preverite nivo olja. Glejte *Kako preveriti nivo olja na strani 281*.

Zračni filter

Zračni filter, ki ga uporabljate dolgo, ne morete popolnoma očistiti. Zračni filter zamenjajte v rednih intervalih.

Opomba: Če je zračni filter poškodovan, ga zamenjajte.

Kako očistiti papirnat filter

- Odstranite pokrov zračnega filtra in papirnat filter.
- S filtrom udarite ob ravno površino, da odpadejo delci.



POZOR: Za čiščenje papirnatih filtrov ne uporabljajte raztopil ali stisnjenega zraka.

- Zračni filter vstavite nazaj. Prepričajte se, da se zračni filter tesno prilega nosilcu zračnega filtra.
- Pokrov zračnega filtra nastavite nazaj.

Kako očistiti filter iz penjene plastike

- Odstranite pokrov zračnega filtra in filter iz penjene plastike.
- Filter iz penjene plastike očistite z milom in vodo.
- Filter iz penjene plastike izperite s čisto vodo.
- Iztisnite vodo iz filtra iz penjene plastike in ga pustite, da se posuši.



POZOR: Ne uporabljajte stisnjenega zraka, saj lahko poškoduje filter iz penjene plastike.

- Filter iz penjene plastike namažite z motornim oljem.
- Ob filter iz penjene plastike pritisnite čisto krpo, da vsrka odvečno olje.
- Zračni filter vstavite nazaj. Prepričajte se, da se zračni filter tesno prilega nosilcu zračnega filtra.
- Pokrov zračnega filtra nastavite nazaj.

Pregled svečke



POZOR: Vedno uporabljajte priporočeno vrsto svečke. Zaradi neustrezne vrste vžigalne svečke se izdelek lahko poškoduje.

- Če se moč motorja zmanjša, motorja ni mogoče enostavno zagnati ali ta ne deluje ustrezno v prostem teku, preglejte vžigalno svečko.
- Tveganje za pojav oblog na elektrodah vžigalne svečke lahko zmanjšate tako, da upoštevate ta navodila:
 - a) Hitrost prostega teka mora biti pravilno nastavljena.
 - b) Mešanica goriva mora biti ustrezna.
 - c) Zračni filter mora biti čist.
- Če je vžigalna svečka umazana, jo očistite in zagotovite, da je razmak med elektrodama ustrezen, glejte *Tehnični podatki na strani 282*. (Sl. 31)
- Vžigalno svečko po potrebi zamenjajte.

Kako pregledati sistem za gorivo

- Preverite, ali sta pokrov rezervoarja za gorivo in tesnilo pokrova rezervoarja za gorivo poškodovana.

- Preverite, ali cev za gorivo pušča. Če je cev za gorivo poškodovana, naj jo pooblaščen servisna delavnica zamenja.

Kako nastaviti žico sklopke

Če se vam zdi vožnja počasna, je potrebno nastaviti žico sklopke.

1. Za nastavev dolžine pletenice sklopke jo pritrdite v različne odprtine na pogonski ročici. Skrajšajte dolžino pletenice sklopke za zvišanje hitrosti pogona. Podaljšajte dolžino pletenice za upočasnitev pogona. (Sl. 32)

Opomba: Če je pogon aktiviran, ko ne povlečete pogonske ročice, morate podaljšati žico sklopke.

2. Za manjše prilagajanje hitrosti vožnje obračajte nastavitveno matico. Če želite povečati hitrost pogona, navijte nastavitveno matico v nasprotni smeri urinega kazalca. Za znižanje hitrosti pogona obračajte nastavitveno matico v smeri vrtenja urinega kazalca. (Sl. 33)

Če se vam zdi, da je pogon po nastavitvi še vedno počasen, peljite izdelek v pooblaščen servisno delavnico, kjer bodo zamenjali pogonski jermen.

Transport skladiščenje in odstranitev

Prevoz in skladiščenje

- Preden prevažate in skladiščite izdelek in gorivo, se prepričajte, da izdelek ne pušča in da ni hlapov. Iskre ali odprti plamen, npr. z električnih naprav ali kotlov, lahko zanetijo ogenj.
- Za prevoz in skladiščenje goriva vedno uporabite odobrene posode.
- Preden izdelek uskladiščite za daljše obdobje, izpraznite posodo za gorivo in komoro uplinjalnika. Gorivo zavrzite na temu primernem zbirnem mestu.
- Izdelek varno pritrdite na prevozno sredstvo, da se izognete poškodbam in nesrečam.
- Izdelek skladiščite v zaklenjenem prostoru, tako da otroci ali osebe, ki niso primerne za rokovanje z izdelkom, do izdelka ne morajo dostopati.

- Izdelek skladiščite na suhem mestu, kjer ne zmrzuje.

Odstranitev

- Upoštevajte lokalne zahteve za recikliranje in ustrezne predpise.
- Vse kemikalije, kot so motorno olje ali gorivo, zavrzite na servisnem centru ali na kakšni drugi temu primerni lokaciji.
- Ko izdelka ne uporabljate več, ga pošljite k prodajalcu McCulloch ali pa ga zavrzite na mestu za recikliranje.

Tehnični podatki

Tehnični podatki

	M40-120 CLASSIC	M40-125 CLASSIC+	M46-120 CLASSIC	M46-120R CLASSIC	M46-125 CLASSIC+	M46-125R CLASSIC+
Motor						
Znamka	McCulloch	Briggs & Stratton	McCulloch	McCulloch	Briggs & Stratton	Briggs & Stratton

	M40-120 CLASSIC	M40-125 CLASSIC+	M46-120 CLASSIC	M46-120R CLASSIC	M46-125 CLASSIC+	M46-125R CLASSIC+
Gibna prostornina valja v cm ³	120	125	120	120	125	125
Hitrost v vrt/min	2900	2900	2900	2900	2900	2900
Nazivna izhodna moč motorja, kW ²²¹	2,0	1,6	2,0	2,0	1,6	1,6
Vžigalni sistem						
Vžigalna svečka	K7RTC	RC12YC	K7RTC	K7RTC	RC12YC	RC12YC
Razmik elektrod, mm	0,7	0,5	0,7	0,7	0,5	0,5
Sistem za gorivo in mazanje						
Prostornina posode za gorivo v litrih	0,8	0,8	0,8	0,8	0,8	0,8
Prostornina posode za olje v litrih	0,4	0,4	0,4	0,4	0,4	0,4
Motorno olje ²²²	SAE 30/SAE 10W-30	SAE 30/SAE 10W-30	SAE 30/SAE 10W-30	SAE 30/SAE 10W-30	SAE 30/SAE 10W-30	SAE 30/SAE 10W-30
Teža						
S praznimi rezervoarji v kg	24	25	28	29	28	29
Emisije hrupa²²³						
Izmerjeni nivo zvočne moči v dB (A)	93	93	95	95	95	95
Zajamčen nivo zvočne moči, L _{WA} dB(A)	94	94	96	96	96	96
Nivoji hrupa²²⁴						
Nivo zvočnega tlaka pri ušesu operaterja, dB(A)	80	80	82	82	82	82
Nivo vibracij a_{hveq}²²⁵						
Ročaj, m/s ²	14,75	14,75	15,68	15,68	15,68	15,68
Rezalna oprema						
Višina reza v mm	20–75	20–75	30-80	30-80	30-80	30–80
Širina rezanja, mm	400	400	460	460	460	460

²²¹ Navedena nazivna moč motorja je povprečna neto izhodna moč (pri navedenem št. vrt./min) motorja običajne proizvodnje za model motorja, merjen po standardu SAE J1349/ISO1585. Motorji masovne proizvodnje imajo lahko drugačno vrednost. Dejanska moč izdelka, nameščenega na končni napravi, je odvisna od delovne hitrosti, okoljskih pogojev in drugih vrednosti.

²²² Uporabljajte samo motorna olja razreda SJ ali višjih razredov. Glejte tabelo razredov viskoznosti v proizvajalčevih navodilih za uporabo motorja in izberite najprimernejšo viskoznost olja glede na pričakovano zunanjo temperaturo.

²²³ Emisije hrupa v okolje, merjene kot moč zvoka (L_{WA}), v skladu z direktivo ES 2000/14/ES.

²²⁴ Raven zvočnega tlaka v skladu s standardom ISO 5395:2103. Zabeleženi podatki za zvočni tlak imajo tipično statistično razpršitev (standardni odklon) 1,2 dB(A).

²²⁵ Raven vibracij v skladu s standardom ISO 5395:2013. Zabeleženi podatki za raven treslajev imajo tipično statistično razpršitev (standardni odklon) v višini 0,2 m/s².

	M40-120 CLASSIC	M40-125 CLASSIC+	M46-120 CLASSIC	M46-120R CLASSIC	M46-125 CLASSIC+	M46-125R CLASSIC+
Rezilno	Mulčer 40	Mulčer 40	Mulčer 46	Mulčer 46	Mulčer 46	Mulčer 46
Številka izdelka	5871590-10	5871590-10	5811889-10	5811889-10	5811889-10	5811889-10
Kapaciteta zbiralnika za travo v litrih	50	50	50	50	50	50

	M46-150WR CLASSIC	M51-140WR CLASSIC+	M51-150R CLASSIC	M51-150WR CLASSIC	M53-150WR CLASSIC
Motor					
Znamka	McCulloch	Briggs & Stratton	McCulloch	McCulloch	McCulloch
Gibna prostornina valja v cm ³	150	140	150	150	150
Hitrost v vrt./min	2900	2900	2900	2900	2900
Nazivna izhodna moč motorja, kW ²²⁶	2,4	1,9	2,4	2,4	2,4
Vžigalni sistem					
Vžigalna svečka	K7RTC	RC12YC	K7RTC	K7RTC	K7RTC
Razmik elektrod, mm	0,7	0,5	0,7	0,7	0,7
Sistem za gorivo in mazanje					
Prostornina posode za gorivo v litrih	1,0	0,8	1,0	1,0	1,0
Prostornina posode za olje v litrih	0,4	0,4	0,4	0,4	0,4
Motorno olje ²²⁷	SAE 30/SAE 10W-30	SAE 30/SAE 10W-30	SAE 30/SAE 10W-30	SAE 30/SAE 10W-30	SAE 30/SAE 10W-30
Teža					
S praznimi rezervoarji v kg	32	32	33	33	33
Emisije hrupa ²²⁸					
Izmerjeni nivo zvočne moči dB (A)	97	97	95	97	98
Zajamčen nivo zvočne moči, L _{WA} dB(A)	98	98	98	98	98

²²⁶ Navedena nazivna moč motorja je povprečna neto izhodna moč (pri navedenem št. vrt./min) motorja običajne proizvodnje za model motorja, umerjen po standardu SAE J1349/ISO1585. Motorji masovne proizvodnje imajo lahko drugačno vrednost. Dejanska moč izdelka, nameščenega na končni napravi, je odvisna od delovne hitrosti, okoljskih pogojev in drugih vrednosti.

²²⁷ Uporabljajte samo motorna olja razreda SJ ali višjih razredov. Glejte tabelo razredov viskoznosti v proizvajalčevih navodilih za uporabo motorja in izberite najprimernejšo viskoznost olja glede na pričakovano zunanjo temperaturo.

²²⁸ Emisije hrupa v okolje, merjene kot moč zvoka (L_{WA}), v skladu z direktivo ES 2000/14/ES.

	M46-150WR CLASSIC	M51-140WR CLASSIC+	M51-150R CLASSIC	M51-150WR CLASSIC	M53-150WR CLASSIC
Nivoji hrupa ²²⁹					
Nivo zvočnega tlaka pri ušesu operaterja, dB(A)	82	82	81	84	82
Nivo vibracij a_{hveq} ²³⁰					
Ročaj, m/s ²	4,27	4,27	4,06	5,55	3,39
Rezalna oprema					
Višina reza v mm	30-80	30-90	30-90	30-90	30-90
Širina rezanja, mm	460	510	510	510	530
Rezilo	Mulčer 46	Mulčer 51	Mulčer 51	Mulčer 51	Mulčer 53
Številka izdelka	5811889-10	5041133-10	5041133-10	5041133-10	5811886-10
Kapaciteta zbiralnika za travo v litrih	50	55	55	55	55

Izjava ES o skladnosti

Vsebina izjave ES o skladnosti

Husqvarna AB, SE 561 82 Huskvarna, ŠVEDSKA, izjavlja na lastno odgovornost, da je predstavljeni izdelek:	
Opis	Kosilnica z motorjem z notranjim zgorevanjem
Znamka	McCulloch
Platforma/vrsta/model	M40-120 CLASSIC, M40-125 CLASSIC+, M46-120 CLASSIC, M46-120R CLASSIC, M46-125 CLASSIC+, M46-125R CLASSIC+, M46-150WR CLASSIC, M51-140WR CLASSIC+, M51-150R CLASSIC, M51-150WR CLASSIC, M53-150WR CLASSIC
Serijska	Serijske številke od letnika 2017 dalje
so popolnoma v skladu z naslednjimi direktivami in uredbami EU:	
Direktiva/uredba	Opis
2006/42/ES	o strojih
2014/30/EU	o elektromagnetni združljivosti
2000/14/ES; 2005/88/ES	o zunanjem hrupu

²²⁹ Raven zvočnega tlaka v skladu s standardom ISO 5395:2103. Zabeleženi podatki za zvočni tlak imajo tipično statistično razpršitev (standardni odklon) 1,2 dB(A).

²³⁰ Raven vibracij v skladu s standardom ISO 5395:2013. Zabeleženi podatki za raven tresljajev imajo tipično statistično razpršitev (standardni odklon) v višini 0,2 m/s².

Usklajeni standardi in/ali tehnične specifikacije v veljavi: EN ISO 12100, ISO 14982, ISO 5395-1 & 2, ISO 3744, ISO 11094, EN 1032

V skladu z direktivo 2000/14/ES, priloga V, so določene ravni zvoka navedene v poglavju s tehničnimi podatki v tem priložniku in v podpisani izjavi ES o skladnosti.

Dobavljena kosilnica z motorjem z notranjim zgorevanjem je popolnoma identična izdelku, na katerem je bil opravljen pregled.

Innehåll

Introduktion.....	287	Underhåll.....	292
Säkerhet.....	288	Transport, förvaring och kassering.....	294
Säkerhetsinstruktioner för underhåll.....	290	Tekniska data.....	294
Montering.....	290	EG-försäkran om överensstämmelse.....	297
Drift.....	291		

Introduktion

Produktbeskrivning

Produkten är en rotorgräsklippare som styrs av en gående person. Gräset samlas i en gräsupsamlare. Du kan ta bort gräsupsamlaren om du vill att gräset ska komma ut mitt bak. Anslut ett mulchingkit (tillbehör) för att finfördela gräset till gödning.

Produktöversikt

(Fig. 1.)

1. Drivbygel (M46-120R CLASSIC, M46-125R CLASSIC+, M46-150WR CLASSIC, M51-140WR CLASSIC+, M51-150R CLASSIC, M51-150WR CLASSIC, M53-150WR CLASSIC)
2. Övre handtag/styre
3. Motorbromsbygel
4. Startsnörets handtag
5. Startsnörets ögla
6. Gräsupsamlare
7. Undre handtag
8. Montering för undre handtag
9. Klipphöjdsspakar
10. Oljelock
11. Ljuddämpare
12. Avtappningsplugg till förgasarkammare
13. Bränslepump
14. Tändstift
15. Bränsletank
16. Kniv
17. Fjäderbricka
18. Knivbult
19. Klippaggregat
20. Luftfilter
21. Bruksanvisning

Symboler på produkten

(Fig. 2.) **VARNING:** Slarvigt eller felaktigt användande kan resultera i skador eller dödsfall för föraren eller andra.

(Fig. 3.) Läs igenom bruksanvisningen noggrant och se till att du förstår instruktionerna innan användning.

Avsedd användning

Använd produkten för att klippa gräsmattor i trädgårdar. Använd inte produkten till andra uppgifter.

(Fig. 4.) Håll alltid människor och djur på säkert avstånd från arbetsområdet.

(Fig. 5.) Stäng av motorn och ta av tändkabeln före reparation eller underhåll.

(Fig. 6.) Akta dig för utslungade föremål och rikoschetter.

(Fig. 7.) Varning för roterande kniv. Akta händer och fötter.

(Fig. 8.) Varning för roterande delar. Akta händer och fötter.

(Fig. 9.) Denna produkt överensstämmer med gällande EG-direktiv

(Fig. 10.) Bulleremissioner till omgivningen enligt Europeiska Gemenskapens direktiv. Produktens emission anges i avsnittet Tekniska data och på etiketten.

(Fig. 11.) Brandfara:

(Fig. 12.) Brandfara:

(Fig. 13.) Risk för explosion.

(Fig. 14.) Stanna alltid motorn innan bränslepåfyllning.

(Fig. 15.) Het yta.

(Fi 9-16.) Motorns avgaser innehåller kolmonoxid, en luktlös, giftig och mycket farlig gas. Kör inte produkten inomhus eller i slutna utrymmen.

Notera: Övriga symboler/dekaler på produkten avser specifika krav för certifieringar på andra kommersiella marknader.

Produktansvar

Enligt lagstiftningen för produktansvar ansvarar vi inte för skador som vår produkt orsakar om:

- produkten repareras felaktigt.
- produkten repareras med delar som inte kommer från tillverkaren eller inte har godkänts av tillverkaren.
- produkten har ett tillbehör som inte kommer från tillverkaren eller inte har godkänts av tillverkaren.
- produkten inte repareras vid ett godkänt servicecenter eller av en godkänd person.

Säkerhet

Säkerhetsdefinitioner

Varningar, försiktighetsåtgärder och anmärkningar används för att betona speciellt viktiga delar i bruksanvisningen.



WARNING: Används om det finns risk för skador eller dödsfall för föraren eller kringstående om anvisningarna i bruksanvisningen inte följs.



OBSERVERA: Används om det finns risk för skada på produkten, annat material eller det angränsande området om anvisningarna i bruksanvisningen inte följs.

Notera: Används för att ge mer information som är nödvändig i en viss situation.

Allmänna säkerhetsanvisningar



WARNING: Läs varningsinstruktionerna nedan innan du använder produkten.

- Denna produkt är farlig om den används på fel sätt, och om du inte är försiktig. Skada eller dödsfall kan inträffa om du inte följer säkerhetsinstruktionerna.
- Denna produkt alstrar ett elektromagnetiskt fält under drift. Detta fält kan under vissa omständigheter ge påverkan på aktiva eller passiva medicinska implantat. För att reducera risken för omständigheter som kan leda till allvarliga eller livshotande skador rekommenderar vi därför personer med implantat att rådgöra med läkare samt tillverkaren av det medicinska implantatet innan denna produkt används.
- Var alltid försiktig och använd sunt förnuft. Om du inte vet hur du ska använda produkten i en särskild situation ska du stanna den och tala med en McCulloch-återförsäljare innan du fortsätter.
- Tänk på att föraren kommer att hållas ansvarig för olyckor som involverar andra människor eller deras egendom.
- Håll produkten ren. Se till att du kan läsa skyltar och dekaler tydligt.

- Låt inte någon använda produkten om du inte är säker på att personen har läst och förstår innehållet i bruksanvisningen.
- Låt inte barn använda produkten.
- Låt inte en person utan kännedom om instruktionerna använda produkten.
- Övervaka alltid en person med nedsatt fysisk eller mental kapacitet som använder produkten. En vuxen person måste vara närvarande hela tiden.
- Använd aldrig produkten om du är trött, sjuk eller om du är påverkad av alkohol, droger eller läkemedel. Detta har en negativ inverkan på din syn, ditt omdöme och din kroppskontroll.
- Använd inte produkten om den är trasig.
- Modifiera aldrig den här produkten och använd den inte om det är möjligt att den har blivit modifierad av andra.

Säkerhet i arbetsområdet



WARNING: Läs varningsinstruktionerna nedan innan du använder produkten.

- Ta bort föremål som grenar, kvistar och stenar från arbetsområdet innan du använder produkten.
- Objekt som slår mot skärutrustningen kan slungas ut och orsaka skador på personer och föremål. Håll alltid människor och djur på säkert avstånd från produkten.
- Använd aldrig produkten i dåligt väder, som dimma, regn, hård vind, extrem kyla och risk för blixtnedslag. Det är ansträngande att använda produkten i dåligt väder eller på fuktiga eller våta platser. Dåligt väder kan leda till farliga förhållanden, t.ex. hala ytor.
- Håll utkik efter personer, föremål och situationer som kan förhindra säker användning av produkten.
- Håll utkik efter hinder, som rötter, stenar, grenar, gropar och diken. Långt gräs kan dölja hinder.
- Det kan vara farligt att klippa gräs i sluttningar. Använd inte produkten i terräng som lutar mer än 15°.
- Klipp tvärs över sluttningar. Inte upp och ned.
- Var uppmärksam när du närmar dig dolda hörn och föremål som skymmer sikten.



VARNING: Läs varningsinstruktionerna nedan innan du använder produkten.

- Använd enbart den här produkten för att klippa gräsmattor. Det är inte tillåtet att använda den för andra uppgifter.
- Använd personlig skyddsutrustning. Se *Personlig skyddsutrustning på sida 289*.
- Starta aldrig motorn i ett stängt utrymme eller nära brandfarliga material. Motoravgaserna är heta och kan medföra gnistor som kan orsaka brand.
- Använd inte produkten utan att kniven och alla kåpor är korrekt monterade. En felaktigt monterad kniv kan lossna och orsaka personskadorna.
- Se till att kniven inte slår emot föremål som stenar och rötter. Detta kan göra att kniven skadas och böja motoraxeln. En böjd axel orsakar kraftiga vibrationer och risken för att kniven lossnar blir mycket hög.
- Om kniven träffar ett föremål eller om det uppstår vibrationer ska du omedelbart stanna produkten. Koppla bort tändkabeln från tändstiftet. Kontrollera om det finns några skador på produkten. Reparera skadorna eller låt en behörig serviceverkstad utföra reparationen.
- Fäst aldrig motorbromsbygeln permanent på handtaget när motorn är igång.
- Ställ produkten på ett stabilt plant underlag och starta den. Se till att kniven inte vidrör marken eller andra föremål.
- Håll dig alltid bakom produkten när du använder den.
- Låt alla hjul stå på marken och håll båda händerna på handtaget när du använder produkten. Håll händer och fötter borta från de roterande knivarna.
- Luta inte produkten när motorn är igång.
- Var försiktig när du drar produkten bakåt.
- Lyft aldrig upp produkten när motorn är igång. Om du måste lyfta produkten ska du först stanna motorn och koppla bort tändkabeln från tändstiftet.
- Gå inte baklänges när du använder produkten.
- Stäng av motorn när du rör dig över områden utan gräs, t.ex. gångar av grus, sten och asfalt.
- Spring inte med produkten när motorn är igång. Gå alltid när du använder produkten.
- Stäng av motorn innan du ändrar klipphöjden. Gör aldrig justeringar med motorn igång.
- Lämna aldrig produkten utanför ditt synfält med motorn igång. Stäng av motorn och se till att skärutrustningen inte roterar.

Personlig skyddsutrustning



VARNING: Läs varningsinstruktionerna nedan innan du använder produkten.

- Personlig skyddsutrustning kan inte eliminera skaderisken helt, men den reducerar effekten av en skada vid ett eventuellt olyckstillbud. Be din återförsäljare om hjälp med att välja rätt utrustning.
- Använd kraftiga halksäkra kängor eller skor. Använd inte öppna skor och var inte barfota.
- Använd tjockare långbyxor.
- Använd skyddshandskar vid behov, till exempel när du ansluter, undersöker eller rengör skärutrustningen.

Säkerhetsanordningar på produkten



VARNING: Läs varningsinstruktionerna nedan innan du använder produkten.

- Använd inte en produkt med defekta säkerhetsanordningar.
- Kontrollera säkerhetsanordningarna regelbundet. Om säkerhetsanordningarna är defekta ska du prata med din McCulloch serviceverkstad.

Klippkåpa

- Undersök klippkåpan för att se till att där inte finns några skador, t.ex. sprickor.

Motorbromsbygel

Motorbromsbygeln stänger av motorn. När motorbromsbygeln släpps stannar motorn.

För att inspektera motorbromsen ska du starta motorn och sedan släppa motorbromsbygeln. Om motorn inte stannar inom tre sekunder ska du låta en godkänd McCulloch-serviceverkstad justera motorbromsen.

(Fig. 17.)

Ljuddämpare

Ljuddämparen håller ljudnivån till ett minimum och leder bort motorns avgaser från föraren.

Använd inte produkten utan eller med defekt ljuddämpare. En defekt ljuddämpare ökar ljudnivån och brandrisken.

Undersök ljuddämparen regelbundet för att se till att den är korrekt monterad och inte skadad.



OBSERVERA: Ljuddämparen blir mycket varm under och efter användning samt när motorn går på tomgång. Var försiktig nära

brandfarliga material och/eller ångor för att förhindra brand.

Bränslesäkerhet



WARNING: Läs varningsinstruktionerna nedan innan du använder produkten.

- Starta inte produkten om det finns bränsle eller motorolja på produkten. Ta bort det oönskade bränslet/oljan och låt produkten torka.
- Om du spillt bränsle på kläderna skall dessa bytas omedelbart.
- Se till att inte få bränsle på kroppen, det kan orsaka personskador. Om du får bränsle på kroppen ska du använda tvål och vatten för att ta bort bränslet.
- Starta inte produkten om motorn har en läcka. Undersök regelbundet om motorn läcker.
- Var försiktig med bränsle. Bränsle är brandfarligt och ångorna är explosiva och kan orsaka skador eller dödsfall.
- Undvik att andas in bränsleångor då det kan orsaka personskador. Se till att det finns tillräckligt luftflöde.
- Rök inte i närheten av bränslet eller motorn.
- Placera inga varma föremål i närheten av bränslet eller motorn.
- Fyll inte på bränsle när motorn är på.
- Se till att motorn har svalnat innan du fyller på bränsle.
- Innan du fyller på bränsle bör du öppna bränsletanklocket långsamt och försiktigt släppa på trycket.
- Fyll inte på bränsle i motorn inomhus. Otillräckligt luftflöde kan orsaka skador eller dödsfall på grund av kvävning eller kolmonoxidförgiftning.
- Dra åt bränsletanklocket ordentligt. Om bränsletanklocket inte dras åt ordentligt finns det en risk för brand.
- Flytta produkten minst tre meter från den plats där du fyllde på tanken innan du startar den.
- Fyll inte på med för mycket bränsle i bränsletanken.

Säkerhetsinstruktioner för underhåll



WARNING: Läs varningsinstruktionerna nedan innan du använder produkten.

- Motorns avgaser innehåller kolmonoxid, en luktlös, giftig och mycket farlig gas. Starta inte motorn inomhus eller i slutna utrymmen.
- Innan du utför underhåll på produkten ska du stänga av motorn och ta bort tändkabeln från tändstiftet.
- Använd skyddshandskar när du utför underhåll på skärutrustningen. Kniven är mycket vass och skärskador uppstår lätt.
- Tillbehör och ändringar av produkten som inte godkänts av tillverkaren kan orsaka allvarliga skador eller dödsfall. Modifiera inte produkten. Använd endast tillbehör som godkänts av tillverkaren.
- Om underhåll inte utförs korrekt och regelbundet ökar risken för personskador och skador på produkten.
- Utför endast underhåll enligt anvisningarna i den här bruksanvisningen. All annan service måste utföras av en godkänd McCulloch-serviceverkstad.
- Låt en godkänd McCulloch-serviceverkstad utföra service på produkten regelbundet.
- Byt ut skadade, slitna och trasiga delar.

Montering

Montera handtaget

Nedre handtagsdelen

1. Sätt pinnarna längst ned på det nedre handtaget i hålen enligt bilden. Rikta in hålen för skruvarna och fäst skruvarna, brickorna och vreden.(Fig. 18.)

Övre handtagsdelen

1. Rikta in hålen i styret med hålen i det nedre handtaget och fäst skruvarna, brickorna och vreden. På höger sida fäster du också startsnörets ögla. Dra åt vreden helt.(Fig. 19.)
2. Dra i startsnörets handtag och placera startsnöret runt startsnörets ögla.(Fig. 20.)

3. Använd band för att fästa kablarna vid handtaget. (Fig. 21.)

Notera: Se till att kablarnas spänning inte är för hög.

Montera gräsupsamlaren

1. Placera gräsupsamlarens ram i gräsbehållaren av tyg. Säkerställ att handtaget på gräsupsamlarens ram är utanpå gräsbehållaren.
2. Fäst gräsbehållaren i gräsupsamlarens ram med klämmorna som finns på tygpåsens kant.(Fig. 22.)
3. Lyft den bakre kåpan.
4. Fäst gräsupsamlaren i den övre kanten på chassit.

5. Sätt den nedre delen av gräsupsamlaren i gräsutkastkanalen.

Montera mulchingpluggen

En mulchingsats finns som tillval för utvalda modeller. Modellerna M51-150WR CLASSIC, M53-150WR CLASSIC levereras med en mulchingsats. Modellerna

M40-120 CLASSIC, M40-125 CLASSIC+ kan inte användas med en mulchingsats.

1. Lyft upp den bakre kåpan och ta loss gräsupsamlaren.
2. För in mulchingpluggen i utkastkanalen.(Fig. 23.)

Drift

Introduktion



VARNING: Innan du använder produkten måste du läsa igenom och förstå kapitlet om säkerhet.

Innan du använder produkten

1. Läs igenom bruksanvisningen noggrant och se till att du förstår instruktionerna.
2. Undersök skärutrustningen för att se till att den är korrekt monterad och justerad. Se *Kontrollera skärutrustningen på sida 292.*
3. Fyll bränsletanken. Se *Fylla på bränsle på sida 291.*
4. Fyll oljetanken och kontrollera oljenivån. Se *Kontrollera oljenivån på sida 293.*

Fylla på bränsle

Använd miljöanpassad bensin/alkylatbensin om det finns. Använd blyfri eller blyad bensin av hög kvalitet om miljöanpassad bensin/alkylatbensin inte finns tillgänglig. Använd bensin med ett oktantal på 90 eller högre och med högst 10 % etanol (E10).



VARNING: Motorn kan skadas om du fyller på med fel typ av bränsle.

1. Öppna tanklocket långsamt för att släppa på trycket.
2. Fyll på långsamt med en bränsledunk. Om du spiller bränsle ska du ta bort det med en trasa och låta bensinresterna avdunsta.
3. Torka rent runt bränsletanklocket.
4. Dra åt bränsletanklocket ordentligt. Om bränsletanklocket inte dras åt ordentligt finns det en risk för brand.
5. Flytta produkten minst 3 m från den plats där du fyllde på tanken innan du startar den.

Ställa in klipphöjden

1. Flytta klipphöjdsspaken bakåt för att höja klipphöjden.
2. Flytta klipphöjdsspaken framåt för att sänka klipphöjden.(Fig. 24.)



OBSERVERA: Ställ inte in för låg klipphöjd. Knivarna kan träffa marken om gräsmattans yta inte är plan.

Starta produkten

1. Se till att tändkabeln är ansluten till tändstiftet.
2. Första gången du startar produkten trycker du på bränsleblåsan 5 gånger. Nästa gång du startar produkten när motorn är kall trycker du på bränsleblåsan 3 gånger.(Fig. 25.)
3. Stå bakom produkten.
4. Håll motorbromsbygeln mot handtaget.(Fig. 26.)
5. Håll i startsnörets handtag med höger hand.
6. Dra långsamt i startsnöret tills du känner ett motstånd.
7. Dra kraftigt för att starta motorn.



VARNING: Vira inte startsnöret runt handen.

Använda drivningen på hjulen

- Tryck drivbygeln mot styret.(Fig. 27.)
- Innan du drar produkten bakåt ska du koppla ur drivningen och trycka produkten framåt cirka tiocm.
- Släpp drivbygeln för att koppla ur drivningen, t.ex. när du går nära ett hinder.

Stänga av produkten

- För att stänga av endast drivningen ska du släppa drivbygeln.
- För att stänga av motorn ska du släppa motorbromsbygeln.

Få ett bra resultat

- Använd alltid en vass kniv. En slö kniv ger ett ojämnt resultat och gräsets snittyta blir gul. En vass kniv förbrukar mindre energi än en slö kniv.
- Klipp inte mer än en tredjedel av gräsets längd. Klipp först med hög klipphöjd. Undersök resultatet och sänk klipphöjden till en lämplig nivå. Om gräset är väldigt långt kan du köra sakta och klippa två gånger vid behov.

- Klipp i olika riktningar varje gång för att undvika ränder i gräsmattan.

Underhåll

Introduktion



WARNING: Innan du utför underhåll måste du läsa och förstå kapitlet om säkerhet.

För allt service- och reparationsarbete på produkten krävs särskild utbildning. Vi garanterar att du kan få en fackmannamässig reparation och service utförd. Om din återförsäljare inte är en serviceverkstad kan du tala med dem för information om närmaste serviceverkstad.

Underhållsschema

Underhållsintervallen beräknas utifrån daglig användning av produkten. Intervallen ändras om produkten inte används dagligen.

För underhåll som markeras med * ska du se anvisningarna i *Säkerhetsanordningar på produkten på sida 289*.

Underhåll	Dagligen	Varje vecka	Varje månad
Utför en allmän inspektion	X		
Kontrollera oljenivån	X		
Rengör produkten	X		
Kontrollera skärutrustningen	X		
Kontrollera klippkåpan*	X		
Kontrollera motorbromsbygeln*	X		
Kontrollera och justera drivningen (kopplingsvajer)	X		
Kontrollera ljuddämparen*		X	
Kontrollera tändstiftet		X	
Byt olja (första gången efter fem timmars användning, sedan efter var 50:e timmes användning)			X
Byt ut luftfiltret			X
Kontrollera bränslesystemet			X

Allmän inspektion

- Se till att skruvar och muttrar på produkten är åtdragna.

Rengöra produkten utvändigt

- Använd en borste för att ta bort löv, gräs och smuts.
- Kontrollera att luftintaget på motorns ovansida inte är igentäppt.
- Undvik att använda högtrycksvätt när du rengör maskinen.
- Om du använder vatten för att rengöra produkten ska du inte spola vatten direkt på motorn.

2. Placera produkten på sidan med ljuddämparen nedåt.



OBSERVERA: Om produkten placeras med luftfiltret nedåt kan motorn skadas.

3. Spola av klippkåpan insida med vatten.

Kontrollera skärutrustningen



WARNING: För att förhindra oavsiktlig start ska du ta bort tändkabeln från tändstiftet.

Rengöra insidan av klippkåpan

1. Töm bensintanken.



VARNING: Använd skyddshandskar när du utför underhåll på skärutrustningen. Kniven är mycket vass och skärskador uppstår lätt.

1. Kontrollera så att skärutrustningen inte är skadad eller har sprickor. Byt alltid ut skadad skärutrustning.
2. Titta på kniven för att se om den är skadad eller slö.

Notera: Kniven måste balanseras när den har slipats. Låt en serviceverkstad slipa, byta och balansera kniven. Om du träffar ett hinder som gör att produkten stannar ska du byta ut den skadade kniven. Låt serviceverkstaden bedöma om kniven kan slipas eller måste ersättas.

Byta knivar

1. Läs kniven med en träbit.(Fig. 28.)
2. Ta bort knivbulten.
3. Tag bort kniven.
4. Kontrollera knivstödet och knivbulten för att se om det finns skador.
5. Kontrollera motoraxeln för att se till att den inte är böjd.
6. När du monterar en ny kniv ska du rikta knivens vinkelade ändrar mot klippkåpan.(Fig. 29.)
7. Se till att kniven är i linje med motoraxelns mitt.
8. Läs kniven med en träbit. Montera fjäderbrickan och dra åt bulten och brickan med ett vridmoment på 45–60 Nm.(Fig. 30.)
9. Dra runt kniven för hand och se till att den roterar fritt.



VARNING: Använd kraftiga arbetshandskar. Kniven är mycket vass och skärskador uppstår lätt.

10. Starta produkten för att testa kniven. Om kniven inte är korrekt monterad känner du vibrationer i produkten eller så är klippresultat otillfredsställande.

Kontrollera oljenivån



OBSERVERA: För låg oljenivå kan orsaka allvarliga motorskador. Kontrollera oljenivån innan du startar produkten.

1. Ställ produkten på plan mark.
2. Ta bort oljetanklocket med mätstickan.
3. Torka av oljan från mätstickan.
4. Sätt tillbaka mätstickan helt i oljetanken för att få en korrekt bild av oljenivån.
5. Ta bort mätstickan.
6. Kontrollera oljenivån på mätstickan.
7. Om oljenivån är låg ska du fylla på med motorolja och kontrollera oljenivån igen.

Byta motorolja



VARNING: Motorolja är mycket het direkt efter att motorn stoppats. Låt motorn svalna innan du tappar ur motoroljan. Om du spillar olja på huden ska du rengöra med tvål och vatten.

1. Använd produkten tills bränsletanken är tom.
2. Ta bort tändkabeln från tändstiftet.
3. Ta bort oljetanklocket.
4. Ställ en behållare under produkten att samla upp motoroljan i.
5. Luta enheten för att tappa ur motoroljan från oljetanken.
6. Fyll på ny motorolja av den typ som rekommenderas i *Tekniska data på sida 294*.
7. Kontrollera oljenivån. Se *Kontrollera oljenivån på sida 293*.

Lufffilter

Ett länge använt lufffilter kan aldrig bli fullständigt rent. Byt lufffiltret regelbundet.

Notera: Byt alltid ut ett skadat lufffilter.

Rengöra pappersfiltret

1. Ta bort lufffilterkåpan och pappersfiltret.
2. Slå filtret mot en plan yta för att få partiklarna att falla av.



OBSERVERA: Använd inte lösningsmedel eller tryckluft för att rengöra pappersfiltret.

3. Sätt tillbaka lufffiltret. Se till att lufffiltret ligger helt tätt mot lufffilterhållaren.
4. Sätt tillbaka lufffilterkåpan.

Rengöra skumplastfiltret

1. Ta bort lufffilterkåpan och skumplastfiltret.
2. Rengör skumplastfiltret med tvål och vatten.
3. Spola av skumplastfiltret med rent vatten.
4. Pressa ut vattnet från skumplastfiltret och låt det torka.



OBSERVERA: Använd inte tryckluft. Det kan orsaka skador på skumplastfiltret.

5. Smörj skumplastfiltret med motorolja.
6. Tryck en ren trasa mot skumplastfiltret för att få bort överflödiga olja.
7. Sätt tillbaka lufffiltret. Se till att lufffiltret ligger helt tätt mot lufffilterhållaren.

8. Sätt tillbaka luftfilterkåpan.

Så undersöker du tändstiftet



OBSERVERA: Använd alltid rekommenderad tändstiftstyp. Fel typ av tändstift kan orsaka skador på produkten.

- Undersök tändstiftet om motorn har låg effekt, är svår att starta eller inte fungerar korrekt vid tomgångsvarvtal.
- Följ dessa instruktioner om du vill minska risken för oönskat material på tändstiftets elektroder:
 - Se till att tomgångsvarvtalet är korrekt justerat.
 - Se till att bränsleblandningen är korrekt.
 - Se till att luftfiltret är rent.
- Om tändstiftet är smutsigt rengör du det och ser till att elektroadvståndet är korrekt, se *Tekniska data på sida 294*.(Fig. 31.)
- Byt ut tändstiftet vid behov.

Kontrollera bränslesystemet

- Kontrollera bränsletanklocket och tätningen till bränsletanklocket för att se till att det inte finns några skador.

- Kontrollera bränsleslangen för att se till att inget läckage förekommer. Om bränsleslangen är skadad ska du låta en serviceverkstad byta ut den.

Justera kopplingsvajern

Om drivningen känns långsam måste kopplingsvajern justeras.

- Fäst kopplingsvajern i olika hål på drivbygeln för att justera längden på kopplingsvajern. Förkorta kopplingsvajern för att öka drivhastigheten. Förläng kopplingsvajern för att sänka drivhastigheten.(Fig. 32.)

Notera: Om drivningen är aktiverad när du inte drar drivbygeln måste kopplingsvajern förlängas.

- Vrid justerskruven för mindre justeringar av drivhastigheten. För att öka drivhastigheten ska du vrida justerskruven moturs. För att sänka drivhastigheten ska du vrida justerskruven medurs. (Fig. 33.)

Om drivningen fortfarande känns långsam efter justeringen ska du låta en godkänd serviceverkstad byta ut drivremmen.

Transport, förvaring och kassering

Transport och förvaring

- Vid förvaring och transport av produkten och bränslet ska du se till att det inte förekommer något läckage eller avgaser. Gnistor eller öppen eld, t.ex. från elektriska apparater eller pannor, kan orsaka brand.
- Använd alltid godkända behållare för transport och förvaring av bränsle.
- Töm bränsletanken och förgasarkammaren innan du ställer undan produkten för en längre tids förvaring. Kassera bränslet på lämplig anvisad plats
- Fäst produkten ordentligt under transport för att förhindra skador och olyckor.

- Förvara produkten i ett låst utrymme för att förhindra åtkomst för barn eller personer som inte är behöriga.
- Förvara produkten på en torr och frostfri plats.

Kassering

- Följ lokala återvinningsbestämmelser och tillämpliga förordningar.
- Kassera alla kemikalier, som olja och bränsle, vid en serviceverkstad eller på lämplig anvisad plats.
- När produkten inte längre används ska du skicka den till en McCulloch-återförsäljare eller lämna den till en återvinningsstation.

Tekniska data

Tekniska data

	M40-120 CLASSIC	M40-125 CLASSIC+	M46-120 CLASSIC	M46-120R CLASSIC	M46-125 CLASSIC+	M46-125R CLASSIC+
Motor						
Varumärke	McCulloch	Briggs & Stratton	McCulloch	McCulloch	Briggs & Stratton	Briggs & Stratton
Slagvolym, cm ³	120	125	120	120	125	125

	M40-120 CLASSIC	M40-125 CLASSIC+	M46-120 CLASSIC	M46-120R CLASSIC	M46-125 CLASSIC+	M46-125R CLASSIC+
Varvtal, varv/min	2 900	2 900	2 900	2 900	2 900	2 900
Nominell motoreffekt, kW ²³¹	2,0	1,6	2,0	2,0	1,6	1,6
Tändsystem						
Tändstift	K7RTC	RC12YC	K7RTC	K7RTC	RC12YC	RC12YC
Elektroddgap, mm	0,7	0,5	0,7	0,7	0,5	0,5
Bränsle-/smörjsystem						
Volym bensintank, liter	0,8	0,8	0,8	0,8	0,8	0,8
Volym oljetank, liter	0,4	0,4	0,4	0,4	0,4	0,4
Motorolja ²³²	SAE 30/SAE 10W-30	SAE 30/SAE 10W-30	SAE 30/SAE 10W-30	SAE 30/SAE 10W-30	SAE 30/SAE 10W-30	SAE 30/SAE 10W-30
Vikt						
Med tomma tankar, kg	24	25	28	29	28	29
Bulleremissioner²³³						
Ljudeffektnivå, uppmätt dB (A)	93	93	95	95	95	95
Ljudeffektnivå, garanterad L _{WA} dB(A)	94	94	96	96	96	96
Ljudnivåer²³⁴						
Ljudtrycksnivå vid användarens öra, dB (A)	80	80	82	82	82	82
Vibrationsnivåer, a_{hveq}²³⁵						
Handtag, m/s ²	14,75	14,75	15,68	15,68	15,68	15,68
Skärutrustning						
Klipphöjd, mm	20-75	20-75	30-80	30-80	30-80	30-80
Klippbredd, mm	400	400	460	460	460	460
Kniv	Mulcher 40	Mulcher 40	Mulcher 46	Mulcher 46	Mulcher 46	Mulcher 46
Artikelnummer	5871590-10	5871590-10	5811889-10	5811889-10	5811889-10	5811889-10

²³¹ Motorns angivna märkeffekt är medelvärde för nettoeffekten (vid det specificerade varvtalet) hos en typisk produktionsmotor för den motormodell som mätts enligt SAE-standard J1349/ISO1585. Massproducerade motorer kan avvika från detta värde. Den faktiska effekten hos den motor som är installerad i slutprodukten kommer att bero på driftshastigheten, omgivningens egenskaper och andra faktorer.

²³² Använd motorolja av kvalitet SJ eller högre. Se viskositetsdiagrammet i motortillverkarens bruksanvisning och välj den bästa viskositeten baserat på förväntad utomhustemperatur.

²³³ Emission av buller till omgivningen uppmätt som ljudeffekt (L_{WA}) enligt EG-direktiv 2000/14/EG.

²³⁴ Ljudtrycksnivå enligt SS-EN ISO 5395:2103. Redovisade data för ljudtrycksnivå har ett typiskt spridningsmått (standardavvikelse) på 1,2 dB(A).

²³⁵ Vibrationsnivå enligt SS-EN ISO 5395:2013. Rapporterade data för vibrationsnivå har en typisk statistisk spridning (standardavvikelse) på 0,2 m/s².

	M40-120 CLASSIC	M40-125 CLASSIC+	M46-120 CLASSIC	M46-120R CLASSIC	M46-125 CLASSIC+	M46-125R CLASSIC+
Gräsuppsamlarens kapacitet, liter	50	50	50	50	50	50

	M46-150WR CLASSIC	M51-140WR CLASSIC+	M51-150R CLASSIC	M51-150WR CLASSIC	M53-150WR CLASSIC
Motor					
Varumärke	McCulloch	Briggs & Stratton	McCulloch	McCulloch	McCulloch
Slagvolym, cm ³	150	140	150	150	150
Varvtal, varv/min	2 900	2 900	2 900	2 900	2 900
Nominell motoreffekt, kW ²³⁶	2,4	1,9	2,4	2,4	2,4
Tändsystem					
Tändstift	K7RTC	RC12YC	K7RTC	K7RTC	K7RTC
Elektroddgap, mm	0,7	0,5	0,7	0,7	0,7
Bränsle-/smörjsystem					
Volym bensintank, liter	1,0	0,8	1,0	1,0	1,0
Volym oljetank, liter	0,4	0,4	0,4	0,4	0,4
Motorolja ²³⁷	SAE 30/SAE 10W-30	SAE 30/SAE 10W-30	SAE 30/SAE 10W-30	SAE 30/SAE 10W-30	SAE 30/SAE 10W-30
Vikt					
Med tomma tankar, kg	32	32	33	33	33
Bulleremissioner²³⁸					
Ljudeffektnivå, uppmätt dB (A)	97	97	95	97	98
Ljudeffektnivå, garanterad L _{WA} dB(A)	98	98	98	98	98
Ljudnivåer²³⁹					
Ljudtrycksnivå vid användarens öra, dB (A)	82	82	81	84	82

²³⁶ Motorns angivna märkeffekt är medelvärde för nettoeffekten (vid det specificerade varvtalet) hos en typisk produktionsmotor för den motormodell som mätts enligt SAE-standard J1349/ISO1585. Massproducerade motorer kan avvika från detta värde. Den faktiska effekten hos den motor som är installerad i slutprodukten kommer att bero på driftshastigheten, omgivningens egenskaper och andra faktorer.

²³⁷ Använd motorolja av kvalitet SJ eller högre. Se viskositetsdiagrammet i motortillverkarens bruksanvisning och välj den bästa viskositeten baserat på förväntad utomhustemperatur.

²³⁸ Emission av buller till omgivningen uppmätt som ljudeffekt (L_{WA}) enligt EG-direktiv 2000/14/EG.

²³⁹ Ljudtrycksnivå enligt SS-EN ISO 5395:2103. Redovisade data för ljudtrycksnivå har ett typiskt spridningsmått (standardavvikelse) på 1,2 dB(A).

	M46-150WR CLASSIC	M51-140WR CLASSIC+	M51-150R CLASSIC	M51-150WR CLASSIC	M53-150WR CLASSIC
Vibrationsnivåer, a_{hveq}²⁴⁰					
Handtag, m/s ²	4,27	4,27	4,06	5,55	3,39
Skärutrustning					
Klipphöjd, mm	30–80	30–90	30–90	30–90	30–90
Klippbredd, mm	460	510	510	510	530
Kniv	Mulcher 46	Mulcher 51	Mulcher 51	Mulcher 51	Mulcher 53
Artikelnummer	5811889-10	5041133-10	5041133-10	5041133-10	5811886-10
Gräsuppsamlarens kapacitet, liter	50	55	55	55	55

EG-försäkringen om överensstämmelse

Innehållet i EG-försäkringen om överensstämmelse

Husqvarna AB, SE-561 82 Huskvarna, SVERIGE, försäkrar härmed på eget ansvar att den företrädde produkten:	
Beskrivning	Förbränningsmotordriven gräsklippare som styrs av en gående person
Varumärke	McCulloch
Plattform/typ/modell	M40-120 CLASSIC, M40-125 CLASSIC+, M46-120 CLASSIC, M46-120R CLASSIC, M46-125 CLASSIC+, M46-125R CLASSIC+, M46-150WR CLASSIC, M51-140WR CLASSIC+, M51-150R CLASSIC, M51-150WR CLASSIC, M53-150WR CLASSIC
Parti	Serienummer daterade 2017 och framåt
uppfyller alla krav i följande EU-direktiv och förordningar:	
Direktiv/förordning	Beskrivning
2006/42/EG	"angående maskiner"
2014/30/EU	"angående elektromagnetisk kompatibilitet"
2000/14/EG; 2005/88/EG	"angående buller utomhus"
Följande harmoniserade standarder och/eller tekniska specifikationer tillämpas: EN ISO 12100, ISO 14982, ISO 5395-1 & 2, ISO 3744, ISO 11094, EN 1032	
I enlighet med direktiv 2000/14/EG, bilaga V finns ljudvärdena angivna i avsnittet tekniska data i denna handbok och i den undertecknade EU-försäkringen om överensstämmelse.	
Medföljande förbränningsmotordrivna åkgräsklippare som styrs av en gående person överensstämmer med det exemplar som genomgick kontrollen.	

²⁴⁰ Vibrationsnivå enligt SS-EN ISO 5395:2013. Rapporterade data för vibrationsnivå har en typisk statistisk spridning (standardavvikelse) på 0,2 m/s².

Зміст

Вступ.....	298	ТЕХНІЧНЕ ОБСЛУГОВУВАННЯ.....	303
Безпека.....	299	Транспортування, зберігання та утилізація.....	306
Правила техніки безпеки під час обслуговування..	301	Технічні дані.....	307
Збирання.....	302	Декларація відповідності ЄС.....	309
ЕКСПЛУАТАЦІЯ.....	302		

Вступ

Опис виробу

Цей виріб – обертальна газонокосарка, керована пішим оператором. Трава збирається в травозбірник. Для того, щоб трава викидалася ззаду, приберіть травозбірник. Для того, щоб перетворити траву на добриво, встановіть приладдя для мульчування (аксесуар).

Огляд виробу

(Мал. 1)

1. Привідна скоба (M46-120R CLASSIC, M46-125R CLASSIC+, M46-150WR CLASSIC, M51-140WR CLASSIC+, M51-150R CLASSIC, M51-150WR CLASSIC, M53-150WR CLASSIC)
2. Верхня ручка/рукоятка
3. Ручка зупинення двигуна
4. Рукоятка стартера
5. Петля для троса стартера
6. Травозбірник
7. Нижня ручка
8. Нижня ручка в зборі
9. Важелі регулювання висоти різання
10. Кришка для масла
11. Глушник
12. Пробка зливного отвору бака карбюратора
13. Кнопка насоса
14. Свічка запалення
15. Паливний бак
16. Лезо
17. Пружинна шайба
18. Болт диска
19. Різальна дека
20. Повітряний фільтр
21. Посібник користувача

Символи на виробі

ПОПЕРЕДЖЕННЯ: Недбале чи неправильне використання може призвести до травм або смерті

(Мал. 2)

користувача чи інших осіб.

Правильне використання

Використовуйте виріб для скошування трави в приватних садах. Забороняється використовувати продукт для інших завдань.

Перед користуванням виробом уважно прочитайте посібник користувача та переконайтеся, що ви зрозуміли всі вказівки.

(Мал. 3)

Сторонні особи та тварини повинні знаходитися на безпечній відстані від робочої зони.

(Мал. 4)

Перед проведенням ремонтних робіт або обслуговування необхідно зупинити двигун та витягнути провід запалювання.

(Мал. 5)

Остерігайтеся рикошету й об'єктів, які можуть вилітати з-під виробу.

(Мал. 6)

Увага: обертальне лезо. Не наближайте до нього руки та ноги.

(Мал. 7)

Увага: обертальні частини. Не наближайте до нього руки та ноги.

(Мал. 8)

Цей виріб відповідає вимогам відповідних директив ЄС

(Мал. 9)

Рівень випромінювання шуму в середовище відповідає директиві Європейської Спільноти. Рівень випромінювання шуму виробу вказано в розділі «Технічні дані» і на паспортній таблиці.

(Мал. 10)

(Мал. 11) Небезпека загоряння.

(Мал. 12) Небезпека загоряння.

(Мал. 13) Небезпека вибуху.

Перед заправкою паливом обов'язково зупиніть двигун.

(Мал. 14)

(Мал. 15) Гаряча поверхня.

(Мал. 16)

Вихлопні гази з двигуна містять монооксид вуглецю, отруйний та дуже небезпечний газ без запаху. Не заводьте виріб у приміщенні чи в замкнутому просторі.

Зверніть увагу: Інші позначення на виробі відповідають вимогам спеціальних сертифікатів для інших торгових зон.

Відповідальність за якість продукції

Відповідно до законів про відповідальність за якість продукції ми не несемо відповідальності за будь-які

пошкодження, спричинені роботою наших виробів, якщо:

- виріб був неправильно відремонтований;
- виріб був відремонтований із використанням деталей, виготовлених не виробником або не затверджених ним;
- виріб обладнаний аксесуаром, виготовленим не виробником або не затвердженим ним;
- виріб був відремонтований у неавторизованому сервісному центрі або неавторизованою компанією;

Безпека

Визначення щодо правил безпеки

Попередження, застереження та примітки служать для наголошення на особливо важливих положеннях посібника користувача.



ПОПЕРЕДЖЕННЯ: Вказує на те, що в разі порушення інструкцій, наведених у цьому посібнику, існує небезпека поранення або смерті оператора чи інших осіб, що знаходяться поруч.



УВАГА: Вказує на те, що в разі порушення інструкцій, наведених у цьому посібнику, існує небезпека пошкодження виробу, інших матеріалів або навколишніх об'єктів.

Зверніть увагу: Використовується для надання додаткової інформації щодо певної ситуації.

Загальні правила техніки безпеки



ПОПЕРЕДЖЕННЯ: Перш ніж розпочати використання виробу, уважно прочитайте наведені нижче попередження.

- Цей виріб може бути небезпечним у разі неправильного або недбалого використання. Порушення правил техніки безпеки може призвести до травм або смерті.
- Під час роботи цього виробу утворюється електромагнітне поле. Це поле може за деяких умов взаємодіяти з активними чи пасивними медичними імплантатами. Щоб зменшити ризик тяжких або смертельних травм, рекомендуємо особам із медичними імплантатами проконсультуватися зі своїм лікарем і виробником

медичного імплантату перед початком експлуатації цього виробу.

- Завжди будьте обережні та керуйтеся здоровим глуздом. Якщо ви маєте сумніви щодо того, як користуватися виробом у конкретній ситуації, припиніть роботу та проконсультуйтеся з дилером McCulloch.
- Пам'ятайте, що оператор несе відповідальність за нещасні випадки, в результаті яких постраждали інші особи або їхнє майно.
- Підтримуйте виріб чистим. Переконайтеся, що знаки та наклейки знаходяться в читабельному стані.
- Не дозволяйте використовувати виріб стороннім людям доки не переконаєтеся, що вони прочитали та зрозуміли весь зміст посібника користувача.
- Не давайте використовувати прилад дітям.
- Не давайте використовувати прилад особам, що не ознайомилися з інструкціями.
- Завжди наглядуйте за особами з обмеженими фізичними чи розумовими можливостями, що використовують виріб. Біля виробу, що працює, повинна завжди знаходитися відповідальна доросла особа.
- Забороняється використовувати виріб, якщо ви втомлені, хворі, чи перебуваєте під впливом наркотиків, алкоголю або медикаментів. Ці фактори мають негативний вплив на ваш зір, зосередженість, свідомість та координацію рухів.
- Забороняється використовувати виріб у разі його несправності.
- Забороняється зміни в конструкції виробу чи використовувати виріб, якщо є підозра, що його було змінено сторонніми особами.

Безпека в робочій зоні



ПОПЕРЕДЖЕННЯ: Перш ніж розпочати використання виробу, уважно прочитайте наведені нижче попередження.

- Перед використанням виробу приберіть з робочої зони всі гілки, лозу та каміння.
- Предмети, що потраплять на різальне обладнання, можуть відлетіти та поранити сторонніх осіб або пошкодити інші предмети. Сторонні особи та тварини повинні знаходитися на безпечній відстані від виробу.
- Забороняється використовувати виріб за поганої погоди на кшталт туману, дощу, сильного вітру, значного холоду або грози. Робота в погану погоду або на вологих ділянках виснажує. Погана погода може стати причиною небезпечних умов роботи, таких як слизькі поверхні.
- Бережіться осіб, предметів та ситуацій, які можуть зашкодити безпечній роботі виробу.
- Бережіться перешкод на кшталт коріння, каміння, гілок, ям або каналів. Висока трава може приховувати перешкоди.
- Скошування трави на схилах може бути небезпечним. Не використовуйте виріб на ділянках із нахилом понад 15°.
- Використовуйте виріб на схилах у горизонтальному напрямку. Не рухайтесь вгору і вниз.
- Будьте обережні, наближаючись до прихованих кутів та предметів, які можуть закривати поле зору.

Техніка безпеки



ПОПЕРЕДЖЕННЯ: Перш ніж розпочати використання виробу, уважно прочитайте наведені нижче попередження.

- Використовуйте виріб лише для скошування трав'яних газонів. Заборонено використовувати виріб для інших цілей.
- Використовуйте засоби індивідуального захисту. Див. *Засоби індивідуального захисту на сторінці 300.*
- Забороняється запускати двигун у закритому приміщенні або поблизу легкозаймистих матеріалів. Вихлопні дими мають високу температуру й можуть містити іскри, що можуть призвести до пожежі.
- Забороняється використовувати виріб без правильно встановленого леза та всіх кожухів. Неправильно встановлене лезо може від'єднатися і призвести до травм.
- Слідкуйте, щоб лезо не зачіпляло сторонні предмети на кшталт каміння та коріння. Це може призвести до пошкодження леза та згинання вала двигуна. Зігнута вісь викликає значні вібрації та

призводить до ризику від'єднання леза від виробу.

- У разі удару леза об будь-який сторонній предмет чи появі вібрації негайно зупиніть виріб. Від'єднайте провід запалювання від свічки запалювання. Перевіряйте виріб на наявність пошкоджень. Виправляйте пошкодження або здавайте виріб на ремонт в авторизований центр обслуговування.
- Забороняється закріплювати ручку зупинення двигуна на рукоятці, коли працює двигун.
- Поставте виріб на тверду рівну поверхню та увімкніть його. При цьому лезо не повинно торкатися землі або інших предметів.
- Під час роботи з виробом завжди залишайтеся позаду нього.
- Під час роботи з виробом всі колеса мають залишатися на землі, а обидві руки треба тримати на ручці. Тримайте руки та ноги на відстані від лез, що обертаються.
- Не нахиляйте виріб, коли двигун увімкнений.
- Будьте обережні під час руху у зворотному напрямку.
- Забороняється піднімати виріб коли двигун увімкнений. Якщо виріб треба підняти, спочатку вимкніть двигун та від'єднайте провід запалювання від свічки запалювання.
- Не рухайтесь у зворотному напрямку під час роботи з виробом.
- Вимикайте двигун під час руху через ділянки без трави на кшталт доріжок з гравію, каменю або асфальту.
- Не бігайте з виробом, коли двигун увімкнений. Під час роботи з виробом необхідно ходити зі звичайною швидкістю.
- Вимикайте двигун, перш ніж змінювати висоту різання. Забороняється виконувати регулювання при увімкненому двигуні.
- Забороняється залишати виріб без нагляду коли двигун працює. Зупиніть двигун та переконайтеся, що ріжуче обладнання не обертається.

Правила техніки безпеки під час використання

Засоби індивідуального захисту



ПОПЕРЕДЖЕННЯ: Перш ніж розпочати використання виробу, уважно прочитайте наведені нижче попередження.

- Особисте захисне спорядження не може повністю усунути небезпеку травмування, але при нещасному випадку воно знизить ступінь важкості травми. Дозвольте дилеру допомогти вам із вибором підходящого обладнання.
- Використовуйте взуття із захистом від ковзання для роботи у важких умовах. Забороняється

використовувати відкрите взуття або працювати взагалі без нього.

- Використовуйте цупкі довгі штани.
- За потреби використовуйте рукавички, наприклад, якщо необхідно приєднати, оглянути або почистити різальне обладнання.

Механізми безпеки на пристрої



ПОПЕРЕДЖЕННЯ: Перш ніж розпочати використання виробу, уважно прочитайте наведені нижче попередження.

- Не використовуйте виріб із пошкодженими захисними пристроями.
- Регулярно перевіряйте захисні пристрої. У випадку пошкодження захисних пристроїв зверніться до центру обслуговування McCulloch.

Кожух леза

- Огляньте кожух леза та переконайтеся, що він не має пошкоджень на кшталт тріщин.

Ручка зупинення двигуна

Ручка зупинення двигуна зупиняє двигун. За відпускання ручки зупинення двигуна він зупиняється.

Щоб перевірити роботу гальма двигуна, запустіть двигун, а потім відпустіть ручку зупинення. Якщо двигун не зупиняється протягом 3 секунд, необхідно передати виріб в авторизований центр обслуговування McCulloch для налаштування гальма двигуна.

(Мал. 17)

Глушник

Глушник зменшує рівень шуму та відводить вихлопні гази подалі від оператора.

Не використовуйте виріб із пошкодженим глушником або взагалі без глушника. В разі пошкодження глушника збільшується рівень шуму та підвищується небезпека загорання.

Регулярно оглядайте глушник, стежте, щоб він був правильно під'єднаний та справний.



УВАГА: Під час роботи виробу та відразу після роботи, а також під час роботи

двигуна на холодних обертах глушник сильно нагрівається. Зважайте на легкозаймисті матеріали та/або випари, щоб не допустити пожежі.

Заходи безпеки під час роботи з паливом



ПОПЕРЕДЖЕННЯ: Перш ніж розпочати використання виробу, уважно прочитайте наведені нижче попередження.

- Не запускайте виріб, якщо на ньому залишилося пальне або моторна олива. Приберіть непотрібне пальне/оливу та дайте виробу просохнути.
- Якщо ви пролили пальне на свій одяг, негайно переодягніться.
- Не допускайте потрапляння пального на тіло, адже це може призвести до травм. Для видалення пального, що потрапило на тіло, використовуйте мило та воду.
- Не запускайте виріб у разі наявності протікання у двигуні. Регулярно перевіряйте двигун на протікання.
- Будьте обережні при поводженні з паливом. Пальне є легкозаймистою речовиною, а його пари вибухонебезпечні та можуть призвести до травм або смерті.
- Не вдихайте вихлопні гази, це може призвести до травм. Забезпечте належне провітрювання.
- Не паліть біля пального або двигуна.
- Не кладіть біля пального або двигуна теплі предмети.
- Не доливайте пальне в працюючий виріб.
- Перед заправленням переконайтеся, що двигун охолонув.
- Перед заправленням повільно відкрийте кришку паливного бака, обережно зменшивши тиск.
- Не заправляйте виріб у приміщенні. Недостатнє провітрювання може призвести до травм або смерті внаслідок задухи чи отруєння монооксидом вуглецю.
- Затягуйте кришку паливного бака повністю. Якщо кришку паливного бака не затягнуто, існує ризик виникнення пожежі.
- Перед запуском пересуньте виріб на 3 м від місця, де ви заправляли його.
- Не заливайте в паливний бак занадто багато палива.

Правила техніки безпеки під час обслуговування



ПОПЕРЕДЖЕННЯ: Перш ніж розпочати використання виробу, уважно прочитайте наведені нижче попередження.

- Вихлопні гази з двигуна містять монооксид вуглецю, отруйний та дуже небезпечний газ без запаху. Забороняється заводити виріб у приміщенні чи в замкненому просторі.

- Перед тим, як почати технічне обслуговування виробу, вимкніть двигун та від'єднайте провід запалювання від свічки запалювання.
- Під час технічного обслуговування різального обладнання використовуйте захисні рукавиці. Лезо дуже гостре, ним можна легко порізатися.
- Встановлення аксесуарів, виготовлених не виробником, або внесення змін, не затверджених ним, може призвести до серйозної травми чи смерті. Вносити зміни в виріб забороняється. Використовуйте лише сертифіковані виробником аксесуари.
- Якщо не проводити правильне та регулярне технічне обслуговування, виникає небезпека травм та пошкодження виробу.
- Виконуйте технічне обслуговування лише так, як це наведено в цьому посібнику користувача. Будь-які інші види обслуговування повинні проводитися в авторизованому центрі обслуговування McCulloch.
- Регулярне обслуговування виробу може проводити авторизований центр обслуговування McCulloch.
- Замінійте пошкоджені, зношені або зламані деталі.

Збирання

Монтаж ручки

Нижня частина ручки

1. Вставте шипи знизу нижньої ручки в отвори, як показано на малюнку. Вирівняйте гвинтові отвори та встановіть гвинти, шайби та фіксуючі голівки. (Мал. 18)

Верхня частина ручки

1. Вирівняйте отвори в рукоятці відповідно до отворів у нижній ручці та встановіть гвинти, шайби та фіксуючі голівки. Також праворуч зафіксуйте петлю для троса стартера. Надійно затягніть фіксуючі голівки. (Мал. 19)
2. Потягніть ручку троса стартера та обгорніть трос стартера навколо петлі для троса стартера. (Мал. 20)
3. Скористайтеся ремнями для кріплення кабелів до рукоятки. (Мал. 21)

Зверніть увагу: Переконайтеся, що натяг кабелів не занадто високий.

Монтаж травозбірника

1. Помістіть рамку травозбірника в мішок для трави. Переконайтеся, що ручка на рамі травозбірника знаходиться зверху мішка для трави.

2. Встановіть мішок для трави на раму травозбірника за допомогою затискачів, що знаходяться на мішку. (Мал. 22)
3. Підніміть задню кришку.
4. Під'єднайте травозбірник до верхньої кромки рами.
5. Встановіть нижню частину травозбірника в канал викидання трави.

Монтаж заглушки для мульчування

Приладдя для мульчування доступне як додатковий аксесуар для окремих моделей. Моделі M51-150WR CLASSIC, M53-150WR CLASSIC постачаються в комплекті з приладдям для мульчування. Моделі M40-120 CLASSIC, M40-125 CLASSIC+ неможливо використовувати з приладдям для мульчування.

1. Підніміть задню кришку і вийміть травозбірник.
2. Вставте заглушку для мульчування в канал викидання. (Мал. 23)

ЕКСПЛУАТАЦІЯ

Вступ



ПОПЕРЕДЖЕННЯ: Перед експлуатацією виробу обов'язково прочитайте й усвідомте зміст розділу про заходи безпеки.

Перед початком роботи з виробом

1. Уважно прочитайте посібник користувача та переконайтеся, що ви зрозуміли всі вказівки.
2. Огляньте різальне обладнання та переконайтеся, що воно правильно встановлено та налаштовано. Див. *Перевірка різального обладнання на сторінці 304.*

3. Наповніть паливний бак. Див. *Заправлення паливом на сторінці 303.*
4. Наповніть паливний бак та перевірте рівень оливи. Див. *Перевірка рівня оливи на сторінці 305.*

Заправлення паливом

Якщо є можливість, використовуйте бензин з низьким рівнем викидів/бензин-алклат. Якщо можливості використовувати бензин із низьким рівнем викидів/бензин-алклат немає, використовуйте якісний неетилований або етилований бензин. Використовуйте бензин із октановим числом не нижче 90 та максимальним вмістом етанолу 10 % (E10).



ПОПЕРЕДЖЕННЯ: Заправлення паливом невідповідного типу може призвести до пошкодження двигуна.

1. Повільно відкрутіть кришку паливного бака, щоб вивільнити тиск.
2. Повільно влийте пальне з канистри. У разі проливання пального витріть його ганчіркою або дайте йому висохнути.
3. Витріть поверхню біля кришки паливного бака.
4. Затягуйте кришку паливного бака повністю. Якщо кришку паливного бака не затягнуто, існує ризик виникнення пожежі.
5. Перед запуском пересуньте виріб на 3 м від місця, де ви заправляли його.

Налаштування висоти різання

1. Для збільшення висоти різання потягніть важіль регулювання висоти різання назад.
2. Для зменшення висоти різання потягніть важіль регулювання висоти різання вперед.(Мал. 24)



УВАГА: Не встановлюйте занадто низьку висоту різання. Леза можуть зачепити землю, якщо поверхня газону буде нерівною.

Запуск виробу

1. Переконайтеся, що провід запалювання під'єднаний до свічки запалювання.

2. За першого використання виробу натисніть кнопку насоса 5 разів. За наступного запуску виробу переконайтеся, що двигун холодний, і натисніть кнопку насоса 3 рази.(Мал. 25)
3. Залишайтеся позаду виробу.
4. Утримуйте ручку зупинення двигуна біля рукоятки.(Мал. 26)
5. Утримуйте ручку троса стартера правою рукою.
6. Повільно потягніть ручку троса стартера доки не відчуєте деякий спротив.
7. Потягніть шнур сильно, щоб запустити двигун.



ПОПЕРЕДЖЕННЯ: Не намотуйте трос стартера на ручку.

Щоб підключити привід до коліс

- Штовхніть привідну скобу в напрямку рукоятки.(Мал. 27)
- Перед переміщенням виробу у зворотному напрямку, розчепіть привід і штовхніть виріб вперед приблизно на 10см.
- При наближенні до перешкоди відпустіть привідну скобу для розчеплення приводу.

Зупинка виробу

- Щоб зупинити тільки привід, необхідно відпустити привідну скобу.
- Щоб зупинити двигун, необхідно відпустити ручку зупинення двигуна.

Забезпечення ефективної роботи

- Завжди користуйтеся гострим лезом. Тупе лезо ріже нерівно, а трава на поверхні розрізу жовтіє. Крім того, гостре лезо споживає менше енергії за тупе.
- Не скошуйте більше $\frac{1}{4}$ довжини трави. Спочатку треба виконувати скошування з великою висотою різання. Оцініть результат і зменште висоту зрізання на потрібну вам. Якщо трава дуже довга, ведіть газонокосарку повільно і виконайте скошування двічі, якщо це необхідно.
- Косіть щоразу в різних напрямках, щоб на газоні не було смуг.

ТЕХНІЧНЕ ОБСЛУГОВУВАННЯ

Вступ



ПОПЕРЕДЖЕННЯ: Перед виконанням робіт із технічного обслуговування обов'язково прочитайте й усвідомте зміст розділу про заходи безпеки.

Для всіх робіт з обслуговування та ремонту необхідна спеціальна підготовка. Ми гарантуємо доступність послуг із професійного ремонту та обслуговування. Якщо ваш дилер не є одночасно центром обслуговування, зверніться до нього по інформацію щодо найближчого центру обслуговування.

Графік технічного обслуговування

Інтервали технічного обслуговування вказані з урахуванням щоденного використання виробу. Інтервали змінюються для іншої частоти використання виробу.

Інформацію щодо елементів технічного обслуговування, помічених знаком * див. у *Механізми безпеки на пристрої на сторінці 301.*

Технічне обслуговування	Щодня	Щотижня	Щомісяця
Загальна перевірка	X		
Перевірка рівня оливи	X		
Очищення виробу	X		
Перевірка різального обладнання	X		
Перевірка кожуха леза*	X		
Перевірка ручки зупинення двигуна*	X		
Перевірка та налаштування приводу (дріт зчеплення)	X		
Перевірка глушника*		X	
Перевірка свічки запалювання		X	
Заміна оливи (перший раз після 5 годин експлуатації, далі – кожні 50 годин експлуатації)			X
Замініть повітряний фільтр			X
Перевірка паливної системи			X

Процедура загальної перевірки

- Переконайтеся, що всі гайки й гвинти на виробі затягнуті.

Чищення зовнішніх поверхонь виробу

- Прибирайте листя, траву та бруд за допомогою щітки.
- Переконайтеся, що всмоктувач повітря зверху двигуна не заблокований.
- Для чищення виробу не використовуйте миючий апарат високого тиску.
- У разі використання води для чищення виробу, забороняється лити її безпосередньо на двигун.

Чищення внутрішніх поверхонь кожуха леза

1. Вилийте паливо з паливного бака.
2. Покладіть виріб на бік глушником донизу.



УВАГА: Якщо покласти виріб повітряним фільтром донизу, може виникнути ризик пошкодження двигуна.

3. Промийте водою зі шлангу внутрішню поверхню кожуха леза.

Перевірка різального обладнання



ПОПЕРЕДЖЕННЯ: Зніміть провід запалювання зі свічки запалювання, щоб попередити ненавмисний запуск.



ПОПЕРЕДЖЕННЯ: Під час технічного обслуговування різального обладнання використовуйте захисні рукавиці. Лезо дуже гостре, ним можна легко порізатися.

1. Перевірте різальне обладнання на наявність пошкоджень або тріщин. Обов'язково замінійте пошкоджене різальне обладнання.
2. Огляньте лезо на предмет пошкоджень або затуплення.

Зверніть увагу: Після гостріння леза необхідно відрегулювати його баланс. Гостріння, заміну та балансування леза необхідно проводити в центрі обслуговування. У разі потрапляння на перешкоду, що призвела до зупинки двигуна, замініть пошкоджене лезо. Спеціалісти центру обслуговування мають провести оцінювання стану леза та надати консультацію щодо необхідності його гостріння або заміни.

Заміна ножа

1. Зафіксуйте лезо дерев'яним бруском. (Мал. 28)
2. Вийміть болт леза.
3. Зніміть лезо.
4. Перевірте опору леза та болт на предмет пошкоджень.
5. Перевірте вал леза на предмет згинань.
6. Під час встановлення нового леза направляйте розміщені під кутом кінці в напрямку кожуха леза. (Мал. 29)
7. Переконайтеся, що лезо знаходиться на одному рівні з центром вала двигуна.
8. Зафіксуйте лезо дерев'яним бруском. Встановіть пружинну шайбу та затягніть болт і шайбу з моментом 45–60 Н·м. (Мал. 30)
9. Прокрутіть лезо рукою та переконайтеся, що воно вільно обертається.



ПОПЕРЕДЖЕННЯ: Використовуйте міцні робочі рукавиці. Лезо дуже гостре, ним можна легко порізатися.

10. Запустіть виріб, щоб перевірити роботу леза. У разі неправильного встановлення леза у виробі буде спостерігатися вібрація або результат скошування буде незадовільний.

Перевірка рівня оливи



УВАГА: Занадто низький рівень оливи може спричинити пошкодження двигуна. Перед запуском виробу необхідно перевіряти рівень оливи.

1. Встановіть виріб на рівній поверхні.
2. Зніміть кришку бака для оливи за допомогою під'єданого вимірювального стрижня.
3. Усуňte оливу з вимірювального стрижня.
4. Щоб дізнатися точний рівень оливи, повністю вставте вимірювальний стрижень в бак для оливи.
5. Вийміть вимірювальний стрижень.
6. Перевірте рівень оливи на вимірювальному стрижні.
7. У разі, якщо рівень оливи низький, залийте моторну оливу та перевірте рівень ще раз.

Заміна моторної оливи



ПОПЕРЕДЖЕННЯ: Відразу після зупинки двигуна моторна олива є дуже гарячою. Дайте двигуну охолонути, перш ніж зливати моторну оливу. Якщо моторна олива потрапить на вашу шкіру, промийте цю ділянку водою з милом.

1. Запустіть виріб та дочекайтеся, доки запаси палива буде вичерпано.
2. Витягніть провід запалювання зі свічки запалювання.
3. Зніміть кришку бака для оливи.
4. Підставте під виріб резервуар для збору моторної оливи.
5. Нахиліть виріб, щоб злити моторну оливу з бака.
6. Залийте свіжу моторну оливу рекомендованого в *Технічні характеристики на сторінці 307* типу.
7. Перевірте рівень оливи. Див. *Перевірка рівня оливи на сторінці 305*.

Повітряний фільтр

Неможливо повністю очистити повітряний фільтр, який використовувався протягом довгого часу. Регулярно замінюйте повітряний фільтр.

Зверніть увагу: Пошкоджений повітряний фільтр необхідно замінювати обов'язково.

Очищення паперового фільтра

1. Зніміть кришку повітряного фільтра та витягніть паперовий фільтр.
2. Постукайте фільтром по плоскій поверхні, щоб вибити з нього частинки бруду.



УВАГА: Не використовуйте розчини або стиснене повітря для очищення паперового фільтра.

3. Встановіть на місце повітряний фільтр. Переконайтеся, що повітряний фільтр щільно сів на тримач фільтра.
4. Встановіть на місце кришку повітряного фільтра.

Очищення поролонового фільтра

1. Зніміть кришку повітряного фільтра та витягніть поролоновий фільтр.
2. Промийте поролоновий фільтр за допомогою мила та води.
3. Промийте поролоновий фільтр начисто водою.
4. Видавіть воду з фільтра та дайте йому просохнути.



УВАГА: Не використовуйте стиснене повітря. Воно може пошкодити поролоновий фільтр.

5. Змастіть поролоновий фільтр моторною оливою.
6. Промокніть поролоновий фільтр чистою тканиною, щоб прибрати непотрібну оливу.
7. Встановіть на місце повітряний фільтр. Переконайтеся, що повітряний фільтр щільно сів на тримач фільтра.
8. Встановіть на місце кришку повітряного фільтра.

Перевірка свічки запалювання



УВАГА: Завжди користуйтеся рекомендованими свічками запалення. Неправильний тип свічки запалювання може призвести до пошкодження виробу.

- У разі, якщо двигун втрачає потужність, його важко запустити або він погано працює на холостому ходу, необхідно перевірити свічку запалювання.
- Щоб зменшити ризик потраплення зайвих предметів на електродами свічки запалювання, дотримуйтеся таких інструкцій:
 - a) переконайтеся, що швидкість холостого ходу встановлено правильно;
 - b) переконайтеся в правильності змішування паливної суміші;
 - c) переконайтеся, що повітряний фільтр чистий.
- Якщо свічка забруднена, її слід очистити та переконайтеся, що між електродами встановлено правильний зазор, див. *Технічні характеристики на сторінці 307*. (Мал. 31)
- За необхідності замініть свічку запалювання.

Перевірка паливної системи

- Перевірте кришку паливного бака та її ущільнювач на предмет пошкоджень.

- Перевірте шланг подачі пального на предмет протікань. У разі пошкодження шланга подачі пального замініть його в центрі обслуговування.

Регулювання дроту зчеплення

Якщо відчувається, що привід працює повільно, треба відрегулювати дріт зчеплення.

1. Закріпіть дріт зчеплення в різних отворах на привідній скобі, щоб відрегулювати його довжину. Зменште довжину дроту зчеплення, щоб підвищити швидкість приводу. Збільште довжину дроту зчеплення, щоб зменшити швидкість приводу. (Мал. 32)

Зверніть увагу: У разі, якщо привід активується без задіяння привідної скоби, необхідно подовжити дріт зчеплення.

2. Для незначного корегування швидкості приводу поверніть гвинт регулювання. Для збільшення швидкості приводу поверніть гвинт регулювання проти годинникової стрілки. Для зменшення швидкості приводу поверніть гвинт регулювання за годинниковою стрілкою. (Мал. 33)

Якщо навіть після регулювання відчувається, що привід працює повільно, віддайте виріб до центру обслуговування для заміни приводного паса.

Транспортування, зберігання та утилізація

Транспортування та зберігання

- У разі транспортування та зберігання виробу та пального необхідно переконатися у відсутності протікань та випарів. Іскри або відкритий вогонь, наприклад, від електричних пристроїв, можуть спричинити пожежу.
- Для зберігання та транспортування палива слід використовувати лише сертифіковані резервуари.
- Спорожніть паливний бак та бак карбюратора у разі, якщо виріб зберігатиметься протягом тривалого часу. Утилізуйте паливо у відповідних місцях для утилізації
- Під час транспортування закріплюйте виріб безпечним чином, щоб уникнути пошкоджень та нещасних випадків.
- Зберігайте виріб у закритому приміщенні, куди не зможуть отримати доступ діти та особи без належної підготовки.

- Зберігайте виріб у сухому місці за температури нижче 0 градусів.

Утилізація

- Виконуйте місцеві вимоги та відповідні норми і правила щодо утилізації.
- Утилізуйте всі хімічні речовини на кшталт моторної оливи або палива в центрі обслуговування або у відповідних місцях для утилізації.
- Якщо виріб більше не використовується, відправте його дилеру McCulloch або утилізуйте у відповідному місці для утилізації.

Технічні дані

Технічні характеристики

	M40-120 CLASSIC	M40-125 CLASSIC+	M46-120 CLASSIC	M46-120R CLASSIC	M46-125 CLASSIC+	M46-125R CLASSIC+
Двигун						
Бренд	McCulloch®	Briggs & Stratton	McCulloch®	McCulloch®	Briggs & Stratton	Briggs & Stratton
Об'єм, см ³	120	125	120	120	125	125
Частота обертання, об./хв.	2900	2900	2900	2900	2900	2900
Номінальна потужність двигуна, кВт ²⁴¹	2,0	1,6	2,0	2,0	1,6	1,6
Система запалювання						
Свічка запалення	K7RTC	RC12YC	K7RTC	K7RTC	RC12YC	RC12YC
Проміжок між електродами, мм	0,7	0,5	0,7	0,7	0,5	0,5
Паливна система й система змащування						
Ємність паливного бака, л	0,8	0,8	0,8	0,8	0,8	0,8
Ємність бака для оливи, л	0,4	0,4	0,4	0,4	0,4	0,4
Моторна олива ²⁴²	SAE 30/SAE 10W-30	SAE 30/SAE 10W-30	SAE 30/SAE 10W-30	SAE 30/SAE 10W-30	SAE 30/SAE 10W-30	SAE 30/SAE 10W-30
Вага						
Суха маса виробу, кг	24	25	28	29	28	29
Випромінювання шуму²⁴³						
Рівень звукової потужності, вимірюваний у децибелах (A)	93	93	95	95	95	95
Рівень звукової потужності, гарантований L _{WA} дБ (A)	94	94	96	96	96	96

²⁴¹ Вказана номінальна потужність двигуна є середньою кінцевою потужністю (за вказаного числа обертів на хвилину) типового серійного двигуна для цієї моделі, виміряною згідно зі стандартом SAE J1349/ISO1585. Потужність серійних двигунів може відрізнятися від цього значення. Фактична вихідна потужність двигуна, встановленого у виробі, залежить від робочої швидкості, умов навколишнього середовища та інших факторів.

²⁴² Використовуйте мастило класу SJ або вище. Ознайомтеся з таблицею в'язкості, що наведена в посібнику користувача до двигуна, та оберіть оптимальну в'язкість у залежності від очікуваної зовнішньої температури.

²⁴³ Випромінювання шуму в середовище, виміряне як звукова потужність (L_{WA}), відповідає директиві ЄС 2000/14/ЄС.

	M40-120 CLASSIC	M40-125 CLASSIC+	M46-120 CLASSIC	M46-120R CLASSIC	M46-125 CLASSIC+	M46-125R CLASSIC+
Рівні звуку²⁴⁴						
Рівень звукового тиску у вусі оператора, дБ (А)	80	80	82	82	82	82
Рівні вібрації, $a_{\text{нвек}}$²⁴⁵						
Ручка, м/с ²	14,75	14,75	15,68	15,68	15,68	15,68
Різальне обладнання						
Висота зрізання, мм	20-75	20-75	30-80	30-80	30-80	30-80
Ширина зрізання, мм	400	400	460	460	460	460
Лезо	Мульчер 40	Мульчер 40	Мульчер 46	Мульчер 46	Мульчер 46	Мульчер 46
Артикульний номер	5871590-10	5871590-10	5811889-10	5811889-10	5811889-10	5811889-10
Ємність травозбірника, літрів	50	50	50	50	50	50

	M46-150WR CLASSIC	M51-140WR CLASSIC+	M51-150R CLASSIC	M51-150WR CLASSIC	M53-150WR CLASSIC
Двигун					
Бренд	McCulloch®	Briggs & Stratton	McCulloch®	McCulloch®	McCulloch®
Об'єм, см ³	150	140	150	150	150
Частота обертання, об./хв.	2900	2900	2900	2900	2900
Номінальна потужність двигуна, кВт ²⁴⁶	2,4	1,9	2,4	2,4	2,4
Система запалювання					
Свічка запалення	K7RTC	RC12YC	K7RTC	K7RTC	K7RTC
Проміжок між електродами, мм	0,7	0,5	0,7	0,7	0,7
Паливна система й система змашування					
Ємність паливного бака, літрів	1,0	0,8	1,0	1,0	1,0

²⁴⁴ Рівень шумового тиску відповідає стандарту ISO 5395:2103. Заявлені дані про рівень шумового тиску мають стандартну статистичну розбіжність (стандартне відхилення) в 1,2 дБ(А).

²⁴⁵ Рівень вібрації відповідає стандарту ISO 5395:2013. Заявлені дані щодо рівня вібрації мають стандартну статистичну розбіжність (стандартне відхилення) у 0,2 м/с².

²⁴⁶ Вказана номінальна потужність двигуна є середньою кінцевою потужністю (за вказаного числа обертів на хвилину) типового серійного двигуна для цієї моделі, вимірююю згідно зі стандартом SAE J1349/ISO 1585. Потужність серійних двигунів може відрізнятися від цього значення. Фактична вихідна потужність двигуна, встановленого у виробі, залежить від робочої швидкості, умов навколишнього середовища та інших факторів.

	M46-150WR CLASSIC	M51-140WR CLASSIC+	M51-150R CLASSIC	M51-150WR CLASSIC	M53-150WR CLASSIC
Ємність бака для оливи, літрів	0,4	0,4	0,4	0,4	0,4
Моторна олива ²⁴⁷	SAE 30/SAE 10W-30	SAE 30/SAE 10W-30	SAE 30/SAE 10W-30	SAE 30/SAE 10W-30	SAE 30/SAE 10W-30
Вага					
Суха маса виробу, кг	32	32	33	33	33
Випромінювання шуму ²⁴⁸					
Рівень звукової потужності, вимірюваний у децибелах (A)	97	97	95	97	98
Рівень звукової потужності, гарантований L _{WA} дБ (A)	98	98	98	98	98
Рівні звуку ²⁴⁹					
Рівень звукового тиску у вусі оператора, дБ (A)	82	82	81	84	82
Рівні вібрації, a_{hveq} ²⁵⁰					
Ручка, м/с ²	4,27	4,27	4,06	5,55	3,39
Різальне обладнання					
Висота зрізання, мм	30-80	30-90	30-90	30-90	30-90
Ширина зрізання, мм	460	510	510	510	530
Лезо	Мульчер 46	Мульчер 51	Мульчер 51	Мульчер 51	Мульчер 53
Артикульний номер	5811889-10	5041133-10	5041133-10	5041133-10	5811886-10
Ємність травозбірника, літрів	50	55	55	55	55

Декларація відповідності ЄС

Зміст декларації відповідності ЄС

Ми, Husqvarna AB, SE 561 82 м. Гускварна, Швеція, заявляємо під свою виключну відповідальність, що представлений виріб:

²⁴⁷ Використовуйте мастило класу SJ або вище. Ознайомтеся з таблицею в'язкості, що наведена в посібнику користувача до двигуна, та оберіть оптимальну в'язкість у залежності від очікуваної зовнішньої температури.

²⁴⁸ Випромінювання шуму в середовище, виміряне як звукова потужність (L_{WA}), відповідає директиві ЄС 2000/14/ЄС.

²⁴⁹ Рівень шумового тиску відповідає стандарту ISO 5395:2103. Заявлені дані про рівень шумового тиску мають стандартну статистичну розбіжність (стандартне відхилення) в 1,2 дБ(A).

²⁵⁰ Рівень вібрації відповідає стандарту ISO 5395:2013. Заявлені дані щодо рівня вібрації мають стандартну статистичну розбіжність (стандартне відхилення) у 0,2 м/с².

Опис	Газонокосарка з двигуном внутрішнього згорання, керована пішим оператором
Бренд	McCulloch
Платформа / Тип / Модель	M40-120 CLASSIC, M40-125 CLASSIC+, M46-120 CLASSIC, M46-120R CLASSIC, M46-125 CLASSIC+, M46-125R CLASSIC+, M46-150WR CLASSIC, M51-140WR CLASSIC+, M51-150R CLASSIC, M51-150WR CLASSIC, M53-150WR CLASSIC
Партія	Серійні номери за 2017 рік і пізніше
повністю відповідає наступним директивам і нормам ЄС:	
Директива/норма	Опис
2006/42/EC	«Про механічне обладнання»
2014/30/EU	«Про електромагнітну сумісність»
2000/14/EC; 2005/88/EC	«Про випромінювання шуму від обладнання, призначеного для використання надворі»
Застосовуються такі узгоджені стандарти та/або технічні специфікації: EN ISO 12100, ISO 14982, ISO 5395-1 & 2, ISO 3744, ISO 11094, EN 1032	
Згідно з директивною 2000/14/EC, додаток V, заявлені шумові характеристики зазначені в розділі технічних даних цього посібника та в підписаній декларації відповідності ЄС.	
Поставлена газонокосарка з двигуном внутрішнього згорання, керована пішим оператором, відповідає зразкам, які пройшли перевірку.	



www.mcculloch.com

Original instructions
Оригинални инструкции
Původní pokyny
Originale instruktioner
Originalanweisungen
Αρχικές οδηγίες
Instrucciones originales
Originaaljuhend
Alkuperäiset ohjeet
Instructions d'origine
Originalne upute
Eredeti útmutatás
Istruzioni originali

Originalios instrukcijos
Lietošanas pamācība
Originale instructies
Originale instruksjoner
Oryginalne instrukcje
Instruções originais
Instrucțiuni inițiale
Оригинальные инструкции
Pôvodné pokyny
Izvirna navodila
Bruksanvisning i original
Оригинальні інструкції

1159282-38



2017-10-05