



Art. 19000

EN Operator's manual
smart Gateway

GARDENA smart Gateway

1. SAFETY	4
2. FUNCTION	5
3. INITIAL OPERATION	6
4. OPERATION	12
5. MAINTENANCE	14
6. STORAGE	14
7. TROUBLESHOOTING	15
8. TECHNICAL DATA	16
9. SERVICE/WARRANTY	17

Translation of the original instructions.



For safety reasons, children and young people under 16 as well as anyone who is not familiar with these operating instructions should not use the product. Persons with reduced physical or mental abilities may use the product only if they are supervised or instructed by a responsible person. Children must be supervised to ensure that they do not play with the product. Never operate the product when you are tired, ill or under the influence of alcohol, drugs or medicine.

Intended use:

The **GARDENA smart Gateway** is intended for private use in domestic and hobby gardens for automatic control of smart system products by the **GARDENA smart system App**.

The **GARDENA smart Gateway** is controlled and operated by the **GARDENA smart system App**.

1. SAFETY

Important!
Read the operator's manual carefully before use and keep for future reference.



DANGER!
Risk of suffocation!

Small parts can be easily swallowed. There is also a risk that the polybag can suffocate toddlers. Keep toddlers away when you assemble the product.



DANGER! Cardiac arrest!

This product makes an electromagnetic field while it operates. This field may under some conditions interfere with active or passive medical implants. To decrease the risk of conditions that can possibly injure or kill, we recommend persons with medical implants to speak with their physician and the medical implant manufacturer before you operate the product.

Do not open the product.

Only use the product indoors.

Avoid exposure to moisture and dust, as well as sunlight and other forms of heat exposure.

The wireless transmission can be disrupted as a result of external influences such as electric motors or defective electrical devices.

The wireless range may be restricted in buildings (e.g. by reinforced concrete walls) or in the open (e.g. by high levels of humidity).

Only use the product with the supplied Power supply unit.

Protect the power supply unit from moisture when connected.

The product can be used in the temperature range 0 °C – +40 °C.

Don't use cables – connecting the products to external/outdoor interfaces.

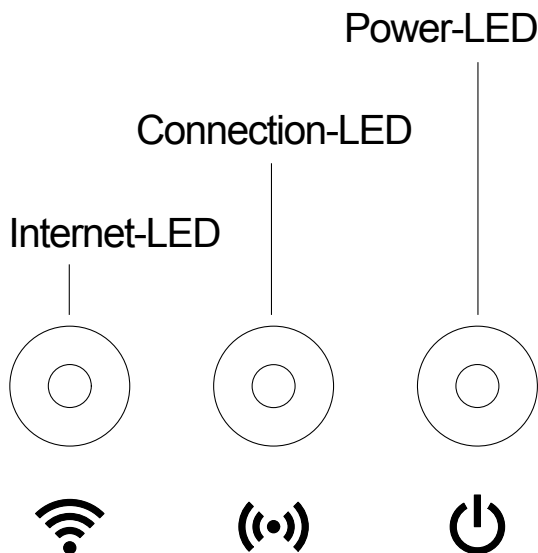
Short Range Device Antennas and Wi-Fi Antenna are installed in the product.

External Short Range Device Antennas is optional available.

Do not use in cellar or nearby metal plates or engines.

2. FUNCTION

LED-Display:



① Internet-LED:

- Green:** Connected with router and VPN
- Yellow:** Hotspot mode – not connected with router
- Yellow flashing:** Connected to mobile phone
- Red:** Not connected
- Red flashing:** Connected with router; not connected with VPN

② Connection-LED:

- Green flashing:** Receiving data
- Yellow flashing:** Sending data

③ Power-LED:

- Green:** Power On
- Green flashing:** Booting
- Yellow:**
 1. Factory reset running
 2. Error (restart required)
- Yellow flashing:** Software update
- Red:** Fatal error (restart required)

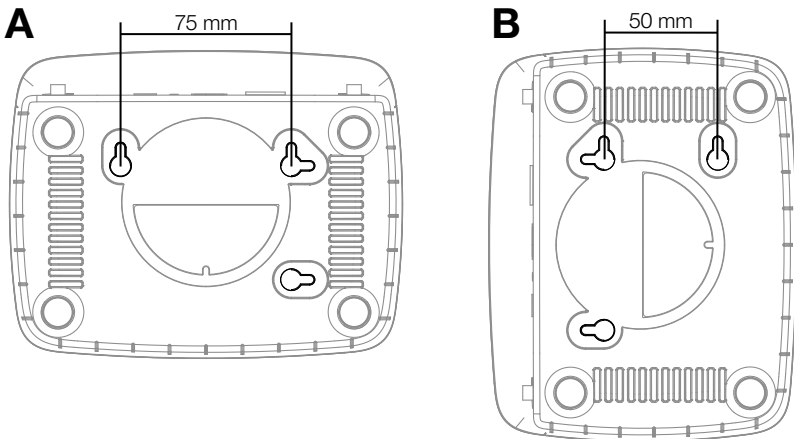
3. INITIAL OPERATION

Contents:

- Gateway unit
- Netzteil
- Ethernet-cable

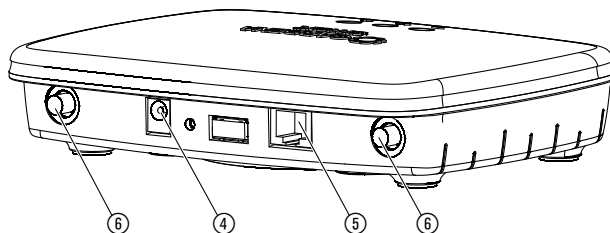
To mount on the wall:

The two screws (not supplied) for attaching the Gateway have to be screwed into place **A** horizontally 75 mm/**B** vertically 50 mm apart and the screw head diameter must not exceed 8 mm.



1. Screw the screws into the wall **A** 75 mm/**B** 50 mm apart.
2. Attach the product.

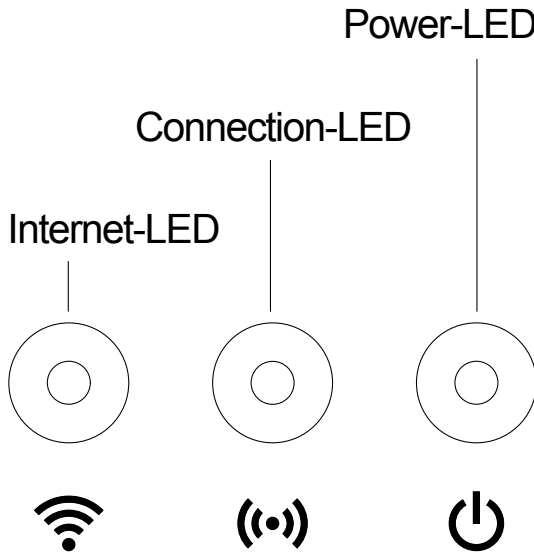
Commissioning the smart Gateway:



An Internet connection is required for installation of the Gateway. The Gateway can be connected to the Internet via LAN or Wi-Fi.

1. Connect the Gateway with the provided power supply unit.
During the self-test, the Power LED ① lights up green for approx. ten seconds and then flashes green.
2. Wait until the Power-LED stays green.
This can take up to one minute. After this you can connect the Gateway with the Internet.
3. Select one of the following options:
Connecting via cable/Connecting via Wi-Fi.

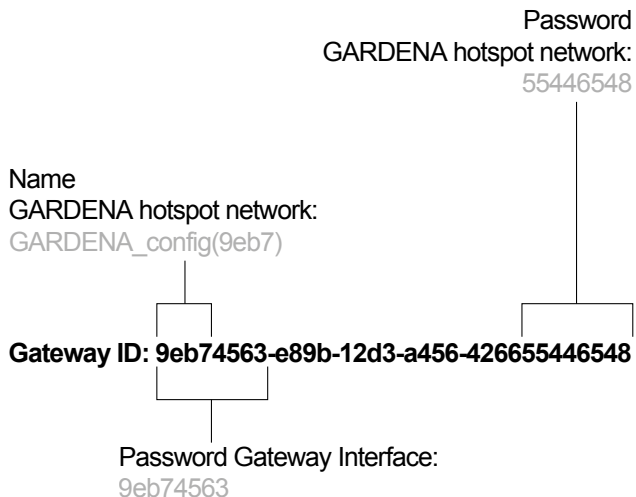
Connecting via cable (recommended):

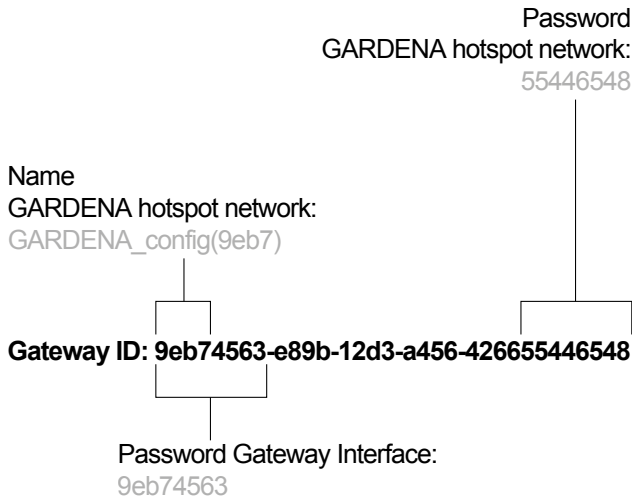


1. Connect the Gateway with the provided network cable to your router.
The software for your Gateway is now being updated. This can take a few minutes. During this time, the Internet LED may flash red and the Power LED may flash yellow. Once the Internet-LED and the Power-LED stay green, your Gateway is up to date. It can now be included in the App.
2. Download the GARDENA smart system app from the Apple App Store or the Google Play Store.
3. Follow the instructions in the App.

Connecting via Wi-Fi:

The Gateway automatically provides a GARDENA hotspot network if it is not connected to the Internet. Once the Internet-LED turns and stays yellow, the hotspot network will be visible. The graphic below shows a typical network name.





1. Connect to the GARDENA configuration network. Use the last eight digits of your Gateway ID as the password (see graphic).
The Gateway ID can be found on the sticker on the underside of the Gateway.
2. Open the URL:
<http://10.0.0.1>
in your preferred Internet browser.
You should now see the Gateway Interface.
3. Login using the first eight digits of your Gateway ID as the password (see graphic).
4. Select your network from **Wi-Fi**.
Then your Gateway is connected with the Internet.
5. Enter your network password and confirm your settings. Wait until the Internet-LED turns green. This can take a few minutes.
The software for your Gateway is now being updated. This can take a few minutes. During this time, the Internet LED may flash red and the Power LED may flash yellow. Once the Internet-LED and the Power-LED stay green, your Gateway is up to date. It can now be included in the App.
6. Download the GARDENA smart system app from the Apple App Store or the Google Play Store.
7. Follow the instructions in the App.

Note: This hotspot network does not provide an Internet access. Some products will automatically ignore and disconnect from the GARDENA hotspot network. In this case you will have to disable that option on your product. Also, make sure JavaScript is activated and browser cookies are accepted, in order to display the page correctly. Connecting the Gateway is not supported by Internet Explorer.

If the internal antennas do not have a long enough radio range, external short distance radio antennas can be screwed on to the two Gateway connections ⑥.

4. OPERATION

Operation with the GARDENA smart system App:

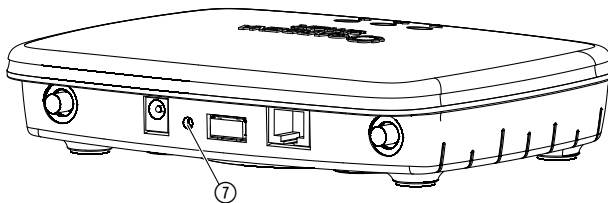
You can use the **GARDENA smart system app** to control all smart system products from anywhere at any time. You can download the free **GARDENA smart system app** from the Apple App Store or from the Google Play Store.

Make sure that the smart Gateway was successfully commissioned (see 3. INITIAL OPERATION) before connecting it to the app. All GARDENA smart products are integrated via the app. Follow the instructions inside the App.

Setting options for the Gateway:

- Configure Ethernet
- Setting up Wi-Fi
- Set up external short-range wireless antennas
- Configure time zone

Factory Reset:



The smart Gateway will be reset to the factory settings.

1. Disconnect the Gateway from the network.
2. Press and hold down the Reset key ⑦; connect the Gateway to the network and wait until the Power-LED lights up yellow.
3. Release the Reset key ⑦ and wait until the Power-LED lights up green.

5. MAINTENANCE

To clean the Gateway:

No caustic/abrasive cleaning agents should be used.

→ **Clean Gateway with a damp cloth (do not use solvent).**

6. STORAGE

To put into storage:

The product must be stored away from children.

→ Do not stow the product outdoors if not in use.

Disposal:

(in accordance with RL2012/19/EC)



The product must not be disposed of to normal household waste. It must be disposed of in line with local environmental regulations.

IMPORTANT!

Dispose of the product through or via your municipal recycling collection centre.

7. TROUBLESHOOTING



NOTE: For any other malfunctions please contact the GARDENA service department. Repairs must only be done by GARDENA service departments or specialist dealers approved by GARDENA.

8. TECHNICAL DATA

	Unit	Value (Art. 19000-20)
Operation temperature range (indoors)	°C	0 – 40
Internal SRD:		
Frequency range	MHz	863 – 870
Maximum power	mW	25
Free field radio range	m (approx.)	100
External antennas		only optional
Wi-Fi		
Frequency range	MHz	2400 – 2483.5
Maximum power	mW	100
Standards supported		IEEE 802.11b/g/n
Ethernet		
Port		1 LAN port via RJ45 socket
Data connection		Standard Ethernet 10/100 Base-T
Power supply		
Mains voltage	V	100 – 240
Mains frequency	Hz	50
Max. output voltage	V (DC)	5
Dimensions (W x H x D)	mm	57 x 128 x 58
Weight	g	120

EC Declaration of Conformity:

Hereby, GARDENA Manufacturing GmbH declares that the radio equipment type (Art. 19000) is in compliance with directive 2014/53/EU.

The full text of the EC declaration of conformity is available at the following internet address:

<http://www.gardena.com/int/support/safety-regulations>

9. SERVICE/WARRANTY

Service:

Please contact the address on the back page.

Warranty:

In the event of a warranty claim, no charge is levied to you for the services provided.

GARDENA Manufacturing GmbH offers a 2-year warranty for this product (from the date of purchase) if the product has been used exclusively for private purposes. This manufacturer's warranty does not apply to used products purchased from a secondary market. This warranty includes all significant defects of the product that can be proved to be material or manufacturing faults. This warranty is fulfilled by supplying a fully functional replacement product or by repairing the faulty product sent to us free of charge; we reserve the right to choose between these options. This service is subject to the following provisions:

- The product was used for its intended purpose as per the recommendations in the operating instructions.
- Neither the purchaser nor a third party has attempted to repair the product.
- Only original GARDENA spare and wear parts were used.

Normal wear and tear of parts and components, optical changes, as well as wear parts and consumables, are excluded from the warranty.

This manufacturer's warranty does not affect warranty entitlements against the dealer/retailer.

If problems arise with this product, please contact our Service department. In the event of a warranty claim, please send the defective product together with a copy of the purchase receipt and a description of the defect, sufficiently stamped, to the GARDENA service address on the back page.

Product liability:

In accordance with the German Product Liability Act, we hereby expressly declare that we accept no liability for damage incurred from our products where said products have not been properly repaired by a GARDENA approved service partner or where original GARDENA parts or parts authorised by GARDENA were not used.

Deutschland / Germany

GARDENA
Manufacturing GmbH
Central Service
Hans-Lorenser-Straße 40
D-39079 Ulm
Produktfragen:
(+49) 731 490-123
Reparaturen:
(+49) 731 490-290
service@gardena.com

Albania

COBALT Sh.p.k.
Rr. Siri Kodra
1000 Tirana

Argentina

Husqvarna Argentina S.A.
Av.del Libertador 5954 –
Piso 11 – Torre B
(C1428ARP) Buenos Aires
Phone: (+54) 11 5194 5000
info.gardena@
ar.husqvarna.com

Armenia

Garden Land Ltd.
61 Tigran Mets
0005 Yerevan

Australia

Husqvarna Australia Pty. Ltd.
Locked Bag 5
Central Coast BC
NSW 2252
Phone: (+61) (0) 2 4352 7400
customer.service@
husqvarna.com.au

Austria / Österreich

Husqvarna Austria GmbH
Industriezeile 36
4010 Linz
Tel.: (+43) 732 77 01 01-485
service.gardena@
husqvarnagroup.com

Azerbaijan

Firm Progress
a. Aliyev Str. 26A
1052 Bakur

Belgium

Husqvarna België nv/sa
Gardena Division
Rue Egide Van Opheim 111
1180 Uccle / Ukkel
Tel.: (+32) 2 720 92 12
info@gardena.be

Bosnia / Hercegovina

SILK TRADE d.o.o.
Industrijska zona Bukva bb
74260 Tešanj

Brazil

Husqvarna do Brasil Ltda
Av. Francisco Matarazzo,
1400 – 19º andar
São Paulo – SP
CEP: 05001-903
Tel: 0800-112252
marketing.br.husqvarna@
husqvarna.com.br

Bulgaria

AGROLAND България АД
бул. 8 Декември, №13
Офис 5
1700 Студентски град
София
Тел.: (+359) 246669 10
info@agroland.eu

Canada / USA

GARDENA Canada Ltd.
100 Summerlea Road
Brampton, Ontario L6T 4X3
Phone: (+1) 905 792 9330
info@gardenacanada.com

Chile

Maquinarias Agroforestales
Ltda. (Maga Ltda.)
Santiago, Chile
Avda. Chesterton
8355 comuna Las Condes
Phone: (+56) 2 202 4417
Daton@magal.cl
Zipcode: 7560330

China

Husqvarna (Shanghai)
Management Co., Ltd.
富世华 (上海) 管理有限公司
3F, Benq Square B,
No207, Song Hong Rd.,
Chang Ning District,
Shanghai, PRC. 200335
上海市市长宁区虹桥路207号明
基广场B座3楼, 邮编: 200335

Colombia

Husqvarna Colombia S.A.
Calle 18 No. 68 D-31, zona
Industrial de Montevideo
Bogotá, Cundinamarca
Tel. 571 2922700 ext. 105
jairo.salazar@
husqvarna.com.co

Costa Rica

Compania Exim
EuroIberoamericana S.A.
Los Colegios, Moravia,
200 metros al Sur del Colegio
Saint Francis – San José
Phone: (+506) 297 6883
exim_euro@racsa.co.cr

Croatia

Husqvarna Austria GmbH
Industriezeile 36
4010 Linz
Tel.: (+43) 732 77 01 01-485
service.gardena@
husqvarnagroup.com

Cyprus

Med Marketing
17 Digeni Akrita Ave
P.O. Box 27017
1641 Nicosia

Czech Republic

Husqvarna Česko s.r.o.
Türkova 2319/5b
149 00 Praha 4 – Chodov
Bezplatná infolinika:
800 100 425
servis@cz.husqvarna.com

Denmark

GARDENA DANMARK
Lejrevj 19, st.
3500 Værløse
Tlf.: (+45) 70264770
husqvarna@husqvarna.dk
www.gardena.com/dk

Dominican Republic

BOSQUESA, S.R.L
Carretera Santiago Licey
Km. 5 ½
Esquina Copal II,
Santiago
Dominican Republic
Phone: (+809) 736-0333
joserbosquesa@claro.net.do

Ecuador

Husqvarna Ecuador S.A.
Arupos E1-181 y 10 de
Agosto Quito, Pichincha
Tel. (+593) 22800739
francisco.jacom@
husqvarna.com.ec

Estonia

Husqvarna Eesti OÜ
Valdeku 132
EE-11216 Tallinn
info@gardena.ee

Finland

Oy Husqvarna Ab
Gardena Division
Lauttarhankatu 8/B /PL 3
00581 HELSINKI
www.gardena.fi

France

Husqvarna France
9/11 Allée des pierres mayettes
92635 Gennevilliers Cedex
France
http://www.gardena.com/fr
LN°AZUR: 0 810 00 78 23
(Prix d'un appel local)

Georgia

Transporter LLC
8/57 Bellashvili street
0159 Tbilisi, Georgia
Phone: (+995) 322 14 71 71

Great Britain

Husqvarna UK Ltd
Preston Road
Aycliffe Industrial Park
Newton Aycliffe
County Durham
DL5 6UP
info.gardena@
husqvarna.co.uk

Greece

Π.ΠΑΠΑΔΟΠΟΥΛΟΣ ΑΕΒΕ
Λεωφ. Αθηνών 92
Αθήνα
T.K.104 42
Ελλάδα
Τηλ. (+30) 210 51 93 100
info@papadopoulos.com.gr

Hungary

Husqvarna Magyarorszáig Kft.
Ezred u. 1 - 3
1044 Budapest
Telefon: (+36) 1 251-4161
vevoszolgalat.husqvarna@
husqvarna.hu

Iceland

O. Johnson & Kaaber
Tunguhalsi 1
110 Reykjavik
ooj@okj.is

Ireland

Husqvarna UK Ltd
Preston Road
Aycliffe Industrial Park
Newton Aycliffe
County Durham
DL5 6UP
info.gardena@
husqvarna.co.uk

Italy

Husqvarna Italia S.p.A.
Via Santa Veschia 15
23868 VALMADRERA (LC)
Phone: (+39) 0341.203.111
assistenza.italia@
it.husqvarna.com

Japan

KAKUICHI Co. Ltd.
Sumitomo Realty &
Development Kojimachi
BLDG., 8F
5-1 Nibanencho
Chiyoda-ku
Tokyo 102-0084
Phone: (+81) 33 264 4721
m_ishihara@kaku-ichi.co.jp

Kazakhstan

LAMED Ltd.
155/1, Tazhibayevoy Str.
050060 Almaty
IP Schmidt
Abayaveye 3B
110 005 Kostanay

Korea

Kyung Jin Trading Co.,LTD.
107-4, SunDuk Bld.,
YangJae-dong,
Seocho-gu,
Seoul, (zipcode: 137-891)
Phone: (+82) (0)2 574-6300

Kyrgyzstan

Alye Maki
av. Molodaya Guardir J 3
720014
Bishkek

Latvia

Husqvarna Latvija SIA
Ulbrokas 19A
LV-1021 Riga
info@gardena.lv

Lithuania

UAB Husqvarna Lietuva
Atleities pl. 77C
LT-12104 Kaunas
info@gardena.lt

Luxembourg

Magasins Jules Neuberg
39, rue Jacques Stas
Luxembourg-Gasperich 2549
Case Postale No. 12
Luxembourg 2010
Phone: (+352) 40 14 01
api@neuberg.lu

Mexico

AFOSA
Av. Lopez Mateos Sur # 5019
Col. La Calma 45070
Zapopan, Jalisco
Mexico
Phone: (+52) 33 3818-3434
icornejo@afosa.com.mx

Moldova

Convel S.R.L.
2900 Muncestri Str.
2002 Chisinau

Netherlands

Husqvarna Nederland B.V.
GARDENA Division
Postbus 50131
1305 AC ALMERE
Phone: (+31) 36 521 00 10
info@gardena.nl

Neth. Antilles

Jonka Enterprises N.V.
Sta. Rosa Weg 196
P.O. Box 8200
Curaçao
Phone: (+599) 9 767 66 55
pgm@jonka.com

New Zealand

Husqvarna New Zealand Ltd.
PO Box 76-437
Manukau City 2241
Phone: (+64) (0) 9 9202410
support.nz@husqvarna.co.nz

Norway

Husqvarna Norge AS
Gardena Division
Trøskeneveien 36
1708 Sarpsborg
info@gardena.no

Peru

Husqvarna Perú S.A.
Dr. Ramón Cárcamo 710
Lima 1
Tel: (+51) 1 3320400 ext. 416
juan_remujo@
husqvarna.com

Poland

Husqvarna
Poland Spółka z o.o.
ul. Wysockiego 15 b
03-371 Warszawa
Phone: (+48) 22 330 96 00
gardena@husqvarna.com.pl

Portugal

Husqvarna Portugal, SA
Lagoa - Albarraque
2635 - 595 Rio de Mouro
Tel.: (+351) 21 922 85 30
Fax: (+351) 21 922 85 36
info@gardena.pt

Romania

Madex International Srl
Soseaua Odaii 117-123,
RO 013603 Bucuresti, S.1
Phone: (+40) 21 352.76.03
madex@ines.ro

Russia / Россия

ООО «Хускварна»
141400, Московская обл.,
г. Химки,
улица Ленинградская,
владение 39, стр.6
Бизнес Центр
«Химки Бизнес Парк»,
помещение 0802.04
http://www.gardena.ru

Serbia

Domel d.o.o.
Autoput za Novi Sad bb
11273 Belgrad
LT: +381 11 848 88 12
miroslav.jejina@domel.rs

Singapore

Hy-Ray PRIVATE LIMITED
40 Jalan Pemimpin
#02-08 Tat Ann Building
Singapore 577185
Phone: (+65) 6253 2277
shying@hyray.com.sg

Slovak Republic

Husqvarna Česko s.r.o.
Türkova 2319/5b
149 00 Praha 4 – Chodov
Bezplatná infolinika:
800 154 044
servis@sk.husqvarna.com

Slovenia

Husqvarna Austria GmbH
Industriezeile 36
4010 Linz
Tel.: (+43) 732 77 01 01-485
service.gardena@
husqvarnagroup.com

South Africa

Husqvarna
Husqvarna (Pty) Ltd
Postnet Suite 250
Private Bag X6,
Cascades, 3202
South Africa
Phone: (+27) 33 846 9700
info@gardena.co.za

Spain

Husqvarna España S.A.
Calle de Rivas nº 10
28052 Madrid
Phone: (+34) 91 708 05 00
atencioncliente@gardena.es

Suriname

Agrofix n.v.
Verlengde Hogestraat #22
Phone: (+597) 472426
agrofix@sr.net
Pobox : 2006
Paramaribo
Suriname – South America

Sweden

Husqvarna AB
Gardena Division
S-561 82 Huskvarna
gardenaorder@husqvarna.se

Switzerland / Schweiz

Husqvarna Schweiz AG
Consumer Products
Industriestrasse 10
5506 Mägenwil
Phone: (+41) (0) 62 887 37 90
info@gardena.ch

Turkey

Dost Bahçe Diş Ticaret
Müesseslikliik A.Ş.
Yunus Mah. Adli Sok. No:3
Ic Kapı No: 1 Kartal
34873 Istanbul
Phone: (+90) 216 3893939
info@dostbahce.com.tr

Ukraine / Україна

ТОВ «Хускварна Україна»
вул. Васильківська, 34,
офіс 204-р
03022, м. Київ
Тел. (+38) 044 498 39 02
info@gardena.ua

Uruguay

FELISA
Entre Rios 1083 CP 11800
Montevideo – Uruguay
Tel: (+598) 22 03 18 44
info@felisa.com.uy

Venezuela

Corporación Casa y Jardín C.A.
Av. Caroni, Edif. Trezmen, P.B.
Colinas de Bello Monte,
1050 Caracas.
Tlf: (+58) 212 992 33 22
info@casayjardin.net.ve

19000-20.961.03/0618
© GARDENA
Manufacturing GmbH
D-89070 Ulm
http://www.gardena.com