

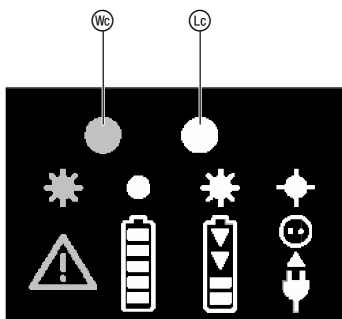
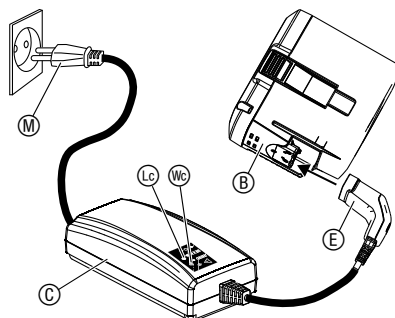
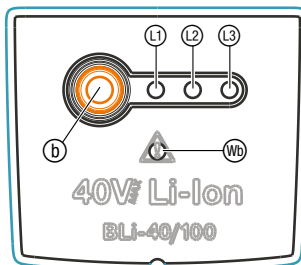
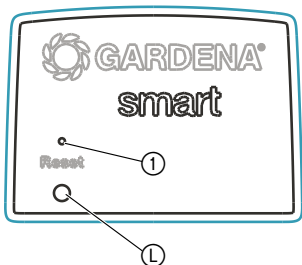


BLi-40/100 Art. 19090  
BLi-40/160 Art. 19091

**EN** Operator's manual  
smart Battery

---

**BLi-40/100 / 2,6 Ah (Art. 19090)**  
**BLi-40/160 / 4,2 Ah (Art. 19091)**



# GARDENA smart Battery

---

1. SAFETY .....	5
2. INITIAL OPERATION .....	7
3. OPERATION .....	10
4. MAINTENANCE .....	13
5. STORAGE .....	13
6. TROUBLESHOOTING .....	14
7. TECHNICAL DATA .....	15
8. SERVICE / WARRANTY .....	16

## Original instructions.



Please read these operating instructions carefully and read the notes given. Acquaint yourself with the use of the battery, the charging technology (see operating instructions GARDENA Rechargeable Battery unit) and read the safety instructions.

For safety reasons, children under the age of 16 as well as people, who are not acquainted with the instructions should not use the battery. Persons with reduced physical or mental abilities may use the product only if they are supervised or instructed by a responsible person. Children must be supervised to ensure that they do not play with the product. Never operate the product when you are tired, ill or under the influence of alcohol, drugs or medicine.

### ***Intended use:***

The **GARDENA smart Battery** is used as a power supply for the relevant GARDENA cordless products and is intended for use in private house and hobby gardens. The battery must not be used in public facilities, parks, sports grounds, next to roads or in agriculture or forestry.

The **GARDENA smart Battery** is part of the GARDENA smart system and can only be programmed together with the **GARDENA smart Gateway**.

# 1. SAFETY

## Important!

Read the operator's manual carefully before use and keep for future reference.

## Symbols on the product:



→ Observe the safety instructions on the battery.



→ Do not expose the battery to rain or wet conditions.  
*Water entering a battery will increase the risk of electric shock.*

## General safety warnings

### Electrical safety



**DANGER! Fire risk!**

- The battery to be charged must be placed on a non-flammable, heat resistant and non-conductive surface while charging.
- Keep corrosive, flammable and easily combustible objects clear of the battery charger and the battery.
- Do not cover the battery charger and the battery while charging.

- Disconnect the battery charger immediately in the event of smoke formation or fire.
- Only use the original GARDENA Charger to charge the battery. The use of other battery chargers may damage the batteries irreparably and even cause a fire.
- Regularly check the charging status during charging. Never charge the battery overnight.
- If you notice fire: Extinguish the flames with oxygen reducing materials.
- Do not bridge the contacts of the battery with metal components.



**DANGER!**  
**Risk of explosion!**

Protect batteries from heat and fire. Do not leave on radiators or expose to strong sunshine for long periods.

Do not operate in explosive atmospheres, such as in the presence of flammable liquids, gases, or dust.

*Batteries may create sparks which could ignite the dust or fumes.*

**Check your battery before each use:**

Visually check the battery before each use. A non-functioning battery must be disposed of correctly.

**For Art. 19091:** Do not send by post. For further details, please contact your local disposal companies.

For risks of injury do not use the battery as a power source for other products. Only use the battery for the GARDENA product intended.

Only charge and use the battery in ambient temperatures of between 0 °C and 40 °C. Allow battery to cool down after long periods of use.

Check the charging cable regularly for signs of damage or ageing (brittleness). Only use it in perfect condition.

Do not stow or transport the battery above 45 °C or in direct sunlight. Ideally, the battery should be stored below 25 °C so that self-discharge is low.

Keep battery in order (clean) especially air vents.

If usage of the battery is not planned for a certain time (winter period) reload the battery to avoid a deep discharge.

Do not store while still attached to a tool, this prevents misuse and accidents.

Do not store the battery in places where static electricity is present.

### ***Additional safety warnings***



**DANGER!**

**This product makes an electromagnetic field while it operates. This field may under some conditions interfere with active or passive medical implants. To decrease the risk of conditions that can possibly injure or kill, we recommend persons with medical implants to speak with their physician and the medical implant manufacturer before you operate the product.**

**Small parts can be easily swallowed. There is also a risk that the polybag can suffocate toddlers. Keep toddlers away when you assemble the product.**

## 2. INITIAL OPERATION

### *To charge the battery:*



#### **CAUTION!**

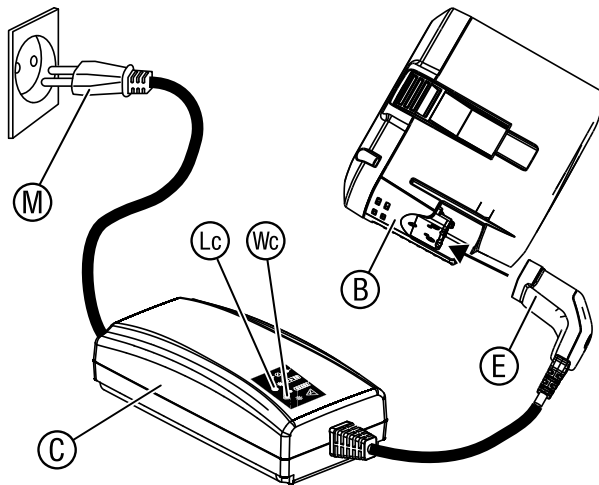
**Overvoltage damages the battery and the battery charger.**

**→ Make sure that you use the correct mains voltage.**

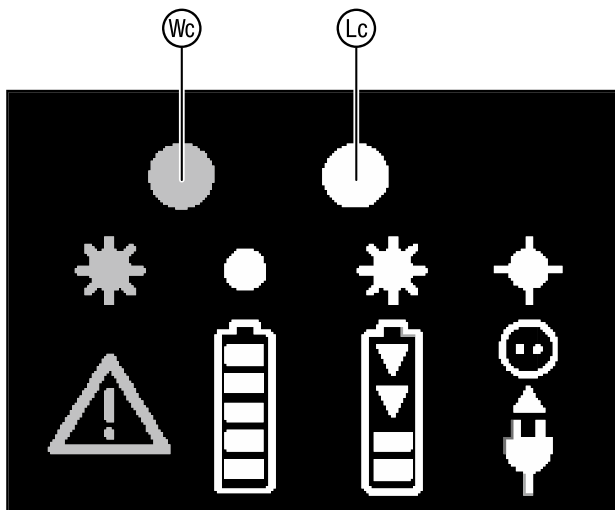
Before you use the battery the first time, the battery must be completely charged.

**We recommend to charge the battery after a push-up message to keep the smart function available.**

The lithium-ion battery can be charged in any state of charge and the charging process can be disconnected at any time without to damage the battery (no memory effect).

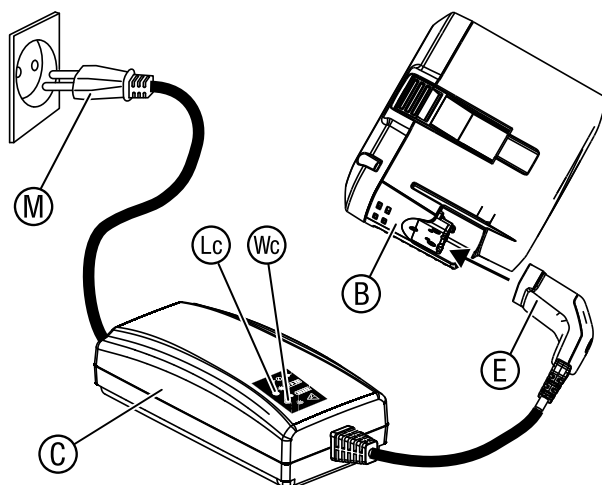


1. Connect the mains cable (M) to the battery charger (C).
2. Connect the mains cable (M) to a mains socket.
3. Connect the battery charger cable (E) to the battery (B).



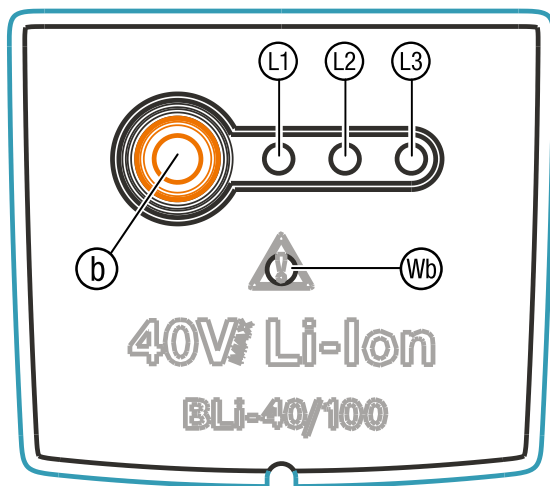
When the charging control lamp **Lc** at the charger flashes green once per second the battery is being charged.

When the charging control lamp **Lc** at the charger illuminates green the battery is completely charged (For charging time, see 7. TECHNICAL DATA).



4. Examine the charge status regularly while you charge.
5. When the battery **B** is completely charged, disconnect the battery **B** from the battery charger **C**.
6. Disconnect the battery charger **C** from the mains.





### **Battery charging indicator during charging:**

100 % charged	Ⓐ, Ⓑ and Ⓒ illuminate
66 – 99 % charged	Ⓐ and Ⓑ illuminate, Ⓒ flashes
33 – 65 % charged	Ⓐ illuminates, Ⓑ flashes
0 – 32 % charged	Ⓐ flashes

### **Battery charging indicator during operation:**

→ Push the button Ⓓ on the battery.

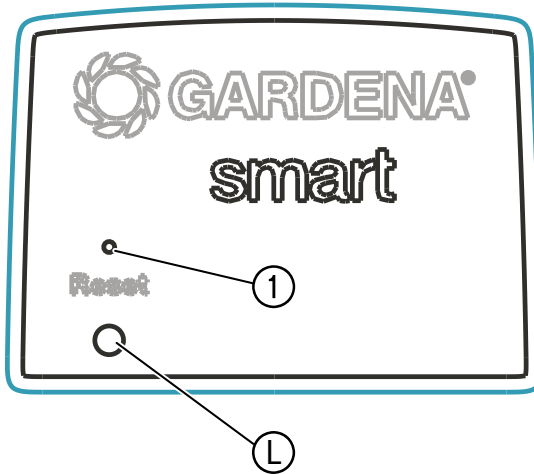
66 – 99 % charged	Ⓐ, Ⓑ and Ⓒ illuminate
33 – 65 % charged	Ⓐ and Ⓑ illuminate
11 – 32 % charged	Ⓐ illuminates
0 – 10 % charged	Ⓐ flashes

### 3. OPERATION

---

#### **LED Connection display/Signal (L):**

**The battery must be connected to the charger!**



<b>Green flashing:</b>	While connecting
<b>Green for 20 sec:</b>	Signal strength high
<b>Yellow for 20 sec:</b>	Signal strength medium
<b>Red for 20 sec:</b>	Signal strength low

## ***Operation with the GARDENA smart system App:***

You can use the **GARDENA smart system app** to control all smart system products from anywhere at any time. You can download the free **GARDENA smart system app** from the Apple App Store or from the Google Play Store.

In order to include, a **GARDENA smart Gateway** with internet connectivity is needed. All GARDENA smart products are integrated via the app. Follow the instructions inside the App.

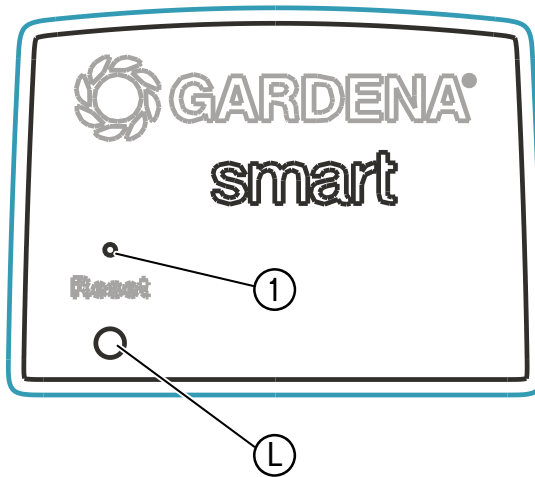
## ***Settings of the smart Battery:***

According to the smart system App:

- Battery capacity

## Factory Reset:

The smart Battery will be reset to the factory settings.



→ Push the Reset key ① for a short time.  
*New connection.*

**- or -**

→ Push and hold down the Reset key ① for at least 5 seconds.  
*Cancel the existing connection and allows a new connection to be established, e.g. different Gateway.*

## 4. MAINTENANCE

---

### ***To clean the battery:***

Make sure that the surface and the contacts of the battery and the battery charger always are clean and dry before you connect the battery charger.

### **Do not use running water.**

→ Clean the contacts with a soft and dry cloth.

## 5. STORAGE

---

### ***To put into storage:***

The product must be stored away from children.

1. Charge the battery.
2. Store the battery in a dry, moisture-free and frost-free place.

### ***Disposal of the battery:***



**Li-ion**

The GARDENA battery contains lithium-ion cells that should not be disposed of with normal household waste at the end of its life.







### **IMPORTANT!**

Dispose of the batteries through or via your municipal recycling collection centre.

1. Discharge the lithium-ion cells completely (contact the GARDENA Service).
2. Protect the contacts on the lithium-ion cells against short circuits.
3. Dispose of the lithium-ion cells properly.

## 6. TROUBLESHOOTING

### *Error messages of the error-LED / (see page 2).*

<b>Problem</b>	<b>Possible Cause</b>	<b>Remedy</b>
<b>Error-LED  on the battery flashes</b>	Under voltage.	→ Charge the battery.
	Battery temperature is out of range.	→ Use the battery in surroundings where temperatures are between 0 °C and 40 °C.
<b>Error-LED  on the battery illuminates</b>	Battery error/battery defective.	→ Contact the GARDENA Service.
<b>Charging control lamp  on the charger does not illuminate</b>	Battery charger or charging cable are not connected correctly.	→ Connect the battery charger and charging cable correctly.
<b>Charging control lamp  on the charger flashes rapidly (4 times per second)</b>	Battery temperature is out of range.	→ Use the battery in surroundings where temperatures are between 0 °C and 40 °C.
<b>Error-LED  on the charger flashes</b>	Battery error.	→ Remove the battery and check that you use an original GARDENA battery.
<b>Error-LED  on the charger illuminates</b>	Temperature inside the charger is too high.	→ Contact the GARDENA service.



**NOTE: For any other malfunctions please contact the GARDENA service department. Repairs must only be done by GARDENA service departments or specialist dealers approved by GARDENA.**

## 7. TECHNICAL DATA

	Unit	Value (Art. 19090)	Value (Art. 19091)
<b>Max. Battery voltage</b>	V (DC)	40*	40*
<b>Battery capacity</b>	Ah	2.6	4.2
<b>Battery charging time 80 % / 100 % (approx.)</b>	min.	65/90	105/140

\* The maximum initial no-load voltage of the battery is 40 V, the nominal voltage is 36 V.

### ***EC Declaration of Conformity:***

Hereby, GARDENA Manufacturing GmbH declares that the radio equipment type (smart Battery Art. 19090) is in compliance with directive 2014/53/EU.

The full text of the EC declaration of conformity is available at the following internet address:

**<http://www.gardena.com/int/support/safety-regulations>**

## 8. SERVICE / WARRANTY

---

### **Service:**

Please contact the address on the back page.

### **Warranty:**

In the event of a warranty claim, no charge is levied to you for the services provided.

GARDENA Manufacturing GmbH offers a 2-year warranty for this product (from the date of purchase) if the product has been used exclusively for private purposes. This manufacturer's warranty does not apply to used products purchased from a secondary market. This warranty includes all significant defects of the product that can be proved to be material or manufacturing faults.

**For Art. 19090:** This warranty is fulfilled by supplying a fully functional replacement product or by repairing the faulty product sent to us free of charge; we reserve the right to choose between these options. This service is subject to the following provisions:

**For Art. 19091:** The warranty will be fulfilled by the supply of a working replacement product provided that the following conditions are met:

- The product was used for its intended purpose as per the recommendations in the operating instructions.
- Neither the purchaser nor a third party has attempted to repair the product.
- Only original GARDENA spare and wear parts were used.

Normal wear and tear of parts and components, optical changes, as well as wear parts and consumables, are excluded from the warranty.

This manufacturer's warranty does not affect warranty entitlements against the dealer/retailer.

#### **For Art. 19090:**

If problems arise with this product, please contact our Service department. In the event of a warranty claim, please send the defective product together with a copy of the purchase receipt and a description of the defect, sufficiently stamped, to the GARDENA service address on the back page.

#### **For Art. 19091:**

For troubleshooting, please contact our Service department (contact details see back page). It is not permitted to send a product to us without prior agreement.



***Product Liability:***

In accordance with the German Product Liability Act, we hereby expressly declare that we accept no liability for damage incurred from our products where said products have not been properly repaired by a GARDENA-approved service partner or where original GARDENA parts or parts authorised by GARDENA were not used.

**Deutschland / Germany**

**GARDENA**  
 Manufacturing GmbH  
 Central Service  
 Hans-Lorenser-Straße 40  
 D-89079 Ulm  
 Produktfragen:  
 (+49) 731 490-123  
 Reparaturen:  
 (+49) 731 490-290  
 service@gardena.com

**Albania**

**COBALT** Sh.p.k.  
 Rr. Siri Kodra  
 1000 Tirana

**Argentina**

Husqvarna Argentina S.A.  
 Av.del Libertador 5954 –  
 Piso 11 – Torre B  
 (C1428ARP) Buenos Aires  
 Phone: (+54) 11 5194 5000  
 info.gardena@  
 ar.husqvarna.com

**Armenia**

Garden Land Ltd.  
 61 Tigran Mets  
 0005 Yerevan

**Australia**

Husqvarna Australia Pty. Ltd.  
 Locked Bag 5  
 Central Coast BC  
 NSW 2252  
 Phone: (+61) (0) 2 4352 7400  
 customer.service@  
 husqvarna.com.au

**Austria / Österreich**

Husqvarna Austria GmbH  
 Industriezeile 36  
 4010 Linz  
 Tel.: (+43) 732 77 01 01-485  
 service.gardena@  
 husqvarnagroup.com

**Azerbaijan**

Firm Progress  
 a. Aliyev Str. 26A  
 1052 Baku

**Belgium**

Husqvarna België nv/sa  
 Gardena Division  
 Rue Egide Van Ophem 111  
 1180 Uccle / Ukkel  
 Tel.: (+32) 2 720 92 12  
 info@gardena.be

**Bosnia / Herzegovina**

**SILK TRADE** d.o.o.  
 Industrijska zona Bukva bb  
 74260 Tešanj

**Brazil**

Husqvarna do Brasil Ltda  
 Av. Francisco Matarazzo,  
 1400 – 19º andar  
 São Paulo – SP  
 CEP: 05001-903  
 Tel: 0800-112252  
 marketing.br.husqvarna@  
 husqvarna.com.br

**Bulgaria**

**AGROLAND** България АД  
 бул. 8 Декември, №13  
 Офис 5  
 1700 Студентски град  
 София  
 Тел.: (+359) 246669 10  
 info@agroland.eu

**Canada / USA**

**GARDENA** Canada Ltd.  
 100 Summerlea Road  
 Brampton, Ontario L6T 4X3  
 Phone: (+1) 905 792 93 30  
 info@gardenacanada.com

**Chile**

Maquinarias Agroforestales  
 Ltda. (Maga Ltda.)  
 Santiago, Chile  
 Avda. Chesterton  
 # 8355 comuna Las Condes  
 Phone: (+56) 2 202 4417  
 Zاپone: +56 2 202 4417  
 Datocon: +56 2 7560330

**China**

Husqvarna (Shanghai)  
 Management Co., Ltd.  
 富世华 (上海) 管理有限公司  
 3F, Benq Square B,  
 No207, Song Hong Rd.,  
 Chang Ning District,  
 Shanghai, PRC. 200335  
 上海市长宁区淞虹路207号明  
 基广场B座3楼, 邮编: 200335

**Colombia**

Husqvarna Colombia S.A.  
 Calle 18 No. 68 D-31, zona  
 Industrial de Montevideo  
 Bogotà, Cundinamarca  
 Tel. 571 2922700 ext. 105  
 jairo.salazar@  
 husqvarna.com.co

**Costa Rica**

Compania Exim  
 Euroberoamericana S.A.  
 Los Colegios, Moravia,  
 200 metros al Sur del Colegio  
 Saint Francis – San José  
 Phone: (+506) 297 68 83  
 exim\_euro@racsca.com.cr

**Croatia**

Husqvarna Austria GmbH  
 Industriezeile 36  
 4010 Linz  
 Tel.: (+43) 732 77 01 01-485  
 service.gardena@  
 husqvarnagroup.com

**Cyprus**

Med Marketing  
 17 Digeni Akrita Ave  
 P.O. Box 27017  
 1641 Nicosia

**Czech Republic**

Husqvarna Česko s.r.o.  
 Türkova 2319/5b  
 149 00 Praha 4 – Chodov  
 Bezpłatná infolinka:  
 800 100 425  
 servis@cz.husqvarna.com

**Denmark**

**GARDENA DANMARK**  
 Lejrvæj 19, st.  
 3500 Værløse  
 Tlf.: (+45) 70 26 4770  
 husqvarna@husqvarna.dk  
 www.gardena.com/dk

**Dominican Republic**

**BOSQUESA, S.R.L**  
 Carretera Santiago Licey  
 Km. 5 ½  
 Esquina Copal II,  
 Santiago  
 Dominican Republic  
 Phone: (+809) 736-0333  
 josebrosquesa@claro.net.do

**Ecuador**

Husqvarna Ecuador S.A.  
 Агросос Е1-181 y 10 de  
 Agosto Quito, Pichincha  
 Tel. (+593) 22600739  
 francisco.jacom@  
 husqvarna.com.ec

**Estonia**

Husqvarna Eesti OÜ  
 Valdeku 132  
 EE-11216 Tallinn  
 info@gardena.ee

**Finland**

Oy Husqvarna Ab  
 Gardena Division  
 Lautatarhankatu 8 B / PL 3  
 00581 HELSINKI  
 www.gardena.fi

**France**

Husqvarna France  
 9/11 Allée des pierres mayettes  
 92635 Gennevilliers Cedex  
 France  
 http://www.gardena.com/fr  
 N° AZUR: 0 810 00 78 23  
 (Prix d'un appel local)

**Georgia**

Transporter LLC  
 8/57 Bellashvili street  
 0159 Tbilisi, Georgia  
 Phone: (+995) 322 14 71 71

**Great Britain**

Husqvarna UK Ltd  
 Preston Road  
 Aycliffe Industrial Park  
 Newton Aycliffe  
 County Durham  
 DL5 6UP  
 info.gardena@  
 husqvarna.co.uk

**Greece**

Π. ΠΑΠΑΔΟΠΟΥΛΟΣ ΑΕΒΕ  
 Λεωφ. Αθηνών 92  
 Αθήνα  
 Τ.Κ. 104 42  
 Ελλάδα  
 Τηλ. (+30) 210 51 93 100  
 info@papaopoulos.com.gr

**Hungary**

Husqvarna Magyarorszáგ Kft.  
 Ezred u. 1-3  
 1044 Budapest  
 Telefon: (+36) 1 251-4161  
 vezoszolgalat.husqvarna@  
 husqvarna.hu

**Iceland**

O. Johnson & Kaaber  
 Tunguhalts 1  
 110 Reykjavik  
 oo@ojk.is

**India**

Husqvarna UK Ltd  
 Preston Road  
 Aycliffe Industrial Park  
 Newton Aycliffe  
 County Durham  
 DL5 6UP  
 info.gardena@  
 husqvarna.co.uk

**Italy**

Husqvarna Italia S.p.A.  
 Via Santa Vecchia 15  
 23868 VALMADRERA (LC)  
 Phone: (+39) 0341.203.111  
 assistenza.italia@  
 it.husqvarna.com

**Japan**

**KAKUICHI** Co. Ltd.  
 Sumitomo Realty &  
 Development Kojimachi  
 BLDG., 8F  
 5-1 Nibanenryo  
 Chiyoda-ku  
 Tokyo 102-0084  
 Phone: (+81) 33 264 4721  
 m\_ishihara@kaku-ichi.co.jp

**Kazakhstan**

**LAMED** Ltd.  
 155/1, Tazhibayevoi Str.  
 050060 Almaty  
 IP Schmidt  
 Abayavenue 3B  
 110 005 Kostanay

**Korea**

Kyung Jin Trading Co., LTD.  
 108-4, SunDuk Bld.,  
 YangJae-dong,  
 Seocho-gu,  
 Seoul, (zipcode: 137-891)  
 Phone: (+82) (0)2 574-6300

**Kyrgyzstan**

Alye Maki  
 av. Molodaya Guardir J 3  
 720014  
 Bishkek  
 Husqvarna Latvija SIA  
 Ulbrokas 19A  
 LV-1021 Riga  
 info@gardena.lv

**Lithuania**

**UAB** Husqvarna Lietuva  
 Ateities pl. 77C  
 LT-52104 Kaunas  
 info@gardena.lt

**Luxembourg**

Magasins Jules Neuberg  
 39, rue Jacques Stas  
 Luxembourg-Gasperich 2549  
 Case Postale No. 12  
 Luxembourg 2010  
 Phone: (+352) 40 14 01 01  
 ap@neuberg.lu

**Mexico**

**AFOSA**  
 Av. Lopez Mateos Sur # 5019  
 Col. La Calma 45070  
 Zapopan, Jalisco  
 Mexico  
 Phone: (+52) 33 3818-3434  
 icornejo@afosa.com.mx

**Moldova**

Convel S.R.L.  
 290A Munciei Str.  
 2002 Chisinau

**Netherlands**

Husqvarna Nederland B.V.  
**GARDENA** Division  
 Postbus 50131  
 1305 AC ALMERE  
 Phone: (+31) 36 521 00 10  
 info@gardena.nl

**Neth. Antilles**

Jonka Enterprises N.V.  
 St. Rosa Weg 196  
 P.O. Box 8200  
 Curaçao  
 Phone: (+599) 9 767 66 55  
 pgm@jonka.com

**New Zealand**

Husqvarna New Zealand Ltd.  
 PO Box 76-437  
 Manukau City 2241  
 Phone: (+64) (0) 9 9202410  
 support.nz@husqvarna.co.nz

**Norway**

Husqvarna Norge AS  
 Gardena Division  
 Trøskenvæien 36  
 1708 Sarpsborg  
 info@gardena.no

**Peru**

Husqvarna Perú S.A.  
 Jr. Ramón Cárcamo 710  
 Lima 1  
 Tel.: (+51) 1 3320 400 ext. 416  
 juan.remuzgo@  
 husqvarna.com

**Poland**

Husqvarna  
 Poland Spółka z o.o.  
 ul. Wysockiego 15 b  
 03-371 Warszawa  
 Phone: (+48) 22 330 96 00  
 gardena@husqvarna.com.pl

**Portugal**

Husqvarna Portugal, SA  
 Lagoa – Albarraque  
 2635 – 595 Rio de Mouro  
 Tel.: (+351) 21 922 85 30  
 Fax: (+351) 21 922 85 36  
 info@gardena.pt

**Romania**

Madex International Srl  
 Soseaua Odail 117-123,  
 RO 013603 Bucuresti, S 1  
 Phone: (+40) 21 352.76.03  
 madex@mes.ro

**Russia / Россия**

**ООО „Хускварна“**  
 141400, Московская обл.,  
 г. Химки,  
 улица Ленинградская,  
 владение 39, стр.6  
 Бизнес Центр  
 „Химки Бизнес Парк“,  
 помещение ОВ02\_04  
 http://www.gardena.ru

**Serbia**

Domel d.o.o.  
 Autoput za Novi Sad bb  
 11279 Belgrade  
 Phone: (+381) 11 848 88 12  
 miroslav.jejina@domel.rs

**Singapore**

Hy-Ray PRIVATE LIMITED  
 40 Jalan Pemimpin  
 #02-08 Tat Ann Building  
 Singapore 577185  
 Phone: (+65) 6253 2277  
 shiying@hyray.com.sg

**Slovak Republic**

Husqvarna Česko s.r.o.  
 Türkova 2319/5b  
 149 00 Praha 4 – Chodov  
 Bezpłatná infolinka:  
 800 154 044  
 servis@sk.husqvarna.com

**Slovenia**

Husqvarna Austria GmbH  
 Industriezeile 36  
 4010 Linz  
 Tel.: (+43) 732 77 01 01-485  
 service.gardena@  
 husqvarnagroup.com

**South Africa**

Husqvarna  
 South Africa (Pty) Ltd  
 Postnet Suite 250  
 Private Bag X6,  
 Cascades, 3202  
 South Africa  
 Phone: (+27) 33 846 9700  
 info@gardena.co.za

**Spain**

Husqvarna España S.A.  
 Calle de Rivas nº10  
 28052 Madrid  
 Phone: (+34) 91 708 05 00  
 atencioncliente@gardena.es

**Suriname**

Agrofix n.v.  
 Verlengde Hogestraat # 22  
 Phone: (+597) 472426  
 agrofix@sr.net  
 Pobox: 2006  
 Paramaribo  
 Suriname – South America

**Sweden**

Husqvarna AB  
 Gardena Division  
 S-561 82 Huskvarna  
 gardenaorder@husqvarna.se

**Switzerland / Schweiz**

Husqvarna Schweiz AG  
 Consumer Products  
 Industriestrasse 10  
 5506 Mägenwil  
 Phone: (+41) (0) 62 887 37 90  
 info@gardena.ch

**Turkey**

Dost Bağçe Diş Ticaret  
 Müesseslii A.Ş.  
 Yunus Mah. Adil Sok. No:3  
 İc Kapı No: 1 Kartal  
 34873 İstanbul  
 Phone: (+90) 216 38 93 939  
 info@dstbahce.com.tr

**Ukraine / Україна**

**ТОВ „Хускварна Україна“**  
 вул. Васильківська, 34,  
 офіс 204-р  
 03022, м. Київ  
 Тел. (+38) 044 998 39 02  
 info@gardena.ua

**Uruguay**

**FELI SA**  
 Entre Rios 1083 CP 11800  
 Montevideo – Uruguay  
 Tel: (+598) 22 03 18 44  
 info@felisa.com.uy

**Venezuela**

Corporacion Casa y Jardin C.A.  
 Av. Caroni, Edif. Trezmen, PB.  
 Colinas de Bello Monte.  
 1050 Caracas.  
 Tlf: (+58) 212 992 33 22  
 info@casayjardin.net.ve

19090.20.960.02/1018

© GARDENA  
 Manufacturing GmbH  
 D-89070 Ulm  
 http://www.gardena.com