

7000 Art. 1780

**DE Betriebsanleitung**

Tauchpumpe/Schmutzwasserpumpe

**EN Operator's Manual**

Submersible Pump/Dirty Water Pump

**FR Mode d'emploi**

 Pompe d'évacuation pour eaux claires/  
Pompe d'évacuation pour eaux chargées

**NL Gebruiksaanwijzing**

Dompelpomp/Vuilwaterpomp

**SV Bruksanvisning**

Dränkbar pump/Spillvattenpump

**DA Brugsanvisning**

Dykpumpe/Dykpumpe til urent vand

**FI Käyttöohje**

Upporumppu/liikavesipumppu

**NO Bruksanvisning**

 Lensepumpe/  
Lensepumpe for urent vann

**IT Istruzioni per l'uso**

 Pompa sommersa/  
Pompa sommersa per acqua sporca

**ES Instrucciones de empleo**

 Bomba sumergible/  
Bomba para aguas sucias

**PT Manual de instruções**

 Bomba submersível/  
Bomba para águas sujas

**PL Instrukcja obsługi**

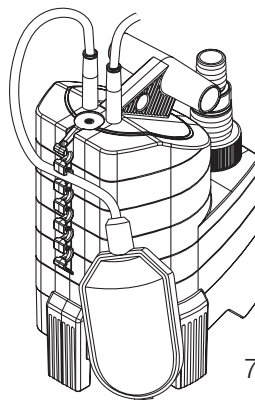
 Pompa zanurzeniowa/  
Pompa do brudnej wody

**HU Használati utasítás**

Merülőszivattyú/Szennyvízszivattyú

**CS Návod k obsluze**

Ponorné čerpadlo/Kalové čerpadlo



7500 Art. 1795

**SK Návod na obsluhu**

Ponorné čerpadlo/kalové čerpadlo

**EL Οδηγίες χρήσης**

Βυθίζόμενη αντλία/Αντλία Ακαθάρτων

**RU Инструкция по эксплуатации**

 Погружной насос/  
Насос для грязной воды

**SL Navodilo za uporabo**

 Potopna črpalka/  
črpalka za umazano vodo

**HR Upute za uporabu**

Potopna crpka/crpka za otpadnu vodu

**SR/ Uputstvo za rad**
**BS** Potopna pumpa/Pumpa za prijavu vodu

**UK Інструкція з експлуатації**

 Заглибний насос/  
насос для брудної води

**RO Instrucțiuni de utilizare**

 Pompa submersibilă/  
Pompă de apă murdară

**TR Kullanma Kılavuzu**

Dalgiç Pompa/Kirli Su Pompası

**BG Инструкция за експлоатация**

 Потопяема дренажна помпа/  
Помпа за мръсна вода

**SQ Manual përdorimi**

Pompë zhytëse/Pompë për ujë të pisët

**ET Kasutusjuhend**

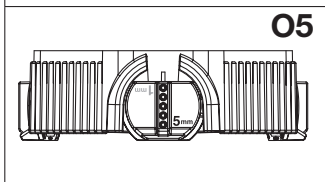
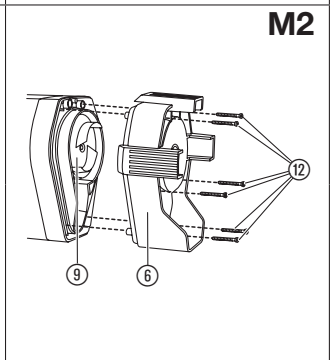
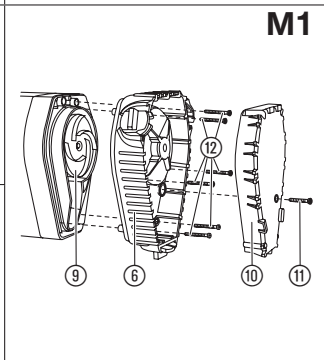
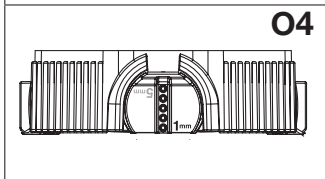
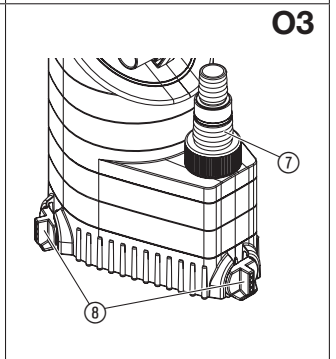
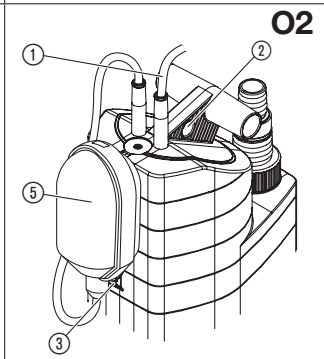
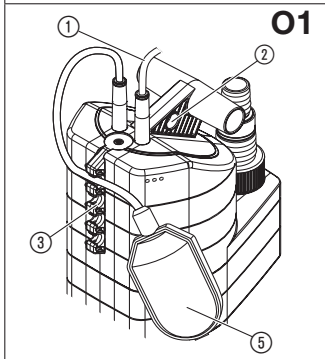
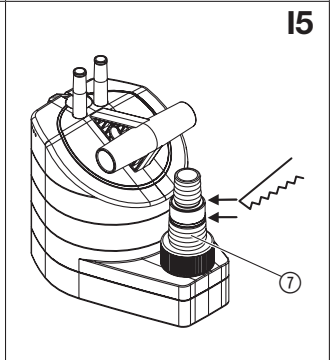
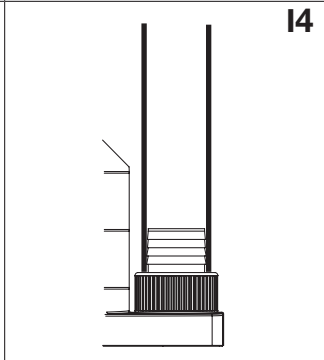
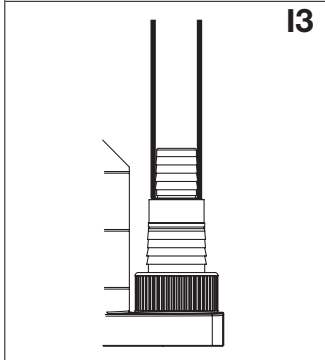
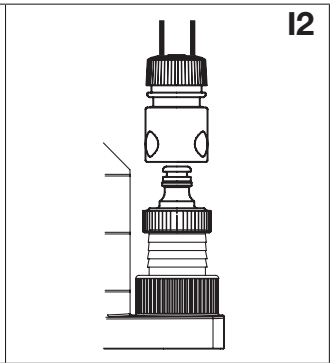
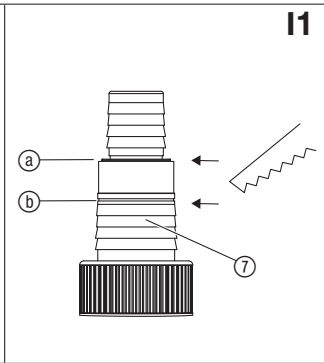
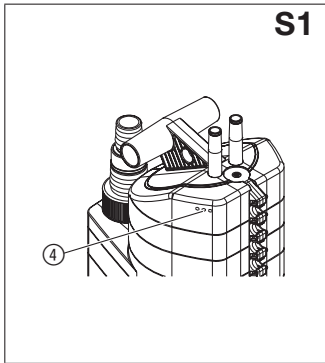
Uputatav pump/Reoveepump

**LT Eksploatavimo instrukcija**

 Panardinamas siurblys/  
Purvino vandens siurblys

**LV Lietošanas instrukcija**

 Iegremdējamais sūkņis/  
Netīrā ūdens sūkņis



# GARDENA Submersible Pump 7000 / Dirty Water Pump 7500

1. SAFETY .....	10
2. INITIAL OPERATION .....	11
3. OPERATION .....	12
4. STORAGE .....	12
5. MAINTENANCE .....	13
6. TROUBLESHOOTING .....	13
7. TECHNICAL DATA .....	14
8. SERVICE / WARRANTY .....	14

## Original instructions.



This product may be used under supervision, or if instruction regarding the safe use of the product has been provided and the resulting dangers have been understood, by children aged 8 and above, as well as by persons with physical, sensory or mental disabilities or a lack of experience and knowledge. Children must not be allowed to play with the product. Cleaning and user maintenance must not be performed by children without supervision. The use of this product by young people under the age of 16 is not recommended. Never operate the product when you are tired, ill

or under the influence of alcohol, drugs or medicine.

### Intended use:

GARDENA Pumps have been designed for private use around your house and garden. They are predominantly destined for drainage after flooding, transfer of liquids, draining containers, taking water from wells and shafts, draining boats and yachts as well as for water aeration and circulation for a limited period of time.

### Liquids to be pumped:

Liquids which can be handled by the GARDENA Pump are the following: clean and contaminated water (max. particle size submersible pump 7000 = 5 mm / dirty water pump 7500 = 25 mm), chlorinated water (prerequisite is the recommended dosage of additives) and soapy water. Dirty water with solid particles such as sand or stones leads to wear of the turbine and of the pump base.

The pumps are fully submersible (waterproof sealed) and can be immersed in the liquid down to a depth of 7 m.

**CAUTION! The GARDENA Pumps are not designed for continuous operation (e.g. continuous circulating operation) in a pond. Your pump's life will be shortened correspondingly by such operation. Corrosive, easily combustible or explosive substances (e.g. gasoline, petroleum, nitro thinner), fats, oils, salt-water and waste water of toilets and urinals must not be pumped. The temperature of the liquid handled should not exceed 35 °C.**

## 1. SAFETY

### IMPORTANT!

Read the operator's manual carefully before use and keep for future reference.

### Electrical safety



**DANGER! Electric shock!**  
Risk of injury due to electric shock.

→ The product must be supplied through a residual current device (RCD) having a rated residual operating current not exceeding 30 mA.

The pump must not be used when people are in water.

→ Please contact your electrician.

According to DIN VDE (German Electrical Engineers' Association) 0620, mains power cables must not have a smaller cross-section than the rubber-sheathed cables of the designation H05RN-F. The cable length must be at least 10 m.

Data indicated on the type plate must match technical data of the mains supply.

→ Take care that the electrical connections are made within dry area, protected from flooding.

→ Keep mains plug dry.

Protect plug and power cable from heat, oil and sharp edges.



**DANGER! Electric shock!**

With a cut off mains plug, moisture can get into electrical parts via the mains cable and cause a short circuit.

→ **Never cut the mains plug off (e.g. to feed through wall).**

→ Don't use the power cable for plugging off.

→ If the supply cord is damaged, it must be replaced by the manufacturer, its service agent or similarly qualified persons in order to avoid a hazard.

The power cable or the float switch must not be used for mounting or relocating the pump.

For submerging or lifting/securing the pump, fix a rope to the pump's carrying handle.

Extension cables must meet the requirements of DIN VDE 0620.

### In Austria

In Austria the electrical connection must satisfy the ÖVE-EM 42, T2 (2000)/1979 § 22 to § 2022.1. This requires that pumps used for swimming pools and garden ponds may only be powered through an isolating transformer.

→ Please ask your electrician for his advice.

### In Switzerland

In Switzerland mobile appliances which are used outdoors, must be connected via a residual-current device.

### Visual check

- Before operating the pump, first make a visual check, if there is any damage of the pump (esp. regarding power cable and plug).
- Observe the minimum water level and the max. delivery height (see 7.TECHNICAL DATA).



**DANGER! Electric shock!**

**A damaged pump must not be used.**

→ In case of damage, please have the pump checked by our GARDENA Service Centre.

### Manual operation

During manual operation, the pump must be switched off as soon as all the liquid has been pumped away.

→ Observe the pump at all times during manual operation.

### Notes on use

Dry-running operation causes increased wear and is to be avoided. Therefore, in manual operation the pump must be immediately unplugged when water fails to flow.

Avoid running of the pump for more than 10 min. against closed delivery side of the pump.

Sand and other abrasive substances cause increased wear and reduce the pump's output.

Take care that the pump is located where the inlet openings at the suction base are obstructed neither completely nor partly.

Stand the pump on a brick if using in a pond.

Leaking lubricants can contaminate the pumped liquid.

### Instructions for submersible pump 7000

**When you purchase** your pump the swivel feet are set to the **flat suction position** (1 mm).

→ For normal operation, turn the feet 180° to 5 mm.  
*The pump is lifted 5 mm.*

→ Clear the outlet line before use.

### Thermal protection switch

The pump is automatically switched off on overheating by the built-in thermal motor protector. After having cooled down, the motor automatically switches on again (see 6. TROUBLESHOOTING).

### Automatic deaerating valve [Fig. S1]

The automatic deaerating valve eliminates any air pockets in the pump.

If the pump is half submersed, water may come out of the ventilation holes (4).

This is not a defect of your pump, but serves to deaerate the pump.

**DANGER!** This product makes an electromagnetic field while it operates. This field may under some conditions interfere with active or passive medical implants. To decrease the risk of conditions that can possibly injure or kill, we recommend persons with medical implants to speak with their physician and the medical implant manufacturer before you operate the product.

**DANGER!** Small parts can be easily swallowed. There is also a risk that the polybag can suffocate toddlers. Keep toddlers away when you assemble the product.

## 2. INITIAL OPERATION

<b>Hose diameter</b>	13 mm (½") 16 mm (⅝") 19 mm (¾")	25 mm (1")	38 mm (1 ½")
<b>Hose connection of universal fitting (7) [Fig. I1]</b>	<b>[Fig. I2]</b>	<b>[Fig. I3]</b>	<b>[Fig. I4]</b>
<b>Hose connection</b>	Cut off topmost nipple at (a).	Do not cut off any nipples.	Cut off top two nipples at (b).

**The following connection kits are required for 13 mm to 19 mm connections:**

13 mm (½"): GARDENA Pump Connection Set	Art. 1750
16 mm (⅝"): GARDENA Tap Connector Standard Hose Connector	Art. 1820 and Art. 18216
19 mm (¾"): GARDENA Pump Connection Set	Art. 1752

Best results in delivery capacity are achieved when using 38 mm (1 ½") hoses.

### Connecting the hose [Fig. I5]:

The universal fitting (7) allows you to connect all the hoses listed in the previous table.

1. Cut off nipples of the universal fitting (7), which are not needed, to match the hose connection.

2. Screw the universal fitting ⑦ onto the pump.
3. Connect the hose to the universal fitting ⑦.

We recommend 38 mm (1 ½") 25 mm (1") hoses, in addition to be fixed with a **GARDENA Hose Clamps Art. 7192** (for 25 mm) and **Art. 7193** (for 38 mm).

**Only for the submersible pump 7000:**

For flat suction we recommend using a 13 mm (½") or 16 mm (⅝") hose.

**Only for 13 mm (½") hose:**

The universal fitting ⑦ can also be equipped with a **GARDENA Regulator Valve Art. 977** so that the contents of the outlet line do not flow back through the pump after pumping. The Regulator Valve can be ordered from your GARDENA dealer.

## 3. OPERATION

**Automatic operation [Fig. O1]:**

The float switch ⑤ turns the pump on automatically when the water level exceeds the cut-in height and the water is pumped out.

The float switch ⑤ turns the pump off again as soon as the water level falls below the cut-out height.

1. Stand the pump on a firm surface
  - or –
  - use a rope attached through the bore hole in the carrying handle ② to immerse the pump in a well or shaft. *During automatic operation, ensure that the float switch ⑤ can move freely.*
2. Plug the power cable ① into a mains socket.

**Adjusting the Cut-in and Cut-out Height:**

The maximum cut-in height and minimum cut-out height (see 7. TECHNICAL DATA) can be adjusted.

→ Press the cable of the float switch ⑤ into an opening in the float switch lock ③.

*Do not select a cable length that is too long or short to ensure that the float switch can turn on and off properly.*

- The higher the opening of the float switch lock ③, the higher the cut-in and cut-out height.
- The shorter the length of cable between the float switch ⑤ and the float switch lock ③, the lower the cut-in height and the higher the cut-out height.

The cable length between the float switch ⑤ and the float switch lock ③ must always be at least 10 cm.

**Manual operation [Fig. O2]:**

The pump remains in constant operation because the float switch is bypassed.

1. Push the float switch ⑤ onto the float switch lock ③ with the cable downward.
2. Stand the pump on a firm surface
  - or –
  - use a rope attached through the bore hole in the carrying handle ② to immerse the pump in a well or shaft.
3. Plug the power cable ① into a mains socket.

The residual water height is only reached during manual operation since the float switch turns off the pump during automatic operation before this water level is reached.

**Only for the submersible pump 7000:  
Flat suction / Normal operation [Fig. O3]**

**Flat suction [Fig. O4]:**

→ Turn the 3 swivel feet ⑧ 180° to **1 mm**.

**Normal operation [Fig. O5]:**

→ Turn the 3 swivel feet ⑧ 180° to **5 mm**.

The residual water level of approx. 1 mm is only reached during flat suction in the manual operation mode. If the water level is lower than 25 mm, you can accelerate flat suction by switching the pump off and on 2 to 3 times. If the water height is lower than 3.5 cm, fill the pump before operation over the universal fitting ⑦ with water.

## 4. STORAGE

**To put into storage:**



→ Store the pump away from frost before the first frost sets in.

**Disposal:**

(in accordance with RL2012/19/EC)

The product must not be disposed of to normal household waste. It must be disposed of in line with local environmental regulations.



**IMPORTANT!**

Dispose of the product through or via your municipal recycling collection centre.

## 5. MAINTENANCE

The pumps are virtually maintenance-free.

### Flushing the Pump:

After having pumped chlorinated swimming pool water or other liquids leaving residues, the pump should be rinsed with clear water.

### Cleaning the suction base and impeller

[Fig. M1/M2]:

**The warranty does not become void as a result of this maintenance work!**



**DANGER! Electric shock!**

**Risk of injury due to electric shock.**

→ **Disconnect the pump from the mains before cleaning the suction base and impeller.**

#### 1. Only for Submersible Pump 7000:

Unscrew the Phillips screw ⑪ and pull the suction base cover ⑩ off the suction base ⑥.

2. Unscrew the 6 Phillips screws ⑫ (Dirty Water Pump 7500: 4 Phillips screws) and pull the suction base ⑥ off the pump.
3. Clean suction base ⑥ and impeller ⑨.
4. Reinstall the suction base ⑥ and screw in the Phillips screws ⑫.
5. **Only for Submersible Pump 7000:** Insert the suction base cover ⑩ into the suction base ⑥ and screw in the Phillips screw ⑪.

#### Note for Submersible Pump 7000:

It is often sufficient to simply remove the suction base cover ⑩ and clean the suction base cover ⑩ and suction base ⑥.

**For safety reasons a damaged impeller ⑨ can only be exchanged by the GARDENA Service Centre.**

## 6. TROUBLESHOOTING

Problem	Possible Cause	Remedy
<b>Pump is running, but doesn't deliver</b>	Air cannot escape, since pressure line is closed.	→ Open pressure line (e.g. kinked pressure pipe).
	Air locks in the suction base.	→ Wait for max. 60 seconds until the pump deaerates automatically over the vent valve. If necessary, switch off and start it again.
	Impeller clogged.	→ Disconnect plug and clean impeller (see 5. MAINTENANCE).
	When starting the pump, water height falls below the min. water level.	→ Submerge pump deeper.
<b>Pump doesn't start or suddenly stops during operation</b>	Thermal overload switch has switched the pump off due to overheating.	→ Disconnect plug and clean impeller 5. MAINTENANCE). Observe max. media temperature of 35 °C.
	No power.	→ Check fuses and electric connections.
	Dirt particles are jammed in the suction base.	→ Disconnect plug and clean suction base (see 5. MAINTENANCE).
<b>Pump runs, but output suddenly decreases</b>	Suction base is clogged.	→ Disconnect plug and clean suction base (see 5. MAINTENANCE).
<b>Only for the submersible pump 7000: Pump does not reach residual water height of 1 mm during flat suction</b>	The suction base cover is missing in the suction base.	→ Disconnect the plug from the mains and install the suction base cover (see 5. MAINTENANCE).



**NOTE: For any other malfunctions please contact the GARDENA service department.**

**Repairs must only be done by GARDENA service departments or specialist dealers approved by GARDENA.**

## 7. TECHNICAL DATA

	Unit	Submersible Pump Value 7000 (Art. 1780)	Dirty Water Pump Value 7500 (Art. 1795)
Rated Power	W	250	340
Max. delivery capacity	l/h	7,000	7,500
Max. pressure	bar	0.6	0.6
Max. delivery height	m	6	6
Max. submersion depth	m	7	7
Residual water level	mm	1	30
Contaminated water with particle size of max.	mm	5	25
Power cable	m	10 H05RN-F	10 H05RN-F
Pump connection		universal (G 1 ¼" M)/universal nipple	
Min. water level for operation	mm	35	55
Weight without cable (approx.)	kg	4.3	4.3
Max. media temperature	°C	35	35
Mains voltage/Mains frequency	V / Hz	230 / 50	230 / 50
Min./max. cut-in height	mm	180 / 680	200 / 690
Min./max. cut-out height	mm	70 / 140	65 / 150
Sound power level $L_{WA}^{1)}$	dB (A)	48	55

Measuring process complying with: <sup>1)</sup> EN 60335-1

### Cut-in/Cut-out height:

The cut-in and cut-out height varies.

### Only for the submersible pump 7000:

The residual water height (flat suction down to approx. 1 mm) is only reached during manual operation with the swivel feet Ⓔ turned to 1 mm (see 3. OPERATION).

## 8. SERVICE / WARRANTY

### Service:

Please contact the address on the back page.

### Warranty:

In the event of a warranty claim, no charge is levied to you for the services provided.

GARDENA Manufacturing GmbH offers a two-year warranty (effective as of the date of purchase) for this product. This warranty includes all significant defects of the product that can be proved to be material or manufacturing faults. This warranty is fulfilled by supplying a fully functional replacement product or by repairing the faulty product sent to us free of charge; we reserve the right to choose between these options. This service is subject to the following provisions:

- The product was used for its intended purpose as per the recommendations in the operating instructions.

- Neither the purchaser nor a third party has attempted to repair the product.

This manufacturer's warranty does not affect warranty entitlements against the dealer/retailer.

If problems arise with this product, please contact our Service department or send the defective product along with a brief description of the fault to GARDENA Manufacturing GmbH, making sure to have sufficiently covered any shipping costs and to have followed the relevant postage and packaging guidelines. A warranty claim must be accompanied by a copy of the proof of purchase.

### Consumables:

The wear parts turbine and pump base are excluded from the guarantee.

**Pumpen-Kennlinien**

**Performance characteristics**

**Courbes de performance**

**Prestatiegrafiek**

**Kapacitetskurva**

**Ydelses karakteristika**

**Pumpun ominaiskäyrä**

**Pumpekarakteristikk**

**Curva di rendimento**

**Curva caracteristica de la bomba**

**Características de performance**

**Charakterystyka pompy**

**Szivattyú-jelleggörbe**

**Charakteristika čerpadla**

**Charakteristiky čerpadla**

**Χαράκτηριστικό διάγραμμα**

**Характеристика насоса**

**Karakteristika črpalke**

**Obilježja pumpe**

**Karakteristika pumpe**

**Крива характеристики насоса**

**Caracteristică pompă**

**Pompa karakter eğrisi**

**Помпена характеристика**

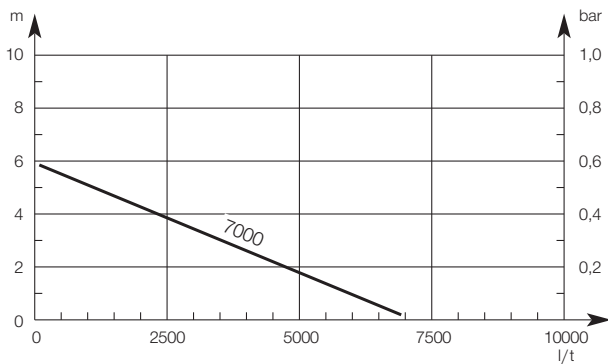
**Fuqia e pompës**

**Pumba karakteristik**

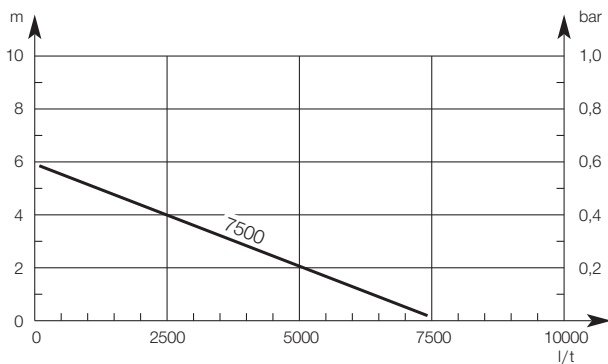
**Siurblio charakteristinė kreivė**

**Σύμφωνα raksturlīkne**

**7000 Art. 1780**



**7500 Art. 1795**





## **DE Produkthaftung**

Wir weisen ausdrücklich darauf hin, dass wir in Übereinstimmung mit dem Produkthaftungsgesetz nicht für Schäden haften, die durch unsere Produkte entstehen, wenn diese unsachgemäß und nicht durch einen von uns autorisierten Servicepartner repariert wurden oder wenn keine Original GARDENA Teile oder von uns zugelassene Teile verwendet wurden.

## **EN Product liability**

In accordance with the German Product Liability Act, we hereby expressly declare that we accept no liability for damage incurred from our products where said products have not been properly repaired by a GARDENA-approved service partner or where original GARDENA parts or parts authorised by GARDENA were not used.

## **FR Responsabilité**

Conformément à la loi relative à la responsabilité du fait des produits défectueux, nous déclarons expressément par la présente que nous déclinons toute responsabilité pour les dommages résultant de nos produits, si lesdits produits n'ont pas été correctement réparés par un partenaire d'entretien agréé GARDENA ou si des pièces d'origine GARDENA ou des pièces agréées GARDENA n'ont pas été utilisées.

## **NL Productaansprakelijkheid**

Conform de Duitse wet inzake productaansprakelijkheid verklaren wij hierbij uitdrukkelijk dat wij geen aansprakelijkheid aanvaarden voor schade ontstaan uit onze producten waarbij deze producten niet zijn gerepareerd door een GARDENA-erkende servicepartner of waarbij geen originele GARDENA-onderdelen of onderdelen die door GARDENA zijn goedgekeurd zijn gebruikt.

## **SV Produktsvar**

I enlighet med tyska produktansvarslagar förklarar vi härmed uttryckligen att vi inte åtar oss något ansvar för skador som orsakas av våra produkter där produkterna inte har genomgått korrekt reparation från en GARDENA-godkänd servicepartner eller där originaldelar från GARDENA eller delar godkända av GARDENA inte använts.

## **DA Produktsvar**

I overensstemmelse med den tyske produktansvarslov erklærer vi hermed udtrykkeligt, at vi ikke påtager os noget ansvar for skader på vores produkter, hvis de pågældende produkter ikke er blevet repareret korrekt af en GARDENA-godkendt servicepartner, eller hvor der ikke er brugt originale GARDENA-reservedele eller godkendte reservedele fra GARDENA.

## **FI Tuotevastuu**

Saksan tuotevastuulain mukaisesti emme ole vastuussa laitteiden vaurioista, jos korjauksia ei ole tehnyt GARDENAn hyväksymä huoltoliike tai jos niiden syynä on muiden kuin alkuperäisten GARDENA-varaosien tai GARDENAn hyväksymien varaosien käyttö.

## **IT Responsabilità del prodotto**

In conformità con la Legge tedesca sulla responsabilità del prodotto, con la presente dichiariamo espressamente che decliniamo qualsiasi responsabilità per danni causati dai nostri prodotti qualora non siano stati correttamente riparati presso un partner di assistenza approvato GARDENA o laddove non siano stati utilizzati ricambi originali o autorizzati GARDENA.

## **ES Responsabilidad sobre el producto**

De acuerdo con la Ley de responsabilidad sobre productos alemana, por la presente declaramos expresamente que no aceptamos ningún tipo de responsabilidad por los daños ocasionados por nuestros productos si dichos productos no han sido reparados por un socio de mantenimiento aprobado por GARDENA o si no se han utilizado piezas originales GARDENA o piezas autorizadas por GARDENA.

## **PT Responsabilidade pelo produto**

De acordo com a lei alemã de responsabilidade pelo produto, declaramos que não nos responsabilizamos por danos causados pelos nossos produtos, caso os tais produtos não tenham sido devidamente reparados por um parceiro de assistência GARDENA aprovado ou se não tiverem sido utilizadas peças GARDENA originais ou peças autorizadas pela GARDENA.

## **PL Odpowiedzialność za produkt**

Zgodnie z niemiecką ustawą o odpowiedzialności za produkt, niniejszym wyraźnie oświadczamy, że nie ponosimy żadnej odpowiedzialności za szkody poniesione na skutek użytkowania naszych produktów, w przypadku gdy naprawa tych produktów nie była odpowiednio przeprowadzana przez zatwierdzonego przez firmę GARDENA partnera serwisowego lub nie stosowano oryginalnych części GARDENA albo części autoryzowanych przez tę firmę.

## **HU Termékszavatosság**

A németországi termékszavatossági törvénnyel összhangban ezzel nyomatékosan kijelentjük, hogy nem vállalunk felelősséget a termékeinkben keletkezett olyan károkért, amelyek valamely GARDENA által jóváhagyott szervizpartner által nem megfelelően végzett javításból adódtak, vagy amely során nem eredeti GARDENA alkatrészeket vagy a GARDENA által jóváhagyott alkatrészeket használtak fel.

## **CS Odpovědnost za výrobek**

V souladu s německým zákonem o odpovědnosti za výrobek tímto výslovně prohlašujeme, že nepřijímáme žádnou odpovědnost za poškození vzniklá na našich výrobcích, kdy zmíněné výrobky nebyly řádně opraveny schváleným servisním partnerem GARDENA nebo kdy nebyly použity originální náhradní díly GARDENA nebo náhradní díly autorizované společností GARDENA.

## **SK Zodpovednosť za produkt**

V súlade s nemeckými právnymi predpismi upravujúcimi zodpovednosť za výrobok týmto výslovne prehlasujeme, že nenesieme žiadnu zodpovednosť za škody spôsobené našimi výrobkami, v prípade ktorých neboli náležité opravy vykonané servisným partnerom schváleným spoločnosťou GARDENA alebo neboli použité diely spoločnosti GARDENA alebo diely schválené spoločnosťou GARDENA.

## **EL Ευθύνη προϊόντος**

Σύμφωνα με τον γερμανικό νόμο περί Ευθύνης για τα Προϊόντα, με το παρόν δηλώνουμε ρητώς ότι δεν αποδεχόμαστε καμία ευθύνη για τυχόν ζημιές που προκύπτουν από τα προϊόντα μας εάν αυτά δεν έχουν επισκευαστεί σωστά από κάποιον εγκεκριμένο συνεργάτη επισκευών της GARDENA ή εάν δεν έχουν χρησιμοποιηθεί αυθεντικά εξαρτήματα GARDENA ή εξαρτήματα εγκεκριμένα από την GARDENA.

## **SL Odgovornost proizvajalca**

V skladu z nemškimi zakoni o odgovornosti za izdelke, izrecno izjavljajo, da ne sprejemamo nobene odgovornosti za škodo, ki jo povzročijo naši izdelki, če teh niso ustrezno popravili GARDENINI odobreni servisni partnerji ali pri tem niso bili uporabljeni originalni GARDENINI nadomestni deli ali GARDENINIMI homologiranimi nadomestnimi deli.

## **HR Pouzdanost proizvoda**

Sukladno njemačkom zakonu o pouzdanosti proizvoda, ovime izričito izjavljujemo kako ne prihvaćamo nikakvu odgovornost za oštećenja na našim proizvodima nastala uslijed neispravnog popravka od strane servisnog partnera kojeg odobrava GARDENA ili uslijed nekorištenja originalnih GARDENA dijelova ili dijelova koje odobrava GARDENA.

## **RO Răspunderea pentru produs**

În conformitate cu Legea germană privind răspunderea pentru produs, declarăm în mod expres prin prezentul document că nu acceptăm nicio răspundere pentru defecțiunile suferite de produsele noastre atunci când acestea nu au fost reparate în mod corect de un atelier de service partener, aprobat de GARDENA, sau când nu au fost utilizate piese GARDENA originale sau piese autorizate de GARDENA.

## **BG Отговорност за вреди, причинени от стоки**

Съгласно германския Закон за отговорността за вреди, причинени от стоки, с настоящото изрично декларираме, че не носим отговорност за щети, причинени от нашите продукти, ако те не са били правилно ремонтирани от одобрен от GARDENA сервиз или ако не са използвани оригинални части на GARDENA или части, одобрени от GARDENA.

## **ET Tootevastutus**

Vastavalt Saksamaa tootevastutusseadusele deklareerime kaesolevaga selgesõnaliselt, et me ei kannu mingisugust vastutust meie toodetest tingitud kahjude eest, kui need tooted ei ole korrektselt parandatud GARDENA heakskiidetud hoolduspartneri poolt või kui parandamisel ei ole kasutatud GARDENA originaalosi või GARDENA volitatud osi.

## **LT Gaminio patikimumas**

Mes aiškiai pareiškiamo, kad, atsižvelgiant į Vokietijos gaminių patikimumo įstatymą, neprisiimame atsakomybės dėl bet kokios žalos, patirtos dėl mūsų gaminių, jeigu jie buvo netinkamai taisomi arba jų dalys buvo pakeistos neoriginaliomis GARDENA dalimis ar nepatvirtintomis dalimis, arba jeigu remonto darbai buvo atliekami ne GARDENA techninės priežiūros centro specialistų.

## **LV Atbildība par produkcijas kvalitāti**

Saskaņā ar Vācijas likumu par atbildību par produkcijas kvalitāti ar šo mēs paziņojam, ka neuzņemamies atbildību par bojājumiem, kas radušies, lietojot mūsu izstrādājumus, kuru remontu nav veicis uzņēmuma GARDENA apstiprināts apkopes partneris vai kuru remontam netika izmantotas oriģinālās GARDENA detaļas vai detaļas, kuru lietošanu apstiprinājis uzņēmums GARDENA.

<p><b>DE EU-Konformitätserklärung</b> Der Unterzeichner, GARDENA Germany AB, PO Box 7454, S-103 92 Stockholm, Schweden, bescheinigt hiermit, dass die nachstehend aufgeführten Geräte bei Verlassen des Werks die harmonisierten EU-Leitlinien, EU-Normen für Sicherheit und besondere Normen erfüllen. Dieses Zertifikat verliert seine Gültigkeit, wenn die Geräte ohne unsere Genehmigung verändert werden.</p>	<p><b>HU EK megfeleléségi nyilatkozat</b> Alulírott GARDENA Germany AB, PO Box 7454, S-103 92 Stockholm, Svédország ezzel tanúsítja, hogy az alábbiakban leírt egységek a gyár elhagyásakor megfeleltek a harmonizált uniós előírásoknak és biztonság és termékspecifikus szabványoknak. Ez a tanúsítvány érvényét veszti, ha az egységeket jóváhagyásunk nélkül átalakítják.</p>
<p><b>EN EC Declaration of Conformity</b> The undersigned, GARDENA Germany AB, PO Box 7454, S-103 92 Stockholm, Sweden, hereby certifies that, when leaving our factory, the units indicated below are in accordance with the harmonised EU guidelines, EU standards of safety and product specific standards. This certificate becomes void if the units are modified without our approval.</p>	<p><b>CS Prohlášení o shodě ES</b> Níže uvedená společnost GARDENA Germany AB, PO Box 7454, S-103 92 Stockholm, Švédsko, tímto potvrzuje, že při opuštění naší továrny jsou jednotky uvedené níže v souladu s harmonizačními pokyny EU, standardy EU ohledně bezpečnosti a specifickými produkty standardy. Tento certifikát ztrácí platnost, pokud dojde k úpravě jednotek bez našeho schválení.</p>
<p><b>FR Déclaration de conformité CE</b> Le constructeur, soussigné : GARDENA Germany AB, PO Box 7454, S-103 92 Stockholm, Suède, déclare qu'à la sortie de ses usines le matériel neuf désigné ci-dessous était conforme aux prescriptions des directives européennes énoncées ciaprès et conforme aux règles de sécurité et autres règles qui lui sont applicables dans le cadre de l'Union européenne. Toute modification apportée à cet appareil sans notre accord annule la validité de ce certificat.</p>	<p><b>SK EÚ vyhlásenie o zhode</b> Dolu podpísaná spoločnosť GARDENA Germany AB, PO Box 7454, S-103 92 Stockholm, Švédsko týmto osvedčuje, že nižšie uvedené jednotky boli v súlade s harmonizačnými usmerneniami EÚ, normami EÚ v oblasti bezpečnosti a špecifickými normami týkajúcimi sa produktu v čase opustenia výrobného závodu. Toto osvedčenie stráca platnosť, ak boli jednotky zmenené bez nášho súhlasu.</p>
<p><b>NL EG-conformiteitsverklaring</b> De ondergetekende, GARDENA Germany AB, PO Box 7454, S-103 92 Stockholm, Zweden, verklaart hierbij dat de producten die hieronder staan vermeld, wanneer ze onze fabriek verlaten, in overeenstemming zijn met de geharmoniseerde Europese richtlijnen, EU-normen voor veiligheid en productspecifieke normen. Dit certificaat vervalt als de producten worden aangepast zonder onze toestemming.</p>	<p><b>EL Δήλωση Συμμόρφωσης EK</b> Η υπογεγραμμένη εταιρεία, GARDENA Germany AB, PO Box 7454, S-103 92 Stockholm, Σουηδία, πιστοποιεί ότι, κατά την έξοδο από το εργοστάσιο, οι μονάδες που αναφέρονται παρακάτω συμμορφώνονται με τις εναρμονισμένες οδηγίες ΕΕ, τα πρότυπα ασφαλείας της ΕΕ και τα συγκεκριμένα πρότυπα προϊόντων. Αυτό το πιστοποιητικό καθίσταται άκυρο εάν οι μονάδες έχουν τροποποιηθεί χωρίς την έγκρισή μας.</p>
<p><b>SV EG-försäkran om överensstämmelse</b> Undertecknad firma GARDENA Germany AB, PO Box 7454, S-103 92 Stockholm, Sverige, intygar härmed att nedan nämnda produkter, när de lämnar vår fabrik, överensstämmer med EU:s riktlinjer, EU:s säkerhetsstandarder och produktspecifika standarder. Detta intyg skall ogiltigförklaras om produkten ändras utan vårt godkännande.</p>	<p><b>SL Izjava ES o skladnosti</b> Spodaj podpisana, GARDENA Germany AB, PO Box 7454, S-103 92 Stockholm, Švedska, s to izjavo potrjuje, da je bila spodaj navedena enota ob izhodu iz tovarne skladna z usklajenimi smernicami EU, standardi EU za varnost in standardi, specifičnimi za izdelek. Izjava postane neveljavna v primeru neodobrene spremembe enote.</p>
<p><b>DA EU-overensstemmelseserklæring</b> Undertegnede, GARDENA Germany AB, PO Box 7454, S-103 92 Stockholm, Sverige erklærer hermed, at nedenfor anførte enheder er i overensstemmelse med de harmoniserede EU-retningslinjer, EU-standarder for sikkerhed og produktspecifikke standarder, når de forlader fabrikkens. Denne erklæring ugyldiggøres, hvis enhederne ændres uden vores godkendelse.</p>	<p><b>HR Izjava o usklađenosti EZ</b> Níže potpisana GARDENA Germany AB, PO Box 7454, S-103 92 Stockholm, Švedska, ovime potvrđuje kako su u nastavku navedene jedinice prilikom napuštanja tvornice bile u skladu s usklađenim smjernicama EU, EU sigurnosnim standardima i standardima specifičnima za proizvod. Ova certifikacija poništava se ako se jedinice izmjenjuju bez odobrenja.</p>
<p><b>FI EY-vaatimustenmukaisuusvakuutus</b> GARDENA Germany AB, PO Box 7454, S-103 92 Stockholm, Ruotsi, vakuuttaa täten, että alla mainitut laitteet ovat tehtaalta lähtessään yhdenmukaistettujen EU-täytäntösten, EU:n turvastandardien ja tuotekohtaisten standardien mukaisia. Tämä vakuutus mitätöityy, jos laitteita muutetaan ilman hyväksyntäämme.</p>	<p><b>RO Declaratie de conformitate CE</b> Subscrisa, GARDENA Germany AB, PO Box 7454, S-103 92 Stockholm, Suedia, certifică prin prezenta că, la momentul ieşirii din fabrica noastră, unităţile indicate mai jos sunt în conformitate cu directivele UE armonizate, cu standardele UE de siguranţă şi cu standardele specifice ale produsului. Prezentul certificat devine nul dacă unităţile sunt modificate fără aprobarea noastră.</p>
<p><b>IT Dichiarazione di conformità CE</b> La sottoscritta GARDENA Germany AB, PO Box 7454, S-103 92 Stockholm, Svezia, certifica che il prodotto qui di seguito indicato, nei modelli da noi commercializzati, è conforme alle direttive armonizzate UE nonché agli standard di sicurezza UE e agli standard specifici di prodotto. Qualunque modifica apportata al prodotto senza nostra specifica autorizzazione invalida la presente dichiarazione.</p>	<p><b>BG Декларация за съответствие на ЕО</b> С настоящото долуподписаната, GARDENA Germany AB, PO Box 7454, S-103 92 Stockholm, Швеция, удостоверява, че при напускане на фабриката модулите, посочени по-долу, са в съответствие с хармонизираните директиви на ЕС, стандартите на ЕС за безопасност и специфичните за продукта стандарти. Този сертификат става невалиден, ако модулите са променени без наше одобрение.</p>
<p><b>ES Declaración de conformidad CE</b> El abajo firmante, GARDENA Germany AB, PO Box 7454, S-103 92 Stockholm, Suecia, certifica por la presente que, cuando salen de la fábrica, las unidades indicadas a continuación cumplen las normas de armonización de la UE, las normas de la UE sobre seguridad y las normas específicas del producto. Este certificado quedará sin efecto si se modifican las unidades sin nuestra autorización.</p>	<p><b>ET EÜ vastavusdeklaratsioon</b> Allakirjutatu GARDENA Germany AB, PO Box 7454, S-103 92 Stockholm, Rootsi, kinnitab käesolevaga, et tehases väljumisel vastavad allpool nimetatud seadmed harmoneeritud EL-i suunistele, EL-i ohutusstandarditele ja tootele eriomaste standarditele. See vastavuskinnitus kaotab kehtivuse, kui seadet muudetakse ilma meie heakskiiduta.</p>
<p><b>PT Declaração de conformidade CE</b> O abaixo-assinado, GARDENA Germany AB, PO Box 7454, S-103 92 Stockholm, Suécia, certifica por este meio que, ao sair da nossa fábrica, as unidades indicadas acima estão em conformidade com as diretrizes uniformizadas da UE, os padrões de segurança da UE e os padrões específicos do produto. Este certificado deixa de ser válido se as unidades forem modificadas sem a nossa aprovação.</p>	<p><b>LT EB atitikties deklaracija</b> GARDENA Germany AB, PO Box 7454, S-103 92 Stockholm, Sweden, garantuoja, kad šis gamyklos siūniams toliau nurodyti įrenginiai atitinka suderintus EB reikalavimus, EB saugos ir konkrečius gaminto standartus. Pakeitus gaminį be mūsų patvirtinimo, nutraukiamas šio sertifikato galiojimas.</p>
<p><b>PL Deklaracja zgodności WE</b> Niżej podpisany przedstawiciel firmy GARDENA Germany AB, PO Box 7454, S-103 92 Stockholm, Szwecja, niniejszym oświadcza, że podane poniżej wyroby opuszczające fabrykę są zgodne ze harmonizowanymi normami UE oraz z obowiązującymi w UE przepisami bezpieczeństwa i normami dotyczącymi danego produktu. Modyfikacja wyrobów bez naszej zgody powoduje unieważnienie niniejszego certyfikatu.</p>	<p><b>LV EK atbilstības deklarācija</b> Uzņēmums GARDENA Germany AB, PO Box 7454, S-103 92 Stockholm, Zviedrija, ir parakstu apliecinā, ka tālāk minētās vienības, pamatot rūpniec, atbilst saskaņotajām ES vadlīnijām, ES drošības standartiem un izstrādājumu specifiskajiem standartiem. Šis sertifikāts tiek anulēts, ja šīs vienības tiek modificētas bez musu apstiprinājuma.</p>



**Deutschland / Germany**

**GARDENA**  
Manufacturing GmbH  
Central Service  
Hans-Lorenser-Straße 40  
D-89079 Ulm  
Produktfragen:  
(+49) 731 490-123  
Reparaturen:  
(+49) 731 490-290  
service@gardena.com

**Albania**

COBALT Sh.p.k.  
Rr. Siri Kodra  
1000 Tirana

**Argentina**

Husqvarna Argentina S.A.  
Av.del Libertador 5954 –  
Piso 11 – Torre B  
(C1428ARP) Buenos Aires  
Phone: (+54) 11 5194 5000  
info.gardena@  
ar.husqvarna.com

**Armenia**

Garden Land Ltd.  
61 Tigran Mets  
0005 Yerevan

**Australia**

Husqvarna Australia Pty. Ltd.  
Locked Bag 5  
Central Coast BC  
NSW 2252  
Phone: (+61) (0) 2 4352 7400  
customer.service@  
husqvarna.com.au

**Austria / Österreich**

Husqvarna Austria GmbH  
Industriezeile 36  
4010 Linz  
Tel.: (+43) 732 7701 01-485  
service.gardena@  
husqvarnagroup.com

**Azerbaijan**

Firm Progress  
a. Aliyev Str. 26A  
1052 Baku

**Belgium**

Husqvarna België nv/sa  
Gardena Division  
Rue Egide Van Ophem 111  
1180 Uccle / Ukkel  
Tel.: (+32) 2 720 92 12  
info@gardena.be

**Bosnia / Herzegovina**

SILK TRADE d.o.o.  
Industrijska zona Bukva bb  
74260 Tešanj

**Brazil**

Husqvarna do Brasil Ltda  
Av. Francisco Matarazzo,  
1400 – 19º andar  
São Paulo – SP  
CEP: 05001-903  
Tel: 0800-112252  
marketing.br.husqvarna@  
husqvarna.com.br

**Bulgaria**

AGROLAND България АД  
бул. 8 Декември, №13  
Офис 5  
1700 Студентски град  
София  
Тел.: (+359) 2466 69 10  
info@agroland.eu

**Canada / USA**

GARDENA Canada Ltd.  
100 Summerlea Road  
Brampton, Ontario L6T 4X3  
Phone: (+1) 905 792 93 30  
info@gardenacanada.com

**Chile**

Maquinarias Agroforestales  
Ltda. (Maga Ltda.)  
Santiago, Chile  
Avda. Chesterton  
# 8355 comuna Las Condes  
Phone: (+56) 2 202 4417  
Dalton@мага.cl  
Zipcode: 7560330

**China**

Husqvarna (Shanghai)  
Management Co., Ltd.  
富世华 (上海) 管理有限公司  
3F, Beng Square B,  
No207, Song Hong Rd.,  
Chang Ning District,  
Shanghai, PRC. 200335  
上海市长宁区沁虹路207号明  
基广场B座3楼, 邮编: 200335

**Colombia**

Husqvarna Colombia S.A.  
Calle 18 No. 68 D-31, zona  
Industrial de Montevideo  
Bogotá, Cundinamarca  
Tel. 571 2922700 ext. 105  
jairo.salazar@  
husqvarna.com.co

**Costa Rica**

Compania Exim  
Euroiberomericana S.A.  
Los Colegios, Moravia,  
200 metros al Sur del Colegio  
Saint Francis – San José  
Phone: (+506) 297 68 83  
exim\_euro@racsa.co.cr

**Croatia**

Husqvarna Austria GmbH  
Industriezeile 36  
4010 Linz  
Tel.: (+43) 732 7701 01-485  
service.gardena@  
husqvarnagroup.com

**Cyprus**

Med Marketing  
17 Digeni Akritia Ave  
P.O. Box 27017  
1641 Nicosia

**Czech Republic**

Husqvarna Česko s.r.o.  
Türkova 2319/5b  
149 00 Praha 4 – Chodov  
Bezplatná infolinka:  
800 100 425  
servis@cz.husqvarna.com

**Denmark**

GARDENA DANMARK  
Lejervej 19, st.  
3500 Værløse  
Tlf.: (+45) 70264770  
husqvarna@husqvarna.dk  
www.gardena.com/dk

**Dominican Republic**

BOSQUESA, S.R.L  
Carretera Santiago Licey  
Km. 5 ½  
Esquina Copal II.  
Santiago  
Dominican Republic  
Phone: (+809) 736-0333  
joserbosquesa@claro.net.do

**Ecuador**

Husqvarna Ecuador S.A.  
Arujos E1-181 y 10 de  
Agosto Quito, Pichincha  
Tel. (+593) 22800739  
francisco.jacom@  
husqvarna.com.ec

**Estonia**

Husqvarna Eesti OÜ  
Valdeku 132  
EE-11216 Tallinn  
info@gardena.ee

**Finland**

Oy Husqvarna Ab  
Gardena Division  
Lautatarhankatu 8 B / PL 3  
00581 HELSINKI  
www.gardena.fi

**France**

Husqvarna France  
9/11 Allée des pierres mayettes  
92635 Gennevilliers Cedex  
France  
http://www.gardena.com/fr  
N° AZUR: 0 810 00 78 23  
(Prix d'un appel local)

**Georgia**

Transporter LLC  
8/157 Balashvili street  
0159 Tbilisi, Georgia  
Phone: (+995) 322 14 71 71

**Great Britain**

Husqvarna UK Ltd  
Preston Road  
Aycliffe Industrial Park  
Newton Aycliffe  
County Durham  
DL5 6UP  
info.gardena@  
husqvarna.co.uk

**Greece**

Π. ΠΑΠΑΔΟΠΟΥΛΟΣ ΑΕΒΕ  
Λεωφ. Αθηνών 92  
Αθήνα  
Τ.Κ. 104 42  
Ελλάδα  
Τηλ. (+30) 210 5193 100  
info@papadopoulos.com.gr

**Hungary**

Husqvarna Magyarorszáგ Kft.  
Ezred u. 1-3  
1044 Budapest  
Telefon: (+36) 1 251-4161  
vevozsalgalat.husqvarna@  
husqvarna.hu

**Iceland**

O. Johnson & Kaaber  
Tunguhsali 1  
110 Reykjavik  
oaj@ojk.is

**India**

Husqvarna UK Ltd  
Preston Road  
Aycliffe Industrial Park  
Newton Aycliffe  
County Durham  
DL5 6UP  
info.gardena@  
husqvarna.co.uk

**Italy**

Husqvarna Italia S.p.A.  
Via Santa Vecchia 15  
23868 VALMADRERA (LC)  
Phone: (+39) 0341.203.111  
assistenza.italia@  
it.husqvarna.com

**Japan**

KAKUICHI Co. Ltd.  
Sumitomo Realty &  
Development Kojimachi  
BLDG., 8F  
5-1 Nibanncyo  
Chiyoda-ku  
Tokyo 102-0084  
Phone: (+81) 33 264 4721  
m\_ishihara@kaku-ichi.co.jp

**Kazakhstan**

LAMED Ltd.  
155/1, Tazhibayevoi Str.  
050060 Almaty  
IP Schmidt  
Avravyenue 3B  
110 005 Kostanay

**Korea**

Kyung Jin Trading CO.,LTD.  
107-4, SunDuk Bld.,  
YangJae-dong,  
Seocho-gu,  
Seoul, (zipcode: 137-891)  
Phone: (+82) (0)2 574-6300

**Kyrgyzstan**

Alye Maki  
Mo. Malodaya Guardir J 3  
720014  
Bishkek

**Latvia**

Husqvarna Latvija SIA  
Ulbrokas 19A  
LV-1021 Rīga  
info@gardena.lv

**Lithuania**

UAB Husqvarna Lietuva  
Ateities pl. 77C  
LT-52104 Kaunas  
info@gardena.lt

**Luxembourg**

Magasins Jules Neuberg  
39, rue Jacques Stas  
Luxembourg-Gasperich 2549  
Case Postale No. 12  
Luxembourg 2010  
Phone: (+352) 40 14 01  
api@neuberg.lu

**Mexico**

AFOSA  
Av. Lopez Mateos Sur # 5019  
Col. La Calma 45070  
Zapopan, Jalisco  
Mexico  
Phone: (+52) 33 3818-3434  
icornejo@afosa.com.mx

**Moldova**

Convel S.R.L.  
290A Muncești St.  
2002 Chisinau

**Netherlands**

Husqvarna Nederland B.V.  
GARDENA Division  
Postbus 50131  
1305 AC ALMERE  
Phone: (+31) 36521 00 10  
info@gardena.nl

**Neth. Antilles**

Jonka Enterprises N.V.  
Sta. Rosa Weg 196  
P.O. Box 8200  
Curaçao  
Phone: (+599) 9 767 66 55  
pgm@jonka.com

**New Zealand**

Husqvarna New Zealand Ltd.  
PO Box 76-437  
Manukau City 2241  
Phone: (+64) (0) 9 9202410  
support.nz@husqvarna.co.nz

**Norway**

Husqvarna Norge AS  
Gardena Division  
Trøsklevveien 36  
1708 Sarpsborg  
info@gardena.no

**Peru**

Husqvarna Perú S.A.  
Jr. Ramón Cárcamo 710  
Lima 1  
Tel: (+51) 1 3320400 ext.416  
juan.remuzog@  
husqvarna.com

**Poland**

Husqvarna  
Poland Spółka z o.o.  
ul. Wysockiego 15 b  
03-371 Warszawa  
Phone: (+48) 22 330 96 00  
gardena@husqvarna.com.pl

**Portugal**

Husqvarna Portugal, SA  
Lagoa - Albarraque  
2635 - 595 Rio de Mouró  
Tel.: (+351) 21 922 85 30  
Fax: (+351) 21 922 85 36  
info@gardena.pt

**Romania**

Madex International Srl  
Soseaua Odaii 117-123,  
RO 013603 Bucuresti, S 1  
Phone: (+40) 21 352.76 30  
madex@ines.ro

**Russia / Россия**

ООО „Хускварна“  
141400, Московская обл.,  
г. Химки,  
улица Ленинградская,  
владение 39, стр.6  
Бизнес Центр  
„Химки Бизнес Парк“,  
помещение 0B02\_04  
http://www.gardena.ru

**Serbia**

Domel d.o.o.  
Autoput za Novi Sad bb  
11273 Belgrade  
Phone: (+381) 11 848 88 12  
miroslav.vejina@domel.rs

**Singapore**

Hy-Ray PRIVATE LIMITED  
40 Jalan Pemimpin  
#02-09 Tat Ann Building  
Singapore 577185  
Phone: (+65) 6253 2277  
shying@hyray.com.sg

**Slovak Republic**

Husqvarna Cesko s.r.o.  
Türkova 2319/5b  
149 00 Praha 4 – Chodov  
Bezplatná infolinka:  
800 154 044  
servis@sk.husqvarna.com

**Slovenia**

Husqvarna Austria GmbH  
Industriezeile 36  
4010 Linz  
Tel.: (+43) 732 7701 01-485  
service.gardena@  
husqvarnagroup.com

**South Africa**

Husqvarna  
Husqvarna (Pty) Ltd  
Postnet Suite 250  
Private Bag X6,  
Cascades, 3202  
South Africa  
Phone: (+27) 33 846 9700  
info@gardena.co.za

**Spain**

Husqvarna España S.A.  
Calle de Rivas nº 10  
28052 Madrid  
Phone: (+34) 91 708 05 00  
atencioncliente@gardena.es

**Suriname**

Agrofix n.v.  
Verlengde Hogestraat # 22  
Phone: (+597) 472426  
agrofix@sr.net  
Pobox: 2006  
Paramaribo  
Suriname – South America

**Sweden**

Husqvarna AB  
Gardena Division  
S-561 82 Huskvarna  
gardenaorder@husqvarna.se

**Switzerland / Schweiz**

Husqvarna Schweiz AG  
Consumer Products  
Industriestrasse 10  
5506 Mägenwil  
Phone: (+41) (0) 62 887 37 90  
info@gardena.ch

**Turkey**

Dost Bağcı Diş Ticaret  
Müessesilik A.Ş  
Yunus Mah. Adil Sok. No:3  
İc Kapı No: 1 Kartal  
34873 İstanbul  
Phone: (+90) 216 38 93 939  
info@dosibahe.com.tr

**Ukraine / Україна**

ТОВ „Хускварна Україна“  
вул. Васильківська, 34,  
офіс 204-г  
03022, м. Київ  
Тел. (+38) 044 498 39 02  
info@gardena.ua

**Uruguay**

FELI SA  
Entre Ríos 1083 CP 11800  
Montevideo – Uruguay  
Tel: (+598) 22 03 18 44  
info@felisa.com.uy

**Venezuela**

Corporación Casa y Jardín C.A.  
Av. Caroní, Edif. Trezmen, PB.  
Colinas de Bello Monte.  
1050 Caracas.  
Tlf: (+58) 212 992 33 22  
info@casayjardin.net.ve

1780.20.960.16/0418  
© GARDENA  
Manufacturing GmbH  
D-89070 Ulm  
http://www.gardena.com