



Art. 4056

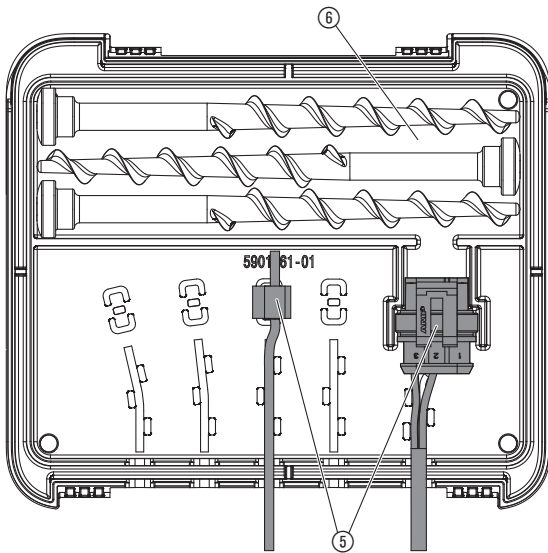
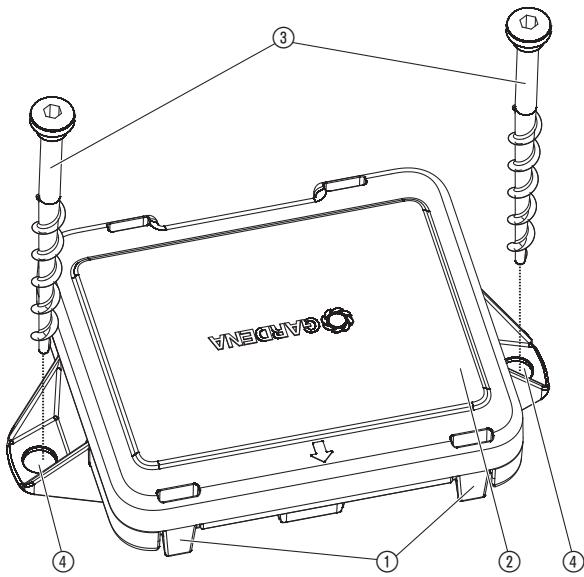
**DE Betriebsanleitung**  
Verbinder-Schutzbox

---

**EN Operator's manual**  
Connector Protection Box

---

**FR Mode d'emploi**  
Boîtier de protection pour connecteurs



## GARDENA Connector Protection Box

### Intended use:

The GARDENA Connector Protection Box is intended to protect the connection cables of the robotic mower charging station over the winter.

## 1. SAFETY

### Important!

**Read the operator's manual carefully before use and keep for future reference.**

### Personal safety



**DANGER! Risk of suffocation!**

**Small parts can be easily swallowed. There is also a risk that the polybag can suffocate toddlers. Keep toddlers away when you assemble the product.**

## 2. ASSEMBLY

### To assemble the Connector Protection Box:

1. Pull the 2 clips ① and remove the cover ②.
2. Turn 2 ground screws ③ of the loading station in the holes ④.
3. Optionally, you can insert the remaining ground screws in the tray ⑥ of the connector protection box.
4. Put the connection cables in the cable clamps ⑤.
5. Close the cover ②. *Note the arrow mark when you close the cover.*

## 3. MAINTENANCE

### To clean the Connector Protection Box:



**DANGER! Risk of injury!**

- Do not clean the product with a water jet (in particular high-pressure water jet).
- Clean the Connector Protection Box with a soft cloth.

## 4. STORAGE

### To put into storage:

The product must be stored away from children.

### Disposal:

(in accordance with RL2012/19/EC)

The product must not be disposed of to normal household waste. It must be disposed of in line with local environmental regulations.



### IMPORTANT!

Dispose of the product through or via your municipal recycling collection centre.

## 5. SERVICE/WARRANTY

### Service:

Please contact the address on the back page.

### Warranty:

In the event of a warranty claim, no charge is levied to you for the services provided.

GARDENA Manufacturing GmbH offers a two-year warranty (effective as of the date of purchase) for this product. This warranty includes all significant defects of the product that can be proved to be material or manufacturing faults. This warranty is fulfilled by supplying a fully functional replacement product or by repairing the faulty product sent to us free of charge; we reserve the right to choose between these options.

## **DE PRODUKTHAFTUNG**

---

Wir weisen ausdrücklich darauf hin, dass wir in Übereinstimmung mit dem Produkthaftungsgesetz nicht für Schäden haften, die durch unsere Produkte entstehen, wenn diese unsachgemäß und nicht durch einen von uns autorisierten Servicepartner repariert wurden oder wenn keine Original GARDENA Teile oder von uns zugelassene Teile verwendet wurden.

## **EN PRODUCT LIABILITY**

---

In accordance with the German Product Liability Act, we hereby expressly declare that we accept no liability for damage incurred from our products where said products have not been properly repaired by a GARDENA-approved service partner or where original GARDENA parts or parts authorised by GARDENA were not used.

## **FR RESPONSABILITÉ**

---

Conformément à la loi relative à la responsabilité du fait des produits défectueux, nous déclarons expressément par la présente que nous déclinons toute responsabilité pour les dommages résultant de nos produits, si lesdits produits n'ont pas été correctement réparés par un partenaire d'entretien agréé GARDENA ou si des pièces d'origine GARDENA ou des pièces agréées GARDENA n'ont pas été utilisées.

