



www.husqvarna.com

**Original instructions
Instrucciones originales
Instructions originales**

1140873-49 Rev. 1

**Operator's manual
Manual del usuario
Manuel d'utilisation
L221AK**



**English
Spanish
French**

Please read the operator's manual carefully and make sure you understand the instructions before using the machine.
Lea atentamente el manual de instrucciones y asegúrese de que entiende las instrucciones antes de utilizar la máquina.
Lire attentivement le manuel d'utilisation et veiller à bien comprendre les instructions avant d'utiliser la scie.

2018-11-02

SAFETY RULES

IMPORTANT! THIS CUTTING MACHINE IS CAPABLE OF AMPUTATING HANDS AND FEET AND THROWING OBJECTS. FAILURE TO OBSERVE THE FOLLOWING SAFETY INSTRUCTIONS COULD RESULT IN SERIOUS INJURY OR DEATH.



WARNING! Look for this symbol to point out important safety precautions. It means CAUTION!!! BE COME ALERT!!! YOUR SAFETY IS INVOLVED.



WARNING! In order to prevent accidental starting when setting up, transporting, adjusting or making repairs, always disconnect spark plug wire and place wire where it can not come in contact with plug.

CAUTION! Muffler and other engine parts become extremely hot during operation and remain hot after engine has stopped. To avoid severe burns on contact, stay away from these areas.



WARNING! Engine exhaust, some of its constituents, and certain vehicle components contain or emit chemicals known to the State of California to cause cancer and birth defects or other reproductive harm.



WARNING! Battery posts, terminals and related accessories contain lead and lead compounds, chemicals known to the State of California to cause cancer and birth defects or other reproductive harm. Wash hands after handling.



WARNING! This lawn mower is equipped with an internal combustion engine and should not be used on or near any unimproved forest-covered, brush-covered or grass-covered land unless the engine's exhaust system is equipped with a spark arrester meeting applicable local or state laws (if any). If a spark arrester is used, it should be maintained in effective working order by the operator.

In the state of California the above is required by law (Section 4442 of the California Public Resources Code). Other states may have similar laws. Federal laws apply on

federal lands. A spark arrester for the muffler is available through your nearest authorized service center.

Children



WARNING! Children can be seriously injured or killed by this equipment. Carefully read and follow all of the safety instructions below.

CHILDREN CAN BE INJURED BY THIS EQUIPMENT. The American Academy of Pediatrics recommends that children be a minimum of 12 year of age before operating a pedestrian controlled lawn mower and a minimum of 16 years of age before operating a riding lawn mower.

Tragic accidents can occur if the operator is not alert to the presence of children. Children are often attracted to the machine and the mowing activity. **Never** assume that children will remain where you last saw them.

- Keep children out of the mowing area and under the watchful care of a responsible adult *other than* the operator.
- Be alert and turn machine off if children enter the area.
- Before and while walking backwards, look behind and down for small children.
- Never allow children to operate the machine.
- Be particularly careful near corners, bushes, trees or other objects that block your view.

General operation

- Read, understand, and follow all instructions on the machine and in the manual(s) before starting. Be thoroughly familiar with the controls and the proper use of the machine before starting.
- Do not put hands or feet near or under rotating parts. Keep clear of the discharge opening at all times.
- Only allow responsible individuals, who are familiar with the instructions, to operate the machine.
- Clear the area of objects such as rocks, toys, wire, bones, sticks, etc., which could be picked up and thrown by blade. Stay behind the handle when the engine (motor) is running.
- Be sure the area is clear of other people before mowing. Stop machine if anyone enters the area.
- Do not operate machine bare footed or while wearing sandals. Always wear substantial footwear with good ankle support while mowing.
- Do not pull mower backwards unless absolutely necessary. Always look down and behind before and while moving backwards.
- Never direct discharged material toward anyone. Avoid discharging material against a wall or obstruction. Material may ricochet back toward the operator. Stop blade when crossing gravel surfaces.

DÉPANNAGE

Annexe sur le dépannage



AVERTISSEMENT! Si les opérations d'entretien ou de dépannage ne nécessitent pas que la machine soit en marche, le moteur doit être coupé et le câble de bougie débranché de la bougie.

Problème	Cause probable	Solution possible
La machine ne démarre pas.	Procédure de démarrage incorrecte	Consulter les instructions fournies dans la section « Démarrage et arrêt ».
	Filtre à air colmaté	Nettoyer le filtre à air. Remplacer au besoin.
	Le réservoir ne contient pas de carburant.	Remplir de carburant.
	Bougie d'allumage défectueuse	Remplacer la bougie d'allumage.
	Câble de bougie d'allumage non raccordé	Vérifier que le câble de bougie est raccordé à la bougie.
	Lame desserrée ou adaptateur de lame brisé	Serrer le boulon de lame ou remplacer l'adaptateur de lame.
	Poignée de frein moteur défectueuse	Communiquer avec un atelier de réparation agréé.
	Levier du robinet de carburant (selon l'équipement) à la position OFF (arrêt)	Déplacer le levier du robinet de carburant à la position ON (marche).
Puissance réduite	Tension de batterie (selon l'équipement) trop faible	Charger la batterie.
	Mauvaise connexion de la batterie (selon l'équipement)	Raccorder la batterie au moteur.
	Hauteur de coupe trop basse	Augmenter la hauteur de coupe.
	Coupe d'herbe extrêmement haute	Augmenter la hauteur de coupe.
	Filtre à air colmaté	Nettoyer le filtre à air. Remplacer au besoin.
	Accumulation d'herbe, de feuilles et de déchets sous la tondeuse	Nettoyer le dessous du bloc de coupe de la tondeuse.
Tonte irrégulière	Trop d'huile dans le moteur	Vérifier le niveau d'huile du moteur.
	Vitesse de marche trop rapide	Réduire la vitesse de marche.
	Lame usée, tordue ou desserrée	Remplacer la lame si elle est tordue ou endommagée.
Vibrations excessives	Hauteurs de roue inégales	Régler toutes les roues à la même hauteur.
	Accumulation d'herbe, de feuilles et de déchets sous la tondeuse	Nettoyer le dessous du bloc de coupe de la tondeuse.
Difficile de tirer la corde du lanceur	Lame usée, tordue ou desserrée	Remplacer la lame si elle est tordue ou endommagée.
	Vilebrequin moteur tordu	Communiquer avec un atelier de réparation agréé.
	Frein de volant moteur activé alors que la poignée du frein moteur est relâchée	Appuyer la poignée du frein moteur sur la poignée supérieure avant de tirer la corde du lanceur.
	Vilebrequin moteur tordu	Communiquer avec un atelier de réparation agréé.
Le collecteur d'herbe (selon l'équipement) ne se remplit pas.	Adaptateur de lame brisé	Communiquer avec un agent d'entretien.
	Procédure de démarrage incorrecte	Consulter les instructions fournies dans la section « Démarrage et arrêt ».
	Hauteur de coupe trop basse	Augmenter la hauteur de coupe.
Difficile de pousser la machine en marche avant	Lame usée	Remplacer la lame
	Le collecteur n'évacue pas d'air.	Nettoyer ou inspecter le collecteur d'herbe.
	Coupe d'herbe extrêmement haute	Augmenter la hauteur de coupe.
	Hauteur de coupe trop basse	Augmenter la hauteur de coupe.
L'entraînement semble démarrer lentement.	Collecteur d'herbe trop plein	Vider le collecteur d'herbe.
	Hauteur du guidon non adéquate pour vous	Régler la hauteur du guidon (selon l'équipement).
	Usure de la courroie	Consulter les instructions fournies dans la section « Remplacement de la courroie d'entraînement ».
	Courroie hors de la poulie	Consulter les instructions fournies dans la section « Remplacement de la courroie d'entraînement ».
	Fil d'embrayage usé, endommagé ou non tendu	Pour obtenir de plus d'information, consultez la section « Démarrage et arrêt ».

SAFETY RULES

Safe handling of gasoline

To avoid personal injury or property damage, use extreme care in handling gasoline. Gasoline is extremely flammable and the vapors are explosive.

- Do not operate the mower without proper guards, plates, grass catcher or other safety protective devices in place.
- See manufacturer's instructions for proper operation and installation of accessories. Only use accessories approved by the manufacturer.
- Stop blade when crossing gravel surfaces.
- Never leave a running machine unattended.
- Stop the engine (motor) and wait until the blade comes to a complete stop before cleaning the machine, removing the grass catcher, or unclogging the discharge chute.
- Mow only in daylight or good artificial light.
- Do not operate the machine while under the influence of alcohol or drugs.
- Never operate machine in wet grass. Always be sure of your footing: keep a firm hold on the handle, walk, never run.
- Disengage drive system, if so equipped, before starting the engine (motor).
- If the equipment should start to vibrate abnormally, stop the engine (motor) and check immediately for the cause. Vibration is generally a warning of trouble.
- Always wear eye protection when operating machine.
- Use extra care when approaching blind corners, shrubs, trees, or other objects that may obscure vision.
- When loading or unloading this machine, do not exceed the maximum recommended operation angle of 15°.
- Wear proper Personal Protective Equipment (PPE) while operating this machine, including (at a minimum) sturdy footwear, eye protection, and hearing protection. Do not mow in shorts or open toed footwear.

Always let someone know you are outside mowing.

Slope operation

Slopes are a major factor related to slip & fall accidents, which can result in severe injury. All slopes require extra caution. If you feel uneasy on a slope, do not mow it.

Do:

- Mow across the face of slopes, never up and down.
- Remove obstacles such as rocks, tree limbs, etc.
- Watch for holes, ruts, bumps or hidden objects. Uneven terrain could cause a slip and fall accident. Tall grass can hide obstacles.

Do not:

- Do not mow near drop-offs, ditches or embankments. You could lose your footing or balance.
- Do not mow on wet grass or excessively steep slopes. Poor footing could cause a slip and fall accident.

- Extinguish all cigarettes, cigars, pipes and other sources of ignition.
- Use only an approved container.
- Never remove gas cap or add fuel with the engine running.
- Allow the engine to cool before refueling.
- Never refuel the machine indoors.
- Never store the machine or fuel container where there is an open flame, spark or pilot light such as a water heater or on other appliances.
- Never fill containers inside a vehicle, on a truck or trailer bed with a plastic liner. Always place containers on the ground away from your vehicle before filling.
- Remove gas-powered equipment from the truck or trailer and refuel it on the ground. If this is not possible, then refuel such equipment with a portable container, rather than from a gasoline dispenser nozzle.
- Keep the nozzle in contact with the rim of the fuel tank or container opening at all times until fuelling is complete. Do not use a nozzle lock-open device.
- If fuel is spilled on clothing, change clothing immediately.
- Never overfill the fuel tank.
- Replace gas cap and tighten securely.

General service

- Never run a machine inside a closed area.
- Never make adjustments or repairs with the engine (motor) running. Disconnect the spark plug wire, and keep the wire away from the plug to prevent accidental starting.
- Keep all nuts and bolts tight to be sure the equipment is in safe working condition.
- Never tamper with safety devices. Check their proper operation regularly. Never do anything to interfere with the intended function of a safety device or reduce the protection provided by a safety device.
- Keep machine free of grass, leaves, or other debris build-up. Clean oil or fuel spillage. Allow machine to cool before storing.
- Stop and inspect the equipment if you strike an object. Repair, if necessary, before restarting.
- Never attempt to make wheel height adjustments while the engine is running.
- Grass catcher components are subject to wear, damage, and deterioration, which could expose moving parts or allow objects to be thrown. Frequently check components and replace with manufacturer's recommended parts, when necessary.
- Mower blades are sharp and can cut. Wrap the blade(s) or wear gloves, and use extra caution when servicing them.
- Do not change the engine governor setting or overspeed the engine.
- Maintain or replace safety and instruction labels, as necessary.

KEY TO SYMBOLS

Key to symbols

WARNING! The machine can be a dangerous tool if used incorrectly or carelessly, which can cause serious or fatal injury to the operator or others.

Please read the operator's manual carefully and make sure you understand the instructions before using the machine.

Stop the engine

Start the engine

Fast

Slow

Fuel

Oil

Choke

DANGER, Keep hands and feet away.

Watch out for thrown objects and ricochets.



Warning: rotating cutter. Keep hands and feet clear.



Warning: rotating parts. Keep hands and feet clear.



Keep people and animals well away from the working area.



Before and while walking rearward, look behind and down for small children, animals or other risks that can cause you to fall.



Slope hazard.



Use approved hearing protection.



Explanation of warning levels

The warnings are graded in three levels.

WARNING!



WARNING! Used if there is a risk of serious injury or death for the operator or damage to the surroundings if the instructions in the manual are not followed.

IMPORTANT!



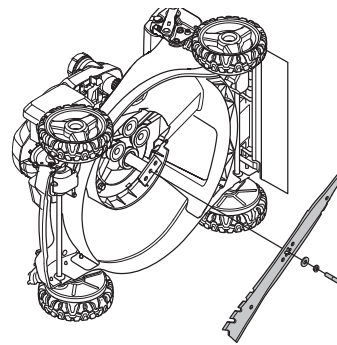
IMPORTANT! Used if there is a risk of injury to the operator or damage to the surroundings if the instructions in the manual are not followed.

CAUTION!

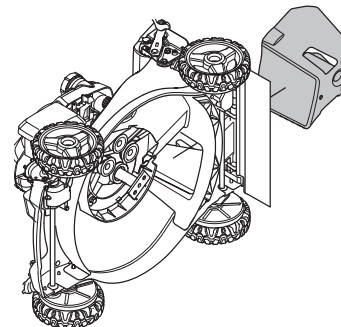
CAUTION! Used if there is a risk of damage to materials or the machine if the instructions in the manual are not followed.

ENTRETIEN

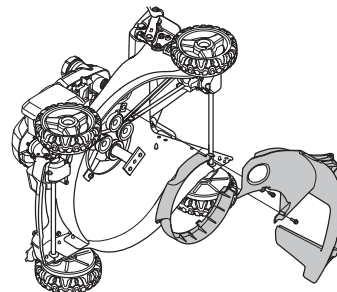
- Retirer le boulon de lame en le tournant dans le sens inverse des aiguilles d'une montre. Retirer la lame et le matériel de fixation : le boulon, la rondelle de blocage et la rondelle trempée.



- Retirer le bouchon de broyage.

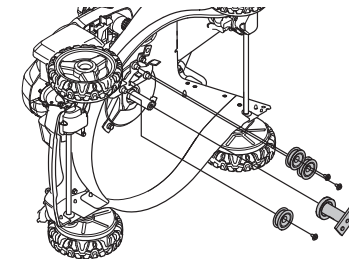


- Retirer l'insert.
- Retirer le carter de la courroie et l'anneau racleur.

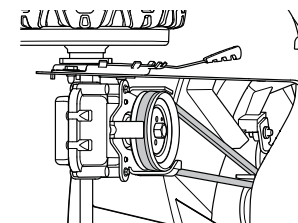


- Débrancher le câble de la transmission arrière.
- Retirer le dispositif de guidage de courroie avant.
- Retirer la courroie de la poulie de transmission avant.

- Retirer les trois poulies folles de l'ensemble du tendeur.



- Retirer la courroie de l'adaptateur de lame ou de la poulie du moteur et du tendeur.



- Retirer la poulie de transmission arrière en serrant les piliers de verrouillage à l'arbre de transmission primaire, sous la poulie, puis en desserrant la poulie à l'aide d'une clé de 9/16 po.
- Retirer l'ancienne courroie d'entraînement.

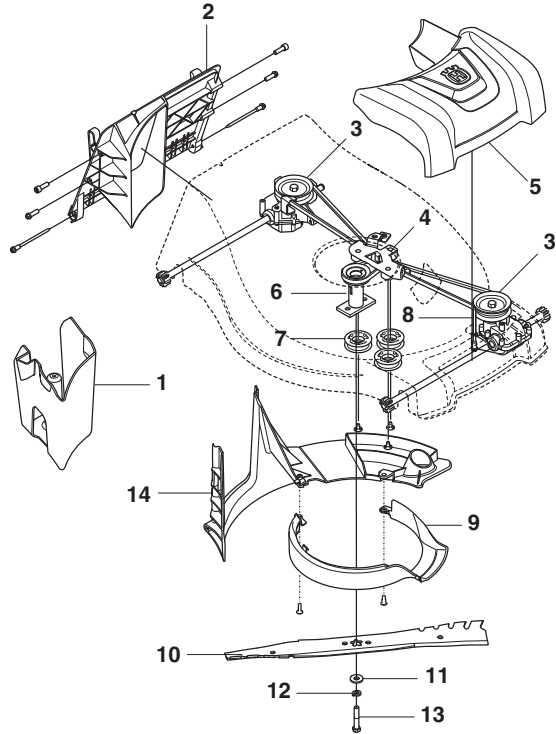
Remplacer la courroie d'entraînement.

IMPORTANT! Toujours utiliser des pièces d'origine.

- Placer la nouvelle courroie sur la poulie de transmission arrière. S'assurer que la nouvelle courroie se trouve à l'intérieur des languettes du dispositif de guidage de courroie.
- Réinstaller la poulie de transmission arrière. Acheminer l'autre extrémité de la nouvelle courroie à travers le trou dans le carter vers la poulie de transmission. Acheminer la nouvelle courroie à travers le tendeur vers l'adaptateur de lame ou poulie de moteur.
- Réinstaller toutes les trois poulies folles.
- Positionner l'adaptateur de lame ou la poulie de moteur sur le vilebrequin du moteur. S'assurer que le contacteur de l'adaptateur de lame ou la poulie du moteur et la clavette du vilebrequin sont alignés et que la nouvelle courroie se trouve à l'intérieur de l'onglet de retenue de la courroie. Installer la nouvelle courroie sur la poulie de transmission avant.
- Réinstaller le dispositif de guidage de courroie avant. S'assurer que la nouvelle courroie se trouve à l'intérieur du dispositif de guidage de courroie.
- Réinstaller le carter.
- Rebrancher le câble de transmission arrière et remonter le ressort sur l'insert arrière ou sur le dispositif de guidage de courroie.
- Réinstaller l'insert arrière.
- Réinstaller la lame. Consulter les instructions fournies dans la section « Remplacement des lames ».
- Serrer la bougie.

ENTRETIEN

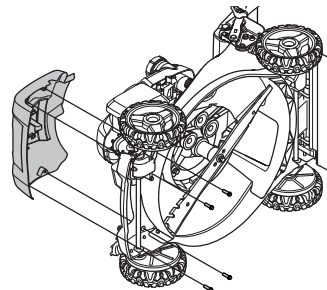
Courroie d'entraînement



- 1 Bouchon de broyage
- 2 Insert arrière
- 3 Poulie entraînement transmission
- 4 Support de galet tendeur
- 5 Carter d'entraînement
- 6 Adaptateur de lame
- 7 Poulies tendeur
- 8 Dispositif de guidage de courroie avant
- 9 Anneau raclleur
- 10 Lame
- 11 Rondelle trempée
- 12 Rondelle de blocage
- 13 Boulon de lame
- 14 Couverture de courroie

Retirer la courroie d'entraînement.

- Vider le réservoir de carburant en faisant fonctionner la machine jusqu'à ce que le réservoir soit vide.
- Toujours déconnecter la bougie d'allumage avant d'effectuer l'entretien ou d'accéder aux pièces mobiles.
- Tourner la tondeuse sur le côté. S'assurer que le filtre à air et le carburateur sont orientés vers le haut.
- Retirer le carter du dispositif d'entraînement.



CONTENTS

Contents

SAFETY RULES

Children	2
General operation	2
Slope operation	3
Safe handling of gasoline	3
General service	3

KEY TO SYMBOLS

Key to symbols	4
Explanation of warning levels	4

CONTENTS

Contents	5
----------------	---

PRESENTATION

Dear customer!	6
Customer responsibilities	6
The Lawn mower	6
Steps before using a new lawn mower	7

WHAT IS WHAT?

What is what on the lawn mower?	8
---------------------------------------	---

MACHINE'S SAFETY EQUIPMENT

General	9
---------------	---

ASSEMBLING AND ADJUSTMENTS

General	10
Remove the lawn mower from the carton.	10
Handle	10
Grass catcher	11
Starter handle	11
Convert the lawn mower	11
Cutting height	12
Filling with oil	12

FUEL HANDLING

General	13
Fueling	13
Transport and storage	13

OPERATING

Personal protective equipment	14
General safety precautions	14
Basic working techniques	16
Transport and storage	16
Starting and stopping	17

MAINTENANCE

General	18
Maintenance schedule	18
General recommendations	19
General inspection	19
General lubrication	19
Cleaning	19
Engine	20
Muffler	21

Spark plug	21
Air filter	21
Blade	22
Drive belt	24
TROUBLESHOOTING	
Troubleshooting schedule	26

PRESENTATION

Dear customer!

Congratulations on your choice to buy a Husqvarna product! Husqvarna is based on a tradition that dates back to 1689, when the Swedish King Karl XI ordered the construction of a factory on the banks of the Huskvarna River, for production of muskets. The location was logical, since water power was harnessed from the Huskvarna River to create the water-powered plant. During over 300 years of continuous operation, the Husqvarna factory has produced a lot of different products, from wood stoves to modern kitchen appliances, sewing machines, bicycles, motorcycles etc. In 1956, the first motor driven lawn mowers appeared, followed by chain saws in 1959, and it is within this area Husqvarna is working today.

Today Husqvarna is one of the leading manufacturers in the world of forest and garden products, with quality as our highest priority. We develop, manufacture and market high quality motor driven products for forestry and gardening as well as for building and construction industry.

Your purchase gives you access to professional help with repairs and service whenever this may be necessary. If the retailer who sells your machine is not one of our authorized dealers, ask for the address of your nearest servicing dealer.

It is our wish that you will be satisfied with your product and that it will be your companion for a long time. Think of this operator's manual as a valuable document. By following its' content (using, service, maintenance etc) the life span and the second-hand value of the machine can be extended. If you ever lend or sell this machine, make sure that the borrower or buyer gets the operator's manual, so they will also know how to properly maintain and use it.

Thank you for using a Husqvarna product.

Husqvarna AB has a policy of continuous product development and therefore reserves the right to modify the design and appearance of products without prior notice.

For customer assistance, contact us at our website: www.husqvarna.com

Customer responsibilities

- Read and observe the safety rules.
- Follow the maintenance schedule in this manual. Any maintenance other than that described in this manual must be carried out by your servicing dealer (retailer).

The Lawn mower

Serial number:	
Date of purchase:	
The model and serial numbers will be found on a decal attached to the rear of the lawn mower housing. You should record both serial number and date of purchase and keep in a safe place for future reference.	

Product specifications

Gasoline Capacity and Type	1.09 Quarts / 1.03 Liters (Unleaded Regular Only)
Oil Type (API SG-SL)	SAE 30 (above 0°C / 32°F) SAE 5W-30 (below 0° / 32°F)
Oil Capacity	15 Ounces
Spark Plug (Gap: 0.020" / 0.5mm)	AUTOLITE 5924
Blade Bolt Torque	35-40 ft. lbs. (47-54 Nm)

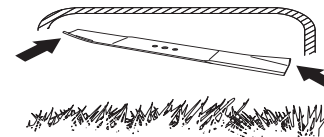
ENTRETIEN

également que le boulon de lame n'est pas endommagé et que l'arbre du moteur n'est pas tordu.

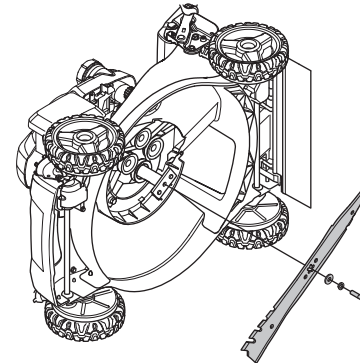
IMPORTANT! Utiliser seulement une lame de remplacement approuvée par le fabricant de la tondeuse. L'utilisation d'une lame non approuvée par le fabricant de la tondeuse comporte des risques, peut endommager cette dernière et annuler la garantie.

Montage

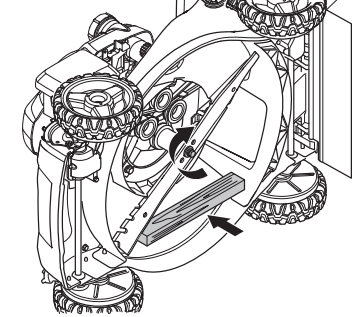
- 1 Positionner l'adaptateur de lame sur le vilebrequin du moteur. S'assurer que le contacteur de l'adaptateur et la clavette du vilebrequin sont alignés et que la courroie d'entraînement se trouve à l'intérieur de l'onglet de retenue de la courroie.
- 2 La lame doit être montée avec l'extrémité coudée vers le haut, vers le moteur.



- 3 Installer le boulon de lame en s'assurant que la rondelle de blocage et la rondelle trempée se trouvent dans l'adaptateur de lame et le vilebrequin.



- 4 Utiliser une cale en bois entre la lame et le carter de tondeuse et serrer le boulon de lame en le tournant dans le sens des aiguilles d'une montre.



- 5 Le boulon doit être serré à un couple compris entre 47 et 54 N.m.
- 6 Vérifier que le câble de la bougie est débranché du moteur.



AVERTISSEMENT! Toujours débrancher le câble de la bougie et le placer de telle sorte qu'il n'entre pas en contact avec celle-ci afin de prévenir tout démarrage accidentel.

- 7 Tirer la lame à la main pour s'assurer qu'elle tourne librement.

IMPORTANT!

Toujours faire preuve d'attention et de bon sens. Éviter toutes les situations qui vous semblent difficiles. En cas d'appréhension au sujet des procédures d'utilisation après avoir lu ces instructions, il faudrait consulter un expert avant de continuer. Communiquer avec un atelier de réparation agréé.

Toujours utiliser des pièces d'origine.

ENTRETIEN

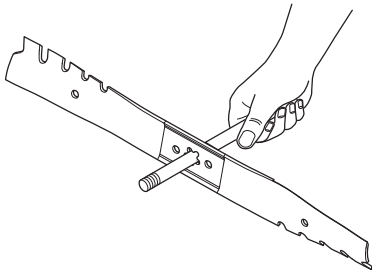
Lame



AVERTISSEMENT! Lors de l'entretien de la lame, toujours porter des gants. La lame est très forte et des coupures peuvent se produire très facilement.

Toujours arrêter le moteur avant toute intervention sur la lame. Il continue à tourner, même après que le papillon soit relâché. S'assurer que la lame est complètement arrêtée et débrancher le capuchon de bougie avant de commencer à travailler dessus.

- Vérifier que la lame est exempte de fissures ou tout autre dommage. Une lame endommagée doit toujours être remplacée.
- Toujours s'assurer que la lame est bien équilibrée et repose au sol de façon adéquate. Pour vérifier l'équilibre de la lame, on utilise un boulon de 5/8 po en acier, une broche ou un équilibreur. Pour utiliser un équilibreur, suivre les instructions fournies avec celui-ci.
- Ne pas utiliser un clou pour équilibrer la lame. Les lobes de l'orifice central peuvent sembler être centrés, mais ne le sont pas.
- Faire glisser la lame sur une partie non filetée du boulon en acier ou de la broche et tenir le boulon ou la broche de façon parallèle au sol. Si la lame est équilibrée, elle doit rester à une position horizontale. Si l'une des extrémités de lame se déplace vers le bas, affûter l'extrémité lourde jusqu'à ce que la lame soit équilibrée.

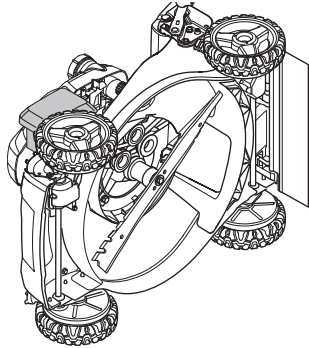


IMPORTANT! Les lames doivent être équilibrées après l'affûtage. Nous ne recommandons pas d'affûter la lame. L'affûtage et l'équilibrage de la lame doivent être effectués par un atelier agréé.

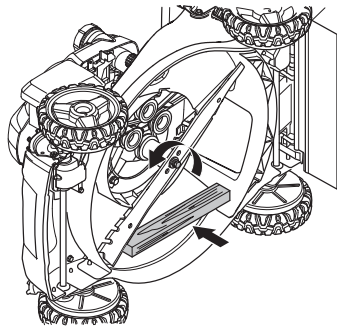
Les lames endommagées doivent être remplacées immédiatement. Ne JAMAIS utiliser une tondeuse avec une lame endommagée.

Remplacement des lames

- 1 Toujours déconnecter la bougie d'allumage avant d'effectuer l'entretien.
- 2 Toujours vider le réservoir de carburant avant de placer la tondeuse sur le côté. Vider le réservoir de carburant en faisant fonctionner la machine jusqu'à ce que le réservoir soit vide.
- 3 Tourner la tondeuse sur le côté. Lorsque la machine est inclinée, s'assurer que le filtre à air est toujours placé à la position la plus élevée.



- 4 Utiliser une cale en bois entre la lame et le carter de la tondeuse pour éviter que la lame tourne la lame lors du retrait du boulon de lame.



- 5 Retirer le boulon de lame en le tournant dans le sens inverse des aiguilles d'une montre.
- 6 Enlever l'ancienne lame. S'assurer que l'adaptateur de lame est exempt de dommages. Vérifier

PRESENTATION

Steps before using a new lawn mower

- Please read the operator's manual carefully.
- Check that the cutting equipment is correctly fitted and adjusted. See instructions under the heading Assembly.
- Fill with fuel and oil in the engine. A container with sufficient oil quantity is supplied with the machine. See the instructions under the heading fuel handling.



WARNING! Under no circumstances may the design of the machine be modified without the permission of the manufacturer. Always use genuine accessories. Non-authorized modifications and/or accessories can result in serious personal injury or the death of the operator or others.



WARNING! A lawn mower is a dangerous tool if used carelessly or incorrectly and can cause serious, even fatal injuries. It is extremely important that you read and understand the contents of this operator's manual.



WARNING! Long-term inhalation of the engine's exhaust fumes can represent a health hazard.



WARNING! In order to prevent accidental starting when setting up, transporting, adjusting or making repairs, always disconnect spark plug wire and place wire where it can not come in contact with plug.



WARNING! The muffler gets very hot in use and remains so for a short time afterwards. Do not touch the muffler if it is hot!



WARNING! Engine exhaust, some of its constituents, and certain vehicle components contain or emit chemicals known to the State of California to cause cancer and birth defects or other reproductive harm.



WARNING! Battery posts, terminals and related accessories contain lead and lead compounds, chemicals known to the State of California to cause cancer and birth defects or other reproductive harm. Wash hands after handling.

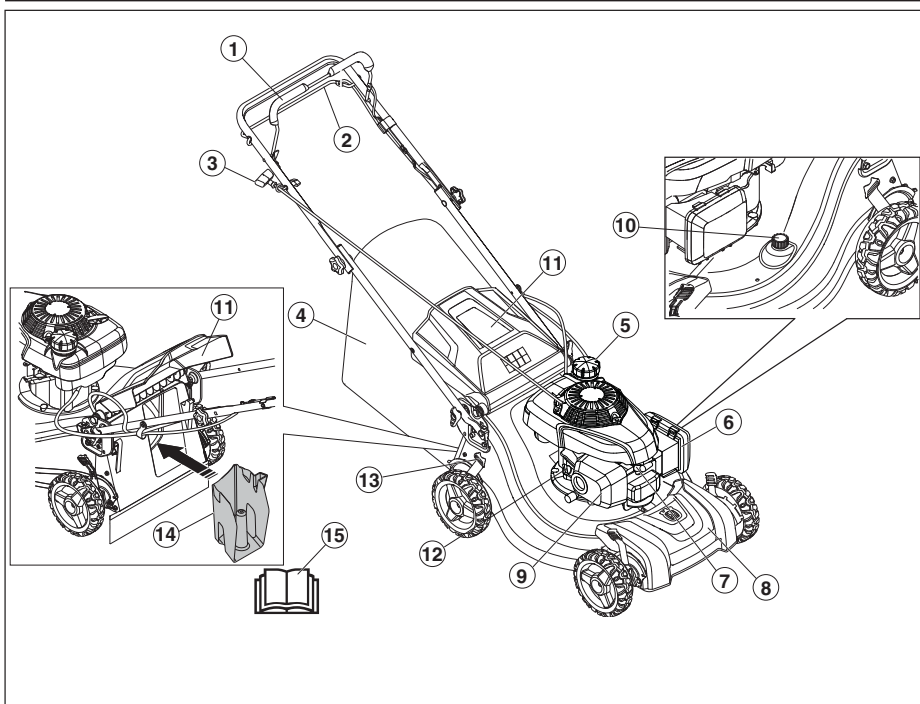


WARNING! This lawn mower is equipped with an internal combustion engine and should not be used on or near any unimproved forest-covered, brush-covered or grass-covered land unless the engine's exhaust system is equipped with a spark arrester meeting applicable local or state laws (if any). If a spark arrester is used, it should be maintained in effective working order by the operator.

In the state of California the above is required by law (Section 4442 of the California Public Resources Code). Other states may have similar laws. Federal laws apply on federal lands. A spark arrester for the muffler is available through your nearest authorized service center.

Husqvarna AB has a policy of continuous product development and therefore reserves the right to modify the design and appearance of products without prior notice.

WHAT IS WHAT?



What is what on the lawn mower?

- | | |
|-----------------------|---------------------------------|
| 1 Engine brake handle | 9 Muffler |
| 2 Drive bail | 10 Wash-out port |
| 3 Starter handle | 11 Rear deflector |
| 4 Grass catcher | 12 Engine oil cap with dipstick |
| 5 Fuel cap | 13 Cutting height control |
| 6 Air filter | 14 Mulch plug |
| 7 Spark plug | 15 Operator's manual |
| 8 Drive cover | |

ENTRETIEN

MISE EN GARDE! Le remplissage initial d'huile requiert moins d'huile en raison de la présence d'huile résiduelle dans le moteur après l'analyse qualité à 100 % effectuée par le fabricant. Lors du changement d'huile vous avez besoin d'une plus grande quantité d'huile.

Appoint d'huile

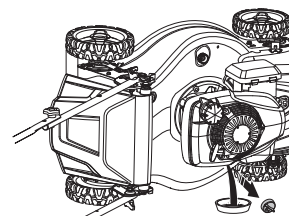
- 1 La tondeuse doit reposer sur un sol plat lorsqu'on vérifie le niveau d'huile. S'assurer que le fil d'allumage a été retiré de la bougie avant d'ouvrir le bouchon de remplissage d'huile.
- 2 Retirer le bouchon d'huile et essuyer la jauge.
- 3 Verser lentement l'huile dans le bec de remplissage d'huile, arrêter quelques fois afin de vérifier le niveau d'huile avec la jauge d'huile.
- 4 Arrêter l'ajout d'huile lorsque le niveau atteint la marque « PLEIN » sur la jauge d'huile. Attendre une minute afin de permettre l'huile de se stabiliser.
- 5 Toujours s'assurer de serrer la jauge d'huile avant le démarrage du moteur.
- 6 Réinstaller le câble sur la bougie d'allumage.

Vidange d'huile

MISE EN GARDE! Il faut toujours vérifier le niveau d'huile avant de démarrer le moteur.

Nettoyer plus souvent si les conditions sont particulièrement poussiéreuses. Suivre le programme d'entretien fourni dans ce manuel.

- 1 Débrancher le câble de bougie d'allumage de la bougie d'allumage.
- 2 Toujours vider le réservoir de carburant avant de placer la tondeuse sur le côté. Vider le réservoir de carburant en faisant fonctionner la machine jusqu'à ce que le réservoir soit vide.
- 3 Dévisser le bouchon de remplissage d'huile.
- 4 Placer un récipient approprié à la bonne position pour récupérer l'huile de vidange.
- 5 Vidanger l'huile en inclinant le moteur de manière à ce que l'huile sorte par le tuyau de remplissage. Lorsque la machine est inclinée, s'assurer que le filtre à air est toujours placé à la position la plus élevée. Consulter la station-service locale pour connaître les emplacements de mise au rebut de l'excédent d'huile moteur.



- 6 En cas de déversement d'huile moteur ou de carburant sur la machine, nettoyer les déversements et laisser le carburant restant s'évaporer.
- 7 Verser lentement l'huile dans le bec de remplissage d'huile, arrêter quelques fois afin de vérifier le niveau d'huile avec la jauge d'huile. Ne remplissez pas trop!
- 8 Toujours s'assurer de serrer la jauge d'huile avant le démarrage du moteur.
- 9 Raccorder et serrer le fil de bougie.

Silencieux

Si le silencieux est corrodé ou endommagé, il doit être remplacé, car il peut constituer un danger d'incendie et engendrer des dommages.

Bougie d'allumage

MISE EN GARDE! Toujours utiliser une bougie du type recommandé! L'utilisation d'une bougie non adéquate peut endommager le piston ou le cylindre.

- Remplacer la bougie au début de chaque saison ou toutes les 100 heures de fonctionnement, selon ce qui survient en premier. Le type de bougie et l'entrefer sont illustrés dans la section « Caractéristiques du produit » de ce manuel.

Filtre à air

Le moteur ne fonctionne pas correctement et peut s'endommager si le filtre à air est sale. Remplacer la cartouche de filtre à air toutes les 100 heures d'opération ou à chaque saison, selon ce qui survient en premier. Faire l'entretien du filtre à air plus souvent en cas de conditions poussiéreuses.

- Retirer le carter du filtre à air et sortir le filtre.
- Nettoyer le filtre en le frappant contre une surface plate. Ne jamais utiliser de diluant à base d'essence (tel que le kérosène) ou de l'air comprimé pour nettoyer le filtre.
- Un filtre à air qui a été utilisé pendant une longue période ne peut pas être complètement nettoyé. Le filtre doit donc être remplacé par un filtre neuf à intervalles réguliers. **Un filtre à air endommagé doit toujours être remplacé.**
- Lors du remontage, s'assurer que le filtre est complètement scellé au porte-filtre.

ENTRETIEN

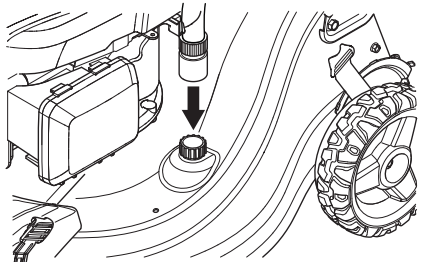
Carters d'engrenage

- Pour que votre système d'entraînement fonctionne correctement, les engrenages et la zone autour du système d'entraînement doivent être propres et exempts d'accumulation de saleté. Nettoyer sous la protection du dispositif d'entraînement deux fois par saison.
- Les carters d'engrenage sont remplis de lubrifiant au niveau approprié à l'usine. Le seul moment où le lubrifiant a besoin d'attention se présente après un entretien au niveau du carter d'engrenage.
- Sous des conditions d'usage normal, le collecteur d'herbe est susceptible de se détériorer ou de s'user. Vérifier le collecteur d'herbe régulièrement à la recherche de signes d'usure ou de détérioration. Le remplacement du sac doit être effectué à l'aide du matériel répondant aux recommandations du fabricant uniquement.

Fonction de lavage à l'eau

La tondeuse est équipée d'un raccord qui facilite et accélère le nettoyage de la face inférieure du carter. Noter que l'eau, l'herbe et les autres débris s'écoulent par le dessous du carter de la tondeuse pendant le lavage.

- 1 Déplacer la machine jusqu'à une zone où l'herbe est coupée ou sur une autre surface dure.
- 2 Retirer le collecteur d'herbe ou le bouchon de broyage de la tondeuse.
- 3 Fermer le bouclier arrière.
- 4 Brancher un tuyau de jardin au port de lavage.



- 5 Ouvrir l'approvisionnement en eau et vérifier l'étanchéité du raccord.
- 6 Si il n'y a aucune fuite, démarrer le moteur et le laisser tourner jusqu'à ce que le dessous de la tondeuse soit propre.

MISE EN GARDE! Ne pas engager le système d'entraînement au cours du processus de lavage.

- 7 Arrêter le moteur
- 8 Couper l'alimentation en eau et retirer le flexible de raccord.

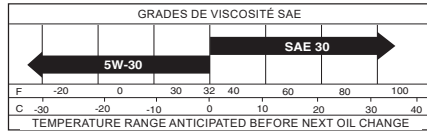
IMPORTANT! Ne pas retirer le flexible du raccord pendant que le moteur tourne. La pénétration d'eau dans le moteur peut réduire la durée de vie du moteur.

- 9 Démarrer le moteur et le laisser tourner pendant une minute entière pour supprimer l'excès d'eau de la tondeuse.

Moteur

Lubrification

Utiliser seulement de l'huile détergente de haute qualité évaluée selon la classification SG-SL des normes API. Choisir la viscosité de l'huile SAE conformément à la température d'opération anticipée.



MISE EN GARDE! Bien que les huiles multigrades (5W30, 10W30, etc.) améliorent le démarrage par temps froid, elles occasionnent l'augmentation de la consommation d'huile lorsqu'on les utilise à une température supérieure à 0°C. Vérifier le niveau d'huile moteur plus fréquemment pour éviter d'éventuels dommages par manque d'huile.

- Changer l'huile toutes les 25 heures de fonctionnement ou au moins une fois par an.
- Vérifier le niveau d'huile moteur avant de démarrer le moteur et toutes les cinq heures d'utilisation. Bien serrer le bouchon d'huile à chaque vérification du niveau d'huile.

Niveau d'huile

Avant de démarrer pour la première fois

- Le réservoir d'huile est vide à la livraison.

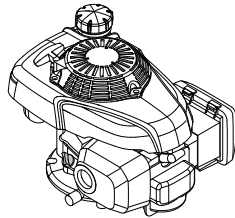
Remplir d'huile jusqu'à la marque FULL (plein) de la jauge d'huile. Reportez-vous au manuel du fabricant du moteur pour plus de détails.

IMPORTANT! Ne remplissez pas trop!

Vérifier le niveau d'huile du moteur.

La tondeuse doit reposer sur un sol plat lorsqu'on vérifie le niveau d'huile. S'assurer que le fil d'allumage a été retiré de la bougie avant d'ouvrir le bouchon de remplissage d'huile.

- 1 Vérifier le niveau d'huile en plaçant la jauge sur le bouchon de remplissage d'huile.



- 2 Retirer le bouchon d'huile et essuyer la jauge.
- 3 Réinstaller la jauge. Le bouchon de remplissage d'huile doit être complètement vissé pour permettre une bonne observation du niveau d'huile.
- 4 Si le niveau d'huile est bas, faire l'appoint jusqu'au niveau supérieur de la jauge en utilisant de l'huile moteur.

MACHINE'S SAFETY EQUIPMENT

General

This section describes the machine's safety equipment, its purpose, and how checks and maintenance should be carried out to ensure that it operates correctly.



WARNING! Never use a machine that has faulty safety equipment! If your machine fails any checks contact your service agent to get it repaired.

Prevent unintentional starting by removing the ignition cable from the spark plug.

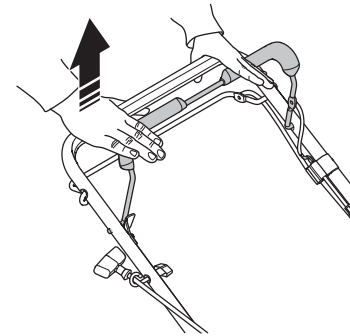
Engine brake handle

IMPORTANT! Federal regulations require an engine control to be installed on this lawn mower in order to minimize the risk of blade contact injury. Do not under any circumstances attempt to defeat the function of the operator control. The blade turns when the engine is running.

The engine brake is designed to stop the engine. When the grip on the engine brake handle is released the engine should stop.

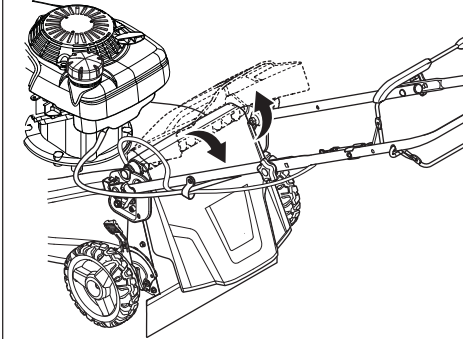
Checking the engine brake handle

- Start the engine and then release the brake handle. The engine should stop and the drive should disengage.



Rear deflector

The rear deflector, attached between the rear wheels of your mower, is provided to minimize the possibility that objects will be thrown out of the rear of the mower into the operator's mowing position.



Inspecting the rear deflector

- Make sure the rear deflector is not damaged and that there are no visible defects such as cracks, or broken springs that force the door closed. Replace the deflector or springs if damaged.

Muffler



WARNING! Never use a machine without a muffler, or with a faulty muffler. A damaged muffler may substantially increase the noise level and the fire hazard. Keep fire fighting equipment handy.

The muffler gets very hot during and after use. This also applies during idling. Be aware of the fire hazard, especially when working near flammable substances and/or vapours.

The muffler is designed to keep noise levels to a minimum and to direct exhaust fumes away from the user.

Inspecting the muffler

- Check regularly that the muffler is complete and secured correctly.

ASSEMBLING AND ADJUSTMENTS

General



WARNING! Prevent unintentional starting by removing the ignition cable from the spark plug.

CAUTION! This lawn mower is shipped without oil or gasoline in the engine.

Remove the lawn mower from the carton.

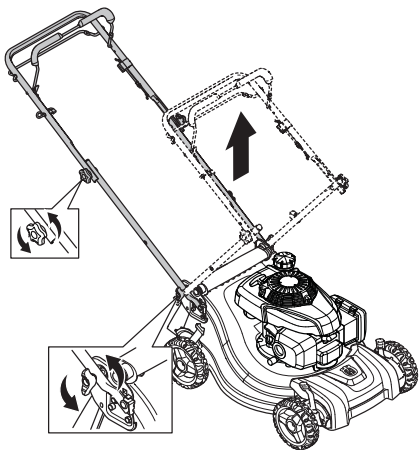
- Remove loose parts included with mower.
- Cut down two end corners of carton and lay end panel down flat.
- Remove all packing materials, except padding between upper and lower handle and padding holding the engine brake handle to upper handle.
- Roll the lawn mower out of the carton and make sure that no loose parts are left within the carton.

Handle

CAUTION! Take care not to damage the cables and wires when you unfold the handlebar.

Operating position

- 1 Raise the lower handle section to operating position. Align the handle bar pins with a slot in the handle bracket to set a comfortable height position for the handle.

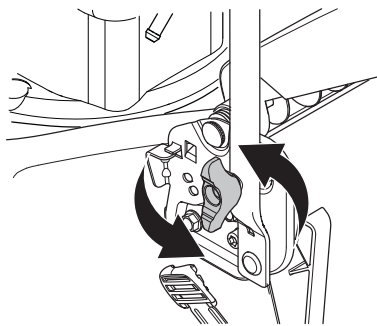


- 2 Tighten the lower handlebar knobs.
- 3 Remove protective padding, raise the upper handle section into place on the lower handle and tighten both upper knobs.
- 4 Remove any packing material from around engine brake handle.

Vertical handle storage

The handle can be set in a vertical storage position.

- 1 Loosen the lower handle knobs.
- 2 Rotate the handle and align the handle bar pins with the vertical slots on the handle bracket.



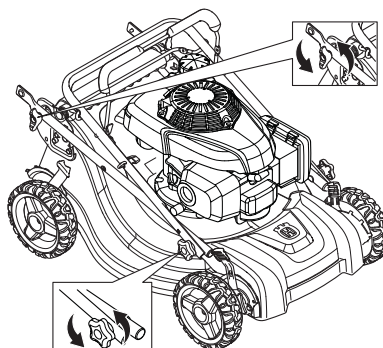
- 3 Retighten the knobs.

Storage/Transport position

The handle assembly can be folded to minimize space needed for transport and storage.

CAUTION! Take care not to damage the cables and wires when you fold the handlebar.

- 1 Loosen the 2 handle knobs on the upper handle and allow handle to fold down to the rear.
- 2 Loosen the 2 handle knobs on the lower handle and pivot entire handle assembly forward and allow it to rest on mower.



ENTRETIEN

Recommandations générales

La garantie sur cette tondeuse ne couvre pas les articles ayant été soumis à un abus ou une négligence par l'opérateur. Pour se prévaloir de la pleine valeur de la garantie, l'opérateur doit entretenir la tondeuse selon les instructions contenues dans ce manuel. Divers réglages devront être effectués régulièrement afin de bien entretenir la tondeuse. Au moins une fois par saison, vérifier les réglages à faire tels que décrits sous la rubrique « Entretien » de ce manuel.

- Au moins une fois par année, il faut remplacer la bougie, nettoyer ou remplacer le filtre à air et vérifier l'usure de la lame. Une bougie neuve et un filtre à air neuf ou propre permettent un mélange air-carburant adéquat et contribuent au bon fonctionnement et à la durée du moteur.
- Suivre le programme d'entretien fourni dans ce manuel.

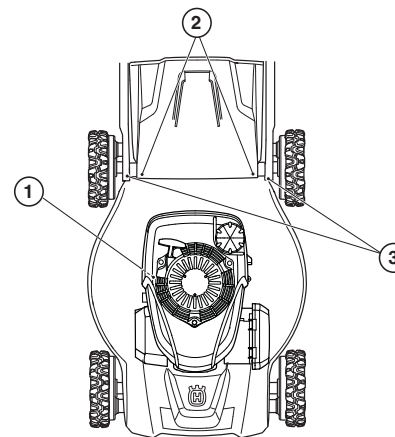
Inspection générale

- Vérifier le serrage des écrous et des vis.

Graissage général

MISE EN GARDE! Ne pas huiler ou graisser les roulements de roue en plastique. Les lubrifiants visqueux attirent la poussière et la saleté, ce qui réduit la durée de vie des roulements autolubrifiants. Si on pense que les roulements doivent être lubrifiés, utiliser seulement un lubrifiant de graphite en poudre sèche avec parcimonie.

Garder la machine bien lubrifiée.



1	Huile moteur	Consulter la rubrique « Moteur » dans la section « Entretien ».
2	Charnière de porte arrière	Lubrifiant en vaporisateur
3	Vis de fixation de guidon	

Nettoyage



AVERTISSEMENT! Toujours déconnecter la bougie d'allumage avant d'effectuer l'entretien.

- Essuyer les feuilles, l'herbe et autres débris de la tondeuse.
- Nettoyer les surfaces et les roues de toutes traces d'huile, d'essence, etc.
- Garder la partie supérieure du moteur autour du starter propre et exempte d'herbe ou de paille. Cela aidera à améliorer le débit d'air du moteur et à prolonger la durée de vie du moteur.
- Nettoyer le dessous de la tondeuse en grattant pour retirer l'herbe et les débris accumulés.
- Ne pas utiliser de nettoyeur à haute pression pour nettoyer la machine.
- Ne jamais verser de l'eau directement sur le moteur.
- Nettoyer la prise d'air sur le lanceur. Vérifier le lanceur et le cordon du lanceur.
- Lors du nettoyage de la protection de la lame de coupe, vider le réservoir de carburant et mettre la machine sur le côté en orientant le silencieux vers le bas.

MISE EN GARDE! À l'exception du port de lavage (selon l'équipement), nous ne recommandons pas l'utilisation d'un tuyau d'arrosage pour nettoyer la partie extérieure de la tondeuse à moins que le système électrique, le silencieux, le filtre à air et le carburateur soient couverts pour empêcher l'eau d'entrer. La pénétration d'eau dans le moteur peut réduire la durée de vie du moteur.

Roues d'entraînement

Vérifier les roues avant chaque tonte pour être sûr qu'elles tournent librement. Si les roues ne tournent pas librement, les nettoyer.

- 1 Enlever le boulon.
- 2 Retirer les roues du dispositif de réglage des roues.
- 3 Retirer toute la saleté et l'herbe coupée de l'intérieur du capuchon parepoussière, du pignon et/ou des dents du pignon de la roue d'entraînement.
- 4 Remplacer les roues.

Si après le nettoyage, les roues motrices ne tournent pas librement, communiquer avec un atelier d'entretien autorisé.

Collecteur d'herbe

- La saleté et la poussière peuvent obstruer le tissu des sacs à herbe à l'utilisation, ce qui réduira la quantité d'herbe que le collecteur d'herbe ramassera. Pour éviter cette situation, arroser régulièrement le collecteur d'herbe avec de l'eau et le laisser sécher avant l'utilisation.
- Vérifier le collecteur d'herbe régulièrement à la recherche de signes d'usure ou de détérioration. Remplacer au besoin.

ENTRETIEN

Généralités



AVERTISSEMENT! L'utilisateur doit seulement effectuer les travaux de maintenance et d'entretien décrits dans ce manuel. Les travaux plus importants doivent être effectués par un atelier d'entretien agréé.

Couper le moteur avant d'effectuer toute vérification et tout entretien. Arrêter le moteur et attendre que la lame soit complètement arrêtée avant de nettoyer la machine, de retirer le collecteur d'herbe ou de dégager la goulotte de décharge. Pour éviter que le moteur démarre, retirer le câble d'allumage de la bougie d'allumage. La clé de démarrage ou la batterie doit également être retirée des machines avec démarrage électrique.

La durée de vie de la machine peut être réduite et le risque d'accident peut augmenter si l'entretien de la machine n'est pas effectué correctement et si l'entretien et/ou les réparations ne sont pas effectués de façon professionnelle. Pour obtenir de plus amples informations, veuillez communiquer avec votre concessionnaire le plus proche.

- Communiquer régulièrement avec un concessionnaire agréé ou à un centre de service après-vente agréé d'examiner le produit pour effectuer les réglages et les réparations.
- Remplacer toute pièce endommagée, usée ou brisée.
- Toujours utiliser des accessoires d'origine.

Calendrier d'entretien

Le calendrier d'entretien indique les parties de la machine qui ont besoin d'entretien et les intervalles auxquels on devrait effectuer cet entretien. Les intervalles sont calculés en fonction de l'utilisation moyenne de la machine, et peuvent varier selon votre utilisation personnelle.

Entretien quotidien	Avant l'utilisation	Après chaque usage	Toutes les 10 heures	Toutes les 25 heures	Toutes les 100 heures	Avant l'entreposage
Tondeuse						
Serrer les boulons et les écrous.	X					X
Nettoyer ou inspecter le collecteur d'herbe. *	X	X				X
Vérifier la pression des pneus.	X					
Vérifier les roues motrices. ***	X					
Nettoyer la machine. ****		X				X
Nettoyer sous la protection du dispositif d'entraînement. ***			X			
Vérifier la courroie d'entraînement et les poulies. ***				X		
S'assurer que la lame de coupe n'est ni endommagée ni fissurée. Remplacer la lame au besoin.				X ¹		
Graissage général				X		
Nettoyer et recharger la batterie**				X		X ²
Moteur						
Vérifier le niveau d'huile du moteur	X ³					
Vidanger l'huile moteur *****						
Nettoyer le filtre à air. Remplacer au besoin. *****						
Vérifier que le silencieux est bien fixé et n'est pas endommagé.				X		
Remplacer la bougie d'allumage.					X	
Vider le réservoir de carburant ou ajouter du stabilisateur.						X

* Selon l'équipement

**** Utiliser un racloir pour nettoyer le dessous du carter

** Machines avec démarrage électrique

***** Voir le manuel du moteur

*** Machines à propulsion

Remarque 1 : Remplacer les lames plus souvent pour tondre sur un sol sableux. Remarque 2 : Charger la batterie pour un maximum de 48 heures. Remarque 3 : Et après 5 heures d'utilisation.

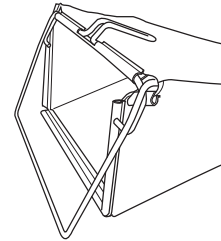
70 –French

ASSEMBLING AND ADJUSTMENTS

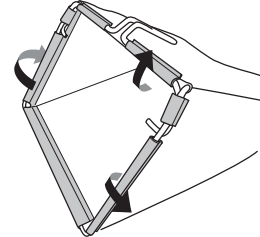
Grass catcher

Assembly of the catcher

- 1 Put the grass catcher frame into the grass bag with the rigid part of the bag on the bottom. Make sure the handle of the frame is outside of the top of the bag.



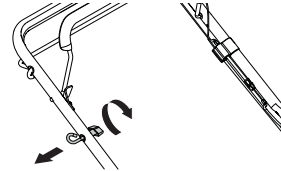
- 2 Secure the grass bag to the frame by using the quick-action clips.



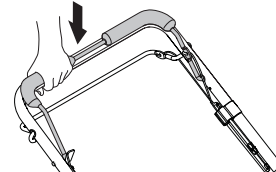
Starter handle

Install starter handle

- 1 Loosen the T-knob.



- 2 Hold the engine brake handle against the upper handle.



- 3 Grip the starter handle, slowly pull the engine starter handle until the starter rope can slip into the loop of the rope guide.
- 4 Tighten the T-knob.

Convert the lawn mower

Your lawn mower was shipped ready to be used in mulching mode.

The mulching mode will recut the grass clippings many times, which will reduce the clippings in size so that as they fall onto the lawn they will disperse into the grass and not be noticed. In addition, the mulched grass will biodegrade quickly to provide nutrients for the lawn.

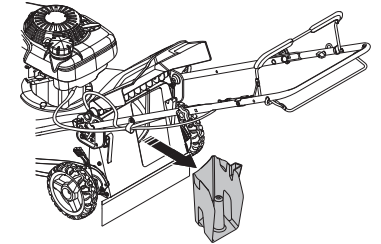
Use rear bagging to collect the grass clippings within the grass catcher.



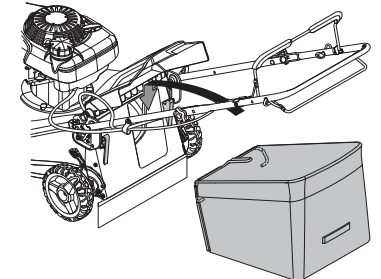
WARNING! Do not run your lawn mower without rear door closed or approved grass catcher in place. Never attempt to operate the lawn mower with the rear door removed or propped open.

Rear bagging

- 1 Lift the back shield and remove the mulch plug.



- 2 Lift the back shield and place the grass catcher frame hooks onto the grass bag brackets.

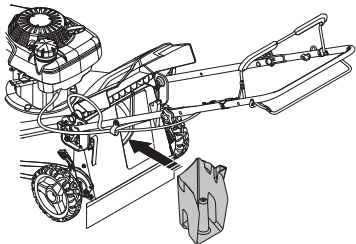


- 3 Release the back shield and allow it to rest on top of the grass bag frame.

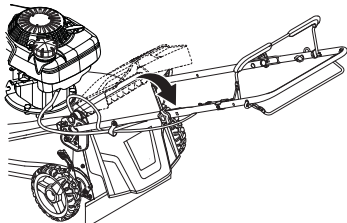
ASSEMBLING AND ADJUSTMENTS

Mulching

- 1 Lift the back shield and remove the grass bag (if equipped).
- 2 Insert the mulch plug into the collector channel.

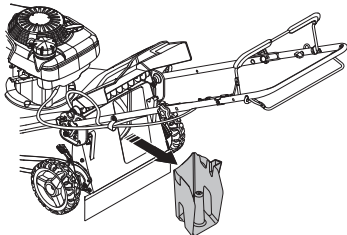


- 3 Allow the back shield to close and ensure the back shield is firmly shut against the mulch plug.

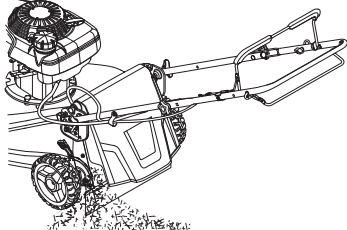


Rear-side discharging

- 1 Lift the back shield and remove the mulch plug or grass bag (if equipped).



- 2 Close the back shield to allow the machine to discharge material to the left of the machine while cutting.

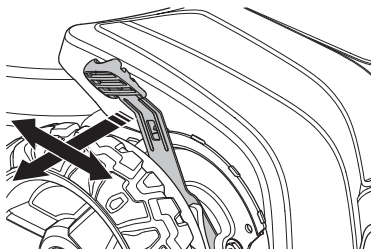


Cutting height

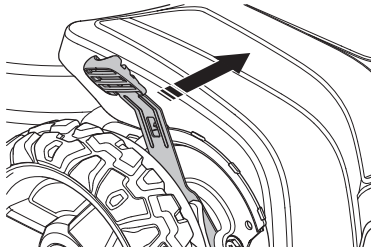
The cutting height can be adjusted to 9 (1-9) different positions.

Raise wheels for low cut and lower wheels for high cut. Adjust cutting height to suit your requirements. Medium position is best for most lawns.

- To change cutting height, squeeze height adjuster lever toward the wheel. Move the wheel up or down to suit your requirements. Set the same height at all four corners.



- The adjuster lever is spring loaded.



Filling with oil

- The oil tank is empty at delivery. Fill the oil slowly with the included oil. See instructions under the heading Maintenance.

FONCTIONNEMENT

Démarrage et arrêt

Avant de démarrer



AVERTISSEMENT! Lire attentivement le manuel d'utilisation et veiller à bien comprendre les instructions avant d'utiliser la scie.

Porter un équipement de protection personnelle. Consulter les instructions fournies dans la section « Équipement de protection personnelle ».

- Tenir les personnes et les animaux à l'écart de la zone de travail.
- Effectuer l'entretien quotidien. Consulter les instructions fournies dans la section « Entretien ».
- S'assurer que le câble d'allumage est bien placé sur la bougie.
- Ajouter de l'huile au besoin. Consulter les instructions sous la rubrique Entretien.
- Faire le plein d'essence. Consulter les instructions fournies dans la section « Manipulation du carburant ».
- Désengager le système d'entraînement, le cas échéant, avant de démarrer le moteur.

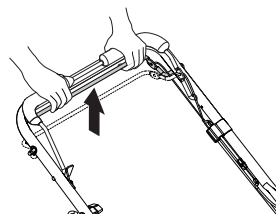
Démarrage manuel

La poignée de frein de moteur doit être maintenue contre le guidon lorsqu'on démarre le moteur.

- Se placer derrière la machine.
- Agripper la poignée du lanceur et la tirer rapidement. Ne pas laisser l'enrouleur du lanceur revenir frapper la machine. **Ne jamais enrouler le cordon du lanceur autour de la main.**

Entraînement

- La fonction automotrice se commande en abaissant la poignée de frein contre le guidon et en tirant la barre d'entraînement vers le haut en direction du guidon. Plus la barre d'entraînement est près du guidon, plus la tondeuse avance rapidement.

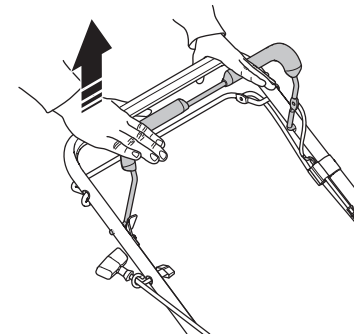


- Pour immobiliser la tondeuse, relâcher la poignée de frein ou la barre d'entraînement.
- Pour immobiliser la tondeuse sans couper le moteur, relâcher uniquement la barre d'entraînement.

Maintenir la poignée de frein contre le guidon pour continuer la tonte sans fonction automotrice.

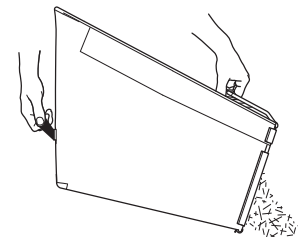
Arrêt

- Arrêter le moteur en relâchant la poignée de frein moteur. Lorsqu'on relâche la poignée de frein moteur, le dispositif d'entraînement se désactive également.



Vider le collecteur d'herbe

- Soulever le collecteur d'herbe à l'aide de la poignée du châssis.



- Retirer le collecteur d'herbe et l'herbe coupée de dessous le guidon de la tondeuse.
- Vider le sac à herbe à l'aide de la poignée de châssis et de la poignée du sac.

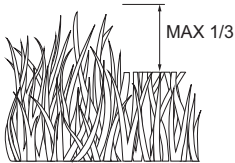
MISE EN GARDE! Ne pas tirer le sac pour le vider, car cela pourrait engendrer une usure inutile.

UTILISATEUR

- Ne jamais soulever la tondeuse ou la porter pour la déplacer alors que le moteur tourne. Si on doit soulever la tondeuse, couper d'abord le moteur et débrancher le câble d'allumage de la bougie.
- Ne pas tondre la pelouse en effectuant une manœuvre de marche arrière.
- Pour se déplacer sur une surface qui ne doit pas être tondue, il faut couper le moteur. Il s'agit par exemple des chemins de gravier, de pierres, de galets, d'asphalte, etc.
- Ne jamais courir avec la machine alors qu'elle est en marche. Toujours marcher avec la tondeuse.
- Arrêter le moteur avant de changer la hauteur de coupe. Ne jamais faire de réglages lorsque le moteur est en marche.
- Ne jamais laisser la machine sans surveillance alors que le moteur est en marche. Éteindre le moteur. S'assurer que l'outil de coupe s'est arrêté de tourner.
- Si la machine touche un objet étranger quelconque ou produit des vibrations, arrêter immédiatement la machine. Débrancher le câble de bougie d'allumage de la bougie d'allumage. S'assurer que la machine n'a pas subi de dommages. Réparer tout dommage.
- Ne jamais diriger le matériau éjecté vers quiconque. Éviter de projeter du matériel contre un mur ou tout obstacle. Le matériau peut ricocher et revenir vers l'opérateur.

Techniques de travail de base

- Pour obtenir de meilleurs résultats, toujours couper en utilisant une lame tranchante. Une lame émoussée donne une coupe irrégulière et l'herbe devient jaune sur la surface de la coupe.
- Ne jamais tondre plus du tiers de la longueur de l'herbe. Ceci s'applique particulièrement au cours des périodes de sécheresse. Tondre d'abord en réglant la hauteur de coupe sur une valeur élevée. Vérifier ensuite le résultat et réduire la hauteur à une valeur adéquate. Si l'herbe est vraiment longue, conduire lentement et tondre deux fois si nécessaire.



- Pour les coupes très importantes, réduire la largeur de coupe en chevauchant les itinéraires préalablement coupés et tondre lentement.
- Couper dans des directions différentes à chaque fois pour éviter la formation de rayures sur le gazon.
- Avant de tirer la machine vers soi, désengager le dispositif d'entraînement et pousser la machine en avant sur environ 10 cm.
- Veiller à dégager la route à l'approche d'un obstacle. La saleté et la poussière peuvent obstruer le tissu des sacs à herbe à l'utilisation, ce qui réduira la quantité d'herbe que le collecteur d'herbe ramassera. Pour éviter cette situation, arroser régulièrement le collecteur d'herbe avec de l'eau et le laisser sécher avant l'utilisation.

Utilisation dans les pentes

La tonte sur une pente peut être dangereuse. Ne pas utiliser la tondeuse sur une pente supérieure à 15°. L'utilisation dans les pentes nécessite plus de prudence. En cas d'appréhension sur une pente, ne pas la tondre.

Veiller à :

- Tondre d'un côté à l'autre des pentes, jamais vers le haut ou vers le bas.
- Faites preuve d'extrême prudence lorsque vous changez de direction dans les pentes.
- Enlever les obstacles tels que les pierres, les branches d'arbres, etc.
- Faire attention aux trous, ornières et tout autre objet dissimulé. Un terrain irrégulier pourrait causer une chute accidentelle. L'herbe haute peut dissimuler des obstacles.

Veiller à :

- Ne pas tondre trop près des bordures, des fossés ou des talus.
- Éviter les changements brusques de direction.
- Ne pas tondre sur de l'herbe mouillée. Elle est glissante; les pneus pourraient perdre leur adhérence et la machine dérapier.

Transport et entreposage

- Pendant le transport, immobiliser le matériel afin d'éviter les dommages et les accidents dus au transport.
- Entreposer l'équipement dans une zone fermable à clé, de façon à le mettre hors de portée des enfants et des personnes non autorisées.
- Entreposer la machine et son équipement dans un endroit sec à l'épreuve du gel.
- Au moment de charger ou de décharger la machine, ne pas dépasser l'angle de fonctionnement maximal recommandé de 15°.
- Vider le réservoir de carburant en faisant fonctionner la machine jusqu'à ce que le réservoir soit vide.
- Vidanger l'huile moteur comme décrit dans la section « Vidanger l'huile moteur ».
- Nettoyer la machine. Pour obtenir de plus amples renseignements, consulter la section « Nettoyage ».
- Pour lubrifier la machine, consulter la section « Entretien » de ce manuel.
- Serrer les boulons et les écrous.
- Remplacer ou réparer les composants endommagés.
- Retoucher toutes les surfaces rouillées ou écaillées; les sabler légèrement avant de les peindre.
- Placer la tondeuse en position de transport. Consulter la rubrique « Position de transport et d'entreposage » de la section « Montage et réglages » de ce manuel.
- Couvrir la machine avec une housse de protection adaptée qui ne retient pas l'humidité. Ne pas utiliser du plastique. Le plastique retient l'humidité, ce qui permet la formation de condensation et peut occasionner la rouille de la machine. **Ne jamais couvrir la tondeuse alors que le moteur et l'échappement sont encore chauds.**
- Pour le transport et l'entreposage du carburant, consulter les sections « Manipulation du carburant ».

FUEL HANDLING

General



WARNING! Running an engine in a confined or badly ventilated area can result in death due to asphyxiation or carbon monoxide poisoning.

Fuel and fuel fumes are highly inflammable and can cause serious injury when inhaled or allowed to come in contact with the skin. For this reason observe caution when handling fuel and make sure there is adequate ventilation.

The exhaust fumes from the engine are hot and may contain sparks which can start a fire. Never start the machine indoors or near combustible material!

Do not smoke and do not place any hot objects in the vicinity of fuel.

Fueling

- Use fresh, clean, regular unleaded gasoline with a minimum of 87 octane. Do not mix oil with gasoline. Purchase fuel in quantities that can be used within 30 days to assure fuel freshness



WARNING! Always stop the engine and let it cool for a few minutes before refueling. The engine should be switched off.

Use a fuel can at all times to avoid spillage.

Fill fuel tank to bottom of tank filler neck. Do not overfill. Use fresh, clean, regular unleaded gasoline with a minimum of 87 octane. Do not mix oil with gasoline. Purchase fuel in quantities that can be used within 30 days to assure fuel freshness.

When refuelling, open the fuel cap slowly so that any excess pressure is released gently.

Clean the area around the fuel cap.

Tighten the fuel cap carefully after refueling. Negligence may lead to the start of a fire.

Never start the machine:

- If you have spilled fuel or engine oil on the machine, wipe off the spillage and allow remaining fuel to evaporate.
- If you have spilled fuel on yourself or your clothes, change your clothes. Wash any part of your body that has come in contact with fuel. Use soap and water.

- If the machine is leaking fuel. Check regularly for leaks from the fuel cap and fuel lines.

Engine oil

CAUTION! Check the oil level before starting the lawn mower. A too low oil level can cause serious damage to the engine.

- See instructions in the section "Maintenance".
- The engine oil should be changed the first time after 5 hours running time. Never use oil intended for two-stroke engines.

Transport and storage

- Store and transport the machine and fuel so that there is no risk of any leakage or fumes coming into contact with sparks or open flames, for example, from electrical machinery, electric motors, electrical relays/switches or boilers.
- When storing and transporting fuel always use approved containers intended for this purpose.

Long-term storage

- When storing the machine for long periods the fuel tank must be emptied. Contact your local gas station to find out where to dispose of excess fuel.
- Fuel stabilizer is an acceptable alternative to avoid tacky deposits during storage. Add stabilizer to the fuel in the tank or the storage container. Always follow the mix ratio found on stabilizer container. Run the engine for at least 10 minutes after adding the stabilizer so that it will reach the carburetor. Do not empty the gas tank and carburetor if using fuel stabilizer.

CAUTION! Alcohol blended fuels (called gasohol or using ethanol or methanol) can attract moisture which leads to separation and formation of acids during storage.

Acidic gas can damage the fuel system of an engine while in storage. To avoid engine problems, the fuel system should be emptied before storage of 30 days or longer. Empty the gas tank, start the engine and let it run until the fuel lines and carburetor are empty. Use fresh fuel next season. Never use engine or carburetor cleaner products in the fuel tank or permanent damage may occur.

OPERATING

Personal protective equipment

You must use approved personal protective equipment whenever you use the machine. Personal protective equipment cannot eliminate the risk of injury but it will reduce the degree of injury if an accident does happen. Ask your dealer for help in choosing the right equipment.

Always wear:

- Sturdy, non-slip boots or shoes.
- Heavy, long pants. Do not wear shorts sandals or go barefoot.
- Gloves must be worn when required, for example when fitting, inspecting or cleaning the blade.
- Wear ear protectors to avoid damage to hearing. Exposure to noise can cause hearing loss.
- Always wear safety glasses or eye shields while operating your lawn mower or performing any adjustments or repairs. We recommend standard safety glasses or a wide vision safety mask over spectacles.

General safety precautions

This section describes basic safety directions for using the machine. This information is never a substitute for professional skills and experience.

- Please read the operator's manual carefully and make sure you understand the instructions before using the machine.
- Keep in mind that the operator is responsible for accidents or hazards occurring to other people or their property.
- See manufacturer's instructions for proper operation and installation of accessories. Only use accessories approved by the manufacturer.
- The machine must be kept clean. Signs and stickers must be fully legible.
- Maintain or replace safety and instruction labels, as necessary.
- Always disconnect the spark plug before performing maintenance or service.

Children



WARNING! Children can be seriously injured or killed by this equipment. Carefully read and follow all of the safety instructions below.

CHILDREN CAN BE INJURED BY THIS EQUIPMENT.

The American Academy of Pediatrics recommends that children be a minimum of 12 year of age before operating a pedestrian controlled lawn mower and a minimum of 16 years of age before operating a riding lawn mower. Serious accidents may occur if you fail to be on your guard for children in the vicinity of the machine. Children are often attracted to the machine and mowing. Never assume that children will remain where you last saw them.

- Keep an eye out and shut off the machine if children enter the work area.
- Never use the machine if persons, especially children or pets, are in the immediate vicinity.
- Before and during reversing procedures, look behind you and down for small children.

UTILISATEUR

Toujours faire preuve de bon sens

Il n'est pas possible de couvrir toutes les situations imaginables auxquelles vous pourriez faire face. Toujours faire preuve d'attention et de bon sens. En cas d'appréhension, arrêter la machine et demander l'avis d'un expert. Communiquer avec le distributeur, l'agent de maintenance ou un utilisateur expérimenté. Ne pas tenter d'effectuer des tâches lorsqu'on a des appréhensions!



AVERTISSEMENT! Cette machine produit un champ électromagnétique pendant le fonctionnement. Ce champ magnétique peut, dans certains cas, nuire aux implants médicaux actifs ou passifs. Pour réduire le risque de blessures graves ou mortelles, nous recommandons aux personnes ayant des implants médicaux de consulter leur médecin et le fabricant de l'implant médical avant d'utiliser la machine.



AVERTISSEMENT! La machine peut être un outil dangereux si elle est mal utilisée ou négligée, ce qui peut provoquer des blessures graves ou mortelles à l'opérateur ou d'autres personnes.

Ne jamais laisser des enfants ni des personnes n'ayant pas été formées à l'utilisation de la machine l'utiliser ou l'entretenir.

La machine ne doit pas être utilisée par des personnes dont les capacités physiques ou mentales sont réduites ou des personnes qui, pour des raisons de santé, ne sont pas capables d'utiliser la machine sans la surveillance d'une personne responsable de leur sécurité.

Ne jamais laisser des gens utiliser la machine sans d'abord s'assurer qu'ils ont lu et compris le contenu du manuel de l'opérateur.

Ne jamais utiliser la machine sous l'effet de la fatigue, sous l'influence de l'alcool, de drogues, de médicaments ou de toute substance qui pourrait affecter la vision, l'attention, la coordination des gestes ou le jugement.



AVERTISSEMENT! Les modifications et/ou les accessoires non autorisés peuvent entraîner des blessures graves ou la mort de l'utilisateur ou d'autres personnes. La conception de la machine ne peut en aucun cas être modifiée sans l'autorisation du fabricant.

Ne pas modifier ce produit ou l'utiliser s'il semble avoir été modifié par d'autres.

Ne jamais utiliser une machine défectueuse. Effectuer les vérifications de sécurité, de maintenance et d'entretien conformément aux instructions fournies dans ce manuel. Certaines mesures de maintenance et d'entretien doivent être effectuées par des spécialistes formés et qualifiés. Consulter les instructions sous la rubrique Entretien.

Toujours utiliser des accessoires d'origine.

Sécurité de la zone de travail

- Les branches, les brindilles, les pierres, etc. doivent être enlevées de la pelouse avant le début de la tonte.
- En heurtant des objets, l'outil de coupe pourrait les projeter et causer des dommages aux personnes et aux objets environnants. Garder les gens et les animaux à l'écart.
- Ne jamais utiliser la machine par mauvais temps, par exemple dans le brouillard, sous la pluie ou dans des endroits humides ou fortement venteux, en cas de froid intense ou en présence d'un risque de foudre, etc. Le travail dans de mauvaises conditions météorologiques est fatigant et peut induire des conditions dangereuses, p. ex., des surfaces glissantes.
- Ne pas tondre sur de l'herbe mouillée. Elle est glissante; les pneus pourraient perdre leur adhérence et la machine dérapier.
- Observer l'environnement afin de s'assurer que rien ne peut nuire au contrôle de la machine.
- Se méfier des racines, des pierres, des branches, des fosses, des fossés, etc. Les hautes herbes peuvent masquer des obstacles.
- La tonte sur une pente peut être dangereuse. Ne pas utiliser la tondeuse sur les pentes très raides. La tondeuse ne doit pas être utilisée sur les pentes de plus de 15 degrés.
- Sur un sol en pente, il faudrait travailler le long de la pente. Il est beaucoup plus facile de travailler le long d'une pente plutôt que de travailler de haut en bas.
- Faire preuve de prudence lorsqu'on approche des recoins et des objets qui pourraient bloquer la vue.

Sécurité du travail

- Une tondeuse n'est conçue que pour tondre des pelouses. Toute autre utilisation est interdite.
- Toujours aviser une autre personne lorsqu'on se trouve à l'extérieur pour tondre le gazon.
- Ne jamais faire fonctionner la tondeuse sans ses grilles, plaques, collecteur d'herbe et autres dispositifs de protection en place.
- Porter un équipement de protection personnelle. Consulter les instructions fournies dans la section « Équipement de protection personnelle ».
- Ne pas démarrer une tondeuse à moins que l'outil de coupe et tous les carters soient montés de façon adéquate. Dans le cas contraire, l'outil de coupe peut se détacher et occasionner des blessures personnelles.
- S'assurer que la lame ne touche pas d'objets étrangers tels que les pierres, les racines ou d'autres objets semblables. Cela pourrait émousser la lame et tordre l'arbre du moteur. Une lame émoussée ou un arbre moteur tordu peut occasionner un déséquilibre et de fortes vibrations, ce qui résulterait en un grand risque de desserrage de la lame.
- La poignée de frein ne doit jamais être définitivement ancrée au guidon alors que la machine est en marche.
- Placer la tondeuse sur une surface ferme et plane et la lancer. S'assurer que l'outil de coupe ne peut pas entrer en contact avec le sol ou d'autres objets.
- Toujours se placer derrière la machine. Lors de la tonte, s'assurer que toutes les roues reposent au sol et garder les deux mains sur le guidon. Garder les mains et les pieds à l'écart des lames en rotation.
- Ne pas incliner la machine alors que le moteur est en marche.
- Faire particulièrement attention lorsqu'on tire la machine vers soi pendant le travail.

UTILISATEUR

Équipement de protection personnelle

Lorsqu'on utilise la machine, il faut utiliser des équipements de protection personnelle. L'équipement de protection personnelle n'élimine pas les risques de blessures, mais il peut réduire la gravité de la blessure en cas d'accident. Demander conseil au distributeur pour le choix d'un équipement adéquat.

Toujours porter :

- Des bottes ou chaussures antidérapantes robustes.
- Un pantalon long et lourd. Ne pas porter des shorts ou des sandales ou marcher pieds nus.
- Des gants doivent être portés en cas de besoin, par exemple lors de l'installation, l'inspection ou le nettoyage de la lame.
- Porter des protecteurs auditifs pour éviter d'endommager l'ouïe. L'exposition au bruit peut provoquer une perte d'audition.
- Toujours porter des lunettes de protection ou une visière-écran lors de l'utilisation, du réglage ou de la réparation de la tondeuse. Nous recommandons de porter des lunettes de protection ou un écran protecteur standard.

Précautions générales de sécurité

Cette section décrit les consignes de base en matière de sécurité pour l'utilisation de la machine. Cette information n'est pas destinée à remplacer les compétences et l'expérience professionnelle.

- Lire attentivement le manuel d'utilisation et veiller à bien comprendre les instructions avant d'utiliser la scie.
- Garder en tête que l'opérateur ou l'utilisateur est responsable des accidents et des risques survenant à d'autres personnes, ainsi que de ses biens.
- Consulter les instructions du fabricant pour obtenir des consignes relatives à l'utilisation et à l'installation des accessoires. Utiliser seulement des accessoires approuvés par le fabricant.
- La machine doit être propre. Les signes et les autocollants doivent être entièrement lisibles.
- Entretien des étiquettes de sécurité et d'instructions et les remplacer au besoin.
- Toujours déconnecter la bougie d'allumage avant d'effectuer l'entretien.

Les enfants



AVERTISSEMENT! Les enfants peuvent être gravement blessés ou tués par cet équipement. Veuillez lire attentivement et suivre toutes les consignes de sécurité indiquées ci-dessous.

LES ENFANTS PEUVENT ÊTRE BLESSÉS PAR CET ÉQUIPEMENT. L'American Academy of Pediatrics recommande que les enfants soient âgés d'au moins 12 ans avant de pouvoir utiliser une tondeuse à conducteur à pied et d'au moins 16 ans dans le cas d'un tracteur à gazon. Des accidents graves pourraient se produire si on ne surveille pas les enfants se trouvant à proximité de la machine. Les enfants sont souvent attirés par la machine et la tonte des pelouses. Ne jamais supposer que les enfants resteront là où ils ont été vus pour la dernière fois.

- Rester attentif et arrêter la machine si des enfants pénètrent dans la zone de travail.
- Ne jamais utiliser la machine si des personnes, en particulier des enfants ou des animaux, se trouvent à proximité immédiate.
- Avant et pendant une marche arrière, regarder derrière et devant pour la présence éventuelle de petits enfants.

OPERATING

Always use common sense

It is not possible to cover every conceivable situation you can face. Always exercise care and use your common sense. If you get into a situation where you feel unsafe, stop and seek expert advice. Contact your dealer, service agent or an experienced user. Do not attempt any task that you feel unsure of!



WARNING! This machine produces an electromagnetic field during operation. This field may under some circumstances interfere with active or passive medical implants. To reduce the risk of serious or fatal injury, we recommend persons with medical implants consult their physician and the medical implant manufacturer before operating this machine.



WARNING! The machine can be a dangerous tool if used incorrectly or carelessly, which can cause serious or fatal injury to the operator or others.

Never allow children or other persons not trained in the use of the machine to use or service it.

The machine should not be used by people with reduced physical or mental capacities or people who are unsuitable for health reasons to operate the machine, without supervision of a person responsible for their safety.

Never allow anyone else to use the machine without first ensuring that they have read and understood the contents of the operator's manual.

Never use the machine if you are fatigued, while under the influence of alcohol or drugs, medication or anything that could affect your vision, alertness, coordination or judgement.



WARNING! Unauthorized modifications and/or accessories may lead to serious injury or death to the user or others. Under no circumstances may the design of the machine be modified without the permission of the manufacturer.

Do not modify this product or use it if it appears to have been modified by others.

Never use a machine that is faulty. Carry out the safety checks, maintenance and service instructions described in this manual. Some maintenance and service measures must be carried out by trained and qualified specialists. See instructions under the heading Maintenance.

Always use genuine accessories.

Work area safety

- Branches, twigs, stones, etc. should be removed from the lawn before you start to mow.
- Objects hitting against the cutting attachment could be thrown and cause damage to people and objects. Keep people and animals well away.
- Never use the machine in bad weather, for instance in fog, in rain, damp or in wet locations, strong winds, intense cold, risk of lightning, etc. Working in bad weather is tiring and can lead to dangerous conditions, e.g. slippery surfaces.
- Do not mow wet grass. It is slippery, and tires can lose their grip so that the machine skids.
- Observe your surroundings to ensure that nothing can affect your control of the machine.
- Beware of roots, stones, twigs, pits, ditches etc. Tall grass can hide obstacles.
- Mowing slopes can be dangerous. Do not use the lawn mower on very steep slopes. The lawn mower should not be used on inclines greater than 15 degrees.
- On sloping ground you should work along the slope. It is much easier to work along a slope than it is to work up and down it.
- Be careful when you are approaching hidden corners and objects that could block your view.

Work safety

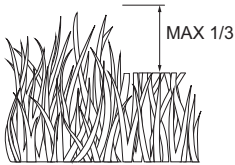
- A lawn mower is only designed to mow lawns. All other use is forbidden.
- Always let someone know you are outside mowing.
- Do not operate the mower without proper guards, plates, grass catcher or other safety protective devices in place.
- Wear personal protective equipment. See instructions under the heading "Personal protective equipment".
- Do not start a lawn mower unless the cutter and all covers are fitted correctly. Otherwise the cutter could come loose and cause personal injuries.
- Make sure the cutter does not hit foreign objects such as stones, roots or the like. This can make the cutter dull and bend the engine shaft. A bent blade or engine shaft can result in an imbalance and heavy vibration, which results in a great risk of the blade becoming loose.
- The brake handle must never be permanently anchored to the handle when the machine is running.
- Place the lawn mower on firm, flat surface and start it. Make sure that the cutter cannot come into contact with the ground or other objects.
- Always place yourself behind the machine. Allow all the wheels to remain on the ground and keep both hands on the handle when mowing. Keep your hands and feet away from the rotating blades.
- Do not tilt the machine when the engine is running.

OPERATING

- Pay particular attention when pulling the machine towards you during work.
- Never lift up the lawn mower or carry it around when the engine is running. If you must lift the lawn mower, first switch off the engine and disconnect the ignition lead from the spark plug.
- Do not mow the lawn while walking backwards.
- The engine should be switched off when moving over ground that is not to be mowed. For example, gravel paths, stone, shingle, asphalt, etc.
- Never run with the machine when it is running. You should always walk with the lawn mower.
- Shut down the engine before changing the cutting height. Never make adjustments with the engine running.
- Never leave the machine unsupervised with the motor running. Turn off the motor. Ensure the cutting attachment has stopped rotating.
- If any foreign object is hit or if vibrations occur stop the machine immediately. Disconnect the spark plug wire from the spark plug. Check that the machine is not damaged. Repair any damage.
- Never direct discharged material toward anyone. Avoid discharging material against a wall or obstruction. Material may ricochet back toward the operator.

Basic working techniques

- Always cut with a sharp blade for optimal results. A dull blade gives an uneven cut and the grass becomes yellow on the surface of the cut.
- Never mow more than 1/3 of the length of the grass. This especially applies during dry periods. Mow first with the cutting height set high. Then check the result and lower to an appropriate height. If the grass is really long, drive slowly and mow twice if necessary.



- For extremely heavy cutting, reduce the width of cut by overlapping previously cut path and mow slowly.
- Cut in different directions each time in order to avoid stripes in the lawn.
- Before pulling the machine towards you, disengage the drive and push the machine forward approx. 3" (10 cm).
- Make sure to disengage the drive when approaching an obstacle.

Pores in cloth grass catchers can become filled with dirt and dust with use and the catcher will collect less grass. To prevent this, regularly hose the grass catcher off with water and let dry before using.

Slope operation

Mowing slopes can be dangerous. Do not use the lawn mower on slopes steeper than 15°. All slopes demand extra care. If you feel unsure, do not mow it.

Do:

- Mow across the face of slopes, never up and down.
- Exercise extreme caution when changing direction on slopes.
- Remove obstacles such as stones, branches, etc.
- Watch for holes, ruts, bumps or hidden objects. Uneven terrain could cause a slip and fall accident. Tall grass can hide obstacles.

Do not:

- Do not mow too close to edges, ditches or banks.
- Avoid sudden changes in direction.
- Do not mow wet grass. It is slippery, and tires can lose their grip so that the machine skids.

Transport and storage

- Secure the equipment during transportation in order to avoid transport damage and accidents.
- Store the equipment in a lockable area so that it is out of reach of children and unauthorized persons.
- Store the machine and its equipment in a dry and frost proof place.
- When loading or unloading this machine, do not exceed the maximum recommended operation angle of 15°.
- Empty the fuel tank by running the machine until the tank is empty.
- Drain the engine oil as described under Changing the engine oil.
- Clean the machine. For more information, see the "Cleaning" section.
- Lubricate as shown in the Maintenance section of this manual.
- Tighten bolts and nuts.
- Replace or repair damaged components.
- Touch up all rusted or chipped paint surfaces, sand lightly before painting.
- Place the lawn mower in Transport position. See "Storage/Transport position" in the Assembly and adjustments section of this manual.
- Cover your unit with a suitable protective cover that does not retain moisture. Do not use plastic. Plastic cannot breathe, which allows condensation to form and will cause your unit to rust. **Never cover mower while engine and exhaust areas are still warm!**
- For transport and storage of fuel, see the section "Fuel handling".

MANIPULATION DU CARBURANT

• Généralités



AVERTISSEMENT! L'utilisation d'un moteur dans un endroit clos ou mal ventilé peut entraîner la mort par asphyxie ou l'intoxication au monoxyde de carbone.

Les vapeurs de carburant et de combustible sont hautement inflammables et peuvent causer des blessures graves en cas d'inhalation ou de contact avec la peau. Pour cette raison, faire preuve de prudence lors de la manipulation du carburant et s'assurer que la ventilation est adéquate.

Les gaz d'échappement du moteur sont chauds et peuvent contenir des étincelles qui peuvent causer un incendie. Ne jamais démarrer la machine à l'intérieur ou à proximité de matériaux combustibles!

Ne pas fumer et ne placer pas d'objet chaud à proximité du carburant.

Ravitaillement

- Utilisez de l'essence sans plomb, régulière, fraîche et propre, ayant un indice d'octane minimal de 87. Ne pas mélanger l'huile avec l'essence. Pour que l'essence utilisée soit fraîche, acheter des quantités qui peuvent être utilisées dans les 30 jours.



AVERTISSEMENT! Toujours éteindre le moteur et laisser refroidir pendant quelques minutes avant de faire le plein. Le moteur doit être éteint.

Toujours utiliser un bidon à carburant pour éviter les fuites.

Remplir le réservoir de carburant jusqu'au bas du goulot de remplissage. Ne pas trop remplir. Utilisez de l'essence sans plomb, régulière, fraîche et propre, ayant un indice d'octane minimal de 87. Ne pas mélanger l'huile avec l'essence. Pour que l'essence utilisée soit fraîche, acheter des quantités qui peuvent être utilisées dans les 30 jours.

Lors du remplissage, ouvrir le bouchon lentement pour relâcher doucement la pression.

Nettoyer la zone autour du bouchon.

Serrer le bouchon du réservoir avec précaution après l'appoint. La négligence peut occasionner un départ de feu.

Ne jamais démarrer la machine dans les conditions suivantes :

- En cas de déversement d'huile moteur ou de carburant sur la machine, nettoyer les déversements et laisser le carburant restant s'évaporer.
- Si de l'essence a coulé sur vous ou sur vos vêtements, changer de vêtements. Laver toute partie de votre corps

qui est entrée en contact avec le carburant. Utiliser de l'eau et du savon.

- Si du carburant s'écoule de la machine. Vérifier régulièrement l'étanchéité du bouchon du réservoir et des conduites de carburant.

Huile moteur

MISE EN GARDE! Vérifier le niveau d'huile avant de démarrer la tondeuse. Un niveau d'huile trop faible peut causer de graves dommages au moteur.

- Consulter les instructions fournies dans la section « Entretien ».
- L'huile moteur doit être changée après les cinq premières heures. Ne jamais utiliser d'huile destinée aux moteurs à deux temps.

Transport et entreposage

- Entreposer et transporter l'appareil et le carburant de sorte qu'il n'y ait aucun risque qu'une fuite ou émanation entre en contact avec des étincelles ou des flammes, par exemple, à partir de machines électriques, des moteurs électriques, des relais ou commutateurs électriques ou des chaudières.
- Lors de l'entreposage et du transport du carburant, toujours utiliser des contenants prévus à cet effet.

Entreposage à long terme

- Lors de l'entreposage de la machine pendant des périodes prolongées, le réservoir de carburant doit être vide. Communiquer avec votre station-service locale pour savoir où se débarrasser de l'excédent de carburant.
- L'utilisation d'un stabilisateur de carburant est une alternative acceptable pour éviter les dépôts visqueux pendant l'entreposage. Ajouter un stabilisateur au carburant du réservoir ou dans le contenant d'entreposage. Toujours respecter les proportions de mélange indiquées sur le contenant du stabilisateur. Faire fonctionner le moteur pendant au moins 10 minutes après avoir ajouté le stabilisateur pour qu'il arrive au carburateur. Ne pas vider le réservoir de carburant ni le carburateur si un stabilisateur a été ajouté.

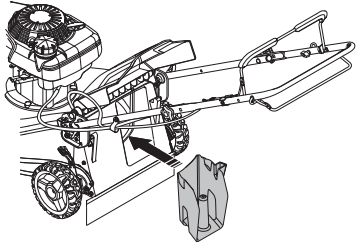
MISE EN GARDE! Les carburants mélangés à l'alcool (essence-alcool ou avec de l'éthanol ou du méthanol) peuvent attirer l'humidité, ce qui cause la séparation et la formation d'acides pendant l'entreposage.

Les gaz acides peuvent endommager le système d'alimentation du moteur pendant l'entreposage. Pour éviter les problèmes de moteur, le circuit d'alimentation doit être vidangé lorsque la tondeuse sera remise en service pendant 30 jours ou plus. Vidanger le réservoir de carburant, démarrer le moteur et le laisser tourner jusqu'à ce que les conduites d'alimentation en carburant et le carburateur soient vides. À la saison suivante, utilisez du carburant frais. Ne jamais utiliser un produit de nettoyage de moteur ou de carburateur dans le réservoir du carburant. Ceci pourrait entraîner des dommages permanents.

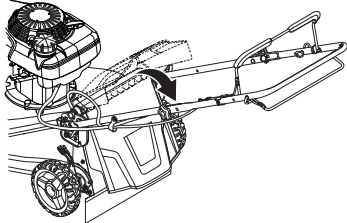
MONTAGE ET RÉGLAGES

Broyage

- 1 Lever le bouclier arrière et retirer le sac à herbe (selon l'équipement).
- 2 Insérer le bouchon de broyage dans le canal collecteur.

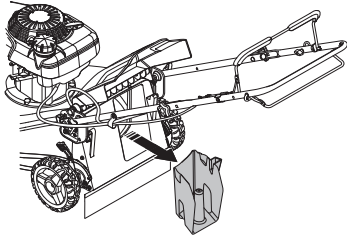


- 3 Laisser le bouclier arrière se fermer et s'assurer que le bouclier arrière est fermement fermé contre le bouchon de broyage.

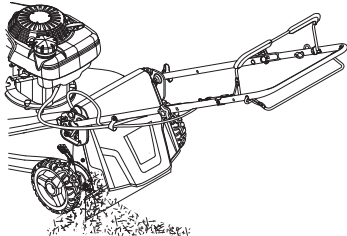


Décharge par l'arrière

- 1 Lever le bouclier arrière et retirer le bouchon de broyage ou le sac à herbe (selon l'équipement).



- 2 Fermer le bouclier arrière pour laisser la machine décharger le matériau à la gauche de la machine lors de la coupe.

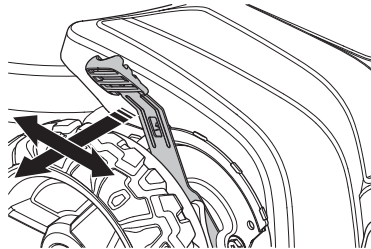


Hauteur de coupe

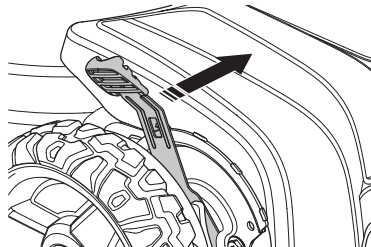
La hauteur de coupe peut être réglée sur neuf positions différentes (entre 1 et 9).

Soulever les roues pour une hauteur de coupe basse et abaisser les roues pour une hauteur de coupe élevée. Régler la hauteur de coupe en fonction des besoins. La position moyenne est la meilleure pour la plupart des pelouses.

- Pour modifier la hauteur de coupe, appuyer le levier de réglage de hauteur vers la roue. Déplacer la roue vers le haut ou vers le bas selon les besoins. Définir la même hauteur à tous les quatre coins.



- Le levier de réglage est à ressort.



Remplissage d'huile

- Le réservoir d'huile est vide à la livraison. Remplir d'huile jusqu'à la marque FULL (plein) de la jauge d'huile. Reportez-vous au manuel du fabricant du moteur pour plus de détails.

IMPORTANT! Ne remplissez pas trop!

OPERATING

Starting and stopping

Before starting



WARNING! Please read the operator's manual carefully and make sure you understand the instructions before using the machine.

Wear personal protective equipment. See instructions under the heading "Personal protective equipment".

- Keep people and animals well away from the working area.
- Perform daily maintenance. See instructions in the section "Maintenance".
- Ensure the ignition lead sits correctly on the spark plug.
- Add oil if necessary. See instructions under the heading Maintenance.
- Add gasoline. See instructions in the section "Fuel handling".
- Disengage drive system, if so equipped, before starting the engine (motor).

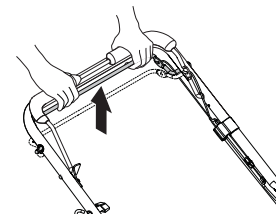
Manual Start

The engine brake handle must be held against the handlebar when the engine is started.

- Position yourself behind the machine.
- Grip the starter handle and pull quickly. Do not allow the starter rope to snap back. **Never wrap the starter cord around your hand**

Drive

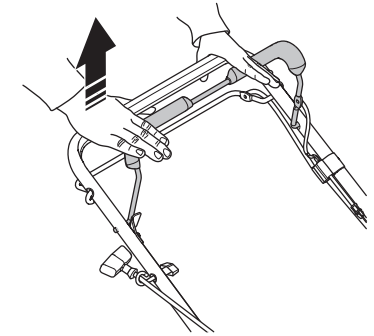
- Self-propelling is controlled by hold in the brake handle down to the handle and pulling the drive bail upwards toward the handle. The further toward the handle the drive bail is pulled, the faster the unit will travel.



- Forward motion will stop when either the the brake handle or the drive bail is released.
- To stop forward motion without stopping the engine, release the drive bail only. Hold the the brake handle down against handle to continue mowing without self-propelling.

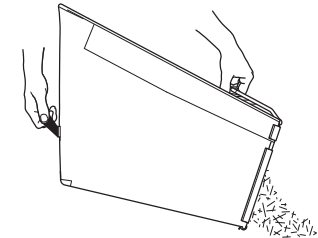
Stopping

- Stop the engine by releasing the engine brake handle. The drive is also disengaged when you release the engine brake handle.



Emptying the grass catcher

- Lift up on grass catcher using the frame handle.



- Remove grass catcher with clippings from under lawn mower handle.
- Empty clippings from bag using both frame handle and bag handle.

CAUTION! Do not drag the bag when emptying, it will cause unnecessary wear.

MAINTENANCE

General



WARNING! The user must only carry out the maintenance and service work described in this manual. More extensive work must be carried out by an authorized service workshop.

Switch off the engine before carrying out any checks or maintenance. Stop the engine (motor) and wait until the blade comes to a complete stop before cleaning the machine, removing the grass catcher, or unclogging the discharge chute. Prevent unintentional starting by removing the ignition cable from the spark plug. The starter key or battery must also be removed on machines with electric start.

The life span of the machine can be reduced and the risk of accidents can increase if machine maintenance is not carried out correctly and if service and/or repairs are not carried out professionally. If you need further information please contact your nearest servicing dealer.

- Let your Husqvarna dealer regularly check the machine and make essential adjustments and repairs.
- Replace any damaged, worn or broken parts.
- Always use genuine accessories.

Maintenance schedule

In the maintenance schedule you can see which parts of your machine that require maintenance, and with which intervals it should take place. The intervals are calculated based on average use of the machine, and may differ depending on the rate of your personal use.

Daily Maintenance	Before use	After each use	Every 10 hours	Every 25 hours	Every 100 hours	Before storage
Lawn mower						
Tighten bolts and nuts.	X					X
Clean / Inspect Grass Catcher *	X	X				X
Check tires	X					
Check drivewheels***	X					
Clean the machine****		X				X
Clean under the drive cover****			X			
Check the drive belt / Pulleys***				X		
Check that the cutter is undamaged and not cracked. Replace the cutter if necessary.				X ³		
General lubrication				X		
Clean and Recharge Battery **				X		X ⁴
Engine						
Check the engine's oil level	X ⁵					
Change engine oil				X ^{1,2}		
Clean the air filter. Replace if necessary.				X ²		
Check that the muffler is securely attached and not damaged.				X		
Replace the spark plug.					X	
Empty fuel tank or add Stabilizer						X

* If so equipped

** Machines equipped with electric start

***Power-Propelled machines

****Use a scraper to clean under deck

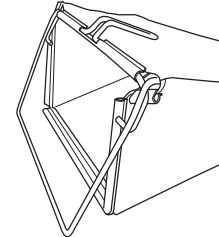
Note 1: When operating with a heavy load or at high ambient temperatures, or other extreme conditions, service the machine more often. Note 2: Clean more often if conditions are exceptionally dusty. Note 3: Replace blades more often when mowing in sandy soil. Note 4: Charge the battery for max. 48 hours. Note 5: And after 5 hours of use.

MONTAGE ET RÉGLAGES

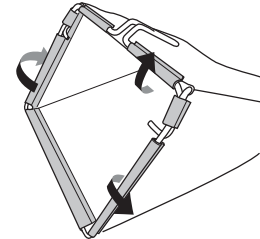
Collecteur d'herbe

Montage du collecteur d'herbe

- 1 Mettre le châssis du collecteur d'herbe dans le sac à herbe en orientant la partie rigide du sac vers le bas. S'assurer que la poignée du châssis se trouve à l'extérieur de la partie supérieure du sac.



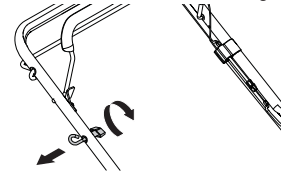
- 2 Fixer le sac à herbe sur le châssis au moyen des attaches à fixation rapide.



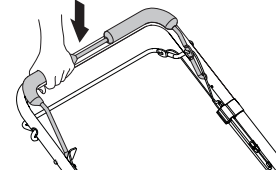
Poignée du lanceur

Installer la poignée du lanceur

- 1 Desserrer le bouton de verrouillage.



- 2 Maintenir la poignée de frein moteur contre la poignée supérieure.



- 3 Saisir la poignée du lanceur, tirer doucement la poignée du lanceur du moteur jusqu'à ce que la corde

du lanceur puisse glisser dans la boucle de la corde guide.

- 4 Serrer le bouton de verrouillage.

Convertir la tondeuse

La tondeuse est livrée prête à être utilisée en mode broyage.

En mode broyage, les lames broient les brins d'herbe et réduisent ainsi leur taille de manière à ce qu'une fois retombés sur la pelouse, ceux-ci s'y dispersent et passent inaperçus. De plus, cette herbe se biodégrade rapidement et fournit ainsi un apport en nutriments à la pelouse.

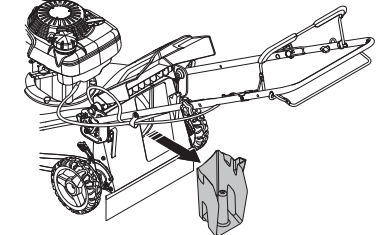
Utiliser le sac à herbe arrière pour recueillir l'herbe coupée dans le collecteur d'herbe.



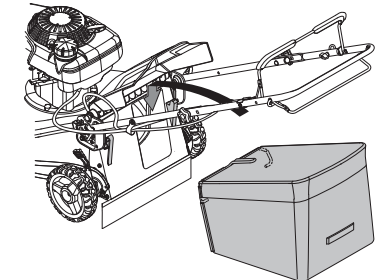
AVERTISSEMENT! Ne pas utiliser la tondeuse arrière sans que la porte arrière soit fermée ou qu'un collecteur d'herbe approuvé soit installé. Ne jamais essayer de faire fonctionner la tondeuse alors que la porte arrière est retirée ou entrouverte.

Sac à herbe arrière

- 1 Lever le bouclier arrière et retirer le bouchon de broyage.



- 2 Lever le bouclier arrière et accrocher le châssis du collecteur d'herbe sur les supports du sac à herbe.



- 3 Relâcher le bouclier arrière et le laisser reposer au-dessus du sac à herbe.

MONTAGE ET RÉGLAGES

Généralités



AVERTISSEMENT! Pour éviter que le moteur démarre, retirer le câble d'allumage de la bougie d'allumage.

MISE EN GARDE! La tondeuse est expédiée sans huile ou essence dans le moteur.

Retirer la tondeuse du carton

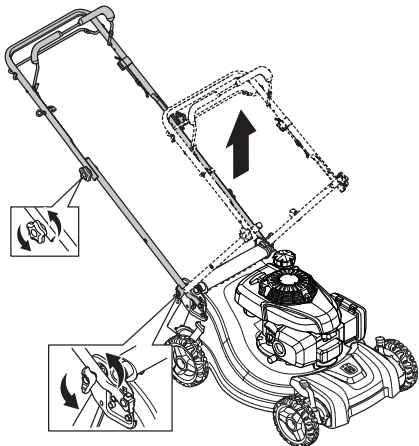
- Retirer toutes les pièces incluses avec la tondeuse.
- Couper deux coins de carton et étaler l'extrémité du panneau à plat.
- Retirer tous les matériaux d'emballage, à l'exception du rembourrage entre les poignées supérieure et inférieure et du rembourrage qui retient la poignée de frein moteur à la poignée supérieure.
- Faire rouler la tondeuse hors de la boîte et s'assurer qu'aucune pièce ne reste à l'intérieur de la boîte.

Guidon

MISE EN GARDE! Prendre soin de ne pas endommager les câbles et les fils électriques lors du dépliage du guidon.

Position de fonctionnement

- Lever la poignée inférieure en position de marche. Aligner les goupilles du guidon avec la fente de son support pour que celui-ci soit à une hauteur confortable.



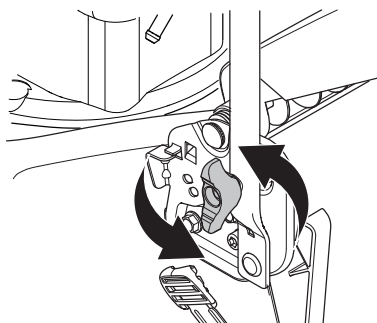
- Serrer les boutons inférieurs du guidon.
- Retirer le rembourrage de protection, relever la poignée supérieure en place sur la poignée inférieure et serrer les deux boutons supérieurs.

- Retirer tout le matériel d'emballage autour de la poignée de frein de moteur.

Entreposage avec poignée verticale

La poignée peut être réglée dans une position de rangement verticale.

- Desserrer les boutons de la poignée inférieure.
- Faire pivoter le guidon et aligner les goupilles avec la fente verticale du support.



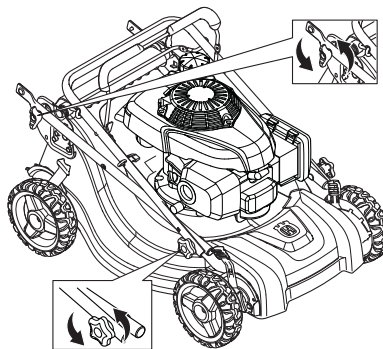
- Resserrer les boutons.

Position de transport et d'entreposage

On peut replier la poignée pour réduire l'espace nécessaire pour le transport et l'entreposage.

MISE EN GARDE! Prendre soin de ne pas endommager les câbles et les fils électriques lors du pliage du guidon.

- Desserrer les deux boutons de la poignée supérieure et laisser la poignée s'abaisser vers l'arrière.
- Desserrer les deux boutons de la poignée inférieure, faire pivoter l'ensemble de la poignée vers l'avant et la laisser reposer sur la tondeuse.



MAINTENANCE

General recommendations

The warranty on this lawn mower does not cover items that have been subjected to operator abuse or negligence. To receive full value from the warranty, operator must maintain mower as instructed in this manual. Some adjustments will need to be made periodically to properly maintain your unit. At least once a season, check to see if you should make any of the adjustments described in the Maintenance section of this manual.

- At least once a year, replace the spark plug, clean or replace air filter element and check blade for wear. A new spark plug and clean/new air filter element assure proper air-fuel mixture and help your engine run better and last longer.
- Follow the maintenance schedule in this manual.

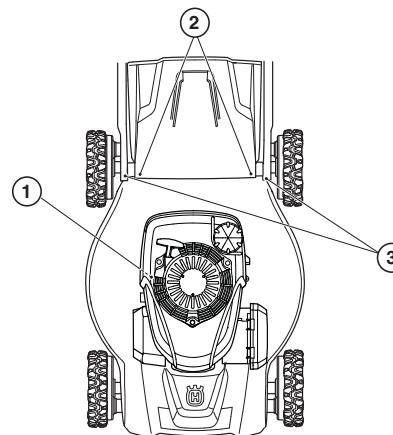
General inspection

- Check that nuts and screws are tight.

General lubrication

CAUTION! Do not oil or grease plastic wheel bearings. Viscous lubricants will attract dust and dirt that will shorten the life of the self-lubricating bearings. If you feel they must be lubricated, use only a dry powdered graphite type lubricant sparingly.

Keep unit well lubricated.



1	Engine oil	See "Engine" in section Maintenance
2	Rear door hinge	Spray lubricant
3	Handle bar mounting bolts	

Cleaning



WARNING! Always disconnect the spark plug before performing maintenance or service.

- Brush leaves, grass and the like off of the lawn mower.
- Keep finished surfaces / wheels free of gasoline, oil, etc.
- Keep top of engine around starter clear and clean of grass clippings and chaff. This will help engine air flow and extend engine life.
- Clean the underside of your lawn mower by scraping to remove build-up of grass and trash.
- Do not use a high pressure washer to clean the machine.
- Never flush water directly on the engine.
- Clean the air intake on the starter. Check the starter and starter cord.
- When cleaning under the cutting cover, empty the fuel tank and put the machine on its side with the muffler down.

CAUTION! With the exception of the water washout port (if equipped), we do not recommend using a garden hose to clean the outside of your lawn mower unless the electrical system, muffler, air filter and carburetor are covered to keep water out. Water in engine can result in shortened engine life.

Drive wheels

Check wheels each time before you mow to be sure they move freely. Clean the wheels if not rotating freely.

- Remove the bolt.
- Remove wheels from wheel adjusters.
- Remove any trash or grass cuttings from inside the dust cover, pinion and/or drive wheel gear teeth.
- Replace the wheels.

If after cleaning, the drive wheels do not turn freely, contact a authorized service workshop.

Grass catcher

- Pores in cloth grass catchers can become filled with dirt and dust with use and the catcher will collect less grass. To prevent this, regularly hose the grass catcher off with water and let dry before using.
- Check the grass catcher frequently for wear or deterioration. Replace if necessary.

MAINTENANCE

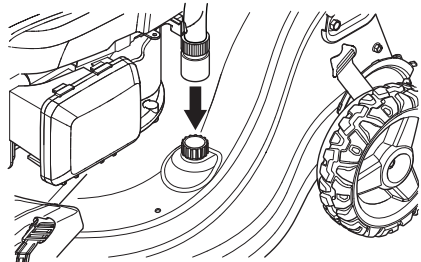
Gear cases

- To keep your drive system working properly, the gear cases and area around the drive should be kept clean and free of trash build-up. Clean under the drive cover twice a season.
- The gear cases are filled with lubricant to the proper level at the factory. The only time the lubricant needs attention is if service has been performed on the gear case.
- Under normal usage the grass catcher is subject to deterioration and wear. Check the grass catcher frequently for wear or deterioration. Replace the bag only with grass bags that meet the manufacturer's recommendations and specifications.

Water washout feature

Your lawn mower is equipped with a fitting that allows quick and easy cleaning of the underside of the housing. Note that water, grass and other debris will drain from beneath the mower housing during the washout process.

- 1 Move the machine to an area of cut grass or another hard surface.
- 2 Remove grass catcher or mulch plug from the lawn mower.
- 3 Close the back shield.
- 4 Connect a garden hose to the washout port fitting.



- 5 Turn on water supply and check for leaks at the fitting.
- 6 If no leaks are present, start engine and let engine run until the underside of the lawn mower is clean.

CAUTION! Do not engage the drive system during the washout process.

- 7 Turn off the engine.
- 8 Shut off water supply and remove hose from fitting.

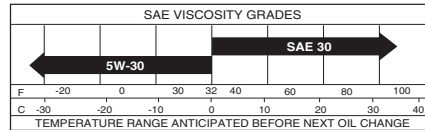
IMPORTANT! Do not remove hose from fitting while engine is running. Water in engine can result in shortened engine life.

- 9 Start engine and let engine run for a full minute to remove excess water from mower.

Engine

Lubrication

Use only high quality detergent oil rated with API service classification SG-SL. Select the oil's SAE viscosity grade according to your expected operating temperature.



CAUTION! Although multi-viscosity oils (5W30, 10W30 etc.) improve starting in cold weather, these multi-viscosity oils will result in increased oil consumption when used above 32°F. Check your engine oil level more frequently to avoid possible engine damage from running low on oil.

- Change the oil after every 25 hours of operation or at least once a year.
- Check the engine oil level before starting the engine and after each 5 hours of continuous use. Tighten oil plug securely each time you check the oil level.

Oil level

Before starting for the first time

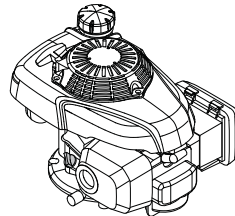
Your lawnmower is shipped without oil in the engine. You receive a container of oil with the unit. Slowly pour the entire container down the oil fill spout into the engine.

IMPORTANT! Do not overfill!

Check the engine's oil level

The lawn mower should stand on flat ground when you check the oil level. Ensure the ignition lead has been removed from the spark plug before you open the oil filler cap.

- 1 Check the oil level with the dipstick on the oil filler cap.



- 2 Remove the oil cap and wipe the dipstick clean.
- 3 Put the dipstick back in. The oil filler cap must be completely screwed down to give a correct picture of the oil level.
- 4 If the oil level is low, fill using engine oil up to the upper level on the dipstick.

CAUTION! Initial oil fill requires only 15 oz. due to residual oil in engine from the manufacturers 100% quality testing. When changing oil you may need 18 oz.

ÉQUIPEMENT DE SÉCURITÉ DE LA MACHINE

Généralités

Cette section décrit l'équipement de sécurité de la machine, son but, et la façon d'en effectuer les inspections et l'entretien afin de s'assurer qu'il fonctionne correctement.



AVERTISSEMENT! Ne jamais utiliser une machine dont l'équipement de sécurité est défectueux! Si une inspection de la machine détecte une panne, communiquer avec un agent d'entretien pour réparation.

Pour éviter que le moteur démarre, retirer le câble d'allumage de la bougie d'allumage.

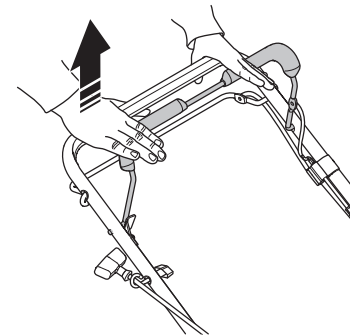
Poignée de frein moteur

IMPORTANT! Les règlements fédéraux exigent l'installation d'un dispositif de commande du moteur sur cette tondeuse afin de réduire le risque de blessure au contact des lames. Ne jamais essayer de contourner la fonction du dispositif de commande de l'opérateur. La lame tourne lorsque le moteur tourne.

Le frein moteur est conçu pour arrêter le moteur. Lorsqu'on relâche la prise sur la poignée de frein moteur, le moteur doit s'arrêter.

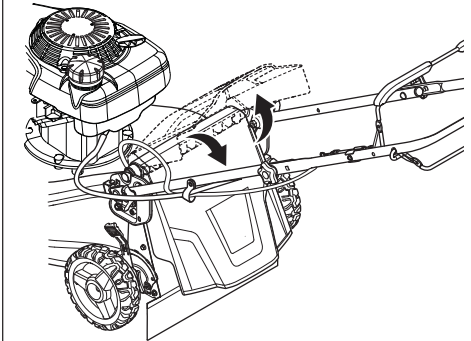
Inspection de la poignée de frein moteur

- Démarrer le moteur, puis relâcher la poignée de frein. Le moteur doit s'arrêter et l'entraînement doit se désengager.



Déflecteur arrière

Le déflecteur arrière, fixé entre les roues arrière de la tondeuse, est fourni pour réduire la possibilité que des objets soient éjectés vers l'arrière de la tondeuse dans la position de coupe de l'opérateur.



Inspection du déflecteur arrière

- S'assurer que le déflecteur arrière n'est pas endommagé et qu'il ne présente pas de défauts visibles tels que des fissures ou des ressorts brisés qui forcent la porte à se fermer. Remplacer le déflecteur ou les ressorts s'ils sont endommagés.

Silencieux



AVERTISSEMENT! Ne jamais utiliser une machine sans silencieux ou avec un silencieux défectueux. Un silencieux endommagé peut considérablement augmenter le niveau de bruit et le risque d'incendie. Garder l'équipement anti-incendie à portée de main.

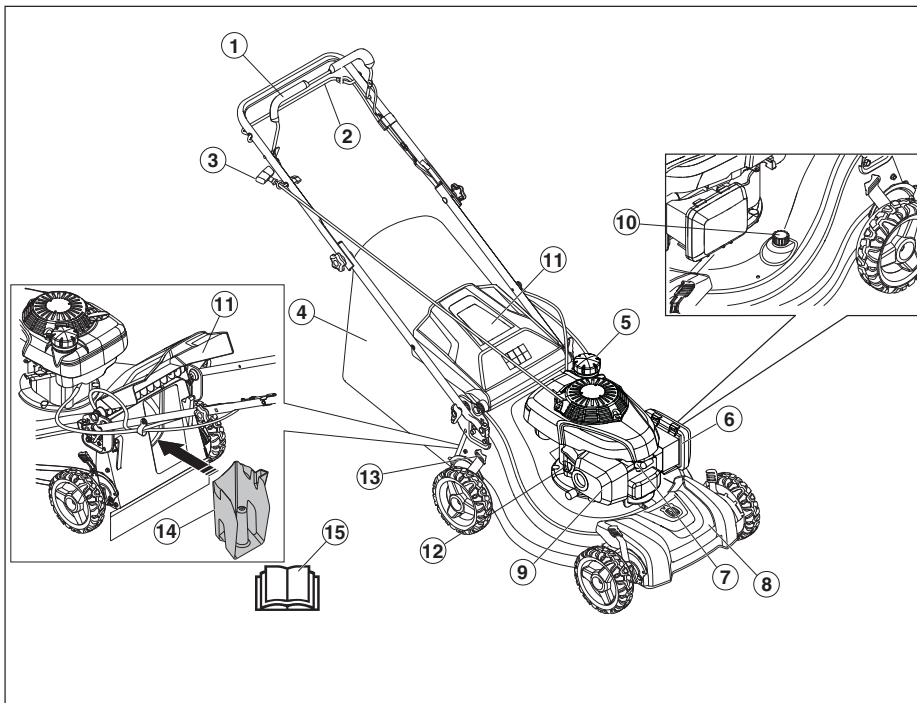
Le silencieux devient très chaud pendant et après utilisation. C'est également le cas au ralenti. Rester conscient du risque d'incendie, surtout lors de l'utilisation à proximité de substances et/ou de vapeurs inflammables.

Le silencieux est conçu pour maintenir le niveau de bruit au minimum et diriger les gaz d'échappement loin de l'utilisateur.

Inspection du silencieux

- Vérifier régulièrement que le silencieux est complet et correctement fixé.

IDENTIFICATION DES COMPOSANTS



Éléments de la tondeuse

- | | |
|---------------------------|---|
| 1 Poignée de frein moteur | 9 Silencieux |
| 2 Barre d'entraînement | 10 Port de lavage |
| 3 Poignée du lanceur | 11 Déflecteur arrière |
| 4 Collecteur d'herbe | 12 Bouchon de remplissage d'huile moteur avec jauge |
| 5 Bouchon du réservoir | 13 Commande de hauteur de coupe |
| 6 Filtre à air | 14 Bouchon de broyage |
| 7 Bougie d'allumage | 15 Manuel d'utilisation |
| 8 Carter d'entraînement | |

MAINTENANCE

Add oil

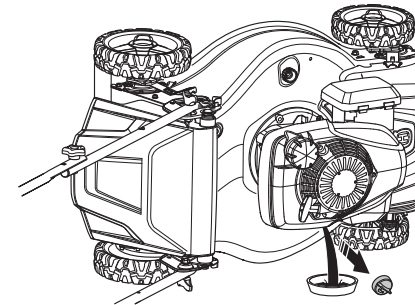
- 1 The lawn mower should stand on flat ground when you check the oil level. Ensure the ignition lead has been removed from the spark plug before you open the oil filler cap.
- 2 Remove the oil cap and wipe the dipstick clean.
- 3 Slowly pour oil down the oil fill spout, stopping every few ounces to check the oil level with the dipstick.
- 4 Stop adding oil when you reach the FULL mark on the dipstick. Wait a minute to allow oil to settle.
- 5 Always be sure to retighten oil dipstick before starting engine.
- 6 Refit cable to spark plug.

Oil change

CAUTION! The oil level must always be checked before starting the engine.

Change the oil after every 25 hours of operation or at least once a year. Clean more often if conditions are exceptionally dusty. Follow the maintenance schedule in this manual.

- 1 Disconnect the spark plug wire from the spark plug.
- 2 Always empty the fuel tank before you place the lawn mower on its side. Empty the fuel tank by running the machine until the tank is empty.
- 3 Unscrew the oil filler cap.
- 4 Place a suitable vessel in position to collect the oil as it drains.
- 5 Drain the oil by tipping the engine so that the oil runs out through the filler pipe. When the machine is tilted, make sure the air filter always is placed in the highest position. Ask where you can dispose of surplus engine oil at your local gas station.



- 6 If you have spilled fuel or engine oil on the machine, wipe off the spillage and allow remaining fuel to evaporate.

- 7 Slowly pour oil down the oil fill spout, stopping every few ounces to check the oil level with the dipstick. Do not overfill!
- 8 Always be sure to retighten oil dipstick before starting engine.
- 9 Reconnect to the spark plug wire.

Muffler

If the muffler is corroded or is damaged in any other way, it must be replaced because it may become a fire hazard and/or cause injury.

Spark plug

CAUTION! Always use the recommended spark plug type! Use of the wrong spark plug can damage the piston/cylinder.

- Replace spark plug at the beginning of each mowing season or after every 100 hours of operation, whichever occurs first. Spark plug type and gap setting are shown in the "Product specification" section of this manual.

Air filter

Your engine will not run properly and may be damaged by using a dirty air filter. Replace the air filter cartridge every 100 hours of operation or every season, whichever occurs first. Service air cleaner more often under dusty conditions.

- Remove the air filter cover and take out the filter.
- Clean the filter by knocking the filter against a flat surface. Never use solvent with petroleum, for example, kerosene, or compressed air to clean the filter.
- An air filter that has been in use for a long time cannot be cleaned completely. The filter must therefore be replaced with a new one at regular intervals. **A damaged air filter must always be replaced.**
- When reassembling, make sure that the filter completely seals against the filter holder.

MAINTENANCE

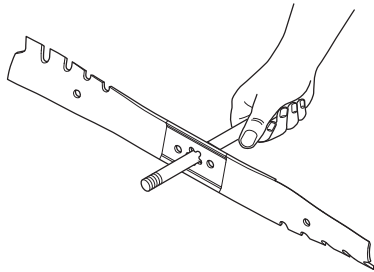
Blade



WARNING! Always wear heavy-duty gloves when servicing and maintaining the blade. The blade is very sharp and cuts can occur very easily.

Always stop the engine before doing any work on the blade. This continues to rotate even after the throttle has been released. Ensure that the blade has stopped completely and disconnect the spark plug cap before you start to work on it.

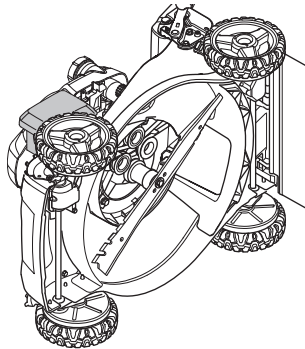
- Check the blade for cracks or any other damage. A damaged blade must always be replaced.
- Always ensure the blade is well ground and balanced correctly. To check blade balance, you will need a 5/8" diameter steel bolt, pin, or a cone balancer. When using a cone balancer, follow the instructions supplied with balancer.
- Do not use a nail for balancing blade. The lobes of the center hole may appear to be centered, but are not.
- Slide blade on to an unthreaded portion of the steel bolt or pin and hold the bolt or pin parallel with the ground. If blade is balanced, it should remain in a horizontal position. If either end of the blade moves downward, sharpen the heavy end until the blade is balanced.



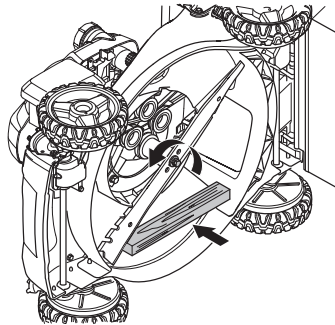
IMPORTANT! The blades should be balanced after sharpening. We do not recommend sharpening blade. Sharpening and balancing the blade should be conducted by an authorized service workshop. Damaged blades should be replaced immediately. NEVER use a mower with a damaged blade.

Replacing the blades

- 1 Always disconnect the spark plug before performing maintenance or service.
- 2 Always empty the fuel tank before you place the lawn mower on its side. Empty the fuel tank by running the machine until the tank is empty.
- 3 Turn lawn mower on its side. When the machine is tilted, make sure the air filter always is placed in the highest position.



- 4 Use a wood block between blade and mower housing to prevent blade from turning when removing blade bolt.



- 5 Remove the blade bolt by turning the bolt counter-clockwise.
- 6 Remove the old blade. Make sure the blade adapter is free of damage. Also check that the blade bolt is undamaged and that the engine shaft is not bent.

IMPORTANT! Use only a replacement blade approved by the manufacturer of your mower. Using a blade not approved by the manufacturer of your mower is hazardous, could damage your mower and void your warranty.

PRÉSENTATION

Étapes à suivre avant l'utilisation d'une nouvelle tondeuse

- Lire attentivement le manuel de l'opérateur.
- Vérifier que l'équipement de coupe est correctement monté et réglé. Consulter les instructions sous la rubrique Montage.
- Faire l'appoint de carburant et d'huile dans le moteur. Consulter les instructions sous la rubrique Manipulation du carburant.



AVERTISSEMENT! La conception de la machine ne peut en aucun cas être modifiée sans l'autorisation du fabricant. Toujours utiliser des accessoires d'origine. Les modifications et/ou les accessoires non autorisés peuvent entraîner des blessures graves ou la mort de l'opérateur ou d'autres personnes.



AVERTISSEMENT! La tondeuse est un outil dangereux si elle est utilisée de manière incorrecte ou avec négligence, ce qui peut provoquer des blessures graves, voire mortelles. Il est extrêmement important de lire et de comprendre le contenu de ce manuel de l'opérateur.



AVERTISSEMENT! L'inhalation à long terme des produits d'échappement du moteur peut représenter un danger pour la santé.



AVERTISSEMENT! Pour éviter tout départ accidentel pendant l'installation, le transport, le réglage ou la réparation, toujours débrancher le fil de bougie et le placer de façon à ce qu'il ne puisse pas toucher la bougie.



AVERTISSEMENT! Le silencieux est très chaud lors de l'utilisation et le demeure pendant un court laps de temps après celle-ci. Ne touchez pas le silencieux s'il est chaud!



AVERTISSEMENT! Les gaz d'échappement du moteur de cet appareil, certains de ses constituants, et certains composants du véhicule contiennent ou émettent des substances chimiques considérées par l'État de la Californie comme étant cancérigènes et capables de causer des malformations congénitales ou autres effets nuisibles sur les organes reproducteurs.



AVERTISSEMENT! Les cosses et les bornes de la batterie, ainsi que les accessoires connexes, contiennent du plomb et des composés de plomb, des produits chimiques reconnus par l'État de la Californie comme pouvant causer des cancers, des malformations du fœtus ou tout autre problème lié à la reproduction. Lavez-vous les mains après la manipulation.



AVERTISSEMENT! Cette tondeuse est équipée d'un moteur à combustion interne et ne doit pas être utilisée sur ou près de terrains non entretenus, couverts de buissons, d'arbrisseaux ou d'herbe à moins que le système d'échappement soit équipé d'un pare-étincelles conforme à la législation locale ou nationale (le cas échéant). Si un pare-étincelles est utilisé, il doit être maintenu en bon état de fonctionnement par l'utilisateur.

Dans l'état de la Californie, ceci est exigé par la loi (Code de ressources publiques de la Californie, section 4442). D'autres provinces ou zones fédérales peuvent avoir des lois similaires. Les lois fédérales s'appliquent sur les territoires fédéraux. Un pare-étincelles pour le silencieux est disponible chez un concessionnaire autorisé.

PRÉSENTATION

Responsabilités du client

- Lire et observer toutes les règles de sécurité.
- Suivre le programme d'entretien fourni dans ce manuel. Toute opération d'entretien autre que celles décrites dans ce manuel doit être effectuée par le distributeur (détaillant).

La tondeuse

Numéro de série :	
Date d'achat :	
Le modèle et les numéros de série sont indiqués sur un autocollant apposé à l'arrière du carter de la tondeuse. Vous devriez enregistrer à la fois le numéro de série et la date d'achat et les conserver en lieu sûr pour référence future.	

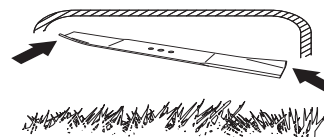
Caractéristiques du produit

Contenance et type d'essence	0,98 l (ordinaire sans plomb seulement)
Type d'huile (API SG-SL)	SAE 30 (au-dessus de 0 °C) SAE 5W-30 (au-dessous de 0 °C)
Capacité d'huile	473 ml
Bougies (écartement : 0,75 mm)	BPR5ES
Couple de serrage du boulon de lame	47 à 54 N.m

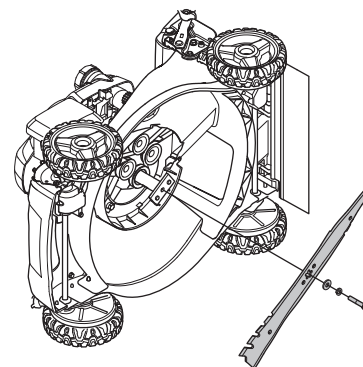
MAINTENANCE

Assembly:

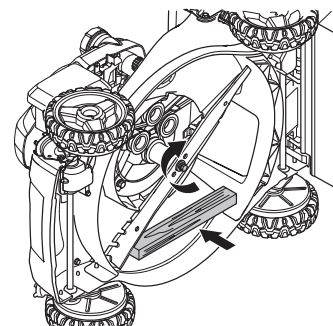
- 1 Position the blade adapter on the engine crank shaft. Be sure key in adapter and crankshaft keyway are aligned and that the drive belt is inside the tab of the belt retainer.
- 2 The blade must be mounted with the angled ends pointing up towards the engine.



- 3 Install the blade bolt with the lock washer and hardened washer into blade adapter and crankshaft.



- 4 Use block of wood between blade and lawn mower housing and tighten the blade bolt, turning clockwise.



- 5 The bolt should be tightened with a torque of 35-40 ft. lbs. / 47-54 Nm.

- 6 Verify the spark plug wire is disconnected from the engine.



WARNING! Always disconnect spark plug wire and place wire where it cannot contact spark plug to prevent accidental starting.

- 7 Pull the blade around by hand and make sure it rotates freely.

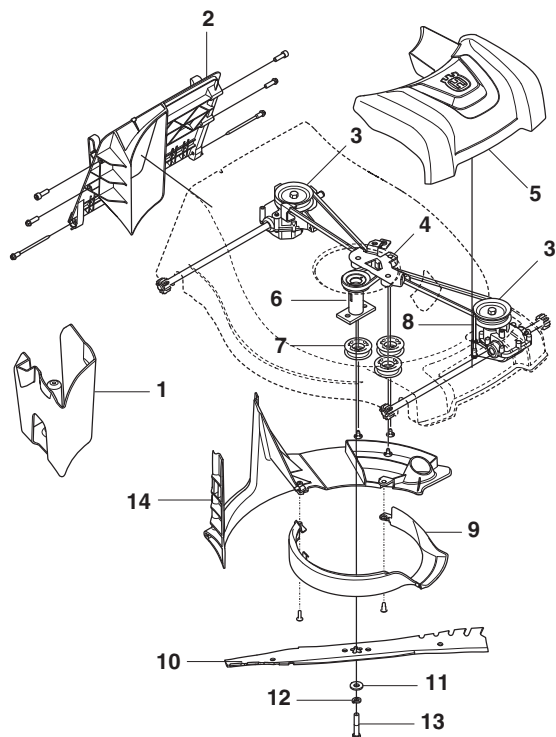
IMPORTANT!

Always exercise care and use your common sense. Avoid all situations which you consider to be beyond your capability. If you still feel uncertain about operating procedures after reading these instructions, you should consult an expert before continuing. Contact an authorized service workshop.

Always use genuine parts.

MAINTENANCE

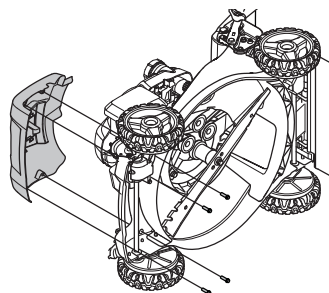
Drive belt



- 1 Mulch plug
- 2 Rear insert
- 3 Transmission drive pulley
- 4 Idler bracket
- 5 Drive cover
- 6 Blade adapter
- 7 Idler pulleys
- 8 Front belt keeper
- 9 Stripper ring
- 10 Blade
- 11 Hardened washer
- 12 Lock washer
- 13 Blade bolt
- 14 Belt cover

Remove the drive belt

- Empty the fuel tank by running the machine until the tank is empty.
- Always disconnect the spark plug before performing maintenance or accessing movable parts.
- Turn lawn mower on its side. Make sure air filter and carburetor is facing upward.
- Remove drive cover.



CONTENU

Table des matières

RÈGLES DE SÉCURITÉ

Les enfants	54
Utilisation générale	54
Utilisation dans les pentes	55
Manipulation sécuritaire de l'essence	55
Entretien général	55

EXPLICATION DES SYMBOLES

Explication des symboles	56
Explication des niveaux d'avertissement	56

CONTENU

Table des matières	57
--------------------------	----

PRÉSENTATION

Responsabilités du client	58
La tondeuse	58
Étapes à suivre avant l'utilisation d'une nouvelle tondeuse	59

IDENTIFICATION DES COMPOSANTS

Éléments de la tondeuse	60
-------------------------------	----

ÉQUIPEMENT DE SÉCURITÉ DE LA MACHINE

Généralités	61
-------------------	----

MONTAGE ET RÉGLAGES

Généralités	62
Retirer la tondeuse du carton	62
Guidon	62
Collecteur d'herbe	63
Poignée du lanceur	63
Convertir la tondeuse	63
Hauteur de coupe	64
Remplissage d'huile	64

MANIPULATION DU CARBURANT

Généralités	65
Ravitaillement	65
Transport et entreposage	65

Utilisateur

Équipement de protection personnelle	66
Précautions générales de sécurité	66
Techniques de travail de base	68
Transport et entreposage	68
Démarrage et arrêt	69

Entretien

Généralités	70
Calendrier d'entretien	70
Recommandations générales	71
Inspection générale	71
Graissage général	71
Nettoyage	71
Moteur	72
Silencieux	73

Bougie d'allumage	73
Filtre à air	73
Lame	74
Courroie d'entraînement	76
DÉPANNAGE	
Annexe sur le dépannage	78

EXPLICATION DES SYMBOLES

Explication des symboles

AVERTISSEMENT! La machine peut être un outil dangereux si elle est mal utilisée ou négligée, ce qui peut provoquer des blessures graves ou mortelles à l'opérateur ou d'autres personnes.

Lire attentivement le manuel d'utilisation et veiller à bien comprendre les instructions avant d'utiliser la scie.

Couper le moteur

Démarrer le moteur

Rapide

Lent

Carburant

Huile

Volet de départ

DANGER Garder les mains et les pieds à l'écart

Faire attention aux objets projetés et aux ricochets.



Avertissement : découpeuse rotative. Garder les mains et les pieds à l'écart.



Avertissement : pièces rotatives. Garder les mains et les pieds à l'écart.



Tenir les personnes et les animaux à l'écart de la zone de travail.



Avant de reculer, regarder derrière et vers le bas pour vérifier la présence éventuelle de petits enfants, d'animaux ou autres risques de chute.



Risques liés aux travaux sur les pentes.



Utiliser un dispositif de protection homologué pour les oreilles.



Explication des niveaux d'avertissement

Les avertissements sont classés en trois niveaux.

AVERTISSEMENT!



AVERTISSEMENT! Utilisé en cas de risque de blessure grave ou de décès de l'utilisateur ou de dommages à l'environnement si les instructions du manuel ne sont pas suivies.

IMPORTANT!



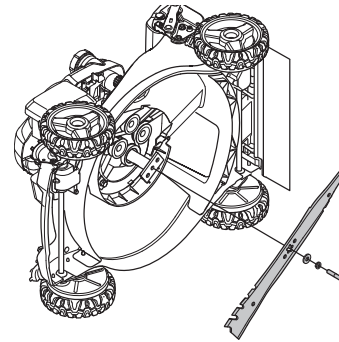
IMPORTANT! Utilisé en cas de risque de blessure de l'utilisateur ou de dommages à l'environnement si les instructions du manuel ne sont pas suivies.

MISE EN GARDE!

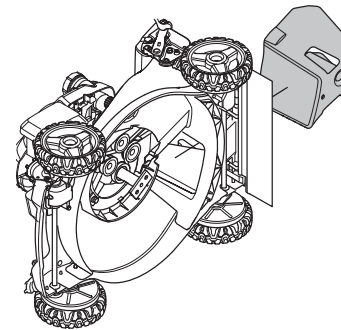
MISE EN GARDE! Utilisé en cas de risque de dommages à la machine si les instructions du manuel ne sont pas suivies.

MAINTENANCE

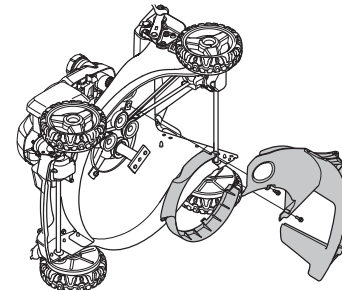
- Remove the blade bolt by turning the bolt counter-clockwise. Remove blade and attaching hardware: bolt, lock washer and hardened washer.



- Remove the Mulching plug.

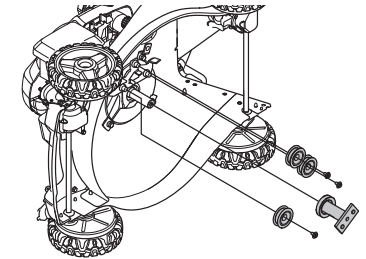


- Remove rear insert.
- Remove the belt cover and the stripper ring.

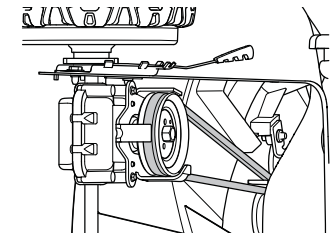


- Disconnect cable from rear transmission.
- Remove front belt keeper.
- Remove belt from front transmission pulley.

- Remove all 3 idler pulleys from idler assembly.



- Remove belt from blade adapter / engine pulley and idler assembly.



- Remove rear transmission pulley by clamping locking pliers to the input shaft of the transmission, beneath pulley, and loosen the pulley with a 9/16" box wrench.
- Remove the old drive belt.

Replace the drive belt.

IMPORTANT! Always use genuine parts.

- Place new belt on rear transmission pulley. Be sure the new belt is inside the tabs of the belt keeper.
- Reinstall rear transmission pulley. Route the other end of the new belt through hole in housing to front transmission pulley. Route new belt through idler assembly to blade adapter / engine pulley.
- Reinstall all 3 idler pulleys.
- Position the blade adapter / engine pulley on the engine crank shaft. Be sure key in blade adapter / engine pulley and crankshaft keyway are aligned and that the new belt is inside the tab of the belt retainer. Install new belt on front transmission pulley.
- Reinstall front belt keeper. Make sure the new belt is inside the front belt keeper.
- Reinstall drive cover.
- Reattach cable to rear transmission and reattach return spring to rear insert / rear transmission belt keeper.
- Reinstall rear insert.
- Reinstall the blade. See instructions in the section "Replacing the blades".
- Tighten spark plug.

TROUBLESHOOTING

Troubleshooting schedule



WARNING! If service operations or troubleshooting does not require the machine to be on, the engine should be switched off, and the spark plug wire disconnected from the spark plug.

Problem	Probable cause	Potential Solution
The machine does not start	Incorrect starting procedure.	See instructions under the heading Starting and stopping.
	Air filter clogged	Clean the air filter. Replace if necessary.
	There is no fuel in the fuel tank	Refill with fuel
	Spark plug defective	Replace the spark plug.
	Spark plug cable disconnected.	Check that the spark plug wire is connected to the spark plug.
	Loose blade or broken blade adapter	Tighten blade bolt or replace blade adapter.
	Defect engine brake handle	Contact an authorized service workshop.
	Fuel valve lever (if equipped) in OFF position	Turn fuel valve lever to the ON position.
	The battery voltage is too low (if equipped)	Charge the battery.
Battery connected incorrectly (if equipped)	Connect battery to engine	
Less power	Height of cut too low.	Raise height of cut.
	Cutting extremely tall grass	
	Air filter clogged	Clean the air filter. Replace if necessary.
	Buildup of grass, leaves and trash under mower	Clean underside of mower housing.
	Too much oil in the engine	Check the engine's oil level
Uneven mowing	Walking speed too fast	Cut at slower walking speed.
	Worn, bent or loose blade	Replace the blade if it is bent or damaged.
	Wheel heights uneven	Set all wheels at same height
Excessive vibrations	Buildup of grass, leaves and trash under mower	Clean underside of mower housing.
	Worn, bent or loose blade	Replace the blade if it is bent or damaged.
Starter rope hard to pull	Bent engine crankshaft	Contact an authorized service workshop.
	Blade adapter broken	Contact your service agent.
	Engine flywheel brake is on when the engine brake handle is released	Depress the engine brake handle to upper handle before pulling starter rope.
	Incorrect starting procedure.	See instructions under the heading Starting and stopping.
Grass catcher not filling (if equipped)	Cutting height too low	Raise height of cut.
	Worn blade	Replace the blade
	Catcher not venting air	Clean / Inspect Grass Catcher
Difficult to push the machine forward	Cutting extremely tall grass	Raise height of cut.
	Cutting height too low	
	Grass catcher too full	Empty the grass catcher
	Handle height not right for you	Adjust handle height (if equipped)
Drive starts feeling slow	Belt wear	See instructions under the heading Replacing the drive belt.
	Belt off of pulley	
	Worn, damaged or untensioned clutch wire	For more information, see the "Starting and Stopping" section.

RÈGLES DE SÉCURITÉ

- Ne jamais faire fonctionner la tondeuse sans ses grilles, plaques, collecteur d'herbe et autres dispositifs de protection en place.
- Consulter les instructions du fabricant pour obtenir des consignes relatives à l'utilisation et à l'installation des accessoires. Utiliser seulement des accessoires approuvés par le fabricant.
- Arrêter la lame pour traverser les surfaces de gravier.
- Ne jamais laisser une machine en marche sans surveillance.
- Arrêter le moteur et attendre que la lame soit complètement arrêtée avant de nettoyer la machine, de retirer le collecteur d'herbe ou de dégager la goulotte de décharge.
- Tondre uniquement quand il fait jour ou sous un éclairage suffisant.
- Ne pas manœuvrer la machine sous l'influence de l'alcool ou de drogues.
- Ne jamais utiliser la machine sur de l'herbe mouillée. Toujours assurer votre appui au sol : tenir fermement la poignée, marcher, ne jamais courir.
- Désengager le système d'entraînement, le cas échéant, avant de démarrer le moteur.
- Si l'équipement se met à vibrer anormalement, arrêter le moteur et rechercher immédiatement la cause. Les vibrations indiquent généralement l'existence de problèmes.
- Toujours porter des lunettes de protection lors de l'utilisation de la machine.
- Faites particulièrement attention lorsque vous approchez de tournants sans visibilité, de buissons, d'arbres ou de tout objet pouvant gêner la visibilité.
- Au moment de charger ou de décharger la machine, ne pas dépasser l'angle de fonctionnement maximal recommandé de 10°.
- Porter de l'équipement de protection individuelle lors de l'utilisation de cette machine, y compris (à tout le moins) des souliers résistants, des lunettes de sécurité et un protecteur auriculaire. Ne pas tondre le gazon en shorts et en sandales.

Toujours aviser une autre personne lorsqu'on se trouve à l'extérieur pour tondre le gazon.

Utilisation dans les pentes

Les pentes sont un des facteurs principaux de chute accidentelle, qui peut être la cause de blessures graves. Il est nécessaire d'être particulièrement prudent en présence de pentes. En cas d'appréhension sur une pente, ne pas utiliser la tondeuse.

Veiller à :

- Tondre d'un côté à l'autre des pentes, jamais vers le haut ou vers le bas.
- Enlever les obstacles tels que pierres, branches d'arbres, etc.
- Faire attention aux trous, ornières et tout autre objet dissimulé. Un terrain irrégulier pourrait causer une chute accidentelle. L'herbe haute peut dissimuler des obstacles.

Veiller à :

- Ne pas tondre à proximité de rupture de pente, de fossés ou de remblai. Cela pourrait faire perdre pied ou l'équilibre.
- Ne pas tondre le gazon mouillé ou sur une pente trop importante. Un appui au sol irrégulier pourrait causer une chute accidentelle.

Manipulation sécuritaire de l'essence

Pour éviter les blessures corporelles et les dommages matériels, prendre grand soin dans la manipulation de

l'essence. L'essence est extrêmement inflammable et les vapeurs sont explosives.

- Éteindre cigarettes, cigares, pipes et autres sources d'allumage.
- N'utiliser que des récipients approuvés.
- Ne jamais retirer le bouchon d'essence ni ajouter du carburant lorsque le moteur est en marche.
- Laisser le moteur refroidir avant de remplir le réservoir.
- Ne jamais remplir le réservoir à l'intérieur d'un bâtiment.
- Ne jamais entreposer la machine ou le bidon d'essence à proximité d'une flamme nue, d'étincelles ou d'une veilleuse, comme un chauffe-eau ou tout autre appareil similaire.
- Ne jamais remplir des contenants de carburant à l'intérieur d'un véhicule ou sur la plateforme d'un camion ou d'une remorque avec des garnitures en plastique. Toujours placer les contenants sur le sol loin d'un véhicule avant le remplissage.
- Retirer tout équipement à essence du camion ou de la remorque et faire le remplissage sur le sol. Quand cela n'est pas possible, faire le remplissage de tel équipement avec un bidon portable plutôt qu'avec un pistolet distributeur d'essence.
- Garder le pistolet distributeur en contact avec le bord du réservoir de carburant ou de l'ouverture du bidon à tout moment jusqu'à obtention du plein. Ne pas utiliser de dispositif à ouverture bloquée du pistolet distributeur.
- En cas de déversement de carburant sur les vêtements, changer immédiatement de vêtement.
- Ne jamais trop remplir un réservoir de carburant.
- Remettre le bouchon d'essence en place et bien serrer.

Entretien général

- Ne jamais faire fonctionner la machine dans un endroit fermé.
- Ne jamais faire de réglage ou de réparation lorsque le moteur est en marche. Débrancher le fil de la bougie et tenir le fil à l'écart de la bougie pour éviter tout démarrage accidentel.
- Garder les boulons et écrous serrés afin de s'assurer que l'équipement est en état de fonctionnement sécuritaire.
- Ne jamais altérer les dispositifs de sécurité. Vérifier leurs fonctionnalités régulièrement. Ne jamais compromettre le fonctionnement prévu d'un dispositif de sécurité ni réduire la protection fournie par un tel dispositif.
- Garder la machine exempte d'herbe, de feuilles ou de toute autre accumulation de débris. Nettoyer les éclaboussures d'huile ou d'essence. Laisser la machine refroidir avant de la remiser.
- Arrêter et inspecter la machine si elle heurte un objet. Effectuer les réparations si nécessaires avant de redémarrer.
- Ne jamais essayer de faire des réglages de la hauteur des roues pendant que le moteur est en marche.
- Les composants du collecteur d'herbe sont sujets à l'usure, aux dommages et à la détérioration. Ils pourraient donc exposer les parties mobiles ou permettre la projection d'objets. Vérifiez fréquemment ces différents éléments et remplacez-les, si nécessaire, par des pièces détachées recommandées par le fabricant.
- Les lames de tondeuse sont aiguisées et coupantes. Envelopper les lames ou porter des gants et s'assurer d'être particulièrement prudent lors de leur entretien.
- Ne pas modifier les paramètres du régulateur de vitesse du moteur ni emballer le moteur.
- Entretenir les étiquettes de sécurité et d'instructions et les remplacer au besoin.

RÈGLES DE SÉCURITÉ

IMPORTANT! CETTE MACHINE COUPANTE PEUT AMPUTER LES MAINS ET LES PIEDS ET PROJETER DES OBJETS. L'INOBSERVATION DES CONSIGNES DE SÉCURITÉ SUIVANTES PEUT ENTRAÎNER DES BLESSURES GRAVES OU MORTELLES.



AVERTISSEMENT! Vérifier la présence de ce symbole, qui indique la nécessité d'importantes précautions de sécurité. Ce symbole signifie ATTENTION! RESTER ALERTE! VOTRE SÉCURITÉ EST EN JEU.



AVERTISSEMENT! Pour éviter tout départ accidentel pendant l'installation, le transport, le réglage ou la réparation, toujours débrancher le fil de bougie et le placer de façon à ce qu'il ne puisse pas toucher la bougie.

MISE EN GARDE! Le silencieux et les autres pièces du moteur deviennent très chauds pendant le fonctionnement et restent chaud après l'arrêt du moteur. Pour éviter de graves brûlures au contact avec ces éléments, rester à l'écart de ces zones.



AVERTISSEMENT! Les gaz d'échappement du moteur de cet appareil, certains de ses constituants, et certains composants du véhicule contiennent ou émettent des substances chimiques considérées par l'État de la Californie comme étant cancérogènes et capables de causer des malformations congénitales ou autres effets nuisibles sur les organes reproducteurs.



AVERTISSEMENT! Les cosses et les bornes de la batterie, ainsi que les accessoires connexes, contiennent du plomb et des composés de plomb, des produits chimiques reconnus par l'État de la Californie comme pouvant causer des cancers, des malformations du fœtus ou tout autre problème lié à la reproduction. Lavez-vous les mains après la manipulation.



AVERTISSEMENT! Cette tondeuse est équipée d'un moteur à combustion interne et ne doit pas être utilisée sur ou près de terrains non entretenus, couverts de buissons, d'arbrisseaux ou d'herbe à moins que le système d'échappement soit équipé d'un pare-étincelles conforme à la législation locale ou nationale (le cas échéant). Si un pare-étincelles est utilisé, il doit être maintenu en bon état de fonctionnement par l'utilisateur.

Les lois fédérales s'appliquent sur les territoires fédéraux. Un pare-étincelles pour le silencieux est disponible chez un concessionnaire autorisé.

Les enfants



AVERTISSEMENT! Les enfants peuvent être gravement blessés ou tués par cet équipement. Veuillez lire attentivement et suivre toutes les consignes de sécurité indiquées ci-dessous.

LES ENFANTS PEUVENT ÊTRE BLESSÉS PAR CET ÉQUIPEMENT. L'American Academy of Pediatrics recommande que les enfants soient âgés d'au moins 12 ans avant de pouvoir utiliser une tondeuse à conducteur à pied et d'au moins 16 ans dans le cas d'un tracteur à gazon.

Des accidents tragiques peuvent se produire si l'utilisateur n'est pas alerte à la présence d'enfants. Les enfants sont souvent attirés par la machine et la tonte de la pelouse. Ne **jamais** supposer que les enfants restent à l'endroit où ils se trouvaient lorsque vous les avez vus précédemment.

- Tenir les enfants éloignés de la zone de travail et sous la supervision d'un adulte responsable, *autre que* l'opérateur.
- Rester sur ses gardes et arrêter la machine si des enfants pénètrent dans la zone.
- Avant et pendant une marche arrière, regarder derrière et devant pour la présence éventuelle de petits enfants.
- Ne jamais laisser un enfant manœuvrer la machine.
- Faire particulièrement attention dans les coins, près des buissons, arbres et tout autre objet pouvant gêner la visibilité.

Utilisation générale

- Lire toutes les instructions des manuels et celles sur la machine avant de démarrer la machine. Bien connaître les commandes et l'utilisation appropriée de la machine avant de la démarrer.
- Ne pas placer les mains ou les pieds près ou sous les pièces en rotation. Toujours se tenir à l'écart de l'ouverture d'éjection.
- Ne laisser que des personnes responsables, qui connaissent les instructions, utiliser la machine.
- Retirer de la zone les objets tels que des pierres, des jouets, des câbles, des os, des branches, etc., qui pourraient être aspirés puis projetés par la lame. Rester derrière la poignée lorsque le moteur est en cours de fonctionnement.
- S'assurer d'être la seule personne présente dans l'aire de tonte, éloigner en particulier les jeunes enfants et les animaux, avant de commencer à tondre. Arrêter la machine si une personne pénètre dans la zone.
- Ne pas faire fonctionner la machine les pieds nus ou en portant des sandales. Toujours porter des chaussures solides qui offrent un bon support aux chevilles pendant la tonte.
- Ne pas tirer la tondeuse en marche arrière à moins que cela ne soit absolument indispensable. Toujours regarder devant et derrière pendant une manœuvre de marche arrière.
- Ne jamais diriger le matériau éjecté vers quiconque. Éviter de projeter du matériel contre un mur ou tout obstacle. Le matériau peut ricocher et revenir vers l'opérateur. Arrêter la lame pour traverser les surfaces de gravier.

Dans l'état de Californie, ceci est exigé par la loi (Code de ressources publiques de Californie Section 4442). D'autres provinces ou zones fédérales peuvent avoir des lois similaires.

REGLAS DE SEGURIDAD

IMPORTANTE: ESTA MÁQUINA CORTADORA ES CAPAZ DE AMPUTAR MANOS Y PIES Y DE ARROJAR OBJETOS. SI NO CUMPLE CON LAS SIGUIENTES INSTRUCCIONES DE SEGURIDAD PUEDE CAUSAR DAÑOS GRAVES O LA MUERTE.



ADVERTENCIA: Busque este símbolo para señalar precauciones de seguridad importantes. Esto significa ¡PRECAUCIÓN! ¡MANTÉNGASE ALERTA! SU SEGURIDAD ESTÁ EN JUEGO.



ADVERTENCIA: Para evitar el arranque accidental cuando realice la configuración, el transporte, el ajuste o las reparaciones, desconecte siempre el cable de la bujía y colóquelo donde no puede entrar en contacto con ella.

AVISO: El silenciador y otras piezas del motor están muy calientes durante el funcionamiento y permanecen calientes después de que el motor se ha detenido. Para evitar quemaduras graves al contacto, manténgase alejado de estas zonas.



ADVERTENCIA: Los gases de escape del motor, algunos de sus componentes y algunos componentes del vehículo contienen o emiten químicos que según el Estado de California provocan cáncer y malformaciones congénitas u otros daños reproductivos.



ADVERTENCIA: Los postes de batería, terminales y accesorios relacionados contienen plomo y compuestos de plomo, químicos que según el Estado de California provocan cáncer y malformaciones congénitas u otros daños reproductivos. Lávese las manos luego de su uso.



ADVERTENCIA: Este cortacésped está equipado con un motor de combustión interna y no debe utilizarse sobre ningún terreno subdesarrollado cubierto de bosque, maleza o césped, o cerca de este, a menos que el sistema de escape del motor esté equipado con un parachispas que cumpla las leyes locales o estatales (si existen). Si se usa un detenedor de chispas, el operador debe mantenerlo en orden de trabajo eficaz.

En el estado de California, lo anterior es requisito de la ley (Sección 4442 del Código de Recursos Públicos de California). Otros estados pueden tener leyes similares. Las leyes federales se aplican a las tierras federales. Se puede obtener un parachispas para el silenciador a través del centro de servicio autorizado más cercano.

Los niños



ADVERTENCIA: Los niños pueden resultar gravemente heridos o morir a causa de este equipo. Lea atentamente las siguientes instrucciones de seguridad y cumpla lo que indica.

LOS NIÑOS PUEDEN RESULTAR LESIONADOS POR ESTE EQUIPO. La Academia Americana de Pediatría recomienda que los niños tengan un mínimo de 12 años antes de operar un cortacésped de manejo a pie y un mínimo de 16 años antes de operar un cortacésped montado.

Pueden ocurrir accidentes trágicos si el operador no está alerta de la presencia de niños. A los niños suelen atraerles las máquinas y el corte del césped. **Nunca** suponga que los niños permanecerán en el mismo lugar en que los vio por última vez.

- Keep children out of the mowing area and under the watchful care of a responsible adult other than the operator.
- Manténgase alerta y apague la máquina si los niños entran al área.
- Antes y mientras camina hacia atrás, mire hacia atrás y hacia abajo en busca de niños pequeños.
- Nunca permita que los niños operen la máquina.
- Sea particularmente cuidadoso cerca de las esquinas, arbustos, árboles u otros objetos que bloqueen su vista.

Funcionamiento general

- Lea, comprenda y siga todas las instrucciones que aparecen en la máquina y en los manuales antes de comenzar. Familiarícese con los controles y el uso correcto de la máquina antes de arrancar.
- No ponga las manos ni los pies cerca o debajo de las piezas giratorias. Manténgase alejado de la abertura de descarga en todo momento.
- Solo permita a individuos responsables que operen la máquina y que estén familiarizados con las instrucciones.
- Despeje el área de objetos tales como rocas, juguetes, cables, huesos, palos, etc., que podrían ser recogidos y arrojados por la cuchilla. Manténgase detrás del manillar cuando el motor esté en marcha.
- Asegúrese de que el área esté despejada de otras personas antes de cortar el césped. Detenga la máquina si alguien entra en el área.
- No opere la máquina con los pies descalzos o mientras usa sandalias. Siempre use un calzado adecuado con buen soporte de tobillo durante el corte.
- No tire del cortacésped hacia atrás, a menos que sea absolutamente necesario. Mire siempre hacia abajo y atrás antes y mientras retroceda.
- Nunca dirija el material que se descarga hacia nadie. Evite descargar el material contra una pared u otra obstrucción. El material puede rebotar de vuelta al operador. Detenga la cuchilla cuando cruce superficies de grava.
- No haga funcionar un cortacésped sin protecciones adecuadas, placas, recogedor de césped u otros dispositivos protectores de seguridad instalados.
- Consulte las instrucciones del fabricante para conocer el correcto funcionamiento y la instalación de accesorios. Utilice solo accesorios aprobados por el fabricante.

SOLUCIÓN DE PROBLEMAS

Programa de solución de problemas



ADVERTENCIA: Si las operaciones de servicio o la solución de problemas no requieren que la máquina esté encendida, el motor debe estar apagado y el cable de la bujía desconectado de la bujía.

Problema	Causa probable	Solución potencial
La máquina no arranca	Procedimiento de arranque incorrecto.	Consulte las instrucciones bajo el título Arranque y detención.
	Filtro de aire obstruido	Limpie el filtro de aire. Cámbiela si fuera necesario.
	No hay combustible en el depósito de combustible	Recargar con combustible
	Bujía defectuosa	Reemplace la bujía.
	El cable de la bujía está desconectado.	Compruebe que el cable esté conectado en la bujía.
	La hoja está floja o el adaptador de la hoja está roto	Apriete el perno de la cuchilla o reemplace el adaptador de la cuchilla.
	La palanca de freno del motor presenta una falla	Póngase en contacto con un taller de servicio autorizado.
	La palanca de la válvula de combustible (si está instalada) está en la posición de apagado	Gire la palanca del paso de combustible a la posición de encendido.
Menos energía	La tensión de la batería es demasiado baja (si está equipada)	Cargue la batería.
	La batería está conectada incorrectamente (si está equipada)	Conecte la batería al motor
	La altura de corte es demasiado baja.	Eleve la altura de corte.
	Corte de césped extremadamente largo	Limpe el filtro de aire. Cámbiela si fuera necesario.
	Filtro de aire obstruido	Limpe el filtro de aire. Cámbiela si fuera necesario.
Corte de césped irregular	Acumulación de césped, hojas y basura bajo el cortacésped	Limpe la parte inferior de la carcasa de la cortadora de césped.
	Hay demasiado aceite en el motor	Revise el nivel de aceite del motor
	La velocidad de avance es demasiado rápida	Reduzca la velocidad de avance.
	La hoja está desgastada doblada o floja	Si la hoja está doblada o dañada, reemplácela.
Vibraciones excesivas	La altura de las ruedas es desigual	Ajuste todas las ruedas a la misma altura
	Acumulación de césped, hojas y basura bajo el cortacésped	Limpe la parte inferior de la carcasa de la cortadora de césped.
Dificultad para tirar de la cuerda de arranque	La hoja está desgastada doblada o floja	Si la hoja está doblada o dañada, reemplácela.
	El cigüeñal del motor está doblado	Póngase en contacto con un taller de servicio autorizado.
	El freno del volante del motor está activado cuando se libera la palanca de freno	Presione la palanca de freno del motor hacia la empuñadura superior antes de tirar de la cuerda de arranque.
El recogedor de césped no se llena (si está equipado)	El cigüeñal del motor está doblado	Póngase en contacto con un taller de servicio autorizado.
	El adaptador de la hoja está roto	Póngase en contacto con su taller de servicio.
	Procedimiento de arranque incorrecto.	Consulte las instrucciones bajo el título Arranque y detención.
Es difícil empujar la máquina hacia delante	La altura de corte es demasiado baja	Eleve la altura de corte.
	Cuchilla gastada	Reemplace la hoja
	El recogedor no ventila el aire	Limpie/revise el recogedor de césped
La unidad funciona de forma lenta	Corte de césped extremadamente largo	Eleve la altura de corte.
	La altura de corte es demasiado baja	Vacíe el recogedor de césped
	El recogedor de césped está demasiado lleno	Ajuste la altura del manillar (si está equipado)
La unidad funciona de forma lenta	La altura de la empuñadura no se ajusta a sus parámetros	Consulte las instrucciones bajo el título Cómo cambiar la correa de transmisión.
	La correa está desgastada	Para obtener más información, consulte la sección "Arranque y detención".
	Correa fuera de la polea	
	El cable del embrague está desgastado, dañado o poco tenso	

REGLAS DE SEGURIDAD

- Detenga la cuchilla cuando cruce superficies de grava.
- Nunca deje la máquina en funcionamiento sin vigilar.
- Detenga el motor y espere hasta que la cuchilla se detenga por completo antes de limpiar la máquina, quitar el recogedor de césped o desatascar el conducto de expulsión.
- Corte el césped solo durante el día o con buena luz artificial.
- No opere la máquina mientras esté bajo la influencia de alcohol o drogas.
- Nunca opere la máquina sobre césped húmedo. Preste atención mientras camina: mantenga firmemente el manillar y camine, nunca corra.
- Desacople el sistema de transmisión, si lo tiene, antes de arrancar el motor.
- Si el equipo comenzara a vibrar de forma anormal, detenga el motor y revise de inmediato para buscar la causa. La vibración es generalmente una advertencia de problemas.
- Use siempre protección ocular cuando opere la máquina.
- Tenga especial cuidado al aproximarse a esquinas ciegas, arbustos, árboles u otros objetos que pueden interrumpir la visión.
- Cuando carga o descarga esta máquina, no exceda el ángulo de funcionamiento máximo recomendado de 15°.
- Use equipo de protección personal (PPE, Personal Protective Equipment) mientras usa esta máquina, incluido (como mínimo) un calzado resistente, protección ocular y protectores auriculares. No realice el corte en pantalones cortos o con calzado de punta abierta.

Siempre informe a alguien más que está afuera de cortando césped.

Operación en pendiente

Las pendientes son un importante factor relacionado con accidentes de caídas y resbalones, lo cual puede dar como resultado lesiones graves. Todas las pendientes requieren tener mucha precaución. Si se siente incómodo en una pendiente, no corte el césped en ella.

Lo que debe hacer:

- Corte el césped a través de la cara de las pendientes, nunca de arriba abajo.
- Retire los obstáculos como rocas, ramas, etc.
- Permanezca atento a agujeros, surcos, baches u objetos ocultos. El terreno irregular podría causar un accidente de caída o resbalones. El césped alto puede ocultar obstáculos.

Lo que no debe hacer:

- No corte cerca de declives, zanjas o terraplenes. Podría perder la estabilidad o el equilibrio.
- No corte sobre césped húmedo o en pendientes excesivamente empinadas. Un terreno deficiente podría causar un accidente de caídas o resbalones.

Manipulación segura de gasolina

Para evitar una lesión personal o un daño en la propiedad, tenga cuidado extremo al manejar la gasolina. La gasolina es extremadamente inflamable y los vapores son explosivos.

- Apague todos los cigarrillos, puros, pipas y otras fuentes de ignición.
- Utilice solo un recipiente aprobado.
- Nunca retire el tapón de la gasolina ni agregue combustible con el motor en funcionamiento.
- Permita que el motor se enfríe antes de reabastecer de combustible.
- Nunca reabastezca de combustible la máquina en interiores.
- Nunca almacene la máquina o el recipiente de combustible donde haya una llama abierta, chispas o luz piloto, como un calentador de agua o en otros dispositivos.
- Nunca llenar los recipientes dentro de un vehículo, en un camión o plataforma de remolque con una cubierta de plástico. Siempre coloque los recipientes en el suelo alejados del vehículo antes de rellenar.
- Retire el equipo que funciona con gasolina del camión o trailer y rellénelo en el suelo. Si esto no es posible, entonces rellene este equipo con un recipiente portátil, en lugar de hacerlo directamente con la boquilla del dispensador de gasolina.
- Mantenga la boquilla en contacto con el borde de la apertura del depósito o recipiente de combustible en todo momento hasta completar el llenado. No use un dispositivo que mantenga abierto el seguro de la boquilla.
- Si el combustible se derrama sobre la ropa, cámbiesela de inmediato.
- Nunca llene en exceso el depósito de combustible.
- Vuelva a colocar la tapa de la gasolina y asegúrela apretándola.

Servicios generales

- Nunca haga funcionar una máquina dentro de una zona cerrada.
- Nunca haga ajustes o reparaciones con el motor en marcha. Desconecte el cable de la bujía y manténgalo lejos de la bujía para evitar el arranque accidental.
- Mantenga todas las tuercas y pernos apretados para asegurarse de que el equipo se encuentra en condiciones de trabajo seguras.
- Nunca manipule los dispositivos de seguridad. Revise con regularidad que operen bien. Nunca haga nada que interfiera con la función prevista de un dispositivo de seguridad ni reduzca la protección proporcionada por un dispositivo de seguridad.
- Mantenga la máquina libre de cualquier acumulación de césped, hojas u otra basura. Limpie los derrames de aceite o combustible. Permita que la máquina se enfríe antes de almacenarla.
- Detenga e inspeccione el equipo si se golpea un objeto. Repárela, de ser necesario, antes de volver a empezar.
- Nunca intente realizar ajustes de altura de la rueda mientras el motor está en marcha.
- Los componentes del recogedor de césped están sujetos a desgaste, daños y deterioro, lo que podría exponer las piezas móviles o permitir que los objetos salgan disparados. Revise con frecuencia los componentes y sustitúyalos con piezas recomendadas por el fabricante, cuando sea necesario.
- Las cuchillas de corte están afiladas y pueden cortar. Envuelva las cuchillas o use guantes y tenga mucha precaución cuando les dé servicio.
- No cambie la configuración del regulador del motor ni aumente en exceso la velocidad del motor.
- Conserve o cambie las etiquetas de seguridad e instrucciones según sea necesario.

CLAVE DE LOS SÍMBOLOS

Clave de los símbolos

ADVERTENCIA: La máquina puede ser una herramienta peligrosa si se usa incorrectamente o se manipula bruscamente, ya que puede causar lesiones graves o mortales para el operador u otras personas.

Lea atentamente el manual de instrucciones y asegúrese de que entiende las instrucciones antes de utilizar la máquina.

Detenga el motor

Arranque el motor

Rápido

Lento

Combustible

Aceite

Estrangulador

PELIGRO, mantenga lejos las manos y los pies.



Tenga cuidado con los objetos que puedan salir despedidos o producir algún impacto por efectos de rebote.



Advertencia: cortadora giratoria. Mantenga las manos y los pies alejados.



Advertencia: piezas giratorias. Mantenga las manos y los pies alejados.



Mantenga a las personas y los animales bien lejos de la zona de trabajo.



Antes y mientras camina hacia atrás, mire hacia atrás y hacia abajo en busca de niños pequeños, animales u otros riesgos que pueden hacer que la caída.



Pendiente peligrosa.



Use protección auricular aprobada.



Explicación de los niveles de advertencia

Las advertencias se clasifican en tres niveles.

AVERTISSEMENT!



ADVERTENCIA: Se usa si existe el riesgo de lesiones graves o la muerte del operador, o daños al entorno si no se siguen las instrucciones del manual.

IMPORTANTE:



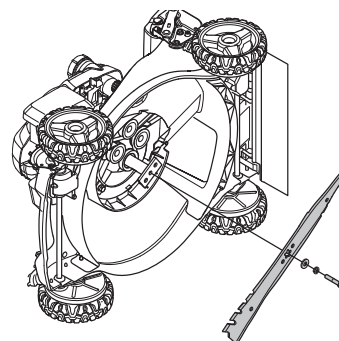
IMPORTANTE: Se usa si existe el riesgo de lesiones para el operador o daños al entorno si no se siguen las instrucciones del manual.

AVISO:

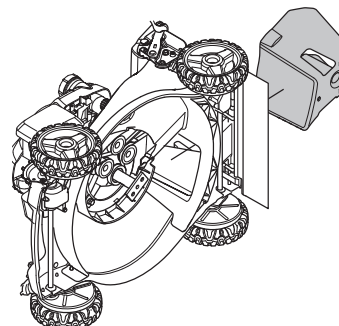
AVISO: Se usa si existe el riesgo de generar daños a los materiales o a la máquina si no se siguen las instrucciones del manual.

MANTENIMIENTO

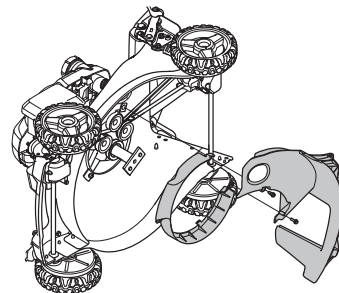
- Extraiga el perno de la cuchilla girándolo en el sentido contrario de las agujas del reloj. Retire la cuchilla y la tornillería de fijación: perno, arandela de bloqueo y arandela endurecida.



- Retire el conector de mantillo.

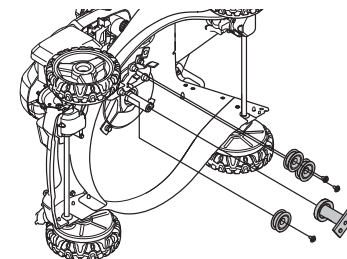


- Quite la pieza trasera.
- Retire la cubierta de la correa y el anillo separador.

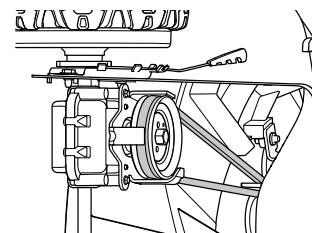


- Desconecte el cable de la transmisión trasera.
- Quite el retenedor de la correa delantera.
- Retire la correa de la polea de transmisión delantera.

- Retire las tres poleas tensoras del conjunto de polea.



- Retire la correa del adaptador de la cuchilla/conjunto de polea del motor y polea tensora.



- Remove rear transmission pulley by clamping locking pliers to the input shaft of the transmission, beneath pulley, and loosen the pulley with a 9/16" box wrench.
- Retire la correa de transmisión antigua.

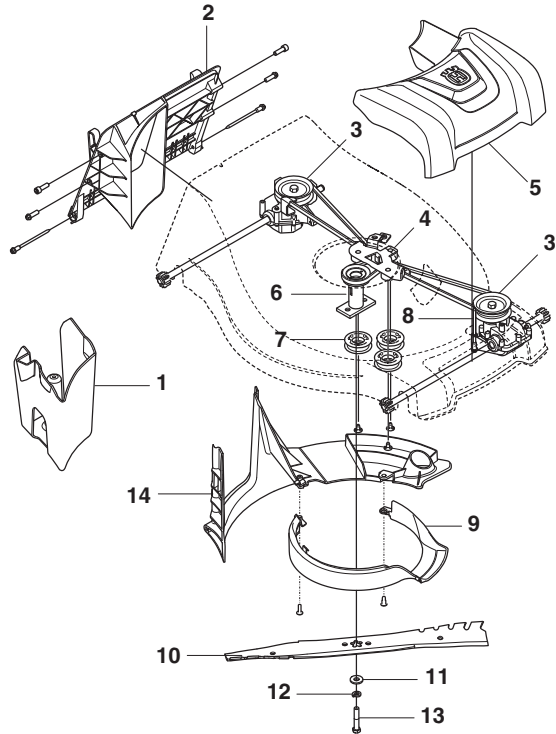
Reemplace la correa de transmisión.

IMPORTANTE: Utilice siempre piezas originales.

- Coloque una correa nueva en la polea de transmisión trasera. Asegúrese de que la correa nueva está dentro de las lengüetas de los sujetadores de la correa.
- Vuelva a instalar la polea de transmisión trasera. Encamine el otro extremo de la correa nueva a través del agujero en la carcasa hacia la polea de transmisión delantera. Tienda la nueva correa a través del conjunto de polea tensora hasta el adaptador de la cuchilla/polea del motor.
- Vuelva a instalar las tres poleas tensoras.
- Coloque el adaptador de la hoja/polea del motor en el cigüeñal del motor. Asegúrese de que la llave en el adaptador de la hoja/polea del motor y la ranura del cigüeñal estén alineados y de que la nueva correa esté dentro de la lengüeta del retenedor de la correa. Instale la nueva correa en la polea de transmisión delantera.
- Reinstale el retenedor de correa delantera. Asegúrese de que la correa nueva está dentro del retenedor de la correa delantera.
- Vuelva a instalar la cubierta de la transmisión.
- Vuelva a conectar el cable a la transmisión trasera y vuelva a colocar el resorte de retorno en la pieza trasera/retenedor de la correa de transmisión trasera.
- Reinstale la pieza trasera.
- Vuelva a instalar la cuchilla. Consulte las instrucciones en la sección "Reemplazo de las cuchillas".
- Apriete la bujía.

MANTENIMIENTO

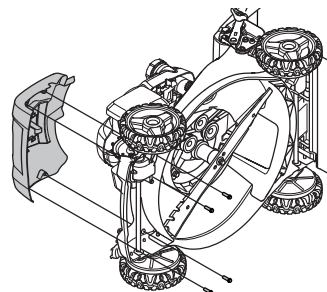
Correa de transmisión



- 1 Conector del mantillo
- 2 Pieza trasera
- 3 Polea del disco de transmisión
- 4 Soporte de la rueda guía
- 5 Cubierta de la unidad
- 6 Adaptador de la cuchilla
- 7 Poleas tensoras
- 8 Retenedor de correa delantera
- 9 Anillo separador
- 10 Hoja
- 11 Arandela endurecida
- 12 Arandela de bloqueo
- 13 Tornillo de la cuchilla
- 14 Cubierta de la correa

Retiro de la correa de transmisión

- Vacíe el depósito de combustible haciendo funcionar la máquina hasta vaciarlo.
- Siempre desconecte la bujía antes de realizar tareas de mantenimiento o de acceder a las piezas móviles.
- Ubique el cortacésped de costado. Asegúrese de que el filtro de aire y carburador estén orientados hacia arriba.
- Quite la cubierta de la unidad.



CONTENIDO

Contenido

REGLAS DE SEGURIDAD

Los niños	28
Funcionamiento general	28
Operación en pendiente	29
Manipulación segura de gasolina	29
Servicios generales	29

CLAVE DE LOS SÍMBOLOS

Clave de los símbolos	30
Explicación de los niveles de advertencia	30

CONTENIDO

Contenido	31
-----------------	----

PRESENTACIÓN

Responsabilidades del cliente	32
El cortacésped	32
Pasos antes de utilizar un nuevo cortacésped	33

¿PARA QUÉ SIRVE CADA COSA?

¿Para qué sirve cada cosa del cortacésped?	34
--	----

EQUIPO DE SEGURIDAD DE LA MÁQUINA

Información general	35
---------------------------	----

MONTAJE Y AJUSTES

Información general	36
Retiro del cortacésped desde la caja	36
Manija	36
Recogedor de césped	37
Empuñadura de arranque	37
Conversión del cortacésped	37
Altura de corte	38
Llenado de aceite	38

MANEJO DEL COMBUSTIBLE

Información general	39
Llenado de combustible	39
Transporte y almacenamiento	39

FUNCIONAMIENTO

Equipo de protección personal	40
Instrucciones generales de seguridad	40
Técnicas básicas de trabajo	42
Transporte y almacenamiento	42
Arranque y parada	43

MANTENIMIENTO

Información general	44
Programa de mantenimiento	44
Recomendaciones generales	45
Inspección general	45
Lubricación general	45
Limpieza	45
Motor	46
Silenciador	47
Bujía	47

Filtro de aire	47
Hoja	48
Correa de transmisión	50
SOLUCIÓN DE PROBLEMAS	
Programa de solución de problemas	52

PRESENTACIÓN

Responsabilidades del cliente

- Lea y observe las reglas de seguridad.
- Siga el programa de mantenimiento en este manual. Cualquier tipo de mantenimiento distinto al que se describe en este manual debe realizarlo el proveedor de servicios (vendedor minorista).

El cortacésped

Número de serie:	
Fecha de compra:	
Los números de serie y de modelo se ubican en una etiqueta adherida a la parte trasera de la carcasa del cortacésped. Debe registrar tanto el número de serie como la fecha de compra y mantenerlos en un lugar seguro para futuras referencias.	

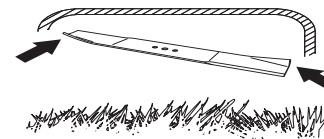
Especificaciones del producto

Capacidad y tipo de gasolina	0,98 litros (1,0 cuartos de galón) (solo regular sin plomo)
Tipo de aceite (API SG-SL)	SAE 30 (superior a 0 °C/32 °F) SAE 5W-30 (inferior a 0 °C/32 °F)
Capacidad de aceite	473 ml (16 onzas)
Bujía (separación: 0,75 mm/0,0295")	BPR5ES
Par del tornillo de la hoja	47 a 54 Nm (35 a 40 lb-pie)

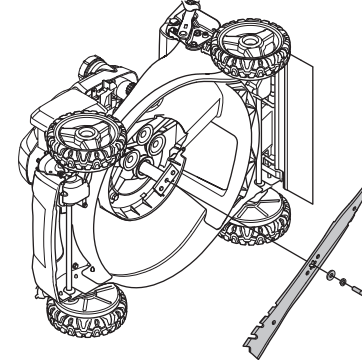
MANTENIMIENTO

Montaje:

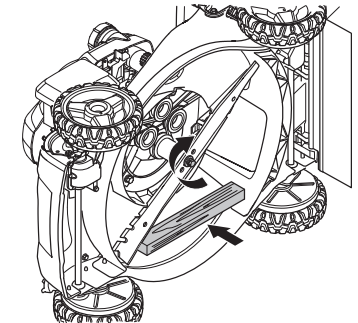
- 1 Coloque el adaptador de la cuchilla en el cigüeñal del motor. Asegúrese de que la llave en el adaptador y la chaveta del cigüeñal estén alineados y de que la nueva correa de transmisión esté dentro de la lengüeta del retenedor de la correa.
- 2 La hoja debe estar montada con los extremos acodados en dirección hacia el motor.



- 3 Instale el perno de la cuchilla con la arandela de bloqueo y la arandela endurecida en el adaptador de la cuchilla y el cigüeñal.



- 4 Use un bloque de madera entre la cuchilla y la carcasa del cortacésped, y apriete el perno de la cuchilla en el sentido de las agujas del reloj.



- 5 El perno debe apretarse a un par de 47 a 54 Nm / 35 a 40 lb-pie.
- 6 Compruebe que el cable de la bujía está desconectado del motor.



ADVERTENCIA: Desconecte siempre el cable de la bujía y colóquelo donde no pueda entrar en contacto con la bujía para evitar el arranque accidental.

- 7 Gire la hoja de manera manual y asegúrese de que gira sin problemas.

IMPORTANTE:

Siempre tenga cuidado y use su sentido común. Evite todas las situaciones que considere que están más allá de su capacidad. Si todavía se siente inseguro acerca de los procedimientos operativos después de leer estas instrucciones, debería consultar a un experto antes de continuar. Póngase en contacto con un taller de servicio autorizado.

Utilice siempre piezas originales.

MANTENIMIENTO

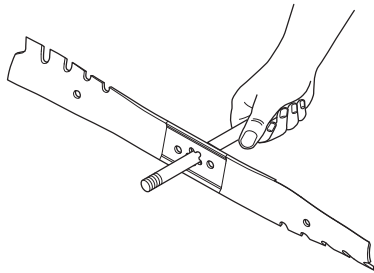
Hoja



ADVERTENCIA: Siempre utilice guantes resistentes para realizar el servicio y el mantenimiento de la cuchilla. La hoja está muy afilada, por lo que se pueden producir cortes con mucha facilidad.

Siempre detenga el motor antes de realizar cualquier trabajo en la hoja. Siga girando incluso después de soltar el acelerador. Asegúrese de que la hoja esté completamente detenida y desconecte el sombrerete de bujía antes de empezar a trabajar en ella.

- Verifique si la cuchilla tiene grietas o presenta algún otro tipo de daño. Siempre debe reemplazar las hojas dañadas.
- Asegúrese siempre de que la cuchilla está bien nivelada y equilibrada correctamente. " Cuando se utiliza un cono de equilibrado, siga las instrucciones proporcionadas con el cono.
- No use un clavo para equilibrar la cuchilla. Los lóbulos del agujero central pueden aparecer centrados, pero no lo están.
- Deslice la cuchilla hacia una parte desenroscada del perno o pasador de acero y sujete el perno o el pasador paralelo al suelo. Si la cuchilla está equilibrada, debe permanecer en posición horizontal. Si uno de los extremos de la cuchilla se mueve hacia abajo, afile el extremo más pesado hasta que la cuchilla esté equilibrada.

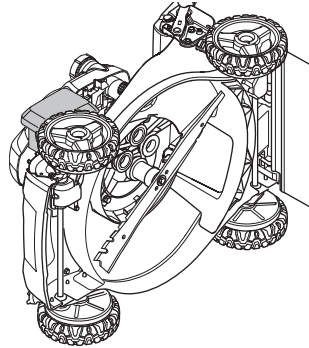


IMPORTANTE: Debe equilibrar las cuchillas después de afilarlas. No recomendamos que afile la cuchilla, ya que esto más el afilado debe realizarlo un taller de servicio autorizado.

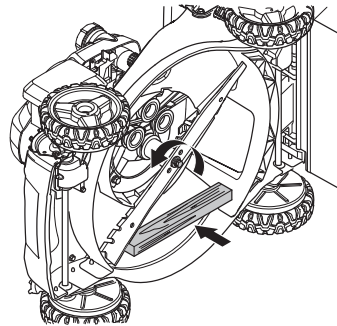
Las hojas dañadas deben reemplazarse de inmediato. NUNCA use un cortacésped con una hoja dañada.

Reemplazo de las cuchillas

- 1 Siempre desconecte la bujía antes de realizar tareas de mantenimiento o de servicio.
- 2 Siempre vacíe el depósito de combustible antes de colocar el cortacésped de su costado. Vacíe el depósito de combustible haciendo funcionar la máquina hasta vaciarlo.
- 3 Ubique el cortacésped de costado. Cuando incline la máquina, asegúrese de que el filtro de aire quede siempre en la posición más alta.



- 4 Use un bloque de madera entre la cuchilla y la carcasa del cortacésped para evitar el giro de la cuchilla cuando saque el perno de esta.



- 5 Extraiga el perno de la cuchilla girándolo en el sentido contrario de las agujas del reloj.
- 6 Quite la cuchilla antigua. Asegúrese de que el adaptador de la cuchilla no tiene daños. También compruebe que el perno de la cuchilla no esté dañado y que el eje del motor no está doblado.

IMPORTANTE: Utilice solo una cuchilla de reemplazo aprobada por el fabricante del cortacésped. Usar una cuchilla no aprobada por el fabricante del cortacésped es peligroso, podría dañar el cortacésped y anular la garantía.

PRESENTACIÓN

Pasos antes de utilizar un nuevo cortacésped

- Lea atentamente el manual de instrucciones.
- Verifique que el equipo de corte está correctamente montado y ajustado. Consulte las instrucciones en el capítulo Montaje.
- Llene con combustible y aceite en el motor. Consulte las instrucciones en el capítulo Manipulación de combustible.



ADVERTENCIA: Bajo ninguna circunstancia podrá modificar el diseño de la máquina sin el permiso del fabricante. Utilice siempre accesorios originales. Las modificaciones o accesorios no autorizados pueden provocar daños personales o la muerte del operador u otras personas.



ADVERTENCIA: Un cortacésped es una herramienta peligrosa si se utiliza incorrectamente o si se manipula bruscamente y puede provocar lesiones graves e incluso fatales. Es muy importante que lea y comprenda el contenido de este manual de usuario.



ADVERTENCIA: La inhalación a largo plazo de los gases de escape del motor puede representar un peligro para la salud.



ADVERTENCIA: Para evitar el arranque accidental cuando realice la configuración, el transporte, el ajuste o las reparaciones, desconecte siempre el cable de la bujía y colóquelo donde no puede entrar en contacto con ella.



ADVERTENCIA: El silenciador se calienta mucho durante el uso y permanece así durante un corto período posteriormente. No toque el silenciador si está caliente.



ADVERTENCIA: Los gases de escape del motor, algunos de sus componentes y algunos componentes del vehículo contienen o emiten químicos que según el Estado de California provocan cáncer y malformaciones congénitas u otros daños reproductivos.



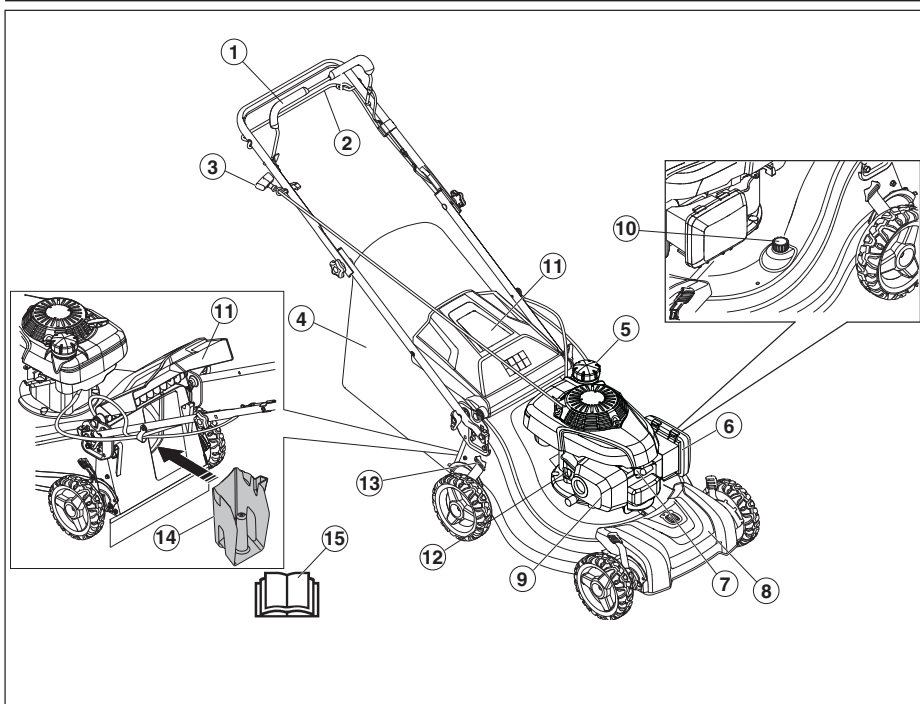
ADVERTENCIA: Los postes de batería, terminales y accesorios relacionados contienen plomo y compuestos de plomo, químicos que según el Estado de California provocan cáncer y malformaciones congénitas u otros daños reproductivos. Lávese las manos luego de su uso.



ADVERTENCIA: Este cortacésped está equipado con un motor de combustión interna y no debe utilizarse sobre ningún terreno subdesarrollado cubierto de bosque, maleza o césped, o cerca de este, a menos que el sistema de escape del motor esté equipado con un parachispas que cumpla las leyes locales o estatales (si existen). Si se usa un detenedor de chispas, el operador debe mantenerlo en orden de trabajo eficaz.

En el estado de California, lo anterior es requisito de la ley (Sección 4442 del Código de Recursos Públicos de California). Otros estados pueden tener leyes similares. Las leyes federales se aplican a las tierras federales. Se puede obtener un parachispas para el silenciador a través del centro de servicio autorizado más cercano.

¿PARA QUÉ SIRVE CADA COSA?



¿Para qué sirve cada cosa del cortacésped?

- | | |
|------------------------------|---|
| 1 Palanca de freno del motor | 9 Silenciador |
| 2 Agarradera de control | 10 Puerto de lavado |
| 3 Empuñadura de arranque | 11 Deflector trasero |
| 4 Recogedor de césped | 12 Tapón de aceite del motor con varilla de nivel |
| 5 Tapón de combustible | 13 Control de altura de corte |
| 6 Filtro de aire | 14 Conector del mantillo |
| 7 Bujía | 15 Manual del usuario |
| 8 Cubierta de la unidad | |

MANTENIMIENTO

AVISO: El llenado de aceite inicial requiere una menor cantidad de aceite debido a los residuos de aceite en el motor de las pruebas de calidad del 100 % de los fabricantes. Durante el cambio de aceite necesita una cantidad de aceite superior a la del llenado inicial.

Agregar aceite

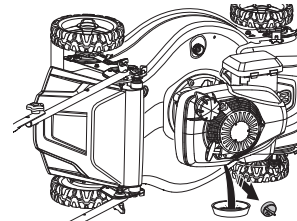
- 1 El cortacésped debe estar sobre una superficie plana cuando compruebe el nivel de aceite. Asegúrese de sacar el cable de encendido desde la bujía antes de abrir el tapón de llenado de aceite.
- 2 Retire el tapón de aceite y limpie la varilla de nivel.
- 3 Vierta lentamente el aceite por el tubo de llenado de aceite y deténgase al verter algunos mililitros para comprobar el nivel de aceite con la varilla.
- 4 Deje de agregar aceite cuando llegue a la marca FULL (Lleno) en la varilla. Espere un minuto para dejar asentarse el aceite.
- 5 Asegúrese siempre de volver a apretar la varilla de aceite antes de hacer arrancar el motor.
- 6 Vuelva a montar el cable en la bujía.

Cambiar aceite

AVISO: El nivel de aceite debe comprobarse siempre antes de arrancar el motor.

Limpie con más frecuencia si las condiciones son excepcionalmente polvorientas. Siga el programa de mantenimiento en este manual.

- 1 Desconecte el cable de bujía de la bujía.
- 2 Siempre vacíe el depósito de combustible antes de colocar el cortacésped de su costado. Vacíe el depósito de combustible haciendo funcionar la máquina hasta vaciarlo.
- 3 Destornille el tapón de llenado de aceite.
- 4 Coloque un recipiente adecuado para recolectar el aceite drenado.
- 5 Drene el aceite inclinando el motor para que el aceite fluya a través del tubo de llenado. Cuando incline la máquina, asegúrese de que el filtro de aire quede siempre en la posición más alta. Pregunte dónde puede deshacerse de los excedentes de aceite del motor en su estación de gasolina local.



- 6 Si derramó combustible o aceite de motor sobre la máquina, limpie el derrame y deje que el combustible restante se evapore.
- 7 Vierta lentamente el aceite por el tubo de llenado de aceite y deténgase al verter algunos mililitros para comprobar el nivel de aceite con la varilla. No lo llene demasiado.
- 8 Asegúrese siempre de volver a apretar la varilla de aceite antes de hacer arrancar el motor.
- 9 Vuelva a conectarlo al cable de bujía.

Silenciador

Si el silenciador está corroído o está dañado de alguna otra manera, debe reemplazarse, porque puede convertirse en un peligro de incendio o causar lesiones.

Bujía

AVISO: Utilice siempre el tipo de bujía recomendado. Usar la bujía incorrecta puede dañar el pistón/cilindro.

- Reemplace la bujía al comienzo de cada temporada de corte de césped o después de cada 100 horas de funcionamiento, lo que ocurra primero. El tipo de bujía de encendido y el ajuste de la brecha aparecen en la sección "Especificación del producto" de este manual.

Filtro de aire

El motor no funcionará correctamente y podría dañarse si se usa un filtro de aire sucio. Reemplace el cartucho del filtro de aire cada 100 horas de funcionamiento o cada temporada, lo que ocurra primero. Dé servicio al limpiador de aire con más frecuencia bajo condiciones de polvo.

- Quite la tapa del filtro de aire y saque el filtro.
- Limpie el filtro golpeándolo contra una superficie plana. Nunca utilice disolventes con petróleo, por ejemplo, queroseno o aire comprimido para limpiar el filtro.
- Un filtro de aire que se ha utilizado durante un largo período no se puede limpiar completamente. Por lo tanto, el filtro debe reemplazarse por uno nuevo en intervalos regulares. **Siempre debe reemplazar un filtro de aire dañado.**
- Durante el montaje, asegúrese de que el filtro se sella completamente contra el portafiltro.

MANTENIMIENTO

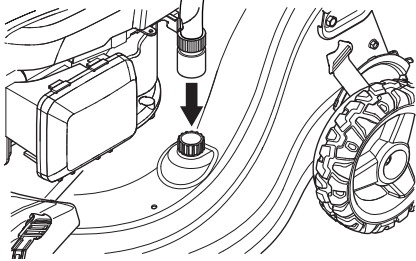
Cajas de engranajes

- Para mantener funcionando correctamente el sistema de transmisión, las cajas de engranajes y el área alrededor de la unidad deben mantenerse limpias y libres de acumulación de basura. Limpie debajo de la cubierta de la unidad dos veces por temporada.
- Las cajas de engranajes se llenan de lubricante al nivel adecuado en la fábrica. La única vez que el lubricante necesita atención es cuando se realiza servicio en la caja de engranajes.
- Con un uso normal, el recogedor de césped está sujeto al deterioro y desgaste. Revise el recogedor de césped frecuentemente en busca de desgaste o deterioro. Reemplace la bolsa solo con bolsas para césped que cumplan con las recomendaciones y especificaciones del fabricante.

Función de lavado de agua

El cortacésped está equipado con un adaptador que permite una limpieza rápida y fácil de la parte inferior de la caja. Tenga en cuenta que el agua, el césped y otros restos se drenan desde debajo de la carcasa del cortacésped durante el proceso de lavado.

- Mueva la máquina a una zona de césped cortado u otra superficie dura.
- Retire el recogedor de césped o el conector del mantillo del cortacésped.
- Cierre la protección trasera.
- Conecte una manguera de jardín al racor del puerto de lavado.



- Suministre agua y compruebe que no haya fugas en la conexión.
- Si no hay fugas, arranque el motor y deje que funcione hasta que la parte inferior del cortacésped esté limpia.

AVISO: No active el sistema de transmisión durante el proceso de lavado.

- Apague el motor.
- Corte el suministro de agua y retire la manguera desde la conexión.

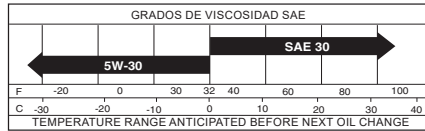
IMPORTANTE: No retire la manguera desde la conexión mientras el motor está funcionando. El agua en el motor puede provocar una reducción de la vida útil del mismo.

- Arranque el motor y deje que funcione durante un minuto para eliminar el exceso de agua del cortacésped.

Motor

Lubricación

Utilice solamente aceite detergente de alta calidad categorizado con la clasificación de servicio API SG-SL. Seleccione el grado de viscosidad SAE del aceite de acuerdo con la temperatura de operación esperada.



AVISO: Aunque los aceites de viscosidad múltiple (5W30, 10W30, etc.) mejoran el arranque en frío, dan como resultado un aumento en el consumo de aceite cuando se utilizan por encima de 0 °C (32 °F). Compruebe el nivel de aceite del motor más a menudo para evitar posibles daños al motor por un funcionamiento con bajo nivel de aceite.

- Compruebe el nivel de aceite del motor antes de arrancar el motor y después de cada 5 horas de uso continuo. Cada vez que revise el nivel de aceite, apriete firmemente el tapón del depósito.

Nivel de aceite

Antes de arrancar por primera vez

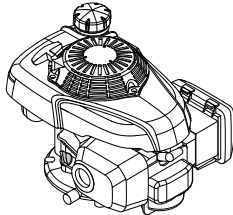
- El depósito de aceite se vacía antes del envío. Llène con aceite hasta la marca FULL (Lleno) de la varilla de nivel. Para conocer más detalles, consulte el manual del fabricante del motor.

IMPORTANTE: No lo llene demasiado.

Revise el nivel de aceite del motor

El cortacésped debe estar sobre una superficie plana cuando compruebe el nivel de aceite. Asegúrese de sacar el cable de encendido desde la bujía antes de abrir el tapón de llenado de aceite.

- Compruebe el nivel de aceite con la varilla de nivel en el tapón de llenado de aceite.



- Retire el tapón de aceite y limpie la varilla de nivel.
- Vuelva a poner la varilla. El tapón de llenado de aceite debe atornillarse por completo para identificar correctamente el nivel de aceite.
- Si el nivel de aceite es bajo, llene con aceite de motor hasta el nivel superior de la varilla de nivel.

EQUIPO DE SEGURIDAD DE LA MÁQUINA

Información general

En esta sección se describe el equipo de seguridad de la máquina y su propósito, y cómo los controles y mantenimiento deben llevarse a cabo para asegurarse de que funciona correctamente.



ADVERTENCIA: Nunca utilice una máquina que tenga el equipo de seguridad defectuoso. Si la máquina no realiza correctamente ninguna comprobación, póngase en contacto con su agente de servicio para repararla.

Evite un arranque accidental quitando el cable de encendido de la bujía.

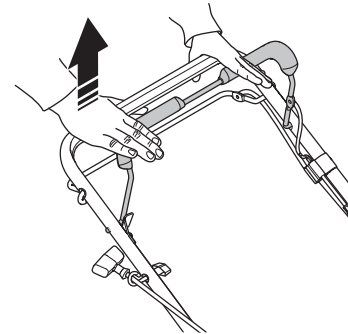
Palanca de freno del motor

IMPORTANTE: Las regulaciones federales requieren la instalación de un control del motor en este cortacésped a fin de minimizar el riesgo de lesiones por contacto con la cuchilla. Bajo ninguna circunstancia trate de anular la función del control del operador. La cuchilla gira cuando el motor está en marcha.

El freno motor está diseñado para detener el motor. Cuando se suelta la empuñadura de la palanca de freno del motor, el motor debe detenerse.

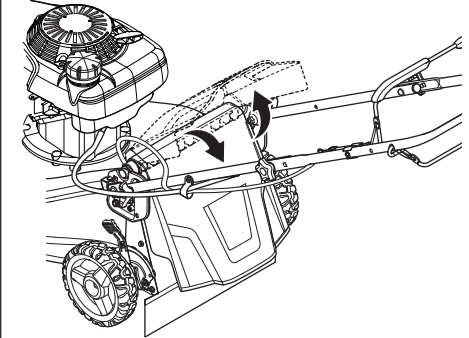
Comprobación de la palanca de freno del motor

- Arranque el motor y, a continuación, suelte la palanca de freno. El motor debería detenerse y la unidad debería desacoplarse.



Deflector trasero

El deflector trasero, conectado entre las ruedas traseras del cortacésped, sirve para minimizar la posibilidad de que los objetos sean expulsados desde la parte trasera del cortacésped hacia la posición de corte del operador.



Inspección del deflector trasero

- Asegúrese de que el deflector trasero no está dañado y que no se aprecian defectos como grietas o resortes rotos que fuerzan el cierre de la puerta. Sustituya el deflector o los resortes si están dañados.

Silenciador



ADVERTENCIA: Nunca utilice una máquina sin un silenciador o con un silenciador defectuoso. Un silenciador dañado puede aumentar considerablemente el nivel de ruido y el peligro de incendio. Mantenga los equipos de extinción de incendios a mano.

El silenciador se calienta mucho durante y después de su uso. Esto también se aplica durante el ralenti. Tenga presente el riesgo de incendio, especialmente cuando se trabaja cerca de sustancias inflamables o vapores.

El silenciador está diseñado para mantener los niveles de ruido al mínimo y para dirigir los gases de escape lejos del usuario.

Revisión del silenciador

- Compruebe con regularidad que el silenciador está completo y fijado correctamente.

MONTAJE Y AJUSTES

Información general



ADVERTENCIA: Evite un arranque accidental quitando el cable de encendido de la bujía.

AVISO: Este cortacésped se entrega sin aceite ni gasolina en el motor.

Retiro del cortacésped desde la caja

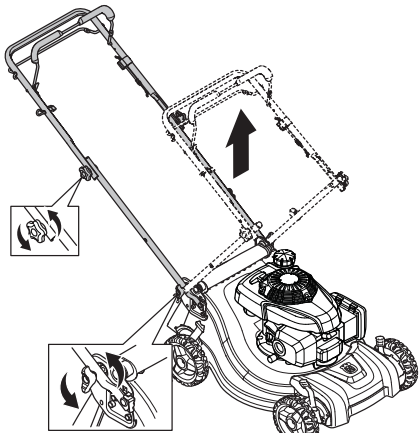
- Retire las piezas sueltas incluidas con el cortacésped.
- Recorte dos esquinas de cartón y asiente el panel final en el suelo.
- Retire todo el material de embalaje, excepto el relleno entre el manillar superior e inferior y el relleno que sujeta la palanca de freno del motor al manillar superior.
- Saque el cortacésped fuera de la caja y asegúrese de que no queden piezas sueltas dentro de la caja.

Manija

AVISO: Tenga cuidado de no dañar los cables y alambres cuando se desenvuelva el manillar.

Posición de funcionamiento

- 1 Levante la empuñadura inferior a la posición de funcionamiento. Alinee los pasadores del manillar con una ranura en el soporte de la empuñadura para fijar una altura cómoda para la empuñadura.



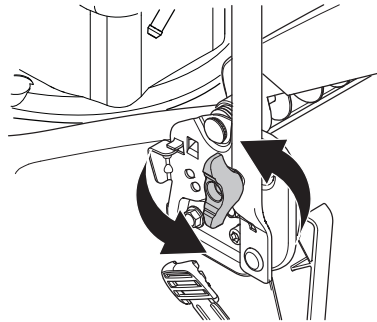
- 2 Apriete las perillas del manillar inferior.

- 3 Quite el relleno de protección, levante el manillar superior hasta la posición correcta sobre el manillar inferior y apriete ambas perillas superiores.
- 4 Saque el material de embalaje alrededor del manillar del freno del motor.

Almacenamiento vertical del manillar

El manillar puede ajustarse en una posición de almacenamiento vertical.

- 1 Suelte las perillas del manillar inferior.
- 2 Gire la empuñadura y alinee los pasadores del manillar con las ranuras verticales en el soporte de la empuñadura.



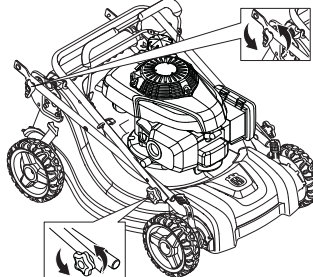
- 3 Vuelva a apretar las perillas.

Posición de almacenamiento/transporte

El conjunto del manillar puede plegarse para minimizar el espacio necesario para el almacenamiento y el transporte.

AVISO: Tenga cuidado de no dañar los cables y alambres al plegar el manillar.

- 1 Suelte las dos perillas del manillar superior y permita que este se pliegue hacia abajo, hacia la parte trasera.
- 2 Suelte las dos perillas del manillar inferior y gire todo el conjunto del manillar hacia delante y deje que descance sobre el cortacésped.



MANTENIMIENTO

hacer alguno de los ajustes descritos en la sección Mantenimiento de este manual.

- Al menos una vez al año, reemplace la bujía, limpie o reemplace el elemento del filtro de aire y revise el desgaste de la cuchilla. Una bujía nueva y un elemento limpio/nuevo del filtro de aire garantizan una mezcla adecuada de aire-combustible y ayudan a que el motor funcione mejor y dure más.
- Siga el programa de mantenimiento en este manual.

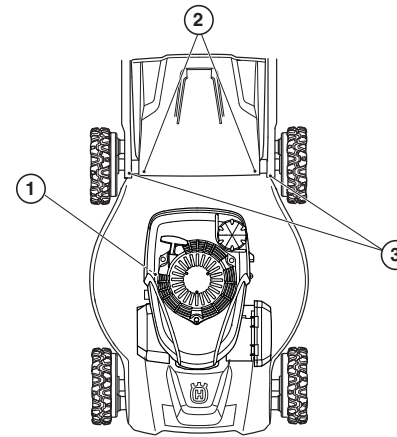
Inspección general

- Revise que las tuercas y tornillos estén apretados.

Lubricación general

AVISO: No aceite ni engrase los cojinetes de las ruedas de plástico. Los lubricantes viscosos atraen el polvo y la suciedad que acortará la vida útil de los cojinetes autolubrificantes. Si siente que deben lubricarse, utilice solamente un tipo de lubricante de grafito en polvo seco con moderación.

Mantenga la unidad bien lubricada.



1	Aceite del motor	Consulte "Motor" en la sección Mantenimiento
2	Bisagra de la puerta trasera	Lubricante en aerosol
3	Pernos de montaje del manillar	

Limpeza



ADVERTENCIA: Siempre desconecte la bujía antes de realizar tareas de mantenimiento o de servicio.

- Elimine hojas, césped y elementos similares fuera del cortacésped.
- Mantenga las superficies acabadas y las ruedas libres de gasolina, aceite, etc.
- Mantenga la parte superior del motor alrededor del motor de arranque despejada y limpia sin recortes de césped y paja. Esto ayudará al flujo de aire en el motor y extenderá la vida útil del mismo.
- Limpie la parte inferior del cortacésped raspándolo para eliminar acumulaciones de césped y basura.
- No use un limpiador de alta presión para limpiar la máquina.
- No use nunca agua directamente sobre el motor.
- Limpie la entrada de aire del motor de arranque. Revise el motor de arranque y el cordón de arranque.
- Cuando limpie debajo de la cubierta de corte, vacíe el depósito de combustible y ponga la máquina en su costado con el silenciador hacia abajo.

AVISO: Con la excepción del puerto de lavado de agua (si está equipado), no recomendamos usar una manguera de jardín para limpiar el exterior del cortacésped, a menos que el sistema eléctrico, el silenciador, el filtro de aire y el carburador estén cubiertos para impedir el ingreso de agua. El agua en el motor puede provocar una reducción de la vida útil del mismo.

Ruedas motrices

Revise siempre las ruedas antes de cortar el césped para asegurarse de que se mueven libremente. Limpie las ruedas si no giran libremente.

- 1 Quite el perno.
- 2 Quite las ruedas de los ajustadores de rueda.
- 3 Quite toda la basura o los cortes de césped desde el interior de la tapa de polvo, el piñón o los dientes del engranaje de la rueda motriz.
- 4 Sustituya las ruedas.

Si después de la limpieza, las ruedas motrices no giran libremente, póngase en contacto con un taller de servicio autorizado.

Recogedor de césped

- Los poros en los recogedores de césped de tela pueden llenarse de suciedad y polvo con el uso, y el recogedor de césped atraparé menos césped. Para evitar esto, lave regularmente con una manguera el recogedor de césped y deje secar antes de usarlo.
- Revise el recogedor de césped frecuentemente en busca de desgaste o deterioro. Cámbiela si fuera necesario.

MANTENIMIENTO

Información general



ADVERTENCIA: El usuario solo debe llevar a cabo el trabajo de mantenimiento y servicio descrito en este manual. Un taller de servicio autorizado se debe encargar de realizar una labor más amplia.

Apague el motor antes de realizar cualquier comprobación o mantenimiento. Detenga el motor y espere hasta que la cuchilla se detenga por completo antes de limpiar la máquina, quitar el recogedor de césped o desatascar el conducto de expulsión. Evite un arranque accidental quitando el cable de encendido de la bujía. También debe sacar la llave del motor de arranque o la batería en máquinas con arranque eléctrico.

La vida útil de la máquina se puede reducir y el riesgo de accidentes puede aumentar si el mantenimiento de la máquina no se realiza correctamente y si el servicio o las reparaciones no se llevan a cabo de forma profesional. Si necesita más información, comuníquese con su taller de servicio más cercano.

- Permita que un concesionario autorizado o un centro de servicio autorizado examinen frecuentemente el producto para realizar ajustes o reparaciones.
- Cambie todas las piezas dañadas, desgastadas o rotas.
- Utilice siempre accesorios originales.

Programa de mantenimiento

En el programa de mantenimiento puede ver las partes de la máquina que requieren mantenimiento y con qué frecuencia se debe realizar. Los intervalos se calculan sobre la base de un uso promedio de la máquina y pueden variar dependiendo de la frecuencia del uso personal.

Mantenimiento diario	Antes del uso	Después de cada uso	Cada 10 horas	Cada 25 horas	Cada 100 horas	Antes del almacenamiento
Cortacésped						
Apriete los pernos y las tuercas.	X					X
Limpiar/revisar el recogedor de césped *	X	X				X
Revisar los neumáticos	X					
Revisar las ruedas de tracción ***	X					
Limpiar la máquina ****		X				X
Revisar bajo la cubierta de la unidad ***			X			
Revisar la correa de transmisión/poleas ***				X		
Verificar que la cortadora no esté dañada ni agrietada. Reemplazar la cortadora si es necesario.				X ¹		
Lubricación general				X		
Limpiar y recargar la batería **				X		X ²
Motor						
Revise el nivel de aceite del motor	X ³					
Cambie el aceite del motor *****						
Limpie el filtro de aire. Cámbiela si fuera necesario. *****						
Revise que el silenciador está conectado correctamente y no está dañado.				X		
Reemplace la bujía.					X	
Vacíe el depósito de combustible o agregue estabilizador						X

* Si está equipado

** Máquinas equipadas con arranque eléctrico

*** Máquinas impulsadas eléctricamente

**** Use un raspador para limpiar debajo del equipo

***** Consulte el manual del motor

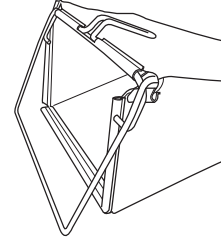
Nota 1: Reemplace las cuchillas más a menudo cuando corte césped en suelos arenosos. Nota 2: Cargue la batería por un máximo de 48 horas. Nota 3: Y después de cinco horas de uso.

MONTAJE Y AJUSTES

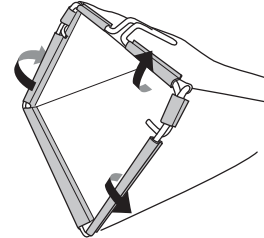
Recogedor de césped

Montaje del recogedor

- 1 Coloque el bastidor del recogedor de césped en la bolsa para césped con la parte rígida de la bolsa en la parte inferior. Asegúrese de que el mango del bastidor esté fuera de la parte superior de la bolsa.



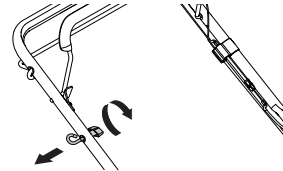
- 2 Asegure la bolsa para césped en el bastidor con los clips de acción rápida.



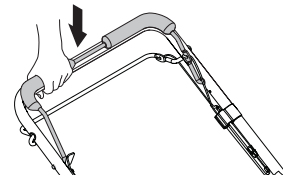
Empuñadura de arranque

Instalación de la empuñadura de arranque

- 1 Suelte la perilla T.



- 2 Sujete la palanca de freno del motor contra el manillar superior.



- 3 Agarre la empuñadura de arranque del motor y, cuidadosamente, tire de ella hasta que la cuerda de arranque pueda deslizarse en el lazo de la guía de cuerda.

- 4 Apriete la perilla T.

Conversión del cortacésped

El cortacésped se suministra listo para usarse en el modo de trituración.

El modo de trituración vuelve a cortar el césped muchas veces, lo que permite reducir en tamaño los recortes, de modo que, al caer sobre el césped, se dispersen en él y no se noten. Además, el césped triturado se biodegrada rápidamente para proporcionar nutrientes al césped.

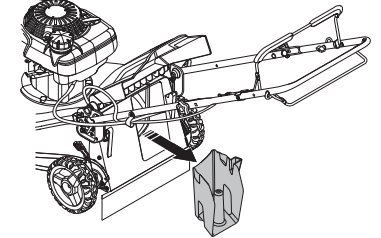
Use la bolsa trasera para recoger el césped cortado dentro del recogedor de césped.



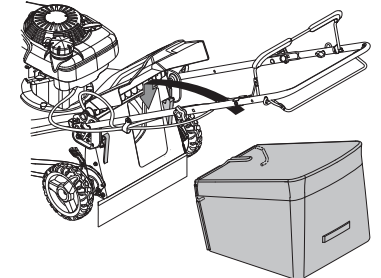
ADVERTENCIA: No ponga en marcha el cortacésped con la puerta trasera abierta o sin el recogedor de césped aprobado en su lugar. Nunca intente manejar el cortacésped con la puerta trasera retirada o abierta por completo.

Bolsa trasera

- 1 Levante el protector trasero y saque el conector del mantillo.



- 2 Levante el protector trasero y coloque los ganchos del bastidor del recogedor de césped en los soportes de la bolsa para césped.

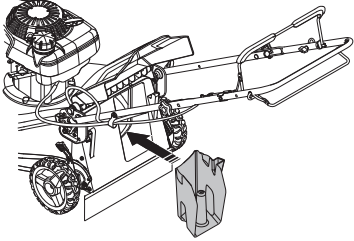


- 3 Libere el protector trasero y permita que descansa sobre la parte superior del bastidor de la bolsa para césped.

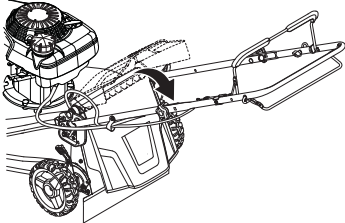
MONTAJE Y AJUSTES

Trituración

- 1 Levante el protector trasero y saque la bolsa para césped (si está equipada).
- 2 Inserte el conector de mantillo en el canal del colector.

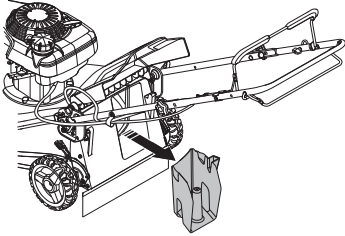


- 3 Deje que el protector trasero se cierre y asegúrese de que el protector trasero está cerrado firmemente contra el conector de mantillo.

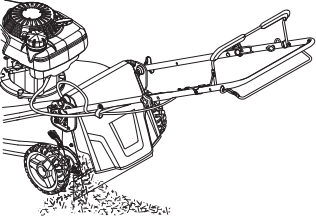


Descarga lateral trasera

- 1 Levante el protector trasero y saque el conector de mantillo o la bolsa para césped (si está equipada).



- 2 Cierre el protector trasero para permitir que la máquina descargue material hacia la izquierda de la máquina durante el corte.

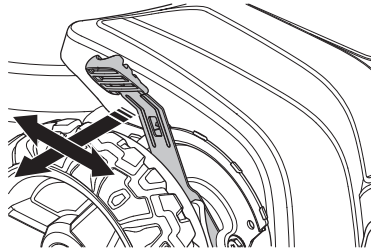


Altura de corte

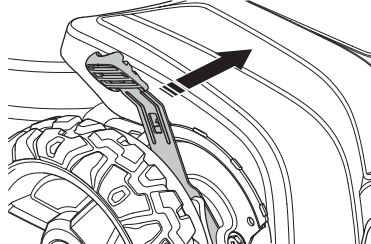
La altura de corte se puede ajustar en nueve posiciones diferentes (de 1 a 9).

Levante las ruedas para un corte bajo y baje las ruedas para un corte alto. Ajuste la altura de corte para que se adapte a sus necesidades. La posición media es la mejor para la mayoría de los terrenos.

- Para cambiar la altura de corte, presione la palanca de ajuste de altura hacia la rueda. Mueva la rueda hacia arriba o hacia abajo para que se adapte a sus necesidades. Establezca la misma altura en las cuatro esquinas.



- La palanca de ajuste se carga por resorte.



Llenado de aceite

- El depósito de aceite se vacía antes del envío. Llene con aceite hasta la marca FULL (Lleno) de la varilla de nivel. Para conocer más detalles, consulte el manual del fabricante del motor.

IMPORTANTE: No lo llene demasiado.

FUNCIONAMIENTO

- Cubra la unidad con una cubierta protectora adecuada que no retenga la humedad. No use plástico. El plástico no es permeable, lo que permite la formación de condensación y provocará que la unidad se oxide. **Nunca cubra el cortacésped mientras las áreas del motor y el escape sigan calientes.**
- Para el transporte y almacenamiento del combustible, consulte la sección "Manejo del combustible".

Arranque y parada

Antes de empezar



ADVERTENCIA: Lea atentamente el manual de instrucciones y asegúrese de que entiende las instrucciones antes de utilizar la máquina.

Use equipo de protección personal. Consulte las instrucciones bajo el título "Equipo de protección personal".

- Mantenga a las personas y los animales bien lejos de la zona de trabajo.
- Realice el mantenimiento diario. Consulte las instrucciones en la sección "Mantenimiento".
- Asegúrese de que el cable de encendido esté correctamente asentado en la bujía.
- Agregue aceite si fuera necesario. Consulte las instrucciones en el capítulo Mantenimiento.
- Agregue gasolina. "Manejo del Combustible"
- Desacople el sistema de transmisión, si lo tiene, antes de arrancar el motor.

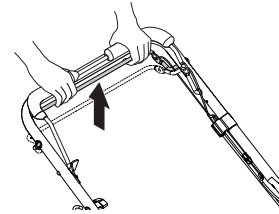
Arranque manual

La palanca de freno del motor debe sostenerse contra el manillar cuando se arranca el motor.

- Colóquese detrás de la máquina.
- Agarre la empuñadura de arranque y tirela rápidamente. No permita que la cuerda de arranque se contraiga. **No enrolle el cordón de arranque alrededor de su mano**

Impulsor

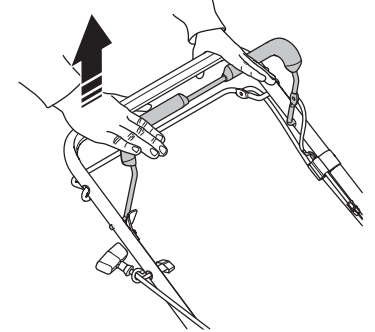
- La autopropulsión se controla sujetando la palanca de freno hacia abajo en dirección al manillar y tirando de la agarradera de control hacia arriba en dirección al manillar. Mientras más tire la agarradera de control en dirección a la empuñadura, más rápido se desplazará la unidad.



- El movimiento de avance se detendrá y sea cuando se liberen la palanca de freno o la agarradera de control.
- Para detener el movimiento de avance sin parar el motor, basta con soltar la agarradera de control. Sujete la palanca de freno hacia abajo contra el manillar para continuar cortando el césped sin autopropulsión.

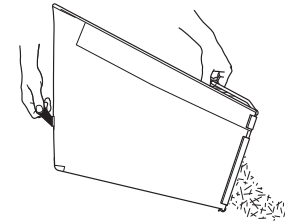
Detención

- Detenga el motor soltando la palanca de freno del motor. La unidad se desacopla también cuando suelta la palanca de freno del motor.



Vaciado del recogedor de césped

- Levante el recogedor de césped usando el mango del bastidor.



- Saque el recogedor de césped con los recortes desde debajo del manillar del cortacésped.
- Vacíe los recortes desde la bolsa utilizando tanto el mango del bastidor como el manillar de la bolsa.

AVISO: No arrastre la bolsa cuando la vacíe, ya que causará un desgaste innecesario.

Recomendaciones generales

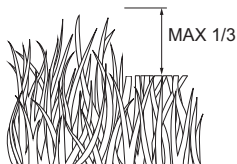
La garantía de este cortacésped no cubre artículos que hayan sido objeto de abuso o negligencia por parte del operador. Para recibir todo el valor de la garantía, el operador debe realizar mantenimiento en el cortacésped según las instrucciones de este manual. Se deberán realizar algunos ajustes de forma regular para realizar un mantenimiento adecuado de la unidad. Al menos una vez por temporada, inspeccione y va si debería

FUNCIONAMIENTO

- No incline la máquina cuando el motor está en marcha.
- Preste especial atención cuando acerque la máquina hacia usted durante el trabajo.
- Nunca levante el cortacésped ni lo transporte cuando el motor esté en marcha. Si debe levantar el cortacésped, en primer lugar, apague el motor y desconecte el cable de encendido de la bujía.
- No corte el césped mientras camina hacia atrás.
- El motor debe estar apagado cuando se mueva sobre terreno que no esté cortado. Por ejemplo, caminos de grava, piedra, guijarros, asfalto, etc.
- No corra con la máquina cuando esté en marcha. Siempre debe caminar con el cortacésped.
- Apague el motor antes de cambiar la altura de corte. Nunca haga ajustes con el motor en marcha.
- Nunca deje la máquina con el motor en marcha sin supervisión. Apague el motor. Asegúrese de que el equipo de corte haya dejado de girar.
- Si se golpea algún objeto extraño o si se producen vibraciones, detenga la máquina de inmediato. Desconecte el cable de bujía de la bujía. Compruebe que la máquina no esté dañada. Repare cualquier daño.
- Nunca dirija el material que se descarga hacia nadie. Evite descargar el material contra una pared u otra obstrucción. El material puede rebotar de vuelta al operador.

Técnicas básicas de trabajo

- Siempre corte con una cuchilla afilada para obtener los resultados óptimos. Una cuchilla desafilada da un corte irregular y el césped queda amarillo en la superficie cortada.
- No realice nunca el corte en más de un tercio de la longitud del césped. Esto se aplica especialmente durante los períodos secos. Primero, realice el corte con el ajuste de altura alto. A continuación, compruebe el resultado y baje hasta una altura adecuada. Si el césped es muy largo, conduzca lentamente y córtelo dos veces si es necesario.



- Para cortes extremadamente difíciles, reduzca el ancho de corte superponiéndose previamente a la ruta cortada y realizando el corte lentamente.
- Corte en diferentes direcciones cada vez para evitar rayas en el césped.
- Antes de tirar de la máquina hacia usted, desconecte la unidad y empuje la máquina hacia delante aproximadamente 10 cm (3").
- Asegúrese de desconectar la unidad al aproximarse a un obstáculo.

Los poros en los recogedores de césped de tela pueden llenarse de suciedad y polvo con el uso, y el recogedor de césped atraparé menos césped. Para evitar esto, lave regularmente con una manguera el recogedor de césped y deje secar antes de usarlo.

Operación en pendiente

Cortar el césped en pendientes puede resultar peligroso. No utilice el cortacésped en pendientes pronunciadas de más de 15°. Todas las pendientes exigen un cuidado adicional. Si se siente inseguro, no corte el césped.

Lo que debe hacer:

- Corte el césped a través de la cara de las pendientes, nunca de arriba abajo.
- Ponga extrema atención al cambiar la dirección en las pendientes.
- Saque obstáculos como piedras, ramas, etc.
- Permanezca atento a agujeros, surcos, baches u objetos ocultos. El terreno irregular podría causar un accidente de caída o resbalones. El césped alto puede ocultar obstáculos.

Lo qué no debe hacer:

- No corte demasiado cerca de bordes, zanjas o bancos.
- Evite cambios bruscos en la dirección.
- No corte el césped húmedo. Es resbaladizo y los neumáticos pueden perder adherencia, de modo que la máquina podría patinar.

Transporte y almacenamiento

- Fije el equipo durante el transporte para evitar daños y accidentes de transporte.
- Almacene el equipo en un área bloqueable para que esté fuera del alcance de los niños y personas no autorizadas.
- Almacene la máquina y su equipo en un lugar seco y a prueba de heladas.
- Cuando carga o descarga esta máquina, no exceda el ángulo de funcionamiento máximo recomendado de 15°.
- Vacíe el depósito de combustible haciendo funcionar la máquina hasta vaciarlo.
- Drene el aceite del motor como se describe en Cambio del aceite del motor.
- Limpie la máquina. Para obtener más información, consulte la sección "Limpieza".
- Realice la lubricación como se muestra en la sección Mantenimiento del manual.
- Apriete los pernos y las tuercas.
- Reemplace o repare los componentes dañados.
- Retoque todas las superficies pintadas que estén oxidadas o descascaradas y lije levemente las superficies antes de pintarlas.
- Coloque el cortacésped en posición de transporte. Consulte "Posición de transporte/almacenamiento" en la sección de Montaje y ajustes de este manual.

MANEJO DEL COMBUSTIBLE

Información general



ADVERTENCIA: Hacer funcionar un motor en un área confinada o mal ventilada puede producir la muerte por asfixia o intoxicación por monóxido de carbono.

El combustible y sus vapores son altamente inflamables y pueden causar lesiones graves cuando se inhalan o si entran en contacto con la piel. Por esta razón, tenga precaución al manipular el combustible y asegúrese de que haya suficiente ventilación.

Los gases de escape del motor están calientes y pueden contener chispas que podrían iniciar un incendio. Nunca arranque la máquina en interiores o cerca de material combustible.

No fume ni coloque objetos calientes cerca del combustible.

Llenado de combustible

- Use gasolina sin plomo nueva, limpia, estándar con un mínimo de 87 octanos. No mezcle aceite con gasolina. Adquiera combustible en cantidades que sea posible usar dentro de un plazo de 30 días, a fin de garantizar su frescura.



ADVERTENCIA: Siempre detenga el motor y deje que se enfríe durante unos minutos antes de reabastecer de combustible. El motor debe apagarse.

Utilice un recipiente para combustible en todo momento para evitar que se derrame.

Llene el depósito de combustible hasta la parte inferior del tubo de llenado del depósito. No lo llene de más. Use gasolina sin plomo nueva, limpia, estándar con un mínimo de 87 octanos. No mezcle aceite con gasolina. Compre combustible en cantidades que se puedan usar en 30 días para garantizar que no esté viejo al usarlo.

Cuando reabastezca de combustible, abra lentamente el tapón de combustible, de modo que cualquier exceso de presión se libere suavemente.

Limpie el área alrededor del tapón de combustible.

Apriete el tapón de combustible cuidadosamente después del reabastecimiento de combustible. La negligencia puede provocar el inicio de un incendio.

Nunca arranque la máquina:

- Si derramó combustible o aceite de motor sobre la máquina, limpie el derrame y deje que el combustible restante se evapore.

- Si derramó combustible sobre usted o su ropa, cámbiense de ropa. Lave cualquier parte de su cuerpo que haya entrado en contacto con el combustible. Utilice jabón y agua.
- Si la máquina tiene fugas de combustible, compruebe regularmente si hay fugas en el tapón y las tuberías de combustible.

Aceite del motor

AVISO: Compruebe el nivel de aceite antes de arrancar el cortacésped. Un nivel de aceite demasiado bajo puede causar graves daños al motor.

- Consulte las instrucciones en la sección "Mantenimiento".
- El aceite de motor se debe cambiar la primera vez después de 5 horas de funcionamiento. Nunca utilice aceite destinado a motores de dos tiempos.

Transporte y almacenamiento

- Almacene y transporte la máquina y el combustible de manera que no exista riesgo de fugas o que los humos entren en contacto con chispas o llamas abiertas, por ejemplo, de máquinas eléctricas, motores eléctricos, relés/conmutadores eléctricos o calderas.
- Cuando almacene y transporte combustible, siempre use los contenedores aprobados para este fin.

Almacenamiento prolongado

- Al almacenar la máquina durante largos períodos, el depósito de combustible debe vaciarse. Póngase en contacto con su estación local de gas para averiguar dónde puede deshacerse del exceso de combustible.
- El estabilizador de combustible es una alternativa aceptable para evitar depósitos pegajosos durante el almacenamiento. Añada estabilizador al combustible en el depósito o en el recipiente de almacenamiento. Siga siempre la proporción de mezcla que se encuentra en el recipiente del estabilizador. Haga funcionar el motor durante al menos 10 minutos después de agregar el estabilizador, para que alcance el carburador. No vacíe el tanque de gasolina y el carburador si utiliza estabilizador de combustible.

AVISO: Los combustibles mezclados con alcohol (llamados gasohol o con etanol o metanol) pueden atraer la humedad, que lleva a la separación y la formación de ácidos durante el almacenamiento.

El gas ácido puede dañar el sistema de combustible de un motor mientras está almacenado. Para evitar problemas de motor, el sistema de combustible se debe vaciar antes de un almacenamiento de más de 30 días. Vacíe el depósito de gasolina, arranque el motor y déjelo funcionar hasta que las tuberías de combustible y el carburador estén vacíos. Use combustible nuevo la temporada siguiente. Nunca use productos limpiadores para motor o carburador en el tanque de combustible porque puede ocurrir un daño permanente.

FUNCIONAMIENTO

Equipo de protección personal

Debe utilizar el equipo de protección personal autorizado siempre que utilice la máquina. El equipo de protección personal no puede eliminar el riesgo de lesiones, pero reducirá el grado de lesiones en caso de que se produzca un accidente. Pida ayuda a su distribuidor para elegir el equipo correspondiente.

Siempre use:

- Botas o zapatos antideslizante y resistentes.
- Pantalones largos y gruesos. No use pantalones cortos, sandalias ni permanezca descalzo.
- Debe utilizar guantes cuando sea necesario; por ejemplo cuando ajusta, inspecciona o limpia la hoja.
- Utilice protectores auriculares para evitar daños en el sistema auditivo. La exposición al ruido puede causar pérdida de audición.
- Utilice siempre gafas de seguridad o protectores oculares mientras use el cortacésped o realice cualquier ajuste o reparación. Recomendamos usar gafas de seguridad estándar o una máscara de seguridad de amplia visión sobre lentes.

Instrucciones generales de seguridad

En esta sección se describen las instrucciones de seguridad básicas para usar la máquina. Esta información nunca es un sustituto de la competencia y experiencia profesionales.

- Lea atentamente el manual de instrucciones y asegúrese de que entiende las instrucciones antes de utilizar la máquina.
- Tenga en cuenta que el operador es responsable de los accidentes o los peligros que ocurren a otras personas o sus propiedades.
- Consulte las instrucciones del fabricante para conocer el correcto funcionamiento y la instalación de accesorios. Utilice solo accesorios aprobados por el fabricante.
- La máquina debe mantenerse limpia. Los avisos y los autoadhesivos deben ser perfectamente legibles.
- Conserve o cambie las etiquetas de seguridad e instrucciones según sea necesario.
- Siempre desconecte la bujía antes de realizar tareas de mantenimiento o de servicio.

Los niños



ADVERTENCIA: Los niños pueden resultar gravemente heridos o morir a causa de este equipo. Lea atentamente las siguientes instrucciones de seguridad y cumpla lo que indica.

LOS NIÑOS PUEDEN RESULTAR LESIONADOS POR ESTE EQUIPO. La Academia Americana de Pediatría recomienda que los niños tengan un mínimo de 12 años antes de operar un cortacésped de manejo a pie y un mínimo de 16 años antes de operar un cortacésped montado. Accidentes graves pueden ocurrir si no está pendiente de la presencia de niños cerca de la máquina. A menudo, a los niños les atrae la máquina y el corte de césped. Nunca dé por un hecho que los niños permanecerán donde usted los vio por última vez.

- Manténgase atento y apague la máquina si entran niños al área de trabajo.
- No utilice nunca la máquina si hay personas, especialmente niños o mascotas, cerca de esta.
- Antes y durante el retroceso, mire detrás de usted y hacia abajo en busca de niños pequeños.

Utilice siempre el sentido común

No es posible abordar todas las situaciones posibles que puede afrontar. Siempre tenga cuidado y use su sentido común. Si entra en una situación en la que se sienta inseguro, deténgase y busque el asesoramiento de expertos. Póngase en contacto con el distribuidor, el agente de servicio o un usuario experimentado. No intente realizar ninguna tarea en la cual se sienta inseguro.



ADVERTENCIA: Esta máquina produce un campo electromagnético durante el funcionamiento. Este campo puede, en determinadas circunstancias, interferir con implantes médicos activos o pasivos. Para reducir el riesgo de lesiones graves o mortales, recomendamos a las personas con implantes médicos que consulten a su médico y al fabricante del implante médico antes de operar esta máquina.



ADVERTENCIA: La máquina puede ser una herramienta peligrosa si se usa incorrectamente o se manipula bruscamente, ya que puede causar lesiones graves o mortales para el operador u otras personas.

Nunca permita que los niños u otras personas no capacitadas usen o le den servicio a la máquina.

Personas con capacidades físicas o mentales reducidas no deben utilizar la máquina, así como personas no aptas por razones de salud, sin la supervisión de una persona responsable de su seguridad.

Nunca permita que otra persona utilice la máquina sin asegurarse primero de que han leído y comprendido el contenido del manual de usuario.

No utilice nunca la máquina si está cansado, bajo la influencia del alcohol o las drogas, medicamentos o cualquier cosa que pudiera afectar su visión, vigilancia, coordinación o criterio.



ADVERTENCIA: Las modificaciones o los accesorios no autorizados pueden provocar graves lesiones o incluso la muerte al usuario u otras personas. Bajo ninguna circunstancia podrá modificar el diseño de la máquina sin el permiso del fabricante.

No modifique este producto ni lo utilice si parece haber sido modificado por otros.

Nunca utilice una máquina que esté defectuosa. Realice las comprobaciones de seguridad, el mantenimiento y las instrucciones de servicio descritas en este manual. Especialistas capacitados y calificados deben llevar a cabo algunas medidas de mantenimiento y servicio. Consulte las instrucciones en el capítulo Mantenimiento.

Utilice siempre accesorios originales.

FUNCIONAMIENTO

Seguridad en el área de trabajo

- Las ramas, palos, piedras, etc., deben ser retirados del césped antes de empezar a cortarlo.
- Los objetos que golpean contra el equipo de corte podría ser arrojado y causar daños a personas y objetos. Mantenga lejos a las personas y a los animales.
- No utilice nunca la máquina en caso de mal tiempo, por ejemplo, en caso de niebla, lluvia, humedad o en lugares con humedad, fuertes vientos, frío intenso, riesgo de rayos, etc. Realizar trabajos en condiciones de mal tiempo es agotador y puede llevar a condiciones peligrosas, por ejemplo, superficies resbalosas.
- No corte el césped húmedo. Es resbaladizo y los neumáticos pueden perder adherencia, de modo que la máquina podría patinar.
- Observe sus alrededores para asegurarse de que nada pueda afectar el control de la máquina.
- Tenga cuidado con raíces, piedras, ramas, fosos, zanjas, etc. El césped alto puede ocultar obstáculos.
- Cortar el césped en pendientes puede resultar peligroso. No utilice el cortacésped en pendientes muy pronunciadas. El cortacésped no se debe usar en inclinaciones mayores a 15 grados.
- Sobre un terreno inclinado debe trabajar a lo largo de la pendiente. Es mucho más fácil trabajar a lo largo de una pendiente que trabajar de arriba abajo.
- Tenga cuidado cuando se acerca a rincones escondidos y objetos que puedan bloquear la vista.

Seguridad en el trabajo

- Un cortacésped está diseñado únicamente para cortar el césped. Todo otro uso está prohibido.
- Siempre informe a alguien más que está afuera de cortando césped.
- No haga funcionar un cortacésped sin protecciones adecuadas, placas, recogedor de césped u otros dispositivos protectores de seguridad instalados.
- Use equipo de protección personal. Consulte las instrucciones bajo el título "Equipo de protección personal".
- No arranque un cortacésped salvo que el cortador y todas las tapas estén correctamente montadas. De lo contrario, el cortador podría soltarse y causar daños personales.
- Asegúrese de que el cortador no golpee objetos extraños como piedras, raíces o elementos similares. Esto puede hacer que el cortador se desafilé y doblar el eje del motor. Si se dobla una hoja o un eje del motor, pueden provocar inestabilidad y vibraciones excesivas, lo que se traduce en un gran riesgo de que se afloje la hoja.
- La palanca de freno nunca debe estar permanentemente anclada al manillar cuando la máquina está funcionando.
- Coloque el cortacésped sobre una superficie firme y plana y arránquelo. Asegúrese de que el cortador no entre en contacto con el suelo u otros objetos.
- Siempre colóquese detrás de la máquina. Permita que todas las ruedas permanezcan en el suelo y mantenga ambas manos en el manillar cuando corte césped. Mantenga las manos y los pies alejados de las cuchillas giratorias.