

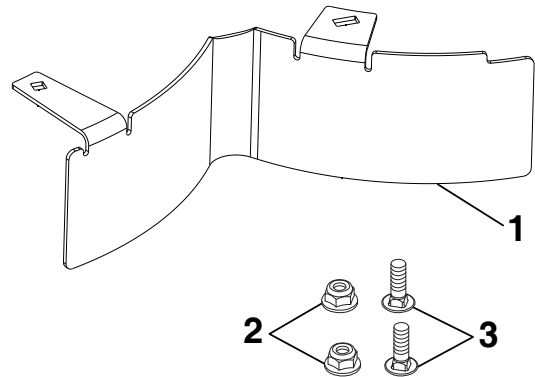
598011601 54 CC BOLT ON BAFFLE KIT INSTRUCTIONS



Please read the operator's manual carefully and ensure you understand the instructions. The instructions will enable you to assemble and maintain your tractor properly. Always observe the "SAFETY RULES".

KIT CONTENTS:

KEY NO.	PART NO.	DESCRIPTION	QTY.
1	597973402	RH Baffle Bolt On	1
2	873900600	Nut	2
3	872110606	Bolt	2
4	598022501	Baffle Service Kit Instruction Sheet	1



1. Bolt baffle into specified holes using the two nuts and two bolts provided in the kit. Torque nuts to 25-35 ft-lbs.
2. Reinstall blades (torque bolts to 45-55 ft-lbs.) and spin by hand to ensure blades do not contact baffle.
3. Reinstall mower deck on unit.

