

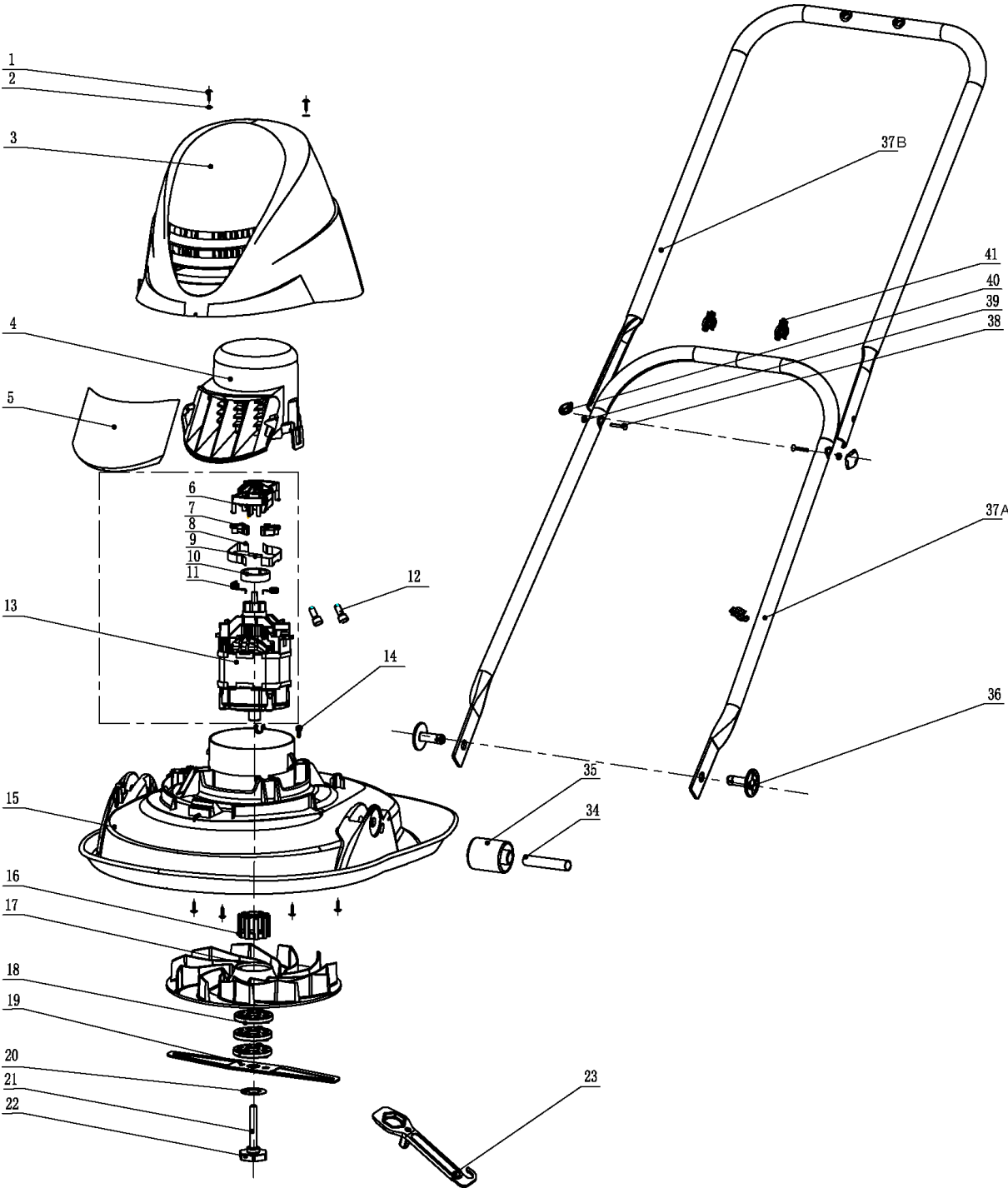


# SPARE PARTS LIST

LAWN MOWERS: ELECTRIC

TURBO LITE 250, 967909401,  
967909426, 967909431, 967909432,  
967909462, 967909402, 2019-01

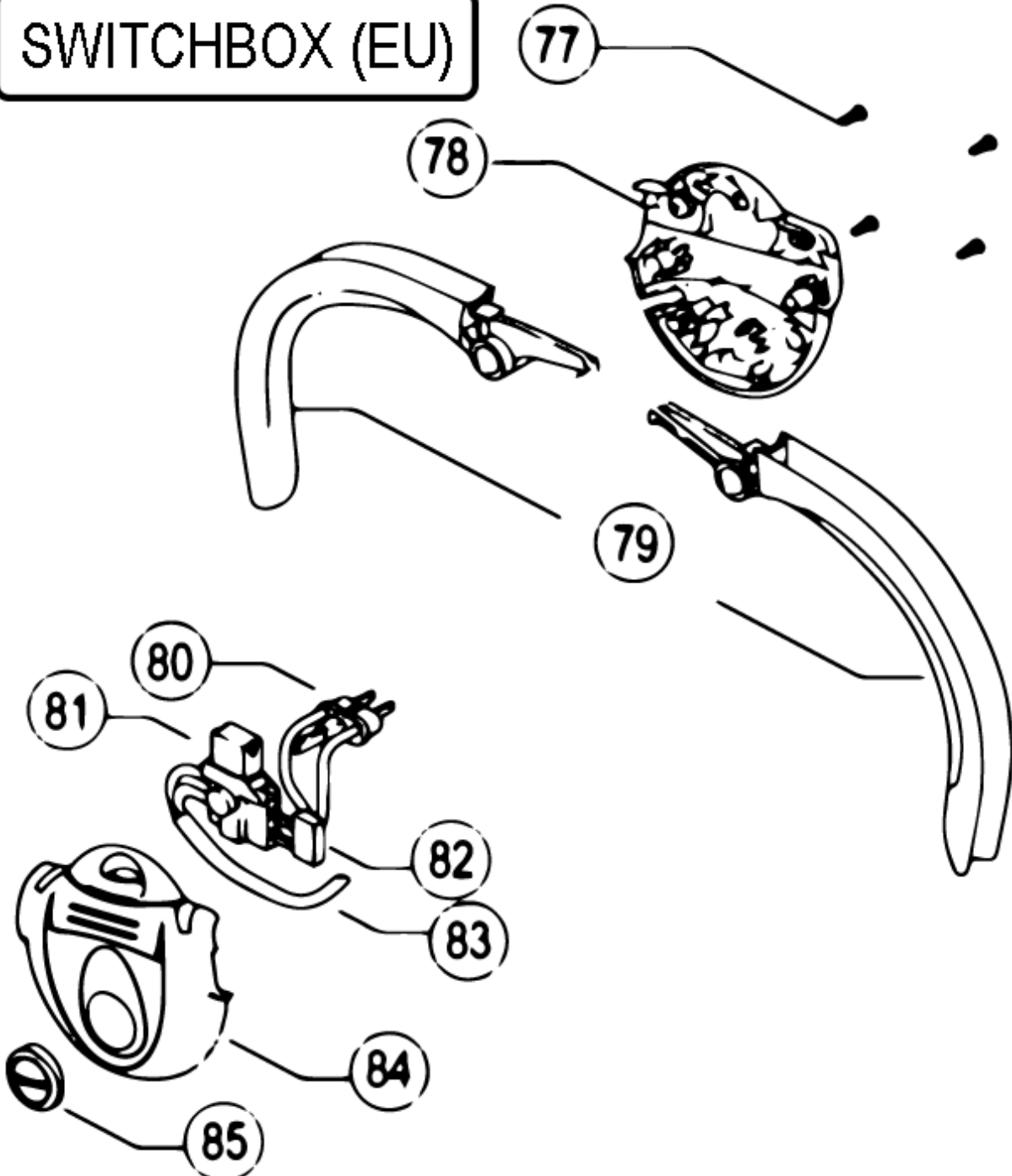
ASSEMBLY TURBO LITE 250, 967909401, 967909426, 967909431, 967909432, 967909462, 967909402, 2019-01



ASSEMBLY TURBO LITE 250, 967909401, 967909426, 967909431, 967909432, 967909462,  
967909402, 2019-01

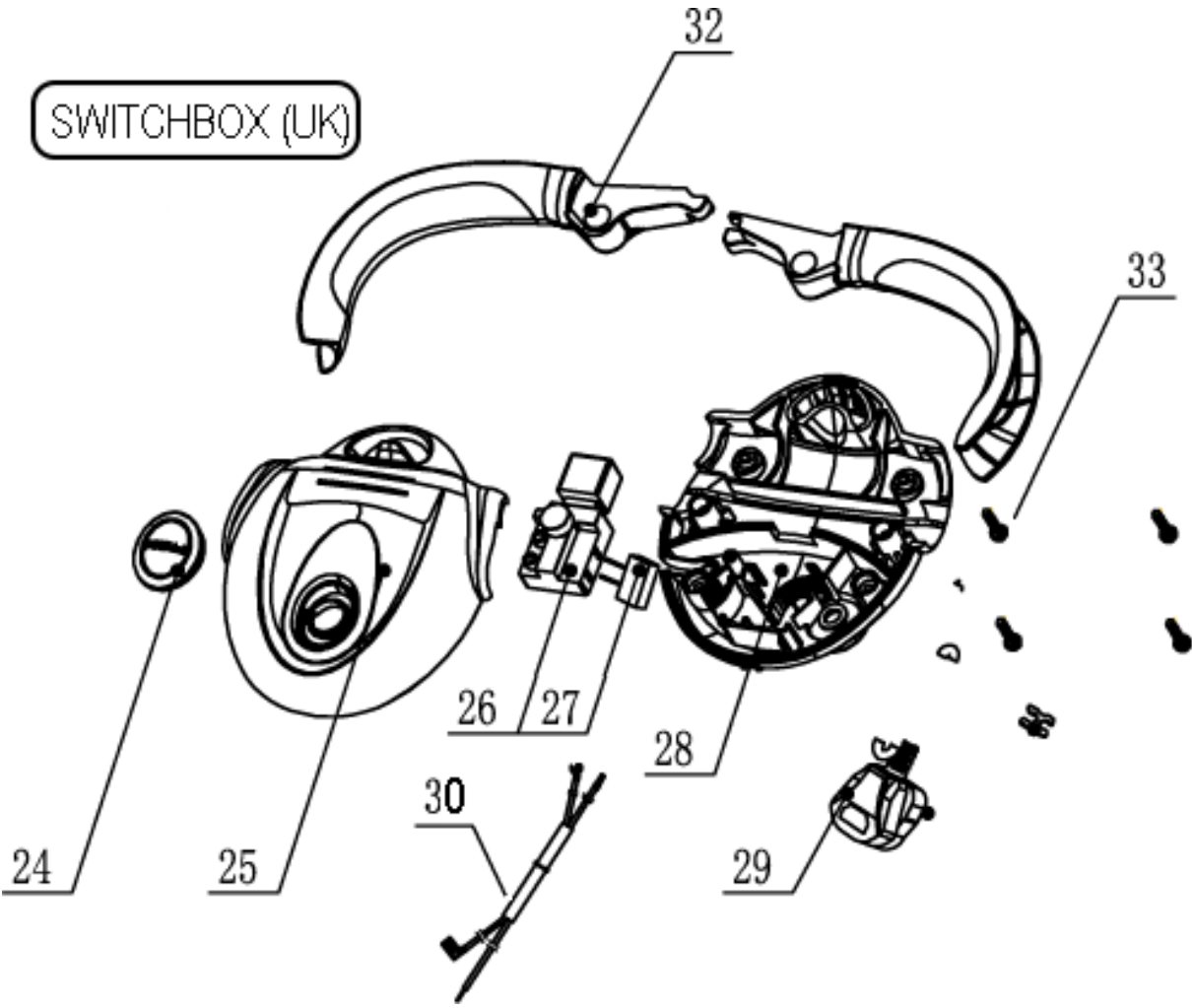
Part No	Description	Remark	QTY	KIT
510 77 80-64	SPANNER	SPANNER	1	23
511 95 63-90	KIT	WING KNOB KIT	1	38,39,40
513 81 10-90	WASHER	SPACER	3	18
577 29 84-01	CLIP	CABLE CLIP	3	41
597 28 75-01	MOWER BLADE	BLADE - 25 CM	1	19
597 36 11-01	MOTOR COVER	COVER - TURBOLITE	1	3
597 36 15-01	MOTOR COVER	MOTOR COVER	1	4
597 36 17-01	AIR FILTER	AIR FILTER	1	5
597 36 18-01	MOTOR ASSY	MOTOR ASSEMBLY	1	6,7,8,9,10,11,12,13,14
597 36 19-01	DECK	CUTTING DECK	1	15
597 36 20-01	IMPELLER ASSY	IMPELLER ASSEMBLY	1	16,17
597 36 21-01	SCREW KIT	BLADE BOLT KIT	1	20,21,22
597 36 23-01	WHEEL ASSY	ROLLER ASSEMBLY	1	34,35
597 36 24-01	KNOB ASSY	HANDLE FIXING	1	36
597 36 25-01	HANDLE TUBE	UPPER HANDLE	1	37B
597 36 26-01	HANDLE TUBE	LOWER HANDLE	1	37A
597 36 30-01	SCREW KIT	SCREW KIT (PACK OF 6)	1	1
597 36 31-01	ABSORBER	WASHERS (PACK OF 2)	1	2

**SWITCHBOX (EU)**



ASSEMBLY TURBO LITE 250, 967909401, 967909426, 967909431, 967909432, 967909462, 967909402, 2019-01

Ref	Part No	Description	Remark	QTY	KIT
77	513 08 73-00	SCREW	SCREWS (PACK OF 6)	1	77
78	574 62 68-01	SWITCHBOX	LOWER SWITCH BOX (EU)	1	78
79	510 76 28-00	LEVER	LEVER	2	79
80	574 64 57-01	PEN	RETAINER PIN (EU)	1	80
81	522 72 09-02	SWITCH	SWITCH	1	81
82	513 12 16-00	CAPACITOR	CAPACITOR	1	82
83	510 79 03-00	POWER CORD	POWER CABLE	1	83
84	511 94 56-68	SWITCHBOX	UPPER SWITCHBOX	1	84
85	513 10 30-64	BUTTON	LOCK-OFF BUTTON	1	85



ASSEMBLY TURBO LITE 250, 967909401, 967909426, 967909431, 967909432, 967909462, 967909402, 2019-01

Part No	Description	Remark	QTY KIT	
510 76 28-00	LEVER	LEVER	2	32
510 77 05-00	SWITCHBOX	LOWER SWITCH BOX (UK)	1	28
511 94 56-68	SWITCHBOX	UPPER SWITCHBOX	1	25
512 80 31-05	EXTENSION CABLE	POWER CABLE & PLUG (UK)	1	29
513 08 73-00	SCREW	SCREWS (PACK OF 6)	1	33
513 10 30-64	BUTTON	LOCK-OFF BUTTON	1	24
597 36 22-01	ELECTRICAL SYSTEM	ELECTRICAL SYSTEM	1	26,27,30