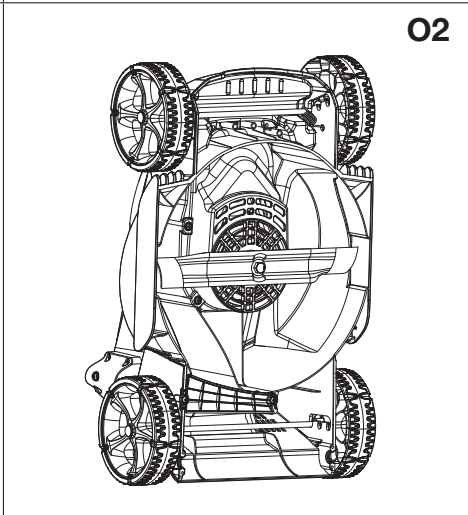
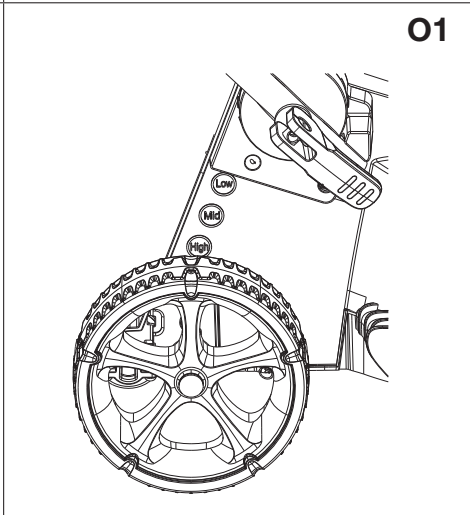
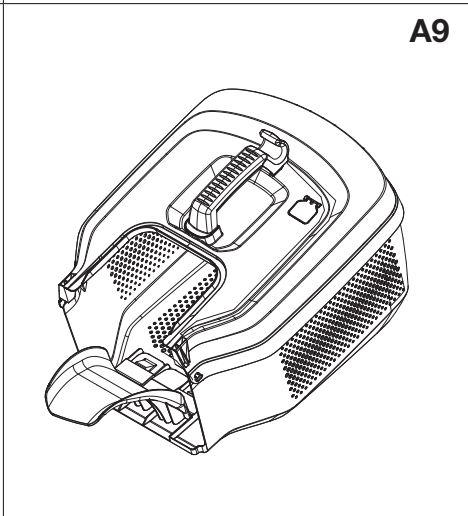
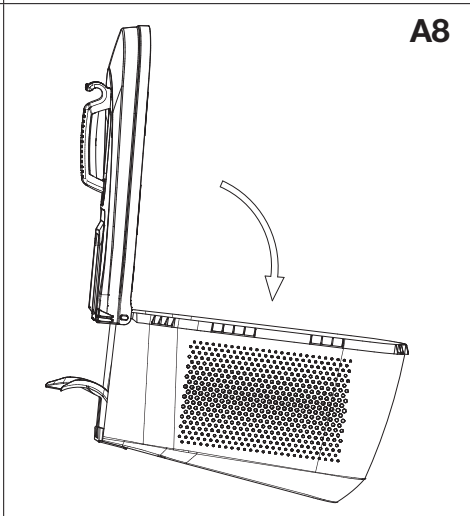
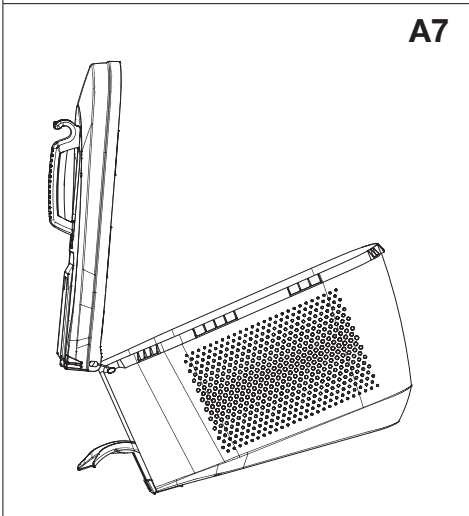
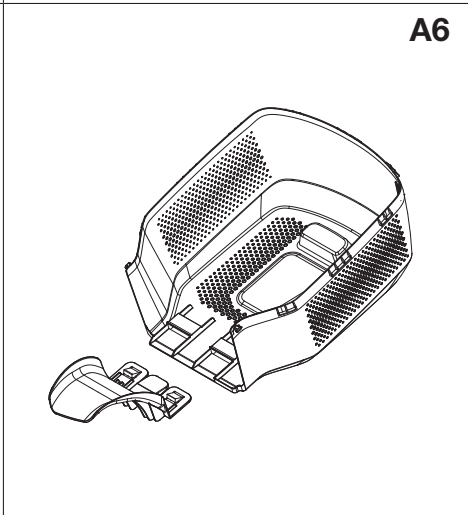
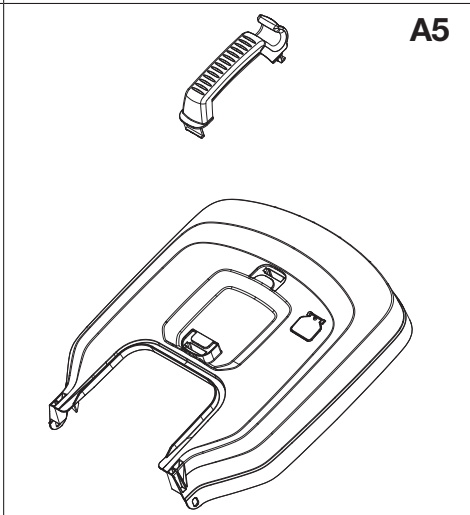
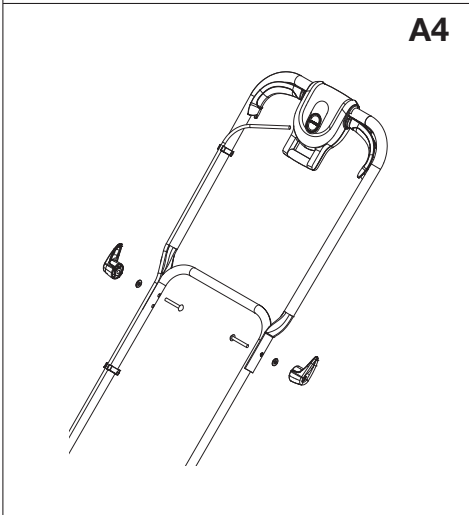
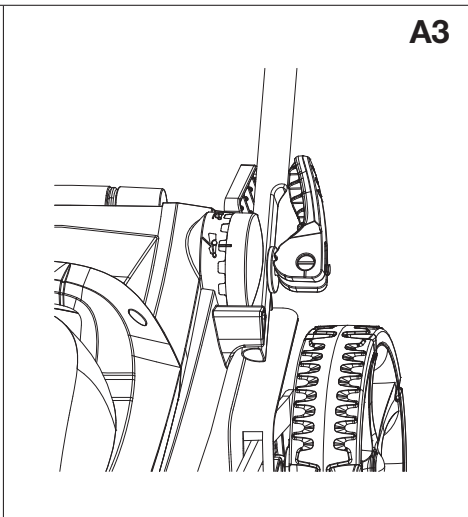
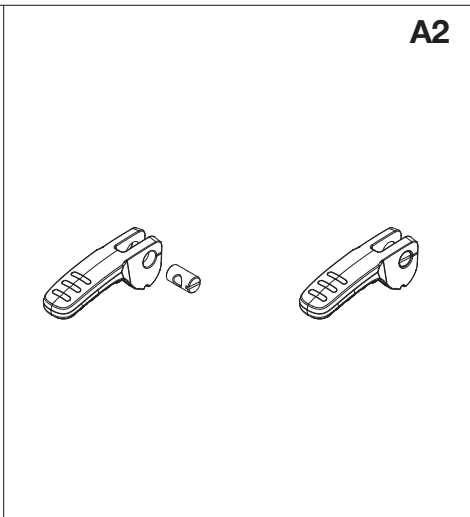
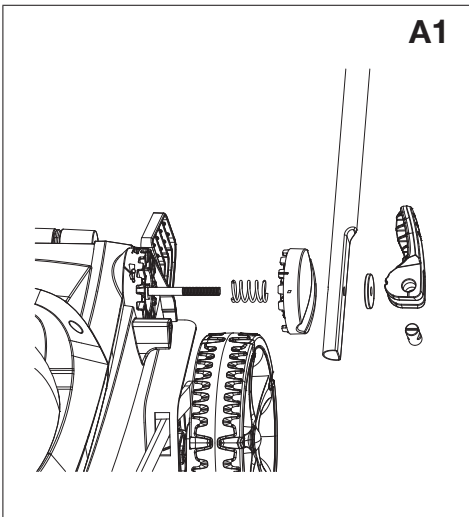
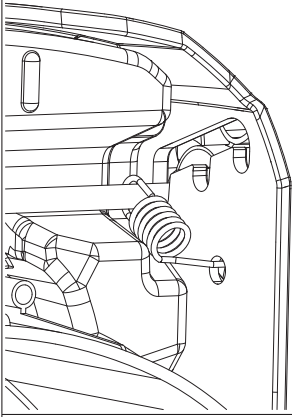


EasiStore 300R	Art. 9679873-01
EasiStore 340R	Art. 9679874-01
EasiStore 380R	Art. 9679875-01

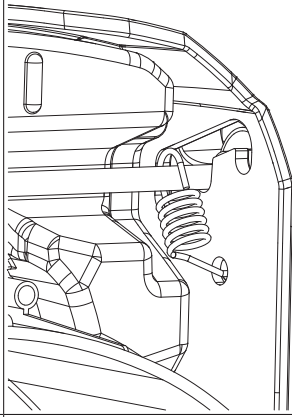
EN **Operator's manual**
Electric Lawnmower



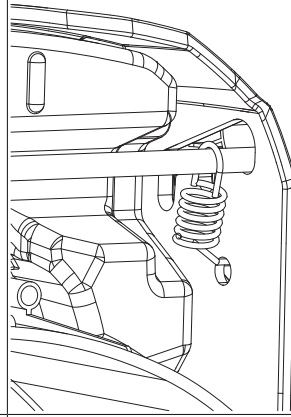
03



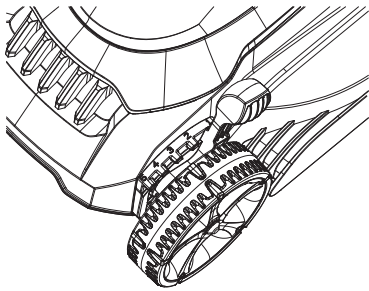
04



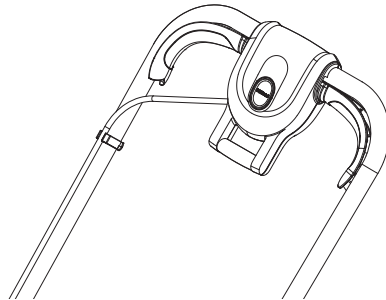
05



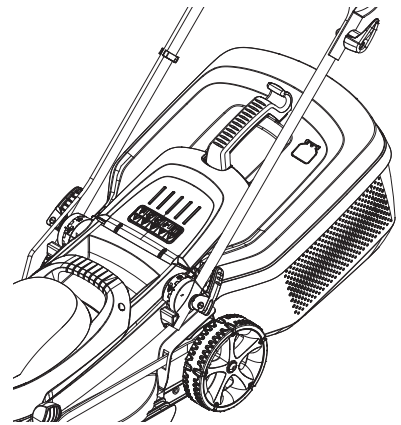
06



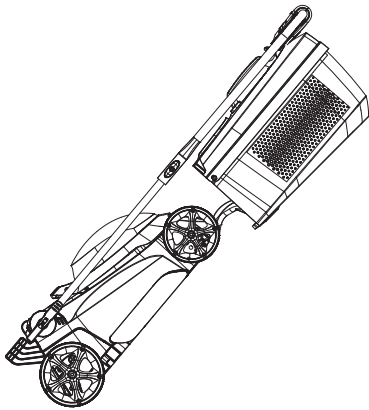
07



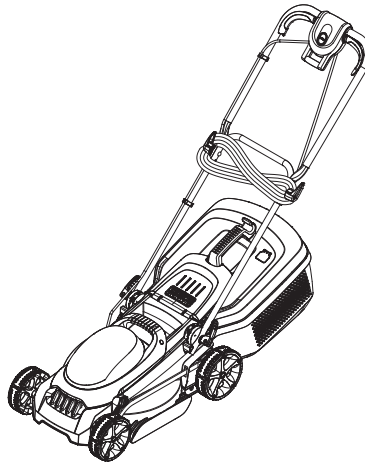
08



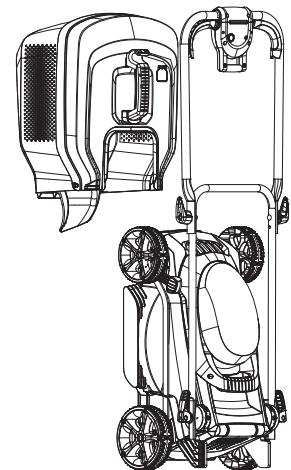
09



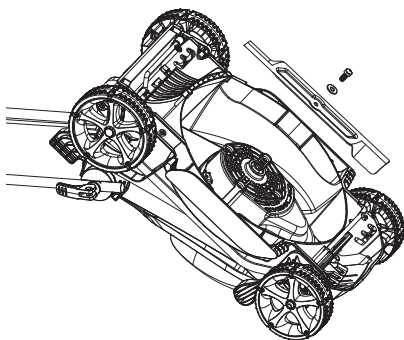
S1



S2



T1



1. SAFETY	4
2. ASSEMBLY	5
3. OPERATION	5
4. MAINTENANCE	6
5. STORAGE	6
6. TROUBLESHOOTING	6
7. TECHNICAL DATA	6
8. ACCESSORIES	7
9. SERVICE/WARRANTY	7

Original instructions.



This product is not intended for use by persons (including children) with reduced physical, sensory or mental capabilities, or lack of experience and knowledge, unless they have been given supervision or instruction concerning use of the product by a person responsible for their safety. Children should be supervised to ensure that they do not play with the product. The use of this product by young people under the age of 16 is not recommended.

Intended use:

The **FLYMO Lawnmower** is intended to mow lawn in private domestic gardens and allotments.

The product is not intended for long term use.



DANGER! Risk of injury!

Do not use the product to cut bushes, hedges, shrubs, to cut of climbers or grass on roofs or balcony boxes, to chop up branches, twigs and to level irregularities in the soil. Do not use the product on a slope steeper than 20° maximum.

1. SAFETY

IMPORTANT!

Read the operator's manual carefully before use and keep for future reference.

Symbols on the product:



Read operator's manual.



Keep bystanders away.



Beware of sharp blades. Blades continue to rotate after the motor is switched off.

Remove plug from mains before maintenance.



Not valid for the electric mower.



Secure the working area before starting to work. Watch out for hidden cables.

General safety warnings

Electrical safety



DANGER! Electric shock!

Risk of injury due to electric shock.

→ The product must be supplied through a residual current device (RCD) having a rated residual operating current not exceeding 30 mA.



DANGER! Risk of physical injury!

Cut injury when the blade turns or the product starts accidentally.

→ Disconnect the product from the mains before you maintain or replace parts. Thereby the disconnected socket must be in the visual range.

Cables

If extension cables are used, these must comply with the minimum cross-sections in the table below:

Voltage	Cable length	Cross section
220 – 240 V/50 Hz	Up to 20 m	1.5 mm ²
220 – 240 V/50 Hz	20 – 50 m	2.5 mm ²

- Mains cables and extensions are available from your local Approved Service Centre.
- Only use extension cables specifically designed for outdoor use and which conform to one of the following specifications:
Ordinary rubber (60245 IEC 53), Ordinary PVC (60227 IEC 53) or Ordinary PCP (60245 IEC 57).
- If the connection lead is damaged, it must be replaced by the manufacturer, its service agent or similarly qualified persons in order to avoid a hazard.

Training

- Read the instructions carefully. Be familiar with the controls and the correct use of the machine.
- Never allow children or people unfamiliar with these instructions to use the machine. Local regulations can restrict the age of the operator.
- Never operate the machine while people, especially children, or pets are nearby.
- Keep in mind that the operator or user is responsible for accidents or hazards occurring to other people or their property.

Preparation

- While operating the machine always wear substantial footwear and long trousers. Do not operate the machine when barefoot or wearing open sandals. Avoid wearing clothing that is loose fitting or that hanging cords or ties.
- Thoroughly inspect the area where the machine is to be used and remove all objects which can be thrown by the machine.
- Before using, always visually inspect to see that the blade, blade bolt and the blade assembly are not worn or damaged. Replace worn or damaged components in set to preserve balance. Replace damaged or unreadable labels.
- Before use check the supply and extension cord for signs of damage or aging. If the cord becomes damaged during use, disconnect the cord from the supply immediately.
DO NOT TOUCH THE CORD BEFORE DISCONNECTING THE SUPPLY.
Do not use the machine if the cord is damaged or worn.

Operation

- Operate the machine only in daylight or in good artificial light.
- Avoid operating the machine in wet grass.
- Always be sure of your footing on slopes.
- Walk, never run.
- Mow across the face of slopes, never up and down.
- Exercise extreme caution when changing direction on slopes.
- Do not mow excessively steep slopes.
- Use extreme caution when reversing or pulling the machine towards you.
- Stop the blade(s) if the machine has to be tilted for transportation when crossing surfaces other than grass, and when transporting the machine to and from area to be used.
- Never operate the machine with defective guards or shields, or without safety devices, for example deflectors and/or grass collector, in place.
- Switch on the motor carefully according to instructions and with feet well away from the blade(s).
- Do not tilt the machine when switching on the motor, except if the machine has to be tilted for starting. In this case, do not tilt it more than absolutely necessary and lift only the part, which is away from the operator.
- Do not start the machine when standing in front of the discharge opening.
- Do not put hands or feet near or under rotating parts. Keep clear of the discharge opening at all times.
- Do not transport the machine while the power source is running.
- Stop the machine, and remove plug from the socket. Make sure that all moving parts have come to a complete stop:
 - whenever you leave the machine,
 - before clearing blockages or unclogging chute,
 - before checking, cleaning or working on the machine,
 - after striking a foreign object. Inspect the machine for damage and make repairs before restarting and operating the machine;
 if the machine starts to vibrate abnormally (check immediately)
 - inspect for damage,
 - replace or repair any damaged parts,
 - check for and tighten any loose parts.

Maintenance and storage

- Keep all nuts, bolts, and screws tight to be sure the machine is in safe working condition.
- Check the grass collector frequently for wear or deterioration.
- Replace worn or damaged parts for safety.
- On machines with multi blade, take care as rotating one blade can cause other blades rotate.
- Be careful during adjustment of the machine to prevent entrapment of the fingers between moving blades and fixed parts of the machine.

- f) Always allow the machine to cool down before storing.
- g) When servicing the blades be aware that, even though the power source is switched off, the blades can still be moved.
- h) Use only genuine replacement parts and accessories.

Additional safety warnings

Electrical safety



DANGER! Cardiac arrest!

This product makes an electromagnetic field while it operates. This field may under some conditions interfere with active or passive medical implants. To decrease the risk of conditions that can possibly injure or kill, we recommend persons with medical implants to speak with their physician and the medical implant manufacturer before you operate the product.

Do not use under wet conditions.

Personal safety



DANGER! Risk of suffocation!

Small parts can be easily swallowed. There is also a risk that the polybag can suffocate toddlers. Keep toddlers away when you assemble the product.

Do not use the start levers alternately.

Do not disassemble the product further than the delivery status.

Use gloves, wear slip resistant shoes and wear eye protection.

Do not overload the mower.

Never operate the product when you are tired, ill or under the influence of alcohol, drugs, or medicine.

Danger of slipping:

- in wet grass
- on steep slopes
- during transport

Be careful while going backwards.

2. ASSEMBLY



DANGER! Risk of injury!

Cut injury when the product starts accidentally.

→ **Disconnect the product from the mains and use gloves before you assemble the product.**

To assemble the handle [Fig. A1/A2/A3/A4]:

1. Put the springs on the shafts.
2. Put the handle plates on the shafts.
3. Put the lower handle on the shafts.
4. Put the washers on the shafts.
5. Insert the bolts into the quick-release levers.
6. Screw the quick-release levers loosely onto the shafts and clamp them down.
7. Put the upper handle on the lower handles and slide the screws through the boreholes (there are 2 holes in the lower handle to choose the desired height).
8. Put the washers on the screws.
9. Screw the locking nuts onto the screws.
10. Attach the control cable with the cable clips.

To assemble the grass box [Fig. A5/A6/A7/A8/A9]:

1. Push the grass box handle into the slots in the grass box cover until it audibly engages.
2. Slide the grass box tongue into the slots in the grass box until it audibly engages.
3. Align the grass box cover and the grass box locators.
4. Fold the grass box cover towards the grass box.
5. Push the grass box cover on the grass box. Make sure that all clips are snapped in correctly.

To attach the grass box to the lawnmower [Fig. A10]:

1. Lift the protective cover.
2. Attach the grass box to the hooks on the rear of the mower.

3. OPERATION



DANGER! Risk of injury!

Cut injury when the product starts accidentally.

→ **Wait for the blade to stop, disconnect the product from the mains and use gloves before you adjust or transport the product.**

To adjust the cutting height:

For the first cut of the season, always cut on the highest cutting height possible, and gradually lower the cutting height over successive cuts to your desired height for the lawn.

Only for 300R (in 3 positions) [Fig. O1/O2/O3/O4/O5]:

The cutting height can be adjusted from 20 – 60 mm.

Position 'Low' (20 mm): Cutting height setting should only be used on well maintained 'manicured lawns' without excessive moss or thatch.

Position 'Mid' (40 mm): Cutting height setting is the suitable for most lawns.

Position 'High' (60 mm): Cutting height setting is used when you lawn has excessive growth such as following holidays or first cut of the season.

→ Move both axles to the desired position in the E-Gate. Make sure that both sides of the axle are in the same position. Make sure that both axles are in the same position.

Only for 340R/380R (in 5 positions) [Fig. O6]:

The cutting height can be adjusted from 20 – 60 mm (from rear to front).

Position 1 (20mm): Cutting height setting should only be used on well maintained 'manicured lawns' without excessive moss or thatch.

Position 2 (30 mm): Cutting height setting is the suitable for most lawns.

Position 3 (40 mm): Cutting height setting is the suitable for most lawns.

Position 4 (50 mm): Cutting height setting is the suitable for most lawns.

Position 5 (60 mm): Cutting height setting is used when you lawn has excessive growth such as following holidays or first cut of the season.

1. Pull the lever to the wheel.
2. Move the lever to the desired position.
3. Release the lever and let it engage.

To start the mower [Fig. O7]:



DANGER! Risk of injury!

Risk of injury if the product does not stop when you release the start lever.

→ **Do not bypass the safety devices or switches. For example do not attach the start lever to the handle.**

To start:

The mower is fitted with a two-handed safety device (start lever with starting lockout) to prevent the mower from being turned on by accident.

There are two start levers. Either one has to be used to start.

1. Connect the mains cable to the mains.
2. Push the starting lockout with one hand and pull the start lever with the other hand.
The mower starts.
3. Release the starting lockout.

Only for 340R/380R [Fig. O8]: The level indicator opens during mowing. When it closes during mowing, the grass box is full and must be emptied.

To stop:

→ Release the start lever.
The mower stops.

Tips to use the mower:

If grass residue is left in the discharge opening, pull the mower backwards about 1 m so that the grass residue can drop out downwards.

To produce a well-maintained lawn and optimise the cutting performance, we recommend to cut the lawn regularly once a week if possible. The lawn becomes denser if you cut it frequently.

After relatively long cutting intervals (holiday lawn), first of all cut in one direction with the highest cutting height and then cut in the crosswise direction with the required cutting height.

If possible, only cut the grass when it is dry, if the grass is damp, the cutting pattern will be uneven.

Rear Roller:


For lawnmowers fitted with a rear roller, it is possible to create a striped effect on the lawn. For the best stripe results, we recommend cutting on the lowest possible cutting height suited to your lawn. The stripe effect will fade in time between cuts.

Transport position [Fig. O9]:


The easy transport position provides additional mobility due to its upright driving position. Easy to get on and off the lawn at any distance.

1. Attach the grass box to the switch box (see 5. STORAGE).
2. Pull the mower to and from the lawn when it is set in the storage position.

4. MAINTENANCE

 **DANGER! Risk of injury!**
Cut injury when the product starts accidentally.
 → Wait for the blade to stop, disconnect the product from the mains and use gloves before you maintain the product.

To clean the mower:

 **DANGER! Risk of injury!**
Risk of injury and risk of damage to the product.
 → Do not clean the product with water or with a water jet (in particular high-pressure water jet).
 → Do not clean with chemicals including petrol or solvents. Some can destroy critical plastic parts.

The airflow slots must always be clean.

To clean the underside of the mower:

The underside is easiest to clean after you mowed.

1. Lay the mower on its side carefully.
2. Clean the underside, the blade and the discharge opening with a brush (do not use sharp objects).

To clean the overside of the mower and the grass box:

1. Clean the overside with a damp cloth.
2. Clean the airflow slots and the grass box with a soft brush (do not use sharp objects).

5. STORAGE

To put into storage [Fig. S1]:

The product must be stored away from children.

1. Disconnect the mower from the mains.
2. Clean the mower (see 4. MAINTENANCE).
3. The cable hooks must both be on the upper handle. Wrap the cable in a figure of 8.
4. Store the mower in a dry, enclosed and frost-free place.

Easi Storage position [Fig. S2]:

1. Remove the grass box.
2. Set on the highest cutting height.
3. Fold the handle flat and lock it in position 4.
4. Stand the mower upright.
5. Make sure that the grass box is completely empty.
6. Attach the grass box to the switch box with the storage hook. Make sure that the grass box is completely secured, the storage function is accomplished.
7. Store the mower in upright position.

Disposal:

(in accordance with RL2012/19/EC)


The product must not be disposed of to normal household waste. It must be disposed of in line with local environmental regulations.




IMPORTANT!

→ Dispose of the product through or via your municipal recycling collection centre.

6. TROUBLESHOOTING

 **DANGER! Risk of injury!**
Cut injury when the product starts accidentally.
 → Wait for the blade to stop, disconnect the product from the mains and use gloves before you troubleshoot the product.

To replace the blade [Fig. T1]:

 **DANGER! Risk of injury!**
Cut injury when the blade turns and it is damaged, bent, out of balance or has chipped edges.
 → Do not use the mower when the blade is damaged, bent, out of balance or has chipped edges.
 → Do not regrind the blade.

The FLYMO spare parts are available from your FLYMO dealer or from the FLYMO service.

Only use an original FLYMO blade:

- FLYMO replacement blade for 300R: Art. FLY 085
- FLYMO replacement blade for 340R: Art. FLY 086
- FLYMO replacement blade for 380R: Art. FLY 088

1. Unscrew the blade bolt.
2. Remove the blade bolt and the washer.
3. Remove the blade and the spacer.
4. Put the spacer and the new blade on the mower.
5. Put the washer on the blade bolt.
6. Screw the new blade tight with the blade bolt.

Problem	Possible Cause	Remedy
Mower does not start	Mains cable is disconnected or damaged.	→ Connect the mains cable or if necessary let it be replaced by an authorised specialist dealer or the FLYMO Service.
	Motor is blocked.	→ Remove the obstacle. Start again.
Engine is jammed and makes a noise	Motor is blocked.	→ Remove the obstacle. Start again.
	Cutting height is too low.	→ Raise the cutting height.
Loud noises, the mower is rattling	Screws on engine, its fixing or on the mower chasing are loose.	→ Let the screws be tightened by an authorised specialist dealer or the FLYMO Service.
Mower runs unevenly or vibrates strongly	Blade is damaged/worn or the blade mounting is released.	→ Replace the blade.
	Blade is very dirty.	→ Clean the blade.
Lawn is not cleanly mowed	Blade is blunt or damaged.	→ Replace the blade.
	Cutting height is too low.	→ Raise the cutting height.

 **NOTE: For any other malfunctions please contact the FLYMO Customer Service. Repairs must only be done by FLYMO service departments or specialist dealers approved by FLYMO.**

7. TECHNICAL DATA

Electric Lawnmower	Unit	Value EasiStore 300R	Value EasiStore 340R	Value EasiStore 380R
Rated power	W	1200	1400	1600
Mains voltage	V (AC)	230	230	230
Mains frequency	Hz	50	50	50
Speed of rotation cutting blade	R/min	3700	3350	3500
Cutting width	cm	30	34	38

<i>Electric Lawnmower</i>	Unit	Value EasiStore 300R	Value EasiStore 340R	Value EasiStore 380R
Cutting height adjustment	mm	20 – 60 (3 positions)	20 – 60 (5 positions)	20 – 60 (5 positions)
Volume of grass box	l	30	35	45
Weight	kg	9.0	11.0	12.6
Sound pressure level L_{pA}¹⁾ Uncertainty k_{pA}	dB (A)	88 3	88 3	89 3
Sound power level L_{WA}²⁾; measured/guaranteed Uncertainty k_{WA}	dB (A)	92 / 95 2.52	92 / 93 1.86	93 / 95 1.89
Hand/arm vibration a_{vhw}¹⁾	m/s ²	< 2.5	< 2.5	< 2.5

Measuring process complying with: ¹⁾ EN 60335-2-77 ²⁾ RL 2000/14/EC



NOTE: The stated vibration emission value has been measured according to a standardized test procedure and can be used for comparison of one electric power tool with another. It can also be used for preliminary evaluation of exposure. The vibration emission value can vary during actual use of the electric power tool.

8. ACCESSORIES

FLYMO Replacement Blade for 300R	As replacement for blunt blade.	Art. FLY 085
FLYMO Replacement Blade for 340R	As replacement for blunt blade.	Art. FLY 086
FLYMO Replacement Blade for 380R	As replacement for blunt blade.	Art. FLY 088

9. SERVICE/WARRANTY

Service:

Please contact the address on the back page.

Warranty statement:

In the event of a warranty claim, no charge is levied to you for the services provided.

Husqvarna UK Ltd. grants a warranty for all original FLYMO new products for two years from the date of original purchase from the retailer, provided that the devices have been for private use only. This manufacturer's warranty does not apply to products acquired second hand. This warranty includes all significant defects of the product that can be proved to be material or manufacturing faults. This warranty is fulfilled by supplying a fully functional replacement product or by repairing the faulty product sent to us free of charge; we reserve the right to choose between these options. This service is subject to the following provisions:

- The product has been used for its intended purpose as per the recommendations in the operating instructions.
- Neither the purchaser nor a third party has attempted to open or repair the product.
- Only Original FLYMO replacement parts and wear parts have been used for operation.
- Presentation of the receipt.

Normal wear and tear of parts and components (such as blades, blade fixing parts, turbines, light bulbs, V-belts/toothed belts, impellers, air filters, spark plugs), visual changes, wear parts and consumables are excluded from the warranty.

This manufacturer's warranty is limited to replacement and repair of products in accordance with the abovementioned conditions. The manufacturer's warranty does not constitute an entitlement to lodge other claims against us as a manufacturer, such as for damages. This manufacturer's warranty does **not**, of course, affect statutory and contractual warranty claims against the dealer/retailer.

The manufacturer's warranty is governed by the law of the Federal Republic of Germany.

In case of a warranty claim, please return the faulty product, together with a copy of the receipt and a description of the fault, with postage paid to the service address.

Consumables:


The blade and the wheels are consumables and are not included in the warranty.

PRODUCT LIABILITY

In accordance with the German Product Liability Act, we hereby expressly declare that we accept no liability for damage incurred from our products where said products have not been properly repaired by a FLYMO-approved service partner or where original FLYMO parts or parts authorised by FLYMO were not used.

EC DECLARATION OF CONFORMITY

The undersigned hereby certifies as the authorized representative of the manufacturer, Husqvarna AB, 561 82 Huskvarna, Sweden, that, when leaving our factory, the unit(s) indicated below is/are in accordance with the harmonised EU guidelines, EU standards of safety and product specific standards. This certificate becomes void if the unit(s) is/are modified without our approval.

Description of the product:	Electric Lawnmower
Product type	EasiStore 300R EasiStore 340R EasiStore 380R
Article-Number	9679873-01 9679874-01 9679875-01
CE-Directives	2006/42/EC 2014/30/ EU 2000/14/EC 2011/65/ EU
Harmonised EN	EN ISO 12100 EN 60335-1 EN 60335-2-77
Deposited Documentation	GARDENA Technical Documentation, M. Kugler, 89079 Ulm
Conformity Assessment according to	2000/14/EC Procedure: art. 14 Annex VI
Noise level: measured / guaranteed	EasiStore 300R: 92 dB(A)/95 dB(A) EasiStore 340R: 92 dB(A)/93 dB(A) EasiStore 380R: 93 dB(A)/95 dB(A)
Year of CE marking:	2019
Ulm, 13.12.2019	
Authorised representative:	 John Thompson Product and Marketing Director EUAP

Deutschland / Germany

GARDENA
Manufacturing GmbH
Central Service
Hans-Lorenser-Straße 40
D-89079 Ulm
Produktfragen:
(+49) 731 490-123
Reparaturen:
(+49) 731 490-290
service@gardena.com

Albania

COBALT Sh.p.k.
Rr. Siri Kodra
1000 Tirana

Argentina

Husqvarna Argentina S.A.
Av.del Libertador 5954 –
Piso 11 – Torre B
(C1428ARP) Buenos Aires
Phone: (+54) 11 5194 5000
info.gardena@
ar.husqvarna.com

Armenia

Garden Land Ltd.
61 Tigran Mets
0005 Yerevan

Australia

Husqvarna Australia Pty. Ltd.
Locked Bag 5
Central Coast BC
NSW 2252
Phone: (+61) (0) 2 4352 7400
customer.service@
husqvarna.com.au

Austria / Österreich

Husqvarna Austria GmbH
Industriezeile 36
4010 Linz
Tel.: (+43) 732 77 01 01-485
service.gardena@
husqvarnagroup.com

Azerbaijan

Firm Progress
a. Aliyev Str. 26A
1052 Baku

Belgium

Husqvarna België nv/sa
Gardena Division
Rue Eglise Van Ophem 111
1180 Uccle / Ukkel
Tel.: (+32) 2 720 92 12
info@gardena.be

Bosnia / Herzegovina

SILK TRADE d.o.o.
Industrijska zona Bukva bb
74260 Tešanj

Brazil

Husqvarna do Brasil Ltda
Av. Francisco Matarazzo,
1400 – 19º andar
São Paulo – SP
CEP: 05001-903
Tel: 0800-112252
marketing.br.husqvarna@
husqvarna.com.br

Bulgaria

AGROLAND България АД
бул. 8 Декември, №13
Офис 5
1700 Студентски град
София
Тел.: (+359) 2466 69 10
info@agroland.eu

Canada / USA

GARDENA Canada Ltd.
100 Summerlea Road
Brampton, Ontario L6T 4X3
Phone: (+1) 905 792 9330
info@gardenacanada.com

Chile

Maquinarias Agroforestales
Ltda. (Maga Ltda.)
Santiago, Chile
Avda. Chesterton
8355 comuna Las Condes
Phone: (+56) 2 202 4417
Dalton@maga.cl
Zipcode: 7560330

China

Husqvarna (Shanghai)
Management Co., Ltd.
富世华 (上海) 管理有限公司
3F, Benq Square B,
No207, Song Hong Rd.,
Chang Ning District,
Shanghai, PRC. 200335
上海市市长宁区淞虹路207号明
基广场B座3楼, 邮编: 200335

Colombia

Husqvarna Colombia S.A.
Calle 18 No. 68 D-31, zona
Industrial de Montevideo
Bogotá, Cundinamarca
Tel. 571 2922700 ext. 105
jairo.salazar@
husqvarna.com.co

Costa Rica

Compania Exim
Euroiberoamericana S.A.
Los Colegios, Moravia,
200 metros al Sur del Colegio
Saint Francis – San José
Phone: (+506) 297 68 83
exim_euro@racsa.co.cr

Croatia

Husqvarna Austria GmbH
Industriezeile 36
4010 Linz
Tel.: (+43) 732 77 01 01-485
service.gardena@
husqvarnagroup.com

Cyprus

Med Marketing
17 Digeni Akrita Ave
P.O. Box 27017
1641 Nicosia

Czech Republic

Husqvarna Česko s.r.o.
Türkova 2319/5b
149 00 Praha 4 – Chodov
Bezplatná infolinka:
800 100 425
servis@cz.husqvarna.com

Denmark

GARDENA DANMARK
Lejrvej 19, st.
3500 Værløse
Tlf.: (+45) 7026 4770
husqvarna@husqvarna.dk
www.gardena.com/dk

Dominican Republic

BOSQUESA, S.R.L
Carretera Santiago Licey
Km. 5 ½
Esquina Copal II.
Santiago
Dominican Republic
Phone: (+809) 736-0333
joserbosquesa@claro.net.do

Ecuador

Husqvarna Ecuador S.A.
Arupos E1-181 y 10 de
Agosto Quito, Pichincha
Tel. (+593) 22800739
francisco.jacome@
husqvarna.com.ec

Estonia

Husqvarna Eesti OÜ
Valdeku 132
EE-11216 Tallinn
info@gardena.ee

Finland

Oy Husqvarna Ab
Gardena Division
Lautatarhankatu 8 B/PL 3
00581 HELSINKI
www.gardena.fi

France

Husqvarna France
9/11 Allée des pierres mayettes
92635 Gennevilliers Cedex
France
http://www.gardena.com/fr
N° AZUR: 0 810 00 78 23
(Prix d'un appel local)

Georgia

Transporter LLC
8/57 Beliashvili street
0159 Tbilisi, Georgia
Phone: (+995) 322 14 71 71

Great Britain

Husqvarna UK Ltd
Preston Road
Aycliffe Industrial Park
Newton Aycliffe
County Durham
DL5 6UP
info.gardena@
husqvarna.co.uk

Greece

Π. ΠΑΠΑΔΟΠΟΥΛΟΣ ΑΕΒΕ
Λεωφ. Αθηνών 92
Αθήνα
T.K.104 42
Ελλάδα
Τηλ. (+30) 210 5193 100
info@papadopoulos.com.gr

Hungary

Husqvarna Magyarország Kft.
Ezred u. 1-3
1044 Budapest
Telefon: (+36) 1 251-4161
vevoszolgalat.husqvarna@
husqvarna.hu

Iceland

Ö. Johnson & Kaaber
Tunguhalsi 1
110 Reykjavik
ooj@ojk.is

Ireland

Husqvarna UK Ltd
Preston Road
Aycliffe Industrial Park
Newton Aycliffe
County Durham
DL5 6UP
info.gardena@
husqvarna.co.uk

Italy

Husqvarna Italia S.p.A.
Via Santa Vecchia 15
23868 VALMADRERA (LC)
Phone: (+39) 0341.203.111
assistenza.italia@
it.husqvarna.com

Japan

KAUICHI Co. Ltd.
Sumitomo Realty &
Development Kojimachi
BLDG., 8F
5-1 Nibanncyo
Chiyoda-ku
Tokyo 102-0084
Phone: (+81) 33 264 4721
m_ishihara@kaku-ichi.co.jp

Kazakhstan

LAMED Ltd.
155/1, Tazhibayevoy Str.
050060 Almaty
IP Schmidt
Abayavenue 3B
110 005 Kostanay

Korea

Kyung Jin Trading CO.,LTD.
107-4, SunDuk Bld.,
YangJae-dong,
Seocho-gu,
Seoul, (zipcode: 137-891)
Phone: (+82) (0)2 574-6300

Kyrgyzstan

Alye Maki
av. Moladaya Guardir J 3
720014
Bishkek

Latvia

Husqvarna Latvija SIA
Ulbrokas 19A
LV-1021 Riga
info@gardena.lv

Lithuania

UAB Husqvarna Lietuva
Ateities pl. 77C
LT-52104 Kaunas
info@gardena.lt

Luxembourg

Magasins Jules Neuberg
39, rue Jacques Stas
Luxembourg-Gasperich 2549
Case Postale No. 12
Luxembourg 2010
Phone: (+352) 40 14 01
api@neuberg.lu

Mexico

AFOSA
Av. Lopez Mateos Sur # 5019
Col. La Calma 45070
Zapopan, Jalisco
Mexico
Phone: (+52) 33 3818-3434
icornejo@afosa.com.mx

Moldova

Convel S.R.L.
290A Muncesti Str.
2002 Chisinau

Netherlands

Husqvarna Nederland B.V.
GARDENA Division
Postbus 50131
1305 AC ALMERE
Phone: (+31) 36 521 00 10
info@gardena.nl

Neth. Antilles

Jonka Enterprises N.V.
Sta. Rosa Weg 196
P.O. Box 8200
Curaçao
Phone: (+599) 9 767 66 55
pgm@jonka.com

New Zealand

Husqvarna New Zealand Ltd.
PO Box 76-437
Manukau City 2241
Phone: (+64) (0) 9 9202410
support.nz@husqvarna.co.nz

Norway

Husqvarna Norge AS
Gardena Division
Trøskenveien 36
1708 Sarpsborg
info@gardena.no

Peru

Husqvarna Perú S.A.
Jr. Ramón Cárcamo 710
Lima 1
Tel: (+51) 1 3320400 ext. 416
juan.remuzgo@
husqvarna.com

Poland

Husqvarna
Poland Spółka z o.o.
ul. Wysockiego 15 b
03-371 Warszawa
Phone: (+48) 22 330 96 00
gardena@husqvarna.com.pl

Portugal

Husqvarna Portugal, SA
Lagoa - Albarraque
2635 - 595 Rio de Mouro
Tel.: (+351) 21 922 85 30
Fax : (+351) 21 922 85 36
info@gardena.pt

Romania

Madex International Srl
Soseaua Odaii 117 - 123,
RO 013603 București, S 1
Phone: (+40) 21 352.76.03
madex@ines.ro

Russia / Россия

ООО „Хускварна“
141400, Московская обл.,
г. Химки,
улица Ленинградская,
владение 39, стр.6
Бизнес Центр
„Химки Бизнес Парк“,
помещение ОВ02_04
http://www.gardena.ru

Serbia

Domel d.o.o.
Autoput za Novi Sad bb
11273 Belgrade
Phone: (+381) 1 18 48 88 12
miroslav.jejina@domel.rs

Singapore

Hy-Ray PRIVATE LIMITED
40 Jalan Pemimpin
#02-08 Tat Ann Building
Singapore 577185
Phone: (+65) 6253 2277
shiyiyng@hyray.com.sg

Slovak Republic

Husqvarna Česko s.r.o.
Türkova 2319/5b
149 00 Praha 4 – Chodov
Bezplatná infolinka:
800 154 044
servis@sk.husqvarna.com

Slovenia

Husqvarna Austria GmbH
Industriezeile 36
4010 Linz
Tel.: (+43) 732 77 01 01-485
service.gardena@
husqvarnagroup.com

South Africa

Husqvarna
South Africa (Pty) Ltd
Postnet Suite 250
Private Bag X6,
Cascades, 3202
South Africa
Phone: (+27) 33 846 9700
info@gardena.co.za

Spain

Husqvarna España S.A.
Calle de Rivas nº 10
28052 Madrid
Phone: (+34) 91 708 05 00
atencioncliente@gardena.es

Suriname

Agrofix n.v.
Verlengde Hogestraat #22
Phone: (+597) 472426
agrofix@sr.net
Pobox : 2006
Paramaribo
Suriname – South America

Sweden

Husqvarna AB
Gardena Division
S-561 82 Huskvarna
gardenaorder@husqvarna.se

Switzerland / Schweiz

Husqvarna Schweiz AG
Consumer Products
Industriestrasse 10
5506 Mägenwil
Phone: (+41) (0) 62 887 37 90
info@gardena.ch

Turkey

Dost Bahçe Diş Ticaret
Mümesillik A.Ş
Yunus Mah. Adil Sok. No:3
Ic Kapi No: 1 Kartal
34873 Istanbul
Phone: (+90) 216 38 93 939
info@dostbahce.com.tr

Ukraine / Україна

ТОВ «Хускварна Україна»
вул. Васильківська, 34,
офіс 204-г
03022, м. Київ
Тел. (+38) 044 498 39 02
info@gardena.ua

Uruguay

FELI SA
Entre Ríos 1083 CP 11800
Montevideo – Uruguay
Tel: (+598) 22 03 18 44
info@felisa.com.uy

Venezuela

Corporación Casa y Jardín C.A.
Av. Caroní, Edif. Trezmen, PB.
Colinas de Bello Monte.
1050 Caracas.
Tlf: (+58) 212 992 33 22
info@casayjardin.net.ve

ES300R-20.960.01/1219
© GARDENA
Manufacturing GmbH
D-89070 Ulm
http://www.gardena.com