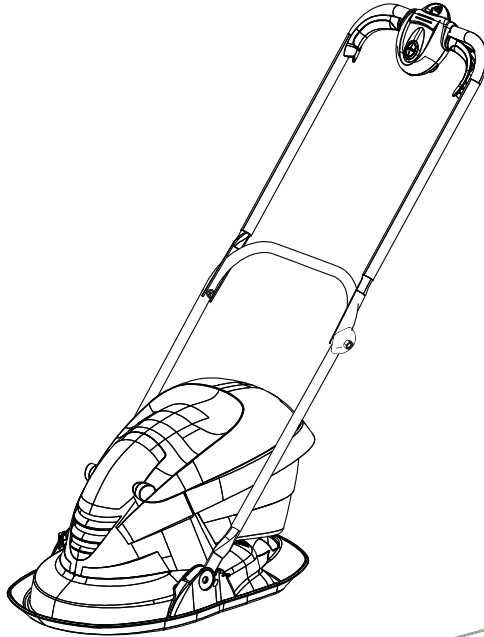




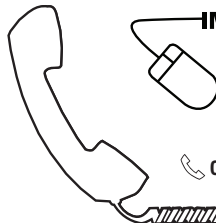
Hover Vac 250
 Hover Vac 260
 Hover Vac 270



Original Instructions



IMPORTANT INFORMATION
 Read before use
 & retain for future reference

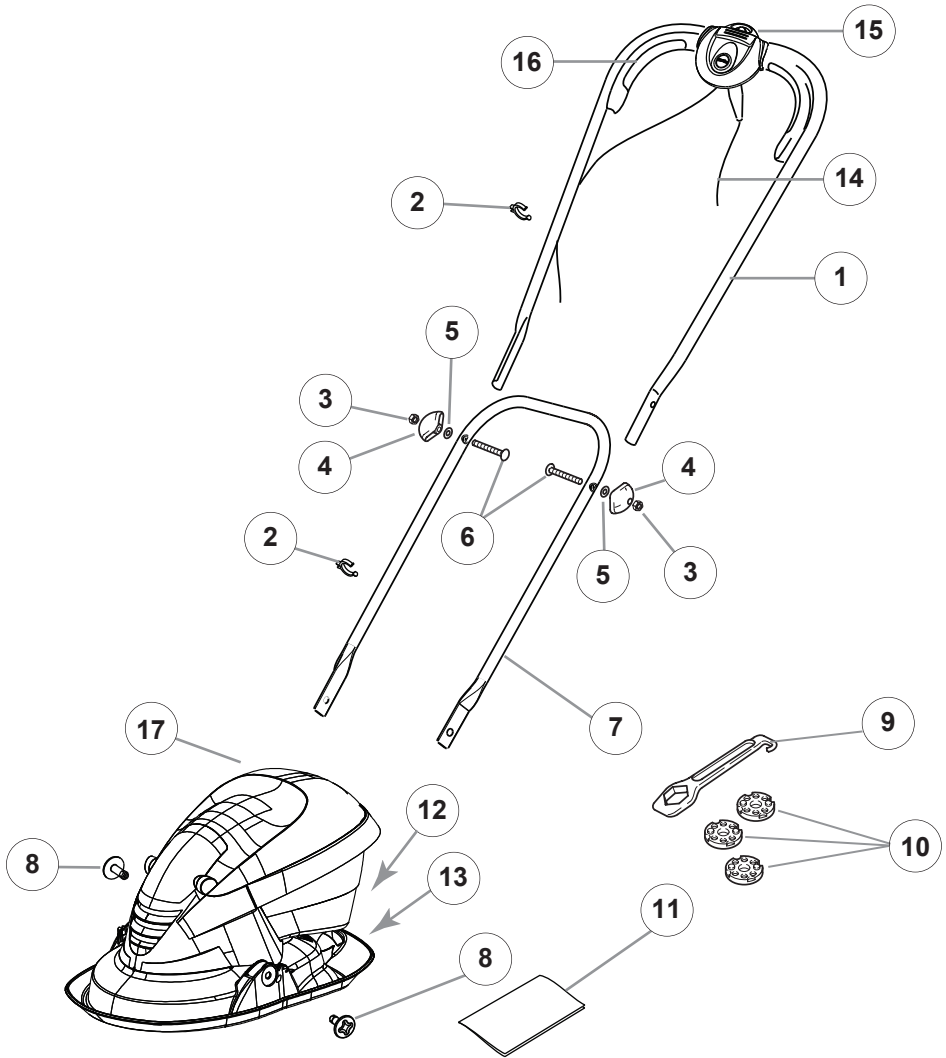


IMPORTANT Please register your product warranty on line.
 To register your warranty and for all your parts requirements please visit www.flymo.com

For all other enquiries

☎ 0344 844 4558 **UK** 1800 882 350 **ROI**
 ✉ customer.services@husqvarna.co.uk

1



2



1



2



3



4



5



6



7



8



9



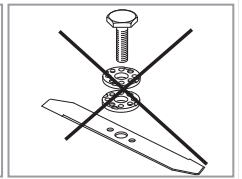
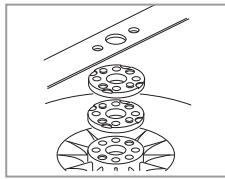
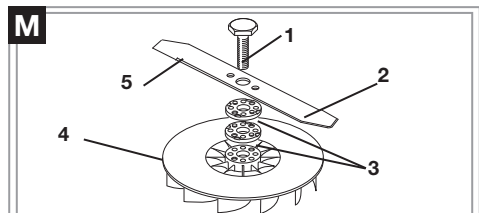
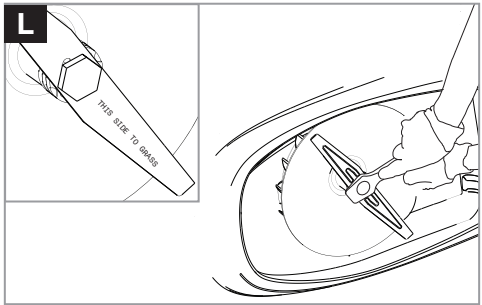
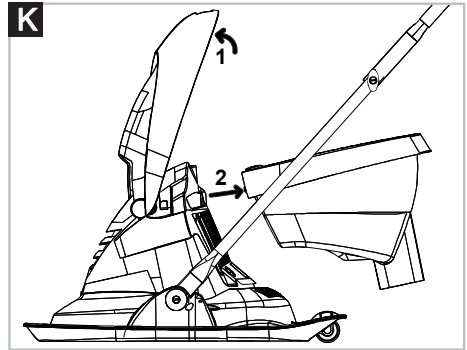
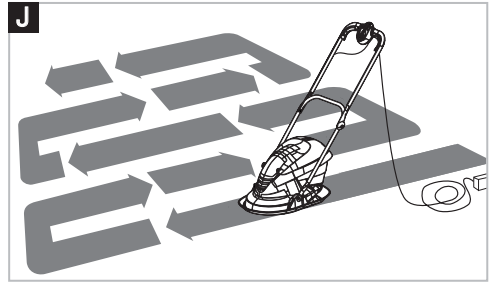
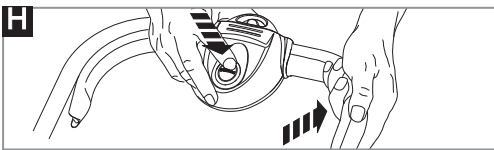
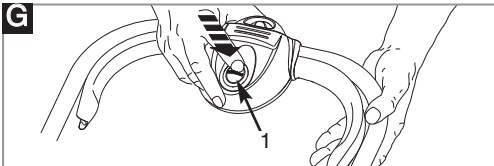
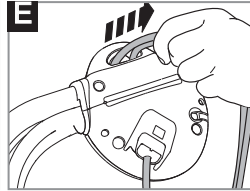
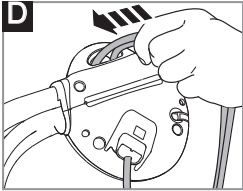
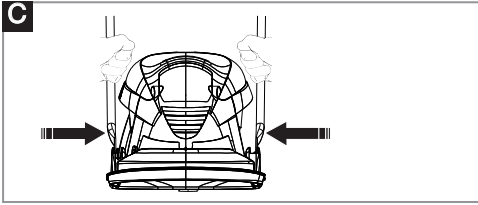
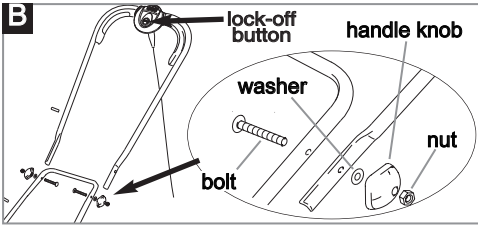
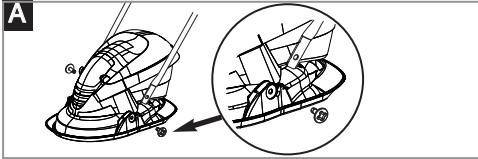
10



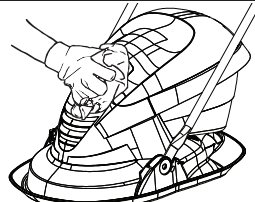
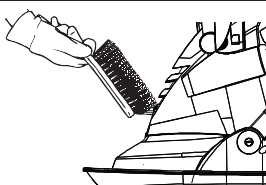
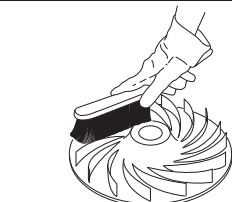
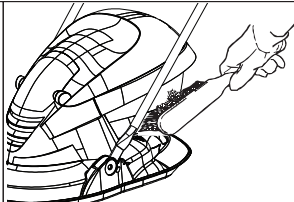
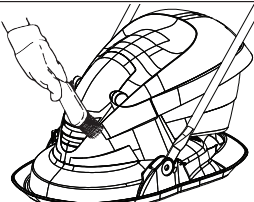
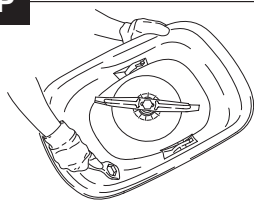
11



12



P



CARTON CONTENTS

See Picture 1.

- | | |
|------------------------|----------------------------|
| 1. Upper handle | 9. Spanner/scrapper tool |
| 2. Cable clip | 10. Cutting height spacers |
| 3. Nut (if applicable) | 11. Instruction manual |
| 4. Handle knob | 12. Warning label |
| 5. Washer | 13. Product rating label |
| 6. Bolt | 14. Power cord (UK) |
| 7. Lower handle | 15. Switchbox |
| 8. Fixing pin | 16. Start/stop lever |
| | 17. Grassbox |

EXPLANATION OF SYMBOLS ON THE PRODUCT

See Picture 2.

- | | |
|---|--|
| 1. Warning | 8. Keep the cable supply away from the blade. |
| 2. Read the user instructions carefully to make sure you understand all the controls and what they do. | 9. This product agrees with the applicable EC directives. |
| 3. Always keep the product on the ground when operating. Tilting or lifting the product may cause stones to be thrown out. | 10. This symbol on the product or on its packaging indicates that this product may not be treated as household waste. Instead it shall be handed over to the applicable collection point for the recycling of electrical and electronic equipment. By ensuring this product is disposed of correctly, you will help prevent potential negative consequences for the environment and human health, which could otherwise be caused by inappropriate waste handling of this product. For more detailed information about recycling of this product, please contact your local council office, your household waste disposal service or the shop where you purchased the product. |
| 4. Keep bystanders away. Do not operate whilst people, especially children or pets, are in the area. | 11. Guaranteed sound power level |
| 5. Beware of sharp blades. Beware of severing toes or hands. Do not put hands or feet near a rotating blade. Blades continue to rotate after the machine is switched off. | 12. Double insulated tool |
| 6. Switch off! Remove plug from mains before adjusting, cleaning or if cable is entangled or damaged. | |
| 7. Electric shock hazard | |

SAFETY PRECAUTIONS

IMPORTANT! READ BEFORE USE AND RETAIN FOR FUTURE REFERENCE.

⚠ WARNING! If not used properly this product can be dangerous! This product can cause serious injury to the operator. Warnings and safety instructions must be followed to ensure reasonable safety and efficiency in using this product. The operator is responsible for following the warning and safety instructions in this manual and on the product.

General

1. This product is not intended for use by persons (including children) with reduced physical, sensory or mental capabilities, or lack of experience and knowledge, unless they have been given supervision or instruction concerning the use of the product by a person responsible for their safety. Children should be supervised to ensure that they do not play with the product. Local regulations may restrict the age of the operator.
2. Never allow children or people unfamiliar with the instructions to use the machine.
3. Stop using the machine while people, especially children, or pets are nearby.
4. Only use the product in the manner and for the functions described in these instructions.
5. Never operate the product when you are tired, ill or under the influence of alcohol, drugs or medicine.
6. The operator or user is responsible for accidents or hazards occurring to other people or their property.

Electrical

1. The use of a Residual Current Device (R.C.D.) with a tripping current of not more than 30mA is recommended. Even with a R.C.D., installed 100% safety cannot be guaranteed and safe working practice must be followed at all times. Check your R.C.D. every time you use it.
2. Before use, examine the cable for signs of damage or aging. If the cable is found to be defective, take the product to an Authorised Service Centre and have the cable replaced.
3. Do not use the product if the electric cables are damaged or worn.
4. Immediately disconnect from the mains electricity supply if the cable is cut, or the insulation is damaged. Do not touch the electric cable until the electrical supply has been disconnected. Do not repair a cut or damaged cable. Replace it with a new one.
5. Your extension cable must be uncoiled. Coiled cables can overheat and reduce the efficiency of your mower.
6. Keep cable away from product. Always work away from the power point mowing up and down, never in circles.
7. Do not pull cable around sharp objects.
8. Always switch off at the mains before disconnecting any plug, cable connector or extension cable.
9. Switch off, remove plug from mains and examine electric supply cable for damage or aging before winding cable for storage. Do not repair a damaged cable, replace it with a new one. Use only genuine replacement cable.

10. Always wind cable carefully, avoiding kinking.
11. Never carry the product by the cable.
12. Never pull on the cable to disconnect any of the plugs.
13. Use only on AC mains supply voltage shown on the product rating label.
14. Our products are double insulated to EN60335. Under no circumstances should an earth be connected to any part of the product.
6. Exercise extreme caution when changing direction on slopes. Walk never run.
7. Make sure you always take up a safe and stable stance whilst working, especially on slopes. Do not use the mower close to swimming pools or garden ponds.
8. Do not walk backwards when operating, you could trip.
9. Never cut grass by pulling the product towards you.
10. Switch off before pushing the product over surfaces other than grass.

Cables

If extension cables are used, they must comply with the minimum cross-sections in the table below:

Voltage	Cable length	Cross section
220-240V/ 50Hz	Up to 20 m	1.5 mm ²
220-240V/ 50Hz	20 - 50 m	2.5 mm ²

Mains cables and extensions are available from your local Approved Service Centre.

Only use extension cables specifically designed for outdoor use and which conform to one of the following specifications: Ordinary rubber (60245 IEC 53), Ordinary PVC (60227 IEC 53) or Ordinary PCP (60245 IEC 57).

If the short connection lead is damaged, it must be replaced by the manufacturer, its service agent or similarly qualified persons in order to avoid a hazard.

Preparation

1. While using your product always wear substantial footwear and long trousers. Do not operate the equipment when barefoot or wearing open sandals. Make sure the lawn is clear of sticks, stones, bones, wire and debris; they could be thrown by the blade.
2. Before using the machine and after any impact, check for signs of wear or damage and repair as necessary.
3. Replace worn or damaged blades together with their fixings in sets to preserve balance.

Use

1. Use the product only in daylight or good artificial light.
2. Avoid operating your product in wet grass, where feasible.
3. Take care in wet grass, you may lose your footing.
4. On slopes, be extra careful of your footing and wear non-slip footwear.
5. Operate your product across the face of slopes, never up and down.

11. Never operate the product with damaged guards or without guards in place.
12. Keep hands and feet away from the cutting means at all times and especially when switching on the motor.
13. Do not tilt product when the motor is running.
14. Do not put hands near the grass discharge chute.
15. Never pick up or carry a product when it is operating or still connected to the mains supply.
16. Remove the plug from the mains:
17. before leaving the product unattended for any period.
18. before clearing a blockage.
19. before checking, cleaning or working on the appliance.
20. if you hit an object. Do not use your product until you are sure that the entire product is in a safe operating condition.
21. if the product starts to vibrate abnormally. Check immediately. Excessive vibration can cause injury.

Maintenance and storage

⚠ CAUTION! Do not touch rotating blade(s).

1. Keep all nuts, bolts and screws tight to be sure the product is in safe working condition.
2. Check the grassbox frequently for wear or deterioration.
3. Replace worn or damaged parts for safety.
4. Only use the replacement parts specified for this product.
5. Be careful during adjustment of the product to prevent entrapment of the fingers between moving blades and fixed parts of the machine.
6. Store in a cool dry place and out of reach of children. Do not store outdoors.
7. Allow the product to cool for at least 30 minutes before storing.

ASSEMBLY INSTRUCTIONS

Fitting the lower handles to your lawnmower (A)

1. Place the end of the lower handle into the slots.
2. Secure lower handles to hood by firmly pushing fixing pin through holes in hood and handle.
3. Repeat on the other side.

NOTE: Should a problem occur when securing handle to hood with the fixing pin, carefully lever fixing pin out of location and repeat steps 1 to 3 above.

Fitting upper handles to lower handles (B)

1. Ensure the upper handle is located correctly with the lock-off button on the switchbox uppermost.
2. Ensure the upper handle and the lower handle are aligned correctly.
3. Insert the nut into the handle knob. (if applicable)
4. Fit the bolts, washers and handle knobs.

Cable clips

1. Fit the cable to the handles with the clips provided.
2. Make sure the cable is not trapped between the upper and lower handles.

ADJUSTING THE CUTTING HEIGHT

⚠ WARNING! Always handle the blade with care - sharp edges could cause injury. USE GLOVES. Never use more than 3 cutting height spacers. Spacers must only be fitted between the blade and the fan and NEVER between the blade and the bolt.

1. Remove the blade bolt, and blade as described in "Removing the Blade and Fan".

2. For a Lower Cut – Add spacers.
3. For a Higher Cut – Take spacers away.
4. Refit the blade as described in "Fitting the Blade and Fan".

Always ensure the text 'THIS SIDE TO GRASS' will be facing the grass when the product is in the mowing position. (L)

REMOVING AND FITTING THE FAN BLADE

Removing the Blade and Fan

1. To remove the blade bolt, hold the fan firmly and with the spanner provided loosen the blade bolt by turning it anti-clockwise. (L)
2. Remove the blade bolt, blade, spacers and fan. (M)
3. Inspect for damage and clean as necessary.

NOTE: Renew your metal blade after 50 hours mowing or 2 years whichever is the sooner - regardless of condition.

Fitting the Blade and Fan

⚠ WARNING! If the blade is cracked or damaged replace it with a new one.

⚠ WARNING! Never use a blade bolt if the insulated head is damaged, cracked, or missing.

1. Ensure the fan is located correctly.

2. Place the spacers onto the fan ensuring the pegs have located into the holes.
3. Place the blade onto the spacers ensuring the pegs have located into the holes on the blade and ensuring the blade is positioned as illustrated. (M)
4. Place the blade bolt through the centre hole of the blade. (M)
5. Tighten down clockwise by hand.
6. Hold the fan firmly and tighten the blade bolt with the spanner provided.

HANDLE ADJUSTMENT

⚠ WARNING! Stop the lawnmower and wait until the blade has stopped rotating before adjusting the handle.

NOTE: Removal of lower handle fixing pins is not required to adjust the handle.

Handle in forward position (C)

1. Push the handle inwards from both sides.
2. Move the handle forward until it stops.

Handle in down position (C)

1. Push the handle inwards from both sides.
2. Move the handle downward until it stops.

NOTE: The handle does not rest flat on the ground.

Handle in operating position

Adjustment is not required to move the handle to the operating position. Simply pull down from the forward position or lift up from the down position until the handle is in the most comfortable operating position.

STARTING AND STOPPING

To start your lawnmower

1. EU models: Connect female extension cable connector to the back of the switchbox.
2. Form loop in mains cable and push the loop through the slot as illustrated. (D)
3. To secure, position loop over the hook and pull the cable back through the slot as illustrated. (E)
4. Connect plug to mains and switch on.
5. To prevent a ring being cut in your lawn and to clear any residual grass, tilt your lawnmower slightly. (F)

NOTE: The switchbox is provided with a lock-off button to prevent accidental starting. (G1)

1. Press and hold the lock-off button on the switchbox, then squeeze one of the start/stop levers towards the upper handle. (H)

2. Continue to squeeze the start/stop lever towards the upper handle and release the lockoff button.
3. When the lawnmower has reached full speed gently lower it onto the lawn.

NOTE: There are two start/stop levers fitted. Either one can be used for starting the lawnmower.

IMPORTANT: Do not use the start/stop levers intermittently.

To stop your lawnmower

1. To prevent a ring being cut in your lawn and to clear any residual grass, tilt your lawnmower slightly. (F)
2. Release the pressure on the start/stop lever.

HOW TO USE

1. Start mowing the edge of the lawn nearest to the power point so the cable is laid out on the lawn you have already cut. (J)

2. Cut your grass twice a week during the growing season. Your lawn will suffer if more than a third of its length is cut at one time.

CAUTION! Do not overload your mower.

Mowing long thick grass may cause the motor speed to drop. You will hear a change in the motor sound. If the motor speed drops, you may overload your lawnmower

which may cause damage. When mowing in long thick grass, a first cut with the cutting height set higher will help reduce the load. See "Adjusting the Cutting Height".

GRASSBOX

For optimum performance your product is designed to be used with the grassbox fitted.

Emptying the Grassbox (K)

Stop the product and wait until the cutting head has stopped rotating before emptying the grassbox.

1. Lift the grassbox lid.
2. Lift the grassbox off the product and empty.
3. Replace grassbox and lid carefully.

Failure to fit the grassbox and lid correctly will cause poor collection of grass clippings.

CARING FOR YOUR PRODUCT

Cleaning (P)

NOTE: Use gloves.

It is very important that you keep your lawnmower clean. Grass clippings left in any of the air intakes or under the hood could become a potential fire hazard.

1. Remove grass from under the hood with spanner/scraper tool.
2. Using a soft brush, remove grass clippings from all air intakes.
3. Remove the blade to gain access to the fan and clean with a soft brush.
4. Wipe over the surface of your lawnmower with a dry cloth.

IMPORTANT: Never use water for cleaning your lawnmower. Do not clean with chemicals, including

petrol, or solvents. Some can destroy critical plastic parts.

At the End of the Mowing Season

1. Replace blade, bolts, nuts or screws, if necessary.
2. Clean your lawnmower thoroughly.
3. Ask your local Service Centre to clean the air filter thoroughly and carry out any service or repairs required.
4. Make sure that the electric cable is coiled properly.

Carrying your Lawnmower

Ensure the blade is facing away from you.

Storing your Lawnmower

Store in a dry place where your lawnmower is protected from damage.

TROUBLESHOOTING

Fails to Operate

- Is the power turned on?
- Check the fuse in the plug. Replace if blown.
- Fuse continues to blow? Immediately disconnect from the mains electricity supply and consult your local approved Service Centre
- Is the correct starting procedure being followed?

Poor Flotation

- Disconnect from the mains electricity supply.
- Clean the underside of the hood and the fan blades.
- Raise to a higher height of cut. See "Adjusting the Cutting Height".
- If poor flotation persists? Disconnect from the mains electricity supply and consult your local approved Service Centre.

Poor Grass Collection

NOTE: Disconnect from the mains electricity supply.

- Is the grassbox fitted correctly?
- Are you using in straight lines?
- Are you cutting more than one third of the grass length?
- Do you need to raise the cutting height?
- Follow the procedure described in "Poor Flotation".

Excessive Vibration

NOTE: Disconnect from the mains electricity supply.

- Replace broken or missing plastic cutters.
- Check plastic cutters are fitted correctly.
- If vibration persists? Immediately disconnect from the mains electricity supply and consult your local approved Service Centre.

SERVICE RECOMMENDATIONS

- Your product is uniquely identified by a silver and black product rating label.
- We strongly recommend that your product is serviced at least every twelve months, preferably by a professional.

ENVIRONMENTAL INFORMATION

Husqvarna UK Ltd. products are manufactured under an Environmental Management System (ISO 14001) using, where practical, components manufactured in the most environmentally responsible manner, according to company procedures, and with the potential for recycling at the end of the products' life.

- Packaging is recyclable and plastic components have been labelled (where practical) for categorised recycling.
- Awareness of the environment must be considered when disposing of 'end-of-life' product.
- If necessary, contact your local authority for disposal information.

The symbol on the product or on its packaging indicates that this product may not be treated as household

waste. Instead it shall be handed over to the applicable collection point for the recycling of electrical and electronic equipment. By ensuring this product is disposed of correctly, you will help prevent potential negative consequences for the environment and human health, which could otherwise be caused by inappropriate waste handling of this product.

For more detailed information about recycling of this product, please contact your local council office, your household waste disposal service or the shop where you purchased the product.

GUARANTEE AND GUARANTEE POLICY

If any part is found to be defective due to faulty manufacture within the guarantee period, Husqvarna UK Ltd., through its Authorised Service Repairers, will effect the repair or replacement to the customer free of charge providing:

- a. The fault is reported directly to the Authorised Repairer.
 - b. Proof of purchase is provided.
 - c. The fault is not caused by misuse, neglect or faulty adjustment by the user.
 - d. The failure has not occurred through fair wear and tear.
 - e. The machine has not been serviced or repaired, taken apart or tampered with by any person not authorized by Husqvarna UK Ltd.
 - f. The machine has not been used for hire.
 - g. The machine is owned by the original purchaser.
 - h. The machine has not been used outside of the country for which it was specified.
 - i. The machine has not been used commercially.
- This guarantee is additional to, and in no way diminishes the customers statutory rights.

Failures due to the following are not covered, therefore, it is important that you read the instructions contained in this

Operator's Manual and understand how to operate and maintain your machine.

Failures not covered by guarantee

- Replacing worn or damaged blades.
- Failures as a result of not reporting an initial fault.
- Failures as a result of sudden impact.
- Failures as a result of not using the product in accordance with the instructions and recommendations contained in this Operator's Manual.
- Machines used for hire are not covered by this guarantee.
- The following items listed are considered as wearing parts and their life is dependent on regular maintenance and are, therefore not normally subject to a valid warranty claim: Blades, Electric Mains cable.

⚠ CAUTION! Husqvarna UK Ltd. does not accept liability under the warranty for defects caused in whole or part, directly or indirectly by the fitting of replacement parts or additional parts that are not either manufactured or approved by Husqvarna UK Ltd., or by the machine having been modified in any way.

TECHNICAL DATA

Type	Hover Vac 250, Hover Vac 260, Hover Vac 270
Width of Cut (cm)	25 (Hover Vac 250), 26 (Hover Vac 260), 27 (Hover Vac 270)
Speed of rotation of cutting device (rpm)	7000 ± 5%
Cutting height (mm)	10-30
Grass collector capacity (L)	15
Power (kW)	1.4 ± 5%
Measured Sound Power LWA (dB(A))	93.3
Guaranteed Sound Power LWA (dB(A))	96
Sound pressure LpA (dB(A))	< 90
Uncertainty KpA (dB(A))	3.0
Hand / arm vibration avhw (m/s ²)	2.2
Uncertainty K of ah (m/s ²)	1.5

Type	Hover Vac 250, Hover Vac 260, Hover Vac 270
Weight (Kg)	5.87 (EU), 6.5 (UK)

EU DECLARATION OF CONFORMITY

We, Husqvarna AB, SE 561 82 Huskvarna, SWEDEN, declare under our sole responsibility that the represented product:

Description	Electric Rotary Lawnmower
Brand	Flymo
Platform / Type / Model	Hover Vac 250, Hover Vac 260, Hover Vac 270
Batch	Serial number dating 2018 and onwards

Complies fully with the following EU directives and regulations:

Directive/ Regulation	Description
2006/42/EC	"relating to machinery"
2014/30/EU	"relating to electromagnetic compatibility"
2000/14/EC	"relating to outdoor noise"
2011/65/EU	"restriction of use of certain hazardous substances"

Harmonized standards and/or technical specifications applied are as follows:

EN60335-1, EN60335-2-77, EN62233, EN55014-1, EN55014-2, EN61000-3-2, EN61000-3-3

In accordance with directive 2000/14/EC, Annex VI, the declared sound values are stated in the technical data section of this manual and in the signed EU Declaration of Conformity.

TÜV SÜD has carried out a voluntary examination on behalf of Husqvarna AB, providing a Certificate of conformity to EC Council directive 2006/42/EC for machinery.

The certificate, as provided on the signed Declaration of Conformity, is applicable to all manufacturing locations and Countries of Origin, as stated on the product. The supplied electric rotary lawnmower conforms to the example that underwent examination.

BELGIQUE/BELGIË	Husqvarna BELGIUM NV, BERGENSESTEENWEG 719, 1502 LEMBEEK Tel: 02 363 0311, Fax: 02 363 0391
ČESKÁ REPUBLIKA	Husqvarna Cesko s.r.o., oz Husqvarna UK Ltd., Dobronická 635, 148 25 Praha 4Husq Tel: 02/6111 2408-9, Info-linka: 0800/110 220 Internet: www.partner-flymo.cz E-mail: info@husqvarna.cz
DANMARK	Flymo/Partner A/S, Lundtoftegårdsvej 93A, 2800 Kgs.Lyngby Tel: 4587 7577, Fax: 45933308, www.flymo-partner.dk
DEUTSCHLAND	Husqvarna Deutschland GmbH, Julius Hofmann Str. 4, 97469 Gochsheim Tel: 097 21 7640, Fax:097 21 764202
ESTONIA	Husqvarna Eesti OÜ, Mustamäe tee 24, 10621 Tallinn Tel: +372 6650030
FRANCE	Husqvarna Jardin SAS54, 54, rue Lambrechts, BP316, 92402 COURBEVOIE cedex Tel 01 46 67 8141, Fax 01 43 34 2491
FINLAND SUOMI	OY Husqvarna AB, PL185, 00511 HELSINKI Tel: 00 39611, Fax: 00 39 612632
ITALIA	McCulloch Italiana s.r.l. Via Como 72, 23868 Valmadrera (LECCO) Tel: 800 017829, Fax: 0341 581671
IRELAND	Flymo Ireland Tel: 01 4565222, Fax: 01 4568551
MAGYARORSZÁG	Husqvarna Magyarország Kft., 1142 Budapest, Erzsébet királyné u. 87 Tel: 06-1-467 32 72, Fax: 06-1-221 50 56
NORGE	Flymo/Partner, div. av Husqvarna Norge AS Postboks 200, 1541 Vestby Tel: 69 10 47 90
NEDERLAND	Husqvarna Nederland BV, Vennootsweg 1, 2404 CG Alphen aan den Rijn Tel: +31(0) 172468322, Fax: +31(0) 172468219
ÖSTERREICH	HUSQVARNA Zentralwerkstätte, Industriezeile 36, 4020 LINZ, Tel: 0732 770101-60, Fax: 0732 795922
POLSKA	Husqvarna Poland Sp. z.o.o. 03-371 Warszawa, ul. Wysockiego 15B Tel:- (22) 8332949
SLOVENIJA	SKANTEH d.o.o. Tel:- (061) 133 70 68, Fax:-(061) 133 70 68
SLOVENSKA	Husqvarna Slovakia s.r.o., Borova Sihot 211, 033 01 Lipt. Hradok Tel: 044 522 14 19, Fax: 044 522 14 18, www.flymo-partner.sk
SOUTH AFRICA	Outdoor Products South Africa (Pty) Ltd - t/a Husqvarna Market Road Extension, Mkondeni, Pietermaritzburg Tel: +27 33 3461379, Fax: +27 33 3461385, Internet: www.husqvarna.co.za
SCHWEIZ/SUISSE/SUIZZERA	Husqvarna Schweiz AG, Industriestrasse 10, 5506 Mägenwil Tel 062/889 93 50, Fax 062/889 93 60
SVERIGE	Husqvarna AB, Sverige Tel: 036 – 14 67 00, Fax: 036 – 14 60 70
UNITED KINGDOM	Husqvarna UK Ltd. Tel: +44 325 302302, Fax: +44 325 310339

Husqvarna AB
S-561 82
Husqvarna
Sweden

Our policy of continuous improvement means that the specification of products may be altered from time to time without prior notice.
Copyright © 2018 Flymo S.A. All rights reserved. Flymo® and other product and feature names are registered or unregistered trademarks of Flymo S.A.

