

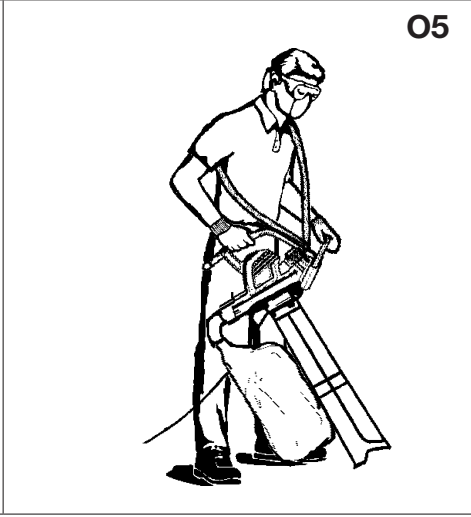
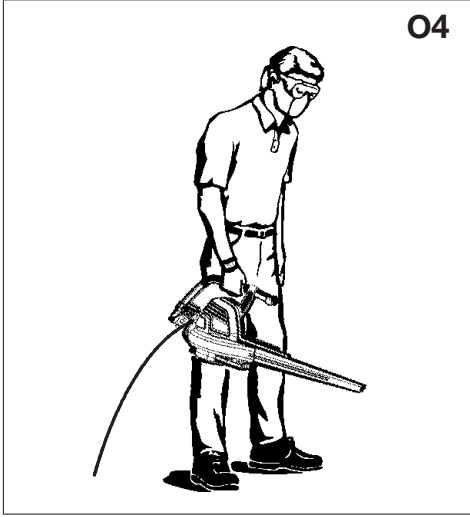
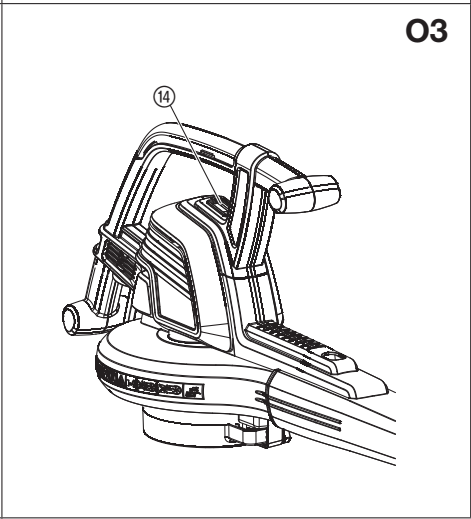
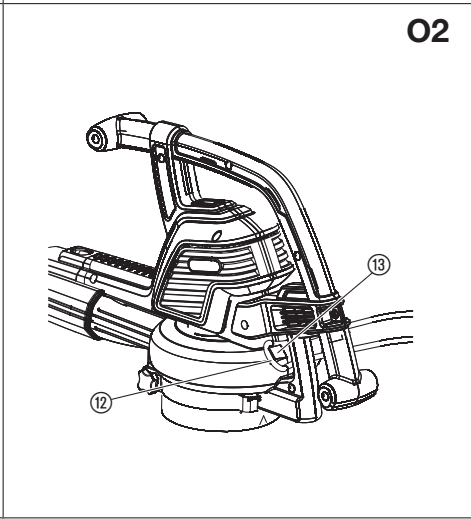
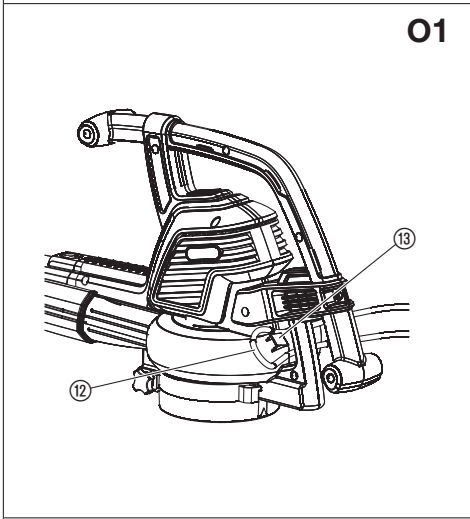
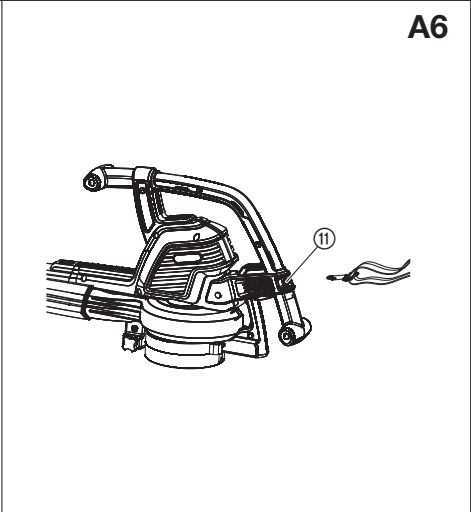
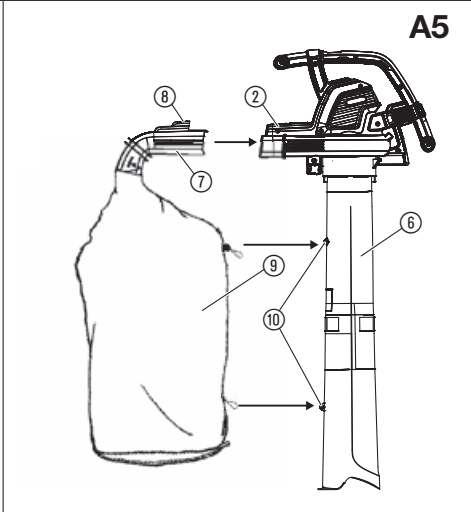
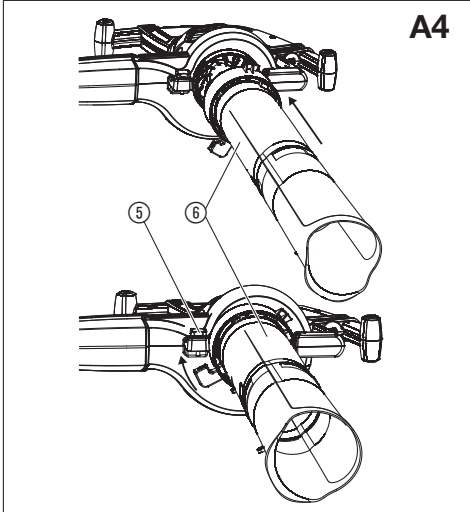
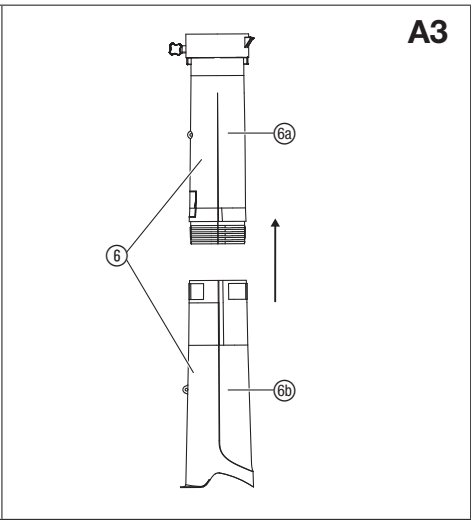
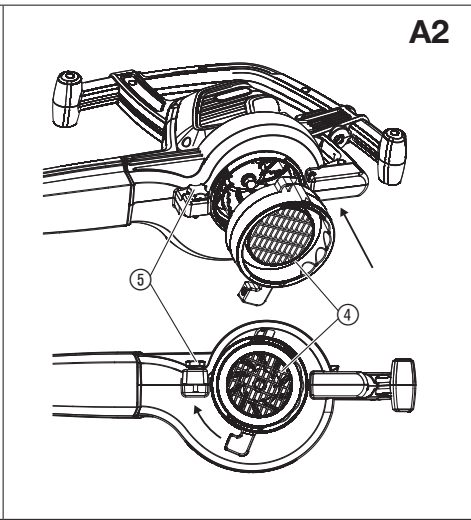
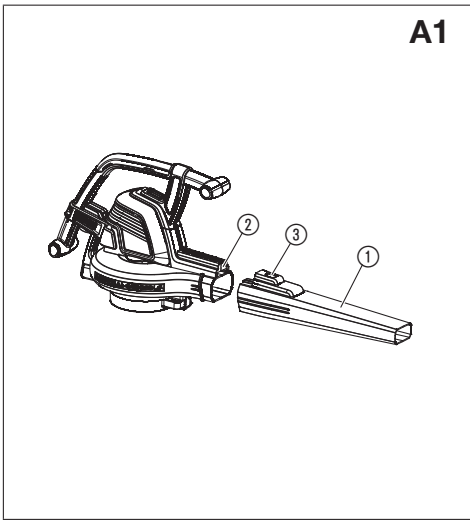
ErgoJet 2500 (EJ2500)
Art. 9334

DE Betriebsanleitung
Gartensauger/ -Bläser

FR Mode d'emploi
Aspirateur/ Souffleur électrique

IT Istruzioni per l'uso
Soffiatore/Aspiratore elettrico

EN Operating Instructions
Electric Blower/Vac



EN

Original instructions.

This product may be used under supervision, or if instruction regarding the safe use of the product has been provided and the resulting dangers have been understood, by children aged 8 and above, as well as by persons with physical, sensory or mental disabilities or a lack of experience and knowledge. Children must not be allowed to play with the product. Cleaning and user maintenance must not be performed by children without supervision. The use of this product by young people under the age of 16 is not recommended.

Intended use:

Proper use as blower:

The GARDENA blower/vacuum is suitable when used as a blower for sweeping debris or grass clippings from driveways, sidewalks, patios, etc. and for blowing grass clippings, straw, or leaves into piles, or removing debris from corners, around joints, or between bricks.

Proper use as vacuum:

The GARDENA blower/vacuum is suitable when used as a vacuum for picking up dry material such as leaves, grass, small twigs, and bits of paper.

DANGER! Risk of injury! If not used properly this product can be dangerous. The warnings and safety instructions must be followed to ensure reasonable safety and efficiency in using this product. The operator is responsible for following the warnings and instructions in this manual and on the product. Never use the product unless the guards provided by the manufacturer are in the correct position.

1. SAFETY

Important! Read the operator's manual carefully before use and keep for future reference.

Symbols on the product:



Read operator's manual.



SWITCH OFF:
Remove plug from mains before cleaning or maintenance.



Do not expose to rain.



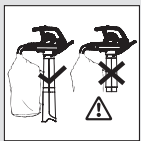
The use of eye and ear protection is recommended. Keep in mind, that you probably won't hear bystanders, which enter the working area.



Keep bystanders away.



Disconnect the mains plug if the cord becomes damaged or entangled.



Use only with fully installed suction tube and covered collection bag in suction mode.



Wait until the rotor blades have stopped moving after switching off.



Do not use when wearing open hair, loose jewellery or loose-fitting clothes.

General Power Tool Safety Warnings



WARNING: Read all safety warnings and all instructions. Failure to follow the warnings and instructions may result in electric shock, fire and/or serious injury.

Save all warning and instructions for future reference. The term "power tool" in the warnings refers to your mains operated (corded) power tool.

1) Work area safety

- a) This product is not intended for use by persons (including children) with reduced physical, sensory or mental capabilities, or lack of experience and knowledge, unless they have been given supervision or instruction concerning the use of the product by a person responsible for their safety. Children should be supervised to ensure that they do not play with the product. Local regulations may restrict the age of the operator. Never allow children or people unfamiliar with these instructions to use the product.

Power tools are dangerous in the hands of untrained users.

- b) Never operate the product while people, especially children, or pets are nearby.

Distractions can cause you to lose control.

- c) Never blow debris in the direction of bystanders. The operator or user is responsible for accidents or hazards occurring to other people or their property.
- d) Keep work area clean and well lit. Cluttered or dark areas invite accidents.
- e) Do not operate power tools in explosive atmospheres, such as in the presence of flammable liquids, gases or dust. Power tools create sparks which may ignite the dust or fumes.

2) Electrical safety

- a) Power tool plugs must match the outlet. Never modify the plug in any way. Do not use any adaptor plugs with earthed (grounded) power tools. Use only on AC mains supply voltage shown on the product rating label.
Unmodified plugs and matching outlets will reduce risk of electric shock.
- b) Avoid body contact with earthed or grounded surfaces, such as pipes, radiators, ranges and refrigerators. There is an increased risk of electric shock if your body is earthed or grounded.
- c) Do not expose power tools to rain or wet conditions. Water entering a power tool will increase the risk electric shock.
- d) Do not abuse the cord. Never use the cord for carrying, pulling or unplugging the power tool. Keep cord away from heat, oil, sharp edges or moving parts. Before use, examine cord for damage. Replace cord if there are signs of damage or ageing. Do not use the product if the cord is damaged or worn. Immediately disconnect from the mains electricity supply if the cord is cut, or the insulation is damaged. Do not touch the electric cord until the electrical supply has been disconnected. Do not repair a cut or damaged cord. Replace it with a new one.
Damaged or entangled cords increase the risk of electric shock.
- e) The electric cord must be uncoiled. Coiled cord can overheat and reduce the efficiency of the product. Always wind cord carefully, avoiding kinks.
- f) When operating a power tool outdoors, use an extension cord suitable for outdoor use fitted with a coupler according to IEC 60320-2-3. Use of a cord suitable for outdoor use reduces the risk of electric shock.
- g) If operating a power tool in a damp location is unavoidable, use a residual current device (RCD) protected supply with a tripping current of not more than 30 mA. Even with a RCD installed, 100% safety cannot be guaranteed and safe working practices must be followed at all times. Check your RCD every time you use your product.
Use of an RCD reduces the risk of electric shock.

3) Personal safety

- a) Stay alert, watch what you are doing and use common sense when operating a power tool. Do not use a power tool while you are tired or under the influence of drugs, alcohol or medication.
A moment of inattention while operating power tools may result in serious personal injury.
- b) Use personal protective equipment. Always wear eye protection and hearing protection. To prevent dust irritation, the use of a dust mask is recommended.
Protective equipment such as eye protection, hearing protection, dust mask, nonskid safety shoes, or hard hat used for appropriate conditions will reduce personal injuries.
- c) Prevent unintentional starting. Ensure the switch is in the off position before connecting to power source, picking up or carrying the tool.
Carrying power tools with your finger on the switch or energising power tools that have the switch on invites accidents.
- d) Do not overreach. Keep proper footing and balance at all times. On slopes, be extra careful and wear non-slip footwear. Do not walk backwards while operating your product. Walk, never run. Do not use ladders while operating the product.
This enables better control of the power tool in unexpected situations.
- e) Dress properly. Always wear suitable clothing, gloves, and stout shoes. Do not wear loose clothing or jewellery. Keep your hair, clothing and gloves away from moving parts.
Loose clothes, jewellery or long hair can be caught in moving parts.

4) Power tool use and care

- a) Only use the product in the manner and for the functions described in these instructions. Always direct the cord to the rear, away from the product. Do not force the power tool. Use the correct power tool for your application. The correct power tool will do the job better and safer at the rate for which it was designed.
- b) Always make sure your product is in a safe operating condition before use. Do not use the power tool if the switch does not turn it on and off. Know how to stop the product quickly in an emergency.
Any power tool that cannot be controlled with the switch is dangerous and must be repaired.
- c) The impeller continues to rotate after your product has been switched off. The motor must be stopped and the impeller blade no longer turning to avoid serious injury from the rotating blades.
- d) Disconnect the plug from the power source:
- before removing or replacing fully assembled debris bag;
 - before leaving the product unattended for any period;
 - before clearing a blockage;

- before checking, cleaning or working on the appliance;
 - if the product starts to vibrate abnormally. Check immediately. Excessive vibration can cause injury.
 - before passing to another person.
- e) **Store idle power tools out of the reach of children and do not allow persons unfamiliar with the power tool or these instructions to operate the power tool.** *Power tools are dangerous in the hands of untrained users.*
- f) **Maintain power tools. Check for misalignment or binding of moving parts, breakage of parts and any other condition that may affect the power tool's operation. If damaged, have the power tool repaired before use. Keep all cooling air inlets clear of debris.** *Many accidents are caused by poorly maintained power tools.*
- g) **Use the power tool and accessories in accordance with these instructions, taking into account the working conditions and the work to be performed. Use the product only in daylight or good artificial light.** *Use of the power tool for operations different from those intended could result in a hazardous situation.*

5) Maintenance and storage

Have your power tool serviced by a qualified repair person using only identical replacement parts.

This will ensure that the safety of the power tool is maintained.

- Keep all nuts, bolts and screws tight to be sure the product is in a safe working condition.
- Replace worn or damaged parts for safety.
- Use only genuine replacement parts and accessories.
- Inspect the debris bag regularly. If the debris bag becomes worn or damaged, replace.
- Store in a cool dry place and out of reach of children. Do not store outdoors.

Blower safety warnings

- **Inspect the area before using the unit.** *Remove all debris and hard objects such as rocks, glass, wire, etc., that can ricochet, be thrown, or otherwise cause injury or damage during operation.*
- **Never run the unit without the proper equipment attached.** *When used as a blower, always install a blower tube. Use only recommended attachments to prevent personal injury.*
- **Do not use blower near leaf or brush fires, fireplaces, barbecue pits, ashtrays, etc.** *Proper use of the blower will help avoid spreading fire.*
- **Never place objects inside the blower tubes; always direct the blowing debris away from people, animals, glass, and solid objects such as trees, automobiles, walls, etc.** *The force of air can cause rocks, dirt, or sticks to be thrown or to ricochet which can hurt people or animals, break glass, or cause other damage.*
- **Never use for spreading chemicals, fertilizers, or any other substances.** *This will prevent the spreading of toxic materials.*

Vacuum safety warnings

- **Stop the motor and disconnect the extension cord before opening the air inlet door or attempting to insert or remove the vacuum tubes.** *The motor must be stopped and the impeller blades no longer turning to avoid serious injury from the rotating blades.*
- **Inspect the area before using the unit.** *Hard objects can be thrown through the collection bag or the housing and become dangerous missiles which can cause serious injury to the operator or others.*
- **Do not vacuum stones, gravel, metal, broken glass, etc.** *Proper use of the unit will reduce possible personal injury and/or damage to the unit.*
- **Do not attempt to vacuum water or other liquids.** *Water or other liquids entering a power tool will increase the risk of electric shock.*
- **Never run the unit without the proper equipment attached.** *When used as a vacuum, always install vacuum tubes and collection bag assembly. Make sure the collection bag assembly is completely zipped when unit is running to avoid flying debris. Use only recommended attachments.*
- **Do not vacuum discarded matches, cigars, cigarettes, or ash from fireplaces, barbecue pits, brush piles, etc.** *Avoid situations which could set the collection bag on fire. To avoid spreading fire, do not use blower near leaf or brush fires, fireplaces, barbecue pits, ashtrays, etc.*
- **Always use the shoulder strap when vacuuming.** *This will help maintain control of the power tool.*
- **Check air intake openings, elbow tube, and vacuum tubes frequently, always with the unit stopped and the power source disconnected.** *Keep vents and tubes free of debris which can accumulate and restrict proper air flow. Do not use with any opening blocked. Keep free of dust, lint, hair and anything that may reduce air flow.*

Additional safety warnings

DANGER! Small parts can be easily swallowed. There is also a risk that the polybag can suffocate toddlers. Keep toddlers away when you assemble the product.

DANGER! This product makes an electromagnetic field while it operates. This field may under some conditions interfere with active or passive medical implants. To decrease the risk of conditions that can possibly injure or kill, we recommend persons with medical implants to speak with their physician and the medical implant manufacturer before you operate the product.

2. ASSEMBLY



WARNING! Stop the unit and unplug the extension cord before opening the inlet cover or attempting to install or remove the blower tube or vacuum tubes.

The motor must be stopped and the impeller blades no longer turning to avoid serious injury from the rotating blades.

Assembling for blower use:

Fitting the blower tube [Fig. A1]:

NOTE: A safety switch will prevent the unit from starting if the blower tube ① is not installed correctly.

1. Align the grooves on the blower tube ① with the grooves on the blower outlet ②.
2. Push the blower tube ① onto the blower outlet ② until it snaps into place. *The blower tube is secured to the blower outlet with the tube release button ③.*

To remove the blower tube ①, press the tube release button ③ and pull out the blower tube ① at the same time.

Fitting the intake cover [Fig. A2]:

NOTE: A safety switch will prevent the unit from starting if the intake cover ④ is not latched closed.

1. Place the intake cover ④ on the lower opening of the garden blower and turn the intake cover ④ clockwise up to the stop (bayonet fastening).
2. Tighten the fastening screw ⑤.

To remove the intake cover ④, loosen the fastening screw ⑤, turn the intake cover ④ anti-clockwise and remove it.

Assembling for vacuum use:

Fitting the vacuum tube [Fig. A3/A4]:

CAUTION! Do not use the vacuum ⑥ unless the lower tube ⑥a is fitted to the upper tube ⑥b.

1. Align the seams of the lower tube ⑥a and upper tube ⑥b.
2. Press the tubes ⑥a/⑥b together until they are fully engaged.

NOTE: A safety switch will prevent the unit from starting if the vacuum tube ⑥ is not installed correctly.

3. Place the vacuum tube ⑥ on the lower opening of the garden vacuum and turn the vacuum tube ⑥ clockwise up to the stop (bayonet fastening).
4. Tighten the fastening screw ⑤.

To remove the vacuum tube ⑥, loosen the fastening screw ⑤, turn the vacuum tube ⑥ anti-clockwise and remove it.

Attaching the collection bag [Fig. A5]:

NOTE: A safety switch will prevent the unit from starting if the elbow tube ⑦ is not installed correctly.

1. Align the grooves on the elbow tube ⑦ with the grooves on the blower outlet ②.
2. Press the elbow tube ⑦ onto the blower outlet ② until it snaps into place. *The collection bag is secured to the blower outlet with the tube release button ⑧.*
3. Clip the collection bag ⑨ into both loops ⑩ on the vacuum tube ⑥.

To remove the collection bag ⑨, press the tube release button ⑧ and pull out the elbow tube ⑦ at the same time.

Attaching the shoulder strap [Fig. A6]:

For extra support when using your unit as a vacuum, a shoulder strap is included with your unit. Attach the strap to the unit before operation. Snap the hook onto the retainer ⑪.

3. OPERATION



WARNING! Do not use the unit without the tubes or collection bag properly attached to avoid flying debris and/or impeller contact which can cause serious injury.

Always wear gloves and use eye protection to prevent rocks or debris from being blown or ricocheting into the eyes and face which can result in blindness or serious injury.

Cables:

Use only 1.00 mm² size cable up to 40 metres length maximum.

Maximum rating:

1.00 mm² size cable

ErgoJet 2500 (EJ2500): 2,300 W

Mains cables and extensions are available from your local approved service centre. Only use extension cables specifically designed for outdoor use.

Connecting the unit [Fig. O1/O2]:

CAUTION! To avoid damage to the plug, the extension cable must be inserted into the cable lock.

1. First make a loop with the extension cable ⑫, thread the loop into the cable lock ⑬ and pull the extension cable tight.
2. Connect the unit's plug to the extension cable.
3. Connect the extension cable to a 230-V mains socket.

Starting the unit [Fig. O3]:

To start:

→ Move the ON/OFF switch ⑭ to the **ON** position.
The unit starts.

To stop:

→ Move the ON/OFF switch ⑭ to the **OFF** position.
The unit stops.

Work positions:

Blow mode [Fig. O4]:

Use your unit as a blower for sweeping debris or grass clippings from driveways, sidewalks, patios, etc. Also, for blowing grass clippings, straw, or leaves into piles, or removing debris from corners, around joints, or between bricks.

Direct air flow by directing the blower tube down or to one side.

Always work away from solid objects such as walks, large stones, vehicles, and fences.

Clean corners by starting in corners and moving outward. This will help prevent an accumulation of debris which could fly into your face. Be careful when working near plants. The force of the air could damage tender plants.

Vacuum mode [Fig. O5]:

Use your unit as a vacuum to pick up dry material such as leaves, grass, small twigs, and bits of paper.

For best results during vacuum use, operate your unit at high speed.

Move slowly back and forth over the material as you vacuum. Avoid forcing the unit into a pile of debris as this can clog the unit.

Keep the vacuum tube about an inch above the ground for best results.



WARNING! If the unit becomes clogged, stop the unit and unplug the extension cord. Wait until the impeller has completely stopped turning, then remove the vacuum tubes. Carefully reach into the vacuum opening and clear out the clogged debris.

This will reduce possible personal injury from the impeller.

4. STORAGE

To put into storage:

Store unit unplugged, well out of the reach of children.

1. Stop unit and disconnect from the mains electricity supply.
2. Allow motor to cool before storing or transporting.
3. Store unit with all guards in place. Position unit so that any sharp object cannot accidentally cause injury.

Extended storage:

Prepare unit for storage at the end of the season or if it will not be used for 30 days or more.

If your blower is to be stored for a period of time:

1. Stop unit and disconnect from the mains electricity supply.
2. Clean the entire unit before lengthy storage.
3. Open inlet cover and clean any dirt, grass, or debris that has collected. Inspect the blower and all tubes. Close and make sure the cover is latched.
4. Use a soft brush to clean air vents and air inlet of debris. Do not use water.

5. Store your unit and extension cord in a well ventilated area and covered, if possible, to prevent dust and dirt accumulation. Do not cover with plastic. Plastic cannot breathe and may cause condensation and eventual rust or corrosion.
6. Check entire unit for loose screws. Replace any damaged, worn, or broken parts.
7. Remove tube(s) for easier storage.

Disposal:

(in accordance with RL2012/19/EC)

The product must not be disposed of to normal household waste. It must be disposed of in line with local environmental regulations.



IMPORTANT!

→ Dispose of the product through or via your municipal recycling collection centre.

5. MAINTENANCE



WARNING! Stop the unit and disconnect the plug from the power source before making any adjustments, changing accessories, or performing maintenance.

Such preventive safety measures reduce the risk of starting the power tool accidentally.

BEFORE EACH USE

Check for loose fasteners and parts:

Keep all nuts, bolts and screws tight to be sure the product is in a safe working condition. Be sure all parts are assembled properly.

- Inlet Cover
- Blower Tube
- Vacuum Tubes
- Collection Bag

Check for damaged or worn parts:

Contact your authorized service dealer for replacement of damaged or worn parts.

- ON/OFF Switch – Ensure switch functions properly by moving the switch to the OFF position. Make sure motor stops; then restart motor and continue.
- Inlet Cover – Discontinue use of unit if inlet cover fails to latch properly or if it is damaged in any way.

AFTER EACH USE

Inspect and clean unit and labels:



DANGER! Electric shock!

Never clean the ventilation slit with a metal object.

- After each use, inspect complete unit for loose or damaged parts. Clean the unit using a damp cloth.
- Wipe off unit with a clean dry cloth.

Clean collection bag:

IMPORTANT!

THE COLLECTION BAG MUST BE PROPERLY EMPTIED.

- You must properly empty and maintain the collection bag to avoid deterioration and obstruction of air flow.
- Remove the collection bag from the unit and empty after each use. Do not store bag without emptying the bag of all contents (grass, leaves, etc.).
- Wash the bag once a year. Remove the bag from the blower and turn the bag inside out. Wash the bag with a water hose. Allow the bag to hang and dry completely before you reuse the bag.



WARNING! If the unit becomes clogged, stop the unit and unplug the extension cord. Wait until the impeller has completely stopped turning, then remove the vacuum tubes. Carefully reach into the vacuum opening and clear out the clogged debris.

This will reduce possible personal injury from the impeller.

Removing an object from the air intake:

1. Remove the vacuum tubes.
2. Carefully reach into the vacuum opening and clear out the air intake area. Clear all debris from impeller.
3. Inspect the impeller for cracks. If cracked or damaged, do not use the unit. Have parts replaced by your authorized service dealer. Do not attempt to replace them yourself.

6. TROUBLESHOOTING



WARNING! Always stop unit and unplug the extension cord before performing all of the recommended remedies below except remedies that require unit to be operating.

The motor must be stopped and the impeller blades no longer turning to avoid serious injury from the rotating blades.

Problem	Possible Cause	Remedy
Unit fails to operate	1. Switch in the OFF (0) position.	1. Slide switch to ON (I) position.
	2. Extension cord disconnected.	2. Reconnect extension cord.
	3. Circuit breaker tripped, or fuse blown.	3. Reset circuit breaker or fuse.
	4. Blower tube, elbow tube, and/or vacuum tube not installed correctly.	4. Check tube installation.
	5. Collection bag is full.	5. Empty collection bag.
	6. Mechanical failure.	6. Contact your authorized service dealer.
Unit vibrates abnormally	1. Mechanical failure.	1. Contact your authorized service dealer.
Impeller will not turn freely	1. Debris in air intake area.	1. Clean unit. Remove any debris.
	2. Mechanical failure.	2. Contact your authorized service dealer.



NOTE: For any other malfunctions please contact the GARDENA service department. Repairs must only be done by GARDENA service departments or specialist dealers approved by GARDENA.

7. TECHNICAL DATA

Electric Blower / Vac	Unit	Value ErgoJet 2500 (EJ2500) (Art. 9334)
Motor – power consumption	W	Max. 2300
Mains voltage	V	220 – 240
Mains frequency	Hz	50
Vacuum flow	l/s	170
Mulch ratio		14:1
Blow speed	km/h	Max. 310
Weight blower/vacuum	kg	Max. 4.8
Capacity of debris bag	l	45
Sound pressure level L_{pA} ¹⁾ Uncertainty k_{pA}	dB (A)	87 1.0
Sound power level L_{WA} ²⁾ measured/guaranteed	dB (A)	102 / 103
Hand/arm vibration a_{vhw} ¹⁾	m/s^2	< 2.7



NOTE: The stated vibration emission value has been measured according to a standardized test procedure and can be used for comparison of one electric power tool with another. It can also be used for preliminary evaluation of exposure. The vibration emission value can vary during actual use of the electric power tool.

8. SERVICE/WARRANTY

Service:

Please contact the address on the back page.

Warranty statement:

In the event of a warranty claim, no charge is levied to you for the services provided.

GARDENA Manufacturing GmbH grants a warranty for all original GARDENA new products for two years from the date of original purchase from the retailer, provided that the devices have been for private use only. This manufacturer's warranty does not apply to products acquired second hand. This warranty includes all significant defects of the product that can be proved to be material or manufacturing faults. This warranty is fulfilled by supplying a fully functional replacement product or by repairing the faulty product sent to us free of charge; we reserve the right to choose between these options. This service is subject to the following provisions:

- The product has been used for its intended purpose as per the recommendations in the operating instructions.
- Neither the purchaser nor a third party has attempted to open or repair the product.
- Only Original GARDENA replacement parts and wear parts have been used for operation.
- Presentation of the receipt.

Normal wear and tear of parts and components (such as blades, blade fixing parts, turbines, light bulbs, V-belts/toothed belts, impellers, air filters, spark plugs), visual changes, wear parts and consumables are excluded from the warranty.

This manufacturer's warranty is limited to replacement and repair of products in accordance with the abovementioned conditions. The manufacturer's warranty does not constitute an entitlement to lodge other claims against us as a manufacturer, such as for damages. This manufacturer's warranty does not, of course, affect statutory and contractual warranty claims against the dealer/retailer.

The manufacturer's warranty is governed by the law of the Federal Republic of Germany.

In case of a warranty claim, please return the faulty product, together with a copy of the receipt and a description of the fault, with postage paid to the service address.

Consumables:

The blower tube and vacuum tubes are wearing parts and are not covered by the guarantee.

DE Produkthaftung

Wir weisen ausdrücklich darauf hin, dass wir in Übereinstimmung mit dem Produkthaftungsgesetz nicht für Schäden haften, die durch unsere Produkte entstehen, wenn diese unsachgemäß und nicht durch einen von uns autorisierten Servicepartner repariert wurden oder wenn keine Original GARDENA Teile oder von uns zugelassene Teile verwendet wurden.

FR Responsabilité

Conformément à la loi relative à la responsabilité du fait des produits défectueux, nous déclarons expressément par la présente que nous déclinons toute responsabilité pour les dommages résultant de nos produits, si lesdits produits n'ont pas été correctement réparés par un partenaire d'entretien agréé GARDENA ou si des pièces d'origine GARDENA ou des pièces agréées GARDENA n'ont pas été utilisées.

IT Responsabilità del prodotto

In conformità con la Legge tedesca sulla responsabilità del prodotto, con la presente dichiariamo espressamente che decliniamo qualsiasi responsabilità per danni causati dai nostri prodotti qualora non siano stati correttamente riparati presso un partner di assistenza approvato GARDENA o laddove non siano stati utilizzati ricambi originali o autorizzati GARDENA.

EN Product liability

In accordance with the German Product Liability Act, we hereby expressly declare that we accept no liability for damage incurred from our products where said products have not been properly repaired by a GARDENA-approved service partner or where original GARDENA parts or parts authorised by GARDENA were not used.

DE EU-Konformitätserklärung

Der Unterzeichner, GARDENA Germany AB, PO Box 7454, S-103 92 Stockholm, Schweden, bescheinigt hiermit, dass die nachstehend aufgeführten Produkte bei Verlassen des Werks die harmonisierten EU-Leitlinien, EU-Normen für Sicherheit und besondere Normen erfüllen. Dieses Zertifikat verliert seine Gültigkeit, wenn die Produkte ohne unsere Genehmigung verändert werden.

FR Déclaration de conformité CE

Le constructeur, soussigné : GARDENA Germany AB, PO Box 7454, S-103 92 Stockholm, Suède, déclare qu'à la sortie de ses usines le matériel neuf désigné ci-dessous était conforme aux prescriptions des directives européennes énoncées ciaprès et conforme aux règles de sécurité et autres règles qui lui sont applicables dans le cadre de l'Union européenne. Toute modification apportée à cet appareil sans notre accord annule la validité de ce certificat.

IT Dichiarazione di conformità CE

La sottoscritta GARDENA Germany AB, PO Box 7454, S-103 92 Stockholm, Svezia, certifica che il prodotto qui di seguito indicato, nei modelli da noi commercializzati, è conforme alle direttive armonizzate UE nonché agli standard di sicurezza UE e agli standard specifici di prodotto. Qualunque modifica apportata al prodotto senza nostra specifica autorizzazione invalida la presente dichiarazione.

EN EC Declaration of Conformity

The undersigned, GARDENA Germany AB, PO Box 7454, S-103 92 Stockholm, Sweden, hereby certifies that, when leaving our factory, the units indicated below are in accordance with the harmonised EU guidelines, EU standards of safety and product specific standards. This certificate becomes void if the units are modified without our approval.

Produktbezeichnung: Designation du produit : Descrizione del prodotto: Description of the product:	Bläser/Sauger Souffleur/aspirateur Soffiatore/aspiratore Blower/vacuum	Harmonisierte EN-Normen / Harmonised EN: EN ISO 12100 EN 60335-1 EN 50636-2-100	
Produkttyp: Type de produit : Tipo di prodotto: Product type:	Artikelnummer: Référéce : Codice articolo: Article number:	Schall-Leistungspegel: Niveau sonore : Livello acustico: Noise level:	gemessen/garantiert mesuré/garanti misurato/garantito measured/guaranteed
ErgoJet 2500 (EJ2500)	9334	9334	102 dB(A) / 103 dB(A)
EU-Richtlinien: Directives CE : Direttive UE: EC-Directives:	2006/42/EG 2014/30/EG 2011/65/EG 2000/14/EG	Anbringungsjahr der CE-Kennzeichnung: Année d'apposition du marquage CE : Anno di applicazione della certificazione CE: Year of CE marking:	2011
Hinterlegte Dokumentation: GARDENA Technische Dokumentation, M. Kugler 89079 Ulm	Konformitätsbewertungsverfahren: Nach 2000/14/EG Art. 14 Anhang V	Ulm, den 03.06.2019 Fait à Ulm, le 03.06.2019 Ulm, 03.06.2019 Ulm, 03.06.2019	Der Bevollmächtigte Le mandataire Persona delegata Authorised representative  Reinhard Pompe Vice President
Deposited Documentation: GARDENA Technical Documentation, M. Kugler 89079 Ulm	Conformity Assessment Procedure: according to 2000/14/EC Art.14 Annex V		
Documentation déposée: Documentation technique GARDENA, M. Kugler 89079 Ulm	Procédure d'évaluation de la conformité : Selon 2000/14/CE art. 14 Annexe V		

Deutschland / Germany

GARDENA
Manufacturing GmbH
Central Service
Hans-Lorenser-Straße 40
D-89079 Ulm
Produktfragen:
(+49) 731 490-123
Reparaturen:
(+49) 731 490-290
service@gardena.com

Albania

COBALT Sh.p.k.
Rr. Siri Kodra
1000 Tirana

Argentina

Husqvarna Argentina S.A.
Av.del Libertador 5954 –
Piso 11 – Torre B
(C1428ARP) Buenos Aires
Phone: (+54) 11 5194 5000
info.gardena@
ar.husqvarna.com

Armenia

Garden Land Ltd.
61 Tigran Mets
0005 Yerevan

Australia

Husqvarna Australia Pty. Ltd.
Locked Bag 5
Central Coast BC
NSW 2252
Phone: (+61) (0) 2 4352 7400
customer.service@
husqvarna.com.au

Austria / Österreich

Husqvarna Austria GmbH
Industriezeile 36
4010 Linz
Tel.: (+43) 732 77 01 01-485
service.gardena@
husqvarnagroup.com

Azerbaijan

Firm Progress
a. Aliyev Str. 26A
1052 Baku

Belgium

Husqvarna België nv/sa
Gardena Division
Rue Egide Van Ophem 111
1180 Uccle / Ukkel
Tel.: (+32) 2 720 92 12
info@gardena.be

Bosnia / Herzegovina

SILK TRADE d.o.o.
Industrijska zona Bukva bb
74260 Tešanj

Brazil

Husqvarna do Brasil Ltda
Av. Francisco Matarazzo,
1400 – 19º andar
São Paulo – SP
CEP: 05001-903
Tel: 0800-112252
marketing.br.husqvarna@
husqvarna.com.br

Bulgaria

AGROLAND България АД
бул. 8 Декември, №13
Офис 5
1700 Студентски град
София
Тел.: (+359) 24 66 69 10
info@agroland.eu

Canada / USA

GARDENA Canada Ltd.
100 Summerlea Road
Brampton, Ontario L6T 4X3
Phone: (+1) 905 792 93 30
info@gardenacanada.com

Chile

Maquinarias Agroforestales
Ltda. (Maga Ltda.)
Santiago, Chile
Avda. Chesterton
8355 comuna Las Condes
Phone: (+56) 2 202 4417
Dalton@maga.cl
Zipcode: 7560330

China

Husqvarna (Shanghai)
Management Co., Ltd.
富世华 (上海) 管理有限公司
3F, Benq Square B,
No207, Song Hong Rd.,
Chang Ning District,
Shanghai, PRC. 200335
上海市长宁区淞虹路207号明
基广场B座3楼, 邮编: 200335

Colombia

Husqvarna Colombia S.A.
Calle 18 No. 68 D-31, zona
Industrial de Montevideo
Bogotá, Cundinamarca
Tel. 571 2922700 ext. 105
jairo.salazar@
husqvarna.com.co

Costa Rica

Compania Exim
Euroberoamericana S.A.
Los Colegios, Moravia,
200 metros al Sur del Colegio
Saint Francis – San José
Phone: (+506) 297 68 83
exim_euro@racsa.co.cr

Croatia

Husqvarna Austria GmbH
Industriezeile 36
4010 Linz
Tel.: (+43) 732 77 01 01-485
service.gardena@
husqvarnagroup.com

Cyprus

Med Marketing
17 Digeni Akrita Ave
P.O. Box 27017
1641 Nicosia

Czech Republic

Husqvarna Česko s.r.o.
Türkova 2319/5b
149 00 Praha 4 – Chodov
Bezplatná infolinka:
800 100 425
servis@cz.husqvarna.com

Denmark

GARDENA DANMARK
Lejrvej 19, st.
3500 Værløse
Tlf.: (+45) 70 26 47 70
husqvarna@husqvarna.dk
www.gardena.com/dk

Dominican Republic

BOSQUESA, S.R.L
Carretera Santiago Licey
Km. 5 ½
Esquina Copal II.
Santiago
Dominican Republic
Phone: (+809) 736-0333
joserbosquesa@claro.net.do

Ecuador

Husqvarna Ecuador S.A.
Arupos E1-181 y 10 de
Agosto Quito, Pichincha
Tel. (+593) 22800739
francisco.jacome@
husqvarna.com.ec

Estonia

Husqvarna Eesti OÜ
Valdeku 132
EE-11216 Tallinn
info@gardena.ee

Finland

Oy Husqvarna Ab
Gardena Division
Lautatarhankatu 8 B/PL 3
00581 HELSINKI
www.gardena.fi

France

Husqvarna France
9/11 Allée des pierres mayettes
92635 Gennevilliers Cedex
France
http://www.gardena.com/fr
N° AZUR: 0 810 00 78 23
(Prix d'un appel local)

Georgia

Transporter LLC
8/57 Beliashvili street
0159 Tbilisi, Georgia
Phone: (+995) 322 14 71 71

Great Britain

Husqvarna UK Ltd
Preston Road
Aycliffe Industrial Park
Newton Aycliffe
County Durham
DL5 6UP
info.gardena@
husqvarna.co.uk

Greece

Π. ΠΑΠΑΔΟΠΟΥΛΟΣ ΑΕΒΕ
Λεωφ. Αθηνών 92
Αθήνα
T.K.104 42
Ελλάδα
Τηλ. (+30) 210 51 93 100
info@papadopoulos.com.gr

Hungary

Husqvarna Magyarország Kft.
Ezred u. 1-3
1044 Budapest
Telefon: (+36) 1 251-4161
vevoszolgalat.husqvarna@
husqvarna.hu

Iceland

Ó. Johnson & Kaaber
Tunguhalsi 1
110 Reykjavik
ooj@ojk.is

Ireland

Husqvarna UK Ltd
Preston Road
Aycliffe Industrial Park
Newton Aycliffe
County Durham
DL5 6UP
info.gardena@
husqvarna.co.uk

Italy

Husqvarna Italia S.p.A.
Via Santa Vecchia 15
23868 VALMADRERA (LC)
Phone: (+39) 0341.203.111
assistenza.italia@
it.husqvarna.com

Japan

KAKUICHI Co. Ltd.
Sumitomo Realty &
Development Kojimachi
BLDG., 8F
5-1 Nibannco
Chiyoda-ku
Tokyo 102-0084
Phone: (+81) 33 264 4721
m_ishihara@kaku-ichi.co.jp

Kazakhstan

LAMED Ltd.
155/1, Tazhibayevoi Str.
050060 Almaty
IP Schmidt
Abayavenue 3B
110 005 Kostanay

Korea

Kyung Jin Trading CO.,LTD.
107-4, SunDuk Bld.,
YangJae-dong,
Seocho-gu,
Seoul, (zipcode: 137-891)
Phone: (+82) (0)2 574-6300

Kyrgyzstan

Alye Maki
av. Moladaya Guardir J 3
720014
Bishkek

Latvia

Husqvarna Latvija SIA
Ulbrokas 19A
LV-1021 Rīga
info@gardena.lv

Lithuania

UAB Husqvarna Lietuva
Ateities pl. 77C
LT-52104 Kaunas
info@gardena.lt

Luxembourg

Magasins Jules Neuberger
39, rue Jacques Stas
Luxembourg-Gasperich 2549
Case Postale No. 12
Luxembourg 2010
Phone: (+352) 40 14 01
api@neuberger.lu

Mexico

AFOSA
Av. Lopez Mateos Sur # 5019
Col. La Calma 45070
Zapopan, Jalisco
Mexico
Phone: (+52) 33 3818-3434
icornejo@afosa.com.mx

Moldova

Convel S.R.L.
290A Muncesti Str.
2002 Chisinau

Netherlands

Husqvarna Nederland B.V.
GARDENA Division
Postbus 50131
1305 AC ALMERE
Phone: (+31) 36 521 00 10
info@gardena.nl

Neth. Antilles

Jonka Enterprises N.V.
Sta. Rosa Weg 196
P.O. Box 8200
Curaçao
Phone: (+599) 9 767 66 55
pgm@jonka.com

New Zealand

Husqvarna New Zealand Ltd.
PO Box 76-437
Manukau City 2241
Phone: (+64) (0) 9 9202410
support.nz@husqvarna.co.nz

Norway

Husqvarna Norge AS
Gardena Division
Trøskenveien 36
1708 Sarpsborg
info@gardena.no

Peru

Husqvarna Perú S.A.
Jr. Ramón Cárcamo 710
Lima 1
Tel: (+51) 1 3320400 ext. 416
juan.remuzgo@
husqvarna.com

Poland

Husqvarna
Poland Spółka z o.o.
ul. Wysockiego 15 b
03-371 Warszawa
Phone: (+48) 22 330 96 00
gardena@husqvarna.com.pl

Portugal

Husqvarna Portugal, SA
Lagoa - Albarraque
2635 - 595 Rio de Mouro
Tel.: (+351) 21 922 85 30
Fax : (+351) 21 922 85 36
info@gardena.pt

Romania

Madex International Srl
Soseaua Odaii 117-123,
RO 013603 București, S1
Phone: (+40) 21 352.76.03
madex@ines.ro

Russia / Россия

ООО „Хускварна“
141400, Московская обл.,
г. Химки,
улица Ленинградская,
владение 39, стр.6
Бизнес Центр
„Химки Бизнес Парк“,
помещение ОВ02_04
http://www.gardena.ru

Serbia

Domel d.o.o.
Autoput za Novi Sad bb
11 273 Belgrade
Phone: (+381) 1 18 48 88 12
miroslav.jejina@domel.rs

Singapore

Hy-Ray PRIVATE LIMITED
40 Jalan Pemimpin
#02-08 Tat Ann Building
Singapore 577185
Phone: (+65) 6253 2277
shiyiing@hyray.com.sg

Slovak Republic

Husqvarna Česko s.r.o.
Türkova 2319/5b
149 00 Praha 4 – Chodov
Bezplatná infolinka:
800 154 044
servis@sk.husqvarna.com

Slovenia

Husqvarna Austria GmbH
Industriezeile 36
4010 Linz
Tel.: (+43) 732 77 01 01-485
service.gardena@
husqvarnagroup.com

South Africa

Husqvarna
South Africa (Pty) Ltd
Postnet Suite 250
Private Bag X6,
Cascades, 3202
South Africa
Phone: (+27) 33 846 9700
info@gardena.co.za

Spain

Husqvarna España S.A.
Calle de Rivas nº 10
28052 Madrid
Phone: (+34) 91 708 05 00
atencioncliente@gardena.es

Suriname

Agrofix n.v.
Verlengde Hogestraat #22
Phone: (+597) 472426
agrofix@sr.net
Pobox : 2006
Paramaribo
Suriname – South America

Sweden

Husqvarna AB
Gardena Division
S-561 82 Husqvarna
Gardenaorder@husqvarna.se

Switzerland / Schweiz

Husqvarna Schweiz AG
Consumer Products
Industriestrasse 10
5506 Mägenwil
Phone: (+41) (0) 62 887 37 90
info@gardena.ch

Turkey

Dost Bahçe Diş Ticaret
Müessesilik A.Ş
Yunus Mah. Adil Sok. No:3
Ic Kapi No: 1 Kartal
34873 Istanbul
Phone: (+90) 216 38 93 939
info@dostbahce.com.tr

Ukraine / Україна

ТОВ «Хускварна Україна»
вул. Васильківська, 34,
офіс 204-г
03022, м. Київ
Тел. (+38) 044 498 39 02
info@gardena.ua

Uruguay

FELI SA
Entre Rios 1083 CP 11800
Montevideo – Uruguay
Tel: (+598) 22 03 18 44
info@felisa.com.uy

Venezuela

Corporación Casa y Jardín C.A.
Av. Caroní, Edif. Trezmen, PB.
Colinas de Bello Monte.
1050 Caracas.
Tlf: (+58) 212 992 33 22
info@casayjardin.net.ve

9334-22.960.01/0619

© GARDENA
Manufacturing GmbH
D-89070 Ulm
http://www.gardena.com