

4000/2 Art. 1740

DE Betriebsanleitung

Regenfasspumpe

EN Operator's manual

Rain Water Tank Pump

FR Mode d'emploi

Pompe pour collecteur d'eau de pluie

NL Gebruiksaanwijzing

Regentonpomp

SV Bruksanvisning

Pump för Regnvattentunna

DA Brugsanvisning

Regnvandspumpe

FI Käyttöohje

Sadevesipumppu

NO Bruksanvisning

Regnvannstankpumpe

IT Istruzioni per l'uso

Pompa per cisterna

ES Instrucciones de empleo

Bomba para depósitos aguas pluviales

PT Manual de instruções

Bomba para depósito de água de chuva

PL Instrukcja obsługi

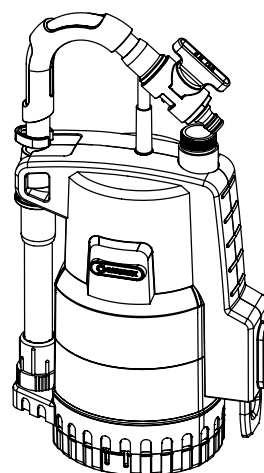
Pompa do deszczówki

HU Használati utasítás

Hordóürítő szivattyú

CS Návod k obsluze

Čerpadlo do sudu



4000/2 automatic Art. 1742

SK Návod na obsluhu

Čerpadlo do suda

EL Οδηγίες χρήσης

Αντλία συλλεκτών βρόχινου νερού

RU Инструкция по эксплуатации

Насос для резервуаров с дождевой водой

SL Navodilo za uporabo

Potopna črpalka za deževnico

HR Upute za uporabu

Pumpa za spremnike kišnice

SR/ Uputstvo za rad

BS Pumpa za rezervoare kišnice

UK Інструкція з експлуатації

Насос для резервуарів з дощовою водою

RO Instrucțiuni de utilizare

Pompă pentru rezervor apă de ploaie

TR Kullanma Kılavuzu

Yağmur Suyu Tankı Pompası

BG Инструкция за експлоатация

Помпа за дъждовна вода

SQ Manual përdorimi

Pompë fuçie për ujën e shiut

ET Kasutusjuhend

Vihmaveemahutipump

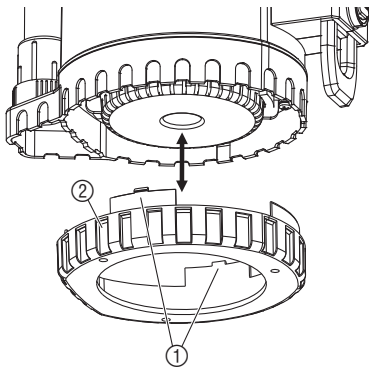
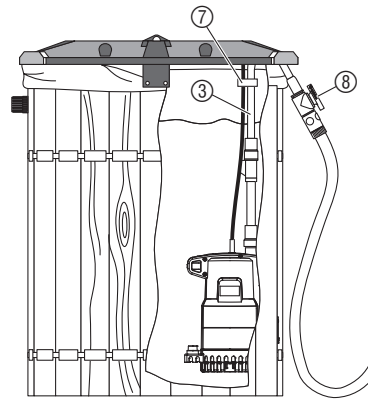
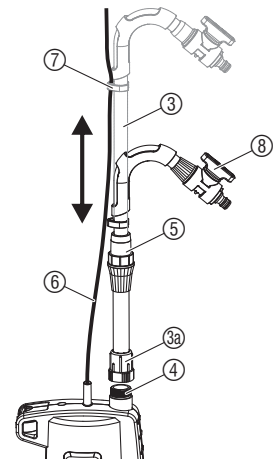
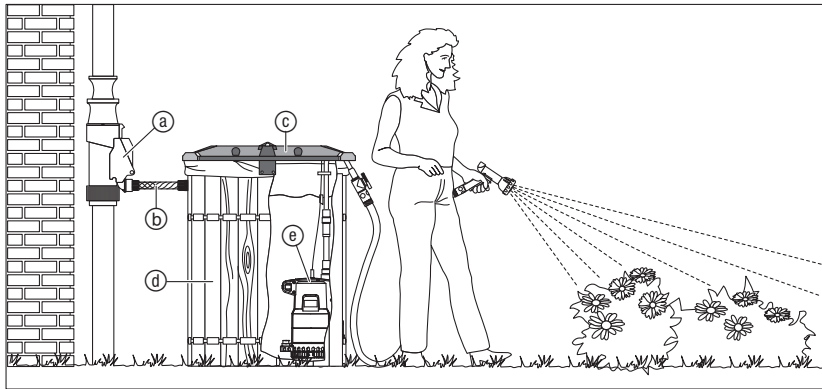
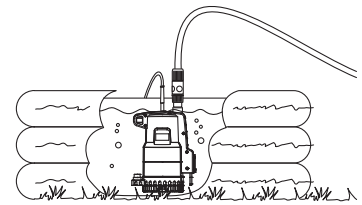
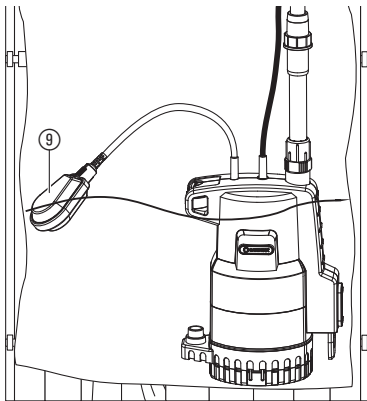
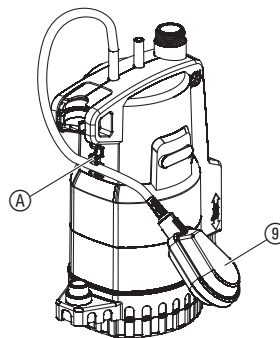
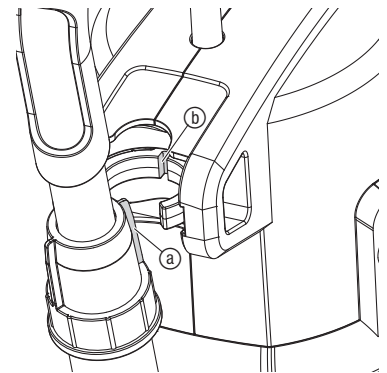
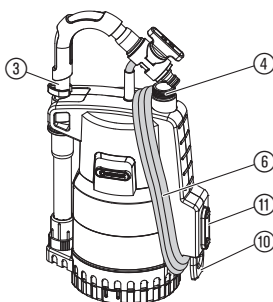
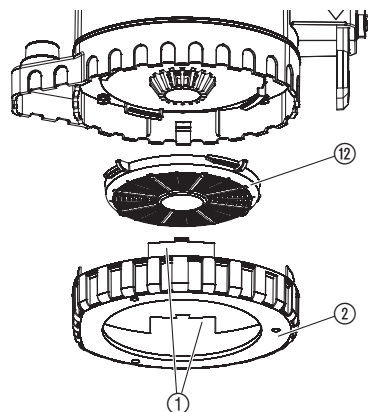
LT Eksploataavimo instrukcija

Lietaus vandens talpyklų siurblys

LV Lietošanas instrukcija

Lietus ūdens tvertnes sūkņis

<p>DE Produkthaftung Wir weisen ausdrücklich darauf hin, dass wir in Übereinstimmung mit dem Produkthaftungsgesetz nicht für Schäden haften, die durch unsere Produkte entstehen, wenn diese unsachgemäß und nicht durch einen von uns autorisierten Servicepartner repariert wurden oder wenn keine Original GARDENA Teile oder von uns zugelassene Teile verwendet wurden.</p>
<p>EN Product liability In accordance with the German Product Liability Act, we hereby expressly declare that we accept no liability for damage incurred from our products where said products have not been properly repaired by a GARDENA-approved service partner or where original GARDENA parts or parts authorised by GARDENA were not used.</p>
<p>FR Responsabilité Conformément à la loi relative à la responsabilité du fait des produits défectueux, nous déclarons expressément par la présente que nous déclinons toute responsabilité pour les dommages résultant de nos produits, si lesdits produits n'ont pas été correctement réparés par un partenaire d'entretien agréé GARDENA ou si des pièces d'origine GARDENA ou des pièces agréées GARDENA n'ont pas été utilisées.</p>
<p>NL Productaansprakelijkheid Conform de Duitse wet inzake productaansprakelijkheid verklaren wij hierbij uitdrukkelijk dat wij geen aansprakelijkheid aanvaarden voor schade ontstaan uit onze producten waarbij deze producten niet zijn gerepareerd door een GARDENA-erkende servicepartner of waarbij geen originele GARDENA-onderdelen of onderdelen die door GARDENA zijn goedgekeurd zijn gebruikt.</p>
<p>SV Produktansvar I enlighet med tyska produktansvarslagar förklarar vi härmed uttryckligen att vi inte åtar oss något ansvar för skador som orsakas av våra produkter där produkterna inte har genomgått korrekt reparation från en GARDENA-godkänd servicepartner eller där originaldelar från GARDENA eller delar godkända av GARDENA inte använts.</p>
<p>DA Produktansvar I overensstemmelse med den tyske produktansvarslov erklærer vi hermed udtrykkeligt, at vi ikke påtager os noget ansvar for skader på vores produkter, hvis de pågældende produkter ikke er blevet repareret korrekt af en GARDENA-godkendt servicepartner, eller hvor der ikke er brugt originale GARDENA-reservedele eller godkendte reservedele fra GARDENA.</p>
<p>FI Tuotevastuu Saksan tuotevastuulain mukaisesti emme ole vastuussa laitteiden vaurioista, jos korjauksia ei ole tehnyt GARDENA:n hyväksymä huoltoliike tai jos niiden syynä on muiden kuin alkuperäisten GARDENA-varaosien tai GARDENA:n hyväksymien varaosien käyttö.</p>
<p>IT Responsabilità del prodotto In conformità con la Legge tedesca sulla responsabilità del prodotto, con la presente dichiariamo espressamente che decliniamo qualsiasi responsabilità per danni causati dai nostri prodotti qualora non siano stati correttamente riparati presso un partner di assistenza approvato GARDENA o laddove non siano stati utilizzati ricambi originali o autorizzati GARDENA.</p>
<p>ES Responsabilidad sobre el producto De acuerdo con la Ley de responsabilidad sobre productos alemana, por la presente declaramos expresamente que no aceptamos ningún tipo de responsabilidad por los daños ocasionados por nuestros productos si dichos productos no han sido reparados por un socio de mantenimiento aprobado por GARDENA o si no se han utilizado piezas originales GARDENA o piezas autorizadas por GARDENA.</p>
<p>PT Responsabilidade pelo produto De acordo com a lei alemã de responsabilidade pelo produto, declaramos que não nos responsabilizamos por danos causados pelos nossos produtos, caso os tais produtos não tenham sido devidamente reparados por um parceiro de assistência GARDENA aprovado ou se não tiverem sido utilizadas peças GARDENA originais ou peças autorizadas pela GARDENA.</p>
<p>PL Odpowiedzialność za produkt Zgodnie z niemiecką ustawą o odpowiedzialności za produkt, niniejszym wyraźnie oświadczamy, że nie ponosimy żadnej odpowiedzialności za szkody poniesione na skutek użytkowania naszych produktów, w przypadku gdy naprawa tych produktów nie była odpowiednio przeprowadzana przez zatwierdzonego przez firmę GARDENA partnera serwisowego lub nie stosowano oryginalnych części GARDENA albo części autoryzowanych przez tę firmę.</p>
<p>HU Termékszavatosság A németországi termékszavatossági törvénnyel összhangban ezennel nyomatékosan kijelentjük, hogy nem vállalunk felelősséget a termékeinkben keletkezett olyan károkért, amelyek valamely GARDENA által jóváhagyott szervizpartner által nem megfelelően végzett javításból adódtak, vagy amely során nem eredeti GARDENA alkatrészeket vagy a GARDENA által jóváhagyott alkatrészeket használtak fel.</p>
<p>CS Odpovědnost za výrobek V souladu s německým zákonem o odpovědnosti za výrobek tímto výslovně prohlašujeme, že nepřijímáme žádnou odpovědnost za poškození vzniklá na našich výrobcích, kdy zmíněné výrobky nebyly řádně opraveny schváleným servisním partnerem GARDENA nebo kdy nebyly použity originální náhradní díly GARDENA nebo náhradní díly autorizované společností GARDENA.</p>
<p>SK Zodpovednosť za produkt V súlade s nemeckými právnymi predpismi upravujúcimi zodpovednosť za výrobok týmto výslovné prehlasujeme, že nenesieme žiadnu zodpovednosť za škody spôsobené našimi výrobkami, v prípade ktorých neboli náležité opravy vykonané servisným partnerom schváleným spoločnosťou GARDENA alebo neboli použité diely spoločnosti GARDENA alebo diely schválené spoločnosťou GARDENA.</p>
<p>EL Ευθύνη προϊόντος Σύμφωνα με τον γερμανικό νόμο περί Ευθύνης για τα Προϊόντα, με το παρόν δηλώνουμε ρητώς ότι δεν αποδεχόμαστε καμία ευθύνη για τυχόν ζημιές που προκύπτουν από τα προϊόντα μας εάν αυτά δεν έχουν επισκευαστεί σωστά από κάποιον συγκεκριμένο συνεργάτη επισκευών της GARDENA ή εάν δεν έχουν χρησιμοποιηθεί αυθεντικά εξαρτήματα GARDENA ή εξαρτήματα συγκεκριμένα από την GARDENA.</p>
<p>SL Odgovornost proizvajalca V skladu z nemškimi zakoni o odgovornosti za izdelke, izrecno izjavljajo, da ne sprejemamo nobene odgovornosti za škodo, ki jo povzročijo naši izdelki, če teh niso ustrezno popravili GARDENINI odobreni servisni partnerji ali pri tem niso bili uporabljeni originalni GARDENINI nadomestni deli ali GARDENINIMI homologiranimi nadomestnimi deli.</p>
<p>HR Pouzdanost proizvoda Sukladno njemačkom zakonu o pouzdanosti proizvoda, ovime izričito izjavljujemo kako ne prihvaćamo nikakvu odgovornost za oštećenja na našim proizvodima nastala uslijed neispravnog popravka od strane servisnog partnera kojeg odobrava GARDENA ili uslijed nekorištenja originalnih GARDENA dijelova ili dijelova koje odobrava GARDENA.</p>
<p>RO Răspunderea pentru produs În conformitate cu Legea germană privind răspunderea pentru produs, declarăm în mod expres prin prezentul document că nu acceptăm nicio răspundere pentru defecțiunile suferite de produsele noastre atunci când acestea nu au fost reparate în mod corect de un atelier de service partener, aprobat de GARDENA, sau când nu au fost utilizate piese GARDENA originale sau piese autorizate de GARDENA.</p>
<p>BG Отговорност за вреди, причинени от стоки Съгласно германския Закон за отговорността за вреди, причинени от стоки, с настоящото изрично декларираме, че не носим отговорност за щети, причинени от нашите продукти, ако те не са били правилно ремонтирани от одобрен от GARDENA сервиз или ако не са използвани оригинални части на GARDENA или части, одобрени от GARDENA.</p>
<p>ET Tootevastutus Vastavalt Saksamaa tootevastutusseadusele deklareerime käesolevaga selgesõnaliselt, et me ei kanna mingisugust vastutust meie toodetest tingitud kahjude eest, kui need tooted ei ole korrektselt parandatud GARDENA heakskiidetud hoolduspartneri poolt või kui parandamisel ei ole kasutatud GARDENA originaalosi või GARDENA volitatud osi.</p>
<p>LT Gaminio patikimumas Mes aiškiai pareiškiame, kad, atsižvelgiant į Vokietijos gaminių patikimumo įstatymą, nepriimame atsakomybės dėl bet kokios žalos, patirtos dėl mūsų gaminių, jeigu jie buvo netinkamai taisomi arba jų dalys buvo pakeistos neoriginaliomis GARDENA dalimis ar nepatvirtintomis dalimis, arba jeigu remonto darbai buvo atliekami ne GARDENA techninės priežiūros centro specialistų.</p>
<p>LV Atbildība par produkcijas kvalitāti Saskaņā ar Vācijas likumu par atbildību par produkcijas kvalitāti ar šo mēs paziņojam, ka neuzņemamies atbildību par bojājumiem, kas radušies, lietojot mūsu izstrādājumus, kuru remontu nav veicis uzņēmuma GARDENA apstiprināts apkopes partneris vai kuru remontam netika izmantotas oriģinālās GARDENA detaļas vai detaļas, kuru lietošanu apstiprinājis uzņēmums GARDENA.</p>

A1**I1****I2****I3****I4****I5****I6****S1****S2****M1**

EN**Translation of the original instructions.**

This product may be used under supervision, or if instruction regarding the safe use of the product has been provided and the resulting dangers have been understood, by children aged 8 and above, as well as by persons with physical, sensory or mental disabilities or a lack of experience and knowledge. Children must not be allowed to play with the product. Cleaning and user maintenance must not be performed by children without supervision. The use of this product by young people under the age of 16 is not recommended. Never operate the product when you are tired, ill or under the influence of alcohol, drugs or medicine.

Intended use:

The GARDENA Rain Water Tank Pump is particularly suited for retrieving rainwater from rain water tanks, e.g. the GARDENA Rain Water Tank, and for watering with a sprinkler.

The pump is completely submersible (watertight encapsulation) and is submerged in the water (to a max. depth of 7m).

CAUTION! The pump should not be used for the delivery of salt water, muddy water, corrosive, easily inflammable or explosive

liquids (e.g. petrol, paraffin, thinners), oil, heating oil or foodstuffs. The water temperature should not exceed 35 °C.

1. SAFETY

IMPORTANT!

Read the operator's manual carefully before use and keep for future reference.

Electrical safety

The pump must be supplied with a rated residual current of no more than 30 mA via a residual-current device (RCD), and must not be operated in accessible containers.

→ Please consult a specialised electrical dealer.

Mains power cables should not have a smaller cross-section than a rubber-sheathed cable of the designation H05RN-F. The cable length must be min. 10 m.

Only use extension cables authorised in accordance with HD 516.



DANGER! Electric shock!

With a cut off mains plug, moisture can get into electrical parts via the mains cable and cause a short circuit.

→ **Never cut the mains plug off (e.g. to feed through wall).**

→ Don't use the power cable for plugging off.

→ If the supply cord is damaged, it must be replaced by the manufacturer, its service agent or similarly qualified persons in order to avoid a hazard.

Mains plug and extension connections must be protected from water splashes.

Ensure that the electrical connections for plugs and sockets are made in areas safe from flooding.

Protect the mains plug and the mains power cable from heat, oil and sharp edges.

Observe the mains voltage. The information on the nameplate must be in agreement with the data for the mains power grid.

The pump's mains plug must be disconnected before anybody enters the swimming pool.

The mains power cable must not be used for fastening or transporting the pump. Submersion and withdrawal of the pump should be by means of the telescopic pipe. Alternatively, a cord can be secured on the telescopic pipe for submersing, lifting and securing of the Rain Water Tank Pump.

Visual check

Please regularly check the connecting line.

Before using, always subject the pump (especially the power cables and the power connections) to a visual inspection.

A pump which is damaged should not be used. In the event of damage, have the pump checked by GARDENA Service.

Safety Instructions

Observe the minimum water level in accordance with the characteristics given for the pump.

Only Art. 1740: Allow the pump to run no longer than 10 minutes against a closed pressure side.

Leaking lubricants can contaminate the pumped liquid.

Thermal overload protection switch

If overloaded, the built-in thermal protection for the motor will switch the pump off. After cooling down, the pump will start again automatically (see If overloaded, the built-in thermal protection for the motor will switch the pump off. After cooling down, the pump will start again automatically (see 6. TROUBLESHOOTING).

Automatic ventilation

The Rain Water Tank Pump is fitted with a venting outlet. The function of this venting outlet is to force out any air which may be present inside the pump. Small amounts of water flow out of the gap between the threaded connection and the housing; if the water level drops further down, water also flows out the lower part of the housing. This is no defect but occurs due to venting purposes.

DANGER! This product makes an electromagnetic field while it operates. This field may under some conditions interfere with active or passive medical implants. To decrease the risk of conditions that can possibly injure or kill, we recommend persons with medical implants to speak with their physician and the medical implant manufacturer before you operate the product.

DANGER! Small parts can be easily swallowed. There is also a risk that the poly-bag can suffocate toddlers. Keep toddlers away when you assemble the product.

2. ASSEMBLY

Install/deinstall foot [Fig. A1]:

When the pump is to be used for draining for a flat container, and is therefore placed on the ground, the foot can be assembled so that the pump suction less dirt. The stand is included in the package.

Install foot:

→ From below, place the foot ② on the pump until the two locks ① click into place.

Deinstall foot:

→ Press the two locks ① and pull the foot ② from the pump.

3. INITIAL OPERATION

The telescopic pipe ③ is placed on the side of the pump in the transport position. The telescopic pipe is fitted with a GARDENA Regulator Valve. When it comes to a connecting garden hose, we recommend using a GARDENA hose connector: **Art. 18215** for 13 mm (1/2") and 16 mm (5/8") and **Art. 18216** for 19 mm (3/4") respectively, for connecting a garden hose. With the use of 19-mm-(3/4")-hose line, the pumping quantity is the greatest.

Pumping water from containers [Fig. I1/I2]:

The length of the telescopic pipe ③ should be adjusted in such a manner that the pump does not touch the bottom of the container; this way, dirt in the container is kept away from the pump.

1. Pull telescopic pipe ③ from the side of the pump and screw onto the pump connector ④. Ensure that the washer lies in the mating thread ⑤ of the telescopic pipe ③.
2. Loosen threaded collars ⑥ of the telescopic pipe ③.
3. Adjust telescopic pipe ③ to the height of the container.
The telescopic pipe can be adjusted between 73 – 91 cm.
4. Turn threaded collars ⑥ until they hold firmly again.
5. Attach mains cable ⑦ with the attachment clip ⑧ on the telescopic pipe ③.
6. Hang pump with telescopic pipe ③ into the container.
7. Insert the power plug.
ATTENTION! The pump begins operating immediately.

The shut-off valve ⑨ in an operating pump takes on the function of a water tap. With an open system (Micro-Drip-System, Sprinklers), the hose may not be placed deeper than the container as otherwise the water flows through the pump from the container even when the pump is switched off.

Complete solution [Fig. I3]:

④ GARDENA Rain Water Collection Filter **Art. 3820/3821**

⑤ GARDENA Connecting Set **Art. 3815**

⑥ GARDENA Cover for Rain Water Tank **Art. 3801/3805**

⑦ GARDENA Rain Water Tank **Art. 3800/3804**

⑧ GARDENA Rain Water Tank Pump **Art. 1740/1742**

Use in shallow vessels [Fig. I4]:

If the rain water tank pump is placed in flat containers, e.g. to empty a paddling pool, the telescopic pipe can be removed and replaced with the 33.3-mm (G 1) GARDENA tap connector (**Art. 18202**). The hose connection 13 mm (1/2"), 16 mm (5/8") or 19 mm (3/4") is made using the Original GARDENA System or GARDENA Profi "Maxi-Flow" System threaded hose connectors.

Use in deep containers:

For deeper containers (up to max. 7 m), the pump can no longer be hung on the telescopic pipe. The pump must then be attached through a cord connected to the telescopic pipe and submersed into the container.

Operation of a Micro-Drip-System:

The operation of a Micro-Drip-System is possible. Here, the maximum values stated in the accompanying manual of the Master Unit 2000 are reduced. With **Art. 1742**, at least 90 l/h must be taken as otherwise the leakage protection is activated.

4000/2 (Art. 1740):

Dry-Running Safety [Fig. I5/I6]:

So that the pump automatically switches off when there is no liquid to pump, the Float Switch ⑨ must be able to freely move on the surface of the water.

Switch-off height:

If the water level (with the foot fitted) drops below the cut-out level, the float switch ⑨ automatically switches off the pump (Dry-Running Safety).

- Cut-out height with free float switch = approx. 21.5 cm.
- Cut-out height with upper float switch lock = approx. 14 cm.
- Cut-out height with lower float switch lock = approx. 12 cm.

Switch-on height:

When the water level has risen over the cut-in height, the Float Switch ⑨ automatically switches the pump on.

- Cut-in height with free float switch = approx. 70 cm.
- Cut-in height with upper float switch lock = approx. 34 cm.
- Cut-in height with lower float switch lock = approx. 32 cm.

Adjusting the Cut-in and Cut-out Height:

The maximum cut-in height and minimum cut-out height (see 7. TECHNICAL DATA) can be adjusted by pushing the float switch wire into the float switch lock.

→ Press the cable of the float switch ⑨ into an opening in the float switch lock ①.

In order to ensure that the float switch is able to switch on and off, the cable length between the float switch and the float switch lock must be at least 10 cm.

4000/2 automatic (Art. 1742):

Automatic mode:

The pump automatically switches off as soon as no more water is retrieved. Due to the non-return valve, the pressure is maintained in the hose until water is drawn via the hose. When water is drawn via the hose (the pressure in the hose falls below approx. 1.3 bar), the pump switches on automatically.

Dry-Running Safety:

When there is no liquid to pump, the pump automatically switches off. The pump then switches in the cycle on 30 sec. – 5 sec. off (4 x). In 1 hr., 5 hrs., 24 hrs., 24 hrs.... this cycle is repeated. As soon as the pump stands in at least 4.5 cm water, the pump is ready for operation again.

Leakage protection:

If there is leakage on the pressure side (e.g. a leaking pressure hose or connecting device), the pump automatically switches on and off in short intervals. When the pump switches on and off more frequently than 7 x in 2 min. (with a leakage less than 90 l/h), the pump switches completely off. When the leakage on the pressure side is eliminated, the pump must be unplugged and plugged in again in order to be operational again.

4. STORAGE

To put into storage [Fig. S1/S2]:



The product must be stored away from children.
The pump must be protected against frost.

1. Unscrew the telescopic lance ③ and empty the pump (turn the pump upside down).
2. Store the pump in a dry, frost-proof location.

Transport position:

1. Unscrew telescopic pipe ③ and attach to the side of pump. Here, ensure that the nose ④ is slid into the slot ⑤.
2. Wind mains cable ⑥ around the cable holder ⑩ and the pump connector ④.

In the transport position, the pump can be carried by the telescopic pipe ③. For easier winding of the mains cable ⑥, push up the slide bar ⑪ of the cable holder ⑩.

Disposal:

(in accordance with RL2012/19/EC)

The product must not be disposed of to normal household waste. It must be disposed of in line with local environmental regulations.



IMPORTANT!

→ Dispose of the product through or via your municipal recycling collection centre.

5. MAINTENANCE

Clean filter [Fig. M1]:



DANGER! Electric shock!

There is a risk of injury from electric shocks.

→ Before maintenance, unplug the Rain Water Tank Pump from the mains.

In order to ensure continuous trouble-free operation, the filter ⑫ should be cleaned at regular intervals.

After pumping dirty water, the filter must be cleaned immediately.

1. Press the two locks ① and remove the foot ② from the pump.
2. Turn filter ⑫ 1/4 to the left and remove (bayonet lock).
3. Clean filter ⑫ under running water.
4. Re-install filter ⑫ in the opposite sequence.

6. TROUBLESHOOTING



DANGER! Electric shock!

There is a risk of injury from electric shocks.

→ Before correcting functional problems unplug the Rain Water Tank Pump from the mains.

Problem	Possible Cause	Remedy
Pump is running, but doesn't deliver	Air cannot escape, because the pressure line is closed. (Possible kink in the pressure hose.)	→ Open the pressure line (e.g. shut-off valve, delivery units).
	Air in suction foot.	→ Wait for about max. 60 seconds until the pump has vented; if necessary, turn off and then on again.
	Foot/Suction foot/Filter is clogged.	→ Clean filter (see 5. MAINTENANCE).
Pump does not start, or stops suddenly during operation	Water level below minimum water level when put into operation.	→ Submerge the pump deeper.
	Thermal switch has turned the pump off because of overheating.	→ Clean filter (see 5. MAINTENANCE). Observe max. media temperature (35 °C).
Pump irregularly switches on and off	Pumping without electricity.	→ Check fuses and electrical plug connections.
	Leakage protection activated due to leaking.	→ Check telescopic tube, hose and dispensing device and remove leakage.
Pump is running but the delivery drops suddenly	Foot/Suction foot/Filter is clogged.	→ Clean filter (see 5. MAINTENANCE).



NOTE: For any other malfunctions please contact the GARDENA service department. Repairs must only be done by GARDENA service departments or specialist dealers approved by GARDENA.

7. TECHNICAL DATA

Rain Water Tank Pump	Unit	Value (Art. 1740)	Value (Art. 1742)
Rated Power	W	500	500
Max. delivery capacity	l/h	4.000	4.000
Max. pressure / Max. delivery head	bar / m	2,0 / 20	2,0 / 20
Max. submersion depth	m	7	7
Cut-in height without / with upper lock / with lower lock	cm (approx.)	70 / 34 / 32	–
Cut-out height without / with upper lock / with lower lock	cm (approx.)	21,5 / 14 / 12	–
Switch-on pressure (approx.)	bar	–	1,3
Minimum water depth for operation (approx.)	cm	4,5	4,5
Power cable	m	10 H05RN-F	10 H05RN-F
Weight without cable (approx.)	kg	4,8	5,0
Max. media temperature	°C	35	35
Mains voltage / Mains frequency	V (AC) / Hz	220 – 240 / 50	220 – 240 / 50

8. SERVICE / WARRANTY

Service:

Please contact the address on the back page.

Warranty statement:

In the event of a warranty claim, no charge is levied to you for the services provided.

GARDENA Manufacturing GmbH grants a warranty for all original GARDENA new products for two years from the date of original purchase from the retailer, provided that the devices have been for private use only. This manufacturer's warranty does not apply to products acquired second hand. This warranty includes all significant defects of the product that can be proved to be material or manufacturing faults. This warranty is fulfilled by supplying a fully functional replacement product or by repairing the faulty product sent to us free of charge; we reserve the right to choose between these options. This service is subject to the following provisions:

- The product has been used for its intended purpose as per the recommendations in the operating instructions.
- Neither the purchaser nor a third party has attempted to open or repair the product.
- Only Original GARDENA replacement parts and wear parts have been used for operation.
- Presentation of the receipt.

Normal wear and tear of parts and components (such as blades, blade fixing parts, turbines, light bulbs, V-belts/toothed belts, impellers, air filters, spark plugs), visual changes, wear parts and consumables are excluded from the warranty.

This manufacturer's warranty is limited to replacement and repair of products in accordance with the abovementioned conditions. The manufacturer's warranty does not constitute an entitlement to lodge other claims against us as a manufacturer, such as for damages. This manufacturer's warranty does **not**, of course, affect statutory and contractual warranty claims against the dealer/retailer.

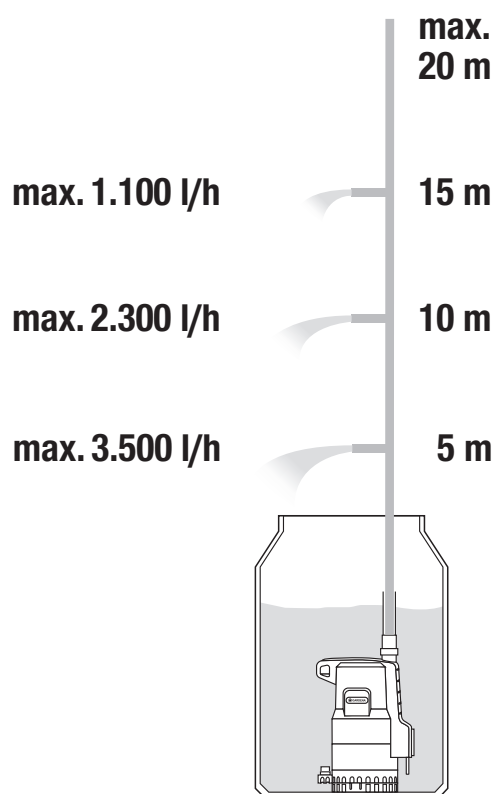
The manufacturer's warranty is governed by the law of the Federal Republic of Germany.

In case of a warranty claim, please return the faulty product, together with a copy of the receipt and a description of the fault, with postage paid to the service address.

Consumables:

The wear parts impeller and filter are excluded from the warranty.

Pumpen-Kennlinien
Performance characteristics
Courbes de performance
Prestatiegrafiek
Καpacitetskurva
Ydelses karakteristika
Pumpun ominaiskäyrä
Pumpekarakteristikk
Curva di rendimento
Curva característica de la bomba
Características de performance
Charakterystyka pompy
Szivattyú-jelleggörbe
Charakteristika čerpadla
Charakteristiky čerpadla
Χαpaκτηpιστικό διάγραμμα
Кpивая производительности насоса
Karakteristika črpalka
Obilježja pumpe
Karakteristika pumpe
Кpива характеристики насоса
Caracteristică pompă
Pompa karakter egrisi
Помпена характеристика
Fuqia e pompës
Pumba karakteristik
Siurblio charakteristinė kreivė
Sūkņa raksturlīkne



Deutschland / Germany

GARDENA
Manufacturing GmbH
Central Service
Hans-Lorenser-Straße 40
D-89079 Ulm
Produktfragen:
(+49) 731 490-123
Reparaturen:
(+49) 731 490-290
service@gardena.com

Albania

COBALT Sh.p.k.
Rr. Siri Kodra
1000 Tirana

Argentina

Husqvarna Argentina S.A.
Av.del Libertador 5954 –
Piso 11 – Torre B
(C1428ARP) Buenos Aires
Phone: (+54) 11 5194 5000
info.gardena@
ar.husqvarna.com

Armenia

Garden Land Ltd.
61 Tigran Mets
0005 Yerevan

Australia

Husqvarna Australia Pty. Ltd.
Locked Bag 5
Central Coast BC
NSW 2252
Phone: (+61) (0) 2 4352 7400
customer.service@
husqvarna.com.au

Austria / Österreich

Husqvarna Austria GmbH
Industriezeile 36
4010 Linz
Tel.: (+43) 732 77 01 01-485
service.gardena@
husqvarnagroup.com

Azerbaijan

Firm Progress
a. Aliyev Str. 26A
1052 Baku

Belgium

Husqvarna België nv/sa
Gardena Division
Rue Egide Van Ophem 111
1180 Uccle / Ukkel
Tel.: (+32) 2 720 92 12
info@gardena.be

Bosnia / Herzegovina

SILK TRADE d.o.o.
Industrijska zona Bukva bb
74260 Tešanj

Brazil

Husqvarna do Brasil Ltda
Av. Francisco Matarazzo,
1400 – 19º andar
São Paulo – SP
CEP: 05001-903
Tel: 0800-112252
marketing.br.husqvarna@
husqvarna.com.br

Bulgaria

AGROLAND България АД
бул. 8 Декември, №13
Офис 5
1700 Студентски град
София
Тел.: (+359) 24 66 69 10
info@agroland.eu

Canada / USA

GARDENA Canada Ltd.
100 Summerlea Road
Brampton, Ontario L6T 4X3
Phone: (+1) 905 792 93 30
info@gardenacanada.com

Chile

Maquinarias Agroforestales
Ltda. (Maga Ltda.)
Santiago, Chile
Avda. Chesterton
8355 comuna Las Condes
Phone: (+56) 2 202 4417
Dalton@maga.cl
Zipcode: 7560330

China

Husqvarna (Shanghai)
Management Co., Ltd.
富世华 (上海) 管理有限公司
3F, Benq Square B,
No207, Song Hong Rd.,
Chang Ning District,
Shanghai, PRC. 200335
上海市市长宁区淞虹路207号明
基广场B座3楼, 邮编: 200335

Colombia

Husqvarna Colombia S.A.
Calle 18 No. 68 D-31, zona
Industrial de Montevideo
Bogotá, Cundinamarca
Tel. 571 2922700 ext. 105
jairo.salazar@
husqvarna.com.co

Costa Rica

Compania Exim
Euroberoamericana S.A.
Los Colegios, Moravia,
200 metros al Sur del Colegio
Saint Francis – San José
Phone: (+506) 297 68 83
exim_euro@racsa.co.cr

Croatia

Husqvarna Austria GmbH
Industriezeile 36
4010 Linz
Tel.: (+43) 732 77 01 01-485
service.gardena@
husqvarnagroup.com

Cyprus

Med Marketing
17 Digeni Akrita Ave
P.O. Box 27017
1641 Nicosia
Czech Republic
Husqvarna Česko s.r.o.
Türkova 2319/5b
149 00 Praha 4 – Chodov
Bezplatná infolinka:
800 100 425
servis@cz.husqvarna.com

Denmark

GARDENA DANMARK
Lejrvej 19, st.
3500 Værløse
Tlf.: (+45) 70 26 47 70
husqvarna@husqvarna.dk
www.gardena.com/dk

Dominican Republic

BOSQUESA, S.R.L
Carretera Santiago Licey
Km. 5 ½
Esquina Copal II.
Santiago
Dominican Republic
Phone: (+809) 736-0333
joserbosquesa@claro.net.do

Ecuador

Husqvarna Ecuador S.A.
Arupos E1-181 y 10 de
Agosto Quito, Pichincha
Tel. (+593) 22800739
francisco.jacome@
husqvarna.com.ec

Estonia

Husqvarna Eesti OÜ
Valdeku 132
EE-11216 Tallinn
info@gardena.ee

Finland

Oy Husqvarna Ab
Gardena Division
Lautatarhankatu 8 B/PL 3
00581 HELSINKI
www.gardena.fi

France

Husqvarna France
9/11 Allée des pierres mayettes
92635 Gennevilliers Cedex
France
http://www.gardena.com/fr
N° AZUR: 0 810 00 78 23
(Prix d'un appel local)

Georgia

Transporter LLC
8/57 Beliashvili street
0159 Tbilisi, Georgia
Phone: (+995) 322 14 71 71

Great Britain

Husqvarna UK Ltd
Preston Road
Aycliffe Industrial Park
Newton Aycliffe
County Durham
DL5 6UP
info.gardena@
husqvarna.co.uk

Greece

Π. ΠΑΠΑΔΟΠΟΥΛΟΣ ΑΕΒΕ
Λεωφ. Αθηνών 92
Αθήνα
T.K.104 42
Ελλάδα
Τηλ. (+30) 210 51 93 100
info@papadopoulos.com.gr

Hungary

Husqvarna Magyarország Kft.
Ezred u. 1-3
1044 Budapest
Telefon: (+36) 1 251-4161
vevoszolgalat.husqvarna@
husqvarna.hu

Iceland

Ó. Johnson & Kaaber
Tunguhalsi 1
110 Reykjavik
ooj@ojk.is

Ireland

Husqvarna UK Ltd
Preston Road
Aycliffe Industrial Park
Newton Aycliffe
County Durham
DL5 6UP
info.gardena@
husqvarna.co.uk

Italy

Husqvarna Italia S.p.A.
Via Santa Vecchia 15
23868 VALMADRERA (LC)
Phone: (+39) 0341.203.111
assistenza.italia@
it.husqvarna.com

Japan

KAKUICHI Co. Ltd.
Sumitomo Realty &
Development Kojimachi
BLDG., 8F
5-1 Nibannco
Chiyoda-ku
Tokyo 102-0084
Phone: (+81) 33 264 4721
m_ishihara@kaku-ichi.co.jp

Kazakhstan

LAMED Ltd.
155/1, Tazhibayevoi Str.
050060 Almaty
IP Schmidt
Abayavenue 3B
110 005 Kostanay

Korea

Kyung Jin Trading CO.,LTD.
107-4, SunDuk Bld.,
YangJae-dong,
Seocho-gu,
Seoul, (zipcode: 137-891)
Phone: (+82) (0)2 574-6300

Kyrgyzstan

Alye Maki
av. Moladaya Guardir J 3
720014
Bishkek

Latvia

Husqvarna Latvija SIA
Ulbrokas 19A
LV-1021 Rīga
info@gardena.lv

Lithuania

UAB Husqvarna Lietuva
Ateities pl. 77C
LT-52104 Kaunas
info@gardena.lt

Luxembourg

Magasins Jules Neuberger
39, rue Jacques Stas
Luxembourg-Gasperich 2549
Case Postale No. 12
Luxembourg 2010
Phone: (+352) 40 14 01
api@neuberger.lu

Mexico

AFOSA
Av. Lopez Mateos Sur # 5019
Col. La Calma 45070
Zapopan, Jalisco
Mexico
Phone: (+52) 33 3818-3434
icornejo@afosa.com.mx

Moldova

Convel S.R.L.
290A Muncesti Str.
2002 Chisinau

Netherlands

Husqvarna Nederland B.V.
GARDENA Division
Postbus 50131
1305 AC ALMERE
Phone: (+31) 36 521 00 10
info@gardena.nl

Neth. Antilles

Jonka Enterprises N.V.
Sta. Rosa Weg 196
P.O. Box 8200
Curaçao
Phone: (+599) 9 767 66 55
pgm@jonka.com

New Zealand

Husqvarna New Zealand Ltd.
PO Box 76-437
Manukau City 2241
Phone: (+64) (0) 9 9202410
support.nz@husqvarna.co.nz

Norway

Husqvarna Norge AS
Gardena Division
Trøskenveien 36
1708 Sarpsborg
info@gardena.no

Peru

Husqvarna Perú S.A.
Jr. Ramón Cárcamo 710
Lima 1
Tel: (+51) 1 3320400 ext. 416
juan.remuzgo@
husqvarna.com

Poland

Husqvarna
Poland Spółka z o.o.
ul. Wysockiego 15 b
03-371 Warszawa
Phone: (+48) 22 330 96 00
gardena@husqvarna.com.pl

Portugal

Husqvarna Portugal, SA
Lagoa - Albarraque
2635 - 595 Rio de Mouro
Tel.: (+351) 21 922 85 30
Fax : (+351) 21 922 85 36
info@gardena.pt

Romania

Madex International Srl
Soseaua Odaii 117-123,
RO 013603 București, S1
Phone: (+40) 21 352.76.03
madex@ines.ro

Russia / Россия

ООО „Хускварна“
141400, Московская обл.,
г. Химки,
улица Ленинградская,
владение 39, стр.6
Бизнес Центр
„Химки Бизнес Парк“,
помещение ОВ02_04
http://www.gardena.ru

Serbia

Domel d.o.o.
Autoput za Novi Sad bb
11 273 Belgrade
Phone: (+381) 1 18 48 88 12
miroslav.jejina@domel.rs

Singapore

Hy-Ray PRIVATE LIMITED
40 Jalan Pemimpin
#02-08 Tat Ann Building
Singapore 577185
Phone: (+65) 6253 2277
shiyiing@hyray.com.sg

Slovak Republic

Husqvarna Česko s.r.o.
Türkova 2319/5b
149 00 Praha 4 – Chodov
Bezplatná infolinka:
800 154 044
servis@sk.husqvarna.com

Slovenia

Husqvarna Austria GmbH
Industriezeile 36
4010 Linz
Tel.: (+43) 732 77 01 01-485
service.gardena@
husqvarnagroup.com

South Africa

Husqvarna
South Africa (Pty) Ltd
Postnet Suite 250
Private Bag X6,
Cascades, 3202
South Africa
Phone: (+27) 33 846 9700
info@gardena.co.za

Spain

Husqvarna España S.A.
Calle de Rivas nº 10
28052 Madrid
Phone: (+34) 91 708 05 00
atencioncliente@gardena.es

Suriname

Agrofix n.v.
Verlengde Hogestraat #22
Phone: (+597) 472426
agrofix@sr.net
Pobox : 2006
Paramaribo
Suriname – South America

Sweden

Husqvarna AB
Gardena Division
S-561 82 Husqvarna
Gardenaorder@husqvarna.se

Switzerland / Schweiz

Husqvarna Schweiz AG
Consumer Products
Industriestrasse 10
5506 Mägenwil
Phone: (+41) (0) 62 887 37 90
info@gardena.ch

Turkey

Dost Bahçe Diş Ticaret
Müessesilik A.Ş
Yunus Mah. Adil Sok. No:3
Ic Kapi No: 1 Kartal
34873 Istanbul
Phone: (+90) 216 38 93 939
info@dostbahce.com.tr

Ukraine / Україна

ТОВ «Хускварна Україна»
вул. Васильківська, 34,
офіс 204-г
03022, м. Київ
Тел. (+38) 044 498 39 02
info@gardena.ua

Uruguay

FELI SA
Entre Rios 1083 CP 11800
Montevideo – Uruguay
Tel: (+598) 22 03 18 44
info@felisa.com.uy

Venezuela

Corporación Casa y Jardín C.A.
Av. Caroní, Edif. Trezmen, PB.
Colinas de Bello Monte.
1050 Caracas.
Tlf: (+58) 212 992 33 22
info@casayjardin.net.ve

1740-20.960.11/0819
© GARDENA
Manufacturing GmbH
D-89070 Ulm
http://www.gardena.com