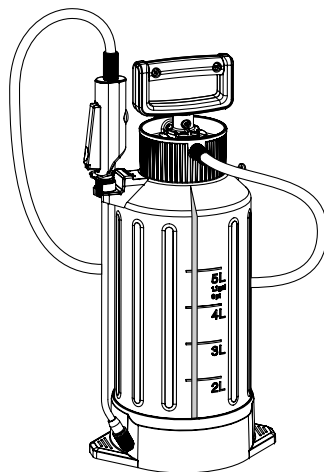


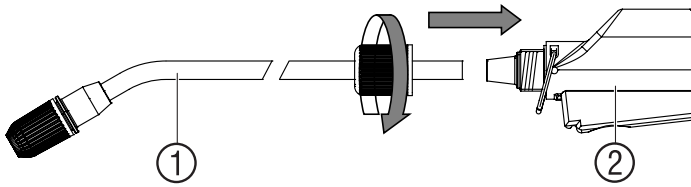
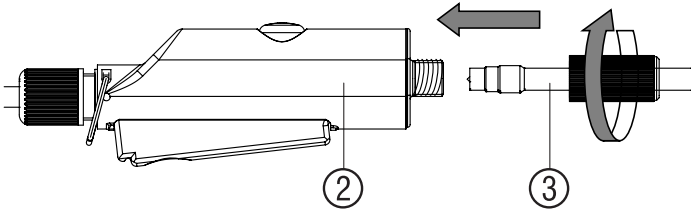
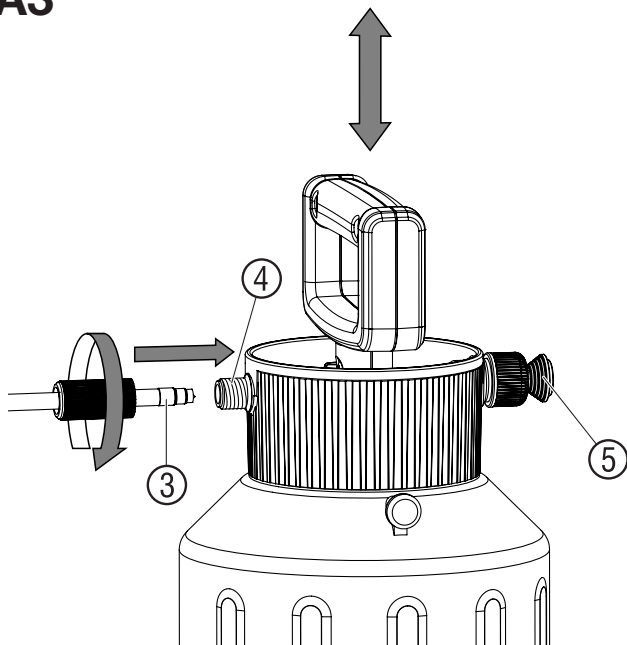
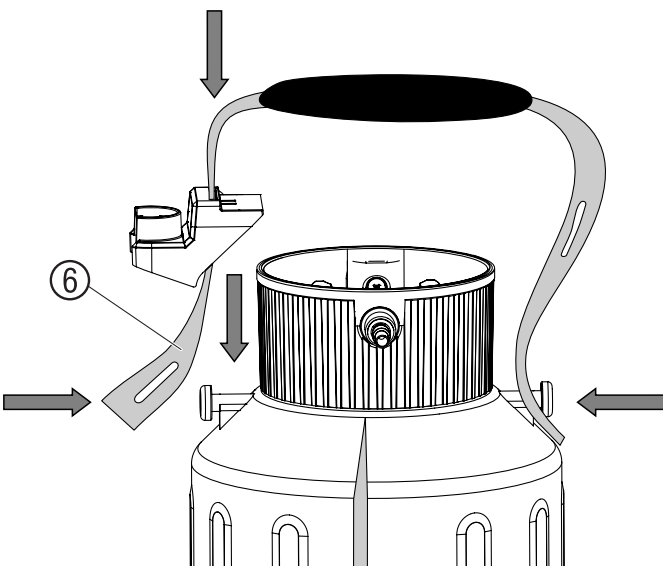
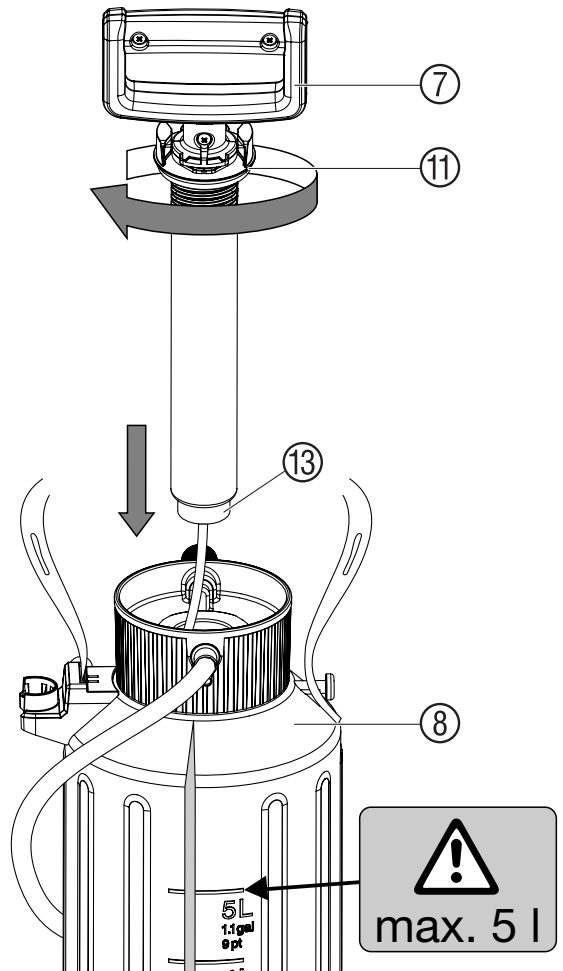
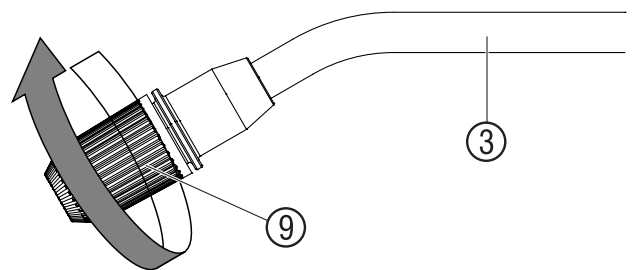
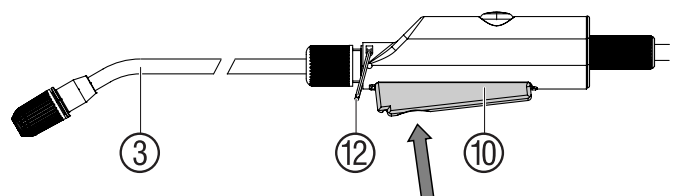
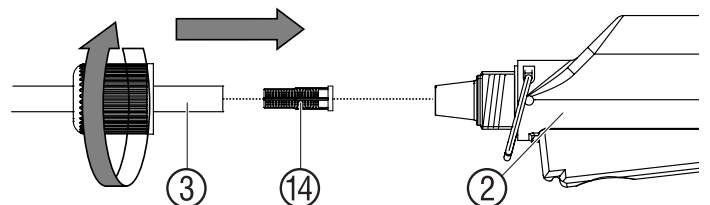
5 l Art. 822

<b>DE</b>	<b>Betriebsanleitung</b> Drucksprüher
<b>EN</b>	<b>Operating Instructions</b> Pressure Sprayer
<b>FR</b>	<b>Mode d'emploi</b> Pulvérisateur
<b>NL</b>	<b>Gebruiksaanwijzing</b> Drukspuit
<b>SV</b>	<b>Bruksanvisning</b> Tryckspruta
<b>DA</b>	<b>Bruksanvisning</b> Tryksprøjte
<b>FI</b>	<b>Käyttöohje</b> Paineruisku
<b>NO</b>	<b>Bruksanvisning</b> Trykksprøyte
<b>IT</b>	<b>Istruzioni per l'uso</b> Irroratore a pressione
<b>ES</b>	<b>Instrucciones de empleo</b> Pulverizador a presión
<b>PT</b>	<b>Manual de instruções</b> Pulverizador de pressão
<b>PL</b>	<b>Instrukcja obsługi</b> Opryskiwacz ciśnieniowy
<b>HU</b>	<b>Használati utasítás</b> Nyomáspermetező
<b>CS</b>	<b>Návod k obsluze</b> Tlakový rozprašovač



5 l Art. 828

<b>SK</b>	<b>Návod na obsluhu</b> Tlakový rozprašovač
<b>EL</b>	<b>Οδηγίες χρήσης</b> Ψεκαστήρας Προπίεσης
<b>RU</b>	<b>Инструкция по эксплуатации</b> Опрыскиватель
<b>SL</b>	<b>Navodilo za uporabo</b> Tlačni škropilnik
<b>HR</b>	<b>Uputa za upotrebu</b> Pneumatska prskalica
<b>SR/</b>	<b>Uputstvo za rad</b>
<b>BS</b>	Prskalica pod pritiskom
<b>UK</b>	<b>Інструкція з експлуатації</b> Обприскувач
<b>RO</b>	<b>Instrucțiuni de utilizare</b> Pulverizator cu precompresie
<b>TR</b>	<b>Kullanma Kılavuzu</b> Basınçlı Sprey
<b>BG</b>	<b>Инструкция за експлоатация</b> Пръскачка
<b>SQ</b>	<b>Manual përdorimi</b> Bombol sprucimi me presion
<b>ET</b>	<b>Kasutusjuhend</b> Survepihusti
<b>LT</b>	<b>Naudojimosi instrukcija</b> Slėginis purkštuvas
<b>LV</b>	<b>Lietošanas instrukcija</b> Spiediena smidzinātājs
<b>AR</b>	دليل التشغيل بخاخة الضغط

**A1****A2****A3****A4****B1****B2****B3****C1**

## GARDENA Pressure Sprayer 5 I

Translation of the original German operating instructions. Please read the operating instructions carefully and observe the notes given. Use the instructions to familiarise yourself with the Pressure Sprayer, its proper use and the notes on safety. For safety reasons, children under 16 as well as persons not familiar with these operating instructions must not use the Pressure Sprayer. Never operate the product when you are tired, ill or under the influence of alcohol, drugs or medicine. Keep these operating instructions in a safe place.

### 1. Area of application of your GARDENA Pressure Sprayer

#### Intended purpose:

The GARDENA Pressure Sprayer is intended for distributing solvent-free liquid pesticides<sup>1)</sup>, herbicides<sup>1)</sup>, fertilisers<sup>1)</sup>, window cleaners<sup>1)</sup>, and car wax<sup>1)</sup> in domestic gardens and allotments. It must not be used in public places, parks, sport arenas, or in agriculture or forestry. Compliance with the operating instructions provided by the manufacturer is a prerequisite for using the Pressure Sprayer correctly.

<sup>1)</sup> In accordance with the laws governing the use of pesticides and detergents, only authorised substances may be used (authorised specialist shop).

#### Please note:

Due to the risk of physical injury, the GARDENA Pressure Sprayer must not be used for spraying substances other than those specified by GARDENA.

Also, no acids, disinfectants or impregnators, aggressive and solvent-containing cleaning agents, petrol or spray oil may be sprayed. We recommend that you only use pesticides approved by the BBA (German Federal Biological Research Centre for Agriculture and Forestry). To our knowledge at the time of manufacturing the unit, the pesticides approved by the BBA will not damage the materials used to construct the Pressure Sprayer.

When spraying insecticides, herbicides and fungicides or other liquid plant protection products, you must comply with all special precautionary measures specified by the manufacturer of the product you are using.

### 2. Safety instructions

#### Danger of physical injuries:

Never open the Pressure Sprayer or unscrew the nozzle when the Pressure Sprayer is still pressurised. To prevent injury, never connect the Pressure Sprayer to an air-compressor. Before pulling out the safety valve ⑤ (Fig. A3), the sprayer always has to be placed vertically. Before opening the sprayer, always release pressure completely by pulling out the safety valve.

Danger! Small parts could be swallowed during assembly and there is a risk of suffocation from the polybag. Keep infants away during assembly.

#### Operation:

Inspect the Pressure Sprayer visually before each use. Never leave your Pressure Sprayer unattended or for long periods when full and pressurised. Keep the unit out of the reach of children. You are responsible for the safety of others. Keep your Pressure Sprayer away from heat sources and hot environments. Screw handle ⑦ on tightly by hand (do not use tools) and ensure the correct position of the O-ring ⑪ (Fig. B1).

#### Cleaning:

Release the pressure after each use, empty the container, clean it carefully, rinse it with clear water and clean the filter ⑭. Then leave the pressure sprayer open and allow it to dry. Do not dispose of residual fluids in the sewerage system (local disposal systems). Always clean the Pressure Sprayer before using a different product to avoid chemical reactions. When using several Pressure Sprayers, the tanks and handle may not be exchanged between them.

#### Storage:

Before storing, loosen the tank cap and always empty your Pressure Sprayer completely (also after cleaning with water). Store away from frost. If you use the permanent lock ⑫ (Fig. B3) pay attention that you work very carefully. Never store your pressure sprayer with permanent lock.

### 3. Assembly

- A1 Mounting the spray tube ① in the hand valve ②.
- A2 Attaching the spray hose ③ to the hand valve ②.
- A3 Attaching the spray hose ③ to the container cap ④.
- A4 Assemble shoulder straps ⑥ (Art. 828 has shoulder padding).

### 4. Operation

Please observe the safety and proportioning instructions provided by the manufacturer of the product you are going to spray.

#### B1 Unscrew handle ⑦ and fill tank ⑧.

**WARNING: The tank may only be filled with a maximum of 5 litres liquid.**

#### A3 Pump using the handle ⑦.

#### B2 Set mist spray via the nozzle ⑨.

#### B3 Press operating tab ⑩ and spray liquid.

### 5. Cleaning

#### Cleaning the Pressure Sprayer:

Always clean your Pressure Sprayer after spraying. Use Pressure Sprayer only with clear water (possibly with addition of dish detergent) and spray empty. The valves, the spray pipe ①, the nozzle ⑨ and the filter ⑭ are cleaned. In the case of outer dirtying of handle and tank, thoroughly clean the area thread and thread O-ring ⑪. We recommend that you have your Pressure Sprayer thoroughly inspected (preferably at a GARDENA Service Centre) after using it for 5 years.

### 6. Trouble-Shooting

#### C1 Cleaning the filter:

→ Remove the filter ⑭ from the spray tube ① and clean it.

Problem	Possible Cause	Remedy
Pump does not build up pressure.	Safety valve ⑤ is loose.	Tighten the safety valve ⑤.
	Hose connection at the container and hand valve is not tight.	Tighten the hose connections at the container and hand valve.
	Continuous lock ⑫ enabled on handle.	Release lock ⑫ on handle.
Pressure Sprayer does not spray although there is sufficient pressure or only sprays with a weak spray jet.	Sealing cap ⑬ dirty/defective.	Clean or exchange sealing cap ⑬.
	Nozzle ⑨ is blocked.	Unscrew nozzle ⑨ and clean.
It is difficult to open and close the container.	Filter ⑭ is blocked.	Clean the filter ⑭ in the spray tube.
	Container pressure too high.	Release the container pressure completely by means of the safety valve ⑤.

If you have any other problems with your Pressure Sprayer please contact GARDENA Customer Service.

### 7. Putting into Storage

#### Storing your Pressure Sprayer:

1. Clean the Pressure Sprayer (refer to 5. Cleaning).
2. Keep your Pressure Sprayer in a place protected from frost.

### 8. Available accessories

GARDENA Weedkiller Cone	Prevents spray mist from blowing away.	Art. No. 894
GARDENA Extension Lance	For extending the spray tube.	Art. No. 897

### 9. Technical data

Max. capacity	5 l (8 pints approx.)	Permissible working pressure	3 bar
Spray tube length	36 cm	Max. permissible operating temperature	40 °C
Hose length	175 cm		

### 10. Warranty

In the event of a warranty claim, no charge is levied to you for the services provided. GARDENA Manufacturing GmbH offers a two-year warranty (effective as of the date of purchase) for this product. This warranty includes all significant defects of the product that can be proved to be material or manufacturing faults. This warranty is fulfilled by supplying a fully functional replacement product or by repairing the faulty product sent to us free of charge; we reserve the right to choose between these options. This service is subject to the following provisions: The product was used for its intended purpose as per the recommendations in the operating instructions. Neither the purchaser nor a third party has attempted to repair the product. This manufacturer's warranty does not affect warranty entitlements against the dealer/retailer. If problems arise with this product, please contact our Service department or send the defective product along with a brief description of the fault to GARDENA Manufacturing GmbH, making sure to have sufficiently covered any shipping costs and to have followed the relevant postage and packaging guidelines. A warranty claim must be accompanied by a copy of the proof of purchase.

