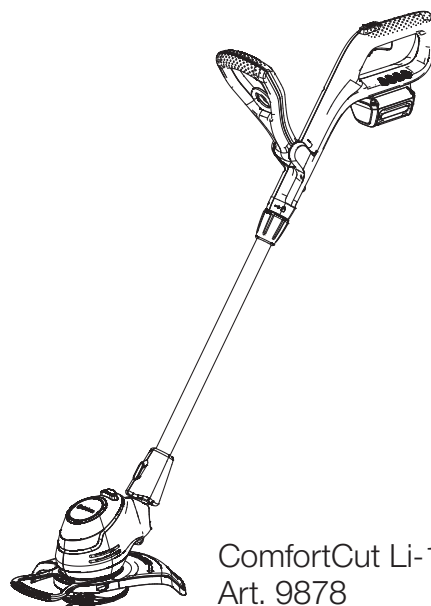


EasyCut Li-18/23
Art. 9876



ComfortCut Li-18/23
Art. 9878

DE Betriebsanleitung

Akku-Trimmer

EN Operator's manual

Battery Trimmer

FR Mode d'emploi

Coupe-bordures à batterie

NL Gebruiksaanwijzing

Accu-trimmer

SV Bruksanvisning

Accu-trimmer

DA Brugsanvisning

Accu-trimmer

FI Käyttöohje

Akkutrimmeri

NO Bruksanvisning

Accu trimmer

IT Istruzioni per l'uso

Trimmer a batteria

ES Instrucciones de empleo

Recortabordes con Accu

PT Manual de instruções

Aparador a bateria

PL Instrukcja obsługi

Akumulatorowa podkaszarka

HU Használati utasítás

Akkumulátoros fűszegélynyíró

CS Návod k obsluze

Akumulátorový trimmer

SK Návod na obsluhu

Akumulátorový vyžínač

EL Οδηγίες χρήσης

Κοιμειτικό μπαταρίας

RU Инструкция по эксплуатации

Аккумуляторный триммер

SL Navodilo za uporabo

Akumulatorski obrezovalnik

HR Upute za uporabu

Baterijski trimer

SR/ Uputstvo za rad

BS Baterijska trimer-kosilica

UK Інструкція з експлуатації

Акумуляторний-триммер

RO Instrucțiuni de utilizare

Trimmer cu acumulator

TR Kullanma Kılavuzu

Akülü tirpan

BG Инструкция за експлоатация

Акку-Триммер

SQ Manual përdorimi

Prerësi me bateri

ET Kasutusjuhend

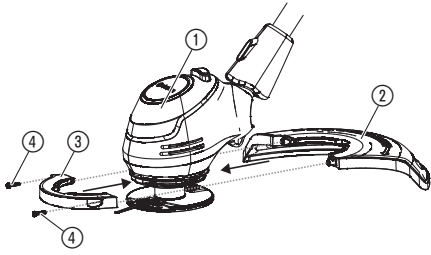
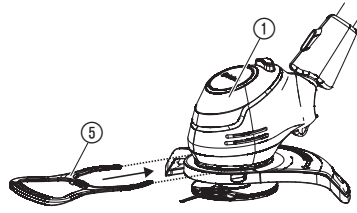
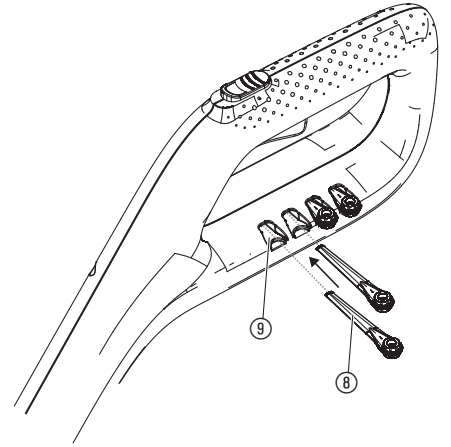
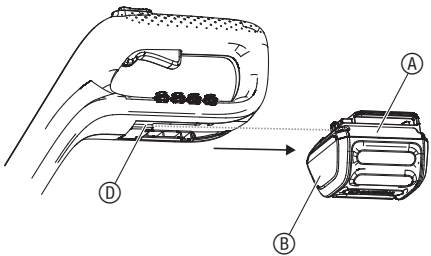
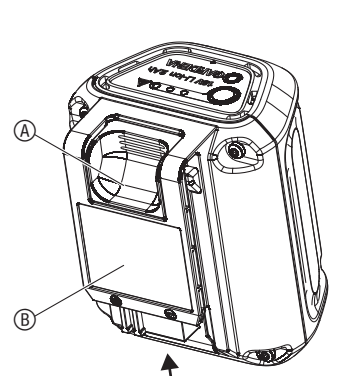
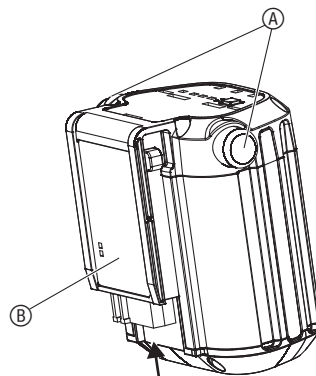
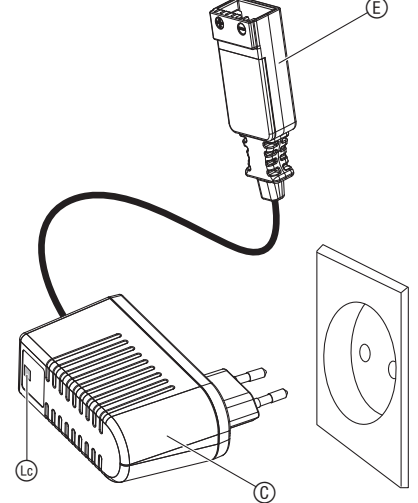
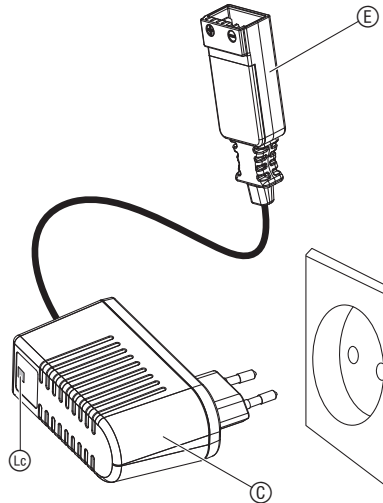
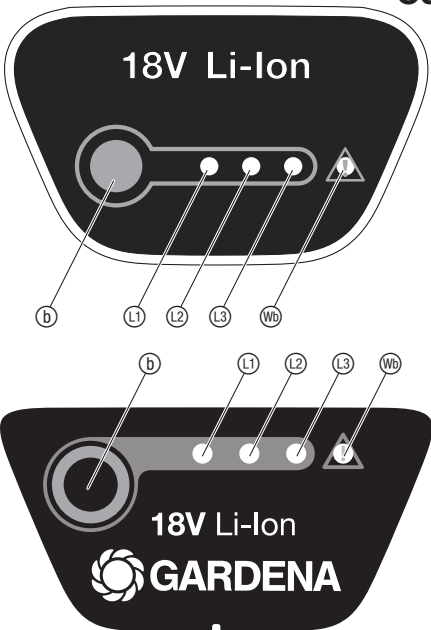
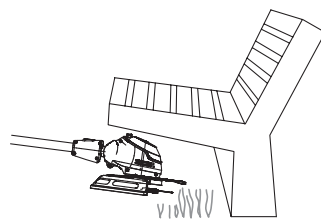
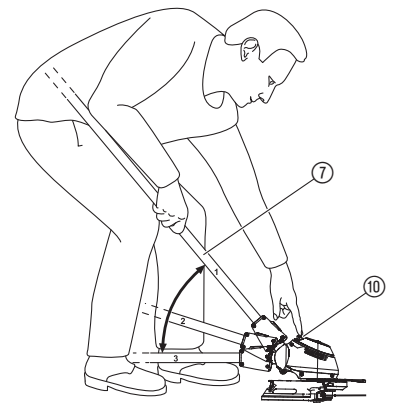
Akuga trimmer

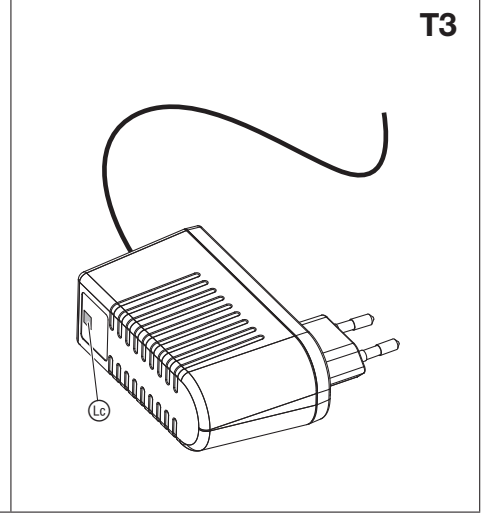
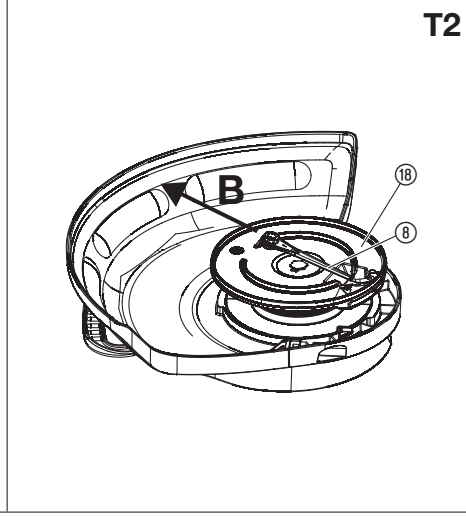
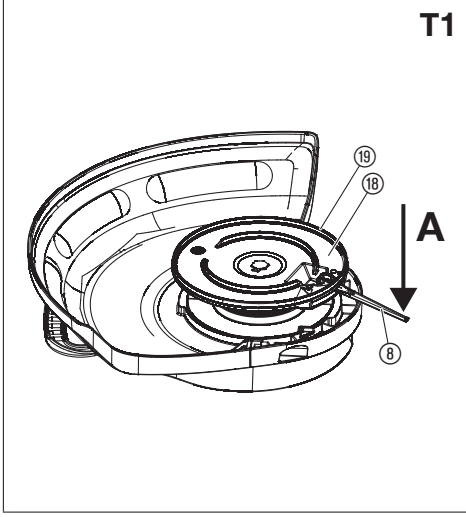
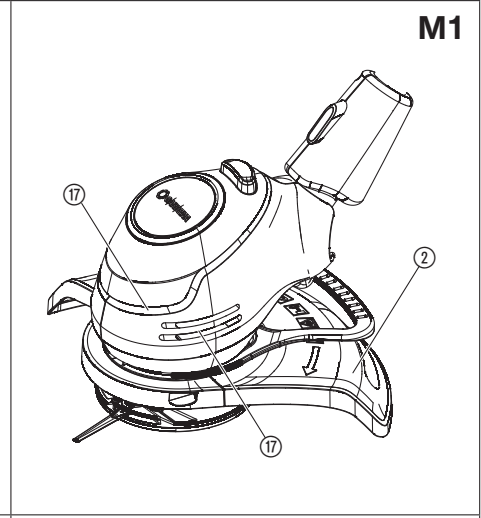
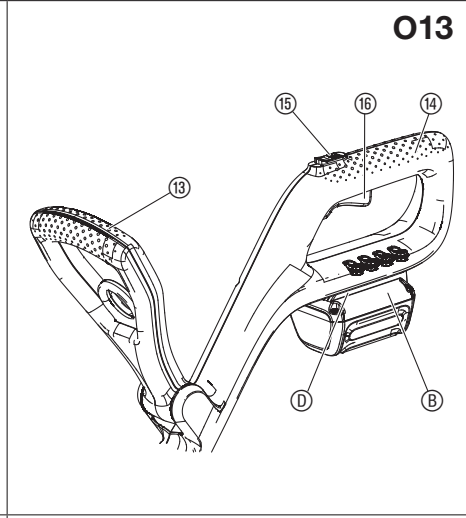
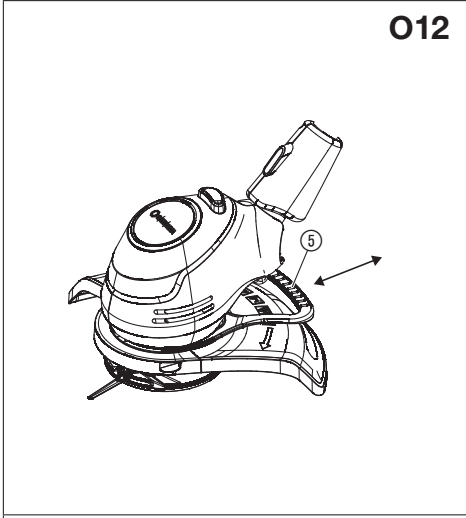
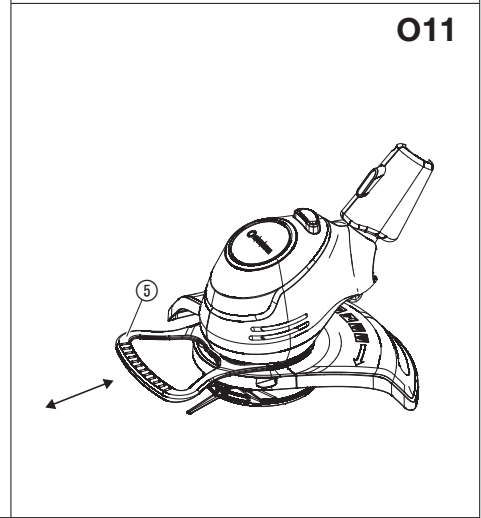
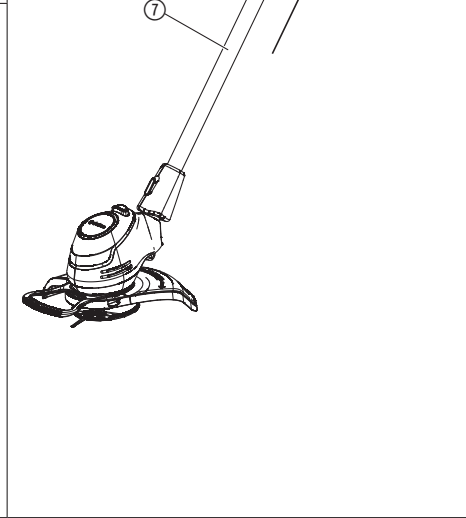
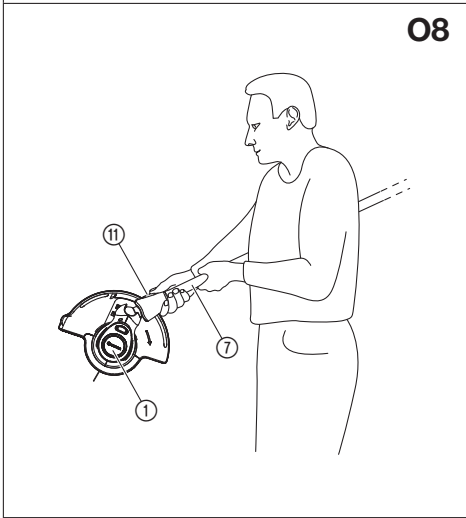
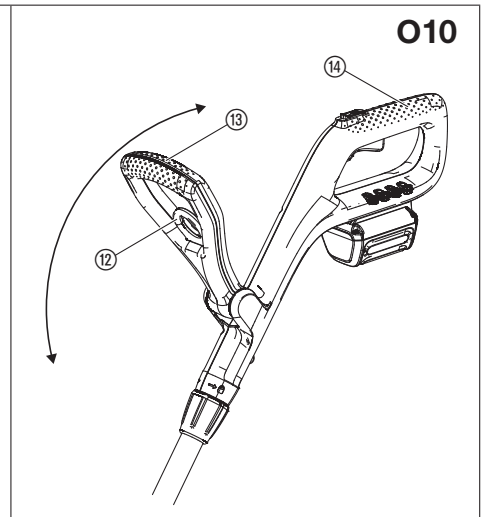
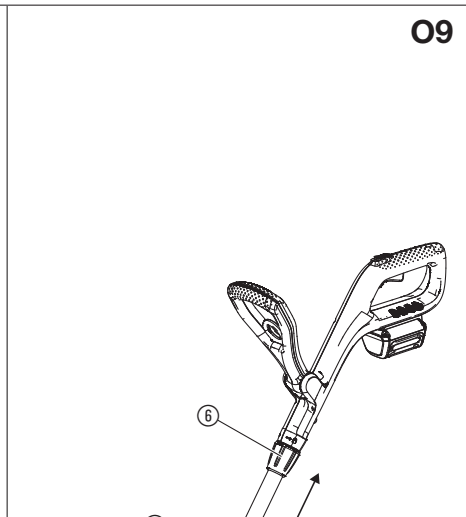
LT Eksploatavimo instrukcija

Akumuliatorinė žoliapjovė

LV Lietošanas instrukcija

Ar akumulatoru darbināms trimmeris

A1**A2****A3****O1****O2****O3****O4****O5****O6**



Translation of the original instructions.

This product may be used under supervision, or if instruction regarding the safe use of the product has been provided and the resulting dangers have been understood, by children aged 8 and above, as well as by persons with physical, sensory or mental disabilities or a lack of experience and knowledge. Children must not be allowed to play with the product. Cleaning and user maintenance must not be performed by children without supervision. The use of this product by young people under the age of 16 is not recommended.

Intended use:

The **GARDENA Trimmer** is intended to trim and to cut lawn and areas of grass in private domestic gardens and allotments.

The product is not intended for long term use.

DANGER! Risk of injury!

Do not use the product to cut hedges, to chop up material or to make compost.

1. SAFETY**IMPORTANT!**

Read the operator's manual carefully before use and keep for future reference.

Symbols on the product:

Read operator's manual.



Keep bystanders away.



Always wear approved hearing protection.
Always wear approved eye protection.



Remove the Battery before cleaning or maintenance.



Do not expose to rain.



DANGER! Risk of injury to other people!
Keep other people out of the area where you are working.



For the charger:
Remove plug from the mains immediately if the cable is damaged or cut.

General safety warnings**Electrical safety**

DANGER! Electric shock!

Risk of injury due to electric shock.

→ **The product must be supplied through a residual current device (RCD) having a rated residual operating current not exceeding 30 mA.**

Do not overreach and keep the balance at all times. Always be sure of the footing on slopes. Walk, never run.

Do not touch moving hazardous parts before the machine is disconnected from the mains and the moving hazardous parts have come to a complete stop.

Always wear substantial footwear and long trousers while operating the machine.

Safe operating practices**1 Training**

- Read the instructions carefully. Be familiar with the controls and the correct use of the machine.
- Never allow children or people unfamiliar with these instructions to use the machine. Local regulations can restrict the age of the operator.
- Keep in mind that the operator or user is responsible for accidents or hazards occurring to other people or their property.

2 Preparation

- Before use check the supply and extension cord for signs of damage or aging. If the cord becomes damaged during use, disconnect the cord from the supply immediately. **DO NOT TOUCH THE CORD BEFORE DISCONNECTING THE SUPPLY.** Do not use the machine if the cord is damaged or worn.
- Before use, always visually inspect the machine for damaged, missing or misplaced guards or shields.
- Never operate the machine while people, especially children, or pets are nearby.

3 Operation

- Keep supply and extension cords away from cutting means.
- Wear eye protection and stout shoes at all times while operating the machine.
- Avoid using the machine in bad weather conditions especially when there is a risk of lightning.
- Use the machine only in daylight or good artificial light.
- Never operate the machine with damaged guards or shields or without guards or shields in place.
- Switch on the motor only when the hands and feet are away from the cutting means.
- Always disconnect the machine from the power supply (i.e. remove the plug from the mains, remove the disabling device or removable battery)
 - whenever the machine is left unattended;
 - before clearing a blockage;
 - before checking, cleaning or working on the machine;
 - after striking a foreign object;
 - whenever the machine starts vibrating abnormally.
- Take care against injury to feet and hands from the cutting means.
- Always ensure that the ventilation openings are kept clear of debris.

4 Maintenance and storage

- Disconnect the machine from the power supply (i.e. remove the plug from the mains, remove the disabling device or removable battery) before carrying out maintenance or cleaning work.
- Use only the manufacturer's recommended replacement parts and accessories.
- Inspect and maintain the machine regularly. Have the machine repaired only by an authorized repairer.
- When not in use, store the machine out of the reach of children.

Additional safety warnings

Battery safety



DANGER! Fire risk!

The battery to be charged must be placed on a nonflammable, heat resistant and non-conductive surface while charging.

The battery must not be charged unattended.

The supply terminals are not to be short-circuited.

Keep corrosive, flammable and easily combustible objects clear of the battery charger and the battery.

Do not cover the battery charger and the battery while charging.

Disconnect the battery charger immediately in the event of smoke formation or fire.

Only use GARDENA batteries for the GARDENA battery product. GARDENA cannot accept any liability for the batteries of other manufacturers. If they are of minor quality, they could cause a fire or explosion hazard!

Do not use the GARDENA charger to charge external rechargeable batteries, as GARDENA cannot guarantee compatibility and could therefore present a risk of fire or explosion.

Do not charge non-rechargeable batteries.



DANGER! Risk of explosion!

Protect batteries from heat and fire. Do not leave on radiators or expose to strong sunshine for long periods.

Do not operate in explosive atmospheres, such as in the presence of flammable liquids, gases, or dust. Batteries may create sparks which could ignite the dust or fumes.

Check your battery before each use. Visually check the battery before each use. A non-functioning battery must be disposed of correctly. Do not send by post. For further details, please contact your local disposal companies.

For risks of injury do not use the battery as a power source for other products. Only use the battery for the GARDENA product intended.

Only charge and use the battery in ambient temperatures of between 0 °C and 40 °C. Allow battery to cool down after long periods of use.

Check the charging cable regularly for signs of damage or ageing (brittleness). Only use it in perfect condition.

Do not stow or transport the battery above 45 °C or in direct sunlight. Ideally, the battery should be stored below 25 °C so that self-discharge is low.

Do not expose the battery to rain, water (immersion) or wet conditions.

Keep battery in order (clean) especially air vents.

If usage of the battery is not planned for a certain time (winter period) reload the battery to avoid a deep discharge.

Do not store the battery in a product to prevent self-discharge, misuse and accidents.

Do not store the battery in places where static electricity is present.

Electrical safety



DANGER! Cardiac arrest!

This product makes an electromagnetic field while it operates. This field may under some conditions interfere with active or passive medical implants. To decrease the risk of conditions that can possibly injure or kill, we recommend persons with medical implants to speak with their physician and the medical implant manufacturer before you operate the product.

Only use the battery product between 0 °C and 40 °C.

Disconnect the battery in case of emergency.

Do not use the product nearby a water, or for pond care.

Personal safety



DANGER! Risk of suffocation!

Small parts can be easily swallowed. There is also a risk that the poly-bag can suffocate toddlers. Keep toddlers away when you assemble the product.

In case of heavy vibration replace the blade and check the blade holder for damages.

Check the wear rib if ok before usage.

Transport on front handle.

Use personal protective equipment.

Wear gloves for cleaning the cutting device.

Always wear eye protection.

Protective equipment such as gloves, non-skid safety shoes, or hearing protection used for appropriate conditions will reduce personal injuries.

Be careful during adjustment of the product to prevent entrapment of the fingers between moving and fixed parts of the machine, or while assembling the protective cover.

Don't use water, or chemical substances for cleaning the guard or other parts of the trimmer.

Keep all nuts, bolts and screws tight to be sure the product is in a safe working condition.

Do not disassemble the product further than the delivery status.

Warning! When wearing hearing protection, and due to the noise produced by the product, the operator may not notice persons approaching.

While operation and transport pay special attention to the hazard for other people.

Stay alert, watch what you are doing and use common sense when operating a power tool.

Do not use a power tool while you are tired or under the influence of drugs, alcohol or medication.

A moment of inattention while operating power tools may result in serious personal injury.

2. ASSEMBLY



DANGER! Risk of injury!

Cut injury when the product starts accidentally.

→ Wait for the plastic blades to stop and remove the battery before you assemble the product.

To assemble the protective cover and the plant guard [Fig. A1/A2]:



DANGER!

→ The product may only be used when the protective cover is assembled.

- Slide the front part of the protective cover ③ onto the trimmer head ① until it engages.
- Slide the rear part of the protective cover ② onto the trimmer head ① until it stops.
- Tighten the both screws ④ carefully.
- Slide the plant guard ⑤ onto the trimmer head ① until it engages.

To attach the plastic blade to handle [Fig. A3]:

The scope of delivery includes 5 plastic blades ⑥. There are 4 spare plastic blades in the openings ⑦ on the handle.

For the assembly of the plastic blade into the blade holder, see 6. TROUBLESHOOTING *To replace the plastic blade.*

3. OPERATION



DANGER! Risk of injury!

Cut injury when the product starts accidentally.

→ Wait for the plastic blade to stop and remove the battery before you adjust or transport the product.

To charge the battery [Fig. O1/O2]:



CAUTION!

Overvoltage damages the battery and the battery charger.

→ Make sure that you use the correct mains voltage.

For the GARDENA Battery Trimmer Art. 9876-55/9878-55 there is no battery and no charger in the scope of delivery.

Before you use the battery the first time, the battery must be completely charged.

The lithium-ion battery can be charged in any state of charge and the charging process can be disconnected at any time without to damage the battery (no memory effect).

1. Push the locking button(s) (A) and remove the battery (B) from the battery holder (D) on the handle.

2. Connect the battery charger (C) into a mains socket.

3. Connect the battery charger cable (E) to the battery (B).

When the charging control lamp (L) at the charger flashes green the battery is being charged.

When the charging control lamp (L) at the charger illuminates permanently green the battery is completely charged (Charging time, see 7. TECHNICAL DATA).

4. Examine the charge status regularly while you charge.

5. When the battery (B) is completely charged, disconnect the battery (B) from the charger (C).

6. Disconnect the charger (C) from the mains.

Battery charging indicator [Fig. O3]:

Battery charging indicator during charging:

100 % charged	(1), (2) and (3) illuminate (for 60 sec.)
66 – 99 % charged	(1) and (2) illuminate, (3) flashes
33 – 65 % charged	(1) illuminates, (2) flashes
0 – 32 % charged	(1) flashes

Battery charging indicator during operation:

→ Push the button (D) on the battery.

The battery charging indicator is displayed for 5 seconds.

66 – 99 % charged	(1), (2) and (3) illuminate
33 – 65 % charged	(1) and (2) illuminate
11 – 32 % charged	(1) illuminates
0 – 10 % charged	(1) flashes

To set the working position:

Working position 1 [Fig. O4]:

For standard trimming.

Working position 2 [Fig. O5/O6]:

Trimming beneath obstacles.

The tube can be lowered from standard position **1** to two lowered positions **2** or **3** for trimming beneath obstacles.

1. Put the trimmer on the floor.

2. Hold the trimmer by the tube (7) with both hands so that you can push the unlock button (10) with one finger.

3. Push the unlock button (10) and lower the tube (7) to the required position.

4. Release the unlock button (10) and let the tube (7) engage again.

Working position 3 (only for Art. 9878) [Fig. O7/O8]:

Cutting at lawn edges.

CAUTION! The trimmer may only be used when the trimmer head is locked at 0° or 90°.

To rotate the trimmer head (1) to 90°, the tube must be in standard position 1.

1. Hold the trimmer by the tube (7) with both hands so that you can push the unlock button (11) with one finger.

2. Push the unlock button (11) and rotate the trimmer head (1) from 0° to 90° until it engages.

3. Release the unlock button (11) and let the tube (7) engage again.

To adjust the tube length [Fig. O9]:



DANGER!

The product must not be used when the tube is completely inserted (transport position).

1. Loosen the clamping sleeve (6).
2. Pull out the tube (7) to the required length.
3. Tighten the clamping sleeve again (6).

To adjust the position of the additional handle [Fig. O10]:

The position of the additional handle can be adjusted to your body height.

1. Pull the lever (2).
2. Tilt the additional handle (13) to the desired position.
3. Release the lever (2) again.

If the trimmer is correctly set to the body height, the posture is upright and the trimmer head in working position **1** is tilted forwards slightly.

→ Hold the trimmer by the main handle (14) and additional handle (13) in such a manner that the trimmer head is tilted forwards slightly.

To adjust the plant guard:

– **Work position [Fig. O11]**

– **Park position [Fig. O12]**

→ Pull off the plant guard (5) and put it on into the required position until it engages.

To start the trimmer [Fig. O13]:



DANGER! Risk of injury!

Risk of injury if the product does not stop when you release the start lever.

→ Do not bypass the safety devices or switches. For example do not attach the start lever to the handle.

The product is provided with a two-switch safety device (start lever with starting lockout) to prevent the product from being turned on by accident.

To start:

1. Put the battery (B) into the battery holder (D) until it audibly engages.
2. Hold the additional handle (13) with one hand.
3. Hold the main handle (14) with the other hand, slide the starting lockout (15) forward and pull the start lever (16).
The trimmer starts.
4. Release the starting lockout (15) again.

CAUTION! Avoid contact of the plastic blade and the blade carrier with hard objects (walls, stones fences etc.) to prevent the plastic blade and the blade carrier from wearing or breaking.

To stop:

1. Release the start lever (16).
The trimmer stops.
2. Push both locking buttons (A) and remove the battery (B) from the battery holder (D).

4. MAINTENANCE



DANGER! Risk of injury!

Cut injury when the product starts accidentally.

→ Wait for the plastic blade to stop and remove the battery before you maintain the product.

To clean the Trimmer [Abb. M1]:



DANGER! Risk of injury!

Risk of injury and risk of damage to the product.

→ Do not clean the product with water or with a water jet (in particular high-pressure water jet).

→ Do not clean with chemicals including petrol or solvents. Some can destroy critical plastic parts.

The airflow slots must always be clean.

1. Clean the airflow slots (17) with a soft brush (do not use a screwdriver).

- Clean all movable parts after each operation. Especially remove any grass and dirt from the protective cover ②.

To clean the battery and the battery charger:

Make sure that the surface and the contacts of the battery and the battery charger always are clean and dry before you connect the battery charger.

Do not use running water.

→ Clean the contacts and the plastic parts with a soft and dry cloth.

5. STORAGE

To put into storage:

The product must be stored away from children.

- Remove the battery.
- Charge the battery.
- Clean the trimmer, the battery and the battery charger (see 4. MAINTENANCE).
- Store the trimmer, the battery and the battery charger in a dry, enclosed and frost-free place.

Disposal:

(in accordance with RL2012/19/EC)

The product must not be disposed of to normal household waste. It must be disposed of in line with local environmental regulations.



IMPORTANT!

→ Dispose of the product through or via your municipal recycling collection centre.

Disposal of the battery:

The GARDENA battery contains lithium-ion cells that should not be disposed of with normal household waste at the end of its life.



Li-ion

IMPORTANT!

→ Dispose of the batteries through or via your municipal recycling collection centre.

- Discharge the lithium-ion cells completely (contact the GARDENA Service).
- Protect the contacts on the lithium-ion cells against short circuits.
- Dispose of the lithium-ion cells properly.

6. TROUBLESHOOTING



DANGER! Risk of injury!

Cut injury when the product starts accidentally.

→ Wait for the plastic blade to stop and remove the battery before you troubleshoot the product.

To replace the plastic blade [Fig. T1/T2]:



DANGER! Risk of cutting injuries!

→ Do not use metal cutting elements or spare parts and accessories not intended for use by GARDENA.

If the wear rib ⑩ is no longer visible, the blade carrier ⑫ must be replaced. Contact the GARDENA Service.

The plastic blades may only become worn to half the original length at most. Only use original GARDENA Spare Blades RotorCut. Spare plastic blades are available from your GARDENA dealer or direct from GARDENA Service.

- GARDENA Spare Blades RotorCut for Turbotrimmer Art. 5368

To remove the plastic blade:

- Turn the trimmer over.
- Push the end of the plastic blade down slightly (A), slide the plastic blade ⑧ inside through the blade carrier ⑩ (B) and pull out.

To insert the plastic blade:

→ Slide the new plastic blade ⑧ from inside through the slot in metal of the blade carrier ⑩ until it audibly engages (click).
When the new plastic blade is correctly inserted, it can be moved more easily.

Problem	Possible Cause	Remedy
Trimmer is not cutting cleanly or not cutting at all	Plastic blade is worn or too short.	→ Replace the plastic blade.
	Plastic blade is broken off.	→ Replace the plastic blade.
Trimmer vibrates severely	Plastic blade is excessively worn and creates an unbalance.	→ Replace the plastic blade.
	Blade carrier is worn.	→ Replace the blade carrier.
Trimmer does not start	Battery is not put completely into the battery holder.	→ Put the battery completely into the battery holder until it audibly engages.
	Battery is empty.	→ Charge the battery.
	Engine is blocked.	→ Remove the obstacle. Start again.
Trimmer can no longer be stopped	Start lever is stuck.	→ Remove the battery and loosen the start lever.
	Error-LED ⑩ on the battery flashes [Fig. 03]	Battery overload. → Let the battery cool down and start the trimmer again.
	Under voltage.	→ Charge the battery.
Error-LED ⑩ on the battery illuminates [Fig. 03]	Battery temperature is out of range.	→ Use the battery in surroundings where temperatures are between 0 °C and 40 °C.
	Battery error / battery defective.	→ If the battery cannot be reset by connecting it to the charger, contact the GARDENA Service.
Charging control lamp ⑬ on the charger does not illuminate [Fig. T3]	Battery charger or charging cable are not connected correctly.	→ Connect the battery charger and charging cable correctly.
Charging control lamp ⑬ on the charger flashes red [Fig. T3]	Battery temperature is out of range.	→ Use the battery in surroundings where temperatures are between 0 °C and 40 °C.



NOTE: For any other malfunctions please contact the GARDENA service department. Repairs must only be done by GARDENA service departments or specialist dealers approved by GARDENA.

7. TECHNICAL DATA

Battery Trimmer	Unit	Value (Art. 9876)	Value (Art. 9878)
Rated current	A	2.3	2.3
Rated voltage	V (DC)	18	18
Cutting width	cm	23	23
Rpm of blade carrier	R/min.	9500	9500
Weight (without Battery)	kg	2.0	2.1
Sound pressure level L_{pA} ¹⁾	dB (A)	74	70
Uncertainty k_{pA}		2.5	2.5
Sound power level L_{WA} ²⁾ : measured/guaranteed	dB (A)	83 / 85	86 / 88
Uncertainty k_{WA}		1.6	1.8
Hand/arm vibration a_{vhw} ¹⁾	m/s ²	< 2.5	< 2.5
Uncertainty k_a		1.5	1.5

Measuring process complying with: ¹⁾ EN 50636-2-91 ²⁾ RL 2000/14/EC



NOTE: The stated vibration emission value has been measured according to a standardized test procedure and can be used for comparison of one electric power tool with another. It can also be used for preliminary evaluation of exposure. The vibration emission value can vary during actual use of the electric power tool.

System Battery BLI-18	Unit	Value (Art. 9839)	Value (Art. 9865)
Battery voltage	V (DC)	18	18
Battery capacity	Ah	2.6	2.0
Number of cells (Li-Ion)		5	5
Battery charging time 80% / 100% (approx.)	h	3.5 / 5	2 / 2.5

Appropriate GARDENA System Batteries BLI-18: Art. 9839/9865/9866/9867

Battery Charger 18 V	Unit	Value (Art. 9825-00.630.00)
Mains voltage	V (AC)	100 – 240
Mains frequency	Hz	50 – 60
Rated Power	W	16

Battery Charger 18 V	Unit	Value (Art. 9825-00.630.00)
Output voltage	V (DC)	21
Max. output current	mA	600

Appropriate GARDENA Battery Chargers 18 V: Art. 8832/8833

8. ACCESSORIES

GARDENA Spare Blades RotorCut for Turbotrimmer	As replacement for consumed plastic blades.	Art. 5368
GARDENA Replacement blade carrier	Available via the GARDENA Service.	
GARDENA Wheel set for trimmer (only for Art. 9878)	For easy cutting of lawn edges.	Art. 9880
GARDENA Replacement Battery BLi-18	Battery for additional duration or for replacement.	Art. 9839
GARDENA Replacement Battery BLi-18/36	Battery for additional duration or for replacement.	Art. 9865
GARDENA Battery Charger 18 V	Charger to charge the GARDENA Batteries BLi-18.	Art. 8833
GARDENA Battery Quick Charger 18 V	Charger for fast charging the GARDENA Batteries BLi-18.	Art. 8832

9. SERVICE/WARRANTY

Service:

Please contact the address on the back page.

Warranty statement:

In the event of a warranty claim, no charge is levied to you for the services provided.

GARDENA Manufacturing GmbH grants a warranty for all original GARDENA new products for two years from the date of original purchase from the retailer, provided that the devices have been for private use only. This manufacturer's warranty does not apply to products acquired second hand. This warranty includes all significant defects of the product that can be proved to be material or manufacturing faults. This warranty is fulfilled by supplying a fully functional replacement product or by repairing the faulty product sent to us free of charge; we reserve the right to choose between these options. This service is subject to the following provisions:

- The product has been used for its intended purpose as per the recommendations in the operating instructions.
- Neither the purchaser nor a third party has attempted to open or repair the product.
- Only Original GARDENA replacement parts and wear parts have been used for operation.
- Presentation of the receipt

Normal wear and tear of parts and components (such as blades, blade fixing parts, turbines, light bulbs, V-belts/toothed belts, impellers, air filters, spark plugs), visual changes, wear parts and consumables are excluded from the warranty.

This manufacturer's warranty is limited to replacement and repair of products in accordance with the abovementioned conditions. The manufacturer's warranty does not constitute an entitlement to lodge other claims against us as a manufacturer, such as for damages. This manufacturer's warranty does **not**, of course, affect statutory and contractual warranty claims against the dealer/retailer.

The manufacturer's warranty is governed by the law of the Federal Republic of Germany.

In case of a warranty claim, please return the faulty product, together with a copy of the receipt and a description of the fault, with postage paid to the service address.

Consumables:

The plastic blade and the blade carrier are consumables and are not included in the warranty.

<p>DE Produkthaftung Wir weisen ausdrücklich darauf hin, dass wir in Übereinstimmung mit dem Produkthaftungsgesetz nicht für Schäden haften, die durch unsere Produkte entstehen, wenn diese unsachgemäß und nicht durch einen von uns autorisierten Servicepartner repariert wurden oder wenn keine Original GARDENA Teile oder von uns zugelassene Teile verwendet wurden.</p>
<p>EN Product liability In accordance with the German Product Liability Act, we hereby expressly declare that we accept no liability for damage incurred from our products where said products have not been properly repaired by a GARDENA-approved service partner or where original GARDENA parts or parts authorised by GARDENA were not used.</p>
<p>FR Responsabilité Conformément à la loi relative à la responsabilité du fait des produits défectueux, nous déclarons expressément par la présente que nous déclinons toute responsabilité pour les dommages résultant de nos produits, si lesdits produits n'ont pas été correctement réparés par un partenaire d'entretien agréé GARDENA ou si des pièces d'origine GARDENA ou des pièces agréées GARDENA n'ont pas été utilisées.</p>
<p>NL Productaansprakelijkheid Conform de Duitse wet inzake productaansprakelijkheid verklaren wij hierbij uitdrukkelijk dat wij geen aansprakelijkheid aanvaarden voor schade ontstaan uit onze producten waarbij deze producten niet zijn gerepareerd door een GARDENA-erkende servicepartner of waarbij geen originele GARDENA-onderdelen of onderdelen die door GARDENA zijn goedgekeurd zijn gebruikt.</p>
<p>SV Produktansvar I enlighet med tyska produktansvarslagar förklarar vi härmed uttryckligen att vi inte åtar oss något ansvar för skador som orsakas av våra produkter där produkterna inte har genomgått korrekt reparation från en GARDENA-godkänd servicepartner eller där originaldelar från GARDENA eller delar godkända av GARDENA inte använts.</p>
<p>DA Produktansvar I overensstemmelse med den tyske produktansvarslav erklærer vi hermed udtrykkeligt, at vi ikke påtager os noget ansvar for skader på vores produkter, hvis de pågældende produkter ikke er blevet repareret korrekt af en GARDENA-godkendt servicepartner, eller hvor der ikke er brugt originale GARDENA-reservedele eller godkendte reservedele fra GARDENA.</p>
<p>FI Tuotevastuu Saksan tuotevastuulain mukaisesti emme ole vastuussa laitteiden vaurioista, jos korjauksia ei ole tehnyt GARDENAn hyväksymä huoltoliike tai jos niiden syynä on muiden kuin alkuperäisten GARDENA-varaosien tai GARDENAn hyväksymien varaosien käyttö.</p>
<p>IT Responsabilità del prodotto In conformità con la Legge tedesca sulla responsabilità del prodotto, con la presente dichiariamo espressamente che decliniamo qualsiasi responsabilità per danni causati dai nostri prodotti qualora non siano stati correttamente riparati presso un partner di assistenza approvato GARDENA o laddove non siano stati utilizzati ricambi originali o autorizzati GARDENA.</p>
<p>ES Responsabilidad sobre el producto De acuerdo con la Ley de responsabilidad sobre productos alemana, por la presente declaramos expresamente que no aceptamos ningún tipo de responsabilidad por los daños ocasionados por nuestros productos si dichos productos no han sido reparados por un socio de mantenimiento aprobado por GARDENA o si no se han utilizado piezas originales GARDENA o piezas autorizadas por GARDENA.</p>
<p>PT Responsabilidade pelo produto De acordo com a lei alemã de responsabilidade pelo produto, declaramos que não nos responsabilizamos por danos causados pelos nossos produtos, caso os tais produtos não tenham sido devidamente reparados por um parceiro de assistência GARDENA aprovado ou se não tiverem sido utilizadas peças GARDENA originais ou peças autorizadas pela GARDENA.</p>
<p>PL Odpowiedzialność za produkt Zgodnie z niemiecką ustawą o odpowiedzialności za produkt, niniejszym wyraźnie oświadczamy, że nie ponosimy żadnej odpowiedzialności za szkody poniesione na skutek użytkowania naszych produktów, w przypadku gdy naprawa tych produktów nie była odpowiednio przeprowadzana przez zatwierdzonego przez firmę GARDENA partnera serwisowego lub nie stosowano oryginalnych części GARDENA albo części autoryzowanych przez tę firmę.</p>
<p>HU Termékszavatosság A németországi termékszavatossági törvénnyel összhangban ezennel nyomatékosan kijelentjük, hogy nem vállalunk felelősséget a termékeinkben keletkezett olyan károkért, amelyek valamely GARDENA által jóváhagyott szervizpartner által nem megfelelően végzett javításból adódtak, vagy amely során nem eredeti GARDENA alkatrészeket vagy a GARDENA által jóváhagyott alkatrészeket használtak fel.</p>
<p>CS Odpovědnost za výrobek V souladu s německým zákonem o odpovědnosti za výrobek tímto výslovně prohlašujeme, že nepřijímáme žádnou odpovědnost za poškození vzniklá na našich výrobcích, kdy zmíněné výrobky nebyly řádně opraveny schváleným servisním partnerem GARDENA nebo kdy nebyly použity originální náhradní díly GARDENA nebo náhradní díly autorizované společností GARDENA.</p>
<p>SK Zodpovednosť za produkt V súlade s nemeckými právnymi predpismi upravujúcimi zodpovednosť za výrobok týmto výslovné prehlasujeme, že nenesieme žiadnu zodpovednosť za škody spôsobené našimi výrobkami, v prípade ktorých neboli náležite opravy vykonané servisným partnerom schváleným spoločnosťou GARDENA alebo neboli použité diely spoločnosti GARDENA alebo diely schválené spoločnosťou GARDENA.</p>
<p>EL Ευθύνη προϊόντος Σύμφωνα με τον γερμανικό νόμο περί Ευθύνης για τα Προϊόντα, με το παρόν δηλώνουμε ρητώς ότι δεν αποδεχόμαστε καμία ευθύνη για τυχόν ζημιές που προκύπτουν από τα προϊόντα μας εάν αυτά δεν έχουν επισκευαστεί ουστά από κάποιον εγκεκριμένο συνεργάτη επισκευών της GARDENA ή εάν δεν έχουν χρησιμοποιηθεί αυθεντικά εξαρτήματα GARDENA ή εξαρτήματα εγκεκριμένα από την GARDENA.</p>
<p>SL Odgovornost proizvajalca V skladu z nemškimi zakoni o odgovornosti za izdelke, izrecno izjavljajo, da ne sprejemamo nobene odgovornosti za škodo, ki jo povzročijo naši izdelki, če teh niso ustrezno popravili GARDENINI odobreni servisni partnerji ali pri tem niso bili uporabljeni originalni GARDENINI nadomestni deli ali GARDENINIMI homologiranimi nadomestnimi deli.</p>
<p>HR Pouzdanost proizvoda Sukladno njemačkom zakonu o pouzdanosti proizvoda, ovime izričito izjavljujemo kako ne prihvaćamo nikakvu odgovornost za oštećenja na našim proizvodima nastala uslijed neispravnog popravka od strane servisnog partnera kojeg odobrava GARDENA ili uslijed nekorištenja originalnih GARDENA dijelova ili dijelova koje odobrava GARDENA.</p>
<p>RO Răspunderea pentru produs În conformitate cu Legea germană privind răspunderea pentru produs, declarăm în mod expres prin prezentul document că nu acceptăm nicio răspundere pentru defecțiunile suferite de produsele noastre atunci când acestea nu au fost reparate în mod corect de un atelier de service partener, aprobat de GARDENA, sau când nu au fost utilizate piese GARDENA originale sau piese autorizate de GARDENA.</p>
<p>BG Отговорност за вреди, причинени от стоки Съгласно германския Закон за отговорността за вреди, причинени от стоки, с настоящото изрично декларираме, че не носим отговорност за щети, причинени от нашите продукти, ако те не са били правилно ремонтирани от одобрен от GARDENA сервис или ако не са използвани оригинални части на GARDENA или части, одобрени от GARDENA.</p>
<p>ET Tootevastutus Vastavalt Saksamaa tootevastutusseadusele deklareerime käesolevaga selgesõnaliselt, et me ei kanna mingisugust vastutust meie toodetest tingitud kahjude eest, kui need tooted ei ole korrektselt parandatud GARDENA heakskiidetud hoolduspartneri poolt või kui parandamisel ei ole kasutatud GARDENA originaalosi või GARDENA volitatud osi.</p>
<p>LT Gaminio patikimumas Mes aiškiai pareiškiame, kad, atsižvelgiant į Vokietijos gaminių patikimumo įstatymą, nepriisiame atsakomybės dėl bet kokios žalos, patirtos dėl mūsų gaminių, jeigu jie buvo netinkamai taisomi arba jų dalys buvo pakeistos neoriginaliomis GARDENA dalimis ar nepatvirtintomis dalimis, arba jeigu remonto darbai buvo atliekami ne GARDENA techninės priežiūros centro specialistų.</p>
<p>LV Atbildība par produkcijas kvalitāti Saskaņā ar Vācijas likumu par atbildību par produkcijas kvalitāti ar šo mēs paziņojam, ka neuzņemamies atbildību par bojājumiem, kas radušies, lietojot mūsu izstrādājumu, kuru remontu nav veicis uzņēmuma GARDENA apstiprināts apkopes partneris vai kuru remontam netika izmantotas oriģinālās GARDENA detaļas vai detaļas, kuru lietošanu apstiprinājis uzņēmums GARDENA.</p>

- Deutschland / Germany**
GARDENA
Manufacturing GmbH
Central Service
Hans-Lorenser-Straße 40
D-89079 Ulm
Produktfragen:
(+49) 731 490-123
Reparaturen:
(+49) 731 490-290
service@gardena.com
- Albania**
COBALT Sh.p.k.
Rr. Siri Kodra
1000 Tirana
- Argentina**
Husqvarna Argentina S.A.
Av.del Libertador 5954 –
Piso 11 – Torre B
(C1428ARP) Buenos Aires
Phone: (+54) 11 5194 5000
info.gardena@
ar.husqvarna.com
- Armenia**
Garden Land Ltd.
61 Tigran Mets
0005 Yerevan
- Australia**
Husqvarna Australia Pty. Ltd.
Locked Bag 5
Central Coast BC
NSW 2252
Phone: (+61) (0) 2 4352 7400
customer.service@
husqvarna.com.au
- Austria / Österreich**
Husqvarna Austria GmbH
Industriezeile 36
4010 Linz
Tel.: (+43) 732 77 01 01-485
service.gardena@
husqvarnagroup.com
- Azerbaijan**
Firm Progress
a. Aliyev Str. 26A
1052 Baku
- Belgium**
Husqvarna België nv/sa
Gardena Division
Rue Egide Van Ophem 111
1180 Uccle / Ukkel
Tel.: (+32) 2 720 92 12
info@gardena.be
- Bosnia / Herzegovina**
SILK TRADE d.o.o.
Industrijska zona Bukva bb
74260 Tešanj
- Brazil**
Husqvarna do Brasil Ltda
Av. Francisco Matarazzo,
1400 – 19º andar
São Paulo – SP
CEP: 05001-903
Tel: 0800-112252
marketing.br.husqvarna@
husqvarna.com.br
- Bulgaria**
AGROLAND България АД
бул. 8 Декември, №13
Офис 5
1700 Студентски град
София
Тел.: (+359) 24 66 69 10
info@agroland.eu
- Canada / USA**
GARDENA Canada Ltd.
100 Summerlea Road
Brampton, Ontario L6T 4X3
Phone: (+1) 905 792 93 30
info@gardenacanada.com
- Chile**
Maquinarias Agroforestales
Ltda. (Maga Ltda.)
Santiago, Chile
Avda. Chesterton
8355 comuna Las Condes
Phone: (+56) 2 202 4417
Dalton@maga.cl
Zipcode: 7560330
- China**
Husqvarna (Shanghai)
Management Co., Ltd.
富世华 (上海) 管理有限公司
3F, Benq Square B,
No207, Song Hong Rd.,
Chang Ning District,
Shanghai, PRC. 200335
上海市长宁区淞虹路207号明
基广场B座3楼, 邮编: 200335
- Colombia**
Husqvarna Colombia S.A.
Calle 18 No. 68 D-31, zona
Industrial de Montevideo
Bogotá, Cundinamarca
Tel. 571 2922700 ext. 105
jairo.salazar@
husqvarna.com.co
- Costa Rica**
Compania Exim
Euroberoamericana S.A.
Los Colegios, Moravia,
200 metros al Sur del Colegio
Saint Francis – San José
Phone: (+506) 297 68 83
exim_euro@racsa.co.cr
- Croatia**
Husqvarna Austria GmbH
Industriezeile 36
4010 Linz
Tel.: (+43) 732 77 01 01-485
service.gardena@
husqvarnagroup.com
- Cyprus**
Med Marketing
17 Digeni Akrita Ave
P.O. Box 27017
1641 Nicosia
- Czech Republic**
Husqvarna Česko s.r.o.
Türkova 2319/5b
149 00 Praha 4 – Chodov
Bezplatná infolinka:
800 100 425
servis@cz.husqvarna.com
- Denmark**
GARDENA DANMARK
Lejrvej 19, st.
3500 Værløse
Tlf.: (+45) 70 26 47 70
husqvarna@husqvarna.dk
www.gardena.com/dk
- Dominican Republic**
BOSQUESA, S.R.L
Carretera Santiago Licey
Km. 5 ½
Esquina Copal II.
Santiago
Dominican Republic
Phone: (+809) 736-0333
joserbosquesa@claro.net.do
- Ecuador**
Husqvarna Ecuador S.A.
Arupos E1-181 y 10 de
Agosto Quito, Pichincha
Tel. (+593) 22800739
francisco.jacome@
husqvarna.com.ec
- Estonia**
Husqvarna Eesti OÜ
Valdeku 132
EE-11216 Tallinn
info@gardena.ee
- Finland**
Oy Husqvarna Ab
Gardena Division
Lautatarhankatu 8 B/PL 3
00581 HELSINKI
www.gardena.fi
- France**
Husqvarna France
9/11 Allée des pierres mayettes
92635 Gennevilliers Cedex
France
http://www.gardena.com/fr
N° AZUR: 0 810 00 78 23
(Prix d'un appel local)
- Georgia**
Transporter LLC
8/57 Beliashvili street
0159 Tbilisi, Georgia
Phone: (+995) 322 14 71 71
- Great Britain**
Husqvarna UK Ltd
Preston Road
Aycliffe Industrial Park
Newton Aycliffe
County Durham
DL5 6UP
info.gardena@
husqvarna.co.uk
- Greece**
Π. ΠΑΠΑΔΟΠΟΥΛΟΣ ΑΕΒΕ
Λεωφ. Αθηνών 92
Αθήνα
T.K.104 42
Ελλάδα
Τηλ. (+30) 210 51 93 100
info@papadopoulos.com.gr
- Hungary**
Husqvarna Magyarország Kft.
Ezred u. 1-3
1044 Budapest
Telefon: (+36) 1 251-4161
vevoszolgalat.husqvarna@
husqvarna.hu
- Iceland**
Ó. Johnson & Kaaber
Tunguhalsi 1
110 Reykjavik
ooj@ojk.is
- Ireland**
Husqvarna UK Ltd
Preston Road
Aycliffe Industrial Park
Newton Aycliffe
County Durham
DL5 6UP
info.gardena@
husqvarna.co.uk
- Italy**
Husqvarna Italia S.p.A.
Via Santa Vecchia 15
23868 VALMADRERA (LC)
Phone: (+39) 0341.203.111
assistenza.italia@
it.husqvarna.com
- Japan**
KAKUICHI Co. Ltd.
Sumitomo Realty &
Development Kojimachi
BLDG., 8F
5-1 Nibannco
Chiyoda-ku
Tokyo 102-0084
Phone: (+81) 33 264 4721
m_ishihara@kaku-ichi.co.jp
- Kazakhstan**
LAMED Ltd.
155/1, Tazhibayevoi Str.
050060 Almaty
IP Schmidt
Abayavenue 3B
110 005 Kostanay
- Korea**
Kyung Jin Trading CO.,LTD.
107-4, SunDuk Bld.,
YangJae-dong,
Seocho-gu,
Seoul, (zipcode: 137-891)
Phone: (+82) (0)2 574-6300
- Kyrgyzstan**
Alye Maki
av. Moladaya Guardir J 3
720014
Bishkek
- Latvia**
Husqvarna Latvija SIA
Ulbrokas 19A
LV-1021 Rīga
info@gardena.lv
- Lithuania**
UAB Husqvarna Lietuva
Ateities pl. 77C
LT-52104 Kaunas
info@gardena.lt
- Luxembourg**
Magasins Jules Neuberger
39, rue Jacques Stas
Luxembourg-Gasperich 2549
Case Postale No. 12
Luxembourg 2010
Phone: (+352) 40 14 01
api@neuberger.lu
- Mexico**
AFOSA
Av. Lopez Mateos Sur # 5019
Col. La Calma 45070
Zapopan, Jalisco
Mexico
Phone: (+52) 33 3818-3434
icornejo@afosa.com.mx
- Moldova**
Convel S.R.L.
290A Muncesti Str.
2002 Chisinau
- Netherlands**
Husqvarna Nederland B.V.
GARDENA Division
Postbus 50131
1305 AC ALMERE
Phone: (+31) 36 521 00 10
info@gardena.nl
- Neth. Antilles**
Jonka Enterprises N.V.
Sta. Rosa Weg 196
P.O. Box 8200
Curaçao
Phone: (+599) 9 767 66 55
pgm@jonka.com
- New Zealand**
Husqvarna New Zealand Ltd.
PO Box 76-437
Manukau City 2241
Phone: (+64) (0) 9 9202410
support.nz@husqvarna.co.nz
- Norway**
Husqvarna Norge AS
Gardena Division
Trøskenveien 36
1708 Sarpsborg
info@gardena.no
- Peru**
Husqvarna Perú S.A.
Jr. Ramón Cárcamo 710
Lima 1
Tel: (+51) 1 3320400 ext. 416
juan.remuzgo@
husqvarna.com
- Poland**
Husqvarna
Poland Spółka z o.o.
ul. Wysockiego 15 b
03-371 Warszawa
Phone: (+48) 22 330 96 00
gardena@husqvarna.com.pl
- Portugal**
Husqvarna Portugal, SA
Lagoa - Albarraque
2635 - 595 Rio de Mouro
Tel.: (+351) 21 922 85 30
Fax : (+351) 21 922 85 36
info@gardena.pt
- Romania**
Madex International Srl
Soseaua Odaii 117-123,
RO 013603 București, S1
Phone: (+40) 21 352.76.03
madex@ines.ro
- Russia / Россия**
ООО „Хускварна“
141400, Московская обл.,
г. Химки,
улица Ленинградская,
владение 39, стр.6
Бизнес Центр
„Химки Бизнес Парк“,
помещение ОВ02_04
http://www.gardena.ru
- Serbia**
Domel d.o.o.
Autoput za Novi Sad bb
11273 Belgrade
Phone: (+381) 1 18 48 88 12
miroslav.jejina@domel.rs
- Singapore**
Hy-Ray PRIVATE LIMITED
40 Jalan Pemimpin
#02-08 Tat Ann Building
Singapore 577185
Phone: (+65) 6253 2277
shiyiing@hyray.com.sg
- Slovak Republic**
Husqvarna Česko s.r.o.
Türkova 2319/5b
149 00 Praha 4 – Chodov
Bezplatná infolinka:
800 154 044
servis@sk.husqvarna.com
- Slovenia**
Husqvarna Austria GmbH
Industriezeile 36
4010 Linz
Tel.: (+43) 732 77 01 01-485
service.gardena@
husqvarnagroup.com
- South Africa**
Husqvarna
South Africa (Pty) Ltd
Postnet Suite 250
Private Bag X6,
Cascades, 3202
South Africa
Phone: (+27) 33 846 9700
info@gardena.co.za
- Spain**
Husqvarna España S.A.
Calle de Rivas nº 10
28052 Madrid
Phone: (+34) 91 708 05 00
atencioncliente@gardena.es
- Suriname**
Agrofix n.v.
Verlengde Hogestraat #22
Phone: (+597) 472426
agrofix@sr.net
Pobox : 2006
Paramaribo
Suriname – South America
- Sweden**
Husqvarna AB
Gardena Division
S-561 82 Husqvarna
Gardenaorder@husqvarna.se
- Switzerland / Schweiz**
Husqvarna Schweiz AG
Consumer Products
Industriestrasse 10
5506 Mägenwil
Phone: (+41) (0) 62 887 37 90
info@gardena.ch
- Turkey**
Dost Bahçe Diş Ticaret
Müessesilik A.Ş
Yunus Mah. Adil Sok. No:3
Ic Kapi No: 1 Kartal
34873 Istanbul
Phone: (+90) 216 38 93 939
info@dostbahce.com.tr
- Ukraine / Україна**
ТОВ «Хускварна Україна»
вул. Васильківська, 34,
офіс 204-г
03022, м. Київ
Тел. (+38) 044 498 39 02
info@gardena.ua
- Uruguay**
FELI SA
Entre Rios 1083 CP 11800
Montevideo – Uruguay
Tel: (+598) 22 03 18 44
info@felisa.com.uy
- Venezuela**
Corporación Casa y Jardín C.A.
Av. Caroní, Edif. Trezmen, PB.
Colinas de Bello Monte.
1050 Caracas.
Tlf: (+58) 212 992 33 22
info@casayjardin.net.ve
- 9876-20.960.03/1019
© GARDENA
Manufacturing GmbH
D-89070 Ulm
http://www.gardena.com