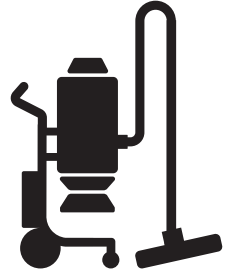




H Husqvarna®



T 7500, T 8600, T 10000, T 18000

EN	Operator's manual	2-15
FR-CA	Manuel d'utilisation	16-30
ES-MX	Manual del usuario	31-45

Contents

Introduction.....	2	Maintenance.....	9
Safety.....	6	Troubleshooting.....	12
Assembly.....	8	Transportation, storage and disposal.....	13
Accessories.....	8	Technical data.....	14
Operation.....	9	Warranty.....	14

Introduction

Owner responsibility



WARNING: Cutting, especially when DRY cutting, generates dust that comes from the material being cut, which frequently contains silica. Silica is a basic component of sand, quartz, brick clay, granite and numerous other minerals and rocks. Exposure to excessive amount of such dust can cause:

Respiratory disease (affecting your ability to breathe), including chronic bronchitis, silicosis and pulmonary fibrosis from exposure to silica. These diseases may be fatal;

Skin irritation and rash.

Cancer according to NTP* and IARC* **/ National Toxicology Program, International Agency for Research on Cancer.

Take precautionary steps:

Avoid inhalation of and skin contact with dust, mist and fumes.

Wear and ensure that all bystanders wear appropriate respiratory protection such as dust masks designed to filter out microscopic particles. (See OSHA 29 CFR Part 1926.1153)

To minimize dust emissions, wet cut when feasible. If dry cutting is necessary, use an appropriate dust extractor.

It is the owner's/employer's responsibility that the operator has sufficient knowledge about how to use the product safely. Supervisors and operators must have read and understood the Operator's Manual. They must be aware of:

- The products's safety instructions.
- The products's range of applications and limitations.
- How the product is to be used and maintained.

National/Local regulations could restrict the use of this product. Find out what regulations are applicable where you work before you start using the product.

Product description

The product is a dust extractor with a suction hose. Air with dust is suctioned into an inlet valve through the suction hose. The air decreases in speed by a cyclone which cause the dust particles to move apart from the air. Small dust particles and air goes through a 2 filter system. Large dust particles are collected in the cyclone and fall through the bottom flap into a plastic bag.

Intended use

The T-Line Dust Extractor is used to clean construction areas by collecting up dry and non flammable dust in indoor environments.

The T-Line Dust Extractor can be connected to medium and large surface preparation equipment such as grinders.

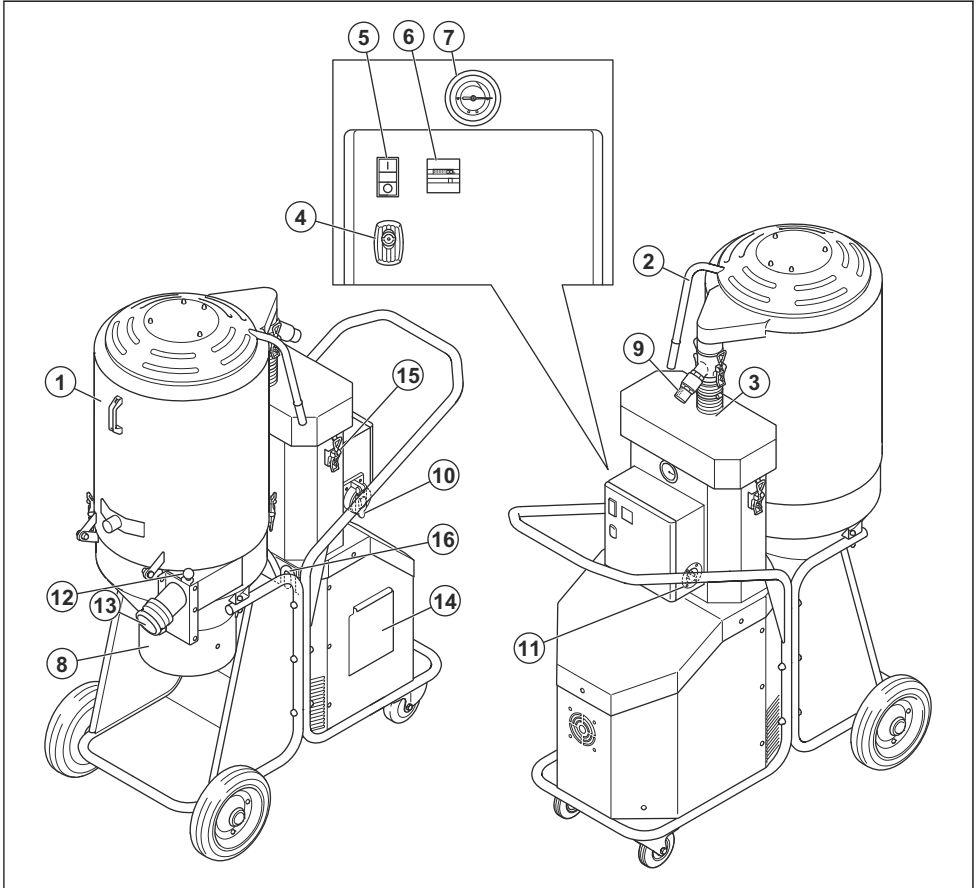
The T-Line Dust Extractor is intended for commercial use, for example in hotels, schools, hospitals, factories, shops, offices and rental businesses

Note: The explosion limit value for the not flammable dust is >0.1mg/m³.

Dust storage system

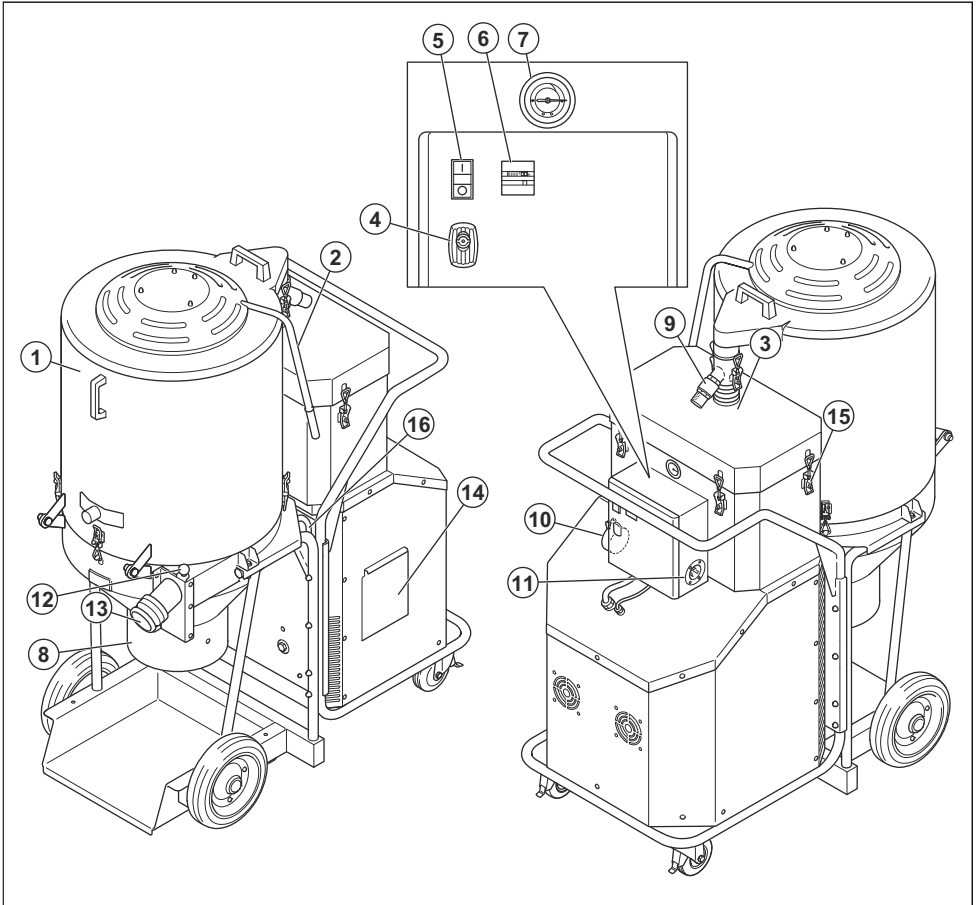
All Husqvarna T-Line Dust Extractors are to be used with Longopac. Only change Longopac after the filter cleaning cycle has been completed.

Product overview T 7500 and T 8600



- | | |
|----------------------------|---------------------------|
| 1. Pre-filter | 9. Pressure release valve |
| 2. Jet Pulse handle | 10. Socket inlet |
| 3. Hepa filter | 11. Socket outlet |
| 4. Lock to electricity box | 12. Inlet valve |
| 5. On/Off | 13. Inlet |
| 6. Hour meter | 14. Utility hatch |
| 7. Manometer | 15. Toggle fastener |
| 8. Longopac connection | 16. Tie down lug 2X |

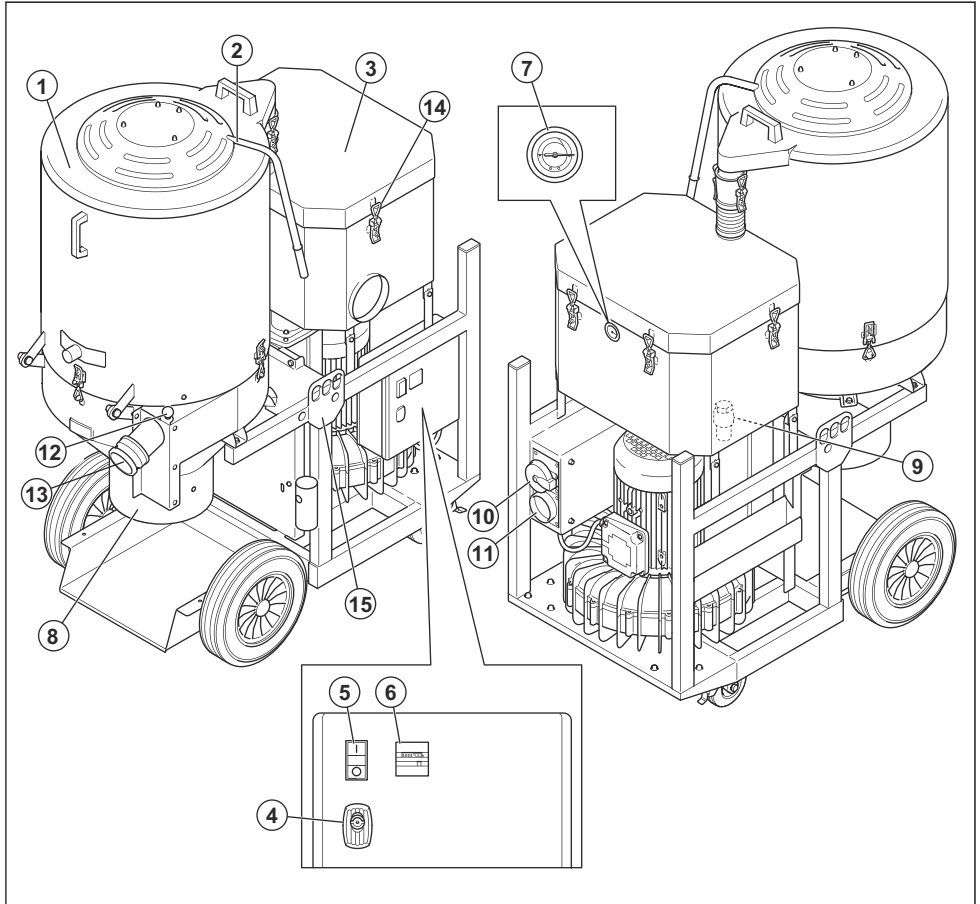
Product overview T 10000



1. Pre-filter
2. Jet Pulse handle
3. Hepa filter
4. Lock to electricity box
5. On/Off
6. Hour meter
7. Manometer
8. Longopac connection

9. Pressure release valve
10. Socket inlet
11. Socket outlet
12. Inlet valve
13. Inlet
14. Utility hatch
15. Toggle fastener
16. Tie down lug 4X

Product overview T 18000



1. Pre-filter
2. Jet Pulse handle
3. Hepa filter
4. Lock to electricity box
5. On/Off
6. Hour meter
7. Manometer
8. Longopac connection
9. Pressure release valve
10. Socket inlet
11. Socket outlet
12. Inlet valve
13. Inlet
14. Toggle fastener
15. Tie down lug 4X

Symbols on the product



Please read the operator's manual carefully and make sure you understand the instructions before using the product.



Always use an approved breathing mask.



Always use approved ear protection.



Always use approved eye protection.

Product liability

As referred to in the product liability laws, we are not liable for damages that our product causes if:

- the product is incorrectly repaired.
- the product is repaired with parts that are not from the manufacturer or not approved by the manufacturer.
- the product has an accessory that is not from the manufacturer or not approved by the manufacturer.
- the product is not repaired at an approved service center or by an approved authority.

Safety

Safety definitions

Warnings, cautions and notes are used to point out specially important parts of the manual.



WARNING: Used if there is a risk of injury or death for the operator or bystanders if the instructions in the manual are not obeyed.



CAUTION: Used if there is a risk of damage to the product, other materials or the adjacent area if the instructions in the manual are not obeyed.

Note: Used to give more information that is necessary in a given situation.

General safety instructions



WARNING: Read the warning instructions before you use the product.

- Always exercise care and use your common sense. If you get into a situation where you feel unsafe, stop and seek expert advice. Contact your dealer, service agent or an experienced user. Do not attempt any task that you feel unsure of!
- Read the operator's manual carefully and understand the instructions before using the product. Save all warnings and instructions for future reference.
- Make sure that you read and understand the instructions for the main product manual to ensure that you know what personal equipment to wear, what safety equipment to use and how to work in a safe mode.
- Keep in mind that it is you, the operator that is responsible for not exposing people or their property to accidents or hazards.
- The product can be a dangerous tool if used incorrectly or carelessly, which can cause serious or fatal injury to the operator or others.
- The product must be kept clean. Signs and stickers must be fully legible.

- This product is not intended for use by persons (including children) with reduced physical, sensory or mental capabilities, or lack of experience and knowledge.
- Keep children and unauthorized persons away from the product when in use.
- Operators shall be adequately instructed on the use of the product.
- Never use this product if you are fatigued, while under the influence of alcohol or drugs, medication or anything that could affect your vision, alertness, coordination or judgment.
- Do not handle plug or product with wet hands.
- Never use a product that is faulty. Carry out the safety checks, maintenance and service instructions described in this manual. Some maintenance and service measures must be carried out by trained and qualified specialists. Refer to instructions in *Maintenance on page 9*.

Electrical Safety instructions



WARNING: Read the warning instructions that follow before you use the product.

- The dust extractor is equipped with a safety thermal protector to prevent motor from overheating. Should thermal protector activate, turn off machine, unplug power cord and check for full dust bag, vacuum hose clog or filter blockage. It may take up to 45 minutes for the thermal protector to reset.
- Before using the dust extractor make sure that the power & voltage corresponds with the voltage shown on the machines rating plate, including extension cords.
- Connect to a properly grounded outlet only. Refer to *Grounding instructions on page 9*.
- Improper connection of the equipment-grounding conductor can result in a risk of electrical shock. Check with a qualified electrician or service person if you are in doubt as to whether the outlet is properly grounded. Do not modify the plug provided, if it will not fit the outlet have a proper outlet installed by a qualified electrician.
- If using an extension cord make sure the cord rating is suitable for this machine.

- Cables damaged through crushing or splitting can be dangerous if used and should be replaced immediately.
- Do not use with damaged cord or plug. If the machine is not working as it should, has been dropped, damaged, left outdoors or dropped in water. Make sure it is repaired by a qualified person to avoid hazard.
- Regularly inspect cord and plug for damage. Do not use with a damaged cord or plug.
- Do not pull or carry by cord, use cord as handle, close a door on cord, or pull cord around sharp edges or corners. Do not allow equipment to run over cord. Keep cord away from heated surfaces.
- Do not unplug by pulling on cord. To unplug, grasp the plug.
- Do not leave machine when plugged in. Unplug cord from outlet when not in use and before cleaning or servicing machine.
- Do not use the product without dust bag and/ or filters in place. Replace collection system and/or filters as described in this manual.



CAUTION: This machine is designed for picking up dry, non-flammable dust and debris in an indoor environment. It is not suitable for picking up liquids.



CAUTION: This product is for indoor use only.



CAUTION: This product shall be stored indoors only.

Safety instructions for assembly



WARNING: Read the warning instructions that follow before you assemble the product.

- Turn off all controls before unplugging. Do not unplug by pulling on cord. To unplug, grasp the plug.
- Unauthorized modifications and /or accessories may lead to serious injury or death to the user or others.
- Always use genuine accessories.
- Use only attachments as described in this manual. Use only manufacturers recommended attachments.
- Make sure that the assembly area is firm, so the product does not tip over. Risk of personal and material injury.
- Be careful, the toggle fasteners can cause damage to the operator when assemble the product.

Safety instructions for operation



WARNING: Read the warning instructions that follow before you use the product.

- The product must not be used in environments where explosive gases may be present. This will pose a serious risk of explosion.
- Do not pick up anything that is burning or smoking, such as cigarettes, matches or hot ashes.
- Do not use to pick up flammable or combustible liquids, such as gasoline, or use in areas where they may be present.
- Do not allow a build-up of dust, hair and anything that may reduce airflow.
- Keep hair, loose clothing, fingers and all parts of body away from openings and moving parts.



WARNING: Read the warning instructions that follow before you use the product.

- Always use approved personal protective equipment during operation. Personal protective equipment does not give you full protection but it decreases the degree of injury if an accident occur. Speak to you servicing dealer for recommendations about which equipment to use.
- Risk of dust dispersion - Use personal equipment. Unhealthy dust can be spread during filter change. Accordingly, the user should wear protective glasses, protective gloves, and a breathing mask conforming to protection class FFP3.
- Long-term exposure to noise can result in permanent hearing impairment. Always use approved hearing protection. Listen for warning signals or shouts when you wearing hearing protection. Listen for warning signals or shouts when you wearing hearing protection. Always remove your hearing protection as soon as the engine stops.
- Use approved protective gloves when you maintenance the product.

Safety instructions for maintenance



WARNING: Read the warning instructions that follow before you use the product.

- Make sure the engine switch is in the Off position. Disconnect the product from the wall outlet.
- Do not modify the product from its original design.
- All repairs must be performed by a qualified service person. Use only manufacturer-supplied or equivalent replacement parts.
- Use approved protective equipment. Refer to *Personal protective equipment on page 7*

- Do not make a hole in the Hepa filter. A broken Hepa filter can disperse dust.

Assembly

Introduction



CAUTION: Only use extension cable with correct rated value for this product. Only connect to an outlet that is correct grounded.



CAUTION: Always clean the prefilter before change of bag collection system.

- The hose with end fittings
- Steel tube
- Floor Nozzle
- Cable ties

If 1 of the parts is missing, speak to your local Husqvarna service agent .

Make sure to dispose the package and the used product components in correct procedure. Refer to local disposal regulations. Make sure to recycle.

General

Do a check that the following accessories are included:

Accessories

Extension cables



WARNING: Only use an extension cord that can handle the machines rated current with corresponding plugs.

Approved for machines > 250V: SO, SOO, ST, STO and STOO

Approved for machines < 250 V: All types

Model	Distribution box	A	B	C	D	E	F	G	H
T7500 230V	NO								1
T7500 230V DIST	YES	1	1						
T8600 480V	YES			1	1	1			
T10000 480V	YES			1	1	1			
T18000 480V	YES						1	1	

Husqvarna T-Line Dust Extractor are supplied with Hubbell inlets and receptacles.

Part no	Hubbell part no	Standard	Description
A	HBL4100R9W	IEC 60309	FEMALE RECEPTACLE, 100A, 3-PHASE, 250V, 4 Wire.
B	HBL4100B9W	IEC 60309	INLET MALE, 100A, 3-PHASE, 250V 4 Wire.
C	CS8175	Twistlock®	INLET MALE, 50A, 3-PHASE, 480V, 4 Wire, Grounding.
D	CS8169	Twistlock®	RECEPTACLE FEMALE, 50A. 3-PHASE, 480V, 4 Wire, Grounding.

Part no	Hubbell part no	Standard	Description
E	HBL7774WO	Twistlock®	Well plate
F	HBL460B7W	IEC 60309	INLET MALE, 60A, 3-PHASE, 480V, 4 Wire
G	HBL460R7W	IEC60309	RECEPTABLE FEMALE, 60A, 480V, 3-PHASE, 4 Wire.
H	CS8375	Twistlock®	INLET MALE, 50A, 3-PHASE, 250V, 4 Wire.

Operation

Before use



WARNING: Before using the dust extractor make sure that the power and voltage corresponds with the voltage shown on the machines rating plate, including extension cords.



WARNING: Connect to a properly grounded outlet only. Refer to *Grounding instructions on page 9*

Grounding instructions



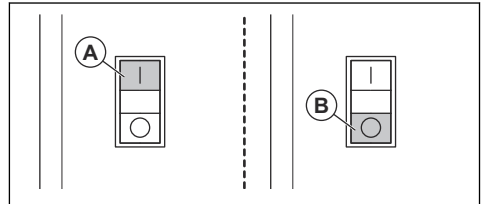
WARNING: The dust extractor must be grounded. If it should malfunction or breakdown, grounding provides a path of least resistance for electric current to reduce the risk of electric shock. The dust extractor is equipped with a cord having an

equipment-grounding conductor and grounding plug. The plug must be inserted into an appropriate outlet that is properly installed and grounded in accordance with all local codes and ordinances.

To start and stop

Push the green button (A) to start the dust extractor.

Push the red button (B) to stop the dust extractor.



Maintenance

Introduction



WARNING: Use personal safety equipment, refer to *Personal protective equipment on page 7*, during service. Dust can be exposed during maintenance and service.



WARNING: Most accidents involving machines occur during trouble shooting, service and maintenance as staff have to locate themselves within the risk area of the machine. Prevent accidents by being alert and by planning and preparing the work.



WARNING: The motor should be switched off during operations described in this chapter unless otherwise stated.



WARNING: All checks involving electric components should only be performed by a licensed electrician.

Maintenance schedule T-Line Dust Extractor

The maintenance intervals are calculated from daily use of the product. The intervals change if the product is not used daily.

Maintenance	Before each use	Daily	Weekly	When suction is low	6 months or 1000h	12 months or 2000h
Look for signs of wear, damage or loose connections of the controls before the unit is connected.	X					
Do a check that the Longopac is correct.		X				
Do a check of the filter cleaning mechanism.		X				
Do a check of the wheels. Look for damage and bad connections.			X			
Clean the pre-filter.				X		
Replace the pre-filter.				X	X	
Replace the Hepa filter				X		X

To clean the dust extractor

It is important to clean the dust extractor to prevent circulation of dangerous dust. Always clean the dust extractor before it is moved from the work area.



WARNING: Turn the motor switch to its OFF position and disconnect the cord from the wall outlet before you clean or do maintenance to the product.

- All equipment once used must be regarded as contaminated and be treated thereafter.
- All parts that are contaminated after service work must be disposed in a correct procedure in plastic bags. Refer to local regulations.
- Use correct personal equipment when you clean the product. Refer to *Personal protective equipment on page 7*.
- Clean the external surface with a moist cloth.
- Clean the filters and the dust extractor in applicable area.
- Vacuum the pre-filter from the inside. Always use dust extractors with Hepa filter and a soft brush to not damage the filter.
- Do not use water on electrical components.
- Do not clean the dust extractor with high pressure (air or water).
- Do not put tools on the surface of the filter, it can cause damage to the filter.
- Do not make a hole in the Hepa filter, it can cause a health risk.

Filter change



WARNING: Use personal safety equipment, refer to *Personal protective equipment on page 7*, during filter change. Dust can come out during filter change.



WARNING: Always turn the motor switch in the Off position and disconnect the cord from the wall outlet during filter change.

To clean the pre filter

The filter must be cleaned from time to time. This must be done before changing the plastic bag collection system and should also be done when work is completed or when there is poor suction..



CAUTION: Avoid hitting or dragging items across the filter surface as this will damage the filter.



CAUTION: Do not use water to clean the filters.

1. While running the dust extractor, seal the inlet using the inlet plug or the inlet valve.
2. Let the dust extractor build up vacuum for 5 seconds, then quickly push and hold down the Jet Pulse handle for 5 seconds.
3. Repeat step 2 five times. It is important to let the dust extractor rebuild the vacuum in between every repetition.

4. If suction remains poor, the filter should be replaced. Only replace plastic bag after cleaning the filter.

The pre filter

Only use Husqvarna filters. Performance and filtration efficiency can only be assured with original filters.



WARNING: Do not replace only one tube. If one is broken, it is necessary to replace the complete filter.

To change the pre filter

1. Loosen the 2 toggle fasteners between the tank and the lower cyclone.
2. Loosen the 2 toggle fasteners at the hose connection between the tank and the Hepa filter cover.
3. Rotate the tank forward.
4. Rotate the filter plate anticlockwise 10 degrees and carefully turn the filter and holder upside down.
5. Put a plastic bag above the filter unit.
6. Lift out the filter carefully in the bag and close it. The bag must be discarded. Refer to local disposal regulations.
7. Put on a new complete filter package in reverse order.

To change the Hepa filter



CAUTION: Do not clean Hepa filter, trying to clean a Hepa filter will destroy it. When installing the replacement filter, make sure to not touch the inside of the filter. Any kind of force/damage on the inside of filter media will destroy the new filter..



CAUTION: Do not touch the inner surface of the filter when installing a replacement Hepa filter. Damage to the inner surface of the filter can make it unserviceable.

1. Loosen the toggle fasteners on the filter cap and remove it.
2. Carefully lift the filter into a clean plastic bag.

Note: This bag must be properly disposed.

3. Insert a new filter in reverse order.

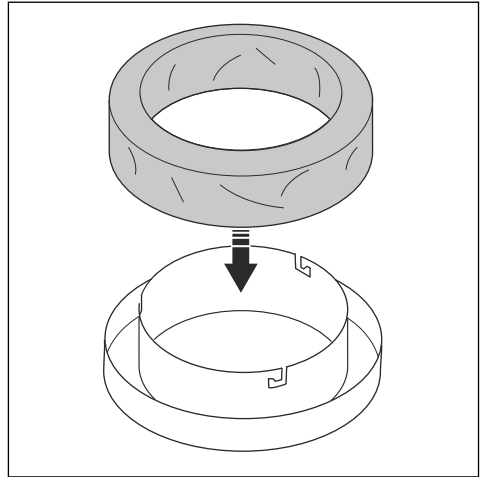
To assemble a new Longopac dust bag



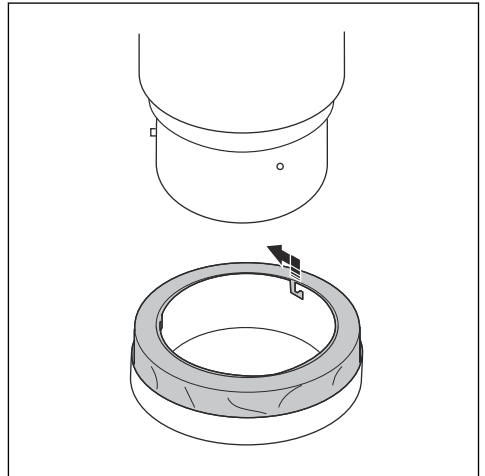
WARNING: Always clean the prefilter before change of bag collection system.

Note: The dust extractor has Longopac system.

1. Put the dust bag in the holder.

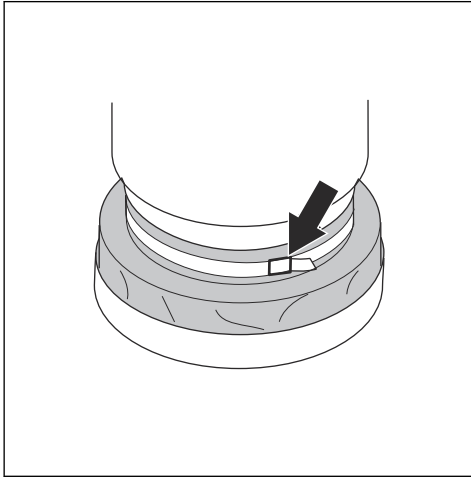


2. Attach the dust bag holder to the container by twisting it on to the holding pins.



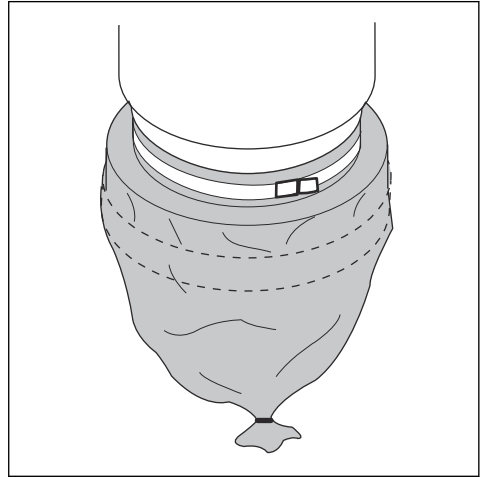
3. Pull the bag up from the bag holder and put it around the container.

4. Tighten a strap around the bag and the container to secure the bag to the container.



5. Pull the dust bag over the bag holder.

6. Close the bottom of the dust bag with a cable tie.



Troubleshooting

Troubleshooting schedule

Issue	Cause	Solution
Motor does not start	No power	Plug in machine
	Cable defective	Replace cable
	Switch defective	Replace switch
	Contactor combination defective	Replace contactor combination
Motor stops immediately after starting	Wrong fuse	Connect to correct fuse
	Shortcut in cable/machine	Order service
Motor runs but there is not suction	Hose not connected	Connect hose
	Hose blocked	Clean hose
	No dust collection bag	Fit dust collection system
Motor runs but there is poor suction	Hole in hose	Replace hose
	Filter clogged	Clean filter/ Replace filter
	Loose top cover	Adjust
	Dirt in the flap	Clean the flap
	Defective gaskets	Replace affected gaskets
Dust blown from motor	Wrongly assembled or damaged filter system	Adjust/ Replace filters
Abnormal noise		Order service

Transportation, storage and disposal

Transportation of the product

- Make sure that the Longopac bag is empty before a transportation.
- Make sure that the Longopac bag is attached to the product during transportation.
- Use ramps or winches to lift the dust extractor to make sure that movements are safe. Get aid if you are not sure about how to lift heavy equipment.
- Attach the product safely during transportation in order to prevent transport damage and accidents. Use the tie down lugs on both sides of the product.
- Engage the locking caster safely on the wheels.
- If possible, do the transportation of the product during good weather conditions.
- If possible, use a closed vehicle during transportation of the product.

Storage of the product

- The product must be stored inside away from outdoor elements.
- Do not expose the product to rain or moisture.
- Attach the locking casters safely.
- Disconnect the product from the power source.
- Store the product and the equipment in a dry area with no frost or excessive heat.
- Store all equipment in an locked area, so that it is out of reach of children and unauthorized persons.

Disposal of the product

- Obey the local recycling requirements and applicable regulations.
- When the product no longer is used, send it to a Husqvarna dealer or discard it at a recycling location.

Technical data

Technical data

Data	T 7500	T 8600	T 10000	T 18000
Voltage (3 phase), V	200-230	380-415	480	480
Frequency, Hz	60	50	60	60
Power (max), HP (kW)	10 (7.5)	11.5 (8.6)	16.9 (12.6)	24.1 (18)
Plug amperage, A	100	16	50	60
Airflow (max),cfm (m ³ /h)	353 (600)	338 (660)	480 (815)	710 (1206)
Vacuum (max), psi (kPa)	110 (28)	110 (28)	120 (30)	120 (30)
Main hose, ft (m)	32 (10)	32 (10)	32 (10)	32 (10)
Inlet diameter, in. (mm) Camlock	3 (76)	3 (76)	3 (76)	4 (102)
Pre-filter, %	>99.5%@1um	>99.5%@1um	>99.5%@1um	>99.5%@1um
Pre-filter area, in. (m)	31.2 (2.9)	31.2 (2,9)	41.9 (3,9)	52,7 (4,9)
Hepa filter 99.99%@0.3um	2	2	3	4
Total Hepa filter area, ft ² (m ²)	53.8 (5)	53.8 (5)	80.7 (7.5)	107.6 (10)
Sound level, dB(a)	74	74	74	78
Dust collection system, type	Longopac	Longopac	Longopac	Longopac
Dimensions (L*W*H) in. (mm)	49.1x27.1x69.1 (1245x686x1753)	49.1x27.1x69.1 (1245x686x1753)	55.2x29.0x68.0 (1400x736x1727)	55.2x31.1x71.1 (1400x788x1804)
Weight, lbs (kg)	460 (209)	454 (206)	723 (328)	815 (370)

Warranty

Warranty

New equipment sold by Husqvarna AB, SE-561 82 Huskvarna, SWEDEN is warranted to be free from manufacturing defects in normal service for a period of one (1) year from date of purchase by the original consumer purchaser*. Component manufacturers offer separate warranty periods. Call Technical Services at (800) 365-5040 for complete information.

Husqvarna's obligation under this warranty is expressly limited to the replacement or repair at Husqvarna

Construction Products, or at a service facility designated by us, of such part or parts as inspection shall disclose to have been defective.

This warranty does not apply to defects caused by damage, unreasonable use, faulty repairs made by others or defects caused by failure to provide reasonable maintenance, while in the possession of the consumer. Further, the warranty is void if the product, or any of its components, is altered or modified by the consumer or if the product is used in an inappropriate

manner or with a blade not recommended by the manufacturer.

(*) Husqvarna offers a 1-year warranty on all equipment with the following exceptions:

- Large flat saws - 2 years (Diesel and gasoline powered flat saws > 30 hp)
- DM 280/DM 340/DM 650 core drill motors - 2 years
- PG 530/PG 680/PG 820 (all variants, including RC) - 2 years, or 1,000 hours (whichever comes first)
- Blade Clutch on large flat saws - 6 months

Wear items are not covered under warranty:

- Belts
- Bearings**
- Cart wheels
- Filters
- Wheels***
- Wear pads
- Spark plugs

(**) Except IntelliSeal System

(***) Except delamination

Table des matières

Introduction.....	16	Entretien.....	24
Sécurité.....	20	Dépannage.....	27
Montage.....	22	Transport, entreposage et mise au rebut.....	28
Accessoires.....	22	Données techniques.....	29
Fonctionnement.....	23	Garantie.....	29

Introduction

Responsabilité du propriétaire



AVERTISSEMENT: La coupe, en particulier la coupe à sec, produit de la poussière qui provient du matériau coupé, qui contient souvent de la silice. La silice est un composant de base du sable, du quartz, de la brique d'argile, du granit et de nombreux autres pierres et minéraux. L'exposition à une quantité excessive de ces poussières peut entraîner :

une maladie respiratoire (réduisant la capacité à respirer), notamment la bronchite chronique, la silicose et la fibrose pulmonaire causée par l'exposition à la silice. Ces maladies peuvent être fatales;

Des irritations et éruptions cutanées.

Le cancer, selon le NTP (National Toxicology Program) et le CIRC (Centre International de recherche sur le cancer).

Prendre les précautions suivantes :

Éviter l'inhalation et le contact cutané avec les poussières, brouillards et fumées.

Porter et veiller à ce que les personnes à proximité portent un dispositif de protection respiratoire approprié, tel un masque antipoussières filtrant les particules microscopiques. (Voir OSHA 29 CFR Part 1926.1153)

Pour réduire les émissions de poussières, effectuer une coupe humide lorsque cela est possible. Si une découpe à sec est nécessaire, utiliser un extracteur de poussière adéquat.

Il est de la responsabilité du propriétaire ou de l'employeur de s'assurer que l'utilisateur possède les connaissances nécessaires pour manipuler le produit en toute sécurité. Les superviseurs et les utilisateurs doivent avoir lu et compris le manuel d'utilisation. Ils doivent être conscients des éléments suivants :

- Les consignes de sécurité relatives aux produits.
- L'éventail d'applications du produit et ses limites.
- La manière dont le produit doit être utilisé et entretenu.

Les règlements locaux ou nationaux peuvent limiter l'utilisation de ce produit. Rechercher les réglementations en vigueur où le travail est exécuté avant d'utiliser le produit.

Description du produit

Le produit est un extracteur de poussière avec un tuyau d'aspiration. L'air et la poussière sont aspirés dans une soupape d'admission à travers le tuyau d'aspiration. La vitesse de l'air diminue par un cyclone, ce qui permet de séparer les particules de poussière de l'air. Les petites particules de poussière et l'air passent par un deuxième système de filtre. Les grosses particules de poussière sont collectées dans le cyclone et tombent à travers le rabat inférieur dans un sac en plastique.

Utilisation prévue

Le T-Line Dust Extractor est utilisé pour nettoyer les zones de construction en collectant la poussière sèche et non inflammable dans les environnements intérieurs.

Le T-Line Dust Extractor peut être connecté aux équipements de préparation de surface de taille moyenne à grande comme les meuleuses.

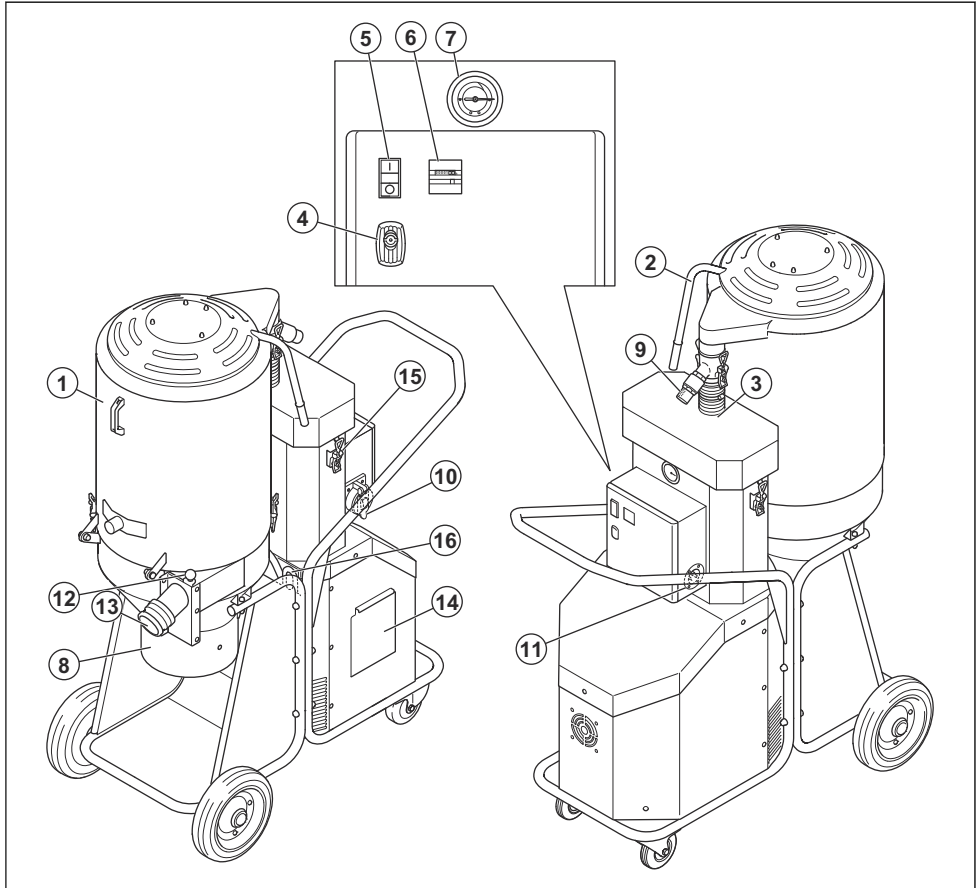
Le T-Line Dust Extractor est destiné à un usage commercial, par exemple, dans les hôtels, écoles, hôpitaux, usines, magasins, bureaux et entreprises de location

Remarque : La valeur limite d'explosion pour la poussière non inflammable est $> 0,1 \text{ mg/m}^3$.

Système de stockage de la poussière

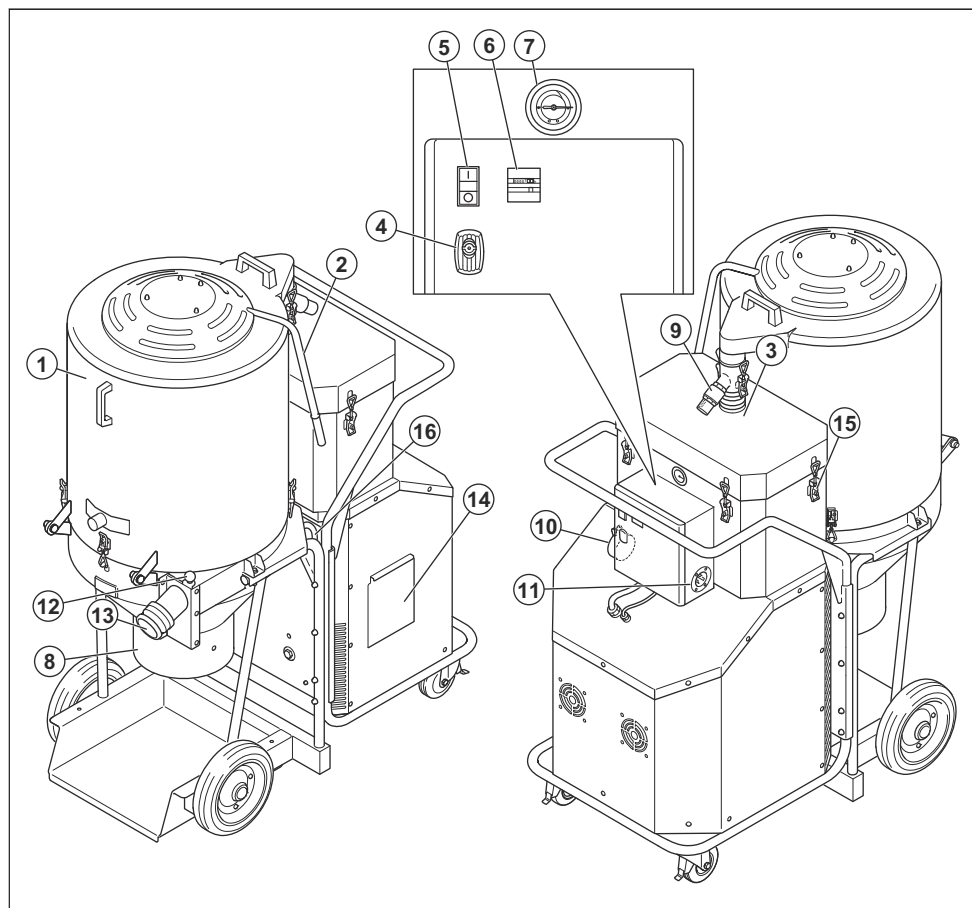
Tous les Husqvarna T-Line Dust Extractor doivent être utilisés avec Longopac. Remplacer les sacs Longopac seulement une fois le cycle de nettoyage du filtre effectué.

Présentation des produits T 7500 et T 8600



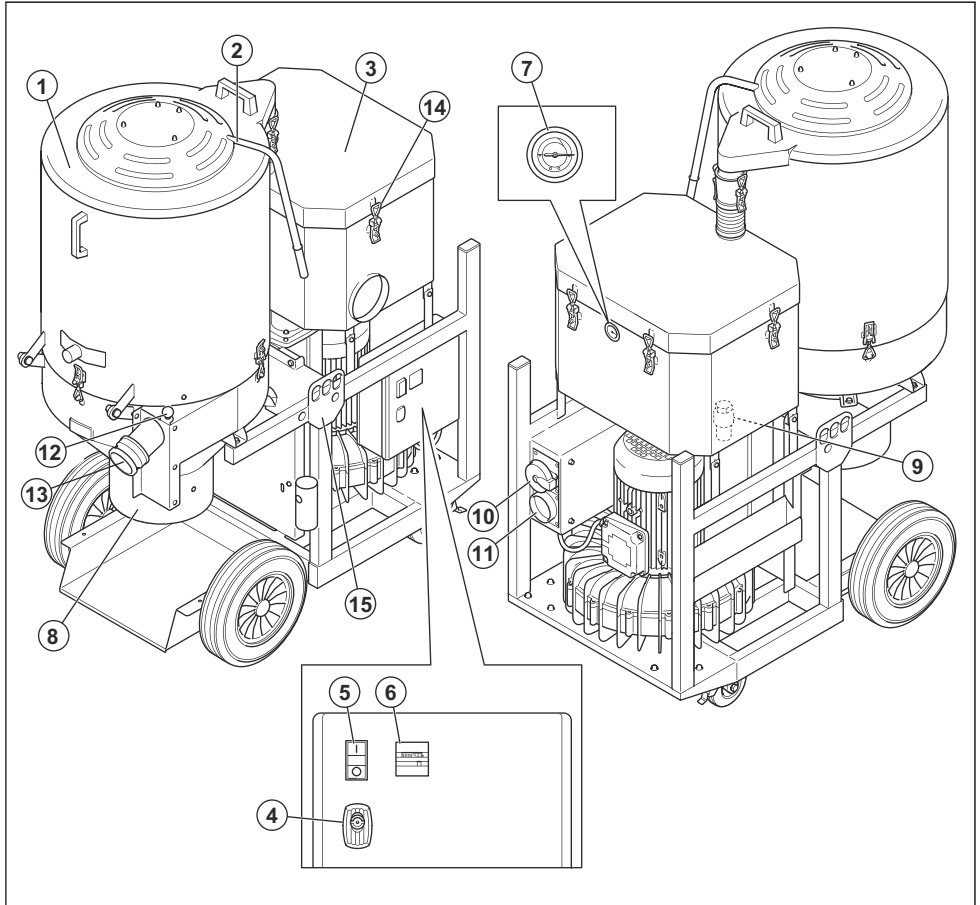
- | | |
|---|---------------------------|
| 1. Préfiltre | 9. Clapet de décharge |
| 2. Poignée à jet pulsé | 10. Entrée de la prise |
| 3. Hepa filter | 11. Fixation de bascule |
| 4. Verrouillage au coffret de branchement | 12. Soupape d'admission |
| 5. Marche-arrêt | 13. Admission |
| 6. Compteur horaire | 14. Trappe utilitaire |
| 7. Manomètre | 15. Fixation à bascule |
| 8. Connexion Longopac | 16. 2 crochets d'arrimage |

Présentation du produit T 10000



- | | |
|---|---------------------------|
| 1. Préfiltre | 9. Clapet de décharge |
| 2. Poignée à jet pulsé | 10. Entrée de la prise |
| 3. Hepa filter | 11. Sortie de la prise |
| 4. Verrouillage au coffret de branchement | 12. Soupape d'admission |
| 5. Marche-arrêt | 13. Admission |
| 6. Compteur horaire | 14. Trappe utilitaire |
| 7. Manomètre | 15. Fixation à bascule |
| 8. Connexion Longopac | 16. 4 crochets d'arrimage |

Présentation du produit T 18000



1. Préfiltre
2. Poignée à jet pulsé
3. Hepa filter
4. Verrouillage au coffret de branchement
5. Marche-arrêt
6. Compteur horaire
7. Manomètre
8. Connexion Longopac
9. Clapet de décharge
10. Entrée de la prise
11. Sortie de la prise
12. Soupape d'admission
13. Admission
14. Fixation à bascule
15. 4 crochets d'arrimage

Symboles figurant sur l'appareil



Lire attentivement le manuel d'utilisation et veiller à bien comprendre les instructions avant d'utiliser le produit.



Toujours utiliser un masque filtrant approprié.



Toujours utiliser un dispositif de protection homologué pour les oreilles.



Toujours utiliser un dispositif de protection homologué pour les yeux.

Responsabilité concernant le produit

Comme indiqué dans les lois en vigueur sur la responsabilité concernant les produits, nous ne serons pas tenus responsables des dommages que notre produit causerait dans les situations suivantes :

- Le produit n'est pas réparé de façon adéquate.
- Le produit est réparé avec des pièces qui ne sont pas fournies ou homologuées par le fabricant.
- Le produit comprend un accessoire qui n'est pas fourni ou homologué par le fabricant.
- Le produit n'est pas réparé par un centre de service après-vente agréé ou par une autorité homologuée.

Sécurité

Définitions relatives à la sécurité

Les avertissements, recommandations et remarques soulignent des points du manuel qui revêtent une importance particulière.



AVERTISSEMENT: Indique la présence d'un risque de blessure ou de décès de l'utilisateur ou de personnes à proximité si les instructions du manuel ne sont pas suivies.



MISE EN GARDE : Indique la présence d'un risque de dommages au produit, à d'autres appareils ou à la zone adjacente si les instructions du manuel ne sont pas suivies.

Remarque : Utilisé pour donner des renseignements plus détaillés qui sont nécessaires dans une situation donnée.

Consignes générales de sécurité



AVERTISSEMENT: Lire les messages d'avertissement avant d'utiliser le produit.

- Toujours faire preuve d'attention et de bon sens. En cas d'appréhension, arrêter la machine et demander l'avis d'un expert. Communiquer avec le distributeur, l'agent de maintenance ou un utilisateur expérimenté. Ne pas tenter d'effectuer des tâches si vous avez des doutes!
- Lire attentivement le manuel d'utilisation et bien comprendre les directives avant d'utiliser le produit. Conserver ces instructions et consignes pour consultation ultérieure.
- Assurez-vous de lire attentivement et de bien comprendre les instructions du produit principal pour vous assurer de savoir quel équipement personnel porter, quel équipement de sécurité utiliser et comment travailler de manière sécuritaire.
- Garder en tête que c'est vous, l'utilisateur, qui êtes responsable de protéger les personnes et leurs biens de tout accident ou danger.

- Cet appareil peut être dangereux s'il est utilisé incorrectement ou avec insouciance; il peut causer des blessures graves ou mortelles à l'opérateur ou à des personnes à proximité.
- Le produit doit être propre. Les signes et les autocollants doivent être entièrement lisibles.
- Le produit n'est pas destiné à être utilisé par des enfants ou des personnes aux capacités physiques, sensorielles ou mentales limitées ou manquant d'expérience et de connaissances.
- Tenir les enfants et les personnes non autorisées à l'écart du produit lors de son utilisation.
- Les opérateurs doivent être suffisamment formés à l'utilisation du produit.
- Ne jamais utiliser le produit sous l'effet de la fatigue ou sous l'emprise de drogues, de l'alcool, de médicaments ou de toute substance qui pourrait affecter la vision, l'attention, la coordination des gestes ou le jugement.
- Ne pas manipuler la fiche ou le produit avec les mains humides.
- Ne jamais utiliser un appareil défectueux. Effectuer les vérifications de sécurité, de maintenance et d'entretien conformément aux instructions fournies dans ce manuel. Certaines réparations et tâches d'entretien doivent être effectuées par des spécialistes formés et qualifiés. Se reporter aux instructions de la section *Entretien à la page 24*.

Consignes de sécurité électrique



AVERTISSEMENT: Lire les messages d'avertissement qui suivent avant d'utiliser l'appareil.

- L'extracteur de poussière est équipé d'un protecteur thermique de sécurité afin d'éviter toute surchauffe du moteur. Si le protecteur thermique s'active, désactiver la machine, débrancher le fil d'alimentation et vérifier si le sac à poussière est plein, le tuyau d'aspiration obstrué ou le filtre colmaté. Il est possible que le protecteur thermique prenne jusqu'à 45 minutes pour se réinitialiser.
- Avant d'utiliser l'extracteur de poussière, s'assurer que la tension d'alimentation correspond à la tension

indiquée sur la plaque signalétique des machines, y compris les rallonges.

- Brancher les machines sur une prise mise à la terre correcte seulement. Se reporter à la section *Instructions de mise à la terre à la page 23*.
- Un mauvais branchement de l'équipement-conducteur de terre peut engendrer un risque d'électrocution. Si on n'est pas certain de savoir si la prise est correctement mise à la terre, demander l'aide d'un électricien de métier ou d'une personne chargée de l'entretien. Ne pas modifier la fiche fournie si elle n'est pas compatible avec la prise; demander à un électricien qualifié d'installer une nouvelle prise.
- Si on utilise une rallonge électrique, s'assurer que la caractéristique nominale du fil d'alimentation est adéquate pour cette machine.
- Les câbles endommagés par écrasement ou segmentation peuvent être dangereux en cas d'utilisation, et doivent être immédiatement remplacés.
- Ne pas utiliser si le fil ou la fiche sont endommagés. Si la machine ne fonctionne pas comme elle le devrait, si elle est tombée, si elle a été endommagée, si elle a été laissée dehors ou si elle est tombée dans l'eau, la rapporter au centre d'entretien. S'assurer de la faire réparer par une personne qualifiée pour éviter les risques.
- Contrôler régulièrement le fil et la fiche à la recherche de dommages. Ne pas utiliser si le fil ou la fiche sont endommagés.
- Ne pas tirer sur le fil ou transporter l'appareil à l'aide de celui-ci. Ne pas fermer de porte sur le fil. Ne pas tirer le fil autour d'une arête ou d'un angle prononcé. Ne pas laisser l'équipement passer sur le fil. Tenir le fil éloigné de toute surface chaude.
- Ne pas débrancher en tirant le fil. Pour débrancher, tirer la fiche.
- Ne pas laisser la machine sans surveillance si celle-ci est branchée. Débrancher le fil de la prise si la machine n'est pas en cours d'utilisation ou si elle est en cours d'entretien.

Consignes de sécurité pour l'assemblage



AVERTISSEMENT: Lire les messages d'avertissement qui suivent avant d'assembler l'outil.

- Éteindre toutes les commandes avant de débrancher. Ne pas débrancher en tirant le fil. Pour débrancher, tirer la fiche.
- Les modifications et/ou les accessoires non autorisés peuvent entraîner des blessures graves ou la mort de l'utilisateur ou d'autres personnes.
- Toujours utiliser des accessoires d'origine.

- Utiliser seulement les accessoires décrits dans le présent manuel. Utiliser seulement les accessoires recommandés par le fabricant.
- S'assurer que la zone d'assemblage est ferme, de sorte que l'appareil ne se renverse pas. Risque de blessures et de dégâts matériels.
- Faire preuve de prudence, puisque les fixations à bascule peuvent causer des dommages à l'opérateur lors du montage du produit.

Consignes de sécurité pour l'utilisation



AVERTISSEMENT: Lire les messages d'avertissement qui suivent avant d'utiliser l'appareil.

- Le produit ne doit pas être utilisé dans des environnements où des gaz explosifs peuvent être présents. Cela va présenter un risque sérieux d'explosion.
- Ne pas ramasser des éléments qui brûlent ou qui fument tels que des cigarettes, des allumettes ou de la cendre chaude.
- Ne pas utiliser pour ramasser un liquide combustible ou inflammable ou à proximité d'un tel liquide.
- Ne pas permettre l'accumulation de poussière, de cheveux et de tout élément qui peut réduire le flux d'air.
- Tenir les cheveux, les vêtements amples, les doigts et toute autre partie du corps éloignés des ouvertures et des pièces en mouvement.
- Ne pas utiliser ce produit sans sac à poussière et/ou filtre. Remplacer le système de collecte et/ou les filtres comme décrit dans le présent manuel.



MISE EN GARDE : Cette machine est conçue pour ramasser des poussières sèches, non inflammables, ainsi que des déchets, dans un environnement intérieur. Il n'est pas adapté au ramassage de liquides.



MISE EN GARDE : Ce produit est réservé à un usage intérieur.



MISE EN GARDE : Ce produit doit être entreposé à l'intérieur uniquement.

Équipement de protection personnelle



AVERTISSEMENT: Lire les messages d'avertissement qui suivent avant d'utiliser l'appareil.

- Toujours utiliser un équipement de protection personnelle homologué lors de l'utilisation. Cet équipement de protection personnelle n'élimine pas complètement les risques de blessures, mais il peut

en réduire la gravité en cas d'accident.
Communiquer avec votre centre de services pour obtenir des recommandations sur le matériel à utiliser.

- Risque de dispersion de poussière – utiliser un équipement de sécurité personnelle. De la poussière nocive peut être répandue lors du remplacement du filtre. Par conséquent, l'utilisateur doit porter des lunettes de protection, des gants de protection et un masque respiratoire conforme à la classe de protection FFP3.
- L'exposition prolongée au bruit peut causer des lésions auditives permanentes. Toujours utiliser un dispositif de protection homologué pour les oreilles. Rester attentif aux appels ou cris d'avertissement lorsque vous portez des protecteurs d'oreilles. Rester attentif aux appels ou cris d'avertissement lorsque vous portez des protecteurs d'oreilles. Toujours enlever les protecteurs d'oreilles dès que le moteur s'arrête.
- Utiliser des gants de protection homologués lors des opérations d'entretien sur la machine.

Consignes de sécurité pour la maintenance



AVERTISSEMENT: Lire les messages d'avertissement qui suivent avant d'utiliser l'outil.

- S'assurer que le commutateur du moteur se trouve à la position OFF (ARRÊT). Débrancher le produit de la prise murale.
- Ne pas modifier le produit de sa conception d'origine.
- Toutes les réparations doivent être effectuées par un technicien qualifié. Utiliser seulement les pièces de rechange fournies par le fabricant ou leur équivalent.
- Utiliser de l'équipement de protection homologué. Se reporter à la section *Équipement de protection personnelle à la page 21*
- Ne pas faire des trous dans l'Hepa filter. Un Hepa filter brisé peut disperser de la poussière.

Montage

Introduction



MISE EN GARDE : Utilisez uniquement un câble de rallonge avec la bonne valeur nominale pour ce produit. Connecter uniquement à une prise correctement mise à la terre.



MISE EN GARDE : Toujours nettoyer le préfiltre avant de changer le système de collecte du sac.

- flexible avec raccords d'extrémité
- tube en acier
- buse de sol
- Attaches

Si l'une des pièces est manquante, en parler à l'agent d'entretien Husqvarna de votre région.

S'assurer de mettre l'emballage et les composants usagés du produit en suivant la procédure adéquate. Se reporter aux réglementations locales. S'assurer de recycler.

Généralités

Vérifier que les accessoires suivants sont inclus :

Accessoires

Rallonges

nominal des machines avec des prises correspondantes.



AVERTISSEMENT: Utiliser uniquement un cordon de rallonge qui peut gérer le courant

Homologué pour les machines > 250 V : SO, SOO, ST, STO et STOO

Homologué pour les machines < 250 V : Tous types

Modèle	Boîte de distribution	A	B	C	D	E	F	G	H
T7500 230 V	NO								1

Modèle	Boîte de distribution	A	B	C	D	E	F	G	H
T7500 230 V DIST	OUI	1	1						
T8600 480 V	OUI			1	1	1			
T10000 480 V	OUI			1	1	1			
T18000 480 V	OUI						1	1	

HusqvarnaT-Line Dust Extractor sont fournies avec les entrées Hubbell et les réceptacles.

N° de pièce	N° de pièce Hubbell	De série	Description
A	HBL4100R9W	IEC 60309	PRISE FEMELLE, 100 A, 3 PHASES, 250 V, 4 fils.
B	HBL4100B9W	IEC 60309	CONNECTEUR MÂLE, 100 A, 3 PHASES, 250 V, 4 fils.
C	CS8175	Twistlock®	CONNECTEUR MÂLE, 50 A, 3 PHASES, 480 V, 4 fils, mise à la terre.
D	CS8169	Twistlock®	PRISE FEMELLE, 50 A. 3 PHASES, 480 V, 4 fils, mise à la terre.
E	HBL7774WO	Twistlock®	Plaque de puits
F	HBL460B7W	IEC 60309	CONNECTEUR MÂLE, 60 A, 3 PHASES, 480V, 4 fils
G	HBL460R7W	IEC60309	PRISE FEMELLE, 60 A, 480 V, 3 PHASES, 4 fils.
H	CS8375	Twistlock®	CONNECTEUR MÂLE, 50 A, 3 PHASES, 250 V, 4 fils.

Fonctionnement

Avant l'utilisation



AVERTISSEMENT: Avant d'utiliser l'extracteur de poussière, s'assurer que la tension d'alimentation correspond à la tension indiquée sur la plaque signalétique des machines, y compris les rallonges.



AVERTISSEMENT: Brancher les machines sur une prise mise à la terre correcte seulement. Se reporter à la section *Instructions de mise à la terre à la page 23*

Instructions de mise à la terre

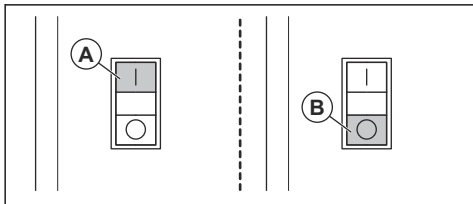


AVERTISSEMENT: L'extracteur de poussière doit être mis à la terre. En cas de dysfonctionnement ou de panne, la mise à la terre fournit un chemin de moindre résistance au courant électrique afin de réduire le risque d'électrocution. L'extracteur de poussière est équipé d'un fil d'alimentation avec un conducteur de mise à la terre et une fiche de terre. La fiche doit être insérée dans une prise adéquate correctement installée et mise à terre conformément à tous les codes et décrets locaux.

Démarrage et arrêt

Appuyer sur le bouton vert (A) pour démarrer l'extracteur de poussière.

Appuyer sur le bouton rouge (A) pour arrêter l'extracteur de poussière.



Entretien

Introduction



AVERTISSEMENT: Utiliser un équipement de protection individuelle pour effectuer l'entretien; se reporter à la section *Équipement de protection personnelle* à la page 21. De la poussière peut se disperser pendant les travaux d'entretien et de réparation.



AVERTISSEMENT: La plupart des accidents impliquant des machines se produisent lors des travaux de dépannage, d'entretien ou de maintenance, lorsqu'un membre du personnel pénètre dans la zone de risque de la machine. Pour éviter les accidents, rester

attentif, planifier et préparer le travail à effectuer.



AVERTISSEMENT: Le moteur doit, sauf mention contraire, être éteint lors des opérations décrites dans ce chapitre.



AVERTISSEMENT: Toutes les vérifications relatives aux composants électriques ne doivent être effectuées que par un électricien agréé.

Calendrier d'entretien T-Line Dust Extractor

La fréquence d'entretien est calculée sur la base d'une utilisation quotidienne. Les intervalles changent si le produit n'est pas utilisé tous les jours.

Entretien	Avant chaque usage	Quotidien	Hebdomadaire	Si l'aspiration est faible	6 mois ou 1 000 h	12 mois ou 2 000 h
S'assurer de l'absence de traces d'usure, de dommage ou de raccords desserrés au niveau des commandes avant de brancher la machine.	X					
Vérifier si Longopac est en bon état.		X				
Vérifier le mécanisme de nettoyage du filtre.		X				
Vérifier les roues. S'assurer de l'absence de dommages et de raccords desserrés.			X			

Entretien	Avant cha- que usage	Quotidien	Hebdomad- aire	Si l'aspira- tion est fai- ble	6 mois ou 1 000 h	12 mois ou 2 000 h
Nettoyer le préfiltre.				X		
Remplacer le préfiltre.				X	X	
Remplacer l'Hepa filter				X		X

Nettoyage de l'extracteur de poussière

Il est important de nettoyer l'extracteur de poussière pour éviter toute circulation de poussière dangereuse. Nettoyer toujours l'extracteur de poussière avant de le déplacer en dehors de la zone de travail.



AVERTISSEMENT: Placer le commutateur de moteur à la position d'arrêt et débrancher le fil de la prise murale avant de nettoyer le produit ou effectuer des tâches d'entretien dessus.

- Tous les équipements utilisés doivent être considérés comme étant contaminés et être traités par après.
- Toutes les pièces contaminées après intervention pour entretien doivent être éliminées dans des sacs en plastique selon la procédure adéquate. Se reporter à la réglementation locale.
- Utiliser un équipement personnel pour nettoyer le produit. Se reporter à la section *Équipement de protection personnelle à la page 21*.
- Nettoyer la surface externe au moyen d'un chiffon humide.
- Nettoyer les filtres et l'extracteur de poussière dans la zone adéquate.
- Aspirer le préfiltre à vide à partir de l'intérieur. Pour ne pas endommager le filtre, toujours utiliser des aspirateurs à poussière avec Hepa filter et une brosse douce.
- Ne pas utiliser de l'eau sur les composants électriques.
- Ne pas nettoyer l'extracteur de poussière sous une pression élevée (air ou eau).
- Ne pas placer d'outil sur la surface du filtre, cela peut endommager le filtre.
- Ne pas faire un trou dans l'Hepa filter, car cela peut causer un risque pour la santé.

Remplacement du filtre



AVERTISSEMENT: Utiliser un équipement de protection individuelle pour changer le filtre; se reporter à la section *Équipement de protection personnelle à la page 21*. De la poussière peut se disperser lors du changement de filtre.



AVERTISSEMENT: Lors du remplacement du filtre, toujours placer le commutateur du moteur à la position Off (Arrêt) et débrancher le fil de la prise secteur.

Nettoyage du préfiltre

Le filtre doit être nettoyé de temps en temps. Il faut le faire avant de changer le système de collecte à sac de plastique, et il faut également le faire lorsque le travail est terminé ou lorsque l'aspiration est insuffisante.



MISE EN GARDE : Éviter de faire toucher ou de faire glisser des éléments sur la surface du filtre, car cela pourrait endommager le filtre.



MISE EN GARDE : Ne pas utiliser de l'eau pour nettoyer les filtres.

1. Pendant que l'extracteur de poussière fonctionne, boucher l'admission à l'aide du bouchon d'admission ou de la soupape d'admission.
2. Laisser l'extracteur de poussière générer un vide pendant 5 secondes, puis appuyer rapidement sur la poignée à jet pulsé et la garder enfoncée pendant 5 secondes.
3. Répéter l'étape 2 à cinq reprises. Il est important de laisser l'extracteur de poussière générer de nouveau un vide entre chaque répétition.
4. Si l'aspiration ne s'améliore pas, le filtre doit être remplacé. Remplacer le sac de plastique seulement après avoir nettoyé le filtre.

Le préfiltre

Utiliser uniquement les filtres Husqvarna. La performance et l'efficacité de la filtration ne peuvent être assurées qu'avec les filtres d'origine.



AVERTISSEMENT: Ne pas remplacer un seul tube. Si un tube est cassé, il est nécessaire de remplacer le filtre complet.

Pour changer le préfiltre

1. Desserrer les deux fixations à bascule situées entre le réservoir et le cyclone inférieur.

2. Desserrer les deux fixations à bascule au niveau du raccordement de flexible, entre le réservoir et le couvercle du Hepa filter.
3. Faire pivoter le réservoir vers l'avant.
4. Faire pivoter la plaque de filtre de 10 degrés dans le sens contraire des aiguilles d'une montre et renverser délicatement le filtre et le support.
5. Placer un sac de plastique sur le filtre.
6. Sortir le filtre avec précaution dans le sac et le fermer. Le sac doit être mis au rebut. Se reporter aux réglementations locales.
7. Insérer un ensemble complet de filtre neuf dans l'ordre inverse.

Pour changer le Hepa filter



MISE EN GARDE : Ne pas nettoyer le Hepa filter, essayer de nettoyer un Hepa filter entraînera sa destruction. Lors de l'installation du nouveau filtre, s'assurer de ne pas toucher l'intérieur du filtre. Toute force exercée à l'intérieur du filtre ou tout dommage à cet endroit entraîne la destruction du filtre neuf.



MISE EN GARDE : Ne pas toucher la surface interne du filtre lors de l'installation d'un Hepa filter de remplacement. Les dommages à la surface intérieure du filtre peuvent le rendre inutilisable.

1. Desserrer les fixations à bascule sur le couvercle du filtre et les retirer.
2. Placer délicatement le filtre dans un sac de plastique propre.

Remarque : Ce sac doit être éliminé adéquatement.

3. Insérer un filtre neuf dans l'ordre inverse.

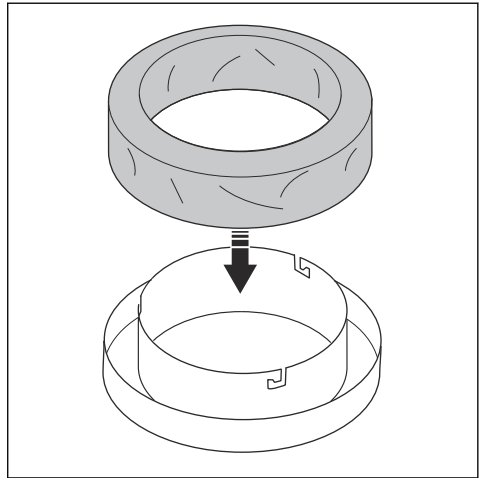
Assemblage d'un nouveau sac à poussière Longopac



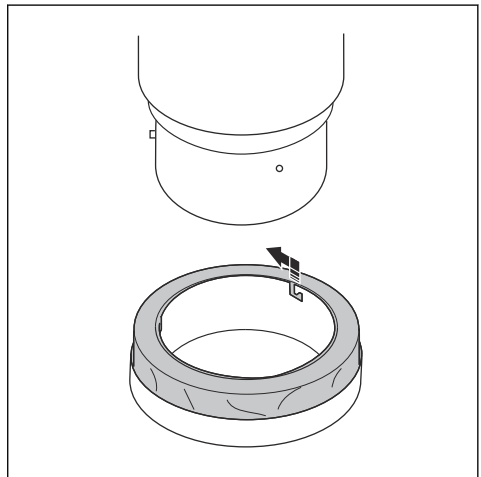
AVERTISSEMENT: Toujours nettoyer le préfiltre avant de changer le système de collecte du sac.

Remarque : L'extracteur de poussière est doté d'un système Longopac.

1. Placer le sac à poussière dans le support.

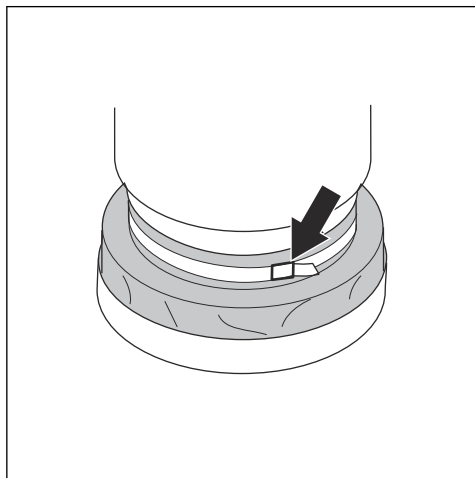


2. Fixer le porte-sac dans le conteneur en faisant levier sur les broches de maintien.

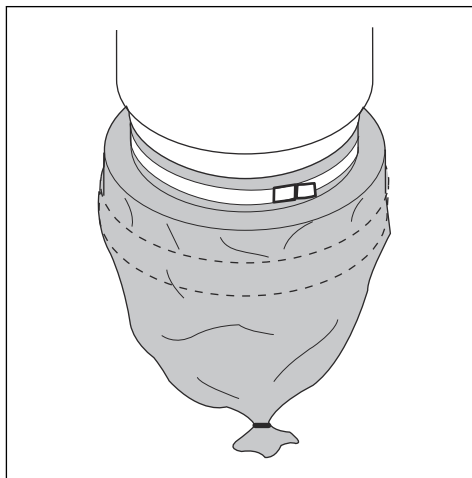


3. Retirer le sac du porte-sac en tirant vers le haut pour le placer autour du conteneur.

4. Serrer une sangle autour du sac et du récipient pour fixer le sac dans le conteneur.



6. Fermer la base du sac à poussière au moyen d'une attache de câble.



5. Placer le sac à poussière au-dessus du porte-sac.

Dépannage

Annexe sur le dépannage

Problème	Causes	Solution
Le moteur ne démarre pas	Il n'y a pas de courant	Brancher la machine
	Câble défectueux	Remplacer le câble
	Commutateur défectueux	Remplacer le commutateur
	Combinaison de contacteurs défectueuse	Remplacer la combinaison de contacteurs
Le moteur s'arrête immédiatement après le démarrage	Fusible incorrect	Raccorder le bon fusible
	Court-circuit au niveau du câble/de la machine	Demander un entretien
Le moteur tourne, mais il n'y a pas d'aspiration	Le flexible n'est pas raccordé	Raccorder le flexible
	Flexible obstrué	Nettoyer le flexible
	Pas de sac de collecte de poussière	Mettre en place un système de collecte de poussière
Le moteur tourne, mais l'aspiration est faible	Trou dans le flexible	Remplacer le flexible
	Le filtre est bouché	Nettoyer ou remplacer le filtre
	Couvercle supérieur desserré	Le serrer
	Saleté dans le clapet	Nettoyer le clapet
	Joints défectueux	Remplacer les joints en question

Problème	Causes	Solution
Le moteur rejette de la poussière	Système de filtres mal assemblé ou endommagé	Ajuster ou remplacer les filtres
Bruit anormal		Demander un entretien

Transport, entreposage et mise au rebut

Transport du produit

- S'assurer que le sac Longopac est vide avant le transport.
- S'assurer que le sac Longopac est fixé au produit pendant le transport.
- Utiliser des rampes ou des treuils pour soulever l'extracteur de poussière afin de s'assurer que les mouvements sont sécuritaires. Obtenir l'aide si on n'est pas sûr de la procédure de levage des équipements lourds.
- Pendant le transport, immobiliser le produit en toute sécurité afin d'éviter les dommages et les accidents dus au transport. Utiliser les crochets d'arrimage sur les deux côtés du produit.
- Engager le verrouillage de sécurité des roulettes sur les roues.
- Dans la mesure du possible, transporter le produit dans des conditions météorologiques favorables.
- Si possible, utiliser un véhicule fermé pour transporter le produit.

Entreposage du produit

- Le produit doit être remis à l'intérieur, à l'écart des éléments extérieurs.
- Ne pas exposer le produit à la pluie ou l'humidité.
- Monter le verrouillage de sécurité des roulettes en toute sécurité.
- Débrancher le produit de la source d'alimentation.
- Conserver le produit et l'équipement dans un endroit sec, sans gel ni chaleur excessive.
- Remiser l'ensemble de l'équipement dans une zone verrouillable, de façon à le mettre hors de portée des enfants et des personnes non autorisées.

Mise au rebut du produit

- Respecter les exigences locales en matière de recyclage et la réglementation en vigueur.
- Lorsqu'on n'utilise plus le produit, l'envoyer à un détaillant Husqvarna ou le mettre au rebut à un emplacement de recyclage.

Données techniques

Données techniques

Données	T 7500	T 8600	T 10000	T 18000
Tension (3 phases), V	200 à 230	380 à 415	480	480
Fréquence, Hz	60	50	60	60
Puissance (max), HP (kW)	10 (7,5)	11,5 (8,6)	16,9 (12,6)	24,1 (18)
Ampérage de la fiche, A	100	16	50	60
Débit d'air (max), cfm (m ³ /h)	353 (600)	338 (660)	480 (815)	710 (1206)
Aspiration max. lb/po ² (kPa)	110 (28)	110 (28)	120 (30)	120 (30)
Flexible principal, pi (m)	32 (10)	32 (10)	32 (10)	32 (10)
Diamètre d'entrée po (mm) Serrure batteuse	3 (76)	3 (76)	3 (76)	4 (102)
Préfiltre, %	>99,5 % à 1 um	>99,5 % à 1 um	>99,5 % à 1 um	>99,5 % à 1 um
Zone de préfiltre, po (m)	31,2 (2,9)	31,2 (2,9)	41,9 (3,9)	52,7 (4,9)
Hepa filter 99,99 % à 0,3 um	2	2	3	4
Surface totale Hepa filter, pi ² (m ²)	53,8 (5)	53,8 (5)	80,7 (7,5)	107,6 (10)
Niveau de bruit, dB (a)	74	74	74	78
Système de collecte de la poussière, type	Longopac	Longopac	Longopac	Longopac
Dimensions (L*H), po (mm)	49,1 x 27,1 x 69,1 (1245 x 686 x 1753)	49,1 x 27,1 x 69,1 (1245 x 686 x 1753)	55,2 x 29,0 x 68,0 (1400 x 736 x 1727)	55,2 x 31,1 x 71,1 (1400 x 788 x 1804)
Poids, lb (kg)	460 (209)	454 (206)	723 (328)	815 (370)

Garantie

garantie

Le nouvel équipement vendu par Husqvarna AB, SE-561 82 Huskvarna, SWEDEN est garanti exempt de tout défaut de fabrication en fonctionnement normal

pour une période d'un (1) an à partir de la date de l'achat par le consommateur acheteur initial.* Les fabricants des pièces proposent des périodes de garantie distinctes. Pour obtenir tous les

renseignements, communiquer avec le service technique au 800 365-5040.

En vertu de cette garantie, l'obligation de Husqvarna est expressément limitée au remplacement ou à la réparation chez Husqvarna Construction Products, ou à un atelier d'entretien désigné par nos soins, des pièces jugées défectueuses lors de l'inspection.

Cette garantie ne s'applique pas aux défauts occasionnés par des dommages, une utilisation abusive, des réparations inadéquates effectuées ailleurs ou aux défauts causés par l'absence d'un entretien raisonnable, pendant que le consommateur est en possession du produit. Par ailleurs, la garantie est nulle si le produit, ou l'un de ses composants sont modifiés par le consommateur ou si le produit est utilisé d'une façon inappropriée ou avec des lames non recommandées par le fabricant.

(*) Husqvarna offre une garantie de 1 an sur tous les équipements avec les exceptions suivantes :

- Grandes scies à lame plate – 2 ans (scies à lame plate diesel et essence > 30 hp)
- Moteurs de forage DM 280/DM 340/DM 650 – 2 ans
- PG 530/PG 680/PG 820 (toutes les variantes, y compris RC) – 2 ans ou 1 000 heures (selon ce qui vient en premier)
- Embrayage de lame sur les grandes scies à lame plate – 6 mois

Les pièces d'usure ne sont pas couvertes par la garantie :

- Courroies
- Roulements**
- Roues de chariot
- Filtres
- Roues***
- Plaques d'usure
- Bougies d'allumage

(**) Sauf système IntelliSeal

(***) Sauf délaminage.

Contenido

Introducción.....	31	Mantenimiento.....	39
Seguridad.....	35	Solución de problemas.....	42
Montaje.....	37	Transporte, almacenamiento y eliminación de residuos.....	43
Accesorios.....	37	Datos técnicos.....	44
Funcionamiento.....	38	Garantía.....	44

Introducción

Responsabilidad del propietario



ADVERTENCIA: Cuando corta con la máquina, especialmente cuando se corta EN SECO, el material que corta produce polvo que con frecuencia contiene sílice. El sílice es un componente básico de la arena, el cuarzo, la arcilla de los ladrillos, el granito y otros numerosos minerales y rocas. La exposición a una cantidad excesiva de ese polvo puede causar:

Producto de la exposición a la sílice se pueden ocasionar enfermedades respiratorias (que afectan la capacidad de respirar) como la bronquitis crónica, la silicosis y la fibrosis pulmonar. Estas enfermedades pueden ser mortales.

Irritación cutánea y sarpullido.

Cáncer, según el NTP* y la IARC* */National Toxicology Program (Programa Nacional de Toxicología) y Centro Internacional de Investigaciones sobre el Cáncer.

Tome medidas preventivas:

Evite inhalar y que su piel entre en contacto con el polvo, el vaho y los gases.

Utilice artículos apropiados para la protección respiratoria como máscaras contra polvo diseñadas para filtrar partículas microscópicas, y asegúrese de que todas las personas que se encuentren cerca también lo hagan. (Consulte la normativa OSHA 29 CFR Parte 1926.1153)

Corte en húmedo cuando sea posible para reducir al mínimo las emisiones de polvo. Si es necesario un corte en seco, use un extractor de polvo adecuado.

Es responsabilidad del propietario o empleador que el usuario tenga los conocimientos necesarios sobre cómo utilizar el producto de forma segura. Los supervisores y

usuarios deben haber leído y comprendido el manual de usuario. Deben tener conocimiento de lo siguiente:

- Las instrucciones de seguridad de los productos.
- La gama de aplicaciones y limitaciones de los productos.
- Cómo el producto se va a utilizar y mantener.

El uso de este producto podría estar restringido por normas nacionales o locales. Infórmese sobre qué normas se aplican en el lugar donde trabaja antes de comenzar a utilizar el producto.

Descripción del producto

El producto es un extractor de polvo con una manguera de aspiración. El aire con polvo se succiona en una válvula de admisión a través de la manguera de aspiración. La velocidad del aire disminuye por un ciclón que causa que las partículas de polvo se separen del aire. Las partículas de polvo pequeñas y el aire pasan a través de un sistema de dos filtros. Las partículas de polvo grandes se reúnen en el ciclón y caen a través de la solapa inferior en una bolsa de plástico.

Uso previsto

El T-Line Dust Extractor se utiliza para limpiar superficies de construcción recogiendo polvo seco no inflamable en ambientes cerrados.

El T-Line Dust Extractor puede conectarse a equipos de preparación medianos o grandes como amoladoras.

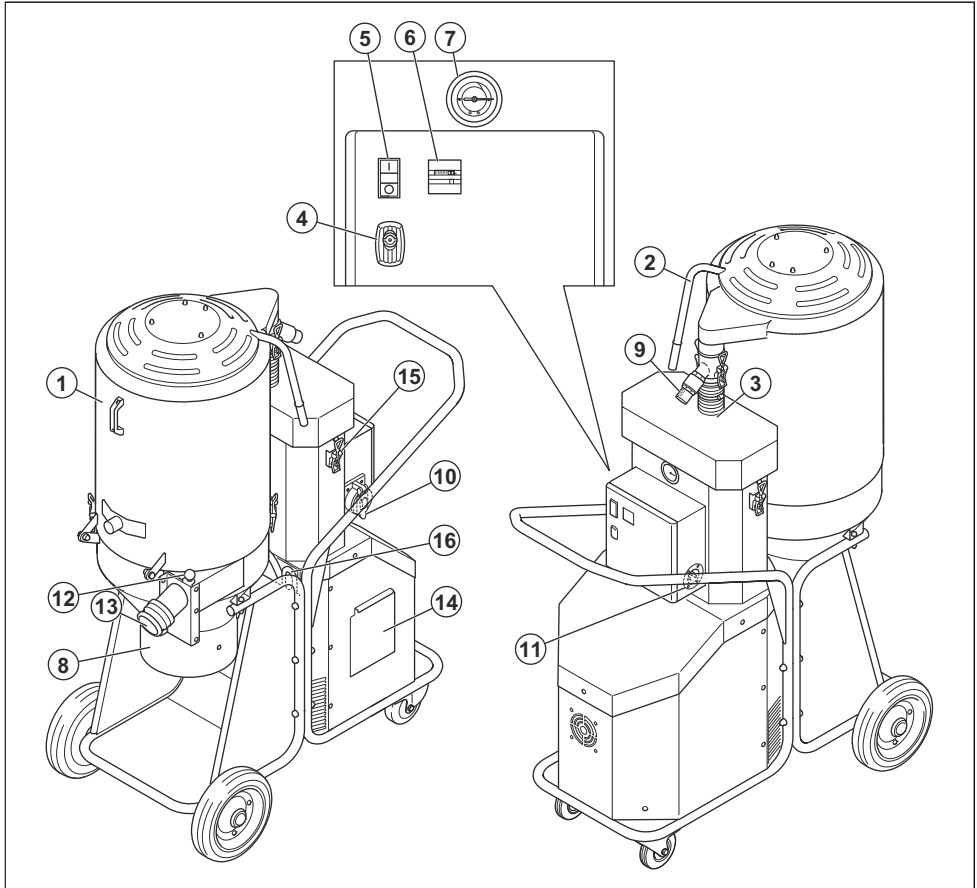
El T-Line Dust Extractor está diseñado para uso comercial, por ejemplo, en hoteles, escuelas, hospitales, fábricas, tiendas, oficinas y empresas de alquiler.

Tenga en cuenta: El valor de explosión límite para el polvo no inflamable es $> 0,1 \text{ mg/m}^3$.

Sistema de almacenamiento de polvo

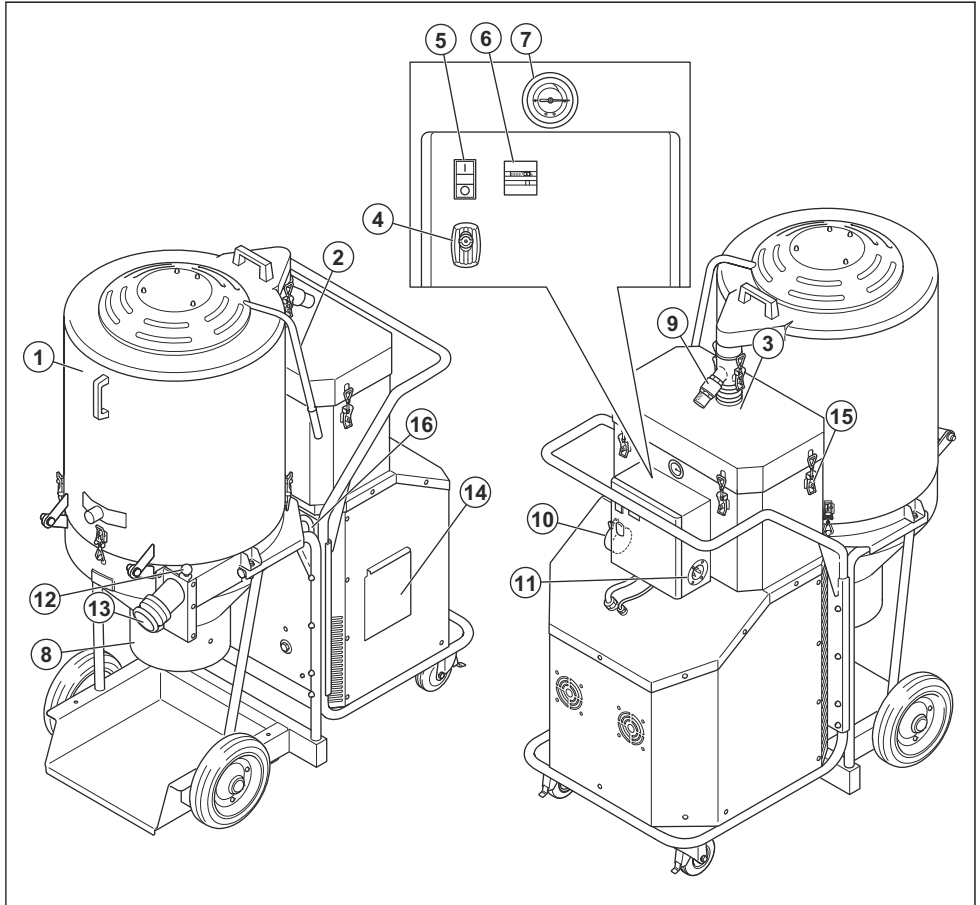
Todos los Husqvarna T-Line Dust Extractor se utilizan con Longopac. Solo se debe cambiar Longopac tras finalizar el proceso de limpieza del filtro.

Descripción del producto T 7500 y T 8600



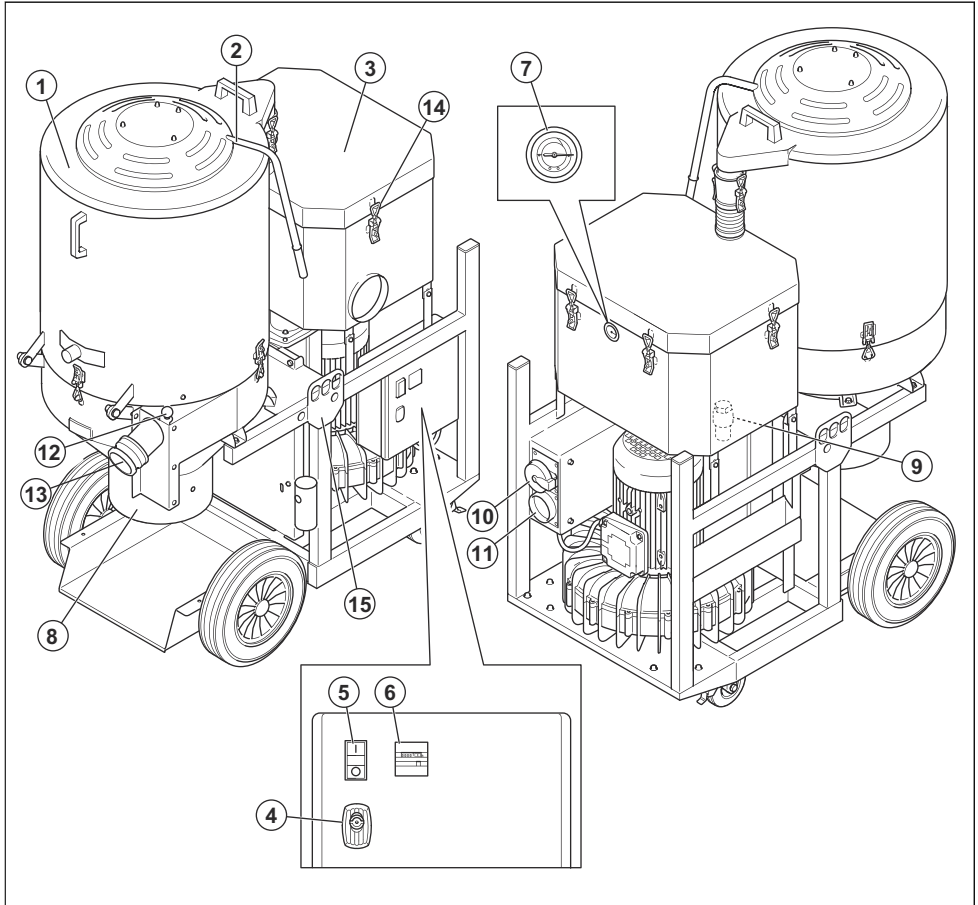
1. Prefiltro
2. Mango de pulso de chorro
3. Hepa filter
4. Fijado a la caja de conexiones eléctricas
5. Encendido/apagado
6. Medidor de horas
7. Manómetro
8. Longopac conexión
9. Válvula de liberación de presión
10. Enchufe de entrada
11. Enchufe de salida
12. Válvula de admisión
13. Entrada
14. Compartimiento de uso general
15. Sujetador de conmutación
16. Dos argollas de amarre

Descripción general del producto T 10000



1. Prefiltro
2. Mango de pulso de chorro
3. Hepa filter
4. Fijado a la caja de conexiones eléctricas
5. Encendido/apagado
6. Medidor de horas
7. Manómetro
8. Longopac conexión
9. Válvula de liberación de presión
10. Enchufe de entrada
11. Enchufe de salida
12. Válvula de admisión
13. Entrada
14. Compartimiento de uso general
15. Sujetador de conmutación
16. 4 argollas de amarre

Descripción general del producto T 18000



1. Prefiltro
2. Mango de pulso de chorro
3. Hepa filter
4. Fijado a la caja de conexiones eléctricas
5. Encendido/apagado
6. Medidor de horas
7. Manómetro
8. Longopac conexión
9. Válvula de liberación de presión
10. Enchufe de entrada
11. Enchufe de salida
12. Válvula de admisión
13. Entrada
14. Sujetador de conmutación
15. 4 argollas de amarre

Símbolos en el producto



Lea atentamente el manual del usuario y asegúrese de entender las instrucciones antes de utilizar el producto.



Utilice siempre una máscara respiratoria aprobada.



Utilice siempre protectores auriculares aprobados.



Utilice siempre protección ocular aprobada.

Responsabilidad del fabricante

Como se menciona en las leyes de responsabilidad del fabricante, no nos hacemos responsables de los daños que cause nuestro producto si:

- el producto se repara incorrectamente
- el producto se repara con piezas que no son del fabricante o que este no autoriza
- el producto tiene un accesorio que no es del fabricante o que este no autoriza
- el producto no se repara en un centro de servicio autorizado o por una autoridad aprobada.

Seguridad

Definiciones de seguridad

Las advertencias, precauciones y notas se utilizan para señalar las piezas particularmente importantes del manual.



ADVERTENCIA: Se utilizan para señalar el riesgo de lesiones graves o mortales para el operador o para aquellos que se encuentren cerca si no se siguen las instrucciones del manual.



AVISO: Se utilizan para señalar el riesgo de dañar la máquina, otros materiales o el área adyacente si no se siguen las instrucciones del manual.

Tenga en cuenta: Se utilizan para entregar más información necesaria en situaciones particulares.

Instrucciones generales de seguridad



ADVERTENCIA: Lea las instrucciones de advertencia antes de usar el producto.

- Siempre tenga cuidado y use su sentido común. Si entra en una situación en la que se sienta inseguro, deténgase y busque el asesoramiento de expertos. Póngase en contacto con el distribuidor, el agente de servicio o un usuario experimentado. No intente realizar ninguna tarea en la cual se sienta inseguro.
- Lea el manual de instrucciones cuidadosamente y asegúrese de entender las instrucciones antes de usar el producto. Guarde todas las advertencias e instrucciones para futuras referencias.
- Procure leer y comprender las instrucciones del manual del producto principal para garantizar su comprensión acerca del uso adecuado del equipo de seguridad y personal, el tipo de equipo que se debe usar y cómo trabajar con él de forma segura.
- Tenga en cuenta que usted, el operador, es responsable de no exponer a las personas o su propiedad a accidentes o peligros.
- La máquina puede ser una herramienta peligrosa si se usa incorrectamente o se manipula sin

precaución, lo que puede causar lesiones graves o mortales para el operador u otras personas.

- El producto se debe mantener limpio. Los avisos y los autoadhesivos deben ser perfectamente legibles.
- Este producto no está diseñado para que personas (incluidos niños) con capacidades físicas, sensoriales o mentales reducidas, o con falta de experiencia y conocimientos, lo utilicen.
- Mantenga a los niños y las personas no autorizadas alejados del producto cuando esté en uso.
- Los operadores deberán recibir instrucciones adecuadas sobre el uso del producto.
- Nunca use este producto si está cansado, mientras esté bajo la influencia del alcohol o drogas, medicamentos o cualquier cosa que pueda afectar su visión, atención, coordinación o criterio.
- No manipule el enchufe o el producto con las manos mojadas.
- Nunca utilice un producto que esté defectuoso. Realice las comprobaciones de seguridad, el mantenimiento y las instrucciones de servicio descritas en este manual. Especialistas capacitados y calificados deben llevar a cabo algunas medidas de mantenimiento y servicio. Consulte las instrucciones en *Mantenimiento en la página 39*.

Instrucciones de seguridad eléctricas



ADVERTENCIA: Lea atentamente las instrucciones de advertencia siguientes antes de usar el producto.

- El extractor de polvo está equipado con un protector térmico de seguridad para evitar el sobrecalentamiento del motor. En caso de que se active el protector térmico, apague la máquina, desenchufe el cable de alimentación y verifique que no haya una bolsa llena de polvo, obstrucción de la manguera de vacío o bloqueo del filtro. El protector térmico puede tardar hasta 45 minutos en restablecerse.
- Antes de usar el extractor de polvo, asegúrese de que la potencia y el voltaje se correspondan con el voltaje que se muestra en la placa de características de la máquina, incluidos los cables de extensión.

- Conecte solo a una toma debidamente conectada a tierra. Consulte *Instrucciones para realizar la conexión a tierra en la página 38*.
- La conexión incorrecta del conductor a tierra del equipo puede provocar un riesgo de descarga eléctrica. Consulte con un electricista o técnico calificado si tiene dudas sobre si la toma está conectada a tierra correctamente. No modifique el enchufe provisto, si no encaja en la toma, haga que un electricista calificado instale una toma adecuada.
- Si utiliza un cable de extensión, asegúrese de que la clasificación del cable sea adecuada para esta máquina.
- Los cables dañados por aplastamiento o división pueden ser peligrosos si se usan y deben reemplazarse de inmediato.
- No utilizar con el cable o el enchufe dañado. Si la máquina no funciona como debería, se ha caído, dañado, se ha dejado al aire libre o se ha caído al agua. Asegúrese de que una persona calificada repare la máquina para evitar riesgos.
- Inspeccione regularmente el cable y el enchufe para detectar daños. No utilizar con un cable o enchufe dañado.
- No tire del cable ni lo transporte, use el cable como manija, cierre la puerta con el cable o tire del cable alrededor de bordes afilados o esquinas. No permita que el equipo pase sobre el cable. Mantenga el cable lejos de superficies calientes.
- No tire del cable para desconectar el aparato. Para desconectar, sujete el enchufe.
- No deje la máquina cuando esté enchufada. Desenchufe el cable de la toma cuando no esté en uso y antes de limpiar o reparar la máquina.

Instrucciones de seguridad para el montaje



ADVERTENCIA: Lea atentamente las instrucciones de advertencia siguientes antes de montar el producto.

- Apague todos los controles antes de desconectar el aparato. No tire del cable para desconectar el aparato. Para desconectar, sujete el enchufe.
- Las modificaciones o los accesorios no autorizados pueden provocar lesiones graves o fatales al usuario u otras personas.
- Utilice siempre accesorios originales.
- Utilice solo accesorios como se describe en este manual. Utilice solo accesorios recomendados por el fabricante.
- Asegúrese de que el área de montaje sea firme, de manera que el producto no se pueda volcar. Riesgo de daños personales y materiales.
- Tenga cuidado, los sujetadores de conmutación pueden causar daños al operador cuando ensamble el producto.

Instrucciones de seguridad para el funcionamiento



ADVERTENCIA: Lea atentamente las instrucciones de advertencia siguientes antes de usar el producto.

- El producto no debe utilizarse en entornos propensos a gases explosivos. Esto puede suponer un riesgo de explosión.
- No recoja nada que esté ardiendo o humeando, como cigarrillos, fósforos o cenizas calientes.
- No lo utilice para recoger líquidos inflamables o combustibles, como gasolina, ni lo utilice en zonas donde puedan encontrar estos líquidos.
- No permita la acumulación de polvo, cabello y cualquier cosa que pueda reducir el flujo de aire.
- Mantenga el cabello, la ropa suelta, los dedos y todas las partes del cuerpo lejos de las aberturas y las partes móviles.
- No utilice el producto sin la bolsa de polvo o los filtros en su lugar. Cambie el sistema de recolección o los filtros como se describe en este manual.



AVISO: Esta máquina está diseñada para recoger polvo y desechos secos y no inflamables en un ambiente interior. No es adecuada para recoger líquidos.



AVISO: Este producto solo sirve para el uso en interiores.



AVISO: Este producto debe almacenarse únicamente en interiores.

Equipo de protección personal



ADVERTENCIA: Lea atentamente las instrucciones de advertencia siguientes antes de usar el producto.

- Siempre utilice equipo de protección personal homologado durante el funcionamiento. El equipo de protección personal no otorga protección total, pero disminuye el grado de las lesiones si ocurre un accidente. Consulte a su concesionario de servicio para conocer las recomendaciones sobre qué equipo utilizar.
- Riesgo por dispersión de polvo: utilice equipo personal. Se puede esparcir polvo insalubre durante el cambio de filtro. En consecuencia, el usuario debe usar gafas y guantes protectores y una máscara respiratoria en conformidad con la categoría de protección FFP3.
- La exposición prolongada al ruido puede causar la pérdida permanente de la audición. Use siempre

protectores auriculares aprobados. Cuando utilice protectores auriculares, preste atención a las señales de advertencia o las indicaciones sonoras. Cuando utilice protectores auriculares, preste atención a las señales de advertencia o las indicaciones sonoras. Siempre retire sus protectores auriculares apenas se detenga el motor.

- Use guantes protectores aprobados cuando realice el mantenimiento del producto.

Instrucciones de seguridad para el mantenimiento



ADVERTENCIA: Lea atentamente las instrucciones de advertencia siguientes antes de usar el producto.

- Asegúrese de que el interruptor del motor esté en la posición de APAGADO. Desconecte el producto de la toma de pared.
- No modifique el producto de su diseño original.
- Todas las reparaciones deben ser realizadas por un técnico de servicio calificado. Utilice únicamente piezas de repuesto suministradas por el fabricante o equivalentes.
- Utilice equipo de protección aprobado. Consulte *Equipo de protección personal en la página 36*
- No haga un agujero en Hepa filter. Una Hepa filter rota puede dispersar el polvo.

Montaje

Introducción



AVISO: Utilice únicamente un cable de extensión con el valor nominal correcto para este producto. Solo hay que conectarlo a una toma de corriente que se encuentre correctamente conectada a tierra.



AVISO: Limpie siempre el prefiltro antes de cambiar el sistema de recolección de la bolsa.

- La manguera con conectores de extremo
- Tubo de acero
- Boquilla inferior
- Sujeta cables

Si falta una de las piezas, comuníquese con su taller de servicio Husqvarna.

Asegúrese de desechar el paquete y los componentes del producto usados en el procedimiento correcto. Consulte las normativas locales de desecho. Asegúrese de reciclar.

Información general

Verifique que los siguientes accesorios estén incluidos:

Accesorios

Cables de extensión



ADVERTENCIA: Utilice solo un cable de extensión que pueda resistir la corriente

nominal de las máquinas con los conectores correspondientes.

Aprobado para máquinas > 250 V: SO, SOO, ST, STOy STOO

Aprobado para máquinas < 250 V: Todos los tipos

Modelo	Caja de distribución	A	B	C	D	E	F	G	H
T7500 230 V	NO								1
T7500 230 V DIST	Sí	1	1						
T8600 480 V	Sí			1	1	1			

Modelo	Caja de distribución	A	B	C	D	E	F	G	H
T10000 480 V	Sí			1	1	1			
T18000 480 V	Sí						1	1	

HusqvarnaT-Line Dust Extractor se suministran con entradas y receptáculos Hubbell.

N.º de pieza	N.º de pieza Hubbell	Estándar	Descripción
A	HBL4100R9W	IEC 60309	RECEPTÁCULO HEMBRA, 100 A, TRIFÁSICO, 250 V, de 4 hilos.
B	HBL4100B9W	IEC 60309	ENTRADA MACHO, 100 A, TRIFÁSICA, 250 V, de 4 hilos.
C	CS8175	Twistlock®	ENTRADA MACHO, 50 A, TRIFÁSICA, 480 V, de 4 hilos con conexión a tierra.
D	CS8169	Twistlock®	RECEPTÁCULO HEMBRA, 50 A. TRIFÁSICO, 480 V, 4 cables, con conexión a tierra.
E	HBL7774WO	Twistlock®	Soldada cromada
F	HBL460B7W	IEC 60309	ENTRADA MACHO, 60 A, TRIFÁSICA, 480 V, de 4 hilos
G	HBL460R7W	IEC60309	RECEPTÁCULO HEMBRA, 60 A, 480 V, TRIFÁSICO, de 4 hilos
H	CS8375	Twistlock®	ENTRADA MACHO, 50 A, TRIFÁSICO, 250 V, de 4 hilos

Funcionamiento

Antes del uso



ADVERTENCIA: Antes de usar el extractor de polvo, asegúrese de que la potencia y el voltaje se correspondan con el voltaje que se muestra en la placa de características de la máquina, incluidos los cables de extensión.



ADVERTENCIA: Conecte solo a una toma debidamente conectada a tierra. Consulte *Instrucciones para realizar la conexión a tierra en la página 38*

Instrucciones para realizar la conexión a tierra

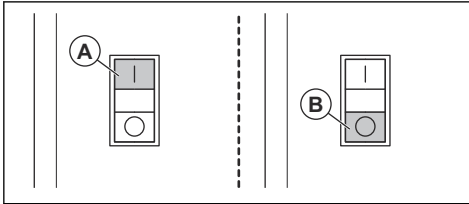


ADVERTENCIA: El extractor de polvo debe estar conectado a tierra. Si falla o se descompone, la conexión a tierra proporciona un alcance de menor resistencia para la corriente eléctrica para reducir el riesgo de descarga eléctrica. El extractor de polvo está equipado con un cable que tiene un conductor con equipo a tierra y un enchufe de conexión a tierra. El enchufe debe insertarse en una toma apropiada que esté correctamente instalada y conectada a tierra de acuerdo con todos los códigos y ordenanzas locales.

Para arrancar y detener

Pulse el botón verde (A) para arrancar el extractor de polvo.

Pulse el botón rojo (B) para detener el extractor de polvo.



Mantenimiento

Introducción



ADVERTENCIA: Utilice el equipo de seguridad personal, consulte *Equipo de protección personal en la página 36*, durante el mantenimiento. El polvo puede estar expuesto durante el mantenimiento y servicio.



ADVERTENCIA: La mayoría de los accidentes relacionados con máquinas ocurren durante la localización de fallos, el servicio y el mantenimiento, ya que el personal tiene que ubicarse dentro del área de riesgo de la máquina. Prevenga los accidentes estando alerta y planificando y preparando el trabajo.



ADVERTENCIA: El motor debe apagarse durante las operaciones descritas en este capítulo, a menos que se indique lo contrario.



ADVERTENCIA: Todas las verificaciones que involucren componentes eléctricos solo deben ser realizadas por un electricista autorizado.

Programa de mantenimiento T-Line Dust Extractor

Los intervalos de mantenimiento se calculan a partir del uso diario del producto. Los intervalos cambian si el producto no se utiliza a diario.

Mantenimiento	Antes de cada uso	Diario	Una vez por semana	Cuando la aspiración es baja	6 meses o 1000 h	12 meses o 2000 h
Busque signos de desgaste, daños o conexiones sueltas de los controles antes de conectar la unidad.	X					
Verifique que Longopac sea correcto.		X				
Verifique el mecanismo de limpieza del filtro.		X				
Verifique las ruedas. Busque si hay daños y conexiones incorrectas.			X			
Limpie el prefiltro.				X		
Reemplace el prefiltro.				X	X	

Mantenimiento	Antes de cada uso	Diario	Una vez por semana	Cuando la aspiración es baja	6 meses o 1000 h	12 meses o 2000 h
Reemplace el Hepa filter				X		X

Para limpiar el extractor de polvo

Es importante limpiar el extractor de polvo para evitar la circulación de polvo peligroso. Limpie siempre el extractor de polvo antes de moverlo del área de trabajo.



ADVERTENCIA: Gire el interruptor del motor a la posición de apagado (OFF) y desconecte el cable de la toma de corriente de la pared antes de limpiar o realizar el mantenimiento del producto.

- Todo el equipo usado una vez debe considerarse contaminado y ser tratado posteriormente.
- Todas las piezas que estén contaminadas después del trabajo de servicio deben desecharse siguiendo un procedimiento correcto en bolsas de plástico. Consulte las normativas locales.
- Use el equipo personal correcto cuando limpie el producto. Consulte *Equipo de protección personal en la página 36*.
- Limpie la superficie externa con un paño húmedo.
- Limpie los filtros y el extractor de polvo en el área correspondiente.
- aspire el prefiltro desde el interior. Siempre use extractores de polvo con Hepa filter y un cepillo suave para no dañar el filtro.
- No use agua en componentes eléctricos.
- No limpie el extractor de polvo con alta presión (aire o agua).
- No coloque herramientas sobre la superficie del filtro, ya que podría dañar el filtro.
- No haga un agujero en la Hepa filter, puede causar un riesgo para la salud.

Cambio de filtro



ADVERTENCIA: Utilice equipos de seguridad personal, consulte *Equipo de protección personal en la página 36*, durante el cambio de filtro. Puede salir polvo durante el cambio de filtro.



ADVERTENCIA: Siempre gire el interruptor del motor en la posición de apagado y desconecte el cable de la toma de corriente durante el cambio de filtro.

Limpieza del prefiltro

El filtro se debe limpiar cada cierto tiempo. Se debe realizar antes de cambiar el sistema de recolección con

bolsas de plástico, tras finalizar un trabajo o cuando la aspiración sea deficiente.



AVISO: Evite golpear o arrastrar los elementos en la superficie del filtro, ya que puede dañar el filtro.



AVISO: No utilice agua para limpiar los filtros.

1. Durante el funcionamiento del extractor de polvo, selle la entrada con la tapa o la válvula de admisión.
2. Permita que el extractor de polvo intensifique la capacidad de aspiración durante 5 segundos, y luego, presione rápidamente el mango de pulso de chorro durante 5 segundos.
3. Repita el paso 2 cinco veces. Es importante permitir que el extracto de polvo recupere su capacidad de aspiración entre cada repetición.
4. Si la capacidad de aspiración sigue siendo deficiente, debe reemplazar el filtro. Sustituya la bolsa de plástico únicamente tras la limpieza del filtro.

Prefiltro

Utilice únicamente los filtros Husqvarna. El rendimiento y la eficiencia de filtración solo pueden garantizarse con filtros originales.



ADVERTENCIA: No sustituya solo un tubo. Si uno está roto, es necesario sustituir el filtro completo.

Cambio del prefiltro

1. Afloje los dos pestillos ubicados entre el depósito y el ciclón inferior.
2. Afloje los dos pestillos de la conexión de la manguera ubicados entre el depósito y la cubierta del Hepa filter.
3. Gire el depósito hacia delante.
4. Gire la placa del filtro hacia la izquierda en 10 grados y, cuidadosamente, gire el filtro y el soporte hacia abajo.
5. Coloque una bolsa de plástico encima de la unidad del filtro.
6. Extraiga el filtro cuidadosamente en la bolsa y ciérrala. Se debe desechar la bolsa. Consulte las normativas locales de desecho.

7. Inserte un paquete nuevo y completo de filtro en el orden contrario.

Para cambiar el Hepa filter



AVISO: No limpie el Hepa filter, si intenta limpiar un Hepa filter deteriorará el filtro. Procure no tocar el interior del filtro durante la instalación del filtro de repuesto. Todo tipo de fuerza o daño al interior de los componentes del filtro implicará el deterioro del nuevo filtro.



AVISO: No toque la superficie interior del filtro al instalar un reemplazo del Hepa filter. Los daños en la superficie interior pueden hacer que el filtro quede en un estado inservible.

1. Afloje los sujetadores de conmutación en la tapa del filtro y extráigalo.
2. Levante con cuidado el filtro y deposítelo en una bolsa de plástico limpia.

Tenga en cuenta: Esta bolsa se debe desechar adecuadamente.

3. Coloque un filtro nuevo en el orden contrario.

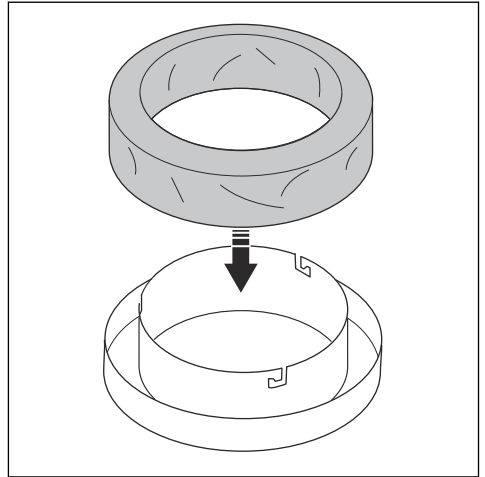
Para montar una nueva bolsa de aire Longopac



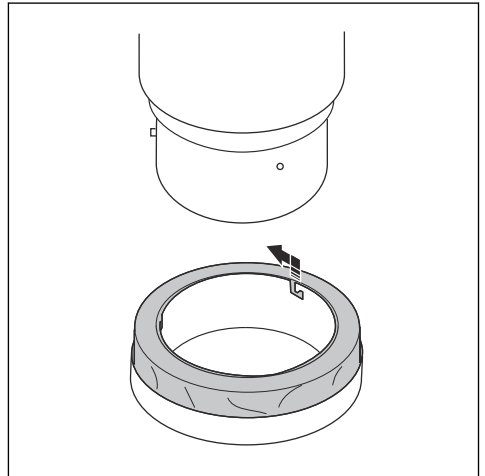
ADVERTENCIA: Limpie siempre el prefiltro antes de cambiar el sistema de recolección de la bolsa.

Tenga en cuenta: El extractor de polvo tiene sistema Longopac.

1. Coloque la bolsa de polvo en el soporte.

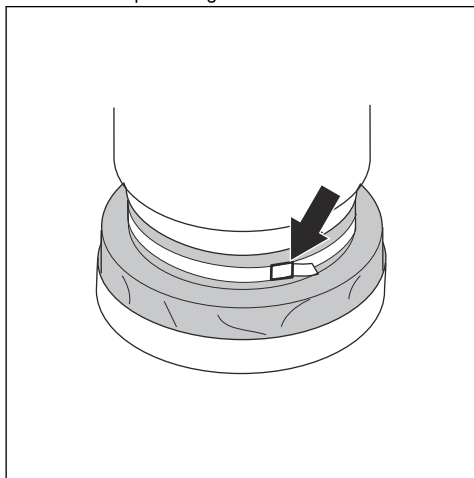


2. Fije el soporte de la bolsa de polvo en el contenedor girándolo sobre los pasadores de sujeción.

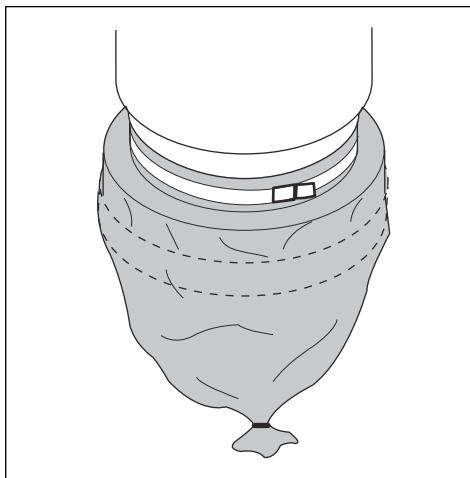


3. Saque la bolsa del soporte y colóquela alrededor del recipiente.

4. Apriete una correa alrededor de la bolsa y el contenedor para asegurar la bolsa al contenedor.



6. Cierre la parte inferior de la bolsa de polvo con una brida.



5. Tire de la bolsa de polvo sobre el soporte de la bolsa

Solución de problemas

Programa de solución de problemas

Problema	Causa	Solución
El motor no arranca	No hay alimentación	Enchufe en la máquina
	Cable defectuoso	Reemplace el cable
	Interruptor defectuoso	Reemplace el interruptor
	La combinación del contactor está defectuosa.	Reemplace la combinación del contactor.
El motor se detiene inmediatamente después del arranque	Fusible incorrecto	Conecte para corregir el fusible
	Acceso directo en el cable/máquina	Solicite tareas de mantenimiento
El motor funciona, pero no hay aspiración	Manguera desconectada	Conecte la manguera
	Manguera bloqueada	Manguera limpia
	No hay bolsa de recolección de polvo	Ajuste el sistema de recolección de polvo
El motor funciona, pero hay poca de aspiración	Orificio en la manguera	Reemplace la manguera
	Filtro obstruido	Limpie o reemplace el filtro
	Cubierta superior suelta	Ajústela
	Suciedad en la tapa	Limpie la tapa
	Juntas defectuosas	Reemplace las juntas afectadas

Problema	Causa	Solución
Polvo proveniente del motor	Sistema de filtro dañado o montado incorrectamente	Ajuste/reemplace los filtros
Ruido anormal		Solicite tareas de mantenimiento

Transporte, almacenamiento y eliminación de residuos

Transporte del producto

- Asegúrese de que la bolsa Longopac está vacía antes del transporte.
- Asegúrese de que la bolsa Longopac está fijada al producto durante el transporte.
- Use rampas o cabrestantes para levantar el extractor de polvo para asegurarse de que los movimientos sean seguros. Obtenga ayuda si no está seguro de cómo levantar equipo pesado.
- Fije el producto de manera segura durante el transporte para evitar daños y accidentes de transporte. Utilice las argollas de amarre en ambos lados del producto.
- Acople el bloqueo de la rueda de forma segura en las ruedas.
- Si es posible, transporte del producto durante buenas condiciones climáticas.
- Si es posible, utilice un vehículo cerrado durante el transporte del producto.

Almacenamiento del producto

- El producto debe ser almacenado en el interior, lejos de elementos exteriores.
- No exponga el producto a la lluvia o humedad.
- Fije el bloqueo de ruedas de forma segura.
- Desconecte el producto de la fuente de alimentación.
- Almacene el producto y el equipo en un lugar seco sin escarcha o calor excesivo.
- Almacene todo el equipo en un área cerrada, de manera que esté fuera del alcance de los niños y personas no autorizadas.

Eliminación del producto

- Obedezca las regulaciones vigentes y requisitos de reciclaje locales.
- Cuando el producto ya no se use, envíelo al distribuidor Husqvarna o deséchelo en un lugar de reciclaje.

Datos técnicos

Datos técnicos

Datos	T 7500	T 8600	T 10000	T 18000
Voltaje (trifásico), V	200-230	380-415	480	480
Frecuencia, Hz	60	50	60	60
Potencia (máx.), HP (kW)	10 (7,5)	11,5 (8,6)	16,9 (12,6)	24,1 (18)
Amperaje del enchufe, A	100	16	50	60
Flujo de aire (máx.), cfm (m ³ /h)	353 (600)	338 (660)	480 (815)	710 (1206)
Aspiración (máx), psi (kPa)	110 (28)	110 (28)	120 (30)	120 (30)
Manguera principal, pie (m)	32 (10)	32 (10)	32 (10)	32 (10)
Diámetro de entrada, pulg (mm) Cerrojo de leva	3 (76)	3 (76)	3 (76)	4 (102)
Prefiltro, %	> 99,5 % a 1 um	> 99,5 % a 1 um	> 99,5 % a 1 um	> 99,5 % a 1 um
Área del prefiltro, pulg (m)	31,2 (2,9)	31,2 (2,9)	41,9 (3,9)	52,7 (4,9)
Hepa filter 99,99 % a 0,3 um	2	2	3	4
Área Hepa filter total, pie ² (m ²)	53,8 (5)	53,8 (5)	80,7 (7,5)	107,6 (10)
Nivel sonoro, dB (a)	74	74	74	78
Sistema de recolección de polvo, tipo	Longopac	Longopac	Longopac	Longopac
Dimensiones (L*A*A), pulg (mm)	49,1 x 27,1 x 69,1 (1245 x686 x 1753)	49,1 x 27,1 x 69,1 (1245 x686 x 1753)	55,2 x 29 x 68 (1400 x 736 x 1727)	55,2 x 31,1 x 71,1 (1400 x 788 x 1804)
Peso, lb (kg)	460 (209)	454 (206)	723 (328)	815 (370)

Garantía

Garantía

Se garantiza que el nuevo equipo comercializado por Husqvarna AB, SE-561 82 Huskvarna, SWEDEN no tiene defectos de fabricación en el uso normal durante un período de un (1) año a partir de la fecha de compra del comprador original*. Los fabricantes de

componentes ofrecen períodos de garantía por separado. Llame al departamento de Servicios técnicos al (800) 365-5040 para obtener información completa.

La obligación de Husqvarna conforme a esta garantía se limita expresamente al reemplazo o reparación en Husqvarna Construction, o en una instalación de

servicio designada por nosotros, de dicha pieza o piezas que según la inspección deberán catalogarse como defectuosas.

Esta garantía no se aplica a los defectos causados por daños, uso no razonable o reparaciones defectuosas realizadas por otras personas o defectos causados por no haber realizado un mantenimiento razonable mientras se encontraba en posesión del consumidor. Además, la garantía será nula si el producto o cualquiera de sus componentes se encuentra alterado o modificado por el consumidor o si el producto se utiliza de una manera inadecuada o con una hoja no recomendada por el fabricante.

(*) Husqvarna ofrece 1 año de garantía en todos los equipos con las siguientes excepciones:

- Sierras planas grandes: 2 años (sierras planas con motor diésel o gasolina >30 hp)
- Motores de taladro de centrado DM 280/DM 340/DM 650: 2 años
- PG 530/PG 680/PG 820 (todas las variantes, incluido RC): 2 años o 1000 horas (cualquiera de los eventos que ocurra primero)
- Embrague de la cuchilla de sierras planas grandes: 6 meses

Los materiales desgastados no están cubiertos por la garantía:

- Correas
- Cojinetes**
- Ruedas del carro
- Filtros
- Ruedas**
- Almohadillas desgastadas
- Bujías

(**) Excepto el sistema IntelliSeal

(***) Excepto deslaminación



www.husqvarnacp.com

Instructions d'origine
Original instructions
Instrucciones originales

1140472-49



2019-04-09