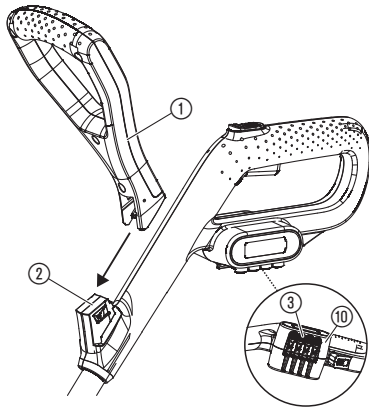
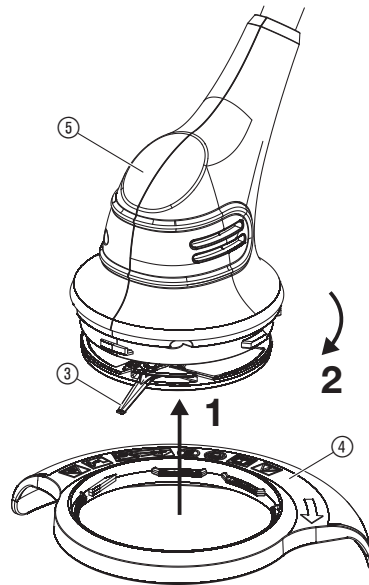
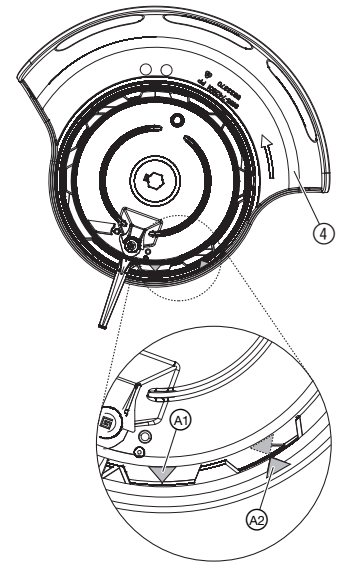
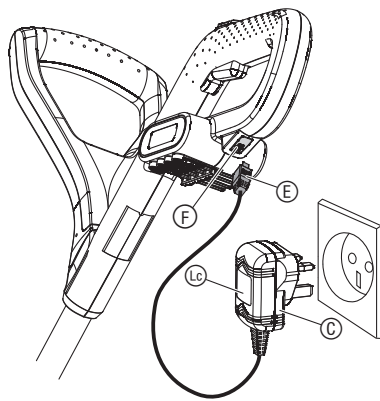
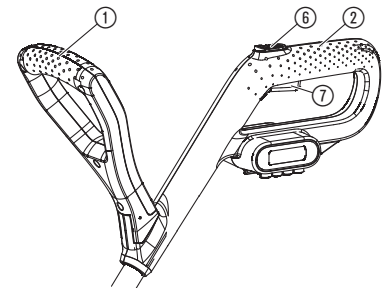
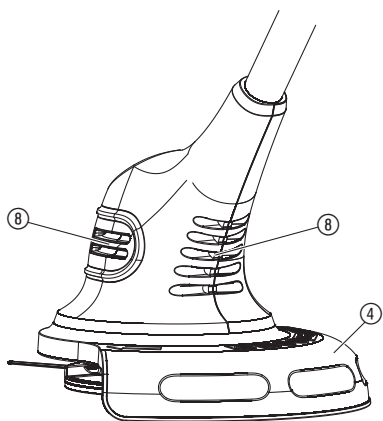
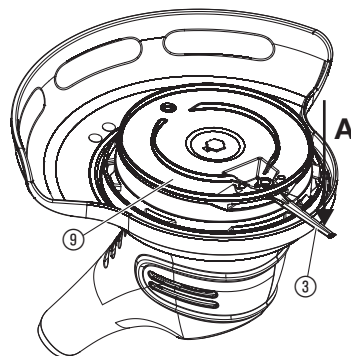
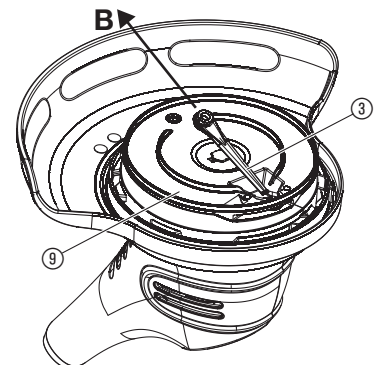



SimpliTrim Li PNC 967986101

**EN** Operator's manual  
Battery Trimmer

---

**A1****A2****A3****O1****O2****O3****M1****T1****T2**

**Original instructions.**

 This product may be used under supervision, or if instruction regarding the safe use of the product has been provided and the resulting dangers have been understood, by children aged 8 and above, as well as by persons with physical, sensory or mental disabilities or a lack of experience and knowledge. Children must not be allowed to play with the product. Cleaning and user maintenance must not be performed by children without supervision. The use of this product by young people under the age of 16 is not recommended.

**Intended use:**

The FLYMO Trimmer is intended to trim and to cut lawn and areas of grass in private domestic gardens and allotments.

The product is not intended for long term use.

**DANGER! Risk of injury!**

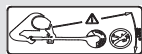
**Do not use the product to cut hedges, to chop up material or to make compost.**

**1. SAFETY****IMPORTANT!**

Read the operator's manual carefully before use and keep for future reference.

**Symbols on the product:**

Read operator's manual.



Keep bystanders away.



Always wear approved hearing protection.  
Always wear approved eye protection.



Do not expose to rain.



For the charger:  
Remove plug from the mains immediately if the cable is damaged or cut.

**General safety warnings****Electrical safety**

**DANGER! Electric shock!**

**Risk of injury due to electric shock.**

→ The product must be supplied through a residual current device (RCD) having a rated residual operating current not exceeding 30 mA.

Do not overreach and keep the balance at all times. Always be sure of the footing on slopes. Walk, never run.

Do not touch moving hazardous parts before the machine is disconnected from the mains and the moving hazardous parts have come to a complete stop.

Always wear substantial footwear and long trousers while operating the machine.

**Safe operating practices****1 Training**

- Read the instructions carefully. Be familiar with the controls and the correct use of the machine.
- Never allow children or people unfamiliar with these instructions to use the machine. Local regulations can restrict the age of the operator.
- Keep in mind that the operator or user is responsible for accidents or hazards occurring to other people or their property.

**2 Preparation**

- Before use check the supply and extension cord for signs of damage or aging. If the cord becomes damaged during use, disconnect the cord from

the supply immediately. DO NOT TOUCH THE CORD BEFORE DISCONNECTING THE SUPPLY. Do not use the machine if the cord is damaged or worn.

- Before use, always visually inspect the machine for damaged, missing or misplaced guards or shields.
- Never operate the machine while people, especially children, or pets are nearby.

**3 Operation**

- Keep supply and extension cords away from cutting means.
- Wear eye protection and stout shoes at all times while operating the machine.
- Avoid using the machine in bad weather conditions especially when there is a risk of lightning.
- Use the machine only in daylight or good artificial light.
- Never operate the machine with damaged guards or shields or without guards or shields in place.
- Switch on the motor only when the hands and feet are away from the cutting means.
- Always disconnect the machine from the power supply (i. e. remove the plug from the mains, remove the disabling device or removable battery):
  - whenever the machine is left unattended;
  - before clearing a blockage;
  - before checking, cleaning or working on the machine;
  - after striking a foreign object;
  - whenever the machine starts vibrating abnormally.
- Take care against injury to feet and hands from the cutting means.
- Always ensure that the ventilation openings are kept clear of debris.

**4 Maintenance and storage**

- Disconnect the machine from the power supply (i. e. remove the plug from the mains, remove the disabling device or removable battery) before carrying out maintenance or cleaning work.
- Use only the manufacturer's recommended replacement parts and accessories.
- Inspect and maintain the machine regularly. Have the machine repaired only by an authorized repairer.
- When not in use, store the machine out of the reach of children.

**Additional safety warnings****Battery safety**

**DANGER! Fire risk!**

The battery product to be charged must be placed on a nonflammable, heat resistant and non-conductive surface while charging.

Keep corrosive, flammable and easily combustible objects clear of the battery charger and the battery product.

Do not cover the battery charger and the battery product while charging.

Disconnect the battery charger immediately in the event of smoke formation or fire.

Only use the original FLYMO Charger to charge the battery. The use of other battery chargers may damage the batteries irreparably and even cause a fire.

Do not charge any third-party batteries. There is a risk of fire and explosion!

If you notice fire: Extinguish the flames with oxygen reducing materials.



**DANGER! Risk of explosion!**

Protect battery products from heat and fire. Do not leave on radiators or expose to strong sunshine for long periods.

Do not operate in explosive atmospheres, such as in the presence of flammable liquids, gases, or dust. Battery products may create sparks which could ignite the dust or fumes.

Only charge and use the battery product in ambient temperatures of between 0 °C and 40 °C. Allow battery to cool down after long periods of use.

Check the charging cable regularly for signs of damage or ageing (brittleness). Only use it in perfect condition.

Do not stow or transport the battery product above 45 °C or in direct sunlight. Ideally, the battery product should be stored below 25 °C so that self-discharge is low.

Do not expose the battery product to rain or wet conditions. Water entering a battery product will increase the risk of electric shock.

If usage of the battery is not planned for a certain time (winter period) reload the battery to avoid a deep discharge.

Do not store the battery product in places where static electricity is present.

**Electrical safety**

**DANGER! Cardiac arrest!**

This product makes an electromagnetic field while it operates. This field may under some conditions interfere with active or passive medical implants. To decrease the risk of conditions that can possibly injure or kill, we recommend persons with medical implants to speak with their

## physician and the medical implant manufacturer before you operate the product.

Thoroughly inspect the area where the product is to be used and remove all wires and other foreign objects.

Before using the product and after any impact, check for signs of wear or damage and repair as necessary.

If the product can no longer be switched off in the event of a defect, place the product on a solid surface and monitor it until the battery is empty. Send the defective product to our FLYMO Service Centre.

Never attempt to use an incomplete product or one with an unauthorised modification.

Stop the product if the product starts to vibrate abnormally. Check immediately. Excessive vibration can cause injury.

Do not use the product nearby a water.

Do not operate next to swimming pools or garden ponds.

### Personal safety




#### **DANGER! Risk of suffocation!**

**Small parts can be easily swallowed. There is also a risk that the polybag can suffocate toddlers. Keep toddlers away when you assemble the product.**



#### **DANGER! Risk of injury!**

**If the device switches off due to an empty battery (charging control lamp  flashes green), it may happen that the battery recovers after a certain time. The device is then ready for operation again.**

Use personal protective equipment.

Wear gloves for cleaning the cutting device.

Always wear eye protection.

Protective equipment such as gloves, non-skid safety shoes, or hearing protection used for appropriate conditions will reduce personal injuries.

Be careful during adjustment of the product to prevent entrapment of the fingers between moving and fixed parts of the machine.

Don't use water, or chemical substances for cleaning the guard or other parts of the trimmer.

Keep all nuts, bolts and screws tight to be sure the product is in a safe working condition.

Do not disassemble the product further than the delivery status.

Warning! When wearing hearing protection, and due to the noise produced by the product, the operator may not notice persons approaching.

While operation and transport pay special attention to the hazard for other people.

Stay alert, watch what you are doing and use common sense when operating a power tool.

Do not use a power tool while you are tired or under the influence of drugs, alcohol or medication.

A moment of inattention while operating power tools may result in serious personal injury.

## 2. ASSEMBLY






#### **DANGER! Risk of injury!**

**Cut injury when the product starts accidentally.**

→ Wait for the plastic blades to stop before you assemble the product.

### To assemble the additional handle [Fig. A1]:

→ Slide the additional handle  on the top part of the handle  until it audibly engages (**click**).

The scope of delivery includes 5 plastic blades . There are 4 spare plastic blades in the magazine .


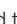






For the assembly of the plastic blade into the blade holder, see 6. TROUBLESHOOTING "To replace the plastic blade".

### To assemble the protective cover [Fig. A2/A3]:



#### **DANGER!**

**The product may only be used when the protective cover is assembled.**

- Put the protective cover  to the trimmer head  while you feed the plastic blade  through the opening in the protective cover .
- Rotate the protective cover  until it can be completely pushed on (the arrows / face each other).
- Rotate the protective cover  anti-clockwise until the connection audibly engages. (**click**).

## 3. OPERATION



#### **DANGER! Risk of injury!**

**Cut injury when the product starts accidentally.**

→ Wait for the plastic blade to stop before you transport the product.

### To charge the battery [Fig. O1]:







#### **CAUTION!**


**Overvoltage damages the battery and the charging power supply.**

→ Make sure that you use the correct mains voltage.




Before you use the battery the first time, the battery must be completely charged.

The lithium-ion battery can be charged in any state of charge and the charging process can be disconnected at any time without to damage the battery (no memory effect).




- Connect the charging power supply  into a mains socket.  
*The power LED  illuminates red.*
- Connect the battery charger cable  to the charging socket .

**When the charging control lamp  at the charging socket flashes green, the battery is being charged.**

**When the charging control lamp  at the charging socket illuminates green, the battery is completely charged** (Charging time see 7. TECHNICAL DATA).

- Examine the charge status regularly while you charge.
- When the battery is completely charged, disconnect the battery charger cable  from the charging socket .
- Disconnect the charging power supply  from the mains.

### Work position [Fig. O2]:

→ Hold the product by the additional handle  and the main handle  so that the trimmer head  is tilted a small distance forward.

Avoid contact of the plastic blade and the blade carrier with hard objects (walls, stones fences etc.) to prevent the plastic blade and the blade carrier from wearing or breaking.

### To start the trimmer [Fig. O3]:







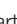
#### **DANGER! Risk of injury!**

**Risk of injury if the product does not stop when you release the start lever.**


→ Do not bypass the safety devices or switches. For example do not attach the start lever to the handle.

### To start:

**The product is provided with a two-switch safety device (start lever with starting lockout) to prevent the product from being turned on by accident.**

- Hold the additional handle  with one hand.
  - Hold the main handle  with the other hand, push the starting lockout  forward and pull the start lever .
- The trimmer starts.*
- Release the starting lockout  again.

### To stop:

→ Release the start lever .

*The trimmer stops in a few seconds.*

## 4. MAINTENANCE



#### **DANGER! Risk of injury!**

**Cut injury when the product starts accidentally.**

→ Wait for the plastic blade to stop before you maintain the product.

### To clean the Trimmer [Fig. M1]:



#### **DANGER! Risk of injury!**

**Risk of injury and risk of damage to the product.**

→ Do not clean the product with water or with a water jet (in particular high-pressure water jet).

→ Do not clean with chemicals including petrol or solvents. Some can destroy critical plastic parts.

#### The airflow slots must always be clean.

1. Clean the airflow slots (8) with a soft brush (do not use a screwdriver).
2. Clean all movable parts after each operation. Especially remove any grass and dirt from the protective cover (4).

#### To clean the charging power supply:

Make sure that the contacts of the charging socket and the charging power supply always are clean and dry before you connect the charging power supply.

#### Do not use running water.

→ Clean the contacts and the plastic parts with a soft and dry cloth.

## 5. STORAGE

#### To put into storage:

The product must be stored away from children.

1. Charge the battery.
2. Clean the trimmer and the charging power supply (see 4. MAINTENANCE).
3. Store the trimmer and the charging power supply in a dry, enclosed and frost-free place.

#### Disposal:

(in accordance with RL2012/19/EC)

The product must not be disposed of to normal household waste. It must be disposed of in line with local environmental regulations.

The FLYMO battery contains lithium-ion cells that should not be disposed of with normal household waste at the end of its life.



#### IMPORTANT!

→ Dispose of the product through or via your municipal recycling collection centre.

## 6. TROUBLESHOOTING



#### DANGER! Risk of injury!

Cut injury when the product starts accidentally.

→ Wait for the plastic blade to stop before you troubleshoot the product.

#### To replace the plastic blade [Fig. T1/T2]:



#### DANGER! Risk of cutting injuries!

→ Do not use metal cutting elements or spare parts and accessories not intended for use by FLYMO.

The plastic blades may only become worn to half the original length at most. Only use original FLYMO Spare Blades FLY083. Spare plastic blades are available from your FLYMO dealer or direct from FLYMO Service.

- FLYMO Spare Blades for SimpliTrim Li FLY083 – PNC 598523101

#### To remove the plastic blade:

1. Turn the trimmer over.
2. Push the end of the plastic blade down slightly (A), slide the plastic blade (3) inside through the blade carrier (9) (B) and pull out.

#### To insert the plastic blade:

→ Slide the new plastic blade (3) from inside through the slot in metal of the blade carrier (9) until it audibly engages (click).  
When the new plastic blade is correctly inserted, it can be moved more easily.

Problem	Possible Cause	Remedy
Trimmer is not cutting cleanly or not cutting at all	Plastic blade is worn or too short.	→ Replace the plastic blade.
	Plastic blade is broken off.	→ Replace the plastic blade.
Trimmer vibrates severely	Plastic blade is excessively worn and creates an imbalance.	→ Replace the plastic blade.
	Blade carrier is worn.	→ Replace the blade carrier.

Problem	Possible Cause	Remedy
Trimmer does not start. Charging control lamp (F) flashes green	Under voltage.	→ Charge the battery.
Trimmer does not start. Charging control lamp (F) flashes red	Battery overload.	→ Release the start lever. Start again.
	Engine is blocked.	→ Remove the obstacle. Start again.
	Battery temperature is out of range.	→ Use the battery in surroundings where temperatures are between 0 °C and 40 °C.
Power LED (C) on the charging power supply does not illuminate	Charging power supply is not plugged in correctly.	→ Plug the charging power supply into a wall outlet.



NOTE: For any other malfunctions please contact the FLYMO service department. Repairs must only be done by FLYMO service departments or specialist dealers approved by FLYMO.

## 7. TECHNICAL DATA

Battery Trimmer	Unit	Value (PNC 967986101)
Cutting width	cm	23
Rpm of blade carrier	R/min.	9500
Weight	kg	1.7
Sound pressure level $L_{pA}$ <sup>1)</sup> Uncertainty $k_{pA}$	dB(A)	70 2.5
Sound power level $L_{WA}$ <sup>2)</sup> : measured/guaranteed Uncertainty $k_{WA}$	dB(A)	84 / 88 4
Hand/arm vibration $a_{hw}$ <sup>1)</sup> Uncertainty $k_a$	m/s <sup>2</sup>	< 2.5 1.5

Measuring process complying with: <sup>1)</sup> EN 50636-2-91 <sup>2)</sup> RL 2000/14/EC



NOTE: The stated vibration emission value has been measured according to a standardized test procedure and can be used for comparison of one electric power tool with another. It can also be used for preliminary evaluation of exposure. The vibration emission value can vary during actual use of the electric power tool.

Battery	Unit	Value
Battery voltage	V (DC)	14.4
Battery capacity	Ah	2.0
Battery charging time 80% / 100% (approx.)	min.	160 / 200

Charging Power Supply	Unit	Value (PNC 598446701)
Mains voltage	V (AC)	100 – 240
Mains frequency	Hz	50 – 60
Rated Power	W	15
Output voltage	V (DC)	18.5
Max. output current	mA	600

## 8. ACCESSORIES

FLYMO Charging Power Supply	Charger to charge the internal batteries.	PNC 598446701
FLYMO Spare Blades for SimpliTrim Li	As replacement for consumed plastic blades.	Art. FLY083 PNC: 598523101

## 9. SERVICE / WARRANTY

#### Service:

Please contact the address on the back page.

#### Warranty statement:

In the event of a warranty claim, no charge is levied to you for the services provided.

Husqvarna UK Ltd. grants a warranty for all original FLYMO new products for two years from the date of original purchase from the retailer, provided

that the devices have been for private use only. This manufacturer's warranty does not apply to products acquired second hand. This warranty includes all significant defects of the product that can be proved to be material or manufacturing faults. This warranty is fulfilled by supplying a fully functional replacement product or by repairing the faulty product sent to us free of charge; we reserve the right to choose between these options. This service is subject to the following provisions:

- The product has been used for its intended purpose as per the recommendations in the operating instructions.
- Neither the purchaser nor a third party has attempted to open or repair the product.
- Only Original FLYMO replacement parts and wear parts have been used for operation.
- Presentation of the receipt.

Normal wear and tear of parts and components (such as blades, blade fixing parts, turbines, light bulbs, V-belts/toothed belts, impellers, air filters, spark plugs), visual changes, wear parts and consumables are excluded from the warranty.

This manufacturer's warranty is limited to replacement and repair of products in accordance with the abovementioned conditions. The manufacturer's warranty does not constitute an entitlement to lodge other claims against us as a manufacturer, such as for damages. This manufacturer's warranty does **not**, of course, affect statutory and contractual warranty claims against the dealer/retailer.

The manufacturer's warranty is governed by the law of the Federal Republic of Germany.

In case of a warranty claim, please return the faulty product, together with a copy of the receipt and a description of the fault, with postage paid to the service address.

**Consumables:**

The plastic blades are consumables and are not included in the warranty.

---



## PRODUCT LIABILITY


---

In accordance with the German Product Liability Act, we hereby expressly declare that we accept no liability for damage incurred from our products where said products have not been properly repaired by a FLYMO-approved service partner or where original FLYMO parts or parts authorised by FLYMO were not used.

## EC DECLARATION OF CONFORMITY

---

The undersigned hereby certifies as the authorized representative of the manufacturer, Husqvarna AB, 561 82 Huskvarna, Sweden, that, when leaving our factory, the unit(s) indicated below is/are in accordance with the harmonised EU guidelines, EU standards of safety and product specific standards. This certificate becomes void if the unit(s) is/are modified without our approval.

Description of the product:	<b>Lawn Trimmer</b>
Product type	<b>SimpliTrim Li</b>
Article-Number	<b>9679861-01</b>
CE-Directives	<b>2006/42/EC 2014/30/EU 2011/65/EU 2000/14/EC 2014/35/EU</b>
Harmonised EN	<b>EN ISO 12100 EN 60335-1 EN 50636-2-91 EN 61558-1 EN 61558-2-16</b>
Deposited Documentation	<b>GARDENA Technical Documentation, M. Kugler, 89079 Ulm</b>
Conformity Assessment according to	<b>2000/14/EC Procedure: art. 14 Annex VI</b>
Year of CE marking:	<b>2019</b>
Noise level: measured / guaranteed	<b>84 dB (A)/88 dB (A)</b>
Ulm, 29.11.2019	
Authorised representative:	 <b>John Thompson</b> Product and Marketing Director EUAP

---

**Great Britain**

Husqvarna UK Ltd  
Preston Road  
Aycliffe Industrial Park  
Newton Aycliffe  
County Durham  
DL5 6UP  
Phone: +44 (0) 344 8444558  
customer.services@husqvarna.co.uk

Our policy of continuous improvement means that the specification of products may be altered from time to time without prior notice.

Copyright © 2015 Flymo S.A. All rights reserved.

Flymo® and other product and feature names are registered or unregistered trademarks of Flymo S.A.



F9822-20.960.02/0120  
Husqvarna AB  
S-561 82 Huskvarna  
Sweden