

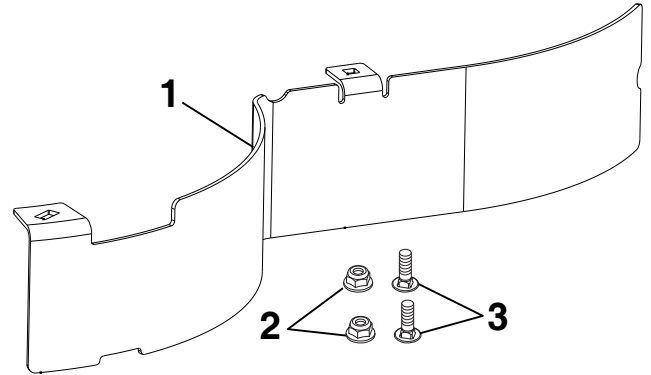
599484201 54 CC BOLT ON LEFT HAND BAFFLE KIT INSTRUCTIONS



Please read the operator's manual carefully and ensure you understand the instructions. The instructions will enable you to assemble and maintain your tractor properly. Always observe the "SAFETY RULES".

KIT CONTENTS:

KEY NO.	PART NO.	DESCRIPTION	QTY.
1	596644502	LH Baffle Bolt On	1
2	873900600	Nut	2
3	596136001	Bolt	2
4	599484501	Baffle Service Kit Instruction Sheet	1
- -	599483401	Baffle Kit Drill Template (Not Shown)	1



1. Remove mower deck from unit.
 2. Remove all blades, it is not necessary to remove other components.
- NOTE:** If mower deck already has baffle attachment holes skip to step 6.
3. Flip mower deck over so bottom of deck is facing up.
 4. Push template over mandrel cover bolts to align template as shown in figure 1.

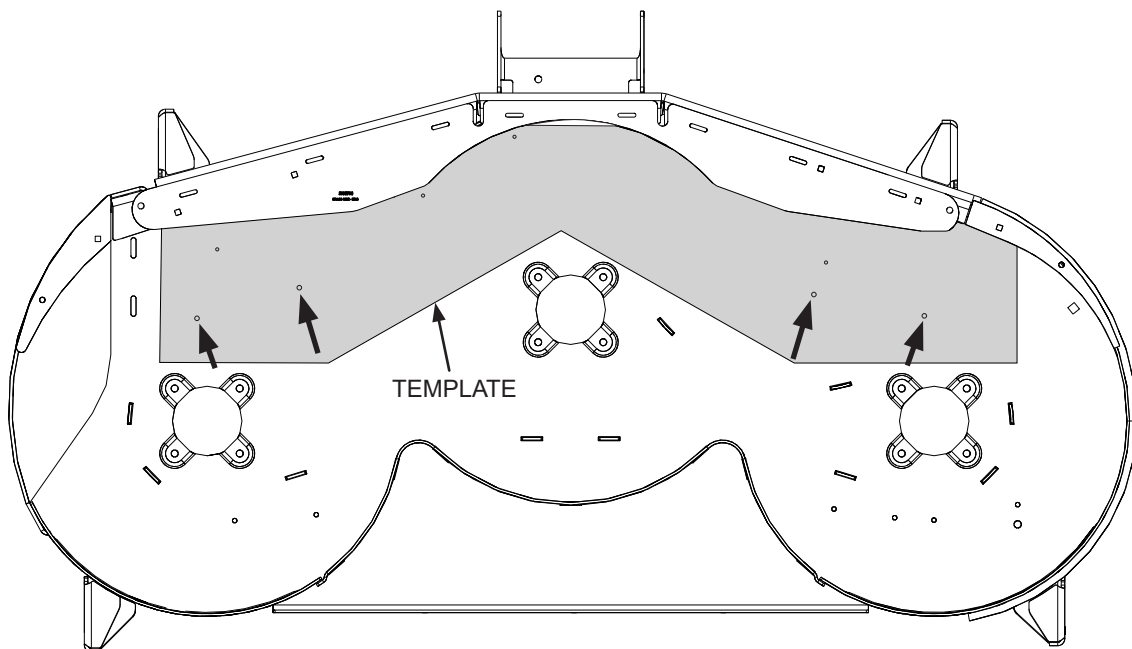


Figure 1

- Center punch and drill left hand baffle attachment holes 0.406 (13/32) as shown in figure 2.

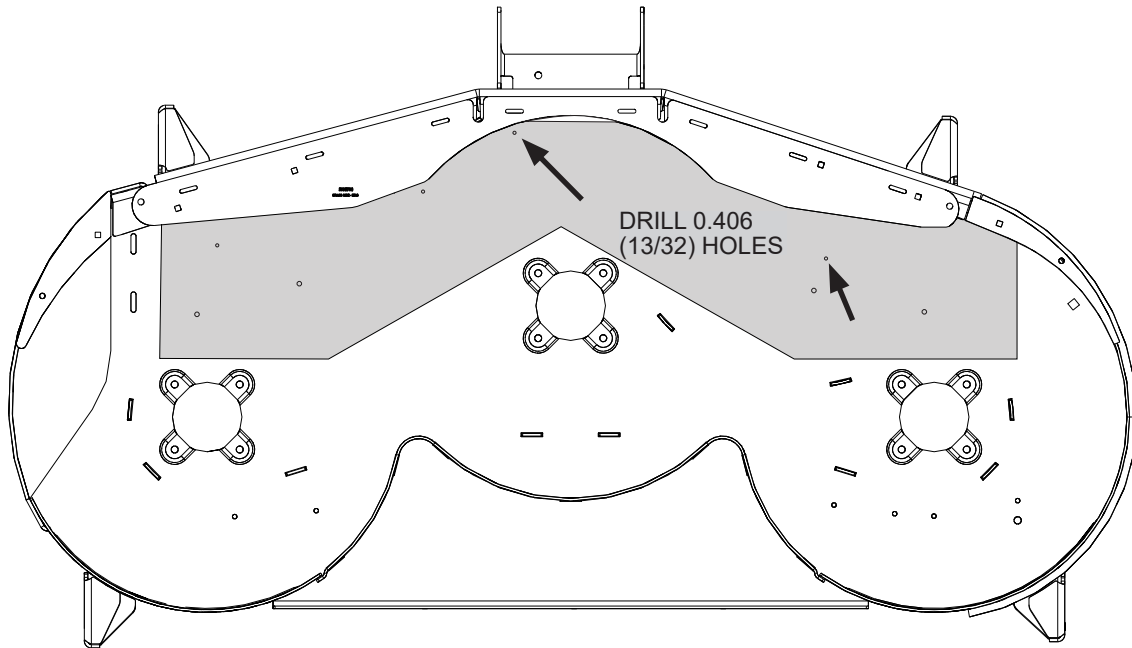


Figure 2

- Bolt baffle into specified holes using the two nuts and two bolts provided in the kit as shown in figure 3. Torque to 25-35 ft-lbs.
- Reinstall blades (torque bolts to 45-55 ft-lbs.) and spin by hand to ensure blades do not contact baffle.
- Reinstall mower deck to unit.

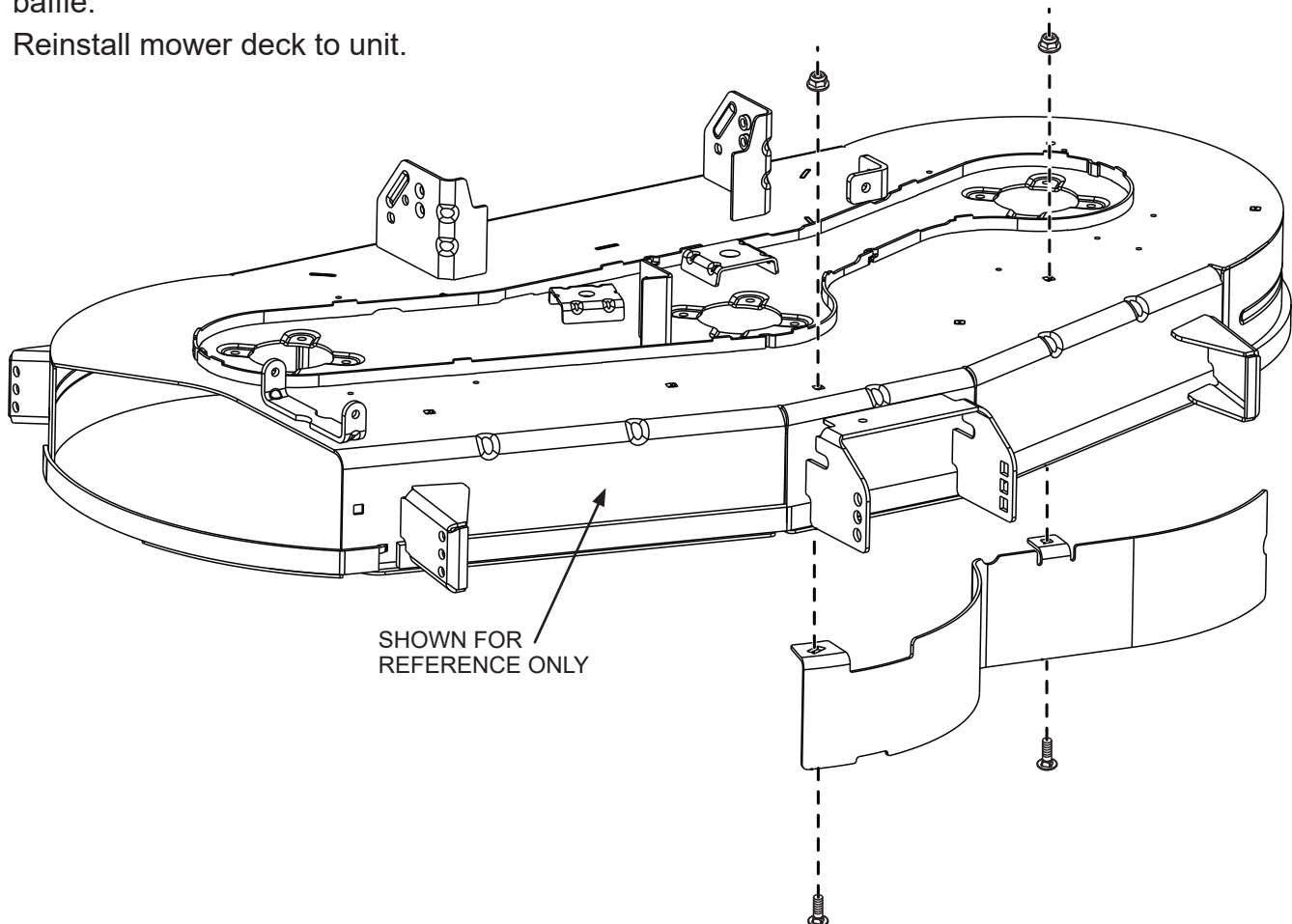


Figure 3