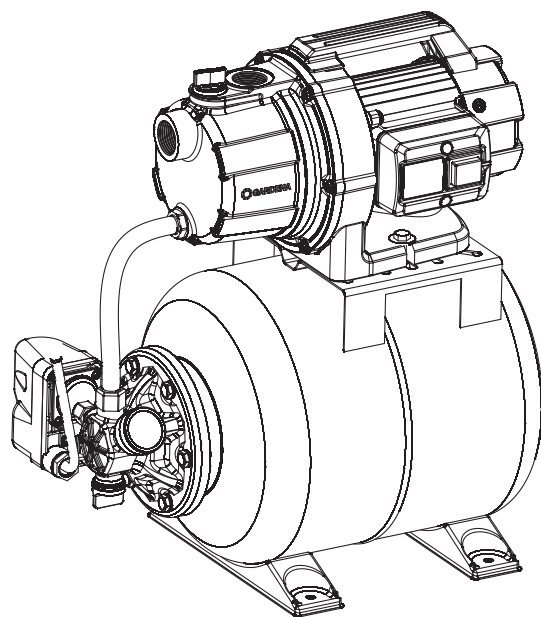


PTU 3000/4 Art. 9020-29



PTU 3600/4 Art. 9022-29

EN Operator's manual
Pressure Tank Unit

RU Инструкция по эксплуатации
Станция бытового водоснабжения

PL Instrukcja obsługi
Zestaw hydroforowy

HU Használati utasítás
Házi vízmű

CS Návod k obsluze
Domácí vodárna

SK Návod na obsluhu
Domáca vodáreň

EL Οδηγίες χρήσης
Συσκευή παραγωγής νερού οικιακής
χρήσης

SL Navodilo za uporabo
Hišna vodna črpalka

HR Upute za uporabu
Kućna hidroforska pumpa

SR/ Uputstvo za rad
BS Kućna hidroforska pumpa

UK Інструкція з експлуатації
Домова водопровідна станція

RO Instrucțiuni de utilizare
Hidrofor cu rezervor

TR Kullanma Kılavuzu
Konut suyu tertibatı

BG Инструкция за експлоатация
Хидрофорна уредба с разширителен
съд

SQ Manual përdorimi
Impianti i ujit për shtëpi

ET Kasutusjuhend
Hüdrofooriga veeautomaat

LT Eksploatavimo instrukcija
Siurblys su slėgio rezervuaru

LV Lietošanas instrukcija
Spiedvertnes ierīce

EN Product liability

In accordance with the German Product Liability Act, we hereby expressly declare that we accept no liability for damage incurred from our products where said products have not been properly repaired by a GARDENA-approved service partner or where original GARDENA parts or parts authorised by GARDENA were not used.

PL Odpowiedzialność za produkt

Zgodnie z niemiecką ustawą o odpowiedzialności za produkt, niniejszym wyraźnie oświadczamy, że nie ponosimy żadnej odpowiedzialności za szkody poniesione na skutek użytkowania naszych produktów, w przypadku gdy naprawa tych produktów nie była odpowiednio przeprowadzana przez zatwierdzonego przez firmę GARDENA partnera serwisowego lub nie stosowano oryginalnych części GARDENA albo części autoryzowanych przez tę firmę.

HU Termékszavatosság

A németországi termékszavatossági törvénnyel összhangban ezennel nyomatékosan kijelentjük, hogy nem vállalunk felelősséget a termékeinkben keletkezett olyan károkért, amelyek valamely GARDENA által jóváhagyott szervizpartner által nem megfelelően végzett javításból adódtak, vagy amely során nem eredeti GARDENA alkatrészeket vagy a GARDENA által jóváhagyott alkatrészeket használtak fel.

CS Odpovědnost za výrobek

V souladu s německým zákonem o odpovědnosti za výrobek tímto výslovně prohlašujeme, že nepřijímáme žádnou odpovědnost za poškození vzniklá na našich výrobcích, kdy zmíněné výrobky nebyly řádně opraveny schváleným servisním partnerem GARDENA nebo kdy nebyly použity originální náhradní díly GARDENA nebo náhradní díly autorizované společností GARDENA.

SK Zodpovednosť za produkt

V súlade s nemeckými právnymi predpismi upravujúcimi zodpovednosť za výrobok týmto výslovne prehlasujeme, že nenesieme žiadnu zodpovednosť za škody spôsobené našimi výrobkami, v prípade ktorých neboli náležité opravy vykonané servisným partnerom schváleným spoločnosťou GARDENA alebo neboli použité diely spoločnosti GARDENA alebo diely schválené spoločnosťou GARDENA.

EL Ευθύνη προϊόντος

Σύμφωνα με τον γερμανικό νόμο περί Ευθύνης για τα Προϊόντα, με το παρόν δηλώνουμε ρητώς ότι δεν αποδεχόμαστε καμία ευθύνη για τυχόν ζημιές που προκύπτουν από τα προϊόντα μας εάν αυτά δεν έχουν επισκευαστεί σωστά από κάποιον εγκεκριμένο συνεργάτη επισκευών της GARDENA ή εάν δεν έχουν χρησιμοποιηθεί αυθεντικά εξαρτήματα GARDENA ή εξαρτήματα εγκεκριμένα από την GARDENA.

SL Odgovornost proizvajalca

V skladu z nemškimi zakoni o odgovornosti za izdelke, izrecno izjavljajo, da ne sprejemamo nobene odgovornosti za škodo, ki jo povzročijo naši izdelki, če teh niso ustrezno popravili GARDENINI odobreni servisni partnerji ali pri tem niso bili uporabljeni originalni GARDENINI nadomestni deli ali GARDENINIMI homologiranimi nadomestnimi deli.

HR Pouzdanost proizvoda

Sukladno njemačkom zakonu o pouzdanosti proizvoda, ovime izričito izjavljujemo kako ne prihvaćamo nikakvu odgovornost za oštećenja na našim proizvodima nastala uslijed neispravnog popravka od strane servisnog partnera kojeg odobrava GARDENA ili uslijed nekorištenja originalnih GARDENA dijelova ili dijelova koje odobrava GARDENA.

RO Răspunderea pentru produs

În conformitate cu Legea germană privind răspunderea pentru produs, declarăm în mod expres prin prezentul document că nu acceptăm nicio răspundere pentru defecțiunile suferite de produsele noastre atunci când acestea nu au fost reparate în mod corect de un atelier de service partener, aprobat de GARDENA, sau când nu au fost utilizate piese GARDENA originale sau piese autorizate de GARDENA.

BG Отговорност за вреди, причинени от стоки

Съгласно германския Закон за отговорността за вреди, причинени от стоки, с настоящото изрично декларираме, че не носим отговорност за щети, причинени от нашите продукти, ако те не са били правилно ремонтирани от одобрен от GARDENA сервиз или ако не са използвани оригинални части на GARDENA или части, одобрени от GARDENA.

ET Tootevastutus

Vastavalt Saksamaa tootevastatusseadusele deklareerime käesolevaga selgesõnaliselt, et me ei kanna mingisugust vastutust meie toodetest tingitud kahjude eest, kui need tooted ei ole korrektselt parandatud GARDENA heakskiidetud hoolduspartneri poolt või kui parandamisel ei ole kasutatud GARDENA originaalosi või GARDENA volitatud osi.

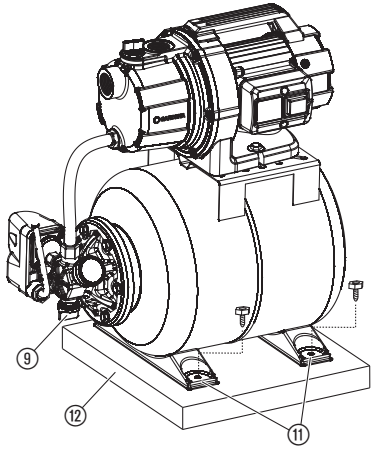
LT Gaminio patikimumas

Mes aiškiai pareiškiame, kad, atsižvelgiant į Vokietijos gaminių patikimumo įstatymą, neprisiimame atsakomybės dėl bet kokios žalos, patirtos dėl mūsų gaminių, jeigu jie buvo netinkamai taisomi arba jų dalys buvo pakeistos neoriginaliomis GARDENA dalimis ar nepatvirtintomis dalimis, arba jeigu remonto darbai buvo atliekami ne GARDENA techninės priežiūros centro specialistų.

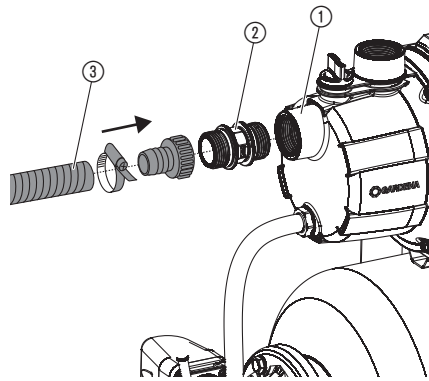
LV Atbildība par produkcijas kvalitāti

Saskaņā ar Vācijas likumu par atbildību par produkcijas kvalitāti ar šo mēs paziņojam, ka neuzņemamies atbildību par bojājumiem, kas radušies, lietojot mūsu izstrādājumus, kuru remontu nav veicis uzņēmuma GARDENA apstiprināts apkopes partneris vai kuru remontam netika izmantotas oriģinālās GARDENA detaļas vai detaļas, kuru lietošanu apstiprinājis uzņēmums GARDENA.

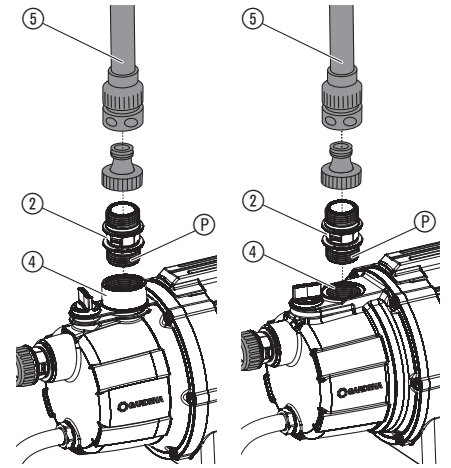
A1



A2



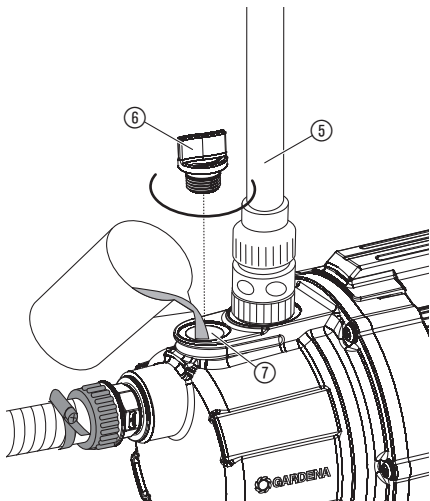
A3



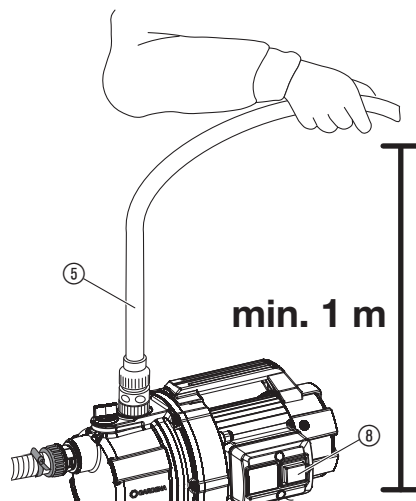
Art. 9020

Art. 9022

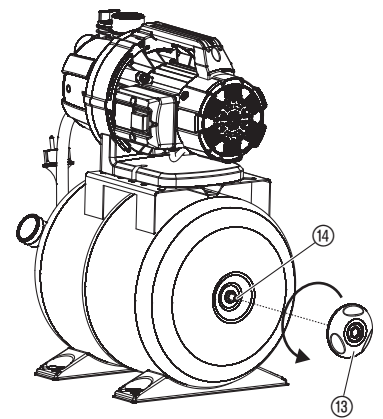
O1



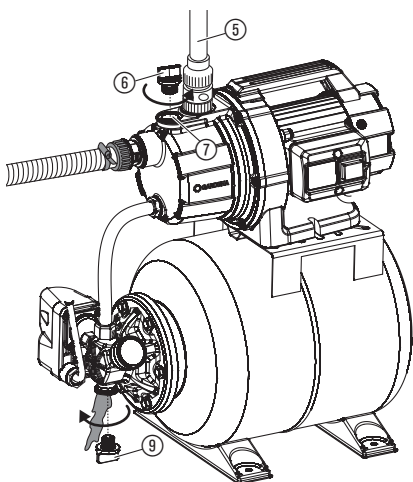
O2



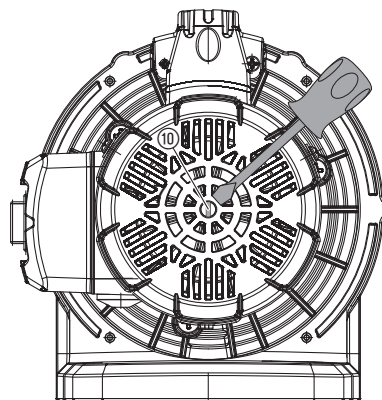
M1



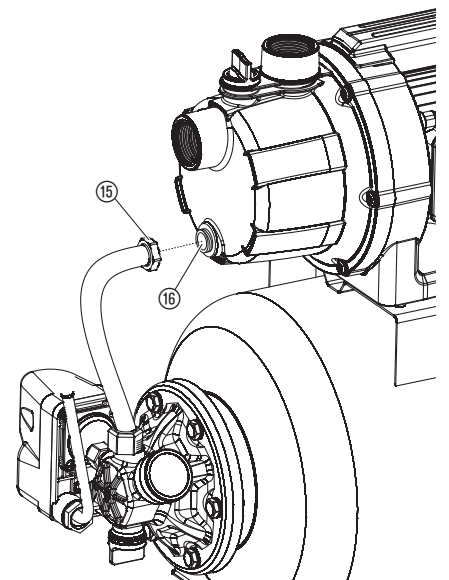
S1



T1



T2



1. SAFETY	4
2. ASSEMBLY	5
3. OPERATION	5
4. MAINTENANCE	5
5. STORAGE	6
6. TROUBLESHOOTING	6
7. TECHNICAL DATA	6
8. ACCESSORIES	7
9. SERVICE/WARRANTY	7

Original instructions.



This product may be used under supervision, or if instruction regarding the safe use of the product has been provided and the resulting dangers have been understood, by children aged 8 and above, as well as by persons with physical, sensory or mental disabilities or a lack of experience and knowledge. Children must not be allowed to play with the product. Cleaning and user maintenance must not be performed by children without supervision. The use of this product by young people under the age of 16 is not recommended. Never operate the product when you are tired, ill or under the influence of alcohol, drugs or medicine.

Intended use:

The **GARDENA Pressure Tank Unit** is intended for pumping ground water and rain water, tap water and water containing chlorine in private domestic gardens and allotments.

In the case of open consumers (e.g. water taps), pressure fluctuations may occur between the switch-on and switch-off ranges at certain flow rates.

Liquids to be pumped:

The GARDENA Pressure Tank Unit must only be used to pump water.

When the pump is used for pressure boosting, the maximum permissible internal pressure of 6 bar (on the delivery side) must not be exceeded. The increased delivery pressure and the pump pressure have to be added together.

- **Example:** Pressure at the tap = 2.5 bar,
max. pressure of the Pressure Tank Unit Art. 9020 = 3.5 bar,
total pressure = 6.0 bar.

The product is not intended for long term use (continuous circulation operation).



DANGER! Risk of injury!

The pump must not be used for the delivery of salt water, muddy water, corrosive, easily inflammable or explosive liquids (e.g. petrol, paraffin, thinners), oil, heating oil or foodstuffs.

1. SAFETY

IMPORTANT!

Read the operator's manual carefully before use and keep for future reference.

Symbols on the product:



Read operator's manual.

General safety warnings

Electrical safety



DANGER! Electric shock!

Risk of injury due to electric current.

- The product must be supplied through a residual current device (RCD) having a rated residual operating current not exceeding 30 mA.



DANGER! Risk of physical injury!

Risk of injury due to electric current.

- Disconnect the product from the mains before you maintain or replace parts. Thereby the disconnected socket must be in the visual range.

Safe operating practices

The water temperature should not exceed 35 °C.

The pump must not be used when people are in the water.

Pollution of the liquid could occur due to leakage of lubricants.

Circuit breaker

Thermal protection switch:

In the event of an overload, the pump is switched off by the built-in thermal motor protection. After sufficient cooling of the motor, the pump is operational again.

Additional safety warnings

Electrical safety



DANGER! Cardiac arrest!

This product makes an electromagnetic field while it operates. This field may under some conditions interfere with active or passive medical implants. To decrease the risk of conditions that can possibly injure or kill, we recommend persons with medical implants to speak with their physician and the medical implant manufacturer before you operate the product.

Cables

If extension cables are used, these must comply with the minimum cross-sections in the table below:

Voltage	Cable length	Cross section
230 – 240 V/50 Hz	Up to 20 m	1.5 mm ²
230 – 240 V/50 Hz	20 – 50 m	2.5 mm ²



DANGER! Electric shock!

Risk of injury due to electric current.

- Disconnect the product from the mains before you put into storage, maintain or troubleshoot.

The pump must be located on solid, even ground, protected from flooding. Take care that the pump cannot fall into water. Position the pump at a safe distance (min. 2 m) from the liquid to be pumped. As an additional safety device an authorised safety switch can be used.

- Please ask your electrician for his advice.

If the supply cord is damaged, it must be replaced by the manufacturer, its service agent or similarly qualified persons in order to avoid a hazard.

Protect the mains plug and the mains power cable from heat, oil and sharp edges.

Do not use the power cable for carrying the pump or for unplugging.

The pressure switch must not be opened. If the pressure switch is defective, contact GARDENA Service.

Protect the pump from rain. Don't use the pump in wet or moist areas.

Please regularly check the connecting line.

Before using, always subject the pump (especially the power cables and the power connections) to a visual inspection.

A pump which is damaged must not be used. In the event of damage, have the pump checked by GARDENA Service.

When using our pumps with a generator, the warnings of the generator manufacturer must be observed.

Personal safety



DANGER! Risk of suffocation!

Small parts can be easily swallowed. There is also a risk that the poly-bag can suffocate toddlers. Keep toddlers away when you assemble the product.



DANGER! Risk of injury due to hot water!

If the pump is operated for prolonged periods of time (> 5 min.) with the delivery side closed, the water in the pump may heat up so that there is a risk of scalding yourself with hot water.

- The pump should not run against the closed delivery side for more than 5 minutes.

If the water supply on the intake side of the pump fails, the water in the pump can heat up so that if water emerges, injuries could be caused by the hot water.

- Disconnect the pump from the mains via the main circuit breaker, let the water cool and secure the suction-side water supply before putting into operation again.



DANGER! Hearing damage due to bang!

- The tank must not be opened.

When connecting the pump to the water supply system, the country-specific sanitary regulations must be observed to prevent water not of drinking water quality being drawn back in.

- Please consult a specialist for sanitary installations.

In order to avoid dry-running of the pump, take care that the end of the suction hose is always submerged into the liquid.

→ Before each operation, fill the pump to overflowing with approx. 2 to 3 l of the liquid to be pumped!

Sand and other abrasive substances cause increased wear and reduce the pump's output.

→ Use a pump pre-filter for pumping sandy liquids.

Pumping dirty water, e.g. stones, pine needles etc., can cause damage to the pump.

→ Do not pump dirty water.

2. ASSEMBLY



DANGER! Risk of injury!

Injury when the product starts accidentally.

→ **Disconnect the product from the mains before you assemble the product.**

To set up the pump:

The site must be firm and solid in order to ensure safe and sturdy operating conditions for the pump.

→ Position the pump at a safe distance (min. 2 m) from the water.

The pump must be installed in a location with low air humidity and sufficient ventilation in the area of the ventilation slots. It must be at a distance of at least 5 cm from the walls. Dirt (e.g. sand or soil) must not be sucked in through the ventilation slots.

The plastic connection pieces on the intake and delivery sides may only be tightened by hand.

Fixed installation of the pump [Fig. A1]:

A mounting plate ⑫ e.g. wooden plate (not included) prevents the pressure tank unit from slipping.

→ The Pressure Tank Unit can be screwed with all 4 feet ⑪ onto a solid surface ⑫ (We recommend the use of inbus screws).

Install the pressure tank unit so that there is room to place a suitably sized drainage tray under the drain screw ⑨ to allow the unit or system to be drained.

If possible, install the pump higher than the surface of the water to be pumped. If this is not possible, install a vacuum-resistant valve between the pump and the suction hose.

For permanent indoor installations for domestic water supply, the Pressure Tank Unit should not be connected to the domestic water pipework with rigid pipes but with flexible tubing, to reduce noise and to avoid damage to the pump caused by pressure blows.

If the system is being installed permanently, please fit suitable valves on both the intake and delivery sides. This is important e.g. for maintenance and cleaning work or if the system is being shut down.

To connect the hose to the suction side [Fig. A2]:

Don't use any hose quick connection system fittings on the suction side!

→ A vacuum-resistant suction hose must be used, e.g. **GARDENA Suction Unit, Art. 1411** or **GARDENA Bore Hole Suction Hose Art. 1729**.

A suction hose with backflow preventor must be used so that the suction hose does not drain automatically when the pump is switched off.

We recommend to install an additional non-return valve, e.g. GARDENA intermediate brass valve Art. 7231, between the pump connection piece and the hose.

1. Screw the pump connection piece ② into the connector on the suction side ①.
2. Connect the vacuum-resistant suction hose ③ airtight to the pump connection piece ② of the pump.
3. For suction heights exceeding 4 m: Also fix the suction hose ③ (e.g. by fastening it to a wooden post).

This relieves the pump of the weight of the suction hose.

To connect the hose to the pressure side [Fig. A3]:

The pump connection ④ is equipped with a 33.3 mm (G 1") internal thread.

E.g. a GARDENA pump connection piece Art. 1745 is required for the GARDENA Connection System (for Art. 9020 included in scope of delivery).

Tip: If permanent pipes are installed, they must be laid at an ascending angle in order to allow the water to flow back into the pump on the pressure side.

Optimised use of the pump capacity is achieved by connecting 19 mm (3/4") hoses with e.g.

– **GARDENA Pump Connection Set Art. 1752,**

or by connecting 25 mm (1") hoses with

– **GARDENA Quick Thread Coupling with male thread Art. 7115/ Quick Coupling Hose Connector Art. 7103.**

1. **Only for Art. 9022:** Use sealing tape ⑰ on the external thread of the pump connection piece.
2. Screw the pump connection piece ② into the connector on the delivery side ④ (Only with Art. 9020 in the scope of delivery).
3. Connect the pressure hose ⑤ to the pump connection piece ②.

If more than one hose/accessory is connected simultaneously, we recommend using the

– **GARDENA 2- or 4-Channel Water Distributor Art. 8193/8194, GARDENA Twin-Tap Connector Art. 940**

which can be screwed directly onto the pump connection piece ②.

3. OPERATION



DANGER! Risk of injury!

Injury when the product starts accidentally.

→ **Disconnect the product from the mains before you connect, adjust or transport the product.**

To pump water [Fig. O1/O2]:



CAUTION! Dry-Running of the pump!

→ **Fill the pump with water up to the overflow (approx. 2 to 5 l) before each start-up.**

1. Check the pressure in the storage tank (see 4. MAINTENANCE).
 2. Unscrew the screw fitting ⑥ of the filler neck ⑦ by hand.
 3. Fill the pump via the filler neck ⑦ to overflowing with approx. 2 to 5 l of water.
 4. Tighten the screw fitting ⑥ of the filler neck ⑦ by hand (do not use pliers).
 5. Open any shut-off valves in the delivery line (accessories, water stop, etc.).
 6. Drain remaining water in pressure hose ⑤ so that air can escape during the suction process.
 7. Connect the pump to the mains.
 8. Lift and hold the delivery hose ⑤ at least 1 m vertically above the pump, press the On/Off switch ⑧ and wait until the pump has primed.
- **If the pump does not deliver water after approx. 5 minutes, switch off the pump (press On/Off switch ⑧) (see 6. TROUBLESHOOTING).**

Once the maximum pressure is reached the pump will switch off automatically. When the pressure falls below the minimum value due to water being drawn off, the pump will switch on again automatically.

The specified maximum self-priming suction height of 7 m is reached only if the pump is filled via the filler neck ⑦ up to the overflow and if, while doing so and during the self-priming, the delivery hose ⑤ is held up sufficiently high to prevent any water escaping from the pump via the delivery hose ⑤.

Rust formation: The pump Art. 9022 has a cast iron housing. After contact with water, rust will form (this does not damage the pump and is not covered by the warranty). Therefore rusting water may initially escape after switching on the pump.

4. MAINTENANCE



DANGER! Risk of injury!

Injury when the product starts accidentally.

→ **Disconnect the product from the mains before you maintain the product.**

To flush the pump:

After pumping chlorinated water, the pump must be flushed.

1. Pump lukewarm water (max. 35 °C), possibly adding a mild cleaning agent (e.g. detergent) until the pumped water runs clear.

- Remove residuals according to the waste disposal laws applicable in your area.

To check the pressure in the storage tank [Fig. M1]:

Check the pressure in the reservoir tank regularly.

The pressure in the storage tank must be approx. 1.5 bar. An air pump/tyre inflator with pressure indicator (manometer) is required to refill the air.

- Unscrew the protective cover ⑬.
- Open all the tapping points.
The pressure side is depressurized.
- Place the air pump/tyre inflator on the tank valve ⑭ and refill with air until the pressure display on the air pump/tyre inflator shows approx. 1.5 bar.
- Screw the protective cover ⑬ close again.

5. STORAGE

To put into storage [Fig. S1]:

The pump is not frost-proof!

The product must be stored away from children.

- Disconnect the pump from the mains.
- If applicable, close all the shut-off devices on the intake side.
- Open all the tapping points.
The pressure side is depressurized.
- Open the screw fitting ⑥ of the filler neck ⑦ and the water drain screw ⑨.
The pump drains.
- Store the pump in a dry, enclosed and frost-free place.

Disposal:

(in accordance with RL2012/19/EC)

The product must not be disposed of to normal household waste. It must be disposed of in line with local environmental regulations.



IMPORTANT!

→ Dispose of the product through or via your municipal recycling collection centre.

6. TROUBLESHOOTING



DANGER! Risk of injury!

Injury when the product starts accidentally.

→ Disconnect the product from the mains before you troubleshoot the product.

To loosen the impeller [Fig. T1]:

An impeller blocked by dirt can be freed again.

- Turn shaft of the impeller ⑩ with a screwdriver.
This will loosen the stuck impeller.

To clean the filter [Fig. T2]:

If the pump does not start or stops suddenly during operation, this may be due to a clogged filter.

- Loosen the screw connection ⑮.
- Unscrew the filter ⑮.
- Clean the filter ⑮ under running water.
- Assemble the filter ⑮ in reverse order.

Problem	Possible Cause	Remedy
Pump is running, but the suction action doesn't take place	Leaky or damaged suction hose.	→ Check suction line for damage and seal so is airtight.
	The pump was not filled with water.	→ Fill the pump (see 3. OPERATION).
	The liquid escapes over the hose which is connected to the delivery side during the suction action.	→ 1. Fill the pump again (see 3. OPERATION). 2. When starting operation hold the pressure hose approx. 1 m vertically above the pump, until the suction action has taken place.

Problem	Possible Cause	Remedy
Pump is running, but the suction action doesn't take place	Absolutely vacuum-resistant connection is achieved by using GARDENA Suction Hoses (see 8. ACCESSORIES).	
	Leaky screw fitting at the filler neck.	→ Check seal (replace if necessary) and tighten connection securely (do not use pliers).
	Air cannot escape, since delivery side is closed or remaining water is in the pressure hose.	→ Open shut-off valves (e. g. nozzle) in the delivery line, empty the delivery hose or disconnect it from the pump during priming.
	The waiting time wasn't observed.	→ Switch on the pump and wait up to 5 min.
	Suction filter or backflow preventer in the suction hose clogged.	→ Clean the filter or the backflow preventer.
Too high suction height.	→ Reduce suction height.	
In case of any other difficulties concerning the suction action, use GARDENA Suction Hoses with Backflow Preventer (see 8. ACCESSORIES) and fill in the liquid to be pumped over the filler neck before operation.		
Pump does not start, or stops suddenly during operation	Thermal switch has turned the pump off because of over-heating.	→ Clean the filter. Observe the max. media temperature (35 °C).
	No power supply to the pump.	→ Check fuses and electrical plug connections.
	RCD has triggered (residual current).	→ Disconnect the pump and contact the GARDENA Service.
	Pump is not switched on.	→ Push the On/Off switch to On.
Pump is running but the delivery drops suddenly	Suction hose end is not in water.	→ Submerge the end of the suction hose deeper in the water.
	Suction filter or backflow preventer clogged.	→ Clean the suction filter or back-flow preventer.
	Leaks at suction side.	→ Eliminate leak.
Impeller blocked.	→ Release impeller.	
Noise development in the hydraulic area	In the case of strong flows (e. g. open hose end, without connecting device), noise may result in the hydraulic part of the pump. This is harmless and does not lead to damage of the pump. The noise can be removed by lightly changing the flow (e. g. light opening/closing of a connecting device).	
Pump switches on and off too often	Tank membrane is damaged.	→ Let the tank membrane be replaced by the GARDENA Service.
	Pressure in the tank is too low.	→ Refill the air in the storage tank.
	Leakage on the pressure side.	→ Eliminate leaks on the pressure side.



NOTE: For any other malfunctions please contact the GARDENA service department. Repairs must only be done by GARDENA service departments or specialist dealers approved by GARDENA.

7. TECHNICAL DATA

Pressure Tank Unit	Unit	Value (Art. 9020)	Value (Art. 9022)
Rated power	W	600	800
Mains voltage	V (AC)	230	230
Mains frequency	Hz	50	50
Max. delivery capacity	l/h	3000	3600
Max. pressure/ max. delivery head	bar / m	3,5 / 35	4,0 / 40
Max. self-priming suction height	m	7	7
Working pressure p(W) (switch-on to switch-off pressure)	bar	1.5 – 2.4	1.5 – 2.8
Permitted internal pressure (delivery side)	bar	6	6
Power cable	m	1.5 (H07RN-F)	1.5 (H07RN-F)
Weight	kg	10.2	13.1

Pressure Tank Unit	Unit	Value (Art. 9020)	Value (Art. 9022)
Sound power level L_{WA} ¹⁾ measured/guaranteed Uncertainty k_{WA} ²⁾	dB(A)	74 / 77 2.6	80 / 82 2
Max. media temperature	°C	35	35

Measuring process complying with: ¹⁾ RL 2000/14/EU ²⁾ ISO 4871

8. ACCESSORIES

GARDENA Suction Hoses	Kink-proof and vacuum-proof, optionally available by the metre Art. 1720/1721 (19 mm (3/4")/25 mm (1")) without connecting fittings or in fixed length Art. 1411/1418 complete with connecting fittings.	
GARDENA Suction Hose Fitting	For connection on the suction side.	Art. 1723/1724
GARDENA Pump Connection Set	For connection on the delivery side.	Art. 1750/1752
GARDENA Suction Filter with backflow preventer	To equip suction hoses with backflow preventer sold by the metre.	Art. 1726/1727/1728
GARDENA Pump Preliminary-Filter	Recommended for pumping sandy liquids.	Art. 1730/1731
GARDENA Bore Hole Suction Hose	For vacuum-resistant connection of the pump to boreholes or pipe networks. Length 0.5 m. With 33.3 mm (G1) female thread at both ends.	Art. 1729
GARDENA Floating suction system	For dirt-free suction below the water surface.	Art. 1417
GARDENA Pump Connection Piece	For connecting the GARDENA Connection System on the pressure side.	Art. 1745

9. SERVICE/WARRANTY

Service:

Please contact the address on the back page.

Warranty statement:

In the event of a warranty claim, no charge is levied to you for the services provided.

GARDENA Manufacturing GmbH grants a warranty for all original GARDENA new products for two years from the date of original purchase from the retailer, provided that the devices have been for private use only. This manufacturer's warranty does not apply to products acquired second hand. This warranty includes all significant defects of the product that can be proved to be material or manufacturing faults. This warranty is fulfilled by supplying a fully functional replacement product or by repairing the faulty product sent to us free of charge; we reserve the right to choose between these options. This service is subject to the following provisions:

- The product has been used for its intended purpose as per the recommendations in the operating instructions.
- Neither the purchaser nor a third party has attempted to open or repair the product.
- Only Original GARDENA replacement parts and wear parts have been used for operation.
- Presentation of the receipt.

Normal wear and tear of parts and components (such as blades, blade fixing parts, turbines, light bulbs, V-belts/toothed belts, impellers, air filters, spark plugs), visual changes, wear parts and consumables are excluded from the warranty.

This manufacturer's warranty is limited to replacement and repair of products in accordance with the abovementioned conditions. The manufacturer's warranty does not constitute an entitlement to lodge other claims against us as a manufacturer, such as for damages. This manufacturer's warranty does **not**, of course, affect statutory and contractual warranty claims against the dealer/retailer.

The manufacturer's warranty is governed by the law of the Federal Republic of Germany.

In case of a warranty claim, please return the faulty product, together with a copy of the receipt and a description of the fault, with postage paid to the service address.

Consumables:

The impeller and the diaphragm are consumables and are not included in the warranty.

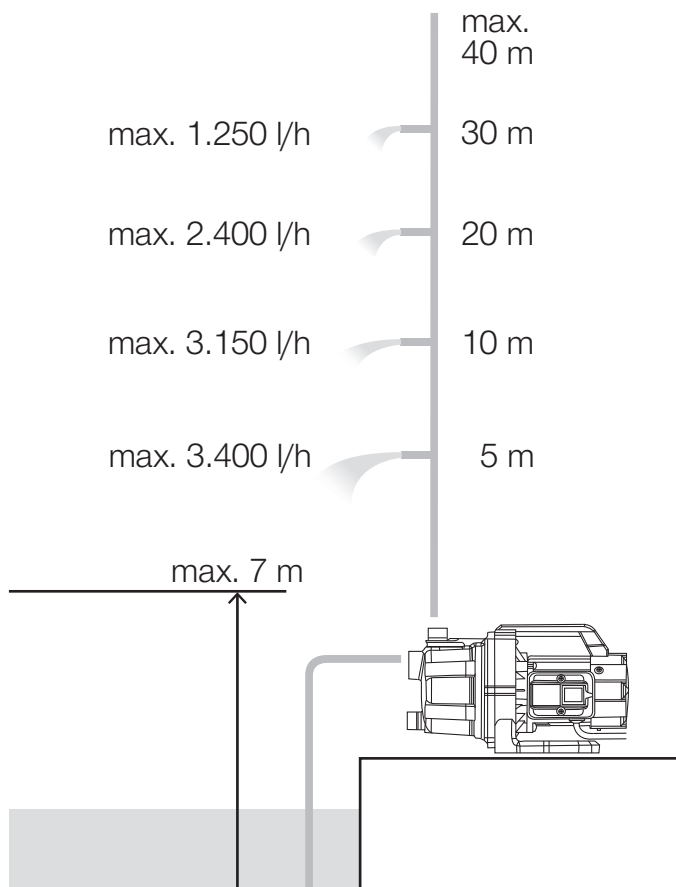
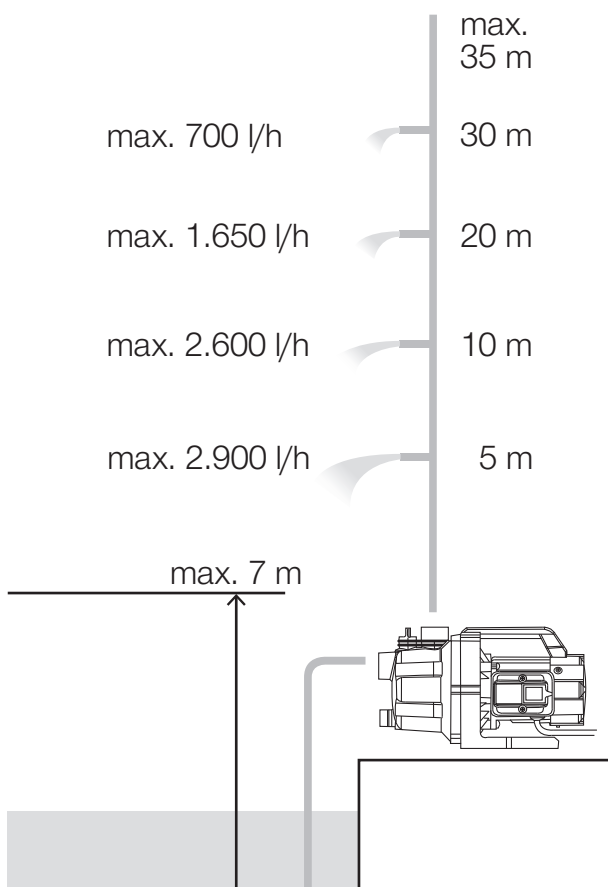
Performance characteristics
Charakterystyka pompy
Szivattyú-jelleggörbe
Charakteristika čerpadla
Charakteristiky čerpadla
Χαρακτηριστικό διάγραμμα

Кривая производительности насоса
Karakteristika črpalke
Obilježja pumpe
Karakteristika pumpe
Крива характеристики насоса
Characterističá pumpä

Pompa karakter eğrisi
Pompeņa karakteristika
Fuqia e pompës
Pumba karakteristik
Siurblio charakteristinė kreivė
Sūkņa raksturlīkne

PTU 3000/4 Art. 9020

PTU 3600/4 Art. 9022



<p>EN EC Declaration of Conformity</p> <p>The undersigned hereby certifies as the authorized representative of the manufacturer, GARDENA Germany AB, PO Box 7454, S-103 92, Stockholm, Sweden, that, when leaving our factory, the unit(s) indicated below is/ are in accordance with the harmonised EU guidelines, EU standards of safety and product specific standards. This certificate becomes void if the unit(s) is/are modified without our approval.</p>	<p>HR EU izjava o sukladnosti</p> <p>Dolje potpisani kao opunomoćenik proizvođača, tvrtke GARDENA Germany AB, PO Box 7454, S-103 92, Stockholm, Švedska, potvrđujemo da niže navedeni uređaj(i) odgovarajuće izvedbe koji/koje smo iznijeli na tržište ispunjavaju kriterije usklađenih direktiva EU i sigurnosnih standarda EU kao i standarda koji se tiču proizvoda. Ova izjava gubi valjanost u slučaju izmjena uređaja koje nisu prethodno ugovorene s nama.</p>
<p>PL Deklaracja zgodności UE</p> <p>Niżej podpisany potwierdza jako upoważniony przedstawiciel producenta, spółki GARDENA Germany AB, PO Box 7454, S-103 92, Sztokholm, Szwecja, że określone poniżej urządzenie/-nia w wersji wprowadzonej przez nas do obrotu spełnia/-niają wymogi zharmonizowanych dyrektyw UE, norm bezpieczeństwa UE oraz norm dotyczących konkretnych produktów. Niniejsza deklaracja traci ważność w przypadku wprowadzania niezgodzonych z nami zmian urządzenia/ri.</p>	<p>RO Declarație de conformitate UE</p> <p>Semnatarul, în calitate sa de împuternicit al producătorului GARDENA Germany AB, PO Box 7454, S-103 92, Stockholm, Suedia, confirmă că aparatul (aparatele) descrise în cele ce urmează, în execuția pusă de noi pe piață îndeplinește (îndeplinesc) cerințele directivelor armonizate UE, ale standardelor de siguranță UE și ale standardelor specifice produsului. În cazul modificării fără aprobarea noastră prealabilă a aparatului (aparaterelor), această declarație își pierde valabilitatea.</p>
<p>HU EU megfelelőségi nyilatkozat</p> <p>Az alulírott, a GARDENA Germany AB, Pf. 7454, S-103 92, Stockholm, Svédország megbízotti minőségében megerősíti, hogy az általunk aláírt kivitelben forgalomba hozott, lent nevezett eszköz(ök) megfelel(nek) az uniós irányelvekkel összhangba hozott nemzeti előírások követelményeinek, az EU biztonsági szabványainak és a konkrét termékre vonatkozó szabványoknak. Az eszköz(ök)nek velünk nem egyeztetett módosítása esetén ez a nyilatkozat érvényét veszti.</p>	<p>BG ЕС-Декларация за съответствие</p> <p>Долуподписаният удостоверява като пълномощник на производителя GARDENA Germany AB, PO Box 7454, S-103 92, Стокхолм, Швеция, че по-долу описаният(ите) уред(и) във варианта на изпълнение пуснат от нас на пазара изпълнява/изпълняват изискванията на хармонизираните ЕС-директиви, ЕС-норми за безопасност и специфичните норми за продукцията. В случай на промяна на уреда(ите), която не е съгласувана с нас, тази декларация губи своята валидност.</p>
<p>CS EU prohlášení o shodě</p> <p>Podepsaná osoba zplnomocněná výrobcem GARDENA Germany AB, PO Box 7454, S-103 92, Stockholm, Švédsko potvrzuje, že v následujícími uvedený(-é) přístroj(-e) v provedení námi uvedeném na trh splňuje/splňují požadavky směrnice EU, bezpečnostních norem EU a norem specifických pro výrobek. V případě změny přístroje(-ů), která s námi nebyla dohodnuta, ztrácí toto prohlášení svou platnost.</p>	<p>ET EL-i vastavusdeklaratsioon</p> <p>Allakirjutanu kinnitab tootja, GARDENA Germany AB, PO Box 7454, S-103 92, Stockholm, Rootsi, poolt volitatud isikuna, et järgnevalt nimetatud seade (seadmed) täidab (täidavad) meie poolt turule toodud versiooni kujul harmoneeritud EL-i direktiivide, EL-i ohutusstandardite ja tootepõhiste standardite nõudeid. Seadmel (seadmetel) meiega kooskõlastamata muudatuse tegemise korral kaotab käesolev deklaratsioon oma kehtivuse.</p>
<p>SK EÚ vyhlásenie o zhode</p> <p>Dolu podpísaný potvrdzuje, ako splnomocnený zástupca výrobcu, GARDENA Germany AB, PO Box 7454, S-103 92, Štokholm, Švédsko, že ďalej označené zariadenie/ a vo vyhotovení uvedenom na trh spĺňa/ jú požiadavky harmonizovaných smerníc EÚ, bezpečnostných štandardov EÚ a predpisov, špecifických pre dané výrobky. Pri zmene zariadenia/ zariadení, ktorá nebola odsúhlasená našou spoločnosťou, stráca toto vyhlásenie platnosť.</p>	<p>LT ES atitikties deklaracija</p> <p>Pasirašantysis, kaip gamintojo, GARDENA Germany AB, PO Box 7454, S-103 92, Stokholmas, Švedija, įgaliotasis atstovas patvirtina, kad žemiau nurodyto(-ų) prietaiso(-ų) modeliai, kurie buvo pagaminti mūsų gamyklose, atitinka darniausias ES direktyvas, ES saugumo standartus ir specifinius gaminio standartus. Atlikus bet kokį prietaiso(-ų) pakeitimą, kuris nėra suderintas su mumis, ši deklaracija praranda galiojimą.</p>
<p>EL Δήλωση συμμόρφωσης EE</p> <p>Ο υπογεγραμμένος βεβαιώνει ως πληρεξούσιος του κατασκευαστή, της εταιρείας GARDENA Germany AB, T.Θ. 7454, S-103 92, Στοκχόλμη, Σουηδία, ότι η (οι) παρακάτω αναφερόμενη(ες) συσκευή(ές) στην έκδοση που τίθεται από εμάς σε κυκλοφορία πληροί/πληρούν τις απαιτήσεις των εναρμονισμένων οδηγιών της ΕΕ, προτύπων ασφαλείας της ΕΕ και των ειδικών για το προϊόν πρότυπων. Σε περίπτωση τροποποίησης της (των) συσκευή(ών) χωρίς προηγούμενη συνεννόηση με την εταιρεία μας παύει να ισχύει η δήλωση.</p>	<p>LV ES atbilstības deklarācija</p> <p>Zemā parakstījies persona kā ražotāja, uzņēmuma GARDENA Germany AB, PO Box 7454, S-103 92, Stokholma, Švedija, iģaliotais pārstāvis apstiprina, ka tālāk norādītā(-s) ierīce(-s) izpildījumā, kādā mēs to (tās) esam laiduši tirgū, atbilst saskaņotajām ES direktīvām, ES drošības standartiem un konkrētajām produktam noteiktajiem standartiem. Ierīce(-s) veicot ar mums nesaskaņotas izmaiņas, šī deklarācija zaudē savu spēku.</p>
<p>SL Izjava EU o skladnosti</p> <p>Spodaj podpisani kot pooblaščenec proizvajalca GARDENA Germany AB, PO Box 7454, S-103 92, Stockholm, Švedska, potrjuje, da v nadaljevanju označene naprave v izvedbi, v kakršni smo jih dali v promet, izpolnjujejo zahteve usklajenih direktiv EU, varnostnega standarda EU in standardov, ki veljajo za posamezne izdelke. V primeru spremembe naprave, ki ni usklajena z nami, ta izjava neha veljati.</p>	

<p>Description of the product: Opis produktu: A termék leírása: Popis výrobku: Popis produktu: Περιγραφή του προϊόντος: Opis izdelka: Opis proizvoda: Descrierea produsului: Описание на продукта: Toote kirjeldus: Gaminio aprašas: Izstrādājuma apraksts:</p>	<p>Pressure Tank Unit Zestaw hydroforowy Házi vízmű Domáci vodárna Domáca vodáreň Συσκευή παραγωγής νερού οικιακής χρήσης Hišna vodna črpalka Kućna hidroforaska pumpa Hidrofor cu rezervor Хидрофорна уредба с разширителен съд Hidroforogiga veeautomaat Siurblys su šlegio rezervuaru Spiedvertnes ierīce</p>	<p>Noise level: Poziom halasu: Zajszint: Hladina hluku: Hladiny hluku: Επίπεδο θορύβου: Raven zvočne moči: Razina buke: Nivel de zgomot: Ниво на шум: Műratase: Triukšmo lygis: Troksņa līmenis:</p>	<p>measured/ guaranteed zmierzony/ gwarantowany mért/ garantált naměřená/ zaručená nameranė/zarūčenė μετρούμενο/ εγγυημένο izmerjena/ zagotovljena mjerena/ zajamčena māsurat/ garantat измерено/ гарантирано mõõdetud/ garanteeritud išmatuotas/ garantuojamas mērītais/ garantētais</p>
<p>Product type: Typ produktu: Terméktípus: Druh výrobku: Typ produktu: Τύπος προϊόντος: Vrsta izdelka: Vrsta proizvoda:</p>	<p>Tip produs: Тип продукт: Tootetüüp: Gaminio tipas: Produkta veids:</p>	<p>Article number: Numer katalogowy: Cikkszámok: Objednací číslo: Objednávacie číslo: Κωδικός είδους: Številka izdelka: Kataloški broj:</p>	<p>Art. 9020: Art. 9022:</p> <p>74 dB(A) / 77 dB(A) 80 dB(A) / 82 dB(A)</p>
<p>EC-Directives: Dyrektywy WE: EK-irányelvek: Předpisy ES: Smernice EÚ: Οδηγίες EK: Direktive EU: EC direktive: Directive CE: Директиви на ЕО: EÚ direktívid: EB direktivos: EK direktivas:</p>	<p>Harmonised EN:</p> <p>EN 60335-1 EN 60335-2-41 EN ISO 12100</p> <p>Deposited Documentation: GARDENA Technical Documentation, M. Kugler 89079 Ulm</p> <p>Conformity Assessment Procedure: according to 2000/14/EC Art.14 Annex V</p>	<p>Year of CE marking: Rok nadania oznakowania CE: CE-jelzés elhelyezésének éve: Rok umístění značky CE: Rok udelenia značky CE: Έτος σήματος CE: Leto namestitve CE-oznake:</p>	<p>Godina dobivanja CE oznake: Anul de marcare CE: Година на поставяне на CE-маркировка: CE-mārgistuse raigaldamisa aasta: Metai, kada pažymėta CE-ženklui: CE-markējuma uzlikšanas gads:</p> <p>2019</p> <p>Ulm, 02.12.2019 Ulm, dnia 02.12.2019 Ulm, 02.12.2019 Ulm, 02.12.2019 Ulm, 02.12.2019 Ulm, 02.12.2019 Ulm, 02.12.2019 Ulm, 02.12.2019 Ulm, 02.12.2019 Ulm, 02.12.2019 Ulm, 02.12.2019 Ulm, 02.12.2019</p> <p>Authorised representative Pelnomocnik Meghatalmazott Zplnomocnenec Splnomocnený Ο εξουσιοδοτημένος Pooblaščenec Ovlaštena osoba Conducerea tehnică Упълномощен Volitatud esindaja İgaliotasis atstovas Pilnvarotā persona</p> <p><i>Reinhard Pompe</i> Reinhard Pompe Vice President</p>

Deutschland / Germany

GARDENA
Manufacturing GmbH
Central Service
Hans-Lorenser-Straße 40
D-89079 Ulm
Produktfragen:
(+49) 731 490-123
Reparaturen:
(+49) 731 490-290
service@gardena.com

Albania

COBALT Sh.p.k.
Rr. Siri Kodra
1000 Tirana

Argentina

Husqvarna Argentina S.A.
Av.del Libertador 5954 –
Piso 11 – Torre B
(C1428ARP) Buenos Aires
Phone: (+54) 11 5194 5000
info.gardena@
ar.husqvarna.com

Armenia

Garden Land Ltd.
61 Tigran Mets
0005 Yerevan

Australia

Husqvarna Australia Pty. Ltd.
Locked Bag 5
Central Coast BC
NSW 2252
Phone: (+61) (0) 2 4352 7400
customer.service@
husqvarna.com.au

Austria / Österreich

Husqvarna Austria GmbH
Industriezeile 36
4010 Linz
Tel.: (+43) 732 77 01 01-485
service.gardena@
husqvarnagroup.com

Azerbaijan

Firm Progress
a. Aliyev Str. 26A
1052 Baku

Belgium

Husqvarna België nv/sa
Gardena Division
Rue Egide Van Ophem 111
1180 Uccle / Ukkel
Tel.: (+32) 2 720 92 12
info@gardena.be

Bosnia / Herzegovina

SILK TRADE d.o.o.
Industrijska zona Bukva bb
74260 Tešanj

Brazil

Husqvarna do Brasil Ltda
Av. Francisco Matarazzo,
1400 – 19º andar
São Paulo – SP
CEP: 05001-903
Tel: 0800-112252
marketing.br.husqvarna@
husqvarna.com.br

Bulgaria

AGROLAND България АД
бул. 8 Декември, №13
Офис 5
1700 Студентски град
София
Тел.: (+359) 24 66 69 10
info@agroland.eu

Canada / USA

GARDENA Canada Ltd.
100 Summerlea Road
Brampton, Ontario L6T 4X3
Phone: (+1) 905 792 93 30
info@gardenacanada.com

Chile

Maquinarias Agroforestales
Ltda. (Maga Ltda.)
Santiago, Chile
Avda. Chesterton
8355 comuna Las Condes
Phone: (+56) 2 202 4417
Dalton@maga.cl
Zipcode: 7560330

China

Husqvarna (Shanghai)
Management Co., Ltd.
富世华 (上海) 管理有限公司
3F, Benq Square B,
No207, Song Hong Rd.,
Chang Ning District,
Shanghai, PRC. 200335
上海市长宁区淞虹路207号明
基广场B座3楼, 邮编: 200335

Colombia

Husqvarna Colombia S.A.
Calle 18 No. 68 D-31, zona
Industrial de Montevideo
Bogotá, Cundinamarca
Tel. 571 2922700 ext. 105
jairo.salazar@
husqvarna.com.co

Costa Rica

Compania Exim
Euroberoamericana S.A.
Los Colegios, Moravia,
200 metros al Sur del Colegio
Saint Francis – San José
Phone: (+506) 297 68 83
exim_euro@racsa.co.cr

Croatia

Husqvarna Austria GmbH
Industriezeile 36
4010 Linz
Tel.: (+43) 732 77 01 01-485
service.gardena@
husqvarnagroup.com

Cyprus

Med Marketing
17 Digeni Akrita Ave
P.O. Box 27017
1641 Nicosia

Czech Republic

Husqvarna Česko s.r.o.
Türkova 2319/5b
149 00 Praha 4 – Chodov
Bezplatná infolinka:
800 100 425
servis@cz.husqvarna.com

Denmark

GARDENA DANMARK
Lejrvej 19, st.
3500 Værløse
Tlf.: (+45) 70 26 47 70
husqvarna@husqvarna.dk
www.gardena.com/dk

Dominican Republic

BOSQUESA, S.R.L
Carretera Santiago Licey
Km. 5 ½
Esquina Copal II.
Santiago
Dominican Republic
Phone: (+809) 736-0333
joserbosquesa@claro.net.do

Ecuador

Husqvarna Ecuador S.A.
Arupos E1-181 y 10 de
Agosto Quito, Pichincha
Tel. (+593) 22800739
francisco.jacome@
husqvarna.com.ec

Estonia

Husqvarna Eesti OÜ
Valdeku 132
EE-11216 Tallinn
info@gardena.ee

Finland

Oy Husqvarna Ab
Gardena Division
Lautatarhankatu 8 B/PL 3
00581 HELSINKI
www.gardena.fi

France

Husqvarna France
9/11 Allée des pierres mayettes
92635 Gennevilliers Cedex
France
http://www.gardena.com/fr
N° AZUR: 0 810 00 78 23
(Prix d'un appel local)

Georgia

Transporter LLC
8/57 Beliashvili street
0159 Tbilisi, Georgia
Phone: (+995) 322 14 71 71

Great Britain

Husqvarna UK Ltd
Preston Road
Aycliffe Industrial Park
Newton Aycliffe
County Durham
DL5 6UP
info.gardena@
husqvarna.co.uk

Greece

Π. ΠΑΠΑΔΟΠΟΥΛΟΣ ΑΕΒΕ
Λεωφ. Αθηνών 92
Αθήνα
T.K.104 42
Ελλάδα
Τηλ. (+30) 210 51 93 100
info@papadopoulos.com.gr

Hungary

Husqvarna Magyarország Kft.
Ezred u. 1-3
1044 Budapest
Telefon: (+36) 1 251-4161
vevoszolgalat.husqvarna@
husqvarna.hu

Iceland

Ó. Johnson & Kaaber
Tunguhalsi 1
110 Reykjavik
ooj@ojk.is

Ireland

Husqvarna UK Ltd
Preston Road
Aycliffe Industrial Park
Newton Aycliffe
County Durham
DL5 6UP
info.gardena@
husqvarna.co.uk

Italy

Husqvarna Italia S.p.A.
Via Santa Vecchia 15
23868 VALMADRERA (LC)
Phone: (+39) 0341.203.111
assistenza.italia@
it.husqvarna.com

Japan

KAKUICHI Co. Ltd.
Sumitomo Realty &
Development Kojimachi
BLDG., 8F
5-1 Nibannco
Chiyoda-ku
Tokyo 102-0084
Phone: (+81) 33 264 4721
m_ishihara@kaku-ichi.co.jp

Kazakhstan

LAMED Ltd.
155/1, Tazhibayevoi Str.
050060 Almaty
IP Schmidt
Abayavenue 3B
110 005 Kostanay

Korea

Kyung Jin Trading CO.,LTD.
107-4, SunDuk Bld.,
YangJae-dong,
Seocho-gu,
Seoul, (zipcode: 137-891)
Phone: (+82) (0)2 574-6300

Kyrgyzstan

Alye Maki
av. Moladaya Guardir J 3
720014
Bishkek

Latvia

Husqvarna Latvija SIA
Ulbrokas 19A
LV-1021 Rīga
info@gardena.lv

Lithuania

UAB Husqvarna Lietuva
Ateities pl. 77C
LT-52104 Kaunas
info@gardena.lt

Luxembourg

Magasins Jules Neuberger
39, rue Jacques Stas
Luxembourg-Gasperich 2549
Case Postale No. 12
Luxembourg 2010
Phone: (+352) 40 14 01
api@neuberger.lu

Mexico

AFOSA
Av. Lopez Mateos Sur # 5019
Col. La Calma 45070
Zapopan, Jalisco
Mexico
Phone: (+52) 33 3818-3434
icornejo@afosa.com.mx

Moldova

Convel S.R.L.
290A Muncesti Str.
2002 Chisinau

Netherlands

Husqvarna Nederland B.V.
GARDENA Division
Postbus 50131
1305 AC ALMERE
Phone: (+31) 36 521 00 10
info@gardena.nl

Neth. Antilles

Jonka Enterprises N.V.
Sta. Rosa Weg 196
P.O. Box 8200
Curaçao
Phone: (+599) 9 767 66 55
pgm@jonka.com

New Zealand

Husqvarna New Zealand Ltd.
PO Box 76-437
Manukau City 2241
Phone: (+64) (0) 9 9202410
support.nz@husqvarna.co.nz

Norway

Husqvarna Norge AS
Gardena Division
Trøskenveien 36
1708 Sarpsborg
info@gardena.no

Peru

Husqvarna Perú S.A.
Jr. Ramón Cárcamo 710
Lima 1
Tel: (+51) 1 3320400 ext. 416
juan.remuzgo@
husqvarna.com

Poland

Husqvarna
Poland Spółka z o.o.
ul. Wysockiego 15 b
03-371 Warszawa
Phone: (+48) 22 330 96 00
gardena@husqvarna.com.pl

Portugal

Husqvarna Portugal, SA
Lagoa - Albarraque
2635 - 595 Rio de Mouro
Tel.: (+351) 21 922 85 30
Fax : (+351) 21 922 85 36
info@gardena.pt

Romania

Madex International Srl
Soseaua Odaii 117-123,
RO 013603 București, S1
Phone: (+40) 21 352.76.03
madex@ines.ro

Russia / Россия

ООО „Хускварна“
141400, Московская обл.,
г. Химки,
улица Ленинградская,
владение 39, стр.6
Бизнес Центр
„Химки Бизнес Парк“,
помещение ОВ02_04
http://www.gardena.ru

Serbia

Domel d.o.o.
Autoput za Novi Sad bb
11 273 Belgrade
Phone: (+381) 1 18 48 88 12
miroslav.jejina@domel.rs

Singapore

Hy-Ray PRIVATE LIMITED
40 Jalan Pemimpin
#02-08 Tat Ann Building
Singapore 577185
Phone: (+65) 6253 2277
shiyiing@hyray.com.sg

Slovak Republic

Husqvarna Česko s.r.o.
Türkova 2319/5b
149 00 Praha 4 – Chodov
Bezplatná infolinka:
800 154 044
servis@sk.husqvarna.com

Slovenia

Husqvarna Austria GmbH
Industriezeile 36
4010 Linz
Tel.: (+43) 732 77 01 01-485
service.gardena@
husqvarnagroup.com

South Africa

Husqvarna
South Africa (Pty) Ltd
Postnet Suite 250
Private Bag X6,
Cascades, 3202
South Africa
Phone: (+27) 33 846 9700
info@gardena.co.za

Spain

Husqvarna España S.A.
Calle de Rivas nº 10
28052 Madrid
Phone: (+34) 91 708 05 00
atencioncliente@gardena.es

Suriname

Agrofix n.v.
Verlengde Hogestraat #22
Phone: (+597) 472426
agrofix@sr.net
Pobox : 2006
Paramaribo
Suriname – South America

Sweden

Husqvarna AB
Gardena Division
S-561 82 Husqvarna
Gardenaorder@husqvarna.se

Switzerland / Schweiz

Husqvarna Schweiz AG
Consumer Products
Industriestrasse 10
5506 Mägenwil
Phone: (+41) (0) 62 887 37 90
info@gardena.ch

Turkey

Dost Bahçe Diş Ticaret
Mümesillik A.Ş
Yunus Mah. Adil Sok. No:3
Ic Kapi No: 1 Kartal
34873 Istanbul
Phone: (+90) 216 38 93 939
info@dostbahce.com.tr

Ukraine / Україна

ТОВ «Хускварна Україна»
вул. Васильківська, 34,
офіс 204-г
03022, м. Київ
Тел. (+38) 044 498 39 02
info@gardena.ua

Uruguay

FELI SA
Entre Rios 1083 CP 11800
Montevideo – Uruguay
Tel: (+598) 22 03 18 44
info@felisa.com.uy

Venezuela

Corporación Casa y Jardín C.A.
Av. Caroní, Edif. Trezmen, PB.
Colinas de Bello Monte.
1050 Caracas.
Tlf: (+58) 212 992 33 22
info@casayjardin.net.ve

9020-29.960.02/1019

© GARDENA
Manufacturing GmbH
D-89070 Ulm
http://www.gardena.com