

Art. 3565

DE Montageanleitung

Laub- und Rasensammler

EN Assembly Instructions

Leaf and Grass Collector

FR Instructions de montage

Collecteur de feuilles et d'herbe

NL Montage-instructie

Blad- en gazonveger

SV Monteringsanvisning

Löv- och grässamlare

DA Monteringsvejledning

Løv- og plæneopsamler

FI Asennusohje

Lehtien ja ruohonkerääjä

NO Monteringsanvisning

Løv- og gressoppsamler

IT Istruzioni di montaggio

Raccogli erba e foglie

ES Instrucciones de montaje

Colector de hojas y hierba

PT Instruções de montagem

Coletor de folhas e relva

PL Instrukcja montażu

Zbieracz do liści i trawy

HU Szerelési útmutató

Lomb- és fűgyűjtő

CS Návod k montáži

Sběrač listí a trávy

SK Návod na montáž

Zberač listia a trávy

EL Οδηγίες συναρμολόγησης

Συλλέκτης φύλων και γκαζόν

RU Инструкция по монтажу

Сборщик листвы и травы

SL Navodilo za montažo

Zbiralnik listja in trate

HR Uputa za montažu

Sakupljač lišća i trave

SR/ Uputstvo za montažu

BS Sakupljač lišća i trave

UK Інструкції з монтажу

Збирач листя та зрізаної трави

RO Instrucțiuni de utilizare

Colector de frunze și iarbă

TR Montaj kılavuzu

Yaprak ve çim toplayıcısı

BG Инструкция за монтаж

Събирач за шума и трева

SQ Instruktim montimi

Grumbullues gjethesh dhe bari

ET Paigaldusjuhend

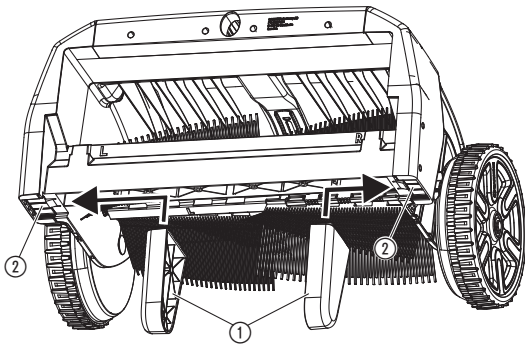
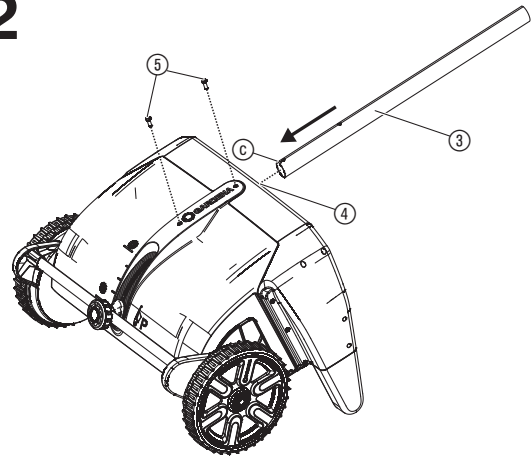
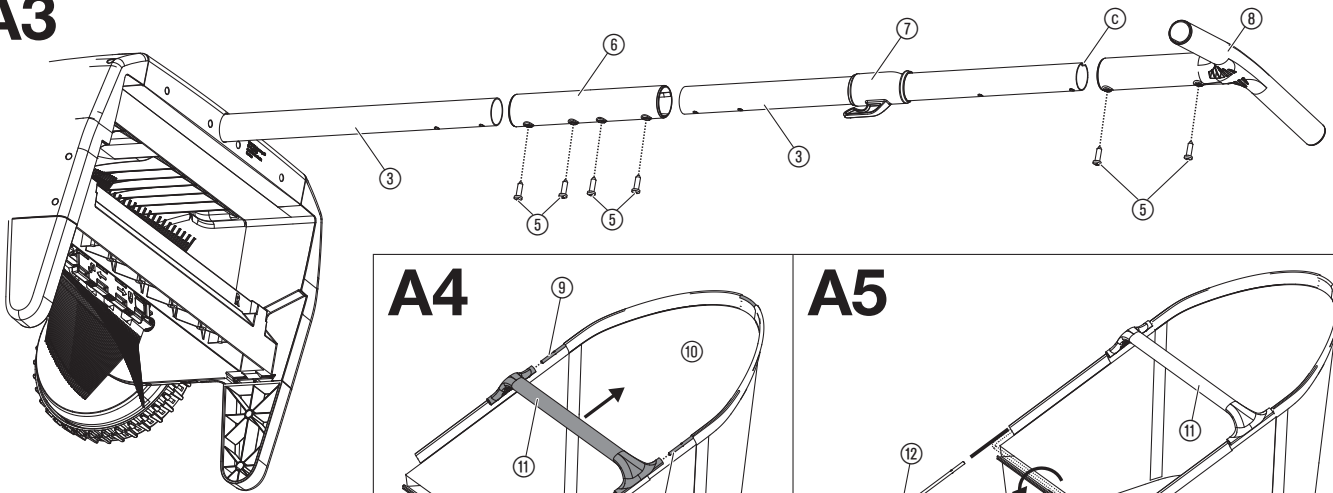
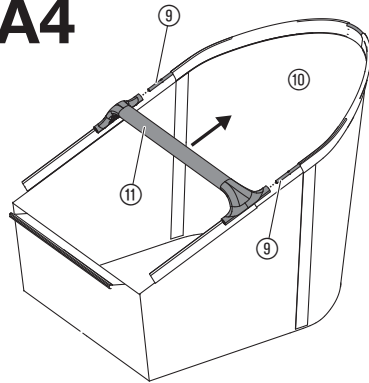
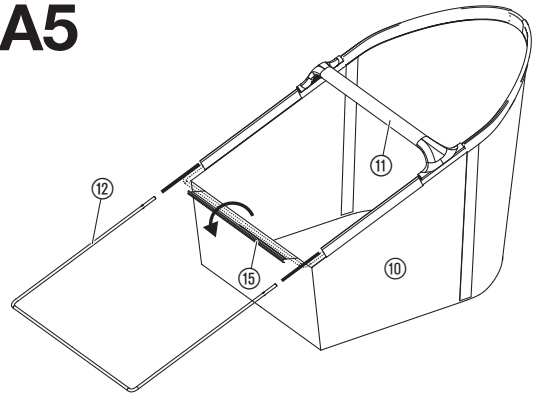
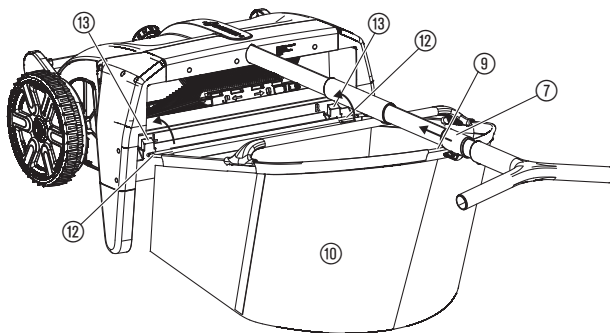
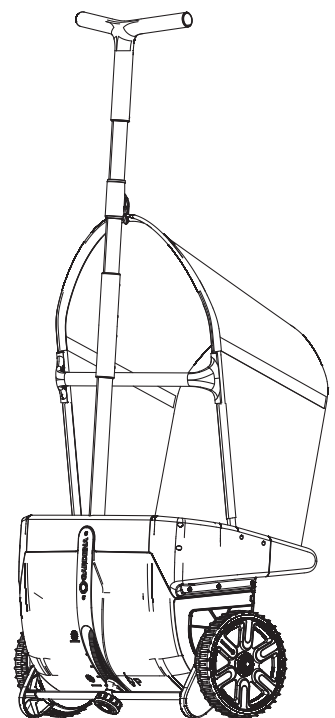
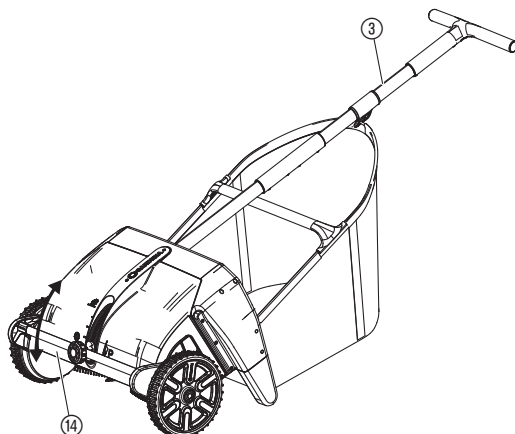
Lehe- ja murukoguja

LT Montavimo instrukcija

Lapų ir vejos rinktuvas

LV Montāžas instrukcija

Lapu un zāles savācējs

A1**A2****A3****A4****A5****A6****S1****O1**

GARDENA Leaf and Grass Collector

Intended use:

The **GARDENA Leaf and Grass Collector** is intended to collect leaves, scarifying material and grass cuttings on lawns in private gardens and allotments.

The product is not intended for long term use.

1. SAFETY



DANGER! Risk of suffocation!
Small parts can be easily swallowed. There is also a risk that the polybag can suffocate toddlers. Keep toddlers away when you assemble the product.

2. ASSEMBLY

To assemble the feet [Fig. A1]:

→ Slide the feet ① into the holders ② on the leaf collector until they audibly engage.

To assemble the tube [Fig. A2/A3]:

- Slide the lower tube ③ with the cut-out ④ upwards into the tube holder ④ until it stops.
- Screw the tube tight with 2 screws ⑤.
- Slide the connecting piece ⑥ onto the tube ③ mounted in the leaf and grass collector until it stops.
- Screw the connecting piece ⑥ tight with 2 screws ⑤.
- Slide the upper tube ③ with the cut-out ④ upwards into the handle ⑧ until it stops.
- Screw the handle ⑧ tight with 2 screws ⑤.
- Slide the collecting bag hook ⑦ in the direction of the product onto the tube ③.
- Slide the upper tube ③ into the connecting piece ⑥ until it stops.
- Screw the connecting piece ⑥ tight with 2 screws ⑤.

To assemble the collecting bag [Fig. A4/A5/A6]:

- Thread the C-shaped bow ⑨ into the guides of the collecting bag ⑩ in such a way that both ends of the C-shaped bow ⑨ are equally far out of the bag ⑩.
- Push the handle ⑪ onto both ends of the C-shaped bow ⑨ until it stops.
- Thread the U-shaped bow ⑫ into the guides of the collecting bag ⑩.
- Push the U-shaped bow ⑫ into the handle ⑪ until it stops.
- Push the plastic strip ⑬ onto the U-shaped bow ⑫.
- Hook the collecting bag with the U-shaped bow ⑫ into the hooks ⑬.
- Slide the collecting bag hook ⑦ onto the C-shaped bow ⑨.

3. OPERATION

To adjust the height [Fig. O1]:

With the help of the stepless height adjustment the leaf collector can be adjusted to the ground.

The best collection result is achieved when the brushes **lightly touch the ground** and you quickly slide the leaf collector over the lawn.

- Open the height adjustment ⑭ and set the tube ③ to the desired position.
- Close the height adjustment ⑭ in the desired position.

Hints for the use of the leaf and grass collector:

The GARDENA leaf and grass collector works like a mechanical rake and is therefore environmentally friendly. The rotating brushes are driven by the wheels. The better the wheels grip the ground, the better the collection result.

Solid objects such as acorns, chestnuts, fallen fruit etc. are not collected. For large-leaved leaves with stems (e.g. chestnut) the leaf collector is only suitable to a limited extent, as this can get entangled in the rotating brushes.

Leaves on paved paths or asphalt can be collected to a limited extent. In this case, however, it is sometimes necessary to drive several times.

4. MAINTENANCE

To clean the leaf and grass collector:



DANGER! Risk of injury!

Risk of injury and risk of damage to the product.

- Do not clean the product with a high-pressure water jet.
- Do not clean with chemicals including petrol or solvents. Some can destroy critical plastic parts.

5. STORAGE

- [Fig. S1]: Set the height adjustment to position **P**.
- Store the leaf collector in an upright position to save space.

6. TROUBLESHOOTING

Problem	Possible Cause	Remedy
The collection of leaves is poor	Height adjustment is wrong.	→ Adjust the height adjustment according to the ground.
	Discharge or collecting bag is full.	→ Empty the collecting bag.



NOTE: For any other malfunctions please contact the GARDENA service department. Repairs must only be done by GARDENA service departments or specialist dealers approved by GARDENA.

7. SERVICE/WARRANTY

Warranty statement:

In the event of a warranty claim, no charge is levied to you for the services provided. GARDENA Manufacturing GmbH grants a warranty for this original GARDENA new product for 5 years from the date of original purchase from the retailer, provided that the product have been for private use only. This manufacturer's warranty does not apply to products acquired second hand.

Consumables:

The brushes are consumables and are not included in the warranty.

