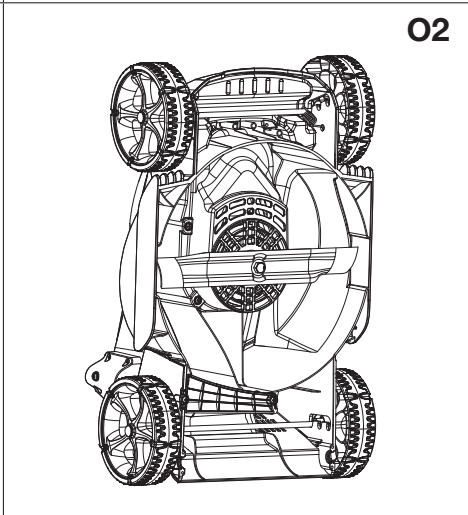
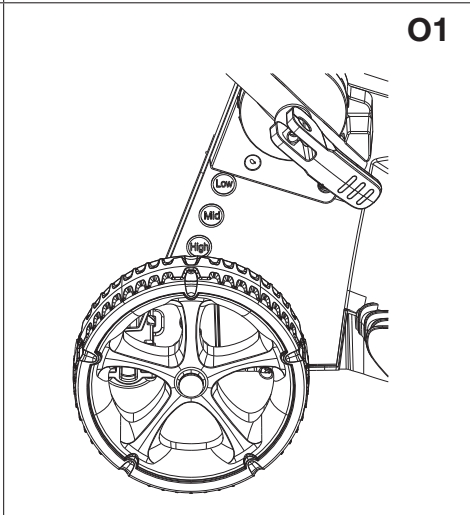
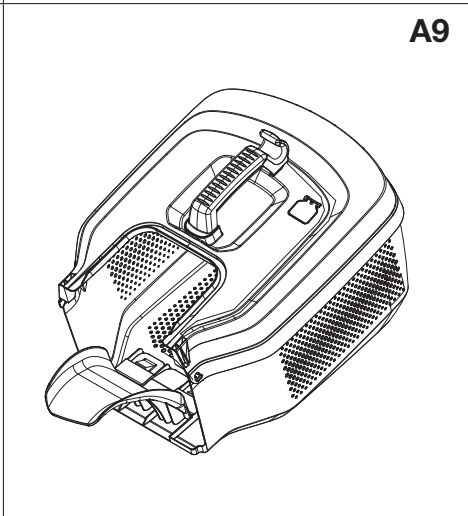
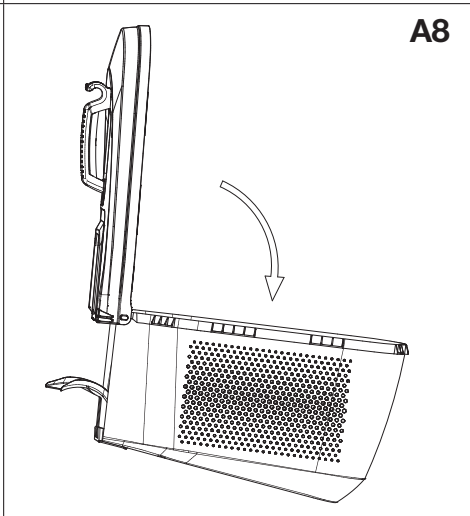
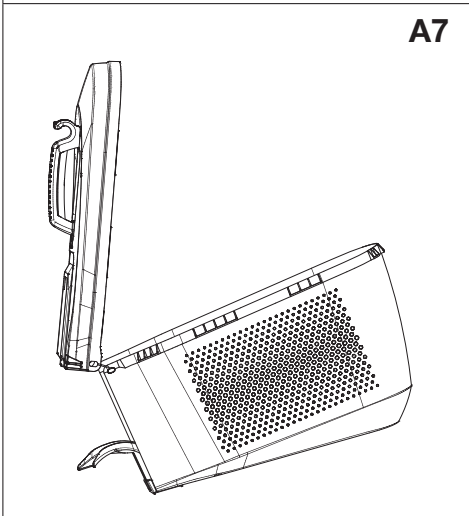
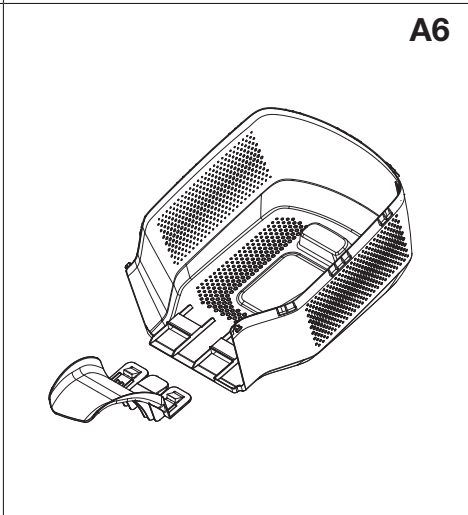
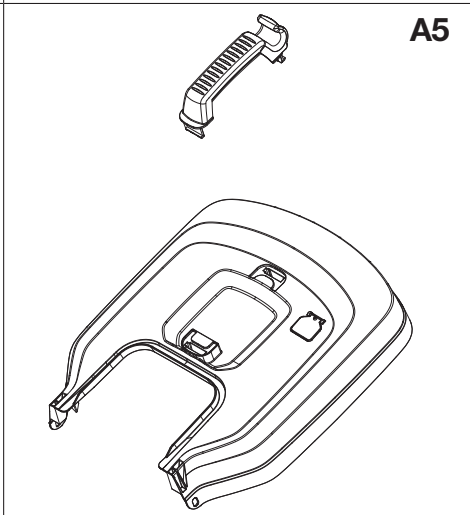
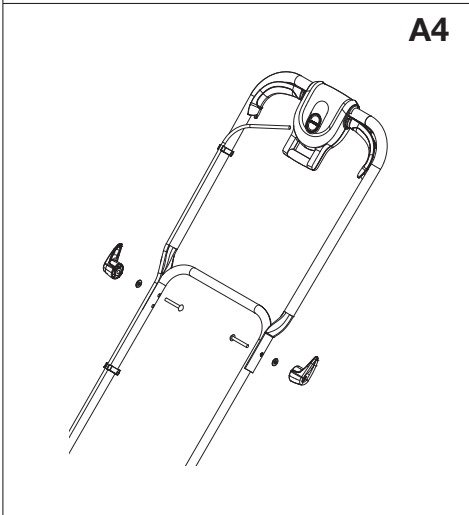
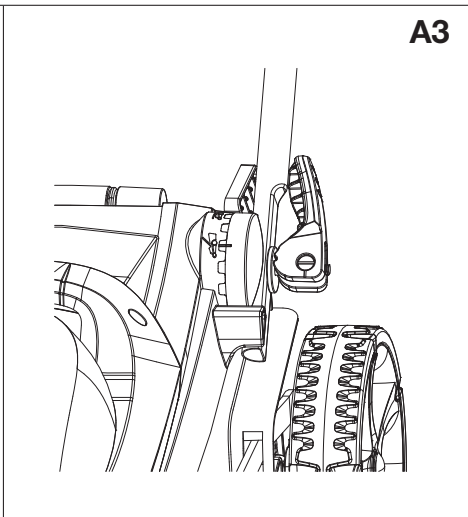
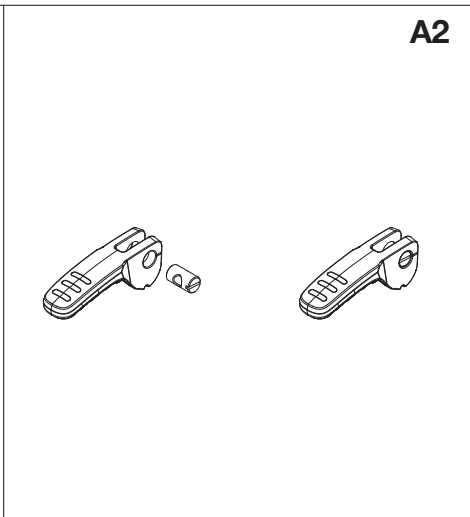
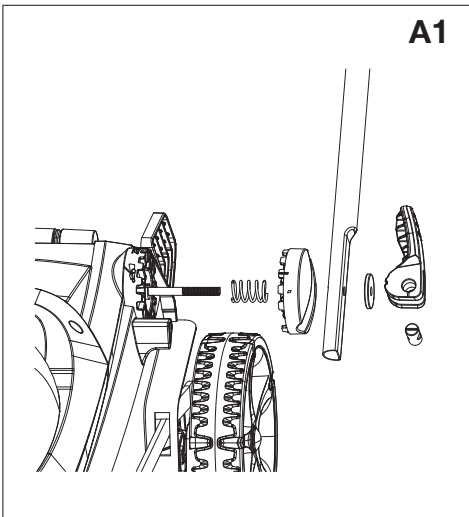


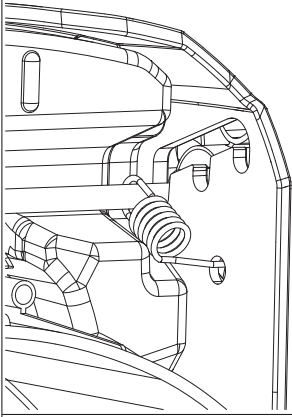
EasiStore 300R	Art. 9679873-01
EasiStore 340R	Art. 9679874-01
EasiStore 380R	Art. 9679875-01

**EN** **Operator's manual**  
Electric Lawnmower

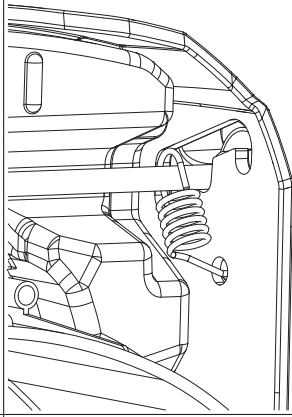
---



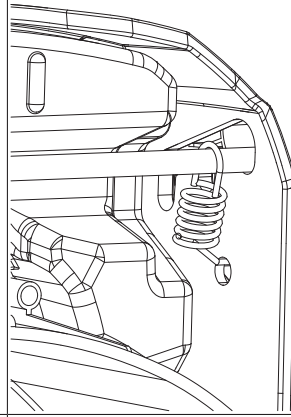
**03**



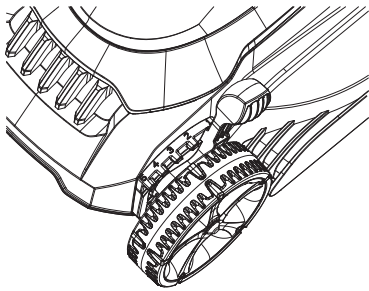
**04**



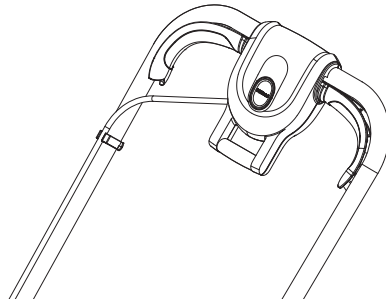
**05**



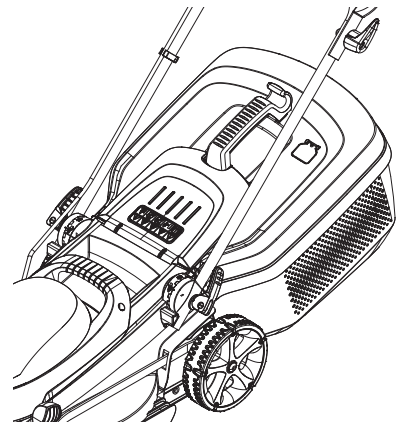
**06**



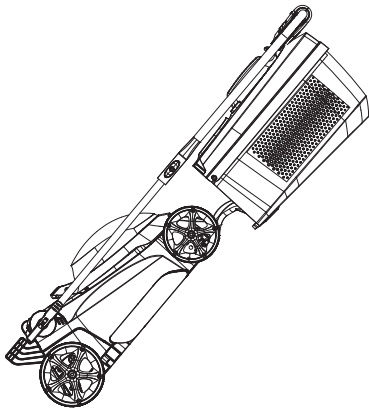
**07**



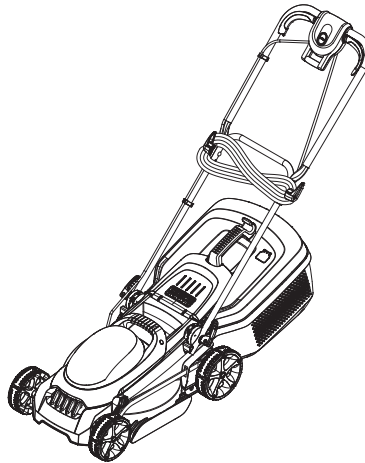
**08**



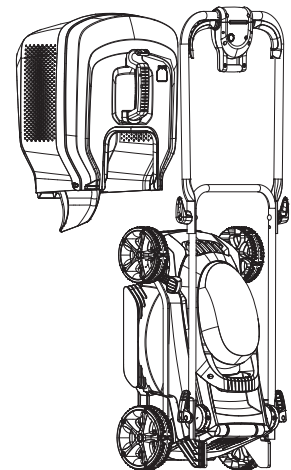
**09**



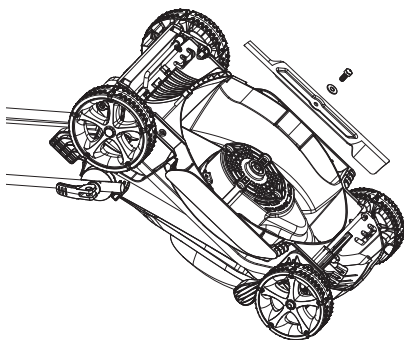
**S1**



**S2**



**T1**



1. SAFETY	4
2. ASSEMBLY	5
3. OPERATION	5
4. MAINTENANCE	6
5. STORAGE	6
6. TROUBLESHOOTING	6
7. TECHNICAL DATA	6
8. ACCESSORIES	7
9. SERVICE/WARRANTY	7

### Original instructions.



This product is not intended for use by persons (including children) with reduced physical, sensory or mental capabilities, or lack of experience and knowledge, unless they have been given supervision or instruction concerning use of the product by a person responsible for their safety. Children should be supervised to ensure that they do not play with the product. The use of this product by young people under the age of 16 is not recommended.

### Intended use:

The **FLYMO Lawnmower** is intended to mow lawn in private domestic gardens and allotments.

The product is not intended for long term use.



### **DANGER! Risk of injury!**

**Do not use the product to cut bushes, hedges, shrubs, to cut of climbers or grass on roofs or balcony boxes, to chop up branches, twigs and to level irregularities in the soil. Do not use the product on a slope steeper than 20° maximum.**

## 1. SAFETY

### IMPORTANT!

Read the operator's manual carefully before use and keep for future reference.

### Symbols on the product:



Read operator's manual.



Keep bystanders away.



Beware of sharp blades. Blades continue to rotate after the motor is switched off.

Remove plug from mains before maintenance.



Not valid for the electric mower.



Secure the working area before starting to work. Watch out for hidden cables.

### General safety warnings

#### Electrical safety



**DANGER! Electric shock!**

Risk of injury due to electric shock.

→ The product must be supplied through a residual current device (RCD) having a rated residual operating current not exceeding 30 mA.



**DANGER! Risk of physical injury!**

Cut injury when the blade turns or the product starts accidentally.

→ Disconnect the product from the mains before you maintain or replace parts. Thereby the disconnected socket must be in the visual range.

#### Cables

If extension cables are used, these must comply with the minimum cross-sections in the table below:

Voltage	Cable length	Cross section
220 – 240 V/50 Hz	Up to 20 m	1.5 mm <sup>2</sup>
220 – 240 V/50 Hz	20 – 50 m	2.5 mm <sup>2</sup>

- Mains cables and extensions are available from your local Approved Service Centre.
- Only use extension cables specifically designed for outdoor use and which conform to one of the following specifications:  
Ordinary rubber (60245 IEC 53), Ordinary PVC (60227 IEC 53) or Ordinary PCP (60245 IEC 57).
- If the connection lead is damaged, it must be replaced by the manufacturer, its service agent or similarly qualified persons in order to avoid a hazard.

### Training

- Read the instructions carefully. Be familiar with the controls and the correct use of the machine.
- Never allow children or people unfamiliar with these instructions to use the machine. Local regulations can restrict the age of the operator.
- Never operate the machine while people, especially children, or pets are nearby.
- Keep in mind that the operator or user is responsible for accidents or hazards occurring to other people or their property.

### Preparation

- While operating the machine always wear substantial footwear and long trousers. Do not operate the machine when barefoot or wearing open sandals. Avoid wearing clothing that is loose fitting or that hanging cords or ties.
- Thoroughly inspect the area where the machine is to be used and remove all objects which can be thrown by the machine.
- Before using, always visually inspect to see that the blade, blade bolt and the blade assembly are not worn or damaged. Replace worn or damaged components in set to preserve balance. Replace damaged or unreadable labels.
- Before use check the supply and extension cord for signs of damage or aging. If the cord becomes damaged during use, disconnect the cord from the supply immediately.  
**DO NOT TOUCH THE CORD BEFORE DISCONNECTING THE SUPPLY.**  
Do not use the machine if the cord is damaged or worn.

### Operation

- Operate the machine only in daylight or in good artificial light.
- Avoid operating the machine in wet grass.
- Always be sure of your footing on slopes.
- Walk, never run.
- Mow across the face of slopes, never up and down.
- Exercise extreme caution when changing direction on slopes.
- Do not mow excessively steep slopes.
- Use extreme caution when reversing or pulling the machine towards you.
- Stop the blade(s) if the machine has to be tilted for transportation when crossing surfaces other than grass, and when transporting the machine to and from area to be used.
- Never operate the machine with defective guards or shields, or without safety devices, for example deflectors and/or grass collector, in place.
- Switch on the motor carefully according to instructions and with feet well away from the blade(s).
- Do not tilt the machine when switching on the motor, except if the machine has to be tilted for starting. In this case, do not tilt it more than absolutely necessary and lift only the part, which is away from the operator.
- Do not start the machine when standing in front of the discharge opening.
- Do not put hands or feet near or under rotating parts. Keep clear of the discharge opening at all times.
- Do not transport the machine while the power source is running.
- Stop the machine, and remove plug from the socket. Make sure that all moving parts have come to a complete stop:
  - whenever you leave the machine,
  - before clearing blockages or unclogging chute,
  - before checking, cleaning or working on the machine,
  - after striking a foreign object. Inspect the machine for damage and make repairs before restarting and operating the machine;
 if the machine starts to vibrate abnormally (check immediately)
  - inspect for damage,
  - replace or repair any damaged parts,
  - check for and tighten any loose parts.

### Maintenance and storage

- Keep all nuts, bolts, and screws tight to be sure the machine is in safe working condition.
- Check the grass collector frequently for wear or deterioration.
- Replace worn or damaged parts for safety.
- On machines with multi blade, take care as rotating one blade can cause other blades rotate.
- Be careful during adjustment of the machine to prevent entrapment of the fingers between moving blades and fixed parts of the machine.



- f) Always allow the machine to cool down before storing.
- g) When servicing the blades be aware that, even though the power source is switched off, the blades can still be moved.
- h) Use only genuine replacement parts and accessories.

#### Additional safety warnings

##### Electrical safety



#### **DANGER! Cardiac arrest!**

This product makes an electromagnetic field while it operates. This field may under some conditions interfere with active or passive medical implants. To decrease the risk of conditions that can possibly injure or kill, we recommend persons with medical implants to speak with their physician and the medical implant manufacturer before you operate the product.

Do not use under wet conditions.

Do not operate in explosive atmospheres, such as in the presence of flammable liquids, gases or dust.

##### Personal safety



#### **DANGER! Risk of suffocation!**

Small parts can be easily swallowed. There is also a risk that the polybag can suffocate toddlers. Keep toddlers away when you assemble the product.

Do not use the start levers alternately.

Do not disassemble the product further than the delivery status.

Use gloves, wear slip resistant shoes and wear eye protection.

Do not overload the mower.

Never operate the product when you are tired, ill or under the influence of alcohol, drugs, or medicine.

Danger of slipping:

- in wet grass
- on steep slopes
- during transport

Be careful while going backwards.

## 2. ASSEMBLY



#### **DANGER! Risk of injury!**

**Cut injury when the product starts accidentally.**

→ Disconnect the product from the mains and use gloves before you assemble the product.

#### **To assemble the handle [Fig. A1/A2/A3/A4]:**

1. Put the springs on the shafts.
2. Put the handle plates on the shafts.
3. Put the lower handle on the shafts.
4. Put the washers on the shafts.
5. Insert the bolts into the quick-release levers.
6. Screw the quick-release levers loosely onto the shafts and clamp them down.
7. Put the upper handle on the lower handles and slide the screws through the boreholes (there are 2 holes in the lower handle to choose the desired height).
8. Put the washers on the screws.
9. Screw the locking nuts onto the screws.
10. Attach the control cable with the cable clips.

#### **To assemble the grass box [Fig. A5/A6/A7/A8/A9]:**

1. Push the grass box handle into the slots in the grass box cover until it audibly engages.
2. Slide the grass box tongue into the slots in the grass box until it audibly engages.
3. Align the grass box cover and the grass box locators.
4. Fold the grass box cover towards the grass box.
5. Push the grass box cover on the grass box. Make sure that all clips are snapped in correctly.

#### **To attach the grass box to the lawnmower [Fig. A10]:**

1. Lift the protective cover.
2. Attach the grass box to the hooks on the rear of the mower.

## 3. OPERATION



#### **DANGER! Risk of injury!**

**Cut injury when the product starts accidentally.**

→ Wait for the blade to stop, disconnect the product from the mains and use gloves before you adjust or transport the product.

#### **To adjust the cutting height:**

For the first cut of the season, always cut on the highest cutting height possible, and gradually lower the cutting height over successive cuts to your desired height for the lawn.

#### **Only for 300R (in 3 positions) [Fig. O1/O2/O3/O4/O5]:**

The cutting height can be adjusted from 20 – 60 mm.

**Position 'Low' (20 mm):** Cutting height setting should only be used on well maintained 'manicured lawns' without excessive moss or thatch.

**Position 'Mid' (40 mm):** Cutting height setting is the suitable for most lawns.

**Position 'High' (60 mm):** Cutting height setting is used when you lawn has excessive growth such as following holidays or first cut of the season.

→ Move both axles to the desired position in the E-Gate. Make sure that both sides of the axle are in the same position. Make sure that both axles are in the same position.

#### **Only for 340R/380R (in 5 positions) [Fig. O6]:**

The cutting height can be adjusted from 20 – 60 mm (from rear to front).

**Position 1 (20mm):** Cutting height setting should only be used on well maintained 'manicured lawns' without excessive moss or thatch.

**Position 2 (30 mm):** Cutting height setting is the suitable for most lawns.

**Position 3 (40 mm):** Cutting height setting is the suitable for most lawns.

**Position 4 (50 mm):** Cutting height setting is the suitable for most lawns.

**Position 5 (60 mm):** Cutting height setting is used when you lawn has excessive growth such as following holidays or first cut of the season.

1. Pull the lever to the wheel.
2. Move the lever to the desired position.
3. Release the lever and let it engage.

#### **To start the mower [Fig. O7]:**



#### **DANGER! Risk of injury!**

**Risk of injury if the product does not stop when you release the start lever.**

→ Do not bypass the safety devices or switches. For example do not attach the start lever to the handle.

#### **To start:**

**The mower is fitted with a two-handed safety device (start lever with starting lockout) to prevent the mower from being turned on by accident.**

There are two start levers. Either one has to be used to start.

1. Connect the mains cable to the mains.
2. Push the starting lockout with one hand and pull the start lever with the other hand.  
*The mower starts.*
3. Release the starting lockout.

**Only for 340R/380R [Fig. O8]: The level indicator opens during mowing. When it closes during mowing, the grass box is full and must be emptied.**

#### **To stop:**

→ Release the start lever.  
*The mower stops.*

#### **Tips to use the mower:**

If grass residue is left in the discharge opening, pull the mower backwards about 1 m so that the grass residue can drop out downwards.

To produce a well-maintained lawn and optimise the cutting performance, we recommend to cut the lawn regularly once a week if possible. The lawn becomes denser if you cut it frequently.

After relatively long cutting intervals (holiday lawn), first of all cut in one direction with the highest cutting height and then cut in the crosswise direction with the required cutting height.

If possible, only cut the grass when it is dry, if the grass is damp, the cutting pattern will be uneven.

#### Rear Roller:

For lawnmowers fitted with a rear roller, it is possible to create a striped effect on the lawn. For the best stripe results, we recommend cutting on the lowest possible cutting height suited to your lawn. The stripe effect will fade in time between cuts.

#### Transport position [Fig. O9]:

The easy transport position provides additional mobility due to its upright driving position. Easy to get on and off the lawn at any distance.

1. Attach the grass box to the switch box (see 5. STORAGE).
2. Pull the mower to and from the lawn when it is set in the storage position.

## 4. MAINTENANCE



#### DANGER! Risk of injury!

**Cut injury when the product starts accidentally.**

- Wait for the blade to stop, disconnect the product from the mains and use gloves before you maintain the product.

#### To clean the mower:



#### DANGER! Risk of injury!

**Risk of injury and risk of damage to the product.**

- Do not clean the product with water or with a water jet (in particular high-pressure water jet).
- Do not clean with chemicals including petrol or solvents. Some can destroy critical plastic parts.

#### The airflow slots must always be clean.

#### To clean the underside of the mower:

The underside is easiest to clean after you mowed.

1. Lay the mower on its side carefully.
2. Clean the underside, the blade and the discharge opening with a brush (do not use sharp objects).

#### To clean the overside of the mower and the grass box:

1. Clean the overside with a damp cloth.
2. Clean the airflow slots and the grass box with a soft brush (do not use sharp objects).

## 5. STORAGE

#### To put into storage [Fig. S1]:

The product must be stored away from children.

1. Disconnect the mower from the mains.
2. Clean the mower (see 4. MAINTENANCE).
3. The cable hooks must both be on the upper handle. Wrap the cable in a figure of 8.
4. Store the mower in a dry, enclosed and frost-free place.

#### Easi Storage position [Fig. S2]:

1. Remove the grass box.
2. Set on the highest cutting height.
3. Fold the handle flat and lock it in position 4.
4. Stand the mower upright.
5. Make sure that the grass box is completely empty.
6. Attach the grass box to the switch box with the storage hook. Make sure that the grass box is completely secured, the storage function is accomplished.
7. Store the mower in upright position.

#### Disposal:

(in accordance with RL2012/19/EC)

The product must not be disposed of to normal household waste. It must be disposed of in line with local environmental regulations.



#### IMPORTANT!

→ Dispose of the product through or via your municipal recycling collection centre.

## 6. TROUBLESHOOTING



#### DANGER! Risk of injury!

**Cut injury when the product starts accidentally.**

- Wait for the blade to stop, disconnect the product from the mains and use gloves before you troubleshoot the product.

#### To replace the blade [Fig. T1]:



#### DANGER! Risk of injury!

**Cut injury when the blade turns and it is damaged, bent, out of balance or has chipped edges.**

- Do not use the mower when the blade is damaged, bent, out of balance or has chipped edges.
- Do not regrind the blade.

The FLYMO spare parts are available from your FLYMO dealer or from the FLYMO service.

#### Only use an original FLYMO blade:

- FLYMO replacement blade for 300R: Art. FLY 085
- FLYMO replacement blade for 340R: Art. FLY 086
- FLYMO replacement blade for 380R: Art. FLY 088

1. Unscrew the blade bolt.
2. Remove the blade bolt and the washer.
3. Remove the blade and the spacer.
4. Put the spacer and the new blade on the mower.
5. Put the washer on the blade bolt.
6. Screw the new blade tight with the blade bolt (tightening torque is 15 – 20 Nm).

Problem	Possible Cause	Remedy
Mower does not start	Mains cable is disconnected or damaged.	→ Connect the mains cable or if necessary let it be replaced by an authorised specialist dealer or the FLYMO Service.
	Motor is blocked.	→ Remove the obstacle. Start again.
Engine is jammed and makes a noise	Motor is blocked.	→ Remove the obstacle. Start again.
	Cutting height is too low.	→ Raise the cutting height.
Loud noises, the mower is rattling	Screws on engine, its fixing or on the mower chasing are loose.	→ Let the screws be tightened by an authorised specialist dealer or the FLYMO Service.
Mower runs unevenly or vibrates strongly	Blade is damaged/worn or the blade mounting is released.	→ Replace the blade.
	Blade is very dirty.	→ Clean the blade.
Lawn is not cleanly mowed	Blade is blunt or damaged.	→ Replace the blade.
	Cutting height is too low.	→ Raise the cutting height.



**NOTE: For any other malfunctions please contact the FLYMO Customer Service. Repairs must only be done by FLYMO service departments or specialist dealers approved by FLYMO.**

## 7. TECHNICAL DATA

Electric Lawnmower	Unit	Value EasiStore 300R	Value EasiStore 340R	Value EasiStore 380R
Rated power	W	1200	1400	1600
Mains voltage	V (AC)	230	230	230
Mains frequency	Hz	50	50	50
Speed of rotation cutting blade	R/min	3700	3350	3500
Cutting width	cm	30	34	38

<i>Electric Lawnmower</i>	<b>Unit</b>	<b>Value EasiStore 300R</b>	<b>Value EasiStore 340R</b>	<b>Value EasiStore 380R</b>
<b>Cutting height adjustment</b>	mm	20 – 60 (3 positions)	20 – 60 (5 positions)	20 – 60 (5 positions)
<b>Volume of grass box</b>	l	30	35	45
<b>Weight</b>	kg	9.0	11.0	12.6
<b>Sound pressure level L<sub>pA</sub><sup>1)</sup> Uncertainty k<sub>pA</sub></b>	dB (A)	88 3	88 3	89 3
<b>Sound power level L<sub>WA</sub><sup>2)</sup>; measured/guaranteed Uncertainty k<sub>WA</sub></b>	dB (A)	92 / 95 2.52	92 / 93 1.86	93 / 95 1.89
<b>Hand/arm vibration a<sub>vhw</sub><sup>1)</sup></b>	m/s <sup>2</sup>	< 2.5	< 2.5	< 2.5

Measuring process complying with: <sup>1)</sup> EN 60335-2-77 <sup>2)</sup> RL 2000/14/EC



**NOTE:** The stated vibration emission value has been measured according to a standardized test procedure and can be used for comparison of one electric power tool with another. It can also be used for preliminary evaluation of exposure. The vibration emission value can vary during actual use of the electric power tool.

## 8. ACCESSORIES

<b>FLYMO Replacement Blade for 300R</b>	As replacement for blunt blade.	<b>Art. FLY 085</b>
<b>FLYMO Replacement Blade for 340R</b>	As replacement for blunt blade.	<b>Art. FLY 086</b>
<b>FLYMO Replacement Blade for 380R</b>	As replacement for blunt blade.	<b>Art. FLY 088</b>

## 9. SERVICE/WARRANTY

### **Service:**

Please contact the address on the back page.

### **Warranty statement:**

In the event of a warranty claim, no charge is levied to you for the services provided.

Husqvarna UK Ltd. grants a warranty for all original FLYMO new products for two years from the date of original purchase from the retailer, provided that the devices have been for private use only. This manufacturer's warranty does not apply to products acquired second hand. This warranty includes all significant defects of the product that can be proved to be material or manufacturing faults. This warranty is fulfilled by supplying a fully functional replacement product or by repairing the faulty product sent to us free of charge; we reserve the right to choose between these options. This service is subject to the following provisions:

- The product has been used for its intended purpose as per the recommendations in the operating instructions.
- Neither the purchaser nor a third party has attempted to open or repair the product.
- Only Original FLYMO replacement parts and wear parts have been used for operation.
- Presentation of the receipt.

Normal wear and tear of parts and components (such as blades, blade fixing parts, turbines, light bulbs, V-belts/toothed belts, impellers, air filters, spark plugs), visual changes, wear parts and consumables are excluded from the warranty.

This manufacturer's warranty is limited to replacement and repair of products in accordance with the abovementioned conditions. The manufacturer's warranty does not constitute an entitlement to lodge other claims against us as a manufacturer, such as for damages. This manufacturer's warranty does **not**, of course, affect statutory and contractual warranty claims against the dealer/retailer.

The manufacturer's warranty is governed by the law of the Federal Republic of Germany.

In case of a warranty claim, please return the faulty product, together with a copy of the receipt and a description of the fault, with postage paid to the service address.

### **Consumables:**

The blade and the wheels are consumables and are not included in the warranty.

## PRODUCT LIABILITY


---

In accordance with the German Product Liability Act, we hereby expressly declare that we accept no liability for damage incurred from our products where said products have not been properly repaired by a FLYMO-approved service partner or where original FLYMO parts or parts authorised by FLYMO were not used.

## EC DECLARATION OF CONFORMITY

---

The undersigned hereby certifies as the authorized representative of the manufacturer, Husqvarna AB, 561 82 Huskvarna, Sweden, that, when leaving our factory, the unit(s) indicated below is/are in accordance with the harmonised EU guidelines, EU standards of safety and product specific standards. This certificate becomes void if the unit(s) is/are modified without our approval.

Description of the product:	<b>Electric Lawnmower</b>
Product type	<b>EasiStore 300R EasiStore 340R EasiStore 380R</b>
Article-Number	<b>9679873-01 9679874-01 9679875-01</b>
CE-Directives	<b>2006/42/EC 2014/30/ EU 2000/14/EC 2011/65/ EU</b>
Harmonised EN	<b>EN ISO 12100 EN 60335-1 EN 60335-2-77</b>
Deposited Documentation	<b>GARDENA Technical Documentation, M. Kugler, 89079 Ulm</b>
Conformity Assessment according to	<b>2000/14/EC Procedure: art. 14 Annex VI</b>
Noise level: measured / guaranteed	<b>EasiStore 300R: 92 dB(A)/95 dB(A) EasiStore 340R: 92 dB(A)/93 dB(A) EasiStore 380R: 93 dB(A)/95 dB(A)</b>
Year of CE marking:	<b>2019</b>
Ulm, 13.12.2019	
Authorised representative:	 <b>John Thompson</b> Product and Marketing Director EUAP

---

**Deutschland / Germany**  
GARDENA Manufacturing GmbH  
Central Service  
Hans-Lorenser-Straße 40  
D-89079 Ulm  
Produktfragen:  
(+49) 731 490-123  
Reparaturen:  
(+49) 731 490-290  
service-flymo@gardena.com

**Albania**  
COBALT Sh.p.k.  
Rr. Siri Kodra  
1000 Tirana

**Argentina**  
Husqvarna Argentina S.A.  
Av.del Libertador 5954 –  
Piso 11 – Torre B  
(C1428ARP) Buenos Aires  
Phone: (+54) 11 5194 5000  
info.gardena@ar.husqvarna.com

**Armenia**  
Garden Land Ltd.  
61 Tigran Mets  
0005 Yerevan

**Australia**  
Husqvarna Australia Pty. Ltd.  
Locked Bag 5  
Central Coast BC  
NSW 2252  
Phone: (+ 61) (0) 2 4352 7400  
customer.service@  
husqvarna.com.au

**Austria / Österreich**  
Husqvarna Austria GmbH  
Industriezeile 36  
4010 Linz  
Tel. : (+43) 732 77 01 01-485  
service.gardena@  
husqvarnagroup.com

**Azerbaijan**  
Firm Progress  
a. Aliyev Str. 26A  
1052 Baku

**Belgium**  
Husqvarna België nv/sa  
Gardena Division  
Rue Egide Van Ophem 111  
1180 Uccle/Ukkel  
Tel.: (+32) 2 720 92 12  
Mail: info@gardena.be

**Bosnia / Herzegovina**  
SILK TRADE d.o.o.  
Industrijska zona Bukva bb  
74260 Tešanj

**Brazil**  
Husqvarna do Brasil Ltda  
Av. Francisco Matarazzo,  
1400 – 19ª andar  
São Paulo – SP  
CEP: 05001-903  
Tel: 0800-112252  
marketing.br.husqvarna@  
husqvarna.com.br

**Bulgaria**  
AGROLAND България АД  
бул. 8 Декември, № 13  
Офис 5  
1700 Студентски град  
София  
Тел.: (+359) 24 66 6910  
info@agroland.eu

**Canada / USA**  
GARDENA Canada Ltd.  
100 Summerlea Road  
Brampton, Ontario L6T 4X3  
Phone: (+1) 905 792 93 30  
info@gardenacanada.com

**Chile**  
Maquinarias Agroforestales  
Ltda. (Maga Ltda.)  
Santiago, Chile  
Avda. Chesterton  
# 8355 comuna Las Condes  
Phone: (+56) 2 202 4417  
Dalton@maga.cl  
Zipcode: 7560330

**China**  
Husqvarna (China) Machinery  
Manufacturing Co., Ltd.  
No. 1355, Jia Xin Rd.,  
Ma Lu Zhen, Jia Ding Dist.,  
Shanghai  
201801  
Phone: (+86) 21 59159629  
Domestic Sales  
www.gardena.com.cn

**Colombia**  
Husqvarna Colombia S.A.  
Calle 18 No. 68 D-31, zona  
Industrial de Montevideo  
Bogotá, Cundinamarca  
Tel. 571 2922700 ext. 105  
jairo.salazar@husqvarna.com.co

**Costa Rica**  
Compania Exim  
Euroberoamericana S.A.  
Los Colegios, Moravia,  
200 metros al Sur del Colegio  
Saint Francis – San José  
Phone: (+506) 297 68 83  
exim\_euro@racsa.co.cr

**Croatia**  
SILK ADRIA d.o.o.  
Josipa Lončara 3  
10090 Zagreb  
Phone: (+385) 1 3794 580  
silk.adria@zg.t-com.hr

**Cyprus**  
Med Marketing  
17 Digeni Akrita Ave  
P.O. Box 27017  
1641 Nicosia

**Czech Republic**  
Husqvarna Česko s.r.o.  
Türkova 2319/5b  
149 00 Praha 4 – Chodov  
Bezplatná infolinka :  
800 100 425  
servis@cz.husqvarna.com

**Denmark**  
GARDENA DANMARK  
Lejrvej 19, st.  
3500 Værløse  
Tlf.: (+45) 70 26 47 70  
husqvarna@husqvarna.dk  
www.gardena.com / dk

**Dominican Republic**  
BOSQUESA, S.R.L  
Carretera Santiago Licey  
Km. 5 ½  
Esquina Copal II.  
Santiago  
Dominican Republic  
Phone: (+809) 736-0333  
joserbosquesa@claro.net.do

**Ecuador**  
Husqvarna Ecuador S.A.  
Arupos E1-181 y 10 de  
Agosto Quito, Pichincha  
Tel. (+593) 22800739  
francisco.jacome@  
husqvarna.com.ec

**Estonia**  
Husqvarna Eesti OÜ  
Gardena Division  
Valdeku 132  
Tallinn  
11216, Estonia  
info@gardena.ee

**Finland**  
Oy Husqvarna Ab  
Gardena Division  
Lautatarhankatu 8 B /PL 3  
00581 HELSINKI  
info@gardena.fi

**France**  
Husqvarna France  
9/11 Allée des pierres mayettes  
92635 Gennevilliers Cedex  
France  
http : //www.gardena.com/ fr  
N° AZUR: 0 810 00 78 23  
(Prix d'un appel local)

**Georgia**  
ALD Group  
Beliasvili 8  
1159 Tleilisi

**Great Britain**  
Husqvarna UK Ltd  
Preston Road  
Aycliffe Industrial Park  
Newton Aycliffe  
County Durham  
DL5 6UP  
Phone:+44 (0) 344 8444558  
customer.services@husqvarna.  
co.uk

**Greece**  
Π.ΠΑΠΑΔΟΠΟΥΛΟΣ ΑΕΒΕ  
Λεωφ. Αθηνών 92  
Αθήνα  
T.K.104 42  
Ελλάδα  
Τηλ. (+30) 210 5193 100  
info@papadopoulos.com.gr

**Hungary**  
Husqvarna Magyarország Kft.  
Ezred u. 1 - 3  
1044 Budapest  
Telefon: (+36) 1 251-4161  
vevoszolgalat.husqvarna@  
husqvarna.hu

**Iceland**  
Ó. Johnson & Kaaber  
Tunguhalsi 1  
110 Reykjavik  
ooj@ojk.is

**Ireland**  
Husqvarna UK Ltd  
Preston Road  
Aycliffe Industrial Park  
Newton Aycliffe  
County Durham  
DL5 6UP  
info.gardena@husqvarna.co.uk

**Italy**  
Husqvarna Italia S.p.A.  
Via Santa Vecchia 15  
23868 VALMADRERA (LC)  
Phone: (+39) 0341.203.111  
assistenza.italia@  
it.husqvarna.com

**Japan**  
KAKUICHI Co. Ltd.  
Sumitomo Realty &  
Development Kojimachi  
BLDG., 8F  
5 - 1 Nibanncho  
Chiyoda-ku  
Tokyo 102-0084  
Phone: (+81) 33 264 4721  
m\_ishihara@kaku-ichi.co.jp

**Kazakhstan**  
LAMED Ltd.  
155/1, Tazhibayevoi Str.  
050060 Almaty  
IP Schmidt  
Abayavneue 3B  
110 005 Kostanay

**Korea**  
Kyung Jin Trading CO.,LTD.  
107-4, SunDuk Bld.,  
YangJae-dong,  
Seocho-gu,  
Seoul, (zipcode: 137-891)  
Phone: (+82) (0)2 574-6300

**Kyrgyzstan**  
Alye Maki  
av. Moladaya Guardir J 3  
720014  
Bishkek

**Latvia**  
Husqvarna Latvija SIA  
Gardena Division  
Ulbrokas 19A  
LV-1021 Riga  
info@gardena.lv

**Lithuania**  
UAB Husqvarna Lietuva  
Gardena Division  
Ateities pl. 77C  
LT-52104 Kaunas  
info@gardena.lt

**Luxembourg**  
Magasins Jules Neuberg  
39, rue Jacques Stas  
Luxembourg-Gasperich 2549  
Case Postale No. 12  
Luxembourg 2010  
Phone: (+352) 40 14 01  
api@neuberg.lu

**Mexico**  
AFOSA  
Av. Lopez Mateos Sur # 5019  
Col. La Calma 45070  
Zapopan, Jalisco, Mexico  
Phone: (+52) 33 3818-3434  
icornejo@afosa.com.mx

**Moldova**  
Convel S.R.L.  
290A Muncesti Str.  
2002 Chisinau

**Netherlands**  
Husqvarna Nederland B.V.  
GARDENA Division  
Postbus 50131  
1305 AC ALMERE  
Phone: (+31) 36 521 00 10  
info@gardena.nl

**Neth. Antilles**  
Jonka Enterprises N.V.  
Sta. Rosa Weg 196  
P.O. Box 8200  
Curaçao  
Phone: (+599) 9 767 66 55  
pgm@jonka.com

**New Zealand**  
Husqvarna New Zealand Ltd.  
PO Box 76-437  
Manukau City 2241  
Phone: (+64) (0) 9 9202410  
support.nz@husqvarna.co.nz

**Norway**  
Husqvarna Norge AS  
Gardena Division  
Trøskeneveien 36  
1708 Sarpsborg  
Tel: 69 10 47 00  
www.gardena.no

**Peru**  
Husqvarna Perú S.A.  
Jr. Ramón Cárcamo 710  
Lima 1  
Tel: (+51) 1 3320400 ext. 416  
juan.remuzgo@husqvarna.com

**Poland**  
Husqvarna  
Poland Spółka z o.o.  
ul. Wysockiego 15 b  
03-371 Warszawa  
Phone: (+48) 22 330 96 00  
gardena@husqvarna.com.pl

**Portugal**  
Husqvarna Portugal, SA  
Lagoa - Albarraque  
2635 - 595 Rio de Mouro  
Tel.: (+351) 21 922 85 30  
Fax : (+351) 21 922 85 36  
info@gardena.pt

**Romania**  
Madex International Srl  
Soseaua Odaii 117 - 123,  
RO 013603 București, S1  
Phone: (+40) 21 352.76.03  
madex@ines.ro

**Russia / Россия**  
ООО „Хускварна“  
141400, Московская обл.,  
г. Химки,  
улица Ленинградская,  
владение 39, стр.6  
Бизнес Центр  
„Химки Бизнес Парк“,  
помещение ОВ02\_04  
http://www.gardena.ru

**Serbia**  
Domel d.o.o.  
Autoput za Novi Sad bb  
11273 Belgrade  
Phone: (+381) 1 18 48 88 12  
miroslav.jejina@domel.rs

**Singapore**  
Hy-Ray PRIVATE LIMITED  
40 Jalan Pemimpin  
#02-08 Tat Ann Building  
Singapore 577185  
Phone: (+65) 6253 2277  
shiyjing@hyray.com.sg

**Slovak Republic**  
Husqvarna Česko s.r.o.  
Türkova 2319/5b  
149 00 Praha 4 – Chodov  
Bezplatná infolinka:  
800 154 044  
servis@sk.husqvarna.com

**Slovenia**  
Husqvarna Austria GmbH  
Industriezeile 36  
4010 Linz  
Tel.: (+43) 732 77 01 01-485  
service.gardena@  
husqvarnagroup.com

**South Africa**  
Husqvarna  
South Africa (Pty) Ltd  
Postnet Suite 250  
Private Bag X6,  
Cascades, 3202  
South Africa  
Phone: (+27) 33 846 9700  
info@gardena.co.za

**Spain**  
Husqvarna España S.A.  
Calle de Rivas nº 10  
28052 Madrid  
Phone: (+34) 91 708 05 00  
atencioncliente@gardena.es

**Suriname**  
Agrofix n.v.  
Verlengde Hogestraat #22  
Phone: (+597) 472426  
agrofix@sr.net  
Pobox : 2006  
Paramaribo  
Suriname – South America

**Sweden**  
Husqvarna AB  
Gardena Division  
S-561 82 Huskvarna  
info@gardena.se

**Switzerland / Schweiz**  
Husqvarna Schweiz AG  
Consumer Products  
Industriestrasse 10  
5506 Mägenwil  
Phone: (+ 41) (0) 62 887 37 90  
info@gardena.ch

**Turkey**  
GARDENA Dost Diş Ticaret  
Müessesilik A.Ş.  
Sanayi Çad. Adil Sokak  
No: 1/B Kartal  
34873 Istanbul  
Phone: (+90) 216 38 93 939  
info@gardena-dost.com.tr

**Ukraine / Україна**  
ТОВ «Хусварна Україна»  
вул. Васильківська, 34,  
офіс 204-г  
03022, Київ  
Тел. (+38) 044 498 39 02  
info@gardena.ua

**Uruguay**  
FELI SA  
Entre Ríos 1083 CP 11800  
Montevideo – Uruguay  
Tel : (+598) 22 03 18 44  
info@felisa.com.uy

**Venezuela**  
Corporación Casa y Jardín C.A.  
Av. Caroni, Edif. Trezmen, PB.  
Colinas de Bello Monte.  
1050 Caracas.  
Tlf : (+58) 212 992 33 22  
info@casayjardin.net.ve

ES300R-20.960.03/0420  
© GARDENA  
Manufacturing GmbH  
D-89070 Ulm  
http://www.gardena.com

