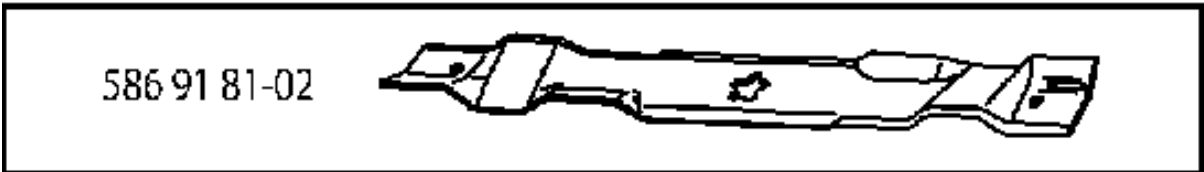
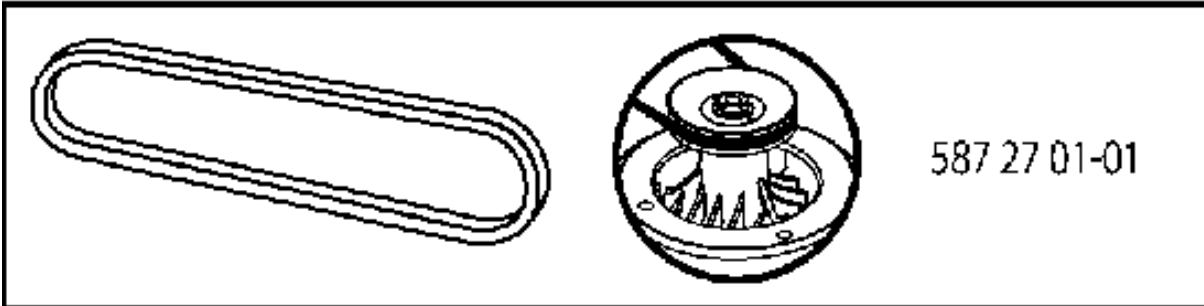
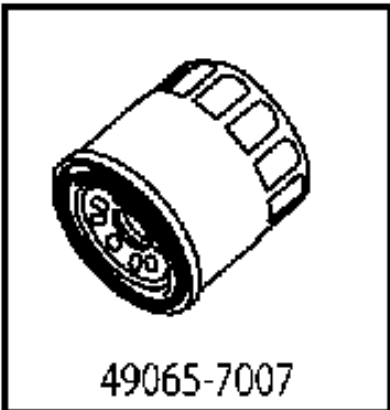
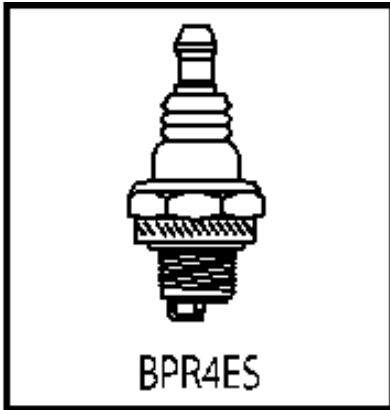
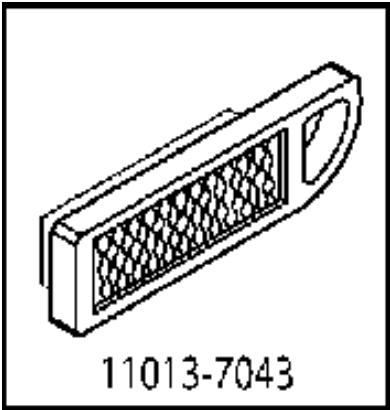




# SPARE PARTS LIST

TRACTORS/RIDE MOWERS

TS 242TXD, 96041045100, 2020-03

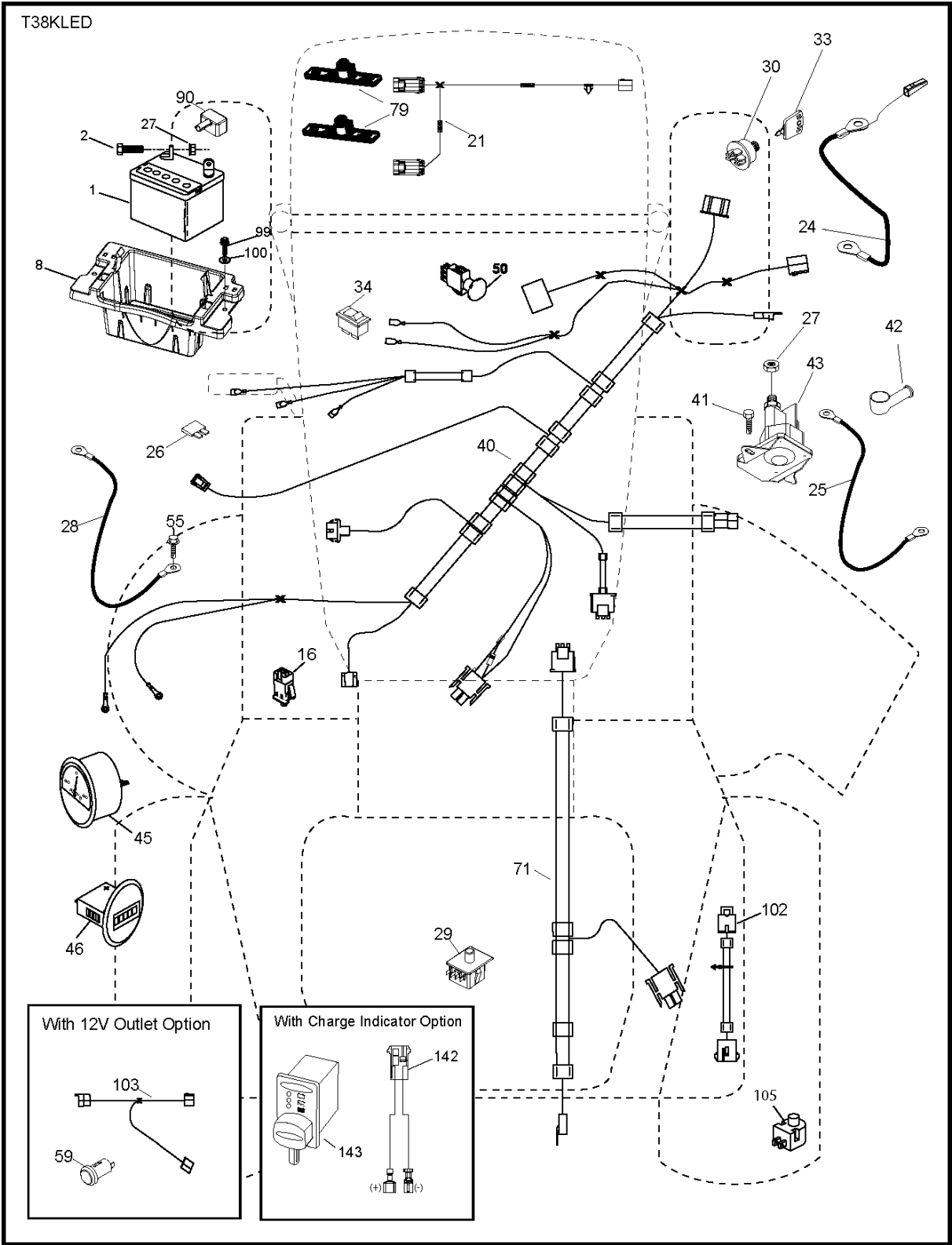


**590412201**

## FREQUENTLY USED PARTS

TS 242TXD, 96041045100, 2020-03

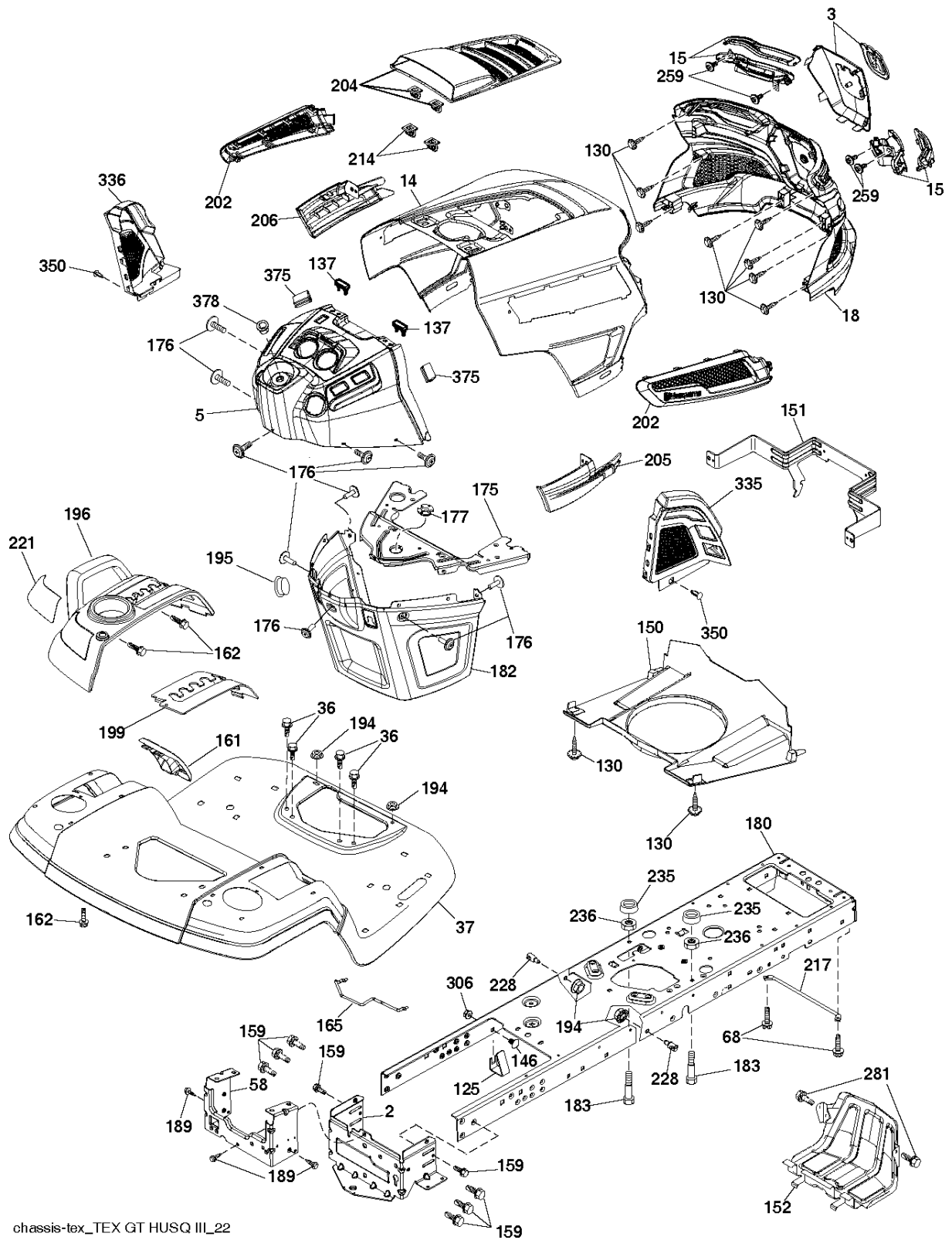
Ref	Part No	Description	Remark	QTY KIT
110137043	581 99 09-01	AIR FILTER	110137043	
BPR4ES	535 41 44-64	SPARK PLUG		
490190031	581 99 08-01	FUEL FILTER	490190031	
490657007	578 15 92-01	OIL FILTER	490657007	
592855201	592 85 52-01	BELT		
587270101	587 27 01-01	BELT		
586918102	586 91 81-02	BLADE		



## ELECTRICAL

TS 242TXD, 96041045100, 2020-03

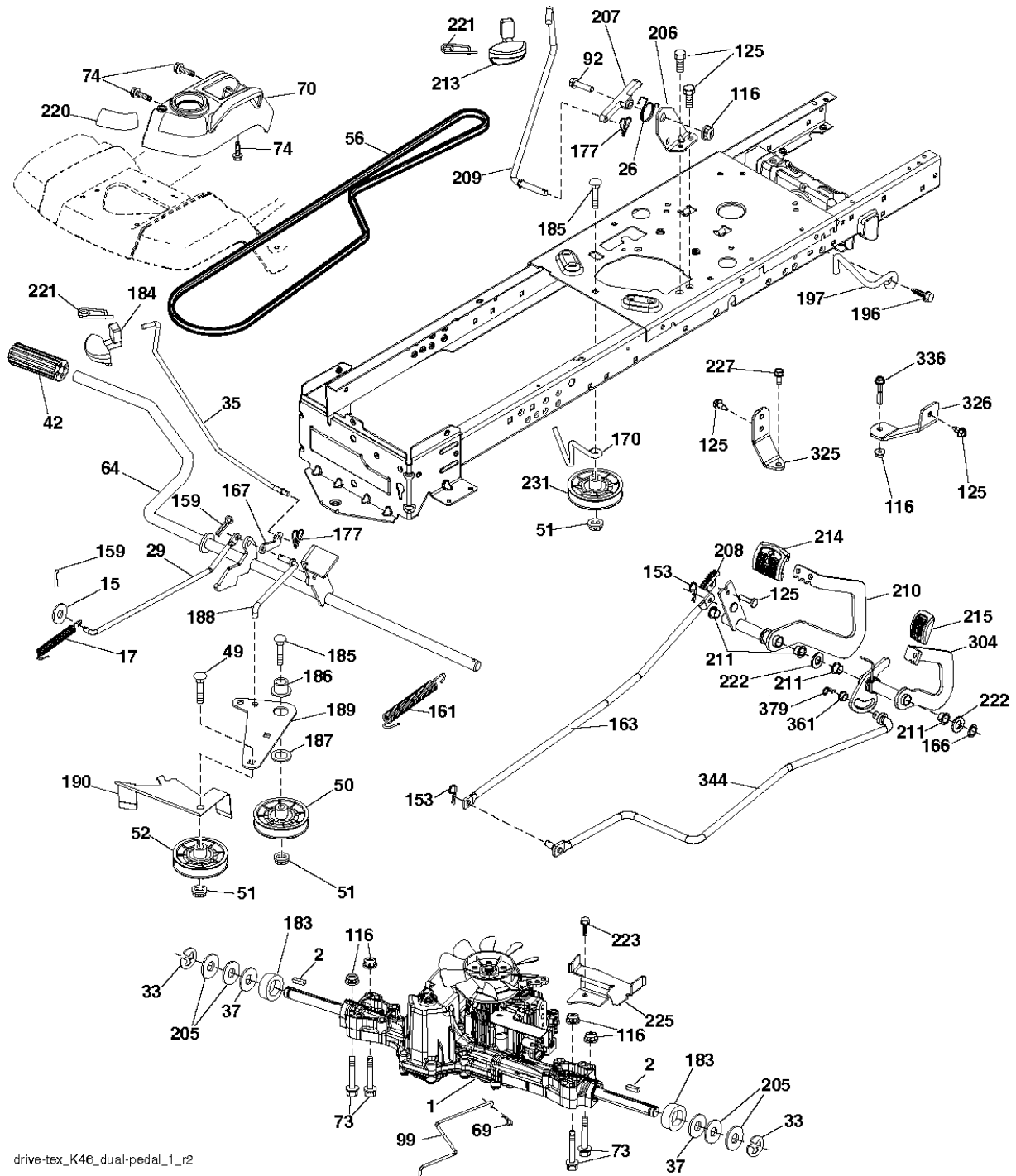
Ref	Part No	Description	Remark	QTY KIT
1	532 16 34-65	BATTERY		1
2	874 76 04-12	BOLT		1
8	587 20 51-01	TRAY		1
16	532 17 61-38	MICRO SWITCH		1
21	585 43 64-02	HARNESS		1
24	585 55 56-01	CABLE		1
25	585 55 55-01	CABLE		1
26	532 17 51-58	FUSE		1
27	596 13 36-01	LOCK NUT		1
28	532 41 65-88	CABLE		1
29	532 19 27-49	SWITCH.SEAT.DP W/RAMPS		1
30	532 19 33-50	IGNITION MODULE		1
33	532 41 19-35	KEY		1
34	532 11 07-12	SWITCH		1
40	501 13 31-01	HARNESS		1
41	817 72 04-08	SCREW		1
42	532 13 15-63	COVER		1
43	582 04 28-02	SOLENOID		1
45	587 55 39-06	GAUGE		1
46	587 55 40-06	GAUGE		1
50	582 10 76-02	SWITCH		1
55	817 06 05-12	SCREW		1
71	532 19 42-76	CABLE ASSY		1
79	597 52 30-01	LIGHT		1
90	532 43 53-95	TERMINAL COVER		1
99	817 67 04-12	SCREW		1
100	596 13 53-01	WASHER		1
102	532 40 44-54	CABLE		1
105	532 40 75-68	SWITCH		1



## CHASSIS &amp; ENCLOSURES

TS 242TXD, 96041045100, 2020-03

Ref	Part No	Description	Remark	QTY KIT
2	532 41 22-82	PLATE		1
3	597 68 82-01	COVER	APPLIQUE COVER AND EMBLEM BADGE	1
5	590 74 88-17	DASHBOARD		1
14	532 44 11-77	HOOD		1
15	597 86 79-01	SERVICE KIT	LH/RH LENS AND LH/RH HOUSING	1
18	597 40 71-02	GRILLE		1
36	817 06 05-12	SCREW		1
37	532 44 12-08	FENDER		1
58	532 41 22-81	PLATE		1
68	596 03 07-01	SCREW		1
125	581 68 48-01	CLIP		1
130	596 32 17-01	SCREW		1
137	532 40 75-90	DAMPING PIECE		1
146	581 85 79-01	BOLT		1
150	532 43 97-74	AIR DUCT		1
151	532 43 66-70	BRACKET		1
152	532 43 98-70	SHIELD		1
159	817 00 06-12	SCREW		1
161	532 43 99-29	CONSOLE		1
162	596 13 41-01	SCREW		1
165	532 19 43-30	SUPPORT		1
175	590 60 77-02	CROSS MEMBER		1
176	532 40 07-76	SCREW		1
177	532 19 52-28	BUSHING		1
180	593 34 63-01	CHASSIS		1
182	532 40 68-59	DASH		1
183	595 30 57-01	SCREW		1
189	817 00 05-12	SCREW		1
194	596 13 57-01	LOCK NUT		1
195	532 40 41-37	TROU*RPL.PAR 532401556428		1
196	532 43 97-16	CONSOLE		1
199	532 19 82-59	PLATE		1
202	597 86 77-01	SERVICE KIT	LH AND RH SIDEVENTS	1
204	597 40 80-01	VENT		1
205	532 43 97-30	SKIRT		1
206	532 43 97-29	SKIRT		1
214	532 19 91-45	CLIP		1
217	532 40 91-67	ROD		1
221	532 19 89-09	LENS		1
228	593 82 40-01	STUD		1
235	596 56 42-01	SPACER		1
236	873 93 05-00	NUT		1
259	596 43 40-01	SCREW		1
281	817 00 06-16	SCREW		1
306	873 90 06-00	NUT		1
335	532 44 82-04	COVER		1
336	532 44 53-09	COVER		1
350	532 44 51-43	CLIP		1
375	586 90 82-01	BUMPER		1
378	590 84 98-01	BUSHING		1
--	532 43 18-82	GUARD		1



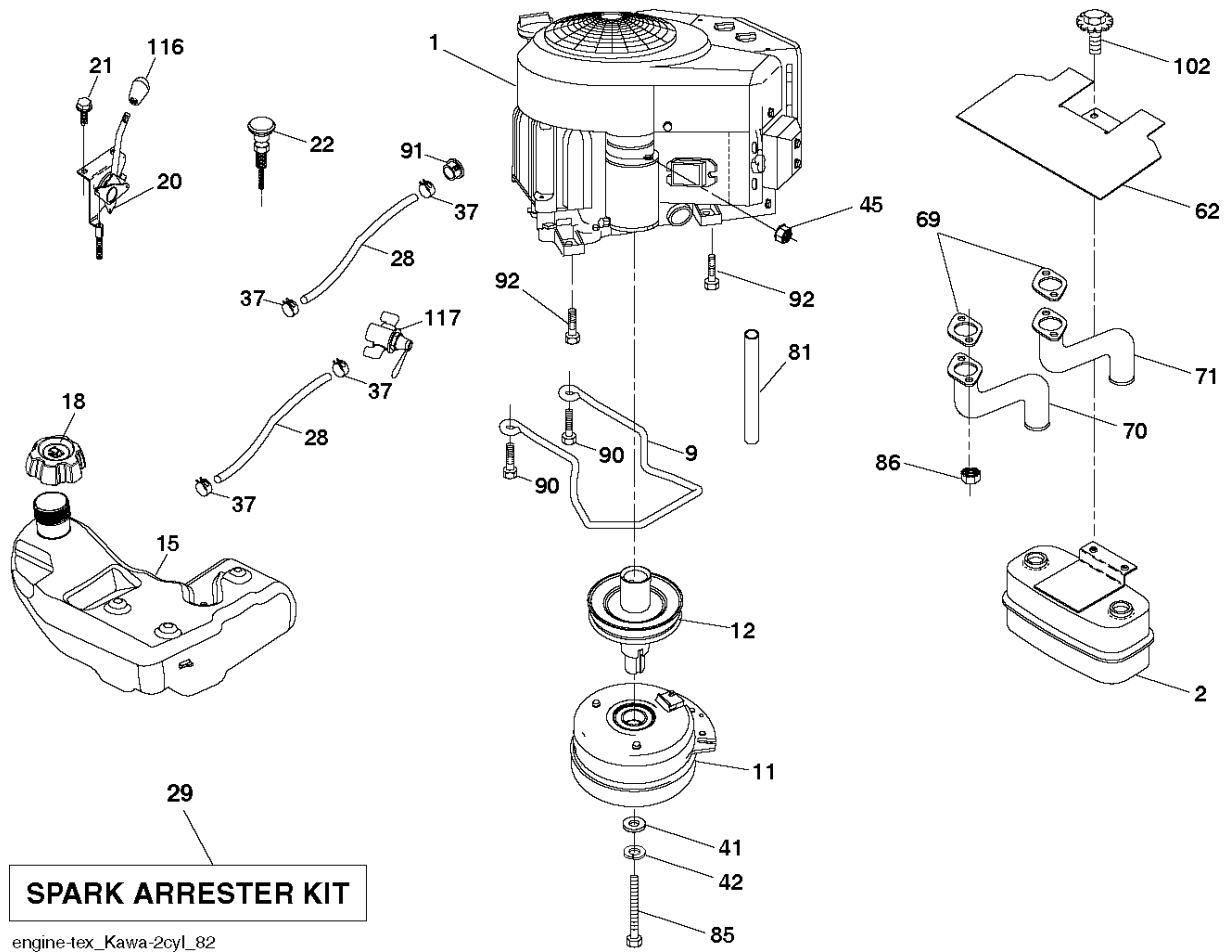
drive-tex\_K46\_dual-pedal\_1\_r2



## DRIVE

TS 242TXD, 96041045100, 2020-03

Ref	Part No	Description	Remark	QTY KIT
1	000 00 00-00	W/O DESCRIPTION	TRANSAXLE TUFFTORQ K46 CR (501051401)	1
2	532 12 35-83	KEY		1
15	596 56 53-01	WASHER		1
17	532 41 36-78	SRPING.BRAKE.K46.GREEN*SUBS/2*		1
26	532 19 96-79	SPRING		1
29	532 40 38-06	ROD		1
33	812 00 00-01	RETAINER RING		1
35	583 86 45-02	ROD		1
37	532 18 89-67	WASHER		1
42	532 00 88-83	PEDAL RUBBER		1
49	596 13 62-01	BOLT		1
50	532 19 43-27	PULLEY		1
51	873 90 06-00	NUT		1
52	532 19 43-26	PULLEY		1
56	592 85 52-01	BELT		1
64	532 19 78-65	SHAFT		1
69	532 42 33-03	HAIR PIN COTTER		1
70	532 43 96-61	CONSOLE		1
73	596 13 65-01	BOLT		1
74	596 13 41-01	SCREW		1
92	595 30 57-01	SCREW		1
99	582 40 45-01	ROD		1
116	596 13 57-01	LOCK NUT		1
125	817 00 05-12	SCREW		1
153	532 00 44-97	CLIP		1
159	596 02 95-01	PIN		1
161	532 10 57-09	SPRING		1
163	588 56 63-01	ROD		1
166	532 42 91-64	NUT		1
167	532 40 52-57	LATCH		1
170	532 41 34-30	BELT GUIDE		1
177	587 22 53-01	PIN		1
183	532 13 70-57	SPACER		1
184	587 65 37-01	HANDLE		1
185	872 11 06-22	BOLT		1
186	532 19 43-21	SPACER		1
187	596 13 55-01	WASHER		1
188	582 21 70-01	LINK		1
189	532 19 43-17	PLATE		1
190	532 19 43-18	BELT GUIDE		1
196	817 00 06-16	SCREW		1
197	587 40 20-01	BRACKET		1
205	532 12 17-48	WASHER		1
206	532 44 85-96	BRACKET		1
207	587 03 14-02	LATCH		1
208	596 56 41-01	GEAR		1
209	596 86 98-01	ROD		1
210	588 98 72-02	PEDAL		1
211	532 12 01-83	BEARING		1
213	532 40 31-19	CONTROL		1
214	532 42 12-63	PAD		1
215	596 90 83-01	PEDAL		1
220	532 19 89-08	LENS		1
221	532 40 31-87	SPRING		1
222	879 21 20-10	WASHER		1
223	598 66 26-01	BOLT	Bolt.T45 5/16-18x.75 Hexhd.blk	1
225	532 40 33-19	BELT GUIDE		1
227	596 13 59-01	BOLT		1
231	532 40 72-87	PULLEY		1
304	588 98 73-02	PEDAL		1
325	586 43 12-02	BRACKET		1
326	586 00 11-02	BRACKET		1
336	587 25 96-02	BOLT		1
344	597 64 73-01	ROD		1
361	597 13 67-01	BUSHING		1
379	596 58 06-01	PIN		1



## ENGINE

TS 242TXD, 96041045100, 2020-03

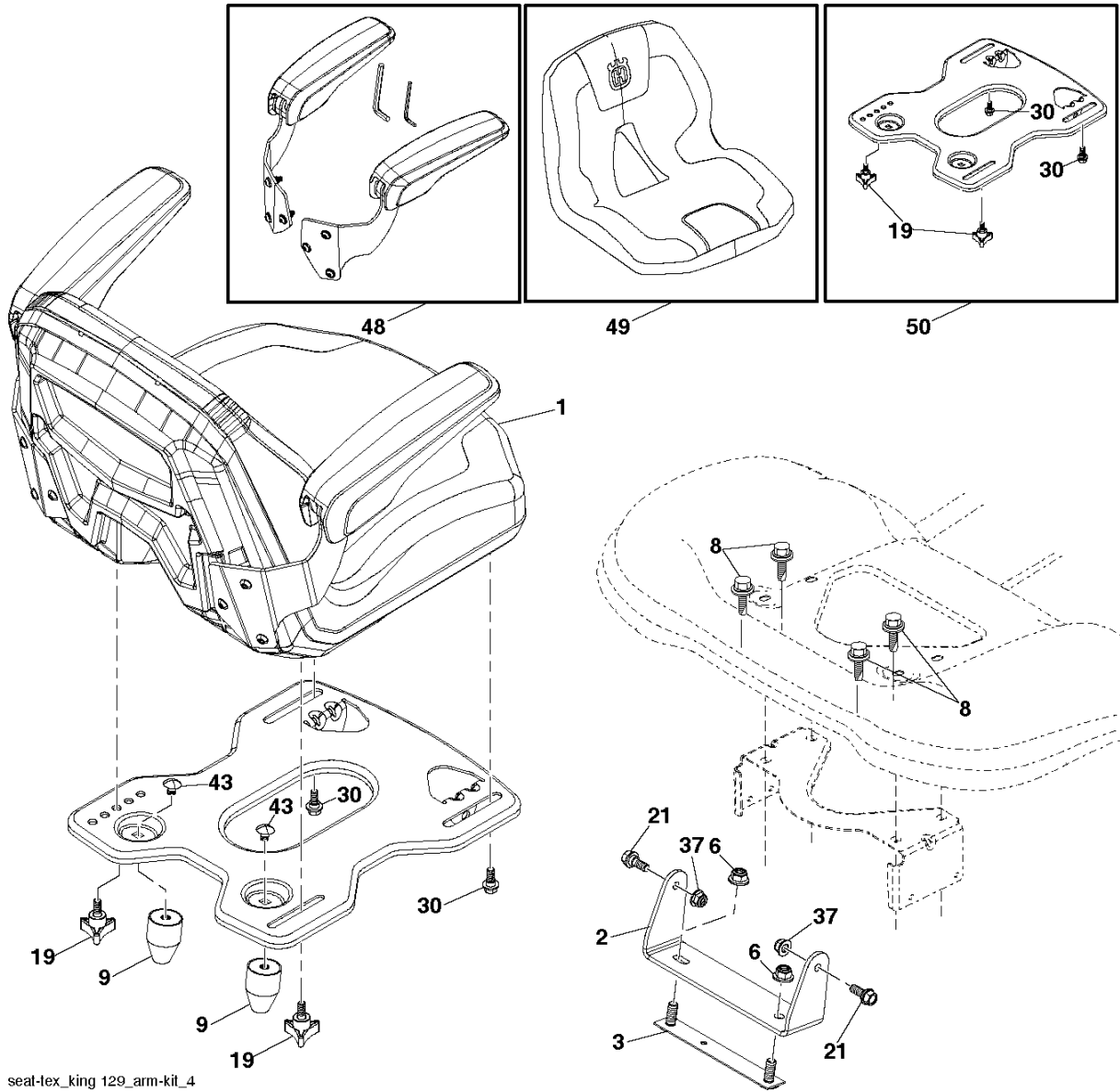
Ref	Part No	Description	Remark	QTY KIT
1	000 00 00-00	W/O DESCRIPTION	Engine Kawa Model No. FR651V (593006001)	1
2	589 81 87-01	MUFFLER		1
9	596 50 15-02	KEEPER		1
11	587 25 50-01	CLUTCH		1
12	586 89 96-01	PULLEY		1
15	532 42 28-04	TANK FUEL		1
18	584 24 87-02	FUEL CAP		1
20	532 42 43-41	CONTROL THROTTLE		1
21	596 32 17-01	SCREW		1
22	532 18 95-41	CHOKE CONTROL		1
28	532 40 11-35	LINE.FUEL.64"REAR.EMIS		1
29	532 13 71-80	SPARK ARRESTER KIT		1
37	532 12 34-87	HOSE CLAMP		1
41	532 12 61-97	WASHER		1
42	596 23 89-01	WASHER		1
45	596 13 36-01	LOCK NUT		1
62	532 43 40-17	SHIELD		1
69	532 17 81-51	MUFFLER GASKET		1
70	583 95 56-01	TUBE		1
71	583 95 57-01	TUBE		1
81	532 14 84-56	TUBE		1
85	501 60 67-01	BOLT		1
86	532 18 43-62	NUT		1
90	817 00 06-16	SCREW		1
91	532 18 74-95	BUSHING		1
92	817 12 06-16	SCREW		1
102	817 00 05-12	SCREW		1
116	539 13 26-24	KNOB - SHIFT		1
117	532 42 08-28	VALVE FUEL RESERVE		1



## STEERING

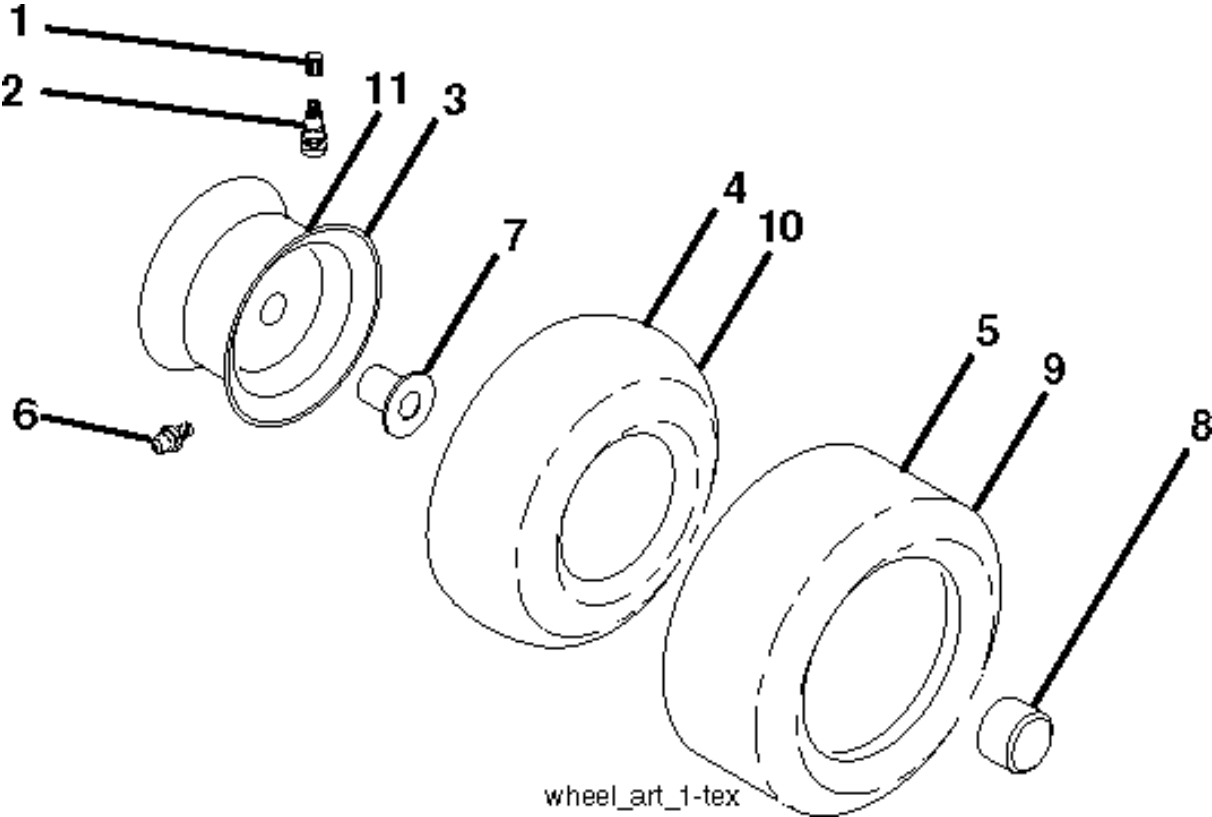
TS 242TXD, 96041045100, 2020-03

Ref	Part No	Description	Remark	QTY KIT
1	597 86 61-01	SERVICE KIT		1
2	532 41 35-91	LINK ARM		1
4	586 72 40-01	SPINDLE	LH	1
5	586 72 41-01	SPINDLE	RH	1
6	532 00 62-66	WASHER		1
7	532 12 17-48	WASHER		1
8	812 00 00-29	RETAINER RING		1
9	532 12 12-32	HUB CAP		1
13	532 12 17-49	WASHER		1
14	596 23 87-01	WASHER		1
15	873 54 06-00	NUT		1
16	587 01 60-02	SHAFT		1
19	532 19 47-29	PLATE		1
21	586 84 02-01	ADAPTER		1
22	585 02 98-02	BEARING		1
26	594 94 91-01	CAP		1
27	596 93 34-01	WASHER		1
28	817 00 06-12	SCREW		1
35	532 19 47-32	PLATE		1
45	587 01 64-01	WASHER		1
50	873 90 06-00	NUT		1
53	532 18 89-67	WASHER		1
54	874 76 06-36	BOLT		1
55	532 41 47-36	SPACER		1
58	532 19 47-47	BOLT		1
59	532 19 47-48	WASHER		1
60	873 97 10-00	NUT		1
61	597 07 02-02	LINKAGE		1
62	597 07 03-02	LINKAGE		1
63	817 00 05-12	SCREW		1
64	532 19 98-49	SPRING RETAINER		1
65	532 19 47-34	BRACKET		1
66	871 02 07-48	BOLT		1
67	532 19 47-37	BUSHING		1
68	873 90 07-00	NUT		1
69	532 19 91-62	WASHER		1
70	585 33 88-01	BRACKET		1
75	580 68 37-01	PINION		1
76	580 68 36-01	SCREW		1
78	532 05 70-79	WASHER		1
118	532 40 60-13	BEARING	Bushing.Axle.Cast	1
122	532 44 49-62	CAP		1



seat-lex\_king 129\_arm-kit\_4

Ref	Part No	Description	Remark	QTY KIT
1	597 65 81-02	SEAT		1
2	597 32 99-02	BRACKET		1
3	590 77 76-02	BRACKET		1
6	521 99 65-02	NUT		1
8	532 17 18-77	BOLT		1
9	597 78 51-01	BUMPER		1
19	597 78 31-01	KNOB		1
21	596 24 07-01	BOLT		1
30	597 78 18-01	BOLT		1
37	594 94 44-01	NUT		1
43	597 86 93-01	BOLT		1
48	597 65 82-03	SERVICE KIT		1
49	597 95 94-01	COVER		1
50	598 00 16-01	SERVICE KIT		1

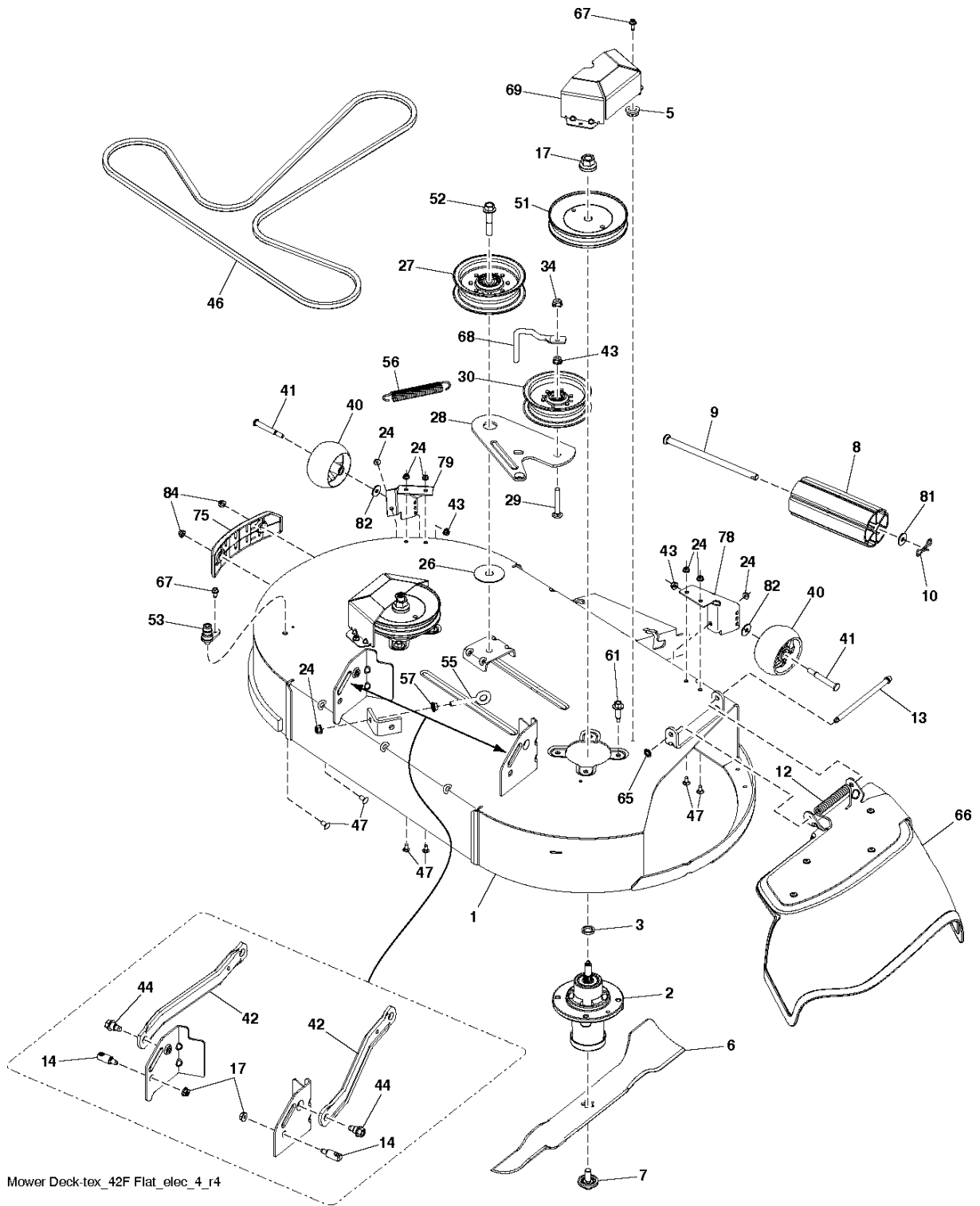




## WHEELS &amp; TIRES

TS 242TXD, 96041045100, 2020-03

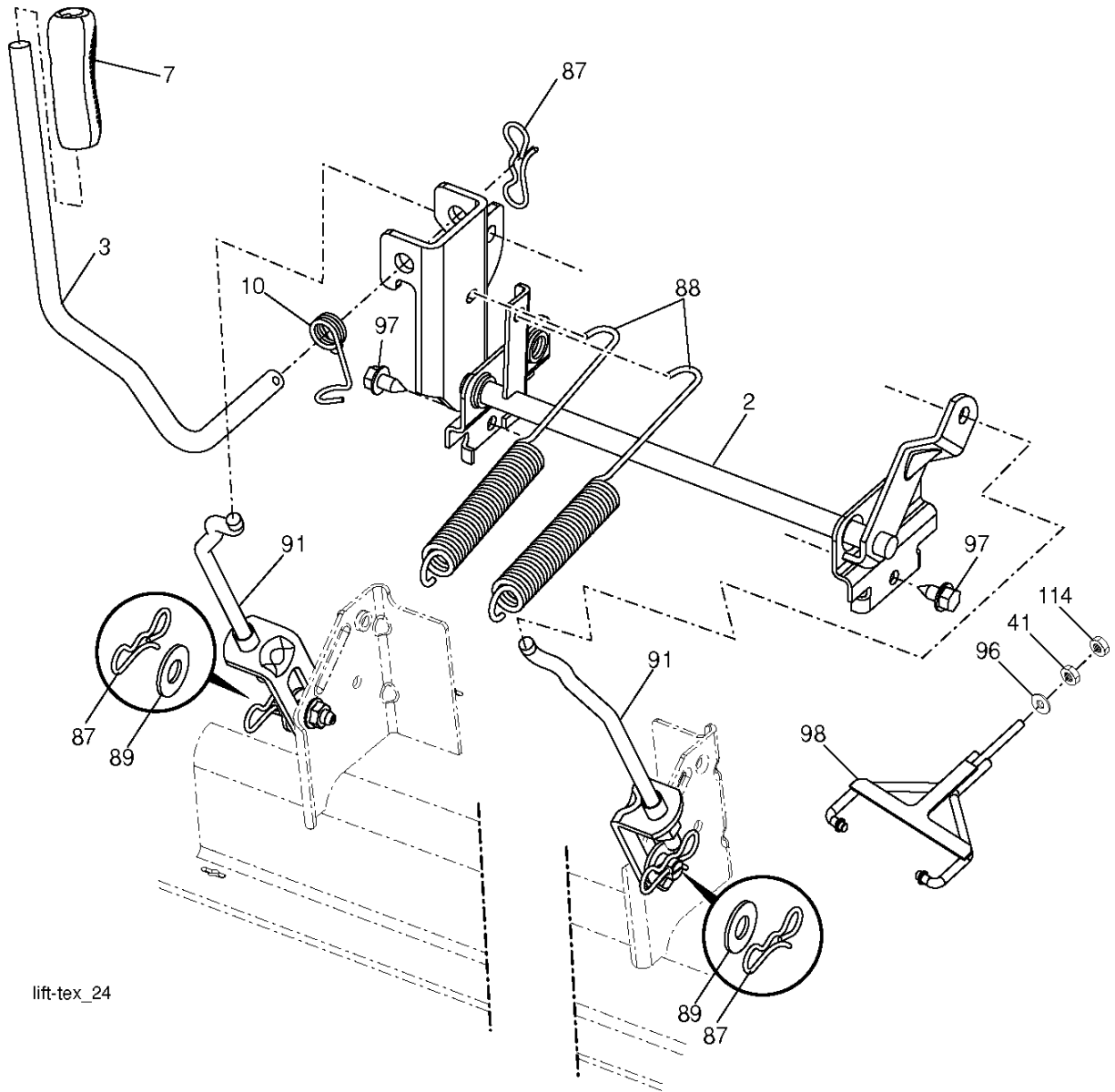
Ref	Part No	Description	Remark	QTY KIT
1	532 05 91-92	CAP VALVE		1
2	532 06 51-39	NIPPLE		1
3	532 13 83-36	RIM	Front 6.5"	1
4	532 05 99-04	HOSE	(Service Item Only)	1
5	532 17 04-55	TIRE	FRONT (15 X 6-6)	1
6	532 00 02-78	NIPPLE	(Front Wheel Only)	1
7	532 00 90-40	BEARING	(Front Wheel Only)	1
8	532 17 50-39	HUB CAP		1
9	532 17 04-56	TIRE	REAR (20 X 10-8)	1
10	532 00 71-52	TUBE	(Service Item Only)	1
11	532 13 83-37	RIM SPROCKET	Rear 8"	1
	532 14 43-34	SEALING FOAM		1



## MOWER DECK / CUTTING DECK

TS 242TXD, 96041045100, 2020-03

Ref	Part No	Description	Remark	QTY KIT
1	587 93 90-01	KIT		1
2	539 13 18-98	SPINDLE		1
3	532 18 76-90	WASHER		1
5	596 13 48-01	HEXAGON NUT		1
6	586 91 81-02	BLADE		1
7	532 19 30-03	SCREW		1
8	532 17 60-66	ROLLER		1
9	594 09 25-01	ROD		1
10	532 19 42-08	PIN		1
12	587 35 47-01	SPRING		1
13	595 29 70-01	ROD		1
14	593 82 40-01	STUD		1
17	596 13 57-01	LOCK NUT		1
24	594 94 44-01	NUT		1
26	532 17 85-15	WASHER		1
27	532 19 61-04	PULLEY		1
28	586 87 40-02	ARM		1
29	596 33 78-01	BOLT		1
30	532 19 61-06	PULLEY		1
34	596 32 26-01	NUT		1
40	589 52 73-01	WHEEL		1
41	596 43 44-04	BOLT		1
42	587 14 05-02	ARM		1
43	873 90 06-00	NUT		1
44	532 19 65-39	BOLT		1
46	587 27 01-01	BELT		1
47	595 90 16-01	BOLT		1
51	532 19 97-91	PULLEY		1
52	588 43 83-01	SCREW		1
53	532 41 55-98	HOSE COUPLING		1
55	596 24 08-01	BOLT		1
56	587 35 84-01	SPRING		1
57	596 03 92-01	LOCK NUT		1
61	584 95 39-01	BOLT		1
65	532 11 04-52	NUT		1
66	587 30 57-01	DEFLECTOR		1
67	532 13 77-29	SCREW		1
68	532 19 84-68	BELT GUIDE		1
69	586 93 68-05	COVER		1
75	582 68 32-03	BUMPER		1
78	501 80 83-02	BRACKET		1
79	590 43 90-02	BRACKET	(590439002) BRACKET LH	1
81	582 36 05-01	BUSHING		1
82	596 13 49-01	WASHER		1
84	532 17 01-65	BOLT		1

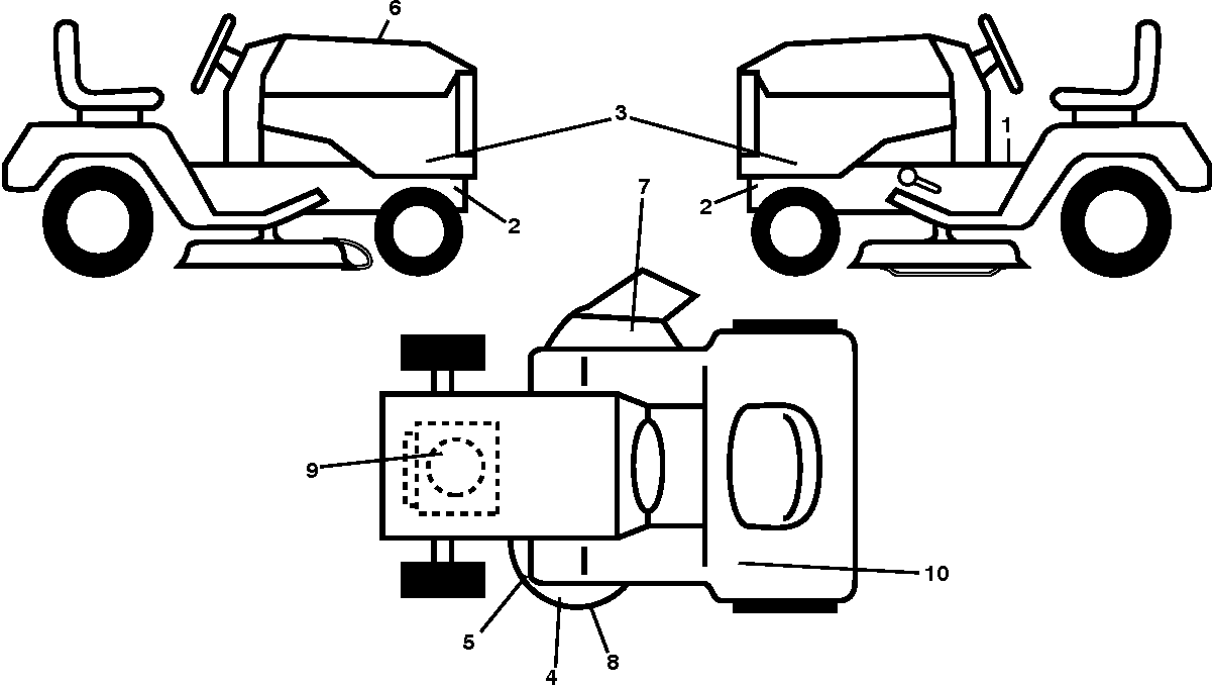


lift-tex\_24

## MOWER LIFT LEVER

TS 242TXD, 96041045100, 2020-03

Ref	Part No	Description	Remark	QTY KIT
2	532 42 20-27	SHAFT		1
3	596 27 06-01	LEVER	RH	1
7	580 96 23-01	GRIP		1
10	532 19 63-14	SPRING		1
41	589 46 49-02	NUT		1
87	532 19 42-09	SPRING		1
88	532 41 07-10	SPRING		1
89	819 19 19-12	WASHER		1
91	589 46 48-05	LINK ASSY		1
96	593 84 21-01	BUSHING		1
97	817 00 06-12	SCREW		1
98	574 82 25-01	SUSPENSION		1
114	873 36 07-00	NUT		1



## DECALS

TS 242TXD, 96041045100, 2020-03

Ref	Part No	Description	Remark	QTY KIT
1	586 04 73-02	DECAL		1
2	581 57 96-01	DECAL		1
3	597 95 16-01	DECAL		1
4	589 35 79-01	DECAL		1
5	581 58 00-01	DECAL		1
6	590 41 22-01	DECAL		1
7	586 97 88-01	DECAL		1
8	590 88 49-01	DECAL		1
9	581 57 97-01	DECAL		1
10	597 47 01-01	DECAL		1
--	501 74 90-01	DECAL		1
--	581 72 48-01	DECAL		1
	581 72 46-01	DECAL		1
--	532 43 98-82	PAD	LH	1
--	532 44 15-42	PAD	RH	1