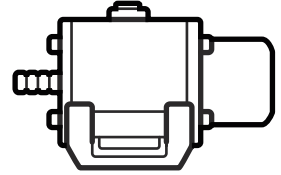




Husqvarna®



EP 121B, EP 271B, EP 371B, EP 601B

EN Operator's manual
ES-MX Manual del usuario

2-12
13-24

Contents

Introduction.....	2	Troubleshooting.....	7
Safety.....	3	Storage and disposal.....	9
Operation.....	5	Technical data.....	10
Maintenance.....	6		

Introduction

Product description

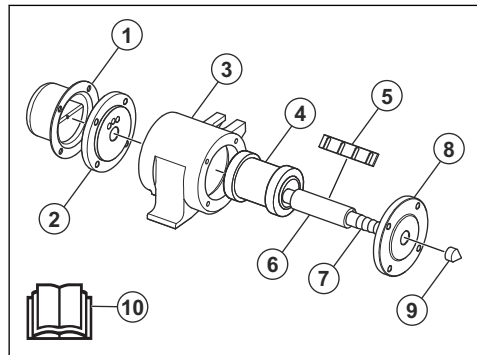
The product is a concrete vibrator. The product has a pneumatically operated motor that only contains 2 moving parts. Compressed air is supplied to the product through the air valve.

An automatic lubricator can be installed as an optional equipment. The automatic lubricator is supplied by the manufacturer of the air compressor.

Intended use

The product is for professional operation only. The product removes air bubbles from wet concrete. Do not use the product for other tasks.

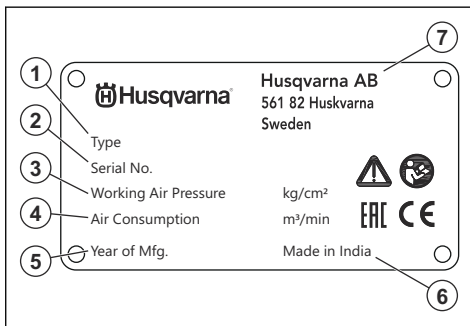
Product overview



1. Rear cover
2. Rear flange
3. Housing
4. Rotor
5. Lamella
6. Shaft
7. Air connector
8. Front flange

9. Front cover
10. Operator's manual

Rating plate



1. Product type
2. Serial number
3. Air pressure, kg/m²
4. Air consumption, m³/min
5. Year of manufacture
6. Land of manufacture
7. Manufacturer

Product liability

As referred to in the product liability laws, we are not liable for damages that our product causes if:

- the product is incorrectly repaired.
- the product is repaired with parts that are not from the manufacturer or not approved by the manufacturer.
- the product has an accessory that is not from the manufacturer or not approved by the manufacturer.
- the product is not repaired at an approved service center or by an approved authority.

Safety

Safety definitions

Warnings, cautions and notes are used to point out specially important parts of the manual.



WARNING: Used if there is a risk of injury or death for the operator or bystanders if the instructions in the manual are not obeyed.



CAUTION: Used if there is a risk of damage to the product, other materials or the adjacent area if the instructions in the manual are not obeyed.

Note: Used to give more information that is necessary in a given situation.

General safety instructions



WARNING: Read the warning instructions that follow before you use the product.

- This product is a dangerous tool if you are not careful or if you use the product incorrectly. This product can cause serious injury or death to the operator or others. Before you use the product, you must read and understand the contents of this operator's manual.
 - Save all warnings and instructions.
 - Comply with all applicable laws and regulations.
 - The operator and the employer of the operator must know and prevent the risks during operation of the product.
 - Do not let a person operate the product unless they read and understand the contents of the operator's manual.
 - Do not operate the product unless you receive training before use. Make sure that all operators receive training.
 - Do not let a child operate the product.
 - Only let approved persons operate the product.
 - The operator is responsible for accidents that occur to other persons or their property.
 - Do not use the product if you are tired, ill, or under the influence of alcohol, drugs or medicine.
 - Always be careful and use your common sense.
 - This product produces an electromagnetic field during operation. This field can under some circumstances interfere with active or passive medical implants. To decrease the risk of serious injury or death, we recommend persons with medical implants to speak to their physician and the medical implant manufacturer before operating this product.
- Keep the product clean. Make sure that you can clearly read signs and decals.
 - Do not use the product if it is defective.
 - Do not do modifications to this product.
 - Do not operate the product if it is possible that other persons have done modifications to the product.

Safety instructions for operation



WARNING: Read the warning instructions that follow before you use the product.

- Make sure that you know how to stop the product quickly in an emergency.
- The operator must have the physical strength that is necessary to operate the product safely.
- Use personal protective equipment. Refer to *Personal protective equipment on page 4*.
- Make sure that only approved persons are in the work area.
- Keep the work area clean and bright.
- Make sure that you are in a safe and stable position during operation.
- Make sure that there is no grease or oil on the handle.
- Do not use the product in areas where fire or explosions can occur.
- The product can cause objects to eject at high speed. Make sure that all persons in the work area use approved personal protective equipment. Remove loose objects from the work area.
- Before you go away from the product, stop the product and disconnect the power source.
- Make sure that clothes, long hair and jewelry do not get caught in moving parts.
- Do not sit on the product.
- Do not hit the product.
- Make sure that you or other persons cannot get caught in and fall on cables, hoses and shafts in the work area.
- Before you operate the product, find out if there are hidden wires, electrical cables or other sources of electricity. Do not operate the product unless you know that it is in a safe work area.

Vibration safety



WARNING: Read the warning instructions that follow before you use the product.

- During operation of the product, vibrations go from the product to the operator. Regular and frequent operation of the product can cause or increase the

degree of injuries to the operator. Injuries can occur in fingers, hands, wrists, arms, shoulders, and/or nerves and blood supply or other body parts. The injuries can be debilitating and/or permanent, and can increase gradually during weeks, months or years. Possible injuries include damage to the blood circulation system, the nervous system, joints, and other body structures.

- Symptoms can occur during operation of the product or at other times. If you have symptoms and continue to operate the product, the symptoms can increase or become permanent. If these or other symptoms occur, get medical aid:
 - Numbness, loss of feeling, tingling, pricking, pain, burning, throbbing, stiffness, clumsiness, loss of strength, changes in skin color or condition.
- Symptoms can increase in cold temperatures. Use warm clothing and keep your hands warm and dry when you operate the product in cold environments.
- Do maintenance on and operate the product as given in the operator's manual, to keep a correct vibration level.
- The product has a vibration damping system that decreases the vibrations from the handles to the operator. Let the product do the work. Do not push the product with force. Hold the product at the handles lightly, but make sure that you control the product and operate it safely. Do not push the handles into the end stops more than necessary.
- Keep your hands on the handle or handles only. Keep all other body parts away from the product.
- Stop the product immediately if strong vibrations suddenly occurs. Do not continue the operation before the cause of the increased vibrations is removed.

Dust safety



WARNING: Read the warning instructions that follow before you use the product.

- Operation of the product can cause dust in the air. Dust can cause serious injury and permanent health problems. Silica dust is regulated as harmful by several authorities. These are examples of such health problems:
 - The fatal lung diseases chronic bronchitis, silicosis and pulmonary fibrosis
 - Cancer
 - Birth defects
 - Skin inflammation
- Use correct equipment to decrease the quantity of dust and fumes in the air and to decrease dust on work equipment, surfaces, clothing and body parts. Examples of controls are dust collection systems and water sprays to bind dust. Decrease dust at the source where possible. Make sure that the

equipment is correctly installed and used and that regular maintenance is done.

- Use approved respiratory protection. Make sure that the respiratory protection is applicable for the dangerous materials in the work area.
- Make sure that the airflow is sufficient in the work area.
- If it is possible, point the exhaust of the product where it cannot cause dust to go into the air.

Noise safety



WARNING: Read the warning instructions that follow before you use the product.

- High noise levels and long-term exposure to noise can cause noise-induced hearing loss.
- To keep the noise level to a minimum, do maintenance on and operate the product as given in the operator's manual.
- Use approved hearing protection while you operate the product.
- Listen for warning signals and voices when you use hearing protection. Remove the hearing protection when the product is stopped, unless hearing protection is necessary for the noise level in the work area.

Personal protective equipment



WARNING: Read the warning instructions that follow before you use the product.

- Always use approved personal protective equipment when you operate the product. Personal protective equipment cannot fully prevent injury but it decreases the degree of injury if an accident does occur. Let your dealer help you select the correct personal protective equipment.
- Regularly do a check of the condition of the personal protective equipment.
 - Use an approved protective helmet.
 - Use approved hearing protection.
 - Use approved respiratory protection.
 - Use approved eye protection with side protection.
 - Use protective gloves.
 - Use boots with steel toe-cap and non-slip sole.
 - Use approved work clothing or equivalent close-fitting clothing that has long sleeves and long legs.

Safety instructions for pneumatic air hoses



WARNING: A loose pneumatic air hose can move around randomly and with force. There is a risk of injury or death if the operator or bystanders are hit by a pneumatic air hose. Read the warning

instructions that follow before you use the product.

- Examine the pneumatic air hose and the connectors for damage. Replace damaged parts immediately.
 - Make sure that all connectors for the pneumatic air hose are correctly installed.
 - Make sure that the pneumatic air hose is correctly connected.
 - Do not hold the pneumatic air hose to lift or move the product.
 - Do not disconnect a pneumatic air hose that is pressurized. Before you disconnect the pneumatic air hose, stop the air compressor and then operate the start and stop function on the product to release the remaining pressure.
 - Do not point the airflow in the direction of your body or other persons. Air can go into the blood circulation and cause death.
 - Do not use compressed air to remove dirt from your clothing.
 - If you use claw couplings, install lockpins and use safety cables. Lockpins and safety cables prevent failure in the connections between pneumatic air hoses and between a pneumatic air hose and a tool.
- If the maintenance is not done correctly and regularly, the risk of injury and damage to the product increases.
 - Use personal protective equipment. Refer to *Personal protective equipment on page 4*.
 - Clean the product to remove dangerous material before you do the maintenance.
 - Disconnect the product from the power source before you do the maintenance.
 - Do not do modifications to the product. Modifications that are not approved by the manufacturer can cause serious injury or death.
 - Always use original accessories and spare parts. Accessories and spare parts that are not approved by the manufacturer, can cause serious injury or death.
 - Replace damaged, worn or broken parts.
 - Only do the maintenance as given in this operator's manual. Let an approved service agent do all other servicing.
 - After maintenance, do a check of the vibration level in the product. If it is not correct, speak to an approved service agent.
 - Let an approved service agent do servicing on the product regularly.

Safety instructions for maintenance



WARNING: Read the warning instructions that follow before you use the product.

Operation

Introduction



WARNING: Read and understand the safety chapter before you use the product.

To start and stop the product

1. Drain the water from the air compressor tank. Refer to the operator's manual for the air compressor.
2. Push air through the air hose to drain the water.
3. Make sure that the connector filter is clean.
4. Examine the connector seals for damage. Replace damaged seals.
5. Lubricate the product. Refer to *To lubricate the product on page 6*.
6. Connect the product to the air compressor.
7. Start the air compressor. Make sure that the air pressure is correct. Refer to *Technical data on page 10*.

Note: The speed of the vibration increases if the air pressure increases. The product does not start the vibration if the air pressure is too low.

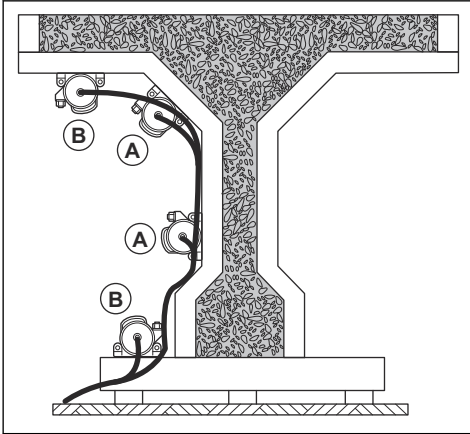


CAUTION: Make sure that the air pressure is not more than the maximum air pressure to prevent damage to the product.

8. To stop the product, stop the air compressor.

To operate the product

1. Put the product in the (A) positions. Do not put the product in the (B) positions.



2. If the product is in a position where it cannot be started, turn the flanges, shaft and lamella 90 degrees.

Note: If the product is moved to a different position, move the flanges, shaft and lamella to their initial positions.

Maintenance

Introduction



WARNING: Read and understand the safety chapter before you do maintenance on the product.

To lubricate the product

The product comes without oil. Make sure that the air is lubricated through an automatic lubricator assembled less than 10 m/32 ft. from the product. If an automatic lubricator is not installed, the product must be manually lubricated.

- Lubricate the product each day or each 4 hours during continuous operation.
- Put 4 cm³ of oil into the air hose through the coupling. Refer to *Technical data on page 10* for the correct type of oil.

To clean the product

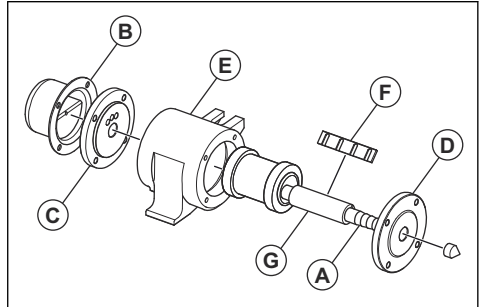


CAUTION: Do not use a high-pressure washer to clean the product.

- Use fuel to clean all the parts of the product.
- Remove concrete from the surfaces of the product after each operation before the concrete becomes hard.
- Remove grease and oil.

To disassemble the product

1. Disconnect the air hose from the connector (A).

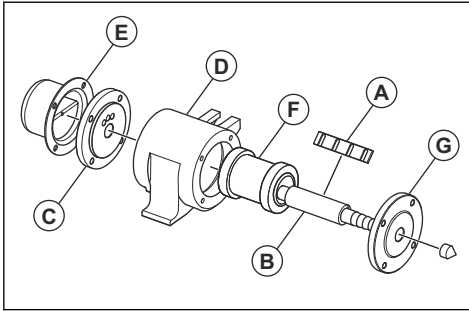


2. Remove the rear cover (B).
3. Remove the 8 screws for the rear flange (C) and front flange (D).
4. Attach the housing (E) to a vise and push off the shaft (G) from the connector side.
5. Remove the lamella (F) from the shaft.
6. Push the front flange off the shaft.

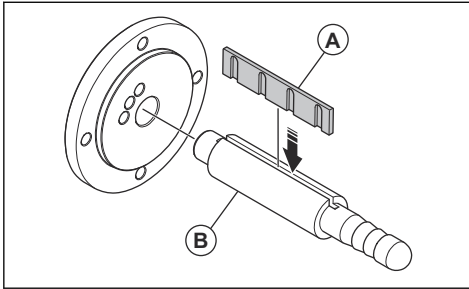
To assemble the product

1. Lubricate all moving parts.

2. Replace the lamella (A) on the shaft (B).



3. Adjust the thickness of the lamella with 800 grit abrasive paper for a tight fit in the groove of the shaft.



Note: Keep the lamella 1 night in oil until assembly to prevent changes in thickness because of moist conditions. Only adjust the thickness of the flat surface of the lamella.

4. Put a position tool into the first exhaust hole on the right side of the rear flange (C).
5. Put the shaft into the rear flange. Make sure that the lamella is level with the position tool.
6. Remove the position tool.
7. Put the flange assembly into the housing (D) with the exhaust holes at the top side and the lamella on the right side.
8. Put the rear cover (E) on the rear flange. The exhaust holes must be opposite to the holes on the rear flange.
9. Assemble the rotor (F).
10. Assemble the front flange (G). The inner side holes must be opposite to the holes on the rear flange.
11. Assemble the 8 screws for the rear flange and front flange. Tighten the screws to the correct torque 21.6 Nm.

Troubleshooting

Problem	Cause	Solution	
The product does not start.	There is no air pressure.	Make sure that the air compressor is on and that the product is correctly connected to the air hose.	
		Make sure that the air hose is not blocked or twisted.	
		Examine the air flow and the air pressure.	
	There is no air flow.	Make sure that the air compressor is on and that the product is correctly connected to the air hose.	
		Make sure that the air hose is not blocked or twisted.	
	The air exhaust is blocked.	Remove the blockage. Clean the air exhaust.	
	The product does not operate correctly.		Make sure that there is no mechanical friction or blockage in the product.
			Examine the lamella. Make sure that the lamella is assembled correctly and is not damaged.
			Examine the product parts. Make sure they are not damaged from corrosion.
		Make sure that the rotor is in the correct position. Refer to <i>To operate the product on page 6.</i>	

Problem	Cause	Solution
The air goes directly through the exhaust or the product vibrations are slow.	The rotor is blocked.	Shake the tube carefully when the tube is pressurized.
	The air pressure is too low to start the product.	Measure the air pressure. Refer to <i>Technical data on page 10</i> .
	The air flow is too low to start the product.	Measure the air flow. Refer to <i>Technical data on page 10</i> .
	There is a leak in the air hose.	Attach the clamps correctly on the air hose.
		Replace the air hose if it is necessary.
	The product is not sufficiently lubricated.	Lubricate the product. Refer to <i>To lubricate the product on page 6</i> .
	The lamella is worn out.	Replace the lamella.
The product is not attached correctly.	Attach the product correctly. Refer to <i>To operate the product on page 6</i> .	
The vibration of the concrete is not constant.	The centrifugal force is too low.	Change to a product with more power.
	The air exhaust is blocked.	Remove the blockage. Clean the air exhaust.
	The air pressure is too low.	Measure the air pressure. Refer to <i>Technical data on page 10</i> .
	The product is not attached correctly.	Attach the brackets correctly to the concrete form. Examine the bolts after 15 minutes of operation. Tighten the bolts if they are loose.
		Attach the product with the correct bolts to the brackets.
	The number of products used is not sufficient.	Add products were vibration is missing.
	The correct product is not used.	Attach high frequency products to a vertical concrete form.
		Attach lower frequency products to a horizontal concrete form.
	The air hose is too long.	Refer to the operator's manual for the air compressor for correct length.
The concrete form is not sufficiently rigid.	Make the concrete form more rigid.	
The product does not operate correctly in a dusty environment.	There is sand or dust in the product.	Disassemble and clean all the parts with fuel. Then lubricate all parts and assemble the product.
	The air exhaust is blocked.	Remove the blockage. Clean the air exhaust.

Problem	Cause	Solution
The product does not operate correctly in a moist environment.	Moist is mixed with the oil in the product.	Disassemble and clean all the parts with fuel. Refer to <i>To disassemble the product on page 6</i> . Then lubricate all parts and assemble the product. Refer to <i>To assemble the product on page 6</i> .
	The lamella absorbs water and causes a blockage in the rotor.	Drain the water from the air compressor tank. Disassemble and clean all the parts with fuel. Then lubricate all parts and replace the lamella. Keep the lamella in oil until assembly. Refer to <i>To assemble the product on page 6</i> .

Storage and disposal

Storage

- Clean the product before storage.
- Keep the product in a dry and frost-free area.
- Keep the product in a locked area to prevent access for children or persons that are not approved.

Disposal of the product

- Obey the local recycling requirements and applicable regulations.
- When the product no longer is used, send it to the dealer or discard it at a recycling location.

Technical data

Technical data

Type	EP 121B	EP 271B	EP 371B	EP 601B
Frequency, rpm	9000	9350	9350	8800
Centrifugal force, N	8100	10350	26800	31500
Amplitude, mm/in.	0.80/0.03	1.10/0.05	1.70/0.07	2.10/0.08
Air consumption, l/mm or cfm ¹	1200 or 42	1200 or 42	1400 or 50	1400 or 50
Weight, kg/lbs.	9.50/21	10.00/22	16.50/37	18.00/40
Bracket	VT2	VT2	VT4	VT4
Pneumatic tool oil	Non-detergent oil			
Air pressure for operation, bars/PSI	6/87			
Minimum air pressure, bars/PSI	5/72			
Maximum air pressure, bars/PSI	7/101			
Noise emissions				
Sound pressure level L_p at the operators ear, dB(A) ²	90.0	90.8	95.0	100.0

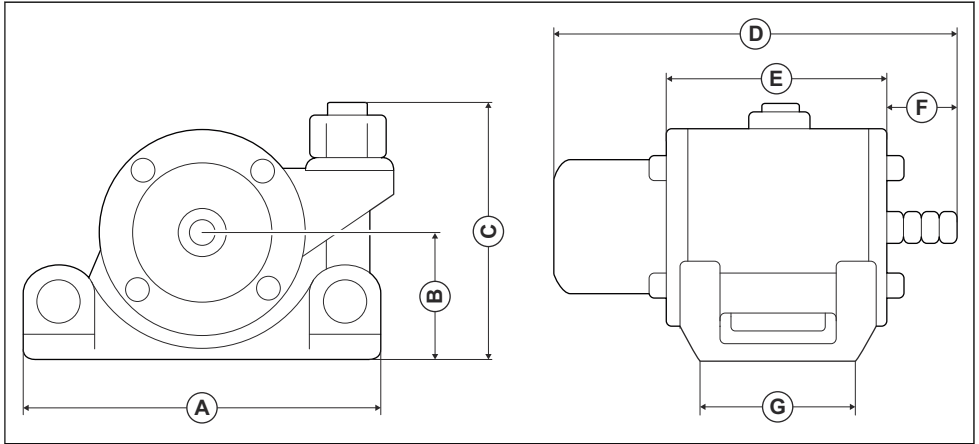
Noise and vibration declaration statement

These declared values were obtained by laboratory type testing in accordance with the stated directive or standards and are suitable for comparison with the declared values of other products tested in accordance with the same directive or standards. These declared values are not suitable for use in risk assessments and values measured in individual work places may be higher. The actual exposure values and risk of harm experienced by an individual user are unique and depend upon the way the user works, in what material the product is used, as well as upon the exposure time and the physical condition of the user, and the condition of the product.

¹ Measured at an air pressure of 6 bars/87 PSI

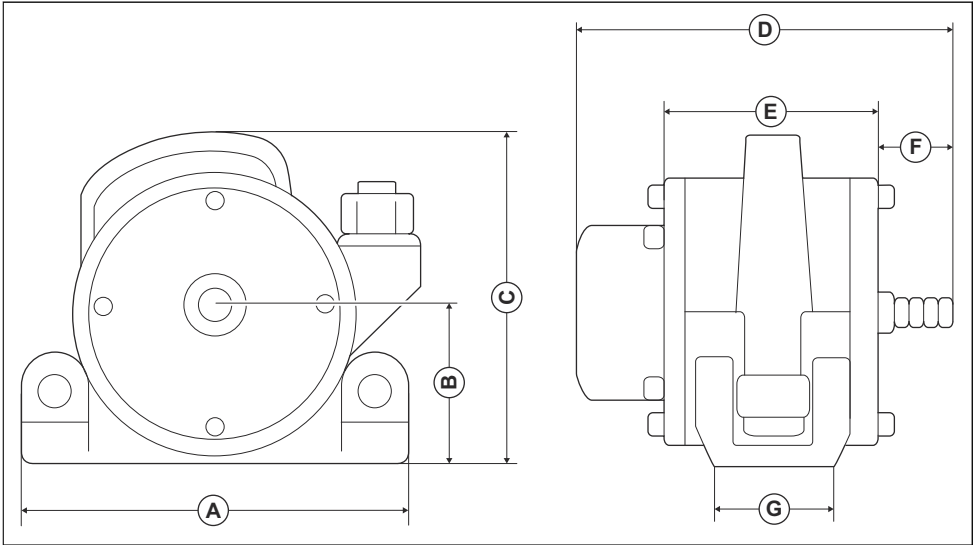
² Noise level measured in air at 1m from the product according to EN ISO 6081. Uncertainty: ± 3 dB

Product dimensions EP 121B, EP 271B



Position	mm/in.
A	183/7.2
B	78/3.1
C	140/5.5
D	234/9.2
E	130/5.1
F	40/1.6
G	85/3.3

Product dimensions EP 371B, EP 601B



Position	mm/in.
A	242/9.5
B	99/3.9
C	220/8.7
D	236/9.3
E	126/4.9
F	52/2.0
G	80/3.1

Contenido

Introducción.....	13	Solución de problemas.....	19
Seguridad.....	14	Almacenamiento y eliminación.....	20
Funcionamiento.....	17	Datos técnicos.....	22
Mantenimiento.....	17		

Introducción

Descripción del producto

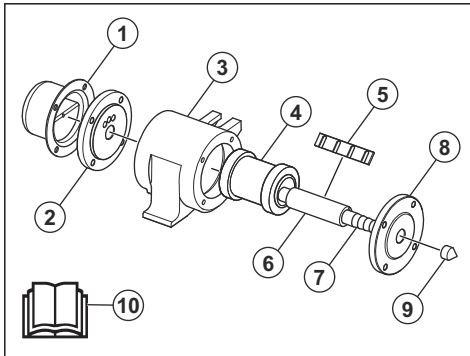
Este producto es un vibrador para concreto. El producto tiene un motor neumático que solo contiene 2 piezas móviles. Se suministra aire comprimido al producto a través de la válvula de aire.

Se puede instalar un lubricador automático como equipo opcional. El fabricante del compresor de aire es quien suministra el lubricador automático.

Uso previsto

El producto es solo para el uso por parte de profesionales. El producto elimina las burbujas de aire del concreto húmedo. No utilice el producto para otras tareas.

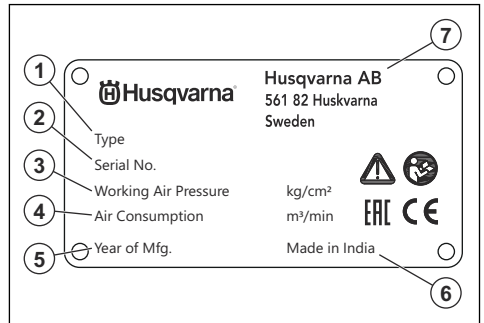
Descripción general del producto



1. Tapa trasera
2. Brida trasera
3. Alojamiento
4. Rotor
5. Lámina
6. Eje
7. Conector de aire

8. Brida delantera
9. Tapa delantera
10. Manual del usuario

Placa de características



1. Tipo de producto
2. Número de serie
3. Presión de aire, kg/m²
4. Consumo de aire, m³/min
5. Año de fabricación
6. Lugar de fabricación
7. Fabricante

Responsabilidad del fabricante

Como se menciona en las leyes de responsabilidad del fabricante, no nos hacemos responsables de los daños que cause nuestro producto si:

- el producto se repara incorrectamente
- el producto se repara con piezas que no son del fabricante o que este no autoriza
- el producto tiene un accesorio que no es del fabricante o que este no autoriza
- el producto no se repara en un centro de servicio autorizado o por una autoridad aprobada.

Definiciones de seguridad

Las advertencias, precauciones y notas se utilizan para señalar las piezas particularmente importantes del manual.



ADVERTENCIA: Se utilizan para señalar el riesgo de lesiones graves o mortales para el operador o para aquellos que se encuentren cerca si no se siguen las instrucciones del manual.



AVISO: Se utilizan para señalar el riesgo de dañar la máquina, otros materiales o el área adyacente si no se siguen las instrucciones del manual.

Tenga en cuenta: Se utilizan para entregar más información necesaria en situaciones particulares.

Instrucciones generales de seguridad



ADVERTENCIA: Lea atentamente las instrucciones de advertencia siguientes antes de usar el producto.

- Este producto puede ser una herramienta peligrosa si no se maneja con cuidado o si utiliza el producto de forma incorrecta. Este producto puede causar daños graves o fatales al operador o a otras personas. Antes de utilizar el producto, es muy importante que lea y comprenda el contenido de este manual de usuario.
- Guarde todas las advertencias y las instrucciones.
- Cumpla todas las leyes y reglamentos vigentes.
- El operador y el empleador del operador deben conocer y evitar los riesgos durante la operación del producto.
- No permita que nadie que no haya leído y comprendido el contenido del manual de usuario utilice el producto.
- No utilice el producto si no ha recibido capacitación antes de su uso. Asegúrese de que todos los usuarios reciban capacitación.
- No deje que un niño utilice el producto.
- Restrinja el uso del producto solo a personas autorizadas.
- El operador es responsable de los accidentes que puedan ocurrirles a otras personas o a sus propiedades.
- No utilice el producto si está cansado, enfermo o bajo la influencia de alcohol, drogas o medicamentos.
- Sea siempre cuidadoso y use el sentido común.

- En este producto se genera un campo electromagnético durante su funcionamiento. Este campo puede, en determinadas circunstancias, interferir en implantes médicos activos o pasivos. Para reducir el riesgo de daños graves o mortales, se recomienda que las personas con implantes médicos consulten a su médico y al fabricante del implante médico antes de utilizar este producto.
- Mantenga el producto limpio. Asegúrese de que puede leer señales y etiquetas claramente.
- No utilice el producto si se encuentra defectuoso.
- No modifique este producto.
- No utilice el producto si es posible que otras personas hayan realizado modificaciones en el mismo.

Instrucciones de seguridad para el funcionamiento



ADVERTENCIA: Lea atentamente las instrucciones de advertencia siguientes antes de usar el producto.

- Asegúrese de saber cómo detener el producto rápidamente en caso de emergencia.
- El usuario debe tener la resistencia física necesaria para hacer funcionar el producto de manera segura.
- Utilice el equipo de protección personal. Consulte *Equipo de protección personal en la página 16*.
- Asegúrese de que solo personas autorizadas estén en la zona de trabajo.
- Mantenga el área de trabajo limpia y despejada.
- Asegúrese de encontrarse en una posición segura y estable durante la operación.
- Asegúrese de que no haya grasa ni aceite en el mango.
- No utilice el producto en áreas donde se pueden producir explosiones o fuego.
- El producto puede hacer que los objetos salgan eyectados a alta velocidad. Asegúrese de que todas las personas en el área de trabajo utilicen equipos de protección personal aprobados. Retire los objetos sueltos del área de trabajo.
- Antes de alejarse del producto, deténgalo y desconecte la fuente de alimentación.
- Asegúrese de que ninguna prenda, cabello largo o joya puedan quedar atrapados en las piezas móviles.
- No se sienta sobre el producto.
- No golpee el producto.
- Asegúrese de que usted u otras personas no puedan quedar atrapadas ni caer sobre cables, mangueras ni ejes en el área de trabajo.

- Antes de utilizar el producto, averigüe si hay cables eléctricos u otras fuentes de electricidad ocultos. No utilice el producto, a menos que sepa que se encuentra en un área de trabajo segura.

Seguridad de vibración



ADVERTENCIA: Lea atentamente las instrucciones de advertencia siguientes antes de usar el producto.

- Durante el funcionamiento del producto, se transmiten vibraciones del producto al operador. El uso frecuente y regular del producto puede provocarle lesiones al operador o aumentar el grado de estas. Se pueden producir lesiones en los dedos, las manos, las muñecas, los brazos, los hombros o los nervios, así como en el riego sanguíneo u otras partes del cuerpo. Las lesiones pueden ser debilitantes o permanentes, y pueden aumentar gradualmente durante semanas, meses o años. Entre las posibles lesiones se incluyen daños en el sistema de circulación sanguínea, el sistema nervioso, las articulaciones y otras estructuras corporales.
- Los síntomas pueden presentarse durante el funcionamiento del producto o en otro momento. Si tiene síntomas y continúa utilizando el producto, los síntomas pueden aumentar o hacerse permanentes. Si se producen estos u otros síntomas, solicite asistencia médica:
 - Entumecimiento, pérdida de sensación, hormigueo, picazón, dolor, ardor, dolor pulsante, rigidez, aturdimiento, pérdida de fuerza, cambios en el color o en el estado de la piel.
- Los síntomas pueden aumentar con el frío. Utilice ropa de abrigo y mantenga las manos calientes y secas cuando utilice el producto en entornos fríos.
- Realice el mantenimiento del producto y utilícelo según se indica en el manual de usuario, para mantener un nivel de vibración correcto.
- El producto tiene un sistema amortiguador de vibraciones que disminuye las vibraciones de las manijas al operador. Deje que el producto haga el trabajo. No ejerza fuerza para empujar el producto. Sujete ligeramente el producto en las manijas, pero asegúrese de controlarlo y operarlo de forma segura. No empuje las manijas en los topes más de lo necesario.
- Mantenga las manos solamente en las manijas. No acerque ninguna otra parte de cuerpo al producto.
- Detenga el producto de inmediato si se producen vibraciones fuertes repentinamente. No continúe la operación hasta eliminar la causa del aumento de las vibraciones.

Seguridad contra el polvo



ADVERTENCIA: Lea atentamente las instrucciones de advertencia siguientes antes de usar el producto.

- El funcionamiento del producto puede causar suspensión de polvo en el aire. El polvo puede causar lesiones graves y problemas de salud permanentes. Varias autoridades han establecido regulaciones con respecto a los efectos dañinos del polvo de sílice. A continuación, se presentan algunos ejemplos de tales problemas de salud:
 - Enfermedades pulmonares mortales como bronquitis crónica, silicosis y fibrosis pulmonar
 - Cáncer
 - Anomalías congénitas
 - Inflamación de la piel
- Utilice el equipo correcto para disminuir la cantidad de polvo y gases en el aire y para disminuir la cantidad de polvo en el equipo de trabajo, las superficies, la ropa y las partes del cuerpo. Algunos ejemplos de mecanismos de control son los sistemas de recolección de polvo y los aspersores de agua para adherir el polvo. Disminuya el polvo en el origen cuando sea posible. Asegúrese de que el equipo se instale y utilice correctamente, y de que se le realice mantenimiento regular.
- Utilice protección respiratoria aprobada. Asegúrese de utilizar protección respiratoria cuando se trabaje con materiales peligrosos en el área de trabajo.
- Asegúrese de que haya un flujo de aire suficiente en la zona de trabajo.
- Si es posible, dirija el escape del producto hacia un punto en que no cause suspensión de polvo en el aire.

Seguridad contra el ruido



ADVERTENCIA: Lea atentamente las instrucciones de advertencia siguientes antes de usar el producto.

- Los niveles altos de ruido y la exposición a largo plazo al ruido pueden causar pérdida auditiva.
- Para mantener el nivel de ruido al mínimo, realice el mantenimiento del producto y utilícelo según se indica en el manual de usuario.
- Utilice protectores auriculares aprobados cuando opere el producto.
- Cuando utilice protectores auriculares, esté atento a las señales de advertencia y a las voces. Quitese los protectores auriculares cuando el producto esté detenido, a menos que sean necesarios para el nivel de ruido en la zona de trabajo.

Equipo de protección personal



ADVERTENCIA: Lea atentamente las instrucciones de advertencia siguientes antes de usar el producto.

- Utilice siempre el equipo de protección personal aprobado cuando utilice el producto. El equipo de protección personal no puede impedir el riesgo de lesiones, pero disminuirá el grado de lesión si ocurre un accidente. Solicite a su concesionario que lo ayude a seleccionar el equipo de protección personal correcto.
- Realice periódicamente una comprobación del estado del equipo de protección personal.
- Utilice un casco protector aprobado.
- Use protección auricular aprobada.
- Utilice protección respiratoria aprobada.
- Utilice protección ocular aprobada con protección lateral.
- Use guantes protectores.
- Utilice botas con punta de acero y suela antideslizante.
- Utilice ropa de trabajo aprobada o ropa equivalente de ajuste ceñido, que cubra por completo los brazos y las piernas.

Instrucciones de seguridad para las mangueras de aire neumáticas



ADVERTENCIA: Una manguera de aire neumática suelta puede moverse inesperadamente y con fuerza. Existe riesgo de lesiones o muerte si el operador o los transeúntes reciben un golpe de una manguera de aire neumática. Lea atentamente las instrucciones de advertencia siguientes antes de usar el producto.

- Examine la manguera de aire neumática y los conectores para ver si están dañados. Reemplace las piezas dañadas inmediatamente.
- Asegúrese de que todos los conectores de la manguera de aire neumática están correctamente instalados.
- Asegúrese de que la manguera de aire neumática está conectada correctamente.
- No sostenga la manguera de aire neumática para levantar o mover el producto.
- No desconecte una manguera de aire neumática presurizada. Antes de desconectar la manguera de

aire neumática, detenga el compresor de aire y, luego, utilice la función de start y stop del producto para liberar la presión restante.

- No apunte el flujo de aire en dirección al cuerpo ni a otras personas. El aire puede entrar en la circulación sanguínea y causar la muerte.
- No utilice aire comprimido para quitar la suciedad de la ropa.
- Si usa acoplamientos de garra, instale pasadores de bloqueo y utilice cables de seguridad. Los pasadores de bloqueo y los cables de seguridad evitan fallas en las conexiones entre las mangueras de aire neumáticas y entre una manguera de aire neumática y una herramienta.

Instrucciones de seguridad para el mantenimiento



ADVERTENCIA: Lea atentamente las instrucciones de advertencia siguientes antes de usar el producto.

- Si el mantenimiento no se realiza de manera correcta y regular, aumenta el riesgo de sufrir lesiones y causar daños en el producto.
- Utilice el equipo de protección personal. Consulte *Equipo de protección personal en la página 16*.
- Limpie el producto para eliminar materiales peligrosos antes de realizar el mantenimiento.
- Desconecte el producto de la fuente de alimentación antes de hacerle un mantenimiento.
- No modifique el producto. Las modificaciones en el producto que no están aprobadas por el fabricante pueden causar daños graves o la muerte.
- Utilice siempre accesorios y piezas de repuesto originales. El uso de accesorios y piezas de repuesto que no estén aprobados por el fabricante puede causar daños graves o la muerte.
- Cambie las piezas dañadas, desgastadas o rotas.
- Solo realice tareas de mantenimiento como se indica en el presente manual del usuario. Solicite que un taller de servicio autorizado realice todos los otros servicios.
- Después de realizar el mantenimiento, revise el nivel de vibración del producto. Si no tiene el nivel correcto, comuníquese con un taller de servicio autorizado.
- Procure realizar las tareas de mantenimiento con regularidad en un taller de servicio aprobado.

Funcionamiento

Introducción



ADVERTENCIA: Asegúrese de leer y comprender el capítulo de seguridad antes de utilizar el producto.

Para poner en marcha y detener el producto

1. Drene el agua del depósito del compresor de aire. Consulte el manual de usuario para obtener información acerca del compresor de aire.
2. Presione aire a través de la manguera de aire para drenar el agua.
3. Asegúrese de que el filtro del conector está limpio.
4. Revise si las juntas del conector presentan daños. Cambie las juntas dañadas.
5. Lubrique el producto. Consulte *Para lubricar el producto en la página 17*.
6. Conecte el producto al compresor de aire.
7. Arranque el compresor de aire. Asegúrese de que la presión de aire es la correcta. Consulte *Datos técnicos en la página 22*.

Tenga en cuenta: La velocidad de la vibración aumenta si la presión de aire aumenta. El producto no comienza a vibrar si la presión de aire es demasiado baja.

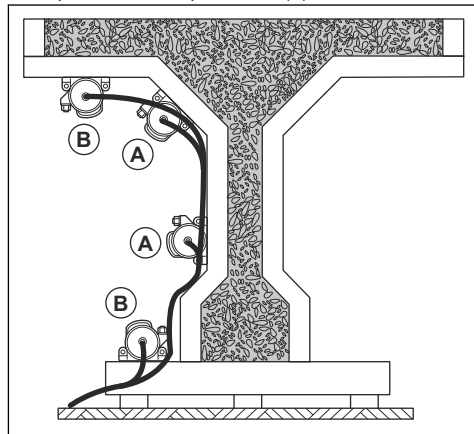


AVISO: Asegúrese de que la presión de aire no sea superior a la presión máxima de aire para evitar daños al producto.

8. Para detener el producto, detenga el compresor de aire.

Para hacer funcionar el producto

1. Ponga el producto en las posiciones (A). No ponga el producto en las posiciones (B).



2. Si el producto está en una posición en la que no puede ponerse en marcha, gire las bridas, el eje y la lámina en 90 grados.

Tenga en cuenta: Si el producto se mueve a una posición diferente, mueva las bridas, el eje y la lámina a sus posiciones iniciales.

Mantenimiento

Introducción



ADVERTENCIA: Lea detenidamente el capítulo de seguridad antes de realizar mantenimiento en el producto.

Para lubricar el producto

El producto no viene con aceite incluido. Asegúrese de que el aire se lubrica a través de un lubricador automático montado a menos de 10 m/32' del producto. Si no se instala un lubricador automático, el producto se debe lubricar manualmente.

- Lubrique el producto todos los días o cada 4 horas durante el funcionamiento continuo.

- Ponga 4 cm³ de aceite en la manguera de aire a través del acoplamiento. Consulte *Datos técnicos en la página 22* para conocer el tipo de aceite correcto.

Para limpiar el producto

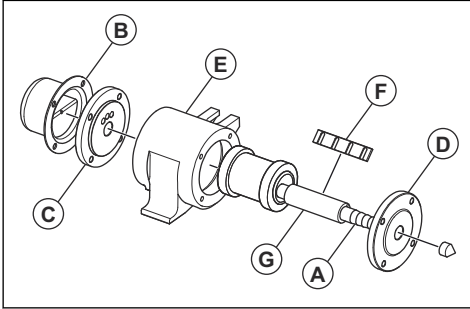


AVISO: No use limpiadores de alta presión para limpiar el producto.

- Utilice combustible para limpiar todas las piezas del producto.
- Quite el concreto de las superficies del producto después de cada operación antes de que se endurezca.
- Quite la grasa y el aceite.

Para desarmar el producto

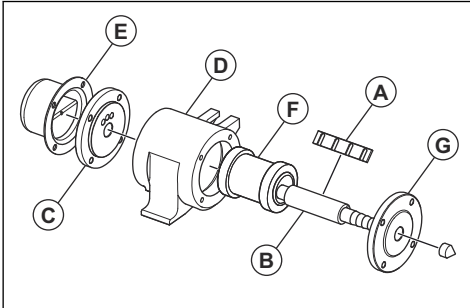
1. Desconecte la manguera de aire del conector (A).



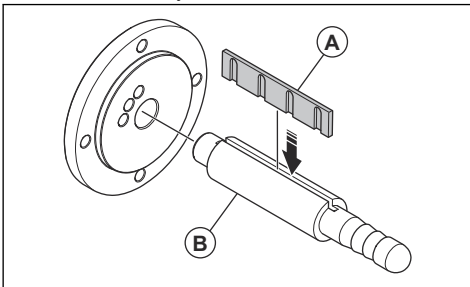
2. Retire la tapa trasera (B).
3. Quite los 8 tornillos para la brida trasera (C) y la brida delantera (D).
4. Conecte la carcasa (E) a un tornillo de banco y empuje el eje (G) desde el lado del conector.
5. Retire la lámina (F) del eje.
6. Retire la brida delantera del eje.

Para armar el producto

1. Lubrique todas las piezas móviles.
2. Reemplace la lámina (A) en el eje (B).



3. Ajuste el grosor de la lámina con una lija de granulación 800 para que encaje de forma hermética en la ranura del eje.



Tenga en cuenta: Coloque la lámina en aceite por una noche hasta que se monte para evitar cambios de grosor debido a condiciones de humedad. Solo debe ajustar el grosor de la superficie plana de la lámina.

4. Coloque una herramienta de posición en el primer orificio de salida en el lado derecho de la brida trasera (C).
5. Coloque el eje en la brida trasera. Asegúrese de que la lámina está alineada con la herramienta de posición.
6. Retire la herramienta de posición.
7. Coloque el montaje de la brida en la carcasa (D) con los orificios de salida en la parte superior y la lámina en el lado derecho.
8. Coloque la tapa trasera (E) en la brida trasera. Los orificios de salida deben estar en dirección opuesta a los orificios de la brida trasera.
9. Monte el rotor (F).
10. Monte la brida delantera (G). Los orificios interiores laterales deben estar en dirección opuesta a los orificios de la brida trasera.
11. Monte los 8 tornillos para la brida trasera y delantera. Apriete los tornillos con el par correcto de 21,6 Nm.

Solución de problemas

Problema	Causa	Solución
El producto no arranca.	No hay presión de aire.	Asegúrese de que el compresor de aire está encendido y de que el producto está conectado correctamente a la manguera de aire.
		Asegúrese de que la manguera de aire no está obstruida o torcida.
		Revise el flujo de aire y la presión de aire.
	No hay flujo de aire.	Asegúrese de que el compresor de aire está encendido y de que el producto está conectado correctamente a la manguera de aire.
		Asegúrese de que la manguera de aire no está obstruida o torcida.
	La salida de aire está bloqueada.	Elimine la obstrucción. Limpie la salida de aire.
	El producto no funciona correctamente.	Asegúrese de que no hay fricción mecánica o una obstrucción en el producto.
	Revise la lámina. Asegúrese de que la lámina está montada correctamente y que no está dañada.	
	Revise las piezas del producto. Asegúrese de que no están dañadas por corrosión.	
	Asegúrese de que el rotor está en la posición correcta. Consulte <i>Para hacer funcionar el producto en la página 17.</i>	
El aire pasa directamente por la salida o las vibraciones del producto son lentas.	El rotor está bloqueado.	Agite cuidadosamente el tubo cuando esté presurizado.
	La presión de aire es demasiado baja para poner en marcha el producto.	Mida la presión de aire. Consulte <i>Datos técnicos en la página 22.</i>
	El flujo de aire es demasiado bajo para poner en marcha el producto.	Mida el flujo de aire. Consulte <i>Datos técnicos en la página 22.</i>
	La manguera de aire tiene una fuga.	Conecte correctamente las abrazaderas a la manguera de aire.
		Cambie la manguera de aire si es necesario.
	El producto no tiene suficiente lubricación.	Lubrique el producto. Consulte <i>Para lubricar el producto en la página 17.</i>
	La lámina está desgastada.	Cambie la lámina.
El producto no está bien fijado.	Fije el producto correctamente. Consulte <i>Para hacer funcionar el producto en la página 17.</i>	

Problema	Causa	Solución
La vibración del concreto no es constante.	La fuerza centrífuga es demasiado baja.	Utilice un producto con más potencia.
	La salida de aire está bloqueada.	Elimine la obstrucción. Limpie la salida de aire.
	La presión de aire es demasiado baja.	Mida la presión de aire. Consulte <i>Datos técnicos en la página 22</i> .
	El producto no está bien fijado.	Fije los soportes correctamente a la estructura de concreto. Revise los pernos después de 15 minutos de funcionamiento. Apriete los pernos si están flojos.
		Fije el producto con los pernos correctos en los soportes.
	La cantidad de productos utilizados no es suficiente.	Agregue productos si no hay vibración.
	No se está utilizando el producto correcto.	Fije productos de alta frecuencia a una estructura de concreto vertical.
		Fije productos de menor frecuencia a una estructura de concreto horizontal.
	La manguera de aire es demasiado larga.	Consulte el manual de usuario del compresor de aire para obtener información sobre la longitud correcta.
La estructura de concreto no es lo suficientemente rígida.	Haga que la estructura de concreto sea más rígida.	
El producto no funciona correctamente en un entorno polvoriento.	El producto tiene polvo o arena.	Desarme y limpie todas las piezas con combustible. A continuación, lubrique todas las piezas y monte el producto.
	La salida de aire está bloqueada.	Elimine la obstrucción. Limpie la salida de aire.
El producto no funciona correctamente en un entorno húmedo.	La humedad se mezcla con el aceite en el producto.	Desarme y limpie todas las piezas con combustible. Consulte <i>Para desarmar el producto en la página 18</i> . A continuación, lubrique todas las piezas y monte el producto. Consulte <i>Para armar el producto en la página 18</i> .
	La lámina absorbe agua y produce una obstrucción en el rotor.	Drene el agua del depósito del compresor de aire. Desarme y limpie todas las piezas con combustible. A continuación, lubrique todas las piezas y cambie la lámina. Coloque la lámina en aceite hasta el montaje. Consulte <i>Para armar el producto en la página 18</i> .

Almacenamiento y eliminación

Almacenamiento

- Limpie el producto antes de almacenarlo.
- Mantenga el producto en un lugar seco y sin escarcha.

- Mantenga el producto en un área cerrada para evitar que los niños u otras personas sin autorización puedan acceder a él.

Eliminación del producto

- Obedezca las regulaciones vigentes y requisitos de reciclaje locales.

- Cuando el producto ya no se use, envíelo al distribuidor o deséchelo en un lugar de reciclaje.

Datos técnicos

Datos técnicos

Tipo	EP 121B	EP 271B	EP 371B	EP 601B
Frecuencia, rpm	9000	9350	9350	8800
Fuerza centrífuga, N	8100	10350	26800	31500
Ancho, mm/in	0,80/0,03	1,10/0,05	1,70/0,07	2,10/0,08
Consumo de aire, l/mm o cfm ³	1200 o 42	1200 o 42	1400 o 50	1400 o 50
Peso, kg/lb	9,50/21	10,00/22	16,50/37	18,00/40
Soporte	VT2	VT2	VT4	VT4
Aceite para herramientas neumáticas	Aceite sin detergente			
Presión de aire para el funcionamiento, bares/PSI	6/87			
Presión de aire mínima, bares/PSI	5/72			
Presión de aire máxima, bares/PSI	7/101			
Emisiones sonoras				
Nivel de presión sonora L _P en el oído del operador, dB(A) ⁴	90,0	90,8	95,0	100,0

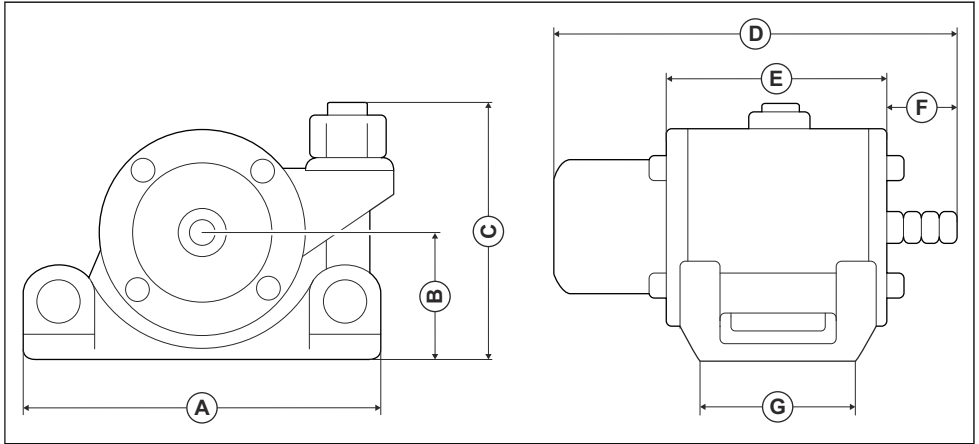
Declaración de ruido y vibración

Estos valores declarados se obtuvieron mediante pruebas de laboratorio, en conformidad con la directiva o las normas declaradas, y son adecuados para compararlos con los valores declarados de otros productos probados en conformidad con la misma directiva o normas. Estos valores declarados no son adecuados para su uso en evaluaciones de riesgos, y los valores medidos en lugares de trabajo individuales pueden ser superiores. Los valores de exposición reales y el riesgo de daños que experimente un usuario individual son únicos y dependen de la forma en que el usuario trabaja, del material en que se utiliza el producto, así como del tiempo de exposición y el estado físico del usuario, y del estado del producto.

³ Medido a una presión de aire de 6 bares/87 PSI

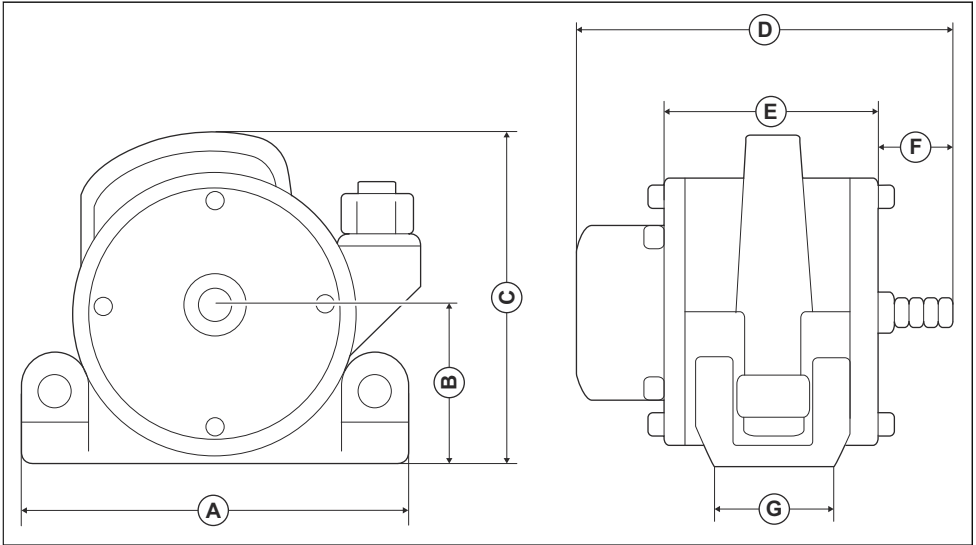
⁴ Nivel de ruido medido en aire a 1 metro del producto según la norma europea ISO 6081. Incertidumbre: ± 3dB

Dimensiones del producto EP 121B, EP 271B



Posición	mm/in
A	183/7,2
B	78/3,1
C	140/5,5
D	234/9,2
E	130/5,1
F	40/1,6
G	85/3,3

Dimensiones del producto EP 371B, EP 601B



Posición	mm/pulg
A	242/9,5
B	99/3,9
C	220/8,7
D	236/9,3
E	126/4,9
F	52/2,0
G	80/3,1



www.husqvarnacp.com

Original instructions
Instrucciones originales

1142537-49



2021-01-04