



Husqvarna®

SR600-2

EAC

EN	Operator's manual	2-10
BG	Ръководство за експлоатация	11-20
CS	Návod k použití	21-29
DA	Brugsanvisning	30-38
DE	Bedienungsanweisung	39-48
EL	Οδηγίες χρήσης	49-58
ES	Manual de usuario	59-68
ET	Kasutusjuhend	69-77
FI	Käyttöohje	78-86
FR	Manuel d'utilisation	87-96
HU	Használati utasítás	97-106
LT	Operatoriaus vadovas	107-115
LV	Lietošanas pamācība	116-124
NL	Gebruiksaanwijzing	125-134
NO	Bruksanvisning	135-143
PL	Instrukcja obsługi	144-153
PT	Manual do utilizador	154-163
RO	Instrucțiuni de utilizare	164-172
RU	Руководство по эксплуатации	173-182
SK	Návod na obsluhu	183-191
SL	Navodila za uporabo	192-200
SV	Bruksanvisning	201-209
TR	Kullanım kılavuzu	210-218
IT	Manuale dell'operatore	219-228
ZH	操作手册	229-237

Contents

Introduction.....	2	Maintenance.....	8
Safety.....	3	Transportation, storage and disposal.....	8
Assembly.....	6	Technical data.....	8
Operation.....	7	EC Declaration of Conformity.....	10

Introduction

Product description

We have a policy of continuous product development and therefore reserve the right to modify the design and appearance of the products without prior notice.

Note: This manual cover both gasoline operated and battery operated power units.

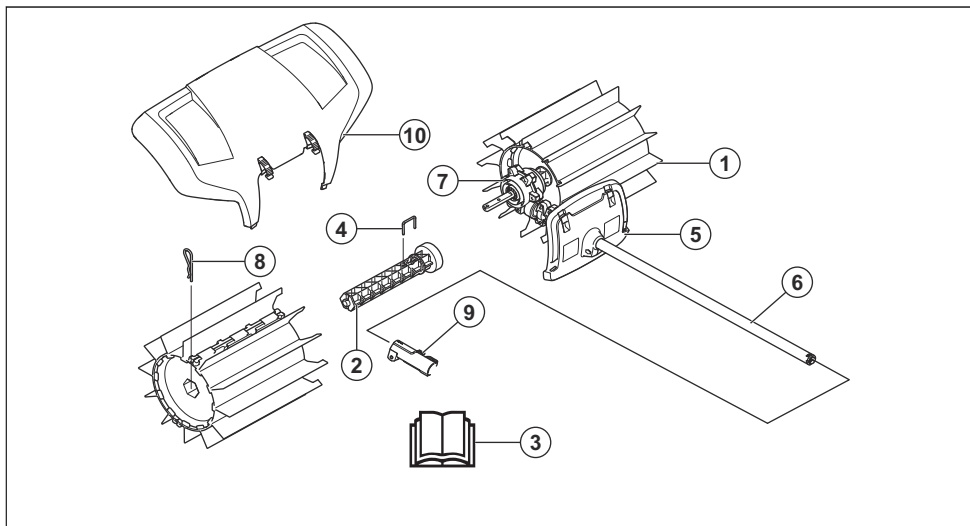
Intended use



WARNING: This attachment may only be used together with the intended product, see the accessory chapter in the Operator's Manual of the product.

The attachment is only designed for sweeping lawns, pathways, asphalt roads and the like.

Attachment overview



1. Brush drum
2. Drum axle
3. Operator's manual
4. Locking pin
5. Guard (Protection on shaft)
6. Shaft
7. Gear housing
8. Split pin
9. Shaft coupling (Included with the product)
10. Splash guard

Symbols on the attachment and on the power unit



Careless or incorrect use of this attachment can result in serious or fatal injury to the operator or others.



Read the operator's manual carefully and make sure you understand the instructions before you use the attachment.



Use approved hearing protection. Use approved eye protection. Use a breathing mask when there is a risk of dust.



This attachment is in accordance with applicable EC directives.



Rotating parts. Keep hands and feet clear. The arrow indicates the direction of rotation.



Always wear approved protective gloves.



Wear sturdy, non-slip boots.



Watch out for thrown objects and ricochets.



The operator must ensure that no people or animals come closer than 15 meters. When several operators are working at the same site a safety distance of at least 15 meters must be in effect. The attachment can forcibly throw objects that can bounce back. This can result in serious eye injuries if the recommended safety equipment is not used.



Keep a minimum of 15 m / 50 ft distance to persons and animals during operation of the product.



Keep all parts of your body away from the hot surfaces.



Noise emission to the environment according to the European Community's Directive. The attachment's emission is specified in the Technical data chapter and on the label.

Note: Other symbols/decals on the attachment refer to special certification requirements for certain markets.

Safety

Safety definitions

Warnings, cautions and notes are used to point out specially important parts of the operator's manual.



WARNING: Used if there is a risk of injury or death for the operator or bystanders if the instructions in the manual are not obeyed.



CAUTION: Used if there is a risk of damage to the product and/or the attachment, other materials or the adjacent area if the instructions in the manual are not obeyed.

Note: Used to give more information that is necessary in a given situation.

General safety instructions



WARNING: Read the safety instructions that follow before you use the attachment.

- Please read the operator's manual carefully and make sure you understand the instructions before using the attachment.
- These instructions supplement the instructions that were included with the product. For other procedures, please refer to the operating instructions for the product.
- Under no circumstances may the design of the attachment be modified without the permission of the manufacturer. Do not use an attachment that appears to have been modified by others and always use original accessories. Non-authorized modifications and/or accessories can result in serious personal injury or the death of the operator or others.

Safety instructions for operation



WARNING: Read the warning instructions that follow before you use the product.

- The stop switch automatically returns to the start position. Make sure to prevent unintentional starting when assembling, checking and/or performing maintenance. If you have a gasoline operated product, disconnect the spark plug cap from the spark plug. If you have a battery operated product, remove the battery.
- Watch out for thrown objects. Always wear eye protection. Never bend over the brush drum. Stones, rubbish, etc. can be thrown up into the eyes causing blindness or serious injury.
- The gear can get hot during use and may remain so for a while afterwards. You could get burnt if you touch it.
- The brush drums can rotate when the sweeper is started. Hold the product securely when starting.
- Although the brush drums do not have the same force as lawn mower blades, for example, you should avoid working with materials that can cause personal injury or damage to property if thrown out.
- Do not use the product unless you are able to call for help in the event of an accident.
- Only use the product for the purpose it was intended for.
- Never use the product if you are tired, if you have drunk alcohol, or if you are taking medication that could affect your vision, your judgement or your co-ordination.
- Never use the product in extreme weather conditions such as severe cold, very hot and/or humid climates.
- Never use a product that is faulty. Carry out the safety checks, maintenance and service instructions described in this manual. Some maintenance and service measures must be carried out by trained and qualified specialists. See instructions under the Maintenance heading.
- Never allow children to use the product.
- Never allow anyone else to use the product without first ensuring that they have read and understood the contents of the operator's manual.
- Keep unauthorised persons at a distance. Children, animals, onlookers and helpers should be kept outside the safety zone of 15 m while you work. Stop the product immediately if anyone approaches.
- If you encounter a situation where you are uncertain how to proceed you should ask an expert. Contact your dealer or your service workshop.
- Avoid all usage which you consider to be beyond your capability.
- Listen out for warning signals or shouts when you are wearing hearing protection. Always remove your hearing protection as soon as the engine/motor stops.

- Observe your surroundings and make sure that there is no risk of people or animals coming in contact with or affect your control of the product.
- Do not use the product in bad weather, such as dense fog, heavy rain, strong wind, intense cold, etc. Working in bad weather is tiring and often brings added risks, such as icy ground.
- Make sure you can move and stand safely. Examine the area around you for possible obstacles (roots, rocks, branches, ditches, etc.) in case you have to move suddenly. Be very careful when you work on sloping ground.



- The engine/motor must be switched off before you move the product. If you have a gasoline operated product, disconnect the spark plug cap from the spark plug. If you have a battery operated product, remove the battery.
- Do not put the product down with the engine/motor running, unless you have it in clear sight.
- Always use both hands to hold the product. Hold the product at the side of your body.
- Make sure that your hands and feet do not come near the brush when the engine/motor is running.
- When the product is switched off, keep your hands and feet away from the brush until it has stopped completely.
- If heavy vibration occurs, stop the product. If you have a gasoline operated product, disconnect the HT lead from the spark plug. If you have a battery operated product, remove the battery. Examine if the product is damaged. Repair any damage.

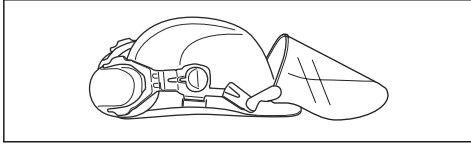
Personal protective equipment



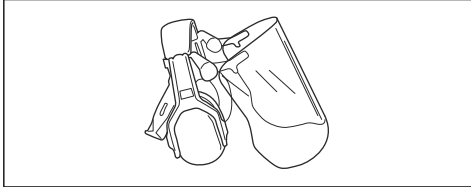
WARNING: Read the warning instructions that follow before you use the product.

- Always use approved personal protective equipment when you use the product. Personal protective equipment cannot fully prevent injury but it decreases the degree of injury if an accident does occur. Let your dealer help you select the right equipment.

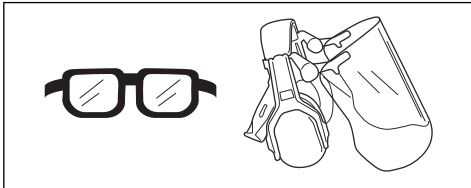
- Use a protective helmet where there is a risk of falling objects.



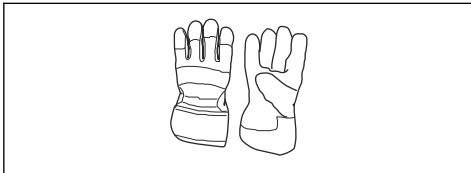
- Use approved hearing protection that provides adequate noise reduction. Long-term exposure to noise can result in permanent hearing impairment.



- Use approved eye protection. If you use a visor, you must also use approved protective goggles. Approved protective goggles must comply with the ANSI Z87.1 standard in the USAs or EN 166 in EU countries.



- Use gloves when necessary, for example when you attach, examine or clean the cutting equipment.



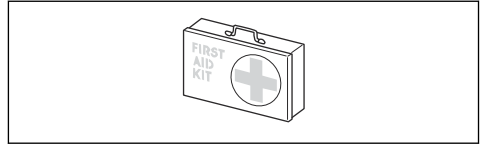
- Use protective boots with steel toes and non-slip soles.



- Use clothing made of a strong fabric. Always use heavy, long pants and long sleeves. Do not use loose clothing that can catch on twigs and branches. Do not wear jewelry, short pants, sandals or go with

bare feet. Put your hair up safely above shoulder level.

- Keep first aid equipment close at hand.



Safety devices on the product



WARNING: Read the warning instructions that follow before you use the product.

In this section the product's safety features, its purpose and how checks and maintenance should be carried out to ensure that it operates correctly. See instructions under the heading *Attachment overview on page 2* to find where these parts are located on your product.

The life span of the product can be reduced and the risk of accidents can increase if product maintenance is not carried out correctly and if service and/or repairs are not carried out professionally. If you need further information please contact your nearest servicing dealer.



WARNING: Never use a product with defective safety components. The product's safety equipment must be inspected and maintained as described in this section. If your product fails any of these checks, contact your service agent to get it repaired.



CAUTION: All servicing and repair work on the machine requires special training. This is especially true of the machine's safety equipment. If your machine fails any of the checks described below you must contact your service agent. When you buy any of our products we guarantee the availability of professional repairs and service. If the retailer who sells your machine is not a servicing dealer, ask him for the address of your nearest service agent.

Safety instructions for maintenance



WARNING: Read the warning instructions that follow before you do maintenance.

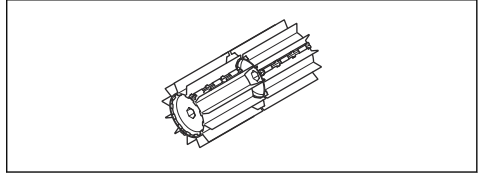


WARNING: Always stop the product before you do maintenance on the attachment. Be careful, the attachment can continue to move after the throttle/power trigger is released. Make sure that the attachment has stopped fully. If you have a gasoline operated product, disconnect the HT leads

from the spark plug. If you have a battery operated product, remove the battery.

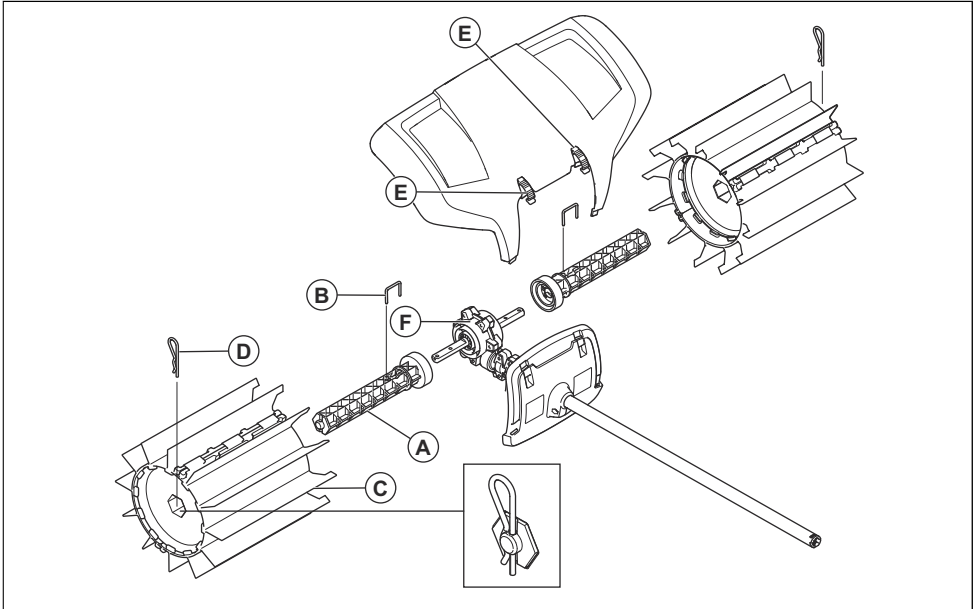
- Make sure that the brush drums are not damaged and show no signs of cracking or other damage.

- Check the entire product before starting. Replace damaged parts.
- Check that all guards and covers are complete and fastened securely. Check all nuts and screws.
- If you have a gasoline operated product, make sure that there are no fuel leaks.



Assembly

To assemble the attachment



1. Press one of the drum axes (A) onto one of the two outgoing drive shafts from the gear housing (F). Rotate the drum axle if necessary so that the pin hole comes over the corresponding hole in the drive shaft.
2. Fasten the roller shaft with locking pin (B).
3. Thread one of the brush drums (C) onto the fitted axle. The end with the extended rubber lamellas is assembled closest to the gear housing. Press in the brush drum.
4. Fasten the roller on the shaft with a cotter pin (D). Press in the end slightly when assembling.
5. Repeat these steps to assemble the axle and roller on the opposite side. The drums are identical but must be assembled with the extended rubber lamellas towards the gear housing.
6. Mount the splash guard with the snap-on fasteners (E).

Note: For assembling accessories on basic product, refer to manual for basic product.

Operation

To start the product with a cold engine

If you have a gasoline operated product, obey these instructions to start the product with a cold engine.

1. Run the basic product warm and then shut down the product.
2. Mount the attachment as per the assembly instructions.
3. When adjusting the carburetor, make sure that the brush drums are held against the ground and that no one else is in the vicinity.
4. Make sure the brush drums are idling.
5. Make sure that the handle and safety features are in good working order. Never use a product that lacks a part or has been modified outside its specifications.

To use the attachment

The sweeper works best when the rubber lamellas can glide or 'stroke' the working surface. New or replaced brush drums tend to fasten or drag on hard surfaces and shall therefore be 'run in' thoroughly before use. This can be done easily by operating the product at full throttle/speed for 3-5 minutes in loose gravel or similar grinding material. After being run in, the sweeper will be able to move large amounts of material from snow or puddles to heavier objects such as gravel or wood chips. In time, you will learn how the sweeper works but you must observe safety precautions from the very beginning.

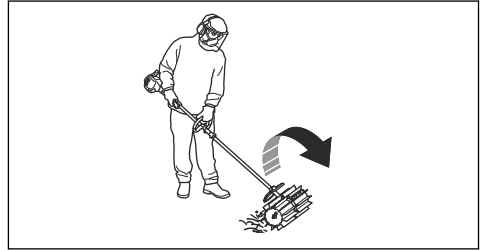
1. Run the sweeper at full (or nearly full) throttle/speed with the rubber lamellas resting on the surface.

Note: It is both tiresome and unnecessary to lift up or hold the rubber lamellas above the surface while working.

2. When clearing narrow surfaces such as paths, the product can be used so that it throws materials straight in front of you. If you want to work on wider surfaces, you may need to work at an angle so that strands form on one side. Strands comprising light materials can be collected into one row or pile for later removal while hard or more bulky materials may need collecting in several strands.



3. In order to get into corners, remove the splash guard and loosen the accessory coupling and rotate the accessory half a turn.



WARNING: Rubbish will then be thrown back towards the user. Use a lower speed when reversing the product and remember that it is easy to trip over materials that are thrown out.

4. Keep a small working angle to the surface. Too large a working angle means the sweeper tends to move towards you and you risk losing control of the product.



Maintenance

Introduction

Below you will find some general maintenance instructions. If you need further information please contact your service workshop.

To perform maintenance on the attachment



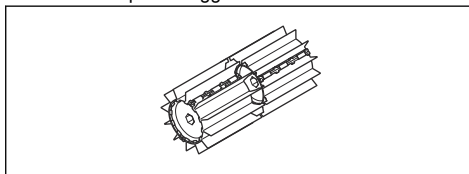
CAUTION: Working on the sweeper is often done in dusty conditions. If you have a gasoline operated product it is extremely important to take care of air filter maintenance regularly, often daily. The air filter must be oiled to work satisfactorily. Refer to the operator's manual of the power unit for maintenance instructions.



WARNING: The gear housing gets hot when the machine has been in use. To avoid

burning yourself do not touch the gear housing.

1. Make sure that the brush drums do not rotate when the throttle/power trigger is released.



2. Check that the brush drums are not damaged or cracked. Replace the brush drums if necessary.
3. Hang up the brush when in storage for long periods.

Transportation, storage and disposal

Transport and storage

If transporting the attachment on another vehicle always use approved securing devices and make sure that the attachment is securely held.

Ensure the attachment is cleaned and that a complete service is carried out before long-term storage.

Technical data

Technical data for gasoline operated products

Sweeper	
Brush drum width, mm	590
Weight	
Weight, kg	6.5
Noise emissions¹	
Sound power level, measured dB (A)	105
Sound power level, guaranteed L _{WA} dB (A)	109

¹ Noise emissions in the environment measured as sound power (L_{WA}) in conformity with EC directive 2000/14/ EC. Reported sound power level for the machine has been measured with the original cutting attachment that gives the highest level. The difference between guaranteed and measured sound power is that the guaranteed sound power also includes dispersion in the measurement result and the variations between different machines of the same model according to Directive 2000/14/ EC.

Sweeper	
Sound levels²	
Equivalent sound pressure level at the operator's ear, measured according to EN ISO 22868 , dB (A):	97
Vibrations³	
Equivalent vibration levels ($a_{hv,eq}$) at handles, measured according to , m/s ²	
Front/rear handles	4.4/5.1

Technical data for battery operated products

325iLK + Sweeper attachment SR600-2	
Brush drum width, mm	590
Weight	
Weight, kg	2.3+6.5
Noise emissions⁴	
Sound power level measured, dB (A)	93
Sound levels⁵	
Equivalent sound pressure level at the operator's ear, measured according to ISO 22868, dB (A):	82
Vibrations⁶	
Vibration levels at handles, measured according to EN 62841-1, m/s ²	
Front/rear handles	3.2/3.1

² Reported data for equivalent sound pressure level for the machine has a typical statistical dispersion (standard deviation) of 1 dB (A).

³ Reported data for equivalent vibration level has a typical statistical dispersion (standard deviation) of 1 m/s².

⁴ Reported data for sound power level for the machine has a typical statistical dispersion (standard deviation) of 3 dB (A) and has been measured with the original attachment that gives the highest level.

⁵ Reported data for sound pressure level for the machine has a typical statistical dispersion (standard deviation) of 3 dB (A) and has been measured with the original attachment that gives the highest level.

⁶ Reported data for vibration level has a typical statistical dispersion (standard deviation) of 2 m/s². For comparison of vibrations levels, battery and combustion products use vibration calculator. <https://www.husqvarna.com/uk/services-solutions/vibration-calculator/>.

EC Declaration of Conformity

EC Declaration of Conformity - for gasoline operated products

Husqvarna AB, SE-561 82 Huskvarna, Sweden, tel: +46-36-146500, declares that the sweeper, **Husqvarna SR600-2**, attachment with serial numbers dating from 2019 and onwards (the year is clearly stated on the rating plate, followed by the serial number), comply with the requirements of the COUNCIL'S DIRECTIVE:

- of May 17, 2006 "relating to machinery" **2006/42/EC**
- of June 8, 2011 "restriction of use of certain hazardous substances in electrical and electronic equipment" **2011/65/EU**
- of May 8, 2000 "relating to the noise emissions in the environment" **2000/14/EC**.

The following standards have been applied for Gasoline products:

SS-EN ISO 12100:2010, EN 50581:2012

Notified body, has carried out EC type examination in accordance with the machinery directive's (2006/42/EC) article 12, point 3b. The certificate for EC type examination in accordance with annex IV, have the number: **SEC/15/2413 - Husqvarna SR600-2**

Huskvarna , 2019-06-24



Per Gustafsson, Development Manager (Authorized representative for Husqvarna AB and responsible for technical documentation)

EC Declaration of Conformity - for battery operated products

Husqvarna AB, SE-561 82 Huskvarna, Sweden, tel: +46-36-146500, declares that the sweeper, **Husqvarna SR600-2 attachment with power unit Husqvarna 325iLK** with serial numbers dating from 2019 and onwards (the year is clearly stated on the rating plate, followed by the serial number), comply with the requirements of the COUNCIL'S DIRECTIVE:

- of May 17, 2006 "relating to machinery" **2006/42/EC**
- of June 8, 2011 "restriction of use of certain hazardous substances in electrical and electronic equipment" **2011/65/EU**

The following standards have been applied for Battery products:

EN 62841-1:2015, EN 50581:2012

RISE SMP Svenska Maskinprovning AB, Box 7035, SE-750 07 Uppsala, Sweden has performed voluntary type examination on behalf of Husqvarna AB. The certificate is numbered: **SEC/15/2413 - Husqvarna SR600-2**

Huskvarna , 2019-06-24



Per Gustafsson, Development Manager (Authorized representative for Husqvarna AB and responsible for technical documentation)

Съдържание

Въведение.....	11	Поддръжка.....	17
Безопасност.....	12	Транспортиране, съхранение и изхвърляне.....	18
Монтаж.....	16	Технически данни.....	18
Операция.....	16	Декларация за съответствие на ЕО.....	20

Въведение

Описание на продукта

Ние имаме политика на непрекъснато развитие на своите продукти и затова запазваме правото си да променяме тяхната конструкция и външен вид без предизвестие.

Забележка: Това ръководство обхваща както бензинови, така и захранвани с акумулаторни батерии захранващи блокове.

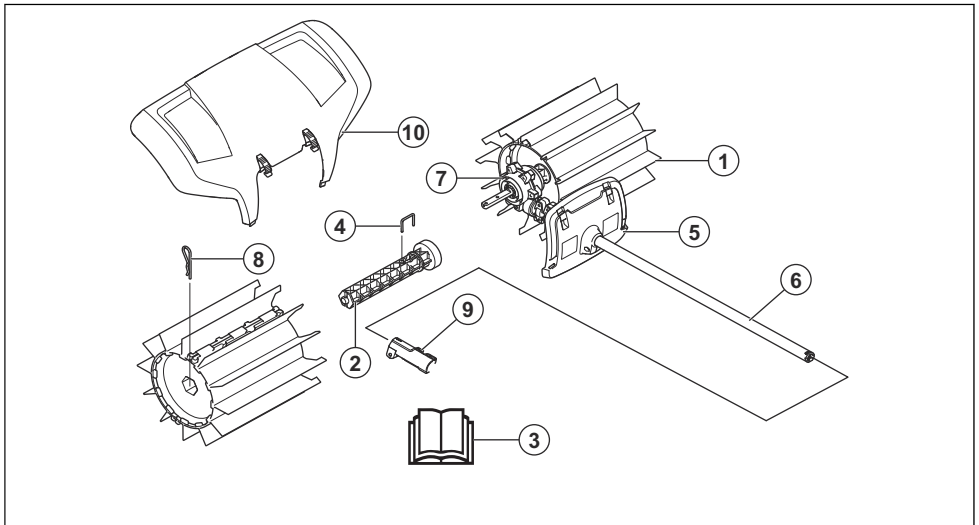
Предназначение



ПРЕДУПРЕЖДЕНИЕ: Тази приставка може да се използва единствено заедно с предназначения продукт, вижте главата за аксесоари в ръководството за оператора на продукта.

Приставката е предназначена само за метене на морави, пътеки, асфалтови пътища и подобни.

Общ преглед на приставка



1. Барабан с четки
2. Ос на барабана
3. Ръководство за оператора
4. Шплинт
5. Предпазител (защита на двусекционния вал)
6. Вал
7. Корпус на предавката
8. Шплинт
9. Съединение на вала (включено с продукта)
10. Предпазител срещу разплискване

Символи върху оборудването и захранващия блок



Невнимателното или неправилното използване на тази приставка може да доведе до сериозно или смъртоносно нараняване на оператора или други лица.



Прочетете внимателно ръководството за оператора и се уверете, че разбирате инструкциите, преди да използвате оборудването.



Използвайте одобрени антифони. Използвайте одобрени защитни средства за очите. Използвайте предпазната маска, когато има опасност от прах.



Това оборудване отговаря на изискванията на приложимите директиви на ЕО.



Въртящи се части. Осигурете пространство около ръцете и краката си. Стрелката сочи посоката на въртене.



Винаги носете одобрени защитни ръкавици.



Носете устойчиви и нехлъзгащи се ботуши.



Пазете се от изхвърлени и рикоширащи предмети.



Операторът трябва да внимава да не се приближават хора или животни в радиус от 15 метра. Когато няколко оператора работят в един и същ обект, трябва да се спазва безопасно разстояние от поне 15 метра. Оборудването може да изхвърли предмети с голяма сила, които да отскочат обратно. Това може да доведе до сериозни наранявания на очите, ако не се използват препоръчителните предпазни средства.



Поддържайте минимална дистанция от 15 m/50 ft спрямо хора и животни по време на работа с продукта.



Пазете всички части на тялото си далеч от горещите повърхности.



Шумови емисии в околната среда в съответствие с Директивата на Европейската общност. Емисиите на приставката са посочени в раздела за технически характеристики и на етикетата.

Забележка: Останалите символи/лепенки със символи върху приставката се отнасят за специфични изисквания по отношение на сертификати за определени пазари.

Безопасност

Дефиниции за безопасност

Предупреждения, знаци за внимание и бележки се използват за указване на особено важни части на инструкцията за експлоатация.



ПРЕДУПРЕЖДЕНИЕ: Използва се, ако има опасност от нараняване или смърт за оператора или за околните, ако не се спазват инструкциите в ръководството.



ВНИМАНИЕ: Използва се, ако има опасност от повреждане на продукта и/или приставката, други материали или съседната зона, ако не се спазват инструкциите в ръководството.

Забележка: Използва се за предоставяне на повече информация, която е необходимо в дадена ситуация.

Общи инструкции за безопасност



ПРЕДУПРЕЖДЕНИЕ: Прочетете следващите инструкции за безопасност, преди да използвате приставката.

- Прочетете внимателно ръководството за оператора и се уверете, че разбирате инструкциите, преди да използвате приставката.
- Тези инструкции допълват инструкциите, приложени към продукта. За други процедури, моля, направете справка с инструкциите за работа за продукта.
- При никакви обстоятелства не бива да се нанасят модификации в първоначалната конструкция на приставката без разрешение от производителя. Не използвайте дадена приставка, когато се вижда, че е модифицирана от други лица, и винаги използвайте оригинални принадлежности. Неразрешени изменения и/или приспособления

може да предизвикат сериозни телесни повреди или смъртта на оператора или други лица.

Инструкции за безопасност за работа



ПРЕДУПРЕЖДЕНИЕ: Прочетете следващите предупредителни указания, преди да използвате машината.

- Изключвателят автоматично се връща в първоначалното си положение. Не забравяйте да не допускате нежелано стартиране, когато слобявате, проверявате и/или извършвате техническо обслужване. Ако имате продукт, който работи с бензин, разкачете лулата на запалителната свещ от запалителната свещ. Ако имате продукт, работещ с акумулатор, извадете акумулатора.
- Опасност от хвърчащи предмети. Винаги носете защитни средства за очите. Не се навеждайте над барабана с четки. В очите ви могат да попаднат камъни и отпадъци, които могат да доведат до слепота или сериозно наранявания.
- По време на работа и доста време след това, предавката може да е нагорещена. При допир съществува риск от изгаряне.
- Барабанът с четки може да се завърти при включване на метлата. Дръжте продукта здраво, когато го включвате.
- Барабанът с четки няма такава сила като ножовете на косачката например, но все пак избягвайте да работите с материали, които могат да изхвъркнат и да причинят наранявания или щети.
- Никога не работете с продукта, когато нямате възможност да повикате помощ в случай на злополука.
- Използвайте продукта единствено по предназначение.
- Никога не използвайте продукта, ако сте уморени, употребили сте алкохол или приемате лекарства, които могат да повлияят върху зрението, преценката или координацията Ви.
- Никога не използвайте продукта при екстремни атмосферни условия, например много студен, много горещ и/или влажен климат.
- Никога не използвайте продукт, който е неизправен. Извършвайте описаните в това ръководство за експлоатация редовни проверки за безопасност, поддръжка и сервис. Определени операции по поддръжката и сервиса се извършват единствено от квалифицирани специалисти. Вижте указанията в раздел "Поддръжка".
- Никога не позволявайте на деца да използват продукта.
- Не позволявайте никой друг да използва продукта, без първо да сте се уверили, че е

прочел и разбрал съдържанието на инструкцията за експлоатация.

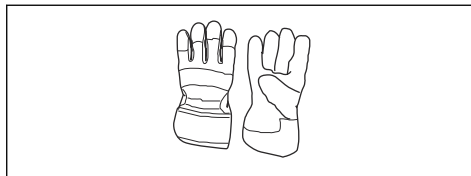
- Дръжте неупълномощени лица на разстояние. Деца, животни, странични наблюдатели и помощници трябва да стоят извън зоната на безопасност от 15 m, докато работите. Спрете незабавно продукта, ако някой се приближи.
- Ако се окажете в ситуация, в която сте неуверени как да постъпите, се посъветвайте със специалист. Свържете се с дистрибутора или със сервиса.
- Избягвайте всяка употреба, за която се чувствате недостатъчно квалифицирани.
- Бъдете винаги нащрек за предупредителни сигнали или подвиквания, когато използвате антифони. Винаги сваляйте антифоните незабавно след спиране на двигателя/мотора.
- Наблюдавайте околната среда и се уверете, че няма риск за хора или животни да влязат в съприкосновение или да попречат да управлявате продукта.
- Не използвайте продукта при лоши атмосферни условия, като например при плътна мъгла, силен дъжд, силен вятър, силен студ и т.н. Работата в лошо време е изморителна и може да доведе до опасни ситуации, като например залежаване на земята.
- Уверете се, че можете да ходите и да стоите безопасно. Проверете зоната около Вас за евентуални препятствия (корени, камъни, канавки и т.н.), в случай че се наложи да се преместите внезапно. Бъдете много предпазливи при работа по наклонен терен.



- Преди преместване на продукта двигателят/моторът трябва да е изключен. Ако имате продукт, който работи с бензин, разкачете лулата на запалителната свещ от запалителната свещ. Ако имате продукт, работещ с акумулатор, извадете акумулатора.
- Не оставяйте продукта без надзор, докато двигателят/моторът работи.
- Винаги дръжте продукта с две ръце. Дръжте продукта отстрани на тялото си.
- Уверете се, че ръцете и краката Ви не са твърде близко до четката, когато двигателят/моторът работи.

- След като продуктът бъде изключен, дръжте ръцете и краката си далеч от четката, докато тя спре напълно.
- Ако възникнат интензивни вибрации, спрете продукта. Ако имате продукт, работещ с бензин, разкачете HT проводника от запалителната свещ. Ако имате продукт, работещ с акумулатор, извадете акумулатора. Проверете дали продуктът е повреден. Поправете всяка повреда.

- Когато е необходимо, носете ръкавици, например, когато закрепвате, проверявате или почиствате режещото оборудване.



- Използвайте защитни ботуши със стоманени бомбета и противоплъзгаща подметка.



- Използвайте дрехи, направени от здрава тъкан. Винаги използвайте здрави, дълги панталони и дълги ръкави. Не носете използвайте дрехи, които могат да се захванат за храсти и клони. Не носете бижута, къси панталони, сандали и не работете боси. Носете косата си безопасно над нивото на рамената.
- Дръжте в близост комплект за първа помощ.



Приспособления за безопасност на машината



ПРЕДУПРЕЖДЕНИЕ: Прочетете следващите предупредителни указания, преди да използвате машината.

В този раздел се описва предпазното оборудване на продукта, неговото предназначение и как трябва да се извършват проверки и техническо обслужване, за да се гарантира правилната работа. Вижте инструкциите под заглавието *Общ преглед на приставка на страница 11*, за да откриете къде се намират тези части на продукта Ви.

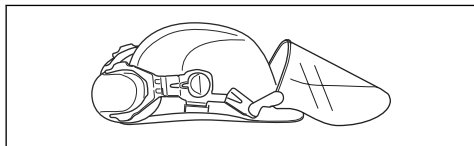
Срокът на експлоатация на продукта може да се намали, а рискът от злополуки да се повиши, ако не се извършва правилно техническо обслужване на продукта и сервизът и/или ремонтите не се извършват професионално. Ако Ви е необходима допълнителна информация, обърнете се към сервиза, разположен най-близо до Вас.

Лични предпазни средства

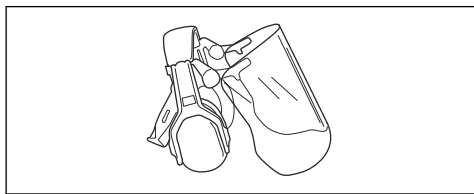


ПРЕДУПРЕЖДЕНИЕ: Прочетете следващите предупредителни указания, преди да използвате машината.

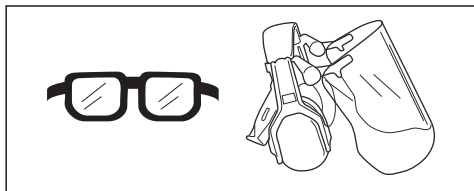
- При работа с продукта винаги използвайте одобрени лични предпазни средства. Личните предпазни средства не изключват изцяло риска от нараняване, но намаляват степента на нараняването при злополука. Нека вашият дилър Ви помогне да изберете подходящото оборудване.
- Използвайте защитна каска, когато има риск от падащи предмети.



- Използвайте одобрени антифони, осигуряващи подходящо намаляване на шума. Дълготрайното излагане на шум може да доведе до постоянно влошаване на слуха.



- Използвайте одобрени защитни средства за очите. Ако използвате маска, използвайте също и одобрени защитни очила. С одобрени защитни очила се има предвид такива, които отговарят на стандарт ANSI Z87.1 за САЩ или EN 166 за страните от ЕС.





ПРЕДУПРЕЖДЕНИЕ: Никога не използвайте продукта с дефектни обезопасителни компоненти. Предпазните средства на продукта трябва да бъдат прегледани и технически обслужвани, както е описано в този раздел. Ако продуктът Ви не премине успешно някоя от изброените проверки, свържете се със сервиза си за извършване на ремонт.



ВНИМАНИЕ: Всяко извършване на сервиз и ремонт на машината изисква специално образование. Това важи в особена степен за предпазните средства на машината. Обърнете към сервиза си, ако машината не отговаря на изброените по-долу проверки. При покупката на наш продукт ние гарантираме предоставянето на квалифицирани ремонтни услуги и сервиз. Ако мястото, от което сте закупили машината, не е наш специализиран дистрибутор, запитайте за най-близката сервизна работилница.

Инструкции за безопасност при техническо обслужване



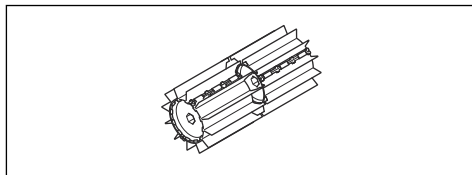
ПРЕДУПРЕЖДЕНИЕ: Прочетете следващите предупредителни указания,

преди да извършвате техническо обслужване.



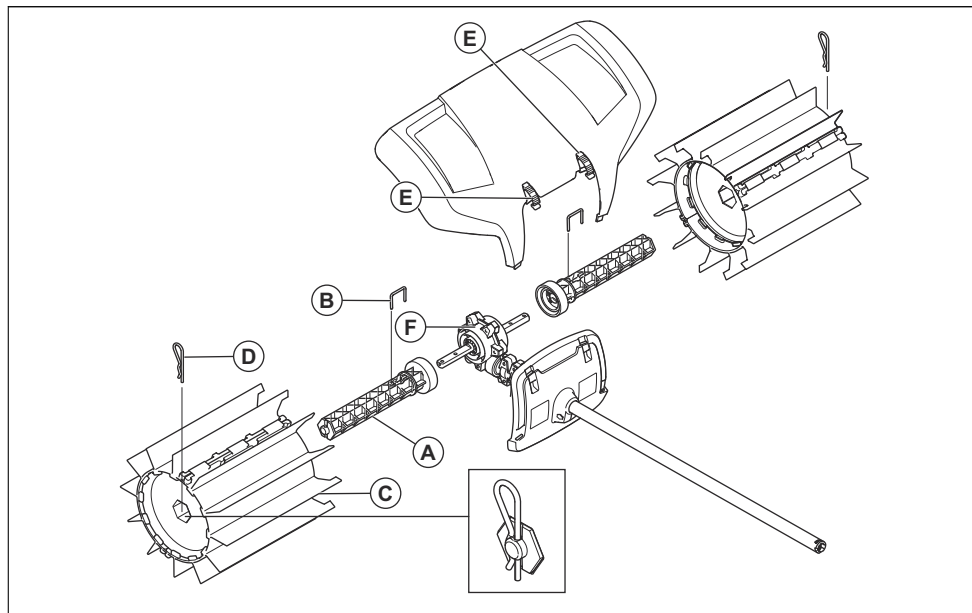
ПРЕДУПРЕЖДЕНИЕ: Винаги спирайте продукта, преди да извършвате техническо обслужване на приставката. Приставката може да продължи да се движи дори и след като газта/захранващият спусък е отпуснат/а. Уверете се, че приставката е спряла напълно. Ако имате продукт, работещ с бензин, разкачете НТ проводниците от запалителната свещ. Ако имате продукт, работещ с акумулатор, извадете акумулатора.

- Проверявайте целия продукт, преди да започнете. Заменете повредените части.
- Проверете дали всички предпазни щитове и капаци са с изправна цялост и дали са фиксирани надеждно. Проверете всички гайки и винтове.
- Ако имате продукт, работещ с бензин, се уверете, че няма течове на гориво.
- Уверете се, че барабаните с четки не са повредени и че няма признаци на пукнатини или други повреди.



Монтаж

За сглобяване на приставката



1. Притиснете едната ос на барабана (А) към един от двата задвижващи вала от корпуса на скоростната кутия (F). Ако е необходимо, завъртете оста на барабана, тъй че отворът за щифта да съвпадне със съответния отвор в задвижващия вал.
2. Закрепете вала на ролката с шплинта (В).
3. Навийте един от барабаните с четки (С) на монтираната ос. Краят с удължените гумени пластини трябва да се монтира най-близо до предавателната кутия. Натиснете барабана с четки навътре.
4. Закрепете ролката на вала с шплинта (D). Когато монтирате, притискайте леко края навътре.
5. Повторете тези стъпки при монтажа на оста и ролката от другата страна. Барабаните са еднакви, но трябва да се монтират с удължените гумени пластини към предавателната кутия.
6. Закрепете предпазителя с щипките (Е).

Забележка: За монтирането на аксесоари на основния продукт се допитайте до ръководството за основния продукт.

Операция

За да стартирате продукта при студен двигател

Ако разполагате с продукт, който работи с бензин, спазвайте следните инструкции, за да стартирате продукта при студен двигател.

1. Стартирайте основния продукт, оставете го да загрее и го изключете.
2. Монтирайте приставката съгласно инструкциите за монтиране.
3. Когато регулирате карбуратора, барабанът с четки трябва да е опрян на земята, а в непосредствена близост не трябва да има никого.
4. Проверете дали барабана с четки се върти на празен ход.
5. Уверете се, че ръкохватката и съоръженията за безопасност са в добро работно състояние. Никога не използвайте продукт, на който липсва част, или който бил променен без спазване на спецификациите.

За използване на приставката

Метлата работи най-добре, когато гумените пластини се плъзгат или "ходят" по работната повърхност. Новите или сменени барабани с четки често се затягат или се влачат по твърди повърхности и затова трябва да бъдат "разработени" внимателно преди работа. Това става лесно, като се работи с продукта на пълна газ/скорост в продължение на 3 – 5 минути върху леки камъчета или подобен абразивен материал. След като бъде разработена, метлата ще може да избутва големи количества материали: от сняг и локви до по-тежки предмети като чакъл или дървени стърготини. С времето ще се научите да работите с метлата, но трябва да спазвате правилата за безопасност от самото начало.

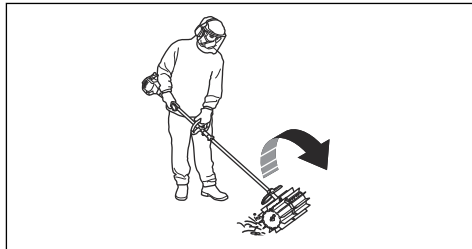
1. Работете с метлата на пълна (или почти пълна) газ/скорост, като гумените пластини са опрени на земята.

Забележка: Уморително и ненужно е да вдигате или да държите гумените пластини над земята, когато работите.

2. Когато почиствате на тесни места, като например пътеки, можете да използвате продукта така, че материалите да се изхвърлят право напред. Ако работите на по-широки площи, работете под ъгъл, тъй че купчините да се образуват от едната страна. Купчините от леки материали могат да се събират на един ред или по-голям куп, за да бъдат изхвърлени по-късно, а твърдите или по-обемисти материали трябва да се събират на повече купчини.



3. За да достигнете в ъглите, отстранете предпазителя срещу разплискване, разхлабете съединението на приспособлението и завъртете последното на половин оборот.



ПРЕДУПРЕЖДЕНИЕ: Тогава боклуцът ще се изхвърля към вас. При работа с продукта на заден ход работете с пониска скорост и не забравяйте, че може да се спънете в изхвърлени материали.

4. Поддържайте малък работен ъгъл спрямо повърхността. Когато работният ъгъл е много широк, метлата ще тръгне към вас и може да изгубите управлението на продукта.



Поддръжка

Въведение

По-долу са изложени някои общи инструкции за поддръжка. Ако ви е необходима допълнителна информация, се свържете с вашия сервиз.

За извършване на техническа поддръжка на приставката



ВНИМАНИЕ: С метлата често се работи на прашни места. Ако разполагате с продукт, който работи на бензин, е изключително важно редовно да извършвате поддръжка на въздушния филтър, понякога ежедневно. За да работи добре, въздушният филтър трябва да се смазва. Направете справка

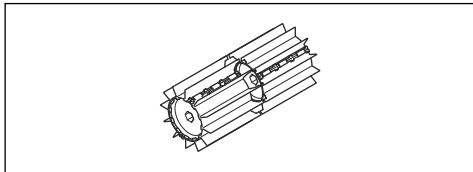
с ръководството за оператора на
захранващия блок за инструкции за
техническо обслужване.



ПРЕДУПРЕЖДЕНИЕ: Корпусът на скоростната кутия се нагорещява, когато машината е в употреба. За да избегнете изгаряния не докосвайте корпуса на предавката.

2. Проверете дали барабаните с четки не са повредени или пукнати. Ако е необходимо, сменете барабаните с четки.
3. За продължително съхранение, окачвайте четката.

1. Уверете се, че барабаните с четки не се въртят, когато газта/захранващият спусък е отпуснат/а.



Транспортиране, съхранение и изхвърляне

Транспортиране и съхранение

Ако транспортирате оборудването върху друго превозно средство, винаги използвайте одобрени осигуряващи устройства и се уверявайте, че оборудването е надеждно закрепено.

Уверете се, че оборудването е почистено и че преди съхранението за продължителни периоди е извършено пълно сервизно обслужване.

Технически данни

Технически данни за продукти, които работят с бензин

Метла	
Ширина на барабан с четки, mm	590
Тегло	
Тегло, kg	6,5
Шумови емисии⁷	
Ниво на звуковата мощност, измерена dB(A)	105
Ниво на звуковата мощност, гарантирана [L _{WA} dB(A)]	109
Нива на звука⁸	
Еквивалентно ниво на звуковото налягане при ухото на оператора, измерено съгласно EN ISO 22868 , dB (A):	97

⁷ Шумови емисии в околната среда, измерени като звуков ефект (L_{WA}) съобразно директивата на ЕО 2000/14/ ЕС. Отчетените нива на шума за машината са измерени с оригиналното режещо оборудване, което дава най-високото ниво. Разликата между гарантираното и измереното ниво на шума е в това, че гарантираното ниво на шума включва също и дисперсията в резултатите от измерването, както и вариациите между различните машини от един и същи модел в съответствие с директива 2000/14/ ЕС.

⁸ Отчетените данни за еквивалентното ниво на звуковото налягане за машината имат типична статистическа дисперсия (стандартно отклонение) от 1 dB (A).

Метла	
Вибрации⁹	
Еквивалентни нива на вибрации ($a_{hv,eq}$) при ръкохватките, измерени съгласно , m/s^2	
Предна/задна ръкохватка	4,4/5,1

Технически данни за продукти, които работят с акумулатор

325iLK + приставка за метене SR600-2	
Ширина на барабан с четки, mm	590
Тегло	
Тегло, kg	2,3+6,5
Шумови емисии¹⁰	
Измерено ниво на звуковата мощност, dB (A)	93
Нива на звука¹¹	
Еквивалентно ниво на звуковото налягане при ухото на оператора, измерено съгласно ISO 22868, dB (A):	82
Вибрации¹²	
Нива на вибрациите в ръкохватките, измерени съгласно EN 62841-1, m/s^2	
Предна/задна ръкохватка	3,2/3,1

⁹ Отчетените данни за еквивалентното ниво на вибрациите имат типична статистическа дисперсия (стандартно отклонение) от $1 m/s^2$.

¹⁰ Отчетените данни за нивото на звуковата мощност за машината имат типична статистическа дисперсия (стандартно отклонение) от 3 dB (A) и са измерени с оригиналната приставка, която осигурява най-високото ниво.

¹¹ Отчетените данни за нивото на звуково налягане за машината имат типична статистическа дисперсия (стандартно отклонение) от 3 dB (A) и са измерени с оригиналната приставка, която осигурява най-високото ниво.

¹² Отчетените данни за равнището на вибрации имат типична статистическа дисперсия (стандартно отклонение) от $2 m/s^2$. За сравняване на нивата на вибрациите, акумулаторната батерия и продуктите с вътрешно горене използвайте калкулатора за вибрации. <https://www.husqvarna.com/uk/services-solutions/vibration-calculator/>.

Декларация за съответствие на ЕО

Декларация за съответствие на ЕО – за продукти, които работят с бензин

Husqvarna AB, SE-561 82 Huskvarna, Швеция, тел.: +46-36-146500 удостоверява, че приставката за метене **Husqvarna SR600-2** със серийни номера от 2019 и нататък (годината е ясно обозначена върху типовата табелка, следвана от серийния номер) отговаря на изискванията на ДИРЕКТИВАТА НА СЪВЕТА:

- от 17 май 2006 г., "относно машини" **2006/42/ЕО**
- от 08 юни 2011 г., "ограничаването на употребата на някои опасни вещества в електрическо и електронно оборудване" **2011/65/ЕС**
- от 8 май 2000 г., "свързани с шумовите емисии в околната среда" **2000/14/ЕО**.

Следните стандарти са приложени за бензинови продукти:

SS-EN ISO 12100:2010, EN 50581:2012

Нотифициран орган е извършил изпитване на типа съгласно ЕО в съответствие с директива относно машините (2006/42/ЕО) член 12, точка 3б. Сертификатът за изпитване на типа съгласно ЕО в съответствие с анекс IV е с номер: **SEC/15/2413 - Husqvarna SR600-2**

Huskvarna , 2019-06-24



Per Gustafsson, мениджър „Разработки и Развитие“ (оторизиран представител на Husqvarna AB и отговорник за техническата документация)

Декларация за съответствие на ЕО – за продукти, които работят с акумулатор

Husqvarna AB, SE-561 82 Huskvarna, Швеция, тел.: +46-36-146500, удостоверява, че приставката за метене **Husqvarna SR600-2 със захранващ блок Husqvarna 325ILK** със серийни номера от 2019 и нататък (годината е ясно обозначена върху типовата табелка, следвана от серийния номер) отговаря на изискванията на ДИРЕКТИВАТА НА СЪВЕТА:

- от 17 май 2006 г., "относно машини" **2006/42/ЕО**
- от 08 юни 2011 г., "ограничаването на употребата на някои опасни вещества в електрическо и електронно оборудване" **2011/65/ЕС**

Следните стандарти са приложени за продукти с акумулатор:

EN 62841-1:2015, EN 50581:2012

RISE SMP Svenska Maskinprovning AB, Box 7035, SE-750 07 Uppsala, Швеция, извърши доброволно изследване на моделите от името на Husqvarna AB. Сертификатът е номериран: **SEC/15/2413 - Husqvarna SR600-2**

Huskvarna , 2019-06-24



Per Gustafsson, мениджър „Разработки и Развитие“ (оторизиран представител на Husqvarna AB и отговорник за техническата документация)

Obsah

Úvod.....	21	Údržba.....	27
Bezpečnost.....	22	Přeprava, skladování a likvidace.....	27
Montáž.....	25	Technické údaje.....	27
Provoz.....	26	ES Prohlášení o shodě.....	29

Úvod

Popis výrobku

Řídíme se strategií neustálého vývoje výrobku, a proto si vyhrazujeme právo měnit konstrukci a vzhled výrobků bez předchozího upozornění.

Povšimněte si: Tento návod pokrývá pohonné jednotky poháněné benzínem i baterií.

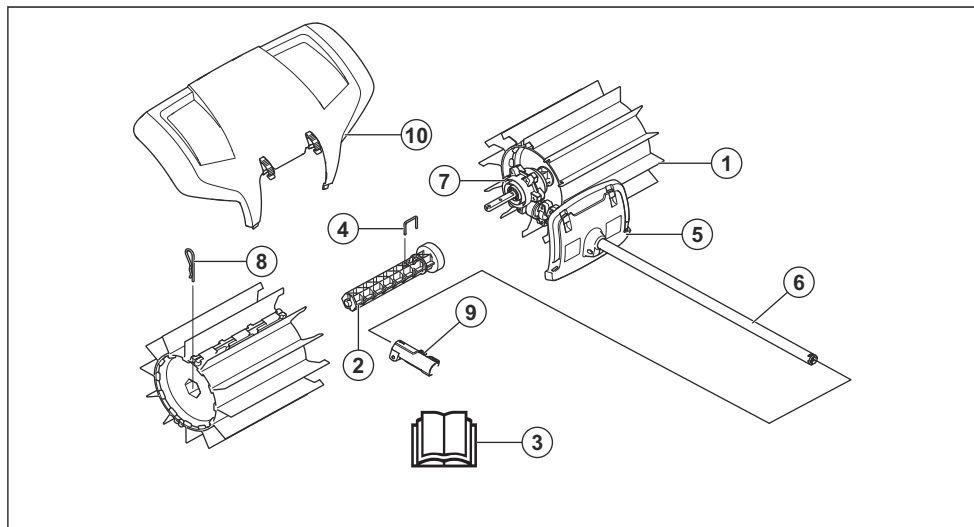
Zamýšlené použití



VÝSTRAHA: Tento nástavec lze používat pouze společně se zamýšleným výrobkem, viz kapitola Příslušenství v návodu k používání výrobku.

Nástavec je určen pouze pro zametání trávníků, chodníků, asfaltových cest a podobných povrchů.

Přehled nástavce



1. Válec kartáče
2. Hřídel válce
3. Návod k použití
4. Pojistný čep
5. Kryt (ochrana na hřídeli)
6. Hřídel
7. Skříň převodovky
8. Závlačka
9. Objímka hřídele (součástí výrobku)
10. Ochranný kryt

Symbole na nástavci a pohonné jednotce



Nepozorné nebo nesprávné používání nástavce může vést k vážnému nebo smrtelnému zranění uživatele nebo dalších osob.



Pozorně si přečtete tento návod k používání a předtím, než nástavec začnete používat, se přesvědčte o tom, že pokynům rozumíte.



Vždy používejte schválenou ochranu sluchu. Vždy používejte schválenou ochranu očí. Pokud hrozí nebezpečí vdechování prachu, používejte dýchací masku.



Tento nástavec vyhovuje platným směrnícím ES.



Rotující části. Udržujte ruce a nohy mimo dosah. Šipka označuje směr otáčení.



Vždy používejte schválené ochranné rukavice.



Používejte pevnou neklouzavou obuv.



Dávejte pozor na odvržené a odražené předměty.



Obsluha musí zajistit, aby se v okruhu 15 m nevyskytovaly žádné osoby ani zvířata. Pokud pracuje několik pracovníků na stejném místě, musí být dodržována bezpečná vzdálenost rozestupů minimálně 15 metrů. Nástavec může velkou silou odmrstit předměty, které se mohou odrazit zpět. Pokud nepoužíváte doporučené ochranné prostředky, může dojít k vážnému poranění očí.



Během používání výrobku udržuje minimální vzdálenost 15 m (50 stop) od osob a zvířat.



Všechny části těla udržujte mimo dosah horkých povrchů.



Emise hluku do okolí dle směrnice Evropského společenství. Emise nástavce jsou uvedeny v kapitole Technické údaje a na štítku.

Povšimněte si: Další symboly/štítky na nástavci se týkají zvláštních certifikačních požadavků pro určité obchodní trhy.

Bezpečnost

Definice týkající se bezpečnosti

Varování, upozornění a poznámky slouží jako upozornění na specifické důležité části návodu k používání.



VÝSTRAHA: Používá se v případě nebezpečí úrazu nebo usmrcení obsluhy nebo okolních osob, pokud nejsou dodrženy pokyny uvedené v této příručce.



VAROVÁNÍ: Používá se v případě nebezpečí poškození výrobku nebo nástavce, dalších materiálů či škod na majetku v blízkém okolí, pokud nejsou dodrženy pokyny uvedené v této příručce.

Povšimněte si: Používá se k poskytnutí dalších informací, které jsou nezbytné v dané situaci.

Obecné bezpečnostní pokyny



VÝSTRAHA: Před použitím nástavce si přečtete následující bezpečnostní pokyny.

- Přečtete si pozorně tento návod k používání a nepoužívejte nástavec, pokud mu zcela nerozumíte.
- Tyto pokyny jsou dodatkem k pokynům dodaným společně s výrobkem. U ostatních postupů se řiďte návodem k použití výrobku.
- Konstrukce nástavce nesmí být za žádných okolností upravována bez svolení výrobce. Nepoužívejte nástavec, pokud se vám zdá, že jej někdo upravil, a vždy používejte originální příslušenství. Nepovolené úpravy a/nebo příslušenství může vést k vážnému nebo smrtelnému zranění obsluhy nebo jiných osob.

Bezpečnostní pokyny pro provoz



VÝSTRAHA: Před použitím výrobku si přečtěte následující varování.

- Vypínač se automaticky vrátí do výchozí polohy. Při montáži, kontrole nebo údržbě zabraňte neúmyslnému spuštění. Používáte-li výrobek poháněný benzínem, odpojte koncovku kabelu zapalovací svíčky od zapalovací svíčky. Pokud máte výrobek poháněný baterií, vyjměte baterii.
- Dejte pozor na odmrštěné předměty. Vždy používejte ochranu zraku. Nikdy se nenaklánějte nad válec kartáče. Odlétávající kamení, smetí apod. může zasáhnout zrak a způsobit slepotu nebo jiná vážná poranění.
- Převodovka se může během použití zahřát a může zůstat horká i po vypnutí stroje. Při doteku je nebezpečí úrazu popálením.
- Válec kartáče se mohou začít po nastartování zametače otáčet. Při startování držte výrobek pevně.
- Přestože nemají válec kartáče stejnou sílu jako například žací nože sekačky, měli byste se vyhnout práci s materiály, které mohou v případě odmrštění způsobit zranění osob nebo škody na majetku.
- Nikdy nepracujte s výrobkem, nemáte-li možnost přivolat pomoc v případě nehody.
- Výrobek používejte pouze k účelu, ke kterému je určen.
- Nikdy nepoužívejte výrobek, jste-li unaveni, jestliže jste požíli alkohol nebo jestliže užíváte léky, které by mohly ovlivnit váš zrak, úsudek nebo pohybovou koordinaci.
- Nikdy nepoužívejte výrobek za zvláště nepříznivých povětrnostních podmínek, např. za silného mrazu nebo ve velkém horku anebo vlhku.
- Nikdy nepoužívejte produkt, který není zcela v pořádku. Dodržujte pokyny pro kontroly, údržbu a servis popsané v této příručce. Některé úkony údržby a opravy mohou provádět pouze vyškolení a kvalifikovaní odborníci. Viz pokyny v části Údržba.
- Nedovolte dětem používat výrobek.
- Nedovolte pracovat s produktem nikomu, kdo si předem nepřečetl a neporozuměl obsahu návodu k použití.
- Držte nepovolané osoby mimo pracovní plochu. Děti, zvířata, přihlízející a pomáhající osoby se během práce nesmí pohybovat v okruhu 15 m bezpečnostní zóny. Jestliže se někdo přiblíží, okamžitě vypněte výrobek.
- Dostanete-li se do situace, kdy pocítíte jakoukoliv pochybnost co do práce s vybavením, požádejte o radu odborníka. Spojte se s vaším prodejcem nebo servisem.
- Nepoužívejte vybavení, necítíte-li se dostatečně kvalifikováni.

- Používáte-li ochranu sluchu, vždy je nutné dávat pozor na výstražné signály nebo volání. Ochranu sluchu sejměte vždy ihned po zastavení motoru.
- Sledujte své okolí a přesvědčte se, že nehrozí žádné nebezpečí, že by mohly nějaké osoby nebo zvířata přijít do styku s výrobkem nebo ovlivnit vaši kontrolu nad výrobkem.
- Nepoužívejte výrobek za špatného počasí, jako např. v husté mlze, prudkém dešti, silném větru, silném mrazu apod. Práce za špatného počasí je namáhavá a často s sebou přináší rizika, jakým je např. náledí.
- Ujistěte se, že se můžete volně pohybovat a bezpečně stát. Zkontrolujte, zda ve vašem bezprostředním okolí nejsou nějaké překážky (kořeny, kameny, větve, jámy, příkopy apod.) pro případ, že by bylo nutné se rychle přesunout. Při práci na svažitém terénu buďte velmi opatrní.



- Před přemístěním výrobku musí být motor vypnutý. Používáte-li výrobek poháněný benzínem, odpojte koncovku kabelu zapalovací svíčky od zapalovací svíčky. Pokud máte výrobek poháněný baterií, vyjměte baterii.
- Neodkládejte výrobek, který je v chodu, pokud jej nemáte plně pod dohledem.
- K přidržování výrobku vždy používejte obě ruce. Výrobek držte u svého boku.
- Vaše ruce ani nohy se nesmí přiblížit ke kartáči, když je motor v chodu.
- Po vypnutí výrobku se nepřiblížujte rukama ani nohama ke kartáči, dokud se zcela nezastaví.
- Pokud se objeví silné vibrace, zastavte výrobek. Pokud máte výrobek poháněný benzínem, odpojte vysokonapěťový kabel od zapalovací svíčky. Pokud máte výrobek poháněný baterií, vyjměte baterii. Zkontrolujte, zda není výrobek poškozený. Opravte veškerá poškození.

Osobní ochranné prostředky

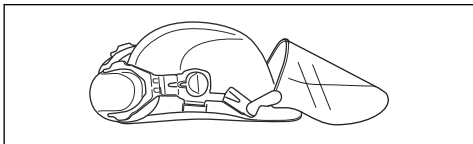


VÝSTRAHA: Před použitím výrobku si přečtěte následující varování.

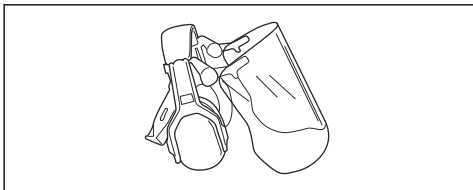
- Při použití výrobku je nutné vždy používat schválené osobní ochranné prostředky. Osobní ochranné prostředky nemohou zcela eliminovat nebezpečí úrazu, ale v případě nehody pomáhají snížit míru

poranění. Požádejte prodejce, aby vám pomohl vybrat správné vybavení.

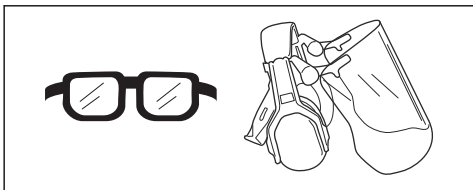
- Používejte ochrannou přilbu tam, kde hrozí nebezpečí padajících předmětů.



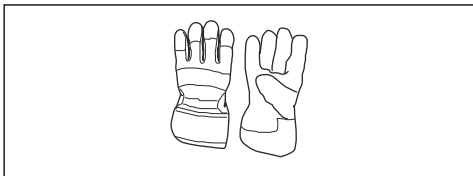
- Použijte schválenou ochranu sluchu s dostatečným tlumícím účinkem. Dlouhodobé vystavování působení hluku může vést k trvalému poškození sluchu.



- Vždy používejte schválenou ochranu očí. Použijete-li štít, je nutno použít i schválené ochranné brýle. Schválené ochranné brýle musí být v souladu s normou ANSI Z87.1 v USA nebo EN 166 v zemích EU.



- Při určitých činnostech používejte rukavice, například při nasazování, prohlídce nebo čištění řezacího zařízení.



- Používejte ochrannou obuv s ocelovou špičkou a protiskluzovými podrážkami.



- Noste oblečení vyrobené z pevné tkaniny. Vždy používejte silné, dlouhé kalhoty a dlouhé rukávy. Nepoužívejte volné oblečení, které se může zachytit o keře nebo větve. Nepoužívejte šperky, krátké kalhoty nebo sandály a nepracujte bosí. Stáhněte si vlasy bezpečně nahoru nad úroveň ramen.
- Mějte při ruce lékárníčku.



Bezpečnostní zařízení na produktu



VÝSTRAHA: Před použitím výrobku si přečtěte následující varování.

V této části je popsáno bezpečnostní vybavení výrobku, jeho účel a způsob provádění kontroly a údržby k zajištění správného provozu. Umístění těchto komponentů na výrobku naleznete v pokynech v kapitole *Přehled nástavce na strani 21*.

Životnost výrobku se může zkracovat a riziko úrazů zvyšovat, jestliže se údržba neprovádí správně anebo se opravy neprovádějí odborně. Pokud potřebujete další informace, obraťte se na nejbližšího servisního prodejce.



VÝSTRAHA: Nikdy výrobek nepoužívejte s vadnými bezpečnostními součástmi. Kontrolu a údržbu bezpečnostního vybavení výrobku je nutno provádět podle postupů uvedených v této části. V případě, že by výrobek nevyhověl při jakékoli z těchto kontrol, je nutno vyhledat autorizované servisní středisko a nechat závadu odstranit.



VAROVÁNÍ: Servis a opravy stroje vyžadují speciální odborné školení. To se zvláště týká servisu a oprav bezpečnostního zařízení stroje. V případě, že by stroj nevyhověl při některé z níže uvedených kontrol, je nutno vyhledat servisní opravu. Každému zákazníkovi, který zakoupí kterýkoli z našich výrobků, zaručujeme dostupnost profesionálních oprav a servisních prací. Pokud prodejce, který vám stroj prodal, neposkytuje servisní práce, požádejte jej o adresu naší nejbližší servisní opravy.

Bezpečnostní pokyny pro údržbu



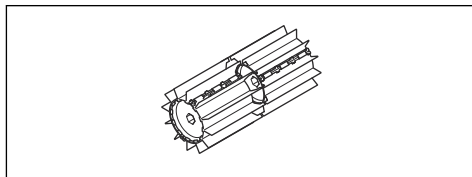
VÝSTRAHA: Před prováděním údržby si přečtěte následující varování.



VÝSTRAHA: Před zahájením údržby nástavce výrobek vždy vypněte. Buďte opatrní, nástavec se může pohybovat i po uvolnění plynu/páčky spínače. Ujistěte se, že se nástavec zcela zastavil. Pokud máte výrobek poháněný benzinem, odpojte vysokonapěťové kabely od zapalovací svíčky. Pokud máte výrobek poháněný baterií, vyjměte baterii.

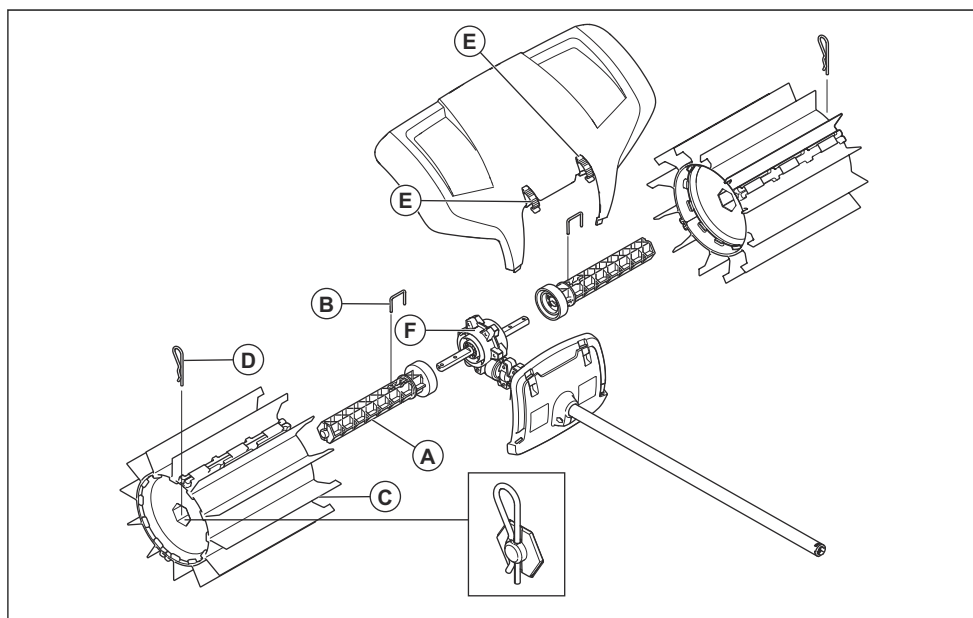
- Než zahájíte práci, zkontrolujte celý výrobek. Poškozené díly vyměňte.
- Zkontrolujte, že jsou všechny kryty na místě a řádně připevněny. Zkontrolujte všechny matice a šrouby.

- Pokud máte výrobek poháněný benzinem, ujistěte se, že nedochází k úniku paliva.
- Ujistěte se, že jsou válce kartáče nepoškozené a nevykazují známky trhlinek nebo jiného poškození.



Montáž

Montáž nástavce



1. Zatláče jednu hřídel válce (A) na jednu ze dvou výstupních hnacích hřídelí vycházejících ze skříně převodovky (F). V případě potřeby otočte hřídel válce tak, aby otvor kolíku lícovál s odpovídajícím otvorem v hnací hřídeli.
2. Upevněte hřídel válce pomocí pojistného čepu (B).
3. Našroubujte jeden válec kartáče (C) na pevnou hřídel. Širší konec válce s gumovými lamelami je nutné namontovat co nejtěsněji ke skříně převodovky. Zatláče válec kartáče.
4. Upevněte válec na hřídeli pomocí pojistné závlačky (D). Při montáži mírně zatláče konec směrem dovnitř.
5. Opakujte tyto kroky při montáži hřídele a válce na opačné straně. Válce jsou totožné, ale je nutné je namontovat s rozšířenými pryžovými lamelami směrem ke skříně převodovky.
6. Namontujte lapač nečistot pomocí zacvakávacích úchytů (E).

Povšimněte si: Pokyny pro montáž příslušenství na základní výrobek naleznete v návodu pro základní výrobek.

Spouštění výrobku se studeným motorem

Pokud máte výrobek poháněný benzínem, držte se při startování výrobku se studeným motorem následujících pokynů.

1. Nechte základní výrobek zahřát a vypněte jej.
2. Namontujte nástavec podle montážních pokynů.
3. Při nastavování karburátoru je nutné přitlačit kartáč k zemi. V těsné blízkosti se nesmí vyskytovat žádné další osoby.
4. Zkontrolujte, zda se válce kartáče volně otáčejí.
5. Zkontrolujte, zda je držadlo a bezpečnostní díly stroje v dobrém provozním stavu. Nikdy nepoužívejte výrobek, kterému chybí díly nebo byl upraven a neodpovídá původním specifikacím.

Použití nástavce

Zametač pracuje nejlépe, když se mohou gumové lamely plynule pohybovat nebo „klouzat“ po pracovním povrchu. Nové nebo vyměněné válce kartáče mají tendenci se zachycovat na tvrdých površích a je nutné je před použitím důkladně „zaběhnout“. To lze jednoduše provést provozem výrobku na plný plyn po dobu 3 až 5 minut na nezpevněném štěrku nebo podobném brusném materiálu. Po zaběhnutí bude zametač schopen přesunovat velké množství materiálu, počínaje sněhem a vodou z kaluží a konče těžšími předměty, jako je štěrk nebo dřevní štěpky. Časem se naučíte, jak zametač pracuje, ale od samotného začátku je nutné dodržovat bezpečnostní opatření.

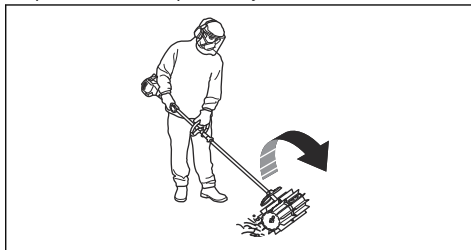
1. Provozujte zametač na plný plyn (nebo téměř plný plyn) s gumovými lamelami položenými na zemi.

Povšimněte si: Je zbytečné a navíc unavující zdvihat nebo držet při práci gumové lamely nad zemí.

2. Při čištění úzkých ploch, jako jsou chodníky, je možné výrobek použít tak, že bude materiál odhazován přímo před vás. Pokud chcete zametat na širších plochách, měli byste pracovat pod úhlem, aby se pruhy materiálu tvořily na jedné straně. Pruhy z lehkého materiálu lze nahrnout do jedné řádky nebo na jednu hromadu a později je odebrat, zatímco hrubší materiál může být nezbytné nahromadit v několika pruzích.

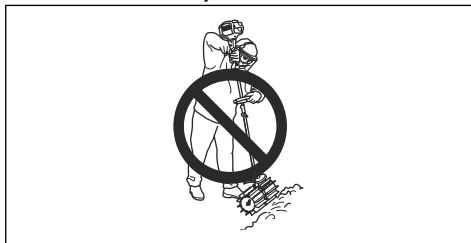


3. Pokud se chcete dostat do rohů, sejměte lapač nečistot, povolte spojku příslušenství a otočte příslušenstvím o půl otáčky.



VÝSTRAHA: Smetí pak bude odhozeno směrem k uživateli. Po změně směru otáčení používejte nízké otáčky a mějte na paměti, že můžete odhozený materiál snadno zakopnout.

4. Udržujte malý pracovní úhel k povrchu. Příliš velký pracovní úhel může způsobit, že zametač bude mít tendenci pohybovat se směrem k vám a můžete ztratit kontrolu nad výrobkem.



Údržba

Úvod

V následujících odstavcích najdete některé pokyny k provádění obecné údržby. Pokud potřebujete další informace, spojte se se servisem.

Údržba nástavce

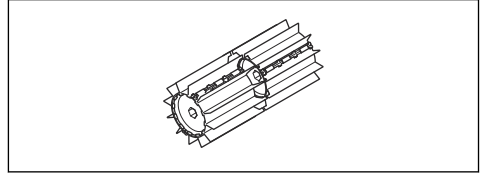


VAROVÁNÍ: Práce se zametačem se často provádí v prašných podmínkách. Pokud máte výrobek poháněný benzinem, je mimořádně důležité pravidelně provádět údržbu vzduchového filtru, často i denně. Vzduchový filtr musí být napuštěný olejem, aby fungoval správně. Pokyny k údržbě naleznete v návodu k používání pohonné jednotky.



VÝSTRAHA: Skříň převodovky se za provozu stroje zahřívá. Skříňové převodovky se nedotýkejte, abyste se nepopálili.

1. Ujistěte se, že se válce kartáče neotáčejí, když uvolníte plyn/páčku spínače.



2. Zkontrolujte, zda nejsou válce kartáče poškozené nebo prasklé. V případě potřeby válce kartáče vyměňte.
3. Pokud má být kartáč dlouhodobě uskladněn, zavěste jej.

Přeprava, skladování a likvidace

Přeprava a přechovávání

Pokud přepravujete nástavec na jiném vozidle, vždy používejte schválené upevňovací prostředky a ujistěte se, že je nástavec řádně zajištěn.

Před odstavením na delší dobu se ujistěte, že je nástavec čistý a je zajištěn kompletním servisem.

Technické údaje

Technické údaje pro výrobky poháněné benzinem

Zametač	
Šířka válce kartáče, mm	590
Hmotnost	
Hmotnost, kg	6,5
Emise hluku¹³	
Hladina akustického výkonu, změřená dB (A)	105
Hladina akustického výkonu, zaručená L _{WA} dB (A)	109
Hladiny hluku¹⁴	

¹³ Emise hluku do okolí naměřené jako akustický výkon (L_{WA}) podle směrnice EU 2000/14/ EC. Uváděná hladina akustického výkonu pro stroj byla měřena s originálním řezacím nástavcem, který generuje nejvyšší hladinu. Rozdíl mezi zaručeným a změřeným akustickým výkonem je v tom, že garantovaný akustický výkon rovněž zahrnuje rozptyl výsledků měření a rozdíly mezi různými stroji téhož modelu podle směrnice 2000/14/ EC.

¹⁴ Uváděná data pro ekvivalentní hladinu akustického tlaku pro stroj mají typickou statistickou odchylku (standardní odchylku) 1 dB (A).

Zametač	
Ekvivalentní hladina akustického tlaku v úrovni uší obsluhy, změřená podle normy EN ISO 22868 , dB(A):	97
Vibrace¹⁵	
Ekvivalentní hladiny vibrací ($a_{hv,eq}$) v rukojetích, měřené podle normy , m/s ² :	
Přední/zadní rukojeť	4,4/5,1

Technické údaje pro výroby poháněné baterií

325iLK + nástavec zametače SR600-2	
Šířka válce kartáče, mm	590
Hmotnost	
Hmotnost, kg	2,3 + 6,5
Emise hluku¹⁶	
Hladina akustického výkonu, změřená, dB(A)	93
Hladiny hluku¹⁷	
Ekvivalentní hladina akustického tlaku v úrovni uší obsluhy, změřená podle normy ISO 22868, dB(A):	82
Vibrace¹⁸	
Hladiny vibrací v rukojetích, měřené podle normy EN 62841-1, m/s ²	
Přední/zadní rukojeť	3,2/3,1

¹⁵ Uváděná data pro ekvivalentní hladinu vibrací mají typickou statistickou odchylku (standardní odchylku) 1 m/s².

¹⁶ Uváděná data pro hladinu akustického tlaku pro stroj mají typickou statistickou odchylku (standardní odchylku) 3 dB (A), která byla měřena s originálním řezacím nástavcem generujícím nejvyšší hladinu.

¹⁷ Uváděná data pro hladinu akustického tlaku pro stroj mají typickou statistickou odchylku (standardní odchylku) 3 dB (A), která byla měřena s originálním řezacím nástavcem generujícím nejvyšší hladinu.

¹⁸ Uváděná data o úrovni vibrací mají typickou statistickou odchylku (standardní odchylku) 2 m/s². Pro srovnání hladiny vibrací akumulátorových výrobků a výrobků se spalovacím motorem použijte kalkulačku vibrací: <https://www.husqvarna.com/cz/sluzby-reseni/kalkulacka-vibraci/>.

ES Prohlášení o shodě

Prohlášení o shodě ES – pro výrobky poháněné benzínem

Husqvarna AB, SE-561 82 Huskvarna, Švédsko, tel: +46-36-146500, prohlašuje, že nástavec se zametačem, **Husqvarna SR600-2**, se sériovými čísly od roku 2019 a dále (rok je zřetelně vyznačen v textu na typovém štítku a za ním následuje sériové číslo) vyhovuje požadavkům následujících SMĚRNIC RADY EVROPSKÉ UNIE:

- ze 17. května 2006 „týkající se strojních zařízení“ **2006/42/ES**
- ze dne 8. června 2011 „o omezení používání některých nebezpečných látek v elektrických a elektronických zařízeních“ **2011/65/EU**
- z 8. května 2000 „týkající se emisí hluku v okolním prostředí“ **2000/14/ES**.

U benzínových výrobků byly uplatněny následující normy:

SS-EN ISO 12100:2010, EN 50581:2012

Oznámený subjekt provedl typovou zkoušku ES podle směrnice pro strojní zařízení (2006/42/ES), článek 12, odstavec 3b. Certifikát o typové zkoušce ES podle přílohy IV má číslo: **SEC/15/2413 - Husqvarna SR600-2**

Huskvarna , 2019-06-24



Per Gustafsson, ředitel vývoje (autorizovaný zástupce společnosti Husqvarna AB zodpovědný za technickou dokumentaci)

Prohlášení o shodě ES – pro výrobky poháněné baterií

Husqvarna AB, SE-561 82 Huskvarna, Švédsko, tel: +46-36-146500, prohlašuje, že zametač, **nástavec Husqvarna SR600-2 s pohonnou jednotkou Husqvarna 325iLK** se sériovými čísly od roku 2019 a dále (rok je zřetelně vyznačen v textu na typovém štítku a za ním následuje sériové číslo) vyhovuje požadavkům následujících SMĚRNIC RADY EVROPSKÉ UNIE:

- ze 17. května 2006 „týkající se strojních zařízení“ **2006/42/ES**
- ze dne 8. června 2011 „o omezení používání některých nebezpečných látek v elektrických a elektronických zařízeních“ **2011/65/EU**

U akumulátorových výrobků byly uplatněny následující normy:

EN 62841-1:2015, EN 50581:2012

Institut RISE SMP Svenska Maskinprovning AB, Box 7035, SE-750 07 Uppsala, Švédsko, provedl na žádost společnosti Husqvarna AB dobrovolnou typovou zkoušku. Číslo certifikátu: **SEC/15/2413 - Husqvarna SR600-2**

Huskvarna , 2019-06-24



Per Gustafsson, ředitel vývoje (autorizovaný zástupce společnosti Husqvarna AB zodpovědný za technickou dokumentaci)

Indhold

Indledning.....	30	Vedligeholdelse.....	36
Sikkerhed.....	31	Transport, opbevaring og bortskaffelse.....	36
Montering.....	34	Tekniske data.....	36
Drift.....	35	EU-overensstemmelseserklæring.....	38

Indledning

Produktbeskrivelse

Vi forsøger hele tiden at videreudvikle vores produkter og forbeholder os derfor ret til ændringer af bl.a. form og udseende af produkterne uden forudgående varsel.

Bemærk: Brugsanvisningen omhandler både benzin- og batteridrevne strømenheder.

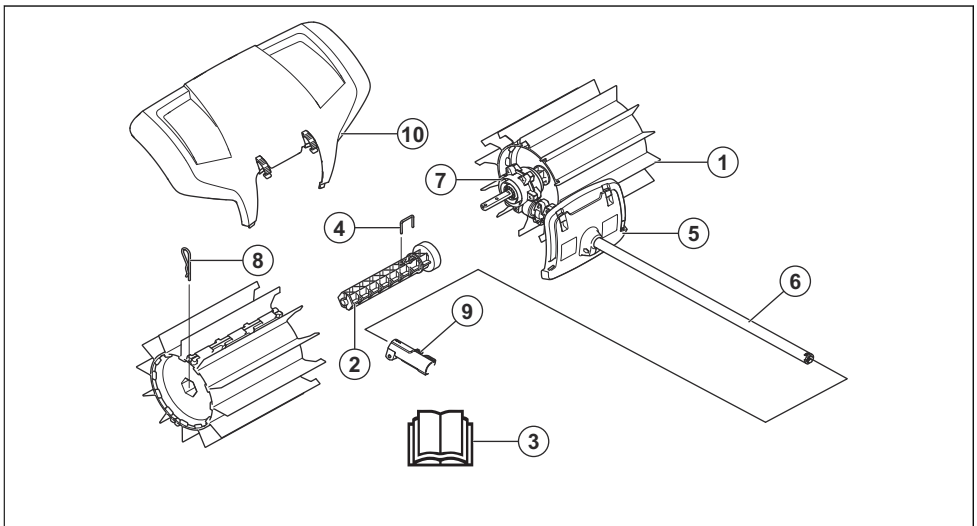
Anvendelsesformål



ADVARSEL: Dette tilbehør må kun bruges sammen med det produkt, det er beregnet til, se kapitlet Skæreudstyr i brugsanvisningen til produktet.

Tilbehøret er kun beregnet til fejning af græsplæner, stier, asfalterede veje og lignende.

Oversigt over tilbehør



1. Børstetromle
2. Tromleaksel
3. Brugsanvisning
4. Låsepind
5. Afskærmning (beskyttelse på akslen)
6. Aksel
7. Gearhus
8. Split
9. Akselkobling (følger med produktet)
10. Stænkbeskyttelse

Symboler på udstyret og strømenheden



Skødesløs eller forkert brug af dette produkt kan resultere i alvorlige skader eller medføre døden for brugeren eller andre.



Læs brugsanvisningen, og sørg for at have forstået indholdet, inden du bruger udstyret.



Brug godkendt høreværn. Brug godkendt øjenværn. Brug åndedrætsværn, når der er risiko for støv.



Dette udstyr er i overensstemmelse med gældende CE-direktiver.



Roterende dele. Hold hænder og fødder på sikker afstand. Pilen angiver rotationsretningen.



Brug altid godkendte beskyttelseshandsker.



<:hr>Brug skridsikre og stabile støvler.



Pas på udslyngede genstande og rikochettering.



Føreren skal sørge for, at ingen personer eller dyr kommer nærmere end 15 meter. Når flere førere arbejder på det samme sted, skal sikkerhedsafstanden være mindst 15 meter. Udstyret kan kaste genstande af sted med voldsom kraft, og disse genstande kan slå tilbage. Dette kan medføre alvorlige øjenskader, hvis du ikke anvender det anbefalede beskyttelsesudstyr.



Hold en afstand på mindst 15 m/50 fod til personer og dyr under brug af produktet.



Hold alle dele af kroppen på sikker afstand af varme overflader.



Støjemissioner til omgivelserne i henhold til EF-direktiv. Tilbehørets emission fremgår af kapitlet Tekniske data og af mærkaten.

Bemærk: Andre symboler/etiketter på skæreudstyret refererer til specifikke krav for certificering på visse markeder.

Sikkerhed

Sikkerhedsdefinitioner

Advarsler, forholdsregler og bemærkninger bruges til at pege på særligt vigtige dele af brugsanvisningen.



ADVARSEL: Bruges, hvis føreren udsætter sig selv eller omkringstående personer for risiko for personskade eller dødsfald ved tilsidesættelse af instruktionerne i brugsanvisningen.



BEMÆRK: Bruges, hvis der er risiko for skader på produktet og/eller tilbehøret, andre materialer eller det omgivende område ved tilsidesættelse af instruktionerne i brugsanvisningen.

Bemærk: Bruges til at give yderligere oplysninger, der er nødvendige i en given situation.

Generelle sikkerhedsinstruktioner



ADVARSEL: Læs de medfølgende advarselinstruktioner, inden du bruger skæreudstyret.

- Læs brugsanvisningen omhyggeligt igennem, og sørg for at have forstået indholdet, inden du bruger produktet.
- Denne vejledning supplerer den vejledning, der var inkluderet med produktet. Oplysninger om andre procedurer fås i betjeningsvejledningen til din plæneklipper.
- Produktets oprindelige udformning må under ingen omstændigheder ændres uden producentens samtykke. Brug ikke et produkt, der ser ud til at være blevet ændret af andre, og brug altid originalt tilbehør. Ikke-autoriserede ændringer og/eller ikke-godkendt tilbehør kan medføre alvorlige skader eller døden for brugeren eller andre.

Sikkerhedsinstruktioner for drift



ADVARSEL: Læs følgende advarselsinstruktioner, inden du bruger produktet.

- Stopkontakten skifter automatisk til startposition. Sørg for at forhindre utilsigtet start ved samling, kontrol og/eller vedligeholdelse. Hvis du har et benzindrevet produkt, skal du tage tændhætten af tændrøret. Hvis du har et batteridrevet produkt, skal du fjerne batteriet.
 - Pas på udslyngede genstande. Brug altid beskyttelsesbriller. Bøj dig aldrig ind over børstetromlerne. Sten, skidt m.m. kan blive slynget op i øjnene og forårsage blindhed eller alvorlige skader.
 - Under og et stykke tid efter anvendelse kan gearet være varmt. Der er derfor risiko for forbrændinger ved kontakt.
 - Børstetromlerne kan dreje, når kosten startes. Hold godt fast på produktet, når det startes.
 - Selv om børstetromlerne ikke har samme kraft som f.eks. plæneklipperknive, skal du undgå at arbejde med materialer, der kan medføre personskade eller skade på ejendom, hvis de slynges ud.
 - Brug aldrig produktet uden mulighed for at kunne tilkalde hjælp i tilfælde af en ulykke.
 - Brug kun produktet til det formål, det er beregnet til.
 - Brug aldrig produktet, hvis du er træt, hvis du har drukket alkohol, eller hvis du tager medicin, som kan påvirke dit syn, dit overblik eller din kropskontrol.
 - Anvend aldrig produktet under ekstreme klimaforhold, såsom streng kulde eller i meget varmt og/eller fugtigt klima.
 - Brug aldrig et produkt, som er behæftet med fejl. Følg instruktionerne for sikkerhedskontrol, vedligeholdelse og service i denne brugsanvisning. Visse vedligeholdelses- og serviceforanstaltninger må kun udføres af erfarne og kvalificerede specialister. Se anvisningerne under overskriften Vedligeholdelse.
 - Tillad aldrig børn at bruge maskinen.
 - Lad aldrig en anden bruge produktet, uden at du har sikret dig, at vedkommende har forstået indholdet i brugervejledningen.
 - Hold uvedkommende på afstand. Børn, dyr, omkringstående og hjælpere skal under arbejdet holdes uden for sikkerhedszonen på 15 meter. Stands øjeblikkeligt produktet, hvis nogen nærmer sig.
 - Når du kommer ud for en situation, som gør dig usikker med hensyn til fortsat brug, skal du spørge en ekspert til råds. Henvend dig til din forhandler eller dit serviceværksted.
 - Undgå al brug, som du ikke synes, du er tilstrækkeligt kvalificeret for.
- Vær altid opmærksom på advarselssignaler eller tilråb, når høreværnet bruges. Tag altid høreværnet af, så snart motoren standser.
 - Hold øje med omgivelserne, og kontrollér, at der ikke er nogen risiko for, at mennesker eller dyr kan komme i kontakt med eller påvirke din kontrol af produktet.
 - Undgå at anvende produktet i dårligt vejr, f.eks. i tæt tåge, kraftig regn, hård vind, kraftig kulde osv. Arbejde i dårligt vejr er trættende og kan ofte skabe farlige situationer, f.eks. på islagt underlag.
 - Sørg for, at du kan gå og stå sikkert. Kig efter eventuelle forhindringer ved en uventet retræte (rødder, sten, grene, huller, grøfter osv.). Vær meget forsigtig, når du arbejder på skråninger.



- Motoren skal altid standses, før produktet flyttes. Hvis du har et benzindrevet produkt, skal du tage tændhætten af tændrøret. Hvis du har et batteridrevet produkt, skal du fjerne batteriet.
- Stil aldrig produktet ned på jorden med motoren i drift, uden at du har det under opsyn.
- Brug altid begge hænder til at holde produktet. Hold produktet på siden af kroppen.
- Sørg for, at hænder og fødder ikke kommer i nærheden af børsten, når motoren er i gang.
- Når produktet slukkes, skal du holde hænder og fødder væk fra børsten, indtil den er standset helt.
- Hvis kraftige vibrationer forekommer, skal du standse produktet. Hvis du har et benzindrevet produkt, skal du fjerne tændrørskablet fra tændrøret. Hvis du har et batteridrevet produkt, skal du fjerne batteriet. Undersøg, om produktet er beskadiget. Reparer eventuelle skader.

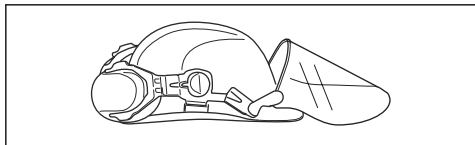
Personligt beskyttelsesudstyr



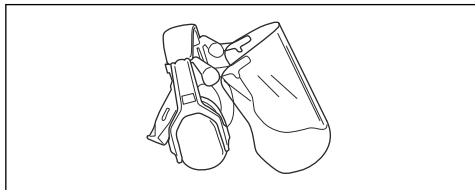
ADVARSEL: Læs følgende advarselsinstruktioner, inden du bruger produktet.

- Brug godkendt personligt beskyttelsesudstyr, når du bruger produktet. Personligt beskyttelsesudstyr udelukker ikke fuldstændigt risikoen for personskader, men det mindsker graden af skaderne i tilfælde af, at der skulle ske en ulykke. Lad forhandleren hjælpe dig med at vælge det rigtige udstyr.

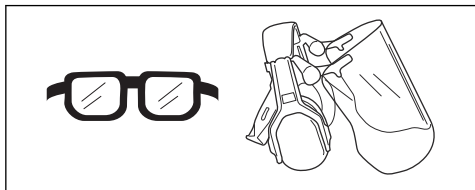
- Brug en sikkerhedshjelm, hvor der er risiko for nedfaldende genstande.



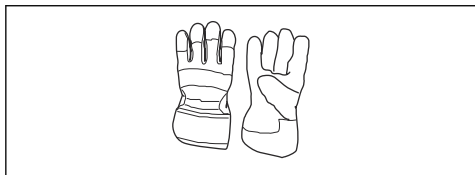
- Brug godkendt høreværn med tilstrækkelig dæmpning. Langvarig eksponering for støj kan medføre permanente høreskader.



- Brug godkendt øjenværn. Hvis du bruger et ansigtsværn, skal du også bruge godkendte beskyttelsesbriller. Godkendte beskyttelsesbriller skal overholde den amerikanske standard ANSI Z87.1 eller EU-standarden EN 166.



- Brug om nødvendigt beskyttelseshandsker, f.eks. ved montering, eftersyn og rengøring af skæreudstyret.



- Brug beskyttelsessko med stålsnude og skridsikre såler.



- Brug beklædning, der er lavet af et stærkt materiale. Brug altid kraftige lange bukser og lange ærmer. Brug ikke løstsiddende tøj, som kan sætte sig fast i

buske og grene. Undgå smykker, shorts og sandaler, og gå ikke barfodet. Sæt håret op i en sikker højde, dvs. over skulderen.

- Sørg for at have førstehjælpsudstyr ved hånden.



Sikkerhedsanordninger på produktet



ADVARSEL: Læs følgende advarselsinstruktioner, inden du bruger produktet.

I dette afsnit forklares mere om produktets sikkerhedsfunktioner og deres formål, samt hvordan kontrol og vedligeholdelse skal udføres for at sikre, at de fungerer. Se anvisningerne i afsnittet *Oversigt over tilbehør på side 30* for at se, hvor disse dele sidder på produktet.

Produktets levetid kan forkortes og risikoen for ulykker kan øges, hvis vedligeholdelsen ikke udføres korrekt, og hvis service og/eller reparation ikke udføres fagligt korrekt. Kontakt det nærmeste serviceværksted for at få yderligere oplysninger.



ADVARSEL: Brug aldrig et produkt med defekt sikkerhedsudstyr. Produktets sikkerhedsudstyr skal kontrolleres og vedligeholdes som beskrevet i dette afsnit. Klarer produktet ikke alle kontrollerne, skal du kontakte et serviceværksted for at få den repareret.



BEMÆRK: Al service og reparation af maskinen kræver specialuddannelse. Dette gælder især produktets sikkerhedsudstyr. Hvis maskinen ikke klarer nogen af de nedennævnte kontroller, skal du kontakte dit serviceværksted. Ved at købe nogle af vores produkter kan du være sikker på at få en faglig korrekt reparation og service. Hvis maskinen er købt et sted, som ikke er en af vores serviceydende forhandlere, skal du spørge dem efter det nærmeste serviceværksted.

Sikkerhedsinstruktioner for vedligeholdelse

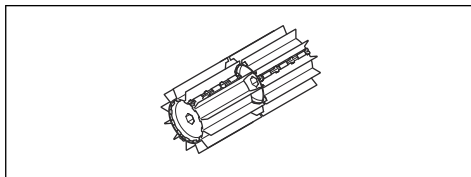


ADVARSEL: Læs følgende advarselsinstruktioner, inden du udfører vedligeholdelsesarbejde.



ADVARSEL: Stands altid produktet, inden du foretager arbejde på tilbehøret. Vær opmærksom på, at tilbehøret kan fortsætte med at køre, efter at gashåndtaget/strømløseren slippes. Sørg for, at tilbehøret er standset helt. Hvis du har et benzindrevet produkt, skal du fjerne tændrørskablerne fra tændrøret. Hvis du har et batteridrevet produkt, skal du fjerne batteriet.

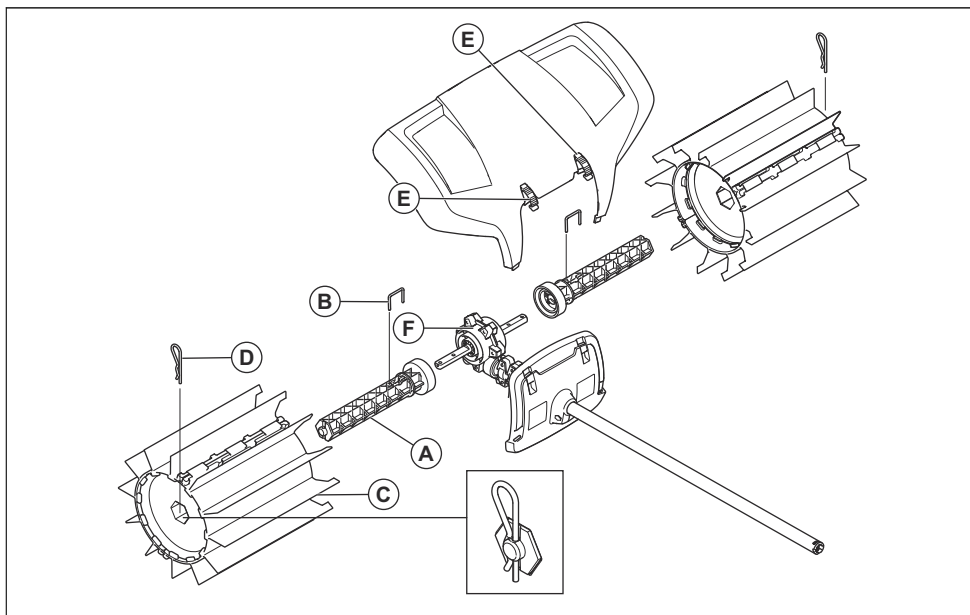
- Hvis du har et benzindrevet produkt, skal du sørge for, at der ikke forekommer brændstoftæklager.
- Kontrollér, at børstetromlerne er intakte og ikke har revner eller andre skader.



- Kontrollér hele produktet, før arbejdet startes. Udskift beskadigede dele.
- Kontrollér, at alle afskærmninger og dæksler er på plads og korrekt fastgjort. Kontrollér alle møtrikker og skruer.

Montering

Sådan monteres tilbehøret



1. Tryk en af tromleakslerne (A) fast på en af de to drivakslar, der stikker ud af gearhuset (F). Drej om nødvendigt tromleakslen, så hullet til boltene placeres over det tilsvarende hul i drivakslar.
2. Fastgør rulleakslen med låsestiften (B).
3. Sæt en af børstetromlerne (C) ind over den monterede aksel. Enden med de forlængede gummilameller skal være tættest på gearhuset ved monteringen. Tryk børstetromlen ind.
4. Fastgør rullen på akslen med en hårnålesplit (D). Tryk enden en smule ind under monteringen.
5. Gentag disse trin for at montere akslen og rullen på den modsatte side. Tromlerne er identiske, men skal monteres, så de forlængede gummilameller vender mod gearhuset.
6. Monter stænkskærmen med snaplåsene (E).

Bemærk: Ved montering af tilbehør på basismaskinen skal du se manualen for basismaskinen.

Sådan startes produktet med en kold motor

Hvis du har et benzindrevet produkt, skal du overholde disse instruktioner for at starte produktet med en kold motor.

1. Kør basisproduktet, indtil det er varmt, og sluk derefter produktet.
2. Monter tilbehøret som beskrevet i monteringsanvisningen.
3. Ved justering af karburatoren skal du sørge for, at børstetromlerne holdes mod jorden, og at ingen andre personer er i nærheden.
4. Sørg for, at børstetromlerne er i tomgang.
5. Kontrollér, at håndtaget og sikkerhedsfunktioner er i orden. Brug aldrig et produkt, som mangler dele eller er ændret i strid med specifikationerne.

Sådan bruges tilbehøret

Kosten fungerer bedst, når gummilamellerne kan glide eller "stryge" over arbejdsfladen. Nye eller udskiftede børstetrommer har tendens til sætte sig fast på eller slæbe mod hårde overflader, og de skal derfor "indkøres" grundigt inden brug. Dette kan gøres nemt ved at køre produktet på fuld gas i 3-5 minutter i grus eller et lignende slibende materiale. Når kosten er indkørt, vil den være i stand til at flytte store mængder materiale, lige fra sne og vandpytter til tungere genstande som f.eks. grus eller flis. Med tiden lærer du, hvordan kosten fungerer, men du skal overholde sikkerhedsreglerne lige fra starten.

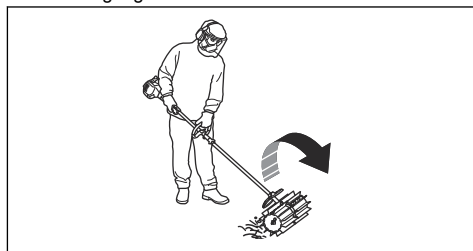
1. Kør kosten ved fuld (eller næsten fuld) gas/hastighed, mens gummilamellerne hviler på overfladen.

Bemærk: Det er både anstrengende og unødvendigt at løfte eller holde gummilamellerne over jorden under arbejdet.

2. Når du renser smalle flader, som f.eks. stier, kan produktet bruges, så det slynger materialer lige foran dig. Hvis du vil arbejde på bredere flader, kan du eventuelt være nødt til at arbejde skråt, så materialet lægger sig i smalle rækker på den ene side. Smalle rækker af lette materialer kan samles i én række eller bunke til senere afhentning, mens det kan være nødvendigt at opsamle hårde eller mere uhåndterlige materialer i flere omgange.



3. For at komme ind i hjørner fjernes stænskærmen, løsnest redskabets kobling, og redskabet drejes en halv omgang.



ADVARSEL: Affaldet vil så blive slynget tilbage mod brugeren. Sænk hastigheden ved vending af produktet, og husk, at man let kan falde over materialer, der slynges ud.

4. Hold en lav arbejdsvinkel i forhold til overfladen. Ved for stejl arbejdsvinkel vil kosten have tendens til at bevæge sig mod dig, og du risikerer at miste kontrollen over produktet.



Vedligeholdelse

Indledning

Nedenfor følger nogle generelle vedligeholdelsesinstruktioner. Hvis du har brug for yderligere oplysninger, kan du kontakte serviceværkstedet.

Sådan vedligeholdes tilbehøret

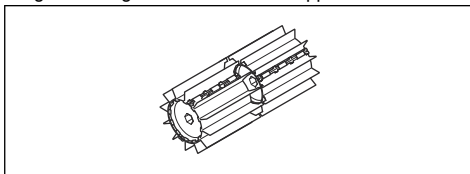


BEMÆRK: Arbejde med kosten foregår ofte under støvede forhold. Hvis du har et benzindrevet produkt, er det yderst vigtigt at sørge for regelmæssig vedligeholdelse af luftfilteret, ofte dagligt. Luftfilteret skal smøres, for at det virker korrekt. Se brugsanvisningen til strømenheden for vedligeholdelsesinstruktioner.



ADVARSEL: Efter arbejde med maskinen bliver gearkassen varm. Rør ikke ved gearkassen for at undgå forbrændinger.

1. Sørg for, at børstetromlerne ikke bevæger sig, når gashåndtaget/strømdløseren slippes.



2. Kontrollér, at børstetromlerne er intakte og fri for revner. Udskift børstetromlerne om nødvendigt.
3. Hæng børsten op, når den skal opbevares i længere tid.

Transport, opbevaring og bortskaffelse

Transport og opbevaring

Hvis skæreudstyret transporteres på et andet køretøj, skal du altid bruge godkendte fastgørelsesdele og sørge for, at skæreudstyret er sikkert fastgjort.

Sørg for, at skæreudstyret er ordentligt rengjort, og at der er udført fuldstændig service, inden langtidsopbevaring.

Tekniske data

Tekniske data for benzindrevne produkter

Opsamler	
Børstetromlens bredde, mm	590
Vægt	
Vægt, kg	6,5
Støjemissioner¹⁹	
Lydeffektniveau, målt dB (A)	105
Lydeffektniveau, garanteret L _{WA} dB (A)	109
Lydniveauer²⁰	

¹⁹ Emission af støj til omgivelserne målt som lydeffekt (L_{WA}) i henhold til EF-direktiv 2000/14/ EC Rapporteret lydeffektniveau for maskinen er målt med det originale skæreudstyr, der giver det højeste niveau. Forskellen mellem garanteret og målt lydeffekt er, at den garanterede lydeffekt også omfatter spredning i måleresultatet og variationerne mellem forskellige produkter af samme model i henhold til Direktiv 2000/14/ EC.

²⁰ Rapporterede data for ækvivalent lydtryksniveau for maskinen har en typisk statistisk spredning (standardafvigelse) på 1 dB(A).

Opsamler	
Ækvivalent lydtryksniveau ved brugerens ører målt i henhold til EN ISO 2868, dB(A)	97
Vibrationer²¹	
Ækvivalente vibrationsniveauer ($a_{hv,eq}$) i håndtag målt i henhold til m/s^2	
Forreste/bageste håndtag	4,4/5,1

Tekniske data for batteridrevne produkter

325ILK + Kosttilbehør SR600-2	
Børstetromlens bredde, mm	590
Vægt	
Vægt, kg	2,3+6,5
Støjemissioner²²	
Lydeffektniveau, målt, dB(A)	93
Lydniveauer²³	
Ækvivalent lydtryksniveau ved brugerens ører målt i henhold til ISO 22868, dB(A):	82
Vibrationer²⁴	
Vibrationsniveauer i håndtag målt i henhold til EN 62841-1, m/s^2	
Forreste/bageste håndtag	3,2/3,1

²¹ Rapporterede data for ækvivalent vibrationsniveau har en typisk statistisk spredning (standardafvigelse) på 1 m/s^2 .

²² Rapporterede data for maskinens støjniveau har en typisk statistisk spredning (standardafvigelse) på 3 dB (A) og er blevet målt med det originale udstyr, der giver det højeste niveau.

²³ Rapporterede data for maskinens lydtryksniveau har en typisk statistisk spredning (standardafvigelse) på 3 dB (A) og er blevet målt med det originale udstyr, der giver det højeste niveau.

²⁴ Rapporterede data for vibrationsniveauer har en typisk statistisk spredning (standardafvigelse) på 2 m/s^2 . Til sammenligning af vibrationsniveauer mellem batteri- og benzindrevne produkter skal du anvende vibrationsberegneren. <https://www.husqvarna.com/uk/services-solutions/vibration-calculator/>.

EU-overensstemmelseserklæring

EU-overensstemmelseserklæringen – til benzindrevne produkter

Husqvarna AB, SE-561 82 Huskvarna, Sverige, tlf.: +46-36-146500, erklærer, at kosten **Husqvarna SR600-2** med serienumre fra 2019 og fremefter (året er tydeligt angivet på typeskiltet, efterfulgt af serienummeret), opfylder forskrifterne i RÅDETS DIREKTIV:

- af den 17. maj 2006 "angående maskiner" **2006/42/EF**
- af den 8. juni 2011 "om begrænsning af anvendelsen af visse farlige stoffer i elektrisk og elektronisk udstyr" **2011/65/EU**
- af den 8. maj 2000 "angående emission af støj til omgivelserne" **2000/14/EF**.

Følgende standarder er anvendt for benzindrevne produkter:

SS-EN ISO 12100:2010, EN 50581:2012

Bemyndiget organ har foretaget en EF-typegodkendelse i henhold til maskindirektivets (2006/42/EF) artikel 12, pkt. 3b. Typegodkendelserne for EU-typeafprøvning i henhold til Bilag IV har nummeret: **SEC/15/2413 - Husqvarna SR600-2**

Huskvarna , 2019-06-24



Per Gustafsson, udviklingschef (autoriseret repræsentant for Husqvarna AB og ansvarlig for teknisk dokumentation)

EU-overensstemmelseserklæringen – til batteridrevne produkter

Husqvarna AB, SE-561 82 Huskvarna, Sverige, tlf.: +46-36-146500 erklærer hermed, at kosten **Husqvarna SR600-2 med strømheden Husqvarna 325iLK** med årgangsserienumre fra og med 2019 (året angives i klartekst på typeskiltet plus et efterfølgende serienummer), opfylder forskrifterne i RÅDETS DIREKTIV:

- af den 17. maj 2006 "angående maskiner" **2006/42/EF**
- af den 8. juni 2011 "om begrænsning af anvendelsen af visse farlige stoffer i elektrisk og elektronisk udstyr" **2011/65/EU**

Følgende standarder er anvendt for batteriprodukter:

EN 62841-1:2015, EN 50581:2012

RISE SMP Svensk Maskinprovning AB, Box 7035, SE-750 07 Uppsala, Sverige, har foretaget frivillig typegodkendelse for Husqvarna AB. Certifikatet er nummereret: **SEC/15/2413 - Husqvarna SR600-2**

Huskvarna , 2019-06-24



Per Gustafsson, udviklingschef (autoriseret repræsentant for Husqvarna AB og ansvarlig for teknisk dokumentation)

Inhalt

Einleitung.....	39	Wartung.....	45
Sicherheit.....	40	Transport, Lagerung und Entsorgung.....	46
Montage.....	44	Technische Angaben.....	46
Betrieb.....	44	EU-Konformitätserklärung.....	48

Einleitung

Produktbeschreibung

Wir arbeiten ständig an der Weiterentwicklung unserer Geräte und behalten uns daher das Recht auf Änderungen ohne vorherige Ankündigung, z. B. von Form und Aussehen, vor.

Hinweis: Dieses Handbuch bezieht sich sowohl auf benzin- als auch auf akkubetriebene Antriebsaggregate.

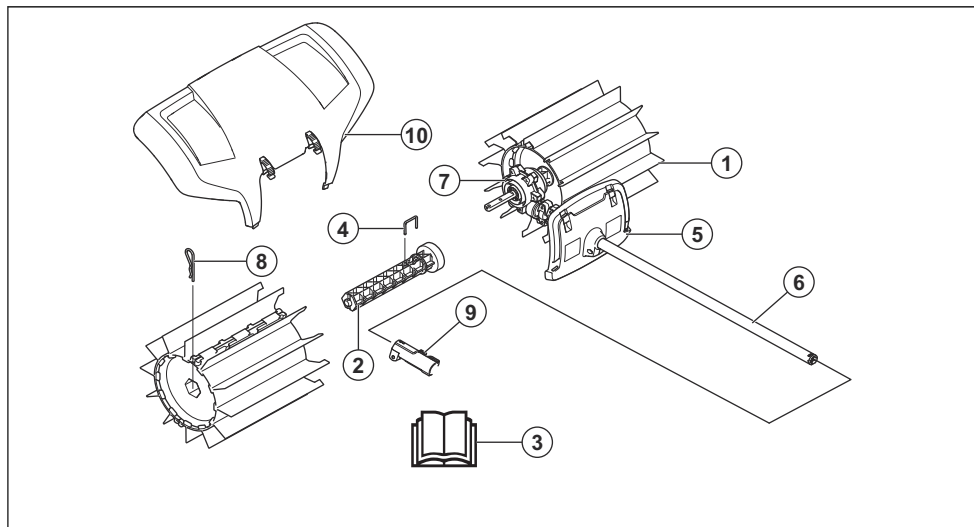
Verwendungszweck



WARNUNG: Dieses Anbaugerät darf nur zusammen mit dem vorgesehenen Gerät verwendet werden. Siehe Kapitel „Anbaugeräte“ der Bedienungsanleitung des Geräts.

Das Anbaugerät ist nur für das Säubern von Rasenflächen, Gehwegen, asphaltierten Straßen u. Ä. konstruiert.

Übersicht über das Anbaugerät



1. Bürstentrommel
2. Trommelachse
3. Bedienungsanleitung
4. Sperrstift
5. Schutz (Schutz am Führungsrohr)
6. Führungsrohr
7. Getriebegehäuse
8. Spannstift
9. Führungsrohrkupplung (im Lieferumfang enthalten)

10. Spritzschutz

Symbole auf dem Anbaugerät und dem Antriebsaggregat



Durch unsachgemäße oder nachlässige Handhabung dieses Anbaugeräts können schwere Verletzungen oder sogar tödliche Unfälle von Anwendern oder anderen Personen verursacht werden.



Lesen Sie die Bedienungsanleitung aufmerksam durch und machen Sie sich mit den Anweisungen vertraut, bevor Sie das Anbaugerät verwenden.



Tragen Sie einen zugelassenen Gehörschutz. Tragen Sie einen zugelassenen Augenschutz. Verwenden Sie bei Staubgefahr eine Atemschutzmaske.



Dieses Anbaugerät stimmt mit den geltenden CE-Richtlinien überein.



Rotierende Teile. Halten Sie Hände und Füße von der Gefahrenzone fern. Der Pfeil gibt die Rotationsrichtung an.



Tragen Sie stets zugelassene Schutzhandschuhe.



Tragen Sie rutschfeste und stabile Stiefel.



Achten Sie auf hochgeschleuderte und abprallende Gegenstände.



Der Bediener hat dafür zu Sorge zu tragen, dass Menschen und Tiere einen Abstand von mindestens 15 m einhalten. Wenn mehrere Bediener im selben Nahbereich arbeiten, muss der Sicherheitsabstand mindestens 15 m betragen. Das Anbaugerät kann Gegenstände mit großer Kraft herauschleudern, die zurückprallen können. Dies kann zu schweren Augenverletzungen führen, wenn die empfohlene Schutzausrüstung nicht getragen wird.



Halten Sie während des Betriebs des Gerätes einen Mindestabstand von 15 m (50 ft) zu Personen oder Tieren ein.



Halten Sie alle Körperteile von heißen Oberflächen fern.



Umweltbelastende Geräuschemissionen gemäß der Richtlinie der Europäischen Gemeinschaft. Die Emissionswerte des Anbaugeräts sind im Abschnitt „Technische Daten“ und auf dem Geräteschild angegeben.

Hinweis: Sonstige Symbole/Aufkleber am Anbaugerät beziehen sich auf spezielle Zertifizierungsanforderungen, die in bestimmten Ländern gelten.

Sicherheit

Sicherheitsdefinitionen

Warnungen, Vorsichtsmaßnahmen und Hinweise werden verwendet, um auf besonders wichtige Teile der Bedienungsanleitung hinzuweisen.



WARNUNG: Wird verwendet, wenn bei Nichtbeachtung der Anweisungen in diesem Handbuch die Gefahr von Verletzung oder Tod des Bedieners oder anderer Personen besteht.



ACHTUNG: Wird verwendet, wenn bei Nichtbeachtung der Anweisungen in diesem Handbuch die Gefahr von Schäden am Produkt und/oder am Anbaugerät, an anderen Materialien oder in der Umgebung besteht.

Hinweis: Für weitere Informationen, die in bestimmten Situationen nötig sind.

Allgemeine Sicherheitshinweise



WARNUNG: Lesen Sie die folgenden Sicherheitshinweise, bevor Sie das Anbaugerät benutzen.

- Lesen Sie die Betriebsanleitung sorgfältig durch und machen Sie sich mit dem Inhalt vertraut, bevor Sie das Anbaugerät benutzen.
- Diese Anweisungen ergänzen die Anweisungen, die im Lieferumfang des Geräts enthalten waren. Weitere Verfahren finden Sie in der Bedienungsanleitung des Geräts.
- Unter keinen Umständen darf die ursprüngliche Konstruktion des Anbaugerätes ohne Genehmigung des Herstellers geändert werden. Verwenden Sie keine Anbaugeräte, die modifiziert wurden, und verwenden Sie immer Originalzubehör. Unzulässige Änderungen und/oder unzulässiges Zubehör können zu schweren oder sogar tödlichen Verletzungen des Anwenders oder anderer Personen führen.

Sicherheitshinweise für den Betrieb



WARNUNG: Lesen Sie die folgenden Warnhinweise, bevor Sie das Gerät benutzen.

- Der Stoppschalter geht automatisch in die Startstellung zurück. Achten Sie bei der Montage, beim Überprüfen und/oder beim Warten des Geräts darauf, es nicht versehentlich zu starten. Wenn Ihr Gerät mit Benzin betrieben wird, entfernen Sie die Zündkappe von der Zündkerze. Wenn Ihr Gerät mit einem Akku betrieben wird, nehmen Sie den Akku raus.
- Achten Sie auf hochgeschleuderte Gegenstände. Tragen Sie immer einen Augenschutz. Beugen Sie sich nie über die Bürstentrommel. Hochgeschleuderte Steine, Unrat usw. können die Augen treffen und Blindheit oder schwere Verletzungen verursachen.
- Das Getriebe kann während des Betriebs heiß laufen und kühlt nur langsam ab. Beim Berühren besteht Verbrennungsgefahr.
- Wenn die Kehrmaschine gestartet wird, können sich die Bürstentrommeln drehen. Halten Sie das Gerät beim Starten sicher fest.
- Obwohl die Bürstentrommeln nicht die gleiche Stärke haben wie zum Beispiel die Klingen eines Rasenmähers, sollten Sie es vermeiden, mit Material zu arbeiten, das Verletzungen oder Sachschäden verursachen kann, wenn es weggeschleudert wird.
- Sie dürfen das Gerät niemals benutzen, wenn nicht die Möglichkeit besteht, im Falle eines Unfalls Hilfe herbeizurufen.
- Benutzen Sie das Gerät nur für solche Arbeiten, für die es vorgesehen ist.
- Arbeiten Sie niemals mit dem Gerät, wenn Sie müde sind, Alkohol getrunken oder Medikamente eingenommen haben, da hierdurch Sehkraft, Urteilsvermögen oder Körperkontrolle beeinträchtigt werden können.
- Benutzen Sie das Gerät niemals bei extremen Klimaverhältnissen wie strenger Kälte oder sehr heißem und/oder feuchten Klima.
- Arbeiten Sie niemals mit einem defekten Gerät. Befolgen Sie die Kontroll-, Wartungs- und Serviceanweisungen in dieser Betriebsanleitung. Gewisse Wartungs- und Servicemaßnahmen sind von geschulten, qualifizierten Fachleuten auszuführen. Siehe Anweisungen unter dem Titel „Wartung“.
- Gestatten Sie auf keinen Fall Kindern, das Gerät zu benutzen.
- Lassen Sie niemals jemand anderen das Gerät benutzen, ohne sich zu vergewissern, dass die Person den Inhalt der Bedienungsanleitung gelesen und verstanden hat.
- Halten Sie Unbefugte auf Abstand. Kinder, Tiere, Zuschauer und Helfer sollten sich außerhalb einer

Sicherheitszone von 15 m befinden, während Sie mit dem Gerät arbeiten. Stellen Sie das Gerät sofort ab, wenn sich Personen oder Tiere nähern.

- Wenn Sie in eine Situation kommen, die Sie in Bezug auf die weitere Anwendung des Geräts verunsichert, lassen Sie sich von einem Experten beraten. Wenden Sie sich an Ihren Fachhändler oder Ihre Servicewerkstatt.
- Vermeiden Sie, Arbeiten auszuführen, denen Sie sich nicht gewachsen fühlen.
- Achten Sie immer genau auf Warnsignale oder Rufe, wenn Sie den Gehörschutz tragen. Nehmen Sie den Gehörschutz immer ab, sobald der Motor abgestellt ist.
- Achten Sie bei der Arbeit auf die Umgebung, und stellen Sie sicher, dass weder Menschen noch Tiere mit dem Gerät in Berührung kommen oder Ihre Kontrolle über das Gerät beeinträchtigen.
- Benutzen Sie das Gerät nicht bei schlechtem Wetter, z. B. bei dichtem Nebel, starkem Regen oder Wind, großer Kälte usw. Bei schlechtem Wetter ist das Arbeiten nicht nur ermüdend, es können außerdem gefährliche Arbeitsbedingungen wie z. B. glatter, vereister Boden entstehen.
- Stellen Sie sicher, dass Sie sicher gehen und stehen können. Achten Sie auf eventuelle Hindernisse (Wurzeln, Steine, Äste, Löcher, Gräben usw.), wenn Sie unvermittelt Ihren Standort wechseln. Seien Sie beim Arbeiten auf abschüssigem Boden sehr vorsichtig.



- Stellen Sie vor dem Bewegen des Geräts den Motor ab. Wenn Ihr Gerät mit Benzin betrieben wird, entfernen Sie die Zündkappe von der Zündkerze. Wenn Ihr Gerät mit einem Akku betrieben wird, nehmen Sie den Akku heraus.
- Stellen Sie das Gerät nicht unbeaufsichtigt mit laufendem Motor ab.
- Halten Sie das Gerät immer mit beiden Händen. Halten Sie das Gerät an der Seite des Körpers.
- Achten Sie darauf, dass Hände und Füße nicht an die Bürste gelangen, wenn der Motor läuft.
- Halten Sie Hände und Füße nach dem Abstellen des Geräts von der Bürste fern, bis diese zum vollständigen Stillstand gekommen ist.
- Schalten Sie das Gerät bei starken Vibrationen ab. Wenn Ihr Gerät mit Benzin betrieben wird, ziehen Sie das Zündkabel von der Zündkerze ab. Wenn Ihr Gerät mit einem Akku betrieben wird, nehmen Sie

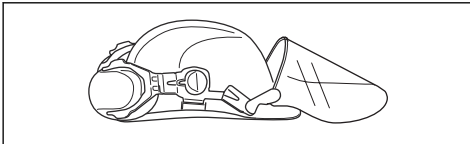
den Akku heraus. Untersuchen Sie das Gerät auf Beschädigungen. Reparieren Sie eventuelle Schäden.

Persönliche Schutzausrüstung

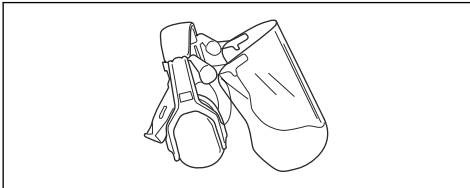


WARNUNG: Lesen Sie die folgenden Warnhinweise, bevor Sie das Gerät benutzen.

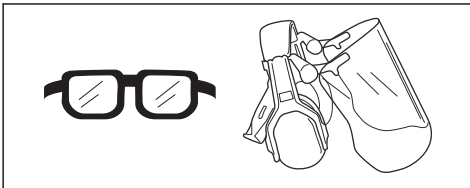
- Verwenden Sie stets die vorgeschriebene persönliche Schutzausrüstung bei der Benutzung des Geräts. Die persönliche Schutzausrüstung kann Verletzungen nicht vollständig vermeiden, vermindert aber den Umfang der Verletzungen und Schäden bei einem Unfall. Lassen Sie sich von Ihrem Händler bei der Auswahl der richtigen Ausrüstung unterstützen.
- Tragen Sie einen Schutzhelm in Bereichen, in denen Gefahr durch herabfallende Gegenstände bestehen kann.



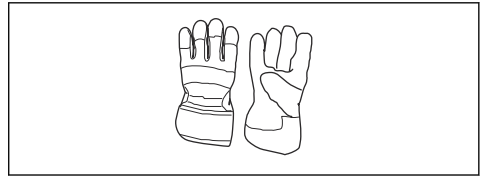
- Tragen Sie einen Gehörschutz mit ausreichender Dämmwirkung. Eine längerfristige Beschallung mit Lärm kann zu bleibenden Gehörschäden führen.



- Tragen Sie einen zugelassenen Augenschutz. Bei der Benutzung eines Visiers ist auch eine zugelassene Schutzbrille zu tragen. Zugelassene Schutzbrillen sind in diesem Falle diejenigen, die die Normen ANSI Z87.1 für die USA bzw. EN 166 für EU-Länder erfüllen.



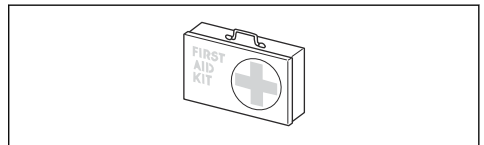
- Tragen Sie bei Bedarf Schutzhandschuhe, beispielsweise bei der Montage, der Untersuchung oder der Reinigung der Schneidausrüstung.



- Tragen Sie Schutzstiefel mit Stahlkappen und rutschfesten Sohlen.



- Tragen Sie Kleidung aus reißfestem Material. Tragen Sie stets eng anliegende Kleidung, lange Hosen aus schwerem Stoff und lange Ärmel. Tragen Sie keine weite Kleidung, die sich leicht an Ästen und Zweigen verfangen könnte. Vermeiden Sie das Tragen von Schmuck, kurzen Hosen und Sandalen. Gehen Sie nicht barfuß. Binden Sie Ihre Haare sicherheitshalber zusammen, sodass sie nicht über Ihre Schulter fallen.
- Halten Sie eine Erste-Hilfe-Ausrüstung und einen Feuerlöscher griffbereit.



Sicherheitsvorrichtungen am Gerät



WARNUNG: Lesen Sie die folgenden Warnhinweise, bevor Sie das Gerät benutzen.

In diesem Abschnitt werden einzelnen Teile der Sicherheitsausrüstung des Gerätes beschrieben, welche Funktion sie haben und wie ihre Kontrolle und Wartung ausgeführt werden sollen, um sicherzustellen, dass sie funktionsfähig sind. Die Einbaulage dieser Komponenten ist unter der Überschrift *Übersicht über das Anbaugerät auf Seite 39* gelistet.

Die Lebensdauer der Maschine kann verkürzt werden und die Unfallgefahr kann steigen, wenn die Wartung des Geräts nicht ordnungsgemäß und Service und/oder Reparaturen nicht fachmännisch ausgeführt werden. Wenden Sie sich für weitere Informationen an Ihre Vertragswerkstatt.



WARNUNG: Benutzen Sie kein Gerät mit defekten Sicherheitsvorrichtungen. Die Sicherheitsausrüstung des Gerätes muss so kontrolliert und gewartet werden, wie dies in diesem Abschnitt beschrieben wird. Wenn Ihr Gerät diesen Anforderungen nicht entspricht, muss eine Servicewerkstatt aufgesucht werden.



ACHTUNG: Service und Reparatur des Gerätes erfordern eine Spezialausbildung. Dies gilt besonders für die Sicherheitsausrüstung des Geräts. Wenn Ihr Gerät den unten aufgeführten Kontrollanforderungen nicht entspricht, müssen Sie Ihre Servicewerkstatt aufsuchen. Beim Kauf eines unserer Produkte wird gewährleistet, dass Reparatur- oder Servicearbeiten fachmännisch ausgeführt werden. Sollte der Verkäufer Ihres Gerätes nicht an unser Fachhändler-Service-Netz angeschlossen sein, fragen Sie nach unserer nächstgelegenen Servicewerkstatt.

Sicherheitshinweise für die Wartung

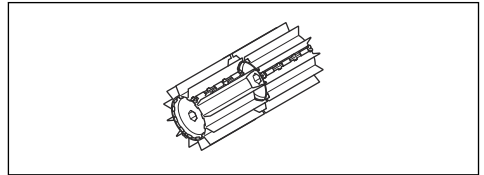


WARNUNG: Lesen Sie die folgenden Warnhinweise, bevor Sie Wartungsarbeiten am Gerät durchführen.



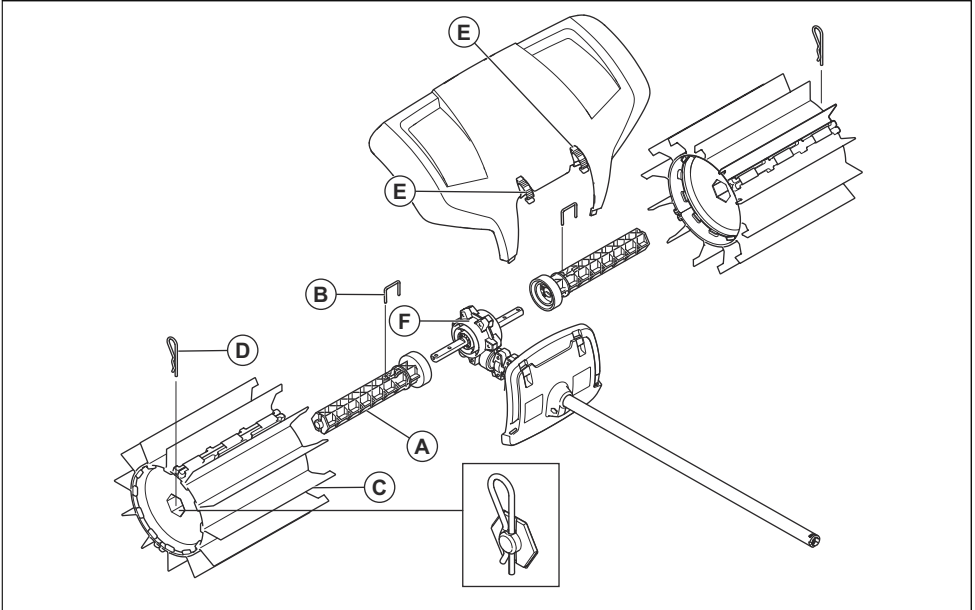
WARNUNG: Schalten Sie das Gerät vor der Durchführung von Wartungsarbeiten am Anbaugerät stets ab. Achtung! Das Anbaugerät kann nach dem Loslassen des Gashebels noch weiterlaufen. Vergewissern Sie sich, dass das Anbaugerät vollständig zum Stillstand gekommen ist. Wenn Ihr Gerät mit Benzin betrieben wird, ziehen Sie die Zündkabel von der Zündkerze ab. Wenn Ihr Gerät mit einem Akku betrieben wird, nehmen Sie den Akku heraus.

- Kontrollieren Sie das Gerät sorgfältig, bevor Sie mit der Arbeit beginnen. Ersetzen Sie beschädigte Teile.
- Prüfen Sie, ob alle Sicherheits- und Schutzvorrichtungen montiert und richtig befestigt sind. Prüfen Sie alle Muttern und Schrauben.
- Wenn Ihr Gerät mit Benzin betrieben wird, stellen Sie sicher, dass kein Kraftstoff ausläuft.
- Stellen Sie sicher, dass die Bürstentrommeln nicht beschädigt sind und keine Risse oder sonstige Schäden aufweisen.



Montage

So montieren Sie das Anbaugerät



1. Drücken Sie eine der Trommelachsen (A) auf eine der beiden aus dem Getriebegehäuse (F) herausragenden Antriebswellen. Drehen Sie bei Bedarf die Trommelachse, sodass das die Stiftbohrung über die entsprechende Bohrung in der Antriebswelle reicht.
2. Befestigen Sie die Rollenwelle mit dem Sperrstift (B).
3. Schieben Sie eine der Bürstentrommeln (C) auf die angebrachte Achse. Montieren Sie das Ende mit den verlängerten Gummilamellen so nah wie möglich am Getriebegehäuse. Drücken Sie die Bürstentrommel hinein.
4. Befestigen Sie die Rolle mit einem Splint (D) an der Welle. Drücken Sie das Ende bei der Montage leicht hinein.

5. Wiederholen Sie diese Schritte, um die Achse und die Trommel auf der gegenüberliegenden Seite zu montieren. Die Trommeln sind identisch, müssen aber mit den verlängerten Gummilamellen in Richtung Getriebegehäuse montiert werden.
6. Montieren Sie den Spritzschutz mit den Schnappbefestigungen (E).

Hinweis: Zur Montage von Zubehör am Basisgerät lesen Sie die Betriebsanleitung des Basisgeräts.

Betrieb

So starten Sie das Gerät bei kaltem Motor

Wenn Ihr Gerät benzinbetrieben ist, befolgen Sie diese Anweisungen, um Ihr Gerät bei kaltem Motor zu starten.

1. Lassen Sie das Basisgerät warmlaufen, und schalten Sie es dann aus.

2. Montieren Sie das Anbaugerät gemäß der Montageanleitung.
3. Stellen Sie beim Anpassen des Vergasers sicher, dass die Bürstentrommeln gegen den Boden gehalten werden, und dass sich niemand in der Nähe befindet.
4. Stellen Sie sicher, dass sich die Bürstentrommeln im Leerlauf befinden.

- Sorgen Sie dafür, dass der Handgriff in gutem Zustand ist und die Sicherheitseinrichtungen intakt sind. Verwenden Sie niemals ein Gerät, bei dem ein Teil fehlt oder das so modifiziert wurde, dass es nicht mehr den technischen Daten entspricht.

So verwenden Sie das Anbaugerät

Die Kehrmaschine funktioniert am besten, wenn die Gummilamellen über die Arbeitsfläche gleiten oder „streichen“ können. Neue oder ausgetauschte Bürstentrommeln haften oder schleifen häufig an harten Oberflächen und sollten deshalb vor der Verwendung gründlich „eingefahren“ werden. Lassen Sie das Gerät dafür einfach 3-5 Minuten lang in losem Kies oder ähnlich feinkörnigem Material mit Vollgas laufen. Nachdem die Kehrmaschine „eingefahren“ wurde, kann sie große Materialmengen von Schnee oder Pfützen bis hin zu schwereren Gegenständen wie Kies oder Hackschnitzel bewegen. Mit der Zeit werden Sie lernen, wie die Kehrmaschine funktioniert; die Sicherheitsvorschriften müssen Sie jedoch von Beginn an einhalten.

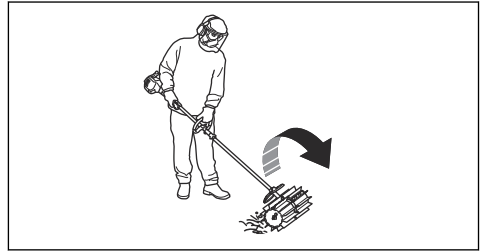
- Betreiben Sie die Kehrmaschine mit Vollgas (oder nahezu mit Vollgas) und so, dass die Gummilamellen immer die Oberfläche berühren.

Hinweis: Es ist sowohl ermüdend als auch unnötig, die Gummilamellen während der Arbeit über die Oberfläche zu heben oder sie darüber zu halten.

- Wenn Sie schmale Oberflächen wie z. B. Wege befreien, kann das Gerät so verwendet werden, dass es das Material genau vor Sie wirft. Wenn Sie breitere Oberflächen bearbeiten, ist es möglicherweise vorteilhafter, in einem Winkel zu arbeiten, sodass das Material an einer Seite angehäuft wird. Ansammlungen von leichtem Material können in einer Reihe oder auf einem Haufen angesammelt und später entfernt werden, während hartes oder sperriges Material möglicherweise in verschiedenen Haufen angesammelt werden muss.



- Um in Ecken zu gelangen, entfernen Sie den Spritzschutz, lösen die Zubehörkupplung und drehen das Zubehör um eine halbe Drehung.



WARNUNG: Der Unrat wird dann in Richtung Benutzer zurückgeworfen. Verwenden Sie eine geringere Geschwindigkeit, wenn Sie das Gerät umdrehen, und denken Sie daran, dass Sie leicht über ausgeworfenes Material stolpern können.

- Halten Sie den Arbeitswinkel zur Oberfläche stets klein. Ein zu großer Arbeitswinkel führt dazu, dass die Kehrmaschine sich eher in Ihre Richtung bewegt, und Sie riskieren, die Kontrolle über das Gerät zu verlieren.



Wartung

Einleitung

Nachstehend folgen einige allgemeine Wartungsanweisungen. Sollten Sie weitere

Informationen brauchen, wenden Sie sich bitte an Ihre Servicewerkstatt.

So warten Sie das Anbaugerät

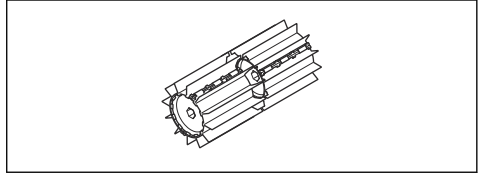


ACHTUNG: Die Arbeit mit der Kehrmaschine erfolgt oft unter staubigen Bedingungen. Wenn Ihr Gerät mit Benzin betrieben wird, müssen Sie unbedingt regelmäßig, oftmals täglich, den Luftfilter warten. Der Luftfilter muss geölt werden, damit er zufriedenstellend funktioniert. Wartungsanweisungen finden Sie in der Betriebsanleitung des Antriebsaggregats.



WARNUNG: Nach der Arbeit mit dem Gerät ist das Getriebe heiß. Um Verbrennungen zu vermeiden, berühren Sie das Getriebegehäuse nicht.

1. Stellen Sie sicher, dass die Bürstentrommeln sich nicht bewegen, wenn der Gashebel losgelassen wird.



2. Kontrollieren Sie die Bürstentrommeln auf Beschädigungen und Risse. Ersetzen Sie die Bürstentrommeln bei Bedarf.
3. Hängen Sie die Bürste bei der Lagerung über längere Zeiträume auf.

Transport, Lagerung und Entsorgung

Transport und Aufbewahrung

Verwenden Sie beim Transport des Anbaugeräts mit einem anderen Fahrzeug stets eine zugelassene Sicherungsvorrichtung und stellen Sie sicher, dass das Anbaugerät gut gesichert wird.

Stellen Sie vor der Langzeitaufbewahrung sicher, dass das Anbaugerät gründlich gesäubert und komplett gewartet wurde.

Technische Angaben

Technische Daten für benzinbetriebene Geräte

Kehrmaschine	
Breite der Bürstentrommel, mm	590
Gewicht	
Gewicht, kg	6,5
Geräuschemissionen²⁵	
Gemessener Schalleistungspegel dB (A)	105
Garantierter Schalleistungspegel L_{WA} dB (A)	109
Geräuschpegel²⁶	
Äquivalenter Schalldruckpegel am Ohr des Bedieners, gemessen nach EN ISO 22868, dB (A):	97

²⁵ Umweltbelastende Geräuschemissionen, gemessen als Schalleistung (L_{WA}) gemäß EG-Richtlinie 2000/14/EC. Der aufgezeichnete Schalleistungspegel für das Gerät wurde unter Verwendung der originalen Schneid-ausrüstung mit dem höchsten Pegel gemessen. Die Differenz zwischen garantiertem und gemessenem Schalleistungspegel besteht darin, dass beim garantierten Schalleistungspegel auch eine Streuung im Messergebnis und Variationen zwischen verschiedenen Geräten desselben Modells gemäß der Richtlinie 2000/14/EC berücksichtigt werden.

²⁶ Berichten zufolge liegt der Schalldruckpegel für dieses Gerät normalerweise bei einer Ausbreitungsklasse (Standardabweichung) von 1 dB (A).

Kehmaschine	
Vibrationen²⁷	
Äquivalente Vibrationspegel ($a_{HV,eq}$) an den Griffen, gemessen nach , m/s^2	
Vorderer/hinterer Griff	4,4/5,1

Technische Daten für akkubetriebene Geräte

325iLK + Kehmaschinen-Anbaugerät SR600-2	
Breite der Bürstentrommel, mm	590
Gewicht	
Gewicht, kg	2,3 + +6,5
Geräuschemissionen²⁸	
Schalleistungspegel, gemessen, dB(A)	93
Schallpegel²⁹	
Äquivalenter Schalldruckpegel am Ohr des Bedieners, gemessen nach EN ISO 22868, dB (A):	82
Vibrationen³⁰	
Vibrationspegel an den Griffen, gemessen nach EN 62841-1, m/s^2	
Vorderer/hinterer Griff	3,2/3,1

²⁷ Berichten zufolge liegt der äquivalente Vibrationspegel normalerweise bei einer Ausbreitungsklasse (Standardabweichung) von 1 m/s^2 .

²⁸ Berichten zufolge liegt der Schalleistungspegel für dieses Gerät normalerweise bei einer Ausbreitungsklasse (Standardabweichung) von 3 dB (A) und wurde mit dem Original-Anbaugerät, das den höchsten Pegel ergibt, geprüft.

²⁹ Berichten zufolge liegt der Schalldruckpegel für dieses Gerät normalerweise bei einer Ausbreitungsklasse (Standardabweichung) von 3 dB (A) und wurde mit dem Original-Anbaugerät, das den höchsten Pegel ergibt, geprüft.

³⁰ Berichten zufolge liegt der Vibrationspegel normalerweise bei einer Ausbreitungsklasse (Standardabweichung) von 2 m/s^2 . Verwenden Sie zum Vergleich von Vibrationspegeln, Akku- und Verbrennungsgeräten den Vibrationsrechner: <https://www.husqvarna.com/uk/services-solutions/vibration-calculator/>.

EU-Konformitätserklärung

EU-Konformitätserklärung für benzinbetriebene Geräte

Husqvarna AB, SE-561 82 Huskvarna, Schweden, Tel.: +46-36-146500, erklärt hiermit, dass das Kehrmaschinen-Anbaugerät **Husqvarna SR600-2** mit Seriennummer ab 2019 (die Jahreszahl wird im Klartext auf dem Typenschild angegeben, mitsamt einer nachfolgenden Seriennummer) den Vorschriften der RICHTLINIE DES RATES entspricht:

- „Maschinenrichtlinie“ **2006/42/EG** vom 17. Mai 2006
- vom 8. Juni 2011 „zur Beschränkung der Verwendung bestimmter gefährlicher Stoffe in Elektro- und Elektronikgeräten“ **2011/65/EU**.
- „Richtlinie über umweltbelastende Geräuschemissionen von zur Verwendung im Freien vorgesehenen Geräten und Maschinen“ **2000/14/EG** vom 8. Mai 2000.

Von den benzinbetriebenen Geräten werden die folgenden Normen erfüllt:

SS-EN ISO 12100:2010, EN 50581:2012

Die gemeldete Stelle hat die EG-Baumusterprüfung gemäß Maschinenrichtlinie (2006/42/EG) Artikel 12, Absatz 3b durchgeführt. Die Prüfnachweise über die EU-Typenprüfung gemäß Anlage IV haben die Nummer: **SEC/15/2413 - Husqvarna SR600-2**

Huskvarna , 2019-06-24



Per Gustafsson, Entwicklungsleiter (bevollmächtigter Vertreter für Husqvarna AB, verantwortlich für die technische Dokumentation)

EU-Konformitätserklärung für akkubetriebene Geräte

Husqvarna AB, SE-561 82 Huskvarna, Schweden, Tel.: +46-36-146500, erklärt hiermit, dass die Kehrmaschine **Husqvarna SR600-2, Anbaugerät mit Antriebsaggregat Husqvarna 325ILK** mit Seriennummer ab 2019 (die Jahreszahl wird im Klartext auf dem Typenschild angegeben, mitsamt einer nachfolgenden Seriennummer) den Vorschriften der RICHTLINIE DES RATES entspricht:

- „Maschinenrichtlinie“ **2006/42/EG** vom 17. Mai 2006
- vom 8. Juni 2011 „zur Beschränkung der Verwendung bestimmter gefährlicher Stoffe in Elektro- und Elektronikgeräten“ **2011/65/EU**.

Von den akkubetriebenen Geräten werden die folgenden Normen erfüllt:

EN 62841-1:2015, EN 50581:2012

RISE SMP Svenska Maskinprovning AB, Box 7035, SE-750 07 Uppsala, Schweden, hat die freiwillige Typenprüfung für Husqvarna AB ausgeführt. Zertifikats-Nummer: **SEC/15/2413 - Husqvarna SR600-2**

Huskvarna , 2019-06-24



Per Gustafsson, Entwicklungsleiter (bevollmächtigter Vertreter für Husqvarna AB, verantwortlich für die technische Dokumentation)

Περιεχόμενα

Εισαγωγή.....	49	Συντήρηση.....	56
Ασφάλεια.....	50	Μεταφορά, αποθήκευση και απόρριψη.....	56
Συναρμολόγηση.....	54	Τεχνικά στοιχεία.....	56
Λειτουργία.....	54	Δήλωση Συμμόρφωσης ΕΚ.....	58

Εισαγωγή

Περιγραφή προϊόντος

Εφαρμόζουμε μια πολιτική συνεχούς ανάπτυξης προϊόντων και, συνεπώς, διατηρούμε το δικαίωμα να προβούμε σε τροποποιήσεις στο σχεδιασμό και την εμφάνιση των προϊόντων χωρίς προειδοποίηση.

Περιεχόμενα Αυτό το εγχειρίδιο καλύπτει τις μονάδες παροχής ισχύος που λειτουργούν με βενζίνη και μπαταρία.

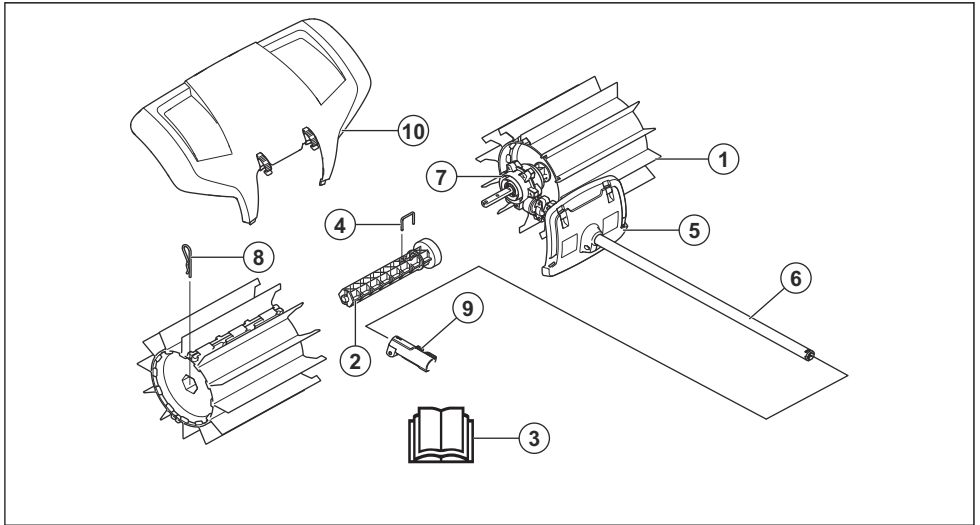
Προβλεπόμενη χρήση



ΠΡΟΕΙΔΟΠΟΙΗΣΗ: Αυτό το παρελκόμενο επιτρέπεται να χρησιμοποιείται μόνο σε συνδυασμό με το προβλεπόμενο προϊόν. Ανατρέξτε στο κεφάλαιο για τα αξεσουάρ στο Εγχειρίδιο χρήσης του προϊόντος.

Το παρελκόμενο είναι σχεδιασμένο μόνο για τη σάρωση γρασιδιού, μονοπατιών, ασφαλτοστρωμένων δρόμων και παρόμοιων επιφανειών.

Επισκόπηση παρελκόμενου



1. Τύμπανο βούρτσας
2. Άξονας τυμπάνου
3. Εγχειρίδιο χρήσης
4. Ασφαλιστικός πείρος
5. Προφυλακτήρας (προστασία στον άξονα)
6. Άξονας
7. Περιβλήμα γραναζιών
8. Διχαλωτός πείρος
9. Σύνδεσμος άξονα (περιλαμβάνεται στο προϊόν)

10. Λασπωτήρας

Σύμβολα στο παρελκόμενο και στη μονάδα παροχής ισχύος



Η απρόσεκτη ή λανθασμένη χρήση αυτού του παρελκόμενου μπορεί να προκαλέσει σοβαρό ή θανατηφόρο τραυματισμό στον χειριστή ή σε άλλα άτομα.



Διαβάστε το εγχειρίδιο χρήσης προσεκτικά και βεβαιωθείτε ότι έχετε κατανοήσει τις οδηγίες προτού χρησιμοποιήσετε το παρελκόμενο.



Χρησιμοποιείτε εγκεκριμένα προστατευτικά ακοής. Χρησιμοποιείτε εγκεκριμένη προστασία των ματιών. Πρέπει να χρησιμοποιείτε μάσκα αναπνοής όταν υπάρχει κίνδυνος λόγω σκόνης.



Αυτό το παρελκόμενο συμμορφώνεται με τις ισχύουσες οδηγίες ΕΚ.



Κινούμενα μέρη. Μην πλησιάζετε τα χέρια και τα πόδια σας. Το βέλος υποδεικνύει τη φορά περιστροφής.



Φοράτε πάντα εγκεκριμένα προστατευτικά γάντια.



Πρέπει να φοράτε ανθεκτικές, αντιολισθητικές μπότες.



Προσέχετε για αντικείμενα που μπορεί να εκτοξευθούν ή να εξοστρακιστούν.

Ο χειριστής πρέπει να εξασφαλίζει ότι δεν θα πλησιάζουν στο μηχάνημα άνθρωποι ή ζώα σε απόσταση μικρότερη των 15 μέτρων. Όταν εργάζονται πολλοί χειριστές στην ίδια τοποθεσία, πρέπει να τηρούν μια απόσταση ασφαλείας τουλάχιστον 15 μέτρων μεταξύ τους. Το παρελκόμενο μπορεί να εκσφενδονίσει αντικείμενα με μεγάλη δύναμη, τα οποία μπορεί να αναπηδήσουν προς τα πίσω. Αυτό μπορεί να έχει ως αποτέλεσμα σοβαρό τραυματισμό των ματιών, αν δεν χρησιμοποιηθεί ο συνιστώμενος εξοπλισμός ασφαλείας.



Για όση ώρα λειτουργεί το προϊόν, να διατηρείτε ελάχιστη απόσταση 15 m/50 ft από ανθρώπους και ζώα.



Διατηρείτε όλα τα μέρη του σώματος σας μακριά από τις καυτές επιφάνειες.



Εκπομπές θορύβου στο περιβάλλον σύμφωνα με την Οδηγία της Ευρωπαϊκής Κοινότητας. Οι εκπομπές καυσαερίων του παρελκόμενου αναφέρονται στο κεφάλαιο "Τεχνικά στοιχεία" και στη σχετική πινακίδα του.

Περιεχόμενα Άλλα σύμβολα/σήματα που υπάρχουν στο παρελκόμενο αφορούν ειδικές απαιτήσεις πιστοποίησης για συγκεκριμένες αγορές.

Ασφάλεια

Ορισμοί για την ασφάλεια

Για την επισήμανση ειδικών σημαντικών τμημάτων του εγχειριδίου χρήσης χρησιμοποιούνται προειδοποιήσεις, συστάσεις προσοχής και σημειώσεις.



ΠΡΟΕΙΔΟΠΟΙΗΣΗ: Χρησιμοποιείται όταν υπάρχει κίνδυνος τραυματισμού ή θανάτου του χειριστή ή άλλων παριστάμενων ατόμων, αν δεν τηρηθούν οι οδηγίες που παρέχονται στο εγχειρίδιο.



ΠΡΟΣΟΧΗ: Χρησιμοποιείται όταν υπάρχει κίνδυνος πρόκλησης ζημιάς στο προϊόν ή/και στο παρελκόμενο, σε άλλα υλικά ή στον παρακείμενο χώρο, αν δεν τηρηθούν οι οδηγίες που παρέχονται στο εγχειρίδιο.

Περιεχόμενα Χρησιμοποιείται για παροχή περισσότερων πληροφοριών, οι οποίες χρειάζονται σε μια δεδομένη κατάσταση.

Γενικές οδηγίες ασφαλείας



ΠΡΟΕΙΔΟΠΟΙΗΣΗ: Προτού χρησιμοποιήσετε το παρελκόμενο, διαβάστε τις παρακάτω οδηγίες ασφαλείας.

- Διαβάστε το εγχειρίδιο χρήσης προσεκτικά και βεβαιωθείτε ότι έχετε κατανοήσει τις οδηγίες προτού χρησιμοποιήσετε το παρελκόμενο.
- Αυτές οι οδηγίες συμπληρώνουν τις οδηγίες που συμπεριλαμβάνονταν στο προϊόν. Για άλλες διαδικασίες, ανατρέξτε στις οδηγίες λειτουργίας του προϊόντος.
- Δεν επιτρέπονται, σε καμία περίπτωση, τροποποιήσεις στη σχεδίαση του παρελκόμενου χωρίς την έγκριση του κατασκευαστή. Μην

χρησιμοποιείτε παρελκόμενα που φαίνεται ότι έχουν τροποποιηθεί από άλλους. Φροντίστε να χρησιμοποιείτε πάντα γνήσια αξεσουάρ. Η μη εξουσιοδοτημένη εκτέλεση τροποποιήσεων ή/και η χρήση μη γνήσιων αξεσουάρ μπορεί να οδηγήσει σε σοβαρό προσωπικό τραυματισμό ή θάνατο του χειριστή ή άλλων ατόμων.

Οδηγίες ασφαλείας για τη λειτουργία



ΠΡΟΕΙΔΟΠΟΙΗΣΗ: Προτού χρησιμοποιήσετε το προϊόν, διαβάστε τις παρακάτω προειδοποιητικές οδηγίες.

- Ο διακόπτης διακοπής λειτουργίας επανέρχεται αυτόματα στη θέση εκκίνησης. Φροντίστε να λαμβάνετε μέτρα που εμποδίζουν την ακούσια εκκίνηση κατά τη συναρμολόγηση, τον έλεγχο ή/και την εκτέλεση της συντήρησης. Εάν διαθέτετε ένα βενζινοκίνητο προϊόν, αποσυνδέστε το καπάκι του μπουζί από το μπουζί. Εάν διαθέτετε ένα προϊόν που λειτουργεί με μπαταρία, αφαιρέστε την μπαταρία.
- Να προσέχετε τυχόν αντικείμενα που εκτοξεύονται. Φοράτε πάντοτε προστατευτικά γυαλιά. Μην σκύβετε ποτέ πάνω από το τύμπανο της βούρτσας. Υπάρχει κίνδυνος να εκτοξευθούν πέτρες, σκοουτίδια, κλπ. στα μάτια σας προκαλώντας τύφλωση ή σοβαρό τραυματισμό.
- Τα γρανάζια μπορεί να ζεσταθούν πολύ κατά τη χρήση και ενδέχεται να παραμείνουν σε αυτήν την κατάσταση για σύντομο διάστημα μετά τη χρήση. Υπάρχει κίνδυνος εγκαυμάτων σε περίπτωση επαφής.
- Τα τύμπανα της βούρτσας μπορεί να περιστρέφονται κατά την εκκίνηση του σαρώβρου. Κρατήστε το προϊόν σταθερό κατά την εκκίνηση.
- Παρόλο που τα τύμπανα της βούρτσας δεν έχουν την ίδια δύναμη με τις λεπίδες ενός χλοοκοπτικού γκαζόν, για παράδειγμα, θα πρέπει να αποφεύγετε να εργάζεστε με υλικά που μπορούν να προκαλέσουν προσωπικό τραυματισμό ή υλικές ζημιές εάν εκτοξευθούν.
- Μην χρησιμοποιείτε το προϊόν παρά μόνο όταν έχετε τη δυνατότητα να καλέσετε σε βοήθεια σε περίπτωση ατυχήματος.
- Το προϊόν πρέπει να χρησιμοποιείται μόνο για το σκοπό για τον οποίο προορίζεται.
- Μην χρησιμοποιείτε ποτέ το προϊόν εάν είστε κουρασμένοι, έχετε καταναλώσει αλκοόλ ή παίρνετε φάρμακα που μπορεί να επηρεάσουν την όραση, την κρίση ή το συντονισμό σας.
- Μην χρησιμοποιείτε ποτέ το προϊόν σε ακραίες καιρικές συνθήκες π.χ. σε δριμύ ψύχος ή σε πολύ θερμά ή/και υγρά κλίματα.
- Μην χρησιμοποιείτε ποτέ το προϊόν εάν παρουσιάζει πρόβλημα. Εκτελείτε όλους τους ελέγχους ασφαλείας και τηρείτε τις οδηγίες συντήρησης και επισκευής που αναφέρονται στο παρόν εγχειρίδιο. Μερικά μέτρα συντήρησης και επισκευής πρέπει να εκτελούνται από εκπαιδευμένο και ειδικευμένο

προσωπικό. Δείτε τις οδηγίες στην ενότητα με τίτλο Συντήρηση.

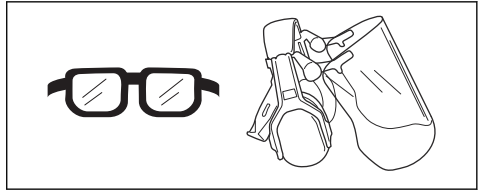
- Μην επιτρέπετε ποτέ σε παιδιά να χρησιμοποιούν το προϊόν.
- Μην επιτρέπετε ποτέ σε άλλα άτομα να χρησιμοποιούν το προϊόν χωρίς να έχετε προηγουμένως διασφαλίσει ότι έχουν διαβάσει και κατανοήσει το περιεχόμενο του εγχειριδίου χρήσης.
- Μην αφήνετε να πλησιάσουν μη εξουσιοδοτημένα άτομα. Παιδιά, ζώα, παριστάμενα άτομα και βοηθοί θα πρέπει να παραμένουν εκτός της ζώνης ασφαλείας των 15 μέτρων κατά τη διάρκεια της εργασίας. Εάν πλησιάσει κάποιος, απενεργοποιήστε αμέσως το προϊόν.
- Εάν προκύψει μια κατάσταση όπου δεν είστε σίγουροι για το πώς πρέπει να προχωρήσετε, θα πρέπει να ζητήσετε τη συμβουλή ειδικού. Επικοινωνήστε με τον αντιπρόσωπο ή το συνεργείο σας.
- Αποφεύγετε τις καταστάσεις χρήσης, τις οποίες θεωρείτε πέραν των δυνατοτήτων σας.
- Επιδείξτε προσοχή στην ακρόαση προειδοποιητικών σημάτων ή κραυγών κατά τη χρήση προστατευτικών ακοής. Αφαιρέτε πάντα τα προστατευτικά ακοής μόλις σβήσει ο κινητήρας/το μοτέρ.
- Πρέπει να παρακολουθείτε τον περιβάλλοντα χώρο και να βεβαιώνετε ότι δεν υπάρχουν άνθρωποι ή ζώα που μπορεί να έρθουν σε επαφή με το προϊόν ή να επηρεάσουν τον τρόπο που το ελέγχετε.
- Μην χρησιμοποιείτε το προϊόν όταν ο καιρός δεν είναι καλός, π.χ. σε περίπτωση πυκνής ομίχλης, δυνατής βροχής, ισχυρών ανέμων, έντονου ψύχους κ.λπ. Η εργασία με άσχημες καιρικές συνθήκες είναι κουραστική και συχνά συνεπάγεται πρόσθετους κινδύνους, όπως παγωμένο έδαφος.
- Βεβαιωθείτε ότι μπορείτε να κινηθείτε και να σταθείτε όρθιοι με ασφάλεια. Ελέγξτε την περιοχή γύρω σας για πιθανά εμπόδια (ρίζες, πέτρες, κλαδιά, χαντάκια κ.λπ.), για την περίπτωση που χρειαστεί να μετακινηθείτε απότομα. Πρέπει να είστε πολύ προσεκτικοί όταν εργάζεστε σε έδαφος με κλίση.



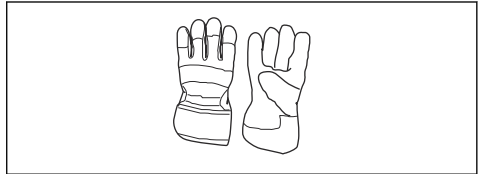
- Πρέπει να σβήνετε τον κινητήρα/το μοτέρ προτού μετακινήσετε το προϊόν. Εάν διαθέτετε ένα βενζινοκίνητο προϊόν, αποσυνδέστε το καπάκι του μπουζί από το μπουζί. Εάν διαθέτετε ένα προϊόν που λειτουργεί με μπαταρία, αφαιρέστε την μπαταρία.

- Μην τοποθετείτε το προϊόν κάτω όταν ο κινητήρας/το μοτέρ είναι σε λειτουργία, παρά μόνο εάν είστε σε θέση να το παρακολουθείτε καλά.
- Κρατάτε πάντα το προϊόν και με τα δύο χέρια. Φροντίστε να κρατάτε το προϊόν στο πλάι του σώματός σας.
- Φροντίστε να μην πλησιάζετε τα χέρια και τα πόδια σας στη βούρτσα όταν λειτουργεί ο κινητήρας/το μοτέρ.
- Όταν το προϊόν είναι απενεργοποιημένο, κρατήστε τα χέρια και τα πόδια σας μακριά από τη βούρτσα μέχρι να σταματήσει τελείως.
- Στην περίπτωση ισχυρών κραδασμών, απενεργοποιήστε το προϊόν. Εάν διαθέτετε ένα βενζινοκίνητο προϊόν, αποσυνδέστε το καλώδιο ΥΤ από το μπουζί. Εάν διαθέτετε ένα προϊόν που λειτουργεί με μπαταρία, αφαιρέστε την μπαταρία. Ελέγξτε μήπως το προϊόν έχει ζημιά. Επιδιορθώστε τυχόν ζημιές.

το πρότυπο ANSI Z87.1 στις Η.Π.Α. ή το πρότυπο EN 166 στις χώρες της Ε.Ε.



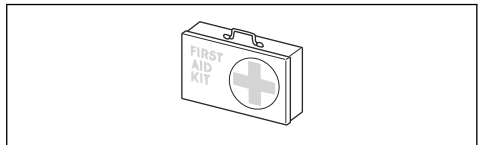
- Όταν χρειάζεται, να χρησιμοποιείτε γάντια, για παράδειγμα κατά την τοποθέτηση, την επιθεώρηση ή τον καθαρισμό του εξοπλισμού κοπής.



- Να χρησιμοποιείτε μπότες προστασίας με ενίσχυση στα δάχτυλα και αντιολισθητικές σόλες.



- Να φοράτε ρούχα από ανθεκτικό ύφασμα. Να φοράτε πάντα ανθεκτικό μακρύ παντελόνι και μακριά μανίκια. Να μην φοράτε φαρδιά ρούχα που μπορεί να πιαστούν σε κλωνάρια και κλαδιά. Να μην φοράτε κοσμήματα, κοντά παντελόνια, σανδάλια και να μην είστε ξυπόλυτοι. Να δένετε τα μαλλιά σας με ασφάλεια πάνω από το ύψος των ώμων.
- Να φροντίζετε να υπάρχει εξοπλισμός πρώτων βοηθειών σε κοντινή απόσταση.



Συσκευές ασφαλείας στο προϊόν



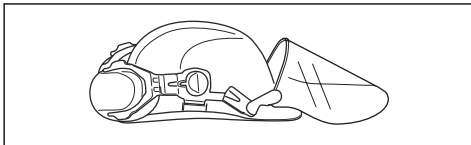
ΠΡΟΕΙΔΟΠΟΙΗΣΗ: Προτού χρησιμοποιήσετε το προϊόν, διαβάστε τις παρακάτω προειδοποιητικές οδηγίες.

Προσωπικός εξοπλισμός προστασίας

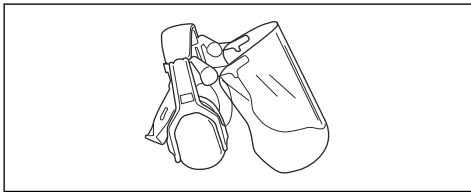


ΠΡΟΕΙΔΟΠΟΙΗΣΗ: Προτού χρησιμοποιήσετε το προϊόν, διαβάστε τις παρακάτω προειδοποιητικές οδηγίες.

- Όταν χρησιμοποιείτε το προϊόν, να φοράτε πάντα εγκεκριμένο προσωπικό εξοπλισμό προστασίας. Ο προσωπικός εξοπλισμός προστασίας δεν μπορεί να εξαλείψει τον κίνδυνο τραυματισμών, ωστόσο μειώνει τη σοβαρότητά τους σε περίπτωση ατυχήματος. Ο αντιπρόσωπος θα σας βοηθήσει να επιλέξετε το σωστό εξοπλισμό.
- Να χρησιμοποιείτε κράνος προστασίας στις περιπτώσεις όπου υπάρχει κίνδυνος πτώσης αντικειμένων.



- Να χρησιμοποιείτε εγκεκριμένα προστατευτικά ακοής που παρέχουν επαρκή μείωση θορύβου. Η μακροχρόνια έκθεση στο θόρυβο μπορεί να προκαλέσει μόνιμη βλάβη στην ακοή.



- Χρησιμοποιήστε εγκεκριμένη προστασία των ματιών. Εάν χρησιμοποιείτε προστατευτικό γείσο, πρέπει επίσης να χρησιμοποιείτε πάντα εγκεκριμένα προστατευτικά γυαλιά. Τα εγκεκριμένα προστατευτικά γυαλιά πρέπει να συμμορφώνονται με

Σε αυτή την ενότητα περιγράφονται τα χαρακτηριστικά ασφαλείας του προϊόντος, ο σκοπός του καθώς και ο τρόπος διεξαγωγής των ελέγχων και της συντήρησης για τη διασφάλιση της σωστής λειτουργίας του. Διαβάστε τις

οδηγίες κάτω από την επικεφαλίδα *Επισκόπηση παρελκόμενου στη σελίδα 49*, για να μάθετε πού βρίσκονται αυτά τα εξαρτήματα στο προϊόν σας.

Η διάρκεια ζωής του προϊόντος μπορεί να μειωθεί και ο κίνδυνος ατυχημάτων να αυξηθεί, εάν η συντήρηση του προϊόντος δεν πραγματοποιείται σωστά και εάν το σέρβις ή/και οι επισκευές δεν εκτελούνται επαγγελματικά. Εάν χρειαστείτε περισσότερες πληροφορίες, επικοινωνήστε με τον πλησιέστερο αντιπρόσωπο σέρβις.



ΠΡΟΕΙΔΟΠΟΙΗΣΗ: Μην χρησιμοποιείτε ποτέ ένα προϊόν με ελαττωματικά εξαρτήματα ασφαλείας. Ο εξοπλισμός ασφαλείας του προϊόντος πρέπει να επιθεωρείται και να συντηρείται όπως περιγράφεται σε αυτήν την ενότητα. Εάν το προϊόν αποτύχει σε οποιονδήποτε από αυτούς τους ελέγχους, επικοινωνήστε με τον αντιπρόσωπο σέρβις για την επισκευή του.



ΠΡΟΣΟΧΗ: Όλες οι εργασίες σέρβις και επισκευής στο μηχάνημα απαιτούν ειδική εκπαίδευση. Αυτό ισχύει ιδιαίτερα για τον εξοπλισμό ασφαλείας του μηχανήματος. Εάν το μηχάνημά σας αποτύχει σε κάποιον από αυτούς τους ελέγχους που περιγράφονται παρακάτω, επικοινωνήστε με τον αντιπρόσωπο σέρβις. Όταν αγοράζετε οποιοδήποτε από τα προϊόντα μας, σας εγγυώμαστε τη διαθεσιμότητα επαγγελματικών επισκευών και σέρβις. Εάν το κατάστημα λιανικής πώλησης από όπου προμηθευτήκατε το μηχάνημα δεν είναι αντιπρόσωπος σέρβις, ζητήστε από το κατάστημα τη διεύθυνση του πλησιέστερου αντιπροσώπου σέρβις.

Οδηγίες ασφαλείας για τη συντήρηση

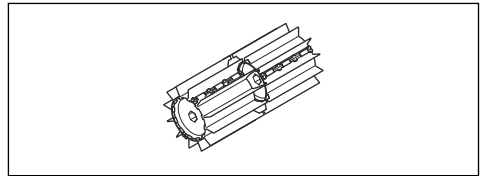


ΠΡΟΕΙΔΟΠΟΙΗΣΗ: Προτού εκτελέσετε εργασίες συντήρησης, διαβάστε τις παρακάτω προειδοποιητικές οδηγίες.



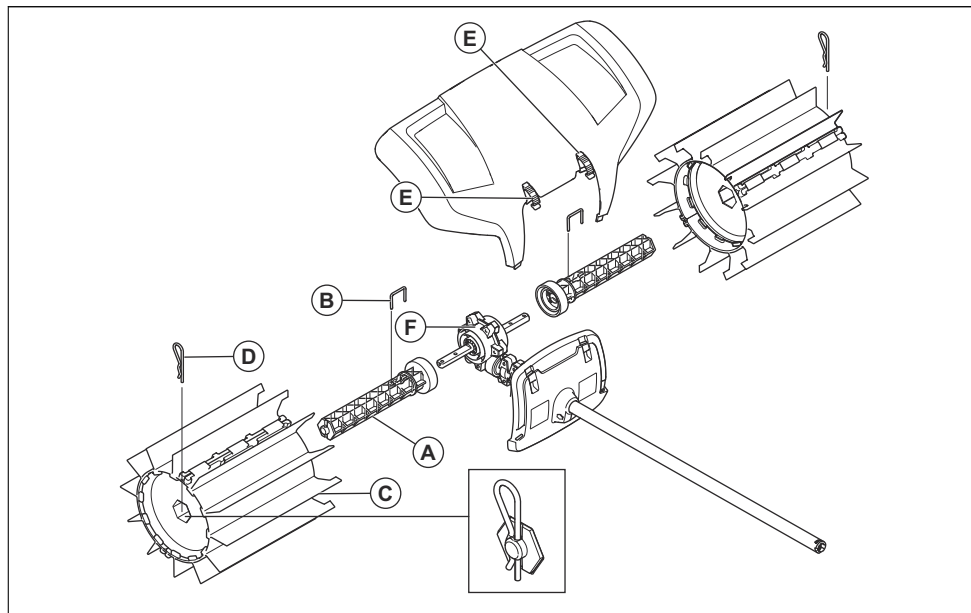
ΠΡΟΕΙΔΟΠΟΙΗΣΗ: Πρέπει πάντα να διακόπτετε τη λειτουργία του προϊόντος προτού εκτελέσετε εργασίες συντήρησης στο παρελκόμενο. Πρέπει να προσέχετε γιατί το παρελκόμενο μπορεί να συνεχίσει να κινείται ακόμα και αφού αφήσετε το γκάζι/την σκανδάλη γκαζιού. Βεβαιωθείτε ότι το παρελκόμενο έχει σταματήσει εντελώς. Εάν διαθέτετε ένα βενζινοκίνητο προϊόν, αποσυνδέστε τα καλώδια ΥΤ από το μπουζί. Εάν διαθέτετε ένα προϊόν που λειτουργεί με μπαταρία, αφαιρέστε την μπαταρία.

- Ελέγξτε ολόκληρο το προϊόν προτού ξεκινήσετε οποιαδήποτε εργασία. Αντικαταστήστε τα μέρη που έχουν υποστεί βλάβη.
- Ελέγξτε ότι όλα τα προστατευτικά και τα καλύμματα είναι ακέραια και καλά στερεωμένα. Ελέγξτε όλα τα παξιμάδια και τις βίδες.
- Εάν διαθέτετε ένα βενζινοκίνητο προϊόν, βεβαιωθείτε ότι δεν υπάρχουν διαρροές καυσίμου.
- Βεβαιωθείτε ότι τα τύμπανα της βούρτσας δεν έχουν υποστεί ζημία και δεν εμφανίζουν σημάδια ρωγμών ή άλλη φθορά.



Συναρμολόγηση

Συναρμολόγηση του παρελκόμενου



1. Πιέστε έναν από τους άξονες του τυμπάνου (F) πάνω σε έναν από τους δύο άξονες μετάδοσης κίνησης που εξέρχονται από το περίβλημα των γραναζιών. Περιστρέψτε τον άξονα του τυμπάνου, εάν είναι απαραίτητο, ώστε η οπή του πείρου να ευθυγραμμιστεί με την αντίστοιχη οπή του άξονα μετάδοσης κίνησης.
2. Ασφαλίστε τον κύλινδρο οδηγό με τον πείρο ασφάλισης (B).
3. Βιδώστε ένα από τα τύμπανα βούρτσας (Γ) στον τοποθετημένο άξονα. Το άκρο με τα εκτεταμένα ελαστικά ελάσματα πρέπει να συναρμολογηθεί κοντά στο περίβλημα γραναζιών. Πιέστε το τύμπανο βούρτσας προς τα μέσα.
4. Ασφαλίστε τον κύλινδρο στον άξονα με ένα διχαλωτό πείρο ασφάλειας (Δ). Πιέστε ελαφρά το άκρο προς τα μέσα κατά τη συναρμολόγηση.
5. Επαναλάβετε αυτά τα βήματα για να συναρμολογήσετε τον άξονα και τον κύλινδρο στην απέναντι πλευρά. Τα τύμπανα είναι πανομοιότυπα αλλά πρέπει να συναρμολογούνται με τα εκτεταμένα ελαστικά ελάσματα προς το περίβλημα των γραναζιών.
6. Τοποθετήστε το λασπωτήρα με τους σφιγκτήρες ασφάλισης (E).

Περιεχόμενα Για τη συναρμολόγηση εξαρτημάτων στο βασικό προϊόν, ανατρέξτε στο εγχειρίδιο χρήσης του βασικού προϊόντος.

Λειτουργία

Για να ξεκινήσετε το προϊόν με κρύο κινητήρα

Αν το προϊόν που διαθέτετε είναι βενζινοκίνητο, ακολουθήστε τις παρακάτω οδηγίες για την εκκίνηση με κρύο κινητήρα.

1. Αφήστε το βασικό προϊόν να λειτουργήσει για να ζεσταθεί και μετά απενεργοποιήστε το.
2. Τοποθετήστε το παρελκόμενο σύμφωνα με τις οδηγίες συναρμολόγησης.

- Κατά τη ρύθμιση του καρμπυρατέρ, βεβαιωθείτε ότι τα τύμπανα της βούρτσας ακουμπούν στο έδαφος και ότι δεν βρίσκονται άλλα άτομα σε κοντινή απόσταση.
- Βεβαιωθείτε ότι τα τύμπανα της βούρτσας σταματούν στο ρελαντί.
- Βεβαιωθείτε ότι η χειρολαβή και οι διατάξεις ασφαλείας είναι σε καλή κατάσταση λειτουργίας. Μην χρησιμοποιείτε ποτέ ένα προϊόν του οποίου λείπει κάποιο εξάρτημα ή το οποίο έχει τροποποιηθεί εκτός των προδιαγραφών του.

Χρήση του παρελκόμενου

Το σάρωθρο λειτουργεί καλύτερα όταν τα ελαστικά ελάσματα γλιστρούν ή "σαρώνουν παλινδρομικά" την επιφάνεια εργασίας. Τα καινούργια ή πρόσφατα τοποθετημένα ανταλλακτικά τύμπανα βούρτσας έχουν την τάση να κολλούν ή να σέρνονται πάνω στις σκληρές επιφάνειες, οπότε πρέπει να "στρώνονται" προσεκτικά πριν από τη χρήση. Το "στρώσιμο" επιτυγχάνεται εύκολα με τη χρήση του προϊόντος με τέρμα το γκάζι/στις μέγιστες στροφές για 3-5 λεπτά πάνω σε σκόρπιο χαλίκι ή παρόμοιο λειαντικό υλικό. Μετά το στρώσιμο, το σάρωθρο θα έχει τη δυνατότητα μετακίνησης μεγάλων ποσοτήτων υλικού, από χιόνι ή νερό έως βαρύτερα αντικείμενα, όπως χαλίκι ή ροκανίδια. Με την πάροδο του χρόνου, θα μάθετε τον τρόπο λειτουργίας του σαρώθρου, αλλά θα πρέπει να τηρείτε τις προφυλάξεις ασφάλειας από την αρχή της χρήσης του.

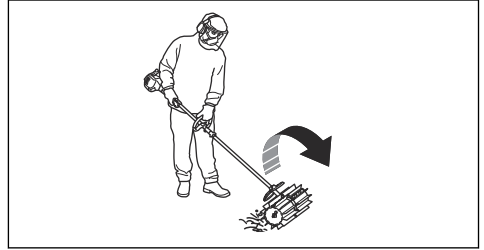
- Το σάρωθρο πρέπει να χρησιμοποιείται με τέρμα το γκάζι/στις μέγιστες στροφές (ή με σχεδόν τέρμα το γκάζι/τις μέγιστες στροφές), με τα ελαστικά ελάσματα ακουμπισμένα πάνω στην επιφάνεια.

Περιεχόμενα Όταν εργάζεστε είναι κουραστικό και άσκοπο να ανασηκώνετε ή να κρατάτε τα ελαστικά ελάσματα πάνω από την επιφάνεια εργασίας.

- Όταν καθαρίζετε στενές επιφάνειες, όπως μονοπάτια, μπορείτε να χρησιμοποιήσετε το προϊόν έτσι ώστε να εκτοξεύει τα υλικά ευθεία μπροστά σας. Εάν θέλετε να εργαστείτε σε πλατύτερες επιφάνειες, ίσως χρειαστεί να δουλέψετε υπό γωνία ώστε να σχηματίζονται λωρίδες υλικών από τη μία πλευρά. Οι λωρίδες που αποτελούνται από ελαφριά υλικά μπορούν να συγκεντρωθούν σε μία σειρά ή σε σωρό για να απομακρυνθούν αργότερα, ενώ τα σκληρά ή πιο ογκώδη υλικά ίσως χρειαστεί να συγκεντρωθούν σε περισσότερες λωρίδες.



- Για πρόσβαση σε γωνίες, αφαιρέστε το λασπώτηρα, χαλαρώστε το σύνδεσμο του αξεσουάρ και περιστρέψτε το αξεσουάρ κατά μισή στροφή.



ΠΡΟΕΙΔΟΠΟΙΗΣΗ: Στην περίπτωση αυτή, τα σκουπίδια θα εκτοξεύονται προς το χρήστη. Χρησιμοποιήστε χαμηλότερη ταχύτητα όταν κινείτε το προϊόν προς τα πίσω και μην ξεχνάτε ότι είναι εύκολο να σκοντάψετε στα υλικά που εκτοξεύονται.

- Διατηρείτε μικρή γωνία εργασίας σε σχέση με την επιφάνεια που εργάζεστε. Αν η γωνία εργασίας είναι πολύ μεγάλη, το σάρωθρο τείνει να κινείται προς το μέρος σας και υπάρχει κίνδυνος να χάσετε τον έλεγχο του προϊόντος.



Συντήρηση

Εισαγωγή

Παρακάτω θα βρείτε ορισμένες γενικές οδηγίες συντήρησης. Εάν χρειαστείτε περισσότερες πληροφορίες, μπορείτε να επικοινωνήσετε με το συνεργείο της περιοχής σας.

Συντήρηση του προσαρτήματος



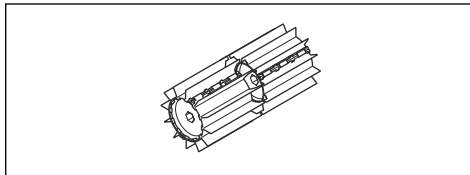
ΠΡΟΣΟΧΗ: Η εργασία με το σάρωτρο πραγματοποιείται συχνά σε συνθήκες με σκόνη. Αν το προϊόν που διαθέτετε είναι βενζινοκίνητο, είναι πολύ σημαντικό να φροντίζετε για τη συντήρηση του φίλτρου αέρα τακτικά ή ακόμα και καθημερινά. Το φίλτρο αέρα πρέπει να λιπαίνεται ώστε να λειτουργεί ικανοποιητικά. Για οδηγίες συντήρησης, ανατρέξτε στο εγχειρίδιο χρήσης της μονάδας παροχής ισχύος.



ΠΡΟΕΙΔΟΠΟΙΗΣΗ: Το περίβλημα των γραναζιών ζεσταίνεται πολύ μετά τη χρήση

του μηχανήματος. Για να αποφύγετε τυχόν εγκαυμα, μην αγγίζετε το περίβλημα των γραναζιών.

1. Βεβαιωθείτε ότι τα τύμπανα της βούρτσας δεν περιστρέφονται όταν απελευθερώνεται το γκάζι/η σκανδάλη γκαζιού.



2. Βεβαιωθείτε ότι τα τύμπανα της βούρτσας δεν έχουν υποστεί ζημιά ή ρωγμές. Αντικαταστήστε τα τύμπανα της βούρτσας εάν χρειάζεται.
3. Κρεμάστε ψηλά τη βούρτσα κατά την αποθήκευση για μεγάλες χρονικές περιόδους.

Μεταφορά, αποθήκευση και απόρριψη

Μεταφορά και αποθήκευση

Σε περίπτωση μεταφοράς του παρελκόμενου σε άλλο όχημα, χρησιμοποιείτε πάντα τις εγκεκριμένες συσκευές ασφαλείας και βεβαιωθείτε ότι το παρελκόμενο συγκρατείται με ασφάλεια.

Πριν να αποθηκεύσετε το παρελκόμενο για μεγάλο χρονικό διάστημα, βεβαιωθείτε ότι είναι καθαρό και ότι έχει συνηρηθεί πλήρως.

Τεχνικά στοιχεία

Τεχνικά στοιχεία για τα προϊόντα με βενζινοκινητήρα

Σάρωτρο	
Πλάτος τυμπάνου βούρτσας, mm	590
Βάρος	
Βάρος, κιλά	6,5
Εκπομπές θορύβου³¹	
Στάθμη ηχητικής ισχύος, μετρούμενη τιμή σε dB (A)	105

³¹ Οι εκπομπές θορύβου στο περιβάλλον μετρώνται ως ηχητική ισχύς (L_{WA}) σύμφωνα με την οδηγία 2000/14/ EC της ΕΚ. Η καταγεγραμμένη στάθμη ηχητικής ισχύος για το μηχάνημα έχει μετρηθεί με το αυθεντικό παρελκόμενο κοπής, που δίνει την υψηλότερη στάθμη. Η διαφορά μεταξύ της εγγυημένης και της μετρούμενης ηχητικής ισχύος είναι ότι η εγγυημένη ηχητική ισχύς περιλαμβάνει επίσης τη διασπορά στο αποτέλεσμα της μέτρησης και τις αποκλίσεις μεταξύ διαφορετικών μηχανημάτων του ίδιου μοντέλου σύμφωνα με την Οδηγία 2000/14/ EC.

Σάρωθρο	
Στάθμη ηχητικής ισχύος, εγγυημένη, L_{WA} σε dB (A)	109
Επίπεδα θορύβου³²	
Ισοδύναμη στάθμη ηχητικής πίεσης στα αυτιά του χειριστή, μετρημένη κατά EN ISO 22868, dB (A):	97
Κραδασμοί³³	
Ισοδύναμες στάθμες κραδασμών ($a_{h,v,eq}$) στις λαβές, μετρημένες κατά, m/s^2	
Εμπρός/πίσω/οπίσθιες χειρολαβές	4,4/5,1

Τεχνικά στοιχεία για τα προϊόντα που λειτουργούν με μπαταρία

325iLK + Παρελκόμενο σάρωθρο SR600-2	
Πλάτος τυμπάνου βούρτσας, mm	590
Βάρος	
Βάρος, κιλά	2,3+6,5
Εκπομπές θορύβου³⁴	
Στάθμη ηχητικής ισχύος, μετρημένη, dB (A)	93
Επίπεδα θορύβου³⁵	
Ισοδύναμη στάθμη ηχητικής πίεσης στα αφτιά του χειριστή, μετρημένη κατά ISO 22868, dB (A):	82
Κραδασμοί³⁶	
Στάθμες κραδασμών στις λαβές, μετρημένες κατά EN 62841-1, σε m/s^2	
Εμπρός/πίσω/οπίσθιες χειρολαβές	3,2/3,1

³² Τα καταγεγραμμένα στοιχεία για την αντίστοιχη στάθμη ηχητικής πίεσης για το μηχάνημα έχουν μια τυπική στατιστική διασπορά (τυπική απόκλιση) της τάξης του 1 dB (A).

³³ Τα καταγεγραμμένα στοιχεία για την ισοδύναμη στάθμη κραδασμών έχουν τυπική στατιστική διασπορά (τυπική απόκλιση) ίση με $1 m/s^2$.

³⁴ Τα καταγεγραμμένα στοιχεία για τη στάθμη ηχητικής ισχύος του μηχανήματος παρουσιάζουν τυπική στατιστική διασπορά (τυπική απόκλιση) 3 dB (A). Η μέτρηση έχει γίνει με το αρχικό παρελκόμενο, το οποίο παρέχει την υψηλότερη στάθμη.

³⁵ Τα καταγεγραμμένα στοιχεία για τη στάθμη ηχητικής πίεσης του μηχανήματος παρουσιάζουν τυπική στατιστική διασπορά (τυπική απόκλιση) 3 dB (A). Η μέτρηση έχει γίνει με το αρχικό παρελκόμενο, το οποίο παρέχει την υψηλότερη στάθμη.

³⁶ Τα καταγεγραμμένα στοιχεία για τη στάθμη κραδασμών έχουν μία τυπική στατιστική διασπορά (τυπική απόκλιση) της τάξης του $2 m/s^2$. Για σύγκριση της στάθμης κραδασμών στα προϊόντα με μπαταρία και με κινητήρα εσωτερικής καύσης, χρησιμοποιήστε τη σελίδα υπολογισμού κραδασμών στη διεύθυνση <https://www.husqvarna.com/uk/services-solutions/vibration-calculator/>.

Δήλωση Συμμόρφωσης ΕΚ

Δήλωση Συμμόρφωσης ΕΚ - για βενζινοκίνητα προϊόντα

Η **Husqvarna AB**, SE-561 82 Huskvarna, Σουηδία, τηλ.: +46-36-146500, δηλώνει ότι το παρελκόμενο σάρωθρο **Husqvarna SR600-2** με αριθμούς σειράς έτους κατασκευής από 2019 και έπειτα (το έτος αναγράφεται ευκρινώς στην πινακίδα στοιχείων μαζί με τον αριθμό σειράς), συμμορφώνονται με τις απαιτήσεις της ΟΔΗΓΙΑΣ ΤΟΥ ΣΥΜΒΟΥΛΙΟΥ:

- της 17ης Μαΐου 2006 "περί μηχανημάτων" **2006/42/ΕΚ**
- της 8ης Ιουνίου 2011 "σχετικά με τον περιορισμό της χρήσης ορισμένων επικίνδυνων ουσιών σε είδη ηλεκτρικού και ηλεκτρονικού εξοπλισμού" **2015/65/ΕΕ**.
- της 8ης Μαΐου 2000 "περί εκπομπών θορύβου στο περιβάλλον" **2000/14/ΕΚ**.

Για τα βενζινοκίνητα προϊόντα εφαρμόστηκαν τα ακόλουθα πρότυπα:

SS-EN ISO 12100:2010, EN 50581:2012

Ο κοινοποιημένος φορέας πραγματοποίησε έλεγχο τύπου ΕΚ, σύμφωνα με όσα ορίζει η Οδηγία περί Μηχανημάτων (2006/42/ΕΚ) άρθρο 12, σημείο 3b. Ο αριθμός του πιστοποιητικού για τον έλεγχο τύπου ΕΚ, σύμφωνα με το παράρτημα IV, είναι ο εξής: **SEC/15/2413 - Husqvarna SR600-2**

Huskvarna , 2019-06-24



Per Gustafsson, Διευθυντής Ανάπτυξης
(Εξουσιοδοτημένος αντιπρόσωπος της Husqvarna AB και υπεύθυνος για την τεχνική τεκμηρίωση)

Δήλωση Συμμόρφωσης ΕΚ - για προϊόντα που λειτουργούν με μπαταρία

Η **Husqvarna AB**, SE-561 82 Huskvarna, Σουηδία, τηλ.: +46-36-146500, δηλώνει ότι το παρελκόμενο σάρωθρο **Husqvarna SR600-2 με μονάδα παροχής ηλεκτρικής ισχύος Husqvarna 325iLK** και με αριθμούς σειράς έτους κατασκευής από 2019 και έπειτα (το έτος αναγράφεται ευκρινώς στην πινακίδα στοιχείων μαζί με τον αριθμό σειράς), συμμορφώνεται με τις απαιτήσεις της ΟΔΗΓΙΑΣ ΤΟΥ ΣΥΜΒΟΥΛΙΟΥ:

- της 17ης Μαΐου 2006 "περί μηχανημάτων" **2006/42/ΕΚ**
- της 8ης Ιουνίου 2011 "σχετικά με τον περιορισμό της χρήσης ορισμένων επικίνδυνων ουσιών σε είδη

ηλεκτρικού και ηλεκτρονικού εξοπλισμού" **2015/65/ΕΕ**.

Για τα προϊόντα που λειτουργούν με μπαταρία εφαρμόστηκαν τα ακόλουθα πρότυπα:

EN 62841-1:2015, EN 50581:2012

Η RISE SMP Svenska Maskinprovning AB, Box 7035, SE-750 07 Uppsala, Σουηδία, διεξήγαγε εθελοντικά έλεγχο τύπου για λογαριασμό της Husqvarna AB. Το πιστοποιητικό έχει αριθμό: **SEC/15/2413 - Husqvarna SR600-2**

Huskvarna , 2019-06-24



Per Gustafsson, Διευθυντής Ανάπτυξης
(Εξουσιοδοτημένος αντιπρόσωπος της Husqvarna AB και υπεύθυνος για την τεχνική τεκμηρίωση)

Contenido

Introducción.....	59	Mantenimiento.....	65
Seguridad.....	60	Transporte, almacenamiento y eliminación.....	65
Montaje.....	63	Datos técnicos.....	66
Funcionamiento.....	64	Declaración de conformidad CE.....	68

Introducción

Descripción del producto

Trabajamos constantemente para perfeccionar nuestros productos y nos reservamos, por lo tanto, el derecho a introducir modificaciones en la construcción y el diseño sin previo aviso.

Nota: El presente manual trata tanto las unidades de alimentación de gasolina como las de batería.

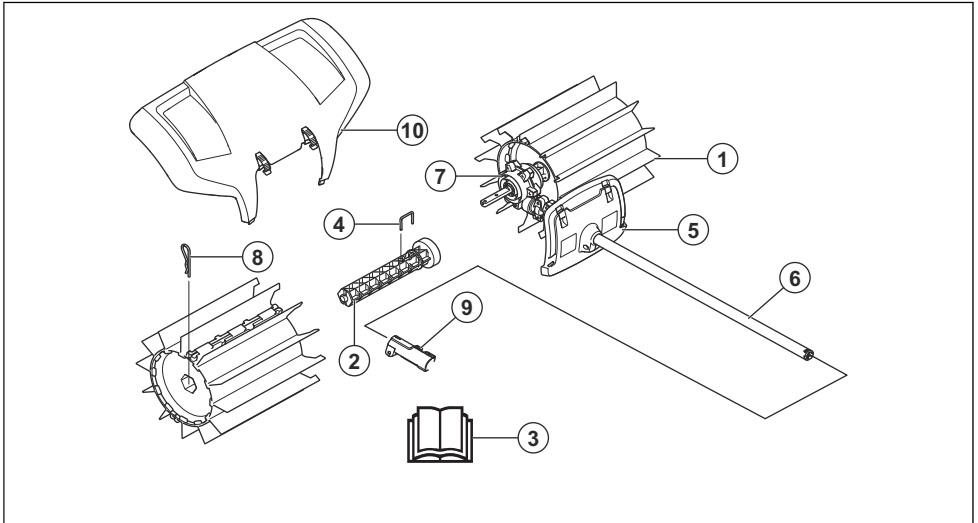
Uso previsto



ADVERTENCIA: Este accesorio solo puede utilizarse con el producto para el que está previsto su uso; consulte el capítulo sobre accesorios del manual de usuario del producto.

El accesorio está diseñado para barrer exclusivamente césped, caminos, vías asfaltadas y lugares similares.

Vista general del equipo



1. Cepillo
2. Eje del cepillo
3. Manual de usuario
4. Pasador de seguridad
5. Protección (protección del eje)
6. Tubo
7. Carcasa de la caja de engranajes
8. Pasador partido
9. Acoplamiento del eje (incluido con el producto)
10. Protección contra salpicaduras

Símbolos que aparecen en el equipo y la unidad de alimentación



El uso descuidado o incorrecto de este equipo puede provocar heridas graves o mortales al operador o a otras personas.



Lea atentamente el manual de usuario y asegúrese de que entiende las instrucciones antes de utilizar el equipo.



Utilice protección auditiva homologada. Utilice protección ocular homologada. Utilice una máscara protectora si existe riesgo de polvo.



Este equipo cumple con las directivas CE vigentes.



Piezas giratorias. Mantenga alejados las manos y los pies. La flecha indica el sentido de rotación.



Utilice siempre guantes protectores homologados.



Utilice botas antideslizantes y seguras.



Cuidado con los objetos lanzados o rebotados.



El usuario debe asegurarse de que ninguna persona ni animal se acerque a menos de 15 metros. Cuando haya varios operarios trabajando en el mismo lugar de trabajo, la distancia de seguridad entre ellos debe ser de 15 metros. El equipo puede despedir objetos con mucha fuerza, y pueden rebotar. Si no se utiliza el equipo de seguridad recomendado, se pueden producir daños oculares graves.



Mantenga siempre a las personas y animales a una distancia mínima de 15 m/50 pies durante el funcionamiento del producto.



Mantenga todas las partes del cuerpo lejos de las superficies calientes.



Las emisiones sonoras en el entorno según la directiva de la Comunidad Europea. Las emisiones del accesorio se indican en el capítulo Datos técnicos y en la etiqueta.

Nota: Los demás símbolos o etiquetas que aparecen en el equipo corresponden a requisitos de homologación específicos en determinados mercados.

Seguridad

Definiciones de seguridad

Las advertencias, precauciones y notas se utilizan para destacar información especialmente importante del manual de usuario.



ADVERTENCIA: Indica un riesgo de lesiones o incluso de muerte del usuario o de las personas cercanas si no se respetan las instrucciones del manual.



PRECAUCIÓN: Indica un riesgo de daños en el producto o en el accesorio, otros materiales o el área adyacente si no se respetan las instrucciones del manual.

Nota: Se usa para proporcionar más información necesaria en una situación determinada.

Instrucciones generales de seguridad



ADVERTENCIA: Lea las siguientes instrucciones de seguridad antes de utilizar el equipo.

- Lea detenidamente el manual de instrucciones y asegúrese de entender su contenido antes de utilizar el equipo.
- Estas instrucciones complementan las instrucciones que se incluyen con el producto. Para otros procedimientos, consulte las instrucciones de operación del producto.
- Bajo ninguna circunstancia debe modificarse la configuración original del equipo sin autorización del fabricante. No utilice un equipo que parezca haber sido modificado por otras personas y emplee siempre accesorios originales. Las modificaciones y/o la utilización de accesorios no autorizadas pueden ocasionar accidentes graves o incluso la muerte del operario o de terceros.

Instrucciones de seguridad para el funcionamiento



ADVERTENCIA: Lea las siguientes instrucciones de advertencia antes de utilizar el producto.

- El contacto de parada retorna automáticamente a la posición de arranque. Evite el encendido accidental del producto durante el montaje, la comprobación o el mantenimiento. Si el producto funciona con gasolina, desconecte el sombrerete de la bujía. Si posee un producto con batería, extráigala.
- Cuidado con los objetos que salen despedidos. Protéjase siempre los ojos. Nunca se incline sobre el cepillo. La máquina puede despedir piedras, basura, etc. contra los ojos y causar ceguera o heridas graves.
- Durante el uso y poco después, el engranaje puede estar caliente. El contacto con el mismo puede ocasionar quemaduras.
- Los cepillos pueden girar al arrancar la barredora. Sujete firmemente el producto cuando lo arranque.
- Aunque los cepillos no tienen tanta fuerza como, por ejemplo, las cuchillas de un cortacésped, evite trabajar con materiales que puedan causar daños personales o en la propiedad si salen despedidos.
- No use el producto a no ser que sea capaz de pedir ayuda en caso de accidente.
- Utilice el producto solamente para el uso al que está destinado.
- Nunca utilice el producto si está cansado, si ha ingerido alcohol o si toma medicamentos que puedan afectarle la vista, su capacidad de discernimiento o el control del cuerpo.
- Nunca utilice el producto en condiciones atmosféricas extremas como frío intenso o clima muy caluroso o húmedo.
- No utilice nunca un producto defectuoso. Lleve a cabo las comprobaciones de seguridad y siga las instrucciones de mantenimiento y servicio de este manual. Algunas medidas de mantenimiento y servicio deben ser efectuadas por especialistas formados y cualificados. Consulte las instrucciones del apartado Mantenimiento.
- No permita nunca que los niños utilicen el producto.
- Nunca deje que otras personas utilicen el producto sin asegurarse primero de que hayan leído y entendido el contenido de este manual de usuario.
- Mantenga alejados a los terceros. Los niños, animales, curiosos y ayudantes deben mantenerse fuera de la zona de seguridad de 15 metros durante el uso. Pare el producto inmediatamente si alguien se acerca.
- Cuando se vea en una situación insegura para continuar el trabajo, debe consultar a un experto. Póngase en contacto con su distribuidor o taller de servicio.

- Evite todo uso para el cual no se sienta suficientemente calificado.
- Cuando use protectores auriculares preste siempre atención a las señales o llamadas de advertencia. Quítese siempre los protectores auriculares en cuanto se detenga el motor.
- Observe el entorno y asegúrese de que no haya personas o animales en riesgo de entrar en contacto con el equipo de corte o capaces de afectar a su control del producto.
- No trabaje en condiciones atmosféricas desfavorables como niebla densa, lluvia intensa, vientos fuertes, frío intenso, etc. Trabajar con mal tiempo es fatigoso y puede crear situaciones peligrosas como, por ejemplo, terrenos resbaladizos.
- Compruebe que pueda caminar y mantenerse de pie con seguridad. Observe si hay algún obstáculo que le impida moverse en caso de tener que hacerlo repentinamente (raíces, piedras, ramas, fosos, zanjas, etc.). Proceda con sumo cuidado al trabajar en terreno inclinado.



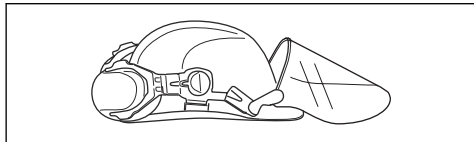
- Debe parar el motor antes de desplazar el producto. Si el producto funciona con gasolina, desconecte el sombrerete de la bujía. Si posee un producto con batería, extráigala.
- No apoye el producto con el motor en marcha sin tenerlo bajo control.
- Utilice siempre las dos manos para sostener el producto. Mantenga el producto al costado de su cuerpo.
- Cerciórese de mantener las manos y los pies alejados del cepillo mientras el motor está en marcha.
- Al apagar el producto, mantenga las manos y los pies alejados del cepillo hasta que se detenga por completo.
- Si hay vibraciones fuertes, detenga el producto. Si posee un producto con gasolina, desconecte el cable HT de la bujía. Si posee un producto con batería, extráigala. Examine el producto para comprobar si presenta daños. Repare posibles averías.

Equipo de protección personal

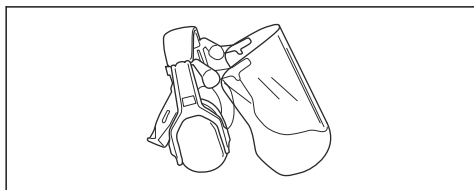


ADVERTENCIA: Lea las siguientes instrucciones de advertencia antes de utilizar el producto.

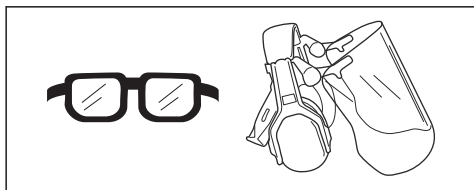
- Para trabajar con el producto, debe utilizar siempre un equipo de protección personal homologado. El equipo de protección personal no elimina completamente el riesgo de lesiones, pero reduce la gravedad de las lesiones en caso de accidente. Deje que el distribuidor le ayude a seleccionar el equipo adecuado.
- Use un casco protector cuando exista el riesgo de que caigan objetos.



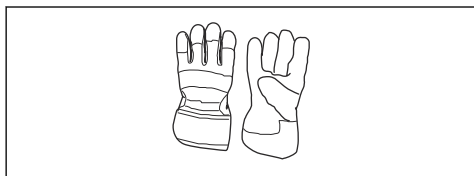
- Use protectores auriculares homologados con suficiente capacidad de reducción sonora. La exposición prolongada al ruido puede causar daños crónicos en el oído.



- Utilice protección ocular homologada. Si se utiliza visor, deben utilizarse también gafas protectoras homologadas. Por gafas protectoras homologadas se entienden las que cumplen con la norma ANSI Z87.1 para EE. UU. o EN 166 para países de la UE.



- Utilice guantes cuando sea necesario, por ejemplo, para el montaje, inspección o limpieza del equipo de corte.



- Use botas de protección con punteras de acero y suelas antideslizantes.



- Use indumentaria de material resistente. Use siempre pantalones largos y gruesos, y mangas largas. No lleve ropa suelta que pueda quedar atrapada en los arbustos y ramas. No trabaje con joyas, pantalones cortos, sandalias ni los pies descalzos. Recójase el pelo por encima de los hombros.
- Mantenga el equipo de primeros auxilios cerca.



Dispositivos de seguridad en el producto



ADVERTENCIA: Lea las siguientes instrucciones de advertencia antes de utilizar el producto.

En este apartado se describen los componentes de seguridad del producto, su función y el modo de efectuar el control y el mantenimiento para garantizar un funcionamiento óptimo. Consulte las instrucciones bajo el título *Vista general del equipo en la página 59* para ver dónde están situados estos componentes en su máquina.

La vida útil del producto puede acortarse y el riesgo de accidentes puede aumentar si el mantenimiento no se hace de forma adecuada y si los trabajos de servicio y reparación no se efectúan de forma profesional. Si necesita más información, solicítela al distribuidor de su zona



ADVERTENCIA: No emplee nunca un producto con equipo de seguridad defectuoso. Efectúe la inspección y el mantenimiento del equipo de seguridad del producto tal como se describe en este apartado. Si el producto no supera cualquiera de estas pruebas, póngase en contacto con el taller de servicio para repararla.



PRECAUCIÓN: Todos los trabajos de servicio y reparación de la máquina requieren una formación especial. Esto es

especialmente cierto en lo que respecta al equipo de seguridad del producto. Si la máquina no pasa alguno de los controles indicados a continuación, acuda a su taller de servicio local. La compra de alguno de nuestros productos le garantiza que puede recibir un mantenimiento y servicio profesional. Si no ha adquirido la máquina en una de nuestras tiendas especializadas con servicio, solicite información sobre el taller de servicio más cercano.

acelerador/gatillo de alimentación. Asegúrese de que el accesorio se ha detenido por completo. Si posee un producto con gasolina, desconecte los cables HT de la bujía. Si posee un producto con batería, extráigala.

Instrucciones de seguridad para el mantenimiento

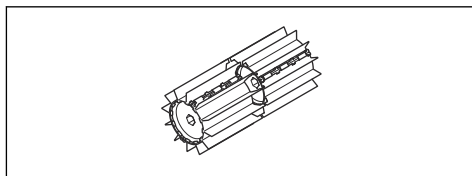


ADVERTENCIA: Lea las instrucciones de advertencia siguientes antes de realizar el mantenimiento.



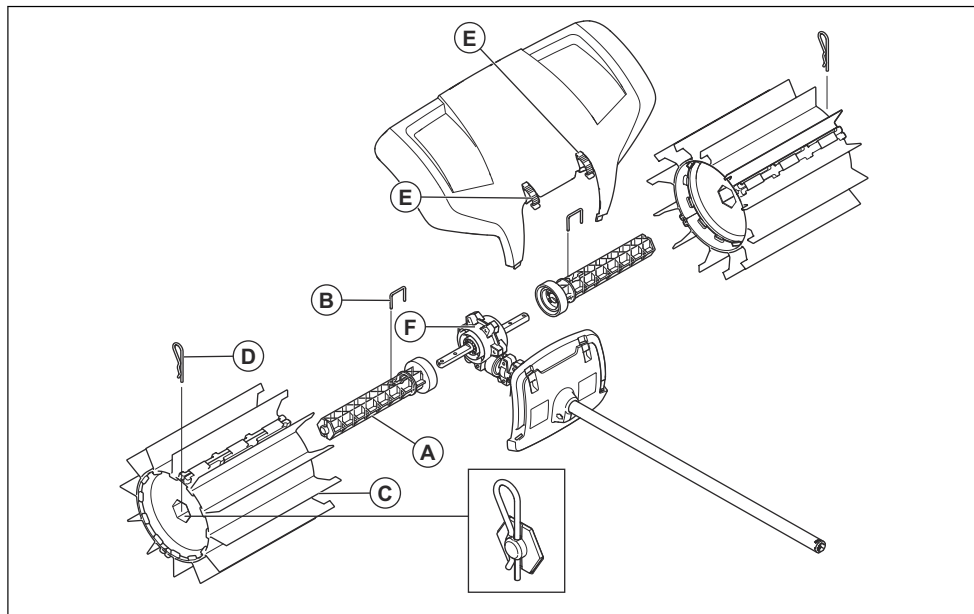
ADVERTENCIA: Detenga siempre el producto antes de realizar cualquier tarea de mantenimiento en el accesorio. Tenga cuidado, pues el accesorio puede seguir girando después de haber soltado el

- Inspeccione el producto en su totalidad antes de iniciar el trabajo. Sustituya las piezas dañadas.
- Compruebe que todas las protecciones y cubiertas están completas y bien fijadas. Compruebe todas las tuercas y tornillos.
- Si posee un producto con gasolina, compruebe que no haya fugas de combustible.
- Compruebe que los cepillos están intactos y que no presentan grietas ni otros daños.



Montaje

Montaje del accesorio



1. Presione uno de los ejes de los cepillos (A) contra uno de los dos ejes propulsores de la caja de engranajes (F). Gire el eje del cepillo si es necesario, de manera que el orificio del pasador coincida con el orificio correspondiente del eje propulsor.
2. Fije el eje del rodillo con el pasador de bloqueo (B).
3. Enrosque uno de los cepillos (C) en el eje montado. El extremo del cepillo con las láminas de goma que sobresalen se instala del lado de la caja de engranajes. Presione el cepillo.
4. Fije el rodillo en el eje con una chaveta hendida (D). Presione ligeramente el extremo durante el montaje.
5. Repita estos pasos para montar el eje y el rodillo del lado contrario. Los cepillos son idénticos, pero deben montarse con las láminas de goma que sobresalen hacia la caja de engranajes.
6. Monte la protección contra salpicaduras con las fijaciones a presión (E).

Nota: Para montar los accesorios en el producto básico, consulte el manual del producto básico.

Funcionamiento

Arranque del producto con el motor frío

Si su producto funciona con gasolina, siga estas instrucciones para arrancar el producto si el motor está frío.

1. Ponga en marcha el producto básico para calentarlo y luego apáguelo.
2. Monte el accesorio según las instrucciones de montaje.
3. Al ajustar el carburador, asegúrese de que los cepillos se apoyan en el suelo y de que no hay nadie más cerca.
4. Asegúrese de que los cepillos no están girando.
5. Controle que los mangos y las funciones de seguridad estén en buenas condiciones. No utilice nunca un producto al que le falte alguna pieza o que se haya modificado y no se ajuste a las especificaciones.

Uso del accesorio

La barredora funciona mejor si las láminas de goma pueden deslizarse por la superficie de trabajo o "golpearla". Los cepillos nuevos o reemplazados tienden a adherirse a las superficies duras, por lo que se deberán someter a un "rodaje" exhaustivo antes de su uso. Esto es muy fácil de hacer: solo tiene que acelerar el producto al máximo durante 3-5 minutos sobre gravilla u otro material similar. Después de haber estado en marcha, la barredora puede retirar grandes cantidades de material, desde nieve o charcos hasta objetos más pesados, como gravilla, virutas o pequeños fragmentos de madera. Con el tiempo, aprenderá cómo funciona la barredora, pero es importante seguir las precauciones de seguridad desde el primer momento.

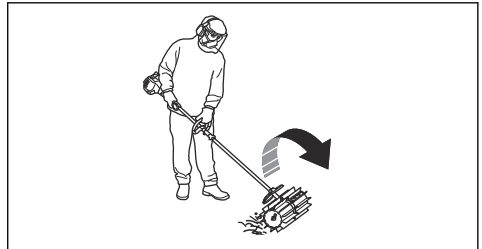
1. Ponga la barredora a aceleración máxima (o casi) con las láminas de goma apoyadas sobre la superficie.

Nota: Resulta muy pesado e innecesario levantar o sostener las láminas de goma por encima de la superficie mientras funcionan.

2. Al limpiar superficies estrechas, como caminos, se puede usar el producto de modo que lance los materiales directamente delante del usuario. Sin embargo, si trabaja en superficies más amplias, tendrá que hacerlo en un ángulo que permita que se formen hileras de material a un lado. Las hileras compuestas por materiales ligeros se pueden recoger en una fila o pila para su posterior retirada, mientras que los materiales más duros o voluminosos es posible que deban recogerse hilera por hilera.



3. Para poder alcanzar las esquinas, desmonte la protección contra salpicaduras, afloje el acoplamiento del accesorio y gire el accesorio media vuelta.



ADVERTENCIA: En ese caso, tenga en cuenta que la basura saldrá despedida hacia el usuario. Reduzca la velocidad cuando invierta el producto y recuerde que puede tropezarse con los materiales que salen despedidos.

4. Mantenga un ángulo de trabajo cerrado con respecto a la superficie. Un ángulo de trabajo demasiado abierto hace que la barredora tienda a moverse hacia el usuario, por lo que se corre el riesgo de perder el control del producto.



Mantenimiento

Introducción

A continuación, se indican algunas instrucciones generales de mantenimiento. Si Ud. necesita mayor información póngase en contacto con el taller de servicio.

Mantenimiento del producto

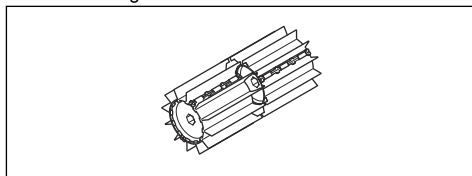


PRECAUCIÓN: El trabajo con la barredora suele realizarse en condiciones polvorientas. Si su producto funciona con gasolina, es muy importante realizar el mantenimiento del filtro de aire de manera periódica, normalmente a diario. Debe lubricar el filtro de aire para que funcione correctamente. Consulte el manual de usuario de la unidad de alimentación para conocer las instrucciones de mantenimiento.



ADVERTENCIA: Después de trabajar con la máquina, el engranaje está caliente. No toque el engranaje para evitar quemaduras.

1. Compruebe que los cepillos no giran al soltar el acelerador/gatillo de alimentación.



2. Compruebe que los cepillos no estén dañados ni presenten grietas. Cambie los cepillos si es necesario.
3. Cuelgue el cepillo cuando lo vaya a almacenar durante mucho tiempo.

Transporte, almacenamiento y eliminación

Transporte y almacenamiento

Si se transporta el equipo en otro vehículo, utilice siempre dispositivos de sujeción homologados y compruebe que el equipo está bien sujeto.

Antes del almacenaje prolongado, limpie bien el equipo y haga el servicio completo.

Datos técnicos

Datos técnicos de los productos de gasolina

Barredora	
Ancho del cepillo, mm	590
Peso	
Peso, kg	6,5
Emisiones de ruido³⁷	
Nivel de potencia acústica, dB(A) medidos	105
Nivel de potencia acústica garantizado L_{WA} dB(A)	109
Niveles acústicos³⁸	
Nivel de presión sonora equivalente en el oído del usuario, medido según EN ISO 22868, dB (A):	97
Vibraciones³⁹	
Niveles de vibración equivalentes ($a_{hv,eq}$) en los mangos, medidos conforme a la norma , m/s^2	
Mango delantero/trasero	4,4/5,1

Datos técnicos de los productos con batería

325iLK + Accesorio de barredoraSR600-2	
Ancho del cepillo, mm	590
Peso	
Peso, kg	2,3 + 6,5
Emisiones de ruido⁴⁰	
Nivel de potencia sonora medida, dB(A)	93
Niveles acústicos⁴¹	

³⁷ Emisiones sonoras en el entorno medidas como potencia sonora (L_{WA}) según la directiva CE 2000/14/ EC. El nivel referido de potencia sonora de la máquina se ha medido con el equipo de corte original que produce el nivel más elevado. La diferencia entre la potencia sonora garantizada y medida es que la potencia sonora garantizada también incluye la dispersión en el resultado de la medición y las variaciones entre diferentes máquinas del mismo modelo, según la directiva 2000/14/ EC.

³⁸ Los datos referidos al nivel de presión sonora equivalente de la máquina tienen una dispersión estadística típica (desviación estándar) de 1 dB(A).

³⁹ Los datos referidos al nivel de vibración tienen una dispersión estadística habitual (desviación estándar) de $1 m/s^2$.

⁴⁰ Los datos relativos al nivel de potencia sonora de la máquina tienen una dispersión estadística habitual (desviación estándar) de 3 dB(A) y se han medido con el accesorio original que produce el nivel más elevado.

⁴¹ Los datos relativos al nivel de presión sonora de la máquina tienen una dispersión estadística habitual (desviación estándar) de 3 dB(A) y se han medido con el accesorio original que produce el nivel más elevado.

325ILK + Accesorio de barredoraSR600-2	
Nivel de presión sonora equivalente en el oído del usuario, medido conforme a ISO 22868, dB(A):	82
Vibraciones⁴²	
Niveles de vibración en los mangos, medidos conforme a EN 62841-1, m/s ²	
Mango delantero/trasero	3,2/3,1

⁴² Los datos referidos del nivel de vibración presentan una dispersión estadística habitual (desviación típica) de 2 m/s². Para comparar los niveles de vibraciones en los productos con batería y los productos de combustión, utilice la calculadora de vibraciones: <https://www.husqvarna.com/uk/services-solutions/vibration-calculator/>.

Declaración de conformidad CE

Declaración de conformidad CE para productos de gasolina

Husqvarna AB, SE-561 82 Huskvarna (Suecia), tel.: +46-36-146500, declara que la barredora **Husqvarna SR600-2** con los números de serie a partir de 2019 (el año se indica claramente en la placa de características, seguido del número de serie) cumple con las disposiciones de la DIRECTIVA DEL CONSEJO:

- Del 17 de mayo de 2006 "relativa a máquinas", **2006/42/CE**.
- Del 8 de junio de 2011 "sobre restricciones de utilización de determinadas sustancias peligrosas en aparatos eléctricos y electrónicos" **2011/65/UE**.
- Del 8 de mayo de 2000 "relativa a emisiones sonoras en el entorno", **2000/14/CE**.

Se han aplicado las siguientes normas para los productos de gasolina:

SS-EN ISO 12100:2010, EN 50581:2012

El organismo notificado ha efectuado el examen de tipo CE conforme a la directiva relativa a las máquinas (2006/42/CE), artículo 12, apartado 3b. El certificado de examen tipo CE conforme con el anexo IV tiene el número: **SEC/15/2413 - Husqvarna SR600-2**

Huskvarna , 2019-06-24



Per Gustafsson, director de desarrollo (representante autorizado de Husqvarna AB y responsable de la documentación técnica)

Declaración de conformidad CE para productos con batería

Husqvarna AB, SE-561 82 Huskvarna (Suecia), tel.: +46-36-146500, declara que el accesorio barredora **Husqvarna SR600-2 con unidad de alimentación Husqvarna 325ILK** con los números de serie a partir de 2019 (el año se indica claramente en la placa de características, seguido del número de serie) cumple las disposiciones de la DIRECTIVA DEL CONSEJO:

- Del 17 de mayo de 2006 "relativa a máquinas", **2006/42/CE**.
- Del 8 de junio de 2011 "sobre restricciones de utilización de determinadas sustancias peligrosas en aparatos eléctricos y electrónicos" **2011/65/UE**.

Se han aplicado las siguientes normas para los productos con batería:

EN 62841-1:2015, EN 50581:2012

RISE SMP Svenska Maskinprovning AB, Box 7035, SE-750 07 Uppsala, Suecia, ha efectuado el examen de tipo voluntario para Husqvarna AB. El certificado tiene el número: **SEC/15/2413 - Husqvarna SR600-2**

Huskvarna , 2019-06-24



Per Gustafsson, director de desarrollo (representante autorizado de Husqvarna AB y responsable de la documentación técnica)

Sisukord

Sissejuhatus.....	69	Hooldamine.....	74
Ohutus.....	70	Transportimine, hoiulepanek ja utiliseerimine.....	75
Kokkupanek.....	73	Tehnilised andmed.....	75
Töö.....	73	EÜ vastavusdeklaratsioon.....	77

Sissejuhatus

Toote kirjeldus

Tegeleme pidevalt oma toodete edasiarendamisega ning seetõttu jätame endale õiguse muuta toodete disaini ja välimust ilma sellest ette teatamata.

Märkus: Selles juhendis käsitletakse nii bensiini- kui ka akutoitega jõuseadmeid.

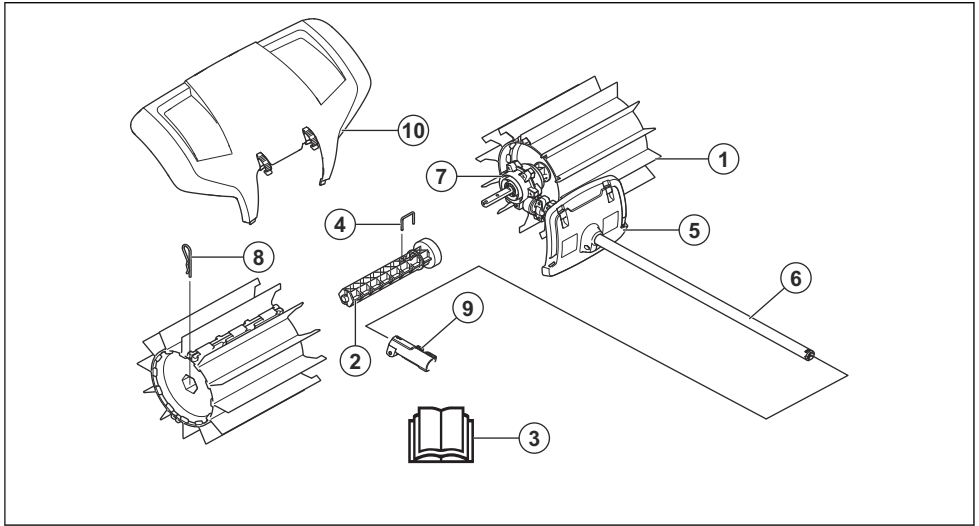
Kasutusotstarve



HOIATUS: Seda lisatarvikut võib kasutada ainult koos sellele sobiva tootega, vt lisatarviku peatükki toote kasutusjuhendis.

Lisatarvik on mõeldud üksnes muruplatside, teeradade, asfaltteede jms pühkimiseks.

Lisatarviku ülevaade



1. Harjatrummel
2. Trumli vööl
3. Kasutusjuhend
4. Splint
5. Kaitse (varrekaitse)
6. Vars
7. Ülekanne
8. Splint
9. Varre kinnitus
10. Pritsmekaitse

Lisatarvikul ja jõuseadmel olevad sümboolid



Selle lõikeosa hooletu või väär käsitsemine võib põhjustada operaatore või teiste isikute vigastuse või hukkamise.



Lugege enne lõikeosa kasutamist kasutusjuhend tähelepanelikult läbi ja veenduge, et oleksite juhistest aru saanud.



Kandke heakskiidetud kõrvaklappe. Kandke heakskiidetud kaitseprille. Tolmu tekkimise ohu korral kasutage hingamiskaitset.



See lõikeosa vastab EL-i kehtivatele direktiividele.



Pöörlevad osad. Hoidke käed ja jalad eemal. Nool tähistab pöörlemissuunda.



Kasuta alati heakskiidetud kaitsekindaid.



Kandke tugevaid, mittelibisevaid saapaid.



Olge ettevaatlik - eemalpaiskuvad esemed ning tagasipõrkumise oht.



Kasutaja on kohustatud tagama, et inimesed ja loomad ei tuleks töö ajal lähemale kui 15 m. Kui samas kohas töötab mitu seadmekasutajat, peab ohutusvahemaa olema vähemalt 15 meetrit. Lõikeosa võib jõuliselt liigutada objekte, mis võivad tagasi pörkuda. Soovitusliku ohutusvarustuse mittekasutamisel võib see põhjustada tõsiseid silmavigastusi.



Hoidke seadme kasutamise ajal inimestest ja loomadest vähemalt 15 m kaugusele.



Hoidke kõik kehaosad kuumadest pindadest eemal.



Ümbristesvasse keskkonda leviv müra vastavalt Euroopa Ühenduse direktiivile. Lisatarviku müratase on näidatud tehniliste andmete peatükis ja etiketil.

Märkus: Ülejääänud lõikeosal esitatud sümbolid/tähised vastavad erinevates riikides kehtivatele sertifitseerimisnõuetele.

Ohutus

Ohutuse määratlused

Mõistetega „hoiatus“, „ettevaatus“ ja „märkus“ juhitakse tähelepanu eriti olulistele kohtadele kasutusjuhendis.



HOIATUS: Tähistab kasutusjuhendi juhiste eiramise korral kasutaja või kõrvalseisjate kehavigastuse või surmaga lõppeva õnnetuse ohtu.



ETTEVAATUST: Tähistab kasutusjuhendi juhiste eiramise korral toote ja/või tarviku, muude esemete või läheduses asuvate objektide kahjustamise ohtu.

Märkus: Tähistab antud olukorras vajalikku lisateavet.

Üldised ohutuseeskirjad



HOIATUS: Enne lisatarviku kasutamist lugege läbi järgmised ohutuseeskirjad.

- Lugege enne lõikeosa kasutamist kasutusjuhend tähelepanelikult läbi ja veenduge, et oleksite juhistest aru saanud.
- Need juhised täiendavad tootega kaasas olevaid juhiseid. Muude protseduuride osas kasutage palun toote kasutusjuhendeid.
- Lisatarviku algset konstruktsiooni ei tohi ilma tootja loata muuta. Ärge kasutage lisatarvikut, kui tundub, et teised on seda muutnud, ja kasutage alati originaalisavarustust. Lubamatud muudatused ja varuosad võivad põhjustada kasutaja ja teiste isikute raskeid või isegi eluohtlikke kehavigastusi.

Ohutusjuhised kasutamisel



HOIATUS: Enne toote kasutamist lugege läbi järgnevad hoiatused.

- Seiskamislüliti läheb ise lähteasendisse. Vältige kokkupaneku, kontrollime ja/või hoolduse ajal kindlasti soovimatut käivitamist. Kui teil on bensiinitoitega toode, võtke süüteküünla kate süüteküünla küljest lahti. Kui teil on akutoitega toode, eemaldage aku.
- Hoiduge lendu paisatud objektide eest. Kasutage alati kaitseprille. Ärge kummarduge kunagi harja trumli kohale. Kivid ja muud esemed või osakesed võivad lennata silma ja põhjustada ohtlikke kahjustusi või isegi pimedaksjäämist.
- Reduktor võib kasutamisel kuumeneda ja püsida kuumana ka mõni aeg pärast kasutamist. Puudutamisel on oht saada põletada.
- Pühkija käivitamisel võivad harjade trumlid pöörlema hakata. Hoidke tootest käivitamise ajal tugevalt kinni.
- Kuigi harjade trumlid ei pöörle sellise jõuga kui näiteks muruniiduki terad, tuleks vältida töötamist materjalidega, mis võivad tekitada paiskumise korral vigastusi või põhjustada varalist kahju.
- Ärge kunagi kasutage toodet olukordades, kus te ei saa õnnetuse korral abi kutsuda.
- Kasutage seadet ainult ettenähtud otstarbel.
- Ärge kunagi töötage tootega, kui olete väsinud, alkoholi tarvinud või kui olete saanud ravimit, mis mõjub teie nägemisele, otsustus- või keskendumisvõimele.
- Ärge kasutage toodet eriti rasketes ilmaoludes, väga külma, väga tuulise või niiske ilmaga.
- Ärge kunagi kasutage kahjustatud seadet. Teostage ohutuskontroll ja hooldage seadet korrapäraselt, nagu käsitlemisõpetuses nõutud. Teatud hooldustoiminguid tohib teha ainult vastava väljaõppe saanud spetsialist. Vt juhiseid lõigust „Hooldus“.
- Ärge kunagi lubage lastel toodet kasutada.
- Ärge kunagi lubage kellelgi toodet kasutada enne, kui olete kindel, et ta on kasutusjuhendi läbi lugenud ja selle sisust aru saanud.
- Ära lase ligi kõrvalisi isikuid. Lapsed, loomad, pealtvaatajad ja abistajad peavad teie töötamise ajal viima väljaspool 15-meetrist ohutustsooni. Seisake seade kohe, kui keegi läheneb.
- Kui olukord on teile tundmatu, katkestage töö ja paluge spetsialistidelt abi ja nõu. Võta ühendust edasimüüja või hoolduspunktiaga.
- Ärge tehke tööd, milleks teil puudub väljaõpe või kogemused.
- Kui kasutate kuulmiskaitset, olge tähelepanelik hõigete ja hoiatussignaali suhtes. Eemaldage kõrvklapid kohe, kui mootor on seiskunud.

- Jälgige oma ümbrust tähelepanelikult ja veenduge, et läheduses poleks inimesi või loomi, kes võivad seadmega kokku puutuda või teie kontrolli seadme üle halvendada.
- Ärge kasutage toodet halva ilmaga. Ärge töötage paksu udu, tugeva vihma, tuule või pakase korral. Halva ilmaga töötamine väsitab ja sellega kaasneb muid ohte, nagu libe maapind.
- Veenduge, et saate turvaliselt seista ja liikuda. Vaadake, et läheduses ei oleks tõkkeid, nagu juuri, kive, oksid, kraave jms, mis oleksid takistuseks juhul, kui tuleb kiiresti eemalduda. Olge väga ettevaatlik mäeküljel töötades.



- Ennet toote liigutamist tuleb mootor välja lülitada. Kui teil on bensiinitoitega toode, võtke süüteküünla kate süüteküünla küljest lahti. Kui teil on akutoitega toode, eemaldage aku.
- Ärge pange töötava mootoriga seadet maha, kui teil pole sellest head ülevaadet.
- Kasutage toote hoidmiseks alati kahte kätt. Hoidke toodet oma kehast kõrval.
- Vältige käte ja jalgade sattumist harja lähedale, kui mootor töötab.
- Pärast toote väljalülitamist hoidke käsi ja jalgu harjast eemal, kuni see on täielikult seiskunud.
- Tugeva vibratsiooni korral seisake toode. Kui teil on bensiinitoitega toode, võtke süütejuhe süüteküünla küljest lahti. Kui teil on akutoitega toode, eemaldage aku. Veenduge, et tootel pole kahjustusi. Parandage vajadusel.

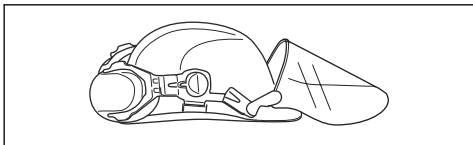
Isiklik kaitsevarustus



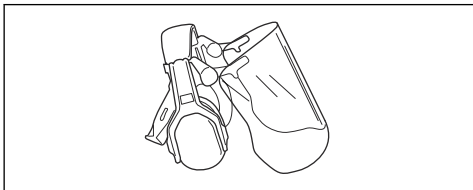
HOIATUS: Enne seadme kasutamist lugege läbi järgnevad hoiatused.

- Seadmega töötamisel tuleb kasutada ettenähtud isikukaitsevarustust. Isikukaitsevarustus ei välista täielikult kehavigastuste ohtu, kuid vähendab õnnetusjuhtumi korral kehavigastuse raskusastet. Õige varustuse valimiseks pöörduge edasimüüja poole.

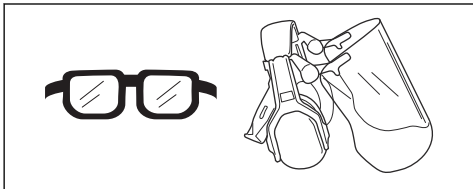
- Kaitsekiivrit, kohtades, kus on langevate esemete oht.



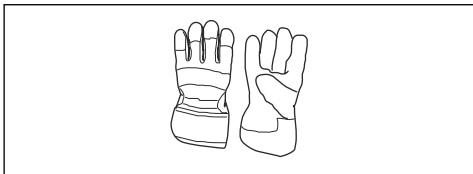
- Kandke alati sobiva summutusvõimega kuulmiskaitsemeid. Pikaajaline müra võib tekitada püsiva kuulmiskahjustuse.



- Kandke heakskiidetud kaitseprille. Näokaitsme kasutamisel tuleb lisaks kasutada heakskiidetud kaitseprille. Heakskiidetud kaitseprillide all mõeldakse selliseid prille, mis vastavad standardile ANSI Z87.1 USA-s või EN 166 Euroopa Liidu riikides.



- Vajaduse korral kandke kaitsekindaid, näiteks löikeosa kinnitades, kontrollides või puhastades.



- Kandke terasest varbakatete ja libisemist takistavate taldadega kaitseasaapid.



- Kandke vastupidavast materjalist riideid. Kandke alati pikki raskeid pükse ja pikki varrukaid. Hoiduge liiga avaratest rõivastest, mis võivad okstesse

takerduda. Ärge kandke ehteid, lühikesi pükse, lahtiseid jalatseid ega käige paljajalu. Kinnitage juuksed ohutult õlgadest kõrgemale.

- Hoidke esmaabikomplekt käepärast.



Toote ohutusseadised



HOIATUS: Enne seadme kasutamist lugege läbi järgnevad hoiatused.

Selles alalõigus kirjeldatakse masina turvavarustust, selle otstarvet ning kuidas läbi viia kontrollid ja hooldust, tagamaks masina nõuetekohane töö Peatükist *Lisatarviku ülevaade lk 69* näete, kus nad teie seadmel paiknevad.

Kui seadet ei hooldata õigesti ja korrapäraselt ning seadet ei paranda asjatundja, võib seadme tööiga lüheneda ja tekkida õnnetuste oht. Kui vajate täiendavat infot, pöörduge lähimasse teenindusse.



HOIATUS: Ärge kasutage seadet, kui selle turvavarustus pole täiesti korras.

Ohutusvarustust tuleb käesolevas lõigus toodud eeskirjade kohaselt hooldada ja kontrollida. Kui seade ei vasta ohutusnõuetele, laske see parandada hooldustöökojas.



ETTEVAATUST: Seadme hooldus ja parandamine nõuab eraldi väljaõpet. Eriti oluline on see seadme ohutusvarustuse puhul. Kui seade ei vasta allpool toodud nõuetele, vii see hoolduspunkti. Meie toodetele on tagatud professionaalne hooldus ja parandus. Kui seadme müüja ei tegele hooldusega, paluge teda juhatada teid lähimasse hoolduspunkti.

Ohutusjuhised hooldamisel



HOIATUS: Enne hooldustööde tegemist lugege läbi järgmised hoiatused.

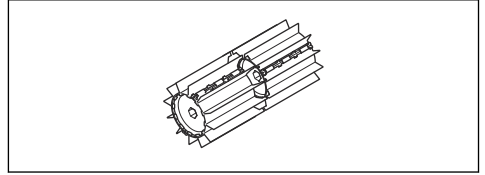


HOIATUS: Enne lisatarviku hooldamist peatage alati toode. Olge ettevaatlik, lisatarvik võib jätkata liikumist pärast gaasihoova/toitelüliti vabastamist. Veenduge, et lisatarvik on täielikult peatunud. Kui teil on bensiinitoitega toode, võtke süütejuhtmed süüteküünla küljest

lahti. Kui teil on akutoitega toode, eemaldage aku.

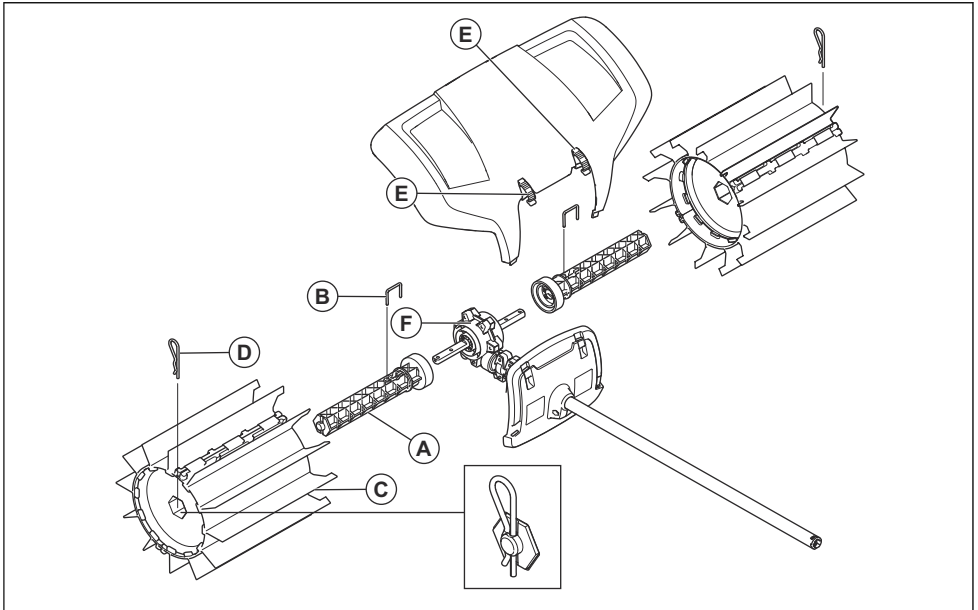
- Enne alustamist kontrollige kogu toodet. Vahetage välja kahjustatud osad.
- Veenduge, et kõik kaitsed ja katted on terved ja tugevasti kinnitatud. Kontrollige kõiki mutreid ja kruvisid.
- Kui teil on bensiinimootoriga toode, veenduge, et sellel poleks kütuselekkeid.

- Veenduge, et harjade trumlid on terved ja nendel pole pragusid ega muid kahjustusi.



Kokkupanek

Lisatarviku paigaldamine



1. Suruge üks trumli võlli (A) ühe reduktorist (F) väljuva veovõlli otsa. Vajaduse korral pöörake trumli võlli nii, et splindi ava ja veovõllil olev ava oleksid kohakuti.
2. Kinnitage juhrull splindi (B) abil.
3. Keerake üks harja trummel (C) paigaldatud võlli külge. Pikemate kummist lamellidega ots peab jääma reduktori poole. Suruge harja trummel sisse.
4. Kinnitage rull splindi (D) abil võlli külge. Suruge rulli otsa kinnitamisel veidi sissepoole.
5. Korrake neid samme võlli ja rulli paigaldamiseks teisele poole. Trumlid on identsed, kuid need tuleb paigaldada nii, et pikemad kummist lamellid jäävad reduktori poole.
6. Kinnitage pritsmekaitse klõpsklambrite (E) abil.

Märkus: Lisatarvikute paigaldamist põhitootele vaadake põhimasina kasutusjuhendist.

Töö

Külma mootoriga toote käivitamine

Kui teil on bensiinitoitega toode, järgige külma mootoriga toote käivitamisel neid juhiseid.

1. Laske põhitootel soojeneda ja seejärel lülitage toode välja.
2. Paigaldage lisatarvik vastavalt paigaldussuunistele.

3. Karburaatori reguleerimisel veenduge, et harjade trumlid on vastu maad ja läheduses ei viibi kedagi.
4. Veenduge, et harjade trumlid on tühikäigul.
5. Kontrollige, et käepidemed ja turvadetailid oleksid korras. Ärge kasutage toodet, kui sellel puudub mõni osa või midagi on muudetud, nii et see ei vasta enam tehnilistele näitajatele.

Lisatarviku kasutamine

Pühkija töötab kõige paremini, kui kummist lamellid saavad tööpinna libiseda või seda kloppida. Uued või asendatud harjade trumlid kipuvad kõvadel pindadel haakuma või lohisema ning tuleb seetõttu enne kasutamist põhjalikult sisse töötada. Seda saab teha lihtsalt, töötades tootega täisgaasil/-kiirusel 3–5 minutit lahtise kruusa või sarnase materjali peal. Pärast sissetöötamist suudab pühkija liigutada suuri materjali koguseid alates lumest või lompidest kuni raskemate materjalideni, nagu kruus või puulaastud. Aja jooksul saab pühkijaga töötamine teile selgeks, kuid ohutuseeskirju tuleb järgida algest peale.

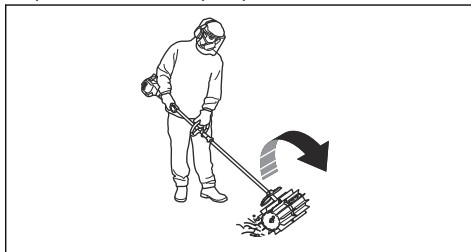
1. Laske pühkijal töötada täisgaasil (või peaaegu täisgaasil/-kiirusel), nii et kummist lamellid toetuvad maha.

Märkus: Töötamise ajal on kummist lamellide ülestõstmine või maast kõrgemal hoidmine väsitav ja ebavajalik.

2. Kitsaste pindade (nt teed) puhastamisel saab toodet kasutada nii, et see paiskab materjale ettepoole. Kui soovite töötada laiematel pindadel, võib olla vajalik töötada nurga all, et materjalid koguneksid ühele küljele. Kergete materjalide jäägid saab koguda ühte ritta või kuhja hilisemaks kõrvaldamiseks, samas võib kõvade ja kogukamate materjalide puhul olla vajalik mitmesse kuhja kogumine.

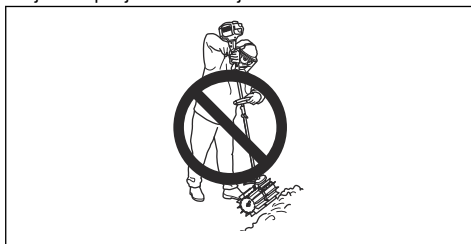


3. Nurkadele juurdepääsemiseks eemaldage pritsmekaitse, vabastage lisatarviku kinnitus ja pöörake lisatarvikut pool pöört.



HOIATUS: Seejärel paisatakse prahit tagasi kasutaja poole. Toote pöörlemissuuna muutmisel kasutage aeglasemat kiirust ning olge ettevaatlik, sest paiskuvate materjalide otsa võib kergesti komistada.

4. Säilitage pinnaga väike töötamisnurk. Liiga laia töötamisnurga korral kipub pühkija teie poole liikuma ja võib põhjustada toote juhitavuse kaotamist.



Hooldamine

Sissejuhatus

Allpool on toodud üldised hoolduseeskirjad. Täpsema teabe saamiseks pöörduge hooldustöökotta.

Lõikeosa hooldamine



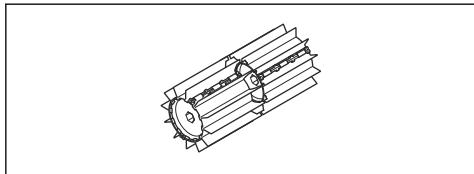
ETTEVAATUST: Pühkijaga tuleb töötada tihti tolmustes tingimustes. Kui teil on bensiniitoitega toode, on regulaarne (sageli igapäevane) õhufiltri hooldus ülilululine. Õhufiltrit tuleb õlitada, et see töötaks

korralikult. Hooldusjuhiseid lugege
toiteadme kasutusjuhendist.



HOIATUS: Masina kasutamisel muutub
ülekande korpus tuliseks. Ärge puudutage
ülekannet, sest see võib tekitada põletust.

1. Veenduge, et harjade trumlid ei liigu, kui gaasihoo/
toitelüliti lahti lastakse.



2. Veenduge, et harjade trumlid pole kahjustatud või
pragunenud. Vajaduse korral asendage harjade
trumlid.
3. Pikaajalisel hoiundamisel asetage hari rippuma.

Transportimine, hoiulepanek ja utiliseerimine

Transport ja hoiustamine

Kui transportite lisatarvikut teises sõidukis, kasutage
alati ettenähtud kinnituseadmeid ja veenduge, et
lisatarvik oleks kindlalt kinnitatud.

Enne pikemaajalist hoiustamist tuleb lisatarvik korralikult
puhastada ja hooldada.

Tehnilised andmed

Tehnilised andmed bensiinitoitete toodete kohta

Pühkimishari	
Harjatrulli laius, mm	590
Mass	
Kaal, kg	6,5
Müraemissioon⁴³	
Helivõimsuse tase, mõõdetud dB(A)	105
Helivõimsuse tase, garanteeritud L_{WA} dB(A)	109
Müratase⁴⁴	
Ekvivalentne mürarõhutase kasutaja kõrva juures, mõõdetud EN ISO 22868 järgi , dB(A):	97
Vibratsioonitasemed⁴⁵	

⁴³ Keskkonna müratasemed, mõõdetud helitugevusena (L_{WA}) vastavalt EÜ direktiivile 2000/14/ EC. Seadme antud müratase mõõdeti enim müra tekitava originaalsaagimisseadme kasutamisel. Erinevus garanteeritud ja mõõdetud helitugevuse taseme vahel seisneb selles, et direktiivi 2000/14/ EC alusel hõlmab garanteeritud helitugevus ka mõõtmistulemuste dispersiooni ja kõrvalekaldeid sama mudeli erinevate toodete vahel.

⁴⁴ Antud andmetel seadme helitugevuse taseme ekvivalenti kohta on statistiline tüüpeline 1 dB(A) (standardne kõrvalekalle).

⁴⁵ Ekvivalentse vibratsioonitaseme kohta toodud andmete tüüpiline statistiline dispersioon (standardhälve) on 1 m/s^2 .

Pühkimishari	
Ekvivalentsed vibratsioonitasemed ($a_{hv,eq}$) käepidemedel, mõõdetud vastavalt standardile , m/s^2	
Eesmised/tagumised käepidemed	4,4/5,1

Tehnilised andmed akutoitega toodete kohta

325iLK + pühkija lisatarvikSR600-2	
Harjatrumli laius, mm	590
Mass	
Kaal, kg	2,3+6,5
Müraemissioon⁴⁶	
Müravõimsustase, mõõdetud, dB(A)	93
Müratase⁴⁷	
Ekvivalentne mürarõhutase kasutaja kõrva juures, mõõdetud ISO 22868 järgi, dB(A):	82
Vibratsioonitasemed⁴⁸	
Käepidemete vibratsioonitasemed, mõõdetud EN 62841-1 järgi, m/s^2	
Eesmised/tagumised käepidemed	3,2/3,1

⁴⁶ Antud andmetel seadme helivõimsusetaseme ekvivalendi kohta on statistiline tüüplevi 3 dB(A) (standardne kõrvalekalle) ja on mõõdetud originaalse löikeosaga, mis annab kõrgeima taseme.

⁴⁷ Antud andmetel seadme helirõhutaseme ekvivalendi kohta on statistiline tüüplevi 3 dB(A) (standardne kõrvalekalle) ja on mõõdetud originaalse löikeosaga, mis annab kõrgeima taseme.

⁴⁸ Vibratsioonitaseme kohta toodud andmete tüüpiline statistiline dispersioon (standardhälve) on 2 m/s^2 . Akuga ja põlemismootoriga seadmete vibratsioonitasemete võrdlemiseks kasutatakse vibratsioonikalkulaatorit. <https://www.husqvarna.com/uk/services-solutions/vibration-calculator/>.

EÜ vastavusdeklaratsioon

EÜ vastavusdeklaratsioon bensiinitoitega toodetele

Husqvarna AB, SE-561 82 Huskvarna, Rootsi, tel: +46 36 146500, kinnitab, et pühkija **Husqvarna SR600-2**, lisatarvik seerianumbritega alates 2019 ja edasi (aastaarv ja sellele järgnev seerianumber on selgelt märgitud mudeli andmesildile) vastavad järgmise NÕUKOGU DIREKTIIVI nõuetele:

- **2006/42/EÜ** (17. mai 2006), masinadirektiiv;
- 8. juuni 2011. a., „teatud ohtlike ainete kasutamise piiramise kohta elektri- ja elektroonikaseadmetes” **2011/65/EL**.
- **2000/14/EÜ** (8. mai 2000), müradirektiiv;

Bensiinotoodetele kehtivad järgmised standardid.

SS-EN ISO 12100:2010, EN 50581:2012

Teavitatud asutus on teinud EÜ tüübikontrolli vastavalt masinadirektiivi (2006/42/EÜ) artikli 12 punktile 3b. EÜ tüübikontrolli sertifikaat, mis vastab lisale IV, on tähistatud järgmise numbriga: **SEC/15/2413 - Husqvarna SR600-2**

Huskvarna , 2019-06-24



Per Gustafsson, arendusdirektor (Husqvarna AB volitatud esindaja ja tehnilise dokumentatsiooni vastutav juht)

EÜ vastavusdeklaratsioon akutoitega toodetele

Husqvarna AB, SE-561 82 Huskvarna, Rootsi, tel: +46 36 146500, kinnitab, et pühkija, **Husqvarna SR600-2 lõikeosa toiteseadmega Husqvarna 325ILK** seerianumbritega alates 2019 ja edasi (aastaarv ja sellele järgnev seerianumber on selgelt märgitud mudeli andmesildile) vastavad järgmise NÕUKOGU DIREKTIIVI nõuetele:

- **2006/42/EÜ** (17. mai 2006), masinadirektiiv;
- 8. juuni 2011. a., „teatud ohtlike ainete kasutamise piiramise kohta elektri- ja elektroonikaseadmetes” **2011/65/EL**.

Akutoodetele kehtivad järgmised standardid.

EN 62841-1:2015, EN 50581:2012

RISE SMP Svenska Maskinprovning AB, Box 7035, SE-750 07 Uppsala, Rootsi teostas vabatahtlikult

Husqvarna AB nimel tüübikontrolli. Serdi number on **SEC/15/2413 - Husqvarna SR600-2**

Huskvarna , 2019-06-24



Per Gustafsson, arendusdirektor (Husqvarna AB volitatud esindaja ja tehnilise dokumentatsiooni vastutav juht)

Sisältö

Johdanto.....	78	Huolto.....	84
Turvallisuus.....	79	Kuljettaminen, säilyttäminen ja hävittäminen.....	84
Asentaminen.....	82	Tekniset tiedot.....	84
Käyttö.....	83	EY-vaatimustenmukaisuusvakuutus.....	86

Johdanto

Tuotekuvaus

Kehitämme jatkuvasti tuotteitamme ja pidätämme siksi itsellämme oikeuden muuttaa tuotteiden muotoa ja ulkonäköä ilman ennakkoilmoitusta.

Huomautus: Tässä käyttöohjeessa käsitellään sekä bensiini- että akkukäyttöisiä laitteita.

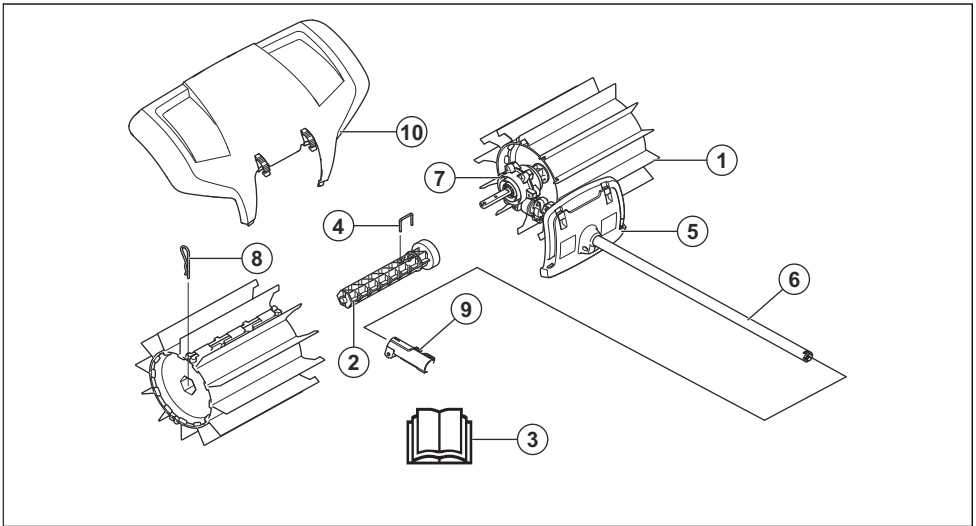
Käyttötarkoitus



VAROITUS: Tätä lisälaitetta saa käyttää vain sille tarkoitettussa laitteessa. Katso laitteen käyttöohjekirjan lisävarusteita käsittelevä luku.

Lisälaitte on tarkoitettu ainoastaan nurmikoiden, käytävien, asfalttiteiden ja vastaavien puhdistamiseen.

Lisälaitteen yleiskatsaus



1. Harjarumpu
2. Rummun akseli
3. Käyttöohje
4. Lukkotappi
5. Suojus (vetovarren suojaus)
6. Runkoputki
7. Vaihekotelo
8. Saksisokka
9. Runkoputken liitin (toimitetaan tuotteen mukana)
10. Roiskesuojaus

Lisälaitteen ja käyttöagregaatin symbolit



Tämän lisälaitteen huolimaton käyttö tai väärinkäyttö voi aiheuttaa käyttäjälle tai sivullisille vakavan tai hengenvaarallisen tapaturman.



Lue käyttöohje huolellisesti ja varmista, että ymmärrät sen sisällön, ennen kuin alat käyttää lisälaitetta.



Käytä hyväksytyjä kuulonsuojaimia. Käytä hyväksytyjä silmäsuojaimia. Käytä hengityssuojainta, jos on olemassa pölyvaara.



Tämä lisälaitte täyttää sovellettavien EY-direktiivien vaatimukset.



Pyöriviä osia. Pidä kädet ja jalat poissa niiden läheltä. Nuoli osoittaa pyörimissuunnan.



Käytä aina hyväksytyjä suojakäsineitä.



Käytä luistamattomia ja tukevia jalkineita.



Varo sinkoutuvia esineitä ja kimmokkeita.



Käyttäjän on varmistettava, että ihmiset ja eläimet ovat vähintään 15 metrin päässä laitteesta työn aikana. Kun useita lehtipuhaltimia käytetään samassa paikassa, on käyttäjien välisen turvaetäisyyden oltava vähintään 15 metriä. Lisälaitte voi singota rajulla voimalla esineitä, jotka voivat kimmota takaisin. Se voi johtaa vakaviin silmävammoihin, mikäli suositeltuja suojaimia ei käytetä.

Pysy vähintään 15 metrin etäisyydellä ihmisistä ja eläimistä laitteen käytön aikana.

Pidä kaikki kehon osat poissa kuumilta pinoilta.

Melupäästöt ympäristöön Euroopan yhteisön direktiivin mukaisesti. Lisälaitteen päästöt ilmoitetaan luvussa Tekniset tiedot ja arvokilvessä.

Huomautus: Muita lisälaitteen tunnuksia/tarroja tarvitaan tietyillä markkina-alueilla ilmaisemaan erityisiä sertifiointivaatimuksia.

Turvallisuus

Turvallisuusmääritelmät

Varoituksia, huomioita ja huomautuksia käytetään, kun jotakin käyttöohjeen osaa halutaan erityisesti korostaa.



VAROITUS: Tätä käytetään, jos käyttöohjeen noudattamatta jättämisestä voi seurata käyttäjän tai sivullisen vamma tai kuolema.



HUOMAUTUS: Tätä käytetään, jos käyttöohjeen noudattamatta jättämisestä voi seurata tuotteen ja/tai lisälaitteen, muiden materiaalien tai ympäristön vaurioituminen.

Huomautus: Tätä käytetään tietyissä tilanteissa tarvittavien lisätietojen antamiseen.

Yleiset turvaohjeet



VAROITUS: Lue seuraavat turvaohjeet ennen lisälaitteen käyttämistä.

- Lue käyttöohje huolellisesti ja varmista, että ymmärrät sen sisällön, ennen kuin alat käyttää lisälaitetta.
- Nämä ohjeet täydentävät laitteen mukana toimitettuja ohjeita. Katso muita toimenpiteitä koskevat ohjeet laitteen käyttöohjeista.
- Lisälaitteen rakennetta ei missään tapauksessa saa muuttaa ilman valmistajan lupaa. Älä käytä lisälaitetta, mikäli epäilet jonkun muun tehneen siihen muutoksia. Käytä aina alkuperäisiä lisävarusteita. Hyväksymättömien muutosten ja/tai lisävarusteiden käyttö voi aiheuttaa käyttäjälle tai muille vakavia vahinkoja tai kuoleman.

Turvallisuusohjeet käyttöä varten



VAROITUS: Lue seuraavat varoitusohjeet ennen laitteen käyttämistä.

- Moottori sammutetaan viemällä pysäytyskosketin pysäytysasentoon. Pysäytyskosketin palautuu automaattisesti käynnistysasentoon. Estä tahaton käynnistyminen, kun kokoat tai tarkastat laitetta ja/tai teet huoltotyötä. Jos laite on bensiinikäyttöinen, irrota sytytystulpan suojus sytytystulpasta. Jos laite on akkukäyttöinen, irrota akku.
- Varo sinkoutuvia esineitä. Pidä aina silmäsuojia. Älä kumarru harjarummun yläpuolelle. Kivet, roskat yms. saattavat sinkoutua silmiin ja aiheuttaa sokeutumisen tai vakavia vahinkoja.
- Vaihde voi olla kuuma käytön aikana ja jonkin aikaa sen jälkeen. Koskettaminen voi aiheuttaa palovamman.
- Harjarummut voivat pyöriä, kun lakaisulaite käynnistetään. Pidä laitteesta tukevasti kiinni, kun käynnistät sen.
- Vaikka harjarumpujen voima ei ole yhtä suuri kuin esimerkiksi ruohonleikkurin terien, niillä ei kannata työstää materiaaleja, jotka voivat sinkoutuessaan aiheuttaa henkilö- tai omaisuusvahinkoja.
- Älä käytä laitetta niin, ettei sinulla onnettomuustapauksessa ole mahdollisuutta kutsua apua.
- Käytä laitetta vain sille tarkoitettuihin töihin.
- Älä koskaan käytä laitetta, jos olet väsynyt, nauttinut alkoholia tai lääkkeitä, jotka voivat vaikuttaa näkökykyysi, harkintakykyysi tai kehosi hallintaan.
- Älä koskaan käytä laitetta äärimmäisissä ilmastolosuhteissa, kuten kovassa pakkasessa tai erittäin lämpimässä ja/tai kosteassa ilmastossa.
- Älä koskaan käytä viallista laitetta. Noudata tässä käyttöohjeessa annettuja turvallisuustarkastuksia, kunnossapitoa ja huoltoa koskevia ohjeita. Tietyt kunnossapito- ja huoltotyöt on annettava koulutettujen ja pätevien asiantuntijoiden tehtäviksi. Katso ohjeet kohdasta Kunnossapito.
- Älä koskaan anna lasten käyttää laitetta.
- Älä koskaan anna kenenkään käyttää tuotetta varmistamatta ensin, että käyttäjä on lukenut ja ymmärtänyt käyttöohjeen sisällön.
- Pidä asiaankuulumattomat etäällä. Lasten, eläinten, sivullisten ja apulaisten on pysyteltävä 15 metrin turvaetäisyydellä työskentelyn aikana. Sammuta laite välittömästi, jos joku tulee lähemmäs.
- Jos käytön jatkaminen tuntuu epävarmalta, kysy neuvoa asiantuntijalta. Käänny jälleenmyyjäsi tai huoltoliikkeesi puoleen.
- Älä tee mitään sellaista, mihin et katso taitosi riittävän.
- Tarkkaile aina varoitussignaaleja ja -huutoja kuulonsuojaimia käyttäessäsi. Riisu kuulonsuojaimet välittömästi moottorin pysäytyksen jälkeen.

- Tarkkaile ympäristöä ja varmista, ettei laite pääse osumaan ihmisiin tai eläimiin. Varmista myös, etteivät ihmiset tai eläimet pääse vaikuttamaan laitteen hallintaan.
- Älä käytä laitetta huonoissa sääolosuhteissa, kuten erittäin sumuisella tai sateisella säällä, kovalla tuulella tai erittäin kylmällä säällä. Käyttö huonoissa sääolosuhteissa on väsyttävää ja siihen liittyy usein riskitekijöitä, kuten jäinen alusta.
- Varmista, että voit siirtyä ja seisoa turvallisesti. Tarkista, onko äkilliselle siirtymiselle esteitä (juuria, kiviä, oksia, kuoppia, oja jne.). Ole erittäin varovainen työskennellessäsi viettävässä maastossa.



- Laitteen siirtämisen ajaksi on moottori sammutettava. Jos laite on bensiinikäyttöinen, irrota sytytystulpan suojus sytytystulpasta. Jos laite on akkukäyttöinen, irrota akku.
- Älä laske laitetta maahan moottorin käydessä, jos et pysty valvomaan sitä koko ajan.
- Pidä laitteesta aina molemmin käsin kiinni. Pidä laitetta kehon sivulla.
- Pidä kädet ja jalat etäällä harjasta, kun moottori on käynnissä.
- Kun tuote on sammutettu, pidä kädet ja jalat etäällä harjasta, kunnes se on täysin pysähtynyt.
- Jos laite alkaa täristä voimakkaasti, pysäytä laite. Jos laite on bensiinikäyttöinen, irrota sytytysjohto sytytystulpasta. Jos laite on akkukäyttöinen, irrota akku. Tarkista, onko laite vaurioitunut. Korjaa mahdolliset vauriot.

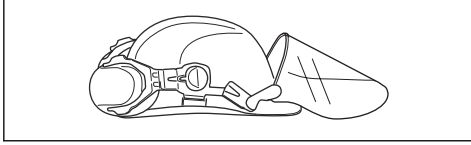
Henkilökohtainen suojavarustus



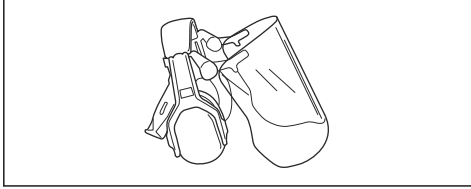
VAROITUS: Lue seuraavat varoitusohjeet ennen koneen käyttämistä.

- Käytä aina hyväksytyjä henkilökohtaisia suojavarusteita, kun käytät laitetta. Henkilökohtaiset suojavarusteet eivät poista tapaturmien vaaraa, mutta ne lieventävät vammoja onnettomuustilanteessa. Anna jälleenmyyjän auttaa oikeiden varusteiden valinnassa.

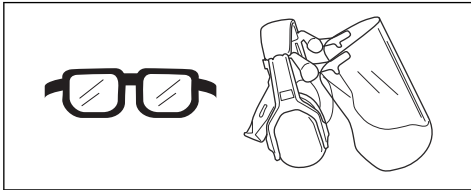
- Käytä suojakypärää paikoissa, joissa putoilevat esineet aiheuttavat vaaraa.



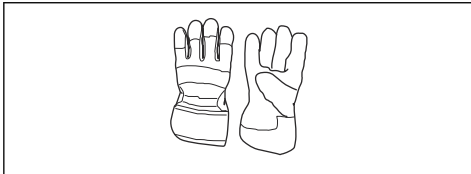
- Käytä riittävän tehokkaasti vaimentavia hyväksytyjä kuulonsuojaimia. Pitkäaikainen altistuminen melulle saattaa aiheuttaa pysyviä kuulovammoja.



- Käytä hyväksytyjä silmäsuojaimia. Visiiriä käytettäessä on käytettävä myös hyväksytyjä suojalaseja. Hyväksytyillä suojalaseilla tarkoitetaan laseja, jotka täyttävät standardin ANSI Z87.1 (Yhdysvallat) tai EN 166 (EU-maat) vaatimukset.



- Käytä käsineitä tarvittaessa esimerkiksi terävarustuksen asennuksen, tarkastuksen ja puhdistuksen aikana.



- Käytä turvajalkineita, joissa on teräskärjet ja luistamattomat pohjat.



- Käytä lujasta materiaalista valmistettuja vaatteita. Käytä aina vahvakankaisia pitkiä housuja ja pitkähihaista takkia. Vältä liian löysiä vaatteita, jotka

tarttuvat helposti rusuihin ja oksiiin. Älä pidä koruja, shortseja tai sandaaleja. Älä myöskään kulje paljain jaloin. Sido hiukset turvallisesti olkapäiden yläpuolelle.

- Pidä ensiaputarvikkeet helposti saatavilla.



Tuotteen turvalaitteet



VAROITUS: Lue seuraavat varoitusohjeet ennen koneen käyttämistä.

Tässä osassa kerrotaan laitteen turvaominaisuuksista ja niiden toiminnasta sekä annetaan tarkastus- ja kunnossapito-ohjeet, joilla varmistetaan laitteen toimivuus. Katso kohdasta *Lisälaitteen yleiskatsaus sivulla 78*, missä nämä laitteet koneessasi sijaitsevat.

Laitteen käyttöä voi lyhentyä ja onnettomuusvaara kasvaa, jos laitteen kunnossapitoa ei suoriteta oikein ja jos huoltoa ja/tai korjauksia ei tehdä ammattitaitoisesti. Saat lisätietoja lähimmästä huoltoliikkeestä.



VAROITUS: Älä koskaan käytä laitetta, jos sen turvalaitteet ovat viallisia. Laitteen turvavarustus on tarkastettava ja pidettävä kunnossa tässä osassa esitetyllä tavalla. Jos laitteessasi ilmenee tarkastettaessa puutteita, se on toimitettava huoltoliikkeeseen korjattavaksi.



HUOMAUTUS: Kaikki koneen huolto- ja korjaustyöt vaativat erikoiskoulutusta. Tämä koskee erityisesti laitteen turvavarustusta. Jos koneessa havaitaan puutteita alla luetelluissa tarkastuksissa, on sinun otettava yhteys huoltoliikkeeseen. Hankkimalla tuotteen meiltä varmistat, että saat sille ammattimaisen korjauksen ja huollon. Jos ostat koneen muusta kuin huollot suorittavasta ammattiliikkeestä, pyydä myyjää neuvomaan lähin huoltoliike.

Turvaohjeet huoltoa varten



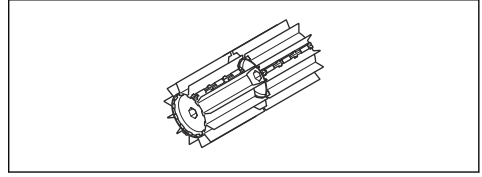
VAROITUS: Lue seuraavat varoitusohjeet ennen huoltoa.



VAROITUS: Pysäytä laite aina, ennen kuin alat käsitellä lisälaitetta. Ole varovainen, sillä lisälaitte voi jatkaa liikkumista kaasuu- / käyttöliipaisimen vapauttamisen jälkeen. Varmista, että lisälaitte on täysin pysähtynyt.

Jos laite on bensiinikäyttöinen, irrota sytytysjohdot sytytystulpasta. Jos laite on akkukäyttöinen, irrota akku.

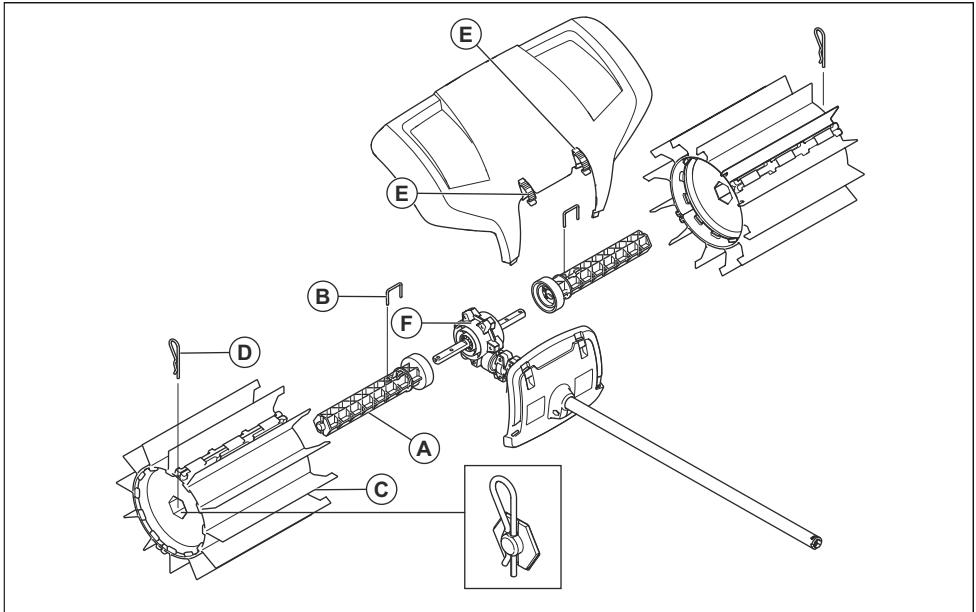
- Varmista, että harjarummut ovat ehjät ja että niissä ei ole halkeamia tai muita vaurioita.



- Tarkista laite kokonaisuudessaan ennen työn aloittamista. Vaihda vaurioituneet osat.
- Tarkista, että kaikki suojukset ja kannet ovat ehjät ja kunnolla paikoillaan. Tarkista kaikki mutterit ja ruuvit.
- Jos laite on bensiinikäyttöinen, varmista, ettei laitteesta vuoda polttoainetta.

Asentaminen

Lisälaitteen asennus



1. Paina toinen rummun akseli (A) kiinni toiseen vaihdekotelosta (F) lähtevään vetoakseliin. Pyöritä tarvittaessa rummun akselia niin, että tapin aukko osuu vetoakselin vastaavaan aukkoon kohdalle.
2. Kiinnitä rullan vetovarsi lukkotapilla (B).
3. Pujota harjarumpu (C) asennettuun akseliin. Päätty, josta kumilamellit työntyvät ulos, asennetaan lähimmäs vaihdekoteloa. Paina harjarumpu sisään.
4. Kiinnitä rulla vetovarteen hiusneulasokalla (D). Paina päättyosaa hieman asennuksen aikana.
5. Asenna toisen puolen akseli ja rulla toistamalla nämä vaiheet. Rummut ovat keskenään samanlaiset. Ne on asennettava niin, että päätty, josta kumilamellit työntyvät ulos, tulee lähimmäs vaihdekoteloa.
6. Kiinnitä roiskesuoja paikalleen napsauttavilla kiinnikkeillä (E).

Huomautus: Ohjeet lisävarusteiden asentamisesta laitteen vakiomalliin ovat vakiomallin käyttöoppaassa.

Käyttö

Laitteen käynnistäminen moottorin ollessa kylmä

Jos laite on bensiinikäyttöinen, noudata näytä ohjeita, kun käynnistät laitteen moottorin kylmänä.

1. Käytä laite lämpimäksi ja sammuta se.
2. Kiinnitä lisälaitte asennusohjeiden mukaisesti.
3. Kaasuttimen säädön yhteydessä on varmistettava, että harjarummut on tuettu maata vasten ja että alueella ei ole muita henkilöitä.
4. Varmista, että harjarummut käyvät joutokäyntinopeudella.
5. Varmista, että kahvat ja turvatoiminnot ovat kunnossa. Älä koskaan käytä laitetta, jos siitä puuttuu jokin osa tai sitä on muutettu määräysten vastaisesti.

Lisälaitteen käyttäminen

Lakaisulaite toimii parhaiten, kun kumilamellit liukuvat työstettävällä pinnalla. Uudet harjarummut jäävät usein kiinni koviin pintoihin tai toimivat hitaasti, minkä vuoksi ne on ajettava sisään perusteellisesti ennen käyttöä. Tämän voi tehdä helposti käyttämällä tuotetta täydellä kaasulla/nopeudella 3–5 minuutin ajan irtonaisessa sorassa tai vastaavassa hankaavassa materiaalissa. Sisäänajon jälkeen lakaisulaitteella voi liikuttaa suuria määriä materiaalia, kuten lunta ja savea, tai raskaampia esineitä, kuten soraa ja puukappaleita. Lakaisulaitteen käytön opetteluun kuluu aikaa, ja turvaohjeita on noudatettava alusta asti.

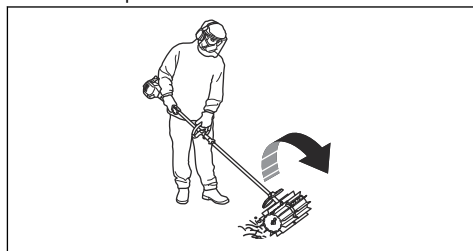
1. Käytä lakaisulaitetta täydellä (tai lähes täydellä) kaasulla/nopeudella, kumilamellit puhdistettavaa pintaa vasten.

Huomautus: Kumilamellien nostaminen irti pinnasta työskentelyn aikana on käyttäjälle raskasta ja tuloksen kannalta tarpeetonta.

2. Kun puhdistat kapeita pintoja, kuten polkuja, voit käyttää laitetta niin, että se sinkoaa materiaalin suoraan eteesi. Jos puhdistettava pinta on laajempi, työskentelykulma on ehkä valittava niin, että materiaalia kertyy pinnan toiseen reunaan. Keveyden materiaalin voi kerätä yhteen riviin tai pinnoon myöhempää poistoa varten. Kovemmat tai isokokoisemmat materiaalit on usein kerättävä useampaan pisteeseen.



3. Toimi nurkkien käsittelyä varten seuraavasti: irrota roiskesuojus, löysää lisälaitteen liitintä ja kierrä lisälaitetta puoli kierrosta.



VAROITUS: Roskat sinkoutuvat tällöin käyttäjää kohti. Kun peruutat laitteella, käytä pienempää nopeutta ja varo sinkoutuviin materiaaleihin kompastumista.

4. Pidä kone pienessä kulmassa työstettävään pintaan nähden. Jos työskentelykulma on liian suuri, lakaisulaite liikkuu sinua kohti ja saatat menettää laitteen hallinnan.



Huolto

Johdanto

Alla on annettu joitakin yleisiä hoito-ohjeita. Jos tarvitset lisäohjeita, ota yhteys huoltoliikkeeseen.

Lisälaitteen kunnossapito

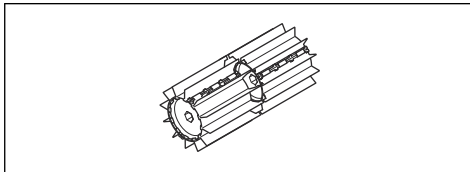


HUOMAUTUS: Lakaisulaitetta käytetään usein pölyisissä olosuhteissa. Jos laite on bensiinikäyttöinen, sen ilmansuodattimen huoltaminen on äärimmäisen tärkeää, ja huolto on usein tehtävä päivittäin. Ilmansuodattimen tyydyttävä toiminta edellyttää öljymistä. Katso huolto-ohjeet käyttöagregaatin käyttöoppaasta.



VAROITUS: Vaihde kuumenee konetta käytettäessä. Älä koske vaihteeseen, sillä se aiheuttaa palovammoja.

1. Varmista, että harjarummut eivät pyöri, kun kaasu-/käyttöliipaisin vapautetaan.



2. Tarkasta, ettei harjarummuissa ole vaurioita tai halkeamia. Vaihda harjarummut tarvittaessa.
3. Ripusta harja pitkien varastointijaksojen ajaksi.

Kuljettaminen, säilyttäminen ja hävittäminen

Kuljetus ja säilytys

Kuljetettaessa lisälaitetta toisessa ajoneuvossa on aina käytettävä hyväksytyjä kiinnityslaitteita ja varmistettava, että lisälaite on kiinnitetty kunnolla.

Varmista, että lisälaite on puhdistettu hyvin ja että täydellinen huolto on tehty ennen pitkäaikaissäilytystä.

Tekniset tiedot

Bensiinikäyttöisten laitteiden tekniset tiedot

Lakaisulaite	
Harjarummun leveys, mm	590
Paino	
Paino, kg	6,5
Melupäästöt⁴⁹	
Äänen tehotaso, mitattu dB(A)	105
Äänen tehotaso, taattu L _{WA} dB(A)	109
Äänitasot⁵⁰	

⁴⁹ Melupäästöt ympäristöön äänitehona (L_{WA}) EY-direktiivin 2000/14/ EC mukaisesti. Laitteen ilmoitettu äänentehotaso on mitattu käyttäen alkuperäistä terälaitetta, joka antaa suurimman äänentehotason. Taatun ja mitatun äänitehonerona on se, että taattu ääniteho sisältää myös mitatun tuloksen hajonnan ja vaihtelun saman mallin eri koneiden välillä direktiivin 2000/14/ EC mukaisesti.

⁵⁰ Ilmoitetuilla tiedoilla vastaavasta koneen äänenpainetasosta tyypillinen tilastollinen hajonta (vakiopoitkeama) on 1 dB(A).

Lakaisulaite	
Vastaava äänenpainetaso käyttäjän korvan tasalla mitattuna standardien EN ISO 22868 mukaan, dB(A):	97
Tärinä⁵¹	
Kahvojen vastaavat tärinätasot ($a_{hv,eq}$) mitattuna standardin mukaan, m/s^2 :	
Etu-/takakahvat	4,4/5,1

Akkukäyttöisten laitteiden tekniset tiedot

325ILK + harjalisälaite SR600-2	
Harjarummun leveys, mm	590
Paino	
Paino, kg	2,3 + 6,5
Melupäästöt⁵²	
Äänentehotaso, mitattu, dB(A)	93
Äänitasot⁵³	
Vastaava äänenpainetaso käyttäjän korvan tasalla mitattuna standardin ISO 22868 mukaan, dB(A):	82
Tärinä⁵⁴	
Kahvojen tärinätasot standardin EN 62841-1 mukaan mitattuna, m/s^2	
Etu-/takakahvat	3,2/3,1

⁵¹ Ilmoitetuilla tiedoilla vastaavasta tärinätasosta tyypillinen tilastollinen hajonta (vakiopoikkeama) on 1 m/s^2 .

⁵² Ilmoitetuilla tiedoilla koneen äänentehotasosta tyypillinen tilastollinen hajonta (vakiopoikkeama) on 3 dB(A). Taso on mitattu käyttäen alkuperäistä lisälaitetta, joka antaa suurimman äänentehotason.

⁵³ Ilmoitetuilla tiedoilla koneen äänenpainetasosta tyypillinen tilastollinen hajonta (vakiopoikkeama) on 3 dB(A). Taso on mitattu käyttäen alkuperäistä lisälaitetta, joka antaa suurimman äänentehotason.

⁵⁴ Tärinätasolle ilmoitetuissa tiedoissa tyypillinen tilastollinen hajonta (vakiopoikkeama) on 2 m/s^2 . Käytä akku- ja polttomootorikäyttöisten laitteiden tärinätasojen vertailussa tärinälaskuria. <https://www.husqvarna.com/uk/services-solutions/vibration-calculator/>.

EY-vaatimustenmukaisuusvakuutus

EY-vaatimustenmukaisuusvakuutus – bensiniikäyttöiset tuotteet

Husqvarna AB, SE-561 82 Huskvarna, Ruotsi, puh.:
+46-36-146500, vakuuttaa täten, että harjalisälaite

Husqvarna SR600-2 alkaen vuoden 2019
sarjanumeroista (vuosi on ilmoitettu arvokilvessä ennen
sarjanumeroa) on valmistettu noudattaen seuraavaa
NEUVOSTON DIREKTIIVIÄ:

- 17. toukokuuta 2006 annettu konedirektiivi
2006/42/EY
- 8. kesäkuuta 2011 annettu direktiivi tiettyjen
vaarallisten aineiden käytön rajoittamisesta sähkö- ja
elektroniikkalaitteissa, **2011/65/EU**.
- 8. toukokuuta 2000 annettu direktiivi **2000/14/EY**,
joka koskee melupäästöjä ympäristöön.

Seuraavia standardeja on sovellettu bensiniikäyttöisiin
tuotteisiin:

SS-EN ISO 12100:2010, EN 50581:2012

Ilmoitettu laitos on suorittanut EY-tyyppitarkastuksen
konedirektiivin (2006/42/EY) artiklan 12, kohdan 3b
mukaisesti. Liitteen IV mukaisesti suoritettun EY-
tyyppitarkastuksen sertifikaatin numero on: **SEC/
15/2413 - Husqvarna SR600-2**

Huskvarna , 2019-06-24



Per Gustafsson, kehityspäällikkö (Husqvarna AB:n
valtuutettu ja teknisestä dokumentaatiosta vastaava
edustaja)

EY-vaatimustenmukaisuusvakuutus – akkukäyttöiset tuotteet

Husqvarna AB, SE-561 82 Huskvarna, Ruotsi, puh.:
+46-36-146500, vakuuttaa täten, että harjalisälaite

**Husqvarna SR600-2 ja käyttöaggregaatti Husqvarna
3251LK** alkaen vuoden 2019 sarjanumeroista (vuosi on
ilmoitettu arvokilvessä ennen sarjanumeroa) on
valmistettu noudattaen seuraavaa NEUVOSTON
DIREKTIIVIÄ:

- 17. toukokuuta 2006 annettu konedirektiivi
2006/42/EY
- 8. kesäkuuta 2011 annettu direktiivi tiettyjen
vaarallisten aineiden käytön rajoittamisesta sähkö- ja
elektroniikkalaitteissa, **2011/65/EU**.

Seuraavia standardeja on sovellettu akkukäyttöisiin
tuotteisiin:

EN 62841-1:2015, EN 50581:2012

RISE SMP Svensk Maskinprovning AB, Box 7035,
SE-750 07 Uppsala, Ruotsi, on suorittanut Husqvarna
AB:lle vapaaehtoisen tyyppitarkastuksen. Todistus on
numeroitu: **SEC/15/2413 - Husqvarna SR600-2**

Huskvarna , 2019-06-24



Per Gustafsson, kehityspäällikkö (Husqvarna AB:n
valtuutettu ja teknisestä dokumentaatiosta vastaava
edustaja)

Sommaire

Introduction.....	87	Entretien.....	93
Sécurité.....	88	Transport, entreposage et mise au rebut.....	93
Montage.....	91	Caractéristiques techniques.....	94
Utilisation.....	92	Déclaration de conformité CE.....	96

Introduction

Description du produit

Nous travaillons continuellement au développement de nos produits et nous réservons le droit d'en modifier, entre autres, la conception et l'aspect sans préavis.

Remarque: Le présent manuel concerne à la fois les blocs d'alimentation fonctionnant à l'essence et ceux alimentés par batterie.

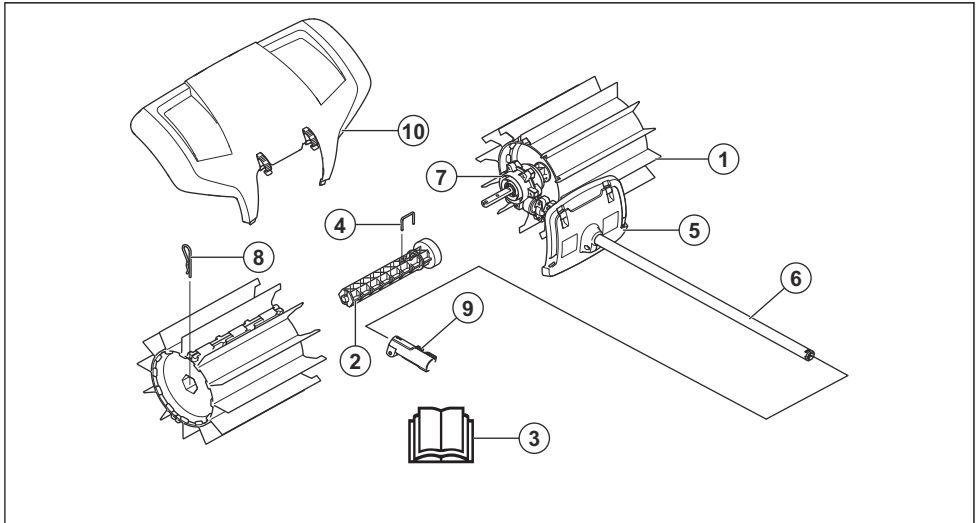
Utilisation prévue



AVERTISSEMENT: Cet accessoire ne peut être utilisé qu'avec le produit spécialement conçu à cet effet. Reportez-vous au chapitre sur l'accessoire du manuel d'utilisation du produit.

L'accessoire est conçu uniquement pour le balayage des pelouses, des allées, des routes goudronnées et voies similaires.

Présentation de l'accessoire



1. Brosse
2. Arbre du tambour
3. Manuel d'utilisation
4. Goupille d'arrêt
5. Protection (protection sur l'arbre)
6. Arbre
7. Carter
8. Goupille fendue
9. Accouplement d'arbre (inclus)

10. Protection anti-éclaboussures

Symboles sur l'accessoire et le bloc d'alimentation



Une utilisation erronée ou négligente de cet accessoire peut occasionner des blessures graves, voire mortelles, pour l'utilisateur ou d'autres personnes.



Avant d'utiliser l'accessoire, lisez attentivement le manuel de l'opérateur et assimilez les instructions qu'il contient.



Utilisez des protège-oreilles agréés. Utilisez des protections pour les yeux homologuées. Utilisez un masque respiratoire en cas de risque d'inhalation de poussière.



Cet accessoire est conforme aux directives CE en vigueur.



Pièces en rotation. Gardez les mains et les pieds éloignés. La flèche indique le sens de rotation.



Portez toujours des gants de protection homologués.



Utilisez des bottes antidérapantes et stables.



Attention : projections et ricochets.



L'utilisateur doit veiller à ce qu'aucune personne ou aucun animal ne se trouve à moins de 15 mètres. Lorsque plusieurs opérateurs partagent le même lieu de travail, la distance de sécurité doit être de 15 mètres au minimum. L'accessoire peut projeter violemment des objets pouvant ricocher. Ceci peut provoquer des blessures graves aux yeux si l'équipement de protection personnelle recommandé n'est pas utilisé.



Restez à une distance minimale de 15 m (50 pi) des personnes et des animaux pendant l'utilisation du produit.



Maintenez toutes les parties de votre corps à distance des surfaces chaudes et brûlantes.



Émissions sonores dans l'environnement selon la directive de la Communauté européenne. Les émissions de l'accessoire sont indiquées au chapitre Caractéristiques techniques et sur l'étiquette.

Remarque: Les autres symboles/autocollants présents sur l'accessoire concernent des exigences de certification spécifiques à certains marchés.

Sécurité

Définitions de sécurité

Des avertissements, des recommandations et des remarques sont utilisés pour souligner des parties spécialement importantes du manuel d'utilisation.



AVERTISSEMENT: Symbole utilisé en cas de risque de blessures ou de mort pour l'opérateur ou les personnes à proximité si les instructions du manuel ne sont pas respectées.



REMARQUE: Symbole utilisé en cas de risque de dommages pour le produit et/ou l'accessoire, d'autres matériaux ou les environs si les instructions du manuel ne sont pas respectées.

Remarque: Symbole utilisé pour donner des informations supplémentaires pour une situation donnée.

Instructions générales de sécurité



AVERTISSEMENT: Lisez les consignes de sécurité qui suivent avant d'utiliser l'accessoire.

- Lisez attentivement et assimilez le manuel d'utilisation avant d'utiliser l'accessoire.
- Ces consignes complètent les instructions fournies avec le produit. Pour d'autres procédures, veuillez vous reporter aux instructions d'utilisation du produit.
- Ne modifiez jamais l'accessoire sans l'autorisation du fabricant. N'utilisez pas un accessoire qui semble avoir été modifié par un tiers et utilisez toujours des accessoires d'origine. Des modifications non autorisées et l'emploi d'accessoires non homologués peuvent provoquer des accidents graves, voire mortels, à l'utilisateur ou d'autres personnes.

Instructions de sécurité pour le fonctionnement



AVERTISSEMENT: Lisez les instructions qui suivent avant d'utiliser le produit.

- L'interrupteur d'arrêt se remet automatiquement en position de démarrage. Veillez à éviter tout démarrage accidentel lors du montage, du contrôle et/ou de l'entretien. Si vous disposez d'un produit fonctionnant à l'essence, débranchez le capuchon de la bougie. Si vous disposez d'un produit alimenté par batterie, retirez la batterie.
- attention aux objets projetés. Travaillez toujours avec des lunettes de protection. Ne jamais se pencher par-dessus la brosse. Des cailloux, débris, etc. peuvent être projetés dans les yeux et causer des blessures très graves, voire la cécité.
- Après l'utilisation, l'engrenage peut être chaud pendant un moment. Risque de brûlures au contact.
- Les brosses peuvent tourner lorsque le balai est mis en marche. Tenez fermement le produit lors de la mise en marche.
- Bien que les brosses n'aient pas la même force que les lames d'une tondeuse, par exemple, vous devez éviter de travailler avec des matériaux qui peuvent causer des blessures personnelles ou des dégâts matériels en cas de projection.
- N'utilisez pas le produit s'il n'est pas possible d'appeler au secours en cas d'accident.
- Utilisez le produit uniquement pour les travaux auxquels il est destiné.
- N'utilisez jamais le produit en cas de fatigue, d'absorption d'alcool ou de prise de médicaments susceptibles d'affecter l'acuité visuelle, le jugement ou la maîtrise du corps.
- N'utilisez jamais le produit dans des conditions climatiques extrêmes telles qu'un froid intense ou un climat très chaud et/ou humide.
- N'utilisez jamais un produit qui n'est pas en parfait état de marche. Appliquez les instructions de maintenance et d'entretien ainsi que les contrôles de sécurité indiqués dans ce manuel d'utilisation. Certaines opérations de maintenance et d'entretien doivent être réalisées par un spécialiste dûment formé et qualifié. Voir les instructions à la section Maintenance.
- Ne laissez jamais un enfant utiliser le produit.
- Ne laissez jamais d'autres personnes utiliser le produit sans vous être assuré au préalable que ces personnes ont bien lu et compris le contenu du mode d'emploi.
- Maintenir à distance toutes les personnes non concernées par le travail. Les enfants, les animaux, les spectateurs et les collègues de travail devront se trouver en dehors de la zone de sécurité, soit à au moins 15 m lorsque vous travaillez. Arrêtez

immédiatement le produit si une personne s'approche.

- Dans l'éventualité d'une situation rendant la suite du travail incertaine, consultez un expert. Adressez-vous au revendeur ou à l'atelier de réparation.
- Évitez les tâches pour lesquelles vous ne vous sentez pas suffisamment qualifié.
- Restez attentif aux signaux d'alerte ou aux appels lorsque vous portez des protecteurs d'oreille. Enlevez toujours vos protège-oreilles dès que le moteur s'arrête.
- Assurez-vous que la zone de travail est bien dégagée et qu'aucune personne et aucun animal ne risquent d'entrer en contact avec l'équipement de coupe, ou d'altérer le contrôle que vous avez du produit.
- N'utilisez pas le produit par mauvais temps : brouillard épais, pluie diluvienne, vent violent, grand froid, etc. Travailler par mauvais temps est cause de fatigue et peut même être dangereux, par exemple en cas de sol glissant.
- Assurez-vous de pouvoir vous tenir et vous déplacer en toute sécurité. Repérez les éventuels obstacles autour de vous (souches, pierres, branchages, fondrières, etc.) en cas de déplacement imprévu. Soyez très prudent lorsque vous travaillez sur des terrains en pente.



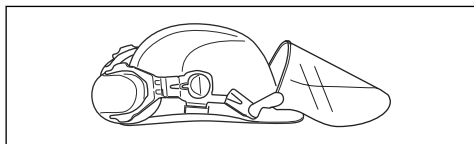
- Arrêtez le moteur avant de déplacer le produit. Si vous disposez d'un produit fonctionnant à l'essence, débranchez le capuchon de la bougie. Si vous disposez d'un produit alimenté par batterie, retirez la batterie.
- Ne posez pas le produit au sol lorsque le moteur est en marche, sauf si vous pouvez le surveiller.
- Tenez toujours la machine des deux mains. Tenez le produit sur le côté du corps.
- Veillez à ce que ni vos mains ni vos pieds ne soient en contact avec la brosse lorsque le moteur tourne.
- Après l'arrêt du produit, maintenez vos mains et vos pieds à distance de la brosse jusqu'à l'arrêt total de celle-ci.
- En présence d'importantes vibrations, arrêtez le produit. Si vous avez utilisé un produit fonctionnant à l'essence, débranchez le câble HT de la bougie. Si vous disposez d'un produit alimenté par batterie, retirez la batterie. Vérifiez si le produit est endommagé. Réparez tout éventuel dommage.

Équipement de protection individuelle

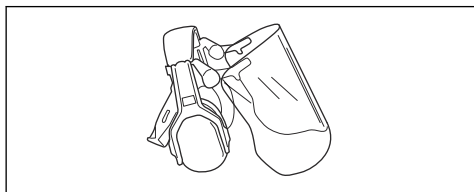


AVERTISSEMENT: Lisez les instructions qui suivent avant d'utiliser le produit.

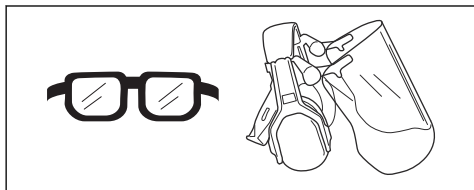
- Portez toujours un équipement de protection individuel homologué lorsque vous utilisez le produit. L'équipement de protection individuel ne protège pas complètement des blessures, mais il diminue la gravité des blessures en cas d'accident. Faites appel à votre revendeur pour vous aider à sélectionner l'équipement adéquat.
- Portez un casque de protection lorsqu'il y a un risque de chute d'objets.



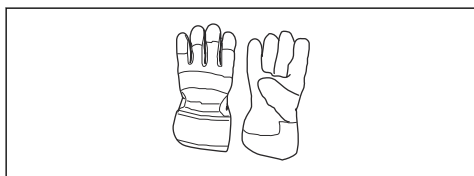
- Portez des protège-oreilles homologués ayant un effet atténuateur suffisant. Une exposition prolongée au bruit risque de causer des lésions auditives permanentes.



- Utilisez des protections pour les yeux homologuées. L'usage d'une visière doit toujours s'accompagner du port de lunettes de protection homologuées. Par lunettes de protection homologuées, on entend celles qui sont en conformité avec les normes ANSI Z87.1 (États-Unis) ou EN 166 (pays de l'UE).



- Portez des gants de protection en cas de besoin, par exemple lorsque vous fixez, examinez ou nettoyez l'équipement de coupe.



- Portez des bottes de protection avec coques de protection en acier et des semelles antidérapantes.



- Portez des vêtements fabriqués dans un matériau résistant. Portez toujours des pantalons longs, épais et des manches longues. Ne portez pas de vêtements amples qui risqueraient de se prendre dans les brindilles et les branches. Ne portez pas de bijoux, de shorts, de sandales et ne marchez pas pieds nus. Attachez vos cheveux de façon sécurisée au-dessus de vos épaules.
- Gardez toujours une trousse de premiers soins à portée de main.



Dispositifs de sécurité sur le produit



AVERTISSEMENT: Lisez les instructions qui suivent avant d'utiliser le produit.

Cette section présente les fonctions de sécurité, les instructions d'utilisation, de contrôle et d'entretien afin de garantir son bon fonctionnement. Consultez les instructions à la section *Présentation de l'accessoire à la page 87* pour savoir où se trouvent ces équipements sur votre produit.

La durée de vie du produit risque d'être écourtée et le risque d'accidents accru si la maintenance du produit n'est pas effectuée correctement et si les mesures d'entretien et/ou de réparation ne sont pas effectuées de manière professionnelle. Pour plus d'informations, contactez l'atelier de réparation du revendeur le plus proche.



AVERTISSEMENT: N'utilisez jamais une machine dont les équipements de sécurité sont défectueux. Contrôlez et entretenez les équipements de sécurité du produit conformément aux instructions données dans ce chapitre. Si les contrôles du produit ne donnent pas de résultat positif, contactez votre agent d'entretien pour le faire réparer.



REMARQUE: L'entretien et la réparation de la machine exigent une formation spéciale. Ceci concerne particulièrement l'équipement de sécurité de la machine. Si les contrôles suivants ne donnent pas un résultat positif, adressez-vous à un atelier spécialisé. L'achat de l'un de nos produits offre à l'acheteur la garantie d'un service et de réparations qualifiés. Si le point de vente n'assure pas ce service, s'adresser à l'atelier spécialisé le plus proche.

d'un produit fonctionnant à l'essence, débranchez les câbles HT de la bougie. Si vous disposez d'un produit alimenté par batterie, retirez la batterie.

Instructions de sécurité pour l'entretien

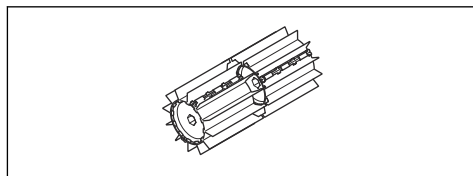


AVERTISSEMENT: Lisez les instructions qui suivent avant de procéder à l'entretien.



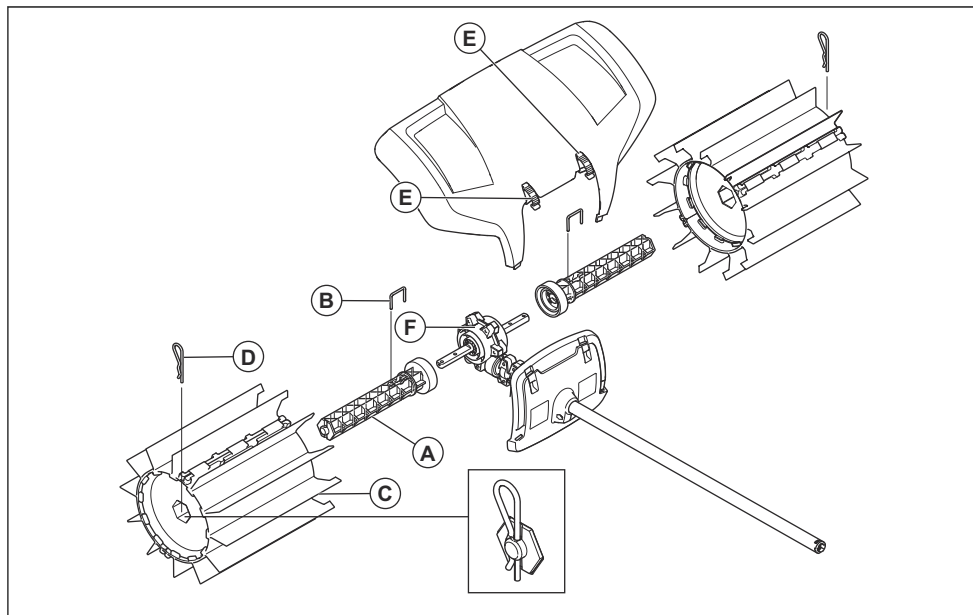
AVERTISSEMENT: Arrêtez toujours le produit avant d'effectuer l'entretien de l'accessoire. Attention, l'accessoire peut poursuivre son mouvement après que la gâchette d'accélération/de puissance a été relâchée. Assurez-vous que l'accessoire est complètement à l'arrêt. Si vous disposez

- Vérifiez intégralement l'appareil avant de commencer le travail. Remplacez les pièces endommagées.
- Vérifiez que tous les capots et caches de protection sont en place et solidement fixés. Contrôlez tous les écrous et boulons.
- Si vous avez un produit fonctionnant à l'essence, assurez-vous qu'il n'y a aucune fuite de carburant.
- Vérifiez que les brosses ne sont pas abîmées et ne présentent pas de signes de fissures ni d'autres dommages.



Montage

Pour monter l'accessoire



1. Pressez l'un des arbres du tambour (A) contre l'un des deux arbres d'entraînement de sortie du carter d'engrenage (F). Faites tourner l'arbre du tambour si nécessaire afin que le trou de goupille se place sur le trou correspondant dans l'arbre d'entraînement.
2. Fixez l'arbre du rouleau avec la goupille de blocage (B).
3. Placez l'une des brosses (C) sur l'arbre assemblé. L'extrémité avec les lamelles en caoutchouc étendues est assemblée au plus près du carter d'engrenage. Poussez la brosse.
4. Fixez le rouleau sur l'arbre à l'aide d'une goupille d'assemblage (D). Appuyez légèrement sur l'extrémité lors du montage.
5. Répétez ces étapes pour monter l'arbre et le rouleau de l'autre côté. Les tambours sont identiques mais doivent être assemblés de manière à ce que les lamelles en caoutchouc étendues soient vers le carter.
6. Montez le pare-boue avec les clips de fixation (E).

Remarque: Pour le montage des accessoires sur un produit de base, reportez-vous au manuel du produit de base.

Utilisation

Démarrage du produit lorsque le moteur est froid

Si votre produit fonctionne à l'essence, suivez ces instructions pour démarrer le produit lorsque le moteur est froid.

1. Faites chauffer le produit de base, puis arrêtez-le.
2. Montez l'accessoire conformément aux instructions de montage.
3. Lors de l'ajustement du carburateur, s'assurer que les brosses sont maintenues contre le sol et que personne ne se trouve à proximité.
4. S'assurer que les brosses tournent au ralenti.
5. Contrôler que la poignée et les dispositifs de sécurité sont en bon état. N'utilisez jamais un produit dont une pièce est manquante ou qui a été modifié contrairement aux spécifications.

Pour utiliser l'accessoire

Le balai fonctionne mieux lorsque les lamelles en caoutchouc peuvent glisser sur la surface de travail ou la « frotter ». Les brosses neuves ou remplacées ont tendance à se fixer ou à s'accrocher aux surfaces dures et doivent donc être « rodées » avant d'être utilisées. Pour cela, faites fonctionner le produit à plein régime pendant 3 à 5 minutes dans du gravier ou tout autre matériau abrasif similaire. Après avoir été rodé, le balai sera en mesure de déplacer de grandes quantités de matériau allant de la neige ou des flaques à des objets plus lourds, tels que du gravier ou des copeaux de bois. Avec le temps, vous serez familier avec le fonctionnement du balai mais vous devez respecter les consignes de sécurité dès le début.

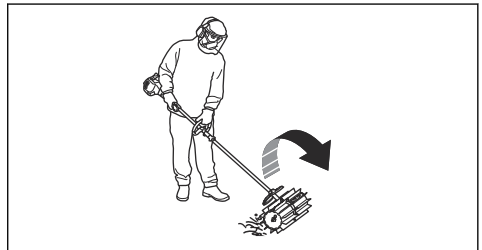
1. Faites tourner le balai à plein régime (ou presque) en faisant reposer les lamelles en caoutchouc sur la surface.

Remarque: Il est à la fois fatigant et inutile de soulever et de maintenir les lamelles en caoutchouc au-dessus de la surface pendant le travail.

2. Lors du nettoyage de surfaces étroites telles que les allées, le produit peut être utilisé de manière à déplacer les matériaux directement devant vous. Lors d'une utilisation sur des surfaces plus larges, il peut être nécessaire de travailler d'un certain angle pour que les piles s'accumulent d'un seul côté. Les piles composées de matériaux légers peuvent être ramassées en une seule rangée ou tas pour être retirées ultérieurement tandis que des matériaux durs ou plus volumineux devront être ramassés en plusieurs piles.



3. Afin d'accéder dans les coins, déposez le pare-boue, desserrez le raccord de l'accessoire et faites pivoter l'accessoire d'un demi-tour.





AVERTISSEMENT: Les déchets sont alors projetés vers l'utilisateur. Utiliser une vitesse inférieure lorsque le produit est retourné et faites attention à ne pas trébucher sur les matériaux projetés.

4. Maintenir un petit angle de travail par rapport à la surface. Un angle de travail trop grand signifie que le balai a tendance à se déplacer vers vous et que vous risquez de perdre le contrôle du produit.



Entretien

Introduction

Nous donnons ici quelques conseils d'entretien à caractère général. Pour plus d'informations, contacter l'atelier de réparation.

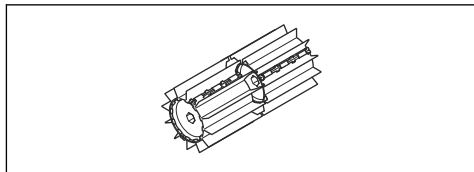
Entretien de l'accessoire



REMARQUE: Le balai est souvent utilisé dans des conditions poussiéreuses. Si vous disposez d'un produit fonctionnant à l'essence, il est extrêmement important d'effectuer l'entretien du filtre à air régulièrement, chaque jour en règle générale. Le filtre à air doit être huilé pour fonctionner de façon satisfaisante. Reportez-vous au manuel d'utilisation du bloc d'alimentation pour les instructions d'entretien.

toucher l'engrenage afin d'éviter les brûlures.

1. Assurez-vous que les brosses ne tournent pas une fois que la gâchette d'accélération/de puissance est relâchée.



2. Vérifiez que les brosses ne sont pas endommagées ou fissurées. Remplacez les brosses si nécessaire.
3. Suspendez la brosse lorsque vous la remisez pendant de longues périodes.



AVERTISSEMENT: Après l'utilisation de la machine, l'engrenage est chaud. Ne pas

Transport, entreposage et mise au rebut

Transport et rangement

En cas de transport de l'accessoire sur un autre véhicule, utilisez toujours des dispositifs d'arrimage approuvés et assurez-vous que l'accessoire est bien maintenu.

Avant de remiser l'accessoire pour une période prolongée, veillez à ce qu'il soit bien nettoyé et que toutes les mesures d'entretien aient été effectuées.

Caractéristiques techniques

Caractéristiques techniques pour produits fonctionnant à l'essence

Balai ramasseur de feuilles	
Largeur de la brosse, en mm	590
Poids	
Poids, kg	6,5
Émissions sonores⁵⁵	
Niveau de puissance sonore, mesuré dB(A)	105
Niveau de puissance acoustique, garanti L_{WA} dB(A)	109
Niveaux sonores⁵⁶	
Pression sonore équivalente au niveau des oreilles de l'opérateur, mesurée selon la norme EN ISO 22868, dB(A) :	97
Vibrations⁵⁷	
Niveaux de vibrations équivalents ($a_{hv,eq}$), mesurés au niveau des poignées selon la norme, en m/s^2	
Poignées avant/arrière	4,4/5,1

Caractéristiques techniques pour produits alimentés par batterie

325iLK + Accessoire balai SR600-2	
Largeur de la brosse, en mm	590
Poids	
Poids, kg	2,3+6,5
Émissions sonores⁵⁸	
Niveau de puissance sonore mesuré, dB(A)	93

⁵⁵ Les émissions sonores de l'environnement sont mesurées en puissance sonore (L_{WA}) conformément à la directive CE 2000/14/ EC. Le niveau de puissance sonore reporté pour la machine a été mesuré avec l'accessoire de coupe d'origine qui donne le niveau le plus élevé. Le niveau de puissance sonore garanti diffère du niveau mesuré en cela qu'il prend également en compte la dispersion et les variations d'une machine à l'autre du même modèle, conformément à la directive 2000/14/ EC.

⁵⁶ Les données reportées pour le niveau de pression sonore équivalent pour la machine montrent une dispersion statistique typique (déviat ion standard) de 1 dB (A).

⁵⁷ Les données reportées pour le niveau de vibrations équivalent montrent une dispersion statistique type (déviat ion standard) de 1 m/s^2 .

⁵⁸ Les données reportées pour le niveau de puissance sonore de la machine montrent une dispersion statistique typique (déviat ion standard) de 3 dB (A) et ont été mesurées avec l'accessoire d'origine qui donne le niveau le plus élevé.

325iLK + Accessoire balai SR600-2	
Niveaux sonores⁵⁹	
Pression sonore équivalente au niveau des oreilles de l'opérateur, mesurée selon la norme ISO 22868, dB(A) :	82
Vibrations⁶⁰	
Niveau de vibration au niveau des poignées mesuré selon la norme EN 62841-1 en m/s ²	
Poignées avant/arrière	3,2/3,1

⁵⁹ Les données reportées pour le niveau de pression acoustique de la machine ont une dispersion statistique typique (déviatoin standard) de 3 dB (A) et ont été mesurées avec l'équipement d'origine qui donne le niveau le plus élevé.

⁶⁰ Les données reportées pour le niveau de vibrations montrent une dispersion statistique typique (déviatoin standard) de 2 m/s². Pour comparer les niveaux de vibrations, la batterie et les produits de combustion utilisent le calculateur de vibrations. <https://www.husqvarna.com/fr/services-solutions/calculateur-de-vibrations/>.

Déclaration de conformité CE

Déclaration de conformité CE - pour les produits fonctionnant à l'essence

Nous, **Husqvarna AB**, SE-561 82 Huskvarna, Suède, tél. : +46-36-146500, déclare que le balai, **Husqvarna SR600-2**, accessoire à partir des numéros de série de l'année de fabrication 2019 et ultérieurement (l'année est clairement indiquée sur la plaque signalétique et suivie d'un numéro de série) est conforme aux dispositions de la DIRECTIVE DU CONSEIL :

- du 17 mai 2006 « relative aux machines » **2006/42/CE**
- du jeudi 8 juin 2011 « limitation de l'utilisation de certaines substances dangereuses au sein d'équipements électriques et électroniques » **2011/65/UE**
- du 8 mai 2000 « émissions sonores dans l'environnement » **2000/14/CE**.

Les normes suivantes ont été appliquées aux produits fonctionnant à l'essence :

SS-EN ISO 12100:2010, EN 50581:2012

L'organisme notifié a procédé à des tests de type CE conformément à l'article 12, paragraphe 3b de la directive machines (2006/42/CE). Le certificat d'examen de type CE selon l'annexe IV a le numéro : **SEC/15/2413 - Husqvarna SR600-2**

Huskvarna , 2019-06-24



Per Gustafsson, Directeur du développement
(Représentant autorisé d'Husqvarna AB et responsable de la documentation technique)

Déclaration de conformité CE - pour les produits alimentés sur batterie

Nous, **Husqvarna AB**, SE-561 82 Huskvarna, Suède, tél. : +46-36-146500, déclare que le balai, **Husqvarna SR600-2 avec bloc d'alimentation Husqvarna 325ILK** à partir des numéros de série de l'année de fabrication 2019 et ultérieurement (l'année est clairement indiquée sur la plaque signalétique et suivie d'un numéro de série) sont conformes aux dispositions de la DIRECTIVE DU CONSEIL :

- du 17 mai 2006 « relative aux machines » **2006/42/CE**
- du jeudi 8 juin 2011 « limitation de l'utilisation de certaines substances dangereuses au sein d'équipements électriques et électroniques » **2011/65/UE**

Les normes suivantes ont été appliquées aux produits à batterie :

EN 62841-1:2015, EN 50581:2012

RISE SMP Svensk Maskinprovning AB, Box 7035, SE-750 07 Uppsala, Suède, a procédé à des examens de type volontaire pour Husqvarna AB. Le certificat porte le numéro : **SEC/15/2413 - Husqvarna SR600-2**

Huskvarna , 2019-06-24



Per Gustafsson, Directeur du développement
(Représentant autorisé d'Husqvarna AB et responsable de la documentation technique)

TARTALOMJEGYZÉK

Bevezető.....	97	Karbantartás.....	103
Biztonság.....	98	Szállítás, tárolás és ártalmatlanítás.....	103
Összeszerelés.....	101	Műszaki adatok.....	103
Üzemeltetés.....	102	EK megfelelőségi nyilatkozat.....	106

Bevezető

Termékleírás

Folyamatosan fejlesztjük termékeinket, ezért fenntartjuk a jogot a termékek kialakításának és megjelenésének előzetes figyelmeztetés nélküli megváltoztatására.

Megjegyzés: A jelen kézikönyv a benzines és az akkumulátoros tápegységekre egyaránt vonatkozik.

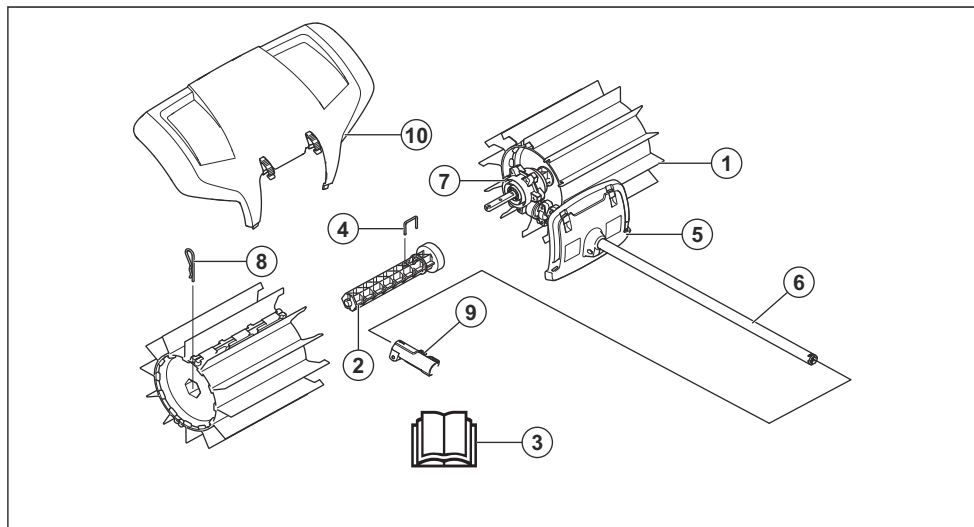
Rendeltetésszerű használat



FIGYELMEZTETÉS: Ez a tartozék csak a megadott termékkel együtt használható, lásd a tartozék fejezetet a termék használati utasításában.

A tartozék kizárólag pázsit, ösvények, aszfaltutak és hasonló felületek seprésére alkalmas.

A tartozék áttekintése



1. Kefedob
2. Dobtengely
3. Használati utasítás
4. Rögzítőcsap
5. Védőburkolat (nyélen elhelyezett védelem)
6. Nyél
7. Sebváltóház
8. Sasszeg
9. Nyélcsatlakozó (mellékelve a termékhez)
10. Freccsenésvédő

A tartozék és a tápegység szimbólumai



A tartozék nem körültekintő vagy helytelen használata a kezelő vagy más személyek súlyos vagy halálos sérülését okozhatja.



Olvassa el figyelmesen a használati utasítást, és győződjön meg róla, hogy megértette azt a tartozék használatba vétele előtt.



Használjon jóváhagyott fülvédőt. Használjon jóváhagyott védőszemüveget. Por veszélye esetén viseljen porvédő maszkot.



Ez a tartozék megfelel a vonatkozó EK irányelveknek.



Forgó alkatrészek. Tartsa kezét és lábát biztonságos távolságban. A nyíl a forgásirányt jelzi.



Használjon mindig megfelelő védőkesztyűt.



Használjon stabil, nem csúszós csizmát.



Legyen óvatos a kivetett és visszapattanó tárgyakkal.



A kezelő ügyeljen arra, hogy se ember, se állat ne jöjjön 15 m-nél közelebb. Ha ugyanazon a munkaterületen többen is dolgoznak, legalább 15 méteres biztonsági távolságot kell tartani. A tartozék nagy erővel fújhat ki tárgyakat, amelyek visszapattanhatnak. Ez a javasolt biztonsági felszerelés használatának mellőzése esetén súlyos szemsérülést okozhat.



A termék használata közben tartson legalább 15 méteres (50 láb) távolságot az emberektől és az állatoktól.



Minden testrészét tartsa távol a forró felületektől.



Az Európai Közösség irányelvének megfelelő környezeti zajkibocsátás. A tartozék kibocsátási adatai megtalálhatók a Műszaki adatok című fejezetben és a címkén.

Megjegyzés: A tartozékon szereplő többi jel/címke egyes piacok specifikus vizsgáztatási követelményeire vonatkozik.

Biztonság

Biztonsági meghatározások

A figyelmeztetések, óvintézkedések és megjegyzések a használati utasítás kiemelten fontos részeire hívják fel a figyelmet.



FIGYELMEZTETÉS: Akkor használatos, ha a kézikönyv utasításainak be nem tartása esetén fennáll a kezelő vagy a közelben tartózkodók sérülésének vagy halálának veszélye.



VIGYÁZAT: Akkor használatos, ha a kézikönyv utasításainak be nem tartása esetén fennáll a vagyoni kár, illetve a termék és/vagy a tartozék vagy a környező területen lévő anyagok károsodásának veszélye.

Megjegyzés: További információt biztosít az adott helyzetben szükséges tennivalókról.

Általános biztonsági utasítások



FIGYELMEZTETÉS: A tartozék használata előtt olvassa el a biztonsági utasításokat.

- Olvassa el figyelmesen a használati utasítást, és győződjön meg róla, hogy megértette azt a tartozék használatba vétele előtt.
- Ezek az utasítások a termékkel kapott utasítások kiegészítésül szolgálnak. A többi eljárást a termék használati utasításában találja meg.
- A tartozék kivitelezésén a gyártó cég engedélye nélkül semmilyen módosítást sem szabad végezni. Ne használjon olyan tartozékot, amelyet esetleg módosítottak, és mindig eredeti kiegészítőket használjon. Nem engedélyezett módosítások és/vagy pótalkatrészek komoly sérülésekhez vagy halálos balesetekhez vezethetnek.

Biztonsági utasítások az üzemeltetéshez



FIGYELMEZTETÉS: A termék használata előtt olvassa el az alábbi figyelmeztetéseket.

- A leállító kapcsoló automatikusan visszaáll indító pozícióba. Ügyeljen arra, hogy az összeszereléskor, ellenőrzéskor vagy karbantartáskor ne indítsa be véletlenül a terméket. Amennyiben benzines termékkel dolgozik, csatlakoztassa le a gyertyapipát a gyújtógyertyáról. Amennyiben a termék akkumulátoros, távolítsa el az akkumulátort.
- Vigyázzon a felcsapódó tárgyaktól. Mindig használjon szemvédőt. Soha ne hajoljon a kefedob felé. Kövek, szemét stb. kerülhetnek a szembe és vakságot illetve súlyos sérüléseket okozhatnak.
- A használat során és után a váltómű meleg lehet. Érintés esetén égési sérülés veszélye áll fenn.
- A kefedobok foroghatnak, amikor a seprőgépet elindítják. Tartsa erősen a terméket, amikor elindítja.
- Bár a kefedobok teljesítménye nem azonos például egy fűnyíró pengéivel, ne dolgozzon olyan anyagokkal, amelyek kivetődésük esetén személyi sérülést vagy anyagi károkat okozhatnak.
- Ne használja a terméket olyan körülmények között, amelyeknél baleset esetén nem lenne lehetősége segítséget hívni.
- Kizárólag a rendeltetésének megfelelően használja a terméket.
- Soha ne használja a terméket, ha fáradt, ha szeszszitalt fogyasztott, vagy ha olyan gyógyszert szed, amely befolyásolhatja a látását, az ítézőképességét vagy a koordinációs képességét.
- Ne használja a terméket szélsőséges időjárási körülmények között, például nagy hidegben illetve nagy melegben és/vagy párássá éghajlaton.
- Soha ne használjon olyan terméket, amely hibás. Végezze el az ebben a használati utasításban előírt ellenőrzési, karbantartási és szervizmunkákat. Bizonyos karbantartási és szervizmunkákat szakembernek kell végrehajtania. Lásd a Karbantartás című fejezetben leírtakat.
- Soha ne engedje, hogy a terméket gyermek használja.
- Soha ne engedje meg senkinek a termék használatát, amíg nem győződött meg arról, hogy az illető elolvasta és megértette a használati utasítás tartalmát.
- Tartsa az illetéktelen személyeket biztonságos távolságban. A gyermekek, állatok, nézelődők és segítők maradjanak a 15 m-es biztonsági zónán kívül. Ha valaki megközelíti Önt, azonnal állítsa le a terméket.
- Ha munka közben elbizonytalanodik a munka folytatását illetően, kérje szakember tanácsát. Forduljon kereskedőhöz vagy márkaszervizhez.

- Ne használja a gépet olyan feladatok elvégzésére, amelyekhez úgy véli, nem rendelkezik elegendő szakértelemmel.
- Amikor fűvédőt visel, mindig figyeljen a figyelmeztető jelzésekre és hangokra. A motor leállítása után azonnal vegye le a fűvédőket.
- Vizsgálja meg környezetét és győződjön meg róla, hogy sem ember, sem állat nem kerülhet kapcsolatba Önnel, illetve nem befolyásolhatja a termék feletti uralmát.
- Ne használja a terméket rossz időben, például sűrű ködben, erősen zuhogó esőben, erős szélben vagy nagy hidegben. A hideg időben végzett munka fárasztó, és gyakran kockázatokkal is jár (például jéges talaj).
- Gondoskodjon arról, hogy biztonságosan tudjon járni és állni. Nézzon körül és ellenőrizze lehetséges akadályokat (például gyökerek, kövek, gödrök, árkok, stb.) jelenlétét, arra az esetre, ha hirtelen el kellene mozdulnia. Legyen nagyon óvatos, amikor lejtős talajon dolgozik.



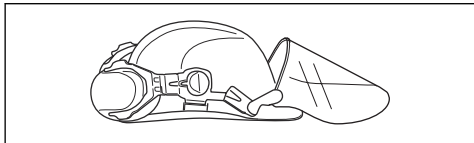
- Mielőtt a terméket másik helyre vinné át, állítsa le a motort. Amennyiben benzines termékkel dolgozik, csatlakoztassa le a gyertyapipát a gyújtógyertyáról. Amennyiben a termék akkumulátoros, távolítsa el az akkumulátort.
- Járó motorral soha ne tegye le a terméket, hacsak nem tudja szemmel tartani azt.
- Mindig két kézzel fogja a terméket. Tartsa a terméket az oldala mellett.
- Ügyeljen arra, hogy keze és lába ne érjen a keféhez, amikor a motor jár.
- Amikor a termék ki van kapcsolva, a kezeit és a lábait tartsa távol a keféktől, amíg a termék teljesen le nem áll.
- Ha erős rezgést észlel, azonnal állítsa le a terméket. Amennyiben benzines termékkel dolgozik, távolítsa el a HT vezetékét a gyújtógyertyából. Amennyiben a termék akkumulátoros, távolítsa el az akkumulátort. Ellenőrizze, hogy a termék sérülésmentes-e. Javítson ki minden sérülést.

Személyi védőfelszerelés

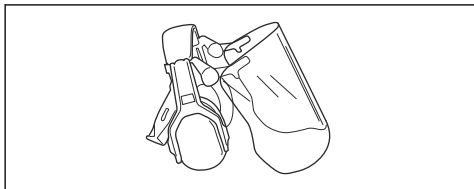


FIGYELMEZTETÉS: A termék használata előtt olvassa el az alábbi figyelmeztetéseket.

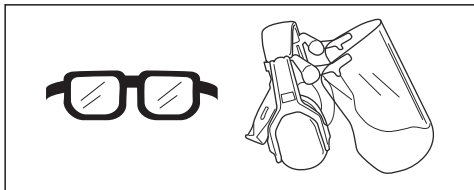
- A termék használata során viseljen jóváhagyott személyi védőfelszerelést. A személyi védőfelszerelés nem küszöböli ki teljes mértékben a sérülés kockázatát, de csökkenti a sérülés mértékét, ha bekövetkezik a baleset. A megfelelő felszerelés kiválasztásában kérje a kereskedő segítségét.
- Használjon védősisakot azokon a helyeken, ahol fennáll a veszélye annak, hogy tárgyak esnek a földre.



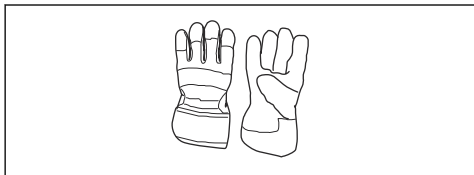
- Használjon elegendő hangtompító hatással rendelkező, jóváhagyott fülvédőt. Hosszú távon a tartós zajártalom maradandó halláskárosodást okozhat.



- Használjon jóváhagyott védőszemüveget. Ha arcvédőt használ, jóváhagyott védőszemüveget is kell viselnie. Jóváhagyott védőszemüvegek azok, amelyek megfelelnek az ANSI Z87.1 (USA) illetve EN 166 (EU-országok) szabványoknak.



- Ha szükséges, viseljen kesztyűt – például a vágóeszközt felhelyezésekor, ellenőrzésekor vagy tisztításakor.



- Használjon acéllemez lábujjvédős és csúszásgátlós védőbakancsot.



- Viseljen sűrű szövésű anyagból készült ruházatot. Vastag, hosszú nadrágot és hosszú ujjú felsőrészt viseljen. Ne viseljen bő ruházatot, mert az beakadhat a gallyakba és a bokrok ágaiba. Ne viseljen ékszereket, rövidnadrágot, szandált, illetve ne legyen mezítláb. Igazítsa haját vállmagasság fölé.
- Tartson elsősegélykészletet a közelben.



Biztonsági eszközök a terméken



FIGYELMEZTETÉS: A termék használata előtt olvassa el az alábbi figyelmeztetéseket.

Ez a fejezet a termék biztonsági funkcióit és rendeltetését, valamint a megfelelő üzemelést biztosító ellenőrzések és karbantartási műveletek elvégzésének módját ismerteti. A termék részegységeinek helyével kapcsolatban lásd a(z) *A tartozék áttekintése* 97. oldalon című fejezetben szereplő utasításokat.

A termék élettartama lecsökkenhet, a balesetveszély pedig megnövekedhet, ha a termék karbantartását nem megfelelően hajtják végre, illetve ha a szervizt és/vagy a javításokat nem szakszerűen végzik. Ha további információra van szüksége, vegye fel a kapcsolatot a legközelebbi szervizszolgáltatóval.



FIGYELMEZTETÉS: Soha ne használja a terméket hibás biztonsági felszerelésekkel. A termék biztonsági felszerelésének ellenőrzését és a karbantartási munkálatokat a jelen fejezetben leírtak szerint kell elvégezni. Ha az Ön terméke nem felel meg az alábbi vizsgálatok valamelyikénél, forduljon szervizműhelyéhez.



VIGYÁZAT: A gép szervizeléséhez és javításához speciális szakmai kiképzésre van szükség. Ez különösen érvényes a gép biztonsági felszerelésére. Ha az Ön gépe nem felel meg az alábbi vizsgálatok

valamelyikénél, akkor forduljon szervizműhelyéhez. Bármely termékünk megvásárlásakor garantáljuk a szakképzett javítást és szervizelést. Ha a gépet nem szervizműhellyel rendelkező szakkereskedőtől vásárolta, akkor kérje el tőle a legközelebbi szervizműhely címét.

váltsa le a HT vezetékeket a gyűjtőgyertyáról. Amennyiben a termék akkumulátoros, távolítsa el az akkumulátort.

Biztonsági utasítások a karbantartáshoz

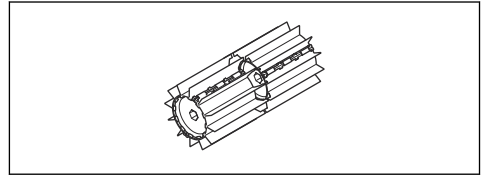


FIGYELMEZTETÉS: A terméken végzett karbantartási műveletek előtt olvassa el az alábbi figyelmeztetéseket.



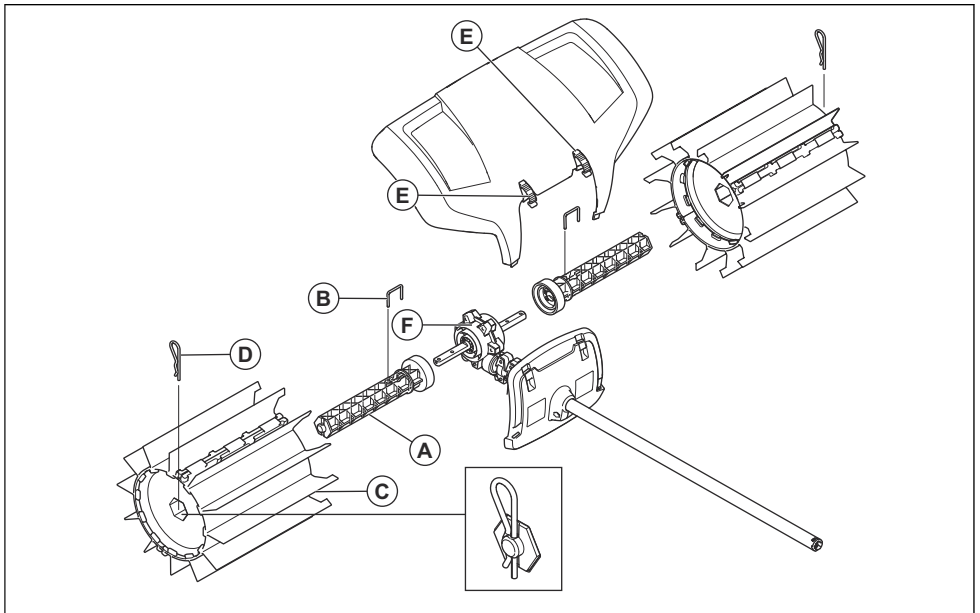
FIGYELMEZTETÉS: A tartozékon végzett munkálatok megkezdése előtt mindig állítsa le a terméket. Legyen óvatos: a tartozék a gázadagoló/kapcsológomb felengedése után még tovább járhat. Győződjön meg arról, hogy a tartozék teljesen leállt-e. Amennyiben benzines termékkel dolgozik,

- A munka megkezdése előtt ellenőrizze a teljes terméket. Cserélje a sérült alkatrészeket.
- Ellenőrizze, hogy minden védőburkolat és fedél a helyén van-e, és megfelelően van-e rögzítve. Húzza meg a csavarokat és az anyákat.
- Ha benzines terméket használ, ellenőrizze, hogy nem szivárog-e az üzemanyag.
- Ellenőrizze, hogy a kefedobok sérülésmentesek-e, és hogy vannak-e rajtuk repedések vagy egyéb sérülések.



Összeszerelés

A vágófelszerelés összeszerelése



1. Nyomja az egyik dobtengety (A) a váltóház (F) két kimenő hajtótengelyének egyikére. Szükség esetén forgassa a dob tengetyét, hogy a csaplyuk a hajtótengely megfelelő furata fölé kerüljön.
2. Rögzítse a görgő tengelyét rögzítőcsap (B) segítségével.

3. Csavarja rá az egyik kefedobot (C) a felszerelt tengelyre. A meghosszabbított gumilamellákkal ellátott vége kerüljön a legközelebb a váltóházhoz. Nyomja be a kefedobot.
4. Rögzítse a görgőt a tengelyre egy sasszeg segítségével (D). Összeszereléskor kissé nyomja be a végét.
5. Ismétlje meg ezeket a lépéseket a tengely és a görgő felszereléséhez az ellentétes oldalon is. A dobok egyformák, de a meghosszabbított gumilamelláknak a váltóházhoz kell kerülniük.

6. Szerelje fel a freccsenésvédőt a gyorskapcsok segítségével (E).

Megjegyzés: Az alaptermék tartozékainak összeszereléséhez lásd az alaptermék kézikönyvét.

Üzemeltetés

A termék hideg motorral való elindítása

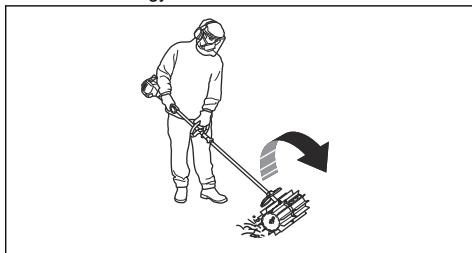
Benzines termék használata esetén a termék hideg motorral történő indításához kövesse az alábbi utasításokat.

1. Végezze el a termék alapvető bemelegítését, majd állítsa le a terméket.
2. A tartozékot az összeszerelési útmutatóban található utasítások szerint szerelje fel.
3. A porlasztó beállításakor a kefedobokat szorítsa a földre, és ügyeljen arra, hogy senki ne tartózkodjon a közelben.
4. Ügyeljen arra, hogy a kefedobok üresjáratban legyenek.
5. Győződjön meg róla, hogy a fogantyú és a biztonsági funkciók megfelelő üzemi állapotban vannak-e. Soha ne használja a gépet hiányzó, vagy a specifikációhoz képest módosított alkatrészekkel.

2. Olyan szűk felületek tisztításakor, mint például az ösvények, a termék úgy is használható, hogy a szemét a kezelő elé kerüljön. Ha szélesebb felületeken szeretne dolgozni, lehet, hogy bizonyos szögben kell a géppel dolgoznia, így az egyik oldalon kisebb csíkok képződnek. A könnyű anyagból álló csíkok egy sorba vagy halomba gyűjthetők és a későbbiek folyamán eltávolíthatók. A kemény vagy nagy kiterjedésű anyagokat viszont több csíkban kell összegyűjteni.



3. A sarkok eléréséhez távolítsa el a felverődésgátlót, lazítsa meg a tartozék kapcsolóelemét, és fordítsa el a tartozékot egy fél fordulattal.



A tartozék használata

A seprőgép akkor működik a leghatékonyabban, ha a gumilamellák végigcsúszhatnak a munkafelületen vagy végigsimíthatják azt. Az új vagy kicserélt kefedobok hajlamosak beragadni vagy sűrűlődni a kemény felületeken, ezért azokat használat előtt alaposan be kell járítani. Ez egyszerűen elvégezhető azáltal, hogy a terméket 3-5 percig működteti teljes gáz/sebesség mellett laza kavicsos vagy hasonló felületen. A bejáratást követően a seprőgép nagy mennyiségű anyagok mozgatására képes, legyen az hó, iszap, vagy akár nehezebb anyagok, mint a kavics vagy a faforgács. Idővel megtanulja majd, hogyan működik a seprőgép, de a biztonsági előírásokat kezdettől fogva szem előtt kell tartania.

1. Teljes (vagy közel teljes) gáz/sebesség mellett úgy működtesse a seprőgépet, hogy a gumilamellák a felületen maradjanak.

Megjegyzés: Nemcsak fűaszító, de szükségtelen is a gumilamellákat elemelni vagy a felület felett tartani a gép működése közben.



FIGYELMEZTETÉS: A szemetet ezután a gép a kezelő felé repítheti. Használjon alacsonyabb fordulatszámot, ha hátrafelé halad a termékkel, és ne feledje, hogy a szétrepülő anyagok miatt fokozottan fennáll a megbotlás veszélye.

4. Munka közben az eszközt a felülethez képest kis szögben tartsa. Túl nagy munkaszög esetén a seprőgép hajlamos a kezelő irányába mozdulni, ami a termék feletti uralom elvesztésének veszélyével járhat.



Karbantartás

Bevezető

Alább néhány általános karbantartási utasítást talál. További információkért forduljon az illetékes szakszervizhez.

A tartozék karbantartása



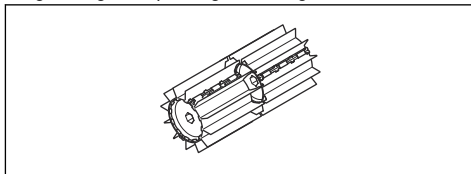
VIGYÁZAT: A seprőgépen végzett munkálatokra gyakran poros környezetben kerül sor. Benzines termék esetén rendkívül fontos a levegőszűrő rendszeres, gyakran naponta végzett karbantartása. A megfelelő működés érdekében a levegőszűrőt be kell olajozni. A karbantartási utasításokért tekintse át a tápegység használati utasításait.



FIGYELMEZTETÉS: A csapágyház a készülék használata közben felforrósodik.

Ne érjen a sebváltóházhoz, különben megégetheti magát.

1. Ellenőrizze, hogy nem forognak-e a kefedobok a gázadagoló/kapcsológomb elengedésekor.



2. Ellenőrizze, hogy nem sérültek vagy repedtek-e a kefedobok. Ha a kefedobok elhasználódtak, cserélje ki.
3. Ha hosszabb ideig nem használja a kését, felakasztva tárolja.

Szállítás, tárolás és ártalmatlanítás

Szállítás és tárolás

A vágófelszerelés szállítása esetén mindig jóváhagyott rögzítőberendezéseket használjon, és gondoskodjon a vágófelszerelés megfelelő rögzítéséről.

Mielőtt a vágófelszerelést hosszabb időre használaton kívül helyezné, tisztítsa meg alaposan, és végeztesse el teljes szervizét.

Műszaki adatok

A benzines termékekre vonatkozó műszaki adatok

Seprőgép	
Kefedob szélessége, mm	590
Tömeg	

Seprőgép	
Tömeg, kg	6,5
Zajkibocsátás⁶¹	
Hangteljesítményszint, mért dB (A) érték	105
Hangteljesítményszint, garantált, L_{WA} dB (A)	109
Zajszintek⁶²	
A kezelő hallószervére gyakorolt, EN ISO 22868 szerint mért hangnyomásszint, dB(A):	97
Rezgés⁶³	
A szerint mért ekvivalens rezgésszintek ($a_{hw,eq}$) a fogantyún, m/s^2	
Első/hátsó fogantyú	4,4/5,1

Az akkumulátoros termékekre vonatkozó műszaki adatok

325iLK+ seprőgép tartozék SR600-2	
Kefedob szélessége, mm	590
Tömeg	
Tömeg, kg	2,3+6,5
Zajkibocsátás⁶⁴	
Hangteljesítményszint, dB(A)-ben mérve	93
Zajszintek⁶⁵	
A kezelő hallószervére gyakorolt, ISO 22868 szerint mért hangnyomásszint, dB (A):	82
Rezgés⁶⁶	
Az EN 62841-1 szerint mért rezgésszintek a fogantyúban, m/s^2	

⁶¹ A környezet zajszennyezése hangteljesítményként (L_{WA}) mérve a 2000/14/ EC EK irányelvnek megfelelően. A gép jelentősben szereplő hangteljesítményszintjét a legmagasabb szintet produkáló eredeti vágófelszereléssel mérték. A garantált és a mért hangteljesítmény közötti különbségnek az az oka, hogy a garantált hangteljesítmény tartalmazza a mérési eredményben lévő ingadozást és az azonos modellű gépek közötti eltéréseket is a 2000/14/ EC jelű irányelv értelmében.

⁶² A gép ekvivalens hangnyomásszintjére vonatkozó jelentési adatok az 1 dB (A) tipikus statisztikus ingadozásával (szórásával) rendelkeznek.

⁶³ Az ekvivalens rezgésszintre vonatkozó jelentési adatok az 1 m/s^2 tipikus statisztikus ingadozásával (szórásával) rendelkeznek.

⁶⁴ A gép hangteljesítményszintjére vonatkozó jelentési adatok a 3 dB (A) tipikus statisztikus ingadozásával (szórásával) rendelkeznek. A hangteljesítményszint mérése a legmagasabb szintet produkáló eredeti felszereléssel történt.

⁶⁵ A gép hangnyomásszintjére vonatkozó jelentési adatok a 3 dB (A) tipikus statisztikus ingadozásával (szórásával) rendelkeznek. A hangnyomásszint mérése a legmagasabb szintet produkáló eredeti felszereléssel történt.

⁶⁶ A rezgésszintre vonatkozó jelentési adatok az 2 m/s^2 tipikus statisztikus ingadozásával (szórásával) rendelkeznek. A rezgésszintek, valamint az akkumulátorral, illetve az üzemanyaggal működő termékek összehasonlításához használja a rezgésterhelési kalkulátort. <https://www.husqvarna.com/uk/services-solutions/vibration-calculator/>.

325iLK+ seprőgép tartozék SR600-2

Első/hátsó fogantyú

3,2/3,1

EK megfeleléségi nyilatkozat

EK megfeleléségi nyilatkozat – benzines termékek

A **Husqvarna AB**, SE-561 82 Huskvarna, Svédország, tel: +46-36-146500, kijelenti, hogy azok a **Husqvarna SR600-2** seprőgép tartozékok, amelyek a 2019 évtől kezdve kaptak sorozatszámot (az év jól látható a típustáblán, a sorozatszám előtt), megfelelnek a következő TANÁCSI IRÁNYELVEKNEK:

- a 2006. május 17-i, „gépekre vonatkozó” **2006/42/EK** sz. irányelv
- a 2011. június 8-i, „az egyes veszélyes anyagok elektromos és elektronikus berendezésekben való alkalmazásának korlátozására” vonatkozó **2011/65/EU** sz. irányelv.
- a 2000. május 8-i, „környezeti zajkibocsátással kapcsolatos” irányelv **2000/14/EK**.

A benzines termékek esetében az alábbi szabványok kerültek alkalmazásra:

SS-EN ISO 12100:2010, EN 50581:2012

A bejelentett tanúsítási szervezet típusvizsgálatot végzett a gépekről szóló irányelv (2006/42/EK) 12. cikkének, 3b pontja szerint. Az EK típusú vizsgálatra vonatkozó tanúsítvány a IV. melléklettel összhangban a következő számot viseli: **SEC/15/2413 - Husqvarna SR600-2**

Huskvarna , 2019-06-24



Per Gustafsson, Fejlesztési Igazgató (A Husqvarna AB technikai dokumentációért felelős hivatalos képviselője)

EK megfeleléségi nyilatkozat – akkumulátoros termékek

A **Husqvarna AB**, SE-561 82 Huskvarna, Svédország, tel: +46-36-146500, kijelenti, hogy azok a **Husqvarna 325iLK tápegységgel rendelkező Husqvarna SR600-2 seprőgép tartozékok**, amelyek a 2019 évtől kezdve kaptak sorozatszámot (az év jól látható a típustáblán, a sorozatszám előtt), megfelelnek a következő TANÁCSI IRÁNYELVEKNEK:

- a 2006. május 17-i, „gépekre vonatkozó” **2006/42/EK** sz. irányelv
- a 2011. június 8-i, „az egyes veszélyes anyagok elektromos és elektronikus berendezésekben való alkalmazásának korlátozására” vonatkozó **2011/65/EU** sz. irányelv.

Az akkumulátoros termékek esetében az alábbi szabványok kerültek alkalmazásra:

EN 62841-1:2015, EN 50581:2012

A RISE SMP Svenska Maskinprovning AB, Box 7035, SE-750 07 Uppsala, Svédország végezte el az önkéntes típusvizsgálatot a Husqvarna AB megbízásából. A tanúsítvány száma: **SEC/15/2413 - Husqvarna SR600-2**

Huskvarna , 2019-06-24



Per Gustafsson, Fejlesztési Igazgató (A Husqvarna AB technikai dokumentációért felelős hivatalos képviselője)

TURINYS

Įvadas.....	107	Techninė priežiūra.....	113
Sauga.....	108	Transportavimas, saugojimas ir utilizavimas.....	113
Surinkimas.....	111	Techniniai duomenys.....	113
Naudojimas.....	112	EB atitikties deklaracija.....	115

Įvadas

Gaminio aprašas

Mes nuolat siekiame tobulinti savo gaminius, pasilikdami sau teisę keisti jų formą ir išvaizdą be išankstinio pranešimo.

Pasižymėkite: Šiame vadove apžvelgiami tiek benzininiai, tiek akumuliatoriniai gaminys.

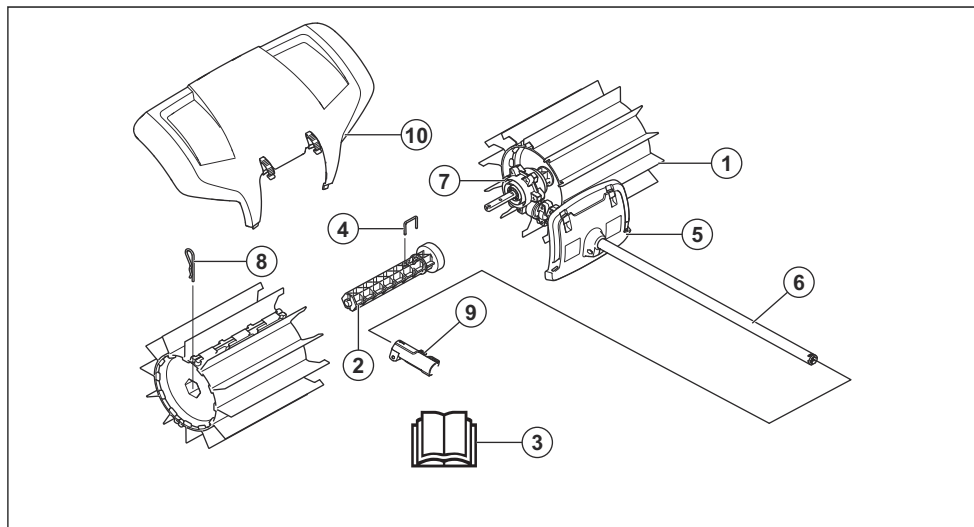
Naudojimas



PERSPĖJIMAS: Šį įtaisą galima naudoti tik su įrenginiu, kuriam jis yra skirtas. Žr. įrenginio operatoriaus vadovo skyrių apie įtaisą.

Priedas skirtas tik vejoms, takams, asfaltuotiems keliams ir pan. šluoti.

Priedo apžvalga.



1. Šepečio būgnas
2. Būgno ašis
3. Operatoriaus vadovas
4. Fiksavimo smeigė
5. Apsaugas (apsauga ant veleno)
6. Velenas
7. Pavaros korpusas
8. Išardomasis kaištis
9. Veleno mova (pateikiama kartu su gaminiu)
10. Purvasaugis

Simboliai ant įtaiso ir maitinimo bloko



Aplaidžiai ar netinkamai naudojant šį priedą gali būti sunkiai ar net mirtinai sužeistas naudotojas ar kiti žmonės.



Prieš naudodami priedą atidžiai perskaitykite naudojimo instrukciją ir įsitinkinkite, ar viską gerai supratote.



Naudokite patvirtintas apsaugines ausines. Naudokite patvirtintas akių apsaugos priemones. Jei yra tikimybė, kad gali atsirasti dulkių, naudokite respiratorių.



Šis įtaisas atitinka jam taikomas EB direktyvas.



Sukamosios dalys. Saugokite rankas ir kojas. Rodyklė nurodo sukimosi kryptį.



Visada mūvėkite patvirtintas apsaugines pirštines.



Avėkite tvirtus, neslystančius batus.



Saugokitės svaidomų ir rikošetu atšokusių daiktų.



Naudotojas turi stebėti, kad nei žmonės, nei gyvūnai neprisiartintų arčiau kaip 15 metrų atstumu. Jeigu toje pačioje vietoje dirba keli naudotojai, tarp jų reikia išlaikyti ne mažesnę kaip 15 metrų atstumą. Įtaisas gali stipriai išsviesti objektus, kurie gali atšokti atgal. ir sunkiai sužaloti akis, jeigu nenaudojate rekomenduojamos saugos įrangos.



Naudodami įrenginį laikykitės ne mažesniu kaip 15 m / 50 pėd. atstumu nuo žmonių ir gyvūnų.



Jokia kūno dalimi nesilieskite prie įkaitusių paviršių.



Į aplinką skleidžiamas triukšmas atitinka Europos Bendrijos direktyvą. Priedo skleidžiamo triukšmo duomenys nurodyti techninių duomenų skyriuje ir ant etiketės.

Pasižymėkite: Kiti ant priedo pateikti simboliai (lipdukai) skirti specialiems kai kurių rinkų sertifikavimo reikalavimams.

Sauga

Saugos ženklų reikšmės

Įspėjimai, perspėjimai ir pastabos yra skirtos atkreipti dėmesį į ypač svarbias naudotojo instrukcijos dalis.



PERSPĖJIMAS: Naudojamas, kai naudotojui ar šalia esantiems asmenims kyla mirtino arba sunkaus sužeidimo pavojus arba, jei nesilaikoma naudotojo instrukcijoje pateiktų nurodymų.



PASTABA: Naudojamas, kai kyla pavojus sugadinti gaminį ir (arba) priedą, kitas medžiagas arba padaryti žalą aplinkai, jei nesilaikoma naudotojo instrukcijoje pateiktų nurodymų.

Pasižymėkite: Naudojama pateikti daugiau, nei būtina esamoje situacijoje, informacijos.

Bendrieji saugos nurodymai



PERSPĖJIMAS: Prieš naudodami priedą, perskaitykite toliau esančius saugos nurodymus.

- Prieš naudodami priedą atidžiai perskaitykite naudojimo instrukciją ir įsitinkinkite, ar viską gerai supratote.
- Šios instrukcijos papildo gaminio instrukcijas. Informacijos apie kitas procedūras rasite savo gaminio naudojimo instrukcijoje.
- Be gamintojo leidimo jokių atveju negalima keisti originalios priedo konstrukcijos. Nenaudokite priedo, kurį galėjo modifikuoti kiti asmenys ir naudokite tik originalius priedus. Nesuderinti konstrukcijos pakeitimai bei nepritaikytos detalės gali sukelti rimtus kūno sužalojimus ir net mirtį.

Naudojimo saugos instrukcijos



PERSPĖJIMAS: Prieš naudodami gaminį, perskaitykite toliau esančius įspėjimus.

- „Stop“ rankenėlė automatiškai grįžta į „Start“ padėtį. Užtikrinkite, kad gaminys nebūtų netyčia įjungtas jį montuojant, tikrinant ir (arba) atliekant techninę priežiūrą. Jei turite benzinu varomą gaminį, nuo uždegimo žvakės nuimkite uždegimo žvakės antgalį. Jei turite akumuliatoriumi varomą gaminį, išimkite akumuliatorių.
- Saugokitės į orą pakeliamų daiktų. Visada užsidėkite akių apsaugos priemones. Niekada nesulenkite šepetio būgno. Akmenukai, šiukšlės ir pan. gali pataikyti į akis ir apakinti ar sunkiai jas sužaloti.
- Dirbant pavara įkaista ir paskui kurį laiką gali būti įkaitusi. Todėl nesilieskite, nes yra pavojus nusideginti.
- Paleidus šepetį, šepetio būgnai gali suktil. Užvesdami tvirtai laikykite gaminį.
- Nors šepetio būgnai neturi tokios jėgos, kaip vejapjovės peiliai, tačiau turėtumėte vengti daiktų, kurie išsviesti gali sužaloti ar apgadinti turta.
- Niekada nenaudokite gaminio, jei nelaimės atveju nebūtų kaip iškviesti pagalba.
- Įrenginį naudokite tik tiems tikslams, kuriems jis yra skirtas.
- Niekada nenaudokite gaminio, jei esate pavargę, jei vartojote alkoholį ar vaistus, kurie gali turėti įtakos jūsų regėjimui, nuovokai ar koordinacijai.
- Niekada nenaudokite gaminio ekstremaliomis klimatinėmis sąlygomis, pvz., esant dideliam šalčiui ar labai karštam ir/arba drėgnam klimatui.
- Niekada nenaudokite techniškai netvarkingo gaminio. Vykdykite šiame vadove nurodytas tikrinimo, techninės priežiūros ir remonto procedūras. Kai kuriuos techninės priežiūros darbus gali atlikti tik apmokytii ir kvalifikuoti specialistai. Žiūrėkite nurodymus, pateikiamus skyriuje „Techninė priežiūra“.
- Niekada neleiskite vaikams naudotis gaminiu.
- Niekuomet niekam neleiskite naudoti gaminio prieš tai neįsitikinę, kad jie perskaitė ir suprato naudojimo instrukcijoje pateiktus nurodymus.
- Neprisileiskite artyn pašalinių. Kai dirbate, vaikai, gyvuliai, stebėtojai ir padėjėjai turi būti nutolę 15 metrų atstumu. Kam nors priartėjęs, nedelsdami sustabdykite gaminį.
- Jei tam tokroje situacijoje nežinosite kaip pasielgti, teiraukitės specialisto. Kreipkitės į pardavėją ar aptarnavimo dirbtuves.
- Nedirbkite darbo, kurio nemokate ar jaučiatės nepakankamai kvalifikuotas.
- Jeigu dėvėte apsaugines ausines, būkite atidūs, kad išgirstumėte galimus įspėjamuosius signalus ar šūksnius. Išjungę variklį visada nusiimkite apsaugines ausines.

- Prieš užvesdami pjovimo įrangą, visada apsidairykite ir įsitikinkite, ar ji nepasieks kitų netoliese esančių žmonių ar gyvūnų.
- Nenaudokite gaminio blogu oru, pavyzdžiui, esant tirštam rūkui, smarkiai lyjant, pučiant stipriam vėjui, per didelius šalčius ir t. t. Dirbant per šalčius pavargstama ir dažnai atsiranda papildomų rizikų, pvz., apledėjusi žemė.
- Įsitikinkite, kad galite laisvai stovėti ir judėti. Patikrinkite, ar jūsų darbo vietoje nėra kliūčių, pavyzdžiui, išsikūsiusių medžių šaknų, akmenų, šakų, griovių, jei kartais tektų greitai pasitraukti. Būkite labai atsargūs dirbdami ant stačių šlaitų.



- Prieš perkeliant gaminį, būtina išjungti variklį. Jei turite benzinu varomą gaminį, nuo uždegimo žvakės nuimkite uždegimo žvakės antgalį. Jei turite akumuliatoriumi varomą gaminį, išimkite akumuliatorių.
- Neišjungę variklio nedėkite gaminio ant žemės, jei ji aiškiai nematote.
- Gaminį visada laikykite dviem rankom. Gaminį laikykite prie kūno.
- Įsitikinkite, ar veikiant varikliui, rankos ir kojos nėra šalia šepetio.
- Išjungę gaminį rankas ir kojas laikykite atokiau nuo šepetio, kol jis visiškai sustos.
- Jei pradeda labai vibruoti, gaminį sustabdykite. Jei turite benzinu varomą gaminį, nuo uždegimo žvakės atjunkite HT laidą. Jei turite akumuliatoriumi varomą gaminį, išimkite akumuliatorių. Patikrinkite, ar gaminys yra pažeistas. Suremontuokite pažeidimus.

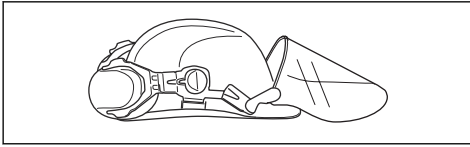
Asmeninės apsauginės priemonės



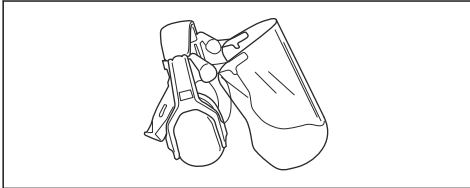
PERSPĖJIMAS: Prieš naudodami gaminį, perskaitykite toliau esančius įspėjimus.

- Naudodami įrenginį būtinai dėvėkite patvirtintas asmenines apsaugines priemones. Asmeninės apsauginės priemonės nepadės visiškai išvengti pavojaus susižeisti, tačiau nelaimingo atsitikimo atveju mažiau nukentėsite. Leiskite prekybos atstovui padėti pasirinkti tinkamą įrangą.

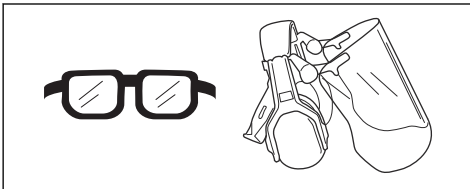
- Naudokite apsauginį šalmą ten, kur gali būti krentančių daiktų



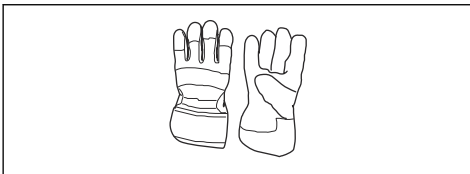
- Naudokite pakankamomis garso slopinimo savybėmis pasižyminčias patvirtintas apsaugines ausines. Ilgalaiskis triukšmo poveikis gali nesugrąžinamai pakenkti klausai.



- Naudokite patvirtintas akių apsaugos priemones. Jei naudojamas apsauginis skydelis, turi būti nešiojami ir patvirtinti apsauginiai akiniai. Patvirtinti apsauginiai akiniai yra tie, kurie atitinka JAV ANSI Z87.1 standartą arba ES EN 166 standartą.



- Kai būtina, pvz., montuojant, apžiūrint arba valant pjovimo įrangą, užsimauskite pirštines.



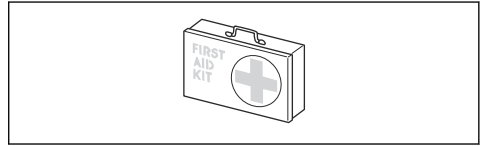
- Avėkite apsauginius batus su plieninėmis nosimis ir neslystančiais padais.



- Vilkėkite iš stiprios medžiagos pagamintus drabužius. Būtinai mūvėkite tvirtas, ilgas kelnes, vilkėkite aprangą ilgomis rankovėmis. Nevilkėkite

laisvų drabužių, kurie gali užkibti už krūmokšnių ir šakų. Nenešioti papuošalų, trumpų kelnų ar atvirų batų ir nevaikščiokite basomis. Saugiai susisiekite plaukus aukščiau pečių.

- Netoliese turi būti pirmosios pagalbos vaistinė.



Gaminio apsauginės priemonės



PERSPĖJIMAS: Prieš naudodami gaminį, perskaitykite toliau esančius įspėjimus.

Šiame skyriuje aprašytos gaminio saugos priemonės, jų paskirtis ir patarimai, kaip atlikti patikros ir priežiūros darbus, siekiant užtikrinti tinkamą gaminio veikimą. Žr. instrukcijas skyriuje *Priedo apžvalga, psl. 107* ir sužinokite, kokioje vietoje tos dalys yra gaminyje.

Gaminio tarnavimo laikas gali sutrumpėti, o nelaimingų atsitikimų pavojus gali padidėti, jei gaminys nebus tinkamai prižiūrimas, o aptarnavimas ir (arba) remonto darbai nebus atliekami profesionaliai. Prireikus daugiau informacijos, prašome kreiptis į artimiausią techninės priežiūros atstovą.



PERSPĖJIMAS: Niekada nenaudokite gaminio, kurio apsauginės dalys yra pažeistos. Gaminio saugos įrangą turi būti tikrinama ir prižiūrima taip, kaip yra aprašyta šiame skyrelyje. Jei gaminys neatitinka bet kurio iš šių kontrolinių reikalavimų, kreipkitės į savo techninės priežiūros atstovą dėl gaminio remonto.



PASTABA: Įrenginio techninė priežiūra ir taisymas reikalauja specialaus pasirengimo. Tai ypač susiję su įrenginio saugos įranga. Jei jūsų įrenginys neatitiks nors vieno iš žemiau pateiktų kontrolės reikalavimų, kreipkitės į sertifikuotą remonto dirbtuvę. Mes garantuojame profesionalų aptarnavimą ir priežiūrą. Jei įrenginio pardavėjas neatlieka aptarnavimo, paprašykite jo duoti artimiausios remonto dirbtuvės adresą.

Priežiūros saugos instrukcijos



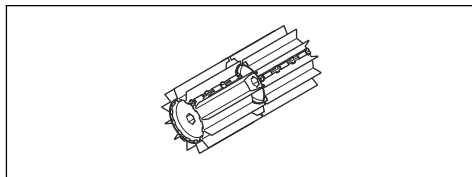
PERSPĖJIMAS: Prieš atlikdami techninę priežiūrą, perskaitykite toliau esančius įspėjimus.



PERSPĖJIMAS: Visada išjunkite gaminį prieš atlikdami priedo techninę priežiūrą. Būkite atsargūs, nes atleisus akceleratorių / maitinimo jungiklį priedas gali judėti toliau. Įsitinkinkite, kad priedas visiškai sustojo. Jei turite benzinu varomą gaminį, nuo uždegimo žvakės atjunkite HT laidus. Jei turite akumuliatoriumi varomą gaminį, išimkite akumuliatorių.

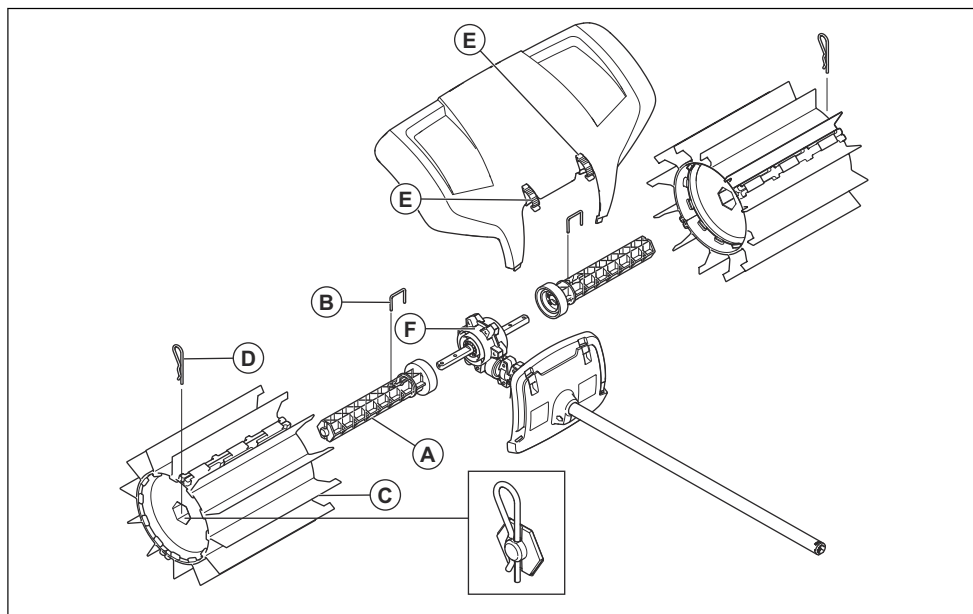
- Prieš pradėdami, patikrinkite visą gaminį. Pakeiskite pažeistas dalis.
- Patikrinkite, ar visi apsaugai ir gaubtai yra visi ir tvirtai pritvirtinti. Priveržkite visas veržles ir poveržles.

- Jei turite benzinu varomą gaminį, įsitinkinkite, kad nėra benzino nuotėkių.
- Įsitinkinkite, ar šepetio būgnai nėra pažeisti, įtrūkę ir neturi kitų defektų.



Surinkimas

Priedo montavimas



1. Užspauskite vieną būgno ašį (A) ant vienos iš dviejų varančiųjų velenų, kyšančių iš pavaros korpuso (F). Jei reikia, pasukite būgno ašį taip, kad kaiščio kiaurymė būtų virš atitinkamos kiaurymės, esančios varančiajame veleno.
2. Ritinio veleną užfiksavokite fiksavimo kaiščiu (B).
3. Užsukite vieną šepetio veleną (C) ant sumontuotos ašies. Galas su guminėmis plokštelėmis turi būti montuojamas arčiausiai pavaros korpuso. Įspauskite šepetio būgną.
4. Ritinį ant veleno pritvirtinkite pleištinio kaiščiu (D). Montuodami šiek tiek paspauskite galą.
5. Pakartokite šiuos veiksmus montuodami ašį ir ritinį priešingoje puseje. Būgnai yra identiški, bet juos reikia montuoti su ilgesnėmis guminėmis plokštelėmis, nukreiptomis į pavaros korpusą.
6. Spaustukais (E) pritvirtinkite apsaugą.

Pasižymėkite: Kaip ant bazinio gaminio sumontuoti priedus, žr. bazinio gaminio instrukcijoje.

Naudojimas

Norėdami paleisti šaltą variklį

Jei naudojate benzinu varomą gaminį, vadovaukitės šiomis instrukcijomis ir paleiskite šaltą variklį.

1. Užveskite bazinį gaminį ir leiskite padirbti, kol įšils, tada gaminį išjunkite.
2. Prijunkite priedą, kaip nurodyta surinkimo instrukcijose.
3. Reguluodami karbiuratorių, pasirūpinkite kad šepetčių būgnai būtų nuleisti ant žemės ir šalia nėra pašalinių asmenų.
4. Patikrinkite, ar šepetčio būgnai dirba tuščiaja eiga.
5. Įsitikinkite, ar rankena ir apsaugos funkcijos yra tvarkingos. Niekada nenaudokite gaminio, kuriam trūksta kokių nors dalių ar buvo pakeistos ne pagal specifikacijas.

Priedo naudojimas

Šepetys geriausiai šluoja, kai guminės plokštelės slysta arba braukia darbinio paviršiumi. Nauji ar pakeisti šepetio būgnai gali prilipti prie kieto paviršiaus, todėl juos prieš naudojimą reikia įdirbti. Tai atliekama paprastai, leidžiant gaminiumi dirbti visa galia / visu greičiu 3–5 minutes ant palaido žvyro ar panašios šlifuojančios medžiagos. Atlikus įdirbimą, šepetys galės šluoti didelius medžiagos kiekius, nuo sniego ar purvo, iki sunkesnių daiktų, pvz., žvyro ar medžio šakų. Laikui bėgant suprasite, kaip veikia šepetys, tačiau nuo pat pradžių turite laikytis atsargumo priemonių.

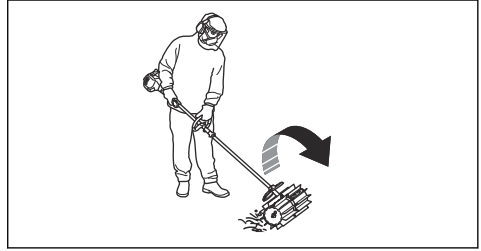
1. Kai guminės plokštelės remiasi į paviršius, šepetį paleiskite visa galia / visu greičiu (arba beveik visa galia / visu greičiu).

Pasižymėkite: Dirbant laikyti gumines plokšteles, pakeltas virš paviršiaus, yra sunku ir nebūtina.

2. Valydami siaurus paviršius, pvz., takus, gaminį galite naudoti taip, kad medžiagos būtų išmetamos tiesiai prieš jus. Jei norite dirbti ant platesnių paviršių, gali tekti dirbti tokiu kampu, kad vienoje pusėje susidarytų krūva. Krūveles, sudarytas iš lengvų medžiagų, galima surinkti į eilę ar didesnę krūvą ir vėliau surinkti, o kietas ar stambesnes medžiagas gali tekti surinkti į kelias krūvas.



3. Jei norite pasiekti kampus, nuimkite apsaugą nuo taškymo, atsukite priedo jungtį ir pasukite jį pusę apsisukimo.



PERSPĖJIMAS: Šiukšlės tuomet bus išmetamos link naudotojo. Gaminiumi judant atgal, nustatykite mažesnę greitį ir atminkite, kad lengva užvažiuoti ant išmetamų medžiagų.

4. Mažas darbo kampas turi būti paviršiuje. Per didelis darbo kampas reiškia, kad šepetys linkęs judėti link jūsų, todėl rizikuojate prarasti gaminio valdymą.



Techninė priežiūra

Įvadas

Toliau pateikiamos bendros priežiūros instrukcijos. Jei reikia daugiau informacijos, prašome kreiptis į techninio aptarnavimo dirbtuves.

Priedo techninė priežiūra

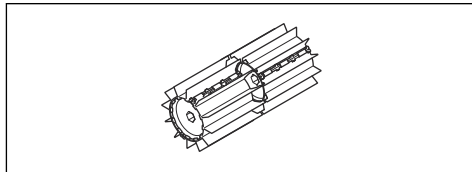


PASTABA: Su šepetėlių dažnai dirbama dulkelioje aplinkoje. Jei naudojate benzinu varomą gaminį, labai svarbu reguliariai (dažnai kasdien) atlikti oro filtro techninę priežiūrą. Kad veiktų patenkinamai, oro filtrą reikia sutepti. Techninės priežiūros instrukcijų ieškokite maitinimo bloko operatoriaus vadove.



PERSPĖJIMAS: Padirbus su įrenginiu, pavara įkaista. Neliaskite pavaros norėdami išvengti nudegimo žaizdų.

1. Įsitinkite, kad šepetėlio būgnai nesisuka atleidus akceleratorių / maitinimo jungiklį.



2. Patikrinkite, ar šepetėlio būgnai nėra pažeisti ar įtrūkę. Jei reikia, pakeiskite šepetėlio būgnus.
3. Ilgą laiką saugokite šepetį pakabinę.

Transportavimas, saugojimas ir utilizavimas

Pervežimas ir laikymas

Jei padargas transportuojamas kita transporto priemone, visada naudokite tvirtinimo įtaisus ir įsitinkite, kad padargas saugiai pritvirtintas.

Jei padargu nesiruošiate naudotis ilgesnį laiko tarpą, užtikrinkite, kad jis būtų gerai išvalytas ir atlikti visi techninės priežiūros darbai.

Techniniai duomenys

Benzinu varomų produktų techniniai duomenys

Šepetys	
Šepetėlio būgno plotis, mm	590
Svoris	
Svoris, kg	6,5
Skleidžiamas triukšmas⁶⁷	
Garso galios lygis, išmatuotas dB (A)	105
Garso galios lygis, garantuojamas L _{WA} dB (A)	109
Garso lygiai⁶⁸	

⁶⁷ Triukšmo emisija į aplinką išmatuota kaip garso stiprumas (L_{WA}) pagal EB direktyvą 2000/14/ EC. Pateiktas įrenginio garso stiprumo lygis buvo išmatuotas naudojant didžiausią garsą sukeltantį originalų pjovimo įtaisą. Skirtumas tarp garantuojamojo ir matuojamojo garso stiprumo yra tas, kad pagal Direktyvą 2000/14/ EC garantuojamasis garso stiprumas apima ir matavimo rezultatų sklaidą bei nukrypimus tarp skirtingų to paties modelio gaminių.

⁶⁸ Pateiktuose duomenyse apie ekvivalentinį įrenginio garso slėgio lygį yra 1 dB (A) tipiška statistinė sklaida (standartinis nuokrypis).

Šepetys	
Tolygus garso slėgis naudotojo ausiai lygis, matuojamas pagal EN ISO 22868 , dB (A):	97
Vibracija⁶⁹	
Ekvivalentiški rankenų vibracijos lygiai ($a_{hv,eq}$), išmatuoti pagal , m/s ²	
Priekinės / galinės rankenos	4,4/5,1

Akumulatoriumi varomų įrenginių techniniai duomenys

325ILK + šepetio priedas SR600-2	
Šepetio būgno plotis, mm	590
Svoris	
Svoris, kg	2,3/+6,5
Skleidžiamas triukšmas⁷⁰	
Išmatuotas garso galios lygis, dB (A)	93
Garso lygiai⁷¹	
Tolygus garso slėgio naudotojo ausiai lygis, matuojamas pagal ISO 22868, dB (A):	82
Vibracija⁷²	
Vibracijos lygis rankenose, išmatuotas pagal EN 62841-1, m/s ²	
Priekinės / galinės rankenos	3,2/3,1

⁶⁹ Pateiktuose atitinkamo vibracijos lygio duomenyse yra 1 m/s² tipiška statistinė sklaida (standartinis nuokrypis).

⁷⁰ Pateiktuose duomenyse apie įrenginio garso galios lygį nurodoma 3 dB (A) tipiška statistinė sklaida (standartinis nuokrypis) ir ji buvo išmatuota naudojant didžiausią garsą sukeltantį originalų priedą.

⁷¹ Pateiktuose duomenyse apie įrenginio garso slėgio lygį yra 3 dB (A) tipiška statistinė sklaida (standartinis nuokrypis). Ji buvo išmatuota naudojant originalų įtaisą, kuris generuoja aukščiausią lygį.

⁷² Pateiktuose vibracijos lygio duomenyse yra 2 m/s² tipiška statistinė sklaida (standartinis nuokrypis). Siekiant palyginti vibracijos lygius, akumulatoriniams ir vidaus degimo gaminiams naudojamas vibracijos skaičiuotuvai. <https://www.husqvarna.com/uk/services-solutions/vibration-calculator/>.

EB atitikties deklaracija

EB atitikties deklaracija – benzinu varomiems įrenginiams

„Husqvarna AB“, SE-561 82 Huskvarna, Švedija, tel. +46-36-146500, patvirtina, kad šepečio „Husqvarna SR600-2“ priedas, kurio serijos numeriai yra 2019 ir vėlesni (metai aiškiai nurodyti ant vardinių parametrų plokštelės, po jų – serijos numeris), atitinka šių TARYBOS DIREKTYVŲ reikalavimus:

- 2006 m. gegužės 17 d. direktyvos **2006/42/EB** dėl mašinų;
- 2011 m. birželio 8 d. Direktyvos **2011/65/ES** dėl tam tikrų pavojingų medžiagų naudojimo elektros ir elektroninėje įrangoje apribojimo.
- 2000 m. gegužės 8 d. direktyvos **2000/14/EB** dėl į aplinką skleidžiamo triukšmo.

Benzinu varomiems įrenginiams taikomi šie standartai:

SS-EN ISO 12100:2010, EN 50581:2012

Notifikuota institucija, laikydama Mašinų direktyvos (2006/42/EB) 12 straipsnio 3b skirsnio reikalavimų, atliko EB tipo patikrą. EB tipo patikros pagal IV priedą sertifikato numeris: **SEC/15/2413 - Husqvarna SR600-2**

Huskvarna, 2019-06-24



Per Gustafsson, plėtros vadovas (igaliotasis „Husqvarna AB“ atstovas, atsakingas už techninę dokumentaciją).

EB atitikties deklaracija – akumuliatoriumi varomiems įrenginiams

„Husqvarna AB“, SE-561 82 Huskvarna, Švedija, tel. +46-36-146500, patvirtina, kad šepečio „Husqvarna SR600-2“ priedas su maitinimo bloku „Husqvarna 325ILK“, kurio serijos numeriai yra 2019 ir vėlesni (metai aiškiai nurodyti ant vardinių parametrų plokštelės, po jų – serijos numeris), atitinka šių TARYBOS DIREKTYVŲ reikalavimus:

- 2006 m. gegužės 17 d. direktyvos **2006/42/EB** dėl mašinų;
- 2011 m. birželio 8 d. Direktyvos **2011/65/ES** dėl tam tikrų pavojingų medžiagų naudojimo elektros ir elektroninėje įrangoje apribojimo.

Akumuliatoriumi varomiems įrenginiams taikomi šie standartai:

EN 62841-1:2015, EN 50581:2012

RISE SMP Svensk Maskinprovning AB, Box 7035, SE-750 07 Uppsala, Švedija, atliko savanorišką tipo

kontrolę „Husqvarna AB“ prašymu. Sertifikatui suteiktas numeris: **SEC/15/2413 - Husqvarna SR600-2**

Huskvarna, 2019-06-24



Per Gustafsson, plėtros vadovas (igaliotasis „Husqvarna AB“ atstovas, atsakingas už techninę dokumentaciją).

Saturs

Ievads.....	116	Apkope.....	122
Drošība.....	117	Pārvadāšana, glabāšana un utilizēšana.....	122
Montāža.....	120	Tehniskie dati.....	122
Lietošana.....	121	EK atbilstības deklarācija.....	124

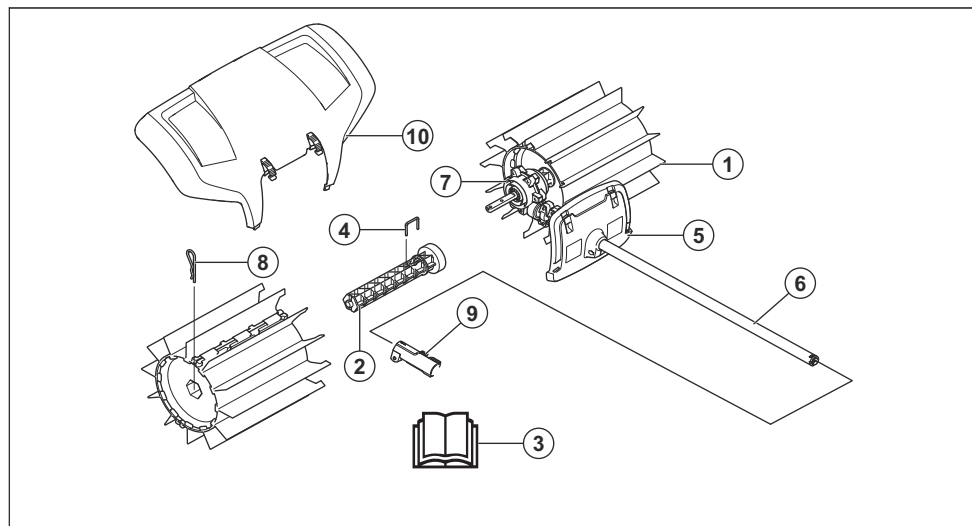
Ievads

Izstrādājuma apraksts

Mēs pastāvīgi strādājam, lai pilnveidotu savus izstrādājumus, un tāpēc paturam tiesības izdarīt izmaiņas, piemēram, izstrādājumu formai un izskatam bez iepriekšēja paziņojuma.

Piezīme: Šī rokasgrāmata attiecas gan uz instrumentiem, kas darbojas ar benzīnu, gan tiem, kas darbojas ar akumulatoru.

Pārskats par ierīci



1. Birstu veltnis
2. Veltņa ass
3. Lietotāja rokasgrāmata
4. Fiksācijas tapa
5. Aizsargs (aizsardzība uz kāta)
6. Kāts
7. Pārnesumkārbas (reduktora) karteris
8. Sazarojuma tapa
9. Vārpstas sakabe (iekļauta komplektācijā)
10. Šļakatu aizsargs

Paredzētā lietošana



BRĪDINĀJUMS: Šo ierīci drīkst izmantot tikai kopā ar paredzēto izstrādājumu, skatiet sadaļu par piederumiem izstrādājuma lietotāja rokasgrāmatā.

Ierīce ir paredzēta tikai zālāju, taku, asfaltētu virsmu un līdzīgu virsmu slaucīšanai.

Apzīmējumi uz piederuma un instrumenta



Pavirša vai nepareiza šīs ierīces lietošana var radīt bīstamas vai nāvējošas traumas lietotājam vai citām personām.



Rūpīgi izlasiet šo lietotāja rokasgrāmatu un pirms ierīces lietošanas pārlecinieties, vai izprotat norādījumus.



Izmantojiet apstiprinātus dzirdes aizsarglīdzekļus. Izmantojiet apstiprinātus acu aizsarglīdzekļus. Ja pastāv putekļu rašanās risks, izmantojiet elpošanas masku.



Šis piederums atbilst spēkā esošajām EK direktīvām.



Rotējošas daļas. Turiet rokas un kājas drošā attālumā. Bultiņa norāda rotēšanas virzienu.



Vienmēr lietojiet apstiprinātus aizsargcimdus.



Izmantojiet nesliedošus un stabilus zābakus.



Sargieties no mestiem un rikošetā atlecošiem priekšmetiem.



Lietotājam jāgādā, lai citi cilvēki vai dzīvnieki atrastos vismaz 15 metru attālumā no darba vietas. Ja vairāki ierīces lietotāji strādā vienā darba vietā, drošības attālumam ir jābūt ne mazākam par 15 metriem. Piederums ar lielu spēku var izmest priekšmetus, kas, atsitoties, var atļēkt atpakaļ. Nelietojot atbilstošu drošības aprīkojumu, tas var radīt smagas acu traumas.



Izstrādājuma lietošanas laikā ievērojiet minimālo attālumu — 15 m/50 pēdas — no cilvēkiem un dzīvniekiem.



Raugieties, lai ķermeņa daļas neatrastos karstu virsmu tuvumā.



Trokšņa emisijas līmenis atbilst Eiropas Kopienas direktīvai. Ierīces emisiju līmenis ir norādīts sadaļā "Tehniskie dati", kā arī uz marķējuma.

Piezīme: Pārējie uz ierīces norādītie simboli/norādes atbilst noteiktu valstu sertifikācijas prasībām.

Drošība

Drošības definīcijas

Brīdinājumi, norādes "Uzmanību!" un piezīmes tiek izmantotas, lai izceltu īpaši svarīgas lietotāja rokasgrāmatas daļas.



BRĪDINĀJUMS: Tiek izmantota tad, ja rokasgrāmatā sniegto instrukciju neievērošanas dēļ operatoram vai blakus esošajām personām draud trauma vai nāves risks.



IEVĒROJIET: Tiek izmantota tad, ja rokasgrāmatā sniegto instrukciju neievērošanas dēļ rodas izstrādājuma un/vai papildaprīkojuma, citu materiālu vai blakus esošās teritorijas bojājuma risks.

Piezīme: Tiek izmantota, lai sniegtu plašāku informāciju, kas nepieciešama attiecīgajā situācijā.

Vispārīgi norādījumi par drošību



BRĪDINĀJUMS: Pirms sākat lietot šo ierīci, izlasiet zemāk izklāstītās drošības instrukcijas.

- Rūpīgi izlasiet šo lietotāja rokasgrāmatu un pirms ierīces lietošanas pārlecinieties, vai izprotat norādījumus.
- Šīs instrukcijas ir izstrādājuma komplektācijā iekļauto instrukciju papildinājums. Sīkaku lietošanas informāciju skatiet ekspluatācijas instrukcijās.
- Nekādā gadījumā bez ražotāja atļaujas nedrīkst mainīt šīs ierīces konstrukciju. Nelietojiet ierīci, ko varētu būt pārveidojušas trešās puses, un obligāti izmantojiet oriģinālos piederumus. Neatļautas izmaiņas un/vai neatļauti piederumi var radīt smagas vai nāvējošas traumas izstrādājuma lietotājam un citiem.

Norādījumi par drošu darbu



BRĪDINĀJUMS: Pirms sākat lietot izstrādājumu, izlasiet tālāk izklāstītās brīdinājuma instrukcijas.

- Apturēšanas (Stop) slēdzis automātiski atgriežas iedarbināšanas pozīcijā. Veicot montāžu, pārbaudi un/vai apkopi, gādā, lai nenotiktu nejauša iedarbināšana. Ja izmantojat ar benzīnu darbināmu izstrādājumu, atvienojiet aizdedzes sveces uzgali no aizdedzes sveces. Ja izmantojat ar akumulatoru darbināmu izstrādājumu, noņemiet akumulatoru.
- Uzmaniēties no izviesiem objektiem. Vienmēr lietojiet acu aizsargus. Nedrīkst noliekties pār birstes veltni. Akmeņi, neīrūmi u.c. var tikt izviesti un trāpīt acīs un tādējādi izraisīt aklumu vai citas nopietnas traumas.
- Reduktors var sakarst darba laikā un neatzīst vēl kādu laiku arī pēc iekārtas izslēgšanas. Tam pieskaroties, var apdedzināties.
- Birstu veltni var griezties brīdī, kad tiek palaists slaucītājs. Iedarbinot izstrādājumu, turiet to stingri.
- Lai gan birstu veltniem nav tāda spēka kā plāvēja asmeņiem, ir jāizvairās no darba ar materiāliem, kas var tikt izviesti un radīt traumas vai bojājumus īpašumam.
- Nelietojiet izstrādājumu, ja nav iespējams pasaukt palīdzību nelaimes gadījumā.
- Izmantojiet izstrādājumu vienīgi tam, kam tas paredzēts.
- Nekādā gadījumā nelietojiet izstrādājumu, ja esat noguris, lietojis alkoholiskus dzērienus vai lietojat medikamentus, kas var ietekmēt redzi, reakciju, vai koordināciju.
- Nekādā gadījumā nelietojiet izstrādājumu ekstremālos laika apstākļos, piemēram, lielā salā vai ļoti karstā un/vai mitrā klimatā.
- Nekad nelietojiet bojātu izstrādājumu. Ievērojiet šajā rokasgrāmatā aprakstītās drošības pārbaudes, tehniskās apkopes un remonta instrukcijas. Dažus apkopes un remonta darbus drīkst veikt tikai apmācīti un kvalificēti speciālisti. Skatiet instrukcijas nodaļā Apkope.
- Nekad neļaujiet bērniem izmantot izstrādājumu.
- Nekad neļaujiet citām personām izmantot izstrādājumu, ja šīs personas nav izlasījušas un izpratušas lietotāja rokasgrāmatā sniegto informāciju.
- Nepiederošus turiet pa gabalu. Kamēr lietojat izstrādājumu, bērniem, dzīvniekiem, blakusstāvētājiem un paļiem jāatrodas drošā attālumā — ne tuvāk par 15 m. Ja kāds tuvojas, nekavējoties apturiet izstrādājumu.
- Ja nonākat situācijā, kurā jums nav skaidrs, kā rīkoties, lūdziet speciālista padomu. Sazinieties ar izplatītāju vai apkopes darbnīcu.
- Izvairieties no tādām lietošanas paņēmieniem, kuri jums nav pa spēkam.

- Lietojot dzirdes aizsarglīdzekļus, vienmēr uzmanīgi klausieties, lai sadzirdētu brīdinājumu signālus vai saucienus. Kad dzinējs/motors apstājas, vienmēr noņemiet dzirdes aizsarglīdzekļus.
- Pievērsiet uzmanību apkārtējai videi un pārliecinieties, vai cilvēki vai dzīvnieki nevar nokļūt izstrādājuma tuvumā vai ietekmēt jūsu kontroli pār izstrādājumu.
- Nelietojiet izstrādājumu nelabvēlīgos laika apstākļos, piemēram, biežā miglā, stiprā lietū, stiprā vējā, lielā aukstumā utt. Darbs sliktos laika apstākļos ir nogurdinošs un bieži vien ir saistīts ar palielinātu risku, piemēram, slidenas zemes dēļ.
- Pārliecinieties, vai varat droši staigāt un stāvēt. Pārbaudiet, vai jums apkārt nav kādu šķēršļu, kas varētu traucēt pēkšņu nepieciešamību pārvietoties (saknes, akmeņi, zari, bedres utt.). Ievērojiet īpašu piesardzību, strādājot nogāzēs.



- Pirms produkta pārvietošanas dzinējam/motoram ir jābūt izslēgtam. Ja izmantojat ar benzīnu darbināmu izstrādājumu, atvienojiet aizdedzes sveces uzgali no aizdedzes sveces. Ja izmantojat ar akumulatoru darbināmu izstrādājumu, noņemiet akumulatoru.
- Nelieciet zemē izstrādājumu ar ieslēgtu dzinēju/motoru, ja nevarat to uzraudzīt.
- Izstrādājumu vienmēr turiet ar abām rokām. Turiet izstrādājumu sev pie sāniem.
- Nodrošiniet, lai dzinēja/motora darbības laikā rokas un kāju pēdas nenonāktu saskarē ar birsti.
- Kad izstrādājums tiek izslēgts, turiet rokas un pēdas attālak no birstes, kamēr tā pilnībā apstājas.
- Ja sajūtat spēcīgu vibrāciju, izslēdziet izstrādājumu. Ja izmantojat ar benzīnu darbināmu izstrādājumu, atvienojiet HT vadu no aizdedzes sveces. Ja izmantojat ar akumulatoru darbināmu izstrādājumu, noņemiet akumulatoru. Pārbaudiet, vai izstrādājums nav bojāts. Salabojiet iespējamus bojājumus.

Individuālie aizsarglīdzekļi

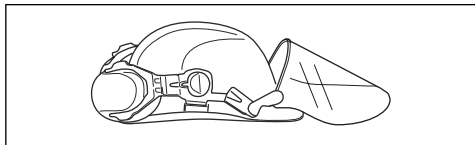


BRĪDINĀJUMS: Pirms sākat lietot izstrādājumu, izlasiet tālāk izklāstītās brīdinājuma instrukcijas.

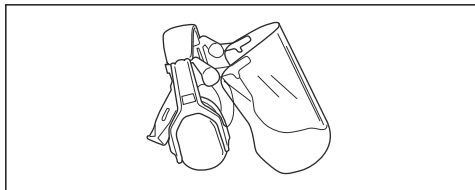
- Izmantojiet izstrādājumu, vienmēr lietojiet apstiprinātus individuālos aizsarglīdzekļus. Šādi līdzekļi nevar pilnībā novērst traumu gūšanas risku, taču samazina traumu smaguma pakāpi, ja

negadījums tomēr notiek. Ļaujiet izplatītajam palīdzēt jums izvēlēties pareizo aprīkojumu.

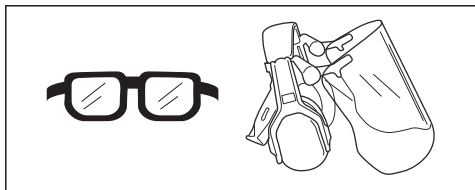
- Izmantojiet aizsargķiveri, ja pastāv kritošu priekšmetu draudi.



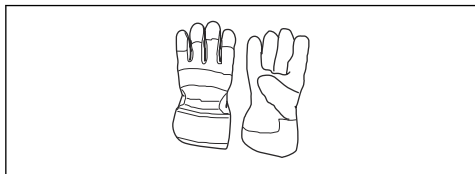
- Lietojiet tādus dzirdes aizsarglīdzekļus, kas nodrošina pietiekamu trokšņa slāpēšanu. Ilgstoša uzturēšanās troksnī var radīt būtiskus dzirdes bojājumus.



- Izmantojiet apstiprinātus acu aizsarglīdzekļus. Apstiprinātas aizsargbrilles ir jālieto arī tad, ja tiek izmantots sejsēgs. Apstiprinātas aizsargbrilles ir tādas, kas atbilst ASV standarta ANSI Z87.1 ASV vai standarta EN 166 prasībām ES valstīs.



- Vajadzības gadījumā izmantojiet cimdus, piemēram, piestiprinot, pārbaudot vai fīrot griešanas ierīci.



- Lietojiet aizsargapavus ar tērauda purngaliem un neslīdošām zolēm.



- Lietojiet izturīga auduma apģērbu. Vienmēr valkājiet biezas, garas bikses un apģērbu ar garām piedurknēm. Nevalkājiet vaļīgu apģērbu, kas viegli var iekerties krūmos un zaros. Nenēsājirotaslietas, nevelciet šortus, sandales un nestrādājirot basām kājām. Sakārtojiet matus droši virs pleciem.
- Gādājirot, lai tuvumā būtu pirmās palīdzības piederumi.



Izstrādājuma drošības ierīces



BRĪDINĀJUMS: Pirms sākat lietot izstrādājumu, izlasiet tālāk izklāstītās brīdinājuma instrukcijas.

Šajā sadaļā ir izskaidrota izstrādājuma drošības aprīkojuma nozīme, tā mērķis un veidi, kā tiek veikta tā pārbaude un apkope, lai garantētu drošības aprīkojuma pareizu darbību. Lai noskaidrotu, kurā izstrādājuma vietā atrodas šīs daļas, skatiet norādījumus sadaļā *Pārskats par ierīci lpp. 116*.

Šī izstrādājuma darbmūžs var saīsināties un var palielināties nelaimes gadījumu risks, ja izstrādājuma apkope netiek veikta pareizi un ja apkope un/vai remonts netiek veikts profesionāli. Ja nepieciešama papildu informācija, lūdzu, sazinieties ar tuvāko izplatītāju, kas nodrošina apkopi.



BRĪDINĀJUMS: Nekādā gadījumā nelietojiet izstrādājumu ar bojātu drošības aprīkojumu. Izstrādājuma drošības aprīkojums ir jāpārbauda un jāuztur, pamatojoties uz šajā nodaļā izklāstīto informāciju. Ja izstrādājums neatbilst iepriekš aprakstīto pārbaudzu prasībām, sazinieties ar vietējo remontdarbniecu, lai izstrādājumu saremontētu.



IEVĒROJIET: Izstrādājuma apkopi un remontu drīkst veikt tikai īpaši apmācīti tehniķi. Tas jo īpaši attiecas uz izstrādājuma drošības aprīkojumu. Ja izstrādājums neatbilst zemāk aprakstīto pārbaudzu prasībām, sazinieties ar apkopes pakalpojumu nodrošinātāju. Jebkura mūsu izstrādājuma iegāde garantē profesionāla remonta un apkopes pieejamību. Ja mazumtirgotājs, pie kura iegādājāties izstrādājumu, nav apkopi veicošs izplatītājs, uziniot no viņa tuvākā apkopes veicēja adresi.

Norādījumi par drošu apkopi

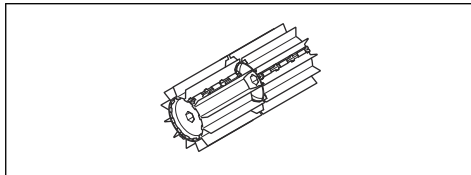


BRĪDINĀJUMS: Pirms apkopes darbiem, izlasiet brīdinājuma norādījumus.



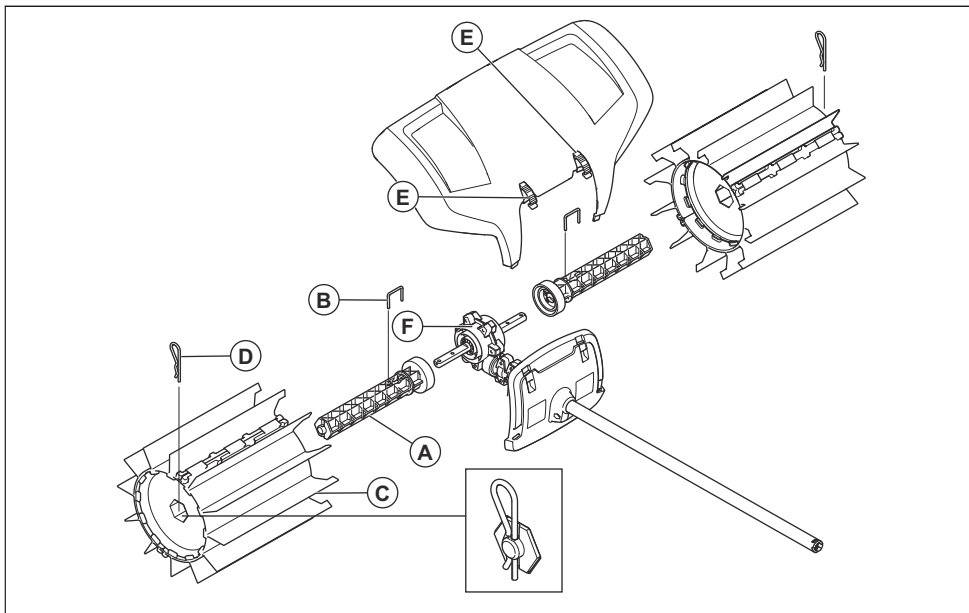
BRĪDINĀJUMS: Vienmēr apturiet izstrādājumu, pirms sākat ierīces apkopi. Rīkojieties uzmanīgi, ierīce var turpināt kustēties pēc tam, kad ir atlaista drosele/spēka sprūds. Pārliecinieties, vai ierīce ir pilnībā apstājusies. Ja izmantojat ar benzīnu darbināmu izstrādājumu, atvienojiet HT vadus no aizdedzes sveces. Ja izmantojat ar akumulatoru darbināmu izstrādājumu, noņemiet akumulatoru.

- Pirms uzsākat darbu, pārbaudiet izstrādājumu kopumā. Nomainiet bojātās daļas.
- Pārbaudiet, vai visi aizsargi un pārsegi ir uzlikti un droši piestiprināti. Pārbaudiet visus uzgriežņus un skrūves.
- Ja izmantojat ar benzīnu darbināmu izstrādājumu, pārliecinieties, vai tajā nav benzīna noplūžu.
- Pārbaudiet, vai birstu veltņi nav bojāti un uz tiem nav redzamas plaisas vai citi bojājumi.



Montāža

Ierīces montāža



1. Vienu no veltņa asīm (A) spiediet uz vienas no divām reduktora kartera izejošajām piedziņas vārpstām (F). Ja nepieciešams, pagrieziet veltņa asi tā, lai tapas atvere tiktu pielāgota atbilstošajai piedziņas vārpstas atverei.
2. Izmantojot fiksācijas tapu (B), nostipriniet rullī vārpstu.
3. Vienu no birstu veltņiem (C) uzskrūvējiet uz piestiprinātās ass. Gals ar izvīzītajām gumijas plāksnītēm ir jāuzstāda tuvāk reduktora karterim. Spiediet birstes veltņi.
4. Izmantojot šķelttapu (D), nostipriniet rullī uz vārpstas. Uzstādīšanas laikā viegli uzspiediet uz gala.
5. Lai uzstādītu otras puses asi un rullī, atkārtojiet iepriekš aprakstītās darbības. Veltņi ir identiski, bet tie jāuzstāda ar izvīzītām gumijas plāksnītēm reduktora kartera virzienā.

- Uzstādiat dubļusargu ar fiksējošiem stiprinājumiem (E).

Piezīme: Lai uzziņātu, kā uzstādīt piederumus pamatizstrādājumam, skatiet pamatizstrādājuma lietotāja rokasgrāmatu.

Lietošana

Izstrādājuma iedarbināšana, ja dzinējs ir auksts

Ja izmantojat ar benzīnu darbināmu izstrādājumu, ievērojiet šos norādījumus, lai iedarbinātu izstrādājumu, ja dzinējs ir auksts.

- Sāciet izstrādājuma parasto uzsildīšanu un pēc tam izslēdziet izstrādājumu.
- Uzstādiat ierīci, kā norādīts montāžas instrukcijās.
- Regulējot karburatoru, nodrošiniet, lai birstu veltni būtu novietoti uz zemes un neviena neatrastos iekārtas tuvumā.
- Pārliecinieties, vai birstu veltni darbojas tukšgaitā.
- Raugiet, lai kārtībā ir rokturis un drošības aprīkojums. Nekad neizmantojiet izstrādājumu, kam trūkst kādas detaļas vai kas ir izmainīts pretrunā ar specifikāciju.

Ierīces lietošana

Slaucītājs darbojas labāk, kad gumijas plāksnītes var "slīdēt" pa darbvirsmu. Jauni vai nomainīti birstu veltni var iekerties vai berzēties pa cietām virsmām, tādēļ tie pirms lietošanas ir "jāiestrādā". To var viegli paveikt, 3–5 minūtes darbinot izstrādājumu pie pilniem apgriezieniem uz irdenas grunts virsmas vai līdzīga stiprējoša materiāla. Pēc iestrādes slaucītājs var pārvietot lielu daudzumu sniega, dubļaina ūdens vai smagāku materiālu, piemēram, granti vai koka skaidas. Ar laiku iemācīsieties, kā slaucītājs darbojas, bet jau no paša sākuma jums ir jāievēro drošības pasākumi.

- Darbiniet slaucītāju ar maksimālu droses atvērumu/ ātrumu (vai tuvu tam), gumijas plāksnītes atstājot uz virsmas.

Piezīme: Darba laikā ir nogurdinoši un lieki pacelt gumijas plāksnītes no firām virsmas vai turēt tās virs firām virsmas.

- Tīrot šaurās vietās, piemēram, celiņus, izstrādājumu var lietot tā, lai materiāli tiktu izsviesti tieši priekšā jums. Ja vēlaties strādāt uz platākām virsmām, strādājiet noteiktā leņķī, lai materiāli uzkrātos kaudzītēs gar vienu malu. Kaudzītēs savāktos vieglos materiālus var savākt vienā rindā vai lielā kaudzē, lai tos varētu vēlāk aizvākt visus kopā, bet smagākus vai lielākus materiālus ir jāsavāc vairākās kaudzītēs.



- Lai piekļūtu stūriem, noņemiet šakatu aizsargu, atbrīvojiet piederuma savienojumu un pagrieziet to par pusi apgrieziena.



BRĪDINĀJUMS: Gruži var tikt izmesti lietotāja virzienā. Lietojot izstrādājumu atpakaļgaitā, izmantojiet mazākus apgriezienus un atcerieties, ka uz izsviestajiem materiāliem ir viegli pakrist.

4. Saglabājiet mazu darba leņķi pret virsmu. Pārāk liels darba leņķis var likt slaucītājam pārvietoties lietotāja virzienā, un pastāv risks zaudēt kontroli pār izstrādājumu.



Apkope

Ievads

TĀLĀK tekstā iepazīsities ar daĀĀm visPĀrĀĀjam apkopes instrukcijĀm. Ja jums nepieciešama papildinformācija, lūdzu, sazinieties ar tehniskās apkopes centru.

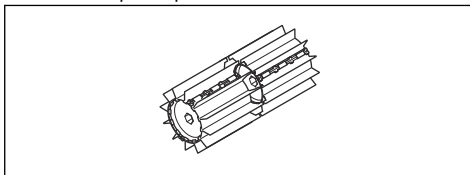
Griešanas ierīces apkopes veikšana



IEVĒROJIET: Darbs ar slaucītāju bieži notiek putekļainos apstākļos. Ja izmantojat ar benzīnu darbināmu izstrādājumu, ir ļoti svarīgi regulāri veikt gaisa filtru apkopi, bieži vien tas ir jādara reizi dienā. Gaisa filtrs ir jāieeļļo, lai tas darbotos apmierinoši. Barošanas bloka apkopes norādījumus skatiet lietotāja rokasgrāmatā.

neapdedzinātos nepieskarieties pārnesumkārbas (reduktora) karterim.

1. Pārļiecinieties, vai birstu veltni nekustas pēc droseles/spēka sprūda atļaišanas.



2. Pārbaudiet, vai birstu veltni nav bojāti un ir bez plaisām. Nomainiet birstu veltnus, ja nepieciešams.
3. Uzglabājot ilgāku laiku periodu, uzkariet birstes.



BRĪDINĀJUMS: Iekārtas lietošanas laikā reduktora karteris uzkarst. Lai

Pārvadāšana, glabāšana un utilizēšana

Transportēšana un uzglabāšana

Ja ierīci transportējat ar transportlīdzekli, noteikti izmantojiet apstiprinātas stiprinājuma ierīces un gādājiet, lai ierīce būtu droši nostiprināta.

Pirms ierīces ilgstošas uzglabāšanas noīriet to un pārļiecinieties, vai tai ir veikta pilna apkope.

Tehniskie dati

Ar benzīnu darbināmu izstrādājumu tehniskie dati

Slaucītājs	
Birstu veltna platums, mm	590
Svars	

Slaucītājs	
Svars, kg	6,5
Trokšņa emisija⁷³	
Skaņas jaudas līmenis, izmērītais dB(A)	105
Skaņas jaudas līmenis, garantētais L_{WA} dB (A)	109
Skaņas līmeņi⁷⁴	
Ekvivalents skaņas spiediena līmenis pie lietotāja auss, mērīts saskaņā ar EN ISO 22868, , dB(A):	97
Vibrācija⁷⁵	
Ekvivalenti vibrācijas līmeņi ($a_{hv,eq}$) pie rokturiem, mērīti atbilstoši standartam , m/s ² :	
Priekšējie/aizmugurējie rokturi	4,4/5,1

Ar akumulatoru darbināmu izstrādājumu tehniskie dati

325ILK +slaucītāja ierīce SR600-2	
Birstu veltna platums, mm	590
Svars	
Svars, kg	2,3+6,5
Trokšņa emisija⁷⁶	
Skaņas intensitātes līmenis, izmērītais, dB (A)	93
Skaņas līmeņi⁷⁷	
Ekvivalents skaņas spiediena līmenis pie lietotāja auss, mērīts saskaņā ar ISO 22868, dB (A):	82
Vibrācija⁷⁸	
Vibrācijas līmeņi pie rokturiem, mērīti atbilstoši standartam EN 62841-1, m/s ²	
Priekšējie/aizmugurējie rokturi	3,2/3,1

⁷³ Trokšņa izplūde apkārtne ir mērīta kā skaņas jauda (L_{WA}) atbilstoši EK direktīvai 2000/14/ EC. Novērotais ierīces skaņas jaudas līmenis ir izmērīts ar pievienotu oriģinālo griešanas ierīci, kas rada augstāko līmeni. Atšķirība starp garantēto un izmērīto skaņas jaudas līmeni ir tāda, ka garantētā skaņas intensitātes līmeņa mērījumu rezultāts ietver arī izkliedi mērījuma rezultātā un atšķirības dažādiem tā paša modeļa izstrādājumiem atbilstoši direktīvai 2000/14/ EC.

⁷⁴ Sniegtajos datos par ekvivalenta skaņas spiediena līmeni ierīcei ir tipiska statistiskā 1 dB (A) izkliede (standartnovirze).

⁷⁵ Sniegtajos datos par ekvivalentu vibrācijas līmeni ir tipiska 1 m/s² statistiskā izkliede (standarta novirze).

⁷⁶ Sniegtajos datos par skaņas jaudas līmeni ierīcei ir tipiska statistiskā 3 dB (A) izkliede (standartnovirze), mērot ar oriģinālo palīgierīci, kas nodrošina augstāko līmeni.

⁷⁷ Sniegtajos datos par skaņas spiediena līmeni ierīcei ir tipiska 3 dB (A) statistiskā izkliede (standarta novirze), mērīts ar piestiprinātu oriģinālo ierīci, kas veic darbu augstākajā līmeni.

⁷⁸ Sniegtajos datos par vibrācijas līmeni ir tipiska 2 m/s² statistiskā izkliede (standarta novirze). Vibrācijas līmeņu, akumulatora un sadegšanas produktu salīdzinājumam izmantojiet vibrācijas kalkulatoru. <https://www.husqvarna.com/uk/services-solutions/vibration-calculator/>.

EK atbilstības deklarācija

EK atbilstības deklarācija ar benzīnu darbināmiem izstrādājumiem

Husqvarna AB, SE-561 82 Huskvarna, Zviedrija, tālr. nr.: +46-36-146500 apliecina, ka slaucītājs, **Husqvarna SR600-2**, ierīce ar sērijas numuriem, sākot no 2019. gada (gada skaitlis, kam seko sērijas numurs, ir skaidri norādīts uz datu plāksnītes), atbilst prasībām, kas noteiktas šajā PADOMES DIREKTĪVĀ:

- 2006. gada 17. maijs, Direktīva **2006/42/EK** par mašīnu tehniku,
- 2011. gada 8. jūnija Direktīva **2015/65/ES** par dažu bīstamu vielu izmantošanas ierobežošanu elektriskās un elektroniskās iekārtās.
- 2000. gada 8. maija Direktīva **2000/14/EK** "par trokšņa emisiju vidē".

Ar benzīnu darbināmiem izstrādājumiem ir piemēroti šādi standarti:

SS-EN ISO 12100:2010, EN 50581:2012

Pilnvarotā iestāde ir veikusi EK tipveida pārbaudi saskaņā ar Mašīnu direktīvas (2006/42/EK) 12. panta 3.b punktu. EK tipa pārbaudes, kas atbilst IV pielikumam, sertifikāta numurs: **SEC/15/2413 - Husqvarna SR600-2**

Huskvarna, 2019-06-24

Izstrādājumiem ar akumulatoru ir piemēroti šādi standarti:

EN 62841-1:2015, EN 50581:2012

Brīvprātīgu pārbaudi Husqvarna AB uzdevumā ir veicis uzņēmums RISE SMP Svensk Maskinprovning AB, Box 7035, SE-750 07 Uppsala, Zviedrija. Sertifikāta numurs: **SEC/15/2413 - Husqvarna SR600-2**

Huskvarna, 2019-06-24



Pērs Gustavsons (Per Gustafsson), izstrādes nodaļas vadītājs (pilnvarotais Husqvarna AB pārstāvis, kas atbild par tehnisko dokumentāciju)



Pērs Gustavsons (Per Gustafsson), izstrādes nodaļas vadītājs (pilnvarotais Husqvarna AB pārstāvis, kas atbild par tehnisko dokumentāciju)

EK atbilstības deklarācija ar akumulatoru darbināmiem produktiem

Husqvarna AB, SE-561 82 Huskvarna, Zviedrija, tālr. nr.: +46-36-146500 apliecina, ka slaucītājs, **Husqvarna SR600-2 ierīce ar barošanas bloku Husqvarna 325ILK** ar sērijas numuriem, sākot no 2019. gada (gada skaitlis, kam seko sērijas numurs, ir skaidri norādīts uz datu plāksnītes), atbilst prasībām, kas noteiktas šajā PADOMES DIREKTĪVĀ:

- 2006. gada 17. maijs, Direktīva **2006/42/EK** par mašīnu tehniku,
- 2011. gada 8. jūnija Direktīva **2015/65/ES** par dažu bīstamu vielu izmantošanas ierobežošanu elektriskās un elektroniskās iekārtās.

Inhoud

Inleiding.....	125	Onderhoud.....	131
Veiligheid.....	126	Vervoer, opslag en verwerking.....	131
Montage.....	129	Technische gegevens.....	131
Werking.....	130	EG verklaring van overeenstemming.....	134

Inleiding

Productbeschrijving

Husqvarna AB werkt voortdurend aan het verder ontwikkelen van haar producten en behoudt zich dan ook het recht voor om zonder aankondiging vooraf wijzigingen in o.a. vorm en uiterlijk door te voeren.

Let op: Deze handleiding heeft betrekking op zowel benzine- als accu-aangedreven voedingseenheden.

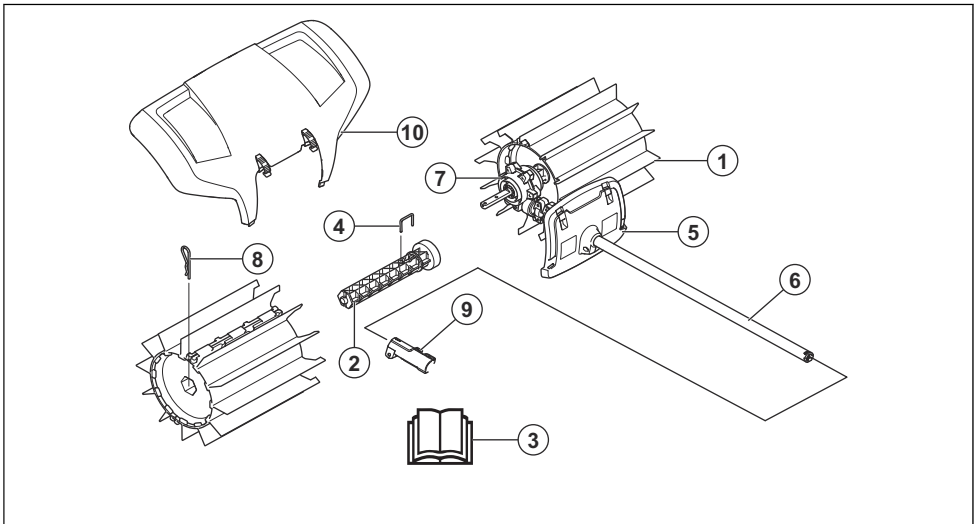
Gebruik



WAARSCHUWING: Dit opzetstuk mag alleen samen met het beoogde product worden gebruikt. Zie het hoofdstuk over accessoires in de bedieningshandleiding van het product.

Het opzetstuk is alleen bedoeld voor het vegen van paden, geasfalteerde wegen en dergelijke.

Overzicht opzetstukken



1. Borsteltrommel
2. Trommelas
3. Gebruikershandleiding
4. Borgpen
5. Beschermkap (bescherming op steel)
6. Steel
7. Tandwielhuis
8. Splitten
9. Askoppeling (meegeleverd met het product)
10. Spatbescherming

Symbolen op het opzetstuk en de voedingseenheid



Onachtzaam of onjuist gebruik van dit opzetstuk kan ernstig of dodelijk letsel aan de gebruiker of anderen toebrengen.



Lees de bedieningshandleiding zorgvuldig door en zorg dat u de instructies hebt begrepen voordat u het opzetstuk gaat gebruiken.



Gebruik goedgekeurde gehoorbescherming. Gebruik goedgekeurde oogbescherming. Gebruik een stofmasker wanneer het risico van het vrijkomen van stof bestaat.



Dit opzetstuk voldoet aan de geldende EG-richtlijnen.



Draaiende delen. Houd de handen en voeten uit de buurt. De pijl geeft de rotatierichting aan.



Gebruik altijd goedgekeurde veiligheidshandschoenen.



Gebruik stevige antislipplaaizen.



Waarschuwing voor weggeslingerde en afgeketste voorwerpen.



De gebruiker moet erop toezien dat er geen personen of dieren dichterbij dan 15 m bij de machine komen. Indien meerdere gebruikers werken in hetzelfde werkgebied, is de onderlinge veiligheidsafstand min. 15 meter. Het opzetstuk kan voorwerpen met geweld wegslingeren, die terug kunnen kaatsen. Dit kan leiden tot ernstig oogletsel, als de aanbevolen veiligheidsuitrusting niet wordt gebruikt.



Houd personen en dieren op een minimale afstand van 15 m (50 ft) tijdens het gebruik van dit product.



Houd alle lichaamsdelen uit de buurt van de hete oppervlakken.



Geluidsemissie naar de omgeving volgens de richtlijn van de Europese Gemeenschap. De emissie van het opzetstuk staat vermeld in het hoofdstuk "Technische gegevens" en op het label.

Let op: Overige op het opzetstuk aangegeven symbolen/plaatjes verwijzen naar specifieke eisen aan certificering voor bepaalde markten.

Veiligheid

Veiligheidsdefinities

Waarschuwingen, voorzorgsmaatregelen en opmerkingen worden gebruikt om te wijzen op belangrijke delen van de gebruikershandleiding.



WAARSCHUWING: Wordt gebruikt om te wijzen op de kans op ernstig of fataal letsel voor de gebruiker of omstanders wanneer de instructies in de handleiding niet worden gevolgd.



OPGELET: Wordt gebruikt indien er een risico bestaat op schade aan het product en/of het hulpstuk, andere materialen of aan de omgeving wanneer de instructies in de handleiding niet worden gevolgd.

Let op: Geven verdere informatie die nodig is in een bepaalde situatie.

Algemene veiligheidsinstructies



WAARSCHUWING: Lees de volgende veiligheidsinstructies voordat u het opzetstuk gebruikt.

- Lees de gebruikershandleiding zorgvuldig door en zorg dat u de instructies hebt begrepen voordat u het opzetstuk gebruikt.
- Deze instructies vormen een aanvulling op de instructies die bij het product zijn geleverd. Raadpleeg de bedieningsinstructies van het product voor andere procedures.
- De oorspronkelijke vormgeving van het opzetstuk mag in geen enkel geval gewijzigd worden zonder toestemming van de fabrikant. Gebruik nooit een opzetstuk dat gewijzigd lijkt te zijn door anderen, en gebruik altijd originele accessoires. Niet goedgekeurde wijzigingen en/of niet-originele onderdelen kunnen tot ernstig persoonlijk letsel of de dood van zowel gebruiker als omstanders leiden.

Veiligheidsinstructies voor bediening



WAARSCHUWING: Lees de volgende waarschuwingen voordat u het product gaat gebruiken.

- De stopschakelaar gaat automatisch terug naar startstand. Voorkom onbedoeld starten bij het monteren, controleren en/of uitvoeren van onderhoud. Als u een product hebt dat op benzine werkt, koppelt u de bougiekap los van de bougie. Als u een product hebt dat op een accu werkt, verwijdert u de accu.
- Kijk uit voor wegschietende objecten. Draag altijd oogbescherming. Buig u nooit voorover over de borsteltrommel. Stenen, afval, enzovoort kunnen omhoog schieten in uw ogen en blindheid of ernstig letsel veroorzaken.
- Het tandwiel kan tijdens gebruik heet worden en enige tijd heet blijven. Bij contact bestaat risico van brandwonden.
- De borsteltrommels kunnen draaien wanneer de veegmachine wordt gestart. Houd het product stevig vast bij het starten.
- De borsteltrommels hebben niet dezelfde kracht als bijvoorbeeld de bladen van een gazonmaaier, maar u kunt beter voorkomen dat materiaal bij het uitwerpen persoonlijk letsel of schade aan eigendommen veroorzaakt.
- Gebruik het product nooit zonder de mogelijkheid hulp in te roepen in geval van nood.
- Gebruik het product alleen voor het beoogde doel.
- Gebruik het product nooit als u moe bent, alcohol heeft gedronken of medicijnen hebt ingenomen die uw gezichtsvermogen, beoordelingsvermogen of coördinatievermogen negatief beïnvloeden.
- Gebruik het product nooit bij extreme klimaatomstandigheden zoals strenge kou of een zeer warm en/of vochtig klimaat.
- Gebruik nooit een machine die defect is. Voer de in deze handleiding beschreven veiligheidscontroles en de onderhouds- en service-instructies uit. Bepaalde onderhouds- en servicemaatregelen moeten door opgeleide en gekwalificeerde specialisten worden uitgevoerd. Zie de instructies in het hoofdstuk Onderhoud.
- Laat nooit kinderen het product gebruiken.
- Laat nooit iemand anders het product gebruiken zonder dat u zeker weet dat hij of zij de gebruikershandleiding heeft gelezen en begrepen.
- Houd onbevoegden op afstand. Kinderen, dieren, toeschouwers en helpers moeten zich buiten de veiligheidszone van 15 m bevinden terwijl u werkt. Schakel het product onmiddellijk uit indien iemand dichterbij komt.
- Wanneer u in een situatie belandt waarin u niet goed weet hoe u verder te werk moet gaan, moet u een expert raadplegen. Wend u tot uw dealer of uw servicewerkplaats.

- Gebruik de machine nooit voor taken waarvoor u niet voldoende gekwalificeerd bent.
- Let als u gehoorbescherming draagt op waarschuwingssignalen of geschreeuw. Doe uw gehoorbescherming altijd af zodra de motor is gestopt.
- Controleer de omgeving en vergewis u ervan dat er geen risico bestaat dat mensen of dieren in contact komen met het product of uw controle over het product belemmeren.
- Gebruik het product niet in ongunstige weersomstandigheden, bijv. bij dichte mist, hevige regen, harde wind, hevige koude enz. Werken in slechte weersomstandigheden is vermoeiend en kan tot extra gevaarlijke situaties leiden, zoals een gladde grond.
- Zorg ervoor dat u veilig kunt gaan en staan. Controleer of er eventuele hindernissen zijn als u onverwacht snel moet kunnen weggomen (wortels, stenen, takken, kuilen, greppels enz.). Wees extra voorzichtig wanneer u op hellend terrein werkt.



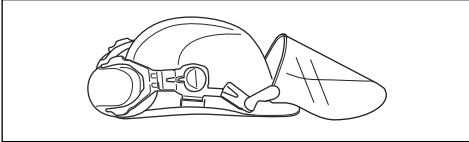
- De motor moet worden uitgeschakeld voordat u het product verplaatst. Als u een product hebt dat op benzine werkt, koppelt u de bougiekap los van de bougie. Als u een product hebt dat op een accu werkt, verwijdert u de accu.
- Leg het product niet neer terwijl de motor draait, tenzij u er goed zicht op hebt.
- Gebruik altijd beide handen om het product vast te houden. Houd het product naast uw lichaam.
- Zorg dat uw handen en voeten niet vlak bij de borstel komen wanneer de motor draait.
- Wanneer het product is uitgeschakeld, moet u uw handen en voeten niet vlak bij de borstel plaatsen voordat deze helemaal is gestopt.
- Stop het product als er zware trillingen optreden. Als u een product hebt dat op benzine werkt, koppelt u de HS-kabel los van de bougie. Als u een product hebt dat op een accu werkt, verwijdert u de accu. Controleer of het product beschadigd is. Repareer eventuele beschadigingen.

Persoonlijke beschermingsmiddelen

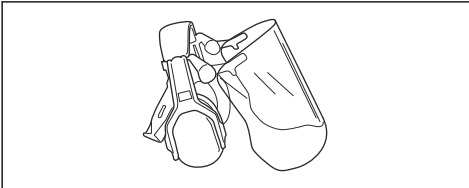


WAARSCHUWING: Lees de volgende waarschuwingen voordat u het product gaat gebruiken.

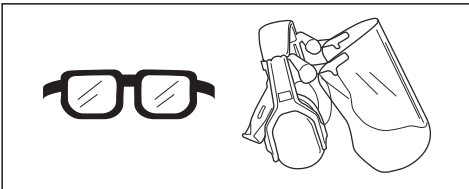
- Draag tijdens het gebruik van het product altijd goedgekeurde persoonlijke beschermingsmiddelen. Persoonlijke beschermingsmiddelen kunnen niet alle risico's uitsluiten maar kunnen de ernst van eventueel letsel helpen beperken. Vraag uw dealer u te helpen bij het kiezen van de juiste beschermingsmiddelen.
- Gebruik een veiligheidshelm bij kans op vallende voorwerpen.



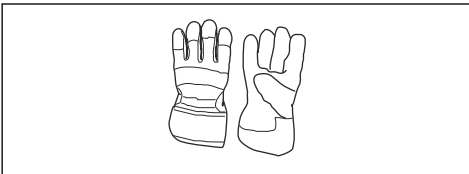
- Gebruik goedgekeurde gehoorbescherming met voldoende dempvermogen. Langdurige blootstelling aan lawaai kan leiden tot permanente gehoorbeschadiging.



- Gebruik goedgekeurde oogbescherming. Als u een vizier gebruikt, moet u ook een goedgekeurde veiligheidsbril gebruiken. Een goedgekeurde veiligheidsbril moet voldoen aan de norm ANSI Z87.1 voor de VS of EN 166 voor de EU-landen.



- Draag zo nodig handschoenen, bijvoorbeeld bij het monteren, inspecteren of reinigen van de snijtrusting.



- Gebruik beschermende laarzen met stalen neuzen en antislipzolen.



- Gebruik kleding van stevige stof. Gebruik altijd een zware lange broek en lange mouwen. Gebruik geen loszittende kleding die gemakkelijk kan blijven haken aan takjes en struikgewas. Draag geen sieraden, korte broek of sandalen of loop niet op blote voeten. Bind voor de veiligheid lang haar samen tot boven schouderhoogte.
- Houd een EHBO-does binnen handbereik.



Veiligheidsvoorzieningen op het product



WAARSCHUWING: Lees de volgende waarschuwingen voordat u het product gaat gebruiken.

In dit hoofdstuk worden de veiligheidsvoorzieningen van het product beschreven, welke functie ze hebben en hoe controles en onderhoud moeten worden uitgevoerd om hun goede werking te waarborgen. Zie de instructies onder het kopje *Overzicht opzetstukken op pagina 125* om te zien waar deze onderdelen zich bevinden op uw product.

De levensduur van het product kan worden verkort en het risico op ongevallen kan toenemen wanneer het onderhoud van het product niet op de juiste manier plaatsvindt en wanneer service en/of reparaties niet vakkundig worden uitgevoerd. Indien u meer informatie nodig hebt, verzoeken wij u contact op te nemen met de dichtstbijzijnde onderhoudsdealer.



WAARSCHUWING: Gebruik een product nooit wanneer de veiligheidsvoorzieningen defect zijn. De veiligheidsuitrusting van het product moet geïnspecteerd en onderhouden worden zoals beschreven in dit hoofdstuk. Als uw product een van deze controles niet doorstaat, moet u contact opnemen met uw servicewerkplaats om uw unit te laten repareren.



OPGELET: Om service en reparaties aan de machine uit te voeren, moet u een speciale opleiding hebben. Dit geldt met name voor de veiligheidsuitrusting van de machine. Als de machine één van de volgende controles niet goed doorstaat, moet u ermee naar uw servicewerkplaats gaan. Als u één van onze producten koopt, garandeert dit dat de reparaties en service door een vakman kunnen worden uitgevoerd. Als u uw machine heeft gekocht bij één van onze dealers die geen servicewerkplaats heeft, vraag hem dan waar de dichtstbijzijnde erkende werkplaats is.

Veiligheidsinstructies voor onderhoud



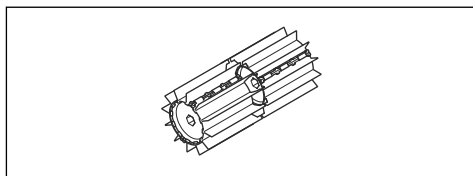
WAARSCHUWING: Lees de volgende waarschuwingen voordat u onderhoud uitvoert.



WAARSCHUWING: Schakel altijd het product uit voordat u onderhoud aan het opzetstuk uitvoert. Wees voorzichtig, het opzetstuk kan blijven draaien, zelfs nadat de gashendel/voedingsschakelaar is

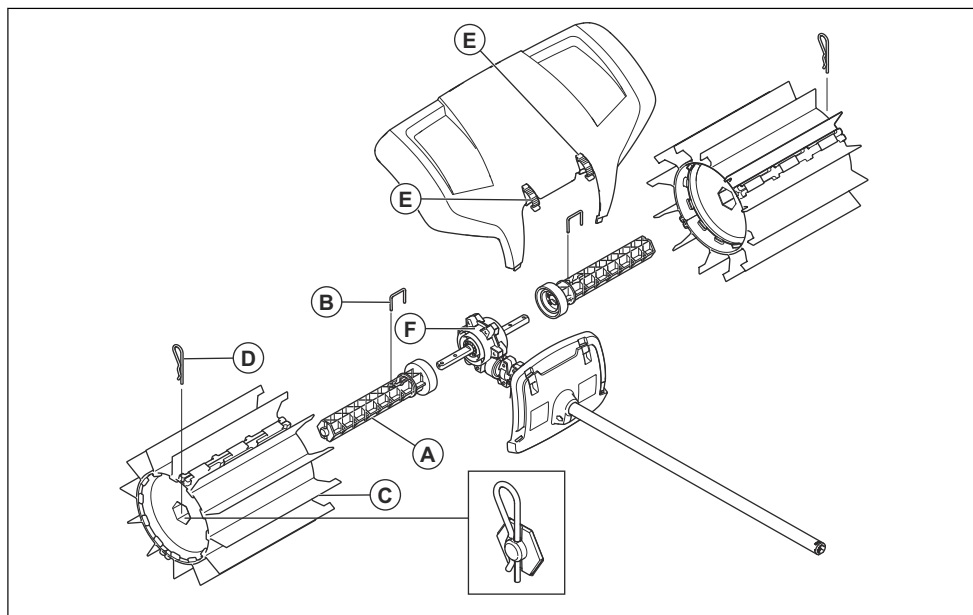
losgelaten. Zorg ervoor dat het opzetstuk volledig is gestopt. Als u een product hebt dat op benzine werkt, koppelt u de HS-kabels los van de bougie. Als u een product hebt dat op een accu werkt, verwijdert u de accu.

- Controleer het gehele product voordat u begint. Vervang beschadigde onderdelen.
- Controleer of alle beschermkappen en afdekkingen compleet zijn en goed vastzitten. Controleer alle moeren en schroeven.
- Als u een product hebt dat op benzine werkt, controleer dan of er geen brandstoflekkage is.
- Controleer of de borsteltrommels niet zijn beschadigd en geen tekenen van scheuren of andere beschadigingen vertonen.



Montage

Het opzetstuk monteren



1. Druk een van de twee trommelassen (A) op een van de twee uitgaande aandrijfassen van het tandwielhuis (F). Draai de trommelas indien nodig zodat het pengat over het overeenkomstige gat in de aandrijfas valt.
2. Zet de as van de rol vast met de borgpen (B).
3. Schuif een van de borsteltrommels (C) op de bevestigde as. Het uiteinde met de uitstekende rubber lamellen wordt het dichtst bij het tandwielhuis gemonteerd. Druk de borsteltrommel erin.
4. Bevestig de rol op de as met een splitpen (D). Druk het uiteinde er bij de montage een stukje in.
5. Herhaal deze stappen om de as en de roller aan de andere zijde te monteren. De trommels zijn identiek maar moeten worden gemonteerd met de uitstekende rubber lamellen naar de kant van het tandwielhuis.
6. Monteer de spatbeschermkap met de snelkoppelingen (E).

Let op: Voor montage van accessoires op een basisproduct, raadpleegt u de handleiding voor het product.

Werking

Het product starten met een koude motor

Als u een product hebt dat op benzine werkt, volg dan deze instructies om het product te starten met een koude motor.

1. Laat het basisproduct warmlopen en schakel het vervolgens uit.
2. Monteer het opzetstuk volgens de montage-instructies.
3. Als u de carburateur afstelt, moet u zorgen dat de borsteltrommels tegen de grond worden gehouden en dat er niemand in de buurt is.
4. Zorg dat de borsteltrommels vrij kunnen lopen.
5. Controleer of de handvat- en veiligheidsfuncties in orde zijn. Gebruik nooit een product waarvan een onderdeel ontbreekt of dat, buiten de specificatie om, gewijzigd is.

Het opzetstuk gebruiken

De veegmachine werkt het beste wanneer de rubber lamellen over het werkkoppervlak kunnen glijden of "strijken". Nieuwe of vervangen borsteltrommels lopen vaak vast of gaan slepen op harde oppervlakken en moeten daarom grondig "ingewerkt" worden voor gebruik. Dit kan eenvoudig worden bereikt door het product met vol gas gedurende 3-5 minuten te laten draaien in los grind of vergelijkbaar slijpend materiaal. Na het inwerken kan de veegmachine grote hoeveelheden materiaal verplaatsen, van sneeuw of modder tot zwaardere objecten als grind of houtsnippers. Tijdens het gebruik leert u hoe de veegmachine werkt, maar u moet vanaf het begin de veiligheidsinstructies in acht nemen.

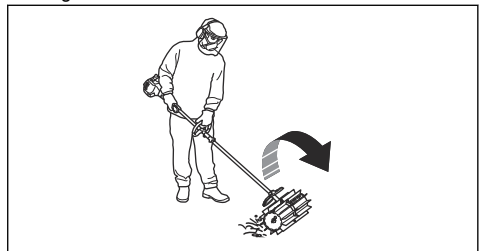
1. Laat de veegmachine met vol (of bijna vol) gas draaien terwijl de rubber lamellen op het oppervlak rusten.

Let op: Het is vermoeiend en niet nodig om de rubber lamellen boven het oppervlak te tillen of te houden tijdens het werken.

2. Bij het schoonmaken van nauwe doorgangen zoals paden, kunt u het product gebruiken om het materiaal recht voor u uit te werpen. Als u op bredere oppervlakken werkt, moet u onder een zodanige hoek te werk gaan dat er aan één kant hopen ontstaan. Licht materiaal kan in één rij of hoop worden verzameld en later worden verwijderd terwijl bij harde of meer omvangrijke materialen mogelijk meerdere rijen nodig zijn.



3. Om goed in hoeken te kunnen komen, verwijdert u de spatbeschermkap, draait u de koppeling van het accessoire los en draait u het accessoire een halve slag.



WAARSCHUWING: Vuil wordt dan teruggeworpen in de richting van de gebruiker. Gebruik een lagere snelheid bij het keren van de machine en pas op dat u niet struikelt over het uitgeworpen materiaal.

- Houd een kleine werkhoeak aan ten opzichte van het oppervlak. Bij een te grote werkhoeak kan de machine naar u toe bewegen en riskeert u de controle over de machine kwijt te raken.



Onderhoud

Inleiding

Hieronder worden algemene onderhoudsvorschriften opgesomd. Neem contact op met uw dealer indien u meer informatie heeft.

Onderhoud uitvoeren aan opzetstuk



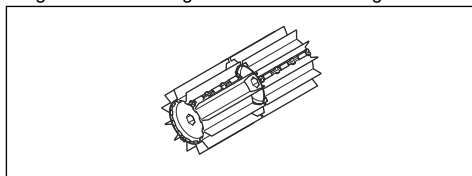
OPGELET: Het werken met de veegmachine vindt vaak plaats in stoffige omstandigheden. Als u een product hebt dat op benzine werkt, is het uitermate belangrijk dat u regelmatig, vaak dagelijks, onderhoudswerkzaamheden aan het luchtfilter uitvoert. Het luchtfilter moet worden gesmeerd om goed te werken. Zie de bedieningshandleiding van de voedingseenheid voor onderhoudsinstructies.



WAARSCHUWING: Door werkzaamheden met de machine wordt de overbrenging

warm. Raak de overbrenging niet aan om brandwonden te voorkomen.

- Controleer of de borstelrommels niet draaien als de gashendel/voedingsschakelaar wordt losgelaten.



- Controleer de borstelrommels op beschadigingen en barsten. Vervang de borstelrommels indien nodig.
- Hang de borstel op tijdens langdurige opslag.

Vervoer, opslag en verwerking

Transport en opbergen

Als u het opzetstuk op een ander voertuig vervoert, moet u altijd goedgekeurde bevestigingen gebruiken en ervoor zorgen dat het hulpstuk stevig vastzit.

Zorg ervoor dat het opzetstuk goed is schoongemaakt en dat een volledige servicebeurt is uitgevoerd voor een langdurige opslag.

Technische gegevens

Technische gegevens voor producten die op benzine werken

Veegmachine	
Breedte borstelrommel, mm	590

Veegmachine	
Gewicht	
Gewicht, kg	6,5
Geluidsemissies⁷⁹	
Geluidsvermogeniveau, gemeten dB(A)	105
Geluidsvermogeniveau, gegarandeerd L_{WA} dB (A)	109
Geluidsniveau⁸⁰	
Equivalent geluidsdruk niveau bij het oor van de gebruiker, gemeten volgens EN ISO 22868, dB(A):	97
Trillingen⁸¹	
Equivalent trillingsniveaus ($a_{hv,eq}$) in de handgrepen, gemeten volgens, m/s^2	
Voorste/achterste handgrepen	4,4/5,1

Technische gegevens voor producten die op een accu werken

325iLK + opzetstuk veegmachine SR600-2	
Breedte borstelrommel, mm	590
Gewicht	
Gewicht, kg	2,3+6,5
Geluidsemissies⁸²	
Gemeten geluidsvermogensniveau, dB(A)	93
Geluidsniveau⁸³	
Equivalent geluidsdruk niveau bij oor van de gebruiker, gemeten volgens ISO 22868, dB (A):	82
Trillingen⁸⁴	

⁷⁹ Geluidsemissie naar de omgeving gemeten als geluidsvermogen (L_{WA}) volgens EG-richtlijn 2000/14/ EC. Het gerapporteerde geluidsvermogeniveau voor de machine is gemeten met de originele snijuitrusting die het hoogste niveau geeft. Het verschil tussen gegarandeerd en gemeten geluidsvermogen is dat het gegarandeerde geluidsvermogen ook spreiding in het meetresultaat omvat en de verschillen tussen de verschillende machines van hetzelfde model conform Richtlijn 2000/14/ EC.

⁸⁰ De gerapporteerde gegevens voor een vergelijkbaar geluidsdruk niveau voor de machine vertonen een typische statistische spreiding (standaardafwijking) van 1 dB(A).

⁸¹ De gerapporteerde gegevens voor een vergelijkbaar trillingsniveau vertonen een typische statistische spreiding (standaardafwijking) van $1 m/s^2$.

⁸² De gerapporteerde gegevens voor het geluidsvermogensniveau voor de machine vertonen een typische statistische spreiding (standaardafwijking) van 3 dB (A) en zijn gemeten met het originele opzetstuk dat het hoogste niveau geeft.

⁸³ De gerapporteerde gegevens voor het geluidsdruk niveau van de machine vertonen een typische statistische spreiding (standaardafwijking) van 3 dB (A) en zijn gemeten met het originele opzetstuk dat het hoogste niveau geeft.

⁸⁴ De gerapporteerde gegevens voor een trillingsniveau vertonen een typische statistische spreiding (standaardafwijking) van $2 m/s^2$. Gebruik voor vergelijking van trillingsniveaus, accu's en verbrandingsproducten de trillingscalculator. <https://www.husqvarna.com/uk/services-solutions/vibration-calculator/>.

325iLK + opzetstuk veegmachine SR600-2Trillingsniveaus in de handgrepen, gemeten volgens EN 62841-1, m/s²

Voorste/achterste handgrepen

3,2/3,1

EG verklaring van overeenstemming

EG-verklaring van overeenstemming - voor producten die op benzine werken

Husqvarna AB, SE-561 82 Huskvarna, Zweden, tel.: +46-36-146500, verklaart dat de veegmachine, **Husqvarna SR600-2** opzetstuk met serienummers vanaf 2019 (het jaar staat duidelijk op het productplaatje vermeld, gevolgd door het serienummer) voldoet aan de eisen die zijn opgenomen in de RICHTLIJNEN VAN DE RAAD:

- van 17 mei 2006 "met betrekking tot machines" **2006/42/EG**
- van 8 juni 2011 "inzake beperking van het gebruik van bepaalde gevaarlijke stoffen in elektrische en elektronische apparatuur" **2011/65/EU**
- van 8 mei 2000 "met betrekking tot geluidsemissies in het milieu" **2000/14/EG**.

De volgende normen zijn van toepassing op benzineproducten:

SS-EN ISO 12100:2010, EN 50581:2012

Aangemelde instantie, heeft een EG-typeonderzoek uitgevoerd volgens de richtlijn voor machines (2006/42/EG), artikel 12, punt 3b. Het certificaat voor EU-typeonderzoek in overeenstemming met bijlage IV, heeft nummer: **SEC/15/2413 - Husqvarna SR600-2**

Huskvarna , 2019-06-24



Per Gustafsson, Hoofd Ontwikkeling (gemachtigde vertegenwoordiger voor Husqvarna AB en verantwoordelijk voor technische documentatie)

EG-verklaring van overeenstemming - voor producten die op een accu werken

Husqvarna AB, SE-561 82 Huskvarna, Zweden, tel.: +46-36-146500, verklaart dat de veegmachine **Husqvarna SR600-2 opzetstuk met voedingseenheid Husqvarna 325ILK** met serienummers van 2019 en later (het jaar staat duidelijk op het productplaatje vermeld, gevolgd door het serienummer) voldoet aan de eisen die zijn opgenomen in de RICHTLIJNEN VAN DE RAAD:

- van 17 mei 2006 "met betrekking tot machines" **2006/42/EG**
- van 8 juni 2011 "inzake beperking van het gebruik van bepaalde gevaarlijke stoffen in elektrische en elektronische apparatuur" **2011/65/EU**

De volgende normen zijn van toepassing op accuproducten:

EN 62841-1:2015, EN 50581:2012

RISE SMP Svensk Maskinprovning AB, Box 7035, SE-750 07 Uppsala, Zweden, heeft voor Husqvarna AB een niet-verplicht typeonderzoek uitgevoerd. Het certificaat heeft nummer: **SEC/15/2413 - Husqvarna SR600-2**

Huskvarna , 2019-06-24



Per Gustafsson, Hoofd Ontwikkeling (gemachtigde vertegenwoordiger voor Husqvarna AB en verantwoordelijk voor technische documentatie)

INNHold

Innledning.....	135	Vedlikehold.....	141
Sikkerhet.....	136	Transport, oppbevaring og avhending.....	141
Montering.....	139	Tekniske data.....	141
Drift.....	140	EF-samsvarserklæring.....	143

Innledning

Produktbeskrivelse

Vi arbeider løpende med å videreutvikle produktene våre og forbeholder oss derfor retten til endringer vedrørende bl.a. form og utseende uten varsel.

Merk: Denne bruksanvisningen dekker både bensindrevne og batteridrevne strømenheter.

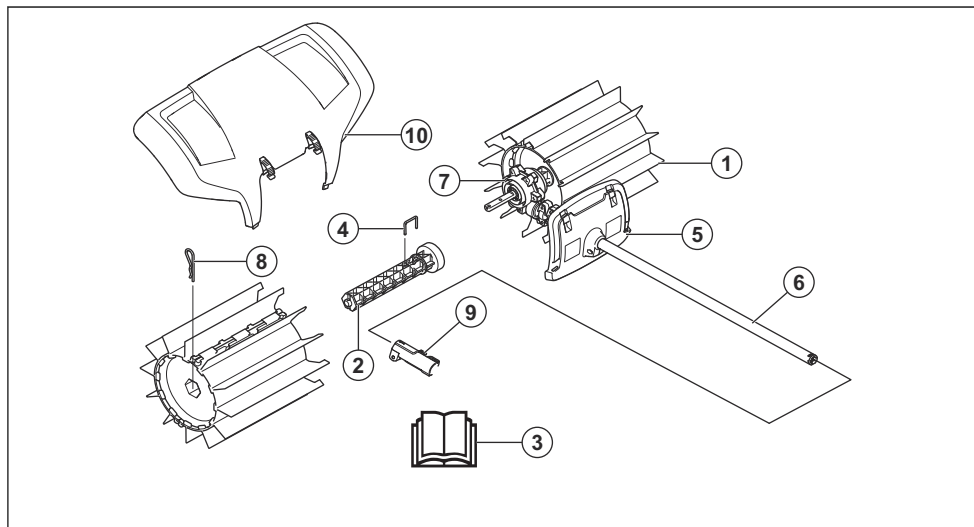
Bruksområder



ADVARSEL: Dette tilbehøret kan bare brukes sammen med det tiltenkte produktet. Se kapittelet om tilbehør i brukerhåndboken for produktet.

Tilbehøret er kun konstruert for oppsamling på gressplener, gangveier, asfaltveier og liknende.

Oversikt over tilbehør



1. Børstetrommel
2. Trommelaksel
3. Bruksanvisning
4. Låsepinne
5. Beskyttelse (beskyttelse på riggrør)
6. Riggjør
7. Girhus
8. Låsesplint
9. Riggjørkobling (følger med produktet)
10. Sprutbeskyttelse

Symboler på utstyret og strømenheten



Uforsiktig eller feilaktig bruk av dette utstyret kan resultere i alvorlige skader eller dødsfall for brukeren eller andre.



Les bruksanvisningen nøye, og forsikre deg om at du forstår instruksjonene før du bruker utstyret.



Bruk godkjent hørselsvern. Bruk godkjent øyevern. Bruk åndedrettsvern når det er risiko for støv.



Dette utstyret er i overensstemmelse med gjeldende EU-direktiver.



Roterende deler. Hold hender og føtter unna. Pilen indikerer rotasjonsretningen.



Bruk alltid godkjente vernehansker.



Bruk sklisikre og solide støvler.



Se opp for gjenstander som slynges ut og rikosjetterer.



Brukeren skal påse at ingen mennesker eller dyr kommer nærmere enn 15 meter unna. Når flere arbeider på samme sted, skal sikkerhetsavstanden være minst 15 meter. Produktet kan kaste gjenstander med stor kraft, og disse kan sprette tilbake. Dette kan føre til alvorlige øyeskader hvis ikke anbefalt verneutstyr brukes.



Hold produktet minst 15 meter unna personer og dyr når du bruker det.



Hold alle deler av kroppen borte fra varme overflater.



Støyutslipp til omgivelsene ifølge EFs direktiv. Utslippene fra tilbehøret er angitt i kapittelet Tekniske data og på klistremerket.

Merk: Øvrige symboler/klistremerker på tilbehøret gjelder spesifikke krav for sertifiseringer på visse markeder.

Sikkerhet

Sikkerhetsdefinisjoner

Advarsler, oppfordringer og merknader brukes for å understreke spesielt viktige deler av bruksanvisningen.



ADVARSEL: Brukes hvis det er fare for personskade eller død for føreren eller andre personer om instruksjonene i håndboken ikke følges.



OBS: Brukes hvis det er fare for skade på produktet og/eller tilbehør, annet materiell eller det nærliggende området hvis instruksjonene i bruksanvisningen ikke følges.

Merk: Brukes for å gi mer nødvendig informasjon for en spesifikk situasjon.

Generelle sikkerhetsinstruksjoner



ADVARSEL: Les de følgende sikkerhetsinstruksjonene før du bruker tilbehøret.

- Les nøye gjennom bruksanvisningen, og forstå innholdet før du bruker tilbehøret.
- Disse instruksjonene er et supplement til instruksjonene som ble levert med produktet. Se bruksanvisningen for produktet for informasjon om andre prosedyrer.
- Den opprinnelige konstruksjonen til tilbehøret må ikke under noen omstendigheter endres uten tillatelse fra produsenten. Ikke bruk et tilbehør som ser ut til å ha blitt modifisert av andre, og bruk alltid originalt tilleggsutstyr. Uautoriserte endringer og/eller tilleggsutstyr kan medføre alvorlige skader eller dødsfall for brukeren eller andre.

Sikkerhetsinstruksjoner for drift



ADVARSEL: Les de følgende advarselinstruksjonene før du bruker produktet.

- Stoppekontakten går automatisk tilbake til startstilling. Pass på å forhindre utilsikket oppstart ved montering, kontroll og/eller vedlikehold. Hvis du har et bensindrevet produkt, fjerner du tennpluggkappen fra tennpluggen. Hvis du har et batteridrevet produkt, tar du ut batteriet.
- Se opp for gjenstander som slynges ut. Bruk alltid vernebriller. Ikke bøy deg over børstestrommelen. Steiner, skrot o.l. kan kastes opp i øynene og forårsake blindhet eller alvorlige skader.
- Giret kan være varmt under og en stund etter bruk. Det er risiko for brannskade ved berøring.
- Børstestromlene kan rotere når oppsamleren startes. Hold produktet godt fast når du starter det.
- Selv om børstestromlene ikke har den samme kraften som gressklipperblader for eksempel har, bør du unngå å arbeide med materialer som kan forårsake personskader eller skader på eiendeler hvis de slynges ut.
- Bruk aldri produktet uten mulighet til å kunne påkalle hjelp ved en ulykke.
- Produktet skal bare brukes til det formålet det er beregnet på.
- Bruk aldri produktet hvis du er trett, har drukket alkohol eller bruker medisiner som kan påvirke syn, vurderingsevne eller koordinasjon.
- Bruk aldri produktet i ekstreme klimaforhold som sterk kulde eller meget varmt og/eller fuktig klima.
- Bruk aldri et defekt produkt. Utfør sikkerhetskontrollene og vedlikeholds- og serviceinstruksjonene i denne bruksanvisningen. Noen vedlikeholds- og servicetiltak må utføres av erfarne og kvalifiserte spesialister. Se instruksjonene under overskriften Vedlikehold.
- Tillat aldri barn å bruke produktet.
- La aldri noen andre bruke produktet før du har forsikret deg om at de har lest og forstått innholdet i bruksanvisningen.
- Hold uvedkommende på avstand. Barn, dyr, tilskuere og hjelpere bør stå utenfor sikkerhetssonen på 15 meter mens du arbeider. Stopp produktet øyeblikkelig hvis noen kommer nærmere.
- Når du kommer ut for en situasjon som gjør deg usikker på fortsatt bruk, skal du rådføre deg med en ekspert. Henvend deg til din forhandler eller ditt serviceverksted.
- Unngå all bruk som du ikke føler deg kvalifisert til.
- Vær alltid oppmerksom på varselsignaler eller tilrop ved bruk av hørselsvern. Ta alltid av hørselsvernet så snart motoren er stanset.
- Observer omgivelsene, og forsikre deg om at det ikke er noen fare for at mennesker eller dyr kan

komme i kontakt med eller påvirkes av din bruk av produktet.

- Unngå bruk i dårlig vær, for eksempel tett tåke, kraftig regn, sterk vind, kraftig kulde osv. Arbeid i dårlig vær er slitsomt og kan medføre ekstra risiko, for eksempel glatt og isete underlag.
- Sørg for at du kan gå og stå sikkert. Se etter eventuelle hinder ved uventet forflytting (røtter, steiner, greiner, groper, forhøyninger osv.). Vær meget forsiktig ved arbeid i skrånende terreng.



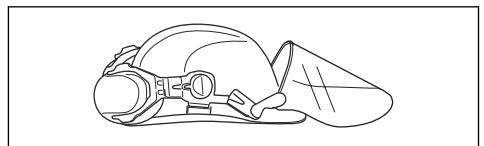
- Ved flytting av produktet skal motoren være slått av. Hvis du har et bensindrevet produkt, fjerner du tennpluggkappen fra tennpluggen. Hvis du har et batteridrevet produkt, tar du ut batteriet.
- Sett aldri produktet ned med motoren i gang med mindre du har det under oppsikt.
- Bruk alltid begge hendene til å holde i produktet. Hold produktet ved siden av kroppen.
- Pass på at hender og føtter ikke kommer nær børsten når motoren går.
- Når produktet er slått av, må du holde hender og føtter unna børsten til den har stoppet helt.
- Hvis kraftige vibrasjoner oppstår, må du stoppe produktet. Hvis du har et bensindrevet produkt, kobler du tennpluggkabelen fra tennpluggen. Hvis du har et batteridrevet produkt, tar du ut batteriet. Kontroller om produktet er skadet. Reparer eventuelle skader.

Personlig verneutstyr

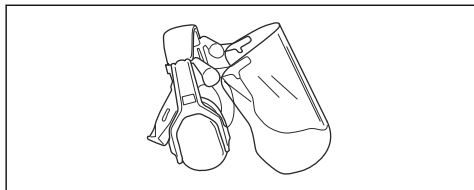


ADVARSEL: Les de følgende advarslene før du bruker produktet.

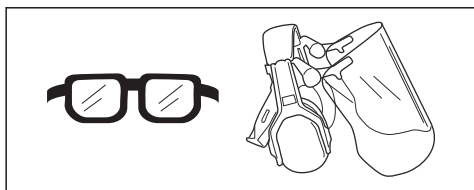
- Benytt alltid godkjent verneutstyr når du bruker produktet. Verneutstyr kan aldri fullstendig forhindre skade, men det reduserer skadeomfanget hvis ulykken inntreffer. Spør forhandleren din om hjelp til å velge riktig utstyr.
- Bruk vernehjelm dersom det kan være fare for fallende gjenstander.



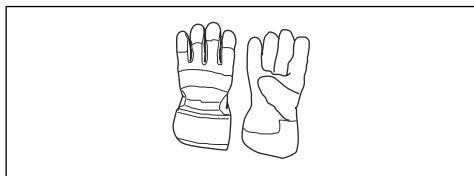
- Bruk godkjent hørselsvern med tilstrekkelig lydempende virkning. Langvarig eksponering overfor støy kan gi varige hørselsskader.



- Bruk godkjent øyevern. Ved bruk av visir skal det også brukes godkjente vernebriller. Godkjente vernebriller er slike som tilfredsstiller standard ANSI Z87.1 for USA eller EN 166 for EU-land.



- Bruk hansker når det er nødvendig, for eksempel når du fester, undersøker eller rengjør skjæreutstyret.



- Bruk vernestøvler med ståltå og sklisikre såler.



- Bruk klær av et slitesterkt materiale. Bruk alltid tykke langbukser og lange ermer. Unngå bruk av altfor vide klær som lett henger seg fast i kvister og grener. Ikke bruk smykker, kortbukser eller sandaler, og ikke gå barbert. Sett håret opp over skuldernivå.
- Ha førstehjelpsutstyr for hånden.



Sikkerhetsutstyr på produktet



ADVARSEL: Les de følgende advarslene før du bruker produktet.

I dette avsnittet forklares produktets sikkerhetsfunksjoner, hvilken funksjon det har, og hvordan man utfører kontroll og vedlikehold for å være sikker på at det fungerer. Se anvisninger under overskriften *Oversikt over tilbehør på side 135* for å se hvor disse delene er plassert på ditt produkt.

Levetiden til produktet kan forkortes og risikoen for ulykker kan øke dersom produktvedlikeholdet ikke utføres på riktig måte, og dersom service og/eller reparasjoner ikke er fagmessig utført. Hvis du trenger ytterligere informasjon, kan du kontakte nærmeste servicecenter.



ADVARSEL: Bruk aldri et produkt med defekt sikkerhetsutstyr. Produktets sikkerhetsutstyr skal kontrolleres og vedlikeholdes som beskrevet i dette avsnittet. Hvis produktet ikke består alle kontrollene, må serviceverksted oppsøkes for reparasjon.



OBS: All service og reparasjon av maskinen krever spesialutdanning. Dette gjelder særlig maskinens sikkerhetsutstyr. Hvis maskinen ikke består alle kontrollene som er oppgitt nedenfor, må du oppsøke et serviceverksted. Kjøp av våre produkter garanterer at du kan få utført en fagmessig reparasjon og service. Hvis maskinen ikke er kjøpt hos en av våre servicefaghandlere, så spør dem etter nærmeste serviceverksted.

Sikkerhetsinstruksjoner for vedlikehold



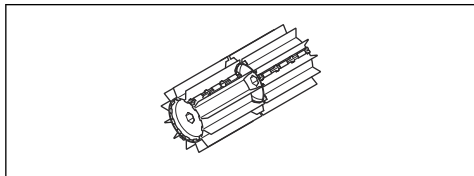
ADVARSEL: Les de følgende advarslene før du utfører vedlikehold.



ADVARSEL: Stans alltid produktet før du utfører vedlikehold på tilbehøret. Vær forsiktig, tilbehøret kan fortsette å bevege seg også etter at gassen/kraftutløseren er sluppet. Kontroller at tilbehøret har stoppet helt. Hvis du har et bensindrevet produkt, kobler du tennpluggkablene fra tennpluggen. Hvis du har et batteridrevet produkt, tar du ut batteriet.

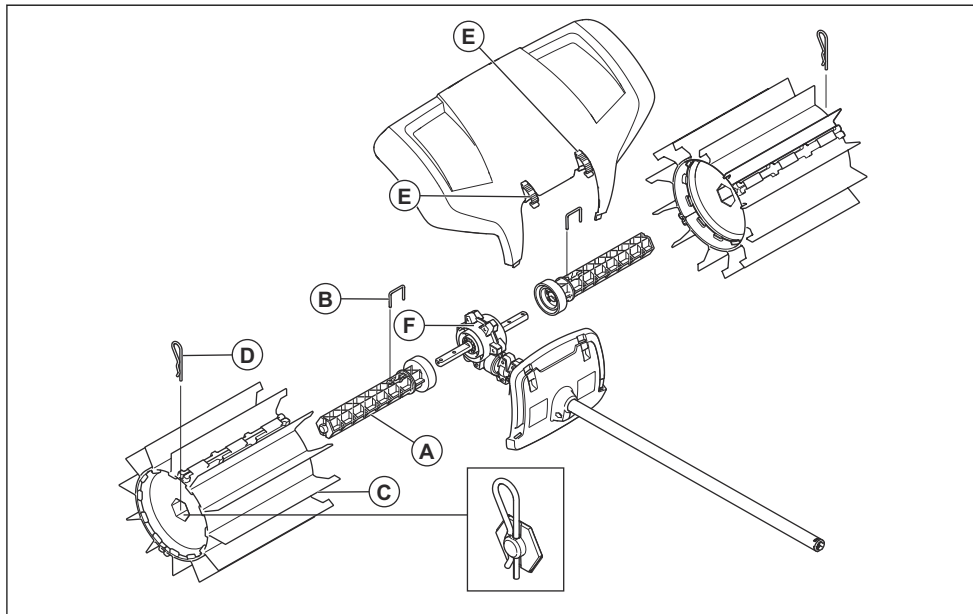
- Kontroller hele produktet før du starter. Skift skadede deler.
- Kontroller at alle beskyttelser og deksler er hele og ordentlig festet. Kontroller alle muttere og skruer.

- Hvis du har et bensindrevet produkt, må du kontrollere at det ikke finnes drivstofflekkasjer.
- Sørg for at børstetromlene er uskadd og ikke har noen sprekker eller andre skader.



Montering

Slik monterer du tilbehøret



1. Trykk en av trommelakslene (A) på en av de to utgående drivakslene fra girhuset (F). Roter om nødvendig trommelakslen slik at pinnehullet kommer over det korresponderende hullet i drivakselen.
2. Fest rulleakselen med låsepinnen (B).
3. Trø en av børstetromlene (C) på den monterte akselen. Enden med de utstikkende gummilamellene monteres nærmest girhuset. Trykk inn børstetrommelen.
4. Fest rullen på akselen med en splint. Press inn enden litt når du monterer.
5. Gjenta disse trinnene for å montere akselen og rullen på motsatt side. Tromlene er identiske, men må monteres med de utstikkende gummilamellene mot girhuset.
6. Monter sprutevernet med hurtigfestene (E).

Merk: Hvis du skal montere tilbehør på grunnleggende produkt, kan du se håndboken for grunnleggende produkt.

Slik starter du produktet når motoren er kald

Hvis du har et bensindrevet produkt, må du følge disse instruksjonene for å starte produktet med kald motor.

1. Kjør det grunnleggende produktet varmt, og slå det deretter av.
2. Fest tilbehøret i henhold til instruksjonene.
3. Når du justerer forgasseren, må du sørge for at børstetromlene holdes mot bakken, og at ingen andre er i nærheten.
4. Kontroller at børstetromlene går på tomgang.
5. Sørg for at håndtak og sikkerhetsfunksjon er i orden. Bruk aldri et produkt som mangler deler eller er endret utover spesifikasjonene.

Slik bruker du tilbehøret

Oppsamleren fungerer best når gummilamellene kan gli eller «stryke» over arbeidsflaten. Nye eller utskiftede børstetromler har en tendens til å sette seg fast eller gå tregt på harde overflater og må derfor «kjøres inn» grundig før bruk. Dette kan enkelt gjøres ved å bruke produktet med full gass/hastighet i 3–5 minutter på løs grus eller lignende slipende materialer. Når oppsamleren er kjørt inn, vil den være i stand til å flytte store mengder materialer, enten det er snø eller gjørmepøler eller tyngre gjenstander som grus eller trespon. Med tiden vil du lære deg hvordan oppsamleren fungerer, men du må følge sikkerhetsreglene fra starten av.

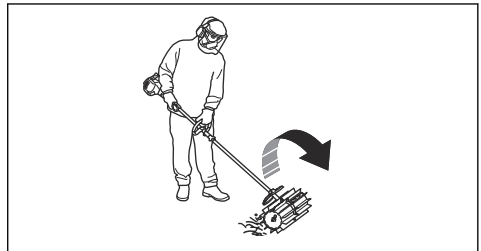
1. Kjør oppsamleren med full (eller nesten full) gass/hastighet med gummilamellene hvilende på overflaten.

Merk: Det er både slitsomt og unødvendig å løfte opp eller holde gummilamellene over overflaten mens du arbeider.

2. Når du rydder på smale steder som gangveier, kan produktet brukes slik at det kaster ut materiale rett foran deg. Hvis du vil arbeide på bredere flater, kan det hende at du må arbeide i vinkel slik at materiale legger seg i strimler på den ene siden. Strimler som består av lett materiale, kan samles i én rad eller haug og fjernes senere, men hvis det er snakk om harde eller større materialer, kan det være nødvendig at det samles opp i flere strimler.



3. For å komme til i hjørnene må du fjerne sprutvernet, løsne tilbehørskoblingen og rotere tilbehøret en halv omdreining.



ADVARSEL: Avfall kastes da bakover mot brukeren. Bruk en lavere hastighet når du reverserer produktet, og husk at det er fort gjort å snuble i materiale som er kastet ut.

4. Hold en liten arbeidsvinkel mot overflaten. Hvis vinkelen er for stor, har oppsamleren en tendens til å bevege seg mot deg, og det er risiko for at du mister kontroll over produktet.



Vedlikehold

Innledning

Nedenfor følger noen generelle vedlikeholdsinstruksjoner. Kontakt serviceverkstedet dersom du trenger ytterligere opplysninger.

Slik utfører du vedlikehold på tilbehøret

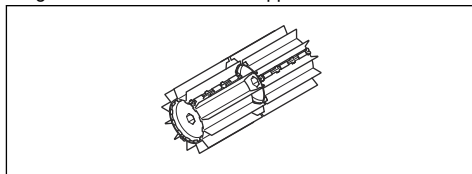


OBS: Oppsamleren brukes ofte under forhold med mye støv. Hvis du har et bensindrevet produkt, er det svært viktig med regelmessig vedlikehold av luftfilteret, ofte daglig. Luftfilteret må smøres for å fungere på en tilfredsstillende måte. Se vedlikeholdsinstruksjonene i brukerhåndboken for strømforsyningsenheten.



ADVARSEL: Etter arbeid med maskinen blir giret varmt. For å unngå brannskader må du ikke ta på giret.

1. Sørg for at børstetromlene ikke beveger seg når gassen/kraftutløseren er sluppet.



2. Kontroller at børstetromlene ikke er ødelagte eller sprukne. Skift ut børstetromlene ved behov.
3. Heng opp børsten når den skal oppbevares over lengre perioder.

Transport, oppbevaring og avhending

Transport og oppbevaring

Hvis du transporterer tilbehøret på et annet kjøretøy må du alltid bruke godkjente festeenheter og forsikre deg om at tilbehøret er trygt festet.

Påse at tilbehøret er ordentlig rengjort og at fullstendig service er utført før langtids oppbevaring.

Tekniske data

Tekniske data for bensindrevne produkter

Oppsamler	
Børstetrommelens bredde, mm	590
Vekt	
Vekt, kg	6,5
Støynivå⁸⁵	
Lydeffektnivå, målt dB (A)	105
Lydeffektnivå, garantert L _{WA} dB (A)	109
Lydnivåer⁸⁶	

⁸⁵ Utslipp av støy til omgivelsene målt som lydeffekt (L_{WA}) i henhold til EF-direktiv 2000/14/ EC. Rapporterte lydeffektnivåer for maskinen er målt med det originale skjæreutstyret som gir høyest nivå. Forskjellen mellom garantert og målt lydeffekt er at garantert lydeffekt også omfatter spredning i måleresultatet og variasjoner mellom forskjellige maskiner av samme modell, i henhold til direktiv 2000/14/ EC.

⁸⁶ Rapporterte data for ekvivalent lydtrykksnivå for maskinen har en typisk statistisk spredning (standard avvik) på 1 dB(A).

Oppsamler	
Ekvivalent lydtrykknivå ved brukerens øre, målt i henhold til EN ISO 22868 , dB(A):	97
Vibrasjoner⁸⁷	
Ekvivalente vibrasjonsnivåer ($a_{hv,eq}$) i håndtak, målt i henhold til , m/s^2	
Fremre/bakre håndtak	4,4/5,1

Tekniske data for batteridrevne produkter

325ILK + oppsamler tilbehør SR600-2	
Børstetrommelens bredde, mm	590
Vekt	
Vekt, kg	2,3 + +6,5
Støynivå⁸⁸	
Lydeffektnivå, målt, dB (A)	93
Lydnivåer⁸⁹	
Ekvivalent lydtrykknivå ved brukerens øre, målt etter ISO 22868, dB(A):	82
Vibrasjoner⁹⁰	
Vibrasjonsnivåer i håndtak, målt i henhold til EN 62841-1, m/s^2	
Fremre/bakre håndtak	3,2/3,1

⁸⁷ Rapporterte data for ekvivalent vibrasjonsnivå har en typisk statistisk spredning (standardavvik) på 1 m/s^2 .

⁸⁸ Rapporterte data for lydstyrkenivå for maskinen har en typisk statistisk spredning (standardavvik) på 3 dB (A) og er målt med originaltilbehør som gir det høyeste nivået.

⁸⁹ Rapporterte data for lydtrykknivå for maskinen har en typisk statistisk spredning (standardavvik) på 3 dB (A) og er målt med originaltilbehør som gir det høyeste nivået.

⁹⁰ Rapporterte data for vibrasjonsnivå har en typisk statistisk spredning (standardavvik) på 2 m/s^2 . Bruk vibrasjonskalkulatoren for å sammenligne vibrasjonsnivåer, batteri- og bensindrevne produkter. <https://www.husqvarna.com/uk/services-solutions/vibration-calculator/>.

EF-samsvarserklæring

EF-samsvarserklæring – for bensindrevne produkter

Husqvarna AB, SE-561 82 Huskvarna, Sverige, tlf.: +46-36-146500, erklærer at oppsamlerertilbehøret, **Husqvarna SR600-2**, med serienummer fra 2019 og fremover (året er tydelig merket på typeskiltet, etterfulgt av serienummeret), samsvarer med kravene i RÅDSDIREKTIVET:

- fra 17. mai 2006, «angående maskiner» **2006/42/EF**
- fra 8. juni 2011 «om begrensning i bruk av visse farlige stoffer i elektrisk og elektronisk utstyr» **2011/65/EU**
- fra 8. mai 2000 «angående utslipp av støy til omgivelsene», **2000/14/EF**.

Følgende standarder er brukt for bensindrevne produkter:

SS-EN ISO 12100:2010, EN 50581:2012

Kontrollorgan har utført EF-typekontroll i henhold til maskindirektivet (2006/42/EF) artikkel 12, punkt 3b. Sertifikatet for EF-typeundersøkelse i samsvar med tillegg IV har nummeret: **SEC/15/2413 - Husqvarna SR600-2**

Huskvarna , 2019-06-24



Per Gustafsson, utviklingssjef (autorisert representant for Husqvarna AB og ansvarlig for teknisk dokumentasjon)

EF-samsvarserklæring – for batteridrevne produkter

Husqvarna AB, SE-561 82 Huskvarna, Sverige, tlf.: +46-36-146500, erklærer at oppsamlerertilbehøret, **Husqvarna SR600-2 med strømforsyningsenheten Husqvarna 325iLK** med serienummer fra 2019 og fremover (året er tydelig merket på typeskiltet, etterfulgt av serienummeret), samsvarer med kravene i RÅDSDIREKTIVET:

- fra 17. mai 2006, «angående maskiner» **2006/42/EF**
- fra 8. juni 2011 «om begrensning i bruk av visse farlige stoffer i elektrisk og elektronisk utstyr» **2011/65/EU**

Følgende standarder er brukt for batteridrevne produkter:

EN 62841-1:2015, EN 50581:2012

RISE SMP Svenska Maskinprovning AB, Box 7035, SE-750 07 Uppsala, Sverige, har utført frivillig typekontroll på vegne av Husqvarna AB. Sertifikatet er nummerert: **SEC/15/2413 - Husqvarna SR600-2**

Huskvarna , 2019-06-24



Per Gustafsson, utviklingssjef (autorisert representant for Husqvarna AB og ansvarlig for teknisk dokumentasjon)

SPIS TREŚCI

Wstęp.....	144	Przegląd.....	150
Bezpieczeństwo.....	145	Transport, przechowywanie i utylizacja.....	151
Montaż.....	149	Dane techniczne.....	151
Przeznaczenie.....	149	Deklaracja zgodności WE.....	153

Wstęp

Opis produktu

Niestannie modernizujemy swoje wyroby, w związku z czym zastrzegamy sobie prawo do wprowadzania zmian dotyczących m.in. wyglądu produktów bez uprzedzenia.

Uwaga: Niniejsza instrukcja obejmuje zarówno zespoły napędowe zasilane benzyną, jak i akumulatorem.

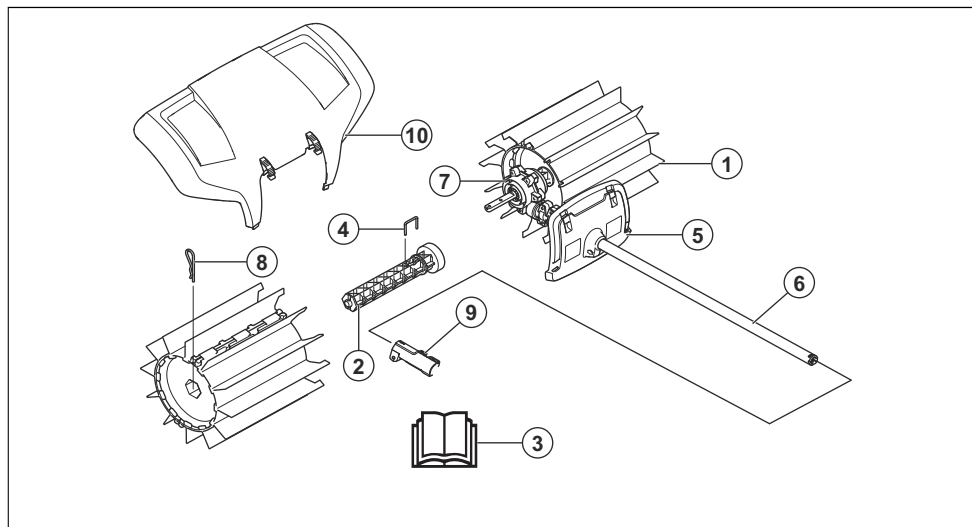
Przeznaczenie



OSTRZEŻENIE: Osprzętu można używać tylko łącznie z produktami, dla których jest ona przeznaczona; patrz rozdział dodatkowy w instrukcji obsługi produktu.

Osprzęt przeznaczony jest wyłącznie do usuwania zanieczyszczeń z trawników, ścieżek, dróg asfaltowych itp. poprzez nadmuch powietrza.

Przegląd osprzętu



1. Szczotka w kształcie walca
2. Oś szczotki
3. Podręcznik użytkownika
4. Kołek blokujący
5. Osłona (zabezpieczenie wałka)
6. Wysięgnik
7. Osłona przekładni
8. Zawlecza
9. Złączka wałka (dołączony do produktu)
10. Osłona przeciwdopryskowa

Symbole na osprzęcie i na zespole napędowym



Nieuważne lub nieprawidłowe posługiwanie się osprzętem może być przyczyną poważnych obrażeń lub śmierci obsługującego bądź innych osób.



Należy dokładnie przeczytać instrukcję obsługi i przed użyciem osprzętu upewnić się, że wszystkie wskazówki zostały zrozumiane.



Stosować atestowane ochronniki słuchu. Stosować atestowane środki ochrony oczu. Jeśli istnieje ryzyko powstawania pyłu, należy stosować maskę przeciwpyłową.



Niniejszy osprzęt jest zgodny z obowiązującymi dyrektywami wspólnoty europejskiej.



Części obrotowe. Nie zbliżać rąk ani stóp. Strzałka wskazuje kierunek obrotu.



Należy zawsze używać zatwierdzonych rękawic ochronnych.



Używać przeciwpoślizgowego, stabilnego obuwia wysokiego.



Ostrzeżenie przed odrzucanymi i rykoszetującymi przedmiotami.



Użytkownik jest zobowiązany dopilnować, aby żadne osoby postronne ani zwierzęta nie znajdowały się w odległości mniejszej niż 15 m. Wymóg 15-metrowej bezpiecznej odległości ma również zastosowanie w przypadku, gdy kilku operatorów pracuje w tym samym miejscu. Osprzęt jest w stanie odrzucać z dużą siłą przedmioty, które mogą odbić się z powrotem. Jeżeli nie jest stosowane zalecane wyposażenie ochronne, może to doprowadzić do poważnych urazów oczu.



Podczas korzystania z produktu należy zachować minimalną odległość 15 m / 50 stóp od innych osób lub zwierząt.



Trzymaj wszystkie części ciała z dala od powierzchni gorących.



Emisja hałasu zgodna z Dyrektywą Wspólnoty Europejskiej. Hałas emitowany przez osprzęt jest określony w rozdziale „Dane techniczne” oraz na tabliczce znamionowej.

Uwaga: Pozostałe symbole/naklejki samoprzylepne umieszczone na osprzęcie dotyczą specjalnych wymogów, związanych z certyfikatami w poszczególnych krajach.

Bezpieczeństwo

Definicje dotyczące bezpieczeństwa

Ostrzeżenia, uwagi i informacje są używane do zwrócenia uwagi na szczególnie ważne sekcje instrukcji obsługi.



OSTRZEŻENIE: Stosuje się, gdy istnieje ryzyko poważnych obrażeń lub śmierci operatora albo osób postronnych w wyniku nieprzestrzegania instrukcji obsługi.



UWAGA: Stosuje się, gdy istnieje ryzyko uszkodzenia produktu i/lub przystawki, innych materiałów lub otoczenia w wyniku nieprzestrzegania instrukcji obsługi.

Uwaga: Stosuje się, aby przekazać więcej informacji, które są przydatne w danej sytuacji.

Ogólne zasady bezpieczeństwa



OSTRZEŻENIE: Przed rozpoczęciem użytkowania osprzętu należy przeczytać następujące zasady bezpieczeństwa.

- Należy dokładnie przeczytać instrukcję obsługi i przed użyciem osprzętu upewnić się, że wszystkie wskazówki zostały zrozumiane.
- Niniejsza instrukcja jest uzupełnieniem instrukcji dostarczonej z urządzeniem. Informacje o innych procedurach znajdują się w instrukcji obsługi urządzenia.
- Pod żadnym pozorem nie wolno zmieniać ani modyfikować fabrycznej konstrukcji osprzętu bez zezwolenia wydanego przez producenta. Nie należy używać osprzętu, który wydaje się zmodyfikowany przez inne osoby, oraz należy zawsze stosować oryginalne akcesoria. Samowolne wprowadzanie zmian oraz/lub montowanie wyposażenia niezatwierdzonego przez producenta może stać się

przyczyną groźnych obrażeń lub śmierci obsługującego urządzenie bądź innych osób.

Instrukcje bezpieczeństwa dotyczące obsługi



OSTRZEŻENIE: Przed rozpoczęciem użytkowania produktu przeczytać następujące ostrzeżenia.

- Włącznik powraca samoczynnie w położenie „start”. Dopilnować, aby podczas montażu, kontroli i/lub wykonywania czynności konserwacyjnych nie doszło do niezamierzonego uruchomienia. W przypadku urządzeń napędzanych benzyną odłączyć fajkę świecy zapłonowej od świecy. W przypadku urządzeń z napędem akumulatorowym wyjąć akumulator.
- Należy uważać na odrzucane przedmioty. Należy zawsze stosować środki ochrony wzroku. Zabrania się opierania się o szczotkę. Odrzucane przez urządzenie kamienie lub odłamki mogą trafić w oczy, powodując utratę wzroku lub inne poważne obrażenia.
- W czasie pracy przekładnia może rozgrzewać się do wysokiej temperatury, która może utrzymywać się na takim poziomie przez jakiś czas. Dotknięcie tego elementu grozi oparzeniem.
- Szczotki w kształcie walca mogą obrócić się podczas uruchamiania zamiataarki. Podczas uruchamiania urządzenia należy trzymać je w bezpiecznej pozycji.
- Mimo iż szczotki w kształcie walca nie mają takiej samej siły, jak na przykład kosiarka, należy unikać pracy przy materiałach, które mogą wywołać obrażenia ciała lub uszkodzenie mienia w przypadku ich odrzucenia.
- Nigdy nie używać urządzenia, jeśli nie ma możliwości wezwania pomocy w razie wypadku.
- Używać produktu tylko zgodnie z jego przeznaczeniem.
- Nie wolno pracować urządzeniem w stanie przemęczenia, po spożyciu alkoholu lub po przyjęciu leków osłabiających wzrok, zdolność oceny i koordynację.
- Nigdy nie używać produktu w ekstremalnych warunkach pogodowych i klimatycznych, np. przy bardzo dużym mrozie lub w bardzo gorącym lub/oraz wilgotnym klimacie.
- Nie wolno pracować uszkodzonym urządzeniem. Przeprowadzać kontrole bezpieczeństwa oraz czynności z zakresu konserwacji i obsługi technicznej podane w niniejszej instrukcji. Niektóre czynności konserwacyjne i obsługowe muszą być wykonane przez przeszkolonego i wykwalifikowanego specjalistę. Patrz wskazówki w części zatytułowanej „Konserwacja”.
- Nigdy nie pozwalać używać urządzenia dzieciom.
- Produkt mogą obsługiwać wyłącznie osoby, które wcześniej dokładnie zapoznały się z niniejszą instrukcją obsługi.
- Wszelkie niepowołane osoby powinny znajdować się w odpowiedniej odległości od maszyny. Podczas obsługi urządzenia dzieci, zwierzęta, osoby postronne i pomocnicy powinni znajdować się w odległości co najmniej 15 m. W przypadku zbliżenia się osób trzecich natychmiast wyłączyć urządzenie.
- Jeżeli znajdziesz się w sytuacji, w której nie jesteś pewny prawidłowości dalszego sposobu postępowania, zasięgnij porady eksperta. Zwróć się do swojego dealera lub warsztatu obsługi technicznej.
- Nie podejmuj się pracy, gdy uważasz, że nie masz wystarczających kwalifikacji.
- Mając założone ochronniki słuchu, należy zawsze być szczególnie uważnym na sygnały i zawołania ostrzegawcze. Ochronniki słuchu należy zdejmować zaraz po wyłączeniu silnika.
- Należy obserwować, co dzieje się w otoczeniu, i upewnić się, czy nie zachodzi ryzyko, że ludzie lub zwierzęta mogą wpłynąć na zdolność do obsługi urządzenia.
- Nie należy używać produktu w złych warunkach atmosferycznych, np. w czasie gęstej mgły, dużych opadów, silnego wiatru, dużego mrozu itp. Praca przy złej pogodzie jest męcząca i niesie ze sobą dodatkowe zagrożenia, jak np. śliski grunt.
- Należy zapewnić sobie bezpieczne poruszanie i pozycję przy pracy. Przy poruszaniu się po powierzchni roboczej należy uważać na ewentualne przeszkody (korzenie, gałęzie, doły, rowy itp.). Szczególną ostrożność należy zachować podczas pracy na pochyłym terenie.



- Podczas przenoszenia produktu silnik musi być wyłączony. W przypadku urządzeń napędzanych benzyną odłączyć fajkę świecy zapłonowej od świecy. W przypadku urządzeń z napędem akumulatorowym wyjąć akumulator.
- Nie pozostawiać urządzenia z włączonym silnikiem bez nadzoru.
- Produkt należy zawsze trzymać obiema rękami. Trzymać produkt z boku tułowia.
- Upewnić się, że dłonie i stopy nie znajdują się w pobliżu szczotki podczas uruchamiania silnika.

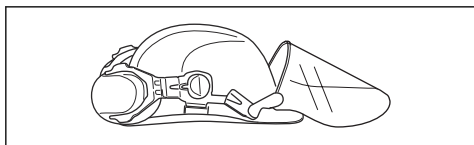
- Po wyłączeniu silnika nie należy zbliżać się do szczotki, dopóki maszyna całkowicie się nie zatrzyma.
- W przypadku wystąpienia silnych wibracji należy zatrzymać urządzenie. W przypadku urządzeń napędzanych benzyną zdjąć przewód ze świecy zapłonowej. W przypadku urządzeń z napędem akumulatorowym wyjąć akumulator. Sprawdzić, czy produkt nie jest uszkodzony. Naprawić maszynę, jeśli została uszkodzona.

Środki ochrony osobistej

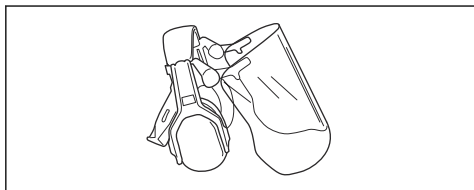


OSTRZEŻENIE: Przed rozpoczęciem użytkowania produktu przeczytać następujące ostrzeżenia.

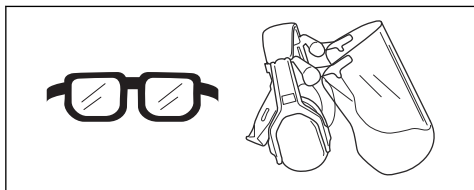
- Podczas używania produktu należy zawsze mieć na sobie zatwierdzone środki ochrony osobistej. Środki ochrony osobistej nie eliminują całkowicie ryzyka odniesienia obrażeń, natomiast ograniczają ich rozmiar w razie zaistnienia wypadku. Skorzystać z pomocy dealera przy wyborze odpowiedniego sprzętu.
- Stosować kask ochronny, gdy zachodzi ryzyko uderzenia spadającymi przedmiotami.



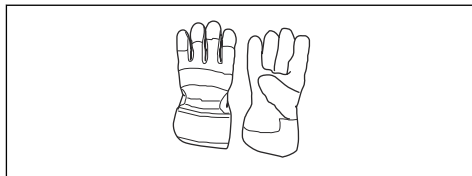
- Stosować atestowane ochronniki słuchu o wystarczających właściwościach tłumiących. Długotrwałe przebywanie w hałasie może doprowadzić do trwałej utraty słuchu.



- Stosować atestowane środki ochrony oczu. Podczas używania maski ochronnej twarzy należy mieć na sobie także zatwierdzone okulary ochronne. Za zatwierdzone okulary ochronne uważane są takie, które są zgodne z normami ANSI Z87.1 dla USA lub EN 166 dla krajów UE.



- W razie potrzeby, na przykład podczas mocowania, badania czy czyszczenia narzędzi tnących, stosować rękawice ochronne.



- Nosić buty ochronne ze stalowymi noskami i antypoślizgowymi podeszwami.



- Nosić odzież wykonaną z mocnego materiału. Nosić odzież z długimi nogawkami i długimi rękawami, wykonaną z mocnego materiału. Luźne części odzieży mogą zahaczyć o krzewy lub gałęzie. Nie nosić biżuterii, krótkich spodni ani sandałów i nie pracować z odsłoniętymi stopami. Utrzymywać włosy w sposób bezpieczny powyżej poziomu barków.
- Zawsze mieć pod ręką apteczkę pierwszej pomocy.



Zespoły zabezpieczające na urządzeniu



OSTRZEŻENIE: Przed rozpoczęciem użytkowania produktu przeczytać następujące ostrzeżenia.

W tym rozdziale opisano funkcje bezpieczeństwa produktu, jego przeznaczenie oraz sposób przeprowadzania czynności kontrolnych i konserwacji, aby zapewnić jego poprawne działanie. Patrz wskazówki pod nagłówkiem *Przebieg osprzętu na stronie 144*, aby sprawdzić rozmieszczenie poszczególnych elementów w Twoim urządzeniu.

Jeżeli urządzenie nie jest prawidłowo konserwowane i nie jest poddawane profesjonalnie wykonywanym naprawom i/lub obsłudze technicznej, skraca się jego żywotność i zwiększa ryzyko wypadku. Aby uzyskać dodatkowe informacje, należy skontaktować się z najbliższym punktem serwisowym.



OSTRZEŻENIE: Nie wolno używać produktu, którego elementy zabezpieczające są uszkodzone. Elementy zabezpieczające produktu należy kontrolować i konserwować zgodnie z opisem w niniejszym rozdziale. Jeżeli Twój produkt nie spełnia któregokolwiek z warunków kontrolnych, skontaktuj się z przedstawicielem serwisu w celu dokonania naprawy.



OSTRZEŻENIE: Należy zawsze zatrzymać urządzenie przed rozpoczęciem konserwacji dowolnej części osprzętu. Należy zachować ostrożność, ponieważ jego elementy mogą się poruszać nawet po zwolnieniu przepustnicy/manetki gazu. Upewnij się, że osprzęt całkowicie się zatrzymał. W przypadku urządzeń napędzanych benzyną zdjąć przewody ze świecy zapłonowej. W przypadku urządzeń z napędem akumulatorowym wyjąć akumulator.



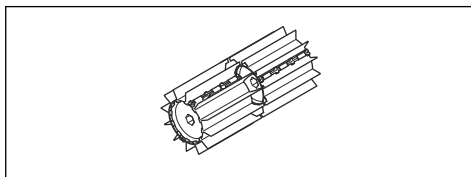
UWAGA: Wszelkie czynności obsługowe i naprawy maszyny wymagają specjalnego przeszkolenia. Szczególnie dotyczy to elementów zabezpieczających urządzenia. Jeżeli maszyna nie spełnia jakiegokolwiek z niżej wymienionych warunków kontrolnych, należy ją oddać do warsztatu obsługi technicznej. Kupując nasze produkty zyskujesz także gwarancję profesjonalnej obsługi i napraw. Jeżeli w miejscu zakupu nie jest prowadzona obsługa serwisowa, zapytaj o adres najbliższego warsztatu obsługi technicznej.

- Przed rozpoczęciem należy sprawdzić stan całego urządzenia. Wymienić zniszczone części na nowe.
- Sprawdzić, czy wszystkie osłony zostały nałożone i są prawidłowo zamocowane. Sprawdzić wszystkie nakrętki i śruby.
- W przypadku urządzeń napędzanych benzyną sprawdzić, czy nie ma wycieków paliwa.
- Sprawdzić, czy szczotki w kształcie walca nie są uszkodzone i czy nie ma na nich śladów pęknięć lub innych uszkodzeń.

Instrukcje bezpieczeństwa dotyczące konserwacji

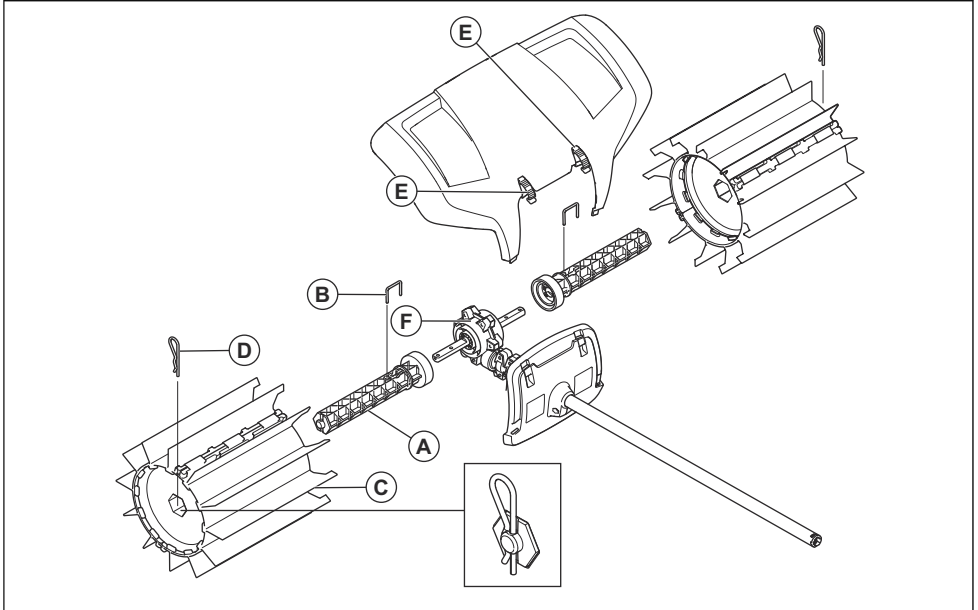


OSTRZEŻENIE: Przed rozpoczęciem prac konserwacyjnych należy przeczytać następujące ostrzeżenia.



Montaż

Montaż osprzętu



1. Nasunąć jedną z osi szczotki w kształcie walca (A) na jeden z dwóch wałków napędowych, które znajdują się po obu stronach obudowy przekładni (F). W razie potrzeby obrócić szczotkę tak, aby otwór przeznaczony na kołek blokujący znalazł się w jednej linii z odpowiednim otworem w wałku napędowym.
2. Zabezpieczyć wałek za pomocą kołka blokującego.
3. Nałożyć jedną ze szczotek (C) na zamontowaną oś. Końcówka z wysuniętymi gumowymi końcówkami jest zamocowana najbliższej obudowy przekładni. Nacisnąć szczotkę.
4. Zabezpieczyć wałek na wałku napędowym pomocą zawlecarki (D). Podczas montażu delikatnie naciskać końcówkę.
5. Powtórzyć powyższe czynności w celu złożenia osi i wałka po drugiej stronie. Szczotki są identyczne, jednakże muszą być złożone tak, aby gumowe końcówki były wysunięte w kierunku obudowy przekładni.
6. Zamontować osłonę przeciwbryzgową za pomocą elementów łącznych na zatrask (E).

Uwaga: Informacje dotyczące montażu akcesoriów na urządzeniu zasadniczym znajdują się w instrukcji obsługi tego produktu.

Przeznaczenie

Informacje dotyczące uruchamiania produktu z ciepłym silnikiem

W przypadku używania produktu napędzanego benzyną należy przestrzegać poniższych instrukcji dotyczących uruchamiania produktu przy zimnym silniku.

1. Uruchomić produkt podstawowy, a następnie go wyłączyć.
2. Zamocować osprzęt zgodnie z instrukcją montażu.
3. Podczas regulacji gaźnika należy upewnić się, że szczotki opierają się stabilnie o podłoże oraz że w pobliżu urządzenia nie przebywają żadne postronne osoby.
4. Upewnić się, że szczotki pracują na biegu jałowym.

5. Dopilnuj, aby uchwyt i zespoły zabezpieczające maszyny były zawsze w porządku. Nigdy nie używać urządzenia, w którym brakuje jakichkolwiek części lub które zostało przerobione i nie jest w zgodzie z opisem technicznym.

Korzystanie z osprzętu

Zamiatarka osiąga najlepszą wydajność, kiedy gumowe końcówki przesuwają się po powierzchni roboczej lub muskają ją. Nowe lub wymienione szczotki mają tendencję do przyczepiania się do twardych powierzchni lub ciągnięcia po nich, dlatego przed użyciem należy wykonać próbę ich działania. Można tego dokonać w prosty sposób, umieszczając pracującą na pełnych obrotach urządzenie przez 3-5 minut w luźnym żwirze lub podobnym podatnym na rozdrobnienie materiale. Po wykonaniu próby, zamiatarka będzie w stanie uporać się z dużymi ilościami materiałów, poczynając od śniegu, przez kałuże, aż po cięższe obiekty, takie jak żwir czy szczapy drewna. Z biegiem czasu obsługa zamiatarki przestaje nastroczać trudności, jednak od samego początku należy pamiętać o przestrzeganiu zasad bezpieczeństwa.

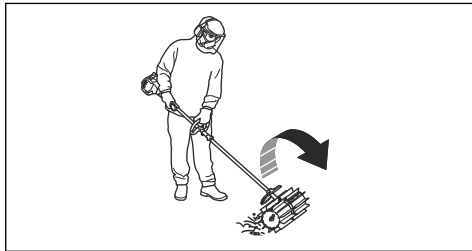
1. Opierając gumowe końcówki o podłoże, uruchomić zamiatarkę tak, aby pracowała na pełnej (lub niemal pełnej) mocy/prędkości.

Uwaga: Podnoszenie lub utrzymywanie gumowych końcówek ponad podłożem podczas pracy jest zarówno męczące, jak i niepotrzebne.

2. Podczas oczyszczania wąskich powierzchni, np. ścieżek, urządzenia można używać tak, aby wyrzucało materiał do przodu, przed użytkownika. W przypadku pracy na szerszych przestrzeniach można zmienić kąt pracy tak, aby materiał gromadził się po jednej ze stron. Lekki materiał może być gromadzony w jednym rzędzie lub na stosie do późniejszego uprzątnięcia, podczas gdy materiał o większych rozmiarach może wymagać gromadzenia w kilku skupiskach.



3. Aby dostać się do przestrzeni narożnej, należy zdjąć osłonę przeciwdopryskową i poluzować złącze akcesorium, a następnie obrócić akcesorium o 180 stopni.



OSTRZEŻENIE: W rezultacie materiał będzie odrzucany do tyłu, w kierunku operatora. Podczas obracania urządzenia należy zmniejszyć prędkość jego obrotów; należy także pamiętać o niebezpieczeństwie potknięcia się o rozrzucony materiał.

4. Podczas pracy należy utrzymywać maszynę pod małym kątem odchylenia w stosunku do powierzchni. Zbyt duży kąt odchylenia może grozić przesuwaniem się zamiatarki w stronę operatora oraz utratą kontroli nad urządzeniem.



Przegląd

Wstęp

<:fc 2>Poniżej podano kilka ogólnych zasad konserwacji.<:/fc> Jeśli potrzebujesz dodatkowych

informacji, skontaktuj się z warsztatem obsługi technicznej.

Konserwacja produktu



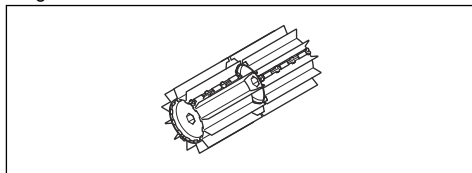
UWAGA: Praca z wykorzystaniem zmiatarki często odbywa się w warunkach dużego zapylenia. W przypadku produktów napędzanych benzyną bardzo ważne jest, aby regularnie, nawet codziennie, dbać o konserwację filtra powietrza. Filtr powietrza musi być smarowany, aby działał prawidłowo. Instrukcje dotyczące konserwacji znajdują się w instrukcji obsługi jednostki napędowej.



OSTRZEŻENIE: Po zakończeniu pracy maszyną przekładnia jest gorąca. Nie

dotykać obudowy przekładni, aby się nie oparzyć.

1. Sprawdzić, czy szczotki w kształcie wałka pozostają nieruchome po zwolnieniu przepustnicy/manetki gazu.



2. Sprawdzić szczotki pod kątem uszkodzeń i pęknięć. W razie potrzeby wymienić szczotki.
3. W przypadku dłuższego czasu nieużywania przechowywać urządzenie w pozycji wiszącej.

Transport, przechowywanie i utylizacja

Transport i przechowywanie

W przypadku transportowania osprzętu innym pojazdem należy zawsze korzystać z zatwierdzonych urządzeń zabezpieczających i zadbać o to, by osprzęt był prawidłowo zamocowany.

Przed odstawieniem osprzętu na dłuższe przechowanie należy go dokładnie oczyścić i przeprowadzić kompletny serwis.

Dane techniczne

Dane techniczne dot. urządzeń napędzanych benzyną

Zmiatarka	
Szczotka w kształcie walca, szerokość w mm	590
Waga	
Ciężar, kg	6,5
Emisje hałasu⁹¹	
Zmierzony poziom mocy akustycznej, w dB(A)	105
Poziom głośności, gwarantowana moc akustyczna [L _{WA} dB(A)]	109
Poziomy głośności⁹²	
Równoważny poziom ciśnienia akustycznego przy uchu operatora zmierzony zgodnie z normą-EN ISO 22868 , w dB(A):	97

⁹¹ Emisję hałasu do otoczenia zmierzono jako moc akustyczną (L_{WA}), zgodnie z dyrektywą 2000/14/ EC. Odnotowany poziom ciśnienia akustycznego dla maszyny został zmierzony z oryginalnym osprzętem tnącym, który daje najwyższy poziom hałasu. Różnica pomiędzy gwarantowanym a zmierzonym poziomem ciśnienia akustycznego wynika z tego, że poziom gwarantowany uwzględnia także rozproszenie w wynikach pomiaru oraz różnice pomiędzy różnymi urządzeniami o takim samym oznaczeniu modelowym zgodnie z dyrektywą 2000/14/ EC.

⁹² Odnotowane dane dotyczące równoważnego ciśnienia akustycznego urządzenia wykazują typowe rozproszenie statystyczne (odchylenie standardowe) w wysokości 1 dB(A).

Zamiatarka	
Wibracje⁹³	
Równoważne poziomy drgań uchwytów ($a_{hv,eq}$), zmierzone zgodnie z normami: , m/s ²	
Uchwyt przedni/tylny	4,4/5,1

Dane techniczne dot. urządzeń akumulatorowych

325iLK+ zamiatarka SR600-2	
Szczotka w kształcie walca, szerokość w mm	590
Waga	
Ciężar, kg	2,3+6,5
Emisje hałasu⁹⁴	
Zmierzony poziom mocy akustycznej, w dB(A)	93
Poziomy głośności⁹⁵	
Równoważny poziom ciśnienia akustycznego przy uchu operatora, mierzony zgodnie z normą ISO 22868, w dB(A):	82
Wibracje⁹⁶	
Poziomy drgań uchwytów mierzone zgodnie z normą EN 62841-1, m/s ²	
Uchwyt przedni/tylny	3,2/3,1

⁹³ Odnotowane dane dotyczące równoważnego poziomu wibracji wykazują typowe rozproszenie statystyczne (odchylenie standardowe) w wysokości 1 m/s².

⁹⁴ Odnotowane dane dotyczące poziomu mocy akustycznej urządzenia wykazują typowe rozproszenie statystyczne (odchylenie standardowe) w wysokości 3 dB(A) i zostały zmierzone z oryginalnym osprzętem, który daje najwyższy poziom hałasu.

⁹⁵ Odnotowane dane dotyczące poziomu ciśnienia akustycznego urządzenia wykazują typowe rozproszenie statystyczne (odchylenie standardowe) w wysokości 3 dB(A) i zostały zmierzone z oryginalnym osprzętem, który daje najwyższy poziom.

⁹⁶ Odnotowane dane dla poziomu wibracji mają typowe rozproszenie statystyczne (odchylenie standardowe) w wysokości 2 m/s². Do porównywania poziomu drgań, akumulatorów i produktów spalania służy kalkulator drgań. <https://www.husqvarna.com/uk/services-solutions/vibration-calculator/>

Deklaracja zgodności WE

Deklaracja zgodności WE — urządzenia napędzane benzyną

Husqvarna AB, SE-561 82 Huskvarna, Szwecja, tel.: +46-36-146500, niniejszym zapewnia, że zamiatarka **Husqvarna SR600-2**, począwszy od maszyn wyprodukowanych w roku 2019 (rok produkcji jest podany przed numerem seryjnym na tabliczce znamionowej), są zgodne z przepisami zawartymi w DYREKTYWACH RADY:

- **2006/42/WE** z 17 maja 2006 r.
- dyrektywie **2011/65/UE** z 8 czerwca 2011 r. dotyczącej ograniczenia użycia niektórych substancji niebezpiecznych w sprzęcie elektrycznym i elektronicznym.
- dyrektywie dotyczącej emisji hałasu do otoczenia **2000/14/WE** z 8 maja 2000 r.

Zostały zastosowane następujące normy dla produktów napędzanych benzyną:

SS-EN ISO 12100:2010, EN 50581:2012

Jednostka notyfikowana przeprowadziła badanie typu EC zgodnie z wymogami określonymi w dyrektywie maszynowej (2006/42/WE) artykuł 12, punkt 3b. Świadczenia zatwierdzenia typu EC, zgodnego z Załącznikiem IV, noszą numer: **SEC/15/2413 - Husqvarna SR600-2**

Huskvarna , 2019-06-24



Per Gustafsson, kierownik ds. rozwoju (autoryzowany przedstawiciel firmy Husqvarna AB oraz osoba odpowiedzialna za dokumentację techniczną)

Deklaracja zgodności WE — urządzenia akumulatorowe

Husqvarna AB, SE-561 82 Huskvarna, Szwecja, tel.: +46-36-146500, zapewnia niniejszym, że zamiatarka **Husqvarna SR600-2 z jednostką napędową Husqvarna 325iLK**, począwszy od maszyn z numerami seryjnymi wypuszczonymi w roku 2019 (rok, po którym następuje numer seryjny, podany jest wyraźnie na tabliczce znamionowej), są zgodne z przepisami zawartymi w DYREKTYWIE RADY:

- **2006/42/WE** z 17 maja 2006 r.
- dyrektywie **2011/65/UE** z 8 czerwca 2011 r. dotyczącej ograniczenia użycia niektórych substancji niebezpiecznych w sprzęcie elektrycznym i elektronicznym.

Zostały zastosowane następujące normy dla produktów akumulatorowych:

EN 62841-1:2015, EN 50581:2012

RISE SMP Svenska Maskinprovning AB, Box 7035, SE-750 07 Uppsala, Szwecja, przeprowadził dobrowolną kontrolę homologacyjną na rzecz firmy Husqvarna AB. Numer certyfikatu: **SEC/15/2413 - Husqvarna SR600-2**

Huskvarna , 2019-06-24



Per Gustafsson, kierownik ds. rozwoju (autoryzowany przedstawiciel firmy Husqvarna AB oraz osoba odpowiedzialna za dokumentację techniczną)

ÍNDICE

Introdução.....	154	Manutenção.....	160
Segurança.....	155	Transporte, armazenamento e eliminação.....	160
Montagem.....	158	Especificações técnicas.....	161
Funcionamento.....	159	Declaração CE de conformidade.....	163

Introdução

Descrição do produto

Seguimos uma política de desenvolvimento contínuo dos nossos produtos e, por conseguinte, reservamo-nos o direito de modificar o design e o aspeto dos mesmos, sem aviso prévio.

Nota: Este manual abrange ambas as unidades de potência, operadas a gasolina e a bateria.

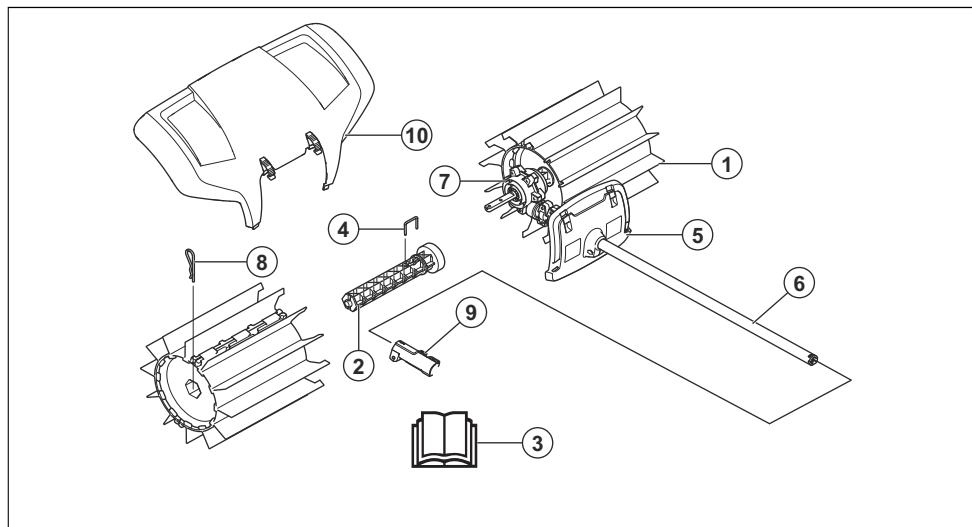
Finalidade



ATENÇÃO: Este acessório apenas pode ser utilizado juntamente com o produto pretendido; consulte o capítulo do acessório no manual do utilizador do produto.

O acessório foi concebido exclusivamente para a limpeza de relvados, caminhos, ruas asfaltadas e similares.

Vista geral do acessório



1. Tambor da escova
2. Eixo do tambor
3. Manual do utilizador
4. Pino de bloqueio
5. Proteção (proteção no eixo)
6. Eixo
7. Caixa de engrenagem
8. Pino ranhurado
9. Acoplamento do eixo (incluído com o produto)
10. Protecção contra salpicos

Símbolos no acessório e na unidade de potência



A utilização indevida ou incorreta deste acessório pode provocar ferimentos graves ou fatais no utilizador ou noutras pessoas.



Leia o manual do utilizador com atenção e certifique-se de que compreende as instruções antes de utilizar o acessório.



Utilize protetores acústicos aprovados. Utilize proteção ocular aprovada. Utilize uma máscara respiratória quando existir risco de poeira.



Este acessório está em conformidade com as diretivas aplicáveis da CE.



Peças rotativas. Mantenha as mãos e os pés afastados. A seta indica o sentido de rotação.



Use sempre luvas de proteção aprovadas.



Use botas estáveis e antidesslizantes.



Este produto está conforme as diretivas em validade da CE.



O utilizador tem de se certificar de que as pessoas e os animais não se aproximam a menos de 15 metros. Quando estão vários operadores a trabalhar na mesma área, é necessário que exista uma distância de segurança de, pelo menos, 15 metros. O acessório pode arremessar violentamente objetos que podem fazer ricochete. Isso pode levar a graves lesões nos olhos no caso do equipamento de segurança recomendado não ser usado.



Mantenha pessoas e animais a uma distância mínima de 15 m/50 pés durante o funcionamento do produto.



Mantenha todas as partes do seu corpo afastadas das superfícies quentes.



Emissões de ruído para o meio ambiente conforme diretiva da Comunidade Europeia. As emissões do acessório são indicadas no capítulo de Especificações técnicas e na etiqueta.

Nota: Os restantes símbolos/autocolantes existentes no acessório dizem respeito a exigências específicas para homologação em alguns países.

Segurança

Definições de segurança

Os avisos, as precauções e as notas são utilizados para indicar partes especialmente importantes do manual do utilizador.



ATENÇÃO: Utilizado no caso de existir risco de ferimento ou morte para o utilizador ou transeuntes, se não forem respeitadas as instruções do manual.



CUIDADO: Utilizado se existir risco de danos para o produto e/ou acessório, para outros materiais ou para a área adjacente, se não forem respeitadas as instruções do manual.

Nota: Utilizado para disponibilizar informações adicionais necessárias numa determinada situação.

Instruções de segurança gerais



ATENÇÃO: Leia as instruções de segurança que se seguem antes de utilizar o acessório.

- Leia atentamente as instruções do manual do utilizador e certifique-se de que compreende o seu conteúdo antes de utilizar o acessório.
- Estas instruções complementam as instruções que foram incluídas com o produto. Para outros procedimentos, consulte as instruções de funcionamento do produto.
- Não é permitido modificar, em circunstância alguma, a configuração original do acessório sem a autorização expressa do fabricante. Não utilize um acessório que pareça ter sido modificado por outros e utilize sempre acessórios originais. A realização de modificações e/ou a utilização de acessórios não autorizados podem provocar ferimentos pessoais graves ou perigo de vida para o utilizador ou terceiros.

Instruções de segurança para funcionamento



ATENÇÃO: Leia as instruções de aviso que se seguem antes de utilizar o produto.

- o interruptor de paragem retorna automaticamente à posição de arranque. Certifique-se de que evita o arranque accidental aquando da montagem, verificação e/ou realização da manutenção. Se possuir um produto alimentado a gasolina, desligue a cobertura da vela de ignição. Se possuir um produto alimentado a bateria, retire a bateria.
- atenção a objetos arremessados. Use sempre proteção ocular. Nunca dobre o tambor da escova. Pedras, lixo, etc., podem ser arremessados contra os olhos e causar cegueira ou ferimentos graves nos olhos.
- A engrenagem pode ficar quente durante a utilização e manter-se assim durante algum tempo. Risco de queimaduras em caso de contacto directo. Cuidado com material arremessado.
- É possível rodar os tambores da escova quando liga o acessório para varrer folhas. Segure bem no produto durante o arranque.
- Apesar de os tambores da escova não terem a mesma força que as lâminas do cortador de relva deve evitar, por exemplo, trabalhar com materiais que possam provocar ferimentos pessoais ou danos de propriedade caso estes sejam arremessados.
- Não utilize o produto a menos que seja possível pedir ajuda em caso de acidente.
- Utilize o produto apenas para as funções a que o mesmo se destina.
- Nunca utilize o produto se estiver cansado, se tiver ingerido bebidas alcoólicas ou se estiver a tomar medicação que possa afetar a visão, o discernimento ou a coordenação motora.
- Nunca utilize o produto em condições climáticas extremas, tais como frio muito intenso ou tempo muito quente e/ou húmido.
- Nunca utilize um produto defeituoso. Efectue as verificações de segurança e cumpra as instruções de manutenção e assistência técnica contidas neste manual. Alguns serviços de manutenção e de assistência técnica têm de ser executados por especialistas formados e qualificados. Consulte as instruções na secção Manutenção.
- Nunca permita que crianças utilizem o produto.
- Nunca permita que outra pessoa utilize o produto sem estar certo de que a mesma leu e entendeu o conteúdo do manual de instruções.
- Mantenha estranhos ao trabalho afastados. As crianças, animais, observadores e ajudantes devem ficar fora do perímetro de segurança de 15 m enquanto trabalha. Pare imediatamente o produto se alguém se aproximar.

- Se tiver alguma dúvida relativa ao procedimento a seguir, entre em contacto com um técnico especialista. Dirija-se ao seu revendedor ou à sua oficina autorizada.
- Não utilize funções da máquina para as quais não está preparado.
- quando estiver a utilizar protectores acústicos, esteja atento a sinais de aviso ou gritos. Retire sempre os protectores acústicos assim que o motor parar.
- Observe o espaço à sua volta e certifique-se de que não há risco de pessoas ou animais entrarem em contacto com o produto ou afetarem o seu controlo sobre este.
- Não utilize o produto em condições climáticas adversas, tais como nevoeiro denso, chuvas fortes, vento forte, frio intenso, etc. Trabalhar sob condições climáticas adversas é cansativo e muitas vezes acarreta riscos adicionais, como piso com gelo.
- Certifique-se de que pode andar e estar de pé com segurança. Tenha cuidado com eventuais obstáculos (raízes, pedras, ramos, valas, etc.) caso tenha de se deslocar de forma inesperada. Tenha muito cuidado ao trabalhar em terreno inclinado.



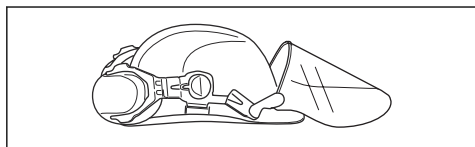
- Desligue o motor antes de deslocar o produto. Se possuir um produto alimentado a gasolina, desligue a cobertura da vela de ignição. Se possuir um produto alimentado a bateria, retire a bateria.
- Não pose o produto com o motor em funcionamento sem que o tenha bem vigiado.
- Utilize sempre ambas as mãos para segurar o produto. Mantenha o produto ao lado do corpo.
- Tenha cuidado para que as mãos e os pés não se aproximem da escova quando o motor está a trabalhar.
- Ao desligar o produto, mantenha as mãos e os pés afastados da escova até que esta tenha parado totalmente.
- Se ocorrerem fortes vibrações, pare o produto. Se possuir um produto alimentado a gasolina, desligue o cabo de alta tensão da vela de ignição. Se possuir um produto alimentado a bateria, retire a bateria. Verifique se o produto está danificado. Repare eventuais danos.

Equipamento de proteção pessoal

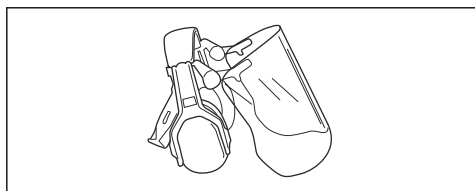


ATENÇÃO: Leia as instruções de aviso que se seguem antes de utilizar o produto.

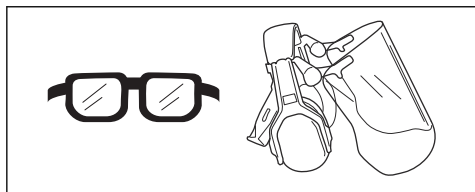
- Utilize sempre equipamento de proteção pessoal aprovado ao utilizar o produto. O equipamento de proteção pessoal não previne totalmente os ferimentos mas diminui a respetiva gravidade em caso de acidente. Obtenha ajuda junto do seu concessionário para selecionar o equipamento certo.
- Utilize um capacete de proteção caso exista o risco de objetos em queda.



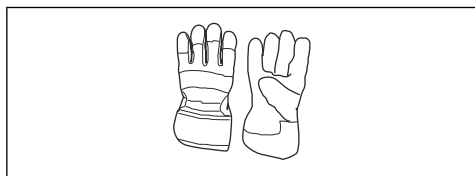
- Utilize protetores acústicos aprovados com suficiente insonorização. A exposição prolongada a ruídos pode provocar danos auditivos permanentes.



- Utilize proteção ocular aprovada. Mesmo com viseira, é necessário utilizar óculos de proteção aprovados. Consideram-se óculos de proteção aprovados os que estejam conformes com a norma ANSI Z87.1 nos EUA ou EN 166 nos países da UE.



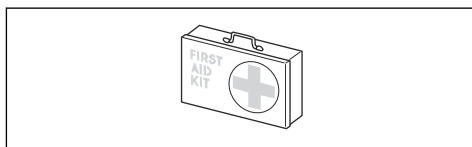
- Use luvas sempre que necessário, por exemplo, ao fixar, examinar ou limpar o acessório de corte.



- Use botas de proteção com biqueira de aço e solas antideslizantes.



- Utilize vestuário fabricado com um tecido resistente. Utilize sempre calças e mangas compridas grossas. Não utilize vestuário largo que possa ficar preso em galhos e ramos. Não utilize joias, calções, nem ande de sandálias ou descalço. Coloque o seu cabelo acima dos ombros para maior segurança.
- Mantenha equipamentos de primeiros socorros sempre à mão.



Dispositivos de segurança no produto



ATENÇÃO: Leia as instruções de aviso que se seguem antes de utilizar o produto.

Nesta secção, descrevem-se os componentes de segurança do produto, a sua função e ainda a forma de efetuar a verificação e manutenção para garantir o funcionamento correto do mesmo. Para localizar estes componentes no seu produto, consulte as instruções na secção *Vista geral do acessório na página 154*.

Se a manutenção do produto não for devidamente efetuada, e se a assistência e/ou as reparações não forem realizadas por profissionais, a vida útil do produto pode ser afetada e o risco de acidentes pode aumentar. Para obter mais informações, contacte o seu revendedor local.



ATENÇÃO: Nunca use um produto com equipamento de segurança defeituoso. O equipamento de segurança do produto tem de ser inspecionado e a sua manutenção feita conforme se descreve nesta secção. Se o produto falhar alguma destas verificações, entre em contacto com uma oficina autorizada para a sua reparação.



CUIDADO: toda a assistência e reparação da máquina requer formação especializada. Isto aplica-se especialmente ao equipamento de segurança da máquina. Se a máquina falhar alguma das verificações

que se seguem, procure a sua oficina autorizada. A compra de qualquer um dos nossos produtos garante-lhe a obtenção de reparação e assistência profissionais. Se o local da compra da máquina não for um dos nossos revendedores com assistência técnica, consulte a oficina autorizada mais próxima.

cabos de alta tensão da vela de ignição. Se possuir um produto alimentado a bateria, retire a bateria.

Instruções de segurança para manutenção

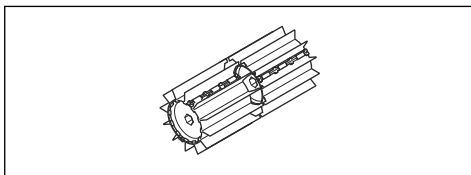


ATENÇÃO: Leia as instruções de aviso que se seguem antes de efetuar a manutenção.



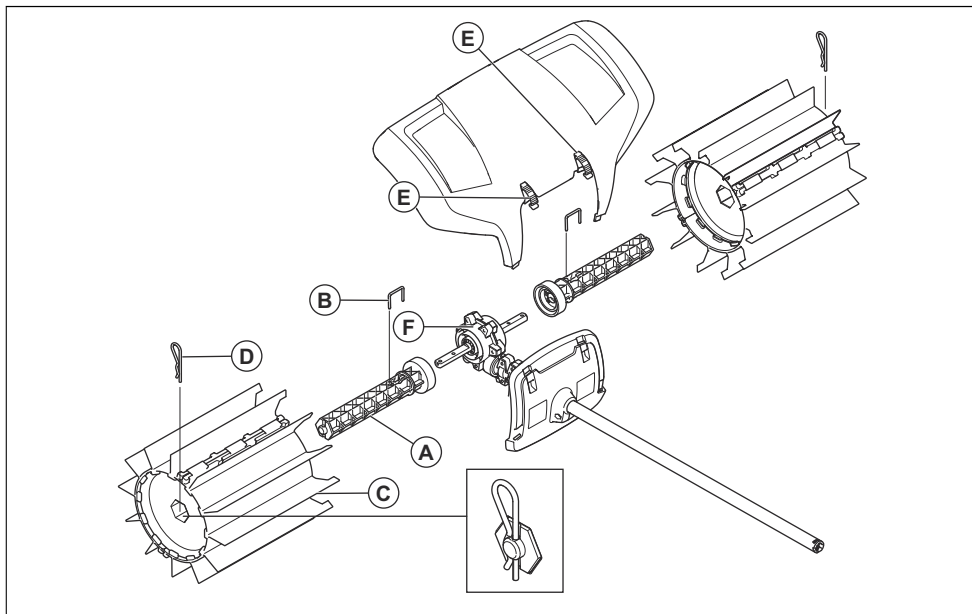
ATENÇÃO: Desligue sempre o produto antes de efetuar qualquer trabalho de manutenção no acessório. Tenha cuidado, o acessório pode continuar a mover-se depois de libertar o interruptor de alimentação/ aceleração. Certifique-se de que o acessório parou totalmente. Se possuir um produto alimentado a gasolina, desligue os

- Verifique o produto por completo antes de o ligar. Substitua as peças danificadas.
- Verifique se todas as proteções e coberturas estão em boas condições e firmemente apertadas. Verifique todas as porcas e todos os parafusos.
- Se possuir um produto alimentado a gasolina, certifique-se de que não existem fugas de combustível.
- Certifique-se de que os tambores da escova não estão danificados e não apresentam sinais de fissuras ou outros danos.



Montagem

Montar o acessório



1. Pressione um dos eixos do tambor (A) num dos dois eixos motrizes de saída da caixa de engrenagem (F). Se necessário, rode o eixo do tambor para que o orifício do pino fique alinhado com o orifício correspondente no eixo motriz.
2. Aperte o eixo do rolo com um pino de bloqueio (B).
3. Coloque um dos tambores da escova (C) sobre o eixo montado. A extremidade com as lamelas de plástico prolongadas é montada o mais próximo possível da caixa de engrenagem. Pressione o tambor da escova.
4. Prenda o rolo ao eixo com um pino ranhurado (D). Pressione ligeiramente a extremidade durante a montagem.
5. Repita estes passos para montar o eixo e o rolo no lado oposto. Os tambores são idênticos, mas têm de ser montados com as lamelas de plástico prolongadas em direcção à caixa de engrenagem.
6. Monte o resguardo com os fixadores (E).

Nota: Para montar acessórios num produto básico, consulte o manual do produto básico.

Funcionamento

Para ligar o produto com o motor frio

Se possuir um produto alimentado a gasolina, respeite estas instruções para ligar o produto com o motor frio.

1. Execute o aquecimento do produto básico e, em seguida, desligue o produto.
2. Monte o acessório de acordo com as instruções de montagem.
3. Durante o ajuste do carburador, certifique-se de que os tambores da escova estão a fixos no solo e de que não existe ninguém na área circundante.
4. Certifique-se de que os tambores da escova estão em marcha em vazio.
5. Certifique-se de que os punhos e as funções de segurança estão em ordem. Nunca utilize um produto em que faltem peças ou que tenha sido modificado de forma a ficar diferente das especificações.

Utilizar o acessório

O varredor é mais eficaz quando as lamelas de borracha deslizam ou "embatem" contra a superfície de trabalho. Os tambores da escova novos ou substituídos costumam fixar-se ou arrastar-se sobre as superfícies rígidas e, por isso, deve ser realizada uma "rodagem" exaustiva antes da respetiva utilização. Pode realizar esta ação facilmente operando o produto em velocidade/aceleração total durante 3-5 minutos sobre um piso de cascalho solto ou de material semelhante de fresagem. Após a rodagem, o acessório para varrer folhas poderá mover grandes quantidades de material desde neve ou poças até objectos mais pesados tais como gravilha ou serradura. Com o passar do tempo, irá compreender o funcionamento do acessório para varrer folhas, mas tem de respeitar as precauções de segurança desde o início.

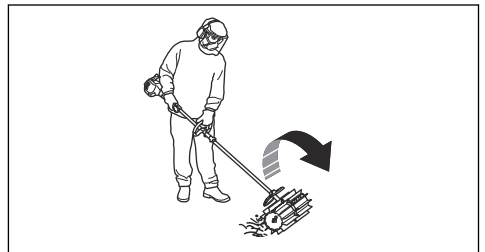
1. Acione o varredor em velocidade/aceleração máxima (ou quase) com as lamelas de borracha apoiadas na superfície.

Nota: Torna-se cansativo e desnecessário levantar e manter as lamelas de borracha acima da superfície durante a respectiva utilização.

2. Durante a limpeza de superfícies estreitas, tais como caminhos, o produto pode ser utilizado para arremessar materiais à sua frente. Se pretender trabalhar em superfícies mais largas, poderão formar-se fileiras num dos lados ao trabalhar num determinado ângulo. As fileiras compostas por materiais leves podem ser reunidas numa fila ou pilha para posterior remoção, ao passo que os materiais rígidos ou mais volumosos terão de ser reunidos em várias fileiras.



3. Para poder limpar os cantos, remova a proteção contra salpicos, desaperte o acoplamento do acessório e rode o acessório meia volta.



ATENÇÃO: Desta forma, o lixo será projectado contra o condutor. Realize a marcha-atrás com o produto a uma velocidade de rotação inferior e lembre-se de que pode tropeçar facilmente nos materiais arremessados.

4. Mantenha um ângulo de trabalho reduzido relativamente à superfície. Um ângulo de trabalho demasiado grande indica que o varredor se encaminha tendencialmente na sua direção e arrisca-se a perder o controlo da máquina.



Manutenção

Introdução

Seguem abaixo algumas instruções gerais de manutenção. Se necessitar de maiores informações, consulte uma oficina autorizada.

Efetuar a manutenção do acessório



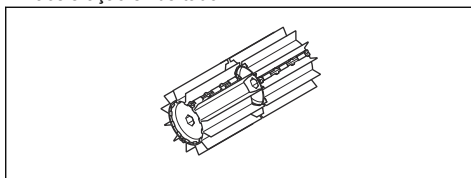
CUIDADO: Os trabalhos com o acessório para varrer folhas são frequentemente realizados em condições poeirentas. Se possuir um produto alimentado a gasolina, é extremamente importante realizar regularmente a manutenção do filtro de ar, em muitos casos diariamente. É necessário lubrificar o filtro de ar para obter um funcionamento satisfatório do mesmo. Consulte o manual do utilizador da unidade de potência para obter instruções relativas à manutenção.



ATENÇÃO: Após se ter trabalhado com a máquina, a engrenagem fica quente. Não

tocar na engrenagem para evitar queimaduras.

1. Certifique-se de que os tambores da escova não rodam quando o interruptor de alimentação/aceleração é libertado.



2. Verifique os tambores da escova quanto a danos e fendas. Se necessário, substitua os tambores da escova.
3. Pendure a escova se a deixar guardada durante longos períodos de tempo.

Transporte, armazenamento e eliminação

Transporte e armazenagem

Se transportar o acessório noutra máquina, utilize sempre dispositivos de fixação aprovados e certifique-se de que o acessório está bem seguro.

Certifique-se de que o acessório foi limpo e submetido a uma revisão completa antes de ser armazenado por um período de tempo prolongado.

Especificações técnicas

Especificações técnicas para produtos alimentados a gasolina

Acessório para varrer folhas	
Largura do tambor da escova, mm	590
Peso	
Peso, kg	6,5
Emissões de ruído⁹⁷	
Nível de potência sonora, dB(A) medidos	105
Nível de potência sonora, garantido L_{WA} dB (A)	109
Níveis acústicos⁹⁸	
Nível de pressão sonora equivalente ao nível do ouvido do utilizador, medido de acordo com a norma EN ISO 22868, dB(A):	97
Vibrações⁹⁹	
Níveis de vibração equivalentes ($a_{hv,eq}$) nos punhos, medidos de acordo com a norma, m/s^2	
Punhos dianteiros/traseiros	4,4/5,1

Especificações técnicas para produtos alimentados a bateria

325ILK + acessório varredor SR600-2	
Largura do tambor da escova, mm	590
Peso	
Peso, kg	2,3 + 6,5
Emissões de ruído¹⁰⁰	
Nível de potência sonora medido, dB(A)	93
Níveis acústicos¹⁰¹	

⁹⁷ Emissões de ruído para o ambiente, medidas sob a forma de potência sonora (L_{WA}) em conformidade com a Diretiva CE 2000/14/ EC. O nível de potência sonora registado para a máquina foi medido com o equipamento de corte original que debita o nível mais alto. A diferença entre a potência sonora garantida e medida é que a potência sonora garantida também inclui a dispersão no resultado da medição e as variações entre diferentes máquinas do mesmo modelo, de acordo com a Diretiva 2000/14/ EC.

⁹⁸ Os dados registados para o nível de pressão sonora equivalente para a máquina têm uma dispersão estatística típica (desvio padrão) de 1 dB (A).

⁹⁹ Os dados comunicados relativamente ao nível de vibração equivalente têm uma dispersão estatística típica (desvio padrão) de 1 m/s^2 .

¹⁰⁰ Os dados comunicados relativamente ao nível de potência sonora para a máquina têm uma dispersão estatística típica (desvio padrão) de 3 dB(A) e foram medidos com o acessório original que debita o nível mais alto.

¹⁰¹ Os dados comunicados relativamente ao nível de pressão sonora para a máquina têm uma dispersão estatística típica (desvio padrão) de 3 dB(A) e foram medidos com o acessório original que debita o nível mais alto.

325iLK + acessório varredor SR600-2	
Nível de pressão sonora equivalente, ao nível do ouvido do utilizador, medido de acordo com a norma ISO 22868, dB(A):	82
Vibrações¹⁰²	
Níveis de vibração nos punhos, medidos de acordo com a norma EN 62841-1, m/s ²	
Punhos dianteiros/traseiros	3,2/3,1

¹⁰² Os dados comunicados relativamente ao nível de vibração têm uma dispersão estatística típica (desvio padrão) de 2 m/s². Para comparar os níveis de vibrações de produtos a bateria e de combustão, utilize a calculadora de vibrações. <https://www.husqvarna.com/pt/servicos-solucoes/calculadora-vibracoes/>.

Declaração CE de conformidade

Declaração CE de conformidade – para produtos alimentados a gasolina

A **Husqvarna AB**, SE-561 82 Huskvarna, Suécia, tel: +46-36-146500, declara que o varredor **Husqvarna SR600-2**, acessório com números de série de 2019 e posteriores (o ano é claramente indicado na etiqueta de tipo, seguido do número de série), cumpre as disposições constantes na DIRETIVA DO CONSELHO:

- de 17 de maio de 2006 "referente a máquinas" **2006/42/CE**
- de 8 de junho de 2011, referente à "restrição do uso de determinadas substâncias perigosas em equipamento elétrico e eletrônico" **2011/65/UE**
- de 8 de maio de 2000, "referente a emissões de ruído para o ambiente" **2000/14/CE**.

As seguintes normas foram aplicadas para produtos alimentados a gasolina:

SS-EN ISO 12100:2010, EN 50581:2012

A entidade competente executou o exame CE de tipo em conformidade com a diretiva relativa a máquinas (2006/42/CE), artigo 12, ponto 3b. O certificado para o exame CE de tipo em conformidade com o anexo IV, tem o número: **SEC/15/2413 - Husqvarna SR600-2**

Huskvarna , 2019-06-24



Per Gustafsson, Chefe de Desenvolvimento
(representante autorizado da Husqvarna AB e responsável pela documentação técnica)

Declaração de conformidade CE - para produtos alimentados a bateria

A **Husqvarna AB**, SE-561 82 Huskvarna, Suécia, tel: +46-36-146500, declara que o varredor, **acessório Husqvarna SR600-2 com unidade de potência Husqvarna 325ILK** com números de série de 2019 e posteriores (o ano é claramente indicado na etiqueta de tipo, seguido do número de série), cumpre as disposições constantes na DIRETIVA DO CONSELHO:

- de 17 de maio de 2006 "referente a máquinas" **2006/42/CE**
- de 8 de junho de 2011, referente à "restrição do uso de determinadas substâncias perigosas em equipamento elétrico e eletrônico" **2011/65/UE**

As seguintes normas foram aplicadas para produtos alimentados a bateria:

EN 62841-1:2015, EN 50581:2012

A RISE SMP Svenska Maskinprovning AB, Box 7035, SE-750 07 Uppsala, Suécia, realizou o exame de tipo voluntário em nome da Husqvarna AB. O certificado tem o número: **SEC/15/2413 - Husqvarna SR600-2**

Huskvarna , 2019-06-24



Per Gustafsson, Chefe de Desenvolvimento
(representante autorizado da Husqvarna AB e responsável pela documentação técnica)

CUPRINS

Introducere.....	164	Întreținerea.....	170
Siguranță.....	165	Transportul, depozitarea și eliminarea.....	170
Asamblarea.....	168	Date tehnice.....	170
Funcționarea.....	169	Declarație de conformitate CE.....	172

Introducere

Descrierea produsului

Avem o politică de îmbunătățire continuă a produselor și, prin urmare, ne rezervăm dreptul de a modifica proiectul și aspectul produselor fără preaviz.

Nota: Acest manual acoperă atât sursele de alimentare care funcționează cu benzină, cât și cele care funcționează cu baterie.

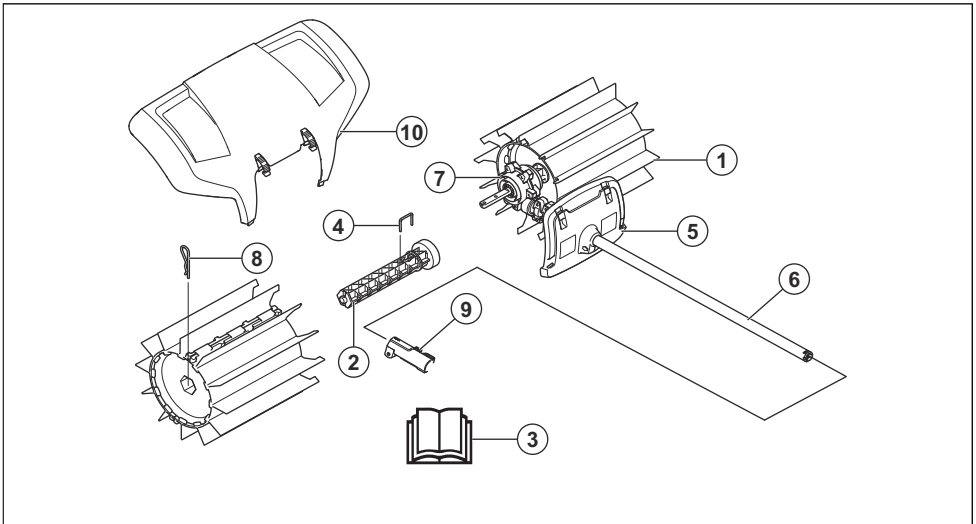
Domeniul de utilizare



AVERTISMENT: Acest accesoriu poate fi utilizat numai împreună cu produsul pentru care a fost conceput, consultați capitolul despre accesoriile din Manualul operatorului pentru produs.

Accesoriul este conceput numai pentru măturarea gazonului, a aleilor, a drumurilor asfaltate și a altor căi asemănătoare.

Prezentare generală a accesoriilor



1. Tambur de periere
2. Ax pentru tambur
3. Manualul operatorului
4. Siguranță
5. Apărătoare (Protecție pe arbore)
6. Arbore
7. Carcasă angrenaj
8. Șplint
9. Cuplaj arbore (inclus cu produsul)

10. Apărătoare de noroi

Simbolurile de pe accesoriu și de pe sursa de alimentare



Utilizarea neatență sau incorectă a acestui accesoriu poate cauza vătămări corporale grave sau mortale operatorului sau altor persoane.



Citiți cu atenție manualul operatorului și asigurați-vă că înțelegeți instrucțiunile înainte de a utiliza accesoriul.



Utilizați un sistem omologat de protecție a auzului. Utilizați ochelari de protecție omologați. Utilizați o mască de protecție când există pericolul de generare a prafului.



Acest accesoriu este conform cu directivele UE aplicabile.



Piese rotative. Feriți mâinile și picioarele. Săgeata indică direcția de rotație.



Purtați întotdeauna mănuși de protecție omologate.



Purtați ghete solide, cu talpă antiaderentă.



Feriți-vă de obiectele proiectate sau care ricoșează.



Operatorul trebuie să se asigure că nicio persoană și niciun animal nu se apropie mai mult de 15 metri. Când în aceeași locație lucrează mai mulți operatori, trebuie să se respecte o distanță de siguranță de cel puțin 15 metri. Accesoriul poate azvârli cu forță obiecte care pot ricoșa înapoi. Dacă nu se utilizează echipamentul de siguranță recomandat, acest lucru poate conduce la vătămări oculare grave.



Păstrați o distanță de minimum 15 m / 50 ft față de persoane și animale în timpul utilizării produsului.



Feriți-vă toate părțile corpului de suprafețele fierbinți.



Emisii de zgomot în mediu conform Directivei Comunității Europene. Nivelul de emisii al accesoriului este specificat în capitolul Date tehnice și pe etichetă.

Nota: Alte simboluri/etichete de pe accesoriu se referă la cerințe de certificare specifice pentru anumite piețe.

Siguranță

Definiții privind siguranța

Avertizările, atenționările și notele sunt utilizate pentru a desemna părți foarte importante din manualul operatorului.



AVERTISMENT: Se utilizează dacă există risc de vătămare sau de deces pentru operator sau pentru trecători, în cazul în care instrucțiunile din manual nu sunt respectate.



ATENȚIE: Se utilizează dacă există un risc de deteriorare a produsului și/sau a accesoriului, a altor materiale sau a zonelor învecinate, dacă instrucțiunile din manual nu sunt respectate.

Nota: Se utilizează pentru a furniza mai multe informații care sunt necesare într-o situație dată.

Instrucțiuni generale de siguranță



AVERTISMENT: Înainte de a utiliza accesoriul, citiți instrucțiunile de siguranță de mai jos.

- Vă rugăm să citiți cu atenție manualul operatorului și să vă asigurați că înțelegeți instrucțiunile înainte de a utiliza accesoriul.
- Aceste instrucțiuni completează instrucțiunile furnizate împreună cu produsul. Pentru alte proceduri, consultați instrucțiunile de utilizare ale produsului.
- Nu modificați sub nicio formă proiectul accesoriului fără permisiunea producătorului. Nu folosiți un accesoriu care pare să fi fost modificat de alte persoane și utilizați întotdeauna accesorii originale. Modificările și/sau accesoriile neautorizate pot avea drept rezultat vătămări corporale grave sau decesul operatorului sau al altor persoane.

Instrucțiuni de siguranță pentru utilizare



AVERTISMENT: Înainte de a utiliza produsul, citiți instrucțiunile de avertizare de mai jos.

- Comutatorul de oprire revine automat la poziția de start. Asigurați-vă că preveniți pornirea neintenționată la asamblare, verificare și/sau efectuare a întreținerii. Dacă aveți un produs care funcționează cu benzină, scoateți pipa bujiei din bujie. Dacă aveți un produs care funcționează cu baterie, scoateți bateria.
- Fiți atenți la obiectele azvârlite. Purtați întotdeauna ochelari de protecție. Nu vă aplecați peste tamburul periei. Pietrele, gunoiul etc. pot fi azvârlite în ochi, cauzând orbire sau vătămare gravă.
- Angrenajul se poate înfierbânta în timpul utilizării și poate rămâne fierbinte câtva timp după aceea. Dacă îl atingeți, vă poate provoca arsuri.
- Tamburii periei se pot roti, atunci când dispozitivul de măturat este pornit. Țineți produsul bine atunci când îl porniți.
- Deși tamburii periei nu au aceeași forță ca și lamele mașinii de tuns iarba, de exemplu, trebuie să evitați să lucrați cu materiale care pot cauza răniri grave sau pagube materiale, dacă sunt proiectate.
- Nu utilizați produsul decât în situații în care puteți solicita ajutor în eventualitatea unui accident.
- Utilizați produsul numai în scopul pentru care acesta a fost conceput.
- Nu utilizați niciodată acest produs dacă sunteți obosit, dacă ați consumat alcool sau dacă luați medicamente care v-ar putea afecta vederea, judecata sau coordonarea.
- Nu utilizați niciodată produsul în condiții meteorologice extreme, precum climate cu temperaturi extrem de scăzute, foarte ridicate și/sau climate umede.
- Nu utilizați niciodată un produs care este defect. Efectuați verificările de siguranță, operațiile de întreținere și de service descrise în acest manual. Anumite operații de întreținere și de service trebuie efectuate de specialiști instruiți și calificați. Consultați instrucțiunile din subcapitolul Întreținerea.
- Nu permiteți niciodată copiilor să folosească acest produs.
- Nu permiteți nimănui să folosească produsul înainte de a vă asigura că a înțeles conținutul manualului operatorului.
- Nu permiteți persoanelor neautorizate să se apropie. Copiii, animalele, spectatorii sau persoanele care vă ajută trebuie ținute în afara zonei de siguranță de 15 m în timp ce lucrați. Opriți produsul imediat dacă se apropie cineva.
- Dacă întâlniți o situație în care nu știți sigur cum să procedați, trebuie să întrebați un specialist. Contactați distribuitorul sau atelierul de service.

- Evitați utilizările care, în opinia dvs., vă depășesc abilitățile.
- Ascultați semnalele de avertisment sau strigătele când purtați echipament pentru protecția auzului. Îndepărtați echipamentul pentru protecția auzului imediat ce se oprește motorul.
- Respectați mediul înconjurător și asigurați-vă că nu există riscul ca alte persoane sau animale să vină în contact cu produsul sau să vă afecteze capacitatea de a-l controla.
- Nu utilizați produsul pe vreme nefavorabilă, precum ceață deasă, ploaie torențială, vânt puternic, frig intens etc. Lucrul pe vreme nefavorabilă este obositor și generează adesea riscuri adăugate, precum teren alunecos.
- Asigurați-vă că vă puteți deplasa și sta în picioare în siguranță. Verificați zona din jurul dvs. pentru posibile obstacole (rădăcini, pietre, crengi, șanțuri etc.) în caz că trebuie să vă deplasați brusc. Aveți mare grijă când lucrați pe teren în pantă.



- Motorul trebuie oprit înainte de a deplasa produsul. Dacă aveți un produs care funcționează cu benzină, scoateți pipa bujiei din bujie. Dacă aveți un produs care funcționează cu baterie, scoateți bateria.
- Nu lăsați niciodată produsul jos cu motorul pornit decât dacă aveți o bună vizibilitate asupra acestuia.
- Utilizați întotdeauna ambele mâini pentru a ține produsul. Țineți produsul pe lângă corp.
- Asigurați-vă că mâinile și picioarele nu se apropie de perie atunci când motorul este pornit.
- Atunci când produsul este oprit, țineți mâinile și picioarele la distanță de perie, până când aceasta se oprește complet.
- Dacă apar vibrații puternice, opriți produsul. Dacă aveți un produs care funcționează cu benzină, deconectați cablul de înaltă tensiune de la bujie. Dacă aveți un produs care funcționează cu baterie, scoateți bateria. Examinați produsul, pentru a vedea dacă nu este deteriorat. Remediați orice defecțiuni.

Echipament de protecție personală

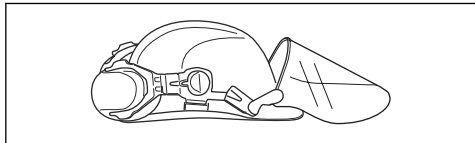


AVERTISMENT: Înainte de a utiliza produsul, citiți instrucțiunile de avertizare de mai jos.

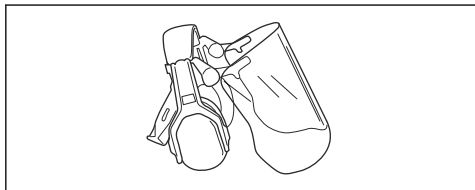
- Utilizați întotdeauna echipamente de protecție personală atunci când folosiți produsul.

Echipamentele de protecție personală nu pot elimina complet riscul de rănire, însă pot reduce gravitatea rănilor în cazul unui accident. Distribuitorul vă poate ajuta să alegeți echipamentul corect.

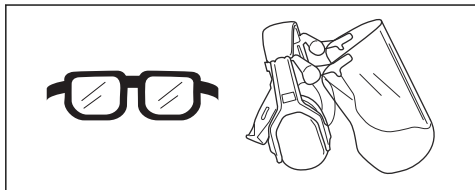
- Utilizați o cască de protecție în caz că există riscul ca unele obiecte să cadă.



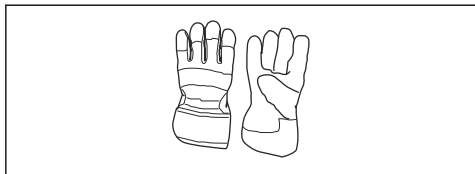
- Purtați echipament de protecție pentru urechi aprobat pentru utilizare, care asigură reducerea adecvată a zgomotului. Expunerea pe termen lung la zgomot poate avea ca rezultat o afecțiune ireversibilă a auzului.



- Utilizați ochelari de protecție omologați. Dacă utilizați un vizor de protecție, trebuie să purtați și ochelari de protecție. Ochelarii de protecție trebuie să fie compatibili cu standardul ANSI Z87.1 în S.U.A. sau EN 166 în țările UE.



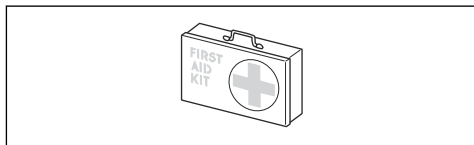
- Purtați mănuși atunci când este necesar, de exemplu atunci când conectați, inspectați sau curățați echipamentul de tăiere.



- Utilizați cizme de protecție cu bombeuri din oțel și tălpi antiderapante.



- Purtați haine din țesături rezistente. Purtați întotdeauna pantaloni lungi, din material gros, și îmbrăcăminte cu mâneci lungi. Nu purtați haine largi, care se pot prinde în smicele și ramuri. Nu purtați bijuterii, șort, sandale și nu lucrați în picioarele goale. Strângeți-vă părul în siguranță, deasupra nivelului umărului.
- Păstrați la îndemână echipament de prim ajutor.



Dispozitivele de siguranță de pe produs



AVERTISMENT: Înainte de a utiliza produsul, citiți instrucțiunile de avertizare de mai jos.

În această secțiune sunt descrise caracteristicile de siguranță al produsului, scopul său și modul în care trebuie efectuate verificările și întreținerea pentru a asigura funcționarea corectă. A se vedea instrucțiunile din capitolul *Prezentare generală a accesoriilor la pagina 164* pentru a găsi unde sunt amplasate aceste piese pe produsul dvs.

Durata de viață a produsului se poate reduce, iar riscul de accidente se poate mări dacă întreținerea produsului nu este efectuată corect, iar reglarea și/sau reparațiile nu sunt executate în mod profesional. Dacă aveți nevoie de informații suplimentare, contactați cel mai apropiat furnizor de service.



AVERTISMENT: Nu utilizați niciodată un produs cu componente de siguranță deteriorate. Echipamentul de siguranță al produsului trebuie inspectat și întreținut conform indicațiilor din acest capitol. Dacă produsul nu trece oricare dintre următoarele verificări, contactați agentul de service pentru reparații.



ATENȚIE: Toate activitățile de service și de reparații de pe aparat necesită instruire specială. Acest lucru este adevărat în special în legătură cu echipamentul de

siguranță al aparatului. În cazul în care aparatul dvs. nu trece de oricare dintre verificările descrise mai jos, trebuie să vă contactați agentul de service. Atunci când achiziționa și oricare dintre produsele noastre, garantăm disponibilitatea reparațiilor și service-ului profesionist. Dacă vânzătorul cu amănuntul care vă vinde aparatul nu este dealer de service, solicitați-i adresa celui mai apropiat agent de service.

Dacă aveți un produs care funcționează cu benzină, deconectați cablurile de înaltă tensiune de la bujie. Dacă aveți un produs care funcționează cu baterie, scoateți bateria.

Instrucțiuni de siguranță pentru întreținere

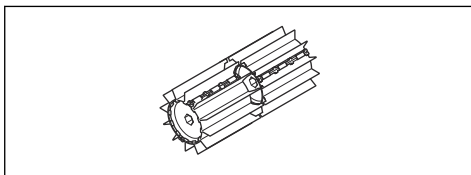


AVERTISMENT: Înainte de a efectua lucrări de întreținere, citiți instrucțiunile de avertisment de mai jos.



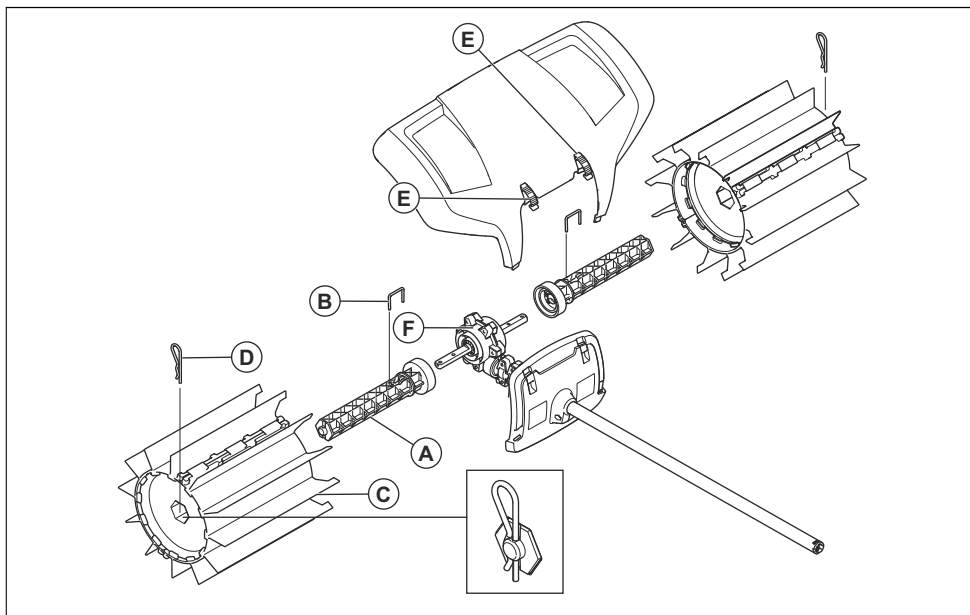
AVERTISMENT: Opriți întotdeauna produsul înainte de a efectua orice operațiune de întreținere ale accesoriului de tăiere. Aveți grijă, accesoriul se poate mișca și după eliberarea accelerației/întrerupătorului. Asigurați-vă că accesoriul s-a oprit complet.

- Verificați întreg produsul înainte de a începe să lucrați. Înlocuiți componentele deteriorate.
- Verificați dacă toate apărătorile și capacele sunt complete și fixate bine. Verificați toate șuruburile și toate piulițele.
- Dacă aveți un produs care funcționează cu benzină, asigurați-vă că nu există scurgeri de carburant.
- Verificați dacă tamburii periei nu sunt deteriorați și nu prezintă semne de fisuri sau alte daune.



Asamblarea

Asamblarea accesoriului



1. Apăsați unul dintre axurile tamburului (A) pe unul dintre cei doi arbori conducători de ieșire din carcasa angrenajului (F). Rotiți axul tamburului, dacă este necesar, astfel încât orificiul pentru știft să se afle deasupra orificiului corespunzător din arborele conducători.
2. Fixați arborele rolei cu știftul de blocare (B).
3. Înșurubați unul dintre tamburii periei (C) pe arborele montat. Capătul cu lamelele de cauciuc extinse este montat cel mai aproape de carcasa angrenajului. Apăsați tamburul periei.
4. Fixați rola pe arbore cu un știft cu cap și gaură (D). Atunci când montați apăsați ușor capătul înăuntru.
5. Repetați acești pași pentru a monta puntea și rola pe partea opusă. Tamburii sunt identici dar trebuie montați cu lamelele din cauciuc extinse spre carcasa angrenajului.
6. Montați apărătoarea de noroi cu ajutorul capselor (E).

Nota: Pentru asamblarea accesoriilor pe un produs de bază, consultați manualul produsului respectiv.

Funcționarea

Pornirea produsului cu motorul rece

Dacă aveți un produs care funcționează cu benzină, respectați aceste instrucțiuni pentru a porni produsul cu motorul rece.

1. Porniți produsul de bază pentru încălzire și apoi opriți-l.
2. Montați accesoriul conform instrucțiunilor de asamblare.
3. Atunci când reglați carburatorul, asigurați-vă că tamburii periei sunt fixați pe sol și că nu se află nimeni în apropiere.
4. Asigurați-vă că tamburii funcționează la ralanti.
5. Asigurați-vă că mânerul și elementele de siguranță sunt în stare bună de funcționare. Nu utilizați niciodată un produs care nu are o piesă sau care a fost modificat în afara specificațiilor sale.

Utilizarea accesoriului

Dispozitivul de măturat funcționează cel mai bine atunci când lamelele din cauciuc pot aluneca sau „bate” pe suprafața de lucru. Tamburii de perie noi sau înlocuiți tind să se fixeze sau să tragă pe suprafețe dure și, prin urmare, trebuie „rodați” bine înainte de utilizare. Acest lucru se poate face ușor prin funcționarea produsului la accelerație/viteză maximă timp de 3-5 minute în pietriș liber sau pe material rugos similar. După rodaj, dispozitivul de măturat va putea deplasa cantități mari de material, de la zăpadă sau apă bălțită până la obiecte mai grele, precum pietrișul sau așchiile de lemn. În timp, veți afla cum funcționează dispozitivul de măturat, dar trebuie să respectați măsurile de precauție pentru siguranță chiar de la început.

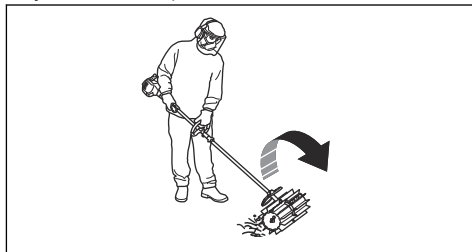
1. Lăsați dispozitivul de măturat să funcționeze la accelerație/viteză maximă (sau aproape maximă) cu lamelele de cauciuc sprijinite pe suprafață.

Nota: Este obositor și inutil să ridicați sau să mențineți lamelele de cauciuc deasupra suprafeței, atunci când lucrați.

2. Atunci când curățați suprafețe înguste, precum alei, produsul poate fi utilizat astfel încât să proiecteze materialele înainte. Dacă doriți să lucrați pe suprafețe mai largi, trebuie să lucrați în unghi, astfel încât materialele să fie degajate în șiruri laterale. Șirurile care conțin materiale ușoare pot fi colectate într-un rând sau la un loc pentru îndepărtare ulterioară, în timp ce materialele dure sau mai voluminoase pot necesita colectarea în mai multe șiruri.



3. Pentru a ajunge în colțuri, scoateți apărătoarea de noroi, slăbiți cuplajul accesoriului și rotiți accesoriului jumătate de rotație.



AVERTISMENT: Apoi resturile vor fi aruncate înapoi spre utilizator. Utilizați o viteză mai mică atunci când vă deplasați cu spatele și rețineți că vă puteți împiedica ușor de materialele proiectate.

4. Mențineți un unghi mic de lucru față de suprafață. Un unghi de lucru prea mare înseamnă că dispozitivul de măturat tinde să se deplaseze spre dvs. și riscați să pierdeți controlul produsului.



Întreținerea

Introducere

Mai jos veți găsi câteva instrucțiuni generale de întreținere. Dacă aveți nevoie de informații ulterioare, vă rugăm contactați atelierul de service.

Efectuarea operațiilor de întreținere a accesoriului

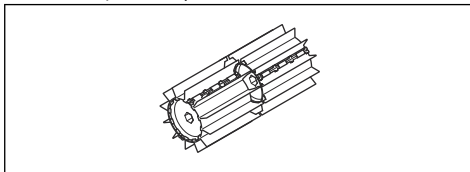


ATENȚIE: Lucrul cu dispozitivul de măturat are loc adesea în condiții de praf. Dacă aveți un produs care funcționează cu benzină, este extrem de important să aveți grijă regulat de întreținerea filtrului de aer, de multe ori zilnic. Filtrul de aer trebuie uns pentru a funcționa satisfăcător. Pentru instrucțiuni de întreținere, consultați manualul de utilizare al unității de alimentare.



AVERTISMENT: Carcasa angrenajului devine fierbinte după utilizarea dispozitivului. Pentru a evita să vă ardeți nu atingeți carcasa angrenajului.

1. Asigurați-vă că tamburii periei nu se rotesc când accelerația/înterupătorul este eliberat.



2. Verificați ca tamburii periei să nu fie deteriorați sau fisurați. Înlocuiți tamburii periei, dacă este necesar.
3. Suspendați peria, atunci când o depozitați pe perioade lungi.

Transportul, depozitarea și eliminarea

Transport și depozitare

Dacă transportați accesoriul pe un alt vehicul, utilizați întotdeauna dispozitive de fixare aprobate și asigurați-vă că acesta este fixat bine.

Înainte de depozitarea pe termen lung, asigurați-vă că accesoriul este curat și că i s-a efectuat un service complet.

Date tehnice

Date tehnice pentru produse care funcționează pe benzină

Dispozitiv de măturat	
Lățime tambur perie, mm	590
Greutate	
Greutate, kg	6,5

Dispozitiv de măsurat	
Emisii de zgomot¹⁰³	
Nivel de putere acustică, măsurat în dB(A)	105
Nivel de putere acustică garantat L_{WA} dB (A)	109
Niveluri de zgomot¹⁰⁴	
Nivel de presiune a zgomotului echivalent pentru urechile operatorului, măsurat conform EN ISO 22868 , dB (A):	97
Vibrații¹⁰⁵	
Nivelele echivalente de vibrații ($a_{hv,eq}$) la mâner, măsurate în conformitate cu , m/s^2	
Mânere față/spate	4,4/5,1

Date tehnice pentru produse care funcționează pe baterii

325ILK+ Accesoriu dispozitiv de măsurat SR600-2	
Lățime tambur perie, mm	590
Greutate	
Greutate, kg	2,3+6,5
Emisii de zgomot¹⁰⁶	
Nivel de putere a zgomotului măsurat, dB (A)	93
Niveluri de zgomot¹⁰⁷	
Nivel de presiune a zgomotului echivalent pentru urechile operatorului, măsurat conform ISO 22868, dB (A):	82
Vibrații¹⁰⁸	
Nivelurile de vibrații la mâner, măsurate în conformitate cu EN 62841-1, m/s^2	
Mânere față/spate	3,2/3,1

¹⁰³ Emisiile de zgomot din mediul înconjurător măsurate ca putere a sunetului (L_{WA}) în conformitate cu directiva CE 2000/14/ EC. Nivelul de putere a sunetului raportat pentru aparat a fost măsurat cu accesoriul original de tăiere care emite cel mai ridicat nivel. Diferența dintre puterea garantată a sunetului și cea măsurată este aceea că puterea garantată a sunetului include, de asemenea, dispersia în rezultatul de măsurare și variațiile dintre diferitele utilaje ale aceluiași model conform Directivei 2000/14/ EC.

¹⁰⁴ Datele raportate pentru nivelul echivalent de presiune a sunetului pentru dispozitiv includ o dispersie statistică tipică (deviere standard) de 1 dB (A).

¹⁰⁵ Datele raportate pentru nivelul echivalent de vibrații includ o dispersie statistică tipică (abatere standard) de 1 m/s^2 .

¹⁰⁶ Datele raportate pentru nivelul de putere acustică pentru utilaj au o dispersie statistică tipică (deviație standard) de 3 dB (A) și au fost măsurate cu accesoriul original care oferă cel mai înalt nivel.

¹⁰⁷ Datele raportate pentru nivelul de presiune a zgomotului pentru utilaj au o dispersie statistică tipică (deviație standard) de 3 dB (A) și au fost măsurate cu accesoriul original care oferă cel mai înalt nivel.

¹⁰⁸ Datele raportate pentru nivelul de vibrații prezintă o dispersie statistică tipică (abatere standard) de 2 m/s^2 . Pentru compararea nivelurilor de vibrații dintre produsele cu baterie și cele cu benzină folosiți calculatorul de vibrații. <https://www.husqvarna.com/uk/services-solutions/vibration-calculator/>.

Declarație de conformitate CE

Declarație de conformitate CE - pentru produse care funcționează cu benzină

Husqvarna AB, SE-561 82 Huskvarna, Suedia, tel.: +46-36-146500, declară că dispozitivul de măturat

Husqvarna SR600-2, cu serii din 2019 și ulterioare (anul este specificat clar pe plăcuța de identificare, urmat de serie), respectă cerințele DIRECTIVEI CONSILIULUI:

- din 17 mai 2006 „referitoare la utilaje” **2006/42/CE**
- din 8 iunie 2011 „restricțiile de utilizare a anumitor substanțe periculoase cu echipamente electrice și electronice” **2011/65/UE**
- din 8 mai 2000 „referitoare la emisiile de zgomot în mediul înconjurător” **2000/14/CE**.

Următoarele standarde au fost aplicate pentru produsele pe benzină:

SS-EN ISO 12100:2010, EN 50581:2012

Organismul notificat a efectuat teste de tip CE în conformitate cu articolul 12, punctul 3b, din directiva cu privire la mașini (2006/42/CE). Certificatul pentru examinările de tip CE în conformitate cu anexa IV are numărul: **SEC/15/2413 - Husqvarna SR600-2**

Huskvarna , 2019-06-24

voluntar în numele Husqvarna AB. Numărul prezentului certificat este: **SEC/15/2413 - Husqvarna SR600-2**

Huskvarna , 2019-06-24



Per Gustafsson, Director de Dezvoltare (Reprezentant autorizat pentru Husqvarna AB și responsabil cu documentația tehnică)



Per Gustafsson, Director de Dezvoltare (Reprezentant autorizat pentru Husqvarna AB și responsabil cu documentația tehnică)

Declarație de conformitate CE - pentru produse care funcționează cu baterii

Husqvarna AB, SE-561 82 Huskvarna, Suedia, tel.: +46-36-146500, declară că dispozitivul de măturat

Husqvarna SR600-2 cu unitate de alimentare

Husqvarna 325ILK cu serii din 2019 și ulterioare (anul este specificat clar pe plăcuța de identificare, urmat de serie), respectă cerințele DIRECTIVEI CONSILIULUI:

- din 17 mai 2006 „referitoare la utilaje” **2006/42/CE**
- din 8 iunie 2011 „restricțiile de utilizare a anumitor substanțe periculoase cu echipamente electrice și electronice” **2011/65/UE**

Următoarele standarde au fost aplicate pentru produsele pe baterie:

EN 62841-1:2015, EN 50581:2012

RISE SMP Svenska Maskinprovning AB, Box 7035, SE-750 07 Uppsala, Suedia a efectuat examinări de tip

Содержание

Введение.....	173	Техническое обслуживание.....	180
Безопасность.....	174	Транспортировка, хранение и утилизация.....	180
Сборка.....	178	Технические данные.....	180
Эксплуатация.....	178	Декларация соответствия ЕС.....	182

Введение

Описание изделия

Мы постоянно работаем над усовершенствованием и развитием своей продукции и поэтому оставляем за собой право на внесение изменений в конструкцию и внешний вид без предварительного предупреждения.

Примечание: Данное руководство распространяется как на бензиновые, так и на аккумуляторные блоки питания.

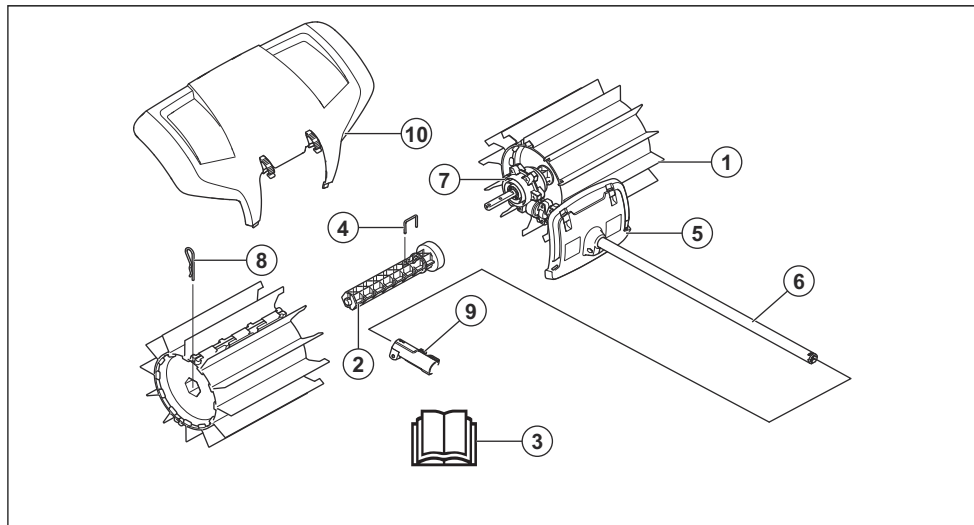
Назначение



ПРЕДУПРЕЖДЕНИЕ: Данное оборудование можно использовать только вместе с соответствующим изделием, см. главу "Принадлежности" в руководстве по эксплуатации изделия.

Данное оборудование предназначено только для подметания газонов, дорожек, асфальтированных дорог и т. п.

Обзор оборудования



1. Барабан со щеткой
2. Ось барабана
3. Руководство по эксплуатации
4. Стопорный штифт
5. Щиток (защита на штанге)
6. Штанга
7. Картер редуктора
8. Шплинт

9. Муфта штанги (входит в комплект поставки изделия)
10. Брызговик

Условные обозначения на насадке и блоке питания



Небрежная или неправильная эксплуатация данного оборудования может привести к тяжелой или

смертельной травме пользователя или других лиц.



Перед началом работы с насадкой внимательно прочитайте руководство по эксплуатации и убедитесь, что понимаете приведенные здесь инструкции.



Всегда пользуйтесь защитными наушниками. Пользуйтесь проверенными средствами защиты глаз. При работе в условиях, которые могут привести к появлению пыли, используйте респиратор.



Данная насадка отвечает требованиям соответствующих директив ЕС.



Вращающиеся части. Держите руки и ноги на безопасном расстоянии. Стрелка указывает направление вращения.



Всегда пользуйтесь рекомендованными защитными перчатками.



Пользуйтесь не скользящими и устойчивыми сапогами.



Берегитесь отскакивающих предметов и рикошетов.

Оператор обязан следить за тем, чтобы в радиусе 15 м не находились люди или животные. При работе нескольких человек на одном участке необходимо обеспечить между ними безопасное расстояние не менее 15 м. Во время работы насадка может случайно отбрасывать предметы, которые могут отскочить обратно. Это может привести к серьезным повреждениям глаз, если не использовать рекомендованные средства защиты.



Посторонние лица и животные должны находиться на расстоянии не менее 15 м (50 футов) от работающего инструмента.



Держите части тела вдали от нагретых поверхностей изделия.



Эмиссия шума в окружающую среду согласно Директиве Европейского Сообщества. Уровень эмиссии шума данного оборудования указан в разделе "Технические данные" и на паспортной табличке.

Примечание: Другие символы/наклейки на оборудовании нанесены согласно специальным требованиям к сертификации, которые действуют в определенных странах.

Безопасность

Инструкции по технике безопасности

Предупреждения, предостережения и примечания используются для выделения особо важных пунктов руководства по эксплуатации.



ПРЕДУПРЕЖДЕНИЕ: Используется, когда несоблюдение инструкций руководства может привести к травмам или смерти оператора или находящихся рядом посторонних лиц.



ВНИМАНИЕ: Используется, когда несоблюдение инструкций руководства может привести к повреждению изделия и/или принадлежности, других

материалов или прилегающей территории.

Примечание: Используется для предоставления дополнительных сведений о конкретной ситуации.

Общие инструкции по технике безопасности



ПРЕДУПРЕЖДЕНИЕ: Прежде чем приступать к эксплуатации оборудования, обязательно прочитайте следующие инструкции по технике безопасности.

- Перед началом работы с оборудованием внимательно прочитайте руководство по

эксплуатации и убедитесь, что понимаете приведенные здесь инструкции.

- Эти инструкции дополняют инструкции, поставляемые с самим изделием. В отношении прочих операций см. инструкции по эксплуатации изделия.
- Ни при каких обстоятельствах не допускается внесение изменений в первоначальную конструкцию оборудования без разрешения производителя. Запрещается использовать оборудование, если существует вероятность, что в его конструкцию внесены изменения другими лицами; всегда используйте оригинальные принадлежности. Внесение неразрешенных изменений и/или использование неразрешенных принадлежностей может привести к тяжелой травме или смерти оператора или других лиц.

Инструкции по технике безопасности во время эксплуатации



ПРЕДУПРЕЖДЕНИЕ: В обязательном порядке прочитайте следующие инструкции по технике безопасности, прежде чем приступать к эксплуатации изделия.

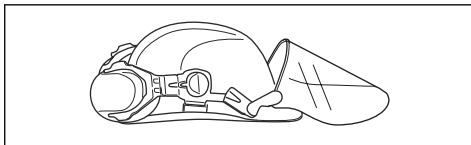
- Выключатель автоматически возвращается в исходное положение. Примите меры по предотвращению самопроизвольного запуска при сборке, проверке и/или выполнении технического обслуживания. Если изделие работает на бензине, снимите колпачок свечи зажигания со свечи зажигания. Если изделие работает от аккумулятора, извлеките аккумулятор.
- Остерегайтесь отбрасываемых предметов. Всегда носите защитные очки. Запрещается наклоняться над барабаном со щеткой. Камни, мусор и пр. могут попасть в глаза и привести к слепоте или к серьезным травмам.
- Редуктор может нагреться во время работы и оставаться горячим некоторое время. Это создает риск получения ожога при контакте.
- Барабаны со щетками могут вращаться при запуске подметальной машины. Крепко держите изделие во время запуска.
- Несмотря на то что барабаны со щетками вращаются меньшим усилием, чем, например, ножи газонокосилки, следует избегать материалов, которые при отбрасывании могут стать причиной травмы или повреждения оборудования.
- Запрещено использовать изделие в ситуации, в которой вы не сможете позвать на помощь при несчастном случае.
- Используйте изделие строго по назначению.
- Работа с изделием лиц в состоянии усталости или алкогольного опьянения, а также лиц, принимающих лекарства, воздействующие на

зрение, реакцию или координацию, не допускается.

- Запрещается пользоваться изделием при неблагоприятных погодных условиях, таких как сильный холод, жара или влажность.
- Запрещается пользоваться неисправным инструментом. Регулярно проверяйте состояние защитных приспособлений и проводите техобслуживание в соответствии с инструкциями настоящего руководства. Любые операции по ремонту и сервису, прямо не описанные в данном руководстве, выполняются только в мастерской квалифицированными специалистами. См. инструкции в разделе "Техническое обслуживание".
- Ни в коем случае не разрешайте детям пользоваться изделием.
- Ни в коем случае не позволяйте использовать изделие посторонним лицам, не убедившись сначала в том, что они прочитали и поняли содержание руководства по эксплуатации.
- В зоне работы не должны находиться посторонние. Дети, животные, наблюдатели и помощники должны находиться в безопасной зоне на расстоянии 15 м от места выполнения работ. Если кто-нибудь подойдет ближе, немедленно остановите изделие.
- В случае возникновения ситуации, в которой вы почувствуете неуверенность относительно дальнейшей работы с изделием, обратитесь за консультацией к специалисту. Свяжитесь со своим дилером или мастерской по обслуживанию.
- Не пытайтесь решить какую-либо задачу, если считаете, что она находится за пределами ваших возможностей.
- При использовании защитных наушников обращайте внимание на предупреждающие сигналы или крики. Снимайте наушники сразу после остановки (электро-)двигателя.
- Следите за происходящим вокруг, чтобы посторонние люди или животные не могли оказаться в зоне действия режущего оборудования или повлиять на управление изделием.
- Запрещается использовать изделие в плохих погодных условиях, таких как густой туман, сильный дождь, резкий ветер, низкие температуры и т. д. Работа в плохую погоду сильно утомляет и вызывает дополнительный риск, например, от скользкого грунта.
- Убедитесь, что вы можете двигаться и стоять безопасно. Проверьте, нет ли вокруг вас возможных помех и препятствий (корней, камней, веток, ям и т. д.), на случай если вам вдруг будет

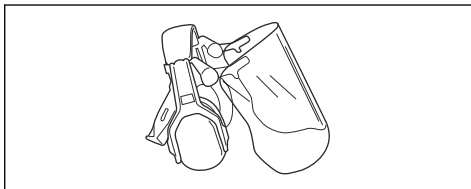
нужно быстро переместиться. Соблюдайте особую осторожность при работе на склонах.

- Используйте защитный шлем в тех случаях, когда существует вероятность падения предметов.



- Следует пользоваться одобренными защитными наушниками с достаточным уровнем подавления шума. Продолжительное воздействие шума может повлечь неизлечимое ухудшение слуха.

- При перемещении изделия (электро-)двигатель должен быть выключен. Если изделие работает на бензине, снимите колпачок свечи зажигания со свечи зажигания. Если изделие работает от аккумулятора, извлеките аккумулятор.
- Не опускайте изделие на землю при работающем (электро-)двигателе, за исключением случаев, когда его хорошо видно.
- Всегда держите изделие обеими руками. Держите инструмент сбоку.
- Убедитесь, что при работающем (электро-)двигателе ваши руки и ноги не находятся рядом со щеткой.
- При отключении изделия держите руки и ноги подальше от щетки до ее полной остановки.
- В случае сильной вибрации остановите изделие. Если изделие работает на бензине, отсоедините провод высокого напряжения от свечи зажигания. Если изделие работает от аккумулятора, извлеките аккумулятор. Проверьте изделие на наличие повреждений. При наличии повреждений выполните необходимый ремонт.



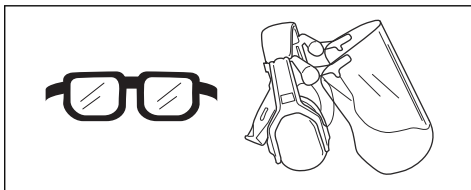
- Пользуйтесь проверенными средствами защиты глаз. При использовании защитной маски следует пользоваться также одобренными защитными очками. Под одобренными защитными очками подразумеваются очки, отвечающие требованиям стандарта ANSI Z87.1 для США или EN 166 для стран ЕС.

Средства индивидуальной защиты

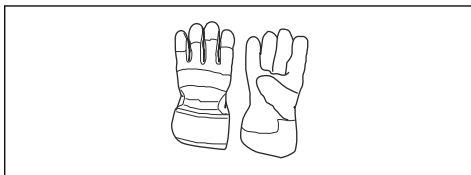


ПРЕДУПРЕЖДЕНИЕ: В обязательном порядке прочитайте следующие инструкции по технике безопасности, прежде чем приступить к эксплуатации изделия.

- Каждый раз при работе с изделием следует использовать одобренные средства индивидуальной защиты. Средства индивидуальной защиты не могут полностью исключить риск получения травмы, но при несчастном случае они снижают тяжесть травмы. За помощью по правильному выбору оборудования обращайтесь к дилеру.



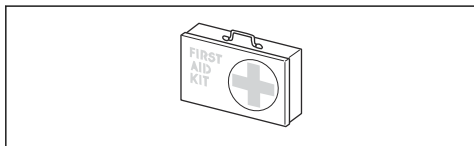
- При необходимости надевайте перчатки, например, при закреплении, проверке или очистке режущего оборудования.



- Пользуйтесь защитными ботинками со стальным носком и нескользкой подошвой.



- Надевайте одежду из прочного материала. Всегда надевайте длинные прочные брюки и верхнюю одежду с длинными рукавами. Запрещается надевать свободную одежду, которая может зацепиться за ветви или кустарник. Не надевайте ювелирные украшения, шорты, сандалии и не ходите босиком. Зафиксируйте волосы выше уровня плеч.
- Средства оказания первой помощи всегда должны быть под рукой.



Защитные устройства на изделии



ПРЕДУПРЕЖДЕНИЕ: В обязательном порядке прочитайте следующие инструкции по технике безопасности, прежде чем приступать к эксплуатации изделия.

В данном разделе рассматриваются защитные приспособления изделия и их назначение, а также приведены проверки и процедуры технического обслуживания, которые необходимо проводить для обеспечения правильной работы. См. указания в разделе *Обзор оборудования на стр. 173*, где приведено расположение этих деталей на изделии.

Срок службы изделия может быть сокращен, а риск несчастных случаев увеличен, если техническое обслуживание изделия не выполняется надлежащим образом, а сервис и/или ремонт выполнены непрофессионалом. Дополнительную информацию можно получить у ближайшего дилера по обслуживанию.



ПРЕДУПРЕЖДЕНИЕ: Ни в коем случае не пользуйтесь изделием с неисправными защитными приспособлениями. Техобслуживание и проверка защитных приспособлений должны выполняться так, как это описано в данном разделе. Если в результате этих проверок обнаружены неисправности изделия, обратитесь в сервисный центр для проведения ремонта.



ВНИМАНИЕ: Для обслуживания и ремонта инструмента требуется специальная подготовка. Это особенно относится к защитным приспособлениям агрегата. При обнаружении одной или

нескольких неисправностей (см. перечень проверок ниже) немедленно свяжитесь со специалистом по обслуживанию. При приобретении любой нашей продукции вы гарантированно получаете доступ к профессиональной помощи по ремонту и обслуживанию. Если агрегат был приобретен не у нашего сервисного дилера, узнайте адрес ближайшего сервисного центра.

Инструкции по технике безопасности во время технического обслуживания

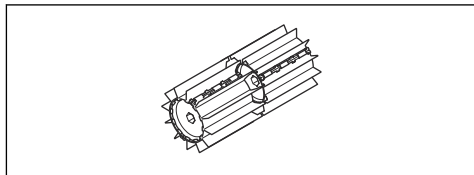


ПРЕДУПРЕЖДЕНИЕ: В обязательном порядке прочитайте следующие инструкции по технике безопасности, прежде чем приступать к техобслуживанию.



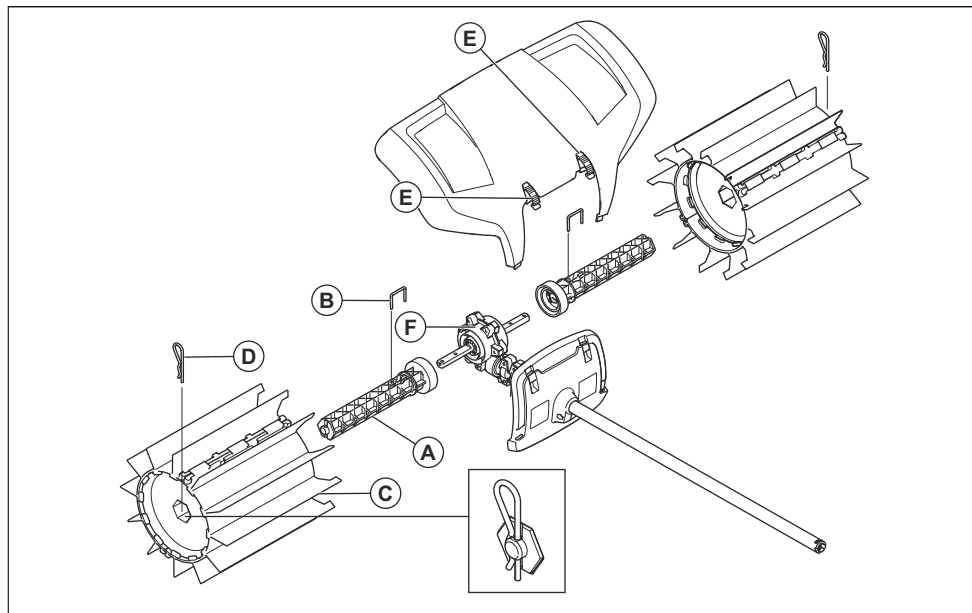
ПРЕДУПРЕЖДЕНИЕ: Всегда останавливайте изделие, прежде чем приступить к техническому обслуживанию оборудования. Соблюдайте осторожность, поскольку оборудование может продолжать вращаться даже после отпускания рычага дросселя/ переключателя. Убедитесь, что оборудование полностью остановилось. Если изделие работает на бензине, отсоедините провода высокого напряжения от свечи зажигания. Если изделие работает от аккумулятора, извлеките аккумулятор.

- Перед началом работы проверьте целостность изделия. Замените поврежденные детали.
- Проверьте целостность и надежность крепления гаек и винтов.
- Если изделие работает на бензине, убедитесь в отсутствии утечек топлива.
- Убедитесь, что барабаны со щетками не повреждены, не имеют трещин или других дефектов.



Сборка

Установка оборудования



1. Нажмите на одну из осей барабана (А), чтобы установить ее на один из двух выходных валов со стороны корпуса редуктора (F). При необходимости поверните ось барабана так, чтобы отверстие для штифта совпало с соответствующим отверстием в ведущем валу.
2. Закрепите вал ролика стопорным штифтом (В).
3. Заверните один из барабанов со щеткой (С) на установленную ось. Сторону с удлиненными резиновыми ламелями необходимо установить по направлению к корпусу редуктора. Нажмите на барабан со щеткой.
4. Закрепите ролик на валу шпилькой (D). При сборке слегка вдавливайте конец.
5. Повторите эти действия для сборки оси и ролика на противоположной стороне. Барабаны идентичны, но сторону с удлиненными резиновыми ламелями необходимо расположить по направлению к корпусу редуктора.
6. Установите брызговик с помощью пружинных фиксаторов (Е).

Примечание: Инструкции по установке принадлежностей на основное устройство см. в руководстве по эксплуатации основного устройства.

Эксплуатация

Запуск изделия с холодным двигателем

Если изделие оснащено бензиновым двигателем, следуйте этим инструкциям, чтобы выполнить запуск изделия при холодном двигателе.

1. Прогрейте двигатель основного изделия, затем выключите его.
2. Установите оборудование в соответствии с инструкциями по сборке.
3. При настройке карбюратора убедитесь в том, что барабаны со щетками расположены на земле и рядом с машиной никого нет.
4. Убедитесь в том, что барабаны со щетками работают на холостом ходу.

- Убедитесь в исправности ручки и защитных приспособлений. Ни в коем случае не пользуйтесь изделием, если в нем отсутствуют какие-либо детали или если его конструкция подверглась несанкционированным изменениям.

Эксплуатация оборудования

Оптимальная работа щетки обеспечивается в том случае, когда резиновые ламели могут скользить или "ударять" по рабочей поверхности. Новые или замененные барабаны со щеткой имеют тенденцию к прихватуванию на твердой поверхности, поэтому перед использованием следует провести тщательную "обкатку". Для этого дайте изделию поработать на полных оборотах/максимальной скорости в течение 3-5 минут на насыпном гравии или подобном абразивном материале. После приработки подметальная машина сможет перемещать большие объемы материалов, таких как снег и вода или более тяжелые материалы, например, гравий или древесную щепу. Со временем вы освоите все принципы работы подметальной машины, тем не менее, необходимо обязательно соблюдать правила техники безопасности.

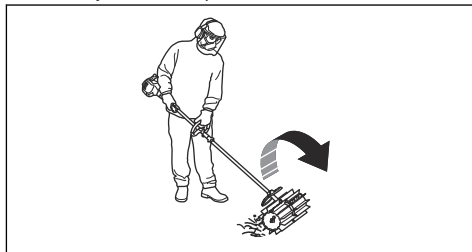
- Запустите щетку на полной (или почти максимальной) мощности/скорости, при этом расположив резиновые ламели на земле.

Примечание: Нет необходимости поднимать или удерживать резиновые ламели над землей во время работы.

- При очистке узких поверхностей, например дорожек, изделие можно настроить так, чтобы оно отбрасывало материал прямо перед вами. При работе на более широких поверхностях необходимо устанавливать машину под углом для того, чтобы полосы материала формировались сбоку. Полосы, состоящие из легких материалов, можно собирать в один ряд или штабель для дальнейшего удаления. Иногда для удаления твердых или сыпучих материалов требуется располагать их в несколько полос.



- Для очистки труднодоступных углов снимите брызговик, ослабьте соединение и поверните насадку на пол-оборота.



ПРЕДУПРЕЖДЕНИЕ: Таким образом, мусор будет отбрасываться назад в направлении пользователя. При работе в реверсивном режиме включайте более низкую скорость. Соблюдайте осторожность во избежание спотыкания о выбрасываемые предметы.

- Устанавливайте небольшой рабочий угол к поверхности. Слишком большой рабочий угол может означать, что щетка перемещается по направлению к вам и вы можете потерять контроль над ней.



Техническое обслуживание

Введение

Ниже приведены некоторые общие инструкции по техническому обслуживанию. Для получения дополнительной информации обратитесь в сервисную мастерскую.

Техобслуживание насадки

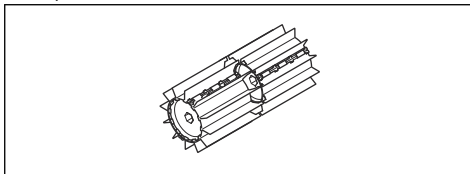


ВНИМАНИЕ: Подметальные машины часто эксплуатируются в условиях сильной запыленности. Если изделие оснащено бензиновым двигателем, крайне важно регулярно проводить обслуживание воздушного фильтра (зачастую ежедневно). Для эффективной работы воздушного фильтра его требуется пропитывать маслом. Инструкции по техническому обслуживанию см. в руководстве по эксплуатации силового блока.



ПРЕДУПРЕЖДЕНИЕ: При работе устройства корпус редуктора нагревается. Во избежание ожогов не касайтесь картера редуктора.

1. Убедитесь, что барабаны со щетками не вращаются при отпуске рычага дросселя/ переключателя.



2. Убедитесь, что барабаны со щетками не повреждены и на них нет трещин. При необходимости замените барабаны со щетками.
3. При длительном хранении подвешивайте щетку.

Транспортировка, хранение и утилизация

Транспортировка и хранение

При транспортировке оборудования на другом транспортном средстве в обязательном порядке используйте одобренные защитные устройства и следите за тем, чтобы оборудование было надежно закреплено.

Следите за тем, чтобы оборудование регулярно очищалось и чтобы перед его продолжительным хранением было выполнено полное обслуживание.

Технические данные

Технические данные изделий, работающих на бензине

Подметальная машина	
Ширина барабана со щеткой, мм	590
Масса	
Масса, кг	6,5
Излучение шума¹⁰⁹	
Уровень мощности звука, измеренный, дБ (А)	105
Уровень мощности звука, гарантированный L _{WA} , дБ (А)	109

¹⁰⁹ Излучение шума в окружающую среду измеряется как мощность звука (L_{WA}) согласно директиве ЕС 2000/14/ ЕС. Указанный уровень мощности звука для устройства измерен с оригинальным режущим оборудованием, дающим наивысший уровень. Разница между гарантированной и измеренной мощностью звука заключается в том, что гарантированная мощность звука включает результаты измерений как диапазон и их отклонение для устройств одной и той же модели согласно директиве 2000/14/ ЕС.

Подметальная машина	
Уровни шума¹¹⁰	
Эквивалентный уровень давления звука на уровне уха пользователя, измеренный согласно EN ISO 22868 , дБ(А):	97
Вибрация¹¹¹	
Эквивалентный уровень вибрации ($a_{hv,eq}$) на ручках, измеренный согласно , м/с ² :	
Передняя/задняя ручки	4,4/5,1

Технические данные изделий, работающих от аккумулятора

325iLK + насадка-щетка SR600-2	
Ширина барабана со щеткой, мм	590
Масса	
Масса, кг	2,3+6,5
Излучение шума¹¹²	
Уровень мощности звука, измеренный, дБ (А)	93
Уровни шума¹¹³	
Эквивалентный уровень давления звука на уровне уха пользователя, измеренный согласно ISO 22868, дБ(А):	82
Вибрация¹¹⁴	
Уровни вибрации на ручках, измерены согласно EN 62841-1, м/с ²	
Передняя/задняя ручки	3,2/3,1

¹¹⁰ Указанные данные об эквивалентном уровне давления звука для устройства имеют типичный статистический разброс (стандартное отклонение) 1 дБ(А).

¹¹¹ Указанные данные о среднем уровне вибраций имеют типичный статистический разброс (стандартное отклонение) 1 м/с².

¹¹² Указанные данные об уровне мощности звука изделия имеют типичный статистический разброс (стандартное отклонение) 3 дБ (А) и были измерены с оригинальным оборудованием, дающим наивысший уровень.

¹¹³ Указанные данные об уровне звукового давления изделия имеют типичный статистический разброс (стандартное отклонение) 3 дБ (А) и были измерены с оригинальным оборудованием, дающим наивысший уровень.

¹¹⁴ Указанные данные об уровне вибрации имеют типичный статистический разброс (стандартное отклонение) 2 м/с². Для сравнения уровней вибрации изделий с аккумулятором и ДВС используйте калькулятор вибрации: <https://www.husqvarna.com/uk/services-solutions/vibration-calculator/>.

Декларация соответствия ЕС

Декларация о соответствии ЕС для изделий, работающих на бензине

Husqvarna AB, SE-561 82 Huskvarna, Швеция, тел.: +46-36-146500, настоящим заявляет, что насадки-щетки **Husqvarna SR600-2** с серийными номерами от 2019 года и далее (год производства четко указан на паспортной табличке рядом с серийным номером) соответствуют требованиям ДИРЕКТИВЫ СОВЕТА ЕС:

- от 17 мая 2006 года "о механическом оборудовании" **2006/42/EC**
- от 8 июня 2011 года "об ограничении использования определенных опасных веществ в электрическом и электронном оборудовании" **2011/65/EU**.
- от 8 мая 2000 года "относительно излучения шума в окружающую среду" **2000/14/EC**.

К оборудованию, работающему на бензине, применяются следующие стандарты:

SS-EN ISO 12100:2010, EN 50581:2012

Уполномоченной организацией был проведен типовой контроль ЕС в соответствии с Директивой по оборудованию (2006/42/ЕС), статья 12, пункт 3b. Сертификату типового контроля ЕС согласно приложению IV присвоен номер: **SEC/15/2413 - Husqvarna SR600-2**

Huskvarna , 2019-06-24



Пер Густафссон (Per Gustafsson), директор Отдела разработок (уполномоченный представитель компании Husqvarna AB и ответственный за техническую документацию)

141400, Московская обл., Г. Химки, ул. Ленинградская, владение 39, строение 6, здание II этаж 4, помещение OB02_04, телефон горячей линии 8-800-200-1689

Декларация о соответствии ЕС для изделий, работающих от аккумулятора

Husqvarna AB, SE-561 82 Huskvarna, Швеция, тел.: +46-36-146500, настоящим заявляет, что насадки-щетки **Husqvarna SR600-2 с блоком питания Husqvarna 325iLK** с серийными номерами от 2019 года и далее (год производства четко указан на паспортной табличке рядом с серийным номером)

соответствуют требованиям ДИРЕКТИВЫ СОВЕТА ЕС:

- от 17 мая 2006 года "о механическом оборудовании" **2006/42/EC**
- от 8 июня 2011 года "об ограничении использования определенных опасных веществ в электрическом и электронном оборудовании" **2011/65/EU**.

К аккумуляторному оборудованию применяются следующие стандарты:

EN 62841-1:2015, EN 50581:2012

Компания RISE SMP Svenska Maskinprovning AB, Box 7035, SE-750 07 Uppsala, Швеция, по собственному желанию осуществила типовую проверку от имени компании Husqvarna AB. Номер сертификата: **SEC/15/2413 - Husqvarna SR600-2**

Huskvarna , 2019-06-24



Пер Густафссон (Per Gustafsson), директор Отдела разработок (уполномоченный представитель компании Husqvarna AB и ответственный за техническую документацию)

141400, Московская обл., Г. Химки, ул. Ленинградская, владение 39, строение 6, здание II этаж 4, помещение OB02_04, телефон горячей линии 8-800-200-1689

Obsah

Úvod.....	183	Údržba.....	189
Bezpečnosť.....	184	Preprava, skladovanie a likvidácia.....	189
Montáž.....	187	Technické údaje.....	189
Prevádzka.....	188	ES vyhlásenie o zhode.....	191

Úvod

Popis výrobku

Neustále ďalej vyvíjame svoje výrobky, a preto si vyhradujeme právo upravovať dizajn a vzhľad výrobkov bez toho, aby sme o tom vopred informovali.

Poznámka: Tento návod popisuje jednotky poháňané benzínom alebo batériou.

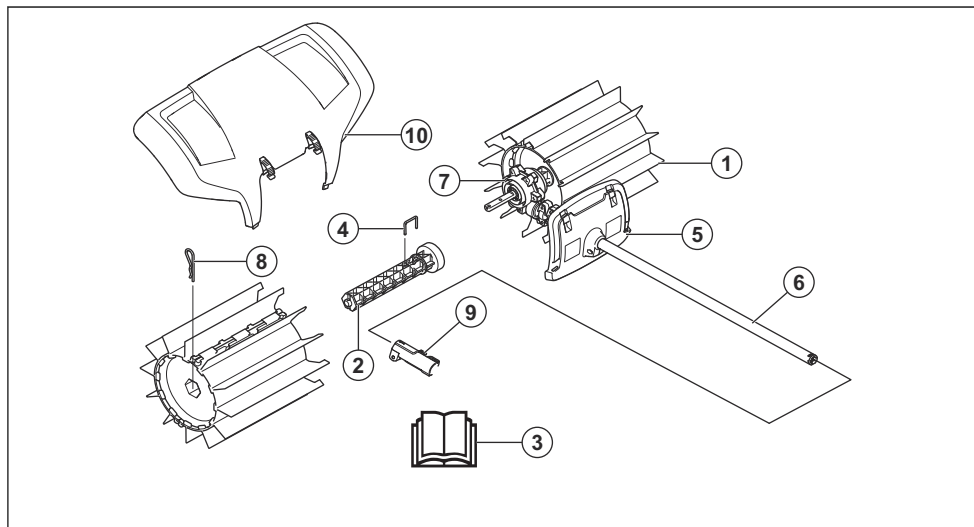
Plánované použitie



VÝSTRAHA: Tento nadstavec je možné použiť len s určeným výrobkom, pozrite si kapitolu o príslušenstve v Návode na obsluhu výrobku.

Tento nadstavec je určený výlučne na zemetanie trávnikov, chodníkov, asfaltových ciest a podobne.

Prehľad informácií o rezacom nástroji



1. Zemetací valec
2. Os valca
3. Návod na obsluhu
4. Poistný kolík
5. Kryt (ochrana hriadeľa)
6. Hriadeľ
7. Skriňa prevodovky
8. Závlačka
9. Spojenie hriadeľa (dodané s výrobkom)
10. Chránič proti postriekaniu

Symbole na nadstavci a na pohonnej jednotke



Neopatrné alebo nesprávne používanie tohto rezacieho nástroja môže spôsobiť vážne až smrteľné zranenie obsluhu a iným osobám.



Skôr než začnete nadstavec používať, pozorne si prečítajte návod na obsluhu, aby ste porozumeli pokynom.



Používajte schválené chrániče sluchu. Používajte schválené chrániče očí. V prašnom prostredí používajte dýchaciu masku.



Tento nadstavec je v súlade s príslušnými smernicami EÚ.



Rotujúce časti. Nepríbližujte ruky a nohy. Šípka označuje smer otáčania.



Vždy používajte schválené ochranné rukavice.



Noste masívne nekzavé topánky.



Dávajte pozor na vymrštené objekty a spätné odrazy.



Operátor musí zabezpečiť, aby sa žiadni ľudia alebo zvieratá nedostali bližšie ako 15 metrov od výrobku. Ak v rovnakom priestore pracuje niekoľko operátorov, bezpečná vzdialenosť medzi nimi musí byť minimálne 15 metrov. Príslušenstvo môže odhodiť predmety, ktoré sa môžu odraziť späť. Ak sa nepoužíva odporúčané bezpečnostné vybavenie, môže to spôsobiť vážne poranenia očí.



Počas používania výrobku zachovajte minimálnu vzdialenosť 15 metrov od ľudí a zvierat.



Všetky časti tela udržiavajte mimo horúcich plôch.



Hlukové emisie do okolia sú v súlade so smernicou Európskeho spoločenstva. Emisie nadstavca sú uvedené v kapitole s technickými údajmi tohto návodu a na štítku.

Poznámka: Ostatné symboly/štítky na rezacom nástroji obsahujú údaje v súlade so zvláštnymi požiadavkami certifikácie pre určité trhy.

Bezpečnosť

Bezpečnostné definície

Výstrahy, upozornenia a poznámky slúžia na zdôraznenie mimoriadne dôležitých častí návodu na obsluhu.



VÝSTRAHA: Používa sa, ak pre obsluhu alebo osoby v okolí existuje nebezpečenstvo poranenia alebo smrti v prípade nedodržania pokynov v návode.



VAROVANIE: Používa sa, ak hrozí nebezpečenstvo poškodenia produktu alebo nadstavca, iných materiálov alebo okolitej oblasti v prípade nedodržania pokynov v návode.

Poznámka: Používa sa na poskytnutie informácií nad rámec nevyhnutných informácií v danej situácii.

Všeobecné bezpečnostné pokyny



VÝSTRAHA: Skôr než budete nadstavec používať, prečítajte si nasledujúce bezpečnostné pokyny.

- Pred používaním nadstavca si pozorne prečítajte návod na obsluhu a uistite sa, že rozumiete uvedeným pokynom.
- Tieto pokyny dopĺňajú pokyny dodávané spolu s výrobkom. Pri iných operáciách postupujte podľa návodu na obsluhu výrobku.
- Za žiadnych okolností nemeňte pôvodnú konštrukciu nadstavca bez schválenia od výrobcu. Nepoužívajte nadstavec, ktorý sa zdá byť upravený, a vždy používajte originálne príslušenstvo. Nepovolené zmeny alebo príslušenstvo môžu viesť k vážnemu zraneniu alebo smrti operátora alebo ostatných osôb.

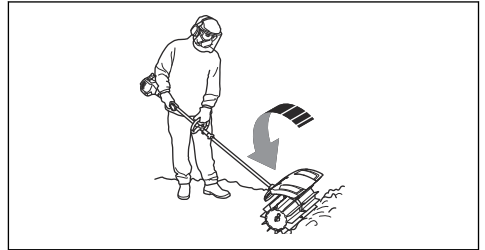
Bezpečnostné pokyny pre prevádzku



VÝSTRAHA: Skôr než budete produkt používať, prečítajte si nasledujúce výstrahy.

- Vypínač sa automaticky vráti do polohy štartovania. Pri montáži, kontrole a vykonávaní údržby je nutné zabrániť neúmyselnému naštartovaniu. Ak máte benzínové zariadenie, odpojte zo sviečky kryt zapalovacej sviečky. Ak máte akumulátorové zariadenie, vyberte akumulátor.
- Dávajte pozor na odletujúce predmety. Vždy noste ochranné prostriedky očí. Nikdy sa nenahýbajte nad zametací valec. Kamene, úlomky, atď. môžu vyletieť do očí a zapríčiniť slepotu alebo vážne poranenie.
- Prevod sa počas prevádzky môže zahriať a môže aj po použití zostať ešte chvíľu horúci. V prípade dotyku by ste sa mohli popáliť.
- Po naštartovaní zametača sa zametacie valce môžu otáčať. Pri štartovaní výrobok pevne držte.
- Aj keď zametacie valce nemajú takú silu ako napríklad nože kosačiek na trávu, nepracujte s materiálmi, ktoré môžu pri vymrštení spôsobiť poranenie alebo vecné škody.
- Výrobok smiete používať len v prípade, že ste schopní privolať pomoc v prípade nehody.
- Výrobok používajte len na účel, na ktorý je určený.
- Nikdy nepoužívajte výrobok pri únave, po požití alkoholu alebo liekov, pretože to môže viesť k zhoršeniu zraku, úsudku alebo koordinácie.
- Nikdy nepoužívajte výrobok za nepriaznivého počasia, napríklad pri veľkom mraze, vo veľmi horúcom alebo vlhkom podnebí.
- Nikdy nepoužívajte poškodený výrobok. Vykonávajte bezpečnostné kontroly, údržbu a dodržiavajte servisné pokyny uvedené v tomto návode. Určité opatrenia týkajúce sa servisu a údržby zariadenia musia vykonávať iba odborníci. Pozrite si pokyny v časti Údržba.
- Nikdy nedovoľte, aby výrobok používali deti.
- Nikdy nikomu nedovoľte, aby používal výrobok bez toho, že by ste sa najprv ubezpečili, že si prečítal a správne pochopil obsah návodu na obsluhu.
- Nedovoľte neoprávneným osobám, aby sa priblížili k miestu práce. Počas práce musia deti, zvieratá, okolostojace osoby a pomocníci zostať za bezpečnou zónou 15 metrov. Ak sa niekto k výrobku viac priblíži, okamžite ho zastavte.
- V prípade neistoty ohľadom ďalšieho postupu sa obráťte na odborníka. Kontaktujte svojho predajcu alebo servisnú dielňu.
- Vyvarujte sa každému použitiu výrobku, ktoré podľa vás presahuje vaše možnosti.
- Ak nosíte chrániče sluchu, dávajte pozor na varovné signály alebo výkriky. Chrániče sluchu si skladajte hneď, ako sa motor zastaví.

- Presvedčte sa, že v blízkosti nie sú ľudia ani zvieratá, ktoré by mohli prísť do kontaktu s produktom alebo ovplyvniť jeho používanie.
- Nepoužívajte výrobok v nepriaznivých podmienkach, ako sú hustá hmla, silný dážď a vietor, silné mrazy a podobne. Práca v zlom počasí je únavná a často prináša ďalšie riziká, ako sú šmykľavý povrch.
- Skontrolujte, či sa môžete pohybovať a stáť bezpečne. Skontrolujte, či okolo vás nie sú prekážky (korene, skaly, vetvy, jamy a podobne) pre prípad, že by ste sa museli náhle pohnúť. Dávajte veľký pozor pri práci na prudkých svahoch.



- Pred premiestňovaním výrobku je potrebné vypnúť motor. Ak máte benzínové zariadenie, odpojte zo sviečky kryt zapalovacej sviečky. Ak máte akumulátorové zariadenie, vyberte akumulátor.
- Výrobok so spusteným motorom nepokladajte na zem, ak ho nemáte neustále pod dobrým dohľadom.
- Výrobok vždy držte oboma rukami. Stroj držte vedľa tela.
- Dávajte pozor, aby sa ruky a nohy nedostali do kontaktu so zametačom, kým je spustený motor.
- Keď sa výrobok vypne, nepribližujte sa rukami ani nohami ku kefe, až kým sa úplne nezastaví.
- Ak dôjde k silným vibráciám, zastavte zariadenie. Ak máte benzínové zariadenie, odpojte vysokonapäťový kábel od zapalovacej sviečky. Ak máte akumulátorové zariadenie, vyberte akumulátor. Skontrolujte, či nie je výrobok poškodený. Akékoľvek poškodenie opravte.

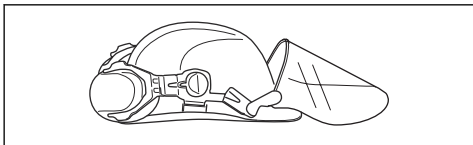
Osobné ochranné prostriedky



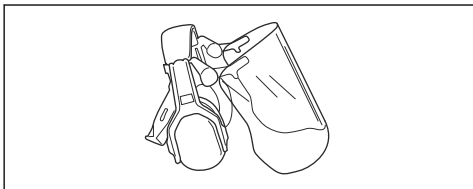
VÝSTRAHA: Skôr než budete používať produkt, prečítajte si nasledujúce výstrahy.

- Pri používaní produktu vždy používajte schválené osobné ochranné prostriedky. Osobné ochranné prostriedky nedokážu úplne vylúčiť riziko, ale môžu znížiť vážnosť zranenia v prípade nehody. Váš predajca vám pomôže pri výbere správnych prostriedkov.

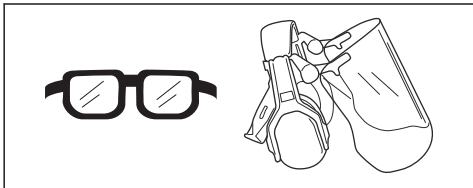
- V prípade rizika padajúcich predmetov používajte ochrannú prilbu.



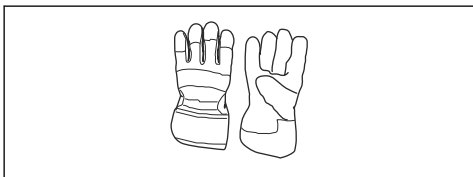
- Používajte schválené chrániče sluchu, ktoré zaručujú primeranú redukciu hluku. Dlhodobé vystavenie sa hluku môže spôsobiť trvalé poškodenie sluchu.



- Používajte schválené chrániče očí. Ak používate štít, musíte tiež používať schválené ochranné okuliare. Schválené ochranné okuliare musia zodpovedať norme ANSI Z87.1 platnej v USA alebo norme EN 166 platnej v krajinách EÚ.



- Keď je to potrebné, používajte rukavice, ako napríklad pri montáži, kontrole alebo čistení rezného zariadenia.



- Používajte ochrannú obuv s oceľovými špičkami a protišmykovými podrážkami.



- Používajte odev vyrobený z pevnej tkaniny. Vždy noste pevné, dlhé nohavice a dlhé rukávy

Nepoužívajte voľný odev, ktorý sa môže zachytiť v konároch a vetvách. Nenoste šperky, krátke nohavice, sandále a nebuďte bosí. Vlasy si bezpečne uchytte nad úrovňou ramien.

- Majte poruke pomôcky na poskytnutie prvej pomoci.



Bezpečnostné zariadenia na výrobku



VÝSTRAHA: Skôr než budete používať produkt, prečítajte si nasledujúce výstrahy.

V tejto časti je opísané bezpečnostné vybavenie výrobku, jeho účel a postup, ako vykonávať kontroly a údržbu, aby bola zabezpečená jeho správna činnosť. Pozrite si pokyny v časti *Prehľad informácií o rezacom nástroji na strane 183*, kde nájdete umiestnenie týchto súčastí na výrobku.

Ak údržba výrobku nebude vykonávaná správne, skrátí sa tým jeho životnosť a zvýši sa riziko nehodovosti. Servis a/alebo opravy musia byť vykonané odbornou. Ak potrebujete podrobnejšie informácie, obráťte sa na najbližší servis.



VÝSTRAHA: Nikdy nepoužívajte výrobok, ktorý má chybné bezpečnostné súčasti. Bezpečnostné vybavenie výrobku sa musí kontrolovať a udržiavať tak, ako je to opísané v tejto časti. Ak výrobok neprejde niektorou z kontrol, obráťte sa na servisného zástupcu na účel opravy.



VAROVANIE: Všetky servisné a opravné práce na stroji si vyžadujú špeciálne školenie. Toto najmä platí o bezpečnostnom vybavení výrobku. Ak stroj neprejde niektorou z kontrol popísaných nižšie, doneste ho do servisnej dielne. Pri kúpe ktoréhokoľvek z našich výrobkov vám zaručujeme dostupnosť odborných opráv a servis. Ak maloobchodný predajca, ktorý vám predáva stroj nie je servisný zástupca, požiadajte ho o adresu najbližšej servisnej dielne.

Bezpečnostné pokyny pre údržbu

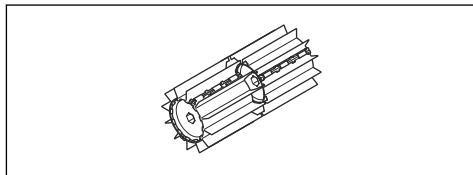


VÝSTRAHA: Skôr než začnete s údržbou, prečítajte si nasledujúce výstrahy.



VÝSTRAHA: Pred akoukoľvek prácou na nadstavci vždy výrobok vypnite. Buďte opatrní, keďže sa nadstavec môže ešte chvíľu pohybovať aj po uvoľnení plynu/spúšťača. Uistite sa, že sa nadstavec úplne zastavil. Ak máte benzínové zariadenie, odpojte vysokonapäťové káble od zapalovacej sviečky. Ak máte akumulátorové zariadenie, vyberte akumulátor.

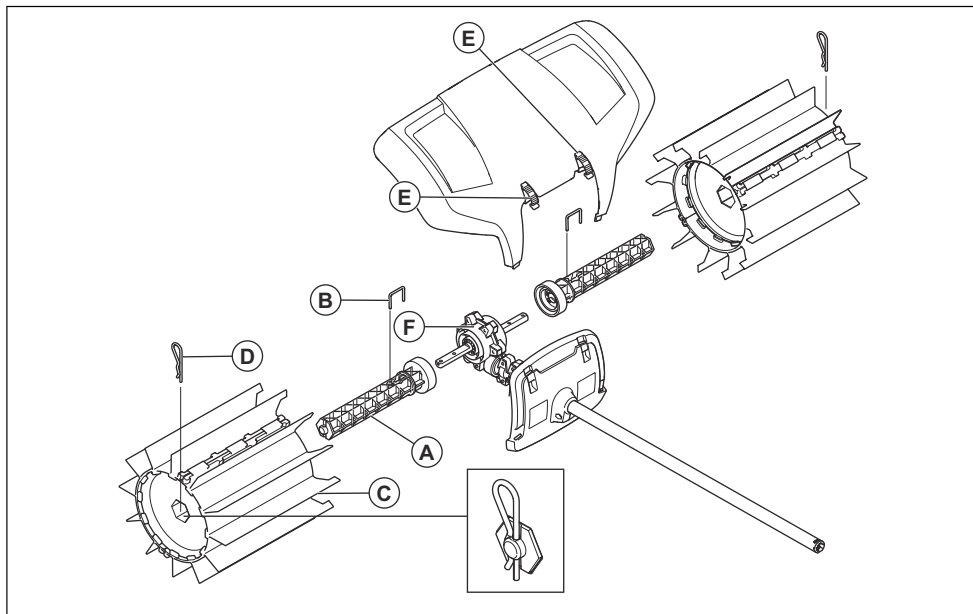
- Ak máte benzínové zariadenie, skontrolujte, či nedochádza k únikom paliva.
- Skontrolujte, či zemetacie valce nie sú poškodené a nie sú na nich známky popraskania alebo iného poškodenia.



- Skôr ako začnete, celý stroj skontrolujte. Poškodené diely vymeňte.
- Skontrolujte, či sú všetky kryty a chrániče bezpečne pripavené. Skontrolujte všetky matice a skrutky.

Montáž

Montáž nadstavca



1. Natlačte jednu z osí valca (A) na jeden z dvoch vývodových hnacích hriadeľov vystupujúcich zo skrine prevodovky (F). V prípade potreby otočte os valca tak, aby sa otvor na kolík dostal nad zodpovedajúci otvor v hnacom hriadeľi.
2. Upevnite hriadeľ valca poistným kolíkom (B).
3. Navlečte jeden zo zemetacích valcov (C) na namontovanú os. Koniec s predĺženými gumenými lamelami sa montuje bližšie ku skrinii prevodovky. Zatláčajte zemetací valec.
4. Upevnite valec na hriadeľi pomocou klinového kolíka (D). Pri montáži jemne zatláčajte koniec.
5. Zopakujte tieto kroky pri montáži osi a valca na opačnej strane. Valce sú rovnaké, no pri montáži musí byť strana valca s predĺženými gumenými lamelami namontovaná pri skrinii prevodovky.
6. Pomocou zacvakávacích príchytiek (E) nasadzte chrániče proti prskaniu.

Poznámka: Pred montážou príslušenstva na základný výrobok si prečítajte návod k základnému výrobku.

Spustenie výrobu so studeným motorom

Ak máte benzínové zariadenie, riadte sa týmito pokynmi na štartovanie výrobu so studeným motorom.

1. Zahrejte základný výrobok a potom ho vypnite.
2. Namontujte nadstavec podľa pokynov na montáž.
3. Pri nastavovaní karburátora musia byť zametacie valce opreté o zem a v blízkosti nesmú byť žiadne osoby.
4. Skontrolujte, či sa zametacie valce voľnobežne otáčajú.
5. Skontrolujte, či je rukoväť a bezpečnostné zariadenia v poriadku. Nikdy nepoužívajte výrobok, ktorému chýba určitá časť alebo bol upravený inak, ako je uvedené v jeho špecifikáciách.

Používanie nadstavca

Zametač funguje najlepšie, keď sa gumené lamely môžu plynule kĺzať po pracovnom povrchu alebo ho „hladiť“. Nové alebo vymenené zametacie valce sa zvyknú zasekávať alebo drhnúť na tvrdých povrchoch, preto ich treba pred použitím dôkladne „zabehnúť“. Jednoduchý spôsob je používať výrobok pri plnom plyne/plných otáčkach 3 – 5 minút na voľnom štrku alebo podobnom obrusujúcom materiáli. Po zabehnutí dokáže zametač pohnúť veľkým množstvom materiálov od snehu a kaluží až po ťažšie predmety ako štrk alebo drevené triesky. Postupom času zistíte, ako zametač funguje, no bezpečnostné opatrenia musíte dodržiavať už od úplného začiatku.

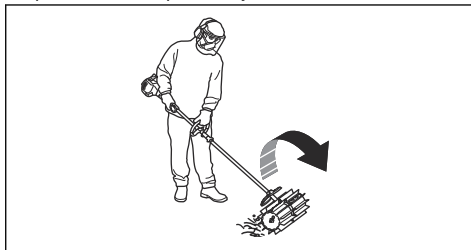
1. Zametač používajte pri plnom (alebo takmer plnom) plyne/plných otáčkach s gumenými lamelami položenými na zametanom povrchu.

Poznámka: Zdvíhať gumené lamely pri práci nad povrch alebo ich držať nad povrchom je únavné a zbytočné.

2. Pri čistení úzkych povrchov, napríklad chodníkov, je možné výrobok používať tak, že bude materiál vyhadzovať rovno pred vás. Ak chcete pracovať na širších povrchoch, možno bude potrebné pracovať šikmo, aby sa vytvárali pásy na jednej strane. Pásky s ľahkými materiálmi je možné zhrnúť do jedného radu alebo kopy a odstrániť neskôr, kým tvrdé alebo väčšie materiály bude možno potrebné zhrnúť v niekoľkých pásoch.



3. Aby ste sa dostali do rohov, odpojte chránič proti prskaniu, uvoľníte spojku príslušenstva a otočíte príslušenstvo o pol otáčky.



VÝSTRAHA: Odpad bude potom vyletovať dozadu smerom k používateľovi. Pri cúvaní s výrobkom používajte nižšiu rýchlosť a nezabúdajte, že o materiály, ktoré vyletujú, môžete ľahko zakopnúť.

4. Udržiavajte malý pracovný uhol k povrchu. Pri príliš veľkom pracovnom uhle má zametač tendenciu pohybovať sa smerom k vám a riskujete, že stratíte nad výrobkom kontrolu.



Údržba

Úvod

V nasledujúcom texte sú uvedené niektoré všeobecné pokyny na údržbu. Ak potrebujete podrobnejšie informácie, kontaktujte vášho predajcu.

Údržba nadstavca



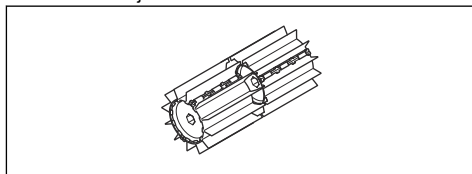
VAROVANIE: Práca so zametačom sa často vykonáva v prашných podmienkach. Ak máte benzínové zariadenie, je mimoriadne dôležité starať sa pravidelne, často aj každý deň, o výmenu vzduchového filtra. Aby vzduchový filter správne fungoval, musí sa olejovať. Pokyny na údržbu nájdete v návode na obsluhu napájacej jednotky.



VÝSTRAHA: Sкриňa prevodovky sa počas používania stroja zohreje. Nedotýkajte sa

skrine prevodovky, aby ste predišli popáleniu.

1. Uistite sa, či po uvoľnení plynu/spúšťáča zametacie valce nerotujú.



2. Skontrolujte, či zametacie valce nie sú poškodené alebo popraskané. V prípade potreby zametacie valce vymeňte.
3. Pri skladovaní na dlhšie obdobie kefu zaveste.

Preprava, skladovanie a likvidácia

Preprava a uskladnenie

Ak rezací nástroj prepravujete na inom vozidle, vždy používajte schválené zabezpečovacie prvky a uistite sa, že nástroj je bezpečne upevnený.

Pred dlhodobým skladovaním vykonajte kompletný servis rezacieho nástroja a vyčistite ho.

Technické údaje

Technické údaje pre benzínové zariadenia

Zametač	
Šírka zametacieho valca, mm	590
Hmotnosť	
Hmotnosť, kg	6,5
Emisie hluku¹¹⁵	
Nameraná úroveň hlučnosti dB(A)	105
Zaručená úroveň hlučnosti L _{WA} dB(A)	109
Úrovne hlučnosti¹¹⁶	

¹¹⁵ Emisie hluku do okolia sa merajú ako akustický výkon (L_{WA}) v súlade so smernicou EÚ 2000/14/ EC. Uvádzaná hladina akustického výkonu pre stroj bola meraná s originálnym rezacím nadstavcom, ktorý produkuje najvyššiu úroveň. Rozdiel medzi zaručeným a nameraným akustickým výkonom spočíva v tom, že zaručený akustický výkon zahŕňa aj rozptyl výsledkov merania a rozdiely medzi jednotlivými strojmi rovnakého modelu v súlade so smernicou 2000/14/ EC.

¹¹⁶ Uvádzané údaje pre ekvivalentnú hladinu akustického tlaku majú typický štatistický rozptyl (štandardnú odchýlku) 1 dB (A).

Zametač	
Ekvivalentná hladina akustického tlaku pri uchu používateľa meraná podľa normy EN ISO 22868 , dB(A):	97
Vibrácie ¹¹⁷	
Ekvivalentné hladiny vibrácií ($a_{hv,eq}$) na rukovätiach merané podľa normy , m/s ²	
Predné/zadné rukoväti	4,4/5,1

Technické údaje pre zariadenia na batériu

325iLK + Zametací nadstavec SR600-2	
Šírka zemetacieho valca, mm	590
Hmotnosť	
Hmotnosť, kg	2,3 + 6,5
Emisie hluku ¹¹⁸	
Nameraná úroveň hlučnosti, dB(A)	93
Úrovne hlučnosti ¹¹⁹	
Ekvivalentná hladina akustického tlaku pri uchu používateľa meraná podľa normy ISO 22868, dB (A):	82
Vibrácie ¹²⁰	
Hladiny vibrácií na držadlách, merané podľa normy EN ISO 62841-1, m/s ²	
Predné/zadné rukoväti	3,2/3,1

¹¹⁷ Uvádzané údaje pre ekvivalentnú hladinu vibrácií majú typický štatistický rozptyl (štandardnú odchýlku) 1 m/s².

¹¹⁸ Uvádzané údaje pre hladinu hlučnosti majú typický štatistický rozptyl (štandardnú odchýlku) 3 dB (A) a boli namerané s originálnym nadstavcom, ktorý má najvyššiu úroveň.

¹¹⁹ Uvádzané údaje pre hladinu akustického tlaku majú typický štatistický rozptyl (štandardnú odchýlku) 3 dB (A) a boli namerané s originálnym nadstavcom, ktorý má najvyššiu úroveň.

¹²⁰ Uvádzané údaje pre ekvivalentný stupeň vibrácií majú typický štatistický rozptyl (štandardnú odchýlku) 2 m/s². Ak chcete porovnať úrovne vibrácií pre výrobky s batériou a so spaľovacím motorom, použite kalkulačtor vibrácií. <https://www.husqvarna.com/uk/services-solutions/vibration-calculator/>.

ES vyhlásenie o zhode

Vyhlásenie o zhode EÚ – pre benzínové zariadenia

Husqvarna AB, SE-561 82 Huskvarna, Švédsko, tel.: +46-36-146500, vyhlasuje, že zametací nadstavec, **Husqvarna SR600-2**, s výrobnými číslami od roku 2019 (rok je zreteľne uvedený na výkonovom štítku, za ním nasleduje výrobné číslo) vyhovujú požiadavkám SMERNICE RADY:

- zo 17. mája 2006, „Smernica o strojoch“ **2006/42/EÚ**,
- **2011/65/EÚ** z streda, 8. júna 2011 „o obmedzení používania určitých nebezpečných látok v elektrických a elektronických zariadeniach“,
- z 8. mája 2000 týkajúca sa emisii hluku zariadení používaných vo vonkajšom priestore **2000/14/ES**.

Benzínové produkty vyhovujú nasledujúcim normám:

SS-EN ISO 12100:2010, EN 50581:2012

Notifikovaný orgán vykonal typovú skúšku ES v súlade so smernicou o strojových zariadeniach (2006/42/EC) článok 12, bod 3b. Osvedčenie o typovej skúške EÚ podľa prílohy IV má číslo: **SEC/15/2413 - Husqvarna SR600-2**

Huskvarna , 2019-06-24



Per Gustafsson, manažér pre oblasť vývoja (autorizovaný zástupca spoločnosti Husqvarna AB a osoba zodpovedná za technickú dokumentáciu)

Vyhlásenie o zhode EÚ – pre zariadenia na batériu

Husqvarna AB, SE-561 82 Huskvarna, Švédsko, tel.: +46-36-146500, vyhlasuje, že zametací nadstavec, **Husqvarna SR600-2 s pohonnou jednotkou Husqvarna 325iLK** s výrobnými číslami od roku 2019 (rok je zreteľne uvedený na výkonovom štítku, za ním nasleduje výrobné číslo) vyhovuje požiadavkám SMERNICE RADY:

- zo 17. mája 2006, „Smernica o strojoch“ **2006/42/EÚ**,
- **2011/65/EÚ** z streda, 8. júna 2011 „o obmedzení používania určitých nebezpečných látok v elektrických a elektronických zariadeniach“,

Akumulátorové produkty vyhovujú nasledujúcim normám:

EN 62841-1:2015, EN 50581:2012

Spoločnosť RISE SMP Svensk Maskinprovning AB, Box 7035, SE-750 07 Uppsala, Švédsko, vykonala skúšku dobrovoľného typu v mene spoločnosti Husqvarna AB. Číslo certifikátu: **SEC/15/2413 - Husqvarna SR600-2**

Huskvarna , 2019-06-24



Per Gustafsson, manažér pre oblasť vývoja (autorizovaný zástupca spoločnosti Husqvarna AB a osoba zodpovedná za technickú dokumentáciu)

VSEBINA

Uvod.....	192	Vzdrževanje.....	198
Varnost.....	193	Transport skladiščenje in odstranitev.....	198
Montaža.....	196	Tehnični podatki.....	198
Delovanje.....	197	Izjava ES o skladnosti.....	200

Uvod

Opis izdelka

Nenehno razvijamo in izpopolnjujemo svoje izdelke in si zato pridržujemo pravico do sprememb njihove oblike in videza brez predhodnega opozorila.

Opomba: Ta priročnik vsebuje navodila tako za električne naprave na bencin kot tudi za tiste na baterije.

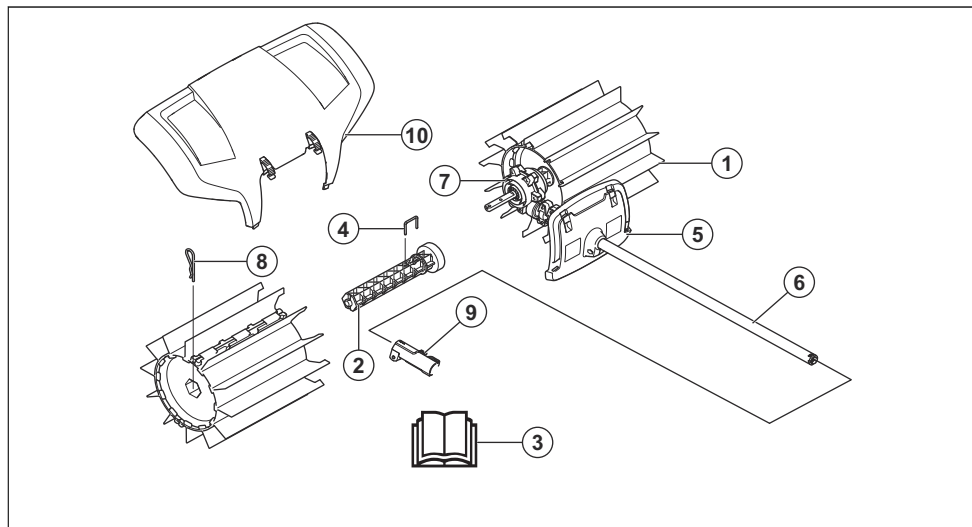
Namen uporabe



OPOZORILO: Priključek lahko uporabljate samo skupaj z izdelkom, za katerega je predviden. Glejte razdelek o dodatni opremi v navodilih za uporabo izdelka.

Priključek je zasnovan samo za pometanje trat, poti, asfaltnih cestišč ipd.

Pregled priključka



1. Boben za pometanje
2. Os bobna
3. Navodila za uporabo
4. Blokirni zatič
5. Ščitnik (zaščita na gredi)
6. Gred
7. Ohišje menjalnika
8. Raztezni zatič
9. Spojka gredi (priložena izdelku)
10. Ščitnik proti brizganju

Simboli na priključku in na električni napravi



Površna in napačna uporaba tega priključka lahko povzroči resne telesne poškodbe in celo smrt uporabnika ali drugih oseb.



Pred začetkom uporabe priključka natančno preberite navodila za uporabo in se prepričajte, da ste jih razumeli.



Uporabljajte odobreno zaščito za sluh. Uporabljajte odobreno zaščito oči. Če je nevarnost prašenja, uporabljajte dihalno masko.



Priključek je v skladu z veljavnimi direktivami ES.



Rotirajoči deli. Držite roke in noge stran. Puščica označuje smer vrtenja.



Vedno uporabljajte atestirane zaščitne rokavice.



Uporabljajte vedno grobe škornje, v katerih ne drsi.



Pazite na leteče in odbite predmete.



Uporabnik mora poskrbeti, da v območju 15 metrov okrog in okrog naprave ni nobene osebe ali živali. Če več uporabnikov dela na istem mestu, morajo upoštevati varnostno razdaljo vsaj 15 metrov. Priključek lahko izvrže predmete, ki se lahko odbijejo nazaj. Če ne uporabljate priporočene varnostne opreme, lahko pride do resnih poškodb oči.



Med uporabo izdelka bodite na varni razdalji 15 m/50 čevljev od drugih oseb in živali.



Delov telesa ne približajte vročim površinam.



Emisija hrupa v okolje v skladu z direktivo Evropske skupnosti. Podatki o emisijah priključka so navedeni v poglavju "Tehnični podatki" in na nalepki.

Opomba: Ostali znaki in nalepke na priključku se nanašajo na specifične certifikacijske zahteve, ki veljajo na nekaterih tržiščih.

Varnost

Varnostne definicije

Opozorila, previdnostni ukrepi in opombe se uporabljajo za izpostavljanje zlasti pomembnih delov navodil za uporabo.



OPOZORILO: Se uporabi, če obstaja nevarnost poškodbe ali življenjske ogroženosti operaterja ali opazovalcev ob neupoštevanju navodil v tem priročniku.



POZOR: Se aktivira, če obstaja nevarnost poškodbe izdelka in/ali nastavka, drugih materialov ali okolice ob neupoštevanju navodil v tem priročniku.

Opomba: Se uporabi za podajanje podrobnejših informacij, potrebnih v dani situaciji.

Splošna varnostna navodila



OPOZORILO: Rezilo se vrtilo celo po zaustavitvi motorja.

- Pred začetkom uporabe priključka natančno preberite navodila za uporabo in se prepričajte, da ste jih razumeli.
- Ta navodila so dopolnilo k navodilom, ki so priložena izdelku. Za druge postopke si oglejte navodila za uporabo izdelka.
- Nikoli ne smete spreminjati prvotne izvedbe priključka brez predhodnega dovoljenja proizvajalca. Ne uporabljajte priključka, če opazite, da ga je spreminjal nekdo drug, in vedno uporabljajte originalno dodatno opremo. Spremembe brez pooblastila in/ali neoriginalni deli lahko povzročijo resne poškodbe ali smrt uporabnika in drugih.

Varnostna navodila za uporabo



OPOZORILO: Pred uporabo izdelka preberite navodila v povezavi z opozorili v nadaljevanju.

- Stikalo za zaustavitev se samodejno vrne v začetni položaj. Prepričajte se, da med sestavljanjem, pregledovanjem in/ali vzdrževanjem ne more priti do nenamernega zagona. Če imate izdelek, ki deluje na bencin, snemite pokrov svečke s svečke. Če imate izdelek, ki deluje na baterijo, jo odstranite.
- Pozor pred izmetom predmetov. Vedno nosite zaščito za oči. Nikoli se ne sklanjajte nad boben za pometanje. Kamenje, odpadke ipd. lahko stroj vrže v oči, to pa lahko povzroči slepoto ali resne poškodbe.
- Menjalnik se lahko med uporabo segreje in lahko ostane vroč tudi po uporabi. Ob dotiku se lahko opečete.
- Ob zagonu pobiralne naprave se lahko bobna za pometanje vrtila. Izdelek ob zagonu trdno držite.
- Čeprav bobna za pometanje ne delujeta z enako močjo kot, na primer, noži kosilnice, se izogibajte delu z materiali, ki lahko ob izmetu povzročajo osebne poškodbe ali materialno škodo.
- Nikoli ne uporabljajte izdelka, če v primeru nesreče ne morete priklicati pomoči.
- Izdelek uporabljajte samo v skladu z namenom uporabe.
- Izdelka ne uporabljajte, če ste utrujeni, če ste pod vplivom alkohola ali če jemljete zdravila, ki lahko vplivajo na vid, presojo ali koordinacijo.
- Izdelka nikoli ne uporabljajte v izrednih vremenskih pogojih, kot so izredno mrzli, izredno vroči in/ali vlažni pogoji.
- Ne uporabljajte pokvarjenega izdelka. Upoštevajte varnostna navodila ter navodila za vzdrževanje in servis, navedena v tem priročniku. Nekatere vrste vzdrževalnih del in popravil lahko opravi samo za to usposobljeno strokovno osebje. Glejte navodila v poglavju Vzdrževanje.
- Otrokom ne dovolite uporabe teh izdelka.
- Izdelka ne dovolite uporabljati nikomur, dokler se ne prepričate, da je prebral navodila za uporabo in jih razumel.
- Nepooblaščen osebe naj bodo na varni razdalji. Otroci, živali, opazovalci in pomočniki morajo med delom ostati zunaj varnostnega območja, ki meri 15 metrov. V primeru približevanja oseb nemudoma izklopite izdelek.
- V primeru dvoma, ali je nadaljnja uporaba še primerna, se posvetujte s strokovnjakom. Obrnite se na svojega zastopnika ali servisno delavnico.
- Izogibajte se situacijam, ki se vam zdijo prezahtevne.
- Bodite vedno pozorni na svarilne znake in klice, kadar uporabljate zaščito za sluh. Vedno odstranite zaščito za sluh takoj, ko stroj/motor preneha delovati.

- Opazujte okolico in se prepričajte, da ne obstaja nevarnost, da nobena oseba ali žival ne more priti v stik z izdelkom ali vplivati na vaš nadzor nad izdelkom.
- Izdelka ne uporabljajte v slabem vremenu, na primer v gosti megli, močnem dežju, ob močnem vetru ali v hudem mrazu ipd. Delo v slabem vremenu izčrpava in je povezano z dodatnimi tveganji, na primer zaradi spolzkih površin.
- Prepričajte se, da se lahko varno gibljete in stojite. Če se morate nepričakovano premakniti, preverite okolico za morebitne ovire (korenine, kamenje, veje, jarke, itd.). Pri delu na nagnjenih tleh bodite izredno previdni.



- Preden izdelek premaknete mora biti motor izključen. Če imate izdelek, ki deluje na bencin, snemite pokrov svečke s svečke. Če imate izdelek, ki deluje na baterijo, jo odstranite.
- Izdelka ne odlagajte z delujočim motorjem, razen če ga imate neprekinjeno pod nadzorom.
- Izdelek vedno držite z obema rokama. Izdelek držite ob telesu.
- Dokler motor deluje, se z rokami in nogami ne približujte krtačam.
- Ko izdelek izklopite, z rokami in nogami ne segajte v območje bobnov za pometanje, dokler se ta ne ustavi popolnoma.
- Če se pojavijo močnejše vibracije, izklopite izdelek. Če izdelek uporabljate z bencinom, odklopite kabel z vžigalne svečke. Če izdelek deluje na baterije, jo odstranite. Preverite, ali je izdelek poškodovan. Popravite poškodbe.

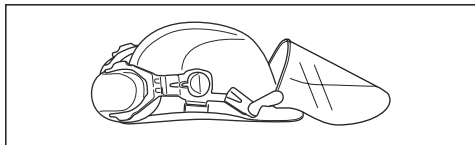
Osebna zaščitna oprema



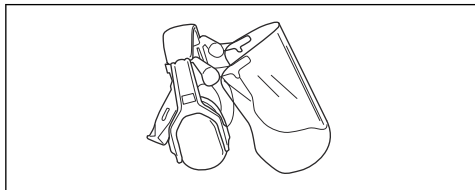
OPOZORILO: Pred uporabo izdelka preberite navodila v povezavi z opozorili v nadaljevanju.

- Pri uporabi izdelka vedno uporabljajte odobreno osebno zaščitno opremo. Osebna zaščitna oprema ne more popolnoma preprečiti poškodb, vendar v primeru nesreče omili posledice. Prodajalec naj vam pomaga izbrati ustrezno opremo.

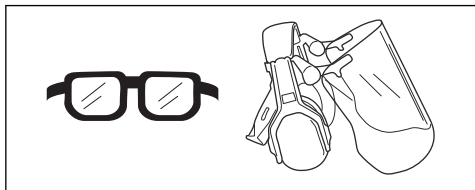
- Uporabljajte zaščitno čelado, če obstaja nevarnost padajočih predmetov



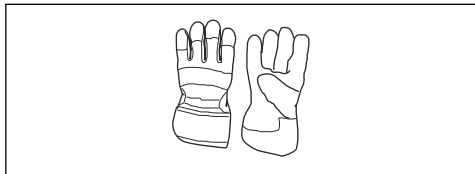
- Nosite homologirano zaščito za sluh, ki ustrezno zmanjšuje hrup. Dolgotrajna izpostavljenost hrupu lahko povzroči trajne okvare sluha.



- Uporabljajte odobreno zaščito oči. Tudi če uporabljate vizir, morate vedno uporabljati tudi homologirana zaščitna očala. Homologirana zaščitna očala morajo biti skladna s standardom ANSI Z87.1 za ZDA ali s standardom EN 166 za države EU.



- Po potrebi uporabite rokavice, npr. kadar pritrjujete, pregledujete ali čistite rezalno opremo.



- Uporabljajte zaščitne škornje z ojačano konico in nedrsečim podplatom.



- Uporabljajte oblačila iz trpežnih materialov. Vedno uporabljajte trpežne dolge hlače in dolge rokave. Ne uporabljajte ohlapnih oblačil, ki se lahko zataknejo za vejice ali veje. Ne nosite nakita, kratkih hlač in

sandalov in ne hodite bosih. Lase si varno spnite nad rameni.

- Paket prve pomoči hranite na doseg roke.



Varnostne naprave na izdelku



OPOZORILO: Pred uporabo izdelka preberite navodila v povezavi z opozorili v nadaljevanju.

V tem poglavju so opisane varnostne funkcije izdelka, njihov namen ter kako je stroj treba pregledovati in vzdrževati, da bo deloval pravilno. Za mesta delov na izdelku si oglejte navodila v poglavju *Pregled priključka na strani 192*

Življenjska doba izdelka se lahko zaradi nepravilnega vzdrževanja oziroma zaradi nestrokovnih popravil ali servisiranja skrajša, poveča pa se tudi nevarnost nesreč. Če potrebujete več informacij, se obrnite na najbližjega pooblaščenega servisnega trgovca.



OPOZORILO: Nikoli ne uporabljajte izdelka s poškodovanimi varnostnimi deli. Varnostno opremo stroja je treba pregledovati in vzdrževati v skladu z navodili, ki so podana v tem poglavju. Če izdelek ob pregledu ne izpolnjuje vseh opisanih pogojev, se nemudoma obrnite na pooblaščenega servisera za popravilo.



POZOR: Vsa servisna dela in popravila na stroju zahtevajo posebno usposabljanje. To še posebej velja za varnostno opremo stroja. Če pri spodaj opisanem pregledu ugotovite, da kateri koli del stroja ne deluje tako, kot je opisano spodaj, se nemudoma obrnite na pooblaščen servisno delavnico. Pri nakupu vseh naših izdelkov vam jamčimo dostop do strokovnih popravil in servisa. Če stroja niste kupili v kateri od naših pooblaščenih servisnih prodajaln, vprašajte prodajalca, kje je najbližja pooblaščen servisna delavnica.

Varnostna navodila za vzdrževanje



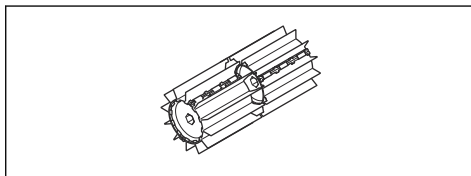
OPOZORILO: Pred vzdrževanjem preberite naslednja opozorilna navodila.



OPOZORILO: Pred vzdrževanjem priključka izdelek izklopite. Pazite, priključek se lahko premika, tudi ko sprostite plin/sprožilec plina. Prepričajte se, da se je priključek popolnoma zaustavil. Če izdelek uporabljate z bencinom, odklopite kable z vžigalne svečke. Če izdelek deluje na baterije, jo odstranite.

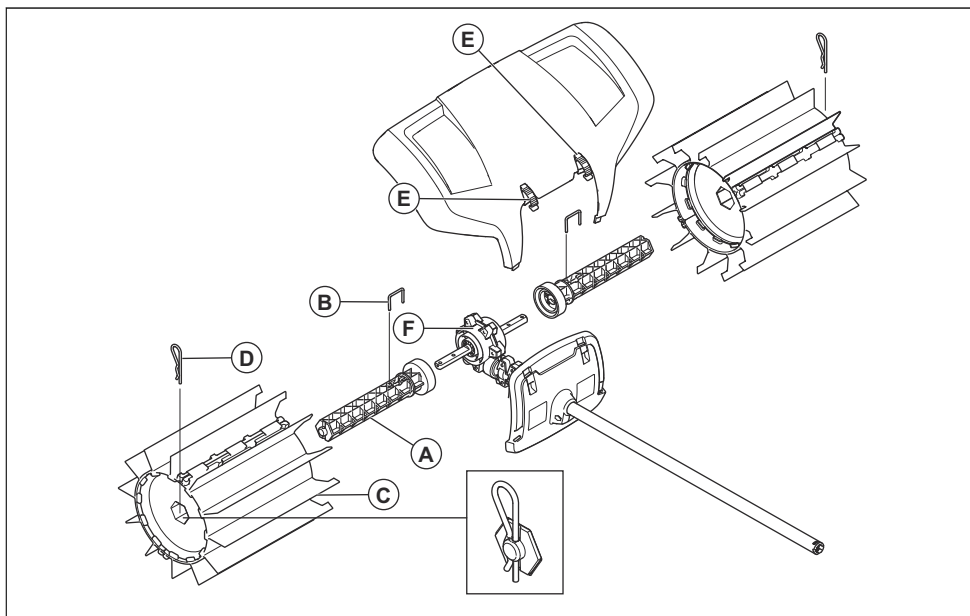
- Pred začetkom preglejte celoten izdelek. Zamenjajte poškodovane dele.
- Prepričajte se, da so vsi ščitniki in pokrovi nepoškodovani in pravilno pritrjeni. Preverite vse matice in vijake.

- Če izdelek uporabljate z bencinom, se prepričajte, da gorivo ne izteka.
- Prepričajte se, da bobna za pometanje nista poškodovana in na njih ne opazite razpok ali ostalih poškodb.



Montaža

Montaža priključka



1. Pritisnite eno od osi bobnov (A) na eno od obeh izhodnih pogonskih gredi iz ohišja menjalnika (F). Os bobna po potrebi obrnite tako, da je odprtina za zatič tik nad ustrezno odprtino v pogonski gredi.
2. Vrtljivo gred pritržite z blokirnimi zatičem (B).
3. Navijte enega od bobnov za pometanje (C) na nameščeno os. Konec z daljšimi gumijastimi lamelami je treba namestiti bližje ohišju menjalnika. Boben za pometanje potisnite na os.
4. Valj pritržite na gred z razcepko (D). Pri nameščanju rahlo pritisnite na koncu.
5. Ta postopek ponovite za namestitvev osi in valja na nasprotni strani. Bobna sta identična, vendar morata biti nameščena tako, da so daljše gumijaste lamele bližje ohišju menjalnika.
6. Z natičnimi sponkami (E) pritržite ščitnik pred pršenjem.

Opomba: Navodila za nameščanje dodatne opreme na osnovni izdelek najdete v priročniku osnovnega izdelka.

Delovanje

Zagon izdelka s hladnim motorjem

Če imate izdelek, ki deluje na bencin, upoštevajte ta navodila za zagon izdelka s hladnim motorjem.

1. Osnovni del izdelka naj deluje, da se bo segrel, nato pa ga izklopite.
2. Prikluček namestite v skladu z navodili za montažo.
3. Pri nastavitvi uplinjača se prepričajte, da sta bobna s krtačami pritisnjena ob tla in v bližini ni drugih oseb.
4. Bobna s krtačami morata biti v prostem teku.
5. Prepričajte se, da so ročaj in varnostne funkcije v brezhibnem stanju. Nikoli ne uporabljajte izdelka z manjkajočimi deli ali predelane izdelka (izven specifikacij).

Uporaba priključka

Pobiralna naprava deluje najbolje, če lahko gumijaste površine drsijo ali udarjajo ob delovno površino. Novi ali zamenjani bobni za pometanje se lahko zataknejo ali drsajo ob trdo površino in jih je zato treba pred uporabo temeljito uteči. To je enostaven postopek, pri katerem mora izdelek 3–5 minut delovati pri polnem plinu/hitrosti na zrahljanem pesku ali podobnem abrazivnem materialu. Po utekanju boste lahko s pobiralno napravo odstranjevali večje količine materiala, od snega ali luž, do težjih predmetov, na primer peska ali lesnih odrezkov. Po določenem času se boste seznanili z delovanjem pobiralne naprave, od samega začetka pa morate pri tem upoštevati varnostna navodila.

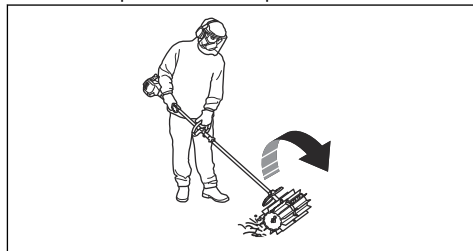
1. Pobiralno napravo uporabljajte pri polnem (ali skoraj polnem) plinu/hitrosti z gumijastimi lamelami na tleh.

Opomba: Držanje gumijastih lamel nad tlemi je tako naporno kot tudi nepotrebno.

2. Pri čiščenju ozkih površin, na primer poti, je mogoče izdelek uporabljati tudi tako, da material izvrže naravnost pred vas. Pri čiščenju širših površin boste morda morali delati pod kotom, tako da na eni strani ostaja črta. Črte, v katerih se nabira lahek material, je mogoče za poznejšo odstranitev pomesti v eno črto ali kupček, težje in večje materiale pa je morda potrebno odstraniti v več črtah.



3. Da bi dosegli tudi kote, odstranite ščitnik pred pršenjem, sprostite priklop dodatne opreme in dodatno opremo obrnite za pol obrata.



OPOZORILO: Smeti bodo v tem primeru izvržene nazaj proti uporabniku. Pri vzvratnem delovanju izdelka uporabljajte nizko hitrost, pri tem pa ne pozabite, da se lahko spotaknete ob izvržene materiale.

4. Ohranajte majhen delovni kot do površine. Prevelik delovni kot lahko povzroča premikanje pobiralne naprave proti uporabniku in posledično nevarnost izgube nadzora.



Vzdrževanje

Uvod

V nadaljevanju je zapisanih nekaj splošnih navodil za vzdrževanje. Če potrebujete več informacij, se obrnite na svojo servisno delavnico.

Vzdrževanje priključka

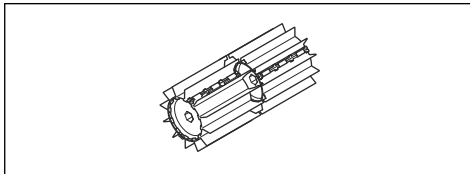


POZOR: Dela na pobiralni napravi pogosto potekajo v prašni okolici. Če imate izdelek, ki deluje na bencin, je izredno pomembno, da redno, pogosto kar dnevno, poskrbite za vzdrževanje zračnih filtrov. Zračni filter mora biti za zadovoljivo delovanje naoljen. Navodila za vzdrževanje najdete v uporabniškem priročniku električne naprave.



OPOZORILO: Med uporabo stroja se ohišje menjalnika močno segreje. Da bi se izognili opeklinam se ne dotikajte ohišja naprave.

1. Prepričajte se, da se bobna za pometanje ne vrtila, ko je sproščen plin/sprožilec plina.



2. Prepričajte se, da bobna za pometanje nista poškodovana ali počena. Po potrebi zamenjajte bobna za pometanje.
3. Krtače med daljšim shranjevanjem obesite.

Transport skladiščenje in odstranitev

Prevoz in skladiščenje

Pri transportu priključka na drugem vozilu vedno uporabite odobrene varnostne naprave in poskrbite, da je priključek varno pritrjen.

Pred dolgotrajnim skladiščenjem poskrbite, da bo priključek čist in da bo na njem opravljen popoln servis.

Tehnični podatki

Tehnični podatki za izdelke, ki delujejo na bencin

Pobiralna naprava	
Širina bobna za pometanje, mm	590
Teža	
Teža, kg	6,5
Emisije hrupa¹²¹	
Raven zvočne moči, izmerjena v dB (A)	105
Raven zvočne moči, zajamčena L _{WA} v dB(A)	109
Nivoji hrupa¹²²	

¹²¹ Emisije hrupa v okolje, merjene kot zvočna moč (L_{WA}), v skladu z direktivo EN 2000/14/ EC. Navedena raven zvočne moči naprave je bila izmerjena z originalnim rezalnim priključkom, ki dosega najvišjo raven. Razlika med zajamčeno in izmerjeno ravno zvočne moči je v tem, da zajamčena raven zvočne moči, v skladu z direktivo, vključuje tudi razpršitev izmerjenih vrednosti in razlike med različnimi napravami istega modela 2000/14/ EC.

¹²² Podatki za ekvivalentno raven zvočnega tlaka za napravo imajo tipično statistično razpršitev (standardni odklon) v vrednosti 1 dB (A).

Pobiralna naprava	
Ekvivalentna raven zvočnega tlaka na uporabnikovem ušesu, merjena po EN ISO 22868, , dB (A):	97
Tresljaji¹²³	
Ekvivalentne ravni vibracij ($a_{hv,eq}$) v ročajih, izmerjene v skladu z , m/s ²	
Sprednji/zadnji ročaj	4,4/5,1

Tehnični podatki za izdelke, ki delujejo na baterijo

325iLK + priključek pobiralne naprave SR600-2	
Širina bobna za pometanje, mm	590
Teža	
Teža, kg	2,3 + 6,5
Emisije hrupa¹²⁴	
Izmerjena raven zvočne moči, dB (A)	93
Nivoji hrupa¹²⁵	
Ekvivalenten nivo jakosti zvoka na uporabnikovem ušesu, merjeno po ISO 22868, dB (A):	82
Tresljaji¹²⁶	
Ravni vibracij pri ročajih, izmerjene v skladu s standardom EN 62841-1, m/s ²	
Sprednji/zadnji ročaj	3,2/3,1

¹²³ Zabeleženi podatki za ekvivalentno raven vibracij imajo tipično statistično razpršitev (standardni odklon) 1 m/s².

¹²⁴ Podatki za raven zvočne moči za napravo imajo tipično statistično razpršitev (standardni odklon) v vrednosti 3 dB (A) in so bili izmerjeni z originalnim nastavkom, ki dosega najvišjo raven hrupa.

¹²⁵ Podatki za raven zvočnega tlaka za napravo imajo tipično statistično razpršitev (standardni odklon) v vrednosti 3 dB (A) in so bili izmerjeni z originalnim nastavkom, ki dosega najvišjo raven hrupa.

¹²⁶ Zabeleženi podatki za raven vibracij imajo tipično statistično razpršitev (standardni odklon) v višini 2 m/s². Za primerjavo ravni tresljajev pri izdelkih, ki delujejo na baterije in različna goriva, uporabite računalnik za izračun tresljajev. <https://www.husqvarna.com/uk/services-solutions/vibration-calculator/>.

Izjava ES o skladnosti

Izjava o skladnosti ES – za izdelke, ki delujejo na bencin

Husqvarna AB, SE-561 82 Huskvarna, Švedska, tel: +46-36-146500, izjavlja, da je pobiralna naprava Husqvarna SR600-2 s serijskimi številkami od leta 2019 dalje (leto izdelave, ki mu sledi serijska številka, je jasno navedeno na tipski plošči), skladni z zahtevami DIREKTIVE SVETA:

- Direktive **2006/42/ES** z dne 17. maja 2006 o strojih in
- z dne 8. junij 2011 o omejevanju uporabe nekaterih nevarnih snovi v električni in elektronski opremi **2011/65/EU**.
- **2000/14/ES** z dne 8. maja 2000 "o emisijah hrupa v okolje".

Za izdelke, ki delujejo na bencin, veljajo naslednji standardi:

SS-EN ISO 12100:2010, EN 50581:2012

Priglašeni organ je opravil tipski preizkus v skladu z direktivo ES o strojih (2006/42/ES); člen 12, točka 3b. Številke certifikatov za tipski preizkus ES v skladu s prilogo IV: **SEC/15/2413 - Husqvarna SR600-2**

Huskvarna , 2019-06-24



Per Gustafsson, vodja razvoja (pooblaščen zastopnik družbe Husqvarna AB in odgovorna oseba za tehnično dokumentacijo)

Izjava o skladnosti ES – za izdelke, ki delujejo na baterijo

Husqvarna AB, SE-561 82 Huskvarna, Švedska, tel: +46-36-146500, izjavlja, da je pobiralna naprava, priključek Husqvarna SR600-2 z električno napravo Husqvarna 325ILK s serijskimi številkami od leta 2019 dalje (leto izdelave, ki mu sledi serijska številka, je jasno navedeno na tipski plošči), skladna z zahtevami DIREKTIVE SVETA:

- Direktive **2006/42/ES** z dne 17. maja 2006 o strojih in
- z dne 8. junij 2011 o omejevanju uporabe nekaterih nevarnih snovi v električni in elektronski opremi **2011/65/EU**.

Za izdelke, ki delujejo na baterijo, veljajo naslednji standardi:

EN 62841-1:2015, EN 50581:2012

RISE SMP Svenska Maskinprovning AB, Box 7035, SE-750 07 Uppsala, Švedska, je izvedel neodvisen tipski preizkus v imenu podjetja Husqvarna AB. Številka certifikata je: **SEC/15/2413 - Husqvarna SR600-2**

Huskvarna , 2019-06-24



Per Gustafsson, vodja razvoja (pooblaščen zastopnik družbe Husqvarna AB in odgovorna oseba za tehnično dokumentacijo)

Innehåll

Introduktion.....	201	Underhåll.....	207
Säkerhet.....	202	Transport, förvaring och kassering.....	207
Montering.....	205	Tekniska data.....	207
Drift.....	206	EG-försäkran om överensstämmelse.....	209

Introduktion

Produktbeskrivning

Vi arbetar ständigt med att vidareutveckla våra produkter och förbehåller oss därför rätten till ändringar beträffande bl.a. produkternas form och utseende utan föregående meddelande.

Notera: Den här bruksanvisningen omfattar både bensin- och batteridrivna kraftaggregat.

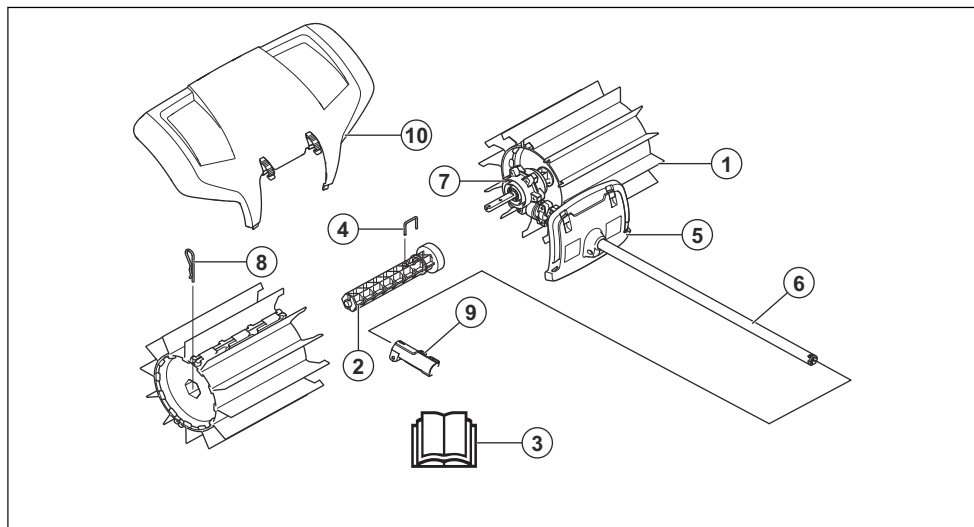
Avsedd användning



VARNING: Det här tillbehöret får endast användas tillsammans med den produkt det är avsett för. Mer information finns i avsnittet om tillbehör i användarhandboken för produkten.

Tillbehöret är endast konstruerat för borstning av gräsmattor, gångar, asfalsvägar och liknande.

Tillbehörsöversikt



1. Borstvals
2. Valsaxel
3. Bruksanvisning
4. Låspinne
5. Skydd (skydd på riggrör)
6. Riggrör
7. Växelhus
8. Saksprint
9. Riggrörskoppling (medföljer produkten)
10. Stänkskydd

Symboler på utrustningen och på kraftaggregatet



Vårdslös eller felaktig användning av tillbehöret kan resultera i allvariga eller livshotande skador på användaren eller andra.



Läs igenom bruksanvisningen noggrant och se till att du förstår instruktionerna innan du använder tillbehöret.



Använd godkända hörselskydd. Använd godkänt ögonskydd. Använd en andningsmask när det finns risk för damm.



Utrustningen överensstämmer med gällande EG-direktiv.



Roterande delar. Akta händer och fötter. Pilen anger rotationsriktningen.



Använd alltid godkända skyddshandskar.



Använd halkfria och stadiga stövlar.



Varning för utslungade föremål och rikoschetter.



Användaren ska se till att inga människor eller djur kommer närmare än 15 meter. Då flera operatörer arbetar på samma ställe ska säkerhetsavståndet vara minst 15 meter. Utrustningen kan våldsamt kasta iväg föremål som kan studsas tillbaka. Om inte rekommenderad säkerhetsutrustning används kan det leda till allvarliga ögonskador.



Håll ett avstånd på minst 15 m till personer och djur när du använder produkten.



Håll alla delar av din kropp borta från de heta ytorna.



Bulleremissioner till omgivningen enligt Europeiska Gemenskapens direktiv. Emissionen för tillbehöret är angiven i avsnittet Tekniska data och på etiketten.

Notera: Övriga symboler/dekaler på tillbehöret avser specifika krav för certifieringar på vissa marknader.

Säkerhet

Säkerhetsdefinitioner

Varningar, försiktighetsåtgärder och anmärkningar används för att betona speciellt viktiga delar i bruksanvisningen.



WARNING: Används om det finns risk för skador eller dödsfall för föraren eller kringstående om anvisningarna i bruksanvisningen inte följs.



OBSERVERA: Används om det finns risk för skada på produkten och/eller tillbehör, annat material eller det angränsande området om anvisningarna i bruksanvisningen inte följs.

Notera: Används för att ge mer information som är nödvändig i en viss situation.

Allmänna säkerhetsinstruktioner



WARNING: Läs varningsinstruktionerna nedan innan du använder tillbehöret.

- Läs igenom bruksanvisningen noggrant och se till att du förstår instruktionerna innan du använder tillbehöret.
- De här instruktionerna kompletterar de instruktioner som medföljde produkten. Övriga instruktioner finns i driftinstruktionerna för produkten.
- Tillbehörets ursprungliga utformning får inte under några omständigheter ändras utan tillstånd från tillverkaren. Använd inte ett tillbehör som verkar ha blivit ändrat av någon annan och använd alltid originaltillbehör. Icke auktoriserade ändringar och/eller tillbehör kan medföra allvarliga personskador eller dödsfall för föraren eller andra.

Säkerhetsinstruktioner för drift



VARNING: Läs varningsinstruktionerna nedan innan du använder produkten.

- Stoppkontakten återgår automatiskt till startläge. Se till att förhindra oavsiktlig start vid montering, kontroll eller underhåll. Om du har en bensindriven produkt drar du bort tändhatten från tändstiftet. Om du har en batteridriven produkt tar du bort batteriet.
- Varning för utslungade föremål. Bär alltid skyddsglasögon. Luta dig aldrig över borstvalsens. Stenar, skräp m.m. kan kastas upp i ögonen och vålla blindhet eller allvarliga skador.
- Under samt en stund efter användning kan växeln vara varm. Det finns risk för brännskada vid kontakt.
- Borstvalsarna kan rotera när borsten startas. Håll alltid ordentligt i produkten när du startar den.
- Även om borstvalsarna inte har samma kraft som t ex en gräsklipparkniv bör du undvika att arbeta med material som kan skada person eller egendom när det slungas ut.
- Använd aldrig produkten utan möjlighet att kunna påkalla hjälp i händelse av olycka.
- Använd endast produkten för det arbete den är avsedd för.
- Använd aldrig produkten om du är trött, om du har druckit alkohol eller om du tar mediciner som kan påverka din syn, ditt omdöme eller din kroppskontroll.
- Använd aldrig produkten vid extrema klimatförhållanden såsom sträng kyla eller mycket varmt och/eller fuktigt klimat.
- Använd aldrig en produkt som är defekt. Följ säkerhets-, underhålls- och serviceinstruktioner i denna bruksanvisning. Vissa underhålls- och serviceåtgärder ska utföras av utbildade och kvalificerade specialister. Se anvisningar under rubriken Underhåll.
- Tillåt aldrig barn att använda produkten.
- Låt aldrig någon annan använda produkten utan att försäkra dig om att de har läst igenom och förstått innehållet i bruksanvisningen.
- Håll obehöriga på avstånd. Barn, djur, åskådare och medhjälpare ska befinna sig utanför säkerhetszonen på 15 meter när du arbetar. Stäng omedelbart av produkten om någon närmar sig arbetsplatsen.
- När du råkar ut för en situation som gör dig osäker angående fortsatt användning ska du rådfråga en expert. Kontakta din återförsäljare eller serviceverkstad.
- Undvik all användning du anser dig otillräckligt kvalificerad för.
- Var alltid uppmärksam på varningssignaler eller tillrop när hörselskydd används. Ta alltid av hörselskydden så snart motorn stannar.

- Iaktta omgivningen och var säker på att det inte finns risk att människor eller djur kan komma i kontakt med eller påverka din kontroll av skärutrustning.
- Undvik användning vid ogynnsamma väderleksförhållanden. Exempelvis tät dimma, kraftigt regn, hård vind eller stark kyla. Att arbeta i dåligt väder är tröttsamt och kan skapa farliga omständigheter, exempelvis halt underlag.
- Se till att du kan gå och stå säkert. Titta efter eventuella hinder vid en oväntad förflyttning (rötter, stenar, grenar, gropar, diken osv.). Var väldigt försiktig vid arbete i slutande terräng.



- Motorn måste stängas av innan du flyttar produkten. Om du har en bensindriven produkt drar du bort tändhatten från tändstiftet. Om du har en batteridriven produkt tar du bort batteriet.
- Ställ inte ner produkten med motorn igång utan att du har uppsikt över den.
- Håll alltid produkten med båda händerna. Håll produkten vid sidan av kroppen.
- Se till att händer och fötter inte kommer åt borsten när motorn är i gång.
- När produkten stängts av ska du hålla händer och fötter borta från borsten tills den har stannat helt.
- Stanna produkten om starka vibrationer uppstår. Om du har en bensindriven produkt ska du koppla bort tändkabeln från tändstiftet. Om du har en batteridriven produkt tar du bort batteriet. Kontrollera att produkten inte är skadad. Reparera eventuella skador.

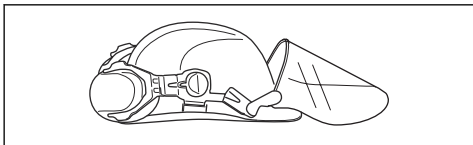
Personlig skyddsutrustning



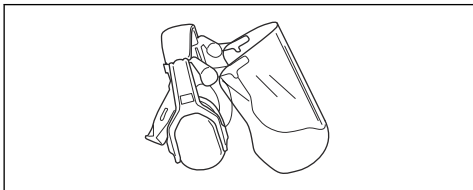
VARNING: Läs varningsinstruktionerna nedan innan du använder produkten.

- Använd alltid godkänd personlig skyddsutrustning när du använder produkten. Personlig skyddsutrustning kan inte eliminera skaderisken helt, men den reducerar effekten av en skada vid ett eventuellt olyckstillbud. Be din återförsäljare om hjälp med att välja rätt utrustning.

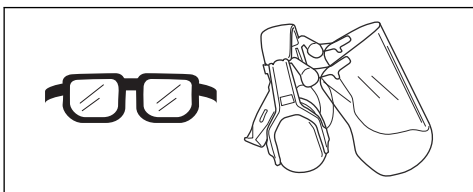
- Använd skyddshjälm där det finns risk för fallande föremål.



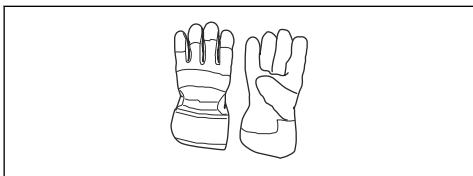
- Använd godkända hörselskydd med tillräcklig dämpning. Långvarig exponering för buller kan ge bestående hörselskador.



- Använd godkänt ögonskydd. Används visir måste även godkända skyddsglasögon användas. Godkända skyddsglasögon måste uppfylla standarden ANSI Z87.1 i USA eller SS-EN 166 i EU-länder.



- Använd handskar vid behov, till exempel när du ansluter, undersöker eller rengör skärutrustningen.



- Använd skyddsstövlar med stålhätta och halkfri sula.



- Ha på dig kläder i slitstarkt material. Bär alltid kraftiga långbyxor och överdel med långa ärmar. Använd inte löst sittande kläder som kan fastna i kvistar och grenar. Bär inte smycken, kortbyxor eller

sandaler och gå inte barfota. Sätt upp häret ordentligt så att det inte hänger nedanför axlarna.

- Ha första förband nära till hands.



Säkerhetsanordningar på produkten



WARNING: Läs varningsinstruktionerna nedan innan du använder produkten.

I detta avsnitt beskrivs produktens säkerhetsfunktioner, dess syfte samt hur kontroller och underhåll ska utföras för att säkerställa att den fungerar korrekt. Se anvisningarna under rubriken *Tillbehörsöversikt på sida 201* för att få reda på var dessa delar är placerade på produkten.

Produktens livslängd kan förkortas och risken för olyckor kan öka om underhåll av produkten inte utförs på rätt sätt och om service och/eller reparationer inte utförs av specialutbildade tekniker. Kontakta din serviceverkstad om du behöver ytterligare information.



WARNING: Använd aldrig en produkt med defekta säkerhetskomponenter. Produktens säkerhetsutrustning ska kontrolleras och underhållas som beskrivs i detta avsnitt. Om din produkt inte klarar alla kontrollerna ska serviceverkstad uppsökas för reparation.



OBSERVERA: All service och reparation av maskinen kräver specialutbildning. Detta gäller särskilt maskinens säkerhetsutrustning. Om maskinen inte klarar någon av nedan listade kontroller ska du uppsöka din serviceverkstad. Ett köp av någon av våra produkter garanterar att du kan få en fackmannamässig reparation och service utförd. Om inköpsstället för maskinen inte är en av våra servande fackhandlare, fråga dem efter närmaste serviceverkstad.

Säkerhetsinstruktioner för underhåll



WARNING: Läs varningsinstruktionerna nedan innan du utför underhåll.

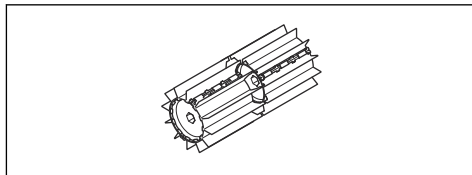


WARNING: Stanna alltid produkten innan du utför underhåll på tillbehöret. Var försiktig. Tillbehöret kan fortsätta att röra på sig efter att gasreglaget/trycket har släppts. Se till att tillbehöret har stannat helt. Om du har en

bensindriven produkt ska du koppla bort tändkablarna från tändstiftet. Om du har en batteridriven produkt tar du bort batteriet.

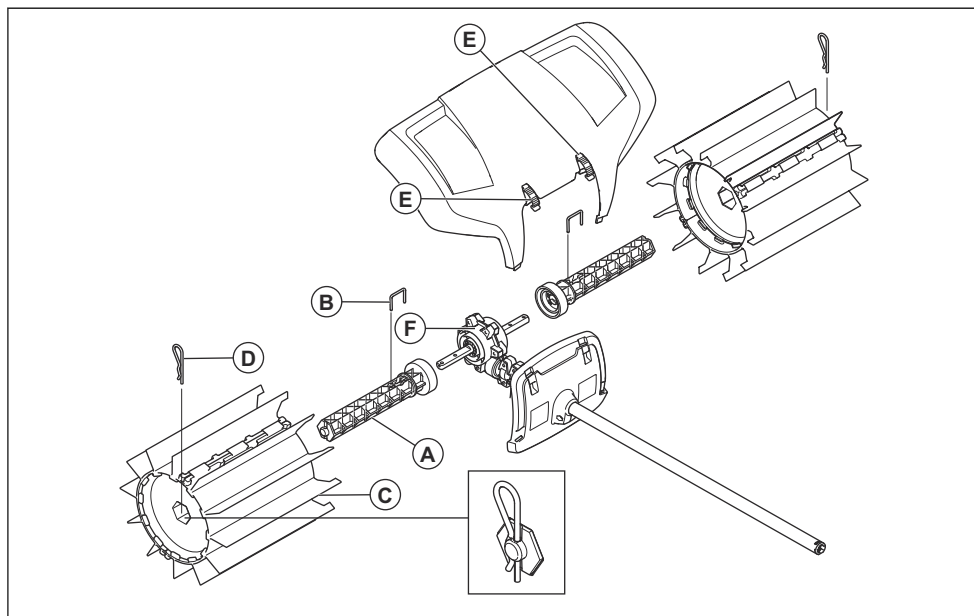
- Inspektera hela produkten innan du påbörjar arbetet. Byt ut skadade delar.
- Kontrollera att alla skydd och kåpor är hela och ordentligt fastsatta. Inspektera alla muttrar och skruvar.
- Om du har en bensindriven produkt ska du se till att det inte finns några bränsleläckage.

- Kontrollera att borstvalsarna inte har några sprickor eller andra skador.



Montering

Montera tillbehöret



1. Tryck ena valsaxeln (A) mot en av de två drivaxlarna som utgår från växelhuset (F). Rotera vid behov valsaxeln tills sprinthålet hamnar över motsvarande hål i drivaxeln.
2. Fäst valsaxeln med lässprinten (B).
3. Trä på en av borstvalsarna (C) på den monterade axeln. Änden med de förlängda gummilamellerna ska monteras närmast växelhuset. Tryck in borstvalsens.
4. Fäst valsens på axeln med en saxspring (D). Tryck in gaveln något vid monteringen.
5. Upprepa punkterna för att montera axel och rulle på motstående sida. Valsarna är identiska men måste båda monteras med de förlängda gummilamellerna mot växelhuset.
6. Montera stänkskyddet med hjälp av snäppfästena (E).

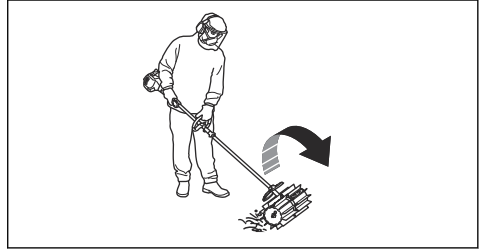
Notera: För montering av tillbehör på basprodukt, se basproduktens manual.

Starta produkten med kall motor

Om du har en bensindriven produkt följer du dessa instruktioner för att starta produkten med kall motor.

1. Kör basprodukten varm och stäng sedan av produkten.
2. Montera tillbehöret enligt monteringsanvisningen.
3. Vid förgasjustering, se till att borstvalsarna hålls mot marken och att ingen annan finns i närheten.
4. Se till att borstvalsarna stannar på tomgång.
5. Se till att handtag och säkerhetsfunktioner är i ordning. Använd aldrig produkter som saknar någon del eller som har ändrats så att de inte längre uppfyller specifikationerna.

3. För att komma åt att köra i hörn kan du ta bort stänkskyddet, lossa tillbehörskopplingen och rotera tillbehöret ett halvt varv.



WARNING: När man vänder maskinen slungas skräp bakåt mot användaren. Använd lägre varvtal när du backar produkten och tänk på att det är lätt att snubbla över utslungat material.

4. Håll en liten arbetsvinkel mot underlaget. Med en stor arbetsvinkel tenderar borsten att röra sig mot dig och du riskerar att tappa kontrollen över produkten.



Använda tillbehöret

Borsten fungerar bäst när gummilamellerna snabbt kan glida eller "stryka" över arbetsytan. Nya eller utbytta borstvalsar tenderar att fastna eller släpa på hårda underlag och ska därför köras eller "nötas" in ordentligt före användning. Inkörningen görs lätt genom att man kör produkten med full gas i 3–5 minuter i löst grus eller liknande slipmaterial. Efter inkörningen kan borsten utan problem förflytta en mängd olika material från snö eller vattenansamlingar till tyngre föremål som grus eller träflis. Med tiden kommer du att lära dig hur borsten fungerar men redan från början måste du tänka på säkerheten.

1. Kör borsten på full (eller nästa full) gas/hastighet med gummilamellerna vilande på underlaget.

Notera: Det är både tröttsamt och onödigt att lyfta upp eller hålla gummilamellerna ovanför underlaget när du arbetar.

2. När du ska röja smala ytor, till exempel trottoarer, kan produkten användas så att den slungar ut materialet rakt framför dig. Om du vill köra bredare ytor kan du behöva arbeta i vinkel så att strängar bildas på sidan. Strängar bestående av lätt material kan samlas ihop till en enda rad eller hög för att senare hämtas, medan hårt eller mer skrymmande material kan behöva samlas ihop i flera strängar.



Underhåll

Introduktion

Nedan följer några allmänna underhållsinstruktioner. Kontakta en serviceverkstad om du behöver ytterligare information.

Underhålla tillbehöret

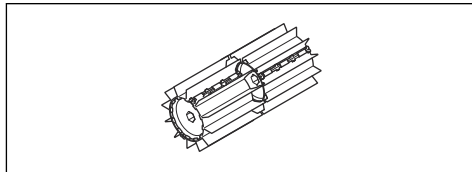


OBSERVERA: Arbetet med borsten sker ofta under dammiga förhållanden. Om du har en bensindriven produkt är det mycket viktigt att regelbundet underhålla luftfiltret, ofta dagligen. Luftfiltret måste oljas in för att fungera som det ska. Se kraftaggregatets användarhandbok för underhållsinstruktioner.



VARNING: Efter arbete med maskinen blir växeln varm. Ta ej på växeln för att undvika brännskador.

1. Kontrollera att borstvalsarna inte roterar när gasreglaget släpps.



2. Kontrollera att borstvalsarna är oskadade och inte har några sprickor. Byt borstvalsarna om det behövs.
3. Häng upp borsten vid längre tids förvaring.

Transport, förvaring och kassering

Transport och förvaring

Om du transporterar tillbehöret på ett annat fordon ska du alltid använda godkända fästanordningar och se till att tillbehöret sitter fast ordentligt.

Se till att tillbehöret är väl rengjort och att fullständig service är utförd före långtidsförvaring.

Tekniska data

Tekniska data för bensindrivna produkter

Borste	
Sopvalsbredd, mm	590
Vikt	
Vikt, kg	6,5
Bulleremissioner¹²⁷	
Ljudeffektnivå, uppmätt dB(A)	105
Ljudeffektnivå, garanterad L _{WA} dB(A)	109
Ljudnivåer¹²⁸	

¹²⁷ Emission av buller till omgivningen uppmätt som ljudeffekt (L_{WA}) enligt EG-direktiv 2000/14/ EC. Rapporterad ljudeffektnivå för maskinen har uppmätts med den originalsårutrustning som ger den högsta nivån. Skillnaden mellan garanterad och uppmätt ljudeffekt är att den garanterade ljudeffekten även inkluderar spridning i mätresultatet samt variationer mellan olika maskiner av samma modell enligt direktiv 2000/14/ EC.

¹²⁸ Rapporterade data för ekvivalent ljudtrycksnivå för maskinen har en typisk statistisk spridning (standardavvikelse) på 1 dB (A).

Borste	
Ekvivalent ljudtrycksnivå vid användarens öra, uppmätt enligt EN ISO 22868 , dB(A):	97
Vibrationer ¹²⁹	
Ekvivalent vibrationsnivå ($a_{hv,eq}$) i handtag, uppmätt enligt , m/s ²	
Främre/bakre handtag	4,4/5,1

Tekniska data för batteridrivna produkter

325ILK + borstillbehör SR600-2	
Sopvalsbredd, mm	590
Vikt	
Vikt, kg	2,3 + 6,5
Bulleremissioner ¹³⁰	
Ljudeffektnivå, uppmätt, dB(A)	93
Ljudnivåer ¹³¹	
Ekvivalent ljudtrycksnivå vid användarens öra, uppmätt enligt ISO 22868, dB(A):	82
Vibrationer ¹³²	
Vibrationsnivåer i handtagen mätt enligt EN 62841-1, m/s ²	
Främre/bakre handtag	3,2/3,1

¹²⁹ Rapporterade data för ekvivalent vibrationsnivå har en typisk statistisk spridning (standardavvikelse) på 1 m/s².

¹³⁰ Rapporterade data för ljudtrycksnivå för maskinen har en typisk statistisk spridning (standardavvikelse) på 3 dB(A) och har mätts med det originaltillbehör som ger den högsta nivån.

¹³¹ Rapporterade data för ljudtrycksnivå för maskinen har en typisk statistisk spridning (standardavvikelse) på 3 dB(A) och har mätts med det originaltillbehör som ger den högsta nivån.

¹³² Rapporterade data för vibrationsnivåer har en typisk statistisk spridning (standardavvikelse) på 2 m/s². Vid jämförelse av vibrationsnivåer mellan batteri- och förbränningsdrivna produkter används vibrationsberäknaren på <https://www.husqvarna.com/uk/services-solutions/vibration-calculator/>.

EG-försäkran om överensstämmelse

EG-försäkran om överensstämmelse för bensindrivna produkter

Husqvarna AB, 561 82 Huskvarna, Sverige, tel: +46-36-146500, försäkrar härmed att borstillbehöret **Husqvarna SR600-2** med serienummer från 2019 och framåt (året anges tydligt på typskylten, följt av serienumret) motsvarar föreskrifterna i RÅDETS DIREKTIV:

- av den 17 maj 2006 "angående maskiner" **2006/42/EG**
- av den 8 juni 2011 "begränsning av användning av vissa farliga ämnen i elektrisk och elektronisk utrustning" **2011/65/EU**
- av den 8 maj 2000 "angående emission av buller i miljön" **2000/14/EG**

Följande standarder gäller för bensindrivna produkter:

SS-EN ISO 12100:2010, EN 50581:2012

det anmälda organet har utfört EG-typkontroll enligt artikel 12, punkt 3b, i maskindirektivet (2006/42/EC). Certifikatet för EG-typkontroll enligt bilaga IV har följande nummer: **SEC/15/2413 - Husqvarna SR600-2**

Huskvarna , 2019-06-24



Per Gustafsson, utvecklingschef (auktoriserad representant för Husqvarna AB samt ansvarig för tekniskt underlag)

EG-försäkran om överensstämmelse för batteridrivna produkter

Husqvarna AB, 561 82 Huskvarna, Sverige, tel: +46-36-146500, försäkrar härmed att borstillbehöret **Husqvarna SR600-2 med kraftaggregatet Husqvarna 325ILK** med serienummer från 2019 och framåt (året anges tydligt på typskylten, följt av serienumret) motsvarar föreskrifterna i RÅDETS DIREKTIV:

- av den 17 maj 2006 "angående maskiner" **2006/42/EG**
- av den 8 juni 2011 "begränsning av användning av vissa farliga ämnen i elektrisk och elektronisk utrustning" **2011/65/EU**

Följande standarder gäller för batteridrivna produkter:

EN 62841-1:2015, EN 50581:2012

RISE SMP Svensk Maskinprovning AB, Box 7035, 750 07 Uppsala, Sverige, har utfört frivillig typkontroll på

uppdrag av Husqvarna AB. Certifikatet har nummer: **SEC/15/2413 - Husqvarna SR600-2**

Huskvarna , 2019-06-24



Per Gustafsson, utvecklingschef (auktoriserad representant för Husqvarna AB samt ansvarig för tekniskt underlag)

İçindekiler

Giriş.....	210	Bakım.....	216
Güvenlik.....	211	Taşıma, depolama ve atma.....	216
Montaj.....	214	Teknik veriler.....	216
Çalışma.....	215	AT Uyumluluk Bildirimi.....	218

Giriş

Ürün açıklaması

Sahip olduğumuz sürekli ürün geliştirme politikamız nedeniyle önceden bildirimde bulunmaksızın ürünlerin tasarımı ve görünümü ile ilgili değişiklikler yapma hakkını saklı tutarız.

Not: Bu kılavuzda, hem benzinle hem de aküyle çalışan güç üniteleri ele alınmaktadır.

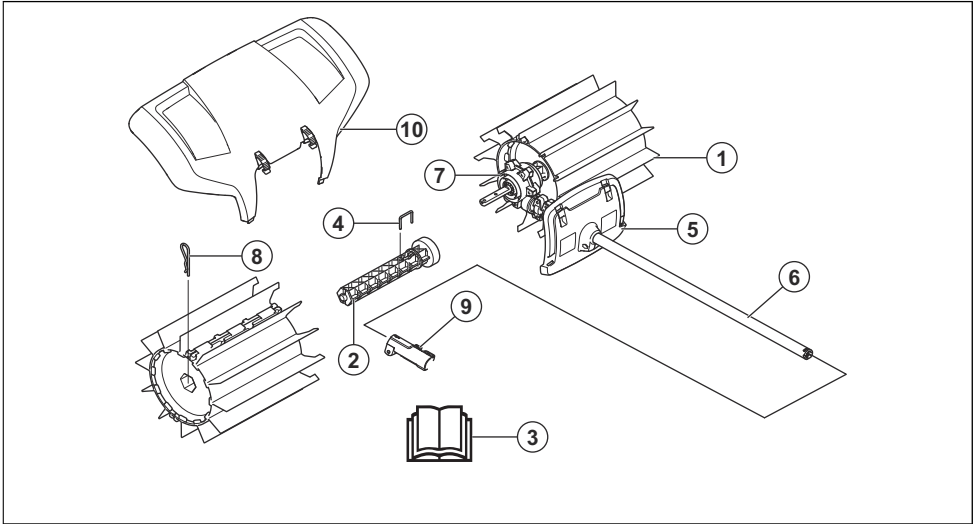
Kullanım amacı



UYARI: Bu ataşman yalnızca ilgili ürünle birlikte kullanılabilir, ürünün Kullanım Kılavuzu'ndaki aksesuar bölümüne bakın.

Ataşman yalnızca çimenlik alanları, patikaları, asfalt yolları ve benzeri yerleri süpürmek için tasarlanmıştır.

Ataşmana genel bakış



1. Tambur fırça
2. Tambur aksı
3. Kullanım kılavuzu
4. Kilit pimi
5. Siperlik (Mil koruması)
6. Mil
7. Dişli yuvası
8. Kopilya
9. Mil bağlantısı (Ürünle birlikte verilir)
10. Sıçrama siperliği

Ataşman ve güç ünitesindeki semboller



Bu ataşmanın dikkatsiz veya hatalı kullanımı operatörde ya da başka kişilerde ciddi veya ölümcül yaralanmalara neden olabilir.



Kullanım kılavuzunu dikkatle okuyun ve ataşmanı kullanmadan önce talimatları anladığınızdan emin olun.



Onaylanmış kulak koruma ekipmanı kullanın. Onaylı koruyucu gözlük kullanın. Toz riski varsa solunum maskesi kullanın.



Bu ataşman geçerli AT direktiflerine uygundur.



Döner parçalar. Ellerinizi ve ayaklarınızı uzak tutun. Ok, dönme yönünü gösterir.



Her zaman onaylı koruyucu eldivenler giyin.



Sağlam, kaymaz botlar giyin.



Atılan nesnelere ve seken cisimlere dikkat edin.



Operatör, insan veya hayvanların 15 metreden daha yakında bulunmamasını sağlamalıdır. Aynı alanda birden fazla operatör çalışıyorsa en az 15 metrelik güvenlik mesafesi bırakılmalıdır. Ataşman, geriye sıçrayabilecek nesnelere güçlü bir şekilde fırlatabilir. Bu, önerilen güvenlik donanımı kullanılmazsa ciddi göz yaralanmalarına neden olabilir.



Ürünü kullanırken başka kişilerle ve hayvanlarla aranızda en az 15 m/50 ft mesafe bırakın.



Vücudunuzun tüm parçalarını sıcak yüzeylerden uzak tutun.



Avrupa Topluluğu Direktifi uyarınca çevreye yayılan gürültü emisyonu. Ataşmanın emisyonu Teknik veriler bölümünde ve etiketin üstünde belirtilmektedir.

Not: Ataşmanın üzerindeki diğer semboller/etiketler, belirli pazarların sertifikalandırma gereklilikleri ile ilgilidir.

Güvenlik

Güvenlik tanımları

Kullanım kılavuzundaki önemli kısımları vurgulamak için uyarılar ve notlar kullanılmıştır.



UYARI: Kılavuzdaki talimatlara uyulmadığı takdirde operatör veya çevredeki kişiler için ciddi yaralanma veya ölüm tehlikesi varsa kullanılır.



DİKKAT: Kılavuzdaki talimatlara uyulmadığı takdirde ürünün ve/veya ataşmanın, diğer malzemelerin ya da çevrenin zarar görme riski olduğunda kullanılır.

Not: Belirli bir durumda bilgi verilmesi gerektiğinde kullanılır.

Genel güvenlik talimatları



UYARI: Ataşmanı kullanmadan önce aşağıdaki güvenlik talimatlarını okuyun.

- Lütfen kullanım kılavuzunu dikkatle okuyun ve ataşmanı kullanmadan önce talimatları anladığınızdan emin olun.
- Bu talimatlar ürünle birlikte verilen talimatları tamamlar. Diğer işlemler için lütfen ürün çalıştırma talimatlarına bakın.
- Üreticinin izni alınmadan ataşman tasarımında hiçbir şekilde değişiklik yapılamaz. Başkaları tarafından üzerinde değişiklik yapılmış gibi görünen bir ataşmanı kullanmayın ve her zaman orijinal aksesuarları kullanın. Onaylanmayan değişiklikler ve/veya aksesuarlar operatörler veya diğerleri için ciddi kişisel yaralanmalara veya ölüme yol açabilir.

Kullanım için güvenlik talimatları



UYARI: Ürünü kullanmadan önce aşağıdaki uyarı talimatlarını okuyun.

- Durdurma anahtarı otomatik olarak çalıştırma konumuna döner. Montaj, kontrol ve/veya bakım sırasında istenmeyen çalışmayı önlediğinizden emin olun. Benzinle çalışan bir ürününüz varsa buji kapağının buji ile bağlantısını kesin. Aküyle çalışan bir ürününüz varsa aküyü çıkarın.
- Savrulan nesnelere dikkat edin. Daima koruyucu gözlük takın. Asla tambur fırçasının üzerine eğilmeyin. Taşlar, çöpler vs. gözlere fırlayabilir ve körlüğe veya ciddi yaralanmalara neden olabilir.
- Kullanım sırasında dişli ısınabilir ve kullanımdan sonra bir süre sıcak kalabilir. Dokunursanız yanabilirsiniz.
- Süpürücü çalıştırıldığında tambur fırçalar dönebilir. Ürünü çalıştırırken sıkıca tutun.
- Tambur fırçalar çim biçme makineleriyle aynı güçte olmasa da, örneğin, fırladığında yaralanmaya veya mal zararına neden olabilecek maddelerle çalışmamalısınız.
- Bir kaza durumunda yardım isteyemeyecekseniz ürünü kullanmayın.
- Ürünü yalnızca hedeflenen amaç için kullanın.
- Yorgunsanız, alkol aldıysanız veya görüşünüzü, karar verme yetinizi ya da koordinasyonunuzu etkileyebilecek ilaçlar alıyorsanız ürünü asla kullanmayın.
- Ürün aşırı soğuk, aşırı sıcak ve/veya nemli iklimler gibi ağır hava koşullarında asla kullanmayın.
- Arızalı bir ürünü kesinlikle kullanmayın. Bu kılavuzda belirtilen güvenlik kontrolleri ile bakım ve servis talimatlarına uyun. Bazı bakım ve servis işlerinin sadece yetkili ve kalifiye teknisyenler tarafından yapılması gerekir. Bakım başlığı altındaki talimatlara bakın.
- Çocukların ürünü kullanmasına asla izin vermeyin.
- Kullanım kılavuzunun içindeki bilgileri tam olarak okuyup anladığınızdan emin olmadığınız kişilerin ürünü kullanmasına kesinlikle izin vermeyin.
- Yetkisiz kişileri yaklaştırmayın. Çalışırken çocuklar, hayvanlar, izleyenler ve yardımcı olan kişiler 15 m'lik güvenlik bölgesinin dışında tutulmalıdır. Herhangi bir yaklaşırsa ürünü derhal durdurun.
- Nasıl devam etmeniz gerektiği konusunda emin olmadığınız bir durumla karşılaşırsanız bir uzmana danışmalısınız. Bayiniz veya servis atölyenize iletişime geçin.
- Yapabileceğinizin ötesinde olduğunu düşündüğünüz hiçbir çalışmayı yapmayın.
- Kulak koruma aygıtı taktığınızda, uyarı sinyalleri veya bağırma seslerini dinleyiniz. Motor durur durmaz kulak koruma ekipmanınızı hemen çıkarın.

- Çevrenize dikkat edin ve insanların veya hayvanların ürünle temas etme ya da ürün üzerindeki kontrolünüzü etkileme riski olmadığından emin olun.
- Yoğun sis, sağanak yağış, şiddetli rüzgar, aşırı soğuk gibi kötü hava koşullarında ürünü kullanmayın. Kötü hava koşullarında çalışmak yorucudur ve beraberinde buzlu zemin gibi ilave riskler getirir.
- Güvenli bir şekilde hareket edebildiğinizden ve ayakta durabildiğinizden emin olunuz. Ani hareket etmeniz gerekebileceğini göz önünde bulundurarak çevrenizdeki olası engelleri (kökler, taşlar, dallar, hendekler vs.) kontrol edin. Eğimli yüzeyde çalışırken çok dikkatli olun.



- Ürünü hareket ettirmeden önce motorun kapatılması gerekir. Benzinle çalışan bir ürününüz varsa buji kapağının buji ile bağlantısını kesin. Aküyle çalışan bir ürününüz varsa aküyü çıkarın.
- Görüş alanınızda değilken ürünü motor çalışır halde yere koymayın.
- Ürünü tutmak için her zaman iki elinizi birden kullanın. Ürünü vücudunuzun yan tarafında tutun.
- Motor çalışırken ellerinizi ve ayaklarınızı fırçaya yaklaştırmayın.
- Ürün kapatıldığında, fırça tamamen durana kadar ellerinizi ve ayaklarınızı fırçadan uzak tutun.
- Şiddetli titreşim olursa ürünü durdurun. Benzinle çalışan bir ürününüz varsa HT kablosunu bujiden çıkarın. Aküyle çalışan bir ürününüz varsa aküyü çıkarın. Ürünün hasarlı olup olmadığını kontrol edin. Hasarları tamir edin.

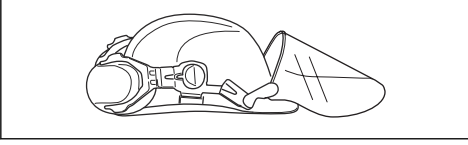
Kişisel koruyucu ekipman



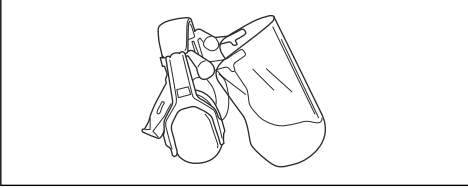
UYARI: Ürünü kullanmadan önce aşağıdaki uyarı talimatlarını okuyun.

- Ürünü kullanırken daima onaylı kişisel koruyucu ekipmanları kullanın. Kişisel koruyucu ekipmanlar yaralanma riskini tamamen engelleyemez ancak bir kaza durumunda yaralanmanın derecesini azaltır. Bayinizin doğru ekipmanı seçmenize yardımcı olmasını sağlayın.

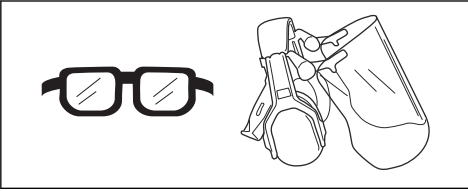
- Nesnelere düşme riski bulunan yerlerde koruyucu kask kullanın.



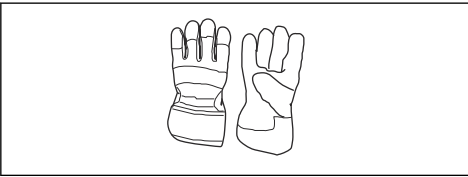
- Yeterli gürültü azaltması sağlayan onaylı kulak koruma ekipmanını kullanın. Uzun süre gürültüye maruz kalınması sürekli işitme bozukluğuna yol açabilir.



- Onaylı koruyucu gözlük kullanın. Vizör kullanıyorsanız onaylı koruma gözlüğü de kullanmanız gerekir. Onaylı koruma gözlükleri ABD'de ANSI Z87.1, AB ülkelerinde EN 166 standardıyla uyumlu olmalıdır.



- Kesme donanımını takma, kontrol etme veya temizleme gibi eldiven gerektiren durumlarda eldiven kullanın.



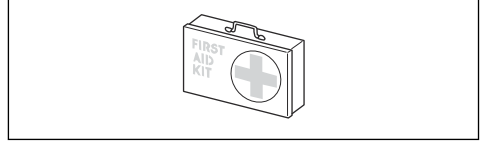
- Çelik burunlu ve kaymaz tabanlı koruyucu botlar kullanın.



- Sağlam kumaştan yapılmış kıyafetler kullanın. Daima kalın ve uzun pantolonlarla uzun kollu

kıyafetler kullanın. Çalılara ve dallara takılabilecek bol kıyafetler kullanmayın. Takı takmayın; şort, sandalet giymeyin veya çıplak ayakla dolaşmayın. Saçınızı güvenli bir şekilde omuz hizasının üzerinde toplayın.

- İlk yardım ekipmanını yakında bulundurun.



Ürünün üzerindeki güvenlik aletleri



UYARI: Ürünü kullanmadan önce aşağıdaki uyarı talimatlarını okuyun.

Bu bölümde ürünün güvenlik özellikleri, amacı ve ürünün düzgün çalışması için bakım ve kontrollerin nasıl yürütülmesi gerektiği açıklanmaktadır. Bu parçaların ürününüzün neresinde bulunduğunu görmek için *Ataşmana genel bakış sayfa*da: 210 başlığı altındaki talimatları okuyun.

Bakım doğru olarak yapılmazsa ve servis ve/veya onarım işlemleri profesyonel olarak uygulanmazsa ürünün kullanım ömrü azalabilir ve kaza riski artabilir. Daha fazla bilgiye ihtiyacınız olursa lütfen en yakın servis bayisiyle iletişime geçin.



UYARI: Güvenlik bileşenleri kusurlu olan bir ürünü asla kullanmayın. Ürünün güvenlik donanımı bu bölümde açıklandığı gibi kontrol edilmeli ve bakıma alınmalıdır. Ürününüz bu kontrollerden herhangi birini geçemezse onarım için servis nokتانızla iletişime geçin.



DİKKAT: Makinenin servis ve tamir işlemlerinin tümü özel eğitim gerektirir. Bu durum özellikle makinenin güvenlik donanımı için geçerlidir. Eğer makineniz aşağıda açıklanan kontrollerden herhangi birinde arıza verirse servis nokتانızla iletişime geçin. Herhangi bir ürünümüzü satın aldığınızda profesyonel tamir ve servis hizmetlerinin mevcut bulunduğunu garanti etmekteyiz. Makinenizi satan bayi yetkili satıcı değilse size en yakın servis nokتانının adresini sorun.

Bakım için güvenlik talimatları

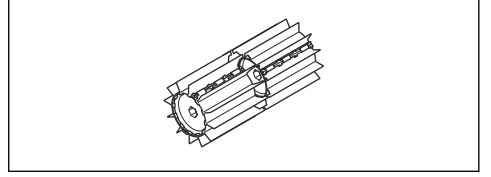


UYARI: Bakım yapmadan önce aşağıdaki uyarı talimatlarını okuyun.



UYARI: Ataşman üzerinde bakım yapmadan önce daima ürünü durdurun. Ataşman, gaz/güç tetiği serbest bırakıldıktan sonra bile hareket etmeye devam edebileceğinden dikkatli olun. Ataşmanın tamamen durdurulduğundan emin olun. Benzinle çalışan bir ürününüz varsa HT kablolarını bujiden çıkarın. Aküyle çalışan bir ürününüz varsa aküyü çıkarın.

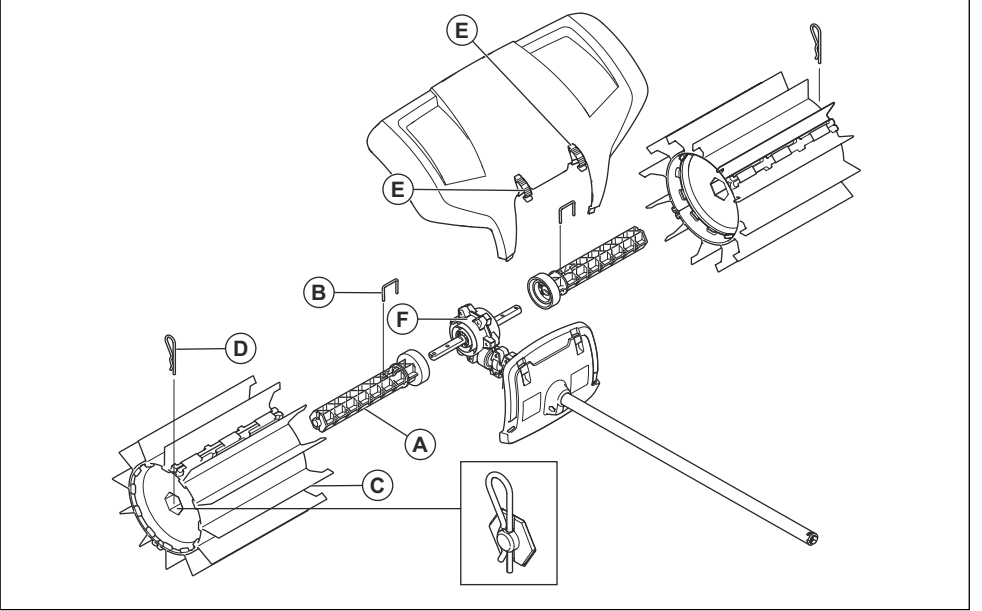
- Benzinle çalışan bir ürününüz varsa yakıt sızıntısı olmadığından emin olun.
- Tambur fırçalarının hasarlı olup olmadığını ve çatlama ya da başka bir hasar belirtisi gösterip göstermediğini kontrol edin.



- Başlamadan önce ürünü tamamen kontrol edin. Hasarlı parçaları değiştirin.
- Siperliklerin ve kapakların tamamının yerinde olup olmadığını ve güvenli şekilde sabitlenip sabitlenmediğini kontrol edin. Tüm somunları ve vidaları kontrol edin.

Montaj

Ataşmanın monte edilmesi



1. Tambur akslarından (A) birini dişli kovanından (F) çıkan iki hareket milinden birine doğru bastırın. Pim deliğinin hareket milindeki ilgili deliğin üzerine gelmesi için gerekirse tambur aksını döndürün.
2. Silindir milini kilit pimiyle (B) sabitleyin.
3. Tambur fırçalardan (C) birini takılı aksa geçirin. Uzatılmış kauçuk pullu uç, dişli kovanına en yakın yere monte edilecektir. Tambur fırçayı bastırın.
4. Mil üzerindeki silindiri bir kamayla (D) sabitleyin. Monte ederken ucu hafifçe bastırın.
5. Diğer taraftaki aksı ve silindiri monte etmek için bu adımları tekrarlayın. Tamburlar aynıdır ama uzatılmış kauçuk pullar dişli kovanına doğru olacak şekilde monte edilmelidir.
6. Sıçrama korumasını çıkıtlarla (E) monte edin.

Not: Temel ürünündeki aksesuarların montajı için temel ürünün kılavuzuna bakın.

Çalışma

Ürünü motor soğukken çalıştırma

Benzinle çalışan bir ürününüz varsa ürünü motor soğukken çalıştırmak için bu talimatlara uyun.

1. Temel ürün ısıtma işlemini gerçekleştirin, ardından ürünü kapatın.
2. Ataşmanı montaj talimatlarına uygun şekilde monte edin.
3. Karbüratörü ayarlarken tambur fırçaların yere doğru tutulduğundan ve etrafta kimsenin olmadığından emin olun.
4. Tambur fırçaların boşa çalıştığından emin olun.
5. Tutma yerinin ve güvenlik öğelerinin iyi çalışır durumda olduklarından emin olun. Asla bir parçası eksik veya teknik özelliklerinin dışına çıkacak şekilde değiştirilmiş bir ürün kullanmayın.

Ataşmanı kullanma

Süpürücü, kauçuk pullar kayarken veya çalışma yüzeyine "çarparken" en iyi şekilde çalışır. Yeni veya değiştirilmiş tambur fırçalar sert yüzeylerde takılabilir veya durup sürüklenebilir, bu yüzden kullanılmadan önce iyice "alıştırılmalıdır". Bunun için ürünü gevşek çakılda veya benzeri aşındırıcı maddelerde 3-5 dakika boyunca tam gaz/hızda çalıştırın. Alıştırma işleminden sonra süpürücü, kar ve birikintilerden çakıl veya talaş gibi daha ağır nesnelere kadar her türlü büyük miktardaki maddeyi hareket ettirebilir. Süpürücünün nasıl çalıştığını zaman içinde öğreneceksiniz ama en başta temel güvenlik önlemlerine uymalısınız.

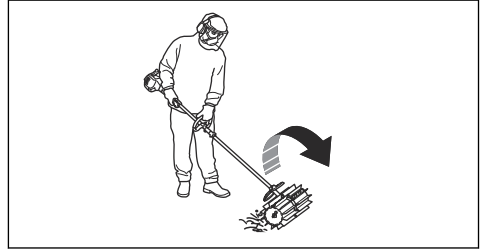
1. Kauçuk pullar yüzeye dayanmış durumdayken süpürücüyü tam (veya tama yakın) gaz/hızda çalıştırın.

Not: Çalışırken kauçuk pulları kaldırmak veya zeminin yukarısında tutmak, hem yorucu hem de gereksizdir.

2. Patika gibi dar yüzeyleri temizlerken ürün, nesnelere önünüze atacak şekilde kullanılabilir. Daha geniş yüzeylerde çalışmak istiyorsanız çöplerin bir tarafta birikmesi için açılı şekilde çalışmak isteyebilirsiniz. Hafif maddelerden oluşan çöpler tek sıra veya yığın halinde toplanarak kaldırılabilir. Ağır veya büyük maddelerin birkaç defada toplanması gerekebilir.



3. Köşelere ulaşmak için sıçrama korumasını çıkarın ve aksesuar klajını gevşetip aksesuarı yarım tur döndürün.



UYARI: Sonra, çöpler kullanıcıya doğru fırlatılır. Ürünü ters çevirirken daha düşük bir hız kullanın ve fırlayan maddelere takılabileceğinizi unutmayın.

4. Yüzeye yapılan çalışma açısını küçük tutun. Çalışma açısı çok büyük olursa süpürücü size doğru hareket edebilir ve ürünün kontrolünü kaybedebilirsiniz.



Bakım

Giriş

Aşağıda bazı genel bakım talimatlarını bulabilirsiniz. Daha fazla bilgiye ihtiyaç duyarsanız lütfen servisle iletişime geçin.

Ataşmanda bakım yapma

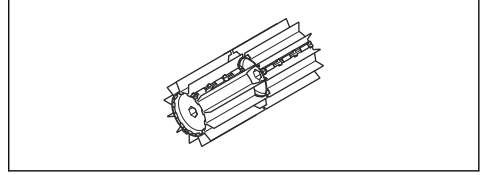


DİKKAT: Süpürücü genellikle tozlu ortamlarda kullanılır. Benzinle çalışan bir ürününüz varsa hava filtresinin bakımını düzenli olarak ve genellikle her gün yapmak çok önemlidir. İyi çalışması için hava filtresi yağlanmalıdır. Bakım talimatları için güç ünitesinin kullanım kılavuzuna bakın.



UYARI: Dişli kovani makine kullanılırken ısınır. Kendinizi yakmaktan sakınmak için dişli kovana dokunmayın.

1. Gaz/güç tetiği serbest bırakıldığında tambur fırçaların hareket etmediğinden emin olun.



2. Tambur fırçaların hasarlı veya çatlamış olup olmadığını kontrol edin. Gerekirse tambur fırçaları değiştirin.
3. Fırçayı uzun süre saklayacaksanız asarak saklayın.

Taşıma, depolama ve atma

Taşıma ve depolama

Ataşmanı başka bir araç üzerinde taşıyorsanız daima onaylı sabitleme cihazlarını kullanın ve ataşmanın güvenli şekilde tutulduğundan emin olun.

Uzun süreli depolama öncesinde ataşmanın temizlendiğinden ve tam bir servis işleminin gerçekleştirildiğinden emin olun.

Teknik veriler

Benzinle çalışan ürünler için teknik veriler

Süpürücü	
Tambur fırça genişliği, mm	590
Ağırlık	
Ağırlık, kg	6,5
Gürültü yayma¹³³	
Ses gücü seviyesi, ölçülmüş dB (A)	105
Ses gücü seviyesi, L _{WA} dB (A) garantili	109
Ses seviyeleri¹³⁴	

¹³³ Çevreye gürültü yayma, 2000/14/ EC sayılı AB direktifine uygun olarak ses gücü (L_{WA}) şeklinde ölçülmüştür. Makine için bildirilen ses seviyesi, en yüksek seviyeyi veren orijinal kesme donanımıyla ölçülmüştür. Garanti edilen ve ölçülen ses düzeyi arasındaki fark, garanti edilen ses gücünün 2000/14/ EC sayılı direktif doğrultusunda ölçüm sonucundaki dağılımı ve aynı modelden farklı makineler arasındaki değişimleri de içermesidir.

¹³⁴ Makinenin eşdeğer ses basıncı düzeyi için bildirilen verilerdeki tipik istatistik dağılım (standart sapma) 1 dB (A) şeklindedir.

Süpürücü	
EN ISO 22868 uyarınca ölçülen operatörün kulağında oluşan eşdeğer ses basınç düzeyi, dB(A):	97
Titreşimler ¹³⁵	
uyarınca ölçülen tutma yerlerindeki eşdeğer titreşim düzeyleri ($a_{hv,eq}$), m/sn ²	
Ön/arka tutma yerleri	4,4/5,1

Aküyle çalışan ürünler için teknik veriler

325iLK + Süpürücü ataşmanı SR600-2	
Tambur fırça genişliği, mm	590
Ağırlık	
Ağırlık, kg	2,3+6,5
Gürültü yayma ¹³⁶	
Ses gücü seviyesi, ölçülen, dB(A)	93
Ses seviyeleri ¹³⁷	
ISO 22868 uyarınca ölçülen operatörün kulağında oluşan eşdeğer ses basıncı seviyesi, dB(A):	82
Titreşimler ¹³⁸	
EN 62841-1 uyarınca ölçülen tutma yerlerindeki titreşim düzeyleri, m/sn ²	
Ön/arka tutma yerleri	3,2/3,1

¹³⁵ Eş değer titreşim seviyesi için bildirilen verilerin tipik istatistik dağılımı (standart sapması) 1 m/sn² şeklindedir.

¹³⁶ Makinenin ses gücü seviyesi için bildirilen verilerdeki tipik istatistik dağılımı (standart sapma) 3 dB (A) şeklindedir ve en yüksek seviyeyi veren orijinal ataşmanla ölçülmüştür.

¹³⁷ Makinenin ses basıncı seviyesi için bildirilen verilerdeki tipik istatistik dağılımı (standart sapma) 3 dB (A) şeklindedir ve en yüksek seviyeyi veren orijinal ataşmanla ölçülmüştür.

¹³⁸ Titreşim düzeyi için bildirilen verilerin tipik istatistik dağılımı (standart sapması) 2 m/sn² şeklindedir. Akü ve yakıtla çalışan ürünlerin titreşim seviyelerini karşılaştırmak için titreşim hesaplayıcıyı kullanın: <https://www.husqvarna.com/tr/servisler-ve-cozumler/titresim-hesaplayici/>.

AT Uyumluluk Bildirimi

AT Uyumluluk Bildirimi - benzinle çalışan ürünler için

Husqvarna AB, SE-561 82 Huskvarna, İsveç, tel.: +46-36-146500; seri numaraları 2019 ve sonraki tarihli (yıl, seri numarasıyla birlikte nominal değerler plakasında açıkça belirtilmiştir) **Husqvarna SR600-2** süpürücü ataşmanının aşağıdaki KONSEY DİREKTİFİ gereksinimleriyle uyumlu olduğunu belirtir:

- 17 Mayıs 2006 tarihli ve **2006/42/AT** sayılı "makinelere ilgili" direktif
- 8 Haziran 2011 tarihli ve **2011/65/AB** sayılı "elektrikli ve elektronik ekipmanlarda belirli tehlikeli maddelerin kullanımının kısıtlanmasına ilişkin" direktif
- 8 Mayıs 2000 tarihli ve **2000/14/AT** sayılı "çevreye gürültü yayma ile ilgili" direktif.

Benzinle çalışan ürünler için aşağıdaki standartlar uygulanmıştır:

SS-EN ISO 12100:2010, EN 50581:2012

Onaylanmış kuruluş, makine direktifinin (2006/42/EC) 12. maddesinin 3b hususuna göre EC türü incelemesini yürütmüştür. Ek IV uyarınca AT tip incelemesi sertifikası şu numaraya sahiptir: **SEC/15/2413 - Husqvarna SR600-2**

Huskvarna , 2019-06-24



Per Gustafsson, Geliştirme Müdürü (Husqvarna AB yetkili temsilcisi ve teknik dokümantasyon sorumlusu)

Türk ithalat şirketi daha fazla bilgi için temas edilecek:
Çullas Orman Bahçe ve Tarım Mak. San. Tic. A.Ş.
Suadiye Mh. Bağdat Cd. No:455/4
Kadıköy – 34740 İstanbul / Türkiye
Telefon: +90 216 519 88 82
Faks: +90 216 519 88 78
info@cullas.com.tr



AT Uyumluluk Bildirimi - aküyle çalışan ürünler için

Husqvarna AB, SE-561 82 Huskvarna, İsveç, tel.: +46-36-146500; seri numaraları 2019 veya sonraki tarihli (yıl, seri numarasıyla birlikte nominal değerler plakasında açıkça belirtilmiştir) **Husqvarna 325LK güç ünitesine sahip Husqvarna SR600-2 ataşmanının** aşağıdaki KONSEY DİREKTİFİ gereksinimleriyle uyumlu olduğunu belirtir:

- 17 Mayıs 2006 tarihli ve **2006/42/AT** sayılı "makinelere ilgili" direktif

- 8 Haziran 2011 tarihli ve **2011/65/AB** sayılı "elektrikli ve elektronik ekipmanlarda belirli tehlikeli maddelerin kullanımının kısıtlanmasına ilişkin" direktif

Akülü ürünler için aşağıdaki standartlar uygulanmıştır:

EN 62841-1:2015, EN 50581:2012

RISE SMP Svenska Maskinprovning AB, Box 7035, SE-750 07 Uppsala, İsveç; Husqvarna AB adına gönüllü tip incelemesi gerçekleştirmiştir. Sertifika numarası: **SEC/15/2413 - Husqvarna SR600-2**

Huskvarna , 2019-06-24



Per Gustafsson, Geliştirme Müdürü (Husqvarna AB yetkili temsilcisi ve teknik dokümantasyon sorumlusu)

Türk ithalat şirketi daha fazla bilgi için temas edilecek:
Çullas Orman Bahçe ve Tarım Mak. San. Tic. A.Ş.
Suadiye Mh. Bağdat Cd. No:455/4
Kadıköy – 34740 İstanbul / Türkiye
Telefon: +90 216 519 88 82
Faks: +90 216 519 88 78
info@cullas.com.tr



Sommario

Introduzione.....	219	Manutenzione.....	225
Sicurezza.....	220	Trasporto, stoccaggio e smaltimento.....	225
Montaggio.....	223	Dati tecnici.....	225
Utilizzo.....	224	Dichiarazione di conformità CE.....	228

Introduzione

Descrizione del prodotto

Procediamo costantemente allo sviluppo dei nostri prodotti e ci riserviamo quindi il diritto di apportare, senza alcun preavviso, modifiche riguardanti fra l'altro la forma e l'aspetto esteriore.

Nota: Questo manuale tratta unità a benzina e a batteria.

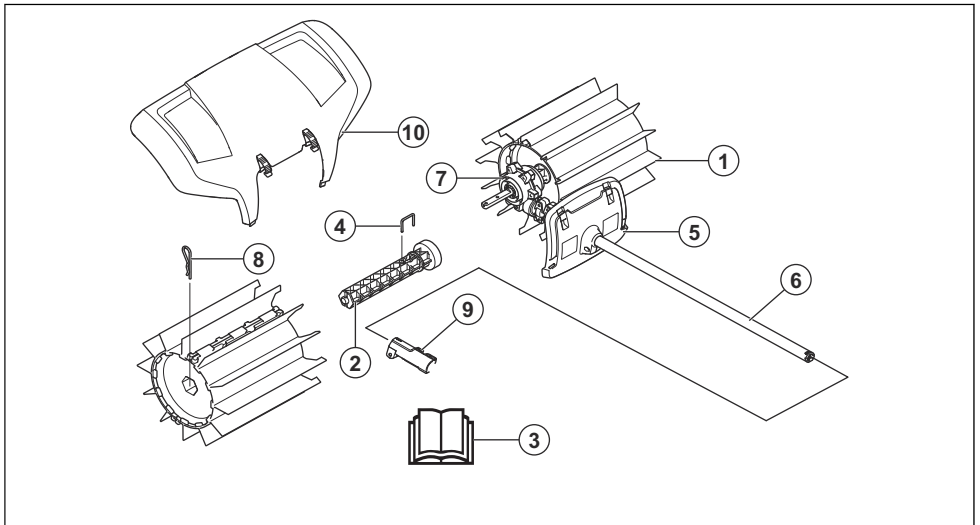
Uso previsto



AVVERTENZA: Questo accessorio può essere usato solo insieme al prodotto per cui è stato progettato, vedere il capitolo sugli accessori nel manuale dell'operatore del prodotto.

Questo accessorio è progettato per spazzare prati, vialetti, strade asfaltate e simili.

Panoramica dell'accessorio



1. Tamburo spazzola
2. Asse tamburo
3. Manuale dell'operatore
4. Spina di bloccaggio
5. Protezione (sull'albero)
6. Albero
7. Scatola ingranaggi
8. Spina
9. Raccordo dell'albero (in dotazione con il prodotto)
10. Paraspruzzi

Simboli su accessorio e unità:



L'uso negligente o improprio di questo accessorio può provocare lesioni gravi o mortali all'operatore o a terzi.



Prima di usare l'accessorio, leggere attentamente il manuale dell'operatore e accertarsi di averne compreso il contenuto.



Usare cuffie protettive omologate. Utilizzare protezioni per gli occhi omologate. Utilizzare una mascherina se esiste il rischio di inalare la polvere.



Il presente accessorio è conforme alle vigenti direttive CE.



Parti rotanti. Tenere lontani mani e piedi. La freccia indica la direzione di rotazione.



Utilizzare sempre guanti protettivi omologati.



Usare stivali robusti e antidrucciolo.



Pericolo di proiezione di oggetti e particelle.



L'operatore deve controllare che non vi siano persone o animali in un raggio di 15 metri. Anche più operatori che lavorino contemporaneamente nello stesso luogo devono mantenere tra loro una distanza di sicurezza non inferiore a 15 metri. L'accessorio può urtare violentemente oggetti che possono rimbalzare, causando seri danni agli occhi se non vengono usati i dispositivi di sicurezza consigliati.



Tenersi a una distanza minima di 15 m / 50 ft da persone e animali quando il prodotto è in funzione.



Tenere le parti del corpo lontano dalle superfici roventi.



Emissioni di rumore nell'ambiente in base alla direttiva della Comunità Europea. Le emissioni dell'accessorio sono specificate nel capitolo Dati tecnici e sull'etichetta.

Nota: I restanti simboli/decalcomanie applicati sull'accessorio riguardano particolari requisiti necessari per ottenere la certificazione in alcuni mercati.

Sicurezza

Definizioni di sicurezza

I simboli di avvertenza e cautela e le note vengono utilizzati per evidenziare le parti importanti del manuale dell'operatore.



AVVERTENZA: Utilizzato se è presente un rischio di lesioni o morte dell'operatore o di passanti nel caso in cui le istruzioni del manuale non vengano rispettate.



ATTENZIONE: Utilizzato se è presente un rischio di danni al prodotto e/p all'accessorio, ad altri materiali oppure alla zona adiacente nel caso in cui le istruzioni del manuale non vengano rispettate.

Nota: Utilizzato per fornire ulteriori informazioni necessarie in una determinata situazione.

Istruzioni di sicurezza generali



AVVERTENZA: Leggere le seguenti istruzioni di sicurezza prima di utilizzare l'accessorio.

- Prima di usare l'accessorio, leggere attentamente il manuale dell'operatore e accertarsi di averne compreso il contenuto.
- Queste istruzioni integrano le istruzioni fornite con il prodotto. Per altre procedure, fare riferimento alle istruzioni di funzionamento per il prodotto.
- Evitare assolutamente di modificare la versione originale dell'accessorio senza l'autorizzazione del fabbricante. Non utilizzare un accessorio che sembra essere stato modificato da altri e utilizzare sempre gli accessori originali. Modifiche e/o accessori non autorizzati possono causare gravi lesioni personali o mortali all'operatore o a terzi.

Istruzioni di sicurezza per l'utilizzo



AVVERTENZA: Leggere le seguenti avvertenze prima di utilizzare il prodotto.

- L'interruttore di arresto torna automaticamente in posizione di avviamento. Assicurarsi di evitare l'avviamento accidentale durante l'assemblaggio, il controllo e/o gli interventi di manutenzione. Se si dispone di un prodotto a benzina, scollegare il cappuccio dalla candela. Se si dispone di un prodotto azionato a batteria, rimuovere la batteria.
- rischio di oggetti volanti. Usare sempre protezione per gli occhi. Non piegare mai il tamburo della spazzola. C'è la possibilità di essere colpiti a un occhio da un sasso, un ramo o altri oggetti sollevatisi dal terreno, con conseguenze anche molto gravi, quali cecità o altre lesioni.
- L'ingranaggio può riscaldarsi molto durante l'uso e può restare caldo per qualche minuto dopo lo spegnimento della macchina. Il contatto può implicare il rischio di ustioni.
- I tamburi della spazzola possono ruotare quando si avvia la spazzatrice. Tenere fermo il prodotto saldamente durante l'avviamento.
- Sebbene i tamburi della spazzola non abbiano la stessa forza delle lame di un rasaerba, si dovrebbe evitare ad esempio di lavorare con materiali che possono causare lesioni personali o danni durante l'espulsione.
- Non utilizzare il prodotto se non si è certi di poter chiedere aiuto in caso d'infortunio.
- Non utilizzare il prodotto per scopi diversi da quelli previsti.
- Non usare il prodotto in condizioni di stanchezza o sotto l'effetto di alcool o medicinali in grado di compromettere il proprio stato psichico e il controllo dei propri atti.
- Non usare mai il prodotto in condizioni climatiche estreme come temperature molto basse o clima estremamente caldo e/o umido.
- Non usare mai un prodotto difettoso. Eseguire i controlli di sicurezza e attenersi alle istruzioni di manutenzione e riparazione riportate nel presente manuale. Alcuni interventi devono essere eseguiti da personale specializzato. Vedere le istruzioni alla sezione Manutenzione.
- Non permettere che il prodotto sia utilizzato da bambini.
- Non consentire mai ad altri l'utilizzo del prodotto senza accertarsi che abbiano letto e capito il contenuto del manuale dell'operatore.
- Mantenere sempre distanti i non addetti ai lavori. Bambini, animali, assistenti e anche eventuali spettatori devono sempre essere tenuti ad una distanza di sicurezza di 15 metri durante il lavoro. Arrestare immediatamente l'unità nel caso qualcuno si avvicini.

- Se si è incerti riguardo a come procedere, rivolgersi a un esperto. Contattare il proprio rivenditore o l'officina di assistenza.
- Evitare qualsiasi lavoro per il quale non ci si sente sufficientemente qualificati.
- Far sempre attenzione a segnali di allarme o chiamate quando si utilizzano le cuffie protettive. Togliere sempre le cuffie protettive immediatamente all'arresto del motore/motorino.
- Osservare l'ambiente circostante per escludere il rischio che persone o animali vengano a contatto con la macchina o ne compromettano il controllo da parte vostra.
- Non utilizzare il prodotto in condizioni di tempo sfavorevoli, ad esempio nebbia, pioggia intensa, vento forte, freddo intenso, ecc. Lavorare con tempo cattivo è spesso stancante e comporta situazioni di rischio, come ad esempio il terreno scivoloso.
- Accertarsi di poter camminare e lavorare in sicurezza. In caso di spostamenti, controllare che nell'area non vi siano ostacoli (ceppi, radici, rami, fossati ecc.) Fare particolare attenzione quando si lavora su terreni in pendenza.



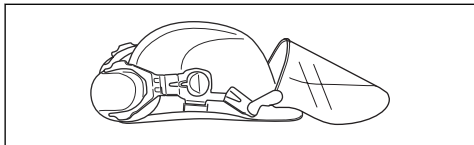
- Prima di spostare il prodotto, spegnere il motore/motorino. Se si dispone di un prodotto a benzina, scollegare il cappuccio dalla candela. Se si dispone di un prodotto azionato a batteria, rimuovere la batteria.
- Non poggiare il prodotto a motore/motorino acceso se non lo si può tenere d'occhio.
- Tenere sempre il prodotto con entrambe le mani. Tenere il prodotto lateralmente rispetto al corpo.
- Accertarsi che mani e piedi non tocchino la spazzola, a motore/motorino acceso.
- Una volta spento il prodotto, tenere mani e piedi lontani dalla spazzola fino al suo completo arresto.
- Se si verificano forti vibrazioni, spegnere il prodotto. Se si dispone di un prodotto azionato a benzina, togliere il cavo HT dalla candela. Se si dispone di un prodotto azionato a batteria, rimuovere la batteria. Verificare la presenza di eventuali danni al prodotto. Riparare eventuali guasti riscontrati.

Abbigliamento protettivo personale

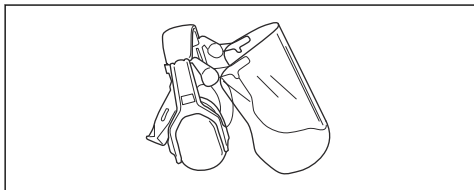


AVVERTENZA: Leggere le seguenti avvertenze prima di utilizzare il prodotto.

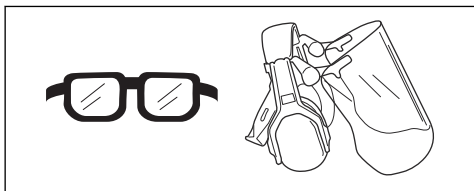
- Usare sempre abbigliamento protettivo personale omologato quando si utilizza il prodotto. L'uso di abbigliamento protettivo personale non elimina il rischio di lesioni, ma ne riduce la gravità in caso di incidente. Farsi consigliare dal rivenditore per la scelta dell'attrezzatura adatta.
- Elmetto protettivo laddove sussiste il rischio di caduta di oggetti



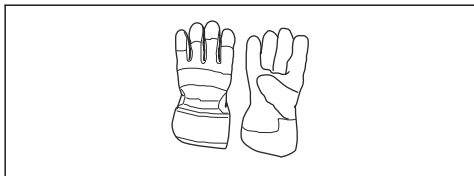
- Usare cuffie protettive con effetto insonorizzante adeguato. Una lunga esposizione al rumore può comportare lesioni permanenti all'udito.



- Utilizzare protezioni per gli occhi omologate. Con l'uso della visiera è necessario anche l'uso di occhiali protettivi omologati. Con il termine occhiali protettivi omologati si intendono occhiali che siano conformi alle norme ANSI Z87.1 per gli USA o EN 166 per i paesi EU.



- Indossare guanti ove necessario, ad esempio per montare, ispezionare o pulire l'attrezzatura di taglio.



- Usare stivali protettivi con calotta in acciaio e suole antiscivolo.



- Indossare indumenti di tessuto resistente. Indossare sempre pantaloni lunghi e pesanti e maniche lunghe. Non indossare indumenti larghi che potrebbero impigliarsi nei ramoscelli e nei rami. Non indossare gioielli, pantaloni corti o sandali e non lavorare a piedi nudi. Raccogliere i capelli in modo sicuro sopra le spalle.
- Tenere a portata di mano il kit di primo soccorso.



Dispositivi di sicurezza sul prodotto



AVVERTENZA: Leggere le seguenti avvertenze prima di utilizzare il prodotto.

In questo capitolo vengono presentati i dispositivi di sicurezza del prodotto, la loro funzione, il controllo e la manutenzione necessari per assicurarne una funzione ottimale. Servirsi delle istruzioni nella sezione *Panoramica dell'accessorio alla pagina 219* per localizzare questi dispositivi sulla motosega.

La durata del prodotto può ridursi e il rischio di incidenti aumentare se la manutenzione non viene eseguita correttamente e se l'assistenza e/o le riparazioni non vengono effettuate da personale qualificato. Per ulteriori informazioni, contattare il rivenditore con assistenza più vicino.



AVVERTENZA: Non utilizzare mai una macchina con dispositivi di sicurezza difettosi. I dispositivi di sicurezza di sicurezza del prodotto vanno controllati e sottoposti a manutenzione secondo quanto descritto in questo capitolo. Se il prodotto non supera tutti i controlli, contattare un'officina per le necessarie riparazioni.



ATTENZIONE: tutte le riparazioni e l'assistenza della macchina vanno eseguite da personale specializzato. Quanto detto vale in particolare per i dispositivi di sicurezza della macchina. Se la macchina

non supera tutti i controlli sottoelencati, contattare l'officina autorizzata. L'acquisto di uno dei nostri prodotti garantisce l'assistenza di personale qualificato. Se non avete acquistato la macchina presso un rivenditore con centro di assistenza, informatevi sull'ubicazione della più vicina officina autorizzata.

arrestato completamente. Se si dispone di un prodotto azionato a benzina, togliere i cavi HT dalla candela. Se si dispone di un prodotto azionato a batteria, rimuovere la batteria.

Istruzioni di sicurezza per la manutenzione

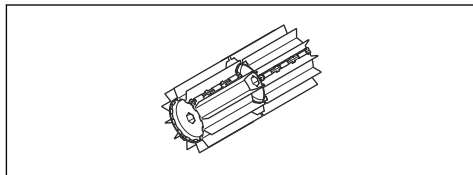


AVVERTENZA: Leggere le seguenti avvertenze prima di effettuare la manutenzione.



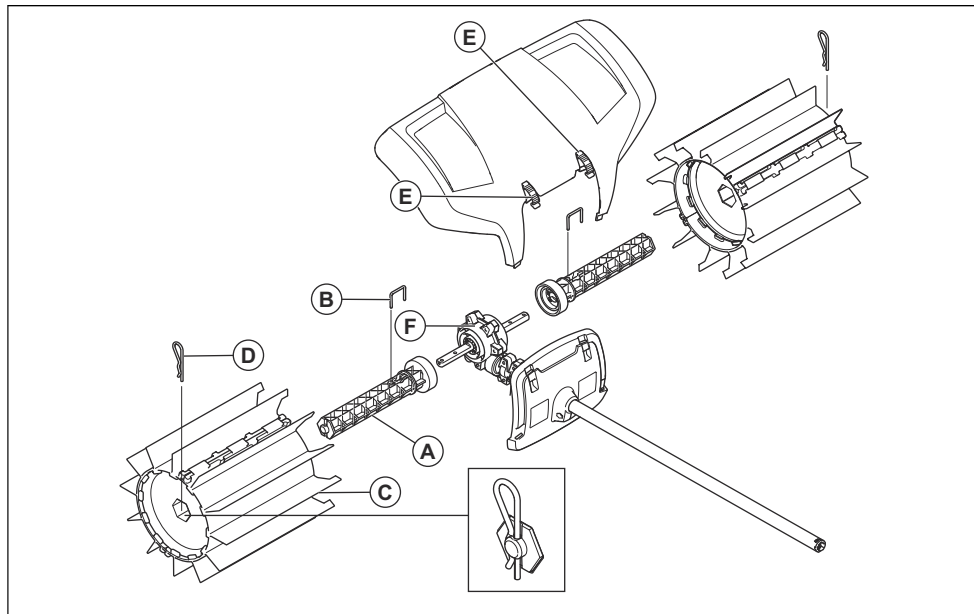
AVVERTENZA: Arrestare sempre il prodotto prima di effettuare la manutenzione dell'accessorio. Attenzione, l'accessorio può continuare a muoversi anche quando l'acceleratore o la leva di comando viene rilasciata. Assicurarsi che l'accessorio si sia

- Controllare l'intero prodotto prima di iniziare il lavoro. Sostituire le parti danneggiate.
- Controllare che tutte le protezioni e i coperchi siano in sede e ben fissati. Serrare tutti i dadi e le viti.
- Se si dispone di un prodotto azionato a benzina, accertarsi che non vi siano perdite di carburante.
- Assicurarsi che i tamburi della spazzola siano integri e non presentino crepe o altri danni.



Montaggio

Montaggio dell'accessorio



1. Premere uno dei due assi del tamburo (A) su uno dei due alberi di trasmissione in uscita dalla scatola degli ingranaggi (F). Ruotare l'asse del tamburo, se necessario, in modo che il foro del perno sia posizionato sul foro corrispondente dell'albero di trasmissione.
2. Fissare l'asta del rullo con la spina di bloccaggio (B).
3. Inserire uno dei tamburi della spazzola (C) sull'asse montato. L'estremità con le lamelle in gomma estese è montata il più vicino possibile alla scatola degli ingranaggi. Inserire il tamburo della spazzola.
4. Fissare il rullo sull'albero con una coppiglia (D). Premere leggermente l'estremità durante il montaggio.
5. Ripetere questi passaggi per montare l'asse e il rullo sul lato opposto. I tamburi sono identici ma devono essere montati con le lamelle di gomma estese verso la scatola degli ingranaggi.
6. Montare il paraspruzzi con i bottoni a pressione (E).

Nota: Per il montaggio degli accessori sul prodotto base, fare riferimento al relativo manuale.

Utilizzo

Avviamento del prodotto con il motore freddo

Se si dispone di un prodotto a benzina, attenersi a queste istruzioni per avviare il prodotto a motore freddo.

1. Far riscaldare il prodotto base, quindi spegnerlo.
2. Montare l'accessorio attenendosi alle istruzioni di montaggio.
3. Durante la regolazione del carburatore, assicurarsi che i tamburi della spazzola siano tenuti a terra e che nessuno si trovi nelle vicinanze.
4. Assicurarsi che i tamburi della spazzola siano al minimo.
5. Controllare che impugnature e dispositivi di sicurezza funzionino a dovere. Non usare mai un prodotto che manchi di qualche componente o modificato rispetto alle specifiche.

Utilizzo dell'accessorio

La spazzatrice funziona meglio quando le lamelle di gomma possono scorrere o "colpire" la superficie di lavoro. I tamburi della spazzola nuovi o sostituiti tendono a bloccarsi o a fare resistenza su superfici dure e devono pertanto essere "rodati" accuratamente prima dell'uso. Questa operazione può essere eseguita facilmente a pieno regime o con l'acceleratore al massimo per 3-5 minuti sulla ghiaia o materiale simile. Dopo essere stata roduta, la spazzatrice sarà in grado di spostare grandi quantità di materiale, dalla neve o dalle pozzanghere, agli oggetti più pesanti, come ghiaia o trucioli di legno. Con il tempo, si apprenderà il funzionamento della spazzatrice, ma è necessario osservare le norme di sicurezza fin dall'inizio.

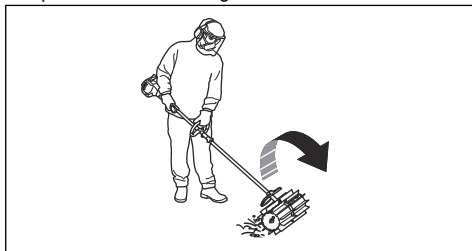
1. Accelerare la spazzatrice a pieno regime o con l'acceleratore al massimo (o quasi) con le lamelle di gomma appoggiate alla superficie.

Nota: È faticoso e inutile sollevare o tenere le lamelle di gomma sopra la superficie durante il lavoro.

2. Durante la pulizia di superfici strette, come i sentieri, il prodotto può essere utilizzato in modo che getti i materiali davanti all'utente. Se si desidera lavorare su superfici più ampie, si potrebbe avere la necessità di lavorare ad angolo, in modo che i residui si accumulino lateralmente. I residui, compresi i materiali leggeri, possono essere raccolti in una fila o in un mucchio per la successiva rimozione mentre è probabile che materiali più voluminosi o duri debbano essere raccolti in numerosi cumuli.



3. Per accedere agli angoli, rimuovere il paraspruzzi e allentare l'attacco dell'accessorio e ruotare quest'ultimo di mezzo giro.



AVVERTENZA: I rifiuti verranno quindi gettati verso l'utente. Utilizzare una velocità inferiore quando si sposta il prodotto all'indietro e ricordare che è facile inciampare su materiali che vengono espulsi dalla stessa.

4. Mantenere un angolo di lavoro ridotto rispetto alla superficie. Un angolo di lavoro troppo grande significa che la spazzatrice tende a spostarsi verso l'utente e si rischia di perdere il controllo del prodotto .



Manutenzione

Introduzione

Seguono alcuni consigli di manutenzione. Se avete bisogno di ulteriori informazioni contattate il servizio di assistenza.

Manutenzione sull'accessorio

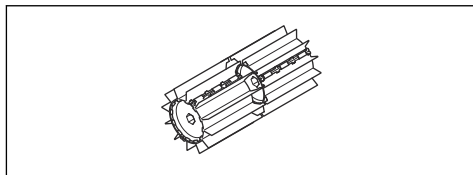


ATTENZIONE: La spazzatrice viene spesso utilizzata in ambienti polverosi. Se si dispone di un prodotto a benzina, è estremamente importante eseguire regolarmente la manutenzione del filtro dell'aria, spesso giornalmente. Il filtro dell'aria deve essere lubrificato per funzionare in modo corretto. Per le istruzioni di manutenzione, fare riferimento al manuale operatore del gruppo di potenza.



AVVERTENZA: Lavorando con la macchina il riduttore si riscalda. Evitare di toccare il riduttore per evitare ustioni.

1. Assicurarsi che i tamburi della spazzola non girino quando viene rilasciato l'acceleratore o la leva di comando.



2. Controllare che i tamburi della spazzola non presentino danni o incrinature. Sostituire i tamburi della spazzola se necessario.
3. Appendere la spazzola quando non la si utilizza per lunghi periodi.

Trasporto, stoccaggio e smaltimento

Trasporto e rimessaggio

Se il trasporto dell'accessorio su un altro veicolo utilizzare sempre dei dispositivi di fissaggio e assicurarsi che l'accessorio sia fissato saldamente.

Accertarsi che l'accessorio sia ben pulito e che sia stato sottoposto a tutte le operazioni di assistenza prima di ogni rimessaggio a lungo termine.

Dati tecnici

Dati tecnici dei prodotti a benzina

Spazzatrice	
Larghezza del tamburo della spazzola, mm	590

Spazzatrice	
Peso	
Peso, kg	6,5
Emissioni di rumore¹³⁹	
Livello acustico, misurato dB(A)	105
Livello acustico, garantito L _{WA} dB(A)	109
Livelli di rumorosità¹⁴⁰	
Livello di pressione acustica equivalente rispetto all'udito dell'operatore, misurato in base alle norme EN ISO 22868 , dB(A)	97
ambientali¹⁴¹	
Livelli di vibrazione equivalenti (a _{hv,eq}) sulle impugnature, misurati in base alle norme , m/s ²	
Impugnature anteriori/posteriori	4,4/5,1

Dati tecnici dei prodotti a batteria

325iLK+ Accessorio spazzatrice SR600-2	
Larghezza del tamburo della spazzola, mm	590
Peso	
Peso, kg	2,3+6,5
Emissioni di rumore¹⁴²	
Livello potenza acustica misurato, dB(A)	93
Livelli di rumorosità¹⁴³	
Livello di pressione acustica equivalente rispetto all'udito dell'operatore, misurato in base alle norme ISO 22868, dB (A):	82
ambientali¹⁴⁴	

¹³⁹ Emissioni di rumore nell'ambiente misurate come potenza sonora (L_{WA}) in base alla direttiva CE 2000/14/ EC. Il livello di potenza acustica riportato per il macchinario è stato misurato con il gruppo di taglio originale che emette il livello massimo. La differenza tra potenza acustica misurata e garantita è che la potenza acustica garantita comprende anche la dispersione nel risultato di misurazione e le variazioni tra le diverse macchine dello stesso modello come da Direttiva 2000/14/ EC.

¹⁴⁰ I dati riportati per il livello di pressione acustica equivalente del macchinario hanno una dispersione statistica tipica (deviazione standard) di 1 dB (A).

¹⁴¹ I dati riportati per il livello di vibrazioni equivalente hanno una dispersione statistica tipica (deviazione standard) di 1 m/s².

¹⁴² I dati riportati relativi al livello di potenza acustica della macchina hanno una tipica dispersione statistica (deviazione standard) di 3 dB (A) e sono stati misurati con il gruppo di taglio originale che fornisce il massimo livello.

¹⁴³ I dati riportati relativi al livello di pressione acustica della macchina hanno una tipica dispersione statistica (deviazione standard) di 3 dB (A) e sono stati misurati con il gruppo di taglio originale che fornisce il massimo livello.

¹⁴⁴ I dati riportati per il livello di vibrazioni presentano una dispersione statistica tipica (deviazione standard) di 2 m/s². Per il confronto dei livelli di vibrazioni, della batteria e dei prodotti a combustione, utilizzare il calcolatore delle vibrazioni. <https://www.husqvarna.com/uk/services-solutions/vibration-calculator/>.

325iLK+ Accessorio spazzatrice SR600-2Livelli di vibrazioni delle impugnature, misurati in base alla norma EN 62841-1, m/s²

Impugnature anteriori/posteriori

3,2/3,1

Dichiarazione di conformità CE

Dichiarazione di conformità CE - per prodotti a benzina

Husqvarna AB, SE-561 82 Huskvarna, Svezia, tel.: +46-36-146500, dichiara con la presente che la spazzatrice **Husqvarna SR600-2**, accessorio con numeri di serie a partire dal 2019 (l'anno viene evidenziato nella targhetta dati di funzionamento seguito dal numero di serie), è conforme alle disposizioni della DIRETTIVA DEL CONSIGLIO:

- del 17 maggio 2006 "sulle macchine" **2006/42/CE**
- Delibera dell'8 giugno 2011 "per quanto riguarda l'elenco delle sostanze con restrizioni d'uso nelle apparecchiature elettriche ed elettroniche" **2011/65/UE**
- dell'8 maggio 2000 "sull'emissione di rumore nell'ambiente" **2000/14/CE**.

Per i prodotti a benzina sono stati applicati i seguenti standard:

SS-EN ISO 12100:2010, EN 50581:2012

L'ente notificato ha eseguito il controllo di omologazione CE in base alla direttiva sulle macchine (2006/42/CE) articolo 12, punto 3b. Il certificato-tipo CE in base all'allegato IV, reca il numero: **SEC/15/2413 - Husqvarna SR600-2**

Huskvarna , 2019-06-24



Per Gustafsson, Responsabile sviluppo (rappresentante autorizzato per Husqvarna AB e responsabile della documentazione tecnica).

Dichiarazione di conformità CE - per prodotti a batteria

Husqvarna AB, SE-561 82 Huskvarna, Svezia, tel.: +46-36-146500, dichiara con la presente che l'accessorio della spazzatrice, **SR600-2 con gruppo di potenza Husqvarna 325iLK** a partire dai numeri di serie del 2019 (l'anno viene evidenziato nella targhetta dati di funzionamento seguita dal numero di serie), è conforme alle disposizioni della DIRETTIVA DEL CONSIGLIO:

- del 17 maggio 2006 "sulle macchine" **2006/42/CE**
- Delibera dell'8 giugno 2011 "per quanto riguarda l'elenco delle sostanze con restrizioni d'uso nelle apparecchiature elettriche ed elettroniche" **2011/65/UE**

Per i prodotti a batteria sono stati applicati i seguenti standard:

EN 62841-1:2015, EN 50581:2012

RISE SMP Svenska Maskinprovning AB, Box 7035, SE-750 07 Uppsala, Svezia, ha eseguito il controllo-tipo facoltativo per conto di Husqvarna AB. Numero del certificato: **SEC/15/2413 - Husqvarna SR600-2**

Huskvarna , 2019-06-24



Per Gustafsson, Responsabile sviluppo (rappresentante autorizzato per Husqvarna AB e responsabile della documentazione tecnica).

内容

引言.....	229	维护.....	234
安全性.....	230	运输、存放和废弃处理.....	234
安装.....	233	技术参数.....	235
操作.....	233	欧盟一致性声明.....	237

引言

产品说明

连续开发产品是我们的政策，因此我们保留修改产品设计和外观的权利，恕不事先通知。

注意： 本手册涵盖了汽油驱动型和电池驱动型动力装置。

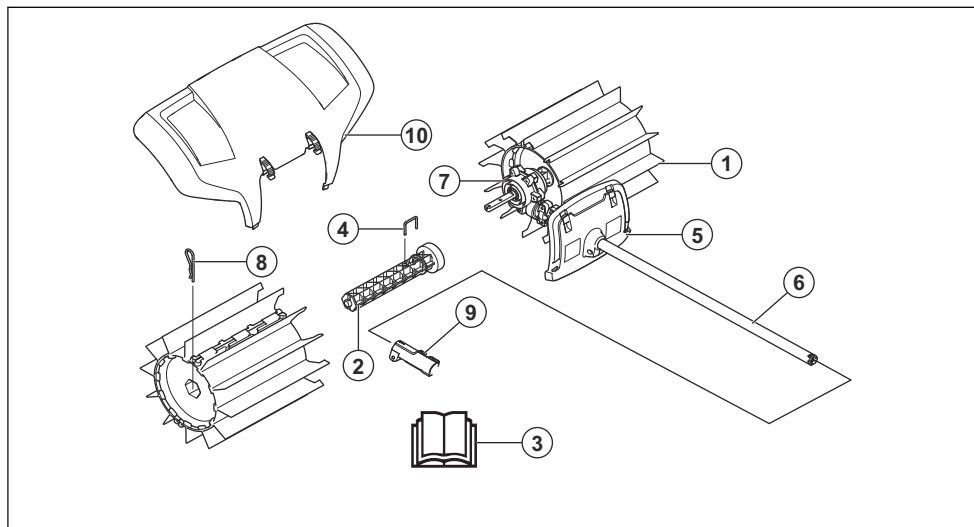
预期用途



警告： 本附件仅可与指定产品配套使用，详情请参阅产品《操作手册》中的“附件”一章。

本附件仅适用于清扫草坪、小路、沥青道路和类似区域。

产品概览



1. 刷鼓
2. 刷鼓轴
3. 操作手册
4. 锁紧销
5. 防护罩（保护驱动轴）
6. 刀轴
7. 齿轮箱
8. 开口销
9. 联轴节（包含在产品中）
10. 防溅罩

附件和电源装置上的符号



使用本产品时疏忽大意或使用不当有可能导致操作人员或其他人员受到严重或致命伤害。



请认真阅读操作手册，确保在充分理解各项说明之后再使用附件。





请使用获得批准的听觉保护设备。请使用获得批准的眼部保护装备。存在粉尘风险时，请佩戴通气口罩。



本附件符合适用的 EC 指令的要求。



回转部件。确保四肢远离机器。箭头指示了旋转方向。



务必戴上检验合格的保护手套。



穿上坚固的防滑靴。



注意抛掷物和反弹物。



操作员必须确保 15 米范围内无任何人员或动物。当多名操作员在同一现场工作时，他们彼此之间必须保持至少 15 米的安全距离。本附件将以很大的力量抛出可能反弹回来的物体。如果未使用建议的安全设备则可能会导致眼部严重受伤。



本产品运行期间，应与人员和动物保持至少 15 m/50 ft 的距离。



使您的身体各部位远离高温表面。



在环境中的噪音排放符合欧盟指令。本附件的噪音排放放在“技术资料”一章和标签上有详细说明。

注意：有关本产品上的其他符号/标识，请参阅适用于特定市场的特殊认证要求。

安全性

安全定义

本操作手册使用了“警告”、“小心”和“注释”来指出特别重要的内容。



警告：当不遵守手册中的说明可能会给操作员或周围人员带来伤害或死亡风险时，会使用此标志。



小心：当不遵守手册中的说明可能会对产品和/或附件、其他材料或附近区域造成损坏时，会使用此标志。

注意：用于提供特定状况下所需的更多信息。

一般安全须知



警告：请在使用本产品前阅读下面的安全须知。

- 请认真阅读操作手册，确保在充分理解各项说明之后再使用本产品。
- 这些说明是对本产品随附说明文件的补充。如需了解其他步骤，请参考本产品的操作说明。
- 任何情况下，未经制造厂的许可，不得修改本产品的设计。请勿使用似乎已被他人改动过的附件，并且一定要使用原厂附件。未经许可不得擅自修改，或使用未经

认可的附件，可能会对操作员或其他人员造成严重的伤害或死亡。

操作安全须知



警告：请在使用本产品前阅读下面的警告说明。

- 停止开关自动返回至启动位置。确保在安装、检查和/或进行维护时防止意外启动。如为汽油驱动型产品，请断开火花塞上的火花塞线帽。如为电池供电型产品，请取下电池。
- 注意抛掷物。始终佩戴眼部保护设备。切勿翻转刷鼓。石头、垃圾等会抛入眼中，导致失明或严重伤害。
- 使用过程中，齿轮可能会发热，并在之后一段时间仍有余热。触摸可能会烧伤。
- 清扫刷启动后，刷鼓会旋转。启动时，紧紧握住产品。
- 例如，尽管刷鼓没有草坪机锯片的作用力厉害，您也应当避免接触被抛出的材料，以免造成人身伤害或财物损坏。
- 如果发生事故时无法求救，请勿使用本产品。
- 仅将产品用于指定的用途。
- 感到疲劳时，或者在饮酒或曾服用可能会影响视力、判断力或协调能力的药物后，请勿操作本产品。
- 切勿在极端天气条件下使用本产品，如严寒、酷热和/或潮湿气候条件下。

- 禁止使用有故障的产品。按照本手册中的说明进行安全检查、维修和保养。部分维修和保养措施必须由受过培训并有相应资质的专家进行。请参阅“维修和保养”一节的说明。
- 严禁儿童使用本产品。
- 在事先未确定其他人是否阅读和理解了本操作手册的内容之前，禁止其使用本产品。
- 未经授权的人员不得靠近。在您工作时，应确保儿童、动物、旁观者和助手位于 15 米安全区以外的地方。如有人靠近，立即关停产品。
- 当您遇到任何情况，不知如何继续时，请咨询专家。与您的经销商或保养厂联系。
- 避免任何超出您能力范围的使用。
- 戴有听觉保护设备时，请留意警告信号或呼喊声。一旦引擎/电机停机，便取下听觉保护设备。
- 观察您的周围，确保不存在人或动物接触或影响您控制本产品的风险。
- 避免在不良的天气情况下使用本产品。例如：浓雾、暴雨、强风、严寒等。在天气不佳的情况下工作容易让人疲倦，往往会带来额外风险，例如湿滑的地面。
- 确保您可以安全地移动与站立。检查您周围的区域是否存在障碍物（树根、岩石、树枝、沟渠等），以免您突然移动。在倾斜地面上工作时，要特别小心。



- 在您移动本产品之前，必须关掉引擎/电机。如为汽油驱动型产品，请断开火花塞上的火花塞线帽。如为电池供电型产品，请取下电池。
- 切勿在引擎/电机运转的情况下放下本产品，除非是放在您可以清楚看到的位置。
- 务必用双手握住本产品。在身体一侧握住本产品。
- 确保在引擎/电机运转期间，四肢不要靠近清扫刷。
- 在本产品关闭之后，直至其完全停止之前，四肢都不要靠近清扫刷。
- 如果发生剧烈振动，则停止本产品。如为汽油驱动型产品，请断开火花塞上的 HT 导线。如为电池供电型产品，请取下电池。检查本产品是否损坏。维修所有受损部分。

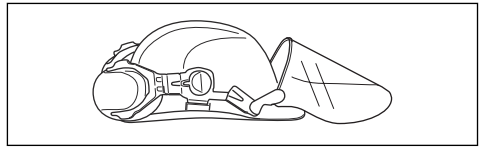
个人防护装备



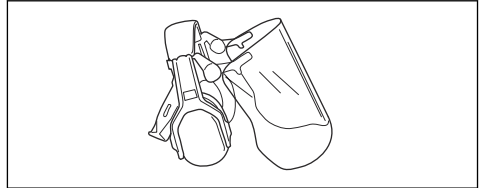
警告： 请在使用本产品前阅读下面的警告说明。

- 操作产品时务必使用获得批准的个人防护装备。个人防护装备不能完全避免受伤，但当意外发生时，可降低伤害程度。请经销商协助您选择正确的防护装备。

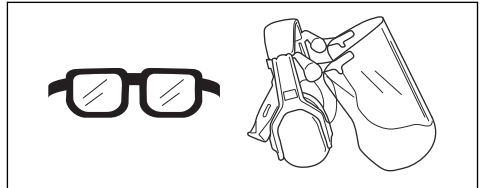
- 在有物体掉落风险的地方，请佩戴保护头盔。



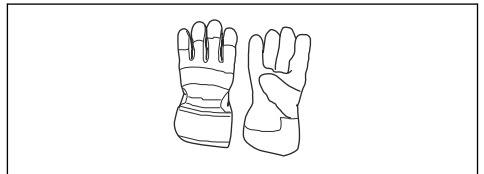
- 使用获得批准的听觉保护设备，尽量降低噪音。长期接触噪音可能会导致永久性听力损伤。



- 请使用获得批准的眼部保护装备。如果佩戴面罩，必须同时佩戴获得批准的护目镜。在美国，经批准的护目镜必须符合 ANSI Z87.1 标准；在欧盟国家/地区，必须符合 EN 166 标准。



- 必要时戴上手套，例如在安装、检查或清洁切割设备时。

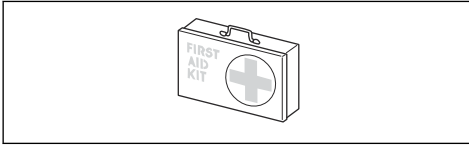


- 穿上带有钢鞋头和防滑鞋底的防护靴。



- 穿着高强度纤维制成的衣物。务必穿着结实长裤和长袖衣服。切勿穿着容易钩住小树枝和分枝的衣物。切勿佩戴珠宝、穿着短裤、凉鞋或光脚。确保头发安全地挽在肩部以上。

- 确保急救箱触手可及。



产品上的安全装置



警告： 请在使用该产品前阅读下面的警告说明。

本节介绍产品的安全功能及其用途，并说明如何进行检查和维护，以确保产品正常运转。有关这些零件在产品上的位置，请参阅 *产品概览* 在 *第 229 页* 上一节的说明。

如果产品维护不当或由非专业人士进行保养和/或维修，产品的使用寿命会缩短，发生意外的风险会增加。欲知更多详情请联系距您最近的保养代理商。



警告： 不得使用安全组件存在缺陷的产品。产品的安全装备必须按照本节说明进行检查和维护。如果您的产品未通过这些检查中的任何一项，请联系您的保养厂对其进行维修。



小心： 本机的保养和维修必须经过专门培训。对于本机的安全设备来说尤其如此。如果在检修过程中出现下述的故障，应与保养厂联络。如果您购买我们的产品，我们承诺

提供专业的修理和保养。如果出售本机的零售商不是保养商，应向他咨询离您最近的保养厂的地址。

维护安全须知

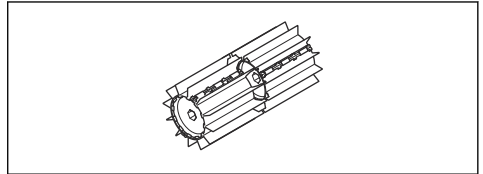


警告： 请在执行维护之前阅读下面的警告说明。



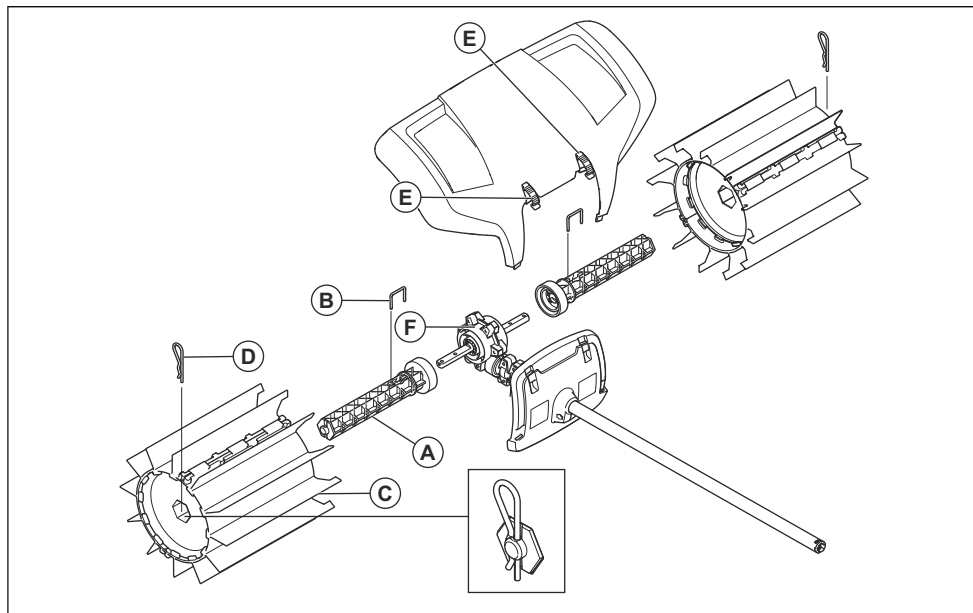
警告： 在对附件进行维护之前，请务必先停止本产品。请小心，在松开油门/开关扳机后，附件会继续移动。确保附件完全停止。如为汽油驱动型产品，请断开火花塞上的 HT 导线。如为电池供电型产品，请取下电池。

- 开始工作前，先检查整个产品。更换损坏的部件。
- 检查所有防护罩和盖板是否完整并牢固地固定。检查所有螺母和螺丝。
- 如为汽油驱动型产品，确保没有燃油泄漏。
- 确保刷鼓没有损坏且没有任何裂痕或其他损坏的迹象。



安装

安装附件



1. 将任一刷鼓轴 (A) 按压在齿轮箱 (F) 处任一输出驱动轴 (共两个) 上。必要时旋转刷鼓轴, 以使销孔与驱动轴中相应的孔对准。
2. 用锁定销 (B) 紧固滚筒轴。
3. 将任一刷鼓 (C) 穿在安装轴上。将带有延长橡胶板的一端紧靠齿轮箱安装。推入刷鼓。
4. 用开口销 (D) 将滚筒紧固在轴上。安装时, 将该端稍稍推入。
5. 重复上述步骤, 在另外一侧安装轴和滚筒。刷鼓完全一样, 但安装时必须将延长橡胶板朝向齿轮箱。
6. 用扣合式紧固件 (E) 安装防溅罩。

注意: 有关在主机上安装附件的信息, 请参阅主机手册。

操作

在冷引擎情况下启动产品

如为汽油驱动型产品, 遵守这些说明以在冷引擎情况下启动产品。

1. 运行主机预热, 然后关闭本产品。
2. 按照安装指导安装附件。
3. 调节化油器时, 确保将刷鼓抵靠在地上且附近没有其他人。
4. 确保刷鼓怠速运行。
5. 确保手柄和安全功能正常工作。切勿使用缺少零件或者超规格改动的产品。

使用附件

在橡胶板可以滑动或“击打”作业面时, 清扫刷表现最佳。全新或替换的刷鼓容易在坚硬表面上扣住或拖动, 因此, 应在使用前进行彻底磨合。可通过使本产品在全开油门/全速状态下在松散碎石或类似的碎材料中运行 3-5 分钟来完成磨合。磨合后, 清扫刷便可以清扫大量材料, 从雪或泥土到碎石或木屑等更重的物体。经过一段时间, 您会掌握清扫刷的作业方式, 但必须从一开始就遵守安全注意事项。

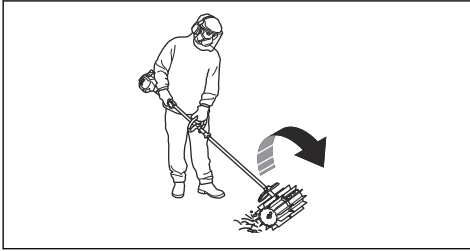
1. 将橡胶板靠在地面上, 以全开油门/全速 (或接近全开油门/全速) 运行清扫刷。

注意: 作业时提起橡胶板或将其保持在地面上方, 既会使人疲劳又没有必要。

2. 用本产品清扫小路等狭窄表面时，可能会正对着您抛出材料。如果要清扫更宽的表面，则可能需要倾斜作业，以使清扫物在一侧形成缕。轻质材料组成的缕可以汇集成一堆，便于之后清除，而硬质或更重的材料则可能需要汇集成数缕。



3. 清扫角落时，可拆下防溅罩并拧松附件联轴器，将附件旋转半圈。



警告：垃圾会向操作者方向抛回。反向操作本产品时要使用较低的转速，请记住，这很容易使抛出的材料翻转过来。

4. 作业时与地面保持小角度。如果作业角度过大，清扫刷容易朝您移动，可能会失控。



维护

简介

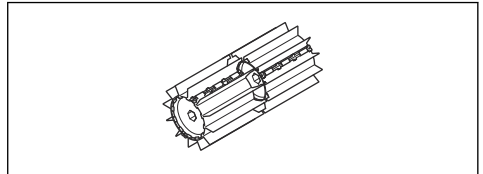
以下是部分一般维修说明。欲知更多详情，请与保养厂联络。

对锯片进行维护



小心：清扫刷经常是在多灰尘的环境下完成作业。如为汽油驱动型产品，对空气滤清器定期（通常是每天）维护极为重要。要使空气滤清器达到最佳效果，必须对其润滑。有关维护说明，请参阅动力装置的操作手册。

1. 确保当松开油门/开关扳机时，刷鼓不会旋转。



2. 检查并确保刷鼓没有损坏或裂痕。必要时更换刷鼓。
3. 长期存放时，可将清扫刷挂起来。



警告：机器在使用过程中，齿轮箱的温度会非常高。切勿触摸齿轮箱，以防烫伤。

运输、存放和废弃处理

运输及存放

如果用其他车辆运输附件，务必使用经认可的固定装置并确保牢牢固定附件。

在长时间存放之前，确保清洁附件并且进行全面保养。

技术参数

汽油驱动产品的技术数据

清扫刷	
刷鼓宽度 (mm)	590
重量	
重量 (kg)	6.5
噪音排放 ¹⁴⁵	
声功率级 (测量值) , dB (A)	105
声功率级, 保证值 L _{WA} dB (A)	109
声级 ¹⁴⁶	
操作员耳旁的等效声压级根据 EN ISO 22868 测量得出, 单位为 dB(A) :	97
振动 ¹⁴⁷	
手柄的等效振动水平 (a _{h_v,eq}), 根据 测量得出, 单位为 m/s ²	
前/后手柄	4.4/5.1

电池供电产品的技术数据

325iLK + 清扫刷附件 SR600-2	
刷鼓宽度 (mm)	590
重量	
重量 (kg)	2.3+6.5
噪音排放 ¹⁴⁸	
声功率级 (测量值) , 单位为 dB (A)	93
声级 ¹⁴⁹	
操作员耳旁的等效声压级根据 ISO 22868 测量得出, 单位为 dB (A) :	82
振动 ¹⁵⁰	

¹⁴⁵ 环境噪音释放以声功率 (L_{WA}) 测量, 符合 EC 指令 2000/14/ EC。报告给出的机器声功率级是按照原装切割锯片的最高噪声级别测量得出的。保证声功率与测定声功率之间存在差异, 这是因为保证声功率按照指令 2000/14/ EC 的要求还包含了测量结果中的离差以及相同型号不同机器之间的偏差。

¹⁴⁶ 本机的等效声压级的报告数据中具有一个 1 dB (A) 的典型统计离差 (标准偏差)。

¹⁴⁷ 等效振动级的报告数据中具有一个 1 米/秒² 的典型统计离差 (标准偏差)。

¹⁴⁸ 本机的声功率级报告数据中具有 3 dB (A) 的典型统计离差 (标准偏差), 并且是按照原装切割锯片的最高噪声级别测量得出的。

¹⁴⁹ 本机的声压级报告数据中具有 3 dB (A) 的典型统计离差 (标准偏差), 并且是按照原装切割锯片的最高噪声级别测量得出的。

¹⁵⁰ 等效振动水平的报告数据中具有 2 m/s² 的典型统计离差 (标准偏差)。要比较振动水平、电池和燃烧产物, 请使用振动计算器。 <https://www.husqvarna.com/uk/services-solutions/vibration-calculator/>。

325iLK + 清扫刷附件 SR600-2手柄振动水平，根据 EN 62841-1 测量得出，单位为 m/s^2

前/后手柄

3.2/3.1

欧盟一致性声明 - 适用于汽油驱动产品

Husqvarna AB, SE-561 82 Huskvarna, Sweden, 电话：
+46-36-146500，谨此声明，序列号自 2019（年份同随
后的序列号一起清楚地标注在标牌上）开始的清扫刷、
Husqvarna SR600-2、附件符合以下欧洲理事会指令：

- 2006 年 5 月 17 日“关于机械”的指令 **2006/42/EC**
- 2011 年 6 月 8 日“关于在电气和电子设备中限制使用某些有害物质的令”**2011/65/EU**。
- 2000 年 5 月 8 日“关于环境噪音释放”的指令 **2000/14/EC**。

汽油型产品应用了以下标准：

SS-EN ISO 12100:2010, EN 50581:2012

认证机构，已按照机械指令 (2006/42/EC) 第 12 条第 3b 款完成了 EC 类型检验。符合附录 IV 的 EC 型式检验证书的编号为：**SEC/15/2413 - Husqvarna SR600-2**

Huskvarna, 2019-06-24



Per Gustafsson, 开发经理 (Husqvarna AB 授权代表，
负责技术文档编制事务)

欧盟一致性声明 - 适用于电池供电产品

Husqvarna AB, SE-561 82 Huskvarna, Sweden, 电话：
+46-36-146500，谨此声明，序列号自 2019（年份同随
后的序列号一起清楚地标注在标牌上）起的清扫刷
Husqvarna SR600-2 附件和 Husqvarna 325iLK 动力装
置符合以下欧洲理事会指令：

- 2006 年 5 月 17 日“关于机械”的指令 **2006/42/EC**
- 2011 年 6 月 8 日“关于在电气和电子设备中限制使用某些有害物质的令”**2011/65/EU**。

电池型产品适用标准如下：

EN 62841-1:2015, EN 50581:2012

RISE SMP Svenska Maskinprovning AB (地址：Box
7035, SE-750 07 Uppsala, Sweden) 已代表 Husqvarna
AB 进行了自愿性型式检验。证书编号为：**SEC/15/2413
- Husqvarna SR600-2**

Huskvarna, 2019-06-24



Per Gustafsson, 开发经理 (Husqvarna AB 授权代表，
负责技术文档编制事务)



www.husqvarna.com

Original instructions
Оригинални инструкции
Původní pokyny
Originale instruktioner
Originalanweisungen
Αρχικές οδηγίες
Instrucciones originales
Originaaljuhend
Alkuperäiset ohjeet
Instructions d'origine
Eredeti útmutatás
Originalios instrukcijos
Lietošanas pamācība

Originale instructies
Originale instruksjoner
Oryginalne instrukcje
Instruções originais
Instrucțiuni inițiale
Оригинальные инструкции
Pôvodné pokyny
Izvirna navodila
Bruksanvisning i original
Orijinal talimatlar
Istruzioni originali
原始说明

1140962-38



2020-11-05