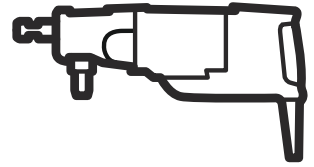




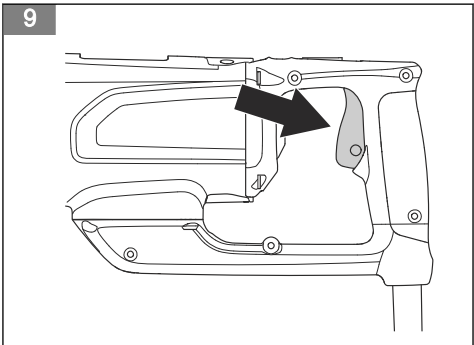
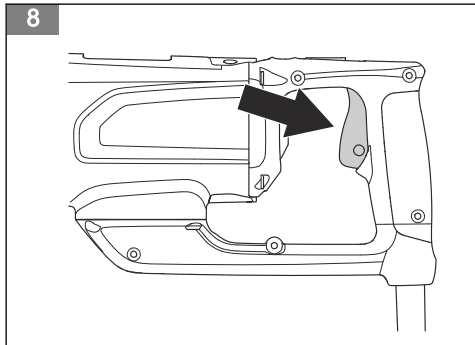
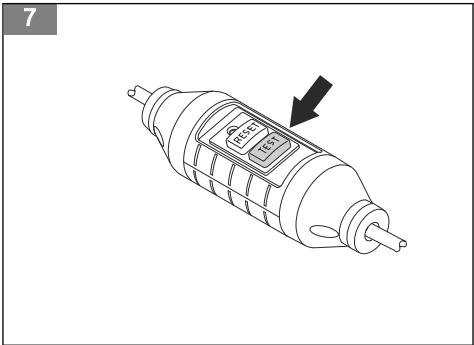
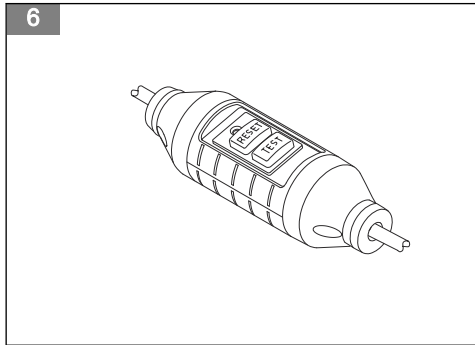
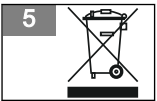
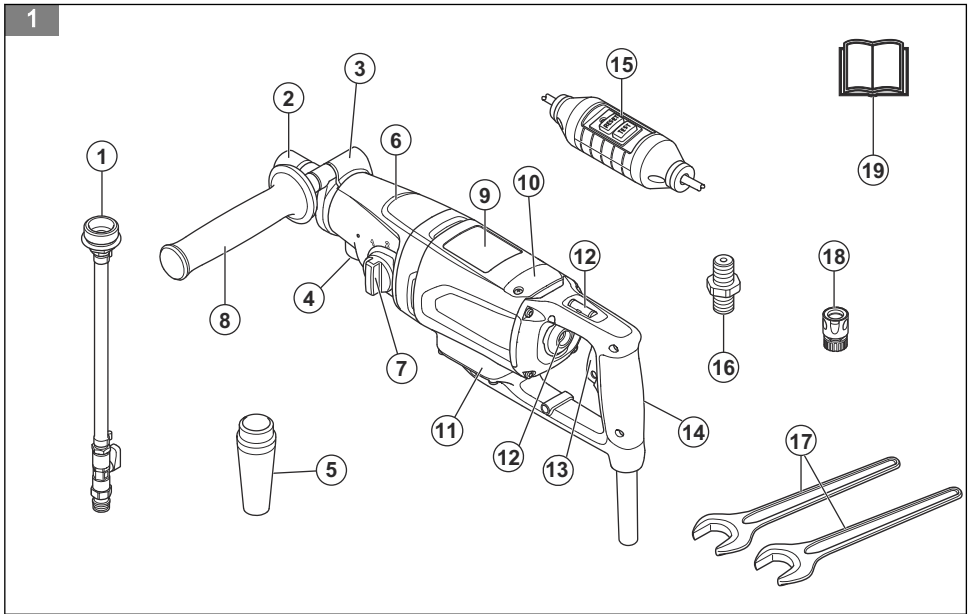
Husqvarna®

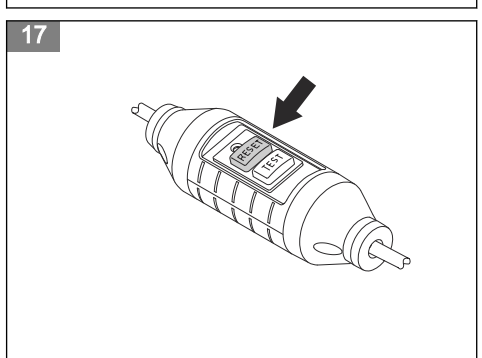
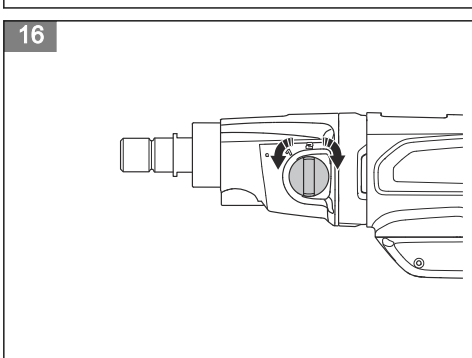
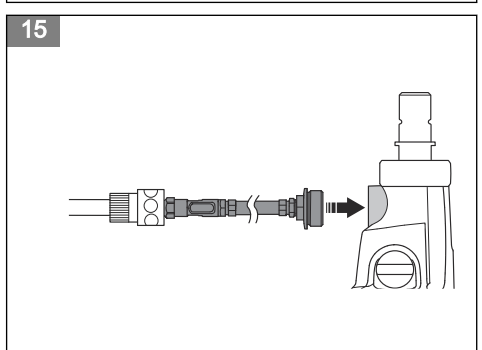
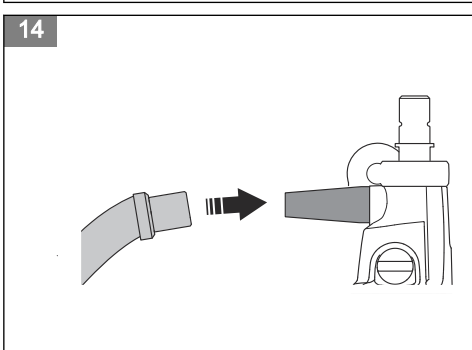
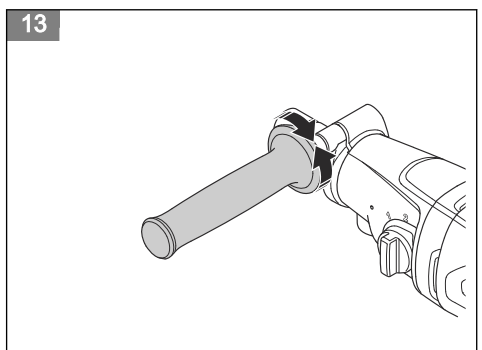
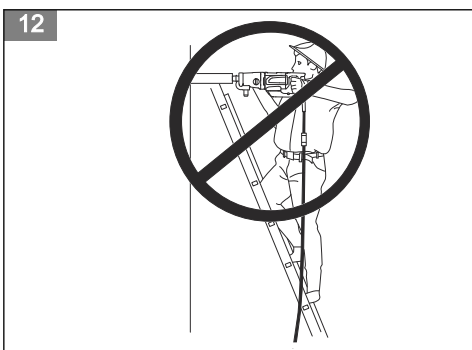
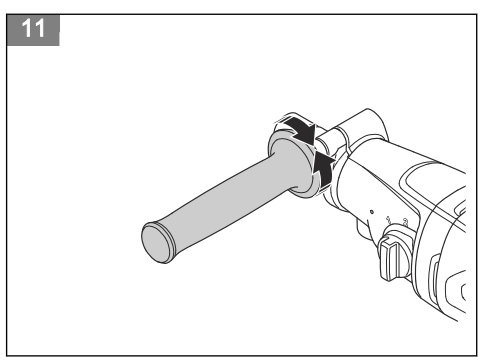
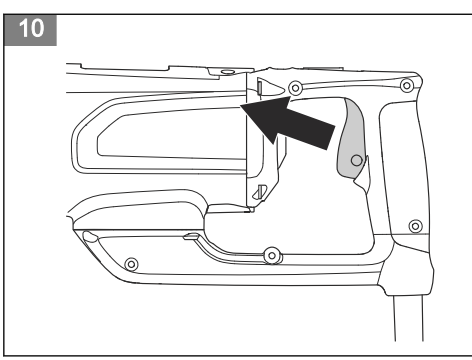


DM 200

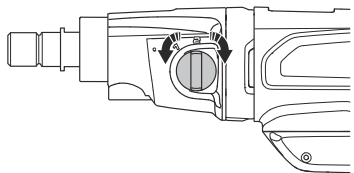
EN Operator's manual
ES-MX Manual del usuario
FR-CA Manuel d'utilisation

5-19
20-37
38-54

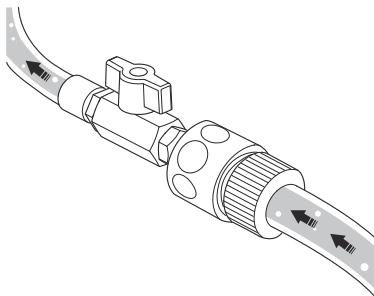




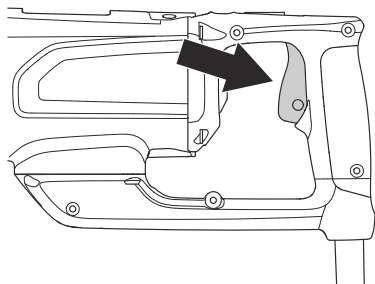
18



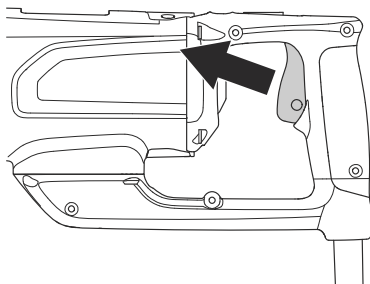
19



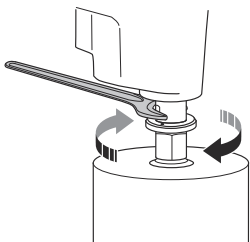
20



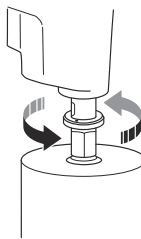
21



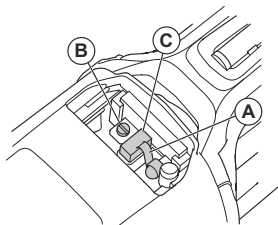
22



23



24



Contents

Introduction.....	5	Transportation and storage.....	15
Safety.....	6	Technical data.....	16
Operation.....	11	Accessories.....	17
Maintenance.....	13	Service.....	18
Troubleshooting.....	14	Registered trademarks.....	19

Introduction

Owner responsibility



WARNING: Processing of concrete and stone by methods such as cutting, grinding or drilling, especially during dry operation, generates dust that comes from the material being processed, which frequently contains silica. Silica is a basic component of sand, quartz, brick clay, granite and numerous other minerals and rocks. Exposure to excessive amount of such dust can cause:

Respiratory disease (affecting your ability to breathe), including chronic bronchitis, silicosis and pulmonary fibrosis from exposure to silica. These diseases may be fatal;

Skin irritation and rash.

Cancer according to NTP* and IARC* */ National Toxicology Program, International Agency for Research on Cancer.

Take precautionary steps:

Avoid inhalation of and skin contact with dust, mist and fumes.

Wear and ensure that all bystanders wear appropriate respiratory protection such as dust masks designed to filter out microscopic particles. (See OSHA 29 CFR Part 1926.1153)

To minimize dust emissions, use water to bind the dust, when feasible. If dry operation is necessary, use an appropriate dust extractor.

It is the owner's/employer's responsibility that the operator has sufficient knowledge about how to use the product safely. Supervisors and operators must have read and understood the Operator's Manual. They must be aware of:

- The product's safety instructions.
- The product's range of applications and limitations.
- How the product is to be used and maintained.

National/Local regulations could restrict the use of this product. Find out what regulations are applicable where you work before you start using the product.

Product description

This Husqvarna drill motor is a handheld diamond core drill.

It can be used wet in all approved materials, if you use the water supply. Refer to *Intended use on page 6*. It can be used dry in masonry, if you use a dust extractor.

The diamond drill bit is a hollow drill that has diamond segments.

If you drill wet, the water goes through the ball valve, hose and the diamond drill bit. This decreases the temperature in the drill bit. The water absorbs the dust and flushes the drilled material out off the slot. Use a slurry collector and a ring that collects the water to remove the water again.

If you drill dry, use a dust extractor to remove the material through the drill bit and the dust extractor connection. This will decrease the temperature in the drill bit.

Some models of this product have embedded connectivity. Refer to *Embedded connectivity on page 5*.

Embedded connectivity

The cloud asset management solution Husqvarna Fleet Services™ gives the fleet manager an overview of all products that are connected via either embedded or aftermarket sensors. The position of the gateway or smartphone can be used to indicate the location of connected products. The sensors record data like runtime, service intervals and more. For more information about the cloud asset management solution Husqvarna Fleet Services™, download the iOS or Android app Husqvarna Fleet Services at <https://apps.apple.com/se/app/husqvarna-fleet-services/id1334672726> or <https://play.google.com/store/apps/details?id=com.husqvarna.hfsmobile&hl=en>.

Some types of this product are connected via the embedded Husqvarna Fleet Services™ sensor that has the Bluetooth Low Energy (BLE) function. For more

information regarding how to use it, refer to *To use embedded connectivity on page 11*. For information about the BLE technology radio spectrum, refer to *Embedded connectivity on page 17*. For compliance reservations regarding Husqvarna Fleet Services™, refer to *To use embedded connectivity on page 11*.

Compliance reservations

Note: Changes or modifications made to this equipment not expressly approved by Husqvarna may void the equipment's compliance with FCC regulations, and limit the user's authority to operate the equipment.

Note: This device complies with Part 15 of the FCC Rules and with Industry Canada licence-exempt RSS standard(s).

Product overview

(Fig. 1)

1. Water connector
2. Drill spindle
3. Clamp ring
4. Mounting thread for water/dust extractor connector
5. Dust extractor connector
6. Gearbox
7. Gear selector
8. Auxiliary handle
9. Motor
10. Inspection cover
11. Electronics box
12. Spirit level
13. Power switch
14. Main handle
15. PRCD

Note: In this manual we use the term PRCD for PRCD and GFCI.

16. Adapter coupling
17. Wrenches
18. Gardena® male coupling with water valve
19. Operator's manual

Symbols on the product

(Fig. 2) **WARNING!** This product can be dangerous and cause serious injury or death to the

Operation is subject to the following two conditions:

- this device may not cause harmful interference
- this device must accept any interference received, including interference that may cause undesired operation

Intended use

The product is used to drill concrete, rock, asphalt and masonry. All other use is incorrect.

The product is used in industrial operations by operators with experience.

operator or others. Be careful and use the product correctly.

(Fig. 3) Read the operator's manual carefully and make sure that you understand the instructions before you use this product.

(Fig. 4) Always use approved personal protective equipment. Refer to *Personal protective equipment on page 9*.

(Fig. 5) **Environmental mark.** The product or package of the product is not domestic waste. Recycle it at an approved disposal location for electrical and electronic equipment.

Note: Other symbols/decals on the product refer to special certification requirements for some markets.

Product liability

As referred to in the product liability laws, we are not liable for damages that our product causes if:

- the product is incorrectly repaired.
- the product is repaired with parts that are not from the manufacturer or not approved by the manufacturer.
- the product has an accessory that is not from the manufacturer or not approved by the manufacturer.
- the product is not repaired at an approved service center or by an approved authority.

Safety

Safety definitions

Warnings, cautions and notes are used to point out specially important parts of the manual.



WARNING: Used if there is a risk of injury or death for the operator or bystanders if the instructions in the manual are not obeyed.



CAUTION: Used if there is a risk of damage to the product, other materials or the adjacent area if the instructions in the manual are not obeyed.

Note: Used to give more information that is necessary in a given situation.

General power tool safety warnings



WARNING: Read all safety warnings, instructions, illustrations and specifications provided with this power tool. Failure to follow all instructions listed below may result in electric shock, fire and/or serious injury.

Save all warnings and instructions for future reference.

The term "power tool" in the warnings refers to your mains-operated (corded) power tool or battery-operated (cordless) power tool.

Work area safety

- **Keep work area clean and well lit.** Cluttered or dark areas invite accidents.
- **Do not operate power tools in explosive atmospheres, such as in the presence of flammable liquids, gases or dust.** Power tools create sparks which may ignite the dust or fumes.
- **Keep children and bystanders away while operating a power tool.** Distractions can cause you to lose control.

Electrical safety

- **Power tool plugs must match the outlet. Never modify the plug in any way. Do not use any adapter plugs with earthed (grounded) power tools.** Unmodified plugs and matching outlets will reduce risk of electric shock.
- **Avoid body contact with earthed or grounded surfaces, such as pipes, radiators, ranges and refrigerators.** There is an increased risk of electric shock if your body is earthed or grounded.
- **Do not expose power tools to rain or wet conditions.** Water entering a power tool will increase the risk of electric shock.
- **Do not abuse the cord. Never use the cord for carrying, pulling or unplugging the power tool. Keep cord away from heat, oil, sharp edges or moving parts.** Damaged or entangled cords increase the risk of electric shock.
- **When operating a power tool outdoors, use an extension cord suitable for outdoor use.** Use of a cord suitable for outdoor use reduces the risk of electric shock.
- **If operating a power tool in a damp location is unavoidable, use a residual current device (RCD) protected supply.** Use of a RCD reduces the risk of electric shock.

Personal safety

- **Stay alert, watch what you are doing and use common sense when operating a power tool. Do not use a power tool while you are tired or under the influence of drugs, alcohol or medication.** A moment of inattention while operating power tools may result in serious personal injury.
- **Use personal protective equipment. Always wear eye protection.** Protective equipment such as dust mask, non-skid safety shoes, hard hat or hearing protection used for appropriate conditions will reduce personal injuries.
- **Prevent unintentional starting. Ensure the switch is in the off-position before connecting to power source and/or battery pack, picking up or carrying the tool.** Carrying power tools with your finger on the switch or energising power tools that have the switch on invites accidents.
- **Remove any adjusting key or wrench before turning the power tool on.** A wrench or a key left attached to a rotating part of the power tool may result in personal injury.
- **Do not overreach. Keep proper footing and balance at all times.** This enables better control of the power tool in unexpected situations.
- **Dress properly. Do not wear loose clothing or jewellery. Keep your hair and clothing away from moving parts.** Loose clothes, jewellery or long hair can be caught in moving parts.
- **If devices are provided for the connection of dust extraction and collection facilities, ensure these are connected and properly used.** Use of dust collection can reduce dust-related hazards.
- **Do not let familiarity gained from frequent use of tools allow you to become complacent and ignore tool safety principles.** A careless action can cause severe injury within a fraction of a second.

Power tool use and care

- **Do not force the power tool. Use the correct power tool for your application.** The correct power tool will do the job better and safer at the rate for which it was designed.
- **Do not use the power tool if the switch does not turn it on and off.** Any power tool that cannot be controlled with the switch is dangerous and must be repaired.
- **Disconnect the plug from the power source and/or remove the battery pack, if detachable, from the power tool before making any adjustments, changing accessories, or storing power tools.** Such preventive safety measures reduce the risk of starting the power tool accidentally.
- **Store idle power tools out of the reach of children and do not allow persons unfamiliar with the power tool or these instructions to operate the power tool.** Power tools are dangerous in the hands of untrained users.

- **Maintain power tools and accessories. Check for misalignment or binding of moving parts, breakage of parts and any other condition that may affect the power tool's operation. If damaged, have the power tool repaired before use.** Many accidents are caused by poorly maintained power tools.
- **Keep cutting tools sharp and clean.** Properly maintained cutting tools with sharp cutting edges are less likely to bind and are easier to control.
- **Use the power tool, accessories and tool bits etc. in accordance with these instructions, taking into account the working conditions and the work to be performed.** Use of the power tool for operations different from those intended could result in a hazardous situation.
- **Keep handles and grasping surfaces dry, clean and free from oil and grease.** Slippery handles and grasping surfaces do not allow for safe handling and control of the tool in unexpected situations.

Service

- **Have your power tool serviced by a qualified repair person using only identical replacement parts.** This will ensure that the safety of the power tool is maintained.

Drill safety warnings - for handheld operation

Safety instructions for all handheld operations

- **Use the auxiliary handle(s).** Loss of control can cause personal injury.
- **Do not drill handheld from a ladder or a scaffold.**
- **Make sure you stand firmly.**
- **Hold the power tool by insulated gripping surfaces, when performing an operation where the cutting accessory may contact hidden wiring or its own cord.** Cutting accessory contacting a "live" wire may make exposed metal parts of the power tool "live" and could give the operator an electric shock.

Safety instructions when using long drill bits

- **Never operate at higher speed than the maximum speed rating of the drill bit.** At higher speeds, the bit is likely to bend if allowed to rotate freely without contacting the workpiece, resulting in personal injury.
- **Always start drilling at low speed and with the bit tip in contact with the workpiece.** At higher speeds, the bit is likely to bend if allowed to rotate freely without contacting the workpiece, resulting in personal injury.
- **Apply pressure only in direct line with the bit and do not apply excessive pressure.** Bits can bend causing breakage or loss of control, resulting in personal injury.

Diamond drill safety warnings

- **When performing drilling that requires the use of water, route the water away from the operator's work**

area or use a liquid collection device. Such precautionary measures keep the operator's work area dry and reduce the risk of electrical shock.

- **Operate power tool by insulated grasping surfaces, when performing an operation where the cutting accessory may contact hidden wiring or its own cord.** Cutting accessory contacting a "live" wire may make exposed metal parts of the power tool "live" and could give the operator an electric shock.
- **Wear hearing protection when diamond drilling.** Exposure to noise can cause hearing loss.
- **When the bit is jammed, stop applying downward pressure and turn off the tool.** Investigate and take corrective actions to eliminate the cause of the bit jamming.
- **When restarting a diamond drill in the workpiece, check that the bit rotates freely before starting.** If the bit is jammed, it may not start, may overload the tool, or may cause the diamond drill to release from the workpiece.
- **When the drilling through walls, ensure to protect persons and the work area on the other side.** The bit may extend through the hole or the core may fall out on the other side.

General safety instructions



WARNING: Read the warning instructions that follow before you use the product.

- This product is a dangerous tool if you are not careful or if you use the product incorrectly. This product can cause serious injury or death to the operator or others. Before you use the product, you must read and understand the contents of this operator's manual.
- Save all warnings and instructions.
- Comply with all applicable laws and regulations.
- The operator and the employer of the operator must know and prevent the risks during operation of the product.
- Do not let a person operate the product unless they read and understand the contents of the operator's manual.
- Do not operate the product unless you receive training before use. Make sure that all operators receive training.
- Do not let a child operate the product.
- Only let approved persons operate the product.
- The operator is responsible for accidents that occur to other persons or their property.
- Do not use the product if you are tired, ill, or under the influence of alcohol, drugs or medicine.
- Always be careful and use your common sense.
- This product produces an electromagnetic field during operation. This field can under some circumstances interfere with active or passive medical implants. To decrease the risk of serious

injury or death, we recommend persons with medical implants to speak to their physician and the medical implant manufacturer before operating this product.

- Keep the product clean. Make sure that you can clearly read signs and decals.
- Do not use the product if it is defective.
- Do not do modifications to this product.
- Do not operate the product if it is possible that other persons have done modifications to the product.

Always use common sense



WARNING: Under no circumstances should you modify the original design of the product without approval from the manufacturer. Always use original spare parts. Unauthorized modifications and/or accessories may lead to serious injury or death to the user or others.



WARNING: The use of products such as cutters, grinders, drills, that sand or form material can generate dust and vapours which may contain hazardous chemicals. Check the nature of the material you intend to process and use an appropriate breathing mask.

It is not possible to cover every conceivable situation you can face when using the product. Always exercise care and use your common sense. Avoid all situations which you consider to be beyond your capability. If you still feel uncertain about operating procedures after reading these instructions, you should consult an expert before continuing.

Do not hesitate to contact your Husqvarna dealer if you have any more questions about the use of the product. We will willingly be of service and provide you with advice as well as help you to use your product both efficiently and safely.

Let your Husqvarna dealer check the product regularly and make essential adjustments and repairs.

Husqvarna Construction Products has a policy of continuous product development. Husqvarna reserves the right to modify the design and appearance of products without prior notice and without further obligation introduce design modifications.

All information and all data in the operator's manual were applicable at the time the operator's manual was sent to print.

Safety instructions for operation



WARNING: Read the warning instructions that follow before you use the product.

- Do not operate the product unless you can get aid if an accident occurs.
- Do not use the product in bad weather, such as fog, rain, strong winds, intense cold and equivalent conditions. Dangerous conditions, such as slippery surfaces, can occur because of bad weather.
- Look out for persons, objects and situations that can prevent safe operation of the product.
- Make sure that you always can stop the motor quickly in an emergency.
- Make sure that there are no pipes or electrical cables in the area where the hole will be made.
- If the product does not operate correctly, stop the motor.
- Make sure that you are in a safe and stable position during operation.
- Stay at a distance from the drill bit when the motor is on.
- Always disconnect the power cord before you go away from the product.
- Keep all parts in good condition and make sure that all fixtures are correctly tightened.
- If vibrations occur in the product or the noise level from the product is unusually high, stop the product immediately. Examine the product for damages. Repair damages or let an approved service agent do the repair.
- Always use approved accessories. Speak to your dealer for more information.

Personal protective equipment



WARNING: Read the warning instructions that follow before you use the product.

- Always use correct personal protective equipment when you operate the product. The personal protective equipment does not erase the risk of injury. The personal protective equipment decreases the grade of injury if an accident occurs. Let your dealer help you select the right equipment.
- Use approved eye protection while you operate the product.
- Do not use loose, heavy and not applicable clothing. Use clothes that let you move freely.
- Use approved protective gloves that enables a solid hold.
- Use rubber protective gloves that prevents skin irritation from wet concrete.
- Use an approved protective helmet.
- Always use approved hearing protection while you operate the product. Noise for a long period can cause noise-induced hearing loss.
- The product makes dust and fumes that contain dangerous chemicals. Use an approved breathing protection.
- Use boots with steel toe-caps and non-slip soles.

- Make sure that you have a first aid kit near.
- Sparks can occur when you operate the product. Make sure that you have a fire extinguisher near.

Safety devices on the product



WARNING: Read the warning instructions that follow before you use the product.

- Never use a product that has faulty safety equipment! If your product fails any checks contact your service agent to get it repaired.
- Do not use the product if protective plates, protective covers, safety switches or other protective devices are not attached or are defective.

Motor overload protection, Elgard™

The motor overload protection engages if the motor has too high load or the drill bit cannot move freely.

The motor overload protection causes the power from the motor to decrease and increase in short intervals for some seconds. Then, if you do not decrease the force, the motor stops. Refer to *To reset the motor overload protection on page 12*.

PRCD



WARNING: Not applicable for 110V type sold in United Kingdom and Ireland. United Kingdom and Ireland: Do not operate the 110V type of the product without an isolation transformer, refer to EN/IEC 61558-1 and EN/IEC 61558-2-23. The isolation transformer must have a grounded earth wire on the secondary winding side.



WARNING: Do not put the PRCD into water.



WARNING: Before you operate the product, always do a check of the PRCD. Refer to *To examine the PRCD on page 10*.

The product has a PRCD installed on the power cord. The PRCD is for protection and engages if an electrical fault occurs. Refer to *Technical data on page 16* for information about at which current the PRCD engages.

The red light shows that the PRCD is on and that the product can be started. If the red light does not show, push the RESET button.

(Fig. 6)

To examine the PRCD



WARNING: Not applicable for 110V type sold in United Kingdom and Ireland. Refer to *PRCD on page 10*.



WARNING: The PRCD must be examined each time the power plug is connected to a power outlet.



WARNING: If the PRCD must be repaired, always speak to an approved Husqvarna service agent.

1. Connect the power plug of the product to a power outlet.
2. Push the "RESET" button. The indicator above the button is red when the current is connected.
3. Start the product, refer to *To start the product on page 12*.
4. Push the "TEST" button. If the product stops, the PRCD operates correctly. (Fig. 7)

Power switch

The power switch is used to start and stop the product. (Fig. 8)

To examine the power switch

1. Connect the power plug of the product to a power outlet.
2. Push the power switch to start the product. (Fig. 9)
3. Release the power switch to stop the product. (Fig. 10)

Friction clutch

The friction clutch is integrated in the gearbox of the product. It prevents damage to the product if the drill bit stops during operation. If the load is too high, the friction clutch is released and stops the drill spindle but keeps the motor on for some seconds. The friction clutch engages again if the load is decreased and the operation can continue. If the drill bit is caught in the material and fully stops, the friction clutch stops the motor immediately.



CAUTION: Make sure that the release time of the clutch is not more than 3-4 seconds, because if not wear and heat will increase quickly.

Safety instructions for maintenance



WARNING: Inspection and/or maintenance should be carried out with the motor switched off and the plug disconnected.

- Maintain power tools and accessories. Check for misalignment or binding of moving parts, breakage of parts and any other condition that may affect the power tool's operation. If damaged, have the power tool repaired before use. Many accidents are caused by poorly maintained power tools.
- Keep cutting tools sharp and clean. Properly maintained cutting tools with sharp cutting edges are less likely to bind and are easier to control.
- Have your power tool serviced by a qualified repair person using only identical replacement parts. This will ensure that the safety of the power tool is maintained.

Operation

To do before you operate the product

1. Read the operator's manual carefully and make sure that you understand the instructions.
2. Do the daily maintenance. Refer to *Maintenance schedule on page 13*.
3. Make sure that the nominal voltage and current in the power outlet is the same as the voltage and current of the product.
4. Make sure that the PRCD is started. Refer to *PRCD on page 10* and *To examine the PRCD on page 10*.
5. Make sure that the work area is clean and bright.
6. Use personal protective equipment. Refer to *Personal protective equipment on page 9*.
7. Make sure that the product is installed correctly. The drill bit must be attached correctly.
8. The auxiliary handle must be connected and fully tightened. Refer to *To use the auxiliary handle on page 11*.
9. When you operate the product dry, use a dust extractor. Refer to *To prepare the product for dry drilling on page 11*.
10. When you operate the product wet, make sure that the water system is not damaged and use the water connector. Refer to *To prepare the product for wet drilling on page 11*.

To use embedded connectivity

Note: This part is applicable only for products supplied with embedded connectivity.

Note: Radio transmission by the Bluetooth® function will be enabled on the first time of connection to a power outlet, and stay on after that.

1. Download the Husqvarna Fleet Services iOS or Android app Husqvarna Fleet Services.
2. Go to Husqvarna Fleet Services website <https://fleetservices.husqvarna.com> for more information.

To use the handheld product

1. Always use a drill bit with a max diameter of 80 mm with hand-held drilling. The larger the drill bit, the greater the reaction if the drill jams.
2. Lock the auxiliary handle firmly in place prior to drilling. Refer to *To use the auxiliary handle on page 11*. (Fig. 11)
3. Do not perform drilling from a ladder. Drilling in these situations is full of risks, as the risk of falling is very high if the drill bit jams. (Fig. 12)

To use the auxiliary handle

(Fig. 13)

1. Turn the handle counterclockwise to release it.
2. Move the handle around the spindle shaft to an applicable operation position.
3. Turn the handle clockwise to lock it. Tighten fully.

To prepare the product for dry drilling



WARNING: Dust is made when you drill, which can cause injuries if breathed in. Use approved breathing protection.



WARNING: Do not use a house-hold vacuum cleaner. Use only designated dust extractors for hazardous dust. Refer to *Dust extractor on page 17* for minimum properties.

1. Attach the dust extractor connector to the mounting thread on the product.
2. Attach the dust extractor to the dust extractor connector. (Fig. 14)
3. Start the dust extractor.

To prepare the product for wet drilling



CAUTION: Make sure that the maximum water pressure is not too high. Refer to *Technical data on page 16*.



CAUTION: Use only clean water to prevent that dirt causes a blockage in the water system.



CAUTION: Use only an approved water supply coupling. Speak to your dealer for more information.

1. Attach the water connector to the mounting thread on the product. (Fig. 15)
2. Connect the Gardena® male coupling with water valve to the water connector.
3. Open the water system. Set the water pressure to remove all waste material from the drill hole.

To decrease the temperature of the motor

- Operate the product with no load for 2 minutes to decrease the temperature of the motor.

To change gear



CAUTION: Change gear only when the motor decreases in speed or stops. Do not use force to change gear.

- Make sure that you always use the applicable speed for the drill bit diameter. Refer to the rating plate on the product or *Technical data on page 16*.
- Turn the gear selector to change gear. (Fig. 16)

To start the product



WARNING: Make sure that the drill bit can rotate freely. It starts to rotate when the motor starts.



WARNING: If this is the first time the product is started for the day, make sure you make a check of the PRCD. Refer to *To examine the PRCD on page 10*.

1. Push the "RESET" button on the PRCD. (Fig. 17)
2. To set the operation speed, turn the drill spindle and at the same time move the gear selector. Set the gear selector in the correct position for the operation. (Fig. 18)
3. Make sure that the water system is connected, open and on (wet drilling) or that the dust extractor is connected and on (dry drilling). (Fig. 19)
4. Push and hold the power switch. (Fig. 20)

To operate the product



WARNING: If the PRCD engages, remove the drill bit from the hole before you push "RESET".



WARNING: Dangerous accidents can occur if the concrete core stays in the drill bit when you remove the drill bit from the hole.



CAUTION: Make sure that no objects hit the drill bit.



CAUTION: Do not use more force than necessary. This only makes the operation slow and causes overload to the motor.

1. Start the motor. Refer to *To start the product on page 12*.
2. Let the motor speed increase to the maximum speed before the drill bit touches the surface.
3. If you drill through iron reinforcements, use more initial pressure and a lower gear than if there were no iron reinforcements.
4. Use very small pressure initially to keep the drill bit in correct position.
5. If wet drilling, make sure that the water removes all waste material from the drill hole. Adjust the water pressure if it is necessary.
6. If dry drilling, make sure that the dust extractor removes all dust.
7. Stop the motor. Refer to *To stop the product on page 12*.

To stop the product



WARNING: The drill bit continues to rotate for some time after the motor stops. Do not stop the drill bit with your hands. Injuries can occur.

1. To stop the product, release the power switch. (Fig. 21)
2. Wait until the drill bit has fully stopped.

To reset the motor overload protection

1. Stop the product. Refer to *To stop the product on page 12*.
2. Remove the blockage from the drill bit.
3. Start the product. Refer to *To start the product on page 12*.

To replace the drill bit



WARNING: Pull out the plug from the power outlet before you replace the drill bit.



WARNING: Use protective gloves. Let the product become cool before you remove the drill bit. The drill bit and the adjacent area are very hot after operation.



WARNING: Only use diamond drill bits that are approved for your product. Speak to your Husqvarna dealer for more information.

1. Make sure that you have got a new drill bit, the supplied wrench and water resistant grease.
2. Lock the spindle axle with the wrench.
3. Turn the drill bit clockwise to remove it. (Fig. 22)



CAUTION: Do not hit the product to remove the drill bit. There is a risk of damage to the gearbox.

4. Lubricate the spindle shaft thread with water resistant grease.
5. Turn the drill bit counterclockwise to install it. Tighten fully. (Fig. 23)

Maintenance

Introduction



WARNING: Read and understand the safety chapter before you do maintenance on the product.




WARNING: To prevent injury, disconnect the power cord before you do maintenance.

Maintenance schedule

* = General maintenance done by the operator. The instructions are not given in this operator's manual.

X = The instructions are given in this operator's manual.

O = Speak to a Husqvarna service agent.

Maintenance	Before each use	After each use	Daily	After the first 100 h	After each 300 h
Make sure that movable parts function correctly and move freely.	*				
Make sure that the cutting tool is sharp and clean.	*				
Make sure that the PRCD functions correctly.					
 WARNING: Not applicable for 100-120V type sold in United Kingdom and Ireland. Refer to <i>PRCD on page 10</i> .	X				
Examine the power cord, other cables, and the power plug for damage.	*	*			
Make sure that the handles and holding surfaces are dry, clean and free of oil and grease.	*	*			
Make sure that the product is clean.	X	X			
Examine the shaft seals for damage/water leakage.		X			
Make sure that the nuts and screws are tight.			*		
Make sure that the power switch operates correctly.			X		
Replace the gear oil.				O	

Maintenance	Before each use	After each use	Daily	After the first 100 h	After each 300 h
Examine the carbon brushes for damage.					X

To clean the product



CAUTION: Make sure that no water goes into the motor or the gearbox.



CAUTION: Do not use running water to clean the product.

- Use a dry or moist cloth to clean the product.
- Remove blockage from all air openings. A blocked air intake decreases the performance of the product and can cause the motor to become too hot.
- Clean and lubricate the spindle shaft thread.

To do maintenance of the diamond drill bit

- Make sure that the diamond tools segments are sharp. Sharpen blunt diamond segments with a SiC grind stone.
- Make sure that there is no vibration in the drill bit. If there is vibration in the drill bit, the diamond segments can come loose.
- Make sure that the diamond segments are sufficiently larger than the inner and outer diameter of the drill bit tube.
- Lubricate the drill bit thread with water resistant grease. This makes it easy to loosen the tool.
- Make sure that the radial run out at the diamond segments of the drill bit is not more than 1 mm.

To replace the gear oil



CAUTION: If there is gear oil leakage, stop the product and speak to an approved

service center. The gear becomes damaged if the gear oil level is not sufficient.

- Let an approved Husqvarna service center replace the gear oil.

To examine the water connection



CAUTION: If there is a leakage of water from the water connection ring, the shaft seals must be replaced immediately.

- Let an approved Husqvarna service center repair the water connection.

To examine the carbon brushes

1. Loosen the screw and remove the inspection cover. (Fig. 24)
2. Lift the brush retainer spring to one side (A).
3. Loosen the screw (B).
4. Pull out the carbon brush connector.
5. Pull out the carbon brush from the holder (C).
6. Clean the brush holder with compressed air or a brush. Replace the brush if worn.
7. Fit the new carbon brushes and, at the same time, check that they slide easily in the brush retainers.
8. Put the brush holder spring back into place.
9. Insert the carbon brush connection under the screw.
10. Repeat the procedure with the other carbon brush.
11. Replace the inspection cover and tighten the screw. Let the product idle for 10 minutes to run in the new carbon brushes.
12. Remove the screw that holds the cover for the carbon brushes. Use a flat wide screwdriver.
13. Examine the carbon brushes. The area of wear must be smooth and not damaged.
14. If it is necessary, let an approved Husqvarna service center replace the carbon brushes.

Troubleshooting

Troubleshooting schedule

If you cannot find a solution to your problems in this operator's manual, speak to your Husqvarna service agent.

Problem	Steps to do immediately	Possible cause	Solution	
The product does not start when the power switch is pushed.	Release the power switch.	If there is a red light on the PRCD, the current is disconnected.	Push the "RESET" button on the PRCD. If the PRCD disconnects the current again, speak to an approved Husqvarna service center.	
The product stops.		There is a fault with the current source. The current is disconnected by the Elgard™ function.	Do a check of the current source.	
		The drill bit is blocked. The current is disconnected by the Elgard™ function.	Turn the drill bit right and left, use a wrench. Carefully remove the product from the drill hole.	
		Too high load causes overload of the motor. The current is disconnected by the Elgard™ function.	Make sure that the drill bit can be turned easily in the drill hole.	
		If there is a red light on the PRCD, the current is disconnected.	Push the "RESET" button on the PRCD. If the PRCD disconnects the current again, speak to an approved Husqvarna service center.	
		The diamond segments are blunt.	Sharpen the diamond segments with a SiC grind stone.	
The product does not continue into the surface, decreases in speed and stops.		The water pressure is too low.	Increase the water pressure. Refer to <i>Technical data on page 16</i> .	
Unwanted material collects around the hole during operation.		There are much vibration in the product during the operation.	Use correct load when you operate the product.	
The diamond segments on the drill bit are pulled out of their bond.		The seals are worn out and must be replaced.	Speak to an approved Husqvarna service center.	
There is a leakage of gear oil.		The shaft seals are defect.	Speak to an approved Husqvarna service center. Make sure to always use clean water.	
There is a leakage of water from the hole on the water connection ring.				
The product does not operate smoothly.		Decrease the force.	Too high load causes overload of the motor.	Use less force when you drill.

Transportation and storage

- Pull out the plug from the power outlet before transportation or storage of the product.
- Remove the drill bit before transportation or storage of the product. This is to prevent damage to the product and the drill bits.
- Keep the product in a locked area to prevent access for children or persons that are not approved.
- Keep the product in a dry and frost-free area.
- Safely attach the product during transportation to prevent damage and accidents.

Technical data

Technical data

Motor		
Electrical motor	Single-phase	
Rated voltage, V	100-120, 110, 220-240	
Rated power, W	2000	
Rated output, W	1340	
Rated frequency, Hz	50-60	
Rated current, A		
100-120V (US, JP)	15	
220-240V	9.3	
PRCD current, mA		
100-120V (US, JP)	6	
220-240V	10	
Drill bit		
Max. drill diameter in concrete, mm/in.	80/3.1	
Min. drill diameter in concrete, mm/in.	30/1.2	
Weight, kg/lb	6.7/14.8	
Water cooling		
Water coupling	Gardena	
Maximum water pressure, bar	3	
Tool connection		
Spindle thread, JP/SE/RoW	A-Rod/CRI 28/1 1/4", G 1/2"	
Operating data		
Gear	1	2
Speed spindle, idle, full load, rpm	800	1700
Speed spindle, idle, no load, rpm	1250	2600
Drill diameter in concrete, mm/in.	50-80/2.4-3.1	30-60/1.2-2.4
Recommended water volume, l/min	1.7-2.4	1.1-1.6

Noise emission data

Noise emission

Sound pressure level, dB (A) ¹	89
Sound power level, L _{WA} dB (A) ²	100

Vibration levels

Vibration levels when drilling into concrete, a_{h,DD} ³	
Main handle, m/s ²	4.1
Auxiliary handle, m/s ²	2.6

Embedded connectivity

Note: This part is applicable only for products supplied with embedded connectivity.

BLE technology radio spectrum	
Frequency bands for the tool, GHz	2.402-2.480
Maximum radio-frequency power transmitted, dBm/mW	4/2.5

Accessories

Dust extractor

Recommended dust extractor ⁴	
Min. Air flow, m ³ /h /CFM	400/236
Min. Vacuum, kPa/psi	22/3.6
Min. Water lift, m/in.	2.3/90
Dust extractor attachment, mm/in.	50/2

¹ Noise emission in the environment measured as sound pressure according to UL 62841-2-1. Expected measurement uncertainty 5 dB(A).

² Noise emission in the environment measured as sound power according to UL 62841-2-1. Expected measurement uncertainty 5 dB(A).

³ Vibration level according to UL 62841-2-1. Reported data for vibration level has a typical statistical dispersion (standard deviation) of 1,5 m/s²

⁴ Technical data for dust extractors are not conclusively describing actual performance over time between different dust extractors. For Husqvarna products objective data are available at www.husqvarnaccp.com.

Service

Approved service center

To find your nearest Husqvarna Construction Products approved service center, go to the web site www.husqvarnacp.com.

Registered trademarks

The *Bluetooth*[®] word mark and logos are registered trademarks owned by *Bluetooth SIG, inc.* and any use of such marks by Husqvarna is under license.

Contenido

Introducción.....	20	Transporte y almacenamiento.....	33
Seguridad.....	22	Datos técnicos.....	34
Funcionamiento.....	27	Accesorios.....	35
Mantenimiento.....	29	Servicio.....	36
Solución de problemas.....	31	Marcas comerciales.....	37

Introducción

Responsabilidad del propietario



ADVERTENCIA: El procesamiento de hormigón y piedra mediante métodos como corte, amolado o perforación, especialmente en operaciones en seco, genera polvo que proviene del material procesado y a menudo contiene sílice. La sílice es un componente básico de la arena, el cuarzo, la arcilla de los ladrillos, el granito y otros numerosos minerales y rocas. La exposición a una cantidad excesiva de polvo de sílice puede causar las siguientes afecciones:

Enfermedades respiratorias (que afectan la capacidad de respirar), incluidas la bronquitis crónica, la silicosis y la fibrosis pulmonar debido a la exposición a la sílice. Estas enfermedades pueden ser mortales.

Irritación cutánea y sarpullido.

Cáncer, según el NTP* y la IARC* */National Toxicology Program (Programa Nacional de Toxicología) y Centro Internacional de Investigaciones sobre el Cáncer.

Tome medidas preventivas:

Evite inhalar y que su piel entre en contacto con el polvo, el vaho y los gases.

Utilice artículos apropiados para la protección respiratoria como máscaras contra polvo diseñadas para filtrar partículas microscópicas, y asegúrese de que todas las personas que se encuentren cerca también lo hagan. (Consulte la normativa OSHA 29 CFR Parte 1926.1153)

Para reducir al mínimo las emisiones de polvo, utilice agua para aglomerarlo cuando sea posible. Si es necesario realizar una operación en seco, utilice un extractor de polvo adecuado.

comprendido el manual de usuario. Deben tener conocimiento de lo siguiente:

- Las instrucciones de seguridad del producto.
- La gama de aplicaciones y limitaciones del producto.
- Cómo el producto se va a utilizar y mantener.

El uso de este producto se podría ver restringido por las normativas nacionales o locales. Antes de comenzar a utilizar el producto, infórmese sobre qué normativas se aplican en el lugar donde trabaja.

Descripción del producto

Este motor de perforadora Husqvarna es un taladro de perforación de cilindros de diamante portátil.

Se puede utilizar en húmedo en todos los materiales aprobados, si se utiliza el suministro de agua. Consulte *Uso previsto en la página 21*. Se puede utilizar en seco en albañilería si se utiliza un extractor de polvo.

La broca de diamante es un taladro hueco que tiene segmentos de diamante.

Si se realiza una perforación en húmedo, el agua pasa por la válvula de bola, la manguera y la broca de diamante. Esto disminuye la temperatura de la broca. El agua absorbe el polvo y expulsa el material perforado de la ranura. Utilice un colector de lechada y un anillo que recoja el agua para volver a eliminarla.

Si se realiza una perforación en seco, utilice un extractor de polvo para quitar el material a través de la broca y de la conexión del extractor de polvo. Esto disminuye la temperatura de la broca.

Algunos modelos de este producto tienen conectividad integrada. Consulte *Conectividad integrada en la página 20*.

Conectividad integrada

La solución de administración de activos en la nube Husqvarna Fleet Services™ ofrece al administrador de flotas una descripción general de todos los productos que están conectados a través de sensores integrados o del mercado de posventa. Se puede utilizar la posición de la puerta de enlace o del teléfono inteligente para indicar la ubicación de los productos conectados. Los sensores registran datos como el tiempo de

Es responsabilidad del propietario o del empleador que el operador posea los conocimientos necesarios sobre cómo utilizar el producto de manera segura. Los supervisores y operadores deben haber leído y

funcionamiento, los intervalos de servicio y otros. Para obtener más información acerca de la solución de administración de activos en la nube Husqvarna Fleet Services™, descargue la aplicación para iOS o Android Husqvarna Fleet Services en <https://apps.apple.com/se/app/husqvarna-fleet-services/id1334672726> o <https://play.google.com/store/apps/details?id=com.husqvarna.hfsmobile&hl=en>.

Algunos tipos de este producto están conectados a través del sensor Husqvarna Fleet Services™ integrado que tiene la función Bluetooth Low Energy (BLE). Para obtener más información acerca de cómo utilizarlo, consulte *Para utilizar la conectividad integrada en la página 27*. Para obtener información acerca del espectro de radio con tecnología BLE, consulte *Conectividad integrada en la página 35*. Para obtener información respecto de dudas de cumplimiento de Husqvarna Fleet Services™, consulte *Para utilizar la conectividad integrada en la página 27*.

Dudas de cumplimiento

Tenga en cuenta: Los cambios o modificaciones que no estén expresamente aprobados por Husqvarna pueden anular el cumplimiento del equipo de las normas de la

Descripción general del producto

(Fig. 1)

1. Conector de agua
2. Eje de perforación
3. Aro de sujeción
4. Rosca de montaje para el conector del extractor de agua o polvo
5. Conector del extractor de polvo
6. Caja de cambios
7. Selector de marchas
8. Manija auxiliar
9. Motor
10. Cubierta de inspección
11. Caja de sistema electrónico
12. Nivel de burbuja
13. Interruptor de encendido
14. Mango principal
15. PRCD

Tenga en cuenta: En este manual, utilizamos el término PRCD (del inglés Portable Residual Current Device, dispositivo de corriente residual portátil) tanto para PRCD como para GFCI (del inglés Ground Fault Circuit Interrupter, interruptor de circuito por pérdida a tierra).

16. Acoplamiento adaptador
17. Llaves
18. Acoplamiento macho Gardena® con válvula de agua
19. Manual del usuario

FCC y limitar la autoridad del usuario para operar el equipo.

Tenga en cuenta: Este dispositivo cumple con el Segmento 15 de las reglas de la FCC y con las normas de RSS no sujetas a licencias de Industry Canada.

El funcionamiento está sujeto a las siguientes dos condiciones:

- Este dispositivo no debe causar interferencias perjudiciales.
- Este dispositivo debe aceptar cualquier interferencia que reciba, incluso una interferencia que pueda causar una operación no deseada.

Uso previsto

El producto está destinado a la perforación de hormigón, roca, asfalto y albañilería. No se debe usar para ningún otro propósito.

El producto lo deben utilizar operadores experimentados en tareas industriales.

Símbolos en el producto

(Fig. 2) **ADVERTENCIA:** Este producto puede ser peligroso y provocar daños graves o fatales al operador o a otras personas. Tenga cuidado y utilice el producto correctamente.

(Fig. 3) Lea atentamente el manual de instrucciones y asegúrese de que entiende las instrucciones antes de usar este producto.

(Fig. 4) Siempre use equipo de protección personal aprobado. Consulte *Equipo de protección personal en la página 25*.

(Fig. 5) **Marca medioambiental.** El producto o paquete del producto no es residuo doméstico. Reciclelo en un sitio de reciclaje aprobado para equipos eléctricos y electrónicos.

Tenga en cuenta: Otros símbolos o etiquetas en el producto hacen referencia a requisitos de certificación especiales para algunos mercados.

Responsabilidad del fabricante

Como se menciona en las leyes de responsabilidad del fabricante, no nos hacemos responsables de los daños que cause nuestro producto si:

- el producto se repara incorrectamente
- el producto se repara con piezas que no son del fabricante o que este no autoriza

- el producto tiene un accesorio que no es del fabricante o que este no autoriza

- el producto no se repara en un centro de servicio autorizado o por una autoridad aprobada.

Seguridad

Definiciones de seguridad

Las advertencias, precauciones y notas se utilizan para señalar las piezas particularmente importantes del manual.



ADVERTENCIA: Se utilizan para señalar el riesgo de lesiones graves o mortales para el operador o para aquellos que se encuentren cerca si no se siguen las instrucciones del manual.



AVISO: Se utilizan para señalar el riesgo de dañar la máquina, otros materiales o el área adyacente si no se siguen las instrucciones del manual.

Tenga en cuenta: Se utilizan para entregar más información necesaria en situaciones particulares.

Advertencias de seguridad generales de la herramienta eléctrica



ADVERTENCIA: Lea todas las advertencias de seguridad, las instrucciones, las ilustraciones y las especificaciones que se suministran con esta herramienta eléctrica. En caso de no seguir todas las instrucciones que se entregan a continuación, se pueden producir sacudidas eléctricas, incendios o daños graves.

Guarde todas las advertencias e instrucciones para futuras referencias. El término "herramienta eléctrica" que se indica en las advertencias hace referencia a la herramienta eléctrica (con cable) operada con corriente o a la herramienta eléctrica operada con baterías (inalámbrica).

Seguridad en el área de trabajo

- **Mantenga el área de trabajo limpia y bien iluminada.** Las áreas desordenadas u oscuras pueden generar accidentes.
- **No opere herramientas eléctricas en atmósferas explosivas, como ante presencia de gases, polvo o líquidos inflamables.** Las herramientas eléctricas generan chispas que pueden encender el polvo o humos.
- **Mantenga alejados a niños y transeúntes mientras opera una herramienta eléctrica.** Las distracciones pueden hacerle perder el control.

Seguridad eléctrica

- **Los enchufes de la herramienta eléctrica deben coincidir con la toma de corriente. Nunca modifique el enchufe de ninguna forma. No utilice enchufes con adaptador con herramientas eléctricas conectadas a tierra.** Los enchufes sin modificaciones y las tomas correspondientes reducen el riesgo de sacudida eléctrica.
- **Evite el contacto corporal con superficies conectadas a tierra, como tuberías, radiadores, estufas y refrigeradores.** Existe un mayor riesgo de sacudida eléctrica si su cuerpo está conectado a tierra.
- **No exponga las herramientas eléctricas a la lluvia o a la humedad.** Si entra agua en una herramienta eléctrica, aumenta el riesgo de sacudida eléctrica.
- **No haga mal uso del cable. Nunca utilice el cable para transportar, tirar o desconectar la herramienta eléctrica. Mantenga el cable alejado del calor, el aceite, los bordes afilados o las piezas en movimiento.** Los cables dañados o enredados aumentan el riesgo de sacudida eléctrica.
- **Cuando opera una herramienta eléctrica en exteriores, utilice un cable de extensión apto para el uso al aire libre.** La utilización de un cable apto para el uso al aire libre reduce el riesgo de sacudida eléctrica.
- **Si no se puede evitar el uso de una herramienta eléctrica en un lugar húmedo, utilice un suministro de corriente residual (RCD, por sus siglas en inglés) protegido.** El uso de un RCD reduce el riesgo de que se produzcan sacudidas eléctricas.

Seguridad personal

- **Permanezca alerta, vea lo que está haciendo y use el sentido común cuando opere una herramienta eléctrica. No utilice una herramienta eléctrica si está cansado o bajo la influencia de drogas, alcohol o medicamentos.** Un momento de distracción a la hora de operar una herramienta eléctrica puede generar daños personales graves.
- **Utilice equipo de protección personal. Siempre utilice protección ocular.** El equipo de protección (como máscara contra polvo, calzado de seguridad antideslizante, casco o protectores auriculares) que se utiliza en condiciones pertinentes reducirá los daños personales.
- **Evite el arranque accidental. Asegúrese de que el interruptor esté en la posición de apagado antes de conectarse a una fuente de energía o insertar una unidad de batería, así como cuando recoge o transporta la herramienta.** Al transportar herramientas eléctricas con su dedo en el interruptor o al suministrarles corriente con el interruptor en la

posición de encendido, se pueden provocar accidentes.

- **Quite cualquier llave de ajuste antes de encender la herramienta eléctrica.** Una llave conectada a una pieza giratoria de la herramienta eléctrica puede causar daños personales.
- **No se estire demasiado. Mantenga una posición y un equilibrio adecuados en todo momento.** Esto permite un mejor control de la herramienta eléctrica en situaciones inesperadas.
- **Vístase adecuadamente. No use ropa suelta ni joyas. Mantenga el pelo y la ropa lejos de las piezas en movimiento.** La ropa suelta, las joyas o el cabello largo pueden quedar atrapados en las partes que se mueven.
- **Si se proporcionan dispositivos para la conexión de instalaciones de recolección y extracción de polvo, asegúrese de que estos se conecten y utilicen de manera pertinente.** El uso de recolectores de polvo puede reducir los peligros relacionados con el polvo.
- **No se confíe de los conocimientos obtenidos a partir del uso frecuente de las herramientas ni pase por alto los principios de seguridad de uso de las herramientas.** Una acción negligente puede causar una lesión grave en una fracción de segundo.

Uso y cuidado de la herramienta eléctrica

- **No fuerce la herramienta eléctrica. Utilice la herramienta eléctrica correcta según su aplicación.** Con la herramienta eléctrica correcta, hará el trabajo mejor y de manera más segura a razón del propósito para la cual fue diseñada.
- **No utilice la herramienta eléctrica si no se puede encender o apagar con el interruptor.** Cualquier herramienta eléctrica que no se puede controlar con el interruptor conlleva peligros y se debe reparar.
- **Desconecte el enchufe de la fuente de energía o retire la unidad de batería, si es desmontable, de la herramienta eléctrica antes de hacer ajustes, cambiar accesorios o almacenar la herramienta eléctrica.** Tales medidas de seguridad preventivas reducen el riesgo de arranque accidental de la herramienta eléctrica.
- **Almacene las herramientas eléctricas inactivas fuera del alcance de los niños y no permita que personas que no estén familiarizadas con la herramienta eléctrica o con estas instrucciones operen la herramienta eléctrica.** Las herramientas eléctricas conllevan peligros en manos de usuarios inexpertos.
- **Realice mantenimiento en las herramientas eléctricas y los accesorios. Revise en busca de atascamiento o desalineación de las piezas móviles, rotura de piezas o cualquier otra condición que pueda afectar el funcionamiento de la herramienta eléctrica. Si se daña, repare la herramienta eléctrica antes de su uso.** Muchos de los accidentes se deben a herramientas eléctricas con un mal mantenimiento.

- **Mantenga las herramientas de corte afiladas y limpias.** Las herramientas de corte con un mantenimiento correcto y bordes cortantes afilados son menos propensas a atascamientos y más fáciles de controlar.
- **Utilice la herramienta eléctrica, los accesorios, las barrenas, etc. de acuerdo con estas instrucciones, conforme a las condiciones de trabajo y la tarea que se debe realizar.** El uso de la herramienta eléctrica en operaciones distintas de las previstas podría generar una situación peligrosa.
- **Mantenga los mangos y las superficies de agarre secos, limpios y sin grasa ni aceite.** Los mangos y las superficies de agarre resbaladizas no permiten un manejo seguro ni el control de la herramienta en situaciones imprevistas.

Servicio

- **Asegúrese de que un experto calificado realice la reparación de la herramienta eléctrica solo con piezas de repuesto idénticas.** Esto garantizará que se mantenga la seguridad de la herramienta eléctrica.

Advertencias de seguridad sobre el taladro (para operación manual)

Instrucciones de seguridad para todas las operaciones manuales

- **Utilice las manijas auxiliares.** La pérdida de control puede provocar daños personales.
- **No realice perforaciones manuales desde una escalera o un andamio.**
- **Asegúrese de estar de pie firmemente.**
- **Sujete la herramienta eléctrica únicamente por las superficies de agarre aisladas cuando realice una operación en la que el accesorio de corte pueda hacer contacto con cableado oculto o con su propio cable.** Si el accesorio de corte hace contacto con un cable energizado, las piezas de metal expuestas pueden energizarse también y provocar una sacudida eléctrica al operador.

Instrucciones de seguridad para el uso de brocas largas

- **Nunca opere a una velocidad más alta que la velocidad nominal máxima de la broca.** A velocidades más altas, la broca podría doblarse si se permite que gire libremente sin hacer contacto con la pieza de trabajo, lo que puede provocar daños personales.
- **Siempre comience a perforar a baja velocidad y con la punta de la broca en contacto con la pieza de trabajo.** A velocidades más altas, es probable que la broca se doble si se permite que gire libremente sin hacer contacto con la pieza de trabajo, lo que puede provocar daños personales.
- **Aplique presión solo en línea directa con la broca y no aplique presión excesiva.** Las brocas pueden

doblarse y quebrarse, lo que puede ocasionar que se pierda el control de la herramienta y provocar lesiones personales.

Advertencias de seguridad sobre el taladro de diamante

- **Cuando realice perforaciones que requieran el uso de agua, dirija el agua lejos del área de trabajo del operador o utilice un dispositivo de recolección de líquidos.** Estas medidas cautelares mantienen seca el área de trabajo del operador y reducen el riesgo de sufrir sacudidas eléctricas.
- **Utilice la herramienta eléctrica desde las superficies de agarre aisladas, cuando realice una tarea en la cual el accesorio de corte pueda entrar en contacto con cableado oculto o con el propio cable de alimentación.** Si el accesorio de corte entra en contacto con un cable con corriente, es posible que las piezas metálicas expuestas de la herramienta eléctrica reciban tensión y que el operador reciba una sacudida eléctrica.
- **Utilice protectores auriculares cuando haga perforaciones con diamante.** La exposición al ruido puede causar pérdida de audición.
- **Cuando la broca se atasque, deje de aplicar presión hacia abajo y apague la herramienta.** Investigue y tome medidas correctivas para eliminar la causa de la obstrucción de la broca.
- **Cuando se vuelva a arrancar un taladro de diamante sobre la pieza de trabajo, compruebe que la broca gira libremente antes de comenzar.** Si la broca está atascada, es posible que no arranque, lo que puede sobrecargar la herramienta o causar que el taladro de diamante se salga de la pieza de trabajo.
- **Cuando realice perforaciones a través de paredes, asegúrese de proteger a las personas y al área de trabajo del otro lado.** La broca se puede salir a través del orificio o el núcleo podría salir para el otro lado.

Instrucciones generales de seguridad



ADVERTENCIA: Lea atentamente las instrucciones de advertencia siguientes antes de usar el producto.

- Este producto puede ser una herramienta peligrosa si no se maneja con cuidado o si utiliza el producto de forma incorrecta. Este producto puede causar daños graves o fatales al operador o a otras personas. Antes de utilizar el producto, es muy importante que lea y comprenda el contenido de este manual de usuario.
- Guarde todas las advertencias y las instrucciones.
- Cumpla todas las leyes y reglamentos vigentes.
- El operador y el empleador del operador deben conocer y evitar los riesgos durante la operación del producto.

- No permita que nadie que no haya leído y comprendido el contenido del manual de usuario utilice el producto.
- No utilice el producto si no ha recibido capacitación antes de su uso. Asegúrese de que todos los usuarios reciban capacitación.
- No deje que un niño utilice el producto.
- Restrinja el uso del producto solo a personas autorizadas.
- El operador es responsable de los accidentes que puedan ocurrirles a otras personas o a sus propiedades.
- No utilice el producto si está cansado, enfermo o bajo la influencia de alcohol, drogas o medicamentos.
- Sea siempre cuidadoso y use el sentido común.
- En este producto se genera un campo electromagnético durante su funcionamiento. Este campo puede, en determinadas circunstancias, interferir en implantes médicos activos o pasivos. Para reducir el riesgo de daños graves o mortales, se recomienda que las personas con implantes médicos consulten a su médico y al fabricante del implante médico antes de utilizar este producto.
- Mantenga el producto limpio. Asegúrese de que puede leer señales y etiquetas claramente.
- No utilice el producto si se encuentra defectuoso.
- No modifique este producto.
- No utilice el producto si es posible que otras personas hayan realizado modificaciones en el mismo.

Utilice siempre el sentido común



ADVERTENCIA: Bajo ninguna circunstancia debe modificar el diseño original de la máquina sin la aprobación del fabricante. Utilice siempre piezas de repuesto originales. Las modificaciones o los accesorios no autorizados pueden provocar lesiones graves o fatales al usuario u otras personas.



ADVERTENCIA: El uso de máquinas tales como cortadoras, amoladoras, taladros, que lijan o dan forma a materiales, puede generar polvo y vapores que pueden contener productos químicos peligrosos. Compruebe el origen del material que va a procesar y utilice una máscara respiratoria adecuada.

No es posible abordar todas las situaciones posibles que puede afrontar cuando utiliza el producto. Siempre tenga cuidado y use su sentido común. Evite todas las situaciones que considere que están más allá de su capacidad. Si todavía se siente inseguro acerca de los procedimientos operativos después de leer estas

instrucciones, debe consultar a un experto antes de continuar.

No dude en comunicarse con su distribuidor de Husqvarna si tiene alguna pregunta sobre el uso de la máquina. Estaremos encantados de brindarle consejos y asesoría, además de prestarle ayuda con el uso del producto de forma eficiente y segura.

Permita que su distribuidor de Husqvarna revise regularmente el producto y realice los ajustes y las reparaciones necesarios.

Husqvarna Construction Products tiene una política de desarrollo continuo de productos. Husqvarna se reserva el derecho de modificar el diseño y el aspecto de los productos sin previo aviso y de presentar modificaciones al diseño sin compromisos ulteriores.

Toda la información y todos los datos en el manual del usuario estaban vigentes en el momento en que el manual del usuario se envió a impresión.

Instrucciones de seguridad para el funcionamiento



ADVERTENCIA: Lea atentamente las instrucciones de advertencia siguientes antes de usar el producto.

- No utilice el producto si no puede recibir ayuda en caso de que ocurra un accidente.
- No utilice el producto en malas condiciones climáticas, tales como niebla, lluvia, vientos fuertes, frío intenso u otras condiciones similares. En estos climas adversos se pueden producir condiciones peligrosas, como superficies resbaladizas.
- Tenga cuidado con personas, objetos y situaciones que puedan impedir el funcionamiento seguro del producto.
- Asegúrese de que siempre se pueda detener el motor rápidamente en caso de emergencia.
- Asegúrese de que no haya tuberías ni cables eléctricos en la zona de trabajo donde se perforará el orificio.
- Si el producto no funciona correctamente, detenga el motor.
- Asegúrese de encontrarse en una posición segura y estable durante la operación.
- Manténgase a una buena distancia de la broca cuando el motor esté funcionando.
- Siempre desconecte el cable de alimentación antes de alejarse del producto.
- Mantenga todas las piezas en buen estado y asegúrese de que todos los componentes fijos estén ajustados correctamente.
- Si el producto vibra o el nivel de ruido del producto es inusualmente alto, deténgalo de inmediato. Examine el producto en busca de daños. Repare los daños o solicite a un taller de servicio autorizado que realice la reparación.

- Siempre utilice accesorios homologados. Comuníquese con su concesionario para obtener más información.

Equipo de protección personal



ADVERTENCIA: Lea atentamente las instrucciones de advertencia siguientes antes de usar el producto.

- Utilice siempre el equipo de protección personal adecuado cuando utilice el producto. El equipo de protección personal no elimina el riesgo de lesiones. El equipo de protección personal disminuye el grado de la lesión en caso de un accidente. Permita que su distribuidor le ayude seleccionar el equipo adecuado.
- Use una protección ocular aprobada cuando emplee el producto.
- No utilice prendas flojas, pesadas y no apropiadas. Utilice ropa que le permita moverse libremente.
- Utilice guantes protectores aprobados que permitan un agarre firme.
- Utilice guantes protectores de goma para evitar la irritación de la piel causada por el hormigón húmedo.
- Utilice un casco protector aprobado.
- Utilice siempre protectores auriculares aprobados cuando emplee el producto. Escuchar ruidos durante un largo período puede provocar pérdida de audición inducida por el ruido.
- El producto genera polvo y gases que contienen químicos peligrosos. Utilice protección respiratoria aprobada.
- Utilice botas con punta de acero y suela antideslizante.
- Asegúrese de tener un botiquín de primeros auxilios.
- Se pueden generar chispas cuando utilice el producto. Asegúrese de tener cerca un extintor de incendios.

Dispositivos de seguridad en el producto



ADVERTENCIA: Lea atentamente las instrucciones de advertencia siguientes antes de usar el producto.

- Nunca utilice un producto que tenga un equipo de seguridad defectuoso. Si la máquina no aprueba alguna comprobación, póngase en contacto con su taller de servicio para repararla.
- No utilice el producto si las placas de protección, las cubiertas de protección, los interruptores de seguridad u otros dispositivos protectores no están acoplados o están defectuosos.

Protección contra sobrecarga del motor, Elgard™

La protección contra sobrecarga del motor se activa si el motor tiene una carga demasiado alta o si la broca no puede moverse libremente.

La protección contra sobrecarga del motor disminuye y aumenta la potencia del motor en intervalos cortos durante algunos segundos. Luego, si no se disminuye la fuerza, el motor se detiene. Consulte *Para restablecer la protección contra sobrecarga del motor en la página 29*.

PRCD



ADVERTENCIA: No es compatible con el tipo de 110 V que se vende en el Reino Unido e Irlanda. Reino Unido e Irlanda: No opere el tipo de 110 V del producto sin un transformador aislador, consulte EN/IEC 61558-1 y EN/IEC 61558-2-23. El transformador de aislamiento debe tener un cable conectado a tierra en el lado del devanado secundario.



ADVERTENCIA: No sumerja el PRCD en agua.



ADVERTENCIA: Antes de utilizar el producto, siempre revise el PRCD. Consulte *Para examinar el PRCD en la página 26*.

El producto tiene un PRCD instalado en el cable de alimentación. El PRCD tiene funciones de protección, y se activa si se produce una falla eléctrica. Consulte *Datos técnicos en la página 34* para conocer la corriente de activación del PRCD.

La luz roja indica que el PRCD está encendido y que el producto se puede poner en marcha. Si la luz roja no está encendida, presione el botón RESET (Reinicio).

(Fig. 6)

Para examinar el PRCD



ADVERTENCIA: No es compatible con el tipo de 110 V que se vende en el Reino Unido e Irlanda. Consulte *PRCD en la página 26*.



ADVERTENCIA: El PRCD se debe inspeccionar cada vez que se conecte el enchufe a la toma de corriente.



ADVERTENCIA: Si se debe reparar el PRCD, comuníquese siempre con un taller de servicio de Husqvarna autorizado.

1. Conecte el enchufe del producto a la toma de corriente.
2. Presione el botón "RESET" (Reinicio). El indicador sobre el botón se pone de color rojo cuando la corriente está conectada.
3. Arranque el producto, consulte *Para poner en marcha el producto en la página 28*.
4. Presione el botón "TEST" (Reinicio). Si el producto se detiene, significa que el PRCD funciona correctamente. (Fig. 7)

Interruptor de encendido

El interruptor de encendido se utiliza para arrancar y detener el producto.

(Fig. 8)

Para examinar el interruptor de encendido

1. Conecte el enchufe del producto a la toma de corriente.
2. Presione el interruptor de encendido para arrancar el producto. (Fig. 9)
3. Suelte el interruptor de encendido para detener el producto. (Fig. 10)

Embrague de fricción

El embrague de fricción está integrado en la caja de cambios del producto. Evita daños al producto si la broca de perforación se detiene durante el funcionamiento. Si la carga es demasiado alta, el embrague de fricción se libera y detiene el eje del taladro, pero mantiene el motor encendido durante algunos segundos. El embrague de fricción se conecta nuevamente si la carga disminuye y la operación puede continuar. Si la broca queda atrapada en el material y se detiene por completo, el embrague de fricción detiene el motor inmediatamente.



AVISO: Asegúrese de que el tiempo de liberación del embrague no sea superior a 3 o 4 segundos, ya que, de lo contrario, el desgaste y el calor aumentarán rápidamente.

Instrucciones de seguridad para el mantenimiento



ADVERTENCIA: La revisión o el mantenimiento se deben realizar con el motor detenido y el enchufe desconectado.

- Realice mantenimiento en las herramientas eléctricas y los accesorios. Revise en busca de atascamiento o desalineación de las piezas móviles, rotura de piezas y cualquier otra condición que pueda afectar el funcionamiento de la herramienta eléctrica. Si se daña, repare la herramienta eléctrica.

antes de su uso. Muchos de los accidentes se deben a herramientas eléctricas con un mal mantenimiento.

- Mantenga las herramientas de corte afiladas y limpias. Las herramientas de corte con un mantenimiento correcto y bordes cortantes afilados son menos propensas a atascamientos y más fáciles de controlar.

- Asegúrese de que un experto calificado realice la reparación de la herramienta eléctrica solo con piezas de repuesto idénticas. Esto garantizará que se mantenga la seguridad de la herramienta eléctrica.

Funcionamiento

Haga lo siguiente antes de usar el producto

1. Lea atentamente el manual del usuario y asegúrese de entender las instrucciones.
2. Realice el mantenimiento diario. Consulte *Programa de mantenimiento en la página 29*.
3. Asegúrese de que la tensión y la corriente nominales en la toma de corriente sean las mismas que la tensión y la corriente del producto.
4. Asegúrese de iniciar el PRCD. Consulte *PRCD en la página 26* y *Para examinar el PRCD en la página 26*.
5. Asegúrese de que la zona de trabajo esté limpia e iluminada.
6. Utilice equipo de protección personal. Consulte *Equipo de protección personal en la página 25*.
7. Asegúrese de que el producto esté instalado correctamente. La broca debe fijarse correctamente.
8. La manija auxiliar debe estar conectada y completamente apretada. Consulte *Para utilizar las manijas auxiliares en la página 27*.
9. Cuando utilice el producto en seco, utilice un extractor de polvo. Consulte *Para preparar el producto para una perforación en seco en la página 27*.
10. Cuando opere el producto en húmedo, asegúrese de que el sistema de agua no se dañe y utilice el conector de agua. Consulte *Para preparar el producto para una perforación en húmedo en la página 28*.

Para utilizar la conectividad integrada

Tenga en cuenta: Esta sección solo se aplica a los productos suministrados con conectividad integrada.

Tenga en cuenta: La radiotransmisión mediante la función de Bluetooth® se activará en la primera conexión a la toma de corriente y permanecerá encendida a partir de ese momento.

1. Descargue la aplicación Husqvarna Fleet Services para iOS o Android Husqvarna Fleet Services.

2. Visite el sitio Web de Husqvarna Fleet Services <https://fleetservices.husqvarna.com> para obtener más información.

Para utilizar el producto portátil

1. Utilice siempre una broca con un diámetro máximo de 80 mm para perforación manual. Cuanto más grande sea la broca, mayor será la reacción si esta se atasca.
2. Bloquee la manija auxiliar firmemente en su lugar antes de perforar. Consulte *Para utilizar las manijas auxiliares en la página 27*. (Fig. 11)
3. No realice perforaciones desde una escalera. La perforación en estas situaciones está llena de riesgos, ya que si la broca se traba, puede provocar la caída del operador. (Fig. 12)

Para utilizar las manijas auxiliares

(Fig. 13)

1. Gire la manija hacia la izquierda para soltarla.
2. Mueva la manija alrededor del eje del husillo hasta la posición de funcionamiento que corresponda.
3. Gire la manija hacia la derecha para bloquearla. Apriete completamente.

Para preparar el producto para una perforación en seco



ADVERTENCIA: Cuando se realizan perforaciones, se genera polvo, el cual puede provocar lesiones si se respira. Utilice protección respiratoria aprobada.



ADVERTENCIA: No utilice una aspiradora casera. Utilice únicamente extractores de polvo designados para polvo peligroso. Consulte *Extractor de polvo en la página 35* para conocer las propiedades mínimas.

1. Fije el conector del extractor de polvo a la rosca de montaje del producto.
2. Fije el extractor de polvo al conector del extractor de polvo. (Fig. 14)
3. Encienda el extractor de polvo.

Para preparar el producto para una perforación en húmedo



AVISO: Asegúrese de que la presión del agua máxima no sea demasiado alta. Consulte *Datos técnicos en la página 34*.



AVISO: Utilice solo agua limpia para evitar que la suciedad obstruya el sistema de agua.



AVISO: Utilice solo un acoplamiento de suministro de agua aprobado. Comuníquese con su concesionario para obtener más información.

1. Conecte el conector de agua a la rosca de montaje del producto. (Fig. 15)
2. Conecte el acoplamiento macho Gardena® con válvula de agua al conector de agua.
3. Abra el sistema de agua. Ajuste la presión del agua para quitar todo el material de desecho del orificio taladrado.

Para reducir la temperatura del motor

- Utilice el producto sin carga durante dos minutos para reducir la temperatura del motor.

Para cambiar de marcha



AVISO: Cambie la marcha solo cuando disminuya la velocidad del motor o cuando este se detenga. No aplique fuerza para cambiar de marcha.

- Asegúrese de utilizar siempre la velocidad correspondiente para el diámetro de la broca de perforación. Consulte la placa de características en el producto o *Datos técnicos en la página 34*.
- Gire el selector de marchas para cambiar la marcha. (Fig. 16)

Para poner en marcha el producto



ADVERTENCIA: Asegúrese de que la broca pueda girar libremente. Comienza a girar cuando el motor arranca.



ADVERTENCIA: Si esta es la primera vez que se enciende el producto en el día, asegúrese de verificar el PRCD. Consulte *Para examinar el PRCD en la página 26*.

1. Presione el botón "RESET" (Reinicio) en el PRCD. (Fig. 17)
2. Para ajustar la velocidad de funcionamiento, gire el eje del taladro y, al mismo tiempo, mueva el selector

de marchas. Coloque el selector de marchas en la posición correcta para el funcionamiento. (Fig. 18)

3. Asegúrese de que el sistema de agua esté conectado, abierto y encendido (perforación en húmedo) o de que el extractor de polvo esté conectado y encendido (perforación en seco). (Fig. 19)
4. Mantenga presionado el interruptor de encendido. (Fig. 20)

Para hacer funcionar el producto



ADVERTENCIA: Si se activa el PRCD, retire la broca del orificio antes de presionar "RESET" (Reinicio).



ADVERTENCIA: Pueden ocurrir accidentes peligrosos si el cilindro de hormigón extraído se queda en la broca cuando la retira del orificio.



AVISO: Asegúrese de que ningún objeto golpee la broca.



AVISO: No use más fuerza de la que sea necesaria. Esto solo ralentiza la operación y sobrecarga el motor.

1. Arranque el motor. Consulte *Para poner en marcha el producto en la página 28*.
2. Deje que la velocidad del motor aumente al régimen máximo antes de que la broca entre en contacto con la superficie.
3. Si perfora a través de refuerzos de hierro, utilice más presión inicial y una marcha más baja que si no hubiera refuerzos de hierro.
4. Utilice una presión muy baja inicialmente, con el fin de mantener la broca en la posición correcta.
5. Durante la perforación, asegúrese de que el agua quite todo el material de desecho del orificio taladrado. Ajuste la presión del agua si es necesario.
6. Si se realiza una perforación en seco, asegúrese de que el extractor de polvo quite todo el polvo.
7. Detenga el motor. Consulte *Para detener el producto en la página 28*.

Para detener el producto



ADVERTENCIA: La broca sigue girando durante algún tiempo antes de que el motor se detenga. Nunca detenga la broca con las manos. Podría ocasionarle lesiones.

1. Para detener el producto, suelte el interruptor de encendido. (Fig. 21)

- Espera hasta que la broca se haya detenido completamente.

Para restablecer la protección contra sobrecarga del motor

- Detenga la máquina. Consulte *Para detener el producto en la página 28*.
- Quite la obstrucción de la broca.
- Encienda el producto. Consulte *Para poner en marcha el producto en la página 28*.

Para reemplazar la broca



ADVERTENCIA: Desenchufe el producto de la toma de corriente antes de reemplazar la broca.



ADVERTENCIA: Use guantes protectores. Deje que el producto se enfríe antes de quitar la broca. La broca y el área adyacente

quedan muy calientes después del funcionamiento.



ADVERTENCIA: Use solamente brocas de diamante aprobadas para el producto. Comuníquese con su concesionario Husqvarna para obtener más información.

- Asegúrese de contar con una broca nueva, la llave proporcionada y grasa resistente al agua.
- Bloquee el eje del husillo con la llave.
- Gire la broca hacia la derecha para quitarla. (Fig. 22)



AVISO: No golpee el producto para quitar la broca. Esto puede dañar la caja de cambios.

- Lubrique el eje del husillo con grasa resistente al agua.
- Gire la broca hacia la izquierda para instalarla. Apriete completamente. (Fig. 23)

Mantenimiento

Introducción



ADVERTENCIA: Lea detenidamente el capítulo de seguridad antes de realizar mantenimiento en el producto.



ADVERTENCIA: Para evitar lesiones personales, desconecte el cable de


alimentación antes de realizar tareas de mantenimiento.

Programa de mantenimiento

* = Mantenimiento general por parte del operador. Las instrucciones no se proporcionan en este manual de usuario.

X = Las instrucciones se proporcionan en este manual de usuario.

O = Comuníquese con un taller de servicio de Husqvarna.

Mantenimiento	Antes de cada uso	Después de cada uso	A diario	Después de las primeras 100 horas	Después de 300 h
Asegúrese de que las piezas móviles funcionen de manera correcta y se muevan libremente.	*				
Asegúrese de que la herramienta de corte esté afilada y limpia.	*				
Asegúrese de que el PRCD funcione correctamente.					
 ADVERTENCIA: No es compatible con el tipo de 100 a 120 V que se vende en Reino Unido e Irlanda. Consulte <i>PRCD en la página 26</i> .	X				

Mantenimiento	Antes de cada uso	Después de cada uso	A diario	Después de las primeras 100 horas	Después de 300 h
Revise si el cable de alimentación, otros cables y el enchufe de alimentación presentan daños.	*	*			
Asegúrese de que las manijas y las superficies de agarre estén secas, limpias y no contengan aceite ni grasa.	*	*			
Asegúrese de que el producto esté limpio.	X	X			
Revise si los sellos del eje presentan daños o fugas de agua.		X			
Asegúrese de que las tuercas y los tornillos estén apretados.			*		
Asegúrese de que el interruptor de encendido funcione correctamente.			X		
Reemplace el aceite de engranajes.				O	
Revise si las escobillas de carbono presentan daños.					X

Para limpiar el producto



AVISO: Asegúrese de que no entre agua en el motor ni en la caja de cambios.



AVISO: No utilice agua corriente para limpiar el producto.

- Utilice un paño seco o húmedo para limpiar el producto.
- Elimine los bloqueos en todas las tomas de aire. Una toma de aire bloqueada disminuye el rendimiento del producto y puede provocar que el motor se caliente demasiado.
- Limpie y lubrique la rosca del eje del husillo.

Para realizar el mantenimiento de la broca de diamante

- Asegúrese de que los segmentos de las herramientas de diamante estén afilados. Afile los segmentos de diamantes desafilados con una piedra de afilar SIC.
- Asegúrese de que la broca no vibre. Si hay vibración en la broca, los segmentos de diamante pueden aflojarse.
- Asegúrese de que los segmentos de diamante tengan un tamaño suficientemente mayor que el diámetro interior y exterior del tubo de la broca.
- Lubrique la rosca de la broca con grasa resistente al agua. Esto facilita aflojar la herramienta.

- Asegúrese de que el descentrado radial en los segmentos de diamante de la broca no sea superior a 1 mm.

Para reemplazar el aceite de engranajes



AVISO: Si hay una fuga de aceite de engranajes, detenga el producto y consulte a un centro de servicio autorizado. El engranaje se daña si el nivel de aceite del engranaje no es suficiente.

- Solicite a un centro de servicio de Husqvarna autorizado el reemplazo del aceite de engranajes.

Para examinar la conexión de agua



AVISO: Si hay una fuga de agua del anillo de conexión de agua, los sellos del eje se deben reemplazar inmediatamente.

- Solicite a un centro de servicio de Husqvarna autorizado que repare la conexión de agua.

Para examinar las escobillas de carbón

1. Afloje el tornillo y quite la tapa de inspección. (Fig. 24)
2. Levante el muelle retenedor de escobillas hacia un lado (A).
3. Afloje el tornillo (B).
4. Extraiga el conector de la escobilla de carbono.
5. Extraiga la escobilla de carbono del soporte (C).

6. Limpie el soporte de escobillas con aire comprimido o una brocha. Reemplace la escobilla si está desgastada.
7. Instale las nuevas escobillas de carbón y, al mismo tiempo, asegúrese de que se deslicen con facilidad en los sujetadores de las escobillas.
8. Vuelva a colocar el muelle retenedor de escobillas en su lugar.
9. Inserte la conexión de la escobilla de carbono debajo del tornillo.
10. Repita el procedimiento con la otra escobilla de carbono.
11. Vuelva a colocar la tapa de inspección y apriete los tornillos. Deje que el producto funcione en ralentí durante 10 minutos con las nuevas escobillas de carbono.
12. Quite el tornillo que sujeta la tapa de las escobillas de carbono. Utilice un destornillador de punta plana ancho.
13. Examine las escobillas de carbón. El área de desgaste debe estar lisa y sin daños.
14. Si es necesario, solicite a un centro de servicio de Husqvarna autorizado que reemplace las escobillas de carbón.

Solución de problemas

Programa de solución de problemas

Si no encuentra una solución a sus problemas en este manual de usuario, consulte a su taller de servicio de Husqvarna.

Problema	Pasos que debe aplicar de forma inmediata	Causa posible	Solución
El producto no arranca cuando se presiona el interruptor de encendido.	Suelte el interruptor de encendido.	Si hay una luz roja en el PRCD, la corriente se desconecta.	Presione el botón "RESET" (Reinicio) en el PRCD. Si el PRCD desconecta la corriente nuevamente, consulte a un centro de servicio de Husqvarna autorizado.
El producto se detiene.		Hay una falla en la fuente de corriente. La función Elgard™ desconecta la corriente.	Compruebe el funcionamiento de la fuente de corriente.
		La broca está bloqueada. La función Elgard™ desconecta la corriente.	Gire la broca hacia la derecha e izquierda con una llave. Retire cuidadosamente el producto del orificio taladrado.
		Las cargas excesivas sobrecargan el motor. La función Elgard™ desconecta la corriente.	Asegúrese de que la broca se pueda girar fácilmente en el orificio taladrado.
		Si hay una luz roja en el PRCD, la corriente se desconecta.	Presione el botón "RESET" (Reinicio) en el PRCD. Si el PRCD desconecta la corriente nuevamente, consulte a un centro de servicio de Husqvarna autorizado.
El producto no continúa dentro de la superficie, disminuye la velocidad y se detiene.	Disminuya la fuerza.	Los segmentos de diamante están desafilados.	Afile los segmentos de diamante con una piedra de afilar SiC.
Durante la operación, se acumula material no deseado alrededor del orificio.		La presión del agua es demasiado baja.	Aumente la presión del agua. Consulte <i>Datos técnicos en la página 34</i> .
Los segmentos de diamante de la broca de perforación se desprenden de su sujeción.		El producto vibra demasiado durante la operación.	Utilice la carga correcta cuando opere el producto.
Hay una fuga de aceite de engranajes.		Los sellos están desgastados y se deben reemplazar.	Consulte a un centro de servicio de Husqvarna autorizado.
Hay una fuga de agua en el orificio del anillo de conexión de agua.		Los sellos del eje están defectuosos.	Consulte a un centro de servicio de Husqvarna autorizado. Asegúrese de utilizar siempre agua limpia.
El producto no funciona de forma ininterrumpida.		Las cargas excesivas sobrecargan el motor.	Utilice menos fuerza cuando perfora.

Transporte y almacenamiento

- Saque el enchufe de la toma de corriente antes de transportar o almacenar el producto.
- Quite la broca antes de almacenar o transportar el producto. Esto se hace para evitar daños en el producto y en las brocas.
- Mantenga el producto en un área cerrada para evitar que los niños u otras personas sin autorización puedan acceder a él.
- Mantenga el producto en un lugar seco y sin escarcha.
- Asegure bien el producto durante el transporte para evitar daños y accidentes.

Datos técnicos

Datos técnicos

Motor		
Motor eléctrico	Monofásico	
Voltaje nominal, V	De 100 a 120, 110, de 220 a 240	
Potencia nominal, W	2000	
Potencia de salida nominal, W	1340	
Frecuencia nominal, Hz	50-60	
Corriente nominal, A		
100-120 V (EE. UU., JP)	15	
220-240 V	9,3	
Corriente del PRCD, mA		
100-120 V (EE. UU., JP)	6	
220-240 V	10	
Broca		
Diámetro máximo de perforación en hormigón, mm/in.	80/3,1	
Diámetro mínimo de perforación en hormigón, mm/in.	30/1,2	
Peso, kg/lb	6,7/14,8	
Refrigeración por agua		
Acoplamiento de agua	Gardena	
Máxima presión del agua, bar	3	
Conexión de la herramienta		
Rosca del eje, JP/SE/RoW	A-Rod/CRI 28/1 1/4", G 1/2"	
Datos de funcionamiento		
Marcha	1	2
Eje de velocidad, ralentí, carga completa, rpm	800	1700
Eje de velocidad, ralentí, sin carga, rpm	1250	2600
Diámetro de la perforadora en hormigón, mm/in.	50-80/2,4-3,1	30-60/1,2-2,4
Volumen de agua recomendado, l/min	1,7-2,4	1,1-1,6

Datos sobre las emisiones sonoras

Emisión sonora	
Nivel de presión acústica, dB (A) ⁵	89
Nivel de potencia acústica, L _{WA} dB (A) ⁶	100

Niveles de vibración

Niveles de vibración de perforación en concreto, a _{h,DD} ⁷	
Mango principal, m/s ²	4,1
Mango auxiliar, m/s ²	2,6

Conectividad integrada

Tenga en cuenta: Esta sección solo se aplica a los productos suministrados con conectividad integrada.

Espectro de radio de tecnología BLE	
Bandas de frecuencia para la herramienta, GHz	2,402-2,480
Potencia máxima de radiofrecuencia transmitida, dBm/mW	4/2,5

Accesorios

Extractor de polvo

Extractor de polvo recomendado ⁸	
Flujo de aire mín., m ³ /h/CFM	400/236
Vacío mín., kPa/psi	22/3,6
Elevación mínima del agua, m/in	2,3/90

⁵ Las emisiones sonoras en el entorno se miden como presión acústica en conformidad con la norma UL 62841-2-1. Incertidumbre de medición esperada de 5 dB(A).

⁶ Las emisiones sonoras en el entorno se miden como potencia acústica en conformidad con la norma UL 62841-2-1. Incertidumbre de medición esperada de 5 dB(A).

⁷ Nivel de vibración en conformidad con la norma UL 62841-2-1. Los datos informados para el nivel de vibración tienen una dispersión estadística común (desviación estándar) de 1,5 m/s²

⁸ Los datos técnicos para los extractores de polvo no describen de manera concluyente el rendimiento real en el tiempo entre diferentes extractores de polvo. Para los productos de Husqvarna, los datos objetivos de la se encuentran disponibles en www.husqvarnacp.com.

Acople del extractor de polvo, mm/in	50/2
--------------------------------------	------

Servicio

Centro de servicio autorizado

Para encontrar el centro de servicio autorizado por Husqvarna Construction Products más cercano, dirijase al sitio web de www.husqvarnacp.com.

Marcas comerciales

La marca denominativa y los logotipos de *Bluetooth®* son marcas comerciales de *Bluetooth SIG, inc.* y cualquier uso de dichas marcas por Husqvarna está sometido a un acuerdo de licencias.

Table des matières

Introduction.....	38	Transport et entreposage.....	50
Sécurité.....	40	Données techniques.....	51
Fonctionnement.....	45	Accessoires.....	52
Entretien.....	47	Service.....	53
Dépannage.....	49	Marques déposées.....	54

Introduction

Responsabilité du propriétaire



AVERTISSEMENT : Des opérations de coupe, de surfacage ou de perçage du béton ou de la pierre, particulièrement lorsque les conditions sont sèches, génèrent de la poussière qui contient souvent de la silice. La silice est un composant de base du sable, du quartz, de la brique de l'argile, du granit et de nombreux autres pierres et minéraux. L'exposition à une quantité excessive de ces poussières peut entraîner :

une maladie respiratoire (réduisant la capacité à respirer), notamment la bronchite chronique, la silicose et la fibrose pulmonaire causée par l'exposition à la silice. Ces maladies peuvent être fatales;

Des irritations et éruptions cutanées.

Le cancer, selon le NTP (National Toxicology Program) et le CIRC (Centre international de Recherche sur le Cancer).

Prendre les précautions suivantes :

Éviter l'inhalation et le contact cutané avec les poussières, brouillards et fumées.

Porter et veiller à ce que les personnes à proximité portent un dispositif de protection respiratoire approprié, tel un masque antipoussière filtrant les particules microscopiques. (Voir OSHA 29 CFR Part 1926.1153)

Pour réduire les émissions de poussières, utiliser de l'eau pour agglomérer ces dernières, lorsque cela est possible. Si une opération à sec est nécessaire, utiliser un extracteur de poussière adéquat.

Il est de la responsabilité du propriétaire ou de l'employeur de s'assurer que l'utilisateur possède les connaissances nécessaires pour manipuler le produit en toute sécurité. Les superviseurs et les utilisateurs doivent avoir lu et compris le manuel d'utilisation. Ils doivent être conscients de ce qui suit :

- Les consignes de sécurité relatives au produit.

- L'éventail d'applications du produit et ses limites.
- La manière dont le produit doit être utilisé et entretenu.

Des règlements locaux ou nationaux pourraient limiter l'utilisation de ce produit. Découvrir les règlements en vigueur où le travail est exécuté avant d'utiliser le produit.

Description du produit

Ce moteur de forage Husqvarna est un foret à diamant portatif.

Il peut être utilisé à l'eau dans tous les matériaux approuvés, si l'alimentation en eau est utilisée. Se reporter à la section *Utilisation prévue à la page 39*. Il peut être utilisé sec dans la maçonnerie avec une utilisation d'un extracteur de poussière.

Le foret à diamant est un foret creux à segments en diamant.

Lors d'un perçage à l'eau, l'eau passe par le robinet à bille, le flexible et le foret à diamant. Cela diminue la température interne du foret. L'eau absorbe la poussière et évacue le matériau foré hors de la fente. Utiliser un collecteur de boue et une bague qui recueille l'eau pour retirer l'eau à nouveau.

Lors d'un perçage à sec, utiliser un extracteur de poussière pour retirer le matériau à travers le foret et la connexion de l'extracteur de poussière. Cela diminuera la température dans le foret.

Certains modèles de ce produit sont dotés d'une connectivité intégrée. Se reporter à la section *Connectivité intégrée à la page 38*.

Connectivité intégrée

La solution de gestion des actifs dans le nuage Husqvarna Fleet Services™ donne au gestionnaire de parc une vue d'ensemble de tous les produits connectés par l'intermédiaire de capteurs intégrés ou de capteurs du marché secondaire. La position de la passerelle ou du téléphone intelligent peut être utilisée pour indiquer l'emplacement des produits connectés. Les capteurs enregistrent des données comme la durée de fonctionnement, les intervalles d'entretien, etc. Pour obtenir de plus amples renseignements sur la solution

de gestion des actifs dans le nuage Husqvarna Fleet Services™, télécharger l'application iOS ou Android Husqvarna Fleet Services sur <https://apps.apple.com/se/app/husqvarna-fleet-services/id1334672726> ou <https://play.google.com/store/apps/details?id=com.husqvarna.hfsmobile&hl=en>.

Certains types de ce produit sont connectés au moyen du capteur Husqvarna Fleet Services™ intégré qui dispose de la fonction Bluetooth Low Energy (BLE). Pour obtenir de plus amples renseignements sur son utilisation, se reporter à *Utilisation de la connectivité intégrée à la page 45*. Pour obtenir des renseignements sur le spectre radio de la technologie BLE, se reporter à la section *Connectivité intégrée à la page 52*. Pour les limites de conformité concernant Husqvarna Fleet Services™, se reporter à *Utilisation de la connectivité intégrée à la page 45*.

Limites de conformité

Remarque : Les modifications apportées à cet équipement non expressément approuvées par Husqvarna peuvent annuler la conformité de l'équipement aux règlements de la FCC (Commission

Présentation du produit

(Fig. 1)

1. Raccord de l'eau
2. Broche de perçage
3. Bague de serrage
4. Raccord fileté pour le raccord de l'extracteur d'eau ou de poussière
5. Raccord d'extracteur de poussière
6. Boîte d'engrenages
7. Sélecteur de vitesse
8. Poignée auxiliaire
9. Moteur
10. Couvercle d'inspection
11. Boîtier électronique
12. Niveau à bulle
13. Interrupteur
14. Poignée principale
15. DDFt

Remarque : Dans ce manuel, nous utilisons le terme DDFt disjoncteur de fuite à la terre et disjoncteur différentiel de fuite à la terre.

16. Raccord d'adaptateur
17. Clés
18. Raccord mâle Gardena® avec valve d'eau
19. Manuel d'utilisation

Symboles figurant sur le produit

(Fig. 2) **AVERTISSEMENT!** Ce produit peut être dangereux et causer des blessures très graves, ou même mortelles, à l'utilisateur et

fédérale des communications américaine) et limiter le droit de l'utilisateur à utiliser l'équipement.

Remarque : Cet appareil est conforme à l'article 15 de la réglementation FCC et à la norme RSS d'Industrie Canada pour les appareils exempts de licence.

Son utilisation est soumise aux deux conditions suivantes :

- Cet appareil ne doit pas causer d'interférences nuisibles
- Cet appareil doit accepter toute autre interférence, y compris les interférences pouvant causer un fonctionnement non désiré

Utilisation prévue

Le produit est utilisé pour forer du béton, de la roche, de l'asphalte et de la maçonnerie. Toute autre utilisation est inappropriée.

Le produit est conçu pour des opérations industrielles et destiné à des opérateurs expérimentés.

à d'autres personnes. Faire attention et utiliser le produit correctement.

(Fig. 3) Lire soigneusement le manuel d'instructions et veiller à bien comprendre les directives avant d'utiliser cette machine.

(Fig. 4) Toujours utiliser un équipement de protection personnelle homologué. Se reporter à la section *Équipement de protection personnelle à la page 43*.

(Fig. 5) **Marque environnementale.** Le produit ou son emballage n'est pas un déchet domestique. Il faut l'envoyer dans un centre de recyclage pour équipements électriques et électroniques.

Remarque : Les autres symboles et autocollants apposés sur le produit se rapportent aux exigences en matière de certification pour certains marchés.

Responsabilité concernant le produit

Comme indiqué dans les lois en vigueur sur la responsabilité concernant les produits, nous ne serons pas tenus responsables des dommages que notre produit causerait dans les situations suivantes :

- Le produit n'est pas réparé de façon adéquate.
- Le produit est réparé avec des pièces qui ne sont pas fournies ou homologuées par le fabricant.
- Le produit comprend un accessoire qui n'est pas fourni ou homologué par le fabricant.

- Le produit n'est pas réparé par un centre de service après-vente agréé ou par une autorité homologuée.

Sécurité

Définitions relatives à la sécurité

Les avertissements, recommandations et remarques soulignent des points du manuel qui revêtent une importance particulière.



AVERTISSEMENT : Indique la présence d'un risque de blessure ou de décès de l'utilisateur ou de personnes à proximité si les instructions du manuel ne sont pas suivies.



MISE EN GARDE : Indique la présence d'un risque de dommages au produit, à d'autres appareils ou à la zone adjacente si les instructions du manuel ne sont pas suivies.

Remarque : Utilisé pour donner des renseignements plus détaillés qui sont nécessaires dans une situation donnée.

Consignes générales de sécurité relatives aux outils électriques



AVERTISSEMENT : Consulter l'ensemble des avertissements relatifs à la sécurité, des instructions, des illustrations et des spécifications transmis avec cet outil électrique. Le non-respect des instructions indiquées ci-dessous peut provoquer une décharge, un incendie ou des blessures graves.

Conserver ces instructions et consignes pour consultation ultérieure. Dans les avertissements, le terme « outil électrique » fait référence à votre appareil électrique branché sur le secteur ou alimenté par batterie (sans fil).

Sécurité de l'aire de travail

- **Maintenir l'aire de travail propre et bien éclairée.** Les endroits sombres ou encombrés sont propices aux accidents.
- **Ne pas utiliser des outils électriques dans des atmosphères explosives, notamment en présence de liquides, gaz ou poussières inflammables.** Les outils électriques produisent des étincelles qui peuvent enflammer les poussières et les vapeurs.
- **Tenir les enfants et les spectateurs à distance lorsque l'outil électrique est en marche.** Un moment d'inattention pourrait vous en faire perdre le contrôle.

Sécurité électrique

- **La fiche d'un outil électrique doit être adaptée à la prise. Ne jamais modifier la fiche. Ne jamais utiliser une fiche d'adaptation avec un outil électrique mis à la terre.** Les fiches non modifiées et les prises adaptées à la fiche permettent de réduire les risques d'électrocution.
- **Éviter d'entrer en contact avec les surfaces mises à la terre (tuyaux, radiateurs, cuisinières, réfrigérateurs, etc.).** Le risque d'électrocution est plus important si le corps de l'opérateur est mis à la terre.
- **Ne pas exposer les outils électriques à la pluie ou à l'humidité.** L'infiltration d'eau dans un outil électrique augmente le risque d'électrocution.
- **Toujours manipuler le cordon avec soin. Ne jamais utiliser le cordon pour porter, tirer ou débrancher l'outil électrique. Tenir le cordon à l'écart de la chaleur, de l'huile, des bords tranchants et des pièces mobiles.** Les cordons endommagés ou emmêlés augmentent le risque d'électrocution.
- **Pour le travail à l'extérieur, utiliser une rallonge adaptée à l'usage extérieur.** L'utilisation d'une telle rallonge réduit le risque d'électrocution.
- **S'il est impossible d'éviter de faire fonctionner la machine électrique dans un endroit humide, utiliser une alimentation avec dispositif de protection par courant différentiel résiduel (RCD).** Les disjoncteurs de courant résiduel réduisent le risque d'électrocution.

Sécurité personnelle

- **Lors de l'utilisation d'un outil électrique, toujours demeurer attentif et faire preuve de bon sens. Ne pas utiliser l'outil électrique si vous êtes fatigué ou sous l'emprise de drogues, de l'alcool ou de médicaments.** Tout moment d'inattention pendant l'utilisation d'un outil électrique peut causer de graves blessures.
- **Utiliser de l'équipement de protection individuelle. Toujours porter des lunettes de protection.** En utilisant l'équipement de protection (masque antipoussière, chaussures de sécurité antidérapantes, casques, dispositif de protection pour les oreilles, etc.) qui convient aux conditions, on réduit les risques de blessure.
- **Prévenir les démarrages accidentels. Vérifier que l'interrupteur est à la position d'arrêt avant de brancher l'outil dans la prise ou le bloc d'alimentation, de le saisir ou de le transporter.** Le transport des outils électriques en maintenant le doigt sur l'interrupteur d'alimentation et le branchement d'outils alors que l'interrupteur est à la position de marche expose à des accidents.

- **Retirer toute clé ou clavette de réglage avant de mettre l'outil sous tension.** Une clé ou une clavette reliée à une pièce mobile de l'outil électrique peut causer une blessure.
- **Ne pas trop se pencher vers l'avant. Toujours se tenir bien campé et en équilibre.** Cela permet de mieux contrôler l'outil électrique lors d'un imprévu.
- **S'habiller de façon appropriée. Ne jamais porter des vêtements amples ou des bijoux. Garder les cheveux et les vêtements loin des pièces mobiles.** Les vêtements amples, bijoux et cheveux longs peuvent se prendre dans les pièces en mouvement.
- **Si des dispositifs sont fournis pour raccorder des systèmes de collecte et d'extraction de la poussière, s'assurer que ceux-ci sont utilisés et correctement branchés.** L'utilisation de dépoussiéreurs peut réduire les risques associés à la poussière.
- **Ne pas laisser la parfaite connaissance de l'outil acquise en raison de l'utilisation fréquente de ce dernier engendrer la complaisance et le non-respect des principes de sécurité relatifs à l'outil.** Une négligence peut provoquer de graves blessures en une fraction de seconde.

Utilisation et entretien des outils électriques

- **Ne pas forcer sur l'outil électrique. Utiliser l'outil électrique qui convient au travail à effectuer.** De cette façon, le résultat sera meilleur et le travail sera effectué de façon plus sécuritaire et au régime pour lequel l'outil électrique a été conçu.
- **Ne pas utiliser l'outil électrique si l'interrupteur ne permet pas la mise sous tension et l'arrêt de l'outil.** Tout outil électrique dont l'interrupteur est défectueux représente un danger et doit être réparé.
- **Débrancher la fiche de la source d'alimentation ou retirer le bloc de batteries de l'outil électrique avant de procéder aux réglages, de changer les accessoires ou de ranger l'outil.** Ces mesures de sécurité réduisent le risque de mise sous tension accidentelle.
- **Ranger les outils électriques hors de la portée des enfants et ne pas laisser des personnes qui ne connaissent pas l'outil ou les présentes consignes utiliser celui-ci.** Les outils électriques représentent un danger lorsqu'ils sont entre les mains d'utilisateurs non formés.
- **Entretenir les outils électriques et les accessoires. Vérifier l'outil à la recherche de pièces brisées, de mauvais alignement ou de blocage des pièces mobiles et de toute autre situation pouvant nuire au bon fonctionnement de l'outil. Si l'outil est endommagé, il faut le réparer avant de l'utiliser.** De nombreux accidents sont causés par des outils mal entretenus.
- **Maintenir les outils tranchants aiguisés et propres.** Les outils tranchants correctement entretenus dont les bords de coupe sont bien affûtés sont moins susceptibles de se coincer et plus faciles à contrôler.

- **Utiliser l'outil électrique, les accessoires, les forets, etc., conformément aux présentes instructions et en tenant compte des conditions de travail et de la tâche à réaliser.** L'utilisation de l'outil électrique pour des opérations autres que celles pour lesquelles il est prévu peut entraîner des dangers.
- **Garder les poignées et les surfaces de préhension sèches, propres et exemptes d'huile et de graisse.** Les poignées et les surfaces de préhension glissantes ne permettent pas de manipuler l'outil de manière sécuritaire, ni d'en conserver le contrôle lorsqu'une situation inattendue se présente.

Réparations

- **Faire entretenir votre outil électrique par un technicien qualifié et utiliser uniquement des pièces de rechange identiques aux pièces d'origine.** L'entretien adéquat de l'outil permet une utilisation plus sécuritaire.

Avertissements de sécurité relatifs au forage - pour utilisation à main levée

Consignes de sécurité pour toutes les utilisations à main levée

- **Utiliser la ou les poignée(s) auxiliaire(s).** Une perte de contrôle peut entraîner des blessures.
- **Ne pas percer à main levée à partir d'une échelle ou d'un échafaudage.**
- **Vous assurer d'avoir une position ferme.**
- **Tenir l'outil électrique uniquement par les surfaces de prise isolées lors d'utilisation où il y a un risque que l'accessoire de coupe pourrait entrer en contact avec un câble dissimulé ou avec le cordon d'alimentation de l'outil.** Si l'accessoire de coupe entre en contact avec un câble sous tension, les parties métalliques non isolées de l'outil pourraient agir comme conducteur et électrocuter l'utilisateur.

Consignes de sécurité pour l'utilisation de forets longs

- **Ne jamais travailler à une vitesse supérieure à la vitesse nominale maximale du foret.** S'il tourne à des vitesses plus élevées sans toucher à la pièce à usiner, le foret risque de se plier, ce qui peut entraîner des blessures.
- **Toujours commencer le perçage à basse vitesse avec la pointe de l'embout en contact avec la pièce à usiner.** À des vitesses plus élevées, si l'embout peut tourner librement sans entrer en contact avec la pièce, il risque de se plier, ce qui peut entraîner des blessures.
- **Uniquement appliquer une pression en ligne directe avec l'embout et ne pas appliquer une pression excessive.** Les embouts peuvent se plier et provoquer une rupture ou une perte de contrôle, ce qui peut entraîner des blessures.

Avertissements de sécurité relatifs au perçage au diamant

- **Lors de travaux de forage nécessitant l'utilisation d'eau, éloigner l'eau de la zone de travail de l'opérateur ou utiliser un dispositif de récupération des liquides.** Ces mesures de précaution permettent de maintenir la zone de travail de l'opérateur sèche et de réduire le risque d'électrocution.
- **Tenir l'outil électrique par les surfaces de préhension isolées, lors de l'exécution d'une opération où l'accessoire de coupe risque d'entrer en contact avec un câblage caché ou son propre cordon.** Si l'accessoire de coupe entre en contact avec un câble sous tension, les parties métalliques non isolées de l'outil électrique pourraient agir comme conducteur et électrocuter l'utilisateur.
- **Porter une protection auditive lors du forage au diamant.** L'exposition au bruit peut provoquer une perte d'audition.
- **Lorsque le foret est bloqué, arrêter d'exercer une pression vers le bas et éteindre l'outil.** Vérifier et prendre des mesures correctives pour éliminer la cause du blocage du foret.
- **Lors du redémarrage d'un foret diamanté dans la pièce à usiner, vérifier que le foret tourne librement avant de démarrer.** Si le foret est coincé, il risque de ne pas démarrer, de surcharger l'outil ou de provoquer le dégagement de la perceuse au diamant de la pièce.
- **Lors du perçage de murs, s'assurer de protéger les personnes et la zone de travail de l'autre côté.** Le foret peut traverser le trou ou le noyau peut tomber de l'autre côté.

Consignes générales de sécurité



AVERTISSEMENT : Lire les messages d'avertissement qui suivent avant d'utiliser l'outil.

- Ce produit est un outil dangereux s'il est utilisé de façon insouciant ou inappropriée. Cet outil peut causer des blessures graves, ou même mortelles, à l'utilisateur et à d'autres personnes. Il est obligatoire de lire et de comprendre le contenu de ce manuel d'utilisation avant d'utiliser l'outil.
- Conserver tous les avertissements et toutes les instructions.
- Se conformer à toutes les lois et réglementations en vigueur.
- L'utilisateur et l'employeur de l'utilisateur doivent connaître et prévenir les risques liés à l'utilisation du produit.
- Ne pas laisser une personne utiliser le produit à moins qu'elle a lu et compris le contenu de ce manuel d'utilisation.
- Ne pas faire fonctionner le produit sans avoir reçu une formation relative à son fonctionnement.

S'assurer que tous les utilisateurs reçoivent une formation.

- Ne pas laisser un enfant utiliser l'outil.
- Seules les personnes autorisées peuvent utiliser le produit.
- L'utilisateur est responsable des accidents survenus à d'autres personnes ou à leurs biens.
- Ne pas utiliser le produit en cas de fatigue ou sous l'emprise de l'alcool, de drogues ou de médicaments.
- Toujours rester prudent et faire preuve de bon sens.
- Ce produit génère un champ électromagnétique pendant le fonctionnement. Ce champ magnétique peut, dans certains cas, nuire aux implants médicaux actifs ou passifs. Pour réduire le risque de blessures graves ou mortelles, il est recommandé aux personnes ayant des implants médicaux de consulter leur médecin et le fabricant de l'implant médical avant d'utiliser le produit.
- Toujours garder le produit propre. S'assurer de pouvoir lire clairement les signes et les autocollants.
- Ne pas utiliser le produit s'il est défectueux.
- Ne pas modifier ce produit.
- Ne pas utiliser le produit s'il est possible que d'autres personnes aient apporté des modifications à celui-ci.

Toujours faire preuve de bon sens.



AVERTISSEMENT : Il ne faut en aucun cas modifier la conception originale du produit sans l'approbation du fabricant. Toujours utiliser des pièces de rechange d'origine. Les modifications et/ou les accessoires non autorisés peuvent entraîner des blessures graves ou la mort de l'utilisateur ou d'autres personnes.



AVERTISSEMENT : Les outils servant à poncer ou former des matériaux (couteaux, meules, perceuses, etc.) peuvent produire de la poussière et des vapeurs contenant des produits chimiques dangereux. Vérifier le type de matériau avec lequel vous devez travailler et utiliser un masque filtrant approprié.

Il n'est pas possible de couvrir toutes les situations imaginables auxquelles vous pourriez faire face lors de l'utilisation du produit. Toujours faire preuve d'attention et de bon sens. Éviter toutes les situations qui vous semblent difficiles. En cas d'incertitude au sujet des procédures d'utilisation après avoir lu ces instructions, consulter un expert avant de continuer.

N'hésitez pas à communiquer avec votre concessionnaire Husqvarna si vous avez des questions supplémentaires sur l'utilisation du produit. Nous sommes à votre disposition et nous vous fournirons des

conseils et de l'aide sur l'utilisation efficace et sécuritaire de votre produit.

Demander au concessionnaire Husqvarna de vérifier le produit régulièrement et d'effectuer les ajustements et les réparations essentiels.

Husqvarna Construction Products a mis en place une politique de perfectionnement continu des produits. Husqvarna se réserve le droit de modifier la conception et l'apparence des produits sans préavis et sans obligation supplémentaire d'apporter des modifications à la conception.

Tous les renseignements et toutes les données contenus dans le manuel d'utilisation étaient pertinents au moment où celui-ci a été envoyé à l'impression.

Consignes de sécurité pour l'utilisation



AVERTISSEMENT : Lire les messages d'avertissement qui suivent avant d'utiliser l'appareil.

- Ne pas utiliser l'outil s'il n'est pas possible d'obtenir de l'aide en cas d'accident.
- Ne pas utiliser l'outil par mauvais temps (brouillard, pluie, vents violents, froid intense autres conditions semblables). Les conditions de travail peuvent devenir dangereuses (par ex. surfaces glissantes) à cause des intempéries.
- Rester à l'affût des personnes, des objets et des situations susceptibles d'entraver l'utilisation sécuritaire du produit.
- S'assurer de toujours être en mesure d'arrêter rapidement le moteur en cas d'urgence.
- S'assurer qu'aucun tuyau ou câble électrique ne se trouve dans la zone où le trou sera percé.
- Si le produit ne fonctionne pas correctement, arrêter le moteur.
- S'assurer d'être dans une position stable et sécuritaire au cours du travail.
- Se tenir à l'écart du foret quand le moteur tourne.
- Toujours débrancher le cordon d'alimentation avant de s'éloigner du produit.
- Garder toutes les pièces en bon état d'utilisation et s'assurer que toutes les fixations sont correctement serrées.
- Si le produit se met à vibrer ou si son niveau sonore est anormalement élevé, arrêter immédiatement le produit. Examiner le produit pour détecter d'éventuels dommages. Réparer les dommages ou laisser un atelier spécialisé faire la réparation.
- Toujours utiliser des accessoires approuvés. Pour obtenir de plus amples renseignements, communiquer avec votre concessionnaire.

Équipement de protection personnelle



AVERTISSEMENT : Lire les messages d'avertissement qui suivent avant d'utiliser l'appareil.

- Toujours utiliser un équipement de protection personnelle lors de l'utilisation du produit. L'équipement de protection personnelle ne supprime pas le risque de blessures. L'équipement de protection personnelle réduit la gravité des blessures en cas d'accident. Laisser le distributeur vous aider à sélectionner l'équipement adéquat.
- Utiliser un dispositif de protection homologué pour les yeux pendant l'utilisation du produit.
- Ne pas utiliser des vêtements lâches, lourds ou non adéquats. Utiliser des vêtements qui permettent de se déplacer librement.
- Utiliser des gants de protection homologués qui offrent une prise solide.
- Porter des gants de protection en caoutchouc afin d'éviter toute irritation de la peau causée par le béton humide.
- Utiliser un casque de protection approuvé.
- Toujours porter un dispositif de protection homologué pour les oreilles lorsqu'on utilise le produit. Le fait d'entendre du bruit pendant une longue période peut engendrer une perte auditive.
- Le produit génère de la poussière et des fumées qui contiennent des produits chimiques dangereux. Utiliser une protection respiratoire adéquate.
- Utiliser des bottes à embout en acier et semelles antidérapantes.
- Vérifier qu'on dispose d'une trousse de premiers soins à proximité.
- Des étincelles peuvent se produire pendant l'utilisation du produit. S'assurer d'avoir un extincteur à proximité.

Dispositifs de sécurité sur l'outil



AVERTISSEMENT : Lire les messages d'avertissement qui suivent avant d'utiliser l'outil.

- Ne jamais utiliser un produit dont l'équipement de sécurité est défectueux! Si une inspection du produit détecte une panne, communiquer avec un agent d'entretien pour réparation.
- Ne pas utiliser le produit si les plaques et les couvercles de protection, les interrupteurs de sécurité ou d'autres dispositifs de protection ne sont pas fixés ou sont défectueux.

Protection contre la surcharge du moteur, Elgard™

La protection contre la surcharge du moteur s'active si le moteur est trop chargé ou si le foret ne peut pas se déplacer librement.

La protection contre la surcharge du moteur provoque une diminution et une augmentation de l'alimentation du moteur par intervalles courts pendant quelques secondes. Ensuite, si la force exercée n'est pas réduite, le moteur s'arrête. Se reporter à la section *Réinitialisation de la protection contre la surcharge du moteur à la page 46*.

DDFT



AVERTISSEMENT : Sans objet sur les modèles 110 V vendus au Royaume-Uni et en Irlande. Royaume-Uni et Irlande : Ne pas utiliser le type 110 V du produit sans transformateur d'isolation, consulter les normes EN/IEC 61558-1 et EN/IEC 61558-2-23. Le transformateur d'isolation doit être doté d'un fil de mise à la terre du côté de l'enroulement secondaire.



AVERTISSEMENT : Ne pas plonger le DDFT dans l'eau.



AVERTISSEMENT : Avant d'utiliser le produit, toujours vérifier le PRCD. Se reporter à la section *Vérification du DDFT à la page 44*.

Le cordon d'alimentation du produit est doté d'un DDFT. Le DDFT est une protection qui s'enclenche en cas de défaut électrique. Pour obtenir des renseignements sur l'enclenchement du DDFT, se reporter à *Données techniques à la page 51*.

Le voyant rouge indique que le DDFT est activé et que le produit peut être démarré. Si le voyant rouge est éteint, appuyer sur le bouton RESET (réinitialisation).

(Fig. 6)

Vérification du DDFT



AVERTISSEMENT : Sans objet sur les modèles 110 V vendus au Royaume-Uni et en Irlande. Se reporter à la section *DDFT à la page 44*.



AVERTISSEMENT : Le DDFT doit faire l'objet d'une vérification dès que la fiche d'alimentation est branchée à la source d'alimentation.



AVERTISSEMENT : Si le DDFT doit être réparé, toujours communiquer avec un atelier spécialisé Husqvarna agréé.

1. Brancher la fiche d'alimentation à la source d'alimentation.

2. Appuyer sur le bouton « RESET » (réinitialisation). L'indicateur au-dessus du bouton est rouge lorsque la source d'alimentation est branchée.
3. Démarrer le produit, voir section *Mise sous tension de l'appareil à la page 46*.
4. Appuyer sur le bouton « TEST » (essai). Si le produit s'arrête, le DDFT fonctionne correctement. (Fig. 7)

Interrupteur

L'interrupteur sert à démarrer et à arrêter le produit.

(Fig. 8)

Examen de l'interrupteur

1. Brancher la fiche d'alimentation à la source d'alimentation.
2. Appuyer sur l'interrupteur pour démarrer le produit. (Fig. 9)
3. Relâcher l'interrupteur pour arrêter le produit. (Fig. 10)

Embrayage à friction

L'embrayage à friction est intégré à la boîte de vitesses du produit. Il évite d'endommager le produit si le foret s'arrête pendant le fonctionnement. Si la charge est trop élevée, l'embrayage à friction est relâché et arrête la tige de forage, mais le moteur continue de tourner pendant quelques secondes. L'embrayage à friction s'engage à nouveau si la charge diminue, et l'utilisation peut se poursuivre. Si le foret est coincé dans le matériau et s'arrête complètement, l'embrayage à friction arrête immédiatement le moteur.



MISE EN GARDE : S'assurer que le temps de relâchement de l'embrayage n'est pas supérieur à 3 ou 4 secondes; autrement, la chaleur augmente rapidement.

Consignes de sécurité pour la maintenance



AVERTISSEMENT : Les mesures d'inspection et de maintenance doivent être effectuées alors que le moteur est à l'arrêt et que la prise électrique est débranchée.

- Entretenir les outils électriques et les accessoires. Vérifier l'outil pour y déceler des pièces brisées, un mauvais alignement ou le grippage de pièces mobiles et toute autre situation pouvant nuire au bon fonctionnement de l'appareil. Si l'outil est endommagé, il faut le réparer avant de l'utiliser. De nombreux accidents sont causés par des outils mal entretenus.
- Maintenir les outils tranchants aiguisés et propres. Les outils tranchants correctement entretenus dont les bords de coupe sont bien affûtés sont moins susceptibles de se coincer et plus faciles à contrôler.

- Faire entretenir votre outil électrique par un technicien qualifié et utiliser uniquement des pièces de rechange identiques aux pièces d'origine.

L'entretien adéquat de l'outil permet une utilisation plus sécuritaire.

Fonctionnement

Avant d'utiliser le produit

1. Lire attentivement le manuel d'utilisation et veiller à bien comprendre les directives.
2. Effectuer l'entretien quotidien. Se reporter à la section *Calendrier d'entretien à la page 47*.
3. S'assurer que la tension et le courant nominal dans la prise d'alimentation est identique à ceux du produit.
4. Vérifier que le DDFT est engagé. Se reporter aux sections *DDFT à la page 44* et *Vérification du DDFT à la page 44*.
5. S'assurer que la zone de travail est propre et bien éclairée.
6. Utiliser de l'équipement de protection individuelle. Se reporter à la section *Équipement de protection personnelle à la page 43*.
7. S'assurer que le produit est installé correctement. Le foret doit être correctement fixé.
8. La poignée auxiliaire doit être fixée et complètement serrée. Se reporter à la section *Pour utiliser la poignée auxiliaire à la page 45*.
9. Lors d'une utilisation à sec du produit, utiliser un extracteur de poussière. Se reporter à la section *Pour préparer le produit à des fins de forage à sec à la page 45*.
10. Lors d'une utilisation à l'eau du produit, vous assurer que le circuit d'eau n'est pas endommagé et utiliser le raccord d'eau. Se reporter à la section *Pour préparer le produit à des fins de forage à l'eau à la page 45*.

Utilisation de la connectivité intégrée

Remarque : Cette partie concerne uniquement les produits fournis avec une connectivité intégrée.

Remarque : La transmission radio par la fonction Bluetooth® est activée lors de la première connexion à la source d'alimentation et reste activée par la suite.

1. Télécharger l'application Husqvarna Fleet Services pour iOS ou Android Husqvarna Fleet Services.
2. Visiter le site Web Husqvarna Fleet Services <https://fleetservices.husqvarna.com> pour obtenir de plus amples renseignements.

Pour utiliser le produit à main levée

1. Lors d'un perçage à main levée, toujours utiliser un foret d'un diamètre maximal de 80 mm. Plus le foret

est large, plus la réaction est forte si le foret se bloque.

2. Fermelement bloquer la poignée auxiliaire en place avant de percer. Se reporter à la section *Pour utiliser la poignée auxiliaire à la page 45*. (Fig. 11)
3. Ne pas percer depuis une échelle. Le perçage dans ces situations est très risqué, car si le foret se bloque, le risque de chute est très élevé. (Fig. 12)

Pour utiliser la poignée auxiliaire

(Fig. 13)

1. Tourner la poignée dans le sens contraire des aiguilles d'une montre pour la libérer.
2. Déplacer la poignée autour de l'arbre de fusée jusqu'à la position de fonctionnement appropriée.
3. Tourner la poignée dans le sens des aiguilles d'une montre pour la bloquer. Le serrer complètement.

Pour préparer le produit à des fins de forage à sec



AVERTISSEMENT : Le perçage crée de la poussière, ce qui peut provoquer des blessures en cas d'inhalation. Utiliser une protection respiratoire approuvée.



AVERTISSEMENT : Ne pas utiliser d'aspirateur domestique. Utiliser uniquement des extracteurs de poussière conçus pour la poussière dangereuse. De reporter à *Extracteur de poussière à la page 52* pour connaître les propriétés minimales.

1. Fixer le raccord d'extracteur de poussière sur le raccord fileté du produit.
2. Fixer l'extracteur de poussière au raccord de l'extracteur de poussière. (Fig. 14)
3. Démarrer l'extracteur de poussière.

Pour préparer le produit à des fins de forage à l'eau



MISE EN GARDE : S'assurer que la pression d'eau maximale n'est pas trop élevée. Se reporter à la section *Données techniques à la page 51*.



MISE EN GARDE : Utiliser uniquement de l'eau propre pour éviter que de la saleté provoque un blocage dans le circuit d'eau.



MISE EN GARDE : Utiliser uniquement un raccord d'alimentation en eau approuvé. Pour obtenir de plus amples renseignements, communiquer avec votre concessionnaire.

1. Fixer le connecteur d'eau au raccord fileté du produit. (Fig. 15)
2. Brancher le raccord mâle Gardena® avec la vanne d'eau sur le connecteur d'eau.
3. Ouvrir le circuit d'eau. Régler la pression d'eau pour retirer tous les déchets du trou de forage.

Pour diminuer la température du moteur

- Faites fonctionner le produit sans charge pendant deux minutes pour diminuer la température du moteur.

Changement de vitesse



MISE EN GARDE : Ne changer de vitesse que lorsque le moteur diminue ou s'arrête. Ne pas exercer de force pour changer de vitesse.

- S'assurer de toujours utiliser la vitesse applicable pour le diamètre du foret. Se reporter à la plaque signalétique sur le produit ou à *Données techniques à la page 51*.
- Tourner le sélecteur de vitesse pour changer de vitesse. (Fig. 16)

Mise sous tension de l'appareil



AVERTISSEMENT : S'assurer que le foret tourne librement. Il commence à tourner lorsque le moteur démarre.



AVERTISSEMENT : Si c'est la première fois de la journée que le produit est démarré, s'assurer de vérifier le DDFT. Se reporter à la section *Vérification du DDFT à la page 44*.

1. Appuyer sur le bouton « RESET » (réinitialisation) sur le DDFT. (Fig. 17)
2. Pour régler la vitesse de fonctionnement, tourner la tige de forage et déplacer simultanément le sélecteur de vitesse. Régler le sélecteur de vitesse à la position correcte pour l'utilisation prévue. (Fig. 18)
3. S'assurer que le circuit d'eau est connecté, ouvert et allumé (forage à l'eau) ou que l'extracteur de poussière est connecté et allumé (forage à sec). (Fig. 19)
4. Appuyer sur l'interrupteur d'alimentation et le maintenir enfoncé. (Fig. 20)

Utilisation du produit



AVERTISSEMENT : Si le DDFT s'engage, retirer le foret du trou avant d'appuyer sur « RESET » (réinitialisation).



AVERTISSEMENT : Des accidents dangereux peuvent survenir si le noyau de béton reste coincé dans le foret lorsqu'on retire celui-ci du trou.



MISE EN GARDE : S'assurer qu'aucun objet ne touche le foret.



MISE EN GARDE : Ne pas utiliser plus de force que nécessaire. Cela ralentit le fonctionnement et provoque une surcharge du moteur.

1. Démarrer le moteur. Se reporter à la section *Mise sous tension de l'appareil à la page 46*.
2. Laisser la vitesse du moteur augmenter jusqu'à la vitesse maximale avant que le foret ne touche à la surface.
3. En cas de forage dans une armature de fer, utiliser une pression initiale plus élevée et une vitesse inférieure par rapport à un forage sans armature de fer.
4. Exercer une très faible pression au départ afin de maintenir le foret dans la position correcte.
5. Lors du perçage à l'eau, s'assurer que l'eau élimine tous les déchets du trou de perçage. Au besoin, régler la pression d'eau.
6. Lors du perçage à sec, s'assurer que l'extracteur de poussière élimine toute la poussière.
7. Couper le moteur. Se reporter à la section *Arrêt de la machine à la page 46*.

Arrêt de la machine



AVERTISSEMENT : Le foret continue de tourner pendant un moment après l'arrêt du moteur. Ne pas arrêter le foret avec les mains. Des blessures peuvent survenir.

1. Pour arrêter le produit, relâcher l'interrupteur. (Fig. 21)
2. Attendre que le foret s'arrête complètement.

Réinitialisation de la protection contre la surcharge du moteur

1. Éteindre le produit. Se reporter à la section *Arrêt de la machine à la page 46*.
2. Débloquer le foret.

3. Démarrer l'outil. Se reporter à la section *Mise sous tension de l'appareil à la page 46.*

renseignements, communiquer avec son détaillant Husqvarna.

Remplacement du foret



AVERTISSEMENT : Débrancher la fiche de la prise d'alimentation avant de remplacer le foret.



AVERTISSEMENT : Porter des gants de protection. Laisser le produit refroidir avant de retirer le foret. Le foret et la zone adjacente sont très chauds après l'utilisation.



AVERTISSEMENT : Utiliser uniquement des forets diamantés approuvés pour le produit. Pour obtenir de plus amples

1. S'assurer d'avoir un foret neuf, la clé fournie et de la graisse imperméable.
2. Bloquer l'arbre de tige à l'aide de la clé.
3. Faire tourner le foret dans le sens des aiguilles d'une montre pour le retirer. (Fig. 22)



MISE EN GARDE : Ne pas frapper le produit pour retirer le foret. La boîte de vitesses risque d'être endommagée.

4. Lubrifier les filets de l'arbre de tige avec de la graisse imperméable.
5. Faire tourner le foret dans le sens inverse des aiguilles d'une montre pour l'installer. Le serrer complètement. (Fig. 23)

Entretien

Introduction



AVERTISSEMENT : Lire et comprendre le chapitre sur la sécurité avant de faire l'entretien du produit.



AVERTISSEMENT : Pour éviter tout risque de blessure, débrancher le cordon


d'alimentation avant de procéder à l'entretien.

Calendrier d'entretien

* = Entretien général effectué par l'opérateur. Les instructions ne sont pas décrites dans ce manuel de l'opérateur.

X = Les indications sont décrites dans ce manuel de l'opérateur.

O = Communiquer avec un atelier spécialisé Husqvarna.

Entretien	Avant chaque usage	Après chaque usage	Quotidien	Après les 100 premières heures	Après 300 heures
S'assurer que les pièces mobiles fonctionnent correctement et qu'elles se déplacent librement.	*				
S'assurer que l'outil de coupe est affûté et propre.	*				
S'assurer que le DDFT fonctionne correctement.					
 AVERTISSEMENT : Sans objet sur les modèles 100-120 V vendus au Royaume-Uni et en Irlande. Se reporter à la section <i>DDFT à la page 44.</i>	X				
Examiner le cordon d'alimentation, les autres câbles et la fiche d'alimentation pour y déceler des dommages.	*	*			
S'assurer que les poignées et les surfaces de prise sont propres et sèches, sans traces d'huile ni de graisse.	*	*			
S'assurer que le produit est propre	X	X			

Entretien	Avant chaque usage	Après chaque usage	Quotidien	Après les 100 premières heures	Après 300 heures
Examiner les joints d'étanchéité d'arbre pour déceler des dommages ou des fuites d'eau.		X			
S'assurer que les vis et écrous sont bien serrés.			*		
S'assurer que l'interrupteur fonctionne correctement.			X		
Vidanger l'huile pour engrenages.				O	
Vérifier les balais de carbone pour détecter des dommages.					X

Nettoyage du produit



MISE EN GARDE : S'assurer que l'eau ne pénètre pas dans le moteur ou la boîte de vitesses.



MISE EN GARDE : Ne pas utiliser d'eau courante pour nettoyer le produit.

- Utiliser un chiffon sec ou humide pour nettoyer le produit.
- Enlever l'obstruction de toutes les ouvertures. L'obstruction de l'admission d'air réduit les performances du produit et peut entraîner la surchauffe du moteur.
- Nettoyer et lubrifier les filets de l'arbre de tige.

Entretien du foret diamanté

- S'assurer que les segments en diamant sont bien affûtés. Affûter les segments en diamant émoussés avec une pierre à affûter SiC.
- S'assurer que le foret ne vibre pas. Si le foret vibre, les segments en diamant peuvent se desserrer.
- S'assurer que les segments en diamant sont suffisamment plus grands que le diamètre intérieur et extérieur du tube de foret.
- Lubrifier les filets du foret avec de la graisse résistante à l'eau. Cela facilite le desserrage de l'outil.
- S'assurer que le voile radial au niveau des segments en diamant du foret n'est pas supérieur à 1 mm.

Vidange de l'huile pour engrenages



MISE EN GARDE : En cas de fuite d'huile pour engrenages, arrêter le produit et communiquer avec un centre d'entretien agréé. L'engrenage s'endommage si le niveau d'huile pour engrenages n'est pas suffisant.

- Laisser un centre de service Husqvarna agréé remplacer l'huile pour engrenages.

Vérification du raccord d'eau



MISE EN GARDE : En cas de fuite d'eau au niveau de la bague de raccordement d'eau, les joints d'étanchéité d'arbre doivent être remplacés immédiatement.

- Laisser un centre de service Husqvarna agréé réparer le raccord d'eau.

Vérification des balais de carbone

1. Desserrer la vis et retirer le couvercle d'inspection. (Fig. 24)
2. Soulever le ressort de retenue de balai d'un côté (A).
3. Desserrer la vis (B).
4. Retirer le connecteur du balai de carbone.
5. Retirer le balai de carbone du support (C).
6. Nettoyer le porte-balais à l'air comprimé ou à l'aide d'une brosse. Remplacer le balai s'il est usé.
7. Installer les nouveaux balais de carbone et, en même temps, vérifier s'ils glissent facilement dans leurs supports.
8. Remettre en place le ressort du porte-balais.
9. Insérer le connecteur du balai en carbone sous la vis.
10. Répéter la procédure avec l'autre balai de carbone.
11. Remettre en place le couvercle d'inspection et serrer la vis. Laisser le produit tourner au ralenti pendant 10 minutes pour faire fonctionner les nouveaux balais de carbone.
12. Retirer la vis qui retient le couvercle des balais de carbone. Utiliser un tournevis plat large.
13. Examiner les balais de carbone. La surface d'usure doit être lisse et non endommagée.
14. Si nécessaire, laisser un centre de service Husqvarna agréé remplacer les balais de carbone.

Dépannage

Annexe sur le dépannage

Si une solution à des problèmes est introuvable dans ce manuel d'utilisation, communiquer avec l'agent d'entretien Husqvarna.

Problème	Étapes à suivre immédiatement	Cause possible	Solution
Le produit ne démarre pas lorsque l'interrupteur est appuyé.	Relâcher l'interrupteur.	Si un voyant rouge s'allume sur le DDFT, le courant est coupé.	Appuyer sur le bouton « RESET » (réinitialisation) sur le DDFT. Si le DDFT coupe à nouveau le courant, communiquer avec un centre de service Husqvarna agréé.
Le produit s'arrête.		Il y a un défaut au niveau de la source de courant. Le courant est coupé par la fonction Elgard™ ..	Vérifier la source de courant.
		Le foret est bloqué. Le courant est coupé par la fonction Elgard™ ..	Tourner le foret à droite et à gauche à l'aide d'une clé. Retirer avec précaution le produit du trou de perçage.
		Une charge trop élevée provoque une surcharge du moteur. Le courant est coupé par la fonction Elgard™ ..	S'assurer que le foret peut être facilement tourné dans le trou de perçage.
		Si un voyant rouge s'allume sur le DDFT, le courant est coupé.	Appuyer sur le bouton « RESET » (réinitialisation) sur le DDFT. Si le DDFT coupe à nouveau le courant, communiquer avec un centre de service Husqvarna agréé.
Le produit ne pénètre plus dans la surface, sa vitesse diminue et il s'arrête.		Les segments en diamant sont émoussés.	Affûter les segments en diamant à l'aide d'une pierre à affûter SIC.
Des résidus indésirables s'accumulent autour du trou pendant le fonctionnement.		La pression d'eau est trop faible.	Augmenter la pression d'eau. Se reporter à la section <i>Données techniques à la page 51</i> .
Les segments en diamant du foret se décollent.		Il y a beaucoup de vibrations dans le produit pendant l'utilisation.	Utiliser une charge adéquate pendant l'utilisation du produit.
Il y a une fuite d'huile pour engrenages.		Les joints d'étanchéité sont usés et doivent être remplacés.	Communiquer avec un centre de service Husqvarna agréé.
Il y a une fuite d'eau par l'orifice de la bague de raccordement d'eau.		Les joints d'étanchéité d'arbre sont défectueux.	Communiquer avec un centre de service Husqvarna agréé. Toujours veiller à utiliser de l'eau propre.

Problème	Étapes à suivre immédiatement	Cause possible	Solution
Le produit ne fonctionne pas en douceur.	Réduire la force.	Une charge trop élevée provoque une surcharge du moteur.	Exercer une force moindre lors du perçage.

Transport et entreposage

- Débrancher la fiche de la source d'alimentation avant de transporter ou de stocker le produit.
- Retirer le foret avant de transporter ou d'entreposer le produit. Cela permet d'éviter d'endommager le produit et les forets.
- Garder le produit dans un endroit verrouillé hors de portée des enfants et des personnes non autorisées.
- Remiser le produit dans un endroit sec et à l'abri du gel.
- Immobiliser le produit en sécurité pendant le transport pour éviter tout dommage ou accident.

Données techniques

Caractéristiques techniques

Moteur		
Moteur électrique	Monophasé	
Tension nominale, V	100-120, 110, 220-240	
Puissance nominale, W	2000	
Puissance nominale, W	1340	
Fréquence nominale, Hz	50-60	
Intensité nominale, A		
100-120V (É.-U., Japon)	15	
220-240V	9,3	
Courant du DDFT, mA		
100-120V (É.-U., Japon)	6	
220-240V	10	
Foret		
Diamètre de foret max. dans le béton, mm/po.	80/3,1	
Diamètre de foret min. dans le béton, mm/po.	30/1,2	
Poids, kg/lb	6,7/14,8	
Refroidissement à l'eau		
Raccord d'eau	Gardena	
Pression d'eau maximale, en bars	3	
Raccordement de l'outil		
Tige filetée, Japon/SE/Reste du monde	Tige A/CRI 28/1 1/4 po G 1/2 po	
Données de fonctionnement		
Engrenage	1	2
Vitesse de la tige, ralenti, pleine charge, régime.	800	1700
Vitesse de la tige, ralenti, sans charge, régime.	1250	2600
Diamètre de foret dans le béton, mm/po.	50-80/2,4-3,1	30-60/1,2-2,4
Volume d'eau recommandé, l/min	1,7-2,4	1,1-1,6

Données sur les émissions sonores

Émissions sonores

Niveau de pression acoustique, dB (A) ⁹	89
Niveau de puissance acoustique, L _{WA} dB (A) ¹⁰	100

Niveaux de vibrations

Niveaux de vibration lors du perçage du béton, a_{h,DD} ¹¹	
Poignée principale, m/s ²	4,1
Poignée auxiliaire, m/s ²	2,6

Connectivité intégrée

Remarque : Cette partie concerne uniquement les produits fournis avec une connectivité intégrée.

Spectre radio de la technologie BLE	
Bandes de fréquences de l'outil, GHz	2,402-2,480
Émission maximale de radiofréquence, dBm/mW	4/2,5

Accessoires

Extracteur de poussière

Extracteur de poussière recommandé ¹²	
Débit d'air min., m ³ /h / pi ³ /min	400/236
Aspiration min., kPa / lb/po ²	22/3,6
Élévation min. d'eau, m/po.	2,3/90
Outil de l'extracteur de poussière, mm/po	50/2

⁹ Émissions sonores dans l'environnement mesurées en tant que pression acoustique conforme à la directive UL 62841-2-1. Incertitude de mesure prévue : 5 dB(A).

¹⁰ Émissions sonores dans l'environnement mesurées en tant que puissance acoustique conforme à la directive UL 62841-2-1. Incertitude de mesure prévue : 5 dB(A).

¹¹ Niveau de vibration selon UL 62841-2-1. Les données signalées pour le niveau de vibration présentent une dispersion statistique type (écart standard) de 1,5 m/s².

¹² Les caractéristiques techniques des extracteurs de poussière ne décrivent pas de manière concluante les performances réelles au fil du temps entre les différents extracteurs de poussière. Pour les produits Husqvarna, les données objectives sont disponibles sur le site www.husqvarnacp.com

Service

Centre de service agréé

Pour trouver le centre de service approuvé Husqvarna Construction Products le plus près, consulter le site Web www.husqvarnacp.com.

Marques déposées

La marque et les logos *Bluetooth®* sont des marques déposées appartenant à *Bluetooth SIG, inc.* et tout usage de ces marques par Husqvarna est soumise à licence.



www.husqvarnacp.com

Original instructions
Instrucciones originales
Instructions d'origine

1141538-49



2020-10-14 rev2