

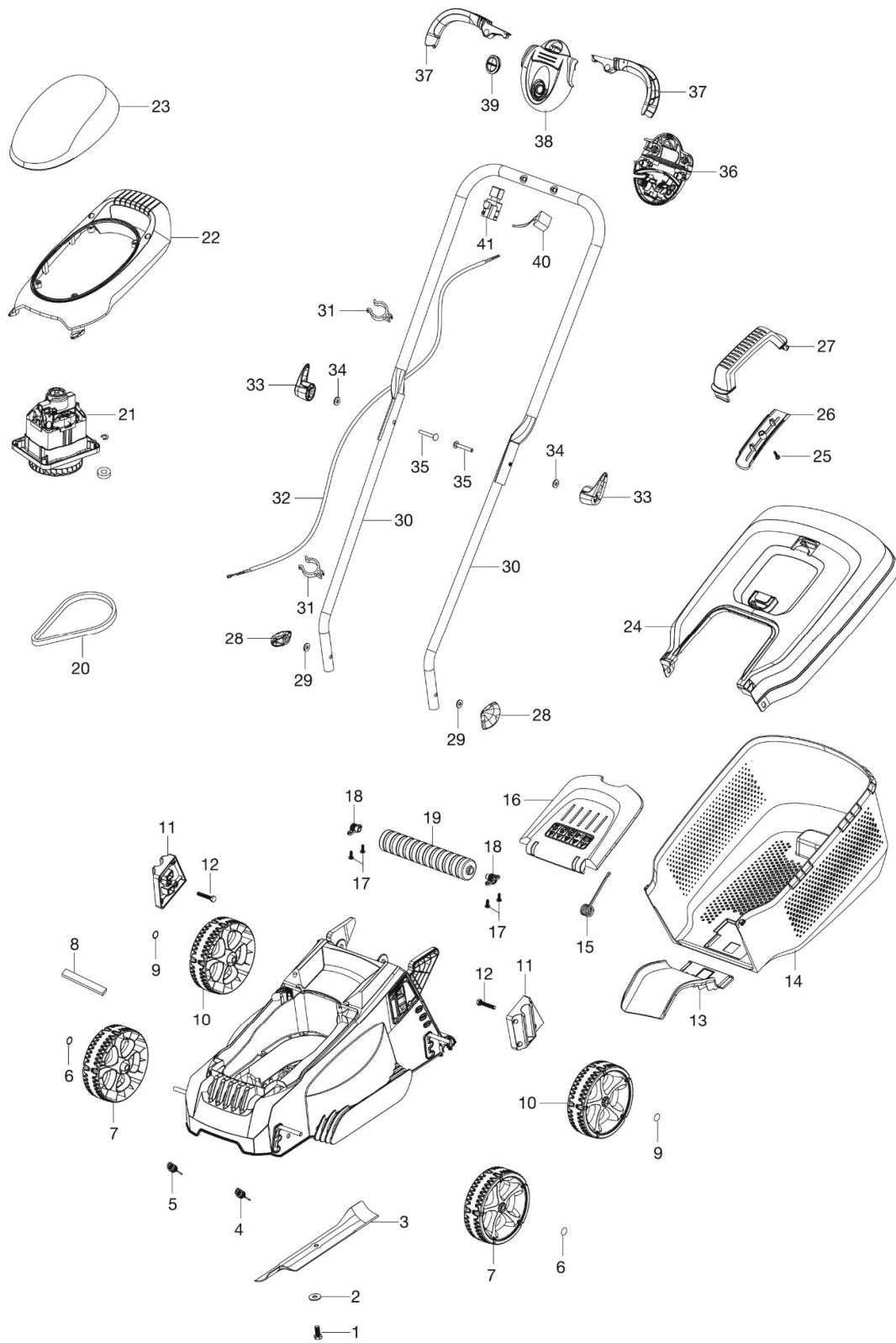


SPARE PARTS LIST

LAWN MOWERS; ELECTRIC
EASIMOW 300R, 967987001,
2020-06

PRODUCT COMPLETE

EasiMow 300R 967987001 2020-06



PRODUCT COMPLETE

EASIMOW 300R 967987001 2020-06

| Ref | Part No | Description | Remark | QTY KIT |
|---------|--------------|------------------------------|--------|---------|
| 1, 2 | 599 83 59-01 | Blade Bolt | | 1 |
| 3 | 599 13 43-90 | Blade (FLY085) | | 1 |
| 4, 5 | 599 91 63-01 | Axle Spring | | 1 |
| 6, 9 | 599 89 19-01 | Starlock Washer Domed black | | 4 |
| 7, 10 | 577 17 79-01 | 140mm Wheel Kit | Incl 6 | 1 |
| 8 | 599 83 50-01 | Air Filter | | 1 |
| 11, 12 | 599 85 19-01 | Lower Handle Bracket | | 2 |
| 13 | 599 79 58-01 | Grass Box Tongue | | 1 |
| 14, 24 | 599 79 67-01 | Grass Box Upper & Lower | | 1 |
| 15, 16 | 599 83 55-01 | Grass Flap Assy | | 1 |
| 17 - 19 | 599 83 61-01 | Roller Assy | | 1 |
| 20 | 599 83 46-01 | Belt | | 1 |
| 25 - 27 | 599 79 69-01 | Grass BoxHandle | | 1 |
| 28 - 30 | 599 83 54-01 | Fixing Kit Wingknob Grey | | 1 |
| 32 | 599 85 20-01 | Power Cable | | 1 |
| 33 - 35 | 599 83 63-01 | Fixing Kit Cable Hook Grey | | 1 |
| 36 | 510 77 05-00 | Switchbox Lower | | 1 |
| 37 | 599 83 64-01 | Switchbox Triggers Grey | | 2 |
| 38 | 511 94 56-68 | Switchbox Upper | | 1 |
| 39 | 599 83 65-01 | Switchbox Start Button Grey | | 1 |
| 40 | 513 12 16-00 | Capacitor | | 1 |
| 41 | 522 72 09-02 | Switch | | 1 |
| - | 577 29 83-01 | Switchbox Screws (6) | | 6 |
| - | 512 80 31-05 | 15m Mains Cable with UK plug | | 1 |
| - | 599 83 60-01 | Screws Housing | | 20 |