



Jonsered®



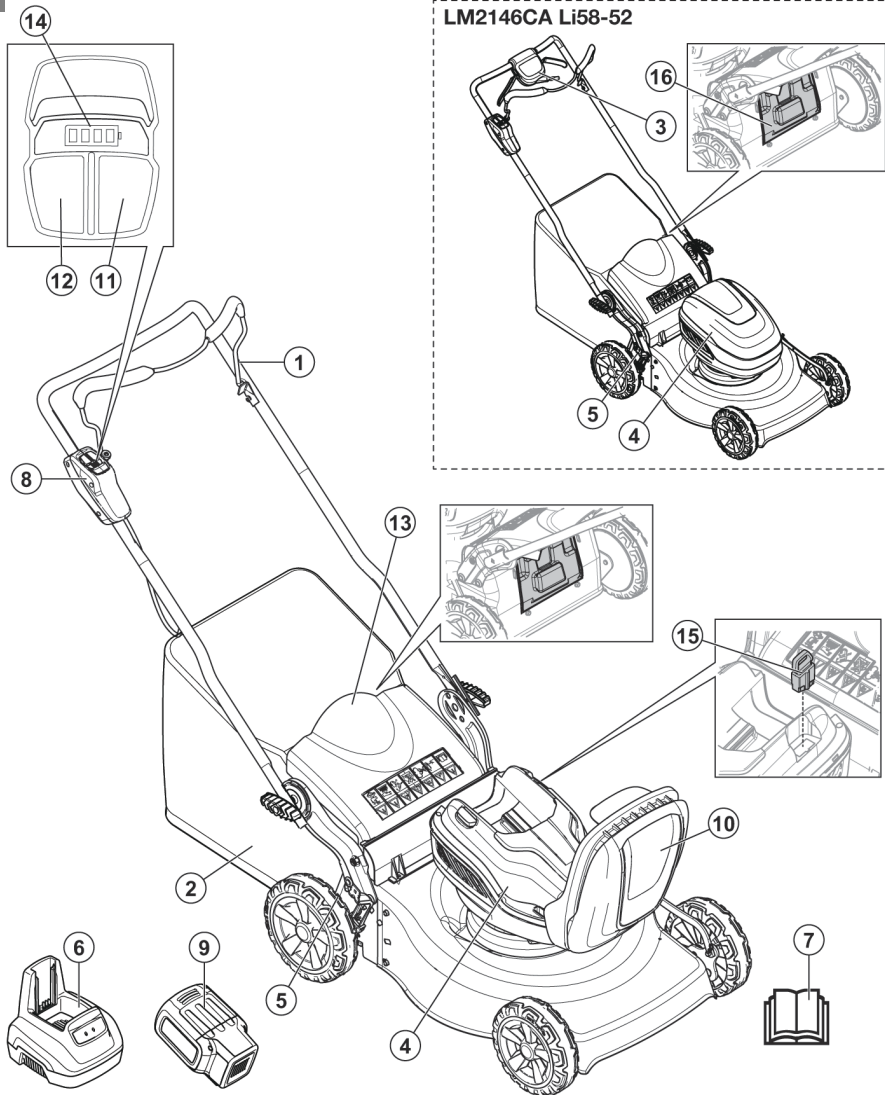
LM2146C Li58-52, LM2146CA Li58-52



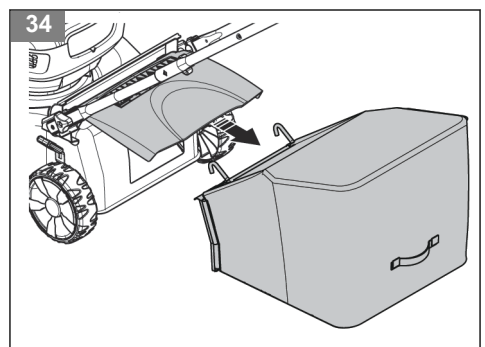
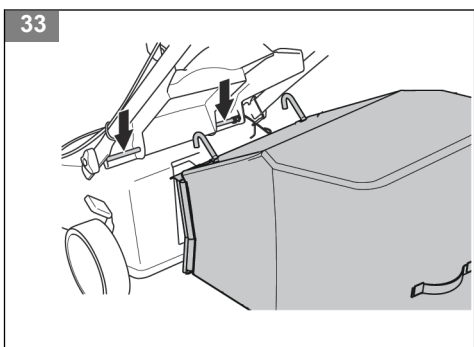
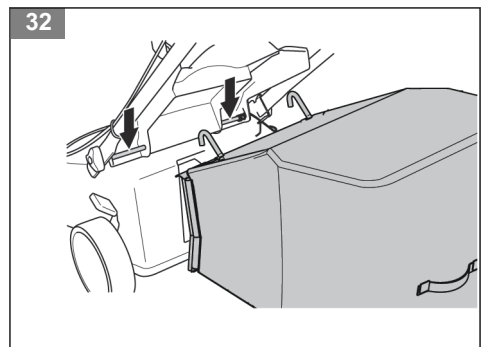
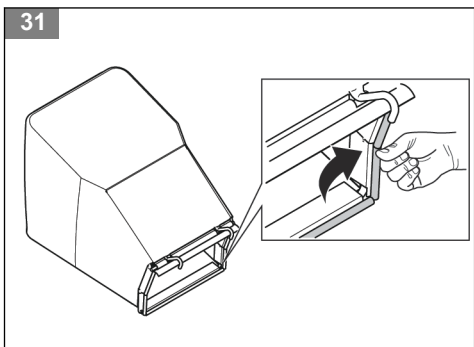
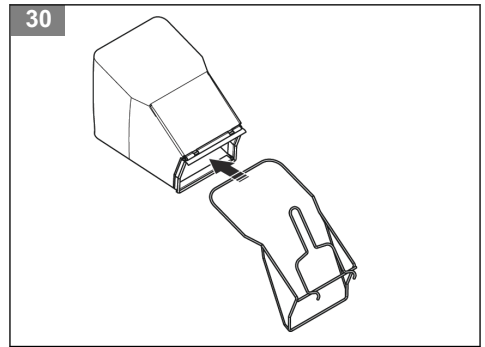
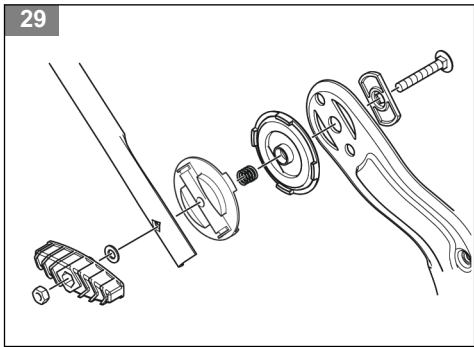
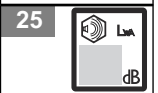
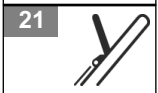
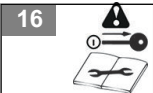
EN	Operator's manual	6-16
BG	Ръководство за експлоатация	17-29
CS	Návod k použití	30-40
DA	Brugsanvisning	41-51
DE	Bedienungsanweisung	52-63
EL	Οδηγίες χρήσης	64-76
ES	Manual de usuario	77-88
ET	Kasutusjuhend	89-99
FI	Käyttöohje	100-110
FR	Manuel d'utilisation	111-122
HR	Priručnik za korištenje	123-133
HU	Használati utasítás	134-146
IT	Manuale dell'operatore	147-158
LT	Operatoriaus vadovas	159-169
LV	Lietošanas pamācība	170-181
NL	Gebruiksaanwijzing	182-193
NO	Bruksanvisning	194-204
PL	Instrukcja obsługi	205-216
PT	Manual do utilizador	217-228
RO	Instrucțiuni de utilizare	229-240
RU	Руководство по эксплуатации	241-254
SK	Návod na obsluhu	255-266
SL	Navodila za uporabo	267-277
SV	Bruksanvisning	278-288
TR	Kullanım kılavuzu	289-299
UK	Посібник користувача	300-312

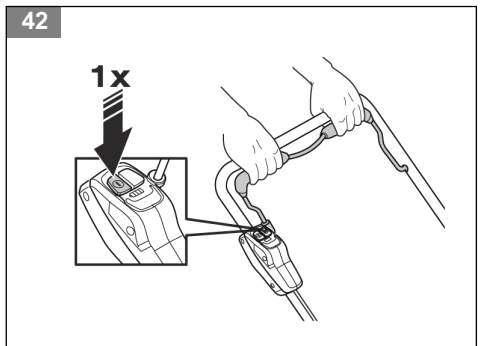
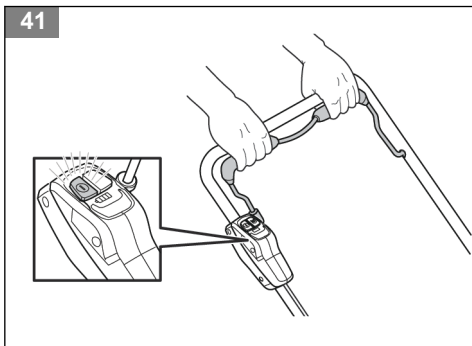
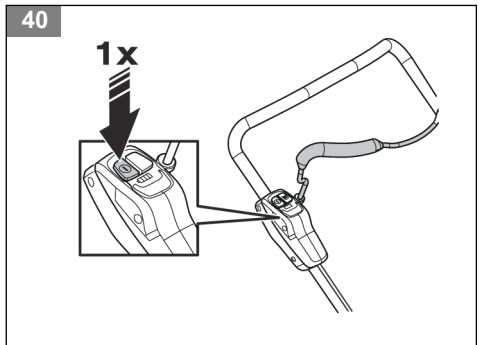
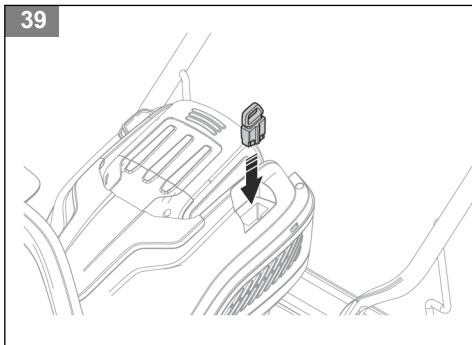
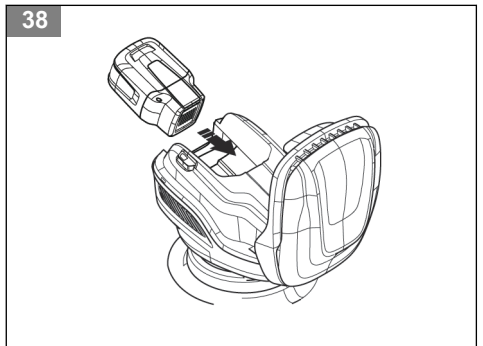
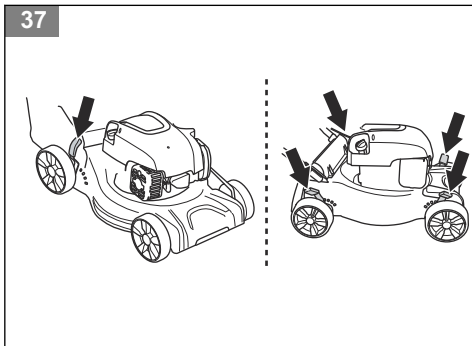
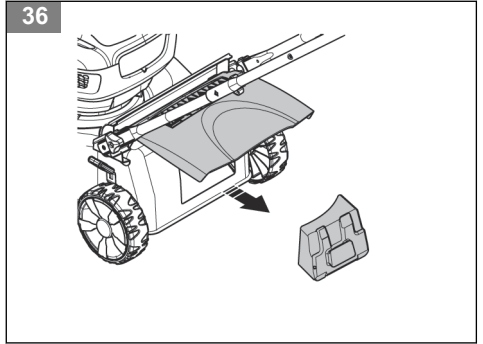
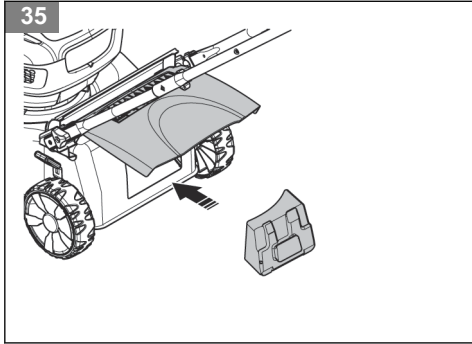
58VBKJN46C
58VBKJN46CR

LM2146CA Li58-52

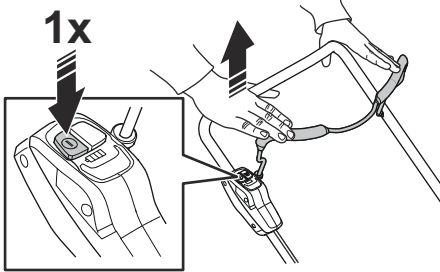


2	3	4	5	6	7
8	9	10	11	12	13

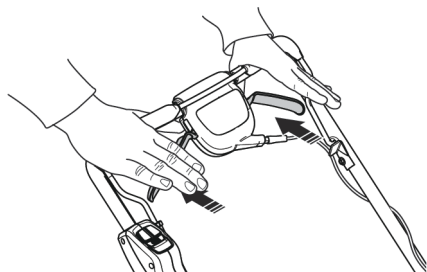




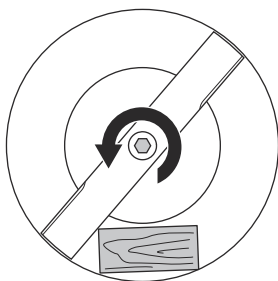
43



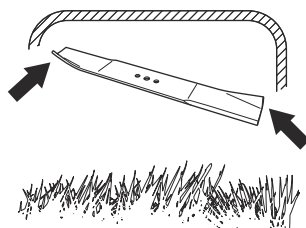
44



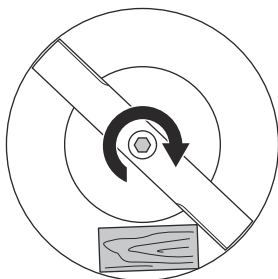
45



46



47



Contents

INTRODUCTION	6	MAINTENANCE	12
SAFETY	7	TRANSPORTATION AND STORAGE	14
ASSEMBLY	10	TECHNICAL DATA	14
OPERATION	10	CONTENTS OF THE EC DECLARATION OF CONFORMITY	16

INTRODUCTION

Operator's manual

The initial language of this operator's manual is English. Operator's manuals in other languages are translations from English.

Overview

(Fig. 1)

1. Operator presence control bar
2. Grass catcher
3. Drive levers
4. Electrical powerhead
5. Cutting height lever
6. Battery charger
7. Operator's manual
8. User control interface
9. Battery pack
10. Battery cover
11. Power button
12. Cutting mode button
13. Rear door
14. State of charge lights
15. Key
16. Mulch plug

Symbols on the product

(Fig. 2) Warning

(Fig. 3) Read this manual

(Fig. 4) Please read the operator's manual carefully and make sure that you understand the instructions before use.

(Fig. 5) Use approved eye protection

(Fig. 6) Use approved hearing protection

(Fig. 7) Use approved head protection

(Fig. 8) Use approved hearing protection

(Fig. 9) Warning: rotating blade. Keep hands and feet clear.

(Fig. 10) Keep hands and feet away from rotating blades. Do not open or remove the protective shields while the engine or motor runs.

(Fig. 11) Before and while walking rearward, look behind and down for small children, animals or other risks that can cause you to fall.

(Fig. 12) Look out for thrown objects and ricochets.

(Fig. 13) Keep persons and animals at a safe distance from the work area.

(Fig. 14) Slope hazard

(Fig. 15) Electrical shock

(Fig. 16) Remove the key before repair, adjustment, set-up or transport.

(Fig. 17) Power button

(Fig. 18) Motor on

(Fig. 19) Motor control handle engaged

(Fig. 20) Motor off

(Fig. 21) Motor control handle disengaged

(Fig. 22) The product or packaging cannot be handled as domestic waste. The product and packaging must be submitted to an appropriate recycling station for the recovery of electrical and electronic equipment.

(Fig. 23) Do not leave, store or use in the rain or in wet conditions.

(Fig. 24) Recycle

(Fig. 25) Sound power level

(Fig. 26) The product agrees with the applicable EC Directives

(Fig. 27) This product agrees with the applicable EAC directives

(Fig. 28) This product agrees with the applicable Ukraine directives

- the product is incorrectly repaired.
- the product is repaired with parts that are not from the manufacturer or not approved by the manufacturer.
- the product has an accessory that is not from the manufacturer or not approved by the manufacturer.
- the product is not repaired at an approved service center or by an approved authority.

Product liability

As referred to in the product liability laws, we are not liable for damages that our product causes if:

SAFETY

Safety definitions

The definitions below give the level of severity for each signal word.



WARNING: Injury to persons.



CAUTION: Damage to the product.

Note: This information makes the product easier to use.

General safety instructions

- Use the product correctly. Injury or death is a possible result of incorrect use. Only use the product for the tasks found in this manual. Do not use the product for other tasks.
- Read, understand and obey the instructions in this manual. Obey the safety symbols and the safety instructions. If the operator does not obey the instructions and the symbols, injury, damage or death is a possible result.
- Do not discard this manual. Use the instructions to assemble, to operate and to keep your product in good condition. Use the instructions for correct installation of attachments and accessories. Only use approved attachments and accessories.
- Do not use a damaged product. Obey the maintenance schedule. Only do the maintenance work that you find an instruction about in this manual. An approved service center must do all other maintenance work.
- This manual cannot include all situations that can occur when you use the product. Be careful and use common sense. Do not operate the product or do maintenance on the product if you are not sure about the situation. Speak to a product expert, your dealer, service agent or approved service center for information.

- Do not use the product if it is changed from its initial specification. Do not change a part of the product without approval from the manufacturer. Only use parts that are approved by the manufacturer. Injury or death is a possible result of incorrect maintenance.
- This product makes an electromagnetic field during operation. The electromagnetic field can cause damage to medical implants. Speak to your physician and medical implant manufacturer before you operate the product.
- Do not let a child operate the product.
- Do not let a person, without knowledge of the instructions, operate the product.
- Always monitor a person, with decreased physical capacity or mental capacity, that uses the product. A responsible adult must always be there.
- Lock the product in an area that children and not approved persons cannot access.
- The product can eject objects and cause injuries. Obey the safety instructions to decrease the risk of injury or death.
- Do not go away from the product while it is on. Stop the product before you go.
- Before and while walking rearward, look behind and down for small children, animals or other risks that can cause you to fall.
- The operator of the product is responsible if an accident occurs.
- Make sure that parts are not damaged before you use the product.
- Refer to national or local laws. They can prevent or decrease the operation of the product in some conditions.

Safety instructions for operation

- Know the controls and the correct operation of the product before use.
- Do not let children or persons without knowledge of these instructions use the product.
- Do not operate the product while persons, especially children, or animals are near.

- Keep children away from the area to be cut and monitored by an adult.
- Stop the product if children enter the work area.
- Fully examine the area where the product is to be used. Remove all objects which can be ejected by the product during operation.
- Examine the blade, blade bolt, blade assembly and motor base before use for wear and damage.
- Operate the product only in daylight or in good artificial light.
- Do not operate the product in wet grass.
- Be careful near corners, bushes, trees or other objects that can prevent your view.
- Use very high caution when you reverse or pull the product in your direction.
- Do not put hands or feet near or below rotating parts. Always keep clear of the discharge openings.
- Stop the blade when you go across gravel surfaces.
- Stop the motor, remove the battery pack and wait until the blade stops fully before you clean the product, remove the grass catcher or remove material from the discharge chute.
- Do not operate the product when you are tired, ill or under the influence of alcohol or other drugs.
- If the product has unusual vibration, stop the motor, remove the battery pack and check immediately for the cause. Vibration is usually a warning of damage.
- Do not point ejected material in the direction of others. Do not eject material against a wall or blockage. Material may ricochet back in the direction of the operator.
- Do not operate the product without the correct guards, plates, grass catcher or other safety protective devices in position.

Work area safety

- Remove branches, twigs, stones and other objects from the lawn before you start to cut.
- Keep persons, including children, and animals at a safe distance from the work area.
- Objects that hit against the cutting equipment can be ejected and cause damage to persons and objects.
- Do not use the product in bad weather, including fog, rain, moist or wet locations, strong winds, intense cold and risk of lightning. Doing work in bad weather can cause fatigue and dangerous conditions, such as slippery surfaces.
- Examine your work area to make sure that your control of the product cannot be prevented.
- Be careful of roots, stones, twigs, pits and ditches. High grass can conceal obstacles.
- Be careful when you go near hidden corners and objects that can prevent your view.

Safety instructions for slopes

- Be careful when you cut on a slope. Slopes can be dangerous. A fall on a slope can cause injury.

- Cut across the face of slopes. Do not cut up and down.
- Be careful when you change direction on a slope.
- Be careful of hidden objects or holes in the lawn. Rough terrain can cause you to fall.
- Do not cut near a steep slope, drop-off, ditch or embankment. You can fall.
- Do not cut on wet grass. You can fall.
- Do not cut on terrain with more than a 15 degree slope.

Personal protective equipment

Always use the correct personal protective equipment when you operate the product. This includes, at minimum, sturdy footwear, eye protection and hearing protection. Personal protective equipment does not erase the risk of injury but may decrease the grade of injury if an accident occurs.

- Always wear safety glasses or eye protection while you operate the product or do maintenance or repairs.
- Do not operate the product with bare feet or with open shoes. Always use heavy-duty slip-resistant boots with good ankle support while you operate the product.
- Wear heavy, long pants. Do not wear shorts, sandals or go bare foot.
- Use approved protective gloves, if necessary. For example, when attaching, examining or cleaning the blade.
- Always use approved ear protection while you operate the product. Noise for a long period can cause noise-induced hearing loss.

Protective devices on the product

- Make sure that you regularly do the maintenance to the product.
 - The life of the product increases.
 - The risk of accidents decreases.

Let an approved dealer or an approved service center regularly examine the product to do adjustments or repairs.

- Do not use a product with damaged protective equipment. If the product is damaged, speak to an approved service center.

Motor control handle

The motor control handle stops the motor. Make sure that the motor stops when the motor control handle is released.

- Start the motor and then release the control handle. The motor then stops.

Note: If the motor control handle does not stop the motor, press the power button to stop it. Remove the battery pack and speak to an approved service center.

Rear door

The rear door decreases the risk of objects being ejected from behind the product into the operator's mow position.

- Make sure the rear door is not damaged and that no defects are in view, such as cracks or broken springs. Defects cause the door to close with force. Replace the door or springs if damaged.

Safety instructions for maintenance



WARNING: Only do the maintenance work written in this operator's manual. More extensive work must be done by an approved service agent.

Do the maintenance work correctly to increase the lifetime of the product and decrease the risk of accidents. An approved service agent can do professional repairs. Speak to your nearest service agent for more information.



WARNING: To prevent accidental start during transport, maintenance or repair work, remove the battery pack and wait at minimum 5 seconds to replace it.



WARNING: Wear heavy duty gloves when you use the cutting equipment. The blade is very sharp and cuts can easily occur.

- Keep cutting edges sharp and clean for the best and safest performance.
- Let your service agent regularly examine the product and make necessary adjustments and repairs.
- Replace damaged, worn or broken parts.
- Obey instructions for changing accessories. Only use accessories from the manufacturer.



WARNING: When not in operation, keep the product, battery pack and battery charger separately in a dry, indoor and lockable area away from children and not approved persons.

Battery safety

Only use battery packs from the manufacturer and only charge them in a battery charger from the manufacturer.

The rechargeable battery packs are only used as a power supply for related cordless products. To prevent injury, the battery pack must not be used as a power source for other devices.

- Do not disassemble, open or shred battery pack.
- Do not keep battery packs in open sunlight or heat. Keep battery packs away from fire.
- Regularly examine the battery pack charger and the battery pack for damage. Damaged or changed battery packs can cause a fire, explosion or risk of injury. Do not repair or open damaged battery packs.
- Do not use a battery pack or product that is defective, changed or damaged.
- Do not change or repair products or the battery pack. Only let your approved dealer do repairs.
- Do not short circuit a cell or battery pack. Do not save battery packs in a box or drawer where they can be short circuited by other metal objects.
- Do not remove a battery pack from its initial package until necessary for operation.
- Do not mechanically shock battery packs.
- If there is a battery leak, do not let the liquid touch the skin or eyes. If you have touched the liquid, clean the area with a large quantity of water and get medical aid.
- Do not use a battery charger other than what is specified for operation with the battery pack.
- Look at the plus (+) and minus (-) marks on the battery pack and product to make sure of correct operation.
- Do not use a battery pack not made for operation with the product.
- Do not mix battery packs of a different voltage or manufacturer in a device.
- Keep battery packs away from children.
- Always purchase the correct battery packs for the product.
- Keep batteries clean and dry.
- Clean the battery pack terminals with a clean dry cloth if they become dirty.
- Secondary battery packs must be charged before use. Always use the correct battery charger and refer to the manual for correct charging instructions.
- Do not keep a battery pack on continuous charge when not in operation.
- Save the manual to refer to it in the future.
- Only use the battery pack for its necessary operation.
- Remove the battery pack from the product when not in operation.
- Keep the battery pack away from paper clips, keys, nails, screws, or other small metal objects while in operation. This can make a connection between terminals. Shorting the battery pack terminals together can cause burns or a fire.

ASSEMBLY



WARNING: Read the safety chapter before you assemble the product.

To remove the product from the carton

1. Remove loose parts included with the product.
2. Cut down the two end corners of the carton and put the end panel down flat.
3. Remove all package materials.
4. Remove the product from the carton and make sure no loose parts are left in the carton.

To assemble the handle

1. Align the screw holes at the bottom of the handle with the screw holes in the handle assembly. Attach the screws, washers and knobs. (Fig. 29)
2. To set the handle height, loosen the lower knobs, lift or lower the handle to adjust the height, and then tighten the knobs fully.

To set the product in operation position

1. Lift the handle to the operation position.
2. Tighten the lower knobs fully.

To assemble the grass catcher

1. Attach the grass catcher frame to the grass bag with the rigid part of the bag on the bottom. Keep the handle of the frame on top of the grass bag. (Fig. 30)
2. Attach the bottom section of the grass catcher frame to the groove on the bottom of the grass catcher. (Fig. 31)
3. Attach the hooks on the grass catcher to the top edge of the chassis. (Fig. 32)
4. Put the lower part of the grass catcher into the grass discharge channel.

To change the product to bagging mode

Rear bagging mode collects grass clippings in the grass catcher.



CAUTION: Do not operate the product without the rear door closed or the approved grass catcher in position. Do not try to operate the product with the rear door removed or open.

1. Lift the rear door and put the grass catcher frame hooks on the rear door pivot. (Fig. 33)
2. Release the rear door and put it on top of the grass bag frame.

To change the product to mulching mode (if equipped)

The mulching mode of the product makes grass clippings smaller. The grass clippings then fall onto the lawn and across the grass. Mulched grass biodegrades quickly to give nutrients for the lawn.

1. Lift the rear cover and remove the grass catcher. (Fig. 34)
2. Put the mulch plug into the discharge channel. (Fig. 35)
3. Tightly close the rear door against the product.

To change the product to discharge mode

1. Remove the mulch plug or grass catcher. (Fig. 36)
2. Tightly close the rear door against the product.

To set the cutting height



CAUTION: Do not set the cutting height too low. The blades can hit the ground if the surface of the lawn is not level.

Note: Set the same height on all cutting height controls.

1. Move the cutting height lever rearward to increase the cutting height.
 2. Move the cutting height lever forward to decrease the cutting height. (Fig. 37)
-

OPERATION



WARNING: Read and understand the safety chapter before you operate the product.

Basic cutting technique

- Always cut with a sharp blade for the best results. A blade that is not sharp cuts unevenly and lets the grass become yellow on the surface of the cut.
- Do not cut more than 1/3 of the length of the grass. This specially applies during dry periods. Cut first with the cutting height set high. Then examine the result and lower to an applicable height. If the grass is too long, operate slowly and cut two times if necessary.
- For very heavy cutting, decrease the width of the cut by making an overlap of the cut path and cutting slowly.
- Cut in different directions each time to prevent stripes in the lawn.
- Regularly hose the grass catcher with water and let dry before use. Pores in cloth grass catchers can become filled with dirt and dust with operation. The grass catcher will then collect less grass.

Before you start the mower

- Keep persons and animals away from the work area.
- Do daily maintenance. See *MAINTENANCE on page 12*.

To start the product

1. Put in the battery pack until you hear a click. Make sure the battery pack is correctly installed. (Fig. 38)
2. Put the key into the pocket below the battery lid. Make sure the key is correctly installed. (Fig. 39)

Note: The key can only be put in one direction.

3. Press the power button one time. The button illuminates fully. (Fig. 40)
4. Pull the motor control handle in the direction of the handlebar. The power button starts to flash. (Fig. 41)
5. Press the flashing power button. The product then starts. (Fig. 42)

To stop the product

- Release the motor control handle on the product, or press the power button one time.(Fig. 43)

To use the drive on the wheels (if equipped)

(Fig. 44)

- Pull the drive levers in the direction of the handlebar.
- Before you pull the product rearward, disengage the drive and push the product forward approximately 10 cm.
- Release the drive levers to disengage the drive, for example, when you go near an obstacle.

To empty the grass catcher

1. Lift the grass catcher with the frame handle.
2. Remove grass clippings from the grass catcher from below the handle.
3. Empty grass clippings from the bag with the frame handle and the bag handle.



CAUTION: Do not drag the bag when you empty the grass catcher to prevent wear.

To change the cutting mode

The product can be changed to one of three different cutting modes while in operation by pressing the cutting mode button.

- **Auto mode** - The product automatically adjusts the cutting speed of the product in response to the quantity of grass being cut.
 - **Note:** The product is set to Auto mode by default while in operation.
- **Boost mode** - The product operates at high speed regardless of the quantity of grass being cut.
 - While the product is in operation, press the cutting mode button one time to change from Auto mode to Boost mode. The cutting mode button then illuminates.
- **ECO mode** - The product operates at low speed regardless of the quantity of grass being cut.
 - While the product is in operation, press the cutting mode button one time to change from Boost mode to ECO mode. The cutting mode button then illuminates and flashes.
 - To go back to the default Auto mode, press the cutting mode button one time while the product is in operation. The cutting mode button then stops flashing.

Note: If the motor control handle is released during operation, the product stays in the current cutting mode. If the product automatically stops, or the operator presses the power button, the cutting mode used before is erased from memory and the product starts in Auto mode when started again.

Battery status indication during operation

The display on the user control interface shows the battery capacity and if there are problems with the battery pack. The battery capacity is shown while the machine is in operation.

LED lights	Battery status
All Green LEDs come on	Fully Charged (100% - 76%)

LED lights	Battery status
LED 1, 2 and 3 come on	The battery pack is 75% - 51% charged.
LED 1 and 2 come on	The battery pack is 50% - 26% charged.
LED 1 comes on	The battery pack is 25% - 6% charged.
LED 1 flashes	The battery pack is 5% - 0% charged.

If there is an error with the battery pack during operation, all four green LEDs of the battery state of charge display flash. Remove the battery pack from the machine and press the indicator button on the battery pack to show the error code for the error. The LED's on the battery pack illuminate and show an error code if an error has occurred. Consult the battery manual for a list of error codes and solutions to the errors.

MAINTENANCE



WARNING: Read and understand the safety chapter before you clean, repair or do maintenance on the product.

General recommendations for maintenance

The warranty on this product does not include incorrect or not careful operation of the product by the operator. To receive full value from the warranty, the operator must do maintenance on the product as written in the instructions of this manual. Different adjustments must be made at different intervals to keep your product in correct work condition.

- Examine the blade for wear each year.

To examine the tires

- Keep the tires free of unwanted material and chemicals to prevent damage to the rubber.
- Keep the tires away from stumps, stones, ruts, sharp objects and other objects which can cause damage to the tires.

To do a general inspection

- Check that nuts and screws are tight.
- Make sure no cables are pinched.

Maintenance schedule

Use the maintenance schedule to see the necessary maintenance requirements of your product, and when the maintenance must occur. The intervals are calculated on average use of the product and may be different because of how frequently you use it.

- Tighten bolts and nuts before each use and before storage.
- Clean and examine the grass catcher, if installed, before and after each use, and before storage.
- Examine the tires before each use.
- Clean the product after each use and before storage. Use a scraper to clean below the deck.
- Examine the blade for damage and cracks in 25 hour intervals. Replace blades more frequently if you cut in sandy soil.
- Lubricate the product in 25 hour intervals.

- Clean and fully charge the battery pack after use and after storage. Charge the battery pack for max. 24 hours before storage.
- Do not keep the battery pack on the battery charger during storage. Charge the battery pack for a maximum of 24 hours.
- Examine the drive belt and pulleys in 25 hour intervals (if equipped).

To clean the product

- Use a brush to remove unwanted material and grass on the product.
- Keep unwanted material off finished surfaces and wheels.
- Use a scraper below the product to remove the buildup of grass and waste.
- Do not use a high pressure washer to clean the product.
- Do not flush water directly on the electrical powerhead or battery contacts.
- When you clean below the product, remove the battery pack and the safety key and put the product on its side with the user control interface pointing up.



CAUTION: Do not clean the product with water, cleaning fluids or solvents. Remove unwanted material external to the product with a soft brush or dry cloth that does not contain metal.

To clean the grass catcher

- Pores in cloth grass catchers can become filled with dirt and dust during operation. This causes the grass catcher to collect less grass. To prevent this, regularly hose the grass catcher off with water and let dry before using.
- Examine the grass catcher frequently for wear or deterioration. Replace if necessary.

To examine the rear door

The rear door is attached between the rear wheels of the product. The door decreases the risk of objects that may be ejected in the direction of the mow position of the operator.

1. Make sure that the rear door is not damaged.

2. Examine the rear door for defects that push the door to close, including cracks or broken springs.
3. Replace the rear door or the springs if they are damaged.

To sharpen and balance the blade

For best results, keep the blade sharp. Replace a bent or damaged blade.



CAUTION: Use gloves, and/or wind the blade with a heavy cloth, to prevent damage to your hands .

1. Sharpen the blade with a file or on a grinding wheel. Do not sharpen the blade when it is installed on the product.



CAUTION: We do not recommend that you sharpen the blade. If you do, make sure that the blade is balanced. A blade that is not balanced can cause damage to the product or motor.

2. Put a straight nail in a piece of wood or a wall. Make sure you can see 2-3 cm of the nail.
3. Put the center hole of the blade on the head of the nail. If the blade is balanced, it must stay in a horizontal position. If one of the two ends of the blade moves down, sharpen the heavy end until the blade is balanced.

To replace the blade

1. Lock the blade with a block of wood.(Fig. 45)
2. Remove the blade bolt.
3. Remove the blade.
4. Examine the blade support and blade bolt to see if there are damages.
5. Examine the motor shaft to make sure that it is not bent.
6. When you attach the new blade, point the angled ends of the blade in the direction of the cutting cover. (Fig. 46)
7. Make sure that the blade is aligned with the center of the motor shaft.
8. Lock the blade with a block of wood. Attach the spring washer and tighten the bolt and washer with a torque of Nm.(Fig. 47)
9. Pull the blade around by hand and make sure that it turns freely.



WARNING: Use heavy duty gloves. The blade is very sharp and cuts can easily occur.

10. Start the product to do a test of the blade. If the blade is not correctly attached, there is vibration in the product or the cutting result is unsatisfactory.

Error codes

The error codes help you do troubleshooting on the product and/or the battery pack while in operation.

LED screen	Possible faults	Possible steps
No LEDs come on after pressing the power button on the user control interface, battery pack does not function in product	Battery pack not fully put into product or internal fuse is blown	Push the battery pack fully into the powerhead until a click is heard. If the LEDs do not illuminate after the battery pack has been fully put in and the power button has been pressed on the user control interface, speak to an approved service center.
All four battery capacity LEDs flash, no other LEDs come on after pressing the power button	Battery pack not fully put into product or the internal temperature of the battery pack is too hot or too cold.	Push the battery pack fully into the powerhead until a click is heard. If the LEDs continue to flash, the internal temperature of the battery pack may be too low or too high. Allow the battery pack to warm up or cool. To increase the cooling process, the battery pack can be inserted into the battery charger to actively cool the battery pack.
All four battery capacity and power LEDs flash, no other LEDs come on after pressing the power button	Motor control handle held down when the power button is pressed for the first time or internal motor control handle switch failure	Release the motor control handle. If the motor control handle is not held down and the LEDs continue to flash, speak to an approved service center.

LED screen	Possible faults	Possible steps
Product stops operating and all four battery capacity LED's flash, no other LEDs come on.	Battery pack is loose in the powerhead and no longer makes good contact, battery pack is too warm, or cold or other internal battery error	<ol style="list-style-type: none"> 1. Stop the product. 2. Remove battery pack from product and press the indicator button on the battery pack to show the error code. The LED's on the battery pack come on and show an error code. 3. Read the included battery manual for a list of related LED error codes for possible faults and procedures. <p>If the battery pack does not show an error after pressing the indicator button on the battery pack and only displays the state of charge, the battery pack may have come loose in the powerhead during operation. Install the battery pack correctly into the powerhead until a click is heard.</p>
Product stops operating and the power button flashes while the battery capacity LED's continue to show the current state of charge	Cutting chamber is clogged with grass, motor controller is too warm, or motor fault	<ol style="list-style-type: none"> 1. Stop the product. 2. Remove the battery pack and turn the product on its side with the user control interface pointing up. 3. Examine the blade, blade bolt, blade assembly, motor and motor base for damage. Clear all grass from the bottom of the machine and examine for clogs. 4. Install the battery pack and follow the starting procedure to start the machine. <p>If the error continues to show, let the product cool down. The motor controller may be too warm for operation. If the error continues to show, speak to an approved service center.</p>

TRANSPORTATION AND STORAGE

- Keep equipment safe during transportation to prevent damage and accidents.
- For storage, remove the safety key and keep equipment in a locked area away from children and persons that are not approved.
- For storage, keep the product and equipment in a dry and frost-proof area.
- When loading or moving the product, do not go more than the maximum recommended operation angle of 15 degrees.
- Clean the product. For more information, see *To clean the product on page 12*.
- Lubricate the product.
- Tighten bolts and nuts.
- Replace or repair damaged components.
- Touch up all rusted or damaged paint surfaces. Sand lightly before painting.
- Use the correct protective cover on the product that does not keep moisture. Do not use plastic because it cannot breathe, lets condensation collect and causes corrosion on the product.
- Always remove the battery pack prior to transportation or storage.

TECHNICAL DATA

	unit	LM2146C Li58-52 (58VBKJN46C)	LM2146CA Li58-52 (58VBKJN46CR)
Cutting motor			

	unit	LM2146C Li58-52 (58VBKJN46C)	LM2146CA Li58-52 (58VBKJN46CR)
Motor type	—	BLDC (brushless) 58V	BLDC (brushless) 58V
Motor speed – ECO mode	rpm	2300	2300
Motor speed – Auto mode	rpm	2500 RPM until current is greater than 12A for 3 seconds RPM increases to 2800 RPM until current is less than 18A for 10 seconds.	2500 RPM until current is greater than 12A for 3 seconds RPM increases to 2800 RPM until current is less than 18A for 10 seconds.
Motor speed – Boost mode	rpm	2800	2800
Motor output – Max.	kW	1.5	1.5
Motor output – Max Continuous	kW	0.9	0.9
Motor output – Rated	kW	0.9	0.9
Overcurrent limit (Max Current)	A (amps)	25	25
Weight			
Weight (without battery)	kg	23.5	24.5
Battery			
Type of battery		590923813	590923813
Battery runtime			
Battery runtime	m ²	Up to 1200	Up to 1000
Noise emissions ¹			
Sound power level, measured	dB (A)	87	87
Sound power level, guaranteed LWA	dB (A)	87	87
Sound levels			
²			
Sound pressure level at the operator's ear	dB (A)	< 80	< 80
Vibration levels			
³			
Handle	m/s ²	0.65	0.65
Cutting			
Cutting height	mm	30-80	30-80
Cutting width	cm	46	46
Blade, collect	—	581188910	581188902

¹ Noise emissions in the environment measured as sound power (LWA) in conformity with EC directive 2000/14/EC.

² Reported data for noise pressure level has a typical statistical dispersion (standard deviation) of 1.2 dB (A).

³ Reported data for vibration level has a typical statistical dispersion (standard deviation) of 0.2 m/s². Vibration standard EN 60335-2-77:2017 chapter 20.105.

	unit	LM2146C Li58-52	LM2146CA Li58-52
		(58VBKJN46C)	(58VBKJN46CR)
Blade, mulch	—	581188910	581188902
Bagger capacity	liters	50	50

CONTENTS OF THE EC DECLARATION OF CONFORMITY

We, Husqvarna AB, SE 561 82 Huskvarna, SWEDEN, declare under our sole responsibility that the represented product:

manufacturing locations and Countries of Origin, as stated on the product.

The supplied electric rotary lawnmower conforms to the example that underwent examination.

Description	Electric Rotary Lawn-mower
Brand	Jonsered
Platform / Type / Model	Platform 58VBKJN46C (representing model LM2146C Li58-52), platform 58VBKJN46CR (representing model LM2146CA Li58-52).
Batch	Serial number dating 2018 and onwards

complies fully with the following EU directives and regulations:

Directive/Regulation	Description
2006/42/EC	"relating to machinery"
2014/30/EU	"relating to electromagnetic compatibility"
2000/14/EC	"relating to outdoor noise"
2011/65/EU	"relating to hazardous substances"

Harmonized standards and/or technical specifications applied are as follows: EN60335-1, EN60335-2-77, EN50366, EN55014-1, EN55014-2, EN61000-3-2, EN61000-3-3

In accordance with directive 2000/14/EC, Annex V, the declared sound values are stated in the technical data section of this manual and in the signed EU Declaration of Conformity.

Intertek has carried out a voluntary examination on behalf of Husqvarna AB, providing a Certificate of conformity to EC Council directive 2006/42/ EC for machinery.

The certificate, as provided on the signed EC Declaration of Conformity, is applicable to all

Содержание

ВЪВЕДЕНИЕ.....	17	ТЕХНИЧЕСКО ОБСЛУЖВАНЕ.....	24
БЕЗОПАСНОСТ.....	18	ТРАНСПОРТ И СЪХРАНЕНИЕ.....	27
МОНТАЖ.....	21	ТЕХНИЧЕСКИ ХАРАКТЕРИСТИКИ.....	27
РАБОТА.....	22	СЪДЪРЖАНИЕ НА ДЕКЛАРАЦИЯТА ЗА СЪОТВЕТСТВИЕ НА ЕС.....	29

ВЪВЕДЕНИЕ

Инструкция за експлоатация

Оригиналната версия на настоящата инструкция за експлоатация е на английски език. Инструкциите за

експлоатация на други езици са преведени от английски.

Преглед

(Фиг. 1)

1. Ръкохватка за управление на присъствието на оператора
2. Кош за трева
3. Задвижващи лостове
4. Електрическа силова глава
5. Лост за височината на рязане
6. Зарядно устройство за акумулатор
7. Инструкция за експлоатация
8. Потребителски интерфейс за управление
9. Комплект батерии
10. Капак на акумулатора
11. Бутон за включване
12. Бутон за режим на косене
13. Задна врата
14. Светлини за състояние на зареждане
15. Ключ
16. Приставка за мулчиране

Символи върху машината

(Фиг. 2) Предупреждение

(Фиг. 3) Прочетете това ръководство

(Фиг. 4) Прочетете внимателно ръководството за оператора и се уверете, че разбирате инструкциите, преди да използвате машината.

(Фиг. 5) Използвайте одобрени защитни средства за очите

(Фиг. 6) Използвайте одобрени антифони

(Фиг. 7) Използвайте одобрена защита за глава

(Фиг. 8) Използвайте одобрени антифони

Предупреждение: въртящ се нож. Осигурете пространство около ръцете и краката си.

(Фиг. 9)

Дръжте ръцете и краката си далеч от въртящите се ножове. Не отваряйте и не премахвайте предпазните щитове, докато двигателят или моторът работи.

(Фиг. 10)

Преди да тръгнете и докато вървите назад, се оглеждайте назад и надолу за малки деца, животни или други опасности, които могат да са причина да паднете.

(Фиг. 11)

Пазете се от отскачащи предмети и рикошети.

(Фиг. 12)

Дръжте хората и животните на безопасно разстояние от работната зона.

(Фиг. 13)

(Фиг. 14) Опасност при движение по наклон

(Фиг. 15) Електрически удар

Издадете ключа преди ремонт, регулиране, настройка или транспортиране.

(Фиг. 16)

(Фиг. 17) Бутон за включване

(Фиг. 18) Двигател включен

Задействана ръкохватка за управление на мотора

(Фиг. 19)

(Фиг. 20) Мотор – изкл.

Изключена ръкохватка за управление на мотора

(Фиг. 21)

Продуктът и опаковката не трябва да се третира като битов отпадък. Продуктът и опаковката трябва да бъдат доставени в

(Фиг. 22)

подходящ пункт за рециклиране на електрическо и електронно оборудване.

Не оставяйте, не съхранявайте и не използвайте в условия на дъжд или влага.

(Фиг. 23)

(Фиг. 24) Рециклиране

(Фиг. 25) Ниво на силата на звука

(Фиг. 26) Продуктът е в съответствие с приложимите директива на ЕО

(Фиг. 27) Продуктът е в съответствие с приложимите директиви на ЕАС

(Фиг. 28) Продуктът е в съответствие с приложимите директиви на Украйна

Отговорност за вреди, причинени от стоки

Както е посочено в законите за отговорност за вреди, причинени от стоки, ние не носим отговорност за щети, причинени от нашия продукт, ако:

- продуктът е неправилно ремонтиран.
- продуктът е ремонтиран с части, които не са от производителя или не са одобрени от производителя.
- продуктът има принадлежност, която не е от производителя или не е одобрена от производителя.
- продуктът не е ремонтиран в одобрен сервизен център или от одобрен орган.

БЕЗОПАСНОСТ

Дефиниции за безопасност

Дефинициите по-долу предоставят нивото на сериозност за всяка една предупредителна дума.



ПРЕДУПРЕЖДЕНИЕ: Нараняване на лица.



ВНИМАНИЕ: Повреда на продукта.

Забележка: Тази информация прави продукта по-лесен за използване.

Общи инструкции за безопасност

- Използвайте правилно продукта. Неправилната употреба може да доведе до нараняване или смърт. Използвайте продукта само за задачите, описани в настоящето ръководство. Не използвайте продукта за други задачи.
- Прочетете, разберете и спазвайте инструкциите в това ръководство. Спазвайте символите за безопасност и инструкциите за безопасност. Ако операторът не спазва инструкциите и символите, резултатът може да е нараняване, повреда или смърт.
- Не извършвайте това ръководство. Следвайте инструкциите за монтиране, използване и поддръжка на продукта в добро състояние. Следвайте инструкциите за правилен монтаж на приспособленията и принадлежностите. Използвайте само одобрени приспособления и принадлежности.
- Не използвайте повреден продукт. Спазвайте графика за техническо обслужване. Извършвайте само дейностите по техническо обслужване, за които ще намерите инструкция в това

ръководство. Всички други дейности по техническото обслужване трябва да бъдат извършени от одобрен сервизен център.

- Това ръководство не може да включва всички ситуации, които биха могли да възникнат при използване на продукта. Бъдете внимателни и действайте разумно. Не работете с продукта и не извършвайте техническо обслужване на същия, ако не сте наясно със ситуацията. За да получите информация, говорете с експерт по продукта, Вашия дистрибутор, сервиз или с одобрен сервизен център.
- Не използвайте продукта, ако е променен спрямо първоначалните му спецификации. Не сменяйте някоя част на продукта без одобрение от производителя. Използвайте само части, които са одобрени от производителя. Неправилното техническо обслужване е възможно да доведе до нараняване или смърт.
- Този продукт създава електромагнитно поле по време на работа. Електромагнитното поле може да предизвика повреда на медицински импланти. Говорете с Вашия лекар или с производителя на медицинския имплант, преди да започнете работа с продукта.
- Не позволявайте на деца да работят с продукта.
- Не позволявайте на лица, които не са запознати с инструкциите, да работят с продукта.
- Винаги наблюдавайте лица с намален физически или умствен капацитет, които използват продукта. Винаги трябва да присъства отговорен възрастен.
- Съхранявайте продукта под ключ на място, недостъпно за деца и неупълномощени лица.
- Възможно е от продукта да извърчат предмети и да причинят наранявания. Спазвайте инструкциите за безопасност, за да намалите опасността от нараняване или смърт.

- Не се отдалечавайте от продукта, докато е включен. Спрете продукта, преди да го оставите без надзор.
- Преди да тръгнете и докато вървите назад, се оглеждайте назад и надолу за малки деца, животни или други опасности, които могат да са причина да паднете.
- Операторът на продукта е отговорен при възникването на инцидент.
- Уверете се, че частите не са повредени, преди да използвате продукта.
- Направете справка с националните или местните закони. Те биха могли да предотвратят или ограничат работата на продукта при определени условия.
- Не работете с продукта, когато сте уморени, болни или под въздействието на алкохол или други опиати.
- Ако продуктът вибрира необичайно, спрете двигателя, извадете комплекта батерии и проверете веднага каква е причината. Вибрациите обикновено са предупреждение за повреда.
- Не насочвайте изхвърлян материал към други хора. Не изхвърляйте материал срещу стена или заграждение. Материалът може да отскочи назад към оператора.
- Не работете с продукта без правилните защитни прегради, платна, кош за трева или други устройства за защита, поставени на съответното място.

Инструкции за безопасност по време на работа

- Запознайте се с контролните органи и правилната употреба на продукта, преди да го използвате.
- Не позволявайте на деца или лица, които не са запознати с тези инструкции, да работят с продукта.
- Не работете с продукта, когато наблизо има други хора, особено деца или животни.
- Не допускате деца до участъка, който ще бъде косен, и се погрижете те да бъдат под наблюдението на възрастен.
- Спрете продукта, ако в работната зона навлязат деца.
- Направете щателен оглед на мястото, където продуктът ще бъде използван. Отстранете всички предмети, които могат да бъдат изхвърлени от продукта по време на работа.
- Преди употреба проверете ножа, придържащия болт на ножовете, модула на ножовете и основата на двигателя за признаци на износване и повреда.
- Използвайте машината само на дневна светлина или при добро изкуствено осветление.
- Не използвайте продукта във влажна трева.
- Бъдете внимателни в близост до ъгли, храсти, дървета или други предмети, които пречат на видимостта Ви.
- Бъдете изключително внимателни, когато движите продукта назад или го дърпате в посока към Вас.
- Не поставяйте ръцете или краката си в близост до или под въртящите се части. Не заставайте пред отворите за разтоварване.
- Спирайте ножа, когато пресичате чакълени пътища.
- Спрете двигателя, извадете комплекта батерии и изчакайте, докато ножът спре напълно преди да почистите продукта, да отстраните коша за трева или материала от разтоварителния улей.

Безопасност на работната област

- Премахнете клони, клечки, камъни и други предмети от моравата преди да започнете да косите.
- Дръжте хората, включително децата и животните на безопасно разстояние от работната зона.
- Предметите, които се удрят в режещото оборудване, могат да бъдат изхвърлени и да причинят наранявания на хората и щети на предметите.
- Не използвайте машината в лошо време, включително при мъгла, дъжд, влажно време или на мокри места, при силни ветрове, много силен студ и при риск от мълния. Работа в лошо време може да доведе до умора и възникване на опасни условия, като например хлъзгави повърхности.
- Проверете зоната на работа, за да се уверите, че няма опасност да изгубите контрол върху продукта.
- Бъдете внимателни за наличие на корени, камъни, клечки, ями и канавки. Високата трева може да Ви попречи да видите препятствия.
- Внимавайте, когато преминавате покрай закрити ъгли и предмети, които пречат на видимостта Ви.

Инструкции за безопасност при работа по склонове

- Внимавайте, когато косите на склон. Склоновете могат да бъдат опасни. Падането по склона може да причини нараняване.
- Косете напредно на повърхността на склона. Не косете в посока нагоре и надолу.
- Внимавайте, когато сменятe посоката при работа на склон.
- Бъдете внимателни за скрити предмети или дупки в моравата. Неравният терен може да е причина да паднете.
- Не косете близо до стръмен склон, отвесен участък, канавка или насап. Можете да паднете.
- Не косете мокра трева. Можете да паднете.
- Не косете на терен с наклон над 15 градуса.

Лични предпазни средства

Винаги използвайте правилните лични предпазни средства, когато работите с продукта. Това включва, като минимум, здрави обувки, защитни средства за очите и антифони. Личните предпазни средства не премахват опасността от нараняване, но намаляват степента на нараняванията в случай на инцидент.

- Винаги носете защитни очила или защитни средства за очите, докато работите с продукта или извършвате техническо обслужване или ремонт.
- Не работете с продукта с голи крака или с отворени обувки. Когато работите с продукта, винаги използвайте усилените противоплъзгащи ботуши с добра опора на глезена.
- Носете дълги панталони от здрав плат. Не носете къси панталони, сандали и не работете боси.
- Ако е необходимо, използвайте одобрени защитни ръкавици. Например при поставяне, проверка или почистване на ножа.
- Винаги използвайте одобрени антифони, когато работите с продукта. Продължителният шум може да доведе до загуба на слуха, причинена от шум.

Устройства за безопасност на продукта

- Уверете се, че редовно извършвате техническо обслужване на продукта.
 - Срокът на експлоатация на продукта се увеличава.
 - Рискът от злополука намалява.

Позволете на одобрен дилър или одобрен сервизен център да извършва редовна проверка на продукта за корекции или ремонтни дейности.

- Не използвайте продукт с повредени предпазни средства. Ако продуктът е повреден, се консултирайте с одобрен сервизен център.

Ръкохватка за управление на двигателя

Ръкохватката за управление на двигателя спира двигателя. Уверете се, че двигателят спира, когато ръкохватката за управление на двигателя бъде освободена.

- Стартирайте двигателя и след това освободете ръкохватката за управление. Двигателят спира.

Забележка: Ако ръкохватката за управление на двигателя не спре двигателя, натиснете бутона за захранване, за да го спрете. Извадете комплекта батерии и се свържете с одобрен сервизен център.

Задна врата

Задната врата намалява опасността от изхвърляне на предмети зад продукта към косящия оператор.

- Уверете се, че задната врата не е повредена и че няма видими дефекти, като например пукнатини

или счупени пружини. При наличие на дефекти вратата се затваря с прилагането на сила. Сменете вратата или пружините, ако са повредени.

Инструкции за безопасност при техническо обслужване



ПРЕДУПРЕЖДЕНИЕ: Изпълнявайте стъпките от техническото обслужване, посочени в тази инструкция за експлоатация. По-значителни ремонтни дейности трябва да се изпълняват от одобрен сервиз.

Извършете правилно техническото обслужване, за да увеличите срока на експлоатация на продукта и да намалите опасността от инциденти. Одобрен сервиз може да извършва професионални ремонтни дейности. За повече информация говорете с най-близкия до Вас сервиз.



ПРЕДУПРЕЖДЕНИЕ: За да предотвратите неволно стартиране по време на транспортиране, техническо обслужване или поправка, извадете комплекта батерии и изчакайте най-малко 5 секунди преди да го смените.



ПРЕДУПРЕЖДЕНИЕ: Носете ръкавици за тежки условия, когато използвате режещото оборудване. Ножът е много остър и можете лесно да се порежете.

- Поддържайте режещите краища заточени и чисти за най-добра и безопасна ефективност.
- Редовно проверявайте продукта при Вашия сервиз и извършвайте необходимите корекции и ремонтни дейности.
- Заменете повредени, износени или счупени части.
- Спазвайте инструкциите при смяна на аксесоари. Използвайте само аксесоари от производителя.



ПРЕДУПРЕЖДЕНИЕ: Когато не го използвате, съхранявайте отделно продукта, комплекта батерии и зарядното устройство на сухо място, заключен и на закрито, далеч от деца и неупълномощени лица.

Безопасност на батерията

Използвайте само комплекти батерии от производителя и ги зареждайте само в зарядно устройство от производителя.

Комплектите батерии се използват единствено за захранване на съответните безжични продукти. С цел избягване на наранявания комплектът батерии не трябва да се използва за захранване на други устройства.

- Не разглобявайте, отваряйте и режете комплектите батерии.
- Не дръжте комплектите батерии на пряка слънчева светлина или топлина. Дръжте комплектите батерии далеч от огън.
- Редовно проверявайте зарядното устройство и комплекта батерии за повреди. Повредените или променени комплекти батерии могат да причинят пожар, взрив или опасност от нараняване. Не ремонтирайте и не отваряйте повредените комплекти батерии.
- Не използвайте комплект батерии или продукт, който е дефектен, променен или повреден.
- Не променяйте и не ремонтирайте продуктите и комплекта батерии. Ремонтите трябва да се извършват само от одобрен търговски представител.
- Не свързвайте нахъсо полюсите на клетка или комплекта батерии. Не съхранявайте комплектите батерии в кутия или чекмедже, където те могат да бъдат свързани нахъсо от други метални предмети.
- Не изваждайте комплекта батерии от оригиналната опаковка до момента, в който е необходима за експлоатация.
- Не удряйте механично комплектите батерии.
- Ако има изтичане на батерия, не оставайте течността да влиза в контакт с кожата и очите. Ако докоснете течността, измийте мястото с обилно количество вода и потърсете медицинска помощ.

- Не използвайте зарядно устройство за батерията, различно от определеното за употреба с комплекта батерии.
- Вижте знаците плюс (+) и минус (-) върху комплекта батерии и продукта, за да сте сигурни, че употребата е правилна.
- Не използвайте комплект батерии, който не е предназначен за работа с продукта.
- Не поставяйте комплекти батерии с различно напрежение или от различен производител в едно устройство.
- Дръжте комплектите батерии далеч от деца.
- Винаги поръчвайте правилните комплекти батерии за продукта.
- Поддържайте батериите чисти и сухи.
- Почиствайте клемите на комплекта батерии с чиста и суха кърпа, ако се замърсят.
- Вторите комплекти батерии трябва да се заредят преди употреба. Използвайте винаги подходящо зарядно устройство за батерията и спазвайте инструкциите за зареждане в ръководството.
- Не оставайте комплекта батерии да се зарежда продължително, когато не се използва.
- Запазете ръководството за бъдещи справки.
- Използвайте комплекта батерии само по предназначение.
- Извадете комплекта батерии от продукта, когато той не се използва.
- Когато работи, пазете батерията далеч от хартиените скоби, ключове, пирони, винтове или други малки метални предмети. По този начин може да се направи връзка между клемите. Свързаното нахъсо на клемите на комплекта батерии може да предизвика изгаряния или пожар.

МОНТАЖ



ПРЕДУПРЕЖДЕНИЕ: Прочетете главата за безопасност преди сглобяване на продукта.

Изваждане на продукта от кашона

1. Извадете свободните части, приложени с продукта.
2. Отрежете двата крайни ъгъла на кашона и поставете крайния панел в легнало положение.
3. Отстранете всички опаковъчни материали.
4. Извадете продукта от кашона и се уверете, че в него не са останали свободни части.

За да монтирате ръкохватката

1. Подравнете отворите за винтове в долната част на дръжката с отворите за винтове в модула на

дръжката. Прикрепете винтовете, шайбите и фиксаторите. (Фиг. 29)

2. За да настроите височината на дръжката, разхлабете долните фиксатори, вдигнете или спуснете дръжката, за да регулирате височината и затегнете фиксаторите докрай.

Задаване на продукта в положение за работа

1. Повдигнете ръкохватката до работно положение.
2. Затегнете напълно долните фиксатори.

За сглобяване на коша за трева

1. Прикрепете рамката на коша за трева към торбата за събиране на трева, като твърдата част на торбата трябва да е отдолу. Дръжте ръкохватката на рамката от горната страна на торбата за трева. (Фиг. 30)

- Прикрепете долната секция на рамката на коша за трева към канала от долната страна на коша за трева. (Фиг. 31)
- Прикрепете куките върху коша за трева към горния край на шасито. (Фиг. 32)
- Поставете долната част на коша за трева в канала за разтоварване на тревата.

За превключване на продукта към режим на събиране на трева

При режима за събиране на окосената трева в задната торба тревата се събира коша за трева.



ВНИМАНИЕ: Не работете с продукта, ако задната врата не е затворена или одобреният кош за трева не е в правилно положение. Не се опитвайте да работите с продукта, ако задната врата е премахната или е отворена.

- Повдигнете задната врата и поставете куките на рамката на коша за трева върху опорната точка за задната врата. (Фиг. 33)
- Освободете задната врата и я поставете върху рамката на торбата за трева.

За превключване на продукта към режим на мулчиране (ако е оборудван)

Режимът на мулчиране на продукта нарязва окосената трева по-ситно. След това окосената трева пада върху моравата и върху тревата. Мулчираната трева се разгражда бързо по

биологичен път и осигурява хранителни вещества за моравата.

- Повдигнете задния капак и извадете коша за трева. (Фиг. 34)
- Поставете приставката за мулчиране в канала за разтоварване на тревата. (Фиг. 35)
- Затворете плътно задната врата, като я притиснете към продукта.

За превключване на продукта към режим на разпръскване

- Свалете приставката за мулчиране или коша за трева. (Фиг. 36)
- Затворете плътно задната врата, като я притиснете към продукта.

За регулиране на височината на рязане



ВНИМАНИЕ: Не настройвайте твърде ниска височина на рязане. Ножовете могат да се ударят в земята, ако повърхността на моравата не е равна.

Забележка: Задайте една и съща височина за всички органи за управление на височината на рязане.

- Преместете назад лоста за височина на рязане, за да увеличите височината на рязане.
- Преместете напред лоста за височина на рязане, за да намалите височината на рязане. (Фиг. 37)

РАБОТА



ПРЕДУПРЕЖДЕНИЕ: Прочетете и разберете раздела с инструкции за безопасност преди работа с продукта.

Основна техника на рязане

- Винаги косете с остър нож за най-добри резултати. Незаточеният нож коси неравномерно и окосената повърхност на тревата пожълтява.
- Не отрязвайте повече от 1/3 от дължината на тревата. Това се отнася особено за сухи периоди. Първо, косете със зададена висока височина на рязане. След това проверете резултата и намалете до подходяща височина. Ако тревата е твърде висока, карайте бавно и, ако е необходимо, окосете повторно.
- При много тежко косене намалете ширината на косене, като преминете отново по вече окосен участък и косите бавно.
- Режете всеки път в различни посоки, за да избегнете образуването на линии в моравата.

- Редовно измивайте с вода коша за трева със струя от маркуч, след което го оставете да изсъхне преди употреба. В резултат от работата порите на платнения кош за трева може да се запълнят с прах и замърсявания. В резултата на това кошът за трева ще събира по-малко трева.

Преди да стартирате косачката

- В зоната на работа не бива да има лица и животни.
- Извършвайте всекидневно техническо обслужване. Вижте *ТЕХНИЧЕСКО ОБСЛУЖВАНЕ* на страница 24.

За стартиране на продукта

- Поставете комплекта батерии така, че да чуete щракване. Уверете се, че комплектът батерии е правилно монтиран. (Фиг. 38)

2. Поставете ключа в джоба под капака на батерията. Уверете се, че ключът е правилно монтиран. (Фиг. 39)

Забележка: Ключът може да бъде поставен само в една посока.

3. Натиснете еднократно бутона за захранване. Бутонът ще светне изцяло. (Фиг. 40)
4. Дръпнете ръкохватката за управление на двигателя по посока на управлението. Бутонът за захранване започва да мига. (Фиг. 41)
5. Натиснете мигация бутон за захранване. След това продуктът стартира. (Фиг. 42)

Спиране на продукта

- Освободете ръкохватката за управление на двигателя на продукта или натиснете еднократно бутон за захранване. (Фиг. 43)

За да използвате задвижването на колелата (ако е оборудвано)

(Фиг. 44)

- Дръпнете задвижващите лостове по посока на управлението.
- Преди да дръпнете машината назад, изключете задвижването и бутнете машината напред приблизително 10 cm.
- Освободете задвижващите лостове, за да изключите задвижването, например, когато приближите препятствие.

За изпразване на коша за трева

1. Повдигнете коша за трева с ръкохватката на рамката.
2. Отстранете окосената трева от коша за трева от долната страна на ръкохватката.
3. Изпразнете окосената трева от торбата с помощта на ръкохватката на рамката и на ръкохватката на торбата.



ВНИМАНИЕ: Не влачете торбата, когато изпразвате коша за трева, за да предотвратите износване.

За промяна на режима на косене

Продуктът може да преминава в един от трите различни режима на косене, докато работи, чрез натискане на бутона за режим на косене.

- **Автоматичен режим** – Продуктът автоматично регулира скоростта на косене на продукта в зависимост от количеството на косената трева.
- **Забележка:** По време на работа продуктът по подразбиране е в автоматичен режим.

- **Режим за максимална мощност** – Продуктът работи с висока скорост, независимо от количеството на косената трева.
 - Докато продуктът работи, натиснете еднократно бутона за режим на косене, за да преминете от автоматичен режим към режим за максимална мощност. Бутонът за режим на косене светва.
- **Режим ECO** – Продуктът работи на ниска скорост, независимо от количеството на косената трева.
 - Докато продуктът работи, натиснете еднократно бутона за режим на косене, за да преминете от режим за максимална мощност към режим ECO. Бутонът за режим на косене светва и след това започва да мига.
 - За да се върнете към автоматичния режим по подразбиране, натиснете еднократно бутон за режим на косене, докато продуктът работи. Бутонът за режим на косене спира да мига.

Забележка: Ако ръкохватката за управление на двигателя бъде освободена по време на работа, продуктът остава в текущия режим на косене. Ако продуктът спре автоматично или операторът натисне бутон за захранване, предходният режим на косене се изтрива от паметта и при следващото стартиране продуктът ще работи в автоматичен режим.

Индикация за състоянието на батерията по време на работа

Дисплеят на потребителския интерфейс за управление показва капацитета на батерията и евентуални проблеми с комплекта батерии. Капацитетът на батерията се извежда, докато машината работи.

Светодиодн и лампи	Статус на батерията
Всички зелени светодиоди светят	Напълно заредена (100% – 76%)
Свети светодиод 1, 2 и 3	Батерията е заредена на 75% – 51%.
Свети светодиод 1 и 2	Батерията е заредена на 50% – 26%.
Свети светодиод 1	Батерията е заредена на 25% – 6%.
Светодиод 1 мига	Батерията е заредена на 5% – 0%.

Ако по време на работа в комплекта батерии възникне грешка, всички четири зелени светодиода за състоянието на батерията ще започнат да мигат. Извадете комплекта батерии от машината и натиснете бутона на индикатора върху комплекта

батерии, за да се изведе кодът за грешката. Светодиодите на комплекта батерии светят и показват код за грешка, ако е възникнала такава.

Направете справка с ръководството за батерията, където ще намерите списък с кодове за грешки и начини за отстраняването им.

ТЕХНИЧЕСКО ОБСЛУЖВАНЕ



ПРЕДУПРЕЖДЕНИЕ: Прочетете и разберете раздела с инструкции за безопасност преди почистване, ремонтiranje или техническо обслужване на продукта.

Общи препоръки за техническо обслужване

Гаранцията на този продукт не включва неправилна или невнимателна работа с продукта от страна на оператора. За получаване на пълна гаранция, операторът трябва да извършва техническо обслужване на продукта, както е посочено в инструкциите в това ръководство. За да се поддържа изправната работа на Вашия продукт, различни корекции трябва да бъдат извършвани на различни интервали.

- Проверявайте ежегодно ножа за износване.

Проверка на гумите

- Почиствайте гумите от замърсяване с нежелани материали и химикали, за да предотвратите щети по гумата.
- Пазете гумите от пънове, камъни, коловози, остри предмети и други предмети, които могат да ги повредят.

За извършване на обща проверка

- Уверете се, че гайките и винтовете за затегнати.
- Уверете се, че кабелите не са прищипани.

График за техническо обслужване

Правете справка с графика за техническо обслужване за изискванията за техническо обслужване на продукта и интервалите за него. Интервалите са изчислени въз основа на средната употреба на продукта и може да се различават в зависимост от интензивността, с която го използвате.

- Затягайте болтовете и гайките преди всяка употреба и преди съхранение.
- Почиствайте и проверявайте коша за трева, ако има монтиран такъв, преди и след всяка употреба и преди съхранение.
- Проверявайте гумите преди всяка употреба.
- Почиствайте продукта след всяка употреба и преди съхранение. Използвайте стъргалка, за да почистите под платформата.

- Проверявайте ножа за повреди и пукнатини на всеки 25 часа. Сменяйте ножовете по-често, ако косите на песьчлива почва.
- Смазвайте продукта на всеки 25 часа.
- Почиствайте и зареждайте напълно комплекта батерии след всяка употреба и след съхранение. Зареждайте комплекта батерии в продължение на макс. 24 часа преди съхранение.
- Не оставяйте комплекта батерии в зарядното устройство по време на съхранение. Зареждайте комплекта батерии в продължение най-много на 24 часа.
- Проверявайте задвижващия ремък и шайбите на всеки 25 часа (ако има монтирани такива).

За почистване на продукта

- Използвайте четка за отстраняване на нежелан материал или трева по продукта.
- Пазете полираните повърхности и колелетата от нежелан материал.
- Използвайте стъргалка под продукта, за да отстраните натрупана трева или замърсяване.
- Не мийте продукта с устройство за миене под високо налягане.
- Не сипвайте вода директно върху електрическата силова глава или контактите на батерията.
- Когато почиствате под продукта, извадете комплекта батерии и ключа за безопасност и положете продукта настрани така, че потребителският интерфейс за управление да сочи нагоре.



ВНИМАНИЕ: Не почиствайте продукта с вода, почистващи течности или разтворители. Отстранете нежелания материал от продукта с помощта на мека четка или суха кърпа, която не съдържа метал.

За да почистите коша за трева

- По време на работа порите на платнения кош за трева може да се запълнят с прах и замърсявания. В резултат на това кошът за трева ще събира по-малко трева. За да се предотврати това, редовно измивайте с вода коша за трева със струя от маркуч, след което го оставете да изсъхне, преди да се използва.
- Проверявайте често коша за трева за износване или повреди. При необходимост подменете.

За да проверите задната врата

Задната врата е закрепена между задните колелета на продукта. Задната врата намалява опасността от изхвърляне на предмети към косящия оператор.

1. Уверете се, че задната врата не е повредена.
2. Проверявайте задната врата за неизправности, които я притискат да се затваря, включително пукнатини или счупени пружини.
3. Сменете задната врата или пружините, ако са повредени.

За да заточите и балансирате ножа

За най-добри резултати заточвайте ножовете редовно. Подменете огънат или повреден нож.



ВНИМАНИЕ: Използвайте ръкавици и/или обвийте ножа с дебела кърпа, за да предпазите ръцете си от нараняване.

1. Заточете ножа с пила или на шмиргел. Не заточвайте ножа, докато е монтиран на продукта.



ВНИМАНИЕ: Не препоръчваме Вие да заточвате ножа. Ако го правите, уверете се, че ножът е балансиран. Нож, който не е балансиран, може да повреди продукта или да нарани оператора.

2. Забийте пирон в дървено трупче или в стена. Уверете се, че виждате 2-3 см от пирона.
3. Поставете централния отвор на ножа върху главата на пирона. Ако ножът е балансиран, той

Кодове за грешки

Кодовете за грешки помагат за отстраняване на неизправностите на продукта и/или комплекта батерии по време на работа.

Светодиоден екран	Възможни неизправности	Възможни стъпки
Ако след натискане на бутона за захранване на потребителския интерфейс за управление, не светва нито един от светодиодите, комплектът батерии не функционира в продукта	Комплектът батерии не е поставен изцяло в продукта или има изгорял вътрешен предпазител	Натиснете комплекта батерии докрай в силовата глава, докато се чуе щракване. Ако светодиодите не светнат, след като комплектът батерии е бил натиснат докрай и бутонът за захранване на потребителския интерфейс за управление е бил натиснат, свържете се с одобрен сервизен център.

трябва да остане в хоризонтално положение. Ако един от двата края на ножа се движи надолу, заточете тежкия край, докато ножът се балансира.

За сменяне на ножовете

1. Застопорете ножа с дървен блок.(Фиг. 45)
2. Свалете придържащия болт на ножовете.
3. Свалете ножа.
4. Проверете носача на ножа и придържащия болт на ножовете, за да видите дали има повреди.
5. Проверете двусекционния вал на двигателя, за да се уверите, че не е огънат.
6. Когато поставяте новия нож, насочете извитите краища на ножа по посока към капака на режещите части.(Фиг. 46)
7. Уверете се, че ножът е подравнен с центъра на двусекционния вал на двигателя.
8. Застопорете ножа с дървен блок. Поставете пружинната шайба и затегнете болта и шайбата с въртящ момент Nm.(Фиг. 47)
9. Раздвижете ножа на ръка и се уверете, че той се върти свободно.



ПРЕДУПРЕЖДЕНИЕ: Използвайте ръкавици с висока здравина. Ножът е много остър и можете лесно да се порежете.

10. Стартирайте продукта, за да тествате ножа. Ако ножът не е поставен правилно, продуктът избира или резултатът от косенето е незадоволителен.

Светодиоден екран	Възможни неизправности	Възможни стъпки
<p>Всички четири светодиода за капацитета на батерията мигат, други светодиоди не светват след натискане на бутона за захранване</p>	<p>Комплектът батерии не е поставен докрай в продукта или вътрешната температура на комплекта батерии е твърде висока или твърде ниска.</p>	<p>Натиснете комплекта батерии докрай в силовата глава, докато се чуе щракване. Ако светодиодите продължат да мигат, има вероятност вътрешната температура на комплекта батерии да е твърде ниска или твърде висока. Оставете комплекта батерии да се стопли или охладят. За да се ускори процесът на охлаждане, комплектът батерии може да се постави в зарядното устройство за активно охлаждане на комплекта батерии.</p>
<p>Всички четири светодиода за капацитета на батерията и на захранването мигат, други светодиоди не светват след натискане на бутона за захранване</p>	<p>Ръкохватката за управление на двигателя е задържана надолу при първото натискане на бутона за захранване или има вътрешна неизправност на превключвателя на ръкохватката за управление на двигателя</p>	<p>Освободете ръкохватката за управление на двигателя. Ако ръкохватката за управление на двигателя не бъде задържана надолу и светодиодите продължат да мигат, свържете се с одобрен сервизен център.</p>
<p>Продуктът спира да работи и всички четири светодиода за капацитета на батерията мигат, други светодиоди не светват.</p>	<p>Комплектът батерии е разхлабен в силовата глава и не прави добър контакт, комплектът батерии е твърде топъл или студен, или има друга вътрешна грешка на батерията</p>	<ol style="list-style-type: none"> 1. Спрете продукта. 2. Извадете комплекта батерии от продукта и натиснете бутона на индикатора върху комплекта батерии, за да се изведе кодът за грешката. Светодиодите на комплекта батерии светват и се показва код за грешка. 3. Направете справка с приложеното ръководство за батерията, където ще намерите списък с кодове за грешки от светодиодите за евентуални неизправности и процедури. <p>Ако комплектът батерии не изведе грешка след натискане на бутона на индикатора върху комплекта батерии, а покаже само състоянието на зареждане, по време на работа комплектът батерии може да се е разместил в силовата глава. Поставете комплекта батерии правилно в силовата глава, докато се чуе щракване.</p>

Светодиоден екран	Възможни неизправности	Възможни стъпки
Продуктът спира да работи и бутонът за захранване мига, докато светодиодите за капацитета на батерията продължават да показват текущото състояние на зареждане	Режещата камера е задръстена с трева, регулаторът на двигателя е твърде топъл или има неизправност в двигателя	<ol style="list-style-type: none"> 1. Спрете продукта. 2. Извадете комплекта батерии и положете продукта настрани така, че потребителският интерфейс за управление да сочи нагоре. 3. Проверете ножа, придържащия болт на ножовете, модула на ножовете, двигателя и основата на двигателя за повреди. Почистете тревата от долната страна на машината и проверете за запушвания. 4. Монтирайте комплекта батерии и следвайте процедурата по стартиране, за да стартирате машината. <p>Ако грешката продължи да се извежда, оставете продукта да се охлади. Регулаторът на двигателя може да е твърде топъл за работа. Ако грешката продължи да се извежда, свържете се с одобрен сервизен център.</p>

ТРАНСПОРТ И СЪХРАНЕНИЕ

- Обезопасете оборудването при транспорт, за да предотвратите повреда и инциденти.
- След като извадите ключа за безопасност, съхранявайте оборудването заключено далеч от деца и от неупълномощени лица.
- Съхранявайте продукта и оборудването на сухо и защитено от скреж място.
- При товарене или разтоварване на продукта не превишавайте препоръчания максимален ъгъл на работа от 15 градуса.
- Почистете продукта. За повече информация вижте *За почистване на продукта на страница 24*.
- Смазвайте продукта.
- Затегнете болтовете и гайките.
- Сменете или ремонтирайте повредените компоненти.
- Поправете всички ръждясали или повредени боядисани повърхности. Изшкурете леко преди боядисване.
- Използвайте правилния предпазен капак върху продукта, който не задържа влага. Не използвайте найлон, тъй като той не пропуска въздух, образува кондензация и причинява корозия на продукта.
- Винаги изваждайте комплекта батерии преди транспортиране или съхранение.

ТЕХНИЧЕСКИ ХАРАКТЕРИСТИКИ

	единица	LM2146C Li58-52 (58VBKJN46C)	LM2146CA Li58-52 (58VBKJN46CR)
Двигател за рязане			
Тип двигател	–	BLDC (безчетков) 58V	BLDC (безчетков) 58V
Обороти на двигателя – Режим ECO	об/мин	2300	2300

	единица	LM2146C Li58-52 (58VBKJN46C)	LM2146CA Li58-52 (58VBKJN46CR)
Обороти на двигателя – Автоматичен режим	об/мин	2500 об/мин, докато токът е над 12 А за 3 секунди об/мин нарастват до 2800 об/мин, докато токът е под 18 А за 10 секунди.	2500 об/мин, докато токът е над 12 А за 3 секунди об/мин нарастват до 2800 об/мин, докато токът е под 18 А за 10 секунди.
Обороти на двигателя – Режим за максимална мощност	об/мин	2800	2800
Изходна мощност на двигателя – макс.	kW	1,5	1,5
Изходна мощност на двигателя – макс. непрекъснатата	kW	0,9	0,9
Изходна мощност на двигателя – номинална	kW	0,9	0,9
Граница на свръхток (макс. ток)	А (ампера)	25	25
Тегло			
Тегло (без батерията)	kg	23,5	24,5
Акумулаторна батерия			
Тип батерия		590923813	590923813
Време на работа на батерията			
Време на работа на батерията	м ²	До 1200	До 1000
Шумови емисии ⁴			
Ниво на звуковата мощност, измерено	dB (A)	87	87
Ниво на звуковата мощност, гарантирано LWA	dB (A)	87	87
Нива на звука			
⁵			
Ниво на звуковото налягане при ухото на оператора	dB (A)	< 80	< 80
Нива на вибрациите			
⁶			
Ръкохватка	m/s ²	0,65	0,65
Косене			
Височ. на рязане	mm	30 – 80	30 – 80

⁴ Шумови емисии в околната среда, измерени като звукова мощност (LWA) съгласно ЕО директива 2000/14/ЕО.

⁵ Отчетените данни за нивото на звуковото налягане имат типична статистическа дисперсия (стандартно отклонение) от 1,2 dB (A).

⁶ Отчетените данни за равнището на вибрации имат типична статистическа дисперсия (стандартно отклонение) от 0,2 m/s². Стандарт за вибрации EN 60335-2-77:2017 глава 20.105.

	единица	LM2146C Li58-52 (58VBKJN46C)	LM2146CA Li58-52 (58VBKJN46CR)
Работна ширина	см	46	46
Нож, събиране	–	581188910	581188902
Нож, мулчиране	–	581188910	581188902
Капацитет на багера	литра	50	50

СЪДЪРЖАНИЕ НА ДЕКЛАРАЦИЯТА ЗА СЪОТВЕТВИЕ НА ЕС

Ние, Husqvarna AB, SE 561 82 Huskvarna, ШВЕЦИЯ, декларираме на своя собствена отговорност, че представеният продукт:

Описание	Електрическа ротационна косачка
Марка	Jonsered
Платформа/Вид/Модел	Платформа 58VBKJN46C (представяща модел LM2146C Li58-52), платформа 58VBKJN46CR (представяща модел LM2146CA Li58-52).
Партида	Сериен номер, датиращ от 2018 г. и след това

раздела за технически характеристики на това ръководство и в подписаната Декларация за съответствие на ЕС.

Intertek извърши доброволен контрол от името на Husqvarna AB и изготви сертификат за съответствие с Директива 2006/42/ЕО на Съвета относно машините.

Сертификатът, както е предвиден в подписаната Декларация за съответствие на ЕО, се прилага за всички места на производство и държави на произход, както е посочено на продукта.

Предоставената електрическа ротационна косачка съответства на образеца, който е преминал прегледа.

отговаря напълно на следните директиви и регламенти на ЕС:

Директива/регламент	Описание
2006/42/ЕО	"относно машините"
2014/30/ЕС	"относно електромагнитната съвместимост"
2000/14/ЕО	"относно шума на открито"
2011/65/ЕС	"относно опасни вещества"

Приложените хармонизирани стандарти и/или технически спецификации са следните: EN60335-1, EN60335-2-77, EN50366, EN55014-1, EN55014-2, EN61000-3-2, EN61000-3-3

В съответствие с Директива 2000/14/ЕО, приложение V, декларираните звукови стойности са посочени в

Obsah

ÚVOD.....	30	ÚDRŽBA.....	36
BEZPEČNOST.....	31	PŘEPRAVA A SKLADOVÁNÍ.....	38
SESTAVENÍ.....	34	TECHNICKÉ ÚDAJE.....	39
PROVOZ.....	35	OBSAH PROHLÁŠENÍ O SHODĚ EU.....	40

ÚVOD

Návod k používání

Návod k obsluze byl původně napsán v angličtině.
Návody k obsluze v ostatních jazycích jsou překlady z angličtiny.

Přehled

(Obr. 1)

1. Rukojeť kontroly přítomnosti obsluhy
2. Koš na trávu
3. Páky pojezdu
4. Hlava elektrického motoru
5. Páka pro nastavení výšky sečení
6. Nabíječka baterií
7. Návod k používání
8. Uživatelské rozhraní
9. Baterie
10. Kryt baterie
11. Vypínač
12. Tlačítko režimu sečení
13. Zadní dvířka
14. Kontrolky stavu nabití
15. Legenda
16. Mulčovací vložka

Symbole na výrobku

(Obr. 2) Varování

(Obr. 3) Přečtěte si tento návod

(Obr. 4) Před použitím si pozorně prostudujte tento návod k používání a nepoužívejte výrobek, pokud návodu zcela nerozumíte.

(Obr. 5) Vždy používejte schválenou ochranu očí

(Obr. 6) Vždy používejte schválenou ochranu sluchu.

(Obr. 7) Vždy používejte schválenou ochranu hlavy.

(Obr. 8) Vždy používejte schválenou ochranu sluchu.

(Obr. 9) Varování: rotující nůž. Udržujte v čistotě ruce a nohy.

(Obr. 10) Ruce a nohy udržujte mimo dosah rotujících nožů. Neotevírejte a nedemontujte ochranné kryty, když je spuštěný motor.

Před rozjezdem a při pohybu dozadu se dívejte dozadu a dolů, zda nejsou na ploše přítomné děti, zvířata nebo jiná nebezpečí, která mohou způsobit pád.

(Obr. 11)

Pozor na odvržené a odražené předměty.

(Obr. 12)

Zajistěte, aby se v pracovní oblasti a jejím okolí nezdržovaly nepovolané osoby či zvířata.

(Obr. 13)

Nebezpečí na svahu

(Obr. 14)

Úraz elektrickým proudem

(Obr. 15)

Před prováděním oprav, seřízení, nastavení nebo přepravou vyjměte klíček.

(Obr. 16)

Vypínač

(Obr. 17)

Zapnutý motor

(Obr. 18)

Ovládací rukojeť motoru zatažena

(Obr. 19)

Vypnutý motor

(Obr. 20)

Ovládací rukojeť motoru odpojena

(Obr. 21)

Výrobek ani obal nelze likvidovat jako domácí odpad. Výrobek a obal musí být odevzdány do příslušné recyklační stanice pro recyklaci elektrických a elektronických zařízení.

(Obr. 22)

Neponechávejte, neskladujte ani nepoužívejte výrobek v dešti nebo ve vlhkém prostředí.

(Obr. 23)

Recyklace

(Obr. 24)

Hladina akustického výkonu

(Obr. 25)

Výrobek odpovídá příslušným směrnici ES

(Obr. 26)

Tento výrobek odpovídá příslušným směrnici EAC.

(Obr. 27)

Tento výrobek odpovídá příslušným
(Obr. 28) směrnici platným na Ukrajině.

Odpovědnost za výrobek

Jak uvádí zákon o odpovědnosti za výrobek, neneseme odpovědnost za žádnou škodu způsobenou našim výrobkem, pokud:

- byl produkt nesprávně opraven,

- byl produkt opraven pomocí součástí od jiného výrobce nebo součástí, které nejsou výrobcem schváleny,
- má produkt příslušenství od jiného výrobce nebo příslušenství, které není výrobcem schváleno,
- produkt nebyl opraven ve schváleném servisním středisku nebo schváleným odborníkem.

BEZPEČNOST

Definice týkající se bezpečnosti

Níže uvedené definice uvádí úroveň vážnosti jednotlivých signálních slov.



VÝSTRAHA: Zranění osob.



VAROVÁNÍ: Poškození výrobku.

Povšimněte si: Díky těmto informacím je používání výrobku snazší.

Obecné bezpečnostní pokyny

- Používejte výrobek správně. Nesprávné používání může mít za následek zranění nebo smrt. Výrobek používejte pouze k činnostem uvedeným v tomto návodu. K jiným činnostem výrobek nepoužívejte.
- Přečtěte si pokyny v návodu a řiďte se jimi. Řiďte se bezpečnostními symboly a pokyny. Pokud se obsluha nebude řídit pokyny a symboly, může dojít ke zranění, poškození nebo smrti.
- Tento návod nevyhazujte. Použijte pokyny k sestavení, k používání a udržování výrobku v dobrém stavu. Použijte pokyny k správné montáži nástavců a příslušenství. Používejte pouze schválené nástavce a příslušenství.
- Nepoužívejte poškozený výrobek. Dodržujte plán údržby. Provádějte pouze údržbu, ke které najdete pokyny v tomto návodu. Veškerou údržbu musí provádět schválené servisní středisko.
- Tento návod nemůže obsahovat všechny situace, ke kterým při používání výrobku dochází. Buďte opatrní a používejte zdravý rozum. Výrobek nepoužívejte a neprovádějte údržbu, když si nejste jistí danou situací. Poradte se s odborníkem, prodejcem, servisním pracovníkem nebo schváleným servisním střediskem.
- Pokud se změni původní specifikace výrobku, nepoužívejte ho. Bez schválení výrobcem nemějte žádné součásti výrobku. Používejte výhradně součásti schválené výrobcem. Nesprávná údržba může mít za následek zranění nebo smrt.

- Tento výrobek vytváří během provozu elektromagnetické pole. Elektromagnetické pole může poškodit implantované lékařské přístroje. Před použitím výrobku se poraďte s lékařem a výrobcem implantovaných lékařských přístrojů.
- Zamezte používání výrobku dětmi.
- Zamezte používání výrobku osobami, které naznají pokyny.
- Vždy sledujte osoby s fyzickým nebo mentálním postižením při práci s výrobkem. Na místě musí být vždy odpovědná dospělá osoba.
- Výrobek zamykejte na místě, kam nemají přístup děti a nežádoucí osoby.
- Produkt může způsobit vymrštění předmětů a následné poranění. Dodržujte bezpečnostní předpisy pro snížení rizika zranění a smrti.
- Když je výrobek zapnutý, neodcházejte od něj. Před odchodem zastavte výrobek.
- Před rozjezdem a při pohybu dozadu se dívejte dozadu a dolů, zda nejsou na ploše přítomné děti, zvířata nebo jiná nebezpečí, která mohou způsobit pád.
- Za případnou nehodu nese zodpovědnost obsluha výrobku.
- Před použitím se přesvědčte, že nejsou poškozeny součásti.
- Podrobnosti naleznete v mezinárodních a místních zákonech. Za určitých podmínek mohou použití výrobku zakazovat nebo omezovat.

Bezpečnostní pokyny pro provoz

- Před použitím výrobku se seznámte s ovládacími prvky a naučte se, jak správně ovládat výrobek.
- Nenechte výrobek používat děti a osoby, které se neseznámily s těmito pokyny.
- Neprovozujte výrobek, pokud jsou v blízkosti další osoby, zejména děti, nebo zvířata.
- Děti se nesmí vyskytovat v oblasti sečení a při práci musí být pod dohledem dospělé osoby.
- Pokud vstoupí do pracovní oblasti dítě, zastavte výrobek.
- Důkladně zkontrolujte prostor, kde se má výrobek používat. Odstraňte veškeré předměty, které by mohl výrobek během provozu odmrštit.

- Před použitím výrobku zkontrolujte, zda nejsou opotřebené nebo poškozené nůž, šroub nože, sestava nože a základna motoru.
- S výrobkem pracujte pouze za denního světla nebo při dobrém umělém osvětlení.
- Nepoužívejte výrobek na mokré trávě.
- Postupujte opatrně v blízkosti rohů, keřů, stromů nebo dalších objektů, které vám mohou bránit ve výhledu.
- Při pohybu výrobku směrem dozadu nebo tažení výrobku směrem k vám buďte velmi opatrní.
- Nedávejte ruce ani nohy pod otáčející se díly. Vyhazovací otvory vždy udržujte čisté.
- Při přeježdění šterkového povrchu zastavte nůž.
- Před čištěním výrobku, demontáží koše na trávu nebo odstraňováním materiálu z kryty vyhazovacího otvoru zastavte motor, vyjměte baterii a počkejte, dokud se zcela nezastaví nože.
- Nikdy výrobek nepoužívejte, jste-li unavení, nemocní nebo pod vlivem léků, alkoholu nebo drog.
- Pokud výrobek neobvykle vibruje, zastavte motor, vyjměte baterii a okamžitě vyšetřete příčinu. Vibrace zpravidla fungují jako varování před poškozením výrobku.
- Nesměřujte odhazovaný materiál směrem k dalším osobám. Materiál nesmí být odhazován proti stěně nebo jiné zábraně. Materiál by se mohl odrazit směrem k obsluze.
- Výrobek nepoužívejte bez náležitých krytů, plechů, koše na trávu a dalších ochranných zařízení ve správné poloze.

Bezpečnost pracovního prostoru

- Před zahájením sečení odstraňte z trávníku větve, kameny a další předměty.
- Zajistěte, aby se v pracovní oblasti a jejím okolí nezdřezovaly nepovolané osoby, včetně dětí, a zvířata.
- Předměty, které mohou být zachyceny žacími ústrojími mohou být odmrštěny a způsobit zranění osob a poškození předmětů.
- Nepoužívejte výrobek za nepříznivého počasí (např. za mlhy, deště, ve vlhkém nebo mokřím prostředí, za silného větru, velmi nízkých teplot a bouřky). Při práci za nepříznivého počasí se můžete rychle unavit a mohou být přítomny další nebezpečné podmínky, např. kluzký povrch.
- Zkontrolujte pracovní oblast, aby bylo zajištěno, že vám nic nezabrání v řádném ovládní výrobku.
- Dávejte pozor na kořeny, kameny, větve, díry a příkopy. Vysoká tráva může zakrývat překážky.
- V blízkosti skrytých rohů a objektů, které mohou bránit ve výhledu, postupujte opatrně.

Bezpečnostní pokyny pro provoz na svazích

- Při práci na svazích dávejte velký pozor. Svahy mohou být nebezpečné. Při pádu ze svahu může dojít k úrazu.
- Sekejte po vrstevnicích. Nesekejte nahoru a dolů.
- Při práci na svazích věnujte velkou pozornost změnám směru.
- Dávejte pozor na skryté předměty nebo díry v trávníku. Nerovný terén může způsobit ztrátu stability a pád.
- Nesekejte v blízkosti prudkých svahů, terénních schodů, příkopů nebo náspů. Mohli byste spadnout.
- Nesekejte na mokré trávě. Mohli byste spadnout.
- Nesekejte na svazích se sklonem větším než 15 stupňů.

Osobní ochranné prostředky

Při práci s výrobkem vždy používejte správné osobní ochranné prostředky. To zahrnuje minimálně pevnou obuv, ochranu očí a ochranu sluchu. Osobní ochranné prostředky nemohou vyloučit nebezpečí poranění, ale sniží míru zranění v případě, že dojde k nehodě.

- Při používání, seřizování nebo opravě výrobku vždy noste ochranné brýle nebo ochranu očí.
- Nepracujte s výrobkem bosí nebo v otevřených botách. Při práci s výrobkem vždy používejte odolnou obuv s protiskluzovou podrážkou a oporou kotníků.
- Používejte silné, dlouhé kalhoty. Nenoste krátké kalhoty nebo sandály a nepracujte naboso.
- V případě potřeby používejte schválené ochranné rukavice. Například při připojování, kontrolování nebo čištění nožů.
- Při práci s výrobkem vždy používejte schválenou ochranu sluchu. Dlouhodobé působení hluku může způsobit ztrátu sluchu vyvolanou hlukem.

Ochranná zařízení na produktu

- Zajistěte pravidelnou údržbu výrobku.
 - Prodlouží se tím jeho životnost.
 - Sniží se nebezpečí nehody.

U schváleného prodejce nebo ve schváleném servisním středisku nechte výrobek pravidelně kontrolovat, seřídít nebo případně opravit.

- Nepoužívejte výrobek s poškozenými ochrannými prostředky. V případě poškození výrobku se obraťte na schválené servisní středisko.

Ovládací rukojeť motoru

Ovládací rukojeť motoru slouží k zastavení motoru. Ujistěte se, že se motor po uvolnění ovládací rukojeti motoru zastaví.

- Nastartujte motor a poté uvolněte ovládací rukojeť motoru. Motor se poté zastaví.

Povšimněte si: Pokud ovládací rukojeť motoru nezastaví motor, zastavte jej pomocí vypínače. Vyměňte baterii a obraťte se na schválené servisní středisko.

Zadní dvířka

Zadní dvířka při sečení snižují nebezpečí odmrštění předmětů za výrobek do prostoru obsluhy.

- Zkontrolujte, zda nejsou zadní dvířka poškozená a zda nejsou viditelně žádné vady, například praskliny nebo prasklé pružiny. Závady mohou způsobit, že je nutné zavírat dvířka silou. V případě poškození vyměňte dvířka nebo pružiny.

Bezpečnostní pokyny pro údržbu



VÝSTRAHA: Provádějte pouze údržbu uvedenou v tomto návodu k používání. Rozsáhlejší zásahy musí provést schválený servisní pracovník.

Správným provedením údržby zvýšíte životnost výrobku a snížíte nebezpečí nehod. Odborné opravy by měl provést schválený servisní pracovník. Pro další informace se obraťte na nejbližšího servisního pracovníka.



VÝSTRAHA: Aby se zabránilo náhodnému spuštění během přepravy, údržby nebo oprav, vyměňte baterii a počkejte minimálně 5 sekund, než ji vrátíte zpět.



VÝSTRAHA: Při manipulaci s žácím ústrojím používejte silné rukavice. Nůž je velmi ostrý a může snadno dojít k pořežení.

- Pro dosažení nejlepšího výsledku a bezpečnosti zajistěte, aby byla ostří nože čistá a ostrá.
- Zajistěte pravidelné kontroly a provádění potřebného seřízení a oprav výrobku u servisního pracovníka.
- Poškozené, opotřebené či prasklé součásti vyměňte.
- Dodržujte pokyny pro výměnu příslušenství. Používejte výhradně příslušenství od výrobce.



VÝSTRAHA: Pokud není výrobek v provozu, skladujte výrobek, baterii a nabíječku baterií odděleně v suchém, vnitřním a zamykatelném prostoru z dosahu dětí a neoprávněných osob.

Bezpečnostní pokyny týkající se baterií

Používejte výhradně baterie od výrobce a nabíjejte je pouze v nabíječce baterií od výrobce.

Dobíjecí baterie jsou používány výhradně jako zdroj energie pro odpovídající akumulátorové výrobky. Aby nemohlo dojít ke zranění, nesmí být baterie používána jako zdroj napájení pro jiná zařízení.

- Nedemontovávejte, neotevírejte ani nerozbíjejte baterii.
- Nenechávejte baterie na přímém slunci a v horkém prostředí. Uchovávejte baterie v bezpečné vzdálenosti od ohně.
- Pravidelně kontrolujte nabíječku baterií a baterii ohledně poškození. Poškozené nebo upravené baterie mohou způsobit požár, výbuch a představují nebezpečí poranění. Neopravujte ani neotevírejte poškozené baterie.
- Nepoužívejte vadnou, upravenou nebo poškozenou baterii nebo výrobek.
- Neopravujte ani neopravujte výrobky ani baterii. Opravu svěřte schválenému prodejci.
- Článek ani baterii nezkratujte. Neskladujte baterie v krabici nebo zásuvce, kde mohou být zkratovány jinými kovovými předměty.
- Až do použití baterii nevyjímejte z jejího původního obalu.
- Baterie nesmí být vystaveny mechanickým nárazům.
- Pokud je baterie netěsná, kapalina nesmí přijít do styku s kůží a očima. Po styku s kapalinou omyjte zasaženou oblast velkým množstvím vody a získejte lékařskou pomoc.
- Používejte výhradně nabíječku baterií, která je specifikována pro nabíjení baterie.
- V zájmu zajištění správného provozu zkontrolujte symboly plus (+) a minus (-) na baterii a výrobku.
- Nepoužívejte baterii, která není určená k napájení výrobku.
- Nekombinujte v zařízení baterie s různým napětím nebo od různých výrobců.
- Uchovávejte baterie z dosahu dětí.
- Vždy zakupte správné baterie pro daný výrobek.
- Udržujte baterie čisté a suché.
- Pokud se kontakty baterie zašpiní, vyčistěte je čistým suchým hadříkem.
- Druhá baterie musí být před použitím nabitá. Vždy používejte správnou nabíječku baterií a přečtěte si návod, kde naleznete pokyny k nabíjení.
- Když baterii nepoužíváte, neponechávejte ji nabíjet.
- Uschovejte návod pro budoucí použití.
- Baterii používejte pouze pro nezbytný provoz.
- Když výrobek nepoužíváte, vyměňte z něj baterii.
- Při provozu zajistěte, aby se do blízkosti baterie nedostaly kancelářské sponky, klíče, hřebíky, šrouby a další malé kovové předměty. Mohlo by dojít ke spojení kontaktů baterie. Při zkratování kontaktů baterie může dojít k popáleninám nebo k požáru.

SESTAVENÍ



VÝSTRAHA: Než výrobek sestavíte, přečtěte si kapitolu o bezpečnosti.

Vyjmutí výrobku z kartonu

1. Vyjměte volné součástky dodané s výrobkem.
2. Odřízněte dva koncové rohy kartonu a položte koncový panel naplocho na zem.
3. Odstraňte veškeré obalové materiály.
4. Vyjměte výrobek z kartonu a ujistěte se, že v kartonu nezůstaly žádné volné součástky.

Montáž řídítek

1. Zarovnejte otvory pro šrouby v dolní části rukojeti s otvory pro šrouby v sestavě řídítek. Připevňte šrouby, podložky a knoflíky. (Obr. 29)
2. Výšku rukojeti nastavíte tak, že povolíte spodní knoflíky, nastavíte výšku rukojeti a pevně dotáhnete knoflíky.

Nastavení výrobku do provozní polohy

1. Zvedněte řídítka do provozní polohy.
2. Řádně dotáhněte dolní knoflíky.

Montáž koše na trávu

1. Vložte rám do koše na trávu tak, aby pevná část koše směřovala dolů. Dbejte na to, aby bylo madlo rámu na venkovní straně koše. (Obr. 30)
2. Nasadte spodní část rámu do drážky na spodní straně koše na trávu. (Obr. 31)
3. Upevněte háčky na koši na trávu k hornímu okraji podvozku. (Obr. 32)
4. Umístěte dolní část koše na trávu do kanálu výhozu trávy.

Přestavba výrobku na režim sběru trávy

V režimu zadního sběru trávy sbírá výrobek odřezky trávy do koše na trávu.



VAROVÁNÍ: Nepoužívejte výrobek bez zavřených zadních dvířek nebo schváleného

koše na trávu ve správné poloze. Nepokoušejte se používat výrobek s demontovanými nebo otevřenými zadními dvířky.

1. Zvedněte zadní dvířka a vložek háčky rámu koše na trávu na otočný čep zadních dvířek. (Obr. 33)
2. Uvolněte zadní dvířka a položte je na horní stranu rámu koše na trávu.

Přestavba výrobku na režim mulčování (je-li součástí výbavy)

V režimu mulčování výrobek vytváří menší odřezky trávy. Odřezky trávy poté padají na trávnik a do trávy. Mulčovaná tráva se rychle biologicky rozkládá a slouží jako hnojivo pro trávnik.

1. Zvedněte zadní kryt a vyjměte koš na trávu. (Obr. 34)
2. Vložte do kanálu výhozu trávy mulčovací vložku. (Obr. 35)
3. Pevně zavřete zadní dvířka proti výrobku.

Přestavba výrobku na režim odhazování

1. Vyjměte mulčovací vložku nebo koš na trávu. (Obr. 36)
2. Pevně zavřete zadní dvířka proti výrobku.

Nastavení výšky sečení



VAROVÁNÍ: Nenastavujte výšku sečení příliš nízko. V případě, že není povrch trávniku rovný, mohou nože přijít do styku se zemí.

Povšimněte si: Nastavte stejnou výšku na všech ovladačích výšky sečení.

1. Chcete-li zvýšit výšku sečení, posuňte páku pro nastavení výšky sečení dozadu.
2. Posunem páky pro nastavení výšky sečení dopředu výšku sečení snížíte. (Obr. 37)

PROVOZ



VÝSTRAHA: Než začnete s výrobkem pracovat, přečtěte si důkladně kapitolo o bezpečnosti.

Základní techniky řezání

- Abyste dosáhli nejlepších výsledků, vždy sekejte s ostrým nožem. Neostrý nůž seče nerovnoměrně a způsobuje žloutnutí trávy na okraji řezu.
- Nesekejte více než 1/3 výšky trávy. Tato zásada platí zejména v období sucha. Nejprve sekejte se žacími ústrojími nastavenými vysoko. Potom zkontrolujte výsledek a snížte žací ústrojí na vhodnou výšku. Pokud je tráva velmi vysoká, postupujte pomalu a v případě potřeby sekejte dvakrát.
- Při velmi náročném sečení zmenšete šířku sečení tak, že částečně překryjete již posečený pruh, a sekejte pomalu.
- Sekejte vždy v jiném směru, aby na trávníku nevznikly pruhy.
- Pravidelně proplachujte koš na trávu vodou z hadice a před použitím jej nechte vyschnout. Průduchy v koši na trávu se mohou během práce ucpat nečistotami a prachem. Koš na trávu poté sbírá méně trávy.

Před spuštěním sekačky

- Zajistěte, aby se v pracovní oblasti a jejím okolí nezdržovaly nepovolané osoby či zvířata.
- Provádějte denní údržbu. Viz *ÚDRŽBA na strani 36*.

Spuštění výrobku

1. Vložte baterii a zatlačte ji tak, aby se ozvalo cvaknutí. Zkontrolujte, zda je baterie správně instalovaná. (Obr. 38)
2. Vložte klíček do kapsy pod víkem baterie. Zkontrolujte, zda je klíček správně instalovaný. (Obr. 39)

Povšimněte si: Klíček lze vložit pouze jedním směrem.

3. Stiskněte jednou vypínač. Tlačítko se zcela rozsvítí. (Obr. 40)
4. Přitáhněte ovládací rukojeť motoru směrem k říditkům. Vypínač začne blikat. (Obr. 41)
5. Stiskněte blikající vypínač. Výrobek se poté spustí. (Obr. 42)

Zastavení výrobku

- Uvolněte ovládací rukojeť motoru na výrobku nebo stiskněte jednou vypínač. (Obr. 43)

Použití pohonu kol (je-li součástí vybavy)

(Obr. 44)

- Přitáhněte páky pojezdu směrem k říditkům.
- Pokud chcete táhnout výrobek dozadu, odpojte pohon a zatlačte výrobek dopředu přibližně 10 cm.
- V blízkosti překážek uvolněte páky pojezdu, aby se deaktivoval pohon.

Vyprazdňování koše na trávu

1. Zdvihněte koš na trávu pomocí rukojeti na rámu.
2. Odstraňte odřezky trávy z koše na trávu z prostoru pod rukojetí.
3. Vysypte odřezky trávy z koše pomocí rukojeti na rámu a rukojeti na koši.



VAROVÁNÍ: Při vysypávání koše na trávu netahejte koš po zemi, aby se zabránilo jeho opotřebení.

Změna režimu sečení

Výrobek lze za provozu přepnout na jeden ze tří různých režimů sečení stisknutím tlačítka režimu sečení.

- **Automatický režim** – Výrobek automaticky nastavuje rychlost sečení v reakci na množství sečené trávy
 - **Povšimněte si:** Výchozí nastavení výroku je automatický režim.
- **Režim turbo** – Výrobek pracuje při vysokých otáčkách bez ohledu na množství sečené trávy.
 - Když je výrobek v provozu, jedním stisknutím tlačítka režimu sečení přepněte automatický režim na režim turbo. Tlačítko režimu sečení se následně rozsvítí.
- **ECO mód** – Výrobek pracuje při nízkých otáčkách bez ohledu na množství sečené trávy.
 - Když je výrobek v provozu, jedním stisknutím tlačítka režimu sečení přepněte režim turbo na ECO mód. Rozsvítí se tlačítko režimu sečení a začne blikat.
 - Zpět do automatického režimu se můžete vrátit jedním stisknutím tlačítka režimu sečení, když je výrobek v provozu. Tlačítko režimu sečení poté přestane blikat.

Povšimněte si: Po uvolnění ovládací rukojeti motoru zůstane výrobek v aktuálním režimu sečení. Pokud se výrobek automaticky zastaví nebo pokud stiskne obsluha vypínač, dříve použitý režim sečení se vymaže

z paměti a výrobek bude po opětovném spuštění pracovat v automatickém režimu.

Indikace stavu baterie během provozu

Displej na uživatelském rozhraní ukazuje kapacitu baterie a případné problémy s baterií. Kapacita baterie se zobrazuje, když je stroj v provozu.

Kontrolky LED	Stav baterie
Všechny kontrolky LED svítí.	Zcela nabitá (76 až 100 %)
Svítí kontrolka LED 1, 2 a 3.	Uroveň nabití baterie je v rozsahu 51 až 75 %.

Kontrolky LED	Stav baterie
Svítí kontrolka LED 1 a 2.	Uroveň nabití baterie je v rozsahu 26 až 50 %.
Svítí kontrolka LED 1.	Uroveň nabití baterie je v rozsahu 6 až 25 %.
Bliká kontrolka LED 1.	Uroveň nabití baterie je v rozsahu 0 až 5 %.

Pokud došlo k chybě baterie během provozu, všechny čtyři kontrolky LED stavu baterie na displeji nabíjení blikají. Vyměňte baterii ze stroje a stiskněte tlačítko ukazatele na baterii, aby se zobrazil chybový kód. Kontrolky LED na baterii svítí a v případě chyby ukazují chybový kód. Seznam chybových kódů a řešení chyb naleznete v návodu k používání baterie.

ÚDRŽBA



VÝSTRAHA: Než začnete výrobek čistit, opravovat nebo provádět údržbu, přečtěte si důkladně kapitolu o bezpečnosti.

Obecná doporučení pro údržbu

Záruka na tento výrobek nezahrnuje nesprávné nebo neopatrné použití výrobku ze strany obsluhy. Plná hodnota záruky se poskytuje pouze v případě, že uživatel prováděl údržbu výrobku podle pokynů uvedených v tomto návodu. Aby bylo možné udržet výrobek v řádném provozním stavu, je nutné provádět různá nastavení v různých intervalech.

- Kontrolujte opotřebení nože každý rok.

Kontrola pneumatik

- Udržujte pneumatiky bez přítomnosti nechtěných materiálů, oleje a chemikálií, aby se zabránilo poškození gumy.
- Nepřejíždějte pneumatikami přes pařezy, kameny, koleje, ostré předměty a jiné objekty, které mohou způsobit poškození pneumatik.

Provedení běžné kontroly

- Přesvědčte se, zda jsou matice a šrouby utažené.
- Ujistěte se, že jsou všechny kabely neporušené.

Plán údržby

Postupujte podle plánu údržby a provádějte nezbytnou údržbu, když to je požadováno. Intervaly jsou vypočteny na základě průměrného použití výrobku a mohou se lišit v závislosti na četnosti použití.

- Před každým použitím a před uskladněním dotáhněte šrouby a matice.
- Před každým použitím a před uskladněním vyčistěte a zkontrolujte koš na trávu, je-li instalován.
- Před každým použitím zkontrolujte pneumatiky.

- Po každém použití a před uskladněním vyčistěte výrobek. Pomocí škrabky vyčistěte spodní stranu skeletu.
- V intervalu 25 hodin zkontrolujte, zda není poškozený nůž. Měňte nože častěji, pokud sečete na písčité půdě.
- V intervalu 25 hodin promažte výrobek.
- Po použití a před uskladněním vyčistěte a zcela nabijte baterii. Před uskladněním nabijte baterii, ale maximálně po dobu 24 hodin.
- Během skladování nenechávejte baterii v nabíječce baterií. Baterii nabíjejte maximálně po dobu 24 hodin.
- V intervalu 25 hodin zkontrolujte hnací řemen a řemenice (jsou-li součástí vybavy).

Čištění výrobku

- Pomocí kartáče odstraňte z výrobku nechtěný materiál a trávu.
- Udržujte povrchy a kola výrobku bez přítomnosti nechtěného materiálu.
- Pomocí škrabky odstraňte usazenou trávu a nečistoty ze spodní části výrobku.
- K čištění výrobku nepoužívejte vodu pod vysokým tlakem.
- Nestříkejte vodu přímo na hlavu elektrického motoru a kontakty baterie.
- Před čištěním spodní části výrobku vyjměte baterii a bezpečnostní klíček a položte výrobek na stranu s uživatelským rozhraním směrem nahoru.



VAROVÁNÍ: Nečistěte výrobek vodou, čistícími kapalinami ani rozpouštědly. Odstraňte nechtěný materiál z vnější strany výrobku měkkým kartáčem nebo suchým hadříkem bez obsahu kovů.

Čištění koše na trávu

- Průduchy v koši na trávu se mohou během práce ucpat nečistotami a prachem. To způsobuje, že koš na trávu sbírá méně trávy. Aby se tomu zabránilo, pravidelně proplachujte koš na trávu vodou z hadice a před použitím jej nechte vyschnout.
- Často kontrolujte, zda není koš na trávu opotřebený nebo poškozený. V případě potřeby jej vyměňte.

Kontrola zadních dvířek

Zadní dvířka jsou připevněna mezi zadními koly výrobku. Dvířka při sečení snižují nebezpečí odmrštění předmětů do prostoru obsluhy.

1. Zkontrolujte, zda nejsou zadní dvířka poškozená.
2. Zkontrolujte zadní dvířka, zda nevykazují vady, které způsobují, že je nutné zavírat dvířka silou, například praskliny nebo prasklé pružiny.
3. V případě poškození vyměňte zadní dvířka nebo pružiny.

Ostření a vyvážení nože

Nejlepších výsledků dosáhnete s ostrým nožem. Ohnutý nebo poškozený nůž vyměňte.



VAROVÁNÍ: Používejte rukavice nebo ovíňte nůž pevným hadrem, abyste si neporanili ruce.

1. Naostřete nůž pilníkem nebo brusným kotoučem. Neostřete nůž, když je namontován na výrobku.



VAROVÁNÍ: Nedoporučujeme, abyste si ostřili nůž sami. Pokud se takto rozhodnete, zajistěte, aby byl nůž vyvážený. Nevyvážený nůž může

Chybové kódy

Chybové kódy vám pomáhají řešit problémy výrobku nebo baterie během provozu.

Obrazovka LED	Možné závady	Možné kroky
Žádná kontrolka LED se nerozsvítí po stisknutí vypínače na uživatelském rozhraní – baterii ve výrobku nefunguje.	Baterie není zcela vložena ve výrobku nebo je spálená vnitřní pojistka.	Zatlačte baterii zcela do hlavy motoru, dokud neuslyšíte cvaknutí. Pokud se nerozsvítí žádná kontrolka LED, když zcela vložíte baterii a stisknete vypínač na uživatelském rozhraní, obraťte se na schválené servisní středisko.
Všechny čtyři kontrolky LED kapacity baterie blikají, žádné další kontrolky se nerozsvítí po stisknutí vypínače.	Baterie není zcela vložena do výrobku nebo je vnitřní teplota baterie příliš vysoká nebo příliš nízká.	Zatlačte baterii zcela do hlavy motoru, dokud neuslyšíte cvaknutí. Pokud kontrolky LED nadále blikají, může být vnitřní teplota baterie příliš nízká nebo příliš vysoká. Počkejte, než se baterie ohřeje nebo vychladne. Chcete-li zrychlit postup chlazení, můžete vložit baterii do nabíječky baterií, která ji aktivně ochladí.

způsobit poškození výrobku nebo motoru.

2. Zatlučte rovný hřebík do kusu dřeva nebo do stěny. 2 až 3 cm hřebíku musí vyčnívat ven.
3. Umístěte střední otvor nože na hlavičku hřebíku. Pokud je nůž vyvážený, musí zůstat ve vodorovné poloze. Pokud se jeden ze dvou konců nože posune dolů, naostřete těžký konec, dokud nebude nůž vyvážený.

Postup výměny nože

1. Zajistěte nůž pomocí dřevěného špalíku.(Obr. 45)
2. Demontujte šroub nože.
3. Odmontujte nůž.
4. Prohlédněte držák nože a šroub nože a zkontrolujte, zda nejsou poškozené.
5. Prohlédněte hřídel motoru a ujistěte se, že není ohnutý.
6. Při montáži nového nože nasměrujte zahnuté konce nože ve směru krytu záčís ústrojí.(Obr. 46)
7. Zkontrolujte, zda je nůž zarovnaný se středem hřídele motoru.
8. Zajistěte nůž pomocí dřevěného špalíku. Nasaďte pružnou podložku a utáhněte šroub a podložku utahovacím momentem Nm.(Obr. 47)
9. Otočte nožem rukou a zkontrolujte, zda se volně otáčí.



VÝSTRAHA: Používejte odolné rukavice. Nůž je velmi ostrý a může snadno dojít k pořežení.

10. Nastartujte výrobek a proveďte test nože. Pokud není nůž správně připevněn, výrobek vibruje a výsledky sečení nejsou uspokojivé.

Obrazovka LED	Možné závady	Možné kroky
Všechny čtyři kontrolky LED kapacity baterie a napájení blikají, žádné další kontrolky se nerozsvítí po stisknutí vypínače.	Ovládací rukojeť motoru je zmáčknutá v dolní poloze při prvním stisknutí vypínače nebo došlo k vnitřní poruše spínače ovládací rukojeti motoru.	Uvolněte ovládací rukojeť motoru. Pokud je ovládací rukojeť motoru uvolněná a kontrolky LED nadále blikají, obraťte se na schválené servisní středisko.
Výrobek přestává pracovat, všechny čtyři kontrolky LED kapacity baterie blikají a žádné další kontrolky LED nesvítí.	Baterie je uvolněná v hlavě motoru a nemá dobrý kontakt, teplota baterie je příliš vysoká nebo nízká nebo došlo k jiné vnitřní chybě baterie.	<ol style="list-style-type: none"> 1. Zastavte výrobek. 2. Vyjmete baterii z výrobku a stiskněte tlačítko ukazatele na baterii, aby se zobrazil chybový kód. Kontrolky LED na baterii svítí a ukazují chybový kód. 3. Přečtěte si přiložený návod k používání baterie, zejména seznam souvisejících chybových kódů signalizovaných kontrolkami LED a doporučené postupy. <p>Pokud baterii neukazuje chybu po stisknutí tlačítka ukazatele na baterii a zobrazuje se pouze stav nabití, baterie se mohla během provozu uvolnit z hlavy motoru. Instalujte baterii správně do hlavy motoru, dokud neuslyšíte cvaknutí.</p>
Výrobek přestává pracovat a vypínač bliká, zatímco kontrolky LED kapacity baterie nadále ukazují aktuální stav nabití.	Žací komora je ucpaná trávou, teplota řídicí jednotka motoru je příliš vysoká nebo došlo k poruše motoru.	<ol style="list-style-type: none"> 1. Zastavte výrobek. 2. Vyjmete baterii a otočte výrobek na stranu s uživatelským rozhraním směrem nahoru. 3. Zkontrolujte, zda nejsou poškozené nůž, šroub nože, sestava nože, motor a základna motoru. Odstraňte veškerou trávu ze spodní části stroje a zkontrolujte, zda zde nejsou přítomny překážky. 4. Instalujte baterii a spusťte stroj podle postupu spuštění. <p>Pokud se chyba nadále zobrazuje, nechte výrobek vychladnout. Řídicí jednotka motoru může být příliš horká pro provoz. Pokud se chyba nadále zobrazuje, obraťte se na schválené servisní středisko.</p>

PŘEPRAVA A SKLADOVÁNÍ

- Během přepravy zabezpečte vybavení, aby se zabránilo jeho poškození a nehodám.
- Před uskladněním vyjměte bezpečnostní klíček a během skladování uchovávejte zařízení v uzamčeném prostoru z dosahu dětí a neoprávněných osob.
- Během skladování uchovávejte výrobek a vybavení v suchém prostředí, kde nemrzne.
- Při nakládání nebo přemísťování výrobku nepřekračujte maximální doporučený provozní úhel 15 stupňů.
- Vyčistěte výrobek. Další informace viz *Čištění výrobku na straně 36*.
- Promažte výrobek.
- Dotáhněte šrouby a matice.
- Poškozené díly vyměňte nebo opravte.
- Opravte lak na všech zkorodovaných nebo poškozených místech. Před nátěrem povrch zbruste.
- Na výrobek použijte správný ochranný kryt, který nezadržuje vlhkost. Nepoužívejte plastový potah, protože není prodyšný. Může se pod ním hromadit vlhkost, která způsobí korozi výrobku.
- Před přepravou nebo uskladněním vždy vyjměte baterii.

TECHNICKÉ ÚDAJE

	jednotka	LM2146C Li58-52 (58VBKJN46C)	LM2146CA Li58-52 (58VBKJN46CR)
Motor žacího systému			
Typ motoru	—	BLDC (bezkontaktní) 58V	BLDC (bezkontaktní) 58V
Otáčky motoru – ECO mód	ot/min	2300	2300
Otáčky motoru – automatický režim	ot/min	2500 ot/min, dokud není proud vyšší než 12 A po dobu 3 sekund; otáčky se zvýší na 2800 ot/min, dokud není proud nižší než 18 A po dobu 10 sekund.	2500 ot/min, dokud není proud vyšší než 12 A po dobu 3 sekund; otáčky se zvýší na 2800 ot/min, dokud není proud nižší než 18 A po dobu 10 sekund.
Otáčky motoru – režim turbo	ot/min	2 800	2 800
Výkon motoru – max.	kW	1,5	1,5
Výkon motoru – max. trvalý	kW	0,9	0,9
Výkon motoru – jmenovitý	kW	0,9	0,9
Limit nadproudu (max. proud)	A (ampéry)	25	25
Hmotnost			
Hmotnost (bez baterie)	kg	23,5	24,5
Baterie			
Typ baterie		590923813	590923813
Doba provozu baterie			
Doba provozu baterie	m ²	Až 1200	Až 1000
Emise hluku ⁷			
Hladina akustického výkonu, změřená	dB (A)	87	87
Hladina akustického výkonu, zaručená LWA.	dB (A)	87	87
Hladina hluku			
⁸			
Hladina akustického tlaku na sluch obsluhy	dB (A)	<80	<80
Úrovně vibrací			
⁹			

⁷ Emise hluku do okolí naměřené jako akustický výkon (LWA) podle směrnice ES 2000/14/ES.

⁸ Uváděná data pro hladinu tlaku zvuku mají typickou statistickou odchylku (standardní odchylku) 1,2 dB (A).

⁹ Uváděná data o úrovni vibrací mají typickou statistickou odchylku (standardní odchylku) 0,2 m/s². Norma vibrací EN 60335-2-77:2017 kapitola 20.105.

	jednotka	LM2146C Li58-52 (58VBKJN46C)	LM2146CA Li58-52 (58VBKJN46CR)
Řídítka	m/s ²	0,65	0,65
Sečení			
Výška sečení	mm	30-80	30-80
Šířka sečení	cm	46	46
Nůž, sběr	—	581188910	581188902
Nůž, mulčování	—	581188910	581188902
Objem sběracího koše	litry	50	50

OBSAH PROHLÁŠENÍ O SHODĚ EU

My, společnost Husqvarna AB, SE 561 82 Huskvarna, ŠVÉDSKO, zcela zodpovědně prohlašujeme, že příslušný výrobek:

Společnost Intertek provedla jménem společnosti Husqvarna AB dobrovolnou zkoušku zaručující Certifikát o shodě podle Směrnice 2006/42/ES Evropské rady pro strojní zařízení.

Tento certifikát, který je poskytnut na podepsaném prohlášení o shodě, se vztahuje na všechny výrobní závody a země původu uvedené na produktu.

Dodaná elektrická rotační sekačka je shodná se vzorkem, který prošel zkouškou.

Popis	Elektrická rotační sekačka
Značka	Jonsered
Platforma / typ / model	Platforma 58VBKJN46C (představující model LM2146C Li58-52), platforma 58VBKJN46CR (představující model LM2146CA Li58-52).
Šarže	Výrobní číslo od roku 2018 a dále

je zcela ve shodě s následujícími směrnicemi a předpisy EU:

Směrnice/předpis	Popis
2006/42/ES	„o strojních zařízeních“
2014/30/EU	„o elektromagnetické kompatibilitě“
2000/14/ES	„o venkovním hluku“
2011/65/EU	„o nebezpečných látkách“

Platí následující harmonizované normy a/nebo technické specifikace: EN60335-1, EN60335-2-77, EN50366, EN55014-1, EN55014-2, EN61000-3-2, EN61000-3-3

Deklarované úrovně hluku jsou uvedeny v části s technickými údaji této příručky a podepsaném prohlášení o shodě EU ve shodě se směrnicí 2000/14/ES, příloha V.

Indhold

INDLEDNING.....	41	VEDLIGEHOLDELSE.....	47
SIKKERHED.....	42	TRANSPORT OG OPBEVARING.....	49
MONTERING.....	45	TEKNISKE DATA.....	49
DRIFT.....	45	INDHOLD I EF- OVERENSSTEMMELSESERKLÆRING.....	51

INDLEDNING

Brugervejledning

Det oprindelige sprog i denne brugervejledning er engelsk. Brugervejledninger på andre sprog er oversættelser fra engelsk.

Oversigt

(Fig. 1)

1. Brugertilstedeværelsesgreb
2. Græsopsamler
3. Styrehåndtag
4. Elektrisk motordel
5. Klippehøjdehåndtag
6. Batterioplader
7. Brugervejledning
8. Brugerkontrolgrænseflade
9. Batteripakke
10. Batteridæksel
11. Tænd/sluk-knap
12. Klippetilstandsknap
13. Bagklap
14. Statuslys
15. Nøgle
16. BioClip®-prop

Symboler på produktet

(Fig. 2) Advarsel

(Fig. 3) Læs denne vejledning

(Fig. 4) Læs brugsanvisningen omhyggeligt igennem, og sørg for at have forstået instruktionerne, inden du bruger produktet.

(Fig. 5) Brug godkendt øjenværn

(Fig. 6) Brug godkendt høreværn

(Fig. 7) Brug godkendt sikkerhedshjelm

(Fig. 8) Brug godkendt høreværn

(Fig. 9) Advarsel: Roterende kniv. Hold hænder og fødder på sikker afstand.

(Fig. 10) Hold hænder og fødder på sikker afstand af roterende klinger. Du må ikke åbne eller fjerne beskyttelsesplader, mens motoren kører.

(Fig. 11) Før og mens du går baglæns, skal du tjekke bagud og ned, om der er børn, dyr eller andre risici, der kan forårsage, at du falder.

(Fig. 12) Pas på udslyngede genstande og rikolettering.

(Fig. 13) Hold uvedkommende personer og dyr på sikker afstand af arbejdsstedet.

(Fig. 14) Hældningsfare

(Fig. 15) Elektrisk stød

(Fig. 16) Tag nøglen ud før reparation, justering, konfiguration eller transport.

(Fig. 17) Tænd/sluk-knap

(Fig. 18) Motor til

(Fig. 19) Motorstyringshåndtag aktiveret

(Fig. 20) Motor fra

(Fig. 21) Motorstyringshåndtag deaktiveret

(Fig. 22) Produktet og emballagen må ikke behandles som almindeligt husholdningsaffald. Produktet og emballagen skal afleveres til en passende genbrugsstation med henblik på genvinding af elektrisk og elektronisk udstyr.

(Fig. 23) Må ikke efterlades, opbevares eller anvendes i regnvejr eller under våde forhold.

(Fig. 24) Genanvendelse

(Fig. 25) Lydeffektniveau

(Fig. 26) Produktet er i overensstemmelse med gældende EF-direktiver

(Fig. 27) Produktet er i overensstemmelse med gældende EAC-direktiver

(Fig. 28) Produktet er i overensstemmelse med gældende ukrainske direktiver.

- produktet er forkert repareret
- produktet er repareret med dele, der ikke er fra producenten eller ikke er godkendt af producenten
- produktet har tilbehør, der ikke er fra producenten eller ikke er godkendt af producenten.
- produktet ikke er repareret på et godkendt servicecenter eller af en godkendt myndighed.

Produktansvar

Som nævnt i produktansvarsbestemmelserne hæfter vi ikke for skader forårsaget af vores produkt, hvis:

SIKKERHED

Sikkerhedsdefinitioner

Definitionerne nedenfor angiver alvorligheden for hvert enkelt signalord.



ADVARSEL: Skade på personer.



BEMÆRK: Beskadigelse af produktet.

Bemærk: Disse oplysninger gør det lettere at bruge produktet.

Generelle sikkerhedsinstruktioner

- Brug produktet korrekt. Forkert brug kan medføre personskader eller dødsfald. Brug kun produktet til de opgaver, der angives i denne vejledning. Brug ikke produktet til andre opgaver.
- Læs, forstå og overhold instruktionerne i denne vejledning. Overhold sikkerhedssymboler og sikkerhedsinstruktioner. Hvis operatøren ikke følger vejledningen og symbolerne, kan det medføre personskader, beskadigelse eller dødsfald.
- Smid ikke denne vejledning ud. Brug vejledningen til at samle, betjene og vedligeholde dit produkt. Brug vejledningen til korrekt montering af udstyr og tilbehør. Brug kun godkendt udstyr og tilbehør.
- Brug ikke et beskadiget produkt. Overhold vedligeholdelseskemaet. Udfør kun det vedligeholdelsesarbejde, du kan finde vejledning til i denne vejledning. Et godkendt servicecenter skal udføre alt andet vedligeholdelsesarbejde.
- Denne vejledning beskriver ikke alle situationer, der kan opstå, når du bruger produktet. Vær forsigtig og brug sund fornuft. Du må ikke bruge produktet eller foretage vedligeholdelse på produktet, hvis du ikke er sikker på, hvad du skal gøre. Snak med en produktexperts, forhandler, et serviceværksted eller et godkendt servicecenter for at få mere at vide.

- Brug ikke produktet, hvis det er blevet ændret fra den oprindelige specifikation. Du må ikke ændre dele af produktet uden producentens godkendelse. Brug kun reservedele, der er godkendt af producenten. Forkert vedligeholdelse kan medføre personskader eller dødsfald.
- Dette produkt danner et elektromagnetisk felt under drift. Det elektromagnetiske felt kan beskadige medicinske implantater. Tal med din læge og producenten af det medicinske implantat, før du betjener produktet.
- Lad ikke børn betjene produktet.
- Lad ikke en person uden kendskab til vejledningen betjene produktet.
- Hold altid øje med personer med nedsat fysisk eller mental kapacitet, der bruger produktet. En voksen skal altid være til stede.
- Lås produktet i områder, hvor børn og ikke-autoriserede personer ikke kan få adgang.
- Produktet kan slynge genstande ud og forårsage skader. Overhold sikkerhedsinstruktionerne for at mindske risikoen for personskader eller dødsfald.
- Du må ikke gå væk fra produktet, når det er tændt. Stop produktet, før du går væk fra det.
- Før og mens du går baglæns, skal du tjekke bagud og ned, om der er børn, dyr eller andre risici, der kan forårsage, at du falder.
- Brugeren af produktet er ansvarlig, hvis der sker et uheld.
- Sørg for, at delene ikke er beskadigede, før du bruger produktet.
- Overhold nationale eller lokale love. Visse love kan forhindre eller mindske brugen af produktet under nogle forhold.

Sikkerhedsinstruktioner for drift

- Lær, hvordan produktet styres og bruges før brug.
- Lad ikke børn eller personer uden kendskab til vejledningen betjene produktet.
- Betjen aldrig produktet, mens personer, især børn, eller dyr befinder sig i nærheden.

- Hold børn væk fra de områder, der skal klippes, og sørg for, at de overvåges af en voksen.
- Stands produktet, hvis børn kommer ind i arbejdsområdet.
- Undersøg det område, hvor produktet skal bruges. Fjern alle genstande, der kan blive slynget ud af produktet under drift.
- Efterse klingens, klingebolten, klingeenheden og motorfoden før brug for slitage og skader.
- Kør kun med produktet i dagslys eller i god kunstig belysning.
- Betjen ikke produktet i vådt græs.
- Vær forsigtig i nærheden af hjørner, buske, træer eller andre genstande, der kan spærre dit udsyn.
- Vær især forsigtig, når du bakker eller trækker produktet mod dig.
- Sæt ikke hænder eller fødder tæt ved eller under roterende dele. Hold altid afstand til udkaståbninger.
- Stop klingens, når du kører over en grusflade.
- Stands motoren, tag batteripakken ud, og vent, indtil klingens standser helt, før du rengør produktet, tager græsopsamlere ud eller fjerner materiale fra udkasteslisken.
- Brug aldrig produktet, hvis du er træt, syg eller påvirket af alkohol, narkotika eller medicin.
- Hvis produktet vibrerer på en usædvanlig måde, skal du straks stoppe motoren, tage batteripakken ud og kontrollere årsagen. Vibrationer er typisk en advarsel om skade.
- Ret aldrig understøttet materiale i retning af andre. Udslyng aldrig materiale mod en væg eller anden blokering. Materialet kan blive kastet tilbage i retning af brugeren.
- Brug ikke produktet, hvis værn, plader, græsopsamler eller andet sikkerhedsudstyr ikke er på plads.

Sikkerhed i arbejdsområdet

- Fjern grene, kviste, sten og andre løse genstande fra græsplænen, før du går i gang med at slå den.
- Hold uvedkommende personer, også børn, og dyr på sikker afstand af arbejdsstedet.
- Genstande, som rammer skæreudstyret, kan udslynges og forårsage person- og tingskade.
- Produktet må ikke anvendes i dårligt vejr, f.eks. tåge, regn, fugtigt vejr eller steder, hvor der er vådt, hård vind, kraftig kulde samt risiko for lynnedslag. Arbejde i dårligt vejr kan forårsage træthed og farlige situationer, f.eks. glatte underlag.
- Undersøg dit arbejdsområde for at sikre, at du kan bevare kontrollen over produktet.
- Pas på rødder, sten, kviste, huller og grøfter. Højt græs kan skjule forhindringer.
- Vær forsigtig, når du nærmer dig skjulte hjørner og genstande, der kan blokere for udsynet.

Sikkerhedsinstruktioner for skråninger

- Vær meget forsigtig, når du klipper på en skråning. Skråninger kan være farlige. Et fald på en skråning kan forårsage personskaade.
- Klip på tværs af skråninger. Klip ikke op og ned.
- Vær forsigtig, når du skifter retning på en skråning.
- Pas på skjulte genstande eller huller i græsplænen. Ujævnt terræn kan forårsage fald.
- Klip ikke i nærheden af stejle skråninger, nedgange, grøfter eller diger. Der er risiko for at falde ned.
- Klip ikke på vådt græs. Der er risiko for at falde ned.
- Klip ikke på terrænet med en skråning på mere end 15 grader.

Personligt beskyttelsesudstyr

Brug altid korrekt personligt beskyttelsesudstyr, når du bruger produktet. Det omfatter som minimum kraftigt fodtøj, beskyttelsesbriller og høreværn. Personbeskyttelsesudstyr udelukker ikke risikoen for skader, men det mindsker indvirkningen af skaderne i tilfælde af, at der skulle ske en ulykke.

- Brug altid beskyttelsesbriller eller øjenværn, når du arbejder med produktet eller foretager justeringer eller reparationer.
- Du må ikke betjene produktet med bare fødder eller åbne sko. Brug altid kraftige og skridsikre støvler med god ankelstøtte, når du betjener produktet.
- Bær kraftige, lange bukser. Bær ikke shorts eller sandaler, og gå ikke barfodet.
- Brug godkendte beskyttelseshandsker, hvis nødvendigt. Det kan f.eks. være nødvendigt ved fastgørelse, undersøgelse eller rengøring af klingens.
- Brug altid godkendt høreværn, når du bruger produktet. Støj over længere perioder kan forårsage støjbetingede høretab.

Beskyttelsesanordninger på produktet

- Sørg for, at du regelmæssigt foretager vedligeholdelse af produktet.

- Levetiden for produktet øges.
- Risikoen for ulykker mindskes.

Lad en godkendt forhandler eller et godkendt servicecenter regelmæssigt undersøge produktet og udføre justeringer eller reparationer.

- Brug ikke et produkt, hvis beskyttelsesudstyret er beskadiget. Hvis produktet er beskadiget, skal du kontakte et godkendt servicecenter.

Motorstyringshåndtag

Motorstyringshåndtaget standser motoren. Kontrollér, at motoren stopper, når du slipper motorstyringshåndtaget.

- Start motoren, og slip derefter styringshåndtaget. Motoren standser derpå.

Bemærk: Hvis motorstyringshåndtaget ikke stopper motoren, skal du trykke på tænd/sluk-knappen for at

stoppe den. Tag batteripakken ud, og kontakt et godkendt servicecenter.

Bagklap

Bagklappen mindsker risikoen for, at genstande kastes ud fra produktet mod brugerens klippeposition.

- Sørg for, at bagklappen ikke er beskadiget, og at der ingen synlige defekter er, f.eks. revner eller ødelagte fjedre. Defekter forårsager, at klappen lukker med stor kraft. Udskift klappen eller fjedrene, hvis de er beskadigede.

Sikkerhedsinstruktioner for vedligeholdelse



ADVARSEL: Foretag kun den form for vedligeholdelsesarbejde, der er angivet i denne brugsanvisning. Mere omfattende arbejde skal udføres af et godkendt serviceværksted.

Udfør vedligeholdelsesarbejde korrekt for at øge levetiden for produktet og mindske risikoen for ulykker. Et godkendt serviceværksted kan udføre professionelle reparationer. Kontakt dit nærmeste serviceværksted for at få flere oplysninger.



ADVARSEL: For at forhindre utilsigtet start under transport, vedligeholdelse eller reparationsarbejde skal du tage batteripakken ud og vente mindst 5 sekunder, før du udskifter den.



ADVARSEL: Brug kraftige handsker, når du bruger skæreudstyret. Kniven er meget skarp, og du kan nemt komme til at skære dig.

- Hold klinger skarpe og rene for at få den bedste og mest sikre ydeevne.
 - Lad jævnligt serviceværkstedet efterse produktet og foretage de nødvendige justeringer og reparationer.
 - Udskift beskadigede, slidte eller defekte dele.
 - Overhold vejledningen ved udskiftning af tilbehør. Brug kun tilbehør fra producenten.
-



ADVARSEL: Når den ikke er i drift, skal produktet, batteripakken og batteriladeren opbevares separat et tørt og aflåseligt sted indendørs utilgængeligt for børn og ikke autoriserede personer.

Batterisikkerhed

Brug kun batteripakker fra producenten, og oplad dem altid kun i en batterioplader fra producenten.

De genopladelige batteripakke anvendes udelukkende som strømforsyning til tilhørende trådløse produkter. For at undgå personskaade må batteripakken ikke anvendes som strømforsyning til andre enheder.

- Undlad at adskille, åbne og destruere batteripakker.
- Opbevar ikke batteripakker i direkte sol eller ved varmekilder. Hold batteripakker væk fra åben ild.
- Undersøg regelmæssigt batteriopladeren og batteripakken for skader. Beskadigede og modificerede batteripakker kan forårsage brand eller eksplosion samt medføre risiko for personskaade. Reparér og åbn aldrig beskadigede batteripakker.
- Brug ikke en batteripakke eller et produkt, som er defekt, modificeret eller beskadiget.
- Det er ikke tilladt at ændre og reparere produktet eller batteripakken. Overlad altid reparationer til den autoriserede forhandler.
- Celler og batteripakker må ikke kortsluttes. Gem ikke batteripakker i en kasse eller skuffe, hvor de kan blive kortslettet af andre metalgenstande.
- Lad batteripakken være i den oprindelige emballage, indtil den skal bruges.
- Udsæt ikke batteripakker for mekaniske stød.
- Sørg for, at væsken ikke kommer i kontakt med hud eller øjne i tilfælde af en cellelækage. Ved berøring af væsken skal området skylles med en stor mængde vand, og opsøg derefter lægehjælp.
- Brug ikke en anden batterioplader end den, der er specificeret til betjening med batteripakken.
- Se på plus- (+) og minus- (-) mærkerne på batteripakken og produktet for at sikre korrekt betjening.
- Brug ikke en batteripakke, som ikke er beregnet til betjening sammen med produktet.
- Bland ikke batteripakker med forskellig spænding eller fra forskellige producenter i den samme anordning.
- Opbevar batteripakker utilgængeligt for børn.
- Køb altid de rigtige batteripakker til produktet.
- Hold batterierne rene og tørre.
- Aftør batteripakkens poler med en ren og tør klud, hvis de skulle blive snavsede.
- Sekundære batteripakker skal oplades før brug. Brug altid den korrekte batterioplader, og læs vejledningen for at få korrekte opladningsanvisninger.
- Batteripakken må ikke efterlades i opladeren i længere tid, når den ikke er i drift.
- Gem vejledningen med henblik på senere brug.
- Brug kun batteripakken til dens nødvendige betjening.
- Tag batteripakken ud af produktet, når det ikke er i drift.
- Hold batteriet væk fra papirclips, nøgler, søm, skruer og andre små metalgenstande under drift. Dette kan udgøre en forbindelse mellem terminalerne. Kortslutning af batteripakkens poler kan medføre forbrændinger eller brand.

MONTERING



ADVARSEL: Læs kapitlet om sikkerhed, før du samler produktet.

Sådan tages produktet ud af kassen

1. Fjern de løse dele, der følger med produktet.
2. Klip to hjørner af kassen, og tryk endestykket fladt ned.
3. Fjern alt emballeringsmaterialet.
4. Tag produktet ud af kassen, og sørg for, at der ikke er løse dele tilbage i kassen.

Sådan samles styret

1. Ret skruerhullerne i bunden af styret ind i forhold til skruerhullerne i håndtagsenheden. Fastgør skruer, skiver og skruéhåndtag. (Fig. 29)
2. Indstil styrets højde, løsn de nederste skruéhåndtag, hæv eller sænk styret for at justere højden, og spænd derefter skruéhåndtagene hårdt.

Sådan sættes produktet i driftsstilling

1. Løft håndtaget til driftspositionen.
2. Spænd de nedre knapper helt.

Sådan samles græsopsamleren

1. Fastgør græsopsamlerens ramme til græsposen med den afstivede del af posen nederst. Hold håndtaget på rammen oven på græsposen. (Fig. 30)
2. Fastgør den nederste del af græsopsamlerens ramme i sporet i bunden af græsopsamleren. (Fig. 31)
3. Sæt græsopsamlerens kroge på chassissets øverste kant. (Fig. 32)
4. Sæt græsopsamlerens nederste del i græsudkastkanalen.

Sådan sættes produktet i græsopsamlingstilstanden

Græsopsamlingstilstanden bagpå samler græsafklip i græsopsamleren.



BEMÆRK: Du må ikke betjene produktet uden en lukket bagklap eller den godkendte græsopsamler i position. Forsøg ikke at betjene produktet, hvis bagklappen er fjernet eller åben.

1. Løft bagklappen, og sæt græsopsamlerrammens kroge på bagklappens tap. (Fig. 33)
2. Slip bagklappen, og sæt den oven på græsopsamlerrammen.

Sådan sættes produktet i biokliptilstanden (hvis monteret)

Produktets biokliptilstand gør græsafklip mindre. Græsafklip falder derefter ned på græsplænen og på tværs af græsset. Findelt græs nedbrydes hurtigt og giver gødning til græsplænen.

1. Løft bagklappen, og tag græsopsamleren ud. (Fig. 34)
2. Sæt bioklipproppen i udkastkanalen. (Fig. 35)
3. Luk bagklappen fast mod produktet.

Sådan ændres produktet til udkasttilstand

1. Fjern bioklipproppen eller græsopsamleren. (Fig. 36)
2. Luk bagklappen fast mod produktet.

Sådan indstilles klippehøjden



BEMÆRK: Indstil ikke klippehøjden for lavt. Knivene kan ramme jorden, hvis græsplænenes overflade ikke er jævn.

Bemærk: Indstil samme højde for alle klippehøjdeindstillinger.

1. Flyt klippehøjdehåndtaget bagud for at øge klippehøjden.
2. Flyt klippehøjdehåndtaget fremad for at mindske klippehøjden. (Fig. 37)

DRIFT



ADVARSEL: Læs og forstå kapitlet om sikkerhed, før du betjener produktet.

Grundlæggende saveteknik

- Slå altid med en skarp klinge for at sikre det bedst mulige resultat. En klinge, der ikke er skarp, klipper ujævnt og gør græsset gult i snitfladen.

- Klip aldrig mere end 1/3 af græssets længde. Det gælder især i tørre perioder. Klip først med klippehøjden indstillet højt. Kontrollér derpå resultatet, og sænk til en passende højde. Hvis græsset er meget højt, skal du køre langsomt og om nødvendigt klippe to gange.
- Ved meget tung klipning skal du mindske snitbredden ved at overlape klipperuterne og klippe langsomt.
- Klip i forskellige retninger hver gang for at undgå striber i græsplænen.
- Spul jævnligt græsopsamleren med vand, og tør den inden brug. Porerne i græsopsamlere af stof kan blive fyldt med snavs og støv under brug. Græsopsamleren indsamler derefter mindre græs.

Før du starter plæneklipperen

- Uvedkommende personer og dyr skal holdes væk fra arbejdsstedet.
- Udfør dagligt vedligeholdelsesarbejde. Se *VEDLIGEHOLDELSE på side 47*.

Sådan startes produktet

1. Sæt batteripakken i, indtil du hører et klik. Sørg for, at batteripakken er korrekt monteret. (Fig. 38)
2. Sæt nøglen i lommen under batterilåget. Sørg for, at nøglen er korrekt monteret. (Fig. 39)

Bemærk: Nøglen kan kun sættes på én måde.

3. Tryk på tænd/sluk-knappen en gang. Knappen lyser helt. (Fig. 40)
4. Træk motorstyringshåndtaget i retning mod håndtaget. Tænd/sluk-knappen begynder at blinke. (Fig. 41)
5. Tryk på den blinkende tænd/sluk-knap. Produktet starter derefter. (Fig. 42)

Sådan standses produktet

- Slip motorstyringshåndtaget på produktet, eller tryk på tænd/sluk-knappen én gang. (Fig. 43)

Sådan bruges hjulenes fremtræk (hvis monteret)

(Fig. 44)

- Træk styrehåndtaget i retning mod håndtaget.
- Før produktet trækkes baglæns, frakobles fremtrækket, og produktet skubbes ca. 10 cm fremad.
- Slip styrehåndtaget for at frakoble drevet, f.eks. når du nærmer dig en forhindring.

Sådan tømmes græsopsamleren

1. Løft græsopsamleren med rammens håndtag.
2. Fjern græsafklip fra græsopsamler under håndtaget.

3. Tøm græsafklip fra posen ved hjælp af rammens håndtag og posens håndtag.



BEMÆRK: Træk ikke i posen, når du tømmer græsopsamleren for at forebygge slitage.

Sådan ændres klippetilstanden

Produktet kan ændres til én af tre forskellige klippetilstande under drift ved at trykke på klippetilstandsknappen.

- **Automatisk tilstand** – produktet justerer automatisk skærehastigheden i overensstemmelse med den mængde græs, der klippes.

- **Bemærk:** Produktet er som standard indstillet til automatisk tilstand under drift.

- **Turbotilstand** – produktet kører ved høj hastighed uanset mængden af græs, der klippes.

- Mens produktet betjenes, skal du trykke på klippetilstandsknappen én gang for at skifte fra automatisk tilstand til turbotilstand. Klippetilstandsknappen lyser derefter.

- **ECO-tilstand** – produktet kører ved lav hastighed uanset mængden af græs, der klippes.

- Mens produktet betjenes, skal du trykke på klippetilstandsknappen én gang for at skifte fra turbotilstand til ECO-tilstand.

- Klippetilstandsknappen lyser derefter og begynder af blinke.
- Du kan vende tilbage til standardindstillingen automatisk tilstand ved at trykke på klippetilstandsknappen én gang, mens produktet betjenes. Klippetilstandsknappen stopper derefter med at blinke.

Bemærk: Hvis motorstyringshåndtaget slippes under drift, forbliver produktet i den aktuelle klippetilstand. Hvis produktet stopper automatisk, eller brugeren trykker på tænd/sluk-knappen, slettes den klippetilstand, der blev brugt, fra hukommelsen, og produktet starter i automatisk tilstand, når det startes igen.

Batteristatusindikator under drift:

Displayet på brugerkontrolgrænsefladen viser batteriets kapacitet, og om der er problemer med batteripakken. Batterikapaciteten vises, mens maskinen er i drift.

LED-lys	Batteristatus
Alle grønne kontrollamper tænder	Fuldt opladet (100-76 %)
Kontrollampe 1, 2 og 3 tænder	Batteriet er 75-51 % opladet.
Kontrollampe 1 og 2 tænder	Batteriet er 50-26 % opladet.

LED-lys	Batteristatus
Kontrollampe 1 tænder	Batteriet er 26-6 % opladet.
Kontrollampe 1 blinker	Batteriet er 5-0 % opladet.

Hvis der opstår en fejl i batteripakken under drift, blinker skal alle fire grønne LED'er på batteristatusdisplayet.

VEDLIGEHOELSE



ADVARSEL: Læs og forstå sikkerhedskapitlet, før du rengør, reparerer eller udfører vedligeholdelse på produktet.

Generelle anbefalinger til vedligeholdelse

Garantien på dette produkt gælder ikke forkert eller uforsigtig betjening af produktet. For at kunne udnytte garantien fuldt ud skal brugeren udføre vedligeholdelse på produktet, som beskrevet i vejledningen i denne manual. Forskellige justeringer skal udføres ved forskellige intervaller for at sikre, at produktet fungerer korrekt.

- Efterse klingens for slidage hvert år.

Sådan kontrolleres dækkene

- Hold dækkene fri for uønsket materiale og kemikalier for at forhindre, at gummit bliver beskadiget.
- Hold dækkene væk fra træstubbe, sten, spor, skarpe genstande og andre genstande, der kan beskadige dækkene.

Sådan udføres et generelt eftersyn

- Kontrollér, at skruer og møtrikker er spændte.
- Kontrollér, at ingen kabler er i klemme.

Vedligeholdelsesskema

Brug vedligeholdelsesskemaet til at se de nødvendige vedligeholdelseskrav for dit produkt, og hvornår vedligeholdelse skal foretages. Intervallerne er fastlagt ud fra en gennemsnitlig brug af produktet og kan variere, alt efter hvor ofte du bruger det.

- Spænd boltene og møtrikkerne før hver brug og inden opbevaring.
- Rengør og efterse græsopsamleren, hvis monteret, før og efter hver brug og inden opbevaring.
- Efterse dækkene før hver brug.
- Rengør produktet efter hver brug og inden opbevaring. Brug en skraber til at rengøre under klippeudstyret
- Efterse klingens for skader og revner efter hver 25 timer. Udskift klingerne oftere, hvis du klipper i sandet jord.
- Smør produktet efter hver 25 timer.

Tag batteripakken ud af maskinen, og tryk på indikatorknappen på batteripakken for at se fejlkoden. LED'erne på batteripakken lyser og viser en fejlkode, hvis der er opstået en fejl. Se batterivejledningen for at se en liste over fejlkoder samt løsninger.

- Rengør og lad batteripakken fuldt op efter brug og efter opbevaring. Oplad batteripakken i maks. 24 timer inden opbevaring.
- Opbevar ikke batteripakken på batteriladeren under opbevaring. Oplad batteripakken i maks. 24 timer.
- Undersøg drivrem og aftrækker efter hver 25 timer (hvis monteret).

Sådan rengøres produktet

- Brug en børste til at fjerne uønsket materiale og græs på produktet.
- Hold uønsket materiale væk fra behandlede overflader og hjul.
- Brug en skraber under produktet til at fjerne ophobning af græs og affald.
- Brug ikke en højtryksrensers til at rengøre produktet.
- Undlad at spule med vand direkte på den elektriske motordel eller batterikontakterne.
- Når du rengør under produktet, skal du tage batteripakken og sikkerhedsnøglen ud og lægge produktet på siden med brugerkontrolgrænsefladen opad.



BEMÆRK: Rengør ikke produktet med vand, rengøringsmidler eller opløsningsmidler. Fjern uønsket materiale udvendigt på produktet med en blød børste eller en tør klud, der ikke indeholder metal.

Sådan rengøres græsopsamleren

- Porerne i græsopsamleren af stof kan blive fyldt med snavs og støv under brug. Det kan medføre, at græsopsamleren opsamler mindre græs. For at undgå dette skal græsopsamleren spules med vand regelmæssigt og tørre, inden den bruges igen.
- Græsopsamleren skal hyppigt kontrolleres for slidage og effektivitetsforringelse. Udskift om nødvendigt.

Sådan efterses bagklappen

Bagklappen er monteret mellem produktets baghjul. Klappen mindsker risikoen for, at genstande slynges ud i retning af brugerens klippeposition.

1. Sørg for, at bagklappen ikke er beskadiget.
2. Undersøg bagklappen for defekter, der skubber klappen for tæt på, herunder revner eller ødelagte fjedre.

- Udskift bagklappen eller fjedrene, hvis de er beskadigede.

Sådan slibes og afbalanceres klingen

Sørg altid for, at klingerne er skarpe. Udskift en bøjet og beskadiget klinge.



BEMÆRK: Brug handsker, og/eller vikl klingens ind i en kraftig klud for at undgå skader på hænderne.

- Slib klingens ind i en kraftig klud for at undgå skader på hænderne.



BEMÆRK: Vi anbefaler ikke, at du slibes klingens ind i en kraftig klud for at undgå skader på hænderne. Hvis du gør det, skal du sørge for, at klingens ind i en kraftig klud for at undgå skader på hænderne. En klinge, der ikke er afbalanceret, kan forårsage skader på produktet eller motoren.

- Sæt et lige søm i et stykke træ eller en væg. Sørg for, at du kan se 2-3 cm af sømmets hoved. Hvis klingens ind i en kraftig klud for at undgå skader på hænderne, skal du sørge for, at klingens ind i en kraftig klud for at undgå skader på hænderne.
- Placer klingens midterhul på sømmets hoved. Hvis klingens ind i en kraftig klud for at undgå skader på hænderne, skal du sørge for, at klingens ind i en kraftig klud for at undgå skader på hænderne.

Fejlkode

Fejlkodeerne hjælper med fejlfinding på produktet og/eller batteripakken under drift.

Kontrollampeskærm	Mulige fejl	Mulige trin
Ingen LED'er tændes efter tryk på tænd/sluk-knappen på brugerkontrolgrænsefladen, batteripakken virker ikke i produktet	Batteripakken er ikke sat helt ind i produktet, eller der er sprunget en indvendig sikring.	Skub batteripakken helt ind i motordelen, indtil du hører et klik. Hvis LED'erne ikke lyser, når batteripakken er sat helt ind, og der er trykket på tænd/sluk-knappen på brugerkontrolgrænsefladen, skal du kontakte et godkendt servicecenter.
Alle fire batterikapacitets-LED'er blinker, ingen andre LED'er tændes, når der er trykket på tænd/sluk-knappen	Batteripakken er ikke sat helt ind i produktet, eller batteripakkens indvendige temperatur er for varm eller kold.	Skub batteripakken helt ind i motordelen, indtil du hører et klik. Hvis LED'erne fortsat blinker, kan batteripakkens indvendige temperatur være for lav eller for høj. Lad batteriet varme op eller køle ned. Du kan gøre køleprocessen hurtigere ved at sætte batteripakken i batteriladeren for at køle batteriet.
Alle fire batterikapacitets- og power-LED'er blinker, ingen andre LED'er tændes, når der er trykket på tænd/sluk-knappen	Motorstyringshåndtaget holdes nede, når tænd/sluk-knappen trykkes for første gang, der er en intern fejl i motorstyringshåndtaget	Slip motorstyringshåndtaget. Hvis motorstyringshåndtaget ikke holdes nede, og LED'erne fortsat blinker, skal du kontakte et godkendt servicecenter.

Sådan udskiftes klingens

- Lås klingens med en træklods.(Fig. 45)
- Fjern klinge-bolten.
- Afmonter klingens.
- Efterse klingeophæng og klinge-bolt for at se, om der er skader.
- Efterse motorakslens for at sikre, at den ikke er bøjet.
- Når du sætter den nye klinge på, skal klingens ender pege i retning af klippeskjoldet.(Fig. 46)
- Sørg for, at klingens flugter med motorakslens centrum.
- Lås klingens med en træklods. Monter fjederskiven, og spænd boltens og skivens med et tilspændingsmoment på Nm.(Fig. 47)
- Træk klingens rundt pr. håndkraft, og kontrollér, at den drejer frit.



ADVARSEL: Brug sikkerhedshandsker. Klingens er meget skarp, og du kan nemt komme til at skære dig.

- Start produktet for at afprøve klingens. Hvis skivens ikke er korrekt fastgjort, forekommer der vibrationer i produktet, eller klipperesultatet bliver utilfredsstillende.

Kontrollampeskærm	Mulige fejl	Mulige trin
Produktet stopper med at køre, og alle fire batterikapacitets-LED'er blinker, ingen andre LED'er tændes.	Batteripakken er løs i motordelen og har ikke læn- gere god kontakt, batteri- pakken er for varm eller kold eller anden intern bat- terifejl	<ol style="list-style-type: none"> 1. Stands produktet. 2. Tag batteripakken ud af produktet, og tryk på indikatorknappen på batteripakken for at se fejlkoden. LED'erne på batteripakken tændes og viser en fejlkode. 3. Læs den medfølgende batterivejledning for at se en liste med relaterede LED-fejlkoder for mulige fejl og procedurer. <p>Hvis batteripakken ikke viser en fejl, når indikator- knappen på batteripakken er trykket ned, og kun viser batteristatus, kan batteripakken have løsnet sig i motordelen under drift. Sæt batteripakken korrekt fast i motordelen, indtil der høres et klik.</p>
Produktet stopper, og tænd/sluk- knappen blinker, mens batterikapacitets-LED'erne fortsat viser den aktuelle batteristatus	Klippekammeret er tilstop- pet med græs, motorstyr- ingen er for varm, eller der er en motorfejl	<ol style="list-style-type: none"> 1. Stands produktet. 2. Tag batteripakken ud, og læg produktet på siden med brugerkontrolgrænsefladen opad. 3. Efterse klingens, klingebolten, klingeenheden, motoren og motorfoden for skader. Fjern al græs fra bunden af maskinen, og tjek om den er tilstoppet. 4. Sæt batteripakken i, og følg startproceduren for at starte maskinen. <p>Hvis fejlen fortsat vises, skal du lade produktet køle af. Motorstyringen kan være for varm til at kunne køre. Hvis fejlen fortsat vises, skal du kon- takte et godkendt servicecenter.</p>

TRANSPORT OG OPBEVARING

- Opbevar udstyr sikkert under transport for at undgå skader og uheld.
- Før opbevaring skal sikkerhedsnøglen tages ud, og udstyret skal opbevares i et aflåst område væk fra børn og personer, som ikke er godkendt til at bruge det.
- Opbevar produktet og udstyr på et tørt og frostsikkert sted.
- Ved på- og aflæsning af produktet må den højeste anbefalede hældningsvinkel på 15 grader ikke overskrides.
- Rengør produktet. Se *Sådan rengøres produktet på side 47* for yderligere information.
- Smør produktet.
- Spænd boltene og møtrikkerne.
- Udskift eller reparer beskadigede komponenter.
- Opfrisk alle rustne og beskadigede malede flader. Slib let, før du maler.
- Brug den korrekte beskyttelsesafdækning til produktet, der ikke bliver fugtigt. Brug ikke plastik, da det ikke kan ånde, skaber kondens og forårsager rust på produktet.
- Fjern altid batteripakken før transport eller opbevaring.

TEKNISKE DATA

	enhed	LM2146C Li58-52 (58VBKJN46C)	LM2146CA Li58-52 (58VBKJN46CR)
Klippemotor			

	enhed	LM2146C Li58-52 (58VBKJN46C)	LM2146CA Li58-52 (58VBKJN46CR)
Motorstype	-	BLDC (børsteløs) 58V	BLDC (børsteløs) 58V
Motorhastighed – ECO-tilstand	o/min.	2300	2300
Motorhastighed – automatisk tilstand	o/min.	2500 omdr./min., indtil strøm er større end 12 A i 3 sekunder Omdr./min. øges til 2800 omdr./min., indtil strøm er mindre end 18 A i 10 sekunder.	2500 omdr./min., indtil strøm er større end 12 A i 3 sekunder Omdr./min. øges til 2800 omdr./min., indtil strøm er mindre end 18 A i 10 sekunder.
Motorhastighed – turbo-tilstand	o/min.	2800	2800
Motoreffekt – maks.	kW	1,5	1,5
Motoreffekt – maks. vedvarende	kW	0,9	0,9
Motoreffekt – nominal	kW	0,9	0,9
Overstrømsgrænse (maks. strøm)	A (ampere)	25	25
Vægt			
Vægt (uden batteri)	kg	23,5	24,5
Batteri			
Batteritype		590923813	590923813
Batteriets driftstid			
Batteriets driftstid	m ²	Op til 1200	Op til 1000
Støjemissioner ¹⁰			
Lydeffektniveau, målt	dB (A)	87	87
Lydeffektniveau, garanteret LWA	dB (A)	87	87
Lydniveauer			
¹¹			
Lydtrykniveau ved brugerens øre	dB (A)	< 80	< 80
Vibrationsniveauer			
¹²			
Håndtag	m/s ²	0,65	0,65
Plæneklipping			
Klippehøjde	mm	30-80	30-80
Klippebredde	cm	46	46
Klinge, opsamling	-	581188910	581188902
Klinge, bioklip	-	581188910	581188902

¹⁰ Emission af støj til omgivelserne målt som lydeffekt (LWA) i henhold til Rådets direktiv 2000/14/EF.

¹¹ Rapporterede data for støjtrykniveau har en typisk statistisk spredning (standardafvigelse) på 1,2 dB (A).

¹² Rapporterede data for vibrationsniveau har en typisk statistisk spredning (standardafvigelse) på 0,2 m/s². Vibrationsstandard EN 60335-2-77:2017 kapitel 20.105.

	enhed	LM2146C Li58-52 (58VBKJN46C)	LM2146CA Li58-52 (58VBKJN46CR)
Græssamlerkapacitet	liter	50	50

INDHOLD I EF-OVERENSSTEMMELSESERKLÆRING

Vi, Husqvarna AB, SE 561 82 Huskvarna, SVERIGE, erklærer under eget ansvar, at det repræsenterede produkt:

Den leverede elektriske rotorplæneklipper stemmer overens med det eksemplar, der har gennemgået typegodkendelsen.

Beskrivelse	Elektrisk rotorplæneklipper
Mærke	Jonsered
Platform / type / model	Platform 58VBKJN46C (repræsenterer model LM2146C Li58-52), platform 58VBKJN46CR (repræsenterer model LM2146CA Li58-52).
Batch	Serienumre fra 2018 og fremefter

overholder følgende EU-direktiver og bestemmelser:

Direktiv/bestemmelser	Beskrivelse
2006/42/EF	"angående maskiner"
2014/30/EU	"angående elektromagnetisk kompatibilitet"
2000/14/EF	"vedrørende udendørs støj"
2011/65/EU	"vedrørende farlige stoffer"

Harmoniserede standarder og/eller tekniske specifikationer anvendt er som følger: EN60335-1, EN60335-2-77, EN50366, EN55014-1, EN55014-2, EN61000-3-2, EN61000-3-3

I overensstemmelse med direktiv 2000/14/EF, bilag V, er de erklærede lydverdier angivet i afsnittet om tekniske data i denne manual og i den underskrevne EU-overensstemmelseserklæring.

Intertek har udført en frivillig afprøvning på vegne af Husqvarna AB med opnåelse af overensstemmelsesattest iht. Rådets maskindirektiv 2006/42/EF.

Certifikatet, som findes i den underskrevne EF-overensstemmelseserklæring, gælder for alle produktionssteder og oprindelseslande, som angivet på produktet.

Inhalt

EINLEITUNG	52	WARTUNG	59
SICHERHEIT	53	TRANSPORT UND LAGERUNG	61
MONTAGE	56	TECHNISCHE DATEN	62
BETRIEB	57	INHALT DER EU-KONFORMITÄTSERKLÄRUNG	63

INLEITUNG

Bedienungsanleitung

Die Ausgangssprache dieser Betriebsanleitung ist Englisch. Bedienungsanleitungen in anderen Sprachen sind Übersetzungen aus dem Englischen.

Übersicht

(Abb. 1)

1. Totmanngriff
2. Grasfänger
3. Steuerhebel
4. Elektrischer Antriebsmotor
5. Schnitthöhenhebel
6. Akkuladegerät
7. Bedienungsanleitung
8. Bedieneinheit
9. Akku
10. Akkuabdeckung
11. Ein-/Aus-Schalter
12. Schnittmodus-Knopf
13. Hintere Klappe
14. Ladestatusleuchten
15. Schlüssel
16. Mulcheinsatz

Symbole auf dem Produkt

(Abb. 2) Warnung

(Abb. 3) Lesen Sie diese Bedienungsanleitung

(Abb. 4) Lesen Sie die Bedienungsanleitung sorgfältig durch und machen Sie sich vor der Benutzung mit dem Inhalt vertraut.

(Abb. 5) Tragen Sie einen zugelassenen Augenschutz

(Abb. 6) Tragen Sie einen zugelassenen Gehörschutz

(Abb. 7) Tragen Sie einen zugelassenen Kopfschutz

(Abb. 8) Tragen Sie einen zugelassenen Gehörschutz

(Abb. 9) Achtung: rotierende Klinge. Halten Sie Hände und Füße von der Gefahrenzone fern.

(Abb. 10) Halten Sie Hände und Füße von rotierenden Klingen fern. Öffnen oder entfernen Sie keine der Schutzabdeckungen, während der Motor läuft.

(Abb. 11) Schauen Sie vor dem und während des Rückwärtslaufens nach hinten und nach unten, ob kleine Kinder, Tiere oder andere Gefahren im Weg sind, wegen derer Sie stürzen könnten.

(Abb. 12) Achten Sie auf hochgeschleuderte und abprallende Gegenstände.

(Abb. 13) Andere Personen oder Tiere müssen sich in sicherem Abstand vom Arbeitsbereich befinden.

(Abb. 14) Gefahr bei Gefälle

(Abb. 15) Stromschlaggefahr

(Abb. 16) Entfernen Sie den Schlüssel vor Reparaturen, Einstellungen, Anpassungen oder dem Transportieren.

(Abb. 17) Ein-/Aus-Schalter

(Abb. 18) Motor ein

(Abb. 19) Motor-Steuergriff

(Abb. 20) Motor aus.

(Abb. 21) Motor-Steuergriff deaktiviert

(Abb. 22) Weder das Produkt noch die Verpackung dürfen über den Hausmüll entsorgt werden. Das Produkt und die Verpackung sind an einer entsprechenden Recyclingstation abzugeben, damit die elektrischen und

elektronischen Komponenten wiedergewonnen werden können.

Das Produkt nicht im Regen oder in feuchter Umgebung zurücklassen, lagern oder verwenden.

(Abb. 23)

(Abb. 24) Recycling

(Abb. 25) Schalleistungspegel

(Abb. 26) Dieses Gerät entspricht den geltenden CE-Richtlinien

(Abb. 27) Dieses Gerät entspricht den geltenden EAC-Richtlinien

(Abb. 28) Dieses Gerät entspricht den geltenden Richtlinien der Ukraine

Produkthaftung

Im Sinne der Produkthaftungsgesetze übernehmen wir keine Haftung für Schäden, die unser Gerät verursacht, wenn...

- das Gerät nicht ordnungsgemäß repariert wurde.
- das Gerät mit Teilen repariert wurde, die nicht vom Hersteller stammen oder vom Hersteller zugelassen sind.
- ein Zubehörteil mit dem Gerät verwendet wird, das nicht vom Hersteller stammt oder vom Hersteller zugelassen ist.
- das Gerät nicht bei einem autorisierten Service Center oder von einem zugelassenen Fachmann repariert wurde.

SICHERHEIT

Sicherheitsdefinitionen

Die nachstehenden Definitionen geben den Schweregrad für jedes Signalwort an.



WARNUNG: Personenschäden.



ACHTUNG: Schäden am Gerät.

Hinweis: Diese Informationen erleichtern die Verwendung des Geräts.

Allgemeine Sicherheitshinweise

- Verwenden Sie das Gerät ordnungsgemäß. Eine falsche Verwendung kann zu schweren bis tödlichen Verletzungen führen. Verwenden Sie das Gerät nur für die in dieser Betriebsanleitung aufgeführten Arbeiten. Verwenden Sie das Gerät nicht für andere Aufgaben.
 - Lesen, verstehen und befolgen Sie die Anweisungen in dieser Bedienungsanleitung. Beachten Sie die Symbole und die Sicherheitshinweise. Die Nichtbeachtung der Anweisungen und Symbole kann zu Verletzungen oder zum Tod führen.
 - Werfen Sie diese Bedienungsanleitung nicht weg. Verwenden Sie die Anweisungen für das Zusammensetzen und den Betrieb, und halten Sie Ihr Gerät in gutem Zustand. Befolgen Sie die Anweisungen für die korrekte Installation von Anbaugeräten und Zubehörteilen. Verwenden Sie ausschließlich zugelassene Anbaugeräte und Zubehörteile.
 - Verwenden Sie das Gerät nicht, wenn es beschädigt ist. Halten Sie sich an den Wartungsplan. Führen Sie nur diejenigen Wartungsarbeiten aus, die Sie in den
- Anweisungen in dieser Bedienungsanleitung finden. Alle sonstigen Wartungsarbeiten müssen von einer autorisierten Servicewerkstatt durchgeführt werden.
- Diese Bedienungsanleitung kann nicht alle Situationen abdecken, die bei der Verwendung des Geräts auftreten können. Seien Sie immer vorsichtig, und arbeiten Sie mit gesundem Menschenverstand. Führen Sie keine Arbeiten mit dem Gerät oder Wartungen am Gerät durch, wenn Sie sich in einer Situation unsicher sind. Wenden Sie sich an einen Produktfachmann, Ihren Fachhändler, Ihren Service Vertreter oder das autorisierte Service Center für weitere Informationen.
 - Verwenden Sie das Gerät nicht, wenn es nicht mehr der ursprünglichen Spezifikation entspricht. Ändern Sie kein Teil des Geräts ohne Genehmigung des Herstellers. Verwenden Sie nur Teile, die vom Hersteller genehmigt wurden. Eine falsche Wartung kann zu schweren bis tödlichen Verletzungen führen.
 - Dieses Gerät erzeugt beim Betrieb ein elektromagnetisches Feld. Das elektromagnetische Feld kann medizinische Implantate beschädigen. Sprechen Sie vor der Inbetriebnahme des Geräts mit Ihrem Arzt und dem Hersteller des medizinischen Implantats.
 - Lassen Sie nicht zu, dass Kinder das Gerät verwenden.
 - Erlauben Sie nicht, dass Personen ohne Kenntnis der Anweisungen das Gerät bedienen.
 - Stellen Sie sicher, dass Personen mit verminderter physischer oder psychischer Leistungsfähigkeit dieses Gerät nicht unbeobachtet verwenden. Es muss immer ein verantwortlicher Erwachsener anwesend sein.
 - Verschließen Sie das Gerät in einem Bereich, zum dem Kinder und nicht autorisierte Personen keinen Zugang haben.
 - Das Gerät kann Objekte auswerfen und Verletzungen verursachen. Beachten Sie die

Sicherheitshinweise, um das Risiko von Verletzungen oder Tod zu verringern.

- Entfernen Sie sich nicht vom Gerät, während es eingeschaltet ist. Stoppen Sie das Gerät, bevor Sie sich entfernen.
- Schauen Sie vor dem und während des Rückwärtslaufens nach hinten und nach unten, ob kleine Kinder, Tiere oder andere Gefahren im Weg sind, wegen derer Sie stürzen könnten.
- Der Bediener des Geräts trägt bei einem Unfall die Verantwortung.
- Überprüfen Sie vor dem Gebrauch das Gerät auf schadhafte Teile.
- Halten Sie sich an nationale und lokale gesetzliche Bestimmungen. Diese können den Betrieb des Geräts unter bestimmten Bedingungen verhindern oder einschränken.

Sicherheitshinweise für den Betrieb

- Machen Sie sich vor der Verwendung mit den Bedienelementen und der korrekten Funktion des Geräts vertraut.
- Erlauben Sie nicht, dass Kinder oder Personen ohne Kenntnis dieser Anweisungen das Gerät benutzen.
- Betreiben Sie das Produkt nicht, wenn sich Personen, insbesondere Kinder, oder Tiere in der Nähe befinden.
- Halten Sie Kinder aus dem Bereich fern, in dem gemäht wird, und lassen Sie sie von einem Erwachsenen beaufsichtigen.
- Schalten Sie das Gerät ab, sobald Kinder in den Arbeitsbereich eintreten.
- Überprüfen Sie den gesamten Bereich, in dem das Produkt verwendet wird. Entfernen Sie alle Gegenstände, die während des Betriebs durch das Gerät ausgeworfen werden könnten.
- Prüfen Sie die Klinge, die Klingenschraube, die Klingenbaugruppe und die Motoreinheit vor der Verwendung auf Verschleiß und Beschädigung.
- Betreiben Sie das Produkt nur bei Tageslicht oder bei guter künstlicher Beleuchtung.
- Verwenden Sie das Produkt nicht in feuchtem Gras.
- Seien Sie aufmerksam in der Nähe von Ecken, Büschen, Bäumen oder anderen Objekten, die Ihre Sicht behindern könnten.
- Seien Sie sehr vorsichtig, wenn Sie rückwärtsgehen oder das Gerät in Ihre Richtung ziehen.
- Halten Sie Hände und Füße von rotierenden Teilen fern und achten Sie darauf, dass Hände oder Füße nicht unter rotierende Geräteteile geraten. Halten Sie immer Abstand zu den Auswurföffnungen.
- Schalten Sie die Klängen aus, wenn Sie Kiesflächen überqueren.
- Schalten Sie den Motor ab, entfernen Sie den Akku, und warten Sie, bis die Klinge vollständig zum Stillstand kommt, bevor Sie das Produkt reinigen, den Grasfänger entfernen oder Material aus dem Auswurfsammler entfernen.

- Arbeiten Sie nicht mit dem Gerät, wenn Sie müde oder krank sind oder unter Einfluss von Alkohol, Drogen oder Medikamenten stehen.
- Wenn das Gerät ungewöhnliche Vibrationen aufweist, schalten Sie den Motor aus, entfernen Sie den Akku, und prüfen Sie sofort die Ursache. Vibration weist meist auf eine Beschädigung hin.
- Richten Sie ausgeworfenes Material nicht auf andere Personen. Lassen Sie Material nicht gegen eine Wand oder eine Blockierung auswerfen. Das Material kann in Richtung des Bedieners zurückgeworfen werden.
- Betreiben Sie das Gerät nicht ohne die geeigneten Schutzvorrichtungen, Platten, Grasfänger und sonstigen Sicherheitseinrichtungen.

Sicherheit im Arbeitsbereich

- Äste, Zweige, Steine und andere Gegenstände müssen vor Beginn des Mähens vom Rasen entfernt werden.
- Andere Personen, einschließlich Kinder oder Tiere, müssen sich in sicherem Abstand vom Arbeitsbereich befinden.
- Gegenstände, die auf die Schneidausrüstung treffen, können herausgeschleudert werden und Personen und Gegenständen Schaden zufügen.
- Verwenden Sie das Gerät nicht bei schlechtem Wetter, einschließlich Nebel, Regen, an feuchten oder nassen Orten, bei starkem Wind, großer Kälte und bei Gewittergefahr. Arbeiten bei schlechtem Wetter kann zu Ermüdungserscheinungen und gefährlichen Bedingungen führen, wie z. B. rutschigen Oberflächen.
- Überprüfen Sie den Arbeitsbereich, um sicherzustellen, dass Sie die Kontrolle über das Gerät nicht verlieren können.
- Achten Sie auf Wurzeln, Steine, Zweige und Gräben. Hohes Gras kann Hindernisse verbergen.
- Seien Sie vorsichtig, wenn Sie um versteckte Ecken oder Objekte herum fahren, die Ihre freie Sicht behindern können.

Sicherheitshinweise für Abhänge

- Seien Sie vorsichtig beim Mähen an Hängen. Hänge können gefährlich sein. Ein Sturz an einem Hang kann Verletzungen verursachen.
- Mähen Sie quer zum Hang. Mähen Sie nicht nach oben und nach unten.
- Seien Sie vorsichtig, wenn Sie am Hang die Richtung ändern.
- Achten Sie auf verborgene Objekte oder Löcher im Rasen. Auf unebenem Untergrund können Sie stürzen.
- Mähen Sie nicht in der Nähe von steilen Hängen, Abhängen, Gräben und Böschungen. Sie könnten stürzen.
- Mähen Sie nicht, wenn das Gras nass ist. Sie könnten stürzen.

- Mähen Sie nicht an Hängen mit mehr als 15 Grad Neigung.

Persönliche Schutzausrüstung

Verwenden Sie beim Arbeiten mit dem Gerät stets die geeignete persönliche Schutzausrüstung. Dazu gehören mindestens festes Schuhwerk, Schutzbrille und Gehörschutz. Die persönliche Schutzausrüstung beseitigt die Verletzungsgefahr nicht, kann aber bei einem Unfall den Verletzungsgrad mindern.

- Tragen Sie immer eine Schutzbrille oder einen anderen Augenschutz, wenn Sie das Gerät bedienen oder wenn Sie Wartungs- und Reparaturarbeiten durchführen.
- Arbeiten Sie mit dem Gerät nicht barfuß oder mit offenen Schuhen. Tragen Sie stets robuste Stiefel mit rutschhemmender Sohle, die guten Halt bis über die Knöchel bieten, wenn Sie das Produkt bedienen.
- Tragen Sie schwere, lange Hosen. Gehen Sie nicht barfuß. Tragen Sie keine kurzen Hosen oder Sandalen.
- Tragen Sie gegebenenfalls zugelassene Schutzhandschuhe. Zum Beispiel beim Einbauen, Überprüfen oder Reinigen der Schneckenflügel.
- Tragen Sie immer einen zugelassenen Gehörschutz beim Arbeiten mit dem Gerät. Lärmbelastung über einen längeren Zeitraum kann zu lärmbedingten Hörschäden führen.

Schutzvorrichtungen am Gerät

- Achten Sie darauf, das Gerät regelmäßig zu warten.
 - Dies erhöht die Lebensdauer des Geräts.
 - Die Gefahr von Unfällen sinkt.

Lassen Sie einen Vertragshändler oder ein autorisiertes Service Center das Gerät regelmäßig überprüfen, um Einstellungen oder Reparaturen vorzunehmen.

- Benutzen Sie kein Gerät mit defekten Schutzvorrichtungen. Wenn das Gerät beschädigt ist, wenden Sie sich an ein autorisiertes Service Center.

Motor-Steuergriff

Der Motor-Steuergriff stoppt den Motor. Stellen Sie sicher, dass der Motor stoppt, wenn der Motor-Steuergriff losgelassen wird.

- Starten Sie den Motor und lassen Sie den Motor-Steuergriff los. Der Motor wird dann gestoppt.

Hinweis: Wenn der Motor-Steuergriff den Motor nicht abschaltet, drücken Sie den Netzschalter, um ihn zu stoppen. Entfernen Sie den Akku und wenden Sie sich an ein autorisiertes Service Center.

Hintere Klappe

Die hintere Klappe verringert die Gefahr, dass Objekte in der Mähposition hinten aus dem Gerät in Richtung des Anwenders ausgeworfen werden.

- Stellen Sie sicher, dass die hintere Klappe nicht beschädigt ist und dass sie keine Mängel, wie z. B. Risse oder gebrochene Federn, aufweist. Schäden führen dazu, dass die Klappe sich mit Kraft schließt. Ersetzen Sie die Klappe oder die Federn, wenn diese beschädigt sind.

Sicherheitshinweise für die Wartung



WARNUNG: Führen Sie die Wartung nur gemäß dieser Betriebsanleitung durch. Größere Eingriffe sind von einer zugelassenen Servicewerkstatt auszuführen.

Führen Sie die Wartungsarbeiten zur Erhöhung der Lebensdauer des Produkts und Verringerung der Unfallgefahr ordnungsgemäß aus. Eine zugelassene Servicewerkstatt kann professionelle Reparaturarbeiten durchführen. Weitere Informationen erhalten Sie von Ihrer Servicewerkstatt.



WARNUNG: Um ein unbeabsichtigtes Starten während des Transports, der Wartung oder während Reparaturarbeiten zu verhindern, entfernen Sie den Akku, und warten Sie mindestens 5 Sekunden, bevor Sie ihn wieder einsetzen.



WARNUNG: Tragen Sie beim Umgang mit der Schneidausrüstung schwere Arbeitshandschuhe. Die Klinge ist sehr scharf und man schneidet sich sehr leicht.

- Halten Sie die Schnittkanten sauber und scharf für die beste und sicherste Leistung.
- Ihre Servicewerkstatt sollte das Gerät regelmäßig überprüfen und notwendige Einstellungen und Reparaturen vornehmen.
- Ersetzen Sie beschädigte, abgenutzte oder defekte Teile.
- Beachten Sie die Anweisungen zum Wechseln des Zubehörs. Verwenden Sie nur Zubehör vom Gerätehersteller.



WARNUNG: Wenn das Gerät nicht in Betrieb ist, bewahren Sie es sowie den Akku und das Ladegerät separat in einem trockenen, verschließbaren Innenbereich auf, zu dem Kinder und nicht zugelassene Personen keinen Zutritt haben.

SICHERHEIT IM UMGANG MIT AKKUS

Verwenden Sie nur Akkus des Herstellers, und laden Sie diese ausschließlich in einem Akkuladegerät des Herstellers.

Die wiederaufladbaren Akkus dürfen nur zur Energieversorgung zugehöriger kabelloser Produkte verwendet werden. Um Verletzungen vorzubeugen, darf der Akku nicht zur Energieversorgung anderer Geräte verwendet werden.

- Sie dürfen den Akku nicht zerlegen, öffnen oder zerkleinern.
- Setzen Sie Akkus nicht direkter Sonneneinstrahlung oder Hitze aus. Halten Sie Akkus von Feuer fern.
- Überprüfen Sie das Akkuladegerät und den Akku regelmäßig auf Beschädigungen. Beschädigte oder veränderte Akkus können zu Feuer, Explosionen oder Verletzungsgefahr führen. Reparieren Sie keine beschädigten Akkus und öffnen Sie auch keine beschädigten Akkus.
- Verwenden Sie keinen Akku und kein Produkt, der bzw. das defekt ist, verändert wurde oder beschädigt ist.
- Verändern oder reparieren Sie keine Produkte oder den Akku. Lassen Sie Reparaturen ausschließlich von Ihrem autorisierten Händler durchführen.
- Schließen Sie weder eine Speicherzelle noch einen Akku kurz. Bewahren Sie die Akkus nicht in einer Box oder einer Schublade auf, in der es durch andere Metallobjekte zu einem Kurzschluss kommen kann.
- Nehmen Sie den Akku erst aus seiner Originalverpackung, wenn dieser für den Betrieb gebraucht wird.
- Setzen Sie die Akkus keinen mechanischen Erschütterungen aus.
- Wenn aus einem Akku Flüssigkeit austritt, vermeiden Sie Haut- oder Augenkontakt mit dieser.

Sollten Sie dennoch mit der Flüssigkeit in Berührung gekommen sein, reinigen Sie den Bereich mit ausreichend Wasser und suchen Sie medizinische Hilfe auf.

- Verwenden Sie ausschließlich das Akkuladegerät, welches für den Betrieb mit dem Akku vorgesehen ist.
- Achten Sie für einen korrekten Betrieb auf das Plus (+) und das Minus (-) auf dem Akku und dem Produkt.
- Verwenden Sie keinen Akku, der nicht für den Betrieb mit dem Produkt vorgesehen ist.
- Verwenden Sie nicht gleichzeitig Akkus mit unterschiedlicher Spannung oder von unterschiedlichen Herstellern in einem Gerät.
- Achten Sie darauf, die Akkus von Kindern fernzuhalten.
- Kaufen Sie stets die richtigen Akkus für das Produkt.
- Bewahren Sie die Akkus sauber und trocken auf.
- Reinigen Sie verschmutzte Akkukontakte mit einem sauberen, trockenen Tuch.
- Sekundäre Akkus müssen vor dem Gebrauch aufgeladen werden. Verwenden Sie immer das richtige Akkuladegerät, und beachten Sie die Anweisungen zum korrekten Laden in der Anleitung.
- Sehen Sie von einem Dauerladen eines Akkus ab, wenn dieser nicht in Betrieb ist.
- Heben Sie die Gebrauchsanweisung zum späteren Nachschlagen auf.
- Verwenden Sie den Akku ausschließlich für seinen erforderlichen Betrieb.
- Entfernen Sie den Akku vom Produkt, wenn dieses nicht verwendet wird.
- Halten Sie den Akku während des Betriebs fern von Büroklammern, Schlüsseln, Nägeln, Schrauben und anderen kleinen Metallobjekten. Hierdurch kann es zu einer Überbrückung der Kontakte kommen. Durch Kurzschluss der Akkukontakte kann es zu Verbrennungen oder Bränden kommen.

MONTAGE



WARNUNG: Lesen Sie vor dem Zusammensetzen des Geräts das Kapitel über Sicherheit.

Entnahme des Geräts aus dem Karton

1. Entfernen Sie alle losen Teile, die im Lieferumfang des Geräts enthalten sind.
2. Schneiden Sie die zwei äußeren Ecken des Kartons ab und klappen Sie den Endstreifen flach nach unten.
3. Entfernen Sie alle Verpackungsmaterialien.

4. Nehmen Sie das Gerät aus dem Karton und stellen Sie sicher, dass keine losen Teile im Karton verbleiben.

Für die Montage des Griffs

1. Richten Sie die Schraublöcher an der Unterseite des Griffs mit den Schraubenlöchern am Griff aus. Befestigen Sie die Schrauben, Unterlegscheiben und die Knöpfe. (Abb. 29)
2. Um die Griffhöhe zu verändern, lösen Sie die unteren Knöpfe, heben oder senken Sie den Griff, um die Griffhöhe einzustellen, und ziehen die Knöpfe vollständig fest.

So bringen Sie das Gerät in die Betriebsposition

1. Heben Sie den Griff an, bis die Betriebsposition erreicht ist.
2. Ziehen Sie die unteren Knöpfe vollständig fest.

So montieren Sie den Grasfänger

1. Befestigen Sie den Rahmen des Grasfängers am Fangbeutel, sodass der starre Teil des Beutels nach unten weist. Halten Sie den Griff des Rahmens am oberen Ende des Fangbeutels fest. (Abb. 30)
2. Setzen Sie den unteren Teil des Rahmens des Grasfängers in die Nut an der Unterseite des Grasfängers. (Abb. 31)
3. Befestigen Sie die Haken am Grasfänger an der Oberkante des Chassis. (Abb. 32)
4. Setzen Sie den unteren Teil des Grasfängers in den Grasaustrittskanal.

So bauen Sie das Gerät auf Betrieb im Sammelmodus um

Im hinteren Sammelmodus sammelt sich der Grasschnitt im Grasfänger.



ACHTUNG: Betreiben Sie das Gerät nicht, ohne dass die hintere Klappe geschlossen ist und der zugelassene Grasfänger in Position ist. Versuchen Sie nicht, das Gerät zu betreiben, wenn die hintere Klappe entfernt oder geöffnet ist.

1. Heben Sie die hintere Klappe an, und setzen Sie die Grasfänger-Rahmenhaken in das Drehgelenk der hinteren Zugangsklappe ein. (Abb. 33)
2. Lassen Sie die hintere Klappe los, und legen Sie sie auf den Rahmen des Grasfängers.

So bauen Sie das Gerät auf Betrieb im Mulch-Modus um (falls vorhanden)

Im Mulch-Modus schneidet das Gerät den Grasschnitt kleiner. Der Grasschnitt fällt dann auf den Rasen und wird über das Gras verteilt. Gemulchtes Gras zersetzt sich schnell und liefert Nährstoffe für den Rasen.

1. Heben Sie die hintere Abdeckung an, und entfernen Sie den Grasfänger. (Abb. 34)
2. Setzen Sie den Mulcheinsatz in den Austrittskanal. (Abb. 35)
3. Verschließen Sie die hintere Klappe fest.

So bauen Sie das Gerät auf Betrieb im Auswurfmodus um

1. Entfernen Sie den Mulcheinsatz oder Grasfänger. (Abb. 36)
2. Verschließen Sie die hintere Klappe fest.

So stellen Sie die Schnitthöhe ein



ACHTUNG: Stellen Sie die Schnitthöhe nicht zu niedrig ein. Die Klingen können auf den Boden treffen, wenn die Oberfläche des Rasens nicht eben ist.

Hinweis: Stellen Sie die gleiche Höhe an allen Schnitthöhensteuerungen ein.

1. Bewegen Sie den Schnitthöhenhebel nach hinten, um die Schnitthöhe zu erhöhen.
2. Bewegen Sie den Schnitthöhenhebel nach vorne, um die Schnitthöhe zu verringern. (Abb. 37)

BETRIEB



WARNUNG: Lesen Sie vor der Nutzung des Geräts das Kapitel über Sicherheit, und machen Sie sich damit vertraut.

Grundlegende Mähtechnik

- Um die besten Ergebnisse zu erzielen, verwenden Sie stets eine scharfe Klinge. Eine Klinge, die nicht scharf ist, mäht ungleichmäßig und führt dazu, dass das Gras an der Schnittfläche gelb wird.
- Schneiden Sie nicht mehr als 1/3 der Länge des Grases ab. Das gilt besonders in Trockenperioden. Mähen Sie zuerst mit einer hohen Schnitthöhe. Überprüfen Sie dann das Ergebnis und senken Sie falls nötig die Schnitthöhe. Wenn das Gras zu lang ist, mähen Sie langsam und bei Bedarf zweimal.

- Wenn Sie sehr stark mähen, verringern Sie die Schnittbreite, indem Sie den Mähpfad überlappen lassen, und mähen Sie langsam.
- Mähen Sie bei jedem Mal in eine andere Richtung, um Streifen auf dem Rasen zu vermeiden.
- Spülen Sie den Grasfänger regelmäßig mit Wasser und lassen Sie ihn vor der Verwendung trocknen. Poren in Stoffgrasfängern können sich während des Betriebs mit Schmutz und Staub zusetzen. Der Grasfänger sammelt dann weniger Gras.

Bevor Sie den Mäher starten

- Sorgen Sie dafür, dass sich im Arbeitsbereich keine Unbefugten oder Tiere aufhalten.
- Warten Sie das Gerät täglich. Siehe *WARTUNG auf Seite 59*.

So starten Sie das Gerät

1. Legen Sie den Akku ein, bis ein Klicken zu hören ist. Sorgen Sie dafür, dass der Akku korrekt montiert ist. (Abb. 38)
2. Stecken Sie den Schlüssel in die Öffnung unterhalb der Akkuabdeckung. Sorgen Sie dafür, dass der Schlüssel korrekt eingeführt ist. (Abb. 39)

Hinweis: Der Schlüssel lässt sich nur in einer Richtung einführen.

3. Betätigen Sie den Netzschalter einmal. Der Schalter leuchtet auf. (Abb. 40)
4. Ziehen Sie den Steuergriff in die Richtung des Lenkers. Der Netzschalter beginnt zu blinken. (Abb. 41)
5. Drücken Sie den blinkenden Netzschalter. Das Gerät wird gestartet. (Abb. 42)

So stoppen Sie das Gerät

- Lassen Sie den Motor-Steuergriff des Geräts los, oder drücken Sie den Netzschalter einmal. (Abb. 43)

So treiben Sie die Räder an (falls vorhanden)

(Abb. 44)

- Ziehen Sie die Antriebshebel in die Richtung des Lenkers.
- Bevor Sie das Produkt nach hinten ziehen, kuppeln Sie den Antrieb aus und drücken Sie das Produkt ca. 10 cm vorwärts.
- Lassen Sie die Antriebshebel los, um den Antrieb auszuschalten, z. B., wenn Sie sich in die Nähe eines Hindernisses bewegen.

So leeren Sie den Grasfänger

1. Heben Sie den Grasfänger mit dem Rahmengriff an.
2. Entfernen Sie den Rasenschnitt aus dem Grasfänger unterhalb des Griffs.
3. Leeren Sie den Rasenschnitt mit dem Rahmengriff und dem Beutelgriff aus dem Beutel.



ACHTUNG: Ziehen Sie beim Entleeren des Grasfängers nicht am Beutel, um Verschleiß zu vermeiden.

So wechseln Sie den Mäh-Modus

Am Gerät kann während des Betriebs zwischen drei verschiedenen Mähmethoden durch Drücken der Modus-Taste umgeschaltet werden.

- **Auto-Modus** – Das Gerät stellt automatisch die Mähgeschwindigkeit in Abhängigkeit von der gemähten Grasmenge ein.

-
- **Hinweis:** Das Produkt ist während des Betriebs standardmäßig im Auto-Modus.
-

- **Boost-Modus** – Das Gerät arbeitet mit hoher Geschwindigkeit, unabhängig von der gemähten Grasmenge.
 - Während das Gerät in Betrieb ist, drücken Sie die Modus-Taste einmal, um vom Auto-Modus in den Boost-Modus zu wechseln. Die Taste für den Mäh-Modus leuchtet dann auf.
- **ECO-Modus** – Das Gerät arbeitet mit niedriger Geschwindigkeit, unabhängig von der gemähten Grasmenge.
 - Während das Gerät in Betrieb ist, drücken Sie die Modus-Taste einmal, um vom Auto-Modus in den ECO-Modus zu wechseln. Die Taste für den Mäh-Modus leuchtet dann auf und blinkt.
 - Um wieder in den standardmäßigen Auto-Modus zu schalten, drücken Sie die Modus-Taste einmal, während das Gerät in Betrieb ist. Die Taste für den Mäh-Modus hört dann auf zu blinken.

Hinweis: Wenn der Motor-Steuergriff während des Betriebs losgelassen wird, bleibt das Gerät im aktuellen Betriebsmodus. Wenn das Gerät automatisch stoppt oder der Anwender den Netzschalter drückt, wird der zuvor verwendete Mäh-Modus aus dem Speicher gelöscht, und das Gerät startet im Auto-Modus, wenn es erneut gestartet wird.

Akkuladeanzeige beim Betrieb

Die Anzeige an der Bedieneinheit zeigt den Akkuladezustand und eventuelle Probleme mit dem Akku an. Die Batteriekapazität wird angezeigt, während das Gerät in Betrieb ist.

LED-Leuchten	Akkuladezustand
Alle grünen LEDs leuchten auf	Vollständig geladen (100 %–76 %)
LED 1, 2 und 3 leuchten auf	Der Akku ist zu 75 % - 51 % geladen.
LED 1 und 2 leuchten auf	Der Akku ist zu 50 % - 26 % geladen.
LED 1 leuchtet auf	Der Akku ist zu 25 % - 6 % geladen.
LED 1 blinkt	Der Akku ist zu 5 % - 0 % geladen.

Wenn während des Betriebs ein Fehler mit dem Akku aufgetreten ist, blinken alle vier grünen LEDs für den Akkuladezustand. Entfernen Sie den Akku aus dem Gerät, und drücken Sie die Anzeigetaste auf dem Akku, um den Fehlercode anzuzeigen. Die LEDs des Akkus leuchten auf und zeigen einen Fehlercode an, wenn ein Fehler aufgetreten ist. Ziehen Sie das Akku-Handbuch zu Rate; dort finden Sie eine Liste der Fehlercodes und Lösungen für den Fehler.

WARTUNG



WARNUNG: Lesen Sie vor dem Reinigen, Reparieren oder Warten des Geräts das Kapitel über Sicherheit, und machen Sie sich damit vertraut.

Allgemeine Empfehlungen für die Wartung

Die Garantie für dieses Produkt deckt nicht den fehlerhaften oder nicht sorgfältigen Betrieb des Produkts durch den Anwender ab. Um die Gewährleistung in vollem Umfang zu erhalten, muss der Anwender die Wartung des Produkts durchführen, wie in den Anweisungen in diesem Handbuch beschrieben. Verschiedene Einstellungen müssen in unterschiedlichen Abständen vorgenommen werden, um den ordnungsgemäßen Betriebszustand des Produkts zu erhalten.

- Überprüfen Sie die Klinge einmal pro Jahr auf Verschleiß.

So prüfen Sie die Bereifung

- Vermeiden Sie, dass die Reifen mit nicht gewünschtem Material und Chemikalien in Berührung kommen, damit der Gummi keinen Schaden nimmt.
- Vermeiden Sie den Kontakt der Reifen mit Baumstümpfen, Steinen, Spurrillen, scharfen Gegenständen oder anderen Gegenständen, die zu Schäden an den Reifen führen können.

So führen Sie eine allgemeine Inspektion durch

- Ziehen Sie die Schrauben und Muttern nach.
- Stellen Sie sicher, dass keine Kabel eingeklemmt werden.

Wartungsplan

Verwenden Sie den Wartungsplan, um sich über die notwendigen Wartungsanforderungen Ihres Geräts und den Zeitpunkt der Wartung zu informieren. Die Berechnung der Wartungsintervalle beruht auf einer durchschnittlichen Verwendung des Produkts und kann aufgrund der Häufigkeit der Verwendung abweichen.

- Ziehen Sie die Schrauben und Muttern vor jedem Gebrauch und vor der Lagerung an.
- Reinigen und prüfen Sie den Grasfänger, falls vorhanden, vor und nach jeder Verwendung und vor der Lagerung.
- Überprüfen Sie die Reifen vor jedem Gebrauch.
- Leeren Sie das Gerät nach jedem Gebrauch und vor der Lagerung. Reinigen Sie die Unterseite des Schneidwerks mit einem Schaber.

- Überprüfen Sie die Klingen alle 25 Stunden auf Schäden und Risse. Tauschen Sie die Klingen häufiger aus, wenn Sie auf sandigem Boden mähen.
- Schmieren Sie das Produkt alle 25 Stunden.
- Reinigen und laden Sie den Akku vollständig nach dem Gebrauch und nach längerer Lagerung. Laden Sie den Akku vor der Lagerung für max. 24 Stunden.
- Achten Sie bei der Lagerung darauf, dass sich der Akku nicht auf dem Ladegerät befindet. Laden Sie den Akku für maximal 24 Stunden.
- Untersuchen Sie den Treibriemen und die Riemenscheiben alle 25 Stunden (falls vorhanden).

So reinigen Sie das Gerät

- Entfernen Sie mit einer Bürste unerwünschtes Material und Gras vom Gerät.
- Halten Sie unerwünschtes Material von den Oberflächen und Rädern fern.
- Entfernen Sie mit einem Schaber Ansammlungen von Gras und Unrat unten am Gerät.
- Reinigen Sie das Gerät nicht mit einem Hochdruckreiniger.
- Spülen Sie nicht direkt am elektrischen Antriebsmotor und den Akkus mit Wasser.
- Wenn Sie die Unterseite des Geräts reinigen, entfernen Sie den Akku und den Sicherheitsschlüssel, und legen Sie das Gerät auf die Seite, so dass die Bedieneinheit nach oben zeigt.



ACHTUNG: Reinigen Sie das Gerät nicht mit Wasser, Reinigungsmitteln oder Lösungsmitteln. Entfernen Sie unerwünschtes Material außen am Produkt mit einer weichen Bürste oder einem trockenen Tuch, das keine Metallteile enthält.

So reinigen Sie den Grasfänger

- Poren in Stoffgrasfängern können sich während des Betriebs mit Schmutz und Staub zusetzen. Dadurch nimmt der Grasfänger weniger Gras auf. Um dies zu vermeiden, spülen Sie den Grasfänger regelmäßig mit Wasser, und lassen Sie ihn vor der Verwendung trocknen.
- Überprüfen Sie den Grasfänger regelmäßig auf Verschleiß und abnehmende Leistung. Tauschen Sie es bei Bedarf aus.

So überprüfen Sie die hintere Klappe

Die hintere Klappe ist zwischen den Hinterrädern des Geräts angebracht. Die Klappe verringert die Gefahr, dass Gegenstände in die Richtung des mähenden Anwenders ausgeworfen werden.

1. Vergewissern Sie sich, dass die hintere Klappe nicht beschädigt ist.
2. Überprüfen Sie die hintere Klappe auf Schäden, die zum Schließen der Tür führen, einschließlich Risse oder gebrochene Federn.
3. Ersetzen Sie die hintere Klappe oder die Federn, wenn sie beschädigt sind.

So schärfen und wuchten Sie die Klinge aus

Für beste Ergebnisse müssen Sie die Klinge geschärft halten. Ersetzen Sie eine verbogene oder beschädigte Klinge.



ACHTUNG: Verwenden Sie Handschuhe, und/oder umwickeln Sie die Klinge mit einem dicken Tuch, um Verletzungen der Hände zu vermeiden.

1. Schärfen Sie die Klinge mit einer Feile oder auf einer Schleifscheibe. Schärfen Sie auf keinen Fall die Klinge im eingebauten Zustand.



ACHTUNG: Es wird nicht empfohlen, dass Sie die Klinge schärfen. Sollten Sie dies dennoch tun, stellen Sie sicher, dass die Klinge ausgewuchtet ist. Eine Klinge, die nicht ausgewuchtet ist, kann Schäden am Gerät oder Motor verursachen.

2. Schlagen Sie einen geraden Nagel in ein Stück Holz bzw. eine Wand. Stellen Sie sicher, dass Sie 2 bis 3 cm des Nagels sehen können.
3. Schieben Sie die Klinge mit der Mittelbohrung auf den Nagelkopf. Ist die Klinge ausbalanciert, dann

verbleibt Sie in horizontaler Position. Bewegt sich ein Ende der Klinge nach unten, schärfen Sie dieses Ende, bis die Klinge ausbalanciert ist.

So tauschen Sie das Messer aus

1. Arretieren Sie die Klinge mit einem Holzblock. (Abb. 45)
2. Entfernen Sie den Bolzen der Klinge.
3. Entfernen Sie die Klinge.
4. Prüfen Sie die Halterung und den Bolzen der Klinge, um festzustellen, ob Beschädigungen vorliegen.
5. Prüfen Sie die Motorwelle, um sicherstellen, dass sie nicht geknickt ist.
6. Wenn Sie die neue Klinge montieren, zeigen die abgewinkelten Enden der Klinge in die Richtung der Schneidwerkabdeckung. (Abb. 46)
7. Stellen Sie sicher, dass das Messer mit der Mitte der Motorwelle ausgerichtet ist.
8. Arretieren Sie die Klinge mit einem Holzblock. Befestigen Sie die Federscheibe und ziehen Sie die Schraube und die Unterlegscheibe mit einem Drehmoment von Nm an. (Abb. 47)
9. Drehen Sie die Klinge mit der Hand, um sicherzustellen, dass sie sich einwandfrei dreht.



WARNUNG: Tragen Sie Sicherheitshandschuhe. Die Klinge ist sehr scharf und man schneidet sich sehr leicht.

10. Starten Sie das Produkt, um die Klinge zu prüfen. Wenn die Klinge nicht richtig befestigt ist, gibt es im Produkt Vibrationen oder das Schneidergebnis ist unbefriedigend.

Fehlercodes

Die Fehlercodes helfen Ihnen bei der Fehlersuche am Produkt und/oder dem Akku während des Betriebs.

LED-Bildschirm	Mögliche Fehler	Mögliche Maßnahmen
Es leuchten keine LEDs nach Drücken des Netzschalters an der Bedieneinheit auf, der Akku funktioniert nicht im Produkt	Der Akku ist nicht vollständig in das Produkt eingesetzt, oder die interne Sicherung ist durchgebrannt	Schieben Sie den Akku vollständig in den Antriebsmotor, bis ein Klicken zu hören ist. Wenn die LEDs nicht leuchten, nachdem der Akku vollständig eingesetzt wurde und der Netzschalter an der Bedieneinheit gedrückt wurde, sprechen Sie mit einem autorisierten Service Center.
Alle vier Batteriekapazitäts-LEDs blinken, und keine anderen LEDs leuchten, wenn Sie den Netzschalter drücken	Der Akku ist nicht vollständig in das Produkt eingesetzt, oder die interne Temperatur des Akkus ist zu hoch oder zu niedrig.	Schieben Sie den Akku vollständig in den Antriebsmotor, bis ein Klicken zu hören ist. Wenn die LEDs weiterhin blinken, ist die interne Temperatur des Akkus zu niedrig oder zu hoch. Lassen Sie den Akku sich erwärmen oder abkühlen. Zur Beschleunigung der Abkühlung kann der Akku in das Ladegerät eingesetzt werden, um den Akku aktiv zu kühlen.

LED-Bildschirm	Mögliche Fehler	Mögliche Maßnahmen
Alle vier Batteriekapazitäts- und Betriebs-LEDs blinken, und keine anderen LEDs leuchten, wenn Sie den Netzschalter drücken	Der Motor-Steuergriff wird nach unten gedrückt, während der Netzschalter zum ersten Mal gedrückt wird, oder Störung des internen Motor-Steuergriff-Schalters	Lassen Sie den Motor-Steuergriff los. Wenn der Motor-Steuergriff nicht gedrückt gehalten wird und die LEDs weiterhin blinken, wenden Sie sich an ein autorisiertes Service Center.
Das Produkt funktioniert nicht mehr, und alle vier Batteriekapazitäts-LEDs blinken; keine anderen LEDs leuchten auf.	Der Akku sitzt locker im Motor und hat keinen guten Kontakt, der Akku ist zu heiß oder kalt, oder anderer interner Akkufehler	<ol style="list-style-type: none"> 1. Halten Sie das Gerät an. 2. Entfernen Sie den Akku aus dem Produkt, und drücken Sie die Anzeigetaste auf dem Akku, um den Fehlercode anzuzeigen. Die LEDs am Akku leuchten auf und zeigen einen Fehlercode. 3. Lesen Sie das mitgelieferte Akkuhandbuch; dort finden Sie eine Liste der entsprechenden LED-Fehlercodes sowie mögliche Fehler und Verfahren. <p>Wenn der Akku keine Fehlermeldung nach Drücken der Taste am Akku anzeigt, sondern nur den Ladezustand, kann sich der Akku im Motor während des Betriebs gelöst haben. Setzen Sie den Akku vollständig in den Antriebsmotor ein, bis ein Klicken zu hören ist.</p>
Das Produkt funktioniert nicht mehr, und der Netzschalter blinkt, während die Batteriekapazitäts-LEDs den aktuellen Ladezustand anzeigen	Die Kammer ist mit Gras verstopft, die Motorsteuerung ist zu warm, oder der Motor ist defekt	<ol style="list-style-type: none"> 1. Halten Sie das Gerät an. 2. Entfernen Sie den Akku, und drehen Sie das Gerät auf die Seite, so dass die Bedieneinheit nach oben zeigt. 3. Prüfen Sie die Klinge, die Klingenschraube, die Klingenbaugruppe, den Motor und die Motoreinheit auf Beschädigung. Entfernen Sie alles Gras von der Unterseite des Geräts, und untersuchen Sie es auf Verstopfungen. 4. Montieren Sie den Akku, und führen Sie das Anlassverfahren durch, um das Gerät zu starten. <p>Wird der Fehler weiterhin angezeigt, lassen Sie das Gerät abkühlen. Die Motorsteuerung ist möglicherweise zu warm für den Betrieb. Wenn der Fehler weiterhin angezeigt wird, wenden Sie sich an ein autorisiertes Service Center.</p>

TRANSPORT UND LAGERUNG

- Verstauen Sie die Ausrüstung sicher während des Transports zur Vermeidung von Schäden und Unfällen.
- Entfernen Sie bei der Lagerung den Sicherheitsschlüssel, und bewahren Sie die Ausrüstung in einem abgeschlossenen Bereich auf, der für Kinder und nicht autorisierte Personen nicht zugänglich ist.
- Lagern Sie Gerät und Ausrüstung an einem trockenen und frostsicheren Ort.
- Beim Be- und Abladen oder Transportieren des Produkts darf der empfohlene maximale Neigungswinkel für den Betrieb von 15 Grad nicht überschritten werden.
- Reinigen Sie das Gerät. Weitere Informationen finden Sie unter *So reinigen Sie das Gerät auf Seite 59*.
- Schmieren Sie das Gerät.
- Ziehen Sie die Schrauben und Muttern an.

- Tauschen oder reparieren Sie beschädigte Komponenten.
- Lackieren Sie alle verrosteten oder beschädigten Lackflächen nach. Schleifen Sie diese vor dem Lackieren leicht an.
- Verwenden Sie die richtige Schutzabdeckung auf dem Gerät, um Feuchtigkeitsstau zu vermeiden.

Verwenden Sie keinen Kunststoff, weil dieser nicht atmet, so dass sich Kondenswasser sammeln und Korrosion am Gerät verursachen kann.

- Entfernen Sie immer zuerst den Akku vor dem Transportieren oder Lagern.

TECHNISCHE DATEN

	Einheit	LM2146C Li58-52 (58VBKJN46C)	LM2146CA Li58-52 (58VBKJN46CR)
Schneidmotor			
Motortyp	—	BLDC (bürstenlos) 58V	BLDC (bürstenlos) 58V
Motordrehzahl – ECO-Modus	U/min	2300	2300
Motordrehzahl – Auto-Modus	U/min	2500 U/min, bis der Strom 3 Sekunden lang größer als 12 A ist Drehzahl steigt auf 2800 U/min, bis der Strom 10 Sekunden lang niedriger als 18 A ist.	2500 U/min, bis der Strom 3 Sekunden lang größer als 12 A ist Drehzahl steigt auf 2800 U/min, bis der Strom 10 Sekunden lang niedriger als 18 A ist.
Motordrehzahl – Boost-Modus	U/min	2800	2800
Motorleistung – Max.	kW	1,5	1,5
Motorleistung – Max. kontinuierlich	kW	0,9	0,9
Motorleistung – Nennwert	kW	0,9	0,9
Überstrombegrenzung (max. Strom)	A (Ampere)	25	25
Gewicht			
Gewicht (ohne Akku)	kg	23,5	24,5
Akku			
Akkutyp		590923813	590923813
Akkulaufzeit			
Akkulaufzeit	m ²	Bis einschließlich 1200	Bis einschließlich 1000
Geräuschemissionen ¹³			
Gemessener Schalleistungspegel	dB (A)	87	87
Schalleistungspegel, garantiert (LWA)	dB (A)	87	87
Lautstärke			
14			

¹³ Umweltbelastende Geräuschemission gemessen als Schalleistung (LWA) gemäß EG-Richtlinie 2000/14/EG.

¹⁴ Berichten zufolge liegt der Schalldruckpegel normalerweise bei einer Ausbreitungsklasse (standardmäßige Ausbreitung) von 1,2 dB (A).

	Einheit	LM2146C Li58-52 (58VBKJN46C)	LM2146CA Li58-52 (58VBKJN46CR)
Schalldruckpegel am Ohr des Bedieners	dB (A)	< 80	< 80
Vibrationswerte			
15			
Handgriff	m/s ²	0,65	0,65
Schneiden			
Schnitthöhe	mm	30-80	30-80
Schnittbreite	cm	46	46
Sammelklinge	—	581188910	581188902
Mulchklinge	—	581188910	581188902
Grasfängerkapazität	Liter	50	50

INHALT DER EU-KONFORMITÄTSERKLÄRUNG

Wir, Husqvarna AB, SE 561 82 Huskvarna, SCHWEDEN, erklären in alleiniger Verantwortung, dass das Gerät Folgendem genügt:

Beschreibung	Elektrorasensmäher
Marke	Jonsered
Plattform/Typ/Modell	Plattform 58VBKJN46C (steht für Modell LM2146C Li58-52), Plattform 58VBKJN46CR (steht für Modell LM2146CA-Li58-52).
Charge	Seriennummer ab Baujahr 2018

Harmonisierte Normen und/oder technische Spezifikationen gelten wie folgt: EN 60335-1, EN 60335-2-77, EN 50366, EN 55014-1, EN 55014-2, EN 61000-3-2, EN 61000-3-3

Die in Abschnitt „Technische Daten“ in diesem Handbuch und in der signierten EU-Konformitätserklärung angegebenen Schallwerte entsprechen EU-Richtlinie 2000/14/EG, Anhang V.

Intertek führte im Auftrag von Husqvarna AB eine freiwillige Typenprüfung durch, und stellte eine Konformitätsbescheinigung nach EG-Richtlinie 2006/42/EC für Maschinen aus.

Das Zertifikat, wie auf der unterzeichneten EU-Konformitätserklärung angegeben, gilt für alle Fertigungsstandorte und Ursprungsländer, wie auf dem Gerät angegeben.

Es erfüllt die folgenden EU-Vorschriften und -Richtlinien:

Richtlinie/Verordnung	Beschreibung
2006/42/EG	„Über Maschinen“
2014/30/EG	EMV-Richtlinie
2000/14/EG	„über umweltbelastende Geräuschemissionen“
2011/65/EG	„über gefährliche Stoffe“

Der gelieferte Elektrorasensmäher entspricht dem Geräteexemplar, das die Prüfung durchlaufen hat.

¹⁵ Berichten zufolge liegt der Vibrationspegel normalerweise bei einer Ausbreitungsklasse (Standardabweichung) von 0,2 m/s². Norm EN 60335-2-77:2017, Kapitel 20.105.

Περιεχόμενα

ΕΙΣΑΓΩΓΗ.....	64	ΣΥΝΤΗΡΗΣΗ.....	71
ΑΣΦΑΛΕΙΑ.....	65	ΜΕΤΑΦΟΡΑ ΚΑΙ ΑΠΟΘΗΚΕΥΣΗ.....	74
ΣΥΝΑΡΜΟΛΟΓΗΣΗ.....	68	ΤΕΧΝΙΚΑ ΣΤΟΙΧΕΙΑ.....	74
ΛΕΙΤΟΥΡΓΙΑ.....	69	ΠΕΡΙΕΧΟΜΕΝΑ ΤΗΣ ΔΗΛΩΣΗΣ ΣΥΜΜΟΡΦΩΣΗΣ ΕΚ.....	76

ΕΙΣΑΓΩΓΗ

Εγχειρίδιο χρήσης

Η αρχική γλώσσα του παρόντος εγχειριδίου χρήσης είναι τα Αγγλικά. Τα εγχειρίδια χρήσης σε άλλες γλώσσες είναι μεταφράσεις από τα Αγγλικά.

Επισκόπηση

(Εικ. 1)

1. Μοχλός ελέγχου παρουσίας χειριστή
2. Συλλέκτης χόρτου
3. Μοχλοί μετάδοσης κίνησης
4. Ηλεκτρική κινητήρια κεφαλή
5. Μοχλός ρύθμισης του ύψους κοπής
6. Φορτιστής μπαταρίας
7. Εγχειρίδιο χρήσης
8. Διασύνδεση ελέγχου χρήστη
9. Μπαταρία
10. Κάλυμμα μπαταρίας
11. Κουμπί λειτουργίας
12. Κουμπί τρόπου κοπής
13. Πίσω πόρτα
14. Λυχνίες κατάστασης φόρτισης
15. Κουμπί
16. Πώμα χορτολιπάσματος

Σύμβολα στο προϊόν

(Εικ. 2) Προειδοποίηση

(Εικ. 3) Διαβάστε το παρόν εγχειρίδιο

(Εικ. 4) Προτού χρησιμοποιήσετε το προϊόν, διαβάστε το εγχειρίδιο χρήσης προσεκτικά και βεβαιωθείτε ότι έχετε κατανοήσει τις οδηγίες.

(Εικ. 5) Να χρησιμοποιείτε εγκεκριμένα μέσα προστασίας των ματιών

(Εικ. 6) Να χρησιμοποιείτε εγκεκριμένα προστατευτικά ακοής

(Εικ. 7) Να χρησιμοποιείτε εγκεκριμένα προστατευτικά κεφαλής

(Εικ. 8) Να χρησιμοποιείτε εγκεκριμένα προστατευτικά ακοής

(Εικ. 9) Προειδοποίηση: περιστρεφόμενη λεπίδα. Μην πλησιάζετε τα χέρια και τα πόδια σας.

(Εικ. 10) Μην πλησιάζετε τα χέρια και τα πόδια σας στις περιστρεφόμενες λεπίδες. Μην ανοίγετε και μην αφαιρείτε τα προστατευτικά καλύμματα ενώ ο κινητήρας ή το μοτέρ βρίσκεται σε λειτουργία.

(Εικ. 11) Όταν θέλετε να κινηθείτε προς τα πίσω, πριν αλλά και καθ' όλη τη διάρκεια της κίνησής σας να κοιτάζετε πίσω και κάτω για να βεβαιώνεστε ότι δεν υπάρχουν μικρά παιδιά, ζώα ή οτιδήποτε άλλο που μπορεί να προκαλέσει κίνδυνο πτώσης.

(Εικ. 12) Προσέχετε για αντικείμενα που μπορεί να εκτοξευθούν ή να εξοστρακιστούν.

(Εικ. 13) Διατηρήστε τα άλλα άτομα και τα ζώα σε απόσταση ασφαλείας από την περιοχή εργασίας.

(Εικ. 14) Κίνδυνος λόγω κλίσης

(Εικ. 15) Ηλεκτροπληξία

(Εικ. 16) Αφαιρέστε το κλειδί πριν από οποιαδήποτε επισκευή, ρύθμιση, προετοιμασία ή μεταφορά.

(Εικ. 17) Κουμπί λειτουργίας

(Εικ. 18) Κινητήρας ενεργοποιημένος

(Εικ. 19) Χειριστήριο ελέγχου κινητήρα σε σύμπλεξη

(Εικ. 20) Κινητήρας απενεργοποιημένος

(Εικ. 21) Χειριστήριο ελέγχου κινητήρα σε αποσύμπλεξη

Μην διαχειρίζεστε το προϊόν ή τη συσκευασία μαζί με τα υπόλοιπα οικιακά απόβλητα. Πρέπει να τα παραδώσετε σε κατάλληλο σταθμό ανακύκλωσης για ανάκτηση του ηλεκτρικού και ηλεκτρονικού εξοπλισμού.

(Εικ. 22)

Μην αφήνετε, αποθηκεύετε ή χρησιμοποιείτε το προϊόν στη βροχή ή σε υγρές συνθήκες.

(Εικ. 23)

(Εικ. 24) Ανακύκλωση

(Εικ. 25) Στάθμη ηχητικής ισχύος

Το προϊόν συμμορφώνεται με τις ισχύουσες οδηγίες της ΕΕ

(Εικ. 26)

Αυτό το προϊόν συμμορφώνεται με τις

(Εικ. 27) ισχύουσες οδηγίες EAC

Αυτό το προϊόν συμμορφώνεται με τις ισχύουσες οδηγίες για την Ουκρανία

Ευθύνη προϊόντος

Όπως αναφέρεται στη νομοθεσία περί ευθύνης για τα προϊόντα, δεν φέρουμε καμία ευθύνη για ζημιές που οφείλονται στο προϊόν μας εάν:

- Το προϊόν έχει επισκευαστεί λανθασμένα.
- Το προϊόν έχει επισκευαστεί με εξαρτήματα που δεν προέρχονται από τον κατασκευαστή ή που δεν έχουν εγκριθεί από τον κατασκευαστή.
- Το προϊόν διαθέτει ένα αξεσουάρ που δεν προέρχεται από τον κατασκευαστή ή που δεν έχει εγκριθεί από τον κατασκευαστή.
- Το προϊόν δεν έχει επισκευαστεί σε εγκεκριμένο κέντρο σέρβις ή από εγκεκριμένη αρχή.

ΑΣΦΑΛΕΙΑ

Ορισμοί για την ασφάλεια

Οι παρακάτω ορισμοί παρέχουν το βαθμό σοβαρότητας για κάθε προειδοποιητική λέξη.



ΠΡΟΕΙΔΟΠΟΙΗΣΗ: Τραυματισμός ατόμων.



ΠΡΟΣΟΧΗ: Ζημιά του προϊόντος.

Περιεχόμενα Αυτές οι πληροφορίες διευκολύνουν τη χρήση του προϊόντος.

Γενικές οδηγίες ασφαλείας

- Χρησιμοποιήστε σωστά το προϊόν. Λόγω της εσφαλμένης χρήσης μπορεί να προκληθεί τραυματισμός ή θάνατος. Χρησιμοποιήστε το προϊόν μόνο για τις εργασίες που αναφέρονται στο παρόν εγχειρίδιο. Μην χρησιμοποιείτε το προϊόν για άλλες εργασίες.
- Να διαβάσετε, να κατανοήσετε και να τηρείτε τις οδηγίες που παρέχονται σε αυτό το εγχειρίδιο. Τηρείτε τα σύμβολα ασφαλείας και τις οδηγίες ασφαλείας. Εάν ο χειριστής δεν τηρεί τις οδηγίες και τα σύμβολα, μπορεί να προκληθεί τραυματισμός, ζημιά ή θάνατος.
- Μην απορρίψετε αυτό το εγχειρίδιο. Χρησιμοποιήστε τις οδηγίες για τη συναρμολόγηση, τη χρήση και τη διατήρηση του προϊόντος σε καλή κατάσταση. Χρησιμοποιήστε τις οδηγίες για τη σωστή εγκατάσταση των εξαρτημάτων και των παρελκόμενων. Να χρησιμοποιείτε μόνο εγκεκριμένα εξαρτήματα και παρελκόμενα.
- Να μην χρησιμοποιείτε προϊόντα που παρουσιάζουν ζημιά. Να τηρείτε το πρόγραμμα συντήρησης. Να εκτελείτε μόνο τις εργασίες συντήρησης που αναφέρονται σε οδηγίες του παρόντος εγχειρίδιου. Όλες οι υπόλοιπες εργασίες συντήρησης πρέπει να εκτελούνται από ένα εγκεκριμένο κέντρο σέρβις.
- Το παρόν εγχειρίδιο δεν περιλαμβάνει όλες τις καταστάσεις που μπορεί να προκύψουν κατά τη χρήση του προϊόντος. Να είστε προσεκτικοί και να χρησιμοποιείτε την κοινή λογική. Μην χρησιμοποιείτε το προϊόν και μην εκτελείτε εργασίες συντήρησης, εάν δεν είστε σίγουροι για την κατάσταση. Απευθυνθείτε σε έναν ειδικό για το προϊόν, τον αντιπρόσωπό σας, τον αντιπρόσωπο σέρβις ή ένα εγκεκριμένο κέντρο σέρβις για πληροφορίες.
- Μην χρησιμοποιείτε το προϊόν εάν τροποποιηθεί από τις αρχικές του προδιαγραφές. Μην αλλάξετε ένα εξάρτημα του προϊόντος χωρίς έγκριση από τον κατασκευαστή. Χρησιμοποιήστε μόνο εξαρτήματα που έχουν εγκριθεί από τον κατασκευαστή. Λόγω της εσφαλμένης συντήρησης μπορεί να προκληθεί τραυματισμός ή θάνατος.
- Αυτό το προϊόν δημιουργεί ηλεκτρομαγνητικό πεδίο κατά τη λειτουργία του. Το ηλεκτρομαγνητικό πεδίο μπορεί να προκαλέσει ζημιά στα ιατρικά εμφυτεύματα. Πρωτό χρησιμοποίηστε το προϊόν, συμβουλευθείτε το γιατρό σας ή τον κατασκευαστή του ιατρικού εμφυτεύματος.
- Μην επιτρέψετε σε παιδιά να χρησιμοποιήσουν το προϊόν.
- Μην επιτρέψετε σε άτομα που δεν έχουν διαβάσει τις οδηγίες να χρησιμοποιήσουν το προϊόν.
- Αν το προϊόν χρησιμοποιείται από ένα άτομο με μειωμένη σωματική ή διανοητική ικανότητα, θα πρέπει πάντα να το επιβλέπετε. Πρέπει να παρευρίσκεται πάντα ένας υπεύθυνος ενήλικας.

- Ασφαλίστε το προϊόν σε σημείο στο οποίο δεν έχουν πρόσβαση παιδιά και μη εγκεκριμένα άτομα.
- Το προϊόν μπορεί να εκτινάξει αντικείμενα και να προκληθούν τραυματισμοί. Τηρείτε τις οδηγίες ασφαλείας για να μειώσετε τον κίνδυνο τραυματισμού ή θανάτου.
- Μην απομακρύνετε από το προϊόν όταν είναι ενεργοποιημένο. Διακόψτε τη λειτουργία του προϊόντος πριν απομακρυνθείτε.
- Όταν θέλετε να κινηθείτε προς τα πίσω, πριν αλλά και καθ' όλη τη διάρκεια της κίνησής σας να κοιτάζετε πίσω και κάτω για να βεβαιώνεστε ότι δεν υπάρχουν μικρά παιδιά, ζώα ή οτιδήποτε άλλο που μπορεί να προκαλέσει κίνδυνο πτώσης.
- Ο χειριστής του προϊόντος είναι υπεύθυνος σε περίπτωση ατυχήματος.
- Βεβαιωθείτε ότι τα εξαρτήματα δεν έχουν υποστεί ζημιά πριν χρησιμοποιήσετε το προϊόν.
- Ανατρέξτε στην εθνική ή τοπική νομοθεσία. Μπορεί να εμποδιστεί ή να μειωθεί η λειτουργία του προϊόντος σε ορισμένες περιπτώσεις.

Οδηγίες ασφαλείας για τη λειτουργία

- Πριν από τη χρήση, πρέπει να γνωρίζετε τα χειριστήρια και τη σωστή λειτουργία του προϊόντος.
- Μην αφήνετε να χρησιμοποιήσουν το προϊόν παιδιά ή άτομα που δεν γνωρίζουν αυτές τις οδηγίες.
- Μην χρησιμοποιείτε το προϊόν, εάν σε μικρή απόσταση υπάρχουν άτομα, ιδιαίτερα παιδιά, ή ζώα.
- Τα παιδιά πρέπει να απομακρύνονται από την περιοχή κοπής και να επιβλέπονται από κάποιον ενήλικα.
- Σταματήστε τη λειτουργία του προϊόντος, εάν κάποιος παιδί μπει στο χώρο εργασίας.
- Εξετάστε πλήρως την περιοχή όπου πρόκειται να χρησιμοποιηθεί το προϊόν. Απομακρύνετε όλα τα αντικείμενα που μπορούν να εκτιναχθούν από το προϊόν κατά τη διάρκεια της λειτουργίας.
- Εξετάστε τη λεπίδα, τη βίδα της λεπίδας, το συγκρότημα της λεπίδας και τη βάση του κινητήρα για τυχόν φθορές και ζημιές πριν από τη χρήση.
- Χρησιμοποιήστε το προϊόν μόνο με το φως της ημέρας ή με επαρκή τεχνητό φωτισμό.
- Μην χρησιμοποιείτε το προϊόν σε νυκτώ γρασιδί.
- Να είστε προσεκτικοί κοντά σε γωνίες, θάμνους, δέντρα ή άλλα αντικείμενα που εμποδίζουν το οπτικό σας πεδίο.
- Να είστε πολύ προσεκτικοί όταν κινείστε προς τα πίσω ή τραβάτε το προϊόν προς την κατεύθυνσή σας.
- Μην πλησιάζετε τα χέρια ή τα πόδια σας κοντά ή κάτω από κινούμενα μέρη. Διατηρείτε πάντα απόσταση ασφαλείας από τα ανοίγματα εξόδου.
- Σταματήστε τη λεπίδα όταν διασχίζετε επιφάνειες επιστρωμένες με χαλίκι.
- Πριν καθαρίσετε το προϊόν, σβήστε τον κινητήρα, αφαιρέστε την μπαταρία και περιμένετε έως ότου η λεπίδα ακινητοποιηθεί πλήρως. Επίσης, αφαιρέστε

το συλλέκτη χόρτου ή απομακρύνετε το υλικό από το σωλήνα εκτόξευσης.

- Να μην χρησιμοποιείτε ποτέ το προϊόν εάν είστε κουρασμένοι, άρρωστοι ή υπό την επήρεια αλκοόλ ή άλλων φαρμάκων.
- Εάν το προϊόν έχει ασυνήθιστους κραδασμούς, σβήστε τον κινητήρα, αφαιρέστε την μπαταρία και ελέγξτε αμέσως για να εντοπίσετε την αιτία. Οι κραδασμοί αποτελούν, συνήθως, προειδοποίηση για ζημιά.
- Μην στρέφετε τυχόν εκτινασσόμενα υλικά προς άλλα άτομα. Μην εκτινάσσετε υλικά πάνω σε τοίχους ή εμπόδια. Το υλικό μπορεί να εξοστρακιστεί προς το χειριστή.
- Μην χρησιμοποιείτε το προϊόν, εάν δεν βρίσκονται στη θέση τους τα κατάλληλα προστατευτικά, οι πλάκες, ο συλλέκτης χόρτου ή άλλες προστατευτικές διατάξεις ασφαλείας.

Ασφάλεια στο χώρο εργασίας

- Προτού ξεκινήσετε την κοπή, αφαιρέστε τα μικρά και μεγάλα κλαδιά, τις πέτρες και οποιαδήποτε άλλα αντικείμενα από το γρασιδί.
- Διατηρήστε ανθρώπους, ιδίως παιδιά, και ζώα σε απόσταση ασφαλείας από την περιοχή εργασίας.
- Τα αντικείμενα που χτυπούν πάνω στον εξοπλισμό κοπής μπορεί να εκτιναχθούν και να προκαλέσουν τραυματισμό ή ζημιά.
- Μην χρησιμοποιείτε το προϊόν όταν επικρατούν δυσμενείς καιρικές συνθήκες, για παράδειγμα σε ομίχλη, στη βροχή, σε νοτισμένα ή υγρά σημεία, όταν πνέουν ισχυροί άνεμοι, όταν το κρύο είναι έντονο και όταν υπάρχει κίνδυνος πτώσης κεραυνών. Η εργασία σε δυσμενείς καιρικές συνθήκες μπορεί να προκαλέσει κόπωση και να σας εκθέσει σε επικίνδυνες συνθήκες, όπως ολισθηρές επιφάνειες.
- Εξετάστε την περιοχή εργασίας για να βεβαιωθείτε ότι τίποτα δεν μπορεί να εμποδίσει τον έλεγχο του προϊόντος.
- Προσοχή σε ριζές, πέτρες, κλαδιά, λακούβες και χατάκια. Το ψηλό γρασιδί μπορεί να κρύβει εμπόδια.
- Να είστε προσεκτικοί κοντά σε κρυφές γωνίες και αντικείμενα που εμποδίζουν το οπτικό σας πεδίο.

Οδηγίες ασφαλείας για κεκλιμένες επιφάνειες

- Να είστε προσεκτικοί όταν κόβετε γρασιδί σε κεκλιμένες επιφάνειες. Οι κεκλιμένες επιφάνειες μπορεί να είναι επικίνδυνες. Σε περίπτωση πτώσης από μια κεκλιμένη επιφάνεια, μπορεί να προκληθεί τραυματισμός.
- Στις κεκλιμένες επιφάνειες η κοπή πρέπει να εκτελείται κατά πλάτος. Μην κόβετε το γρασιδί προς τα πάνω και προς τα κάτω.
- Να είστε προσεκτικοί όταν αλλάζετε κατεύθυνση σε κεκλιμένες επιφάνειες.

- Να έχετε κατά νου ότι μπορεί να υπάρχουν κρυμμένα αντικείμενα ή τρύπες στο γρασιδί. Σε ανώμαλα εδάφη υπάρχει κίνδυνος να πέσετε.
- Μην κόβετε το γρασιδί κοντά σε επιφάνειες με μεγάλη κλίση, απότομες καταφορικές πλαγιές, χαντάκια ή αναχώματα. Μπορεί να πέσετε.
- Μην κόβετε νωπό γρασιδί. Μπορεί να πέσετε.
- Μην κόβετε το γρασιδί σε επιφάνειες με κλίση μεγαλύτερη από 15 μοίρες.

Προσωπικός εξοπλισμός προστασίας

Να χρησιμοποιείτε πάντα σωστό προσωπικό εξοπλισμό προστασίας κατά τη χρήση του προϊόντος. Αυτό περιλαμβάνει, τουλάχιστον, ανθεκτικά παπούτσια, μέσα προστασίας των ματιών και προστατευτικά ακοής. Ο προσωπικός εξοπλισμός προστασίας δεν εξαιρεί τον κίνδυνο τραυματισμού, ωστόσο μπορεί να μειώσει τη σοβαρότητα του τραυματισμού σε περίπτωση ατυχήματος.

- Όταν χρησιμοποιείτε το προϊόν ή εκτελείτε εργασίες συντήρησης ή επισκευής, πρέπει πάντα να φοράτε γυαλιά ασφαλείας ή μέσα προστασίας των ματιών.
- Μην χρησιμοποιείτε το προϊόν με γυμνά πόδια ή με ανοικτά παπούτσια. Πρέπει να χρησιμοποιείτε πάντα αντιολισθητικές μπότες βαρέως τύπου με καλή υποστήριξη των αστραγάλων ενώ χρησιμοποιείτε το προϊόν.
- Φοράτε χοντρά, μακριά παντελόνια. Μην φοράτε σορτς, πέδιλα και μην είστε ξυπόλητοι.
- Χρησιμοποιείτε προστατευτικά γάντια, εάν χρειάζεται. Για παράδειγμα, κατά τη σύνδεση, τον έλεγχο ή τον καθαρισμό της λεπίδας.
- Χρησιμοποιήστε πάντα εγκεκριμένη προστασία αυτιών κατά τη χρήση του προϊόντος. Τυχόν θόρυβος για μεγάλο χρονικό διάστημα μπορεί να προκαλέσει θορυβογενή απώλεια ακοής.

Προστατευτικές διατάξεις στο προϊόν

- Βεβαιωθείτε ότι εκτελείτε τακτικά συντήρηση στο προϊόν.
 - Αυξάνεται η διάρκεια ζωής του προϊόντος.
 - Μειώνεται ο κίνδυνος ατυχημάτων.

Ένας εγκεκριμένος αντιπρόσωπος ή ένα εγκεκριμένο κέντρο σέρβις πρέπει να εξετάζει τακτικά το προϊόν για την εκτέλεση ρυθμίσεων ή επισκευών.

- Μην χρησιμοποιείτε προϊόντα με κατεστραμμένο εξοπλισμό προστασίας. Εάν το προϊόν έχει υποστεί ζημιά, απευθυνθείτε σε ένα εγκεκριμένο κέντρο σέρβις.

Χειριστήριο ελέγχου κινητήρα

Χρησιμοποιήστε το χειριστήριο ελέγχου κινητήρα για να σβήσετε τον κινητήρα. Βεβαιωθείτε ότι ο κινητήρας σβήνει μόλις αφήσετε το χειριστήριο ελέγχου κινητήρα.

- Εκκινήστε τον κινητήρα και αφήστε το χειριστήριο ελέγχου. Ο κινητήρας σβήνει.

Περιεχόμενα Εάν ο κινητήρας δεν σβήσει με το χειριστήριο ελέγχου κινητήρα, πατήστε το κουμπί λειτουργίας για να τον σβήσετε. Αφαιρέστε την μπαταρία και απευθυνθείτε σε ένα εγκεκριμένο κέντρο σέρβις.

Πίσω πόρτα

Η πίσω πόρτα μειώνει τον κίνδυνο εκτίναξης αντικειμένων από το πίσω μέρος του προϊόντος στη θέση χλοοκοπής του χειριστή.

- Βεβαιωθείτε ότι η πίσω πόρτα δεν έχει υποστεί ζημιά και ότι δεν υπάρχουν ορατές βλάβες, όπως ρωγμές ή σπασμένα ελατήρια. Όταν υπάρχουν βλάβες, η πόρτα κλείνει με δύναμη. Εάν η πόρτα ή τα ελατήρια έχουν υποστεί ζημιά, αντικαταστήστε τα.

Οδηγίες ασφαλείας για τη συντήρηση



ΠΡΟΕΙΔΟΠΟΙΗΣΗ: Να πραγματοποιείτε μόνο τις εργασίες συντήρησης που περιλαμβάνονται στο παρόν εγχειρίδιο χρήσης. Οι εκτεταμένες εργασίες πρέπει να εκτελούνται από εγκεκριμένο αντιπρόσωπο σέρβις.

Να εκτελείτε σωστά τις εργασίες συντήρησης για να αυξήσετε τη διάρκεια ζωής του προϊόντος και να μειώσετε τον κίνδυνο ατυχημάτων. Για επαγγελματικές επισκευές μπορείτε να απευθυνθείτε σε έναν εγκεκριμένο αντιπρόσωπο σέρβις. Επικοινωνήστε με τον πλησιέστερο αντιπρόσωπο σέρβις για περισσότερες πληροφορίες.



ΠΡΟΕΙΔΟΠΟΙΗΣΗ: Για την αποφυγή ακούσιας εκκίνησης κατά τη μεταφορά και τις εργασίες συντήρησης ή επισκευής, αφαιρέστε την μπαταρία και περιμένετε τουλάχιστον 5 δευτερόλεπτα για να την αντικαταστήσετε.



ΠΡΟΕΙΔΟΠΟΙΗΣΗ: Φοράτε ανθεκτικά γάντια όταν χρησιμοποιείτε τον εξοπλισμό κοπής. Η λεπίδα είναι πολύ κοφτερή και μπορεί εύκολα να κοπείτε.

- Διατηρείτε τις κοπτικές ακμές αιχμηρές και καθαρές για βέλτιστη απόδοση και μέγιστη ασφάλεια.
- Να αναθέτετε στον αντιπρόσωπο σέρβις να ελέγχει συχνά το προϊόν και να κάνει τις απαραίτητες ρυθμίσεις και επισκευές.
- Να αντικαθιστάτε τυχόν κατεστραμμένα, φθαρμένα ή σπασμένα εξαρτήματα.
- Τηρείτε τις οδηγίες για την αλλαγή των αξεσουάρ. Χρησιμοποιήστε μόνο αξεσουάρ του κατασκευαστή.



ΠΡΟΕΙΔΟΠΟΙΗΣΗ: Όταν δεν χρησιμοποιούνται, το προϊόν, η μπαταρία και ο φορτιστής της μπαταρίας πρέπει να αποθηκεύονται ξεχωριστά σε κλειδωμένο εσωτερικό χώρο χωρίς υγρασία μακριά από παιδιά και μη εξουσιοδοτημένα άτομα.

Ασφάλεια μπαταρίας

Πρέπει να χρησιμοποιείτε μόνο μπαταρίες που παράγονται από τον κατασκευαστή και να τις φορτίζετε μόνο σε φορτιστές που παράγονται από τον κατασκευαστή.

Οι επαναφορτιζόμενες μπαταρίες χρησιμοποιούνται ως πηγή ηλεκτρικής ισχύος μόνο στα σχετικά ασύρματα προϊόντα. Για την αποφυγή τραυματισμών, η μπαταρία δεν πρέπει να χρησιμοποιείται ως πηγή τροφοδοσίας άλλων συσκευών.

- Μην αποσυναρμολογείτε, ανοίγετε ή καταστρέψετε την μπαταρία.
- Μην εκθέτετε τις μπαταρίες στο άμεσο ηλιακό φως ή κοντά σε πηγές θερμότητας. Να διατηρείτε τις μπαταρίες μακριά από τη φωτιά.
- Πρέπει να ελέγχετε τακτικά τον φορτιστή και την μπαταρία για ζημιές. Τυχόν κατεστραμμένες μπαταρίες ή μπαταρίες που έχουν υποστεί μετατροπές μπορεί να προκαλέσουν πυρκαγιά, έκρηξη ή κίνδυνο τραυματισμού. Μην επιχειρήσετε να επισκευάσετε ή να ανοίξετε τυχόν κατεστραμμένες μπαταρίες.
- Μην χρησιμοποιείτε μπαταρίες ή προϊόντα που είναι ελαττωματικά, έχουν υποστεί μετατροπές ή έχουν υποστεί βλάβη.
- Μην τροποποιείτε ή επισκευάζετε τα προϊόντα ή την μπαταρία. Οι επισκευές πρέπει να πραγματοποιούνται μόνο από εγκεκριμένο αντιπρόσωπο.
- Μην βραχυκυκλώνετε τις κυψέλες ή τις μπαταρίες. Μην αποθηκεύετε τις μπαταρίες σε κουτιά ή συρτάρια όπου μπορεί να βραχυκυκλωθούν από άλλα μεταλλικά αντικείμενα.
- Μην αφαιρέσετε την μπαταρία από την αρχική της συσκευασία μέχρι να χρειαστεί να τη χρησιμοποιήσετε.

- Μην προκαλείτε μηχανικές δονήσεις στις μπαταρίες.
- Αν σημειωθεί διαρροή σε μια μπαταρία, φροντίστε να μην έρθει σε επαφή το υγρό με το δέρμα ή τα μάτια σας. Αν έρθετε σε επαφή με το υγρό, καθαρίστε την περιοχή με μεγάλη ποσότητα νερού και ζητήστε ιατρική βοήθεια.
- Μην χρησιμοποιείτε άλλο φορτιστή μπαταρίας εκτός από αυτόν που ορίζεται για τη συγκεκριμένη μπαταρία.
- Ελέγξτε τα σύμβολα συν (+) και πλην (-) στην μπαταρία και στο προϊόν για να εξασφαλίσετε τη σωστή λειτουργία.
- Μην χρησιμοποιείτε μπαταρίες που δεν έχουν κατασκευαστεί για λειτουργία με αυτό το προϊόν.
- Μην συνδυάζετε στη συσκευή μπαταρίες με διαφορετική τάση ή από διαφορετικούς κατασκευαστές.
- Να διατηρείτε τις μπαταρίες μακριά από τα παιδιά.
- Να αγοράζετε πάντα τις κατάλληλες μπαταρίες για το κάθε προϊόν.
- Να διατηρείτε τις μπαταρίες καθαρές και στεγνές.
- Αν οι ακροδέκτες των μπαταριών λερωθούν, σκουπίστε τους με ένα καθαρό και στεγνό πανί.
- Οι εφεδρικές μπαταρίες πρέπει να φορτίζονται πριν τη χρήση. Πρέπει να χρησιμοποιείτε πάντα τον σωστό φορτιστή και να ανατρέχετε στο εγχειρίδιο για τις οδηγίες σωστής φόρτισης.
- Μην αφήνετε τις μπαταρίες σε παρατεταμένη φόρτιση όταν δεν χρησιμοποιούνται.
- Φυλάξτε το εγχειρίδιο χρήσης για μελλοντική αναφορά.
- Να χρησιμοποιείτε την μπαταρία μόνο για την απαραίτητη εργασία.
- Να αφαιρείτε την μπαταρία από το προϊόν όταν δεν χρησιμοποιείται.
- Μην πλησιάζετε την μπαταρία σε συνδετήρες, κλειδιά, καρφιά, βίδες ή άλλα μικρά μεταλλικά αντικείμενα κατά τη διάρκεια της λειτουργίας. Μπορεί να προκύψει ένωση των πόλων. Η βραχυκύκλωση των πόλων της μπαταρίας μπορεί να προκαλέσει εγκαύματα ή πυρκαγιά.

ΣΥΝΑΡΜΟΛΟΓΗΣΗ



ΠΡΟΕΙΔΟΠΟΙΗΣΗ: Διαβάστε το κεφάλαιο που αφορά την ασφάλεια πριν από τη συναρμολόγηση του προϊόντος.

Αφαίρεση του προϊόντος από το χαρτοκιβώτιο

1. Αφαιρέστε τα μη συναρμολογημένα εξαρτήματα που συνοδεύουν το προϊόν.

2. Κόψτε τις δύο γωνίες του χαρτοκιβωτίου και ακουμπήστε στο έδαφος την αντίστοιχη πλευρά του.
3. Αφαιρέστε όλα τα υλικά συσκευασίας.
4. Βγάλτε το προϊόν από το χαρτοκιβώτιο και βεβαιωθείτε ότι δεν έχουν απομείνει μη συνδεδεμένα εξαρτήματα μέσα στο χαρτοκιβώτιο.

Για να συναρμολογήσετε την λαβή

1. Ευθυγραμμίστε τις οπές για τις βίδες στο κάτω μέρος της λαβής με τις οπές για τις βίδες στο συγκρότημα

της λαβής. Συνδέστε τις βίδες, τις ροδέλες και τους τροχίσκους. (Εικ. 29)

2. Για να ρυθμίσετε το ύψος της λαβής, χαλαρώστε τους κάτω τροχίσκους, ανασηκώστε ή χαμηλώστε τη λαβή για να ρυθμίσετε το ύψος και σφίξτε πλήρως τους τροχίσκους.

Ρύθμιση του προϊόντος στη θέση λειτουργίας

1. Ανασηκώστε τη λαβή στη θέση λειτουργίας.
2. Σφίξτε πλήρως τις κάτω χειρόβιδες.

Συναρμολόγηση του συλλέκτη χόρτου

1. Τοποθετήστε το πλαίσιο συλλέκτη χόρτου στον σάκο χόρτου με το άκαμπτο τμήμα του σάκου να ακουμπά στο έδαφος. Κρατήστε τη λαβή του πλαισίου στο επάνω μέρος του σάκου χόρτου. (Εικ. 30)
2. Τοποθετήστε το κάτω τμήμα του πλαισίου του συλλέκτη χόρτου στην εγκοπή στο κάτω μέρος του συλλέκτη χόρτου. (Εικ. 31)
3. Συνδέστε τα άγκιστρα του συλλέκτη χόρτου στο επάνω άκρο του σασί. (Εικ. 32)
4. Τοποθετήστε το κάτω μέρος του συλλέκτη χόρτου στο κανάλι εκτόξευσης γρασιδιού.

Αλλαγή του προϊόντος για λειτουργία συλλογής

Με τη λειτουργία συλλογής πίσω, το κομμένο γρασίδι συλλέγεται στο συλλέκτη χόρτου.



ΠΡΟΣΟΧΗ: Μην χρησιμοποιείτε το προϊόν, εάν η πίσω πόρτα δεν είναι κλειστή ή εάν ο συγκεκριμένος συλλέκτης χόρτου δεν βρίσκεται στη θέση του. Μην επιχειρήσετε να χρησιμοποιήσετε το προϊόν, εάν η πίσω πόρτα έχει αφαιρεθεί ή είναι ανοιχτή.

1. Ανασηκώστε την πίσω πόρτα και τοποθετήστε τους γάντζους του πλαισίου του συλλέκτη χόρτου στον περιστρεφόμενο άξονα της πίσω πόρτας. (Εικ. 33)

2. Απελευθερώστε την πίσω πόρτα και τοποθετήστε την πάνω στο πλαίσιο του σάκου χόρτου.

Αλλαγή του προϊόντος για λειτουργία κοπής χορτολιπάσματος (εάν υπάρχει)

Με τη λειτουργία κοπής χορτολιπάσματος, το κομμένο γρασίδι τεμαχίζεται σε μικρότερα κομμάτια. Έπειτα, το κομμένο γρασίδι πέφτει πάνω στο γκαζόν. Το χορτολίπασμα βιοδιασπάται γρήγορα, παρέχοντας θρεπτικά στοιχεία στο γρασίδι.

1. Ανασηκώστε το πίσω κάλυμμα και αφαιρέστε το συλλέκτη χόρτου. (Εικ. 34)
2. Τοποθετήστε το πώμα χορτολιπάσματος μέσα στο κανάλι εκτόξευσης. (Εικ. 35)
3. Κλείστε την πίσω πόρτα πιέζοντάς την με δύναμη στο προϊόν.

Αλλαγή του προϊόντος για λειτουργία εξαγωγής κομμένου χόρτου

1. Αφαιρέστε το πώμα χορτολιπάσματος ή το συλλέκτη χόρτου. (Εικ. 36)
2. Κλείστε την πίσω πόρτα πιέζοντάς την με δύναμη στο προϊόν.

Ρύθμιση του ύψους κοπής



ΠΡΟΣΟΧΗ: Μην ρυθμίζετε το ύψος κοπής πολύ χαμηλά. Οι λεπίδες μπορεί να χτυπήσουν στο έδαφος αν η επιφάνεια του χλοοτάπητα δεν είναι επίπεδη.

Περιεχόμενα Ρυθμίστε το ίδιο ύψος σε όλα τα χειριστήρια ύψους κοπής.

1. Μετακινήστε το μοχλό ύψους κοπής προς τα πίσω για να αυξήσετε το ύψος κοπής.
2. Μετακινήστε το μοχλό ύψους κοπής προς τα εμπρός για να μειώσετε το ύψος κοπής. (Εικ. 37)

ΛΕΙΤΟΥΡΓΙΑ



ΠΡΟΕΙΔΟΠΟΙΗΣΗ: Προτού χρησιμοποιήσετε το προϊόν, διαβάστε και κατανοήστε το κεφάλαιο για την ασφάλεια.

Βασική τεχνική κοπής

- Κόβετε πάντα με κοφτερή λεπίδα για βέλτιστα αποτελέσματα. Όταν η λεπίδα δεν είναι κοφτερή, κόβει ανομοιόμορφα και η επιφάνεια κοπής του γρασιδιού γίνεται κίτρινη.
- Να μην κόβετε ποτέ πάνω από το 1/3 του μήκους του γρασιδιού. Αυτό ισχύει ιδιαίτερα σε περιόδους

ξηρασίας. Να κόβετε πρώτα με το ύψος κοπής ρυθμισμένο σε υψηλό. Έπειτα, ελέγξτε το αποτέλεσμα και χαμηλώστε στο κατάλληλο ύψος. Εάν το γρασίδι είναι πολύ μακρύ, κάντε αργά περάσματα και κόψτε δύο φορές αν είναι απαραίτητο.

- Για πολύ μεγάλη κοπή, μειώστε το πλάτος της κοπής επικαλύπτοντας τη διαδρομή κοπής και κόβοντας το γρασίδι αργά.
- Να κόβετε κάθε φορά σε διαφορετικές κατευθύνσεις για να αποφεύγετε τις ρίγες στο γκαζόν.

- Πρέπει να καθαρίζετε τακτικά το συλλέκτη χόρτου ρίχνοντας νερό με το λάστιχο ποτίσματος και να τον αφήνετε να στεγνώσει πριν από τη χρήση. Οι πόροι στο πανί του συλλέκτη χόρτου μπορεί να γεμίσουν με χώμα και σκόνη κατά τη διάρκεια της λειτουργίας. Ο συλλέκτης χόρτου θα συγκεντρώνει λιγότερο γρασιδί.



ΠΡΟΣΟΧΗ: Για να αποφύγετε τη φθορά, μην σέρνετε το σάκο όταν αδειάζετε το συλλέκτη χόρτου.

Αλλαγή τρόπου κοπής

Μπορείτε να εναλλάσσετε τους τρεις διαφορετικούς τρόπους κοπής ενώ το προϊόν βρίσκεται σε λειτουργία, πατώντας το κουμπί τρόπου κοπής.

- **Αυτόματη λειτουργία** - Το προϊόν προσαρμόζει αυτόματα την ταχύτητα κοπής ανάλογα με την ποσότητα του γρασιδιού που κόβεται.
- **Περιεχόμενα** Όταν το προϊόν βρίσκεται σε λειτουργία, είναι ρυθμιμένο από προεπιλογή στην Αυτόματη λειτουργία.
- **Ενισχυμένη λειτουργία** - Το προϊόν λειτουργεί σε υψηλή ταχύτητα ανεξάρτητα από την ποσότητα του γρασιδιού που κόβεται.
 - Ενώ το προϊόν βρίσκεται σε λειτουργία, πατήστε το κουμπί τρόπου κοπής μία φορά, για να αλλάξετε τη λειτουργία από Αυτόματη σε Ενισχυμένη. Τότε, το κουμπί τρόπου κοπής ανάβει.
- **Λειτουργία ECO** - Το προϊόν λειτουργεί σε χαμηλή ταχύτητα ανεξάρτητα από την ποσότητα του γρασιδιού που κόβεται.
 - Ενώ το προϊόν βρίσκεται σε λειτουργία, πατήστε το κουμπί τρόπου κοπής μία φορά, για να αλλάξετε τη λειτουργία από Ενισχυμένη σε ECO. Τότε, το κουμπί τρόπου κοπής αρχίζει να αναβοσβήνει.
 - Για να επιστρέψετε στην προεπιλεγμένη Αυτόματη λειτουργία, πατήστε το κουμπί τρόπου κοπής μία φορά ενώ το προϊόν βρίσκεται σε λειτουργία. Τότε, το κουμπί τρόπου κοπής σταματά να αναβοσβήνει.

Περιεχόμενα Εάν αφήσετε το χειριστήριο ελέγχου κινητήρα κατά τη διάρκεια της λειτουργίας, το προϊόν παραμένει στον τρέχοντα τρόπο κοπής. Εάν το προϊόν σταματήσει αυτόματα ή εάν ο χειριστής πατήσει το κουμπί λειτουργίας, ο χρησιμοποιούμενος τρόπος κοπής διαγράφεται από τη μνήμη και το προϊόν τίθεται σε Αυτόματη λειτουργία κατά την επανεκκίνησή του.

Ένδειξη κατάστασης μπαταρίας κατά τη λειτουργία

Η οθόνη στη διασύνδεση ελέγχου χρήστη εμφανίζει τη χωρητικότητα της μπαταρίας και υποδεικνύει εάν υπάρχουν προβλήματα με την μπαταρία. Η χωρητικότητα της μπαταρίας εμφανίζεται ενώ το μηχάνημα βρίσκεται σε λειτουργία.

Πριν εκκινήσετε το χλοοκοπτικό

- Φροντίστε να παραμείνουν οι άλλοι άνθρωποι και τα ζώα μακριά από την περιοχή εργασίας.
- Να πραγματοποιείτε ημερήσια συντήρηση. Ανατρέξτε στην ενότητα *ΣΥΝΤΗΡΗΣΗ στη σελίδα 71*.

Εκκίνηση του προϊόντος

1. Τοποθετήστε την μπαταρία μέχρι να ακούσετε ένα κλικ. Βεβαιωθείτε ότι η μπαταρία έχει τοποθετηθεί σωστά. (Εικ. 38)
2. Βάλτε το κλειδί στην υποδοχή κάτω από το καπάκι της μπαταρίας. Βεβαιωθείτε ότι το κλειδί έχει τοποθετηθεί σωστά. (Εικ. 39)

Περιεχόμενα Το κλειδί μπορεί να τοποθετηθεί μόνο προς μία κατεύθυνση.

3. Πατήστε το κουμπί λειτουργίας μία φορά. Το κουμπί ανάβει πλήρως. (Εικ. 40)
4. Τραβήξτε το χειριστήριο ελέγχου κινητήρα προς την κατεύθυνση της χειρολαβής. Το κουμπί λειτουργίας αρχίζει να αναβοσβήνει. (Εικ. 41)
5. Πατήστε το κουμπί λειτουργίας που αναβοσβήνει. Το προϊόν εκκινείται. (Εικ. 42)

Απενεργοποίηση προϊόντος

- Αφήστε το χειριστήριο ελέγχου κινητήρα στο προϊόν ή πατήστε το κουμπί λειτουργίας μία φορά. (Εικ. 43)

Χρήση της κίνησης στους τροχούς (εάν υπάρχει)

(Εικ. 44)

- Τραβήξτε τους μοχλούς μετάδοσης κίνησης προς την κατεύθυνση της χειρολαβής.
- Πριν τραβήξετε το προϊόν προς τα πίσω, αποσυμπλέξτε την κίνηση και σπρώξτε το προϊόν προς τα εμπρός περίπου 10 cm.
- Απελευθερώστε τους μοχλούς μετάδοσης κίνησης για να αποσυμπλέξετε το σύστημα μετάδοσης κίνησης, για παράδειγμα όταν βρίσκεστε κοντά σε κάποιο εμπόδιο.

Αδειασμα του συλλέκτη χόρτου

1. Ανασηκώστε το συλλέκτη χόρτου με τη λαβή του πλαισίου.
2. Αφαιρέστε το κομμένο γρασιδί από το συλλέκτη χόρτου από κάτω από τη λαβή.
3. Αδειάστε το κομμένο γρασιδί από το σάκο με τη λαβή του πλαισίου και τη λαβή του σάκου.

Ενδεικτικές λυχνίες LED	Κατάσταση μπαταρίας
Ανάβουν όλες οι πράσινες λυχνίες LED	Πλήρως φορτισμένη (100% - 76%)
Ανάβουν οι λυχνίες LED 1, 2 και 3	Η μπαταρία είναι φορτισμένη κατά 75% - 51%.
Ανάβουν οι λυχνίες LED 1 και 2	Η μπαταρία είναι φορτισμένη κατά 50% - 26%.
Ανάβει η λυχνία LED 1	Η μπαταρία είναι φορτισμένη κατά 25% - 6%.
Αναβοσβήνει η λυχνία LED 1	Η μπαταρία είναι φορτισμένη κατά 5% - 0%.

Εάν υπάρχει κάποιο σφάλμα με την μπαταρία κατά τη διάρκεια της λειτουργίας, αναβοσβήνουν και οι τέσσερις πράσινες λυχνίες LED της κατάστασης φόρτισης μπαταρίας. Αφαιρέστε την μπαταρία από το μηχάνημα και πατήστε το κουμπί ένδειξης στην μπαταρία για να εμφανιστεί ο κωδικός σφάλματος για το σφάλμα. Οι λυχνίες LED στην μπαταρία ανάβουν και εμφανίζουν έναν κωδικό σφάλματος εάν έχει παρουσιαστεί κάποιο σφάλμα. Ανατρέξτε στο εγχειρίδιο της μπαταρίας για να δείτε μια λίστα με τους κωδικούς σφαλμάτων και λύσεις για τα σφάλματα.

ΣΥΝΤΗΡΗΣΗ



ΠΡΟΕΙΔΟΠΟΙΗΣΗ: Διαβάστε και κατανοήστε το κεφάλαιο για την ασφάλεια προτού εκτελέσετε εργασίες καθαρισμού, επισκευής ή συντήρησης στο προϊόν.

Γενικές συστάσεις για τη συντήρηση

Η εγγύηση αυτού του προϊόντος δεν περιλαμβάνει τη λανθασμένη ή απρόσεκτη χρήση του προϊόντος από το χειριστή. Για να έχει την πλήρη κάλυψη της εγγύησης, ο χειριστής πρέπει να εκτελεί τις εργασίες συντήρησης του προϊόντος σύμφωνα με τις οδηγίες αυτού του εγχειρίδιου. Διαφορετικές ρυθμίσεις πρέπει να γίνονται σε διαφορετικά χρονικά διαστήματα για να διατηρείται το προϊόν στη σωστή κατάσταση λειτουργίας.

- Εξετάζετε τη λεπίδα για τυχόν φθορά κάθε χρόνο.

Έλεγχος των ελαστικών

- Πρέπει να φροντίζετε να μην πέσουν ανεπιθύμητα υλικά και χημικές ουσίες πάνω στα ελαστικά, για να μην προκληθεί ζημιά στο καουτσούκ.
- Μην πλησιάζετε τα ελαστικά σε κορμούς ριζών δέντρων, πέτρες, χαντάκια, αιχμηρά αντικείμενα και άλλα σώματα που μπορεί να προκαλέσουν ζημιά στα ελαστικά.

Για να εκτελέσετε γενική επιθεώρηση

- Ελέγξτε ότι έχουν σφίξει τα παξιμάδια και οι βίδες.
- Βεβαιωθείτε ότι τα καλώδια δεν είναι τσακισμένα.

Πρόγραμμα συντήρησης

Χρησιμοποιήστε το πρόγραμμα συντήρησης για να βλέπετε ποιες είναι οι απαιτήσεις συντήρησης του προϊόντος σας και πότε πρέπει να πραγματοποιείται συντήρηση. Τα διαστήματα υπολογίζονται με βάση τη μέση χρήση του προϊόντος και μπορεί να διαφέρουν ανάλογα με τη συχνότητα χρήσης του.

- Σφίξτε τις βίδες και τα παξιμάδια πριν από κάθε χρήση και πριν από την αποθήκευση.
- Καθαρίστε και εξετάστε το συλλέκτη χόρτου, εάν είναι τοποθετημένος, πριν και μετά από κάθε χρήση, και πριν από την αποθήκευση.
- Εξετάστε τα ελαστικά πριν από κάθε χρήση.
- Καθαρίστε το προϊόν μετά από κάθε χρήση και πριν από την αποθήκευση. Χρησιμοποιήστε ξύστρα για να καθαρίσετε κάτω από το πλαίσιο.
- Εξετάστε τη λεπίδα για τυχόν ζημιές και ρωγμές ανά διαστήματα των 25 ωρών. Εάν γίνεται κοπή σε αμμόδες χώμα, πρέπει να αντικαθιστάτε τις λεπίδες πιο συχνά.
- Λιπαίνετε το προϊόν ανά διαστήματα των 25 ωρών.
- Καθαρίστε και φορτίστε πλήρως την μπαταρία μετά τη χρήση και μετά την αποθήκευση. Φορτίστε την μπαταρία για έως και 24 ώρες πριν από την αποθήκευση.
- Μην αφήνετε την μπαταρία επάνω στο φορτιστή κατά την αποθήκευση. Φορτίστε την μπαταρία για έως και 24 ώρες.
- Εξετάζετε τον ιμάντα μετάδοσης κίνησης και τις τροχαλίες (εάν υπάρχουν) ανά διαστήματα των 25 ωρών.

Καθαρισμός του προϊόντος

- Χρησιμοποιήστε μια βούρτσα για να αφαιρέσετε το ανεπιθύμητο υλικό και το γρασίδι στο προϊόν.
- Απομακρύνετε το ανεπιθύμητο υλικό από τις φινιρισμένες επιφάνειες και τους τροχούς.
- Χρησιμοποιήστε την ξύστρα κάτω από το προϊόν για να αφαιρέσετε τα συσσωρευμένα χόρτα και απορρίμματα.
- Μην χρησιμοποιείτε σύστημα πλύσης με υψηλή πίεση για να καθαρίσετε το προϊόν.
- Μην ρίχνετε νερό απευθείας στην ηλεκτρική κινητήρια κεφαλή ή στις επαφές της μπαταρίας.
- Όταν καθαρίζετε κάτω από το προϊόν, αφαιρέστε την μπαταρία και το κλειδί ασφαλείας και τοποθετήστε το προϊόν στο πλάι με τη διασύνδεση ελέγχου χρήσης στραμμένη προς τα πάνω.



ΠΡΟΣΟΧΗ: Μην καθαρίζετε το προϊόν με νερό, καθαριστικά υγρά ή διαλύτες. Αφαιρέστε τυχόν ανεπιθύμητο υλικό στο εξωτερικό του προϊόντος με μια μαλακή βούρτσα ή ένα στεγνό πανί που δεν περιέχει μέταλλο.



ΠΡΟΣΟΧΗ: Δεν συνιστούμε να ακονίσετε τη λεπίδα. Εάν το κάνετε, βεβαιωθείτε ότι η λεπίδα είναι ζυγοσταθμισμένη. Εάν η λεπίδα δεν είναι ζυγοσταθμισμένη, μπορεί να προκληθεί ζημιά στο προϊόν ή τον κινητήρα.

Καθαρισμός του συλλέκτη χόρτου

- Οι πόροι στο πανί του συλλέκτη χόρτου μπορεί να γεμίσουν με χώμα και σκόνη κατά τη διάρκεια της λειτουργίας. Κατά συνέπεια, ο συλλέκτης χόρτου θα συγκεντρώνει λιγότερο γρασίδι. Για να αποφευχθεί αυτό, πρέπει να καθαρίζετε τακτικά το συλλέκτη χόρτου ριχνοντας νερό με το λάστιχο ποτίσματος και να τον αφήνετε να στεγνώσει προτού τον χρησιμοποιήσετε.
- Εξετάζετε συχνά το συλλέκτη χόρτου για τυχόν φθορά ή μειωμένη απόδοση. Αντικαταστήστε, αν χρειάζεται.

Εξέταση της πίσω πόρτας

Η πίσω πόρτα είναι τοποθετημένη ανάμεσα στους οπίσθιους τροχούς του προϊόντος. Η πόρτα μειώνει τον κίνδυνο εκτίναξης αντικειμένων προς τη θέση χλοοκοπής του χειριστή.

1. Βεβαιωθείτε ότι η πίσω πόρτα δεν έχει υποστεί ζημιά.
2. Εξετάστε την πίσω πόρτα για τυχόν βλάβες που μπορεί να κάνουν την πόρτα να κλείσει, όπως ρωγμές ή σπασμένα ελατήρια.
3. Αντικαταστήστε την πίσω πόρτα ή τα ελατήρια, εάν έχουν υποστεί ζημιά.

Ακόνισμα και ζυγοστάθμιση της λεπίδας

Για βέλτιστα αποτελέσματα, πρέπει να διατηρείτε τη λεπίδα ακονισμένη. Αντικαταστήστε τη λεπίδα, εάν έχει λυγίσει ή υποστεί ζημιά.



ΠΡΟΣΟΧΗ: Χρησιμοποιήστε γάντια ή/και τυλίξτε τη λεπίδα με ένα χοντρό πανί, για να μην τραυματιστούν τα χέρια σας.

1. Ακονίστε τη λεπίδα με μια λίμα ή σε έναν τροχό λείανσης. Μην ακονίζετε τη λεπίδα, όταν είναι τοποθετημένη στο προϊόν.

Κωδικοί σφαλμάτων

Οι κωδικοί σφαλμάτων σας βοηθούν να αντιμετωπίσετε τυχόν προβλήματα στο προϊόν ή/και στην μπαταρία κατά τη διάρκεια της λειτουργίας.

2. Τοποθετήστε ένα ίσιο καρφί σε ένα κομμάτι ξύλου ή σε έναν τοίχο. Βεβαιωθείτε ότι μπορείτε να δείτε 2-3 cm του καρφιού.
3. Τοποθετήστε την κεντρική οπή της λεπίδας στο κεφάλι του καρφιού. Εάν η λεπίδα είναι ζυγοσταθμισμένη, πρέπει να παραμένει σε οριζόντια θέση. Εάν ένα από τα δύο άκρα της λεπίδας κινηθεί προς τα κάτω, ακονίστε το βαρύ άκρο μέχρι να ζυγοσταθμιστεί η λεπίδα.

Για να αντικαταστήσετε τη λεπίδα

1. Ασφαλίστε τη λεπίδα με έναν ξύλινο τάκο.(Εικ. 45)
2. Αφαιρέστε τη βίδα της λεπίδας.
3. Αφαιρέστε τη λεπίδα.
4. Εξετάστε την υποστήριξη και τη βίδα της λεπίδας για να δείτε εάν υπάρχουν φθορές.
5. Βεβαιωθείτε ότι ο άξονας του κινητήρα δεν είναι λυγισμένος.
6. Όταν συνδέετε μια καινούργια λεπίδα, στρέψτε τα άκρα της λεπίδας που σχηματίζουν γωνία προς την κατεύθυνση του καλύμματος κοπής.(Εικ. 46)
7. Βεβαιωθείτε ότι η λεπίδα είναι ευθυγραμμισμένη με το κέντρο του άξονα του κινητήρα.
8. Ασφαλίστε τη λεπίδα με έναν ξύλινο τάκο. Τοποθετήστε τη ροδέλα του ελατηρίου και σφίξτε τη βίδα και τη ροδέλα με ροπή N. m.(Εικ. 47)
9. Περιστρέψτε τη λάμα με το χέρι και βεβαιωθείτε ότι μπορεί να περιστραφεί χωρίς προβλήματα.



ΠΡΟΕΙΔΟΠΟΙΗΣΗ: Να χρησιμοποιείτε γάντια βαρέος τύπου. Η λεπίδα είναι πολύ κοφτερή και μπορεί εύκολα να κοπείτε.

10. Εκκινήστε το προϊόν για να δοκιμάσετε τη λεπίδα. Αν η λεπίδα δεν είναι σωστά συνδεδεμένη, θα υπάρχουν κραδασμοί στο προϊόν ή το αποτέλεσμα κοπής δεν θα είναι ικανοποιητικό.

Οθόνη LED	Πιθανά σφάλματα	Πιθανά βήματα
Οι λυχνίες LED δεν ανάβουν όταν πατάτε το πλήκτρο λειτουργίας στη διασύνδεση ελέγχου χρήστη, η μπαταρία δεν λειτουργεί στο προϊόν	Η μπαταρία δεν έχει τοποθετηθεί καλά στο προϊόν ή η εσωτερική ασφάλεια είναι καμένη	Πιέστε καλά την μπαταρία μέσα στην κινητήρια κεφαλή μέχρι να ακουστεί ένα κλικ. Εάν οι λυχνίες LED δεν ανάβουν αφού τοποθετήσετε σωστά την μπαταρία και πατήσετε το κουμπί λειτουργίας στη διασύνδεση ελέγχου χρήστη, απευθυνθείτε σε ένα εγκεκριμένο κέντρο σέρβις.
Και οι τέσσερις λυχνίες LED χωρητικότητας μπαταρίας αναβοσβήνουν, ενώ δεν ανάβουν άλλες λυχνίες LED όταν πατάτε το κουμπί λειτουργίας	Η μπαταρία δεν έχει τοποθετηθεί καλά στο προϊόν ή η εσωτερική θερμοκρασία της μπαταρίας είναι πολύ υψηλή ή πολύ χαμηλή.	Πιέστε καλά την μπαταρία μέσα στην κινητήρια κεφαλή μέχρι να ακουστεί ένα κλικ. Εάν οι λυχνίες LED συνεχίσουν να αναβοσβήνουν, η εσωτερική θερμοκρασία της μπαταρίας μπορεί να είναι πολύ χαμηλή ή πολύ υψηλή. Αφήστε την μπαταρία να ζεσταθεί ή να κρυώσει. Για να ενισχύσετε τη διαδικασία της ψύξης, μπορείτε να τοποθετήσετε την μπαταρία μέσα στον φορτιστή, ώστε να ψυχθεί ενεργά.
Και οι τέσσερις λυχνίες LED χωρητικότητας μπαταρίας και λειτουργίας αναβοσβήνουν, ενώ δεν ανάβουν άλλες λυχνίες LED όταν πατάτε το κουμπί λειτουργίας	Την πρώτη φορά που πατήσατε το κουμπί λειτουργίας, κρατούσατε το χειριστήριο ελέγχου κινητήρα πατημένο προς τα κάτω. Διαφορετικά, υπάρχει εσωτερική βλάβη στο διακόπτη της λαβής ελέγχου κινητήρα	Αφήστε το χειριστήριο ελέγχου κινητήρα. Εάν το χειριστήριο ελέγχου κινητήρα δεν είναι πατημένο προς τα κάτω και οι λυχνίες LED συνεχίζουν να αναβοσβήνουν, απευθυνθείτε σε ένα εγκεκριμένο κέντρο σέρβις.
Το προϊόν σταματά να λειτουργεί και οι τέσσερις λυχνίες LED χωρητικότητας μπαταρίας αναβοσβήνουν, ενώ δεν ανάβουν άλλες λυχνίες LED.	Η μπαταρία έχει χαλαρώσει μέσα στην κινητήρια κεφαλή και δεν κάνει πλέον καλή επαφή, η μπαταρία είναι πολύ ζεστή ή κρύα, ή υπάρχει άλλο εσωτερικό σφάλμα μπαταρίας	<ol style="list-style-type: none"> 1. Διακόψτε τη λειτουργία του προϊόντος. 2. Αφαιρέστε την μπαταρία από το προϊόν και πατήστε το κουμπί ένδειξης στην μπαταρία, για να εμφανιστεί ο κωδικός σφάλματος. Οι λυχνίες LED στην μπαταρία ανάβουν και εμφανίζουν έναν κωδικό σφάλματος. 3. Ανατρέξτε στο παρεχόμενο εγχειρίδιο της μπαταρίας για να δείτε μια λίστα με τους κωδικούς των σχετικών σφαλμάτων των λυχνιών LED για τις πιθανές βλάβες και διαδικασίες. <p>Εάν η μπαταρία δεν εμφανίζει κάποιο σφάλμα μετά το πάτημα του κουμπιού ένδειξης στην μπαταρία και εμφανίζει μόνο την κατάσταση φόρτισης, μπορεί να χαλαρώσε μέσα στην κινητήρια κεφαλή κατά τη διάρκεια της λειτουργίας. Τοποθετήστε σωστά την μπαταρία μέσα στην κινητήρια κεφαλή μέχρι να ακουστεί ένα κλικ.</p>

Θθόνη LED	Πιθανά σφάλματα	Πιθανά βήματα
Το προϊόν σταματά να λειτουργεί και το κουμπί λειτουργίας αναβοσβήνει, ενώ οι λυχνίες LED χωρητικότητας μπαταρίας εξακολουθούν να δείχνουν την τρέχουσα κατάσταση φόρτισης	Ο θάλαμος κοπής έχει φράξει από το γρασιδί, ο ελεγκτής του κινητήρα είναι πολύ ζεστός ή υπάρχει βλάβη στον κινητήρα	<ol style="list-style-type: none"> 1. Διακόψτε τη λειτουργία του προϊόντος. 2. Αφαιρέστε την μπαταρία και γυρίστε το προϊόν στο πλάι με τη διασύνδεση ελέγχου χρήστη στραμμένη προς τα πάνω. 3. Εξετάστε τη λεπίδα, τη βίδα της λεπίδας, το συγκρότημα της λεπίδας και τη βάση του κινητήρα για τυχόν ζημιές. Απομακρύνετε όλο το γρασιδί από το κάτω μέρος του μηχανήματος και ελέγξτε αν έχει φράξει σε κάποιο σημείο. 4. Τοποθετήστε την μπαταρία και ακολουθήστε τη διαδικασία εκκίνησης για να θέσετε σε λειτουργία το μηχανήμα. <p>Εάν το σφάλμα εξακολουθεί να εμφανίζεται, αφήστε το προϊόν να κρυώσει. Ο ελεγκτής του κινητήρα μπορεί να είναι πολύ ζεστός για να λειτουργήσει. Εάν το σφάλμα εξακολουθεί να εμφανίζεται, απευθυνθείτε σε ένα εγκεκριμένο κέντρο σέρβις.</p>

ΜΕΤΑΦΟΡΑ ΚΑΙ ΑΠΟΘΗΚΕΥΣΗ

- Να διατηρείτε τον εξοπλισμό ασφαλή κατά τη μεταφορά, ώστε να αποφύγετε ζημιές και ατυχήματα.
- Κατά την αποθήκευση, αφού αφαιρέσετε το κλειδί ασφαλείας, φυλάσσετε τον εξοπλισμό σε κλειδωμένο χώρο μακριά από παιδιά και μη εξουσιοδοτημένα άτομα.
- Κατά την αποθήκευση, φυλάσσετε το προϊόν και τον εξοπλισμό σε χώρο όπου δεν υπάρχει υγρασία ή κίνδυνος παγετού.
- Κατά τη φόρτωση ή τη μετακίνηση του μηχανήματος, μην υπερβαίνετε τη μέγιστη συνιστώμενη γωνία λειτουργίας των 15 μοιρών.
- Καθαρίστε το προϊόν. Για περισσότερες πληροφορίες, βλ. *Καθαρισμός του προϊόντος στη σελίδα 71*.
- Λιπάνετε το προϊόν.
- Σφίξτε τις βίδες και τα παξιμάδια.
- Αντικαταστήστε ή επισκευάστε τα εξαρτήματα που έχουν υποστεί ζημιά.
- Επισκευάστε όλες τις βαμμένες επιφάνειες που έχουν σκουριάσει ή υποστεί ζημιά. Τρίψτε τις ελαφρά με γυαλόχαρτο προτού τις βάψετε.
- Χρησιμοποιήστε για το προϊόν το σωστό προστατευτικό κάλυμμα που δεν συγκρατεί την υγρασία. Μην χρησιμοποιείτε πλαστικό, επειδή δεν αναπνέει, επιτρέπει τη συγκέντρωση υδρατμών και προκαλεί διάβρωση στο προϊόν.
- Αφαιρέστε πάντα την μπαταρία πριν από τη μεταφορά ή την αποθήκευση.

ΤΕΧΝΙΚΑ ΣΤΟΙΧΕΙΑ

	μονάδα	LM2146C Li58-52 (58VBKJN46C)	LM2146CA Li58-52 (58VBKJN46CR)
Κινητήρας κοπής			
Τύπος κινητήρα	—	BLDC (χωρίς ψήκτρες) 58 V	BLDC (χωρίς ψήκτρες) 58 V
Ταχύτητα κινητήρα – Λειτουργία ECO	σ.α.λ.	2300	2300

	μονάδα	LM2146C Li58-52 (58VBKJN46C)	LM2146CA Li58-52 (58VBKJN46CR)
Ταχύτητα κινητήρα – Αυτόματη λειτουργία	σ.α.λ.	2500 σ.α.λ. μέχρι το ρεύμα να είναι μεγαλύτερο από 12 A για 3 δευτερόλεπτα. Οι σ.α.λ. αυξάνονται στις 2800 σ.α.λ. μέχρι το ρεύμα να είναι μικρότερο από 18 A για 10 δευτερόλεπτα.	2500 σ.α.λ. μέχρι το ρεύμα να είναι μεγαλύτερο από 12 A για 3 δευτερόλεπτα. Οι σ.α.λ. αυξάνονται στις 2800 σ.α.λ. μέχρι το ρεύμα να είναι μικρότερο από 18 A για 10 δευτερόλεπτα.
Ταχύτητα κινητήρα – Ενισχυμένη λειτουργία	σ.α.λ.	2800	2800
Ισχύς κινητήρα – μέγ.	kW	1,5	1,5
Ισχύς κινητήρα – μέγ. συνεχόμενη	kW	0,9	0,9
Ισχύς κινητήρα – ονομαστική	kW	0,9	0,9
Όριο υπερέντασης (μέγ. ρεύμα)	A (Ampere)	25	25
Βάρος			
Βάρος (χωρίς την μπαταρία)	kg	23,5	24,5
Μπαταρία			
Τύπος μπαταρίας		590923813	590923813
Χρόνος λειτουργίας μπαταρίας			
Χρόνος λειτουργίας μπαταρίας	m ²	Έως 1200	Έως 1000
Εκπομπές θορύβου ¹⁶			
Στάθμη ηχητικής ισχύος, μετρούμενη	dB (A)	87	87
Εγγυημένη στάθμη ηχητικής ισχύος LWA	dB (A)	87	87
Επίπεδα ήχου			
¹⁷			
Στάθμη ηχητικής πίεσης στο αυτί του χειριστή	dB (A)	< 80	< 80
Επίπεδα κραδασμών			
¹⁸			
Χειρολαβή	m/s ²	0,65	0,65
Κοπή			
Ύψος κοπής	mm	30-80	30-80
Πλάτος κοπής	cm	46	46

¹⁶ Οι εκπομπές θορύβου στο περιβάλλον ελέγχονται ως ηχητική ισχύς (LWA) σύμφωνα με την Οδηγία 2000/14/ΕΚ.

¹⁷ Τα καταγεγραμμένα στοιχεία για τη στάθμη πίεσης θορύβου έχουν τυπική στατιστική διασπορά (τυπική απόκλιση) 1,2 dB(A).

¹⁸ Τα καταγεγραμμένα στοιχεία για τη στάθμη κραδασμών έχουν τυπική στατιστική διασπορά (τυπική απόκλιση) της τάξης του 0,2 m/s². Πρότυπο για κραδασμούς EN 60335-2-77:2017 κεφάλαιο 20.105.

	μονάδα	LM2146C Li58-52 (58VBKJN46C)	LM2146CA Li58-52 (58VBKJN46CR)
Λεπίδα, συλλογή	—	581188910	581188902
Λεπίδα, κοπή χορτολιπάσματος	—	581188910	581188902
Χωρητικότητα κάδου συλλογής	λίτρα	50	50

ΠΕΡΙΕΧΟΜΕΝΑ ΤΗΣ ΔΗΛΩΣΗΣ ΣΥΜΜΟΡΦΩΣΗΣ ΕΚ

Εμείς, η Husqvarna AB, SE 561 82 Huskvarna, Σουηδία, δηλώνουμε με αποκλειστική μας ευθύνη ότι το απεικονιζόμενο προϊόν:

Περιγραφή	Ηλεκτρικό περιστροφικό χλοοκοπτικό
Μάρκα	Jonsered
Πλατφόρμα / Τύπος / Μοντέλο	Πλατφόρμα 58VBKJN46C (για το μοντέλο LM2146C Li58-52), πλατφόρμα 58VBKJN46CR (για το μοντέλο LM2146CA Li58-52).
Παρτίδα	Αριθμός σειράς με ημερομηνία 2018 και μεταγενέστερη

Η Intertek διενήργησε εθελοντικά εξέταση εκ μέρους της Husqvarna AB και εξέδωσε πιστοποιητικό συμμόρφωσης με την Οδηγία του Συμβουλίου ΕΚ 2006/42/ΕΚ περί μηχανημάτων.

Το πιστοποιητικό, όπως παρέχεται στην υπογεγραμμένη Δήλωση συμμόρφωσης ΕΚ, ισχύει για όλες τις εγκαταστάσεις παραγωγής και τις χώρες προέλευσης, όπως αναφέρονται στο προϊόν.

Το παρεχόμενο ηλεκτρικό περιστροφικό χλοοκοπτικό είναι σύμφωνο με το δείγμα που υποβλήθηκε σε έλεγχο.

συμμορφώνεται πλήρως με τις ακόλουθες οδηγίες και τους κανονισμούς της ΕΕ:

Οδηγία/Κανονισμός	Περιγραφή
2006/42/ΕΚ	"σχετικά με τα μηχανήματα"
2014/30 /ΕΕ	"σχετικά με την ηλεκτρομαγνητική συμβατότητα"
2000/14/ΕΚ	"σχετικά με εξωτερικό θόρυβο"
2011/65/ΕΕ	"σχετικά με επικίνδυνες ουσίες"

Εφαρμοζόμενα εναρμονισμένα πρότυπα ή/και τεχνικές προδιαγραφές: EN60335-1, EN60335-2-77, EN50366, EN55014-1, EN55014-2, EN61000-3-2, EN61000-3-3

Σύμφωνα με την οδηγία 2000/14/ΕΚ, Παράρτημα V, οι δηλωθείσες τιμές για τον ήχο αναφέρονται στο κεφάλαιο Τεχνικά στοιχεία αυτού του χειριδιού και στην υπογεγραμμένη Δήλωση Συμμόρφωσης ΕΕ.

Contenido

INTRODUCCIÓN.....	77	MANTENIMIENTO.....	83
SEGURIDAD.....	78	TRANSPORTE Y ALMACENAMIENTO.....	86
MONTAJE.....	81	DATOS TÉCNICOS.....	87
FUNCIONAMIENTO.....	82	CONTENIDO DE LA DECLARACIÓN DE CONFORMIDAD CE.....	88

INTRODUCCIÓN

Manual de usuario

El idioma original de este manual de instrucciones es el inglés. Los manuales de usuario en otros idiomas son traducciones del inglés.

Revisar

(Fig. 1)

1. Barra de control de presencia del usuario
2. Recogedor de césped
3. Palancas de control
4. Cabezal eléctrico
5. Palanca de la altura de corte
6. Cargador de baterías
7. Manual de usuario
8. Interfaz de control del usuario
9. Batería
10. Tapa de la batería
11. Botón de encendido
12. Botón de modo de corte
13. Cubierta trasera
14. Luces de estado de carga
15. Explicación de los símbolos
16. Enchufe para trituradora

Símbolos que aparecen en el producto

(Fig. 2) Advertencia

(Fig. 3) Lea este manual

(Fig. 4) Lea detenidamente el manual de usuario y asegúrese de que entiende las instrucciones antes de usar la máquina.

(Fig. 5) Utilice protección ocular homologada

(Fig. 6) Utilice protección auditiva homologada

(Fig. 7) Utilice protección para la cabeza homologada

(Fig. 8) Utilice protección auditiva homologada

(Fig. 9) Advertencia: cuchilla giratoria. Mantenga alejados las manos y los pies.

(Fig. 10) Mantenga alejados las manos y los pies de las cuchillas giratorias. No abra ni retire las protecciones mientras el motor esté en marcha.

(Fig. 11) Antes de caminar hacia atrás y mientras lo hace, mire hacia atrás y al suelo para ver si hay niños pequeños, animales o cualquier otro riesgo que pueda hacerle caer.

(Fig. 12) Tenga cuidado con los objetos lanzados o rebotados.

(Fig. 13) Mantenga a las personas y animales a una distancia de seguridad respecto a la zona de trabajo.

(Fig. 14) Riesgo de pendiente

(Fig. 15) Sacudida eléctrica

(Fig. 16) Retire la llave antes de realizar las tareas de reparación, ajuste, configuración o transporte.

(Fig. 17) Botón de encendido

(Fig. 18) Motor encendido

(Fig. 19) Mango de control del motor acoplado

(Fig. 20) Motor apagado

(Fig. 21) Mango de control del motor desacoplado

(Fig. 22) El producto o envase no pueden desecharse junto con los residuos domésticos. El producto y el envase deben enviarse a una estación de reciclaje

apropiada para la recuperación de piezas eléctricas y electrónicas.

(Fig. 23) No deje, almacene ni utilice el producto con lluvia ni en condiciones húmedas.

(Fig. 24) Reciclado

(Fig. 25) Nivel de potencia acústica

(Fig. 26) El producto cumple con las directivas CE vigentes

(Fig. 27) El producto cumple con las directivas EAC vigentes

(Fig. 28) El producto cumple con las directivas ucranianas vigentes

Responsabilidad sobre el producto

Como se estipula en las leyes de responsabilidad del producto, no nos hacemos responsables de los daños y perjuicios causados por nuestro producto si:

- El producto se ha reparado incorrectamente.
- El producto se ha reparado con piezas que no eran del fabricante o no autorizadas por el fabricante.
- El producto tiene un accesorio que no es del fabricante o no está autorizado por este.
- El producto no se ha reparado en un centro de servicio autorizado o por un organismo homologado.

SEGURIDAD

Definiciones de seguridad

Las definiciones siguientes indican el nivel de gravedad para cada palabra de señalización de riesgo.



ADVERTENCIA: Lesiones a personas.



PRECAUCIÓN: Daños en el producto.

Nota: Esta información hace que el producto sea más fácil de usar.

Instrucciones generales de seguridad

- Use el producto correctamente. Las lesiones o la muerte son un posible resultado de un uso incorrecto. Utilice el producto solo para las tareas indicadas en este manual. No utilice el producto para otras tareas.
- Asegúrese de leer, comprender y respetar las instrucciones de este manual. Respete los símbolos de seguridad y las instrucciones de seguridad. Si el operador no respeta las instrucciones y los símbolos, pueden producirse lesiones, daños materiales o la muerte.
- No se deshaga de este manual. Utilice las instrucciones para montar su producto, utilizarlo y mantenerlo en buen estado. Utilice las instrucciones para la correcta instalación de los complementos y accesorios. Utilice únicamente complementos y accesorios autorizados.
- No utilice un producto dañado. Respete el programa de mantenimiento. Realice solamente el trabajo de mantenimiento indicado en las instrucciones de este manual. Todos los demás trabajos de mantenimiento debe hacerlos un centro de servicio autorizado.
- Este manual no puede incluir todas las situaciones que pueden producirse cuando utilice el producto. Proceda con cuidado y utilice el sentido común. No utilice el producto ni realice el mantenimiento del producto si no está seguro de cuál es la situación. Hable con un experto en el producto, su distribuidor, un taller de servicio o centro de servicio autorizado para obtener información.
- No utilice el producto si se ha modificado respecto de sus especificaciones iniciales. No cambie una parte del producto sin la autorización del fabricante. Utilice únicamente las piezas que están autorizadas por el fabricante. Las lesiones o la muerte son un posible resultado de un mantenimiento incorrecto.
- Este producto genera un campo electromagnético durante el funcionamiento. El campo electromagnético puede provocar daños en implantes médicos. Consulte a su médico y al fabricante del implante médico antes de usar el producto.
- No deje que un niño maneje el producto.
- No permita que nadie maneje el producto sin conocer las instrucciones.
- Si una persona con discapacidad física o mental usa el producto, asegúrese de supervisarla en todo momento. Debe haber siempre un adulto responsable presente.
- Cierre con llave el producto en un área a la que no pueden acceder las personas no autorizadas ni los niños.
- El producto puede proyectar objetos con fuerza y causar lesiones. Respete las instrucciones de seguridad para reducir el riesgo de lesiones o muerte.
- No deje desatendido el producto mientras se encuentre encendido. Pare el producto antes de abandonar la zona.
- Antes de caminar hacia atrás y mientras lo hace, mire hacia atrás y al suelo para ver si hay niños

pequeños, animales o cualquier otro riesgo que pueda hacerle caer.

- El operador del producto es el responsable si se produce un accidente.
- Asegúrese de que las piezas no estén dañadas antes de utilizar el producto.
- Consulte las leyes nacionales o locales. Pueden prohibir o limitar el funcionamiento del producto en circunstancias determinadas.

Instrucciones de seguridad para el funcionamiento

- Conozca los mandos y familiarícese con el uso correcto del producto antes de utilizarlo.
- No permita que niños o personas sin el debido conocimiento manejen el producto sin conocer las instrucciones correspondientes.
- Nunca use el producto con personas, sobre todo niños, o animales cerca.
- Mantenga a los niños alejados de la zona de corte y haga que estén siempre supervisados por un adulto.
- Pare el producto si acceden niños a la zona de trabajo.
- Examine completamente la zona en la que vaya a utilizarse el producto. Retire todos los objetos que pudieran salir expulsados por acción del producto durante el uso de este.
- Examine la cuchilla, el tornillo de la cuchilla, el conjunto de la cuchilla y la base del motor antes de utilizar el producto en busca de daños y desgaste.
- Use el producto únicamente con la luz del día o con buena iluminación artificial.
- No utilice el producto en hierba húmeda.
- Tenga cuidado cuando se acerque a esquinas, arbustos, árboles u objetos que pudieran bloquear su campo de visión.
- Proceda con especial precaución al dar marcha atrás con el producto o al moverlo hacia usted.
- No coloque manos ni pies cerca ni debajo de las piezas giratorias. Manténgase siempre alejado de las aberturas de expulsión.
- Pare la cuchilla cuando atraviese superficies de grava.
- Pare el motor, retire la batería y espere a que la cuchilla se haya detenido completamente antes de limpiar el producto, retirar el recogedor de césped o retirar material del conducto de expulsión.
- Nunca utilice el producto si está cansado, enfermo o se encuentra bajo los efectos del alcohol o medicamentos.
- Si el producto sufre de vibraciones inusuales, pare el motor, retire la batería y localice la causa de inmediato. La vibración suele ser un síntoma de la existencia de daños.
- No oriente el material expulsado hacia otras personas. No expulse material contra una pared u otra obstrucción. El material podría volver a rebotar hacia el usuario.

- No utilice el producto sin las debidas protecciones, placas, el recogedor de césped u otros dispositivos protectores de seguridad colocados en las posiciones correspondientes.

Seguridad en el área de trabajo

- Retire las ramas, los palos, las piedras y otros objetos del césped antes de empezar a cortar.
- Mantenga a personas, niños incluidos, y animales a una distancia de seguridad con respecto a la zona de trabajo.
- Los objetos que choquen contra el equipo de corte pueden salir despedidos y causar daños a personas y objetos.
- No utilice el producto en condiciones climáticas desfavorables, por ejemplo, con niebla, lluvia, humedad, lugares húmedos, viento fuerte, frío intenso o posibilidad de relámpagos. Trabajar con condiciones climáticas desfavorables puede dar pie a la aparición de fatiga y a situaciones de peligro, por ejemplo, superficies resbaladizas.
- Examine la zona de trabajo para asegurarse de que el producto no pueda escaparse de control.
- Tenga cuidado con raíces, piedras, ramas, fosos y zanjas. La hierba alta puede ocultar obstáculos.
- Tenga cuidado cuando se acerque a esquinas y objetos ocultos que pudieran bloquear su campo de visión.

Instrucciones de seguridad para pendientes

- Tenga cuidado cuando trabaje en pendientes. Las pendientes pueden ser peligrosas. Una caída en una pendiente puede causar lesiones.
- Efectúe el corte atravesando transversalmente la superficie de la pendiente. No efectúe el corte hacia arriba y hacia abajo.
- Tenga cuidado al cambiar de dirección en pendientes.
- Tenga cuidado con los objetos y hundimientos en el césped. Los terrenos irregulares pueden hacerle caer.
- No efectúe cortes en las inmediaciones de pendientes pronunciadas, caídas repentinas, zanjas ni terraplenes. Puede caerse.
- No corte hierba mojada. Puede caerse.
- No efectúe cortes en terrenos con pendientes de más de 15 grados.

Equipo de protección personal

Utilice siempre el equipo de protección personal adecuado cuando utilice el producto. Esto incluye, como mínimo, calzado robusto, protección ocular y protectores auriculares. El equipo de protección personal no elimina el riesgo de lesiones, pero reduce su efecto en caso de accidente.

- Utilice siempre gafas de seguridad o protección ocular cuando use el producto o realice tareas de mantenimiento o reparación.
- No utilice el producto con los pies descalzos o con calzado abierto. Utilice siempre botas de trabajo antideslizantes con refuerzos en los tobillos cuando trabaje con el producto.
- Utilice pantalones largos gruesos. No trabaje con pantalones cortos ni chanclas, ni con los pies descalzos.
- Utilice guantes protectores homologados si es necesario. Por ejemplo, al acoplar, revisar o limpiar la hoja.
- Utilice siempre protección auditiva homologada mientras utiliza el producto. La exposición al ruido durante un periodo de tiempo prolongado puede causar pérdida de audición.

Dispositivos de seguridad en el producto

- Asegúrese de efectuar regularmente el mantenimiento del producto.
 - La vida útil del producto aumenta.
 - El riesgo de accidentes disminuye.

Deje que un concesionario autorizado o un centro de servicio autorizado examine regularmente el producto para realizar ajustes o reparaciones.

- No utilice un producto con equipo de protección dañado. Si el producto está dañado, hable con un centro de servicio autorizado.

Mango de control del motor

Con el mango de control del motor se detiene el motor. Asegúrese de que el motor se detenga cuando se suelta el mango de control del motor.

- Arranque el motor y, a continuación, suelte el mango de control. El motor se detiene.

Nota: Si con el mango de control del motor no fuera posible detener el motor, pulse el botón de encendido para pararlo. Retire la batería y contacte con un centro de servicio autorizado.

Cubierta trasera

La cubierta trasera reduce el riesgo de expulsión de objetos desde la parte trasera del producto hacia la posición de corte del usuario.

- Asegúrese de que la cubierta trasera no esté dañada y de no observar ningún defecto como grietas o muelles rotos. La presencia de defectos puede hacer que resulte difícil cerrar la cubierta. Sustituya la cubierta o los muelles si están dañados.

Instrucciones de seguridad para el mantenimiento



ADVERTENCIA: Realice únicamente las tareas de mantenimiento que figuran en este manual de usuario. Los trabajos de mayor envergadura debe realizarlos un taller de servicio autorizado.

Realice los trabajos de mantenimiento correctamente para aumentar la vida útil del producto y reducir el riesgo de accidentes. Un taller de servicio autorizado puede realizar reparaciones profesionales. Póngase en contacto con su taller de servicio más cercano para obtener más información.



ADVERTENCIA: Para evitar que el producto se arranque por accidente durante el transporte o la realización de trabajos de mantenimiento o reparación, retire la batería y espere como mínimo 5 segundos para sustituirla.



ADVERTENCIA: Utilice guantes resistentes al utilizar el equipo de corte. La cuchilla está muy afilada y se pueden producir cortes con mucha facilidad.

- Mantenga los bordes cortantes afilados y limpios para obtener los mejores resultados con la máxima seguridad.
- Diríjase a su taller de servicio para que examine el producto regularmente y para que realice ajustes y reparaciones necesarios.
- Cambie las piezas dañadas, desgastadas o rotas.
- Siga las instrucciones de cambio de accesorios. Utilice únicamente los accesorios del fabricante.



ADVERTENCIA: Mientras no esté utilizándolo, mantenga el producto, la batería y el cargador de la batería separados y en una zona interior seca y aislable, lejos del alcance de los niños y personas no autorizadas.

Seguridad de la batería

Utilice solo baterías específicas del fabricante y cárguelas exclusivamente en un cargador del fabricante.

Las baterías recargables solo deben utilizarse como fuente de alimentación de los productos sin cable para los que han sido diseñadas. Para evitar daños, la batería no debe utilizarse como fuente de alimentación de otros dispositivos.

- No desmonte, abra ni destruya las baterías.
- No guarde las baterías donde reciban luz solar o calor. Mantenga las baterías alejadas de fuegos.

- Compruebe periódicamente que el cargador de batería y la batería no están dañados. Las baterías dañadas o modificadas pueden provocar un incendio, una explosión o riesgo de lesiones. No repare ni abra baterías dañadas.
- No utilice una batería o un producto que esté defectuoso, dañado o se haya modificado.
- No modifique ni repare productos ni la batería. Únicamente el distribuidor autorizado puede realizar las reparaciones.
- No cortocircuite una celda ni la batería. No guarde las baterías en una caja o cajón donde se puedan cortocircuitar con otros objetos metálicos.
- No extraiga la batería de su embalaje original hasta que vaya a utilizarla.
- Procure que las baterías no sufran impactos mecánicos.
- Si se produce una fuga en la batería, no permita que el líquido entre en contacto con la piel ni con los ojos. Si toca el líquido, limpie el área con abundante agua y busque asistencia médica.
- No utilice un cargador de batería que no sea el especificado para la batería.
- Respete las marcas más (+) y menos (-) de la batería y el producto para garantizar un correcto funcionamiento.
- No utilice una batería que no esté diseñada para su uso con el producto.
- No mezcle baterías de una tensión diferente o de fabricantes distintos en un dispositivo.
- Mantenga las baterías alejadas de los niños.
- Adquiera siempre las baterías adecuadas para el producto.
- Mantenga las baterías limpias y secas.
- Limpie los terminales de la batería con un trapo seco y limpio si se ensucian.
- Las baterías secundarias deben cargarse antes de su uso. Utilice siempre el cargador de batería adecuado y consulte el manual para cargar la batería correctamente.
- No deje una batería en carga prolongada cuando no la utilice.
- Guarde el manual para consultarlo en un futuro.
- Utilice únicamente la batería cuando necesite utilizar el producto.
- Quite la batería del producto si no lo está utilizando.
- Mantenga la batería lejos de clips, llaves, clavos, tornillos u otros objetos metálicos pequeños mientras está en funcionamiento. Estos objetos pueden crear una conexión entre los terminales. Un cortocircuito en los terminales de la batería puede causar quemaduras o un incendio.

MONTAJE



ADVERTENCIA: Lea el capítulo de seguridad antes de montar el producto.

Extracción del producto de su embalaje

1. Saque las piezas sueltas que acompañan al producto.
2. Corte las dos esquinas del embalaje de cartón y apoye el panel en el suelo.
3. Retire todos los materiales de embalaje.
4. Saque el producto del embalaje y asegúrese de que no queden piezas sueltas en él.

Para montar el mango

1. Alinee los orificios roscados de la parte inferior del mango con los orificios roscados del conjunto del mango. Fije los tornillos, las arandelas y las ruedecillas. (Fig. 29)
2. Para ajustar la altura del manillar, afloje las ruedecillas inferiores, suba o baje el manillar y apriete las ruedecillas por completo.

Ajuste del producto en la posición de trabajo

1. Levante el mango hasta la posición de trabajo.
2. Apriete las ruedecillas inferiores a fondo.

Para montar el recogedor de césped

1. Coloque el bastidor del recogedor de césped en la bolsa de hierba con la parte rígida de la bolsa en la parte inferior. Mantenga el asa del bastidor en la parte superior de la bolsa para césped. (Fig. 30)
2. Coloque la parte inferior del bastidor del recogedor de césped en la ranura de la parte inferior del recogedor de césped. (Fig. 31)
3. Encaje los ganchos del recogedor de césped en el borde superior del chasis. (Fig. 32)
4. Coloque la parte inferior del recogedor de césped en el canal de descarga.

Para activar el modo de recogida del producto

El modo de recogida trasero permite recoger los recortes de césped en el recogedor de césped.



PRECAUCIÓN: No utilice el producto sin la cubierta trasera cerrada ni si el recogedor de césped autorizado no se encuentra en la posición correspondiente. No intente utilizar el producto con la cubierta trasera retirada o abierta.

1. Levante la cubierta trasera y coloque los ganchos del bastidor del recogedor de césped en el pivote de la cubierta trasera. (Fig. 33)
2. Suelte la puerta trasera y colóquela en la parte superior del bastidor de la bolsa de hierba.

Para activar el modo de trituración del producto (si está equipado)

El modo de trituración del producto hace que los recortes de césped sean de menor tamaño. Seguidamente, los recortes caen al césped, a lo largo de la hierba. La hierba triturada se biodegrada rápidamente para aportar nutrientes al césped.

1. Levante la cubierta trasera y extraiga el recogedor de césped. (Fig. 34)
2. Coloque el accesorio triturador en el canal de descarga. (Fig. 35)

3. Cierre firmemente la cubierta trasera contra el producto.

Para activar el modo de expulsión del producto

1. Retire el tapón del triturador o el recogedor de césped. (Fig. 36)
2. Cierre firmemente la cubierta trasera contra el producto.

Para ajustar la altura de corte



PRECAUCIÓN: No ajuste la altura de corte demasiado baja. Las cuchillas pueden golpear el suelo si la superficie del césped no está nivelada.

Nota: Ajuste la misma altura en los controles de altura de corte.

1. Mueva la palanca de altura de corte hacia atrás para aumentar la altura de corte.
2. Mueva la palanca de altura de corte hacia delante para reducir la altura de corte. (Fig. 37)

FUNCIONAMIENTO



ADVERTENCIA: Asegúrese de leer y comprender el capítulo sobre seguridad antes de utilizar el producto.

Técnica básica de corte

- Corte siempre con una cuchilla afilada para obtener los resultados óptimos. Las cuchillas que no estén lo suficientemente afiladas producen cortes irregulares y hacen que la superficie del corte quede amarillenta.
- No corte más de $\frac{1}{3}$ de la longitud del césped. Esta instrucción es especialmente relevante durante períodos secos. Corte primero con una altura de corte alta. A continuación, compruebe el resultado y baje a la altura adecuada. Si la hierba está demasiado larga, vaya despacio y corte dos veces si es necesario.
- Para cortes especialmente arduos, reduzca la anchura del corte. Para ello, superponga la superficie de corte y efectúe el corte con lentitud.
- Corte en direcciones distintas cada vez para evitar crear rayas en el césped.
- Limpie a menudo el recogedor de césped con agua y deje que se seque antes de usarlo. Los poros de los recogedores de césped de tela pueden llenarse de polvo y suciedad durante la utilización del producto. El recogedor de césped pasará a recoger una menor cantidad de césped.

Antes de arrancar el cortacésped

- Asegúrese de que no haya personas ni animales en la zona de trabajo.
- Realice el mantenimiento diario. Consulte *MANTENIMIENTO* en la página 83.

Arranque del producto.

1. Coloque la batería hasta que oiga un clic. Asegúrese de que la batería esté correctamente colocada. (Fig. 38)
2. Coloque la llave en el hueco situado debajo de la tapa de la batería. Asegúrese de que la llave esté correctamente colocada. (Fig. 39)

Nota: La llave solo puede colocarse en una dirección.

3. Pulse el botón de encendido una vez. El botón se enciende completamente. (Fig. 40)
4. Tire del mango de control del motor hacia el manillar. El botón de encendido comienza a parpadear. (Fig. 41)
5. Pulse el botón de encendido parpadeante. El producto arranca. (Fig. 42)

Para detener el producto

- Suelte el mango de control del motor del producto, o bien pulse el botón de encendido una vez. (Fig. 43)

Para usar la transmisión en las ruedas (si está equipada)

(Fig. 44)

- Tire de las palancas de control en dirección al manillar.
- Antes de tirar del producto hacia atrás, desacople la transmisión y empuje el producto hacia adelante aproximadamente 10 cm.
- Suelte las palancas de control para desacoplar la transmisión, por ejemplo, cuando se acerque a un obstáculo.

Para vaciar el recogedor de césped

1. Levante el recogedor de césped con el mango del bastidor.
2. Retire los recortes del recogedor de césped de debajo del mango.
3. Vacíe los recortes de césped de la bolsa con el mango del bastidor y el mango de la bolsa.



PRECAUCIÓN: No arrastre la bolsa al vaciar el recogedor de césped para evitar el desgaste.

Para cambiar el modo de corte

Es posible activar uno de los tres modos de corte diferentes mientras se utiliza el producto pulsando el botón de modo de corte.

- **Modo automático:** el producto ajusta automáticamente la velocidad de corte en respuesta a la cantidad de hierba que se esté cortando.
 - **Nota:** El modo automático es el activado por defecto durante el uso del producto.
- **Modo Boost:** el producto funciona a velocidad alta con independencia de la cantidad de hierba que se corte.
 - Mientras esté utilizando el producto, pulse el botón de modo de corte una vez para cambiar del modo automático al modo Boost. Se encenderá el botón de modo de corte.
- **Modo ECO:** el producto funciona a velocidad baja con independencia de la cantidad de hierba que se corte.

- Mientras esté utilizando el producto, pulse el botón de modo de corte una vez para cambiar del modo Boost al modo ECO. Se encenderá el botón de modo de corte y parpadeará.
- Para volver al modo automático predeterminado, pulse una vez el botón de modo de corte mientras esté utilizando el producto. El botón de modo de corte dejará de parpadear.

Nota: Si suelta el mango de control del motor mientras está utilizando el producto, el producto permanece en el modo de corte que estuviera seleccionado. Si el producto se detiene automáticamente, o bien si el usuario pulsa el botón de encendido, el modo de corte utilizado anteriormente se borra de la memoria y se activa el modo automático del producto al volver a arrancarlo.

Indicación del estado de la batería durante el uso del producto

En la pantalla de la interfaz de control del usuario se indica la capacidad de la batería y si existen problemas con la batería. La capacidad de la batería se indica mientras la máquina esté utilizándose.

Indicadores LED	Estado de la batería
Todos los LED verdes encendidos	Totalmente cargada (100 % - 76 %).
LED 1, 2 y 3 encendidos	La batería tiene una carga del 75 % - 51 %.
LED 1 y 2 encendidos	La batería tiene una carga del 50 % - 26 %.
LED 1 encendido	La batería tiene una carga del 25 % - 6 %.
El LED 1 parpadea	La batería tiene una carga del 5 % - 0 %.

Si se produjera algún error con la batería durante la utilización del producto, los cuatro LED verdes de estado de carga de la batería parpadearán. Retire la batería de la máquina y pulse el botón indicador de la batería para mostrar el código de error del correspondiente error. Los LED de la batería se encienden e indican un código de error en caso de haberse producido algún error. En el manual de la batería hay una lista de códigos de error y soluciones para los errores.

MANTENIMIENTO



ADVERTENCIA: Asegúrese de leer y comprender el capítulo sobre seguridad antes de limpiar, reparar o realizar tareas de mantenimiento en el producto.

Recomendaciones generales de mantenimiento

La garantía de este producto no cubre el uso indebido o la ausencia de las precauciones pertinentes por parte del usuario. Para aprovechar todas las ventajas de la garantía, el usuario debe realizar las tareas de mantenimiento pertinentes conforme a las instrucciones

del presente manual. Es necesario realizar distintos ajustes a intervalos diferentes para mantener el producto en buenas condiciones de funcionamiento.

- Inspeccione el desgaste de la cuchilla anualmente.

Comprobación de los neumáticos

- Para evitar desperfectos en la goma, evite el contacto de los neumáticos con materiales no deseados y productos químicos.
- Evite el contacto de los neumáticos con tocones, piedras, surcos, objetos afilados y cualquier otro elemento que pueda dañarlos.

Para realizar una inspección general

- Compruebe que los tornillos y las tuercas estén apretados.
- Asegúrese de que ningún cable quede pinzado.

Programa de mantenimiento

Consulte el programa de mantenimiento para comprobar los requisitos de mantenimiento del producto y las fechas de realización de estas tareas de mantenimiento. Los intervalos se calculan en función del promedio general de uso del producto y pueden diferir en función de la frecuencia con la que usted lo utilice.

- Apriete los pernos y las tuercas antes y después de almacenar el producto.
- Limpie y examine el recogedor de césped, si estuviera instalado, antes y después de cada uso, y después de haber almacenado el producto.
- Inspeccione los neumáticos antes de cada uso.
- Vacíe el producto después de cada uso y antes de almacenarlo. Utilice un rascador para limpiar debajo del equipo de corte.
- Examine la cuchilla en busca de daños y grietas a intervalos de 25 horas. Cambie las cuchillas con más frecuencia si corta en suelos arenosos.
- Lubrique el producto a intervalos de 25 horas.
- Limpie y cargue totalmente la batería después del uso y después de almacenar el producto. Cargue la batería durante un máximo de 24 horas antes de almacenar el producto.
- Durante el periodo de almacenamiento del producto, no mantenga la batería en el cargador. Cargue la batería durante un máximo de 24 horas.
- Examine la correa de transmisión y las poleas a intervalos de 25 horas (si estuvieran equipadas).

Limpieza del producto

- Utilice un cepillo para retirar el material no deseado y la hierba del producto.
- Limpie el material no deseado de las superficies acabadas y las ruedas.
- Utilice un rascador para eliminar las acumulaciones de hierba y residuos de debajo del producto.
- No utilice un equipo de limpieza a alta presión para limpiar el producto.

- No vierta agua directamente en el cabezal eléctrico ni en los contactos de la batería.
- Al limpiar por debajo del producto, retire la batería y la llave de seguridad, y coloque el producto sobre el lateral, con la interfaz de control del usuario orientada hacia arriba.



PRECAUCIÓN: No limpie el producto con agua, líquidos de limpieza o disolventes. Retire el material no deseado de la parte exterior del producto con un cepillo suave o un paño seco no metálico.

Para limpiar el recogedor de césped

- Los poros de los recogedores de césped de tela pueden llenarse de polvo y suciedad durante la utilización del producto. Esto hace que el recogedor de césped recoja menos césped. Para que esto no suceda, limpie a menudo el recogedor de césped con agua y deje que se seque antes de usarlo.
- Examine el recogedor de césped con frecuencia para comprobar si presenta desgaste o deterioro. Sustitúyala si es necesario.

Para examinar la cubierta trasera

La cubierta trasera está colocada entre las ruedas traseras del producto. La cubierta reduce el riesgo de expulsión de objetos en dirección a la posición de corte del usuario.

1. Asegúrese de que la cubierta trasera no esté dañada.
2. Examine la cubierta trasera en busca de defectos que pudieran empujarla y hacer que se cerrase, incluidos agrietamientos y muelles rotos.
3. Sustituya la cubierta trasera o los muelles en caso de estar dañados.

Para afilar y equilibrar la cuchilla

Para lograr unos resultados óptimos, mantenga afilada la cuchilla. Cambie la cuchilla si está doblada o dañada.



PRECAUCIÓN: Utilice guantes o haga girar la rueda con un paño grueso para evitar dañarse las manos.

1. Afile la cuchilla con una lima o una amoladora. No afile la cuchilla mientras esté instalada en el producto.



PRECAUCIÓN: No recomendamos que afile la cuchilla. En caso de hacerlo, asegúrese de que la cuchilla esté correctamente equilibrada. Una cuchilla desequilibrada puede dañar el producto o el motor.

2. Coloque un clavo recto en un trozo de madera o una pared. Asegúrese de que pueda ver 2-3 cm del clavo.

- Coloque el orificio central de la cuchilla en la cabeza del clavo. Si la cuchilla está equilibrada, deberá permanecer en posición horizontal. Si uno de los dos extremos de la cuchilla se mueve hacia abajo, afile el extremo pesado hasta que la cuchilla esté equilibrada.
- Asegúrese de que la cuchilla quede alineada con el centro del eje del motor.

Para sustituir la cuchilla

- Bloquee la cuchilla con un bloque de madera.(Fig. 45)
- Extraiga el tornillo de la cuchilla.
- Desmonte la cuchilla.
- Inspeccione el soporte de la cuchilla y el tornillo de la cuchilla para comprobar si presentan daños.
- Inspeccione el eje del motor para asegurarse de que no está doblado.
- Cuando instale la nueva cuchilla, colóquela con los extremos en ángulo en dirección a la cubierta de corte.(Fig. 46)

- Bloquee la cuchilla con un bloque de madera. Coloque la arandela elástica, y apriete el perno y la arandela con un par de Nm.(Fig. 47)
- Mueva la cuchilla en distintas direcciones manualmente y compruebe que gira libremente.



ADVERTENCIA: Use guantes resistentes. La cuchilla está muy afilada y se pueden producir cortes con mucha facilidad.

- Arranque el producto para hacer una prueba de la cuchilla. Si la cuchilla no está correctamente fijada, se produce una vibración en el producto o el resultado de corte no es satisfactorio.

Códigos de error

Los códigos de error le ayudan a solucionar los problemas del producto o la batería durante la utilización del producto.

Pantalla LED	Posibles errores	Posibles pasos
No se enciende ningún LED después de pulsar el botón de encendido de la interfaz de control del usuario, la batería del producto no funciona	La batería no está totalmente colocada en el producto o bien el fusible interno está fundido	Empuje la batería totalmente en el cabezal eléctrico hasta que se oiga un clic. Si los LED no se encienden después de haber colocado completamente la batería y haber pulsado el botón de encendido de la interfaz de control del usuario, contacte con un centro de servicio autorizado.
Los cuatro LED de capacidad de la batería parpadean, ningún otro LED se enciende después de haber pulsado el botón de encendido	La batería no está totalmente colocada en el producto o bien la temperatura interna de la batería es demasiado elevada o demasiado baja.	Empuje la batería totalmente en el cabezal eléctrico hasta que se oiga un clic. Si los LED continúan parpadeando, es posible que la temperatura interna de la batería sea demasiado elevada o demasiado baja. Espere a que la batería se caliente o se enfríe. Para favorecer el proceso de enfriamiento, es posible colocar la batería en el cargador para refrigerarla activamente.
Los cuatro LED de capacidad de la batería y encendido parpadean, ningún otro LED se enciende después de haber pulsado el botón de encendido	El mango de control del motor se mantiene bajado al pulsar el botón de encendido por primera vez o bien avería interna del interruptor del mango de control del motor	Suelte el mango de control del motor. Si el mango de control del motor no se mantiene bajado y los LED continúan parpadeando, contacte con un centro de servicio autorizado.

Pantalla LED	Posibles errores	Posibles pasos
El producto deja de funcionar y los cuatro LED de capacidad de la batería parpadean sin que se encienda ningún otro LED.	La batería se afloja del cabezal eléctrico y deja de hacer contacto correctamente, la batería está demasiado caliente o fría, u otro error interno de la batería	<ol style="list-style-type: none"> 1. Pare el producto. 2. Retire la batería del producto y pulse el botón indicador de la batería para mostrar el código de error. Los LED de la batería se encienden e indican un código de error. 3. En el manual de la batería suministrado hay una lista de códigos de error relativos a los LED para posibles averías y procedimientos. <p>Si la batería no indica ningún error después de pulsar el botón indicador correspondiente y solo muestra el estado de carga, es posible que la batería se haya soltado del cabezal eléctrico durante la utilización del producto. Coloque la batería correctamente en el cabezal eléctrico hasta que se oiga un clic.</p>
El producto deja de funcionar y el botón de encendido parpadea mientras que los LED de capacidad de la batería siguen indicando el estado de carga del momento determinado	La cámara de corte está obstruida de hierba, el controlador del motor está demasiado caliente o avería del motor	<ol style="list-style-type: none"> 1. Pare el producto. 2. Retire la batería y coloque el producto sobre el lateral, con la interfaz de control del usuario orientada hacia arriba. 3. Examine la cuchilla, el tornillo de la cuchilla, el conjunto de la cuchilla, el motor y la base del motor en busca de daños. Retire toda la hierba de la parte inferior de la máquina y examínela en busca de obstrucciones. 4. Coloque la batería y siga el procedimiento de arranque para arrancar la máquina. <p>Si sigue mostrándose el error, espere a que el producto se enfríe. El controlador del motor puede estar demasiado caliente como para utilizar el producto. Si el error continúa mostrándose, contacte con un centro de servicio autorizado.</p>

TRANSPORTE Y ALMACENAMIENTO

- Proteja el equipo durante el transporte para evitar daños y accidentes.
- Para almacenar los equipos, retire la llave de seguridad y manténgalos en una zona aislable alejada de niños y personas sin autorización.
- Para almacenar el producto y el equipo, hágalo en un lugar seco y resistente a las heladas.
- Cuando cargue el producto o lo traslade, no sobrepase el ángulo de trabajo máximo recomendado de 15 grados.
- Limpie el producto. Para obtener más información, consulte *Limpieza del producto en la página 84*.
- Lubrique el producto.
- Apriete los pernos y las tuercas.
- Sustituya o repare los componentes dañados.
- Retoque todas las superficies pintadas que presenten desperfectos o corrosión. Lije ligeramente antes de pintar.
- Utilice una cubierta protectora correcta sobre el producto que no retenga la humedad. No utilice plástico, dado que no es transpirable, permite la acumulación de condensación y corroe el producto.
- Retire siempre la batería antes de transportar o almacenar el producto.

DATOS TÉCNICOS

	unidad	LM2146C Li58-52 (58VBKJN46C)	LM2146CA Li58-52 (58VBKJN46CR)
Motor de corte			
Tipo de motor	—	BLDC (sin cepillo) 58V	BLDC (sin cepillo) 58V
Velocidad del motor – Modo ECO	rpm	2300	2300
Velocidad del motor – Modo automático	rpm	2500 rpm hasta que la corriente supere un valor de 12 A durante 3 segundos; las rpm aumentan hasta 2800 rpm hasta que la corriente se reduzca por debajo de un valor de 18 A durante 10 segundos.	2500 rpm hasta que la corriente supere un valor de 12 A durante 3 segundos; las rpm aumentan hasta 2800 rpm hasta que la corriente se reduzca por debajo de un valor de 18 A durante 10 segundos.
Velocidad del motor – Modo Boost	rpm	2800	2800
Potencia del motor – Máx.	kW	1,5	1,5
Potencia del motor – Máx. continua	kW	0,9	0,9
Potencia del motor – Nominal	kW	0,9	0,9
Límite de sobrecorriente (corriente máx.)	A (amperios)	25	25
Peso			
Peso (sin batería)	kg	23,5	24,5
Batería			
Tipo de batería		590923813	590923813
Duración de la batería			
Duración de la batería	m ²	Hasta 1200	Hasta 1000
Emisiones de ruido ¹⁹			
Nivel de potencia acústica medida	dB (A)	87	87
Nivel de potencia acústica, garantizado (LWA)	dB (A)	87	87
Niveles acústicos			
²⁰			
Nivel de presión sonora en el oído del operario	dB (A)	< 80	< 80

¹⁹ Emisiones sonoras en el entorno medidas como potencia acústica (LWA) según la directiva CE 2000/14/CE.

²⁰ Los datos referidos del nivel de presión sonora tienen una dispersión estadística habitual (desviación típica) de 1,2 dB (A).

	unidad	LM2146C Li58-52 (58VBKJN46C)	LM2146CA Li58-52 (58VBKJN46CR)
Niveles de vibraciones			
21			
Asa	m/s ²	0,65	0,65
Tronzado			
Altura de corte	mm	30-80	30-80
Anchura de corte	cm	46	46
Cuchilla, recogida	—	581188910	581188902
Cuchilla, trituración	—	581188910	581188902
Capacidad del recogedor	litros	50	50

CONTENIDO DE LA DECLARACIÓN DE CONFORMIDAD CE

Nosotros, Husqvarna AB, SE 561 82 Huskvarna, SUECIA, declaramos bajo nuestra exclusiva responsabilidad que el producto representado:

Descripción	Cortacésped giratorio eléctrico
Marca	Jonsered
Plataforma/tipo/modelo	Plataforma 58VBKJN46C (representa el modelo LM2146C Li58-52), plataforma 58VBKJN46CR (representa el modelo LM2146CA Li58-52).
Lote	Número de serie a partir del año 2018 y en adelante

Cumple las siguientes directivas y normas de la UE:

Directiva/Norma	Descripción
2006/42/CE	"relativa a las máquinas"
2014/30/UE	"relativa a la compatibilidad electromagnética"
2000/14/CE	"relativa al ruido en exteriores"
2011/65/UE	"relativa a las sustancias peligrosas"

Las normas armonizadas o especificaciones técnicas aplicadas son las siguientes: EN60335-1, EN60335-2-77, EN50366, EN55014-1, EN55014-2, EN61000-3-2, EN61000-3-3

De acuerdo con la directiva 2000/14/CE, Anexo V, los valores de sonido declarados se indican en el capítulo Datos técnicos de este manual y en la declaración de conformidad de la UE firmada.

Intertek ha efectuado un examen voluntario para Husqvarna AB, que proporciona el certificado de conformidad con la directiva del Consejo Europeo 2006/42/CE referente a máquinas.

El certificado, como se indica en la declaración de conformidad CE firmada, es aplicable a todas las plantas de fabricación y países de origen, tal y como se indica en el producto.

El cortacésped giratorio eléctrico suministrado es conforme a la muestra que se sometió a examen.

²¹ Los datos referidos del nivel de vibración poseen una dispersión estadística habitual (desviación típica) de 0,2 m/s². Vibración estándar EN 60335-2-77:2017 capítulo 20.105.

Sisukord

SISSEJUHATUS.....	89	HOOLDUS.....	95
OHUTUS.....	90	TRANSPORTIMINE JA HOIULEPANEK.....	97
KOKKUPANEK.....	93	TEHNILISED ANDMED.....	97
Kasutamine.....	93	EL-I VASTAVUSDEKLARATSIOONI SISU.....	98

SISSEJUHATUS

Kasutusjuhend

Selle kasutusjuhendi originaal on koostatud inglise keeles. Teistes keeltes kasutusjuhendid on tõlgitud inglise keelest.

Ülevaade

(Joon. 1)

1. Kasutaja kohaloleku kontroll-latt
2. Rohukogur
3. Sõiduhob
4. Elektriline mootoriosa
5. Lõikekõrguse hob
6. Akulaadija
7. Kasutusjuhend
8. Kasutaja juhtliides
9. Aku
10. Akukate
11. Toitenupp
12. Käivitusrežiimi nupp
13. Tagaluuk
14. Laetustase
15. Vöti
16. Multšikork

Sümbolid tootel

(Joon. 2) Hoiatus

(Joon. 3) Lugege läbi käesolev kasutusjuhend

(Joon. 4) Enne seadme kasutamist lugege kasutusjuhend põhjalikult läbi, et kõik juhised oleksid täiesti arusaadavad.

(Joon. 5) Kandke heakskiidetud kaitseprille

(Joon. 6) Kandke heakskiidetud kõrvaklappe

(Joon. 7) Kandke heakskiidetud kiivrit

(Joon. 8) Kandke heakskiidetud kõrvaklappe

(Joon. 9) Hoiatus: pöörlev lõiketera. Hoidke käed ja jalad eemal.

(Joon. 10) Hoidke käed ja jalad pöörlevatest osadest eemal. Ärge eemaldage ega avage kaitseplaate mootori töötamise ajal.

Enne tahapooli liikumist ja tahapooli liikumise ajal vaadake enda taha ja jalgade ette, et liikumisteel poleks lapsi loomi ega muid takistusi, mis võiksid põhjustada teie kukkumist.

(Joon. 11) Olge ettevaatlik - lenduvad esemed ning tagasipõrkumise oht.

(Joon. 12) Teised inimesed ja loomad peavad viibima tööalast ohutus kauguses.

(Joon. 13) Ohtlik kallak

(Joon. 14) Elektrilöök

(Joon. 15) Enne remonti, reguleerimist, seadmistamist või transportimist eemaldage vöti.

(Joon. 16) Toitenupp

(Joon. 17) mootor sisse lülitatud

(Joon. 18) Mootori pidurikäepide on rakendatud

(Joon. 19) Mootor ei tööta

(Joon. 20) Mootori pidurikäepide on vabastatud

Toodet ja selle pakendit ei tohi kasutuselt kõrvaldada koos olmeprügiga. Toode ja selle pakend tuleb toimetada ettenähtud vastuvõtupunkti, kus elektri- ja elektroonikaseadmed võetakse uuesti ringlusesse.

Ärge hoidke ega kasutage toodet vihmas käes ega niisketes tingimustes ega jätke toodet sellistesse tingimustesse.

(Joon. 21) Ringlussevõtt

(Joon. 22) Helitugevuse tase

See seade vastab kehtivatele EÜ
(Joon. 26) direktiividele.

(Joon. 27) Toode vastab kehtivatele EAC direktiividele.

Toode vastab kehtivatele Ukraina
(Joon. 28) direktiividele

Tootevastutus

Tootevastutusseaduste alusel ei vastuta me tootest tingitud kahjustuste eest, kui:

- toodet on valesti parandatud;
- toote parandamisel on kasutatud osi, mis ei ole tootja poolt valmistatud või heaks kiidetud;
- tootel on kasutatud tarvikut, mis ei ole tootja poolt valmistatud või heaks kiidetud;
- toodet ei ole parandatud volitatud hoolduskeskuses või volitatud isiku poolt.

OHUTUS

Ohutuse määratlused

Järgnevad määratlused näitavad mürgusõnade raskusastet.



HOIATUS: Kehavigastused.



ETTEVAATUST: Toote kahjustus.

Märkus: See teave hõlbustab toote kasutamist.

Üldised ohutuseeskirjad

- Kasutage toodet õigesti. Valesti kasutamise tagajärjeks võib olla kehavigastus või surm. Kasutage toodet ainult käesolevas kasutusjuhendis kirjeldatud tööde tegemiseks. Ärge kasutage toodet muude tööde tegemiseks.
- Lugege kasutusjuhend läbi, tehke juhendid endale arusaadavaks ja järgige neid. Järgige hoiatussümboliteid ja ohutuseeskirju. Kui operaator ei järgi juhiseid, eeskirju ja sümboliteid, võib selle tagajärjeks olla kahjustus, kehavigastus või surm.
- Hoidke see kasutusjuhend alles. Tarvitage kasutusjuhendit toote kokkupanemisel, kasutamisel ja heas töökorras hoidmisel. Tarvitage kasutusjuhendit tarvikute ja lisavarustuse õigeks paigaldamiseks. Kasutage ainult heakskiidetud tarvikuid ja lisavarustust.
- Ärge kasutage kahjustatud toodet. Järgige hoolduskeemi. Tehke ainult neid hooldustöid, mille juhised on toodud selles kasutusjuhendis. Kõik ülejäänud hooldustööd peab tegema volitatud hoolduskeskus.
- Selles kasutusjuhendis ei saa kirjeldada kõiki olukordi, mis võivad toote kasutamise käigus ette tulla. Olge ettevaatlik ja kasutage tervet mõistust. Ärge kasutage toodet ega tehke hooldustöid, kui te pole antud olukorras kindel. Vestelge lisateabe saamiseks toote asjatundja, edasimüüja,

hooldustöökoja või volitatud hoolduskeskuse esindajaga.

- Ärge kasutage toodet, kui selle algeid tehnilisi näitajaid on muudetud. Ärge muutke toote ühtegi osa ilma tootja heakskiiduta. Kasutage ainult tootja poolt heaks kiidetud osi. Vale hooldamise tagajärjeks võib olla kehavigastus või surm.
- Toode tekitab töötades elektromagnetvälja. Elektromagnetväli võib kahjustada meditsiinilisi implantaate. Enne toote kasutamist pidage nõu oma arsti ja implantaadi valmistajaga.
- Ärge lubage lastel toodet käsitseda.
- Ärge lubage kasutusjuhistega mitte tutvunud isikul toodet käsitseda.
- Kui toodet kasutab piiratud füüsiliste või vaimsete võimetetega isik, peab ta olema kogu aeg järelevalve all. Juures peab alati viibima vastutusvõimeline täiskasvanu.
- Kasutusel mitte olev toode lukustage kohta, kus lapsed ja volitamata isikud selle juurde ei pääse.
- Toode võib esemeid õhku paisata ja põhjustada kehavigastusi. Vigastus- ja surmaohu vähendamiseks järgige ohutuseeskirju.
- Ärge lahkuge vooluvõrku ühendatud seadme juurest. Enne eemaldumist peatage toode.
- Enne tahapoole liikumist ja tahapoole liikumise ajal vaadake enda taha ja jalgade ette, et liikumisteel poleks lapsi loomi ega muid takistusi, mis võiksid põhjustada teie kukkumist.
- Õnnetusjuhtumite eest toote kasutamisel vastutab toote operaator.
- Enne toote kasutamist veenduge, et kõik osad oleksid terved.
- Tutvuge riiklike või kohalike eeskirjadega. Need võivad toote kasutamist teatud asjaoludel piirata või selle keelata.

Ohutusjuhised kasutamisel

- Enne toote kasutamist õppige tundma juhtseadiseid ja toote käsitemispõhimõtteid.
- Ärge lubage kasutusjuhistega mitte tutvunud isikul toodet käsitseda.
- Ärge kasutage toodet, kui selle läheduses on inimesed (eriti lapsed) või lemmikloomad.

- Töötamise ajal hoidke lapsed niidetavast alast eemal ja teise täiskasvanu järelevalve all.
- Kui tööalasse siseneb teisi inimesi, seisake mootor.
- Vaadake kogu toote tööala enne töö alustamist üle. Eemaldage kõik esemed, mille töötav toode võiks õhku paisata.
- Enne toote kasutamise alustamist veenduge, et lõiketera, lõiketera polt, lõiketera koost ja mootorialus poleks kulunud ega kahjustatud.
- Kasutage masinat ainult päeavalguses või hea kunstliku valgustusega.
- Toodet ei tohi kasutada vihma käes või märjas keskkonnas.
- Olge eriti ettevaatlik nurkade, pöösaste ja puude või teiste objektide läheduses, mis varjavad vaadet.
- Tagurdades ja toodet enda poole tõmmates olge eriti ettevaatlik.
- Ärge pange oma käsi või jalgu pöörlevate osade alla või lähedale. Hoiduge alati eemale väljutusavadest.
- Kruusakattega pindade ületamisel peatage lõiketerad.
- Enne toote puhastamist, rohkoguri eemaldamist või viskekanalist materjali eemaldamist seisake mootor, eemaldage aku ja oodake, kuni lõiketera on täielikult seiskunud.
- Ärge kasutage toodet, kui olete väsinud, haige või tarvitanud alkoholi või muid narkootilisi aineid.
- Kui toode vibreerib tavatult, peatage mootor, eemaldage aku ja tehke vibratsiooni põhjus kohe kindlaks. Vibratsioon annab üldiselt teada tõrkest.
- Ärge suunake materjali väljaheitetrajektoori teiste inimeste poole. Veenduge, et väljaheidatav materjal ei tabaks seina või muud takistust. Materjal võib kasutaja suunas tagasi paiskuda.
- Ärge kasutage niidukit ilma nõuetekohaste kaitsete, plaatide, rohkoguri või muude kaitseeadisteta, mis peavad olema paigaldatud.

Tööala ohutus

- Enne seadmega töö alustamist eemaldage tööalalt oksad, raad, kivid ja muud lahtised esemed.
- Teised inimesed ja loomad peavad viibima tööalast ohutus kauguses.
- Lõikeosaga kokku puutuvad esemed võivad õhku paiskuda ning inimesi vigastada ja esemeid kahjustada.
- Ärge kasutage seadet halva ilmaga, nt udu, vihma, niiskete või märgade töötingimuste, tugeva tuule, liigse külma ning äikeseehu korral jms oludes. Halva ilmaga töötamine võib põhjustada väsimust ja ohuolukordi (nt libedad pinnad).
- Vaadake tööala üle ja veenduge, et miski ei saaks teid toodet kontrolli all hoidmast takistada.
- Olge tähelepanelik juurte, kivide, okste, aukude ja kraavide suhtes. Kõrge rohi võib takistusi varjata.
- Olge ettevaatlik varjatud nurkade ja vaatevälja varjavate esemete läheduses.

Ohutusjuhised kasutamisel

- Lükkava ketiga lõikamisel olge eriti ettevaatlik. Trimmerid võivad olla ohtlikud Kallakul kukkumine võib põhjustada kehavigastuse.
- Niitke kallaku pinnaga risti. Ärge liikuge üles ja alla.
- Kallakul liikumissuuna muutmisel olge ettevaatlik.
- Olge tähelepanelik murul leiduda võivate peidetud esemete ja aukude suhtes. Konarlik maastik võib põhjustada kukkumisi.
- Ärge niitke järsu kallaku, järsaku, kraavi või kaldapealse lähedal. Te võite kukkuda.
- Ärge niitke märga rohtu. Te võite kukkuda.
- Ärge niitke maastikul, mille kallak ületab 15 kraadi.

Isiklik kaitsevarustus

Toote kasutamise ajal kandke alati kohast isiklikku kaitsevarustust. Minimaalne kaitsevarustuse komplekt koosneb tugevatest jalatsitest, silmade kaitsevahendist ja kõrvaklappidest. Isikukaitsevarustus ei välista kehavigastuste tekkimist, kuid vähendab õnnetusjuhtumi korral kehavigastuse raskusastet.

- Seadet käitades ja seda reguleerides või remontides kandke alati kaitseprille või -maski.
- Ärge käsitsege toodet paljajalu või lahtiste jalatsitega. Kasutage toote kasutamise ajal alati tugevaid libisemiskindlaid saapaid, millel on hea pahkluu tugi.
- Kandke tugevaid pikki pükse. Ärge kandke lühikese pükse, lahtiseid jalatseid ega käige paljajalu.
- Vajadusel kandke nõuetekohaseid kaitsekindaid. Näiteks tera kinnitamisel, uurimisel või puhastamisel.
- Toote kasutamisel kandke alati heakskiidetud kõrvaklappe. Pikaajaline müra keskkonnas viibimine võib põhjustada müra stingitud kuulmiskadu.

Toote kaitseeadised

- Tehke regulaarselt toote ettenähtud hooldustöid.
 - Toote kasutusiga pikeneb.
 - Õnnetuste oht väheneb.

Laske toode edasimüüja juures või volitatud hoolduskeskuses regulaarselt läbi vaadata ja teha vajalikud reguleerimis- või parandustööd.

- Ärge kasutage toodet, kui kaitseeadised on kahjustatud. Kui toode saab kahjustada, pöörduge volitatud hoolduskeskusesse.

Mootori pidurikäepide

Mootori pidurikäepideme abil saab mootori seisata. Veenduge, et mootor seiskuks, kui mootori pidurikäepide vabastada.

- Käivitage mootor ja vabastage seejärel pidurikäepide. Mootor peab seiskuma.

Märkus: Kui juhtkäepide mootorit ei seiska, vajutage mootori peatamiseks toitenuppu. Kui toode saab kahjustada, pöörduge volitatud hoolduskeskusesse.

Tagaluuk

Tagaluuk vähendab esemete toote tagant välja ja kasutaja kohale paikumise ohtu.

- Veenduge, et tagaluuk poleks kahjustatud ja sellel poleks nähtavaid defekte (nt pragusid või purunenud vedrusid). Defektid põhjustavad luugi jõuga sulgumist. Kui deflektor või vedrud on kahjustada saanud, vahetage need välja.

Ohutusjuhised hooldamisel



HOIATUS: Hooldage toodet ainult selle kasutusjuhendi järgi. Keerukamad tööd laske teostada volitatud hooldustöökojas.

Toote kasutusea tõstmiseks ja õnnetuste ohu vähendamiseks tehke kõik hooldustööd korrektselt. Laske professionaalsed parandustööd teha volitatud hooldustöökojas. Lisateavet küsige lähimast hooldustöökojast.



HOIATUS: Toote juhusliku käivitumise vältimiseks transportimise, hooldus- või parandustöö ajal eemaldage aku ja oodake enne selle tagasi asetamist vähemalt 5 sekundit.



HOIATUS: Lõikeosa käsitsedes kandke alati tugevaid kindaid. Lõiketera on väga terav ja võib kergesti põhjustada lõikevigastusi.

- Parima ja ohutuima töö tagamiseks hoidke lõikeservad teravana ja puhtana.
- Laske hooldustöökojas toodet korrapäraselt kontrollida ning teha vajalikke seadistamisi ja parandusi.
- Asendage kahjustatud, kulunud ja katkised osad.
- Järgige tarvikute vahetamise juhiseid. Kasutage ainult tootja valmistatud tarvikuid.



HOIATUS: Kui toodet ei kasutata, hoidke toodet, akut ja akulaadijat eraldi, kuivas ja lukustatavas siseruumis, lastele ja volitamata isikutele kättesaamatus kohas.

Aku ohutus

Kasutage ainult toote valmistaja akusid ja laadige neid ainult toote valmistaja akulaadijaga.

Seotud juhtmevabadel seadmetel kasutatakse toiteallikana ainult laetavaid akusid. Kehavigastuste vältimiseks ei tohi akut kasutada muude seadmete toiteallikana.

- Ärge võtke lahti, avage ega purustage akut.
- Ärge hoidke akut otsese päikesevalguse või kuumuse käes. Hoidke aku eemal lekidest.
- Kontrollige regulaarselt, kas akulaadijal ja akul leidub kahjustusi. Kahjustatud või muudetud aku võib põhjustada tulekahju, plahvatuse või vigastuse ohu. Ärge püüdke kahjustatud akut parandada ega avada.
- Ärge kasutage defektset, muudetud või kahjustatud akut või toodet.
- Ärge muutke ega parandage toodet või akut. Kõik parandustööd laske teha üksnes volitatud edasimüüjal.
- Ärge laske elemendis või akus lühist tekkida. Ärge asetage akut kasti või sahtlisse, kus mõni metallese võib akus lühise tekitada.
- Ärge eemaldage akut originaalpakendist enne, kui seda on vaja kasutada.
- Ärge tekitage akudele mehaanilisi põrutusi.
- Lekke korral vältige vedeliku kokkupuudet naha ja silmadega. Kui vedelik satub kehale, puhastage kokkupuutunud ala rohke veega ja seejärel pöörduge arsti poole.
- Kasutage aku laadimiseks ainult selleks ette nähtud laadijat.
- Õigesti kasutamise tagamiseks jälgige pluss- (+) ja miinustähiste (–) asukohti ajal ja tootel.
- Ärge kasutage akut, mis ei ole spetsiaalselt selle toote jaoks valmistatud.
- Ärge kasutage seadmes korraga erineva pingega või erinevate tootjate valmistatud akusid.
- Hoidke aku eemal lastest.
- Ostke tootele alati õige aku.
- Hoidke akud puhta ja kuivana.
- Kui akulemmid määrduvad, puhastage need kuiva puhta lapiga.
- Laetav aku tuleb enne kasutamist laadida. Kasutage alati õiget laadijat ja lugege kasutusjuhendist läbi õige laadimise juhised.
- Kui akut ei kasutata, ärge jätke seda pikemaks ajaks laadima.
- Hoidke kasutusjuhend alles.
- Kasutage akut ainult sihtotstarbeliselt.
- Kui te seadet ei kasuta, võtke aku sellest välja.
- Hoidke aku töötamise ajal eemal kirjaklambritest, võtmetest, naeltest, kruvidest ja muudest väikestest metallesemetest. Need võivad akulemmid omavahel ühendada. Akulemmide lühistamine võib põhjustada põletushaavu või tulekahju.

KOKKUPANEK



HOIATUS: Enne toote kokkupanemise alustamist lugege läbi ohutuspeatükk.

Toote karbist väljavõtmine

1. Eemaldage niidukiga kaasas olevad lahtised osad.
2. Lõigake ära karbi neli nurka ja pange otsapaneelid lapiti maha.
3. Eemaldage kõik pakkematerjalid.
4. Eemaldage toote karbist ja veenduge, et karbis poleks ühtegi lahtist osa.

Käepideme kokkupanek

1. Asetage käepideme alumised kruviavad kohakuti käepidemekoostu kruviavadega. Paigaldage kruvid, seibid ja nupud. (Joon. 29)
2. Õige käepidemekõrguse reguleerimiseks keerake alumised nupud lahti, et reguleerida kõrgust, ja siis pingutage nuppe korralikult.

Toote seadmine töösensisse

1. Tõstke ülemine käepide töösensisse.
2. Keerake nupud korralikult kinni.

Rohukoguri kokkupanek

1. Kinnitage rohukoguri raam rohukoti külge nii, et koti jäik osa jääb põhja. Hoidke raami käepidet rohukoti peal. (Joon. 30)
2. Kinnitage rohukoguri raami alumine osa rohukoguri allosas asuvasse soonde. (Joon. 31)
3. Kinnitage rohukoguri konksud raami ülaservale. (Joon. 32)
4. Asetage rohukoguri alaosa muru väljaviskekanalisse.

Toote seadistamine vasakukäelise kasutaja jaoks

Kogumisrežiimil kogub toode rohuliblesid rohukogurisse.



ETTEVAATUST: Ärge kasutage toodet, kui tagaluuk pole suletud või õige rohukogur pole paigaldatud. Ärge püüdke toodet kasutada, kui tagaluuk on eemaldatud või lahti.

1. Tõstke tagaluuk üles ja asetage rohukoguri raami konksud tagaluugi pöörajale. (Joon. 33)
2. Vabastage tagumine kaitse ja laske sel toetuda rohukoti raami ülaservale.

Toote seadistamine multšimisrežiimile (kui varustuses)

Multšimisrežiimis teeb toode rohulibles väiksemaks. Seejärel laotatakse rohulibles murule laiali. Multšitud rohi biolaguneb kiiresti ja annab murule toitaineid.

1. Kergitage tagakaant ja eemaldage rohukogur. (Joon. 34)
2. Asetage multšikork väljaviskekanalisse. (Joon. 35)
3. Sulgege tagakate kindlalt.

Toote seadistamine vasakukäelise kasutaja jaoks

1. Eemaldage multšikork või rohukogur. (Joon. 36)
2. Sulgege tagakate kindlalt.

Lõikamiskõrguse reguleerimine



ETTEVAATUST: Ärge seadistage lõikamiskõrgust liiga madalaks. Kui muru pole tasane, võivad lõiketerad puutuda vastu maad.

Märkus: Seadke kõik neli lõikamiskõrguse juhseadist võrdsele kõrgusele.

1. Lõikamiskõrguse suurendamiseks tõmmake lõikamiskõrguse hooba tagasisuunas.
2. Lõikamiskõrguse vähendamiseks lükake lõikamiskõrguse hooba edasisuunas. (Joon. 37)

Kasutamine



HOIATUS: Enne toote kasutamist lugege ohutuspeatükki ja tehke selles olev teave endale arusaadavaks.

Põhiline lõikamistehnika

- Parima tulemuse saavutamiseks kasutage alati teritatud tera. Kui lõiketera pole terav, niidab see ebaühtlaselt ja rohu lõigatud pind tõmbub kollaseks.
- Lõigake kuni pool muru pikkusest. See on eriti tähtis kuivadel perioodidel. Niitke kõigepealt kõrgele reguleeritud lõikamiskõrgusega. Seejärel kontrollige kõrgust ja langetage lõikamiskõrgus sobivale kõrgusele. Kui muru on väga pikk, sõitke aeglaselt ja vajadusel niitke kaks korda.
- Rasketes oludes niitmisel vähendage lõikamislaust, liikudes osaliselt üle juba niidetud pinna, ja niitke aeglaselt.

- Niitke iga kord erinevas suunas, et ära hoida triipude tekkimist murule.
- Puhastage rohkogurit regulaarselt veega ja laske sel enne kasutamist kuivada. Töötamise käigus võib riidest rohkogurite pooridesse sattuda mustust ja tolmu. Seetõttu koguneb rohkogurisse vähem rohtu.

Enne toote käivitamist

- Tööpiirkonnas ei tohi viibida võõraid isikuid ega loomi.
- Hooldage iga päev. Vt jaotist *HOOLDUS lk 95*.

Seadme käivitamine

1. Asetage aku oma kohale, kuni kuulete klõpsatust. Veenduge, et toode oleks õigesti paigaldatud. (Joon. 38)
2. Asetage võti akukaane all asuvasse taskusse. Veenduge, et toode oleks õigesti paigaldatud. (Joon. 39)

Märkus: USB-kaabli saab ühendada ainult ühel viisil.

3. Toitenupu (ON/OFF) kontrollimine Nupu tuli süttib. (Joon. 40)
4. Tõmmake mootori pidurikäepidet juhtraua suunas. LED-lambike hakkab vilkuma. (Joon. 41)
5. Vajutage nuppu ON/OFF. Seejärel lähtestab toode end. (Joon. 42)

Seadme seiskamine

- Vabastage mootori juhtkäepide või vajutage üks kord toitenuppu. (Joon. 43)

Veo kasutamine ratastel (v.a mudelil)

(Joon. 44)

- Tõmmake veo käepidet juhtraua suunas.
- Enne toote tagasisuunas tõmbamist vabastage vedu ja lükake toodet umbes 10 cm edasisuunas.
- Veo vabastamiseks vabastage veo käepide näiteks siis, kui lähenete takistusele.

Rohkoguri kokkupanek

1. Tõstke rohkoguri raami käepideme abil üles.
2. Eemaldage käepideme alt rohkogurist rohulibled.
3. Eemaldage rohulibled kotist raami käepideme ja koti käepideme abil.



ETTEVAATUST: Kulumise vältimiseks ärge lohistage kotti rohkoguri tühjendamise ajal.

Kiirusrežiimi muutmine

Töötamise ajal saab toote seada ühte kolmest niitmisrežiimist, vajutades niitmisrežiimi nuppu.

- **Automaatrežiim** – toode reguleerib niitmiskiirust automaatselt, vastavalt niidetava rohu kogusele.
 - **Märkus:** Töö alustamisel seadistatakse toode vaikimisi automaatrežiimile.
- **Võimendusrežiim** – toode töötab suurel kiirusel sõltumata niidetava rohu kogusest.
 - Automaatrežiimilt võimendusrežiimile lülitumiseks vajutage tootega töötamise ajal üks kord niitmisrežiimi nuppu. Niitmisrežiimi nupu tuli süttib.
- **ECO-režiim** – toode töötab väikesel kiirusel sõltumata niidetava rohu kogusest.
 - Võimendusrežiimilt ECO-režiimile lülitumiseks vajutage tootega töötamise ajal üks kord niitmisrežiimi nuppu. Niitmisrežiimi nupu tuli süttib ja vilgub.
 - Vaike-automatrežiimile naasmiseks vajutage tootega töötamise ajal üks kord niitmisrežiimi nuppu. Niitmisrežiimi nupu tuli lõpetab vilkumise.

Märkus: Kui mootori juhtkäepide töötamise ajal vabastatakse, jääb tootel aktiivseks hetkel kasutatav niitmisrežiim. Kui toode peatub automaatselt või kui kasutaja vajutab toitenuppu, siis varem kasutatud niitmisrežiim kustutatakse mälust ja uuesti käivitamisel alustab toode tööd automaatrežiimis.

Aku laadimise märgutuli kasutamise ajal:

Kasutaja juhtliidese näidikul kuvatakse aku maht ja akuga seotud probleemide märguanded. Aku mahtu näidatakse toote töötamise ajal.

LED-tuled	Aku olek
Süttivad kõik rohelised LED-tuled	Täielikult laetud (100–76%)
Süttivad LED-tuled 1, 2 ja 3	Aku on 75–51% laetud.
Süttivad LED-tuled 1 ja 2	Aku on 50–26% laetud.
Süttib LED-tuli 1	Aku on 25–6% laetud.
Vilgub LED-tuli 1	Aku on 5–0% laetud.

Kui töötamise ajal ilmneb aku tõrge, hakkavad kõik neli rohelist aku laetuse oleku LED-tuld vilkuma. Eemaldage aku tootest ja vajutage aku näidikonuppu, et kuvada tõrke tõrkekood. Tõrke korral aku LED-tuled ja kuvatakse tõrkekood. Vaadake aku kasutusjuhendist tõrkekoodide loendit ja probleemi lahendamise meetmeid.

HOOLDUS



HOIATUS: Enne toote puhastamist, remontimist või hooldamist lugege ohutuspeatükki ja tehke selles olev teave endale arusaadavaks.

Üldised hooldussoovitused

Toote garantii ei hõlma toote ebaõiget või hooletut kasutamist kasutaja poolt. Garantii kehtivuse tagamiseks peab kasutaja hooldama toodet vastavalt sellele juhendile. Toote töökorras oleku tagamiseks tuleb teha erinevaid reguleerimistoiminguid erinevate väljapadega.

- Kontrollige löiketera kulumist kord aastas.

Rehvide ülevaatus

- Kummi kahjustamise vältimiseks puhastage rehvidelt kütuse-, õli- ja kemikaalide jäägid.
- Vältige rehvide kokkupuutumist kändude, kivide, pinnase järskude ebatasustega, teravate esemete ja muu ohtlikuga, mis võib rehve kahjustada.

Üldkontrolli läbiviimine

- Veenduge, et kruvid ja mutrid oleksid korralikult kinnitatud.
- Veenduge, et kaablid poleks kuhugi vahele jäänud.

Hoolduskeem

Toote hooldusnõuded ja hooldustoimingute ajad leiata hoolduskeemist. Välbad on arvatud toote keskmise kasutuse alusel ja võivad olenevalt tegelikust kasutustihedusest erineda.

- Enne toote igat kasutuskorda ja hoiulepanekut pinguldage üle kõik poldid ja mutrid.
- Enne ja pärast toote igat kasutuskorda ja enne hoiulepanekut puhastage ja vaadake üle rohkoguri (kui paigaldatud).
- Enne toote igat kasutuskorda vaadake üle rehvid.
- Tühjendage mahutid pärast iga kasutamist ja enne hoiulepanekut. ****Kasutage löikekorpuse alumise osa puhastamiseks kaabitsat
- Kontrollige löiketeral kahjustuste ja pragude olemasolu iga 25 töötunni järel. Vahetage löiketera sageli, kui niidate liivasel pinnal.
- Määrige toodet 25 töötunni pikkuste intervallidega.
- Puhastage ja laadige aku pärast toote kasutamist ja hoiulolekut. Laadige akut maksimaalselt kuni 24 tundi.
- Hoiuloleku ajal ärge hoidke akut akulaadija sees. Laadige akut maksimaalselt kuni 24 tundi.
- Kontrollige veorihma ja rihmarattaid (kui paigaldatud) iga 25 töötunni järel.

Toote puhastamine

- Eemaldage võõrkehad ja -materjalid tootelt harja abil.
- Hoidke viimistletud pinnad ja rattad võõrmaterjalidest puhtad.
- Eemaldage kogunenud rohi ja muud jäägid toote põhja alt kaabitsa abil.
- Ärge kasutage seadme puhastamiseks survepesurit.
- Ärge valage ega suunake vett otse elektrilisele jõuseadmele ega aku kontaktidele.
- Toote põhja alt puhastamiseks eemaldage aku ja ohutuslülitit võti ning asetage toode küllili nii, et kasutaja juhtliides oleks suunatud ülespoole.



ETTEVAATUST: Ärge puhastage toodet vee, puhastusvedelike ega lahustitega. Eemaldage võõrmaterjalid toote välispindadelt metalle mittesisaldava pehme harja või kuiva riidelapiga.

Rohukoguri kokkupanek

- Töötamise käigus võib riidest rohkogurite pooridesse sattuda mustust ja tolmu. Selle tagajärjel väheneb rohkoguri rohu kogumise jõudlus. Selle vältimiseks puhastage rohkogurit regulaarselt veega ja laske sel enne kasutamist kuivada.
- Kontrollige rohkogurit sageli kulumise või kahjustumise suhtes. Vajaduse korral vahetage välja.

Tagaluugi kontrollimine

Tagaluuk on kinnitatud toote tagarataste vahele. Luugi eesmärgiks on vähendada niiduki kasutaja suunas paiskuvatest esemetest tingitud ohtu.

1. Veenduge, et ketipüüdja oleks kahjustamata.
2. Veenduge, et tagaluugil poleks luuki kinni suruvad defekte, sh pragusid või purunenud vedrusid.
3. Kui tagaluuk või vedrun on kahjustatud, vahetage need välja.

Löiketera eemaldamine ja vahetamine

Parima töötulemuse saavutamiseks hoidke niiduki löiketerad teravad. Paindunud või kahjustunud terad vahetage välja.



ETTEVAATUST: Käte vigastamise vältimiseks vahetage löiketera kinnastega ja/või katke see keeramiseks tugeva riidega.

1. Teritage löiketera viiliga või lihvkettaga. Ärge teritage löiketera, kui see on tootele paigaldatud.



ETTEVAATUST: Me ei soovita teil endal lõiketera teritada. Kui te siiski teritate ise lõiketera, siis veenduge, et see oleks tasakaalustatud. Tasakaalustamata lõiketera võib kahjustada toodet või mootorit.

2. Lööge sirge nael puitklotsi või seina sisse. Veenduge, et naelast oleks näha 2–3 cm.
3. Asetage lõiketera keskava naelapea otsa. Kui tera on tasakaalustatud, peaks see jääma horisontaalasendisse. Kui tera üks ots liigub allapoole, teritage raskemat otsa seni, kuni tera on tasakaalus.

5. Kontrollige mootori võlli ja veenduge, et see poleks väändunud.
6. Uue lõiketera kinnitamisel suunake nurksed otsad lõikekorpuse poole. (Joon. 46)
7. Veenduge, et lõiketera ja mootori võlli kese oleksid kohakuti.
8. Lukustage lõiketera mõne puuklotsiga. Kinnitage vedruseib ning pingutage polti ja seibi momendiga Nm. (Joon. 47)
9. Keerake tera käega, veendumaks, et see pöörleb vabalt.

Lõiketera vahetamine

1. Lukustage lõiketera mõne puuklotsiga. (Joon. 45)
2. Eemaldage lõiketera polt.
3. Eemaldage lõiketera.
4. Eemaldage lõiketera tugi ja polt ning kontrollige, kas esineb kahjustusi.



HOIATUS: Kasutage tugevaid kindaid. Lõiketera on väga terav ja võib kergesti põhjustada lõikevigastusi.

10. Tera katsetamiseks käivitage toode. Kui tera on valesti kinnitatud, siis toode vibreerib ja niitmistulemus pole rahuldav.

Tõrkekoodid

Aku ja/või akulaadija laadimise ajal tekkivate probleemide korral on veaotsingul abiks tõrkekoodid.

LED-ekraan	Võimalikud tõrked	Võimalik tegevus
Pärast kasutaja juhtliidese toitenupu vajutamist ei sütti ükski LED-tuli, toote aku ei toimi	Aku pole tootesse õigesti asetatud või sisemine kaite on läbi põlenud	Lükake aku lõpuni jõuseadme sisse, kuni kuulete klõpsatust. Kui pärast aku lõpuni sisse lükkamist ja kasutaja juhtliidese toitenupu vajutamist LED-tuled ikka ei sütti, pöörduge volitatud hoolduskeskusesse.
Pärast toitenupu vajutamist kõik neli aku mahutavuse LED-tuld vilguvad, kuid ükski muu LED-tuli ei sütti põlema	Aku pole tootesse õigesti asetatud või aku sisetemperatuur on liiga kõrge või madal.	Lükake aku lõpuni jõuseadme sisse, kuni kuulete klõpsatust. Kui LED-tuled ikka vilguvad, võib aku sisetemperatuur olla liiga madal või kõrge. Laske akul soojeneda või jahtuda. Jahtumise kiirendamiseks võib aku asetada laadijasse, mis hakkab akut maha jahutama.
Pärast toitenupu vajutamist kõik neli aku mahutavuse ja toite LED-tuld vilguvad, kuid ükski muu LED-tuli ei sütti põlema	Toitenupu esimese vajutamise ajal hoitakse all mootori juhtkäepidet või esineb mootori juhtkäepideme sisemine rike	Vabastage mootori juhtkäepide. Kui mootori juhtkäepidet ei hoita all ja LED-tuled ikka vilguvad, pöörduge volitatud hoolduskeskusesse.
Toode lõpetab töötamise ja kõik neli aku mahutavuse LED-tuld vilguvad, kuid ükski muu LED-tuli ei sütti põlema	Aku on jõuseadmes lahti ja ühenduste kontaktid pole head, aku on liiga soe või külm või on tekkinud aku muu sisemine viga	<ol style="list-style-type: none"> 1. Seisake seade. 2. Eemaldage aku tootest ja vajutage aku näidikunuppu, et kuvada tõrkekood. Aku LED-tuled süttivad ja kuvatakse tõrkekood. 3. Lugege aku kasutusjuhendist teavet seotud LED-tõrkekoodide ning võimalike vigade ja vastavate toimingute kohta. <p>Kui pärast aku näidikunupu vajutamist ei kuvata aku tõrkekoodi, vaid üksnes aku laetuse olek, võib aku olla töötamise käigus jõuseadmes lahti tulnud. Lükake aku korralikult jõuseadme sisse, kuni kuulete klõpsatust.</p>

LED-ekraan	Võimalikud tõrked	Võimalik tegevus
Toode lõpetab töötamise ja toitenu- pu tuli hakkab vilkuma ning aku mahutavuse LED-tuled näitavad endiselt aku laetuse praegust ole- kut.	Lõikekamber on rohuga ummistunud, mootori kon- troller on liiga soe või mootoris on tekkinud viga	<ol style="list-style-type: none"> 1. Seisake seade. 2. Eemaldage aku ja asetage toode küllili nii, et kasutaja juhtliides oleks suunatud ülespoole. 3. Kontrollige lõiketera, lõiketera polti, lõiketera koostu, mootorit ja mootori alust kahjustuste suhtes. Eemaldage masina alt sinna kogunenud rohi ja kontrollige ummistuste olemasolu. 4. Paigaldage aku tagasi ja käivitage masin vastavalt käivitamisjuhistele. <p>Kui tõrketeadete kuvatakse uuesti, laske tootel maha jahtuda. Mootori kontroller võib olla töötamiseks liiga tuline. Kui toode saab kahjustada, pöörduge volitatud hoolduskeskusesse.</p>

TRANSPORTIMINE JA HOIULEPANEK

- Kahju ja õnnetuste ärahoidmiseks hoidke seadme osi transportimisel ohutus kohas.
- Enne hoiulepanekut eemaldage ohutuslülitid või; hoidke toodet lukustatavas, lastele ja volitamata isikutele kättesaamatus kohas.
- Hoidke toodet ja selle osi kuivas ning külmakindlas kohas.
- Masina peale- ja mahalaadimisel ärge ületage suurimat soovitatud kaldenurka 10°.
- Puhastage toode. Lisateavet leiате jaotisest *Toote puhastamine lk 95*.
- Käivitage seade.
- Keerake poldid ja mutrid kinni.
- Vahetage kahjustatud osad välja või remontige neid.
- Puhastage kõik roostes või kahjustunud värviga pinnad. Enne värvimist lihvide kergelt.
- Katke toode õige kaitsekattega, mis hoiab toodest eemal niiskuse. Ärge kasutage kilet, kuna see ei lase õhku läbi, põhjustab kondensatsiooni teket ja sellest tingitud korrosiooni.
- Enne transportimist või hoiule asetamist võtke alati aku toodest välja.

TEHNILISED ANDMED

	Ühik	LM2146C Li58-52 (58VBKJN46C)	LM2146CA Li58-52 (58VBKJN46CR)
Teramootor			
Mootori tüüp	—	BLDC (harjadeta) 58V	BLDC (harjadeta) 58V
Mootori kiirus – ECO-režiim	p/min	2300	2300
Mootori kiirus – automaatrežiim	p/min	2500 p/min, kuni vool on 3 sekundit üle 12 A, tõuseb kiirusele 2800 p/min, kuni vool on 10 sekundit alla 18 A.	2500 p/min, kuni vool on 3 sekundit üle 12 A, tõuseb kiirusele 2800 p/min, kuni vool on 10 sekundit alla 18 A.
Mootori kiirus – võimendusrežiim	p/min	2800	2800
Mootori väljundvõimsus – max kW	kW	1,5	1,5
Mootori väljundvõimsus – max kW	kW	0,9	0,9
Mootori väljundvõimsus – max kW	kW	0,9	0,9
Liigvoolu piir (max vool)	A = amprid	25	25

	Ühik	LM2146C Li58-52	LM2146CA Li58-52
		(58VBKJN46C)	(58VBKJN46CR)
Mass			
Kaal (ilma akuta)	kg	23,5	24,5
Aku			
Aku tüüp		590923813	590923813
Aku tööaeg			
Aku tööaeg	m ²	Kuni 1200	Kuni 1000
Müratasemed ²²			
Helivõimsuse tase, mõõdetud	dB (A)	87	87
Müravõimsustase, garanteeritud (LWA)	dB (A)	87	87
Müratase			
²³			
Helirõhu tase kasutaja kõrva juures	dB (A)	<80	<80
Vibratsioonitase			
²⁴			
Käepide	m/s ²	0,65	0,65
Cutting (Lõikamine)			
Cutting height (Lõikekõrgus)	mm	30-80	30-80
Niitmislaius	cm	46	46
Lõiketera, kogumine	—	581188910	581188902
Lõiketera, multš	—	581188910	581188902
Koguja maht	liitrit	50	50

EL-I VASTAVUSDEKLARATSIOONI SISU

Meie, Husqvarna AB, SE 561 82 Huskvarna, ROOTSI, deklareerime ainuvastutusel, et kirjeldatud toode

Kirjeldus	Elektriline pöörleva lõiketeraga muruniiduk
Kaubamärk	Jonsered

Kirjeldus	Elektriline pöörleva lõiketeraga muruniiduk
Platvorm/tüüp/mudel	Platvorm 58VBKJN46C (mudel LM2146C Li58-52), platvorm 58VBKJN46CR (mudel LM2146CA Li58-52).

²² mürasemissioon ümbritsevasse keskkonda, mõõdetud helivõimsuse tasemenähtena (LWA) vastavalt EÜ direktiivile 2000/14/EÜ.

²³ Mürarõhutase kohta toodud andmete statistiline dispersioon (standardhälve) on 1,2 dB(A).

²⁴ Vibratsioonitaseme kohta toodud andmete tüüpiline statistiline dispersioon (standardhälve) on 0,2 m/s². Vibratsioonistandard EN 60335-2-77:2017 peatükk 20.105

Kirjeldus	Elektriline pöörleva lõiketeraga muruniiduk
Partii	Seerianumber alates 2018. aastast

vastab täielikult järgmistele EÜ direktiividele ja eeskirjadele:

Direktiiv/eeskiri	Kirjeldus
2006/42/EÜ	„masinadirektiiv“
2014/30/EL	„elektromagnetilise ühilduvuse direktiiv“
2000/14/EÜ	„välitingimustes kasutatavate seadmete müra direktiiv“
2011/65/EL	„ohtlike ainete kasutamist piirav direktiiv“

Kohalduvad järgmised ühtlustatud standardid ja/või tehnilised spetsifikatsioonid: EN60335-1, EN60335-2-77, EN50366, EN55014-1, EN55014-2, EN61000-3-2, EN61000-3-3

Vastavalt direktiivi 2000/14/EÜ lisale V on deklareeritud helitaseme väärtused toodud tehniliste andmete jaotises ja allkirjastatud EL-i vastavusdeklaratsioonis.

Intertek on teostanud Husqvarna AB tellimusel vabatahtliku ekspertiisi ja väljastanud vastavusertifikaadi vastavalt EÜ Nõukogu masinadirektiivile 2006/42/EÜ.

Allkirjastatud EÜ vastavusdeklaratsioonil toodud sertifikaat kehtib kõikidele tootel viidatud tootmiskohtadele ja päritoluriikidele.

Tarnitud elektriline pöörleva lõiketeraga muruniiduk vastab ekspertiisiks esitatud näidisele.

Sisältö

JOHDANTO.....	100	KUNNOSSAPITO.....	106
TURVALLISUUS.....	101	KULJETUS JA SÄILYTYS.....	108
ASENNUS.....	104	TEKNISEET TIEDOT.....	108
KÄYTTÖ.....	104	EU:N VAATIMUSTENMUKAISUUSVAKUUTUS.....	110

JOHDANTO

Käyttöohjekirja

Tämän käyttöohjekirjan alkuperäiskieli on englanti. Muunkieliset käyttöohjekirjat ovat käännöksiä englannista.

Yleiskatsaus

(Kuva 1)

1. Läsnäolon tunnistuskahva
2. Ruohonkerääjä
3. Ohjaussauvat
4. Sähkövirtalähde
5. Leikkuukorkeuden säätövipu
6. Akkulaturi
7. Käyttöohjekirja
8. Hallintaliittymä
9. Akku
10. Akun kansi
11. Virtapainike
12. Leikkuutilapainike
13. Takaluukku
14. Lataustilan valot
15. Avain
16. Silppurin tulppa

Laitteen symbolit

(Kuva 2) Varoitus

(Kuva 3) Lue tämä käyttöohjekirja.

(Kuva 4) Lue käyttöohje huolellisesti ja varmista, että ymmärrät sen sisällön, ennen kuin alat käyttää konetta.

(Kuva 5) Käytä hyväksytyjä silmäsuojaimia.

(Kuva 6) Käytä hyväksytyjä kuulonsuojaimia.

(Kuva 7) Käytä hyväksytyjä kypärää.

(Kuva 8) Käytä hyväksytyjä kuulonsuojaimia.

(Kuva 9) Varoitus: pyörivä terä. Pidä kädet ja jalat poissa niiden läheltä.

(Kuva 10) Pidä kädet ja jalat poissa pyörivien terien läheisyydestä. Älä avaa tai poista suojuksia, kun moottori on käynnissä.

Katso taaksesi ja alas ennen kuin alat kävellä taaksepäin ja sen aikana. Näin voit havaita pikkulapset, eläimet ja esteet, joihin saattaisit kaatua.

(Kuva 11)

(Kuva 12) Varo sinkoutuvia esineitä ja kimmokkeita.

(Kuva 13) Pidä sivulliset ja eläimet turvallisesti välimatkan päässä työalueesta.

(Kuva 14) Rinnevaara

(Kuva 15) Sähköiskun vaara.

(Kuva 16) Poista avain ennen korjauksia, säätöjä, määrittystä ja kuljetusta.

(Kuva 17) Virtapainike

(Kuva 18) Moottori käynnissä

(Kuva 19) Moottorin säätökahva kytketty

(Kuva 20) Moottori sammutettu

(Kuva 21) Moottorin säätökahva vapautettu

Laitetta ei saa hävittää kotitalousjätteen mukana. Laitte ja sen pakkaus on toimitettava asianmukaiseen sähkö- ja elektroniikkalaitteiden keräyspisteeseen.

(Kuva 22)

(Kuva 23) Älä säilytä tai käytä laitetta sateessa tai märissä olosuhteissa.

(Kuva 24) Kierrätys

(Kuva 25) Äänitehotaso.

(Kuva 26) Laitte täyttää voimassa olevien EY-direktiivien vaatimukset.

(Kuva 27) Tämä laite täyttää voimassa olevien EAC-direktiivien vaatimukset

Tämä laite täyttää voimassa olevien
(Kuva 28) Ukrainan direktiivien vaatimukset

Tuotevastuu

Tuotevastuulain mukaisesti emme ole vastuussa tuotteen aiheuttamasta vaurioista, jos

- tuote on korjattu virheellisesti

- tuotteen korjaamiseen on käytetty muita kuin valmistajan omia tai sen hyväksymiä osia
- tuotteessa on muu kuin valmistajan oma tai sen hyväksymä lisävaruste
- tuotetta ei ole korjattu valtuutetussa huoltopisteessä tai hyväksytyllä asiantuntijalla.

TURVALLISUUS

Turvallisuusmääritelmät

Oheiset määritelmät kertovat huomiosanojen vakavuustason.



VAROITUS: Henkilövahinko.



HUOMAUTUS: Laitevaurio.

Huomautus: Nämä tiedot helpottavat laitteen käyttöä.

Yleiset turvaohjeet

- Käytä laitetta oikein. Virheellinen käyttö voi aiheuttaa tapaturman tai kuoleman. Käytä laitetta vain tässä käyttöohjekirjassa esitettyihin tehtäviin. Älä käytä laitetta muihin tehtäviin.
- Lue ja sisäistä tämän käyttöoppaan sisältämät ohjeet ja noudata niitä. Noudata turvallisuussymboleita ja turvaohjeita. Jos käyttäjä ei noudata ohjeita ja symboleita, seurauksena voi olla vamma, vaurio tai kuolema.
- Älä hävitä tätä käyttöohjekirjaa. Noudata laitteen asennusta, käyttöä ja kunnossapitoa koskevia ohjeita. Asenna lisälaitteet ja lisävarusteet oikein ohjeiden mukaisesti. Käytä vain hyväksytyjä lisälaitteita ja lisävarusteita.
- Älä käytä vaurioitunutta laitetta. Noudata huoltokaaviota. Tee vain sellaisia huoltotöitä, joita koskevat ohjeet löytyvät tästä käyttöohjekirjasta. Valtuutetun huoltopisteen on tehtävä kaikki muut huoltotyöt.
- Tämä käyttöohjekirja ei voi sisältää kaikkia laitteen käyttöön liittyviä tilanteita. Ole varovainen ja käytä tervettä järkeä. Älä käytä laitetta tai huolla sitä, jos et ole varma tilanteesta. Kysy ohjeita laitteen asiantuntijalta, jälleenmyyjältä, huololiikkeestä tai valtuutetusta huoltopisteestä.
- Älä käytä laitetta, jos sen alkuperäisiä ominaisuuksia on muutettu. Älä muuta edes osaa laitteesta ilman valmistajan lupaa. Käytä vain valmistajan hyväksymiä osia. Virheellinen huolto voi aiheuttaa tapaturman tai kuoleman.

- Laite muodostaa käytön aikana sähkömagneettisen kentän. Sähkömagneettinen kenttä voi vaurioittaa lääketieteellisiä implantteja. Neuvottele lääkärin ja lääketieteellisen implantin valmistajan kanssa, ennen kuin käytät laitetta.
- Älä anna lasten käyttää laitetta.
- Älä anna kenenkään sellaisen henkilön käyttää laitetta, joka ei tunne ohjeita.
- Valvo aina laitetta käyttävää henkilöä, jonka fyysiset tai psyykkiset taidot ovat heikentyneet. Vastuullisen aikuisen on oltava aina paikalla.
- Lukitse laite paikkaan, johon lapset ja asiattomat henkilöt eivät pääse.
- Laite voi saada esineitä sinkoutumaan ja aiheuttaa näin vammoja. Noudata turvaohjeita tapaturmien tai kuoleman vaaran ehkäisemiseksi.
- Älä poistu laitteen luota, kun se on käynnissä. Sammuta laite ennen poistumista.
- Katso taaksesi ja alas ennen kuin alat kävellä taaksepäin ja sen aikana. Näin voit havaita pikkulapset, eläimet ja esteet, joihin saattaisit kaatua.
- Laitteen käyttäjä on vastuussa, jos tapahtuu onnettomuus.
- Varmista ennen laitteen käyttämistä, ettei osissa ole vaurioita.
- Noudata kansallisia ja paikallisia lakeja. Ne voivat estää laitteen käytön tai rajoittaa sitä joissakin olosuhteissa.

Turvallisuusohjeet käyttöä varten

- Tutustu laitteen hallintalaitteisiin ja oikeaan käyttötapaan ennen käyttöä.
- Älä anna lasten tai sellaisten henkilöiden käyttää laitetta, jotka eivät ole tutustuneet näihin ohjeisiin.
- Älä käytä laitetta, kun lähistöllä on ihmisiä, etenkin lapsia, tai lemmikkieläimiä.
- Pidä lapset poissa leikkuualueelta ja aikuisen valvonnassa.
- Sammuta laite, jos työskentelyalueelle tulee lapsia.
- Tarkista laitteen käyttöalue huolellisesti. Poista kaikki esineet, jotka voivat sinkoutua laitteen käytön aikana.
- Tarkista ennen käyttöä, että terä, teräpultti, teräkokoonpano ja moottorin tuki eivät ole kuluneet tai vaurioituneet.

- Käytä laitetta ainoastaan päivänvalossa tai hyvässä keinovalaistuksessa.
- Älä käytä laitetta märällä nurmikolla.
- Ole erityisen varovainen nurkkien, pensaiden, puiden tai muiden näkyvyyttä häiritsevien esineiden läheisyydessä.
- Noudata suurta varovaisuutta peruuttaessasi tai vetäessäsi laitetta itseäsi kohti.
- Älä laita käsiäsi tai jalkojasi pyörievien osien lähelle tai alapuolelle. Pysytkä aina poissa poistoaukon läheltä.
- Pysäytä terä, jos ylität hiekka-alueita.
- Sammuta moottori, poista akku ja odota, että terä on täysin pysähtynyt, ennen kuin puhdistat laitteen, irrotat ruohonkerääjän tai tyhjäntä ulosheittoputken.
- Älä käytä laitetta ollessasi väsynyt tai sairas tai jos olet alkoholin tai muiden huumausainien vaikutuksen alaisena.
- Jos laite tärisee epänormaalisti, sammuta moottori, irrota akku ja selvitä tärinän syy välittömästi. Tärinä on yleensä merkki vaurioista.
- Älä suuntaa sinkoutuvaa ainesta muiden ihmisten suuntaan. Älä suuntaa sinkoutuvaa ainesta seinää tai muuta estettä päin. Aines saattaa kimmoa takaisin kohti käyttäjää.
- Älä käytä laitetta, jos oikeat suojukset, levyt, ruohonkerääjä ja muut suojalaitteet eivät ole paikoillaan.

Työalueen turvallisuus

- Poista nurmikolta oksat, risut, kivet ja irtonaiset esineet ennen leikkuun aloittamista.
- Pidä sivulliset, lapset mukaan lukien, ja eläimet turvallisen välimatkan päässä työskentelyalueesta.
- Leikkuulaitteistoon osuvat esineet voivat sinkoutuessaan aiheuttaa vahinkoa ihmisille ja esineille.
- Älä käytä laitetta huonolla säällä, kuten sumussa, sateessa, kosteissa tai märissä olosuhteissa, kovassa tuulessa, ankarassa pakkasessa tai ukkosella. Huonolla säällä työskentely voi aiheuttaa väsymystä ja vaaratilanteita, kuten liukastumisvaaran.
- Varmista, että laite pysyy hallinnassa, tarkistamalla työskentelyalue.
- Varo juuria, kiviä, oksia, kuoppia ja oja. Korkea ruoho saattaa peittää esteet.
- Ole varovainen lähestyessäsi piilossa olevia kulkimia ja esineitä, jotka estävät näkyvyyden.

Turvallisuusohjeet rinteissä

- Ole varovainen leikatessasi nurmikkoa rinteessä. Rinteet voivat olla vaarallisia. Rinteessä kaatumisesta voi aiheutua vammoja.
- Leikkaa rinteiden nurmikko sivusuunnassa. Älä leikkaa pystysuunnassa.
- Ole varovainen vaihtaessasi suuntaa rinteessä.

- Varo nurmikossa piileviä esineitä tai kuoppia. Voit kaatua vaikeakulkuisessa maastossa.
- Älä leikkaa ruohoa jyrkän rinteeseen, reunan, ojan tai penkereen läheltä. Voit kaatua.
- Älä leikkaa märkää ruohoa. Voit kaatua.
- Älä leikkaa ruohoa maastossa, jonka kaltevuus on yli 15 astetta.

Henkilökohtainen suojavarustus

Käytä aina oikeanlaista henkilökohtaista suojavarustusta, kun käytät laitetta. Tämä tarkoittaa vähintäänkin vahvoja kenkiä, silmäsuojaimia ja kuulonsuojaimia. Henkilökohtainen suojavarustus ei poista tapaturmien vaaraa, mutta se lieventää vahinkojen onnettomuuden sattumista.

- Käytä aina suojalaseja tai silmäsuojaimia koneen käytön aikana sekä tehdessäsi säätöjä tai korjaustöitä.
- Älä käytä laitetta paljain jaloin tai avonaisissa jalkineissa. Käytä aina vahvoja, luistamattomia ja nilkkoja hyvin tukevia jalkineita käyttäessäsi.
- Käytä tukevasta kankaasta valmistettuja pitkiä housuja. Älä käytä shortseja tai sandaaleja äläkä kulje paljain jaloin.
- Käytä tarvittaessa hyväksytyjä suojakäsineitä. Tällaisia tilanteita ovat esimerkiksi terän kiinnittäminen, tutkiminen ja puhdistaminen.
- Käytä aina hyväksytyjä kuulonsuojaimia, kun käytät laitetta. Pitkäkestoinen melulle altistuminen voi aiheuttaa kuulovaurioita.

Laitteen turvalaitteet

- Muista huoltaa laite säännöllisesti.
 - Laitteen käyttöikä pitenee.
 - Onnettomuusvaara pienenee.

Anna valtuutetun jälleenmyyjän tai huoltopisteen tarkastaa laite säännöllisesti säätöjen tai korjausten varalta.

- Älä käytä laitetta, jos turvalaitteet ovat vaurioituneet. Jos laitteessa on vaurioita, ota yhteyttä valtuutettuun huoltopisteeseen.

Moottorin säätökahva

Moottorin säätökahva pysäyttää moottorin. Varmista, että moottori sammuu, kun moottorin säätökahva vapautetaan.

- Käynnistä moottori ja vapauta sitten säätökahva. Moottori sammuu.

Huomautus: Sammuta moottori painamalla virtapainiketta, jos moottorin säätökahva ei sammuta sitä. Poista akku ja ota yhteyttä valtuutettuun huoltopisteeseen.

Takaluukku

Takaluukku estää esineitä sinkoutumasta laitteen takaa leikkaamassa olevaa käyttäjää kohti.

- Varmista, ettei takaluukku ole vahingoittunut, eikä havaittavissa ole vikoja, kuten murtumia tai katkenneita jousia. Vioittunut luukku sulkeutuu voimakkaasti. Vaihda luukku tai jouset, jos ne ovat vahingoittuneet.

Turvaohjeet huoltoa varten



VAROITUS: Tee laitteelle ainoastaan käyttöohjekirjassa mainitut huoltotoimenpiteet. Laajemmat toimenpiteet on teetettävä valtuutetussa huoltoliikkeessä.

Koneen oikeanlainen huoltaminen pidentää sen käyttöikää ja pienentää onnettomuusvaaraa. Huoltotyöt tehdään valtuutetussa huoltoliikkeessä. Kysy lisätietoja lähimmästä huoltoliikkeestä.



VAROITUS: Voit estää laitteen tahattoman käynnistymisen kuljetuksen, huollon tai korjaamisen aikana poistamalla akun ja odottamalla vähintään viisi sekuntia ennen sen vaihtamista.



VAROITUS: Käytä työrukkasia, kun käsittelet terävarustusta. Terä on erittäin terävä ja aiheuttaa helposti haavoja.

- Pidä leikkausreunat terävinä ja puhtaina, jotta koneen suorituskyky ja turvallisuus pysyvät mahdollisimman hyvänä.
- Anna huoltoliikkeen tarkastaa laite säännöllisesti ja tarvittaessa säätää ja korjata se.
- Vaihda vaurioituneet, kuluneet tai rikkoutuneet osat.
- Noudata lisävarusteiden vaihtoa koskevia ohjeita. Käytä ainoastaan valmistajan lisävarusteita.



VAROITUS: Kun laitetta ei käytetä, säilytä se, akku ja akkulaturi erillään kuivassa ja lukitussa sisätilassa lasten ja asiaankuulumattomien henkilöiden ulottumattomissa.

Akkuturvallisuus

Käytä vain valmistajan akkuja ja lataa niitä vain valmistajan akkulatureissa.

Ladattavia akkuja käytetään niihin yhteensopivien johdottomien tuotteiden virtalähteenä. Tapaturmien

välttämiseksi akkuja ei saa käyttää muiden laitteiden virtalähteenä.

- Älä pura, avaa tai silppua akkuja.
- Älä pidä akkuja suorassa auringonvalossa tai kuumissa olosuhteissa. Pidä akut kaukana tulesta.
- Tarkasta akkulaturi tai akku säännöllisesti vaurioiden varalta. Vaurioituneet tai muunnellut akut voivat aiheuttaa tulipalon, räjähdysten tai tapaturman. Älä korjaa tai avaa vaurioituneita akkuja.
- Älä käytä viallista, muunneltua tai vaurioitunutta akkuja tai tuotetta.
- Älä tee muutoksia tai korjaa tuotteita tai akkuja. Salli vain valtuutetun jälleenmyyjän huoltaa laitteesi.
- Älä aiheuta kennon tai akun säännöllisesti vaurioiden varalta. Akku laatikossa, jossa ne saattavat joutua oikosulkuun muiden metalliesineiden vaikutuksesta.
- Älä poista akkuja alkuperäisestä pakkauksesta ennen kuin sitä tarvitaan käyttöön.
- Älä altista akkuja mekaanisille iskuille.
- Jos akku vuotaa, älä anna nesteen joutua kosketuksiin ihon tai silmien kanssa. Jos nestettä joutuu iholle, puhdista alue heti runsaalla vedellä ja hakeudu lääkäriin.
- Älä käytä muuta kuin akun kanssa käytettäväksi tarkoitettua laturia.
- Noudata akun ja laitteen plus- ja miinusmerkintöjä (+ ja -), ja varmista oikea käyttö.
- Älä käytä akkuja, jota ei ole tarkoitettu laitteen kanssa käytettäväksi.
- Älä käytä laitteessa samaan aikaan eri jännitteisiä tai erimerkkisiä akkuja.
- Pidä akut poissa lasten ulottuvilta.
- Osta aina laitteeseen oikeanlainen akku.
- Pidä akut puhtaina ja kuivina.
- Jos akkujen liittimet likaantuvat, puhdista ne puhtaalla ja kuivalla rätillä.
- Toissijaiset akut on ladattava ennen käyttöä. Käytä aina oikeaa laturia, ja katso asianmukaiset latausohjeet käyttöohjeesta.
- Älä pidä akkuja jatkuvassa latauksessa, kun sitä ei käytetä.
- Säilytä käyttöohjekirja myöhemmä käyttöä varten.
- Käytä akkuja vain, kun sitä välttämättä tarvitaan.
- Poista akku laitteesta, kun laitetta ei käytetä.
- Kun laitetta käytetään, pidä akku etäällä paperiliittimistä, avaimista, nauloista, ruuveista tai muista pienistä metalliesineistä. Ne saattavat aiheuttaa kosketuksen liittinten välillä. Akkuliittinten saattaminen keskenään oikosulkuun voi aiheuttaa palovammoja tai tulipalon.

ASENNUS



VAROITUS: Lue turvallisuutta käsittelevä luku ennen laitteen asentamista.

Tuotteen poistaminen pakkauksesta

1. Ota esiin tuotteen mukana toimitetut irralliset osat.
2. Leikkaa laatikon kaksi päätykulmaa auki ja taita päätyläppä suoraksi.
3. Poista kaikki pakkausmateriaali.
4. Poista tuote laatikosta ja varmista, ettei laatikkoon jää irto-osia.

Työntöaisan asentaminen

1. Kohdista työntöaisan alaosassa olevat ruuvireiät työntöaisakokoonpanon ruuvireikien kanssa. Kiinnitä kaikki ruuvit, aluslevyt ja nupit. (Kuva 29)
2. Aseta työntöaisan korkeus löysäämällä alempia nuppeja, säädä työntöaisan korkeutta laskemalla tai nostamalla ja kiristämällä sitten nupit huolellisesti.

Tuotteen asettaminen käyttöasentoon

1. Nosta kahva käyttöasentoon.
2. Kiristä alemmat nupit huolellisesti.

Ruohonkerääjän asentaminen

1. Kiinnitä ruohonkerääjän kehys keruupussiin niin, että pussin jäykkä osa on alhaalla. Pidä kehysten kahva keruupussin yläpuolella. (Kuva 30)
2. Kiinnitä ruohonkerääjän kehysten alaosa ruohonkerääjän alaosassa olevaan uraan. (Kuva 31)
3. Kiinnitä ruohonkerääjän koukut rungon yläreunaan. (Kuva 32)
4. Aseta ruohonkerääjän alempi osa ruohon ulosheittokanavaan.

Laitteen vaihtaminen keruutilaan

Keruutilassa laite kerää ruohosilpun takaosan ruohonkerääjään.



HUOMAUTUS: Älä käytä laitetta, ellei takaluukku ole suljettuna ja hyväksytty ruohonkerääjä paikallaan. Älä yritä käyttää laitetta, kun takaluukku on irti tai avoimna.

1. Nosta takaluukku ja aseta ruohonkerääjän runkokoukut takaluukun saranaan. (Kuva 33)
2. Vapauta takaluukku ja aseta se ruohopussin rungon päälle.

Laitteen vaihtaminen silppuamistilaan (jos varusteena silppuri)

Silppuamistilassa laite tekee pientä ruohosilppua. Sen jälkeen ruohosilppu putoaa nurmikolle. Silputtu ruoho maatu nopeasti, ja nurmikko saa siitä ravinteita.

1. Nosta takasuojusta ja irrota ruohonkerääjä. (Kuva 34)
2. Aseta silppurin tulppa ruohonkerääjän ulosheittokanavaan. (Kuva 35)
3. Sulje takaluukku tiiviisti laitetta vasten.

Laitteen vaihtaminen poistotilaan

1. Poista silppurin tulppa tai ruohonkerääjä. (Kuva 36)
2. Sulje takaluukku tiiviisti laitetta vasten.

Leikkuukorkeuden asettaminen



HUOMAUTUS: Älä aseta leikkuukorkeutta liian alhaiseksi. Jos ruohikon pinta ei ole tasainen, terät voivat osua maahan.

Huomautus: Aseta kaikki leikkuukorkeuden säätimet samaan korkeuteen.

1. Lisää leikkuukorkeutta siirtämällä leikkuukorkeuden säätövipua taaksepäin.
2. Vähennä leikkuukorkeutta siirtämällä leikkuukorkeuden säätövipua eteenpäin. (Kuva 37)

KÄYTTÖ



VAROITUS: Lue ja sisäistä turvallisuutta käsittelevä luku ennen laitteen käyttämistä.

Sahauksen perustekniikka

- Parhaan tuloksen saa leikkaamalla aina terävällä terällä. Tylsä terä leikkaa epätasaisesti, ja ruohon leikkauspinta muuttuu keltaiseksi.
- Leikkaa enintään 1/3 ruohon pituudesta. Tämä koskee erityisesti kuivia kausia. Aseta leikkuukorkeus ensimmäisellä leikkuukerralla

korkeaksi. Tarkista sitten tulos ja laske leikkuukorkeutta haluttuun korkeuteen. Jos ruoho on liian pitkä, kulje hitaasti ja leikkaa nummikko tarvittaessa kaksi kertaa.

- Kun leikkattavaa on paljon, kavenna leikkuuleveyttä leikkaamalla osittain edellisen leikkuureitin päältä ja liiku hitaasti.
- Leikkaa joka kerta eri suuntiin, jotta nurmikkoon ei tule raitoja.
- Huuhtelee ruohonkerääjää säännöllisesti vedellä käyttämällä letkua ja anna sen kuivua ennen käyttöä. Kankaisten ruohonkerääjien huokokset voivat täytyä liasta ja pölystä käytössä. Ruohonkerääjää kerää silloin vähemmän ruohoa.

Ennen ruohonleikkurin käynnistämistä

- Pidä sivulliset ja eläimet turvallisien välimatkan päässä työalueesta.
- Suorita päivittäiset huoltoimenpiteet. Katso *KUNNOSSAPITO sivulla 106*.

Laitteen käynnistäminen

1. Työnnä akku, kunnes kuulet naksahduksen. Varmista, että akku on asennettu oikein. (Kuva 38)
2. Työnnä avain akun kannen alla olevaan syvennykseen. Varmista, että avain on asetettu oikein. (Kuva 39)

Huomautus: Avain sopii syvennykseen vain yhdellä tavalla.

3. Paina virtapainiketta kerran. Koko painikkeeseen syttyy valo. (Kuva 40)
4. Vedä moottorin säätökahvaa kahvaston suuntaan. Virtapainike alkaa vilkkua. (Kuva 41)
5. Paina vilkkuvaa virtapainiketta. Laitte käynnistyy. (Kuva 42)

Laitteen pysäyttäminen

- Vapauta moottorin säätökahva tai paina virtapainiketta kerran. (Kuva 43)

Vetojärjestelmän käyttäminen pyörillä (jos varusteena)

(Kuva 44)

- Vedä ohjaussauvoja kahvaston suuntaan.
- Ennen kuin vedät laitetta taaksepäin, kytke vetojärjestelmä pois käytöstä ja työnnä tuotetta eteenpäin noin 10 cm.
- Kytke vetojärjestelmä pois käytöstä vapauttamalla ohjaussauvat esimerkiksi lähestyessäsi estettä.

Ruohonkerääjän tyhjentäminen

1. Nosta ruohonkerääjää rungon kahvasta.

2. Poista ruohosilppu ruohonkerääjästä kahvan alapuolelta.
3. Tyhjennä ruohosilppu pussista käyttämällä rungon ja pussin kahvaa.



HUOMAUTUS: Älä raahaa pussia, kun tyhjennät ruohonkerääjän, jotta siihen ei tule kulumia.

Leikkuutilan vaihtaminen

Laitteen voi vaihtaa käytön aikana johonkin kolmesta eri leikkuutilasta painamalla leikkuutilapainiketta.

- **Auto-tila** – Laitte säätää leikkuunopeutta automaattisesti leikatun ruohomäärän perusteella.

- **Huomautus:** Laitte on käytön aikana oletusarvoisesti Auto-tilassa.

- **Boost-tila** – Laitte toimii suurella nopeudella leikkattavasta ruohomäärästä riippumatta.

- Vaihda Auto-tilasta Boost-tilaan painamalla käytön aikana leikkuutilapainiketta kerran. Leikkuutilapainikkeeseen syttyy valo.

- **ECO-tila** – Laitte toimii hitaalla nopeudella leikkattavasta ruohomäärästä riippumatta.

- Vaihda Boost-tilasta ECO-tilaan painamalla käytön aikana leikkuutilapainiketta kerran. Leikkuutilapainikkeen valo vilkkuu.

- Vaihda takaisin oletusarvoiseen Auto-tilaan painamalla leikkuutilapainiketta kerran laitteen käytön aikana. Leikkuutilapainike lakkaa vilkkumasta.

Huomautus: Jos moottorin säätökahva vapautetaan käytön aikana, laite pysyy valitussa leikkuutilassa. Jos laite sammuu automaattisesti tai käyttäjä painaa virtapainiketta, leikkuutila pyyhkiytyy muistista ja laite palaa käynnistettäessä Auto-tilaan.

Akun varaustilan ilmaisain käytön aikana

Hallintaliittymän näyttö osoittaa akun varaustason ja mahdolliset akkuun liittyvät ongelmat. Akun varaustaso näkyy koneen käytön aikana.

LED-merkki-valot	Akun tila
Kaikki vihreät merkkivalot syttyvät	Täysin ladattu (100–76 %)
Merkkivalot 1, 2 ja 3 syttyvät	Akun lataustaso on 75–51 %.
Merkkivalot 1 ja 2 syttyvät	Akun lataustaso on 50–26 %.
Merkkivalo 1 syttyy	Akun lataustaso on 25–6 %.
Merkkivalo 1 vilkkuu	Akun lataustaso on 5–0 %.

Kaikki neljä vihreää LED-merkkivaloa akun varaustason näytössä vilkkuvat vihreinä, jos akussa tapahtuu käytön aikana virhe. Irrota akku koneesta ja näytä virhekoodi painamalla akun ilmaisinpainiketta. Akun LED-

merkkivalot syttyvät ja näyttävät virhekoodin, mikäli on tapahtunut virhe. Katso akun käyttöohjeesta virhekoodien luettelo ja ratkaisut virheisiin.

KUNNOSSAPITO



VAROITUS: Lue ja sisäistä turvallisuutta käsittelevä luku ennen laitteen puhdistamista, korjaamista tai huoltamista.

Yleisiä huoltosuosituksia

Laitteen takuun piiriin eivät kuulu käyttäjän virheellisestä tai huolimattomasta käytöstä aiheutuvat viat. Jotta käyttäjä saisi täyden hyödyn takuusta, hänen on huollettava laitetta käyttöoppaan ohjeiden mukaisesti. Määräajoin on tehtävä erilaisia tarkistuksia, jotta laite pysyy moitteettomassa kunnossa.

- Tarkista terän kuluminen vuosittain.

Renkaiden tarkistaminen

- Pidä renkaat puhtaina tarpeettomasta materiaalista ja kemikaaleista, jotta kumi ei vaurioidu.
- Pidä renkaat etäällä kannoista, kivistä, ojista, terävistä reunoista ja muista kohteista, jotka voivat vaurioittaa renkaita.

Yleistarkastus

- Tarkasta, että ruuvit ja mutterit ovat kireällä.
- Varmista, etteivät johdot ole puristuksissa.

Huoltokaavio

Huoltokaaviosta näet laitteelle tehtävät tarpeelliset huollot ja niiden ajankohdan. Huoltovälit lasketaan laitteen keskimääräisen käytön perusteella, ja ne voivat vaihdella käyttöiheyden mukaan.

- Kiristä pultit ja mutterit ennen jokaista käyttöä tai varastointia.
- Puhdista ja tarkista ruohonkerääjä, jos laitteessa on sellainen, ennen käyttöä ja sen jälkeen sekä ennen varastointia.
- Tarkista renkaat ennen jokaista käyttökertaa.
- Puhdista laite jokaisen käyttökerran jälkeen ja ennen varastointia. Puhdista leikkuulaitteen alapuoli kaapimella.
- Tarkista terä vaurioiden ja murtumien varalta 25 tunnin välein. Vaihda terät useammin, jos leikkaat nurmikkoa hiekkaisella maaperällä.
- Voitele laite 25 tunnin välein.
- Puhdista ja lataa akku täyteen käytön jälkeen ja ennen varastointia. Lataa akkua enintään 24 tuntia ennen varastointia.
- Älä säilytä akkua akkulatorissa varastoinnin aikana. Lataa akkua enintään 24 tuntia.
- Tarkista vetohihna ja hinnapyörät 25 tunnin välein (jos varusteena).

Laitteen puhdistaminen

- Poista laitteesta tarpeeton materiaali ja ruoho harjalla.
- Pidä pintakäsitellyt pinnat ja pyörät puhtaina tarpeettomasta materiaalista.
- Poista laitteen alaosaan kertynyt ruoho ja leikkuujäte kaapimella.
- Älä käytä laitteen puhdistamiseen painepesuria.
- Älä suihkuta vettä suoraan sähkövirtälähteeseen tai akkuliittimiin.
- Kun puhdistat laitteen alapuolta, poista akku ja turva-avain ja aseta laite kyljelleen siten, että hallintaliittymä osoittaa ylöspäin.



HUOMAUTUS: Älä pese laitetta vedellä, puhdistusnesteillä tai liuottimilla. Poista laitteen ulkupuolinen tarpeeton materiaali pehmeällä harjalla tai kuivalla liinalla, jossa ei ole metallia.

Ruohonkerääjän puhdistaminen

- Kankaisten ruohonkerääjien huokokset voivat täyttyä liasta ja pölystä käytön aikana. Sen vuoksi ruohonkerääjä kerää vähemmän ruohoa. Jotta näin ei kävisi, huuhtelee ruohonkerääjä säännöllisesti vedellä käyttämällä letkua ja anna sen kuivua ennen käyttöä.
- Tarkista ruohonkerääjä usein kulumisen tai heikkenemisen varalta. Vaihda tarvittaessa.

Takaluukun tarkistaminen

Takaluukku sijaitsee laitteen takapyyriin välissä. Luukku vähentää esineiden sinkoutumista nurmikkoa leikkaamassa olevan käyttäjän suuntaan.

1. Varmista, että takaluukku ei ole vaurioitunut.
2. Tarkista takaluukku sellaisten vikojen varalta, jotka painavat luukun kiinni, mukaan lukien murtumat tai katkenneet jouset.
3. Vaihda takaluukku tai jouset, jos ne ovat vahingoittuneet.

Terän teroittaminen ja tasapainottaminen

Saat parhaat leikkuutulokset, kun pidät terän terävänä. Vaihda terä, jos se on taipunut tai vaurioitunut.



HUOMAUTUS: Voit välttää käsivammat käyttämällä käsiineitä ja/tai kiertämällä terää paksun liinan avulla.

1. Teroita terä viilalla tai hiomalaikalla. Älä teroita terää, kun se on asennettuna laitteeseen.



HUOMAUTUS: Emme suosittele teroittamaan terää. Jos kuitenkin teet niin, varmista, että terä on tasapainotettu. Muutoin terä voi aiheuttaa laite- tai moottorivaurion.

2. Hakkaa suora naula puunkappaleeseen tai seinään. Jätä 2–3 senttimetriä naulasta näkyviin.
3. Aseta terä keskireiästä naulan päähän. Jos terä on tasapainossa, sen on pysyttävä vaaka-asennossa. Jos terän jompikumpi pää liikkuu alaspäin, teroita raskasta päätä, kunnes terä on tasapainossa.

Terän vaihtaminen

1. Lukitse terä puukiilalla.(Kuva 45)
2. Irrota teräpultti.

Virhekoodit

Virhekoodit auttavat laitteen ja/tai akun vianmäärityksessä käytön aikana:

Merkkivalot	Mahdolliset viat	Mahdolliset toimenpiteet
Merkkivalot eivät syty hallintaliittymän virtapainikkeen painamisen jälkeen, laitteen akku ei toimi	Akku ei ole täysin paikallaan tai sisäinen sulake on palanut	Työnnä akku kokonaan virtalähteeseen, kunnes kuuluu naksahdus. Ota yhteyttä valtuutettuun huoltopisteeseen, jos merkkivalot eivät syty, kun akku on paikallaan ja hallintaliittymän virtapainiketta on painettu.
Kaikki neljä akun varaustason merkkivaloa vilkkuvat, muut merkkivalot eivät syty virtapainikkeen painamisen jälkeen.	Akku ei ole kokonaan laitteessa tai akun sisälämpötila on liian kuuma tai kylmä.	Työnnä akku kokonaan virtalähteeseen, kunnes kuuluu naksahdus. Jos merkkivalot vilkkuvat edelleen, akun sisälämpötila voi olla liian matala tai korkea. Anna akun lämmetä tai jäähtyä. Jäähdytystä voi nopeuttaa laittamalla akun laturiin, joka tehostaa akun jäähtymistä.
Kaikki neljä akun varaustason merkkivaloa ja virran merkkivalo vilkkuvat, muut merkkivalot eivät syty virtapainikkeen painamisen jälkeen.	Moottorin säätökahvan painaminen, kun virtapainiketta painetaan ensimmäisen kerran, tai moottorin säätökahvan sisäinen kytkinvika	Vapauta moottorin säätökahva. Ota yhteyttä valtuutettuun huoltoliikkeeseen, jos moottorin säätökahvaa ei paineta, mutta merkkivalot vilkkuvat edelleen.

3. Irrota terä.
4. Tutki terän tuki ja teräpultti vaurioiden varalta.
5. Tutki moottorin akseli ja varmista, ettei se ole vääntynyt.
6. Asenna uusi terä siten, että terän kulmikkaat päät osoittavat leikkusuojuksen suuntaan.(Kuva 46)
7. Varmista, että terä on kohdistettu moottorin akselin keskiosan kanssa.
8. Lukitse terä puukiilalla. Kiinnitä jousialuslevy paikalleen ja kiristä pultti ja aluslevy momenttiin Nm.(Kuva 47)
9. Pyöritä terää käsin ja varmista, että se pyörii vapaasti.



VAROITUS: Käytä työrukkasia. Terä on erittäin terävä ja aiheuttaa helposti haavoja.

10. Testaa terää käynnistämällä laite. Jos terä ei ole kiinnitetty asianmukaisesti, laite tärisee tai sen leikkuutullos ei ole tyydyttävä.

Merkkivalot	Mahdolliset viat	Mahdolliset toimenpiteet
Laite lakkaa toimimasta ja kaikki neljä akun varaustason merkkivaloa vilkkuvat, muut merkkivalot eivät syty.	Akku on irti virtalähteestä, eikä saa kunnon kosketusta, akku on liian kuuma tai kylmä tai muu sisäinen akkuvirhe	<ol style="list-style-type: none"> 1. Pysäytä laite. 2. Poista akku laitteesta ja näytä virhekoodi painamalla akun ilmaisinpainiketta. Akun merkkivalot syttyvät ja näyttävät virhekoodin. 3. Katso mahdollisten vikojen virhekoodien ja toimenpiteiden luettelo mukana toimitetusta akun käyttöohjeesta. <p>Jos akku ei näytä virhettä akun ilmaisinpainikkeen painamisen jälkeen, vaan näyttää vain varaustilan, akku on voinut irrota virtalähteestä käytön aikana. Asenna akku virtalähteeseen oikein, kunnes kuuluu naksahdus.</p>
Laite lakkaa toimimasta ja virtapainike vilkkuu samalla, kun akun varausten merkkivalot näyttävät edelleen varaustilan.	Ruoho on tukkinut leikkuutilan, moottorinohjain on liian kuuma tai moottorivika	<ol style="list-style-type: none"> 1. Pysäytä laite. 2. Irrota akku ja käännä laite kyljelleen siten, että hallintaliittymä osoittaa ylöspäin. 3. Tarkista terä, teräpultti, teräkokoonpano, moottori ja moottorin tuki vaurioiden varalta. Puhdista kaikki ruoho koneen pohjasta ja etsi tukkeutumia. 4. Asenna akku ja käynnistä kone käynnistysohjeiden mukaisesti. <p>Jos virhe näkyy edelleen, anna laitteen jäähtyä. Moottorin ohjain voi olla liian kuuma käyttöön. Jos virhe näkyy edelleen, ota yhteyttä valtuutettuun huoltoliikkeeseen.</p>

KULJETUS JA SÄILYTYS

- Suojaa varusteet kuljetuksen ajaksi vaurioiden ja onnettomuuksien estämiseksi.
- Poista turva-avain varastoinnin ajaksi ja säilytä varusteet lukitussa varastossa poissa lasten ja asiattomien henkilöiden ulottuvilta.
- Säilytä laitetta ja varusteita kuivassa paikassa, jossa lämpötila ei laske pakkasen puolelle.
- Kuormattaessa tai siirrettäessä laitetta suurinta suositeltua käyttökulmaa (15°) ei saa ylittää.
- Puhdista tuote. Katso lisätietoja kohdasta *Laitteen puhdistaminen sivulla 106*.
- Voitele laite.
- Kiristä pultit ja mutterit.
- Vaihda tai korjaa vaurioituneet komponentit.
- Korjaa kaikki ruostuneet ja vaurioituneet maalipinnat. Hio kevyesti ennen maalausta.
- Käytä laitteessa oikeanlaista suojusta, joka ei kerää kosteutta. Älä käytä hengittämätöntä muovia, koska kertyvä kosteus aiheuttaa laitteen ruostumisen.
- Poista akku aina ennen kuljetusta tai varastointia.

TEKNISET TIEDOT

	Yksikkö	LM2146C Li58-52 (58VBKJN46C)	LM2146CA Li58-52 (58VBKJN46CR)
Leikkuumoottori			
Moottorityyppi	—	BLDC (harjaton) 58V	BLDC (harjaton) 58V
Moottorin nopeus – ECO-tila	kierr./min	2 300	2 300

	Yksikkö	LM2146C Li58-52 (58VBKJN46C)	LM2146CA Li58-52 (58VBKJN46CR)
Moottorin nopeus – Auto-tila	kierr./min	2 500 kierrosta minuutissa, kunnes sähkövirta on yli 12 A kolmen sekunnin ajan, nousee 2 800 kierrokseen minuutissa, kunnes sähkövirta on alle 18 A kymmenen sekunnin ajan.	2 500 kierrosta minuutissa, kunnes sähkövirta on yli 12 A kolmen sekunnin ajan, nousee 2 800 kierrokseen minuutissa, kunnes sähkövirta on alle 18 A kymmenen sekunnin ajan.
Moottorin nopeus – Boost-tila	kierr./min	2 800	2 800
Moottorin teho – enintään	kW	1,5	1,5
Moottorin teho – enintään, jatkuva	kW	0,9	0,9
Moottorin teho – nimellinen	kW	0,9	0,9
Ylivirran rajoitus (sähkövirta enintään)	A (ampeeria)	25	25
Paino			
Paino (ilman akkua)	kg	23,5	24,5
Akku			
Akkutyyppe		590923813	590923813
Akun käyttöaika			
Akun käyttöaika	m ²	Enintään 1 200	Enintään 1 000
Melupäästöt ²⁵			
Äänentehotaso, mitattu	dB (A)	87	87
Äänentehotaso, taattu LWA	dB (A)	87	87
Äänitasot			
²⁶			
Äänenpainetaso käyttäjän korvan tasalla	dB (A)	<80	<80
Tärinätasot			
²⁷			
Kahva	m/s ²	0,65	0,65
Leikkaus			
Leikkuukorkeus	mm	30-80	30-80
Leikkuuleveys	cm	46	46
Terä, keräys	—	581188910	581188902
Terä, silppuri	—	581188910	581188902

²⁵ Melupäästöt ympäristöön äänentehona (LWA) EY-direktiivin 2000/14/EY mukaisesti mitattuna.

²⁶ Äänenpainetasoista ilmoitettujen tietojen tyypillinen tilastollinen hajonta (keskihajonta) on 1,2 dB(A).

²⁷ Tärinätasolle ilmoitetuissa tiedoissa tyypillinen tilastollinen hajonta (vakiopoikkeama) on 0,2 m/s². Tärinästandardi EN 60335-2-77:2017, luku 20.105.

	Yksikkö	LM2146C Li58-52	LM2146CA Li58-52
		(58VBKJN46C)	(58VBKJN46CR)
Kerääjän tilavuus	litraa	50	50

EU:N VAATIMUSTENMUKAISUUSVAKUUTUS

Husqvarna AB, SE 561 82 Huskvarna, RUOTSI,
vakuuttaa täten, että oheinen tuote:

Kuvaus	Sähköruohonleikkuri
Tuotemerkki	Jonsered
Alusta / Tyyppi / Malli	Alusta 58VBKJN46C (vastaa mallia LM2146C Li58-52), alusta 58VBKJN46CR (vastaa mallia LM2146CA Li58-52).
Erä	Sarjanumero 2018 alkaen

vastaa täysin seuraavien EU:n direktiivien ja asetusten vaatimuksia:

Direktiivi/asetus	Kuvaus
2006/42/EY	Konedirektiivi
2014/30/EU	EMC-direktiivi
2000/14/EY	Melupäästädirektiivi
2011/65/EU	RoHS-direktiivi

Asiassa sovelletaan seuraavia yhdenmukaistettuja standardeja ja/tai teknisiä määräyksiä: EN60335-1, EN60335-2-77, EN50366, EN55014-1, EN55014-2, EN61000-3-2 ja EN61000-3-3.

Ilmoitetut meluarvot on annettu direktiivin 2000/14/EY liitteen V mukaisesti tämän käyttöohjekirjan teknisissä tiedoissa sekä allekirjoitetussa EU:n vaatimustenmukaisuusvakuutuksessa.

Intertek on suorittanut Husqvarna AB:lle vapaaehtoisen tyyppitarkastuksen ja tuottanut näin Euroopan parlamentin ja neuvoston konedirektiivin 2006/42/EY mukaisen sertifikaatin.

Allekirjoitetussa EY:n vaatimustenmukaisuusvakuutuksessa ilmoitettu sertifikaatti pätee kaikkiin valmistuspaikkoihin ja -maihin tuotteessa ilmoitettujen tietojen mukaisesti.

Oheinen sähköruohonleikkuri on tarkistetun mallikappaleen mukainen.

Sommaire

INTRODUCTION.....	111	ENTRETIEN.....	117
SÉCURITÉ.....	112	TRANSPORT ET STOCKAGE.....	120
MONTAGE.....	115	CARACTÉRISTIQUES TECHNIQUES.....	121
FONCTIONNEMENT.....	116	CONTENU DE LA DÉCLARATION DE CONFORMITÉ DE LA CE.....	122

INTRODUCTION

Manuel de l'opérateur

La langue d'origine du présent manuel d'utilisation est l'anglais. Les manuels d'utilisation disponibles dans d'autres langues sont des traductions de l'anglais.

Aperçu

(Fig. 1)

1. Barre de présence de l'utilisateur
2. Collecteur d'herbe
3. Leviers de transmission
4. Tête d'alimentation électrique
5. Levier de hauteur de coupe
6. Chargeur de batterie
7. Manuel de l'opérateur
8. Interface de commande utilisateur
9. Bloc batterie
10. Capot de la batterie
11. Bouton d'alimentation
12. Bouton de mode de coupe
13. Capot arrière
14. Voyants d'état de charge
15. Clé
16. Obturateur du broyeur

Symboles concernant le produit

(Fig. 2) Avertissement

(Fig. 3) Veuillez prendre connaissance de ce manuel

(Fig. 4) Veuillez lire attentivement le manuel d'utilisation et assurez-vous de bien comprendre les instructions avant utilisation.

(Fig. 5) Utilisez des protections pour les yeux homologuées

(Fig. 6) Utilisez des protège-oreilles homologués

(Fig. 7) Utilisez un casque homologué

(Fig. 8) Utilisez des protège-oreilles homologués

(Fig. 9) Avertissement : lame rotative. Gardez les mains et les pieds éloignés.

Maintenez les pieds et les mains à distance des lames en rotation. N'ouvrez pas et ne retirez pas les capots de protection lorsque le moteur tourne.

(Fig. 10)

Avant et pendant que vous marchez à reculons, regardez derrière vous et à vos pieds pour vérifier la présence éventuelle de jeunes enfants, d'animaux ou d'autres risques qui pourraient vous faire tomber.

(Fig. 11)

(Fig. 12) Attention : projections et ricochets.

Maintenez les personnes et les animaux à une distance suffisante de la zone de travail.

(Fig. 13)

(Fig. 14) Risque lié à la pente

(Fig. 15) Choc électrique

Retirez la clé avant la réparation, le réglage, la configuration ou le transport.

(Fig. 16)

(Fig. 17) Bouton d'alimentation

(Fig. 18) Moteur allumé

(Fig. 19) Poignée de commande moteur engagée

(Fig. 20) Moteur éteint

(Fig. 21) Poignée de commande moteur désengagée

Le produit ou l'emballage ne peuvent être traités comme des déchets domestiques. Le produit et l'emballage doivent être déposés dans un site de recyclage prévu pour la récupération d'équipements électriques et électroniques.

(Fig. 22)

Ne pas laisser, ranger ou utiliser sous la pluie ou dans un environnement humide.

(Fig. 23)

(Fig. 24) Recyclage

(Fig. 25) Niveau de puissance sonore

(Fig. 26) Le produit est conforme aux directives CE en vigueur

(Fig. 27) Ce produit est conforme aux directives EAC en vigueur

(Fig. 28) Ce produit est conforme aux directives ukrainiennes en vigueur

- le produit n'est pas correctement réparé ;
- le produit est réparé avec des pièces qui ne proviennent pas du fabricant ou qui ne sont pas homologuées par le fabricant ;
- le produit est équipé d'un accessoire qui ne provient pas du fabricant ou qui n'est pas homologué par le fabricant.
- le produit n'est pas réparé par un centre d'entretien agréé ou par une autorité homologuée.

Responsabilité

Conformément à la loi sur la responsabilité du fait des produits, nous déclinons toute responsabilité pour tout dommage causé par notre produit si :

SÉCURITÉ

Définitions de sécurité

Les définitions ci-dessous indiquent le niveau de gravité pour chaque mention d'avertissement.



AVERTISSEMENT: Blessures aux personnes.



REMARQUE: Dommages au produit.

Remarque: Cette information facilite l'utilisation du produit.

Instructions générales de sécurité

- Utilisez le produit correctement. Une utilisation inappropriée peut causer des blessures graves, voire mortelles. Utilisez uniquement le produit pour les tâches décrites dans le présent manuel. N'utilisez pas ce produit pour d'autres travaux.
- Assurez-vous de lire, de comprendre et de respecter les instructions de ce manuel. Respectez les symboles et les instructions de sécurité. Le non-respect des instructions et des symboles par l'opérateur peut causer des blessures graves, voire mortelles, ou des dommages.
- Ne jetez pas ce manuel. Utilisez les instructions pour assembler, utiliser et conserver votre produit en bon état. Utilisez les instructions pour l'installation appropriée des équipements et accessoires. Utilisez uniquement des équipements et accessoires homologués.
- N'utilisez pas de produit endommagé. Respectez le schéma d'entretien. Effectuez uniquement les travaux d'entretien dont les instructions sont comprises dans ce manuel. Tous les autres travaux d'entretien doivent être effectués par un centre d'entretien agréé.
- Ce manuel ne peut pas inclure toutes les situations qui peuvent se produire lorsque vous utilisez le produit. Soyez prudent et faites preuve de bon sens. N'utilisez pas ou n'effectuez pas de travaux d'entretien sur le produit si vous n'êtes pas sûr de la situation. Contactez un spécialiste du produit, votre revendeur, votre agent d'entretien ou centre d'entretien agréé pour plus d'informations.
- N'utilisez pas le produit si ses caractéristiques initiales ont été changées. Ne remplacez pas une pièce du produit sans l'approbation du fabricant. Utilisez uniquement les pièces qui sont approuvées par le fabricant. Un entretien inapproprié peut causer des blessures graves, voire mortelles.
- Cet appareil génère un champ électromagnétique en fonctionnement. Le champ électromagnétique peut endommager les implants médicaux. Consultez votre médecin et le fabricant de votre implant avant d'utiliser ce produit.
- Ne laissez pas un enfant utiliser le produit.
- Ne laissez pas une personne utiliser le produit si elle ne connaît pas les instructions.
- Surveillez constamment les personnes aux capacités physiques ou mentales réduites qui utilisent ce produit. Un adulte responsable doit toujours être présent.
- Stockez le produit dans une zone dont l'accès est fermé aux enfants et aux personnes non autorisées.
- Le produit peut projeter des objets et causer des blessures. Respectez les consignes de sécurité afin de réduire le risque de blessures graves ou mortelles.
- Ne vous éloignez pas du produit lorsqu'il est en fonctionnement. Arrêtez le produit avant de vous éloigner.
- Avant et pendant que vous marchez à reculons, regardez derrière vous et à vos pieds pour vérifier la présence éventuelle de jeunes enfants, d'animaux ou d'autres risques qui pourraient vous faire tomber.
- L'opérateur du produit est tenu responsable en cas d'accident.

- Assurez-vous que les pièces ne soient pas endommagées avant d'utiliser le produit.
- Référez-vous aux lois nationales ou locales. Elles peuvent empêcher ou limiter le fonctionnement du produit dans certaines conditions.

Consignes de sécurité pour le fonctionnement

- Familiarisez-vous avec les commandes et le bon fonctionnement du produit avant de l'utiliser.
- Ne laissez pas d'enfants ou d'autres personnes utiliser le produit sans connaître ces instructions d'utilisation.
- Ne faites pas fonctionner le produit lorsque des personnes, en particulier des enfants, ou des animaux se trouvent à proximité.
- Éloignez les enfants de la zone de coupe et assurez-vous qu'ils sont surveillés par un adulte.
- Arrêtez le produit si des enfants pénètrent dans la zone de travail.
- Examinez entièrement la zone où le produit doit être utilisé. Retirez tous les objets qui peuvent être éjectés par le produit pendant le fonctionnement.
- Examinez la lame, le boulon de lame, l'ensemble de lame et la base du moteur avant l'utilisation pour vérifier qu'ils ne sont ni usés ni endommagés.
- Utilisez le produit uniquement à la lumière du jour ou avec une bonne lumière artificielle.
- Le produit ne doit pas être utilisé sur de l'herbe humide.
- Observez la plus grande prudence près des coins, des buissons, des arbres et de tout autre obstacle pouvant bloquer votre visibilité.
- Observez la plus grande prudence lorsque vous reculez ou que vous tirez le produit vers vous.
- Ne placez pas vos mains ou vos pieds à proximité ou sous les parties en rotation. Restez toujours à distance des ouvertures de l'éjecteur.
- Arrêtez la lame lorsque vous traversez des surfaces couvertes de graviers.
- Arrêtez le moteur, retirez la batterie et patientez jusqu'à ce que la lame s'arrête complètement avant de nettoyer le produit, de retirer le collecteur d'herbe ou de retirer des matériaux de la goulotte de décharge.
- N'utilisez pas l'appareil si vous êtes fatigué ou malade, ou si vous êtes sous l'emprise de l'alcool ou de drogues.
- Si le produit vibre de manière inhabituelle, arrêtez le moteur, retirez la batterie et recherchez immédiatement la cause. Les vibrations sont généralement le signe d'un dommage.
- Ne dirigez pas les matériaux éjectés vers autrui. Ne dirigez pas les matériaux éjectés vers un mur ou tout autre obstacle. Les matériaux risquent de ricocher et d'être projetés vers l'utilisateur.

- N'utilisez pas le produit sans avoir installé les protections, plaques, collecteur d'herbe ou autres dispositifs de protection de sécurité appropriés.

Sécurité dans l'espace de travail

- Retirez les branches, les brindilles, les pierres et autres objets de la pelouse avant de commencer la coupe.
- Maintenez les personnes, y compris les enfants, et les animaux à une distance suffisante de la zone de travail.
- Les objets heurtant l'équipement de coupe peuvent être éjectés et causer des blessures ou des dégâts matériels.
- N'utilisez pas le produit par mauvais temps, y compris en cas de brouillard, de pluie, d'humidité, de vent violent, de froid intense, de risque d'éclair, etc. Utiliser le produit par mauvais temps peut entraîner une fatigue et des conditions dangereuses, telles que des surfaces glissantes.
- Examinez votre zone de travail pour vous assurer que rien ne peut faire obstacle à votre contrôle du produit.
- Faites attention aux racines, aux pierres, aux brindilles, aux trous et aux fossés. L'herbe haute peut dissimuler des obstacles.
- Soyez prudent lorsque vous vous approchez de coins cachés et d'objets qui peuvent gêner votre vue.

Consignes de sécurité pour les pentes

- Soyez prudent lorsque vous tondez un terrain en pente. Les pentes peuvent être dangereuses. Une chute dans une pente peut causer des blessures.
- Tondez en travers de la courbe de la pente. Ne tondez jamais de haut en bas.
- Soyez prudent lorsque vous changez de direction sur un terrain en pente.
- Prenez garde aux objets cachés et aux trous dans la pelouse. Un terrain accidenté peut causer une chute.
- Ne tondez pas à proximité d'une pente raide, d'un bas-côté, d'un fossé ou d'un talus. Vous risquez de tomber.
- Ne coupez pas de l'herbe humide. Vous risquez de tomber.
- Ne tondez pas sur un terrain dont la pente est supérieure à 15 degrés.

Équipement de protection individuelle

Utilisez toujours un équipement de protection individuelle approprié lors de tout travail avec l'appareil. Cela comprend, au minimum, des chaussures robustes, des protections pour les yeux et des protège-oreilles. L'équipement de protection individuel n'élimine pas les risques, mais il peut réduire la gravité des blessures en cas d'accident.

- Portez toujours des lunettes de sécurité ou des protections pour les yeux pendant l'utilisation du produit ou pendant son entretien ou sa réparation.
- N'utilisez pas le produit pieds nus ou avec des chaussures ouvertes. Utilisez toujours des bottes antidérapantes très résistantes qui soutiennent bien les chevilles pendant que vous utilisez le produit.
- Portez un pantalon long et épais. Ne portez pas de short, de sandales et ne marchez pas pieds nus.
- Utilisez des gants de protection homologués, si nécessaire. Par exemple, lorsque vous fixez, examinez ou nettoyez la lame.
- Utilisez toujours des protections auditives homologuées lorsque vous faites fonctionner le produit. Une exposition au bruit sur de longues périodes peut provoquer une perte d'audition.

plus importantes doivent être effectuées par un agent d'entretien agréé.

Effectuez l'entretien correctement afin de prolonger la durée de vie du produit et de réduire les risques d'accident. Faites réaliser les réparations professionnelles par un agent d'entretien agréé. Contactez votre agent d'entretien le plus proche pour plus d'informations.



AVERTISSEMENT: Afin d'éviter tout démarrage accidentel pendant le transport, l'entretien ou la réparation, retirez la batterie et attendez au moins cinq secondes avant de la remplacer.



AVERTISSEMENT: Portez des gants de protection robustes lorsque vous manipulez l'équipement de coupe. La lame est très tranchante et des coupures peuvent survenir facilement.

Dispositifs de protection sur le produit

- Assurez-vous de régulièrement entretenir le produit.
 - La durée de vie du produit augmente.
 - Le risque d'accident diminue.

Laissez un revendeur ou un centre d'entretien agréé régulièrement examiner le produit pour effectuer des réglages ou des réparations.

- N'utilisez pas un produit dont les équipements de protection sont endommagés. Si le produit est endommagé, contactez un centre d'entretien agréé.

Poignée de commande moteur

La poignée de commande moteur arrête le moteur. Assurez-vous que le moteur s'arrête lorsque la poignée de commande moteur est relâchée.

- Démarrez le moteur, puis relâchez la poignée de commande. Ensuite, le moteur s'arrête.

Remarque: Si la poignée de commande moteur n'arrête pas le moteur, appuyez sur le bouton d'alimentation pour l'arrêter. Retirez la batterie et contactez un centre d'entretien agréé.

Capot arrière

Le capot arrière réduit le risque de projections d'objets de l'arrière du produit vers la position de tonte de l'utilisateur.

- Assurez-vous que le capot arrière n'est pas endommagé et ne présente aucun défaut, tel que des fissures ou des ressorts cassés. Les défauts peuvent causer une fermeture forcée du capot. Remplacez le capot ou les ressorts si nécessaire.

Consignes de sécurité pour l'entretien



AVERTISSEMENT: Effectuez uniquement les tâches d'entretien décrites dans le présent manuel d'utilisation. Les mesures



AVERTISSEMENT: Lorsqu'ils ne sont pas utilisés, conservez le produit, la batterie et le chargeur de batterie à part dans un endroit sec, en intérieur et verrouillé, à l'écart des enfants et d'autres personnes non autorisées.

Consignes de sécurité relatives à l'utilisation de la batterie

Utilisez uniquement une batterie du fabricant et rechargez-la uniquement avec un chargeur de batterie du fabricant.

La batterie rechargeable est exclusivement utilisée pour l'alimentation électrique des produits sans câble. Pour éviter toute blessure, n'utilisez pas le bloc batterie pour d'autres appareils.

- Ne démontez pas, n'ouvrez pas et ne déchirez pas la batterie.
- Tenez les blocs batteries à l'écart de la lumière du soleil et de la chaleur. Tenez les blocs batteries à l'écart du feu.
- Examinez régulièrement la batterie et le chargeur afin de détecter d'éventuels dommages. Des blocs batteries endommagés ou modifiés peuvent

- provoquer un incendie, une explosion ou un risque de blessure. Ne réparez pas ou n'ouvrez pas les blocs batterie endommagés.
- N'utilisez pas un bloc batterie ou un produit défectueux, modifié ou endommagé.
 - Ne modifiez pas et ne réparez pas un produit ou un bloc batterie. Ne laissez que le concessionnaire agréé effectuer des réparations.
 - Ne court-circuitiez pas un accumulateur ou une batterie. Ne conservez pas une batterie dans une boîte ou un tiroir où elle peut être court-circuitée par d'autres objets métalliques.
 - Ne retirez pas les blocs batteries de leur emballage original avant leur utilisation.
 - Évitez les chocs mécaniques de la batterie.
 - En cas de fuite de la batterie, ne laissez pas le liquide entrer en contact avec votre peau ou vos yeux. Si vous avez touché le liquide, nettoyez la zone avec beaucoup d'eau claire et contactez un médecin.
 - N'utilisez pas un chargeur de batterie autre que celui spécialement conçu pour fonctionner avec la batterie.
 - Repérez les signes plus (+) et moins (-) sur la batterie et le produit pour vous assurer de leur bon fonctionnement.
 - N'utilisez pas de bloc batterie qui n'est pas fait pour fonctionner avec le produit.
- Ne mélangez pas les blocs batteries d'une tension différente ou provenant d'un fabricant différent dans un produit.
 - Tenez les blocs batteries à l'écart des enfants.
 - Achetez toujours le bloc batterie adéquat pour le produit.
 - Garder la batterie propre et sèche.
 - Nettoyez les bornes du bloc batterie avec un chiffon propre et sec s'ils sont sales.
 - Les blocs de batterie de rechange doivent être chargés avant l'utilisation. Utilisez toujours le chargeur de batterie adéquat et référez-vous au manuel pour les bonnes instructions de chargement.
 - Ne laissez pas les blocs batteries charger de façon continue lorsqu'ils ne sont pas utilisés.
 - Enregistrez le manuel pour vous y référer ultérieurement.
 - Utilisez le bloc batterie uniquement pour ce pour quoi il est fait.
 - Retirez le bloc batterie du produit s'il n'est pas utilisé.
 - Tenez la batterie à l'écart de trombones, clés, clous, vis ou autres petits objets en métal lorsqu'elle fonctionne. Cela peut provoquer une connexion entre les bornes. Court-circuiter les bornes des blocs batteries entre eux entraîne un risque de brûlures et d'incendie.

MONTAGE



AVERTISSEMENT: Lisez le chapitre dédié à la sécurité avant de monter le produit.

Pour retirer le produit du carton

1. Retirez toutes les pièces détachées fournies avec le produit.
2. Coupez les deux coins du carton et posez le panneau d'extrémité à plat.
3. Retirez tous les matériaux d'emballage.
4. Retirez le produit du carton et assurez-vous qu'aucune pièce détachée ne reste dans le carton.

Pour monter la poignée

1. Alignez les trous de vis de la partie inférieure de la poignée avec les trous de vis du support de la poignée. Fixez les vis, les rondelles et les boutons. (Fig. 29)
2. Pour régler la hauteur de la poignée, desserrez les boutons inférieurs, levez ou baissez la poignée à la hauteur souhaitée puis serrez les boutons complètement.

Pour régler le produit en position de fonctionnement

1. Soulevez la poignée en position de fonctionnement.
2. Serrez fermement les boutons inférieurs.

Montage du collecteur d'herbe

1. Fixez le châssis du collecteur d'herbe au sac à herbe, la partie rigide du sac étant sur la partie inférieure. Maintenez la poignée du châssis sur le dessus du sac à herbe. (Fig. 30)
2. Fixez la partie inférieure du châssis du collecteur d'herbe dans la rainure au bas du collecteur d'herbe. (Fig. 31)
3. Fixez les crochets du collecteur d'herbe sur le bord supérieur du châssis. (Fig. 32)
4. Placez la partie inférieure du collecteur d'herbe dans le canal d'éjection de l'herbe.

Pour modifier le produit en mode ensachage

Le mode ensachage arrière permet de collecter l'herbe coupée dans le collecteur d'herbe.



REMARQUE: Ne faites pas fonctionner le produit si le capot arrière n'est pas fermé ou si aucun collecteur d'herbe homologué n'est installé. N'essayez pas d'utiliser le produit si le capot arrière a été retiré ou ouvert.

1. Soulevez le capot arrière et placez les crochets du châssis du collecteur d'herbe sur le pivot du capot arrière. (Fig. 33)
2. Relâchez le capot arrière et placez-le sur le dessus du châssis du collecteur d'herbe.

Pour modifier le produit en mode broyage (le cas échéant)

Le mode broyage du produit permet une coupe plus fine de l'herbe. L'herbe coupée tombe ensuite sur la pelouse et à travers l'herbe. L'herbe broyée se biodégrade rapidement et apporte des nutriments à la pelouse.

1. Relevez le capot arrière et retirez le collecteur d'herbe. (Fig. 34)
2. Placez l'obturateur du broyeur dans le canal d'éjection. (Fig. 35)
3. Refermez correctement le capot arrière contre le produit.

Pour modifier le produit en mode éjection

1. Retirez l'obturateur du broyeur ou le collecteur d'herbe. (Fig. 36)
2. Refermez correctement le capot arrière contre le produit.

Pour régler la hauteur de coupe



REMARQUE: La hauteur de coupe ne doit pas être réglée trop bas. Les lames peuvent toucher le sol si la surface de la pelouse n'est pas plane.

Remarque: Réglez la même hauteur de coupe sur toutes les commandes de réglage.

1. Déplacez le levier de hauteur de coupe vers l'arrière pour augmenter la hauteur de coupe.
2. Déplacez le levier de hauteur de coupe vers l'avant pour diminuer la hauteur de coupe. (Fig. 37)

FONCTIONNEMENT



AVERTISSEMENT: Assurez-vous de lire et de comprendre le chapitre dédié à la sécurité avant d'utiliser le produit.

Technique de base pour la coupe

- Utilisez toujours une lame acérée pour obtenir des résultats de qualité optimale. Une lame non acérée coupe de manière inégale et entraîne un jaunissement de l'herbe sur la surface de coupe.
- Ne coupez pas plus d'un tiers de la longueur de l'herbe. Ceci vaut particulièrement durant les périodes de sécheresse. Coupez d'abord avec une hauteur de coupe élevée. Vérifiez ensuite le résultat et abaissez la lame à une hauteur adaptée. Si l'herbe est trop longue, tondez lentement, et deux fois si nécessaire.
- Pour les coupes intensives, réduisez la largeur de coupe en chevauchant votre chemin de coupe précédent et en tondant lentement.
- Tondez toujours dans différentes directions afin d'éviter de faire des lignes dans la pelouse.
- Lavez régulièrement le collecteur d'herbe au jet d'eau et laissez sécher avant utilisation. Les pores des collecteurs d'herbe en tissu peuvent se remplir de poussière et de saletés pendant l'utilisation. Cela peut réduire la quantité d'herbe recueillie par le collecteur d'herbe.

Avant de démarrer la tondeuse

- Veillez à ce que les personnes et les animaux soient à une distance suffisante de la zone de travail.
- Effectuez l'entretien quotidien. Consultez la section *ENTRETIEN* à la page 117.

Pour démarrer le produit

1. Poussez la batterie jusqu'à ce que vous entendiez un clic. Veillez à ce que la batterie soit correctement installée. (Fig. 38)
2. Placez la clé dans le compartiment sous le couvercle de la batterie. Veillez à ce que la clé soit correctement installée. (Fig. 39)

Remarque: La clé ne peut être positionnée que dans un sens.

3. Appuyez une fois sur le bouton d'alimentation. Le bouton s'allume complètement. (Fig. 40)
4. Tirez la poignée de commande moteur en direction du guidon. Le bouton d'alimentation commence à clignoter. (Fig. 41)
5. Appuyez sur le bouton d'alimentation qui clignote. Ensuite, le produit démarre. (Fig. 42)

Pour arrêter le produit

- Relâchez la poignée de commande moteur sur le produit ou appuyez une fois sur le bouton d'alimentation.(Fig. 43)

Pour appliquer l'entraînement aux roues (le cas échéant)

(Fig. 44)

- Tirez les leviers de transmission en direction du guidon.
- Avant de tirer le produit vers l'arrière, désengagez l'entraînement et poussez le produit d'environ 10 cm vers l'avant.
- Relâchez les leviers de transmission pour désengager l'entraînement, lorsque vous vous rendez à proximité d'un obstacle par exemple.

Pour vider le collecteur d'herbe

1. Soulevez le collecteur d'herbe à l'aide de la poignée du châssis.
2. Retirez l'herbe coupée du collecteur d'herbe par la partie située sous la poignée.
3. Videz l'herbe coupée du sac à l'aide des poignées du châssis et du sac.



REMARQUE: Ne faites pas glisser le sac lorsque vous videz le collecteur d'herbe pour empêcher l'usure.

Pour changer le mode de coupe

Le produit peut être configuré sur l'un des trois modes de coupe différents pendant le fonctionnement en appuyant sur le bouton de mode de coupe.

- **Mode Auto** : le produit ajuste automatiquement sa vitesse de coupe par rapport à la quantité d'herbe coupée.
- **Remarque:** Le produit est configuré en mode Auto par défaut pendant le fonctionnement.
- **Mode Boost** : le produit fonctionne à une vitesse élevée quelle que soit la quantité d'herbe coupée.
- Lorsque le produit est en marche, appuyez sur le bouton de mode de coupe une fois pour passer du mode Auto au mode Boost. Ensuite, le bouton de mode de coupe s'allume.

- **Mode ECO** : le produit fonctionne à une vitesse lente quelle que soit la quantité d'herbe coupée.
- Lorsque le produit est en marche, appuyez une fois sur le bouton de mode de coupe pour passer du mode Boost au mode ECO. Ensuite, le bouton de mode de coupe s'allume et clignote.
- Pour revenir au mode Auto par défaut, appuyez une fois sur le bouton de mode de coupe lorsque le produit est en marche. Ensuite, le bouton de mode de coupe arrête de clignoter.

Remarque: Si la poignée de commande moteur est relâchée pendant le fonctionnement, le produit reste sur le mode de coupe actuel. Si le produit s'arrête automatiquement ou que le conducteur appuie sur le bouton d'alimentation, le mode de coupe utilisé est effacé de la mémoire et le produit démarre en mode Auto lors du redémarrage.

Témoin de charge de batterie pendant l'utilisation

L'affichage sur l'interface de commande utilisateur indique la capacité de la batterie et les éventuels problèmes liés à la batterie. La capacité de la batterie est indiquée lorsque la machine est en marche.

Voyants DEL	État de la batterie
Toutes les DEL vertes s'allument	Batterie complètement chargée (100 - 76 %)
Les DEL 1, 2 et 3 s'allument	La batterie est chargée à 75 % - 51 %.
Les DEL 1 et 2 s'allument	La batterie est chargée à 50 % - 26 %.
La DEL 1 s'allume	La batterie est chargée à 25 % - 6 %.
La DEL 1 clignote	La batterie est chargée à 5 % - 0 %.

Si un problème de batterie survient pendant le fonctionnement, les quatre voyants verts de l'affichage de l'état de charge de la batterie clignotent. Retirez la batterie de la machine et appuyez sur l'indicateur de la batterie pour afficher le code d'erreur du problème. Les voyants sur la batterie s'allument et affichent un code d'erreur si une erreur s'est produite. Consultez le manuel de la batterie pour obtenir la liste des codes d'erreur et les solutions pour résoudre le problème.

ENTRETIEN



AVERTISSEMENT: Assurez-vous de lire et de comprendre le chapitre sur la sécurité avant de nettoyer, de réparer ou de procéder à l'entretien du produit.

Recommandations générales relatives à l'entretien

La garantie de ce produit n'inclut pas l'utilisation incorrecte ou négligente du produit par l'opérateur. Pour bénéficier de la pleine valeur de la garantie, l'utilisateur doit entretenir le produit conformément aux instructions

de ce manuel. Différents réglages doivent être réalisés à différents intervalles pour conserver votre produit en bon état de fonctionnement.

- Examinez la lame chaque année pour vérifier qu'elle n'est pas usée.

Pour examiner les pneus

- Évitez que les pneus entrent en contact avec des matières indésirables et des produits chimiques pour ne pas endommager le caoutchouc.
- Maintenez les pneus à l'écart des souches, des pierres, des ornières, des objets pointus et de tout autre objet pouvant les endommager.

Pour faire une inspection générale

- Assurez-vous que toutes les vis et tous les écrous sont bien serrés.
- Assurez-vous que les câbles ne sont pas pincés.

Calendrier de maintenance

Utilisez le calendrier de maintenance pour connaître les exigences d'entretien nécessaires de votre produit et les intervalles d'entretien. Les intervalles sont calculés en fonction de l'utilisation moyenne du produit et peuvent varier selon la fréquence d'utilisation.

- Serrez les boulons et les écrous avant chaque utilisation et avant le stockage.
- Nettoyez et examinez le collecteur d'herbe, le cas échéant, avant et après chaque utilisation et avant le stockage.
- Inspectez les pneus avant chaque utilisation.
- Nettoyez le produit après chaque utilisation et avant le stockage. Utilisez un grattoir pour nettoyer le dessous de la machine.
- Examinez la lame afin de détecter d'éventuels dommages et fissures toutes les 25 heures d'utilisation. Remplacez les lames plus fréquemment si vous tondez sur un sol sablonneux.
- Lubrifiez le produit toutes les 25 heures d'utilisation.
- Nettoyez et chargez complètement la batterie après utilisation et après le stockage. Chargez la batterie pendant 24 heures au maximum avant le stockage.
- Ne conservez pas la batterie sur le chargeur lors du stockage. Chargez la batterie pendant 24 heures au maximum.
- Examinez la courroie d'entraînement et les poulies toutes les 25 heures d'utilisation (le cas échéant).

Pour nettoyer le produit

- Utilisez une brosse pour enlever l'herbe et les matières indésirables sur le produit.
- Veillez à ce que les surfaces finies et les roues n'entrent pas en contact avec des matières indésirables.
- Utilisez un grattoir pour retirer l'herbe et les saletés accumulées sous la machine.

- N'utilisez pas de nettoyeur haute pression pour le nettoyage du produit.
- Ne projetez pas d'eau directement sur le moteur électrique ou les contacts de batterie.
- Lorsque vous nettoyez le dessous du produit, retirez la batterie et la clé de sécurité et placez le produit sur le côté avec l'interface de commande utilisateur dirigée vers le haut.



REMARQUE: Ne nettoyez pas le produit avec de l'eau, du nettoyant liquide ou des solvants. Retirez les matières indésirables à l'extérieur du produit avec une brosse douce ou un chiffon sec ne contenant pas de métal.

Nettoyage du collecteur d'herbe

- Les pores des collecteurs d'herbe en tissu peuvent se remplir de poussière et de saletés pendant l'utilisation. Cela peut réduire la quantité d'herbe recueillie par le collecteur d'herbe. Pour éviter ce problème, lavez régulièrement le collecteur d'herbe au jet d'eau et laissez sécher avant utilisation.
- Examinez régulièrement le collecteur d'herbe pour détecter tout signe d'usure ou de détérioration. Remplacez si nécessaire.

Pour examiner le capot arrière

Le capot arrière est fixé entre les roues arrière du produit. Le capot réduit les risques de projection d'objets vers la position de tonte de l'utilisateur.

1. Assurez-vous que le capot arrière n'est pas endommagé.
2. Examinez le capot arrière pour détecter d'éventuels défauts entraînant une fermeture forcée du capot, y compris des fissures ou des ressorts cassés.
3. Remplacez le capot arrière ou les ressorts s'ils sont endommagés.

Pour affûter et équilibrer les lames

Pour obtenir des résultats optimaux, la lame doit rester affûtée. Remplacez la lame si elle est tordue ou endommagée.



REMARQUE: Utilisez des gants et/ou enroulez la lame dans un linge épais pour éviter de vous blesser les mains.

1. Affûtez la lame avec une lime ou sur un disque de meulage. N'affûtez pas la lame lorsqu'elle est installée sur le produit.



REMARQUE: Nous vous recommandons de ne pas affûter la lame. Si vous le faites, assurez-vous que la lame est équilibrée. Une lame non équilibrée peut causer des dommages sur le produit ou le moteur.

- Placez un clou droit sur un morceau de bois ou un mur. Assurez-vous que vous pouvez voir 2-3 cm du clou.
- Placez l'orifice central de la lame sur l'extrémité du clou. Si la lame est équilibrée, elle doit rester en position horizontale. Si l'une des extrémités de la lame se déplace vers le bas, aiguissez l'extrémité lourde jusqu'à ce que la lame soit bien équilibrée.
- Lorsque vous fixez la nouvelle lame, orientez le tranchant en direction du capot de coupe.(Fig. 46)
- Assurez-vous que la lame est alignée par rapport au centre de l'arbre du moteur.
- Bloquez la lame avec un bloc en bois. Fixez la rondelle ressort, puis serrez le boulon et la rondelle à un couple de Nm.(Fig. 47)
- Déplacez la lame à la main et vérifiez qu'elle tourne librement.

Pour remplacer la lame

- Bloquez la lame avec un bloc en bois.(Fig. 45)
- Retirez le boulon de lame.
- Retirez la lame.
- Examinez le support de lame et le boulon de lame pour voir s'ils sont endommagés.
- Examinez l'arbre du moteur pour vous assurer qu'il n'est pas tordu.



AVERTISSEMENT: Utilisez des gants de travail épais. La lame est très tranchante et des coupures peuvent survenir facilement.

- Démarrez le produit pour tester la lame. Si la lame n'est pas correctement fixée, le produit vibre ou le résultat de coupe n'est pas satisfaisant.

Codes d'erreur

Les codes d'erreur vous aident à résoudre les problèmes du produit et/ou de la batterie lors du fonctionnement.

Écran à DEL	Défaillances possibles	Étapes possibles
Aucun voyant ne s'allume après avoir appuyé sur le bouton d'alimentation de l'interface de commande utilisateur, la batterie ne fonctionne pas dans le produit	La batterie n'est pas correctement placée dans le produit ou un fusible interne est grillé	Enfoncez complètement la batterie dans la tête motorisée jusqu'à entendre un clic. Si les voyants ne s'allument pas après avoir placé correctement la batterie et avoir appuyé sur le bouton d'alimentation de l'interface de commande utilisateur, contactez un centre d'entretien agréé.
Les quatre voyants de capacité de la batterie clignotent, aucun autre voyant ne s'allume après avoir appuyé sur le bouton d'alimentation	La batterie n'est pas correctement placée dans le produit ou la température interne de la batterie est trop élevée ou trop basse.	Enfoncez complètement la batterie dans la tête motorisée jusqu'à entendre un clic. Si les voyants continuent de clignoter, la température interne de la batterie est peut-être trop basse ou trop élevée. Laissez la batterie chauffer ou refroidir. Pour accélérer le processus de refroidissement, la batterie peut être insérée dans le chargeur de batterie pour refroidir activement la batterie.
Les quatre voyants de capacité de la batterie et le voyant d'alimentation clignotent, aucun autre voyant ne s'allume après avoir appuyé sur le bouton d'alimentation	La poignée de commande moteur est maintenue vers le bas lorsque vous appuyez sur le bouton d'alimentation pour la première fois ou l'interrupteur de poignée de commande moteur interne est défectueux	Relâchez la poignée de commande moteur. Si la poignée de commande moteur n'est pas maintenue vers le bas et que les voyants continuent de clignoter, contactez un centre d'entretien agréé.

Écran à DEL	Défaillances possibles	Étapes possibles
Le produit cesse de fonctionner et les quatre voyants de capacité de la batterie clignotent, aucun autre voyant ne s'allume.	La batterie n'est pas bien maintenue dans le moteur et n'est plus correctement en contact, la batterie est trop chaude ou trop froide, ou autre erreur de batterie interne	<ol style="list-style-type: none"> 1. Arrêtez le produit. 2. Retirez la batterie du produit et appuyez sur l'indicateur de la batterie pour afficher le code d'erreur. Le voyant sur la batterie s'allume et affiche un code d'erreur. 3. Consultez le manuel de la batterie inclus pour obtenir une liste des codes d'erreur des voyants et connaître les pannes et les procédures possibles. <p>Si la batterie n'affiche pas d'erreur après avoir appuyé sur l'indicateur de la batterie et n'affiche que l'état de charge, la batterie s'est peut-être détachée dans le moteur pendant le fonctionnement. Placez la batterie correctement dans le moteur jusqu'à ce que vous entendiez un clic.</p>
Le produit cesse de fonctionner et le bouton d'alimentation clignote alors que les voyants de capacité de la batterie indiquent toujours l'état de charge actuel	La chambre de coupe est obstruée par de l'herbe, la commande moteur est trop chaude, ou panne du moteur	<ol style="list-style-type: none"> 1. Arrêtez le produit. 2. Retirez la batterie et placez le produit sur le côté avec l'interface de commande utilisateur dirigée vers le haut. 3. Examinez la lame, le boulon de lame, l'ensemble de lame et la base du moteur pour vérifier qu'ils ne sont pas endommagés. Retirez l'herbe située sous la machine et recherchez d'éventuelles obturations. 4. Installez la batterie et suivez la procédure de démarrage pour démarrer la machine. <p>Si l'erreur est toujours affichée, laissez le produit refroidir. La commande moteur est peut-être trop chaude pour le fonctionnement. Si l'erreur disparaît pas, contactez un centre d'entretien agréé.</p>

TRANSPORT ET STOCKAGE

- Sécurisez l'équipement lors du transport afin d'éviter tout dommage ou accident.
- Pendant le stockage, retirez la clé de sécurité et conservez l'équipement dans un endroit verrouillé à l'écart des enfants et des personnes non autorisées.
- Pendant le stockage, conservez le produit et l'équipement dans un endroit sec et à l'abri du gel.
- Pour charger ou déplacer ce produit, ne dépassez pas l'angle maximal recommandé de 15 degrés.
- Nettoyez le produit. Pour plus d'informations, consultez la section *Pour nettoyer le produit à la page 118*.
- Lubrifiez le produit.
- Serrez les boulons et les écrous.
- Remplacez ou réparez les composants endommagés.
- Retouchez toutes les surfaces peintes rouillées ou écaillées. Poncez légèrement avant de peindre.
- Utilisez le capot de protection adéquat afin que le produit ne soit pas exposé à l'humidité. N'utilisez pas de plastique car il ne permet aucune aération, entraîne une accumulation de la condensation et peut provoquer de la corrosion sur le produit.
- Retirez toujours la batterie avant le transport ou le stockage.

CARACTÉRISTIQUES TECHNIQUES

	unité	LM2146C Li58-52 (58VBKJN46C)	LM2146CA Li58-52 (58VBKJN46CR)
Moteur de coupe			
Type de moteur	—	BLDC (sans balais) 58V	BLDC (sans balais) 58V
Vitesse du moteur – mode ECO	tr/min	2 300	2 300
Vitesse du moteur – mode Auto	tr/min	2 500 tr/min jusqu'à ce que le courant soit supérieur à 12 A pendant 3 secondes, le régime atteint 2 800 tr/min jusqu'à ce que le courant soit inférieur à 18 A pendant 10 secondes.	2 500 tr/min jusqu'à ce que le courant soit supérieur à 12 A pendant 3 secondes, le régime atteint 2 800 tr/min jusqu'à ce que le courant soit inférieur à 18 A pendant 10 secondes.
Vitesse du moteur – mode Boost	tr/min	2 800	2 800
Sortie du moteur – max.	kW	1,5	1,5
Sortie du moteur – max. continu	kW	0,9	0,9
Sortie du moteur – nominale	kW	0,9	0,9
Limite de surintensité (courant max.)	A (Ampères)	25	25
Poids			
Poids (sans batterie)	kg	23,5	24,5
Batterie			
Type de batterie		590923813	590923813
Durée de fonctionnement de la batterie			
Durée de fonctionnement de la batterie	m ²	Jusqu'à 1 200	Jusqu'à 1 000
Émissions sonores ²⁸			
Niveau de puissance sonore mesuré	dB (A)	87	87
Niveau de puissance sonore, garanti LWA	dB (A)	87	87
Niveaux sonores			
²⁹			
Niveau de pression sonore à l'oreille de l'utilisateur	dB (A)	< 80	< 80

²⁸ émissions sonores dans l'environnement mesurées comme puissance acoustique (LWA) selon la directive UE 2000/14/CE.

²⁹ Les données reportées pour le niveau de pression sonore montrent une dispersion statistique typique (déviation standard) de 1,2 dB(A).

	unité	LM2146C Li58-52 (58VBKJN46C)	LM2146CA Li58-52 (58VBKJN46CR)
Niveaux de vibrations			
30			
Poignée	m/s ²	0,65	0,65
Coupe			
Hauteur de coupe	mm	30-80	30-80
Largeur de coupe	cm	46	46
Lame, collecteur	—	581188910	581188902
Lame, broyeur	—	581188910	581188902
Contenance du bac de ramassage	litres	50	50

CONTENU DE LA DÉCLARATION DE CONFORMITÉ DE LA CE

Nous, Husqvarna AB, SE 561 82 Huskvarna, SUÈDE, déclarons sous notre responsabilité exclusive que le produit représenté :

Description	Tondeuse rotative électrique
Marque	Jonsered
Plate-forme / Type / Modèle	Plate-forme 58VBKJN46C (représentant le modèle LM2146C Li58-52), plate-forme 58VBKJN46CR (représentant le modèle LM2146CA Li58-52).
Lot	Numéro de série à partir de 2018

est entièrement conforme à la réglementation et aux directives de l'UE suivantes :

Directive/Réglementation	Description
2006/42/EC	« relative aux machines »
2014/30/UE	« relative à la compatibilité électromagnétique »,
2000/14/EC	« relative au bruit extérieur »
2011/65/UE	« relative aux substances dangereuses »

Les normes harmonisées et/ou les spécifications techniques appliquées sont comme suit : EN60335-1, EN60335-2-77, EN50366, EN55014-1, EN55014-2, EN61000-3-2, EN61000-3-3

Conformément à la directive 2000/14/CE, Annexe V, les valeurs déclarées saines sont stipulées dans la section Données techniques de ce manuel et dans la Déclaration de Conformité signée de l'UE.

Intertek a procédé à un examen volontaire pour Husqvarna AB et lui a attribué un certificat de conformité à la directive 2006/42/CE du Conseil de la CE relative aux machines.

Le certificat, comme indiqué dans la Déclaration de Conformité signée de la CE, s'applique à l'ensemble des sites de fabrication et des pays d'origine, comme indiqué sur le produit.

La tondeuse rotative électrique fournie est conforme au modèle ayant été soumis à l'examen.

³⁰ Les données reportées pour le niveau de vibrations montrent une dispersion statistique typique (déviation standard) de 0,2 m/s². Norme sur les vibrations EN 60335-2-77:2017 chapitre 20.105.

Sadržaj

UVOD.....	123	ODRŽAVANJE.....	129
SIGURNOST.....	124	PRIJEVOZ I SKLADIŠTENJE.....	131
SASTAVLJANJE.....	127	TEHNIČKI PODACI.....	132
RAD.....	127	SADRŽAJ EUROPSKE DEKLARACIJE O USKLAĐENOSTI.....	133

UVOD

Korisnički priručnik

Prvi jezik u ovom korisničkom priručniku je engleski. Korisnički priručnici na drugim jezicima prijevod su iz engleskog jezika.

Pregled

(Sl. 1)

1. Upravljačka poluga za prisutnost rukovatelja
2. Sakupljač trave
3. Poluge pogona
4. Električna pogonska glava
5. Poluga za visinu rezanja
6. Punjač baterije
7. Korisnički priručnik
8. Upravljačko korisničko sučelje
9. Baterijski komplet
10. Poklopac baterije
11. Gumb napajanja
12. Gumb načina za košnju
13. Stražnja vrata
14. Svjetla za prikaz napunjenosti
15. Tipka
16. Priključak za usitnjavanje

Simboli na proizvodu

(Sl. 2) Upozorenje

(Sl. 3) Pročitajte ovaj priručnik

(Sl. 4) Pažljivo pročitajte korisnički priručnik i prije korištenja dobro usvojite sadržaj.

(Sl. 5) Upotrebjavajte odobrenu zaštitu za oči

(Sl. 6) Upotrebjavajte odobrenu zaštitu sluha

(Sl. 7) Upotrebjavajte odobrenu zaštitu za glavu

(Sl. 8) Upotrebjavajte odobrenu zaštitu sluha

(Sl. 9) Upozorenje: okretni nož. Držite podalje šake i stopala.

(Sl. 10) Šake i stopala držite podalje od rotirajućih noževa. Nemojte otvarati zaštitne poklopce

dok su motor s unutarnjim sagorijevanjem ili elektromotor u pogonu.

Prije i tijekom hodanja unatrag provjerite iza i dolje ima li malene djece, životinja ili drugih opasnosti koje mogu uzrokovati pad.

(Sl. 11)

(Sl. 12) Pazite na izbačene predmete i odbijanja.

(Sl. 13) Osobe i životinje držite na sigurnoj udaljenosti od radnog područja.

(Sl. 14) Opasnost od strmine

(Sl. 15) Električni udar

(Sl. 16) Prije popravaka, podešavanja, postavljanja ili transporta uklonite ključ.

(Sl. 17) Gumb napajanja

(Sl. 18) Motor uključen

(Sl. 19) Uključena upravljačka ručica motora

(Sl. 20) Motor isključen

(Sl. 21) Isključena upravljačka ručica motora

Proizvod ili pakiranje ne može se zbrinuti kao kućanski otpad. Proizvod i pakiranje umjesto toga treba odnijeti u prikladni reciklažni centar za prihvata električne i elektroničke opreme.

(Sl. 22)

Nemojte ostavljati, čuvati ni upotrebjavati na kiši ni u vlažnim uvjetima.

(Sl. 23)

(Sl. 24) Recikliranje

(Sl. 25) Razina buke

(Sl. 26) Proizvod ispunjava mjerodavne direktive EC

(Sl. 27) Ovaj proizvod ispunjava mjerodavne direktive EAC

(Sl. 28) Ovaj proizvod ispunjava mjerodavne direktive u Ukrajini

Pouzdanost proizvoda

Sukladno zakonima o pouzdanosti proizvoda nismo odgovorni za oštećenja uzrokovana našim proizvodima ako je:

- proizvod nepravilno popravljen.
- proizvod popravljen dijelovima koje nije proizveo proizvođač ili nemaju odobrenje proizvođača.
- proizvod ima dodatnu opremu koje nije proizveo proizvođač ili nemaju odobrenje proizvođača.
- proizvod nije popravljen u odobrenom servisnom centru ili kod ovlaštene osobe.

SIGURNOST

Sigurnosne definicije

Definicije u nastavku prikazuju razinu ozbiljnosti svake signalne riječi.



UPOZORENJE: Ozljede osoba.



OPREZ: Oštećenje proizvoda.

Napomena: Informacije olakšavaju korištenje proizvoda.

Opće sigurnosne upute

- Proizvod koristite ispravno. Nepravilno korištenje može uzrokovati ozljede ili smrt. Proizvod koristite samo za zadatke iz ovog priručnika. Proizvod nemojte upotrebljavati za druge zadatke.
- Pročitajte, usvojite i poštujujte upute iz ovog priručnika. Poštujujte sigurnosne simbole i sigurnosne upute. Ako operater ne poštuje upute i simbole, može doći do ozljeda, oštećenja ili smrti.
- Čuvajte ovaj priručnik. Koristite upute za sastavljanje, korištenje i održavanje proizvoda. Koristite upute za pravilnu ugradnju priključaka i dodatne opreme. Koristite isključivo odobrene priključke i dodatnu opremu.
- Nemojte upotrebljavati oštećen proizvod. Pridržavajte se rasporeda održavanja. Provodite samo radove održavanja za koje su u priručniku navedene upute. Svi drugi radovi održavanja moraju se provesti u ovlaštenom servisnom centru.
- Priručnik ne može sadržavati sve situacije koje mogu nastati prilikom upotrebe proizvoda. Budite pažljivi i razumni. Nemojte pogoniti ili održavati proizvod ako niste sigurni u situaciju. Informacije zatražite od stručnjaka za proizvod, serviseru ili ovlaštenog servisnog centra.
- Nemojte upotrebljavati proizvod ako su mu promijenjene početne specifikacije. Nemojte mijenjati dio proizvoda bez odobrenja proizvođača. Koristite isključivo dijelove s odobrenjem proizvođača.

Nepravilno održavanje može uzrokovati ozljede ili smrt.

- Proizvod tijekom rada proizvodi elektromagnetsko polje. Elektromagnetsko polje može oštetiti medicinske implantate. Prije uporabe proizvoda obratite se liječniku ili proizvođaču medicinskog implantata.
- Djeci nemojte dopustiti korištenje proizvoda.
- Osobama koje nisu upoznate s uputama nemojte dopustiti korištenje proizvoda.
- Osobu smanjenih fizičkih ili mentalnih sposobnosti obavezno nadzirite tijekom uporabe proizvoda. Cijelo vrijeme mora biti nazočna odgovorna odrasla osoba.
- Proizvod zaključajte u prostor u koji je djeci i neovlaštenim osobama onemogućen pristup.
- Proizvod može izbacivati predmete i uzrokovati ozljede. Poštujujte sigurnosne upute kako biste smanjili opasnost od ozljede i smrti.
- Nemojte se udaljavati od uključеног proizvoda. Prije odlaska isključite proizvod.
- Prije i tijekom hodanja unatrag provjerite iza i dolje ima li malene djece, životinja ili drugih opasnosti koje mogu uzrokovati pad.
- Za nezgode je odgovoran korisnik proizvoda.
- Prije upotrebe proizvoda provjerite jesu li njegovi dijelovi neoštećeni.
- Pogledajte nacionalne ili lokalne zakone. Njima u određenim uvjetima može biti spriječeno ili ograničeno korištenje proizvoda.

Sigurnosne upute za rad

- Prije upotrebe proizvoda upoznajte se s komandama i ispravnim načinom rada.
- Djeci ili osobama koje nisu upoznate s uputama nemojte dopustiti upotrebu proizvoda.
- Proizvod nemojte pogoniti dok se u blizini zadržavaju osobe, posebice djeca ili životinje.
- Djeci onemogućite pristup području košnje i osigurajte nadzor odrasle osobe.
- Zaustavite proizvod ako djeca pristupe radnom području.
- Detaljno pregledajte područje u kojem ćete upotrebljavati proizvod. Uklonite sve predmete koje proizvod može izbaciti tijekom rada.

- Prije upotrebe pregledajte jesu li nož, vijak noža, sklop noža i osnovica motora istrošeni ili oštećeni.
- Proizvod upotrebljavajte samo pri dnevnom svjetlu ili dostatnom umjetnom osvjetljenju.
- Proizvod nemojte pogoniti u mokroj travi.
- Budite pažljivi blizu kutova, grmlja, stabala ili drugih predmeta koji zakrivaju pogled.
- Budite iznimno pažljivi kada idete unatrag ili povlačite proizvod prema sebi.
- Ruke ili stopala nemojte stavljati u blizinu ili ispod okretnih dijelova. Uvijek se držite podalje od otvora za pražnjenje.
- Pri prelasku preko šljunčanih površina zaustavite nož.
- Prije čišćenja proizvoda, uklanjanja sakupljača trava ili uklanjanja materijala iz usmjerivača zaustavite motor, izvadite baterijski komplet i pričekajte da se noževi potpuno zaustave.
- Proizvod nemojte koristiti kada ste umorni, bolesni ni pod utjecajem alkohola ili lijekova.
- Ako proizvod neobično vibrira, zaustavite motor, uklonite baterijski komplet i odmah potražite uzrok. Vibracije su uobičajeno upozorenje na oštećenje.
- Izbačeni materijal nemojte usmjeravati u smjeru drugih osoba. Materijal nemojte izbacivati na zid ili prepreku. Materijal se može odbiti natrag u smjeru rukovatelja.
- Proizvod nemojte pogoniti bez pravilno postavljenih odgovarajućih štitnika, ploča, sakupljača trave ili drugih zaštitnih uređaja.
- Pazite na skrivene predmete ili rupe na travnjaku. Grub teren može uzrokovati pad.
- Nemojte rezati u blizini strmih kosina, litica, jaraka ili nasipa. Možete pasti.
- Nemojte rezati mokru travu. Možete pasti.
- Nemojte rezati na terenu s nagibom većim od 15 stupnjeva.

Oprema za osobnu zaštitu

Prilikom korištenja proizvoda obavezno koristite prikladnu osobnu zaštitnu opremu. To obuhvaća barem čvrstu obuću, zaštitu za oči i zaštitu sluha. Oprema za osobnu zaštitu ne uklanja opasnost od ozljeda, no može smanjiti ozbiljnost ozljede u slučaju nezgode.

- Dok pogonite proizvod ili provodite podešavanja ili popravke, obavezno nosite zaštitne naočale ili zaštitu za oči.
- Proizvod nemojte upotrebljavati bez obuće ili s otvorenim cipelama. Tijekom rada s proizvodom obavezno nosite protuklizne čizme za teške uvjete rada s dobrom potporom zgloba.
- Nosite teške, duge hlače. Nemojte nositi kratke hlače ili sandale i nemojte hodati bos.
- Ako je potrebno, nosite odgovarajuće zaštitne rukavice. Primjerice pri postavljanju, pregledu ili čišćenju noža.
- Tijekom upotrebe stroja obavezno koristite odobrenu zaštitu sluha. Dugotrajna izloženost buci može uzrokovati gubitak sluha.

Zaštitni uređaji na proizvodu

- Redovno održavajte proizvod.
 - Time produljujete vijek trajanja proizvoda.
 - Također smanjujete opasnost od nezgoda.

Redovno pregledavajte proizvoda kod odobrenog trgovca ili odobrenog servisera radi provedbe prilagodbi ili popravaka.

- Nemojte koristiti uređaj s oštećenom zaštitnom opremom. Ako je proizvod oštećen, obratite se odobrenom servisnom centru.

Upravljačka ručica motora

Upravljačkom ručicom motora zaustavljate motor. Provjerite zaustavlja li se motor po otpuštanju upravljačke ručice motora.

- Pokrenite motor i potom otpustite upravljačku ručicu. Motor se tada zaustavlja.

Napomena: Ako upravljačkom ručicom motora ne zaustavite motor, pritisnite gumb napajanja kako biste ga zaustavili. Uklonite baterijski komplet i obratite se ovlaštenom servisnom centru.

Sigurnost na radnom mjestu

- Prije početka košnje s travnjaka uklonite grane, grančice, kamenje i druge predmete.
- Osobe, uključujući djecu, i životinje držite na sigurnoj udaljenosti od radnog područja.
- Predmeti koji udare u rezu opremu mogu biti izbačeni te uzrokovati ozljede ili oštećenja.
- Proizvod nemojte upotrebljavati po lošem vremenu, uključujući maglu, kišu, vlažne ili mokre lokacije, jak vjetar, intenzivnu hladnoću te ako postoji opasnost od grmljavine. Rad po lošem vremenu može uzrokovati zamor i opasne uvjete poput klizavih površina.
- Pregledajte radno područje kako biste bili sigurni da ne možete izgubiti kontrolu nad proizvodom.
- Pazite na korijenje, kamenje, grančice, jame i jarke. Visoka trava može sakrivati prepreke.
- Oprezno prilazite skrivenim kutovima i predmetima koji mogu onemogućiti jasan pogled.

Sigurnosne upute za strmine

- Budite pažljivi tijekom košnje na strmini. Strmine mogu biti opasne. Pri padu na strmini može doći do ozljeda.
- Kosite popreko na strminama. Nemojte kositi prema gore i dolje.
- Budite pažljivi pri promjeni smjera na strmini.

Stražnja vrata

Stražnja vrata smanjuju opasnost od izbacivanja predmeta sa stražnje strane proizvoda u položaj u kojem rukovatelj kosi.

- Uvjerite se kako su stražnja vrata neoštećena i kako nema vidljivih znakova poput pukotina ili slomljenih opruga. Oštećenja uzrokuju zatvaranje vrata uz silu. Zamijenite oštećena vrata ili opruge.

Sigurnosne upute za održavanje



UPOZORENJE: Provodite samo održavanje opisano u ovom korisničkom priručniku. Opsežnije radove obavezno provodi ovlašteni serviser.

Pravilno provedite radove održavanja kako biste produljili vijek trajanja proizvoda i smanjili opasnost od nezgoda. Profesionalna održavanja provodi ovlašteni serviser. Za više informacija obratite se najbližem serviseru.



UPOZORENJE: Za sprječavanje nenamjernog pokretanja tijekom transporta, održavanja ili popravaka, uklonite baterijski komplet i na zamjenu pričekajte najmanje pet sekundi.



UPOZORENJE: Prilikom rada s reznom opremom nosite rukavice na teške uvjete rada. Nož je vrlo oštar i lako dolazi do posjekotina.

- Rezne rubove održavajte naoštrenima i čistima kako biste osigurali najsigurnije radne značajke.
- Redovno pregledavajte proizvod i provodite potrebne prilagodbe i popravke kod servisera.
- Zamijenite oštećene, istrošene ili polomljene dijelove.
- Pratite upute za zamjenu pribora. Upotrebljavajte isključivo dodatnu opremu proizvođača.



UPOZORENJE: Kada ga ne upotrebljavate, proizvod, baterijski komplet i punjač baterije spremite odvojeno i na suhom, u zatvorenom prostoru koji možete zaključati kako biste onemogućili pristup djeci i neovlaštenim osobama.

Sigurnost baterije

Koristite samo baterijske komplete originalnog proizvođača i punite ih samo u punjaču tog istog proizvođača.

Punjivi baterijski kompleti koriste se isključivo kao izvor napajanja za povezane proizvode bez kabela. Kako biste izbjegli ozljede, baterijski komplet ne smijete koristiti kao izvor napajanja za ostale uređaje.

- Baterijski komplet nemojte rastavljati, otvarati ni trgati.
- Baterijske komplete nemojte držati na izravnom Sunčevu svjetlu ni vrućini. Baterijske komplete držite podalje od vatre.
- Redovito provjeravajte jesu li baterijski komplet i punjač neoštećeni. Oštećeni ili izmijenjeni baterijski kompleti mogu prouzročiti požar, eksploziju ili opasnost od ozljede. Oštećene baterijske komplete nemojte popravljati ni otvarati.
- Nemojte koristiti baterijski komplet ili proizvod ako su oštećeni, izmijenjeni ili neispravni.
- Nemojte modificirati ni popravljati proizvode ni baterijski komplet. Popravke smije obavljati samo ovlašteni distributer.
- Nemojte izazivati kratki spoj na čeliji ni baterijskom kompletu. Baterijske komplete nemojte čuvati u kutiji ni ladici u kojima drugi predmeti mogu izazvati kratki spoj.
- Baterijski komplet nemojte vaditi iz originalne jedinice pakiranja sve do trenutka upotrebe.
- Baterijske komplete nemojte izlagati udarcima.
- Ako baterija počne propuštati, pazite da vam tekućina ne dospije na kožu ili u oči. Ako ste dodirnuli tekućinu, očistite to mjesto velikom količinom vode i zatražite medicinsku pomoć.
- S baterijskim kompletom koristite isključivo predviđeni punjač.
- Kako biste osigurali pravilno funkcioniranje, pazite na oznake plus (+) i minus (-) na baterijskom kompletu i proizvodu.
- S proizvodom nemojte koristiti baterijski komplet koji nije za to predviđen.
- U uređaju nemojte kombinirati baterijske komplete različitih napona ili proizvođača.
- Baterijske komplete držite podalje od djece.
- Uvijek kupite odgovarajući baterijski komplet za proizvod.
- Baterije održavajte čistima i suhima.
- Ako se kontakti baterijskog kompleta zaprljaju, očistite ih čistom suhom krpom.
- Sekundarne baterijske komplete potrebno je napuniti prije upotrebe. Uvijek koristite odgovarajući punjač i u priručniku potražite upute za pravilno punjenje.
- Dok baterijski komplet nije u upotrebi, nemojte ga ostavljati na stalnom punjenju.
- Spremite priručnik za kasniju upotrebu.
- Baterijski komplet koristite samo za predviđenu namjenu.
- Dok ne upotrebljavate baterijski komplet, izvadite ga iz proizvoda.
- Dok je baterijski komplet u upotrebi, držite ga podalje od spajalica, ključeva, čavala, vijaka i drugih malih metalnih predmeta. Oni mogu dovesti do spoja između kontakata. Kratki spoj između kontakata baterijskog kompleta može prouzročiti opekline ili požar.

SASTAVLJANJE



UPOZORENJE: Prije sastavljanja proizvoda pročitajte poglavlje o sigurnosti.

postavljen odobreni sakupljač trave.
Nemojte pogoniti proizvod s otvorenim ili uklonjenim stražnjim vratima.

Vađenje proizvoda iz kartona

1. Izvadite odvojene dijelove isporučene s proizvodom.
2. Odrežite dva kuta kartona i spustite rubne ploče.
3. Uklonite sav materijal za pakiranje.
4. Izvadite proizvod iz kartona i provjerite je li u kartonu ostalo nepričvršćenih dijelova.

Za sastavljanje ručke

1. Poravnajte otvore za vijke na dnu ručke s otvorima za vijke na sklopu ručke. Ugradite vijke, podloške i kotačiće. (Sl. 29)
2. Za postavljanje visine ručke otpustite donje kotačiće, podignite ili spustite ručku kako biste prilagodili visinu i do kraja zategnite kotačiće.

Postavljanje proizvoda u položaj za rad

1. Podignite ručku u radni položaj.
2. Donje kotačiće zategnite do kraja.

Montaža sakupljača trave

1. Okvir sakupljača trave pričvrstite za vreću za travu tako da kruti dio vreće bude na dnu. Ručka okvira treba biti na vrhu vreće za travu. (Sl. 30)
2. Donji dio okvira sakupljača trave pričvrstite u utor na dnu sakupljača trave. (Sl. 31)
3. Pričvrstite kuke na hvataču trave za gornji rub šasije. (Sl. 32)
4. Donji dio sakupljača trave umetnite u kanal za izbacivanje trave.

Prijelaz proizvoda u način rada za punjenje vreće

U načinu rada za punjenje stražnje vreće ostaci trave skupljaju se u sakupljaču trave.



OPREZ: Proizvod nemojte pogoniti ako stražnja vrata nisu zatvorena ili ako nije

1. Podignite stražnja vrata i postavite kuke na okviru sakupljača trave na osovinu stražnjih vrata. (Sl. 33)
2. Otpustite stražnja vrata i naslonite ih na vrh okvira vreće za travu.

Prijelaz proizvoda u način rada za usitnjavanje (ako je ugrađen)

Proizvod u načinu rada za usitnjavanje proizvodi manje ostatke trave. Ostaci trave tada padaju na travnjak i raznose se po travi. Usitnjena trava brzo se biološki razgrađuje i travnjaku prenosi hranidbene tvari.

1. Podignite stražnji poklopac i uklonite sakupljač trave. (Sl. 34)
2. Priključak za sječku umetnite u kanal za izbacivanje. (Sl. 35)
3. Čvrsto zatvorite stražnja vrata uz proizvod.

Prijelaz proizvoda u način rada za pražnjenje

1. Uklonite priključak za sječku ili sakupljač trave. (Sl. 36)
2. Čvrsto zatvorite stražnja vrata uz proizvod.

Postavljanje visine rezanja



OPREZ: Visinu rezanja nemojte postaviti prenisko. Noževi mogu udariti u tlo ako površina travnjaka nije ravna.

Napomena: Postavite istu visinu rezanja na svim komandama za visinu rezanja.

1. Polugu za visinu rezanja pomaknite unatrag kako biste povećali visinu rezanja.
2. Polugu za visinu rezanja pomaknite naprijed kako biste smanjili visinu rezanja. (Sl. 37)

RAD



UPOZORENJE: Prije korištenja proizvoda pročitajte i usvojite poglavlje o sigurnosti.

Osnovna tehnika košenja

- Za najbolje rezultate uvijek režite ostrim nožem. Tup nož reže neravnomjerno, zbog čega trava žuti na površini reza.
- Nemojte rezati više od 1/3 od duljine trave. To se posebice odnosi na košenje tijekom sušnih razdoblja. Prvo kosite s visoko postavljenom visinom za rezanje. Potom provjerite rezultat i smanjite visinu rezanja na prikladnu visinu. Ako je trava predugačka, radite polako i po potrebi kosite dva puta.
- Za košnju u vrlo zahtjevnim uvjetima smanjite širinu reza sporim preklapanjem pokošene trase i košnje.
- Svaki put kosite u drugom smjeru kako biste spriječili nastanak traka na travnjaku.
- Prije upotrebe sakupljače trave redovito isperite vodom i pričekajte da se osuše. Šupljine u sakupljačima trave u radu mogu se napuniti prljavštinom i prašinom. U sakupljaču trave tada će se skupljati manje trave.

Prije pokretanja kosilice

- Osobe i životinje držite podalje od radnog područja.
- Provodite svakodnevno održavanje. Pogledajte *ODRŽAVANJE na stranici 129.*

Pokretanje proizvoda

1. Baterijski komplet umećite dok ne čujete škljocaj. Provjerite je li baterijski komplet pravilno umetnut. (Sl. 38)
2. Postavite ključ i otvor ispod poklopca baterije. Provjerite je li ključ pravilno postavljen. (Sl. 39)

Napomena: Ključ je moguće postaviti samo u jednom smjeru.

3. Jednom pritisnite gumb napajanja. Gumb se potpuno osvijetljuje. (Sl. 40)
4. Upravljačku ručicu motora povucite prema upravljaču. Gumb napajanja počinje treperiti. (Sl. 41)
5. Pritisnite trepereći gumb napajanja. Proizvod se tada pokreće. (Sl. 42)

Zaustavljanje proizvoda

- Otpustite upravljačku ručicu motora na proizvodu ili jednom pritisnite gumb napajanja. (Sl. 43)

Upotreba pogona na kotačima (ako je ugrađen)

(Sl. 44)

- Povucite poluge pogona u smjeru upravljača.
- Prije povlačenja proizvoda unatrag odspojite pogon i gurnite proizvod prema naprijed za pribl. 10 cm.
- Otpustite poluge pogona kako biste odspojili pogon, primjerice kada se približavate prepreci.

Pražnjenje sakupljača trave

1. Podignite sakupljač trave pomoću ručke na okviru.
2. Uklonite ostatke trave iz sakupljača trave s donje strane ručke.
3. Ispraznite ostatke trave iz vreće držeći ručku na okviru i ručku na vreći.



OPREZ: Prilikom pražnjenja sakupljača trave nemojte vući vreću kako ju ne biste pohabali.

Promjena načina rada za rezanje

Na proizvodu u pogonu pritiskom gumba za način rada za rezanje mogu se izmjenjivati tri različita načina rada za rezanje.

- **Automatski način rada** – proizvod automatski prilagođava brzinu rezanja količini rezane trave.
 - **Napomena:** Tijekom pogona proizvod je zadano postavljen u automatski način rada.
- **Način rada za pojačanje** – proizvod radi na visokom broju okretaja neovisno o količini rezane trave.
 - Dok je proizvod u pogonu jednom pritisnete gumb za način rada za rezanje kako biste iz automatskog načina rada prešli u način rada za pojačanje. Gumb načina rada za rezanje tada svijetli.
- **ECO način rada** – proizvod radi na niskom broju okretaja neovisno o količini rezane trave.
 - Dok je proizvod u pogonu jednom pritisnete gumb za način rada za rezanje kako biste iz načina rada za pojačanje prešli u ECO način rada. Gumb načina rada za rezanje tada svijetli i treperi.
 - Za povratak u automatski način rada na proizvodu u pogonu još jednom pritisnete gumb načina rada za rezanje. Gumb načina rada za rezanje tada prestaje treperiti.

Napomena: Ako tijekom rada otpustite upravljačku ručicu motora, proizvod ostaje u trenutnom načinu rada za rezanje. Ako se proizvod automatski zaustavi ili rukovatelj pritisne gumb napajanja, prethodno primijenjen način rada za rezanje briše se iz memorije i proizvod pri ponovnom pokretanju rad započinje u automatskom načinu rada.

Prikaz statusa baterije tijekom rada

Na zaslonu na upravljačkom korisničkom sučelju prikazuje se kapacitet baterije i problemi s baterijskim kompletom. Kapacitet baterije prikazuje se dok je proizvod u pogonu.

LED indikatori	Status baterije
Svijetle svi zeleni LED indikatori	Potpuno napunjeno (100 % – 76 %)
Svijetle LED indikatori 1, 2 i 3	Baterijski komplet napunjen je 75 % – 51 %.
Svijetle LED indikatori 1 i 2	Baterijski komplet napunjen je 50 % – 26 %.
Svijetli LED indikator 1	Baterijski komplet napunjen je 25 % – 6 %.

LED indikatori	Status baterije
Indikator LED 1 treperi	Baterijski komplet napunjen je 5 % – 0 %.

Ako tijekom pogona dođe do problema s baterijskim kompletom, sva četiri zelena LED indikatora na prikazu stanja napunjenosti baterije trepere. Uklonite baterijski komplet iz stroja i pritisnite gumb indikatora na baterijskom kompletu kako biste prikazali šifru pogreške. Pri pojavi pogreške LED indikatori na baterijskom kompletu svijetle i prikazuju šifru pogreške. Popis šifri pogrešaka i rješenja pogrešaka potražite u priručniku za bateriju.

ODRŽAVANJE



UPOZORENJE: Prije čišćenja, popravljavanja ili održavanja proizvoda pročitajte i usvojite sigurnosno poglavlje.

Opće preporuke za održavanje

Jamstvo na ovaj proizvod ne obuhvaća rukovateljev nepravilan ili nepažljiv pogon proizvoda. Za punu vrijednost jamstva rukovatelj mora održavati proizvod u skladu s pisanim uputama iz ovog priručnika. Za održavanje proizvoda u ispravnom radnom stanju u različitim vremenskim intervalima moraju se provesti različita podešavanja.

- Svake godine provjerite istrošenost noža.

Pregled guma

- Gume nemojte izlagati neželjenim tvarima i kemikalijama kako biste spriječili oštećenje gume.
- Gumama nemojte ići preko panjeva, kamenja, korijenja, oštih predmeta i drugih predmeta koji ih mogu oštetiti.

Za opći pregled

- Provjerite zategnutost matica i vijaka.
- Uvjerite se kako kabeli nisu priklješteni.

Raspored održavanja

U rasporedu održavanja potražite zahtjeve neophodne za održavanje proizvoda i kada se održavanje mora provesti. Intervali su izračunati prema prosječnoj upotrebi proizvoda i mogu se razlikovati ovisno o učestalosti upotrebe.

- Prije svake upotrebe i skladištenja zategnite vijke i matice.
- Ako je ugrađen, sakupljač trave očistite i pregledajte prije svake upotrebe te prije skladištenja.
- Pregledajte gume prije svake upotrebe.
- Očistite proizvod nakon svake upotrebe i prije skladištenja. Upotrijebite strugač za čišćenje ispod reznog kućišta.

- Provjerite ima li oštećenja i pukotina na nožu u intervalima od 25 sati. Noževe mijenjajte učestalije ako kosite na pjeskovitom tlu.
- Proizvod podmažite u intervalima od 25 sati.
- Nakon upotrebe i skladištenja očistite i potpuno napunite baterijski komplet. Baterijski komplet prije skladištenja punite najdulje 24 sata.
- Baterijski komplet tijekom skladištenja nemojte ostaviti na punjaču baterije. Baterijski komplet punite najdulje 24 sata.
- Pogonski remen i remenice pregledajte u intervalima od 25 sati (ako su ugrađeni).

Čišćenje proizvoda

- Nepoželjni materijal i travu s proizvoda uklonite četkom.
- Nepoželjni materijal držite podalje od završenih površina i kotača.
- Nakupine trave i ostataka uklonite strugačem ispod proizvoda.
- Za čišćenje proizvoda nemojte koristiti visokotlačni stroj za pranje.
- Vodu nemojte izljevati izravno na električnu pogonsku glavu ili kontakte baterije.
- Za čišćenje ispod proizvoda uklonite baterijski komplet i sigurnosni ključ te postavite proizvod na bok tako da je upravljačko korisničko sučelje usmjereno prema gore.



OPREZ: Proizvod nemojte prati vodom, tekućinama za čišćenje ili otapalima. Nepoželjni materijal na vanjskom dijelu proizvoda uklonite mekom četkom ili suhom krpom bez metala.

Čišćenje sakupljača trave

- Šupljine u sakupljačima trave tijekom rada mogu se napuniti prljavštinom i prašinom. To smanjuje skupljanje trave u sakupljaču trave. Kako biste to spriječili, sakupljač trave redovito ispirite vodom i ostavite da se osuši prije daljnje upotrebe.

- Redovito provjeravajte je li sakupljač trave istrošen ili pohaban. Ako je potrebno, zamijenite ih.

Pregled stražnjih vrata

Stražnja vrata pričvršćena su između stražnjih kotača proizvoda. Vrata smanjuju opasnost od izbacivanja predmeta u smjeru položaja u kojem rukovatelj kosi.

1. Provjerite jesu li stražnja vrata neoštećena.
2. Provjerite ima li na stražnjim vratima oštećenja koja ih zatvaraju, uključujući pukotine ili slomljene opruge.
3. Ako su oštećeni, zamijenite stražnja vrata ili opruge.

Oštrenje i uravnoteženje noža

Za najbolje rezultate nož održavajte ostrim. Zamijenite savijeni ili oštećen nož.



OPREZ: Nosite rukavice i/ili oko noža omotajte čvrstu krpu kako ne biste ozlijedili ruke.

1. Nož naoštrite turpijom ili brusnom pločom. Nož nemojte oštriti dok je ugrađen na proizvod.



OPREZ: Ne preporučujemo da sami oštrite nož. Ako to činite, uvjerite se da je nož uravnotežen. Neuravnotežen nož može oštetiti proizvod ili motor.

2. Postavite ravan čavao u komad drveta ili zid. Mora biti vidljivo 2 – 3 cm čavla.

3. Središnji otvor noža postavite na glavu čavla. Ako je nož uravnotežen, mora ostati u vodoravnom položaju. Ako se jedan kraj noža spušta, oštrite teži kraj sve dok ne uravnotežite nož.

Zamjena noža

1. Blokirate nož drvenim blokom. (Sl. 45)
2. Uklonite vijak noža.
3. Uklonite nož.
4. Provjerite jesu li nosač noža i vijak noža neoštećeni.
5. Pregledajte vratilo motora kako biste se uvjerali da nije savijeno.
6. Zaobljene rubove novog noža pri postavljanju usmjerite prema pokrovu noža. (Sl. 46)
7. Nož mora biti poravnan sa središtem vratila motora.
8. Blokirate nož drvenim blokom. Postavite elastični rasječeni prsten i zategnite vijak i podlošku na zatezni moment od Nm. (Sl. 47)
9. Ručno povucite nož u krug kako biste provjerili okreće li se slobodno.



UPOZORENJE: Nosite rukavice za teške uvjete rada. Nož je vrlo oštar i lako dolazi do posjekotina.

10. Pokrenite proizvod kako biste ispitili nož. Ako nož nije ispravno pričvršćen, proizvod vibrira ili ishod košenja nije zadovoljavajući.

Šifre pogreške

Šifre pogrešaka olakšavaju vam rješavanje problema na proizvodu i/ili baterijskom kompletu tijekom pogona.

LED zaslon	Moguće pogreške	Mogući koraci
Nakon pritiskanja gumba napajanja na upravljačkom korisničkom sučelju ne uključuju se LED indikatori, baterijski komplet u proizvodu ne radi	Baterijski komplet nije potpuno umetnut i proizvod ili ne pregorio unutarnji osigurač	Utsnite baterijski komplet u pogonsku glavu tako da začujete škljocaj. Ako nakon potpuno umetanja baterijskog kompleta i pritiskanja gumba napajanja na upravljačkom korisničkom sučelju ne zasvijetle LED indikatori, obratite se ovlaštenom servisnom centru.
Sva četiri LED indikatora kapaciteta baterije trepere, no nakon pritiskanja gumba napajanja je uključuju se drugi LED indikatori	Baterijski komplet nije potpuno umetnut u proizvod ili je unutarnja temperatura baterijskog kompleta previsoka ili preniska.	Utsnite baterijski komplet u pogonsku glavu tako da začujete škljocaj. Ako LED indikatori nastave treperiti, unutarnja temperatura baterijskog kompleta možda je preniska ili previsoka. Dopustite zagrijavanje ili rashlađivanje baterijskog kompleta. Za ubrzanje postupka hlađenja baterijski komplet možete umetnuti u punjač baterije kako biste ga aktivno hladili.
Sva četiri LED indikatora kapaciteta baterije i napajanja trepere, no nakon pritiskanja gumba napajanja je uključuju se drugi LED indikatori	Upravljačka ručica motora držana je u donjem položaju pri prvom pritisku gumba napajanja ili je došlo do unutarnjeg kvara na prekidaču upravljačke ručice motora	Otpustite upravljačku ručicu motora. Ako upravljačka ručica motora nije zadržana u donjem položaju, a LED indikatori i dalje trepere, obratite se ovlaštenom servisnom centru.

LED zaslon	Moguće pogreške	Mogući koraci
Proizvod prestaje raditi i trepere sva četiri LED indikatora kapaciteta baterije, a drugi LED indikatori se ne uključuju.	Baterijski komplet nije pričvršćen u pogonskoj glavi i nema dobar kontakt, baterijski komplet je prevruć, prehladan, ili je došlo do unutarnje pogreške na bateriji	<ol style="list-style-type: none"> 1. Zaustavite proizvod. 2. Uklonite baterijski komplet iz proizvoda i pritisnite gumb indikatora na baterijskom kompletu kako biste prikazali šifru pogreške. LED indikatori na baterijskom kompletu uključuju se i prikazuje se šifra pogreške. 3. U priloženom priručniku za bateriju pročitajte popis s povezanim LED šiframa pogreške kako biste pronašli moguće kvarove i postupke. <p>Ako se na baterijskom kompletu ne prikazuje šifra pogreške nakon pritiska gumba indikatora nego samo stanje napunjenosti, baterijski komplet možda se tijekom rada otpustio u pogonskoj glavi. Pravilno postavite baterijski komplet u pogonsku glavu, tako da začujete škljocaj.</p>
Proizvod prestaje raditi, gumb napajanja treperi, a LED indikator kapaciteta baterije i dalje prikazuje trenutno stanje napunjenosti	Rezna komora začepljena je travom, kontroler motora je prevruć ili je došlo do kvara na motoru	<ol style="list-style-type: none"> 1. Zaustavite proizvod. 2. Uklonite baterijski komplet i okrenite proizvod na bok tako da je upravljačko korisničko sučelje usmjereno prema gore. 3. Pregledajte ima li oštećenja na nožu, vijku noža, sklopno noža, motoru noža i osnovici motora. Očistite svu travu s donjeg stroja i provjerite ima li začepljenja. 4. Ugradite baterijski komplet i pratite postupak za pokretanje kako biste pokrenuli stroj. <p>Ako se pogreška i dalje prikazuje, pričekajte na hlađenje proizvoda. Kontroler motora možda je prevruć za rad. Ako se pogreška nastavi prikazivati, obratite se ovlaštenom servisnom centru.</p>

PRIJEVOZ I SKLADIŠTENJE

- Osigurajte opremu za prijevoz kako biste spriječili oštećenja i nezgode.
- Pribor skladištite bez sigurnosnog ključa, u zaključanom prostoru izvan doseg djece i neovlaštenih osoba.
- Proizvod i opremu skladištite u suhom prostoru zaštićenom od mraza.
- Prilikom utovara i premještanja proizvoda nemojte prekoračiti maksimalni preporučeni radni kut od 15 stupnjeva.
- Očistite proizvod. Više informacija potražite u *Čišćenje proizvoda na stranici 129.*
- Podmažite proizvod.
- Zategnite vijke i matice.
- Zamijenite ili popravite oštećene dijelove.
- Prekrijte sve hrđave ili oštećene obojane površine. Prije bojanja lagano ispijekarite.
- Proizvod zaštitite odgovarajućim zaštitnim pokrovom kako biste spriječili prodor vlage. Nemojte upotrebljavati plastiku jer ne propušta zrak, omogućuje kondenzaciju i uzrokuje koroziju proizvoda.
- Prije transporta ili skladištenja obavezno uklonite baterijski komplet.

TEHNIČKI PODACI

	jedinica	LM2146C Li58-52 (58VBKJN46C)	LM2146CA Li58-52 (58VBKJN46CR)
Rezni motor			
Vrsta motora	—	BLDC (beskontaktni) 58 V	BLDC (beskontaktni) 58 V
Brzina motora – ECO način rada	o/min	2300	2300
Brzina motora – automatski način rada	o/min	2500 o/min dok struja tijekom 3 sekunde nije viša od 12 A, kada se o/min povećava na 2800 o/min dok struja tijekom 10 sekundi nije manja od 18 A.	2500 o/min dok struja tijekom 3 sekunde nije viša od 12 A, kada se o/min povećava na 2800 o/min dok struja tijekom 10 sekundi nije manja od 18 A.
Brzina motora – način rada za pojačanje	o/min	2800	2800
Snaga motora – maks.	kW	1,5	1,5
Snaga motora – neprekidna maks.	kW	0,9	0,9
Snaga motora – nazivna	kW	0,9	0,9
Granica nadstruje (maks. struja)	A (amperi)	25	25
Težina			
Težina (bez baterije)	kg	23,5	24,5
Akumulator			
Vrsta baterije		590923813	590923813
Trajanje baterije			
Trajanje baterije	m ²	Do 1200	Do 1000
Buka ³¹			
Razina snage zvuka, izmjerena	dB (A)	87	87
Razina jačine zvuka, zajamčena, LWA	dB (A)	87	87
Razine buke			
³²			
Razine tlaka zvuka na uhu rukovatelja	dB (A)	< 80	< 80
Razine vibracije			
³³			

³¹ Stvaranje buke prema okolini izmjereno kao jačina zvuka (LWA) u skladu s direktivom EZ-a 2000/14/EZ.

³² Navedeni podaci za razinu pritiska zvuka uključuju tipično statističko raspršenje (standardno odstupanje) od 1,2 dB (A).

³³ Podaci o razini vibracije pokazuju tipičnu statističku disperziju (standardnu devijaciju) od 0,2 m/s². Standard za vibracije EN 60335-2-77:2017, poglavlje 20.105.

	jedinica	LM2146C Li58-52 (58VBKJN46C)	LM2146CA Li58-52 (58VBKJN46CR)
Ručica	m/s ²	0,65	0,65
Rezanje			
Visina rezanja	mm	30 – 80	30 – 80
Širina rezanja	cm	46	46
Nož, skupljanje	—	581188910	581188902
Nož, usitnjavanje	—	581188910	581188902
Zapremnina sakupljača	litre	50	50

SADRŽAJ EUROPSKE DEKLARACIJE O USKLAĐENOSTI

Tvrtka Husqvarna AB, SE 561 82 Huskvarna, ŠVEDSKA izjavljuje pod izričitom odgovornosti kako je predstavljeni proizvod:

podacima u ovom priručniku i u potpisanoj EU izjavi o sukladnosti.

Intertek je proveo dobrovoljno ispitivanje za tvrtku Husqvarna AB i izdao Certifikat o usklađenosti s EZ Direktivom vijeća 2006/42/EC za strojeve.

Certifikacija u potpisanoj EC izjavi o sukladnosti primjenjiva je za sve proizvodne lokacije i zemlje podrijetla navedene na proizvodu.

Isporučena električna rotacijska kosilica odgovara ispitanoj primjerku.

Opis	Električna rotacijska kosilica
Marka	Jonsered
Platforma / Vrsta / Model	Platforma 58VBKJN46C (predstavlja model LM2146C Li58-52), platforma 58VBKJN46CR (predstavlja model LM2146CA Li58-52).
Grupa	Serijski brojevi iz 2018. i noviji

u potpunosti sukladan sa sljedećim EU direktivama i propisima:

Direktiva/propis	Opis
2006/42/EZ	„o strojevima“
2014/30/EU	„o elektromagnetskoj kompatibilnosti“
2000/14/EZ	„o vanjskoj buci“
2011/65/EU	„koja se odnosi na opasne tvari“

Primijenjene su sljedeće usklađene norme i/ili tehničke specifikacije: EN60335-1, EN60335-2-77, EN50366, EN55014-1, EN55014-2, EN61000-3-2, EN61000-3-3

U skladu s dodatkom V direktive 2000/14/EC, objavljene vrijednosti zvuka navedene su u odjeljku s tehničkim

TARTALOMJEGYZÉK

BEVEZETÉS.....	134	KARBANTARTÁS.....	140
BIZTONSÁG.....	135	SZÁLLÍTÁS ÉS RAKTÁROZÁS.....	144
ÖSSZESZERELÉS.....	138	MŰSZAKI ADATOK.....	144
HASZNÁLAT.....	139	AZ EK-MEGFELELŐSÉGI NYILATKOZAT TARTALMA.....	145

BEVEZETÉS

Kezelői kézikönyv

A kezelői kézikönyv eredeti nyelve angol. A más nyelvű kezelői kézikönyvek az angol változat fordításai.

Áttekintés

(ábra 1)

1. Kezelőijelenlét-vezérlő kar
2. Fűgyűjtő
3. Meghajtókarok
4. Elektromos hajtóegység
5. Vágási magasságot szabályozó kar
6. Akkumulátortöltő
7. Kezelői kézikönyv
8. Felhasználói kezelőfelület
9. Akkumulátor
10. Akkumulátorfedél
11. Bekapcsológomb
12. Vágási mód gomb
13. Hátsó terelőlap
14. Töltöttségi állapotot jelző fények
15. Kulcs
16. Mulcsozó dugó

A termék szimbólumai

(ábra 2) Figyelmeztetés

(ábra 3) Olvassa el a kézikönyvet

Olvassa el figyelmesen a használati utasítást, és győződjön meg róla, hogy megértette azt, mielőtt a terméket használatba veszi.

(ábra 4) Használjon jóváhagyott védőszemüveget

(ábra 5) Használjon jóváhagyott fülvédőt

(ábra 6) Használjon jóváhagyott fejdédőt

(ábra 7) Használjon jóváhagyott fülvédőt

(ábra 8) Használjon jóváhagyott fülvédőt

(ábra 9) Figyelem: forgó kés. Tartsa kezét és lábát biztonságos távolságban.

Tartsa távol kezét és lábát a forgó késektől. Ne nyissa ki vagy távolítsa el a védőburkolatokat, amíg a motor jár.

(ábra 10)

Hátrafelé haladás előtt és közben nézzen hátrafelé és lefelé, hogy nincsenek-e gyermekek, állatok vagy egyéb kockázati tényezők a termék útjában, amelyek miatt eleshetne.

(ábra 11)

Legyen óvatos a kivetett és visszapattanó tárgyakkal.

(ábra 12)

A személyeket és állatokat tartsa biztonságos távolságban a munkaterülettől.

(ábra 13)

(ábra 14) Lejtő veszélye

(ábra 15) Áramütés

Távolítsa el a kulcsot javítás, módosítás, beállítás vagy szállítás előtt.

(ábra 16)

(ábra 17) Bekapcsológomb

(ábra 18) Motor be

(ábra 19) Motorvezérlő fogantyú aktiválva

(ábra 20) Motor ki

(ábra 21) Motorvezérlő fogantyú inaktíválva

A termék vagy a csomagolása nem kezelhető háztartási hulladékként. A terméket és csomagolását a megfelelő újrafeldolgozó pontra el kell juttatni az elektromos és elektronikus berendezések hasznosítása érdekében.

(ábra 22)

Ne hagyja, tárolja vagy használja esőben vagy nedves körülmények között.

(ábra 23)

(ábra 24) Újrahasznosítás

(ábra 25) Hangteljesítményszint

(ábra 26) Ez a termék megfelel a vonatkozó EK-irányelveknek

(ábra 27) Ez a termék megfelel a vonatkozó EAC-irányelveknek

(ábra 28) Ez a termék megfelel a vonatkozó ukrán irányelveknek

- a termék javítását helytelenül végezték;
- a termék javítása nem a gyártótól származó vagy általa jóváhagyott alkatrészekkel történt;
- a terméket nem a gyártótól származó vagy általa jóváhagyott kiegészítővel szerelték fel;
- a termék javítását nem hivatalos szakszerviz vagy jóváhagyott egyéb szerviz végezte.

Termékszavatosság

A termékszavatosságra vonatkozó jogszabályok értelmében nem vagyunk felelősek a termékeink által okozott károkért az alábbi esetekben:

BIZTONSÁG

Biztonsági fogalom meghatározások

Az alábbi fogalom meghatározások az egyes figyelmeztetésekhez tartozó, lehetséges veszélyek súlyosságát határozzák meg.



FIGYELMEZTETÉS: Személyi sérülés veszélye.



VIGYÁZAT: A termék károsodásának veszélye.

Megjegyzés: Ezek az információk a termék használatát könnyítik meg.

Általános biztonsági utasítások

- Használja a terméket megfelelően. A nem megfelelő használat súlyos, akár halálos sérüléssel is járhat. A terméket csak a kézikönyvben ismertetett feladatokra használja. Ne használja a terméket egyéb feladatokra.
- Olvassa el, értelmezze és tartsa be a kézikönyv utasításait. Vegye figyelembe a biztonsági jelzéseket és tartsa be a biztonsági utasításokat. Ha a kezelő nem az utasítások és a szimbólumok szerint jár el, anyagi kár, személyi sérülés, akár halál is bekövetkezhet.
- Őrizze meg a kézikönyvet. Használja az utasítást a termék összeszereléséhez, működtetéséhez és a megfelelő üzemállapot fenntartásához. Használja az utasítást a kiegészítők és tartozékok megfelelő felszereléséhez. Csak jóváhagyott kiegészítőt és tartozékot használjon.
- Ne használjon sérült terméket. Tartsa be a karbantartási ütemtervet. Csak olyan karbantartási munkát végezzen, amire a kézikönyvben utasítást talál. Az összes többi karbantartási munkát bízza a hivatalos szakszervizre.
- A kézikönyv nem tartalmazhatja minden olyan helyzet leírását, ami a termék használata során előfordulhat. Legyen körültekintő és hagyatkozzon a józan eszére. Ne működtesse a terméket és ne végezzen rajta karbantartást, ha nem biztos a dolgában. Kérjen tájékoztatást a termék szakértőjétől, a forgalmazótól, szervizműhelytől vagy a hivatalos márkaszerviztől.
- Ne használja a terméket, ha megváltozott az eredeti specifikációja. Ne cseréljen a terméken alkatrészt a gyártó jóváhagyása nélkül. Csak a gyártó által jóváhagyott alkatrészeket használjon. A nem megfelelő karbantartás súlyos, akár végzetes sérüléssel is járhat.
- A termék működés közben elektromágneses mezőt hoz létre. Az elektromágneses mező károsíthatja az orvosi implantátumokat. A termék használata előtt kérje ki orvosa vagy orvosi implantátuma gyártójának tanácsát.
- A terméket gyermekek nem használhatják.
- Ne használja a terméket olyan személy, aki nem ismeri a kezelési utasítást.
- Csökkent fizikai vagy szellemi képességekkel rendelkező személy csak felügyelet mellett használhatja a terméket. Felelős felnőttnek mindig jelen kell lennie.
- A terméket zárja el olyan helyre, ahol gyermek vagy jogosulatlan személy nem férhet hozzá.
- A termék tárgyakat repíthet szét, és ezzel sérülést okozhat. Tartsa be a biztonsági előírásokat, hogy csökkenthető legyen a súlyos, akár halálos sérülések kockázata.
- Ne hagyja magára a terméket, ha az be van kapcsolva. Állítsa le a terméket, mielőtt azt magára hagyná.
- Hátrafelé haladás előtt és közben nézzen hátrafelé és lefelé, hogy nincsenek-e gyermekek, állatok vagy egyéb kockázati tényezők a termék útjában, amelyek miatt eleshetne.
- Az esetleges balesetekért a termék kezelője a felelős.

- A termék használatának megkezdése előtt ellenőrizze az alkatrészek épségét.
- Tartsa be az állami vagy helyi törvényeket. Egyes feltételek mellett ezek tilthatják vagy korlátozhatják a termék használatát.

Biztonsági utasítások az üzemeltetéshez

- Használat előtt ismerje meg a kezelőszerveket és a termék megfelelő működését.
- Ne engedélyezze a termék használatát gyermek vagy olyan személy számára, aki nem ismeri a használati utasítás tartalmát.
- Soha ne használja a terméket, ha más személyek – különösen gyermekek vagy állatok – vannak a közelben.
- Tartsa távol a gyerekeket a nyírás területétől, egy felhőtt felügyelete alatt.
- Ha egy gyerek a munkaterületre lép, állítsa le a motort.
- Teljesen vizsgálja át a területet, ahol a terméket használni kívánja. Távolítsa el minden olyan tárgyat, amelyet a termék működés közben felverhet.
- Használat előtt ellenőrizze, hogy nem lát-e kopást vagy sérülést a késen, a késtartó csavaron, a késszerelvényen vagy a motor talplemezén.
- Kizárólag nappali fényben vagy megfelelő mesterséges világítás mellett működtesse a terméket.
- Ne működtesse a terméket nedves fűvön.
- Sarkok, bokrok, fák, illetve egyéb, a kilátást akadályozó tárgyak közelében legyen körültekintő.
- Nagyon óvatosan járjon el, amikor visszafelé vagy maga felé húzza a terméket.
- Ne tegye a kezét vagy a lábát a forgó alkatrészek közelébe vagy alá. A kidobónyílások elé soha ne helyezzen semmit.
- Állítsa le a kést, amikor kavicsos felületen halad át.
- Állítsa le a motort, vegye ki az akkumulátort, és várjon addig, amíg a kés teljesen leáll, mielőtt megtisztítaná a terméket, levennie a fűgújtót vagy eltömődést hártana el a kidobó garatból.
- Ne használja a terméket, ha fáradt, beteg, illetve ha alkohol, drog vagy gyógyszer hatása alatt áll.
- Ha a termék szokatlan módon rezegni kezd, állítsa le a motort, távolítsa el az akkumulátort, és azonnal ellenőrizze, hogy mi lehet az oka. A rezgés általában sérülést jelez.
- Ne irányítsa a kidobódó anyagot mások felé. Ne engedjen ki anyagot fal vagy egyéb akadály irányában. Az anyag visszaverődhet a kezelő irányába.
- Ha a védőburkolatok, védőlemezek, fűgújtók és egyéb biztonsági berendezések nincsenek a megfelelő helyükön, ne használja a terméket.

A munkaterület biztonsága

- A nyírás megkezdése előtt valóítsa el az ágakat, gallyakat, köveket és egyéb tárgyakat a pázsitról.
- A személyeket – beleértve a gyerekeket is – és állatokat tartsa biztonságos távolságban a munkaterülettől.
- A vágószerszereknek ütköző tárgyak kicsapódva személyek vagy tárgyak sérülését okozhatják.
- Ne használja a terméket rossz időben, például ködben, esőben, nyirkos vagy nedves helyen, erős szélben, rendkívüli hidegben és villámláskor. A rossz időben végzett munka fáradtságot és veszélyes körülményeket, például csúszós felületeket eredményezhet.
- Vizsgálja meg munkaterületet, hogy a termék feletti irányítást semmi ne gátolhassa.
- Ügyeljen a gyökerekre, kövekre, gallyakra, gödrökre és árkokra. A magas fű elrejtetheti az akadályokat.
- Legyen körültekintő, ha olyan sarkok és tárgyak közelébe ér, amelyek gátolják a kilátást.

Lejtőkre vonatkozó biztonsági utasítások

- Legyen óvatos, ha lejtőn végez fűnyírást. A lejtők veszélyesek lehetnek. A lejtőn elesve sérülés érheti.
- A lejtőknél mindig oldalirányban végezzen fűnyírást. Ne nyírjon felfelé vagy lefelé haladva.
- Legyen óvatos, ha irányt változtat a lejtőn.
- Vigyázzon a pázsiton található rejtett tárgyakra vagy üregekre. Nehéz terepen eleshet.
- Ne nyírjon fűvet meredek lejtő, perem, árok vagy töltés közelében. Eleshet.
- Ne végezzen fűnyírást nedves fűvön. Eleshet.
- Ne vágjon fűvet 15 foknál meredekebb lejtőn.

Személyi védőfelszerelés

A termék használata során mindig viseljen megfelelő személyi védőfelszerelést. Ez minimálisan erős lábbelit, védőszemüveget és hallásvédőt foglal magában. A személyi védőfelszerelés nem szünteti meg a sérülések kockázatát, de csökkentheti a sérülés mértékét, ha baleset történik.

- A fűnyíró üzemeltetése közben, illetve karbantartás vagy javítások végzésekor mindig viseljen védőszemüveget vagy szemvédő maszkot.
- Ne meztláb vagy nyitott cipőben működtesse a terméket. A termék működtetése során mindig használjon csúszásálló munkavédelmi bakancsot, amely megfelelően megtámasztja a bokát.
- Viseljen vastag, hosszú szárú nadrágot. Ne viseljen rövidnadrágot, szandált, illetve ne legyen meztláb.
- Szükség esetén használjon jóváhagyott védőkesztyűt. Például ha a kések csatlakoztatását, átvizsgálását vagy tisztítását végzi.
- A termék használatakor viseljen jóváhagyott fülvédőt. A zajnak való tartós kitettség halláskárosodást okozhat.

Biztonsági eszközök a terméken

- Feltétlenül végezzen rendszeres karbantartást a terméken.
 - A termék élettartama így növelhető,
 - a balesetveszély pedig csökken.

Vizsgáltsa át rendszeresen a terméket márkakereskedésben vagy szakszervizben, ahol elvégzik a szükséges beállításokat, javításokat.

- Ne használja a terméket sérült biztonsági eszközökkel. Ha a termék megsérült, forduljon vele hivatalos szakszervizhez.

Motorvezérlő fogantyú

A motorvezérlő fogantyú a motor leállítására szolgál. Ellenőrizze, hogy leáll-e a motor, ha a motorvezérlő fogantyút elengedi.

- Indítsa be a motort, majd engedje el a vezérlőfogantyút. A motor leáll.

Megjegyzés: Ha a motorvezérlő fogantyú nem állítja le a motort, nyomja meg a bekapcsológombot a leállításához. Távolítsa el az akkumulátort, és forduljon egy hivatalos szakszervizhez.

Hátsó terelőlap

A hátsó terelőlap csökkenti annak veszélyét, hogy a tárgyak a termék mögül a kezelő fűnyírás pozíciója felé verődjenek fel.

- Ellenőrizze, hogy a hátsó terelőlap nem sérült-e, és nem láthatók-e rajta hibák, például repedések vagy törött rugók. Hibák esetén a terelőlap erővel záródik be. Ha a terelőlap vagy a rugó sérült, cserélje ki.

Biztonsági utasítások a karbantartáshoz



FIGYELMEZTETÉS: Csak a felhasználói kézikönyvben megadott karbantartást végezze el. Komolyabb beavatkozásokat csak hivatalos szakszerviz végezhet.

A termék élettartamának növelése és a balesetveszély elkerülése érdekében végezze el szakszerűen a karbantartási műveleteket. A hivatalos szervizműhelyekben professzionális javítást végeznek. Bővebb információért forduljon a legközelebbi szakszervizhez.



FIGYELMEZTETÉS: A szállítás, a karbantartás vagy a javítás során bekövetkező véletlen elindulás megakadályozása érdekében vegye ki az akkumulátort, és várjon legalább 5 másodpercet a visszahelyezéséig.



FIGYELMEZTETÉS: A vágószerkezet kezeléséhez viseljen strapabíró védőkesztyűt. A kés nagyon éles, könnyen megvághatja magát.

- A legjobb és legbiztonságosabb teljesítmény érdekében tartsa a vágóéleket élesen és tisztán.
- Rendszeresen ellenőriztesse a gépet a szakszervizzel, és végeztesse el a szükséges beállításokat és javításokat.
- A sérült, kopott vagy törött alkatrészt cserélje ki.
- Tartsa be a tartozékok cseréjére vonatkozó utasításokat. Kizárólag a gyártótól származó tartozékokat használja.



FIGYELMEZTETÉS: Ha nem használja, a terméket, az akkumulátort és az akkumulátortöltőt külön, száraz és zárható beltéri helyen, gyermekektől és nem engedélyezett személyektől elzárva tárolja.

Az akkumulátorral kapcsolatos biztonsági előírások

Csak a gyártótól származó akkumulátort használjon, és azt csak a gyártótól származó akkumulátortöltővel töltsé.

A tölthető akkumulátorok csak a megfelelő akkus termékekhez használhatók áramforrásként. A sérülés megelőzése érdekében ne használja az akkumulátort más eszköz áramforrásaként.

- Az akkumulátort ne szerelje szét, ne nyissa fel és ne semmisítse meg.
- Tartsa távol az akkumulátorokat közvetlen napfénytől vagy hőforrástól. Tartsa távol az akkumulátorokat a tűztől.
- Rendszeresen ellenőrizze az akkumulátortöltőt és az akkumulátor épségét. A sérült vagy módosított akkumulátor tüzet, robbanást vagy sérülésveszélyt okozhat. Ne javítsa vagy nyissa fel a sérült akkumulátorokat.
- Ne használjon hibás, módosított vagy sérült akkumulátort vagy terméket.
- Ne módosítsa vagy javítsa a termékeket vagy az akkumulátort. Csak a márkakereskedő végezzen javításokat.
- A cellát vagy akkumulátort ne zárja rövidre. Ne tárolja az akkumulátort dobozban vagy fiókban, ahol más fémtárgyak rövidre zárhatják.
- Amíg nem használja, ne vegye ki az akkumulátort az eredeti csomagolásból.
- Ne érje mechanikai ütés az akkumulátort.
- Ha egy akkumulátor szivárog, akadályozza meg, hogy a folyadék bőrre vagy szembe kerüljön. Ha a folyadékhoz ért, nagy mennyiségű vízzel tisztítsa meg az adott testfelületet, és forduljon orvoshoz.
- Csak az akkumulátor töltéséhez meghatározott töltőt használjon.

- Nézze meg az akkumulátoron és a terméken lévő plusz (+) és mínusz (-) jeleket a megfelelő működés érdekében.
- Ne használjon olyan akkumulátort, amely nem a termék működtetéséhez készült.
- Ne használjon egyszerre különböző feszültségű vagy gyártótól származó akkumulátorokat egy eszközben.
- Tartsa távol az akkumulátort a gyermekektől.
- Mindig a terméknek megfelelő akkumulátort vásároljon.
- Az akkumulátort tartsa tisztán és szárazon.
- Ha bekoszolódnak, az akkumulátorsarukat tiszta és száraz ruhával törölje le.
- A másodlagos akkumulátorokat fel kell tölteni használat előtt. Mindig a megfelelő akkumulátortöltőt

használja, és a töltéssel kapcsolatos tudnivalókat olvassa el a használati útmutatóban.

- Amennyiben nem használja, ne hagyja az akkumulátort folyamatosan a töltőn.
- Tegye el a kézikönyvet későbbi használatra.
- Az akkumulátort csak a szükséges működéshez használja.
- Vegye ki az akkumulátort, ha nem használja a terméket.
- Tartsa távol az akkumulátort gémkapcsoktól, kulcsoktól, tűktől, csavaroktól vagy más kisebb fémtárgyaktól működés közben. Ezek összekapcsolhatják a sarukat. Az akkumulátorsaruk rövidre zárása égési sérülést vagy tüzet okozhat.

ÖSSZESZERELÉS



FIGYELMEZTETÉS: Olvassa el a biztonságról szóló fejezetet, mielőtt összeszerelné a terméket.

3. Csatlakoztassa a fűgyújtón levő kampókat a vázszerény felső széléhez. (ábra 32)
4. Helyezze a fűgyújtó alsó részét a fűkibobó csatornába.

Termék eltávolítása a csomagolásból

1. Vegye ki a dobozból a termékkel együtt szállított alkatrészeket.
2. Vágja le a doboz két sarkát, és fektesse el vízszintesen a zárópanelt.
3. Távolítsa el minden csomagolóanyagot.
4. Távolítsa el a terméket a dobozból, és ügyeljen, hogy ne maradjanak alkatrészek a dobozban.

A termék átállítása zsákolás üzemmódra

A hátsó zsákolás üzemmódban a fűgyújtó összegyűjti a fűnyiradékot.



VIGYÁZAT: Ne működtesse a terméket nyitott hátsó terelőlappal, vagy ha az engedélyezett fűgyújtó nincs a helyén. Ne próbálja meg a terméket eltávolított vagy nyitott hátsó terelőlappal működtetni.

A fogantyú összeszerelése

1. Hozza fedésbe a fogantyú alján található csavarfuratokat a fogantyúszerelvényen levő csavarfuratokkal. Rögzítse a csavarokat, alátéteket és gombokat. (ábra 29)
2. A fogantyú magasságának beállításához lazítsa meg az alsó gombokat, a fogantyút felfelé vagy lefelé mozgatva állítsa be a magasságot, majd húzza meg teljesen a gombokat.

A termék működési pozícióba állítása

1. Emelje a fogantyút működési pozícióba.
2. Teljesen húzza meg az alsó gombokat.

A fűgyújtó doboz felszerelése

1. Rögzítse a fűgyújtó keretét a fűzsákban úgy, hogy a fűzsák merev része alul legyen. A keret fogantyúja a fűzsák tetején legyen. (ábra 30)
2. Illessze a fűgyújtó keret alsó részét a fűgyújtó alján lévő vajatba. (ábra 31)

1. Emelje fel a hátsó terelőlapot, és helyezze a fűgyújtó keretének kampóit a hátsó terelőlap forgócsapjára. (ábra 33)
2. Engedje el a hátsó terelőlapot, és hagyja a fűzsák keretének tetején nyugodni.

A termék átállítása mulcsozási üzemmódra (ha van)

A termék mulcsozási üzemmódban kisebb fűnyiradékot készít. A fűnyiradék aztán a pázsitra esik, ezzel beborítva azt. A mulcsozott fű biológiailag gyorsan lebomlik, így táplálva a gyepet.

1. Emelje fel a hátsó burkolatot, és vegye ki a fűgyújtót. (ábra 34)
2. Helyezze a mulcsozó dugót a fűkibobó csatornába. (ábra 35)
3. Zárja szorosan a hátsó terelőlapot a termékhez.

A termék átállítása kidobó üzemmódra

1. Távolítsa el a mulcsozó dugót vagy a fűgyűjtőt. (ábra 36)
2. Zárja szorosan a hátsó terelőlapot a termékhez.

A vágási magasság beállítása



VIGYÁZAT: Ne állítsa túl alacsonyra a vágási magasságot. A kések a talajba

ütözhetnek, ha a pázsit felülete nem egyenletes.

Megjegyzés: Állítsa az összes vágásimagasság-szabályozót ugyanarra a magasságra.

1. Mozgassa a vágási magasságot szabályozó kart hátrafelé a vágási magasság növeléséhez.
2. Mozgassa a vágási magasságot szabályozó kart előre felé a vágási magasság csökkentéséhez. (ábra 37)

HASZNÁLAT



FIGYELMEZTETÉS: Olvassa el és értelmezze a biztonságról szóló fejezetet, mielőtt használni kezdené a terméket.

Megjegyzés: A kulcsot csak egy irányban lehet behelyezni.

Alapvető vágási technika

- A legjobb eredmény érdekében mindig éles késsel vágjon. Az életlen kés egyenlőtlenül vág, és a fű sárgás lesz a vágás felületén.
- Ne nyírjon le többet a fű hosszának $\frac{1}{3}$ -ánál. Ez száraz időszakban fokozottan érvényes. Először nagy vágási magasságot állítson be, és úgy nyírjon. Ezután tekintse meg az eredményt, és a megfelelő mértékben csökkentse a vágási magasságot. Ha a fű túl magas, lassan és szükség esetén 2-szer nyírjon.
- Nagyon nehézkes fűnyírás estén az előző sáv átfedésével csökkentse a vágási szélességet, és haladjon lassan.
- Minden alkalommal más irányban haladjon, hogy ne alakuljanak ki sávok a pázsiton.
- Rendszeres időközönként vízszaggárral mossa át a fűgyűjtőt, és hagyja megszáradni. A vázszon fűgyűjtő pórusai a használat során portól és a piszoktól eltömődhetnek. A fűgyűjtő ezután kevesebb fűvet gyűjt.

3. Nyomja meg egyszer a bekapcsológombot. A gomb villogítani kezd. (ábra 40)
4. Húzza a motorvezérlő fogantyút a fogantyú irányába. A bekapcsológomb villogni kezd. (ábra 41)
5. Nyomja meg a villogó bekapcsológombot. Ekkor a termék elindul. (ábra 42)

A termék leállítása

- Engedje fel a motorvezérlő fogantyút, vagy nyomja meg egyszer a bekapcsológombot. (ábra 43)

A kerekeken levő meghajtó használata (ha fel van szerelve)

(ábra 44)

- Húzza a kerékajátás kapcsoló kart a fogantyú irányába.
- Mielőtt maga felé húzza a gépet, kapcsolja ki a meghajtást, és tolja előre a gépet kb. 10 cm-re.
- Engedje el a kerékajátás kapcsoló kart, hogy kikapcsolja a meghajtást, például amikor akadály közelébe ér.

A fűnyíró indítása előtt

- Tartson minden személyt és állatot távol a munkavégzés helyétől.
- Végezze el a napi karbantartást. Lásd: *KARBANTARTÁS 140. oldalon.*

A termék elindítása

1. Helyezze be az akkumulátort, amíg kattantást nem hall. Győződjön meg arról, hogy az akkumulátor megfelelően van-e behelyezve. (ábra 38)
2. Helyezze a kulcsot az akkumulátor fedele alatt lévő zsebbe. Győződjön meg arról, hogy a kulcs megfelelően van-e behelyezve. (ábra 39)



VIGYÁZAT: Ürítéskor a kopás megelőzése érdekében ne húzza végig a földön az üres fűgyűjtőt.

A vágási mód módosítása

A termék a működés során a vágási mód gomb megnyomásával három különböző vágási üzemmódba állítható.

- **Auto üzemmód** – A termék automatikusan beállítja a termék vágási sebességét a vágandó fű mennyiségének megfelelően.

• **Megjegyzés:** A termék működésekor alapértelmezésben az Auto üzemmódban van.

- **Boost üzemmód** – A termék nagy sebességgel működik, függetlenül a levágandó fű mennyiségétől.
 - A termék működése közben nyomja meg egyszer a vágási mód gombot, hogy az Auto üzemmódból Boost üzemmódba váltson. A vágási mód gombja ezután világítani kezd.
- **ECO üzemmód** – A termék alacsony sebességgel működik, függetlenül a levágandó fű mennyiségétől.
 - A termék működése közben nyomja meg egyszer a vágási mód gombot, hogy a Boost üzemmódból ECO üzemmódba váltson. A vágási mód gombja ezután világít és villog.
 - Ha vissza akar térni az alapértelmezett Auto üzemmódba, a termék működése közben nyomja meg egyszer a vágási mód gombot. A vágás mód gomb ezután nem villog tovább.

Megjegyzés: Ha a motorvezérlő fogantyút működés közben felengedi, a termék az aktuális vágási üzemmódban marad. Ha a termék automatikusan leáll, vagy a kezelő megnyomja a bekapcsológombot, az

előzőleg használt vágási mód törlődik a memóriából, és a termék újraindításkor Auto üzemmódban indul.

Akkumulátorállapot kijelzése használat közben

A felhasználói kezelőfelületen megjelenő kijelző jelzi az akkumulátor kapacitását, illetve az akkumulátorral kapcsolatos problémákat. Az akkumulátor kapacitása a gép működése közben látható.

LED lámpák	Akkumulátorállapot
Minden zöld LED világít	Teljes töltöttség (100–76%)
Az 1., 2. és 3. LED világít	Az akkumulátor 75% és 51% közötti töltöttségű.
Az 1. és 2. LED világít	Az akkumulátor 50% és 26% közötti töltöttségű.
Az 1. LED világít	Az akkumulátor 25% és 6% közötti töltöttségű.
Az 1. LED villog	Az akkumulátor 5% és 0% közötti töltöttségű.

Ha üzem közben hiba lép fel az akkumulátorral, az akkumulátor töltési állapotának mind a négy zöld LED-je villog. Távolítsa el az akkumulátort a gépből, és nyomja meg az akkumulátoregységen lévő jelzőfény gombot a hiba hibakódjának megjelenítéséhez. Az akkumulátoron lévő LED-ek világítani kezdenek, és hibáüzenetet mutatnak, ha hiba történt. A hibakódok listájához és a hibák megoldásához olvassa el az akkumulátor kézikönyvét.

KARBANTARTÁS



FIGYELMEZTETÉS: A termék javítása vagy karbantartása előtt olvassa el és értelmezze a biztonsággal foglalkozó fejezetet.

Általános karbantartási javaslatok

A termékre vonatkozó garancia nem foglalja magában a készülék kezelő általi helytelen vagy gondatlan működtetését. A teljes értékű jótállás érdekében a kezelőnek a jelen kézikönyv utasításai szerint kell karbantartást végeznie a terméken. Különböző időközönként különböző beállításokat kell végezni a termék megfelelő működési állapotának fenntartása érdekében.

- Vizsgálja meg a kés kopását minden évben.

Az abroncsok ellenőrzése

- A gumi károsodásának megelőzése érdekében tartsa az abroncsokat nem kívánt anyagoktól és vegyszerektől mentesen.
- Tartsa az abroncsokat farönköktől, kövektől, keréknyomoktól, éles tárgyaktól és egyéb olyan tárgyaktól távol, amelyek az abroncsok károsodását okozhatják.

Általános ellenőrzés

- Ellenőrizze, hogy az anyák és csavarok szorosan vannak-e meghúzva.
- Győződjön meg róla, hogy a kábelek nincsenek becsipődvé.

Karbantartási terv

A karbantartási ütemezés segítségével tekintheti meg a termék szükséges karbantartási követelményeit, és hogy a karbantartásnak mikor kell megtörténnie. Az időszakokat a termék átlagos használata alapján számolták ki, és a használat gyakoriságától függően eltérő lehet.

- Húzza meg a csavarokat és anyákat minden használat és a tárolás előtt.
- Tisztítsa meg és vizsgálja meg a fűgyűjtőt (ha fel van szerelve) minden használat előtt és után, és a tárolás előtt.
- Minden használat előtt vizsgálja meg a gumibroncsokat.
- Minden használat után és a tárolást megelőzően tisztítsa meg a terméket. A vágóasztal alatti rész tisztításához használjon kaparószerszámot.

- 25 órás időközönként vizsgálja meg a kést, hogy van-e rajta sérülés vagy repedés. Ha homokos talajon végez fűnyírást, gyakrabban végezzen késcserét.
- 25 órás időközönként kenje meg a terméket.
- Tisztítsa meg és töltsze fel teljesen az akkumulátort használat és tárolás után. Tárolás előtt töltsze az akkumulátort max. 24 óráig.
- A tárolás során ne hagyja az akkumulátort az akkumulátortöltőn. Az akkumulátort legfeljebb 24 óráig töltsze.
- Vizsgálja meg a hajtó ékszíjat és a szíjtárcsákat 25 órás időközönként (ha van).

A termék tisztítása

- Kefével távolítsa el a nem kívánt anyagot és a fűvet a termékről.
- Tartsa a fényezett felületeket és a kerekeket nem kívánt anyagoktól mentesen.
- Használjon kaparót a termék alatt, hogy eltávolítsa a lerakódott fűvet és szennyeződést.
- Ne használjon nagynyomású mosót a termék tisztításához.
- Ne irányítsa a vízsugarat közvetlenül az elektromos hajtóegységre vagy az akkumulátor érintkezőire.
- A termék aljának tisztításakor vegye ki az akkumulátort és a biztonsági kulcsot, és állítsa a terméket az oldalára úgy, hogy a felhasználói kezelőfelület legyen felül.



VIGYÁZAT: Ne tisztítsa vízzel, tisztítófolyadékokkal vagy oldószerekkel a terméket. Távolítsa el a termék külsején levő nem kívánt anyagot puha kefével vagy fémét nem tartalmazó száraz kendővel.

A fűgyűjtő tisztítása

- A vászon fűgyűjtő pórusai a használat során portól és a piszoktól eltömődhetnek. Ez azt eredményezi, hogy a fűgyűjtő kevesebb fűvet gyűjt. Ennek megakadályozása érdekében rendszeres időközönként vízsugárral mossa át a fűgyűjtőt, és hagyja megszáradni.
- Rendszeresen ellenőrizze, hogy nem észlelhető-e kopás vagy minőségromlás a fűgyűjtőn. Ha szükséges, cserélje ki.

A hátsó terelőlap vizsgálata

A hátsó terelőlap a termék hátsó kerekei között van felszerelve. A hátsó terelőlap csökkenti annak veszélyét, hogy a tárgyak a kezelő fűnyírás pozíciója felé verődnek fel.

1. Ellenőrizze, hogy sértetlen-e a hátsó terelőlap.
2. Vizsgálja meg a hátsó terelőlapot, olyan hibákat keresve, amelyek a terelőlapot bezáródásra készítetik, beleértve a repedéseket vagy a törött rugókat.

3. Cserélje ki a hátsó terelőlapot vagy a rugókat, ha sérültek.

A kés élezése és kiegyensúlyozása

A legjobb eredmények érdekében tartsa éles állapotban a fűnyírókéseket. A meghajlott vagy károsodott kést cserélje ki.



VIGYÁZAT: Használjon kesztyűt és/vagy tekerje be a kést vastag kendővel, hogy ne sérüljön meg a keze.

1. Reszelővel vagy csiszolókoronggal élesítse meg a kést. Ne élesítse meg a pengét a termékre szerelt helyzetében.



VIGYÁZAT: Nem javasoljuk a kés élezését. Ha mégis így tesz, ügyeljen arra, hogy a kés kiegyensúlyozott legyen. A nem kiegyensúlyozott kés károsíthatja a terméket vagy a motort.

2. Üssön egy egyenes szeget egy darab fába vagy a falba. Ügyeljen arra, hogy 2-3 cm-re kiálljon a szög.
3. Helyezze a kés központi furatát a szög fejére. Ha a kés kiegyensúlyozott, vízszintes helyzetben kell maradnia. Ha a kés valamelyik fele lefele billen, élezze meg a kés nehezebb végét, amíg egyensúlyba nem kerül.

A kés cseréje

1. Rögzítse a kést egy fadarabbal.(ábra 45)
2. Távolítsa el a késtartó csavart.
3. Vegye le a kést.
4. Ellenőrizze a késtámszt és a késtartó csavart, hogy sérült-e.
5. Ellenőrizze a motor tengelyét, hogy nincs-e meghajolva.
6. Az új kés rögzítésekor a kés ferde vége a vágóburkolat felé nézzen.(ábra 46)
7. Győződjön meg róla, hogy a kés igazodik a motortengely középpontjához.
8. Rögzítse a kést egy fadarabbal. Helyezze fel a rugós alátétet, és húzza meg a csavart Nm nyomatékmal. (ábra 47)
9. Forgassa meg a kést kézzel, és figyelje, hogy szabadon forog-e.



FIGYELMEZTETÉS: Használjon strapabíró kesztyűt. A kés nagyon éles, könnyen megvághatja magát.

10. Indítsa be a terméket, hogy tesztelje a kést. Ha a kés nincs megfelelően rögzítve, a termékben rezgés tapasztalható, vagy a vágási eredmény nem kielégítő.

Hibakódok

A hibakódok segítenek a termék és/vagy az akkumulátor hibaelhárításában a működés során.

LED-kijelző	Lehetséges hibák	Lehetséges lépések
A felhasználói kezelőfelületen lévő bekapcsológomb megnyomása után nem világít egyetlen LED sem, az akkumulátor nem működik a termékben	Az akkumulátor nincs rendesen behelyezve a termékbe vagy a belső biztosíték kiégett	Nyomja be az akkumulátort kattánásig a fő hajtóegységbe. Ha a LED-ek nem világítanak, miután az akkumulátor rendesen be lett helyezve, és a bekapcsológombot megnyomta a felhasználói kezelőfelületen, forduljon hivatalos szakszervizhez.
Mind a négy akkumulátorkapacitást jelző LED villog, más LED nem világít a bekapcsológomb megnyomása után	Az akkumulátor nincs rendesen behelyezve a termékbe, vagy az akkumulátor belső hőmérséklete túl meleg vagy túl hideg.	Nyomja be az akkumulátort kattánásig a fő hajtóegységbe. Ha a LED-ek továbbra is villognak, lehet, hogy az akkumulátor belső hőmérséklete túl alacsony vagy túl magas. Hagyja az akkumulátort felmelegedni vagy lehűlni. A hűtési folyamat gyorsítása érdekében az akkumulátoregység behelyezhető az akkumulátortöltőbe, hogy aktívan hűtse az akkumulátort.
Mind a négy akkumulátorkapacitást és tápfeszültséget jelző LED villog, más LED nem világít a bekapcsológomb megnyomása után	A motorvezérlő fogantyút lenyomva tartotta a bekapcsológomb első megnyomásakor vagy a belső motorvezérlő fogantyú kapcsoló meghibásodott	Engedje el a motorvezérlő fogantyút. Ha a motorvezérlő fogantyú nincs lenyomva, és a LED-ek továbbra is villognak, forduljon hivatalos szakszervizhez.
A termék leáll, és mind a négy akkumulátorkapacitást jelző LED villog, a többi LED nem világít.	Az akkumulátor meglazult a hajtóegységben, és már nem jól érintkezik, az akkumulátor túl meleg vagy hideg, vagy más belső akkumulátorhiba	<ol style="list-style-type: none"> 1. Állítsa le a terméket. 2. Távolítsa el az akkumulátort a termékből, és nyomja meg az akkumulátoregységen lévő jelzőfény gombot a hiba hibakódjának megjelenítéséhez. Az akkumulátorok LED-jei világítani kezdenek, és hibakódot mutatnak. 3. Olvassa el az akkumulátor mellékelt kézikönyvében a kapcsolódó LED hibajelzések listáját a lehetséges hibákra és eljárásokra vonatkozóan. <p>Ha az akkumulátor nem jelez hibát az akkumulátoregységen lévő jelzőfény gomb megnyomása után, és csak a töltöttségi állapotot mutatja, az akkumulátor működés közben lehet, hogy meglazult a hajtóegységben. Nyomja be rendesen az akkumulátort kattánásig a fő hajtóegységbe.</p>
A termék leáll, és a bekapcsológomb villog, miközben az akkumulátorkapacitást jelző LED-ek továbbra is mutatják a jelenlegi töltöttségi állapotot.	A vágókamra eltömődött fűvel, a motorvezérlő túl meleg, vagy motorhiba	<ol style="list-style-type: none"> 1. Állítsa le a terméket. 2. Vegye ki az akkumulátort, és állítsa a terméket az oldalára úgy, hogy a felhasználói kezelőfelület legyen felül. 3. Vizsgálja meg a kést, a késtartó csavart, a késszerelvényt vagy a motor talplemezét, hogy megsérült-e. Törölje le a fűvet a gép aljáról, és vizsgálja meg, hogy van-e eltömődés. 4. Helyezze be az akkumulátort, és kövesse az indítási eljárást a gép indításához. <p>Ha a hiba továbbra is jelentkezik, hagyja lehűlni a terméket. A motorvezérlő lehet, hogy túl meleg a működéshez. Ha a hiba továbbra is jelentkezik, forduljon hivatalos szakszervizhez.</p>

SZÁLLÍTÁS ÉS RAKTÁROZÁS

- A sérülések és balesetek elkerülése érdekében szállításkor rögzítse szorosan a berendezést.
- A tároláshoz vegye ki a biztonsági kulcsot, és tartsa a berendezést zárható helyen, gyermekektől és jogosulatlan személyektől távol.
- Tároláshoz tartsa a terméket és a berendezést száraz, fagyálló helyen.
- A készülék rakodásakor és szállításakor ne haladjon meg a 15°-os javasolt maximális üzemeltetési szöveget.
- Tisztítsa meg a terméket. További tudnivalókat lásd: *A termék tisztítása 141. oldalon.*
- Kenje meg a terméket.
- A csavarok és az anyák meghúúzása.
- Cserélje ki vagy javítsa meg a sérült alkatrészeket.
- Javítson ki minden rozsdás vagy károsodott festett felületet. A festés előtt finoman csiszolja meg a felületeket.
- Használjon a termékhez megfelelő védőtakarót, amely nem tartja magában a nedvességet. Ne használjon műanyagot, mert az nem szellőzik, és lecsapódó pára összegyűlik és korróziót okoz a terméken.
- Mindig távolítsa el az akkumulátort szállítás vagy tárolás előtt.

MŰSZAKI ADATOK

	mértékegység	LM2146C Li58-52 (58VBKJN46C)	LM2146CA Li58-52 (58VBKJN46CR)
Nyírómotor			
Motor típus	—	BLDC (kefe nélküli) 58V	BLDC (kefe nélküli) 58V
Motorfordulatszám – ECO üzemmód	ford/perc	2300	2300
Motorfordulatszám – Auto üzemmód	ford/perc	2500 ford/perc, amíg az áramerősség nagyobb, mint 12 A 3 másodpercig, a fordulatszám 2800 ford/perc értékre emelkedik, amíg az áramerősség kisebb, mint 18 A 10 másodpercig.	2500 ford/perc, amíg az áramerősség nagyobb, mint 12 A 3 másodpercig, a fordulatszám 2800 ford/perc értékre emelkedik, amíg az áramerősség kisebb, mint 18 A 10 másodpercig.
Motorfordulatszám – Boost üzemmód	ford/perc	2800	2800
Motor teljesítménye – Max.	kW	1,5	1,5
Motor teljesítménye – Max. folyamatos	kW	0,9	0,9
Motor teljesítménye – Névleges	kW	0,9	0,9
Túláramkorlát (maximális áramerősség)	A (amper)	25	25
Tömeg			
Tömeg (akkumulátor nélkül)	kg	23,5	24,5
Akkumulátor			
Akkumulátor típusa		590923813	590923813
Akkumulátor üzemideje			
Akkumulátor üzemideje	m ²	Akár 1200	Akár 1000

	mértékegység	LM2146C Li58-52 (58VBKJN46C)	LM2146CA Li58-52 (58VBKJN46CR)
Zajkibocsátás ³⁴			
Hangteljesítményszint, mért	dB (A)	87	87
Hangteljesítményszint, garantált LWA.	dB (A)	87	87
Zajszintek			
35			
Hangnyomásszint a kezelő fülénél	dB (A)	< 80	< 80
Rezgésszintek			
36			
Fogantyú	m/s ²	0,65	0,65
Vágás			
Vágási magasság	mm	30-80	30-80
Vágási szélesség	cm	46	46
Kés, gyűjtés	—	581188910	581188902
Kés, mulcsozás	—	581188910	581188902
Fügyűjtő kapacitás	liter	50	50

AZ EK-MEGFELELŐSÉGI NYILATKOZAT TARTALMA

A Husqvarna AB, SE 561 82 Huskvarna, SVÉDORSZÁG a saját felelősségére kijelenti, hogy a jelzett termék:

teljes mértékben megfelelnek a következő EU-irányelveknek és rendeleteknek:

Leírás	Elektromos forgókéses fűnyíró
Márka	Jonsered
Platform / Típus / Modell	58VBKJN46C platform (amelyhez az LM2146C Li58-52 típus tartozik), 58VBKJN46CR platform (amelyhez az LM2146CA Li58-52 típus tartozik).
Sarzs	2018-es és újabb sorozatszámok

Irányelv/rendelet	Leírás
2006/42/EK	„gépre vonatkozó”
2014/30/EU	„elektromágneses megfelelésre vonatkozó”
2000/14/EK	„kültéri zajkibocsátásra vonatkozó”
2011/65/EU	„veszélyes anyagokkal kapcsolatos”

Az alábbi harmonizált szabványok és/vagy műszaki előírások kerültek alkalmazásra: EN60335-1,

³⁴ A környezetben a 2000/14/EK sz. EK irányelvvel összhangban hangteljesítményként mért zajkibocsátás (LWA).

³⁵ A zajnyomásszintre vonatkozó jelentési adatok az 1,2 dB (A) tipikus statisztikus ingadozásával (szórásával) rendelkeznek.

³⁶ A rezgésszintre vonatkozó jelentési adatok az 0,2 m/s² tipikus statisztikus ingadozásával (szórásával) rendelkeznek. EN 60335-2-77:2017 vibrációs szabvány, 20.105. fejezet.

EN60335-2-77, EN50366, EN55014-1, EN55014-2,
EN61000-3-2, EN61000-3-3

A zajértékek a 2000/14/EK irányelv V. mellékletének megfelelően a használati utasításban, a műszaki adatok fejezetben, valamint az aláírt EU-megfelelőségi nyilatkozatban található.

Az Intertek önkéntes vizsgálatot végzett a Husqvarna AB számára, és az alábbi megfelelőségi nyilatkozatot bocsátotta ki az Európai Tanács gépekre vonatkozó, 2006/42/EK irányelvére vonatkozóan.

Az aláírt EK-megfelelőségi nyilatkozatban található tanúsítvány a terméken jelzettek szerint minden gyártási helyre és országra érvényes.

A szállított elektromos forgóképes fűnyíró megfelel a vizsgálaton átesett példadarabnak.

Sommario

INTRODUZIONE.....	147	MANUTENZIONE.....	153
SICUREZZA.....	148	TRASPORTO E RIMESSAGGIO.....	156
MONTAGGIO.....	151	DATI TECNICI.....	156
FUNZIONAMENTO.....	152	CONTENUTO DELLA DICHIARAZIONE DI CONFORMITÀ CE.....	158

INTRODUZIONE

Manuale operatore

La lingua iniziale del presente manuale operatore è l'inglese. I manuali operatore in altre lingue sono traduzioni dall'inglese.

Panoramica

(Fig. 1)

1. Barra di controllo presenza operatore
2. Raccogliherba
3. Leve di comando
4. Apparecchio elettrico
5. Leva altezza di taglio
6. Caricabatterie
7. Manuale operatore
8. Interfaccia di controllo utente
9. Pacco batteria
10. Sportello del vano batterie
11. Pulsante di accensione
12. Pulsante modalità di taglio
13. Sportello posteriore
14. Spie stato di carica
15. Codice
16. Spina per mulching

Simboli riportati sul prodotto

(Fig. 2) Avvertenza

(Fig. 3) Leggere il presente manuale

(Fig. 4) Prima dell'uso, leggere per intero il manuale dell'operatore e accertarsi di aver compreso le istruzioni.

(Fig. 5) Utilizzare protezioni per gli occhi omologate

(Fig. 6) Utilizzare cuffie protettive omologate

(Fig. 7) Utilizzare protezioni per la testa omologate

(Fig. 8) Utilizzare cuffie protettive omologate

(Fig. 9) Avvertenza: lama rotante. Tenere lontani mani e piedi.

Tenere le mani e i piedi lontani dalle lame rotanti. Non aprire o rimuovere pannelli protettivi con il motore o il motorino in funzione.

(Fig. 10)

Prima e durante la retromarcia, guardare indietro e in basso accertandosi che non vi siano bambini piccoli, animali o altri rischi che potrebbero comportare una caduta.

(Fig. 11)

Prestare attenzione a oggetti lanciati o rimbalzati.

(Fig. 12)

Mantenere le persone e gli animali a una distanza di sicurezza dalla zona di lavoro.

(Fig. 13)

(Fig. 14) Pendenza pericolosa

(Fig. 14)

(Fig. 15) Scosse elettriche

(Fig. 15)

Rimuovere la chiave prima di interventi di riparazione, regolazione, impostazione o trasporto.

(Fig. 16)

(Fig. 17) Pulsante di accensione

(Fig. 17)

(Fig. 18) Motore acceso

(Fig. 18)

(Fig. 19) Impugnatura di comando del motore attivata

(Fig. 19)

(Fig. 20) Motore spento

(Fig. 20)

Impugnatura di comando del motore disattivata

(Fig. 21)

Il prodotto e l'imballaggio non possono essere smaltiti come rifiuti domestici. Il prodotto e l'imballaggio devono essere portati presso un centro di raccolta specializzato nel recupero di apparecchiature elettriche ed elettroniche.

(Fig. 22)

(Fig. 23) Non lasciare, conservare o utilizzare sotto la pioggia o in presenza di umidità.

(Fig. 24) Riciclaggio

(Fig. 25) Livello di potenza acustica

(Fig. 26) Il prodotto è conforme alle direttive CE vigenti

(Fig. 27) Il prodotto è conforme alle direttive EAC vigenti

(Fig. 28) Il prodotto è conforme alle direttive vigenti in Ucraina

responsabili per eventuali danni causati dal nostro prodotto se:

- Il prodotto viene riparato in modo errato.
- Il prodotto viene riparato con parti che non provengono o non sono omologate dal produttore.
- Il prodotto contiene un accessorio che non proviene o non è omologato dal produttore.
- Il prodotto non viene riparato presso un centro di assistenza autorizzato o presso un'autorità competente.

Responsabilità del prodotto

Come indicato nelle leggi vigenti in materia di responsabilità obbligatoria sul prodotto, non siamo

SICUREZZA

Definizioni di sicurezza

Le definizioni riportate di seguito forniscono il livello di gravità per ciascuna delle parole di avvertenza.



AVVERTENZA: Lesioni alle persone.



ATTENZIONE: Danni al prodotto.

Nota: Queste informazioni rendono più semplice l'uso del prodotto.

Istruzioni di sicurezza generali

- Utilizzare il prodotto in modo corretto. Un uso improprio può causare lesioni o la morte. Utilizzare il prodotto solo per le attività riportate nel presente manuale. Non utilizzare il prodotto per altre attività.
- Leggere, comprendere e rispettare le istruzioni contenute nel presente manuale. Rispettare i simboli di sicurezza e le istruzioni di sicurezza. In caso di mancata osservanza delle istruzioni e dei relativi simboli, si potrebbero causare lesioni personali, danni o la morte.
- Non gettare il presente manuale. Utilizzare le istruzioni per assemblare, azionare e mantenere il prodotto in buone condizioni. Utilizzare le istruzioni per installare correttamente attrezzature e accessori. Utilizzare esclusivamente attrezzature e accessori omologati.
- Non utilizzare un prodotto danneggiato. Attenersi al programma di manutenzione. Eseguire solo gli interventi di manutenzione riportati nelle istruzioni di questo manuale. Tutti gli altri interventi di

manutenzione devono essere effettuati da un centro di assistenza autorizzato.

- Il presente manuale non include tutte le situazioni che possono verificarsi quando si utilizza il prodotto. Prestare la massima attenzione e usare il buon senso. Non utilizzare il prodotto o eseguire interventi di manutenzione sul prodotto se non si è sicuri. Per ulteriori informazioni parlare con un esperto del prodotto, il vostro rivenditore, l'officina o il centro di assistenza autorizzato.
- Non utilizzare il prodotto se è stato modificato in qualche modo rispetto alle caratteristiche iniziali. Non sostituire una parte del prodotto senza previa approvazione del produttore. Utilizzare solo parti approvate dal produttore. Una manutenzione impropria può causare lesioni o la morte.
- Durante il funzionamento, questo prodotto genera un campo elettromagnetico. Il campo elettromagnetico può danneggiare gli impianti medici. Rivolgersi al medico e al produttore degli impianti medici prima di utilizzare il prodotto.
- Non consentire ai bambini di utilizzare il prodotto.
- Non permettere a chiunque non conosca le istruzioni di utilizzare il prodotto.
- Controllare sempre qualsiasi persona, dalle capacità fisiche o mentali ridotte, che utilizzi il prodotto. Deve sempre essere presente un adulto responsabile.
- Bloccare il prodotto in un'area a cui i bambini o le persone non autorizzate non possano accedere.
- Il prodotto può espellere oggetti e causare lesioni. Attenersi alle istruzioni di sicurezza per ridurre il rischio di lesioni o morte.
- Non allontanarsi dal prodotto quando è collegato. Spegnerne l'apparecchio prima di lasciarlo.
- Prima e durante la retromarcia, guardare indietro e in basso accertandosi che non vi siano bambini piccoli, animali o altri rischi che potrebbero comportare una caduta.

- L'operatore del prodotto è responsabile in caso di incidente.
- Verificare che i componenti non siano danneggiati prima di utilizzare il prodotto.
- Fare riferimento alle normative nazionali o locali, in quanto possono impedire o limitare il funzionamento del prodotto in determinate condizioni.

Istruzioni di sicurezza per il funzionamento

- Conoscere i comandi e il funzionamento corretto del prodotto prima dell'uso.
- Non permettere a bambini o persone che non conoscano le istruzioni di utilizzare il prodotto.
- Non azionare il prodotto in prossimità di persone, in particolar modo bambini, o animali.
- Tenere i bambini lontani dall'area di taglio e controllati da un adulto.
- Arrestare il motore se dei bambini accedono all'area di lavoro.
- Esaminare attentamente l'area dove si deve usare il prodotto. Rimuovere tutti gli oggetti che possono essere lanciati dal prodotto durante il funzionamento.
- Esaminare la lama, il bullone della lama, il complessivo lama e la base del motorino prima dell'uso per verificarne lo stato di usura ed eventuali danni.
- Utilizzare il prodotto soltanto alla luce diurna oppure se l'illuminazione artificiale è sufficiente.
- Non utilizzare il prodotto su erba bagnata.
- Prestare estrema attenzione nei pressi di angoli, cespugli, alberi o altri oggetti che ostacolano la visuale.
- Prestare la massima attenzione quando si procedere all'indietro o si tira il prodotto verso di sé.
- Non porre le mani o i piedi vicino o sotto le parti rotanti. Tenersi sempre a distanza dalle aperture di scarico.
- Arrestare la lama quando si attraversano superfici in ghiaia.
- Arrestare il motore, rimuovere il pacco batteria e attendere che la lama si arresti completamente prima di pulire il prodotto, rimuovere il raccogliherba o rimuovere il materiale dallo scivolo di scarico.
- Non utilizzare il prodotto quando si è stanchi, ammalati o sotto gli effetti di alcool o farmaci.
- Se il prodotto presenta vibrazioni insolite, arrestare il motore, rimuovere il pacco batteria e verificare immediatamente la causa del problema. Le vibrazioni generalmente sono sintomo di danni.
- Non puntare il materiale espulso verso altre persone. Non rilasciare materiale espulso contro un muro o altri ostacoli. Il materiale può rimbalzare verso l'operatore.
- Non azionare il prodotto senza protezioni, carter, raccogliherba o altri dispositivi protettivi di sicurezza adeguati.

Sicurezza dell'area di lavoro

- Rimuovere rami, ramoscelli, pietre e altri oggetti dal prato prima di iniziare l'operazione di taglio.
- Mantenere le persone, inclusi bambini e animali, a una distanza di sicurezza dalla zona di lavoro.
- Gli oggetti che urtano contro l'attrezzatura di taglio potrebbero essere proiettati e causare danni a cose e persone.
- Non utilizzare mai il prodotto in condizioni meteorologiche sfavorevoli, ad esempio nebbia, pioggia, umidità o luoghi molto umidi, vento forte, freddo intenso, rischio di fulmini, ecc. Le attività svolte in condizioni meteorologiche avverse possono causare affaticamento e situazioni di pericolo, quali superfici scivolose.
- Esaminare l'area di lavoro per assicurarsi di poter mantenere sempre il controllo del prodotto.
- Prestare attenzione a radici, pietre, rametti, fossi e fossati. L'erba alta può nascondere eventuali ostacoli.
- Prestare attenzione in prossimità di angoli e oggetti nascosti che potrebbero ostacolare la visuale.

Istruzioni di sicurezza per l'utilizzo su terreni in pendenza

- Prestare la massima attenzione quando si effettuano operazioni di taglio su terreni in pendenza. Le pendenze possono essere pericolose! Una caduta su un pendio può causare infortuni.
- Eseguire il taglio trasversalmente lungo i pendii. Non eseguire tagli seguendo tragitti verso l'alto e verso il basso.
- Prestare la massima attenzione durante il cambio di direzione su terreni in pendenza.
- Prestare la massima attenzione a oggetti o fori nascosti nel prato. Terreni accidentati possono causare cadute.
- Non effettuare tagli in prossimità di pendenze ripide, dislivelli, fossi o argini. Si potrebbero verificare cadute.
- Non tagliare erba bagnata. Si potrebbero verificare cadute.
- Non eseguire il taglio su terreni con una pendenza maggiore di 15 gradi.

Abbigliamento protettivo personale

Indossare sempre il corretto abbigliamento protettivo personale durante l'utilizzo del prodotto. Questo include, come minimo, calzature robuste e dispositivi di protezione per gli occhi e per le orecchie. L'uso dell'abbigliamento protettivo personale non elimina il rischio di lesioni, ma ne riduce la gravità in caso di incidente.

- Indossare sempre occhiali di sicurezza o protezioni per gli occhi quando si utilizza il prodotto o si eseguono manutenzione o riparazioni.
- Non utilizzare mai il prodotto a piedi nudi o con calzature aperte. Usare sempre stivali robusti anti-

scivolo con un buon supporto per le caviglie durante l'utilizzo del prodotto.

- Indossare pantaloni lunghi di tessuto pesante. Non indossare pantaloni corti, sandali o non lavorare a piedi nudi.
- Utilizzare guanti protettivi omologati, se necessario. Ad esempio, quando si collega, si esamina o si pulisce la lama.
- Utilizzare sempre protezioni acustiche omologate durante l'uso del prodotto. Un rumore prolungato può provocare la perdita dell'udito.

Dispositivi di protezione sul prodotto

- Eseguire regolarmente la manutenzione del prodotto.

- Ciò aumenta la durata del prodotto.
- E riduce il rischio di incidenti.

Far esaminare il prodotto da un rivenditore o un centro di assistenza autorizzati per eventuali regolazioni o riparazioni.

- Non utilizzare un prodotto con abbigliamento protettivo danneggiato. Se il prodotto è danneggiato, rivolgersi a un centro di assistenza autorizzato.

Impugnatura di comando del motore

L'impugnatura di comando arresta il motore. Assicurarsi che il motore si arresti quando l'impugnatura di comando viene rilasciata.

- Avviare il motore, quindi rilasciare l'impugnatura di comando. Il motore si arresta.

Nota: Se l'impugnatura di comando non arresta il motore, premere il pulsante di accensione per spegnerlo. Rimuovere il pacco batteria e rivolgersi a un centro di assistenza autorizzato.

Sportello posteriore

Lo sportello posteriore riduce il rischio di espulsione di oggetti da dietro il prodotto nella posizione di taglio dell'operatore.

- Assicurarsi che lo sportello posteriore non sia danneggiato e che non vi siano presenti difetti visibili, quali incrinature o molle rotte. Eventuali difetti causano la chiusura violenta dello sportello. Sostituire lo sportello o le molle se danneggiati.

Istruzioni di sicurezza per la manutenzione



AVVERTENZA: Eseguire esclusivamente gli interventi di manutenzione riportati nel presente manuale operatore. Per operazioni di maggiore entità, rivolgersi a un'officina autorizzata.

Eseguire gli interventi di manutenzione correttamente in modo da aumentare la

durata di vita del prodotto e ridurre il rischio di incidenti. Affidare le riparazioni professionali a un'officina autorizzata. Per ulteriori informazioni, rivolgersi all'officina più vicina.



AVVERTENZA: Per evitare l'avviamento accidentale durante il trasporto, interventi di manutenzione o riparazione, rimuovere il pacco batteria e attendere almeno 5 secondi prima di sostituirlo.



AVVERTENZA: Indossare guanti per lavori pesanti quando si maneggia l'attrezzatura di taglio. La lama è molto affilata e ci si può ferire facilmente.

- Mantenere i bordi taglienti affilati e puliti per prestazioni più sicure e ottimali.
- Far esaminare regolarmente il prodotto da un'officina per messe a punto e riparazioni necessarie.
- Sostituire le parti danneggiate, usurate o rotte.
- Attenersi alle istruzioni per la sostituzione degli accessori. Utilizzare solo accessori del produttore.



AVVERTENZA: Quando non è in uso, tenere il prodotto, il pacco batterie e il caricabatterie separatamente in un luogo asciutto, in ambienti interni e in un locale che possa essere chiuso, lontano dalla portata di bambini e persone non autorizzati.

Sicurezza batterie

Utilizzare esclusivamente pacchi batterie originali del produttore e ricaricarli soltanto in caricabatterie omologati dal produttore.

I pacchi batterie ricaricabili si utilizzano esclusivamente come alimentazione per i prodotti senza fili in questione. Per evitare lesioni, il pacco batterie non deve essere utilizzato come fonte di alimentazione per altri dispositivi.

- Non smontare, aprire né distruggere i pacchi batterie.
- Non esporre i pacchi batterie ai raggi diretti del sole o a fonti di calore. Tenere i pacchi batterie lontano da fiamme e incendi.
- Esaminare regolarmente il caricabatterie del pacco batterie e il pacco batterie per verificare l'eventuale presenza di danni. I pacchi batterie danneggiati o modificati possono provocare incendi, esplosioni o rischio di lesioni. Non riparare o aprire i pacchi batterie danneggiati.
- Non usare un pacco batterie o un prodotto difettoso, modificato o danneggiato.
- Non modificare o riparare i prodotti o i pacchi batterie. Le riparazioni devono essere eseguite esclusivamente dal proprio rivenditore autorizzato.

- Non provocare il cortocircuito di una cella o di un pacco batterie. Non conservare i pacchi batterie in una scatola o in un cassetto dove possano essere cortocircuitati da altri oggetti di metallo.
- Non rimuovere un pacco batterie dal proprio imballaggio originale fino all'effettivo utilizzo.
- Non scuotere meccanicamente i pacchi batterie.
- In caso di perdite dalla batteria, non lasciare che il liquido entri in contatto con la pelle o con gli occhi. In caso di contatto con il liquido, pulire l'area con grandi quantità di acqua e consultare un medico.
- Non utilizzare un caricabatterie diverso da quello specificato per il funzionamento del pacco batterie.
- Osservare i segni più (+) e meno (-) presenti sul pacco batterie e sul prodotto per assicurare il corretto funzionamento.
- Non utilizzare un pacco batterie non realizzato per il funzionamento con il prodotto.
- Sullo stesso dispositivo, non mischiare tra loro pacchi batterie di tensione o produttori diversi.
- Tenere i pacchi batterie lontano dalla portata dei bambini.
- Acquistare sempre pacchi batterie adatti al prodotto.
- Tenere le batterie pulite e asciutte.
- Pulire i terminali dei pacchi batterie con un panno asciutto e pulito, se necessario.
- I pacchi batterie secondari devono essere caricati prima dell'uso. Per la corretta procedura di carica, utilizzare sempre il caricabatterie adatto e fare riferimento al manuale.
- Non lasciare il pacco batterie in carica per un periodo di tempo prolungato se non è in uso.
- Conservare il manuale per farvi riferimento in futuro.
- Utilizzare il pacco batterie esclusivamente per l'uso previsto.
- Rimuovere il pacco batterie dal prodotto quando non viene utilizzato.
- Tenere il pacco batterie lontano da graffette, chiavi, chiodi, viti, o altri piccoli oggetti metallici durante il funzionamento. Questo può creare un collegamento tra i terminali. Provocare il cortocircuito dei terminali dei pacchi batterie potrebbe causare ustioni o provocare un incendio.

MONTAGGIO



AVVERTENZA: Leggere il capitolo sulla sicurezza prima di assemblare il prodotto.

Per rimuovere il prodotto dalla confezione

1. Rimuovere le parti sfuse incluse con il prodotto.
2. Tagliare i due angoli del cartone e posare i pannelli terminali in piano.
3. Rimuovere tutto il materiale da imballaggio.
4. Rimuovere il prodotto dalla confezione e assicurarsi che non vi siano lasciate parti sfuse.

Per montare l'impugnatura

1. Allineare i fori delle viti sulla parte inferiore dell'impugnatura con i fori delle viti nel complessivo impugnatura. Fissare le viti, le rondelle e le manopole. (Fig. 29)
2. Per regolare l'altezza dell'impugnatura, allentare le manopole inferiori, sollevare o abbassare l'impugnatura per regolarne l'altezza, quindi serrare a pieno le manopole.

Per fissare il prodotto in posizione di funzionamento

1. Sollevare l'impugnatura in posizione di funzionamento.
2. Serrare a fondo le manopole inferiori.

Per assemblare il raccoglierba

1. Fissare il telaio del raccoglierba al relativo sacco con la parte rigida di quest'ultimo posta in basso. Mantenere l'impugnatura del telaio dalla parte alta del sacco raccoglierba. (Fig. 30)
2. Fissare la parte inferiore del telaio del raccoglierba nella scanalatura in basso. (Fig. 31)
3. Fissare i ganci sul raccoglierba al bordo superiore del telaio. (Fig. 32)
4. Inserire la parte inferiore del raccoglierba nel canale di scarico dell'erba.

Per modificare il prodotto per il funzionamento in modalità di raccolta

La modalità di raccolta posteriore raccoglie l'erba tagliata nel raccoglierba.



ATTENZIONE: Non utilizzare il prodotto senza lo sportello posteriore chiuso o il raccoglierba approvato in posizione. Non cercare di azionare il prodotto con lo sportello posteriore rimosso o aperto.

1. Sollevare lo sportello posteriore e inserire i ganci del telaio del raccoglierba sul perno dello sportello posteriore. (Fig. 33)
2. Rilasciare lo sportello posteriore e appoggiarlo sul lato superiore del telaio portasacco per erba.

Per modificare il prodotto per il funzionamento nella modalità di pacciamatura (se in dotazione)

La modalità di pacciamatura del prodotto rende l'erba tagliata più piccola. L'erba tagliata quindi cade sul prato e nell'erba. L'erba così sminuzzata si decompone rapidamente e fornisce nutrienti al prato.

1. Sollevare il coperchio posteriore e rimuovere il raccogliherba. (Fig. 34)
2. Inserire la spina di pacciamatura nel canale di scarico. (Fig. 35)
3. Chiudere saldamente lo sportello posteriore contro il prodotto.

Per modificare il prodotto per il funzionamento in modalità di scarico

1. Smontare la spina di pacciamatura o il raccogliherba. (Fig. 36)

2. Chiudere saldamente lo sportello posteriore contro il prodotto.

Per impostare l'altezza di taglio



ATTENZIONE: Non impostare l'altezza di taglio troppo in basso. Se la superficie del prato non è piana, le lame possono urtare il terreno.

Nota: Impostare la stessa altezza su tutti i comandi dell'altezza di taglio.

1. Per aumentare l'altezza di taglio, spingere la leva dell'altezza di taglio all'indietro.
2. Per diminuire l'altezza di taglio, spingere la leva dell'altezza di taglio in avanti. (Fig. 37)

FUNZIONAMENTO



AVVERTENZA: Leggere e comprendere il capitolo sulla sicurezza prima di utilizzare il prodotto.

Tecnica basilare di taglio

- Utilizzare sempre una lama affilata per ottenere risultati ottimali. La lama non affilata taglia in modo irregolare e lascia che l'erba diventi gialla sulla superficie da tagliare.
- Non tagliare più di 1/3 dell'altezza dell'erba. Questo vale in particolar modo nei periodi secchi. Iniziare l'operazione di taglio impostando l'altezza di taglio su un livello alto. Quindi verificare il risultato e abbassare a un'altezza adeguata. Se l'erba è molto alta, procedere lentamente e tagliarla due volte, se necessario.
- Per tagli gravosi, ridurre la larghezza di taglio e passare più volte sullo stesso percorso, eseguendo il taglio lentamente.
- Tagliare sempre in direzioni diverse per evitare il formarsi di strisce sul prato.
- Annaffiare regolarmente con un tubo il raccogliherba e lasciare asciugare prima dell'utilizzo. I pori nel raccogliherba in tessuto possono riempirsi di sporcizia e polvere durante il funzionamento. Il raccogliherba quindi raccoglierà meno erba.

Prima di avviare il rasaerba

- Tenere persone e animali all'esterno dell'area di lavoro.
- Eseguire la manutenzione giornaliera. Vedere *MANUTENZIONE* alla pagina 153.

Avviamento dell'unità

1. Inserire il pacco batteria facendogli fare uno scatto. Assicurarsi che il pacco batteria sia montato correttamente. (Fig. 38)
2. Inserire la chiave nella tasca sotto il coperchio della batteria. Assicurarsi che la chiave sia montata correttamente. (Fig. 39)

Nota: La chiave può essere collegata in una sola direzione.

3. Premere il pulsante di accensione una volta. Il pulsante si accende completamente. (Fig. 40)
4. Tirare l'impugnatura di comando motore nella direzione del manubrio. Il pulsante di accensione inizia a lampeggiare. (Fig. 41)
5. Premere il pulsante di accensione lampeggiante. Il prodotto viene quindi avviato. (Fig. 42)

Arresto del prodotto

- Rilasciare l'impugnatura di comando motore sul prodotto oppure premere il pulsante di accensione una volta sola. (Fig. 43)

Per applicare trazione alle ruote (se in dotazione)

(Fig. 44)

- Tirare le leve di comando verso il manubrio.
- Prima di tirare il prodotto verso di sé, disinnestare la trazione e spingere il prodotto in avanti di circa 10 cm.

- Rilasciare le leve di comando per disinnestare la trazione, ad esempio quando ci si avvicina a un ostacolo.

Per svuotare il raccoglierba

1. Sollevare il raccoglierba utilizzando l'impugnatura del telaio.
2. Rimuovere l'erba tagliata dal raccoglierba da sotto l'impugnatura.
3. Svuotare l'erba tagliata dal sacco con l'impugnatura del telaio e la maniglia del sacco.



ATTENZIONE: Non trascinare il sacco quando si svuota il raccoglierba per prevenirne l'usura.

Per modificare la modalità di taglio

Sul prodotto sono disponibili tre diverse modalità di taglio che possono essere cambiate durante il funzionamento premendo il pulsante della modalità di taglio.

- **Modalità Auto** - Il prodotto regola automaticamente la velocità di taglio in base alla quantità di erba da tagliare.

- **Nota:** Il prodotto è impostato sulla modalità automatica per impostazione predefinita durante il funzionamento.

- **Modalità Boost** - Il prodotto funziona ad alta velocità indipendentemente dalla quantità di erba da tagliare.

- Mentre il prodotto è in funzione, premere il pulsante della modalità di taglio una volta per passare dalla modalità Auto alla modalità Boost. Il pulsante della modalità di taglio si illumina.

- **Modalità Eco** - Il prodotto funziona a bassa velocità indipendentemente dalla quantità di erba da tagliare.

- Mentre il prodotto è in funzione, premere il pulsante della modalità di taglio una volta per passare dalla modalità Boost alla modalità ECO. Il pulsante della modalità di taglio si illumina e lampeggia.

- Per tornare alla modalità Auto predefinita, premere il pulsante della modalità di taglio una volta mentre il prodotto è in funzione. Il pulsante della modalità di taglio smette di lampeggiare.

Nota: Se l'impugnatura di comando motore viene rilasciata durante il funzionamento, il prodotto rimane nella modalità di taglio corrente. Se il prodotto si arresta automaticamente, o se l'operatore preme il pulsante di accensione, la modalità di taglio utilizzata prima viene cancellata dalla memoria e il prodotto viene avviato in modalità Auto alla successiva accensione.

Indicazione dello stato della batteria durante il funzionamento

Sul display dell'interfaccia di controllo utente viene visualizzata la capacità della batteria e se si verificano problemi nel pacco batteria. La capacità della batteria viene visualizzata durante il funzionamento della macchina.

Spie LED	Stato della batteria
Tutti i LED verdi si accendono	Completamente carico (100% - 76%)
I LED 1, 2 e 3 si accendono	Il pacco batterie ha raggiunto il 75% - 51% di carica.
I LED 1 e 2 si accendono	Il pacco batterie ha raggiunto il 50% - 26% di carica.
Il LED 1 si accende	Il pacco batterie ha raggiunto il 25% - 6% di carica.
Il LED 1 lampeggia	Il pacco batterie ha raggiunto il 5% - 0% di carica.

Se si verifica un errore nel pacco batteria durante il funzionamento, tutti e quattro i LED verdi del display dello stato di carica della batteria lampeggiano. Rimuovere il pacco batteria dalla macchina e premere il pulsante di stato sul pacco batteria per visualizzare il codice di errore interessato. Se si verifica un errore, i LED sul pacco batteria si illuminano e mostrato un codice di errore. Consultare il manuale della batteria per l'elenco dei codici di errore e le possibili soluzioni.

MANUTENZIONE



AVVERTENZA: Leggere e comprendere il capitolo sulla sicurezza prima di pulire e riparare il prodotto o prima di eseguire la manutenzione.

Raccomandazioni generali per la manutenzione

La garanzia di questo prodotto non include un uso errato o non attento del prodotto da parte dell'operatore. Per avvalersi della garanzia completa, l'operatore deve

eseguire la manutenzione del prodotto come indicato nelle istruzioni del presente manuale. Regolazioni diverse devono essere eseguite a intervalli differenti per mantenere il prodotto nella condizione di lavoro corretta.

- Esaminare la lama ogni anno per verificare che non sia usurata.

Esaminare gli pneumatici

- Mantenere gli pneumatici privi di materiale o prodotti chimici indesiderati che ne possano danneggiare la gomma.

- Mantenere gli pneumatici lontano da ceppi, pietre, solchi, oggetti appuntiti e altri oggetti che potrebbero causare danni ai pneumatici.

Per effettuare un'ispezione generale

- Controllare che dadi e viti siano ben serrati.
- Accertarsi che non vi siano cavi schiacciati.

Programma di manutenzione

Utilizzare il programma di manutenzione per vedere i requisiti di manutenzione necessari del prodotto e quando deve essere eseguita la manutenzione. Gli intervalli vengono calcolati sull'uso medio del prodotto e possono essere differenti a seconda della frequenza di utilizzo.

- Serrare i bulloni e i dadi prima di ogni uso e prima del rimessaggio.
- Pulire ed esaminare il raccoglierba, se installato, prima e dopo ogni uso e prima del rimessaggio.
- Esaminare gli pneumatici prima di ogni utilizzo.
- Pulire il prodotto dopo ogni utilizzo e prima del rimessaggio. Utilizzare un raschiatore per pulire sotto il piatto.
- Esaminare la lama per verificare l'eventuale presenza di danni e crepe a intervalli di 25 ore. Sostituire le lame con maggiore frequenza in caso di taglio su terreni sabbiosi.
- Lubrificare il prodotto ogni 25 ore.
- Pulire e caricare completamente la batteria dopo l'uso e dopo il rimessaggio. Caricare il pacco batteria per max 24 ore prima del rimessaggio.
- Non conservare il pacco batteria sul caricabatterie durante il rimessaggio. Caricare il pacco batteria per max 24 ore.
- Esaminare la cinghia di trasmissione e le pulegge ogni 25 ore (se in dotazione).

Pulizia del prodotto

- Utilizzare una spazzola per rimuovere materiale superfluo ed erba dal prodotto.
- Mantenere pulite le superfici e le ruote.
- Utilizzare un raschiatore sotto il prodotto per rimuovere l'accumulo di erba e rifiuti.
- Non utilizzare una lancia ad alta pressione per pulire il prodotto.
- Non lavare con acqua diretta sulla testata elettrica o sui contatti della batteria.
- Durante la pulizia sotto il prodotto, rimuovere il pacco batteria e la chiave di sicurezza e appoggiare il prodotto su un lato con l'interfaccia di controllo utente rivolta verso l'alto.



ATTENZIONE: Non pulire il prodotto con acqua, detergenti liquidi o solventi. Rimuovere il materiale superfluo all'esterno del prodotto con una spazzola morbida o un panno asciutto che non contenga metalli.

Per pulire il raccoglierba

- I pori nel raccoglierba in tessuto possono riempirsi di sporizia e polvere durante il funzionamento. In questo modo, il raccoglierba raccoglie meno erba. Per evitare ciò, annaffiare regolarmente con un tubo il raccoglierba e lasciare asciugare prima dell'utilizzo.
- Controllare frequentemente il raccoglierba per verificare che non sia usurato o deteriorato. Sostituire se necessario.

Per esaminare lo sportello posteriore

Lo sportello posteriore è fissato tra le ruote posteriori del prodotto. Lo sportello riduce i rischi di lancio di oggetti verso la posizione di taglio dell'operatore.

1. Assicurarsi che lo sportello posteriore non sia danneggiato.
2. Esaminare lo sportello posteriore per verificare che non presenti difetti che causino la chiusura con violenza dello sportello, comprese eventuali incrinature o molle rotte.
3. Sostituire lo sportello posteriore o le molle se sono danneggiati.

Affilatura ed equilibratura della lama

Per ottenere risultati ottimali, mantenere affilata la lama di taglio. Sostituire la lama piegata o danneggiata.



ATTENZIONE: Utilizzare guanti e/o avvolgere la lama con un panno spesso, per evitare ferite alle mani.

1. Affilare la lama con una lima o una mola. Non affilare la lama quando è montata sul prodotto.



ATTENZIONE: Si consiglia di non affilare la lama. Nel caso in cui si affili la lama, assicurarsi che sia bilanciata. Una lama non bilanciata può causare danni al prodotto o al motore.

2. Inserire un chiodo dritto in un pezzo di legno o in un muro. Assicurarsi di poter vedere 2-3 cm del chiodo.
3. Posizionare il foro centrale della lama sulla testa del chiodo. Se la lama è bilanciata, deve rimanere in posizione orizzontale. Se una delle due estremità della lama si sposta verso il basso, affilare l'estremità pesante fino a quando la lama non è bilanciata.

Per sostituire la lama

1. Bloccare la lama con un blocco di legno. (Fig. 45)
2. Rimuovere il bullone della lama.
3. Rimuovere la lama.
4. Esaminare il supporto e il bullone della lama per verificare la presenza di eventuali danni.

5. Esaminare l'albero motore per accertarsi che non sia piegato.
6. Quando si fissa la nuova lama, assicurarsi che le estremità inclinate della lama puntino in direzione del coperchio di taglio.(Fig. 46)
7. Assicurarsi che la lama sia allineata con il centro dell'albero motore.
8. Bloccare la lama con un blocco di legno. Inserire la rondella reggispinta e serrare il bullone e la rondella a una coppia di Nm.(Fig. 47)
9. Girare manualmente la lama per verificare che possa ruotare liberamente.



AVVERTENZA: Utilizzare dei guanti da lavoro spessi. La lama è molto affilata e ci si può ferire facilmente.

10. Avviare il prodotto per eseguire una prova della lama. Se la lama non è collegata correttamente, si verificano delle vibrazioni nel prodotto o il risultato del taglio è insoddisfacente.

Codici errore

I codici di errore aiutano alla risoluzione dei problemi del prodotto e/o del pacco batteria durante il funzionamento.

Schermata dei LED	Possibili guasti	Possibili azioni
Nessun LED si accende dopo aver premuto il pulsante di accensione sull'interfaccia di controllo utente, il pacco batteria non funziona nel prodotto	Pacco batteria non inserito completamente nel prodotto o fusibile interno bruciato	Spingere a fondo il pacco batteria nella testata elettrica fino a quando non si avverte uno scatto. Se i LED non si illuminano quando il pacco batteria è completamente inserito e il pulsante di accensione è stato premuto sull'interfaccia di controllo utente, rivolgersi a un centro assistenza autorizzato.
Tutti e quattro i LED della capacità della batteria lampeggiano, nessun altro LED si accende dopo aver premuto il pulsante di accensione	Pacco batteria non inserito completamente nel prodotto o temperatura interna troppo fredda o troppo calda.	Spingere a fondo il pacco batteria nella testata elettrica fino a quando non si avverte uno scatto. Se i LED continuano a lampeggiare, la temperatura interna del pacco batteria potrebbe essere troppo bassa o troppo alta. Lasciare riscaldare o raffreddare il pacco batteria. Per aumentare il processo di raffreddamento, il pacco batteria può essere inserito nel caricabatterie per consentirne il raffreddamento attivo.
Tutti e quattro i LED della capacità della batteria e di accensione lampeggiano, nessun altro LED si accende dopo aver premuto il pulsante di accensione	Impugnatura di comando motore abbassata alla prima pressione del pulsante di accensione o guasto interno dell'interruttore dell'impugnatura di comando motore	Rilasciare l'impugnatura di comando motore. Se l'impugnatura di comando motore non viene tenuta abbassata e i LED continuano a lampeggiare, rivolgersi a un centro di assistenza autorizzato.
Il prodotto si arresta e tutti e quattro i LED di capacità della batteria lampeggiano, nessun altro LED si accende.	Pacco batteria allentato nella testata elettrica e non ha più un buon contatto, pacco batteria troppo caldo o troppo freddo o altro errore interno	<ol style="list-style-type: none"> 1. Arrestare il prodotto. 2. Rimuovere il pacco batteria dal prodotto e premere il pulsante di stato sul pacco batteria per visualizzare il codice di errore. I LED sul pacco batteria si accendono e viene visualizzato un codice di errore. 3. Leggere il manuale della batteria in dotazione per un elenco dei codici di errore relativi ai LED per le eventuali anomalie e procedure. <p>Se il pacco batteria non mostra un errore dopo aver premuto il pulsante di stato e viene visualizzato solo lo stato di carica, il pacco batteria potrebbe essersi allentato nella testata elettrica durante il funzionamento. Installare correttamente il pacco batteria nella testata elettrica fino a quando non si avverte uno scatto.</p>

Schermata dei LED	Possibili guasti	Possibili azioni
Il prodotto si arresta e il pulsante di accensione lampeggia mentre i LED di capacità della batteria continuano a mostrare lo stato di carica corrente	Camera di taglio ostruita da erba, il controller del motore è troppo caldo o si è verificato un guasto del motorino	<ol style="list-style-type: none"> 1. Arrestare il prodotto. 2. Rimuovere il pacco batteria e appoggiare il prodotto su un lato con l'interfaccia di controllo utente rivolta verso l'alto. 3. Esaminare la lama, il bullone della lama, il complessivo lama, il motore e la base del motore per verificare l'eventuale presenza di danni. Eliminare tutta l'erba dalla parte inferiore della macchina ed esaminarla per verificare che non ci siano ostruzioni. 4. Installare il pacco batteria e seguire la procedura di avviamento per avviare la macchina. <p>Se l'errore persiste, lasciare raffreddare il prodotto. Il controller del motore potrebbe essere troppo caldo per il funzionamento. Se il problema persiste, rivolgersi a un centro di assistenza autorizzato.</p>

TRASPORTO E RIMESSAGGIO

- Tenere le attrezzature al sicuro durante il trasporto per evitare danni e incidenti.
- Per il rimessaggio, rimuovere la chiave di sicurezza e tenere le attrezzature in un'area chiusa lontano dalla portata di bambini e di persone non autorizzati.
- Per il rimessaggio, conservare il prodotto e le attrezzature in un luogo asciutto e protetto dal gelo.
- Durante le operazioni di carico o movimentazione del prodotto, non superare l'inclinazione massima raccomandata di 15 gradi.
- Pulire il prodotto. Per ulteriori informazioni, vedere *Pulizia del prodotto alla pagina 154*.
- Lubrificare il prodotto.
- Serrare bulloni e dadi.
- Sostituire o riparare i componenti danneggiati.
- Pulire tutte le superfici verniciate arrugginite o danneggiate. Carteggiare leggermente prima della verniciatura.
- Utilizzare una copertura protettiva appropriata sul prodotto che non permetta all'umidità di penetrare. Non utilizzare la plastica perché potrebbe non consentire la traspirazione e causare la formazione di condensa e la corrosione sul prodotto.
- Rimuovere sempre il pacco batteria prima del trasporto o del rimessaggio.

DATI TECNICI

	unità	LM2146C Li58-52 (58VBKJN46C)	LM2146CA Li58-52 (58VBKJN46CR)
Motore di taglio			
Tipo di motore	—	BLDC (senza spazzole) 58V	BLDC (senza spazzole) 58V
Velocità del motore - Modalità ECO	giri/min.	2300	2300
Velocità del motore - Modalità Auto	giri/min.	2.500 giri/min fino a quando la corrente è maggiore di 12A per 3 secondi. Il regime aumenta fino a 2.800 giri/min finché la corrente è inferiore a 18A per 10 secondi.	2.500 giri/min fino a quando la corrente è maggiore di 12A per 3 secondi. Il regime aumenta fino a 2.800 giri/min finché la corrente è inferiore a 18A per 10 secondi.

	unità	LM2146C Li58-52 (58VBKJN46C)	LM2146CA Li58-52 (58VBKJN46CR)
Velocità del motore - Modalità Boost	giri/min.	2800	2800
Potenza del motore - Max	kW	1,5	1,5
Potenza del motore - Max continua	kW	0,9	0,9
Potenza del motore - Nominale	kW	0,9	0,9
Limite di sovracorrente (Max corrente)	A (ampere)	25	25
Peso			
Peso (senza batteria)	kg	23,5	24,5
Batteria			
Tipo di batteria		590923813	590923813
Prestazione della batteria			
Prestazione della batteria	m ²	Fino a 1200	Fino a 1000
Emissioni di rumore ³⁷			
Livello di potenza acustica, misurato	dB (A)	87	87
Livello potenza acustica, garantito LWA.	dB (A)	87	87
Livelli di rumorosità			
38			
Livello pressione acustica all'orecchio dell'operatore	dB (A)	< 80	< 80
Livelli di vibrazioni			
39			
Impugnatura	m/s ²	0,65	0,65
Taglio			
Altezza di taglio	mm	30-80	30-80
Larghezza di taglio	cm	46	46
Lama, raccolta	—	581188910	581188902
Lama, pacciamatura	—	581188910	581188902
Capacità del raccogliherba	litri	50	50

³⁷ Emissione di rumore nell'ambiente misurato come potenza acustica (LWA) in base alla direttiva CE 2000/14/CE.

³⁸ I dati riportati per il livello di pressione acustica hanno una dispersione statistica tipica (deviazione standard) di 1,2 dB(A).

³⁹ I dati riportati per il livello di vibrazioni presentano una dispersione statistica tipica (deviazione standard) di 0,2 m/s². Vibrazioni standard EN 60335-2-77:2017 capitolo 20.105.

CONTENUTO DELLA DICHIARAZIONE DI CONFORMITÀ CE

Husqvarna AB, SE 561 82 Huskvarna, SVEZIA, dichiara sotto la propria esclusiva responsabilità che il prodotto indicato:

Descrizione	Rasaerba rotativo elettrico
Marchio	Jonsered
Piattaforma / Tipo / Modello	Piattaforma 58VBKJN46C (modello LM2146C Li58-52), piattaforma 58VBKJN46CR (modello LM2146CA Li58-52).
Lotto	Numero di serie a partire dal 2018

è pienamente conforme alle seguenti norme e direttive UE:

Direttiva/norma	Descrizione
2006/42/CE	"relativa alle macchine"
2014/30/UE	"sulla compatibilità elettromagnetica"
2000/14/CE	"relativa al rumore nell'ambiente esterno"
2011/65/UE	"relativa alle sostanze pericolose"

Le norme armonizzate e/o specifiche tecniche applicate sono le seguenti: EN60335-1, EN60335-2-77, EN50366, EN55014-1, EN55014-2, EN61000-3-2, EN61000-3-3

In conformità alla direttiva 2000/14/CE, Allegato V, i valori per i livelli sonori dichiarati sono riportati nella sezione Dati tecnici del presente manuale e nel documento firmato Dichiarazione di conformità UE.

Intertek ha eseguito l'omologazione volontaria per conto di Husqvarna AB, emettendo il Certificato di conformità relativo alla Direttiva del Consiglio 2006/42/CE sulle macchine.

Il certificato, come riportato sulla Dichiarazione di conformità CE firmata, si applica a tutti i siti produttivi e paesi d'origine, così come riportati sul prodotto.

Il rasaerba rotativo elettrico in dotazione è conforme agli esemplari sottoposti a omologazione.

TURINYS

IVADAS	159	PRIEŽIŪRA	165
SAUGA	160	GABENIMAS IR LAIKYMAS	167
SURINKIMAS	163	TECHNINIAI DUOMENYS	167
NAUDOJIMAS	163	EB ATITIKTIYS DEKLARACIJOS TURINYS	169

IVADAS

Naudojimo instrukcija

Pirminė šios naudojimo instrukcijos kalba yra anglų.
Naudojimo instrukcijos kitomis kalbomis yra verstos iš anglų kalbos.

Apžvalga

(Pav. 1)

1. Operatoriaus buvimo valdymo juosta
2. Žolės rinktuvas
3. Pavaros svirtys
4. Elektrinis variklis
5. Pjovimo aukščio reguliavimo svirtis
6. Akumuliatoriaus įkroviklis
7. Naudojimo instrukcija
8. Naudotojo valdymo sąsaja
9. Akumuliatorių blokas
10. Akumuliatoriaus dangtelis
11. Įjungimo / išjungimo mygtukas
12. Pjovimo režimo mygtukas
13. Galinės duralės
14. Įkrovos būsenos lemputės
15. Fiks. kaištis
16. Mulčiavimo kaištis

Simboliai ant gaminio

(Pav. 2) Įspėjimas

(Pav. 3) Perskaitykite šias instrukcijas

(Pav. 4) Prieš naudodami, atidžiai perskaitykite naudotojo instrukciją ir įsitikinkite, kad viską gerai supratote.

(Pav. 5) Naudokite patvirtintas akių apsaugos priemonės

(Pav. 6) Naudokite patvirtintas apsaugines ausines

(Pav. 7) Naudokite patvirtintą galvos apsaugą

(Pav. 8) Naudokite patvirtintas apsaugines ausines

(Pav. 9) Įspėjimas: besisukantis peilis. Saugokite rankas ir kojas.

(Pav. 10) Saugokite rankas bei kojas ir neikiškite jų prie besisukančių peilių. Neatidarykite arba

nenuimkite apsauginių gaubtų, kai veikia variklis.

(Pav. 11) Eidami atgal ir prieš tai apsidairykite už savęs ir žemyn, ar nėra mažų vaikų, gyvūnų arba kitų pavojų, dėl kurių galite pargriūti.

(Pav. 12) Saugokitės išmetamų ir rikošetu atšokusių daiktų.

(Pav. 13) Asmenims ir gyvūnams būtina laikytis saugaus atstumo nuo darbo zonos.

(Pav. 14) Nuokalnės pavojus

(Pav. 15) Elektros smūgis

(Pav. 16) Prieš remontuodami, reguliuodami, nustatydami arba transportuodami, ištraukite saugos raktelį.

(Pav. 17) Įjungimo / išjungimo mygtukas

(Pav. 18) variklis įjungtas

(Pav. 19) Variklio valdymo rankena nuspausta

(Pav. 20) Variklis išjungtas

(Pav. 21) Variklio valdymo rankena atleista

(Pav. 22) Šio gaminio arba pakuotės negalima išmesti kaip buitinių atliekų. Gaminį ir pakuotę reikia atiduoti į atitinkamą perdirbimo punktą, perdirbantį elektros ir elektronikos įrangą.

(Pav. 23) Nepalikite, nelaikykite ir nenaudokite lietuje arba drėgnoje aplinkoje.

(Pav. 24) Perdirbkite

(Pav. 25) Triukšmingumas

(Pav. 26) Šis gaminys atitinka taikomas EB direktyvas

Šis gaminys atitinka taikomas EAC
(Pav. 27) direktyvas

Šis gaminys atitinka taikomas Ukrainos
(Pav. 28) direktyvas

Gaminio patikimumas

Kaip nurodyta atsakomybės už gaminį įstatymuose, mes nesame atsakingi už mūsų gaminio sukeltą žalą, jei:

- gaminys netinkamai suremontuotas.
- gaminys suremontuotas naudojant kito gamintojo arba gamintojo nepatvirtintas dalis.
- gaminys turi kito gamintojo arba gamintojo nepatvirtintą priedą.
- gaminys suremontuotas ne patvirtintame techninės priežiūros centre arba jį suremontavo ne patvirtintas atstovas.

SAUGA

Saugos ženklų reikšmės

Toliau apibrėžiamas signalinių žodžių žymimas pavojus.



PERSPĖJIMAS: Gali susižeisti asmenys.



PASTABA: Galima sugadinti gaminį.

Pasižymėkite: Ši informacija padeda gaminį naudoti saugiau.

Bendrieji saugos nurodymai

- Naudokite gaminį tinkamai. Netinkamai naudojant galima rimtai arba mirtinai susižeisti. Produktą naudokite tik šiose instrukcijose nurodytiems darbams. Nenaudokite gaminio kitiems darbams.
- Perskaitykite ir supraskite šias naudojimo instrukcijas bei jomis vadovaukitės. Paisykite saugos simbolių ir saugos nurodymų. Naudotojui nepaisant instrukcijų ir simbolių, galima sugadinti įrangą arba susižeisti ar mirtinai susižeisti.
- Neišmeskite šių instrukcijų. Vadovaukitės šiomis instrukcijomis surinkdami ir naudodami šį gaminį bei atlikdami jo techninę priežiūrą. Vadovaukitės šiomis instrukcijomis, kad tinkamai prijungtumėte priedus. Naudokite tik patvirtintus priedus.
- Sugadinto gaminio nenaudokite. Paisykite techninės priežiūros grafiką. Atlikite tik šiose instrukcijose aprašytus priežiūros darbus. Visus kitus techninės priežiūros darbus turi atlikti patvirtintas techninės priežiūros centras.
- Šiose instrukcijose negali būti numatytos visos situacijos, su kuriomis galite susidurti naudodami gaminį. Būkite atsargūs ir apdairūs. Gaminio nenaudokite ir nevykdyskite jo priežiūros darbų, jei nesate tikri dėl jo būklės. Jei reikia informacijos, kreipkitės į gaminio ekspertą, pardavimo atstovą, techninės priežiūros atstovą arba patvirtintą techninės priežiūros centrą.
- Nenaudokite gaminio, jei pasikeitė jo pradinės specifikacijos. Nekeiskite gaminio dalių, neturinčių gamintojo patvirtinimo. Naudokite tik gamintojo

patvirtintas dalis. Netinkamai atliekant gaminio techninę priežiūrą galima rimtai arba mirtinai susižeisti.

- Šis gaminys veikdamas sukuria elektromagnetinį lauką. Elektromagnetinis laukas gali sugadinti medicininius implantus. Prieš pradėdami naudoti šį gaminį, pasitarkite su savo gydytoju ir medicininio implanto gamintoju.
- Neleiskite gaminio naudoti vaikams.
- Neleiskite gaminio naudoti su instrukcijomis nesusipažinusiems asmenims.
- Visada prižiūrėkite gaminį naudojančią fizinę arba protinę negalią turintį asmenį. Juos visada privalo prižiūrėti atsakingas suaugęs asmuo.
- Užrakinkite gaminį vaikams ir nepatvirtintiems asmenims nepasiekiamoje vietoje.
- Iš gaminio gali išskrieti ir sužaloti pašaliniai objektai. Paisykite saugos nurodymų, kad sumažėtų rimtų ar mirtinų sužeidimų pavojus.
- Nepalikite gaminio be priežiūros, kai jis įjungtas. Prieš nueddami išjunkite gaminį.
- Eidami atgal ir prieš tai apsidairykite už savęs ir žemyn, ar nėra mažų vaikų, gyvūnų arba kitų pavojų, dėl kurių galite pargriūti.
- Dėl nelaimingo įvykio yra atsakingas gaminio naudotojas.
- Prieš naudodami gaminį įsitikinkite, kad jo dalys nepažeistos.
- Atsižvelkite į nacionalinius arba vietos įstatymus. Jie gali drausti arba riboti gaminio naudojimą konkrečiomis sąlygomis.

Naudojimo saugos instrukcijos

- Prieš naudodami gaminį susipažinkite su jo valdikliais ir tinkamu naudojimu.
- Neleiskite gaminio naudoti vaikams arba su instrukcijomis nesusipažinusiems asmenims.
- Nenaudokite gaminio, jei netoliese yra žmonių, ypač vaikų, arba gyvūnų.
- Neleiskite vaikų į pjauti numatomą vietą ir pasirūpinkite, kad ją prižiūrėti suaugęs asmuo.
- Jei į darbo vietą patenka vaikai, išjunkite gaminį.
- Atidžiai apžiūrėkite vietą, kurioje naudosite gaminį. Pašalinkite visus objektus, kuris gali išsviesti veikiantis gaminys.

- Prieš naudodami, apžiūrėkite peilį, peilio tvirtinimo varžtą, peilio agregatą ir variklio apačią, ar nėra nusidėvėjimo arba pažeidimo požymių.
- Dirbam gaminiu tik dienos šviesoje arba esant geram dirbtiniam apšvietimui.
- Nenaudokite gaminio drėgnoje žolėje.
- Būkite atsargūs šalia kampu, krūmų, medžių ar kitų vaizdą užstojančių daiktų.
- Būkite itin atsargūs, kai judate atbuli arba traukiate gaminį savo kryptimi.
- Nekiškite rankų ar kojų prie arba po besisukančiomis dalimis. Niekada neužstokite išmetimo angų.
- Važiudami per žvyrą sustabdykite peilius.
- Prieš valydami gaminį, nuimdami žolės rinktuvą arba surinkdami nuopjovas iš išmetimo kreiptuvo, sustabdykite variklį, išimkite akumuliatorių bloką ir palaukite, kol peiliai visiškai sustos.
- Nenaudokite gaminio, jeigu esate pavargę, sergate arba vartojote alkoholio ar kitų narkotinių medžiagų.
- Jei gaminys neįprastai vibruoja, sustabdykite variklį, išimkite akumuliatorių bloką ir nedelsiant patikrinkite priežastį. Paprastai vibracija įspėja apie gedimą.
- Nenukreipkite išmetamų nuopjovų į aplinkinius. Nenukreipkite išmetamų nuopjovų į sieną ar kliūtį. Nuopjovos gali atšokti atgal į naudotoją.
- Nenaudokite gaminio, jei nėra įrengtų tinkamų apsaugų, plokščių, žolės rinktuvo ar kitų apsauginių įrenginių.

Sauga darbo vietoje

- Prieš pradėdami pjauti, iš vejos pašalinkite šakas, šakeles, akmenis ir kitus objektus.
- Asmenims, įskaitant vaikus, ir gyvūnams būtina laikytis saugaus atstumo nuo darbo zonos.
- Atsitrenkę į pjovimo įrangą objektai gali atšokti ir sužeisti asmenis bei sugadinti daiktus.
- Gaminio niekada nenaudokite blogu oru, pavyzdžiui, kai kyla rūkas, lyja, drėgna, gali žaibuoti, taip pat drėgnose vietose, pučiant stipriam vėjui ir stipriai šaļant. Dirbant prastu oru galima pavargti bei susidaro pavojingos sąlygos, pvz., slidūs paviršiai.
- Apžiūrėkite darbo vietą, kad įsitikintumėte, jog jums niekas negali sukliudyti valdyti gaminio.
- Saugokitės šaknų, akmenų, šakelių, duobių ir griovių. Aukštoje žolėje gali slėptis kliūtys.
- Būkite atsargūs artėdami prie nematomų kampu ir daiktų, kurie gali užstoti vaizdą.

Darbo šlaituose saugos instrukcijos

- Šlaitus pjaukite atsargiai. Šlaitai gali būti pavojingi! Pargriuvus ant šlaito galima susižeisti.
- Šlaitą pjaukite skersai. Nepjaukite į viršų ir žemyn.
- Atsargiai keiskite kryptį ant šlaito.
- Saugokitės vejoje sunkiai matomų objektų arba duobių. Dėl nelygaus paviršiaus galite pargriūti.
- Nepjaukite prie statusa šlaito, nuolydžio, griovio arba kranto. Galite pargriūti.

- Nepjaukite ant šlapios žolės. Galite pargriūti.
- Nepjaukite daugiau kaip 15 laipsnių nuolydžio paviršiaus.

Asmeninės apsauginės priemonės

Dirbdami gaminiu visada naudokite tinkamas asmenines apsaugines priemones. Į tai įeina bent tvirti batai, akių apsaugos priemonės ir apsauginės ausinės. Asmeninės apsauginės priemonės nepašalina pavojaus susižeisti, tačiau nelaimingo atsitikimo atveju galite mažiau nukentėti.

- Dirbdami su produktu ir atlikdami priežiūros arba reguliavimo darbus, visada dėvėkite apsauginius akinius arba akių apsaugas.
- Nenaudokite gaminio basomis kojomis arba atvira avalyne. Naudodami produktą visada avėkite patvarius neslystančius batus, tvirtai prilaukančius kulšnėis.
- Dėvėkite storas, ilgas kelnes. Nedirbkite avėdami sandalus arba basomis.
- Jei reikia, naudokite patvirtintas apsaugines pirštines. Pavyzdžiui, pritvirtinant, tikrinant arba valant peilį.
- Dirbdami gaminiu visada naudokite apsaugines ausines. Ilgalais triukšmas gali pakenkti klausai.

Gaminio apsauginės priemonės

- Nepamirškite reguliariai atlikti gaminio priežiūros darbų.
 - Gaminio tarnavimo trukmė padidėja.
 - Nelaimių pavojus sumažėja.

Reguliariai perduokite gaminį patvirtintam pardavimo atstovui arba techninės priežiūros centrui, kuriame jis bus apžiūrėtas ir pakoreguotas arba suremontuotas.

- Nenaudokite gaminio, jei jo apsauginės priemonės pažeistos. Jei gaminys pažeistas, kreipkitės į patvirtintą techninės priežiūros centrą.

Variklio valdymo rankena

Variklio valdymo rankena sustabdo variklį. Įsitikinkite, ar variklis sustoja atleidus variklio valdymo rankeną.

- Paleiskite variklį, o tada atleiskite valdymo rankeną. Tada variklis sustoja.

Pasižymėkite: Jei variklio valdymo rankena nesustabdo variklio, nuspauskite maitinimo mygtuką, kad jis sustotų. Išimkite akumuliatorių bloką ir kreipkitės į patvirtintą techninės priežiūros centrą.

Galinės duralės

Galinės duralės sumažina riziką, kad objektai bus išsviesti link naudotojo.

- Įsitikinkite, kad galinės duralės nėra pažeistos ir nesimato jokių defektų, pvz., įskilimų arba nutrūkusių

spyrukočių. Dėl defektų durelės sunkiai užsidaro.
Pakeiskite durelių spyruokles, jei jos yra pažeistos.

Priežiūros saugos instrukcijos



PERSPĖJIMAS: Atlikite tik naudojimo instrukcijoje nurodytus techninės priežiūros darbus. Sudėtingesnius darbus turi atlikti patvirtintas techninės priežiūros atstovas.

Kad gaminys tarnautų ilgiau ir sumažėtų nelaimingų atsitikimų pavojus, tinkamai atlikite priežiūros darbus. Profesionalius remonto darbus gali atlikti patvirtintas techninės priežiūros atstovas. Jei reikia daugiau informacijos, kreipkitės į artimiausią techninės priežiūros atstovą.



PERSPĖJIMAS: Kad gaminys netyčia neužsivestų transportuojant, atliekant priežiūros arba remonto darbus, išimkite akumuliatorių bloką ir palaukite mažiausiai 5 sekundes prieš jį grąžindami.



PERSPĖJIMAS: Atlikdami pjovimo įrangos priežiūros darbus dėvėkite storas darbinės pirštines. Peilis labai aštrus ir gali lengvai įpjauti.

- Kad darbas vyktų saugiai ir efektyviai, pasirūpinkite, kad pjovimo briaunos būtų aštrios.
- Leiskite savo techninės priežiūros atstovui reguliariai tikrinti gaminį ir atlikti reikiamus nustatymo ir remonto darbus.
- Pakeiskite pažeistas, sulūžusias arba susidėvėjusias dalis.
- Vadovaukitės priedų keitimo instrukcijomis. Naudokite tik gamintojo priedus.



PERSPĖJIMAS: Nenaudojamą gaminį, akumuliatorių bloką ir akumuliatorių įkroviklį laikykite atskirai sausoje ir rakinamoje patalpos vietoje, atokiau nuo vaikų ir pašalinių asmenų.

Akumuliatorių naudojimo sauga

Naudokite tik gamintojo akumuliatorių ir įkraukite jį tik naudodami gamintojo akumuliatorių įkroviklį.

Įkraunamus akumuliatorių blokus galima naudoti tik kaip atitinkamų bėlaidžių gaminį maitinimo šaltinius. Norint išvengti sužeidimų akumuliatorių bloko negalima naudoti kaip maitinimo šaltinio kitiems įrenginiams.

- Akumuliatorių bloką neardykite, neatidarinkite ir nepjaustykite.
- Saugokite akumuliatorių blokus nuo tiesioginių saulės spindulių arba karščio. Saugokite akumuliatorių blokus nuo ugnies.

- Reguliariai patikrinkite akumuliatorių bloką ir jo įkroviklį, ar nepažeisti. Pažeisti arba pakeisti akumuliatorių blokai gali sukelti gaisrą, sprogti arba sukelti sužeidimų pavojų. Netaisykite ir neatidarykite pažeistų akumuliatorių bloką.
- Nenaudokite pažeisto, pakeisto arba sugadinto akumuliatorių bloko arba gaminio.
- Nekeiskite ir netaisykite gaminio arba akumuliatorių bloko. Remonto darbus patikėkite tik patvirtintam specialistui.
- Nebandykite sujungti elemento ar akumuliatorių bloko kontaktų trumpuoju jungimu. Nelaiykite akumuliatorių bloką dėžėje ar stalčiuje, kur jų kontaktus trumpuoju jungimu gali sujungti kiti metaliniai objektai.
- Neišpakuokite akumuliatorių bloko, kol jo neketinate naudoti.
- Nesutrenkite akumuliatorių bloką.
- Jei iš akumuliatoriaus teka skystis, saugokite nuo jo odą ir akis. Jei palietėte skystį, gerai nuplaukite šią vietą vandeniu ir kreipkitės pagalbos į medikus.
- Nenaudokite akumuliatorių įkroviklio kitoms nei nurodytoms akumuliatorių bloko operacijoms atlikti.
- Atsižvelkite į pluso (+) ir minuso (-) ženklus ant akumuliatorių bloko ir gaminio, kad užtikrintumėte tinkamą veikimą.
- Nenaudokite akumuliatorių bloko, neskirto naudoti su gaminio.
- Nenaudokite gaminyje skirtingų įtampų arba skirtingų gamintojų akumuliatorių bloką.
- Saugokite akumuliatorių blokus nuo vaikų.
- Visada pirkite nurodyto tipo gaminio akumuliatorių blokus.
- Akumuliatorius laikykite švarioje ir sausoje vietoje.
- Jeigu akumuliatorių bloko kontaktai susitepa, nuvalykite juos švaria ir sausa šluoste.
- Prieš naudojant antrinius akumuliatorių blokus juos reikia įkrauti. Visada naudokite tinkamą akumuliatorių įkroviklį ir vadovaukitės tinkamo įkrovimo instrukcijomis, pateikiamomis vadove.
- Jeigu akumuliatorių bloko nenaudojate, nepalikite jo ilgai prijungto prie įkroviklio.
- Išsaugokite vadovą, kad galėtumėte peržiūrėti jį vėliau.
- Akumuliatorių bloką naudokite tik pagal paskirtį.
- Kai nenaudojate gaminio, išimkite iš jo akumuliatorių bloką.
- Laikykite naudojimą akumuliatorių bloką atokiau nuo popieriaus sąvaržėlių, raktų, vinių, varžtų arba kitų metalinių objektų. Taip gali įvykti trumpasis kontaktų jungimas. Trumpai sujungus akumuliatorių bloko gnybtus gali kilti gaisras arba galite nudegti.

SURINKIMAS



PERSPĖJIMAS: Prieš surinkdami gaminį perskaitykite skyrių apie saugą.

Produkto išėmimas iš dėžės

1. Išimkite su produktu pateiktas palaidas dalis.
2. Nupjaukite du kartoninės dėžės kampus ir ištieskite galus ant žemės.
3. Pašalinkite visas pakavimo medžiagas.
4. Išimkite produktą iš dėžės ir įsitikinkite, kad joje neliko palaidų dalių.

Rankenos surinkimas

1. Sulygiuokite rankenos apačioje esančias varžtų angas su rankenos mechanizme esančiomis varžtų angomis. Prisukite varžtus, poveržles ir rankenėles. (Pav. 29)
2. Norėdami nustatyti rankenos aukštį, atleiskite apatines rankenėles, sureguliuokite rankenos aukštį pakeldami arba nuleisdami ją ir gerai priveržkite rankenėles.

Produkto paruošimas transportuoti

1. Pakelkite rankeną į darbinę padėtį.
2. Iki galo priveržkite apatines rankenėles.

Žolės rinktuvo montavimas

1. Įdėkite žolės rinktuvo rėmą į žolės krepšį taip, kad standi krepšio dalis būtų apačioje. Rėmo rankeną laikykite žolės krepšio viršuje. (Pav. 30)
2. Įstatykite žolės rinktuvo rėmo apatinę dalį į griovelį žolės rinktuvo apačioje. (Pav. 31)
3. Pritvirtinkite žolės rinktuvo kabliukus prie viršutinio važiuoklės krašto. (Pav. 32)
4. Įdėkite apatinę žolės rinktuvo dalį į žolės išmetimo kanalą.

Gaminio paruošimas žolės rinkimui

Žolės rinkimo režimu vejojant renka nuopjovas žolės rinktuve.



PASTABA: Nenaudokite gaminio neuždareę galinių durelių arba nepritvirtinę patvirtinto žolės rinktuvo. Nebandykite naudoti gaminio nuėmę arba atidareę galines dureles.

1. Pakelkite galines dureles ir uždėkite žolės rinktuvo rėmo kabliukus ant galinių durelių sukimosi taško. (Pav. 33)
2. Atleiskite galines dureles ir uždėkite ant žolės krepšio rėmo.

Gaminio paruošimas mulčiavimui (jei yra)

Mulčiavimo režimu gaminys smulkina žolės nuopjovas. Tada žolės nuopjovos išbarstomos po visą veją. Mulčiuota žolė greitai suyra ir patręšia veją.

1. Pakelkite galinį gaubtą ir išimkite žolės rinktuvą. (Pav. 34)
2. Įstatykite mulčiavimo priedą į išmetimo kanalą. (Pav. 35)
3. Sandariai uždarykite gaminio galines dureles.

Gaminio pritaikymas žolės išmetimui

1. Išimkite mulčiavimo kaištį arba žolės rinktuvą. (Pav. 36)
2. Sandariai uždarykite gaminio galines dureles.

Pjovimo aukščio nustatymas



PASTABA: Nenustatykite per žemo pjovimo aukščio. Peiliai gali uzkludyti žemę, jei vejos paviršius nelygus.

Pasižymėkite: Nustatykite tą patį visų valdiklių aukštį.

1. Kad padidintumėte pjovimo aukštį, pjovimo aukščio svirtį palenkite atgal.
2. Kad sumažintumėte pjovimo aukštį, pjovimo aukščio svirtį palenkite į priekį. (Pav. 37)

NAUDOJIMAS



PERSPĖJIMAS: Prieš naudodami gaminį perskaitykite ir supraskite skyrių apie saugą.

Pagrindinė pjovimo technika

- Norėdami pasiekti geriausių rezultatų, visada pjaukite aštriu peiliu. Neaštrus peilis pjauna netolygiai ir nupjautos žolės galai pagelsta.
- Nepjaukite daugiau nei 1/3 žolės ilgio. Tai ypač svarbu sausuoju metų laiku. Pirmiausia nupjaukite nustatę didelį aukštį. Tada patikrinkite rezultatą ir

nustatykite tinkamą aukštį. Jeigu žolė per aukšta, dirbkite lėtai ir, jei reikia, pjaukite du kartus.

- Jei vejojant pjauna labai sunkiai, pjaukite siauriau, iš dalies važiuodami jau nupjauta žole ir pjaukite lėtai.
- Kiekvieną kartą pjaukite skirtingomis kryptimis, kad vejoje nesusidarytų dryžiai.
- Reguliariai praplaukite žolės rinktuvą vandeniu ir leiskite išdžiūti prieš naudodami. Dirbant medžiaginių žolės rinktuvų poros gali užsikimšti purvu ir dulkėmis. Žolės rinktuvas surinks žolę.

Veiksmai prieš pradėdant naudoti vejojant

- Įsitikinkite, kad darbo zonoje nėra kitų žmonių ar gyvūnų.
- Atlikite kasdienę priežiūrą. Žr. *PRIEŽIŪRA psl. 165*

Gaminio paleidimas

1. Įstatykite akumuliatorių bloką, kol išgirsite spragtelėjimą. Įsitikinkite, kad akumuliatorių blokas sumontuotas tinkamai. (Pav. 38)
2. Įstatykite raktelį į apatinę kišenę po akumuliatoriaus gaubtu. Įsitikinkite, kad raktelis sumontuotas tinkamai. (Pav. 39)

Pasižymėkite: Raktelį galima įstatyti tik vienu būdu.

3. Vieną kartą nuspauskite maitinimo mygtuką. Mygtukas įsižiebia iki galo. (Pav. 40)
4. Patraukite variklio valdymo rankeną link gaminio rankenos. Maitinimo mygtukas pradeda blyksėti. (Pav. 41)
5. Paspauskite mirksintį maitinimo mygtuką. Tada gaminys įsijungia. (Pav. 42)

Gaminio sustabdymas

- Atleiskite gaminio variklio valdymo rankeną arba vieną kartą paspauskite maitinimo mygtuką. (Pav. 43)

Ratų pavaros naudojimas (jei yra)

(Pav. 44)

- Pavaros svirtis patraukite rankenos kryptimi.
- Prieš patraukdami produktą atgal, išjunkite pavarą ir pastumkite įrenginį į priekį apie 10 cm.
- Atleiskite pavaros svirtis, kad išjungtumėte pavarą, pvz., kai priartėjate prie kliūtis.

Žolės rinktuvo ištuštinimas

1. Pakelkite žolės rinktuvą už rėmo rankenos.
2. Išimkite žolės nuopjovas iš žolės rinktuvo po rankena.
3. Ištuštinkite žolės nuopjovas iš krepšio su rėmo rankena.



PASTABA: Nevilkite, kai nešate žolės rinktuvą ištuštinti, kad jis nesidėvėtų.

Pjovimo režimo keitimas

Dirbant gaminį galima nustatyti veikti vienu iš trijų skirtingų pjovimo režimų, nuspaudus pjovimo režimo mygtuką.

- **Auto (automatinis) režimas** – gaminys automatiškai nustato gaminio pjovimo greitį, atsižvelgdamas į pjaunamos žolės kiekį.
- **Pasižymėkite:** Dirbant Auto režimas nustatomas pagal numatytuosius gaminio nustatymus.
- **Boost (padidintos galios) režimas** – gaminys veikia didžiausiu greičiu, nepaisydamas pjaunamos žolės kiekio.
- Kai gaminys veikia, nuspauskite pjovimo režimo mygtuką vieną kartą, kad Auto režimą perjungtumėte į Boost. Tada įsižiebia pjovimo režimo mygtukas.
- **ECO (taupusis) režimas** – gaminys veikia mažiausiu greičiu, nepaisydamas pjaunamos žolės kiekio.
- Kai gaminys veikia, nuspauskite pjovimo režimo mygtuką vieną kartą, kad Boost režimą perjungtumėte į ECO. Tada įsižiebia ir mirksi pjovimo režimo mygtukas.
- Norėdami grįžti į Auto režimą, paspauskite pjovimo režimo mygtuką vieną kartą, kai gaminys veikia. Tada pjovimo režimo mygtukas užgessta.

Pasižymėkite: Jei variklio valdymo rankeną atleidžiama darbo metu, gaminys lieka veikti esamu pjovimo režimu. Jei gaminys visiškai sustabdomas arba naudotojas nuspaudžia maitinimo mygtuką, prieš tai naudotas pjovimo režimas dingsta iš atminties ir gaminys iš naujo pradeda veikti Auto režimu.

Akumuliatoriaus būsenos indikatorius eksploatavimo metu

Ekranas naudotojo valdymo sąsajoje rodo akumuliatoriaus įkrovą ir praneša apie akumuliatorių bloko triktis. Akumuliatoriaus įkrova rodoma, kai įrenginys veikia.

Sviesos diodai	Akumuliatoriaus būseną
Dega visi žali diodai	Visiškai įkrauta (100–76 %)
Dega 1, 2 ir 3 diodai	Akumuliatorių blokas 75–51% įkrautas.
Dega 1 ir 2 diodai	Akumuliatorių blokas 50–26 % įkrautas.
Dega 1 diodas	Akumuliatorių blokas 25–6 % įkrautas.
Mirksi 1 diodas	Akumuliatorių blokas 5–0 % įkrautas.

Veikimo metu atsiradus akumuliatorių bloko trikdžiai pradeda mirksėti visi keturi žali akumuliatoriaus įkrovos šviesos diodai. Išimkite akumuliatorių bloką iš įrenginio ir nuspauskite indikatorius mygtuką ant akumuliatorių

bloko, kad būtų parodytas klaidos kodas. Akumuliatorių bloko šviesos diodai įsižiebia ir parodo klaidos kodą. Norėdami sužinoti, ką reiškia klaidos kodas ir kaip pašalinti triktis, žr. akumuliatoriaus vadovą.

PRIEŽIŪRA



PERSPĖJIMAS: Prieš valydami, taisydami arba prižiūrėdami gaminį perskaitykite ir supraskite saugos skyrių.

Bendrosios priežiūros rekomendacijos

Šio gaminio garantija netaikoma netinkamam arba neatsargiam gaminio naudojimui. Tam, kad būtų taikoma visavertė garantija, naudotojas privalo prižiūrėti įrenginį taip, kaip nurodyta šioje naudojimo instrukcijoje. Skirtingais intervalais būtina atlikti skirtingus darbus, kad gaminys veiktų tinkamai.

- Kasmet patikrinkite, ar nesusidėvėjo peiliai.

Padangų patikra

- Rūpinkitės, kad ant padangų nebūtų nepageidaujamų medžiagų ir chemikalų, norėdami išvengti gumos pažeidimų.
- Saugokite padangas nuo kelmų, akmenų, provėžų, aštrių daiktų ir kitų padangas galinčių pažeisti objektų.

Bendroji apžiūra

- Patikrinkite, ar varžlės ir varžtai yra priveržti.
- Įsitinkite, kad kabeliai neprispausti.

Priežiūros grafikas

Susipažinkite su priežiūros grafiku, kad žinotumėte kokius priežiūros darbus reikia atlikti jūsų gaminiui ir kada juos reikia atlikti. Intervalai apskaičiuojami vidutiniam gaminio naudojimui, todėl gali skirtis, atsižvelgiant į naudojimo dažnumą.

- Prieš kiekvieną naudojimą ir prieš palikdami saugoti, priveržkite varžtus ir varžles.
- Prieš kiekvieną naudojimą ir prieš palikdami saugoti, išvalykite ir patikrinkite žolės rinktuvą, jei jis sumontuotas.
- Prieš kiekvieną naudojimą patikrinkite padangas.
- Kiekvieną kartą pasinaudoję ir ruošdamiesi palikti saugoti nuvalykite įrenginį. Valydami po agregatu naudokite gremžtuką.
- Kas 25 valandas patikrinkite ar peilis neturi įtrūkimų. Peilius keiskite dažniau, jei žolę pjaunate smėlėtoje dirvoje.
- Sutepkite gaminį kas 25 valandas.
- Kaskart pasinaudoję ir po saugojimo laikotarpio nuvalykite ir pilnai įkraukite akumuliatorių bloką. Prieš palikdami saugoti akumuliatorių bloką kraukite daugiausia 24 valandas.

- Saugodami nelaikykite akumuliatorių bloko akumuliatoriaus įkroviklyje. Akumuliatorių bloką kraukite daugiausia 24 valandas.
- Kas 25 valandas tikrinkite pavaros diržą ir skriemulius (jei yra).

Gaminio valymas

- Pašalinkite nereikalingas medžiagas ir žolę nuo gaminio šepečiu.
- Valykite nereikalingas medžiagas nuo dažytų paviršių ir padangų.
- Žolės ir nešvarumų sankaupas po gaminiu valykite gremžtuku.
- Gaminio neplaukite aukšto slėgio plovimo aparatu.
- Neliokite vandens tiesiai į elektrinį variklį arba ant akumuliatoriaus kontaktų.
- Norėdami nuvalyti gaminio apačią, išimkite akumuliatorių bloką bei saugos raktelį ir paguldykite gaminį ant šono, nukreipę naudotojo valdymo sąsają į viršų.



PASTABA: Niekada neplaukite gaminio vandeniu, naudodami valymo skysčius ar skiediklius. Pašalinkite nereikalingas medžiagas nuo gaminio išorės minkštu šepečiu arba sausa šluoste, kurios sudėtyje nėra metalo.

Žolės rinktuvo valymas

- Dirbant medžiaginių žolės rinktuvų poros gali užsikimšti purvu ir dulėmis. Dėl to žolės rinktuvas gali surinkti mažiau žolės. Norėdami to išvengti, reguliariai praplaukite žolės rinktuvą vandeniu ir leiskite išdžiūti prieš naudodami.
- Nuolat tikrinkite, ar žolės rinktuvas nesusidėvėjo ir nėra sugadintas. Jei reikia, pakeiskite.

Galinių durių patikra

Galinės durelės yra pritvirtintos tarp galinių gaminio ratų. Durelės sumažina riziką, kad objektai bus išsviesti link naudotojo.

1. Įsitinkite, kad galinės durelės nepažeistos.
2. Patikrinkite, ar galinės durelės neturi defektų, įtrūkimų arba nutrukusių spyruoklių, kurie užspaudžia dureles.
3. Pakeiskite pažeistas durelės arba spyruokles.

Peilio galandimas ir balansavimas

Kad rezultatai būtų geriausi, galąškite peilį. Pakeiskite sulinkusį ar pažeistą peilį.



PASTABA: Naudokite pirštines ir (arba) sukite peilį storu audiniu, kad nesusižeistumėte rankų.

1. Peilį galąškite dilde arba galandimo rateliu. Negaląškite prie gaminio pritvirtinto peilio.



PASTABA: Nerekomenduojama peilį galąšti patiemis. Jei galandate patys, įsitikinkite, kad jis subalansuotas. Nesubalansuotas peilis gali sugadinti gaminį arba variklį.

2. Į lentą arba sieną įkalkite tiesią vinį. Įsitikinkite, kad lieka išlindę 2–3 cm vinies.
3. Užmaukite peilį ant vinies galvutės. Jei peilis yra subalansuotas, jis turi likti horizontalioje padėtyje. Jei kuris nors peilio galas nusileido, pagaląškite sunkųjį galą, kol peilis bus subalansuotas.

Peilio keitimas

1. Užfiksuokite peilį medžio bloku. (Pav. 45)

Klaidų kodus

Klaidų kodai padeda šalinti gaminio ir (arba) jo akumuliatorių bloko triktis darbo metu.

Šviesos diodų ekranas	Galimi gedimai	Galimi veiksmai
Nuspaudus maitinimo mygtuką naudotojo valdymo sąsajoje neįsijiebia nė vienas šviesos diodas, neveikia gaminio akumuliatorių blokas	Akumuliatorių blokas ne iki galo įstatytas į gaminį arba perdegė vidinis saugiklis	Įstatykite akumuliatorių bloką į elektrinį variklį, kol pasigirs spragtelėjimas. Jei šviesos diodai neįsijiebia iki galo įstačius akumuliatorių bloką ir nuspaudus maitinimo mygtuką naudotojo valdymo sąsajoje, kreipkitės į patvirtintą techninės priežiūros centrą.
Žybsi visi keturi akumuliatoriaus įkrovos šviesos diodai, kiti šviesos diodai neįsijiebia nuspaudus maitinimo mygtuką	Akumuliatorių blokas ne iki galo įstatytas į gaminį arba per žema ar per aukšta vidinė akumuliatorių bloko temperatūra.	Įstatykite akumuliatorių bloką į elektrinį variklį, kol pasigirs spragtelėjimas. Jei šviesos diodai nenusitvoja žybsėti, gali būti per žema arba per aukšta vidinė akumuliatorių bloko temperatūra. Palaukite, kol akumuliatorių blokas sušils arba atvės. Kad akumuliatorių blokas atvėstų greičiau, jį galima įstatyti į akumuliatoriaus įkroviklį, kad jis būtų aušinamas aktyviai.
Žybsi visi keturi akumuliatoriaus įkrovos šviesos diodai ir maitinimo mygtukas, kiti šviesos diodai neįsijiebia nuspaudus maitinimo mygtuką	Pirmą kartą spaudžiant maitinimo mygtuką laikoma nuspausta variklio valdymo rankena arba sugedo vidinis variklio valdymo rankenos jungiklis	Atleiskite variklio valdymo rankeną. Jei variklio valdymo rankena nenuspausta, bet šviesos diodai ir toliau mirksi, kreipkitės į patvirtintą techninės priežiūros centrą.

2. Nusukite peilio tvirtinimo varžtą.
3. Nuimkite peilį.
4. Patikrinkite peilio atramą ir peilio tvirtinimo varžtą, ar jie nepažeisti.
5. Patikrinkite variklio veleną, kad įsitikintumėte, ar jis nesulenktas.
6. Įdėję naują peilį nukreipkite jo kampus pjovimo įrangos gaubto kryptimi. (Pav. 46)
7. Įsitikinkite, kad peilis sulygiuotas su variklio veleno centru.
8. Užfiksuokite peilį medžio bloku. Uždėkite spyruoklės poveržlę ir pritvirtinkite varžtą ir poveržlę Nm sukimo momento jėga. (Pav. 47)
9. Ranka pasukite peilį ir patikrinkite, ar jis laisvai sukasi.



PERSPĖJIMAS: Apsimaukite pirštines sunkiam darbui. Peilis labai aštrus ir gali lengvai įpjauti.

10. Paleiskite gaminį, kad išbandytumėte peilį. Jei peilis netinkamai uždėtas, gaminys vibruoja arba pjaunama nepakankamai gerai.

Šviesos diodų ekranas	Galimi gedimai	Galimi veiksmai
Gaminys nustoja veikti ir žybsi visi keturi akumulatoriaus įkrovos šviesos diodai, kiti šviesos diodai neįsijiebia.	Akumuliatorių blokas netvirtai įstatytas į elektros variklį ir prastai su juo kontaktuoja, akumuliatorių blokas pernelyg įkaitęs arba atšalęs arba atsirado vidinė akumulatoriaus klaida.	<ol style="list-style-type: none"> 1. Sustabdykite gaminį. 2. Išimkite akumuliatorių bloką iš gaminio ir nuspauskite indikatorius mygtuką ant akumuliatorių bloko. Įsijiebę akumuliatorių bloko šviesos diodai nurodo klaidos kodą. 3. Norėdami sužinoti šviesos diodų klaidų kodus ir galimas triktis bei jų šalinimo procedūras, skaitykite pridedamą akumulatoriaus vadovą. <p>Jei nuspaudus akumuliatorių bloko indikatorius mygtuką klaida nerodoma ir pasirodo tik įkrovos lygis, gali būti, kad dirbant atsipalaidavo akumuliatorių blokas. Tinkamai įstatykite akumuliatorių bloką į elektrinį variklį, kol pasigirs spragtelėjimas.</p>
Gaminys nustoja veikti ir maitinimo mygtukas žybsi, o akumulatoriaus įkrovos šviesos diodai rodo dabartinį įkrovos lygį.	Pjovimo kamerą užkimšo žolė, perkaito variklio valdiklis arba įvyko variklio triktis.	<ol style="list-style-type: none"> 1. Sustabdykite gaminį. 2. Išimkite akumuliatorių bloką ir paguldyskite gaminį ant šono, nukreipę naudotojo valdymo sąsają į viršų. 3. Apžiūrėkite, ar nepažeistas peilis, peilio tvirtinimo varžtas, peilio agregatas, variklis ir variklio apačia. Nuvalykite visą žolę nuo įrenginio apačios ir apžiūrėkite, ar niekas neužsikimšo. 4. Įstatykite akumuliatorių bloką ir atlikite įrenginio paleidimo procedūrą. <p>Jei klaida vis tiek rodoma, palaukite, kol gaminys atvės. Gali būti, kad dirbant perkaito variklio valdiklis. Jei klaida rodoma toliau, kreipkitės į patvirtintą techninės priežiūros centrą.</p>

GABENIMAS IR LAIKYMAS

- Gabenimo metu užtikrinkite įrangos saugumą, kad išvengtumėte pažeidimų ir nelaimingų atsitikimų.
- Ištraukite saugos raktelį ir įranga saugokite užrakintoje patalpoje, atokiau nuo vaikų ir pašalinių žmonių.
- Laikykite įrenginį ir įrangą sausoje neužšalancioje vietoje.
- Pakraudami arba perkeldami šį gaminį, nevirsykite didžiausio rekomenduojamo 15 laipsnių darbinio kampo.
- Išvalykite gaminį. Jeigu reikia daugiau informacijos žr. *Gaminio valymas psl. 165.*
- Sutepkite gaminį.
- Priveržkite varžtus ir veržles.
- Pakeiskite arba suremontuokite pažeistas dalis.
- Nuvalykite visus surūdijusius arba pažeistus paviršius. Prieš dažydami švelniai nušlifukokite.
- Įrenginiui uždengti naudokite tinkamą apsauginį gaubtą, kuris nesulauko drėgmės. Nevyniokite į plastiką, nes jis nepraleidžia oro, jame kaupiasi kondensatas, dėl kurio prasideda gaminio korozija.
- Prieš gabendami arba palikdami saugoti visada išimkite akumuliatorių bloką.

TECHNINIAI DUOMENYS

	gaminys	LM2146C Li58-52 (58VBKJN46C)	LM2146CA Li58-52 (58VBKJN46CR)
Peilių variklis			

	gaminys	LM2146C Li58-52 (58VBKJN46C)	LM2146CA Li58-52 (58VBKJN46CR)
Variklio tipas	—	BLDC (be šepetėlių) 58V	BLDC (be šepetėlių) 58V
Variklio greitis – ECO režimas	aps./min	2300	2300
Variklio greitis – Auto režimas	aps./min	2500 aps./min, kol srovė yra didesnė kaip 12 A 3 sekundes, apsisukimai padidinami iki 2800 aps./min, kol srovė nenukrenta žemiau 18 A 10 sekundžių.	2500 aps./min, kol srovė yra didesnė kaip 12 A 3 sekundes, apsisukimai padidinami iki 2800 aps./min, kol srovė nenukrenta žemiau 18 A 10 sekundžių.
Variklio greitis – Boost režimas	aps./min	2800	2800
Variklio galingumas – maks.,	kW	1,5	1,5
Variklio galingumas – maks. nuolatinis,	kW	0,9	0,9
Variklio galingumas – nominalus	kW	0,9	0,9
Viršįtampio riba (maksimali srovė)	A (amperai)	25	25
Svoris			
Svoris (be akumuliatoriaus)	kg	23,5	24,5
Akumuliatorius			
Akumuliatoriaus tipas		590923813	590923813
Akumuliatoriaus veikimo laikas			
Akumuliatoriaus veikimo laikas	m ²	iki 1200	iki 1000
Skleidžiamas triukšmas ⁴⁰			
Garso galios lygis, išmatuotas	dB (A)	87	87
Garantuotas garso stiprumo lygis, LWA,	dB (A)	87	87
Garso lygiai			
41			
Naudotojo ausį veikiantis garso slėgis,	dB (A)	< 80	< 80
Vibracijos lygiai			
42			
Rankena	m/s ²	0,65	0,65
„Cutting“ (pjovimas)			
„Cutting height“ (pjovimo aukštis)	mm	30-80	30-80
Pjovimo plotis	cm	46	46

⁴⁰ Triukšmo emisija į aplinką išmatuota kaip garso stiprumas (LWA) pagal EB direktyvą 2000/14/EB.

⁴¹ Pateikiamų triukšmo slėgio duomenų būdingoji statistinė sklaida (standartinis nuokrypis) lygi 1,2 dB (A).

⁴² Pateiktuose vibracijos lygio duomenyse yra 0,2 m/s² tipiška statistinė sklaida (standartinis nuokrypis). Vibracijos standartas EN 60335-2-77:2017, 20.105 skyrius.

	gaminy	LM2146C Li58-52 (58VBKJN46C)	LM2146CA Li58-52 (58VBKJN46CR)
Peilis, rinkimas	—	581188910	581188902
Peilis, mulčiavimas	—	581188910	581188902
Rinktuvo talpa	litrų	50	50

EB ATITIKTIES DEKLARACIJOS TURINYS

Mes, „Husqvarna AB“, SE 561 82 Huskvarna, ŠVEDIJA, savo atsakomybe pareiškiamo, kad pateiktas gaminy:

Aprašymas	Elektrinė sukamoji ve- japjovė
Gamintojas	„Jonsered“
Platforma / tipas / modelis	Platforma 58VBKJN46C (atitinka LM2146C Li58-52 modelį), platforma 58VBKJN46CR (atitinka LM2146CA Li58-52 modelį).
Partija	Serijos numerių data nuo 2018

visiškai atitinka šias ES direktyvas ir reikalavimus:

Direktyva / reikalavimas	Aprašas
2006/42/EB	„dėl mašinų“
2014/30/ES	„dėl elektromagnetinio su- derinamumo“
2000/14/EB	„dėl triukšmo lauke“
2011/65/ES	„dėl pavojingų medžiagų“

Taikomi darnieji standartai ir (arba) techninės specifikacijos: EN60335-1, EN60335-2-77, EN50366, EN55014-1, EN55014-2, EN61000-3-2, EN61000-3-3

Pagal 2000/14/EB direktyvos V priedą nustatytosios garso vertės pateikiamos šios instrukcijos techninių duomenų skyriuje iri pasirašytoje ES atitikties deklaracijoje.

Bendrovė „Intertek“ atliko neatlygintą tyrimą bendrovės „Husqvarna AB“ vardu iri pateikia EB komisijos 2006/42/EB direktyvos dėl mašinų atitikties sertifikatą.

Šis sertifikatas, kaip nurodyta pasirašytoje EB atitikties deklaracijoje, galioja visoms gamybos vietoms iri kilmės šalims, nurodytoms gaminio etiketėje.

Tiekiami elektrinė sukamoji vejjapjovė atitinka tyrimo metu naudota pavyzdį.

Saturs

IEVADS.....	170	APKOPE.....	176
DROŠĪBA.....	171	TRANSPORTEŠANA UN UZGLABĀŠANA.....	179
MONTĀŽA.....	174	TEHNISKIE DATI.....	179
DARBĪBA.....	175	ES ATBILSTĪBAS DEKLARĀCIJAS SATURS.....	180

IEVADS

Lietotāja rokasgrāmata

Šīs lietotāja rokasgrāmatas sākotnējā valoda ir angļu. Lietotāja rokasgrāmatas citās valodās ir tulkojumi no angļu valodas.

Pārskats

(Att. 1)

1. Operatora klātbūtnes kontroles josla
2. Zāles savācējs
3. Piedziņas sviras
4. Elektriskais galvas vagonis
5. Griešanas augstuma svira
6. Akumulatora lādētājs
7. Lietotāja rokasgrāmata
8. Lietotāja kontroles interfeiss
9. Akumulatora bloks
10. Akumulatora pārsegs
11. Ieslēgšanas/izslēgšanas poga
12. Griešanas režīma poga
13. Aizmugurējā durtiņas
14. Uzlādes stāvokļa lampiņas
15. Atslēga
16. Mulčēšanas ieliktnis

Simboli uz izstrādājuma

(Att. 2) Brīdinājums

(Att. 3) Izlasiet šo rokasgrāmatu

(Att. 4) Lūdzu, rūpīgi izlasiet šo lietošanas rokasgrāmatu un pirms izstrādājuma lietošanas pārlicinieties, vai izprotat instrukcijas.

(Att. 5) Izmantojiet apstiprinātus acu aizsarglīdzekļus

(Att. 6) Izmantojiet apstiprinātus dzirdes aizsarglīdzekļus

(Att. 7) Izmantojiet apstiprinātus galvas aizsarglīdzekļus

(Att. 8) Izmantojiet apstiprinātus dzirdes aizsarglīdzekļus

(Att. 9) Brīdinājums! Rotējošs asmens. Turiet rokas un kājas drošā attālumā.

(Att. 10) Turiet rokas un kājas drošā attālumā no rotējošiem asmeņiem. Neatveriet un nenoņemiet aizsargus, kamēr darbojas dzinējs vai motors.

(Att. 11) Pirms pārvietošanās un pārvietojoties atpakaļgaitā, skatieties atpakaļ un lejup, lai izvairītos no maziem bērniem, dzīvniekiem vai citiem pakļūšanas riskiem.

(Att. 12) Uzmanieties no mestiem un rikošetā atlecošiem priekšmetiem.

(Att. 13) Nodrošiniet, lai darba zonā neatrastos cilvēki un dzīvnieki.

(Att. 14) Briesmas, braucot pa nogāzi

(Att. 15) Strāvas trieciens!

(Att. 16) Izņemiet atslēgu pirms remontdarbu veikšanas, regulēšanas, iestatīšanas vai transportēšanas.

(Att. 17) Ieslēgšanas/izslēgšanas poga

(Att. 18) dzinējs ieslēgts

(Att. 19) Motora vadības rokturis nospiests

(Att. 20) Motors izslēgts

(Att. 21) Motora vadības rokturis izslēgts

(Att. 22) Izstrādājumu vai iepakojumu nedrīkst izmest mājsaimniecības atkritumos. Izstrādājums un tā iepakojums ir jānodod atbilstošā elektrisko un elektronisko ierīču pārstrādes vietā.

(Att. 23) Neatstājiet, neglabājiet un nelietojiet lietū vai mitros apstākļos.

- (Att. 24) Pārstrāde
- (Att. 25) Skaņas jaudas līmenis
- (Att. 26) Šis izstrādājums atbilst piemērojamo EK direktīvu prasībām
- (Att. 27) Šis izstrādājums atbilst piemērojamo EAC direktīvu prasībām.
- (Att. 28) Šis izstrādājums atbilst piemērojamo Ukrainas direktīvu prasībām.

- ir veikts nepareizs izstrādājuma remonts;
- izstrādājuma remonts ir veikts, izmantojot detaļas, ko nav nodrošinājis vai apstiprinājis ražotājs;
- izstrādājumam tiek pievienots piederums, ko nav nodrošinājis vai apstiprinājis ražotājs;
- izstrādājuma remonts nav veikts pilnvarotā apkopes centrā vai pie pilnvarota speciālista.

Atbildība par izstrādājuma kvalitāti

Saskaņā ar likumiem par izstrādājuma kvalitāti mēs neuzņemamies atbildību par bojājumiem, ko radījis mūsu izstrādājums, ja:

DROŠĪBA

Drošības definīcijas

Tālāk sniegtās definīcijas norāda katra signālvārda nozīmīguma līmeni.



BRĪDINĀJUMS: Traumas.



IEVĒROJIET: Izstrādājuma bojājumi.

Piezīme: Šī informācija atvieglo izstrādājuma lietošanu.

Vispārīgi norādījumi par drošību

- Lietojiet izstrādājumu pareizi. Nepareiza lietošana var radīt smagas vai nāvējošas traumas. Izmantojiet izstrādājumu tikai šajā rokasgrāmatā aprakstītajiem darbiem. Nelietojiet izstrādājumu citiem darbiem.
- Izlasiet, izprotiet un ievērojiet šīs rokasgrāmatas norādījumus. Ievērojiet drošības simbolus un drošības instrukcijas. Ja operators neievēro norādījumus un simbolus, var tikt radīti aprikojuma bojājumi, smagas vai nāvējošas traumas.
- Neizmetiet šo rokasgrāmatu. Izmantojiet norādījumus, lai saliktu, lietotu un uzturētu šo izstrādājumu labā stāvoklī. Izmantojiet norādījumus pareizai palīgierīču un piederumu uzstādīšanai. Izmantojiet tikai apstiprinātās palīgierīces un piederumus.
- Nelietojiet bojātu izstrādājumu. Ievērojiet apkopes grafiku. Veiciet tikai tos apkopes darbus, kas aprakstīti šajā rokasgrāmatā. Pārējos apkopes darbus uzticiet pilnvarotam apkopes centram.
- Šī rokasgrāmata nevar ietvert visas situācijas, kas var rasties, izmantojot šo izstrādājumu. Esiet uzmanīgs un saprātīgs. Nelietojiet izstrādājumu un neveiciet tā apkopi, ja neesat drošs par radušos

situāciju. Sazinieties ar izstrādājuma speciālistu, izplatītāju, apkopes pārstāvi vai pilnvarotu apkopes centru, lai saņemtu papildinformāciju.

- Neizmantojiet izstrādājumu, ja tā sākotnējā specifikācija ir mainīta. Nemainiet izstrādājuma detaļas bez ražotāja apstiprinājuma. Izmantojiet tikai tādas detaļas, ko ir apstiprinājis ražotājs. Veicot nepareizu apkopi, var tikt radītas smagas vai nāvējošas traumas.
- Šis izstrādājums darbības laikā rada elektromagnētisko lauku. Elektromagnētiskais lauks var radīt medicīnisko implantātu bojājumus. Pirms izmantot izstrādājumu, sazinieties ar ārstu vai medicīniskā implantāta ražotāju.
- Neļaujiet bērniem lietot šo izstrādājumu.
- Neļaujiet lietot izstrādājumu personai, kas nav iepazinusies ar lietošanas norādījumiem.
- Ja izstrādājumu izmanto persona ar samazinātām fiziskajām vai garīgajām spējām, vienmēr uzraugiet šo personu. Vienmēr jābūt klāt pieaugušajam.
- Ieslēdziet izstrādājumu vietā, kurai nevar piekļūt bērni un nepiederošas personas.
- Izstrādājums var izviesiet objektus un radīt traumas. Ievērojiet drošības instrukcijas, lai samazinātu smagu vai nāvējošu traumu gūšanas risku.
- Ierīci nedrīkst atstāt bez uzraudzības, ja tā ir ieslēgta. Ieslēdziet ierīci, pirms pārvietoties.
- Pirms pārvietošanās un pārvietojoties atpakaļgaitā, skatieties atpakaļ un lejup, lai izvairītos no maziem bērniem, dzīvniekiem vai citiem pakļūšanas riskiem.
- Izstrādājuma lietotājs ir atbildīgs par radušos negadījumus.
- Pirms izstrādājuma lietošanas pārliecinieties, vai tā detaļas nav bojātas.
- Ievērojiet valsts vai vietējos likumus. Tie var neļaut vai ierobežot izstrādājuma lietošanu noteiktos apstākļos.

Norādījumi par drošu darbu

- Pirms lietošanas apziniet ierīces vadību un pareizu darbību.
- Neļaujiet izstrādājumu lietot bērniem vai personai, kas nav iepazinusi ar lietošanas norādījumiem.
- Nelietojiet izstrādājumu, kamēr tuvumā atrodas citi cilvēki, īpaši bērni vai dzīvnieki.
- Neļaujiet bērniem tuvu darba vietai un paturiet viņus pieaugušo uzraudzībā.
- Izslēdziet izstrādājumu, ja darba zonā parādās bērni.
- Pilnībā pārbaudiet zonu, kurā plānots izmantot izstrādājumu. Novāciet visus priekšmetus, ko var aizķert izstrādājums darba gaitā.
- Pirms lietošanas izpētiet asmeni, asmens skrūvi, asmens mezglu un motora pamatni, vai tie nav nodiluši vai bojāti.
- Lietojiet izstrādājumu tikai dienas gaismā vai piemērotā mākslīgā apgaismojumā.
- Nedarbiniet izstrādājumu slapjā zālē.
- Esiet piesardzīgs, atrodoties netālu no stūriem, krūmiem, kokiem vai citiem objektiem, kas aizsedz skatu.
- Ievērojiet īpašu piesardzību, ejot atpakaļgaitā vai velkot izstrādājumu savā virzienā.
- Neturiet rokas vai kājas blakus vai zem rotējošām daļām. Vienmēr turieties atstātus no zāles izvades atverēm.
- Apturiet asmens darbību, kad šķērsojat grantētas virsmas.
- Apturiet motoru, noņemiet akumulatoru un uzgaidiet, līdz asmens pilnībā apstājas, pirms varat notīrīt produktu, noņemt zāles savācēju vai iztīrīt materiālu no izkraušanas teknes.
- Neizmantojiet šo izstrādājumu, ja esat noguris, slims vai esat alkohola vai citu vielu izraisītā reibumā.
- Ja izstrādājumam rodas neparasta vibrācija, apturiet motoru, izņemiet akumulatoru un nekavējoties pārbaudiet, kāds ir cēlonis. Parasti vibrācija liecina par bojājumu.
- Nevirziet izsviesto materiālu citu cilvēku virzienā. Nepieļaujiet nopļautās masas mešanu pret sienu vai citu šķērslī. Nopļautā zāle var atsisties rikošetā operatora virzienā.
- Nedarbiniet izstrādājumu, ja pienācīgi nav uzstādīti aizsargi, plātnes, zāles savācējs vai citas drošības aizsargierīces.

Darba zonas drošība

- Pirms pļaušanas noņemiet no zālāja zarus, akmeņus un citus vaļīgus priekšmetus.
- Nodrošiniet, lai cilvēki, tostarp bērni, un dzīvnieki būtu drošā attālumā no darba zonas.
- Priekšmeti, kas saskaras ar griešanas ierīci, var atlēkt un nodarīt kaitējumu personām vai citiem priekšmetiem.
- Nelietojiet izstrādājumu sliktos laikapstākļos, piemēram, miglā, lietus laikā, mitrās vai slapjās

vietās, stiprā vējā, lielā aukstumā, gadījumos, ja ir paredzama zibeņošana utt. Darbs sliktos laikapstākļos var izraisīt nogurumu un bīstamas situācijas, piemēram, slidenas virsmas.

- Pārbaudiet savu darba zonu, lai nodrošinātu, ka nevar ietekmēt jūsu kontroli pār izstrādājumu.
- Uzmanieties no saknēm, akmeņiem, zariem, bedrēm un grāvjiem. Augsta zāle var aplēpt šķēršļus.
- Esiet uzmanīgi, kad tuvojaties stūriem, aiz kuriem nekas nav redzams, un priekšmetiem, kas aizsedz skatu.

Darba drošības instrukcijas nogāzēm

- Esiet uzmanīgs, pļaujot nogāzē. Nogāzes var būt bīstamas. Kritiens uz nogāzes var izraisīt traumas.
- Pļaujiet pa diagonāli. Neļaujiet uz augšu un uz leju.
- Esiet uzmanīgs, mainot virzienu uz nogāzes.
- Uzmanieties no neredzamiem priekšmetiem vai atverēm zālājā. Nelīdzena virsma var izraisīt kritienu.
- Neļaujiet uz stāvas nogāzes, kraujas, pie dīķa vai krastmalas. Pastāv nokrišanas risks.
- Neļaujiet mitru zāli. Pastāv nokrišanas risks.
- Neļaujiet uz virsmas ar vairāk nekā 15 grādu nogāzi.

Individuālie aizsarglīdzekļi

Lietojot izstrādājumu, vienmēr izmantojiet atbilstošus individuālos aizsarglīdzekļus. Obligāti izmantojiet izturīgas apavus, acu aizsarglīdzekļus un dzirdes aizsarglīdzekļus. Individuālais drošības aprīkojums nevar pilnībā novērst traumu gūšanas risku, tomēr samazinās traumu apmēru, ja notiks negadījums.

- Lietojot, apkopjot vai remontējot izstrādājumu, obligāti izmantojiet aizsargbrilles vai acu aizsarglīdzekļus.
- Nelietojiet ierīci, ja kājas ir basas vai ieaugas vaļējos apavos. Vienmēr nēsājiet izturīgas zābakus ar nesliedošu zoli un labu poļītes atbalstu, kad lietojat izstrādājumu.
- Izmantojiet izturīgas garās bikses. Nevalkājiēt šortus, sandales un nestrādājiēt basām kājām.
- Ja nepieciešams, izmantojiet apstiprinātus aizsargcimdus. Piemēram, tas jādara, uzstādot, pārbaudot vai tīrot asmeni.
- Lietojot izstrādājumu, vienmēr izmantojiet atbilstošus ausu aizsarglīdzekļus. Ilgstošs troksnis var izraisīt dzirdes zudumu.

Izstrādājuma aizsargierīces

- Regulāri veiciet izstrādājuma apkopi.
 - Tiek pagarināts izstrādājuma darbūms.
 - Tiek samazināts negadījumu risks.

Ļaujiet pilnvarotam izplatītājam vai pilnvarotam apkopes centram regulāri pārbaudīt izstrādājumu, lai veiktu regulēšanu vai remontu.

- Neizmantojiet izstrādājumu, ja ir bojāts drošības aprīkojums. Ja izstrādājums ir bojāts, sazinieties ar pilnvarotu apkopes centru.

Motora vadības rokturis

Motora vadības rokturis aptur motoru. Pārliedzinieties, vai, atlaižot motora vadības rokturi, motors tiek apturēts.

- Iedarbiniet motoru un pēc tam atlaidiet vadības rokturi. Motors apstājas.

Piezīme: Ja motora vadības rokturis neaptur motora darbību, nospiediet barošanas pogu, lai to apturētu. Izņemiet akumulatoru un sazinieties ar pilnvarotu apkopes centru.

Aizmugurējā durtiņas

Aizmugurējās durtiņas samazina priekšmetu izviesšanas risku aiz izstrādājuma operatora plaušanas virzienā.

- Pārliedzinieties, ka aizmugurējās durtiņas nav bojātas un ka nav redzami bojājumi, piemēram, plaisas vai bojātas atsperes. Bojājumu gadījumā durtiņas ir jāaizver ar spēku. Ja durtiņas vai atsperes ir bojātas, nomainiet tās.

Norādījumi par drošu apkopi



BRĪDINĀJUMS: Veiciet tikai tos apkopes darbus, kas norādīti lietotāja rokasgrāmatā. Sarežģītāki darbi ir jāveic pilnvarotam apkopes pārstāvim.

Veiciet apkopes darbus pareizi, lai palielinātu produkta kalpošanas laiku un samazinātu nelaimes gadījumu risku. Ļaujiet profesionālos remontdarbus veikt pilnvarotam apkopes pārstāvim. Lai iegūtu papildinformāciju, sazinieties ar jums tuvāko apkopes pārstāvi.



BRĪDINĀJUMS: Lai novērstu nejaūšu iedarbināšanu transportēšanas, apkopes vai remontdarbu laikā, izņemiet akumulatoru un uzgaidiet vismaz 5 sekundes, pirms to ievietot.



BRĪDINĀJUMS: Darbojoties ar griešanas ierīci, lietojiet izturīgus cimdus. Asmens ir ļoti ass, un ar to var viegli sagriezties.

- Uzturiet griezēja malas ir asas un tīras, lai nodrošinātu vislabāko un drošāko veiktspēju.
- Nodrošiniet, lai produktu regulāri pārbaudītu servisa centra darbinieki un tiktu veikta vajadzīgā regulēšana un remontdarbi.
- Nomainiet bojātās, nodilušās un salūzušās detaļas.
- Ievērojiet instrukcijas par piederumu maiņu. Lietojiet tikai ražotāja apstiprinātos piederumus.



BRĪDINĀJUMS: Kad izstrādājums netiek izmantots, uzglabājiet to, akumulatoru un akumulatora lādētāju atsevišķi sausā un noslēdzamā vietā, kur nevar piekļūt bērni un svešas personas.

Akumulatora drošība

Izmantojiet tikai ražotāja oriģinālos akumulatoru blokus un uzlādējiet tos tikai oriģinālajos ražotāja akumulatoru lādētājos.

Atbilstošajos bezvadu izstrādājumos kā strāvas avots tiek izmantoti tikai akumulatoru bloki. Lai novērstu traumu risku, akumulatoru bloku nedrīkst izmantot kā barošanas avotu citām ierīcēm.

- Neizjaucaiet, neatveriet un nesasmalciniet akumulatora bloku.
- Neturiet akumulatoru blokus tiešā saules gaismā vai karstumā. Sargiet akumulatoru blokus no uguns.
- Regulāri pārbaudiet, vai akumulatoru bloka lādētājam un akumulatoru blokam nav bojājumu. Bojāti vai pārveidoti akumulatoru bloki var izraisīt aizdegšanos, sprādzienu vai traumu. Nelabojojiet bojātus akumulatoru blokus un neatveriet tos.
- Nelietojiet akumulatoru bloku vai izstrādājumu, ja tas ir bojāts vai pārveidots.
- Nepārveidojiet un neremontējiet izstrādājumu un akumulatoru blokus. Remontdarbus uzticiet tikai apstiprinātam izplatītājam.
- Neizraisiēt elementa vai akumulatoru bloka īsslēgumu. Neglabājiet akumulatoru blokus kastēs vai atvilktnēs, kur tiem var rasties īsslēgums, saskaroties ar citiem metāla priekšmetiem.
- Izņemiet akumulatoru bloku no oriģinālā iepakojuma tikai tad, kad akumulators jālieto.
- Nepakļaujiet akumulatoru blokus mehāniskiem triecieniem.
- Ja rodas akumulatora noplūde, neļaujiet šķidrums nokļūt uz ādas vai acis. Ja pieskaraties šķidrums, nomazgājiet skarto vietu ar lielu daudzumu ūdens un meklējiet medicīnisko palīdzību.
- Nelietojiet akumulatoru lādētāju, kas nav norādīts lietošanai ar šo akumulatoru bloku.
- Meklējiet pluszīmes (+) un mīnuszīmes (-) apzīmējumu uz akumulatoru bloka un izstrādājuma, lai nodrošinātu pareizu darbību.
- Nelietojiet akumulatoru bloku, kas nav paredzēts lietošanai ar šo izstrādājumu.
- Nelietojiet ierīcē atšķirīga sprieguma vai ražotāja akumulatoru blokus.
- Sargiet akumulatoru blokus no bērniem.
- Vienmēr iegādājieties šim izstrādājumam atbilstošo akumulatoru bloku.
- Uzturiet akumulatorus tīrus un sausus.
- Tīriet akumulatora bloka spaiļes ar tīru un sausu drānu, ja tās ir netīras.

- Rezerves akumulatoru bloki pirms lietošanas ir jāuzlādē. Vienmēr izmantojiet pareizo akumulatoru lādētāju un ievērojiet uzlādes norādījumus, kuri sniegti rokasgrāmatā.
- Neļaujiet akumulatora blokam nepārtraukti uzlādēties, ja tas netiek lietots.
- Saglabājiet rokasgrāmatu turpmākām uziņām.
- Lietojiet akumulatora bloku tikai tad, kad tas nepieciešams.

- Kad nelietojat izstrādājumu, izņemiet no tā akumulatora bloku.
- Lietojot akumulatora bloku, netuviniet tam papīra saspraudes, atslēgas, naglas, skrūves un citus mazus metāla priekšmetus. Tādējādi var tikt savienotas spaiļes. Akumulatora bloka spaiļu savienošana var radīt apdegumus vai aizdegšanos.

MONTĀŽA



BRĪDINĀJUMS: Pirms izstrādājuma montāžas iepazīstieties ar drošības norādījumiem.

Izstrādājuma izņemšana no kastes

1. Izņemiet izstrādājuma komplektācijā iekļautās nepiestiprinātās daļas.
2. Veiciet griezumus gar diviem kastes stūriem un nolieciet sānu paneli lejup.
3. Noņemiet visus iepakojuma materiālus.
4. Izņemiet izstrādājumu no kastes un pārliedcinieties, vai kastē nav palikušas nepiestiprinātās daļas.

Roktura montāža

1. Salāgojiet skrūvju caurumus roktura apakšpusē ar skrūvju caurumiem roktura korpusā. Piestipriniet skrūves, paplāksnes un fiksatorus. (Att. 29)
2. Lai iestatītu roktura augstumu: atlaidiet vaļīgāk apakšējos fiksatorus, noregulējiet augstumu, paceļot vai nolaižot rokturi, un pilnībā pievelciet fiksatorus.

Izstrādājuma novietošana darbības pozīcijā

1. Paceliet rokturi darba pozīcijā.
2. Pilnībā pievelciet apakšējos fiksatorus.

Zāles savācēja montāža

1. Ievietojiet zāles savācēja rāmi zāles maisā tādā veidā, lai maisa stingrā daļa būtu apakšā. Nodrošiniet, lai rāmja rokturis ir zāles maisa augšdaļā. (Att. 30)
2. Piestipriniet zāles savācēja rāmja apakšdaļu rievā zāles savācēja apakšdaļā. (Att. 31)
3. Piestipriniet āķus uz zāles savācēja šasijas augšējai malai. (Att. 32)
4. Ievietojiet zāles savācēja apakšējo daļu zāles izmešanas atverē.

Izstrādājuma pārslēgšana uz savākšanas režīmu

Aizmugurējās savākšanas režīms savāc zāles atgriezumus zāles savācējā.



IEVĒROJIET: Nedarbiniet izstrādājumu, ja aizmugurējās durtiņas nav aizvērtas vai apstiprinātais zāles savācējs neatrodas savā pozīcijā. Nemēģiniet darbināt izstrādājumu, kad aizmugurējās durtiņas ir noņemtas vai atvērtas.

1. Paceliet aizmugurējās durtiņas un uzlieciet zāles savācēja rāmja āķus uz aizmugurējās durtiņas eņģes. (Att. 33)
2. Atlaidiet aizmugurējo durtiņu un atbalstiet uz zāles maisa rāmja augšpusēs.

Izstrādājuma pārslēgšana uz mulčēšanas režīmu (ja aprīkots)

Izstrādājuma mulčēšanas režīms padara zāles atgriezumus mazākus. Zāles atgriezumus tiek izsviesti uz zālāja un pāri zālei. Mulčēta zāle ātri bioloģiski sadalās, lai zālājam nodrošinātu barības vielas.

1. Paceliet aizmugurējo pārsegu un noņemiet zāles savācēju. (Att. 34)
2. Ievietojiet mulčēšanas ieliktni zāles izmešanas atverē. (Att. 35)
3. Stingri noslēdziet aizmugurējās durtiņas pret izstrādājumu.

Izstrādājuma nomaiņa uz izsviešanas režīmu

1. Noņemiet mulčēšanas aizbāzni vai zāles savācēju. (Att. 36)
2. Stingri noslēdziet aizmugurējās durtiņas pret izstrādājumu.

Pļaušanas augstuma regulēšana



IEVĒROJIET: Neiestatiet griešanas augstumu pārāk zemu. Ja zāliena virsma nav līdzena, asmeņi var saskarties ar zemi.

Piezīme: Visos četros griešanas augstuma regulatoros uzstādiēt vienu augstumu.

1. Lai palielinātu griešanas augstumu, pārvietojiet griešanas augstuma sviru uz aizmuguri.

2. Lai samazinātu griešanas augstumu, pārvietojiet griešanas augstuma sviru uz priekšu. (Att. 37)

DARBĪBA



BRĪDINĀJUMS: Pirms izstrādājuma lietošanas izlasiet un izprotiet drošības norādījumus.

Zāģēšanas pamati

- Labākam pļaušanas rezultātam izmantojiet tikai asus asmeņus. Neass asmens pļauj nefīdzeni un padara zāli dzeltenu uz griezumā virsmas.
- Nepļaujiet vairāk par 1/3 no zāles garuma. Īpaši tas jāņem vērā sausa laika periodos. Vispirms pļaujiet ar lielu pļaušanas augstuma iestatījumu. Pēc tam pārbaudiet rezultātu un samaziniet pļaušanas augstumu līdz vajadzīgam. Ja zāle ir pārāk gara, pļaujiet lēni un, ja nepieciešams, dariet to divreiz.
- Ja jāveic smags pļaušanas darbs, samaziniet pļaušanas platumu, pārkļājot pļaušanas vietas, un pļaujiet lēni.
- Katru reizi pļaujiet dažādos virzienus, lai zālienā neatstātu svītras.
- Pirms lietošanas regulāri izskalojiet savācēja maisu ar ūdeni un ļaujiet tam izžūt. Zāles savācēju auduma poras var tikt aizsprostotas ar neīrumiem un putekļiem darbības laikā. Tad zāles savācējs savāks mazāku zāles daudzumu.

Kas jāpaveic pirms pļāvēja darbināšanas

- Neļaujiet darba zonā iekļūt cilvēkiem un dzīvniekiem.
- Veiciet regulāru apkopi. Skatiet šeit: *APKOPE lpp. 176.*

Izstrādājuma iedarbināšana

1. Ievietojiet akumulatoru, līdz atskan klikšķis. Pārļiecinieties, vai akumulators ir atbilstoši ielikts. (Att. 38)
2. Ievietojiet atslēgu zem akumulatora pārsega. Pārļiecinieties, vai atslēga ir atbilstoši ievietota. (Att. 39)

Piezīme: Atslēgu var ievietot tikai vienā veidā.

3. Vienreiz nospiediet barošanas pogu. Poga pilnībā izgaismojas. (Att. 40)
4. Velciet motora vadības rokturi stūres virzienā. Sāks mirgot barošanas poga. (Att. 41)
5. Nospiediet mirgojošo barošanas pogu. Tad izstrādājums sāk darbību. (Att. 42)

Izstrādājuma izslēgšana

- Atlaidiet motora vadības rokturi vai vienreiz nospiediet barošanas pogu. (Att. 43)

Piedziņas izmantošana riteņiem (ja uzstādīts)

(Att. 44)

- Velciet piedziņas sviras stūres virzienā.
- Pirms velkat izstrādājumu uz aizmuguri, atvienojiet piedziņu un pastumiet izstrādājumu uz priekšu par aptuveni 10 cm.
- Atlaidiet piedziņas sviras, lai atvienotu piedziņu, piemēram, ja ejat tuvu šķērslim.

Zāles savācēja iztukšošana

1. Paceliet zāles savācēju, izmantojot rāmja rokturi.
2. Izīrīriet zāles atgriezumus no zāles savācēja zem roktura.
3. Iztukšojiet zāles atgriezumus no maisa, izmantojot rāmja rokturi un somas rokturi.



IEVĒROJIET: Nevelciet maisu, kad iztukšojat zāles savācēju, lai novērstu nodilumu.

Pļaušanas režīma maiņa

Izstrādājumu iespējams mainīt uz vienu no trim dažādiem pļaušanas režīmiem tā darbības laikā, nospiežot pļaušanas režīma pogu.

- **Automātiskais režīms** - izstrādājums automātiski noregulē pļaušanas ātrumu, reaģējot uz nopļautās zāles daudzumu.

- **Piezīme:** Izstrādājums pēc noklusējuma ir iestatīts uz automātisko režīmu.

- **Ātrais režīms** - izstrādājums darbojas ar lielāku ātrumu neatkarīgi no nopļautās zāles daudzuma.

- Kamēr izstrādājums ir darbībā, vienreiz nospiediet pļaušanas režīma pogu, lai pārslēgtu no automātiskā režīma uz ātro režīmu. Izgaismojas pļaušanas režīma poga.

- **ECO režīms** - izstrādājums darbojas ar mazu ātrumu neatkarīgi no nopļautās zāles daudzuma.

- Kamēr izstrādājums ir darbībā, vienreiz nospiediet pļaušanas režīma pogu, lai pārslēgtu

no ātrā režīma uz ECO režīmu. Izgaismojas un mirgo plaušanas režīma poga.

- Lai pārietu atpakaļ uz noklusējuma automātisko režīmu, vienreiz nospiediet plaušanas režīma pogu, kamēr izstrādājums darbojas. Plaušanas režīma poga beidz mirgot.

Piezīme: Ja motora vadības rokturis tiek atlaists darbības laikā izstrādājums saglabā pašreizējo plaušanas režīmu. Ja izstrādājums tiek apturēts automātiski vai operators nospiež barošanas pogu, iepriekš izmantotais plaušanas režīms tiek izdzēsts no atmiņas un izstrādājums atkal sāk darbību automātiskajā režīmā.

Akumulatora statusa indikators ekspluatācijas laikā

Displejā lietotāja vadības interfeisā ir redzama akumulatora kapacitāte un, vai ir problēmas ar akumulatoru. Akumulatora kapacitāte ir redzama ierīces darbības laikā.

LED indikatori	Akumulatora statuss
Iedegas visi zaļie LED indikatori	Pilna uzlāde (100%–76%)

LED indikatori	Akumulatora statuss
Iedegas 1., 2. un 3. LED indikators	Akumulatora bloks ir uzlādēts 75% - 51% apmērā.
Iedegas 1. un 2. LED indikators	Akumulatora bloks ir uzlādēts 50% - 26% apmērā.
Iedegas 1. LED indikators	Akumulatora bloks ir uzlādēts 25% - 6% apmērā.
Mirgo 1. LED indikators	Akumulatora bloks ir uzlādēts 5% - 0% apmērā.

Ja rodas kļūda ar akumulatoru darbības laikā, mirgo visas četras zaļās akumulatora uzlādes stāvokļa gaismas diodes. Izņemiet akumulatoru no ierīces un nospiediet indikatora pogu uz akumulatora, lai parādītu kļūdas kodu. Gaismas diodes uz akumulatora iedegas un parāda kļūdas kodu, ja radusies kļūda. Skatiet akumulatora rokasgrāmatu, lai uzzinātu kļūdu kodu sarakstu un kļūdu risinājumus.

APKOPE



BRĪDINĀJUMS: Pirms tīrīt, remontēt un apkopt zāģi, izlasiet un izprotiet drošības sadaļu.

Vispārīgi apkopes ieteikumi

Šī izstrādājuma garantijā nav ietverta nepareiza vai neuzmanīga operatora apiešanās ar izstrādājumu. Lai iegūtu pilnu garantiju, operatoram jāveic izstrādājuma apkope atbilstoši šajā rokasgrāmatā sniegtajiem norādījumiem. Pie atšķirīgiem intervāliem ir jāveic dažādi regulējumi, lai nodrošinātu izstrādājuma atbilstošu darba stāvokli.

- Katru gadu pārbaudiet asmeni, vai tas nav nodilis.

Riepu pārbaude

- Lai novērstu gumijas bojājumus, neļaujiet riepām saskarties ar nevēlamiem materiāliem un ķīmiskām vielām.
- Neļaujiet riepām saskarties ar celmiem, akmeņiem, grambām, asiem priekšmetiem vai citiem priekšmetiem, kas var sabojāt riepās.

Vispārējās pārbaudes veikšana

- Pārbaudiet, vai skrūves un uzgriežņi ir pievilkti.
- Pārļiecinieties, vai vadi nav iespiesti.

Apkopes grafiks

Izmantojiet apkopes grafiku, lai uzzinātu nepieciešamās apkopes prasības jūsu izstrādājumam, kā arī apkopes veikšanas laiku. Intervāli ir aprēķināti pēc vidēja izstrādājuma lietojuma un var atšķirties atkarībā no izstrādājuma lietošanas biežuma.

- Pievelciet skrūves un uzgriežņus pirms katras lietošanas reizes un novietošanas glabāšanā.
- Notīriet un pārbaudiet zāles savācēju, ja tas uzstādīts, pirms un pēc katras lietošanas reizes un pirms novietošanas glabāšanā.
- Pārbaudiet riepās pirms katras lietošanas reizes.
- Notīriet izstrādājumu pēc katras lietošanas un pirms glabāšanas. Izmantojiet skrāpi, lai notīrītu apakšu.
- Pārbaudiet asmeni, vai tas nav bojāts un ieplaisājis, ik pēc 25 stundu intervāla. Bieži nomainiet asmeņus, ja plaujāt smilšainā augsnē.
- Eļļojiet izstrādājumu ar 25 stundu intervālu.
- Notīriet un pilnībā uzlādējiet akumulatoru pēc katras lietošanas reizes un pēc glabāšanas. Akumulatoru bloka uzlādes laiks nedrīkst pārsniegt 24 stundas pirms uzglabāšanas.
- Neglabājiet akumulatoru bloku uz akumulatora lādētāja. Akumulatoru bloka uzlādes laiks nedrīkst pārsniegt 24 stundas.
- Pārbaudiet piedziņas siksnu un skriemeļus ik pēc 25 stundu intervāla (ja uzstādīts).

Izstrādājuma tīrīšana

- Izmantojiet birstīti, lai notīrītu nevēlamu materiālu un zāli no izstrādājuma.
- Novērsiet nevēlama materiāla parādīšanos uz apstrādātām virsmām un riteņiem.
- Izmantojiet skrāpi zem izstrādājuma, lai notīrītu zāles un atkritumu paliekas.
- Produktu nedrīkst skalot ar augstspiediena ūdens strūklu.
- Neskalojiet ūdeni tieši virsū uz elektriskās galvas vagona vai akumulatora kontaktiem.
- Tīrot zem izstrādājuma, izņemiet akumulatoru pakotni un drošības atslēgu, apgāziet izstrādājumu uz sāniem, ar lietotāja vadības interfeisu uz augšu.



IEVĒROJIET: Neizmantojiet ūdeni, tīrīšanas šķidrumus vai šķīdinātājus izstrādājuma tīrīšanai. Notīriet nevēlamu materiālu no izstrādājuma ārpusē ar mīkstu birstīti vai mitru drānu, kas nesatur metālu.

Zāles savācēja tīrīšana

- Zāles savācēju auduma poras var tikt aizsprostotas ar netīrumiem un putekļiem darbības laikā. Rezultātā zāles savācējs savāc mazāk zāles. Lai to novērstu, pirms lietošanas regulāri izskalojiet savācēja maisu ar ūdeni un ļaujiet tam izžūt.
- Regulāri pārbaudiet, vai zāles savācējs nav nodilis vai bojāts. Ja nepieciešams, nomainiet.

Aizmugures durtiņu pārbaude

Aizmugures durtiņas ir pievienotas starp izstrādājuma aizmugures riteniem. Durtiņas samazina risku, ka priekšmeti var tikt izsviesti operatora plaušanas virzienā.

1. Pārlicinieties, vai nav bojātas aizmugures durtiņas.
2. Pārbaudiet, vai aizmugures durtiņas nav bojātas, kas liek durtiņām aizvērties, tostarp vai nav plaisu vai bojātas atsperes.
3. Nomainiet aizmugures durtiņas vai atsperes, ja tās ir bojātas.

Asmens asināšana un balansēšana

Lai nodrošinātu vislabākos rezultātus, asmenim ir jābūt asam. Nomainiet saliektu vai bojātu asmeni.



IEVĒROJIET: Izmantojiet cimdus un/vai aptiniet asmeni ar biezu drānu, lai netraumētu rokas.

Kļūdu kodi

Darbības laikā kļūdu kodi palīdz noskaidrot akumulatoru bloka un/vai akumulatora bloka problēmu cēloni.

1. Uzasiniet asmeni ar vīli vai šmirgeli. Neasiniet asmeni, kad tas ir uzstādīts uz izstrādājuma.



IEVĒROJIET: Mēs neiesakām jums asināt asmeni. Ja to darāt, pārlicinieties, vai asmens ir balansēts. Nebalansēts asmens var radīt bojājumus izstrādājumam vai motoram.

2. Iesitiet taisnu naglu koka gabalā vai sienā. Pārlicinieties, ka redzat 2-3 cm no naglas.
3. Uzlieciet asmens centrālo caurumu uz naglas galviņas. Ja asmens ir līdzsvarots, tam būtu jāsavstābj horizontāls stāvoklis. Ja kāds no asmens galiem nosveras leļup, asiniet smagāko galu, līdz asmens ir balansēts.

Asmens nomainīšana

1. Bloķējiet asmeni ar koka klucīti.(Att. 45)
2. Izņemiet asmens skrūvi.
3. Noņemiet asmeni.
4. Pārbaudiet asmens atbalstu un asmens skrūvi, lai redzētu, vai nav bojājumu.
5. Pārbaudiet dzinēja vārpstu, lai pārlicinātos, vai tā nav saliekta.
6. Kad piestiprināt jauno asmeni, vērsiet asmens saliekto galus griešanas pārsega virzienā.(Att. 46)
7. Pārlicinieties, vai asmens ir salāgots ar dzinēja vārpstas centru.
8. Bloķējiet asmeni ar koka klucīti. Piestipriniet atspērpaplāksni un piegrieziet skrūvi un paplāksni ar Nm griezes momentu.(Att. 47)
9. Ar roku pagrieziet asmeni un pārbaudiet, vai tas griežas brīvi.



BRĪDINĀJUMS: Velciet biezus cimdus. Asmens ir ļoti ass, un ar to var viegli sagriezties.

10. Iedarbiniet izstrādājumu, lai pārbaudītu asmeni. Ja asmens nav pareizi piestiprināts, izstrādājums vibrē vai plaušanas rezultāts nav apmierinošs.

LED ekrāns	Iespējamās kļūmes	Iespējamie risinājumi
Neviena gaismas diode neiedegas pēc barošanas pogas nospiešanas uz lietotāja vadības interfeisa, izstrādājumā nedarbojas akumulators	Akumulators nav pilnībā ievietots izstrādājumā vai nostrādājis iekšējais drošinātājs	Iestumiet akumulatoru pilnībā elektriskās galvas vagonā, līdz atskan klikšķis. Ja gaismas diodes neiedegas pēc akumulatora pilnīgs ievietošanas un barošanas poga uz lietotāja vadības interfeisa ir nospiesta, sazinieties ar pilnvarotu servisa centru.
Mirgo visas četras akumulatora kapacitātes gaismas diodes, pēc barošanas pogas nospiešanas neiedegas neviena cita gaismas diode	Akumulators nav pilnībā ievietots izstrādājumā vai akumulatora ārējā temperatūra ir pārāk karsta vai auksta.	Iestumiet akumulatoru pilnībā elektriskās galvas vagonā, līdz atskan klikšķis. Ja gaismas diodes turpina mirgot, akumulatora iekšējā temperatūra var būt pārāk zema vai pārāk augsta. Ļaujiet akumulatoram uzsilt vai atdzist. Lai palielinātu dzesēšanas procesu, akumulatoru iespējams ievietot akumulatoru lādētājā, lai aktīvi dzesētu akumulatoru.
Mirgo visas četras akumulatora kapacitātes un barošanas gaismas diodes, pēc barošanas pogas nospiešanas neiedegas neviena cita gaismas diode	Motora vadības rokturis tiek turēts uz leju, kad pirmoreiz tiek nospiesta barošanas poga, vai arī iekšējā motora vadības roktura slēdža kļūme	Atļaidiet motora vadības rokturi. Ja motora vadības rokturis netiek turēts uz leju un gaismas diodes turpina mirgot, sazinieties ar pilnvarotu apkopes centru.
Izstrādājums aptur darbību un mirgo visas četras baterijas kapacitātes gaismas diodes, neviena cita gaismas diode neiedeg.	Akumulators ir vaļīgi ievietots elektriskās galvas vagonā un tam nav kontakta, akumulators ir pārāk silts vai auksts, vai cita iekšēja akumulatora kļūda	<ol style="list-style-type: none"> 1. Apturiet ierīci. 2. Izņemiet akumulatoru no ierīces un nospiediet indikatora pogu uz akumulatora, lai parādītu kļūdas kodu. Iedegas akumulatora gaismas diodes un parāda kļūdas kodu. 3. Izlasiet iekļauto akumulatora rokasgrāmatu, kurā skatiet saistīto gaismas diodu kļūdas kodu sarakstu iespējamo kļūmju un procedūru noskaidrošanai. <p>Ja akumulators neparāda kļūdu pēc indikatora pogas nospiešanas uz akumulatora un parāda tikai uzlādes stāvokli, akumulators, iespējams, ir kļuvis vaļīgs elektriskās galvas vagonā darbības laikā. Iestumiet akumulatoru pilnībā elektriskās galvas vagonā, līdz atskan klikšķis.</p>
Izstrādājums aptur darbību un barošanas poga mirgo, kamēr akumulatora kapacitātes gaismas diodes turpina rādīt pašreizējo uzlādes stāvokli	Pļaušanas nodalījums ir nosprostots ar zāli, motora kontroleris ir pārāk karsts, vai motora kļūme	<ol style="list-style-type: none"> 1. Apturiet ierīci. 2. Izņemiet akumulatoru pakotni un apgāziet izstrādājumu uz sāniem, ar lietotāja vadības interfeisu uz augšu. 3. Pārbaudiet asmeni, asmens skrūvi, asmens mezglu, motoru un motora pamatni, vai nav bojājumu. Notīriet visu zāli no ierīces apakšas un pārbaudiet, vai nav nosprostojumu. 4. Uzstādiet akumulatoru un izpildiet startēšanas procedūru, lai iedarbinātu ierīci. <p>Ja kļūda joprojām tiek rādīta, ļaujiet izstrādājumam atdzist. Motora kontroleris var būt pārāk karsts, lai darbotos. Ja kļūda joprojām ir redzama, sazinieties ar pilnvarotu apkopes centru.</p>

TRANSPORTĒŠANA UN UZGLABĀŠANA

- Gādājiet par iekārtas drošumu transportēšanas laikā, lai novērstu bojājumus un negadījumus.
- Izņemiet drošības atslēgu un uzglabājiet izstrādājumu noslēgtā vietā, kur nevar piekļūt bērni un nepiederošas personas.
- Glabājiet izstrādājumu un aprīkojumu sausā vietā, kurā temperatūra nenoslīd zem 0 grādiem.
- Ievietojot vai pārvietojot šo izstrādājumu, nepārsniedziet maksimālo ieteicamo darbības leņķi — 15 grādus.
- Notīriet izstrādājumu. Papildinformāciju skatīt *Izstrādājuma tīrīšana lpp. 177*.
- Ieeļļojiet izstrādājumu.
- Pievelciet skrūves un uzgriežņus.
- Nomainiet vai salabojiet bojātās daļas.
- Retušējiet sarūsējušās vai bojātās krāsotās virsmas. Pirms krāsošanas izmantojiet smilšpapīru.
- Izmantojiet izstrādājumam pareizo aizsargpārsegu, kas nesaglabā mitrumu. Neizmantojiet plastmasu, jo tā netiek ventilēta, veicina kondensāta uzkrāšanos un izraisa izstrādājuma koroziju.
- Vienmēr izņemiet akumulatoru pirms transportēšanas vai glabāšanas.

TEHNISKIE DATI

	Mērvienība	LM2146C Li58-52 (58VBKJN46C)	LM2146CA Li58-52 (58VBKJN46CR)
Pļaušanas motors			
Motora tips	—	BLDC (bezsuksu) 58V	BLDC (bezsuksu) 58V
Motora ātrums – ECO režīms	rpm	2300	2300
Motora ātrums – automātiskais režīms	rpm	2500 apgr./min, kamēr strāva ir lielāka par 12A 3 sekundes, ātrums pieaug līdz 2800 apgr./min, līdz strāva ir mazāka par 18A 10 sekundes.	2500 apgr./min, kamēr strāva ir lielāka par 12A 3 sekundes, ātrums pieaug līdz 2800 apgr./min, līdz strāva ir mazāka par 18A 10 sekundes.
Motora ātrums – ātrais režīms	rpm	2800	2800
Motora jauda — maks.	kW	1,5	1,5
Motora jauda — maks. nepārtraukti	kW	0,9	0,9
Motora jauda — nominālā	kW	0,9	0,9
Pārsprieguma ierobežojums (maks. strāva)	A (ampēri)	25	25
Svars			
Svars (bez akumulatora)	kg	23,5	24,5
Akumulators			
Akumulatora tips		590923813	590923813
Akumulatora darbības laiks			
Akumulatora darbības laiks	m ²	Līdz 1200	Līdz 1000
Trokšņa emisija ⁴³			
Skaņas jaudas līmenis, mērīts	dB (A)	87	87

⁴³ Saskaņā ar EK Direktīvu 2000/14/EK, trokšņa emisija apkārtējā vidē ir mērīta kā trokšņa jauda (LWA).

	Mērvienība	LM2146C Li58-52 (58VBKJN46C)	LM2146CA Li58-52 (58VBKJN46CR)
Trokšņu līmenis, garantētais (LWA)	dB (A)	87	87
Skaņas līmenis			
44			
Skaņas spiediena līmenis pie lieto-tāja auss	dB (A)	< 80	< 80
Vibrācijas līmeņi			
45			
Rokturis	m/s ²	0,65	0,65
Pļaušana			
Pļaušanas augstums	mm	30-80	30-80
Griešanas platums	cm	46	46
Asmens, savākšana	—	581188910	581188902
Asmens, mulčēšana	—	581188910	581188902
Maisa ietilpība	litri	50	50

ES ATBILSTĪBAS DEKLARĀCIJAS SATURS

Ar šo mēs, Husqvarna AB, SE 561 82 Huskvarna, ZVIEDRIJĀ, ar pilnu atbildību apliecinām, ka šis izstrādājums:

Apraksts	Elektriskais rotācijas zāles pļāvējs
Zīmols	Jonsered
Platforma/tips/modelis	Platforma 58VBKJN46C (attiecas uz modeli LM2146C Li58-52), plat-forma 58VBKJN46CR (at-tiecas uz modeli LM2146CA Li58-52).
Partija	Sērijas numurs, sākot no 2018

pilnībā atbilst šādām ES direktīvām un noteikumiem:

Direktīva/regula	Apraksts
2006/42/EK	par mašīnām

Direktīva/regula	Apraksts
2014/30/EK	par elektromagnētisko sa-vietojamību
2000/14/EK	par trokšņa emisiju vidē
2011/65/EK	par bīstamām vielām

Ir piemēroti šādi saskaņotie standarti un/vai tehniskās specifikācijas: EN60335-1, EN60335-2-77, EN50366, EN55014-1, EN55014-2, EN61000-3-2, EN61000-3-3

Saskaņā ar Direktīvas 2000/14/EK V pielikumu deklarētie skaņas līmeņi ir norādīti šīs rokasgrāmatas tehnisko datu sadaļā un parakstīti ES atbilstības deklarācijā.

Intertek veica brīvprātīgu pārbaudi Husqvarna AB vārdā, izsniedzot atbilstības sertifikātu saskaņā ar EK Padomes direktīvu 2006/42/EK par mašīnām.

Šis sertifikāts, kas pievienots parakstītajai EK Atbilstības deklarācijai, ir derīgs visām ražotnēm un izcelsmes valstīm, kas norādītas uz izstrādājuma.

⁴⁴ Sniegtajos datos par skaņas spiediena līmeni ir tipiska statistiskā izkliede 1,2 dB(A) (standartnovirze).

⁴⁵ Sniegtajos datos par vibrācijas līmeni ir tipiska 0,2 m/s² statistiskā izkliede (standarta novirze). Vibrācijas standarts EN 60335-2-77:2017 nodaļa 20.105

Piegādātais elektriskais rotācijas zāles plāvējs atbilst
eksemplāram, kuram tika veikta pārbaude.

Inhoud

INLEIDING	182	ONDERHOUD	188
VEILIGHEID	183	TRANSPORT EN OPSLAG	191
MONTEREN	186	TECHNISCHE GEGEVENS	191
BEDIENING	187	INHOUD VAN DE EG-VERKLARING VAN OVEREENSTEMMING	193

INLEIDING

Gebruikershandleiding

De oorspronkelijke taal van deze gebruikshandleiding is Engels. Bedieningshandleidingen in andere talen zijn vertalingen uit het Engels.

Overzicht

(Fig. 1)

1. Dodemanshandgreep
2. Grasopvangbak
3. Aandrijfhandels
4. Elektrische krachtbron
5. Maaihoogtehendel
6. Acculader
7. Gebruikershandleiding
8. Gebruikersinterface
9. Accupack
10. Accudeksel
11. Aan/uit-knop
12. Maaimodus-knop
13. Luik achterzijde
14. Lampen laadstatus
15. Legenda
16. Mulchplug

Symbolen op het product

(Fig. 2) Waarschuwing

(Fig. 3) Lees deze handleiding

Lees de bedieningshandleiding zorgvuldig door en zorg dat u de instructies hebt begrepen voordat u het product gebruikt.

(Fig. 4) Gebruik goedgekeurde oogbescherming

(Fig. 5) Gebruik goedgekeurde oogbescherming

(Fig. 6) Gebruik goedgekeurde hoofdbescherming

(Fig. 7) Gebruik goedgekeurde hoofdbescherming

(Fig. 8) Gebruik goedgekeurde gehoorbescherming

(Fig. 9) Waarschuwing: roterend mes. Houd de handen en voeten uit de buurt.

Houd handen en voeten uit de buurt van draaiende messen. Open of verwijder de beschermingen niet terwijl de motor draait.

(Fig. 10)

Kijk voordat en terwijl u naar achteren loopt, naar achteren en omlaag, zodat u kleine kinderen, dieren of andere risico's waardoor u kunt vallen, kunt zien.

(Fig. 11)

Kijk uit voor weggeslingerde en afgeketste voorwerpen.

(Fig. 12)

Houd personen en dieren op veilige afstand van het werkgebied.

(Fig. 13)

Gevaar op helling

(Fig. 14)

Elektrische schok

(Fig. 15)

Verwijder de sleutel voor reparatie, afstelling, opstelling of transport.

(Fig. 16)

Aan/uit-knop

(Fig. 17)

motor aan

(Fig. 18)

Bedieningshendel van de motor ingeschakeld

(Fig. 19)

Motor uit

(Fig. 20)

Bedieningshendel van de motor uitgeschakeld

(Fig. 21)

Het product of de verpakking kan niet worden beschouwd als huishoudelijk afval. Het product en de verpakking moeten worden ingeleverd bij een geschikt inzamelstation voor het terugwinnen van elektrische en elektronische apparatuur.

(Fig. 22)

- (Fig. 23) Het apparaat niet gebruiken, opslaan of achterlaten in de regen of onder vochtige omstandigheden.
- (Fig. 24) Recyclen
- (Fig. 25) Geluidsvermogen
- (Fig. 26) Het product voldoet aan de geldende EG-richtlijnen
- (Fig. 27) Dit apparaat voldoet aan de geldende EAC-richtlijnen
- (Fig. 28) Dit apparaat voldoet aan de geldende Oekraïense richtlijnen

Productaansprakelijkheid

Zoals uiteengezet in de wet voor productaansprakelijkheid zijn wij niet aansprakelijk voor schade die door ons product wordt veroorzaakt, indien:

- het product niet goed is gerepareerd.
- het product is gerepareerd met onderdelen die niet van de fabrikant afkomstig zijn, of onderdelen die niet zijn goedgekeurd door de fabrikant.
- het product een accessoire bevat die niet afkomstig is van de fabrikant of niet is goedgekeurd door de fabrikant.
- het product niet is gerepareerd door een erkend servicepunt of door een erkende autoriteit.

VEILIGHEID

Veiligheidsdefinities

De onderstaande definities geven de mate van ernst weer voor elk trefwoord.



WAARSCHUWING: Letsel aan personen.



OPGELET: Schade aan het product.

Let op: Deze informatie maakt het product eenvoudiger in gebruik.

Algemene veiligheidsinstructies

- Gebruik het product op de juiste manier. Onjuist gebruik leidt mogelijk tot letsel of de dood. Gebruik het product uitsluitend voor de taken die in deze handleiding worden genoemd. Gebruik het product niet voor andere taken.
- Lees, begrijp en houd u aan de instructies in deze handleiding. Volg de veiligheidssymbolen en veiligheidsinstructies op. Het niet in acht nemen van de instructies en de symbolen kan leiden tot letsel, schade of de dood.
- Gooi deze handleiding niet weg. Gebruik de instructies voor het monteren, gebruiken en onderhouden van uw product. Gebruik de instructies voor een correcte installatie van opzetstukken en accessoires. Gebruik alleen goedgekeurde opzetstukken en accessoires.
- Gebruik nooit een beschadigd product. Neem het onderhoudsschema in acht. Voer alleen onderhoudswerkzaamheden uit waarvoor u in deze handleiding een instructie aantreft. Alle overige onderhoudswerkzaamheden moeten door een erkend servicepunt worden uitgevoerd.
- Deze handleiding kan niet alle situaties beschrijven die zich voor kunnen doen wanneer u dit product gebruikt. Wees voorzichtig en gebruik uw gezond verstand. Gebruik het product niet en voer geen onderhoudswerkzaamheden aan het product uit als u niet zeker bent van de situatie. Neem voor meer informatie contact op met een productexpert, uw dealer, servicewerkplaats of erkende servicepunt.
- Gebruik het product niet als de oorspronkelijke specificatie is gewijzigd. Vervang geen onderdelen van het product zonder toestemming van de fabrikant. Gebruik alleen onderdelen die zijn goedgekeurd door de fabrikant. Onjuist onderhoud kan leiden tot letsel of de dood.
- Dit apparaat genereert tijdens bedrijf een elektromagnetisch veld. Het elektromagnetische veld kan schade veroorzaken aan medische implantaten. Raadpleeg uw arts en de fabrikant van het medische implantaat voordat u het product gebruikt.
- Laat het product niet door een kind bedienen.
- Laat het product niet bedienen door een persoon die de instructies niet heeft gelezen.
- Houd personen met een lichamelijke of geestelijke beperking die het product gebruiken, altijd in de gaten. Er moet te allen tijde een verantwoordelijke volwassene aanwezig zijn.
- Berg het product op in een afgesloten ruimte die niet toegankelijk is voor kinderen of onbevoegde personen.
- Het product kan objecten uitwerpen en letsel veroorzaken. Neem de veiligheidsinstructies in acht om het risico op letsel of de dood te verlagen.
- Blijf in de buurt van het product wanneer het is ingeschakeld. Stop het product voordat u dit verlaat.
- Kijk voordat en terwijl u naar achteren loopt, naar achteren en omlaag, zodat u kleine kinderen, dieren of andere risico's waarvoor u kunt vallen, kunt zien.
- De gebruiker van het product is verantwoordelijk indien zich een ongeval voordoet.
- Zorg dat er geen onderdelen beschadigd zijn, voordat u het product gebruikt.

- Neem nationale en lokale wetgeving in acht. Deze kan het gebruik van het product in sommige situaties beperken of verbieden.

Veiligheidsinstructies voor bediening

- Zorg ervoor dat u voor gebruik vertrouwd bent met de bedieningselementen en het juiste gebruik van het product.
- Laat de machine niet bedienen door kinderen of personen die de instructies niet hebben gelezen.
- Bedien het product niet terwijl er mensen, in het bijzonder kinderen, of huisdieren in de buurt zijn.
- Houd kinderen weg van het gebied dat door een volwassene wordt gemaaid en gecontroleerd.
- Schakel het product uit wanneer kinderen het werkgebied betreden.
- Controleer het gebied waar het product moet worden gebruikt. Verwijder alle voorwerpen die tijdens bedrijf kunnen worden uitgeworpen door het product.
- Controleer het mes, de mesbout, de mesmontage en de motorvoet voor gebruik op slijtage en beschadiging.
- Bedien de machine alleen bij daglicht of bij voldoende kunstlicht.
- Gebruik het product niet op nat gras.
- Wees voorzichtig bij hoeken, struiken, bomen of andere voorwerpen die uw zicht kunnen belemmeren.
- Wees zeer voorzichtig wanneer u achteruit rijdt of het product in uw richting trekt.
- Plaats geen handen of voeten in de buurt van of onder draaiende delen. Houd altijd afstand van de uitvoeropeningen.
- Zet het mes stil wanneer u over stukken met grind rijdt.
- Stop de motor, verwijder het accupack en wacht totdat het mes volledig is gestopt voordat u het product schoonmaakt, de grasopvangbak verwijdert of materiaal uit de uitworptrechter verwijdert.
- Gebruik het apparaat niet wanneer u vermoeid of ziek bent, of alcohol of drugs hebt gebruikt.
- Als het product ongebruikelijke trillingen heeft, stopt u de motor, verwijdert u het accupack en controleert u onmiddellijk de oorzaak. Trilling is over het algemeen een voorteken van schade.
- Richt uitgeworpen materiaal niet in de richting van anderen. Laat de machine geen materiaal uitwerpen tegen een muur of obstakel. Het materiaal kan terug naar de gebruiker worden gelanceerd.
- Gebruik het product nooit zonder de juiste beschermkappen, platen, grasopvangbak en andere veiligheidsvoorzieningen op hun plaats en in bedrijf.

Veiligheid van het werkgebied

- Verwijder takken, twijgen, stenen en andere voorwerpen van het gazon voordat u gaat maaien.

- Houd personen (met inbegrip van kinderen) en dieren op veilige afstand van het werkgebied.
- Objecten die tegen de snijuitrusting aankomen, kunnen worden uitgeworpen en schade veroorzaken aan personen en objecten.
- Gebruik het product nooit bij slecht weer, zoals mist, regen, op vochtige of natte plekken, bij krachtige wind, strenge kou en onweer. Werken bij slecht weer kan leiden tot vermoeidheid en gevaarlijke omstandigheden, zoals gladde oppervlakken.
- Controleer uw werkgebied om te zorgen dat uw controle over het product niet kan worden voorkomen.
- Let op wortels, stenen, takjes, kuilen en greppels. Hoog gras kan obstakels verhullen.
- Wees voorzichtig wanneer u in de buurt komt van onoverzichtelijke bochten en voorwerpen die uw zicht kunnen belemmeren.

Veiligheidsinstructies voor hellingen

- Wees zeer voorzichtig wanneer u op een helling maait. Hellingen kunnen gevaarlijk zijn. Een val op een helling kan letsel veroorzaken.
- Maai dwars over het oppervlak van hellingen. Maai niet van boven naar beneden.
- Wees voorzichtig wanneer u van richting verandert op een helling.
- Let op verborgen voorwerpen of gaten in het gazon. Ruw terrein kan leiden tot vallen.
- Maai niet in de buurt van een steile helling, greppel of dijk. U kunt vallen.
- Maai niet op nat gras. U kunt vallen.
- Maai niet op terrein met een helling van meer dan 15 graden.

Persoonlijke beschermingsmiddelen

Draag altijd de juiste persoonlijke beschermingsmiddelen wanneer u het apparaat gebruikt. Dit omvat minimaal stevig schoeisel, oog- en gehoorbescherming. Persoonlijke beschermingsmiddelen nemen de letselrisico's niet weg, maar kunnen de ernst van het letsel beperken als er toch een ongeluk gebeurt.

- Draag altijd een veiligheidsbril of oogbescherming tijdens het gebruik van het product of tijdens het uitvoeren van onderhoud of het repareren van de machine.
- Bedien het product niet op blote voeten of met open schoenen. Gebruik altijd hoogwaardige slipbestendige laarzen met goede ondersteuning van de enkels terwijl u het product bedient.
- Draag een lange broek van stevige stof. Draag geen korte broek of sandalen en loop niet op blote voeten.
- Draag indien nodig goedgekeurde veiligheidshandschoenen. Bijvoorbeeld bij het bevestigen, onderzoeken of reinigen van het mes.

- Gebruik altijd goedgekeurde gehoorbescherming wanneer u het product gebruikt. Langdurig lawaai kan gehoorverlies veroorzaken.

dichtstbijzijnde servicewerkplaats voor meer informatie.

Veiligheidsvoorzieningen op het product

- Zorg ervoor dat u regelmatig onderhoudswerkzaamheden uitvoert aan het product.

- De levensduur van het product neemt toe.
- Het risico van ongevallen neemt af.

Laat het product regelmatig door een erkende dealer of een erkend servicepunt controleren, zodat er aanpassingen en reparaties uitgevoerd kunnen worden.

- Gebruik geen product met beschadigde beschermingsmiddelen. Als het product beschadigd is, neemt u dan contact op met een erkend servicepunt.

Bedieningshendel van de motor

De bedieningshendel van de motor stopt de motor. Zorg ervoor dat de motor stopt wanneer de bedieningshendel van de motor wordt losgelaten.

- Start de motor en laat vervolgens de bedieningshendel los. De motor stopt.

Let op: Als de bedieningshendel van de motor de motor niet stopt, drukt u op de aan/uit-knop om deze te stoppen. Verwijder het accupack en neem contact op met een erkend servicepunt.

Luik achterzijde

Het luik aan de achterzijde vermindert de kans dat objecten worden uitgeworpen vanaf de achterzijde van het product naar de maaipositie van de gebruiker.

- Zorg dat het luik aan de achterzijde niet beschadigd is en dat geen defecten zichtbaar zijn, zoals barsten of gebroken veren. Defecten zorgen dat het luik met kracht wordt gesloten. Vervang het luik of de veren als deze beschadigd zijn.

Veiligheidsinstructies voor onderhoud



WAARSCHUWING: Voer alleen onderhoudswerkzaamheden uit zoals beschreven in deze bedieningshandleiding. Verdergaande werkzaamheden moeten door een erkende servicewerkplaats worden uitgevoerd.

Voer de onderhoudswerkzaamheden naar behoren uit om de levensduur van het product te verlengen en het risico op ongevallen te verlagen. Laat professionele reparaties uitvoeren door een erkende servicewerkplaats. Neem contact op met uw



WAARSCHUWING: Verwijder het accupack en wacht minimaal 5 seconden om dit te vervangen om onbedoeld starten tijdens transport of onderhouds- of reparatiewerkzaamheden te voorkomen.



WAARSCHUWING: Draag handschoenen voor zwaar gebruik wanneer u de snijuitrusting hanteert. Het mes is zeer scherp en kan gemakkelijk snijwonden veroorzaken.

- Houd snijkanten scherp en schoon voor optimale prestaties en veiligheid.
- Laat het product regelmatig controleren door uw servicewerkplaats en laat noodzakelijke aanpassingen en reparaties uitvoeren.
- Vervang beschadigde, versleten of defecte onderdelen.
- Volg de instructies voor het wijzigen van accessoires. Gebruik alleen accessoires van de fabrikant.



WAARSCHUWING: Houd het product, het accupack en de acculader, wanneer deze niet in gebruik zijn, apart in een droge, afgesloten locatie binnenshuis uit de buurt van kinderen en andere onbevoegde personen.

Veiligheid bij accu's

Gebruik alleen accupacks van de fabrikant en laad ze alleen op in een acculader van de fabrikant.

De oplaadbare accupacks worden uitsluitend gebruikt voor voeding van de desbetreffende snoerloze producten. Om letsel te voorkomen, mag het accupack niet worden gebruikt als voedingsbron voor andere apparaten.

- Accupacks niet uit elkaar halen, openen of vernietigen.
- Stel accupacks niet bloot aan direct zonlicht of warmte. Houd accupacks uit de buurt van vuur.
- Controleer de accupack-lader en het accupack regelmatig op schade. Beschadigde of gewijzigde accupacks kunnen leiden tot brand, explosiegevaar of risico van letsel. Repareer of open beschadigde accupacks niet.
- Gebruik geen accupack of product dat defect, gewijzigd of beschadigd is.
- Voer geen wijzigingen of reparaties uit aan het accupack. Laat het uitvoeren van reparaties uitsluitend over aan uw erkende dealer.
- Zorg dat er geen kortsluiting ontstaat in een cel of accupack. Berg accupacks niet in een doos of lade

- op, omdat er dan kortsluiting door andere metalen voorwerpen kan ontstaan.
- Haal een accupack pas uit de originele verpakking wanneer deze nodig is voor gebruik.
 - Stel accupacks niet bloot aan mechanische schokken.
 - Als er een accu lekt, zorg er dan voor dat de vloeistof niet in aanraking komt met uw huid of ogen. Als u in aanraking bent gekomen met de vloeistof, reinig het oppervlak dan met een ruime hoeveelheid water en raadpleeg een arts.
 - Gebruik alleen acculaders die zijn gespecificeerd voor gebruik in combinatie met het accupack.
 - Kijk naar de plus (+) en min (-) markeringen op het accupack en het product om een goede werking te garanderen.
 - Gebruik geen accupack dat niet is bedoeld voor gebruik in combinatie met het product.
 - Gebruik in een apparaat geen accupacks met verschillende spanningen of van een andere fabrikant.
 - Houd accupacks buiten het bereik van kinderen.

- Koop altijd de juiste accupacks voor het product.
- Houd de accu's schoon en droog.
- Veeg de aansluitingen van het accupack af met een schone, droge doek als ze vuil worden.
- Secundaire accupacks moeten vóór gebruik worden opgeladen. Gebruik altijd de juiste acculader en raadpleeg de handleiding voor de juiste oplaadinstructies.
- Laad een accupack niet voortdurend op als deze niet wordt gebruikt.
- Bewaar de handleiding voor later gebruik.
- Gebruik het accupack alleen voor de noodzakelijke werkzaamheden.
- Verwijder het accupack uit het product wanneer het niet wordt gebruikt.
- Houd het accupack tijdens gebruik uit de buurt van paperclips, sleutels, spijkers, schroeven of andere kleine metalen voorwerpen. Hierdoor kan sluiting tussen de aansluitingen ontstaan. Als er kortsluiting tussen de aansluitingen van het accupack ontstaat, kunnen er brandwonden of brand ontstaan.

MONTEREN



WAARSCHUWING: Lees het hoofdstuk over veiligheid voordat u het product monteert.

Het product uit de verpakking verwijderen

1. Verwijder losse onderdelen die bij het product worden geleverd.
2. Snijd de twee eindhoeken van de doos door en leg de eindplaat plat neer.
3. Verwijder alle verpakkingsmaterialen.
4. Haal het product uit de doos en zorg ervoor dat er geen losse onderdelen in de doos blijven zitten.

Handgreep monteren

1. Lijn de schroefgaten aan de onderkant van de hendel uit met de schroefgaten in de handgreep. Breng de schroeven, sluitingen en knoppen aan. (Fig. 29)
2. Voor het afstellen van de hendelhoogte draait u de onderste knoppen los, duwt u de hendel omhoog of omlaag om de hoogte af te stellen en draait u vervolgens de knoppen weer volledig aan.

Product in de werkstand zetten

1. Til de hendel naar de werkstand.
2. Draai de onderste knoppen volledig vast.

Grasopvangbak monteren

1. Breng het frame van de grasopvangbak aan in de graszak met het stevige gedeelte van de zak aan de onderzijde. Zorg dat de hendel van het frame aan de bovenkant van de graszak blijft. (Fig. 30)
2. Bevestig het onderste gedeelte van het frame van de grasopvangbak in de groef aan de onderzijde van de grasopvangbak. (Fig. 31)
3. Bevestig de haken op de grasopvangbak aan de bovenrand van het chassis. (Fig. 32)
4. Plaats het onderste deel van de grasopvangbak in het grasuitwerpkanaal.

Product wijzigen naar modus voor opvangzak

Met de modus voor de achterste opvangzak wordt maaisel verzameld in de grasopvangbak.



OPGELET: Gebruik het product niet zonder gesloten luik aan de achterzijde of de goedgekeurde grasopvangbak op zijn plaats. Probeer het product niet te bedienen met het luik aan de achterzijde verwijderd of geopend.

1. Til het luik aan de achterzijde omhoog en plaats de haken van het frame van de grasopvangbak op het scharnier van het luik aan de achterzijde. (Fig. 33)
2. Laat het luik aan de achterzijde los en plaats dit op het frame van de grasopvangzak.

Product wijzigen naar mulch-modus (indien aanwezig)

De mulch-modus van het product maakt maaisel kleiner. Het maaisel valt vervolgens op het gazon en over het gras. Gemulched gras is snel biologisch afbreekbaar om voedingsstoffen af te geven voor het gazon.

1. Til de achterklep op en verwijder de grasopvangbak. (Fig. 34)
2. Steek de mulchplug in het afvoerkanaal. (Fig. 35)
3. Sluit het luik aan de achterzijde stevig tegen het product.

Product wijzigen naar uitvoermodus

1. Verwijder de mulch-plug of de grasopvangbak. (Fig. 36)

2. Sluit het luik aan de achterzijde stevig tegen het product.

Maaihoogte afstellen



OPGELET: Stel de maaihoogte niet te laag in. Als het oppervlak van het gazon niet waterpas is, kunnen de messen de grond raken.

Let op: Stel dezelfde hoogte in bij alle maaihoogteregelingen.

1. Breng de maaihoogtehendel naar achteren om de maaihoogte te vergroten.
2. Breng de maaihoogtehendel naar voren om de maaihoogte te verkleinen. (Fig. 37)

BEDIENING



WAARSCHUWING: Lees en begrijp het hoofdstuk over veiligheid voordat u het product gebruikt.

Basistechniek maaien

- Maai altijd met een scherp mes, voor optimaal resultaat. Een mes dat niet scherp is, snijdt onregelmatig en laat het gras geel worden op het oppervlak van de snede.
- Maai nooit meer dan 1/3e van de lengte van het gras af. Dit geldt met name tijdens periodes van droogte. Maai eerst met een hoog ingestelde maaihoogte. Controleer daarna het resultaat en stel een geschikte, geringere, hoogte in. Als het gras echt lang is, rijd dan langzaam en maai zo nodig twee keer.
- Voor zeer zwaar maaien verlaagt u de breedte van de snede door een overlapping van het maaipad te maken en langzaam te maaien.
- Maai elke keer in een andere richting, om het ontstaan van strepen in het gazon te voorkomen.
- Spuit de grasopvangbak regelmatig af met water en laat deze opdrogen vóór gebruik. Poriën in grasopvangbakken van stof kunnen tijdens bedrijf worden gevuld met vuil en stof. De grasopvangbak zal dan minder gras verzamelen.

Voordat u de gazonmaaier start

- Houd personen en dieren buiten het werkgebied.
- Voer dagelijks onderhoud uit. Zie *ONDERHOUD op pagina 188*.

Product starten

1. Plaats het accupack totdat u een klik hoort. Controleer of het accupack correct is gemonteerd. (Fig. 38)

2. Plaats de sleutel in de uitsparing onder het accudeksel. Controleer of de sleutel correct is gemonteerd. (Fig. 39)

Let op: De sleutel kan slechts op één manier worden geplaatst.

3. Druk eenmaal op de aan/uit-knop. De knop gaat volledig branden. (Fig. 40)
4. Trek de bedieningshendel van de motor in de richting van de handgreep. De aan/uit-knop begint te knipperen. (Fig. 41)
5. Druk op de knipperende aan/uit-knop. Het product wordt vervolgens gestart. (Fig. 42)

Product stoppen

- Laat de bedieningshendel van de motor op het product los of druk eenmaal op de aan/uit-knop. (Fig. 43)

De aandrijving op de wielen gebruiken (indien aanwezig)

(Fig. 44)

- Trek de aandrijfhandels in de richting van de handgreep.
- Voordat u het product naar achteren trekt, moet u de aandrijving uitschakelen en het product ongeveer 10 cm naar voren duwen.
- Laat de aandrijfhandels los om de aandrijving uit te schakelen, bijvoorbeeld wanneer u bij een obstakel komt.

De grasopvangbak legen

1. Til de grasopvangbak op met de framehendel.
2. Verwijder maaisel uit de grasopvangbak van onder de hendel.

3. Verwijder maaisel uit de zak met de framehendel en de zakhendel.



OPGELET: Sleep de zak niet wanneer u de grasopvangbak leeg maakt om slijtage te voorkomen.

Maaimodus wijzigen

Het product kan tijdens bedrijf worden gewijzigd naar een van de drie verschillende maaimodi door op de maaimodusknop te drukken.

- **Auto-modus** - Het product past automatisch de maaisnelheid aan op basis van de hoeveelheid te maaien gras.
 - **Let op:** Het product is tijdens gebruik standaard ingesteld op Auto-modus.
- **Boost-modus** - Het product werkt op hoge snelheid, ongeacht de hoeveelheid te maaien gras.
 - Terwijl het product in gebruik is, drukt u eenmaal op de maaimodusknop om te wisselen van de Auto-modus naar de Boost-modus. De maaimodusknop gaat vervolgens branden.
- **ECO-modus** - Het product werkt op lage snelheid, ongeacht de hoeveelheid te maaien gras.
 - Terwijl het product in gebruik is, drukt u eenmaal op de maaimodusknop om te wisselen van de Boost-modus naar de ECO-modus. De maaimodusknop gaat vervolgens branden en knipperen.
 - Om terug te gaan naar de standaard Auto-modus drukt u eenmaal op de maaimodusknop terwijl het product in bedrijf is. De maaimodusknop stopt vervolgens met knipperen.

Let op: Als de bedieningshendel van de motor bij gebruik wordt vrijgegeven, blijft het product in de huidige maaimodus staan. Als het product automatisch stopt of de gebruiker op de aan/uit-knop drukt, wordt de eerder gebruikte maaimodus gewist uit het geheugen en begint het product in de Auto-modus wanneer dit wordt gestart.

Statuslampje accu tijdens gebruik

Het display op de gebruikerscontrole-interface toont de accucapaciteit en eventuele problemen met het accupack. De accucapaciteit wordt weergegeven terwijl de machine in bedrijf is.

LED-lampjes	Accustatus
Alle groene LED's branden	Volledig opgeladen (100% - 76%)
LED 1, 2 en 3 branden	Het accupack 75% - 51% opgeladen.
LED 1 en 2 branden	Het accupack 50% - 26% opgeladen.
LED 1 brandt	Het accupack 25% - 6% opgeladen.
LED 1 knippert	Het accupack 5% - 0% opgeladen.

Als er tijdens gebruik een fout is opgetreden bij het accupack knipperen alle vier groene LED's van het display met de laadstatus van de accu. Verwijder het accupack uit de machine en druk op de indicatorknop op het accupack om de foutcode voor de fout weer te geven. De LED's op het accupack branden en tonen een foutcode wanneer een fout is opgetreden. Raadpleeg de accuhandleiding voor een lijst met foutcodes en oplossingen voor de fouten.

ONDERHOUD



WAARSCHUWING: Lees en begrijp het hoofdstuk over veiligheid voordat u gaat reinigen of reparaties of onderhoud gaat uitvoeren.

Algemene aanbevelingen voor onderhoud

De garantie op dit product omvat geen incorrecte of onzorgvuldige bediening van het product door de gebruiker. Om de volledige garantiedekking te houden, dient de gebruiker het product te onderhouden zoals aangegeven in de instructies van deze handleiding. Er moeten verschillende afstellingen op verschillende intervallen worden uitgevoerd om uw product in goede conditie te houden.

- Controleer het mes elk jaar op slijtage.

De banden inspecteren

- Houd de banden vrij van ongewenst materiaal en chemicaliën om schade aan het rubber te voorkomen.
- Houd de banden uit de buurt van boomstronken, stenen, geulen, scherpe voorwerpen en andere voorwerpen die schade aan de banden kunnen veroorzaken.

Algemene inspectie uitvoeren

- Controleer of de bouten en moeren vastgedraaid zijn.
- Zorg ervoor dat er geen kabels vastgeklemd zitten.

Onderhoudsschema

Gebruik het onderhoudsschema voor de noodzakelijke onderhoudsvereisten van uw product en om te zien wanneer het onderhoud moet plaatsvinden. De intervallen worden berekend op basis van het

gemiddelde gebruik van het product en kunnen verschillen vanwege de gebruiksfrequentie.

- Haal bouten en moeren aan voor elk gebruik en vóór opslag.
- Reinig en controleer de grasopvangbak, indien geïnstalleerd, voor en na elk gebruik en voor opslag.
- Controleer de banden vóór elk gebruik.
- Maak het product na elk gebruik en voordat u ze opbergt schoon. Gebruik een schraper om onder het dek te reinigen.
- Controleer het mes op beschadigingen en barsten met intervallen van 25 uur. Vervang de messen vaker wanneer u op zandigere grond maait.
- Smeer het product met intervallen van 25 uur.
- Reinig en laad het accupack na gebruik en na opslag volledig op. Laad het accupack maximaal 24 uur voor opslag op.
- Bewaar het accupack niet op de acculader tijdens opslag. Laad het accupack maximaal 24 uur op.
- Controleer de aandrijfriem en poelies met intervallen van 25 uur (indien aanwezig).

Product reinigen

- Gebruik een borstel om ongewenst materiaal en gras op het product te verwijderen.
- Houd ongewenst materiaal van afgewerkte oppervlakken en wielen.
- Gebruik een schraper onder het product om de opbouw van gras en afval te verwijderen.
- Reinig het product niet met een hogedrukspuit.
- Spoel water niet rechtstreeks op de elektrische krachtbron of accucontacten.
- Wanneer u onder het product reinigt, verwijdert u het accupack en de veiligheidssleutel en plaatst u het product op zijn kant met de gebruikerscontrole-interface omhoog gericht.



OPGELET: Reinig het product nooit met water, reinigingsmiddelen of oplosmiddelen. Verwijder ongewenst materiaal aan de buitenkant van het product met een zachte borstel of een droge doek die geen metaal bevat.

De grasopvangbak reinigen

- Poriën in grasopvangbakken van stof kunnen tijdens bedrijf worden gevuld met vuil en stof. Dit zorgt ervoor dat de grasopvangbak minder gras verzamelt. Spuit de grasopvangbak regelmatig af om dit te voorkomen en laat deze opdrogen vóór gebruik.
- Controleer de grasopvangbak regelmatig op slijtage of veroudering. Vervang indien nodig.

Het achterluik inspecteren

Het luik aan de achterzijde is bevestigd tussen de achterwielen van het product. Het luik vermindert de

kans dat objecten kunnen worden uitgeworpen in de richting van de maaipositie van de gebruiker.

1. Verzeker u ervan dat het achterluik niet beschadigd is.
2. Controleer het luik aan de achterzijde op defecten die het luik met kracht sluiten, inclusief barsten of gebroken veren.
3. Vervang het achterluik of de veren als deze beschadigd zijn.

Het mes slijpen en balanceren

Voor de beste resultaten houdt u het mes scherp. Vervang een verbogen of beschadigd mes.



OPGELET: Gebruik handschoenen en/of wikkel het mes in een zware doek om schade aan uw handen te voorkomen.

1. Slijp het mes met een vijl of op een slijpwielt. Slijp het mes niet wanneer het op het product is geïnstalleerd.



OPGELET: Wij raden u niet aan het mes te slijpen. Doet u dit wel, zorg dan dat het mes uitgebalanceerd is. Een mes dat niet gebalanceerd is kan schade aan het product of de motor veroorzaken.

2. Zet een rechte spijker in een stuk hout of een muur. Zorg dat u 2 tot 3 cm van de spijker kunt zien.
3. Plaats het middelste gat van het mes op de kop van de spijker. Als het mes uitgebalanceerd is, moet het in horizontale positie blijven. Slijp als een kant van het mes naar beneden beweegt het zware uiteinde totdat het mes uitgebalanceerd is.

Mes vervangen

1. Zet het mes vast met een houten blok.(Fig. 45)
2. Verwijder de mesbout.
3. Verwijder het mes.
4. Controleer de messteun en de mesbout om te zien of er schade is.
5. Controleer de motoras om te controleren of deze niet is verbogen.
6. Wanneer u het nieuwe mes bevestigt, richt dan de gebogen uiteinden van het mes naar de kap van het maaidek.(Fig. 46)
7. Controleer of het mes is uitgelijnd met het midden van de motoras.
8. Zet het mes vast met een houten blok. Bevestig de veerring en draai de bout en ring vast met een aanhaalmoment van 20 Nm.(Fig. 47)
9. Draai het mes met de hand rond en controleer of het vrij draait.



WAARSCHUWING: Draag handschoenen van dikke stof. Het mes

is zeer scherp en kan gemakkelijk snijwonden veroorzaken.

10. Start het product om het mes te testen. Als het mes niet goed is bevestigd, zijn er trillingen in het product of is het maieresultaat niet goed.

Foutcodes

De foutcodes helpen u bij het oplossen van storingen van het product en/of het accupack tijdens gebruik.

LED-scherm	Mogelijke fouten	Mogelijke stappen
Er gaan geen LED's branden na het indrukken van de aan/uit-knop op de gebruikerscontrole-interface, het accupack werkt niet in het product	Accupack niet volledig in product geplaatst of interne zekering is doorgebrand	Duw het accupack volledig in de krachtbron totdat een klik hoorbaar is. Als de LED's niet branden nadat het accupack volledig is geplaatst en de aan/uit-knop op de gebruikerscontrole-interface is ingedrukt, neem dan contact op met een erkend servicepunt.
Alle vier accucapaciteit LED's knipperen, geen andere LED's gaan branden na het indrukken van de aan/uit-knop	Accupack niet volledig in product geplaatst of interne temperatuur van accupack is te warm of te koud.	Duw het accupack volledig in de krachtbron totdat een klik hoorbaar is. Als de LED's blijven knipperen, is de interne temperatuur van het accupack wellicht te laag of te hoog. Laat het accupack opwarmen of afkoelen. Om het koelproces te verhogen kan het accupack in de acculader worden geplaatst om het accupack actief te koelen.
Alle vier accucapaciteit LED's en voedings-LED's knipperen, geen andere LED's gaan branden na het indrukken van de aan/uit-knop	Bedieningshendel van de motor omlaag gehouden wanneer de aan/uit-knop voor de eerste keer wordt ingedrukt of interne storing schakelaar bedieningshendel van de motor	Laat de bedieningshendel van de motor los. Als de bedieningshendel van de motor niet omlaag wordt gehouden en de LED's blijven knipperen, neem dan contact op met een erkend servicepunt.
Het product stopt met werken en alle vier accucapaciteit LED's knipperen, geen andere LED's gaan branden.	Het accupack zit los in de krachtbron en maakt niet langer goed contact, accupack is te warm of te koud of een andere interne accufout	<ol style="list-style-type: none">1. Stop het product.2. Verwijder het accupack uit het product en druk op de indicatorknop op het accupack om de foutcode weer te geven. De LED's op het accupack gaan branden en tonen een foutcode.3. Lees de meegeleverde accuhandleiding voor een lijst met verwante LED-foutcodes voor mogelijke storingen en procedures. <p>Als het accupack geen foutmelding toont nadat u op de indicatorknop op het accupack heeft gedrukt en alleen de laadstatus wordt weergegeven, kan het accupack tijdens bedrijf zijn losgeraakt in de krachtbron. Monteer het accupack correct in de krachtbron totdat een klik hoorbaar is.</p>

LED-scherm	Mogelijke fouten	Mogelijke stappen
Het product stopt met werken en de voedingsknop knippert terwijl de accucapaciteit LED's de huidige laadstatus blijven tonen	Maaikamer is verstopt met gras, motorregelaar is te warm of motorstoring	<ol style="list-style-type: none"> 1. Stop het product. 2. Verwijder het accupack en draai het product op zijn kant met de gebruikerscontrole-interface omhoog gericht. 3. Controleer het mes, de mesbout, de mesmontage, de motor en de motorvoet op beschadiging. Verwijder alle gras van de bodem van de machine en controleer op verstoppingen. 4. Monteer het accupack en volg de startprocedure om de machine te starten. <p>Als de fout blijft optreden, laat u het product afkoelen. De motorregelaar kan te warm zijn voor gebruik. Als de fout nog steeds wordt weergegeven, neemt u contact op met een erkend servicepunt.</p>

TRANSPORT EN OPSLAG

- Zorg dat apparatuur tijdens het transport veilig vast staat om schade en ongevallen te voorkomen.
- Verwijder voor opslag de veiligheidssleutel en bewaar apparatuur in een afgesloten ruimte uit de buurt van kinderen en onbevoegde personen.
- Sla het product en apparatuur op in een droge en vorstvrije ruimte.
- Bij het laden en lossen van het product mag de maximaal aanbevolen bedieningshoek van 15° niet worden overschreden.
- Reinig het product. Voor meer informatie zie *Product reinigen op pagina 189*.
- Smeer het product.
- Draai de bouten en moeren vast.
- Vervang of repareer beschadigde onderdelen.
- Werk alle verroeste of beschadigde lakoppervlakken bij. Schuur ze lichtjes voordat u ze bijwerkt.
- Gebruik de juiste beschermkap op het product zodat geen vocht wordt vastgehouden. Gebruik geen plastic, omdat dit niet kan ademen, condensatie verzamelt en corrosie op het product veroorzaakt.
- Verwijder het accupack altijd vóór transport of opslag.

TECHNISCHE GEGEVENS

	eenheid	LM2146C Li58-52 (58VBKJN46C)	LM2146CA Li58-52 (58VBKJN46CR)
Maaimotor			
Motorstype	—	BLDC (borstelloos) 58 V	BLDC (borstelloos) 58 V
Motortoerental - ECO-modus	tpm	2300	2300
Motortoerental - Auto-modus	tpm	2500 tpm totdat de spanning hoger is dan 12 A gedurende 3 seconden, tpm stijgt tot 2800 tpm totdat de spanning lager is dan 18 A gedurende 10 seconden.	2500 tpm totdat de spanning hoger is dan 12 A gedurende 3 seconden, tpm stijgt tot 2800 tpm totdat de spanning lager is dan 18 A gedurende 10 seconden.
Motortoerental - Boost-modus	tpm	2800	2800
Uitgangsvermogen motor – Max.	kW	1,5	1,5

	eenheid	LM2146C Li58-52 (58VBKJN46C)	LM2146CA Li58-52 (58VBKJN46CR)
Uitgangsvermogen motor – Max. continu	kW	0,9	0,9
Uitgangsvermogen motor – Nominiaal	kW	0,9	0,9
Overstroomlimiet (max. stroom)	A (ampère)	25	25
Gewicht			
Gewicht (zonder accu)	kg	23,5	24,5
Accu			
Type accu		590923813	590923813
Gebruiksduur accu			
Gebruiksduur accu	m ²	T/m 1200	T/m 1000
Geluidsemisies ⁴⁶			
Geluidsvermogeniveau, gemeten	dB (A)	87	87
Geluidsvermogeniveau, gegarandeerd LWA	dB (A)	87	87
Geluidsniveau			
⁴⁷			
Geluidsdrumniveau bij het oor van de gebruiker	dB (A)	< 80	< 80
Trillingsniveau			
⁴⁸			
Hendel	m/s ²	0,65	0,65
Maaien			
Maaihogte	mm	30-80	30-80
Maaibreedte	cm	46	46
Verzamelmes	—	581188910	581188902
Mulchmes	—	581188910	581188902
Inhoud opvangzak	liter	50	50

⁴⁶ Emissie van geluid naar de omgeving gemeten als geluidsvermogen (LWA) volgens EG-richtlijn 2000/14/EG.

⁴⁷ De gerapporteerde gegevens voor het geluidsdrumniveau vertonen een typische statistische spreiding (standaardafwijking) van 1,2 dB (A).

⁴⁸ De gerapporteerde gegevens voor een trillingsniveau vertonen een typische statistische spreiding (standaardafwijking) van 0,2 m/s². Trillingsnorm EN 60335-2-77:2017 hoofdstuk 20.105.

INHOUD VAN DE EG-VERKLARING VAN OVEREENSTEMMING

Wij, Husqvarna AB, SE 561 82 Huskvarna, ZWEDEN, verklaren onder onze alleenverantwoordelijkheid dat het gerepresenteerde product:

Beschrijving	Elektrische grasmaaier
Merk	Jonsered
Platform / Type / Model	Platform 58VBKJN46C (vertegenwoordigend model LM2146C Li58-52), platform 58VBKJN46CR (vertegenwoordigend model LM2146CA Li58-52).
Partij	Serienummer vanaf 2018 en verder

volledig voldoet aan de volgende EU-richtlijnen en -regelgeving:

Richtlijn/Verordening	Beschrijving
2006/42/EG	"betreffende machines"
2014/30/EU	"betreffende elektromagnetische compatibiliteit"
2000/14/EG	"betreffende geluid buitenshuis"
2011/65/EU	"betreffende gevaarlijke stoffen"

Toegepaste geharmoniseerde normen en/of technische specificaties zijn als volgt: EN60335-1, EN60335-2-77, EN50366, EN55014-1, EN55014-2, EN61000-3-2, EN61000-3-3

In overeenstemming met richtlijn 2000/14/EG, bijlage V, staan de verklaarde geluidswaarden vermeld in de sectie met technische gegevens van deze handleiding en in de ondertekende EU-verklaring van overeenstemming.

Intertek heeft een vrijwillig typeonderzoek uitgevoerd ten behoeve van Husqvarna AB, onder vermelding van Certificaat van overeenstemming met Machinerichtlijn 2006/42/EG van de Europese Raad.

Het certificaat, als vermeld op de ondertekende EG-verklaring van overeenstemming, is van toepassing op alle fabriekslocaties en landen van herkomst, zoals vermeld op het product.

De geleverde elektrische roterende grasmaaier is conform het geteste exemplaar.

INNHold

INNLEDNING.....	194	VEDLIKEHOLD.....	200
SIKKERHET.....	195	TRANSPORT OG OPPBEVARING.....	202
MONTERING.....	197	TEKNISKE DATA.....	202
DRIFT.....	198	INNHoldET I EF-SAMSVARERKLÆRINGEN.....	204

INNLEDNING

Bruksanvisning

Det originale språket i denne bruksanvisningen er engelsk. Bruksanvisninger på andre språk er oversettelser fra engelsk.

Oversikt

(Fig. 1)

1. Dødmannshåndtak
2. Oppsamler
3. Kjølrespaker
4. Elektrisk motorenhet
5. Spak for regulering av klippehøyde
6. Batterilader
7. Bruksanvisning
8. Brukerkontrollgrensesnitt
9. Batteripakke
10. Batterideksel
11. AV/PÅ-knapp
12. Klippemodusknapp
13. Bakdør
14. Visning av ladestatus
15. Nøkkel
16. Finfordelingsplugg

Symboler på produktet

(Fig. 2) Advarsel

(Fig. 3) Les denne bruksanvisningen

(Fig. 4) Les nøye gjennom bruksanvisningen og sørg for at du har forstått instruksjonene før bruk.

(Fig. 5) Bruk godkjent øyevern

(Fig. 6) Bruk godkjent hørselsvern

(Fig. 7) Bruk godkjent hodebeskyttelse

(Fig. 8) Bruk godkjent hørselsvern

(Fig. 9) Advarsel: roterende kniv Hold hender og føtter unna.

(Fig. 10) Hold hender og føtter unna den roterende kniven. Ikke åpne eller ta av de beskyttende dekslene når motoren går.

(Fig. 11) Før og mens du går bakover, må du se bakover og ned etter små barn, dyr eller andre farer som kan føre til at du faller.

(Fig. 12) Se opp for gjenstander som slynges ut og rikosjetterer.

(Fig. 13) Hold personer og dyr på trygg avstand fra arbeidsområdet.

(Fig. 14) Fare i skråninger

(Fig. 15) Elektrisk støt

(Fig. 16) Ta ut nøkkelen før reparasjon, justering, oppsett eller transport.

(Fig. 17) AV/PÅ-knapp

(Fig. 18) Motor på

(Fig. 19) Motorkontrollhåndtak aktivert

(Fig. 20) Motor av

(Fig. 21) Motorkontrollhåndtak deaktivert

(Fig. 22) Produktet og emballasjen skal ikke håndteres som husholdningsavfall. Produktet og emballasjen skal innleveres til et gjenvinningsanlegg som gjenvinner elektrisk og elektronisk utstyr.

(Fig. 23) Produktet skal ikke etterlates, oppbevares eller brukes i regn eller fuktige omgivelser.

(Fig. 24) Resirkuler

(Fig. 25) Lydeffektnivå

(Fig. 26) Dette produktet samsvarer med gjeldende EF-direktiver

(Fig. 27) Dette produktet samsvarer med gjeldende EAC-direktiver.

(Fig. 28) Dette produktet samsvarer med gjeldende ukrainske direktiver.

Produktansvar

Som nevnt i lovverket om produktansvar er vi ikke ansvarlig for skader som produktet vårt forårsaker, hvis

- produktet er reparert på feil måte

- produktet er reparert med deler som ikke kommer fra produsenten eller som ikke er godkjent av produsenten
- produktet har et tilbehør som ikke kommer fra produsenten eller som ikke er godkjent av produsenten.
- produktet ikke er reparert på et godkjent servicesenter eller av en godkjent aktør

SIKKERHET

Sikkerhetsdefinisjoner

Definisjonene nedenfor angir alvorlighetsgraden for hvert signalord.



ADVARSEL: Skade på personer.



OBS: Skade på produktet.

Merk: Denne informasjonen gjør produktet lettere å bruke.

Generelle sikkerhetsinstruksjoner

- Bruk produktet riktig. Personskade eller død er mulige konsekvenser av feil bruk. Produktet må kun brukes til oppgaver angitt i denne bruksanvisningen. Ikke bruk produktet til andre oppgaver.
- Les, forstå og følg instruksjonene i denne bruksanvisningen. Følg symbolene og sikkerhetsinstruksjonene. Personskade, materiell skade eller død er mulige konsekvenser hvis brukeren ikke følger instruksene og symbolene.
- Ikke kast denne bruksanvisningen. Bruk instruksjonene for å montere, bruke og holde produktet i god stand. Følg instruksjonene for riktig montering av tilbehør og tilleggsutstyr. Bruk bare godkjent tilbehør og tilleggsutstyr.
- Ikke bruk et skadet produkt. Følg vedlikeholdsskjemaet. Utfør bare vedlikehold som du finner instruksjoner om i denne bruksanvisningen. Et godkjent servicesenter må gjøre alt annet vedlikeholdsarbeid.
- Denne bruksanvisningen kan ikke dekke alle situasjoner som kan oppstå når du bruker produktet. Vær forsiktig, og bruk sunn fornuft. Ikke bruk produktet eller utfør vedlikehold av produktet hvis du ikke føler deg trygg i situasjonen. Snakk med en produktskaper, forhandleren, serviceverkstedet eller et godkjent servicesenter for mer informasjon.
- Ikke bruk produktet hvis det er endret fra den opprinnelige spesifikasjonen. Ikke bytt en del av produktet uten godkjenning fra produsenten. Bruk bare reservedeler som er godkjent av produsenten.

Personskade eller død er mulige konsekvenser av feil vedlikehold.

- Dette produktet danner et elektromagnetisk felt når det er i bruk. Det elektromagnetiske feltet kan føre til skader på medisinske implantater. Snakk med legen din og produsenten av det medisinske implantatet før du bruker produktet.
- Ikke la barn bruke produktet.
- Ikke la en person bruke produktet uten kunnskap om instruksjonene.
- Overvåk alltid personer med redusert fysisk eller mental kapasitet når de bruker produktet. En ansvarlig voksen må alltid være til stede.
- Lås inn produktet et sted som barn og uautoriserte personer ikke har tilgang til.
- Produktet kan kaste ut løse gjenstander og forårsake personskade. Følg instruksjonene for å redusere faren for personskade eller død.
- Ikke forlat produktet når det står på. Slå av produktet før du forlater det.
- Før og mens du går bakover, må du se bakover og ned etter små barn, dyr eller andre farer som kan føre til at du faller.
- Brukeren av produktet er ansvarlig hvis det skjer en ulykke.
- Pass på at delene ikke er skadet, før du bruker produktet.
- Se nasjonale eller lokale lover. De kan forby eller begrense bruken av produktet under enkelte forhold.

Sikkerhetsinstruksjoner for drift

- Sørg for at du kjenner til kontrollene og riktig bruk av produktet før bruk.
- Ikke la barn eller personer som ikke kjenner til disse instruksjonene, bruke produktet.
- Ikke bruk produktet i nærheten av personer, særlig barn, eller dyr.
- Hold barn unna området som skal klippes, og sørg for at de er under tilsyn av en voksen.
- Stopp produktet hvis barn kommer inn på arbeidsområdet.
- Skaff deg god oversikt over området der produktet skal brukes. Fjern alle gjenstander som kan slynges av gårde av produktet under bruk.
- Undersøk kniven, knivbolten, knivsammenstillingen og motorkassen for slitasje og skader før bruk.

- Maskinen må bare brukes i dagslys eller med god kunstig belysning.
- Ikke bruk produktet i vått gress.
- Vær forsiktig når du nærmer deg hjørner, busker, trær eller annet som hindrer sikten.
- Vær svært forsiktig når du rygger eller drar produktet mot deg selv.
- Ikke plasser hender eller føtter i nærheten av eller under roterende deler. Hold deg unna utkaståpningene.
- Stopp kniven når du går over grusflater.
- Stopp motoren, ta ut batteripakken, og vent til kniven stopper helt opp før du rengjør produktet, tar av oppsamleren eller fjerner noe fra utkastersjakten.
- Ikke bruk dette produktet dersom du er trett eller syk eller under påvirkning av alkohol eller andre rusmidler.
- Hvis produktet har uvanlige vibrasjoner, må du stoppe motoren, ta ut batteripakken og umiddelbart prøve å finne årsaken. Vibrasjoner tyder vanligvis på skade.
- Ikke pek utkastersjakten mot andre. Ikke slipp ut materiale mot en vegg eller annen hindring. Materialet kan bli kastet tilbake i retning av brukeren.
- Bruk aldri produktet uten riktig beskyttelse, deksler, oppsamler eller andre verneinnretninger på plass.

- Ikke klipp nær bratte skråninger, stup, grøfter eller elvebredder. Du kan falle.
- Ikke klipp når gresset er vått. Du kan falle.
- Ikke klipp i terreng med mer enn 15 graders helling.

Personlig verneutstyr

Bruk alltid egnet personlig verneutstyr når du bruker produktet. Dette omfatter minimum solid fottøy, øyevern og hørselvern. Personlig verneutstyr fjerner ikke skaderisikoene, men det kan redusere skadeomfanget hvis ulykken skulle være ute.

- Ha derfor alltid på deg vernebriller mens du betjener produktet eller når produktet skal justeres eller repareres.
- Ikke bruk produktet uten sko eller med åpne sko. Bruk alltid kraftige og sklisikre støvler med god ankelstøtte mens du bruker produktet.
- Bruk tykke langbukser. Ikke bruk kortbukser eller gå med sandaler eller barbert.
- Bruk godkjente vernehansker ved behov. For eksempel når du fester, undersøker eller rengjør kniven.
- Bruk alltid godkjent hørselsvern når du bruker produktet. Støy over en lang periode kan forårsake støyrelatert hørselsskade.

Beskyttelsesutstyr på produktet

- Pass på at du regelmessig utfører vedlikehold av produktet.
 - Levetiden til produktet øker.
 - Risikoen for ulykker reduseres.

La en godkjent forhandler eller et godkjent servicesenter undersøke produktet regelmessig for å gjøre justeringer eller reparasjoner.

- Ikke bruk et produkt med skadet verneutstyr. Hvis produktet er skadet, må du kontakte et godkjent servicesenter.

Motorkontrollhåndtak

Motorkontrollhåndtaket stopper motoren. Kontroller at motoren stopper når motorkontrollhåndtaket slippes.

- Start motoren, og slipp deretter kontrollhåndtaket. Motoren skal da stoppe.

Merk: Hvis motoren ikke stopper når du slipper motorkontrollhåndtaket, trykker du på AV/PÅ-knappen for å stoppe den. Ta ut batteripakken, og ta kontakt med et godkjent servicesenter.

Bakdør

Bakdøren minsker risikoen for at gjenstander slynges ut fra bak produktet og i retning av brukeren.

- Kontroller at bakdøren ikke er skadet, og se etter feil som sprekker eller ødelagte fjærer. Feil kan føre til at døren lukkes med stor kraft. Skift ut døren eller fjærene hvis de er skadet.

Sikkerhet i arbeidsområdet

- Fjern greiner, kvister, steiner og andre løse gjenstander fra plenen før du begynner å klippe.
- Hold personer, inkludert barn, og dyr på trygg avstand fra arbeidsområdet.
- Gjenstander som treffer skjæreutstyret, kan slynges ut og forårsake skade på personer og gjenstander.
- Ikke bruk produktet i dårlig vær, for eksempel i tåke, regn, i fuktige eller i våte omgivelser, ved sterk vind eller kulde, ved fare for lyn osv. Hvis man arbeider i dårlig vær, kan dette føre til man blir mer sliten, og det kan oppstå farlige forhold, for eksempel glatt underlag.
- Undersøk arbeidsområdet for å være sikker på at du ikke kan miste kontrollen over produktet.
- Vær oppmerksom på røtter, steiner, kvister, fordypninger og grøfter. Høyt gress kan skjule hindringer.
- Vær forsiktig når du nærmer deg hjørner eller annet som blokkerer sikten.

Sikkerhetsinstruksjoner for bruk i skråninger

- Vær forsiktig når du klipper i en skrånning. Arbeid i skråninger kan være farlig! Et fall i en skrånning kan forårsake skade.
- Klipp på tvers av skråninger. Ikke klipp opp og ned.
- Vær forsiktig når du endrer retning i en skrånning.
- Vær oppmerksom på skjulte gjenstander eller hull i plenen. Ujevnt terreng kan føre til at du faller.

Sikkerhetsinstruksjoner for vedlikehold



ADVARSEL: Utfør bare vedlikeholdsarbeid som er beskrevet i denne bruksanvisningen. Mer omfattende inngrep skal utføres av et godkjent serviceverksted.

Utfør vedlikeholdsarbeidet på riktig måte for å øke levetiden til produktet og redusere risikoen for ulykker. La et godkjent serviceverksted utføre det fagmessige vedlikeholdet. Snakk med nærmeste serviceverksted for mer informasjon.



ADVARSEL: For å forhindre utilsiktet start under transport, vedlikehold eller reparasjon må du ta ut batteripakken og vente i minst fem sekunder før du setter den inn igjen.



ADVARSEL: Bruk robuste arbeidshansker når du bruker skjærestyret. Kniven er svært skarp, og det er lett å skjære seg.

- Hold skjærekantene skarpe og rene for å få best og sikrest ytelse.
- La serviceverkstedet undersøke produktet regelmessig og utføre de nødvendige justeringene og reparasjonene.
- Skift ut alle skadde, slitte eller ødelagte deler.
- Følg instruksjonene for utskifting av tilbehør. Bruk bare tilbehør fra produsenten.



ADVARSEL: Når produktet ikke er i bruk, må du oppbevare produktet, batteripakken og batteriladeren separat på et tørt sted innendørs, innelåst og utilgjengelig for barn og andre uvedkommende.

Batterisikkerhet

Bruk bare batteripakker fra produsenten, og lad dem bare i en batterilader fra produsenten.

De oppladbare batteripakkene brukes kun som strømforsyning til de relaterte ledningsfrie apparatene. For å unngå skade må batteripakken ikke brukes som strømkilde til andre apparater.

- Batteripakkene må ikke demonteres, åpnes eller rives i stykker.

- Ikke oppbevar batteripakker i direkte sollys eller varme. Hold batteripakker unna åpen ild.
- Undersøk jevnlig batteripakkeladeren og batteripakken for skader. En batteripakke som er skadet eller endret kan føre til brann, eksplosjon eller fare for skade. Ikke prøv å reparere eller åpne en skadet batteripakke.
- Ikke bruk batteripakken eller produktet hvis det er defekt, endret eller skadet.
- Ikke endre eller reparer produktet eller batteripakken. Det er kun godkjente forhandlere som skal utføre reparasjoner.
- Ikke kortslutt en celle eller batteripakke. Ikke oppbevar batteripakker i en kasse eller skuff der de kan bli kortsluttet av metallgjenstander.
- Fjern ikke batteriet fra den originale emballasjen før det skal brukes.
- Ikke påfør mekanisk støt på batteripakker.
- Hvis en batterilekkasje oppstår, må du ikke la væsken komme i kontakt med hud eller øyne. Hvis du har berørt væsken, må du rengjøre området med store mengder vann og oppsøke legehjelp.
- Ikke bruk en annen batterilader enn den som er spesifisert for bruk med batteripakken.
- Legg merke til pluss (+) og minus (-) merkene på batteripakken og produktet for å sørge for riktig drift.
- Ikke bruk en batteripakke som ikke er utformet for å brukes sammen med produktet.
- Ikke kombiner batteripakker av ulik spenning eller produsent i samme enhet.
- Hold batteripakker utilgjengelig for barn.
- Kjøp alltid riktig batteripakke til produktet.
- Hold batteriene rene og tørre.
- Tørk av batteripakkepolene med en tørr, ren klut hvis de blir skitne.
- Sekundære batteripakker må lades før bruk. Bruk alltid riktig batterilader, og se i brukerhåndboken for riktig fremgangsmåte ved lading.
- Ikke la batteripakken være tilkoblet laderen over lang tid når den ikke er i bruk.
- Ta vare på brukerhåndboken for fremtidig bruk.
- Bruk bare batteripakken for dens nødvendige drift.
- Fjern batteripakken fra produktet når den ikke er i bruk.
- Hold batteripakken borte fra binders, knapper, spiker, skruer og andre små metallgjenstander under bruk. Dette kan lage en tilkobling mellom terminalene. Kortslutning av batteripolene kan føre til brannskader eller brann.

MONTERING



ADVARSEL: Les kapittelet om sikkerhet før du monterer produktet.

Slik tar du ut produktet fra esken

1. Fjern de løse delene som følger med produktet.
2. Åpne de to ende hjørnene til esken, og legg endeplaten flatt ned.

3. Fjern all emballasje.
4. Ta produktet ut fra esken, og kontroller at ingen løse deler ligger igjen i kassen.

Slik monterer du håndtaket

1. Still skruerhullene på den nederste delen av håndtaket i linje med skruerhullene i håndtaksenheten. Monter skruene, skivene og knottene. (Fig. 29)
2. Hvis du vil stille inn høyden på håndtaket, må du løsne de nedre knottene, løfte eller senke høyden på håndtaket samt trekke til knottene helt.

Slik setter du produktet i arbeidsstilling

1. Hev håndtaket til arbeidsstillingen.
2. Trekk til de nedre knottene helt.

Slik monterer du oppsamleren

1. Fest oppsamlerammen til gressposen med den faste delen av posen på undersiden. Hold håndtaket på rammen på toppen av gressposen. (Fig. 30)
2. Fest nedre del av oppsamlerammen i sporet på bunnen av oppsamleren. (Fig. 31)
3. Fest krokene på oppsamleren til den øverste kanten av chassiset. (Fig. 32)
4. Sett den nedre delen av oppsamleren inn i utkasterkanalen.

Slik bytter du til oppsamlingsmodus

Bakre oppsamler-modus samler gresset i oppsamleren.



OBS: Ikke bruk produktet uten at bakdøren er lukket eller en godkjent oppsamler på

plass. Ikke prøv å bruke produktet med bakdøren fjernet eller åpen.

1. Løft bakdøren, og plasser rammekrokene til oppsamleren på bakdørleddet. (Fig. 33)
2. Løsne bakdøren, og plasser den oppå oppsamlerammen.

Slik bytter du til finfordelingsmodus (hvis produktet har denne modusen)

Finfordelingsmodusen gjør at gresset klippes i mindre deler. Det klypte gresset faller deretter ned på plenen igjen. Det finfordelte gresset vil raskt brytes ned og gi næring til plenen.

1. Løft det bakre dekselet, og ta av oppsamleren. (Fig. 34)
2. Sett finfordelingspluggen inn i utkasterkanalen. (Fig. 35)
3. Lukk bakdøren tett inntil produktet.

Slik bytter du til utkastmodus

1. Fjern finfordelingspluggen eller oppsamleren. (Fig. 36)
2. Lukk bakdøren tett inntil produktet.

Slik regulerer du klippehøyden



OBS: Ikke sett klippehøyden for lavt. Knivene kan treffe bakken hvis overflaten av plenen ikke er vannrett.

Merk: Velg den samme høyden på alle klippehøydereguleringer.

1. Flytt spaken for klippehøyde bakover for å øke klippehøyden.
2. Flytt spaken for klippehøyde forover for å senke klippehøyden. (Fig. 37)

DRIFT



ADVARSEL: Les og forstå kapittelet om sikkerhet før du bruker produktet.

Grunnleggende sageteknikk

- Klipp alltid med godt slpite kniver for å få best mulig resultat. En kniv som ikke er skarp, klipper ujevnt og gjør at gresset blir gult på overflaten av kuttet.
- Ikke klipp mer enn 1/3 av lengden på gresset. Dette gjelder spesielt i tørre perioder. Klipp først med klippehøyden stilt høyt. Kontroller deretter resultatet, og senk til passende høyde. Hvis gresset er for langt, kjører du sakte og klipper to ganger om nødvendig.

- Ved svært vanskelig klipping kan du redusere klippebredden ved å overlape et klipt område og klippe sakte.
- Klipp i forskjellige retninger hver gang, for å unngå striper i plenen.
- Spyl oppsamleren med vann regelmessig, og la den tørke før bruk. Porene i stoffet til oppsamleren kan bli fylt med skitt og støv under bruk. Dette fører til at oppsamleren kan samle opp mindre gress.

Før du starter gressklipperen

- Hold personer og dyr unna arbeidsområdet.
- Utfør daglig ettersyn. Se *VEDLIKEHOLD* på side 200.

Slik starter du produktet

1. Skyv inn batteripakken til du hører et klikk. Sørg for at batteripakken settes inn riktig. (Fig. 38)
2. Sett nøkkelen inn i lommen under batterilokket. Sørg for at nøkkelen settes inn riktig. (Fig. 39)

Merk: Nøkkelen kan bare settes inn i én retning.

3. Trykk på AV/PÅ-knappen én gang. Knappen lyser. (Fig. 40)
4. Trekk motorkontrollhåndtaket i retning av håndtaket. AV/PÅ-knappen begynner å blinke. (Fig. 41)
5. Trykk på den blinkende AV/PÅ-knappen. Produktet starter. (Fig. 42)

Slik stopper du produktet

- Slipp produktets motorkontrollhåndtak, eller trykk én gang på AV/PÅ-knappen. (Fig. 43)

Slik bruker du hjuldriften (hvis gressklipperen er utstyrt med dette)

(Fig. 44)

- Trekk drivspakene i retning av håndtaket.
- Før du trekker produktet bakover, må du koble ut driften og skyve produktet forover ca. 10 cm.
- Slipp drivspakene for å frakoble driften, for eksempel når du går nær en hindring.

Slik tømmer du oppsamleren

1. Løft oppsamleren ved å holde i ramnehåndtaket.
2. Fjern gress fra oppsamleren fra under håndtaket.
3. Tøm oppsamleren for gress ved å holde i ramnehåndtaket og oppsamlerhåndtaket.



OBS: Ikke dra oppsamleren når du skal tømme den. Dette kan gi slitasje.

Slik bytter du klippemodus

Produktet har tre ulike klippemodi som du kan velge ved å trykke på klippemodusknappen.

- **Automatisk modus** – Produktet justerer automatisk klippehastigheten til produktet i forhold til mengden gress som klippes.
 - **Merk:** Produktet er angitt til Automatisk modus som standard under drift.
- **Boost-modus** – Produktet klipper i høy hastighet uavhengig av mengden gress som klippes.

- Når produktet er i drift, trykker du på klippemodusknappen én gang for å skifte fra Automatisk modus til Boost-modus. Klippemodusknappen skal begynne å lyse.
- **ECO-modus** – Produktet klipper i lav hastighet uavhengig av mengden gress som klippes.
 - Når produktet er i drift, trykker du på klippemodusknappen én gang for å skifte fra Boost-modus til ECO-modus. Klippemodusknappen skal begynne å lyse og blinke.
 - For å gå tilbake til Automatisk modus trykker du én gang på klippemodusknappen mens produktet er i drift. Klippemodusknappen skal da slutte å blinke.

Merk: Hvis motorkontrollhåndtaket slippes under drift, forblir produktet i gjeldende klippemodus. Hvis produktet stopper automatisk eller brukeren trykker på AV/PÅ-knappen, blir klippemodusen som var i bruk, slettet fra minnet, og produktet starter i Automatisk modus ved ny oppstart.

Indikator for batteristatus når produktet er i drift

Displayet på brukerkontrollgrensesnittet viser batterikapasiteten og melder fra om problemer med batteripakken. Batterikapasiteten vises mens maskinen er i drift.

LED-lamper	Batteristatus
Alle grønne LED-indikatorer tennes	Fulladet (100–76 %)
LED-indikator 1, 2 og 3 tennes	Batteripakken er 75–51 % oppladet.
LED-indikator 1 og 2 tennes	Batteripakken er 50–26 % oppladet.
LED-indikator 1 tennes	Batteripakken er 25–6 % oppladet.
LED 1 blinker	Batteripakken er 5–0 % oppladet.

Hvis det oppstår en feil med batteripakken under drift, blinker alle de fire grønne LED-lampene som indikerer batteristatus. Fjern batteripakken fra maskinen, og trykk på indikatorknappen på batteripakken for å vise feilkoden for feilen. LED-lampene på batteripakken lyser og viser en feilkode hvis en feil har oppstått. I batterihåndboken finner du en liste over feilkoder og løsninger på feil.

VEDLIKEHOLD



ADVARSEL: Les og forstå kapittelet om sikkerhet før du rengjør, reparerer eller utfører likehold på produktet.

Generelle anbefalinger for vedlikehold

Garantien på dette produktet omfatter ikke feil eller skjødesløs bruk av produktet fra brukerens side. For at garantien skal ha full gyldighet, må brukeren vedlikeholde produktet slik det er beskrevet i denne bruksanvisningen. Ulike justeringer må utføres ved forskjellige intervaller for å holde produktet i god driftsmessig stand.

- Undersøk kniven for slitasje årlig.

Slik undersøker du dekkene

- Hold dekkene fri for uønskede materialer og kjemikalier for å hindre skader på gummien.
- Hold dekkene unna stubber, steiner, røtter, skarpe gjenstander eller andre gjenstander som kan skade dekkene.

Slik utfører du en generell inspeksjon

- Kontroller at skruer og mutre er trukket til.
- Kontroller at ingen av kablene ligger i klem.

Vedlikeholdsskjema

Bruk vedlikeholdsskjemaet for å finne de nødvendige vedlikeholdskravene for produktet, og når vedlikeholdet må utføres. Intervallene er beregnet ut fra gjennomsnittlig bruk av produktet. Hyppigere eller sjeldnere bruk kan gjøre det nødvendig med andre intervaller.

- Trekk til bolter og mutre før hver gangs bruk og før oppbevaring.
- Rengjør og undersøk oppsamleren, hvis montert, før og etter hver gangs bruk og før oppbevaring.
- Undersøk dekkene før hver gangs bruk.
- Rengjør produktet etter hver gangs bruk og før oppbevaring. Bruk en skrape til å rengjøre under aggregatet.
- Undersøk kniven for skade og sprekker etter hver 25. times bruk. Skift knivene oftere ved klipping i sandholdig jord.
- Smør produktet etter hver 25. times bruk.
- Rengjør og lad batteripakken helt opp etter bruk og etter oppbevaring. Lad batteripakken i maks. 24 timer før oppbevaring.
- Ikke plasser batteripakken på batteriladere under oppbevaring. Lad batteripakken i maks. 24 timer.

- Undersøk drivremmen og snorhulet (hvis gressklipperen er utstyrt med dette) etter hver 25. times bruk.

Slik rengjør du produktet

- Bruk en børste til å fjerne uønsket materiale og gress på produktet.
- Hold uønsket materiale unna lakkerte flater og hjul.
- Bruk en skrape under produktet for å fjerne oppsamlinger av gress og avfall.
- Produktet må ikke rengjøres med høytrykksspyler.
- Du må ikke spyle vann direkte på den elektriske motorenheten eller batterikontaktene.
- Når du skal rengjøre under produktet, tar du ut batteripakken og tenningsnøkkelen og plasserer produktet på siden med brukerkontrollgrensesnittet pekende oppover.



OBS: Ikke rengjør produktet med vann, rengjøringsmidler eller løsemidler. Fjern uønsket materiale på utsiden av produktet med en myk børste eller en tørr klut som ikke inneholder metall.

Slik rengjør du oppsamleren

- Porene i stoffet til oppsamleren kan bli fylt med skitt og støv under bruk. Dette fører til at oppsamleren kan samle opp mindre gress. For å unngå dette må du regelmessig spyle oppsamleren med vann, og så la den tørke før bruk.
- Kontroller oppsamleren hyppig med tanke på slitasje eller skader. Bytt den ut om nødvendig.

Slik undersøker du bakhøden

Bakhøden er festet mellom bakhjulene på produktet. Døren reduserer risikoen for at gjenstander slynges i retning av brukeren.

1. Kontroller at bakhøden ikke er skadet.
2. Undersøk bakhøden for feil som skyver døren igjen, inkludert sprekker eller ødelagte fjærer.
3. Skift bakhøde eller fjærer hvis de er skadde.

Slik sliper og skifter du kniven

Hold kniven skarp for å få best mulige resultater. Skift ut en bøyd eller skadet kniv.



OBS: Bruk hansker, og/eller håndter kniven med en tykk klut, for å forhindre skade på hendene.

1. Slip kniven med en fil eller på en slipeskive. Ikke slip kniven mens den er festet til produktet.



OBS: Vi anbefaler ikke at du sliper kniven. Hvis du gjør det, må du passe på at kniven er i balanse. En kniv som ikke er i balanse, kan forårsake skade på produktet eller motoren.

2. Sett en rett spiker inn i et stykke tre eller en vegg. Sørg for at du kan se 2–3 cm av spikeren.
3. Før senterhullet på kniven inn på spikerhodet. Hvis kniven er balansert, skal den bli værende i vannrett stilling. Hvis en av endene på kniven beveger seg nedover, må du slippe den tyngste enden til kniven er i balanse.

Slik bytter du kniven

1. Lås kniven med en trekloss.(Fig. 45)
2. Fjern knivbolten.
3. Fjern kniven.
4. Undersøk knivstøtten og knivbolten for å se om det finnes skader.

feilkoder

Feilkodene hjelper deg med feilsøking av produktet og/ eller batteripakkeladeren under drift.

LED-skjerm	Mulige feil	Mulige tiltak
Ingen LED-lamper slås på når du trykker på AV/PÅ-knappen på brukerkontrollgrensesnittet. Batteripakken fungerer ikke i produktet.	Batteripakken er ikke satt skikkelig inn i produktet, eller den interne sikringen er gått.	Skvy batteripakken helt inn i motorenheten til du hører et klikk. Hvis LED-lampene ikke tennes etter at batteripakken er satt inn skikkelig i, og du har trykket på AV/PÅ-knappen på brukerkontrollgrensesnittet, må du ta kontakt med et godkjent servicesenter.
Alle fire LED-lampene som indikerer batterikapasitet, blinker. Ingen andre LED-lamper tennes når du trykker på AV/PÅ-knappen.	Batteripakken er ikke satt skikkelig inn i produktet, eller den innvendige temperaturen i batteripakken er for varm eller for kald.	Skvy batteripakken helt inn i motorenheten til du hører et klikk. Dersom LED-lampene fortsetter å blinke, må den innvendige temperaturen i batteripakken være for lav eller for høy. La batteripakken varmes opp eller kjøles ned. Hvis du vil få fart på avkjølingsprosessen, kan du sette batteripakken inn batteriladeren for å aktivt kjøle ned batteripakken.
Alle fire LED-lampene som indikerer batterikapasitet, samt LED-lampen for AV/PÅ-knappen, blinker. Ingen andre LED-lamper tennes når du trykker på AV/PÅ-knappen.	Motorkontrollhåndtaket holdes nede når AV/PÅ-knappen trykkes på for første gang, eller det finnes en intern bryterfeil med motorkontrollhåndtaket	Slipp motorkontrollhåndtaket. Hvis motorkontrollhåndtaket ikke holdes nede og LED-lampene fortsetter å blinke, må du ta kontakt med et godkjent servicesenter.

5. Undersøk motorakselen for å forsikre deg om at den ikke er bøyd.
6. Når du fester den nye kniven, må du peke de vinklede endene av kniven i retning av klippedekselet.(Fig. 46)
7. Kontroller at kniven er innrettet med midten av motorakselen.
8. Lås kniven med en trekloss. Fest sprengskiven, og trekk til bolten og skiven med et moment på Nm.(Fig. 47)
9. Trekk kniven rundt for hånd for å kontrollere at den roterer fritt.



ADVARSEL: Bruk kraftige arbeidshansker. Kniven er svært skarp, og det er lett å kutte seg.

10. Start produktet for å teste kniven. Hvis kniven ikke er riktig tilkoblet, vil produktet vibrere, eller klipperesultatet vil ikke bli bra nok.

LED-skjerm	Mulige feil	Mulige tiltak
Produktet slutter å fungere og alle de fire LED-lampene for batterikapasitet blinker. Ingen andre LED-lamper slås på.	Batteripakken er løs i motorenheten og får ikke lenger god kontakt. Batteripakken er for varm eller kald, eller det har oppstått en annen intern batterifeil.	<ol style="list-style-type: none"> 1. Stopp produktet. 2. Fjern batteripakken fra produktet, og trykk på indikatorknappen på batteripakken for å vise feilkoden. LED-lampene på batteripakken tennes og viser en feilkode. 3. Les den medfølgende batterihåndboken for å finne en liste over beslektede LED-feilkoder for mulige feil og prosedyrer. <p>Hvis batteripakken ikke viser en feilmelding når du har trykt på indikatorknappen på batteripakken, men bare viser ladestatusen, kan batteripakken ha løsnet i motorenheten under drift. Sett batteripakken riktig inn i motorenheten til du hører et klikk.</p>
Produktet slutter å fungere, og AV/PA-knappen blinker mens LED-lampene for batterikapasitet fortsetter å vise den gjeldende ladestatusen.	Klippekammeret er tilstoppet med gress, motorkontrolleren er for varm eller det er feil på motoren.	<ol style="list-style-type: none"> 1. Stopp produktet. 2. Ta ut batteripakken, og plasser produktet på siden med brukerkontrollgrensesnittet pekende oppover. 3. Undersøk kniven, knivbolten, knivsammenstillingen, motoren og motorkassen for skade. Fjern alt gress fra undersiden av maskinen, og se etter tilstopping. 4. Sett inn batteripakken, og følg startprosedyren for å starte maskinen. <p>Hvis feilen fortsetter å vises, lar du produktet kjøle seg ned. Motorkontrolleren kan være for varm for drift. Hvis feilen fortsetter å vises, må du kontakte et godkjent servicesenter.</p>

TRANSPORT OG OPPBEVARING

- Hold utstyret trygt under transport for å unngå skader og ulykker.
- Ved oppbevaring må du ta ut tenningsnøkkelen og låse inn utstyret på et sted utlignelig for barn og andre uvedkommende.
- Produktet og utstyret må oppbevares på et tørt og frostfritt sted.
- Ved lastning eller flytting av produktet må ikke produktet helles i større vinkel enn den anbefalte maksimumsvinkelen på 15 grader.
- Rengjør produktet. Du finner mer informasjon i *Slik rengjør du produktet på side 200*.
- Smør produktet.
- Trekk til bolter og mutre.
- Skift ut eller reparer skadde komponenter.
- Frisk opp alle overflater som er rustne eller har skadet lakk. Gå forsiktig over med sandpapir før lakkering.
- Bruk riktig beskyttelsesdeksel på produktet, som ikke holder på fuktighet. Ikke bruk plast, ettersom plast ikke kan puste, fører til kondensering og forårsaker korrosjon på produktet.
- Ta alltid ut batteripakken før transportering eller oppbevaring.

TEKNISKE DATA

	enhet	LM2146C Li58-52 (58VBKJN46C)	LM2146CA Li58-52 (58VBKJN46CR)
Klippemotor			

	enhet	LM2146C Li58-52 (58VBKJN46C)	LM2146CA Li58-52 (58VBKJN46CR)
Motortype	—	BLDC (børsteløs) 58V	BLDC (børsteløs) 58V
Motorhastighet – ECO-modus	o/min	2300	2300
Motorhastighet – Automatisk modus	o/min	2500 o/min til strømstyrken er sterkere enn 12 A i 3 sekunder. Hastigheten øker til 2800 o/min til strømstyrken er svakere enn 18 A i 10 sekunder.	2500 o/min til strømstyrken er sterkere enn 12 A i 3 sekunder. Hastigheten øker til 2800 o/min til strømstyrken er svakere enn 18 A i 10 sekunder.
Motorhastighet – Boost-modus	o/min	2800	2800
Motoreffekt – maks.	kW	1,5	1,5
Motoreffekt – maks. kontinuerlig	kW	0,9	0,9
Motoreffekt – nominell	kW	0,9	0,9
Overbelastningsgrense (maks. strømstyrke)	A (ampere)	25	25
Vekt			
Vekt (uten batteri)	kg	23,5	24,5
Batteri			
Batteritype		590923813	590923813
Batteriets driftstid			
Batteriets driftstid	M ²	Opptil 1200	Opptil 1000
Støynivå ⁴⁹			
Lydeffektnivå, målt	dB (A)	87	87
Lydeffektnivå, garantert LWA	dB (A)	87	87
Lydnivåer			
⁵⁰			
Lydtrykksnivå ved brukerens øre	dB (A)	< 80	< 80
Vibrasjonsnivåer			
⁵¹			
Håndtak	m/s ²	0,65	0,65
Kapping			
Klippehøyde	mm	30–80	30–80
Klippebredde	cm	46	46
Kniv, oppsamling	—	581188910	581188902

⁴⁹ Utslipp av støy til omgivelsene målt som lydeffekt (LWA) ifølge EF-direktiv 2000/14/EF.

⁵⁰ Rapporterte data for ekvivalent lydtrykksnivå for maskinen har en typisk statistisk spredning (standardavvik) på 1,2 dB (A).

⁵¹ Rapporterte data for vibrasjonsnivå har en typisk statistisk spredning (standardavvik) på 0,2 m/s². Vibrasjonsstandard EN 60335-2-77:2017 kapittel 20.105

	enhet	LM2146C Li58-52	LM2146CA Li58-52
		(58VBKJN46C)	(58VBKJN46CR)
Kniv, finfordeling	—	581188910	581188902
Oppsamlerkapasitet	liter	50	50

INNHALDET I EF-SAMSVARERKLÆRINGEN

Vi, Husqvarna AB, SE 561 82 Huskvarna, SVERIGE, erklærer under eneansvar at dette produktet:

Den medfølgende elektrisk roterende gressklipperen er i samsvar med det eksemplaret som ble undersøkt.

Beskrivelse	Elektrisk roterende gressklipper
Merke	Jonsered
Plattform/type/modell	Plattform 58VBKJN46C (representerer modellen LM2146C Li58-52), plattform 58VBKJN46CR (representerer modellen LM2146CA Li58-52).
Parti	Serienummer datert 2018 og senere

fullstendig overholder følgende EU-direktiver og -forskrifter:

Direktiv/regulering	Beskrivelse
2006/42/EF	«angående maskiner»
2014/30/EU	«angående elektromagnetisk kompatibilitet»
2000/14/EF	«angående utendørsstøy»
2011/65/EU	«angående farlige stoffer»

Harmoniserte standarder og/eller tekniske spesifikasjoner anvendt er som følger: EN60335-1, EN60335-2-77, EN50366, EN55014-1, EN55014-2, EN61000-3-2, EN61000-3-3

I samsvar med direktivet 2000/14/EF, tillegg V står de oppgitte lydverdiene oppført i kapittelet om tekniske data i denne håndboken og i den signerte EU-samsvarerklæringen.

Intertek har utført en frivillig typekontroll på vegne av Husqvarna AB, som bekrefter at en utstyrstype er i overensstemmelse med EF-direktiv 2006/42/EF om maskiner.

Sertifikatet, som følger med den signerte EF-samsvarerklæringen, gjelder for alle produksjonssteder og opprinnelsesland, slik det står oppgitt på produktet.

SPIS TREŚCI

WSTĘP.....	205	KONSERWACJA.....	211
BEZPIECZEŃSTWO.....	206	TRANSPORT I PRZECHOWYWANIE.....	214
MONTAŻ.....	209	DANE TECHNICZNE.....	215
OBŚLUGA.....	210	TREŚĆ DEKLARACJI ZGODNOŚCI Z NORMAMI WE.....	216

WSTĘP

Instrukcja obsługi

Oryginalnym językiem niniejszej instrukcji obsługi jest angielski. Instrukcje obsługi w innych językach są tłumaczone z angielskiego.

Przegląd

(Rys. 1)

1. Dźwąg sterowniczy obecności operatora
2. Pojemnik na trawę
3. Dźwignie sterowania napędem
4. Elektryczna głowica napędowa
5. Dźwignia regulacji wysokości koszenia
6. Ładowarka
7. Instrukcja obsługi
8. Interfejs sterowania użytkownika
9. Akumulator
10. Pokrywa akumulatora
11. Przycisk zasilania
12. Przycisk trybu koszenia
13. Tylna kłapa
14. Stan lampek naładowania
15. Kluczyk
16. Wkładka rozdrabniająca

Symbole znajdujące się na produkcie

(Rys. 2) Ostrzeżenie

(Rys. 3) Przeczytać niniejszą instrukcję

(Rys. 4) Przed przystąpieniem do pracy prosimy dokładnie i ze zrozumieniem zapoznać się z treścią niniejszej instrukcji obsługi.

(Rys. 5) Stosować atestowane środki ochrony oczu

(Rys. 6) Stosować atestowane ochronniki słuchu

(Rys. 7) Stosować atestowane środki ochrony głowy

(Rys. 8) Stosować atestowane ochronniki słuchu

(Rys. 9) Ostrzeżenie: obrotowe ostrze. Nie zbliżać rąk ani stóp.

(Rys. 10) Nie zbliżać dłoni i stóp do obracających się ostrzy. Nie otwierać ani nie zdejmować osłon ochronnych podczas pracy silnika.

(Rys. 11) Przed ruszeniem do tyłu i podczas jazdy wstecz spojrzeć do tyłu oraz w dół, aby sprawdzić, czy nie ma tam małych dzieci, zwierząt lub innych obiektów, które mogą doprowadzić do upadku.

(Rys. 12) Należy uważać na odrzucane i rykoszetujące przedmioty.

(Rys. 13) Ludzie i zwierzęta powinny przebywać w bezpiecznej odległości od obszaru roboczego.

(Rys. 14) Niebezpieczeństwo wystąpienia zbrocza

(Rys. 15) Porażenie prądem

(Rys. 16) Przed przystąpieniem do naprawy, regulacji, ustawiania lub transportu należy wyjąć kluczyk ze stacyjki.

(Rys. 17) Przycisk zasilania

(Rys. 18) Włączony silnik

(Rys. 19) Uchwyt sterujący silnika załączony

(Rys. 20) Wyłączony silnik

(Rys. 21) Uchwyt sterujący silnika odłączony

(Rys. 22) Produkt lub jego opakowanie nie mogą być traktowane jako odpady domowe. Produkt i opakowanie należy oddać do odpowiedniego punktu zbierania surowców wtórnych, przyjmującego urządzenia elektryczne oraz elektroniczne.

(Rys. 23) Nie pozostawiać, nie przechowywać i nie używać w deszczu lub wilgotnym otoczeniu.

(Rys. 24) Recykling

(Rys. 25) Moc akustyczna

(Rys. 26) Produkt jest zgodny z odpowiednimi dyrektywami Rady Europejskiej

(Rys. 27) Ten produkt jest zgodny z odpowiednimi dyrektywami EAC

(Rys. 28) Ten produkt jest zgodny z odpowiednimi dyrektywami Ukrainy

- produkt jest nieprawidłowo naprawiany.
- produkt jest naprawiany przy użyciu części niepochodzących od producenta lub niezatwierdzonych przez producenta.
- produkt jest wyposażony w akcesoria niepochodzące od producenta lub niezatwierdzone przez producenta.
- produkt nie jest naprawiany w autoryzowanym centrum serwisowym lub przez autoryzowaną placówkę.

Odpowiedzialność za produkt

Zgodnie z przepisami dotyczącymi odpowiedzialności za produkt nie ponosimy odpowiedzialności za szkody spowodowane przez nasz produkt, jeśli:

BEZPIECZEŃSTWO

Definicje dotyczące bezpieczeństwa

Poniższe definicje nadają poziom znaczenia każdemu słowu sygnałowemu.



OSTRZEŻENIE: Obrażenia osób.



UWAGA: Uszkodzenie produktu.

Uwaga: Ta informacja ułatwia używanie maszyny.

Ogólne zasady bezpieczeństwa

- Należy prawidłowo używać maszyny. Nieprawidłowe używanie grozi obrażeniami lub śmiercią. Maszyny należy używać wyłącznie do zadań opisanych w niniejszej instrukcji. Nie używać produktu do innych zadań.
- Zapoznać się z informacjami zawartymi w niniejszej instrukcji i przestrzegać ich. Stosować się do symboli i zasad bezpieczeństwa. W przypadku nieprzestrzegania instrukcji i symboli istnieje ryzyko wystąpienia obrażeń, uszkodzeń lub śmierci.
- Nie wolno wyrzucać tej instrukcji. Należy stosować się do instrukcji montażu, obsługi i konserwacji produktu. Należy stosować się do instrukcji montażu osprzętu i akcesoriów. Stosować wyłącznie zatwierdzony osprzęt i akcesoria.
- Nie wolno używać uszkodzonego produktu. Przestrzegać planu konserwacji. Przeprowadzać wyłącznie te prace konserwacyjne, które są opisane w tej instrukcji. Wszystkie inne prace konserwacyjne muszą być wykonywane przez autoryzowane centrum serwisowe.
- Niniejsza instrukcja nie obejmuje wszystkich sytuacji, które mogą wystąpić podczas używania produktu. Należy zachować ostrożność i kierować się zdrowym rozsądkiem. Nie wolno obsługiwać produktu lub wykonywać prac konserwacyjnych w przypadku braku pewności co do danej sytuacji. Skontaktować się ze specjalistą ds. produktu, dealerem, warsztatem obsługi technicznej lub autoryzowanym centrum serwisowym w celu uzyskania informacji.
- Nie używać produktu w przypadku zmiany jego początkowych specyfikacji. Nie wymieniać części maszyny bez zgody producenta. Używać wyłącznie części zatwierdzonych przez producenta. Nieprawidłowa konserwacja może doprowadzić do obrażeń lub śmierci.
- Niniejszy produkt podczas pracy wytwarza pole elektromagnetyczne. Może ono spowodować uszkodzenie implantów medycznych. Przed użyciem produktu należy skontaktować się z lekarzem oraz producentem implantu medycznego.
- Nie pozwalać dzieciom używać maszyny.
- Nie pozwalać osobom nieznającym instrukcji używać maszyny.
- Należy zawsze kontrolować osobę o ograniczonych możliwościach fizycznych lub umysłowych podczas używania produktu. Odpowiedzialna osoba dorosła musi być zawsze obecna podczas pracy.
- Przechowywać maszynę w miejscu niedostępnym dla dzieci i nieuprawnionych osób.
- Maszyna może wyrzucać przedmioty i powodować obrażenia. Należy przestrzegać zasad bezpieczeństwa, aby zmniejszyć ryzyko odniesienia obrażeń lub śmierci.
- Nie odchodzić od produktu, gdy jest włączony. Przed pozostawieniem produktu należy go wyłączyć.
- Przed ruszeniem do tyłu i podczas jazdy wstecz spojrzeć do tyłu oraz w dół, aby sprawdzić, czy nie

ma tam małych dzieci, zwierząt lub innych obiektów, które mogą doprowadzić do upadku.

- Operator maszyny jest odpowiedzialny za ewentualne wypadki.
- Przed przystąpieniem do używania produktu upewnić się, że części nie są uszkodzone.
- Stosować się do przepisów krajowych lub lokalnych. Mogą one zabraniać lub ograniczać używanie produktu w niektórych sytuacjach.

Instrukcje bezpieczeństwa dotyczące obsługi

- Przed użyciem produktu należy poznać jego elementy sterujące i prawidłowy sposób ich obsługi.
- Nie pozwalać osobom nieletnim lub nieznanym instrukcji na korzystanie z produktu.
- Nie używać produktu w pobliżu osób, w szczególności dzieci i zwierząt.
- Dzieci muszą przebywać z dala od obszaru koszenia i muszą być pod nadzorem osób dorosłych.
- Wyłączyć maszynę, jeśli dzieci wejdą na obszar roboczy.
- Przed rozpoczęciem korzystania z produktu należy skontrolować miejsce pracy. Usunąć wszystkie przedmioty, które mogą zostać wyrzucone przez produkt podczas pracy.
- Przed użyciem sprawdzić, czy ostrze, śruba ostrza, zespół ostrza i podstawa silnika nie są zużyte i uszkodzone.
- Produktu można używać jedynie przy świetle dziennym lub przy dobrym oświetleniu sztucznym.
- Nie używać produktu do koszenia mokrej trawy.
- Zachować ostrożność w pobliżu narożników, krzaków, drzew i innych przedmiotów, które mogą ograniczać widoczność.
- Należy zachować szczególną ostrożność podczas jazdy do tyłu lub ciągnięcia produktu w swoją stronę.
- Nie zbliżać rąk lub nóg do ruchomych części urządzenia. Zawsze trzymać się z dala od otworów wylotowych.
- Wyłączyć noże na czas przejazdu przez żwir.
- Przed przystąpieniem do czyszczenia produktu wyłączyć silnik, wyjąć akumulator i poczekać, aż ostrze przestanie się obracać, a następnie wymontować pojemnik na trawę lub usunąć materiał z rynny wylotowej.
- Osoba zmęczona, chora lub będąca pod wpływem alkoholu, narkotyków lub leków nie może obsługiwać produktu.
- Jeśli produkt nietypowo drga, wyłączyć silnik, wyjąć akumulator i natychmiast ustalić przyczynę. Wibracje są zazwyczaj sygnałem uszkodzenia.
- Nie wyrzucać materiału w kierunku innych. Nie wyrzucać koszonego materiału na ścianę lub inne przeszkody. Materiał może się odbijać w kierunku operatora.

- Nie używać produktu bez odpowiednich osłon, płyt, pojemnika na trawę lub innych urządzeń zabezpieczających.

Bezpieczeństwo miejsca pracy

- Przed rozpoczęciem koszenia usunąć gałęzie, patyki, kamienie i inne przedmioty z trawnika.
- Ludzie, w tym dzieci, i zwierzęta powinny przebywać w bezpiecznej odległości od obszaru roboczego.
- Obiekty, które zderzają się z elementami tnącymi, mogą zostać wyrzucone i spowodować obrażenia osób i uszkodzenia przedmiotów.
- Nie używać urządzenia w niesprzyjających warunkach pogodowych np. we mgle, deszczu, w miejscach wilgotnych lub mokrych, przy silnym wietrze, na silnym mrozie, gdy występuje ryzyko wyładowań atmosferycznych itd. Praca w złych warunkach pogodowych może powodować zmęczenie oraz dodatkowe niebezpieczeństwo, na przykład z powodu ryzyka poślizgnięcia się.
- Sprawdzić obszar pracy, aby upewnić się, że nic nie utrudnia sterowania produktem.
- Należy uważać na korzenie, kamienie, gałęzie, wgłębienia i rowy. Wysoka trawa może zasłaniać przeszkody.
- Zachować ostrożność podczas zbliżania się do narożników lub innych obiektów, które mogą ograniczać widoczność.

Instrukcje bezpieczeństwa dotyczące pracy na pochyłościach

- Zachować szczególną ostrożność podczas koszenia na zboczach. Zbocza mogą być niebezpieczne. Upadek na zboczu może spowodować obrażenia.
- Należy kosić, prowadząc maszynę w poprzek zbocza. Nie należy kosić, jeżdżąc w górę i w dół zbocza.
- Zachować szczególną ostrożność podczas zmiany kierunku koszenia na zboczach.
- Uważać na ukryte przedmioty lub dziury w trawniku. Na nierównym terenie może dojść do upadku.
- Nie kosić w pobliżu stromego zbocza, zapadliny w terenie, rowu lub nasypu. Grozi to upadkiem.
- Nie kosić trawy, gdy jest mokra. Grozi to upadkiem.
- Nie kosić na terenie o nachyleniu przekraczającym 15 stopni.

Środki ochrony osobistej

Zawsze należy stosować prawidłowe środki ochrony osobistej podczas używania produktu. Obejmuje to co najmniej solidne obuwie, ochronę oczu i ochronę słuchu. Środki ochrony osobistej nie eliminują ryzyka odniesienia obrażeń, jednak w razie wypadku ograniczają ich skutki.

- W czasie pracy, konserwacji i napraw należy zawsze stosować okulary ochronne lub inne środki ochrony oczu.

- Nie obsługiwać produktu boso lub w otwartym obuwiu. Podczas korzystania z produktu należy zawsze używać butów z antypoślizgową podeszwą i dobrym podparciem kostki, odpowiednich do pracy w trudnych warunkach.
- Stosować wytrzymałe, długie spodnie. Nie należy zakładać krótkich spodni, sandałów ani pracować bez obuwia.
- W razie potrzeby stosować zatwierdzone rękawice ochronne. Na przykład podczas mocowania, kontroli lub czyszczenia łopatek.
- Podczas używania produktu zawsze stosować zatwierdzone środki ochrony słuchu. Narażenie na działanie hałasu przez długi czas może spowodować utratę słuchu.

Środki zabezpieczające produktu

- Należy zapewnić regularną konserwację produktu.
 - Wydłużyć się czas eksploatacji produktu.
 - Zmniejsza się ryzyko wypadków.

Autoryzowany diler lub autoryzowane centrum serwisowe powinno regularnie sprawdzać produkt w celu przeprowadzenia regulacji lub napraw.

- Nie używać produktu z uszkodzonym wyposażeniem ochronnym. Jeśli produkt jest uszkodzony, skontaktować się z zatwierdzonym centrum serwisowym.

Uchwyt sterujący silnika

Uchwyt sterujący silnika zatrzymuje silnik. Należy się upewnić, że po zwolnieniu uchwytu sterującego silnik się zatrzymuje.

- Uruchomić silnik, a następnie zwolnić uchwyt sterujący. Silnik zostanie wyłączony.

Uwaga: Jeśli uchwyt sterujący silnika nie wyłączy silnika, nacisnąć przycisk zasilania, aby go wyłączyć. Wymontować akumulator i skontaktować się z zatwierdzonym centrum serwisowym.

Tyłna kłapa

Tyłna kłapa zmniejsza ryzyko wyrzucenia przedmiotów z tyłu produktu na operatora podczas koszenia.

- Sprawdzić, czy tylna kłapa nie jest uszkodzona i czy nie są widoczne uszkodzenia, takie jak pęknięcia lub zepsute sprężyny. W przypadku uszkodzenia zamknięcie kłapy wymaga siły. Wymienić kłapę lub sprężyny w razie stwierdzenia uszkodzeń.

Instrukcje bezpieczeństwa dotyczące konserwacji



OSTRZEŻENIE: Należy wykonywać jedynie prace konserwacyjne opisane w instrukcji obsługi. Większe i bardziej skomplikowane

prace muszą być wykonywane w autoryzowanym punkcie serwisowym.

Prace konserwacyjne należy wykonywać w prawidłowy sposób, aby zwiększyć żywotność produktu i zmniejszyć ryzyko wypadków. Wykonanie profesjonalnych napraw należy zlecić autoryzowanemu warsztatowi obsługi technicznej. Więcej informacji można uzyskać w najbliższym punkcie serwisowym.



OSTRZEŻENIE: Aby zapobiec przypadkowemu uruchomieniu podczas transportu, konserwacji lub naprawy, należy wyjąć akumulator i odczekać co najmniej 5 sekund, zanim włoży się go ponownie.



OSTRZEŻENIE: Podczas obsługi osprzętu tnącego należy zakładać specjalistyczne rękawice ochronne. Ostrze jest bardzo ostre i może łatwo doprowadzić do skaleczenia.

- Aby uzyskać jak najlepsze efekty i zapewnić bezpieczeństwo, należy utrzymywać krawędzie tnące naostrzone i czyste.
- Regularnie oddawać urządzenie do autoryzowanego punktu serwisowego w celu jego kontroli i dokonania koniecznych regulacji lub napraw.
- Wymienić uszkodzone, zużyte lub zniszczone części.
- Należy przestrzegać instrukcji dotyczących wymiany akcesoriów. Używać wyłącznie akcesoriów od producenta urządzenia.



OSTRZEŻENIE: W przypadku, gdy urządzenie nie jest używane, akumulator i ładowarkę należy przechowywać oddzielnie w suchym, zadaszonym i zamkniętym miejscu, zabezpieczającym przed dostępem dzieci i nieupoważnionych osób.

Zasady bezpieczeństwa związane z akumulatorem

Używać wyłącznie akumulatorów od producenta i ładować je tylko w ładowarce od producenta.

Akumulatory należy stosować wyłącznie jako źródło zasilania odpowiednich urządzeń bezprzewodowych. Aby uniknąć obrażeń, nie należy używać akumulatora jako źródła zasilania innych urządzeń.

- Nie demontować, nie otwierać ani nie rozdzierać akumulatorów.
- Nie przechowywać akumulatorów w miejscu narażonym na bezpośrednie działanie promieni słonecznych lub gorąca. Przechowywać akumulatory z dala od ognia.
- Regularnie sprawdzać ładowarkę akumulatorów i akumulatory pod kątem uszkodzeń. Uszkodzona

- ładowarka lub akumulator mogą doprowadzić do pożaru, wybuchu lub obrażeń ciała. Nie naprawiać ani nie otwierać uszkodzonych akumulatorów.
- Nie używać akumulatora ani produktu, jeśli są one wadliwe, zostały zmodyfikowane lub uszkodzone.
 - Nie modyfikować ani nie naprawiać produktów ani akumulatora. Naprawy zlecać wyłącznie zatwierdzonemu dealerowi.
 - Nie zwiierać ze sobą biegunów akumulatorów ani ogniw. Nie przechowywać akumulatorów w skrzyni lub szufladzie, gdzie może dojść do zwarcia z innymi metalowymi obiektami.
 - Akumulatora nie należy wyjmować z oryginalnego opakowania do chwili, gdy będzie on używany.
 - Nie narażać akumulatorów na wstrząsy mechaniczne.
 - Jeśli doszło do wycieku z akumulatora, unikać kontaktu cieczy ze skórą i oczami. W przypadku dotknięcia cieczy przemycić skórę dużą ilością wody i zgłosić się do lekarza.
 - Nie używać ładowarki innej niż przeznaczona do użytku z akumulatorem.
 - Zwrócić uwagę na oznaczenia plus (+) i minus (-) na akumulatorze i produkcie, aby zapewnić prawidłowe działanie.
 - Nie używać akumulatora, który nie jest przeznaczony do pracy z produktem.

- Nie używać jednocześnie akumulatorów o różnym napięciu lub od różnych producentów.
- Przechowywać akumulatory z dala od dzieci.
- Zawsze kupować odpowiednie akumulatory do urządzenia.
- Akumulatory powinny być czyste i suche.
- W przypadku zabrudzenia styków akumulatorów przetrzeć je czystą, suchą szmatką.
- Dodatkowe akumulatory należy naładować przed użyciem. Zawsze używać odpowiedniej ładowarki i skorzystać z instrukcji w celu zapoznania się z właściwym sposobem ładowania.
- Akumulatora nie należy pozostawiać w ładowarce na zbyt długi czas.
- Zachować podręcznik na przyszłość.
- Używać akumulatora wyłącznie w sposób niezbędny dla jego działania.
- Wyjmować akumulator z urządzenia, kiedy nie jest używany.
- Podczas pracy nie należy zbliżać akumulatora do metalowych przedmiotów, takich jak spinacze do papieru, klucze, gwoździe i śruby oraz do innych niewielkich metalowych przedmiotów. Może to spowodować zwarcie styków. Zwarcie styków akumulatora może spowodować oparzenia lub poraż.

MONTAŻ



OSTRZEŻENIE: Przed przystąpieniem do montażu produktu zapoznać się z rozdziałem dotyczącym bezpieczeństwa.

Wymywanie produktu z opakowania

1. Wyjąć luźne części wchodzące w skład zestawu.
2. Obciąć dwa narożniki kartonu i rozłożyć końcowe ścianki.
3. Usunąć wszystkie materiały opakowaniowe.
4. Wyjąć produkt z opakowania i upewnić się, że w kartonie nie pozostały żadne luźne elementy.

Montaż uchwytu sterowniczego

1. Wyrównać otwory na śruby znajdujące się na spodzie uchwytu z otworami na śruby w zespole uchwytu. Zamocować śruby, podkładki i pokrętła. (Rys. 29)
2. W celu ustawienia wysokości uchwytu poluzować dolne pokrętła, unieść lub obniżyć uchwyt, a następnie dokręcić pokrętła do końca.

Ustawienie kosiarki w pozycji roboczej

1. Podnieść uchwyt do położenia roboczego.
2. Dokręcić do końca dolne pokrętło.

Montaż pojemnika na trawę

1. Przymocować ramę pojemnika na trawę do worka na trawę tak, aby sztywna część worka znajdowała się na dole. Upewnić się, że uchwyt ramy znajduje się na górze worka na trawę. (Rys. 30)
2. Zamocować dolną część ramy pojemnika na trawę w rowku na spodzie pojemnika na trawę. (Rys. 31)
3. Zamocować haki pojemnika na trawę do górnej krawędzi obudowy. (Rys. 32)
4. Włożyć dolną część pojemnika na trawę do kanału otworu wylotowego trawy.

Ustawianie urządzenia w tryb ładowania trawy do pojemnika

W trybie ładowania do pojemnika koszona trawa trafia do pojemnika na trawę.



UWAGA: Nie używać produktu, gdy tylna kłapa nie jest zamknięta lub jeżeli nie zamontowano zatwierdzonego pojemnika na trawę. Nie należy podejmować prób obsługi produktu, gdy tylna kłapa jest wymontowana lub otwarta.

1. Podnieść tylną kłapę i założyć haczyki ramy pojemnika na trawę na przegub tylnej kłapy. (Rys. 33)

2. Zwołnić tylną osłonę i umieścić ją na górnej części ramy kosza na trawę.

Ustawianie urządzenia w tryb mulczowania (zależnie od wyposażenia)

Tryb mulczowania produktu powoduje bardziej intensywne rozdrabnianie koszonej trawy. Drobnopocięta trawa jest następnie rozrzucona na całym trawniku. Skoszona trawa poddana mulczowaniu szybko podlega biodegradacji i użyźnia trawnik.

1. Unieść tylną pokrywę i wyjąć pojemnik na trawę. (Rys. 34)
2. Zamontować wkładkę rozdrabniającą w kanale otworu wylotowego. (Rys. 35)
3. Mocno zamknąć tylną klapę.

Ustawianie urządzenia w tryb wyrzucania

1. Zdjąć zatyczkę do mulczowania lub pojemnik na trawę. (Rys. 36)

2. Mocno zamknąć tylną klapę.

Regulacja wysokości koszenia



UWAGA: Nie należy ustawiać zbyt niskiej wysokości koszenia. Ostrza mogą uderzyć w podłoże, jeśli powierzchnia trawnika nie jest równa.

Uwaga: Ustawić taką samą wysokość dla wszystkich elementów ustawiania wysokości koszenia.

1. Przesunąć dźwignię wysokości koszenia do tyłu w celu zwiększenia wysokości koszenia.
2. Przesunąć dźwignię wysokości koszenia do przodu w celu zmniejszenia wysokości koszenia. (Rys. 37)

OBSŁUGA



OSTRZEŻENIE: Przed przystąpieniem do używania produktu zapoznać się z rozdziałem dotyczącym bezpieczeństwa.

Podstawowa technika ścinki

- Zawsze, należy używać ostrego ostrza, aby uzyskać najlepsze rezultaty. Tępe ostrze powoduje nierówne cięcie, a trawa staje się żółta na powierzchni cięcia.
- Nie należy kosić więcej niż 1/3 długości trawy. Dotyczy to w szczególności okresów suchych. Najpierw należy kosić przy użyciu dużej wysokości koszenia. Następnie sprawdzić rezultaty i obniżyć do odpowiedniej wysokości. Jeśli trawa jest zbyt długa, w razie konieczności należy przejechać powoli i ścąć dwukrotnie.
- W przypadku koszenia o dużej intensywności zmniejszyć szerokość koszenia poprzez częściowe najezdzanie kosiarką na skoszony pas oraz przez zmniejszenie prędkości koszenia.
- Kosić za każdym razem w różnych kierunkach, aby uniknąć powstawania pasów na trawniku.
- Regularnie opłukiwać pojemnik na trawę wodą i czekać aż wyschnie przed rozpoczęciem użytkowania. Otwory w materiałowym pojemniku na trawę mogą ulec zapchaniu ziemią i pyłem podczas pracy. W takim przypadku pojemnik na trawę będzie zbierał mniej trawy.

Przed uruchomieniem kosiarki

- Upewnić się, że w pobliżu miejsca pracy nie ma osób nieupoważnionych lub zwierząt.

- Wykonywać codzienną konserwację. Patrz *KONSERWACJA* na stronie 211.

Uruchamianie produktu

1. Włożyć akumulator, aż do zatrzaśnięcia. Sprawdzić, czy akumulator został prawidłowo zamontowany. (Rys. 38)
2. Umieścić kluczyk w schowku pod pokrywą akumulatora. Sprawdzić, czy kluczyk został prawidłowo zamontowany. (Rys. 39)

Uwaga: Kluczyk da się przekreślić tylko w jedną stronę.

3. Nacisnąć jednokrotnie przycisk zasilania. Przycisk jest całkowicie podświetlony. (Rys. 40)
4. Pociągnąć uchwyt sterujący silnika w kierunku uchwytu kierowniczego. Przycisk zasilania zacznie migać. (Rys. 41)
5. Nacisnąć migający przycisk zasilania. Następnie produkt włączy się. (Rys. 42)

Wyłączanie produktu

- Zwołnić uchwyt sterujący silnika produktu lub nacisnąć jednokrotnie przycisk zasilania. (Rys. 43)

Korzystanie z napędu kół (zależnie od wyposażenia)

(Rys. 44)

- Pociągnąć dźwignię napędu w stronę drążka sterującego.

- Przed pociągnięciem maszyny do tyłu należy odłączyć napęd i popchnąć maszynę do przodu o około 10 cm.
- Zwolnić dźwignię napędu, aby odłączyć napęd na przykład w sytuacji zbliżania się do przeszkody.

Opróżnianie pojemnika na trawę

1. Podnieść pojemnik na trawę za pomocą uchwytu ramy.
2. Usunąć skoszoną trawę z pojemnika na trawę, opróżniając go przez otwór pod uchwytem.
3. Wyrzucić trawę z worka, korzystając z uchwytu ramy i uchwytu worka.



UWAGA: Nie ciągnąć worka po podłożu podczas opróżniania pojemnika na trawę, aby uniknąć jego zużycia.

Zmiana trybu koszenia

Podczas pracy w produkcie można wybrać jeden z trzech różnych trybów koszenia za pomocą przycisku trybu koszenia.

- **Tryb automatyczny** – produkt automatycznie dostosowuje prędkość koszenia do ilości koszonej trawy.
 - **Uwaga:** Podczas pracy produkt jest domyślnie ustawiony w tryb automatyczny.
- **Tryb wzmocniony** – produkt działa z dużą prędkością niezależnie od ilości koszonej trawy.
 - Podczas używania produktu nacisnąć jednokrotnie przycisk trybu koszenia, aby przejść z trybu automatycznego do trybu wzmocnionego. Nastąpi podświetlenie przycisku trybu koszenia.
- **Tryb ECO** – produkt działa z małą prędkością niezależnie od ilości koszonej trawy.
 - Podczas używania produktu nacisnąć jednokrotnie przycisk trybu koszenia, aby przejść z trybu wzmocnionego do trybu ECO. Nastąpi podświetlenie przycisku trybu koszenia, który następnie zacznie migać.
 - Aby powrócić do domyślnego trybu automatycznego, należy nacisnąć jednokrotnie

przycisk trybu koszenia podczas korzystania z produktu. Przycisk trybu koszenia przestanie migać.

Uwaga: Zwolnienie uchwytu sterującego silnika podczas pracy sprawi, że produkt pozostanie w aktualnym trybie koszenia. Jeśli produkt automatycznie wyłączy się lub jeśli operator naciśnie przycisk zasilania, używany wcześniej tryb koszenia zostanie usunięty z pamięci, a przy ponownym włączeniu produkt zacznie pracę w trybie automatycznym.

Wskaźnik naładowania akumulatora podczas pracy

Na wyświetlaczu na interfejsie sterowania użytkownika pokazywane są informacje o stanie naładowania akumulatora i sygnalizowane ewentualne problemy z nim. Stan naładowania akumulatora wyświetlany jest podczas pracy maszyny.

Diody LED	Stan akumulatora
Zapalają się wszystkie zielone diody LED	Całkowicie naładowany (100–76%)
Zapalają się diody LED 1, 2 i 3	Poziom naładowania akumulatora 75%–51%.
Zapalają się diody LED 1 i 2	Poziom naładowania akumulatora 50%–26%.
Zapala się dioda LED 1	Poziom naładowania akumulatora 25%–6%.
Miga dioda LED 1	Poziom naładowania akumulatora 5%–0%.

W przypadku wystąpienia błędu akumulatora podczas pracy wszystkie cztery zielone diody LED stanu naładowania akumulatora zaczną migać. Wyjąć akumulator z maszyny i nacisnąć przycisk wskaźnika na akumulatorze, aby wyświetlić kod błędu dla danego błędu. Dioda LED na akumulatorze zapali się i będzie wskazywać kod błędu, jeżeli zostanie on zarejestrowany. Lista kodów błędów i rozwiązań dla błędów znajduje się w instrukcji obsługi akumulatora.

KONSERWACJA



OSTRZEŻENIE: Przed czyszczeniem, naprawą lub konserwacją produktu zapoznać się z rozdziałem dotyczącym bezpieczeństwa.

Aby w pełni korzystać z praw gwarancyjnych, operator zobowiązany jest wykonywać konserwację produktu zgodnie z instrukcją obsługi. W różnych odstępach czasowych należy przeprowadzać rozmaite regulacje, które pozwolą utrzymać produkt w prawidłowym stanie.

Ogólne zalecenia dotyczące konserwacji

Gwarancja na ten produkt nie obejmuje jego nieprawidłowej lub nieuważnej obsługi przez operatora.

- Każdego roku należy sprawdzać ostrze pod kątem zużycia.

Kontrola opon

- Opony nie mogą być zanieczyszczone niepożądanymi materiałami ani środkami chemicznymi, ponieważ uszkadzają one gumę.
- Pniaki, kamienie, koleiny, ostre przedmioty itp. mogą powodować uszkodzenia opon i nie należy po nich przejeżdżać.

Przegląd ogólny

- Sprawdzić, czy śruby i nakrętki są dokręcone.
- Upewnić się, że przewody nie są ściśnięte.

Plan konserwacji

Należy zapoznać się z harmonogramem konserwacji, aby poznać niezbędne wymagania dotyczące konserwacji produktu oraz dowiedzieć się, kiedy należy przeprowadzić konserwację. Okresy międzyobsługowe obliczone są dla uśrednionego sposobu użytkowania produktu, a ich długość może być uzależniona od częstotliwości użytkowania.

- Przed każdym użyciem i przechowaniem produktu należy dokręcić śruby i nakrętki.
- Oczyszczyć i sprawdzić pojemnik na trawę, jeżeli jest zamontowany, przed oraz po każdym użyciu, a także przed przechowywaniem.
- Przed każdym użyciem należy sprawdzić stan opon.
- Po każdym użyciu i przed przechowywaniem wyczyścić produkt. Skorzystać ze skrobaczki, aby wyczyścić spód.
- Co 25 godzin pracy sprawdzać ostrze pod kątem uszkodzeń i pęknięć. Zwiększyć częstotliwość wymiany ostrzy w przypadku koszenia trawy rosnącej na piaszczystym podłożu.
- Co 25 godzin smarować produkt.
- Po użyciu i po przechowywaniu produktu oczyścić i całkowicie naładować akumulator. Akumulator ładować przez maks. 24 godziny przed przechowywaniem.
- Nie pozostawiać akumulatora podłączonego do ładowarki podczas przechowywania. Akumulator można ładować przez maks. 24 godziny.
- Sprawdzać pas napędowy i koła pasowe co 25 godzin (jeśli są na wyposażeniu).

Czyszczenie produktu

- Za pomocą szczotki usunąć niepożądane materiały i trawę zebraną w produkcie.
- Chronić powierzchnie obrabiane i koła przed niepożądanymi materiałami.
- Do oczyszczenia spodu z nagromadzonej trawy i śmieci należy użyć skrobaczki.
- Nie używać myjek wysokociśnieniowych do czyszczenia urządzenia.
- Nie wolno kierować strumienia wody bezpośrednio na styki elektrycznej głowicy napędowej lub styki akumulatora.

- W przypadku czyszczenia spodu produktu należy wymontować akumulator oraz kluczyk bezpieczeństwa i ułożyć produkt na boku w taki sposób, aby interfejs sterowania użytkownika był skierowany ku górze.



UWAGA: Do czyszczenia produktu nie używać wody, płynów do mycia ani rozpuszczalników. Usunąć niepożądane materiały z zewnątrz produktu za pomocą miękkiej szczotki lub suchej szmatki, która nie zawiera metalu.

Czyszczenie pojemnika na trawę

- Otwory w materiałowym pojemniku na trawę mogą ulec zapchaniu ziemią i pyłem podczas pracy. Powoduje to zbieranie mniejszej ilości trawy. Aby temu zapobiec, należy regularnie opłukiwać pojemnik na trawę wodą i poczekać na jego wyschnięcie przed rozpoczęciem użytkowania.
- Regularnie sprawdzać pojemnik na trawę pod kątem zużycia lub uszkodzeń. W razie potrzeby należy dokonać wymiany.

Kontrola tylnej kłapy

Tylna kłapa jest zamocowana pomiędzy tylnymi kołami urządzenia. Kłapa zmniejsza ryzyko wyrzucenia przedmiotów w kierunku operatora podczas koszenia.

1. Upewnić się, że tylna kłapa nie jest uszkodzona.
2. Sprawdzić tylną kłapę pod kątem uszkodzeń powodujących zamykanie kłapy, takich jak pęknięcia lub zepsute sprężyny.
3. Wymienić tylną kłapę lub sprężyny, jeżeli uległy uszkodzeniu.

Ostrzenie i wyważanie ostrza

Aby uzyskać najlepsze wyniki, utrzymywać odpowiednią ostrość noża. Wygięte lub uszkodzone ostrze należy wymienić.



UWAGA: Należy używać rękawic i/lub owinąć ostrze wytrzymałym materiałem, aby nie dopuścić do zranienia dłoni.

1. Naostrzyć ostrze za pomocą pilnika lub tarczy szlifierskiej. Nie ostrzyć ostrza zamontowanego w produkcie.



UWAGA: Nie zalecamy ostrzenia ostrza. W przypadku ostrzenia należy się upewnić, że ostrze jest prawidłowo wyważone. Niewyważone ostrze może spowodować uszkodzenie urządzenia lub silnika.

2. Wbić prosty gwóźdź w kawałek drewna lub ścianę. Upewnić się, że wystaje 2–3 cm gwóźdźcia.

- Umieścić środkowy otwór ostrza na łbie gwoźdźcia. Jeśli ostrze jest wyważone, musi pozostać w położeniu poziomym. Jeśli jeden z dwóch końców ostrza obniży się, należy ostrzyć obciążony koniec, aż do momentu wyważenia ostrza.
- Upewnić się, że ostrze jest wyrównane względem środka wału silnika.
- Zablokować ostrze przy użyciu drewnianego bloku. Zamocować podkładkę sprężynową i dokręcić śrubę oraz podkładkę momentem dokręcania wynoszącym Nm.(Rys. 47)
- Obracać ostrzem za pomocą ręki i sprawdzić, czy obraca się swobodnie.

Wymiana ostrza

- Zablokować ostrze przy użyciu drewnianego bloku. (Rys. 45)
- Wymontować śrubę ostrza.
- Zdjąć ostrze.
- Skontrolować wspornik ostrza oraz śrubę ostrza pod kątem uszkodzeń.
- Skontrolować wał silnika, aby upewnić się, że nie jest zgięty.
- Podczas mocowania nowego ostrza należy skierować zakrzywione końce ostrza ku osłonie osprzętu tnącego.(Rys. 46)



OSTRZEŻENIE: Nosić solidne rękawice ochronne. Ostrze jest bardzo ostre i może łatwo doprowadzić do skaleczenia.

- Uruchomić maszynę w celu przetestowania ostrza. Jeśli ostrze nie zostało zamontowane prawidłowo, maszyna będzie wibrować lub rezultaty koszenia będą niezadowolające.

Kody błędów

Kody błędów pomagają w rozwiązywaniu problemów z produktem i/lub akumulatorem podczas pracy.

Ekran LED	Możliwe usterki	Możliwe działania
Zadna dioda LED nie zapala się po naciśnięciu przycisku zasilania na interfejsie sterowania użytkownika, akumulator w produkcie nie działa	Akumulator nie został do końca włożony w produkt lub doszło do przepalenia wewnętrznego bezpiecznika	Wcisnąć akumulator w głowicę napędową, aż rozlegnie się kliknięcie. Jeśli diody LED nie świecą po całkowitym wciśnięciu akumulatora i naciśnięciu przycisku zasilania na interfejsie sterowania użytkownika, skonsultować się z zatwierdzonym centrum serwisowym.
Wszystkie cztery diody LED informujące o stanie naładowania akumulatora oraz żadna inna dioda LED zapalają się po naciśnięciu przycisku zasilania	Akumulator nie został do końca wciśnięty w produkt lub temperatura wewnątrz akumulatora jest zbyt wysoka lub zbyt niska.	Wcisnąć akumulator w głowicę napędową, aż rozlegnie się kliknięcie. Jeśli diody będą nadal migać, temperatura wewnątrz akumulatora może być zbyt niska lub zbyt wysoka. Poczekaj, aż akumulator nagrzej się lub ostygnie. Aby zwiększyć skuteczność procesu chłodzenia, akumulator można wsunąć w ładowarkę, aby aktywnie go schłodzić.
Wszystkie cztery diody informujące o stanie naładowania akumulatora i diody LED zasilania, a także żadna inna dioda LED zapalają się po naciśnięciu przycisku zasilania	Uchwyt sterujący silnika przytrzymany w położeniu złożenia w dół, gdy przycisk zasilania jest wciśnięty za pierwszym razem lub wewnętrzna usterka przełącznika uchwytu sterującego silnika	Zwolnić uchwyt sterujący silnika. Jeśli uchwyt sterujący silnika nie jest wciśnięty w dół i diody LED nadal migają, skonsultować się z zatwierdzonym centrum serwisowym.

Ekran LED	Możliwe usterki	Możliwe działania
<p>Produkt przestanie działać oraz zapalą się wszystkie cztery diody LED informujące o stanie naładowania akumulatora, bez żadnej innej diody LED.</p>	<p>Akumulator jest poluzowany w głowicy napędowej i nie zapewnia prawidłowej styczności, akumulator jest zbyt nagrany lub zimny albo występuje inny wewnętrzny błąd akumulatora</p>	<ol style="list-style-type: none"> 1. Zatrzymać urządzenie. 2. Wyjąć akumulator z produktu i nacisnąć przycisk wskaźnika na akumulatorze, aby wyświetlić kod błędu. Diody LED na akumulatorze zapalają się i wyświetlają kod błędu. 3. Zapoznać się z dołączoną instrukcją akumulatora, aby uzyskać listę powiązanych kodów błędów wyświetlanych przez diody LED dla ewentualnych usterek i procedur. <p>Jeśli akumulator nie wyświetla błędu po naciśnięciu przycisku wskaźnika na akumulatorze i wyświetla jedynie stan naładowania, mogło dojść do obluźnienia akumulatora w głowicy napędowej podczas pracy. Zamontować akumulator prawidłowo w głowicy napędowej, aż do zatrzaśnięcia.</p>
<p>Produkt przestanie działać i przycisk zasilania zacznie migać, a diody LED będą nadal informowały o stanie naładowania akumulatora</p>	<p>Komora koszenia jest zapchana trawą, sterownik silnika jest zbyt rozgrzany lub doszło do usterki silnika</p>	<ol style="list-style-type: none"> 1. Zatrzymać urządzenie. 2. Wymontować akumulator i ułożyć produkt na boku w taki sposób, aby interfejs sterowania użytkownika był skierowany ku górze. 3. Sprawdzić, czy ostrze, śruba ostrza, zespół ostrza, silnik i podstawa silnika nie są uszkodzone. Usunąć całą trawę z dna maszyny i sprawdzić, czy nie doszło do zapchania. 4. Zamontować akumulator i postępować zgodnie z procedurą uruchamiania, aby włączyć silnik. <p>Jeśli błąd będzie występował, poczekać, aż urządzenie ostygnie. Sterownik silnika może być zbyt rozgrzany, aby możliwe było użytkowanie urządzenia. Jeśli błąd nadal występuje, skontaktować się z zatwierdzonym centrum serwisowym.</p>

TRANSPORT I PRZECHOWYWANIE

- Aby zapobiec uszkodzeniom i wypadkom podczas transportu, osprzęt należy zabezpieczyć.
- W przypadku przechowywania wymontować kluczyk bezpieczeństwa i schować urządzenie w zamkniętym miejscu, z dala od dzieci i nieupoważnionych osób.
- Produkt i osprzęt należy przechowywać w suchym obszarze zabezpieczonym przed mrozem.
- Podczas załadunku lub przemieszczania maszyny nie należy przekraczać zalecanego maksymalnego kąta roboczego wynoszącego 15 stopni.
- Wyczyścić produkt. Więcej informacji znajduje się w rozdziale *Czyszczenie produktu na stronie 212*.
- Nasmarować produkt.
- Dokręć śruby i nakrętki.
- Wymień lub napraw uszkodzone elementy.
- Zabezpieczyć wszystkie zardzewiałe lub uszkodzone obszary lakieru. Lekko zmatowić przed polakierowaniem.
- Użyć pokrywy ochronnej produktu, która nie gromadzi wilgoci. Nie używać plastiku, ponieważ nie przepuszcza on powietrza, powoduje gromadzenie skroplin i powoduje korozję produktu.
- Należy zawsze wyjąć akumulator przed transportem lub przechowywaniem.

DANE TECHNICZNE

	Jednostka	LM2146C Li58-52 (58VBKJN46C)	LM2146CA Li58-52 (58VBKJN46CR)
Napęd noży			
Typ silnika	—	BLDC (bezszcotkowy) 58V	BLDC (bezszcotkowy) 58V
Prędkość silnika – tryb ECO	obr./min	2300	2300
Prędkość silnika – tryb automatyczny	obr./min	2500 obr./min, aż natężenie przekroczy 12 A przez 3 sekundy Prędkość obrotowa wzrasta do 2800 obr./min, aż natężenie prądu stanie się niższe niż 18 A przez 10 sekund.	2500 obr./min, aż natężenie przekroczy 12 A przez 3 sekundy Prędkość obrotowa wzrasta do 2800 obr./min, aż natężenie prądu stanie się niższe niż 18 A przez 10 sekund.
Prędkość silnika – tryb wzmocniony	obr./min	2800	2800
Moc silnika – maks.	kW	1,5	1,5
Moc silnika – maks. ciągła	kW	0,9	0,9
Moc silnika – znamionowa	kW	0,9	0,9
Ograniczenie zbyt wysokiego natężenia prądu (maks. natężenie prądu)	A (ampery)	25	25
Masa			
Ciężar (bez akumulatora)	kg	23,5	24,5
Akumulator			
Typ akumulatora		590923813	590923813
Czas pracy na akumulatorze			
Czas pracy na akumulatorze	m ²	Do 1200	Do 1000
Poziom hałas⁵²			
Zmierzony poziom mocy akustycznej	dB (A)	87	87
Poziom mocy akustycznej, gwarantowany LWA	dB (A)	87	87
Poziomy głośności			
⁵³			
Poziom ciśnienia akustycznego przy uchu operatora	dB (A)	< 80	< 80

⁵² Emisję hałasu do otoczenia zmierzono jako moc akustyczną (LWA), zgodnie z dyrektywą 2000/14/WE.

⁵³ Odnotowane dane dla ciśnienia akustycznego mają typowe rozproszenie statystyczne (odchylenie standardowe) w wysokości 1,2 dB (A).

	Jednostka	LM2146C Li58-52	LM2146CA Li58-52
		(58VBKJN46C)	(58VBKJN46CR)
Poziomy wibracji			
54			
Uchwyt	m/s ²	0,65	0,65
Koszenie			
Wysokość koszenia	mm	30-80	30-80
Szerokość koszenia	cm	46	46
Ostrze, zbierające	—	581188910	581188902
Ostrze, mulczujące	—	581188910	581188902
Pojemność worka	litry	50	50

TREŚĆ DEKLARACJI ZGODNOŚCI Z NORMAMI WE

Firma Husqvarna AB, SE 561 82 Husqvarna, SZWECJA, deklaruje z pełną odpowiedzialnością, że przedstawiony produkt:

Opis	Obrotowa kosiarka elektryczna
Marka	Jonsered
Platforma/typ/model	Platforma 58VBKJN46C (reprezentująca model LM2146C Li58-52), platforma 58VBKJN46CR (reprezentująca model LM2146CA Li58-52).
Partia produkcyjna	Począwszy od numerów seryjnych z roku 2018

spełnia wszystkie wymogi określone w odpowiednich dyrektywach i przepisach UE:

Dyrektywa/przepis	Opis
2006/42/WE	„maszynowa”
2014/30/UE	„dotycząca zgodności elektromagnetycznej”
2000/14/WE	„dotycząca emisji hałasu”
2011/65/UE	„dotycząca niebezpiecznych substancji”

Odpowiednie zharmonizowane normy oraz parametry techniczne: EN60335-1, EN60335-2-77, EN50366, EN55014-1, EN55014-2, EN61000-3-2, EN61000-3-3

Zgodnie z dyrektywą 2000/14/WE, Aneks V, deklarowane wartości dźwięku są podane w rozdziale „Dane techniczne” niniejszej instrukcji i w podpisanej deklaracji zgodności UE.

Jednostka certyfikująca Intertek przeprowadziła dobrowolną kontrolę w imieniu firmy Husqvarna AB oraz wydała Certyfikat zgodności poświadczający zgodność z Dyrektywą Rady Europejskiej 2006/42/WE.

Ten certyfikat, załączony na podpisanej Deklaracji zgodności WE, dotyczy wszystkich miejsc produkcji oraz krajów pochodzenia, informacje o których umieszczono na produktach.

Dostarczona obrotowa kosiarka elektryczna jest zgodna ze specyfikacją egzemplarza poddanego kontroli.

⁵⁴ Odnotowane dane dla poziomu wibracji mają typowe rozproszenie statystyczne (odchylenie standardowe) w wysokości 0,2 m/s². Norma dot. drgań EN 60335-2-77:2017, rozdział 20.105.

ÍNDICE

INTRODUÇÃO.....	217	MANUTENÇÃO.....	223
SEGURANÇA.....	218	TRANSPORTE E ARMAZENAMENTO.....	226
MONTAGEM.....	221	ESPECIFICAÇÕES TÉCNICAS.....	226
UTILIZAÇÃO.....	222	CONTEÚDO DA DECLARAÇÃO DE CONFORMIDADE DA UE.....	228

INTRODUÇÃO

Manual do utilizador

O idioma inicial deste manual do utilizador é o Inglês.
Os manuais do utilizador em outros idiomas são traduções do Inglês.

Revisão geral

(Fig. 1)

1. Barra de controlo de presença do operador
2. Colector de relva
3. Alavancas de transmissão
4. Cabeça motorizada elétrica
5. Alavanca da altura de corte
6. Carregador da bateria
7. Manual do utilizador
8. Interface de controlo do utilizador
9. Bateria
10. Cobertura da bateria
11. Botão de alimentação
12. Botão do modo de corte
13. Porta traseira
14. Luzes do estado de carga
15. Legenda
16. Tampão de trituração

Símbolos no produto

- (Fig. 2) Aviso
- (Fig. 3) Leia este manual
- (Fig. 4) Leia o manual do utilizador com atenção e certifique-se de que compreende as instruções antes de utilizar o produto.
- (Fig. 5) Utilize uma proteção ocular aprovada
- (Fig. 6) Utilize protetores acústicos aprovados
- (Fig. 7) Utilize proteção para a cabeça aprovada
- (Fig. 8) Utilize protetores acústicos aprovados
- (Fig. 9) Aviso: lâmina rotativa. Mantenha as mãos e os pés afastados.

Mantenha as mãos e os pés afastados das lâminas rotativas. Não abra nem remova as proteções enquanto o motor estiver a funcionar.

(Fig. 10)

Antes e enquanto estiver a caminhar de costas, olhe para trás e para baixo para ter em atenção a crianças pequenas, animais ou outros riscos que podem provocar quedas.

(Fig. 11)

Tenha cuidado com objetos projetados e ricochetes.

(Fig. 12)

Mantenha as pessoas e os animais a uma distância de segurança da área de trabalho.

(Fig. 13)

Perigo de inclinação

(Fig. 14)

Choque elétrico

(Fig. 15)

Retire a chave antes de efetuar a reparação, o ajuste, a configuração ou o transporte.

(Fig. 16)

Botão de alimentação

(Fig. 17)

Motor ligado

(Fig. 18)

Punho de controlo do motor ativado

(Fig. 19)

Motor desligado

(Fig. 20)

Punho de controlo do motor desativado

(Fig. 21)

O produto ou a embalagem não pode ser tratado como resíduo doméstico. O produto e a embalagem têm ser enviados para uma estação de reciclagem adequada para a recuperação de equipamentos elétricos e eletrónicos.

(Fig. 22)

- (Fig. 23) Não deixe, não guarde nem utilize em condições de chuva ou de humidade.
- (Fig. 24) Reciclar
- (Fig. 25) Nível de potência sonora
- (Fig. 26) O produto está em conformidade com as diretivas CE aplicáveis
- (Fig. 27) Este produto está em conformidade com as diretivas EAC aplicáveis
- (Fig. 28) Este produto está em conformidade com as diretivas aplicáveis da Ucrânia

- o produto tiver sido incorretamente reparado.
- o produto tiver sido reparado com peças que não sejam do fabricante ou que não sejam aprovadas pelo fabricante.
- o produto tiver um acessório que não seja do fabricante ou que não seja aprovado pelo fabricante.
- o produto não tiver sido reparado por um centro de assistência autorizado ou por uma autoridade aprovada.

Responsabilidade pelo produto

Como referido nas leis de responsabilidade pelo produto, não somos responsáveis por danos causados pelo nosso produto se:

SEGURANÇA

Definições de segurança

As definições abaixo indicam o nível de gravidade para cada palavra do sinal.



ATENÇÃO: Ferimentos pessoais.



CUIDADO: Danos no produto.

Nota: Esta informação facilita a utilização do produto.

Instruções de segurança gerais

- Utilize o produto corretamente. Ferimentos ou morte são resultados possíveis de utilização incorreta. Utilize apenas o produto para as tarefas descritas neste manual. Não utilize o produto para outras tarefas.
- Certifique-se de que lê, compreende e segue as instruções presentes neste manual. Respeite as instruções e os símbolos de segurança. Ferimentos, danos ou morte são um resultado possível se o operador não respeitar as instruções e os símbolos.
- Não elimine este manual. Utilize as instruções para montar, para operar e para manter o seu produto em bom estado. Utilize as instruções para a instalação correta de acessórios. Utilize apenas acessórios aprovados.
- Não utilize um produto danificado. Respeite o esquema de manutenção. Realize apenas tarefas de manutenção descritas neste manual. Todas as outras tarefas de manutenção têm de ser realizadas por um centro de assistência autorizado.
- Este manual não pode incluir todas as situações que podem ocorrer quando utiliza o produto. Seja cuidadoso e use o senso comum. Não utilize o produto nem realize tarefas de manutenção no mesmo se não tiver a certeza acerca da situação. Fale com um especialista do produto, o seu concessionário, oficina autorizada ou centro de assistência autorizado para obter informações.
- Não utilize o produto se este for alterado da sua especificação inicial. Não altere uma parte do produto sem a aprovação do fabricante. Utilize apenas peças que sejam aprovadas pelo fabricante. Ferimentos ou morte são resultados possíveis de manutenção incorreta.
- Este produto emite um campo eletromagnético durante o funcionamento. O campo eletromagnético pode causar danos a implantes médicos. Consulte o seu médico e o fabricante do implante antes de utilizar este produto.
- Não deixe uma criança utilizar o produto.
- Não deixe que o produto seja utilizado por uma pessoa que não conhece as instruções.
- Monitore sempre a utilização do produto por pessoas com diminuição da capacidade física ou mental. Tem de estar sempre presente um adulto responsável.
- Bloqueie o produto numa área à qual crianças e pessoas sem autorização não tenham acesso.
- O produto pode projetar objetos e causar ferimentos. Respeite as instruções de segurança para diminuir o risco de ferimentos ou morte.
- Não se afaste do produto enquanto este estiver ligado. Pare o produto antes de se afastar do mesmo.
- Antes e enquanto estiver a caminhar de costas, olhe para trás e para baixo para ter em atenção a crianças pequenas, animais ou outros riscos que podem provocar quedas.

- O operador do produto é responsável caso ocorra um acidente.
- Certifique-se de que as peças não estão danificadas antes de utilizar o produto.
- Consulte as leis nacionais ou locais. Podem impedir ou diminuir o funcionamento do produto em algumas condições.

Instruções de segurança para funcionamento

- Conheça os controlos e o funcionamento correto do produto antes de o utilizar.
- Não permita que o produto seja utilizado por crianças ou pessoas que não conheçam estas instruções.
- Não opere o produto enquanto houver pessoas, especialmente crianças, ou animais nas proximidades.
- Mantenha as crianças afastadas da área a cortar e certifique-se de que estão a ser monitorizadas por um adulto.
- Desligue o produto se entrarem crianças na zona de trabalho.
- Examine totalmente a área onde o produto vai ser utilizado. Retire todos os objetos que possam ser ejetados pelo produto durante o funcionamento.
- Verifique a existência de desgaste e danos na lâmina, no perno da lâmina, no conjunto da lâmina e na base do motor antes da utilização do produto.
- Utilize o produto sempre à luz do dia ou com uma boa luz artificial.
- Não utilize o produto em relva molhada.
- Tenha cuidado perto de cantos, arbustos, árvores ou outros objetos que possam bloquear a sua visibilidade.
- Tenha muito cuidado ao fazer marcha-atrás ou ao puxar o produto na sua direção.
- Não coloque as mãos ou os pés perto ou por baixo de peças rotativas. Mantenha-se sempre afastado das aberturas de descarga.
- Pare a lâmina quando passar sobre superfícies de grilha.
- Desligue o motor, retire a bateria e aguarde até que a lâmina pare completamente antes de limpar o produto, retire o coletor de relva ou o material da calha de descarga.
- Não utilize o produto se estiver cansado, doente ou sob a influência de álcool ou outras drogas.
- Caso o produto apresente uma vibração involuntária, desligue o motor, remova a bateria e verifique imediatamente a causa. Regra geral, as vibrações são um aviso da existência de danos.
- Não aponte o material projetado na direção de outras pessoas. Não projete o material contra uma parede ou outro bloqueio. O material pode fazer ricochete na direção do operador.

- Não utilize o produto sem as proteções, as placas, o coletor de relva ou outros dispositivos de proteção adequados instalados.

Segurança no local de trabalho

- Retire ramos, galhos, pedras e outros objetos do relvado antes de começar a cortar.
- Mantenha as pessoas, incluindo crianças e animais, a uma distância de segurança da área de trabalho.
- Os objetos que embatem no equipamento de corte podem ser projetados e causar danos a pessoas e objetos.
- Não utilize o produto em condições atmosféricas desfavoráveis, incluindo nevoeiro, chuva, localizações molhadas ou com humidade, ventos fortes, frio intenso e risco de trovoadas. Trabalhar em condições atmosféricas desfavoráveis pode provocar cansaço e originar situações perigosas como, por exemplo, superfícies escorregadias.
- Examine a sua área de trabalho para se certificar de que o controlo sobre o produto não pode ser evitado.
- Tenha cuidado com raízes, pedras, galhos, buracos e valas. A relva alta pode ocultar obstáculos.
- Tenha cuidado ao aproximar-se de esquinas com pouca visibilidade e de objetos que possam impedir a sua visibilidade.

Instruções de segurança para utilização em declives

- Tenha cuidado ao cortar em declives. Os declives podem ser perigosos. Uma queda num declive pode causar ferimentos.
- Corte ao longo da face dos declives. Não corte para cima e para baixo.
- Tenha cuidado quando mudar de direção num declive.
- Tenha cuidado com objetos ocultos ou buracos no relvado. Os terrenos acidentados podem provocar quedas.
- Não corte próximo de um declive íngreme, de uma descida, vala ou aterro. Existe o risco de queda.
- Não corte em relva molhada. Existe o risco de queda.
- Não corte em terrenos com inclinações superiores a 15 graus.

Equipamento de proteção pessoal

Utilize sempre equipamento de proteção pessoal adequado durante o funcionamento do produto. Isto inclui, no mínimo, calçado resistente, proteção ocular e protetores acústicos. O equipamento de proteção pessoal não elimina o risco de ferimentos, mas pode reduzir a sua gravidade em caso de acidente.

- Utilize sempre óculos de segurança ou proteção ocular durante o funcionamento do produto ou ao efetuar ajustes ou reparações.

- Não opere o produto com os pés descalços ou com calçado aberto. Utilize sempre botas resistentes e antiderrapantes com bom apoio do tornozelo enquanto utiliza o produto.
- Utilize calças compridas e resistentes. Não utilize calções, sandálias e não ande descalço.
- Utilize luvas de proteção aprovadas, se necessário. Por exemplo, ao fixar, examinar ou limpar a lâmina.
- Utilize sempre proteção auditiva aprovada enquanto opera o produto. A exposição prolongada a ruído pode causar perda da capacidade auditiva.

produto e reduzir o risco de acidentes. Solicite a realização de reparações profissionais numa oficina autorizada. Para mais informações, contacte a sua oficina autorizada.



ATENÇÃO: Para evitar o arranque acidental durante o transporte, a manutenção ou a reparação, retire a bateria e aguarde, pelo menos, 5 segundos antes de efetuar a respetiva substituição.



ATENÇÃO: Calce luvas resistentes quando utilizar o equipamento de corte. A lâmina é muito afiada e pode facilmente provocar cortes.

Dispositivos de proteção no produto

- Certifique-se de que realiza regularmente tarefas de manutenção do produto.
 - A vida útil do produto é aumentada.
 - O risco de acidentes é reduzido.

Leve regularmente o produto a um concessionário autorizado ou a um centro de assistência autorizado para que o examinem e realizem ajustes ou reparações.

- Não utilize o produto com equipamento de proteção danificado. Se o produto estiver danificado, fale com um centro de assistência autorizado.

Manípulo de controlo do motor

O manípulo de controlo do motor para o motor. Certifique-se de que o motor para quando o respetivo manípulo de controlo é libertado.

- Ligue o motor e, em seguida, solte o manípulo de controlo. O motor para.

Nota: Se o manípulo de controlo do motor não parar o motor, prima o botão de alimentação para o parar. Retire a bateria e contacte um centro de assistência autorizado.

Porta traseira

A porta traseira reduz o risco de projeção de objetos provenientes da parte traseira do produto para a posição de corte do operador.

- Certifique-se de que a porta traseira não está danificada e de que não existem defeitos, tais como fissuras ou molas partidas. Os defeitos fazem com que a porta feche com força. Substitua a porta ou as molas caso apresentem danos.

Instruções de segurança para manutenção



ATENÇÃO: Efetue apenas os trabalhos de manutenção indicados neste manual do operador. As intervenções maiores têm de ser efetuadas por uma oficina autorizada.

Efetue os trabalhos de manutenção corretamente para aumentar a vida útil do

- Mantenha as extremidades cortantes afiadas e limpas para garantir um desempenho melhor e mais seguro.
- Solicite à sua oficina autorizada a inspeção regular do produto e a realização dos ajustes e reparações necessários.
- Substitua as peças danificadas, gastas ou partidas.
- Respeite as instruções de substituição de acessórios. Utilize apenas os acessórios do fabricante.



ATENÇÃO: Quando não estiver em funcionamento, mantenha o produto, a bateria e o carregador de bateria separados, num local seco, num espaço interior e que possa ser trancado, longe do alcance de crianças e de pessoas não autorizadas.

Segurança da bateria

Utilize apenas baterias do fabricante e carregue-as apenas com carregadores de baterias do fabricante.

As baterias recarregáveis destinam-se a ser utilizadas apenas como fonte de alimentação para produtos sem fios relacionados. Para evitar ferimentos, a bateria não pode ser utilizada como fonte de alimentação para outros dispositivos.

- Não desmonte, não abra nem destrua a bateria.
- Não guarde baterias em locais expostos à luz solar ou a fontes de calor. Mantenha as baterias afastadas de chamas.
- Inspeção regularmente o carregador da bateria e a bateria quanto a danos. Baterias danificadas ou modificadas podem causar incêndios, explosões ou riscos de ferimentos. Não repare nem abra baterias danificadas.
- Não utilize uma bateria ou um produto defeituoso, modificado ou danificado.
- Não modifique nem repare produtos ou a bateria. As reparações têm de ser efetuadas apenas por revendedores aprovados.

- Não provoque curtos-circuitos numa célula ou bateria. Não guarde baterias numa caixa ou numa gaveta onde possam estar sujeitas a curtos-circuitos através de outros objetos metálicos.
- Não retire uma bateria da embalagem inicial até que seja necessário utilizá-la.
- Não sujeite as baterias a choques mecânicos.
- Em caso de fuga da bateria, evite o contacto do líquido com a pele ou com os olhos. Em caso de contacto com o líquido, limpe a área com água abundante e procure assistência médica.
- Não utilize outro carregador de bateria além do especificado para utilização com a bateria.
- Tenha em conta as marcas de mais (+) e menos (-) na bateria e no produto para assegurar uma utilização correta.
- Não utilize uma bateria que não se destine à utilização com o produto.
- Não misture baterias de diferentes tensões ou fabricantes num dispositivo.
- Mantenha as baterias afastadas das crianças.
- Adquira sempre as baterias corretas para o produto.
- Mantenha as baterias limpas e secas.
- Limpe os terminais da bateria com um pano seco e limpe caso se sujem.
- As baterias secundárias têm de ser carregadas antes da utilização. Utilize sempre o carregador de bateria correto e consulte o manual para obter instruções de carregamento adequadas.
- Não mantenha a bateria a carregar continuamente quando esta não estiver a ser utilizada.
- Guarde o manual para consulta futura.
- Utilize a bateria apenas para um funcionamento necessário.
- Retire a bateria do produto quando não estiver em utilização.
- Mantenha a bateria afastada de clips, chaves, pregos, parafusos ou outros objetos metálicos pequenos durante o funcionamento. Estes podem fazer a ligação entre os terminais. Provocar curto-circuitos nos terminais das baterias pode provocar queimaduras ou um incêndio.

MONTAGEM



ATENÇÃO: Leia o capítulo sobre segurança antes de montar o produto.

Retirar o produto da embalagem

1. Retire as peças soltas incluídas com o produto.
2. Corte os dois cantos da embalagem e coloque o painel posterior no chão.
3. Retire todo o material de embalagem.
4. Retire o produto da embalagem e certifique-se de que não ficam peças soltas na embalagem.

Montar a barra

1. Alinhe os orifícios dos parafusos na parte inferior do punho com os orifícios dos parafusos no conjunto do punho. Fixe os parafusos, as arruelas e os botões. (Fig. 29)
2. Para definir a altura do punho, desaperte os botões inferiores, levante ou baixe o punho para ajustar a altura e, em seguida, aperte totalmente os botões.

Para colocar o produto na posição de funcionamento

1. Levante o punho para a posição de funcionamento.
2. Aperte os botões inferiores totalmente.

Montar o coletor de relva

1. Coloque a estrutura do coletor de relva no saco de relva com a parte rígida do saco no fundo. Mantenha o punho da estrutura na parte superior do saco de relva. (Fig. 30)

2. Fixe a secção inferior da estrutura do coletor de relva na ranhura da parte inferior do mesmo. (Fig. 31)
3. Prenda os ganchos do coletor de relva à extremidade superior do chassi. (Fig. 32)
4. Coloque a parte inferior do coletor de relva no canal de descarga da relva.

Colocar o produto em modo de ensacamento

O modo de ensacamento traseiro recolhe as aparas de relva no coletor de relva.



CUIDADO: Não utilize o produto sem que a porta traseira esteja fechada ou o coletor de relva aprovado colocado na devida posição. Não tente operar o produto com a porta traseira removida ou aberta.

1. Levante a porta traseira e coloque os ganchos da estrutura do coletor de relva no pivô da porta traseira. (Fig. 33)
2. Solte a porta traseira e coloque-a na parte superior da estrutura do saco de relva.

Colocar o produto em modo de trituração (se equipado)

O modo de trituração do produto torna as aparas de relva mais pequenas. Em seguida, as aparas de relva caem no relvado e ao longo da relva. A relva triturada bio degrada-se rapidamente para fornecer nutrientes ao relvado.

1. Levante a cobertura traseira e retire o coletor de relva. (Fig. 34)
2. Coloque o tampão de trituração no canal de descarga. (Fig. 35)
3. Feche bem a porta traseira contra o produto.

Colocar o produto em modo de descarga

1. Retire o tampão de trituração ou o coletor de relva. (Fig. 36)
2. Feche bem a porta traseira contra o produto.

Definir a altura de corte



CUIDADO: Não regule a altura de corte demasiado baixa. As lâminas podem entrar em contacto com o solo se a superfície do relvado não estiver nivelada.

Nota: Defina a mesma altura em todos os controlos de altura de corte.

1. Mova a alavanca da altura de corte para trás para aumentar a altura de corte.
2. Mova a alavanca da altura de corte para a frente para diminuir a altura de corte. (Fig. 37)

UTILIZAÇÃO



ATENÇÃO: Certifique-se de que lê e compreende o capítulo sobre segurança antes de operar o produto.

Técnica básica de serração

- Para obter os melhores resultados, utilize sempre uma lâmina afiada. Uma lâmina que não esteja afiada corta de forma desigual e permite que a relva fique amarela na superfície de corte.
- Não corte mais do que 1/3 do comprimento da relva. Este conselho é especialmente válido durante períodos secos. Corte primeiro com a altura de corte alta. Em seguida, verifique o resultado e reduza para uma altura aplicável. Caso a relva esteja muito comprida, avance lentamente e corte duas vezes, se necessário.
- Para um corte muito intenso, reduza a largura de corte criando uma sobreposição do percurso e corte lentamente.
- Corte em diferentes direções de cada vez, para evitar a formação de linhas no relvado.
- Regue regularmente o coletor de relva com água e deixe secar antes de utilizar. Os poros dos coletores de relva de pano podem ficar cheios de sujidade e pó durante o funcionamento. O coletor de relva recolherá menos relva.

Antes de ligar o corta-relva

- Mantenha as pessoas e os animais afastados da área de trabalho.
- Efetue a manutenção diária. Consulte o capítulo *MANUTENÇÃO* na página 223.

Arranque

1. Coloque a bateria até ouvir um clique. Certifique-se de que a bateria está corretamente instalada. (Fig. 38)
2. Coloque a chave no orifício, sob a tampa da bateria. Certifique-se de que a chave está corretamente instalada. (Fig. 39)

Nota: A chave só pode ser colocada numa direção.

3. Prima o botão de alimentação uma vez. O botão acende-se totalmente. (Fig. 40)
4. Puxe o manípulo de controlo do motor na direção da barra de direção. O botão de alimentação fica intermitente. (Fig. 41)
5. Prima o botão de alimentação intermitente. Em seguida, o produto é iniciado. (Fig. 42)

Para desligar o produto

- Solte o manípulo de controlo do motor no produto ou prima o botão de alimentação uma vez. (Fig. 43)

Utilizar a transmissão das rodas (se equipada)

(Fig. 44)

- Puxe as alavancas de transmissão no sentido da barra de direção.
- Antes de puxar o produto para trás, desengate a transmissão e empurre o produto para a frente aproximadamente 10 cm.
- Solte as alavancas de transmissão para desengatar a transmissão, por exemplo quando se aproximar de um obstáculo.

Esvaziar o coletor de relva

1. Levante o coletor de relva com o punho da estrutura.
2. Retire as aparas de relva do coletor de relva da parte inferior do punho.
3. Esvazie as aparas de relva do saco com o punho da estrutura e o punho do saco.



CUIDADO: Não arraste o saco ao esvaziar o coletor de relva para evitar desgaste.

Alterar o modo de corte

O produto pode ser alterado para um de três modos de corte diferentes durante a operação premindo o botão do modo de corte.

- **Modo Auto** - O produto ajusta automaticamente a velocidade de corte em resposta à quantidade de relva a cortar.
 - **Nota:** O produto está predefinido para o modo Auto durante o funcionamento.
- **Modo Boost** - O produto opera a uma velocidade elevada, independentemente da quantidade de relva a cortar.
 - Enquanto o produto está em funcionamento, prima o botão do modo de corte uma vez para alterar do modo Auto para o modo Boost. O botão do modo de corte acende-se.
- **Modo ECO** - O produto opera a uma velocidade baixa, independentemente da quantidade de relva a cortar.
 - Enquanto o produto está em funcionamento, prima o botão do modo de corte uma vez para alterar do modo Boost para o modo ECO. O botão do modo de corte acende-se e fica intermitente.
 - Para regressar ao modo Auto predefinido, prima o botão do modo de corte uma vez enquanto o

produto se encontra em funcionamento. Em seguida, o botão do modo de corte para de piscar.

Nota: Se o manípulo de controlo do motor for libertado durante o funcionamento, o produto permanece no modo de corte atual. Se o produto parar automaticamente ou o operador premir o botão de alimentação, o modo de corte utilizado anteriormente é eliminado da memória e o produto inicia em modo Auto quando for novamente ligado.

Indicação do estado da bateria durante o funcionamento

O visor na interface de controlo do utilizador apresenta a capacidade da bateria e se existem problemas com a mesma. A capacidade da bateria é apresentada enquanto a máquina estiver em funcionamento.

Luzes LED	Estado da bateria
Todos os LED verdes se acendem	Totalmente carregada (100% - 76%)
Os LED 1, 2 e 3 acendem-se	A bateria tem uma carga de 75%-51%.
Os LED 1 e 2 acendem-se	A bateria tem uma carga de 50%-26%.
O LED 1 acende-se	A bateria tem uma carga de 25%-6%.
LED 1 intermitente	A bateria tem uma carga de 5%-0%.

Se existir um erro com a bateria durante o funcionamento, os quatro LED verdes do estado de carga da bateria ficam intermitentes. Remova a bateria da máquina e prima o botão indicador na bateria para mostrar o código de erro. Se tiver ocorrido um erro, os LED da bateria acendem-se e apresentam um código de erro. Consulte o manual da bateria para obter uma lista dos códigos de erro e soluções para os mesmos.

MANUTENÇÃO



ATENÇÃO: Certifique-se de que leu e compreendeu o capítulo sobre segurança antes de limpar, reparar ou realizar tarefas de manutenção no produto.

Recomendações gerais de manutenção

A garantia deste produto não inclui a utilização incorreta ou não cuidada do produto por parte do operador. Para receber o valor total da garantia, o operador tem de efetuar a manutenção do produto de acordo com as instruções fornecidas neste manual. Diferentes ajustes

devem ser efetuados em diferentes intervalos para manter o produto em condições de trabalho corretas.

- Examine se a lâmina apresenta sinais de desgaste todos os anos.

Examinar os pneus

- Mantenha os pneus sem materiais e produtos químicos indesejados para evitar danos na borracha.
- Mantenha os pneus afastados de cepos, pedras, sulcos, objetos afiados e outros objetos que possam provocar danos aos pneus.

Para efetuar uma inspeção geral

- Verifique se os parafusos e as porcas estão bem apertados.
- Certifique-se de que os cabos não ficam presos.

Esquema de manutenção

Utilize o esquema de manutenção para consultar os requisitos de manutenção necessários do seu produto, assim como o período em que a manutenção deverá ocorrer. Os intervalos são calculados com base numa utilização média do produto e podem ser diferentes devido à frequência de utilização.

- Aperte os parafusos e as porcas antes de cada utilização e antes do armazenamento.
- Limpe e examine o coletor de relva, se instalado, antes e depois de cada utilização e antes do armazenamento.
- Examine os pneus antes de cada utilização.
- Limpe o produto após cada utilização e antes do armazenamento. Use um raspador para limpar por baixo da plataforma.
- Examine se existem danos ou fissuras na lâmina em intervalos de 25 horas. Substitua as lâminas mais frequentemente se cortar em solo arenoso.
- Lubrifique o produto em intervalos de 25 horas.
- Limpe e carregue totalmente a bateria após a utilização e após o armazenamento. Carregue a bateria durante um máximo de 24 horas antes do armazenamento.
- Não mantenha a bateria no respetivo carregador da bateria durante o armazenamento. Carregue a bateria durante, no máximo, 24 horas.
- Examine a correia da transmissão e as polias em intervalos de 25 horas (se equipadas).

Limpar o produto

- Utilize um pincel para remover materiais indesejados e relva do produto.
- Mantenha os materiais indesejados afastados das rodas e das superfícies com acabamento.
- Utilize um raspador sob o produto para remover a acumulação de relva e resíduos.
- Não utilize uma máquina de lavar à pressão para limpar o produto.
- Não verta água diretamente sobre a cabeça motorizada elétrica ou os contactos da bateria.
- Quando limpar por baixo do produto, remova a bateria e a chave de segurança e coloque o produto de lado, com a interface de controlo do utilizador voltada para cima.



CUIDADO: Não limpe o produto com água, fluidos de limpeza ou solventes. Remova os materiais indesejados externos ao produto com uma escova macia ou um pano seco que não contenha metal.

Limpar o coletor de relva

- Os poros dos coletores de relva de pano podem ficar cheios de sujidade e pó durante o funcionamento. Tal faz com que o coletor de relva recolha menos relva. Para evitar que isso aconteça, regue regularmente o coletor de relva com água e deixe secar antes de utilizar.
- Verifique frequentemente o desgaste ou a deterioração do coletor de relva. Proceda à substituição, se necessário.

Examinar a porta traseira

A porta traseira está fixada entre as rodas traseiras do produto. A porta reduz o risco de objetos serem projetados na direção da posição de corte do operador.

1. Certifique-se de que a porta traseira não está danificada.
2. Verifique se existem defeitos na porta traseira que possam forçar a porta a fechar, incluindo fissuras ou molas partidas.
3. Substitua a porta traseira ou as molas se estas estiverem danificadas.

Afiar e estabilizar a lâmina

Para obter os melhores resultados, mantenha a lâmina afiada. Substitua uma lâmina dobrada ou danificada.



CUIDADO: Use luvas e/ou proteja a lâmina com um pano grosso para evitar danos nas mãos.

1. Afie a lâmina com uma lima ou num rebolo. Não afie a lâmina quando esta estiver instalada no produto.



CUIDADO: Não recomendamos que afie a lâmina. Se o fizer, certifique-se de que a lâmina está estabilizada. Uma lâmina não estabilizada pode causar danos no produto ou motor.

2. Coloque um prego reto num pedaço de madeira ou numa parede. Certifique-se de que consegue ver 2-3 cm do prego.
3. Coloque o orifício central da lâmina na cabeça do prego. Se a lâmina estiver equilibrada, deverá permanecer numa posição horizontal. Se uma das duas extremidades da lâmina se deslocar para baixo, afie a extremidade pesada até que a lâmina fique equilibrada.

Para substituir a lâmina

1. Bloqueie a lâmina com um bloco de madeira.(Fig. 45)
2. Remova o parafuso da lâmina.
3. Retire a lâmina.
4. Examine o suporte e o parafuso da lâmina para verificar se existem danos.

5. Examine o eixo do motor para se certificar de que não se encontra dobrado.
6. Quando colocar a lâmina nova, aponte as extremidades inclinadas da lâmina na direção da cobertura de corte.(Fig. 46)
7. Certifique-se de que a lâmina está alinhada com a parte central do eixo do motor.
8. Bloqueie a lâmina com um bloco de madeira. Prenda a arruela de pressão e aperte o parafuso e a arruela com um binário de Nm.(Fig. 47)
9. Faça rodar a lâmina com a mão de modo a assegurar-se de que roda livremente.



ATENÇÃO: Use luvas resistentes. A lâmina é muito afiada e pode facilmente provocar cortes.

10. Ligue o produto para testar a lâmina. Se a lâmina não estiver corretamente ligada, o produto vibra ou o resultado de corte não é satisfatório.

Códigos de erro

Os códigos de erro ajudam-no a solucionar problemas na bateria e/ou no produto durante o funcionamento.

Ecrã de LED	Avarias possíveis	Passos possíveis
Nenhum LED se acende depois de premir o botão de alimentação na interface de controlo do utilizador, a bateria não funciona no produto	A bateria não está completamente colocada no produto ou o fusível interno está queimado	Empurre a bateria totalmente para a cabeça motorizada até ouvir um clique. Se os LED não se acenderem após a bateria ter sido totalmente colocada e o botão de alimentação ter sido premido na interface de controlo do utilizador, entre em contacto com um centro de assistência autorizado.
Os quatro LED de capacidade da bateria ficam intermitentes, nenhum outro LED se acende após premir o botão de alimentação	A bateria não está completamente colocada no produto ou a temperatura interna da bateria está demasiado quente ou demasiado fria.	Empurre a bateria totalmente para a cabeça motorizada até ouvir um clique. Se os LED continuarem a piscar, a temperatura interna da bateria pode estar demasiado alta ou demasiado baixa. Permite que a bateria aqueça ou arrefeça. Para aumentar o processo de refrigeração, a bateria pode ser inserida no respetivo carregador para arrefecer ativamente.
Os quatro LED de capacidade da bateria e de alimentação ficam intermitentes, nenhum outro LED se acende após premir o botão de alimentação	Manípulo de controlo do motor premido quando o botão de alimentação é pressionado pela primeira vez ou falha interna do interruptor do manípulo de controlo do motor	Solte o manípulo de controlo do motor. Se o manípulo de controlo do motor não estiver pressionado e os LED continuarem a piscar, entre em contacto com um centro de assistência autorizado.
O produto deixa de funcionar e os quatro LED de capacidade da bateria ficam intermitentes, nenhum outro LED se acende.	A bateria está solta na cabeça motorizada e já não estabelece um bom contacto, a bateria está demasiado quente ou fria ou outro erro interno da bateria	<ol style="list-style-type: none"> 1. Pare o produto. 2. Remova a bateria do produto e prima o botão indicador na bateria para mostrar o código de erro. Os LED da bateria acendem-se e apresentam um código de erro. 3. Leia o manual da bateria incluído para obter uma lista dos códigos de erro de LED relacionados para possíveis avarias e procedimentos. <p>Se a bateria não apresentar um erro após premir o botão indicador da bateria e apenas apresentar o estado de carga, a bateria pode ter-se soltado da cabeça motorizada durante o funcionamento. Instale a bateria corretamente na cabeça motorizada até ouvir um clique.</p>

Ecrã de LED	Avárias possíveis	Passos possíveis
O produto para de funcionar e o botão de alimentação fica intermitente enquanto os LED de capacidade da bateria continuam a apresentar o estado de carga atual	A câmara de corte está obstruída com relva, o controlador do motor está demasiado quente ou existe uma avaria no motor	<ol style="list-style-type: none"> 1. Pare o produto. 2. Remova a bateria e coloque o produto de lado, com a interface de controlo do utilizador voltada para cima. 3. Verifique se existem danos na lâmina, no perno da lâmina, no conjunto de lâminas, no motor e na base do motor. Limpe toda a relva da parte inferior da máquina e verifique se existem obstruções. 4. Instale a bateria e siga o procedimento de arranque para iniciar a máquina. <p>Se o erro continuar a ser apresentado, deixe o produto arrefecer. O controlador do motor pode estar demasiado quente para o funcionamento. Se o erro continuar a ser apresentado, fale com um centro de assistência autorizado.</p>

TRANSPORTE E ARMAZENAMENTO

- Mantenha o equipamento seguro durante o transporte para evitar danos e acidentes.
- Para efetuar o armazenamento, remova a chave de segurança e mantenha o equipamento numa área que pode trancar, longe do alcance das crianças e de pessoas não autorizadas.
- Para efetuar o armazenamento, mantenha o produto e o equipamento num local seco e à prova de geada.
- Ao carregar ou deslocar o produto, não exceda o ângulo máximo de operação recomendado de 15 graus.
- Limpe o produto. Para mais informações, consulte *Limpar o produto na página 224*.
- Lubrifique o produto.
- Aperte os parafusos e as porcas.
- Substitua ou repare as peças danificadas.
- Retoque todas as superfícies de tinta com ferrugem ou danificadas. Lixe levemente antes de pintar.
- Utilize a cobertura de proteção correta no produto que não retenha a humidade. Não utilize plástico uma vez que este não respira, permite a formação de condensação e provoca a corrosão do produto.
- Retire sempre a bateria antes de efetuar o transporte ou armazenamento.

ESPECIFICAÇÕES TÉCNICAS

	unidade	LM2146C Li58-52 (58VBKJN46C)	LM2146CA Li58-52 (58VBKJN46CR)
Motor de corte			
Tipo de motor	—	BLDC (sem escova) 58V	BLDC (sem escova) 58V
Velocidade do motor – modo ECO	rpm	2300	2300
Velocidade do motor – modo Auto	rpm	2500 RPM até a corrente ser superior a 12 A durante 3 segundos; as RPM aumentam para 2800 RPM até a corrente ser inferior a 18 A durante 10 segundos.	2500 RPM até a corrente ser superior a 12 A durante 3 segundos; as RPM aumentam para 2800 RPM até a corrente ser inferior a 18 A durante 10 segundos.
Velocidade do motor – modo Boost	rpm	2800	2800

	unidade	LM2146C Li58-52 (58VBKJN46C)	LM2146CA Li58-52 (58VBKJN46CR)
Potência do motor – máx.	kW	1,5	1,5
Potência do motor – máx. contínua	kW	0,9	0,9
Potência do motor – nominal	kW	0,9	0,9
Proteção contra sobreintensidade (corrente máxima)	A (amperes)	25	25
Peso			
Peso (sem bateria)	kg	23,5	24,5
Bateria			
Tipo de bateria		590923813	590923813
Tempo de operação da bateria			
Tempo de operação da bateria	m ²	Até 1200	Até 1000
Emissões de ruído ⁵⁵			
Nível de potência sonora, medido	dB (A)	87	87
Nível de potência sonora, garantido LWA	dB (A)	87	87
Níveis acústicos			
⁵⁶			
Nível de pressão sonora ao nível do ouvido do operador	dB (A)	< 80	< 80
Níveis de vibração			
⁵⁷			
Punho	m/s ²	0,65	0,65
Cortar			
Altura de corte	mm	30-80	30-80
Largura de corte	cm	46	46
Lâmina, recolha	—	581188910	581188902
Lâmina, trituração	—	581188910	581188902
Capacidade do ensacador	litros	50	50

⁵⁵ Emissões sonoras para as imediações, medidas sob forma de potência sonora (LWA) em conformidade com a diretiva 2000/14/CE.

⁵⁶ Os dados comunicados relativamente ao nível de pressão de ruído têm uma dispersão estatística típica (desvio padrão) de 1,2 dB (A).

⁵⁷ Os dados comunicados relativamente ao nível de vibração têm uma dispersão estatística típica (desvio padrão) de 0,2 m/s². Norma de vibração EN 60335-2-77:2017 capítulo 20.105.

CONTEÚDO DA DECLARAÇÃO DE CONFORMIDADE DA UE

A Husqvarna AB, SE 561 82 Huskvarna, SUÉCIA, declara, sob sua inteira responsabilidade, que o produto representado:

Descrição	Corta-relva rotativo elétrico
Marca	Jonsered
Plataforma/Tipo/Modelo	Plataforma 58VBKJN46C (a representar o modelo LM2146C Li58-52), plataforma 58VBKJN46CR (a representar o modelo LM2146CA Li58-52).
Lote	Número de série referente a 2018 e posteriores

está em plena conformidade com as seguintes diretivas e regulamentos da UE:

Diretiva/Regulamento	Descrição
2006/42/CE	"relativa a máquinas"
2014/30/UE	"relativa à compatibilidade eletromagnética"
2000/14/CE	"relativa ao ruído exterior"
2011/65/UE	"relativa a substâncias perigosas"

As normas harmonizadas e/ou especificações técnicas aplicadas são as que se seguem: EN60335-1, EN60335-2-77, EN50366, EN55014-1, EN55014-2, EN61000-3-2, EN61000-3-3

Em conformidade com a Diretiva 2000/14/CE, Anexo V, os valores de som declarados são indicados na secção de especificações técnicas deste manual e na Declaração de conformidade da UE assinada.

A Intertek executou um controlo voluntário em nome da Husqvarna AB, de modo a fornecer um Certificado de conformidade com a Diretiva 2006/42/CE do Conselho da CE relativa a máquinas.

O certificado, conforme fornecido na Declaração de conformidade da CE assinada, é aplicável a todos os locais de fabrico e países de origem, conforme indicado no produto.

O corta-relva rotativo elétrico fornecido está em conformidade com o exemplo que foi examinado.

CUPRINS

INTRODUCERE.....	229	ÎNTEȚINEREA.....	235
SIGURANȚĂ.....	230	TRANSPORTUL ȘI DEPOZITAREA.....	238
ASAMBLAREA.....	233	DATE TEHNICE.....	238
FUNCȚIONAREA.....	234	CONȚINUTUL DECLARAȚIEI DE CONFORMITATE CE.....	239

INTRODUCERE

Manualul operatorului

Limba originală a acestui manual al operatorului este engleză. Manualele operatorului în alte limbi reprezintă traduceri din limba engleză.

Prezentare generală

(Fig. 1)

1. Bara de comandă de detecție a prezenței operatorului
2. Colectorul de iarbă
3. Pârghii de transmisie
4. Cap de alimentare electric
5. Pârghie pentru înălțimea de tăiere
6. Încărcător pentru acumulator
7. Manualul operatorului
8. Interfață de control cu utilizatorul
9. Baterie
10. Capac baterie
11. Buton alimentare
12. Buton pentru modul de tăiere
13. Ușă spate
14. Lumini de indicare a stării de încărcare
15. Cheie
16. Dop pentru mărunțirea ierbii

Simbolurile de pe produs

(Fig. 2) Avertisment

(Fig. 3) Citiți acest manual

(Fig. 4) Citiți cu atenție manualul operatorului și asigurați-vă că înțelegeți instrucțiunile înainte de utilizare.

(Fig. 5) Utilizați ochelari de protecție omologați

(Fig. 6) Utilizați un sistem omologat de protecție a auzului

(Fig. 7) Utilizați un sistem omologat de protecție a capului

(Fig. 8) Utilizați un sistem omologat de protecție a auzului

(Fig. 9) Avertisment: cuțit rotativ. Feriți mâinile și picioarele.

(Fig. 10) Feriți-vă mâinile și picioarele de lamele rotative. Nu deschideți sau demontați scuturile de protecție când motorul este în funcțiune.

(Fig. 11) Înainte și în timp ce mergeți cu spatele, priviți înapoi și în jos pentru a observa copiii mici, animalele sau alte pericole care vă pot face să cădeți.

(Fig. 12) Feriți-vă de obiectele proiectate sau care ricoșează.

(Fig. 13) Țineți persoanele și animalele la o distanță sigură de zona de lucru.

(Fig. 14) Pericol de pante

(Fig. 15) Electrocutare

(Fig. 16) Scoateți cheia înainte de reparație, reglare, configurare sau transport.

(Fig. 17) Buton alimentare

(Fig. 18) Pornire motor

(Fig. 19) Mâner de control al motorului cuplat

(Fig. 20) Oprire motor

(Fig. 21) Mâner de control al motorului decuplat

(Fig. 22) Produsul sau ambalajul nu poate fi tratat ca deșeu menajer. Produsul și ambalajul trebuie trimise la un punct corespunzător de reciclare, în vederea recuperării echipamentelor electrice și electronice.

(Fig. 23) A nu se lăsa, depozita sau utiliza în ploaie sau în condiții de umezeală.

(Fig. 24) Reciclare

(Fig. 25) Nivel de putere acustică

(Fig. 26) Produsul este în conformitate cu directivele CE aplicabile

(Fig. 27) Produsul este în conformitate cu directivele EAC aplicabile

(Fig. 28) Produsul este în conformitate cu directivele aplicabile din Ucraina

- produsul este reparat necorespunzător.
- produsul este reparat cu piese care nu provin de la producător sau care nu sunt aprobate de acesta.
- produsul are un accesoriu care nu provine de la producător sau care nu este aprobat de acesta.
- produsul nu este reparat la un centru de service omologat sau de o autoritate omologată.

Răspunderea pentru produs

Conform prevederilor legislației privind răspunderea pentru produs, nu ne asumăm răspunderea pentru daunele cauzate de produsul nostru dacă:

SIGURANȚĂ

Definiții privind siguranța

Definițiile de mai jos indică nivelul de gravitate pentru fiecare cuvânt de semnalizare.



AVERTISMENT: Vătămări corporale.



ATENȚIE: Deteriorarea produsului.

Nota: Aceste informații facilitează utilizarea produsului.

Instrucțiuni generale de siguranță

- Utilizați produsul în mod corespunzător. Vătămările corporale sau decesul constituie un posibil rezultat al utilizării incorecte. Utilizați produsul numai pentru operațiile din acest manual. Nu utilizați produsul pentru alte sarcini.
- Citiți, înțelegeți și respectați instrucțiunile din acest manual. Respectați simbolurile de siguranță și instrucțiunile de siguranță. Dacă operatorul nu respectă instrucțiunile și simbolurile, pot apărea vătămări corporale, daune materiale sau decese.
- Nu aruncați acest manual. Utilizați instrucțiunile pentru a asambla, a opera și a păstra produsul în stare bună. Utilizați instrucțiunile pentru instalarea corectă a accesoriilor. Utilizați numai accesorii aprobate.
- Nu utilizați un produs deteriorat. Respectați programul de întreținere. Efectuați numai operațiile de întreținere pentru care există instrucțiuni în acest manual. Un centru de service omologat trebuie să execute toate celelalte operații de întreținere.
- Acest manual nu poate include toate situațiile care pot apărea atunci când utilizați produsul. Procedați cu atenție și folosiți-vă simțul practic. Nu operați

produsul și nu efectuați operații de întreținere la acesta dacă nu sunteți sigur cu privire la situație. Discutați cu un expert de produs, cu distribuitorul, cu agentul de service sau cu centrul de service omologat pentru informații.

- Nu utilizați produsul dacă specificația sa inițială se modifică. Nu modificați o componentă a produsului fără aprobarea producătorului. Utilizați numai piese omologate de producător. Vătămările corporale sau decesul constituie un posibil rezultat al întreținerii incorecte.
- În timpul funcționării, acest produs generează un câmp electromagnetic. Câmpul electromagnetic poate cauza deteriorarea implanturilor medicale. Discutați cu medicul dvs. și cu producătorul implantului medical înainte de a opera produsul.
- Nu permiteți copiilor să utilizeze produsul.
- Nu permiteți unei persoane care nu cunoaște instrucțiunile să utilizeze produsul.
- Monitorizați permanent o persoană cu capacități fizice sau mentale reduse care utilizează produsul. Un adult responsabil trebuie să se afle întotdeauna în zonă.
- Încuiați produsul într-o zonă inaccesibilă copiilor și persoanelor fără aprobare.
- Produsul poate proiecta obiecte și poate cauza vătămări corporale. Respectați instrucțiunile de siguranță, pentru a reduce pericolul de vătămări corporale sau de deces.
- Nu vă îndepărtați de produs când este pornit. Opriți produsul înainte de a pleca.
- Înainte și în timp ce mergeți cu spatele, priviți înapoi și în jos pentru a observa copiii mici, animalele sau alte pericole care vă pot face să cădeți.
- În caz de accident, operatorul produsului este responsabil.
- Înainte de a utiliza produsul, asigurați-vă că piesele nu sunt deteriorate.

- Consultați legislația națională sau locală. Aceasta poate interzice sau poate limita utilizarea produsului în unele situații.

Instrucțiuni de siguranță pentru utilizare

- Înainte de utilizare, familiarizați-vă cu comenzile și modul de funcționare corectă a produsului.
- Nu permiteți copiilor sau persoanelor care nu cunosc instrucțiunile să utilizeze produsul.
- Nu utilizați produsul când în apropiere se află persoane, în special copii, sau animale.
- Țineți copii la distanță de zona în care urmează să tăiați și asigurați supravegherea acestora de către un adult.
- Oprii produsul în cazul în care în zona de lucru pătrund copii.
- Inspectați temeinic zona în care se va folosi produsul. Îndepărtați toate obiectele care pot fi expulzate de produs în timpul funcționării.
- Înainte de utilizare, inspectați cuțitul, bolțul cuțitului, ansamblul cuțitului și baza motorului pentru a identifica eventuala uzură sau deteriorare.
- Utilizați produsul numai în timpul zilei sau în condiții de iluminat artificial de calitate.
- Nu utilizați produsul pe iarbă udă.
- Aveți grijă când vă apropiați de colțuri, tufișuri, copaci sau alte obiecte care vă acoperă câmpul vizual.
- Fiți foarte atenți când vă deplasați cu produsul înapoi sau când îl trageți înspre dvs.
- Nu puneți mâinile sau picioarele în apropierea pieselor care se rotesc sau sub acestea. Păstrați întotdeauna libere deschiderile de evacuare.
- Oprii cuțitul când traversați suprafețe cu pietriș.
- Oprii motorul, scoateți bateria și așteptați până când cuțitul se oprește complet înainte de a curăța produsul, de a demonta colectorul de iarbă sau a înlătura materialul din panta de descărcare.
- Nu utilizați niciodată produsul atunci când sunteți obosit, bolnav sau dacă ați consumat alcool sau droguri.
- Dacă produsul prezintă vibrații neobișnuite, oprii motorul, scoateți bateria și verificați imediat cauza. În general, astfel de vibrații indică o deteriorare.
- Nu îndreptați materialul expulzat în direcția altor persoane. Nu expulzați materialul tăiat spre un zid sau spre un alt obstacol. Materialul poate ricoșa înapoi în direcția operatorului.
- Nu utilizați produsul dacă nu sunt instalate corect toate apărătoarele, panourile, colectorul de iarbă sau alte dispozitive de siguranță.

Siguranța zonei de lucru

- Îndepărtați crengile, rămurelele, pietrele și alte obiecte de pe gazon înainte de a începe să tăiați.
- Țineți persoanele, inclusiv copiii, și animalele la o distanță sigură de zona de lucru.

- Obiectele care se lovesc de echipamentul de tăiere pot fi expulzate, provocând vătămări corporale și pagube materiale.
- Nu utilizați produsul pe vreme nefavorabilă, inclusiv ceață, ploaie, pe teren umed sau inundat, pe vânt puternic, la temperaturi exterioare foarte scăzute și atunci când există riscul de descărcări electrice. Efectuarea lucrărilor în condiții meteo nefavorabile poate cauza oboseală și alte situații periculoase, precum suprafețe alunecoase.
- Examinați zona de lucru în cauză pentru a vă asigura că nu există probabilitatea prevenirii controlului dvs. asupra produsului.
- Aveți grijă la rădăcini, pietre, crenguțe, gropi și șanțuri. Iarba înaltă poate ascunde obstacole.
- Procedați cu atenție atunci când vă apropiați de colțuri și de obiecte care vă pot afecta câmpul vizual.

Instrucțiuni de siguranță pentru utilizarea pe pante

- Aveți grijă când tăiați pe pante. Pantele pot fi periculoase. O cădere pe pantă poate cauza vătămări.
- Tăiați de-a curmezișul pantei. Nu tăiați cu mișcări în sus și în jos.
- Aveți grijă când schimbați direcția pe pantă.
- Aveți grijă la obiectele ascunse sau gropile din gazon. Terenul denivelat vă poate face să cădeți.
- Nu tăiați lângă pante abrupte, râpe, șanțuri sau taluzuri. Puteți cădea.
- Nu tăiați pe iarbă udă. Puteți cădea.
- Nu tăiați pe teren cu înclinare de peste 15 grade.

Echipament de protecție personală

Utilizați întotdeauna echipamentul de protecție personală corespunzător atunci când operați produsul. Acesta include cel puțin pantofi rezistenți, ochelari de protecție și echipament de protecție pentru auz. Echipamentul de protecție personală nu elimină pericolul de vătămări corporale, dar poate reduce gravitatea rănirii, în cazul unui accident.

- Purtați întotdeauna ochelari de protecție sau vizieră când utilizați produsul sau când efectuați lucrări de întreținere sau reparații.
- Nu operați produsul desculț sau cu pantofi decupați. Purtați întotdeauna ghete cu talpă antialunecare pentru condiții dificile de lucru cu protecție adecvată pentru glezne când utilizați produsul.
- Purtați pantaloni lungi, groși. Nu purtați pantaloni scurți, sandale și nu mergeți în picioarele goale.
- Dacă este necesar, utilizați mănuși de protecție omologate. De exemplu, la montarea, verificarea sau curățarea lamei.
- În timp ce operați produsul, utilizați întotdeauna protecții pentru ureche omologate. Zgomotul prelungit poate cauza pierderea auzului indusă de zgomot.

Dispozitive de protecție la produs

- Asigurați-vă că efectuați cu regularitate întreținerea produsului.
 - Durata de viață a produsului crește.
 - Riscul de accidente scade.

Permiteți unui distribuitor omologat sau unui centru de service omologat să examineze cu regularitate produsul, pentru a efectua reglaje sau reparații.

- Nu utilizați un produs cu echipamentul de protecție deteriorat. Dacă produsul este deteriorat, luați legătura cu un centru de service omologat.

Măner de control al motorului

Mănerul de control al motorului oprește motorul. Asigurați-vă că motorul se oprește la eliberarea mânerului de control al motorului.

- Porniți motorul și apoi eliberați mânerul de control. Apoi, motorul se oprește.

Nota: Dacă mânerul de control al motorului nu oprește motorul, apăsați butonul de alimentare pentru a-l opri. Scoateți bateria și luați legătura cu un centru de service autorizat.

Ușa spate

Ușa din spate reduce riscul expulzării obiectelor din spatele produsului în poziția de tăiere a operatorului.

- Asigurați-vă că ușa din spate nu este deteriorată și că nu se observă defecte, precum crăpături sau arcuri rupte. Defectele impun închiderea forțată a ușii. În caz de deteriorare, înlocuiți ușa sau arcurile.

Instrucțiuni de siguranță pentru întreținere



AVERTISMENT: Efectuați numai lucrările de întreținere care se regăsesc în acest manual al operatorului. Operațiile de service mai extinse trebuie efectuate de un agent de service autorizat.

Efectuați lucrările de întreținere în mod corect pentru a prelungi durata de viață a produsului și reduce pericolul de accidente. Un agent de service autorizat poate efectua lucrări de reparații profesionale. Discutați cu agentul de service cel mai apropiat de dvs. pentru mai multe informații.



AVERTISMENT: Pentru a preveni pornirea accidentală în timpul transportului, al lucrărilor de întreținere sau al reparațiilor, scoateți bateria și așteptați cel puțin 5 secunde pentru a o monta la loc.



AVERTISMENT: Purtați mănuși de protecție rezistente atunci când utilizați echipamentul de tăiere. Cuțitul este foarte ascuțit și vă puteți tăia foarte ușor.

- Mențineți tășurile ascuțite și curate, pentru performanță și siguranță optime.
- Permiteți agentului de service să verifice periodic produsul și să efectueze reglajele și reparațiile necesare.
- Înlocuiți piesele deteriorate, uzate sau defecte.
- Respectați instrucțiunile pentru înlocuirea accesoriilor. Utilizați numai accesoriile furnizate de producător.



AVERTISMENT: Când nu sunt folosite, păstrați produsul, bateria și încărcătorul separat într-un loc la interior, uscat și care poate fi încuiat, la distanță de copii și persoane neautorizate.

Siguranța bateriei

Utilizați numai baterii furnizate de producător și încărcățile numai cu încărcătorul furnizat de producător.

Bateriile reîncărcabile sunt utilizate numai ca sursă de alimentare pentru produsele cu baterie corespunzătoare. Pentru a evita vătămările corporale, bateria nu trebuie utilizată ca sursă de alimentare pentru alte dispozitive.

- Nu dezasamblați, nu deschideți și nu distrugeți bateriile.
- Nu lăsați bateriile în lumina directă a soarelui sau în locuri expuse căldurii. Păstrați bateriile la distanță de foc.
- Verificați periodic dacă bateria și încărcătorul nu sunt deteriorate. Bateriile deteriorate sau modificate prezintă pericolul de incendiu, explozie sau vătămări corporale. Nu reparați și nu deschideți bateriile deteriorate.
- Nu utilizați baterii sau produse defecte, schimbate sau deteriorate.
- Nu modificați și nu reparați produsele sau bateria. Reparațiile trebuie efectuate numai de către distribuitorul autorizat.
- Nu scurtcircuitați bateria sau o celulă a acesteia. Nu păstrați bateriile în cutii sau sertare în care pot fi scurtcircuitate prin contactul cu obiecte metalice.
- Nu scoateți bateria din ambalajul original decât dacă urmează să o utilizați.
- Nu expuneți bateriile unor șocuri mecanice.
- Dacă există scurgeri de lichid dintr-o baterie, nu lăsați lichidul să intre în contact cu pielea sau ochii. Dacă ați atins lichidul, curățați zona cu apă din abundență și consultați medicul.
- Nu utilizați decât încărcătorul specificat pentru utilizarea cu bateria respectivă.

- Observați marcajele plus (+) și minus (-) de pe baterie și produs pentru a asigura funcționarea corectă a acestora.
- Nu utilizați o baterie care nu a fost proiectată pentru utilizarea cu produsul.
- Nu utilizați simultan pe același dispozitiv baterii cu tensiuni diferite sau furnizate de producători diferiți.
- Nu lăsați bateriile la îndemâna copiilor.
- Achiziționați întotdeauna baterii corespunzătoare pentru produs.
- Păstrați bateriile curate și uscate.
- Dacă bornele bateriei se murdăresc, curățați-le cu o lavetă curată și uscată.
- Bateriile secundare trebuie încărcate înainte de utilizare. Utilizați întotdeauna încărcătorul de baterie corespunzător și consultați manualul pentru instrucțiuni de încărcare corectă.
- Nu lăsați permanent bateria la încărcat atunci când nu o utilizați.
- Păstrați manualul pentru consultare ulterioară.
- Utilizați bateria numai în modul prevăzut.
- Scoateți bateria din produs atunci când nu îl utilizați.
- Păstrați bateria departe de agrafe de birou, chei, cuie, șuruburi sau alte obiecte metalice mici în timpul funcționării. Acestea pot face o legătură între borne. Scurtcircuitarea bornelor bateriei poate cauza arsuri sau incendii.

ASAMBLAREA



AVERTISMENT: Citiți capitolul de siguranță înainte de asamblarea produsului.

Scoaterea produsului din ambalaj

1. Scoateți piesele dezasamblate livrate împreună cu produsul.
2. Tăiați cele două colțuri ale cutiei și așezați panoul de capăt pe podea.
3. Îndepărtați toate ambalajele.
4. Scoateți produsul din cutie și asigurați-vă că în aceasta nu au rămas piese dezasamblate.

Pentru a asambla mânerul

1. Aliniați orificiile șuruburilor de la baza mânerului cu orificiile de șurub din ansamblul mânerului. Montați șuruburile, șabele și rozetele. (Fig. 29)
2. Pentru a seta înălțimea mânerului, slăbiți rozetele inferioare, ridicați sau coborâți mânerul pentru a ajusta înălțimea și strângeți complet rozetele.

Pentru a așeza produsul în poziția de funcționare

1. Ridicați mânerul în poziția de operare.
2. Strângeți rozetele inferioare până la capăt.

Pentru a asambla colectorul de iarbă

1. Prindeți cadrul colectorului de iarbă de sacul de iarbă, cu partea rigidă a sacului în jos. Mențineți mânerul cadrului deasupra sacului de iarbă. (Fig. 30)
2. Atașați partea inferioară a cadrului colectorului de iarbă în canelura de pe partea inferioară a colectorului de iarbă. (Fig. 31)
3. Prindeți cârligele de pe colectorul de iarbă de marginea superioară a carcasei. (Fig. 32)

4. Introduceți partea inferioară a colectorului de iarbă în canalul de evacuare a ierbii.

Pentru a modifica produsul la modul colectare

Modul colectare spate colectează iarbă tăiată în colectorul de iarbă.



ATENȚIE: Nu utilizați produsul fără să fi închis ușa din spate sau fără să fi montat colectorul de iarbă la poziție. Nu încercați să utilizați produsul cu ușa din spate demontată sau deschisă.

1. Ridicați ușa din spate și puneți cârligele cadrului colectorului de iarbă pe pivotul ușii din spate. (Fig. 33)
2. Scoateți ușa din spate și puneți-o pe cadrul sacului de iarbă.

Pentru a modifica produsul la modul de mărunțire (dacă există)

Modul de mărunțire al produsului reduce dimensiunea ierbii tăiate. Apoi, iarbă tăiată cade pe gazon și prin iarbă. Iarbă mărunțită se biodegradează mai repede, furnizând substanțe nutritive pentru gazon.

1. Ridicați capacul posterior și scoateți colectorul de iarbă. (Fig. 34)
2. Introduceți obturatorul pentru resturi vegetale în canalul colector. (Fig. 35)
3. Închideți bine ușa din spate pe produs.

Pentru a trece produsul în modul evacuare

1. Scoateți obturatorul pentru resturi vegetale sau colectorul de iarbă. (Fig. 36)
2. Închideți bine ușa din spate pe produs.

Pentru a seta înălțimea de tăiere



ATENȚIE: Nu setați o înălțime de tăiere prea scăzută. Cușitele pot atinge solul dacă suprafața gazonului nu este plană.

Nota: Setati aceeași înălțime pe toate comenzile pentru înălțimea de tăiere.

FUNCȚIONAREA



AVERTISMENT: Citiți și înțelegeți capitolul referitor la siguranță înainte de utilizarea produsului.

Tehnica de tăiere de bază

- Pentru cele mai bune rezultate, tăiați întotdeauna cu un cuțit ascuțit. Cușitele neascuțite taie neuniform și iarba se îngâlbenește la suprafața tăieturii.
- Nu tăiați niciodată mai mult de 1/3 din lungimea ierbii. Acest lucru este valabil mai ales în timpul perioadelor secetoase. Inițial, tundeți cu o înălțime mare de tăiere. Apoi, verificați rezultatul și reduceți înălțimea până la o valoare corespunzătoare. Dacă iarba este prea înaltă, deplasați mașina încet și tundeți de două ori, dacă este necesar.
- Pentru tăierea în regim foarte greu, reduceți lățimea de tăiere trecând cu o parte din mașină peste porțiunea tunsă la fiecare trecere și tundeți iarba lent.
- Tăiați de fiecare dată în altă direcție, pentru a preveni formarea de dungi pe gazon.
- Spălați regulat colectorul de iarbă cu apă și lăsați-l să se usuce înainte de utilizare. Porii colectoarelor de iarbă din material textil se pot înfunda cu murdărie și praf în timpul utilizării. Astfel, colectorul va aduna mai puțină iarbă.

Înainte de a porni mașina de tuns iarba

- Țineți persoanele și animalele la distanță de zona de lucru.
- Efectuați întreținerea zilnică. Consultați *ÎNTREȚINEREA la pagina 235.*

Pornirea produsului

1. Introduceți bateria și apăsați până ce auziți un clic. Asigurați-vă că bateria este instalată corect. (Fig. 38)
2. Puneți cheia în buzunarul de sub capacul bateriei. Asigurați-vă că cheia este instalată corect. (Fig. 39)

Nota: Cheia poate fi poziționată într-o singură direcție.

3. Apăsați o dată pe butonul de alimentare. Butonul se aprinde complet. (Fig. 40)

1. Deplasați spre spate pârghia înălțimii de tăiere pentru a mări înălțimea de tăiere.
2. Deplasați înainte pârghia înălțimii de tăiere pentru a reduce înălțimea de tăiere. (Fig. 37)

4. Trageți de mânerul de control al motorului în direcția mânerului aparatului. Butonul de alimentare începe să lumineze intermitent. (Fig. 41)
5. Apăsați pe butonul de alimentare care luminează intermitent. Apoi, produsul va porni. (Fig. 42)

Oprirea produsului

- Eliberați mânerul de control al motorului de pe produs sau apăsați o dată pe butonul de alimentare. (Fig. 43)

Pentru a utiliza transmisia pe roți (dacă există)

(Fig. 44)

- Trageți pârghiile de transmisie în direcția mânerului.
- Înainte de a trage produsul în spate, decuplați transmisia și împingeți produsul înainte cu aproximativ 10 cm.
- Eliberați pârghiile de transmisie pentru a dezactiva transmisia, de exemplu atunci când vă apropiați de un obstacol.

Pentru golirea colectorului de iarbă

1. Ridicați colectorul de iarbă prinzându-l de mânerul cadrului.
2. Scoateți iarba tăiată din colectorul de iarbă de sub mâner.
3. Scoateți iarba tăiată din sac utilizând mânerul cadrului și mânerul sacului.



ATENȚIE: Nu trageți de sac atunci când goliți colectorul de iarbă, pentru a evita uzura.

Pentru a schimba modul de tăiere

Când este în funcțiune, produsul poate fi comutat la unul din trei moduri diferite de tăiere apăsând pe butonul pentru moduri de tăiere.

- **Modul Auto** - Produsul reglează automat viteza de tăiere în funcție de volumul de iarbă de tăiat.

- **Nota:** Produsul este setat implicit la modul Auto în timpul funcționării.

- **Modul Amplificare** - Produsul funcționează la viteză ridicată, indiferent de cantitatea de iarbă tăiată.
 - În timp ce produsul este în funcțiune, apăsați o dată pe butonul mod de tăiere pentru a comuta de la modul Auto la modul Amplificare. Astfel, butonul aferent modului de tăiere luminează.
- **Modul ECO** - Produsul funcționează la viteză mică indiferent de cantitatea de iarbă tăiată.
 - În timp ce produsul este în funcțiune, apăsați o dată pe butonul mod de tăiere pentru a comuta de la modul Amplificare la modul ECO. Astfel, butonul aferent modului de tăiere se aprinde și luminează intermitent.
 - Pentru a reveni la modul Auto implicit, apăsați o dată pe butonul aferent modului de tăiere când produsul este în funcțiune. Astfel, butonul modului de tăiere nu va mai lumina intermitent.

Nota: Dacă mânerul de control al motorului este eliberat în timpul funcționării, produsul rămâne în modul de tăiere curent. Dacă produsul se oprește automat sau operatorul apasă pe butonul de alimentare, modul de tăiere utilizat anterior este șters din memorie și produsul pornește cu modul Auto la următoarea pornire.

Indicarea stării bateriei în timpul funcționării

Afișajul de pe interfața cu utilizatorul pentru comenzi arată capacitatea bateriei și dacă sunt probleme la

baterie. Capacitatea bateriei este afișată în timp ce mașina este în funcțiune.

Lumini LED	Stare baterie
Toate LED-urile verzi se aprind	Complet încărcată (100% – 76%)
LED-urile 1, 2 și 3 se aprind	Bateria este încărcată în proporție de 75 % - 51 %.
LED-urile 1 și 2 se aprind	Bateria este încărcată în proporție de 50% - 26%.
LED-ul 1 se aprinde	Bateria este încărcată în proporție de 25% - 6%.
LED-ul 1 se aprinde intermitent	Bateria este încărcată în proporție de 5% - 0%.

Dacă există o eroare la baterie în timpul utilizării, toate cele patru LED-uri verzi de indicare a stării de încărcare a bateriei vor lumina intermitent. Scoateți bateria din mașină și apăsați pe butonul indicator de pe baterie pentru a afișa codul de eroare. LED-urile de pe baterie luminează și afișează codul de eroare, în cazul în care au survenit o eroare. Consultați manualul bateriei, în care veți găsi o listă cu codurile de eroare și soluțiile pentru erori.

ÎNȚREȚINEREA



AVERTISMENT: Citiți și înțelegeți capitolul privind siguranța înainte de a efectua operații de curățare, reparație sau întreținere asupra produsului.

Recomandări generale pentru întreținere

Garanția acestui produs nu acoperă utilizarea incorectă sau neglijența a produsului de către operator. Pentru a beneficia de garanție completă, operatorul trebuie să întrețină produsul conform instrucțiunilor din acest manual. La diferite intervale trebuie efectuate diverse reglaje pentru a menține produsul într-o stare de funcționare corectă.

- Inspectați cuțitul în fiecare an pentru a identifica eventualele urme de uzură.

Examinarea pneurilor

- Protejați pneurile de materiale nedorite și substanțe chimice pentru a preveni deteriorarea cauciucului.
- Evitați trecerea pneurilor peste rădăcini, pietre, gropi, obiecte ascuțite și alte obiecte, care pot provoca deteriorarea acestora.

Pentru a efectua o inspecție generală

- Verificați ca șuruburile și piulițele să fie bine strânse.
- Asigurați-vă că nu este prins niciun cablu.

Program de întreținere

Utilizați programul de întreținere pentru a vedea cerințele de întreținere necesare produsului dumneavoastră și când trebuie efectuată întreținerea. Intervalele sunt calculate în baza unei utilizări medii a produsului și pot diferi în funcție de frecvența de utilizare a produsului.

- Strângeți bolțurile și piulițele înainte de fiecare utilizare și înainte de depozitare.
- Curățați și inspectați colectorul de iarbă, dacă este instalat, înainte și după fiecare utilizare și înainte de depozitare.
- Inspectați pneurile înainte de fiecare utilizare.
- Goliiți produsul după fiecare utilizare și înainte de depozitare. Utilizați o racletă pentru a curăța zona de sub puncte.
- Inspectați cuțitul pentru a identifica eventualele deteriorări și crăpături la intervale de 25 de ore.

Înlocuiți mai frecvent cuțitele dacă tăiați pe sol nisipos.

- Lubrifiați produsul la intervale de 25 de ore.
- Curățați și încărcăți complet bateria după utilizare și după depozitare. Încărcați bateria maxim 24 de ore înainte de depozitare.
- Nu lăsați bateria în încărcător pe perioada depozitării. Nu lăsați bateria la încărcat mai mult de 24 de ore.
- Inspectați cureaua de transmisie și fuliile la intervale de 25 de ore (dacă există).

Curățarea produsului

- Utilizați o perie pentru a îndepărta materialul nedorit și iarba de pe produs.
- Îndepărtați materialele nedorite de pe suprafețele finisate și roți.
- Utilizați o racletă pentru a curăța depunerile de iarbă și reziduuri de sub produs.
- Nu utilizați o instalație de spălare cu presiune ridicată pentru a curăța produsul.
- Nu turnați apă direct pe capul de alimentare electric sau pe contactele bateriei.
- Când curățați sub produs, scoateți bateria și cheia de siguranță și puneți produsul pe partea laterală cu interfața de control cu utilizatorul orientată în sus.



ATENȚIE: Nu curățați produsul cu apă, lichide de curățare sau solvenți. Îndepărtați materialele nedorite de la exteriorul produsului cu o perie moale sau cu o lavetă uscată care nu conține metal.

Pentru a curăța colectorul de iarbă

- Porii colectoarelor de iarbă din material textil se pot înfunda cu murdărie și praf în timpul utilizării. Din acest motiv, colectorul va aduna mai puțină iarbă. Pentru a preveni această situație, spălați regulat colectorul de iarbă cu apă și lăsați-l să se usuce înainte de utilizare.
- Inspectați frecvent colectorul de iarbă pentru a detecta eventualele semne de uzură sau deteriorare. Înlocuiți, dacă este necesar.

Pentru a inspecta ușa din spate

Ușa din spate este fixată între roțile din spate ale produsului. Ușa scade riscul expulzării de obiecte în direcția poziției de tăiere a operatorului.

1. Asigurați-vă că ușa din spate nu este deteriorată.
2. Inspectați ușa din spate pentru a identifica eventualele defecțiuni la sistemul de închidere a ușii, inclusiv crăpături sau arcuri rupte.

Codurile de eroare

Codurile de eroare facilitează depanarea produsului și/sau a bateriei în timpul funcționării.

3. Înlocuiți ușa din spate sau arcurile dacă sunt deteriorate.

Pentru a ascuți și echilibra cuțitul

Pentru cele mai bune rezultate, păstrați cuțitul ascutit. Înlocuiți cuțitele îndoite sau deteriorate.



ATENȚIE: Utilizați mănuși și/sau înfășurați cuțitul într-un material textil gros pentru a preveni vătămarea mâinilor.

1. Ascuțiți cuțitul cu o pilă sau pe o piatră de polizor. Nu ascuțiți cuțitul când este montat pe produs.



ATENȚIE: Nu vă recomandăm să ascuțiți cuțitul. Dacă îl ascuțiți, asigurați-vă că este echilibrat. Cuțitul neechilibrat poate deteriora produsul sau motorul.

2. Introduceți un cui drept într-o bucată de lemn sau într-un perete. Asigurați-vă puteți vedea 2-3 cm din cui.
3. Puneți gaura centrală a cuțitului pe capul cuiului. Dacă este echilibrat, cuțitul va rămâne în poziție orizontală. Dacă oricare dintre capetele cuțitului se deplasează în jos, ascuțiți capătul greu până la echilibrarea cuțitului.

Pentru a înlocui lama

1. Blocați lama cu o bucată de lemn.(Fig. 45)
2. Scoateți bolțul cuțitului.
3. Demontați cuțitul.
4. Examinați suportul cuțitului și bolțul acestuia pentru a vedea dacă există deteriorări.
5. Examinați arborele motorului, pentru a vă asigura că nu s-a îndoit.
6. Când montați un cuțit nou, îndreptați capetele oblice ale cuțitului în direcția capacului de tăiere.(Fig. 46)
7. Asigurați-vă că lama este aliniată cu centrul arborelui motorului.
8. Blocați cuțitul cu o bucată de lemn. Montați șaiba elastică și strângeți bolțul și șaiba la un cuplu de Nm.(Fig. 47)
9. Învârțiți cuțitul cu mâna și asigurați-vă că se rotește liber.
10. Porniți produsul pentru a efectua un test al cuțitului. Dacă acesta nu este fixat corect, produsul vibrează sau rezultatele sunt nesatisfăcătoare.



AVERTISMENT: Purtați mănuși de protecție rezistente. Cuțitul este foarte ascutit și vă puteți tăia foarte ușor.

Ecran cu LED-uri	Erori posibile	Soluții posibile
Nu se aprinde niciun LED după apăsarea butonului de alimentare de pe interfața cu utilizatorul pentru comenzi, bateria nu funcționează în produs	Bateria nu este introdusă complet în produs sau siguranța internă este arsă	Împingeți bateria complet în capul de alimentare până când auziți un clic. Dacă LED-urile nu se aprind după ce bateria a fost introdusă complet și a fost apăsat butonul de alimentare de pe interfața de control cu utilizatorul, luați legătura cu un centru de service autorizat.
Toate cele patru LED-uri de indicare a capacității bateriei luminează intermitent, niciun alt LED nu se aprinde după apăsarea butonului de alimentare	Bateria nu este introdusă complet în produs sau temperatura internă a bateriei este prea ridicată sau prea scăzută.	Împingeți bateria complet în capul de alimentare până când auziți un clic. Dacă LED-urile continuă să lumineze intermitent, este posibil ca temperatura internă să fie prea scăzută sau prea ridicată. Lăsați bateria să se încălzească sau să se răcească. Pentru a accelera procesul de răcire, bateria poate fi introdusă în încărcător în vederea răcirii active a acesteia.
Toate cele patru LED-uri de indicare a capacității bateriei și LED-ul de alimentare luminează intermitent, niciun alt LED nu se aprinde după apăsarea butonului de alimentare	Mânerul de control al motorului este menținut apăsat când este apăsat butonul de alimentare pentru prima dată sau defecțiune la comutatorul intern al motorului de control al motorului	Eliberați mânerul de control al motorului. Dacă mânerul de control al motorului nu este menținut apăsat și LED-urile continuă să lumineze intermitent, luați legătura cu un centru de service autorizat.
Produsul se oprește și toate cele patru LED-uri de indicare a capacității bateriei luminează intermitent, nu se aprinde niciun alt LED.	Bateria nu este bine fixată în capul de alimentare și nu mai face contact în mod adecvat, este prea caldă, prea rece sau prezintă altă eroare internă specifică	<ol style="list-style-type: none"> 1. Opriți produsul. 2. Scoateți bateria din produs și apăsați pe butonul indicator de pe baterie pentru a afișa codul de eroare. LED-urile de pe baterie se aprind și afișează un cod de eroare. 3. Citiți manualul inclus al bateriei, în care veți găsi o listă cu coduri conexe de eroare cu LED-uri, pentru a identifica potențialele defecțiuni și procedurile aferente. <p>Dacă bateria nu indică nicio eroare după apăsarea butonului indicator de pe baterie și afișează numai starea de încărcare, este posibil ca bateria să se fi desprins din capul de alimentare în timpul funcționării. Instalați bateria complet în capul de alimentare până când auziți un clic.</p>
Produsul se oprește și butonul de alimentare luminează intermitent, iar LED-urile de indicare a capacității bateriei continuă să afișeze starea de încărcare curentă	Camera de tăiere este înfundată cu iarbă, controlerul motorului este prea cald sau defecțiune la motor	<ol style="list-style-type: none"> 1. Opriți produsul. 2. Scoateți bateria și așezați produsul pe partea laterală cu interfața de control cu utilizatorul orientată în sus. 3. Inspectați cuțitul, bolțul cuțitului, ansamblul cuțitului, motorul și baza motorului pentru a identifica eventualele urme de deteriorare. Curățați iarbă de sub mașină și verificați să nu existe blocaje. 4. Instalați bateria și respectați procedura de pornire pentru a porni mașina. <p>Dacă eroarea este afișată în continuare, lăsați produsul să se răcească. Controlerul motorului poate fi prea cald pentru ca acesta să funcționeze. Dacă eroarea este afișată în continuare, luați legătura cu un centru de service autorizat.</p>

TRANSPORTUL ȘI DEPOZITAREA

- Păstrați echipamentele în siguranță în timpul transportului, pentru a preveni deteriorarea și accidentele.
- Pentru depozitare, scoateți cheia de siguranță și țineți echipamentul într-un loc încuiat, departe de copiii și persoane neautorizate.
- Pentru depozitare, păstrați produsul și echipamentele într-un spațiu uscat și ferit de îngheț.
- Când încărcați sau deplasați produsul, nu depășiți unghiul maxim recomandat de funcționare de 15 grade.
- Curățați produsul. Pentru mai multe informații, consultați *Curățarea produsului la pagina 236*.
- Lubrifiați produsul.
- Strângeți șuruburile și piulițele.
- Înlocuiți sau reparați componentele avariate.
- Retușați toate suprafețele ruginite sau cu vopsea deteriorată. Șlefuiți-le ușor înainte de vopsire.
- Utilizați capacul de protecție adecvată pentru produs, care să nu rețină umezeala. Nu utilizați plastic deoarece acesta nu permite aerisirea, favorizează acumularea de condens și cauzează coroziune pe produs.
- Scoateți întotdeauna bateria înainte de transport sau depozitare.

DATE TEHNICE

	unitate	LM2146C Li58-52 (58VBKJN46C)	LM2146CA Li58-52 (58VBKJN46CR)
Motorul de tăiere			
Tip de motor	—	BLDC (fără perii) 58V	BLDC (fără perii) 58V
Turația motorului - Modul ECO	rpm	2300	2300
Turația motorului - Modul Auto	rpm	2500 rot/min până când curentul depășește 12 A timp de 3 secunde; turația crește la 2800 rot/min până când curentul scade sub 18 A timp de 10 secunde.	2500 rot/min până când curentul depășește 12 A timp de 3 secunde; turația crește la 2800 rot/min până când curentul scade sub 18 A timp de 10 secunde.
Turația motorului - Modul Amplificare	rpm	2800	2800
Putere motor - Max.	kW	1,5	1,5
Putere motor - Max continuu	kW	0,9	0,9
Putere motor - Nominală	kW	0,9	0,9
Limită de supracurent (Curent maxim)	A (amperi)	25	25
Greutate			
Greutate (fără baterie)	kg	23,5	24,5
Baterie			
Tip de baterie		590923813	590923813
Durata de utilizare a bateriei			
Durata de utilizare a bateriei	m ²	Până la 1200	Până la 1000

	unitate	LM2146C Li58-52 (58VBKJN46C)	LM2146CA Li58-52 (58VBKJN46CR)
Emisii de zgomot ⁵⁸			
Nivel de putere acustică, măsurat	dB (A)	87	87
Nivel de putere acustică, garantat LWA	dB (A)	87	87
Niveluri de zgomot 59			
Nivel de presiune acustică la urechea operatorului	dB (A)	< 80	< 80
Niveluri de vibrații 60			
Mâner	m/s ²	0,65	0,65
Tăiere			
Înălțime tăiere	mm	30-80	30-80
Lățimea de tăiere	cm	46	46
Cuțit, colectare	—	581188910	581188902
Cuțit, mărunțire	—	581188910	581188902
Capacitate colector	litri	50	50

CONȚINUTUL DECLARAȚIEI DE CONFORMITATE CE

Noi, Husqvarna AB, SE 561 82 Huskvarna, SUECIA, declarăm pe propria răspundere că produsul reprezentat:

respectă în totalitate următoarele directive și reglementări UE:

Descriere	Mașină electrică rotativă de tuns gazonul
Marcă	Jonsered
Platformă/Tip/Model	Platformă 58VBKJN46C (reprezentând modelul LM2146C Li58-52), platformă 58VBKJN46CR (reprezentând modelul LM2146CA Li58-52).
Lot	Serie cu data 2018 și în continuare

Directivă/Reglementare	Descriere
2006/42/CE	„aferență utilajelor”
2014/30/UE	„aferență compatibilității electromagnetice”
2000/14/CE	„aferență zgomotului exterior”
2011/65/UE	„Aferență substanțelor periculoase”

Standardele armonizate și/sau specificațiile tehnice aplicate sunt următoarele: EN60335-1, EN60335-2-77,

⁵⁸ Emisiile de zgomot în mediu măsurate ca putere acustică (LWA) în conformitate cu directiva CE 2000/14/CE.

⁵⁹ Datele raportate pentru presiunea nivelului de zgomot prezintă o distribuție statistică tipică (abatere standard) de 1,2 dB(A).

⁶⁰ Datele raportate pentru nivelul de vibrații prezintă o dispersie statistică tipică (abatere standard) de 0,2 m/s². Standardul privind vibrațiile EN 60335-2-77:2017, capitolul 20.105.

EN50366, EN55014-1, EN55014-2 , EN61000-3-2,
EN61000-3-3

În conformitate cu directiva 2000/14/CE, Anexa V,
valorile sonore declarate sunt declarate în secțiunea
Date tehnice a prezentului manual și în Declarația de
conformitate UE semnată.

Intertek a efectuat o examinare voluntară în numele
Husqvarna AB, eliberând un certificat de conformitate cu
directiva Consiliului CE 2006/42/CE privind utilajele.

Certificatul, furnizat în Declarația de conformitate CE
semnată, se aplică pentru toate locațiile de fabricație și
pentru toate țările de proveniență indicate pe produs.

Mașina electrică rotativă de tuns gazonul se
conformează cu exemplul supus examinării.

Содержание

ВВЕДЕНИЕ.....	241	ТЕХНИЧЕСКОЕ ОБСЛУЖИВАНИЕ.....	248
МЕРЫ БЕЗОПАСНОСТИ.....	242	ТРАНСПОРТИРОВКА И ХРАНЕНИЕ.....	251
СБОРКА.....	246	ТЕХНИЧЕСКИЕ ДАННЫЕ.....	252
ЭКСПЛУАТАЦИЯ.....	247	СОДЕРЖАНИЕ ДЕКЛАРАЦИИ О СООТВЕТСТВИИ ЕС.....	253

ВВЕДЕНИЕ

Руководство по эксплуатации

Исходный текст данного руководства по работе составлен на английском языке. Руководства по

работе на других языках являются переводами с английского.

Обзор

(Рис. 1)

1. Рычаг контроля присутствия оператора
2. Травосборник
3. Рычаги привода
4. Электрическая силовая головка
5. Рычаг регулировки высоты стрижки
6. Зарядное устройство
7. Руководство по эксплуатации
8. Пользовательский интерфейс управления
9. Блок аккумуляторов
10. Крышка аккумулятора
11. Кнопка включения
12. Кнопка режима стрижки
13. Задняя дверца
14. Световые индикаторы уровня заряда
15. Ключ
16. Пробка для мульчирования

(Рис. 8) Используйте одобренные средства защиты органов слуха

(Рис. 9) Внимание: вращающийся нож. Держите руки и ноги на безопасном расстоянии.

(Рис. 10) Не приближайте руки или ноги к вращающимся ножам. Не открывайте и не снимайте защитные щитки при работающем двигателе или электродвигателе.

(Рис. 11) Перед началом движения задним ходом и во время него внимательно смотрите назад и вниз, чтобы заметить детей, животных или предметы, из-за которых можно упасть.

(Рис. 12) Берегитесь отскакивающих предметов и рикошетов.

(Рис. 13) Следите за тем, чтобы в зоне проведения работ не было посторонних людей или животных.

(Рис. 14) Опасность опрокидывания

(Рис. 15) Удар током

(Рис. 16) Перед проведением ремонта, регулировкой, настройкой или транспортировкой извлеките ключ.

(Рис. 17) Кнопка включения

(Рис. 18) Двигатель вкл.

(Рис. 19) Рукоятка управления двигателем включена

(Рис. 20) Двигатель выкл.

(Рис. 21) Рукоятка управления двигателем выключена

Условные обозначения на изделии

(Рис. 2) Предупреждение

(Рис. 3) Прочтите данное руководство по эксплуатации

(Рис. 4) Перед началом работы внимательно прочтите руководство по эксплуатации и убедитесь, что понимаете приведенные здесь инструкции.

(Рис. 5) Используйте одобренные средства защиты глаз

(Рис. 6) Используйте одобренные средства защиты органов слуха

(Рис. 7) Пользуйтесь проверенным защитным шлемом

Данное изделие или упаковку нельзя утилизировать в качестве бытовых отходов. Изделие и упаковку необходимо передать в соответствующий пункт для переработки электрического и электронного оборудования.

(Рис. 22)

Не оставляйте, не храните и не используйте данное изделие под дождем или во влажных условиях.

(Рис. 23)

(Рис. 24) Переработка

(Рис. 25) Уровень мощности звука

Изделие соответствует действующим директивам ЕС

(Рис. 26)

Изделие соответствует действующим директивам ЕАС

(Рис. 27)

Изделие соответствует действующим директивам Украины

(Рис. 28)

Ответственность изготовителя

В соответствии с законами об ответственности изготовителя мы не несем ответственности за ущерб, вызванный эксплуатацией нашего изделия в результате:

- ненадлежащего ремонта изделия;
- использования для ремонта изделия неоригинальных деталей или деталей, неодобренных производителем;
- использования неоригинальных дополнительных принадлежностей или неодобренных производителем;
- ремонта изделия в неавторизованном сервисном центре или неквалифицированным специалистом.

МЕРЫ БЕЗОПАСНОСТИ

Инструкции по технике безопасности

Ниже приведены определения уровня опасности для каждого сигнального слова.



ПРЕДУПРЕЖДЕНИЕ: Травмирование человека.



ВНИМАНИЕ: Повреждение изделия.

Примечание: Эта информация поможет упростить эксплуатацию изделия.

Общие инструкции по технике безопасности

- Пользуйтесь изделием правильно. Неправильное использование может привести к травме или смертельному исходу. Изделие предназначено только для выполнения работ, описанных в данном руководстве. Запрещается использовать изделие для других видов работ.
- Внимательно прочитайте инструкции в данном руководстве и следуйте им. Обращайте внимание на знаки безопасности и следуйте инструкциям по технике безопасности. Несоблюдение оператором инструкций и знаков может привести к травме, повреждениям или смерти.
- Не выбрасывайте это руководство. Следуйте инструкциям по сборке, эксплуатации и уходу за изделием. Используйте эти инструкции для

правильной установки насадок и дополнительных принадлежностей. Используйте только апробированные насадки и аксессуары.

- Не используйте поврежденное изделие. Соблюдайте график техобслуживания. Выполняйте самостоятельно только те работы по техобслуживанию, которые описаны в данном руководстве. Все другие работы по техобслуживанию должны выполняться авторизованным сервисным центром.
- В данное руководство невозможно включить все ситуации, которые могут возникнуть при использовании изделия. Будьте осторожны и руководствуйтесь здравым смыслом. Если вы не уверены в ситуации, не используйте изделие и не выполняйте его техобслуживание. Для получения необходимой информации обратитесь к специалисту по продукции, дилеру, специалисту по обслуживанию или в авторизованный сервисный центр.
- Запрещается использовать изделие, если были изменены его исходные технические характеристики. Запрещено вносить изменения в конструкцию изделия без одобрения производителя. Используйте только рекомендованные производителем детали. Неправильное техобслуживание может привести к травме или смертельному исходу.
- Во время работы данное изделие создает электромагнитное поле. Электромагнитное поле может привести к повреждению медицинских имплантатов. Проконсультируйтесь с врачом и изготовителем имплантата перед использованием изделия.
- Не позволяйте детям использовать изделие.

- Не разрешайте пользоваться изделием людям, которые не знакомы с данными инструкциями.
- Не оставляйте без присмотра людей с физическими или умственными нарушениями, использующих изделие. Они должны постоянно находиться под присмотром взрослого.
- Храните изделие в месте, недоступном для детей и лиц, не имеющих разрешения на использование.
- Во время работы изделие может отбрасывать находящиеся на земле предметы, что может привести к травме. Чтобы уменьшить риск получения серьезных или смертельных травм, соблюдайте инструкции по технике безопасности.
- Запрещается оставлять без присмотра работающее изделие. Прежде чем остановить изделие без присмотра, остановите работу изделия.
- Перед началом движения задним ходом и во время него внимательно смотрите назад и вниз, чтобы заметить детей, животных или предметы, из-за которых можно упасть.
- При возникновении несчастного случая ответственность несет оператор изделия.
- Перед использованием изделия проверьте детали на отсутствие повреждений.
- Соблюдайте требования национальных или местных законов. В некоторых случаях они могут запрещать или ограничивать использование изделия.
- Запрещается эксплуатировать изделие во влажной траве.
- Будьте осторожны возле поворотов, кустов, деревьев и других предметов, которые затрудняют обзор.
- Соблюдайте особую осторожность, когда движетесь задним ходом или тянете изделие назад на себя.
- Не помещайте руки или ноги рядом с вращающимися деталями или под ними. Всегда держитесь в стороне от выпускных отверстий.
- При пересечении поверхностей, покрытых гравием, останавливайте нож.
- Перед очисткой изделия, снятием травосборника или удалением материала из желоба для выброса остановите двигатель, извлеките блок аккумуляторов и дождитесь полной остановки вращения ножа.
- Ни в коем случае не используйте изделие, если вы устали, больны или находитесь под воздействием спиртного или других наркотических веществ.
- При возникновении необычной вибрации изделия остановите двигатель, извлеките блок аккумуляторов и незамедлительно выполните проверку, чтобы найти причину. Вибрация, как правило, является сигналом наличия повреждения.
- Не направляйте выбрасываемый материал в сторону других людей. Не направляйте выброс материала на стену или другое препятствие. Материал может ricochetом отскочить в сторону оператора.
- Запрещается использовать изделие, если на него не установлены надлежащие щитки, пластины, травосборник или иные защитные устройства.

Инструкции по технике безопасности во время эксплуатации

- Перед использованием ознакомьтесь с органами управления и процедурой правильной эксплуатации изделия.
- Не разрешайте пользоваться изделием детям и людям, которые не знакомы с данными инструкциями.
- Не используйте изделие в непосредственной близости от людей (особенно детей) или животных.
- Не допускайте нахождения детей в области, где будет проходить стрижка. Дети должны находиться под наблюдением взрослого.
- Выключайте изделие, когда в рабочую зону входят дети.
- Полностью осмотрите и проверьте область, где будет использоваться изделие. Уберите все предметы, которые могут быть отброшены изделием во время работы.
- Перед использованием изделия осмотрите нож, болт ножа, узел ножа и основание двигателя на наличие износа или повреждений.
- Используйте изделие только при дневном или надлежащем искусственном освещении.

Техника безопасности на рабочем месте

- Перед началом кошения уберите с газона ветви, сучья, камни и прочие предметы.
- Следите за тем, чтобы посторонние люди (включая детей) и животные находились на безопасном расстоянии от зоны проведения работ.
- Предметы, ударяющиеся о режущий инструмент, могут быть отброшены, что приведет к травмам или повреждению имущества.
- Не используйте изделие при неблагоприятных погодных условиях, например, в туман, дождь, при сильном ветре, влажности, на сырых участках, при низких температурах воздуха, риске удара молнии. Плохие погодные условия могут создавать опасные условия для работы, например, скользкие поверхности, и привести к усталости оператора.
- Проверьте рабочую зону и убедитесь в отсутствии факторов, которые могут привести к потере управления изделием.

- Остерегайтесь корней, камней, сучьев, ям и канав. Высокая трава может скрывать препятствия.
- Проявляйте осторожность при приближении к скрытым из видимости поворотам и предметам, которые могут затруднять ваш обзор.

Инструкции по технике безопасности при работе на склоне

- Соблюдайте осторожность при стрижке травы на склонах. Склоны могут представлять опасность. Падение на склоне может стать причиной травмы.
- Выполняйте стрижку поперек поверхности склона. Во время стрижки не передвигайтесь вверх и вниз по поверхности склона.
- Соблюдайте осторожность при смене направления движения на склоне.
- Остерегайтесь скрытых объектов и ям в газоне. Неровная поверхность может стать причиной падения.
- Не выполняйте стрижку травы вблизи крутых склонов, обрывов, канав и берегов. Вы можете упасть.
- Не косите влажную траву. Вы можете упасть.
- Не выполняйте стрижку на склонах с величиной уклона более 15 градусов.

Средства индивидуальной защиты

Всегда используйте соответствующее защитное снаряжение при эксплуатации изделия. Это должна быть как минимум прочная обувь и защита органов зрения и слуха. Средства индивидуальной защиты не могут полностью исключить риск получения травмы, но при несчастном случае они снижают тяжесть травмы.

- Во время эксплуатации, технического обслуживания или ремонта изделия всегда надевайте защитные очки или щитки.
- При эксплуатации изделия запрещается быть босиком или носить открытую обувь. При эксплуатации изделия всегда надевайте прочные нескользкие ботинки с хорошей поддержкой голеностопа.
- Надевайте прочные длинные брюки. Не носите шорты, сандалии и не ходите босиком.
- При необходимости используйте проверенные защитные перчатки. Например, при установке, осмотре или очистке ножа.
- Всегда надевайте одобренные защитные наушники при использовании изделия. Длительное воздействие шума может привести к снижению слуха.

Защитные устройства на изделии

- Регулярно выполняйте техническое обслуживание изделия.
 - Повышается срок службы изделия.

- Уменьшается риск несчастных случаев.

Ваш авторизованный дилер или сервисный центр должен регулярно проверять изделие и выполнять необходимую регулировку и ремонт.

- Запрещается эксплуатировать изделие, если защитное оборудование повреждено. При повреждении изделия обращайтесь в авторизованный сервисный центр.

Рукоятка управления двигателем

Рукоятка управления двигателем предназначена для остановки двигателя. Убедитесь, что двигатель останавливается, когда рукоятка управления двигателем отпущена.

- Запустите двигатель и отпустите рукоятку управления. Двигатель остановится.

Примечание: Если рукоятка управления двигателем не останавливает двигатель, нажмите кнопку включения для его остановки. Извлеките блок аккумуляторов и обратитесь в авторизованный сервисный центр.

Задняя дверца

Задняя дверца снижает риск выброса предметов из задней части изделия в направлении рабочего положения оператора.

- Убедитесь, что задняя дверца не имеет повреждений и таких видимых дефектов, как трещины и сломанные пружины. В случае повреждения дверца принудительно закрывается. В случае повреждения замените дверцу или пружины.

Инструкции по технике безопасности во время технического обслуживания



ПРЕДУПРЕЖДЕНИЕ: Выполняйте техобслуживание строго в соответствии с инструкциями, приведенными в руководстве по эксплуатации. Более расширенное обслуживание выполняется авторизованной сервисной мастерской.

Чтобы продлить срок службы агрегата и снизить вероятность несчастных случаев, соблюдайте все требования к проведению обслуживания. Профессиональный ремонт могут выполнить специалисты авторизованного сервисного центра. Для получения дополнительной информации обратитесь в ближайшее представительство компании.



ПРЕДУПРЕЖДЕНИЕ: Во избежание случайного запуска при транспортировке, обслуживании или ремонте извлеките блок аккумуляторов и подождите не менее 5 секунд перед его установкой на место.



ПРЕДУПРЕЖДЕНИЕ: При работе с режущим оборудованием используйте прочные перчатки. Нож очень острый, что при неосторожном обращении может легко привести к порезам.

- Для повышения качества и безопасности работы регулярно затачивайте и чистите режущие края изделия.
- Регулярно обращайтесь в сервисный центр для проверки изделия и выполнения необходимой регулировки и ремонта.
- Замените поврежденные, сломанные или изношенные детали.
- Соблюдайте инструкции по замене принадлежностей. Пользуйтесь только оригинальными принадлежностями.



ПРЕДУПРЕЖДЕНИЕ: Когда изделие не эксплуатируется, храните его, блок аккумуляторов и зарядное устройство по отдельности в сухом помещении под замком, вне доступа детей и лиц, не имеющих соответствующего разрешения.

Техника безопасности при работе с аккумулятором

Используйте блоки аккумуляторов только от производителя и заряжайте их только в зарядном устройстве от производителя.

Перезаряжаемые аккумуляторы используются только в качестве источника питания для соответствующих беспроводных изделий. Во избежание травм блок аккумуляторов не должен использоваться в качестве источника питания в других устройствах.

- Запрещается разбирать, открывать или разламывать аккумуляторные батареи.
- Нельзя хранить блоки аккумуляторов под прямыми солнечными лучами или на жаре. Избегайте контакта аккумуляторных батарей с огнем.
- Регулярно проверяйте зарядное устройство и блок аккумуляторов на наличие повреждений. Поврежденные или модифицированные аккумуляторные батареи могут стать причиной пожара, взрыва или травмы. Нельзя выполнять ремонт или открывать поврежденные блоки аккумуляторов.

- Нельзя использовать блок аккумуляторов или изделие, если они неисправны, модифицированы или повреждены.
- Нельзя модифицировать или ремонтировать изделия или блок аккумуляторов. Ремонт должен выполнять только ваш авторизованный дилер.
- Не допускайте короткого замыкания элемента или блока аккумуляторов. Не храните аккумуляторы в коробке или ящике, где они могут получить короткое замыкание при контакте с другими металлическими предметами.
- Не извлекайте блок аккумуляторов из оригинальной упаковки до момента использования.
- Не допускайте механического воздействия на блоки аккумуляторов.
- При возникновении утечки из аккумулятора не допускайте попадания жидкости на кожу или в глаза. Если вы прикоснулись к жидкости, промойте участок контакта большим количеством воды и обратитесь за медицинской помощью.
- Не используйте зарядное устройство, которое не предназначено для использования с данным блоком аккумуляторов.
- Для обеспечения правильной работы обращайтесь внимание на обозначения плюс (+) и минус (-) на блоке аккумуляторов и изделии.
- Запрещено использование аккумуляторных батарей, не предназначенных для использования с данным изделием.
- Не используйте блоки аккумуляторов с разным напряжением или разных производителей в одном устройстве.
- Храните блоки аккумуляторов в местах, недоступных для детей.
- Всегда приобретайте блоки аккумуляторов, соответствующие изделию.
- Содержите аккумуляторы чистыми и сухими.
- В случае загрязнения клемм аккумуляторной батареи протрите их чистой сухой тканью.
- Запасные блоки аккумуляторов необходимо заряжать перед использованием. Всегда используйте соответствующее зарядное устройство и обращайтесь к руководству для получения указаний по правильной зарядке.
- Не оставляйте аккумуляторную батарею на длительной зарядке, если она не используется.
- Сохраните руководство для дальнейшего использования.
- Используйте блоки аккумуляторов только по прямому назначению.
- Вынимайте аккумуляторную батарею из изделия, когда оно не используется.
- Во время работы не допускайте контакта блока аккумуляторов со скрепками, ключами, гвоздями, винтами и прочими мелкими металлическими предметами. Это может привести к короткому замыканию. Замыкание клемм блока

аккумуляторов может привести к ожогам или пожару.

СБОРКА



ПРЕДУПРЕЖДЕНИЕ: Перед сборкой изделия ознакомьтесь с разделом безопасности.

Извлечение изделия из картонной упаковки

1. Извлеките отдельные компоненты, входящие в комплект поставки изделия.
2. Вырежьте торец картонной коробки, начиная рез с верхних углов торца, и опустите вниз вырезанный торец.
3. Снимите весь упаковочный материал.
4. Извлеките изделие из коробки и убедитесь, что внутри не осталось отдельных компонентов.

Сборка рукоятки

1. Совместите резьбовые отверстия в нижней части рукоятки с резьбовыми отверстиями в узле рукоятки. Установите винты, шайбы и ручки. (Рис. 29)
2. Для того чтобы установить высоту рукоятки, отверните нижние ручки, отрегулируйте высоту рукоятки и надежно затяните ручки.

Установка изделия в рабочее положение

1. Поднимите рукоятку в рабочее положение.
2. Затяните нижние ручки до упора.

Установка травосборника

1. Установите раму травосборника на мешок травосборника таким образом, чтобы жесткая часть мешка оказалась внизу. Ручка рамы должна располагаться поверх мешка. (Рис. 30)
2. Установите нижнюю часть рамы травосборника в канавку в нижней части травосборника. (Рис. 31)
3. Установите захваты травосборника на верхний край шасси. (Рис. 32)
4. Поместите нижнюю часть травосборника в канал для выброса травы.

Переоснащение изделия для его использования в режиме сбора травы

В режиме заднего сборника изделие осуществляет сбор обрезков травы в травосборник.



ВНИМАНИЕ: Не используйте изделие, если задняя дверца не закрыта или не установлен сертифицированный травосборник. Ни в коем случае не используйте изделие, если задняя дверца открыта или снята.

1. Поднимите заднюю дверцу и установите крюки рамы травосборника на кронштейны задней дверцы. (Рис. 33)
2. Отпустите заднюю дверцу и дайте ей лечь на верхнюю часть рамы травосборника.

Переоснащение изделия для его использования в режиме мульчирования (при наличии)

В режиме мульчирования изделие измельчает траву на более мелкие обрезки. Обрезки травы затем падают на газон и распространяются по траве. Измельченная трава быстрее разлагается, обеспечивая газон питательными веществами.

1. Поднимите заднюю крышку и снимите травосборник. (Рис. 34)
2. Вставьте пробку для мульчирования в канал для выброса травы. (Рис. 35)
3. Плотно закройте заднюю дверцу, чтобы она прилегала к изделию.

Переоснащение изделия для его использования в режиме выброса

1. Снимите пробку для мульчирования или травосборник. (Рис. 36)
2. Плотно закройте заднюю дверцу, чтобы она прилегала к изделию.

Регулировка высоты стрижки



ВНИМАНИЕ: Не устанавливайте высоту стрижки слишком низко. Ножи могут ударяться о землю, если поверхность газона неровная.

Примечание: Установите все регуляторы высоты стрижки на одинаковую высоту.

1. Переведите рычаг регулировки высоты стрижки назад, чтобы увеличить высоту стрижки.

2. Переведите рычаг регулировки высоты стрижки вперед, чтобы уменьшить высоту стрижки. (Рис. 37)

ЭКСПЛУАТАЦИЯ



ПРЕДУПРЕЖДЕНИЕ: Перед началом эксплуатации изделия внимательно изучите раздел техники безопасности.

Базовая техника стрижки

- Для достижения оптимальных результатов следует всегда использовать остро заточенный нож. Затупившийся нож будет стричь неровно, и в месте среза трава будет желтеть.
- Не срезайте более 1/3 всей длины травы. Это касается, в первую очередь, засушливого времени года. Выполните первую стрижку на большей высоте. Затем проверьте результат и скосите траву до необходимого уровня. Если трава слишком высокая, медленнее передвигайте изделие и при необходимости выполняйте стрижку в два подхода.
- При косении крайне высоких объемов травы уменьшите ширину стрижки, частично проходя изделием по ранее скошенному участку травы, и выполняйте стрижку медленнее.
- Если вы хотите избежать образования полос на вашем газоне, следует каждый раз стричь его в разных направлениях.
- Регулярно промывайте травосборник водой из шланга, после чего дайте ему высохнуть перед использованием. Поры в тканевых травосборниках могут наполняться грязью и пылью по мере использования изделия. Вследствие этого травосборник будет собирать меньше травы.

Перед запуском газонокосилки

- Позаботьтесь, чтобы в рабочей зоне не находились люди и животные.
- Выполняйте ежедневное обслуживание. См. раздел *ТЕХНИЧЕСКОЕ ОБСЛУЖИВАНИЕ* на стр. 248.

Запуск изделия

1. Вставьте блок аккумуляторов до щелчка. Убедитесь в правильности установки блока аккумуляторов. (Рис. 38)
2. Поместите ключ в карман под крышкой аккумулятора. Убедитесь в правильности установки ключа. (Рис. 39)

Примечание: Ключ может быть вставлен только в одном направлении.

3. Нажмите один раз кнопку включения. Кнопка полностью загорится. (Рис. 40)

4. Потяните рукоятку управления двигателем в направлении рукоятки изделия. Кнопка включения начнет мигать. (Рис. 41)
5. Нажмите мигающую кнопку включения. После этого изделие запустится. (Рис. 42)

Остановка изделия

- Отпустите рукоятку управления двигателем и один раз нажмите кнопку включения. (Рис. 43)

Использование привода колес (при наличии)

(Рис. 44)

- Потяните рычаги привода в направлении рукоятки.
- Прежде чем потянуть изделие назад, отключите привод и толкните изделие вперед примерно на 10 см.
- Отпустите рычаги привода, чтобы отключить привод, например, при приближении к препятствию.

Опорожнение травосборника

1. Поднимите травосборник с помощью ручки рамы.
2. Удалите обрезки травы из травосборника снизу ручки.
3. Удалите обрезки травы из сборника, используя ручку рамы и ручку сборника.



ВНИМАНИЕ: Не волочите сборник при опорожнении травосборника во избежание износа.

Изменение режима стрижки

Во время работы изделия можно переключаться между тремя различными режимами стрижки путем нажатия кнопки режима стрижки.

- **Автоматический режим** — Изделие автоматически регулирует скорость стрижки изделия в зависимости от количества скашиваемой травы.

• **Примечание:** Автоматический режим является рабочим режимом по умолчанию.

- **Усиленный режим** — Изделие работает на высокой скорости независимо от количества скашиваемой травы.

• Во время работы изделия один раз нажмите кнопку режима стрижки для переключения с

автоматического режима на усиленный режим. Кнопка режима стрижки загорится.

- **Режим ECO** — Изделие работает на низкой скорости независимо от количества скашиваемой травы.
 - Во время работы изделия один раз нажмите кнопку режима стрижки для переключения с усиленного режима на режим ECO. Кнопка режима стрижки загорится и начнет мигать.
 - Для возврата к автоматическому режиму во время работы изделия один раз нажмите кнопку режима стрижки. Кнопка режима стрижки перестанет мигать.

Примечание: Если рукоятка управления двигателем была отпущена во время работы, то на изделии останется включенным текущий режим стрижки. В случае автоматической остановки изделия или нажатия оператором кнопки включения, использовавшийся ранее режим стрижки удаляется из памяти и при следующем включении изделие запускается в автоматическом режиме.

Индикация заряда аккумулятора во время эксплуатации

Дисплей на пользовательском интерфейсе управления отображает емкость аккумулятора и наличие неисправностей в блоке аккумуляторов. Емкость аккумулятора отображается во время работы изделия.

Светодиодные индикаторы	Состояние аккумулятора
Загораются все зеленые светодиоды	Полностью заряжен (100% - 76%)
Загораются светодиоды 1, 2 и 3	Заряд блока аккумуляторов — 75-51%.
Загораются светодиоды 1 и 2	Заряд блока аккумуляторов — 50-26%.
Загорается светодиод 1	Заряд блока аккумуляторов — 25-6%.
Светодиод 1 мигает	Заряд блока аккумуляторов — 5-0%.

В случае возникновения ошибки в блоке аккумуляторов во время работы начинают мигать все четыре зеленых светодиода дисплея уровня заряда. Извлеките блок аккумуляторов из изделия и нажмите кнопку индикатора на блоке аккумуляторов для отображения кода ошибки. В случае возникновения ошибки светодиоды на блоке аккумуляторов загораются и отображают код ошибки. Список кодов ошибок и способы устранения ошибок см. в руководстве по эксплуатации аккумулятора.

ТЕХНИЧЕСКОЕ ОБСЛУЖИВАНИЕ



ПРЕДУПРЕЖДЕНИЕ: Перед очисткой, ремонтом или техническим обслуживанием изделия внимательно изучите раздел техники безопасности.

- Не допускайте наезда шин на пни, камни, рывтины, острые и другие предметы, которые могут повредить шины.

Для выполнения общего осмотра

- Проверьте затяжку гаек и винтов.
- Убедитесь, что кабели на заземлены.

Общие рекомендации по техническому обслуживанию

Гарантия на данное изделие не распространяется на повреждения, вызванные небрежностью или неправильной эксплуатацией изделия оператором. Чтобы полностью воспользоваться гарантией, оператор должен выполнять техническое обслуживание изделия строго в соответствии с инструкциями в данном руководстве. Различные настройки должны выполняться через разные интервалы времени, чтобы поддерживать работоспособность вашего изделия.

- Ежегодно проверяйте нож на наличие износа.

Проверка шин

- Не допускайте попадания на шины постороннего материала и химических веществ, т.к. они могут повредить резину.

График технического обслуживания

Необходимые требования по техническому обслуживанию изделия и периодичность обслуживания см. в графике технического обслуживания. Интервалы обслуживания рассчитаны на основе средней интенсивности использования изделия и могут отличаться в зависимости от частоты его использования.

- Каждый раз перед использованием, а также перед помещением изделия на хранение затягивайте болты и гайки.
- Каждый раз перед использованием и после него, а также перед помещением изделия на хранение очищайте и проверяйте травосборник (при наличии).

- Проверяйте шины каждый раз перед использованием.
- Проводите очистку изделия каждый раз после использования и перед помещением его на хранение. Используйте скребок для очистки области под декой.
- Проверяйте нож на наличие повреждений и трещин через каждые 25 часов. Чаше меняйте ножи при работе с песчаной почвой.
- Смазывайте изделие через каждые 25 часов.
- После использования и хранения изделия очистите и полностью зарядите блок аккумуляторов. Перед помещением изделия на хранение зарядите блок аккумуляторов не более 24 часов.
- Храните блок аккумуляторов отдельно от зарядного устройства. Заряжайте блок аккумуляторов не более 24 часов.
- Проверяйте приводной ремень и шкивы через каждые 25 часов (при наличии).

Очистка изделия

- Для удаления с изделия постороннего материала и травы используйте щетку.
- Не допускайте наличия постороннего материала на колесах и обработанных поверхностях.
- Очистите нижнюю сторону изделия скребком для удаления скопленной травы и мусора.
- Не используйте моечный агрегат высокого давления для очистки изделия.
- Не направляйте струю промывочной воды непосредственно на электрическую силовую головку и контакты аккумулятора.
- При очистке нижней стороны изделия извлеките блок аккумуляторов и предохранительный ключ и положите изделие на бок таким образом, чтобы пользовательский интерфейс управления был обращен вверх.



ВНИМАНИЕ: Не используйте для очистки изделия воду, чистящие средства или растворители. Удалите посторонний материал на внешней стороне изделия мягкой щеткой или сухой тряпкой, не содержащей металла.

Очистка травосборника

- Поры в тканевых травосборниках могут наполняться грязью и пылью по мере использования. Это приведет к тому, что сборник будет собирать меньше травы. Во избежание этого регулярно промывайте шлангом травосборник, после чего дайте ему высохнуть перед использованием.
- Регулярно проверяйте травосборник на наличие износа или повреждений. При необходимости выполните замену.

Проверка задней дверцы

Задняя дверца установлена между задними колесами изделия. Дверца снижает риск отбрасывания предметов в направлении рабочего положения оператора.

1. Убедитесь, что задняя дверца не имеет повреждений.
2. Проверьте заднюю дверцу на наличие дефектов, которые приводят к ее заклиниванию, включая трещины или сломанные пружины.
3. В случае повреждения замените заднюю дверцу или пружины.

Заточка и балансировка ножа

Для достижения оптимальных результатов нож должен оставаться острым. Заменяйте погнутый или поврежденный нож.



ВНИМАНИЕ: Для защиты рук используйте перчатки и/или обмотайте нож плотной тканью.

1. Затачивайте нож напильником или на шлифовальном круге. Не затачивайте нож, если он установлен на изделии.



ВНИМАНИЕ: Мы не рекомендуем вам самостоятельно выполнять заточку ножа. Если вы выполняете заточку ножа самостоятельно, убедитесь, что нож сбалансирован. Несбалансированный нож может привести к повреждению изделия или двигателя.

2. Вбейте прямой гвоздь в деревянный брусок или другую плашку. Убедитесь, что вы видите 2-3 см гвоздя.
3. Поместите центральное отверстие ножа на головку гвоздя. Если нож сбалансирован, он будет оставаться в горизонтальном положении. Если какая-либо из сторон ножа опускается, заточите тяжелый конец таким образом, чтобы нож был сбалансирован.

Замена ножа

1. Заблокируйте нож деревянным бруском.(Рис. 45)
2. Снимите болт ножа.
3. Снимите нож.
4. Проверьте опору и болт ножа на наличие повреждений.
5. Осмотрите вал двигателя на наличие деформаций.
6. При установке нового ножа находящиеся под углом края должны быть обращены в направлении режущей деки.(Рис. 46)

7. Убедитесь, что нож выставлен по центру вала двигателя.
8. Заблокируйте нож деревянным бруском. Установите пружинную шайбу и затяните болт с шайбой моментом Nm.(Рис. 47)
9. Проверните нож рукой и убедитесь, что он свободно вращается.

что при неосторожном обращении может легко привести к порезам.

10. Запустите изделие, чтобы проверить работу ножа. Если нож установлен неправильно, вы ощутите вибрацию изделия, или результат стрижки будет неудовлетворительным.



ПРЕДУПРЕЖДЕНИЕ: Используйте прочные перчатки. Нож очень острый,

Коды ошибок

Коды ошибок помогают вам выполнить поиск и устранение неисправностей изделия и/или блока аккумуляторов во время работы.

Светодиодный экран	Возможные неисправности	Возможные варианты решения
Ни один светодиод не загорается после нажатия кнопки включения на пользовательском интерфейсе управления, блок аккумуляторов не функционирует на изделии	Блок аккумуляторов не полностью вставлен в изделие, или перегорел внутренний предохранитель	Полностью вставьте блок аккумуляторов в силовую головку до щелчка. Если после полной установки блока аккумуляторов и нажатия кнопки включения на пользовательском интерфейсе управления светодиоды не загораются, обратитесь в авторизованный сервисный центр.
Мигают все четыре светодиода емкости аккумулятора, после нажатия кнопки включения другие светодиоды не загораются	Блок аккумуляторов не полностью вставлен в изделие, или слишком высокая / слишком низкая внутренняя температура блока аккумуляторов.	Полностью вставьте блок аккумуляторов в силовую головку до щелчка. Если светодиоды продолжают мигать, внутренняя температура блока аккумуляторов может быть слишком низкой или слишком высокой. Дайте блоку аккумуляторов остыть или нагреться. Для ускорения процесса охлаждения блок аккумуляторов можно поместить в зарядное устройство для активного охлаждения блока.
Мигают все четыре светодиода емкости и питания аккумулятора, после нажатия кнопки включения другие светодиоды не загораются	При первом нажатии кнопки включения рукоятка управления двигателем находилась в нажатом положении, или внутренняя неисправность переключателя рукоятки управления двигателем	Отпустите рукоятку управления двигателем. Если рукоятка управления двигателем не находится в нажатом положении, а светодиоды продолжают мигать, обратитесь в авторизованный сервисный центр.

Светодиодный экран	Возможные неисправности	Возможные варианты решения
Изделие перестает работать, мигают все четыре светодиода емкости аккумулятора, другие светодиоды не загораются.	Ослаблено крепление блока аккумуляторов в силовой головке (нарушен надлежащий контакт блока), слишком высокая / слишком низкая температура блока аккумуляторов или другая внутренняя ошибка аккумулятора	<ol style="list-style-type: none"> 1. Остановите изделие. 2. Извлеките блок аккумуляторов из изделия и нажмите кнопку индикатора на блоке аккумуляторов для отображения кода ошибки. Светодиоды на блоке аккумуляторов загораются и отображают код ошибки. 3. Для выявления возможной неисправности и ее устранения см. список кодов ошибок согласно светодиодам, приведенный в руководстве по эксплуатации аккумулятора. <p>Если блок аккумуляторов не отображает ошибку после нажатия кнопки индикатора на блоке и только отображает уровень заряда, то в процессе использования изделия крепление блока аккумуляторов в силовой головке могло ослабнуть. Правильно установите блок аккумуляторов в силовую головку до щелчка.</p>
Изделие перестает работать, мигает кнопка включения, в то время как светодиоды емкости аккумулятора продолжают отображать текущий уровень заряда	Камера резки забита травой, слишком высокая температура контроллера двигателя или неисправность двигателя	<ol style="list-style-type: none"> 1. Остановите изделие. 2. Извлеките блок аккумуляторов и положите изделие на бок таким образом, чтобы пользовательский интерфейс управления был обращен вверх. 3. Осмотрите нож, болт ножа, узел ножа, двигатель и основание двигателя на наличие повреждений. Удалите всю траву с дна изделия и проверьте наличие засоров. 4. Установите блок аккумуляторов и выполните процедуру запуска изделия. <p>Если ошибка продолжает отображаться, дайте изделию остыть. Контроллер двигателя мог перегреться, что мешает работе изделия. Если ошибка продолжает отображаться, обратитесь в авторизованный сервисный центр.</p>

ТРАНСПОРТИРОВКА И ХРАНЕНИЕ

- Обеспечьте безопасность оборудования на время транспортировки во избежание повреждений и несчастных случаев.
- При постановке на хранение: извлеките предохранительный ключ и храните оборудование в запечатом помещении, вне доступа детей и лиц, не имеющих соответствующего разрешения.
- При постановке на хранение: храните изделие и оборудование в сухом и защищенном от низких температур месте.
- При погрузке или перемещении изделия не превышайте максимальный рекомендуемый угол работы в 15 градусов.
- Очистите изделие. Для получения дополнительных сведений см. раздел *Очистка изделия на стр. 249.*
- Смажьте изделие.
- Затяните болты и гайки крепления.
- Замените или отремонтируйте поврежденные детали.
- Подкрасьте все заржавевшие поверхности и поверхности с поврежденной краской. Перед покраской слегка зашлифуйте область.
- Накройте изделие подходящим защитным чехлом, не скапливающим влагу. Не используйте пластмассовое покрытие, поскольку оно не

пропускает воздух, допускает сбор конденсата и вызывает коррозию изделия.

- Перед транспортировкой или постановкой на хранение всегда извлекайте из изделия блок аккумуляторов.

ТЕХНИЧЕСКИЕ ДАННЫЕ

	Единица измерения	LM2146C Li58-52 (58VBKJN46C)	LM2146CA Li58-52 (58VBKJN46CR)
Мотор привода ножей			
Тип двигателя	—	Двигатель постоянного тока BLDC (бесщеточный), 58 В	Двигатель постоянного тока BLDC (бесщеточный), 58 В
Частота вращения двигателя – режим ECO	об/мин	2300	2300
Частота вращения двигателя – автоматический режим	об/мин	2500 об/мин, пока величина тока не будет превышать 12 А в течение 3 секунд, частота вращения повышается до 2800 об/мин, пока величина тока не будет меньше 18 А в течение 10 секунд.	2500 об/мин, пока величина тока не будет превышать 12 А в течение 3 секунд, частота вращения повышается до 2800 об/мин, пока величина тока не будет меньше 18 А в течение 10 секунд.
Частота вращения двигателя – усиленный режим	об/мин	2800	2800
Мощность двигателя – макс.	кВт	1,5	1,5
Мощность двигателя – макс. непрерывно отдаваемая	кВт	0,9	0,9
Мощность двигателя – номинальная	кВт	0,9	0,9
Ограничение перегрузки по току (макс. ток)	А (ампер)	25	25
Вес			
Вес (без аккумулятора)	кг	23,5	24,5
Аккумулятор			
Тип аккумулятора		590923813	590923813
Рабочий цикл аккумулятора			
Рабочий цикл аккумулятора	м ²	До 1200	До 1000
Излучение шума ⁶¹			
Уровень мощности звука, измеренный	дБ (А)	87	87
Уровень мощности звука, гарантированный LWA	дБ (А)	87	87

⁶¹ Излучение шума в окружающую среду измеряется как мощность звука (LWA) согласно директиве ЕС 2000/14/ЕС.

	Единица измерения	LM2146C Li58-52 (58VBKJN46C)	LM2146CA Li58-52 (58VBKJN46CR)
Уровни шума			
62			
Уровень звукового давления на уровне уха оператора	дБ (А)	< 80	< 80
Уровни вибрации			
63			
Рукоятка	м/с ²	0,65	0,65
Стрижка			
Высота стрижки	мм	30-80	30-80
Ширина стрижки	см	46	46
Нож, сбор	—	581188910	581188902
Нож, мульчирование	—	581188910	581188902
Объем сборника	л	50	50

СОДЕРЖАНИЕ ДЕКЛАРАЦИИ О СООТВЕТСТВИИ ЕС

Компания Husqvarna AB, SE 561 82 Huskvarna, ШВЕЦИЯ, под свою исключительную ответственность заявляет, что представленное изделие:

Описание	Электрическая ротационная газонокосилка
Марка	Jonsered
Платформа / Тип / Модель	Платформа 58VBKJN46C (представленная моделью LM2146C Li58-52), платформа 58VBKJN46CR (представленная моделью LM2146CA Li58-52).
Партия	Серийный номер с 2018 года и далее

полностью соответствует следующим директивам и нормам ЕС:

Директива/Норматив	Описание
2006/42/EC	"о механическом оборудовании"
2014/30/EU	"об электромагнитной совместимости"
2000/14/EC	"об излучении шума от оборудования, размещенного вне помещения"
2011/65/EU	"об использовании опасных веществ"

Применяются следующие согласованные стандарты и/или технические спецификации: EN60335-1, EN60335-2-77, EN50366, EN55014-1, EN55014-2, EN61000-3-2, EN61000-3-3

В соответствии с директивой 2000/14/EC, приложение V, заявленные значения звукового давления указаны в разделе технических данных настоящего руководства и в подписанной декларации соответствия ЕС.

⁶² Указанные данные об уровне шумового давления имеют типичный статистический разброс (стандартное отклонение) в 1,2 дБ (А).

⁶³ Указанные данные об уровне вибрации имеют типичный статистический разброс (стандартное отклонение) 0,2 м/с². Вибрация согласно стандарту EN 60335-2-77:2017 раздел 20.105.

Организацией Intertek был проведен добровольный контроль от имени Husqvarna AB, в результате которого был выдан Сертификат соответствия директиве ЕС 2006/42/ЕС о механическом оборудовании.

Сертификат, предоставленный в подписанной декларации соответствия ЕС, действителен для всех предприятий и стран производителя, как указано на изделии.

Поставляемая электрическая ротационная газонокосилка соответствует эталону, прошедшему контроль.

Obsah

ÚVOD.....	255	ÚDRŽBA.....	261
BEZPEČNOSŤ.....	256	PREPRAVA A USKLADNENIE.....	263
MONTÁŽ.....	259	TECHNICKÉ ÚDAJE.....	264
PREVÁDZKA.....	260	OBSAH VYHLÁSENIA O ZHODE ES.....	265

ÚVOD

Návod na obsluhu

Pôvodný jazyk tohto návodu na obsluhu je angličtina. Návody na obsluhu v iných jazykoch sú jeho preložené verzie z angličtiny.

Prehľad

(Obr. 1)

1. Lišta kontroly prítomnosti obsluhy
2. Zberný kôš
3. Páky pohonu
4. Elektrická pohonná jednotka
5. Páka výšky rezu
6. Nabíjačka akumulátora
7. Návod na obsluhu
8. Používateľské ovládacie rozhranie
9. Akumulátor
10. Kryt akumulátora
11. Tlačidlo napájania
12. Tlačidlo režimu kosenia
13. Zadné dvierka
14. Indikátory stavu nabitia
15. Kľúč
16. Zástrčka mulčovania

alebo pohon, neotvárajte ani neodstraňujte ochranné kryty.

Pred pohybom dozadu a dolu a sledujte, či sa tam nenachádzajú malé deti, zvieratá alebo iné nebezpečenstvo, pri ktorom vám hrozí pád.

(Obr. 11)

Dávajte pozor na vymrštené predmety a spätné nárazy.

(Obr. 12)

Dbajte na to, aby osoby a zvieratá nevstupovali do pracovnej oblasti.

(Obr. 13)

Svah – nebezpečenstvo

(Obr. 14)

Nebezpečenstvo úrazu elektrickým prúdom

(Obr. 15)

Pred začatím opravy, úpravy, nastavenia alebo prepravy vyberte kľúč.

(Obr. 16)

Tlačidlo napájania

(Obr. 17)

zapnutý motor

(Obr. 18)

Ovládacia rukoväť motora aktivovaná

(Obr. 19)

Motor vypnutý

(Obr. 20)

Ovládacia rukoväť motora deaktivovaná

(Obr. 21)

S výrobkom ani s balením nesmiete zaobchádzať ako s komunálnym odpadom. Výrobok a balenie sa musia odovzdať do príslušnej recyklačnej stanice na recykláciu elektrických a elektronických zariadení.

(Obr. 22)

Nenechávajte, neskladuje ani nepoužívajte v daždi ani vo vlhkom prostredí.

(Obr. 23)

Recyklácia

(Obr. 24)

Hladina hlučnosti

(Obr. 25)

Tento výrobok je v súlade s príslušnými smerecami EÚ

(Obr. 26)

Symbyly na výrobku

(Obr. 2) Výstraha

(Obr. 3) Prečítajte si tento návod

Skôr než začnete stroj používať, pozorne si prečítajte návod na obsluhu a presvedčíte sa, že ste porozumeli jeho obsahu.

(Obr. 4)

(Obr. 5) Používajte schválené chrániče očí

(Obr. 6) Používajte schválené chrániče sluchu

(Obr. 7) Používajte schválenú ochranu hlavy

(Obr. 8) Používajte schválené chrániče sluchu

Upozornenie: rotujúca čepeľ. Nepribližujte ruky a nohy.

(Obr. 9)

Udržujte ruky a chodidlá mimo dosahu rotujúcich nožov. Keď je spustený motor

(Obr. 10)

Tento výrobok je v súlade s príslušnými
(Obr. 27) smernicami EAC

Tento výrobok je v súlade s príslušnými
(Obr. 28) ukrajinskými smernicami

Zodpovednosť za výrobok

V súlade s právnymi predpismi upravujúcimi zodpovednosť za výrobok nenesieme zodpovednosť za škody spôsobené našim výrobkom v dôsledku:

- nesprávne vykonanej opravy výrobku,
- opravy výrobku, pri ktorej neboli použité diely od výrobcu alebo diely schválené výrobcom,
- používania príslušenstva od iného výrobcu alebo príslušenstva, ktoré nie je schválené výrobcom,
- opravy výrobku, ktorá nebola vykonaná v schválenom servisnom stredisku alebo schválenými kompetentnými osobami,

BEZPEČNOSŤ

Bezpečnostné definície

Nižšie uvedené definície označujú úroveň závažnosti pre každé signálne slovo.



VÝSTRAHA: Poranenie osôb.



VAROVANIE: Poškodenie výrobku.

Poznámka: Táto informácia napomáha k jednoduchšiemu používaniu výrobku.

Všeobecné bezpečnostné pokyny

- Výrobok používajte správne. Nesprávne použitie môže mať za následok poranenie alebo smrť. Výrobok používajte len na účely uvedené v tomto návode. Výrobok nepoužívajte na iné účely.
- Prečítajte, porozumejte a dodržiavajte pokyny uvedené v tomto návode. Dodržiavajte bezpečnostné symboly a bezpečnostné pokyny. Ak používateľ nebude dodržiavať uvedené pokyny a symboly, môže dôjsť k poraneniu, poškodeniu alebo smrti.
- Tento návod nezhadzujte. Tieto pokyny poskytujú všetky potrebné kroky na montáž a prevádzku výrobku a pomôžu vám udržať výrobok v dobrom stave. Tieto pokyny poskytujú všetky potrebné kroky na správnu inštaláciu doplnkov a príslušenstva. Používajte len schválené doplnky a príslušenstvo.
- Ak sa výrobok poškodí, nepoužívajte ho. Dodržiavajte plán údržby. Vykonávajte len údržbu, ku ktorej nájdete pokyny v tomto návode. Všetky ostatné práce týkajúce sa údržby musí vykonať schválené servisné stredisko.
- Tento návod na obsluhu nezahŕňa všetky situácie, s ktorými sa môžete počas používania tohto výrobku stretnúť. Zachovávajte opatnosť a riadte sa zdravým úsudkom. Výrobok nepoužívajte ani na ňom nevykonávajte žiadnu údržbu, ak s istotou neviete, o aký problém sa jedná. Kontaktujte produktového odborníka, predajcu, servisného

zástupcu alebo schválené servisné stredisko a požiadajte o informácie.

- Výrobok nepoužívajte, ak sa zmenili jeho pôvodné technické špecifikácie. Nevymieňajte diely výrobku bez schválenia výrobcu. Používajte len diely schválené výrobcom. Nesprávna údržba môže mať za následok poranenie alebo smrť.
- Tento výrobok počas prevádzky vytvára elektromagnetické pole. Elektromagnetické pole môže poškodiť implantované lekárske prístroje. Pred používaním tohto výrobku sa poraďte so svojim lekárom a výrobcom implantovaného lekárskeho prístroja.
- Nedovoľte, aby výrobok používali deti.
- Nedovoľte, aby výrobok používali osoby, ktoré nepoznajú potrebné pokyny.
- Osoby so zníženými fyzickými alebo duševnými schopnosťami musia byť počas používania výrobku vždy pod dozorom. Vždy musí byť prítomný zodpovedná dospelá osoba.
- Výrobok bezpečne uzamknite na mieste, ku ktorému nemajú prístup deti a nepovolené osoby.
- Počas používania sa môžu od výrobku odraziť predmety a spôsobiť poranenia. Dodržiavajte bezpečnostné pokyny, aby ste znížili riziko poranenia alebo smrti.
- Nevzdávajte sa od výrobku, keď je zapnutý. Pred odchodom výrobok vypnite.
- Pred pohybom dozadu a počas neho sa pozerajte dozadu a dolu a sledujte, či sa tam nenachádzajú malé deti, zvieratá alebo iné nebezpečenstvo, pri ktorom vám hrozí pád.
- V prípade nehody zodpovedá za následky používateľ.
- Pred používaním výrobku sa uistite, že nie sú poškodené žiadne diely.
- Dodržiavajte národné alebo miestne právne predpisy. V určitých podmienkach môžu zakazovať alebo obmedzovať prevádzku výrobku.

Bezpečnostné pokyny pre prevádzku

- Skôr ako začnete výrobok používať, oboznámte sa s ovládačmi a správnu obsluhu výrobku.

- Nedovoľte, aby výrobok používali deti ani osoby, ktoré nepoznajú tieto pokyny.
- Výrobok nepoužívajte v prípade, ak sa v jeho blízkosti nachádzajú iné osoby, najmä deti, a domáce zvieratá.
- Zabezpečte, aby sa deti nachádzali v bezpečnej vzdialenosti od kosenej oblasti a boli pod dohľadom dospeljej osoby.
- Zastavte výrobok, ak deti vstúpia do pracovnej oblasti.
- Dôkladne skontrolujte priestor, v ktorom sa má výrobok používať. Odstráňte všetky predmety, ktoré by mohol výrobok počas prevádzky odhodiť.
- Pred začatím používania overte, či nie je opotrebovaný alebo poškodený nôž, skrutka noža, zostava noža a základňa motora.
- Výrobok používajte iba za denného svetla alebo pri dobrom umelom osvetlení.
- Výrobok nepoužívajte na mokrej trávě.
- Postupujte opatrne v blízkosti rohov, kríkov, stromov alebo iných predmetov, ktoré vám môžu brániť vo výhľade.
- Postupujte veľmi opatrne, keď s výrobkom cúvate alebo ho ťaháte smerom k sebe.
- Nevkladajte ruky ani chodidlá do blízkosti rotujúcich častí ani pod ne. Vždy si udržiavajte odstup od vyhadzovacích otvorov.
- Keď prechádzate po kamenistých povrchoch, zastavte nôž.
- Pred čistením výrobku, demontážou zberného koša alebo odstraňovaním materiálu z krytu vyhadzovacieho otvoru vypnite motor, vyberte akumulátor a počkajte, kým sa nôž úplne zastaví.
- Výrobok nepoužívajte, ak ste unavení, chorí alebo ste pod vplyvom alkoholu či liekov.
- Ak výrobok nezvyčajne vibruje, vypnite motor, vyberte akumulátor a skontrolujte príčinu vibrácií. Vibrácie zvyčajne upozorňujú na možné poškodenie.
- Vyhadzovaný materiál nesmerujte na iné osoby. Nevhadzujte materiál oproti stene alebo prekážke. Materiál sa môže odraziť smerom k používateľovi.
- Výrobok nikdy neuvádzajte do prevádzky, kým nie sú na ňom správne umiestnené kryty, plechy, zberný koš alebo iné bezpečnostné ochranné zariadenia.

Bezpečnosť na pracovisku

- Skôr ako začnete kosiť, odstráňte z trávnikov konáre, vetvičky, kamene a ostatné predmety.
- Dbajte na to, aby osoby vrátane detí a zvieratá boli v bezpečnej vzdialenosti od pracovnej oblasti.
- Predmety, ktoré narazia na rezné zariadenie, môžu byť vymrštené a spôsobiť poranenie osôb alebo poškodenie predmetov.
- Výrobok nepoužívajte počas nepriaznivých poveternostných podmienok, napríklad v hmle, v daždi, na vlhkých alebo mokrych miestach, v silnom vetre, pri veľmi nízkych teplotách a pri riziku blesku. Nepriaznivé poveternostné podmienky môžu pri

- práci viesť k únave alebo vzniku nebezpečných podmienok, akými sú napríklad klzké povrchy.
- Skontrolujte pracovnú oblasť a uistite sa, že nič nebráni ovládaniu výrobku.
- Dávajte pozor na korene, kamene, konáre, jamy a jarky. Vo vysokej trávě môžu byť ukryté prekážky.
- V blízkosti skrytých rohov a predmetov, ktoré vám môžu brániť vo výhľade, postupujte opatrne.

Bezpečnostné pokyny pre prevádzku na svahoch

- Keď kosíte na svahoch, postupujte opatrne. Svahy môžu byť nebezpečné. Pri páde na svahu môže dôjsť k zraneniu.
- Pri kosení sa pohybujte po vrstevnici. Nekoste smerom do svahu a zo svahu.
- Pri zmene smeru na svahu postupujte opatrne.
- Dávajte pozor na skryté predmety alebo diery v trávniku. Náročný terén môže spôsobiť pád.
- Nekoste v blízkosti strmých svahov, zrázov, priekop ani násypov. Mohli by ste spadnúť.
- Nekoste na mokrej trávě. Mohli by ste spadnúť.
- Nekoste v teréne so sklonom viac ako 15 stupňov.

Osobné ochranné prostriedky

Počas používania výrobku vždy používajte správne osobné ochranné prostriedky. Patria medzi ne minimálne pevná obuv, chrániče očí a chrániče sluchu. Používanie osobných ochranných prostriedkov nevyklučuje nebezpečenstvo zranenia, no v prípade nehody sa môže znížiť jeho stupeň.

- Pri používaní výrobku alebo pri vykonávaní úprav alebo opráv vždy noste používajte bezpečnostné okuliare alebo chrániče očí.
- Výrobok neobsluhujte s bosými nohami ani v otvorených topánkach. Pri používaní výrobku noste vždy odolné protišmykové topánky s dobrou oporou členkov.
- Noste dlhé odolné nohavice. Nenoste krátke nohavice, sandále ani nepracujte naboso.
- V prípade potreby používajte schválené ochranné rukavice. Napríklad pri pripájaní, kontrole a čistení čepele.
- Počas obsluhy výrobku vždy používajte schválenú ochranu uší. Dlhodobé pôsobenie hluku môže mať za následok stratu sluchu.

Ochranné zariadenia na výrobku

- Uistite sa, že pravidelne vykonávate údržbu výrobku.
 - Predĺžite tak životnosť výrobku.
 - Znížite tak riziko výskytu nehôd.

Výrobok nechajte pravidelne kontrolovať u schváleného predajcu alebo v schválenom servisnom stredisku kvôli potrebným nastaveniam alebo opravám.

- Výrobok nepoužívajte, ak je poškodené ochranné vybavenie. Ak sa výrobok poškodí, kontaktujte schválené servisné stredisko.

Ovládacia rukoväť motora

Ovládacia rukoväť motora slúži na zastavenie motora. Skontrolujte, či sa motor zastaví po uvoľnení ovládacej rukoväti motora.

- Naštartujte motor a potom uvoľníte ovládaciu rukoväť. Motor sa zastaví.

Poznámka: Ak ovládacia rukoväť motora nespôsobí zastavenie motora, zastavte ho stlačením tlačidla napájania. Vyberte akumulátor a obráťte sa na schválené servisné stredisko.

Zadné dvierka

Zadné dvierka slúžia na zníženie rizika vymrštenia predmetov zo zadnej strany výrobku do oblasti, v ktorej sa pri kosení nachádza používateľ.

- Presvedčte sa, či zadné dvierka nie sú poškodené a či nie sú viditeľné žiadne poškodenia, napr. praskliny alebo zlomené pružiny. V prípade poškodení treba na zatvorenie dveriek použiť silu. V prípade poškodenia vymeňte dvierka alebo pružiny.

Bezpečnostné pokyny pre údržbu



VÝSTRAHA: Vykonávajte len údržbu uvedenú v tomto návode na obsluhu. Náročnejšie práce musí vykonávať schválený servisný zástupca.

Správnym vykonaním údržby zvýšite životnosť výrobku a znížite nebezpečenstvo nehôd. Odborné opravy môže vykonať schválený servisný zástupca. Ďalšie informácie získate od najbližšieho servisného zástupcu.



VÝSTRAHA: S cieľom predísť náhodnému spusteniu počas prepravy, údržby alebo opravných prác vyberte akumulátor a pred jeho opätovným vložením počkajte najmenej 5 sekúnd.



VÝSTRAHA: Pri manipulácii s rezným zariadením používajte odolné rukavice. Nôž je veľmi ostrý a ľahko môže dôjsť k porezaniu.

- Rezné hrany udržiavajte ostré a čisté, aby ste dosiahli najlepší a najbezpečnejší výkon.
- Nechajte výrobok pravidelne prehliadnúť servisným zástupcom a vykonať na ňom potrebné nastavenia a opravy.
- Vymeňte všetky poškodené, opotrebované alebo zlomené diely.

- Pri výmene príslušenstva sa riadte pokynmi. Používajte iba príslušenstvo od daného výrobcu.



VÝSTRAHA: Keď sa výrobok, akumulátora a nabíjačka akumulátora nepoužívajú, skladujte ich oddelene na suchom, uzamykateľnom mieste v interiéri mimo dosahu detí a neoprávnených osôb.

Bezpečnosť akumulátora

Používajte len akumulátory od výrobcu a nabíjajte ich len pomocou nabíjačky výrobcu.

Nabíjateľné akumulátory sa používajú výhradne na napájanie príslušných bezšnúrových výrobkov. Aby sa predišlo úrazom, akumulátory sa nesmú používať ako zdroj napájania pre iné zariadenia.

- Akumulátory nerozoberajte, neotvárajte a nerežte.
- Akumulátory nenechávajte na priamom slnku ani na horúcom mieste. Akumulátory nevystavujte ohňu.
- Pravidelne kontrolujte, či sú nabíjačka akumulátorov a akumulátor nepoškodené. Poškodené akumulátory môžu spôsobiť požiar, výbuch alebo zvýšiť riziko zranenia. Poškodené akumulátory neopravujte ani neotvárajte.
- Nepoužívajte chybné, upravené ani poškodené akumulátory alebo výrobky.
- Neopravujte ani neopravujte výrobky či akumulátory. Opravy zverte len autorizovanému predajcovi.
- Jednotlivé články ani akumulátor neskratujte. Akumulátory neodkladajte v škatuliach ani v zásuvkách, kde by mohli dôjsť k ich skratovaniu pri kontakte s inými kovovými predmetmi.
- Akumulátor nevyberajte z pôvodného balenia, kým ho nebudete potrebovať.
- Akumulátory nevystavujte prudkým nárazom.
- V prípade úniku kvapaliny z akumulátora si chráňte pokožku a oči pred kontaktom s kvapalinou. V prípade kontaktu s kvapalinou umyte zasiahnutú oblasť veľkým množstvom vody a vyhľadajte lekársku pomoc.
- Používajte len nabíjačku určenú na prevádzku s príslušným akumulátorom.
- Vyhľadajte značky plus (+) a mínus (-) na akumulátore a výrobku, aby ste zaistili správnu prevádzku.
- Nepoužívajte akumulátor, ktorý nie je určený na prevádzku s výrobkom.
- V zariadení nekombinujte akumulátory s rozdielnym napätím alebo od rôznych výrobcov.
- Akumulátory odkladajte mimo dosahu detí.
- Vždy kupujte správne akumulátory pre daný výrobok.
- Akumulátory udržiavajte čisté a suché.
- Ak sa koncovky akumulátora znečistia, očistite ich čistou suchou handričkou.
- Pomocné akumulátory treba pred použitím nabiť. Vždy používajte správnu nabíjačku akumulátora a

postupujte podľa pokynov na správne nabíjanie uvedených v návode.

- Akumulátor nenechávajte nepretržite nabíjať, keď sa nepoužíva.
- Návod si odložte, aby ste ho mohli v budúcnosti použiť.
- Akumulátor používajte len na nevyhnutné činnosti.

- Keď sa akumulátor nepoužíva, vyberte ho z výrobku.
- Akumulátor udržiavajte počas prevádzky mimo dosahu spŕn na papier, klúčov, klincov, skrutiek alebo iných malých kovových predmetov. Mohlo by dôjsť k vytvoreniu spoja medzi svorkami. Skratovanie svoriek akumulátora môže spôsobiť popáleniny alebo požiar.

MONTÁŽ



VÝSTRAHA: Pred montážou výrobku si prečítajte kapitolu o bezpečnosti.



VAROVANIE: Výrobok nepoužívajte, pokiaľ nie sú zatvorené zadné dvierka alebo nie je nasadený schválený zberný kôš. Nikdy sa nepokúšate používať výrobok, keď sú zadné dvierka demontované alebo otvorené.

Vybratie výrobku zo škatule

1. Vyberte samostatné diely dodané s výrobkom.
2. Odrežte dva rohy škatule a položte koncový panel na rovnú plochu.
3. Odstráňte všetok obalový materiál.
4. Vyberte výrobok zo škatule a skontrolujte, či v nej neostali žiadne samostatné diely.

Montáž rukoväti

1. Zarovnajtie otvory na skrutky v spodnej časti rukoväte s otvormi na skrutky v zostave rukoväte. Upevnite skrutky, podložky a gombíky. (Obr. 29)
2. Na nastavenie výšky rukoväti uvoľnite spodné gombíky, upravte výšku rukoväti smerom nahor alebo nadol a následne utiahnite gombíky na doraz.

Nastavenie výrobku do prevádzkovej polohy

1. Rukoväť zdvihnite do prevádzkovej polohy.
2. Spodné gombíky utiahnite na doraz.

Zostavenie zberného koša

1. Pripojte rám zberného koša k vaku na trávu tak, aby pevná časť vaku bola na spodnej strane. Rukoväť rámu držte nad vakom na trávu. (Obr. 30)
2. Pripojte spodnú časť rámu zberného koša do drážky v spodnej časti zberného koša. (Obr. 31)
3. Upevnite háčiky na zbernom koši na horný okraj rámu. (Obr. 32)
4. Vložte spodnú časť zberného koša do kanála na vyhadzovanie trávy.

Zmena nastavenia výrobku do režimu zberu

Pri režime zadného zberu sa odrezky trávy zbierajú do zberného koša.

1. Nadvihnite zadné dvierka a nasadíte háčiky rámu zberného koša na otočný prvok zadných dvierok. (Obr. 33)
2. Uvoľnite zadné dvierka a položte ich na vrchnú časť zberného koša na trávu.

Zmena nastavenia výrobku do režimu mulčovania (ak je na to vybavený)

Pri režime mulčovania vytvára výrobok menšie odrezky trávy. Odrezky trávy padajú na plochu trávnik. Mulčovaná tráva sa biologicky rýchlo rozkladá a poskytuje trávniku živiny.

1. Nadvihnite zadný kryt a vyberte zberný kôš. (Obr. 34)
2. Do kanála na vyhadzovanie trávy vložte prípojku na mulčovanie. (Obr. 35)
3. Zatvorte zadné dvierka tak, aby dosadli na výrobok.

Zmena nastavenia výrobku do režimu vyhadzovania

1. Demontujte prípojku na mulčovanie alebo zberný kôš. (Obr. 36)
2. Zatvorte zadné dvierka tak, aby dosadli na výrobok.

Nastavenie výšky rezu



VAROVANIE: Nenastavujte výšku rezu príliš nízko. Ak nie je povrch trávnik rovný, nože môžu narážať o zem.

Poznámka: Nastavte všetky ovládacie prvky výšky rezu na rovnakú výšku.

1. Ak chcete zvýšiť výšku rezu, posuňte páku výšky rezu smerom dozadu.
2. Ak chcete znížiť výšku rezu, posuňte páku výšky rezu smerom dopredu. (Obr. 37)

PREVÁDZKA



VÝSTRAHA: Pred používaním výrobku si prečítajte kapitolu o bezpečnosti a porozumejte informáciám, ktoré sa v nej uvádzajú.

Základná technika pílenia

- Na dosiahnutie optimálnych výsledkov vždy koste s ostrým nožom. Pri používaní noža, ktorý nie je ostrý, je kosenie nerovnomerné a dochádza k zožltnutiu trávy na povrchu rezu.
- Nekoste viac ako 1/3 dĺžky trávy. Platí to najmä počas suchých období. Najprv koste s nastavenou vysokou výškou rezu. Potom skontrolujte výsledky a znížte výšku rezu na vhodnú výšku. Ak je tráva príliš vysoká, pohybujte sa pomaly a v prípade potreby ju pokoste na dvakrát.
- V prípade mimoriadne náročného kosenia znížte šírku rezu pomocou prekryvania s predtým pokosenou plochou a koste pomaly.
- Zakaždým koste iným smerom, aby ste predišli vzniku pruhov na trávniku.
- Pravidelne vystriekajte zberný kôš vodou a pred použitím ho nechajte vyschnúť. Póry textilných zberných košov sa môžu počas prevádzky upchať nečistotami a prachom. Zberný kôš potom zachyťte menej trávy.

Pred spustením kosačky

- Dbajte na to, aby nepovolanej osoby a zvieratá nevstupovali do pracovnej oblasti.
- Vykonávajte dennú údržbu. Pozrite si časť *ÚDRŽBA na strane 261*.

Zapnutie výrobku

1. Vložte akumulátor tak, aby zaznelo cvaknutie. Skontrolujte, či je akumulátor správne nainštalovaný. (Obr. 38)
2. Vložte kľúč do otvoru pod krytom akumulátora. Skontrolujte, či je kľúč správne nainštalovaný. (Obr. 39)

Poznámka: Kľúč možno vložiť iba jedným smerom.

3. Jedenkrát stlačte tlačidlo napájania. Tlačidlo sa úplne rozsvieti. (Obr. 40)
4. Potiahnite ovládaciu rukoväť motora smerom k rukoväti. Tlačidlo napájania začne blikať. (Obr. 41)
5. Stlačte blikajúce tlačidlo napájania. Výrobok sa spustí. (Obr. 42)

Vypnutie výrobku

- Uvoľníte ovládaciu rukoväť motora na výrobku alebo raz stlačte tlačidlo napájania. (Obr. 43)

Používanie pohonu na kolesách (ak je súčasťou výbavy)

(Obr. 44)

- Potiahnite páky pohonu smerom k rukoväti.
- Pred potiahnutím výrobku smerom dozadu deaktivujte pohon a potlačte výrobok zhruba 10 cm dopredu.
- Uvoľnením pák pohonu deaktivujte pohon, napr. keď sa pohybujete v blízkosti prekážok.

Vyprázdnenie zberného koša

1. Zberný kôš zdvihnite pomocou rukoväti rámu.
2. Odstráňte odrezky trávy zo zberného koša spod rukoväti.
3. Vyprázdňte odrezky trávy z vaku pomocou rukoväti rámu a rukoväti vaku.



VAROVANIE: Pri vyprázdňovaní zberného koša vak neťahajte, aby sa predišlo jeho opotrebovaniu.

Zmena režimu kosenia

Keď je výrobok v prevádzke, možno ho stlačením tlačidla režimu kosenia prepnúť do jedného z troch rôznych režimov kosenia.

- **Automatický režim** – výrobok automaticky upravuje otáčky pri kosení v závislosti od množstva trávy, ktorú kosíte.
 - **Poznámka:** Keď je výrobok v prevádzke, predvolene je nastavený do automatického režimu.
- **Režim zvýšeného výkonu** – výrobok pracuje s vysokými otáčkami bez ohľadu na množstvo trávy, ktorú kosíte.
 - Keď je výrobok v prevádzke a chcete prejsť z automatického režimu do režimu zvýšeného výkonu, jedenkrát stlačte tlačidlo režimu kosenia. Tlačidlo režimu kosenia sa rozsvieti.
- **Režim ECO** – výrobok pracuje s nízkymi otáčkami bez ohľadu na množstvo trávy, ktorú kosíte.
 - Keď je výrobok v prevádzke a chcete prejsť z režimu zvýšeného výkonu do režimu ECO, jedenkrát stlačte tlačidlo režimu kosenia. Tlačidlo režimu kosenia sa rozsvieti a bude blikať.
 - Ak sa chcete vrátiť do predvoleného automatického režimu, jedenkrát stlačte tlačidlo režimu kosenia, keď je výrobok v prevádzke. Tlačidlo režimu kosenia prestane blikať.

Poznámka: Ak počas prevádzky uvoľníte ovládaciu rukoväť motora, výrobok zostane v aktuálnom režime

kosenia. Ak sa výrobok automaticky zastaví alebo ak používateľ stlačí tlačidlo napájania, posledný používaný režim sa vymaže z pamäte a výrobok sa pri ďalšom spustení nastaví do automatického režimu.

Indikátor stavu akumulátora počas prevádzky:

Na displeji používateľského ovládacieho rozhrania sa zobrazuje kapacita akumulátora a prípadné problémy s akumulátorom. Kapacita akumulátora sa zobrazuje, keď je zariadenie v prevádzke.

LED svetlá	Stav akumulátora
Rozsvietenia sa všetky zelené diódy LED	Úplne nabitý (100 % – 76 %)
Rozsvietenia sa diódy LED 1, 2 a 3	Akumulátor je nabitý na 75 % – 51 %.

LED svetlá	Stav akumulátora
Rozsvietenia sa diódy LED 1 a 2	Akumulátor je nabitý na 50 % – 26 %.
Rozsvietenia sa dióda LED 1	Akumulátor je nabitý na 25 % – 6 %.
Bliká dióda LED 1	Akumulátor je nabitý na 5 % – 0 %.

Ak sa počas prevádzky vyskytne chyba akumulátora, všetky štyri zelené diódy LED zobrazenia stavu nabitia akumulátora budú blikať. Vyberte akumulátor zo zariadenia a stlačením tlačidla indikátora na akumulátore zobrazte chybový kód príslušnej chyby. V prípade, že došlo k chybe, rozsvietenia sa diódy LED na akumulátore a budú signalizovať chybový kód. V návode k akumulátoru nájdete zoznam chybových kódov a riešení pre jednotlivé chyby.

ÚDRŽBA



VÝSTRAHA: Pred čistením, opravou a údržbou výrobku si prečítajte kapitolu o bezpečnosti a uistite sa, že rozumiete informáciám, ktoré sú v nej uvedené.

Všeobecné odporúčania týkajúce sa údržby

Záruka na výrobok sa nevzťahuje na nesprávny alebo nedbanlivý prístup k prevádzkovaniu výrobku zo strany používateľa. Aby sa zachovala úplná platnosť záručnej zmluvy, používateľ musí vykonávať údržbu výrobku podľa pokynov uvedených v tomto návode na použitie. S cieľom zachovať výrobok v správnom prevádzkovom stave sa musia v rôznych intervaloch vykonávať rôzne nastavenia.

- Každý rok kontrolujte opotrebovanie noža.

Kontrola pneumatík

- Chráňte pneumatiky pred pôsobením nežiaducich materiálov a chemikálií, aby sa predišlo poškodeniu gumeného materiálu.
- Pneumatikami nejazdite po pňoch, kameňoch, priehlbínach, ostrých predmetoch ani iných predmetoch, ktoré môžu pneumatiky poškodiť.

Vykonanie všeobecnej kontroly

- Skontrolujte, či sú matice a skrutky zatiahnuté.
- Skontrolujte, či žiadne káble nie sú privreté.

Plán údržby

V pláne údržby si overte nevyhnutné požiadavky na údržbu výrobku a to, kedy sa musí uskutočniť údržba. Intervaly sú vypočítané na základe priemerného

používania výrobku a môžu sa líšiť v závislosti od toho, ako často výrobok používate.

- Pred každým použitím a uskladnením dotiahnite skrutky a matice.
- Pred každým použitím, po použití a pred uskladnením vyčistíte a skontrolujte zberný kôš, ak je nainštalovaný.
- Pred každým použitím skontrolujte pneumatiky.
- Po každom použití a pred uskladnením výrobok vyčistíte. Na vyčistenie priestoru pod skeletom použijte škrabku
- V 25-hodinových intervaloch kontrolujte výskyt poškodenia a prasklín na noži. Keď kosíte na piesčitej pôde, nože meňte častejšie.
- Mazanie výrobku vykonávajte v 25-hodinových intervaloch.
- Po použití a pred uskladnením vyčistíte a úplne nabite akumulátor. Pred uskladnením akumulátor nabíjajte maximálne 24 hodín.
- Počas uskladnenia nenechávajte akumulátor pripojený k nabíjačke. Akumulátor nabíjajte maximálne 24 hodín.
- V 25-hodinových intervaloch kontrolujte hnací remeň a remenice (ak sú súčasťou zariadenia).

Čistenie výrobku

- Pomocou kefy odstráňte z výrobku nežiaduci materiál a trávu.
- Zabezpečte, aby sa na upravených povrchoch a kolesách nenachádzal nežiaduci materiál.
- Spodnú časť výrobku očistíte škrabkou, aby sa odstránila nahromadená tráva a nečistoty.
- Na čistenie výrobku nepoužívajte vysokotlakový čistič.

- Nikdy nelejte vodu priamo na elektrickú pohonnú jednotku alebo kontakty akumulátora.
- Pri čistení výrobku zo spodnej strany vyberte akumulátor a bezpečnostný kľúč a položte výrobok nabok tak, aby používateľské ovládacie rozhranie smerovalo nahor.



VAROVANIE: Nečistite výrobok vodou, čistiacimi kvapalinami ani rozpúšťadlami. Nežiaduci materiál odstráňte z vonkajšej strany výrobku jemnou kefkou alebo suchou tkaninou, ktorá neobsahuje kov.

Čistenie zberného koša

- Póry textilných zberných košov sa môžu počas prevádzky upchať nečistotami a prachom. Zberný koš v dôsledku toho dokáže zachytiť menej trávy. Ak tomu chcete zabrániť, pravidelne vystriekajte zberný koš vodou a pred použitím ho vysušte.
- Pravidelne kontrolujte prípadné opotrebovanie alebo poškodenie zberného koša. V prípade potreby ho vymeňte.

Kontrola zadných dvierok

Zadné dvierka sú upevnené medzi zadnými kolesami výrobku. Dvierka slúžia na zníženie rizika vymrštenia predmetov smerom k priestoru, v ktorom sa pri kosení nachádza používateľ.

1. Skontrolujte, či zadné dvierka nie sú poškodené.
2. Skontrolujte, či sa na zadných dvierkach nevyskytujú vady, ktoré bránia ich pohybu, vrátane prasklín a zlomených pružín.
3. V prípade poškodenia vymeňte zadné dvierka alebo pružiny.

Ostrenie a vyváženie noža

Na dosiahnutie najlepších výsledkov dbajte na to, aby bol nôž ostrý. Pokrivený alebo poškodený nôž vymeňte.



VAROVANIE: Používajte rukavice a/alebo oviňte nôž hrubou látkou, aby ste si neporanili ruky.

Chybové kódy

Chybové kódy vám pomáhajú pri riešení problémov s výrobkom a/alebo akumulátora počas prevádzky.

Displej LED	Možné poruchy	Možný postup
Po stlačení tlačidla napájania na používateľskom ovládacom rozhraní sa nerozsvietia diódy LED, akumulátor vo výrobku nie je funkčný.	Akumulátor nie je vložený do výrobku na doraz alebo je prerušená poisťka.	Zatlačte akumulátor na doraz do pohonnej jednotky, kým sa neozve cvaknutie. Ak sa po vložení akumulátora na doraz a stlačení tlačidla napájania na používateľskom ovládacom rozhraní nerozsvietia diódy LED, obráťte sa na schválené servisné stredisko.

1. Naostríte nôž pomocou pilníka alebo brúsneho kotúča. Neostríte nôž v čase, keď je nainštalovaný na výrobku.



VAROVANIE: Neodporúčame, aby ste sami oštrili nôž. Ak budete nôž oštriť sami, uistite sa, že je vyvážený. Nôž, ktorý nie je vyvážený, môže spôsobiť poškodenie výrobku alebo motora.

2. Do kusa dreva alebo do steny umiestnite rovný klinec. Mali by ste z neho vidieť 2 až 3 cm.
3. Stredný otvor noža nasadíte na hlavičku klinca. Ak je nôž vyvážený, mal by zostať vo vodorovnej polohe. Ak sa jeden z koncov noža pohne smerom nadol, naostríte tento ťažší koniec, až kým nebude nôž vyvážený.

Výmena noža

1. Pomocou dreveného bloku zaistíte nôž.(Obr. 45)
2. Odstráňte skrutku noža.
3. Odstráňte nôž.
4. Skontrolujte držiak noža a skrutku noža kvôli známkam poškodenia.
5. Skontrolujte hriadeľ motora a uistite sa, že nie je ohnutý.
6. Pri upevňovaní nového noža nasmerujte zošíkmené konce noža v smere krytu rezacej časti.(Obr. 46)
7. Uistite sa, že je nôž zarovnaný so stredom hriadeľa motora.
8. Pomocou dreveného bloku zaistíte nôž. Pripevnite párovú podložku a utiahnite skrutku a podložku momentom Nm.(Obr. 47)
9. Rukou potočte nožom a uistite sa, že sa voľne otáča.



VÝSTRAHA: Používajte odolné rukavice. Nôž je veľmi ostrý a ľahko môže dôjsť k porezaniu.

10. Zapnite výrobok a otestujte nôž. Ak nôž nie je správne upevnený, výrobok vibruje alebo poskytuje neuspokojivé výsledky kosenia.

Displej LED	Možné poruchy	Možný postup
Všetky štyri diódy LED signalizujúce kapacitu akumulátora blikajú, po stlačení tlačidla napájania sa nerozsvietia ďalšie diódy LED.	Akumulátor nie je vložený do výrobku na doraz alebo je vnútorná teplota akumulátora príliš vysoká alebo príliš nízka.	Zatlačte akumulátor na doraz do pohonnej jednotky, kým sa neozve cvaknutie. Ak diódy LED naďalej blikajú, vnútorná teplota akumulátora môže byť príliš vysoká alebo príliš nízka. Nechajte akumulátor, aby sa zohrial alebo vychladol. Ak chcete zvýšiť intenzitu procesu chladenia, môžete akumulátor vložiť do nabíjačky, kde sa bude aktívne chlaďiť.
Všetky štyri diódy LED signalizujúce kapacitu akumulátora a dióda LED napájania blikajú, po stlačení tlačidla napájania sa nerozsvietia ďalšie diódy LED.	Ovládacia rukoväť motora je podržaná v dolnej polohe pri stlačení tlačidla napájania po prvýkrát alebo nastala porucha spínacia ovládacej rukoväti motora.	Uvoľnite ovládaciu rukoväť motora. Ak ovládacia rukoväť motora nie je podržaná v dolnej polohe a diódy LED naďalej blikajú, obráťte sa na schválené servisné stredisko.
Výrobok prestane pracovať a všetky štyri diódy LED signalizujúce kapacitu akumulátora blikajú, žiadna iná dióda LED sa nerozsvieti.	Akumulátor je v pohonnej jednotke uvoľnený a prestal mať správny kontakt, akumulátor má príliš vysokú alebo príliš nízku teplotu alebo sa vyskytla iná interná chyba akumulátora.	<ol style="list-style-type: none"> 1. Vypnite výrobok. 2. Vyberte akumulátor z výrobku a stlačením tlačidla indikátora na akumulátore zobrazte chybový kód. Diódy LED na akumulátore sa rozsvietia a budú signalizovať chybový kód. 3. V priloženom návode k akumulátoru si pozrite zoznam súvisiacich chybových kódov signalizovaných diódami LED, možných príčin a postupov. <p>Ak sa po stlačení tlačidla indikátora na akumulátore nezobrazí chyba a zobrazuje sa len stav nabíjania, akumulátor sa mohol v pohonnej jednotke počas prevádzky uvoľniť. Správne vložte akumulátor do pohonnej jednotky, kým sa neozve cvaknutie.</p>
Výrobok prestane pracovať a tlačidlo napájania bliká, zatiaľ čo diódy LED signalizujúce kapacitu akumulátora aj naďalej zobrazujú aktuálny stav nabíjania.	Kosiaca komora je upchatá trávou, ovládač motor má príliš vysokú teplotu alebo nastala porucha motora.	<ol style="list-style-type: none"> 1. Vypnite výrobok. 2. Vyberte akumulátor a otočte výrobok nabok tak, aby používateľské ovládacie rozhranie smerovalo nahor. 3. Overte, či nie je poškodený nôž, skrutka noža, zostava noža, motor a základňa motora. Odstráňte všetku trávu zo spodnej časti zariadenia a skontrolujte, či nedošlo k upchatiu. 4. Nainštalujte akumulátor a štandardným postupom spustíte zariadenie. <p>Ak sa táto chyby aj naďalej zobrazuje, nechajte výrobok vychladnúť. Príliš vysoká teplota ovládača motora môže brániť prevádzke. Ak sa chyba aj naďalej zobrazuje, obráťte sa na schválené servisné stredisko.</p>

PREPRAVA A USKLADNENIE

- Počas prepravy zariadenie riadne zabezpečte, aby sa nedošlo k jeho poškodeniu a nehodám.
- Počas skladovania vyberte bezpečnostný kľúč a umiestnite zariadenie v uzamknutom priestore mimo dosahu detí a neoprávnených osôb.
- Počas skladovania umiestnite výrobok a vybavenie na suché miesto, ktoré je chránené pred mrazom.
- Pri nakladaní alebo premiestňovaní výrobku sa nesmie prekročiť maximálny odporúčaný uhol prevádzky 15 stupňov.

- Vyčistite výrobok. Ďalšie informácie sú uvedené v časti *Čistenie výrobku na strane 261*.
- Namažte výrobok.
- Dotiahnite maticové skrutky a matice.
- Poškodené komponenty vymeňte alebo opravte.
- Opravte všetky skorodované alebo poškodené lakované povrchy. Pred lakovaním ich opatrne prebrúste.
- Výrobok prikryte vhodným krytom, ktorý nebude zadržiavať vlhkosť. Nepoužívajte plast, pretože nie je priedušný, umožňuje hromadenie skondenzovanej vlhkosti a spôsobu koróziu výrobku.
- Pred prepravou alebo uskladnením vždy vyberte akumulátor.

TECHNICKÉ ÚDAJE

	jednotka	LM2146C Li58-52 (58VBKJN46C)	LM2146CA Li58-52 (58VBKJN46CR)
Kosiaci motor			
Typ motora	—	BLDC (bezkontaktný) 58V	BLDC (bezkontaktný) 58V
Otáčky motora – režim ECO	ot./min.	2300	2300
Otáčky motora – automatický režim	ot./min.	2500 ot./min., kým prúd nebude počas 3 sekúnd vyšší ako 12 A, otáčky sa zvýšia na 2800 ot./min., kým prúd nebude nižší ako 18 A počas 10 sekúnd.	2500 ot./min., kým prúd nebude počas 3 sekúnd vyšší ako 12 A, otáčky sa zvýšia na 2800 ot./min., kým prúd nebude nižší ako 18 A počas 10 sekúnd.
Otáčky motora – režim zvýšeného výkonu	ot./min.	2800	2800
Výstupný výkon motora – max.	kW	1,5	1,5
Výstupný výkon motora – max. trvalý	kW	0,9	0,9
Výstupný výkon motora – menovitý	kW	0,9	0,9
Obmedzenie preťaženia prúdom (max. prúd)	A (ampére)	25	25
Hmotnosť			
Hmotnosť (bez akumulátora)	kg	23,5	24,5
Akumulátor			
Typ akumulátora		590923813	590923813
Prevádzková doba akumulátora			
Prevádzková doba akumulátora	m ²	až 1200	až 1000
Emisie hluku ⁶⁴			
Úroveň hlučnosti, nameraná	dB (A)	87	87
Úroveň zvukového výkonu, zaručovaná LWA	dB (A)	87	87

⁶⁴ Emisie hluku do okolia sa merajú ako akustický výkon (LWA) v súlade so smernicou EÚ 2000/14/ES.

	jednotka	LM2146C Li58-52 (58VBKJN46C)	LM2146CA Li58-52 (58VBKJN46CR)
Úrovně hlučnosti			
65			
Hladina akustického tlaku při uchu obsluhy	dB (A)	< 80	< 80
Úrovně vibrací			
66			
Rukovát'	m/s ²	0,65	0,65
Kosenie			
Výška kosenia	mm	30 – 80	30 – 80
Šírka kosenia	cm	46	46
Nôž, zber	—	581188910	581188902
Nôž, mulčovanie	—	581188910	581188902
Kapacita zberného koša	litre	50	50

OBSAH VYHLÁSENIA O ZHODE ES

V mene spoločnosti Husqvarna AB, SE 561 82 Huskvarna, ŠVÉDSKO, vyhlasujeme s plnou zodpovednosťou, že reprezentovaný výrobok:

Popis	Elektrická rotačná kosačka
Značka	Jonsered
Platforma/Typ/Model	Platforma 58VBKJN46C reprezentuje model LM2146C Li58-52), platforma 58VBKJN46CR (reprezentuje model LM2146CA Li58-52).
Séria	Výrobné číslo z roku 2018 a nasledujúcich rokov

plne spĺňa nasledujúce smernice a nariadenia EÚ:

Smernice/Nariadenia	Popis
2006/42/EC	„o strojových zariadeniach“

Smernice/Nariadenia	Popis
2014/30/EÚ	„týkajúca sa elektromagnetickej kompatibility“
2000/14/ES	„týkajúca sa hluku vo voľnom priestranstve“
2011/65/EÚ	„týkajúca sa nebezpečných látok“

Spĺňa nasledovné použité harmonizované normy a/alebo technické špecifikácie: EN60335-1, EN60335-2-77, EN50366, EN55014-1, EN55014-2, EN61000-3-2, EN61000-3-3

V súlade s ustanovením prílohy V smernice 2000/14/ES sú deklarované úrovne hluku uvedené v časti o technických údajoch tohto návodu na obsluhu a v podpísanom Vyhlásení o zhode EÚ.

Spoločnosť Intertek vykonala nepovinnú skúšku v mene spoločnosti Husqvarna AB a udelila Certifikát zhody so smernicou Rady 2006/42/ES o strojových zariadeniach.

⁶⁵ Uvádzané údaje pre hladinu akustického tlaku majú typický štatistický rozptyl (štandardnú odchýlku) 1,2 dB (A).

⁶⁶ Uvádzané údaje pre ekvivalentný stupeň vibrácií majú typický štatistický rozptyl (štandardnú odchýlku) 0,2 m/s². Norma EN 60335-2-77:2017 týkajúca sa vibrácií, kapitola 20.105

V zmysle Vyhlásenia o zhode ES je tento certifikát platný pre všetky miesta výroby a krajiny pôvodu, ako sú vyznačené na výrobku.

Dodávaná elektrická rotačná kosačka sa zhoduje so vzorkou, ktorá prešla skúškou.

VSEBINA

UVOD.....	267	VZDRŽEVANJE.....	273
VARNOST.....	268	PREVOZ IN SKLADIŠČENJE.....	275
SESTAVLJANJE.....	271	TEHNIČNI PODATKI.....	276
UPORABA.....	271	VSEBINA IZJAVE ES O SKLADNOSTI.....	277

UVOD

Navodila za uporabo

Originalni jezik teh navodil za uporabo je angleščina.
Navodila za uporabo v drugih jezikih so prevodi iz angleščine.

Pregled

(Sl. 1)

1. Ročica za kontrolo prisotnosti uporabnika
2. Zbiralnik za travo
3. Pogonski ročici
4. Motorna glava
5. Ročica za nastavitev višine košnje
6. Polnilnik baterije
7. Navodila za uporabo
8. Uporabniški vmesnik za upravljanje
9. Baterijska enota
10. Pokrov baterije
11. Gumb za vklop/izklop
12. Gumb načina košnje
13. Zadnja loputa
14. Indikatorji stanja napoljenosti
15. Ključ
16. Vložek za mulčenje

Simboli na izdelku

- (Sl. 2) Pozor
- (Sl. 3) Preberite ta navodila
- (Sl. 4) Pred uporabo izdelka natančno preberite navodila za uporabo in se prepričajte, da ste jih razumeli.
- (Sl. 5) Uporabljajte odobreno zaščitno očič
- (Sl. 6) Uporabljajte odobreno zaščitno za sluh
- (Sl. 7) Uporabljajte odobreno zaščitno čelado
- (Sl. 8) Uporabljajte odobreno zaščitno za sluh
- (Sl. 9) Opozorilo: vrtljivo rezilo. Držite roke in noge stran.
- (Sl. 10) Z rokami in nogami ne segajte v območje vrtljivih rezil. Med delovanjem motorja ne odprite ali odstranite zaščitnih pokrovov.

- (Sl. 11) Pred in med vzvratno hojo glejte nazaj in navzdol in se prepričajte, da ni majhnih otrok, živali ali drugih nevarnosti, zaradi katerih bi lahko padli.
- (Sl. 12) Pazite na leteče in odbite predmete.
- (Sl. 13) Poskrbite, da so osebe in živali na varni razdalji od delovnega območja.
- (Sl. 14) Nevarnost naklona
- (Sl. 15) Električni udar
- (Sl. 16) Pred popravili, nastavitvami ali prevažanjem odstranite ključ.
- (Sl. 17) Gumb za vklop/izklop
- (Sl. 18) Zagon motorja
- (Sl. 19) Aktivirana krmilna ročica motorja
- (Sl. 20) Izklop motorja
- (Sl. 21) Deaktivirana krmilna ročica motorja
- (Sl. 22) Izdelka ali embalaže ni dovoljeno zavreči med gospodinjske odpadke. Izdelek in embalažo je treba oddati v ustreznem zbirmem centru, v katerem je poskrbljeno za reciklažo električnih in elektronskih naprav.
- (Sl. 23) Ne izpostavljajte, skladiščite ali uporabljajte v mokrih pogojih.
- (Sl. 24) Reciklaža
- (Sl. 25) Nivo zvočne moči
- (Sl. 26) Izdelek je skladen z veljavnimi direktivami ES
- (Sl. 27) Izdelek je skladen z veljavnimi direktivami EAC

Odgovornost proizvajalca

Kot je navedeno v zakonodaji, ki ureja odgovornost proizvajalca, ne prevzemamo nikakršne odgovornosti za poškodbe, ki bi jih naši izdelki povzročili v naslednjih primerih:

- Izdelek ni pravilno popravljen.
- Izdelek je popravljen z deli, ki jih ni izdelal ali odobril proizvajalec.
- Na izdelku je nameščena dodatna oprema, ki je ni izdelal ali odobril proizvajalec.
- Izdelek ni bil popravljen v pooblaščenem servisnem centru ali pri pooblaščenem organu.

VARNOST

Varnostne definicije

Spodnje definicije označujejo stopnjo resnosti posameznih opozorilnih besed.



OPOZORILO: Poškodbe oseb.



POZOR: Poškodbe izdelka.

Opomba: Te informacije olajšajo uporabo izdelka.

Splošna varnostna navodila

- Izdelek uporabljajte pravilno. Če izdelka ne uporabljate pravilno, lahko pride do poškodb ali smrti. Izdelek uporabljajte samo za opravila, ki so navedena v tem priročniku. Izdelka ne uporabljajte za druga opravila.
- Preberite, razumite in upoštevajte navodila v tem priročniku. Upoštevajte varnostne simbole in navodila. Če uporabnik ne upošteva navodil in simbolov, lahko pride do poškodb ali smrti.
- Priročnika ne zavrzite. Sledite navodilom pri sestavljanju, uporabi in vzdrževanju izdelka v brezhibnem stanju. Navodila uporabljajte za pravilno namestitvev priključkov in dodatne opreme. Uporabljajte samo odobrene priključke in dodatno opremo.
- Ne uporabljajte poškodovanega izdelka. Sledite urniku vzdrževanja. Izvajajte samo postopke vzdrževanja, za katere ta priročnik vsebuje navodila. Vse druge postopke vzdrževanja mora izvesti pooblaščen servisni center.
- Ta priročnik ne more vsebovati vseh okoliščin, do katerih lahko pride pri uporabi izdelka. Bodite previdni in ravnajte razumno. Če niste prepričani glede določenih okoliščin, izdelka ne uporabljajte oziroma na izdelku ne izvajajte postopkov vzdrževanja. Za informacije se obrnite na strokovnjaka za izdelek, prodajalca, pooblaščen servisno delavnico ali servisni center.
- Izdelka ne uporabljajte, če so se spremenile njegove originalne specifikacije. Ne spreminjajte delov

izdelka brez vnaprejšnje odobritve proizvajalca izdelka. Uporabljajte samo dele, ki jih je odobril proizvajalec. Zaradi neustreznega vzdrževanja lahko pride do poškodb ali smrti.

- Izdelek med delovanjem ustvarja elektromagnetno polje. Elektromagnetno polje lahko poškoduje medicinske vsadke. Pred uporabo izdelka se posvetujte z zdravnikom in proizvajalcem medicinskih vsadkov.
- Izdelka ne smejo uporabljati otroci.
- Izdelka ne smejo uporabljati osebe, ki ne poznajo navodil za uporabo.
- Če izdelek uporabljajo osebe z zmanjšanimi fizičnimi ali intelektualnimi sposobnostmi, jih nenehno nadzorujte. Vedno mora biti prisotna odgovorna odrasla oseba.
- Izdelek zaklenite na mesto, kamor otroci in nepooblaščen osebe nimajo dostopa.
- Izdelek lahko povzroči izmet predmetov, zaradi česar lahko pride do poškodb. Upoštevajte varnostna navodila, da zmanjšate nevarnost poškodb ali smrti.
- Ko je izdelek vklopljen, se ne oddaljite od njega. Izklopite izdelek, preden odidete.
- Pred in med vzvratno hojo glejte nazaj in navzdol in se prepričajte, da ni majhnih otrok, živali ali drugih nevarnosti, zaradi katerih bi lahko padli.
- Za morebitne nesreče je odgovoren uporabnik izdelka.
- Pred uporabo izdelka se prepričajte, da deli izdelka niso poškodovani.
- Ravnajte v skladu z nacionalno ali lokalno zakonodajo. Ta lahko v določenih primerih prepreči ali omeji uporabo izdelka.

Varnostna navodila za uporabo

- Pred uporabo se seznanite z upravljalnimi ročicami in pravilnim upravljanjem.
- Izdelka ne smejo uporabljati otroci ali osebe, ki ne poznajo teh navodil za uporabo.
- Izdelka ne uporabljajte, ko so v bližini ljudje, zlasti otroci, ali živali.
- Otroci naj se ne približujejo območju, kjer boste kosili, v tem času pa naj jih nadzoruje odrasla oseba.
- Izklopite izdelek, če v delovno območje vstopijo otroci.

- Temeljito preglejte območje, na katerem nameravate uporabiti izdelek. Odstranite vse predmete, ki jih izdelek lahko izvrže med delovanjem.
- Pred uporabo preverite, ali so rezilo, vijak rezila, sklop rezila in podstavki motorja obrabljeni ali poškodovani.
- Izdelek uporabljajte samo pri dnevni svetlobi ali dobri razsvetljavi.
- Izdelka ne uporabljajte na mokri travi.
- Bodite previdni v bližini vogalov, grmov, dreves ali drugih predmetov, ki lahko omejijo pogled.
- Bodite izjemno previdni, ko se premikate vzvratno ali vlečete izdelek proti sebi.
- Z rokami ali nogami ne segajte v bližino vrtečih se delov ali pod njih. Nikoli se ne približajte izmetnim odprtinam.
- Pri prehodu čez gramozne površine izklopite rezilo.
- Pred čiščenjem izdelka, odstranjevanjem zbiralnika za travo ali odstranjevanjem materiala iz izmetne odprtine izklopite motor, odstranite baterijsko enoto in počakajte, da se rezilo popolnoma ustavi.
- Ko ste utrujeni, bolni ali pod vplivom alkohola, mamil ali zdravil, izdelka ne uporabljajte.
- Če se izdelek neobičajno tresi, izklopite motor, odstranite baterijsko enoto in nemudoma poiščite vzrok. Tresenje običajno opozarja na poškodbo.
- Izmetnega materiala ne usmerite v druge osebe. Izmetnega materiala ne usmerite v steno ali oviro. Material se lahko odbije nazaj proti uporabniku.
- Izdelka ne uporabljajte, če niso nameščeni ustrezni ščitniki, plošče, zbiralnik za travo ali druge varnostne naprave.
- Kosite prečno na pobočje. Ne kosite navzgor in navzdol.
- Bodite previdni, ko spremenite smer na pobočju.
- Bodite pozorni na skrite predmete ali luknje v travi. Na neravnem terenu lahko padete.
- Ne kosite v bližini strmih pobočij, prepadnih sten, jarkov ali nabrežij. Obstaja nevarnost padca.
- Ne kosite na mokri travi. Obstaja nevarnost padca.
- Ne kosite na terenu z več kot 15-stopinjskim naklonom.

Osebna zaščitna oprema

Pri uporabi izdelka vedno uporabljajte ustrezno osebno zaščitno opremo. To vključuje najmanj trpežno obutev, zaščito za oči in zaščito za sluh. Osebna zaščitna oprema ne izključuje nevarnosti poškodb, vendar v primeru nesreče omili posledice.

- Med uporabo izdelka ali med izvajanjem vzdrževanja ali popravil vedno nosite varnostna očala ali zaščito za oči.
- Izdelka ne uporabljajte bosí ali z odprto obutvijo. Med uporabo izdelka vedno uporabljajte trpežno obutev, ki ne drsi, s podporo za gležnje.
- Nosite trpežne, dolge hlače. Ne nosite kratkih hlač, sandalov in ne bodite bosí.
- Po potrebi uporabljajte odobrene zaščitne rokavice. Na primer med nameščanjem, pregledovanjem ali čiščenjem rezila.
- Pri uporabi izdelka vedno uporabljajte odobreno zaščito za sluh. Dolgotrajen hrup lahko povzroči izgubo sluha.

Varnostne naprave na izdelku

- Izdelek morate redno vzdrževati.
 - Življenjska doba izdelka se podaljša.
 - Nevarnost nesreč se zmanjša.

Pooblaščen prodajalec ali pooblaščen servisni center naj izdelek redno pregleduje in izvaja nastavitve ter popravila.

- Izdelka ne uporabljajte s poškodovano zaščitno opremo. Če je izdelek poškodovan, se obrnite na pooblaščen servisni center.

Krmilna ročica motorja

Krmilna ročica motorja izklopi motor. Preverite, ali se motor po sprostitvi krmilne ročice motorja izklopi.

- Zaženi motor in nato spustite krmilno ročico. Motor se izklopi.

Opomba: Če krmilna ročica motorja ne izklopi motorja, ga izklopite z gumbom za vklop/izklop. Odstranite baterijsko enoto in se obrnite na pooblaščen servisni center.

Varnost delovnega področja

- Pred košnjo s trate odstranite veje, vejice, kamne in druge predmete.
- Osebe, vključno z otroci, in živali naj bodo na varni razdalji od delovnega območja.
- Predmete, ki pridejo v stik z rezalno opremo, lahko izvrže, zaradi česar lahko poškodujejo osebe in druge predmete.
- Izdelka ne uporabljajte v slabem vremenu, na primer v megli, v dežju, na mokrih ali vlažnih lokacijah, v močnem vetru, izjemnem mrazu ali ob nevarnosti udara strele. Opravljanje dela v slabem vremenu je lahko utrudljivo, poleg tega pa obstajajo nevarne razmere, kot so spolzke površine.
- Preglejte delovno območje in se prepričajte, da vam nič ne more onemogočiti upravljanja izdelka.
- Bodite pozorni na korenine, kamne, veje, luknje in järke. Visoka trava lahko zakrije ovire.
- Bodite previdni, kadar se približujete kotom in predmetom, ki lahko omejijo pogled.

Varnostna navodila za pobočja

- Bodite previdni, ko kosite na pobočju. Delo na pobočjih je lahko nevarno. Pri padcu na pobočju se lahko poškodujete.

Zadnja loputa

Zadnja loputa zmanjša nevarnost, da bi za izdelkom izvrglo predmete proti uporabnikovemu položaju za košnje.

- Prepričajte se, da zadnja loputa ni poškodovana in da nima vidnih poškodb, kot so razpoke ali počene vzmeti. Zaradi poškodb se loputa zapre z veliko silo. V primeru poškodb zamenjajte loputo ali vzmeti.

Varnostna navodila za vzdrževanje



OPOZORILO: Vzdrževalna dela opravite tako, kot piše v teh navodilih za uporabo. Zahtevnejše posege mora opraviti pooblaščen serviser.

Vzdrževalna dela opravljajte pravilno in tako podaljšajte življenjsko dobo izdelka ter zmanjšajte nevarnost nesreč. Strokovna popravila sme opraviti pooblaščen servisna delavnica. Za več informacij se obrnite na najbližjega servisnega zastopnika.



OPOZORILO: Za preprečitev nenamernega vklopa med prevozom, vzdrževanjem ali popravilu odstranite baterijsko enoto in počakajte najmanj 5 sekund, preden jo znova namestite.



OPOZORILO: Pri delu z rezalno opremo nosite močne zaščitne rokavice. Rezilo je izjemno ostro, zato lahko hitro pride do urednin.

- Za najboljše in najvarnejše delovanje morajo biti rezalni robovi ostri in čisti.
- Izdelek naj redno preverja in po potrebi nastavlja ter popravlja pooblaščen servisna delavnica.
- Zamenjajte poškodovane, obrabljene ali zlomljene dele.
- Upoštevajte navodila za zamenjavo dodatne opreme. Uporabljajte samo dodatno opremo, ki jo odobri proizvajalec.



OPOZORILO: Ko izdelka ne uporabljate, morate izdelek, baterijsko enoto in polnilnik baterije hraniti ločeno v suhem, zaprtem in zaklenjenem prostoru zunaj dosega otrok in oseb, ki jim uporaba ni dovoljena.

Varna uporaba baterije

Uporabljajte samo baterijske enote proizvajalca in jih polnite samo v polnilniku baterijskih enot istega proizvajalca.

Akumulatorske baterijske enote je dovoljeno uporabljati izključno za napajanje ustreznih baterijskih izdelkov. Za preprečevanje poškodb baterij nikoli ne uporabljajte za napajanje drugih naprav.

- Ne razstavlajte odpirajte ali uničujte baterijskih enot.
- Baterijskih enot ne izpostavljajte neposredni sončni svetlobi ali vročini. Baterij ne izpostavljajte ognju.
- Redno preverjajte ali sta polnilnik baterijske enote in baterijska enota poškodovana. Poškodovane ali spremenjene baterijske enote lahko povzročijo ogenj, eksplozije ali predstavljajo nevarnost poškodb. Poškodovanih baterijskih enot ne popravljajte ali odpirajte.
- Ne uporabljajte pokvarjenih, spremenjenih ali poškodovanih baterijskih enot ali naprav.
- Ne spreminjajte ali popravljajte izdelkov ali baterijske enote. Popravila prepustite samo pooblaščenemu prodajalcu.
- Pazite, da na celici ali baterijski enoti ne sprožite kratkega stika. Baterijskih enot ne hranite v škatli ali predalu, kjer bi lahko kratek stik povzročili drugi kovinski predmeti.
- Baterijske enote do uporabe ne odstranjujte iz prvotne embalaže.
- Baterijskih enot ne izpostavljajte mehanskim šokom.
- Če katera od baterij pušča, pazite, da tekočina ne pride v stik s kožo ali očmi. Če ste se tekočine dotaknili, območje očistite z obilo vode in poiščite zdravniško pomoč.
- Za polnjenje baterijske enote uporabljajte samo polnilnik, ki je temu namenjen.
- Upoštevajte pozitivno (+) in negativno (-) oznako na baterijski enoti in izdelku, s čimer zagotovite pravilno delovanje.
- Ne uporabljajte baterijskih enot, ki niso izdelane za uporabo z izdelkom.
- V napravo ne vstavljajte baterijske enote z drugačno napetostjo ali baterijske enote drugega proizvajalca.
- Otroci ne smejo priti v stik z baterijsko enoto.
- Obvezno kupite pravilno baterijsko enoto za izdelek.
- Baterijske enote morajo biti čiste in suhe.
- Če sta pola baterijske enote umazana, ju očistite s čisto in suho krpo.
- Dodatne baterijske enote je treba pred uporabo napolniti. Vedno uporabljajte ustrezni polnilnik in se v navodilih seznanite s pravilnim postopkom polnjenja.
- Če baterijske enote ne uporabljate, je ne izpostavljajte neprekinjenemu polnjenju.
- Navodila shranite za prihodnjo uporabo.
- Baterijske enote uporabljajte le v skladu s predvideno uporabo.
- Ko izdelka ne uporabljate, iz tega odstranite baterijsko enoto.
- Ko je izdelek v uporabi, baterijska enota ne sme biti v stiku s sponkami za papir, ključi, žebli vijaki ali drugimi manjšimi kovinskimi predmeti. To lahko ustvari povezavo med poloma. Kratek stik med poloma baterijske enote lahko povzroči opekline ali požar.

SESTAVLJANJE



OPOZORILO: Pred sestavljanjem izdelka preberite poglavje o varnosti.



POZOR: Izdelek uporabljajte samo, ko je zadnja loputa zaprta ali ko je nameščen odobren zbiralnik za travo. Izdelka ne poskusite uporabiti, ko je zadnja loputa odstranjena ali odprta.

Odstranitev izdelka iz embalaže

1. Iz embalaže vzemite vse sestavne dele, ki so priloženi izdelku.
2. Odrežite končna robova embalaže in končno ploščo položite na ravno podlago.
3. Odstranite ves embalažni material.
4. Izdelek odstranite iz embalaže in se prepričajte, da ste iz embalaže vzeli vse sestavne dele.

Montaža ročice

1. Odprtine za vijake na spodnji strani ročaja poravnajte z odprtinami za vijake v sklopu ročaja. Privijte vijake, podložke in gumbne vijake. (Sl. 29)
2. Če želite nastaviti višino ročaja, odvijte spodnje gumbne vijake, povišajte ali znižajte višino ročaja in popolnoma zategnite gumbne vijake.

Nastavitev kosilnice v delovni položaj

1. Dvignite ročaj v delovni položaj.
2. Popolnoma zategnite spodnja gumbna vijaka.

Namestitev zbiralnika za travo

1. Ogrodje zbiralnika za travo vstavite v vrečo za travo tako, da je trdi del vrečke na dnu. Ročaj ogrodja zbiralnika za travo mora biti vedno na vrhu. (Sl. 30)
2. Spodnji del ogrodja zbiralnika za travo vstavite v utor na dnu zbiralnika za travo. (Sl. 31)
3. Kaveljčke na zbiralniku za travo pritrdite na zgornji rob ohišja. (Sl. 32)
4. Vstavite spodnji del zbiralnika za travo v izpustni kanal za travo.

Priprava izdelka za način polnjenja

Pri načinu polnjenja na zadnjem delu se odrezki trave nabirajo v zbiralniku za travo.

1. Privzdignite zadnjo loputo in kavlje na ogrodju zbiralnika za travo namestite na tečaj zadnje lopute. (Sl. 33)
2. Zadnjo loputo spustite na ogrodje vreče za travo.

Priprava izdelka za način mulčenja (če je vgrajen)

Način mulčenja zagotovi, da so odrezki trave manjši. Odrezki trave nato padejo na trato in se porazdelijo po travi. Zmulčena trava se hitro razgradi in tako hrani trato.

1. Privzdignite zadnji pokrov in odstranite zbiralnik za travo. (Sl. 34)
2. Vložek za mulčenje vtaknite v izpustni kanal. (Sl. 35)
3. Zaprite zadnjo loputo tako, da se tesno prisloni ob izdelek.

Priprava izdelka na način izmeta

1. Odstranite vložek za mulčenje ali zbiralnik za travo. (Sl. 36)
2. Zaprite zadnjo loputo tako, da se tesno prisloni ob izdelek.

Nastavitev višine košnje



POZOR: Ne nastavite višino rezanja prenizko. Rezila lahko trčijo ob tla, če površina travnika ni ravna.

Opomba: Z vsemi ročicami nastavite enako višino.

1. Povlecite ročico za nastavitev višine košnje nazaj, da povečate višino rezanja.
2. Potisnite ročico za nastavitev višine košnje naprej, da znižate višino rezanja. (Sl. 37)

UPORABA



OPOZORILO: Pred uporabo izdelka morate prebrati in razumeti poglavje o varnosti.

Osnovna tehnika žaganja

- Za najboljše rezultate vedno kosite z ostrim rezilom. Rezilo, ki ni ostro, reže neenakomerno, trava pa na odrezanem robu porumeni.
- Ne odrežite več kot eno tretjino dolžine travnih bilk. To velja zlasti v sušnih obdobjih. Najprej kosite z visoko nastavitvijo višine košnje. Nato preverite

rezultat in spustite na primerno višino. Če je trava predolga, se premikajte počasi in po potrebi pokosite dvakrat.

- Pri zelo zahtevni košnji zmanjšajte širino košnje, in sicer s prekrivanjem poti košenja in počasnim premikanjem.
- Vsakič kosite v različnih smereh, da se na travi ne bi pojavile črte.
- Zbiralnik za travo redno čistite s cevjo in ga pred uporabo posušite. Luknjice v zbiralnikih za travo iz blaga se lahko med uporabo napolnijo z umazanijo in prahom. V tem primeru se v zbiralniku nabira manj trave.

Pred zagonom kosilnice

- Druge osebe in živali morajo biti zunaj delovnega območja.
- Izvajajte vsakodnevno vzdrževanje. Glejte *VZDRŽEVANJE na strani 273*.

Zagon izdelka

1. Vstavite baterijsko enoto, da se slišno zaskoči. Prepričajte se, da je baterijska enota pravilno nameščena. (Sl. 38)
2. Vstavite ključ v odprtino pod pokrovom baterije. Prepričajte se, da je ključ pravilno nameščen. (Sl. 39)

Opomba: Ključ lahko vstavite samo v enem položaju.

3. Enkrat pritisnite gumb za vklop/izklop. Gumb v celoti zasveti. (Sl. 40)
4. Povlecite krmilno ročico motorja proti ročaju. Gumb za vklop/izklop začne utripati. (Sl. 41)
5. Pritisnite utripajoči gumb za vklop/izklop. Izdelek se zažene. (Sl. 42)

Izklop izdelka

- Spustite krmilno ročico motorja na izdelku ali enkrat pritisnite gumb za vklop/izklop. (Sl. 43)

Uporaba pogona koles (če je vgrajen)

(Sl. 44)

- Povlecite pogonski ročici proti ročaju.
- Preden izdelek povlečete vzvratno, sprostite pogonsko ročico in izdelek potisnite naprej približno 10 cm.
- Sprostite pogonski ročici, da izklopite pogon, denimo, ko ste blizu ovire.

Praznjenje zbiralnika za travo

1. Primate ročaj na ogrodju in privzdignite zbiralnik za travo.

2. Odstranite odrezke trave iz zbiralnika za travo skozi odprtino pod ročajem.
3. Primate ročaj na ogrodju in ročaj vreče ter odstranite odrezke trave iz vreče.



POZOR: Pri praznjenju zbiralnika za travo ne vlecite vreče po tleh, da se ne poškoduje.

Sprememba načina košnje

Med delovanjem lahko izdelek nastavite na enega od treh načinov košnje tako, da pritisnete gumb načina košnje.

- **Samodejni način** – izdelek samodejno prilagodi hitrost rezanja izdelka glede na količino trave, ki jo kosite.
 - **Opomba:** Izdelek je med delovanjem privzeto nastavljen na samodejni način.
- **Način povečane zmogljivosti** – izdelek deluje pri visoki hitrosti ne glede na količino trave, ki jo kosite.
 - Ko izdelek deluje, enkrat pritisnite gumb načina košnje, da iz samodejnega načina preklopite v način povečane zmogljivosti. Zasveti gumb načina košnje.
- **Varčni način** – izdelek deluje z nizkim številom vrtljajev ne glede na količino trave, ki jo kosite.
 - Ko izdelek deluje, enkrat pritisnite gumb načina košnje, da iz načina povečane zmogljivosti preklopite v varčni način. Zasveti gumb načina košnje in začne utripati.
 - Za vrnitev v privzeti samodejni način enkrat pritisnite gumb načina košnje, ko izdelek deluje. Gumb načina košnje preneha utripati.

Opomba: Če med delovanjem spustite krmilno ročico motorja, izdelek ostane v trenutnem načinu košnje. Če se izdelek samodejno izklopi ali če uporabnik pritisne gumb za vklop/izklop, se način košnje, ki se je uporabljal do tedaj, izbršiše iz pomnilnika, izdelek pa se ob naslednjem zagonu zažene v samodejnem načinu.

Prikaz stanja baterije med delovanjem

Na zaslonu na uporabniškem vmesniku za upravljanje so prikazani zmogljivost baterije in podatki o morebitnih težavah z baterijsko enoto. Zmogljivost baterije je prikazana, ko stroj deluje.

Indikatorji LED	Stanje baterije
Zasvetijo vse zelene lučke LED	Polna napolnjenost (100–76 %)
Zasvetijo lučke LED 1, 2 in 3	Baterijska enota je napolnjena med 75 in 51 %.

Indikatorji LED	Stanje baterije
Zasvetita lučki LED 1 in 2	Baterijska enota je napolnjena med 50 in 26 %.
Zasveti lučka LED 1	Baterijska enota je napolnjena med 25 in 6 %.
Lučka LED 1 utripa	Baterijska enota je napolnjena med 5 in 0 %.

Če se med delovanjem pojavi napaka baterijske enote, začnejo utripati vse štiri zelene lučke LED za stanje napoljenosti baterije. Odstranite baterijsko enoto iz stroja in pritisnite gumb indikatorja na njej, da se prikaže koda napake. Če je prišlo do napake, zasvetijo lučke LED na baterijski enoti in prikažejo kodo napake. V navodilih za baterijo si oglejte seznam kod napak in ukrepe za odpravo napak.

VZDRŽEVANJE



OPOZORILO: Pred čiščenjem in izvajanjem popravil ali vzdrževalnih del na izdelku morate prebrati in razumeti poglavje o varnosti.

Splošna priporočila za vzdrževanje

Garancija za ta izdelek ne zajema nepravilne ali neskrbne uporabe izdelka. Če želi uporabnik uveljaviti garancijo za celotno vrednost, mora izdelek vzdrževati v skladu z navodili v priročniku. Za ohranjanje pravilnega delovnega stanja izdelka so potrebne različne prilagoditve v različnih časovnih presledkih.

- Enkrat na leto preverite, ali je rezilo obrabljeno.

Pregledovanje pnevmatik

- Pnevmatike ne smejo biti v bližini neželenih snovi in kemikalij, da se ne poškoduje guma.
- S pnevmatikami se izogibajte štorov, kamnov, brazd, ostrih predmetov in drugih predmetov, ki bi lahko povzročili poškodbe pnevmatik.

Izvajanje splošnih pregledov

- Prepričajte se, da so maticice in vijaki dobro priviti.
- Noben kabel ne sme biti preščipnjen.

Urniki vzdrževanja

V urniku vzdrževanja si oglejte zahteve glede potrebnih vzdrževalnih del izdelka in presledke, v katerih jih je treba opraviti. Časovni presledki so izračunani na podlagi povprečne uporabe izdelka in so lahko glede na pogostost uporabe drugačni.

- Pred vsako uporabo in shranjevanjem zategnite vijake in maticice.
- Pred vsako uporabo in po njej ter pred shranjevanjem očistite in pregledajte zbiralnik za travo, če je nameščen.
- Pred vsako uporabo pregledajte pnevmatike.
- Po vsaki uporabi in pred shranjevanjem očistite izdelek. S strgalom očistite prostor pod kosiščem.
- Vsakih 25 ur preverite, ali je rezilo poškodovano in ali so na njem razpoke. Rezila pogosteje menjajte, če kosite na območjih s peščeno sestavo.
- Namažite izdelek vsakih 25 ur.

- Po uporabi in shranjevanju očistite in povsem napolnite baterijsko enoto. Pred shranjevanjem baterijsko enoto polnite največ 24 ur.
- Med shranjevanjem baterija ne sme biti v polnilniku. Baterijsko enoto polnite največ 24 ur.
- Vsakih 25 ur preverite pogonski jermen in jermenice (če so vgrajeni).

Čiščenje izdelka

- S krtačo odstranite neželen material in travo z izdelka.
- Odstranite neželen material s premazanih površin in koles.
- S strgalom odstranite obloge pokošene trave in odpadnega materiala pod izdelkom.
- Izdelka ne čistite z visokotlačnim čistilnikom.
- Ne zlijte vode neposredno na motorno glavo ali priključke baterije.
- Kadar čistite pod izdelkom, odstranite baterijsko enoto in varnostni ključ ter položite izdelek na bok tako, da je uporabniški vmesnik za upravljanje zgoraj.



POZOR: Izdelka ne čistite z vodo, čistilnimi tekočinami ali toplili. Neželen material odstranite z zunanosti izdelka z mehko krtačo ali suho krpo, ki ne vsebuje kovine.

Čiščenje zbiralnika za travo

- Luknjice v zbiralnikih za travo iz blaga se lahko med uporabo napolnijo z umazanijo in prahom. Zato se v zbiralniku nabira manj trave. Da bi to preprečili, zbiralnik za travo redno čistite s cevjo in ga pred uporabo posušite.
- Pogosto preverite, ali je zbiralnik za travo obrabljen ali dotrajan. Po potrebi zamenjajte.

Preverjanje zadnje lopute

Zadnja loputa je pritrjena med zadnjima kolesoma izdelka. Loputa zmanjša nevarnost, da bi izvrglo predmete proti uporabnikovemu položaju za košnjo.

1. Prepričajte se, da zadnja loputa ni poškodovana.
2. Preverite, ali so na zadnji loputi poškodbe, zaradi katerih se loputa zapira, vključno z razpokami ali počenimi vzmetmi.

3. Če so zadnja loputa ali vzmeti poškodovane, jih zamenjajte.

Brušenje in uravnoteženje rezila

Za najboljše rezultate poskrbite, da je rezilo ostro. Zamenjajte zvito ali poškodovano rezilo.



POZOR: Nosite rokavice in/ali ovijte rezilo v debelo krpo, da si ne poškodujete rok.

1. Rezilo nabrusite s pilo ali brusilno ploščo. Rezila ne brusite, ko je nameščeno na izdelek.



POZOR: Priporočljivo je, da rezila ne brusite sami. Če ga brusite, se prepričajte, da je uravnoteženo. Neuravnoteženo rezilo lahko poškoduje izdelek ali motor.

2. V leseno desko ali steno zabijte žebelj. Iz podlage mora gledati 2–3 cm žeblja.
3. Središčno odprtino rezila položite na glavo žeblja. Če je rezilo uravnoteženo, mora ostati v vodoravnem položaju. Če se kateri od obeh koncev rezila premakne navzdol, ga brusite, dokler ni rezilo uravnoteženo.

Zamenjava rezil

1. Rezilo blokirajte z leseno klado.(Sl. 45)
2. Odstranite vijak rezila.
3. Odstranite rezilo.
4. Preverite, ali sta nosilec in vijak rezila poškodovana.
5. Preverite motorno gred in se prepričajte, da ni zvita.
6. Ko pritrдите novo rezilo, usmerite nagnjene strani rezila v smer pokrova rezila.(Sl. 46)
7. Prepričajte se, da je rezilo poravnano s središčem motorne gredi.
8. Rezilo blokirajte z leseno klado. Pritrdite podložko vzmeti in privijte vijak in podložko z zateznim momentom Nm.(Sl. 47)
9. Ročno zavrtite rezilo in se prepričajte, da se prosto obrača.



OPOZORILO: Nosite trpežne rokavice. Rezilo je izjemno ostro, zato lahko hitro pride do ureznin.

10. Izdelek vklopite, da preizkusite rezilo. Če rezilo ni pritrjeno pravilno, bo izdelek vibriral, rezultat košnje pa ne bo zadovoljiv.

Kode napak

Na podlagi kod napak lahko odpravite težave v izdelku in/ali baterijski enoti med delovanjem:

Zaslon LED	Možne napake	Možni ukrepi
Ko pritisnete gumb za vklop/izklop na uporabniškem vmesniku za upravljanje, ne zasveti nobena od lučk LED, baterijska enota v izdelku pa ne deluje.	Baterijska enota ni do konca vstavljena v izdelek ali pa je pregorela notranja varovalka.	Baterijsko enoto potisnite do konca v motorno glavo, da se slišno zaskoči. Če lučke LED ne zasvetijo, ko baterijsko enoto do konca vstavite v izdelek in pritisnete gumb za vklop/izklop na uporabniškem vmesniku za upravljanje, se obrnite na pooblaščen servisni center.
Ko pritisnete gumb za vklop/izklop, začnejo utripati vse štiri lučke LED za zmogljivost baterije, ne zasveti pa nobena druga lučka LED.	Baterijska enota ni do konca vstavljena v izdelek ali pa je notranja temperatura baterijske enote previsoka ali prenizka.	Baterijsko enoto potisnite do konca v motorno glavo, da se slišno zaskoči. Če lučke LED še naprej utripajo, je notranja temperatura baterijske enote morda prenizka ali previsoka. Počakajte, da se baterijska enota ogreje ali ohladi. Za hitrejše hlajenje lahko baterijsko enoto vstavite v polnilnik, ki aktivno hladi baterijsko enoto.
Ko pritisnete gumb za vklop/izklop, začnejo utripati vse štiri lučke LED za zmogljivost baterije in napačanje, ne zasveti pa nobena druga lučka LED.	Ob prvem pritisku gumba za vklop/izklop ste držali krmilno ročico motorja ali pa se je pojavila napaka notranjega stikala krmilne ročice motorja.	Spustite krmilno ročico motorja. Če ne držite krmilne ročice motorja, lučke LED pa še naprej utripajo, se obrnite na pooblaščen servisni center.

Zaslon LED	Možne napake	Možni ukrepi
Izdelek preneha delovati in začnejo utripati vse štiri lučke LED za zmogljivost baterije, ne zasveti pa nobena druga lučka LED.	Baterijska enota ni pritrjena v motorni glavi in nima več dobrega stika, baterijska enota je prevroča ali premrzla ali pa se je pojavila kakšna druga napaka v bateriji.	<ol style="list-style-type: none"> 1. Izklopite izdelek. 2. Odstranite baterijsko enoto iz izdelka in pritisnite gumb indikatorja na njej, da se prikaže koda napake. Zasvetijo lučke LED na baterijski enoti in prikažejo kodo napake. 3. V priloženih navodilih za baterijo si na seznamu povezanih kod napak, ki so prikazane z lučkami LED, oglejte možne napake in postopke. <p>Če baterijska enota ne prikaže napake, ko pritisnete gumb indikatorja na njej, in prikazuje samo stanje napolnjenosti, se je enota med uporabo morda iztaknila iz motorne glave. Baterijsko enoto pravilno vstavite v motorno glavo, da se slišno zaskoči.</p>
Izdelek preneha delovati in začne utripati gumb za vklop/izklop, lučke LED za zmogljivost baterije pa še naprej prikazujejo trenutno stanje napolnjenosti.	Rezalna komora je zamašena s travo, krmilnik motorja je prevroč ali pa se je pojavila napaka motorja.	<ol style="list-style-type: none"> 1. Izklopite izdelek. 2. Odstranite baterijsko enoto in položite izdelek na bok tako, da je uporabniški vmesnik za upravljanje zgoraj. 3. Preverite, ali so rezilo, vijak rezila, sklop rezila, motor in podstavek motorja poškodovani. S spodnjega dela stroja odstranite vse ostanke trave in preverite, ali je kaj zamašeno. 4. Vstavite baterijsko enoto in sledite postopku za zagon stroja. <p>Če je napaka še vedno prikazana, počakajte, da se izdelek ohladi. Krmilnik motorja je morda prevroč za delovanje. Če je napaka še vedno prikazana, se obrnite na pooblaščen servisni center.</p>

PREVOZ IN SKLADIŠČENJE

- Opremo varno pritrdite na prevozno sredstvo, da se izognete poškodbam in nesrečam.
- Za shranjevanje odstranite varnostni ključ, opremo pa shranite v zaklenjenem prostoru, do katerega otroci in osebe, ki jim uporaba ni dovoljena, nimajo dostopa.
- Za shranjevanje izdelek in opremo shranite v suhem prostoru, ki je zaščiten pred zmrzaljo.
- Pri nakladanju ali premikanju izdelka ne smete preseči največjega priporočenega kota delovanja, ki znaša 15 stopinj.
- Izdelek očistite. Za več informacij glejte *Čiščenje izdelka na strani 273*.
- Namažite izdelek.
- Zategnite vijake in maticе.
- Zamenjajte ali popravite poškodovane dele.
- Popravite vse zarjavele ali poškodovane pobarvane površine. Preden jih prebarvate, jih rahlo pobrusite.
- Pri izdelku, ki ne zadržuje vlage, uporabite primerno zaščitno prevleko. Ne uporabite plastičnih prevlek, saj niso zračne, omogočajo kondenziranje vlage in povzročajo korozijo izdelka.
- Pred prevozom ali shranjevanjem vedno odstranite baterijsko enoto.

TEHNIČNI PODATKI

	enota	LM2146C Li58-52 (58VBKJN46C)	LM2146CA Li58-52 (58VBKJN46CR)
Motor rezalne enote			
Tip motorja	—	BLDC (brezkračni enosmerni) 58V	BLDC (brezkračni enosmerni) 58V
Število vrtljajev motorja – varčni način	vrt/min	2300	2300
Število vrtljajev motorja – samodejni način	vrt/min	2500 vrt/min, dokler ni tok 3 sekunde višji od 12 A, število vrtljajev na minuto je povečano na 2800 vrt/min, dokler ni tok 10 sekund nižji od 18 A.	2500 vrt/min, dokler ni tok 3 sekunde višji od 12 A, število vrtljajev na minuto je povečano na 2800 vrt/min, dokler ni tok 10 sekund nižji od 18 A.
Število vrtljajev motorja – način povečane zmogljivosti	vrt/min	2800	2800
Največja izhodna moč motorja	kW	1,5	1,5
Največja enakomerna izhodna moč motorja	kW	0,9	0,9
Nazivna izhodna moč	kW	0,9	0,9
Omejitev nadtoka (najvišji tok)	A (amperi)	25	25
Teža			
Teža (brez baterije)	kg	23,5	24,5
Baterija			
Vrsta baterije		590923813	590923813
Avtonomija baterije			
Avtonomija baterije	m ²	Do 1200	Do 1000
Emisije hrupa ⁶⁷			
Izmerjena raven hrupa	dB (A)	87	87
Zagotovljena raven zvočne moči, LWA	dB (A)	87	87
Nivoji hrupa			
⁶⁸			
Raven zvočnega tlaka pri upravljavčevem ušesu	dB (A)	< 80	< 80

⁶⁷ Emisija hrupa v okolico merjena kot zvočni efekt (LWA) v skladu z EG direktivo 2000/14/EG.

⁶⁸ Zabeleženi podatki za nivo zvočnega tlaka imajo tipično statistično razpršitev (standardni odklon) 1,2 dB(A).

	enota	LM2146C Li58-52	LM2146CA Li58-52
		(58VBKJN46C)	(58VBKJN46CR)
Ravni vibracij			
69			
Ročaj	m/s ²	0,65	0,65
Košnja			
Višina košnje	mm	30-80	30-80
Širina reza	cm	46	46
Rezilo, zbiranje	—	581188910	581188902
Rezilo, mulčenje	—	581188910	581188902
Prostornina košare	litri	50	50

VSEBINA IZJAVE ES O SKLADNOSTI

Pri Husqvarna AB, SE 561 82 Huskvarna, ŠVEDSKA, na lastno odgovornost izjavljamo, da je predstavljeni izdelek:

Usklajeni standardi in/ali tehnične specifikacije v veljavi: EN60335-1, EN60335-2-77, EN50366, EN55014-1, EN55014-2, EN61000-3-2, EN61000-3-3

Opis	Električna rotacijska vrtna kosilnica
Znamka	Jonsered
Platforma/vrsta/model	Platforma 58VBKJN46C (natančneje model LM2146C Li58-52), platforma 58VBKJN46CR (natančneje model LM2146CA Li58-52).
Serijska	Serijske številke od letnika 2018 dalje

V skladu z direktivo 2000/14/ES, priloga V, so določene ravni zvoka navedene v poglavju s tehničnimi podatki v tem priročniku in v podpisani izjavi EU o skladnosti.

Intertek je v imenu družbe Husqvarna AB opravil prostovoljen tipski pregled in sestavil dokument Certifikat o skladnosti z direktivo Sveta ES 2006/42/ES o strojih.

Ta certifikat, kot je naveden v podpisani izjavi ES o skladnosti, velja za vse proizvodne lokacije in države porekla, navedene na izdelku.

Dobavljena električna rotacijska vrtna kosilnica je enaka primerku, na katerem je bil opravljen pregled.

popolnoma skladen z naslednjimi direktivami in uredbami EU:

Direktiva/uredba	Opis
2006/42/ES	o strojih
2014/30/EU	o elektromagnetni združljivosti
2000/14/ES	o zunanjem hrupu
2011/65/EU	o nevarnih snoveh

⁶⁹ Zabeleženi podatki za raven vibracij imajo tipično statistično razpršitev (standardni odklon) v višini 0,2 m/s². Standard za vibracije EN 60335-2-77:2017; poglavje 20.105.

Innehåll

INTRODUKTION.....	278	UNDERHÅLL.....	284
SÄKERHET.....	279	TRANSPORT OCH FÖRVARING.....	286
MONTERING.....	282	TEKNISKA DATA.....	286
ANVÄNDNING.....	282	INNEHÅLLET I EG-FÖRSÄKRAN OM ÖVERENSSTÄMMELSE.....	287

INTRODUKTION

Bruksanvisning

Det ursprungliga språket i denna bruksanvisning är engelska. Bruksanvisningar på andra språk är översättningar från engelska.

Översikt

(Fig. 1.)

1. Säkerhetsgrepp
2. Gräsuppsamlare
3. Körspakar
4. Elektrisk drivenhet
5. Klipphöjdsspak
6. Batteriladdare
7. Bruksanvisning
8. Användargränssnitt
9. Batteripack
10. Batterilucka
11. Strömknapp
12. Klipplägesknapp
13. Baklucka
14. Lampor för laddningsstatus
15. Nyckel
16. Mulchingplugg

Symboler på produkten

(Fig. 2.) Varning

(Fig. 3.) Läs den här bruksanvisningen

(Fig. 4.) Läs igenom bruksanvisningen noggrant och se till att du förstår instruktionerna innan användning.

(Fig. 5.) Använd godkänt ögonskydd

(Fig. 6.) Använd godkända hörselskydd

(Fig. 7.) Använd godkänt huvudskydd

(Fig. 8.) Använd godkända hörselskydd

(Fig. 9.) Varning för roterande kniv. Akta händer och fötter.

Håll händer och fötter borta från roterande knivar. Öppna inte och ta inte bort skyddskåporna när motorn är igång.

(Fig. 10.)

Innan och medan du backar ska du titta bakåt och nedåt efter små barn, djur eller andra risker som kan göra att du faller.

(Fig. 11.)

Akta dig för utslungade föremål och rikoschetter.

(Fig. 12.)

Håll alltid människor och djur på säkert avstånd från arbetsområdet.

(Fig. 13.)

(Fig. 14.) Slutningsfara

(Fig. 15.) Elektrisk stöt

Ta ur nyckeln innan reparation, justering, inställning eller transport.

(Fig. 16.)

(Fig. 17.) Strömknapp

(Fig. 18.) Motor på

(Fig. 19.) Motorreglagehandtag aktiverat

(Fig. 20.) Motor avstängd

(Fig. 21.) Motorreglagehandtag avaktiverat

Varken produkten eller förpackningen ska hanteras som hushållsavfall. Istället ska produkten och förpackningen överlämnas till lämplig återvinningsstation för återvinning av elektrisk och elektronisk utrustning.

(Fig. 22.)

Lämna inte, lagra inte och använd inte i regn eller i fuktiga förhållanden.

(Fig. 23.)

(Fig. 24.) Återvinn

(Fig. 25.) Ljudeffektnivå

(Fig. 26.) Produkten följer gällande EG-direktiv

(Fig. 27.) Produkten överensstämmer med gällande EAC-direktiv

(Fig. 28.) Produkten överensstämmer med gällande ukrainska direktiv

Produktansvar

Enligt lagstiftningen för produktansvar ansvarar vi inte för skador som vår produkt orsakar om:

- produkten repareras felaktigt.
- produkten repareras med delar som inte kommer från tillverkaren eller inte har godkänts av tillverkaren.
- produkten har ett tillbehör som inte kommer från tillverkaren eller inte har godkänts av tillverkaren.
- produkten inte repareras vid ett godkänt servicecenter eller av en godkänd person.

SÄKERHET

Säkerhetsdefinitioner

Definitionerna nedan beskriver allvarlighetsgraden för varje signalord.



VARNING: Personskador.



OBSERVERA: Skador på produkten.

Notera: Denna information gör produkten lättare att använda.

Allmänna säkerhetsanvisningar

- Använd produkten på rätt sätt. Skador eller dödsfall är ett möjligt resultat av felaktig användning. Använd endast produkten för arbetsuppgifterna som finns i denna bruksanvisning. Använd inte produkten till andra uppgifter.
- Läs, förstå och följ instruktionerna i denna handbok. Följ säkerhetssymbolerna och säkerhetsinstruktionerna. Om användaren inte följer instruktionerna och symbolerna är skador eller dödsfall ett möjligt resultat.
- Spara den här bruksanvisningen. Använd instruktionerna för att sätta ihop, använda och förvara din produkt i gott skick. Använd instruktionerna för korrekt installation av tillbehör och extrautrustning. Använd endast godkända tillbehör och extrautrustning.
- Använd inte en skadad produkt. Följ underhållsschemat. Utför endast det underhållsarbete som du hittar instruktioner om i den här bruksanvisningen. Godkända servicecenter måste göra allt annat underhållsarbete.
- Den här bruksanvisningen kan inte inkludera alla situationer som kan uppstå när du använder produkten. Var försiktig och använd sunt förnuft. Använd inte produkten eller utför underhåll på produkten om du inte är trygg med situationen. Tala med en produktexpert, din återförsäljare, din

serviceverkstad eller ett godkänt servicecenter för att få information.

- Använd inte produkten om den ändras från dess första specifikation. Byt inte ut en del av produkten utan tillverkarens godkännande. Använd endast reservdelar som godkänts av tillverkaren. Skador eller dödsfall är ett möjligt resultat av felaktigt underhåll.
- Denna produkt alstrar ett elektromagnetiskt fält under drift. Det elektromagnetiska fältet kan orsaka skador på medicinska implantat. Tala med din läkare och tillverkarens eventuella medicinska implantat innan du använder produkten.
- Låt inte barn använda produkten.
- Låt inte en person utan kännedom om instruktionerna använda produkten.
- Övervaka alltid en person med nedsatt fysisk eller mental kapacitet som använder produkten. En vuxen person måste alltid närvara.
- Lås in produkten på en plats där barn och obehöriga personer inte har åtkomst.
- Produkten kan skjuta ut föremål och orsaka skador. Följ säkerhetsinstruktionerna för att minska risken för personskador eller dödsfall.
- Lämna inte produkten när den är igång. Stoppa produkten innan du går.
- Innan och medan du backar ska du titta bakåt och nedåt efter små barn, djur eller andra risker som kan göra att du faller.
- Användaren av produkten är ansvarig om en olycka inträffar.
- Kontrollera att delarna inte är skadade innan du använder produkten.
- Följ nationella eller lokala lagar. De kan förhindra eller minska produktens funktion under vissa förhållanden.

Säkerhetsinstruktioner för drift

- Du måste känna till produktens reglage och korrekt hantering före användning.
- Låt inte barn eller personer utan kännedom om instruktionerna använda produkten.
- Använd inte produkten medan personer, särskilt barn, eller husdjur finns i närheten.

- Håll barn borta från det område som ska klippas. De måste övervakas av en vuxen.
- Stoppa produkten om barn kommer in i arbetsområdet.
- Undersök området där produkten ska användas ordentligt. Ta bort alla föremål som kan kastas ut från produkten under drift.
- Undersök kniven, knivbulten, knivenheten och motorbasen beträffande slitage och skador före användning.
- Använd endast produkten i dagsljus eller vid god belysning.
- Använd inte produkten i vått gräs.
- Var försiktig i närheten av hörn, buskar, träd eller andra föremål som skymmer sikten.
- Var väldigt försiktighet när du backar eller drar produkten i din riktning.
- Sätt inte händer eller fötter intill eller under roterande delar. Håll alltid avstånd från utkastets öppningar.
- Stoppa kniven när du kör över grusbelagda ytor.
- Stoppa motorn, ta ur batteripacket och vänta tills kniven har stannat helt innan du rengör produkten, tar bort gräsuppsamlaren eller tar bort material från utkastarröret.
- Använd aldrig produkten om du är trött, sjuk eller påverkad av alkohol, droger eller läkemedel.
- Om produkten vibrerar på ett ovanligt sätt ska du stoppa motorn, ta ur batteripacket och omedelbart leta efter orsaken. Vibration är vanligtvis ett tecken på skada.
- Rikta inte utslungat material mot andra. Släpp inte ut material mot en vägg eller andra hinder. Materialet kan studsas tillbaka i riktning mot användaren.
- Använd inte produkten utan att korrekta skydd, plåtar, gräsuppsamlare och annan säkerhets- och skyddsutrustning är på plats.

Säkerhet i arbetsområdet

- Ta bort grenar, kvistar, stenar och andra föremål från gräsmattan innan du börjar klippa.
- Håll alltid människor, inbegripet barn, och djur på säkert avstånd från arbetsområdet.
- Objekt som slår mot skärutrustningen kan slungas ut och orsaka skador på personer och föremål.
- Använd inte produkten vid dåligt väder, till exempel vid dimma, regn, på fuktiga eller våta platser, vid hård vind, extrem kyla och risk för åskväder. Arbete i dåligt väder kan orsaka trötthet och farliga förhållanden, t.ex. hala ytor.
- Undersök arbetsområdet för att se till att din kontroll av produkten inte hindras.
- Var försiktig med rötter, stenar, grenar, gropar och diken. Högt gräs kan dölja hinder.
- Var uppmärksam när du närmar dig dolda hörn och föremål som skymmer sikten.

Säkerhetsinstruktioner för sluttningar

- Var försiktig när du klipper i sluttningar. Sluttningar kan vara farliga. Ett fall i en sluttning kan orsaka skador.
- Klipp tvärs över sluttningen. Klipp inte uppåt och nedåt.
- Var försiktig när du ändrar riktning i en sluttning.
- Var uppmärksam på dolda föremål eller hål i gräsmattan. Ojämn terräng kan göra att du faller.
- Klipp inte nära en brant sluttning, en brant, ett dike eller en jordvall. Du kan falla.
- Klipp inte vått gräs. Du kan falla.
- Klipp inte i terräng med mer än en 15 graders lutning.

Personlig skyddsutrustning

Använd alltid korrekt personlig skyddsutrustning när du använder produkten. Detta inkluderar åtminstone rejäla skor, skyddsglasögon och hörselskydd. Personlig skyddsutrustning eliminerar inte skaderisken, men den kan minska skadans allvarlighetsgrad vid en eventuell olycka.

- Bär alltid skyddsglasögon eller ögonskydd vid användning av produkten, eller när underhåll eller reparationer utförs.
- Använd inte produkten barfota eller med öppna skor. Använd alltid kraftiga halksäkra kängor med bra vriststöd när du använder produkten.
- Använd kraftiga långbyxor. Bär inte kortbyxor eller sandaler och gå inte barfota.
- Använd vid behov godkända skyddshandskar. Till exempel vid montering, undersökning eller rengöring av kniven.
- Använd alltid godkänt hörselskydd när du använder produkten. Oljud under en längre period kan leda till bullerorsakad hörselnedsättning.

Säkerhetsanordningar på produkten

- Se till att du regelbundet utför underhåll på produkten.
 - Produktens livslängd ökar.
 - Risken för olyckor minskar.

Låt en auktoriserad återförsäljare eller ett godkänt servicecenter regelbundet undersöka produkten för att göra justeringar eller reparationer.

- Använd inte en produkt med skadad skyddsutrustning. Om produkten är skadad bör du tala med ett godkänt servicecenter.

Motorreglagehandtag

Motorreglagehandtaget stänger av motorn. Kontrollera att motorn stannar när du släpper motorreglagehandtaget.

- Starta motorn och släpp sedan reglagehandtaget. Motorn stannar då.

Notera: Om motorreglagehandtaget inte stoppar motorn kan du trycka på strömknappen för att stoppa den. Ta ur batteripacket och tala med en godkänd serviceverkstad.

Baklucka

Bakluckan minskar risken att föremål slungas ut bakom produkten.

- Kontrollera att bakluckan inte är skadad och att inga defekter syns, t.ex. sprickor eller trasiga fjädrar. Defekter gör att luckan stängs hårt. Byt ut dörren eller fjädrarna om de är skadade.

Säkerhetsinstruktioner för underhåll



WARNING: Utför endast det underhållsarbete som anges i den här bruksanvisningen. Mer omfattande arbete ska utföras av en godkänd serviceverkstad.

Utför underhållsarbete på rätt sätt för att öka produktens livslängd och minska risken för olyckor. En godkänd serviceverkstad kan utföra fackmannamässig reparation. Tala med din närmaste serviceverkstad för mer information.



WARNING: För att förhindra oavsiktlig start under transport, underhåll eller reparationer ska du ta ur batteripacket och vänta i minst fem sekunder innan du sätter tillbaka det.



WARNING: Använd extra tjocka handskar när du hanterar skärutrustningen. Kniven är mycket vass och skärskador uppstår lätt.

- Håll skäreppen skarp och ren för bästa och säkraste prestanda.
- Låt din serviceverkstad regelbundet kontrollera produkten och göra nödvändiga inställningar och reparationer.
- Byt ut skadade, slitna och trasiga delar.
- Följ anvisningarna för byte av tillbehör. Använd endast tillbehör från tillverkaren.



WARNING: När produkten inte används ska du förvara produkten, batteripacket och batteriladdaren separat inomhus på en torr plats som går att låsa och som är oåtkomlig för barn och ej godkända personer.

Batterisäkerhet

Använd endast batteripack från tillverkaren och ladda dem endast i en batteriladdare från tillverkaren.

De laddningsbara batteripacken används enbart som strömförsörjning för tillhörande sladdlösa produkter. För

att förhindra personskadorna ska batteripacket inte användas som strömkälla för andra enheter.

- Ta inte isär, öppna inte och riv inte batteripack.
- Förvara inte batteripack i solljus eller värme. Håll batteripack borta från eld.
- Undersök regelbundet laddaren för batteripack och batteripacket för eventuella skador. Skadade eller modifierade batteripack kan orsaka brand, explosion eller risk för skada. Reparera inte och öppna inte skadade batteripack.
- Använd inte ett batteripack eller en produkt som är trasig, modifierad eller skadad.
- Modifiera inte och reparera inte produkter eller batteripack. Låt endast återförsäljaren utföra reparationer.
- Kortslut inte en cell eller ett batteripack. Förvara inte batteripack i en kartong eller låda där de kan kortslytas av andra metallföremål.
- Ta inte ur ett batteripack från dess originalförpackning förrän det behövs för användning.
- Ge inte batteripack mekaniska stötar.
- Om ett batteri läcker ska du inte låta vätskan komma i kontakt med huden eller ögonen. Om du har rört vid vätskan ska du rengöra området med stora mängder vatten och kontakta läkare.
- Använd inte batteriladdaren för annat än det som är angivet för användning med batteripacket.
- Titta på markeringarna plus (+) och minus (-) på batteripacket och produkten för att säkerställa korrekt användning.
- Använd inte ett batteripack som inte är tillverkat för användning med produkten.
- Blanda inte batteripack med olika spänning eller från olika tillverkare i en enhet.
- Förvara batteripack utom räckhåll för barn.
- Köp alltid korrekta batteripack för produkten.
- Håll batterierna rena och torra.
- Rengör batteripackets kontakter med en ren och torr trasa.
- Sekundära batteripack måste laddas före användning. Använd alltid rätt batteriladdare och se bruksanvisningen för korrekta laddningsanvisningar.
- Låt aldrig ett batteripack laddas kontinuerligt när det inte används.
- Spara bruksanvisningen för framtida referens.
- Använd endast batteripacket till dess avsedda användning.
- Ta ur batteripacket från produkten när den inte används.
- Håll batteriet bort från gem, nycklar, spikar, skruvar och andra små metallföremål under drift. Detta kan skapa en anslutning mellan kontakterna. Kortslutning av batteripackets kontakter kan orsaka brännskador eller en brand.

MONTERING



VARNING: Läs säkerhetskapitlet innan du monterar produkten.

Ta ur produkten ur kartongen

1. Ta ur lösa delar som medföljer produkten.
2. Skär isär kartongen i två hörn och lägg kartongsidan platt på marken.
3. Ta bort allt förpackningsmaterial.
4. Ta ur produkten ur kartongen och kontrollera att inga lösa delar finns kvar i kartongen.

Montera handtaget

1. Rikta in skruvhålen på undersidan av handtaget med skruvhålen på handtagsenheten. Montera skruvar, brickor och vred. (Fig. 29.)
2. För att justera höjden, lossa på de nedre vreden, höj eller sänk handtaget för att justera höjden och dra sedan åt vreden ordentligt.

Ställa in produkten i arbetsläge

1. Lyft upp handtaget till arbetsläge.
2. Dra åt de nedre vreden helt.

Montera gräsuppsamlaren

1. Fäst gräsuppsamlarens ram i gräsbehållaren, med behållarens stela del nedåt. Håll ramens handtag ovanpå gräsbehållaren. (Fig. 30.)
2. Sätt fast den nedre delen av gräsuppsamlarens ram i spåret på undersidan av gräsuppsamlaren. (Fig. 31.)
3. Fäst krokarna på gräsuppsamlaren mot den övre kanten på chassit. (Fig. 32.)
4. Sätt den nedre delen av gräsuppsamlaren i gräsutkastkanalen.

Ändra produkten till uppsamlingsläge

Bakre uppsamlingsläge samlar in gräsklippet i gräsuppsamlaren.



OBSERVERA: Använd inte produkten utan bakluckan stängd eller den godkända gräsuppsamlaren på plats. Försök inte att använda produkten med bakluckan borttagen eller öppen.

1. Lyft bakluckan och sätt krokarna på gräsuppsamlarens ram på bakluckans tapp. (Fig. 33.)
2. Släpp bakluckan och lägg den ovanpå gräsbehållarens ram.

Ändra produkten till mulchingläge (i förekommande fall)

Produktens mulchingläge gör gräsklippet mindre. Gräsklippet faller sedan ned på gräsmattan och över gräset. Det mulchingklippta gräset bryts ned snabbt och gödslar gräsmattan.

1. Lyft upp den bakre kåpan och ta loss gräsuppsamlaren. (Fig. 34.)
2. För in mulchingpluggen i utkastkanalen. (Fig. 35.)
3. Stäng bakluckan tätt mot produkten.

Ändra produkten till utkastläge

1. Ta bort mulchingpluggen eller gräsuppsamlaren. (Fig. 36.)

2. Stäng bakluckan tätt mot produkten.

Ställa in klipphöjden



OBSERVERA: Ställ inte in för låg klipphöjd. Knivarna kan träffa marken om gräsmattans yta inte är plan.

Notera: Ställ in samma höjd på alla klipphöjdsreglage.

1. Flytta klipphöjdsspaken bakåt för att höja klipphöjden.
2. Flytta klipphöjdsspaken framåt för att sänka klipphöjden. (Fig. 37.)

ANVÄNDNING



VARNING: Läs och förstå säkerhetskapitlet innan du använder produkten.

Grundläggande sågteknik

- Klipp alltid med en vass kniv för bästa resultat. En kniv som inte är vass klipper ojämnt och gör att gräset blir gult i snittytan.
- Klipp inte mer än en tredjedel av gräsets längd. Detta gäller särskilt under torrperioder. Klipp först med hög klipphöjd. Kontrollera sedan resultatet och

sänk till lämplig höjd. Om gräset är för långt kan du köra sakta och klippa två gånger vid behov.

- För väldigt tung klippning kan du minska klippbredden genom att överlappa det tidigare klippta området och klippa långsamt.
- Klipp i olika riktningar varje gång för att undvika ränder i gräsmattan.
- Spola regelbundet av gräsuppsamlaren med vatten och låt torka innan användning. Porer i gräsuppsamlare av tyg kan fyllas med smuts och damm under drift. Gräsuppsamlaren samlar då upp mindre gräs.

Innan du startar gräsklipparen

- Håll människor och djur på säkert avstånd från arbetsområdet.
- Utför daglig skötsel. Se *UNDERHÅLL på sida 284*.

Starta produkten

1. Sätt i batteripacket tills du hör ett klickljud. Se till att batteripacket är korrekt monterat. (Fig. 38.)
2. Sätt nyckeln i fickan under batteriluckan. Se till att nyckeln är korrekt monterad. (Fig. 39.)

Notera: Nyckeln kan endast föras i en riktning.

3. Tryck på strömknappen en gång. Knappen tänds helt. (Fig. 40.)
4. Dra motorreglagehandtaget i styrets riktning. Strömknappen börjar blinka. (Fig. 41.)
5. Tryck på den blinkande strömknappen. Då startar produkten. (Fig. 42.)

Stänga av produkten

- Släpp motorreglagehandtaget på produkten, eller tryck på strömknappen en gång.(Fig. 43.)

Använda drivningen på hjulen (i förekommande fall)

(Fig. 44.)

- Dra körspakarna i styrets riktning.
- Innan du drar produkten bakåt, stäng av drivenheten och puttra fram den ca 10cm.
- Släpp körspakarna för att koppla ur drivningen, t.ex. när du går nära ett hinder.

Tömma gräsuppsamlaren

1. Lyft gräsuppsamlaren med hjälp av ramens handtag.
2. Ta bort gräsklipppet från gräsuppsamlaren under handtaget.
3. Töm gräsklipppet från påsen med ramens handtag och påsens handtag.



OBSERVERA: Släpa inte påsen när du tömmer gräsuppsamlaren för att förhindra slitage.

Ändra klippläge

Produkten kan ändras till ett av tre olika klipplägen under drift genom att trycka på klipplägesknappen.

- **Autoläge** – Produkten justerar automatiskt skärhastighet beroende på den mängd gräs som klippas.
 - **Notera:** Produkten är inställd på Autoläge som standard under arbetets gång.
- **Boostläge** – Produkten drivs med hög hastighet oavsett vilken mängd gräs som klippas.
 - När produkten är i drift trycker du på klipplägesknappen en gång för att ändra från Auto- till Boostläge. Klipplägesknappen tänds då.
- **ECO-läge** – Produkten drivs med låg hastighet oavsett vilken mängd gräs som klippas.
 - När produkten är i drift trycker du på klipplägesknappen en gång för att ändra från Boost- till ECO-läge. Klipplägesknappen tänds och blinkar då.
 - Gå tillbaka till standardläget Auto genom att trycka på klipplägesknappen en gång när produkten är i drift. Klipplägesknappen slutar då att blinka.

Notera: Om motorreglagehandtaget släpps under drift förblir produkten i det aktuella klippläget. Om produkten stannar automatiskt, eller om användaren trycker på strömknappen, raderas det klippläge som användes tidigare ur minnet och produkten startar i Autoläge när den startas igen.

Indikator för batteristatus under drift

Displayen på användargränssnittet visar batteriets kapacitet och om det är något problem med batteripacket. Batterikapaciteten visas medan maskinen är i drift.

Lysdioder	Batteristatus
Alla gröna lysdioder tänds	Fulladdat (100–76 %)
Lysdiod 1, 2 och 3 tänds	Batteripacket är 75–51 % laddat.
Lysdiod 1 och 2 tänds	Batteripacket är 50–26 % laddat.
Lysdiod 1 tänds	Batteripacket är 25–6 % laddat.
Lysdiod 1 blinkar	Batteripacket är 5–0 % laddat.

Om det är något fel med batteripacket under drift blinkar alla fyra gröna lysdioder på batteriets laddningsstatus. Ta ur batteripacket från maskinen och tryck på indikatorknappen på batteripacket för att visa felkoden för felet. Lysdioderna på batteripacket tänds och visar en felkod om ett fel har inträffat. Se batterimanualen för en lista med felkoder och lösningar på felet.

UNDERHÅLL



VARNING: Läs och förstå säkerhetskapitlet innan du rengör, reparerar eller utför underhåll på produkten.

Allmänna rekommendationer för underhåll

Produktens garanti inkluderar inte användarens felaktiga eller ovarsamma användning av produkten. För att få fullständigt värde från garantin måste användaren underhålla produkten enheten enligt denna bruksanvisning. Olika anpassningar måste göras vid olika intervall för att hålla din produkt i korrekt skick.

- Inspektera kniven beträffande slitage varje år.

Undersöka däcken

- Håll däcken fria från oönskat material och kemikalier för att förhindra skador på gummit.
- Håll däcken borta från stubbar, stenar, fårör, vassa föremål och andra föremål som kan orsaka skador på däcken.

Allmän inspektion

- Kontrollera att skruvar och muttrar är åtdragna.
- Se till så att inga kablar hamnar i kläm.

Underhållsschema

Använd underhållsschemat för att se de nödvändiga underhållskraven för din produkt och när underhåll måste göras. Intervallen är beräknad på genomsnittlig användning av produkten och kan skilja sig åt beroende på hur ofta du använder den.

- Dra åt bultar och muttrar före varje användning och före förvaring.
- Rengör och inspektera gräsuppsamlaren, om sådan är monterad, före och efter varje användning, och före förvaring.
- Inspektera däcken före varje användning.
- Rengör produkten efter varje användning och före förvaring. Använd en skrapa för att rengöra under aggregatet.
- Inspektera kniven beträffande skador och sprickor med intervall på 25 timmar. Byt ut knivarna oftare om du klipper i sandig jord.
- Smörj in produkten med intervall på 25 timmar.
- Rengör och ladda batteripacket helt efter användning och efter förvaring. Ladda batteripacket i högst 24 timmar innan förvaring.
- Lägg inte batteripacket på batteriladdaren under förvaring. Ladda batteripacket i högst 24 timmar.
- Inspektera drivremmen och linjhjulen med intervall på 25 timmar (i förekommande fall).

Rengöra produkten

- Använd en borste för att avlägsna oönskat material och gräs från produkten.
- Håll oönskat material borta från ytor och hjul.
- Använd en skrapa under produkten för att avlägsna ansamlingar av gräs och skräp.
- Undvik att använda högtrycksvätt när du rengör maskinen.
- Spola inte vatten direkt på elektriska drivenheter eller batteriets kontakter.
- När du rengör under produkten ska du ta ur batteripacket och säkerhetsnyckeln och ställa produkten på sidan med användargränssnittet uppåt.



OBSERVERA: Rengör inte produkten med vatten, rengöringsvätska eller lösningsmedel. Ta bort oönskat material från produkten med en mjuk borste eller en torr trasa som inte innehåller metall.

Rengöra gräsuppsamlaren

- Porer i gräsuppsamlare av tyg kan fyllas med smuts och damm under drift. Detta gör att uppsamlaren samlar in mindre gräs. Spola regelbundet av gräsuppsamlaren med en vattenslang och låt torka innan du använder den igen.
- Inspektera gräsuppsamlaren ofta beträffande slitage eller fel. Byt ut vid behov.

Inspektera bakluckan

Bakluckan sitter mellan bakhjulen på produkten. Luckan minskar risken för att föremål slungas ut i riktning mot användarens klipppläge.

1. Se till att bakluckan inte är skadad.
2. Inspektera bakluckan beträffande defekter som gör att luckan stängs hårt, inklusive sprickor eller skadade fjädrar.
3. Byt ut bakluckan eller fjädrarna om de är skadade.

Slipa och balansera kniven

För bästa resultat ska du hålla kniven vass. Byt ut en böjd eller skadad kniv.



OBSERVERA: Använd handskar och/eller linda kniven med ett tjockt tyg för att förhindra skador på händerna.

1. Slipa kniven med en fil eller på en slipskiva. Slipa inte kniven när den är monterad på produkten.



OBSERVERA: Vi rekommenderar inte att du slipar kniven. Om du gör det måste du se till att kniven är balanserad.

En kniv som inte är balanserad kan orsaka skador på produkten eller motorn.

2. Sätt en rak spik i en bit trä eller en vägg. Kontrollera att du kan se 2–3 cm av spiken.
3. Placera knivens centrumhål på spikens huvud. Om kniven är balanserad ska den vara kvar i horisontellt läge. Om en av de två ändarna på kniven rör sig nedåt ska den tunga änden slipas tills kniven är balanserad.

Byta knivar

1. Läs kniven med en träbit.(Fig. 45.)
2. Ta bort knivbulten.
3. Tag bort kniven.
4. Kontrollera knivstödet och knivbulten för att se om det finns skador.

5. Kontrollera motoraxeln för att se till att den inte är böjd.
6. När du monterar en ny kniv ska du rikta knivens vinklade ändar mot klippkåpan.(Fig. 46.)
7. Se till att kniven är i linje med motoraxelns mitt.
8. Läs kniven med en träbit. Montera fjäderbrickan och dra åt bulten och brickan med ett vridmoment på Nm.(Fig. 47.)
9. Dra runt kniven för hand och se till att den roterar fritt.



VARNING: Använd kraftiga arbetshandskar. Kniven är mycket vass och skärskador uppstår lätt.

10. Starta produkten för att testa kniven. Om kniven inte är korrekt monterad känner du vibrationer i produkten eller så är klippresultat otillfredsställande.

Felkoder

Felkoderna hjälper dig att utföra felsökning på produkten och/eller batteripacket medan den är i drift.

LED-skärm	Eventuella fel	Möjliga åtgärder
Inga lysdioder tänds när man trycker på strömknappen på användargränssnittet, batteripacket fungerar inte i produkten	Batteripacket är inte ordentligt monterat i produkten eller den interna säkringen är trasig	Skjut in batteripacket helt i drivenheten tills det hörs ett klick. Om lysdioderna inte lyser när batteripacket har skjutits in helt och strömknappen har tryckts ned på användargränssnittet kan du tala med en godkänd serviceverkstad.
Alla fyra lysdioder för batterikapacitet blinkar, inga andra lysdioder tänds när man trycker på strömknappen	Batteripacket är inte ordentligt monterat i produkten, eller batteripackets innetemperatur är för varm eller för kall.	Skjut in batteripacket helt i drivenheten tills det hörs ett klick. Om lysdioderna fortsätter att blinka kan batteripackets innetemperatur vara för låg eller för hög. Låt batteripacket värmas upp eller svalna. För att snabba på kylningsprocessen kan batteripacket föras in i batteriladdaren för att aktivt kyla ner batteripacket.
Alla fyra lysdioder för batterikapacitet och ström blinkar, inga andra lysdioder tänds när man trycker på strömknappen	Motorreglagehandtaget var nedtryckt när strömknappen trycktes in för första gången, eller internt fel på motorreglagehandtaget	Släpp motorreglagehandtaget. Om motorreglagehandtaget inte hålls ner och lysdioderna fortsätter att blinka bör du kontakta en godkänd serviceverkstad.
Produkten slutar fungera och alla fyra lysdioder för batterikapacitet blinkar, inga andra lysdioder tänds.	Batteripacket sitter löst i drivenheten och har inte längre god kontakt, batteripacket är för varmt eller kallt, eller annat internt batterifel	<ol style="list-style-type: none">1. Stäng av produkten.2. Ta ur batteripacket från produkten och tryck på indikatorknappen på batteripacket för att visa felkoden. Lysdioderna på batteripacket tänds och visar en felkod.3. Läs den medföljande batterimanualen för en lista med relaterade lysdiodsfelkoder gällande möjliga fel och förfaranden. <p>Om batteripacket inte visar ett fel efter en tryckning på indikatorknappen på batteripacket, utan bara visar laddningsstatus, kan batteripacket ha lossnat från drivenheten under drift. Skjut in batteripacket helt i drivenheten tills det hörs ett klick.</p>

LED-skärm	Eventuella fel	Möjliga åtgärder
Produkten slutar fungera och strömknappen blinkar, och lysdioden för batterikapacitet fortsätter att visa aktuell laddningsstatus	Klippkammaren är igensatt med gräs, motorns styrenhet är för varm, eller motorfel	<ol style="list-style-type: none"> 1. Stäng av produkten. 2. Ta ur batteripacket och ställ produkten på sidan med användargränssnittet uppåt. 3. Inspektera kniven, knivbulten, knivenheten, motorn och motorbasen beträffande skador. Rensa bort allt gräs från botten av maskinen och se efter om något är igensatt. 4. Installera batteripacket och följ anvisningarna för start för att starta maskinen. <p>Om felet fortsätter att visas ska du låta produkten svalna. Motorns styrenhet kanske är för varm för drift. Om felet fortfarande visas kan du tala med en godkänd serviceverkstad.</p>

TRANSPORT OCH FÖRVARING

- Skydda utrustningen vid transport för att undvika skador och olyckor.
- Vid förvaring ska du ta ur säkerhetsnyckeln och ha utrustningen i ett låst utrymme oåtkomligt för barn och personer som inte är godkända.
- Förvara produkten och utrustningen i ett torrt och frostfritt utrymme.
- Överstig inte den maximala rekommenderade användningsvinkeln på 15 grader när du lastar eller flyttar produkten.
- Rengör produkten. Mer information finns i *Rengöra produkten på sida 284*.
- Smörj produkten.
- Dra åt bultar och muttrar.
- Byt eller reparera skadade delar.
- Bättra på alla rostiga eller lackskadade ytor. Slipa lätt innan du målar.
- Använd rätt skyddshölje på produkten så att fukt inte hålls kvar. Använd inte plast eftersom det inte andas, gör att kondens samlas och orsakar korrosion på produkten.
- Ta alltid ur batteripacket före transport eller förvaring.

TEKNISKA DATA

	enhet	LM2146C Li58-52 (58VBKJN46C)	LM2146CA Li58-52 (58VBKJN46CR)
Klippmotor			
Motortyp	—	BLDC (borstlös) 58V	BLDC (borstlös) 58V
Motorns varvtal – ECO-läge	varv/min	2 300	2 300
Motorns varvtal – Autoläge	varv/min	2 500 varv/min tills strömmen är mer än 12 A i tre sekunder, varvtalet ökar till 2 800 varv/min tills strömmen är mindre än 18 A i tio sekunder.	2 500 varv/min tills strömmen är mer än 12 A i tre sekunder, varvtalet ökar till 2 800 varv/min tills strömmen är mindre än 18 A i tio sekunder.
Motorns varvtal – Boostläge	varv/min	2 800	2 800
Motoreffekt – Max.	kW	1,5	1,5
Motoreffekt – Max. kontinuerlig	kW	0,9	0,9
Motoreffekt – Nominell	kW	0,9	0,9

	enhet	LM2146C Li58-52 (58VBKJN46C)	LM2146CA Li58-52 (58VBKJN46CR)
Överströmsgräns (Max. ström)	A (amp)	25	25
Vikt			
Vikt (utan batteri)	kg	23,5	24,5
Batteri			
Batterityp		590923813	590923813
Batteritid			
Batteritid	m ²	Upp till 1 200	Upp till 1 000
Bulleremissioner ⁷⁰			
Ljudeffektnivå, uppmätt	dB (A)	87	87
Ljudeffektnivå, garanterad LWA	dB (A)	87	87
Ljudnivåer			
⁷¹			
Ljudtrycksnivå vid användarens öra	dB (A)	< 80	< 80
Vibrationsnivåer			
⁷²			
Handtag	m/s ²	0,65	0,65
Kapning			
Klipphöjd	mm	30–80	30–80
Klippbredd	cm	46	46
Kniv, insamling	—	581188910	581188902
Kniv, mulching	—	581188910	581188902
Uppsamlarkapacitet	liter	50	50

INNEHÅLLET I EG-FÖRSÄKRAN OM ÖVERENSSTÄMMELSE

Husqvarna AB, SE-561 82 Huskvarna, SVERIGE, försäkrar härmed på eget ansvar att den företrädda produkten:

Beskrivning	Elektrisk cylindergräs-klippare
Varumärke	Jonsered

⁷⁰ Emission av buller till omgivningen uppmätt som ljudeffekt (LWA) enligt EG-direktiv 2000/14/EG.

⁷¹ Redovisade data för ljudtrycksnivå har ett typiskt spridningsmått (standardavvikelse) på 1,2 dB(A).

⁷² Rapporterade data för vibrationsnivå har en typisk statistisk spridning (standardavvikelse) på 0,2 m/s². Vibrationsstandard SS-EN 60335-2-77:2017 kapitel 20.105.

Beskrivning	Elektrisk cylindergräs- klippare
Plattform/typ/modell	Plattform 58VBKJN46C (representerar modell LM2146C Li58-52), plattform 58VBKJN46CR (representerar modell LM2146CA Li58-52).
Parti	Serienummer daterade 2018 och framåt

uppfyller alla krav i följande EU-direktiv och förordningar:

Direktiv/förordning	Beskrivning
2006/42/EG	"angående maskiner"
2014/30/EU	"angående elektromagnetisk kompatibilitet"
2000/14/EG	"angående buller utomhus"
2011/65/EU	"angående farliga ämnen"

Harmoniserade standarder och/eller tekniska specifikationer som tillämpas är följande: EN60335-1, EN60335-2-77, EN50366, EN55014-1, EN55014-2, EN61000-3-2, EN61000-3-3

I enlighet med direktiv 2000/14/EG, bilaga V finns ljudvärdena angivna i avsnittet tekniska data i denna handbok och i den undertecknade EU-försäkran om överensstämmelse.

Intertek har utfört en frivillig kontroll åt Husqvarna AB och tillhandahållit ett certifikat om överensstämmelse med Rådets direktiv 2006/42/EG om maskiner.

Certifikatet, som levereras med en undertecknad EG-försäkran om överensstämmelse, är tillämpligt på alla tillverkningsplatser och ursprungsländer, såsom anges på produkten.

Den medföljande cylindergräsklipparen överensstämmer med det exemplar som genomgick kontrollen.

İçindekiler

GİRİŞ.....	289	BAKIM.....	295
EMNİYET.....	290	TAŞIMA VE SAKLAMA.....	297
MONTAJ.....	292	TEKNİK VERİLER.....	297
KULLANIM.....	293	AB UYUMLULUK BİLDİRİMİNİN İÇERİĞİ.....	299

GİRİŞ

Kullanım kılavuzu

Bu kullanım kılavuzunun asıl dili İngilizcedir. Diğer dillerdeki kullanım kılavuzları İngilizceden çevrilmiştir.

Genel bakış

(Şek. 1)

1. Operatör varlığı kontrol çubuğu
2. Çim toplama sepeti
3. Tahrik kolları
4. Elektrikli tahrik kafası
5. Kesme yüksekliği kolu
6. Akü şarj cihazı
7. Kullanım kılavuzu
8. Kullanıcı kontrol arayüzü
9. Akü grubu
10. Akü kapağı
11. Güç düğmesi
12. Kesme modu düğmesi
13. Arka kapak
14. Şarj ışıklarının durumu
15. Anahtar
16. Malç tapası

Ürün üzerindeki semboller

(Şek. 2) Uyarı

(Şek. 3) Bu kılavuzu okuyun

(Şek. 4) Lütfen kullanım kılavuzunu dikkatle okuyun ve kullanımdan önce talimatları anladığınızdan emin olun.

(Şek. 5) Onaylı koruyucu gözlük kullanın

(Şek. 6) Onaylı kulak koruma ekipmanı kullanın

(Şek. 7) Onaylı kafa koruma ekipmanı kullanın

(Şek. 8) Onaylı kulak koruma ekipmanı kullanın

(Şek. 9) Uyarı: döner bıçak. Ellerinizi ve ayaklarınızı uzak tutun.

(Şek. 10) El ve ayaklarınızı döner bıçaklardan uzak tutun. Makine veya motor çalışırken koruyucu siperleri açmayın veya çıkarmayın.

Geriyeye doğru yürümeden önce ve geriyeye doğru yürürken küçük çocuklara, hayvanlara veya düşmenize neden olabilecek diğer risklere karşı arkanıza ve aşağıya bakın.

(Şek. 11)

Atılan nesnelere ve seken cisimlere dikkat edin.

(Şek. 12)

İnsanları ve hayvanları çalışma alanından güvenli bir uzaklıkta tutun.

(Şek. 13)

Eğitim tehlikesi

(Şek. 14)

Elektrik çarpması

(Şek. 15)

Onarım, ayarlama veya taşıma işlemlerinden önce anahtarı çıkarın.

(Şek. 16)

Güç düğmesi

(Şek. 17)

Motor açık

(Şek. 18)

Motor kontrol kolu devrede

(Şek. 19)

Motor kapalı

(Şek. 20)

Motor kontrol kolu devre dışı

(Şek. 21)

Ürün veya ambalajı evsel atık olarak işleme alınamaz. Ürün ve ambalajı, elektrikli ve elektronik ekipmanları geri dönüştürmek için uygun bir geri dönüşüm istasyonuna gönderilmelidir.

(Şek. 22)

Yağmurlu veya ıslak koşullarda bırakmayın, depolamayın veya kullanmayın.

(Şek. 23)

Geri dönüştürün

(Şek. 24)

Ses gücü seviyesi

(Şek. 25)

Ürün, geçerli AT Direktiflerine uygundur

(Şek. 26)

Bu ürün, geçerli ATK direktiflerine uygundur

(Şek. 27)

Bu ürün, geçerli Ukrayna direktiflerine uygundur

(Şek. 28)

Ürün sorumluluğu

Ürün sorumluluğu yasalarında belirtildiği üzere;

- ürünün hatalı bir şekilde onarılması,
- ürünün, üretici tarafından onaylanmayan veya üreticiden alınmayan parçalarla tamir edilmesi,

- üründe, üreticiden alınmayan veya üretici tarafından onaylanmayan bir aksesuar bulunması,
- ve ürünün, onaylı bir servis merkezinde veya yetkili bir kurum tarafından tamir edilmemesi durumunda oluşabilecek hasarlardan sorumlu değiliz.

EMNİYET

Güvenlik tanımları

Aşağıdaki tanımlar, her bir sinyal kelimesinin önem derecesini belirtir.



UYARI: Yaralanma tehlikesi.



DİKKAT: Ürünün hasar görme tehlikesi.

Not: Bu bilgiler, ürünün kullanımını kolaylaştırır.

Genel güvenlik talimatları

- Ürünü doğru şekilde kullanın. Yaralanma veya ölüm, hatalı kullanımın olası sonuçlarıdır. Ürünü, yalnızca bu kılavuzda belirtilen işler için kullanın. Ürünü başka işler için kullanmayın.
- Bu kılavuzdaki talimatları okuyun, anlayın ve bu talimatlara uyun. Güvenlik sembollerine ve güvenlik talimatlarına uyun. Operatörün talimatlara ve sembollere uymaması yaralanma, hasar veya ölüme sonuçlanabilir.
- Bu kılavuzu atmayın. Ürününüzü monte etmek, çalıştırmak ve iyi durumda tutmak için talimatlara başvurun. Ataşmanların ve aksesuarların doğru kurulumu için talimatlara başvurun. Yalnızca onaylanmış ataşmanları ve aksesuarları kullanın.
- Hasarlı ürünü kullanmayın. Bakım takvimine uyun. Yalnızca bu kılavuzda ilgili talimatı bulduğunuz bakım çalışmalarını gerçekleştirin. Diğer tüm bakım işlerini onaylı bir servis merkezi yapmalıdır.
- Bu kılavuz, ürünü kullanırken oluşabilecek tüm durumları kapsayamaz. Dikkatli olun ve sağduyunuzu kullanın. Durumdan emin değilseniz ürünü kullanmayın veya ürün üzerinde bakım yapmayın. Bilgi almak için bir ürün uzmanına, bayinize, servis noktasına veya onaylı servis merkezine danışın.
- Orijinal özellikleri değiştirilmişse ürünü kullanmayın. Üreticinin onayı olmadan ürünün bir parçasını değiştirmeyin. Yalnızca üretici tarafından onaylanmış parçaları kullanın. Hatalı bakım çalışmaları, yaralanma veya ölüme sonuçlanabilir.
- Bu ürün çalışırken elektromanyetik bir alan oluşturur. Elektromanyetik alan, tıbbi implantlara zarar

verebilir. Ürünü kullanmadan önce doktorunuzla ve tıbbi implant üreticinizle iletişime geçin.

- Ürünü, bir çocuğun kullanmasına izin vermeyin.
- Talimatlar hakkında bilgisi olmayan birinin ürünü kullanmasına izin vermeyin.
- Fiziksel veya zihinsel kapasitesi düşük olan bir kişi ürünü kullanırken bu kişiyi daima gözetim altında tutun. Her zaman sorumlu bir yetişkin olmalıdır.
- Ürünü, çocukların ve onaylanmayan kişilerin ulaşamayacağı bir yere kilitleyin.
- Ürün, nesnelere fırlatarak yaralanmaya sebep olabilir. Yaralanma veya ölüm riskini azaltmak için güvenlik talimatlarına uyun.
- Ürün açılken ürünün yanından ayrılmayın. Ürünün yanından ayrılmadan önce ürünü durdurun.
- Geriye doğru yürümeden önce ve geriye doğru yürürken küçük çocuklara, hayvanlara veya düşmenize neden olabilecek diğer risklere karşı arkanıza ve aşağıya bakın.
- Oluşabilecek kazalardan operatör sorumludur.
- Ürünü kullanmadan önce parçaların hasarlı olmadığını emin olun.
- Ulusal veya yerel yasalara uyun. Bazı koşullarda bu yasalar, ürünün kullanımını önleyebilir veya kısıtlayabilir.

Kullanım için güvenlik talimatları

- Kullanmadan önce ürünün kontrollerini ve doğru çalışma şeklini öğrenin.
- Bu talimatlar hakkında bilgisi olmayan çocukların veya kişilerin ürünü çalıştırmasına izin vermeyin.
- Başta çocuklar olmak üzere yakınınızda başka kişiler veya hayvanlar varken ürünü asla çalıştırmayın.
- Çocukları çimlerin kesileceği alandan uzakta ve başka bir yetişkinin gözetiminde tutun.
- Çalışma alanına çocuk girerse motoru durdurun.
- Ürünün kullanılacağı alanı tamamen inceleyin. Çalışma sırasında ürünün içine çekebileceği tüm nesnelere kaldırın.
- Aşınma ve hasar için kullanmadan önce bıçağı, bıçak civatasını, bıçak tertibatını ve motor tabanını inceleyin.
- Ürünü yalnızca gündüz ya da güçlü bir yapay ışık altında kullanın.
- Ürünü ıslak çimlerde çalıştırmayın.
- Köşelerin, çalılırların, ağaçların veya görüşünüzü engelleyen başka şeylerin yakınında dikkatli olun.

- Ürünü ters yönde çevirirken veya kendinize doğru çekerken çok dikkatli olun.
- Ellerinizi veya ayaklarınızı döner parçaların yakınına veya altına koymayın. Her zaman deşarj borusundan uzak durun.
- Çakıllı yüzeylerde giderken bıçağı durdurun.
- Motoru durdurun, akü grubunu çıkarın ve ürünü temizlemeden önce bıçak tamamen duruncaya kadar bekleyin, çim ayırıcıyı çıkarın veya deşarj borusundan malzemeyi çıkarın.
- Ürünü yorgun, hasta veya alkol ya da ilaç etkisi altında olduğunuzda çalıştırmayın.
- Ürünün alışılmadık bir titreme varsa akü grubunu çıkarın ve hemen bunun sebebini kontrol edin. Titreşim genellikle bir hasar olduğunu gösterir.
- Çıkarılan malzemeyi diğerlerine doğru tutmayın. Malzemeyi duvara veya önünde bulunan bir nesneye doğru çıkarmayın. Malzeme sekip tekrar operatör yönüne gelebilir.
- Doğru siperlik, plakalar, çim ayırıcılar veya diğer koruyucu emniyet cihazları olmadan ürünü çalıştırmayın.

Çalışma alanı güvenliği

- Ürünü çalıştırmadan önce dalları, çalılırları, taşları ve diğer nesnelere çimenlik alandan çıkarın.
- Çocuklar başta olmak üzere insanları ve hayvanları çalışma alanından güvenli bir uzaklıkta tutun.
- Kesme donanımına çarpan nesnelere fırlayarak kişi ve nesnelere zarar görmesine neden olabilir.
- Ürünü sis, yağmur, kuvvetli rüzgârlar ve şiddetli soğuk, yıldırım riski gibi olumsuz hava koşullarında ve nemli veya ıslak yerlerde kullanmayın. Kötü hava koşullarında çalışmak yorulmaya ve kaygan yüzeyler gibi tehlikeli koşullara neden olabilir.
- Ürünü kontrol edebilenizi engelleyecek bir şey olmadığından emin olmak için çalışma alanınızı inceleyin.
- Köklere, taşlara, dallara, çukurlara ve hendeklere dikkat edin. Uzun çimlerle engellerin gözden kaçmasına sebep olabilir.
- Gizli köşelere ve görüşünüzü engelleyen nesnelere yanına giderken dikkatli olun.

Eğimler için güvenlik talimatları

- Eğimli bir yerde kesim yaparken dikkatli olun. Eğimler tehlikeli olabilir. Eğimli alanda düşmek sakatlanmaya sebep olabilir.
- Eğimli alanlarda yatay olarak kesim yapın. Yukarıya ve aşağıya doğru kesmeyin.
- Eğimli bir yerde yönü değiştirirken dikkatli olun.
- Çimenlik alanda gizli nesnelere veya deliklere dikkat edin. Engibeli arazi düşmenize sebep olabilir.
- Dik yamaç, şarampol, hendek veya toprak setlerinin yakınında kesim yapmayın. Düşebilirsiniz.
- ıslak çimlerde kesim yapmayın. Düşebilirsiniz.
- 15 dereceden fazla eğimli arazide kesme yapmayın.

Kişisel koruyucu ekipman

Ürünü kullanırken her zaman doğru kişisel koruyucu ekipmanları kullanın. Buna asgari olarak konforlu ayakkabılar, koruyucu gözlük ve kulak koruma ekipmanları dahildir. Kişisel koruyucu ekipmanlar yaralanma riskini ortadan kaldırmaz ancak bir kaza durumunda yaralanmanın ciddiyetini azaltabilir.

- Ürünü kullanırken veya bakım ya da onarım yaparken her zaman güvenlik gözlükleri ya da koruyucu gözlük kullanın.
- Ürünü çıplak ayakla veya açık ayakkabılarla kullanmayın. Ürünü çalıştırırken her zaman iyi bilek desteği sağlayan ağır hizmet tipi kaymayan botlar giyin.
- Kalın, uzun pantolonlar giyin. Şort, sandalet giymeyin veya çıplak ayakla dolaşmayın.
- Gerekirse onaylı koruyucu eldiven kullanın. Örneğin, bıçağı takarken, incelerken veya temizlerken.
- Ürünü kullanırken daima onaylı bir koruyucu kulaklık takın. Uzun süre boyunca gürültüye maruz kalmak gürültüye bağlı işitme kaybına neden olabilir.

Ürün üzerindeki koruyucu cihazlar

- Ürünün bakımını düzenli olarak yaptığınızdan emin olun.
 - Ürünün kullanım ömrü artar.
 - Kaza riski azalır.
- Ürün üzerinde ayarlama veya onarım yapılması için düzenli olarak ürünü onaylı bir bayi veya onaylı bir servis merkezi tarafından incelenmesini sağlayın.
- Ürünü, hasarlı koruyucu ekipmanla kullanmayın. Ürün hasar görürse onaylı bir servis merkeziyle görüşün.

Motor kontrol kolu

Motor kontrol kolu motoru durdurur. Motor kontrol kolu serbest bırakıldığında motorun durduğundan emin olun.

- Motoru çalıştırın ve sonrasında kontrol kolunu serbest bırakın. Bu işlemin ardından motor durur.

Not: Motor kontrol kolu motoru durdurmazsa durdurmak için güç düğmesine basın. Akü grubunu çıkarın ve onaylı bir servis merkeziyle görüşün.

Arka kapak

Arka kapak, nesnenin ürünün arka tarafından operatörün biçme konumuna çıkma riskini azaltır.

- Arka kapağın hasar görmediğinden ve görünürde çatlak veya kırık yay gibi kusurlar olmadığından emin olun. Kusurlar kapağın zorla kapanmasına sebep olur. Kapak veya yaylar hasar görmüşse değiştirin.

Bakım için güvenlik talimatları



UYARI: Yalnızca bu kullanım kılavuzunda belirtilen bakım çalışmasını yapın. Bu kapsamın dışındaki işlemler onaylı bir servis noktası tarafından yapılmalıdır.

Ürünün ömrünü uzatmak ve kaza riskini azaltmak için bakım işini doğru şekilde yapın. Onaylı bir servis noktası profesyonel onarım yapabilir. Daha fazla bilgi için size en yakın servis noktası ile görüşün.



UYARI: Taşıma, bakım veya onarım çalışması sırasında kazara çalışmayı önlemek için akü grubunu çıkarın ve yenisi ile değiştirmek için en az 5 saniye bekleyin.



UYARI: Kesme donanımını kullanırken ağır hizmet tipi eldivenler giyin. Bıçak çok keskindir ve kolaylıkla kesiklere yol açabilir.

- En iyi ve en güvenli performans için kesme kenarlarının keskin ve temiz olmasına özen gösterin.
- Servis noktanızın düzenli olarak ürünü kontrol etmesini ve gerekli ayarları ve onarımları yapmasını sağlayın.
- Hasarlı, aşınmış veya bozuk parçaları değiştirin.
- Aksesuarları değiştirmek için talimatlara uyun. Yalnızca üreticiden gelen aksesuarları kullanın.



UYARI: Çalışmıyorken ürünü, akü grubunu ve akü şarj cihazını ayrı ayrı kuru, kapalı ve kilitlebilir bir alanda çocuklardan ve yetkili olmayan kişilerden uzak tutun.

Pil güvenliği

Yalnızca üreticinin akü takımlarını kullanın ve yalnızca üreticinin akü şarj cihazları ile şarj edin.

Şarj edilebilir akü takımları yalnızca ilgili kablosuz ürünler için güç kaynağı olarak kullanılır. Yaralanmayı önlemek için akü başka cihazlarda güç kaynağı olarak kullanılmamalıdır.

- Akü grubunu sökmeyin, açmayın veya parçalamayın.
- Akü gruplarını gün ışığı altında veya ısınacak yerlerde tutmayın. Akü gruplarını ateşten uzak tutun.
- Akü grubu şarj cihazında ve akü grubunda hasar olup olmadığını düzenli olarak kontrol edin. Hasarlı

veya değiştirilmiş akü grupları yangın, patlama veya yaralanma riski oluşturabilir. Hasarlı akü gruplarını onarmayın veya açmayın.

- Kusurlu, değiştirilmiş veya hasarlı bir akü grubu veya ürün kullanmayın.
- Ürün veya akü gruplarını değiştirmeyin ve onarmayın. Onarımı yalnızca yetkili bayinize yaptırın.
- Hücre veya akü grubuna kısa devre yaptırmayın. Akü takımlarını başka metal cisimler ile kısa devre yapabilecekleri bir kutu veya çekmeceye koymayın.
- Kullanım için gerekli olana kadar akü gruplarını orijinal ambalajlarından çıkarmayın.
- Akü takımlarına mekanik darbe uygulamayın.
- Aküde sızıntı varsa sıvının cildinize veya gözlerinize temas etmesine izin vermeyin. Sıvıya dokunduysanız etkilenen bölgeyi bolca suyla yıkayın ve tıbbi yardım alın.
- Akü grubu ile kullanılması belirtilen akü şarj cihazı dışında bir cihazı kullanmayın.
- Doğru çalışması için akü grubu ve ürün üzerindeki artı (+) ve eksi (-) işaretlerine bakın.
- Ürün ile kullanım için üretilmemiş bir akü grubunu kullanmayın.
- Cihazda farklı voltaj üreten veya farklı bir üreticinin akü gruplarını bir arada kullanmayın.
- Akü gruplarını çocuklardan uzakta tutun.
- Her zaman ürün için doğru akü gruplarını satın alın.
- Aküleri temiz ve kuru tutun.
- Akü grubu terminalleri kirlendiğinde, temiz ve kuru bir bezle silin.
- İkincil akü grupları kullanmadan önce şarj edilmelidir. Mutlaka doğru akü şarj cihazını kullanın ve doğru şarj talimatları için kılavuza bakın.
- Akü grubunu kullanmadığınızda sürekli şarjda bırakmayın.
- Daha sonra bakabilmek için kılavuzu saklayın.
- Akü grubunu yalnızca gerektiği uygulamalarda kullanın.
- Kullanmadığınızda akü grubunu üründen çıkarın.
- Kullanım sırasında akü grubunu ataç, anahtar, çivi, vida veya diğer küçük metal nesnelere uzakta tutun. Bu, terminaller arasında bir bağlantı oluşturabilir. Akü grubu terminallerinin kısa devre yapması, vücudun yanmasına veya yangına neden olabilir.

MONTAJ



UYARI: Ürünü monte etmeden önce güvenlik bölümünü okuyun.

Ürünü kartondan çıkarmak için

1. Ürünle birlikte gönderilen ayrı parçaları çıkarın.
2. Kartonun iki uç köşesini kesin ve uç paneli düz bir şekilde yere koyun.

3. Tüm paket malzemelerini çıkarın.
4. Ürünü kartondan çıkarın ve kartonda ayrı parça kalmadığından emin olun.

Kolun takılması

1. Kolun altındaki vida deliklerini kol grubundaki vida delikleriyle hizalayın. Vidaları, rondelaları ve düğmeleri takın. (Şek. 29)
2. Kol yüksekliğini ayarlamak için alt düğmeleri gevşetin, yüksekliği ayarlamak için kolu kaldırın veya indirin ve ardından düğmeleri tamamen sıkın.

Ürünü çalıştırma konumuna getirme

1. Kolu çalışma konumuna indirin.
2. Alt düğmeleri tamamen sıkın.

Çim toplama sepetinin takılması

1. Çim toplama sepeti çerçevesini, torbanın sert kısmı aşağı gelecek şekilde çim torbasına takın. Çerçevenin kolunu çim torbasının üst kısmında tutun. (Şek. 30)
2. Çim toplama sepeti çerçevesinin alt kısmını çim toplama sepetinin altındaki oluğa takın. (Şek. 31)
3. Çim toplama sepetinin üzerindeki kancaları şasinin üst kenarına geçirin. (Şek. 32)
4. Çim toplama sepetinin alt kısmını çim boşaltma kanalına yerleştirin.

Ürünü torbalama moduna getirmek için

Arka torbalama modu çim toplama sepetindeki çim kırpıntılarını toplar.



DİKKAT: Ürünü arka kapağı kapalı veya onaylanmış çim ayırıcı olmadan

çalıştırmayın. Ürünü, arka kapak olmadan veya açıkken çalıştırmayı denemeyin.

1. Arka kapağı kaldırın ve arka kapak hareket eksenine çim ayırıcı çerçeve kancalarını takın. (Şek. 33)
2. Arka kapağı serbest bırakın ve çim torbası çerçevesinin üstüne koyun.

Ürünü malçlama moduna getirmek için (varsa)

Ürünün malçlama modu, çim kırpıntılarını daha küçük yapar. Çim kırpıntıları daha sonra çimlerin üzerine düşer. Malçlanmış çimler, besin maddelerini çimenlik alana hızla vermek için biyolojik olarak ayırır.

1. Arka kapağı kaldırın ve çim toplama sepetini sökün. (Şek. 34)
2. Malç tapasını boşaltma kanalının içine yerleştirin. (Şek. 35)
3. Arka kapağı ürüne karşı sıkıca kapatın.

Ürünü deşarj moduna getirmek için

1. Malç tapasını veya çim toplama sepetini çıkarın. (Şek. 36)
2. Arka kapağı ürüne karşı sıkıca kapatın.

Kesme yüksekliğini ayarlama



DİKKAT: Kesme yüksekliğini çok alçakta belirlemeyin. Çimenlik alanın yüzeyi düz değilse bıçaklar yere çarpabilir.

Not: Tüm kesme yüksekliği kontrollerinde aynı yüksekliği ayarlayın.

1. Kesme yüksekliğini artırmak için kesme yüksekliği kolunu arkaya getirin.
2. Kesme yüksekliğini azaltmak için kesme yüksekliği kolunu öne getirin. (Şek. 37)

KULLANIM



UYARI: Ürünü kullanmadan önce güvenlik bölümünü okuyup anlayın.

Temel kesme tekniği

- En iyi sonucu almak için daima keskin bir bıçak kullanın. Keskin olmayan bir bıçak düzensiz bir şekilde keser ve çimlerin kesim yüzeyinde sararmasına sebep olur.
- Çim uzunluğunun 3'te 1'inden fazlasını kesmeyin. Bu durum özellikle kurak mevsimlerde görülür. Önce kesme yüksekliği yüksek ayardayken kesmeye başlayın. Sonra sonucu inceleyerek uygun

yükseğe düşürün. Çimler çok uzunsa makineyi yavaş çalıştırın ve gerekirse iki kere kesin.

- Yoğun kesim için kesim yolunun çakışmasını ve yavaşça kesilmesini sağlayarak kesimin genişliğini azaltın.
- Her seferinde farklı yönlerde keserek çimenlik alanda çizgi oluşmasını önleyin.
- Çim ayırıcısını düzenli olarak suyla hortumla sulayın ve kullanmadan önce kurumaya bırakın. Bezli çim toplama sepetindeki gözenekler ürün çalıştırdıkça kir ve tozla dolabilir. Bu durumda çim toplama sepeti daha az çim toplayacaktır.

Çim biçme makinesini çalıştırmadan önce

- İnsanları ve hayvanları çalışma alanından uzakta tutun.
- Günlük bakımı yapın. Bkz. *BAKIM sayfa: 295*.

Ürünü çalıştırma

1. Tık sesini duyana kadar akü grubunu içeri itin. Akü grubunun doğru bir şekilde takıldığından emin olun. (Şek. 38)
2. Anahtarı akü kapağının altındaki cebe yerleştirin. Anahtarın doğru bir şekilde takıldığından emin olun. (Şek. 39)

Not: Anahtar yalnızca tek bir yönde takılabilir.

3. Güç düğmesine bir kez basın. Düğmenin ışığı tamamen yanar. (Şek. 40)
4. Motor kontrol kolunu gidonun yönünde çekin. Güç düğmesi yanıp sönmeye başlar. (Şek. 41)
5. Yanıp sönen güç düğmesine basın. Bu şekilde ürün açılır. (Şek. 42)

Ürünü durdurma

- Üründeki motor kontrol kolunu serbest bırakın veya güç düğmesine bir kez basın. (Şek. 43)

Tekerleklerde tahrikin kullanılması (varsa)

(Şek. 44)

- Tahrik kollarını gidonun yönünde çekin.
- Ürünü arkaya doğru çekmeden önce, tahriki devre dışı bırakın ve ürünü yaklaşık 10 cm ileri itin.
- Örneğin bir engele yaklaştığınızda, tahriki devre dışı bırakmak için tahrik kollarını serbest bırakın.

Çim toplama sepetini boşaltmak için

1. Çim toplama sepetini çerçeve kolu ile kaldırın.
2. Kolun altındaki çim toplama sepetinden çim kırıntılarını çıkarın.
3. Çim kırıntılarını torbadan çerçeve kolu ve torba kolu ile temizleyin.



DİKKAT: Aşınmayı önlemek için çim toplama sepetini boşaltırken torbayı sürüklemeyin.

Kesme modunun değiştirilmesi

Ürün, kesme modu düğmesine basılarak çalışırken, üç farklı kesim modundan biri ile değiştirilebilir.

- **Otomatik mod** - Ürün, kesilen çim miktarına karşılık olarak ürünün kesme hızını otomatik olarak ayarlar.

• **Not:** Ürün çalışırken varsayılan olarak Otomatik moda ayarlıdır.

- **Güç artırma modu** - Ürün, kesilen çim miktarından bağımsız olarak yüksek hızda çalışır.

- Otomatik moddan Güç Artırma moduna geçmek için ürün çalışırken kesme modu düğmesine bir kez basın. Bu işlemden sonra kesme modu düğmesinin ışığı yanar.

- **ECO modu** - Ürün kesilen çim miktarından bağımsız olarak düşük hızda çalışır.

- Güç Artırma modundan ECO moduna geçmek için ürün çalışırken kesme modu düğmesine bir kez basın. Bu işlemden sonra kesme modu düğmesinin ışığı yanıp sönmeye başlar.

- Varsayılan Otomatik moduna geri dönmek için ürün çalışırken bir defa kesme modu düğmesine basın. Bu işlemden sonra kesme modu düğmesinin yanıp sönen ışığı söner.

Not: Motor kontrol kolu çalışır durumdayken serbest bırakılırsa ürün mevcut kesme modunda kalır. Ürün kendi kendine durursa veya kullanan kişi güç düğmesine basarsa önceden kullanılan kesme modu hafızadan silinir ve tekrar başlatıldığında ürün Otomatik moda başlar.

Kullanım sırasında akü durumu göstergesi

Kullanıcı kontrol arayüzündeki ekran, akü kapasitesini ve akü grubuyla ilgili bir sorun olup olmadığını gösterir. Akü kapasitesi makine çalışır durumdayken görülebilir.

LED ışıkları	Akü durumu
Tüm Yeşil LED'ler yanar	Tam Şarjlı (%100 - %76)
LED 1, 2 ve 3 yanar	Akü grubu % 75 - % 51 şarjlı durumda.
LED 1 ve 2 yanar	Akü grubu % 50 - % 26 şarjlı durumda.
LED 1 yanar	Akü grubu % 25 - % 6 şarjlı durumda.
LED 1 yanıp sönmüyor	Akü grubu % 5 - % 0 şarjlı durumda.

Çalışma sırasında akü grubunda bir hata varsa akü göstergesindeki dört yeşil LED ışığının hepsi yanıp söner. Akü grubunu makineden çıkarın ve hata kodunu göstermesi için akü grubundaki gösterge düğmesine basın. Akü grubundaki LED ışıklar yanar ve bir hata meydana geldiyse hata kodunu gösterir. Hata kodlarının listesi ve bu hataların çözümleri için akü kullanım kılavuzuna bakın.



UYARI: Ürünü temizlemeden, ürün üzerinde onarım veya bakım işlemi yapmadan önce güvenlik bölümünü okuyup anlayın.

Bakım için genel öneriler

Bu ürünün garantisi, operatörün ürünü yanlış veya dikkatsiz çalıştırmasını kapsamaz. Garantiden tam olarak faydalanabilmek için operatörün üründe yapacağı bakımların bu kılavuzda belirttiği şekilde yapılması gerekir. Ürününüzü doğru çalışma koşullarında tutmak için farklı aralıklarla farklı ayarlamalar yapılmalıdır.

- Aşınmayı önlemek için her yıl bıçağı kontrol edin.

Lastikleri kontrol etmek için

- Lastik malzemesinin zarar görmesini önlemek için lastikleri istenmeyen malzemelerden ve kimyasallardan uzak tutun.
- Lastikleri ağaç kökü, taş, çukur, keskin nesne ve lastiklere hasar verebilecek diğer nesnelere uzak tutun.

Genel denetim yapma

- Somunların ve vidaların sıkı olup olmadığını kontrol edin.
- Hiçbir kablolu sıkışmadığından emin olun.

Bakım takvimi

Ürününüzün gerekli bakım gereksinimlerini ve ne zaman bakım yapılması gerektiğini görmek için bakım takvimini kullanın. Aralıklar, ürünün ortalama kullanımını üzerine hesaplanır ve kullanım sıklığına göre değişebilir.

- Her kullanımdan ve depolamadan önce civataları ve somunları sıkın.
- Her kullanımdan önce ve sonra ve depolamadan önce, varsa çim toplama sepetini temizleyin ve kontrol edin.
- Her kullanımdan önce lastikleri inceleyin.
- Ürünü her kullanımdan sonra ve depolamadan önce temizleyin. Tablanın altını temizlemek için bir kazıyıcı kullanın.
- Bıçağı 25 saat aralıklarla hasar ve çatlaklar açısından inceleyin. Kumlu arazilerde kesim yaparsanız bıçakları daha sık değiştirin.
- Ürünü 25 saat aralıklarla yağlayın.
- Akü grubunu kullandıktan ve depoladıktan sonra temizleyin ve tamamen şarj edin. Akü grubunu depolamadan önce maksimum 24 saat boyunca şarj edin.
- Depolama sırasında akü grubunu akü şarj cihazında bırakmayın. Akü grubunu maksimum 24 saat boyunca şarj edin.
- Hareket kayışını ve makaraları 25 saat aralıklarla (varsa) inceleyin.

Ürünün temizlenmesi

- Üründeki istenmeyen malzemeleri ve çimi temizlemek için bir fırça kullanın.
- İstenmeyen malzemeleri temizlenen yüzeylerden ve tekerleklerden uzak tutun.
- Çim ve atık birikimini temizlemek için ürünün altındaki kazıyıcı kullanın.
- Ürünü temizlemek için yüksek basınçlı yıkayıcı kullanmayın.
- Suyu doğrudan elektrikli tahrik kafasına veya akü kontaklarına tutmayın.
- Ürünün alt kısmını temizlediğinizde, akü grubunu ve güvenlik anahtarını çıkarın ve ürünü, kullanıcı kontrol arayüzü yukarı bakacak şekilde yan tarafına koyun.



DİKKAT: Ürünü temizlemek için su, temizlik sıvısı veya çözücü kullanmayın. Ürünün dışındaki istenmeyen malzemeyi yumuşak bir fırça veya metal içermeyen kuru bir bezle temizleyin.

Çim toplama sepetini temizlemek için

- Bezli çim toplama sepetindeki gözenekler ürün çalışırken kir ve tozla dolabilir. Bu çim toplama sepetinin daha az çim toplamasına sebep olur. Bunu önlemek için çim ayırıcısını düzenli olarak hortumla sulayın ve kullanmadan önce kurumaya bırakın.
- Çim ayırıcıda yıpranma veya bozulma olup olmadığını sık sık kontrol edin. Gerekirse değiştirin.

Arka kapağı kontrol etmek için

Arka kapak, ürünün arka tekerleklerinin arasında takılıdır. Kapak, operatörün biçme konumuna doğru fırlayabilecek nesnelere riskini azaltır.

1. Arka kapağın zarar görmemiş olduğundan emin olun.
2. Arka kapağı, çatlak veya kırık yaylar dahil olmak üzere kapağın kapanmasını zorlayan kusurlar açısından inceleyin.
3. Arka kapağı veya yayları hasar görmüşlerse değiştirin.

Bıçağın bileylenmesi ve dengelenmesi

En iyi sonuç için bıçağı her zaman keskin tutun. Bükülmüş veya hasarlı bir bıçağı değiştirin.



DİKKAT: Elinizi korumak için eldiven kullanın ve/veya bıçağı ağır bir bezle sarın.

1. Bıçağı bir eęe ile veya bir tařlama tařı üzerinde bileyin. Bıçağı ürüne takılıken bilemeyin.



DİKKAT: Bıçağı bilemenizi önermeyiz. Yaparsanız bıçağın dengeli olduęundan emin olun. Dengeli olmayan bir bıçak, ürüne veya motora zarar verebilir.

2. Düz bir çiviye bir tahta parçasına veya bir duvara koyun. Çivinin 2-3 santimetresini gördüğünüzden emin olun.
3. Bıçağın merkez deliğini çivinin başına koyun. Bıçak dengeliyse yatay konumda kalmalıdır. Bıçağın iki ucundan biri ařağı hareket ederse ağır gelen ucu bıçak dengelenene kadar bileyin.

Bıçağı deęiřtirme

1. Bıçağı ařşap bir blokla kilitleyin.(Şek. 45)
2. Bıçak civatasını sökün.
3. Bıçağı sökün.

Hata kodları

Hata kodları, çalıřma sırasında üründeki ve/veya akü grubundaki sorunları gidermenize yardımcı olur.

LED ekran	Olası arızalar	Olası adımlar
Kullanıcı kontrol arayüzündeki güç düğmesine bastıktan sonra hiçbir LED ışık yanmıyor, akü grubu üründe çalıřmıyor	Akü grubunu ürüne tamamen yerleřtirilmemiř veya dahili sigorta yanmıř	Akü grubunu tık sesi duyulana kadar tahrik kafasına doęru tamamen itin. Akü grubu tamamen yerleřtirildikten ve kullanıcı kontrol arayüzündeki güç butonuna basıldıktan sonra da LED ışıklar yanmazsa yetkili bir servis merkezine bařvurun.
Dört akü kapasiteli LED ışıkların tamamı yanıp sönüyor, güç düğmesine bastıktan sonra bařka hiçbir LED ışık yanmıyor	Akü grubu ürüne tamamen yerleřtirilmemiř veya akü grubunun dahili sıcaklıęı çok sıcak veya çok soęuk.	Akü grubunu tık sesi duyulana kadar tahrik kafasına doęru tamamen itin. LED ışıklar yanıp sönmeye devam ederse akü grubunun dahili sıcaklıęı çok düşük veya çok yüksek. Akü grubunun ısınmasına veya soęumasına izin verin. Soęutma iřlemini artırmak üzere akü grubu, aktif olarak soęutulması için akü řarj cihazına yerleřtirilebilir.
Dört akü kapasiteli ve LED güç ışıkların tamamı yanıp sönüyor, güç düğmesine bastıktan sonra bařka hiçbir LED ışık yanmıyor	Güç düğmesine ilk kez basıldıęında motor kontrol kolu ařağıya bakıyor veya dahili motor kontrol kolu anahtarı hata veriyor	Motor kontrol kolunu serbest bırakın. Motor kontrol kolu ařağı bakmıyorsa ve LED ışıklar yanıp sönmeye devam ediyorsa yetkili bir servis merkezine bařvurun.

4. Bıçak desteęinde ve bıçak civatasında hasar olup olmadıęını kontrol edin.
5. Bükülmedięinden emin olmak için motor milini inceleyin.
6. Yeni bıçak taktıęınızda bıçağın açılı uçlarını kesme kapağı yönüne çevirin.(Şek. 46)
7. Bıçağın, motor milinin orta kısmıyla hizalandıęından emin olun.
8. Bıçağı ařşap bir blokla kilitleyin. Yaylı rondela takıp civatayı ve rondelayı Nm'lik torkla sıkın.(Şek. 47)
9. Bıçağı elinizle çekerek döndürün ve serbestçe döndüğünden emin olun.



UYARI: Ağır hizmet tipi eldiven kullanın. Bıçak çok keskindir ve kolaylıkla kesiklere yol açabilir.

10. Bıçağı test etmek için ürünü çalıřtırın. Bıçak doęru bir řekilde takılmadıysa üründe titreřim olur veya kesme iřleminin sonucu bařarısızdır.

LED ekran	Olası arızalar	Olası adımlar
Ürünün çalışması durdu ve dört akü kapasiteli LED ışıkların hepsi yanıp sönüyor, diğer hiçbir LED ışık yanmıyor.	Akü grubu tahrik kafasın- da gevşek ve artık düzgün temas etmiyor, akü grubu çok sıcak veya soğuk veya diğer dahili akü hata veriyor	<ol style="list-style-type: none"> 1. Ürünü durdurun. 2. Akü grubunu üründen çıkarın ve hata kodunu göstermesi için akü grubundaki gösterge düğmesine basın. Akü grubundaki LED ışıklar yanıyor ve hata kodu gösteriyor. 3. Olası hatalar ve prosedürler için ilgili LED hata kodlarının bir listesi için verilen akü kılavuzunu okuyun. <p>Akü grubu, akü grubundaki gösterge düğmesine bastıktan sonra bir hata göstermiyor ve yalnızca akü durumunu gösteriyorsa çalışma sırasında akü grubu tahrik kafasında gevşemiş olabilir. Akü grubunu tık sesi duyulana kadar tahrik kafasına doğru bir şekilde yerleştirin.</p>
Ürün çalışmıyor ve akü kapasiteli LED ışıklar mevcut şarj durumunu göstermeye devam ederken güç düğmesi yanıp sönüyor	Kesme haznesi çim ile tı- kanmış, motor kontrolörü çok sıcak veya motor arı- zası var	<ol style="list-style-type: none"> 1. Ürünü durdurun. 2. Akü grubunu çıkarın ve ürünü, kullanıcı kontrol arayüzü yukarı bakacak şekilde yan tarafına döndürün. 3. Hasarı önlemek için kullanmadan önce bıçağı, bıçak civatasını, bıçak tertibatını, motoru ve motor tabanını inceleyin. Makinenin altından bütün çimi temizleyin ve tıkanmaları kontrol edin. 4. Akü grubunu yerleştirin ve makineyi çalıştırmak için başlangıç prosedürünü izleyin. <p>Hala hata vermeye devam ederse ürünün soğumasını bekleyin. Motor kontrolörü çalışma için çok sıcak olabilir. Ürün hata vermeye devam ederse yetkili bir servis merkeziyle görüşün.</p>

TAŞIMA VE SAKLAMA

- Ürünün hasar görmesini ve kazaları önlemek için taşıma esnasında ekipmanı güvende tutun.
- Depolama için güvenlik anahtarını çıkarın ve ekipmanları kilitli bir alanda, çocuklardan ve yetkili olmayan kişilerden uzak tutun.
- Depolama için ürünü ve ekipmanı dondan etkilenmeyen ve kuru bir yerde tutun.
- Bu ürünü yüklerken veya taşıırken 15 derecelik maksimum önerilen kullanım açısını aşmayın.
- Ürünü temizleyin. Daha fazla bilgi için bkz. *Ürünün temizlenmesi sayfa: 295*.
- Ürünü yağlayın.
- Civataları ve somunları sıkın.
- Hasarlı bileşenleri değiştirin veya onarın.
- Paslanmış veya hasar görmüş tüm boya yüzeylerini onarın. Boyamadan önce hafifçe zımparalayın.
- Ürün üzerinde nem tutmayan doğru koruyucu örtüyü kullanın. Plastik kullanmayın çünkü nefes alamaz ve yoğunlaşmaya ve ürende korozyona sebep olur.
- Nakil veya depolama işlemlerinden önce her zaman akü grubunu çıkarın.

TEKNİK VERİLER

	birim	LM2146C Li58-52 (58VBKJN46C)	LM2146CA Li58-52 (58VBKJN46CR)
Kesme motoru			

	birim	LM2146C Li58-52 (58VBKJN46C)	LM2146CA Li58-52 (58VBKJN46CR)
Motor tipi	—	BLDC (fırçasız) 58V	BLDC (fırçasız) 58V
Motor hızı – ECO modu	rpm	2300	2300
Motor hızı – Otomatik mod	rpm	Akım 3 saniye için 12A'dan büyük olana kadar 2500 RPM, 10 saniye için 18A'dan az olana kadar 2800 RPM'ye yükselir.	Akım 3 saniye için 12A'dan büyük olana kadar 2500 RPM, 10 saniye için 18A'dan az olana kadar 2800 RPM'ye yükselir.
Motor hızı – Güç artırma modu	rpm	2800	2800
Motor çıkışı – Maks.	kW	1,5	1,5
Motor çıkışı – Maksimum Sürekli	kW	0,9	0,9
Motor çıkışı – Nominal	kW	0,9	0,9
Aşırı akım sınırı (Maks Akım)	A (amper)	25	25
Ağırlık			
Ağırlık (aküsüz)	kg	23,5	24,5
Akü			
Akü tipi		590923813	590923813
Akü çalışma süresi			
Akü çalışma süresi	m ²	1200'e kadar	1000'e kadar
Gürültü yayma ⁷³			
Ses gücü seviyesi, ölçülen	dB (A)	87	87
Ses gücü seviyesi, garanti edilen LWA	dB (A)	87	87
Ses seviyeleri			
⁷⁴			
Operatörün kulağındaki ses basıncı düzeyi	dB (A)	< 80	< 80
Titreşim seviyeleri			
⁷⁵			
Tutma yeri	m/sn ²	0,65	0,65
Kesme			
Kesme yüksekliği	mm	30-80	30-80
Kesme genişliği	cm	46	46
Bıçak, kollektör	—	581188910	581188902

⁷³ Ortamda ölçülen gürültü yayma değeri, 2000/14/EC sayılı AB direktifine uygun olarak ses gücü (LWA) olarak ölçülmüştür.

⁷⁴ Ses basıncı düzeyi için bildirilen verilerdeki tipik istatistik dağılımı (standart sapma) 1,2 dB (A) şeklindedir.

⁷⁵ Titreşim düzeyi için bildirilen verilerin tipik istatistik dağılımı (standart sapması) 0,2 m/s² şeklindedir. Titreşim standardı EN 60335-2-77:2017 bölüm 20.105.

	birim	LM2146C Li58-52 (58VBKJN46C)	LM2146CA Li58-52 (58VBKJN46CR)
Bıçak, malç	—	581188910	581188902
Çim torbası kapasitesi	litre	50	50

AB UYUMLULUK BİLDİRİMİNİN İÇERİĞİ

Husqvarna AB, SE 561 82 Huskvarna, İSVEÇ olarak, sunulan ürünün tek sorumlusu olma vasfıyla aşağıdaki beyanlarda bulunmaktadır:

Verilen elektrikli döner çim biçme makinesi, incelemenin geçen örneklerle uyumludur.

Açıklama	Elektrikli Döner Çim Biçme Makinesi
Marka	Jonsered
Platform / Tür / Model	Platform 58VBKJN46C (LM2146C Li58-52 modelini temsil eden), platform 58VBKJN46CR (LM2146CA Li58-52 modelini temsil eden).
Parti	2018 ve daha ileri tarihli seri numaraları

aşağıdaki AB direktifleri ve düzenlemeleriyle tamamen uyumludur:

Direktif/Düzenleme	Açıklama
2006/42/AT	"makinelere ilgili"
2014/30/AB	"elektromanyetik uyumlulukla ilgili"
2000/14/AT	"açık alanda gürültüyle ilgili"
2011/65/AB	"tehlikeli maddelerle ilgili"

Uygulanan uyumlaştırılmış standartlar ve/veya teknik özellikler şu şekildedir: EN60335-1, EN60335-2-77, EN50366, EN55014-1, EN55014-2, EN61000-3-2, EN61000-3-3

2000/14/AT sayılı direktif, Ek V uyarınca, açıklanan ses değerleri bu kılavuzun teknik veriler bölümünde ve imzalı AB Uyumluluk Bildirimi'nde belirtilmiştir.

Intertek, Husqvarna AB adına makinelerle ilgili 2006/42/AT sayılı AB Konsey direktifi Uygunluk belgesi uyarınca gönüllü bir inceleme gerçekleştirmiştir.

İmzalı AB Uyumluluk Bildirimi'nde sağlandığı haliyle sertifika, tüm üretim yerleri ve Menşe Ülkeleri için üründe belirtildiği şekilde geçerlidir.

Зміст

ВСТУП.....	300	ТЕХНІЧНЕ ОБСЛУГОВУВАННЯ.....	307
БЕЗПЕКА.....	301	ТРАНСПОРТУВАННЯ Й ЗБЕРІГАННЯ.....	310
ЗБИРАННЯ.....	304	ТЕХНІЧНІ ХАРАКТЕРИСТИКИ.....	310
ЕКСПЛУАТАЦІЯ.....	305	ЗМІСТ ДЕКЛАРАЦІЇ ВІДПОВІДНОСТІ ЕС.....	311

ВСТУП

Посібник користувача

Оригінальна мова посібника користувача – англійська. Посібники користувача іншими мовами є перекладами англійського оригіналу.

Огляд

(Мал. 1)

1. Рукоятка контролю присутності оператора
2. Травозбірник
3. Важелі приводу
4. Електричний робочий блок
5. Важіль регулювання висоти різання
6. Зарядний пристрій акумулятора
7. Посібник користувача
8. Інтерфейс керування користувача
9. Акумуляторний блок
10. Кришка акумуляторного відсіку
11. Кнопка живлення
12. Кнопка режиму скошування
13. Задні дверцята
14. Світлові індикатори рівня заряду
15. Ключ
16. Заглушка для мульчування

Символи на виробі

(Мал. 2) Попередження

(Мал. 3) Прочитайте цей посібник

Перед початком використання виробу уважно прочитайте посібник користувача й переконайтеся, що зрозуміли всі вказівки.

(Мал. 4)

Використовуйте відповідні засоби захисту очей

(Мал. 5)

Використовуйте відповідні засоби захисту слуху

(Мал. 6)

Використовуйте відповідні засоби захисту голови

(Мал. 7)

Використовуйте відповідні засоби захисту слуху

(Мал. 8)

Увага: обертальне лезо. Не наближайте до нього руки та ноги.

(Мал. 9)

Тримайте руки й ноги на безпечній відстані від лез, що обертаються. Не відкривайте й не знімайте захисні щитки під час роботи двигуна.

(Мал. 10)

Перед тим як починати рух назад і під час руху назад слід дивитися назад та вниз, щоб не перечепитися через маленьких дітей, тварин тощо й не впасти.

(Мал. 11)

Остерігайтеся рикошету й об'єктів, які можуть вилітати з-під виробу.

(Мал. 12)

Сторонні особи та тварини повинні перебувати на безпечній відстані від робочої зони.

(Мал. 13)

Небезпека під час роботи на схилах

(Мал. 14)

Ураження електричним струмом

(Мал. 15)

Перед ремонтом, налаштуванням, установленням чи транспортуванням виймайте ключ.

(Мал. 16)

Кнопка живлення

(Мал. 17)

Двигун увімкнено

(Мал. 18)

Рукоятку керування двигуном активовано

(Мал. 19)

Двигун вимкнено

(Мал. 20)

Рукоятку керування двигуном деактивовано

(Мал. 21)

Виріб і упаковку не можна утилізувати як побутові відходи. Утилізацію виробу й упаковки слід здійснювати на спеціалізованому підприємстві з переробки відходів електричного й електронного обладнання.

(Мал. 22)

Не залишайте, не зберігайте й не використовуйте виріб під дощем і у вологому середовищі.
(Мал. 23)

(Мал. 24) Утилізація

(Мал. 25) Рівень звукової потужності

Виріб відповідає належним вимогам директив СС
(Мал. 26)

Виріб відповідає вимогам застосовних директив ЕАС
(Мал. 27)

Виріб відповідає вимогам застосовних директив України
(Мал. 28)

Відповідальність за якість продукції

Відповідно до законів про відповідальність за якість продукції ми не несемо відповідальності за будь-які

пошкодження, спричинені роботою наших виробів, якщо:

- виріб був неправильно відремонтований;
- виріб був відремонтований із використанням деталей, виготовлених не виробником або не затверджених ним;
- виріб обладнаний аксесуаром, виготовленим не виробником або не затвердженим ним;
- виріб був відремонтований у неавторизованому сервісному центрі або неавторизованою компанією;

БЕЗПЕКА

Визначення щодо безпеки

Визначення, наведені нижче, пояснюють рівень серйозності кожного сигнального слова.



ПОПЕРЕДЖЕННЯ: Небезпека травми для людини.



УВАГА: Небезпека пошкодження виробу.

Зверніть увагу: Ця інформація спрощує використання виробу.

Загальні правила техніки безпеки

- Використовуйте виріб правильно. Неправильне використання може призвести до травм або смерті. Використовуйте виріб лише для завдань, перелічених у цьому посібнику. Забороняється використовувати продукт для інших завдань.
- Уважно прочитайте інструкції, наведені в цьому посібнику, і дотримуйтеся їх. Дотримуйтеся інструкцій, зазначених на попереджувальних знаках та в правилах техніки безпеки. Недотримання оператором інструкцій, зазначених на попереджувальних знаках та в правилах техніки безпеки, може призвести до травм, пошкоджень або смерті.
- Не викидайте цей посібник. Користуйтеся інструкціями для монтажу, експлуатації та підтримки виробу в задовільному стані. Користуйтеся інструкціями для правильного встановлення насадок та приладдя.

Використовуйте лише сертифіковані насадки та приладдя.

- Не користуйтеся пошкодженим виробом. Дотримуйтеся графіка технічного обслуговування. Виконуйте лише те обслуговування, для якого наведені інструкції в цьому посібнику. Все інше обслуговування повинне виконуватися в авторизованому сервісному центрі.
- Цей посібник не включає всі ситуації, що можуть статися під час використання виробу. Будьте обережні й дотримуйтеся правил здорового глузду. Не експлуатуйте виріб і не виконуйте технічне обслуговування, якщо ви не можете розібратися в поточній ситуації. Детальнішу інформацію можна дізнатися в експерта з продукції, вашого дилера, центрі обслуговування або в авторизованому сервісному центрі.
- Не використовуйте виріб у разі зміни його початкових технічних характеристик. Не замінюйте деталі виробу без дозволу виробника. Використовуйте лише сертифіковані виробником деталі. Неправильне технічне обслуговування може призвести до травм або смерті.
- Під час роботи цього виробу утворюється електромагнітне поле. Електромагнітне поле може пошкодити медичні імплантати. Перш ніж працювати з цим приладом, проконсультуйтеся з лікарем і виробником медичного імплантату.
- Не давайте використовувати прилад дітям.
- Не давайте використовувати прилад особам, що не ознайомилися з інструкціями.
- Завжди наглядуйте за особами з обмеженими фізичними чи розумовими можливостями, що використовують виріб. Біля виробу, що працює, має завжди знаходитися відповідальна доросла особа.

- Зачиняйте виріб у місці, куди не зможуть отримати доступ діти та особи без належної підготовки.
- З під виробу можуть викидатися предмети, що може призвести до травм. Для зменшення ризику травм або смерті дотримуйтеся правил техніки безпеки.
- Не відходьте далеко від працюючого виробу. Перш ніж відходити далеко, вимкніть виріб.
- Перед тим як починати рух назад і під час руху назад слід дивитися назад та вниз, щоб не перечепитися через маленьких дітей, тварин тощо й не впасти.
- У разі нещасного випадку відповідальність несе оператор.
- Перед використанням виробу переконайтеся, що його деталі не мають пошкоджень.
- Дотримуйтеся державного та місцевого законодавства. Норми законодавства можуть забороняти або обмежувати використання виробу в деяких умовах.

Правила техніки безпеки під час використання

- Перед використанням ознайомтеся з елементами керування й технікою правильної експлуатації.
- Не давайте використовувати виріб дітям чи особам, що не ознайомилися з інструкціями.
- Не експлуатуйте виріб, коли поблизу перебувають люди (особливо діти) або домашні тварини.
- Тримайте дітей на безпечній відстані від ділянки, яку збираєтесь косити, і під наглядом дорослої людини.
- Вимикайте виріб, якщо в робочу зону зайдуть сторонні особи.
- Повністю перевірте зону, в якій використовуватиметься виріб. Приберіть усі предмети, які можуть відлетіти від виробу під час експлуатації.
- Перед використанням перевірте лезо, болт леза, блок лез і кріплення двигуна на наявність зношення й пошкоджень.
- Експлуатуйте виріб тільки при денному світлі або якісному штучному освітленні.
- Не використовуйте виріб на вологій траві.
- Будьте обережні, наближаючись до поворотів, кущів, дерев чи інших об'єктів, що обмежують видимість.
- Будьте особливо обережні, коли ви рухаєте виріб заднім ходом чи тягнете його у свій бік.
- Не розташуйте руки й ноги поруч із частинами, що обертаються, або під ними. Завжди тримайтеся подалі від отворів для викидання.
- Під час руху гравійними поверхнями необхідно зупинити леза.
- Перед тим як чистити виріб, знімати травозбірник або чистити викидний жолоб, необхідно зупинити

двигун, зняти акумуляторний блок і дочекатися, доки леза повністю зупиняться.

- Не використовуйте виріб, якщо ви втомлені, хворі чи перебуваєте під впливом алкоголю або інших наркотичних речовин.
- Якщо виріб починає незвично вібрувати, зупиніть двигун, вийміть акумуляторний блок і негайно визначте причину вібрації. Зазвичай вібрація свідчить про пошкодження.
- Не спрямовуйте предмети, що відкидаються, у бік інших осіб. Не допускайте відкидання предметів на стіни чи загородження. Їх може відкинути назад в оператора.
- Не користуйтеся виробом, якщо на ньому відсутні захисні кожухи, пластили, травозбірник чи інші захисні засоби.

Безпека в робочій зоні

- Перед скошуванням приберіть із газону всі гілки, лозу, каміння й інші предмети.
- Сторонні особи, у тому числі діти, і тварини мають перебувати на безпечній відстані від робочої зони.
- Предмети, що потрапляють на різальне обладнання, можуть відлетіти й поранити сторонніх осіб чи пошкодити інші предмети.
- Не використовуйте виріб у погану погоду, а також під час туману, дощу, в умовах підвищеної вологості або у вологих місцях, при сильному вітрі, холоді й за наявності ризику ураження блискавкою. Робота в погану погоду може призвести до втоми й виникнення небезпечних умов, наприклад слизьких поверхонь.
- Огляньте робочу зону й переконайтеся, що ніщо не зможе завадити вам керувати виробом.
- Остерігайтеся коріння, каміння, гілок, ям і канав. Перешкоди можуть бути приховані високою травою.
- Будьте обережні, наближаючись до прихованих кутів і предметів, які можуть закривати поле зору.

Правила техніки безпеки під час роботи на схилах

- Будьте обережні під час роботи на схилах. Вони можуть бути небезпечними. Падіння на схилі може призвести до травм.
- Виконуйте скошування на схилах у горизонтальному напрямку. Не рухайтесь вгору й вниз.
- Будьте обережні, коли міняєте напрямок руху на схилі.
- Остерігайтеся прихованих предметів або ям. Нерівності на поверхні землі можуть призвести до падіння.
- Не косіть траву біля крутих схилів, обривів, канав чи берегів річок. Ви можете впасти.
- Не косіть вологу траву. Ви можете впасти.

- Не косіть траву на місцевості зі схилом більше 15 градусів.

Засоби індивідуального захисту

Під час експлуатації виробу завжди використовуйте відповідні засоби індивідуального захисту. До них відносяться, як мінімум, мічне взуття, засоби захисту очей і захисні навушники. Засоби індивідуального захисту не можуть повністю запобігти небезпеці отримання травми, але в разі нещасного випадку вони знизять ступінь серйозності травми.

- Завжди носіть захисні окуляри або засоби захисту очей під час експлуатації виробу або виконання будь-яких робіт з обслуговування або ремонту.
- Не використовуйте виріб, не надягнувши взуття або перебуваючи у відкритому взутті. Під час експлуатації виробу використовуйте мічне взуття з нековзною підшвою та з надійною фіксацією гомілок.
- Надягайте цупкі довгі штани. Не надягайте на час роботи шорти, сандалі, а також не ходіть босоніж.
- За необхідності використовуйте затвержені захисні рукавиці. Наприклад, під час монтажу, огляду або очищення леза.
- Під час експлуатації виробу завжди користуйтеся відповідними засобами захисту органів слуху. Довготривалий вплив шуму може призвести до втрати слуху.

Захисні засоби на пристрої

- Переконайтеся, що технічне обслуговування виробу проводиться регулярно.
 - Строк служби виробу збільшується.
 - Небезпека виникнення нещасних випадків зменшується.
- Регулярний огляд, регулювання або ремонт виробу повинен проводитися авторизованим дилером або сервісним центром.
- Не використовуйте виріб з пошкодженням захисним спорядженням. У разі пошкодження виробу, зверніться до авторизованого сервісного центру.

Ручка керування двигуна

Ручка керування двигуна зупиняє двигун. При відпусканні цієї ручки двигун має зупинитися.

- Запустіть двигун, а потім відпустіть ручку керування. Двигун має зупинитися.

Зверніть увагу: Якщо ручка керування двигуна не зупиняє двигун, натисніть кнопку живлення, щоб вимкнути його. Вийміть акумуляторний блок і зверніться до авторизованого сервісного центру.

Задні дверцята

Задні дверцята зменшують ризик потрапляння в оператора предметів, що відкидаються ззаду виробу.

- Переконайтеся, що задні дверцята не пошкоджені й не мають видимих дефектів на кшталт тріщин або розірваних пружин. Дефекти призводять до закриття дверцят із надмірною силою. За потреби замініть дверцята або пружини.

Правила техніки безпеки під час обслуговування



ПОПЕРЕДЖЕННЯ: Виконуйте лише те технічне обслуговування, що наведене в цьому посібнику користувача. Більш серйозні роботи повинні виконуватися працівниками сертифікованих центрів обслуговування.

Виконуйте технічне обслуговування правильно, адже це допоможе збільшити термін експлуатації виробу та зменшити небезпеку виникнення нещасних випадків. Доручайте професійний ремонт спеціалістам авторизованого центру обслуговування. Більш детальну інформацію можна дізнатися в найближчому центрі обслуговування.



ПОПЕРЕДЖЕННЯ: Щоб запобігти випадковому запуску під час транспортування, технічного обслуговування чи ремонтних робіт, вийміть акумуляторний блок і зачекайте щонайменше 5 секунд, перш ніж установлювати його назад.



ПОПЕРЕДЖЕННЯ: Під час роботи з різальним обладнанням завжди надягайте мічні рукавиці. Лезо дуже гостре, ним можна легко порізатися.

- Для найкращої продуктивності й безпеки слід підтримувати різальні кромки гострими та чистими.
- Регулярно віддавайте виріб у центр обслуговування, де його будуть перевіряти, робити необхідні налаштування або ремонт.
- Замінійте пошкоджені, зношені або зламані деталі.
- Дотримуйтеся інструкцій щодо заміни аксесуарів. Користуйтеся аксесуарами лише від виробника обладнання.



ПОПЕРЕДЖЕННЯ: Якщо виріб не використовується, тримайте його, акумуляторний блок і зарядний пристрій окремо в сухому й закритому приміщенні подалі від дітей та осіб без належної підготовки.

Заходи безпеки під час роботи з акумуляторами

Використовуйте лише акумуляторні блоки від виробника й заряджайте їх лише в зарядному пристрої від виробника.

Акумуляторні блоки, які можна перезаряджати, використовуються як джерело живлення тільки для відповідних акумуляторних пристроїв. Щоб уникнути травмування, заборонено використовувати акумуляторний блок як джерело живлення для інших пристроїв.

- Забороняється розбирати, відкривати чи розрізати акумуляторні блоки.
- Не тримайте акумуляторні блоки під прямими сонячними променями чи біля джерел тепла. Тримайте їх подалі від вогню.
- Регулярно перевіряйте зарядний пристрій та акумуляторний блок на наявність пошкоджень. Пошкоджені або змінені акумуляторні блоки можуть призвести до пожежі, вибуху чи травмування людей. Не ремонтуйте та не відкривайте пошкоджені акумуляторні блоки.
- Не використовуйте дефектний, змінений чи пошкоджений акумуляторний блок або виріб.
- Не змінюйте та не ремонтуйте вироби й акумуляторні блоки. Ремонт має виконувати лише авторизований дилер.
- Не замикайте контакти елемента живлення або акумуляторного блока. Не зберігайте акумуляторні блоки в коробці чи ящику, де їх можуть замкнути інші металеві предмети.
- Виймайте акумуляторний блок з оригінальної упаковки лише безпосередньо перед використанням.
- Не допускайте механічних ударів по акумуляторних блоках.
- У разі витікання рідини з акумулятора слідкуйте, щоб вона не потрапила на шкіру чи в очі. Якщо рідина потрапила на шкіру, промийте вражену

ділянку великою кількістю води та зверніться за медичною допомогою.

- Використовуйте зарядний пристрій лише за призначенням.
- Щоб забезпечити правильну роботу, встановлюйте акумуляторний блок відповідно до позначок «плюс» (+) і «мінус» (-) на акумуляторному блоці й виробі.
- Використовуйте лише акумуляторний блок, призначений для конкретного виробу.
- Не застосовуйте в одному пристрої акумуляторні блоки різної напруги чи від різних виробників.
- Тримайте акумуляторні блоки подалі від дітей.
- Завжди купуйте підходящі акумуляторні блоки для виробу.
- Слідкуйте, щоб акумулятори були чистими й сухими.
- Якщо контакти акумуляторного блока забруднилися, протріть їх сухою чистою тканиною.
- У разі заміни нові акумуляторні блоки слід зарядити перед використанням. Завжди використовуйте правильний зарядний пристрій; див. відповідну інструкцію щодо заряджання в посібнику користувача.
- Не допускайте безперервного заряджання акумуляторного блока, який не використовується.
- Збережіть посібник, щоб звертатися до нього згодом.
- Використовуйте акумуляторний блок лише тоді, коли він потрібен.
- Виймайте акумуляторний блок із виробу, коли він не використовується.
- Під час експлуатації тримайте акумуляторний блок подалі від скріпок, ключів, цвяхів, гвинтів й інших дрібних металевих предметів. Невиконання цього правила може призвести до замикання контактів. Замикання контактів акумуляторного блока може спричинити опіки або призвести до пожежі.

ЗБИРАННЯ



ПОПЕРЕДЖЕННЯ: Перед збиранням виробу прочитайте розділ про правила техніки безпеки.

Виймання виробу з картонної упаковки

1. Приберіть окремі деталі, що йдуть у комплекті з виробом.
2. Розріжте картонну упаковку у двох протилежних кутах і покладіть кінцеву панель.
3. Видаліть всі пакувальні матеріали.

4. Вийміть виріб із картонної упаковки та переконайтеся в тому, що окремі деталі не залишилися в упаковці.

Монтаж ручки

1. Вирівняйте гвинтові отвори знизу рукоятки з гвинтовими отворами ручки в зборі. Встановіть гвинти, шайби та фіксуючі голівки. (Мал. 29)
2. Для регулювання висоти рукоятки необхідно відпустити нижні фіксуючі голівки, відрегулювати висоту рукоятки, піднявши або опустивши її, після чого знову надійно затягнути фіксуючі голівки.

Встановлення виробу в положення для експлуатації

1. Опустіть ручку в робоче положення.
2. Надійно затягніть нижні фіксувальні головки.

Монтаж травозбірника

1. Встановіть рамку травозбірника на мішок для трави. Твердий бік мішка має бути знизу. Тримайте рукоятку рами зверху мішка для трави. (Мал. 30)
2. Вставте нижню частину рами травозбірника в паз знизу травозбірника. (Мал. 31)
3. Під'єднайте гаки травозбірника до верхньої кромки рами. (Мал. 32)
4. Встановіть нижню частину травозбірника в канал викидання трави.

Переналаштування виробу в режим збирання

Режим заднього збирання забезпечує потрапляння обрізків трави в травозбірник.



УВАГА: Забороняється експлуатувати виріб без закритих задніх дверцят або без встановленого сертифікованого травозбірника. Не намагайтеся використовувати виріб зі знятими чи відкритими задніми дверцятами.

1. Підніміть задні дверцята й установіть гачки рамки травозбірника на її кріплення. (Мал. 33)
2. Відпустіть задні дверцята, так щоб вони опинилися зверху рамки мішка для трави.

Налаштування виробу в режим мульчування (у разі наявності)

Режим мульчування робить обрізки трави меншими. Після цього обрізки потрапляють на газон і між стеблами трави. Замульчована трава розкладається й живить газон.

1. Підніміть задню кришку й вийміть травозбірник. (Мал. 34)
2. Вставте заглушку для мульчування в канал викидання. (Мал. 35)
3. Щільно притисніть задні дверцята до виробу.

Переналаштування виробу в режим викидання

1. Зніміть заглушку для мульчування або травозбірник. (Мал. 36)
2. Щільно притисніть задні дверцята до виробу.

Налаштування висоти різання



УВАГА: Не встановлюйте занадто низьку висоту різання. Леза можуть зачепити землю, якщо поверхня газону буде нерівною.

Зверніть увагу: Установіть однакову висоту для всіх елементів регулювання висоти різання.

1. Для збільшення висоти різання потягніть важіль регулювання висоти різання назад.
2. Для зменшення висоти різання потягніть важіль регулювання висоти різання вперед. (Мал. 37)

ЕКСПЛУАТАЦІЯ



ПОПЕРЕДЖЕННЯ: Перед використанням виробу уважно прочитайте розділ про правила техніки безпеки.

Основні методи різання

- Завжди використовуйте гостре лезо, щоб отримати найкращі результати. Тупі леза скошують траву нерівномірно й призводять до її пожовтіння на поверхні зрізу.
- Не скошуйте більше 1/3 довжини трави. Це особливо важливо в сухі періоди. Спочатку треба виконувати скошування з великою висотою різання. Потім перевірте результати й зменште її до потрібного значення. Якщо трава задовга, пересувайте газонокосарку повільно й за необхідності виконайте скошування двічі.
- Якщо трава закоротка, зменште ширину різання, заходячи косаркою на вже скошені ділянки, а також просувайте повільніше.

- Косіть щоразу в різних напрямках, щоб на газоні не було смуг.
- Регулярно промивайте травозбірник під водою зі шланга, і дайте йому висохнути перед використанням. Під час використання пори в полотняних травозбірниках можуть заповнитися брудом і пилом. Через це травозбірник буде збирати менше трави.

Перед початком роботи з косаркою

- Сторонні особи й тварини повинні перебувати на безпечній відстані від робочої зони.
- Здійсніть щоденний технічний огляд. Див. *ТЕХНІЧНЕ ОБСЛУГОВУВАННЯ на сторінці 307.*

Запуск виробу

1. Вставте акумуляторний блок до клацання. Переконайтеся, що акумуляторний блок правильно встановлено. (Мал. 38)
2. Покладіть ключ у кишеню під кришкою акумулятора. Переконайтеся, що ключ установлено правильно. (Мал. 39)

Зверніть увагу: Ключ може повертатися лише в одному напрямку.

3. Натисніть на кнопку живлення один раз. Кнопка повністю підсвітиться. (Мал. 40)
4. Потягніть ручку керування двигуна в напрямку рукоятки. Кнопка живлення почне блимати. (Мал. 41)
5. Натисніть кнопку живлення, що блимає. Після цього виріб запуститься. (Мал. 42)

Зупинення виробу

- Відпустіть ручку керування двигуном виробу або натисніть один раз на кнопку живлення. (Мал. 43)

Підключення приводу до коліс (у разі наявності)

(Мал. 44)

- Потягніть важелі приводу в напрямку рукоятки.
- Перед переміщенням виробу у зворотному напрямку розцепіть привід і штовхніть виріб уперед приблизно на 10 см.
- У разі наближення до перешкоди відпустіть важелі приводу, щоб розцепити привід.

Спустошення травозбірника

1. Підніміть травозбірник за ручки на рамці.
2. Вийміть скошену траву з-під ручки травозбірника.
3. Видаліть скошену траву з мішка за допомогою ручки на рамці й ручки мішка.



УВАГА: Не тягніть за мішок, коли спустошуєте травозбірник, щоб запобігти зношуванню.

Змінення режиму скошування

Під час роботи на виробі можна встановити один із трьох різних режимів скошування, натиснувши на кнопку режиму скошування.

- **Автоматичний режим** – виріб автоматично регулює швидкість скошування відповідно до кількості трави.
- **Зверніть увагу:** Під час експлуатації виріб за замовчуванням перебуває в автоматичному режимі.

- **Режим підвищення потужності** – виріб працює на високій частоті обертання двигуна незалежно від кількості трави, що скошується.
 - Під час роботи виробу натисніть кнопку режиму скошування один раз, щоб переключитися з автоматичного режиму в режим підвищення потужності. Після цього кнопка режиму скошування підсвітиться.
- **Режим ЕСО** – виріб працює на низькій частоті обертання двигуна незалежно від кількості трави, що скошується.
 - Під час роботи виробу натисніть кнопку режиму скошування один раз, щоб переключитися з режиму підвищення потужності в режим ЕСО. Після цього кнопка режиму скошування підсвітиться й почне блимати.
 - Щоб повернутися до автоматичного режиму за замовчуванням, натисніть один раз кнопку режиму скошування під час роботи виробу. Після цього кнопка режиму скошування перестане блимати.

Зверніть увагу: Якщо під час роботи відпустити ручку керування двигуном, виріб залишиться в тому режимі, в якому перебував. Якщо виріб автоматично зупиняється чи оператор натискає кнопку живлення, використовуваний режим скошування стирається з пам'яті, а при повторному запуску виріб запускається в автоматичному режимі.

Індикатор стану акумулятора під час роботи

Дисплей на інтерфейсі керування користувача показує залишковий заряд акумулятора й будь-які проблеми, які можуть виникнути в акумуляторному блоці. Залишковий заряд акумулятора відображається під час роботи інструмента.

Світлодіодні індикатори	Стан акумулятора
Горять усі зелені світлодіоди	Заряджений повністю (76–100 %)
Горять світлодіоди 1, 2 та 3	Акумуляторний блок заряджений на 75–51 %.
Горять світлодіоди 1 і 2	Акумуляторний блок заряджений на 50–26 %.
Горить світлодіод 1	Акумуляторний блок заряджений на 25–6 %.
Блимає світлодіод 1	Акумуляторний блок заряджений на 5–0 %.

Якщо під час роботи в акумуляторному блоці виникла помилка, усі чотири зелені світлодіодні індикатори на дисплеї заряду акумулятора блиматимуть. Вийміть акумуляторний блок з

інструмента й натисніть на ньому індикаторну кнопку, щоб відобразити код помилки. Якщо сталася помилка, світлодіодні індикатори на акумуляторному блоці підсвічуються й відображають код помилки.

Візьміть посібник з експлуатації акумулятора й знайдіть у ньому перелік кодів помилок і вирішення цих помилок.

ТЕХНІЧНЕ ОБСЛУГОВУВАННЯ



ПОПЕРЕДЖЕННЯ: Перед очищенням, ремонтуванням чи технічним обслуговуванням уважно прочитайте розділ про правила техніки безпеки.

Загальні рекомендації щодо технічного обслуговування

Гарантія на цей виріб не розповсюджується на неправильне або недбале використання виробу оператором. Щоб повною мірою скористатися гарантією, оператор має проводити технічне обслуговування відповідно до вказівок, наведених у цьому посібнику. Щоб виріб перебував у належному робочому стані, різні налаштування необхідно виконувати з різними інтервалами.

- Щороку перевіряйте лезо на предмет зношення.

Перевірка шин

- Щоб запобігти пошкодженню гуми, не допускайте потрапляння на шини небажаних матеріалів і хімічних речовин.
- Тримайте шини на відстані від пнів, каміння, рівчаків, гострих предметів та інших об'єктів, які можуть спричинити пошкодження шин.

Процедура загальної перевірки

- Переконайтеся, що гайки і гвинти надійно затягнуті.
- Переконайтеся, що жоден кабель не затиснутий.

Графік технічного обслуговування

Вимоги до технічного обслуговування вашого виробу, а також інтервали між відповідними операціями наведено в графіку технічного обслуговування. Інтервали розраховуються на основі використання виробу й можуть різнитися залежно від частоти використання.

- Перед кожним використанням і зберіганням необхідно затягувати болти й гайки.
- Перед кожним використанням, після нього й перед зберіганням необхідно чистити та оглядати травозбірник.
- Перед кожним використанням необхідно оглядати шини.
- Виріб необхідно чистити після кожного використання й перед зберіганням. Для чищення під декою використовуйте шкребок.
- Оглядайте лезо на наявність пошкоджень і тріщин після кожних 25 годин роботи. Якщо ви

працюєте на піщаному ґрунті, леза необхідно замінити частіше.

- Змащуйте виріб після кожних 25 годин роботи.
- Після використання й зберігання очистуйте та повністю заряджайте акумуляторний блок. Перед зберіганням акумуляторний блок не можна заряджати довше ніж протягом 24 годин.
- Під час зберігання не тримайте акумуляторний блок на зарядному пристрої. Заряджайте акумуляторний блок не довше ніж протягом 24 годин.
- Оглядайте приводний пас і шків після кожних 25 годин роботи (якщо вони встановлені).

Чищення виробу

- Прибирайте небажані матеріали й траву з виробу за допомогою щітки.
- Тримайте поліровані поверхні й колеса в чистоті.
- Видаляйте накопичення трави й сміття з-під виробу за допомогою шкребка.
- Для чищення виробу не використовуйте миючий апарат високого тиску.
- Не допускайте потрапляння води безпосередньо на електричний робочий блок або контакти акумулятора.
- Під час чищення виробу знизу виймайте акумуляторний блок і ключ безпеки й ставте виріб на бік, щоб інтерфейс керування користувача був направлений угору.



УВАГА: Забороняється чистити виріб водою, рідинами для очищення й розчинниками. Видаляйте небажаний матеріал ззовні виробу м'якою щіткою або сухою тканиною, які не містять металу.

Очищення травозбірника

- Під час використання пори в полотняних травозбірниках можуть заповнитися брудом і пилом. Це призводить до зменшення місткості травозбірника. Щоб запобігти цьому, регулярно промивайте травозбірник під водою зі шланга, і дайте травозбірнику висохнути перед використанням.
- Регулярно перевіряйте травозбірник на наявність ознак зношення чи псування. Замінити у разі потреби.

Перевірка задніх дверцят

Задні дверцята встановлені між задніх коліс виробу. Дверцята зменшують ризик потрапляння в оператора предметів, що відкидаються від виробу.

1. Перевірте задні дверцята на наявність пошкоджень.
2. Огляньте задні дверцята на наявність дефектів, що призводять до їх закривання, включаючи тріщини або розірвані пружини.
3. У разі пошкоджень замініть дверцята або пружини.

Загострення й балансування леза

Для найкращих результатів роботи підтримуйте лезо загостреним. Погнуті чи пошкоджені леза необхідно замінювати.



УВАГА: Використовуйте рукавиці й / або оберніть лезо цупкою тканиною, щоб не пошкодити руки.

1. Загострюйте лезо за допомогою напилка або на шліфувальному колі. Забороняється загострювати лезо, коли воно встановлене на виробі.



УВАГА: Не рекомендується загострювати лезо власноруч. Якщо ви вирішили зробити це власноруч, переконайтеся, що лезо збалансоване. Незбалансоване лезо може пошкодити виріб чи двигун.

2. Вбийте рівний цвях у шмат дерева чи стіну. 2–3 см цвяха має залишитися назовні.

Коди помилок

Коди помилок допомагають знаходити й усувати несправності виробу й / або акумуляторного блока під час експлуатації.

Світлодіодний екран	Можливі несправності	Можливі способи усунення
Після натискання кнопки живлення на інтерфейсі керування користувача не вмикаються світлодіодні індикатори, акумуляторний блок не працює	Акумуляторний блок вставлено не повністю або згорів внутрішній запобіжник	Вставте акумуляторний блок повністю в робочий блок, доки не почується клацання. Якщо світлодіодний індикатор не вмикається, після того як акумуляторний блок було повністю вставлено, а на інтерфейсі керування користувача було натиснуто кнопку живлення, зверніться до авторизованого сервісного центру.

3. Надіньте лезо центральним отвором на цвях. Якщо лезо збалансоване, воно залишиться в горизонтальному положенні. Якщо один із країв леза схилиться донизу, його потрібно нагострити, щоб збалансувати лезо.

Заміна ножа

1. Зафіксуйте лезо дерев'яним брусом. (Мал. 45)
2. Вийміть болт леза.
3. Зніміть лезо.
4. Перевірте опору леза та болт на предмет пошкоджень.
5. Перевірте вал двигуна на предмет згинань.
6. Під час встановлення нового леза направляйте розміщені під кутом кінці в напрямку кожуха леза. (Мал. 46)
7. Переконайтеся, що лезо знаходиться на одному рівні з центром вала двигуна.
8. Зафіксуйте лезо дерев'яним брусом. Встановіть пружинну шайбу та затягніть болт і шайбу з моментом Н·м. (Мал. 47)
9. Прокрутіть лезо рукою та переконайтеся, що воно вільно обертається.
10. Запустіть виріб, щоб перевірити роботу леза. У разі неправильного встановлення леза у виробі буде спостерігатися вібрація або результат скошування буде незадовільний.



ПОПЕРЕДЖЕННЯ: Використовуйте міцні робочі рукавиці. Лезо дуже гостре, ним можна легко порізатися.

Світлодіодний екран	Можливі несправності	Можливі способи усунення
Після натискання кнопки живлення всі чотири світлодіодні індикатори залишкового заряду акумулятора блимають, але жодні інші індикатори не вмикаються	Акумуляторний блок не повністю вставлено у виріб або його внутрішня температура зависока чи занижка.	Вставте акумуляторний блок повністю в робочий блок, доки не почується клацання. Якщо світлодіодні індикатори продовжують блимати, внутрішня температура акумуляторного блоку може бути занижкою або зависокою. Дайте акумуляторному блоку прогрітися чи охолонути. Щоб прискорити процес охолодження, акумуляторний блок можна вставити в зарядний пристрій, щоб він охолоджувався активніше.
Після натискання кнопки живлення всі чотири світлодіодні індикатори залишкового заряду акумулятора й живлення блимають, але жодні інші індикатори не вмикаються	Під час першого натискання кнопки живлення утримувалася ручка керування двигуна або сталася несправність внутрішнього перемикача ручки керування двигуна	Відпустіть ручку керування двигуна. Якщо ручка керування двигуна не втримувалася, а світлодіоди продовжують блимати, зверніться до авторизованого сервісного центру.
Виріб перестає працювати й усі чотири світлодіодні індикатори залишкового заряду акумулятора блимають, інші світлодіодні індикатори не вмикаються.	Акумуляторний блок погано вставлено в робочий блок і належний контакт відсутній, акумуляторний блок надто гарячий або холодний, або ж виникла інша внутрішня помилка акумулятора	<ol style="list-style-type: none"> 1. Зупиніть виріб. 2. Вийміть акумуляторний блок із виробу й натисніть на ньому індикаторну кнопку, щоб відобразити код помилки. Світлодіодні індикатори на акумуляторному блоці ввімкнуться й відобразять код помилки. 3. Ознайомтеся в посібнику з експлуатації акумулятора зі списком відповідних кодів помилок можливих несправностей і процедурами їх усунення. <p>Якщо акумуляторний блок не відображає помилку після натискання індикаторної кнопки на акумуляторному блоці, а відображає лише стан заряду, акумуляторний блок міг від'єднатися від робочого блока під час роботи виробу. Вставляйте акумуляторний блок у робочий блок належним чином, доки не почуєте клацання.</p>
Виріб перестає працювати, а кнопка живлення блимає; світлодіодні індикатори залишкового заряду акумулятора продовжують відображати поточний стан заряду	Різальна камера забита травою, регулятор двигуна занадто гарячий або сталася несправність двигуна	<ol style="list-style-type: none"> 1. Зупиніть виріб. 2. Вийміть акумуляторний блок і поставте виріб на бік, щоб інтерфейс керування користувача був направлений угору. 3. Перевірте лезо, болт леза, блок лез, двигун і кріплення двигуна на наявність пошкоджень. Приберіть усю траву з-під нижньої частини пристрою й перевірте його на наявність забивання. 4. Установіть акумуляторний блок і дотримуйтесь процедури запуску, щоб запустити пристрій. <p>Якщо помилка продовжить з'являтися, дайте виробу охолонути. Регулятор двигуна може бути занадто гарячим для роботи. Якщо помилка продовжить з'являтися, зверніться до авторизованого сервісного центру.</p>

ТРАНСПОРТУВАННЯ Й ЗБЕРІГАННЯ

- Забезпечуйте безпеку виробу під час транспортування, щоб уникнути пошкоджень і нещасних випадків.
- Під час зберігання виймайте ключ безпеки й тримайте обладнання в замкненій зоні подалі від дітей і осіб без належної підготовки.
- Зберігайте виріб і обладнання в сухому місці за температури вище 0 градусів.
- Під час завантаження або переміщення виробу не нахилийте його більше ніж на максимально рекомендований робочий кут, що складає 15 градусів.
- Чищення виробу. Докладніше див. *Чищення виробу на сторінці 307.*
- Змастіть виріб.
- Затягніть болти та гайки.
- Замініть або відремонтуйте пошкоджені частини.
- Підфарбуйте всі іржаві й пошкоджені фарбовані поверхні. Перед фарбуванням їх необхідно трохи відшліфувати.
- Використовуйте правильний захисний кожух, що не утримує вологи. Не використовуйте пластик, оскільки він не пропускає повітря, сприяє утворенню конденсату й призводить до корозії.
- Перед транспортуванням і зберіганням завжди виймайте акумуляторний блок.

ТЕХНІЧНІ ХАРАКТЕРИСТИКИ

	одиниця виміру	LM2146C Li58-52 (58VBKJN46C)	LM2146CA Li58-52 (58VBKJN46CR)
Різальний двигун			
Тип двигуна	—	Двигун постійного струму (без щіток) 58 В	Двигун постійного струму (без щіток) 58 В
Частота обертання двигуна – режим ECO	об/хв	2300	2300
Частота обертання двигуна – автоматичний режим	об/хв	2500 об/хв, доки напруга не перевищить 12 А протягом 3 секунд; частота обертання збільшиться до 2800 об/хв, доки напруга не буде менше 18 А протягом 10 секунд.	2500 об/хв, доки напруга не перевищить 12 А протягом 3 секунд; частота обертання збільшиться до 2800 об/хв, доки напруга не буде менше 18 А протягом 10 секунд.
Частота обертання двигуна – режим підвищення потужності	об/хв	2800	2800
Вихідна потужність двигуна – максимальна	кВт	1,5	1,5
Вихідна потужність двигуна – максимальна постійна	кВт	0,9	0,9
Вихідна потужність двигуна – номінальна	кВт	0,9	0,9
Межа перевантаження за струмом (макс. струм)	А (ампери)	25	25
Маса			
Маса (без акумулятора)	кг	23,5	24,5
Акумулятор			
Тип акумулятора		590923813	590923813

	одиниця виміру	LM2146C Li58-52 (58VBKJN46C)	LM2146CA Li58-52 (58VBKJN46CR)
Тривалість роботи акумулятора			
Тривалість роботи акумулятора	м ²	До 1200	До 1000
Випромінювання шуму ⁷⁶			
Рівень звукової потужності, вимірний	дБ (А)	87	87
Рівень звукової потужності, гарантований LWA	дБ (А)	87	87
Рівні звуку			
77			
Рівень звукового тиску у вусі оператора	дБ (А)	< 80	< 80
Рівні вібрації			
78			
Ручка	м/с ²	0,65	0,65
Різання			
Висота різання	мм	30-80	30-80
Ширина скошування	см	46	46
Лезо, збирання	—	581188910	581188902
Лезо, мульчування	—	581188910	581188902
Місткість травозбірника	л	50	50

ЗМІСТ ДЕКЛАРАЦІЇ ВІДПОВІДНОСТІ ЕС

Ми, Husqvarna AB, SE 561 82 м. Гускварна, Швеція, заявляємо під свою виключну відповідальність, що представлений виріб:

Опис	Електрична оберտальна газонокосарка
Бренд	Jonsered®

Опис	Електрична оберտальна газонокосарка
Платформа / Тип / Модель	Платформа 58VBKJN46C (представлено модель LM2146C Li58-52), платформа 58VBKJN46CR (представлено модель LM2146CA Li58-52).

⁷⁶ Випромінювання шуму в середовище, виміряне як звукова потужність (LWA) відповідає директиві ЕС 2000/14/ЕС.

⁷⁷ Заявлені дані про рівень шумового тиску мають стандартну статистичну розбіжність (стандартне відхилення) в 1,2 дБ(А).

⁷⁸ Заявлені дані щодо рівня вібрації мають стандартну статистичну розбіжність (стандартне відхилення) у 0,2 м/с². Стандарт щодо вібрації EN 60335-2-77:2017 глава 20.105.

Опис	Електрична обертальна газонокосарка
Партія	Серійні номери за 2018 рік і пізніше

повністю відповідає наступним директивам і нормам ЄС:

Директива/норма	Опис
2006/42/EC	«Про механічне обладнання»
2014/30/EU	«Про електромагнітну сумісність»
2000/14/EC	«Про випромінювання шуму від обладнання, призначеного для використання надворі»
2011/65/EU	«Про використання небезпечних речовин»

Застосовуються наступні узгоджені стандарти й/або технічні специфікації: EN60335-1, EN60335-2-77, EN50366, EN55014-1, EN55014-2, EN61000-3-2, EN61000-3-3

Згідно з директивою 2000/14/EC, додаток V, заявлені шумові характеристики зазначені в розділі технічних даних цього посібника й підписаній декларації відповідності стандартам ЄС.

Компанія Intertek виконала добровільну перевірку за дорученням компанії Husqvarna AB та видала сертифікат відповідності нормам директиви Ради ЄС 2006/42/EC «Про машини й механізми».

Сертифікат, як зазначено в підписаній декларації відповідності ЄС, діє для всіх місць виробництва й країн-виробників, зазначених на виробі.

Електрична обертальна газонокосарка, що постачається, відповідає зразкам, які пройшли перевірку.

Jonsered®

www.jonsered.com

Original instructions
Оригинални инструкции
Původní pokyny
Originale instruktioner
Originalanweisungen
Αρχικές οδηγίες
Instrucciones originales
Originaaljuhend
Alkuperäiset ohjeet
Instructions d'origine
Originalne upute
Eredeti útmutatás
Istruzioni originali

Originalios instrukcijos
Lietošanas pamācība
Originale instructies
Originale instruksjoner
Oryginalne instrukcje
Instrucções originais
Instrucțiuni inițiale
Оригинальные инструкции
Põlvodné pokyny
Izvirna navodila
Bruksanvisning i original
Orjijinal talimatlar
Оригинальні інструкції

114052738



2018-10-23