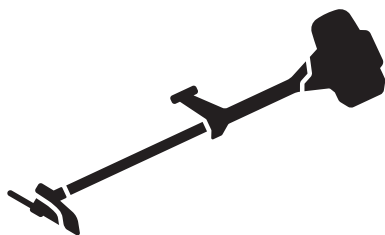




Husqvarna®



524R

Contents

Introduction.....	2	Troubleshooting.....	27
Safety.....	5	Transportation and storage.....	27
Assembly.....	11	Technical data.....	28
Operation.....	14	Accessories.....	29
Maintenance.....	21	EC Declaration of Conformity.....	31

Introduction

Product description

This product is a brushcutter with a combustion engine.

Work is constantly in progress to increase your safety and efficiency during operation. Speak to your servicing dealer for more information.

Intended use

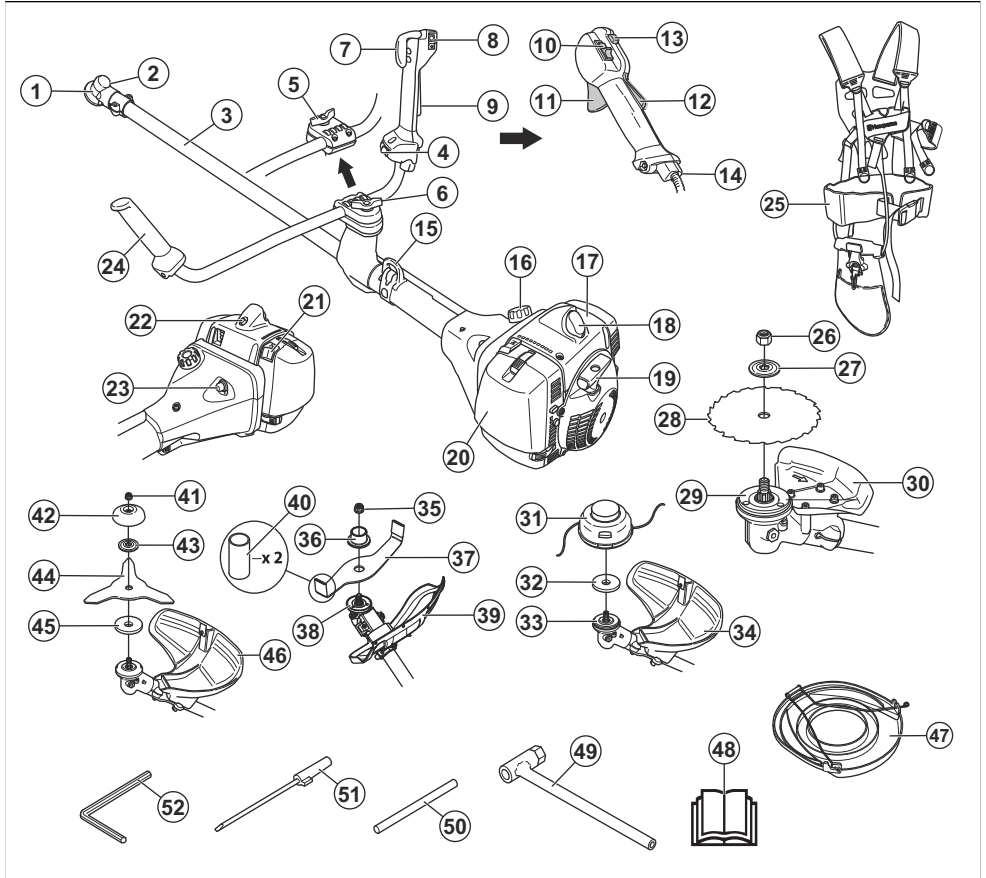
Use the product with a saw blade, a grass blade or a trimmer head to cut different types of vegetation. Do not

use the product for other tasks than grass trimming, grass clearing and forestry clearing. Use a saw blade to cut fibrous types of wood. Use a grass blade or trimmer head to cut grass.

Note: National or local regulations can regulate the use. Comply to given regulations.

Only use the product with accessories that are approved by the manufacturer. Refer to *Accessories on page 29*.

Product overview



- | | |
|---|---|
| 1. Bevel gear | 17. Cylinder cover |
| 2. Grease filler cap | 18. Spark plug and spark plug cap |
| 3. Shaft | 19. Starter rope handle |
| 4. Switch for heated handles (XXXX) | 20. Air filter cover |
| 5. Handle adjustment (XXXX) | 21. Choke control |
| 6. Handle adjustment (524R, XXXX, XXXX) | 22. Decompression valve |
| 7. Throttle trigger (524R, XXXX) | 23. Air purge bulb |
| 8. Stop switch (524R, XXXX) | 24. Handlebar |
| 9. Throttle trigger lockout (524R, XXXX) | 25. Harness |
| 10. Stop switch (XXXX, XXXX) | 26. Locknut (524R, XXXX) |
| 11. Throttle trigger (XXXX, XXXX) | 27. Support flange (524R, XXXX) |
| 12. Throttle trigger lockout (XXXX, XXXX) | 28. Saw blade (524R, XXXX) |
| 13. Start throttle button (XXXX, XXXX) | 29. Drive disc (524R, XXXX) |
| 14. Throttle wire adjustment (XXXX, XXXX) | 30. Cutting attachment guard (524R, XXXX) |
| 15. Suspension point | 31. Trimmer head (XXXX) |
| 16. Fuel tank | 32. Metal cup (XXXX) |

33. Drive disc (XXXX)
34. Cutting attachment guard (XXXX)
35. Locknut (XXXX)
36. Support flange (XXXX)
37. Shredder blade (XXXX)
38. Drive disc (XXXX)
39. Cutting attachment guard (XXXX)
40. Transport guard (XXXX)
41. Locknut (XXXX)
42. Support cup (XXXX)
43. Support flange (XXXX)
44. Grass blade (XXXX)
45. Drive disc (XXXX)
46. Cutting attachment guard (XXXX)
47. Transport guard (524R, XXXX, XXXX)
48. Operator's manual
49. Socket wrench
50. Locking pin
51. Carburetor screwdriver
52. Hex key



Keep a minimum distance of 15 m/50 ft to persons and animals during operation of the product.



Risk of blade thrust if the cutting equipment touches an object that it does not immediately cut. The product can cut off body parts. Keep a minimum of 15 m/50 ft distance to persons and animals during operation of the product.



Only use a flexible cutting wire. Do not use metal cutting elements. Apply this for grass guard accessory.



The arrows show the limit for the handle position.



Air purge bulb.



Fill fuel.



Choke.



Noise emissions to the environment according to European Directive 2000/14/EC and New South Wales legislation "Protection of the Environment Operations (Noise Control) Regulation 2017". Noise emission data can be found on the machine label and in *Technical data on page 28*.



The product agrees with the applicable EC directives.

yyyywwxxxx

The rating plate or the laser printing shows the serial number. **yyyy** is the production year, **ww** is the production week.

Symbols on the product



WARNING! This product is dangerous. Injury or death can occur to the operator or bystanders if the product is not used carefully and correctly. To prevent injury to the operator or bystanders, read and obey all safety instructions in the operator's manual.



Read the operator's manual carefully and make sure that you understand the instructions before use.



Use a protective helmet in locations where objects can fall on you. Use approved hearing protection. Use approved eye protection.



Use approved protective gloves.



Use heavy-duty slip-resistant boots.



The product can cause objects to eject, which can cause injury.



Maximum speed of the output shaft.

Note: Other symbols/decals on the product refer to certification requirements for other commercial areas.

Product liability

As referred to in the product liability laws, we are not liable for damages that our product causes if:

- the product is incorrectly repaired.
- the product is repaired with parts that are not from the manufacturer or not approved by the manufacturer.
- the product has an accessory that is not from the manufacturer or not approved by the manufacturer.

- the product is not repaired at an approved service center or by an approved authority.

Euro V Emissions



WARNING: Tampering with the engine voids the EU type-approval of this product.

Safety

Safety definitions

Warnings, cautions and notes are used to point out specially important parts of the manual.



WARNING: Used if there is a risk of injury or death for the operator or bystanders if the instructions in the manual are not obeyed.



CAUTION: Used if there is a risk of damage to the product, other materials or the adjacent area if the instructions in the manual are not obeyed.

Note: Used to give more information that is necessary in a given situation.

General safety instructions



WARNING: Read the warning instructions that follow before you use the product.

- This product produces an electromagnetic field during operation. This field may under some circumstances interfere with active or passive medical implants. To reduce the risk of serious or fatal injury we recommend persons with medical implants to consult their physician and the medical implant manufacturer before operating this product.
- Do not use the product if you are tired, ill, or under the influence of alcohol, drugs or medicine. This has a negative effect on your vision, alertness, coordination and judgment.
- Do not operate the product in bad weather, such as dense fog, heavy rain, strong wind and intense cold. To operate the product in bad weather can make you tired and add risks, such as icy ground and unpredictable felling direction.
- Always be careful and use your common sense. If you feel uncertain about a work situation or the operating procedures after you read the operator's

manual, speak to a servicing dealer before you continue.

- Remove the spark plug cap if you let the product out of view.

Safety instructions for assembly



WARNING: Read the warning instructions that follow before you use the product.

- Use approved protective gloves when you assemble the product and cutting attachment.
- Remove the spark plug cap from the spark plug before you assemble the product.
- Make sure that the correct handlebar and cutting attachment guard are assembled before you operate the product.
- A defective or incorrect cutting attachment guard can cause injury. Do not use a cutting attachment without an approved cutting attachment guard.
- Attach the clutch cover and shaft correctly before you start the product.
- The drive disc and support flange must engage correctly in the center hole of the cutting attachment. A cutting attachment that is attached incorrectly can cause injury or death.
- Attach the harness to the product to prevent injury to the operator or others.

Safety instructions for operation



WARNING: Read the warning instructions that follow before you use the product.

- Learn and understand the difference between forestry clearing, grass clearing and grass trimming before you use the product.
- Use personal protective equipment, refer to *Personal protective equipment on page 6*.
- Long-term exposure to noise can result in permanent hearing loss. Always use approved hearing protection.

- Listen for warning signals and loud voices when you use hearing protection. Always remove your hearing protection when the engine stops.
- Never use the product if it is changed or defective.
- Make sure that the spark plug cap and ignition lead are not damaged to prevent the risk of electrical shock.
- Look around the work area to make sure that no persons, animals or objects have a negative effect on the safety of the operation of the product.
- Look around the work area to make sure that no persons or animals touch the cutting attachment or are hit by objects that are ejected from the cutting attachment.
- Examine the work area. Remove all loose objects, such as stones, broken glass, nails, steel wire and string, that can eject or wind around the cutting attachment.
- Do not use the product in a situation or location where you can not get aid if an accident occurs.
- Do not use the product without an approved cutting attachment guard.
- Make sure that persons or animals keep a distance of a minimum of 15 m/50 ft during work. Always look behind you before you turn around with the product. Stop the product immediately if a person or animal enters the 15 m/50 ft safety zone. If more than 1 operator does work in the same area, keep a safety distance of a minimum of 2 times the tree height and a minimum of 15 m/50 ft.
- Make sure that you can move safely and have a safe stance. Examine the area around you for obstacles such as roots, rocks, branch and ditches. Be careful during work on slopes.

attachment guard. Stones and other small objects can eject into your eyes and cause blindness or other injuries.

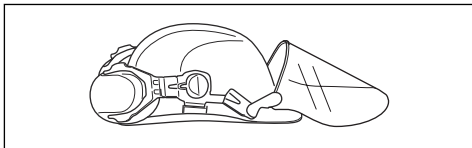
- Do not put the product down with the engine on unless you have it in clear view.
- Do not remove the cut material, or let other persons remove cut material, while the engine is on or the cutting equipment rotates, as this can result in serious injury.
- Always stop the engine and make sure that the cutting equipment does not rotate before you remove material that is wound around the blade shaft or caught between the cutting attachment guard and the cutting attachment.
- Be careful when you remove material from around the cutting equipment. The bevel gear gets hot during operation and can cause burn injuries.
- The exhaust fumes from the engine are hot and can contain sparks. Risk of fire. Be careful around dry and flammable material.
- Never use the product indoors or in spaces lacking proper ventilation. Exhaust fumes contain carbon monoxide, an odourless, poisonous and highly dangerous gas.
- Stop the engine before you move to a new work area. Always attach the transport guard before you move the equipment.
- Overexposure to vibration can lead to circulatory damage or nerve damage in persons who have poor circulation. Speak to your physician if you experience symptoms of overexposure to vibration. Such symptoms include numbness, loss of feeling, tingling, pricking, pain, loss of strength, changes in skin colour or condition. These symptoms usually show in the fingers, hands or wrists. The risk increases at low temperatures.

Personal protective equipment



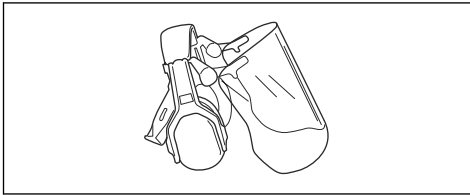
WARNING: Read the warning instructions that follow before you use the product.

- Always use approved personal protective equipment when you use the product. Personal protective equipment cannot fully prevent injury but it decreases the degree of injury if an accident does occur. Let your dealer help you select the correct equipment.
- Use a helmet if the trees in the work area have a height of more than 2 m/6.5 ft.

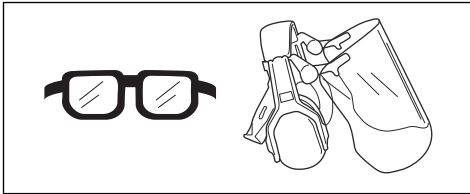


- Do not overreach. Keep a stable position of the feet and a good balance at all times.
- Before you start the product, put it on a flat surface, at a minimum of 3 m/10 ft from the fuel source and from where you fill fuel. Make sure that there are no objects near or touching the cutting attachment.
- If the cutting attachment rotates at idle speed, let a service agent adjust it. Do not use the product until it is adjusted or repaired.
- Look out for thrown objects. Always use approved eye protection and keep away from the cutting

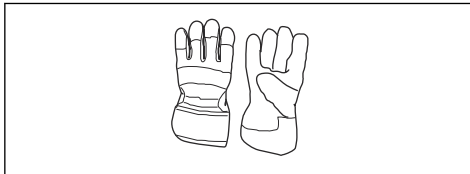
- Use approved hearing protection.



- Use approved eye protection. If you use a visor, you must also use approved protective goggles. Approved protective goggles must comply with the ANSI Z87.1 standard in the USA or EN 166 in EU countries.



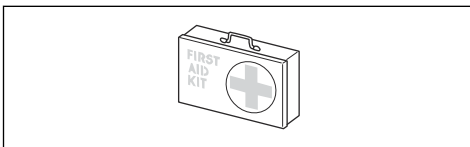
- Use gloves when it is necessary, for example when you attach, examine or clean the cutting equipment.



- Use protective boots with steel toe-cap and non-slip soles.



- Use clothing made of a strong fabric. Always use heavy, long pants and long sleeves. Do not use loose clothing that can catch on twigs and branches. Do not use jewelry, short pants or sandals. Do not go with bare feet. Put your hair up safely above shoulder level.
- Keep first aid equipment near.



Safety devices on the product

For information about where to find the safety devices, see *Product overview on page 3*.

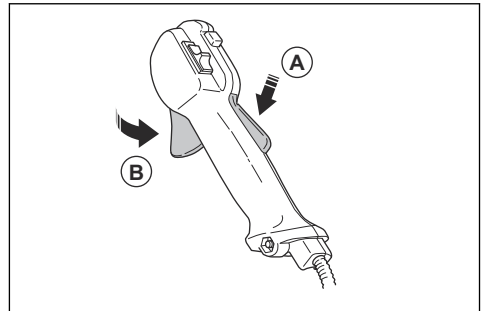


WARNING: Read the warning instructions that follow before you use the product.

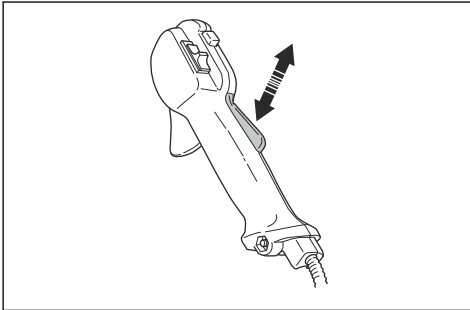
- Do not use a product with defective safety devices. Do a check of and do maintenance on the safety devices regularly. If the safety devices are defective, speak to your Husqvarna service agent.
- Do not make changes to safety devices. Do not use the product if protective covers, safety switches or other protective devices are not attached or are defective.
- For all service and repair work on the product, especially for the safety devices, special training is necessary. If the safety devices fail the checks given in this operator's manual, you must let a service agent help you. We guarantee that professional repairs and service is available. If your dealer is not a service agent, speak to them for information about the nearest service agent.
- Do not use a cutting attachment without an approved and correctly attached cutting attachment guard. See *To assemble the cutting equipment on page 12*.

To do a check of the throttle trigger lockout

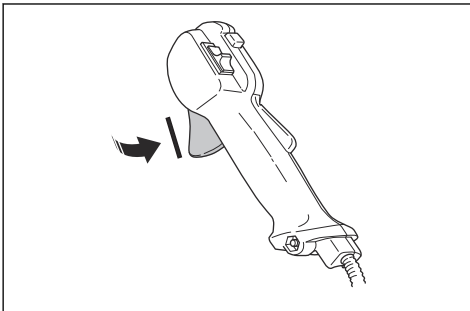
1. Make sure that the throttle trigger lockout (A) and throttle trigger (B) move freely and that the return spring operates correctly.



2. Push down the throttle trigger lockout and make sure that it goes back to its initial position when you release it.



3. Make sure that the throttle trigger is locked at the idle position when the throttle trigger lockout is released.



4. Start the product and apply full throttle.
5. Release the throttle trigger and make sure that the cutting attachment stops and stays stationary.

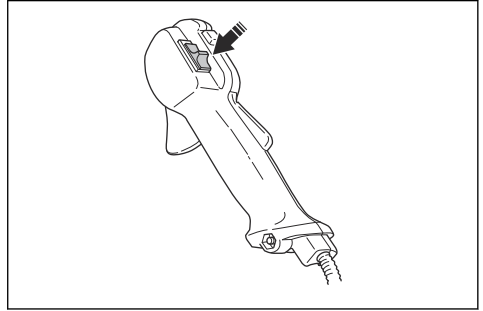


WARNING: If the cutting attachment moves when the throttle trigger is in the idle position, then the carburetor idle speed must be adjusted. Refer to *To adjust the idle speed on page 22*.

To do a check of the stop switch

1. Start the engine.

2. Move the stop switch to the stop position and make sure that the engine stops.



To do a check of the cutting attachment guard

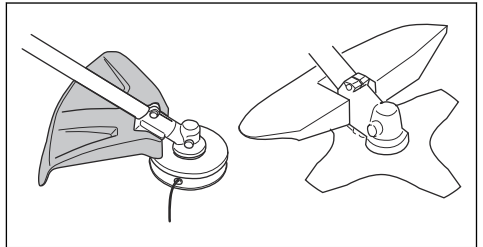


WARNING: Do not use a cutting attachment without an approved and correctly attached cutting attachment guard. See *Accessories on page 29*.



WARNING: Always use the recommended cutting attachment guard for the cutting attachment that you use. If an incorrect or faulty cutting attachment guard is fitted this can cause serious personal injury. See instructions under heading *Technical data on page 28*.

The cutting attachment guard prevents injuries from objects that eject in the direction of the operator. It also prevents injuries that occur if you touch the cutting attachment.



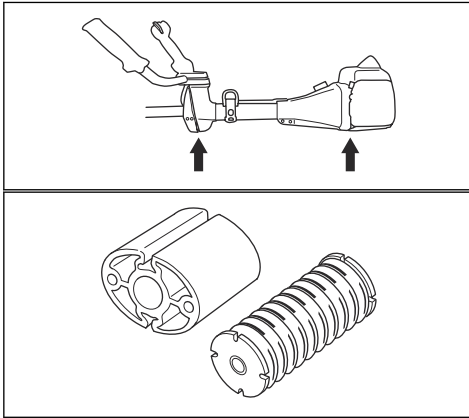
1. Make sure that the cutting attachment guard is not damaged or cracked.
2. Replace the guard if it has been exposed to impact or is cracked.

To do a check of the vibration damping system

The vibration damping system decreases vibration in the handles to a minimum which makes the operation easier.

1. Stop the engine.

2. Do a visual check for deformation and damage for example, cracks.
3. Make sure you attach the elements of the vibration damping system are correctly.



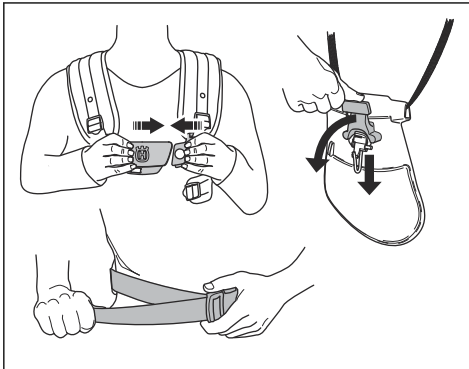
To do a check of the safety-release mechanism



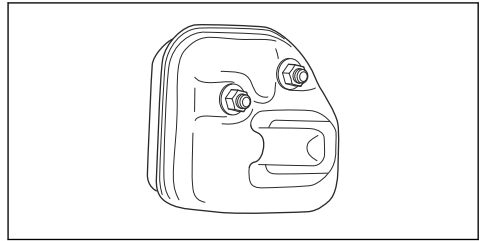
WARNING: Do not use a harness with a defective safety-release mechanism.

The safety-release mechanism lets the operator remove the product quickly from the harness if there is an emergency.

1. Stop the engine.
2. Do a visual check for damages, such as cracks.
3. Release and attach the safety-release mechanism to make sure that it operates correctly.

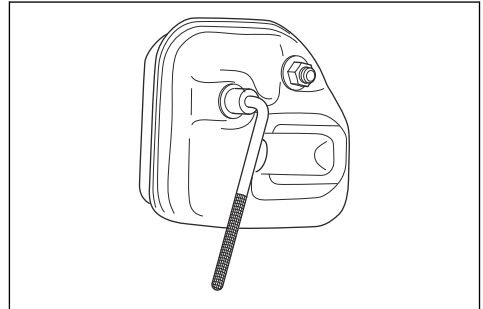


To do a check of the muffler

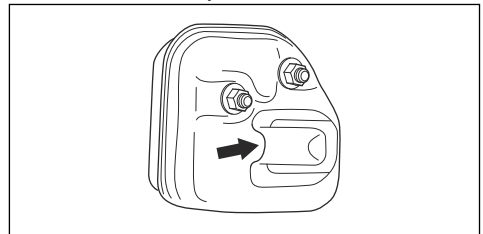


The muffler keeps noise levels to a minimum and sends exhaust fumes away from the operator.

- Do a visual check for damage and deformation.
- Make sure that the muffler is correctly attached to the product.



- If the muffler on your product has a spark arrester screen, do a visual check. Replace the spark arrester screen if it is damaged.
 - a) Clean the spark arrester screen if it is blocked. A blocked spark arrester screen causes the engine to become too hot which causes damage to the engine.
 - b) Make sure that the spark arrester mesh is attached correctly.



To do a check of the locknut



WARNING: Stop the engine, use protective gloves and be careful around the sharp edges of the cutting attachment.

- Make sure that the locknut is attached and tightened correctly. Refer to *To attach and remove the locknut on page 25*.

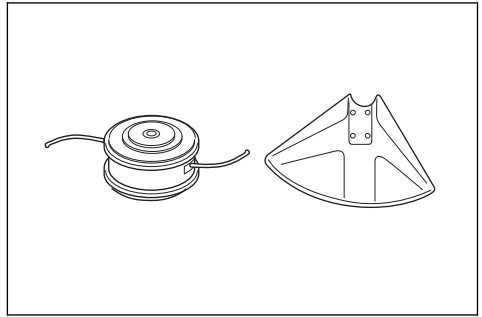
- Use the trimmer head to cut grass.

Cutting attachment



WARNING: Read the warning instructions that follow before you use the product.

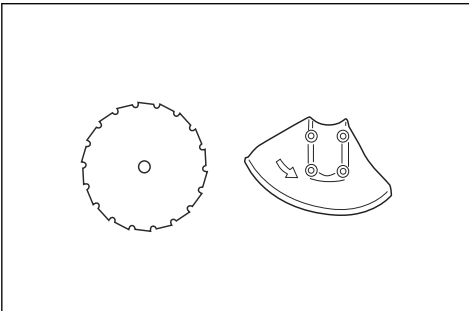
- Do the regular maintenance. Let an approved service center regularly examine the cutting attachment to do adjustments or repairs.
 - The performance of the cutting attachment increases.
 - The life of the cutting attachment increases.
 - The risk of accidents decreases.
- Only use an approved cutting attachment guard. Refer to *Accessories on page 29*.
- Do not use a damaged cutting attachment.



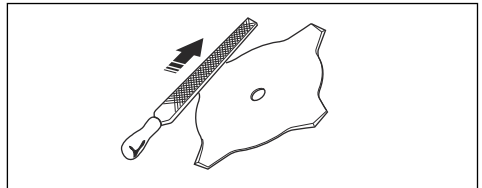
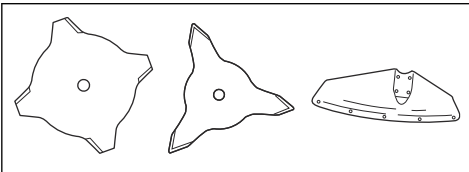
- An incorrectly sharpened or damaged blade increases the risk of accidents. Keep the teeth of the blade correctly sharpened. Obey the instructions in *To sharpen the grass knife and grass blade on page 26* and use the recommended file gauge.

Cutting equipment

- Use the saw blade to cut fibrous types of wood.



- Use the blades and grass knives to cut coarse grass.

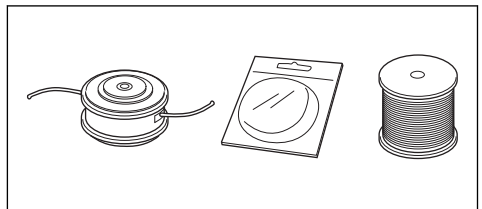


- Examine the cutting attachment for damage and cracks. Replace the damaged cutting attachment.
- Only use cutting attachments with recommended guards. Refer to *Accessories on page 29*.

Trimmer head



WARNING: Always make sure the trimmer line is wound tightly and evenly around the drum to prevent harmful vibration.



- Only use recommended trimmer heads and trimmer lines.
- Only use recommended cutting attachments.
- Smaller machines requires small trimmer heads and vice versa.
- The length of the trimmer line is important. A longer trimmer line requires greater engine power than a shorter trimmer line of the same diameter.

- Make sure that the cutter on the trimmer guard is intact. This cuts the trimmer line to the correct length.
- Soak the trimmer line in water for a couple of days before use to increase the life length.

Saw blade and grass blade

- Use correctly sharpened blades. An incorrectly sharpened or damaged blade increases the risk of injury.
- Use correctly set blades. Correct blade set is 1 mm. An incorrectly set blade increases the risk of injury and damage.
- To sharpen and set the blade correctly, refer to the instructions that come with the blade.

Fuel Safety



WARNING: Read the warning instructions that follow before you use the product.

- Never start the product if you spill fuel on it. Wipe the spillage of and allow remaining fuel to evaporate.
- Never start the product if you spill fuel on yourself or your clothes. Change your clothes and wash any part of your body that has come in contact with fuel. Use soap and water.
- Never start the product if the product is leaking fuel. Check regularly for leaks from the fuel cap and fuel lines.
- Always put the product on a flat surface and make sure the cutting attachment cannot come in contact with any object while you add fuel.
- Take care when handling fuel. Bear in mind the risk of fire, explosion and inhaling fumes.
- Observe caution when handling fuel and make sure there is adequate ventilation. Fuel and fuel fumes are highly inflammable and can cause serious injury when inhaled or allowed to come in contact with the skin.
- Mix and pour fuel outdoors, where there are no sparks or flames.

- Do not smoke or place hot objects near fuel.
- Always stop the engine and let it cool off for a few minutes before you refuel.
- Open the fuel cap slowly so that any excess pressure is released gently when you refuel.
- Tighten the fuel cap carefully after you refueled.
- Clean the area around the fuel cap. Contamination in the tank can cause operating problems.
- Always move the product 3m (10ft) or further from the refuelling area and source before starting.

Safety instructions for maintenance



WARNING: Read the warning instructions that follow before you use the product.

- Stop the engine, make sure that the cutting attachment stops and let the product cool down before you do the maintenance.
- Disconnect the spark plug cap before you do the maintenance.
- The exhaust fumes from the engine contain carbon monoxide, an odorless, poisonous and very dangerous gas that can cause death. Do not run the product indoors or in closed spaces.
- The exhaust fumes from the engine are hot and can contain sparks. Do not run the product indoors or near flammable material.
- Accessories and changes to the product that are not approved by the manufacturer, can cause serious injury or death. Do not change the product. Always use original accessories.
- If the maintenance is not done correctly and regularly, there is an increased risk of injury and damage to the product.
- Only do the maintenance as this operator's manual recommends. Let an approved Husqvarna service agent do all other servicing.
- Let an approved Husqvarna service agent do servicing on the product regularly.
- Replace damaged, worn or broken parts.

Assembly

Introduction



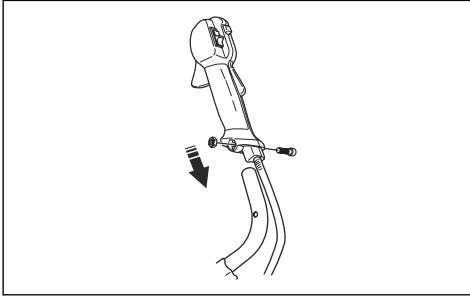
WARNING: Before you assemble the product, you must read and understand the safety chapter.



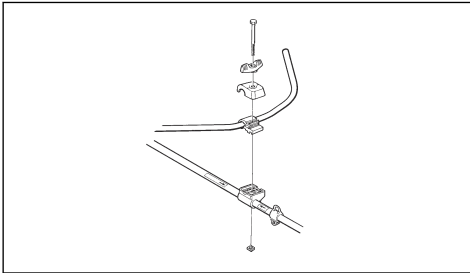
WARNING: Remove the spark plug cable from the spark plug before you assemble the product.

To assemble the handlebar

1. Remove the screw behind the throttle handle.



2. Move the throttle handle to the right side of the handlebar.
3. Align the hole behind the throttle handle with the hole in the handlebar.
4. Put the screw go through the holes. Tighten the screw.
5. Attach the handlebar between the arrows on the shaft. Tighten the screw.



To install the harness

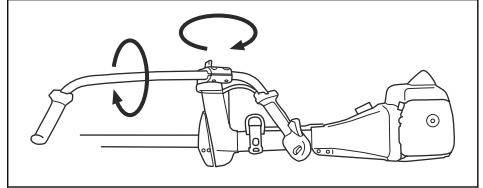
1. Put on the harness and hang the product from the suspension point.
2. Adjust the handle to put the product in a good work position.



3. Tighten the screws fully.

To set the handlebar in transport position

1. Loosen the knob.
2. Turn the handlebar clockwise until the throttle handle touches the battery.
3. Turn the handlebar around the shaft.



4. Tighten the knob.

To assemble the cutting equipment

The cutting equipment includes a cutting attachment and a cutting attachment guard.



WARNING: Use protective gloves.



WARNING: Always use the cutting attachment guard that is recommended for the cutting attachment. See *Accessories* on page 29.



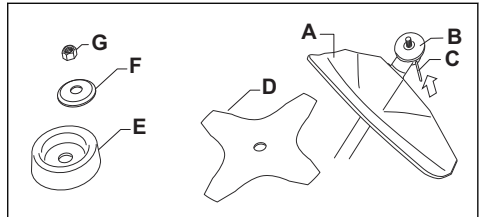
WARNING: An incorrectly attached cutting attachment can result in injury or death.

To install a blade guard, grass blade and grass cutter



CAUTION: Only use the approved guard for the blades. See *Accessories* on page 29.

1. Attach the blade guard/cutting attachment guard (A) onto the shaft and tighten with the bolt.



2. Install the drive disc (B) on the output shaft.

- Turn the output shaft until one of the holes in the drive disc aligns with the related hole in the gear housing.
- Put the hex key (C) in the hole to lock the shaft.
- Put the blade (D), support cup (E) and support flange (F) on the output shaft.
- Install the nut (G). Torque the nut to 35-50 Nm (26-36 ft/lb). Hold the shaft of the wrench near the blade guard as much as possible. To tighten the nut, you must turn the wrench in the opposite direction of rotation.

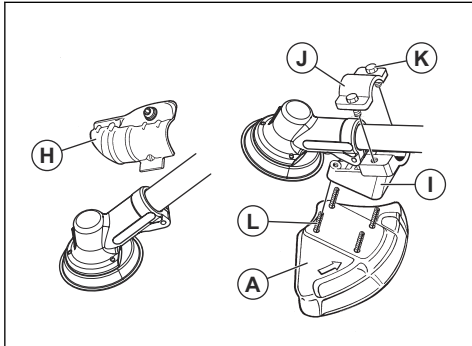
Note: Left hand thread.

To install the blade guard



CAUTION: Only use the approved guard for the blades. Refer to *Accessories* on page 29.

- Remove the bracket (H).
- Attach the adapter (I) and bracket (J) with the 2 screws (K).
- Attach the blade guard (A) to the adapter with the 4 screws (L).



To install the saw blade

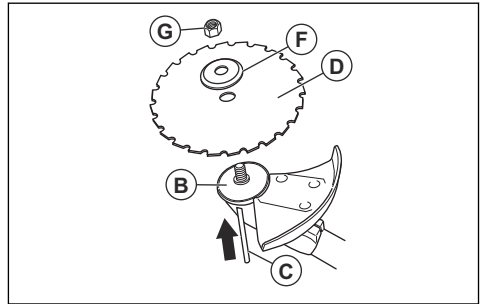


WARNING: There is a risk of injury around the saw blade nut. Make sure that the blade guard is correctly installed. Always use protective gloves.

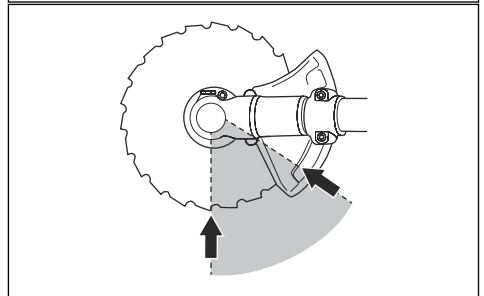
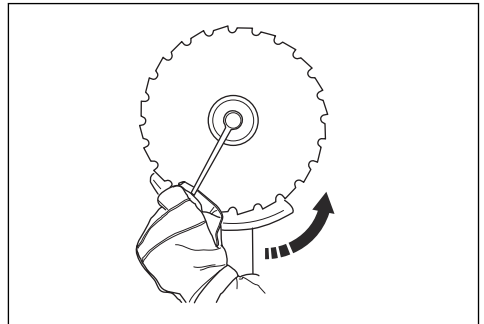
- Attach the drive disc (B) to the output shaft.
- Turn the blade shaft until one of the holes in the drive disc aligns with the hole in the gear housing.
- Put the locking pin (C) in the hole to lock the shaft.
- Install the saw blade (D) and the support flange (F) to the output shaft.
- Install the saw blade nut (G).

Note: The saw blade nut has a left hand thread.

- Turn the socket wrench counterclockwise to tighten the locknut. Make sure that the torque of the locknut is 35-50 Nm (3.5-5 kpm). Hold the shaft of the socket wrench as near the blade guard as possible.



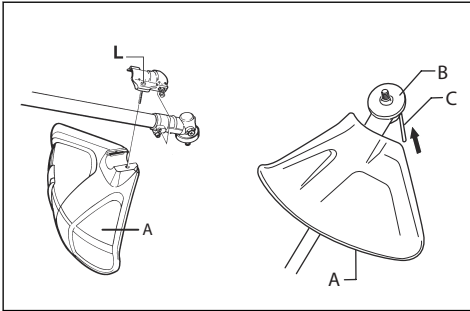
- Make sure that you operate the socket wrench in the identified area when you loosen or tighten the saw blade nut.



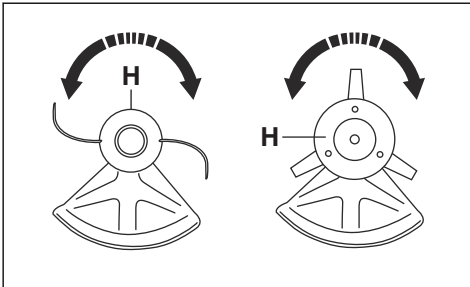
To assemble the cutting attachment guard and trimmer head

- Attach the correct cutting attachment guard (A) for the trimmer head. Refer to *Accessories* on page 29.
- Put the cutting attachment guard onto the fitting on the shaft.

- Attach with the bolt (L).



- Install the drive disc (B) on the output shaft.
- Turn the output shaft until one of the holes in the drive disc aligns with the related hole in the gear housing.
- Put the locking pin (C) in the hole to lock the shaft.
- Turn the trimmer head /plastic blades (H) in the opposite direction from which the trimmer head/ plastic blades rotates.



To adjust the harness



WARNING: The product must always be correctly attached to the harness. Do not use a defective harness.

- Put on the harness.
- Connect the product to the harness.
- Adjust the harness for the best work position.

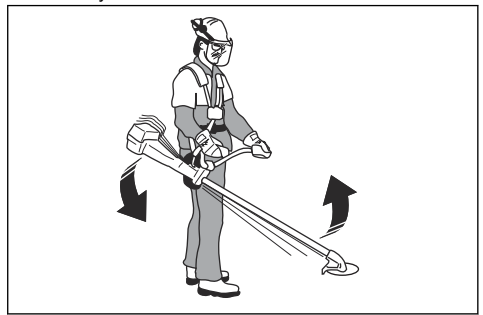
- Adjust the side straps to make the product weigh equally on your shoulders.



- Adjust the harness until the cutting attachment is parallel to the ground.



- Let the cutting attachment lightly touch the ground. Adjust the harness clamp to balance the product correctly.



Note: If you use a grass blade, it must balance approximately 10 cm /4 in above the ground.

Operation

Introduction

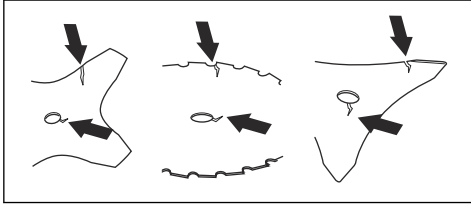


WARNING: Before you operate the product, you must read and understand the safety chapter.

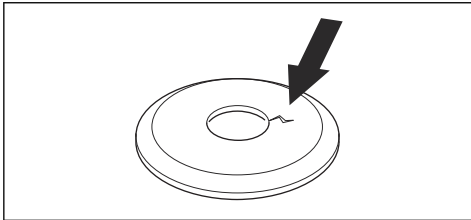
To do before you operate the product

- Examine the work area to make sure that you know the type of terrain and the slope of the ground. Look after if there are obstacles such as stones, branches and ditches.
- Do an inspection of the product.

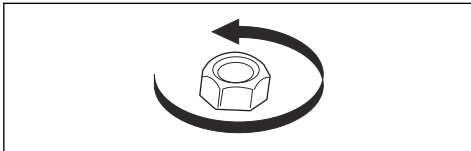
- Do maintenance and servicing that are given in this manual.
- Make sure that all covers, guards, handles and the cutting equipment are correctly attached and not damaged.
- Make sure that there are no cracks on the saw blade or the grass blade. Replace the blade if it is damaged.



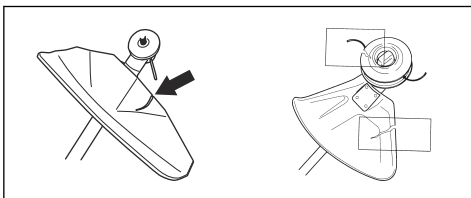
- Examine the support flange for cracks. Replace the support flange if it is damaged.



- Make sure that the locknut can not be removed by hand. If you can remove it by hand, it does not lock the cutting attachment sufficiently and you must replace it.



- Examine the blade guard for damages or cracks. Replace the blade guard if it has been hit or if it has cracks.



- Examine the trimmer head and cutting attachment guard for damages or cracks. Replace the trimmer head and cutting attachment guard if they have been hit or if they have cracks.



WARNING: Do not use the product without a guard or a guard that is defective.

Fuel

This product has a four-stroke engine.



CAUTION: Incorrect type of fuel can result in engine damage.

Gasoline

- Use Husqvarna 4-stroke fuel for best performance and extension of the engine life. The Husqvarna 4-stroke fuel does not become bad or oxidized, which keeps the maintenance intervals to a minimum.
- If Husqvarna 4-stroke fuel is not available, use good quality unleaded gasoline with a maximum of 10% ethanol contents.



CAUTION: Do not use gasoline with an octane grade less than 90 RON/87 AKI. Use of a lower octane grade can cause engine knocking, which causes engine damages.

4-stroke oil

- Do a check of the engine oil level before you start the product. Too low engine oil level can cause damage to the engine. Refer to *To do a check of the engine oil level on page 25*.
- When the product is new, replace the engine oil after the first month or the first 10 hours of operation.
- Use Husqvarna 4-stroke oil for the best performance and engine life. Speak to an approved service agent to select the correct engine oil.
- If Husqvarna 4-stroke oil is not available, use a 4-stroke oil of good quality with minimum API SG rating. The recommended viscosity class is SAE 10W-40. Speak to an approved service agent to select the correct oil.



CAUTION: Do not use oil for two-stroke engines.

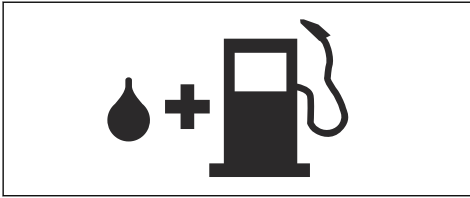
To fill the fuel tank



WARNING: Obey the procedure that follows for your safety.

1. Stop the engine and let the engine become cool.

2. Clean the area around the fuel tank cap.



3. Remove the fuel tank cap slowly to release the pressure.
4. Fill the fuel tank.



CAUTION: Make sure that there is not too much fuel in the fuel tank. The fuel expands when it becomes hot.

5. Tighten the fuel tank cap carefully.
6. Clean fuel spillage on and around the product.
7. Move the product 3 m/10 ft or more away from the refueling area and fuel source before you start the engine.

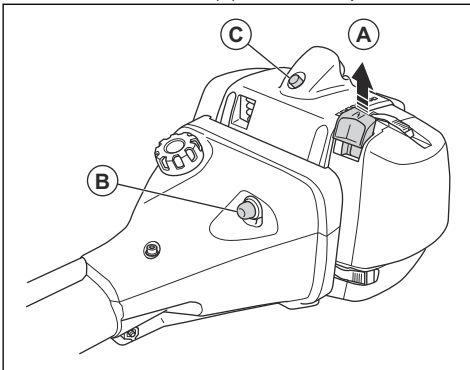
Note: To see where the fuel tank is on your product, refer to *Product overview on page 3*.

Work position

- Hold the product with 2 hands.
- Hold the product on the right side of your body.
- Keep the cutting attachment below waist level.
- Always keep the product attached to the harness.
- Keep body parts away from the hot surfaces.
- Keep body parts away from the cutting attachment.

To start a cold engine

1. Set the stop switch to the start position.
2. Set the choke control (A) to the choke position.

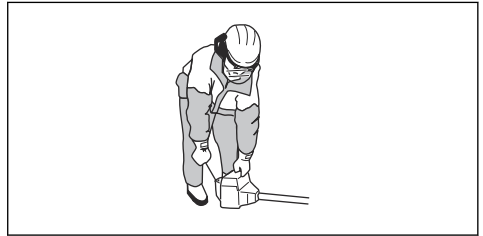


3. Push the air purge bulb (B) approximately 6 times until fuel starts to fill the bulb. It is not necessary to fill the air purge bulb fully.

4. Push the decompression valve (C).

Note: The decompression valve moves to the initial position when the product starts.

5. Hold the body of the product on the ground with your left hand.



CAUTION: Do not put your feet on the product.

6. Pull the starter rope handle slowly until you feel some resistance. When you feel resistance, pull the starter rope handle quickly and with force.

Note: Do not wind the starter rope around your hand.

7. Continue to pull the starter rope handle until the engine starts.



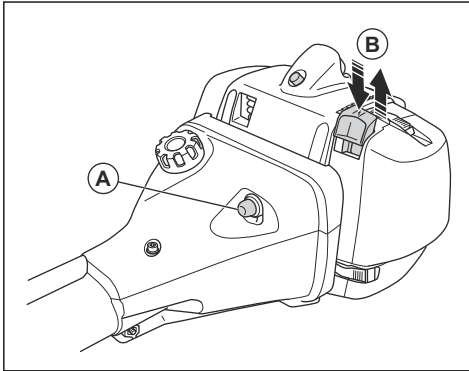
CAUTION: Do not pull the starter rope to full extension and do not let go of the starter rope handle. Release the starter rope slowly. If you do not obey these instructions, the engine can become damaged.

8. Set the choke control to the operation position and apply full throttle.

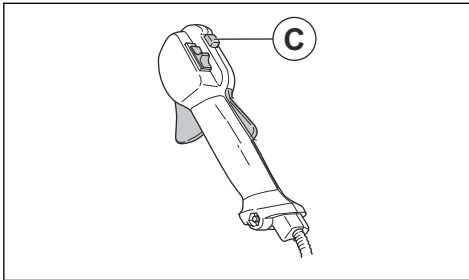
To start a warm engine

1. Set the stop switch to the start position.

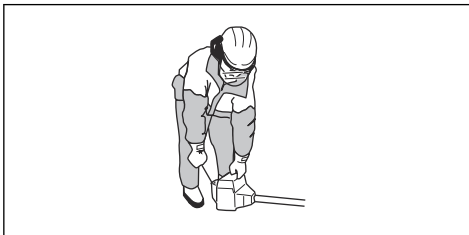
2. Push the air purge bulb (A) approximately 6 times until fuel starts to fill the bulb. It is not necessary to fill the air purge bulb fully.



3. Pull the choke control (B) up and down to set start throttle.
4. For XXXX, XXXX: To engage the throttle function, push and release the throttle trigger lockout, the throttle trigger and the start throttle button (C).



5. Hold the body of the product on the ground with your left hand.



CAUTION: Do not put your feet on the product.

6. Pull the starter rope handle slowly until you feel some resistance. When you feel resistance, pull the starter rope handle quickly and with force.

Note: Do not wind the starter rope around your hand.

7. Continue to pull the starter rope handle until the engine starts.

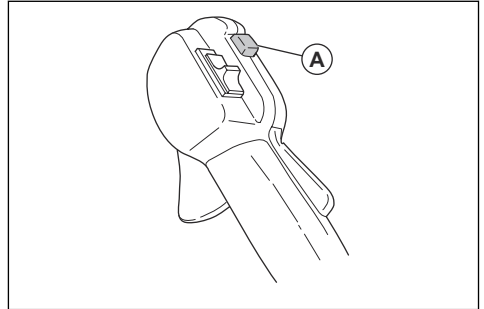


CAUTION: Do not pull the starter rope to full extension and do not let go of the starter rope handle. Release the starter rope slowly. If you do not obey these instructions, the engine can become damaged.

8. Set the choke control to the operation position and apply full throttle.

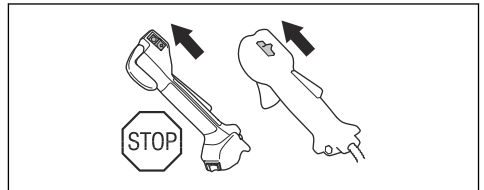
To start with a throttle handle with a start throttle lock

1. Push the throttle lockout and the throttle trigger to set the throttle to the start position. Then push the start throttle button (A).
2. Release the throttle lockout and the throttle trigger, followed by the start throttle button. The throttle function is now activated.
3. To return the engine to idle speed, push the throttle lockout and throttle trigger again.



To stop the engine

- Move the stop switch to the stop position.



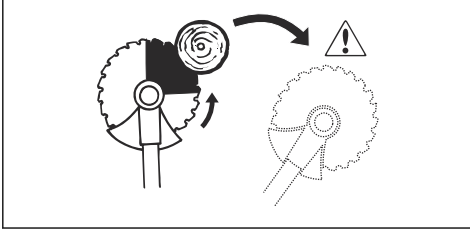
Blade thrust

A blade thrust is when the product moves to the side quickly and with force. A blade thrust occurs when the grass blade or saw blade hits or catches on an object that cannot be cut. A blade thrust can eject the product

or operator in all directions. There is a risk of injury to the operator and bystanders.

The risk increases in areas where it is not easy to see the material that is cut.

Do not cut with the area of the blade that is shown in black. The speed and movement of the blade can cause blade thrust. The risk increases with the thickness of the branch that is cut.

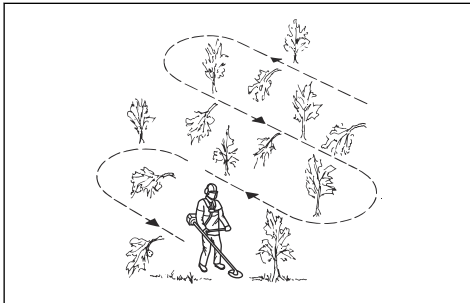


General work instructions



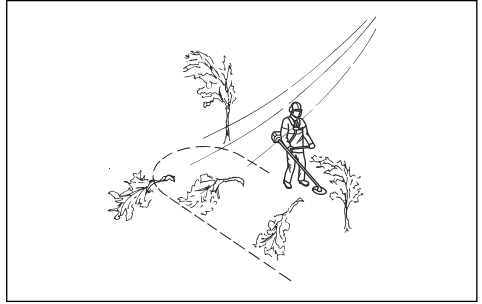
WARNING: Be careful when you cut a tree that is in tension. It can spring back to its normal position before or after the cut and hit you or the product, and cause injury.

- Clear an open space at one end of the work area, and start the work from there.
- Move in a regular pattern across the work area.



- Move the product fully to the left and right, to clear a width of 4–5 m on each turn.
- Clear a length of 75 m before you turn and go back. Move the fuel can along with you as you continue.
- Move in a direction where you do not go across ditches and obstacles more than necessary.

- Move in a direction where the wind makes the cut vegetation fall in the cleared area.



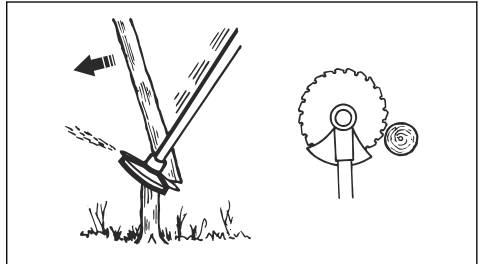
- Move along slopes, not up and down.

Forestry clearing with a saw blade

To fell a tree to the left

To fell to the left, push the bottom of the tree to the right.

1. Apply full throttle.
2. Put the saw blade against the tree as given in the picture.
3. Tilt the saw blade and push it with force diagonally down to the right. At the same time, push the tree with the blade guard.

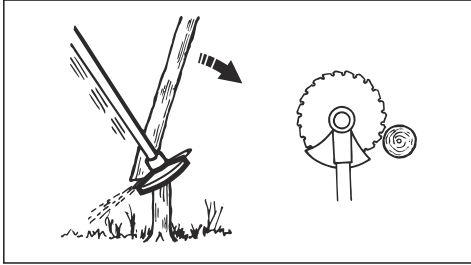


To fell a tree to the right

To fell to the right, push the bottom of the tree to the left.

1. Apply full throttle.
2. Put the saw blade against the tree as given in the picture.

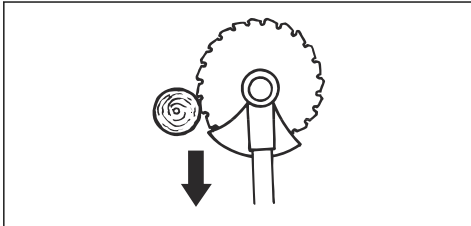
3. Tilt the saw blade and push it with force diagonally up and to the right. At the same time, push the tree with the blade guard.



To fell a tree forward

To fell forward, push the bottom of the tree rearward.

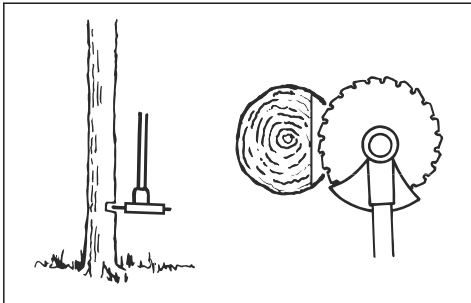
1. Apply full throttle.
2. Put the saw blade against the tree as given in the picture.
3. Pull the saw blade forward with a fast movement.



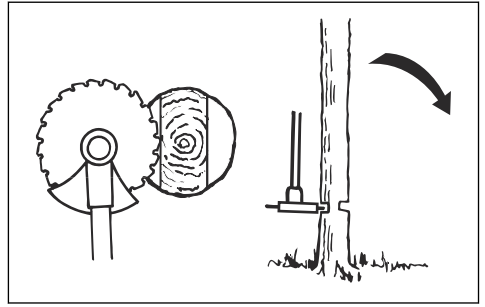
To fell large trees

Large trees must be cut from 2 sides.

1. Examine in which direction the tree will fall.
2. Apply full throttle.
3. Do the first cut on the side of the tree to which it will fall.



4. Cut through the tree from the other side.



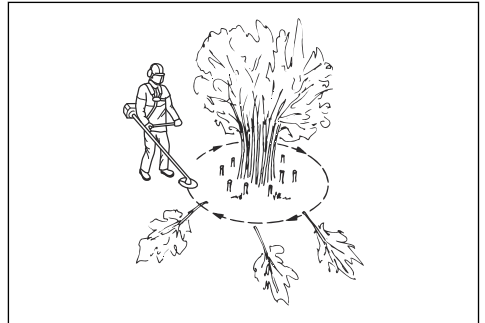
CAUTION: If the saw blade becomes blocked, do not pull the product with a sudden movement. That can cause damage to the saw blade, bevel gear, shaft or handlebar. Release the handles, hold the shaft with 2 hands and carefully pull the product.

Note: Use more cutting pressure fo fell small trees. Use less cutting pressure to fell large trees.

Brush cutting with a saw blade

To fell to the left, push the bottom of the tree to the right.

- Cut down thin trees and brush.
- Move the product from side to side.
- Cut many trees in one movement.
- For groups of thin trees:



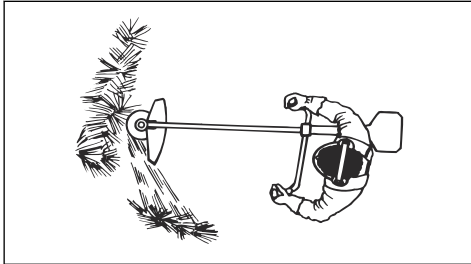
- a) Cut the outer trees high up.
- b) Cut the outer trees to the correct height.
- c) Cut from the center. If you cannot get access to the center, cut the outer trees high up and let them fall. This decreases the risk that the saw blade becomes blocked.

Grass clearing with a grass blade



CAUTION: Do not use grass blades and grass knives on wood. Use grass blades and grass knives for long or heavy grass only.

- Move the product from side to side.
- Start the movement from right to left when you cut. Move the product to the right before you cut again.
- Cut with the left side of the grass blade.

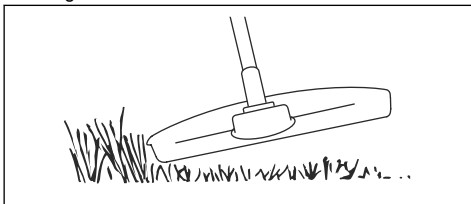


- Angle the grass blade to the left to make the grass fall in a line. This makes it easy to collect the grass.
- Keep a stable position with your feet apart.
- Move forward after each right movement and make sure that you have a stable position again before you cut again.
- Keep the support cup with a light pressure against the ground to make sure that the grass blade does not hit the ground.
- Obey these instructions to decrease the risk that cut material winds around the grass blade:
 - a) Apply full throttle.
 - b) Do not move the grass blade through cut material when you move the product from left to right.
- Before you collect the cut material, stop the engine and remove the product from the harness. Put the product down on the ground.

Grass trimming with a trimmer head

To trim the grass

1. Hold the trimmer head immediately above the ground at an angle. Do not push the trimmer line into the grass.



2. Decrease the length of the trimmer line by 10-12 cm / 4-4.75 in.
3. Decrease the engine speed to decrease the risk of damage to plants.
4. Use 80 % throttle when you cut grass near objects.



To clear grass

1. Keep the trimmer head above the ground.
2. Tilt the trimmer head.
3. Cut with the end of the trimmer line around objects in the work area.

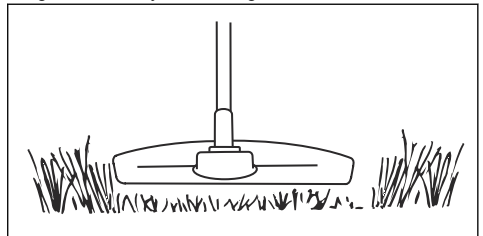


CAUTION: Cut grass. Other objects that are hit by the trimmer line, increases the wear on the trimmer line.

4. Use 80% speed when you cut and clear vegetation. This decreases the wear on the trimmer head and trimmer line.

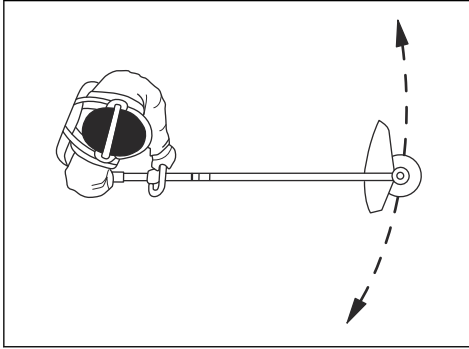
To cut the grass

1. Make sure that the trimmer line is parallel to the ground when you cut the grass.



2. Do not push the trimmer head to the ground. This can cause damage to the product.

3. Move the product from side to side when you cut grass. Use full speed.



To sweep the grass

The airflow from the rotating trimmer line can be used to remove cut grass from an area.

1. Hold the trimmer head and the trimmer line parallel to the ground and above the ground.
2. Apply full throttle.
3. Move the trimmer head from side to side and sweep the grass.



WARNING: Clean the trimmer head cover each time you assemble new trimmer line to prevent unbalance and vibrations in the handles. Also do a check of the other parts of the trimmer head and clean it if necessary.

Maintenance

Introduction



WARNING: Before you do maintenance, you must read and understand the safety chapter.

For all servicing and repair work on the product, special training is necessary. We guarantee the availability of professional repairs and servicing. If your dealer is not a service agent, speak to them for information about the nearest service agent.

Maintenance schedule

Maintenance	Daily	Weekly	Monthly
Clean the external surface.	X		
Examine the harness for damages.	X		
Examine the suspension ring for damages.	X		
Examine the quick-release mechanism on the harness for damages and make sure that it operates correctly.	X		
Do a check of the throttle trigger lockout and the throttle trigger. Refer to <i>To do a check of the throttle trigger lockout on page 7.</i>	X		
Make sure that the cutting attachment does not rotate at idle speed.	X		
Do a check of the stop switch. Refer to <i>To do a check of the stop switch on page 8.</i>	X		
Examine the cutting attachment guard for damages and cracks.	X		
Make sure that the saw blade or grass blade is attached correctly. Make sure that the saw blade or grass blade is sharp and not damaged.	X		
Examine the support flange for damages and cracks. Replace it if it is damaged.	X		
Examine the trimmer head for damages and cracks. Replace it if it is damaged.	X		
Examine the handle and the handlebar for damages and make sure that they are attached correctly.	X		
Tighten the locknut fully for cutting attachments with a locknut.	X		

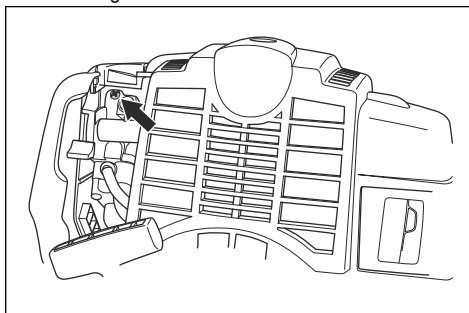
Maintenance	Daily	Weekly	Monthly
Examine the transport guard for damage and make sure that it can be attached correctly.	X		
Examine the engine, the fuel tank and the fuel lines for leaks.	X		
Clean the air filter. Replace it if it is damaged.	X		
Do a check of the engine oil level.	X		
Tighten nuts and screws.	X		
Examine the starter and the starter rope for damages.		X	
Examine the vibration damping units for damages and cracks.		X	
Examine the spark plug. Refer to <i>To examine the spark plug on page 24</i> . Replace the spark plug if it is necessary. Make sure that the spark plug is fitted with a suppressor.		X	
Clean the cooling system.		X	
Clean or replace the spark arrester screen.		X	
Clean the external surface of the carburetor and the area around it.		X	
Make sure that the bevel gear is filled correctly with grease, see <i>To lubricate the bevel gear on page 24</i> . If not, use Husqvarna bevel gear grease.		X	
Examine the fuel filter for contamination and the fuel hose for cracks and other defects. Replace if it is necessary.			X
Examine all cables and connections.			X
Examine the clutch, clutch springs and clutch drum for wear. Replace it if it is necessary.			X
Replace the spark plug. Make sure that the spark plug is fitted with a suppressor.			X
Clean or replace the spark arrester screen.			X
Replace the engine oil.			X

To adjust the idle speed

Your Husqvarna product is made to specifications that decrease harmful emissions.

1. Make sure that the air filter is clean and the air filter cover is attached before you adjust the idle speed.
2. Adjust the idle speed with the idle speed screw T which is identified with "T" mark.

- a) Turn the idle speed screw T clockwise until the cutting attachment starts to rotate.



- b) Turn the idle speed screw T counterclockwise until the cutting attachment stops.



WARNING: If the cutting attachment does not stop when you adjust the idle speed, speak to your servicing dealer. Do not use the product until it is correctly adjusted or repaired.

- The idle speed is correct when the engine operates smoothly in all positions. The idle speed must be below the speed when the cutting attachment starts to rotate.

Note: Refer to *Technical data on page 28* for the recommended idle speed.

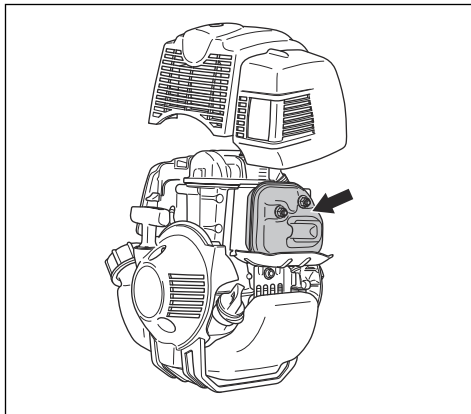
To do maintenance on the muffler



WARNING: The muffler decreases the noise level and points the exhaust gases away from the operator. The exhaust gases are hot and can contain sparks. This can cause fire if pointed against dry and flammable material.

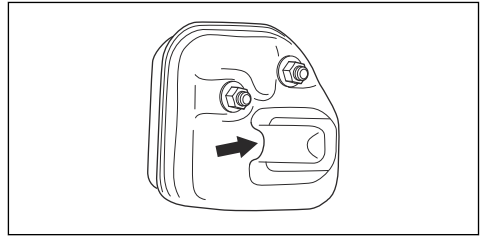


WARNING: Mufflers with catalytic converters become hot during operation. Risk of burn or fire. This also applies at idle speed. To examine if your product has a catalytic converter, refer to *Technical data on page 28*.



- Stop the engine and let the muffler become cool.
- Remove the muffler cover.
- If the muffler on your product has a spark arrester screen, do these steps:
 - Do a visual check. Replace the spark arrester screen if it is damaged.

- Clean the spark arrester screen if it is blocked. Clean weekly if your product has a catalytic converter. Clean monthly if your product does not have a catalytic converter.



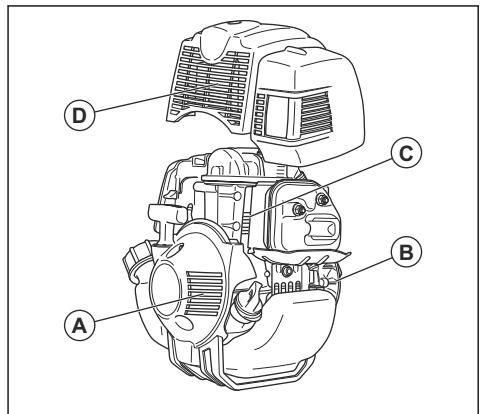
CAUTION: A blocked spark arrester screen causes the engine to become too hot which causes damage to the engine.



CAUTION: If the spark arrester screen is frequently blocked, it can be a sign that performance of the catalytic converter is decreased. Speak to your servicing dealer to examine the muffler. A blocked spark arrester screen causes overheating and results in damage to the cylinder and piston.

To clean the cooling system

The parts of the cooling system are the air intake on the starter (A), the fins on the flywheel (B), the cooling fins on the cylinder (C) and the cylinder cover (D).



- Clean the cooling system with a brush weekly or more frequently if it is necessary.
- Make sure that the cooling system is not dirty or blocked.



CAUTION: A dirty or blocked cooling system can make the product too

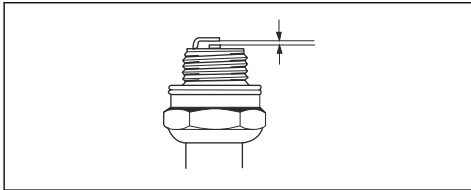
hot, which can cause damage to the product.

To examine the spark plug



CAUTION: Always use the recommended spark plug type. Incorrect spark plug type can cause damage to the product.

- Examine the spark plug if the engine is low on power, is not easy to start or does not operate correctly at idle speed.
- To decrease the risk of unwanted material on the spark plug electrodes, obey these instructions:
 - a) Make sure that the idle speed is correctly adjusted.
 - b) Make sure that the fuel mixture is correct.
 - c) Make sure that the air filter is clean.
- If the spark plug is dirty, clean it and make sure that the electrode gap is correct, refer to *Technical data on page 28*.



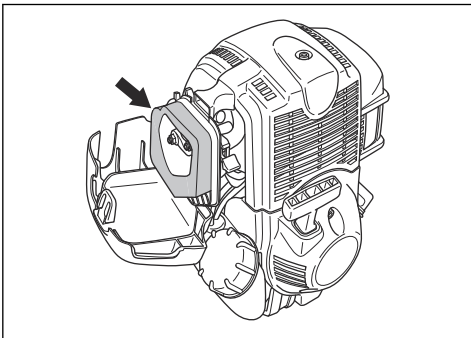
- Replace the spark plug if it is necessary.

To clean the air filter



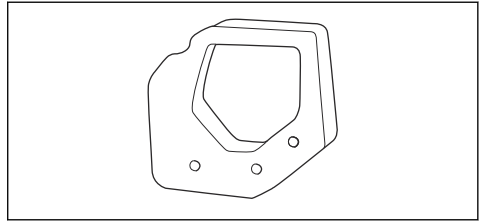
CAUTION: An air filter that is damaged, very dirty or soaked with fuel must always be replaced.

An air filter that is used for a long time can not be fully cleaned. Replace the air filter regularly and always replace a defective air filter.



1. Move the choke lever up, to close the choke valve.

2. Remove the air filter cover and remove the air filter.



3. Clean the air filter with warm soap water.
4. Clean the inner surface of the air filter cover. Use air or a brush.
5. Do a check of the surface of the rubber seal. Replace the filter on the rubber seal if it is damaged.
6. Make sure that the filter is dry before you install it.

To apply oil to the foam air filter

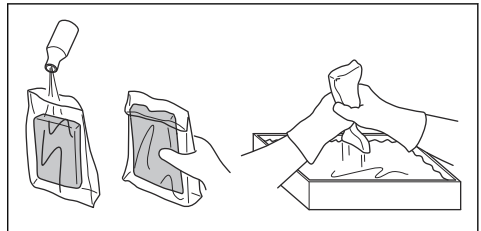


CAUTION: Always use Husqvarna special air filter oil. Do not use other types of oil.



WARNING: Put on protective gloves. The air filter oil can cause skin irritation.

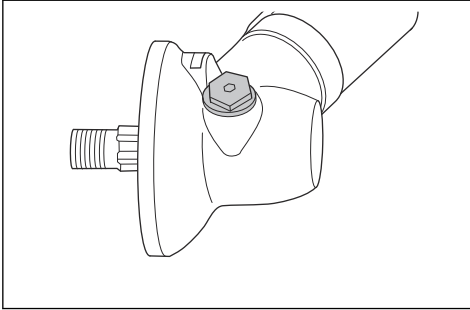
1. Put the foam air filter in a plastic bag.
2. Put the oil in the plastic bag.
3. Rub the plastic bag to supply the oil equally across the foam air filter.
4. Push the unwanted oil out of the foam air filter while in the plastic bag.



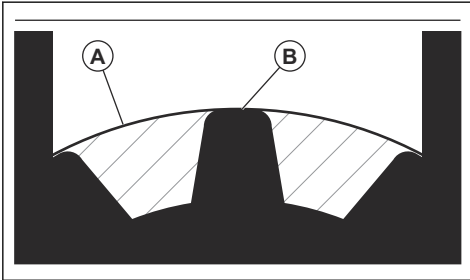
To lubricate the bevel gear

1. Remove the cutting equipment.
2. Put the product with the grease plug at its highest position.

- Remove the grease plug.



- Look into the grease plug hole and turn the drive shaft. The grease level (A) must be in level with the top of the gear cogs (B).



- If the grease level is too low fill the bevel gear with Husqvarna bevel gear grease. Fill slowly and turn the drive shaft as you apply the bevel gear grease, stop at the correct level (B).

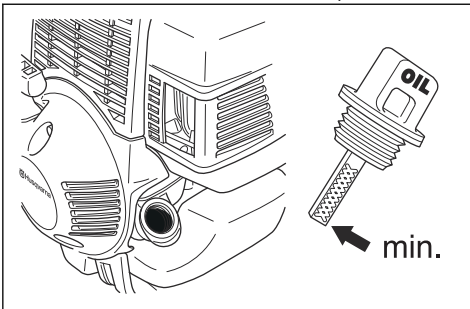


CAUTION: An incorrect quantity of grease can cause damage to the bevel gear.

- Install the grease plug.

To do a check of the engine oil level

- Stop the engine and let the engine become cool.
- Put the product on level ground.
- Clean the area around the oil filler cap.



- Remove the oil filler cap.
- Remove the oil from the dipstick on the oil filler cap.
- Put the oil filler cap back into the oil filler neck. Do not tighten the oil filler cap in this step.
- Pull out the oil filler cap and read the oil level on the dipstick.
- If the oil level is low, fill with engine oil until the oil is at the edge of the oil filler neck. Only use recommended engine oil. Refer to *4-stroke oil on page 15*.
- Install the oil filler cap and tighten it fully.

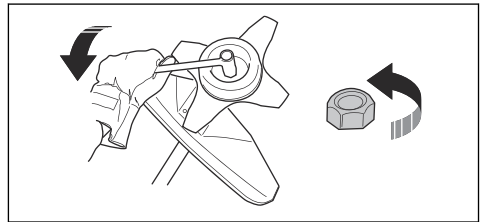
To attach and remove the locknut



WARNING: Stop the engine, use protective gloves and be careful around the sharp edges of the cutting attachment.

A locknut is used to attach some types of cutting attachments. The locknut has a left thread.

- To attach, tighten the locknut in the opposite direction to the direction of turning of the cutting attachment.
- To remove the locknut, loosen the locknut in the same direction as the cutting attachment rotates.
- To loosen and tighten the locknut, use a socket wrench with a long shaft. The arrow in the picture shows the area where you can operate the socket wrench.



WARNING: When you loosen and tighten the locknut, there is a risk of injury from the blade. You must always make sure that the blade guard prevents injury to your hand when you do this.

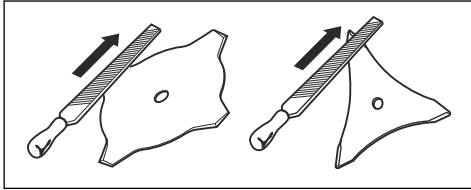
Note: Make sure that you can not turn the locknut by hand. Replace the nut if the nylon lining does not have a resistance of a minimum of 1.5 Nm. The locknut must be replaced after it has been put on approximately 10 times.

To sharpen the grass knife and grass blade



WARNING: Stop the engine. Use protective gloves.

- To sharpen the grass knife or grass blade correctly, refer to the instructions that come with the cutting attachment.
- Sharpen all edges equally to keep the balance.
- Use a single-cut flat file.



WARNING: Always discard a blade that is damaged. Do not try to make a bent or twisted blade straight and use it again.

To sharpen the saw blade

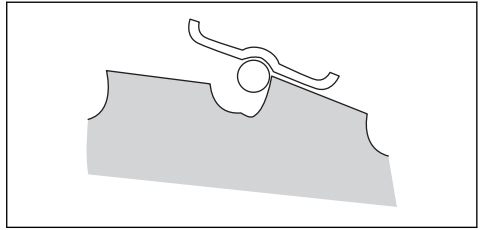


WARNING: Stop the engine. Use protective gloves.

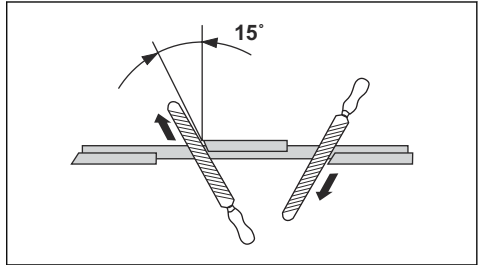
- To sharpen the blade correctly, refer to the instructions that come with the blade.
- Make sure that the product and blade has sufficient support when you sharpen it.



- Use a 5.5 mm round file with a file holder.

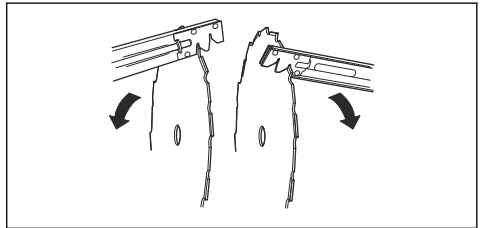


- Hold the file at an angle of 15°.
- Sharpen one tooth of the saw blade to the right and the next tooth to the left, see the illustration.



Note: Sharpen the edges of the teeth with a flat file if the blade is heavily worn. Continue to sharpen with a round file.

- Sharpen all edges equally to keep the blade balanced.
- Adjust the blade set to 1 mm with the recommended setting tool. Refer to the instructions that come with the blade.



WARNING: Always discard a blade that is damaged. Do not try to make a bent or twisted blade straight and use it again.

Troubleshooting

The engine does not start

Check	Possible cause	Procedure
Stop switch.	The stop switch is in the stop position.	Let an approved servicing dealer replace the stop switch.
Starter pawls.	The starter pawls cannot move freely.	Remove the starter cover and clean around the starter pawls. Refer to <i>To clean the cooling system on page 23</i> .
		Let an approved servicing dealer help you.
Fuel tank.	Incorrect fuel type.	Drain the fuel tank and fill with correct fuel.
Carburetor	Incorrect adjustment of the idle speed	Adjust the idle speed with the idle speed screw T.
Spark plug.	The spark plug is dirty or wet.	Make sure that the spark plug is dry and clean.
	The spark plug electrode gap is incorrect.	Clean the spark plug. Make sure that the electrode gap is correct. Make sure that the spark plug has a suppressor.
		Refer to <i>Technical data on page 28</i> for correct electrode gap.
	The spark plug is loose.	Tighten the spark plug.
Fuel filter	The fuel filter is clogged.	Replace the fuel filter.

The engine starts but stops again

Check	Possible cause	Procedure
Fuel tank	Incorrect fuel type.	Empty the fuel tank and fill it with correct fuel.
Fuel filter	The fuel filter is clogged.	Replace the fuel filter.
Carburetor	The idle speed is not correctly adjusted.	Adjust the idle speed with the idle speed screw T.
Air filter	The air filter is clogged.	Clean the air filter.

Transportation and storage

- Always allow the product to cool down before storage.
- For storage and transportation of the product and fuel, make sure that there are no leaks or fumes.

- Sparks or open flames, for example from electrical devices or boilers, can start a fire.
- Always use approved containers for storage and transportation of fuel.
- Empty the fuel before transportation or before long-term storage. Discard the fuel at an applicable disposal location.

- Attach the transport guard during transportation and storage.
- Remove the spark plug cap from the spark plug.
- Attach the product during transportation. Make sure that it cannot move.
- Clean and do servicing on the product before long-term storage.

Technical data

Technical data

	524R
Engine	
Cylinder displacement, cm ³	25
Idle speed, rpm	3100
Maximum engine power acc. to ISO 8893, kW/hp @ rpm	0.8/7000
Catalytic converter muffler	No
Speed of output shaft, rpm	8300
Ignition system	
Spark plug	NGK CMR5H
Electrode gap, mm	0.6
Fuel system and lubrication system	
Fuel tank capacity, l/cm ³	0.5/500
Weight	
Weight, kg	5.5
Noise emissions ¹	
Sound power level, measured dB(A)	105
Sound power level, guaranteed L _{WA} dB(A)	106
Sound levels ²	
Equivalent sound pressure level at the operator's ear, measured according to EN ISO 11806 and ISO 22868, dB(A):	
Equipped with trimmer head (original)	93
Equipped with grass blade (original)	89
Vibration levels ³	

¹ Noise emissions in the environment measured as sound power (L_{WA}) in conformity with EC directive 2000/14/EC. Reported sound power level for the machine has been measured with the original cutting attachment that gives the highest level. The difference between guaranteed and measured sound power is that the guaranteed sound power also includes dispersion in the measurement result and the variations between different machines of the same model according to Directive 2000/14/EC.

² Reported data for equivalent sound pressure level for the product has a typical statistical dispersion (standard deviation) of 1 dB(A).

³ Reported data for equivalent vibration level has a typical statistical dispersion (standard deviation) of 1 m/s².

	524R
Equivalent vibration levels ($a_{hv,eq}$) at handles, measured according to EN ISO 11806 and ISO 22867, m/s ² :	
Equipped with trimmer head (original), left/right	2.9/3.1
Equipped with grass blade (original), left/right	2.7/2.2

Accessories

The accessories used in combination with the specified power heads have been evaluated to ANSI B175.3-2013 Grass Trimmers and Brushcutters Safety Requirements.

These combinations have been evaluated by Underwriters Laboratories Inc. (UL) and are consequently UL listed.

Approved accessories	Type	Cutting attachment guard, art. no.
Blade shaft thread M10		
Plastic blades	Tricut Ø 255 mm (separate blades have part number 531 01 77-15)	588 54037-01 / 58811 79-01 503 93 42-02 / 503 97 71-01
	Tricut Ø 300 mm (separate blades have part number 531 01 77-15)	588 54 37-01
Trimmer head	Trimmy Fix (Ø 2.4 mm cord)	588 54 37-01 / 588 11 79-01 503 93 42-02 / 503 97 71-01
	Superauto II (Ø 2.4-2.7 mm cord)	588 54 37-01 / 588 11 79-01 503 93 42-02 / 503 97 71-01
	S35 (Ø 2.4-3.0 mm cord)	588 54 37-01 / 588 11 79-01 503 93 42-02 / 50397 71-01
	T25 (Ø 2.0 - 2.7 mm line)	588 54 37-01 / 588 11 79-01 503 93 42-02 / 503 97 71-01
	T35, T35x (Ø 2.4-3.0 mm cord)	588 54 37-01 / 588 11 79-01 503 93 42-02 / 503 97 71-01
	Alloy (Ø 2.0-3.3 mm cord)	588 54 37-01 / 588 11 79-01 503 93 42-02 / 503 97 71-01

The accessories are recommended for use in combination with the specified power heads and have been evaluated to applicable ISO- and EN safety

requirement standards by the Swedish Machinery Testing Institute.

Approved attachments	Use with
Clean sweep attachment SR600-2	524LK
Hedge trimmer attachment HA110	524LK

Approved attachments	Use with
Hedge trimmer attachment HA850	524LK
Edger attachment EA850	524LK
Saw attachment PA1100	524LK
Trimmer attachment TA850	524LK
Extension attachment EX850	524LK
Cultivator attachment CA230	524LK
Blower attachment BA101	524LK
Bristle brush attachment BR600	524LK
Dethatcher attachment DT600	524LK
Brushcutter attachment BCA850-24	524LK
Saw attachment PAX1100	524LK
Saw attachment PAX730	524LK

EC Declaration of Conformity

EC Declaration of Conformity

Husqvarna AB, SE-561 82 Huskvarna, Sweden, tel: +46-36-146500, declares that the brush cutters **Husqvarna 524R** with serial numbers dating from 2016 onwards (the year is clearly stated on the rating plate, followed by the serial number), comply with the requirements of the COUNCIL'S DIRECTIVE:

- of May 17, 2006 "relating to machinery" **2006/42/EC**
- of February 26, 2014 "relating to electromagnetic compatibility" **2014/30/EU**
- of May 8, 2000 "relating to the noise emissions in the environment" **2000/14/EC**. Conformity assessment according to Annex V. For information relating to noise emissions, refer to *Technical data on page 28*.
- of June 8, 2011 "on the restriction of the use of certain hazardous substances in electrical and electronic equipment" **2011/65/EU**.

The following standards have been applied:

EN ISO 12100:2010, EN ISO 11806-1:2011, ISO 14982:1998, CISPR 12:2007, EN 50581:2012

RISE SMP Svensk Maskinprovning AB, Box 7035, SE-750 07 Uppsala, Sweden, has performed voluntary type examination on behalf of Husqvarna AB. The certificates are numbered: **SEC/09/2176 - 524R, XXXX, SEC/09/2175 - XXXX, XXXX**.

RISE SMP Svensk Maskinprovning AB has also verified agreement with appendix V of the council's directive 2000/14/EG. The certificates have the numbers: **01/164/062 - 524R, XXXX, 01/164/070 - XXXX, XXXX**.

Huskvarna, 2016-03-30



Per Gustafsson, Development Manager (Authorized representative for Husqvarna AB and responsible for technical documentation)



www.husqvarna.com

Original instructions

1158422-26



2021-04-13