

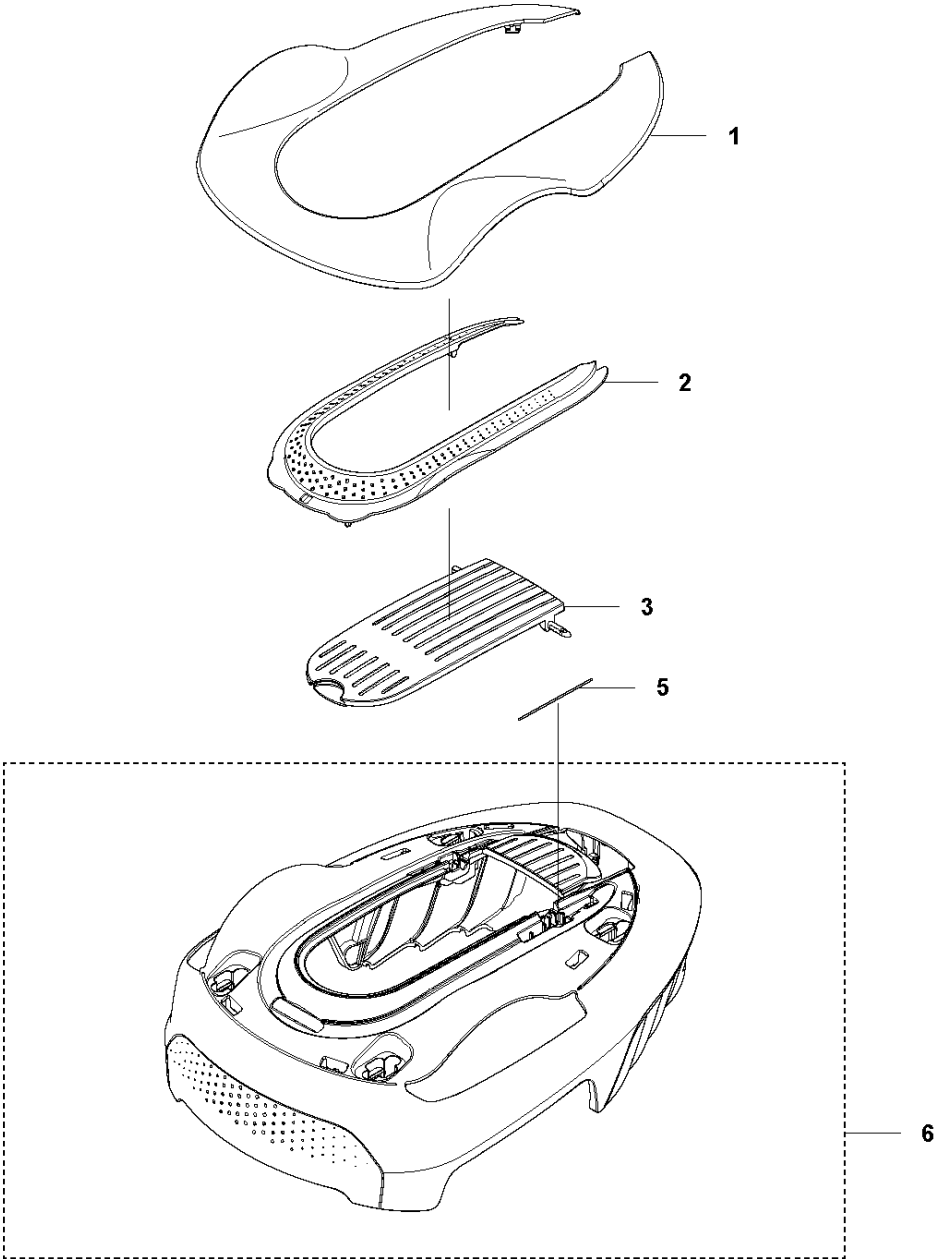


SPARE PARTS LIST

ROBOTIC LAWN MOWERS

EasiLife 200/350/500/800

A FLYMO EASILIFE 200/350/500/800
COVER

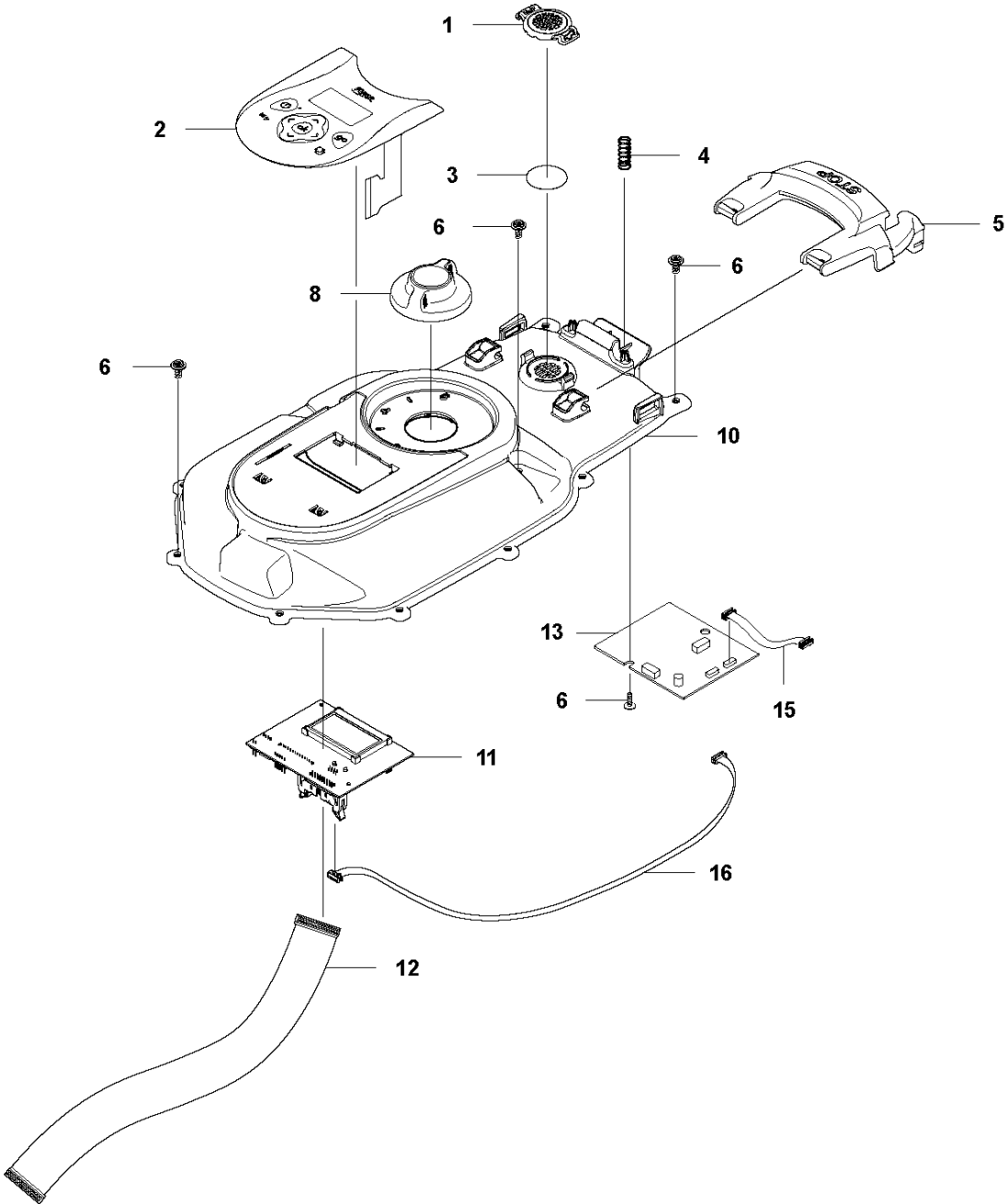


COVER

EasiLife 200/350/500/800

Ref	Part No	Description	Remark	QTY KIT
1	582 82 45-02	COVER		1
2	582 91 65-02	FRAME		1
3	597 45 83-01	HATCH		1
5	588 47 02-01	SPRING		2
6	591 44 45-01	BODY ASSY		1

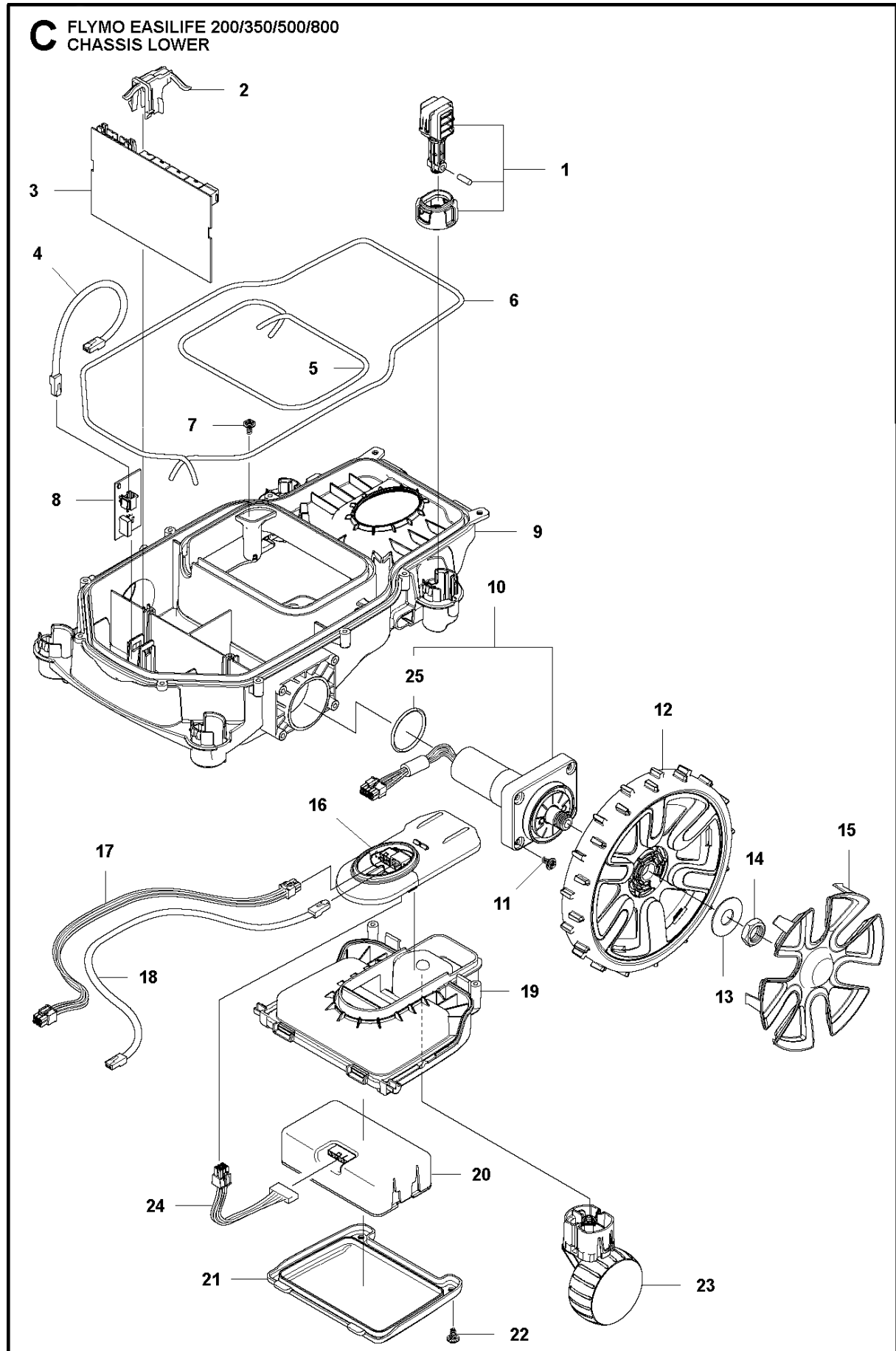
B FLYMO EASILIFE 200/350/500/800
CHASSIS UPPER



CHASSIS UPPER

EasiLife 200/350/500/800

Ref	Part No	Description	Remark	QTY KIT
1	586 03 89-01	COVER		1
2	597 46 88-01	KEYBOARD		1
3	577 75 37-01	AIR FILTER		1
4	576 24 22-01	SPRING		2
5	596 35 02-02	BUTTON ASSY		1
6	574 45 01-01	SCREW ITXPANT		14
8	587 98 65-01	KNOB		1
10	582 82 41-02	CHASSIS		1
11	596 25 38-01	PRINTED CIRCUIT ASSY		1
12	590 11 06-01	CABLE ASSY		2
13	588 13 62-03	PRINTED CIRCUIT ASSY		1
15	579 70 86-01	WIRING ASSY		1

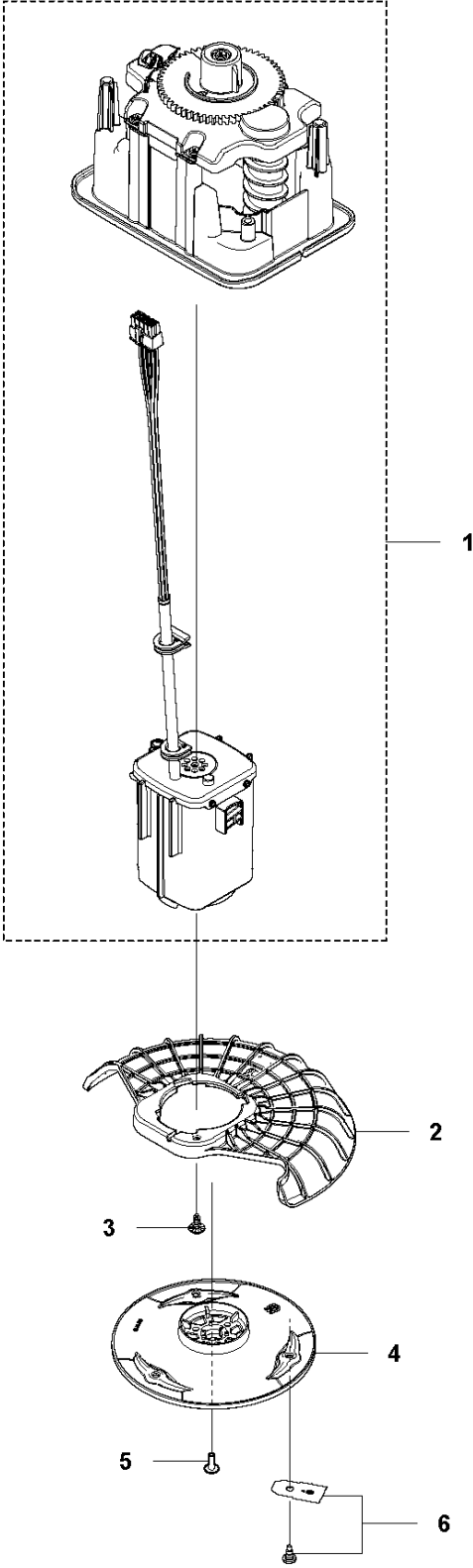


CHASSIS LOWER

EasiLife 200/350/500/800

Ref	Part No	Description	Remark	QTY KIT
1	590 77 07-01	COLUMN ASSY		4
2	591 47 42-01	CLIP		1
3	592 90 99-01	PRINTED CIRCUIT ASSY		1
4	589 35 08-01	WIRING ASSY		1
5	574 87 47-11	SEALING STRIP		1
6	574 87 47-10	SEALING STRIP		1
7	574 45 01-01	SCREW ITPANT		2
8	592 90 98-01	PRINTED CIRCUIT ASSY		1
9	582 82 40-01	CHASSIS		1
10	598 58 73-01	MOTOR KIT		2
11	574 45 01-01	SCREW ITPANT		8
12	596 35 03-02	WHEEL ASSY		2
13	586 21 06-01	WASHER		2
14	731 43 24-01	HEXAGON THIN NUT		2
15	590 66 02-01	HUB CAP		2
16	593 09 46-01	SENSOR ASSY		1
17	589 35 11-01	WIRING ASSY		1
18	589 35 10-01	WIRING ASSY		1
19	582 82 46-01	HOUSING		1
20	593 24 72-01	BATTERY		1
21	582 82 49-01	COVER		1
22	574 45 01-01	SCREW ITPANT		2
23	589 30 08-01	WHEEL ASSY		1
24	591 20 36-01	WIRING ASSY		1
25	580 44 39-02	O-RING		2

D FLYMO EASILIFE 200/350/500/800
BLADE MOTOR & CUTTING EQUIPMENT

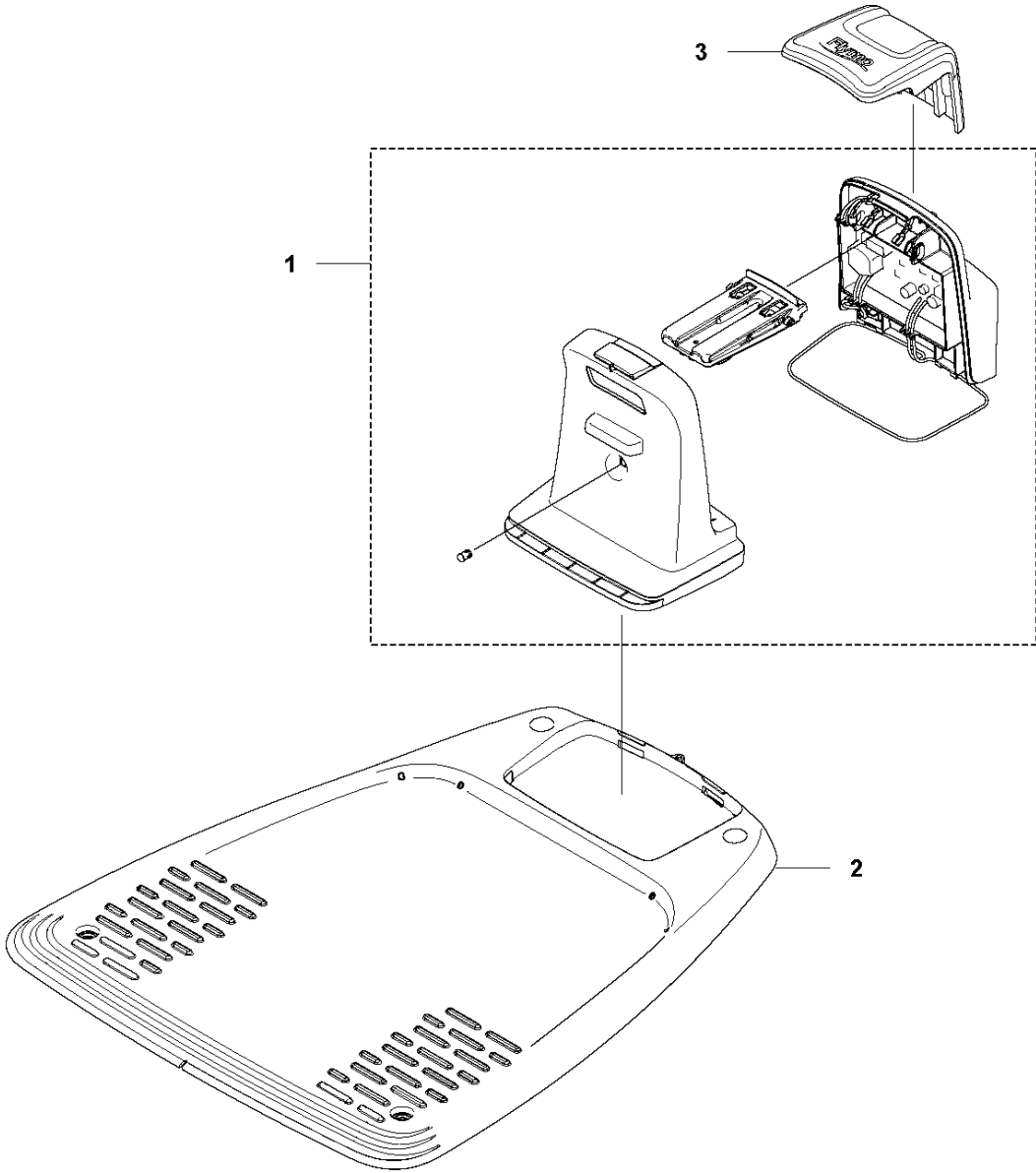


BLADE MOTOR & CUTTING EQUIPMENT

EasiLife 200/350/500/800

Ref	Part No	Description	Remark	QTY KIT
1	593 82 14-01	CUTTING MODULE		1
2	589 35 07-02	GUARD		1
3	574 45 01-01	SCREW ITPANT		1
4	597 65 60-01	CUTTING DISC		1
5	590 50 87-01	SCREW		3
6	595 28 66-01	BLADE SET		1

E FLYMO EASILIFE 200/350/500/800
CHARGING STATION

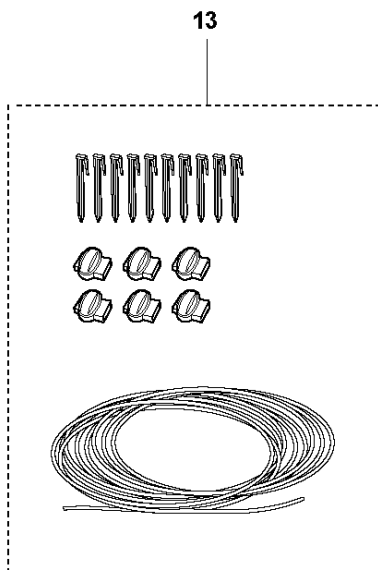
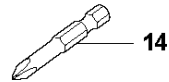
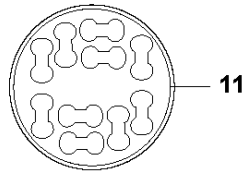
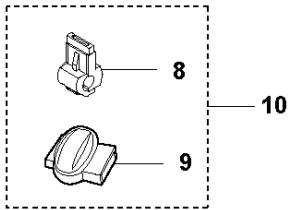
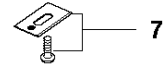
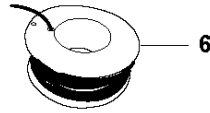
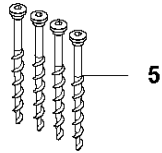
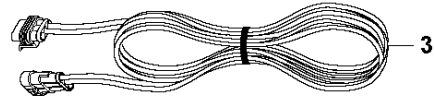
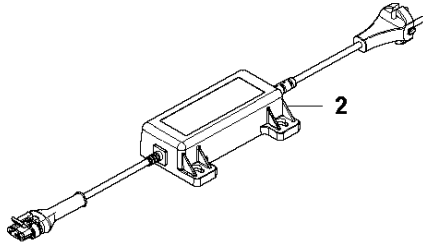


CHARGING STATION

EasiLife 200/350/500/800

Ref	Part No	Description	Remark	QTY KIT
1	593 24 64-02	CHARGING TOWER		1
2	582 78 43-01	PLATE		1
3	597 45 85-01	CAP		1

F FLYMO EASILIFE 200/350/500/800
INSTALLATION ACCESSORIES

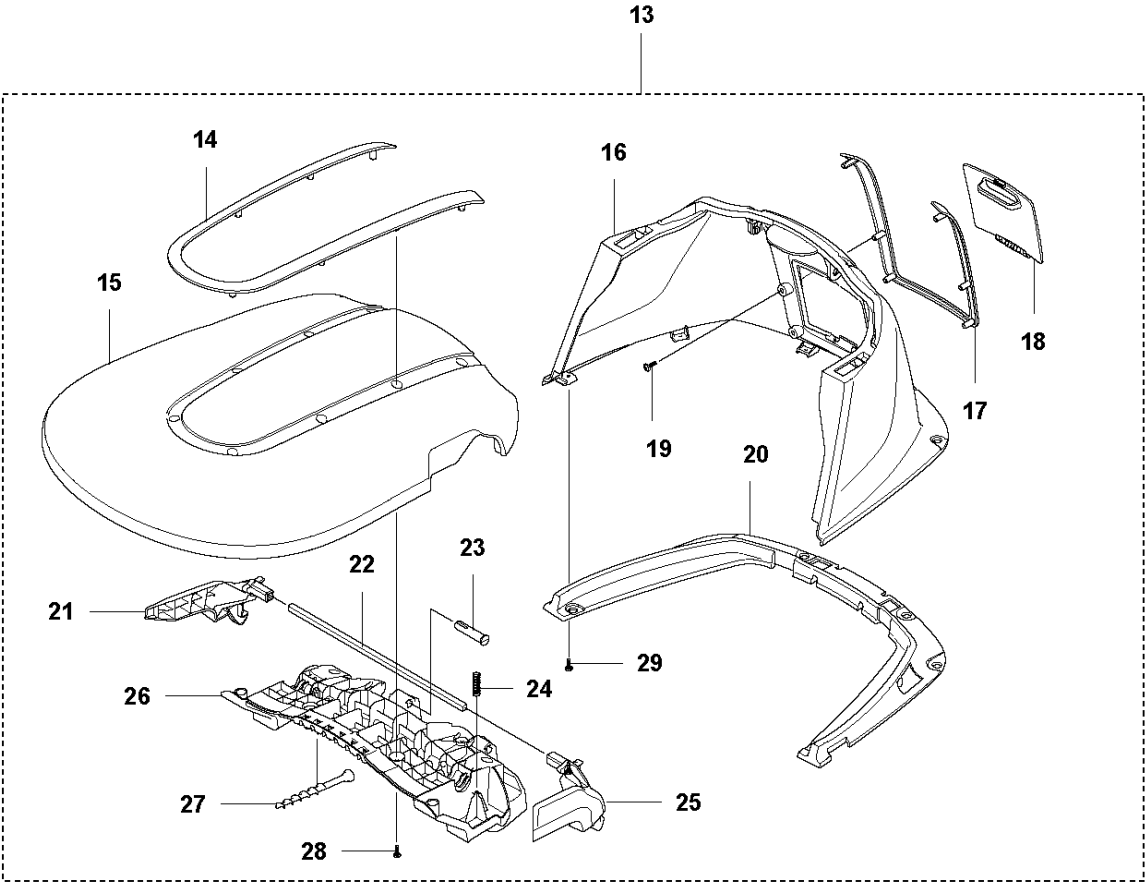
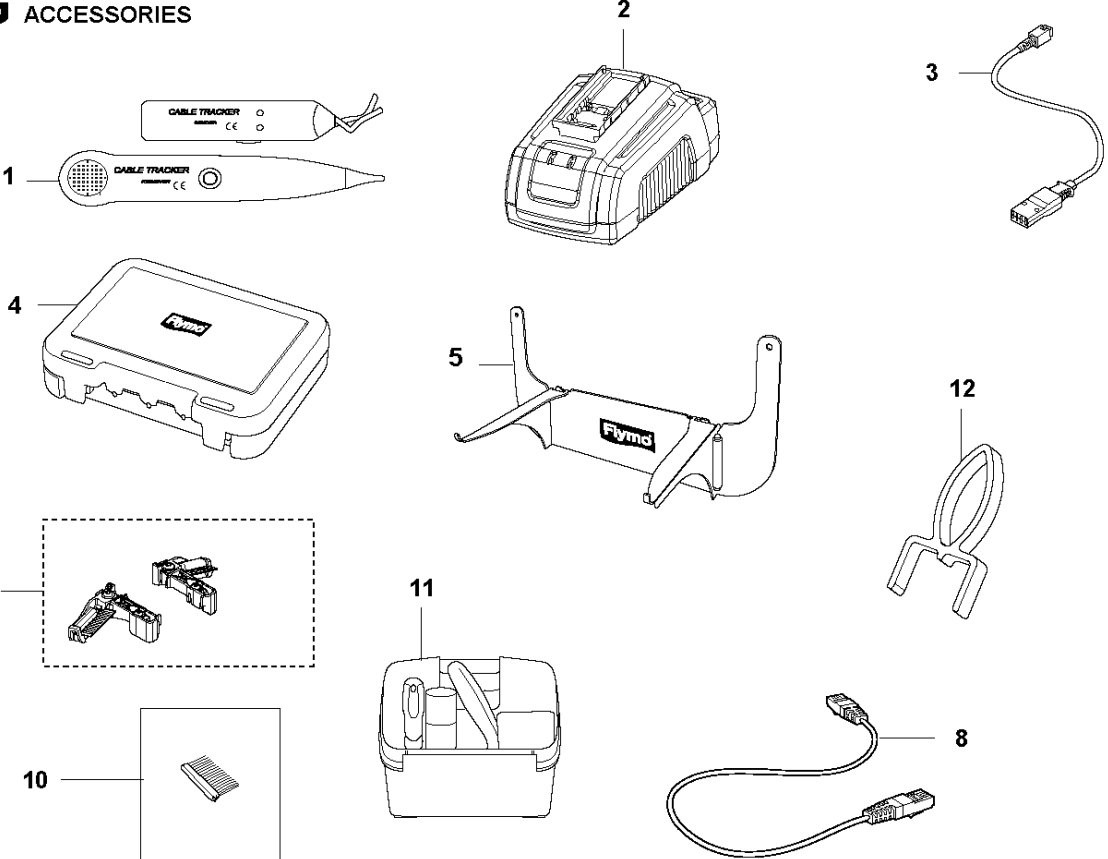


INSTALLATION ACCESSORIES

EasiLife 200/350/500/800

Ref	Part No	Description	Remark	QTY KIT
2	590 44 22-02	POWER UNIT	UK	1
3	579 82 51-01	CABLE ASSY	Low Voltage Cable (20 m)	1
3	579 82 51-02	CABLE ASSY	Low Voltage Cable (10 m)	1
3	579 82 51-04	CABLE ASSY	Low Voltage Cable (5 m)	1
3	579 82 51-03	CABLE ASSY	Low Voltage Cable (3 m)	1
4	577 86 42-01	STAPLE	100pcs	1
5	597 43 58-01	ANCHOR	6pcs	1
6	598 48 02-01	WIRE	150m	1
7	595 28 66-01	BLADE SET	9pcs	1
8	535 12 90-01	CONNECTOR		1
9	501 98 02-01	COUPLER		1
10	598 62 62-01	CONNECTOR	6+3 pcs	1
11	586 27 79-01	STICKER		1
12	502 40 53-01	LABEL		1
13	595 28 67-01	REPAIR KIT		1
14	596 33 98-01	TOOL	Bit for Automower blades MOQ 5 pcs	1

G FLYMO EASILIFE 200/350/500/800
ACCESSORIES



ACCESSORIES

EasiLife 200/350/500/800

Ref	Part No	Description	Remark	QTY KIT
1	577 60 68-01	TEST EQUIPMENT		1
2	588 40 84-01	CHARGER		1
3	588 20 26-01	CABLE ASSY		1
4	597 65 72-01	BOX		1
5	597 65 70-01	WALL HANGER		1
8	501 65 70-01	WIRE		1
10	593 37 37-01	BRUSH KIT	4 pcs in package	1
9	597 65 71-01	BRUSH KIT		1
11	967 10 43-01	MAINTENANCE KIT		1
12	598 76 42-01	FORK		1
13	597 65 65-01	HOUSING		1
14	596 23 44-01	INSERT		1
15	596 23 43-01	LID		1
16	596 23 37-01	BASE		1
17	596 23 39-01	INSERT		1
18	596 23 40-01	HATCH		1
19	575 54 33-14	SCREW		1
20	596 23 41-01	SUPPORT		1
21	596 23 46-01	HANDLE		1
22	596 23 48-01	ROD		1
23	585 34 15-01	HINGE PIN		2
24	580 51 14-01	SPRING		1
25	596 23 47-01	HANDLE		1
26	596 23 45-01	BEAM		1
27	597 43 58-01	ANCHOR		1
28	575 54 33-14	SCREW		1