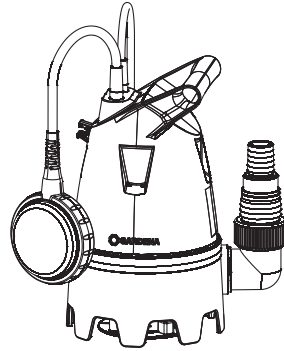


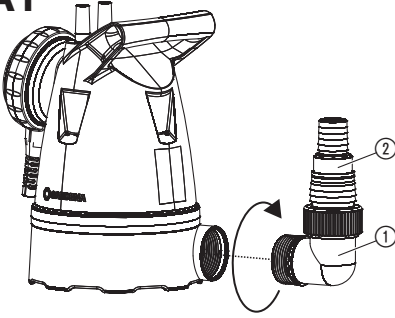
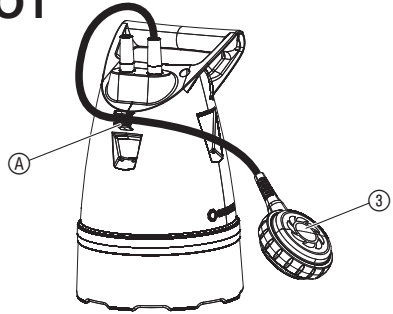
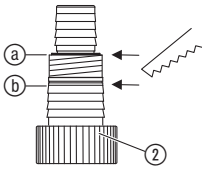
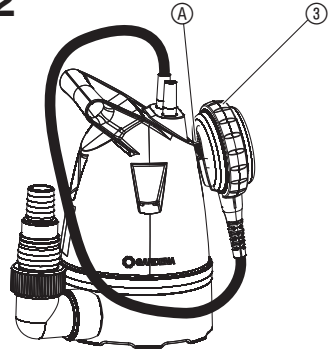
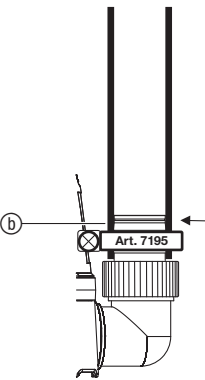
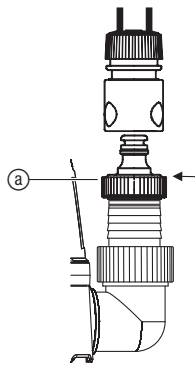
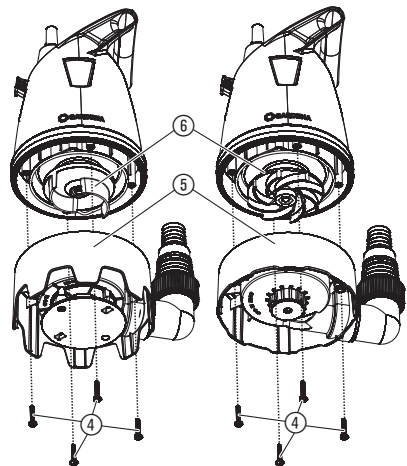
8200 Art. 9000
8600 Art. 9001



9200 Art. 9007
10500 Art. 9008

EN Operator's Manual

Clear Water Submersible Pump/
Dirty Water Submersible Pump

A1**O1****A2****A3****O2****A4****A5****T1**

GARDENA Clear Water Submersible Pump / Dirty Water Submersible Pump

| | |
|---------------------|----|
| 1. SAFETY | 11 |
| 2. ASSEMBLY | 12 |
| 3. OPERATION | 13 |
| 4. MAINTENANCE | 14 |
| 5. STORAGE | 14 |
| 6. TROUBLESHOOTING | 14 |
| 7. TECHNICAL DATA | 15 |
| 8. ACCESSORIES | 15 |
| 9. SERVICE/WARRANTY | 16 |

Original instructions.



This product may be used under supervision, or if instruction regarding the safe use of the product has been provided and the resulting dangers have been understood, by children aged 8 and above, as well as by persons with physical, sensory or mental disabilities or a lack of experience and knowledge. Children must not be allowed to play with the product. Cleaning and user maintenance must not be performed by children without supervision. The use of this product by young people under the age of 16 is not recommended. Never operate the product when you are tired, ill or under the influence of alcohol, drugs or medicine.

Intended use:

The **GARDENA Submersible Pump** is intended for drainage purposes if flooding occurs but also for transferring water to and from tanks and pumping them out, for drawing water from wells and shafts, for draining boats and yachts and for aerating and circulating water for limited periods and for pumping chlorinated water in private domestic gardens and allotments.

Liquids to be pumped:

The GARDENA Submersible Pump must only be used to pump water.

The pump is fully submersible (water-tight encapsulation) and is submerged in water (for max. submersion depth, see 7. TECHNICAL DATA).

The product is suitable for pumping the following liquids:

- **Clear Water Submersible Pump:** clean to slightly dirty water with a max. particle size of 5 mm.
- **Dirty Water Submersible Pump:** dirty water with a max. particle size of 25 mm.

The product is not intended for long term use (continuous circulation operation).



DANGER! Risk of injury!

→ **The pump should not be used for the delivery of salt water, corrosive, easily inflammable or explosive liquids (e.g. petrol, paraffin, thinners), oil, heating oil or foodstuffs.**

1. SAFETY

IMPORTANT!

Read the operator's manual carefully before use and keep for future reference.

Symbols on the product:



Read operator's manual.

General safety warnings

Electrical safety



DANGER! Electric shock!
Risk of injury due to electric current.

→ **The product must be supplied through a residual current device (RCD) having a rated residual operating current not exceeding 30 mA.**



DANGER! Risk of physical injury!
Risk of injury due to electric current.

→ **Disconnect the product from the mains before you maintain or replace parts. Thereby the disconnected socket must be in the visual range.**

Safe operating practices

The water temperature should not exceed 35 °C.

The pump must not be used when people are in the water.

Pollution of the liquid could occur due to leakage of lubricants.

Keep bystanders away from the water.

Operate the pump only with the elbow connector.

Circuit breaker

Thermal protection switch:

In the event of an overload, the pump is switched off by the built-in thermal motor protection. After sufficient cooling of the motor, the pump is operational again.

Automatic venting

This pump is equipped with a vent valve which eliminates any air pockets in the pump. Depending on the function, a small amount of water can escape from the side of the housing.

Additional safety warnings

Electrical safety



DANGER! Cardiac arrest!

This product makes an electromagnetic field while it operates. This field may under some conditions interfere with active or passive medical implants. To decrease the risk of conditions that can possibly injure or kill, we recommend persons with medical implants to speak with their physician and the medical implant manufacturer before you operate the product.

Cables

If extension cables are used, these must comply with the minimum cross-sections in the table below:

| Voltage | Cable length | Cross section |
|-------------------|--------------|---------------------|
| 230 – 240 V/50 Hz | Up to 20 m | 1.5 mm ² |
| 230 – 240 V/50 Hz | 20 – 50 m | 2.5 mm ² |



DANGER! Electric shock!

With a cut off mains plug, moisture can get into electrical parts via the mains cable and cause a short circuit.

→ **Never cut the mains plug off (e.g. to feed through wall).**

→ Don't use the power cable for plugging off.

→ If the supply cord is damaged, it must be replaced by the manufacturer, its service agent or similarly qualified persons in order to avoid a hazard.

Mains plug and extension connections must be protected from water splashes.

Ensure that the electrical connections for plugs and sockets are made in areas safe from flooding.

Protect the mains plug and the mains power cable from heat, oil and sharp edges.

Observe the mains voltage. The information on the nameplate must be in agreement with the data for the mains power grid.

The pump's mains plug must be disconnected before anybody enters the swimming pool or touches the surface of the water.

The mains power cable must not be used for fastening or transporting the pump.

For submerging or lifting/securing the pump, please use a fastening rope.

Please regularly check the connecting line.

Before using, always subject the pump (especially the power cables and the power connections) to a visual inspection.

A pump which is damaged should not be used. In the event of damage, have the pump checked by GARDENA Service.

Assembly instructions: Retighten all screws by hand.

Before use after maintenance, make sure that all parts are screwed together.

When using our pumps with a generator, the warnings of the generator manufacturer must be observed.

Personal safety



DANGER! Risk of suffocation!

Small parts can be easily swallowed. There is also a risk that the polybag can suffocate toddlers. Keep toddlers away when you assemble the product.

Observe the minimum water level in accordance with the characteristics given for the pump.

Allow the pump to run no longer than 10 minutes against a closed pressure side.

Sand and other abrasive substances cause increased wear and reduce the pump's output.

The float switch may only be operated outside the water.

The hose must not be disconnected during operation.

Allow the pump to cool down before troubleshooting.

The pump must not be operated without the mounted contra-angle handpiece.

2. ASSEMBLY



DANGER! Risk of injury!

Injury when the product starts accidentally.

→ **Disconnect the product from the mains before you assemble the product.**

To screw the elbow connector into the pump [Fig. A1]:



DANGER! Risk of injury!

Cut Injury by the impeller.

→ **Operate the pump only with the elbow connector.**

→ Screw the elbow connector ① clockwise into the pump. The hose can be connected via the pump connection ① and the connection nipple ② [25 mm (1") and 38 mm (1 1/2")] or via the GARDENA Connection System [13 mm (1/2")/ 16 mm (5/8")/ 19 mm (3/4")]. When using a 38 mm (1 1/2") hose, the pump has the maximum delivery capacity.

Connect hose via connection nipple [Fig. A2/A3/A4]:

25 mm (1")- and 38 mm (1 1/2")-hoses can be connected via the connection nipple ②.

| Hose diameter | 25 mm (1") | 38 mm (1 1/2") |
|----------------------------------|---------------------------------|-------------------------------|
| GARDENA Hose Clamp | Art. 7193 | Art. 7195 |
| Hose connection [Fig. A2] | Do not detach nipple [Fig. A3]. | Detach nipple at ① [Fig. A4]. |

25 mm (1")- and 38 mm (1 1/2") hoses connected with a connection nipple ② must be fastened, for example with a **GARDENA Hose Clamp Art. 7193/7195**.

1. Screw the elbow connector into the pump.
2. Screw connection nipple ② onto the pump connection ①. (For 38 mm (1 1/2") hoses, first detach the connection nipple ② in the groove at ①).
3. Push the hose onto the connection nipple ② and fix e.g. with a **GARDENA Hose Clamp Art. 7193/7195**.

Connect hose via the GARDENA Connection System [Fig. A5]:

We do not recommend to use hoses with a diameter smaller than 19 mm (3/4"), as otherwise the flow rate will be reduced.

| Hose diameter | Pump connection |
|---------------------|--|
| 19 mm (3/4") | GARDENA Pump Connection Set Art. 1752 |

→ Connect the hose via the relevant GARDENA Connection System.

3. OPERATION



DANGER! Risk of injury!
Injury when the product starts accidentally.

→ **Disconnect the product from the mains before you connect, adjust or transport the product.**

To pump water:

If the pump cannot be immersed into the water reservoir via the handle, the pump must always be immersed into the well or water reservoir via a rope. Minimum immersion depth during initial operation see 7. TECHNICAL DATA.

Take care that the pump is located where the inlet openings at the suction base are not obstructed neither completely nor partly.

Stand the pump on a brick if using in a pond.

1. Submerge the pump in water reservoir.
2. Connect the pump to the mains.
Attention! The pump begins operating immediately.

Automatic mode with float switch [Fig. O1]:

So that the pump automatically switches off when there is no liquid to pump, the Float Switch ③ must be able to freely move on the surface of the water.

To adjust the Cut-in and Cut-out Height [Fig. O1]:

The maximum cut-in height and minimum cut-out height (see 7. TECHNICAL DATA) can be adjusted by pushing the float switch wire into the float switch lock.

- The shorter the length of cable between the float switch ③ and the float switch lock ④, the lower the cut-in height and the higher the cut-out height.

→ Push the cable of the float switch ③ into the opening in the float switch lock ④.



CAUTION!

In order to ensure that the float switch is able to switch on and off, the cable length between the float switch and the float switch lock must be at least 10 cm.

Manual operation [Fig. O2]:

The pump remains permanently in operation because the float switch is bypassed.

1. Slide the float switch ③ with the cable downwards onto the float switch locking device ④.
2. Stand the pump on a firm surface.
3. Connect the pump to the mains.

Attention! The pump begins operating immediately.

The minimum residual water depth (see 7. TECHNICAL DATA) is only achieved in manual mode because the float switch already switches off the pump before this when in automatic mode.

4. MAINTENANCE



DANGER! Risk of injury!

Injury when the product starts accidentally.

→ **Disconnect the product from the mains before you maintain the product.**

To flush the pump:

After pumping chlorinated water, the pump must be flushed.

1. Pump lukewarm water (max. 35 °C), possibly adding a mild cleaning agent (e.g. detergent) until the pumped water runs clear.
2. Remove residuals according to the waste disposal laws applicable in your area.

5. STORAGE

To put into storage:

The pump is not frost-proof!

The product must be stored away from children.

1. Disconnect the pump from the mains.
2. Turn the pump upside down until no more water runs out.
3. Clean the pump (see 4. MAINTENANCE).
4. Store the pump in a dry, enclosed and frost-free place.

Disposal:

(in accordance with RL2012/19/EC)



The product must not be disposed of to normal household waste. It must be disposed of in line with local environmental regulations.

IMPORTANT!

→ Dispose of the product through or via your municipal recycling collection centre.

6. TROUBLESHOOTING



DANGER! Risk of injury!

Injury when the product starts accidentally.

→ **Disconnect the product from the mains before you troubleshoot the product.**

To clean the suction base and the impeller [Fig. T1]:

1. Unscrew the 4 Phillips screws ④.

2. Pull the suction base ⑤ off the pump.
3. Clean suction base ⑤ and impeller ⑥ (the warranty does not become void as a result of this maintenance work).
4. Reinstall the suction base ⑤.
5. Screw in the 4 Phillips screws ④ again.

For safety reasons a damaged impeller can only be exchanged by the GARDENA Service Centre.

| Problem | Possible Cause | Remedy |
|--|---|--|
| Pump is running, but doesn't deliver water | Air cannot escape, because the pressure line is closed. (Possible kink in the pressure hose.) | → Open the pressure line (e.g. shut-off valve, delivery units). |
| | Air in suction foot. | → Wait for about 60 seconds until the pump has vented; if necessary, turn off and then on again. |
| | Suction opening is clogged. | → Clean the suction opening with a water jet. |
| | Hose is clogged. | → Remove the clog from the hose. |
| | Impeller is blocked. | → Clean the impeller. |
| Pump does not start, or stops suddenly during operation | Water level below minimum water level when put into operation. | → Submerge the pump deeper. |
| | Thermal switch has turned the pump off because of overheating. | → Clean the suction opening. Observe the max. media temperature (35 °C). |
| | No power supply to the pump. | → Check fuses and electrical plug connections. |
| | RCD has triggered (residual current). | → Disconnect the pump and contact the GARDENA Service. |

| Problem | Possible Cause | Remedy |
|---|-----------------------------|---|
| Pump is running but the delivery drops suddenly | Suction opening is clogged. | → Clean the suction opening with a water jet. |
| | Hose is clogged. | → Remove the clog from the hose. |



NOTE: For any other malfunctions please contact the GARDENA service department. Repairs must only be done by GARDENA service departments or specialist dealers approved by GARDENA.

7. TECHNICAL DATA

| <i>Submersible Pump</i> | Unit | Value (Art. 9000) | Value (Art. 9001) | Value (Art. 9007) | Value (Art. 9008) |
|---|------------|----------------------|----------------------|----------------------|----------------------|
| Rated power | W | 250 | 400 | 250 | 400 |
| Mains voltage | V (AC) | 230 | 230 | 230 | 230 |
| Mains frequency | Hz | 50 | 50 | 50 | 50 |
| Max. delivery capacity | l/h | 8200 | 8600 | 9200 | 10,500 |
| Max. pressure/ max. delivery head | bar / m | 0.5 5.0 | 0.55 5.5 | 0.4 4.0 | 0.5 5.0 |
| Max. submersion depth | m | 6 | 6 | 6 | 6 |
| Min./max. cut-in height | cm | 23 / 50 | 23 / 50 | 26 / 45 | 26 / 45 |
| Min./max. cut-out height | cm | 7 / 20 | 7 / 20 | 11 / 16 | 11 / 16 |
| Residual water level | mm | 4 | 4 | 25 | 25 |
| Dirty water with max. particle diameter | mm | 5 | 5 | 25 | 25 |
| Minimum water depth for operation (approx.) | cm | 25 | 25 | 50 | 50 |
| Power cable | m | 10 (H05RN-F) | 10 (H05RN-F) | 10 (H05RN-F) | 10 (H05RN-F) |
| Weight without cable (approx.) | kg | 2.55 | 2.85 | 2.55 | 2.9 |
| Max. media temperature | °C | 35 | 35 | 35 | 35 |

8. ACCESSORIES

| | | |
|------------------------------------|---|------------------|
| GARDENA Hose Clamp | For 25 mm (1") hoses via the connection nipple. | Art. 7193 |
| GARDENA Hose Clamp | For 38 mm (1 1/2") hoses via the connection nipple. | Art. 7195 |
| GARDENA Pump Connection Set | For 19 mm (3/4") hoses via the GARDENA Connection System. | Art. 1752 |
| GARDENA Flat Hose Set | 10 m 38 mm (1/2") hose with hose clamp. | Art. 5005 |

9. SERVICE/WARRANTY

Service:

Please contact the address on the back page.

Warranty statement:

In the event of a warranty claim, no charge is levied to you for the services provided.

GARDENA Manufacturing GmbH grants a warranty for all original GARDENA new products for two years from the date of original purchase from the retailer, provided that the devices have been for private use only. This manufacturer's warranty does not apply to products acquired second hand. This warranty includes all significant defects of the product that can be proved to be material or manufacturing faults. This warranty is fulfilled by supplying a fully functional replacement product or by repairing the faulty product sent to us free of charge; we reserve the right to choose between these options. This service is subject to the following provisions:

- The product has been used for its intended purpose as per the recommendations in the operating instructions.
- Neither the purchaser nor a third party has attempted to open or repair the product.
- Only Original GARDENA replacement parts and wear parts have been used for operation.

- Presentation of the receipt.

Normal wear and tear of parts and components (such as blades, blade fixing parts, turbines, light bulbs, V-belts/toothed belts, impellers, air filters, spark plugs), visual changes, wear parts and consumables are excluded from the warranty.

This manufacturer's warranty is limited to replacement and repair of products in accordance with the abovementioned conditions. The manufacturer's warranty does not constitute an entitlement to lodge other claims against us as a manufacturer, such as for damages. This manufacturer's warranty does **not**, of course, affect statutory and contractual warranty claims against the dealer/retailer.

The manufacturer's warranty is governed by the law of the Federal Republic of Germany.

In case of a warranty claim, please return the faulty product, together with a copy of the receipt and a description of the fault, with postage paid to the service address.

Consumables:

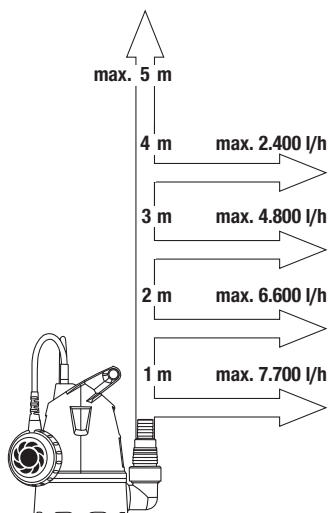
The impeller is a consumable and is not included in the warranty.

Pumpen-Kennlinien
Performance characteristics
Courbes de performance
Prestatiegrafiek
Kapacitetskurva
Ydelses karakteristika
Pumpun ominaiskäyrä
Pumpekarakteristikk
Curva di rendimento
Curva caratteristica

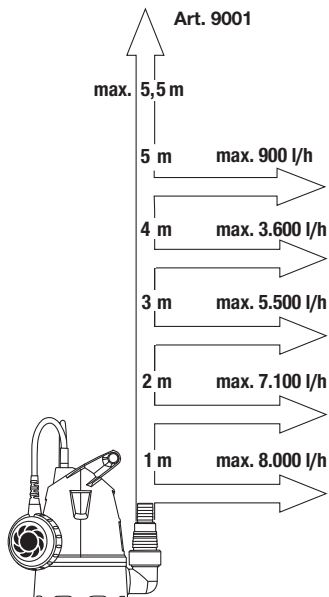
de la bomba
Características de
performance
Charakterystyka pompy
Szivattyú-jelleggörbe
Charakteristika čerpadla
Charakteristiky čerpadla
Χαρακτηριστικό διάγραμμα
Характеристика насоса
Karakteristika črpalka

Obilježja pumpe
Karakteristika pumpe
Крива характеристики насоса
Caracteristică pompă
Помпа karakter eğrisi
Помпена характеристика
Fuqia e pompës
Pumba karakteristik
Siurblio charakteristinė kreivė
Sūkņa raksturlīkne

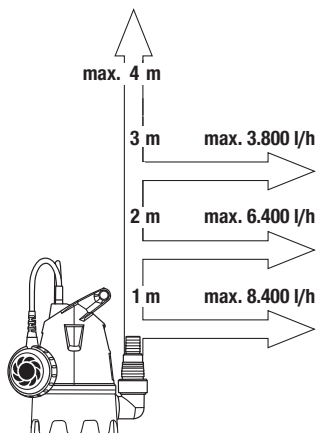
Art. 9000



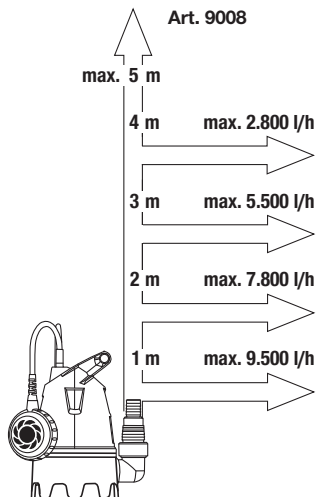
Art. 9001



Art. 9007



Art. 9008



DE Produkthaftung

Wir weisen ausdrücklich darauf hin, dass wir in Übereinstimmung mit dem Produkthaftungsgesetz nicht für Schäden haften, die durch unsere Produkte entstehen, wenn diese unsachgemäß und nicht durch einen von uns autorisierten Servicepartner repariert wurden oder wenn keine Original GARDENA Teile oder von uns zugelassene Teile verwendet wurden.

EN Product liability

In accordance with the German Product Liability Act, we hereby expressly declare that we accept no liability for damage incurred from our products where said products have not been properly repaired by a GARDENA-approved service partner or where original GARDENA parts or parts authorised by GARDENA were not used.

FR Responsabilité

Conformément à la loi relative à la responsabilité du fait des produits défectueux, nous déclarons expressément par la présente que nous déclinons toute responsabilité pour les dommages résultant de nos produits, si lesdits produits n'ont pas été correctement réparés par un partenaire d'entretien agréé GARDENA ou si des pièces d'origine GARDENA ou des pièces agréées GARDENA n'ont pas été utilisées.

NL Productaansprakelijkheid

Conform de Duitse wet inzake productaansprakelijkheid verklaren wij hierbij uitdrukkelijk dat wij geen aansprakelijkheid aanvaarden voor schade ontstaan uit onze producten waarbij deze producten niet zijn gerepareerd door een GARDENA-erkende servicepartner of waarbij geen originele GARDENA-onderdelen of onderdelen die door GARDENA zijn goedgekeurd zijn gebruikt.

SV Produktsvar

I enlighet med tyska produktansvarslagar förklarar vi härmed uttryckligen att vi inte åtar oss något ansvar för skador som orsakas av våra produkter där produkterna inte har genomgått korrekt reparation från en GARDENA-godkänd servicepartner eller där originaldelar från GARDENA eller delar godkända av GARDENA inte använts.

DA Produktsvar

I overensstemmelse med den tyske produktansvarslov erklærer vi hermed udtrykkeligt, at vi ikke påtager os noget ansvar for skader på vores produkter, hvis de pågældende produkter ikke er blevet repareret korrekt af en GARDENA-godkendt servicepartner, eller hvor der ikke er brugt originale GARDENA-reservedele eller godkendte reservedele fra GARDENA.

FI Tuotevastuu

Saksan tuotevastuulain mukaisesti emme ole vastuussa laitteiden vaurioista, jos korjauksia ei ole tehnyt GARDENAn hyväksymä huoltoliike tai jos niiden syynä on muiden kuin alkuperäisten GARDENA-varaosien tai GARDENAn hyväksymien varaosien käyttö.

IT Responsabilità del prodotto

In conformità con la Legge tedesca sulla responsabilità del prodotto, con la presente dichiariamo espressamente che decliniamo qualsiasi responsabilità per danni causati dai nostri prodotti qualora non siano stati correttamente riparati presso un partner di assistenza approvato GARDENA o laddove non siano stati utilizzati ricambi originali o autorizzati GARDENA.

ES Responsabilidad sobre el producto

De acuerdo con la Ley de responsabilidad sobre productos alemana, por la presente declaramos expresamente que no aceptamos ningún tipo de responsabilidad por los daños ocasionados por nuestros productos si dichos productos no han sido reparados por un socio de mantenimiento aprobado por GARDENA o si no se han utilizado piezas originales GARDENA o piezas autorizadas por GARDENA.

PT Responsabilidade pelo produto

De acordo com a lei alemã de responsabilidade pelo produto, declaramos que não nos responsabilizamos por danos causados pelos nossos produtos, caso os tais produtos não tenham sido devidamente reparados por um parceiro de assistência GARDENA aprovado ou se não tiverem sido utilizadas peças GARDENA originais ou peças autorizadas pela GARDENA.

PL Odpowiedzialność za produkt

Zgodnie z niemiecką ustawą o odpowiedzialności za produkt, niniejszym wyraźnie oświadczamy, że nie ponosimy żadnej odpowiedzialności za szkody poniesione na skutek użytkowania naszych produktów, w przypadku gdy naprawa tych produktów nie była odpowiednio przeprowadzana przez zatwierdzonego przez firmę GARDENA partnera serwisowego lub nie stosowano oryginalnych części GARDENA albo części autoryzowanych przez tę firmę.

HU Termékszavatosság

A németországi termékszavatossági törvénnyel összhangban ezzel nyomatékosan kijelentjük, hogy nem vállalunk felelősséget a termékeinkben keletkezett olyan károkért, amelyek valamely GARDENA által jóváhagyott szervizpartner által nem megfelelően végzett javításból adódtak, vagy amely során nem eredeti GARDENA alkatrészeket vagy a GARDENA által jóváhagyott alkatrészeket használtak fel.

CS Odpovědnost za výrobek

V souladu s německým zákonem o odpovědnosti za výrobek tímto výslovně prohlašujeme, že nepřijímáme žádnou odpovědnost za poškození vzniklá na našich výrobcích, kdy zmíněné výrobky nebyly řádně opraveny schváleným servisním partnerem GARDENA nebo kdy nebyly použity originální náhradní díly GARDENA nebo náhradní díly autorizované společností GARDENA.

SK Zodpovednosť za produkt

V súlade s nemeckými právnymi predpismi upravujúcimi zodpovednosť za výrobok týmto výslovne prehlasujeme, že nenesieme žiadnu zodpovednosť za škody spôsobené našimi výrobkami, v prípade ktorých neboli náležité opravy vykonané servisným partnerom schváleným spoločnosťou GARDENA alebo neboli použité diely spoločnosti GARDENA alebo diely schválené spoločnosťou GARDENA.

EL Ευθύνη προϊόντος

Σύμφωνα με τον γερμανικό νόμο περί Ευθύνης για τα Προϊόντα, με το παρόν δηλώνουμε ρητώς ότι δεν αποδεχόμαστε καμία ευθύνη για τυχόν ζημιές που προκύπτουν από τα προϊόντα μας εάν αυτά δεν έχουν επισκευαστεί σωστά από κάποιον εγκεκριμένο συνεργάτη επισκευών της GARDENA ή εάν δεν έχουν χρησιμοποιηθεί αυθεντικά εξαρτήματα GARDENA ή εξαρτήματα εγκεκριμένα από την GARDENA.

SL Odgovornost proizvajalca

V skladu z nemškimi zakoni o odgovornosti za izdelke, izrecno izjavljajo, da ne sprejemamo nobene odgovornosti za škodo, ki jo povzročijo naši izdelki, če teh niso ustrezno popravili GARDENINI odobreni servisni partnerji ali pri tem niso bili uporabljeni originalni GARDENINI nadomestni deli ali GARDENINIMI homologiranimi nadomestnimi deli.

HR Pouzdanost proizvoda

Sukladno njemačkom zakonu o pouzdanosti proizvoda, ovime izričito izjavljujemo kako ne prihvaćamo nikakvu odgovornost za oštećenja na našim proizvodima nastala uslijed neispravnog popravka od strane servisnog partnera kojeg odobrava GARDENA ili uslijed nekorištenja originalnih GARDENA dijelova ili dijelova koje odobrava GARDENA.

RO Răspunderea pentru produs

În conformitate cu Legea germană privind răspunderea pentru produs, declarăm în mod expres prin prezentul document că nu acceptăm nicio răspundere pentru defecțiunile suferite de produsele noastre atunci când acestea nu au fost reparate în mod corect de un atelier de service partener, aprobat de GARDENA, sau când nu au fost utilizate piese GARDENA originale sau piese autorizate de GARDENA.

BG Отговорност за вреди, причинени от стоки

Съгласно германския Закон за отговорността за вреди, причинени от стоки, с настоящото изрично декларираме, че не носим отговорност за щети, причинени от нашите продукти, ако те не са били правилно ремонтирани от одобрен от GARDENA сервиз или ако не са използвани оригинални части на GARDENA или части, одобрени от GARDENA.

ET Tootevastutus

Vastavalt Saksamaa tootevastutusseadusele deklareerime kaesolevaga selgesõnaliselt, et me ei kannu mingisugust vastutust meie toodetest tingitud kahjude eest, kui need tooted ei ole korrektselt parandatud GARDENA heakskiidetud hoolduspartneri poolt või kui parandamisel ei ole kasutatud GARDENA originaalosi või GARDENA volitatud osi.

LT Gaminio patikimumas

Mes aiškiai pareiškiamo, kad, atsižvelgiant į Vokietijos gaminių patikimumo įstatymą, neprisiimame atsakomybės dėl bet kokios žalos, patirtos dėl mūsų gaminių, jeigu jie buvo netinkamai taisomi arba jų dalys buvo pakeistos neoriginaliomis GARDENA dalimis ar nepatvirtintomis dalimis, arba jeigu remonto darbai buvo atliekami ne GARDENA techninės priežiūros centro specialistų.

LV Atbildība par produkcijas kvalitāti

Saskaņā ar Vācijas likumu par atbildību par produkcijas kvalitāti ar šo mēs paziņojam, ka neuzņemamies atbildību par bojājumiem, kas radušies, lietojot mūsu izstrādājumus, kuru remontu nav veicis uzņēmuma GARDENA apstiprināts apkopes partneris vai kuru remontam netika izmantotas oriģinālās GARDENA detaļas vai detaļas, kuru lietošanu apstiprinājis uzņēmums GARDENA.

| | |
|--|---|
| <p>DE EU-Konformitätserklärung</p> <p>Der Unterzeichnende bestätigt als Bevollmächtigter des Herstellers, der GARDENA Germany AB, PO Box 7454, S-103 92, Stockholm, Schweden, dass das (die) nachfolgend bezeichnete(n) Gerät(e) in der von uns in Verkehr gebrachten Ausführung die Anforderungen der harmonisierten EU-Richtlinien, EU-Sicherheitsstandards und produktspezifischen Standards erfüllt/erfüllen. Bei einer nicht mit uns abgestimmten Änderung des (der) Geräte(s) verliert diese Erklärung ihre Gültigkeit.</p> | <p>HU EU megfelelélösi nyilatkozat</p> <p>Az alulírott, a GARDENA Germany AB, Pf. 7454, S-103 92, Stockholm, Svédország megbízott minőségben megértesíti, hogy az átalunk aláírt kiviteltel forgalomba hozott, lent nevezett eszköz(ök) megfelel(nek) az unióis irányelvekkel összehangba hozott nemzeti előírások követelményeinek, az EU biztonsági szabványainak és a konkrét termékre vonatkozó szabványoknak. Az eszköz(ök)nek velünk nem egyeztetett módosítása esetén ez a nyilatkozat érvényét veszti.</p> |
| <p>EN EC Declaration of Conformity</p> <p>The undersigned hereby certifies as the authorized representative of the manufacturer, GARDENA Germany AB, PO Box 7454, S-103 92, Stockholm, Sweden, that, when leaving our factory, the unit(s) indicated below is/are in accordance with the harmonised EU guidelines, EU standards of safety and product specific standards. This certificate becomes void if the unit(s) is/are modified without our approval.</p> | <p>CS EU prohlášení o shodě</p> <p>Podepsaná osoba způsobilá výrobem GARDENA Germany AB, PO Box 7454, S-103 92, Stockholm, Švédsko, potvrzuje, že v následujícím uvedený(-) přístroj(-e) v provedení námi uvedeném na trh spĺňujú/pĺňujú požadavky směrnice EU, bezpečnostních norem EU a norem specifických pro výrobek. V případě změny přístroje(-)i, která s námi nebyla dohodnuta, ztrácí toto prohlášení svou platnost.</p> |
| <p>FR Déclaration de conformité CE</p> <p>Le soussigné déclare, en tant que mandataire du fabricant, la GARDENA Germany AB, PO Box 7454, S-103 92, Stockholm, Suède, qu'à la sortie de ses usines le matériel nel désigné ci-dessous étail conforme aux prescriptions des directives européennes énoncées ci-après et conforme aux règles de sécurité et autres règles qui lui sont applicables dans le cadre de l'Union européenne. Toute modification portée sur ce(s) produit(s) sans l'accord express de notre part supprime la validité de ce certificat.</p> | <p>SK EU vyhlásenie o zhode</p> <p>Dotu podpísaný potvrdzuje, ako spĺňonocárny zástupca výrobcu, GARDENA Germany AB, PO Box 7454, S-103 92, Stockholm, Švédsko, že ďalej označené zariadenia/a vo vyhlásenýi uvedenom na trh spĺňajú/ú požiadavky harmonizačných smerníc EU, bezpečnostných štandardov EU a predpisov, špecifických pre dané výrobky. Pri zmene zariadenia/zariadení, ktorá nebola odsúhlasená našou spoločnosťou, stráca toto vyhlásenie platnosť.</p> |
| <p>NL EU-conformiteitsverklaring</p> <p>De ondergetekende bevestigt als gevolmachtigde van de fabrikant, GARDENA Germany AB, PO Box 7454, S-103 92, Stockholm, Zwen, dat het/ de onderstaand vermelde apparaat/apparaten in de door ons in de handel gebrachte uitvoering voldeet/voldoen aan de eisen van de geharmoniseerde EU-richtlijnen, EU-veiligheidsnormen en productspecifieke normen. Bij een niet met ons afgestemde verandering van het apparaat/de apparaten verliest deze verklaring haar geldigheid.</p> | <p>EL Δήλωση συμμόρφωσης EE</p> <p>Ο υπογεγραμμένος βεβαιώνει ως πληρεξούσιος του κατασκευαστή, της εταιρείας GARDENA Germany AB, T.G. 7454, S-103 92, Στοκχόλμη, Σουηδία, ότι η (οι) παρακάτω αναφερόμενη(ες) συσκευή(ές) στην έκδοση που τίθεται από εμάς, σε κυκλοφορία πληροί/πληρούν τις απαιτήσεις των εφαρμοστέων οδηγιών της ΕΕ, πρώτων ασφαλείας της ΕΕ και των ειδικών για το προϊόν πρώτων. Σε περίπτωση τροποποίησης της (των) συσκευή(ών) χωρίς προηγούμενη συνηνόηση με την εταιρεία μας παύει να ισχύει η δήλωση.</p> |
| <p>SV EU-försäkran om överensstämmelse</p> <p>Undertecknad intygar som befulldäktigad företrädare för tillverkaren, GARDENA Germany AB, PO Box 7454, S-103 92, Stockholm, Sverige, att nedan angiven apparat/nedan angivna apparater i det utförande vi har släppt på marknaden, uppfyller fördringarna i de harmoniserade EU-direktiven, EU-säkerhetsstandarderna och de produktspecifika standarderna. Denna försäkran upphör att gälla vid en ändring av apparaten/apparaterna som inte har stämts av med oss.</p> | <p>SL Izjava EU o skladnosti</p> <p>Spodaj podpisani kot pooblaščenec proizvajalca GARDENA Germany AB, PO Box 7454, S-103 92, Stockholm, Švedska, potrjuje, da v nadaljevanju označene naprave v izvedbi, v kakršni smo jih dali v promet, izpolnjujejo zahteve uskladenih direktiv EU, varnostnega standarda EU in standardov, ki veljajo za posamezne izdelke. V primeru spremembe naprave, ki ni usklajena z nami, ta izjava neha veljati.</p> |
| <p>DA EU-overensstemmelseerklæring</p> <p>Underskriveren bekræfter som fuldmægtigt for producenten, GARDENA Germany AB, PO Box 7454, S-103 92, Stockholm, Sverige, at det (de) efterfølgende betegnede apparat(er) i den af os markedsførte udførelse opfylder kravene i de harmoniserede EU-direktiver, EU-sikkerhedsstandarder og produktspecifikke standarder. Foretagets en ændring af apparatet/apparatene, der ikke er aftalt med os, mister denne erklæring sin gyldighed.</p> | <p>HR EU izjava o sukladnosti</p> <p>Dojle potpisani kao opunomoćnik proizvođača, tvrtke GARDENA Germany AB, PO Box 7454, S-103 92, Stockholm, Švedska, potvrđujemo da niže navedeni uređaj(i) odgovarajuće izvedbe koje/kolje smo iznijeli na tržište ispunjavaju kriterije usklađenih direktiva EU i sigurnosnih standarda EU kao i standarda koje se tiču proizvoda. Ova izjava gubi valjanost u slučaju izmjena uređaja koje nisu prethodno ugovorene s nama.</p> |
| <p>FI EU-vaatimustenmukaisuusvakuutus</p> <p>Allokirjoittanut vahvistaa valmistajien, GARDENA Germany AB, PO Box 7454, S-103 92, Tukholma, Ruotsi, valmistamansa henkilöinä, että seuraava laite täyttää/ seuraavat laitteet täyttävät meidän toimittamassamme yhdenmukaistettujen EU-direktiivien, EU-turvallisuusmääräysten ja tuotekohtaisten standardien vaatimukset. Laitteen/laitteiden muutoksissa, joista ei ole sovittu meidän kanssamme, menettää tämä selvitys voimaansaolonsa.</p> | <p>RO Declarație de conformitate UE</p> <p>Semnatarul, in calitate de se împuternicit al producătorului GARDENA Germany AB, PO Box 7454, S-103 92, Stockholm, Suedia, confirmă că aparatul (aparatele) descrise în cele ce urmează, în execuția pusă de noi pe piață îndeplinesc (îndeplinesc) cerințele directivei/lor armonizate UE, ale standardelor de siguranță UE și ale standardelor specifice produsului. În cazul modificării fără aprobarea noastră prealabilă a aparatului (aparator), acasă declarație își pierde valabilitatea.</p> |
| <p>IT Dichiarazione di conformità UE</p> <p>Il sottoscritto, in quanto soggetto autorizzato dal produttore, GARDENA Germany AB, PO Box 7454, S-103 92, Stoccolma, Svezia, dichiara che l'apparecchio/gli apparecchi di seguito denominato/i, nella versione da noi immessa in commercio, soddisfa/no i requisiti delle direttive UE armonizzate, degli standard di sicurezza europei e degli standard specifici per il prodotto. La presente dichiarazione perde di validità in caso di modifica dell'apparecchio/degli apparecchi non concordata con noi.</p> | <p>BG ЕС-Декларация за съответствие</p> <p>Допълнителният утвърждава като пълномощник на производителя GARDENA Germany AB, PO Box 7454, S-103 92, Стокхолм, Швеция, че по-долу описаният(ите) уред(и) във варианта на изпълнение пуснат от нас на пазара изпълнява/изпълняват изискванията на хармонизираните ЕС-директиви, ЕС-норми за безопасност и специфичните норми за продукта. В случай на промяна на уред(ите), която не е съгласувана с нас, тази декларация губи своята валидност.</p> |
| <p>ES Declaración de conformidad de la UE</p> <p>El firmante confirma, en calidad de apoderado del fabricante GARDENA Germany AB, PO Box 7454, S-103 92, Estocolmo (Suecia), que el/ los aparato(s) mencionado(s) a continuación cumple(n), en la versión lanzada al mercado por nuestra empresa, los requisitos de las directivas de la UE armonizadas, los estándares de seguridad de la UE y los estándares específicos del producto. La presente declaración perderá su validez si se modifica(n) el/ los aparato(s) sin previa aprobación por nuestra parte.</p> | <p>ET EL-i vastavusdeklaratsioon</p> <p>Allkirjutatu kinnitab tootja, GARDENA Germany AB, PO Box 7454, S-103 92, Stockholm, Rootsi, poolt valmistatud isikuna, et järgnevalt nimetatud seade (seadmed) täidab (täidavad) meie poolt turule toodud versiooni kujul harmoneeritud EL-i direktiivide, EL-i ohutusstandardite ja tootepõhiste standardite nõud. Seadmel (seadmetel) meiega kooskõlastamata muudatuste tegemise korral kaotab käesolev deklaratsioon oma kehtivuse.</p> |
| <p>PT Declaração CE de Conformidade</p> <p>O abaixo-assinado, na qualidade de representante do fabricante, GARDENA Germany AB, PO Box 7454, S-103 92, Stockholm, Suécia, confirma que o(s) aparelho(s) a seguir designado(s) no modelo lançado por nós no mercado cumpre/cumprem os requisitos das diretivas UE harmonizadas, as normas de segurança UE e as normas específicas para estes produtos. Esta declaração perde a sua validade se forem realizadas alterações no(s) aparelho(s) sem o nosso consentimento.</p> | <p>LT ES atitikties deklaracija</p> <p>Pasirašantis, kaip gamintojo, GARDENA Germany AB, PO Box 7454, S-103 92, Stokholmas, Švedija, įgaliojatis atstovas patvirtina, kad žemiau nurodyto (-ų) prietaiso (-ų) modelio, kuris buvo pagaminti mūsų gamykloje, atitinka darniasias ES direktyvas, ES saugumo standartus ir specifinius gamintojo standartus. Atlikus bet kokį pakeitimą (-ų) pakeitimą, kuris nėra suderintas su mumis, ši deklaracija praranda galiojimą.</p> |
| <p>PL Deklaracja zgodności UE</p> <p>Niżej podpisywany potwierdza jako upoważniony przedstawiciel producenta, spółki GARDENA Germany AB, PO Box 7454, S-103 92, Stokholm, Szwecja, że określone poniżej urządzenie/-nia w wersji wprowadzonej przez nas do obrotu spełnia/-niaj wymogi harmonizowanych dyrektyw UE, norm bezpieczeństwa UE oraz norm dotyczących konkretnych produktów. Niniejsza deklaracja traci ważność w przypadku wprowadzania niezgodnych z nami zmian urządzenia/ri.</p> | <p>LV ES atbilstības deklarācija</p> <p>Zemā parakštiejis personāla kā rādītāja, uzņēmuma GARDENA Germany AB, PO Box 7454, S-103 92, Stokholma, Zviedrija, pilnvarotais pārstāvis apstiprina, ka tālāk norādītaj(-s) ierīcē(-s) izpildījumā, kādā mēs to (tās) esam laidījuši tirgū, atbilst saskaņotajām ES direktīvajām, ES drošības standartiem un konkrētajām produktam noteiktajām standartiem. Atbilstošaj(-s) veicot ar mums nesaskaņotus izmaiņus, šī deklarācija zaudē savu spēku.</p> |

