

SRTZ235, LRTZ235

EN Operator's manual  
ES-MX Manual de usuario  
FR-CA Manuel d'utilisation

2-20  
21-41  
42-62

# Contents

Introduction.....	2	Troubleshooting.....	16
Safety.....	4	Transportation, storage and disposal.....	17
Assembly.....	8	Technical data.....	17
Operation.....	8	Warranty.....	19
Maintenance.....	12		

# Introduction

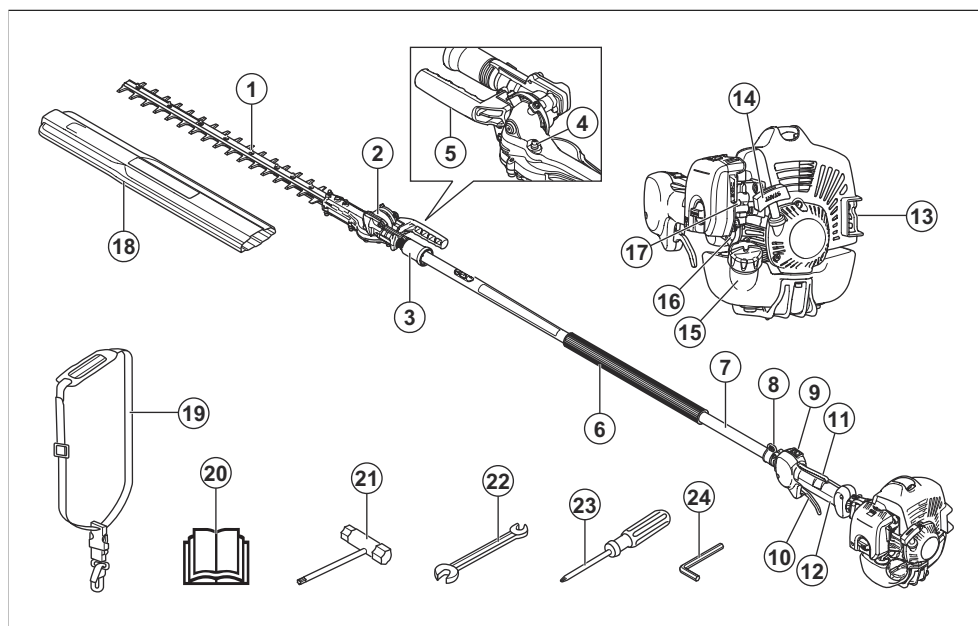
## Product description

The product is a hedge trimmer with a combustion engine.

## Intended use

Use the product to cut branches and twigs. Do not use the product for other tasks.

## Product overview



- |                                   |                              |
|-----------------------------------|------------------------------|
| 1. Blade                          | 13. Spark arrester           |
| 2. Gearbox                        | 14. Starter rope handle      |
| 3. Position adjustment handle     | 15. Fuel tank                |
| 4. Grease nipple                  | 16. Air purge                |
| 5. Handle                         | 17. Choke lever              |
| 6. Front handle                   | 18. Transport guard          |
| 7. Shaft                          | 19. Shoulder strap (LRTZ235) |
| 8. Harness support hook (LRTZ235) | 20. Operator's manual        |
| 9. Stop switch                    | 21. Combination wrench       |
| 10. Throttle trigger              | 22. Combination spanner      |
| 11. Throttle trigger lockout      | 23. Screwdriver              |
| 12. Rear handle                   | 24. Hex key                  |

## Symbols on the product



**WARNING!** This product can be dangerous and cause serious injury or death to the operator or others. Be careful and use the product correctly.



Read the operator's manual carefully and make sure that you understand the instructions before use.



Use a protective helmet, approved hearing protection and approved eye protection.



Choke, open position.



Choke, closed position.



Mixture of gasoline and two-stroke oil.

yyyywwxxxx

The rating plate shows the serial number. **yyyy** is the production year, **ww** is the production week.

**Note:** Other symbols/decals on the product refer to certification requirements for some markets.

## EPA III



The Emissions Compliance Period referred to on the Emission Compliance label indicates the number of operating hours for which the engine has been shown to meet Federal emissions requirement. Maintenance, replacement or repair of the emission control devices and system may be performed by any nonroad engine repair establishment or individual.

### EMISSION CONTROL LABEL ABBREVIATIONS

#### General:

CAL	California	EXH/EVP	Exhaust and Evaporative	REGS	Regulations
DISPL	Displacement	EVAP	Evaporative	SORE	Small off road engines
ECS	Emission control system	HRS	Hours	US EPA	United States Environmental Protection Agency

#### Exhaust emission control system:

ECM	Engine control module (Auto-tune)	OC	Oxidizing Catalyst
EM	Engine modification	TWC	Three way catalyst

#### Evaporative emission control systems:

C	Coextruded (Multilayer)	P	Treated HDPE or PE
N	Nylon	S	Sealed

## California Proposition 65

### **WARNING!**

The engine exhaust from this product contains chemicals known to the State of California to cause cancer, birth defects or other reproductive harm.

## Canada EMC

This spark ignition system complies with the Canadian standard ICES-002.

## Product liability

As referred to in the product liability laws, we are not liable for damages that our product causes if:

- the product is incorrectly repaired.
- the product is repaired with parts that are not from the manufacturer or not approved by the manufacturer.
- the product has an accessory that is not from the manufacturer or not approved by the manufacturer.
- the product is not repaired at an approved service center or by an approved authority.

---

## Safety

---

### Safety definitions

Warnings, cautions and notes are used to point out specially important parts of the manual.



**WARNING:** Used if there is a risk of injury or death for the operator or bystanders if the instructions in the manual are not obeyed.



**CAUTION:** Used if there is a risk of damage to the product, other materials or the adjacent area if the instructions in the manual are not obeyed.

**Note:** Used to give more information that is necessary in a given situation.

### General safety instructions



**WARNING:** Read the warning instructions that follow before you use the product.

- Incorrect or careless use of the product can turn it into a dangerous tool that can cause serious or even fatal injury. It is extremely important that you read and understand the contents of this operator's manual.
- This product produces an electromagnetic field during operation. This field may under some circumstances interfere with active or passive medical implants. To reduce the risk of serious or fatal injury, we recommend persons with medical implants to consult their physician and the medical implant manufacturer before operating this product.
- Overexposure to vibration can lead to circulatory damage or nerve damage in people who have impaired circulation. Contact your doctor if you experience symptoms of overexposure to vibration. Such symptoms include numbness, loss of feeling, tingling, pricking, pain, loss of strength, changes in skin color or condition. These symptoms normally appear in the fingers, hands or wrists. The risk increases at low temperatures.

- If you encounter a situation where you are uncertain how to proceed you should ask an expert. Contact your dealer or your service workshop. Avoid all usage which you consider to be beyond your capability.
- Keep in mind that the operator is responsible for accidents or hazards occurring to other people or their property.
- Never allow anyone else to use the product without first ensuring that they have understood the contents of the operator's manual.
- Never allow children to use or be in the vicinity of the product. As the product is equipped with a spring-loaded stop switch and can be started by low speed and force on the starter handle, even small children under some circumstances can produce the force necessary to start the product. This can mean a risk of serious personal injury. Therefore remove the spark plug cap when the product is not under close supervision.
- Store the product out of reach of children.
- Never use the product if you are tired, if you have drunk alcohol, or if you are taking medication that could affect your vision, your judgement or your coordination.
- Never use a product that is faulty. Carry out the checks, maintenance and service instructions described in this manual. Some maintenance and service measures must be carried out by trained and qualified specialists. Refer to instructions under the heading Maintenance.
- Never use a product that has been modified in any way from its original specification.

### Safety instructions for operation



**WARNING:** Read the warning instructions that follow before you use the product.

- Never use the product in extreme weather conditions such as severe cold, very hot and/or humid climates.
- Faulty blades can increase the risk of accidents.
- Ensure that no people or animals comes closer than 15 m / 50 ft while you work.
- Observe your surroundings and make sure that there is no risk of people or animals coming into contact with the cutting equipment.

- Inspect the working area. Remove any objects that could be thrown out.
- Always ensure you have a safe and stable working position.
- Never leave the product unsupervised with the engine running.
- Make sure that your hands and feet do not come near the cutting unit when the engine is running.
- If anything jams in the blades while you are working, switch off the engine and wait until it has stopped completely before cleaning the blades. Disconnect the spark plug cap from the spark plug.
- When the engine is switched off, keep your hands and feet away from the cutting unit until it has stopped completely.
- Watch out for stumps of branches that can be thrown out during cutting.
- Listen out for warning signals or shouts when you are wearing hearing protection. Always remove your hearing protection as soon as the engine stops.
- Never work from a ladder, stool or any other raised position that is not fully secured.
- Always use both hands to hold the product. Hold the product in front of your body.
- If any foreign object is hit or if vibrations occur stop the product immediately. Disconnect the spark plug cap from the spark plug. Check that the product is not damaged. Repair any damage.
- Ensure that the spark plug cap and ignition lead are undamaged to avoid the risk of electric shock.
- Check that all nuts and screws are tight.
- Make sure the gearbox is lubricated correctly. Refer to *To lubricate the bevel gear and gearbox on page 15*.
- The gearbox gets hot when the product has been in use. To avoid burning yourself do not touch the gearbox.
- All covers and guards must be fitted before starting.
- If the blades get stuck, they can be loosened by sticking the combination wrench into the gearbox. Stick the combination wrench into the gearing and turn it back and forth. Refer to *To examine the blades on page 15*.
- The transport guard should always be fitted to the cutting unit when the product is not in use.

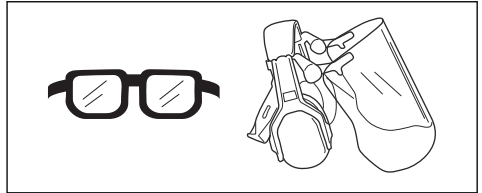
## Personal protective equipment



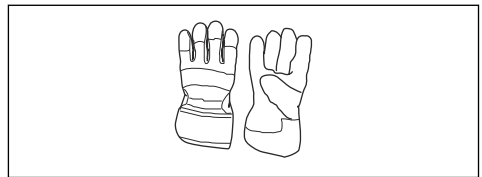
**WARNING:** Read the warning instructions that follow before you use the product.

- Always use approved personal protective equipment when you use the product. Personal protective equipment cannot fully prevent injury but it decreases the degree of injury if an accident does occur. Let your dealer help you select the right equipment.

- Use approved hearing protection that provides adequate noise reduction. Long-term exposure to noise can result in permanent hearing impairment.
- Use approved eye protection. If you use a visor, you must also use approved protective goggles. Approved protective goggles must comply with the ANSI Z87.1 standard in the USAs or EN 166 in EU countries.



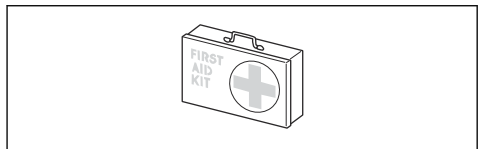
- Always use protective gloves.



- Use sturdy non-slip boots or shoes.



- Use clothing made of a strong fabric. Always use heavy, long pants and long sleeves. Do not use loose clothing that can catch on twigs and branches. Do not wear jewelry, short pants, sandals or go with bare feet. Put your hair up safely above shoulder level.
- Keep first aid equipment close at hand.



## Safety devices on the product



**WARNING:** Read the warning instructions that follow before you use the product.

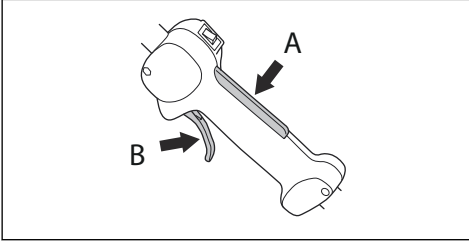
- Do not use a product with defective safety devices.

- Do a check of the safety devices regularly. If the safety devices are defective, speak to your RedMax service agent.

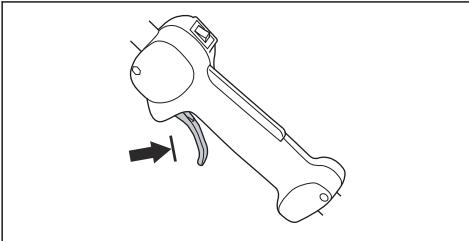
### To do a check of the throttle trigger lockout

The throttle trigger lockout prevents accidental operation of the throttle control.

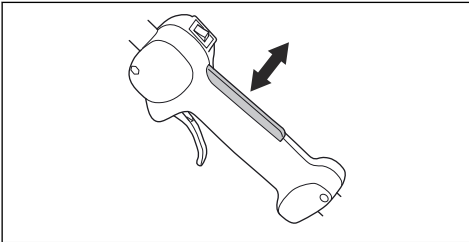
1. Push the throttle trigger lockout (A) and make sure that the throttle control is released (B).



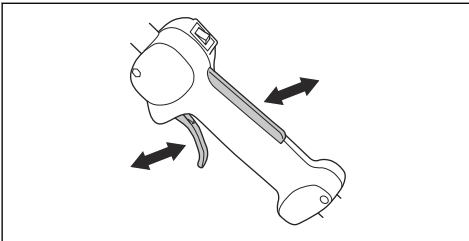
2. Release the throttle trigger lockout and make sure that the throttle control is locked at idle speed.



3. Push the throttle trigger lockout and make sure that it goes back to its initial position when you release it.



4. Make sure that the throttle control and throttle trigger lockout move freely and that the return springs operate correctly.



5. Start the product and apply full throttle. Refer to *To start the engine on page 10*.
6. Release the throttle control and make sure that the cutting attachment stops. If the cutting attachment rotates with the throttle in the idle position, do a check of the carburetor adjustments. Refer to *To adjust the idle speed on page 13*.

### To do a check of the stop switch

1. Start the engine.
2. Move the stop switch to the stop position and make sure that the engine stops. To see where the stop switch is on your product, refer to *Product overview on page 2*.



**WARNING:** The stop switch automatically goes back to start position. To prevent accidental start, remove the spark plug cap from the spark plug when you assemble or do maintenance on the product.

### To do a check of the vibration damping system

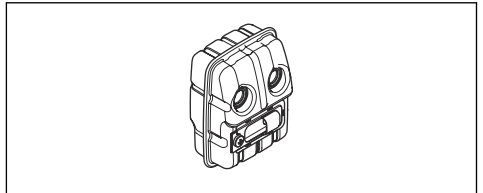


**WARNING:** Use of incorrectly wound cord or an incorrect cutting attachment increases the level of vibration.

The vibration damping system decreases vibration between the engine unit and the shaft unit, which makes the operation easier. Refer to *Product overview on page 2* to see where the vibration damping units are on your product.

1. Stop the engine.
2. Do a visual check for deformation and damage, for example cracks.
3. Make sure that the vibration damping units are attached correctly.

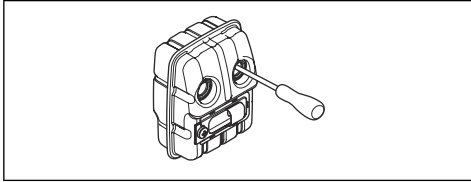
### To do a check of the muffler



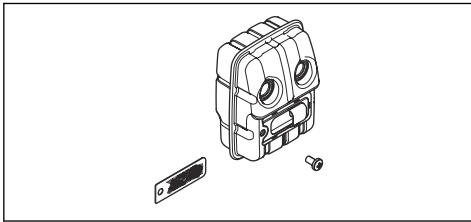
The muffler keeps noise levels to a minimum and sends exhaust fumes away from the operator.

- Do a visual check for damage and deformation.

- Make sure that the muffler is correctly attached to the product.



- If the muffler on your product has a spark arrester screen, do a visual check. Replace the spark arrester screen if it is damaged.
  - a) Clean the spark arrester screen if it is blocked. A blocked spark arrester screen causes the engine to become too hot which causes damage to the engine.
  - b) Make sure that the spark arrester mesh is attached correctly.



#### To do a check of the blades

1. Stop the engine and make sure that the blades stop.
2. Remove the spark plug cap from the spark plug.
3. Put on protective gloves.
4. Make sure that the blades are not damaged or bent. Always replace a damaged or bent blade.
5. Make sure that the screws to the blades are tight.

#### To do a check of the bevel gear and gearbox



**WARNING:** To prevent burn injuries, let the product become cool before you touch the bevel gear and gearbox.

- Do a visual check for damage and deformation.

#### Fuel safety



**WARNING:** Read the warning instructions that follow before you use the product.

- Do not mix the fuel indoor or near a heat source.
- Do not start the product if there is fuel or engine oil on the product. Remove the unwanted fuel/oil and let the product dry. Remove unwanted fuel from the product.

- If you spill fuel on your clothing, change clothing immediately.
- Do not get fuel on your body, it can cause injury. If you get fuel on your body, use a soap and water to remove the fuel.
- Do not start the engine if you spill oil or fuel on the product or on your body.
- Do not start the product if the engine has a leak. Examine the engine for leaks regularly.
- Be careful with fuel. Fuel is flammable and the fumes are explosive and can cause injuries or death.
- Do not breathe in the fuel fumes, it can cause injury. Make sure that there is sufficient airflow.
- Do not smoke near the fuel or the engine.
- Do not put warm objects near the fuel or the engine.
- Do not add the fuel when the engine is on.
- Make sure that the engine is cool before you refuel.
- Before you refuel, open the fuel tank cap slowly and release the pressure carefully.
- Make sure there are sufficient airflow when refueling and mixing fuel (petrol and two-stroke oil) or draining the fuel tank.
- Fuel and fuel vapor are highly flammable and can cause serious injury when inhaled or allowed to come into contact with the skin. For this reason, observe caution when handling fuel and make sure there is sufficient airflow.
- Tighten the fuel tank cap carefully or a fire can occur.
- Move the product at a minimum of 3 m (10 ft) from the position where you filled the tank before a start.
- Do not put too much fuel in the fuel tank.
- Make sure that a leak cannot occur when you move the product or fuel container.
- Do not put the product or a fuel container where there is an open flame, spark or pilot light. Make sure that the storage area does not contain an open flame.
- Only use approved containers when you move the fuel or put the fuel into storage.
- Empty the fuel tank before long-term storage. Obey the local law on where to dispose fuel.
- Clean the product before long-term storage.
- Remove the spark plug cap before you put the product into storage to make sure that the engine does not start accidentally.

#### Safety instructions for maintenance



**WARNING:** Read the warning instructions that follow before you use the product.

- Stop the engine and make sure that the cutting equipment stops. Let the product become cool before you do the maintenance.
- Disconnect the spark plug cap before you do the maintenance.

- The exhaust fumes from the engine contain carbon monoxide, an odourless, poisonous and very dangerous gas that can cause death. Do not run the product indoors or in closed spaces.
- The exhaust fumes from the engine are hot and can contain sparks. Do not run the product indoors or near flammable material.
- Accessories and changes to the product that are not approved by the manufacturer, can cause serious injury or death. Do not change the product. Always use original accessories.
- If the maintenance is not done correctly and regularly, there is an increased risk of injury and damage to the product.
- Only do the maintenance as this operator's manual recommends. Let an approved RedMax service agent do all other servicing.
- Let an approved RedMax service agent do servicing on the product regularly.
- Replace damaged, worn or broken parts.

---

## Assembly

---

### Introduction

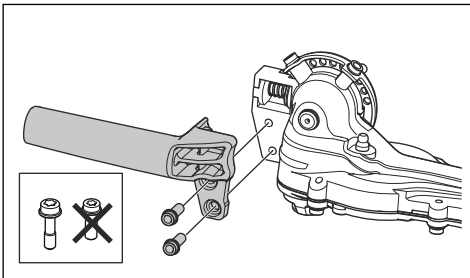
This section describes how to assemble and adjust the product.



**WARNING:** Before you assemble the product, read the safety chapter and the assembly instructions.

### To install the handle

- Install the handle with the 2 screws.

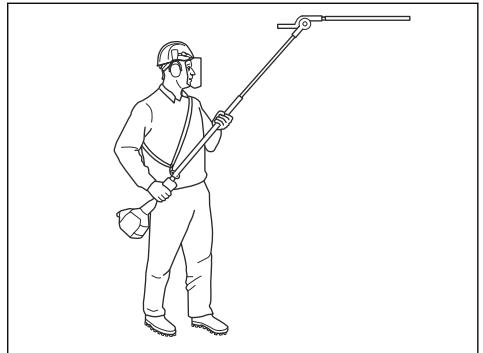


### To adjust the harness LRTZ235

Always use the harness when you operate the product. The harness gives maximum control during operation of

the product. The harness decreases the risk of tiredness in your body.

1. Put on the harness.
2. Attach the product to the harness support hook.
3. Adjust the length of the harness until the support hook is level with your hip.




---

## Operation

---

### Introduction



**WARNING:** Before you operate the product, you must read and understand the safety chapter.

### To do before you operate the product

- Examine the work area and remove loose objects.
- Do a check of the cutting unit. Refer to *To examine the blades on page 15*.

- Make sure that the safety devices of the product operate correctly. Do not use the product without all safety devices installed correctly.
- Make sure that all screws and nuts are tight.
- Make sure that all covers are attached correctly and not damaged before you start the product.
- Make sure that the cutting unit stops when the engine is at idle speed.

### Fuel

This product has a two-stroke engine.





**CAUTION:** Incorrect type of fuel can result in engine damage. Use a mixture of gasoline and two-stroke oil.

5

12 ½

### Premixed fuel

- Use RedMax premixed alkylate fuel for best performance and extension of the engine life. This fuel contains less harmful chemicals compared to regular fuel, which decreases harmful exhaust fumes. The quantity of remains after combustion is lower with this fuel, which keeps the components of the engine more clean.

### To mix fuel

#### Gasoline

- Use good quality unleaded gasoline with a maximum of 10% ethanol contents.



**CAUTION:** Do not use gasoline with an octane grade less than 90 RON/87 AKI. Use of a lower octane grade can cause engine knocking, which causes engine damages.

#### Two-stroke oil

- For best results and performance use RedMax two-stroke oil.
- If RedMax two-stroke oil is not available, use a two-stroke oil of good quality for air-cooled engines. Speak to your servicing dealer to select the correct oil.



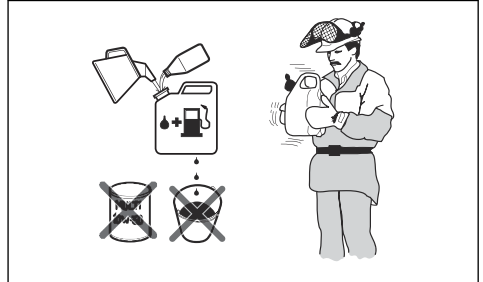
**CAUTION:** Do not use two-stroke oil for water-cooled outboard engines, also referred to as outboard oil. Do not use oil for four-stroke engines.

### To mix gasoline and two-stroke oil

Gasoline, liter	Two-stroke oil, liter
	<b>2% (50:1)</b>
5	0.10
10	0.20
15	0.30
20	0.40
US gallon	US fl. oz.
1	2 ½
2 1/2	6 ½



**CAUTION:** Small errors can influence the ratio of the mixture drastically when you mix small quantities of fuel. Measure the quantity of oil carefully and make sure that you get the correct mixture.



1. Fill half the quantity of gasoline in a clean container for fuel.
2. Add the full quantity of oil.
3. Shake the fuel mixture.
4. Add the remaining quantity of gasoline to the container.
5. Carefully shake the fuel mixture.



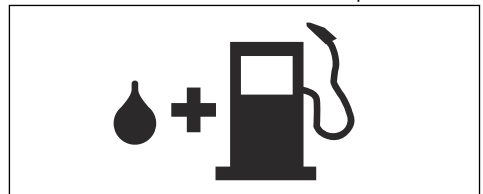
**CAUTION:** Do not mix fuel for more than 1 month at a time.

### To fill the fuel tank



**WARNING:** Obey the procedure that follows for your safety.

1. Stop the engine and let the engine become cool.
2. Clean the area around the fuel tank cap.



3. Shake the container and make sure that the fuel is fully mixed.
4. Remove the fuel tank cap slowly to release the pressure.
5. Fill the fuel tank.



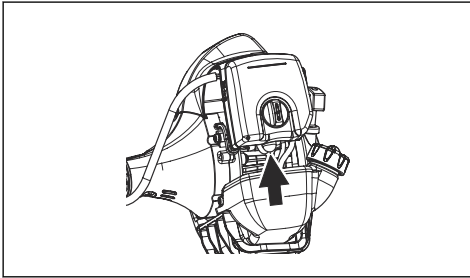
**CAUTION:** Make sure that there is not too much fuel in the fuel tank. The fuel expands when it becomes hot.

6. Tighten the fuel tank cap carefully.
7. Clean fuel spillage on and around the product.
8. Move the product 3 m/10 ft or more away from the refueling area and fuel source before you start the engine.

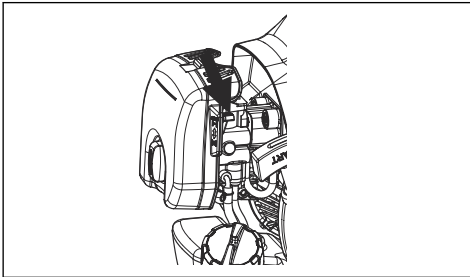
**Note:** To see where the fuel tank is on your product, refer to *Product overview on page 2*.

## To start the engine

1. Push the air purge bulb again and again until fuel starts to fill the bulb. It is not necessary to fill the air purge bulb fully.



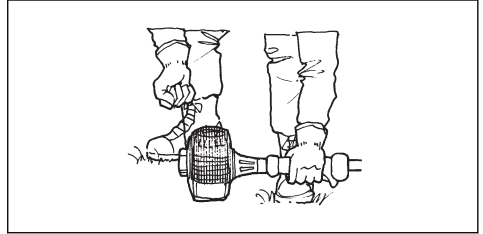
2. Move the choke lever to the choke position.



**WARNING:** The cutting unit starts to move immediately when you start the engine with the choke.

3. Hold the body of the product on the ground with your left hand.

4. Hold the starter rope handle with your right hand and the throttle trigger and throttle trigger lockout with your left hand.



5. Slowly pull out the starter rope with your right hand until you feel some resistance.



**WARNING:** Do not twist the starter rope around your hand.

6. Pull the cord quickly and with force. Pull a maximum of 5 times.

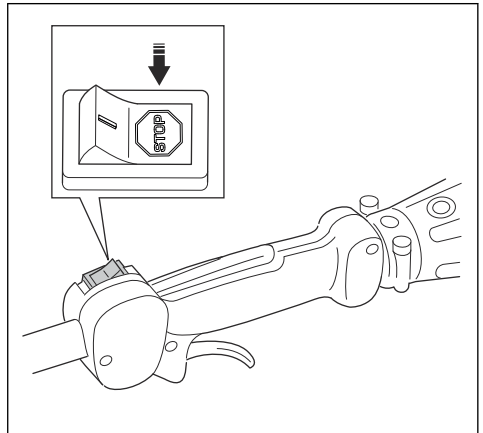


**CAUTION:** Do not pull the starter rope to full extension and do not let go of the starter rope handle when the starter rope is fully extended. This can cause damage to the product.

7. Reset the choke when the engine fires.
8. Pull the starter rope again and again until the engine starts.
9. Operate the throttle gradually when the engine starts.
10. Make sure that the engine runs smoothly and let the engine become warm for 1-2 minutes before operation.

## To stop the product

- Push the stop switch to stop the engine.

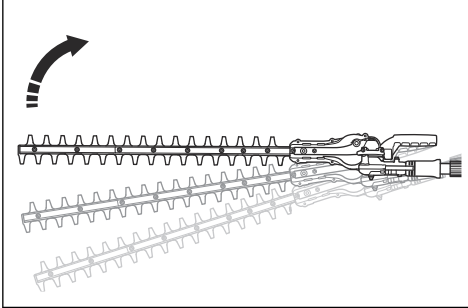




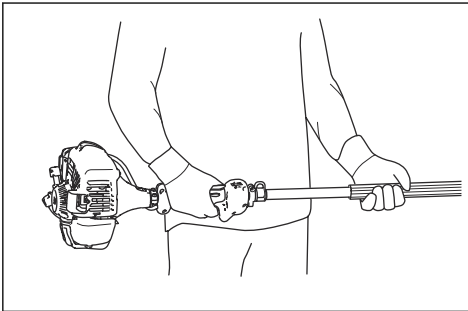
**WARNING:** The stop switch automatically goes back to start position. To prevent accidental start, remove the spark plug cap from the spark plug when you assemble or do maintenance on the product.

### To operate the product

- Start near the ground and move the product up along the hedge when you cut the sides.



- Make sure that the engine does not touch the hedge.
- Hold the product near your body for a stable work position.



- Make sure that the cutting unit does not touch the ground.
- Be careful and work slowly until all the branches are correctly cut.

### To adjust the angle of the cutting unit

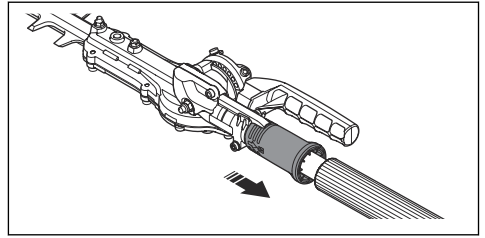
The cutting unit can be adjusted in 10 different positions.



**WARNING:** Do not operate the cutting unit when you adjust the angle.

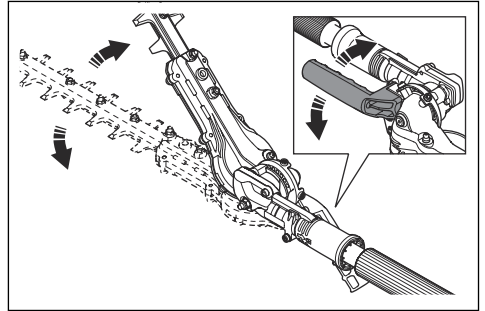
1. Let the engine run at idle speed and make sure the cutting unit does not move.

2. Pull down the position adjustment handle.

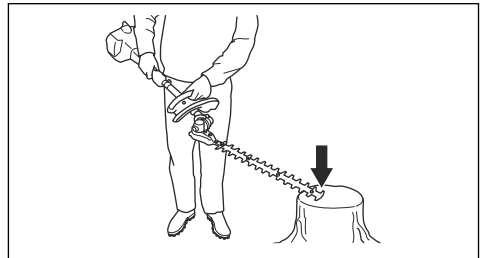


3. Tilt the cutting unit to the correct position. Use 1 of the procedures that follow.

- a) Use the handle.



- b) Push the end of the cutting unit against a stable surface.



4. Release the position adjustment handle to lock the cutting unit.
5. Push the cutting unit against the hedge to make sure that it is locked.

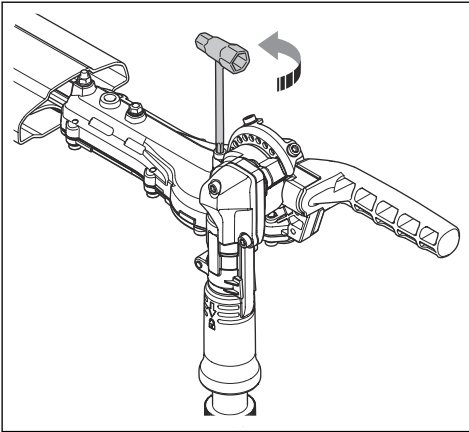
### To adjust the friction for angle adjustment



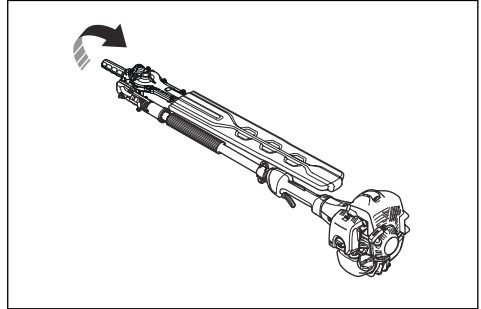
**WARNING:** Do not operate the cutting unit when you adjust the friction.

1. Push the stop switch to stop the product.
2. Install the transport guard on the cutting unit
3. Pull down the position adjustment handle.

4. Tilt the cutting unit to the applicable position.



1. Push the stop switch to stop the product.
2. Install the transport guard on the cutting unit.
3. Pull down the position adjustment handle.
4. Fold the cutting unit to make it parallel to the shaft.



5. Adjust the screw to set the friction.

6. Set the cutting unit in different positions to try the friction.

### To set the product in transport position



**WARNING:** Do not start the product when the product is in transport position.

## Maintenance

### Introduction



**WARNING:** Read and understand the safety chapter before you do maintenance on the product.

### Maintenance schedule

Maintenance	Daily	Weekly	Monthly
Clean the external surface.	After each operation.		
Clean the muffler, exhaust pipe and engine from leaves, dirt and unwanted lubricant.	After each operation.		
Make sure that the cutting unit does not move at idle speed.	X		
Do a check of the stop switch.	X		
Examine the cutting unit for damages and cracks. Replace if it is damaged.	X		
Do a check of the throttle trigger lockout and the throttle trigger.	X		
Examine the engine, the fuel tank and the fuel lines for leaks.	X		
Tighten nuts and screws.	X		

Maintenance	Daily	Weekly	Monthly
Examine the fuel filter for contamination and the fuel hose for cracks and other defects. Replace if necessary.	X		
Examine the starter and the starter rope for damages.		X	
Clean the air filter. Replace if it is necessary.		X	
Examine the vibration damping units for damages and cracks.		X	
Examine the spark plug, refer to <i>Technical data on page 17</i> .		X	
Clean the cooling system.		X	
Clean the external surface of the carburetor and the area around it.		X	
Clean or replace the spark arrester mesh.			X
Clean the inner surface of the fuel tank.			X
Make sure that the gearbox is filled with grease.			X

## To adjust the idle speed

**Note:** Adjust the idle speed with the idle adjustment screw. The idle adjustment screw is identified with a "T" mark.

1. Make sure that the air filter is clean and that the air filter cover is installed.
2. Start the product and let the engine become warm.
3. Do 1 of the steps that follow.
  - a) If the engine stops frequently at idle speed, turn the idle adjustment screw clockwise.
  - b) If the cutting equipment rotates at idle speed, turn the idle adjustment screw counterclockwise.

**Note:** Refer to *Product overview on page 2* for the position of the idle adjustment screw.

The idle speed is correct when the engine operates smoothly in all positions. The idle speed must be below the speed when the cutting equipment starts to rotate.

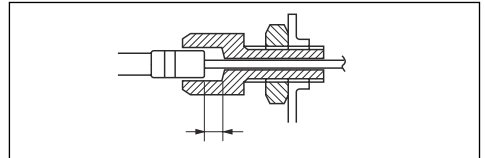


**WARNING:** If the cutting equipment does not stop when you adjust the idle speed, speak to your nearest servicing dealer. Do not use the product until it is correctly adjusted or repaired.

**Note:** Refer to *Technical data on page 17* for the recommended idle speed.

## To examine and adjust the throttle cable

1. Examine the play of the throttle cable. The play must be 3-4 mm/0.12 in. on the carburetor side.



2. If the play is incorrect, adjust the throttle cable with the cable adjuster.

## To do maintenance on the muffler

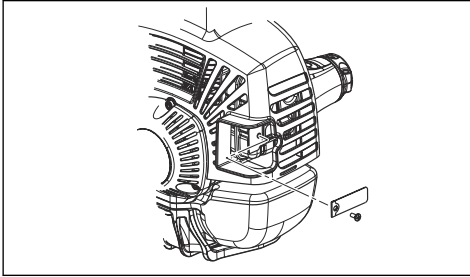
The muffler decreases the noise level and points the exhaust gases away from the operator.



**WARNING:** Mufflers that have catalytic converters get very hot during operation and will stay hot for some time after you stop the product. This also applies at idle speed. If you touch the product it can result in burns to the skin. Think about of the risk of fire.

1. Stop the product and let it cool down.
2. Make sure that the muffler is correctly attached and that it is not damaged.

3. Remove the screw that holds the spark arrester screen.



4. Clean the spark arrester screen if it is blocked or replace it if it is damaged.



**CAUTION:** The spark arrester screen must be replaced if it is damaged. Do not use a product without, or with a broken, spark arrester screen if you must have a spark arrester screen in your area. Obey local regulations and maintenance instructions.



**CAUTION:** If the spark arrester screen is frequently blocked it can be a sign that the performance of the catalytic converter is decreased. Turn to your servicing dealer to examine the muffler. A blocked spark arrester screen will cause overheating and result in damage to the cylinder and piston.

## To clean the cooling system

The product has a cooling system to keep the operation temperature as low as possible.



**CAUTION:** A dirty or blocked cooling system makes the product too hot which causes damage to the piston and cylinder.

The cooling system has the components that follow:

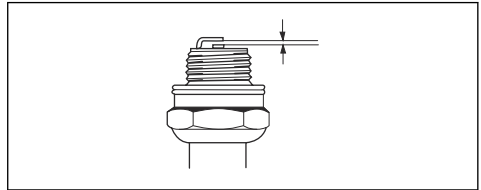
- Air intake on the starter.
- Flywheel fins on the flywheel.
- Cooling fins on the cylinder.
- Cylinder cover (points cool air over the cylinder).
- Muffler cover.
- Muffler plate.
- Clean the components of the cooling system with a brush weekly or more frequently in rougher conditions.

## To examine the spark plug



**CAUTION:** Always use the recommended spark plug type. Incorrect spark plug type can cause damage to the product.

- Examine the spark plug if the engine is low on power, is not easy to start or does not operate correctly at idle speed.
- To decrease the risk of unwanted material on the spark plug electrodes, obey these instructions:
  - a) Make sure that the idle speed is correctly adjusted.
  - b) Make sure that the fuel mixture is correct.
  - c) Make sure that the air filter is clean.
- If the spark plug is dirty, clean it and make sure that the electrode gap is correct, refer to *Technical data on page 17*.



- Replace the spark plug if it is necessary.

## Air filter

Remove dust and dirt from the air filter to keep it clean and prevent these problems:

- Carburetor malfunctions.
- Problems when you start the product.
- Loss of engine power.
- Increased wear to engine parts.
- Too much fuel consumption.

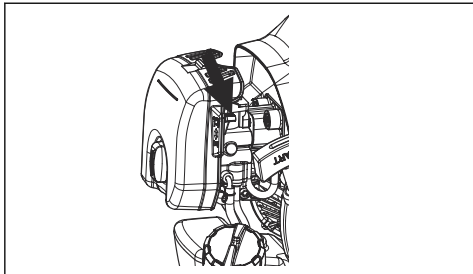
## To clean the air filter



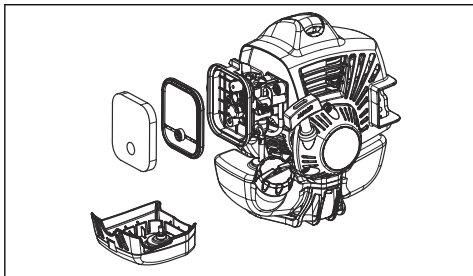
**CAUTION:** An air filter that is damaged, very dirty or soaked with fuel must always be replaced.

If you use an air filter for a long time it cannot be fully cleaned. Replace the air filter with a new one at regular intervals.

1. Move the choke up to close the choke valve.



2. Remove the air filter cover and remove the air filter.



3. Clean the air filter with warm soap water.
4. Replace the air filter if it is too dirty to fully clean. Always replace a damaged air filter.
5. Clean the inner surface of the filter cover with compressed air or a brush.
6. Examine the rubber seal for wear and damage. Replace the rubber seal if it is damaged.
7. Make sure that the filter is dry before you assemble it.

### To lubricate the bevel gear and gearbox

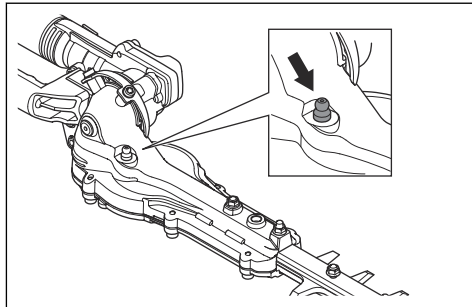


**WARNING:** To prevent burn injuries, let the product become cool before you touch the bevel gear and gearbox.

**Note:** New products are first filled with grease after approximately 20 hours of operation.

- Use special grease. Speak to your servicing dealer for more information.

- Add the grease through the grease nipple.



**CAUTION:** Do not fill the gearbox fully.

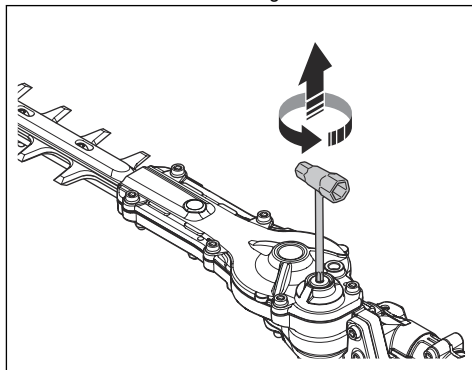
### To clean and lubricate the blades

1. Clean the blades from unwanted materials before and after you use the product.
2. Lubricate the blades before long periods of storage.

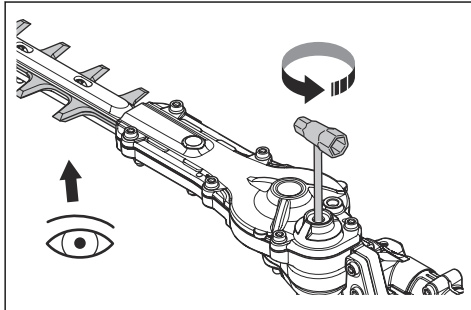
**Note:** Speak to your servicing dealer for more information about recommended cleaning agents and lubricants.

### To examine the blades

1. Remove the screw from the gearbox.



- Put the combination wrench in the gearbox and turn clockwise and counterclockwise. Make sure that the blades move freely.



- Examine the edges of the blades for damages and deformation.
- Use a file to remove burrs on the blades.
- Install in the opposite sequence.

## Troubleshooting

### Troubleshooting

The engine does not start		
Problem	Possible cause	Recommended step
Starter pawls	The starter pawls cannot move freely.	Adjust or replace the starter pawls.
		Clean around the starter pawls.
		Speak to an approved servicing dealer.
Fuel tank	Incorrect fuel type.	Drain it and use correct fuel.
Carburetor	Incorrect idle speed.	Adjust the idle speed.
No spark	The spark plug is dirty or wet.	Make sure that the spark plug is dry and clean.
	Incorrect electrode gap.	Clean the spark plug. Make sure that the electrode gap of the spark plug is correct. Make sure that the spark plug is installed with a suppressor. Refer to <i>Technical data on page 17</i> for correct electrode gap.
Spark plug	The spark plug is loose.	Tighten the spark plug.

The engine starts but stops again		
Problem	Possible cause	Recommended step
Fuel tank	Incorrect fuel type.	Drain it and use correct fuel.
Carburetor	Incorrect idle speed.	Adjust the idle speed. Refer to <i>To adjust the idle speed on page 13</i> . Speak to your servicing dealer if it is necessary.



The engine starts but stops again		
Problem	Possible cause	Recommended step
Air filter	Clogged air filter.	Clean the air filter.

Blade		
Problem	Possible causes	Recommended step
The blade moves slowly or does not move.	The blade is blocked or it is damaged.	Clean the blades from unwanted materials. Refer to <i>To clean and lubricate the blades on page 15</i> . Remove burrs from the blade, refer to <i>To examine the blades on page 15</i> . Replace the blade if it is damaged.
The blade does not cut easily.	The blade is not sharp or it is damaged.	Sharpen the blade, refer to <i>To examine the blades on page 15</i> . Replace the blade if it is damaged.
The blade becomes hot.	There is friction between the blades.	Remove burrs from the blade and lubricate the blade. Refer to <i>To examine the blades on page 15</i> .

---

## Transportation, storage and disposal

---

### Transportation and storage

- Always allow the product to cool down before storage.
  - For storage and transportation of the product and fuel, make sure that there are no leaks or fumes. Sparks or open flames, for example from electrical devices or boilers, can start a fire.
  - Always use approved containers for storage and transportation of fuel.
  - Empty the fuel before transportation or before long-term storage. Discard the fuel at an applicable disposal location.
- Attach the transport guard during transportation and storage.
  - Remove the spark plug cap from the spark plug.
  - Attach the product during transportation. Make sure that it cannot move.
  - Clean and do servicing on the product before long-term storage.

---

## Technical data

---

### Technical data

	SRTZ235	LRTZ35
<b>Engine</b>		
Cylinder displacement, cu.i <sup>3</sup> /cm <sup>3</sup>	1.4/22.5	1.4/22.6
Idle speed, rpm	2800-3200	2800~3200
Recommended max speed, rpm	11000	11000
Maximum engine power acc. to ISO 8893, kW/hp @ rpm	0.75/1@8500	0.75/1@8501
Catalytic converter muffler	Yes	Yes

	<b>SRTZ235</b>	<b>LRTZ235</b>
<b>Ignition system</b>		
Spark plug	NGK BPMR8Y	NGK BPMR8Y
Electrode gap, inch/mm	0.026/0.65	0.026/0.65
<b>Fuel and lubrication system</b>		
Fuel tank capacity, Us Pint/l	1.35/0.64	1.35/0.64
<b>Weight</b>		
Weight, lbs/kg	12.5/5.7	13.5/6.1
<b>Blades</b>		
Type	Double sided	Double sided
Cutting length, inch/mm	23.6/600	23.6/600
Cutting speed, cuts/min	4200	4200

---

# Warranty

---

## CALIFORNIA, U.S FEDERAL, AND CANADA EXHAUST AND EVAPORATIVE EMISSIONS CONTROL WARRANTY STATEMENT

### YOUR WARRANTY RIGHTS AND OBLIGATIONS

The California Air Resources Board (CARB), U.S. Environmental Protection Agency (EPA), Environment and Climate Change Canada and Husqvarna Professional Products, Inc. are pleased to explain the exhaust and evaporative emissions ("emissions") control system warranty on your 2021-2022\* small off-road engine. In California, new equipment that use small off-road engines must be designed, built, and equipped to meet State's stringent anti-smog standards. Husqvarna Professional Products, Inc. must warrant the emissions control system on your small off-road engine for the periods of time listed below provided there has been no abuse, neglect or improper maintenance of your small off-road engine or equipment leading to the failure of the emissions control system. Your emissions control system may include parts such as the carburetor or fuel injection system, the ignition system, catalytic converter, fuel tanks, fuel lines (for liquid fuel and fuel vapors), fuel caps, valves, canisters, filters, clamps and other associated components. Also included may be hoses, belts, connectors, and other emission-related assemblies. Where a warrantable condition exists, Husqvarna Professional Products, Inc. will repair your small off-road engine at no cost to you including diagnosis, parts and labor.

### MANUFACTURER'S WARRANTY COVERAGE

The exhaust and evaporative emissions control system on your small off-road engine is warranted for two years. If any emissions-related part on your small off-road engine is defective, the part will be repaired or replaced by Husqvarna Professional Products, Inc..

### OWNER'S WARRANTY RESPONSIBILITIES

- As the small off-road engine owner, you are responsible for performance of the required maintenance listed in your owner's manual. Husqvarna Professional Products, Inc. recommends that you retain all receipts covering maintenance on your small off-road engine, but Husqvarna Professional Products, Inc. cannot deny warranty coverage solely for the lack of receipts or for your failure to ensure the performance of all scheduled maintenance.
- As the small off-road engine owner, you should however be aware that Husqvarna Professional Products, Inc. may deny you warranty coverage if your small off-road engine or a part has failed due to abuse, neglect, or improper maintenance or unapproved modifications.

- You are responsible for presenting your small off-road engine to a Husqvarna Professional Products, Inc. authorized servicing dealer as soon as the problem exists. The warranty repairs shall be completed in a reasonable amount of time, not to exceed 30 days. If you have any questions regarding your warranty rights and responsibilities, you should contact Husqvarna Professional Products, Inc. in USA at 1-800-487-5951, in CANADA at 1-800-805-5523 or send e-mail correspondence to [emissions@husqvarnagroup.com](mailto:emissions@husqvarnagroup.com) or [warranty@hpp-emissions.com](mailto:warranty@hpp-emissions.com).

### WARRANTY COMMENCEMENT DATE

The warranty period begins on the date the engine or equipment is delivered to an ultimate purchaser.

### LENGTH OF COVERAGE

Husqvarna Professional Products, Inc. warrants to the ultimate purchaser and each subsequent owner that the engine or equipment is designed, built, and equipped so as to conform with all applicable regulations adopted by CARB and EPA, and is free from defects in materials and workmanship that causes the failure of a warranted part for a period of two years.

### WHAT IS COVERED

**REPAIR OR REPLACEMENT OF PARTS:** Repair or replacement of any defective warranted part will be performed at no charge to you at a brand authorized servicing dealer. Except for repairs and replacement under this Emission Control Warranty, you may choose a repair shop or other person to maintain, replace or repair emission control devices and systems. However, Husqvarna Professional Products, Inc. recommends that all maintenance, replacement and repairs of emission control devices and systems be performed by a brand authorized servicing dealer.

**IMPORTANT:** This product is compliant with U.S. EPA Phase 3 regulations for exhaust and evaporative emissions. To ensure EPA Phase 3, California Air Resources Board and Environment and Climate Change Canada regulation, we recommend using only genuine product branded replacement parts. Use of non-compliant replacement parts is a violation of federal and state laws.

**WARRANTY PERIOD:** Any warranted part which is not scheduled for replacement as required maintenance, or which is scheduled only for regular inspection to the effect of "repair or replace as necessary" is warranted for 2 years (or time defined in the product warranty statement, whichever is longer) from the date of purchase by the initial consumer purchaser. Any warranted part which is scheduled for replacement as required maintenance is warranted for the period of the time up to the first scheduled replacement for that part.

Any part repaired or replaced under the warranty must be warranted for the remaining warranty period.

**DIAGNOSIS:** You will not be charged for diagnostic labor that leads to the determination that a warranted part is in fact defective, provided that such diagnostic work is performed at a brand authorized servicing dealer.

**OTHER DAMAGES:** Husqvarna Professional Products, Inc. will repair other engine components caused by the failure of a warranted part still under warranty.

### **EMISSION WARRANTY PARTS LIST**

1. Carburetor and intake parts or fuel injection system.
2. Air filter and fuel filter covered up to maintenance schedule.
3. Spark Plug, covered up to maintenance schedule.
4. Ignition Module.
5. Mufflers with catalyst and exhaust manifolds.
6. Fuel tank, fuel lines (for liquid fuel and fuel vapors), fuel cap, carbon canister and tip-over/anti-slosh valves as applicable.\*\*
7. Electronic Controls, Vacuum, temperature, and time sensitive valves and switches.
8. Hoses, connectors, and assemblies.
9. All other components the failure of which would increase the engine's exhaust and evaporative emissions of any regulated pollutant as set forth at the following:
  - For California see California Code of Regulations, 13 CCR §2405(d) and 2760(d).
  - For U.S. and Canada see US Federal Code of Regulations, 40 C.F.R. 1068 Appendix I (iii).

### **WHAT IS NOT COVERED**

All failures caused by abuse, neglect, unapproved modifications, misuse or improper maintenance are not covered.

**ADD -ON OR MODIFIED PARTS:** Add-on or modified parts that are not exempted by CARB or EPA may not be used. The use of any non-exempted add-on or modified parts will be grounds for disallowing a warranty claim. Husqvarna Professional Products, Inc. will not be liable to warrant failures of warranted parts caused by the use of a non-exempted add-on or modified part.

### **HOW TO FILE A CLAIM**

If you have any questions regarding your warranty rights and responsibilities, you should contact your nearest authorized servicing dealer or call Husqvarna Professional Products, Inc. in USA at 1-800-487-5951, in CANADA at 1-800-805-5523 or send e-mail correspondence to [emissions@husqvarnagroup.com](mailto:emissions@husqvarnagroup.com) or [warranty@hpp-emissions.com](mailto:warranty@hpp-emissions.com).

### **WHERE TO GET WARRANTY SERVICE**

Warranty services or repairs are provided through all Husqvarna Professional Products, Inc. authorized servicing dealers. If the nearest authorized servicing

dealer is more than 100 miles from your location, Husqvarna Professional Products, Inc. will arrange and pay for the shipping costs to and from a brand authorized servicing dealer or otherwise arrange for warranty service in accordance with applicable regulations.

### **MAINTENANCE, REPLACEMENT AND REPAIR OF EMISSION-RELATED PARTS**

Any replacement part may be used in the performance of any warranty maintenance or repairs and must be provided without charge to the owner. Such use will not reduce the warranty obligations of the manufacturer.

### **MAINTENANCE STATEMENT**

The owner is responsible for the performance of all required maintenance, as defined in the owner's manual.

\* Current and following model year will be updated annually in the warranty statement provided to the consumer. For example, in 2012 model year, 2012-2013 will be specified.

\*\* Evaporative emission parts.

# Contenido

Introducción.....	21	Solución de problemas.....	36
Seguridad.....	23	Transporte, almacenamiento y eliminación de residuos.....	37
Montaje.....	27	Datos técnicos.....	37
Funcionamiento.....	28	Garantía.....	39
Mantenimiento.....	32		

## Introducción

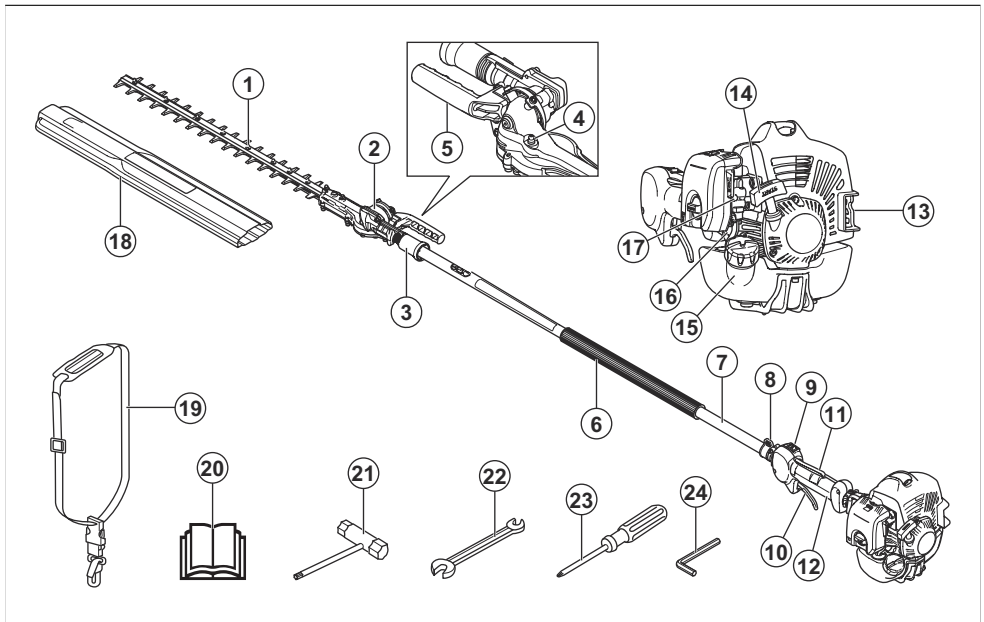
### Descripción de la máquina

El producto es un cortasetos con un motor de combustión.

### Uso específico

Utilice el producto para cortar ramas grandes y pequeñas. No utilice el producto para otras tareas.

### Descripción general del producto



1. Hoja
2. Caja de cambios
3. Mango de ajuste de posición
4. Boquilla de engrase
5. Manilla
6. Mango delantero
7. Eje
8. Gancho de sujeción del arnés (LRTZ235)
9. Interruptor de detención
10. Acelerador
11. Bloqueo del acelerador
12. Mango trasero
13. Parachispas
14. Empuñadura de la cuerda de arranque
15. Depósito de combustible
16. Bomba de combustible
17. Palanca del estrangulador
18. Protección para transporte
19. Correa para el hombro (LRTZ235)
20. Manual del usuario
21. Llave combinada
22. Llave combinada
23. Destornillador
24. Llave hexagonal

## Símbolos en el producto



**ADVERTENCIA:** Este producto puede ser peligroso y provocar daños graves o fatales al operador o a otras personas. Tenga cuidado y utilice el producto correctamente.



Lea atentamente el manual de instrucciones y asegúrese de que entiende las instrucciones antes de usar el producto.



Utilice casco protector, protectores auriculares y protección ocular aprobados.



Estrangulador, posición abierta.



Posición cerrada de estrangulamiento.



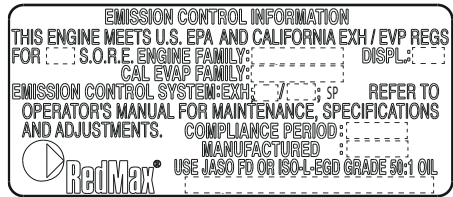
Utilice una mezcla de gasolina y de aceite para motores de dos tiempos.

aaaassxxx

En la placa de características, se muestra el número de serie. **aaaa** es el año de producción, **ss** es la semana de producción.

**Nota:** Otros símbolos o etiquetas en el producto hacen referencia a requisitos de certificación para algunos mercados.

## EPA III



El período de cumplimiento de emisiones al que se hace referencia en la etiqueta de cumplimiento de emisiones indica la cantidad de horas de funcionamiento para la que se ha demostrado que el motor cumple el requisito de emisiones federales. El mantenimiento, reemplazo o reparación de los dispositivos y sistemas de control de emisiones puede realizarlo cualquier establecimiento o persona de que repare motores para uso fuera de carretera.

### ABREVIATURAS DE LA ETIQUETA DE CONTROL DE EMISIONES

#### Información general:

CAL	California	EXH/EVP	Escape y evaporación	REGS	Reglamentos
DISPL	Desplazamiento	EVAP	Evaporación	SORE	Motores todoterreno pequeños
ECS	Sistema de control de emisiones	HRS	Horas	US EPA	Agencia de Protección Ambiental de Estados Unidos

#### Sistema de control de emisiones de escape:

ECM	Módulo de control del motor (afinación automática)	OC	Catalizador oxidante
-----	--	----	----------------------

#### Sistema de control de emisiones de escape:

EM	Modificación del motor	TWC	Catalizador de tres vías
----	------------------------	-----	--------------------------

Sistemas de control de emisiones por evaporación:			
C	Coextrusionado (multicapa)	P	HDPE o PE tratados
N	Nailon	S	Sellado

## Canada EMC

Este sistema de Ignición por chispa de vehículo es conforme con la norma ICES-002 del Canada.

## Responsabilidad del fabricante

Como se menciona en las leyes de responsabilidad del fabricante, no nos hacemos responsables de los daños que cause nuestro producto si:

- el producto se repara incorrectamente
- el producto se repara con piezas que no son del fabricante o que este no autoriza
- el producto tiene un accesorio que no es del fabricante o que este no autoriza
- el producto no se repara en un centro de servicio autorizado o por una autoridad aprobada.

## Proposición 65 de California

**⚠️ ¡ADVERTENCIA!**

Los gases de escape del motor de este producto contienen sustancias químicas conocidas en el Estado de California como causantes de cáncer, defectos congénitos y otros daños reproductivos.

## Seguridad

### Definiciones de seguridad

Las advertencias, precauciones y notas se utilizan para señalar las piezas particularmente importantes del manual.



**ADVERTENCIA:** Se utilizan para señalar el riesgo de lesiones graves o mortales para el operador o para aquellos que se encuentren cerca si no se siguen las instrucciones del manual.



**PRECAUCIÓN:** Se utilizan para señalar el riesgo de dañar la máquina, otros materiales o el área adyacente si no se siguen las instrucciones del manual.

**Nota:** Se utilizan para entregar más información necesaria en situaciones particulares.

### Instrucciones generales de seguridad



**ADVERTENCIA:** Lea atentamente las instrucciones de advertencia siguientes antes de usar el producto.

- El uso incorrecto o descuidado del producto puede convertirlo en una herramienta peligrosa que puede causar heridas graves o daños mortales. Es muy importante que lea y comprenda el contenido de este manual de usuario.
- En este producto se genera un campo electromagnético durante su funcionamiento. Este campo puede, en determinadas circunstancias,

interferir con implantes médicos activos o pasivos. Para reducir el riesgo de lesiones graves o fatales, recomendamos a las personas con implantes médicos consultar a su médico y al fabricante del implante médico antes de usar esta máquina.

- La sobreexposición a las vibraciones puede producir trastornos vasculares o nerviosos en personas que padecen de trastornos circulatorios. Póngase en contacto con su médico si experimenta síntomas de la sobreexposición a las vibraciones. Estos síntomas son entumecimiento, pérdida de sensibilidad, hormigueo, ardor, dolor, pérdida de fuerza, cambios en el color o el estado de la piel. Normalmente, estos síntomas se presentan en los dedos, manos o muñecas. El riesgo aumenta a bajas temperaturas.
- Si se encuentra en una situación en la que no está seguro de cómo proceder, debe preguntarle a un experto. Póngase en contacto con el distribuidor o el taller de servicio. Evite todos los usos que considere que están más allá de su capacidad.
- Tenga en cuenta que el operador es responsable de los accidentes o los peligros que ocurren a otras personas o sus propiedades.
- Nunca permita que otras personas utilicen el producto sin asegurarse primero de que hayan comprendido el contenido del manual del usuario.
- Nunca permita que los niños utilicen el producto o que estén cerca de este. Debido a que el producto está equipado con un interruptor de detención que se acciona por resorte y se puede arrancar con baja velocidad y fuerza desde la empuñadura de arranque, incluso niños pequeños pueden, en determinadas circunstancias, lograr la fuerza necesaria para arrancar el producto. Esto puede significar riesgo de daños personales graves. Por

conseguido, saque el sombrerete de bujía cuando no se supervise el producto atentamente.

- Almacene el producto fuera del alcance de los niños.
- Nunca utilice el producto si está cansado, si ha ingerido alcohol o si toma medicamentos que puedan afectarle la vista, su capacidad de discernimiento o su coordinación.
- Nunca utilice un producto que esté defectuoso. Realice las comprobaciones de seguridad, el mantenimiento y las instrucciones de servicio descritas en este manual. Especialistas capacitados y calificados deben llevar a cabo algunas medidas de mantenimiento y servicio. Consulte las instrucciones en el capítulo Mantenimiento.
- Nunca utilice un producto que se haya modificado de cualquier modo con respecto a la especificación original.

## Instrucciones de seguridad para el funcionamiento



**ADVERTENCIA:** Lea atentamente las instrucciones de advertencia siguientes antes de usar el producto.

- No utilice el producto en condiciones climáticas extremas como frío intenso o climas muy calurosos o húmedos.
- Las cuchillas defectuosas pueden aumentar el riesgo de accidentes.
- Asegúrese de que ninguna persona o animal se acerque a menos de 15 m (50 pies) mientras trabaja.
- Preste atención a su entorno y asegúrese de que no haya riesgo de que ninguna persona o animal entre en contacto con el equipo de corte.
- Inspeccione la zona de trabajo. Retire todos los objetos que puedan salir eyectados.
- Asegúrese siempre de tener una posición de trabajo segura y firme.
- Nunca deje el producto sin supervisión con el motor en funcionamiento.
- Asegúrese de que las manos y los pies no se acerquen a la unidad de corte cuando el motor esté funcionando.
- Si algo se atasca en las cuchillas mientras trabaja, apague el motor y espere hasta que se haya detenido por completo antes de limpiar las cuchillas. Desconecte el sombrerete de bujía de la bujía.
- Cuando apague el motor, mantenga las manos y los pies alejados de la unidad de corte hasta que se haya detenido completamente.
- Tenga cuidado con los trozos de ramas que puedan salir eyectados durante el corte.
- Preste atención a las señales de advertencia o gritos cuando utilice protectores auriculares. Siempre retire sus protectores auriculares apenas se detenga el motor.

- No trabaje nunca desde una escalera, taburete ni ninguna otra posición elevada que no cumpla a cabalidad con las normas de seguridad.
- Utilice siempre las dos manos para sostener el producto. Mantenga el producto frente a su cuerpo.
- Si se golpea algún objeto extraño o si se producen vibraciones, detenga la máquina de inmediato. Desconecte el sombrerete de bujía de la bujía. Compruebe que el producto no esté dañado. Repare cualquier daño.
- Asegúrese de que el sombrerete de bujía y el cable de encendido estén en perfecto estado para evitar el riesgo de descarga eléctrica.
- Verifique que todas las tuercas y tornillos estén firmes.
- Asegúrese de que la caja de cambios esté correctamente lubricada. Consulte *Para lubricar el engranaje angulado y la caja de cambios en la página 35*.
- La caja de cambios se calienta cuando se utiliza el producto. Para evitar quemaduras, no toque la caja de cambios.
- Todas las cubiertas y protecciones se deben montar antes del uso.
- Si las hojas se atascan, las puede soltar si inserta la llave combinada en la caja de cambios. Inserte la llave combinada en el engranaje y gírela hacia delante y hacia atrás. Consulte *Para examinar las cuchillas en la página 36*.
- La protección para transportes siempre debe estar instalada en la unidad de corte cuando no se esté utilizando el producto.

## Equipo de protección personal

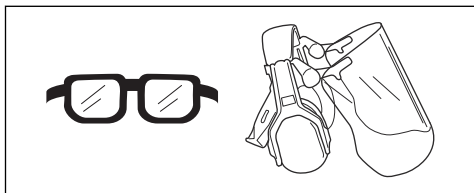


**ADVERTENCIA:** Lea atentamente las instrucciones de advertencia siguientes antes de usar el producto.

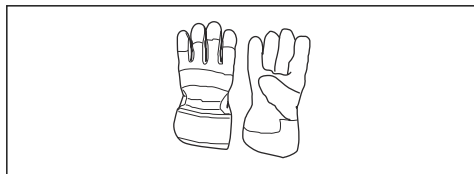
- Utilice siempre el equipo de protección personal adecuado cuando use el producto. El equipo de protección personal no puede impedir el riesgo de lesiones, pero disminuirá el grado de lesión si ocurre un accidente. Permita que su distribuidor le ayude seleccionar el equipo adecuado.
- Utilice protectores auriculares aprobados que proporcionen una reducción de ruido adecuada. La exposición prolongada al ruido puede causar la pérdida permanente de la audición.
- Use protección ocular homologada. Si utiliza un visor, también debe usar gafas protectoras homologadas. Las gafas protectoras homologadas



deben cumplir con la norma ANSI Z87.1 de EE. UU. o EN 166 para países de la UE.



- Utilice guantes protectores en todo momento.



- Utilice botas o zapatos antideslizantes resistentes.



- Utilice ropa de material resistente. Use siempre pantalones largos y gruesos, y mangas largas. Evite usar ropas holgadas que se puedan enganchar con ramas. No trabaje con joyas, pantalones cortos, sandalias ni con los pies descalzos. Asegure su cabello por encima del nivel de los hombros.

- Mantenga un equipo de primeros auxilios a mano.



## Dispositivos de seguridad en el producto



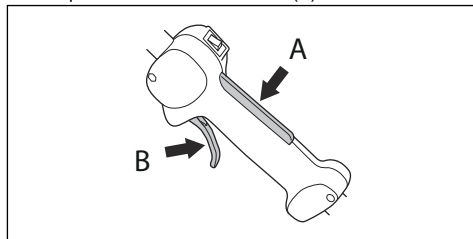
**ADVERTENCIA:** Lea atentamente las instrucciones de advertencia siguientes antes de usar el producto.

- No utilice un producto con dispositivos de seguridad defectuosos.
- Revise los dispositivos de seguridad de forma regular. Si los dispositivos de seguridad están defectuosos, comuníquese con su taller de servicio RedMax.

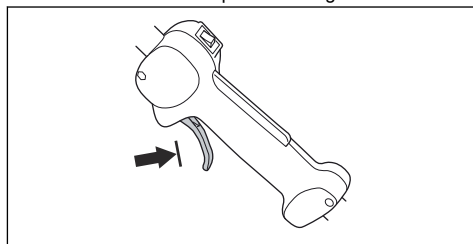
## Comprobación del fiador del acelerador

El bloqueo del acelerador evita el funcionamiento accidental del acelerador.

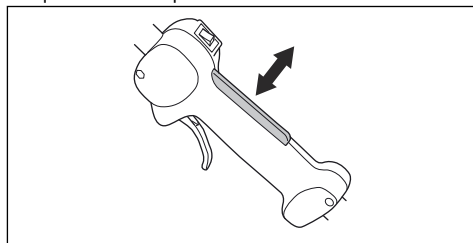
1. Presione el bloqueo del acelerador (A) y asegúrese de que se suelte el acelerador (B).



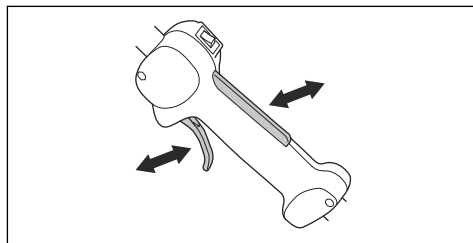
2. Suelte el bloqueo del acelerador y asegúrese de que el acelerador esté bloqueado en régimen de ralentí.



3. Presione el bloqueo del acelerador y asegúrese de que vuelva a su posición inicial cuando lo suelte.



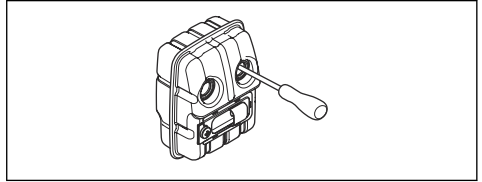
4. Asegúrese de que el acelerador y el bloqueo del acelerador se muevan libremente y que los resortes de retorno funcionen de manera correcta.



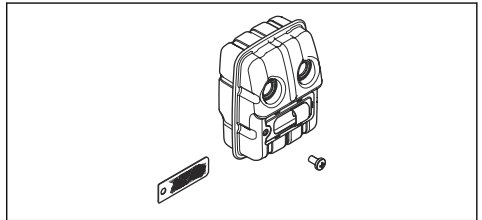
5. Encienda el producto y aplique la aceleración máxima. Consulte *Para arrancar el motor: en la página 30.*

- Suelte el acelerador y asegúrese de que el equipo de corte se detenga. Si el equipo de corte gira con el acelerador en la posición de ralentí, revise los ajustes del carburador. Consulte *Para ajustar el régimen de ralentí en la página 33*.

- Asegúrese de que el silenciador esté correctamente unido al producto.



- Si el silenciador de su producto tiene una rejilla apagachispas, realice una comprobación visual. Cambie la rejilla apagachispas si está dañada.
  - Limpie la rejilla apagachispas si está bloqueada. Una rejilla apagachispas obstruida hace que el motor se sobrecaliente y se dañe.
  - Asegúrese de que la red apagachispas esté montada correctamente.



### Para comprobar el interruptor de detención

- Arranque el motor.
- Mueva el interruptor de detención a la posición de detención y asegúrese de que el motor se detenga. Para conocer la ubicación del interruptor de parada en el producto, consulte *Descripción general del producto en la página 21*.



**ADVERTENCIA:** El interruptor de detención regresa automáticamente a la posición de arranque. Para evitar un arranque accidental, retire el sombrerete de bujía de la bujía cuando haga el montaje o el mantenimiento del producto.

### Para comprobar el sistema amortiguador de vibraciones



**ADVERTENCIA:** El uso de un hilo mal enrollado o de un equipo de corte incorrecto aumenta el nivel de vibraciones.

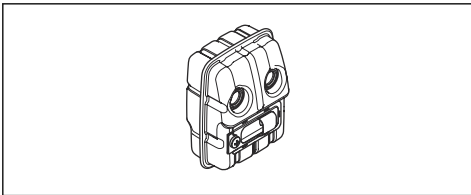
El sistema amortiguador de vibraciones reduce las vibraciones entre la unidad del motor y la unidad del eje, lo que facilita el funcionamiento. Consulte la sección *Descripción general del producto en la página 21* para conocer la ubicación de los amortiguadores de vibraciones en el producto.

- Detenga el motor.
- Realice una inspección visual para detectar deformaciones y daños, por ejemplo, grietas.
- Asegúrese de que los amortiguadores de vibraciones estén fijados correctamente.

### Para comprobar las cuchillas

- Detenga el motor y asegúrese de que las hojas se detengan.
- Quite el sombrerete de bujía de la bujía.
- Utilice guantes protectores.
- Asegúrese de que las cuchillas no estén dañadas o dobladas. Siempre reemplace una hoja doblada o dañada.
- Asegúrese de que los tornillos de las hojas estén apretados.

### Para revisar el silenciador



El silenciador mantiene los niveles de ruido al mínimo y dirige los gases de escape lejos del operador.

- Realice una comprobación visual para determinar si hay daños y deformaciones.



**ADVERTENCIA:** Para evitar quemaduras, deje que el producto se enfríe antes de tocar el engranaje angulado y la caja de cambios.

- Realice una comprobación visual para determinar si hay daños y deformaciones.

### Seguridad de combustible



**ADVERTENCIA:** Lea atentamente las instrucciones de advertencia siguientes antes de usar el producto.

- No mezcle el combustible en interiores o cerca de una fuente de calor.
- No arranque el producto si hay combustible o aceite de motor en el producto. Quite el combustible o aceite no deseado y deje secar el producto. Quite el combustible no deseado del producto.
- Si derrama combustible en su ropa, cámbiese la ropa inmediatamente.
- No permita que le caiga combustible en el cuerpo, ya que puede causar lesiones. Si le cae combustible en el cuerpo, utilice jabón y agua para quitarlo.
- No arranque el motor si derrama aceite o combustible en el producto o en su cuerpo.
- No arranque el producto si el motor tiene una fuga. Examine frecuentemente el motor en busca de fugas.
- Tenga cuidado con el combustible. El combustible es inflamable y los gases son explosivos y pueden causar lesiones graves o fatales.
- No respire los gases del combustible, ya que pueden causar lesiones. Asegúrese de que haya suficiente flujo de aire.
- No fume cerca del combustible o del motor.
- No coloque objetos calientes cerca del combustible o del motor.
- No agregue combustible cuando el motor esté en marcha.
- Asegúrese de que el motor se enfríe antes de llenar el depósito de combustible.
- Antes de llenar el depósito de combustible, abra lentamente la tapa del depósito de combustible y libere la presión con cuidado.
- Asegúrese de que haya suficiente flujo de aire cuando recargue y mezcle combustible (gasolina y aceite para motores de dos tiempos) o cuando vacíe el depósito de combustible.
- El combustible y sus gases son altamente inflamables y pueden causar lesiones graves si se inhalan o entran en contacto con la piel. Por esta razón, tenga precaución al manipular el combustible y asegúrese de que haya suficiente ventilación.
- Apriete la tapa del depósito de combustible con cuidado para evitar incendios.
- Mueva el producto a un mínimo de 3 m (10 pies) de la posición en la que se llenó el depósito antes de empezar.
- No ponga demasiado combustible en el depósito de combustible.
- Asegúrese de que no se puedan provocar fugas cuando mueva el producto o el recipiente de combustible.
- No coloque el producto ni un recipiente de combustible donde haya una llama expuesta, una chispa o una fuente de calor. Asegúrese de que no haya una llama expuesta en el área de almacenamiento.
- Utilice solamente contenedores aprobados cuando mueva el combustible o coloque el combustible en el almacenamiento.
- Vacíe el depósito de combustible antes de un almacenamiento a largo plazo. Cumpla con las leyes locales en cuanto al lugar en dónde se puede deshacer del combustible.
- Limpie el producto antes de un almacenamiento a largo plazo.
- Retire el sombrerete de bujía antes de almacenar el producto para asegurarse de que el motor no arranque accidentalmente.

## Instrucciones de seguridad para el mantenimiento



**ADVERTENCIA:** Lea atentamente las instrucciones de advertencia siguientes antes de usar el producto.

- Detenga el motor y asegúrese de que el equipo de corte se detenga. Deje que el producto se enfríe antes de realizar tareas de mantenimiento.
- Desconecte el sombrerete de bujía antes de realizar el mantenimiento.
- Los gases de escape del motor contienen monóxido de carbono, un gas inodoro, tóxico y muy peligroso que puede causar la muerte. No arranque el producto en interiores o en espacios cerrados.
- Los gases de escape del motor están calientes y pueden contener chispas. No encienda el producto en interiores ni cerca de materiales inflamables.
- Accesorios y modificaciones en el producto que no estén aprobados por el fabricante pueden causar lesiones graves o la muerte. No modifique el producto. Siempre utilice accesorios originales.
- Si el mantenimiento no se realiza de manera correcta y regular, aumenta el riesgo de que se produzcan lesiones y que el producto se dañe.
- Solo realice mantenimiento según lo que se indica en este manual de usuario. Solicite que un RedMax taller de servicio realice todos los otros servicios.
- Permita que un taller de servicio RedMax aprobado realice trabajos de mantenimiento en el producto con regularidad.
- Cambie las piezas dañadas, desgastadas o rotas.

## Montaje

### Introducción

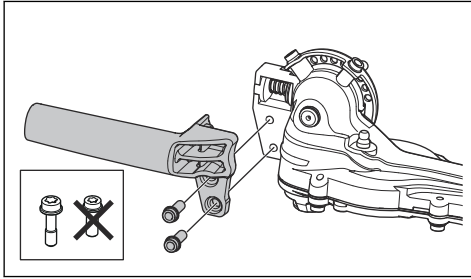
En este capítulo se describe cómo montar y ajustar el producto.



**ADVERTENCIA:** Antes de montar el producto, lea el capítulo sobre seguridad y las instrucciones de montaje.

## Para instalar la empuñadura

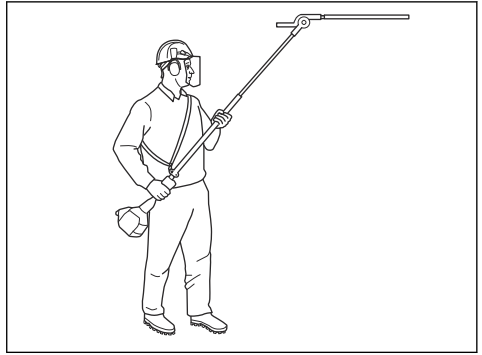
- Instale el mango con los 2 tornillos.



## Para ajustar el arnés LRTZ235

Use siempre el arnés cuando utilice el producto. El arnés permite el máximo nivel de control durante el funcionamiento del producto. El arnés disminuye el riesgo de cansancio físico.

1. Colóquese el arnés.
2. Enganche el producto al gancho de sujeción del arnés.
3. Ajuste la longitud del arnés hasta que el gancho de sujeción esté al nivel de su cadera.



# Funcionamiento

## Introducción



**ADVERTENCIA:** Antes de utilizar el producto, debe leer y entender el capítulo sobre seguridad.

## Haga lo siguiente antes de usar el producto

- Examine el área de trabajo y retire los objetos sueltos.
- Revise la unidad de corte. Consulte *Para examinar las cuchillas en la página 36*.
- Asegúrese de que los dispositivos de seguridad del producto funcionen correctamente. No utilice el producto sin antes instalar correctamente todos los dispositivos de seguridad.
- Asegúrese de que todas las tuercas y los tornillos estén apretados.
- Asegúrese de que todas las cubiertas estén instaladas correctamente y que no estén dañadas antes de arrancar el producto.
- Asegúrese de que el equipo de corte se detenga cuando el motor se encuentre en régimen de ralentí.

## Combustible

Este producto tiene un motor de dos tiempos.



**PRECAUCIÓN:** Usar el tipo incorrecto de combustible puede causar daños en el motor. Utilice una mezcla de gasolina y de aceite para motores de dos tiempos.

## Combustible premezclado

- Utilice combustible de alquilato premezclado RedMax para obtener el mejor rendimiento y prolongar la vida útil del motor. Este combustible contiene menos químicos dañinos en comparación con el combustible normal, lo cual disminuye los gases de escape dañinos. La cantidad de restos después de la combustión es menor con este combustible, que mantiene más limpios los componentes del motor.

## Para mezclar combustible

### Gasolina

- Utilice gasolina sin plomo de buena calidad con un contenido máximo de un 10 % de etanol.



**PRECAUCIÓN:** No utilice gasolina con un octanaje inferior a 90 RON/87 AKI. El uso de gasolina de octanaje inferior puede causar el golpeteo del motor, lo que provoca daños en el motor.

## Aceite para motores de dos tiempos

- Para obtener los mejores resultados y el mejor rendimiento, utilice aceite para motores de dos tiempos RedMax.
- Si el aceite para motores de dos tiempos RedMax no está disponible, utilice un aceite para motores de dos tiempos de buena calidad para motores enfriados por aire. Contáctese con su concesionario de servicio para seleccionar el aceite correcto.



**PRECAUCIÓN:** No utilice aceite para motores de dos tiempos para motores fueraborda refrigerados por agua, también conocido como aceite para fueraborda. No utilice aceite para motores de cuatro tiempos.

5. Agite cuidadosamente la mezcla de combustible.



**PRECAUCIÓN:** No mezcle el combustible durante más de 1 mes cada vez.

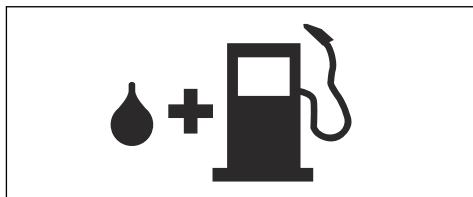
**Para mezclar gasolina y aceite para motores de dos tiempos**

Gasolina, litros	Aceite para motores de dos tiempos, litro
	<b>2 % (50:1)</b>
5	0,10
10	0,20
15	0,30
20	0,40
Galón estadounidense	Onza líquida EE. UU.
1	2 ½
2 1/2	6 ½
5	12 ¾



**ADVERTENCIA:** Para su seguridad, siga el procedimiento que se indica a continuación.

1. Detenga el motor y deje que se enfríe.
2. Limpie el área alrededor del tapón del depósito de combustible.



3. Agite el recipiente y asegúrese de que el combustible esté totalmente mezclado.
4. Retire lentamente la tapa del depósito de combustible para liberar la presión.
5. Llene el depósito de combustible.

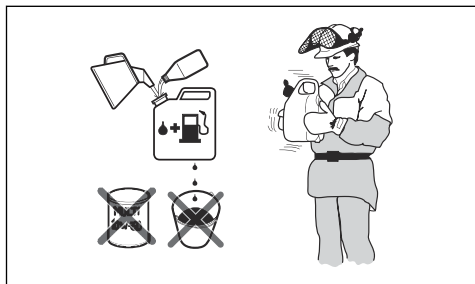


**PRECAUCIÓN:** Los errores pequeños pueden influir drásticamente en la proporción de la mezcla cuando se mezclan cantidades pequeñas de combustible. Mida cuidadosamente la cantidad de aceite y asegúrese de obtener la mezcla correcta.



**PRECAUCIÓN:** Asegúrese de que el depósito de combustible no esté demasiado lleno. El combustible se expande cuando se calienta.

6. Apriete bien la tapa del depósito de combustible cuidadosamente.
7. Limpie los derrames de combustible en el producto y los alrededores.
8. Antes de arrancarlo, aleje el producto 3 m/10' o más del área de recarga de combustible y de la fuente de combustible.

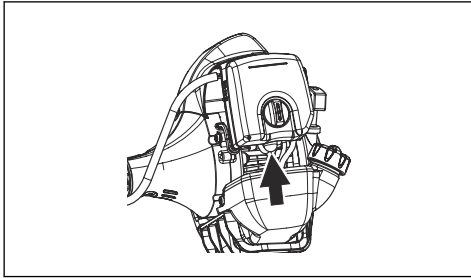


1. Llene la mitad de la cantidad de gasolina en un recipiente limpio para combustible.
2. Agregue la cantidad total de aceite.
3. Agite la mezcla de combustible.
4. Agregue la cantidad restante de gasolina al recipiente.

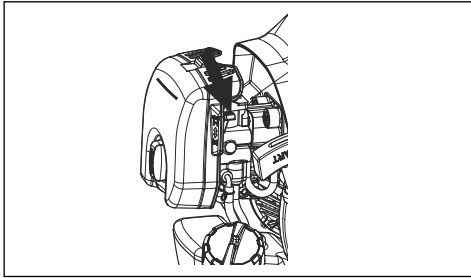
**Nota:** Para conocer la ubicación del depósito de combustible en el producto, consulte *Descripción general del producto en la página 21*.

## Para arrancar el motor:

1. Presione repetidas veces el bulbo de purga de aire hasta que el combustible comience a llenar el bulbo. No es necesario llenar completamente el bulbo de la bomba de combustible.

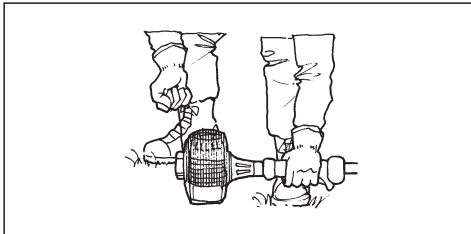


2. Mueva la válvula estranguladora a la posición de estrangulamiento.



**ADVERTENCIA:** La unidad de corte comienza a moverse inmediatamente cuando se arranca el motor con el estrangulador.

3. Mantenga el cuerpo del producto en el suelo con la mano izquierda.
4. Sujete la empuñadura de la cuerda de arranque con la mano derecha y el acelerador y bloqueo del acelerador con la mano izquierda.



5. Tire lentamente de la cuerda de arranque con la mano derecha hasta sentir una resistencia.



**ADVERTENCIA:** No se enrolle la cuerda de arranque en la mano.

6. Tire de la cuerda de forma rápida y con fuerza. Tire un máximo de 5 veces.

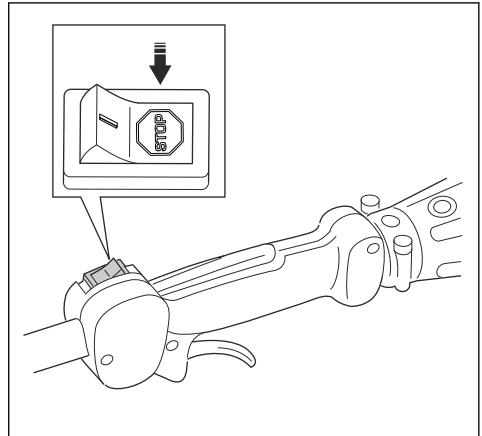


**PRECAUCIÓN:** No tire de la cuerda de arranque en toda su extensión y no suelte la empuñadura de la cuerda de arranque cuando esté completamente extendida. Esto puede provocar daños al producto.

7. Restablezca el estrangulador cuando el motor se encienda.
8. Tire de la cuerda de arranque nuevamente hasta que arranque el motor.
9. Accione el acelerador gradualmente cuando arranque el motor.
10. Asegúrese de que el motor funciona correctamente y deje que se caliente de 12 minutos antes de la operación.

## Para detener el producto

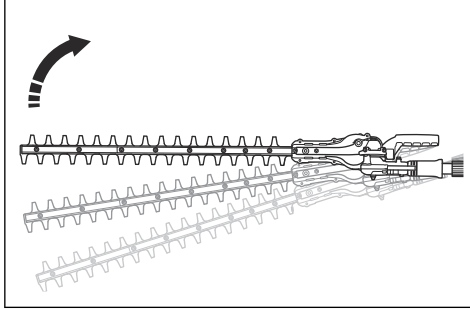
- Presione el interruptor de detención para detener el motor.



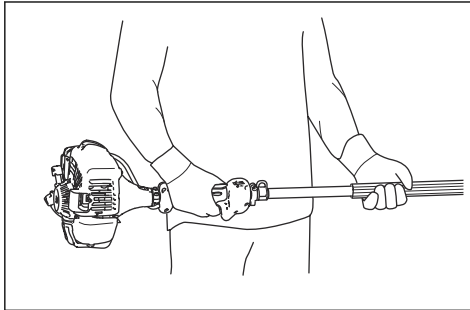
**ADVERTENCIA:** El interruptor de detención regresa automáticamente a la posición de arranque. Para evitar un arranque accidental, retire el sombrerete de bujía de la bujía cuando haga el montaje o el mantenimiento del producto.

## Para hacer funcionar el producto

- Arránquelo cerca del suelo y mueva el producto a lo largo del seto cuando corte en los costados.



- Asegúrese de que el motor no toque el suelo.
- Mantenga el producto cerca de usted para lograr una posición de trabajo estable.



- Asegúrese de que la unidad de corte no toque el suelo.
- Tenga cuidado y trabaje lentamente hasta que se corten correctamente todas las ramas.

## Para ajustar el ángulo de la unidad de corte

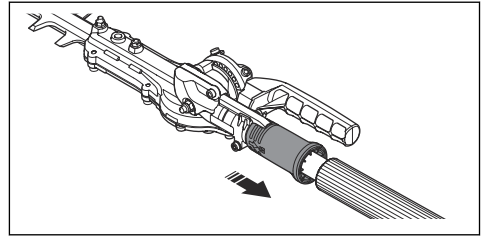
La unidad de corte se puede ajustar en 10 posiciones diferentes.



**ADVERTENCIA:** No opere la unidad de corte durante el ajuste del ángulo.

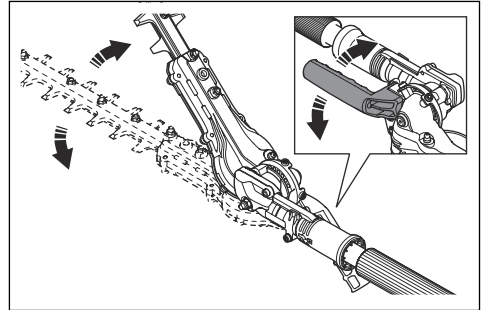
1. Deje que el motor funcione a régimen de ralentí y asegúrese de que la unidad de corte no se mueva.

2. Tire la palanca de ajuste de posición hacia abajo.

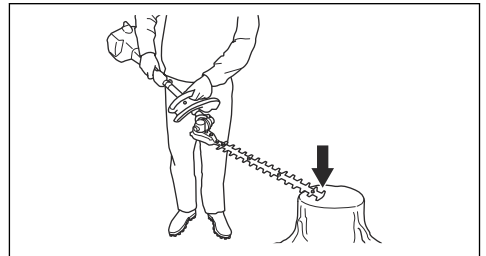


3. Incline la unidad de corte a la posición correcta. Realice uno de los siguientes pasos:

- a) Utilice la manija.



- b) Empuje el extremo de la unidad de corte contra una superficie estable.



4. Suelte la manija de ajuste de posición para bloquear la unidad de corte.
5. Empuje la unidad de corte contra los setos para asegurarse de que está bloqueada.

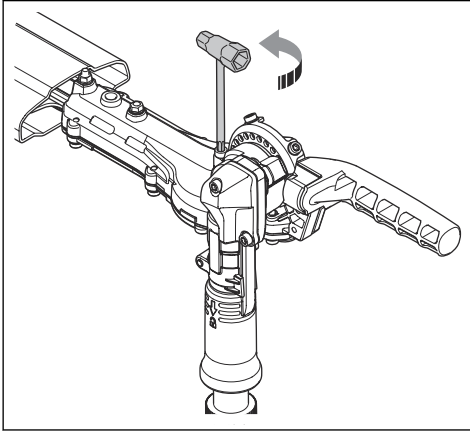
## Para ajustar la fricción durante el ajuste del ángulo



**ADVERTENCIA:** No opere la unidad de corte mientras realiza el ajuste de la fricción.

1. Presione el interruptor de detención para detener el equipo.
2. Instale la protección para transportes en la unidad de corte.
3. Tire la palanca de ajuste de posición hacia abajo.

- Incline la unidad de corte hasta la posición correspondiente.



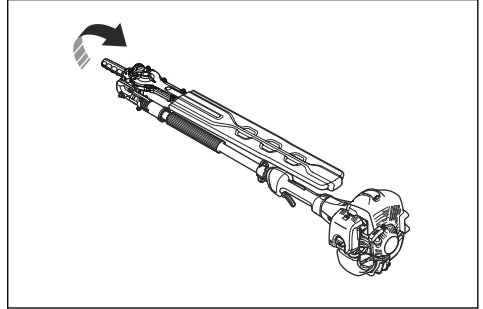
- Ajuste el tornillo para establecer la fricción.
- Ajuste la unidad de corte en diferentes posiciones para probar la fricción.

### Para poner el producto en posición de transporte



**ADVERTENCIA:** No arranque el producto cuando esté en la posición de transporte.

- Presione el interruptor de detención para detener el equipo.
- Instale la protección para transportes en la unidad de corte.
- Tire la palanca de ajuste de posición hacia abajo.
- Pliegue la unidad de corte para que quede paralela al eje.



## Mantenimiento

### Introducción



**ADVERTENCIA:** Lea detenidamente el capítulo de seguridad antes de realizar mantenimiento en el producto.

### Programa de mantenimiento

Mantenimiento	Diario	Una vez por semana	Una vez por mes
Limpie la superficie externa.	Después de cada funcionamiento.		
Retire hojas, polvo y lubricante no deseado del silenciador, del tubo de escape y del motor.	Después de cada funcionamiento.		
Asegúrese de que la unidad de corte no se mueva en el régimen de ralentí.	X		
Compruebe el interruptor de detención	X		
Examine la unidad de corte en busca de daños y grietas. Reemplácelos si es necesario.	X		



Mantenimiento	Diario	Una vez por semana	Una vez por mes
Compruebe el bloqueo del acelerador y el acelerador.	X		
Examine el motor, el depósito de combustible y los conductos de combustible para determinar si hay fugas.	X		
Apriete tuercas y tornillos.	X		
Inspeccione el filtro de combustible para determinar si presenta contaminación y la manguera de combustible para determinar si presenta grietas u otros defectos. Cámbielo si fuera necesario.	X		
Examine el arranque y la cuerda de arranque en busca de daños.		X	
Limpie el filtro de aire. Reemplácelos si es necesario.		X	
Inspeccione los amortiguadores de vibraciones para determinar si presentan daños y grietas.		X	
Inspeccione la bujía, consulte <i>Datos técnicos en la página 37</i> .		X	
Limpie el sistema de refrigeración.		X	
Limpie la superficie exterior del carburador y el espacio que lo rodea.		X	
Limpie o reemplace la red apagachispas.			X
Limpie la superficie interior del depósito de combustible.			X
Asegúrese de que la caja de cambios esté engrasada.			X

## Para ajustar el régimen de ralentí

**Nota:** Ajuste la velocidad de ralentí con el tornillo de ajuste de ralentí. El tornillo de ajuste de ralentí se identifica con una marca "T".

1. Asegúrese de que el filtro de aire esté limpio y que la cubierta del filtro esté instalada.
2. Encienda el producto y deje que el motor se caliente.
3. Realice uno de los pasos siguientes:
  - a) Si el motor se detiene frecuentemente en régimen de ralentí, gire el tornillo de ajuste de ralentí en el sentido de las agujas del reloj.
  - b) Si el equipo de corte gira a régimen de ralentí, gire el tornillo de ajuste de ralentí en el sentido contrario al de las agujas del reloj.

**Nota:** Consulte *Descripción general del producto en la página 21* para conocer la ubicación del tornillo de ajuste de ralentí.

El régimen de ralentí es el correcto cuando el motor funciona correctamente en todas las posiciones. El régimen de ralentí debe ser inferior a la velocidad cuando el equipo de corte empieza a girar.

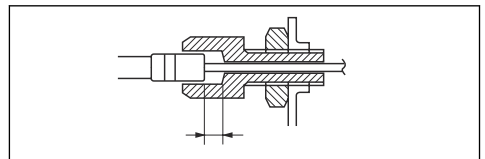


**ADVERTENCIA:** Si el equipo de corte no se detiene cuando ajusta el régimen de ralentí, comuníquese con su concesionario de mantenimiento más cercano. No utilice la máquina hasta que esté correctamente ajustada o reparada.

**Nota:** Consulte *Datos técnicos en la página 37* para conocer el régimen de ralentí recomendado.

## Para examinar y ajustar el cable del acelerador

1. Examine el juego del cable del acelerador. El juego debe ser de 3 a 4 mm/0,12 pulg. en el lado del carburador.



2. Si el juego no está correcto, ajuste el cable del acelerador con el ajustador del cable.

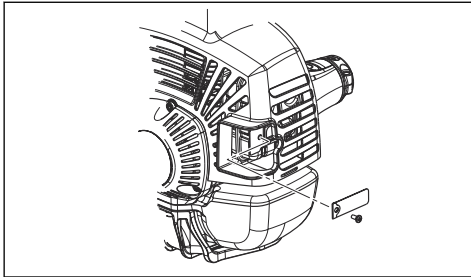
## Para realizar tareas de mantenimiento en el silenciador

El silenciador reduce el nivel de ruido y dirige los gases de escape lejos del operador.



**ADVERTENCIA:** Los silenciadores que tienen catalizadores se calientan mucho durante el funcionamiento y se mantienen calientes durante un tiempo después de detener la máquina. Esto también se aplica al régimen de ralentí. Si toca la máquina, puede quemarse la piel. Considere el riesgo de incendio.

1. Detenga el producto y deje que se enfríe.
2. Asegúrese de que el silenciador esté correctamente instalado y que no esté dañado.
3. Retire el tornillo que fija la rejilla apagachispas.



4. Limpie la rejilla apagachispas si está obstruida o reemplácela si está dañada.



**PRECAUCIÓN:** La rejilla apagachispas debe sustituirse si está dañada. Si debe usar una rejilla apagachispas en el área, asegúrese de no utilizar el producto si no tiene un apagachispas o si está dañado. Obedezca las normas locales y las instrucciones de mantenimiento.



**PRECAUCIÓN:** Si la rejilla apagachispas se obstruye con frecuencia, puede ser señal de que el rendimiento del catalizador está disminuyendo. Dirijase a su concesionario de servicio para examinar el silenciador. Una rejilla apagachispas obstruida producirá un sobrecalentamiento y causará daños en el cilindro y el pistón.

## Para limpiar el sistema de refrigeración

El producto cuenta con un sistema refrigerante para mantener la temperatura de funcionamiento lo más baja posible.



**PRECAUCIÓN:** Un sistema refrigerante sucio o bloqueado produce el sobrecalentamiento de la máquina, lo que provoca daños en el pistón y el cilindro.

El sistema refrigerante cuenta con los siguientes componentes:

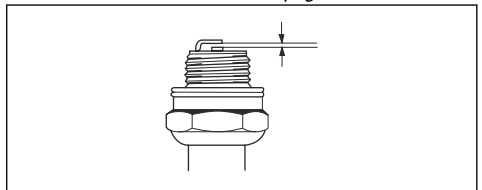
- Toma de aire en el motor de arranque
- Las aletas en el volante.
- Aletas de refrigeración en el cilindro
- Cubierta del cilindro (dirige el aire frío sobre el cilindro).
- Cubierta del silenciador
- Placa del silenciador
- Limpie los componentes del sistema refrigerante con un cepillo semanalmente o con mayor frecuencia en condiciones más ásperas.

## Para examinar la bujía



**PRECAUCIÓN:** Utilice siempre el tipo de bujía recomendada. El tipo de bujía incorrecto puede causar daños en el producto.

- Examine la bujía si el motor tiene una potencia demasiado baja, no arranca fácilmente o no funciona correctamente al régimen de ralentí.
- Para disminuir el riesgo de material no deseado en los electrodos de la bujía, siga estas instrucciones:
  - a) Asegúrese de que el régimen de ralentí esté ajustado correctamente.
  - b) Asegúrese de que la mezcla de combustible es la correcta.
  - c) Asegúrese de que el filtro de aire esté limpio.
- Si la bujía está sucia, límpiela y asegúrese de que la distancia entre los electrodos sea la correcta, consulte *Datos técnicos en la página 37*.



- Reemplace la bujía si es necesario.

## Filtro de aire

Retire el polvo y la suciedad del filtro de aire para mantenerlo limpio y evitar los siguientes problemas:

- Fallas del carburador
- Problemas cuando se arranca el producto
- Pérdida de energía
- Aumento del desgaste de las piezas del motor

- Demasiado consumo de combustible

antes de tocar el engranaje angulado y la caja de cambios.

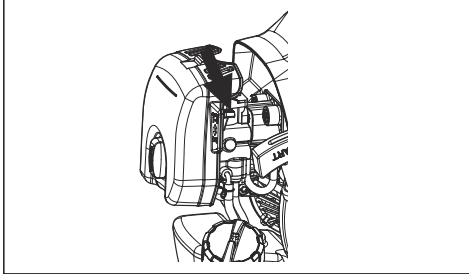
## Para limpiar el filtro de aire



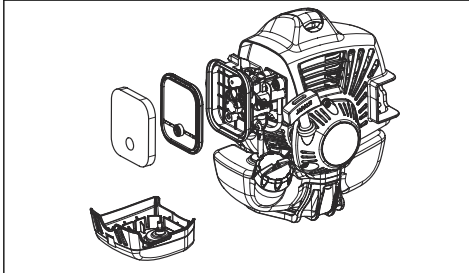
**PRECAUCIÓN:** Siempre se debe reemplazar un filtro de aire que está dañado, sucio o mojado con combustible.

Si utiliza un filtro de aire durante mucho tiempo, no se puede limpiar completamente. Sustituya el filtro de aire por uno nuevo a intervalos regulares.

1. Mueva la palanca del estrangulador hacia arriba, para cerrar la válvula estranguladora.



2. Quite la cubierta del filtro de aire y retire el filtro de aire.



3. Limpie el filtro de aire con agua jabonosa caliente.
4. Reemplace el filtro de aire si está demasiado sucio para limpiarlo completamente. Siempre reemplace un filtro de aire dañado.
5. Limpie la superficie interior de la cubierta del filtro con aire comprimido o con un cepillo.
6. Examine la junta de goma para detectar si hay desgaste o daños. Reemplace la junta de goma si está dañada.
7. Asegúrese de que el filtro de aire esté seco antes de instalarlo.

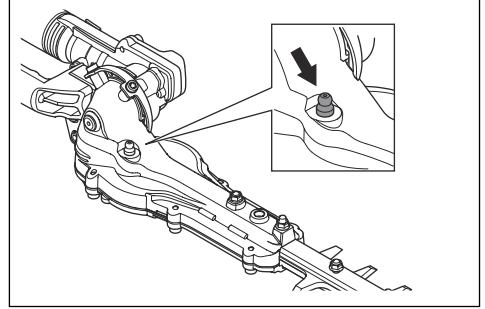
## Para lubricar el engranaje angulado y la caja de cambios



**ADVERTENCIA:** Para evitar quemaduras, deje que el producto se enfríe

**Nota:** El primer relleno de grasa de los productos nuevos se debe realizar después de aproximadamente 20 horas de funcionamiento.

- Utilice la grasa especial de . Póngase en contacto con su taller de servicio para obtener más información.
- Agregue la grasa a través de la boquilla de engrase.



**PRECAUCIÓN:** No llene la caja de cambios completamente.

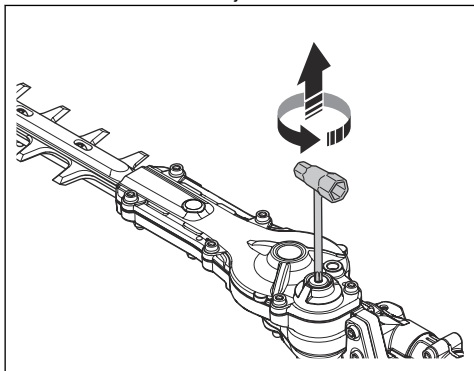
## Para limpiar y lubricar las hojas

1. Retire materiales no deseados de las hojas antes de después de utilizar el producto.
2. Lubrique las cuchillas antes de períodos prolongados de almacenamiento.

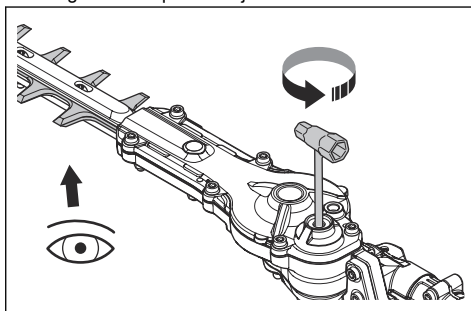
**Nota:** Comuníquese con su taller de servicio para obtener más información sobre los agentes de limpieza y lubricantes recomendados.

## Para examinar las cuchillas

1. Retire el tornillo de la caja de cambios.



2. Coloque la llave combinada en la caja de cambios y gírela hacia la derecha y hacia la izquierda. Asegúrese de que las hojas se muevan libremente.



3. Inspeccione los bordes de las hojas para determinar si presentan daños o deformaciones.
4. Utilice una lima para quitar las rebabas de las hojas.
5. Vuelva a instalar todo en el orden inverso.

## Solución de problemas

### Solución de problemas

El motor no arranca		
Problema	Causa posible	Paso recomendado
Ganchos de arranque	Los ganchos de arranque no se pueden mover libremente.	Ajuste o reemplace los ganchos de arranque.
		Limpie alrededor de los ganchos de arranque.
		Consulte a un taller de servicio autorizado.
Depósito de combustible	Tipo de combustible incorrecto	Vacielo y utilice el combustible correcto.
Carburador	Régimen de ralentí incorrecto.	Ajuste el régimen de ralentí.
Ausencia de chispa	La bujía está sucia o mojada.	Asegúrese de que la bujía esté limpia y seca.
	Distancia entre los electrodos incorrecta.	Limpie la bujía. Asegúrese de que la distancia entre los electrodos de la bujía sea la correcta. Asegúrese de que la bujía está instalada con un supresor.
		Consulte <i>Datos técnicos en la página 37</i> para conocer la distancia correcta entre los electrodos.
Bujía	La bujía está floja.	Ajuste la bujía.

El motor arranca, pero se detiene de nuevo.		
Problema	Causa posible	Paso recomendado
Depósito de combustible	Tipo de combustible incorrecto	Vaciélo y utilice el combustible correcto.
Carburador	Régimen de ralentí incorrecto.	Ajuste el régimen de ralentí. Consulte <i>Para ajustar el régimen de ralentí en la página 33</i> . Consulte a su taller de servicio si es necesario.
Filtro de aire	Filtro de aire obstruido.	Limpie el filtro de aire.

Hoja		
Problema	Causas posibles	Paso recomendado
La hoja se mueve lentamente o no se mueve.	La hoja se bloquea o está dañada.	Limpie las hojas de materiales no deseados. Consulte <i>Para limpiar y lubricar las hojas en la página 35</i> . Quite las rebabas de la hoja, consulte la sección <i>Para examinar las cuchillas en la página 36</i> . Reemplace la hoja si está dañada.
La hoja no corta con facilidad.	La hoja no está bien afilada o está dañada.	Afile la hoja, consulte la sección <i>Para examinar las cuchillas en la página 36</i> . Reemplace la hoja si está dañada.
La hoja se calienta.	Hay fricción entre las hojas.	Quite las rebabas de la hoja y lubríquela. Consulte <i>Para examinar las cuchillas en la página 36</i> .

## Transporte, almacenamiento y eliminación de residuos

### Transporte y almacenamiento

- Siempre deje que el producto se enfríe antes de guardarlo.
- Para el almacenamiento y el transporte del producto y del combustible, asegúrese de que no haya fugas o vapores. Las chispas o llamas, por ejemplo, de dispositivos eléctricos o calderas, pueden iniciar un incendio.
- Siempre use contenedores aprobados para el almacenamiento y el transporte del combustible.
- Vacíe el combustible antes de un almacenamiento prolongado. Deseche el combustible en un lugar adecuado para tal propósito.
- Fije la protección para transportes durante el transporte y almacenamiento.
- Quite el sombrerete de bujía de la bujía.
- Fije el producto durante el transporte. Asegúrese de que no se mueva.
- Limpie y realice mantenimiento en el producto antes de almacenarlo durante un período prolongado.

## Datos técnicos

### Datos técnicos

	SRTZ235	LRTZ235
<b>Motor</b>		
Cilindrada, cm <sup>3</sup> /pulg. <sup>3</sup>	22,5/1,4	22,6/1,4

	<b>SRTZ235</b>	<b>LRTZ235</b>
Régimen de ralentí, rpm	2800-3200	2800~3200
Velocidad máxima recomendada, rpm	11000	11000
Potencia máxima del motor, según la norma ISO 8893, kW/hp a rpm	0,75/1 a 8500	0,75/1 a 8501
Silenciador con catalizador	Sí	Sí
<b>Sistema de encendido</b>		
Bujía	NGK BPMR8Y	NGK BPMR8Y
Distancia entre los electrodos, mm/pulg	0,65/0,026	0,65/0,026
<b>Combustible y sistema de lubricación</b>		
Capacidad del depósito de combustible, l/pinta EE. UU.	0,64/1,35	0,64/1,35
<b>Peso</b>		
Peso, kg/lb	5,7/12,5	6,1/13,5
<b>Cuchillas</b>		
Tipo	Doble cara	Doble cara
Longitud de corte, mm/in	23,6/600	23,6/600
Velocidad de corte, cortes/min	4200	4200

---

# Garantía

---

## DECLARACIÓN DE GARANTÍA DEL CONTROL DE EMISIONES DE VAPORES Y DE ESCAPE CONFORME A LA NORMATIVA DE CALIFORNIA, LA NORMATIVA FEDERAL DE LOS ESTADOS UNIDOS Y LA NORMATIVA DE CANADÁ

### DERECHOS Y OBLIGACIONES DE LA GARANTÍA

La Junta de Recursos del Aire de California (CARB, del inglés California Air Resources Board), la Agencia de Protección Medioambiental de EE. UU. (EPA, del inglés Environmental Protection Agency), el ministerio de Medioambiente y Cambio Climático de Canadá Husqvarna Professional Products, Inc. se complacen en profundizar sobre la garantía del sistema de control de emisiones de vapores y de escape ("emisiones") para 2021-2022 motores pequeños para todoterreno". En el estado de California, los nuevos equipos que utilizan motores pequeños para todoterreno se deben diseñar, construir y equipar conforme a las estrictas normas de control de emisiones contaminantes del Estado. Husqvarna Professional Products, Inc. debe proporcionar una garantía para el sistema de control de emisiones del motor pequeño para todoterreno por los períodos que se indican a continuación, siempre que no haya ningún abuso, negligencia ni mantenimiento incorrecto del motor pequeño para todoterreno o del equipo que pueda provocar la falla del sistema de control de emisiones. El sistema de control de emisiones puede incluir piezas como un carburador o un sistema de inyección de combustible, un sistema de encendido, un catalizador, depósitos de combustible, tuberías de combustible (para combustible líquido y vapores de combustible), tapones de combustible, válvulas, depósitos, filtros, abrazaderas y otros componentes asociados. Además, puede incluir mangueras, correas, conectores y otros montajes relacionados con las emisiones. Cuando exista una condición cubierta por la garantía, Husqvarna Professional Products, Inc. reparará el motor de pequeña cilindrada para todoterreno sin costo, incluido el diagnóstico, las piezas y la mano de obra.

### COBERTURA DE LA GARANTÍA DEL FABRICANTE

El sistema de control de emisiones de vapores y de escape del motor pequeño para todoterreno tiene una garantía de dos años. Si alguna de las piezas del motor de pequeña cilindrada para todoterreno relacionada con las emisiones tiene una falla, Husqvarna Professional Products, Inc. reparará o reemplazará la pieza.

### RESPONSABILIDADES DE GARANTÍA DEL PROPIETARIO

- Como propietario del motor pequeño para todoterreno, usted es responsable de la ejecución del mantenimiento necesario que se detalla en el manual del propietario. Husqvarna Professional Products, Inc. recomienda que conserve todos los recibos que cubran el mantenimiento del motor pequeño para todoterreno; sin embargo, Husqvarna Professional Products, Inc. no puede negar la cobertura de la garantía solo por la falta de recibos o porque no pueda garantizar la realización de todo el mantenimiento programado.
- No obstante, como propietario del motor de pequeña cilindrada para uso fuera de carretera debe saber que Husqvarna Professional Products, Inc. puede negar la cobertura de la garantía si dicho motor o una de sus piezas falló como resultado del abuso, negligencia o mantenimiento incorrecto, o modificaciones no aprobadas.
- Usted es responsable de llevar el motor de pequeña cilindrada para uso fuera de carretera a un concesionario de servicio Husqvarna Professional Products, Inc. autorizado lo antes posible en cuanto surja un problema. Las reparaciones bajo garantía se deben realizar dentro de un tiempo razonable que no supere los 30 días. Si tiene preguntas acerca de los derechos y las responsabilidades que implica esta garantía, debe comunicarse con Husqvarna Professional Products, Inc. en EE. UU. al 1-800-487-5951, en CANADÁ al 1-800-805-5523 o enviar un correo electrónico a [emissions@husqvarnagroup.com](mailto:emissions@husqvarnagroup.com) o [warranty@hpp-emissions.com](mailto:warranty@hpp-emissions.com).

### FECHA DE INICIO DE LA GARANTÍA

El período de garantía comienza en el momento en que se entrega el motor o equipo al comprador final.

### EXTENSIÓN DE LA COBERTURA

Husqvarna Professional Products, Inc. le garantiza al comprador final y a cualquier comprador posterior que el motor, así como el equipo, se diseñaron, construyeron y equiparon para que cumplan con las normativas pertinentes adoptadas por la CARB y la EPA, y que está libre de defectos en cuanto a materiales y mano de obra que causen la falla de una pieza cubierta por la garantía durante un período de dos años.

### ELEMENTOS CON COBERTURA

REPARACIÓN O REEMPLAZO DE PIEZAS: La reparación o el reemplazo de cualquier pieza defectuosa en garantía se realizará sin cargo para el propietario en un taller de servicio autorizado. El propietario puede elegir el taller de reparación o una persona que realice los servicios de mantenimiento, reemplazo o reparación de los dispositivos y sistemas de control de emisiones, con excepción de las reparaciones y el reemplazo detallados en esta garantía de control de emisiones. Sin embargo, Husqvarna

Professional Products, Inc. recomienda que un taller de servicio autorizado de la marca realice todos los servicios de mantenimiento, reemplazo y reparación de los dispositivos y sistemas de control de emisiones.

**IMPORTANTE:** Este producto cumple con la normativa Fase 3 de la EPA (Environmental Protection Agency, Agencia de Protección Medioambiental) de EE. UU. referente a emisiones de escape y evaporación. Para garantizar el cumplimiento de la EPA Fase 3 de EE. UU. y con las regulaciones de la Junta de Recursos del Aire de California (California Air Resources Board) y del ministerio de Medioambiente y Cambio Climático de Canadá (Environment and Climate Change Canada), recomendamos utilizar únicamente piezas de repuesto originales de la marca del producto. El uso de piezas de repuesto que no cumplan con esta norma es una violación de las leyes federales y estatales.

**PERÍODO DE GARANTÍA:** Cualquier pieza cubierta por la garantía que no esté programada para reemplazo como mantenimiento necesario, o que esté programada solo para una inspección regular al efecto de "reparación o reemplazo según sea necesario", contará con una garantía de 2 años (o la duración establecida en la garantía del producto, lo que sea mayor) desde la fecha de compra del comprador original. Toda pieza que esté programada para su sustitución como parte del mantenimiento necesario estará garantizada por el período hasta la primera sustitución programada de la pieza. Cualquier pieza reparada o sustituida en conformidad con la garantía debe estar garantizada durante el lapso restante del período.

**DIAGNÓSTICO:** No se aplicarán tarifas por los trabajos de diagnóstico que lleven a determinar que una pieza bajo garantía se encuentra de hecho defectuosa, siempre y cuando dicho trabajo de diagnóstico se realice en un taller de servicio autorizado de la marca.

**OTROS DAÑOS:** Husqvarna Professional Products, Inc. reparará los daños a otros componentes del motor causados por la falla de una pieza garantizada que aún se encuentre cubierta por la garantía.

#### **LISTADO DE PIEZAS DE EMISIONES CUBIERTAS POR LA GARANTÍA**

1. Carburador y piezas de admisión o sistemas de inyección de combustible.
2. Filtro de aire y filtro de combustible, cubiertos hasta el programa de mantenimiento.
3. Bujía, cubierta hasta el programa de mantenimiento.
4. Módulo de ignición.
5. Silenciadores con catalizadores y colectores de escape.
6. Depósito de combustible, tuberías de combustible (para combustible líquido y vapores de combustible), tapón de combustible, depósito de carbono y válvulas de seguridad o antiderrame, según corresponda\*\*.
7. Controles electrónicos, y válvulas e interruptores susceptibles al tiempo, la temperatura y la succión.
8. Mangueras, conectores y montajes.

9. Todos los otros componentes cuya falla aumentaría las emisiones de vapores y de escape del motor de cualquier contaminante reglamentado, como se establece en la siguiente sección:

- En el caso del estado de California, consulte el California Code of Regulation (Código de Regulaciones de California) 13 CCR §2405(d) y 2760(d).
- Para los Estados Unidos y Canadá, consulte el US Federal Code of Regulations (Código de disposiciones federales de los Estados Unidos), 40 C.F.R 1068, Anexo I (III).

#### **ELEMENTOS SIN COBERTURA**

Las fallas causadas por abuso, negligencia, modificaciones no aprobadas, mal uso o mantenimiento incorrecto no están cubiertas por la garantía.

**AÑADIDURAS O PIEZAS MODIFICADAS:** No pueden utilizarse las añadiduras o piezas modificadas no exentas por la CARB o la EPA. La utilización de añadiduras o de piezas modificadas no exentas podrá servir de fundamento para anular una reclamación de garantía. Husqvarna Professional Products, Inc. no será responsable de las fallas de garantía de las piezas garantizadas provocadas por el uso de complementos o piezas modificadas no exentas.

#### **CÓMO PRESENTAR UNA RECLAMACIÓN**

Si tiene preguntas relacionadas con sus derechos y responsabilidades de la garantía, deberá comunicarse con su concesionario de servicio autorizado más cercano o llamar a Husqvarna Professional Products, Inc. en EE. UU. al 1-800-487-5951, en CANADÁ al 1-800-805-5523 o enviar un correo electrónico a [emissions@husqvarnagroup.com](mailto:emissions@husqvarnagroup.com) o [warranty@hpp-emissions.com](mailto:warranty@hpp-emissions.com).

#### **DÓNDE OBTENER SERVICIOS DE LA GARANTÍA**

Las reparaciones o los servicios de la garantía se brindan a través de todos los talleres de servicio autorizados de Husqvarna Professional Products, Inc.. Si el taller de servicio autorizado más cercano se encuentra a más de 160 kilómetros (100 millas) de su ubicación, Husqvarna Professional Products, Inc. se encargará de organizar y pagar los costos de envío al taller de servicio autorizado de la marca, y desde este, o dispondrá un servicio de garantía en conformidad con las normativas correspondientes.

#### **MANTENIMIENTO, REEMPLAZO Y REPARACIÓN DE PIEZAS RELACIONADAS CON EL CONTROL DE EMISIONES**

Cualquier pieza para sustituir una defectuosa puede utilizarse en cualquier mantenimiento o reparación bajo garantía y deben proporcionarse al propietario sin cargo. Dicho uso no reducirá las obligaciones de la garantía por parte del fabricante.

#### **DECLARACIÓN DE MANTENIMIENTO**



El propietario es responsable de la realización de todo el mantenimiento requerido, según se establece en el manual del propietario.

\* El año del modelo actual y subsiguiente se actualizará anualmente en la declaración de garantía proporcionada al consumidor. Por ejemplo, en el año del modelo 2012, se especificará 2012-2013.

\*\* Piezas de emisiones evaporativas.

# Table des matières

Introduction.....	42	Dépannage.....	58
Sécurité.....	44	Transport, entreposage et mise au rebut.....	59
Montage.....	49	Caractéristiques techniques.....	59
Fonctionnement.....	49	Garantie.....	61
Entretien.....	54		

## Introduction

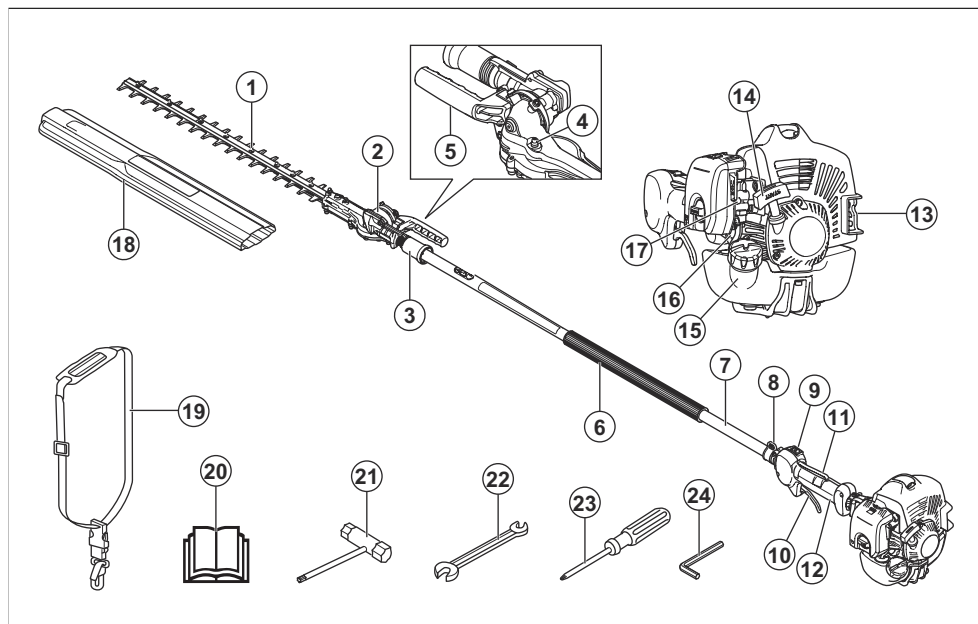
### Description de l'outil

Le produit est un taille-haie avec moteur à combustion.

### Utilisation prévue

Utiliser cet outil pour couper les branches et les broussailles. Ne pas utiliser l'outil pour d'autres tâches.

### Présentation de l'appareil



- |  |  |
|--|--|
| 1. Lame  | 12. Poignée arrière                            |
| 2. Boîte d'engrenages  | 13. Pare-étincelles                            |
| 3. Poignée de réglage de la position                         | 14. Corde du lanceur                           |
| 4. Raccord de graissage                                      | 15. Réservoir de carburant                     |
| 5. Poignée   | 16. Pompe à carburant                          |
| 6. Poignée avant   | 17. Levier du volet de départ                  |
| 7. Arbre   | 18. Dispositif de protection pour le transport |
| 8. Crochet de support du harnais (LRTZ235)                   | 19. Courroie d'épaule (LRTZ235)                |
| 9. Interrupteur d'arrêt                                      | 20. Manuel d'utilisation                       |
| 10. Gâchette d'accélération                                  | 21. Clé à usages multiples                     |
| 11. Dispositif de verrouillage de la gâchette d'accélération | 22. Clé universelle                            |
|  | 23. Tournevis                                  |

## Symboles figurant sur le produit



**AVERTISSEMENT!** Ce produit peut être dangereux et causer des blessures très graves, ou même mortelles, à l'utilisateur et à d'autres personnes. Faire attention et utiliser le produit correctement.



Avant d'utiliser la tondeuse, lire attentivement le manuel d'utilisation et veiller à bien comprendre les directives.



Utiliser un casque de protection, un dispositif de protection pour les oreilles et des lunettes de protection homologués.



Étrangleur en position ouverte.



Étrangleur en position fermée.



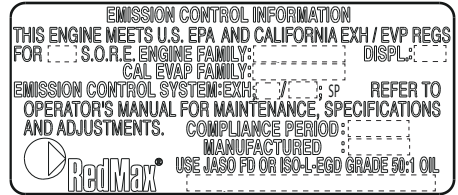
Mélange d'essence et d'huile pour moteur à deux-temps.

yyyywwxxxx

La plaque signalétique indique le numéro de série. **yyyy** représente l'année de production, **ww** indique la semaine de production.

**Remarque :** Les autres symboles et autocollants apposés sur le produit se rapportent aux exigences en matière de certification pour certains marchés.

## EPA III



La période de conformité aux normes d'émissions indiquée sur les étiquettes de conformité aux normes d'émissions se rapporte au nombre d'heures de fonctionnement du moteur qui répond aux exigences fédérales en matière d'émissions. N'importe quel établissement ou agent de réparation de moteur non routier peut effectuer l'entretien, le remplacement et la réparation des dispositifs et du système de contrôle des émissions.

## ABRÉVIATIONS SUR LES ÉTIQUETTES DU SYSTÈME DE CONTRÔLE DES ÉMISSIONS

### Généralités :

CAL	Californie	EXH/EVP	Échappement et évaporation	REGS	Règlements
DISPL	Cylindrée	EVAP	Évaporation	SORE	Petits moteurs hors route
ECS	Système de contrôle des émissions	HRS	Heures	US EPA	Office de protection de l'environnement des États-Unis

Système de contrôle des émissions d'échappement :			
ECM	Module de commande du moteur (Autotune)	OC	Catalyseur oxydant
EM	Modification du moteur	TWC	Catalyseur tri-fonctionnel

## Canada EMC

Ce système d'allumage par étincelle de véhicule est conforme à la norme NMB-002 du Canada.

## Responsabilité concernant le produit

Comme indiqué dans les lois en vigueur sur la responsabilité concernant les produits, nous ne serons pas tenus responsables des dommages que notre produit causerait dans les situations suivantes :

- Le produit n'est pas réparé de façon adéquate.
- Le produit est réparé avec des pièces qui ne sont pas fournies ou homologuées par le fabricant.
- Le produit comprend un accessoire qui n'est pas fourni ou homologué par le fabricant.
- Le produit n'est pas réparé par un centre de service après-vente agréé ou par une autorité homologuée.

## Systèmes de contrôle des émissions par évaporation :

C	Coextrudé (multi-couche)	P	Polyéthylène ou polyéthylène haute densité traité
N	Nylon	S	Fermé hermétiquement

## Proposition 65 de la Californie

**⚠ ATTENTION!**

Les émissions du moteur de cet outil contiennent des produits chimiques qui, d'après l'État de Californie, peuvent causer le cancer, des malformations congénitales ou autre danger pour la reproduction

## Sécurité

### Définitions relatives à la sécurité

Les avertissements, recommandations et remarques soulignent des points du manuel qui revêtent une importance particulière.



**AVERTISSEMENT :** Indique la présence d'un risque de blessure ou de décès de l'utilisateur ou de personnes à proximité si les instructions du manuel ne sont pas suivies.



**MISE EN GARDE :** Indique la présence d'un risque de dommages au produit, à d'autres appareils ou à la zone adjacente si les instructions du manuel ne sont pas suivies.

**Remarque :** Utilisé pour donner des renseignements plus détaillés qui sont nécessaires dans une situation donnée.

### Consignes générales de sécurité



**AVERTISSEMENT :** Lire les messages d'avertissement qui suivent avant d'utiliser l'outil.

- Une utilisation inappropriée ou imprudente du produit risque d'en faire un outil dangereux susceptible de provoquer des blessures graves, voire mortelles. Il est extrêmement important de lire et de comprendre le contenu de ce manuel de l'opérateur.
- Ce produit produit un champ électromagnétique pendant le fonctionnement. Ce champ magnétique peut, dans certains cas, nuire aux implants médicaux actifs ou passifs. Pour réduire le risque de blessures graves ou mortelles, nous recommandons aux personnes ayant des implants médicaux de consulter leur médecin et le fabricant de l'implant médical avant d'utiliser le produit.
- La surexposition aux vibrations peut engendrer des problèmes circulatoires ou des troubles nerveux, en particulier chez les personnes ayant des troubles circulatoires. En cas de symptômes liés à une

surexposition aux vibrations, consulter un médecin. Voici certains de ces symptômes : engourdissement, perte de sensibilité, fourmillement, picotement, douleur, faiblesse musculaire, décoloration ou modification de l'épiderme. Ces symptômes apparaissent normalement aux doigts, aux mains et aux poignets. Les risques augmentent à basse température.

- Il est recommandé de consulter un expert en cas de doute. Communiquer avec votre concessionnaire ou votre atelier d'entretien. Éviter toutes les utilisations qui vous semblent difficiles.
- Garder en tête que l'opérateur ou l'utilisateur est responsable des accidents et des risques survenant à d'autres personnes, ainsi que de ses biens.
- Ne jamais laisser des gens utiliser le produit sans d'abord s'assurer qu'ils ont compris le contenu du manuel de l'opérateur.
- Ne jamais laisser des enfants utiliser le produit ou se tenir à proximité de celui-ci. Puisque le produit est équipé d'un interrupteur de marche-arrêt à ressort et peut être démarré à bas régime ou en exerçant une légère force sur la poignée du lanceur, même des jeunes enfants dans certaines circonstances peuvent produire la force nécessaire pour démarrer le produit. Cela peut entraîner un risque de graves blessures. Par conséquent, retirer le capuchon de la bougie d'allumage lorsque le produit n'est pas sous une surveillance stricte.
- Entreposer le produit hors de portée des enfants.
- N'utilisez jamais le produit si vous êtes fatigué, sous l'effet de l'alcool ou de médicaments susceptibles de nuire à la vision, au bon jugement ou à la coordination.
- Ne jamais utiliser un appareil défectueux. Effectuer les vérifications, l'entretien et les réparations conformément aux instructions fournies dans ce manuel. Certaines mesures d'entretien et de réparation doivent être effectuées par des spécialistes formés et qualifiés. Voir les instructions sous la rubrique Entretien.
- Ne jamais utiliser un appareil qui a été modifié de quelque manière que ce soit par rapport aux spécifications d'origine.

## Consignes de sécurité pour l'utilisation



**AVERTISSEMENT** : Lire les messages d'avertissement qui suivent avant d'utiliser l'appareil.

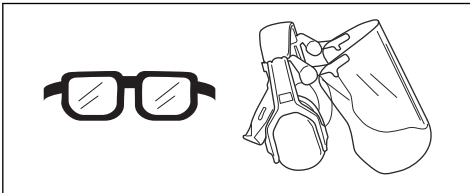
- Observer la zone environnante et s'assurer qu'il n'y a aucune personne ou aucun animal qui risque d'entrer en contact avec l'équipement de coupe.
- Inspecter la zone de travail. Retirer tout objet susceptible d'être projeté.
- Toujours s'assurer d'être dans une position de travail sécuritaire et stable.
- Ne laissez jamais le produit sans surveillance lorsque le moteur est en marche.
- Lorsque le moteur est en marche, garder les mains et les pieds à l'écart de l'unité de coupe.
- Si un objet se coince dans les lames durant le travail, couper le moteur et attendre qu'il s'arrête complètement avant de nettoyer les lames. Débranchez le chapeau de bougie de la bougie.
- Lorsque le moteur est coupé, garder les mains et les pieds à l'écart de l'unité de coupe jusqu'à ce qu'il soit complètement arrêté.
- Faire attention aux branches pouvant être projetées durant la coupe.
- Rester attentif aux appels ou cris d'avertissement en cas de port de protecteurs d'oreilles. Toujours enlever les protecteurs d'oreilles dès que le moteur s'arrête.
- Ne jamais travailler debout sur une échelle, un tabouret, ou dans une autre position élevée n'offrant pas une sécurité maximale.
- Toujours tenir le produit à deux mains. Tenir l'outil en avant du corps.
- Si le produit touche un objet étranger quelconque ou produit des vibrations, l'arrêter immédiatement. Débranchez le chapeau de bougie de la bougie. S'assurer que le produit n'a pas subi de dommages. Réparez tout dommage.
- S'assurer que le capuchon de la bougie d'allumage et le fil d'allumage ne sont pas endommagés, afin d'éviter le risque de décharge électrique.
- Vérifier le serrage de l'ensemble des écrous et des vis.
- S'assurer que la boîte de vitesses est correctement lubrifiée. Se reporter à *Pour lubrifier le pignon conique et la boîte de vitesses à la page 56*.
- La boîte de vitesses devient chaude après l'utilisation du produit. Ne pas toucher la boîte de vitesses afin d'éviter les brûlures.
- Tous les couvercles et toutes les protections doivent être montés avant le démarrage.
- Si les lames se bloquent, il est possible de les desserrer en insérant une clé à usages multiples dans la boîte de vitesses. Insérer la clé à usages multiples dans l'engrenage et la tourner d'avant en arrière. Se reporter à *Pour examiner les lames à la page 57*.
- Toujours installer la protection de transport sur l'unité de coupe lorsque le produit n'est pas en cours d'utilisation.

## Équipement de protection personnelle

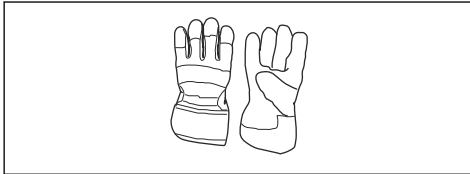


**AVERTISSEMENT :** Lire les messages d'avertissement qui suivent avant d'utiliser l'appareil.

- Toujours utiliser un équipement de protection personnelle homologué lors de l'utilisation de l'appareil. Cet équipement de protection personnelle n'élimine pas complètement les risques de blessures, mais il peut en réduire la gravité en cas d'accident. Laisser le concessionnaire vous aider à sélectionner l'équipement adéquat.
- Porter des protecteurs d'oreille homologués qui assurent une réduction adéquate du bruit. L'exposition prolongée au bruit peut causer des lésions auditives permanentes.
- Utiliser un dispositif de protection homologué pour les yeux. Porter également des lunettes de protection homologuées en cas d'utilisation d'une visière. Les lunettes de protection homologuées doivent être conformes à la norme ANSI Z87.1 aux États-Unis ou à la norme EN 166 dans les pays de l'Union européenne.



- Portez toujours des gants de protection.



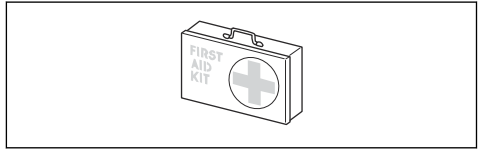
- Porter des bottes ou chaussures antidérapantes robustes.



- Utiliser des vêtements faits de tissus résistants. Toujours utiliser des pantalons longs et lourds et des manches longues. Ne pas porter des vêtements amples qui peuvent se prendre dans les broussailles et les branches. Ne pas porter des bijoux, des pantalons courts, des sandales et ne pas marcher

pieds nus. Garder les cheveux au-dessus des épaules.

- Garder une trousse de premiers soins à portée de main.



## Dispositifs de sécurité sur l'outil



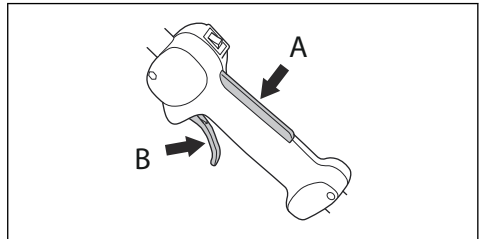
**AVERTISSEMENT :** Lire les messages d'avertissement qui suivent avant d'utiliser l'outil.

- Ne pas utiliser un outil dont les dispositifs de protection sont défectueux.
- Vérifier régulièrement les dispositifs de sécurité. Si les dispositifs de sécurité sont défectueux, parler à votre agent d'entretien RedMax.

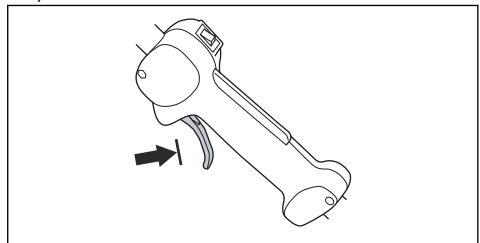
### Pour vérifier le verrouillage de la gâchette d'accélération

Le dispositif de verrouillage de la gâchette d'accélération empêche tout fonctionnement accidentel de la commande d'accélération.

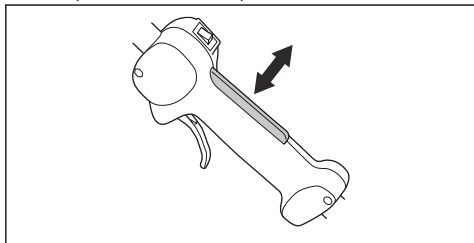
1. Appuyer sur le dispositif de verrouillage de la gâchette d'accélération (A) et s'assurer que la commande d'accélération est relâchée (B).



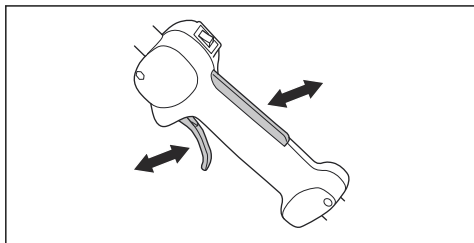
2. Relâcher le dispositif de verrouillage de la commande et s'assurer qu'elle est verrouillée en position de ralenti.



- Appuyer sur le dispositif de verrouillage de la gâchette de l'accélérateur et s'assurer qu'il retourne à sa position initiale lorsqu'on le relâche.



- Vérifier que la commande d'accélération et son dispositif de verrouillage bougent librement et que les ressorts de retour fonctionnent correctement.



- Démarrer le produit et le lancer à plein régime. Se reporter à la section *Démarrage du moteur à la page 51*.
- Relâcher la commande de l'accélérateur et s'assurer que l'outil de coupe s'arrête. Si l'outil de coupe tourne alors que l'accélérateur est en position de ralenti, vérifier les réglages du carburateur. Se reporter à la section *Réglage du régime de ralenti à la page 54*.

#### Pour vérifier l'interrupteur d'arrêt

- Démarrer le moteur.
- Déplacer l'interrupteur d'arrêt en position d'arrêt et s'assurer que le moteur s'arrête. Pour connaître l'emplacement de l'interrupteur d'arrêt sur votre produit, se reporter à *Présentation de l'appareil à la page 42*.



#### AVERTISSEMENT :

L'interrupteur revient automatiquement à la position de démarrage. Afin d'éviter tout démarrage accidentel, retirer le chapeau de bougie lors de l'assemblage de l'outil ou de l'entretien.

#### Pour vérifier le système antivibrations

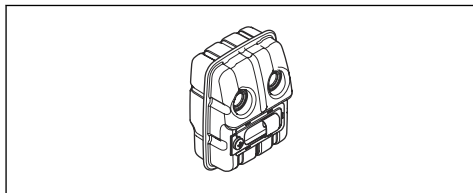


**AVERTISSEMENT :** L'utilisation d'un fil mal enroulé ou d'un outil de coupe inadéquat augmente le niveau de vibrations.

Le système anti-vibrations réduit les vibrations entre le moteur et l'arbre, ce qui facilite l'utilisation. Se reporter à la section *Présentation de l'appareil à la page 42* pour voir l'emplacement des unités anti-vibrations sur votre produit.

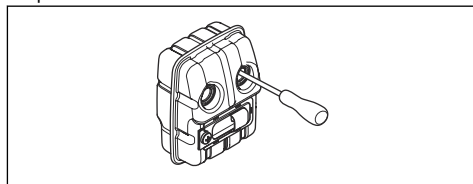
- Couper le moteur.
- Effectuer une inspection visuelle pour détecter les déformations et les dommages éventuels, par exemple les fissures.
- S'assurer que les unités anti-vibrations sont bien fixées.

#### Pour vérifier le silencieux

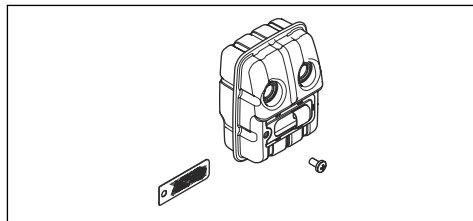


Le silencieux maintient le niveau de bruit au minimum et dirige les gaz d'échappement loin de l'utilisateur.

- Effectuer une inspection visuelle pour détecter d'éventuels dommages ou déformation.
- S'assurer que le silencieux est bien fixé sur le produit.



- Si le silencieux de votre produit est doté d'un écran pare-étincelles, effectuer une inspection visuelle. Si l'écran pare-étincelles est endommagé, le remplacer.
  - Si l'écran pare-étincelles est bloqué, le nettoyer. Un écran pare-étincelles bloqué engendre une surchauffe du moteur, ce qui lui cause des dommages.
  - S'assurer que la grille antiflamme est fixée correctement.



### Pour vérifier les lames

1. Arrêter le moteur et s'assurer que les lames s'arrêtent aussi.
2. Retirer le chapeau de la bougie.
3. Enfiler des gants de protection.
4. S'assurer que les lames ne sont ni endommagées ni pliées. Toujours remplacer une lame endommagée ou tordue.
5. S'assurer que les vis des lames sont bien serrées.

### Pour effectuer une vérification du pignon conique et de la boîte de vitesses



**AVERTISSEMENT** : Pour éviter les brûlures, laisser le produit refroidir avant de toucher le pignon conique et la boîte de vitesses.

- Effectuer une inspection visuelle pour détecter d'éventuels dommages ou déformation.

### Sécurité – carburant



**AVERTISSEMENT** : Lire les messages d'avertissement qui suivent avant d'utiliser l'outil.

- Ne pas mélanger le carburant à l'intérieur ou à proximité d'une source de chaleur.
- Ne pas démarrer l'outil s'il y a du carburant ou de l'huile moteur sur l'outil. Nettoyer le carburant ou l'huile et laisser sécher l'outil. Nettoyer tout carburant qui souille l'outil.
- Si du carburant se déverse sur les vêtements, changer immédiatement de vêtement.
- Ne pas déverser du carburant sur le corps; cela pourrait causer des blessures. Si du carburant se déverse sur le corps, se nettoyer au savon doux et à l'eau.
- Ne pas démarrer le moteur si de l'huile ou du carburant se renverse sur l'outil ou sur le corps.
- Ne pas démarrer l'outil si le moteur présente une fuite. Vérifier régulièrement le moteur à la recherche de fuites.
- Faire preuve de prudence lors de la manipulation du carburant. Celui-ci est inflammable et ses vapeurs sont explosives et peuvent causer des blessures ou la mort.
- Ne pas respirer les vapeurs de carburant, car elles peuvent causer des blessures. S'assurer que la ventilation est suffisante.
- Ne pas fumer à proximité du carburant ou du moteur.
- Ne pas placer des objets chauds à proximité du carburant ou du moteur.
- Ne pas faire le plein de carburant lorsque le moteur tourne.

- Vérifier que le moteur est froid avant de faire le plein.
- Avant de faire le plein, ouvrir lentement le couvercle du réservoir de carburant et relâcher la pression avec précaution.
- S'assurer que le débit d'air est suffisant lors du ravitaillement et du mélange de carburant (essence et huile deux temps) ou lors de la vidange du réservoir de carburant.
- Le carburant et les vapeurs de carburant sont extrêmement inflammables et peuvent causer des blessures très graves en cas d'inhalation ou de contact avec la peau. Pour cette raison, faire preuve de prudence lors de la manipulation du carburant et s'assurer que le débit d'air est suffisant.
- Serrer le couvercle du réservoir de carburant avec précaution, car un feu pourrait se déclencher.
- Avant de démarrer l'outil, le déplacer à au moins 3 m (10 pi) de la position où le plein de carburant a été fait.
- Ne pas mettre trop de carburant dans le réservoir de carburant.
- Vérifier qu'une fuite ne peut se produire lorsqu'on déplace l'outil ou le bidon d'essence.
- Ne pas placer l'outil ou un bidon d'essence dans un espace où il y a une flamme nue, des étincelles ou une veilleuse. Vérifier que la zone de stockage ne contient pas de flamme nue.
- Utiliser seulement des conteneurs agréés pour transporter ou stocker le carburant.
- Vider le réservoir de carburant avant de le remettre pour une période prolongée. Toujours respecter la législation locale sur la façon de mettre le carburant au rebut.
- Nettoyer l'outil avant de le remettre pour une période prolongée.
- Débrancher le chapeau de bougie avant de remettre le produit, pour que le moteur ne démarre pas par inadvertance.

### Consignes de sécurité pour la maintenance



**AVERTISSEMENT** : Lire les messages d'avertissement qui suivent avant d'utiliser l'outil.

- Arrêter le moteur et s'assurer que l'unité de coupe s'arrête aussi. Laisser le produit refroidir avant de procéder à l'entretien.
- Débrancher la bougie d'allumage avant de procéder à l'entretien.
- Les gaz d'échappement du moteur contiennent du monoxyde de carbone, un gaz inodore, toxique et très dangereux qui peut causer la mort. Ne pas démarrer le produit à l'intérieur ou dans des espaces fermés.
- Les gaz d'échappement du moteur sont chauds et peuvent contenir des étincelles. Ne pas démarrer



l'outil dans un local clos ou à proximité de matériaux inflammables.

- Les accessoires et les modifications apportées au produit qui ne sont pas approuvés par le fabricant peuvent causer des blessures graves, voire mortelles. Ne pas modifier l'outil. Utilisez toujours des accessoires d'origine.
- Si l'entretien n'est pas effectué correctement et régulièrement, le risque de blessures et de dommages à l'outil augmente.

- N'effectuer que les travaux d'entretien recommandés dans ce manuel d'utilisation. Laisser un agent d'entretien agréé RedMax effectuer toutes les autres opérations d'entretien.
- Demander régulièrement à un agent d'entretien agréé RedMax d'effectuer l'entretien de l'outil.
- Remplacer les pièces endommagées, usées ou brisées.

---

## Montage

---

### Introduction

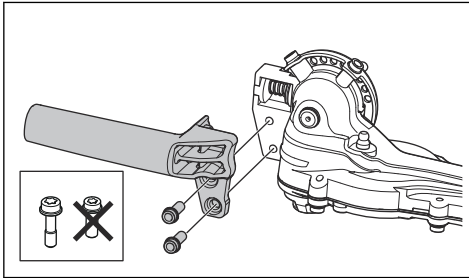
Cette section décrit la procédure à suivre pour monter et régler le produit.



**AVERTISSEMENT :** Avant de procéder au montage du produit, veuillez lire le chapitre sur la sécurité et les instructions de montage.

### Installation de la poignée

- Installer le guidon à l'aide de 2 vis.

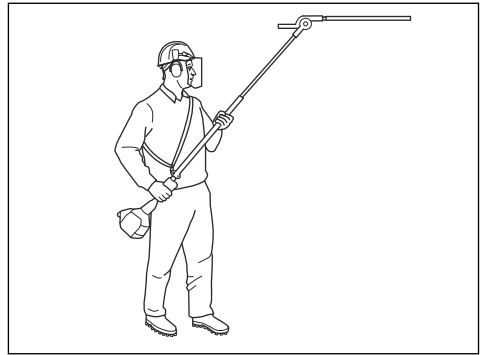


### Pour régler le harnais LRTZ235

Toujours porter le harnais lors de l'utilisation de la machine. Le harnais assure un contrôle maximal

pendant l'utilisation du produit. Le harnais diminue le risque de fatigue corporelle.

1. Enfiler le harnais.
2. Fixer le produit sur le crochet de support du harnais.
3. Régler la longueur du harnais jusqu'à ce que le crochet de support soit à la hauteur de la hanche de l'utilisateur.



---

## Fonctionnement

---

### Introduction



**AVERTISSEMENT :** Avant d'utiliser le produit, lire et bien comprendre le chapitre sur la sécurité.

### Avant d'utiliser le produit

- Examiner la zone de travail et retirer tout objet libre.
- Vérifier l'unité de coupe. Se reporter à la section *Pour examiner les lames à la page 57.*

- S'assurer que les dispositifs de sécurité du produit fonctionnent correctement. Ne pas utiliser le produit sans que tous les dispositifs de sécurité n'y soient bien installés.
- S'assurer que toutes les vis et tous les écrous sont bien serrés.
- Avant de démarrer le produit, s'assurer que tous les couvercles sont bien fixés et qu'ils ne sont pas endommagés.
- S'assurer que l'unité de coupe s'immobilise lorsque le moteur tourne au ralenti.

## Carburant

Cet outil est équipé d'un moteur à deux-temps.



**MISE EN GARDE :** Un type de carburant inapproprié peut endommager le moteur. Utiliser un mélange d'essence et d'huile pour moteur à deux-temps.

## Carburant prémélangé

- Utiliser du carburant alkylat prémélangé RedMax, pour atteindre une performance optimale et un prolonger la durée de vie du moteur. Ce carburant contient moins de substances chimiques nocives par rapport à un carburant régulier, ce qui réduit les gaz d'échappement nocifs. La quantité de dépôts après combustion est inférieure avec ce carburant, ce qui maintient les composants du moteur plus propres.

## Pour mélanger le carburant

### Essence

- Utiliser de l'essence sans plomb de bonne qualité contenant au maximum 10 % d'éthanol.



**MISE EN GARDE :** Ne pas utiliser d'essence à indice d'octane inférieur à 90 RON (87 AKI). L'utilisation d'un indice d'octane inférieur peut entraîner le cognement du moteur, ce qui provoque des dommages au moteur.

## Huile à moteur deux temps

- Pour obtenir un meilleur résultat et un fonctionnement optimal, utiliser l'huile pour moteur à deux-temps RedMax.
- Si l'huile pour moteur à deux temps RedMax n'est pas disponible, utiliser une huile pour moteur à deux temps de bonne qualité destinée aux moteurs refroidis à l'air. Communiquer avec votre centre de services pour sélectionner l'huile appropriée.



**MISE EN GARDE :** Ne pas utiliser l'huile pour moteur à deux temps dans des moteurs hors-bord refroidis à l'eau, également appelée huile pour moteur hors-bord. Ne pas utiliser l'huile pour des moteurs à quatre temps.

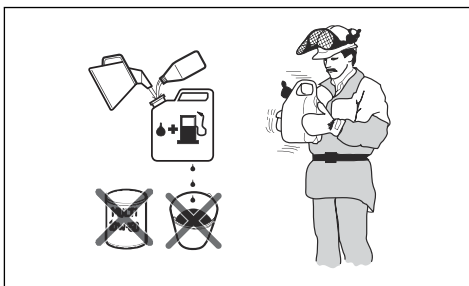
## Pour mélanger l'essence et l'huile pour moteur à deux temps

Essence, litre	Huile pour moteur à deux temps, litre
	2 % (50:1)

5	0,10
10	0,20
15	0,30
20	0,40
<b>gallon US</b>	<b>once liquide US</b>
1	2 ½
2 1/2	6 ½
5	12 ¾



**MISE EN GARDE :** De petites erreurs peuvent influencer considérablement le ratio de mélange lors du mélange de petites quantités de carburant. Mesurer soigneusement la quantité d'huile et s'assurer d'obtenir le mélange approprié.



- Remplir la moitié de la quantité d'essence dans un récipient propre destiné à contenir du carburant.
- Ajouter la quantité totale d'huile.
- Agiter le mélange de carburant.
- Ajouter la quantité restante d'essence dans un récipient.
- Agiter avec précaution le mélange de carburant.



**MISE EN GARDE :** Ne pas mélanger le carburant pendant plus de 1 mois à la fois.

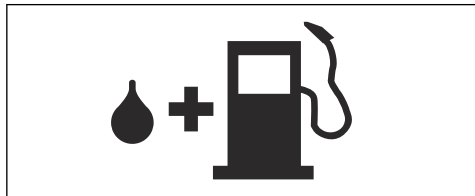
## Remplissage du réservoir de carburant



**AVERTISSEMENT :** Respecter la procédure suivante pour assurer la sécurité.

- Couper le moteur et le laisser refroidir.

2. Nettoyer la zone autour du bouchon du réservoir de carburant.



3. Secouer le bidon et s'assurer que le carburant est complètement mélangé.
4. Retirer le bouchon du réservoir de carburant lentement pour libérer la pression.
5. Remplir le réservoir de carburant.



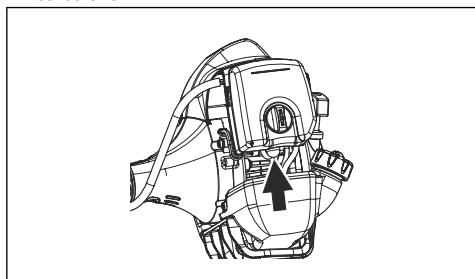
**MISE EN GARDE :** S'assurer qu'il n'y a pas trop de carburant dans le réservoir. Le carburant se dilate lorsqu'il devient chaud.

6. Serrer fermement le bouchon du réservoir de carburant.
7. Nettoyer le déversement de carburant sur le produit et autour de celui-ci.
8. Éloigner le produit de 3 m (10 pi) ou plus de la zone de remplissage et de la source de carburant avant de démarrer.

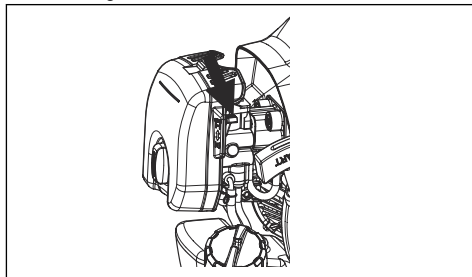
**Remarque :** Pour connaître l'emplacement du réservoir de carburant sur votre machine, se reporter à *Présentation de l'appareil à la page 42*.

## Démarrage du moteur

1. Appuyer à plusieurs reprises sur la poire de la pompe à carburant jusqu'à ce que le carburant commence à remplir la poire. Il n'est pas nécessaire de remplir entièrement la poire de pompe à carburant.

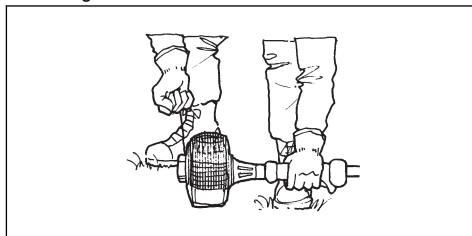


2. Régler le levier d'étrangleur en position de démarrage.



**AVERTISSEMENT :** L'unité de coupe commence à tourner immédiatement lors du démarrage du moteur au moyen de l'étrangleur.

3. Maintenir l'outil sur le sol à l'aide de la main gauche.
4. Tenir la poignée du câble du lanceur avec la main droite et la gâchette d'accélération et le dispositif de verrouillage de la gâchette d'accélération avec la main gauche.



5. Tirer lentement la corde du lanceur avec la main droite jusqu'à rencontrer une résistance.



**AVERTISSEMENT :** Ne pas enrouler la corde du lanceur autour de la main.

6. Tirer la corde rapidement et avec force. Tirer 5 fois au maximum.



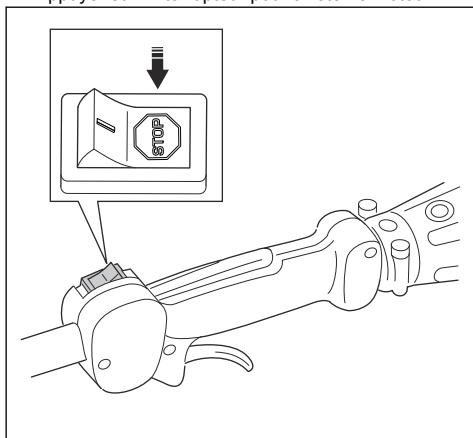
**MISE EN GARDE :** Ne pas tirer complètement la corde du lanceur et ne pas lâcher la poignée du lanceur lorsque la corde est complètement déployée. Cela pourrait endommager le produit.

7. Remettre l'étrangleur en position initiale dès que le moteur démarre.
8. Tirer la corde du lanceur à plusieurs reprises jusqu'à ce que le moteur démarre.
9. Faire fonctionner l'accélérateur progressivement lorsque le moteur démarre.

- 10. S'assurer que le moteur tourne sans à-coups et le laisser se réchauffer pendant 1 à 2 minutes avant d'utiliser la machine.

## Arrêt de la machine

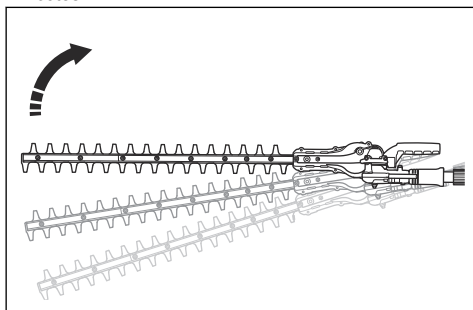
- Appuyer sur l'interrupteur pour arrêter le moteur.



**AVERTISSEMENT :** L'interrupteur revient automatiquement à la position de démarrage. Afin d'éviter tout démarrage accidentel, retirer le chapeau de bougie lors de l'assemblage de l'outil ou de l'entretien.

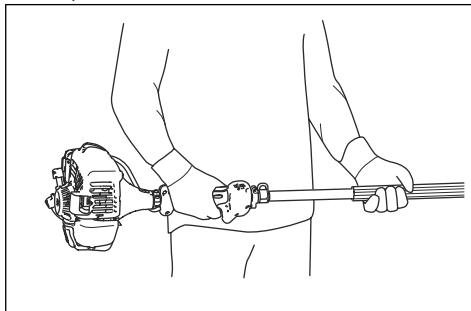
## Utilisation du produit

- Démarrer à proximité du sol et déplacer le produit en même temps le long de la haie lorsqu'on coupe les côtés.



- S'assurer que le moteur ne touche pas la haie.

- Tenir le produit à proximité du corps pour obtenir une position de travail stable.



- S'assurer que l'unité de coupe ne touche pas le sol.
- Faire preuve de prudence et travailler lentement jusqu'à ce que toutes les branches soient correctement coupées.

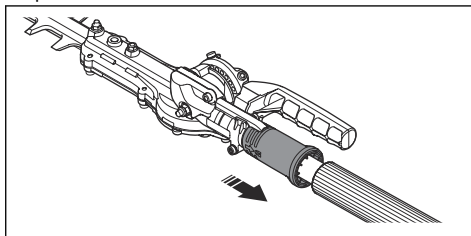
## Pour régler l'angle de l'unité de coupe

L'unité de coupe peut être réglée à dix positions différentes.



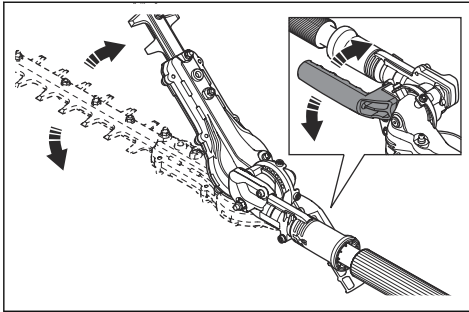
**AVERTISSEMENT :** Ne pas actionner l'unité de coupe lors du réglage de l'angle.

- Laisser le moteur tourner au ralenti et s'assurer que l'unité de coupe ne bouge pas.
- Tirez vers le bas sur la poignée de réglage de la position.

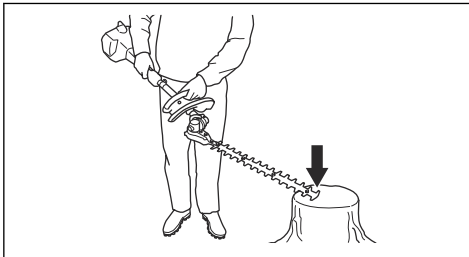


- Incliner l'unité de coupe dans la position correcte. Utiliser l'une des procédures suivantes.

a) Utiliser la poignée.



b) Pousser l'extrémité de l'unité de coupe contre une surface stable.



4. Relâcher la poignée de réglage de la position pour verrouiller l'unité de coupe.
5. Pousser l'unité de coupe contre la haie pour s'assurer qu'elle est verrouillée.

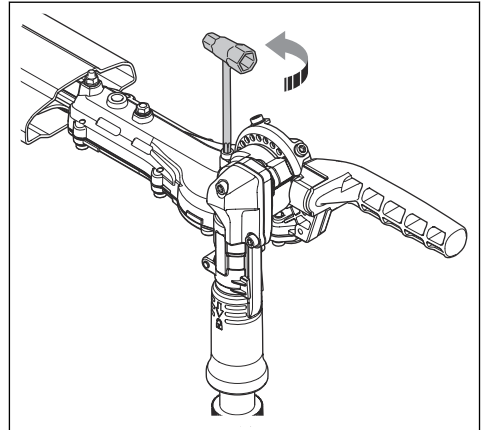
### Pour régler le frottement à des fins de réglage de l'angle



**AVERTISSEMENT :** Ne pas actionner l'unité de coupe lors du réglage du frottement.

1. Appuyer sur l'interrupteur d'arrêt pour éteindre le produit.
2. Installer la protection de transport sur l'unité de coupe.
3. Tirez vers le bas sur la poignée de réglage de la position.

4. Incliner l'unité de coupe dans la position appropriée.



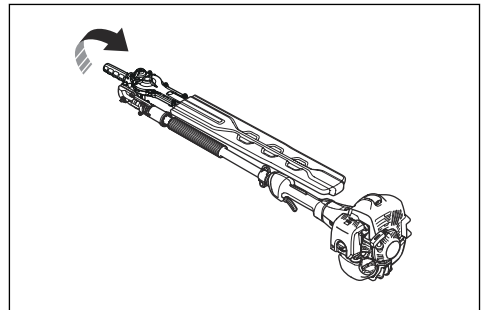
5. Tourner la vis pour régler le frottement.
6. Régler l'unité de coupe dans différentes positions pour essayer le frottement.

### Pour régler l'outil à la position de transport



**AVERTISSEMENT :** Ne pas démarrer le produit lorsqu'il est en position de transport.

1. Appuyer sur l'interrupteur d'arrêt pour éteindre le produit.
2. Installer la protection de transport sur l'unité de coupe.
3. Tirez vers le bas sur la poignée de réglage de la position.
4. Plier l'unité de coupe pour la rendre parallèle à l'arbre.



# Entretien

## Introduction



**AVERTISSEMENT** : Lire et comprendre le chapitre sur la sécurité avant de faire l'entretien du produit.

## Calendrier d'entretien

Entretien	Quotidien	Hebdomadaire	Mensuel
Nettoyer la surface externe.	Après chaque utilisation		
Nettoyer le silencieux, le tuyau d'échappement et le moteur pour retirer les feuilles, la saleté et les traces de lubrifiant.	Après chaque utilisation		
S'assurer que l'unité de coupe ne tourne pas au régime de ralenti.	X		
Vérifier l'interrupteur d'arrêt.	X		
Vérifier l'unité de coupe pour détecter d'éventuels dommages et fissures. Le remplacer s'il est endommagé.	X		
Vérifier le dispositif de verrouillage de la gâchette d'accélération et la gâchette.	X		
Examiner le moteur, le réservoir de carburant et les conduites de carburant pour détecter d'éventuelles fuites.	X		
Serrer les écrous et les vis.	X		
Examiner le filtre à carburant pour voir s'il y a une contamination et le tuyau à carburant pour voir s'il y a des fissures et d'autres défauts. Remplacer au besoin.	X		
Examiner le lanceur et la corde du lanceur pour détecter d'éventuels dommages.		X	
Nettoyer le filtre à air. Les remplacer au besoin.		X	
Examiner les éléments antivibrations pour s'assurer qu'ils ne présentent pas de dommages ou de fissures.		X	
Vérifier la bougie d'allumage, se reporter à <i>Caractéristiques techniques à la page 59</i> .		X	
Nettoyer le système de refroidissement.		X	
Nettoyer la surface externe du carburateur et ses zones adjacentes.		X	
Nettoyer ou remplacer le filet pare-étincelles.			X
Nettoyer les surfaces intérieures du réservoir de carburant.			X
Vérifier que la boîte de vitesses est remplie de graisse.			X

## Réglage du régime de ralenti

**Remarque** : Régler le régime de ralenti à l'aide de la vis de réglage de ralenti. La vis de réglage de ralenti est identifiée par un repère « T ».

1. S'assurer que le filtre à air est propre et que le couvercle de filtre à air est installé.
2. Démarrer le moteur et le laisser réchauffer.
3. Effectuer l'une des étapes suivantes.

- a) Si le moteur s'arrête fréquemment au ralenti, tourner la vis de réglage du ralenti dans le sens des aiguilles d'une montre.
- b) Si l'équipement de coupe tourne au ralenti, tourner la vis de réglage du ralenti dans le sens inverse des aiguilles d'une montre.

**Remarque :** Se reporter à la section *Présentation de l'appareil à la page 42* pour connaître la position de la vis de réglage du ralenti.

Le régime de ralenti est adéquat lorsque le moteur fonctionne sans à-coups dans toutes les positions. Le régime de ralenti doit être inférieur à la vitesse lorsque l'équipement de coupe commence à tourner.

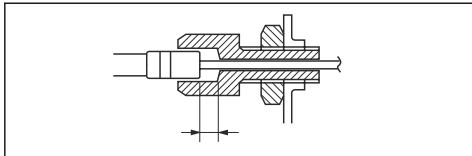


**AVERTISSEMENT :** Si l'équipement de coupe ne s'arrête pas lors du réglage du régime de ralenti, communiquer avec le fournisseur de services d'entretien le plus proche. Ne pas utiliser le produit jusqu'à ce qu'il soit réglé ou réparé correctement.

**Remarque :** Se reporter à la section *Caractéristiques techniques à la page 59* pour obtenir le régime de ralenti recommandé.

## Pour examiner et régler le câble d'accélération

1. Examiner le jeu du câble d'accélération. Le jeu doit être de 3 à 4 mm (0,12 à 0,15 po) du côté carburateur.



2. Si le jeu est incorrect, régler le câble d'accélération à l'aide du dispositif de réglage du câble.

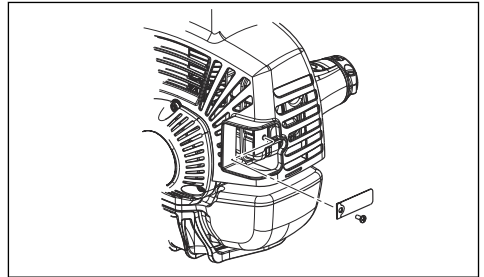
## Pour entretenir le silencieux

Le silencieux réduit le niveau de bruit et dirige les gaz d'échappement loin de l'utilisateur.



**AVERTISSEMENT :** Les silencieux qui disposent de pots catalytiques deviennent très chauds pendant le fonctionnement et restent chauds pendant un certain temps après l'arrêt du produit. C'est également le cas lorsque le moteur tourne au ralenti. Le contact avec le produit peut causer des brûlures de la peau. Penser au risque d'incendie.

1. Arrêter l'outil et le laisser refroidir.
2. S'assurer que le silencieux est correctement fixé et n'est pas endommagé.
3. Retirer la vis qui maintient l'écran pare-étincelles.



4. Nettoyer l'écran pare-étincelles s'il est bloqué ou le remplacer s'il est endommagé.



**MISE EN GARDE :** Remplacer l'écran pare-étincelles s'il est endommagé. Ne pas utiliser le produit sans écran pare-étincelles ou si celui-ci est endommagé s'il est essentiel d'en utiliser un dans votre secteur. Respecter les règlements locaux et les instructions d'entretien.



**MISE EN GARDE :** Si l'écran pare-étincelles est souvent colmaté, cela peut être le signe d'une réduction de la performance du pot catalytique. Se rendre chez le fournisseur de services d'entretien pour examiner le silencieux. Un écran pare-étincelles colmaté provoque une surchauffe et une détérioration du cylindre et du piston.

## Nettoyage du système de refroidissement

Le produit dispose d'un système de refroidissement pour maintenir la température de fonctionnement aussi basse que possible.



**MISE EN GARDE :** Un système de refroidissement encrassé ou bloqué entraîne une surchauffe excessive susceptible d'endommager le piston et le cylindre.

Le système de refroidissement comporte les composants suivants :

- Prise d'air au démarreur.
- Ailettes du volant.
- Ailettes de refroidissement du cylindre.
- Couvercle du cylindre (dirige l'air frais sur le cylindre).
- Capot du silencieux.
- Plaque du silencieux.

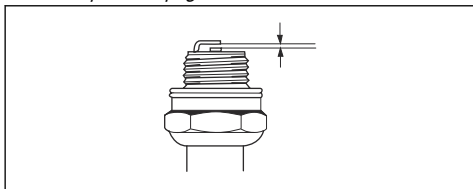
- Nettoyer les composants du système de refroidissement au moyen d'une brosse une fois par semaine ou plus fréquemment en cas d'utilisation dans des conditions difficiles.

## Vérification de la bougie d'allumage



**MISE EN GARDE :** Toujours utiliser une bougie d'allumage du type recommandé. Une bougie d'allumage de type inapproprié peut endommager le produit.

- Examiner la bougie d'allumage si le moteur manque de puissance, démarre difficilement ou ne fonctionne pas correctement au régime de ralenti.
- Afin de réduire le risque de matériau indésirable sur les électrodes de la bougie, respecter les consignes suivantes :
  - a) Vérifier que le régime de ralenti est réglé de façon adéquate.
  - b) Vérifier que le mélange de carburant est correct.
  - c) Vérifier que le filtre à air est propre.
- Si la bougie d'allumage est sale, la nettoyer et s'assurer que l'écartement des électrodes est correct, se reporter à la section *Caractéristiques techniques à la page 59*.



- Remplacer la bougie d'allumage au besoin.

## Filtre à air

Enlever la poussière et la saleté du filtre à air pour le garder propre afin d'éviter ces problèmes :

- Mauvais fonctionnement du carburateur.
- Problèmes au démarrage du produit.
- Une perte de puissance du moteur
- Une usure accrue des pièces du moteur.
- Une consommation excessive de carburant.

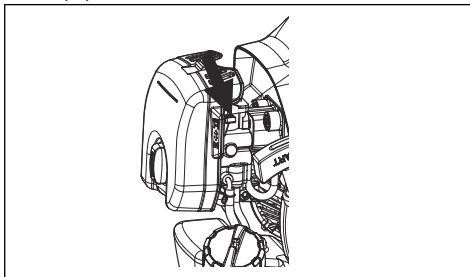
## Nettoyage du filtre à air



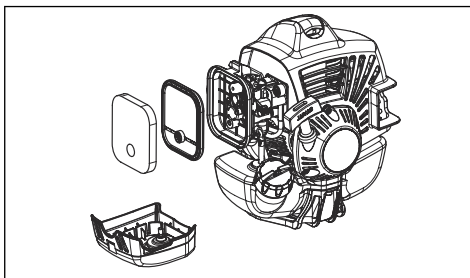
**MISE EN GARDE :** Il faut toujours remplacer un filtre à air endommagé, très sale ou imbibé de carburant.

Un filtre à air ne peut pas être complètement nettoyé en cas d'utilisation pendant une longue période. Remplacer le filtre à air par un filtre neuf à des intervalles réguliers.

1. Déplacer l'étrangleur vers le haut pour fermer la soupape du starter.



2. Retirer le couvercle du filtre à air et retirer le filtre à air.



3. Nettoyer le filtre à air à l'eau savonneuse chaude.
4. Remplacer le filtre à air s'il est trop sale pour être nettoyé entièrement. Toujours remplacer les filtres à air endommagés.
5. Nettoyer la surface intérieure du couvercle du filtre avec de l'air comprimé ou avec une brosse.
6. Examiner le joint en caoutchouc pour y déceler de l'usure ou des dommages. Remplacer le joint en caoutchouc s'il est endommagé.
7. Vérifier que le filtre est sec avant de l'installer.

## Pour lubrifier le pignon conique et la boîte de vitesses



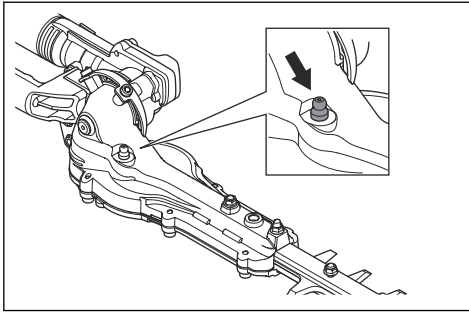
**AVERTISSEMENT :** Pour éviter les brûlures, laisser le produit refroidir avant de toucher le pignon conique et la boîte de vitesses.

**Remarque :** Les nouveaux produits sont d'abord remplis de graisse après environ 20 heures de fonctionnement.

- Utiliser de la graisse spéciale . Pour obtenir de plus amples renseignements, communiquer avec votre centre de services.



- Ajouter de la graisse par le raccord de graissage.



**MISE EN GARDE :** Ne pas remplir complètement la boîte de vitesses.

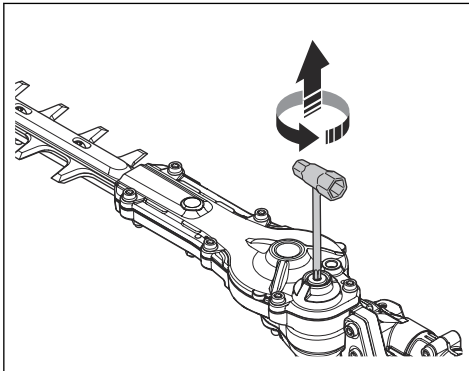
### Pour nettoyer et lubrifier les lames

1. Nettoyer les lames de tout matériau indésirable avant et après l'utilisation du produit.
2. Lubrifier les lames avant une longue période de remisage.

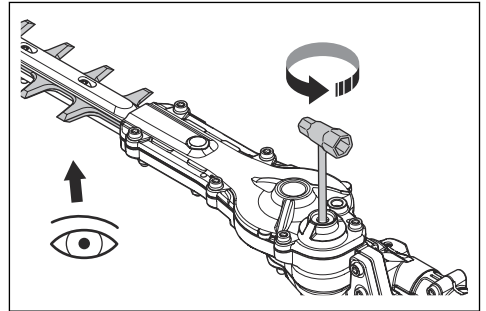
**Remarque :** Pour obtenir de plus amples renseignements sur les lubrifiants et les produits de nettoyage recommandés, communiquer avec votre centre de services.

### Pour examiner les lames

1. Retirer la vis de la boîte de vitesses.



2. Placer la clé à usages multiples dans la boîte de vitesses et la tourner dans le sens des aiguilles d'une montre, puis dans le sens inverse. Vérifier que les lames bougent librement.



3. Examiner les bords des lames à la recherche de dommages et de déformation.
4. Retirer les bavures sur les lames à l'aide d'une lime.
5. Effectuer l'installation dans l'ordre inverse.

# Dépannage

## Dépannage

<b>Le moteur ne démarre pas.</b>		
<b>Problème</b>	<b>Cause possible</b>	<b>Étape recommandée</b>
Cliquets de lanceur à rappel	Les cliquets de lanceur à rappel ne peuvent se déplacer librement.	Régler ou remplacer les cliquets du lanceur.
		Nettoyer alentour des cliquets de démarrage.
		Communiquer avec un fournisseur de services d'entretien agréé.
Réservoir de carburant	Type de carburant inapproprié.	Vidanger et utiliser le carburant approprié.
Carburateur	Ralenti du moteur inadéquat	Régler le régime de ralenti.
Aucune étincelle	La bougie d'allumage est sale ou humide.	S'assurer que la bougie est propre et sèche.
		Nettoyer la bougie d'allumage. S'assurer que la distance entre les électrodes de la bougie est adéquate. S'assurer que la bougie est installée avec un supprimeur.
	Distance entre les électrodes inadéquate	Se reporter à la section <i>Caractéristiques techniques à la page 59</i> pour connaître la distance adéquate entre les électrodes.
Bougie d'allumage	La bougie d'allumage est desserrée.	Serrer la bougie d'allumage.

<b>Le moteur démarre mais s'arrête à nouveau</b>		
<b>Problème</b>	<b>Cause possible</b>	<b>Étape recommandée</b>
Réservoir de carburant	Type de carburant inapproprié.	Vidanger et utiliser le carburant approprié.
Carburateur	Ralenti du moteur inadéquat	Régler le régime de ralenti. Se reporter à la section <i>Réglage du régime de ralenti à la page 54</i> . Communiquer avec votre centre de services si nécessaire.
Filtre à air	Filtre à air bouché.	Nettoyer le filtre à air.

Lame		
Problème	Causes possibles	Étape recommandée
La lame tourne lentement ou pas du tout.	La lame est bloquée ou endommagée.	Dégager les lames de tout matériau indésirable. Se reporter à la section <i>Pour nettoyer et lubrifier les lames à la page 57</i> . Éliminer les bavures de la lame, se reporter à <i>Pour examiner les lames à la page 57</i> Remplacer la lame si elle est endommagée.
La lame ne coupe pas facilement.	La lame n'est pas assez aiguisée ou est endommagée.	Aiguiser la lame, se reporter à <i>Pour examiner les lames à la page 57</i> Remplacer la lame si elle est endommagée.
La lame devient très chaude.	Il y a frottement entre les lames.	Éliminer les bavures et lubrifier la lame. Se reporter à la section <i>Pour examiner les lames à la page 57</i> .

## Transport, entreposage et mise au rebut

### Transport et entreposage

- Toujours laisser l'appareil refroidir avant de l'entreposer.
- Pour le stockage et le transport du produit et du carburant, s'assurer qu'il n'y a pas de fuite ou de vapeur. Les étincelles ou les flammes nues, par exemple avec des appareils électriques ou des chaudières, peuvent démarrer un incendie.
- Utiliser toujours des contenants agréés pour entreposer ou transporter le carburant.
- Vider les réservoirs de carburant avant tout transport ou remisage pendant une période prolongée. Mettre au rebut le carburant à un emplacement de mise au rebut adéquat.
- Fixer la protection de transport pendant le transport et le stockage.
- Retirer le chapeau de la bougie.
- Fixer le produit pendant le transport. S'assurer qu'il ne puisse pas bouger.
- Nettoyer et entretenir le produit avant de le remettre pour une période prolongée.

## Caractéristiques techniques

### Caractéristiques techniques

	SRTZ235	LRTZ235
<b>Moteur</b>		
Cylindrée, po <sup>3</sup> / cm <sup>3</sup>	1,4/22,5	1,4/22,6
Régime de ralenti, tr/min	2 800 à 3 200	2 800 à 3 200
Régime maximal recommandé, tr/min	11000	11000
Puissance max. du moteur, conformément à la norme ISO 8893, kW/hp à tr/min	0,75/1 à 8 500	0,75/1 à 8 501
Silencieux du pot catalytique	Oui	Oui
<b>Système d'allumage</b>		
Bougie d'allumage	NGK BPMP8Y	NGK BPMP8Y
Écartement des électrodes, po/mm	0,026/0,65	0,026/0,65

	<b>SRTZ235</b>	<b>LRTZ235</b>
<b>Circuits d'alimentation et de lubrification</b>		
Capacité du réservoir de carburant, pte US / L	1,35/0,64	1,35/0,64
<b>Poids</b>		
Poids, lb/kg	12,5/5,7	13,5/6,1
<b>Barre de coupe</b>		
Type	Double tranchant	Double tranchant
Longueur de coupe, mm/po	23,6/600	23,6/600
Vitesse de découpe, coupes/min	4 200	4 200

---

# Garantie

---

## DÉCLARATION DE GARANTIE DU SYSTÈME DE CONTRÔLE DES ÉMISSIONS D'ÉCHAPPEMENT ET D'ÉVAPORATION CONFORME AUX EXIGENCES LÉGALES DES ÉTATS-UNIS, DE LA CALIFORNIE ET DU CANADA

### VOS DROITS ET OBLIGATIONS EN VERTU DE LA GARANTIE

Le California Air Resources Board (CARB), l'U.S. Environmental Protection Agency (EPA), Environnement et Changement climatique Canada et Husqvarna Professional Products, Inc. vous présentent la garantie du système de contrôle des émissions d'échappement et d'évaporation (les « émissions ») qui protège votre petit moteur hors route 2021-2022\*. En Californie, l'équipement neuf équipé d'un petit moteur hors-route doit être conçu, fabriqué et équipé de manière à répondre aux strictes normes antipollution de l'État. Husqvarna Professional Products, Inc. doit garantir les systèmes de contrôle des émissions de votre petit moteur hors route pendant les périodes figurant sur la liste ci-dessous à condition que votre petit moteur hors route ou tout autre équipement ne présente aucun signe d'abus, de négligence ou d'entretien inapproprié menant à la défaillance du système de contrôle des émissions. Votre système de contrôle des émissions peut comprendre différentes pièces comme un carburateur, un système d'injection de carburant, un système d'allumage, un pot catalytique, des réservoirs de carburant, des conduites de carburant (pour le carburant liquide et les vapeurs de carburant), des bouchons de réservoir de carburant, des soupapes, des réservoirs à charbon actif, des filtres, des colliers et d'autres composants associés. Il peut aussi comprendre des flexibles, de courroies, des raccords et d'autres pièces liées aux émissions. En cas de problème couvert par la garantie, Husqvarna Professional Products, Inc. répare votre petit moteur hors route sans frais, diagnostic, pièces et main-d'œuvre compris.

### COUVERTURE DE LA GARANTIE DU FABRICANT

Le système de contrôle des émissions d'échappement et d'évaporation pour petit moteur hors route est garanti deux ans. Si une pièce de votre petit moteur hors route liée aux émissions est défectueuse, elle doit alors être réparée ou remplacée par Husqvarna Professional Products, Inc..

### RESPONSABILITÉS DU PROPRIÉTAIRE EN VERTU DE LA GARANTIE

- À titre de propriétaire d'un petit moteur hors route, vous êtes tenu d'effectuer l'entretien obligatoire indiqué dans le manuel de l'utilisateur. Husqvarna

Professional Products, Inc. vous recommande de conserver tous les reçus relatifs à l'entretien de votre petit moteur hors route, mais Husqvarna Professional Products, Inc. ne peut pas refuser l'application de la garantie pour la seule raison de l'absence de reçus ou du non-respect du calendrier de maintenance.

- En tant que propriétaire d'un petit moteur hors route, vous devez savoir que Husqvarna Professional Products, Inc. peut vous refuser la couverture de la garantie si votre petit moteur hors route ou une pièce est défaillant en raison d'un abus, de négligence, d'un entretien inapproprié ou de modifications non approuvées.
- Vous devez présenter votre petit moteur hors route à un centre de réparation Husqvarna Professional Products, Inc. agréé dès que le problème se manifeste. Les réparations couvertes par la garantie seront effectuées dans un délai raisonnable qui n'excédera pas 30 jours. Pour toute question relative à vos droits et responsabilités relativement à votre garantie, communiquer avec Husqvarna Professional Products, Inc. au CANADA au 1-800-805-5523 ou aux ÉTATS-UNIS au 1-800-487-5951, ou alors envoyer un courriel à l'adresse [emissions@hqvgroup.com](mailto:emissions@hqvgroup.com) ou [warranty@hpp-emissions.com](mailto:warranty@hpp-emissions.com).

### DATE D'ENTRÉE EN VIGUEUR DE LA GARANTIE

La période de garantie commence à la date à laquelle le moteur ou le matériel est livré à l'acheteur final.

### DURÉE DE LA COUVERTURE

Husqvarna Professional Products, Inc. garantit au dernier acheteur et à chacun des propriétaires suivants que le petit moteur ou l'équipement hors route a été conçu, construit et équipé dans le respect de toutes les réglementations applicables édictées par l'EPA et le CARB et est exempt de tout défaut matériel ou de fabrication pouvant provoquer la panne d'une pièce garantie pendant une période de deux ans.

### ÉLÉMENTS COUVERTS

#### RÉPARATION OU REMPLACEMENT DES PIÈCES :

La réparation ou le remplacement de toute pièce garantie qui est défectueuse sera effectué sans frais dans un centre de services agréé par la marque. À l'exclusion des réparations et des remplacements couverts par la présente garantie, il est possible de choisir un atelier de réparation ou toute autre personne pour entretenir, remplacer ou réparer les dispositifs et systèmes de contrôle des émissions. Cependant, Husqvarna Professional Products, Inc. recommande que toutes les opérations d'entretien, de remplacement et de réparation des dispositifs et systèmes de contrôle des émissions soient effectuées dans un centre de services agréé par la marque.

**IMPORTANT :** Le présent produit est conforme à la réglementation de la Phase 3 de l'Environmental Protection Agency (EPA) des États-Unis en ce qui concerne les émissions d'échappement et d'évaporation. Afin de garantir le respect des règlements de l'EPA Phase 3 des États-Unis, du California Air Resources Board et d'Environnement et Changement climatique Canada, nous recommandons d'utiliser uniquement des pièces de rechange de la marque du produit d'origine. L'utilisation de pièces de rechange non conformes est une infraction à la législation fédérale et à celle de certains États.

**PÉRIODE DE GARANTIE :** Toute pièce garantie dont le remplacement n'est pas prévu dans le cadre du programme d'entretien obligatoire ou dont la seule mesure prévue est l'inspection régulière avec « réparation ou remplacement au besoin » est garantie pendant deux ans (ou pendant la durée stipulée dans la garantie du produit, selon la période la plus longue) à compter de sa date d'achat par l'acheteur initial. Toute pièce garantie dont le remplacement est prévu par le calendrier d'entretien obligatoire est garantie pendant la période écoulée jusqu'au premier remplacement prévu de la pièce. Toute pièce réparée ou remplacée en vertu de la garantie est couverte pendant la période de garantie restante.

**DIAGNOSTIC :** Vous n'avez pas à payer pour le diagnostic permettant de conclure que la pièce garantie est défectueuse, à condition qu'un tel diagnostic soit effectué dans un atelier d'entretien agréé.

**AUTRES DOMMAGES :** Husqvarna Professional Products, Inc. réparera les autres composants du moteur endommagés par suite de la défaillance d'une pièce sous garantie.

## **LISTE DES PIÈCES COUVERTES PAR LA GARANTIE DE CONTRÔLE DES ÉMISSIONS**

1. Pièces du carburateur et du système d'admission ou système d'injection.
2. Filtre à air et filtre à carburant couverts dans la limite du calendrier d'entretien.
3. Bougies d'allumage couvertes dans la limite du calendrier d'entretien.
4. Module d'allumage.
5. Silencieux avec catalyseur et collecteurs d'échappement.
6. Réservoir de carburant, conduites de carburant (pour le carburant et les vapeurs de carburant), bouchon de réservoir, réservoir à charbon actif, clapet antiretour en cas de retournement et clapets antibalottement si applicable.
7. Commandes électroniques, soupapes et interrupteurs sensibles au vide, à la température et au temps.
8. Flexibles, raccords et ensembles.
9. Tous les autres composants, dont la défaillance augmenterait les émissions d'échappement et d'évaporation d'un polluant quelconque par le moteur, comme énoncé ci-dessous :

- Pour la Californie, voir le California Code of Regulations, 13 CCR §2405(d) et 2760(d).
- Pour les États-Unis et le Canada, se reporter au US Federal Code of Regulations, 40 C.F.R 1068 Appendix I (iii).

## **ÉLÉMENTS NON COUVERTS**

Toutes les pannes dues à un abus, à de la négligence, à des modifications non approuvées, à une utilisation ou à un entretien inadéquat ne sont pas couvertes.

## **PIÈCES COMPLÉMENTAIRES OU MODIFIÉES**

Aucune pièce complémentaire ou modifiée non affranchie par la CARB ou l'EPA ne peut être utilisée. L'utilisation de pièces complémentaires ou modifiées non exemptées est un motif suffisant pour rejeter une demande d'indemnisation. Husqvarna Professional Products, Inc. n'a pas la responsabilité de garantir les pannes de pièces garanties provoquées par l'utilisation d'une pièce complémentaire ou modifiée non affranchie.

## **COMMENT PRÉSENTER UNE DEMANDE D'INDEMNISATION**

Pour toute question relative à vos droits et responsabilités relativement à la garantie, communiquer avec le centre de services agréé le plus proche, appeler Husqvarna Professional Products, Inc. aux ÉTATS-UNIS au 1-800-487-5951, au CANADA au 1-800-805-5523, ou bien envoyer un courriel à l'adresse [emissions@husqvarnagroup.com](mailto:emissions@husqvarnagroup.com) ou [warranty@hqp-emissions.com](mailto:warranty@hqp-emissions.com).

## **OÙ JOINDRE LE SERVICE DE GARANTIE?**

Les services de garantie ou de réparation sont assurés par tous les ateliers d'entretien Husqvarna Professional Products, Inc. agréés. Si le centre de réparation agréé le plus près se trouve à plus de 160 kilomètres de votre emplacement, Husqvarna Professional Products, Inc. arrangerait et paierait la livraison aller-retour vers un centre de réparation agréé par la marque ou arrangerait autrement la prestation du service au titre de la garantie, en conformité avec les règlements applicables.

## **ENTRETIEN, REMPLACEMENT ET RÉPARATION DES PIÈCES RELATIVES AUX ÉMISSIONS**

Toute pièce de remplacement peut être utilisée pour procéder à un entretien ou à une réparation sous garantie et elle sera fournie sans frais pour le propriétaire. Un tel remplacement n'a pas pour effet de réduire les obligations du fabricant relativement à la garantie.

## **ATTESTATION D'ENTRETIEN**

Le propriétaire est tenu de respecter l'entretien obligatoire prévu dans le manuel de l'utilisateur.

\* L'année modèle courante et subséquente sera mise à jour annuellement dans la déclaration de garantie fournie au consommateur. Par exemple, 2012-2013 sera spécifié pour l'année modèle 2012.

\*\* Pièces liées aux émissions par évaporation.





[www.redmax.com](http://www.redmax.com)

Original instructions  
Instrucciones originales  
Instructions d'origine

1142785-49



2021-06-28