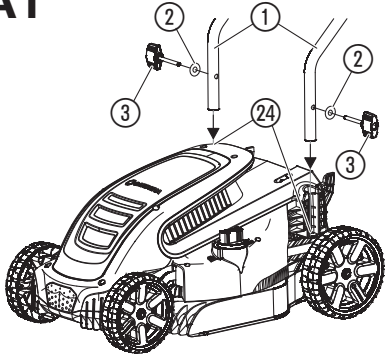
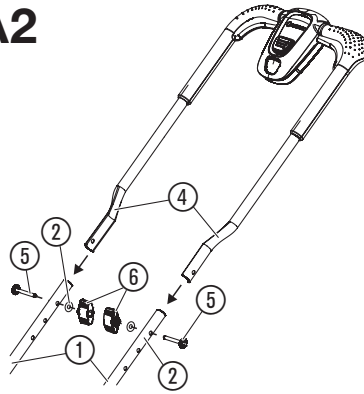
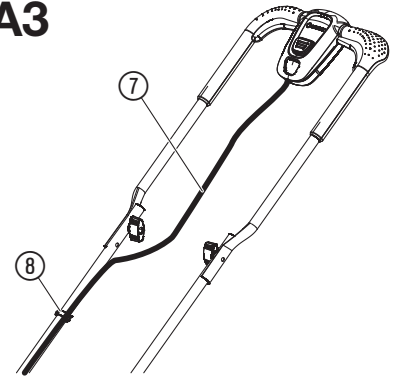
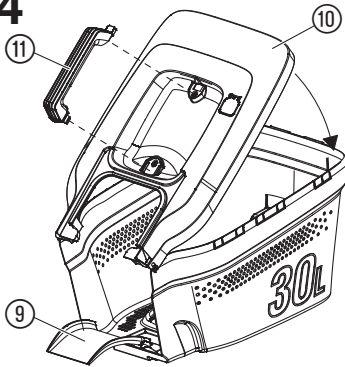
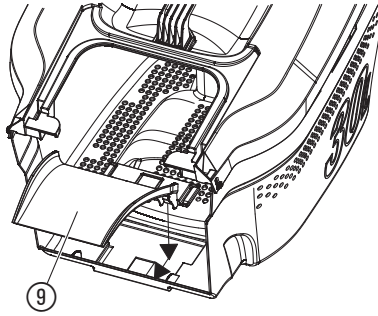
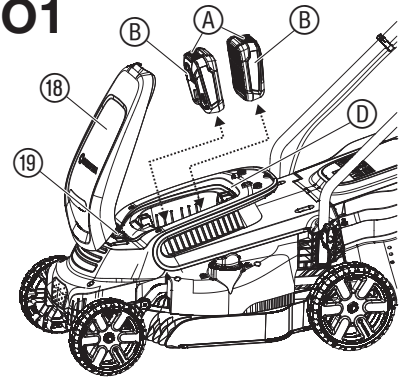
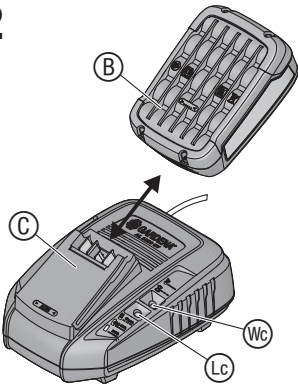
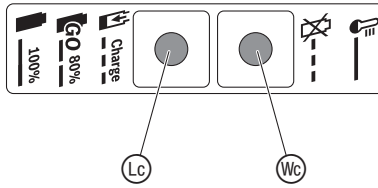
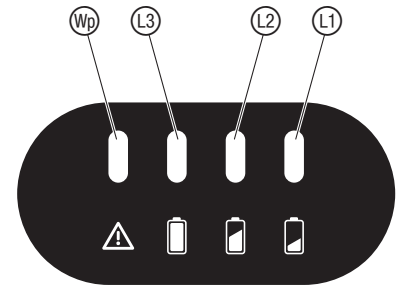
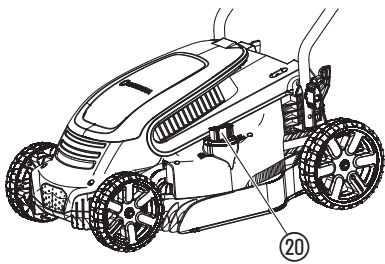
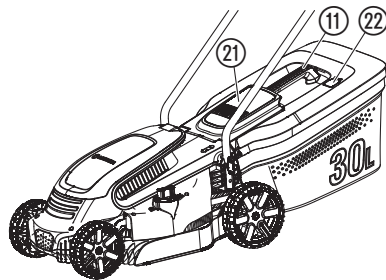
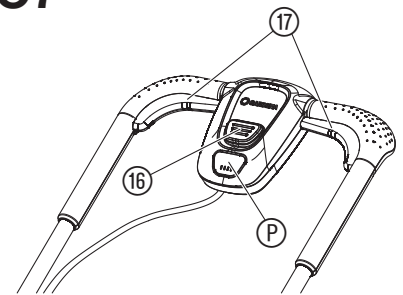
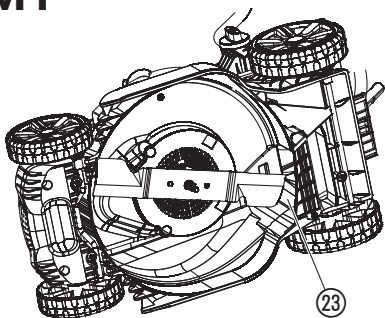
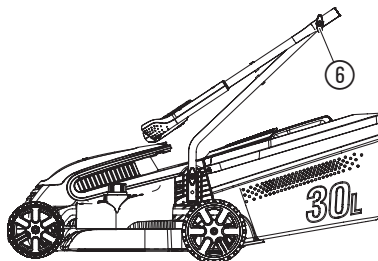


PowerMax 32/36V P4A

Art. 14621


EN Operator's manual
Battery Lawnmower

A1**A2****A3****A4****A5****O1****O2****O3****O4****O5****O6****O7****M1****S1**

EN Battery Lawnmower

1. SAFETY	4
2. ASSEMBLY	5
3. OPERATION	6
4. MAINTENANCE	6
5. STORAGE	7
6. TROUBLESHOOTING	7
7. TECHNICAL DATA	8
8. ACCESSORIES	8
9. SERVICE/WARRANTY	8


Original instructions.

 This product may be used under supervision, or if instruction regarding the safe use of the product has been provided and the resulting dangers have been understood, by children aged 8 and above, as well as by persons with physical, sensory or mental disabilities or a lack of experience and knowledge. Children must not be allowed to play with the product. Cleaning and user maintenance must not be performed by children without supervision. The use of this product by young people under the age of 16 is not recommended.

Intended use:

The **GARDENA Lawnmower** is intended to mow lawn in private domestic gardens and allotments.

The product is not intended for long term use.









 **DANGER! Risk of injury!**
→ Do not use the product to cut bushes, hedges, shrubs, to cut of climbers or grass on roofs or balcony boxes, to chop up branches, twigs and to level irregularities in the soil. Do not use the product on a slope steeper than 20° maximum.

1. SAFETY

IMPORTANT!

Read the operator's manual carefully before use and keep for future reference.

Symbols on the product:

-  **Read operator's manual.**
-  **Keep bystanders away.**
-  **Beware of sharp blades. Blades continue to rotate after the motor is switched off.**
-  **Remove disabling device before maintenance.**
-  **Secure the working area before starting to work. Watch out for hidden cables.**
-  **Fire risk! Short-circuit! Do not connect the contacts of the battery with metal components.**
-  **Switch off: Remove the Battery before cleaning or maintenance.**
-  **Do not let the product become wet with rain or other moisture.**



For the charger:
Remove plug from the mains immediately if the cable is damaged or cut.

General safety warnings

Electrical safety for the charger



DANGER! Electric shock!

Risk of injury due to electric shock.

→ The product must be supplied through a residual current device (RCD) having a rated residual operating current not exceeding 30 mA.

Training

- Read the instructions carefully. Be familiar with the controls and the correct use of the machine.
- Never allow children or people unfamiliar with these instructions to use the machine. Local regulations can restrict the age of the operator.
- Never operate the machine while people, especially children, or pets are nearby.
- Keep in mind that the operator or user is responsible for accidents or hazards occurring to other people or their property.

Preparation

- While operating the machine always wear substantial footwear and long trousers. Do not operate the machine when barefoot or wearing open sandals. Avoid wearing clothing that is loose fitting or that has hanging cords or ties.
- Thoroughly inspect the area where the machine is to be used and remove all objects which can be thrown by the machine.
- Before using, always visually inspect to see that the blade, blade bolt and the blade assembly are not worn or damaged. Replace worn or damaged components in set to preserve balance. Replace damaged or unreadable labels.
- Before use check the supply and extension cord for signs of damage or aging. If the cord becomes damaged during use, disconnect the cord from the supply immediately.
DO NOT TOUCH THE CORD BEFORE DISCONNECTING THE SUPPLY.
Do not use the machine if the cord is damaged or worn.

Operation

- Operate the machine only in daylight or in good artificial light.
- Avoid operating the machine in wet grass.
- Always be sure of your footing on slopes.
- Walk, never run.
- Mow across the face of slopes, never up and down.
- Exercise extreme caution when changing direction on slopes.
- Do not mow excessively steep slopes.
- Use extreme caution when reversing or pulling the machine towards you.
- Stop the blade(s) if the machine has to be tilted for transportation when crossing surfaces other than grass, and when transporting the machine to and from area to be used.
- Never operate the machine with defective guards or shields, or without safety devices, for example deflectors and/or grass collector, in place.
- Switch on the motor carefully according to instructions and with feet well away from the blade(s).
- Do not tilt the machine when switching on the motor, except if the machine has to be tilted for starting. In this case, do not tilt it more than absolutely necessary and lift only the part, which is away from the operator.
- Do not start the machine when standing in front of the discharge opening.
- Do not put hands or feet near or under rotating parts. Keep clear of the discharge opening at all times.
- Do not transport the machine while the power source is running.
- Stop the machine, and remove the disabling device. Make sure that all moving parts have come to a complete stop:
 - whenever you leave the machine,
 - before clearing blockages or unclogging chute,
 - before checking, cleaning or working on the machine,
 - after striking a foreign object. Inspect the machine for damage and make repairs before restarting and operating the machine;if the machine starts to vibrate abnormally (check immediately):
 - inspect for damage,
 - replace or repair any damaged parts,
 - check for and tighten any loose parts.

Maintenance and storage

- Keep all nuts, bolts, and screws tight to be sure the machine is in safe working condition.
- Check the grass collector frequently for wear or deterioration.
- Replace worn or damaged parts for safety.
- On machines with multi blade, take care as rotating one blade can cause other blades rotate.
- Be careful during adjustment of the machine to prevent entrapment of the fingers between moving blades and fixed parts of the machine.

- f) Always allow the machine to cool down before storing.
- g) When servicing the blades be aware that, even though the power source is switched off, the blades can still be moved.
- h) Use only genuine replacement parts and accessories.

Additional safety warnings

Battery safety



Read all the safety and general instructions.

Failure to observe the safety and general instructions may result in electric shock, fire and/or serious injury.


Store these instructions in a safe place. Only use the charger if you can fully evaluate all functions and carry them out without restrictions, or if you have received corresponding instructions.

→ **Supervise children during use, cleaning and maintenance.**

This will ensure that children do not play with the charger.

→ **Charge only lithium-ion batteries of the POWER FOR ALL system type PBA 18V with a capacity of 1.5 Ah or more (5 battery cells or more). The battery voltage must match the battery charging voltage of the charger. Do not charge any nonrechargeable batteries.**

Otherwise there is a risk of fire and explosion.

→  **Do not expose the charger to rain or wet conditions.**

Water entering a power tool will increase the risk of electric shock.

→ **Keep the charger clean.** Dirt poses a risk of electric shock.

→ **Always check the charger, cable and plug before use. Stop using the charger if you discover any damage. Do not open the charger yourself, and have it repaired only by a qualified specialist using only original replacement parts.**

Damaged chargers, cables and plugs increase the risk of electric shock.

→ **Do not operate the charger on an easily ignited surface (e.g. paper, textiles, etc.) or in a flammable environment.**

There is a risk of fire due to the charger heating up during operation.

→ In order to avoid safety hazards, if the power supply cord needs to be replaced, this must be done by GARDENA or by a customer service centre that is authorised to repair GARDENA power tools.

→ **Do not operate the product while it is charging.**

Products sold in GB only: Your product is fitted with an BS 1363/A approved electric plug with internal fuse (ASTA approved to BS 1362). If the plug is not suitable for your socket outlets, it should be cut off and an appropriate plug fitted in its place by an authorised customer service agent. The replacement plug should have the same fuse rating as the original plug. The severed plug must be disposed of to avoid a possible shock hazard and should never be inserted into a mains socket elsewhere.

→ **These safety warnings apply only for lithium-ion batteries of the POWER FOR ALL system PBA 18V.**

→ **Only use the battery with products of the POWER FOR ALL system manufacturers.**

This is the only way in which you can protect the battery against dangerous overload.

→ **Recharge only with the charger specified by the manufacturer.**

A charger that is suitable for one type of battery pack may create a risk of fire when used with another battery pack.

→ **The battery is supplied partially charged.**

To ensure full battery capacity, fully charge the battery in the charger before using your power tool for the first time

→ **Keep battery packs out of the reach of children.**

→ **Do not open the battery.** There is a risk of short-circuiting.

→ **In case of damage and improper use of the battery, vapours may be emitted. The battery can set alight or explode.**

Ensure the area is well ventilated and seek medical attention should you experience any adverse effects. The vapours may irritate the respiratory system.

→ **If used incorrectly or if the battery is damaged, flammable liquid may be ejected from the battery. Contact with this liquid should be avoided. If contact accidentally occurs, rinse off with water. If the liquid comes into contact with your eyes, seek additional medical attention.**

Liquid ejected from the battery may cause irritation or burns.

→ **If the battery is damaged liquid can be ejected and cover nearby surfaces. Check affected parts.**

Clean these parts or change them if necessary.


→ **Do not short-circuit the battery pack. When the battery pack is not in use, keep it away from other metal objects, like paper clips, coins, keys, nails, screws or other small metal objects, that can make a connection from one terminal to another.**

Shorting the battery terminals together may cause burns or a fire.

→ **The battery can be damaged by pointed objects such as nails or screwdrivers or by force applied externally.**

An internal short circuit may occur, causing the battery to burn, smoke, explode or overheat.

→ **Never service damaged battery packs.** Service of battery packs should only be performed by the manufacturer or authorized service providers.

→  **Protect the battery against heat, e.g. against continuous intense sunlight, fire, dirt, water and moisture.**

There is a risk of explosion and short-circuiting.



→ **Only operate and store the battery at an ambient temperature between $-20\text{ }^{\circ}\text{C}$ and $+50\text{ }^{\circ}\text{C}$.**

Do not leave the battery in your car in the summer, for example. At temperatures of $<0\text{ }^{\circ}\text{C}$ some devices may experience a loss of power.

→ **Only charge the battery at an ambient temperature which is between $0\text{ }^{\circ}\text{C}$ and $+45\text{ }^{\circ}\text{C}$.** Charging outside of this temperature range can increase the risk of damage to the battery and pose a fire hazard.

Electrical safety



DANGER! Cardiac arrest!

This product makes an electromagnetic field while it operates. This field may under some conditions interfere with active or passive medical implants. To decrease the risk of conditions that can possibly injure or kill, we recommend persons with medical implants to speak with their physician and the medical implant manufacturer before you operate the product.

Only use the battery product between $-10\text{ }^{\circ}\text{C}$ and $40\text{ }^{\circ}\text{C}$.

Do not use under wet conditions.

Protect the battery contacts from moisture.

Personal safety



DANGER! Risk of suffocation!

Small parts can be easily swallowed. There is also a risk that the poly-bag can suffocate toddlers. Keep toddlers away when you assemble the product.

Do not use the start levers alternately.

Do not disassemble the product further than the delivery status.

Use gloves, wear slip resistant shoes and wear eye protection.

Only start the mower with an upright stand handle.

Do not overload the mower.

Never operate the product when you are tired, ill or under the influence of alcohol, drugs, or medicine.

2. ASSEMBLY



DANGER! Risk of injury!

Cut injury when the product starts accidentally.

→ **Wait for the blade to stop, remove the safety key and use gloves before you assemble the product.**

To assemble the lower handles [Fig. A1]:

1. Push the lower handles ① into the openings ② in the mower.
Make sure that the handles ① are completely in place and the handle holes are inline up with the holes in the mower.
2. Put the washer ② on the wing screw ③.
3. Put the wing screw ③ in the threaded hole in the mower.
4. Tighten the wing screw ③.

To assemble the upper handle [Fig. A2]:

1. Put the upper handle ④ on the lower handles ①.
Make sure that the handles are completely in place and the handle holes are inline.
2. Push the screws ⑤ through the holes.
3. Put the washers ② and the wing nuts ⑥ on the screws ⑤.
4. Tighten the wing nuts ⑥.

To attach the cable to the handle [Fig. A3]:

- Attach the cable ⑦ to the handle with the clamps ⑧.
Make sure that the cable is not locked between the lower and the upper handle.

To assemble the grass box [Fig. A4/A5]:

1. Turn the cover ⑩ on the grass box.
Make sure that the cover aligns to the grass box.
2. Push the cover ⑩ on the grass box until the connections audibly engage.
Make sure that all connections are engaged.
3. Push the handle ⑪ on the grass box until the connections audibly engage.
4. Push the chute ⑨ into the grass box and pull the chute ⑨ forward until it audibly engages.

3. OPERATION



DANGER! Risk of injury!

Cut injury when the product starts accidentally.

→ Wait for the blade to stop, remove the safety key and use gloves before you adjust or transport the product.

To charge the battery [Fig. O1/O2/O3]:



CAUTION!

→ **Note the mains voltage!** The voltage of the power source must match the voltage specified on the rating plate of the charger.

Thanks to the intelligent charging process, the charge condition of the battery is automatically detected and then charged up with the optimal charge current depending on battery temperature and voltage.

In this way, the battery is treated with care and remains permanently fully charged when it is stored in the charger.

1. Open the cover ⑩.
2. Push the locking buttons ① and remove the batteries ② from the battery holder ④.
3. Connect the battery charger ③ into a mains socket.
4. Slide the battery ② into the charging slot of the battery charger ③.

When the battery charge indicator ⑤ at the charger flashes green the battery is being charged.

When the battery charge indicator ⑤ at the charger illuminates permanently green the battery is completely charged (Charging time, see 7. TECHNICAL DATA).

5. Examine the charge status regularly while you charge.
6. When the battery ② is completely charged, disconnect the battery ② from the charger ③ and charge the second battery.

Meaning of the Indication Elements:

Indication on the charger:

(Fast) Flashing of the Green Battery Charge Indicator ⑤ The rapid-charging procedure is indicated by **fast flashing** of the **green** battery charge indicator ⑤.

Note: The rapid-charging procedure is only possible when the battery temperature is within the allowable charging temperature range, see 7. TECHNICAL DATA.



(Slow) Flashing of the Green Battery Charge Indicator ⑤ When the charging condition of the battery is 80 %, the **green** battery charge indicator ⑤ **flashes slowly**.

The battery can be removed for immediate use.



Continuous Lighting of the Green Battery Charge Indicator ⑤ **Continuous lighting** of the **green** battery charge indicator ⑤ indicates that the battery is fully charged.

When the battery is not inserted, **continuous lighting** of the battery charge indicator ⑤ indicates that the mains plug is inserted in the socket outlet and that the battery charger is ready for operation.



Continuous Lighting of the Red Battery Error Indicator ⑥ **Continuous lighting** of the **red** battery error indicator ⑥ indicates that the temperature of the battery is not within the allowable charging temperature range, see 7. TECHNICAL DATA.

As soon as the allowable charging temperature range is reached, the battery charger automatically switches to rapid charging.



Flashing Red Battery Charge Indicator ⑥ A **flashing red battery error indicator** ⑥ indicates a different malfunction of the charging procedure, see 6. TROUBLESHOOTING.



Battery charge status indication ⑦ on the product [Fig. O4/O7]:
After starting the product, the battery charge status indication ⑦ is displayed for 5 seconds.

Battery charge status	Battery charge status indication
67 – 100 % charged	①, ② and ③ illuminate green
34 – 66 % charged	① and ② illuminate green
11 – 33 % charged	① illuminates green
0 – 10 % charged	① flashes green

If the LED ① flashes green, the battery must be charged.

If the error LED ⑥ is illuminated or flashing, see 6. TROUBLESHOOTING.

To adjust the cutting height [Fig. O5]:

The cutting height can be adjusted from 20 – 60 mm in 12 positions.

1. Push and turn the adjust wheel ⑳ clockwise to lower the cutting height.

2. Push and turn the adjust wheel ⑳ counterclockwise to increase the cutting height.

To use the mower with the grass box [Fig. O6]:



DANGER! Risk of injury!

Cut injury when the blade turns or the mower starts accidentally.

→ Wait for the blade to stop, remove the safety key and use gloves before you open the protective flap.

→ Do not put your hands in the discharge opening.

1. Lift the protective flap ㉑.
2. Put the grass box into the mower by the handle ㉒.
Make sure that the grass box is securely connected.
3. Start the mower.

The level indicator ㉓ opens during mowing. When it closes during mowing, the grass box is full.

4. Stop the mower.
5. Lift the protective flap ㉑.
6. Remove the grass box by the handle ㉒.
7. Empty the grass box.

To start the mower [Fig. O1/O7]:



DANGER! Risk of injury!

Risk of injury if the product does not stop when you release the start lever.

→ Do not bypass the safety devices or switches. For example do not attach the start lever to the handle.

To start:

The product is provided with a two-handed safety device (start lever and safety interlock) to prevent the product from being turned on by accident.

There are two start levers ㉔. Either one has to be used to start.

We recommend not to use 2 batteries of different capacity.

1. Open the lid ⑩.
2. Put the batteries ② into the battery holder ④ until they audibly engage.
3. Put the safety key ⑨ into the mower and turn to position 1.
4. Push the safety interlock ⑥ with one hand and pull the start lever ㉔ with the other hand. *The mower starts and the battery charge status indication ⑦ is displayed for 5 seconds.*
5. Release the safety interlock ⑥.

To stop:

1. Release the start lever ㉔.
The mower stops.
2. Turn the safety key ⑨ to position 0 and remove it to prevent the battery from discharging.

Tips to use the mower:

If grass residue is left in the discharge opening, pull the mower backwards about 1 m so that the grass residue can drop out downwards.

To produce a well-maintained lawn, we recommend to cut the lawn regularly once a week if possible. The lawn becomes denser if you cut it frequently.

After relatively long cutting intervals (holiday lawn), first of all cut in one direction with the highest cutting height and then cut in the crosswise direction with the required cutting height.

If possible, only cut the grass when it is dry, if the grass is damp, the cutting pattern will be uneven.

Cutting performance and battery charge:

The lawn area which can be cut on each battery charge depends on several factors such as moisture, grass density and cutting height. In order to ensure an optimal use of space, do not turn the mower on and off too frequently as this severely reduces the battery running time. The cutting performance for each battery charge can be ideally utilised by increasing the cutting height and frequent mowing.

4. MAINTENANCE



DANGER! Risk of injury!

Cut injury when the product starts accidentally.

→ Wait for the blade to stop, remove the safety key and use gloves before you maintain the product.

To clean the mower:

⚠ DANGER! Risk of injury!
Risk of injury and risk of damage to the product.

- Do not clean the product with water or with a water jet (in particular high-pressure water jet).
- Do not clean with chemicals including petrol or solvents. Some can destroy critical plastic parts.

The airflow slots must always be clean.

To clean the underside of the mower [Fig. M1]:

The underside is easiest to clean after you mowed.

1. Lay the mower on its side carefully.
2. Clean the underside, the blade and the discharge opening ② with a brush (do not use sharp objects).

To clean the overside of the mower and the grass box:

1. Clean the overside with a damp cloth.
2. Clean the airflow slots and the grass box with a soft brush (do not use sharp objects).

To clean the battery and the battery charger:

Make sure that the surface and the contacts of the battery and the battery charger always are clean and dry before you connect the battery charger.

Do not use running water.

- **Battery charger:** Clean the contacts and the plastic parts with a soft and dry cloth.
- **Battery:** Occasionally clean the ventilation slots and the terminals on the battery using a soft brush that is clean and dry.

5. STORAGE

To put into storage [Fig. S1]:

The product must be stored away from children.

1. Turn the safety key to position **0** and remove it to prevent the battery from discharging.
2. Remove the battery.
3. Charge the battery.
4. Clean the mower, the battery and the battery charger (see 4. MAINTENANCE).
5. To save space, loosen the wing nuts ⑥ until the handle can be folded together easily.
Make sure that the cable is not locked between the lower and the upper handle.
6. Store the mower, the battery and the battery charger in a dry, enclosed and frost-free place.

Disposal:

(in accordance with RL2012/19/EC)



The product must not be disposed of to normal household waste. It must be disposed of in line with local environmental regulations.

IMPORTANT!

→ Dispose of the product through or via your municipal recycling collection centre.

Disposal of the battery:



The GARDENA battery contains lithium-ion cells that should not be disposed of with normal household waste at the end of its life.

Li-ion IMPORTANT!

→ Dispose of the batteries through or via your municipal recycling collection centre.

1. Discharge the lithium-ion cells completely (contact the GARDENA Service).
2. Protect the contacts on the lithium-ion cells against short circuits.
3. Dispose of the lithium-ion cells properly.

6. TROUBLESHOOTING



DANGER! Risk of injury!

Cut injury when the product starts accidentally.

→ Wait for the blade to stop, remove the safety key and use gloves before you troubleshoot the product.

To replace the blade:



DANGER! Risk of injury!

Cut injury when the blade turns and it is damaged, bent, out of balance or has chipped edges.




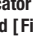
- Do not use the mower when the blade is damaged, bent, out of balance or has chipped edges.
- Do not regrind the blade.

The GARDENA spare parts are available from your GARDENA dealer or from the GARDENA service.

Only use an original GARDENA blade:

- **GARDENA Replacement blade** **Art. 4100**
- Let the blade be replaced by the GARDENA Service or a specialist dealer authorised by GARDENA.

Problem	Possible Cause	Remedy
Engine is jammed and makes a noise	Motor is blocked.	→ Remove the obstacle.
	Cutting height is too low.	→ Raise the cutting height.
Loud noises, the mower is rattling	Screws on engine, its fixing or on the mower chasing are loose.	→ Let the screws be tightened by an authorised specialist dealer or the GARDENA Service.
	Mower runs unevenly or vibrates strongly	Blade is damaged/worn or the blade mounting is released.
Blade is very dirty.		→ Clean the mower (see 4. MAINTENANCE). If this does not rectify the problem, contact the GARDENA Service.
Lawn is not cleanly mowed	Blade is blunt or damaged.	→ Let the blade be replaced by the GARDENA Service.
	Cutting height is too low.	→ Raise the cutting height.
Mower does not start or stops. LED ① is flashing green [Fig. 04]	Battery is empty.	→ Charge the battery.
Mower does not start or stops. Error-LED ② is illuminated red [Fig. 04]	Battery temperature is outside the permissible temperature range.	→ Wait until the battery temperature is between 0 °C – + 45 °C again.
	There are drops of water or moisture between the battery contacts on the mower.	→ Remove the water drops/moisture with a dry cloth.
	Engine is blocked.	→ Remove the obstacle. Start again.
Mower does not start or stops. Error-LED ③ is flashing red [Fig. 04]	Product is defective.	→ Contact the GARDENA Service.
	Mower does not start or stops. Error-LED ④ is not illuminated [Fig. 04]	Battery is not put completely into the battery holder.
Safety key is not in position 1.		→ Turn the safety key to position 1.
Battery is defective.		→ Replace the battery.
Charging is not possible. Green battery charge indicator ⑤ is continuously lit. Red battery error indicator ⑥ is flashing. [Fig. 03]	Product is defective.	→ Contact the GARDENA Service.
	The battery is not connected (correctly).	→ Connect the battery to charger correctly.
Charging is not possible. Green battery charge indicator ⑤ is continuously lit. Red battery error indicator ⑥ is flashing. [Fig. 03]	Battery contacts are dirty.	→ Clean the battery contacts (e.g. by connecting and disconnecting the battery several times. Replace the battery if necessary.

Problem	Possible Cause	Remedy
Charging is not possible. Green battery charge indicator  is continuously lit. Red battery error indicator  is flashing. [Fig. 03]	Battery temperature is outside the permissible charging temperature range. Battery is defective.	→ Wait until the battery temperature is between 0 °C – + 45 °C again. → Replace the battery.
Green battery charge indicator  /the red battery error indicator  is not illuminated [Fig. 03]	Mains plug of the charger is not (correctly) plugged in. Socket outlet, mains cable or charger is defective.	→ Insert the mains plug into the mains socket (completely). → Check the mains voltage. Let the charger be checked if necessary by an authorised specialist dealer or the GARDENA Service.



NOTE: For any other malfunctions please contact the GARDENA service department. Repairs must only be done by GARDENA service departments or specialist dealers approved by GARDENA.

7. TECHNICAL DATA

Battery Lawnmower	Unit	Value (Art. 14621)
Speed of rotation cutting blade	R/min	3300
Cutting width	cm	32
Cutting height adjustment (12 positions)	mm	20 – 60
Volume of grass box	l	30
Weight (without Battery)	kg	8.6
Sound pressure level L_{pA} ¹⁾ Uncertainty k_{pA}	dB (A)	71 2.5
Sound power level L_{WA} ²⁾ : measured/guaranteed Uncertainty k_{WA}	dB (A)	84 / 85 0.9
Hand/arm vibration a_{vhw} ¹⁾ Uncertainty k_{vhw}	m/s ²	0.5 1.5

Measuring process complying with: ¹⁾ EN 60335-2-77 ²⁾ RL 2000/14/EC



NOTE: The stated vibration emission value has been measured according to a standardised test procedure and can be used for comparison of one electric power tool with another. It can also be used for preliminary evaluation of exposure. The vibration emission value can vary during actual use of the electric power tool.

8. ACCESSORIES

GARDENA Replacement Blade	As replacement for blunt blade.	Art. 4100
GARDENA System Battery PBA 18V/36 P4A PBA 18V/45 P4A PBA 18V/72 P4A	Battery for additional duration or for replacement.	Art. 14902 Art. 14903 Art. 14905
GARDENA Battery Charger AL 1810 CV P4A		Art. 14900-28 (UK) Art. 14900-52 (AU/NZ)
GARDENA Battery Quick Charger AL 1830 CV P4A	Charger for fast charging the POWER FOR ALL system Batteries PBA 18V..W-..	Art. 14901-28 (UK) Art. 14901-52 (AU/NZ)

9. SERVICE/WARRANTY

Service:

Please contact the address on the back page.

Warranty statement:

In the event of a warranty claim, no charge is levied to you for the services provided.

GARDENA Manufacturing GmbH grants a warranty for all original GARDENA new products for two years from the date of original purchase from the retailer, provided that the devices have been for private use only. This manufacturer's warranty does not apply to products acquired second hand. This warranty includes all significant defects of the product that can be proved to be material or manufacturing faults. This warranty is fulfilled by supplying a fully functional replacement product or by repairing the faulty product sent to us free of charge; we reserve the right to

choose between these options. This service is subject to the following provisions:

- The product has been used for its intended purpose as per the recommendations in the operating instructions.
- Neither the purchaser nor a third party has attempted to open or repair the product.
- Only Original GARDENA replacement parts and wear parts have been used for operation.
- Presentation of the receipt.

Normal wear and tear of parts and components (such as blades, blade fixing parts, turbines, light bulbs, V-belts/toothed belts, impellers, air filters, spark plugs), visual changes, wear parts and consumables are excluded from the warranty.

This manufacturer's warranty is limited to replacement and repair of products in accordance with the abovementioned conditions. The manufacturer's warranty does not constitute an entitlement to lodge other claims against us as a manufacturer, such as for damages. This manufacturer's warranty does **not**, of course, affect statutory and contractual warranty claims against the dealer/retailer.

The manufacturer's warranty is governed by the law of the Federal Republic of Germany.

In case of a warranty claim, please return the faulty product, together with a copy of the receipt and a description of the fault, with postage paid to the service address.

Consumables:

The blade and the wheels are consumables and are not included in the warranty.

<p>Deutschland / Germany GARDENA Manufacturing GmbH Central Service Hans-Lorenser-Straße 40 D-89079 Ulm Produktfragen: (+49) 731 490-123 Reparaturen: (+49) 731 490-290 service@gardena.com http://www.gardena.com</p>	<p>Chile REPRESENTACIONES JCE S.A. Av. Del Valle Norte 857, Piso 4 Santiago RM Phone: (+56) 2 24142560 contacto@jce.cl</p>	<p>France Husqvarna France 9/11 Allée des pierres mayettes 92635 Gennevilliers Cedex France http://www.gardena.com/fr N° AZUR: 0 810 00 78 23 (Prix d'un appel local)</p>	<p>Luxembourg Magasins Jules Neuberg 39, rue Jacques Stas Luxembourg-Gasperich 2549 Case Postale No. 12 Luxembourg 2010 Phone: (+352) 40 14 01 api@neuberg.lu</p>	<p>Singapore Hy-Ray PRIVATE LIMITED 40 Jalan Pemimpin #02-08 Tat Ann Building Singapore 577185 Phone: (+65) 6253 2277 shiyiing@hyray.com.sg</p>
<p>Albania KRAFT SHPK Autostrada Tirane-Durres Km 7 1051 Tirane</p>	<p>China Husqvarna (Shanghai) Management Co., Ltd. 富世华 (上海) 管理有限公司 3F, Benq Square B, No207, Song Hong Rd., Chang Ning District, Shanghai PRC. 200335 上海市长宁区淞虹路207号明 基广场B座3楼, 邮编: 200335</p>	<p>Georgia Transporter LLC 113b Beliashvili street 0159 Tbilisi, Georgia</p>	<p>Mexico AFOSA Av. Lopez Mateos Sur # 5019 Col. La Calma 45070 Zapopan, Jalisco Mexico Phone: (+52) 33 3818-3434 icornejo@afosa.com.mx</p>	<p>Slovak Republic Husqvarna Česko s.r.o. Türkova 2319/5b 149 00 Praha 4 – Chodov Bezplatná infolinka: 800 154 044 servis@sk.husqvarna.com</p>
<p>Argentina ROBERTO C. RUMBO S.R.L. Predio Norlog Lote 7 Benavidez. ZC:1621 Buenos Aires ventas@rumbosrl.com.ar</p>	<p>Colombia Husqvarna Colombia S.A. Calle 18 No. 68 D-31, zona Industrial de Montevideo Bogotá, Cundinamarca Tel. 571 2922700 ext. 105 jairo.salazar@ husqvarna.com.co</p>	<p>Great Britain Husqvarna UK Ltd Preston Road Aycliffe Industrial Park Newton Aycliffe County Durham DL5 6UP info.gardena@ husqvarna.co.uk</p>	<p>Moldova Convel S.R.L. 290A Muncesti Str. 2002 Chisinau</p>	<p>Slovenia Husqvarna Austria GmbH Industriezeile 36 4010 Linz Tel.: (+43) 732 77 01 01-485 service.gardena@ husqvarnagroup.com</p>
<p>Australia Husqvarna Australia Pty. Ltd. Locked Bag 5 Central Coast BC NSW 2252 Phone: (+61) (0) 2 4352 7400 customer.service@ husqvarna.com.au</p>	<p>Costa Rica Compania Exim Euroiberoamericana S.A. Los Colegios, Moravia, 200 metros al Sur del Colegio Saint Francis – San José Phone: (+506) 297 68 83 exim_euro@racsa.co.cr</p>	<p>Greece Π. ΠΑΠΑΔΟΠΟΥΛΟΣ ΑΕΒΕ Λεωφ. Αθηνών 92 Αθήνα T.K.104 42 Ελλάδα Tηλ. (+30) 210 51 93 100 info@papadopoulos.com.gr</p>	<p>Netherlands Husqvarna Nederland B.V. GARDENA Division Postbus 50131 1305 AC ALMERE Phone: (+31) 36 521 00 10 info@gardena.nl</p>	<p>South Africa Husqvarna South Africa (Pty) Ltd Postnet Suite 250 Private Bag X6, Cascades, 3202, South Africa Phone: (+27) 33 846 9700 info@gardena.co.za</p>
<p>Austria / Österreich Husqvarna Austria GmbH Industriezeile 36 4010 Linz Tel.: (+43) 732 77 01 01-485 service.gardena@ husqvarnagroup.com</p>	<p>Croatia Husqvarna Austria GmbH Industriezeile 36 4010 Linz Tel.: (+43) 732 77 01 01-485 service.gardena@ husqvarnagroup.com</p>	<p>Hungary Husqvarna Magyarország Kft. Ezred u. 1-3 1044 Budapest Telefon: (+36) 1 251-4161 vevoszolgalat.husqvarna@ husqvarna.hu</p>	<p>Neth. Antilles Jonka Enterprises N.V. Sta. Rosa Weg 196 P.O. Box 8200 Curaçao Phone: (+599) 9 767 66 55 pgm@jonka.com</p>	<p>Spain Husqvarna España S.A. Calle de Rivas nº 10 28052 Madrid Phone: (+34) 91 708 05 00 atencioncliente@gardena.es</p>
<p>Azerbaijan Firm Progress a. Aliyev Str. 26A 1052 Baku</p>	<p>Cyprus Med Marketing 17 Digeni Akrita Ave P.O. Box 27017 1641 Nicosia</p>	<p>Iceland BYKO ehf. Bildshöfoa 20 110 Reykjavik</p>	<p>New Zealand Husqvarna New Zealand Ltd. PO Box 76-437 Manukau City 2241 Phone: (+64) (0) 9 9202410 support.nz@husqvarna.co.nz</p>	<p>Suriname Deto Handelmaatschappij N.V. Kernkampweg 72-74 P.O.Box: 12782 Paramaribo – Suriname South America Phone: (+597) 438050 www.deto.sr</p>
<p>Belarus Private Enterprise "Master Garden" Minsk Sharangovich str., 7a Phone: (+375) 17 257-00-33 Mob.: (+375) 29 676-16-09 mg@mastergarden.by</p>	<p>Czech Republic Husqvarna Česko s.r.o. Türkova 2319/5b 149 00 Praha 4 – Chodov Bezplatná infolinka: 800 100 425 servis@cz.husqvarna.com</p>	<p>Ireland Husqvarna UK Ltd Preston Road Aycliffe Industrial Park Newton Aycliffe County Durham DL5 6UP info.gardena@ husqvarna.co.uk</p>	<p>Norway Husqvarna Norge AS Gardena Division Trøskenvæien 36 1708 Sarpsborg info@gardena.no</p>	<p>Sweden Husqvarna AB/ GARDENA Sverige Drottninggatan 2 561 82 Huskvarna Sverige</p>
<p>Belgium Husqvarna Belgium nv Gardena Division Leuvensesteenweg 542 Planet II E 1930 Zaventem België</p>	<p>Denmark GARDENA DANMARK Lejrvvej 19, st. 3500 Værløse Tlf.: (+45) 70264770 husqvarna@husqvarna.dk www.gardena.com/dk</p>	<p>Italy Husqvarna Italia S.p.A. Via Santa Vecchia 15 23868 VALMADRERA (LC) Phone: (+39) 0341.203.111 assistenza.italia@ it.husqvarna.com</p>	<p>Peru Husqvarna Perú S.A. Jr. Ramón Cárcamo 710 Lima 1 Tel: (+51) 1 3320 400 ext. 416 juan.remuzgo@ husqvarna.com</p>	<p>Switzerland / Schweiz Husqvarna Schweiz AG Consumer Products Industriestrasse 10 5506 Mägenwil Phone: (+41) (0) 62 887 37 90 info@gardena.ch</p>
<p>Bosnia / Herzegovina SILK TRADE d.o.o. Industrijska zona Bukva bb 74260 Tešanj</p>	<p>Dominican Republic BOSQUESA, S.R.L Carretera Santiago Licey Km. 5 ½ Esquina Copal II. Santiago Dominican Republic Phone: (+809) 736-0333 joserbosquesa@claro.net.do</p>	<p>Japan Husqvarna Zenoah Co. Ltd. Japan 1-9 Minamidai, Kawagoe 350-1165 Saitama Japan gardena-jp@ husqvarnagroup.com</p>	<p>Portugal Husqvarna Portugal, SA Lagoa - Albarraque 2635 - 595 Rio de Mouro Tel.: (+351) 21 922 85 30 Fax : (+351) 21 922 85 36 info@gardena.pt</p>	<p>Turkey Dost Bahçe Diş Ticaret Mümessillik A.Ş Yunus Mah. Adil Sok. No:3 Ic Kapi No: 1 Kartal 34873 Istanbul Phone: (+90) 216 38 93 939 info@dostbahce.com.tr</p>
<p>Brazil Husqvarna do Brasil Ltda Av. Francisco Matarazzo, 1400 - 19º andar São Paulo - SP CEP: 05001-903 Tel: 0800-112252 marketing.br.husqvarna@ husqvarna.com.br</p>	<p>Ecuador Husqvarna Ecuador S.A. Arupos E1-181 y 10 de Agosto Quito, Pichincha Tel. (+593) 22800739 francisco.jacome@ husqvarna.com.ec</p>	<p>Kazakhstan LAMED Ltd. 155/1, Tazhibayevoi Str. 050060 Almaty IP Schmidt Abayavenue 3B 110 005 Kostanay</p>	<p>Romania Madex International Srl Soseaua Odaii 117-123, RO 013603 Bucureşti, S1 Phone: (+40) 21 352.76.03 madex@ines.ro</p>	<p>Ukraine / Україна TOB «Хускварна Україна» вул. Васильківська, 34, офіс 204-г 03022, м. Київ Тел. (+38) 0 800 504 804 info@gardena.ua</p>
<p>Bulgaria AGROLAND България АД бул. 8 Декември, №13 Офис 5 1700 Студентски град София Тел.: (+359) 2466 69 10 info@agroland.eu</p>	<p>Estonia Husqvarna Eesti OÜ Valdeku 132 EE-11216 Tallinn info@gardena.ee</p>	<p>Korea Kyung Jin Trading CO.,LTD. 107-4, SunDuk Bld., YangJae-dong, Seocho-gu, Seoul, (zipcode: 137-891) Phone: (+82) (0)2 574-6300</p>	<p>Russia / Россия ООО „Хускварна“ 141400, Московская обл., г. Химки, улица Ленинградская, владение 39, стр.6 Бизнес Центр „Химки Бизнес Парк“, помещение ОВ02_04 http://www.gardena.ru</p>	<p>Venezuela Corporación Casa y Jardín C.A. Av. Caroní, Edif. Trezmen, PB. Colinas de Bello Monte. 1050 Caracas. Tlf: (+58) 212 992 33 22 info@casayjardin.net.ve</p>
<p>Canada / USA GARDENA Canada Ltd. 100 Summerlea Road Brampton, Ontario L6T 4X3 Phone: (+1) 905 792 93 30 info@gardenacanada.com</p>	<p>Finland Oy Husqvarna Ab Gardena Division Lautatarhankatu 8 B/PL 3 00581 HELSINKI www.gardena.fi</p>	<p>Latvia Husqvarna Latvija SIA Ulbrokas 19A LV-1021 Riga info@gardena.lv</p>	<p>Serbia Domel d.o.o. Autoput za Novi Sad bb 11273 Belgrade Phone: (+381) 1 18 48 88 12 miroslav.jejina@domel.rs</p>	<p>Uruguay FELI SA Entre Ríos 1083 CP 11800 Montevideo – Uruguay Tel: (+598) 22 03 18 44 info@felisa.com.uy</p>
				<p>14621-56.960.01/0521 © GARDENA Manufacturing GmbH D-89070 Ulm http://www.gardena.com</p>