



Husqvarna®



Soff-Cut 150, Soff-Cut 150 D

EN	Operator's manual
ES-MX	Manual de usuario
FR-CA	Manuel d'utilisation

2-31
32-62
63-93

Contents

Introduction.....	2	Maintenance.....	16
Safety.....	6	Troubleshooting.....	22
Assembly.....	12	Transportation, storage and disposal.....	25
Operation.....	12	Technical data.....	28

Introduction

Owner responsibility



WARNING: Processing of concrete and stone by methods such as cutting, grinding or drilling, especially during dry operation, generates dust that comes from the material being processed, which frequently contains silica. Silica is a basic component of sand, quartz, brick clay, granite and numerous other minerals and rocks. Exposure to excessive amount of such dust can cause:

Respiratory disease (affecting your ability to breathe), including chronic bronchitis, silicosis and pulmonary fibrosis from exposure to silica. These diseases may be fatal;

Skin irritation and rash.

Cancer according to NTP* and IARC* */ National Toxicology Program, International Agency for Research on Cancer.

Take precautionary steps:

Avoid inhalation of and skin contact with dust, mist and fumes.

Wear and ensure that all bystanders wear appropriate respiratory protection such as dust masks designed to filter out microscopic particles. (See OSHA 29 CFR Part 1926.1153)

To minimize dust emissions, use water to bind the dust, when feasible. If dry operation is necessary, use an appropriate dust extractor.

It is the owner's/employer's responsibility that the operator has sufficient knowledge about how to use the product safely. Supervisors and operators must have

read and understood the Operator's Manual. They must be aware of:

- The product's safety instructions.
- The product's range of applications and limitations.
- How the product is to be used and maintained.

National/Local regulations could restrict the use of this product. Find out what regulations are applicable where you work before you start using the product.

California Proposition 65



WARNING!
The engine exhaust from this product contains chemicals known to the State of California to cause cancer, birth defects or other reproductive harm.

Product description

The product is a gasoline powered walk-behind floor saw for concrete.

Intended use

The product is for professional operation only.

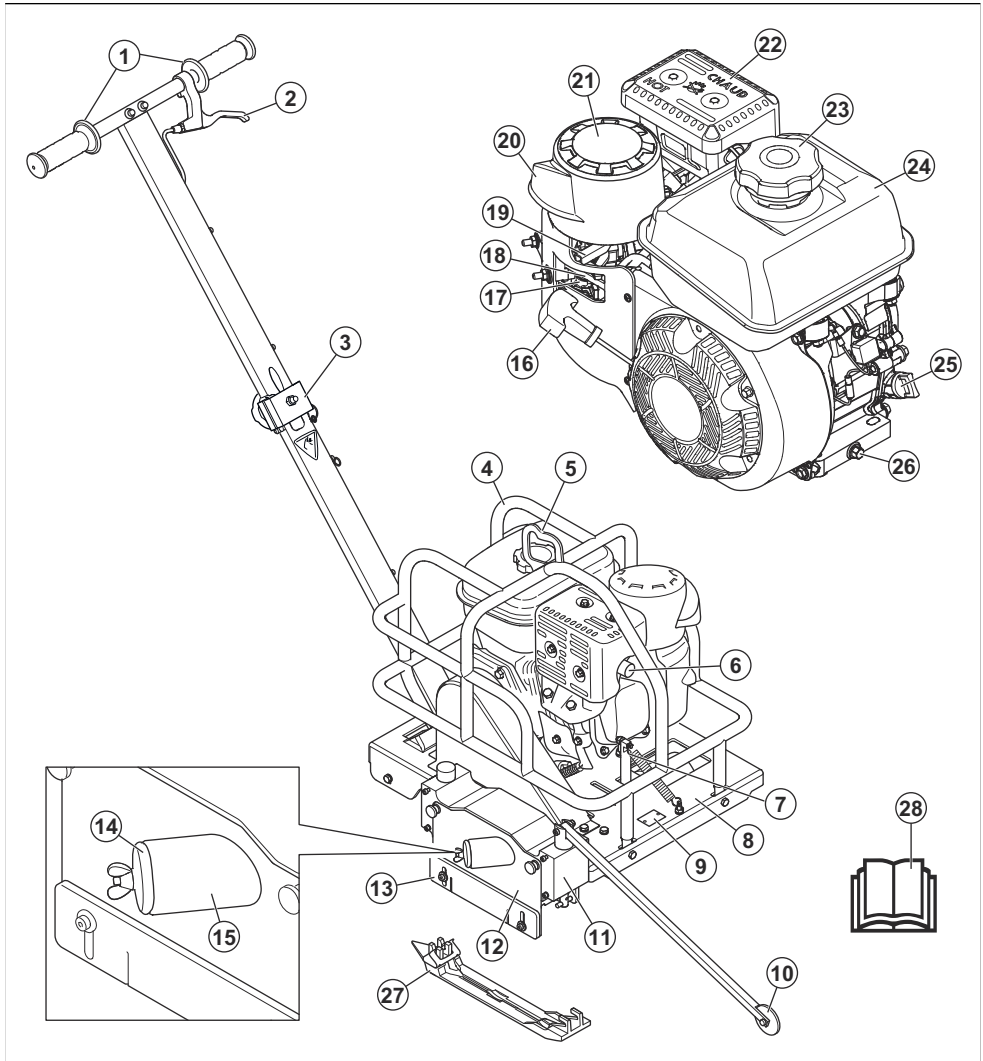
The Soft-Cut 150 is used for sawing of contraction joints in the Ultra Early Stage of concrete.

The Soft-Cut 150D is used after the initial cut. It used on decorative cuts, driveways and parking lots.

The product is for outdoor operation only.

Do not use the product for other tasks.

Product overview Soff-Cut 150

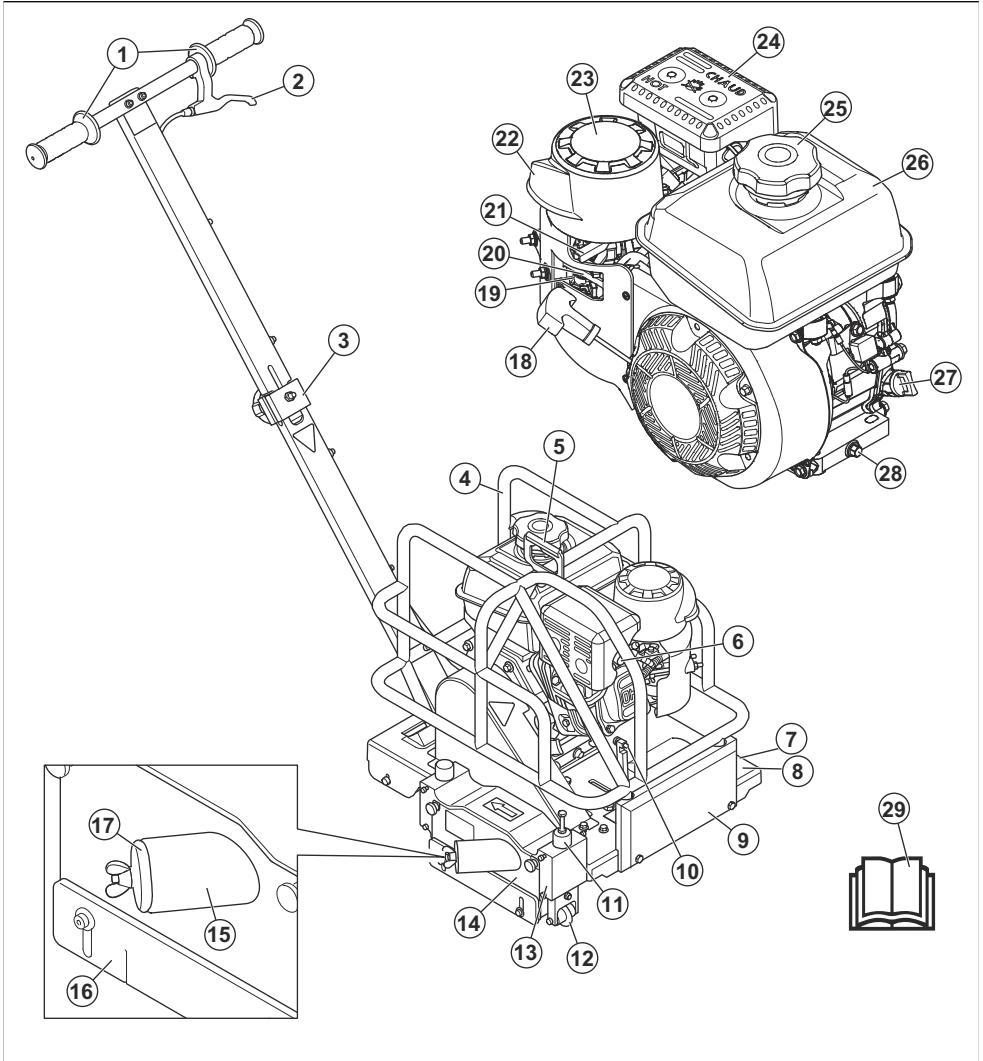


- | | |
|--|---|
| <ul style="list-style-type: none"> 1. Operator handles 2. Blade release lever 3. Locking clamp for the handle 4. Safety frame 5. Lift point 6. Exhaust outlet 7. Depth stop adjustment 8. Saw frame 9. Type plate | <ul style="list-style-type: none"> 10. Front pointer 11. Blade block 12. Blade block cover 13. Lexan™ cover 14. Plug for the dust extractor connection 15. Dust extractor connection 16. Starter rope handle 17. Fuel valve and Engine ON/OFF switch 18. Choke control |
|--|---|

- 19. Throttle trigger
- 20. Air cleaner inlet
- 21. Air filter cover
- 22. Muffler cover
- 23. Fuel tank cap

- 24. Fuel tank
- 25. Dipstick/oil tank
- 26. Oil drain plug
- 27. Skid plate (not included)
- 28. Operator's manual

Product overview Soff-Cut 150D



- 1. Operator handles
- 2. Blade release lever
- 3. Locking clamp for the handle
- 4. Safety frame
- 5. Lift point

- 6. Exhaust outlet
- 7. Type plate
- 8. Saw frame
- 9. Counterweight
- 10. Plunge adjustment screw

11. Depth stop adjustment screw
12. Front pointer wheel
13. Blade block
14. Blade block cover
15. Dust extractor connection
16. Lexan™ cover
17. Plug for the dust extractor connection
18. Starter rope handle
19. Fuel valve and Engine ON/OFF switch
20. Choke control
21. Throttle trigger
22. Air cleaner inlet
23. Air filter cover
24. Muffler cover
25. Fuel tank cap
26. Fuel tank
27. Dipstick/oil tank
28. Oil drain plug
29. Operator's manual

Symbols on the product



WARNING: Be careful and use the product correctly. This product can cause serious injury or death to the operator or others.



Read the operator's manual carefully and make sure that you understand the instructions before you use this product.



Use hearing protection, eye protection and respiratory protection. Refer to *Personal protective equipment on page 8*.



All displacement of the machine outside the cutting area shall be carried out with the tool not in rotation.



Risk of cut injuries. Keep all body parts away from the cutting blade.



The dust can cause health problems. Use an approved respiratory protection. Do not breathe exhaust fumes. Do not use a combustion engine product indoors or in areas that do not have sufficient airflow.



Risk of pinching. Keep body parts away from moving parts.



Keep body parts away from the cutting blade and other moving parts.



The arrow on the blade guard shows the direction of rotation of the cutting blade.



Always stop the engine and let it become cool before you refuel.



Unleaded gasoline with a maximum of 10% ethanol.



Explosive fuel can cause fires and severe burns.



Always stop the engine before you fill the fuel tank. Keep $\frac{1}{8}$ in. (16 mm) at the top of the fuel tank to let the expand. Read the Operator's Manual and the Kohler engine manual.



Hot muffler, do not touch.



ON, start



Off, stop



Fill engine oil to correct level.



Read and understand the manual for the dust extractor.



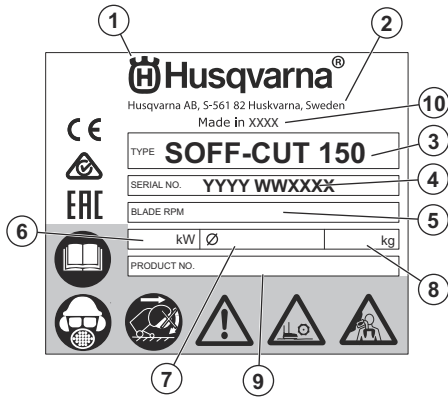
To lift the product, attach lifting equipment to the lift point on the product.



Release the handle to lower the blade by gravity. To prevent damage to the blade, hold the product tightly and lower the blade carefully.

Note: Other symbols/decals on the product refer to certification requirements for other commercial areas.

Type plate



1. Manufacturer
2. Manufacturer address
3. Model
4. Serial number: production year, production week and sequence number

5. Blade rpm
6. Engine power
7. Maximum blade dimension
8. Product weight
9. Product number
10. Country of production

Product liability

As referred to in the product liability laws, we are not liable for damages that our product causes if:

- the product is incorrectly repaired.
- the product is repaired with parts that are not from the manufacturer or not approved by the manufacturer.
- the product has an accessory that is not from the manufacturer or not approved by the manufacturer.
- the product is not repaired at an approved service center or by an approved authority.

CALIFORNIA AIR RESOURCES BOARD (CARB)

Note: This machine is considered a preempt Off-Road Application as relating to CARB standards. The U.S EPA has sole authority to establish emission standards for preempt construction equipment.

Safety

Safety definitions

Warnings, cautions and notes are used to point out specially important parts of the manual.



WARNING: Used if there is a risk of injury or death for the operator or bystanders if the instructions in the manual are not obeyed.



CAUTION: Used if there is a risk of damage to the product, other materials or the adjacent area if the instructions in the manual are not obeyed.

Note: Used to give more information that is necessary in a given situation.

General safety instructions



WARNING: Read the warning instructions that follow before you use the product.

- This product is a dangerous tool if you are not careful or if you use the product incorrectly. This product can cause serious injury or death to the operator or others. Before you use the product, you must read and understand the contents of this operator's manual.
- Save all warnings and instructions.
- Comply with all applicable laws and regulations.
- The operator and the employer of the operator must know and prevent the risks during operation of the product.
- Do not let a person operate the product unless they read and understand the contents of the operator's manual.
- Do not operate the product unless you receive training before use. Make sure that all operators receive training.
- Do not let a child operate the product.
- Only let approved persons operate the product.
- The operator is responsible for accidents that occur to other persons or their property.
- Do not use the product if you are tired, ill, or under the influence of alcohol, drugs or medicine.
- Always be careful and use your common sense.

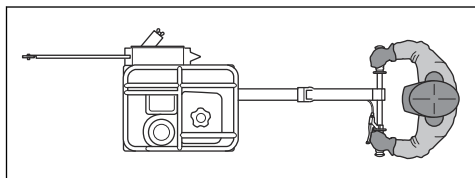
- This product produces an electromagnetic field during operation. This field can under some circumstances interfere with active or passive medical implants. To decrease the risk of serious injury or death, we recommend persons with medical implants to speak to their physician and the medical implant manufacturer before operating this product.
- Keep the product clean. Make sure that you can clearly read signs and decals.
- Do not use the product if it is defective.
- Do not do modifications to this product.
- Do not operate the product if it is possible that other persons have done modifications to the product.

Safety instructions for operation



WARNING: Read the warning instructions that follow before you use the product.

- Read the warning instructions that are supplied with the cutting blade by the cutting blade manufacturer.
- Make sure that the product is assembled correctly.
- Do not operate the product without the blade guard and the protective covers installed.
- Incorrect operation of the product can cause the cutting blade to break and cause injury or damage.
- Make sure that you know how to stop the engine quickly in an emergency.
- Use personal protective equipment. Refer to *Personal protective equipment on page 8*.
- Keep a safe distance from the cutting blade when the engine is on. Do not try to stop a rotating blade with a part of your body. To touch a rotating blade, although the engine is off, can result in serious injury or death.
- Make sure that only approved persons are in the work area.
- Make sure that electrical cables in the work area are not live.
- Keep the work area clean and bright.
- Only operate the product from behind with your hands on the handle



- Make sure that you are in a safe and stable position during operation.
- Before you go away from the product, stop the engine and make sure that there is no risk of accidental start.
- The product does not have a parking brake. Do not go away from the product if it is on a slope. If it is

necessary to park the product on a slope, make sure that the product is sufficiently attached and cannot move.

- Be very careful during operation on slopes. The product is heavy and can cause serious injury if it falls.
- Make sure that no material can become loose and cause injury to the operator.
- Make sure that clothes, long hair and jewelry do not get caught in moving parts.
- Do not sit or stand on the product.
- Stay away from the blade path while the engine is on.
- Do not operate the product unless you can get aid if an accident occurs.
- Do not use the product for transportation of persons or equipment.
- Do not put your feet on the product.
- Make sure that the blade does not touch the ground or an other surface when the product is moved.
- Do not operate the product with too much load. Overload can cause damage to the product.

Work area safety



WARNING: Read the warning instructions that follow before you use the product.

- The product can cause objects to eject at high speed. Make sure that all persons in the work area use approved personal protective equipment. Refer to *Personal protective equipment on page 8*. Remove loose objects from the work area.
- Make sure that animals and bystanders are not in the work area.
- Do not operate the product until the work area is clear and your feet and body are in a stable position.
- Look out for persons, objects and situations that can prevent safe operation of the product.
- Make sure that no persons or objects can come into contact with the cutting equipment or be hit by parts thrown by the blade.
- Do not use the product in fog, rain, strong winds, cold weather, risk of lightning or other bad weather conditions. To use the product in bad weather can have a negative effect on your alertness. Bad weather can cause dangerous work conditions, such as slippery surfaces.
- During operation of the product, make sure that no material can become loose and fall and cause injury to the operator.
- Be very careful when you operate the product on a slope.
- Keep the work area clean and bright.
- Before you operate the product, find out if there are hidden hazards such as electrical cables, water, and gas pipes and flammable substances in the work

area. If the product hits a hidden object, stop the engine immediately and examine the product and the object. Do not start to operate the product again until you know that it is safe to continue.

- Before you cut into a drum, a pipe, or other container, make sure that it does not contain flammable or other material that can cause fire or explosion.
- Do not operate the product in areas where fire or explosions can occur.

Personal protective equipment



WARNING: Read the warning instructions that follow before you use the product.

- Always use approved personal protective equipment when you operate the product. Personal protective equipment cannot fully prevent injury but it decreases the degree of injury if an accident does occur. Let your dealer help you select the correct personal protective equipment.
- Regularly do a check of the condition of the personal protective equipment.
- Use an approved protective helmet.
- Use approved hearing protection.
- Use approved respiratory protection.
- Use approved eye protection with side protection. There is a high risk of eye injury from thrown objects.
- Use protective gloves.
- Use boots with steel toe-cap and non-slip sole.
- Use approved work clothing or equivalent close-fitting clothing that has long sleeves and long legs.

Fire extinguisher

- Keep a fire extinguisher near during operation.
- Use a powder fire extinguisher of "ABE" class or a carbon dioxide fire extinguisher of "BE" type.

Safety devices on the product

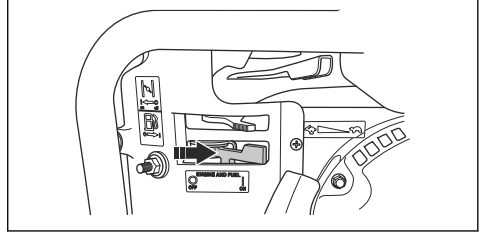


WARNING: Read the warning instructions that follow before you use the product.

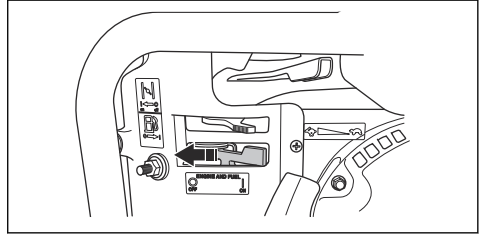
- Do not use a product with defective safety devices. Do a check of the safety devices regularly. If the safety devices are defective, speak to your Husqvarna service agent.
- Do not make modifications on safety devices. Do not use the product if protective plates, protective covers, safety switches or other protective devices are not attached or are defective.

To do a check of the ON/OFF switch

- Make sure that the engine starts and the blade starts to rotate when you put the switch in the ON position.

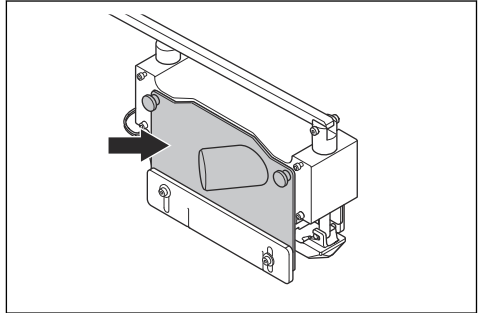


- Make sure that the engine stops immediately when you put the switch in the OFF position.



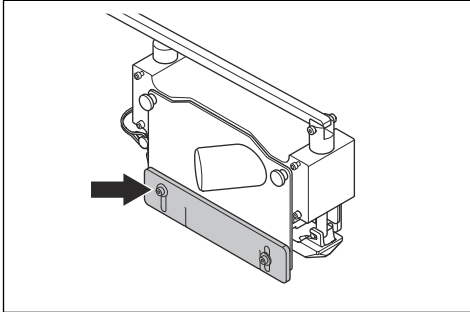
Blade block guard

The blade block guard gives protection from the rotating blade and keeps dust away from the operator.



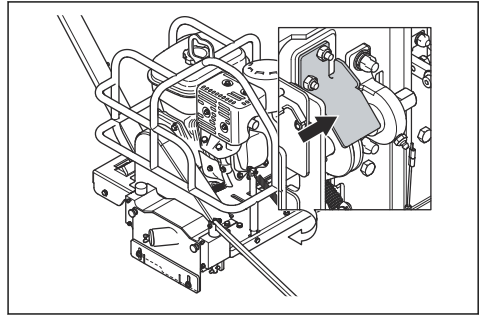
Lexan™ cover

The Lexan™ cover keeps dust away from the operator. It also prevents that particles eject. Make sure that the Lexan™ cover moves freely up and down.



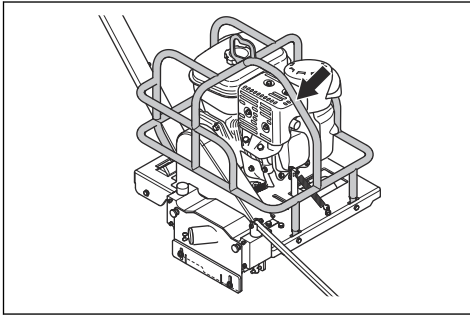
Sheave guard

The belt guard gives protection from the blade shaft sheave.



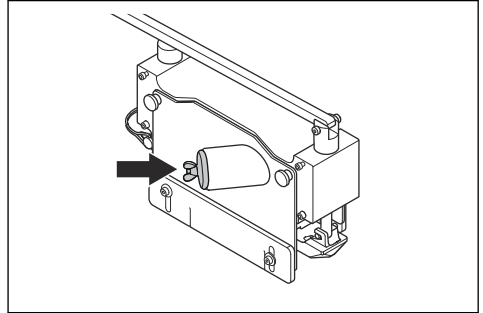
Safety frame

The safety frame prevents damage to the equipment and the engine, and prevents injury to the operator.



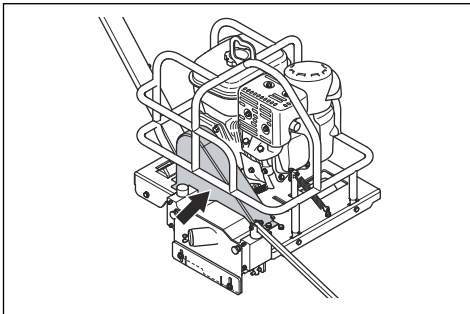
Plug to dust extractor connection

Always use the plug if the product is not connected to a dust extractor.



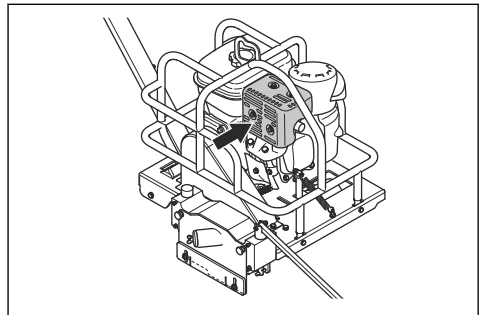
Belt guard

The belt guard gives protection from the blade shaft sheave and the belt.



Muffler guard

The muffler guard prevents burn injury from the hot muffler



To examine the protective guards

1. Examine the blade block and the blade block guard, the Lexan™ cover, the sheave guard, the safety frame, the belt guard and the plug for damage.

2. Replace the protective guards if they are damaged.
3. Make sure that the protective guards are correctly attached before you start the product.

Fuel safety



WARNING: Read the warning instructions that follow before you use the product.

- Fuel is flammable and the fumes are explosive. Be careful with fuel to prevent injury, fire and explosion.
- Do not breathe in the fuel fumes. The fuel fumes are poisonous and can cause injury. Make sure that the airflow is sufficient.
- Do not remove the fuel tank cap or fill the fuel tank when the engine is on.
- Let the engine become cool before you refuel.
- Do not fill fuel in an indoor area. Not sufficient airflow can cause injury or death because of asphyxiation or carbon monoxide.
- Do not smoke near the fuel or the engine.
- Do not put hot objects near the fuel or the engine.
- Do not fill fuel near sparks or flames.
- Before you refuel, open the fuel tank cap slowly and release the pressure carefully.
- Fuel on your skin can cause injury. If you get fuel on your skin, use soap and water to remove the fuel.
- If you spill fuel on your clothing, change clothing immediately.
- Do not fill the fuel tank fully. Heat causes the fuel to expand. Keep a space at the top of the fuel tank.
- Tighten the fuel tank cap fully. If the fuel tank cap is not tightened, there is a risk of fire.
- Before you start the product, move the product to a minimum of 3 m/10 ft from where you refueled.
- Do not start the product if there is fuel or engine oil on the product. Remove the unwanted fuel and engine oil and let the product dry before you start the engine.
- Examine the engine for leaks regularly. If there are leaks in the fuel system, do not start the engine until the leaks are repaired.
- Do not use your fingers to examine the engine for leaks.
- Keep fuel in approved containers only.
- When the product and fuel is in storage, make sure that fuel and fuel fumes cannot cause damage.
- Drain the fuel in an approved container outdoors and away from sparks and flames.

Exhaust fumes safety



WARNING: Read the warning instructions that follow before you use the product.

- The exhaust fumes from the engine contain carbon monoxide which is an odourless, poisonous and very dangerous gas. To breathe carbon monoxide can cause death. Because carbon monoxide is odourless and cannot be seen, it is not possible to sense it. A symptom of carbon monoxide poisoning is dizziness, but it is possible that a person becomes unconscious without warning if the quantity or concentration of carbon monoxide is sufficient.
- Exhaust fumes also contain unburned hydrocarbons including benzene. Long-term inhalation can cause health problems.
- Exhaust fumes that you can see or smell also contain carbon monoxide.
- Do not use a combustion engine product indoors or in areas that do not have sufficient airflow.
- Do not breathe the exhaust fumes.
- Make sure that the airflow in the work area is sufficient. This is very important when you operate the product in trenches or other small work areas where exhaust fumes can easily collect.

Vibration safety



WARNING: Read the warning instructions that follow before you use the product.

- During operation of the product, vibrations go from the product to the operator. Regular and frequent operation of the product can cause or increase the degree of injuries to the operator. Injuries can occur in fingers, hands, wrists, arms, shoulders, and/or nerves and blood supply or other body parts. The injuries can be debilitating and/or permanent, and can increase gradually during weeks, months or years. Possible injuries include damage to the blood circulation system, the nervous system, joints, and other body structures.
- Symptoms can occur during operation of the product or at other times. If you have symptoms and continue to operate the product, the symptoms can increase or become permanent. If these or other symptoms occur, get medical aid:
 - Numbness, loss of feeling, tingling, pricking, pain, burning, throbbing, stiffness, clumsiness, loss of strength, changes in skin color or condition.
- Symptoms can increase in cold temperatures. Use warm clothing and keep your hands warm and dry when you operate the product in cold environments.
- Do maintenance on and operate the product as given in the operator's manual, to keep a correct vibration level.
- The product has a vibration damping system that decreases the vibrations from the handles to the operator. Let the product do the work. Do not push the product with force. Hold the product at the handles lightly, but make sure that you control

the product and operate it safely. Do not push the handles into the end stops more than necessary.

- Keep your hands on the handle or handles only. Keep all other body parts away from the product.
- Stop the product immediately if strong vibrations suddenly occurs. Do not continue the operation before the cause of the increased vibrations is removed.

Dust safety



WARNING: Read the warning instructions that follow before you use the product.

- Operation of the product can cause dust in the air. Dust can cause serious injury and permanent health problems. Silica dust is regulated as harmful by several authorities. These are examples of such health problems:
 - The fatal lung diseases chronic bronchitis, silicosis and pulmonary fibrosis
 - Cancer
 - Birth defects
 - Skin inflammation
- Use correct equipment to decrease the quantity of dust and fumes in the air and to decrease dust on work equipment, surfaces, clothing and body parts. Examples of controls are dust collection systems and water sprays to bind dust. Decrease dust at the source where possible. Make sure that the equipment is correctly installed and used and that regular maintenance is done.
- Use approved respiratory protection. Make sure that the respiratory protection is applicable for the dangerous materials in the work area.
- Make sure that the airflow is sufficient in the work area.
- If it is possible, point the exhaust of the product where it cannot cause dust to go into the air.

Noise safety



WARNING: Read the warning instructions that follow before you use the product.

- High noise levels and long-term exposure to noise can cause noise-induced hearing loss.
- To keep the noise level to a minimum, do maintenance on and operate the product as given in the operator's manual.

- Examine the muffler for damages and defects. Make sure that the muffler is correctly attached to the product.
- Use approved hearing protection while you operate the product.
- Listen for warning signals and voices when you use hearing protection. Remove the hearing protection when the product is stopped, unless hearing protection is necessary for the noise level in the work area.

Safety instructions for maintenance



WARNING: Read the warning instructions that follow before you use the product.

- Use personal protective equipment. Refer to *Personal protective equipment on page 8*.
- If the maintenance is not done correctly and regularly, the risk of injury and damage to the product increases.
- Stop the engine and let the product become cool before you do the maintenance.
- Clean the product to remove dangerous material before you do the maintenance.
- Disconnect the spark plug cap before you do the maintenance.
- The exhaust fumes from the engine are hot and can contain sparks. Do not operate the product in indoor areas or near flammable material.
- Do not change the product. Modifications that are not approved by the manufacturer, can cause serious injury or death.
- Always use original accessories and spare parts. Accessories and spare parts that are not approved by the manufacturer, can cause serious injury or death.
- Replace damaged, worn or broken parts.
- Only do the maintenance as given in this operator's manual. Let an approved service center do all other servicing.
- Remove all tools from the product before you start the engine after maintenance. Loose tools or tools attached to rotating parts can eject and cause injury.
- Let an approved service center do servicing on the product regularly.

Assembly

Introduction



WARNING: Before you assemble the product, you must read and understand the safety chapter.



WARNING: Remove the spark plug cable from the spark plug before you assemble the product.

To assemble the cutting blade and the skid plate

1. Assemble the cutting blade. Refer to *To install a cutting blade on page 18.*
2. Assemble the skid plate. Refer to *To install a cutting blade on page 18.*

Operation

Introduction



WARNING: Before you operate the product, you must read and understand the safety chapter.

Basic working techniques

Contraction joints and joint spacing

As concrete hydrates or cures and begins to set, it develops internal stresses which may cause random cracks.

Random cracks cast doubt on the quality and workmanship of the concrete. Contraction joints are cut in the concrete to relieve these stresses before they seek their own relief in the form of random crack.

The Soff-Cut Ultra Early Entry system controls random cracking through the early timing of a saw cut at predetermined locations to create weakened planes in the concrete that subsequently crack at the bottom of the cut to relieve stress.

Sawed contraction joints must be a minimum of $\frac{1}{8}$ of the concrete depth and a minimum of 25 mm (1") deep.

Saw contraction joints when the concrete holds the weight of the product and the operator. Make sure that the product does not make marks on or cause damage to the concrete.

There are many possibilities for joint layout. Joint layout should be provided, the saw contractor should submit a detailed joint layout for approval prior to cutting.

There are many conditions that have an effect on joint spacing.

- Concrete thickness.
- Type, amount and location of reinforcement.
- Shrinkage potential of concrete-cement (type, quantity), aggregate (size, quantity, quality), water to cement ratio, admixtures, concrete temperature.
- Base friction.

- Slab restraints.
- Layout of foundations, racks, pits, equipment pad, trenches, etc.
- Environmental factors - temperature, wind, humidity.
- Methods and quality of concrete curing.

Generally, contraction joint patterns should divide slabs into approximate square panels per the recommended spacing shown in the table.

Concrete thickness, mm (in.)	Maximum spacing, m (ft.)
90 (3.5)	2.4 (8)
100, 114 (4, 4.5)	3.0 (10)
125, 140 (5, 5.5)	3.6 (12)
150 (6) or greater	4.5 (15)

At all intersecting cross cuts, install Husqvarna joint protectors at each joint to prevent joint damage. Install an additional joint protector where the right wheel will cross the joint to prevent concrete damage.

Maximizing the Soff-Cut system

"The timing of concrete operations - especially finishing and jointing - is critical... Failure to address this issue can contribute to undesirable characteristics in the wearing surface as cracking..." (Extract from the foreword of the American Concrete Institute (ACI) 302.1 R-96.)

The Soff-Cut Ultra Early Entry system has revolutionized the method used to control random cracking.

In order for an operator to do a satisfactory job using the Soff-Cut system, the following criteria must be met:

- A Soff-Cut Ultra Early Entry dry up-cut saw.
- A Husqvarna Soff-Cut dry-cutting diamond blade.
- A Husqvarna anti-ravel skid plate installed with every new diamond blade.

- An operator skilled in using the Soff-Cut Ultra Early Entry cutting system.

Without this, joints can not be cut clearly enough to control random cracking before it starts, which is what the building owner is paying for.

The ACI Spec 302.1R-96 says it best:

"Early-entry dry-cut saws use diamond-impregnated blades and a skid plate that helps prevent spalling. Timely changing of skid plates is necessary to effectively control spalling. It is best to change skid plates in accordance with manufacturer's recommendations...The goal of saw-cutting is to create a weakened plane as soon as the joint can be cut...The timing of the early-entry process allows joints to be in place prior to development of significant tensile stress in the concrete..."

The Portland Cement Association (PCA) engineering bulletin, Concrete Floors on the ground, also states:

"Proper jointing can eliminate unsightly random cracks. Aspects of jointing that lead to a good job are choosing the correct type of joint for each location, establishing a good joint pattern and layout, and installing the joint at the correct time... Timing of joint sawing is critical...Lightweight, high-speed, early-cut saws have been developed to permit the joint sawing very soon after floor finishing, sometimes within 0 to 2 hours...if the cut is sawn within a few hours after the final finishing, random cracking can be controlled..."

Husqvarna has the only Ultra Early Entry dry-cutting system (Soff-Cut) which controls random cracking through the early timing of the cut. With the Soff-Cut method, control joints are usually cut within 2 hours after the finishing process.

Joint cutting should begin as soon as the concrete will support the weight of the saw and the operator at each joint location and before final set.

If the joints are not being cut within this time frame then the Soff-Cut Ultra Early Entry method is not being followed.

Before you operate the product

1. Do daily maintenance. Refer to *Maintenance schedule on page 16*.
2. Make sure that the handle is in full upright position and that the locking pin is installed.
3. Make sure that the front guide is turned to the forward position.
4. Fill the oil tank. Refer to *Technical data on page 28* for information about recommended engine oil.
5. Do a check of the oil level. Refer to *To do a check of the oil level on page 21*.

To fill fuel



WARNING: Do not fill containers when you are in a vehicle. Risk of fire. Put the container on the ground away from your vehicle.



CAUTION: Do not use gasoline with an octane number less than 90 RON (87 AKI). This can cause damage to the product.



CAUTION: Use unleaded gasoline. Do not use unleaded gasoline with more than 10% ethanol. Gasoline with more than 10% ethanol cause a risk of fire and can also cause starting and performance problems. It can also cause damage to metal, rubber, and plastic parts of the fuel system.



CAUTION: Do not use gasoline that contains methanol.



CAUTION: Do not keep fuel more than 30 days in a container. Expired fuel can cause damage to the product.

1. Remove the product from the transportation vehicle and put it on the ground. If this is not possible, refuel the product with a portable container and not from a gasoline pump nozzle.

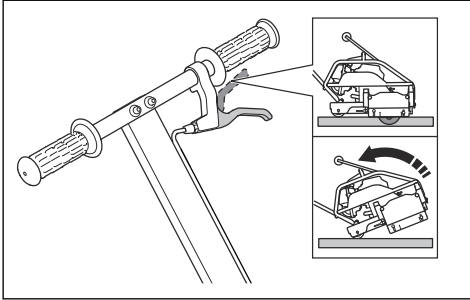


WARNING: Use only approved gasoline containers.

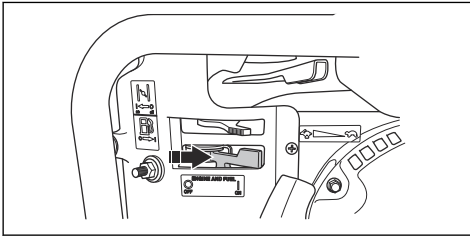
2. Open the fuel tank cap slowly to release the pressure.
3. Make sure that the nozzle touches the top edge of the fuel tank opening until the fuel tank is full. Do not use a nozzle lock-open device.
4. Clean the area around the fuel tank cap.
5. Tighten the fuel tank cap fully. If the fuel tank cap is not tightened, there is a risk of fire.
6. Move the product a minimum of 3 m/10 ft from the position where you filled the tank before a start.

To start the engine

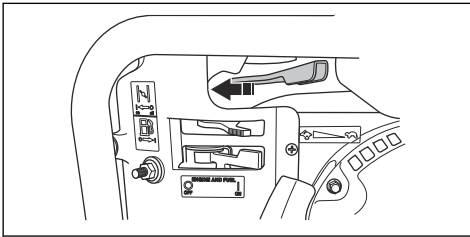
1. Pull and hold the release lever when you tilt the product. Push the handlebar down to set the product in tilt position.



2. Release the lever to lock the product at tilt position.
3. Set the engine ON/OFF switch to the ON position (I). In the ON position, the fuel valve is also open.



4. Move the throttle trigger $\frac{1}{3}$ to the left to open position.

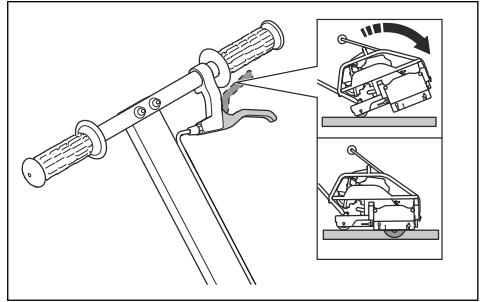


5. Set the choke control in the correct position.
 - a) If the engine is cold, close the choke.
 - b) If the engine is warm or the ambient temperature is high, open the choke.

Note: The closed choke position makes the fuel mixture better for starting a cold engine. The open choke position gives the correct fuel mixture for operation after the engine starts and for restarting a warm engine.

6. Pull the starter rope handle slowly until you feel resistance.
7. Release the starter rope handle to let the starter rope go back.

8. Pull the starter rope handle until the engine starts. The blade starts to rotate when the engine is on.
9. Open the choke control gradually until it is fully open.
10. Let the engine operate at idle speed for 2–3 minutes before you apply full throttle.
11. Push the handle down and pull the blade release lever to slowly lower the blade into the concrete.



To do work with dust

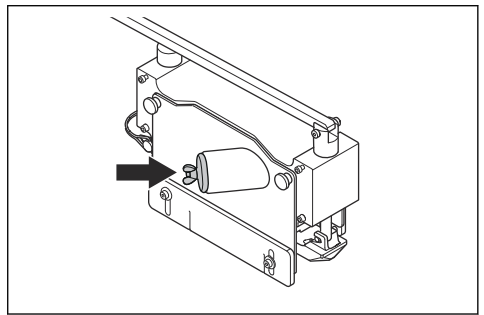
This product has a dust outlet on the blade block cover. The dust outlet is used to connect a dust extractor.

- Always use a dust extractor. It is also recommended to use an antistatic extraction hose.

Note: For Husqvarna products, OSHA objective data are available at www.husqvarnacp.com/us/. The performance of the dust extractor can change over time.

To connect a dust extractor to the product

1. Turn the wing nut on the plug counterclockwise.
2. Remove the plug from the pipe on the blade block cover.
3. Connect a dust extractor to the blade block.



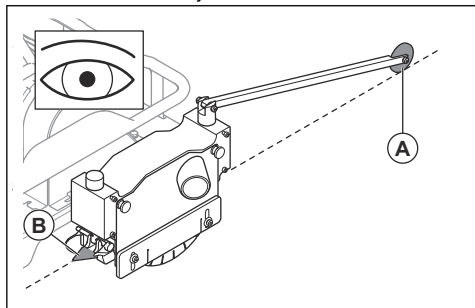
Note: If the dust extractor is not compatible with the connection on the product, use an adapter.

To operate the product, Soff-Cut 150

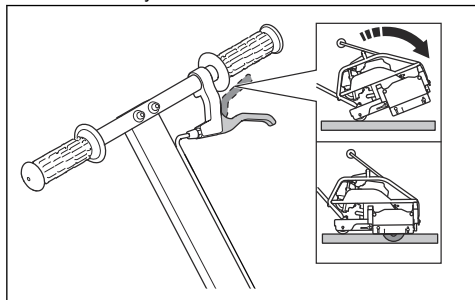


CAUTION: Make sure that no objects hit the blade block. It can cause damage to the product.

1. Start the engine. Refer to *To start the engine on page 14*.
2. Open the engine throttle lever to full open position for maximum engine speed.
3. Align the front pointer (A) and the rear pointer (B) with the line where you will do the cut.



4. Push the handle down and pull the blade release lever to slowly lower the blade into the concrete.



5. Push the product forward to keep the front pointer in the cut line. Push the product at half speed for the first 50 ft, if a new blade has been installed.
6. Increase the forward speed of the product until the blade and engine can work at maximum efficiency. Do not use more than necessary force to push the product forward.
7. When you operate the product near a wall, lift the front pointer. Look at the rear pointer to make sure that you cut straight.
8. When the operation is completed, tilt the product rearward to engage the lever that keeps the product in tilt position.
9. Stop the engine. Refer to *To stop the engine on page 15*.

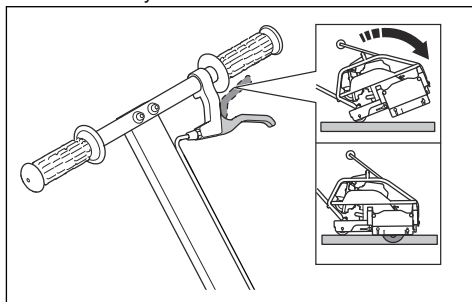
10. Clean the product. Refer to *To clean the product externally on page 16*.

To operate the product, Soff-Cut 150D



CAUTION: Make sure that no objects hit the blade block. It can cause damage to the product.

1. Start the engine. Refer to *To start the engine on page 14*.
2. Open the engine throttle lever to full open position for maximum engine speed.
3. Align the rear guide wheel with the pre-existing saw cut.
4. Push the handle down and pull the blade release lever to slowly lower the blade into the concrete.



5. Lower the saw and the blade fully into the concrete when the guide wheels are correctly aligned in the saw cut.
6. Push the product forward to keep the front pointer in the cut line for approximately 1 ft and make sure that the guide wheels are correctly aligned in the saw cut.
7. Increase the forward speed of the product until the blade and engine can work at maximum efficiency. Do not use more than necessary force to push the product forward.
8. Stop the engine. Refer to *To stop the engine on page 15*.
9. Clean the product. Refer to *To clean the product externally on page 16*.

To stop the engine

1. Push the operators handles down to lift the cutting blade to the locked position.
2. Move the engine throttle lever to closed position.
3. Set the engine ON/OFF switch in OFF position (O). This also closes the fuel valve.
4. Clean the product, refer to *To clean the product externally on page 16*.

Maintenance

Introduction



WARNING: Before you do any maintenance work you must read and understand the safety chapter.

Maintenance schedule

The maintenance intervals are calculated from daily use of the product. The intervals change if the product is not used daily.

For maintenance identified with * refer to the instructions in *Safety devices on the product on page 8*.

Maintenance	Daily	Weekly, each 40 h	Monthly, each 200 h	After the first 20 h, then each 100 h
Do a general inspection.	X			
Examine the oil level.	X			
Clean the product.	X			
Examine the skid plate (Soff-Cut 150).	X			
Examine the Lexan™ cover*.	X			
Examine the blade block guard*.	X			
Examine the cutting blade.	X			
Examine the fuel level.	X			
Clean the spark plug.		X		
Examine the air filter and replace if it is necessary.		X		
Examine the drive belt.		X		
Replace the engine oil .				X
Lubricate the blade shaft bearings.		X		
Replace the air filter.			X	
Examine and clean the sediment cup.			X	
Examine the spark plug and electrode gap.			X	

To clean the product externally



CAUTION: Always clean the product immediately after use, before the concrete becomes dry. Remaining concrete can cause damage to the product.

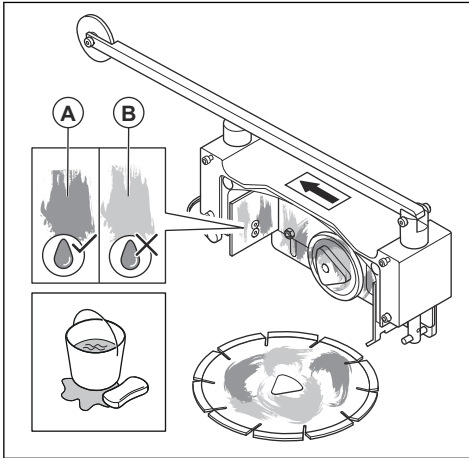
1. Remove the blade. Refer to *To remove the blade on page 17*.
2. Clean the product with water.



CAUTION: Do not point the water directly at the engine, especially if you use a high-pressure washer.

3. Make sure that the handles and levers are clean and dry before you operate the product.

- 4. Clean the blade block and blade from concrete particles after each use. Use a heavy duty brush and water. The remaining concrete (A) will dry and set (B) if you do not remove it.



- 5. Keep all openings and slots on the product clean to make sure that air flows freely through the motor area.

To examine the spark plug



CAUTION: Always use the recommended spark plug type. Incorrect spark plug type can cause damage to the product.

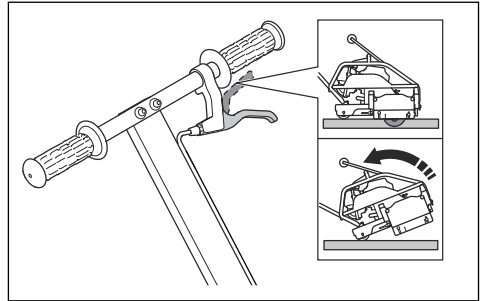
- For more information, refer to the operator's manual for the engine.

To do a general inspection

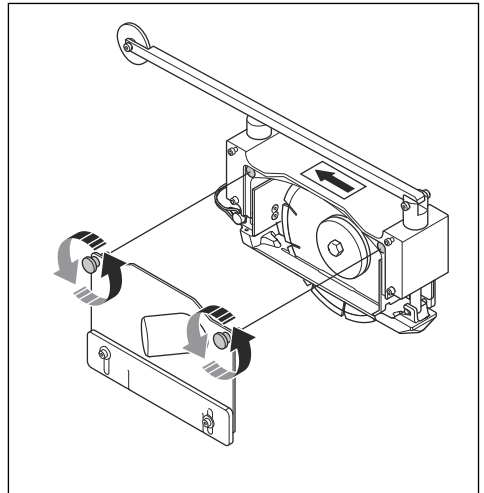
- Make sure that the nuts and screws on the product are tightened.
- Make sure that there are no fuel or oil leaks.
- Soff-Cut 150D: Make sure that the wheels for the front guide and the rear guide turn freely.

To remove the blade

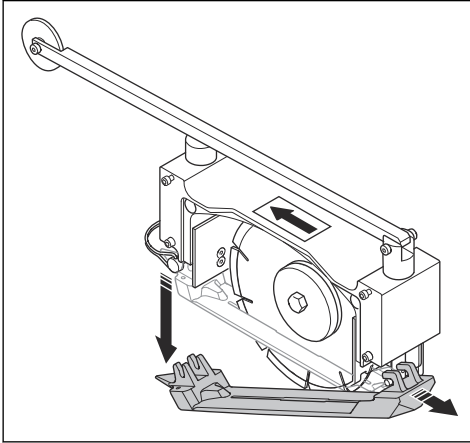
1. Pull and hold the release lever when you tilt the product. Push the handlebar down to set the product in tilt position.



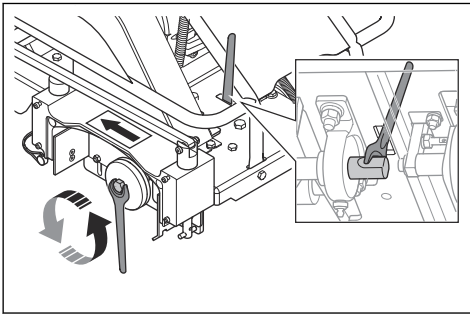
2. Release the lever to lock the product at tilt position.
3. Turn the 2 locking knobs counterclockwise and remove the blade block cover.



4. Push down on the rear pointer to release the skid plate.

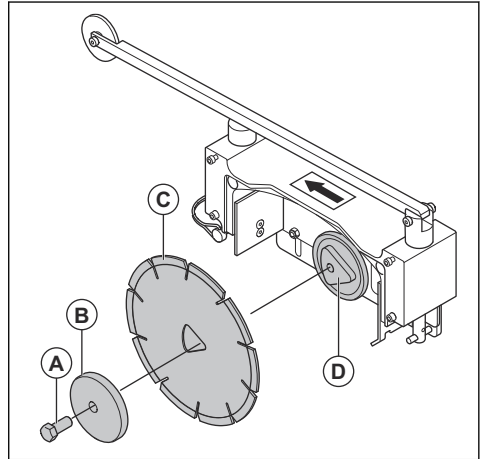


5. Put 1 blade wrench in the slot at the front of the motor. Put 1 blade wrench on the blade shaft bolt in the blade block.



Note: 2 blade wrenches are supplied with the product.

6. Turn the blade shaft bolt (A) counterclockwise until the wrench in the slot engages on the flat surfaces of the blade shaft.



7. Remove the blade shaft bolt (A). Remove the outer blade flange (B). Remove the blade (C) from the blade shaft (D).

To install a cutting blade



WARNING: Do not use a cutting blade with a rated speed value lower than that of the product. The rated speed value of the cutting blade is marked on the cutting blade, and that of the product is marked on the type plate. Only use Husqvarna Soff-Cut blades that are in compliance with national or regional standards, for example EN13236 or ANSI B7.1.

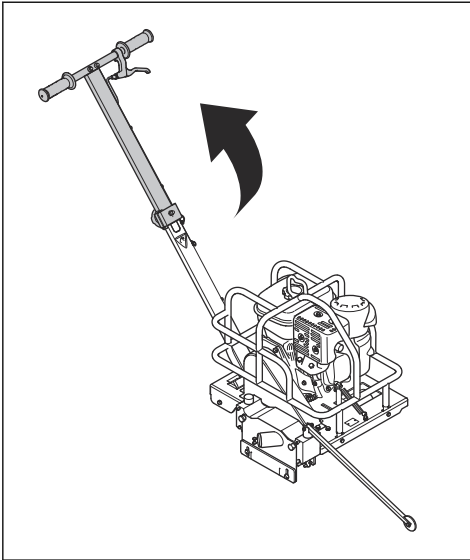


CAUTION: Examine the cutting blade for defects such as damages, cracks, loss of segments, warping, overheating, excessive wear or a damaged tri-arbor hole. Discard a defective blade.

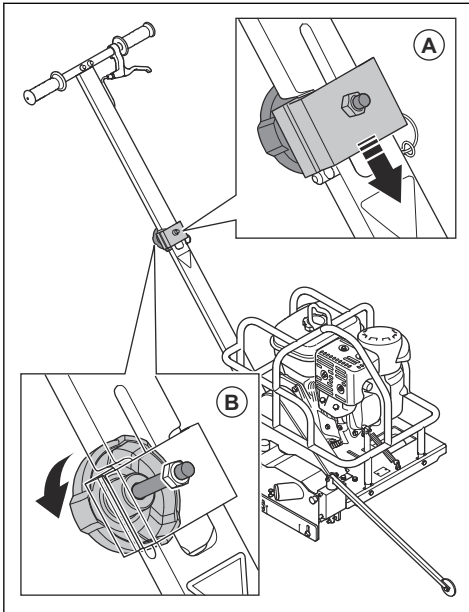
Examine the blade flanges for damage and excessive wear and make sure that the blade flanges are clean.

Cutting blades are not included with the product. Use only original Husqvarna cutting blades. Refer to *Technical data on page 28* for the correct type for your model. For Soff-Cut 150, a skid plate is included in the cutting blade kit.

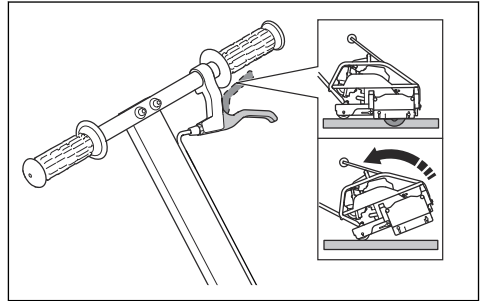
1. Fold the handle to its full upright position.



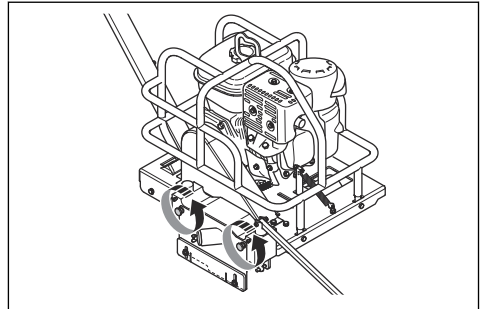
2. Push the locking clamp (A).
3. Tighten the locking clamp wheel (B).



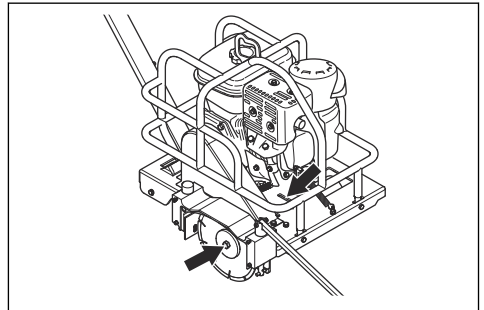
4. Pull and hold the release lever when you tilt the product. Push the handlebar down to set the product in tilt position.



5. Release the lever to lock the product at tilt position.
6. Turn the 2 locking knobs counterclockwise and remove the blade block cover.

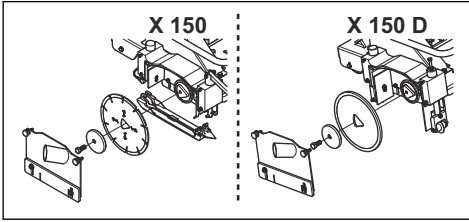


7. Put one of the included wrenches in the slot at the front of the engine. Put the other included wrench on the blade shaft bolt.



8. Turn the blade shaft counterclockwise with the wrench on the blade shaft bolt until the wrench in the slot engages on the flat surfaces of the blade shaft.
9. Continue to turn the blade shaft bolt counterclockwise to remove the blade shaft bolt.
10. Remove the outer blade flange.
11. Fully clean the concrete from the shaft, blade block and blade block cover.

12. Install the cutting blade on the blade shaft. Make sure that the cutting blade is tight around the shaft.

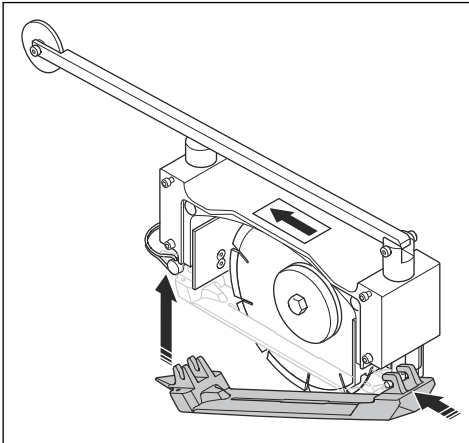


13. Install the outer blade flange. Tighten the bolt fully.
14. Model Soff-Cut 150: Install a new skid plate.



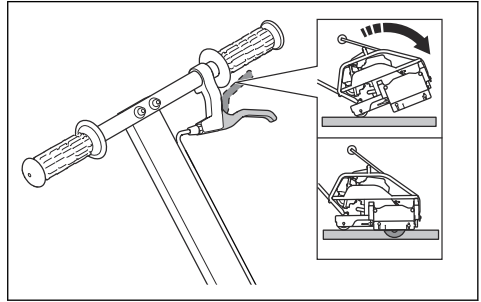
CAUTION: Do not install a used skid plate.

- Put the front of the skid plate on the front blade block shaft pin.
- Push the rear of the skid plate up against the rear blade block shaft until you hear a click.



15. Install the blade block guard. Align the 2 knobs of the blade block guard with the holes in the blade block. Turn the 2 knobs of the blade block guard and tighten until it is fully attached to the blade block.
16. Model Soff-Cut 150: Lift the front and rear of the skid plate to make sure that the blade moves freely through the skid plate.
17. Make sure that the Lexan™ cover moves freely up and down.

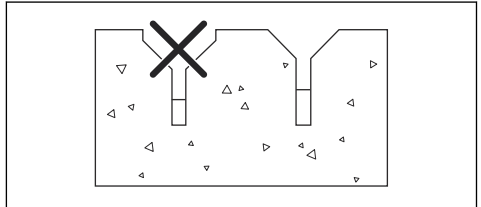
18. Push the handle down and pull the blade release lever to slowly lower the blade into the concrete.



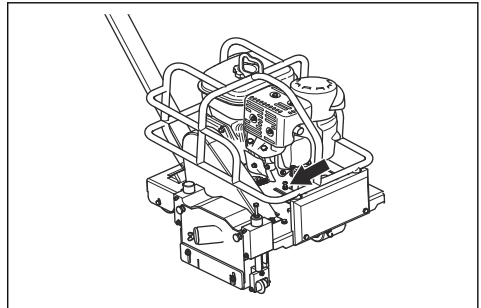
To adjust the blade depth (Soff-Cut 150D)



CAUTION: The radius and V-blade depth of a cut is set at maximum depth at the factory. Do not adjust unless it is necessary. Adjust only for small, thin cuts. Do not increase the depth. That can cause a bevel cut.

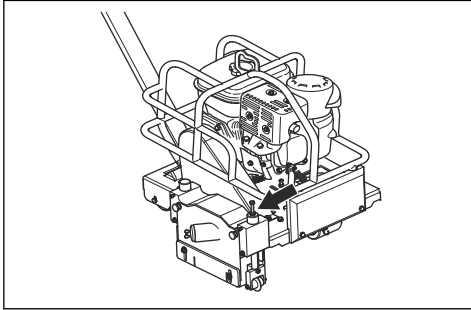


- Loosen the jam nut for the depth stop adjustment counterclockwise.



- Turn the depth adjustment bolt clockwise. Each full revolution of the depth adjustment bolt decreases the cut width by $\frac{1}{8}$ in.

- Loosen the jam nut for the plunge adjustment screw counterclockwise. Push down the rear of the safety frame to make sure that the wheels are flat on the ground.



- Turn the plunge adjustment screw clockwise by hand until it touches the guide wheel shaft.
- Loosen the plunge adjustment screw a ¼ turn counterclockwise. Tighten the jam nut for the plunge adjustment screw to lock it.
- Cut in a saw joint for approximately 1 ft to make sure that you have got the correct decorative cut.

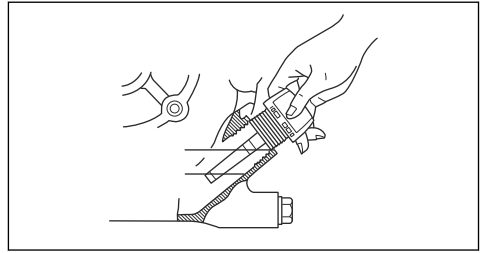
To do a check of the skid plate Soff-Cut 150

- Examine the skid plate for damage.
- Examine the slot of the skid plate for too much wear.
- Examine the concrete surface side. Make sure that there are no burrs and that the side segments are not bent.
- Install a new skid plate with each new blade. Do not use an used skid plate with a new blade.
- Lift the skid plate from the front and from behind to make sure that the blade moves freely through the skid plate.

To do a check of the oil level

- Stop the engine.
- Put the product on level ground.
- Remove the oil tank cap with the attached dipstick.
- Clean the oil from the dipstick.
- Put the dipstick back in. Do not tighten it.
- Pull the dipstick out and read the oil level.

- Examine the oil level on the dipstick.



- If the oil level is low, fill with engine oil and do a check of the oil level again. Refer to *Technical data on page 28* for correct oil type.
- Tighten the oil tank cap correctly before you start the engine.

Note: The engine has an oil alert system that stops the engine if the oil level is too low. The engine cannot be started unless the oil level is above the prescribed limit.

To replace the engine oil

Refer to *Maintenance schedule on page 16* for intervals.



WARNING: Engine oil is very hot directly after the engine stops. Let the engine become cool before you drain the engine oil. If you spill engine oil on your skin, clean with soap and water.

- Put a container below the drain plug for the engine oil.
- Remove the drain plug.
- Let the oil run out into the container.
- Attach the drain plug and tighten it.
- Fill with new oil according to recommendation. Refer to *Technical data on page 28*.
- Refer to *To do a check of the oil level on page 21* for instructions how to fill oil.

Air filter



WARNING: Use approved respiratory protection when you clean or replace the air filter. Discard used air filters correctly. The dust in the air filters is dangerous to your health.



WARNING: Do not clean the air filter with compressed air. This causes damage to the air filter and the risk increases that you breathe the dangerous dust.



CAUTION: Always replace a damaged air filter, or the dust will go into the engine and cause engine damage.

The air cleaner assembly is a cyclone type, it is on the engine at the front of the saw. Replace the air cleaner element, refer to the maintenance schedule. If necessary, replace more frequently.

For more information, refer to the operator's manual for the engine.

To do a check of the drive belt

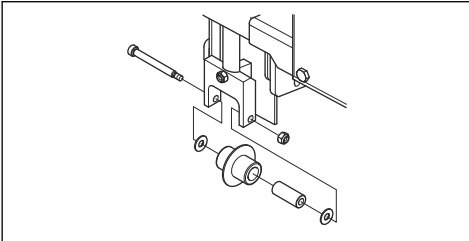
- Make sure that the drive belt does not have damages or visual defects.
- The belt tensioner controls the belt tension. It is not necessary to adjust the belt tension.
- Make sure that the belt tensioner moves freely up and down.
- Make sure that the belt tensioner bearings move freely.

To replace the guide wheels (Soff-Cut 150D)

Use the 1/4" wide guide wheels when chasing 1/4" saw cuts with the XL6- V25-D blade. Front and rear guide wheels are included with the saw.

Note: Both front and rear guide wheels must be replaced; do not mix different width guide wheels.

1. Remove lock nut and slide out the shoulder bolt.

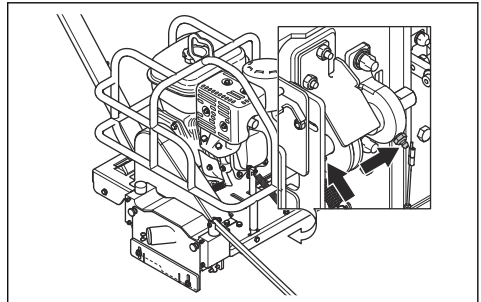


2. Make a note of the washers and other parts removed and the order of assembly.
3. Slide the bronze bushing from inside the old front guide wheel and insert into the new one.
4. Slide the bronze bushing from inside the old rear guide wheel and insert into the new one.
5. Install the new guide wheels using the same shoulder bolts, lock nuts and plastic washers.

Half-inch wide guide wheels, not included with the saw, are also available for use with ProEdge Blade XL6-V500-D, when chasing 1/2" wide saw cuts.

To lubricate the blade shaft bearings

- Lubricate the blade shaft bearings with 3 pumps of grease.



For the correct type of grease, refer to *Technical data on page 28*.

Maintenance of the engine

Refer to the operator's manual for the engine for additional information about servicing of the engine. The operator's manual for the engine also has information about specifications, tune-up parts, engine warranty, emission compliance, etc.

Troubleshooting

Troubleshooting schedule



WARNING: Troubleshooting causes risk of injury because personnel does work

in the risk areas of the product. Be careful, prepare the work and use common sense.

If you cannot find a solution to your problems in this owner's manual, speak to your Husqvarna service agent.

Problem	Solution
<p>The product causes chipping/ spalling or ravelling in the cut (Soff-Cut 150).</p>	Make sure that the cutting blade is not worn out, smooth, out of shape or damaged.
	Make sure that the skid plate does not touch the cutting blade and moves freely up and down the full shaft length.
	Make sure that the skid plate is not worn out and that there is no distance around the cutting blade.
	Examine the bottom of the skid plate and make sure that there are no metal burrs or defects.
	Make sure that the skid plate is not twisted or bent.
	Make sure that the Lexan™ cover can move freely up and down.
	Do a check of the spring pressure. Push the front and rear blade block shafts up. There must be a low to moderate pressure.
	Do not twist or move the product to the sides while you cut. Gradually change the pressure on the handlebar to control the cutting blade in the cut.
	Make sure that the engine operates correctly and at the specified rpm.
	Make sure that the tension of the belt and the belt idler are correct.
	Make sure that the cutting blade is correctly assembled and attached with clean flanges.
	Make sure that the cutting blade has the correct specification for your area or type of concrete.
	Make sure that the concrete surface is clean and that the skid plate can move smoothly along on the concrete surface.
	Use Husqvarna joint guards at all cut intersections.
	Clean the blade block assembly.
Make sure that the scrapers in the blade block can move freely and that they are not bent.	
Make sure that the blade block shafts are not bent or damaged.	

Problem	Solution
The product causes bevel or radius cuts (Soff-Cut 150D).	Make sure that the cutting blade is not worn out, smooth, out of shape or damaged.
	Make sure that the front and rear guide wheels can move smoothly and move freely up and down.
	Let the cutting blade cut at its correct rate of speed. Do not push the product forward with hard force.
	Make sure that the guide wheels are aligned in the pre-existing saw cut before starting.
	Make sure that the existing saw cuts are clean and free from unwanted contamination.
	Make sure that the Lexan™ cover can move freely up and down.
	Do a check of the spring pressure. Push the front and rear blade block shafts up. There must be a low to moderate pressure.
	Do not twist or move the product to the sides while you cut. Gradually change the pressure on the handlebar to control the cutting blade in the cut.
	Make sure that the engine operates correctly and at the specified rpm.
	Examine the belt and the pulleys for correct tension.
	Make sure that the cutting blade is correctly assembled and attached with clean flanges.
	Make sure that the concrete surface is clean and that the skid plate can move smoothly along on the concrete surface.
	Clean unwanted concrete contamination from the blade block assembly.
	Make sure that the scrapers in the blade block can move freely and that they are not bent.
	Make sure that the blade block shafts can move freely and that they are not bent.
Make a new cut in the pre-existing saw cut from the opposite direction.	
The product pulls to the side during operation (Soff-Cut 150).	Do a check that the front pointer is correctly aligned with the center of the cutting blade.
	Examine the skid plate for damage or burrs.
The product pulls to 1 side while sawing (Soff-Cut 150D).	Do a check that the front and rear pointer are correctly aligned with the center of the cutting blade.
	Do a check that the cutting blade is not worn out, smooth, out of shape or damaged.
	Do not twist or move the product to the sides while you cut. Gradually change the pressure on the handlebar to control the cutting blade in the cut.
	Make sure that all wheels move freely and smoothly.
	Let the cutting blade cut at its correct rate of speed. Do not push the product forward with hard force.

Problem	Solution
The engine does not start.	Do a check if there is fuel in the tank and make sure that it is the correct fuel. Make sure that there is no water in the fuel.
	Make sure that the fuel valve is in the "ON" position.
	Make sure that the ON/OFF switch is in the "ON" position.
	Make sure that the spark plug cable is connected to the spark plug.
	The engine is flooded. Adjust the choke, refer to the operator's manual for the engine.
	Make sure that the choke is in the "ON" position for cold starts. Adjust the choke, refer to the operator's manual for the engine.
	Do a check of the oil level. The engine has an oil alert system that stops the engine if the oil level is too low.
	Make sure that the air filter is not dirty or clogged.
	Do a check that the blade shaft rotates freely and no concrete has built up in the blade block.
The engine does not operate smoothly or cannot operate at full speed.	Do a check if there is fuel in the tank and make sure that it is the correct fuel. Make sure that there is no water in the fuel.
	Do a check of the oil level. The engine has an oil alert system that stops the engine if the oil level is too low.
	Make sure that the air filter is not dirty or clogged.
	Make sure that the spark plug is clean and has the correct gap, refer to the operator's manual for the engine.
	Make sure that the throttle control is set correctly.
	Make sure that the choke is in the "ON" position for cold starts. Adjust the choke, refer to the operator's manual for the engine.

Transportation, storage and disposal

Transportation



WARNING: Be careful during transportation. The product is heavy and can cause injury or damage if it falls or moves during transportation.

The wheels let you move the product manually for shorter distances. For longer distances, lift the product to move it or put the product on a vehicle.



CAUTION: Do not tow the product behind a vehicle.

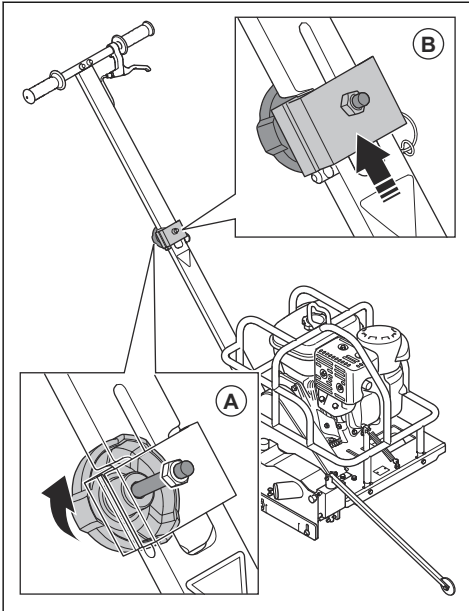
- Attach the product safely during transportation by vehicle. Attach tie-down straps to the safety frame and to the vehicle.

- Set the engine ON/OFF switch to the OFF position. This also closes the fuel valve.
- Remove the cutting blade before transportation of the product.
- Put the product in lower height position.
- For storage and transportation of the product and fuel, make sure that there are no leaks or fumes. Sparks or open flames, for example from electrical devices or boilers, can start a fire.
- Always use approved containers for transportation of fuel.
- Fold the product, refer to *To fold the product on page 25*.

To fold the product

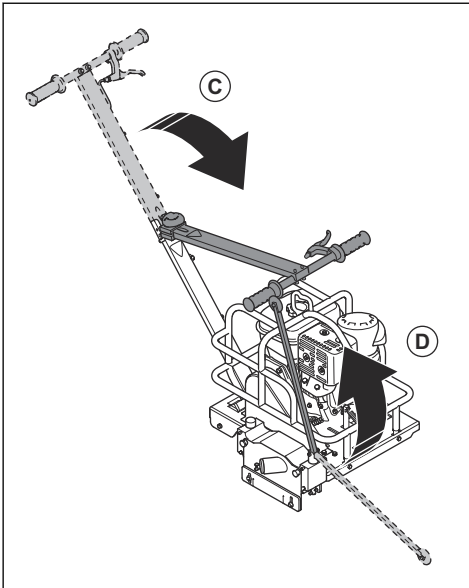
1. Loosen the locking clamp wheel (A).

2. Lift the locking clamp (B).



3. Fold the handle forward (C).

4. Fold the forward pointer up (D).



To lift the product



WARNING: Make sure that the lifting equipment has the correct dimension. The type plate on the product shows the product weight.

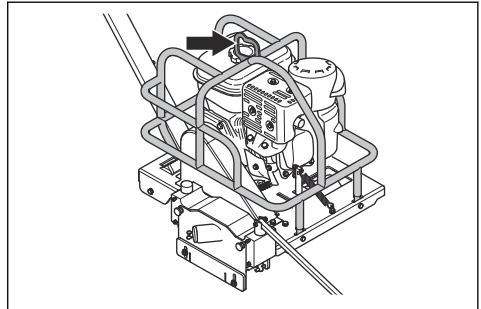


WARNING: Do not lift a damaged product. Make sure that the lift point is correctly installed and not damaged.



WARNING: Do not use metal hooks, chains or other lifting equipment with rough edges that can cause damage to the lift point.

- If 2 persons lift the product, use the safety frame bar on each side of the product and lift with 2 hands.
- If lifting equipment is used, attach the lifting equipment to the lift point on the safety frame.



Storage

- The product does not have a parking brake. Do not go away from the product if it is on a slope. If it is necessary to park the product on a slope, make sure that the product is sufficiently attached and cannot move.
- Remove the cutting blade before storage of the product.
- Keep the product in a locked area to prevent access for children or persons that are not approved.
- Keep the cutting blades in a safe area to prevent damage.
- Keep the cutting blades in a dry and frost-free area.
- Examine new cutting blades for storage damage.
- For storage of the product and fuel, make sure that there are no leaks or fumes. Sparks or open flames, for example from electrical devices or boilers, can start a fire.
- Always use approved containers for storage of fuel.
- Fold the product, refer to *To lift the product on page 26*.

For long-term storage, also do these steps:

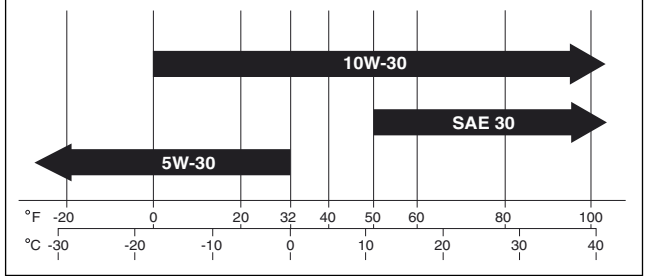
- Clean the product and do a complete servicing.
- Empty the fuel tank.
- Keep the product in a dry and frost-free area.
- Put a protective cover on the product. This is especially important for storage outdoors.
- Replace the engine oil after a long-term storage.

Disposal

- Obey the local recycling requirements and applicable regulations.
- Discard all chemicals, such as engine oil or fuel, at a service center or at an applicable disposal location.
- When the product is no longer in use, send it to a Husqvarna dealer or discard it at a recycling location.

Technical data

Technical data

	Soff-Cut 150	Soff-Cut 150D
Engine¹		
Engine brand/ Type	Kohler/ CH255	Kohler/ CH255
Engine power, hp@rpm/kW@rpm ²	5.5@3600/4.0@3600	5.5@3600/4.0@3600
Fuel and lubrication system		
Fuel tank capacity, gal/l	0.8/3.0	0.8/3.0
Oil system	Oil alert system with auto shut down sensor.	Oil alert system with auto shut down sensor.
Oil tank capacity, qt/l	0.63/0.6	0.63/0.6
Engine oil	<p>We recommend use of Kohler oils for best performance. Other high-quality detergent oils, including synthetic, of API (American Petroleum Institute) service class SJ or higher are acceptable. Select viscosity based on air temperature at time of operation as shown in figure below.</p> 	
Grease	Lithium 12 based grease	Lithium 12 based grease
Weight and dimensions		
With empty tanks, lbs/kg	82/37	95/43
With fuel, lbs/kg	88/40	101/46
Saw blade		
Blade type	Excel blades, dry cut with tri-arbor	ProEdge radius and beveled blades
Material	Green concrete only	Control joints on cured concrete only
Max. blade size, in/mm	6/152	6/152
Max. cut depth, in/mm	38.1/1.5	12.7/0.5
Cutting distance from wall, in/mm	3/76	4 ½/114

¹ For further information and questions about this specific engine, refer to the engine manual or the web site of the engine manufacturer.

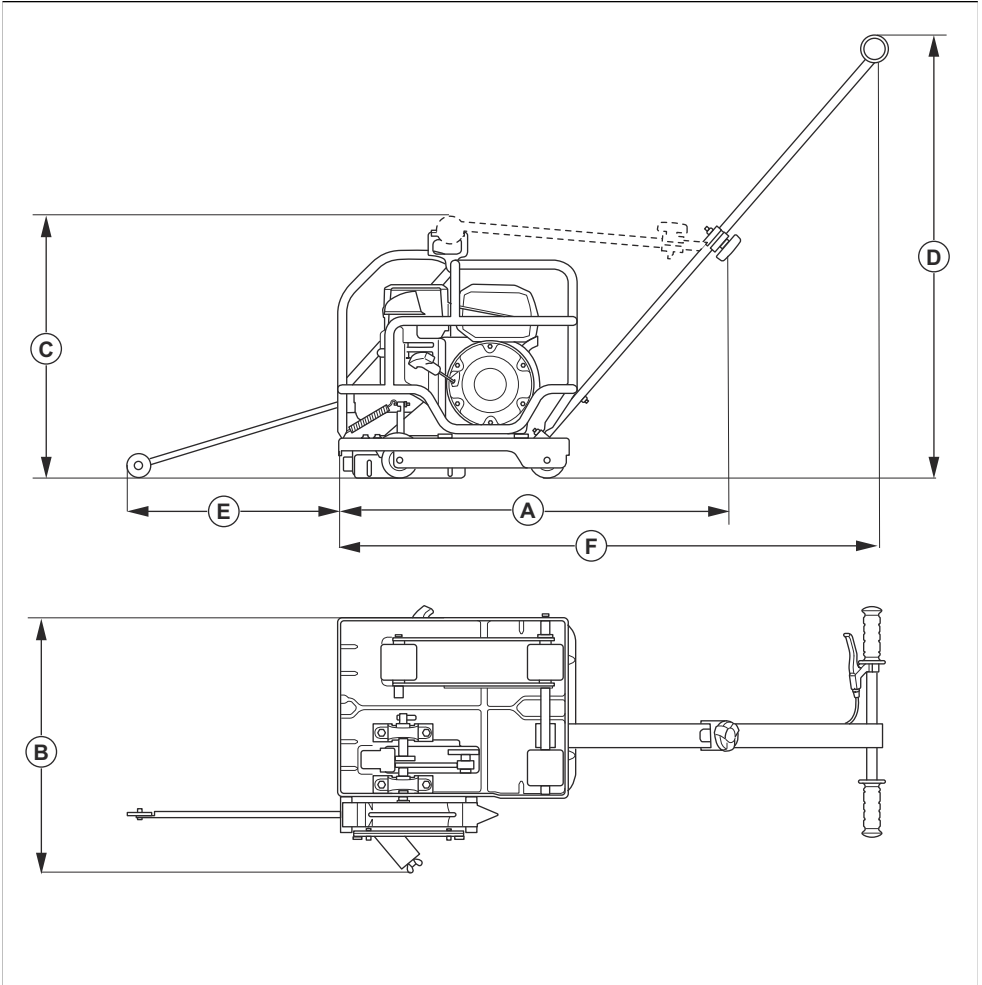
² As specified by engine manufacturer. Gross power rating as per SAE J1940/J1995, at specified rpm.

	Soff-Cut 150	Soff-Cut 150D
Blade rotation	Counterclockwise, upcutting	Counterclockwise, upcutting
Blade shaft speed, rpm	4500	4500
Blade depth control	Manual	Manual
Average cutting rate³		
Soft aggregates, ft/min or m/min	12/3.7	
Medium aggregates, ft/min or m/min	8/2.4	
Hard aggregates, ft/min or m/min	4/1.2	
Recommended dust extractors⁴		
Min. Air flow m ³ /h or CFM	400 or 236	
Min. Vacuum, kPa/psi/	22/3.6	
Min. Water lift, in/m	90/ 2.3	
Dust extractor attachment, in/mm	2/ 60	

³ Estimate only. Speed will vary with job conditions and concrete mixes.

⁴ Technical data for dust extractors are not conclusively describing actual performance over time between different dust extractors. For Husqvarna products OSHA objective data are available at www.husqvarnaccp.com/us/.

Product dimensions



Dimensions, mm/in.		Soff-Cut 150	Soff-Cut 150D
A	Length with handle folded	860/33.9	860/33.9
B	Width	560/22	560/22
C	Height	566/22.3	571/22.5
D	Height with handle	932/37	945/37.2
E	Distance from the front pointer wheel to the product	445/17.5	N/A

Dimensions, mm/in.		Soff-Cut 150	Soff-Cut 150D
F	Distance from the front of the product to the handle	1178/46.4	1192/46.9

Contenido

Introducción.....	32	Mantenimiento.....	47
Seguridad.....	36	Solución de problemas.....	54
Montaje.....	42	Transporte, almacenamiento y eliminación de residuos.....	56
Funcionamiento.....	42	Datos técnicos.....	59

Introducción

Responsabilidad del propietario



ADVERTENCIA: El procesamiento de hormigón y piedra mediante métodos como corte, amolado o perforación, especialmente en operaciones en seco, genera polvo que proviene del material procesado y a menudo contiene sílice. La sílice es un componente básico de la arena, el cuarzo, la arcilla de los ladrillos, el granito y otros numerosos minerales y rocas. La exposición a una cantidad excesiva de polvo de sílice puede causar las siguientes afecciones:

Enfermedades respiratorias (que afectan la capacidad de respirar), incluidas la bronquitis crónica, la silicosis y la fibrosis pulmonar debido a la exposición a la sílice. Estas enfermedades pueden ser mortales.

Irritación cutánea y sarpullido.

Cáncer, según el NTP* y la IARC* */National Toxicology Program (Programa Nacional de Toxicología) y Centro Internacional de Investigaciones sobre el Cáncer.

Tome medidas preventivas:

Evite inhalar y que su piel entre en contacto con el polvo, el vaho y los gases.

Utilice artículos apropiados para la protección respiratoria como máscaras contra polvo diseñadas para filtrar partículas microscópicas, y asegúrese de que todas las personas que se encuentren cerca también lo hagan. (Consulte la normativa OSHA 29 CFR Parte 1926.1153)

Para reducir al mínimo las emisiones de polvo, utilice agua para aglomerarlo cuando sea posible. Si es necesario realizar una operación en seco, utilice un extractor de polvo adecuado.

Es responsabilidad del propietario o del empleador que el operador posea los conocimientos necesarios

sobre cómo utilizar el producto de manera segura. Los supervisores y operadores deben haber leído y comprendido el manual de usuario. Deben tener conocimiento de lo siguiente:

- Las instrucciones de seguridad del producto.
- La gama de aplicaciones y limitaciones del producto.
- Cómo el producto se va a utilizar y mantener.

El uso de este producto se podría ver restringido por las normativas nacionales o locales. Antes de comenzar a utilizar el producto, infórmese sobre qué normativas se aplican en el lugar donde trabaja.

Proposición 65 de California



Los gases de escape del motor de este producto contienen sustancias químicas conocidas en el Estado de California como causantes de cáncer, defectos congénitos y otros daños reproductivos.

Descripción del producto

El producto es una sierra de piso para hormigón de gasolina.

Uso previsto

El producto es solo para el uso por parte de profesionales.

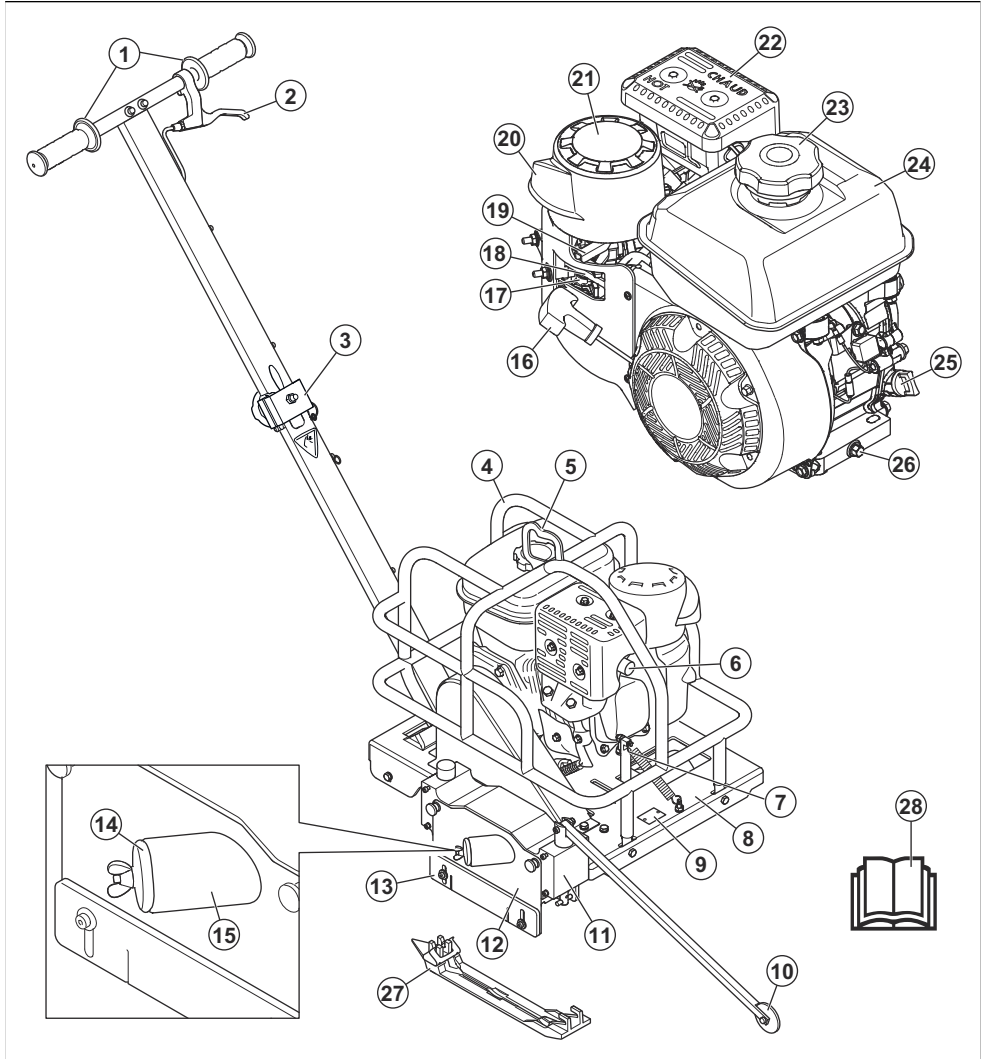
La Soff-Cut 150 se utiliza para cortar juntas de contracción en la Ultra Early Stage del hormigón.

La Soff-Cut 150D se utiliza después del corte inicial. Se utiliza en cortes decorativos, en calzadas y en estacionamientos.

El producto es solo para el uso en el exterior.

No utilice el producto para otras tareas.

Descripción general del producto Soff-Cut 150

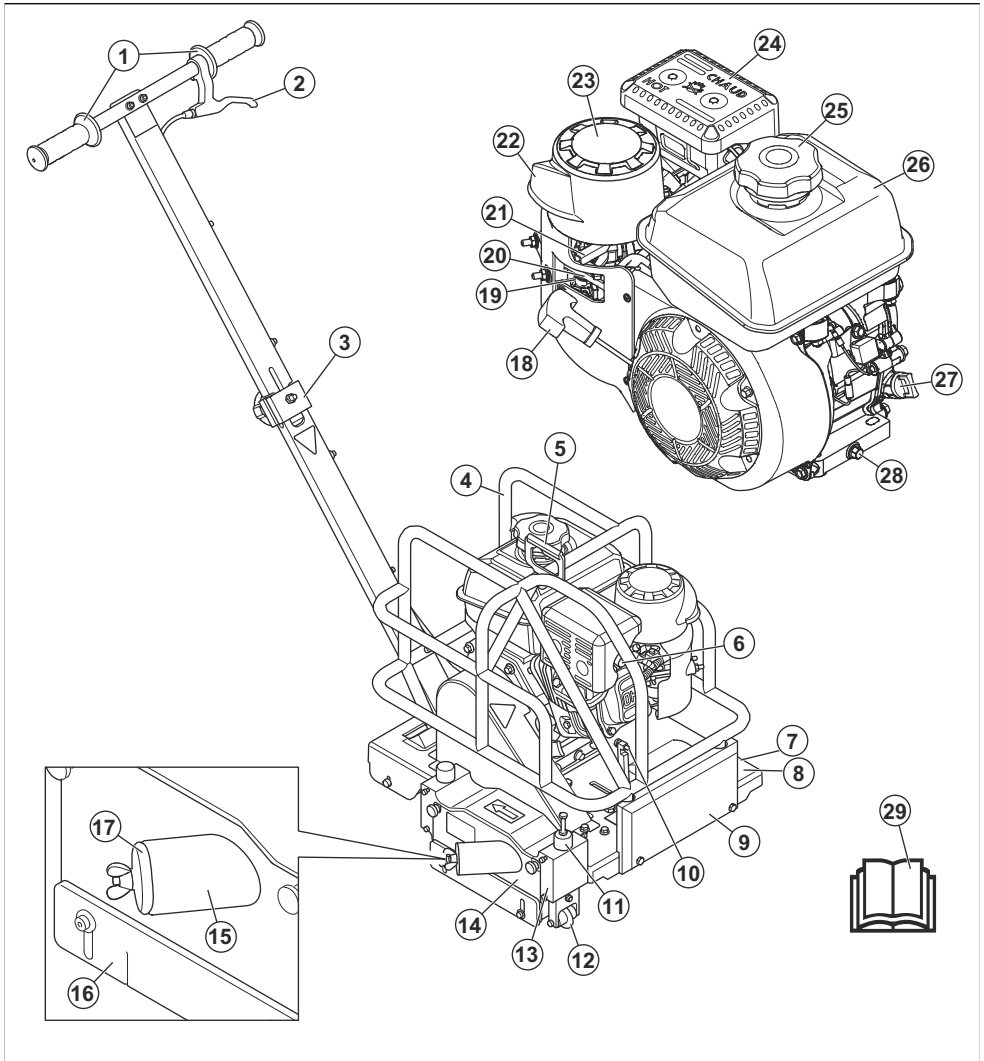


- | | |
|---|--|
| 1. Manijas para el operador | 10. Indicador delantero |
| 2. Palanca de liberación de la cuchilla | 11. Bloque de la cuchilla |
| 3. Abrazadera de bloqueo para la manija | 12. Cubierta del bloque de la cuchilla |
| 4. Bastidor de seguridad | 13. Cubierta Lexan™ |
| 5. Punto de elevación | 14. Enchufe para la conexión del extractor de polvo |
| 6. Salida del escape | 15. Conexión del extractor de polvo |
| 7. Ajuste de tope de profundidad | 16. Empuñadura de la cuerda de arranque |
| 8. Bastidor de la sierra | 17. Paso de combustible e interruptor ON/OFF del motor |
| 9. Placa de identificación | 18. Estrangulador |

- 19. Acelerador
- 20. Entrada del purificador de aire
- 21. Cubierta del filtro de aire
- 22. Cubierta del silenciador
- 23. Tapa del depósito de combustible

- 24. Depósito de combustible
- 25. Varilla de nivel/depósito de aceite
- 26. Tapón de vaciado de aceite
- 27. Plancha protectora (no incluida)
- 28. Manual del usuario

Descripción general del producto Soff-Cut 150D



- 1. Manijas para el operador
- 2. Palanca de liberación de la cuchilla
- 3. Abrazadera de bloqueo para la manija
- 4. Bastidor de seguridad
- 5. Punto de elevación

- 6. Salida del escape
- 7. Placa de identificación
- 8. Bastidor de la sierra
- 9. Contrapeso
- 10. Tornillo de ajuste de inmersión

11. Tornillo de ajuste del tope de profundidad
12. Rueda indicadora delantera
13. Bloque de la cuchilla
14. Cubierta del bloque de la cuchilla
15. Conexión del extractor de polvo
16. Cubierta Lexan™
17. Enchufe para la conexión del extractor de polvo
18. Empuñadura de la cuerda de arranque
19. Paso de combustible e interruptor ON/OFF del motor
20. Estrangulador
21. Acelerador
22. Entrada del purificador de aire
23. Cubierta del filtro de aire
24. Cubierta del silenciador
25. Tapa del depósito de combustible
26. Depósito de combustible
27. Varilla de nivel/depósito de aceite
28. Tapón de vaciado de aceite
29. Manual del usuario

Símbolos en el producto



ADVERTENCIA: Tenga cuidado y utilice el producto correctamente. Este producto puede causar daños graves o fatales al operador o a otras personas.



Lea atentamente el manual de instrucciones y asegúrese de que entiende las instrucciones antes de usar este producto.



Utilice protectores auriculares, protección ocular y protección respiratoria. Consulte *Equipo de protección personal en la página 38*.



Todo desplazamiento de la máquina fuera del área de corte debe realizarse sin rotación de la herramienta.



Riesgo de corte. Mantenga todas las partes del cuerpo lejos del disco de corte.



El polvo puede provocar problemas de salud. Utilice una protección respiratoria aprobada. No inhale los gases de escape. No utilice el motor de combustión en interiores ni en zonas que no tengan suficiente flujo de aire.



Riesgo de atrapamiento. Mantenga las partes del cuerpo alejadas de las piezas móviles.



Mantenga las partes del cuerpo alejadas del disco de corte y otras piezas móviles.



La flecha que aparece en la protección de la hoja muestra el sentido de rotación del disco de corte.



Siempre detenga el motor y deje que se enfríe antes de recargar combustible.



Gasolina sin plomo con un máximo de 10 % de etanol.



Un combustible explosivo puede provocar incendios y quemaduras graves.



Siempre detenga el motor antes de llenar el depósito de combustible. Mantenga 16 mm (5/8 in) en la parte superior del depósito de combustible para permitir que se expanda. Lea el manual de instrucciones y el manual del motor de Kohler.



Silenciador caliente, no tocar.



ON (Encender), arrancar



Off (Apagar), detener



Cargue con aceite de motor al nivel adecuado.



Asegúrese de leer y comprender el manual del extractor de polvo.



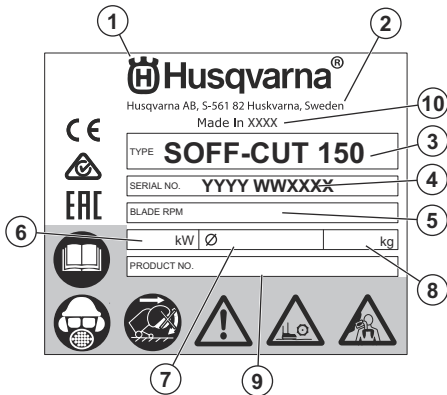
Para levantar el producto, conecte el equipo de elevación al punto de elevación del producto.



Suelte la manija para bajar la cuchilla por gravedad. Para evitar daños en la cuchilla, sujete firmemente el producto y baje la cuchilla con cuidado.

Nota: Otros símbolos o etiquetas del producto hacen referencia a requisitos de certificación para otras zonas comerciales.

Placa de identificación



1. Fabricante
2. Dirección del fabricante
3. Modelo
4. Número de serie: año de fabricación, semana de fabricación y número de secuencia

5. Rpm de la cuchilla
6. Potencia del motor
7. Dimensión máxima de la cuchilla
8. Peso del producto
9. Número de la máquina
10. País de fabricación

Responsabilidad del fabricante

Como se menciona en las leyes de responsabilidad del fabricante, no nos hacemos responsables de los daños que cause nuestro producto si:

- el producto se repara incorrectamente
- el producto se repara con piezas que no son del fabricante o que este no autoriza
- el producto tiene un accesorio que no es del fabricante o que este no autoriza
- el producto no se repara en un centro de servicio autorizado o por una autoridad aprobada.

CONSEJO DE RECURSOS DEL AIRE DE CALIFORNIA (CARB)

Nota: Esta máquina se considera un adelanto en cuanto a aplicaciones todo terreno en relación con los estándares del CARB. La EPA de EE. UU. tiene exclusiva autoridad para establecer normas de emisiones para equipos de construcción anticipados.

Seguridad

Definiciones de seguridad

Las advertencias, precauciones y notas se utilizan para señalar las piezas particularmente importantes del manual.



ADVERTENCIA: Se utilizan para señalar el riesgo de lesiones graves o mortales para el operador o para aquellos que se encuentren cerca si no se siguen las instrucciones del manual.



PRECAUCIÓN: Se utilizan para señalar el riesgo de dañar la máquina, otros materiales o el área adyacente si no se siguen las instrucciones del manual.

Nota: Se utilizan para entregar más información necesaria en situaciones particulares.

Instrucciones generales de seguridad



ADVERTENCIA: Lea atentamente las instrucciones de advertencia siguientes antes de usar el producto.

- Este producto puede ser una herramienta peligrosa si no se maneja con cuidado o si utiliza el producto de forma incorrecta. Este producto puede causar daños graves o fatales al operador o a otras personas. Antes de utilizar el producto, es muy importante que lea y comprenda el contenido de este manual de usuario.
- Guarde todas las advertencias y las instrucciones.
- Cumpla todas las leyes y reglamentos vigentes.
- El operador y el empleador del operador deben conocer y evitar los riesgos durante la operación del producto.
- No permita que nadie que no haya leído y comprendido el contenido del manual de usuario utilice el producto.
- No utilice el producto si no ha recibido capacitación antes de su uso. Asegúrese de que todos los usuarios reciban capacitación.

- No deje que un niño utilice el producto.
- Restrinja el uso del producto solo a personas autorizadas.
- El operador es responsable de los accidentes que puedan ocurrirles a otras personas o a sus propiedades.
- No utilice el producto si está cansado, enfermo o bajo la influencia de alcohol, drogas o medicamentos.
- Sea siempre cuidadoso y use el sentido común.
- En este producto se genera un campo electromagnético durante su funcionamiento. Este campo puede, en determinadas circunstancias, interferir en implantes médicos activos o pasivos. Para reducir el riesgo de daños graves o mortales, se recomienda que las personas con implantes médicos consulten a su médico y al fabricante del implante médico antes de utilizar este producto.
- Mantenga el producto limpio. Asegúrese de que puede leer señales y etiquetas claramente.
- No utilice el producto si se encuentra defectuoso.
- No modifique este producto.
- No utilice el producto si es posible que otras personas hayan realizado modificaciones en el mismo.

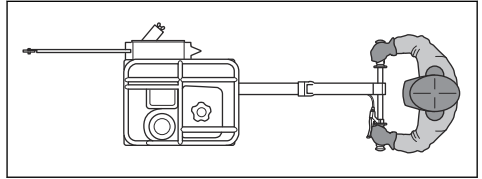
Instrucciones de seguridad para el funcionamiento



ADVERTENCIA: Lea atentamente las instrucciones de advertencia siguientes antes de usar el producto.

- Lea las instrucciones de advertencia del disco de corte indicadas por el fabricante del disco de corte.
- Asegúrese de que el producto esté montado correctamente.
- No opere el producto si no tiene instaladas la protección de la hoja y las cubiertas protectoras.
- Si el producto no se opera correctamente, el disco de corte se puede romper y causar lesiones o daños.
- Asegúrese de saber cómo detener el motor rápidamente en caso de emergencia.
- Utilice el equipo de protección personal. Consulte *Equipo de protección personal en la página 38*.
- Mantenga una distancia de seguridad con respecto al disco de corte cuando el motor esté en marcha. No intente detener un disco giratorio con alguna parte de su cuerpo. Tocar un disco giratorio, aunque el motor esté apagado, puede ocasionar lesiones graves o la muerte.
- Asegúrese de que solo personas autorizadas estén en la zona de trabajo.
- Asegúrese de que los cables eléctricos de la zona de trabajo estén sin corriente.
- Mantenga el área de trabajo limpia y despejada.

- Opere el producto solamente desde la parte posterior y con ambas manos en la manija



- Asegúrese de encontrarse en una posición segura y estable durante la operación.
- Antes de alejarse del producto, detenga el motor y asegúrese de que no exista riesgo de que se ponga en marcha de forma accidental.
- El producto no tiene freno de estacionamiento. No se aleje del producto cuando esté en una pendiente. Si se ve obligado a estacionar el producto en una pendiente, asegúrese de que esté bien sujeto y de que no se pueda mover.
- Tenga mucho cuidado cuando trabaje en pendientes. El producto es pesado y puede causar daños graves si se cae.
- Asegúrese de que ningún material se pueda aflojar y causar lesiones al operador.
- Asegúrese de que ninguna prenda, cabello largo o joya puedan quedar atrapados en las piezas móviles.
- No se siente ni se pare sobre el producto.
- Manténgase alejado del recorrido de la cuchilla mientras el motor está encendido.
- No utilice el producto si no puede recibir ayuda en caso de que ocurra un accidente.
- No utilice el producto para el transporte de personas o equipos.
- No coloque los pies sobre el producto.
- Asegúrese de que la cuchilla no toque el suelo ni ninguna otra superficie cuando mueva el producto.
- No opere el producto con exceso de carga. La sobrecarga puede dañar el producto.

Seguridad en el área de trabajo



ADVERTENCIA: Lea atentamente las instrucciones de advertencia siguientes antes de usar el producto.

- El producto puede hacer que los objetos salgan eyectados a alta velocidad. Asegúrese de que todas las personas en el área de trabajo utilicen equipos de protección personal aprobados. Consulte *Equipo de protección personal en la página 38*. Retire los objetos sueltos del área de trabajo.
- Asegúrese de que no hay animales ni personas en el área de trabajo.
- No utilice el producto hasta que el área de trabajo esté despejada y los pies y el cuerpo estén en una posición estable.

- Tenga cuidado con personas, objetos y situaciones que puedan impedir el funcionamiento seguro del producto.
- Asegúrese de que no haya personas u objetos que puedan entrar en contacto con el equipo de corte o recibir el impacto de piezas lanzadas por el disco.
- No use el producto en condiciones de niebla, lluvia, viento fuerte, clima frío, riesgo de rayos u otras condiciones climáticas adversas. Usar el producto en mal tiempo puede tener un efecto negativo en su estado de alerta. Las condiciones climáticas adversas pueden provocar condiciones de trabajo peligrosas, como superficies resbaladizas.
- Durante el funcionamiento del producto, asegúrese de que ningún material pueda aflojarse, caerse y provocar lesiones al operador.
- Tenga cuidado cuando opere el producto en pendientes.
- Mantenga el área de trabajo limpia y despejada.
- Antes de utilizar el producto, determine si hay peligros ocultos como cables eléctricos, agua, tuberías de gas y sustancias inflamables en el área de trabajo. Si el producto se topa con un objeto oculto, detenga el motor inmediatamente y examine el producto y el objeto. No comience a utilizar el producto nuevamente hasta asegurarse de que sea seguro continuar.
- Antes de cortar un tambor, un tubo u otro recipiente, asegúrese de que no contengan material inflamable o de otro tipo que pueda provocar un incendio o una explosión.
- No opere el producto en áreas donde se pueden producir explosiones o incendios.

- Utilice ropa de trabajo aprobada o ropa equivalente de ajuste ceñido, que cubra por completo los brazos y las piernas.

Extintor de incendios

- Mantenga un extintor de incendios a mano durante la operación.
- Utilice un extintor de incendios de polvo de clase "ABE" o un extintor de dióxido de carbono de tipo "BE".

Dispositivos de seguridad en el producto

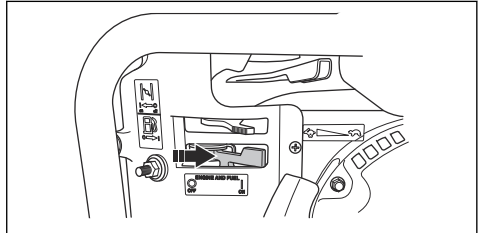


ADVERTENCIA: Lea atentamente las instrucciones de advertencia siguientes antes de usar el producto.

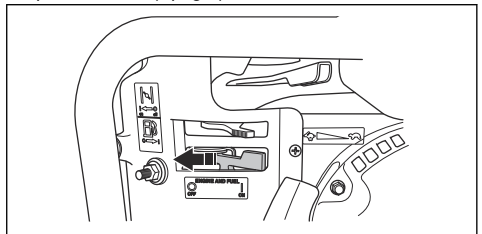
- No utilice un producto con dispositivos de seguridad defectuosos. Revise los dispositivos de seguridad de forma regular. Si los dispositivos de seguridad están defectuosos, comuníquese con su taller de servicio Husqvarna.
- No realice ninguna modificación en los dispositivos de seguridad. No utilice el producto si las placas de protección, las cubiertas de protección, los interruptores de seguridad u otros dispositivos protectores no están acoplados o están defectuosos.

Para comprobar el interruptor ON/OFF (Encender/ Apagar)

- Asegúrese de que el motor arranque y de que la cuchilla comienza a girar cuando ponga el interruptor en la posición ON (Encender).



- Asegúrese de que el motor se detiene inmediatamente cuando pone el interruptor en la posición OFF (Apagar).



Equipo de protección personal

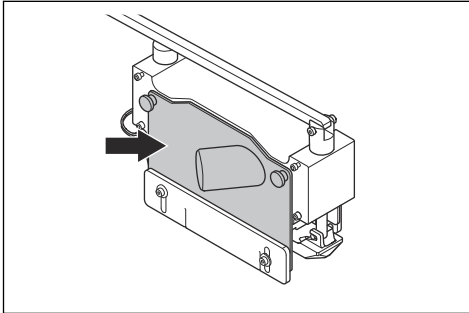


ADVERTENCIA: Lea atentamente las instrucciones de advertencia siguientes antes de usar el producto.

- Utilice siempre el equipo de protección personal aprobado cuando utilice el producto. El equipo de protección personal no puede impedir el riesgo de lesiones, pero disminuirá el grado de lesión si ocurre un accidente. Solicite a su concesionario que lo ayude a seleccionar el equipo de protección personal correcto.
- Realice periódicamente una comprobación del estado del equipo de protección personal.
- Utilice un casco protector aprobado.
- Use protección auricular aprobada.
- Utilice protección respiratoria aprobada.
- Utilice protección ocular aprobada con protección lateral. Existe un alto riesgo de lesiones oculares provocadas por la expulsión de objetos.
- Use guantes protectores.
- Utilice botas con punta de acero y suela antideslizante.

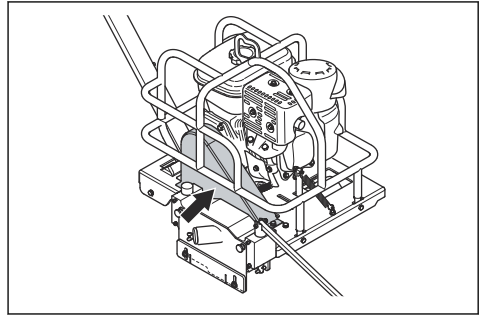
Protección del bloque de la cuchilla

La protección del bloque de la cuchilla brinda protección contra la cuchilla giratoria y no permite que le caiga polvo al operador.



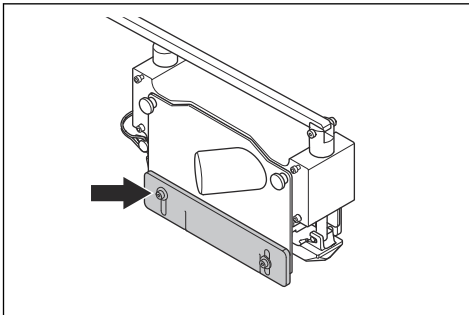
Protección de la correa

La protección de la correa protege contra la polea del eje de la cuchilla y la correa.



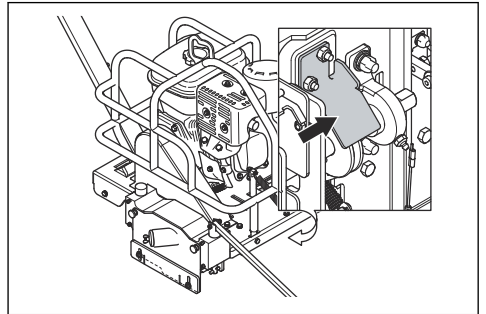
Cubierta Lexan™

La Lexan™ cubierta mantiene el polvo alejado del operador. También evita que las partículas salgan despedidas. Asegúrese de que la cubierta Lexan™ se mueva con libertad hacia arriba y hacia abajo.



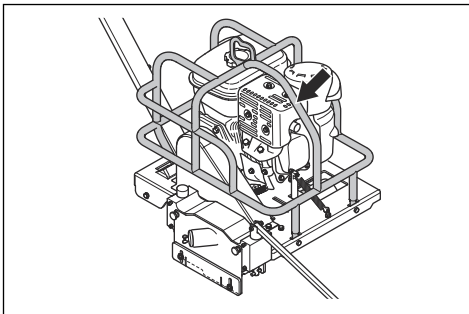
Protección de la polea

La protección de la correa protege contra la polea del eje de la cuchilla.



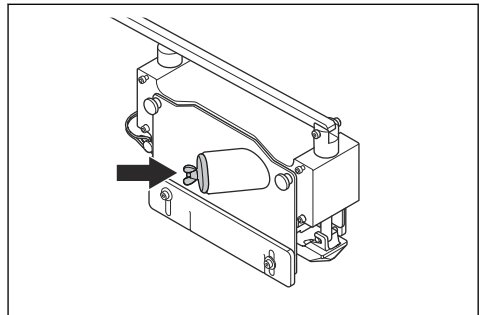
Bastidor de seguridad

El bastidor de seguridad evita que el equipo y el motor se dañen, además evita lesiones en el operador.



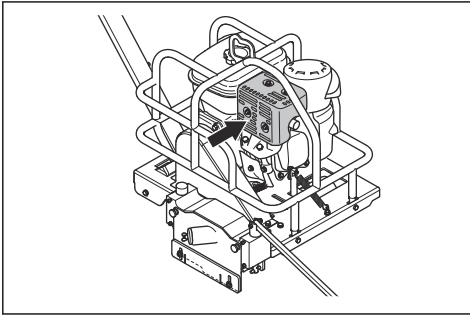
Enchufe para conectar un extractor de polvo

Siempre utilice el enchufe si el producto no está conectado a un extractor de polvo.



Protección del silenciador

La protección del silenciador impide que se provoquen quemaduras ocasionadas por el silenciador caliente



Para verificar la eficacia de las protecciones

1. Verifique el bloque de la hoja y la protección del bloque de la hoja, la cubierta Lexan™, la protección de la polea, el bastidor de seguridad, la protección de la correa y el enchufe para ver si tienen daños.
2. Reemplace las protecciones si están dañadas.
3. Asegúrese de que las protecciones estén instaladas de forma adecuada antes de que arranque el producto.

Seguridad de combustible



ADVERTENCIA: Lea atentamente las instrucciones de advertencia siguientes antes de usar el producto.

- La gasolina es inflamable y sus gases son explosivos. Tenga cuidado con el combustible para evitar lesiones, incendios y explosiones.
- No inhale los gases del combustible. Los gases del combustible son tóxicos y pueden provocar lesiones. Asegúrese de que el flujo de aire sea suficiente.
- No retire la tapa del depósito de combustible ni llene el depósito con el motor encendido.
- Deje que el motor se enfríe antes de agregar combustible.
- No llene el depósito de combustible en interiores. Un flujo de aire insuficiente puede causar lesiones graves o fatales por asfixia o debido al monóxido de carbono.
- No fume cerca del combustible o del motor.
- No coloque objetos calientes cerca del combustible o del motor.
- No llene el depósito de combustible cerca de chispas o llamas.
- Antes de llenar el depósito de combustible, abra lentamente la tapa del depósito de combustible y libere la presión con cuidado.

- Si el combustible entra en contacto con la piel, puede provocar lesiones. Si le cae combustible en la piel, quítelo con jabón y agua.
- Si derrama combustible en su ropa, cámbiese la ropa inmediatamente.
- No llene el depósito de combustible completamente. El calor provoca que el combustible se expanda. Deje espacio en la parte superior del depósito de combustible.
- Apriete bien la tapa del depósito de combustible. Si no aprieta la tapa del depósito de combustible, se genera un riesgo de incendio.
- Antes de poner en marcha el producto, colóquelo a una distancia mínima de 3 m/10 pies desde el lugar donde llenó el depósito de combustible.
- No arranque el producto si hay combustible o aceite de motor en el producto. Elimine el combustible y el aceite del motor no deseados y deje que el producto se seque antes de arrancar el motor.
- Examine frecuentemente el motor en busca de fugas. Si hay fugas en el sistema de combustible, no arranque el motor hasta que las repare.
- No busque fugas en el motor con los dedos.
- Almacene el combustible solo en recipientes aprobados.
- Cuando el producto y el combustible estén almacenados, asegúrese de que el combustible y los gases del combustible no puedan causar daños.
- Vacíe el combustible en un recipiente aprobado en exteriores y lejos de chispas y llamas.

Seguridad de los gases de escape



ADVERTENCIA: Lea atentamente las instrucciones de advertencia siguientes antes de usar el producto.

- Los gases de escape del motor contienen monóxido de carbono, un gas inodoro, tóxico y muy peligroso. Respirar monóxido de carbono puede provocar la muerte. Dado que el monóxido de carbono es inodoro y no se puede ver, no es posible detectarlo. Un síntoma de intoxicación por monóxido de carbono es el mareo, pero también es posible que la persona pierda la conciencia sin previo aviso si la cantidad o concentración de monóxido de carbono es suficiente.
- Los gases de escape también contienen hidrocarburos sin quemar, incluido benceno. La inhalación a largo plazo puede provocar problemas de salud.
- Los gases de escape que se pueden ver u oler también contienen monóxido de carbono.
- No utilice el motor de combustión en interiores ni en zonas que no tengan suficiente flujo de aire.
- No inhale los gases de escape.
- Asegúrese de que haya suficiente ventilación en el área de trabajo. Esto es muy importante cuando se utiliza el producto en fosos u otras áreas de trabajo

confinadas donde los gases de escape se pueden acumular fácilmente.

Seguridad de vibración



ADVERTENCIA: Lea atentamente las instrucciones de advertencia siguientes antes de usar el producto.

- Durante el funcionamiento del producto, se transmiten vibraciones del producto al operador. El uso frecuente y regular del producto puede provocar lesiones al operador o aumentar el grado de estas. Se pueden producir lesiones en los dedos, las manos, las muñecas, los brazos, los hombros o los nervios, así como en el riego sanguíneo u otras partes del cuerpo. Las lesiones pueden ser debilitantes o permanentes, y pueden aumentar gradualmente durante semanas, meses o años. Entre las posibles lesiones se incluyen daños en el sistema de circulación sanguínea, el sistema nervioso, las articulaciones y otras estructuras corporales.
- Los síntomas pueden presentarse durante el funcionamiento del producto o en otro momento. Si tiene síntomas y continúa utilizando el producto, los síntomas pueden aumentar o hacerse permanentes. Si se producen estos u otros síntomas, solicite asistencia médica:
 - Entumecimiento, pérdida de sensación, hormigueo, picazón, dolor, ardor, dolor pulsante, rigidez, aturdimiento, pérdida de fuerza, cambios en el color o en el estado de la piel.
- Los síntomas pueden aumentar con el frío. Utilice ropa de abrigo y mantenga las manos calientes y secas cuando utilice el producto en entornos fríos.
- Realice el mantenimiento del producto y utilícelo según se indica en el manual de usuario, para mantener un nivel de vibración correcto.
- El producto tiene un sistema amortiguador de vibraciones que disminuye las vibraciones de las manijas al operador. Deje que el producto haga el trabajo. No ejerza fuerza para empujar el producto. Sujete ligeramente el producto en las manijas, pero asegúrese de controlarlo y operarlo de forma segura. No empuje las manijas en los topes más de lo necesario.
- Mantenga las manos solamente en las manijas. No acerque ninguna otra parte de cuerpo al producto.
- Detenga el producto de inmediato si se producen vibraciones fuertes repentinamente. No continúe la operación hasta eliminar la causa del aumento de las vibraciones.

Seguridad contra el polvo



ADVERTENCIA: Lea atentamente las instrucciones de advertencia siguientes antes de usar el producto.

- El funcionamiento del producto puede causar suspensión de polvo en el aire. El polvo puede causar lesiones graves y problemas de salud permanentes. Varias autoridades han establecido regulaciones con respecto a los efectos dañinos del polvo de sílice. A continuación, se presentan algunos ejemplos de tales problemas de salud:
 - Enfermedades pulmonares mortales como bronquitis crónica, silicosis y fibrosis pulmonar
 - Cáncer
 - Anomalías congénitas
 - Inflamación de la piel
- Utilice el equipo correcto para disminuir la cantidad de polvo y gases en el aire y para disminuir la cantidad de polvo en el equipo de trabajo, las superficies, la ropa y las partes del cuerpo. Algunos ejemplos de mecanismos de control son los sistemas de recolección de polvo y los aspersores de agua para adherir el polvo. Disminuya el polvo en el origen cuando sea posible. Asegúrese de que el equipo se instale y utilice correctamente, y de que se le realice mantenimiento regular.
- Utilice protección respiratoria aprobada. Asegúrese de utilizar protección respiratoria cuando se trabaje con materiales peligrosos en el área de trabajo.
- Asegúrese de que haya un flujo de aire suficiente en la zona de trabajo.
- Si es posible, dirija el escape del producto hacia un punto en que no cause suspensión de polvo en el aire.

Seguridad contra el ruido



ADVERTENCIA: Lea atentamente las instrucciones de advertencia siguientes antes de usar el producto.

- Los niveles altos de ruido y la exposición a largo plazo al ruido pueden causar pérdida auditiva.
- Para mantener el nivel de ruido al mínimo, realice el mantenimiento del producto y utilícelo según se indica en el manual de usuario.
- Examine el silenciador en busca de daños y defectos. Asegúrese de que el silenciador esté correctamente unido al producto.
- Utilice protectores auriculares aprobados cuando opere el producto.
- Cuando utilice protectores auriculares, esté atento a las señales de advertencia y a las voces. Quitese los protectores auriculares cuando el producto esté detenido, a menos que sean necesarios para el nivel de ruido en la zona de trabajo.

Instrucciones de seguridad para el mantenimiento



ADVERTENCIA: Lea atentamente las instrucciones de advertencia siguientes antes de usar el producto.

- Utilice equipo de protección personal. Consulte *Equipo de protección personal en la página 38*.
- Si el mantenimiento no se realiza de manera correcta y regular, aumenta el riesgo de sufrir lesiones y causar daños en el producto.
- Detenga el motor y deje que el producto se enfríe antes de realizar el mantenimiento.
- Limpie el producto para eliminar materiales peligrosos antes de realizar el mantenimiento.
- Desconecte el sombrerete de bujía antes de realizar el mantenimiento.
- Los gases de escape del motor están calientes y pueden contener chispas. No utilice el producto en zonas interiores ni cerca de materiales inflamables.

- No modifique el producto. Las modificaciones en el producto que no estén aprobadas por el fabricante pueden causar daños graves o la muerte.
- Utilice siempre accesorios y piezas de repuesto originales. El uso de accesorios y piezas de repuesto que no estén aprobados por el fabricante puede causar daños graves o la muerte.
- Cambie las piezas dañadas, desgastadas o rotas.
- Solo realice tareas de mantenimiento como se indica en el presente manual del usuario. Solicite a un taller de servicio aprobado que realice cualquier otro mantenimiento.
- Retire todas las herramientas del producto después del mantenimiento y antes de arrancar el motor. Si quedan herramientas sueltas o conectadas a las piezas giratorias, estas pueden salir expulsadas y provocar lesiones cuando se ponga en marcha el motor.
- Solicite a un taller de servicio aprobado hacer el mantenimiento regular del producto.

Montaje

Introducción



ADVERTENCIA: Antes de montar el producto, debe leer y entender el contenido del capítulo sobre seguridad.



ADVERTENCIA: Retire el cable de la bujía de la bujía antes de montar el producto.

Para instalar el disco de corte y la plancha protectora

1. Instale el disco de corte. Consulte *Para instalar el disco de corte en la página 49*.
2. Instale la plancha protectora. Consulte *Para instalar el disco de corte en la página 49*.

Funcionamiento

Introducción



ADVERTENCIA: Antes de utilizar el producto, debe leer y entender el capítulo sobre seguridad.

Técnicas básicas de trabajo

Juntas de contracción y espaciado de juntas

El hormigón, al hidratarse o curarse y empezar a endurecerse, sufre una dilatación interna que puede ocasionar grietas aleatorias.

Este tipo de grietas genera dudas sobre la calidad del trabajo y de la mano de obra del hormigón. Para aliviar esta dilatación, se cortan en el hormigón juntas de contracción que buscan su propio alivio en forma de grietas aleatorias.

El sistema Soff-Cut Ultra Early Entry controla las grietas aleatorias a través de la sincronización temprana de un corte de sierra en puntos predeterminados; de esta forma, crea planos debilitados en el hormigón que, con el tiempo, se agrietan en la parte inferior del corte para liberar la presión.

Las juntas de contracción serradas deben ser, como mínimo, de $\frac{1}{8}$ de la profundidad del hormigón y deben tener una profundidad mínima de 25 mm (1").

Sierre las juntas de contracción cuando el hormigón pueda sostener el peso del producto y del operador. Asegúrese de que el producto no deje marcas ni dañe el hormigón.

Existen muchas posibilidades para diseñar las juntas. El diseño de las juntas debería facilitarse: el contratista de la sierra debería entregar un plano con el diseño de las juntas para su aprobación con anterioridad al corte.

Existen muchas condiciones que afectan el espaciado de las juntas.

- El grosor del hormigón.
- El tipo, la cantidad y la ubicación del refuerzo.
- El potencial de contracción del hormigón-cemento (tipo, cantidad), el aglomerado (tamaño, cantidad, calidad), la proporción agua-cemento, los aditivos y la temperatura del hormigón.
- La fricción en la base.
- Las restricciones de la losa.
- La distribución de los cimientos, las cremalleras, los pozos, las almohadillas de los equipos, los fosos, etc.
- Factores medioambientales, como la temperatura, el viento o la humedad.
- Los métodos y la calidad del curado del hormigón.

En general, los patrones de las juntas de contracción deberían dividir las losas en paneles casi cuadrados en función de la separación recomendada que se indica en la tabla.

Grosor del hormigón, en mm (pulgadas)	Separación máxima, en m (pies)
90 (3,5)	2,4 (8)
100, 114 (4, 4,5)	3,0 (10)
125, 140 (5, 5,5)	3,6 (12)
150 (6) o más	4,5 (15)

En todos los cortes transversales de intersección, instale protectores de juntas Husqvarna en cada junta para evitar dañarlas. Instale un protector de juntas adicional donde la rueda derecha atraviese la junta para evitar dañar el hormigón.

Cómo aprovechar al máximo el sistema Soff-Cut

"La velocidad en la que se ejecutan las operaciones en hormigón (principalmente en acabados y juntas) es esencial... No abordar este problema puede contribuir a que aparezcan características no deseadas en la superficie de desgaste, como grietas..." (Extracto del prólogo del informe del American Concrete Institute [ACI] 302.1 R-96).

El sistema Soff-Cut Ultra Early Entry ha revolucionado el método de control de las grietas aleatorias.

Para que un operador realice un trabajo satisfactorio con el sistema Soff-Cut, se deben cumplir los siguientes criterios:

- Una sierra de corte seco Soff-Cut Ultra Early Entry.
- Una hoja de diamante de corte seco Soff-Cut de Husqvarna.
- Una plancha protectora contra irregularidades de Husqvarna instalada en todas las hojas de diamante nuevas.
- Un operador especializado en el uso del sistema de corte Soff-Cut Ultra Early Entry.

Sin todos estos componentes, es posible que las juntas no se corten con la suficiente definición como para controlar las grietas aleatorias antes de que aparezcan, que es por lo que paga el propietario del edificio.

En este fragmento de la especificación del ACI 302.1R-96 se expresa perfectamente:

"Las sierras Early-Entry de corte seco utilizan hojas bañadas en diamante y planchas protectoras que impiden el descascamiento. Para controlar de manera eficaz el descascamiento, es necesario cambiar las planchas protectoras oportunamente. Lo más conveniente es cambiar las planchas protectoras cuando lo recomienda el fabricante... El objetivo del corte de sierra es crear un plano debilitado apenas se pueda cortar la junta... La velocidad del proceso Early-Entry permite que las juntas estén listas antes de que se desarrolle una tensión de tracción significativa en el hormigón..."

En el boletín de ingeniería "Concrete Floors on the ground" de la Asociación de Cemento de Portland (PCA del inglés, Portland Cement Association) se afirma también que:

"Al hacer juntas adecuadamente se pueden eliminar grietas aleatorias antiestéticas. A continuación, se presentan algunos aspectos de las juntas que contribuyen a lograr un buen trabajo: la elección correcta del tipo de junta para cada ubicación, el establecimiento de un buen patrón y disposición de las juntas y la aplicación de la junta en el momento correcto... Calcular bien el tiempo al hacer cortes de juntas es esencial... Se han desarrollado sierras livianas, de alta velocidad y de corte temprano para permitir que se puedan serrar las juntas lo más pronto posible luego de que se termine el piso, a veces dentro de 2 horas... si el corte se realiza unas cuantas horas luego del último acabado, se puede controlar el agrietado aleatorio..."

Husqvarna tiene el único sistema de corte seco Ultra Early Entry (Soff-Cut) que evita la aparición de grietas aleatorias mediante la sincronización temprana del corte. Gracias al método Soff-Cut, es posible cortar las juntas de control en menos de 2 horas después del proceso de acabado.

El corte de las juntas debería iniciarse apenas el hormigón soporte el peso de la sierra y del operario en cada punto de la junta y antes del endurecimiento final.

Si no se cortan las juntas durante este período, quiere decir que no se siguió el método Soff-Cut Ultra Early Entry.

Antes de usar el producto

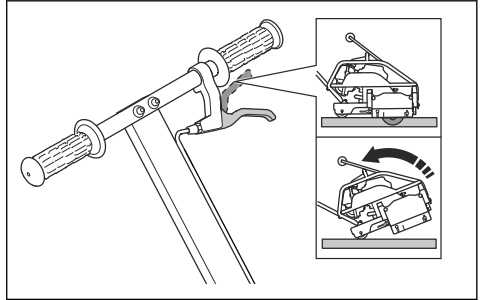
1. Realice un mantenimiento diario. Consulte *Programa de mantenimiento en la página 47*.
2. Asegúrese de que el mango está en posición completamente vertical y de que el pasador de bloqueo está instalado.
3. Asegúrese de que la guía frontal está en posición de avance.

4. Llène el depósito de aceite. Consulte la sección *Datos técnicos en la página 59* para obtener información sobre el aceite de motor recomendado.
5. Compruebe el nivel de aceite. Consulte *Para comprobar el nivel de aceite en la página 52*.

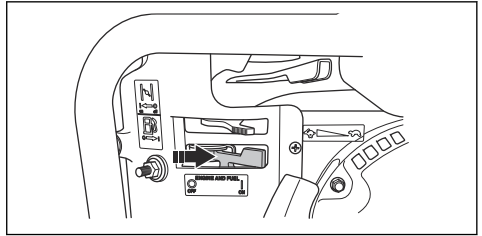
6. Mueva el producto a un mínimo de 3 m o 10 pies de la posición en la que se llenó el depósito antes de ponerlo en marcha.

Para arrancar el motor

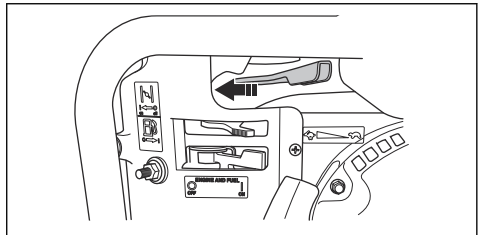
1. Tire y suelte la palanca de liberación cuando incline el producto. Empuje el manillar hacia abajo para ajustar el producto en la posición inclinada.



2. Suelte la palanca para bloquear el producto en la posición inclinada.
3. Coloque el interruptor ON/OFF del motor en la posición ON (I). En la posición ON, también se abre el paso de combustible.



4. Mueva el acelerador $\frac{1}{2}$ a la izquierda hasta la posición abierta.



5. Coloque el estrangulador en la posición correcta.
 - a) Si el motor está frío, cierre el estrangulador.
 - b) Si el motor está caliente o la temperatura ambiente es alta, abra el estrangulador.

Nota: La posición de estrangulamiento cerrada hace que la mezcla de combustible sea mejor para arrancar un motor frío. La posición de estrangulamiento abierta otorga la mezcla de combustible adecuada para el funcionamiento una

Para agregar combustible



ADVERTENCIA: No llene los recipientes cuando se encuentre en un vehículo. Riesgo de incendio. Coloque el recipiente sobre el suelo y lejos de su vehículo.



PRECAUCIÓN: No utilice gasolina con un octanaje inferior a 90 RON (87 AKI). Esto puede provocar daños al producto.



PRECAUCIÓN: Utilice gasolina sin plomo. No utilice gasolina sin plomo que contenga más de un 10 % de etanol. La gasolina con más de un 10 % de etanol provoca un riesgo de incendio y también puede causar problemas de arranque y rendimiento. También puede causar daños en las piezas de metal, goma y plástico del sistema de combustible.



PRECAUCIÓN: No utilice gasolina que contenga metanol.



PRECAUCIÓN: No guarde combustible por más de 30 días en un recipiente. El combustible vencido puede provocar daños al producto.

1. Retire el producto del vehículo de transporte y ubíquelo en el suelo. Si esto no es posible, rellene el producto con un recipiente portátil y no directamente de la boquilla de la bomba de gasolina.

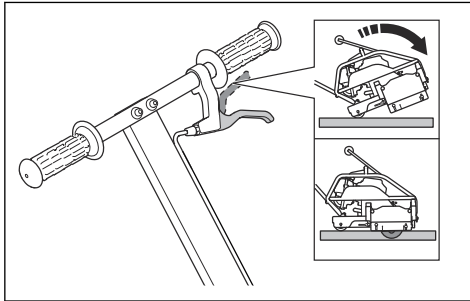


ADVERTENCIA: Use solo recipientes de gasolina aprobados.

2. Abra lentamente la tapa del depósito de combustible para liberar la presión.
3. Asegúrese de que la boquilla toca el borde superior de la abertura del depósito de combustible hasta que se llene. No use un dispositivo que mantenga abierto el seguro de la boquilla.
4. Limpie el área alrededor del tapón del depósito de combustible.
5. Apriete bien la tapa del depósito de combustible. Si no aprieta la tapa del depósito de combustible, se genera un riesgo de incendio.

vez arrancado el motor y con el fin de arrancar un motor caliente.

6. Tire de la empuñadura de la cuerda de arranque lentamente hasta que sienta resistencia.
7. Suelte la empuñadura de la cuerda de arranque para que regrese.
8. Tire de la empuñadura de la cuerda de arranque hasta que el motor arranque. La cuchilla comienza a girar cuando se enciende el motor.
9. Abra el estrangulador de manera gradual hasta que esté completamente abierto.
10. Deje que el motor marche a régimen de ralentí entre 2 y 3 minutos antes de aplicar la aceleración máxima.
11. Presione el mango hacia abajo y tire la palanca de liberación de la cuchilla para bajarla lentamente sobre el hormigón.



Para trabajar con polvo

Este producto cuenta con una salida para polvo en la cubierta del bloque de la cuchilla. La salida para polvo se utiliza para conectar un extractor de polvo.

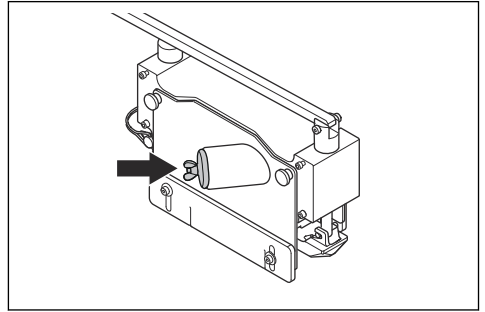
- Siempre utilice un extractor de polvo. También se recomienda utilizar una manguera de extracción antiestática.

Nota: Para los productos Husqvarna, los datos objetivos de la normativa OSHA se encuentran disponibles en www.husqvarnacp.com/us/. El rendimiento del extractor de polvo puede cambiar con el tiempo.

Para conectar el extractor de polvo al producto.

1. Gire la tuerca de mariposa del enchufe hacia la izquierda.
2. Extraiga el enchufe del tubo situado en la cubierta del bloque de la cuchilla.

3. Conecte un extractor de polvo al bloque de la cuchilla.



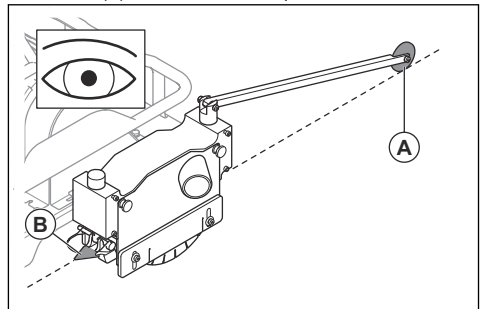
Nota: Si el extractor de polvo no es compatible con la conexión del producto, utilice un adaptador.

Para hacer funcionar el producto, Soff-Cut 150

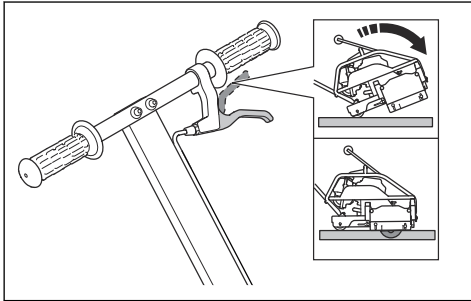


PRECAUCIÓN: Asegúrese de que ningún objeto golpee el bloque de la cuchilla. Esto puede provocar daños al producto.

1. Arranque el motor. Consulte *Para arrancar el motor en la página 44*.
2. Abra la palanca de acelerador del motor completamente para obtener el máximo régimen del motor.
3. Alinee el indicador delantero (A) y el indicador trasero (B) con la línea en la que realizará el corte.



- Presione el mango hacia abajo y tire la palanca de liberación de la cuchilla para bajarla lentamente sobre el hormigón.



- Empuje el producto hacia delante para mantener el indicador delantero en la línea de corte. Si se instaló una nueva cuchilla, empuje el producto a media velocidad durante los primeros 15 metros (50 pies).
- Aumente la velocidad de avance del producto hasta que la cuchilla y el motor funcionen con la máxima eficacia. No aplique más fuerza de la necesaria para empujar el producto hacia delante.
- Cuando opere el producto cerca de una pared, levante el indicador delantero. Observe el indicador trasero para asegurarse de que está cortando en línea recta.
- Una vez finalizada la operación, incline el producto hacia atrás para acoplar la palanca que mantiene el producto en la posición de inclinación.
- Detenga el motor. Consulte *Detener el motor en la página 46*.
- Limpie la máquina. Consulte *Para limpiar el producto externamente en la página 47*.

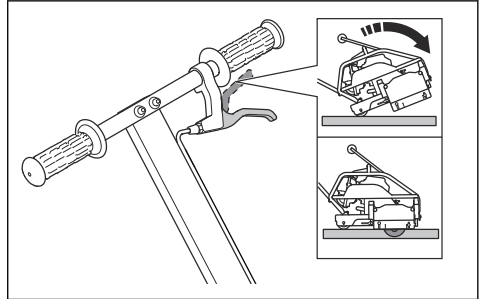
Para hacer funcionar el producto, Soff-Cut 150D



PRECAUCIÓN: Asegúrese de que ningún objeto golpee el bloque de la cuchilla. Esto puede provocar daños al producto.

- Arranque el motor. Consulte *Para arrancar el motor en la página 44*.
- Abra la palanca de acelerador del motor completamente para obtener el máximo régimen del motor.

- Alinee la rueda guía trasera con el corte de sierra existente.
- Presione el mango hacia abajo y tire la palanca de liberación de la cuchilla para bajarla lentamente sobre el hormigón.



- Baje la sierra y la cuchilla completamente hacia el hormigón cuando las ruedas guía estén bien alineadas con el corte de la sierra.
- Empuje el producto hacia delante para mantener el indicador delantero en la línea de corte durante aproximadamente 30 cm (1 pie) y asegúrese de que las ruedas guía están bien alineadas con el corte de la sierra.
- Aumente la velocidad de avance del producto hasta que la cuchilla y el motor funcionen con la máxima eficacia. No aplique más fuerza de la necesaria para empujar el producto hacia delante.
- Detenga el motor. Consulte *Detener el motor en la página 46*.
- Limpie la máquina. Consulte *Para limpiar el producto externamente en la página 47*.

Detener el motor

- Empuje los manijas para el operador hacia abajo para levantar el disco de corte a la posición trabada.
- Mueva la palanca de acelerador del motor hasta la posición de cierre.
- Coloque el interruptor ON/OFF del motor en la posición OFF (O). Esto hará que se cierre el paso de combustible.
- Limpie el producto, consulte la sección *Para limpiar el producto externamente en la página 47*.

Mantenimiento

Introducción



ADVERTENCIA: Antes de realizar el mantenimiento, debe leer y entender el capítulo de seguridad.

Programa de mantenimiento

Los intervalos de mantenimiento se calculan a partir del uso diario del producto. Los intervalos cambian si el producto no se utiliza a diario.

Para el mantenimiento que se identifica con *, consulte las instrucciones que se proporcionan en *Dispositivos de seguridad en el producto en la página 38*.

Mantenimiento	A diario	Semanalmente, cada 40 horas	Mensualmente, cada 200 horas	Después de las primeras 20 horas y, luego, cada 100 horas
Realice una inspección general.	X			
Examine el nivel de aceite.	X			
Limpie la máquina.	X			
Examine la plancha protectora (Soff-Cut 150).	X			
Examine la cubierta de Lexan™*.	X			
Examine la protección del bloque de la cuchilla*.	X			
Examine el disco de corte.	X			
Examine el nivel de combustible.	X			
Limpie la bujía.		X		
Examine el filtro de aire y cámbielo si fuera necesario.		X		
Examine la correa de transmisión.		X		
Cambie el aceite del motor.				X
Lubrique los rodamientos del eje de la cuchilla.		X		
Cambie el filtro de aire.			X	
Examine y limpie la taza de sedimentos.			X	
Examine la bujía y la distancia entre los electrodos.			X	

Para limpiar el producto externamente



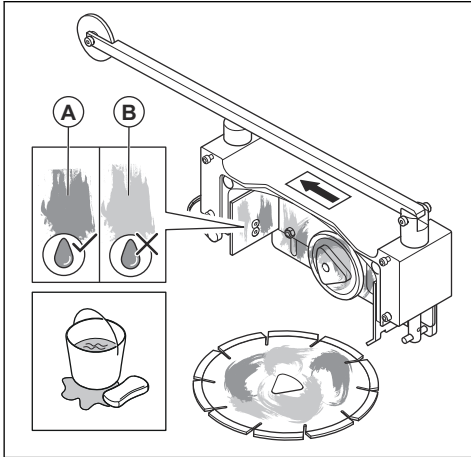
PRECAUCIÓN: Siempre limpie el producto inmediatamente después de utilizarlo, antes de que el hormigón se seque. Los restos de hormigón pueden causar daños al producto.

1. Extraiga la cuchilla. Consulte *Para extraer la cuchilla en la página 48*.
2. Limpie el producto con agua.



PRECAUCIÓN: No apunte el agua directamente al motor, en especial si utiliza una hidrolavadora de alta presión.

- Asegúrese de que los mangos y las palancas estén limpias y secas antes de utilizar el producto.
- Limpie las partículas de hormigón del bloque de la cuchilla y la cuchilla después de cada uso. Utilice un cepillo para trabajo pesado y agua. Los restos de hormigón (A) se secarán y se fijarán (B) si no los limpia.



- Mantenga limpias todas las aberturas y ranuras del producto, para asegurarse de que el aire circule con libertad a través del área del motor.

Para examinar la bujía



PRECAUCIÓN: Utilice siempre el tipo de bujía recomendada. El tipo de bujía incorrecto puede causar daños en el producto.

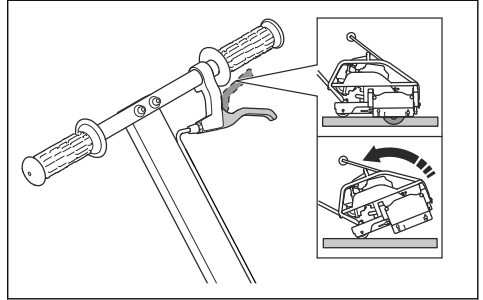
- Para obtener más información, consulte el manual de usuario del motor.

Para hacer una inspección general

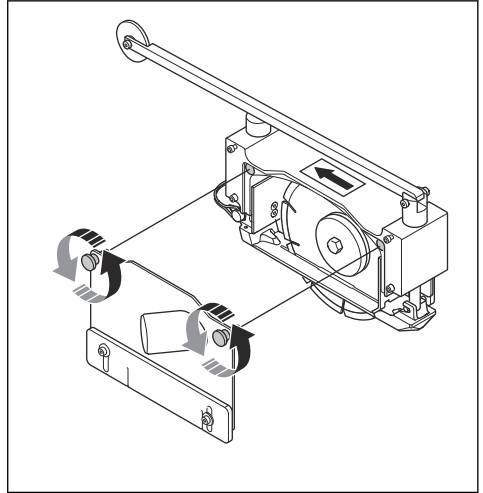
- Asegúrese de que las tuercas y los tornillos en el producto estén apretados.
- Asegúrese de que no haya fugas de combustible o de aceite.
- Soff-Cut 150D: Asegúrese de que las ruedas de la guía frontal y de la guía trasera puedan girar sin dificultad.

Para extraer la cuchilla

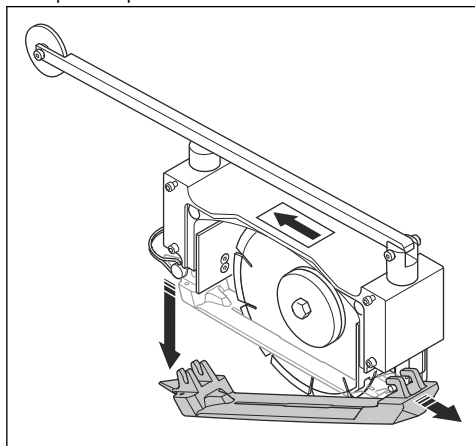
- Tire y suelte la palanca de liberación cuando incline el producto. Empuje el manillar hacia abajo para ajustar el producto en la posición inclinada.



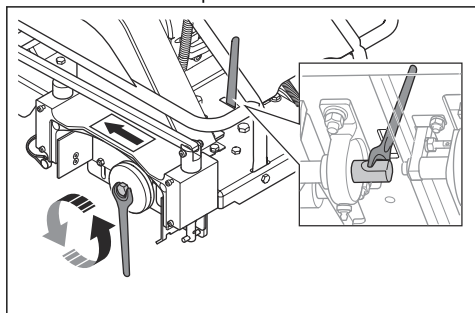
- Suelte la palanca para bloquear el producto en la posición inclinada.
- Gire las dos perillas de bloqueo hacia la izquierda y extraiga la cubierta del bloque de la cuchilla.



4. Empuje el indicador trasero hacia abajo para liberar la plancha protectora.

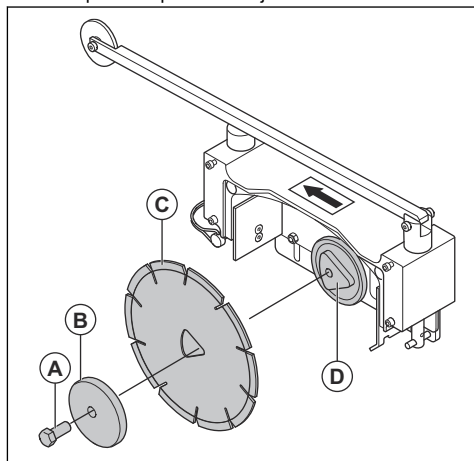


5. Introduzca una llave de la cuchilla en la ranura de la parte delantera del motor. Coloque una llave de la cuchilla en el perno del eje de la cuchilla que se encuentra en el bloque de la cuchilla.



Nota: Con el producto se incluyen dos llaves de la cuchilla.

6. Gire el perno del eje de la cuchilla (A) hacia la izquierda hasta que la llave de la ranura se acople a las superficies planas del eje de la cuchilla.



7. Quite el perno del eje de la hoja (A). Extraiga la brida exterior de la cuchilla (B). Extraiga la cuchilla (C) del eje de la cuchilla (D).

Para instalar el disco de corte



ADVERTENCIA: Nunca utilice un disco de corte con un valor de velocidad nominal inferior al indicado para el producto. El valor de velocidad nominal del disco de corte está marcado en el disco y el del producto está marcado en la placa de identificación. Solo utilice cuchillas Soff-Cut de Husqvarna que cumplen con las normas nacionales o regionales; por ejemplo, EN13236 o ANSI B7.1.

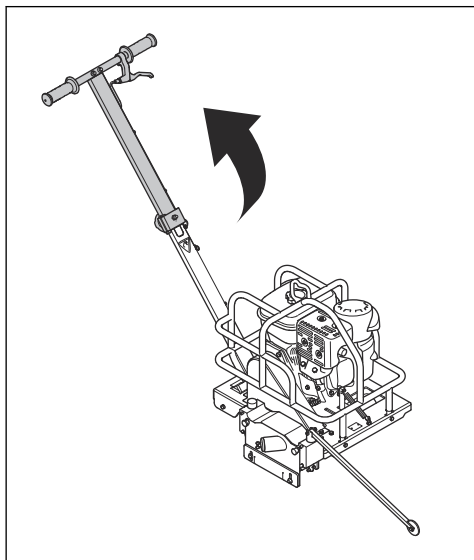


PRECAUCIÓN: Examine el disco de corte en busca de daños, grietas, pérdida de segmentos, deformaciones, sobrecalentamiento, desgaste excesivo o un orificio de triple mandril dañado. Deseche una cuchilla defectuosa.

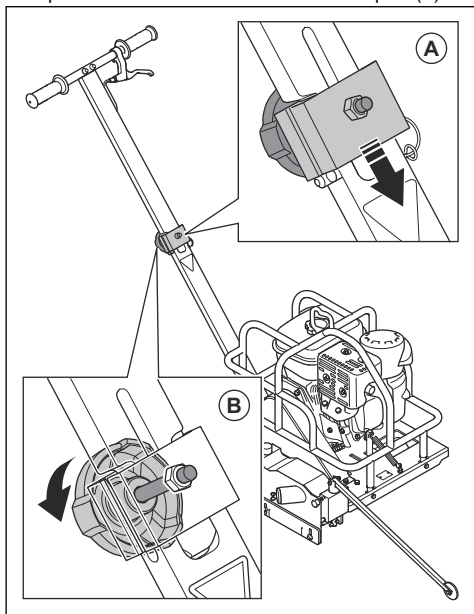
Examine las bridas de la cuchilla para detectar daños y desgaste excesivo y asegúrese de que están limpias.

Los discos de corte no vienen incluidos en el producto. Solo utilice discos de corte Husqvarna originales. Consulte *Datos técnicos en la página 59* para conocer el tipo correcto según el modelo. Para Soff-Cut 150, se incluye una plancha protectora en el kit del disco de corte.

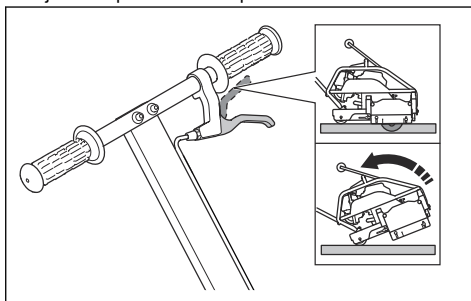
1. Pliegue el mango hasta su posición completamente vertical.



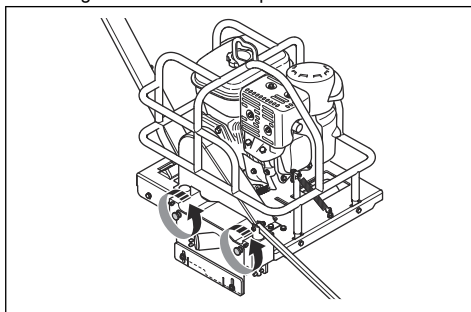
2. Empuje la abrazadera de bloqueo (A).
3. Apriete la rueda de la abrazadera de bloqueo (B).



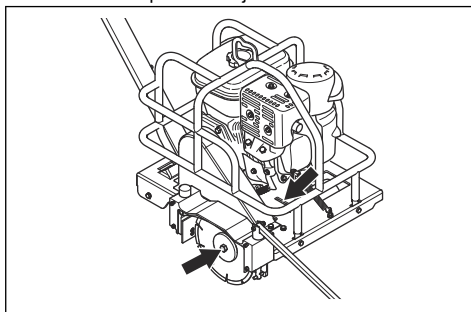
4. Tire y suelte la palanca de liberación cuando incline el producto. Empuje el manillar hacia abajo para ajustar el producto en la posición inclinada.



5. Suelte la palanca para bloquear el producto en la posición inclinada.
6. Gire las dos perillas de bloqueo hacia la izquierda y extraiga la cubierta del bloque de la cuchilla.

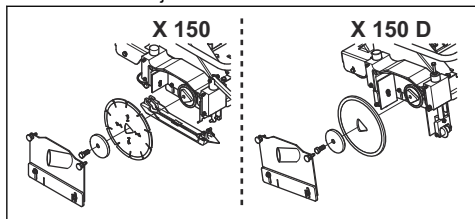


7. Ponga una de las llaves incluidas en la ranura en la parte delantera del motor. Ponga la otra llave incluida en el perno del eje de la cuchilla.



8. Gire el eje de la cuchilla hacia la izquierda con la llave en el perno del eje de la cuchilla hasta que la llave en la ranura se enganche en las superficies planas del eje de la cuchilla.
9. Continúe girando el perno del eje de la hoja a la izquierda para sacar el perno del eje de la hoja.
10. Retire la brida exterior de la cuchilla.

11. Limpie completamente el hormigón del eje, del bloque de la cuchilla y de la cubierta del bloque de la cuchilla.
12. Instale el disco de corte en el eje de la cuchilla. Asegúrese de que el disco de corte está apretado alrededor del eje.

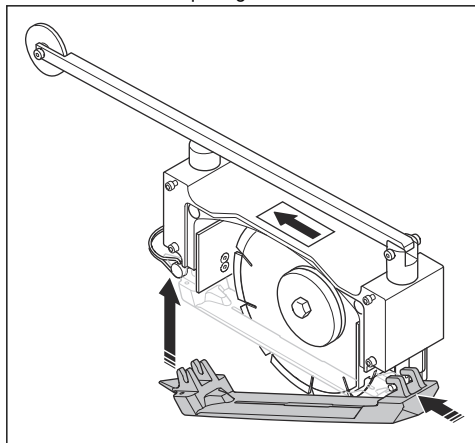


13. Instale la brida exterior de la cuchilla. Apriete completamente el perno.
14. Modelo Soff-Cut 150: Instale una nueva plancha protectora.



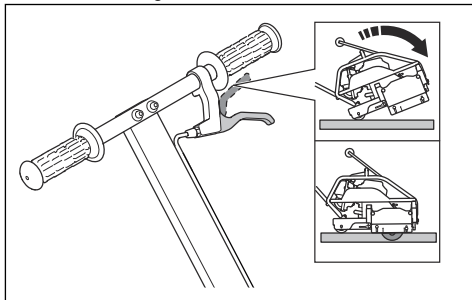
PRECAUCIÓN: No instale una plancha protectora usada.

- a) Ponga la parte delantera de la plancha protectora en el pasador del eje frontal del bloque de la cuchilla.
- b) Empuje la parte trasera de la plancha protectora hacia arriba contra el eje del bloque trasero de la cuchilla hasta que oiga un clic.



15. Instale la protección del bloque de la cuchilla. Alinee las dos perillas de la protección del bloque de la cuchilla con los orificios del bloque de la cuchilla. Gire las dos perillas de la protección del bloque de la cuchilla y apriételos hasta que se fijen completamente al bloque de la cuchilla.

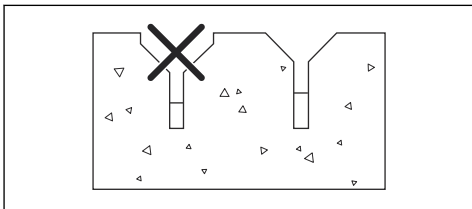
16. Modelo Soff-Cut 150: Levante la parte delantera y trasera de la plancha protectora para asegurarse de que la cuchilla se mueve libremente a través de la plancha protectora.
17. Asegúrese de que la cubierta Lexan™ se mueva con libertad hacia arriba y hacia abajo.
18. Presione el mango hacia abajo y tire la palanca de liberación de la cuchilla para bajarla lentamente sobre el hormigón.



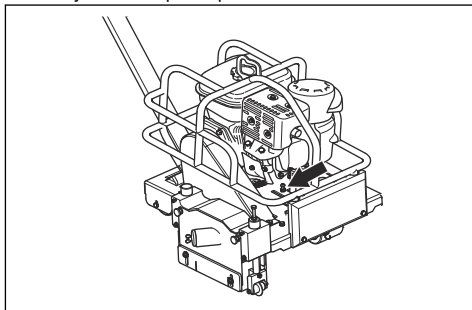
Para ajustar la profundidad de la cuchilla (Soff-Cut 150D)



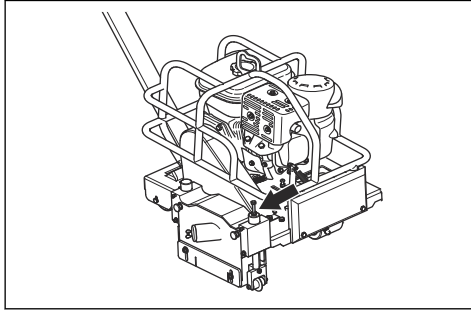
PRECAUCIÓN: El radio y la profundidad de corte de la cuchilla en V están en la máxima profundidad desde fábrica. No ajuste, a menos que sea necesario. Ajuste solo para cortes pequeños y delgados. No aumente la profundidad. Esto puede causar un corte biselado.



1. Afloje hacia la izquierda la tuerca de inmovilización del ajuste del tope de profundidad.



- Gire el perno de ajuste de profundidad en el sentido de las agujas del reloj. Cada giro completo del perno de ajuste de profundidad reduce el ancho del corte en $\frac{1}{8}$ in.
- Afloje hacia la izquierda la tuerca de inmovilización del tornillo de ajuste de inmersión. Empuje hacia abajo la parte trasera del bastidor de seguridad para asegurarse de que las ruedas están planas sobre el suelo.



- Gire el tornillo de ajuste de inmersión en el sentido de las agujas del reloj con la mano, hasta que toque el eje de la rueda guía.
- Afloje el tornillo de ajuste de inmersión $\frac{1}{4}$ de vuelta hacia la izquierda. Ajuste la tuerca de inmovilización del tornillo de ajuste de inmersión para bloquearlo.
- Haga un corte en una junta de sierra por aproximadamente 30 cm (1 pie) para asegurarse de que tiene el corte decorativo correcto.

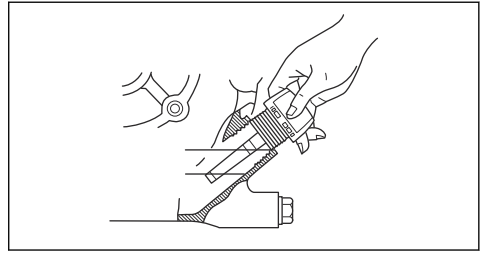
Para verificar la plancha protectora Soff-Cut 150

- Verifique si la plancha protectora presenta daños.
- Verifique si que la ranura de la plancha protectora presenta desgaste excesivo.
- Examine el lado de la superficie del hormigón. Asegúrese de que no hay rebabas y que los segmentos laterales no están doblados.
- Instale una nueva plancha protectora por cada cuchilla nueva. No utilice una plancha protectora usada con una cuchilla nueva.
- Levante la plancha protectora desde la parte delantera y trasera para asegurarse de que la cuchilla se mueve con libertad a través de la plancha protectora.

Para comprobar el nivel de aceite

- Detenga el motor.
- Coloque el producto en un terreno plano.
- Retire el tapón del depósito de aceite junto con la varilla de nivel incluida.
- Limpie el aceite de la varilla de nivel.
- Vuelva a colocar la varilla de nivel. No la apriete.
- Extraiga la varilla de nivel y lea el nivel de aceite.

- Examine el nivel de aceite con la varilla de nivel.



- Si el nivel de aceite es bajo, llene con aceite de motor y revise nuevamente. Consulte la sección *Datos técnicos en la página 59* para ver el tipo correcto de aceite.
- Apriete el tapón del depósito de aceite apropiadamente antes de arrancar el motor.

Nota: El motor tiene un sistema de aviso de aceite que detiene el motor cuando el nivel de aceite está muy bajo. El motor no podrá arrancarse a menos que el nivel de aceite esté por arriba del límite establecido.

Para cambiar el aceite del motor:

Consulte *Programa de mantenimiento en la página 47* para obtener información sobre los intervalos.



ADVERTENCIA: El aceite del motor tiene una temperatura muy alta luego de que el motor se detiene. Deje que el motor se enfríe antes de drenar el aceite del motor. En caso de que el aceite del motor entre en contacto con su piel, límpiela con agua y jabón.

- Coloque un contenedor debajo del tapón de vaciado del aceite del motor.
- Retire el tapón de vaciado.
- Deje que el aceite se termine de verter en el contenedor.
- Coloque y apriete el tapón de vaciado.
- Llene con aceite nuevo conforme a lo sugerido. Consulte *Datos técnicos en la página 59*.
- Consulte *Para comprobar el nivel de aceite en la página 52* para obtener las instrucciones para agregar aceite.

Filtro de aire



ADVERTENCIA: Utilice una protección respiratoria aprobada cuando limpie o reemplace el filtro de aire. Deseche correctamente los filtros de aire usados. El polvo de los filtros de aire es peligroso para la salud.



ADVERTENCIA: No limpie el filtro de aire con aire comprimido. Esto provoca daños en el filtro de aire y aumenta el riesgo de que respire el polvo peligroso.



PRECAUCIÓN: Si el filtro de aire está dañado, siempre reemplácelo, ya que, de lo contrario, le entrará polvo al motor y lo dañará.

El conjunto del purificador de aire es de tipo ciclónico, está ubicado en el motor en la parte delantera de la sierra. Reemplace el elemento del purificador de aire, consulte el programa de mantenimiento. Si es necesario, reemplácelo con mayor frecuencia.

Para obtener más información, consulte el manual de usuario del motor.

Para verificar la correa de transmisión

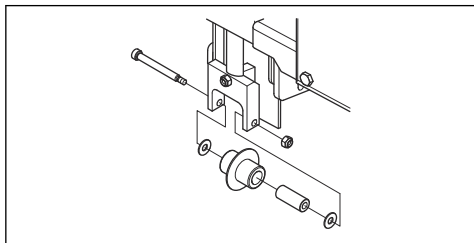
- Asegúrese de que la correa de transmisión no presenta daños ni defectos visuales.
- El tensor de correa controla la tensión de la correa. No es necesario ajustar la tensión de la correa.
- Asegúrese de que el tensor de correa se pueda mover sin dificultad hacia arriba y hacia abajo.
- Asegúrese de que los cojinetes del tensor de correa se puedan mover sin dificultad.

Para reemplazar las ruedas guía (Soff-Cut 150D)

Utilice las ruedas guía de $\frac{1}{4}$ " cuando necesite realizar cortes de sierra de $\frac{1}{4}$ " con la cuchilla XL6- V25-D. Las ruedas guía delantera y trasera están incluidas con la sierra.

Nota: Se deben reemplazar las ruedas guía trasera y delantera; no mezcle ruedas guía de diferente grosor.

1. Quite la contratruerca y deslice el perno de tope para sacarlo.

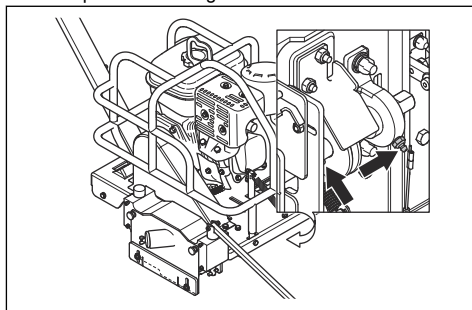


2. Tome nota de las arandelas y de otras partes que saque y del orden para volver a ensamblarlas.
3. Deslice el buje de bronce del interior de la rueda guía delantera antigua e insértelo en la nueva.
4. Deslice el buje de bronce del interior de la rueda guía trasera antigua e insértelo en la nueva.
5. Instale las nuevas ruedas guía usando los mismos pernos de tope, contratruercas y arandelas de plástico.

Las ruedas guía de media pulgada de ancho, no incluidas con la sierra, también están disponibles para su uso con la ProEdge Blade XL6-V500-D, cuando se necesiten cortes de sierra de $\frac{1}{2}$ " de ancho.

Para lubricar los rodamientos del eje de la cuchilla

- Lubrique los rodamientos del eje de la cuchilla con tres aplicaciones de grasa.



Para conocer el tipo correcto de grasa, consulte *Datos técnicos en la página 59.*

Mantenimiento del motor

Consulte el manual de usuario del motor para obtener información adicional sobre el mantenimiento del motor. El manual de usuario del motor también contiene información sobre especificaciones, piezas de afinación, garantía del motor, cumplimiento de emisiones, etc.

Solución de problemas

Programa de solución de problemas

producto. Sea cuidadoso, prepare el trabajo y utilice el sentido común.



ADVERTENCIA: La solución de problemas puede ocasionar riesgo de lesiones, ya que el personal tiene que localizar por sí mismo la zona de riesgo del

Si no encuentra una solución a sus problemas en este manual de usuario, consulte a su taller de servicio Husqvarna.

Problema	Solución
El producto provoca desbaste/descascamiento o irregularidad en la línea de corte (Soff-Cut 150).	Asegúrese de que el disco de corte no está desgastado, sin filo, deformado ni dañado.
	Asegúrese de que la plancha protectora no toca el disco de corte y que se mueve con libertad hacia arriba y hacia abajo por toda la longitud del eje.
	Asegúrese de que la plancha protectora no está desgastada y de que no hay distancia alrededor del disco de corte.
	Examine la parte inferior de la plancha protectora y asegúrese de que no hay rebabas de metal ni defectos.
	Asegúrese de que la placa protectora no esté torcida ni doblada.
	Asegúrese de que la cubierta de Lexan™ se pueda mover con libertad hacia arriba y hacia abajo.
	Verifique la presión del muelle. Empuje los ejes delantero y trasero del bloque de la cuchilla hacia arriba. La presión debe ser de baja a moderada.
	No gire ni mueva el producto hacia los lados mientras corta. Para controlar el disco de corte durante el proceso de corte, haga cambios de presión graduales en el manillar.
	Asegúrese de que el motor funciona correctamente y a las rpm especificadas.
	Asegúrese de que la tensión de la correa y del tensor de la correa es la correcta.
	Asegúrese de que el disco de corte está montado correctamente y sujetado con bridas limpias.
	Asegúrese de que el disco de corte cuenta con las especificaciones correctas para su área o tipo de hormigón.
	Asegúrese de que la superficie de hormigón esté limpia y que la plancha protectora se mueva sin problemas sobre la superficie de hormigón.
	Utilice protecciones de junta de Husqvarna en todas las intersecciones de corte.
	Limpie el conjunto del bloque de la cuchilla.
	Asegúrese de que los raspadores del bloque de la cuchilla se pueden mover con libertad y que no están doblados.
Asegúrese de que los ejes del bloque de la cuchilla no estén doblados ni dañados.	

Problema	Solución
El producto causa cortes biselados o de radio (Soff-Cut 150D).	Asegúrese de que el disco de corte no está desgastado, sin filo, deformado ni dañado.
	Asegúrese de que las ruedas guía delanteras y traseras se pueden mover libremente y sin problemas hacia arriba y hacia abajo.
	Deje que el disco de corte corte a la velocidad correcta. No empuje el producto hacia delante con fuerza.
	Asegúrese de que las ruedas guía están alineadas con el corte de sierra preexistente antes de comenzar.
	Asegúrese de que los cortes de sierra existentes están limpios y libres de contaminación no deseada.
	Asegúrese de que la cubierta de Lexan™ se pueda mover con libertad hacia arriba y hacia abajo.
	Verifique la presión del muelle. Empuje los ejes delantero y trasero del bloque de la cuchilla hacia arriba. La presión debe ser de baja a moderada.
	No gire ni mueva el producto hacia los lados mientras corta. Para controlar el disco de corte durante el proceso de corte, haga cambios de presión graduales en el manillar.
	Asegúrese de que el motor funciona correctamente y a las rpm especificadas.
	Examine la correa y las poleas para comprobar que tienen la tensión correcta.
	Asegúrese de que el disco de corte está montado correctamente y sujetado con bridas limpias.
	Asegúrese de que la superficie de hormigón esté limpia y que la plancha protectora se mueva sin problemas sobre la superficie de hormigón.
	Limpie cualquier contaminación no deseada de hormigón del conjunto del bloque de la cuchilla.
	El producto se va hacia el lado cuando está en funcionamiento (Soff-Cut 150).
El producto se va hacia un lado durante una operación de corte (Soff-Cut 150D).	Examine la plancha protectora para verificar que no presenta daños ni rebabas.
	Verifique que el indicador delantero y trasero están alineados correctamente con el centro del disco de corte.
	Verifique que el disco de corte no está desgastado, sin filo, deformado ni dañado.
	No gire ni mueva el producto hacia los lados mientras corta. Para controlar el disco de corte durante el proceso de corte, haga cambios de presión graduales en el manillar.
	Asegúrese de que todas las ruedas se mueven libremente y sin problemas.
Deje que el disco de corte corte a la velocidad correcta. No empuje el producto hacia delante con fuerza.	

Problema	Solución
El motor no arranca.	Compruebe que hay combustible en el depósito de combustible y que es el combustible adecuado. Asegúrese de que no hay agua en el combustible.
	Asegúrese de que el paso de combustible está en la posición "ON".
	Asegúrese de que el interruptor ON/OFF está en la posición "ON".
	Asegúrese de que el cable de la bujía está conectado a la bujía.
	El motor está inundado. Ajuste el estrangulador; consulte el manual de usuario del motor.
	Asegúrese de que el estrangulador se encuentra en la posición "ON" para arranques en frío. Ajuste el estrangulador; consulte el manual de usuario del motor.
	Compruebe el nivel de aceite. El motor tiene un sistema de aviso de aceite que detiene el motor cuando el nivel de aceite está muy bajo.
	Asegúrese de que el filtro de aire no está sucio u obstruido.
	Compruebe que el eje de la hoja gira libremente y que no hay hormigón acumulado en el bloque de la cuchilla.
El motor presenta problemas de funcionamiento o no puede funcionar a máxima velocidad.	Compruebe que hay combustible en el depósito de combustible y que es el combustible adecuado. Asegúrese de que no hay agua en el combustible.
	Compruebe el nivel de aceite. El motor tiene un sistema de aviso de aceite que detiene el motor cuando el nivel de aceite está muy bajo.
	Asegúrese de que el filtro de aire no está sucio u obstruido.
	Asegúrese de que la bujía está limpia y que tiene el espacio adecuado, consulte el manual de usuario del motor.
	Asegúrese de que el acelerador está colocado correctamente.
	Asegúrese de que el estrangulador se encuentra en la posición "ON" para arranques en frío. Ajuste el estrangulador; consulte el manual de usuario del motor.

Transporte, almacenamiento y eliminación de residuos

Transporte



ADVERTENCIA: Tenga cuidado durante el transporte. El producto es pesado y puede causar lesiones o daños si se cae o se mueve durante el transporte.

Las ruedas permiten mover el producto manualmente en distancias más cortas. Para distancias más largas, levante el producto para moverlo o súbalo a un vehículo.



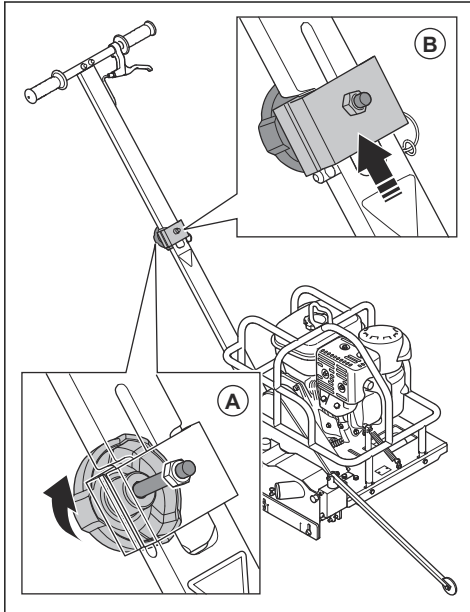
PRECAUCIÓN: No remolque el producto detrás de un vehículo.

- Fije el producto de manera segura durante el transporte mediante un vehículo. Fije las correas de amarre con el bastidor de seguridad y el vehículo.
- Coloque el interruptor ON/OFF del motor en la posición OFF. Esto hará que se cierre el paso de combustible.
- Quite el disco de corte antes de transportar el producto.
- Ponga el producto en la posición de altura más baja.
- Para el almacenamiento y el transporte del producto y del combustible, asegúrese de que no haya fugas o vapores. Las chispas o llamas, por ejemplo, de dispositivos eléctricos o calderas, pueden iniciar un incendio.
- Siempre utilice recipientes aprobados para el transporte del combustible.

- Pliegue el producto, consulte *Para plegar el producto en la página 57*.

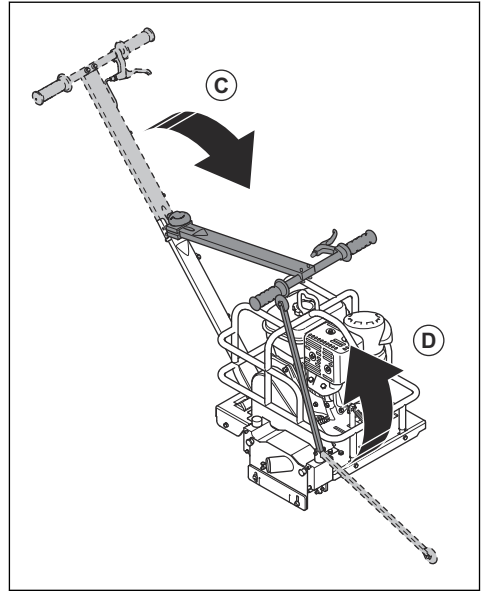
Para plegar el producto

1. Afloje la rueda de la abrazadera de bloqueo (A).
2. Levante la abrazadera de bloqueo (B).



3. Pliegue la manija hacia delante (C).

4. Pliegue el puntero delantero hacia arriba (D).



Para levantar el producto



ADVERTENCIA: Asegúrese de que el equipo de elevación tenga la dimensión correcta. La placa de identificación del producto muestra el peso del producto.



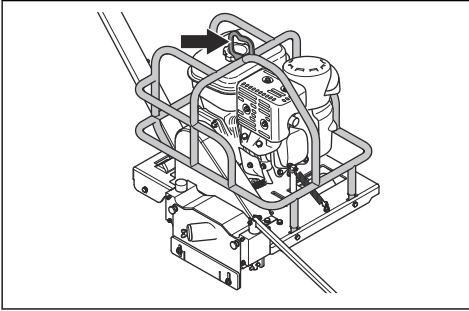
ADVERTENCIA: No levante el producto si está dañado. Asegúrese de que el punto de elevación está correctamente instalado y de que no está dañado.



ADVERTENCIA: No utilice ganchos metálicos, cadenas u otros equipos de elevación con bordes irregulares que puedan dañar el punto de elevación.

- Si 2 personas levantan el producto, deben utilizar la barra del bastidor de seguridad en cada lado de este y levantarlo con ambas manos.

- Si se utiliza un equipo de elevación, conéctelo al punto de elevación en el bastidor de seguridad.



- Deseche todos los productos químicos, como el combustible o el aceite del motor, en un centro de servicio o en un sitio adecuado para tal propósito.
- Cuando el producto se deja de utilizar, envíelo a un distribuidor de Husqvarna o deséchelo en un sitio de reciclaje.

Almacenamiento

- El producto no tiene freno de estacionamiento. No se aleje del producto cuando esté en una pendiente. Si se ve obligado a estacionar el producto en una pendiente, asegúrese de que esté bien sujeto y de que no se pueda mover.
- Quite el disco de corte antes de guardar el producto.
- Mantenga el producto en un área cerrada para evitar que los niños u otras personas sin autorización puedan acceder a él.
- Mantenga el disco de corte en una zona segura para evitar daños.
- Mantenga los discos de corte en un lugar seco y sin escarcha.
- Revise los discos de corte nuevos para ver si se dañaron durante el almacenamiento.
- Para el almacenamiento del producto y del combustible, asegúrese de que no haya fugas ni gases. Las chispas o llamas, por ejemplo, de dispositivos eléctricos o calderas, pueden iniciar un incendio.
- Siempre utilice recipientes aprobados para el almacenamiento del combustible.
- Pliegue el producto, consulte *Para levantar el producto en la página 57*.

Para el almacenamiento a largo plazo, realice los siguientes pasos:

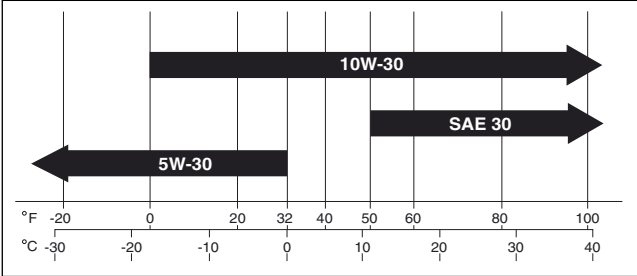
- Limpie el producto y realice un mantenimiento completo.
- Vacíe el depósito de combustible.
- Mantenga el producto en un lugar seco y sin escarcha.
- Coloque una cubierta protectora sobre el producto. Esto es especialmente importante para el almacenamiento en exteriores.
- Cambie el aceite del motor después de un almacenamiento prolongado.

Eliminación

- Obedezca las regulaciones vigentes y requisitos de reciclaje locales.

Datos técnicos

Datos técnicos

	Soff-Cut 150	Soff-Cut 150D
Motor⁵		
Marca del motor/tipo	Kohler/CH255	Kohler/CH255
Potencia del motor, hp a rpm/kW a rpm ⁶	5,5 a 3600/4,0 a 3600	5,5 a 3600/4,0 a 3600
Combustible y sistema de lubricación		
Capacidad del depósito de combustible, l/gal	0,8/3,0	0,8/3,0
Sistema de aceite	Sistema de aviso de aceite con sensor de apagado automático.	Sistema de aviso de aceite con sensor de apagado automático.
Capacidad del depósito de aceite, l/qt	0,63/0,6	0,63/0,6
Aceite del motor	<p>Recomendamos el uso de aceites Kohler para lograr un rendimiento óptimo. Se consideran aceptables otros aceites detergentes de alta calidad, incluidos los sintéticos, que posean la clasificación de servicio SJ o superior del Instituto Americano del Petróleo (API). Seleccione la viscosidad en función de la temperatura del aire en el momento del funcionamiento, como se indica en la siguiente tabla.</p>  <p>El gráfico muestra tres rangos de temperatura recomendados para diferentes tipos de aceite:</p> <ul style="list-style-type: none"> 5W-30: Recomendado para temperaturas entre -30 °F (-20 °C) y 32 °F (0 °C). 10W-30: Recomendado para temperaturas entre 0 °F (-10 °C) y 100 °F (40 °C). SAE 30: Recomendado para temperaturas entre 50 °F (10 °C) y 100 °F (40 °C). 	
Grasa	Grasa a base de litio 12	Grasa a base de litio 12
Peso y dimensiones		
Peso con depósitos vacíos, kg/lb	82/37	95/43
Con combustible, kg/lb	88/40	101/46
Hoja de sierra		
Tipo de cuchilla	Cuchillas Excel, corte seco con triple mandril	Radio ProEdge y cuchillas biseladas

⁵ Para obtener más información y para preguntas sobre este motor específico, consulte el manual del motor o el sitio web del fabricante del motor.

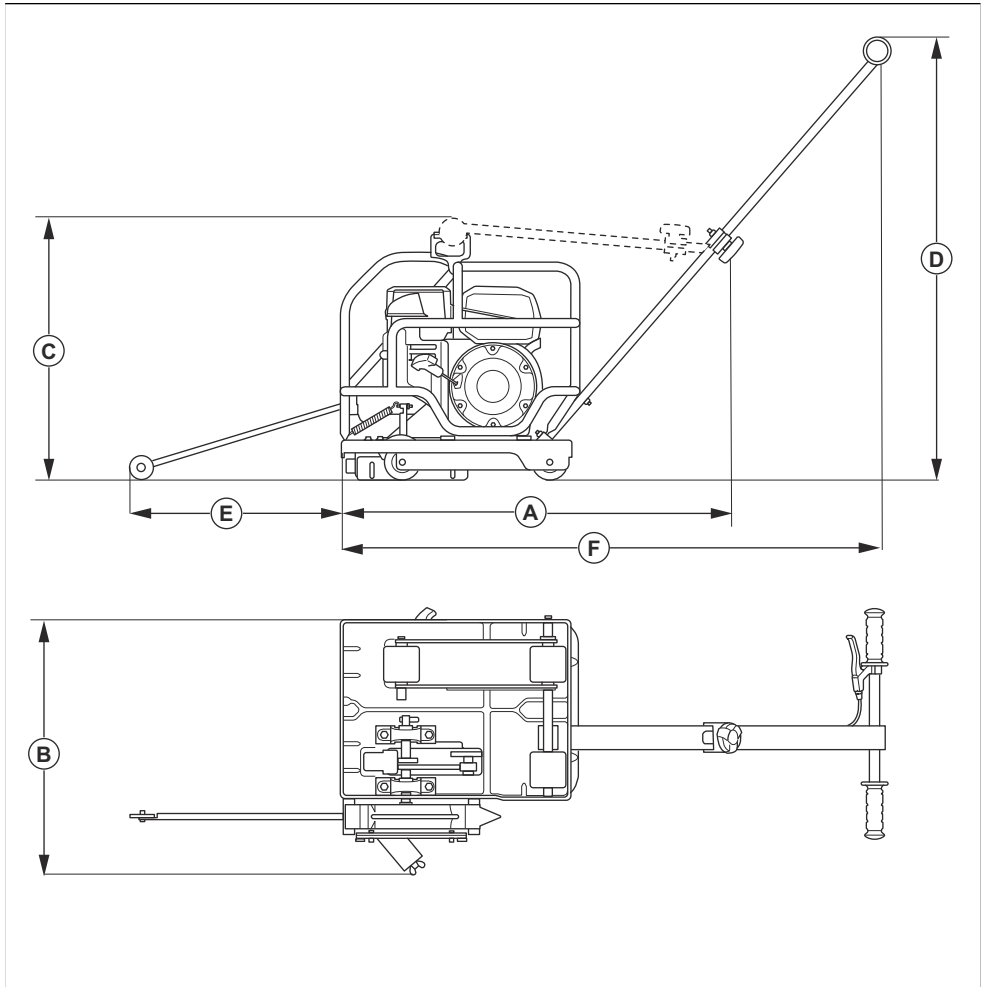
⁶ Como lo especifica el fabricante del motor. Clasificación de potencia bruta según SAE J1940/J1995, a las rpm especificadas.

	Soff-Cut 150	Soff-Cut 150D
Material	Solo hormigón fresco	Juntas de control solo en cemento curado
Grosor máx. de la cuchilla, mm/in	6/152	6/152
Profundidad máx. de corte, mm/in	38,1/1,5	12,7/0,5
Distancia de corte desde la pared, mm/in	3/76	114/4 ½
Rotación de la cuchilla	Hacia la izquierda, corte ascendente	Hacia la izquierda, corte ascendente
Velocidad del eje de la hoja, rpm	4500	4500
Control de profundidad de la cuchilla	Manual	Manual
Velocidad media de corte⁷		
Aglomerados blandos, m/min o pies/min	12/3,7	
Aglomerados medios, m/min o pies/min	8/2,4	
Aglomerados duros, m/min o pies/min	4/1,2	
Extractores de polvo recomendados⁸		
Flujo de aire mínimo, m ³ /h o CFM	400 o 236	
Vacío mín., kPa/psi/	22/3,6	
Elevación mín. del agua, m/in	2,3/90	
Acople del extractor de polvo, mm/in	60/2	

⁷ Estimada. La velocidad varía en función de las condiciones de trabajo y las mezclas de hormigón.

⁸ Los datos técnicos para los extractores de polvo no describen de manera concluyente el rendimiento real en el tiempo entre diferentes extractores de polvo. Para los productos de Husqvarna, los datos objetivos de la normativa OSHA se encuentran disponibles en www.husqvarnaccp.com/us/.

Dimensiones del producto



Dimensiones, mm/in		Soff-Cut 150	Soff-Cut 150D
A	Longitud con mango plegado	33,9/860	33,9/860
B	Ancho	22,3/560	22,3/560
C	Altura	22,3/566	22,5/571
D	Altura con mango	37/932	37,2/945
E	Distancia desde la rueda delantera del puntero hasta el producto	17,5/445	N/A

Dimensiones, mm/in		Soff-Cut 150	Soff-Cut 150D
F	Distancia desde la parte delantera del producto hasta el mango	46,4/1178	46,9/1192

Table des matières

Introduction.....	63	Entretien.....	78
Sécurité.....	67	Dépannage.....	85
Montage.....	73	Transport, entreposage et mise au rebut.....	87
Fonctionnement.....	73	Données techniques.....	90

Introduction

Responsabilité du propriétaire



AVERTISSEMENT : Des opérations de coupe, de surfacage ou de perçage du béton ou de la pierre, particulièrement lorsque les conditions sont sèches, génèrent de la poussière qui contient souvent de la silice. La silice est un composant de base du sable, du quartz, de la brique de l'argile, du granit et de nombreux autres pierres et minéraux. L'exposition à une quantité excessive de ces poussières peut entraîner :

une maladie respiratoire (réduisant la capacité à respirer), notamment la bronchite chronique, la silicose et la fibrose pulmonaire causée par l'exposition à la silice. Ces maladies peuvent être fatales;

Des irritations et éruptions cutanées.

Le cancer, selon le NTP (National Toxicology Program) et le CIRC (Centre international de Recherche sur le Cancer).

Prendre les précautions suivantes :

Éviter l'inhalation et le contact cutané avec les poussières, brouillards et fumées.

Porter et veiller à ce que les personnes à proximité portent un dispositif de protection respiratoire approprié, tel un masque antipoussière filtrant les particules microscopiques. (Voir OSHA 29 CFR Part 1926.1153)

Pour réduire les émissions de poussières, utiliser de l'eau pour agglomérer ces dernières, lorsque cela est possible. Si une opération à sec est nécessaire, utiliser un extracteur de poussière adéquat.

Il est de la responsabilité du propriétaire ou de l'employeur de s'assurer que l'utilisateur possède les connaissances nécessaires pour manipuler le produit en toute sécurité. Les superviseurs et les utilisateurs

doivent avoir lu et compris le manuel d'utilisation. Ils doivent être conscients de ce qui suit :

- Les consignes de sécurité relatives au produit.
- L'éventail d'applications du produit et ses limites.
- La manière dont le produit doit être utilisé et entretenu.

Des règlements locaux ou nationaux pourraient limiter l'utilisation de ce produit. Découvrir les règlements en vigueur où le travail est exécuté avant d'utiliser le produit.

Proposition 65 de la Californie



ATTENTION!

Les émissions du moteur de cet outil contiennent des produits chimiques qui, d'après l'État de Californie, peuvent causer le cancer, des malformations congénitales ou autre danger pour la reproduction

Description du produit

Le produit est une scie de sol autotractée à essence pour le béton.

Utilisation prévue

Le produit est réservé à un usage professionnel.

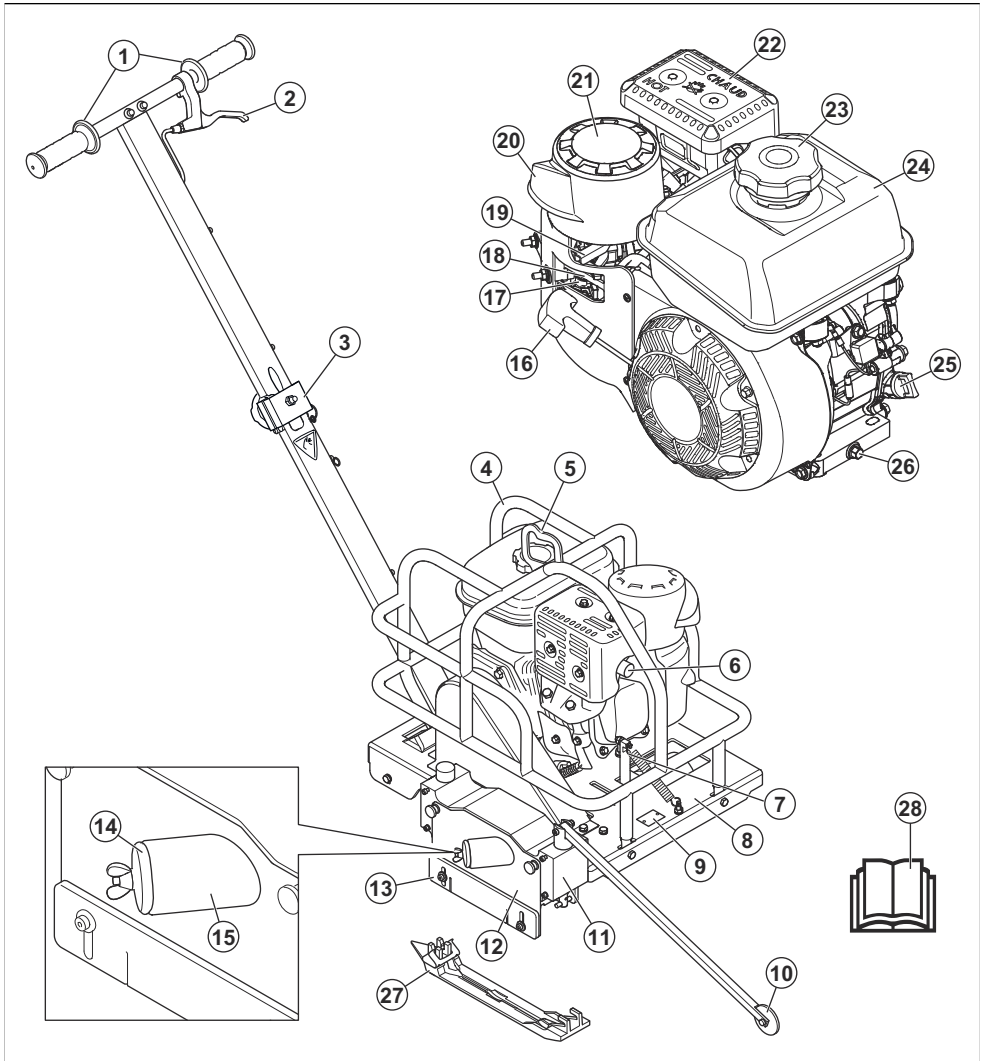
La Soff-Cut 150 sert à scier les joints de retrait à l'étape Ultra Early Stage du béton.

La Soff-Cut 150D est utilisée après la coupe initiale. Elle est utilisée sur les coupes décoratives, les allées et les stationnements.

Le produit est destiné à être utilisé à l'extérieur uniquement.

Ne pas utiliser l'outil pour d'autres tâches.

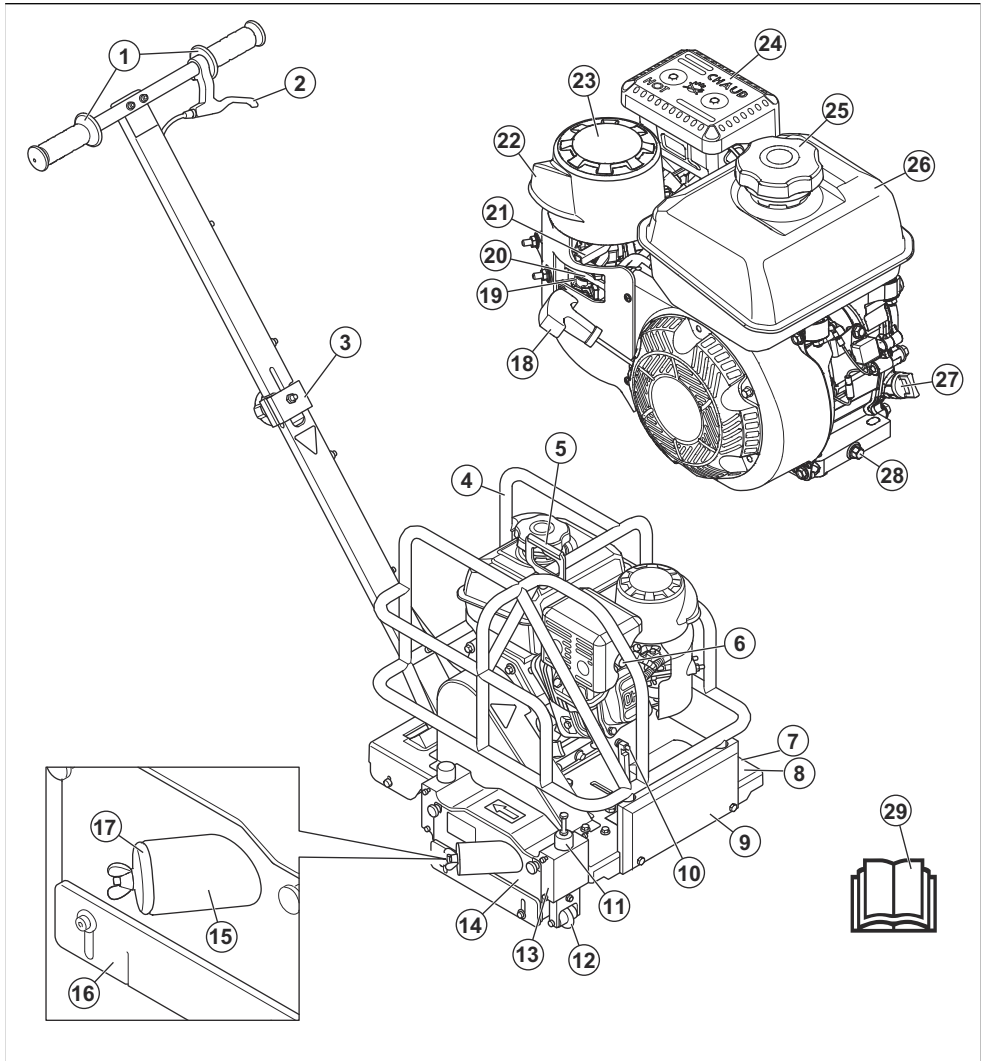
Présentation du produit Soff-Cut 150



- | | |
|---|--|
| 1. Poignées de l'opérateur | 10. Pointeur avant |
| 2. Levier de déverrouillage de lame | 11. Bloc de lame |
| 3. Dispositif de blocage pour le manche | 12. Couvercle du bloc de lame |
| 4. Cadre de sécurité | 13. Couvercle Lexan™ |
| 5. Point de levage | 14. Raccordement pour l'extracteur de poussière |
| 6. Sortie d'échappement | 15. Raccord de l'extracteur de poussière |
| 7. Réglage de la butée de profondeur | 16. Corde du lanceur |
| 8. Cadre de scie | 17. Robinet de carburant et interrupteur de marche/arrêt du moteur |
| 9. Plaque signalétique | 18. Commande de l'étrangleur |

- 19. Gâchette d'accélération
- 20. Entrée du filtre à air
- 21. Couvercle du filtre à air
- 22. Capot du silencieux
- 23. Bouchon du réservoir de carburant
- 24. Réservoir de carburant
- 25. Jauge / réservoir d'huile
- 26. Bouchon de vidange d'huile
- 27. Plaque de protection (non comprise)
- 28. Manuel d'utilisation

Présentation du produit Soff-Cut 150D



- 1. Poignées de l'opérateur
- 2. Levier de déverrouillage de lame
- 3. Dispositif de blocage pour le manche
- 4. Cadre de sécurité
- 5. Point de levage
- 6. Sortie d'échappement
- 7. Plaque signalétique
- 8. Cadre de scie
- 9. Contrepoids
- 10. Vis de réglage de profondeur

11. Vis de réglage de la butée de profondeur
12. Roulette du pointeur avant
13. Bloc de lame
14. Couvercle du bloc de lame
15. Raccord de l'extracteur de poussière
16. Couvercle Lexan™
17. Raccordement pour l'extracteur de poussière
18. Corde du lanceur
19. Robinet de carburant et interrupteur de marche/arrêt du moteur
20. Commande de l'étrangleur
21. Gâchette d'accélération
22. Entrée du filtre à air
23. Couvercle du filtre à air
24. Capot du silencieux
25. Bouchon du réservoir de carburant
26. Réservoir de carburant
27. Jauge / réservoir d'huile
28. Bouchon de vidange d'huile
29. Manuel d'utilisation



Risque de pincement. Garder les parties du corps à l'écart des pièces en mouvement.



Garder les parties du corps à l'écart du disque de coupe et des autres pièces mobiles.



La flèche sur le protège-lame indique le sens de rotation du disque de coupe.



Toujours arrêter le moteur et le laisser refroidir avant de faire l'appoint de carburant.



Essence sans plomb avec un maximum de 10 % d'éthanol.



Le carburant explosif peut provoquer des incendies et des brûlures graves.



Toujours arrêter le moteur avant de remplir le réservoir de carburant. Prévoir un espace de 16 mm (5/8 po) en haut du réservoir de carburant pour l'expansion. Lire le manuel d'utilisation et le manuel du moteur Kohler.



AVERTISSEMENT! Faire attention et utiliser le produit correctement. Cet outil peut causer des blessures graves, ou même mortelles, à l'utilisateur et à d'autres personnes.



Lire soigneusement le manuel d'instructions et veiller à bien comprendre les directives avant d'utiliser cette machine.



Portes des protections pour les oreilles, les yeux et les voies respiratoires. Se reporter à *Équipement de protection personnelle à la page 69*.



Tout déplacement de la machine hors de la zone de coupe doit être effectué lorsque l'outil n'est pas en rotation.



Risque de coupures. Garder les parties du corps à l'écart du disque de coupe.



La poussière peut causer des problèmes de santé. Utiliser une protection respiratoire adéquate. Ne pas respirer les gaz d'échappement. Ne pas utiliser un produit à moteur à combustion à l'intérieur ou dans des endroits mal aérés.



Silencieux chaud, ne pas toucher.



ON, démarrer



OFF, arrêter



Remplir l'huile moteur jusqu'au niveau correct.



Lire et comprendre le manuel de l'extracteur de poussière.



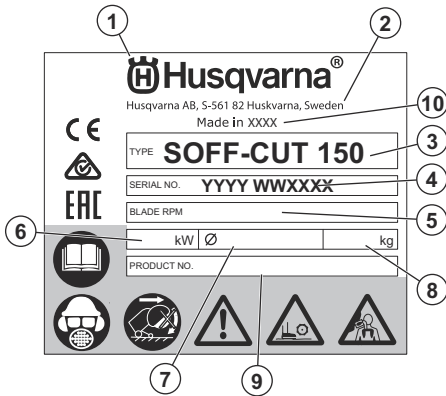
Pour soulever le produit, fixer l'équipement de levage au point de levage du produit.



Relâcher les poignées pour faire descendre la lame par gravité. Pour éviter d'endommager la lame, tenir fermement le produit et abaisser la lame avec précaution.

Remarque : Les autres symboles/autocollants présents sur l'outil renvoient aux exigences en matière de certification pour d'autres zones commerciales.

Plaque signalétique



1. Fabricant

2. Adresse du fabricant
3. Modèle
4. Numéro de série : année de production, semaine de production et numéro de séquence
5. Régime de la lame
6. Puissance du moteur
7. Dimension maximale de la lame
8. Poids du produit
9. Numéro du produit
10. Pays de production

Responsabilité concernant le produit

Comme indiqué dans les lois en vigueur sur la responsabilité concernant les produits, nous ne serons pas tenus responsables des dommages que notre produit causerait dans les situations suivantes :

- Le produit n'est pas réparé de façon adéquate.
- Le produit est réparé avec des pièces qui ne sont pas fournies ou homologuées par le fabricant.
- Le produit comprend un accessoire qui n'est pas fourni ou homologué par le fabricant.
- Le produit n'est pas réparé par un centre de service après-vente agréé ou par une autorité homologuée.

CALIFORNIA AIR RESOURCES BOARD (CARB)

Remarque : Cette machine est considérée comme une application hors route exemptée des normes CARB. L'EPA des États-Unis est la seule habilitée à instaurer des normes antipollution visant l'équipement de construction exempté.

Sécurité

Définitions relatives à la sécurité

Les avertissements, recommandations et remarques soulignent des points du manuel qui revêtent une importance particulière.



AVERTISSEMENT : Indique la présence d'un risque de blessure ou de décès de l'utilisateur ou de personnes à proximité si les instructions du manuel ne sont pas suivies.



MISE EN GARDE : Indique la présence d'un risque de dommages au produit, à d'autres appareils ou à la zone adjacente si les instructions du manuel ne sont pas suivies.

Remarque : Utilisé pour donner des renseignements plus détaillés qui sont nécessaires dans une situation donnée.

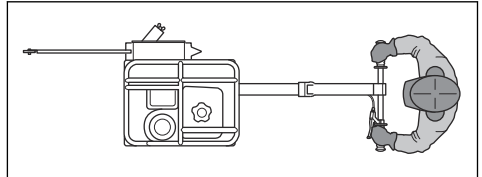
Consignes générales de sécurité



AVERTISSEMENT : Lire les messages d'avertissement qui suivent avant d'utiliser l'outil.

- Ce produit est un outil dangereux s'il est utilisé de façon insouciant ou inappropriée. Cet outil peut causer des blessures graves, ou même mortelles, à l'utilisateur et à d'autres personnes. Il est obligatoire de lire et de comprendre le contenu de ce manuel d'utilisation avant d'utiliser l'outil.
- Conserver tous les avertissements et toutes les instructions.

- Se conformer à toutes les lois et réglementations en vigueur.
- L'utilisateur et l'employeur de l'utilisateur doivent connaître et prévenir les risques liés à l'utilisation du produit.
- Ne pas laisser une personne utiliser le produit à moins qu'elle a lu et compris le contenu de ce manuel d'utilisation.
- Ne pas faire fonctionner le produit sans avoir reçu une formation relative à son fonctionnement. S'assurer que tous les utilisateurs reçoivent une formation.
- Ne pas laisser un enfant utiliser l'outil.
- Seules les personnes autorisées peuvent utiliser le produit.
- L'utilisateur est responsable des accidents survenus à d'autres personnes ou à leurs biens.
- Ne pas utiliser le produit en cas de fatigue ou sous l'emprise de l'alcool, de drogues ou de médicaments.
- Toujours rester prudent et faire preuve de bon sens.
- Ce produit génère un champ électromagnétique pendant le fonctionnement. Ce champ magnétique peut, dans certains cas, nuire aux implants médicaux actifs ou passifs. Pour réduire le risque de blessures graves ou mortelles, il est recommandé aux personnes ayant des implants médicaux de consulter leur médecin et le fabricant de l'implant médical avant d'utiliser le produit.
- Toujours garder le produit propre. S'assurer de pouvoir lire clairement les signes et les autocollants.
- Ne pas utiliser le produit s'il est défectueux.
- Ne pas modifier ce produit.
- Ne pas utiliser le produit s'il est possible que d'autres personnes aient apporté des modifications à celui-ci.
- Demeurer à une distance sécuritaire du disque découpeur pendant que le moteur tourne. Ne pas essayer d'arrêter un disque en rotation avec une quelconque partie du corps. Le contact avec un disque en rotation, même si le moteur est coupé, peut entraîner des blessures graves, voire mortelles.
- S'assurer que seules les personnes autorisées se trouvent dans la zone de travail.
- S'assurer que les câbles électriques dans la zone de travail ne sont pas sous tension.
- Maintenir la zone de travail propre et bien éclairée.
- Utiliser le produit seulement en étant positionné derrière, les deux mains sur les poignées.



- S'assurer d'être dans une position stable et sécuritaire au cours du travail.
- Avant de s'éloigner du produit, arrêter le moteur et s'assurer qu'il n'y a aucun risque de démarrage accidentel.
- Le produit n'est pas équipé d'un frein de stationnement. Ne pas s'éloigner de l'outil lorsqu'il est dans une pente. S'il est nécessaire de stationner l'outil dans une pente, s'assurer que celui-ci est suffisamment attaché et ne peut pas bouger.
- Faire attention pendant le sciage sur une pente. Le produit est lourd et peut provoquer des blessures graves en cas de chute.
- S'assurer qu'aucun matériau ne peut se détacher et blesser l'utilisateur.
- S'assurer que les vêtements, les cheveux longs et les bijoux ne peuvent pas se coincer dans les pièces en mouvement.
- Ne pas s'asseoir ni se tenir debout sur le produit.
- Rester à l'écart de la trajectoire du disque lorsque le moteur tourne.
- Ne pas utiliser l'outil s'il n'est pas possible d'obtenir de l'aide en cas d'accident.
- Ne pas utiliser le produit pour transporter des personnes ou de l'équipement.
- Ne pas poser les pieds sur le produit.
- S'assurer que la lame ne touche pas le sol ou une autre surface lorsque le produit est déplacé.
- Ne pas utiliser le produit avec une charge excessive. Une surcharge pourrait endommager le produit.

Sécurité de l'aire de travail



AVERTISSEMENT : Lire les messages d'avertissement qui suivent avant d'utiliser l'appareil.

Consignes de sécurité pour l'utilisation



AVERTISSEMENT : Lire les messages d'avertissement qui suivent avant d'utiliser l'appareil.

- Lire les instructions d'avertissement fournies avec le disque de coupe par le fabricant de celle-ci.
- S'assurer que le produit est monté de façon adéquate.
- Ne pas utiliser le produit sans que le protège-lame courroie et les couvercles de protection soient installés.
- Une utilisation incorrecte du produit peut entraîner le bris du disque de coupe et provoquer des blessures ou des dommages.
- S'assurer de savoir comment arrêter rapidement le moteur en cas d'urgence.
- Utiliser de l'équipement de protection individuelle. Se reporter à *Équipement de protection personnelle à la page 69*.

- Le produit peut entraîner des objets pour éjecter à grande vitesse. S'assurer que toutes les personnes se trouvant dans la zone de travail utilisent un équipement de protection individuel approuvé. Se reporter à *Équipement de protection personnelle à la page 69*. Retirer les matériaux inflammables de la zone de travail.
- S'assurer que les animaux et les personnes à proximité ne se trouvent pas à l'intérieur de la zone de travail.
- Ne pas utiliser le produit tant que la zone de travail n'est pas dégagée et que les pieds et le corps ne sont pas en position stable.
- Rester à l'affût des personnes, des objets et des situations susceptibles d'entraver l'utilisation sécuritaire du produit.
- S'assurer qu'aucune personne ni aucun objet ne peut entrer en contact avec l'équipement de coupe ou être heurté par des pièces projetées par la lame.
- Ne pas utiliser le produit dans le brouillard, la pluie, le vent violent, par temps froid, en cas de risque d'orage ou dans d'autres mauvaises conditions météorologiques. L'utilisation du produit par mauvais temps peut avoir un effet négatif sur votre vigilance. Le mauvais temps peut entraîner des conditions de travail dangereuses, comme des surfaces glissantes.
- Pendant l'utilisation du produit, s'assurer qu'aucun matériau ne risque de se détacher et de tomber et blesser l'opérateur.
- Faire très attention lors de l'utilisation du produit en pente.
- Maintenir la zone de travail propre et bien éclairée.
- Avant d'utiliser le produit, vérifier si la zone de travail contient des dangers cachés comme des câbles électriques, des conduites d'eau et de gaz et des substances inflammables. Si le produit heurte un objet caché, arrêter immédiatement le moteur et examiner le produit et l'objet. Ne pas redémarrer le produit avant de s'assurer de pouvoir continuer en toute sécurité.
- Avant de couper un tambour, un tuyau ou un autre contenant, s'assurer qu'il ne contient pas de matériaux inflammables ou d'autres matériaux susceptibles de provoquer un incendie ou une explosion.
- Ne pas utiliser ce produit dans des zones où un incendie ou des explosions peuvent se produire.

Équipement de protection personnelle



AVERTISSEMENT : Lire les messages d'avertissement qui suivent avant d'utiliser l'appareil.

- Toujours utiliser un équipement de protection personnelle homologué lors de l'utilisation de l'outil. Cet équipement de protection personnelle n'élimine pas complètement les risques de blessures, mais il peut en réduire la gravité en cas d'accident.

Le revendeur aidera l'utilisateur à sélectionner l'équipement adéquat.

- Vérifier régulièrement l'état de l'équipement de protection personnelle.
- Porter un casque de protection approuvé.
- Porter un dispositif de protection homologué pour les oreilles.
- Utiliser un dispositif de protection respiratoire homologué.
- Porter un dispositif de protection pour les yeux homologué avec écrans latéraux. Il existe un risque élevé de blessures aux yeux dues à la projection d'objets.
- Porter des gants de protection.
- Utiliser des bottes à embout en acier et semelles antidérapantes.
- Porter des vêtements de travail homologués ou des vêtements ajustés équivalents avec des manches longues et des pantalons.

Extincteur

- Garder un extincteur à proximité pendant le sciage.
- Utiliser un extincteur à poudre de classe « ABE » ou un extincteur au dioxyde de carbone de type « BE ».

Dispositifs de sécurité sur le produit

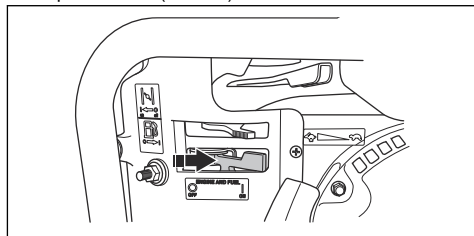


AVERTISSEMENT : Lire les messages d'avertissement qui suivent avant d'utiliser le produit.

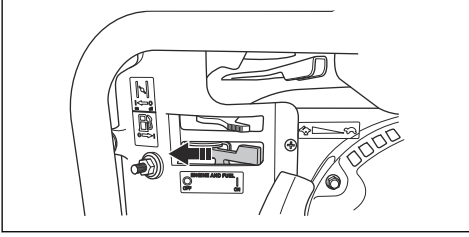
- Ne pas utiliser un outil dont les dispositifs de sécurité sont défectueux. Vérifier régulièrement les dispositifs de sécurité. Si les dispositifs de sécurité sont défectueux, parler à votre agent d'entretien Husqvarna.
- Ne pas modifier les dispositifs de sécurité. Ne pas utiliser le produit si les plaques et les couvercles de protection, les interrupteurs de sécurité ou d'autres dispositifs de protection ne sont pas fixés ou sont défectueux.

Vérification de l'interrupteur ON/OFF (marche-arrêt)

- S'assurer que le moteur démarre et que la lame commence à tourner lorsqu'on place l'interrupteur à la position ON (marche).

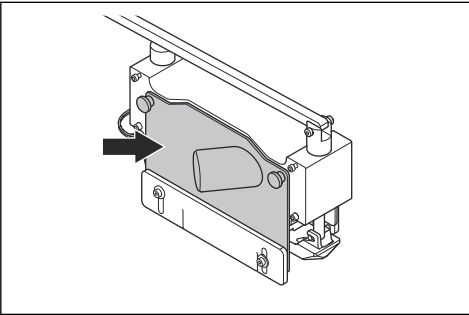


- S'assurer que le moteur s'arrête immédiatement lorsqu'on place l'interrupteur à la position OFF (arrêt).



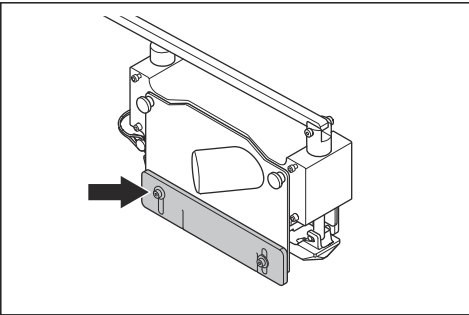
Protection de bloc de lame

La protection de bloc de lame assure une protection contre la lame en rotation et écarte la poussière de l'opérateur.



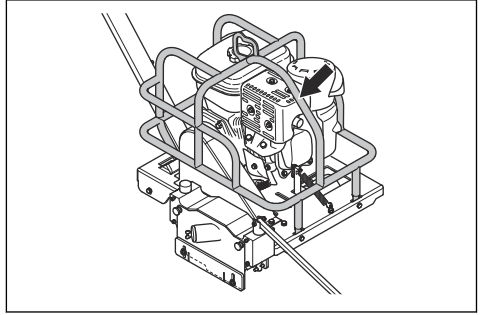
Couvercle Lexan™

Le couvercle Lexan™ écarte la poussière de l'opérateur. Il empêche également l'éjection de particules. S'assurer que le couvercle Lexan™ se déplace librement vers le haut et vers le bas.



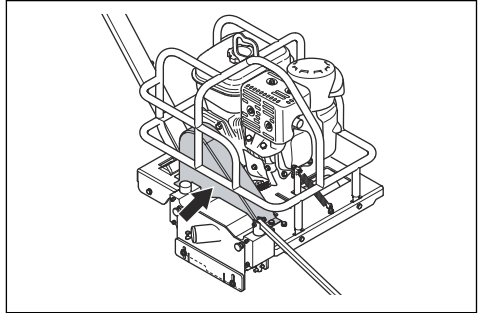
Cadre de sécurité

Le cadre de sécurité évite d'endommager l'équipement et le moteur, et il prévient les blessures à l'opérateur.



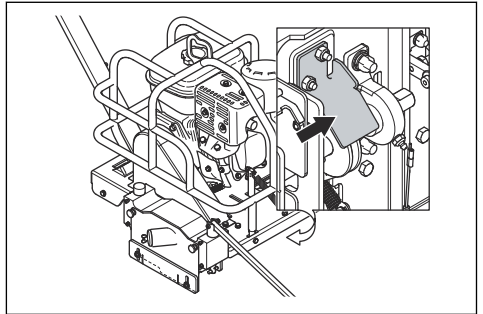
Carter de courroie

Le carter de courroie protège contre la poulie de l'axe de lame et la courroie.



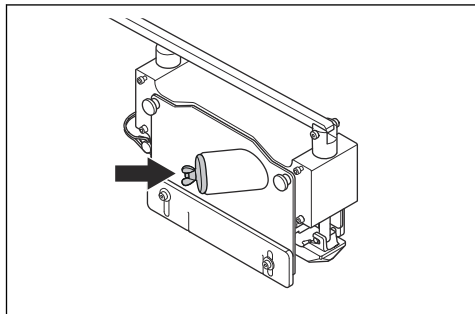
Protection de poulie

La protection de poulie protège contre la poulie de l'axe de lame.



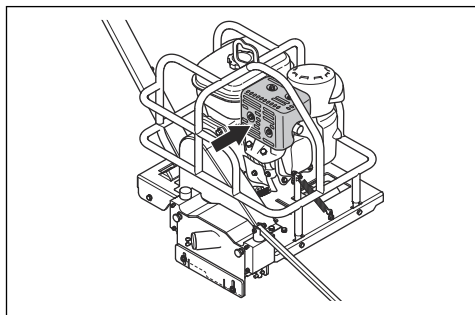
Raccordement de l'extracteur de poussière

Utiliser toujours la tige si le produit n'est pas connecté à un extracteur de poussière.



Protection de silencieux

La protection de silencieux empêche de se brûler sur le silencieux chaud.



Pour examiner les protections

1. Examiner le bloc de lame et la protection du bloc de lame, le couvercle Lexan™, la protection de poulie, le cadre de sécurité, le carter de courroie et la tige pour détecter des dommages.
2. Remplacer les protections si elles sont endommagées.
3. S'assurer que les protections sont bien fixées avant de démarrer le produit.

Sécurité – carburant



AVERTISSEMENT : Lire les messages d'avertissement qui suivent avant d'utiliser le produit.

- L'essence est inflammable et les vapeurs sont explosives. Faire attention avec le carburant afin d'éviter toute blessure, tout incendie et toute explosion.
- Ne pas respirer les vapeurs de carburant. Les vapeurs de carburant sont toxiques et peuvent

provoquer des blessures. S'assurer que le débit d'air est suffisant.

- Ne pas enlever le bouchon du réservoir de carburant ou remplir le réservoir de carburant lorsque le moteur est en marche.
- Laisser le moteur refroidir avant de faire l'appoint.
- Ne pas faire le plein de carburant à l'intérieur. Un débit d'air insuffisant peut entraîner des blessures ou la mort en raison d'une asphyxie ou du monoxyde de carbone.
- Ne pas fumer à proximité du carburant ou du moteur.
- Ne pas placer des objets chauds à proximité du carburant ou du moteur.
- Ne pas faire l'appoint de carburant à proximité d'étincelles ou de flammes.
- Avant de faire le plein, ouvrir lentement le couvercle du réservoir de carburant et relâcher la pression avec précaution.
- Le carburant peut provoquer des lésions cutanées. Si du carburant se déverse sur la peau, se nettoyer au savon doux et à l'eau.
- Si du carburant se déverse sur les vêtements, changer immédiatement de vêtement.
- Ne jamais remplir le réservoir de carburant complètement. La chaleur provoque une dilatation du carburant. Laisser un espace dans la partie supérieure du réservoir de carburant.
- Serrer fermement le couvercle du réservoir de carburant. Si le couvercle du réservoir de carburant n'est pas bien serré, il y a un risque d'incendie.
- Avant de démarrer l'outil, le déplacer à au moins 3 m (10 pi) de l'endroit où le plein de carburant a eu lieu.
- Ne pas démarrer l'outil s'il y a du carburant ou de l'huile moteur sur l'outil. Éponger le carburant et l'huile moteur indésirables et laisser l'outil sécher avant de démarrer le moteur.
- Vérifier régulièrement le moteur à la recherche de fuites. S'il y a des fuites dans le système de carburant, ne pas démarrer le moteur jusqu'à ce que les fuites soient réparées.
- Ne pas utiliser les doigts pour rechercher d'éventuelles fuites au niveau du moteur.
- N'entreposer le carburant que dans des contenants homologués.
- Lorsque l'outil et le carburant sont entreposés, s'assurer que le carburant et les vapeurs de carburant ne peuvent pas provoquer de dommages.
- Vider le carburant dans un contenant homologué à l'extérieur et loin d'étincelles ou de flammes.

Sécurité relative aux gaz d'échappement



AVERTISSEMENT : Lire les messages d'avertissement qui suivent avant d'utiliser l'outil.

- Les gaz d'échappement du moteur contiennent du monoxyde de carbone, un gaz inodore, toxique et très dangereux. Respirer du monoxyde de carbone peut entraîner la mort. Le monoxyde de carbone étant inodore et invisible, il n'est pas possible de le détecter. Un symptôme d'intoxication au monoxyde de carbone est l'étourdissement, mais il est possible qu'une personne perde connaissance sans avertissement si la quantité ou la concentration de monoxyde de carbone est suffisante.
- Les gaz d'échappement contiennent également des hydrocarbures non brûlés, y compris du benzène. Leur inhalation à long terme peut provoquer des problèmes de santé.
- Les gaz d'échappement visibles ou odorants contiennent également du monoxyde de carbone.
- Ne pas utiliser un produit à moteur à combustion à l'intérieur ou dans des endroits mal aérés.
- Ne pas respirer les gaz d'échappement.
- S'assurer que la circulation d'air dans la zone de travail est suffisante. Ceci est très important lorsque le produit est utilisé dans des tranchées ou autres petites zones de travail où les gaz d'échappement peuvent facilement s'accumuler.

Sécurité en matière de vibrations



AVERTISSEMENT : Lire les messages d'avertissement qui suivent avant d'utiliser l'appareil.

- Pendant le fonctionnement du produit, des vibrations sont transmises du produit à l'utilisateur. L'utilisation régulière et fréquente du produit peut provoquer ou augmenter les risques de blessures pour l'utilisateur. Des blessures peuvent se produire au niveau des doigts, des mains, des poignets, des bras, des épaules ou des nerfs, ou d'autres parties du corps ou affecter l'apport sanguin. Les blessures peuvent être invalidantes et/ou permanentes et peuvent augmenter progressivement au fil des semaines, des mois ou des années. Les blessures possibles incluent des dommages au système de circulation sanguine, au système nerveux, aux articulations et à d'autres structures corporelles.
- Des symptômes peuvent apparaître pendant l'utilisation du produit ou à d'autres moments. Si l'utilisateur présente des symptômes et continue à utiliser le produit, les symptômes peuvent augmenter ou devenir permanents. Si ces symptômes ou d'autres symptômes apparaissent, consulter un médecin :
 - Engourdissement, perte de sensation, fourmillement, picotement, douleur, brûlure, boursoufflement, raideur, sensation de lourdeur, perte de force, changements de couleur ou d'état de la peau.
- Les symptômes peuvent augmenter par temps froid. Porter des vêtements chauds et garder les mains au

chaud et au sec lors de l'utilisation de l'outil dans des environnements froids.

- Procéder à l'entretien et à l'utilisation du produit comme indiqué dans le manuel d'utilisation pour maintenir les vibrations à un niveau acceptable.
- Le produit est doté d'un système d'amortissement des vibrations qui réduit les vibrations transmises à l'opérateur par les poignées. Laisser le produit faire le travail. Ne pas pousser le produit avec force. Tenir légèrement le produit par les poignées, mais s'assurer de le contrôler et de l'utiliser en toute sécurité. Ne pas pousser les poignées dans les butées plus que nécessaire.
- Garder les mains sur la ou les poignées uniquement. Garder toutes les autres parties du corps à l'écart du produit.
- Arrêter immédiatement le produit en cas de fortes vibrations soudaines. Ne pas poursuivre le sciage avant d'avoir éliminé la cause des vibrations accrues.

Protection contre la poussière



AVERTISSEMENT : Lire les messages d'avertissement qui suivent avant d'utiliser l'outil.

- L'utilisation du produit peut provoquer de la poussière dans l'air. La poussière peut provoquer des blessures graves et des problèmes de santé permanents. La poussière de silice est considérée comme une matière nocive par plusieurs autorités. Voici quelques exemples de problèmes de santé :
 - Maladies pulmonaires mortelles bronchite chronique, silicose et fibrose pulmonaire
 - Cancer
 - Malformations congénitales
 - Inflammation de la peau
- Utiliser un équipement adapté pour réduire la quantité de poussière et de fumées dans l'air et pour réduire la poussière sur les équipements de travail, les surfaces, les vêtements et les parties du corps. Exemples de contrôles : systèmes de collecte de poussière et jets d'eau pour lier la poussière. Dans la mesure du possible, réduire la quantité de poussière à la source. S'assurer que l'équipement est correctement installé et utilisé et que l'entretien régulier est effectué.
- Utiliser un dispositif de protection respiratoire homologué. S'assurer que la protection respiratoire convient aux matériaux dangereux dans la zone de travail.
- S'assurer que la circulation d'air est suffisante dans la zone de travail.
- Si possible, orienter l'échappement du produit vers un endroit où il ne risque pas de souffler de la poussière dans l'air.

Sécurité relative au bruit



AVERTISSEMENT : Lire les messages d'avertissement qui suivent avant d'utiliser l'outil.

- Des niveaux sonores élevés et une exposition prolongée au bruit peuvent entraîner une perte auditive due au bruit.
- Pour réduire au maximum le niveau sonore, procéder à l'entretien du produit et l'utiliser comme indiqué dans le manuel d'utilisation.
- Examiner le silencieux pour détecter d'éventuels dommages ou défauts. S'assurer que le silencieux est bien fixé sur le produit.
- Toujours porter un dispositif de protection pour les oreilles homologué lors de l'utilisation du produit.
- Rester attentif aux appels ou cris d'avertissement lors de l'utilisation d'un dispositif de protection pour les oreilles. Retirer le dispositif de protection pour les oreilles lorsque le produit est arrêté, sauf si une protection auditive est nécessaire en raison du niveau sonore dans la zone de travail.

Consignes de sécurité pour la maintenance



AVERTISSEMENT : Lire les messages d'avertissement qui suivent avant d'utiliser l'outil.

- Utiliser de l'équipement de protection individuelle. Se reporter à la section *Équipement de protection personnelle* à la page 69.

- Si la maintenance n'est pas effectuée correctement et régulièrement, le risque de blessures et de dommages sur l'outil augmente.
- Arrêter le moteur et laisser le produit refroidir avant de procéder à l'entretien.
- Nettoyer le produit pour éliminer les matières dangereuses avant d'effectuer la maintenance.
- Débrancher la bougie d'allumage avant de procéder à l'entretien.
- Les gaz d'échappement du moteur sont chauds et peuvent contenir des étincelles. Ne pas utiliser l'outil dans un local clos ou à proximité de matériaux inflammables.
- Ne pas modifier l'outil. Toute modification non approuvée par le fabricant peut entraîner des blessures graves, voire mortelles.
- Toujours utiliser des accessoires et des pièces de rechange d'origine. Les accessoires et les pièces de rechange qui ne sont pas approuvés par le fabricant peuvent causer des blessures graves, voire mortelles.
- Remplacer les pièces endommagées, usées ou brisées.
- N'effectuer que les travaux d'entretien indiqués dans ce manuel d'utilisation. Confier toutes les autres opérations d'entretien à un centre de service agréé.
- Retirer tous les outils du produit avant de démarrer le moteur après la maintenance. Des outils non fixés ou fixés aux pièces tournantes peuvent s'éjecter et provoquer des blessures.
- Demander à un centre de service agréé d'effectuer régulièrement l'entretien de l'outil.

Montage

Introduction



AVERTISSEMENT : Avant d'assembler le produit, lire et bien comprendre le chapitre sur la sécurité.



AVERTISSEMENT : Débrancher le câble de la bougie d'allumage de la bougie d'allumage avant d'assembler le produit.

Montage de la lame de coupe et la plaque de protection

1. Monter la lame de coupe. Se reporter à *Pour installer un disque découpeur* à la page 80.
2. Monter la plaque de protection. Se reporter à *Pour installer un disque découpeur* à la page 80.

Fonctionnement

Introduction



AVERTISSEMENT : Avant d'utiliser le produit, lire et bien comprendre le chapitre sur la sécurité.

Techniques de travail de base

Joint de retrait et espacement des joints

Lorsque le béton s'hydrate ou durcit et commence à prendre, il se produit à l'intérieur de celui-ci des contraintes qui peuvent causer des fissures aléatoires.

Ces fissures aléatoires créent un doute quant à la qualité du béton et de l'exécution du travail. La coupe de joints de retrait dans le béton a pour but de soulager ces contraintes avant qu'elles ne forment des fissures.

Le système Soff-Cut Ultra Early Entry permet de contrôler la fissuration aléatoire en effectuant des coupes précoces à des endroits prédéterminés dans le béton pour créer des plans de moindre résistance, qui se fissurent ensuite au bas du sillon de coupe pour libérer les contraintes.

Les joints de retrait effectués avec la scie doivent être d'au moins un huitième de la profondeur du béton et d'au moins 25 mm (1 po) de profondeur.

Pratiquer les joints de retrait quand le béton supporte le poids du produit et de l'opérateur. S'assurer que le produit ne marque ou n'endommage pas le béton.

Il existe de nombreuses possibilités de disposition des joints. La disposition des joints doit être fournie. L'opérateur de la scie doit soumettre un plan détaillé de la disposition des joints avant le début de la coupe.

Un grand nombre de conditions ont une incidence sur l'espacement des joints.

- L'épaisseur du béton.
- Le type, la quantité et l'emplacement des armatures.
- La capacité de retrait du ciment-béton (type, quantité), l'agrégat (taille, quantité, qualité), le rapport eau/ciment, les adjuvants, la température du béton.
- La friction à la base.
- La retenue de la dalle.
- L'aménagement des fondations, crémaillères, fosses, blocs d'équipement, tranchées, etc.
- Les facteurs environnementaux, comme la température, le vent et l'humidité.
- Les méthodes et la qualité du durcissement du béton.

Généralement, les modèles de joints de retrait doivent diviser les dalles en panneaux de forme plus ou moins carrée, conformément à l'espacement recommandé indiqué dans le tableau.

Épaisseur du béton, mm (po)	Espacement maximal, m (pi)
90 (3,5)	2,4 (8)
100, 114 (4, 4,5)	3,0 (10)
125, 140 (5, 5,5)	3,6 (12)
150 (6) ou plus	4,5 (15)

À toutes les intersections de coupe, installez des protecteurs de joints Husqvarna sur chaque joint pour prévenir les dommages. Installez un protecteur de joint supplémentaire à l'endroit où la roue droite croise le joint, pour ne pas endommager le béton.

Optimisation du système Soff-Cut

« La planification des travaux dans le béton, particulièrement la finition et le jointage, est cruciale... Le fait de ne pas en tenir compte peut donner lieu à des caractéristiques indésirables sur la couche de surface, notamment des fissures... » (Extrait de l'avant-propos de l'American Concrete Institute (ACI) 302.1 R-96.)

Le système Soff-Cut Ultra Early Entry a révolutionné le contrôle de la fissuration aléatoire.

Pour qu'un utilisateur puisse faire un travail satisfaisant à l'aide du système Soff-Cut, il faut satisfaire aux critères suivants :

- Une scie à coupe vers le haut à sec Soff-Cut Ultra Early Entry.
- Une lame diamant pour découpe à sec Soff-Cut Husqvarna.
- Une plaque de protection anti-effilochage Husqvarna installée avec chaque lame diamant neuve
- Un opérateur qualifié pour l'utilisation du système de découpe Soff-Cut Ultra Early Entry.

Sans ces éléments, il n'est pas possible de couper les joints de façon assez précise pour contrôler les fissures aléatoires avant leur apparition, et donc de fournir au propriétaire du bâtiment ce pour quoi il paie.

La spécification 302.1R-96 de l'ACI l'explique bien :

« Les scies de coupe à sec de béton frais utilisent des lames imprégnées de diamant et une plaque de protection qui aide à prévenir les éclatements. Il est nécessaire de remplacer à temps les plaques de protection pour contrôler efficacement les éclatements. Il est préférable de remplacer les plaques de protection conformément aux recommandations du fabricant... L'objectif de la coupe à la scie est de créer un plan de moindre résistance dès que le joint peut être coupé... La planification du processus de coupe précoce du béton permet de mettre des joints en place avant le développement de contraintes de traction importantes dans le béton... »

Le bulletin technique de la Portland Cement Association (PCA), Concrete Floors on the ground, indique également :

« Un jointage effectué correctement permet d'éliminer les fissures disgracieuses. Pour réaliser un bon jointage, il faut choisir le type de joint adéquat pour chaque endroit, déterminer le bon modèle et la bonne disposition des joints, puis faire le joint au bon moment... La planification du sciage des joints est cruciale... Les scies pour béton frais légères et rapides ont été mises au point pour permettre le sciage des joints très vite après la finition du sol, parfois en moins de deux heures... si le sillon de coupe a été fait dans les heures qui suivent la finition, il est possible de contrôler la fissuration aléatoire... »

Husqvarna propose le seul système de coupe à sec Ultra Early Entry (Soff-Cut) qui permet de contrôler la fissuration aléatoire grâce à une coupe précoce.

Avec la méthode Soff-Cut, les joints de contrôle sont généralement coupés dans les deux heures qui suivent le processus de finition.

La coupe des joints doit commencer dès que le béton peut supporter le poids de la scie et de l'opérateur à chaque emplacement de joint et avant sa prise finale.

Si les joints ne sont pas coupés dans cette période, la méthode Soff-Cut Ultra Early Entry n'est donc pas respectée.

Avant d'utiliser le produit

1. Effectuer l'entretien quotidien. Reportez-vous à *Calendrier d'entretien à la page 78*.
2. S'assurer que la poignée est en position complètement verticale et que la goupille de verrouillage est installée.
3. S'assurer que le guide avant est tourné en position avant.
4. Remplir le réservoir d'huile. Se reporter à la section *Données techniques à la page 90* pour obtenir de plus amples renseignements sur l'huile moteur recommandée.
5. Vérifier le niveau d'huile moteur. Se reporter à *Vérification du niveau d'huile à la page 83*.

Faire le plein



AVERTISSEMENT : Ne pas remplir les bidons lorsque vous êtes dans un véhicule. Risque d'incendie. Placer le récipient au sol et à l'écart du véhicule.



MISE EN GARDE : Ne pas utiliser d'essence à indice d'octane inférieur à 90 RON (87 AKI). Cela pourrait endommager le produit.



MISE EN GARDE : Utiliser de l'essence sans plomb. Ne pas utiliser de l'essence sans plomb qui contient plus de 10 % d'éthanol. L'essence contenant plus de 10 % d'éthanol présente un risque d'incendie et peut également causer des problèmes de démarrage et de performance. Elle peut également endommager les pièces en métal, en caoutchouc et en plastique du circuit d'alimentation en carburant.



MISE EN GARDE : Ne pas utiliser d'essence contenant du méthanol.



MISE EN GARDE : Ne pas conserver le carburant plus de 30 jours

dans un bidon. Le carburant périmé peut endommager le produit.

1. Retirer le produit du véhicule de transport et le placer au sol. Quand cela n'est pas possible, faire le plein du produit avec un bidon portable plutôt qu'avec un pistolet de pompe à essence.

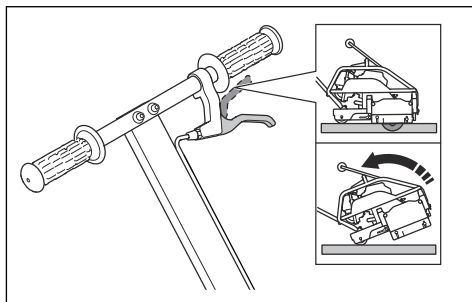


AVERTISSEMENT : Utiliser uniquement des conteneurs d'essence homologués.

2. Ouvrir le bouchon du réservoir de carburant lentement pour libérer la pression.
3. Veiller à ce que le pistolet touche le bord supérieur de l'ouverture du réservoir de carburant jusqu'à ce que le réservoir de carburant soit plein. Ne pas utiliser de dispositif à ouverture bloquée du pistolet distributeur.
4. Nettoyer la zone autour du bouchon du réservoir de carburant.
5. Serrer fermement le couvercle du réservoir de carburant. Si le couvercle du réservoir de carburant n'est pas bien serré, il y a un risque d'incendie.
6. Avant de démarrer l'outil, le déplacer à au moins 3 m (10 pi) de la position où le plein de carburant a été fait.

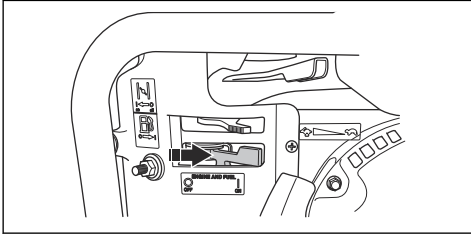
Démarrage du moteur

1. Tirer sur le levier de dégagement et le maintenir lors de l'inclinaison du produit. Appuyer sur la poignée vers le bas pour mettre le produit en position inclinée.

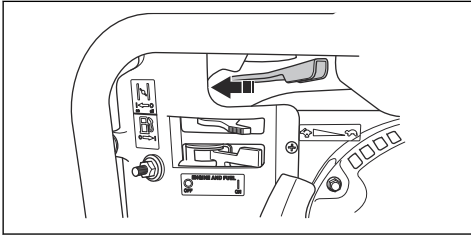


2. Relâcher le levier pour verrouiller le produit en position inclinée.

- Placer l'interrupteur ON/OFF (marche/arrêt) du moteur en position ON (marche) (I). En position ON (marche), la vanne de carburant est également ouverte.



- Déplacer la gâchette d'accélération de $\frac{1}{3}$ vers la gauche en position ouverte.

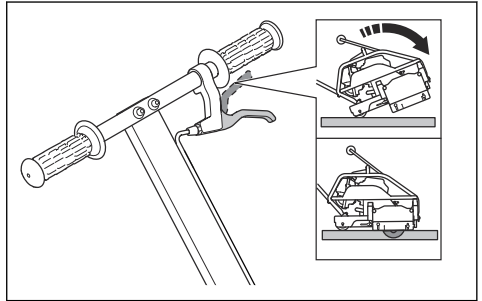


- Régler la commande de l'étrangleur à la bonne position.
 - Si le moteur est froid, fermer l'étrangleur.
 - Si le moteur est chaud ou si la température ambiante est élevée, ouvrir l'étrangleur.

Remarque : La position fermée de l'étrangleur enrichit le mélange de carburant pour le démarrage du moteur froid. La position ouverte de l'étrangleur fournit le bon mélange de carburant pour le fonctionnement après que le moteur a démarré et pour un redémarrage du moteur chaud.

- Tirer lentement sur la poignée de la corde du lanceur jusqu'à ce qu'une résistance soit ressentie.
- Relâcher la poignée de la corde du lanceur pour laisser la corde se rembobiner.
- Tirer sur la poignée du câble du lanceur jusqu'à ce que le moteur démarre. La lame commence à tourner lorsque le moteur est en marche.
- Actionner progressivement la commande de l'étrangleur jusqu'à ce qu'elle soit complètement ouverte.
- Laisser le moteur tourner au ralenti pendant 2 à 3 minutes avant de lui appliquer un plein régime.

- Pousser la poignée vers le bas et tirer sur le levier de déverrouillage de lame pour descendre doucement la lame dans le béton.



Pour travailler avec la poussière

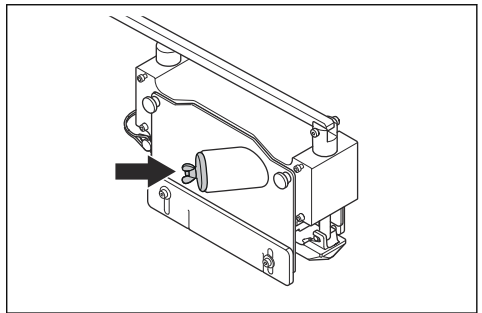
Ce produit est doté d'une sortie de poussière sur le couvercle du bloc de lame. La sortie de poussière est utilisée pour raccorder un extracteur de poussière.

- Toujours utiliser un extracteur de poussière. Il est également recommandé d'utiliser un tuyau d'aspiration antistatique.

Remarque : Pour les produits Husqvarna, les données objectives OSHA sont disponibles sur le site www.husqvarnacp.com/us/. Les performances de l'extracteur de poussière peuvent varier avec le temps.

Pour raccorder un extracteur de poussière au produit

- Tourner l'écrou à ailettes sur la tige dans le sens antihoraire.
- Retirer la tige du tuyau sur le couvercle du bloc de lame.
- Raccorder un extracteur de poussière au bloc de lame.



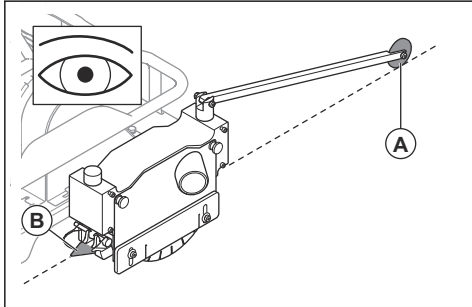
Remarque : Si l'extracteur de poussière n'est pas compatible avec le raccord sur le produit, utiliser un adaptateur.

Utilisation de la machine, Soff-Cut 150

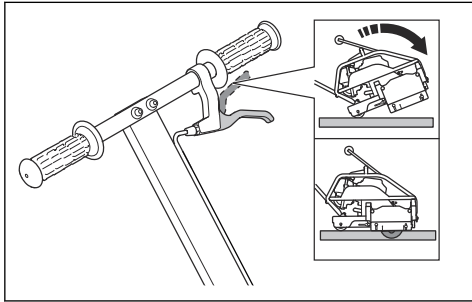


MISE EN GARDE : S'assurer qu'aucun objet ne touche le bloc de lame. Cela pourrait endommager le produit.

1. Démarrer le moteur. Se reporter à *Démarrage du moteur à la page 75*.
2. Placer le levier d'accélération du moteur en position entièrement ouverte pour que le moteur tourne à son régime maximal.
3. Aligner le pointeur avant (A) et le pointeur arrière (B) avec la ligne selon laquelle la coupe sera effectuée.



4. Pousser la poignée vers le bas et tirer sur le levier de déverrouillage de lame pour descendre doucement la lame dans le béton.



5. Pousser le produit vers l'avant pour maintenir le pointeur avant sur la ligne de coupe. Si une nouvelle lame a été installée, pousser le produit à mi-vitesse pendant les 15 premiers mètres (50 pi).
6. Augmenter la vitesse d'avance du produit jusqu'à ce que la lame et le moteur puissent fonctionner à leur rendement maximal. Ne pas utiliser plus de force que nécessaire pour pousser le produit vers l'avant.
7. Lors de l'utilisation du produit près d'un mur, soulever le pointeur avant. Regarder le pointeur arrière pour s'assurer d'avoir coupé droit.
8. Une fois l'opération terminée, incliner le produit vers l'arrière pour engager le levier qui maintient le produit en position inclinée.

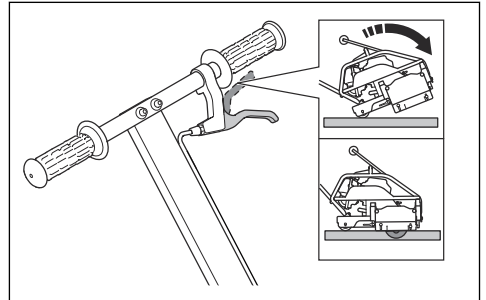
9. Couper le moteur. Se reporter à *Pour couper le moteur à la page 77*.
10. Nettoyer le produit. Se reporter à *Nettoyage de l'extérieur du produit à la page 78*.

Utilisation de la machine, Soff-Cut 150D



MISE EN GARDE : S'assurer qu'aucun objet ne touche le bloc de lame. Cela pourrait endommager le produit.

1. Démarrer le moteur. Se reporter à *Démarrage du moteur à la page 75*.
2. Ouvrir le levier d'accélération du moteur en position entièrement ouverte pour que le moteur tourne à son régime maximal.
3. Aligner la roue de guidage arrière avec l'entaille existante.
4. Pousser la poignée vers le bas et tirer sur le levier de déverrouillage de lame pour descendre doucement la lame dans le béton.



5. Abaisser la scie et la lame à fond dans le béton lorsque les roues de guidage sont correctement alignées dans l'entaille.
6. Pousser le produit vers l'avant pour maintenir le pointeur avant dans la ligne de coupe sur environ 0,3 m (1 pi) et s'assurer que les roues de guidage sont correctement alignées dans l'entaille.
7. Augmenter la vitesse d'avance du produit jusqu'à ce que la lame et le moteur puissent fonctionner à leur rendement maximal. Ne pas utiliser plus de force que nécessaire pour pousser le produit vers l'avant.
8. Couper le moteur. Se reporter à *Pour couper le moteur à la page 77*.
9. Nettoyer le produit. Se reporter à *Nettoyage de l'extérieur du produit à la page 78*.

Pour couper le moteur

1. Pousser les poignées de l'opérateur vers le bas pour soulever la lame de coupe en position verrouillée.
2. Déplacer le levier d'accélération du moteur à la position fermée.

3. Placer l'interrupteur ON/OFF (marche/arrêt) à la position OFF (arrêt) (O). Cela ferme également la vanne de carburant.

4. Nettoyer le produit; se reporter à section *Nettoyage de l'extérieur du produit à la page 78*.

Entretien

Introduction



AVERTISSEMENT : Avant de procéder à l'entretien, lire et bien comprendre le chapitre sur la sécurité.

Calendrier d'entretien

La fréquence d'entretien est calculée sur la base d'une utilisation quotidienne. Les intervalles changent si le produit n'est pas utilisé tous les jours.

En ce qui concerne les intervalles d'entretien marqués d'un *, voir les instructions à *Dispositifs de sécurité sur le produit à la page 69*.

Entretien	Quotidien	Toutes les semaines, toutes les 40 h	Une fois par mois, toutes les 200 h	Après les 20 premières heures, puis toutes les 100 h
Effectuer une inspection générale.	X			
Vérifier le niveau d'huile.	X			
Nettoyer le produit.	X			
Examiner la plaque de protection (Soff-Cut 150).	X			
Examiner le capot de Lexan™*.	X			
Examiner la protection de bloc de lame*.	X			
Vérifier la lame de coupe.	X			
Vérifier le niveau de carburant.	X			
Nettoyer la bougie d'allumage.		X		
Examiner le filtre à air et le remplacer au besoin.		X		
Examiner la courroie d'entraînement.		X		
Vidanger l'huile moteur.				X
Lubrifier les roulements d'axe de lame.		X		
Remplacer le filtre à air.			X	
Examiner et nettoyer le bac à sédiments.			X	
Examiner la bougie d'allumage et l'écartement de l'électrode.			X	

Nettoyage de l'extérieur du produit



MISE EN GARDE : Nettoyer toujours le produit immédiatement après utilisation, avant que le béton ne sèche. Le béton qui reste pourrait endommager le produit.

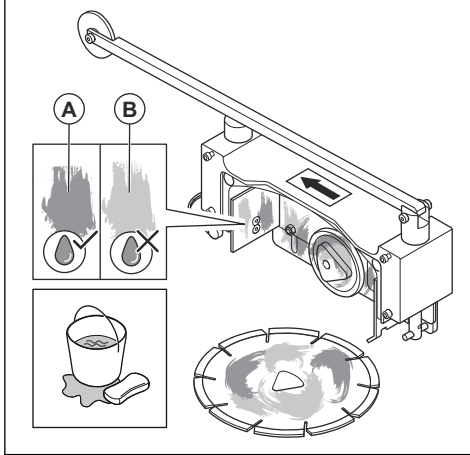
1. Retirer la lame. Se reporter à *Pour retirer la lame à la page 79*.
2. Nettoyer le produit avec de l'eau.



MISE EN GARDE : Ne pas diriger l'eau directement vers le moteur,

surtout si un nettoyeur à haute pression est utilisé.

3. S'assurer que les poignées et les leviers sont propres et secs avant d'utiliser le produit.
4. Après chaque utilisation, nettoyer les particules de béton du bloc de lame et de la lame. Utiliser une brosse à usage intensif et de l'eau. Le béton qui reste (A) va sécher et prendre (B) s'il n'est pas retiré.



5. Garder toutes les ouvertures et fentes sur les surfaces du produit propres pour veiller à ce que l'air circule librement dans le moteur.

Vérification de la bougie d'allumage



MISE EN GARDE : Toujours utiliser une bougie d'allumage du type recommandé. Une bougie d'allumage de type inapproprié peut endommager le produit.

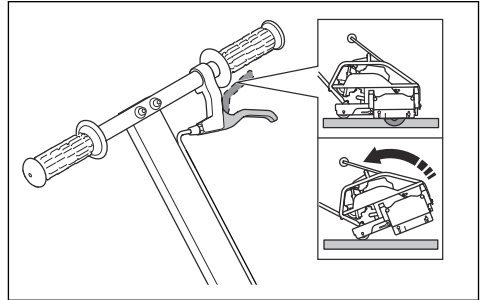
- Pour obtenir de plus amples renseignements, se reporter au manuel d'utilisation du moteur.

Pour effectuer une inspection générale

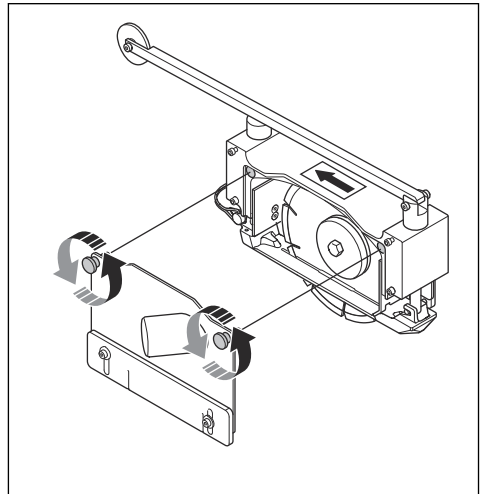
- S'assurer que les écrous et les vis sur le produit sont serrés.
- S'assurer qu'il n'y a pas de fuites de carburant ou d'huile.
- Soff-Cut 150D : S'assurer que les roues du guide avant et du guide arrière tournent librement.

Pour retirer la lame

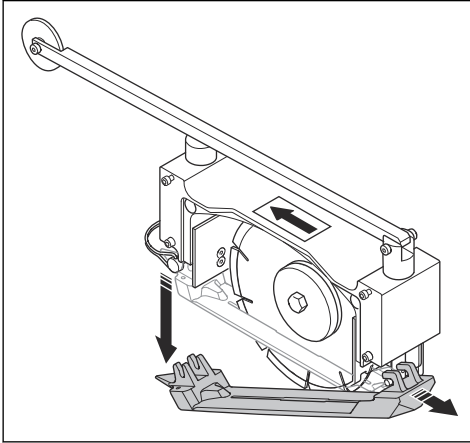
1. Tirer sur le levier de dégagement et le maintenir lors de l'inclinaison du produit. Appuyer sur la poignée vers le bas pour mettre le produit en position inclinée.



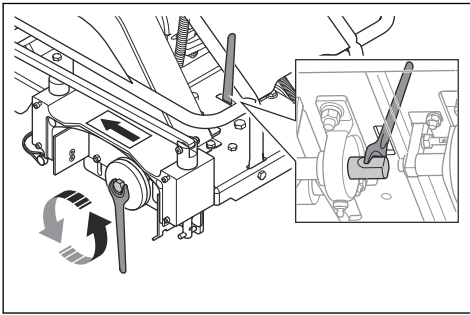
2. Relâcher le levier pour verrouiller le produit en position inclinée.
3. Tourner les deux boutons de verrouillage dans le sens antihoraire et retirer le couvercle du bloc de lame.



4. Appuyer sur le pointeur arrière pour libérer la plaque de protection.

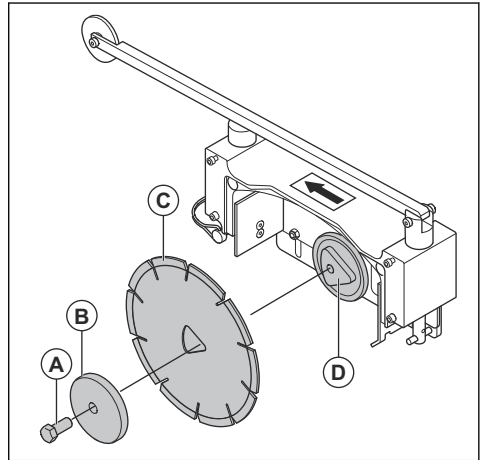


5. Placer une clé de lame dans la fente à l'avant du moteur. Placer une clé de lame sur le boulon de l'axe de lame dans le bloc de lame.



Remarque : Deux clés de lame sont fournies avec le produit.

6. Tourner le boulon d'axe de lame (A) dans le sens antihoraire jusqu'à ce que la clé dans la fente s'engage sur les surfaces plates de l'axe de lame.



7. Retirer le boulon de l'arbre du disque (A). Retirer la bride de lame extérieure (B). Retirer la lame (C) de l'axe de lame (D).

Pour installer un disque découpeur



AVERTISSEMENT : Ne pas utiliser de disque découpeur dont la vitesse nominale est inférieure à celle du produit. La vitesse nominale du disque découpeur est indiquée sur ce dernier, et celle du produit est indiquée sur la plaque signalétique. Utiliser seulement des disques Soff-Cut Husqvarna conformes aux normes nationales ou régionales telles que, par exemple, EN13236 ou ANSI B7.1.

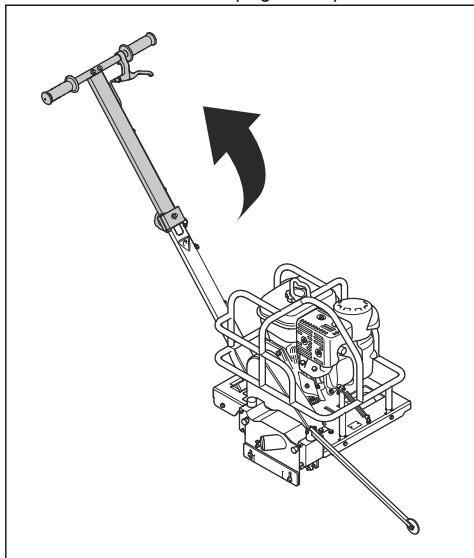


MISE EN GARDE : Vérifier que la lame de coupe n'est pas endommagée, fissurée ou voilée, qu'elle n'a pas perdu de segments, qu'elle n'a pas surchauffée, qu'elle ne présente pas d'usure excessive ou que son trou d'axe triangulaire n'est pas endommagé. Mettre au rebut toute lame défectueuse.

Vérifier que les brides de la lame ne sont pas endommagées ou excessivement usées, et s'assurer qu'elles sont propres.

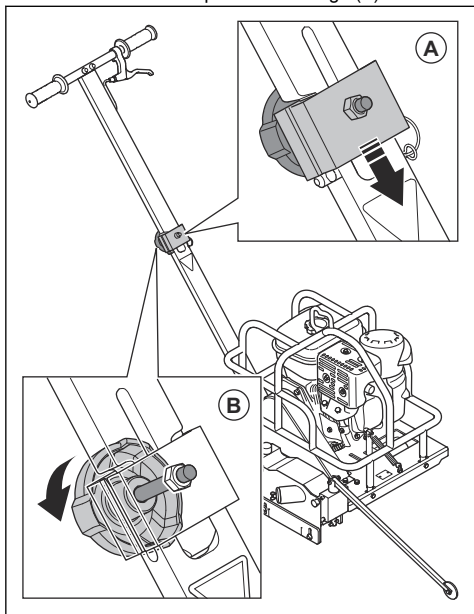
Les lames de coupe ne sont pas fournies avec le produit. Utiliser que des lames de coupe Husqvarna d'origine. Se reporter à *Données techniques à la page 90* pour connaître le type convenant à votre modèle. Pour Soff-Cut 150, une plaque de protection est incluse dans la trousse de lames.

1. Rabattre entièrement la poignée en position droite.

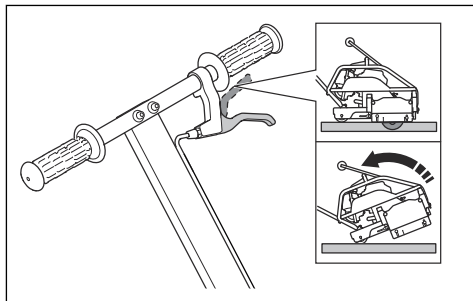


2. Pousser le dispositif de blocage (A).

3. Serrer la roue du dispositif de blocage (B).

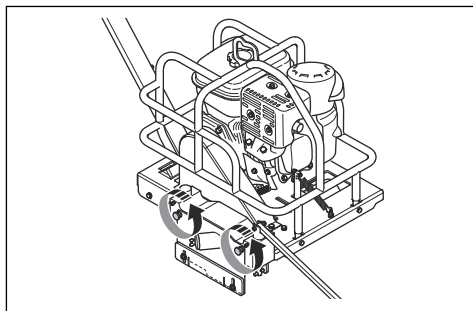


4. Tirer sur le levier de dégagement et le maintenir lors de l'inclinaison du produit. Appuyer sur la poignée vers le bas pour mettre le produit en position inclinée.

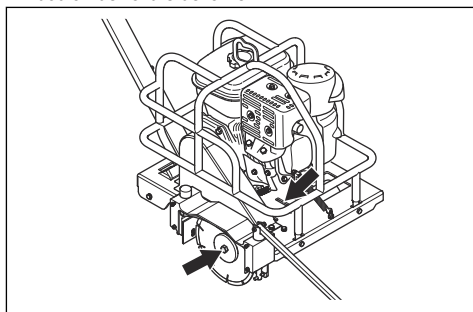


5. Relâcher le levier pour verrouiller le produit en position inclinée.

6. Tourner les deux boutons de verrouillage dans le sens antihoraire et retirer le couvercle du bloc de lame.



7. Placer une des clés de lame incluses dans la fente à l'avant du moteur. Placer l'autre clé fournie sur le boulon de l'arbre de lame.

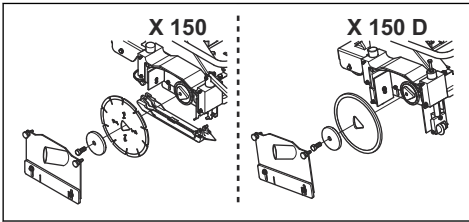


8. Faire tourner l'axe de lame dans le sens anti-horaire avec la clé sur le boulon d'axe de lame jusqu'à ce que la clé engage les plats de l'axe de lame.

9. Continuer de faire tourner le boulon d'axe de lame dans le sens anti-horaire pour enlever le boulon d'axe de lame.

10. Retirer la bride de lame extérieure.

11. Retirer entièrement le béton de l'arbre, du bloc de lame et du couvercle du bloc de lame.
12. Installer la lame sur l'axe de lame. S'assurer que la lame est bien serrée autour de l'axe.

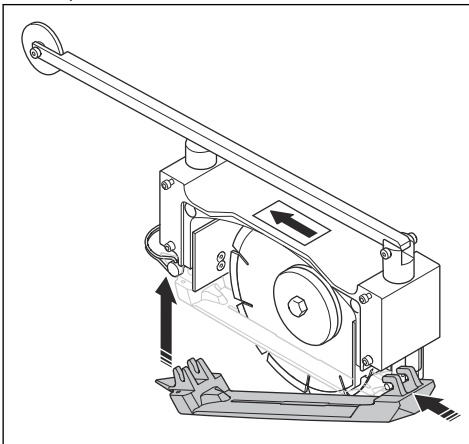


13. Installer la bride extérieure de lame. Serrer à fond le boulon.
14. Modèle Soff-Cut 150 : Installer une nouvelle plaque de protection.



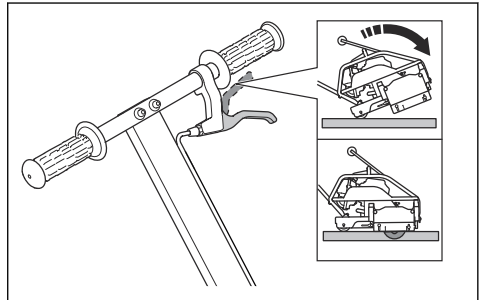
MISE EN GARDE : Ne pas installer une plaque de protection usée.

- a) Placer l'avant de la plaque de protection sur la goupille d'arbre du bloc de lame avant.
- b) Pousser l'arrière de la plaque de protection contre l'arbre du bloc de lame arrière jusqu'à ce qu'un clic se fasse entendre.



15. Installer la protection de bloc de lame. Aligner les deux boutons de la protection du bloc de lame sur les trous du bloc de lame. Tourner les deux boutons de la protection du bloc de lame et serrer jusqu'à ce qu'elle soit complètement fixée au bloc de lame.
16. Modèle Soff-Cut 150 : Soulever l'avant et l'arrière de la plaque de protection pour s'assurer que la lame glisse librement dans la plaque de protection.
17. S'assurer que le couvercle Lexan™ se déplace librement vers le haut et vers le bas.

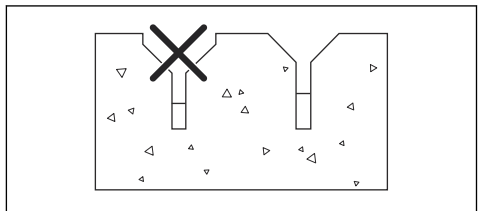
18. Pousser la poignée vers le bas et tirer sur le levier de déverrouillage de lame pour descendre doucement la lame dans le béton.



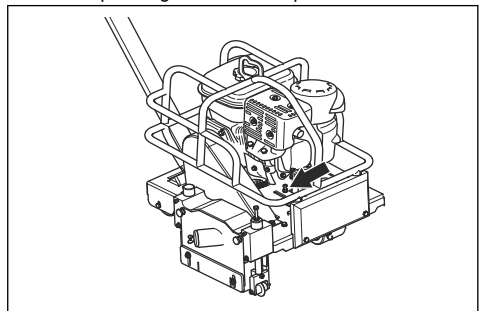
Réglage de la profondeur de lame (Soff-Cut 150D)



MISE EN GARDE : La profondeur de coupe de la lame radiale et de la lame en V est réglée au maximum en usine. Ne pas la régler sauf si nécessaire. Régler uniquement que pour les petites coupes fines. Ne pas augmenter la profondeur. Cela peut provoquer une coupe en biseau.

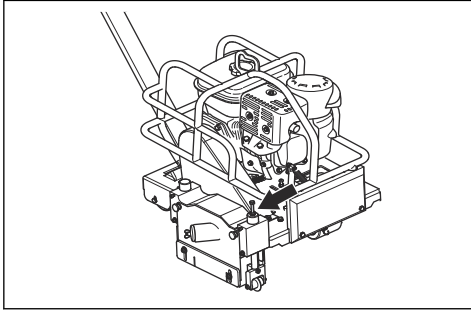


1. Desserrer l'écrou de blocage dans le sens anti-horaire pour régler la butée de profondeur.



2. Tourner le boulon de réglage de la profondeur dans le sens horaire. Chaque tour complet du boulon de réglage de la profondeur réduit la largeur de coupe de 1/8 po.

3. Desserrer l'écrou de la vis de réglage de profondeur dans le sens anti-horaire. Pousser l'arrière du cadre de sécurité vers le bas pour s'assurer que les roues sont bien à plat sur le sol.



4. Tourner à la main le boulon de réglage de la plongée dans le sens horaire jusqu'à ce qu'il touche l'axe des roues de guidage.
5. Desserrer la vis de réglage de profondeur de $\frac{1}{4}$ de tour dans le sens anti-horaire. Serrer l'écrou de blocage de la vis de réglage de profondeur pour la verrouiller.
6. Couper un joint d'environ 0,3 m (1 pi) pour s'assurer d'obtenir la bonne coupe décorative.

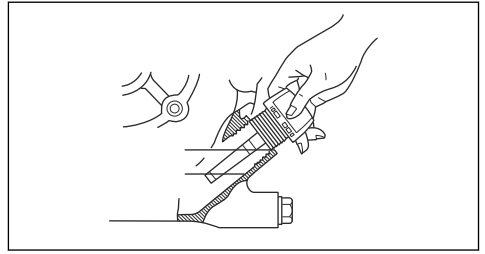
Vérification de la plaque de protection Soff-Cut 150

- Vérifier la plaque de protection pour détecter d'éventuels dommages.
- Vérifier que la fente de la plaque de protection n'est pas trop usée.
- Examiner la surface côté béton. S'assurer qu'il n'y a pas de bavures et que les segments latéraux ne sont pas pliés.
- Installer une nouvelle plaque de protection avec chaque nouvelle lame. Ne pas utiliser une plaque de protection usée avec une lame neuve.
- Soulever la plaque de protection depuis l'avant et l'arrière pour s'assurer que la lame se déplace librement dans la plaque de protection.

Vérification du niveau d'huile

1. Couper le moteur.
2. Placer le produit sur un sol plat.
3. Retirer le bouchon du réservoir d'huile avec la jauge d'huile.
4. Nettoyer l'huile sur la jauge d'huile.
5. Réinsérer la jauge d'huile. Ne pas la serrer.
6. Retirer la jauge d'huile et regarder le niveau d'huile.

7. Examiner le niveau d'huile sur la jauge d'huile.



8. Si le niveau d'huile est trop bas, remplir avec de l'huile moteur et vérifier de nouveau le niveau d'huile. Se reporter à la section *Données techniques à la page 90* pour connaître le type d'huile approprié.
9. Bien serrer la jauge d'huile avant de démarrer le moteur.

Remarque : Le moteur est doté d'un système d'alerte de niveau d'huile qui arrête le moteur si le niveau d'huile est trop bas. Le moteur ne démarre pas tant que le niveau d'huile n'est au-dessus de la limite prescrite.

Vidange de l'huile

Se reporter à la section *Calendrier d'entretien à la page 78* pour connaître les intervalles.



AVERTISSEMENT : L'huile moteur est très chaude directement après l'arrêt du moteur. Laisser le moteur se refroidir avant de vidanger l'huile moteur. En cas de déversement d'huile moteur sur la peau, nettoyer avec du savon et de l'eau.

1. Placer un récipient sous le bouchon de vidange de l'huile moteur.
2. Retirer le bouchon de vidange.
3. Laisser l'huile s'écouler dans le récipient.
4. Installer le bouchon de vidange et le serrer.
5. Effectuer le remplissage avec de l'huile neuve conformément aux recommandations. Se reporter à *Données techniques à la page 90*.
6. Se reporter à *Vérification du niveau d'huile à la page 83* pour connaître les instructions de remplissage d'huile.

Filtere à air



AVERTISSEMENT : Porter un dispositif de protection respiratoire homologué lors du nettoyage ou du remplacement du filtre à air. Mettre au rebut les filtres à air usés correctement. La

poussière présente dans les filtres à air est dangereuse pour la santé.



AVERTISSEMENT : Ne pas nettoyer le filtre à air à l'air comprimé. Cela endommage le filtre à air et augmente le risque de respirer la poussière dangereuse.



MISE EN GARDE : Toujours remplacer un filtre à air endommagé, sinon la poussière risque de pénétrer dans le moteur et de l'endommager.

Le filtre à air est de type cyclone situé sur le moteur, à l'avant de la scie. Pour remplacer l'élément du filtre à air, se reporter au calendrier d'entretien. Si nécessaire, le remplacer plus fréquemment.

Pour obtenir de plus amples renseignements, se reporter au manuel d'utilisation du moteur.

Vérification de la courroie d'entraînement

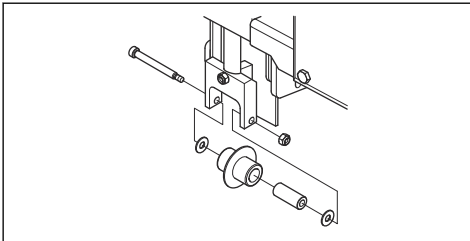
- S'assurer que la courroie d'entraînement ne présente pas de dommages ou de défauts visuels.
- Le tendeur de courroie contrôle la tension de la courroie. Il n'est pas nécessaire de régler la tension de la courroie.
- S'assurer que le tendeur de courroie se déplace librement vers le haut et vers le bas.
- S'assurer que les roulements du tendeur de courroie tournent librement.

Remplacement des roues de guidage (Soff-Cut 150D)

Utiliser les roues de guidage de ¼ po pour effectuer des entailles de ¼ po au moyen de la lame XL6-V25-D. Les roues de guidage avant et arrière sont fournies avec la scie.

Remarque : Il faut remplacer les roues de guidage avant et arrière. Ne pas mélanger des roues de guidage de largeurs différentes.

1. Retirer le contre-écrou et faire glisser le boulon à épaulement pour le sortir.

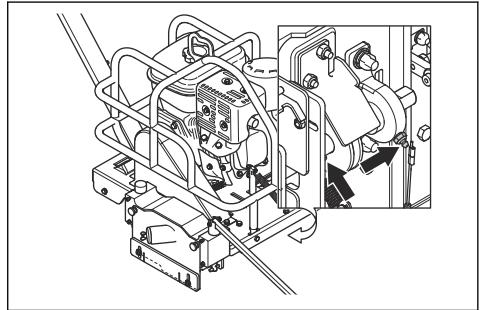


2. Prendre note des rondelles et des autres pièces retirées ainsi que de leur ordre de montage.
3. Faire glisser le manchon en bronze à partir de l'intérieur de l'ancienne roue de guidage avant et l'insérer dans la nouvelle roue.
4. Faire glisser le manchon en bronze à partir de l'intérieur de l'ancienne roue de guidage arrière et l'insérer dans la nouvelle roue.
5. Installer les nouvelles roues de guidage à l'aide des mêmes boulons à épaulement, contre-écrous et rondelles en plastique.

Des roues de guidage d'un demi-pouce, non fournies avec la scie, sont également offertes pour une utilisation avec la lame ProEdge XL6-V500-D pour effectuer des entailles de ½ po de large.

Lubrification des roulements de l'axe de lame

- Lubrifier les roulements d'axe de lame avec trois doses de pompe de graisse.



Pour connaître le type de graisse approprié, se reporter à *Données techniques à la page 90*.

Entretien du moteur

Se reporter au manuel d'utilisation du moteur pour de plus amples renseignements sur l'entretien du moteur. Le manuel d'utilisation du moteur présente également des renseignements sur les spécifications, la mise au point des pièces, la garantie moteur, le respect des normes en matière d'émissions, etc.

Dépannage

Annexe sur le dépannage

prudent, planifier les travaux et faire preuve de bon sens.



AVERTISSEMENT : Le dépannage présente des risques de blessure, car le personnel effectue des travaux au niveau des parties dangereuses du produit. Être

Si une solution à vos problèmes est introuvable dans ce manuel d'utilisation, communiquer avec votre agent d'entretien Husqvarna.

Problème	Solution
Le produit provoque de la fragmentation, de l'écaillage ou de l'effilochage lors de la coupe (Soff-Cut 150).	S'assurer que la lame n'est pas usée, lisse, déformée ou endommagée.
	S'assurer que la plaque de protection ne touche pas la lame et se déplace librement vers le haut et vers le bas sur toute la longueur de l'arbre.
	S'assurer que la plaque de protection n'est pas usée et qu'il n'y a pas d'espace autour de la lame.
	Examiner la partie inférieure de la plaque de protection et s'assurer qu'il n'y a pas de bavures métalliques ni de défauts.
	S'assurer que la plaque de protection n'est ni tordue ni courbée.
	S'assurer que le couvercle Lexan™ peut se déplacer librement vers le haut et vers le bas.
	Vérifier la pression de ressort. Pousser les arbres de bloc de lame avant et arrière vers le haut. Il doit y avoir une pression faible à modérée.
	Ne pas faire de torsion ni de mouvement latéral du produit pendant la coupe. Changer progressivement la pression sur la poignée pour contrôler la lame dans la coupe.
	Vérifier que le moteur fonctionne correctement et au régime spécifié.
	Vérifier que la tension de la courroie et du tendeur de courroie est appropriée.
	S'assurer que la lame est correctement assemblée et fixée à l'aide de brides propres.
	S'assurer que la lame est de la bonne spécification pour son secteur ou pour le type de béton.
	S'assurer que la surface en béton est propre et que la plaque de protection peut se déplacer sans à-coups sur la surface en béton.
	Utiliser des protecteurs de joints Husqvarna à toutes les intersections de coupe.
	Nettoyer le bloc de lame.

Problème	Solution
Le produit provoque des coupes en biseau ou radiales (Soff-Cut 150D).	S'assurer que la lame n'est pas usée, lisse, déformée ou endommagée.
	S'assurer que les roues de guidage avant et arrière peuvent bouger en douceur et se déplacer librement de haut en bas.
	Laisser la lame couper à sa propre vitesse. Ne pas pousser le produit vers l'avant avec une force importante.
	S'assurer que les roues de guidage sont alignées avec l'entaille existante avant de démarrer.
	Vérifier que les entailles existantes sont propres et exemptes de toute contamination indésirable.
	S'assurer que le couvercle Lexan™ peut se déplacer librement vers le haut et vers le bas.
	Vérifier la pression de ressort. Pousser les arbres de bloc de lame avant et arrière vers le haut. Il doit y avoir une pression faible à modérée.
	Ne pas faire de torsion ni de mouvement latéral du produit pendant la coupe. Changer progressivement la pression sur la poignée pour contrôler la lame dans la coupe.
	Vérifier que le moteur fonctionne correctement et au régime spécifié.
	Examiner la courroie et les poulies pour vérifier la tension correcte.
	S'assurer que la lame est correctement assemblée et fixée à l'aide de brides propres.
	S'assurer que la surface en béton est propre et que la plaque de protection peut se déplacer sans à-coups sur la surface en béton.
	Nettoyer toute contamination de béton indésirable du bloc de lame.
	Vérifier que les grattoirs dans le bloc de lame peuvent bouger librement et qu'ils ne sont pas tordus.
	Vérifier que les axes de bloc de lame peuvent bouger librement et qu'ils ne sont pas tordus.
	Effectuer une nouvelle coupe dans l'entaille existante en partant dans la direction opposée.
Le produit tire d'un côté pendant le fonctionnement (Soff-Cut 150).	Vérifier que le pointeur avant est correctement aligné avec le centre de la lame.
	Vérifier que la plaque de protection ne présente ni dommages ni bavures.
Le produit tire d'un côté pendant la coupe (Soff-Cut 150D).	Vérifier que les pointeurs avant et arrière sont correctement alignés avec le centre de la lame.
	Vérifier que la lame n'est pas usée, lisse, déformée ou endommagée.
	Ne pas faire de torsion ni de mouvement latéral du produit pendant la coupe. Changer progressivement la pression sur la poignée pour contrôler la lame dans la coupe.
	S'assurer que toutes les roues se déplacent librement et sans à-coups.
	Laisser la lame couper à sa propre vitesse. Ne pas pousser le produit vers l'avant avec une force importante.

Problème	Solution
Le moteur ne démarre pas.	Vérifier qu'il y a du carburant dans le réservoir et qu'il s'agit du bon type de carburant. S'assurer qu'il n'y a pas d'eau dans le carburant.
	S'assurer que le robinet de carburant est à la position ON (marche).
	S'assurer que l'interrupteur ON/OFF (marche/arrêt) est à la position ON (marche).
	S'assurer que le câble de bougie d'allumage est connecté à la bougie.
	Le moteur est noyé. Régler l'étrangleur, se reporter au manuel d'utilisation du moteur.
	Vérifier que l'étrangleur est en position ON (marche) pour les démarrages à froid. Régler l'étrangleur, se reporter au manuel d'utilisation du moteur.
	Vérifier le niveau d'huile moteur. Le moteur est doté d'un système d'alerte de niveau d'huile qui arrête le moteur si le niveau d'huile est trop bas.
	Vérifier que le filtre à air n'est pas souillé ou bouché.
Le moteur ne fonctionne pas régulièrement ou ne peut pas fonctionner à plein régime.	Vérifier qu'il y a du carburant dans le réservoir et qu'il s'agit du bon type de carburant. S'assurer qu'il n'y a pas d'eau dans le carburant.
	Vérifier le niveau d'huile moteur. Le moteur est doté d'un système d'alerte de niveau d'huile qui arrête le moteur si le niveau d'huile est trop bas.
	Vérifier que le filtre à air n'est pas souillé ou bouché.
	S'assurer que la bougie d'allumage est propre et que l'écartement est correct, se reporter au manuel d'utilisation du moteur.
	S'assurer que la commande d'accélération est correctement réglée.
	Vérifier que l'étrangleur est en position ON (marche) pour les démarrages à froid. Régler l'étrangleur, se reporter au manuel d'utilisation du moteur.

Transport, entreposage et mise au rebut

Transport



AVERTISSEMENT : Être prudent lors du transport. Le produit est lourd et peut causer des blessures ou des dommages s'il se renverse ou se déplace pendant le transport.

Les roues vous permettent de déplacer le produit manuellement sur les distances courtes. Pour de plus longues distances, soulever le produit pour le déplacer ou le placer sur un véhicule.

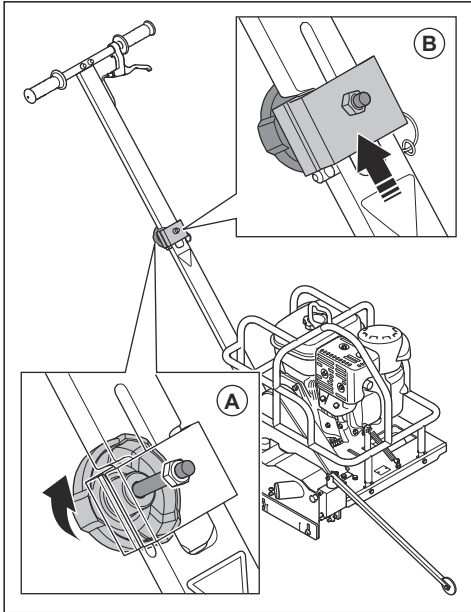


MISE EN GARDE : Ne pas remorquer le produit derrière un véhicule.

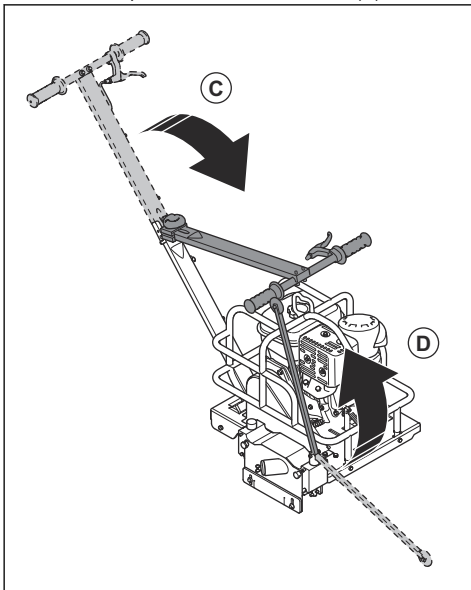
- Fixer le produit de façon sécuritaire pendant le transport dans un véhicule. Fixer les sangles d'arrimage au cadre de sécurité et au véhicule.
- Placer l'interrupteur ON/OFF (marche/arrêt) en position OFF (arrêt). Cela ferme également la vanne de carburant.
- Retirer le disque de coupe avant de transporter le produit.
- Placer le produit en position abaissée.
- Pour le stockage et le transport du produit et du carburant, s'assurer qu'il n'y a pas de fuite ou de vapeur. Les étincelles ou les flammes nues, par exemple avec des appareils électriques ou des chaudières, peuvent déclencher un incendie.
- Toujours utiliser des contenants agréés pour transporter du carburant.
- Rabattre le produit, voir la section *Pour rabattre le produit à la page 88*.

Pour rabattre le produit

1. Desserrer la roue du dispositif de blocage (A).
2. Soulever le dispositif de blocage (B).



3. Rabattre le manche vers l'avant.
4. Rabattre le pointeur avant vers le haut (D).



Levage du produit



AVERTISSEMENT : S'assurer que l'équipement de levage est de capacité appropriée. Le poids du produit figure sur sa plaque signalétique.

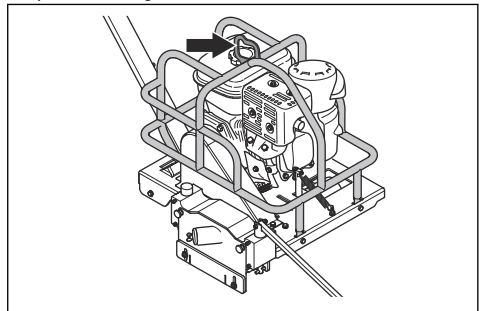


AVERTISSEMENT : Ne pas soulever un produit endommagé. S'assurer que le point de levage est correctement installé et en bon état.



AVERTISSEMENT : Ne pas utiliser de crochets métalliques, de chaînes ou d'autres équipements de levage aux bords rugueux qui pourraient endommager le point de levage.

- Si deux personnes soulèvent le produit, utiliser la barre du cadre de sécurité de chaque côté du produit et le soulever avec les deux mains.
- Si un équipement de levage est utilisé, le fixer au point de levage du cadre de sécurité.



Entreposage

- Le produit n'est pas équipé d'un frein de stationnement. Ne pas s'éloigner de l'outil lorsqu'il est dans une pente. S'il est nécessaire de stationner l'outil dans une pente, s'assurer que celui-ci est suffisamment attaché et ne peut pas bouger.
- Retirer la lame avant d'entreposer le produit.
- Garder le produit dans un endroit verrouillé hors de portée des enfants et des personnes non autorisées.
- Ranger les disques de coupe dans un endroit sûr afin d'éviter tout dommage.
- Ranger les disques de coupe dans un endroit sec et à l'abri du gel.
- Examiner les disques de coupe neufs à la recherche de dommages dus à l'entreposage.
- Pour l'entreposage et le transport du produit et du carburant, s'assurer qu'il n'y a pas de fuite ou de vapeur. Les étincelles ou les flammes nues,

par exemple avec des appareils électriques ou des chaudières, peuvent déclencher un incendie.

- Toujours utiliser des contenants agréés pour l'entreposage du carburant.
- Rabattre le produit, voir la section *Levage du produit* à la page 88.

Pour le remisage à long terme, procéder également comme suit :

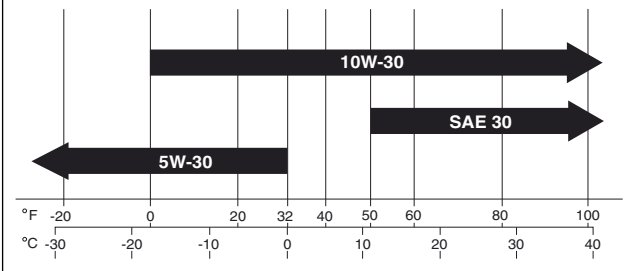
- Nettoyer le produit et procéder à un entretien complet.
- Vider le réservoir de carburant.
- Remiser le produit dans un endroit sec et à l'abri du gel.
- Placer une housse de protection sur le produit. Ceci est particulièrement important pour le remisage à l'extérieur.
- Vidanger l'huile moteur après un remisage à long terme.

Mise au rebut

- Respecter les exigences locales en matière de recyclage et la réglementation en vigueur.
- Mettre au rebut tous les produits chimiques, tel que le moteur d'huile ou de carburant, dans un centre de service ou à un emplacement de mise au rebut adéquat.
- Lorsqu'on n'utilise plus le produit, l'envoyer à un détaillant Husqvarna ou le mettre au rebut à un emplacement de recyclage.

Données techniques

Caractéristiques techniques

	Soff-Cut 150	Soff-Cut 150D
Moteur⁹		
Marque et type du moteur	Kohler CH255	Kohler CH255
Puissance du moteur, ch à tr/min / kW à tr/min ¹⁰	5,5 à 3600/4,0 à 3600	5,5 à 3600/4,0 à 3600
Circuits d'alimentation et de lubrification		
Capacité du réservoir de carburant, gal/L	0,8/3,0	0,8/3,0
Circuit d'huile	Alerte du circuit d'huile avec détecteur automatique commandant l'arrêt.	Alerte du circuit d'huile avec détecteur automatique commandant l'arrêt.
Capacité du réservoir d'huile, pte/l	0,63/0,6	0,63/0,6
Huile moteur	<p>Nous recommandons l'utilisation des huiles Kohler pour une performance optimale. D'autres huiles détergentes de grande qualité (y compris les huiles synthétiques) de classe de service SJ ou supérieure de l'API (American Petroleum Institute) sont acceptables. Sélectionner la viscosité en fonction de la température de l'air au moment de l'utilisation, conformément à la figure ci-dessous.</p> 	
Graisse	Graisse à base de lithium 12	Graisse à base de lithium 12
Poids et dimensions		
Avec les réservoirs vides, lb/kg	82/37	95/43
Sans carburant, lb/kg	88/40	101/46
Lame d'éclaircissage		
Type de lame	Lames Excel, coupe à sec avec axe triangulaire	Lames radiales et biseautées ProEdge
Matériau	Béton frais seulement	Joint de contrôle sur béton durci seulement

⁹ Pour plus de renseignements et des questions sur ce moteur spécifique, se reporter au manuel du moteur ou au site Web du fabricant du moteur.

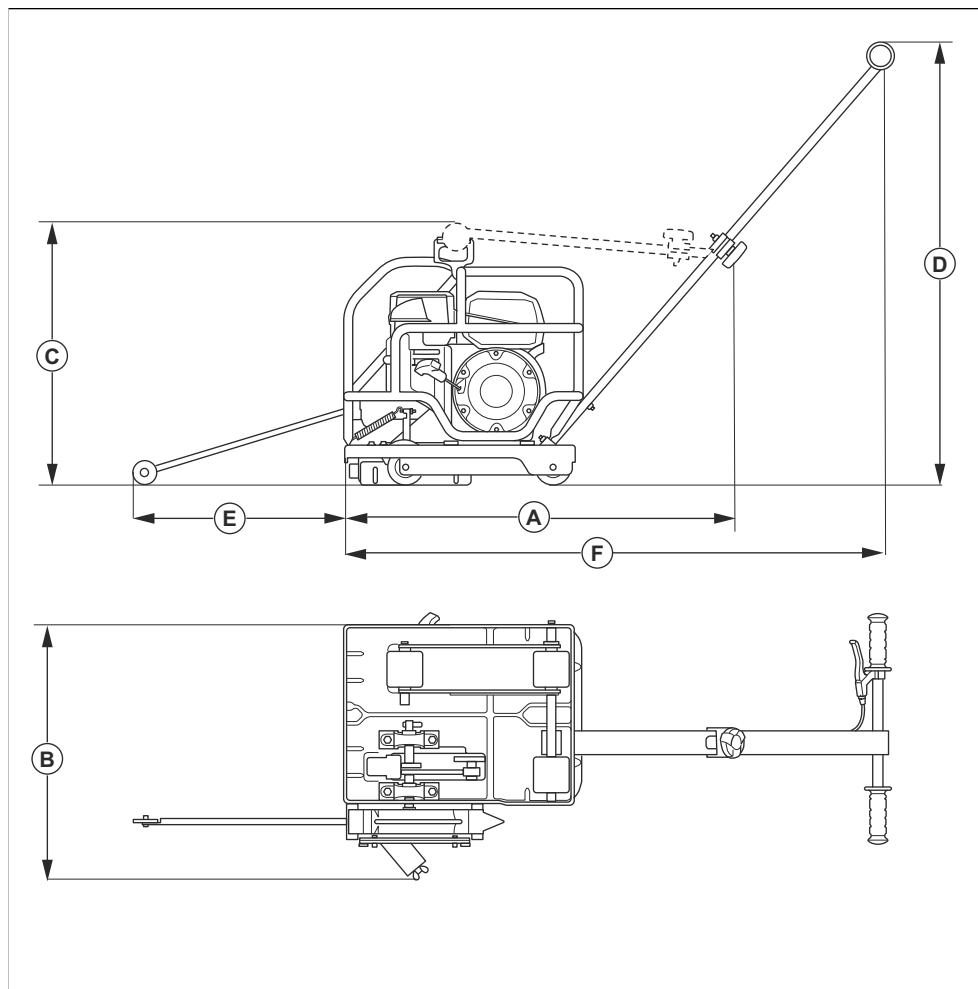
¹⁰ Tel que spécifié par le fabricant du moteur. Puissance brute selon SAE J1940/J1995, au tr/min spécifié.

	Soff-Cut 150	Soff-Cut 150D
Taille max. de la lame, po/mm	6/152	6/152
Profondeur de coupe max. po/mm	38,1/1,5	12,7/0,5
Distance de coupe à partir du mur, po/mm	3/76	4 ½/114
Rotation de la lame	Sens anti-horaire, coupe vers le haut	Sens anti-horaire, coupe vers le haut
Vitesse de l'axe de lame, tr/min	4500	4500
Commande de profondeur de lame	Manuelle	Manuelle
Taux de coupe moyen¹¹		
Agrégats meubles, pi/min ou m/min	12/3,7	
Agrégats moyens, pi/min ou m/min	8/2,4	
Agrégats durs, pi/min ou m/min	4/1,2	
Extracteurs de poussière recommandés¹²		
Débit d'air min., m ³ /h ou pi ³ /min	400 ou 236	
Aspiration min., kPa/lb/po ² /	22/3,6	
Élévation min. d'eau, po/m	90/2,3	
Accossoire de l'extracteur de poussière, po/mm	2 / 60	

¹¹ Estimation seulement. La vitesse varie selon les conditions de travail et les mélanges de béton.

¹² Les caractéristiques techniques des extracteurs de poussière ne décrivent pas de manière concluante les performances réelles au fil du temps entre les différents extracteurs de poussière. Pour les produits Husqvarna, les données objectives OSHA sont disponibles sur le site www.husqvarnacp.com/us/.

Dimensions de l'outil



Dimensions, mm/po		Soff-Cut 150	Soff-Cut 150D
A	Longueur avec poignée rabattue	860/33,9	860/33,9
B	Largeur	560/22	560/22
C	Hauteur	566/22,3	571 / 22,5
D	Hauteur avec poignée	932/37	945 / 37,2
E	Distance entre la roulette du pointeur avant et le produit	445/17,5	S.O.

Dimensions, mm/po		Soff-Cut 150	Soff-Cut 150D
F	Distance entre l'avant du produit et la poignée	1178/46,4	1192 / 46,9



www.husqvarna.com

Original instructions
Instrucciones originales
Instructions d'origine

1159910-49



2022-03-22