

4700/2 inox

Art. 9025-29

**EN Operator's manual**  
Submersible Pressure Pump

---

### **EN Product liability**

In accordance with the German Product Liability Act, we hereby expressly declare that we accept no liability for damage incurred from our products where said products have not been properly repaired by a GARDENA-approved service partner or where original GARDENA parts or parts authorised by GARDENA were not used.

### **PL Odpowiedzialność za produkt**

Zgodnie z niemiecką ustawą o odpowiedzialności za produkt, niniejszym wyraźnie oświadczamy, że nie ponosimy żadnej odpowiedzialności za szkody poniesione na skutek użytkowania naszych produktów, w przypadku gdy naprawa tych produktów nie była odpowiednio przeprowadzana przez zatwierdzonego przez firmę GARDENA partnera serwisowego lub nie stosowano oryginalnych części GARDENA albo części autoryzowanych przez tę firmę.

### **HU Termékszavatosság**

A németországi termékszavatossági törvénnyel összhangban ezennel nyomatékosan kijelentjük, hogy nem vállalunk felelősséget a termékeinkben keletkezett olyan károkért, amelyek valamely GARDENA által jóváhagyott szervizpartner által nem megfelelően végzett javításból adódtak, vagy amely során nem eredeti GARDENA alkatrészeket vagy a GARDENA által jóváhagyott alkatrészeket használtak fel.

### **CS Odpovědnost za výrobek**

V souladu s německým zákonem o odpovědnosti za výrobek tímto výslovně prohlašujeme, že nepřijímáme žádnou odpovědnost za poškození vzniklá na našich výrobcích, kdy zmíněné výrobky nebyly řádně opraveny schváleným servisním partnerem GARDENA nebo kdy nebyly použity originální náhradní díly GARDENA nebo náhradní díly autorizované společností GARDENA.

### **SK Zodpovednosť za produkt**

V súlade s nemeckými právnymi predpismi upravujúcimi zodpovednosť za výrobok týmto výslovne prehlasujeme, že nenesieme žiadnu zodpovednosť za škody spôsobené našimi výrobkami, v prípade ktorých neboli náležité opravy vykonané servisným partnerom schváleným spoločnosťou GARDENA alebo neboli použité diely spoločnosti GARDENA alebo diely schválené spoločnosťou GARDENA.

### **EL Ευθύνη προϊόντος**

Σύμφωνα με τον γερμανικό νόμο περί Ευθύνης για τα Προϊόντα, με το παρόν δηλώνουμε ρητώς ότι δεν αποδεχόμαστε καμία ευθύνη για τυχόν ζημιές που προκύπτουν από τα προϊόντα μας εάν αυτά δεν έχουν επισκευαστεί σωστά από κάποιον εγκεκριμένο συνεργάτη επισκευών της GARDENA ή εάν δεν έχουν χρησιμοποιηθεί αυθεντικά εξαρτήματα GARDENA ή εξαρτήματα εγκεκριμένα από την GARDENA.

### **SL Odgovornost proizvajalca**

V skladu z nemškimi zakoni o odgovornosti za izdelke, izrecno izjavljajo, da ne sprejemamo nobene odgovornosti za škodo, ki jo povzročijo naši izdelki, če teh niso ustrezno popravili GARDENINI odobreni servisni partnerji ali pri tem niso bili uporabljeni originalni GARDENINI nadomestni deli ali GARDENINIMI homologiranimi nadomestnimi deli.

### **HR Pouzdanost proizvoda**

Sukladno njemačkom zakonu o pouzdanosti proizvoda, ovime izričito izjavljujemo kako ne prihvaćamo nikakvu odgovornost za oštećenja na našim proizvodima nastala uslijed neispravnog popravka od strane servisnog partnera kojeg odobrava GARDENA ili uslijed nekorištenja originalnih GARDENA dijelova ili dijelova koje odobrava GARDENA.

### **RO Răspunderea pentru produs**

În conformitate cu Legea germană privind răspunderea pentru produs, declarăm în mod expres prin prezentul document că nu acceptăm nicio răspundere pentru defecțiunile suferite de produsele noastre atunci când acestea nu au fost reparate în mod corect de un atelier de service partener, aprobat de GARDENA, sau când nu au fost utilizate piese GARDENA originale sau piese autorizate de GARDENA.

### **BG Отговорност за вреди, причинени от стоки**

Съгласно германския Закон за отговорността за вреди, причинени от стоки, с настоящото изрично декларираме, че не носим отговорност за щети, причинени от нашите продукти, ако те не са били правилно ремонтирани от одобрен от GARDENA сервиз или ако не са използвани оригинални части на GARDENA или части, одобрени от GARDENA.

### **ET Tootevastutus**

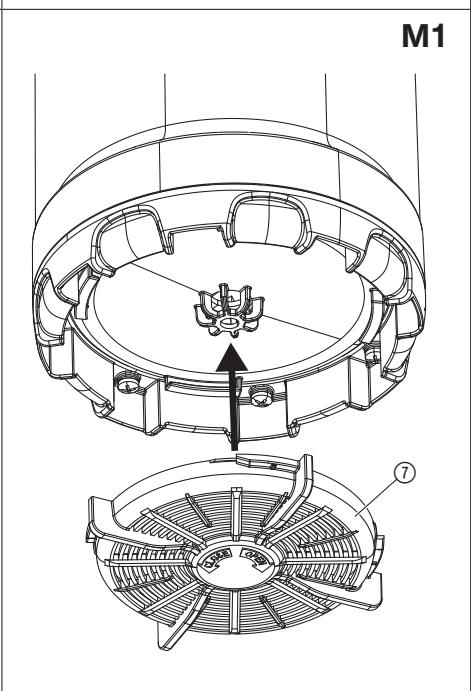
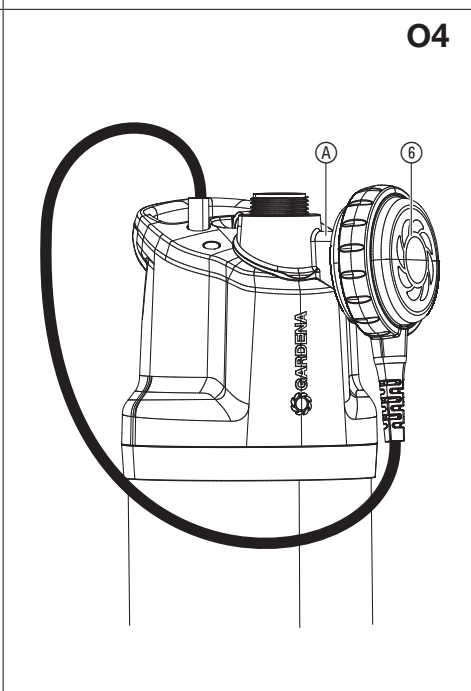
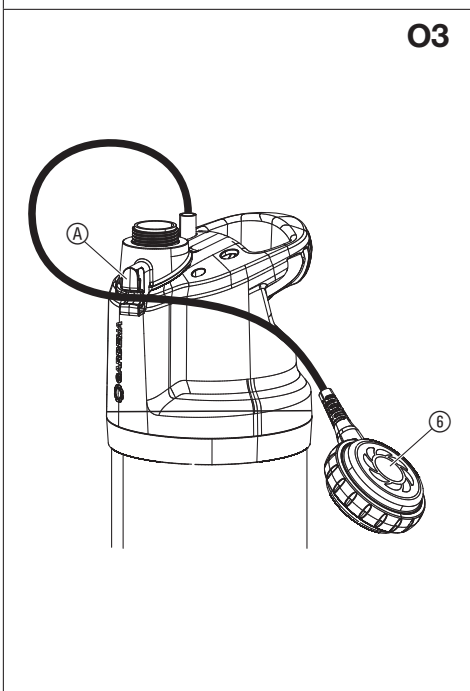
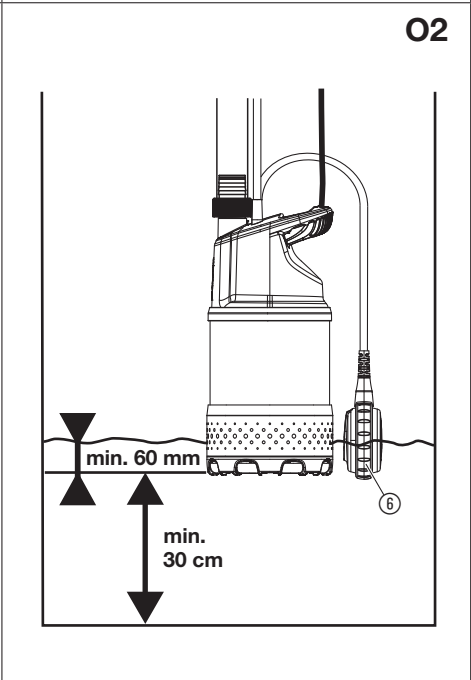
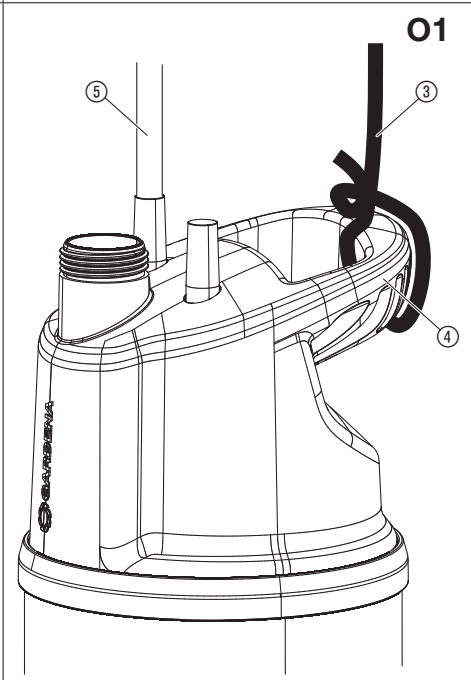
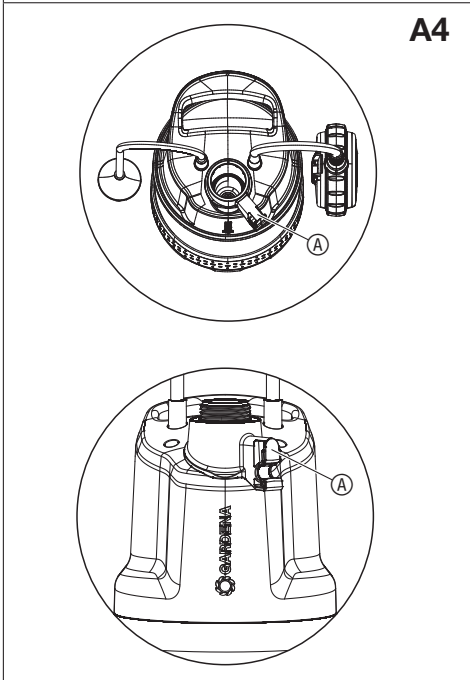
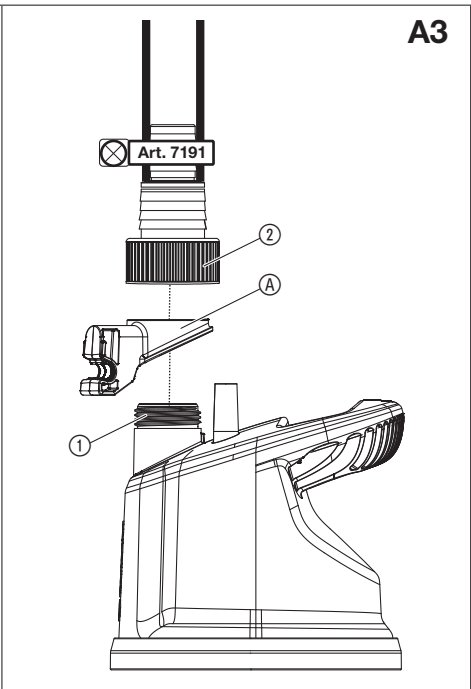
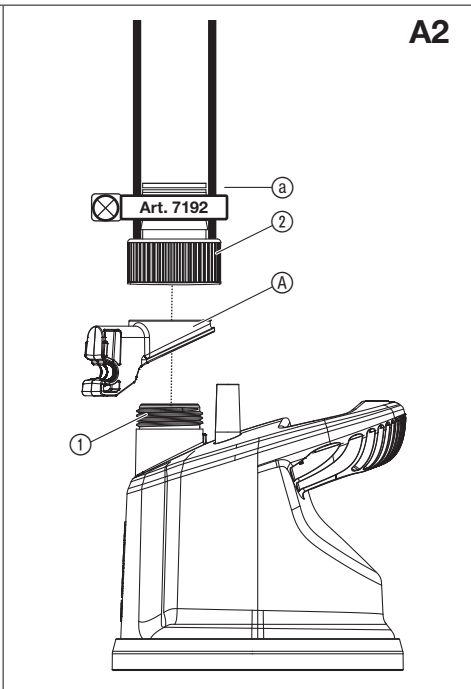
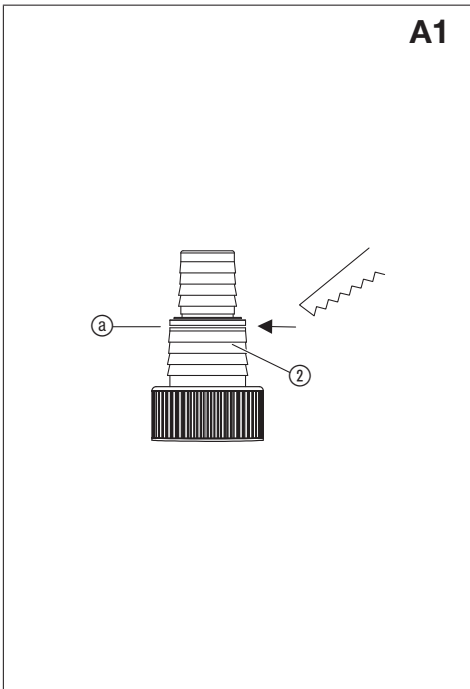
Vastavalt Saksamaa tootevastatusseadusele deklareerime käesolevaga selgesõnaliselt, et me ei kanna mingisugust vastutust meie toodetest tingitud kahjude eest, kui need tooted ei ole korrektselt parandatud GARDENA heakskiidetud hoolduspartneri poolt või kui parandamisel ei ole kasutatud GARDENA originaalosi või GARDENA volitatud osi.

### **LT Gaminio patikimumas**

Mes aiškiai pareiškiame, kad, atsižvelgiant į Vokietijos gaminių patikimumo įstatymą, neprisiimame atsakomybės dėl bet kokios žalos, patirtos dėl mūsų gaminių, jeigu jie buvo netinkamai taisomi arba jų dalys buvo pakeistos neoriginaliomis GARDENA dalimis ar nepatvirtintomis dalimis, arba jeigu remonto darbai buvo atliekami ne GARDENA techninės priežiūros centro specialistų.

### **LV Atbildība par produkcijas kvalitāti**

Saskaņā ar Vācijas likumu par atbildību par produkcijas kvalitāti ar šo mēs paziņojam, ka neuzņemamies atbildību par bojājumiem, kas radušies, lietojot mūsu izstrādājumus, kuru remontu nav veicis uzņēmuma GARDENA apstiprināts apkopes partneris vai kuru remontam netika izmantotas oriģinālās GARDENA detaļas vai detaļas, kuru lietošanu apstiprinājis uzņēmums GARDENA.



1. SAFETY	4
2. ASSEMBLY	4
3. OPERATION	5
4. MAINTENANCE	5
5. STORAGE	5
6. TROUBLESHOOTING	5
7. TECHNICAL DATA	6
8. ACCESSORIES	6
9. SERVICE/WARRANTY	6

### Original instructions.



This product may be used under supervision, or if instruction regarding the safe use of the product has been provided and the resulting dangers have been understood, by children aged 8 and above, as well as by persons with physical, sensory or mental disabilities or a lack of experience and knowledge. Children must not be allowed to play with the product. Cleaning and user maintenance must not be performed by children without supervision. The use of this product by young people under the age of 16 is not recommended. Never operate the product when you are tired, ill or under the influence of alcohol, drugs or medicine.

### Intended use:

The **GARDENA Submersible Pressure Pump** is intended for the extraction of water from wells, shafts and other water reservoirs, for the operation of irrigation equipment and systems, also for pumping rainwater, tap water and water containing chlorine in private domestic gardens and allotments.

### Liquids to be pumped:

The GARDENA Submersible Pressure Pump must only be used to pump water. The pump is fully submersible (water-tight encapsulation) and is submerged in water (for max. submersion depth, see 7. TECHNICAL DATA).

The product is not intended for long term use (continuous circulation operation).



### **DANGER! Risk of injury!**

**The pump should not be used for the delivery of salt water, muddy water, corrosive, easily inflammable or explosive liquids (e.g. petrol, paraffin, thinners), oil, heating oil or foodstuffs.**

## 1. SAFETY

### IMPORTANT!

Read the operator's manual carefully before use and keep for future reference.

### Symbols on the product:



Read operator's manual.

### General safety warnings

#### Electrical safety



### **DANGER! Electric shock!**

Risk of injury due to electric current.

→ The product must be supplied through a residual current device (RCD) having a rated residual operating current not exceeding 30 mA.



### **DANGER! Risk of physical injury!**

Risk of injury due to electric current.

→ Disconnect the product from the mains before you maintain or replace parts. Thereby the disconnected socket must be in the visual range.

### Safe operating practices

The water temperature should not exceed 35 °C.

The pump must not be used when people are in the water.

Pollution of the liquid could occur due to leakage of lubricants.

### Circuit breakers

#### Dry-running protection:

If the water level is too low, the pump switches off automatically.

→ Submerge the pump deeper into the water.

### Thermal protection switch:

In the event of an overload, the pump is switched off by the built-in thermal motor protection. After sufficient cooling of the motor, the pump is operational again.

### Automatic venting

This pump is equipped with a vent valve which eliminates any air pockets in the pump. Depending on the function, a small amount of water can escape below the handle.

### Additional safety warnings

#### Electrical safety



### **DANGER! Cardiac arrest!**

**This product makes an electromagnetic field while it operates. This field may under some conditions interfere with active or passive medical implants. To decrease the risk of conditions that can possibly injure or kill, we recommend persons with medical implants to speak with their physician and the medical implant manufacturer before you operate the product.**

#### Cables

If extension cables are used, these must comply with the minimum cross-sections in the table below:

Voltage	Cable length	Cross section
230 – 240 V/ 50 Hz	Up to 20 m	1.5 mm <sup>2</sup>
230 – 240 V/ 50 Hz	20 – 50 m	2.5 mm <sup>2</sup>



### **DANGER! Electric shock!**

**With a cut off mains plug, moisture can get into electrical parts via the mains cable and cause a short circuit.**

→ **Never cut the mains plug off (e.g. to feed through wall).**

→ Don't use the power cable for plugging off.

→ If the supply cord is damaged, it must be replaced by the manufacturer, its service agent or similarly qualified persons in order to avoid a hazard.

Mains plug and extension connections must be protected from water splashes.

Ensure that the electrical connections for plugs and sockets are made in areas safe from flooding.

Protect the mains plug and the mains power cable from heat, oil and sharp edges.

Observe the mains voltage. The information on the nameplate must be in agreement with the data for the mains power grid.

The pump's mains plug must be disconnected before anybody enters the swimming pool.

The mains power cable must not be used for fastening or transporting the pump.

For submerging or lifting/securing the pump, please use the fastening rope.

Please regularly check the connecting line.

Before using, always subject the pump (especially the power cables and the power connections) to a visual inspection.

A pump which is damaged should not be used. In the event of damage, have the pump checked by GARDENA Service.

Do not disassemble the pump any further than the delivery condition.

Before use after maintenance, make sure that all parts are screwed together.

When using our pumps with a generator, the warnings of the generator manufacturer must be observed.

### Personal safety



### **DANGER! Risk of suffocation!**

**Small parts can be easily swallowed. There is also a risk that the poly-bag can suffocate toddlers. Keep toddlers away when you assemble the product.**

Observe the minimum water level in accordance with the characteristics given for the pump.

Allow the pump to run no longer than 10 minutes against a closed pressure side.

Sand and other abrasive substances cause increased wear and reduce the pump's output.

The pump must not be operated without the filter.

The hose must not be disconnected during operation.

Allow the pump to cool down before troubleshooting.

## 2. ASSEMBLY



### **DANGER! Risk of injury!**

**Injury when the product starts accidentally.**

→ **Disconnect the product from the mains before you assemble the product.**

The hose can be connected via the pump connection ① and the connection nipple ② [19 mm (3/4")/25 mm (1")] or via the GARDENA Connection System [13 mm (1/2")/16 mm (5/8")/19 mm (3/4")]. When using a 25 mm (1") hose, the pump has the maximum delivery capacity.

With a parallel connection of more than one hose or connected devices, the **GARDENA 2-/4-Way Valve (Art. 1210/1194)** can be used, which is screwed straight onto the pump connection ①.

#### Connect hose via connection nipple [Fig. A1]:

25 mm (1")- and 19 mm (3/4") hoses can be connected via the connection nipple ②.

Hose diameter	25 mm (1")	19 mm (3/4")
<b>GARDENA Hose Clamp</b>	<b>Art. 7192</b>	<b>Art. 7191</b>
<b>Hose connection [Fig. A1]</b>	Detach nipple at ③ [Fig. A2].	Do not detach nipple [Fig. A3].

25 mm (1")- and 19 mm (3/4") hoses connected with a connection nipple ② must be fastened, for example with a **GARDENA Hose Clamp Art. 7192/7191**.

- [Fig. A4]: Put the float switch locking ④ on the pump connector ①.
- Screw connection nipple ② onto the pump connection ①.  
(With 25 mm (1") hoses, first disconnect the connection nipple ② at ③.)
- Push the hose onto the connection nipple ② and fix e.g. with a **GARDENA Hose Clamp Art. 7192/7191**.

## 3. OPERATION



**DANGER! Risk of injury!**

**Injury when the product starts accidentally.**

→ **Disconnect the product from the mains before you connect, adjust or transport the product.**

#### To pump water [Fig. O1]:

The pump must always be submerged in the well or water reservoir with the rope provided. For the pump to be primed, the pump must be submerged at least 60 mm. So that the filter does not become dirty, the pump should be fixed at least 30 cm above the ground.

- Attach the rope ③ securely to the handle ④.
- Submerge the pump in the well or water reservoir via the rope ③.
- Secure the rope ③.
- With deep wells or shafts (from approx. 5 m), route the connection cable ⑤ along the rope ③ with clips.
- Connect the pump to the mains.  
*The pump starts approx. 3 sec. after connecting the connection cable.  
The pump is ready for operation.*

#### Automatic mode with float switch [Fig. O2]:

**So that the pump automatically switches off when there is no liquid to pump, the Float Switch ⑥ must be able to freely move on the surface of the water.**

#### To adjust the Cut-in and Cut-out Height [Fig. O3]:

The maximum cut-in height and minimum cut-out height (see 7. TECHNICAL DATA) can be adjusted by pushing the float switch wire into the float switch lock ⑧.

- The shorter the length of cable between the float switch ⑥ and the float switch lock ⑧, the lower the cut-in height and the higher the cut-out height.

→ Push the cable of the float switch ⑥ into the opening in the float switch lock ⑧.



**CAUTION!**

**In order to ensure that the float switch is able to switch on and off, the cable length between the float switch and the float switch lock must be at least 10 cm.**

#### Manual operation [Fig. O4]:

**The pump remains permanently in operation because the float switch is bypassed. This deactivates the dry-running protection of the pump.**

- Push the float switch ⑥ onto the float switch locking ④ with the cable downwards.
- Immerse the pump in a well or shaft using a rope attached to the pump.

- Connect the pump to the mains.

*Attention! The pump begins operating immediately.*

The minimum residual water depth (see 7. TECHNICAL DATA) is only achieved in manual mode because the float switch already switches off the pump before this when in automatic mode.

## 4. MAINTENANCE



**DANGER! Risk of injury!**

**Injury when the product starts accidentally.**

→ **Disconnect the product from the mains before you maintain the product.**

#### To clean the filter [Fig. M1]:

In order to ensure continuous trouble-free operation, the filter ⑦ should be cleaned at regular intervals.

After pumping dirty water, the filter ⑦ must be cleaned immediately.

- Turn the filter ⑦ 1/4 turn clockwise and remove it (bayonet lock).
- Clean the filter ⑦ under running water.
- Re-install the filter ⑦ in the opposite sequence.

**The pump must not be operated without the filter.**

#### To flush the pump:

After pumping chlorinated water, the pump must be flushed.

- Pump lukewarm water (max. 35 °C), possibly adding a mild cleaning agent (e.g. detergent) until the pumped water runs clear.
- Remove residuals according to the waste disposal laws applicable in your area.

## 5. STORAGE

#### To put into storage:

##### The pump is not frost-proof!

The product must be stored away from children.

- Disconnect the pump from the mains.
- Turn the pump upside down until no more water runs out.
- Clean the pump (see 4. MAINTENANCE).
- Store the pump in a dry, enclosed and frost-free place.

#### Disposal:

(in accordance with RL2012/19/EC)

The product must not be disposed of to normal household waste. It must be disposed of in line with local environmental regulations.



#### IMPORTANT!

→ Dispose of the product through or via your municipal recycling collection centre.

## 6. TROUBLESHOOTING



**DANGER! Risk of injury!**

**Injury when the product starts accidentally.**

→ **Disconnect the product from the mains before you troubleshoot the product.**

Problem	Possible Cause	Remedy
<b>Pump is running, but doesn't deliver water</b>	Air cannot escape, because the pressure line is closed. (Possible kink in the pressure hose.)	→ Open the pressure line (e.g. shut-off valve, delivery units).
	Air in suction foot.	→ Wait for about 60 seconds until the pump has vented; if necessary, turn off and then on again.
<b>Pump is running, but doesn't deliver water</b>	Filter is clogged.	→ Clean the filter (see 4. MAINTENANCE).
	Water level below minimum water level when put into operation.	→ Submerge the pump deeper.



Problem	Possible Cause	Remedy
<b>Pump does not start, or stops suddenly during operation</b>	Thermal switch has turned the pump off because of overheating.	→ Clean the filter (see 4. MAINTENANCE). Observe the max. media Temperature (35 °C).
	No power supply to the pump.	→ Check fuses and electrical plug connections.
	RCD has triggered (residual current).	→ Disconnect the pump and contact the GARDENA Service.
<b>Pump is running but the delivery drops suddenly</b>	Filter is clogged.	→ Clean the filter (see 4. MAINTENANCE).



**NOTE:** For any other malfunctions please contact the GARDENA service department. Repairs must only be done by GARDENA service departments or specialist dealers approved by GARDENA.

## 7. TECHNICAL DATA

Submersible Pressure Pump	Unit	Value (Art. 9025)
Rated Power	W	550
Mains voltage	V (AC)	230
Mains frequency	Hz	50
Max. delivery capacity	l/h	4700
Max. pressure / max. delivery head	bar / m	2.3 / 23
Max. submersion depth	m	7
Max. cut-in height	mm	520
Min. cut-out height	mm	150
Residual water level	mm	5
Min. immersion depth for operation (approx.)	mm	60
Power cable	m	10 (H05RN-F)
Weight without cable (approx.)	kg	4.9
Fastening rope length	m	15
Max. media temperature	°C	35

## 8. ACCESSORIES

<b>GARDENA 2- /4-Way Valve</b>	For parallel connection for more than one hose or connected devices.	<b>Art. 1210/1194</b>
<b>GARDENA Hose Clamp</b>	For 25 mm (1") hoses via the connection nipple.	<b>Art. 7192</b>
<b>GARDENA Hose Clamp</b>	For 19 mm (3/4") hoses via the connection nipple.	<b>Art. 7191</b>
<b>GARDENA Pump Connection Set</b>	For 13 mm (1/2") hoses via the GARDENA Connection System.	<b>Art. 1750</b>
<b>GARDENA Tap Connector</b> <b>GARDENA Hose Connector</b>	For 16 mm (5/8") hoses via the GARDENA Connection System.	<b>Art. 18202</b> <b>Art. 18216</b>
<b>GARDENA Pump Connection Set</b>	For 19 mm (3/4") hoses via the GARDENA Connection System.	<b>Art. 1752</b>

## 9. SERVICE/WARRANTY

### Service:

Please contact the address on the back page.

### Warranty statement:

In the event of a warranty claim, no charge is levied to you for the services provided.

GARDENA Manufacturing GmbH grants a warranty for all original GARDENA new products for two years from the date of original purchase from the retailer, provided that the devices have been for private use only. This manufacturer's warranty does not apply to products acquired second hand. This warranty includes all significant defects of the product that can be proved to be material or manufacturing faults. This warranty is fulfilled by supplying a fully functional replacement product or by repairing the faulty product sent to us free of charge; we reserve the right to choose between these options. This service is subject to the following provisions:

- The product has been used for its intended purpose as per the recommendations in the operating instructions.
- Neither the purchaser nor a third party has attempted to open or repair the product.
- Only Original GARDENA replacement parts and wear parts have been used for operation.
- Presentation of the receipt.

Normal wear and tear of parts and components (such as blades, blade fixing parts, turbines, light bulbs, V-belts/toothed belts, impellers, air filters, spark plugs), visual changes, wear parts and consumables are excluded from the warranty.

This manufacturer's warranty is limited to replacement and repair of products in accordance with the abovementioned conditions. The manufacturer's warranty does not constitute an entitlement to lodge other claims against us as a manufacturer, such as for damages. This manufacturer's warranty does **not**, of course, affect statutory and contractual warranty claims against the dealer/retailer.

The manufacturer's warranty is governed by the law of the Federal Republic of Germany.

In case of a warranty claim, please return the faulty product, together with a copy of the receipt and a description of the fault, with postage paid to the service address.

### Consumables:

The impeller and the filter are consumables and are not included in the warranty.

*Performance characteristics*  
*Charakterystyka pompy*  
*Szivattyú-jelleggörbe*  
*Charakteristika čerpadla*  
*Charakteristiky čerpadla*  
*Χαρακτηριστικό διάγραμμα*  
*Кривая производительности насоса*  
*Karakteristika črpalke*  
*Obilježja pumpe*  
*Karakteristika pumpe*  
*Крива характеристики насоса*  
*Caracteristică pompă*  
*Pompa karakter eğrisi*  
*Помпена характеристика*  
*Fuqia e pompës*  
*Pumba karakteristik*  
*Siurblio charakteristinė kreivė*  
*Sūkņa raksturlīkne*

4700/2 inox

Art. 9025

max. 1.900 l/h

max.  
23 m

15 m

max. 2.850 l/h

10 m

max. 3.700 l/h

5 m



<p><b>EN EC Declaration of Conformity</b></p> <p>The undersigned hereby certifies as the authorized representative of the manufacturer, GARDENA Germany AB, PO Box 7454, S-103 92, Stockholm, Sweden, that, when leaving our factory, the unit(s) indicated below is/ are in accordance with the harmonised EU guidelines, EU standards of safety and product specific standards. This certificate becomes void if the unit(s) is/are modified without our approval.</p>	<p><b>HR EU izjava o sukladnosti</b></p> <p>Dolje potpisani kao opunomoćenik proizvođača, tvrtke GARDENA Germany AB, PO Box 7454, S-103 92, Stockholm, Švedska, potvrđujemo da niže navedeni uređaj(i) odgovarajuće izvedbe koji/koje smo iznijeli na tržište ispunjavaju kriterije usklađenih direktiva EU i sigurnosnih standarda EU kao i standarda koji se tiču proizvoda. Ova izjava gubi valjanost u slučaju izmjena uređaja koje nisu prethodno ugovorene s nama.</p>
<p><b>PL Deklaracja zgodności UE</b></p> <p>Niżej podpisany potwierdza jako upoważniony przedstawiciel producenta, spółki GARDENA Germany AB, PO Box 7454, S-103 92, Sztokholm, Szwecja, że określone poniżej urządzenie/-nia w wersji wprowadzonej przez nas do obrotu spełnia/-niają wymogi zharmonizowanych dyrektyw UE, norm bezpieczeństwa UE oraz norm dotyczących konkretnych produktów. Niniejsza deklaracja traci ważność w przypadku wprowadzania niezgodnych z nami zmian urządzenia/ń.</p>	<p><b>RO Declarație de conformitate UE</b></p> <p>Semnatarul, în calitate sa de împuternicit al producătorului GARDENA Germany AB, PO Box 7454, S-103 92, Stockholm, Suedia, confirmă că aparatul (aparatele) descrise în cele ce urmează, în execuția pusă de noi pe piață îndeplinește (îndeplinesc) cerințele directivelor armonizate UE, ale standardelor de siguranță UE și ale standardelor specifice produsului. În cazul modificării fără aprobarea noastră prealabilă a aparatului (aparatelor), această declarație își pierde valabilitatea.</p>
<p><b>HU EU megfelelősegi nyilatkozat</b></p> <p>Az alulírott, a GARDENA Germany AB, Pf. 7454, S-103 92, Stockholm, Svédország megbízotti minőségében megerősíti, hogy az általunk aláírt kivitelben forgalomba hozott, lent nevezett eszköz(ök) megfelel(nek) az uniós irányelvekkel összhangba hozott nemzeti előírások követelményeinek, az EU biztonsági szabványainak és a konkrét termékre vonatkozó szabványoknak. Az eszköz(ök)nek velünk nem egyeztetett módosítása esetén ez a nyilatkozat érvényét veszti.</p>	<p><b>BG ЕС-Декларация за съответствие</b></p> <p>Долуподписаният удостоверява като пълномощник на производителя GARDENA Germany AB, PO Box 7454, S-103 92, Стокхолм, Швеция, че по-долу описаният(ите) уред(и) във варианта на изпълнение пуснат от нас на пазара изпълнява/изпълняват изискванията на хармонизираните ЕС-директиви, ЕС-норми за безопасност и специфичните норми за продукцията. В случай на промяна на уреда(ите), която не е съгласувана с нас, тази декларация губи своята валидност.</p>
<p><b>CS EU prohlášení o shodě</b></p> <p>Podepsaná osoba způsobilou k výrobě GARDENA Germany AB, PO Box 7454, S-103 92, Stockholm, Švédsko potvrzuje, že v následujícím uvedený(-é) přístroj(-e) v provedení námi uvedeném na trh splňuje/splňují požadavky směrnice EU, bezpečnostních norem EU a norem specifických pro výrobek. V případě změny přístroje(-ů), která s námi nebyla dohodnuta, ztrácí toto prohlášení svou platnost.</p>	<p><b>ET EL-i vastavusdeklaratsioon</b></p> <p>Allkirjutanu kinnitab tootja, GARDENA Germany AB, PO Box 7454, S-103 92, Stockholm, Rootsi, poolt volitatud isikuna, et järgnevalt nimetatud seade (seadmed) täidab (täidavad) meie poolt turule toodud versiooni kujul harmoneeritud EL-i direktiivide, EL-i ohutusstandardite ja tootepõhiste standardite nõudeid. Seadmel (seadmetel) meiega kooskõlastamata muudatuse tegemise korral kaotab käesolev deklaratsioon oma kehtivuse.</p>
<p><b>SK EÚ vyhlásenie o zhode</b></p> <p>Dolu podpísaný potvrdzuje, ako splnomocnený zástupca výrobcu, GARDENA Germany AB, PO Box 7454, S-103 92, Štokholm, Švédsko, že ďalej označené zariadenie/ia vo vyhotovení uvedenom na trh spĺňa/jú požiadavky harmonizovaných smerníc EÚ, bezpečnostných štandardov EÚ a predpisov, špecifických pre dané výrobky. Pri zmene zariadenia/zariadení, ktorá nebola odsúhlasená našou spoločnosťou, stráca toto vyhlásenie platnosť.</p>	<p><b>LT ES atitikties deklaracija</b></p> <p>Pasirašantysis, kaip gamintojo, GARDENA Germany AB, PO Box 7454, S-103 92, Stokholmas, Švedija, įgaliojasis atstovas patvirtina, kad žemiau nurodyto(-ų) prietaiso(-ų) modeliai, kurie buvo pagaminti mūsų gamyklose, atitinka darniausias ES direktyvas, ES saugumo standartus ir specifinius gaminio standartus. Atlikus bet kokį prietaiso(-ų) pakeitimą, kuris nėra suderintas su mumis, ši deklaracija praranda galiojimą.</p>
<p><b>EL Δήλωση συμμόρφωσης ΕΕ</b></p> <p>Ο υπεργραμμένος βεβαιώνει ως πληρεξούσιος του κατασκευαστή, της εταιρείας GARDENA Germany AB, Τ.Θ. 7454, S-103 92, Στοκχόλμη, Σουηδία, ότι η (οι) παρακάτω αναφερόμενη(ες) συσκευή(ές) στην έκδοση που τίθεται από εμάς σε κυκλοφορία πληροί/πληρούν τις απαιτήσεις των εναρμονισμένων οδηγιών της ΕΕ, προτύπων ασφαλείας της ΕΕ και των ειδικών για το προϊόν πρότυπων. Σε περίπτωση τροποποίησης της (των) συσκευή(ών) χωρίς προηγούμενη συνεννόηση με την εταιρεία μας παύει να ισχύει η δήλωση.</p>	<p><b>LV ES atbilstības deklarācija</b></p> <p>Zemā parakstījusies persona kā ražotāja, uzņēmuma GARDENA Germany AB, PO Box 7454, S-103 92, Stokholma, Zviedrija, pilnvarotais pārstāvis apstiprina, ka tālāk norādītā(-s) ierīce(-s) izpildījumā, kādā mēs to (tās) esam laiduši tirgū, atbilst saskaņotajām ES direktīvām, ES drošības standartiem un konkrētajām produktam noteiktajiem standartiem. Ierīcē(-s) veicot ar mums nesaskaņotus izmaiņus, šī deklarācija zaudē savu spēku.</p>
<p><b>SL Izjava EU o skladnosti</b></p> <p>Spodaj podpisani kot pooblaščenec proizvajalca GARDENA Germany AB, PO Box 7454, S-103 92, Stockholm, Švedska, potrjuje, da v nadaljevanju označene naprave v izvedbi, v kakršni smo jih dali v promet, izpolnjujejo zahteve usklajenih direktiv EU, varnostnega standarda EU in standardov, ki veljajo za posamezne izdelke. V primeru spremembe naprave, ki ni usklajena z nami, ta izjava neha veljati.</p>	

<p>Description of the product: Opis proizvoda: A termék leírása: Popis výrobku: Opis proizvoda: Περιγραφή του προϊόντος: Opis izdelka: Opis proizvoda: Descrierea produsului: Описание на продукта: Toote kirjeldus: Gaminio aprašas: Izstrādājuma apraksts:</p>	<p><b>Submersible Pressure Pump</b> <b>Pompa zanurzeniowo-ciśnieniowa</b> <b>Μερυıld-nyomó szivattyú</b> <b>Ponorné tlakové čerpadlo</b> <b>Ρονορνέ tlakové čerpadlo</b> <b>Βυθιζόμενη αντλία πίεσης</b> <b>Ροτορνα tlačna črpalka</b> <b>Ροτορνα tlačna črpka</b> <b>Pompa presiune submersibilă</b> <b>Ποτορνεμα дълбочинна помпа</b> <b>Uputus-surverpump</b> <b>Panardinamas slėginis siurblys</b> <b>legremdějams spiediēnsūknis</b></p>	<p>Deposited Documentation: GARDENA Technical Documentation, M. Kugler 89079 Ulm</p> <p>Year of CE marking: Rok nadania oznakowania CE: CE-jelzés elhelyezésének éve: Rok umístění značky CE: Rok udelenia značky CE: Έτος σήματος CE: Leto namestitve CE-oznake: Godina dobivanja CE oznake: Anul de marcare CE: Година на поставяне на CE-маркировка: CE-mārgistuse paigaldamise aasta: Metal, kada pažymēta CE-ženklū: CE-marķējuma uzlikšanas gads:</p>
<p>Product type: Typ produktu: Terméktípus: Druh výrobku: Typ proizvoda: Τύπος προϊόντος: Vrsta izdelka: Vrsta proizvoda: Tip produs: Тип продукт:</p> <p><b>4700/2 inox</b></p>	<p>Article number: Artiklinumber: Numer katalogowy: Dalies numeris: Cikkszámok: Artikula numurs: Objednací číslo: Objednācie číslo: Κωδικός είδους: Številka izdelka: Kataloški broj: Cod articol: Артикул номер:</p> <p><b>9025-29</b></p>	<p>Ulm, 02.12.2019 Ulm, dnia 02.12.2019 Ulm, 02.12.2019 Ulm, dňa 02.12.2019 Ulm, 02.12.2019 Ulm, 02.12.2019 Ulm, dana 02.12.2019 Ulm, 02.12.2019 Ulm, 02.12.2019 Ulm, 02.12.2019 Ulm, 02.12.2019 Ulm, 02.12.2019</p> <p>Authorised representative Pelnomoćnik Meghatalmazott Zplnomoćenec Splnomoćenij Ο εξουσιοδοτημένος Pooblašćenec Ovlaštena osoba Conducerea tehnică Упълномощен Volitatud esindaja Įgaliojasis atstovas Pilnvarotā persona</p>
<p>EC-Directives: Dyrektywy WE: EK-irányelvek: Předpisy ES: Smernice EÚ: Οδηγίες EK: Direktive EU: EC directive: Directive CE: Директиви на EO: EÚ direktiivid: EB direktyvos: EK direktivas:</p> <p><b>2014/35/EU</b> <b>2014/30/EU</b> <b>2011/65/EU</b></p>	<p>Harmonised EN:</p> <p><b>EN ISO 12100</b> <b>EN 60335-1</b> <b>EN 60335-2-41</b></p>	<p><b>2019</b></p> <p><i>Reinhard Pompe</i> <b>Reinhard Pompe</b> Vice President</p>



**Deutschland / Germany**

GARDENA  
Manufacturing GmbH  
Central Service  
Hans-Lorenser-Straße 40  
D-89079 Ulm  
Produktfragen:  
(+49) 731 490-123  
Reparaturen:  
(+49) 731 490-290  
service@gardena.com  
http://www.gardena.com

**Albania**

KRAFT SHPK  
Autostrada Tirane-Durres  
Km 7  
1051 Tirane

**Argentina**

ROBERTO C. RUMBO S.R.L.  
Predio Norlog  
Lote 7  
Benavidez. ZC:1621  
Buenos Aires  
ventas@rumbosrl.com.ar

**Australia**

Husqvarna Australia Pty. Ltd.  
Locked Bag 5  
Central Coast BC  
NSW 2252  
Phone: (+61) (0) 2 4352 7400  
customer.service@  
husqvarna.com.au

**Austria / Österreich**

Husqvarna Austria GmbH  
Industriezeile 36  
4010 Linz  
Tel.: (+43) 732 77 01 01-485  
service.gardena@  
husqvarnagroup.com

**Azerbaijan**

Firm Progress  
a. Aliyev Str. 26A  
1052 Baku

**Belarus**

Private Enterprise  
"Master Garden"  
Minsk  
Sharangovich str., 7a  
Phone: (+375) 17 257-00-33  
Mob.: (+375) 29 676-16-09  
mg@mastergarden.by

**Belgium**

Husqvarna Belgium nv  
Gardena Division  
Leuvensesteenweg 542  
Planet II E  
1930 Zaventem  
België

**Bosnia / Herzegovina**

SILK TRADE d.o.o.  
Industrijska zona Bukva bb  
74260 Tešanj

**Brazil**

Husqvarna do Brasil Ltda  
Av. Francisco Matarazzo,  
1400 - 19º andar  
São Paulo - SP  
CEP: 05001-903  
Tel: 0800-112252  
marketing.br.husqvarna@  
husqvarna.com.br

**Bulgaria**

AGROLAND България АД  
бул. 8 Декември, №13  
Офис 5  
1700 Студентски град  
София  
Тел.: (+359) 2466 69 10  
info@agroland.eu

**Canada / USA**

GARDENA Canada Ltd.  
100 Summerlea Road  
Brampton, Ontario L6T 4X3  
Phone: (+1) 905 792 93 30  
info@gardenacanada.com

**Chile**

REPRESENTACIONES  
JCE S.A.  
Av. Del Valle Norte 857,  
Piso 4  
Santiago RM  
Phone: (+56) 2 24142560  
contacto@jce.cl

**China**

Husqvarna (Shanghai)  
Management Co., Ltd.  
富世华 (上海) 管理有限公司  
3F, Benq Square B,  
No207, Song Hong Rd.,  
Chang Ning District,  
Shanghai  
PRC. 200335  
上海市长宁区淞虹路207号明  
基广场B座3楼, 邮编: 200335

**Colombia**

Husqvarna Colombia S.A.  
Calle 18 No. 68 D-31, zona  
Industrial de Montevideo  
Bogotá, Cundinamarca  
Tel. 571 2922700 ext. 105  
jairo.salazar@  
husqvarna.com.co

**Costa Rica**

Compania Exim  
Euroiberoamericana S.A.  
Los Colegios, Moravia,  
200 metros al Sur del Colegio  
Saint Francis - San José  
Phone: (+506) 297 68 83  
exim\_euro@racsa.co.cr

**Croatia**

Husqvarna Austria GmbH  
Industriezeile 36  
4010 Linz  
Tel.: (+43) 732 77 01 01-485  
service.gardena@  
husqvarnagroup.com

**Cyprus**

Med Marketing  
17 Digeni Akrita Ave  
P.O. Box 27017  
1641 Nicosia

**Czech Republic**

Husqvarna Česko s.r.o.  
Türkova 2319/5b  
149 00 Praha 4 - Chodov  
Bezplatná infolinka:  
800 100 425  
servis@cz.husqvarna.com

**Denmark**

GARDENA DANMARK  
Lejrvvej 19, st.  
3500 Værløse  
Tlf.: (+45) 7026 4770  
husqvarna@husqvarna.dk  
www.gardena.com/dk

**Dominican Republic**

BOSQUESA, S.R.L  
Carretera Santiago Licey  
Km. 5 ½  
Esquina Copal II.  
Santiago  
Dominican Republic  
Phone: (+809) 736-0333  
joserbosquesa@claro.net.do

**Ecuador**

Husqvarna Ecuador S.A.  
Arupos E1-181 y 10 de  
Agosto Quito, Pichincha  
Tel. (+593) 22800739  
francisco.jacome@  
husqvarna.com.ec

**Estonia**

Husqvarna Eesti OÜ  
Valdeku 132  
EE-11216 Tallinn  
info@gardena.ee

**Finland**

Oy Husqvarna Ab  
Gardena Division  
Lautatarhankatu 8 B/PL 3  
00581 HELSINKI  
www.gardena.fi

**France**

Husqvarna France  
9/11 Allée des pierres mayettes  
92635 Gennevilliers Cedex  
France  
http://www.gardena.com/fr  
N° AZUR: 0 810 00 78 23  
(Prix d'un appel local)

**Georgia**

Transporter LLC  
113b Belashvili street  
0159 Tbilisi, Georgia

**Service Address and Importer to Great Britain**

Husqvarna UK Ltd  
Preston Road  
Aycliffe Industrial Park  
Newton Aycliffe  
County Durham  
DL5 6UP  
info.gardena@  
husqvarna.co.uk

**Greece**

Π. ΠΑΠΑΔΟΠΟΥΛΟΣ ΑΕΒΕ  
Λεωφ. Αθηνών 92  
Αθήνα  
T.K.104 42  
Ελλάδα  
Τηλ. (+30) 210 5193100  
info@papadopoulos.com.gr

**Hungary**

Husqvarna Magyarország Kft.  
Ezred u. 1-3  
1044 Budapest  
Telefon: (+36) 1 251-4161  
vevoszolgalat.husqvarna@  
husqvarna.hu

**Iceland**

BYKO ehf.  
Bildshöfoa 20  
110 Reykjavik

**Ireland**

Husqvarna UK Ltd  
Preston Road  
Aycliffe Industrial Park  
Newton Aycliffe  
County Durham  
DL5 6UP  
info.gardena@  
husqvarna.co.uk

**Italy**

Husqvarna Italia Spa  
Centro Direzionale Planum  
Via del Lavoro 2, Scala B  
22036 ERBA (CO)  
Tel. (+39) 031.4147700  
assistenza.italia@  
it.husqvarna.com

**Japan**

Husqvarna  
Zenoah Co. Ltd. Japan  
1-9 Minamidai, Kawagoe  
350-1165 Saitama  
Japan  
gardena-jp@  
husqvarnagroup.com

**Kazakhstan**

LAMED Ltd.  
155/1, Tazhibayevoy Str.  
050060 Almaty  
IP Schmidt  
Abayavenue 3B  
110 005 Kostanay

**Korea**

Kyung Jin Trading CO.,LTD.  
107-4, SunDuk Bld.,  
YangJae-dong,  
Seocho-gu,  
Seoul, (zipcode: 137-891)  
Phone: (+82) (0)2 574-6300

**Latvia**

Husqvarna Latvija SIA  
Ulbrokas 19A  
LV-1021 Riga  
info@gardena.lv

**Lithuania**

UAB Husqvarna Lietuva  
Ateities pl. 77C  
LT-52104 Kaunas  
info@gardena.lt

**Luxembourg**

Magasins Jules Neuberg  
39, rue Jacques Stas  
Luxembourg-Gasperich 2549  
Case Postale No. 12  
Luxembourg 2010  
Phone: (+352) 40 14 01  
api@neuberg.lu

**Mexico**

AFOSA  
Av. Lopez Mateos Sur # 5019  
Col. La Calma 45070  
Zapopan, Jalisco  
Mexico  
Phone: (+52) 33 3818-3434  
icornejo@afosa.com.mx

**Moldova**

Convel S.R.L.  
290A Muncesti Str.  
2002 Chisinau

**Netherlands**

Husqvarna Nederland B.V.  
GARDENA Division  
Postbus 50131  
1305 AC ALMERE  
Phone: (+31) 36 521 00 10  
info@gardena.nl

**Neth. Antilles**

Jonka Enterprises N.V.  
Sta. Rosa Weg 196  
P.O. Box 8200  
Curaçao  
Phone: (+599) 9 767 66 55  
pgm@jonka.com

**New Zealand**

Husqvarna New Zealand Ltd.  
PO Box 76-437  
Manukau City 2241  
Phone: (+64) (0) 9 9202410  
support.nz@husqvarna.co.nz

**Norway**

Husqvarna Norge AS  
Gardena Division  
Trøskenvæien 36  
1708 Sarpsborg  
info@gardena.no

**Peru**

Husqvarna Perú S.A.  
Jr. Ramón Cárcamo 710  
Lima 1  
Tel: (+51) 1 3320 400 ext. 416  
juan.remuzgo@  
husqvarna.com

**Poland**

Husqvarna  
Poland Spółka z o.o.  
ul. Wysockiego 15 b  
03-371 Warszawa  
Phone: (+48) 22 330 96 00  
gardena@husqvarna.com.pl

**Portugal**

Husqvarna Portugal, SA  
Lagoa - Albarraque  
2635 - 595 Rio de Mouro  
Tel.: (+351) 21 922 85 30  
Fax : (+351) 21 922 85 36  
info@gardena.pt

**Romania**

Madex International Srl  
Soseaua Odaii 117-123,  
RO 013603 București, S1  
Phone: (+40) 21 352.76.03  
madex@ines.ro

**Russia / Россия**

ООО „Хускварна“  
141400, Московская обл.,  
г. Химки,  
улица Ленинградская,  
владение 39, стр.6  
Бизнес Центр  
„Химки Бизнес Парк“,  
помещение ОВ02\_04  
http://www.gardena.ru

**Serbia**

Domel d.o.o.  
Autoput za Novi Sad bb  
11273 Belgrade  
Phone: (+381) 1 18 48 88 12  
miroslav.jejina@domel.rs

**Singapore**

Hy-Ray PRIVATE LIMITED  
40 Jalan Pemimpin  
#02-08 Tat Ann Building  
Singapore 577185  
Phone: (+65) 6253 2277  
shiyong@hyray.com.sg

**Slovak Republic**

Husqvarna Česko s.r.o.  
Türkova 2319/5b  
149 00 Praha 4 - Chodov  
Bezplatná infolinka: 800 154 044  
servis@sk.husqvarna.com

**Slovenia**

Husqvarna Austria GmbH  
Industriezeile 36  
4010 Linz  
Tel.: (+43) 732 77 01 01-485  
service.gardena@  
husqvarnagroup.com

**South Africa**

Husqvarna South Africa (Pty) Ltd  
Postnet Suite 250  
Private Bag X6,  
Cascades, 3202, South Africa  
Phone: (+27) 33 846 9700  
info@gardena.co.za

**Spain**

Husqvarna España S.A.  
Calle de Rivas nº 10  
28052 Madrid  
Phone: (+34) 91 708 05 00  
atencioncliente@gardena.es

**Suriname**

Deto Handelmaatschappij N.V.  
Kernkampweg 72-74  
P.O.Box: 12782  
Paramaribo - Suriname  
South America  
Phone: (+597) 438050  
www.deto.sr

**Sweden**

Husqvarna AB/  
GARDENA Sverige  
Drottninggatan 2  
561 82 Huskvarna Sverige

**Switzerland / Schweiz**

Husqvarna Schweiz AG  
Consumer Products  
Industriestrasse 10  
5506 Mägenwil  
Phone: (+41) (0) 62 887 37 90  
info@gardena.ch

**Turkey**

Dost Bahçe Diş Ticaret  
Mümessillik A.Ş  
Yunus Mah. Adil Sok. No:3  
Ic Kapi No: 1 Kartal  
34873 Istanbul  
Phone: (+90) 216 38 93 939  
info@dostbahce.com.tr

**Ukraine / Україна**

ТОВ «Хускварна Україна»  
вул. Васильківська, 34,  
офіс 204-г  
03022, м. Київ  
Тел. (+38) 0 800 504 804  
info@gardena.ua

**Uruguay**

FELI SA  
Entre Ríos 1083 CP 11800  
Montevideo - Uruguay  
Tel: (+598) 22 03 18 44  
info@felisa.com.uy

**Venezuela**

Corporación Casa y Jardín C.A.  
Av. Caroní, Edif. Trezmen, PB.  
Colinas de Bello Monte.  
1050 Caracas.  
Tlf: (+58) 212 992 33 22  
info@casayjardin.net.ve

9025-29.960.02/1120  
© GARDENA Manufacturing GmbH  
D-89079 Ulm  
http://www.gardena.com