



**SPARE PARTS LIST**  
**HTC 400 DS**





## Table of contents

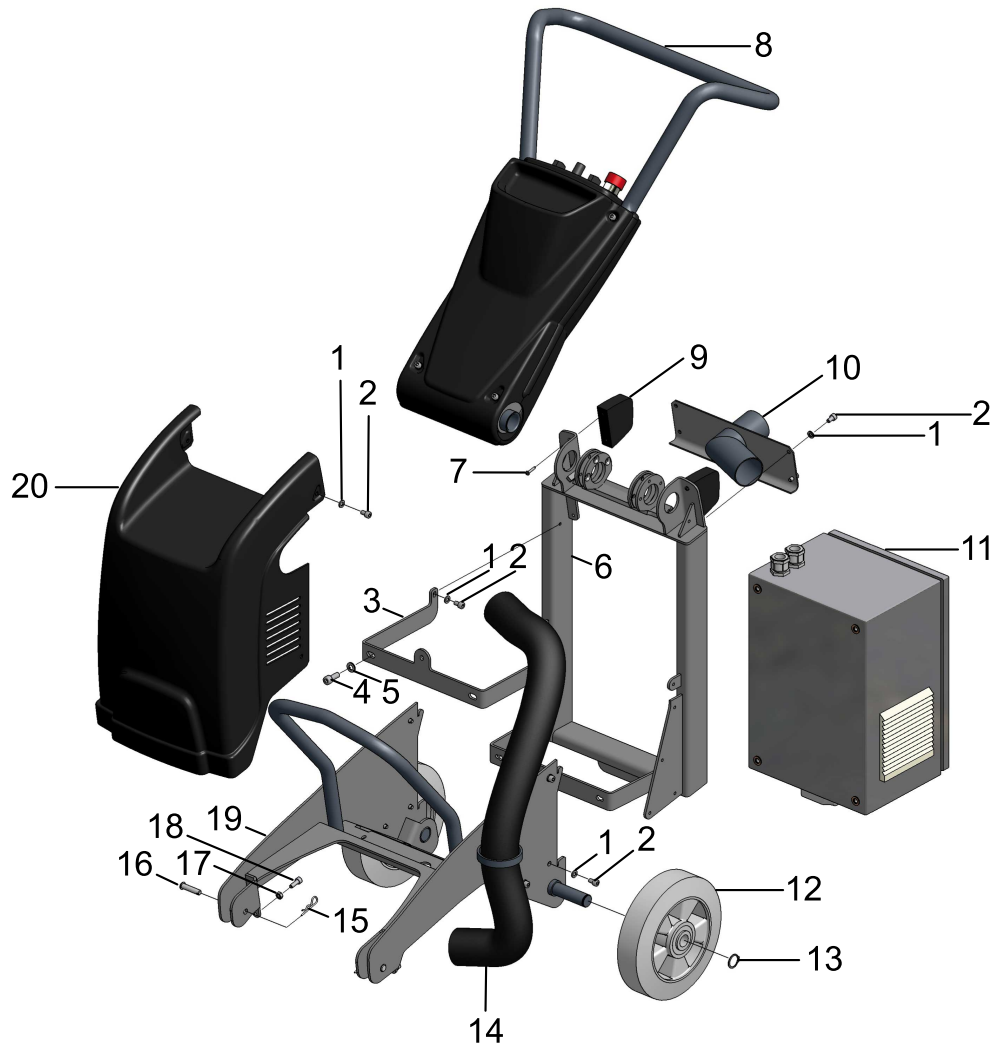
<b>1. Spare parts.....</b>	<b>2</b>
1.1 Chassis.....	2
1.2 Handle.....	4
1.3 Grinding head.....	6
1.4 Grinding holder.....	8

---



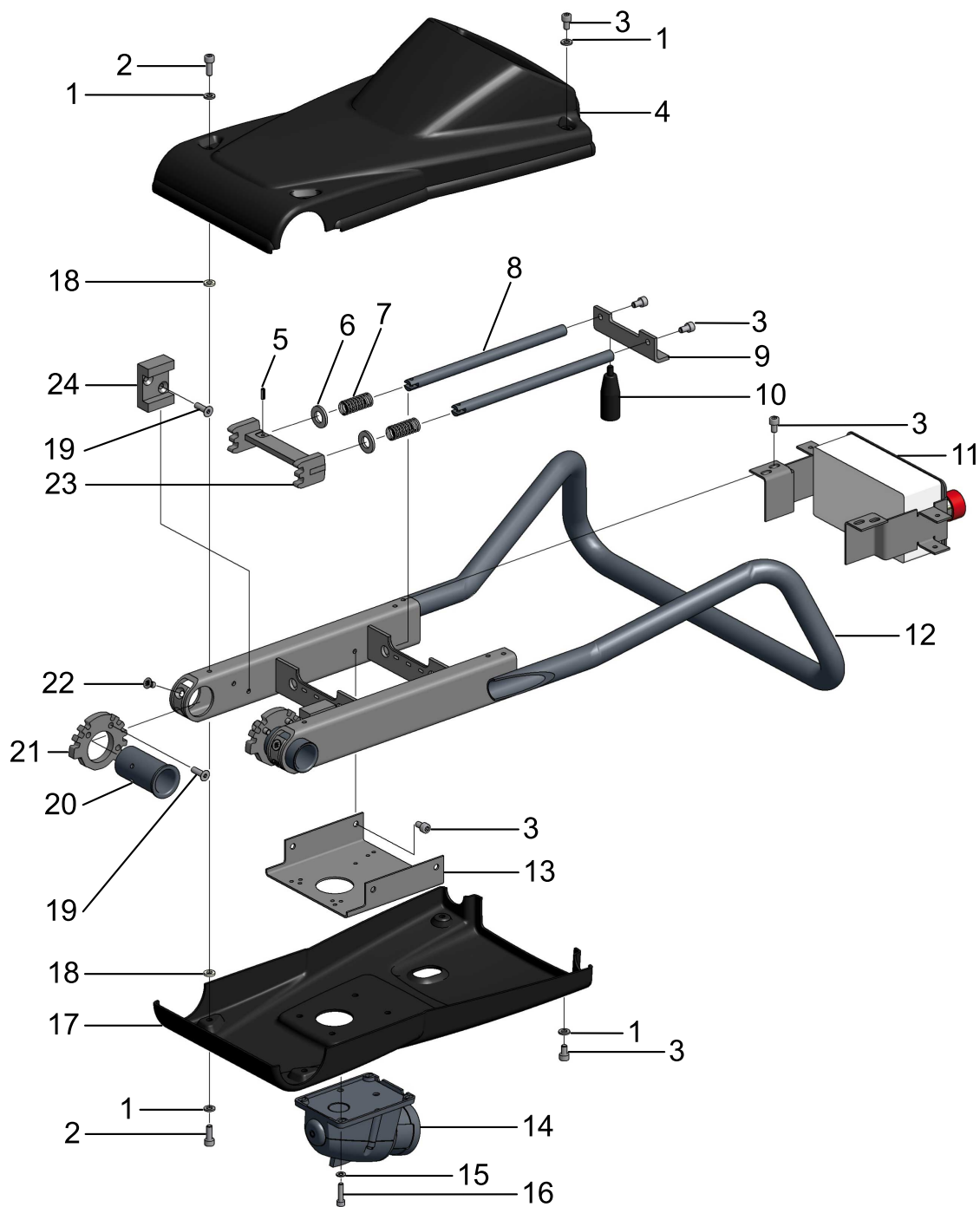
# 1. Spare parts

## 1.1. Chassis



Pos.	Designation	Part number	Number
1	Washer BRB M6 galv.	593496001	24
2	Screw MC6S M6x10 8.8 galv.	593495401	30
3	Holder electrical cabinet	595602901	1
4	Screw MC6S M8x20 8.8 galv.	593502801	8
5	Washer BRB M8 galv.	593500401	4
6	Chassis, central section	593436301	1
7	Screw thermoplastic PT WN 1452 TX	593502601	4
8	Handle	see Handle on page 4	1
9	Support boss	593437101	2
10	Adapter hose	595603401	1
11	Power unit 400 DS 208V 3kW	112200	1
11	Power unit 400 DS CE 3x400V 4kW	112198	1
11	Power unit 400 DS 460V 3kW	112199	1
12	Wheel 583-20-5130 Grey	593408701	2
13	Circlip SGA 20	593496301	2
14	Hose H51	593478501	0.8 m
15	Cotter pin, galv. 2x41	593502501	2
16	Pin fixing lug	593509801	2
17	Nut M6M M6 galv.	593505501	2
18	Screw MC6S M6x16 8.8 galv.	593500701	12
19	Chassis, bottom	595603301	1
20	Cover top HTC 400 DS	595603601	1

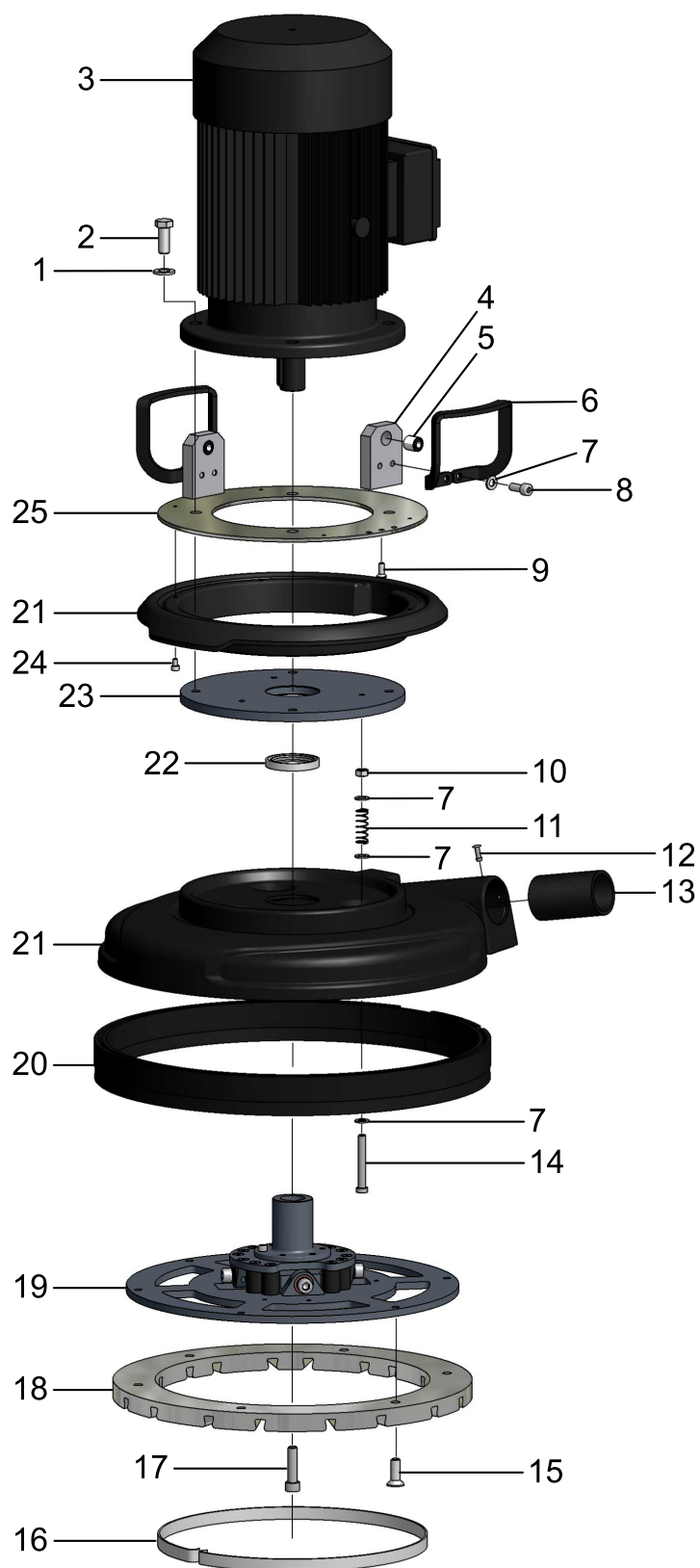
## 1.2. Handle



Pos.	Designation	Part number	Number
1	Washer BRB M6 galv.	593496001	24
2	Screw MC6S M6x16 8.8 galv.	593500701	12
3	Screw MC6S M6x10 8.8 galv.	593495401	32
4	Controls, cover top	593436201	1
5	Flexible tubular pin FRP A2 4x12	593438001	2
6	Washer BRB M12 galv.	593499401	2
7	Compression spring handle	593437201	2
8	Control shaft	593436601	2
9	Control plate	593436701	1
10	Handle knob	593436801	1
11	Bracket control panel	595611301	1
12	Handle	112158	1
13	Connection plate electricity	595603001	1
14	Electrical socket 16A 346-415 V Black	595615801	1
14	Electrical socket 16A 346-415 V 5P Red	593395901	1
14	Electrical socket 32A 200-250 V 4P Blue	593376301	1
15	Washer BRB M5 galv.	593504301	4
16	Screw MC6S M5x20 8.8 galv.	593503801	4
17	Guide casing, bottom	593436101	1
18	Spacer	595674801	4
19	Screw MFT M6x20 8.8 galv.	593496701	10
20	Hub handle	593437001	2
21	Cog, lower	593436901	2
22	Screw MFT M6x10 8.8 galv.	593505801	4
23	Cog lock, upper	593436501	2
24	Support handle mechanism	593436401	2

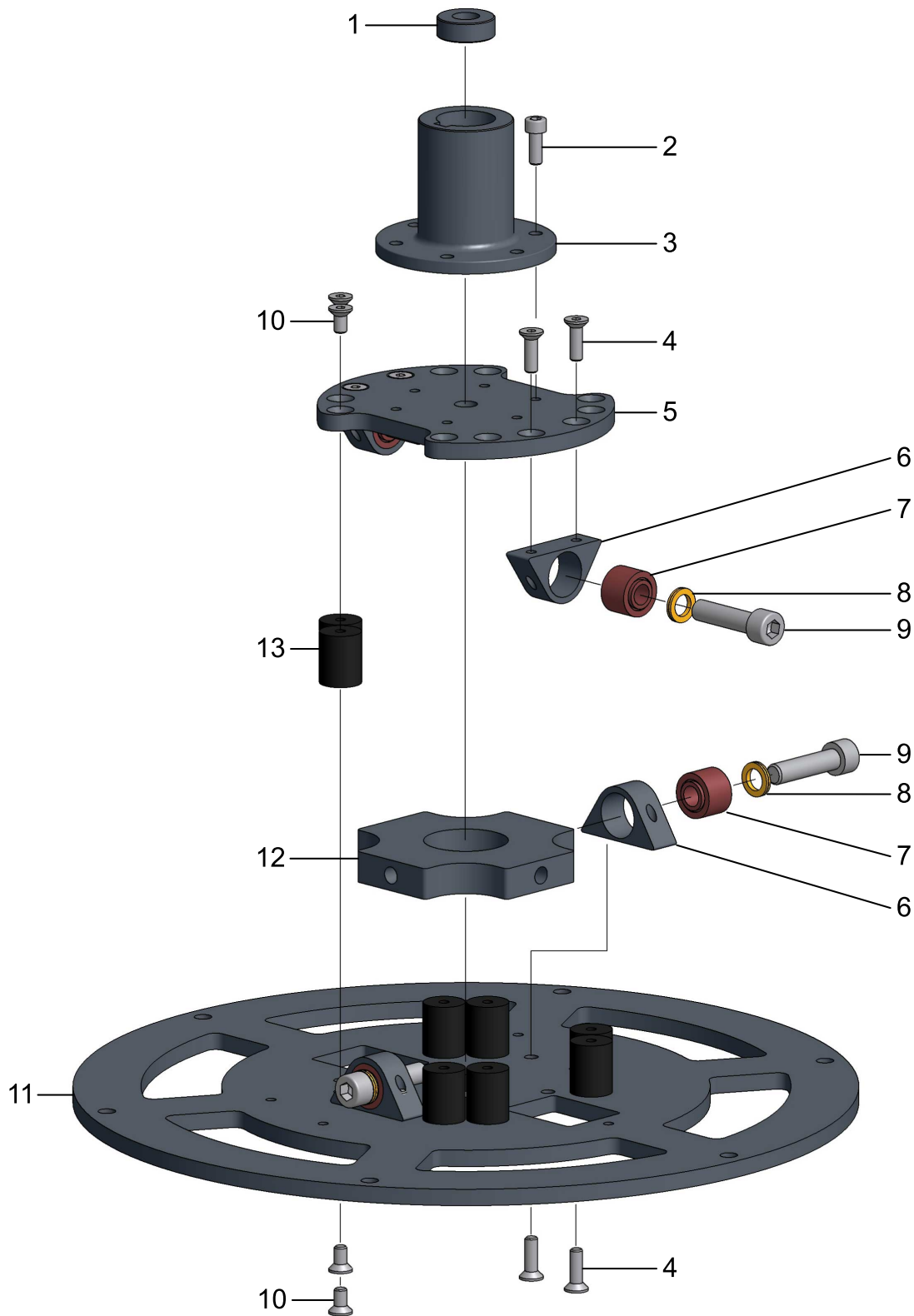


### 1.3. Grinding head



Pos.	Description	Item number	Quantity
1	Washer BRB M12 galv.	593499401	4
2	Screw M6S M12x30 8.8 galv.	593501601	4
3	Motor 3kW 208V 112-6 60Hz	111358	1
3	Motor 4kW 200/346V 112M-4	110225	1
3	Motor 3kW 460V 112-6 60Hz	595813301	1
4	Fixing lug	593402701	2
5	Sleeve K 10 16 15-1	593377801	2
6	Lifting handle	593408601	2
7	Washer BRB M8 galv.	593500401	13
8	Screw MC6S M8x20 8.8 galv.	593502801	4
9	Screw MFT M6x16 10.9 galv.	595672001	6
10	Nut M6M M8 FZB	593504701	3
11	Spring 6002	593446001	3
12	Pop rivet 4.8x12	593500801	2
13	Hose connector	593446301	1
14	Screw MLC6S M8x60 12.9 galv.	593507901	3
15	Screw MF6S M10x30 10.9 galv.	593502401	6
16	Lock spring tool holder	593422801	1
17	Screw MC6S M10x35 8.8 galv.	593508101	1
18	Tool holder D400	210942	1
19	Grinding holder cardan complete 370	593441101	1
20	Brush strip	593446101	1,33m
21	Cover 400	593437801	1
22	Radial seal 45x60x8 HMSA4	593416701	1
23	Motor plate, bottom	595810701	1
24	Screw MC6S M5x8 galv.	593501901	4
25	Motor plate, top	595811601	1

## 1.4. Grinding holder



---

<b>Pos.</b>	<b>Designation</b>	<b>Part number</b>	<b>Number</b>
1	Spacer	593442201	10
2	Screw MC6S M6x16 8.8 galv.	593500701	6
3	Flange hub	593445601	1
4	Screw MF6S M6x20 10.9 galv.	593496101	8
5	Grinding holder top HTC 400	593445301	1
6	Lug cardan	593616501	4
7	Sleeve K 14 22 15-2	593440901	4
8	Nordlock washer NL10	310302	4
9	Screw MC6S M10x35	593508101	4
10	Screw MF6S M6x12 10.9 galv.	595672001	16
11	Grinding holder	593440401	1
12	Cardan holder	593438401	1
13	Vibration damper 20x25 M6	593438801	8

# Control Panel

X03

CB

