



SPARE PARTS LIST
HTC 800 RX

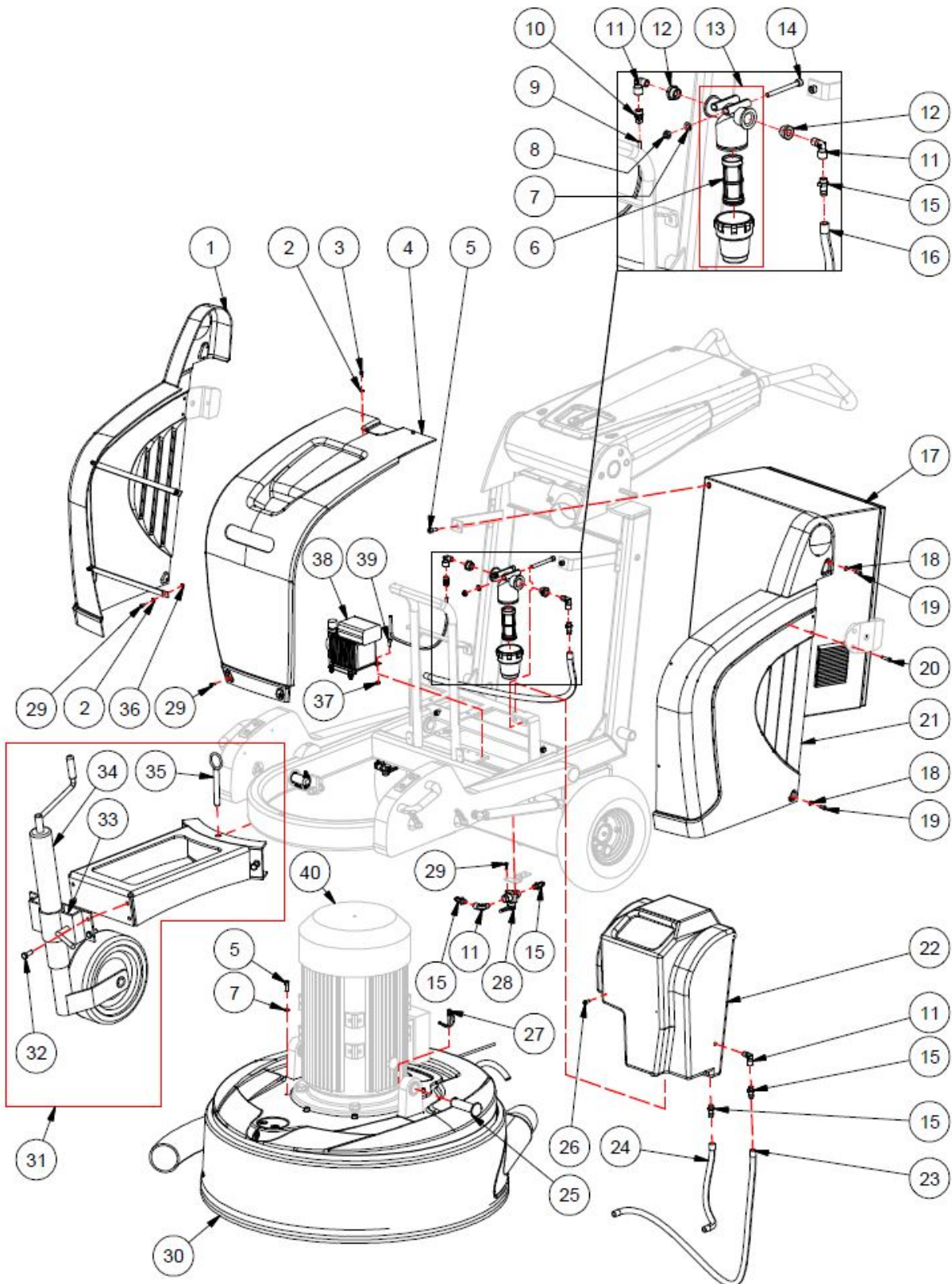




Table of contents

HTC 800RX Overview	2
HTC 800RX Grinding head.....	4
HTC 800RX Support wheel	7
HTC 800RX Grinding holder.....	8
HTC 800RX Mist nozzle V.2.....	12
HTC 800RX Chassis	13
HTC 800RX Driving box	16
HTC 800RX Electrical overview.....	17
HTC 800RX Electrical.....	18
HTC 800RX Remote Control	21

HTC 800RX Overview



HTC 800RX Overview

Item	Description	Part no	Qty
1	COVER RIGHT SIDE	593421201	1
2	WASHER M5	593504301	6
3	SCREW M5X8	593501901	2
4	COVER TOP	593421101	1
5	SCREW M8X20	593502801	12
6	FILTER TO 111395	593423701	1
7	WASHER M8	593500401	10
8	LOCKNUT M8	593499801	2
9	HOSE Ø6MM	593433801	0,3M
10	HOSE CONNECTOR 1511-6/4-1/4	593426801	1
11	L-TUBE - IU 2020-1/4	593389601	5
12	BUSHING 2531-1/2-1/4	593426901	2
13	FILTER HOUSE	593423601	1
14	SCREW M8X80	595672301	2
15	TUBE CONNECT 2601-12-1/4	593391601	7
16	HOSE Ø10MM REINFORCED	593388601	0,45M
17a	POWER UNIT 15KW 3X460 US	595725201	1
17b	POWER UNIT 15KW 3X400 EU	595725301	1
18	WASHER M6	593496001	4
19	SCREW M6X12	593497301	4
20	SCREW M6X25	593497801	4
21	COVER LEFT SIDE	593422501	1
22	WATER TANK	593628501	1
23	HOSE Ø10MM REINFORCED	593388601	0,7M
24	HOSE Ø10MM REINFORCED	593388601	0,3M
25	SHAFT SPRINT	593422201	2
26	SCREW RXS ST5,5X19 ZP PH	595671801	4
27	LOCKING PIN LSR 25	593506201	2
28	WATER TAP	593381001	2
29	SCREW M5X12	593502001	14
30	GRINDING COVER FLOATING COMPL.	593528301	1
31	SUPPORT WHEEL HTC 650-950	593530201	1
32	SEE SUPPORT WHEEL		
33	SEE SUPPORT WHEEL		
34	SEE SUPPORT WHEEL		
35	SEE SUPPORT WHEEL		
36	LOCKNUT M5	593506501	4
37	LOCKNUT M6	593500001	4
38	PUMP	593473301	1
39	SCREW M6X16	593500701	4
40	GRINDING HEAD HTC 800 HDX/RX		

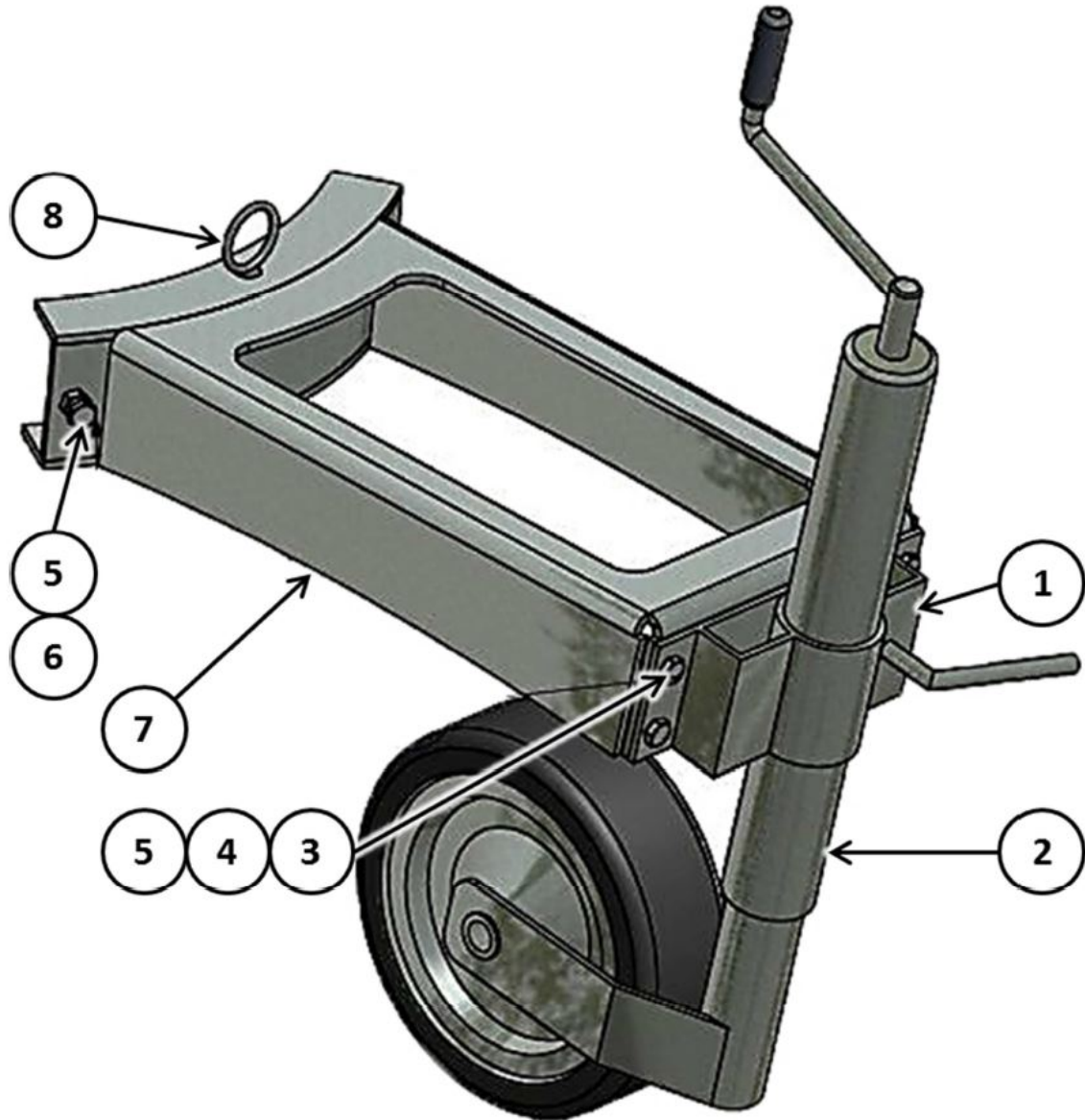
HTC 800RX Grinding head

Item	Description	Part no	Qty
1	BORDER	593415301	1
2	BELT INNER S250H70x2740	593418901	1
3	CENTER BELT PULLEY COMPLETE	593412501	1
4	CENTER BELT PULLEY	593409401	1
5	SHAFT CENTER BELT PULLEY	593409201	1
6	CIRCLIP SGH 100	593503001	1
7	BELT TENSIONER COMPLETE	593412601	2
8	CIRCLIP SGA 35	593498101	4
9	BALL BEARING 6207-2RS1/C3	593385101	8
10	BELT TENSIONER PULLEY	593410701	4
11	SHAFT STRAPCLASP LOWER	593410601	2
12	SHAFT SUPPORT	593409901	3
13	HUB COMPLETE (DRIVING)	593412401	2
14	LOWER METAL PLATE	595810301	1
15	WASHER TBR SB M10 ZP	593498501	8
16	SCREW M10X30	593499701	8
17	CP 6H8x20	593498901	24
18	GRIND HOLDER CARDAN 270	593439001	4
19	TOOL HOLDER EZ 270:6	593319105	4
20	SCREW M8X20	593502801	29
21	SCREW M16x20	593505701	4
22	WASHER M16	593497501	8
23	SCREW M8X25	593499601	14
24	HUB COMPLETE (NOT DRIVING)	593424401	2
25	SHAFT PRESS WHEEL ECC.	110965	2
26	BELT TENSIONER COMPLETE ECC.	595637101	2
27	BALL BEARING 6013-2RS1/C3	593411301	2
28	SPACER CENTER BELT PULLEY	593409301	1
29	CIRCLIP SGA 65	593502901	1
30	SCREW M6x16	593507801	30
31	FIXING BOSS	593410201	16
32	SCREW M10x20	593500501	8
33	BELT RING PART 2	593426401	2
34	BELT RING PART 1	593426301	2
35	BALL BEARING 6017-2RS1 C3	593411801	2
36	CIRCLIP SGA 85	593503201	1
37	BELT UPPER POLY-V QPJ1549-16	593418201	1
38	WASHER TBR SB M8 ZP	593496201	3
39	SCREW M8X25	593495201	3
40	SCREW M8X25	593501701	8
41	COVER CENTER HUB	593409801	1

HTC 800RX Grinding head

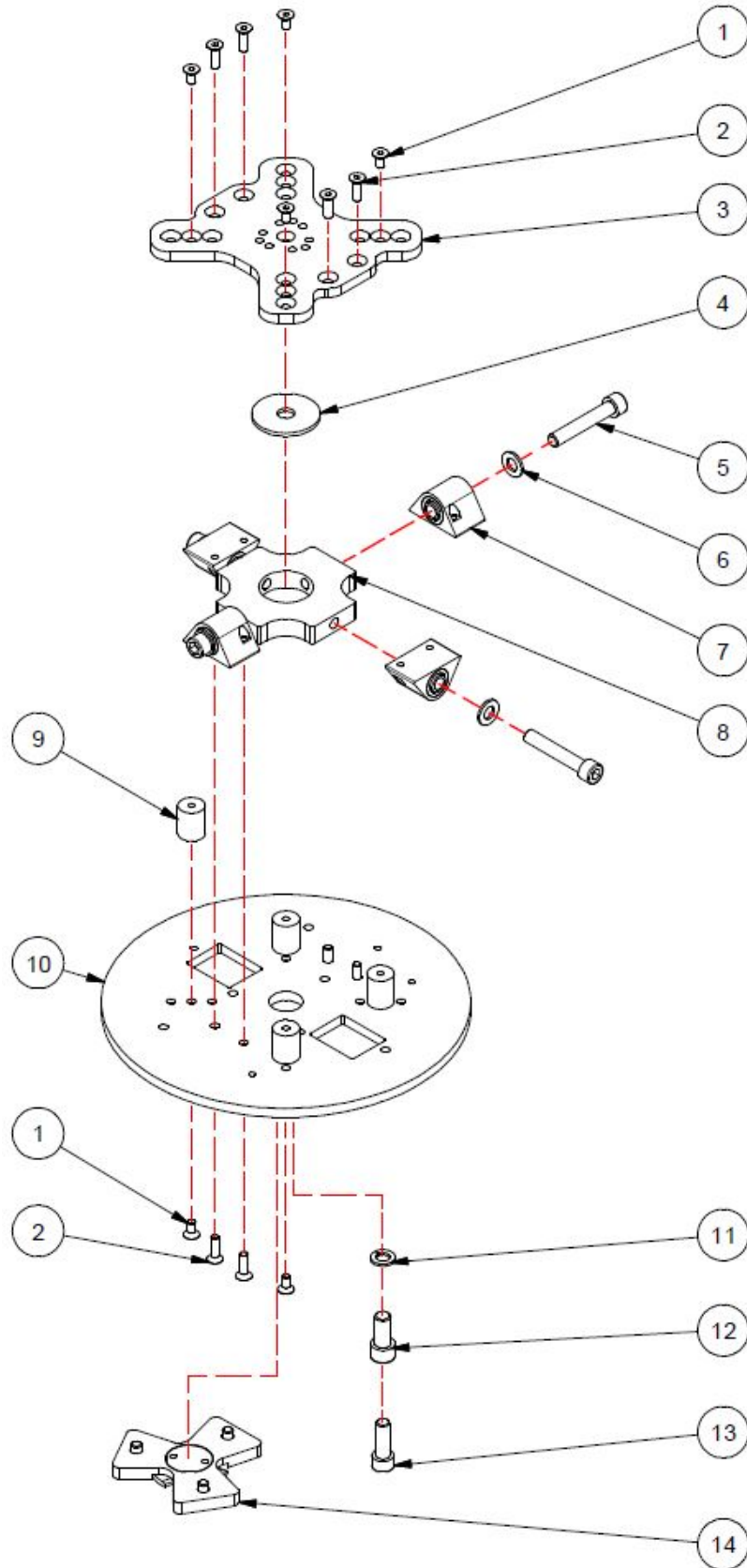
Item	Description	Part no	Qty
42	SPACER BELT TENSIONER	593410301	2
43	UPPER METAL PLATE	593416101	1
44	SCREW M5x8	593497201	6
45	RADIAL SEAL CR20X30X5 HMS5 RG	593411501	2
46	GAMMA RING 9RB 25X42X04	593411601	2
47	KEYS RK 6x6X25	593505401	2
48	SHAFT TAP	593410501	2
49	SCREW M8X120	593505901	2
50	NILOS RING 45x75LSTO	593412301	1
51	BEARING CUP	593409501	1
52	HUB ENGINE PLATE	593415801	1
53	MOTOR PLATE	593416001	1
54	HOLD	593422601	2
55	BUSHING 25-40_30-35	593421801	2
56	SCREW M16x40	593508601	4
57	MOTOR 15KW 400/690V B5 IE2	593464601	1

HTC 800RX Support wheel



Item	Description	Part no	Qty
1	BRACKET SUPORT WHEEL	593470101	1
2	SUPPORT WHEEL	593470001	1
3	WASHER M10	593499101	4
4	LOCK NUT M10	593495801	4
5	SCREW M10x30	593499701	6
6	NUT M10	593500901	2
7	SUPPORT WHEEL CHASSIS	593530101	1
8	PIN	593440601	1

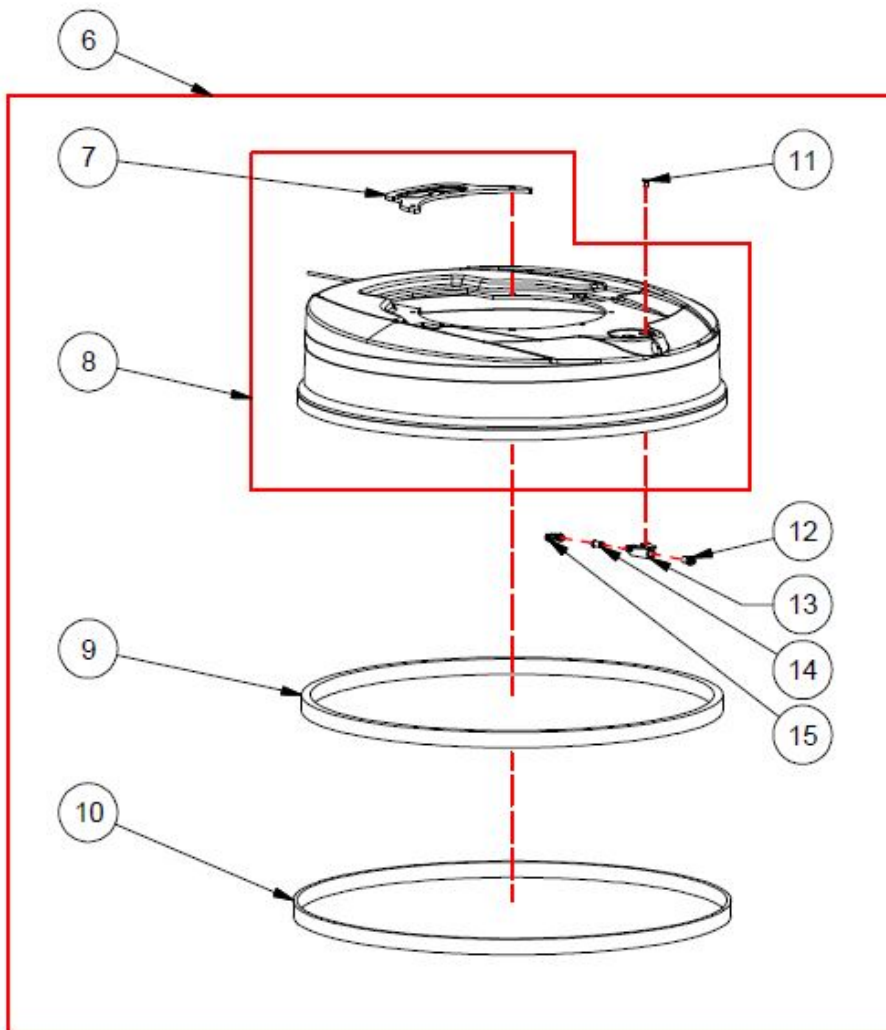
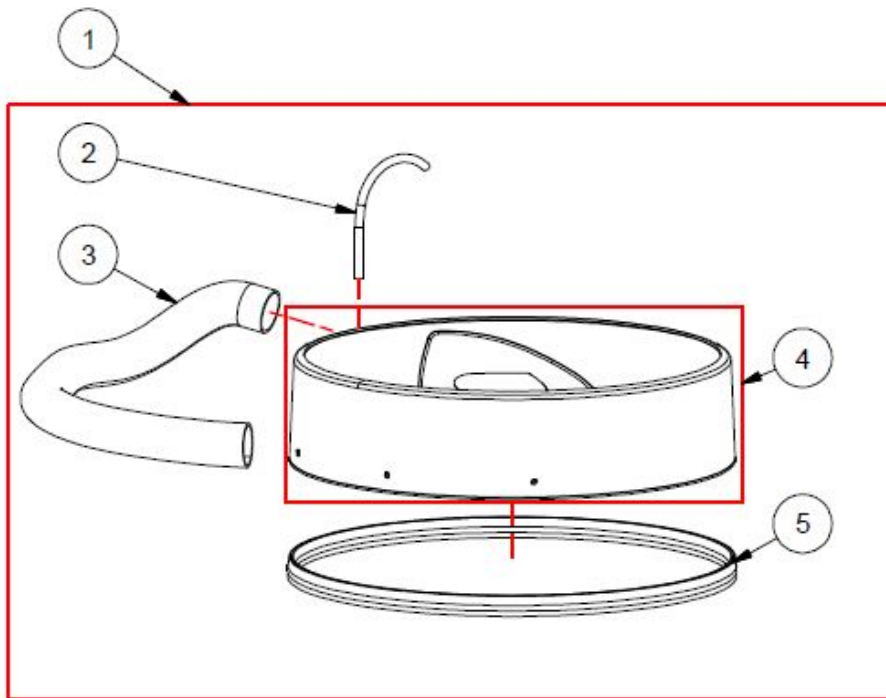
HTC 800RX Grinding holder



HTC 800RX Grinding holder

Item	Description	Part no	Qty
1	SCREW M6X12	593508501	8
2	SCREW M6X20	593505101	8
3	UPPER GRIND HOLDER PLATE	593438201	1
4	WASHER	593438601	1
5	SCREW M10X60	593496601	4
6	WASHER M10	593499101	4
7	EAR WIDE COMPLETE	593718101	4
8	CARDAN CONNECTION	593438401	1
9	SHOCK ABSORBER 20x25 M6	595748401	4
10	GRIND HOLDER PLATE	593438501	1
11	WASHER A 10 DIN 127	593509901	1
12	SCREW M12X25	593503601	1
13	SCREW M10X30	593504101	1
14	CROSS COMPLETE	593615901	1

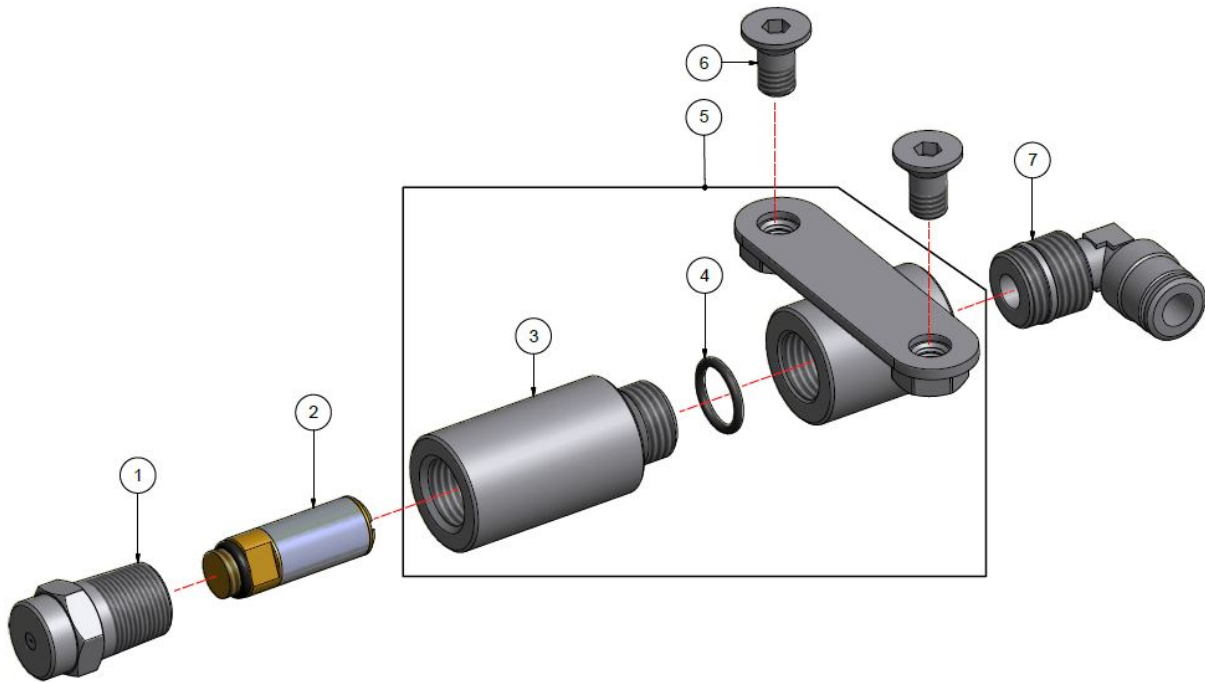
HTC 800RX Floating cover



HTC 800RX Floating cover

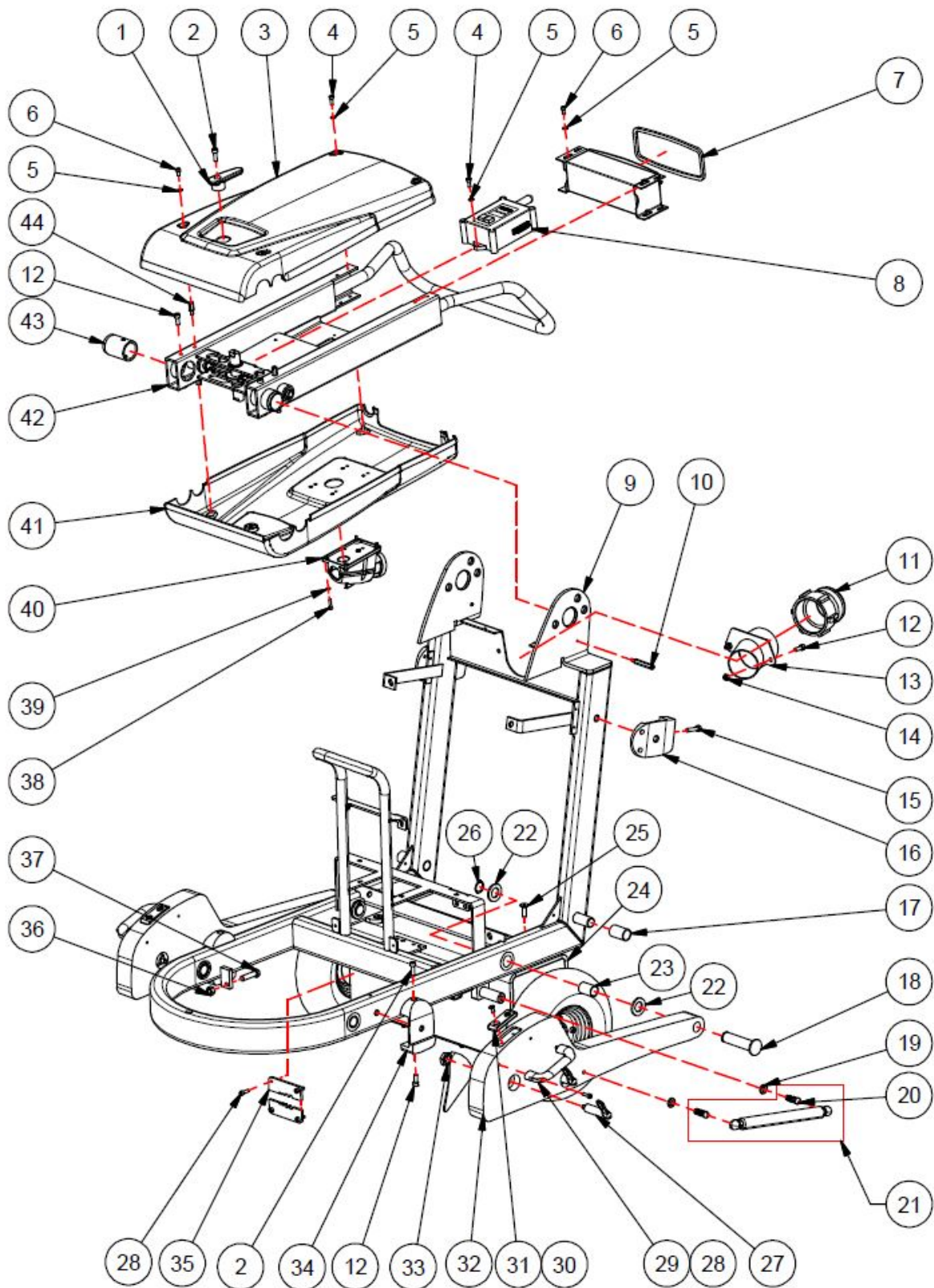
Item	Description	Part no	Qty
1	GRINDING COVER OUTER FLOATING COMPL.	593529301	1
2	HOSE Ø10MM REINFORCED	593388601	0.5M
3	HOSE 3" ANTISTATIC BLACK	593478701	1.45M
4	GRINDING COVER OUTER FLOATING	593528601	1
5	BRUSH LIST 15 MM	593446101	2.7M
6	GRINDING COVER INNER FLOATING COMPL.	593529201	1
7	COVER	595699801	1
8	GRINDING COVER INNER FLOATING	595699901	1
9	FOAM VELOUR BACK 30X17	593527401	1
	VELCRO	593615601	2.6M
10	FOAM VELOUR BACK 30X8	593527501	1
	VELCRO	593615601	2.6M
11	SCREW MFTS M6X16	593507801	2
12	NOZZLE RXT 0060 B1	593423801	1
13	MIST HOLDER	593518201	1
14	FILTER VEF 0138T1B	593423901	1
15	CONNECTOR ANGLE 6MM OUTS. 1/4"	593449801	1

HTC 800RX Mist nozzle V.2



Item	Description	Part no	Qty
1	NOZZLE	593423801	1
2	FILTER	593423901	1
3	MIST HOLDER ADAPTER (INCLUDED IN POS5)		
4	O-RING	595645001	1
5	MIST HOLDER COMPLETE	593518201	1
6	SCREW M6X16	593507801	2
7	CONNECTOR ANGLE	593449801	1

HTC 800RX Chassis



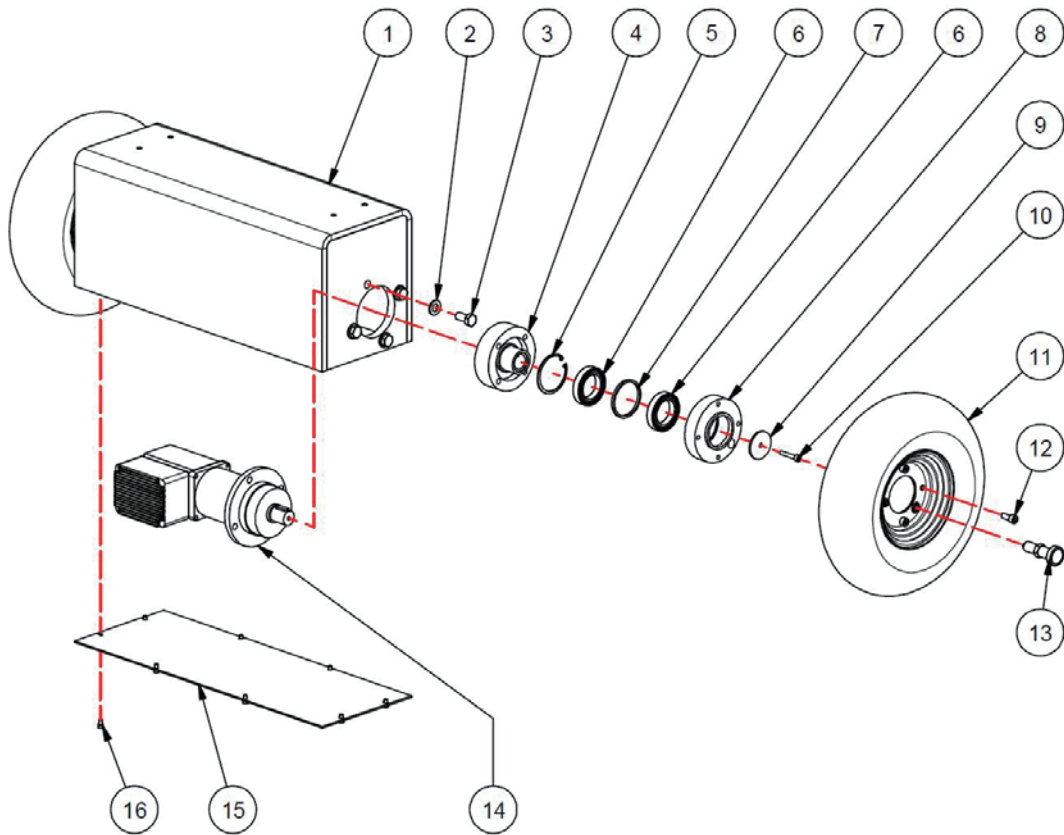
HTC 800RX Chassis

Item	Description	Part no	Qty
1	KNOB	593516201	2
2	SCREW M8X25	593499601	4
3	HANDLE COVER UPPER	593516401	1
4	SCREW M6X16	593500701	6
5	WASHER M6	593496001	14
6	SCREW M6X12	593497301	8
7	GASKET CONTROL PANEL	593417401	1
8	RADIO SYSTEM RX COMPL.	593616701	1
9	CHASSI HTC 800 HDX/RX	593421601	1
10	SPACER SCREW M6x60	593506901	2
11	CAMLOCK MALE ALU THREAD IR 3"	593457501	1
12	SCREW M8X25	593499601	12
13	HOLDER 3" CAMLOCK PIPE 76	593518301	1
14	LOCKNUT M8	593499801	2
15	SCREW M8X35	593504001	2
16	WEAR PROT UPPER	593422101	2
17	WEAR PROT, WEIGHT STOP	593422301	2
18	SHAFT FOR WEIGHT	593413501	2
19	WASHER M10	593495701	4
20	BALL JOINT M10	593473701	2
21	GAS SPRING COMPLETE	593421701	2
22	WASHER M24	593504401	4
23	BUSHING BF25X40	593417201	4
24	DRIVING BOX COMPLETE HTC 800 RX	Discontinued	1
25	SCREW M10x30	593502401	4
26	CIRCLIP SGA 25	593496801	2
27	LEVER INDEXING PLUNGER	593431001	4
28	SCREW M6X20	593497101	8
29	HANDLE	593418601	2
30	SCREW M6x16	593507801	4
31	SLIDING STRIP, WEIGHT	593422001	2
32	WEIGHT 33KG	593421901	2
33	NUT M20 x 1,5	112779	4
34	WEAR PROTECTION, LOWER	593413801	2
35	CABLE GLAND	593420301	2
36	NUT M12	593504501	2
37	SCREW M12x45	593498001	2
38	SCREW M5X20	593503801	4
39	WASHER M5	593504301	4
40a	POWER INLET, SURF32A 5P BLACK	593401301	1
40b	POWER INLET, SURF32A 5P RED	593400101	1

HTC 800RX Chassis

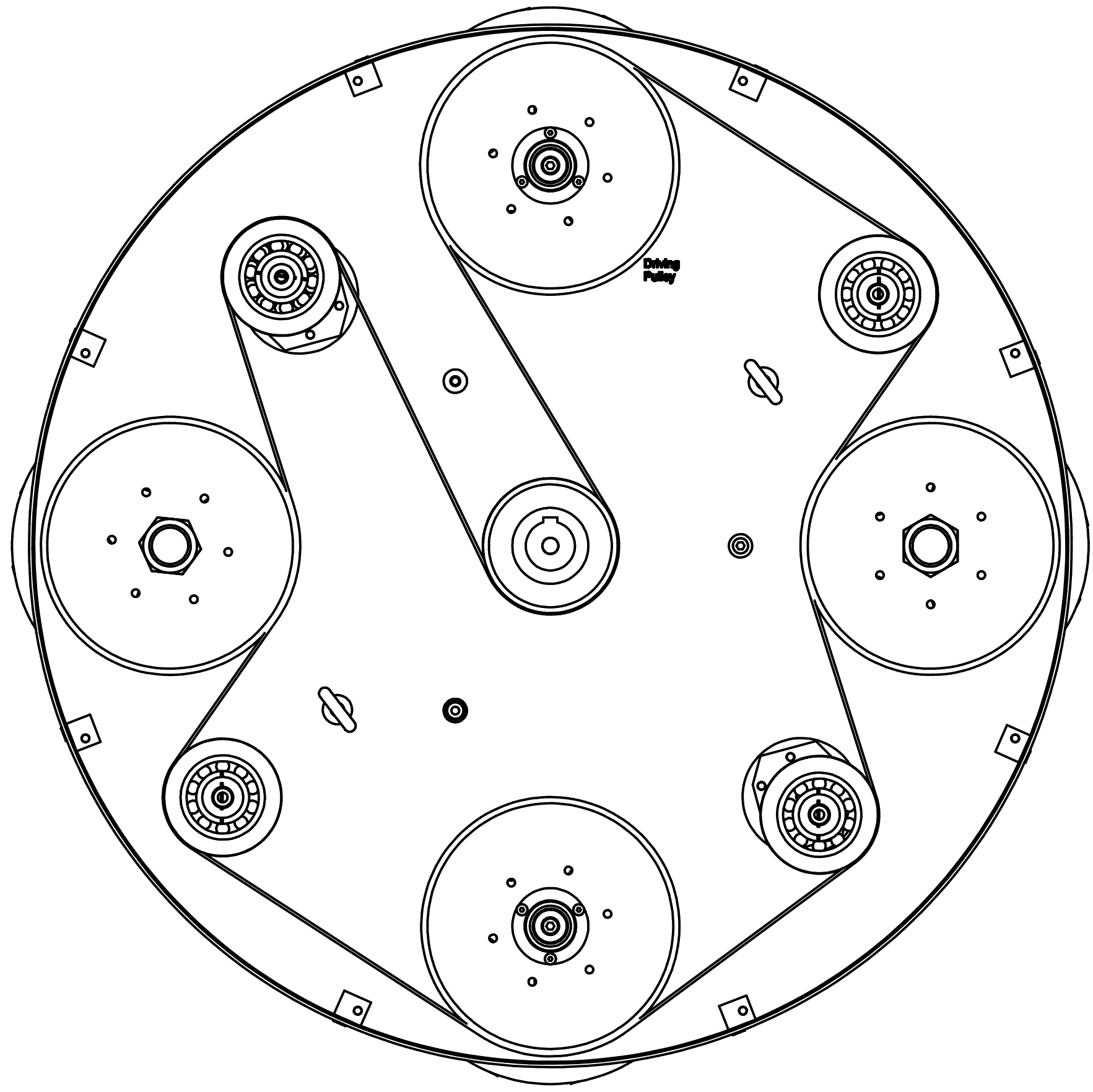
Item	Description	Part no	Qty
41	HANDLE COVER LOWER	593516301	1
42	HANDLE WITH LOCK DEVICE	593516501	1
43	FASTENING PIPE HANDLE	593413601	2
44	SPACER SCREW M6x20	593503901	4

HTC 800RX Driving box

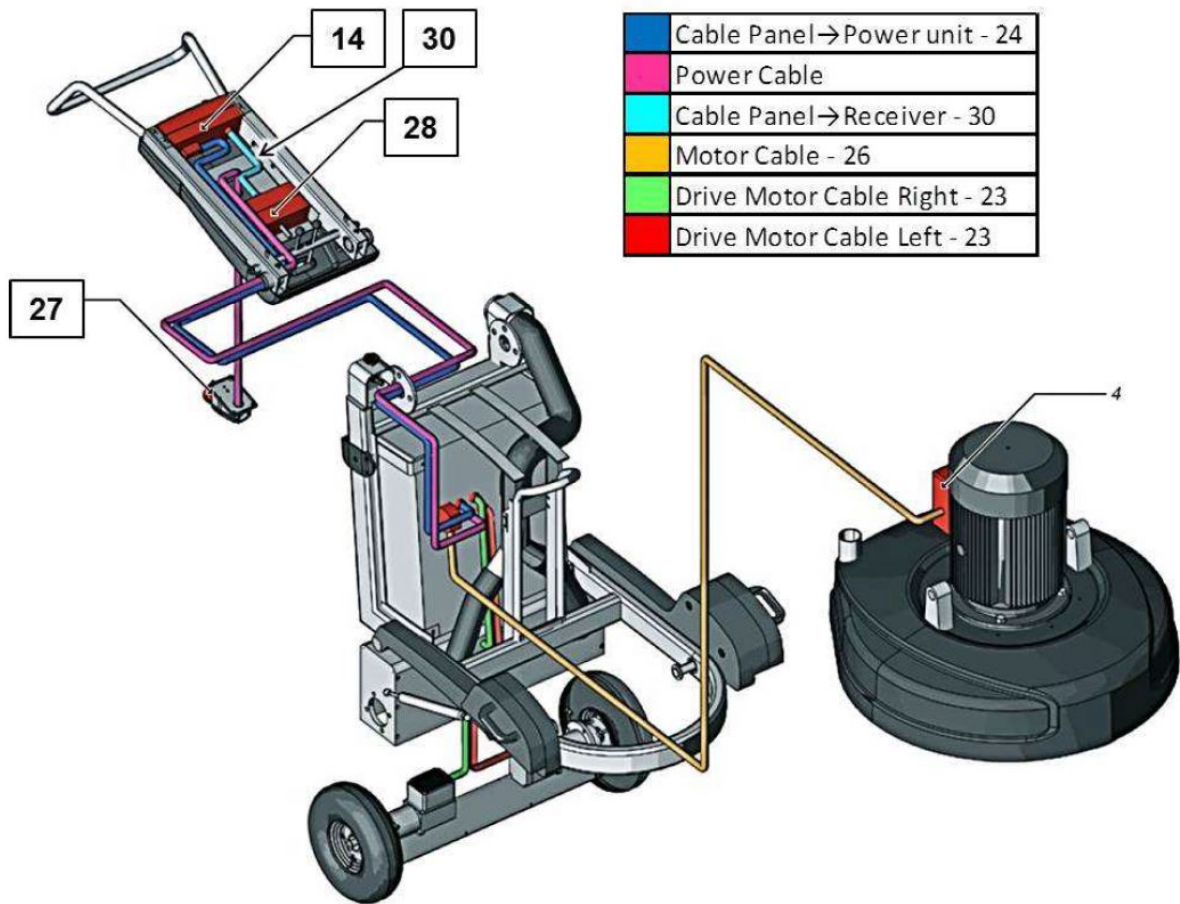


Item	Description	Part no	Qty
1	DRIVING BOX	593528801	1
2	WASHER BRB M12 ZP	593499401	8
3	SCREW M6SH M12x25 8.8 ZP	593495901	8
4	HUB WHEEL LOCKING	593414601	2
5	CIRCLIP SGH 62	593504601	2
6	BALL BEARING 61908-2RS1	593416301	4
7	SPACER WHEEL LOCKING	593414901	2
8	SLEEVE WHEEL LOCKING	593414701	2
9	WASHER WHEEL LOCKING	593414801	2
10	SCREW MC6S M6X35 8.8 ZP	593504201	2
11	WHEEL	593469001	2
12	SCREW MC6S M8X20 8.8 ZP	593502801	8
13	LEVER INDEXING PLUNGER WHEEL	593413901	2
14	DRIVE PACKAGE RX See Note !	593470401	2
15	LID DRIVING BOX	593528901	1
16	SCREW MC6S M5X8 8.8 ZP	593501901	8

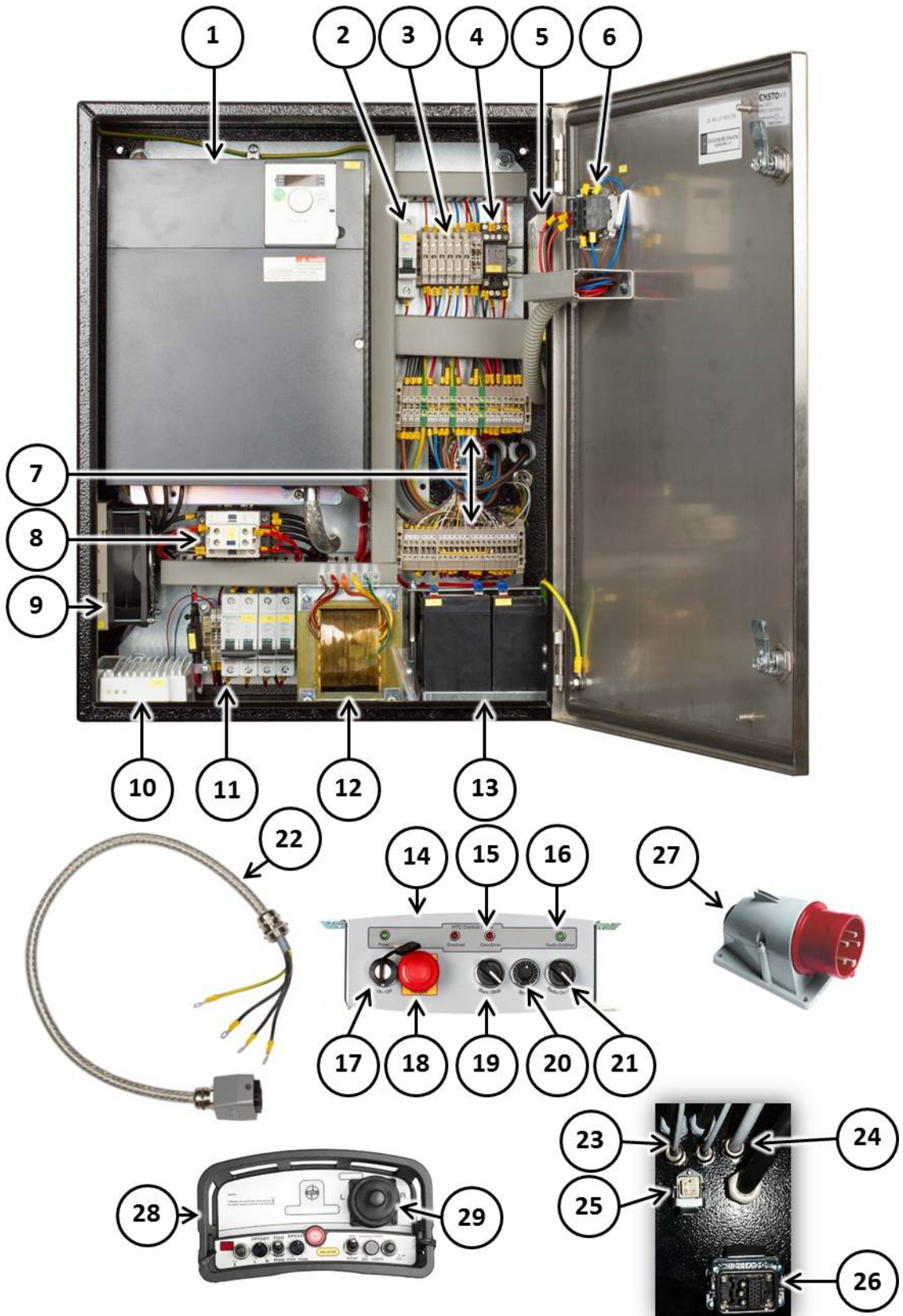
Note: If you have an old motor with number **H110950** and a last letter **A** to **E**. You need to change both motors. If the last letter is **F,G,H** and so on, you have a new model and it is enough to change one.



HTC 800RX Electrical overview



HTC 800RX Electrical



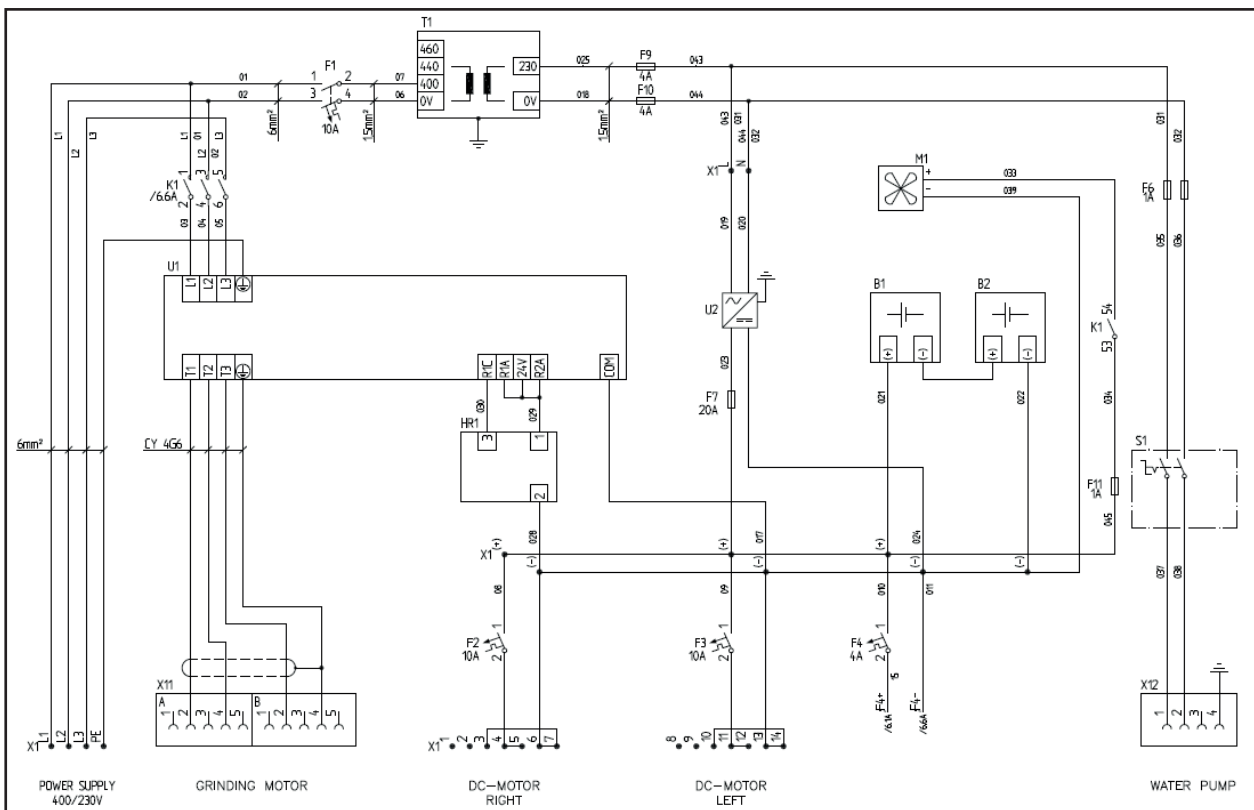
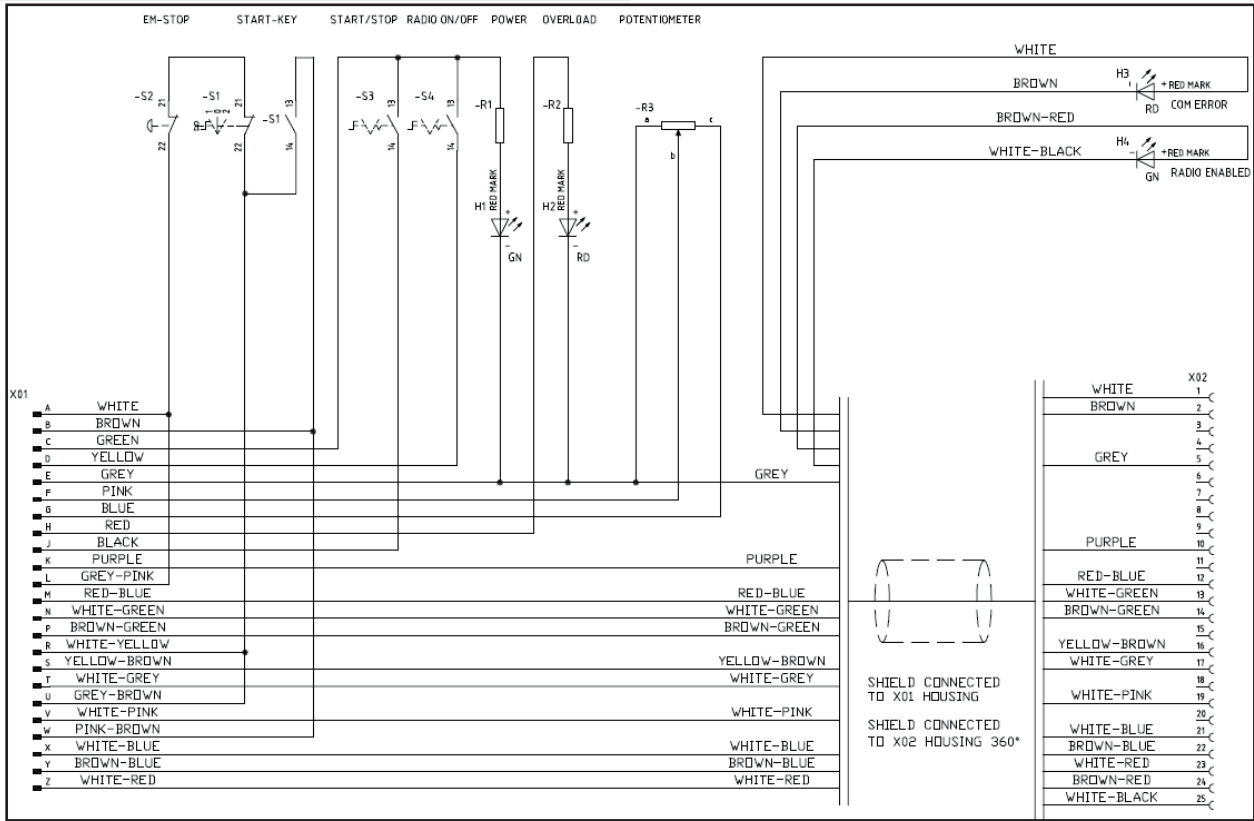
HTC 800RX Electrical

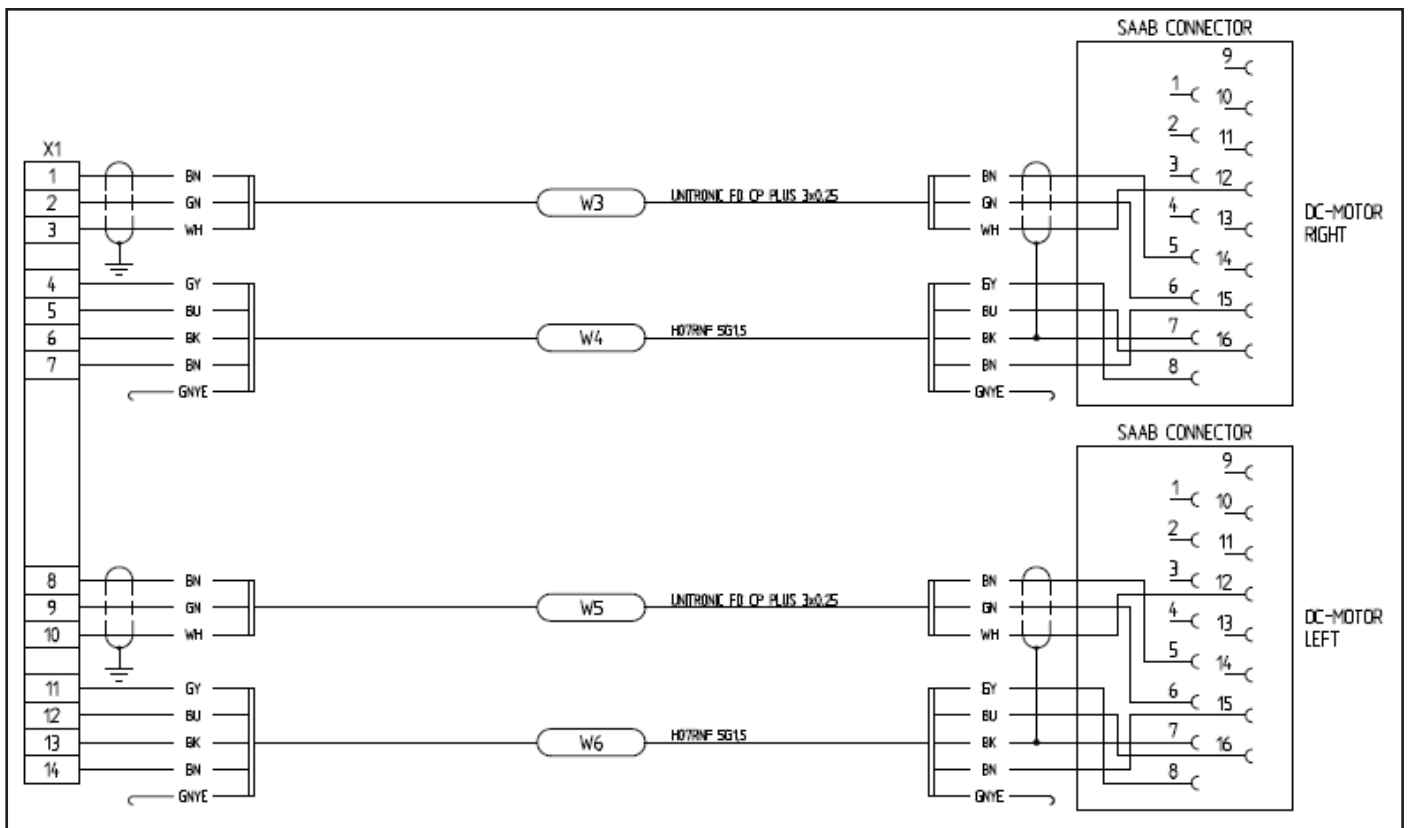
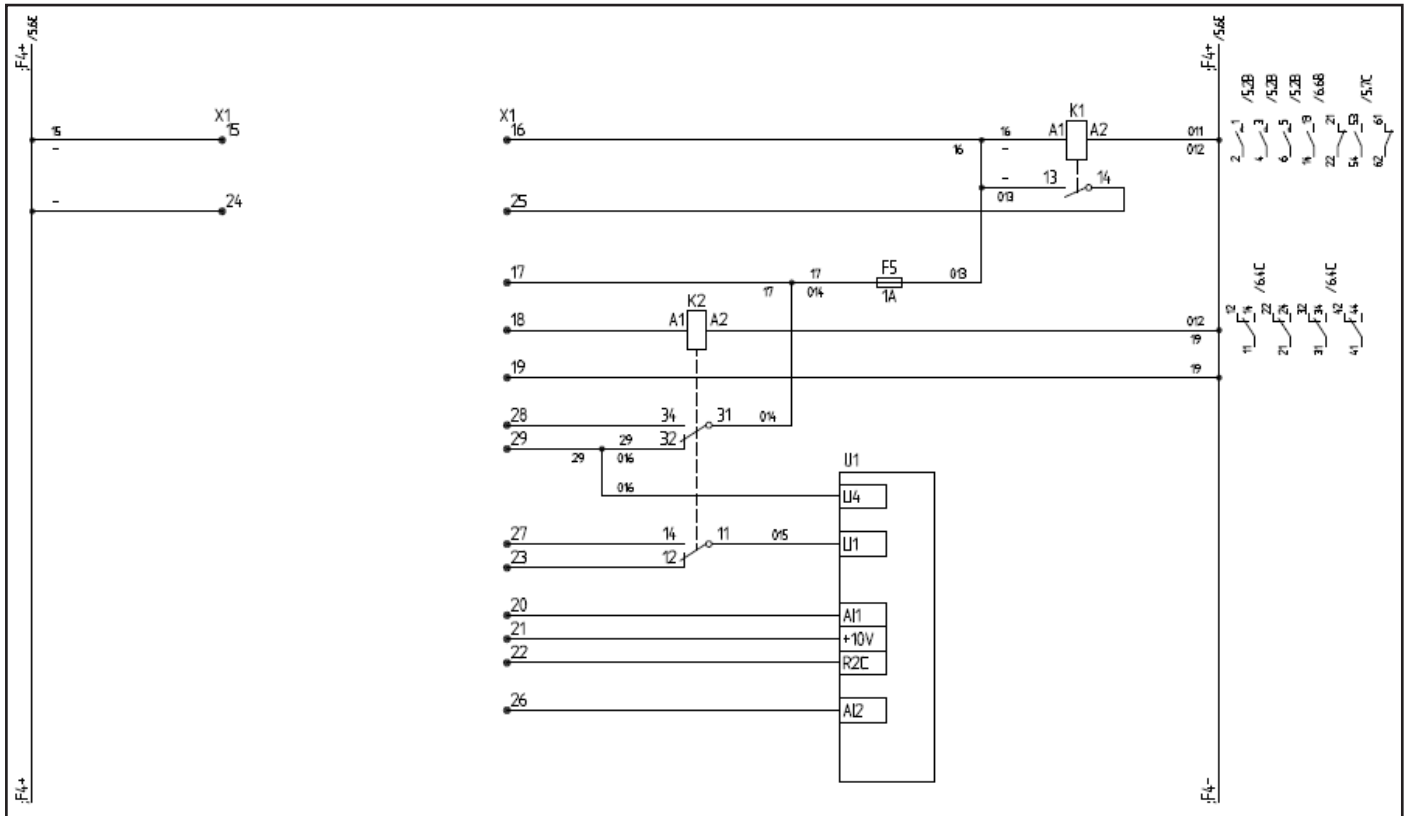
Item	Description	Part no	Qty
1	INVERTER	593464801	1
2	FUSE	593441601	
3	FUSE F5 1.25A	593553401	1
	FUSE F6.F11 1A	595734401	3
	FUSE F9 - 10 4A	593553501	2
	FUSE TERMINAL	593552801	6
	TERMINAL BLOCK 2.5N	593448501	2
4	RELAY	593442801	1
	RELAY BASE	593461001	1
5	FILTER HOLDER	593473201	1
6	HOUR METER	593395301	1
	KNOB 2-POS	593429901	1
	MOUNTING BASE	593614901	1
	CONTACT BLOCK GREEN	593399601	2
7	TERMINAL BLOCK 2.5N	593448501	36
	TERMINAL BLOCK GREY 4N	593553701	3
	TERMINAL BLOCK GREEN 4N	595733801	3
8	CONTACTOR	593453601	1
	CONTACT BLOCK	593471601	1
9	FILTER FAN	593455701	1
	FILTER HOLDER	593473201	1
10	CHARGER	593435201	1
11	FUSE BLADE TYPE REGULAR 20A	595734101	1
	FUSE TERMINAL BLADE REGULAR	595734201	1
	TERMINAL BLOCK 2.5N	593448501	2
	FUSE	593444701	1
	FUSE	593444801	2
12	TRANSFORMER	593435601	1
13	BATTERY	593425401	2
14	OPERATOR PANEL	593441201	1
15	LED GREEN	595734301	2
16	LED RED	593553601	2
17	KEY KNOB 3-POS	593435801	1
	MOUNTING BASE	593614901	1
	CONTACT BLOCK GREEN	593399601	1
	CONTACT BLOCK RED	593399701	1
18	EMERGENCY STOP PRESS BUTTON	593406701	1
	MOUNTING BASE	593614901	1
	CONTACT BLOCK RED	593399701	1
19	KNOB 2-POS	593429901	1
	MOUNTING BASE	593614901	1
	CONTACT BLOCK	593399601	1

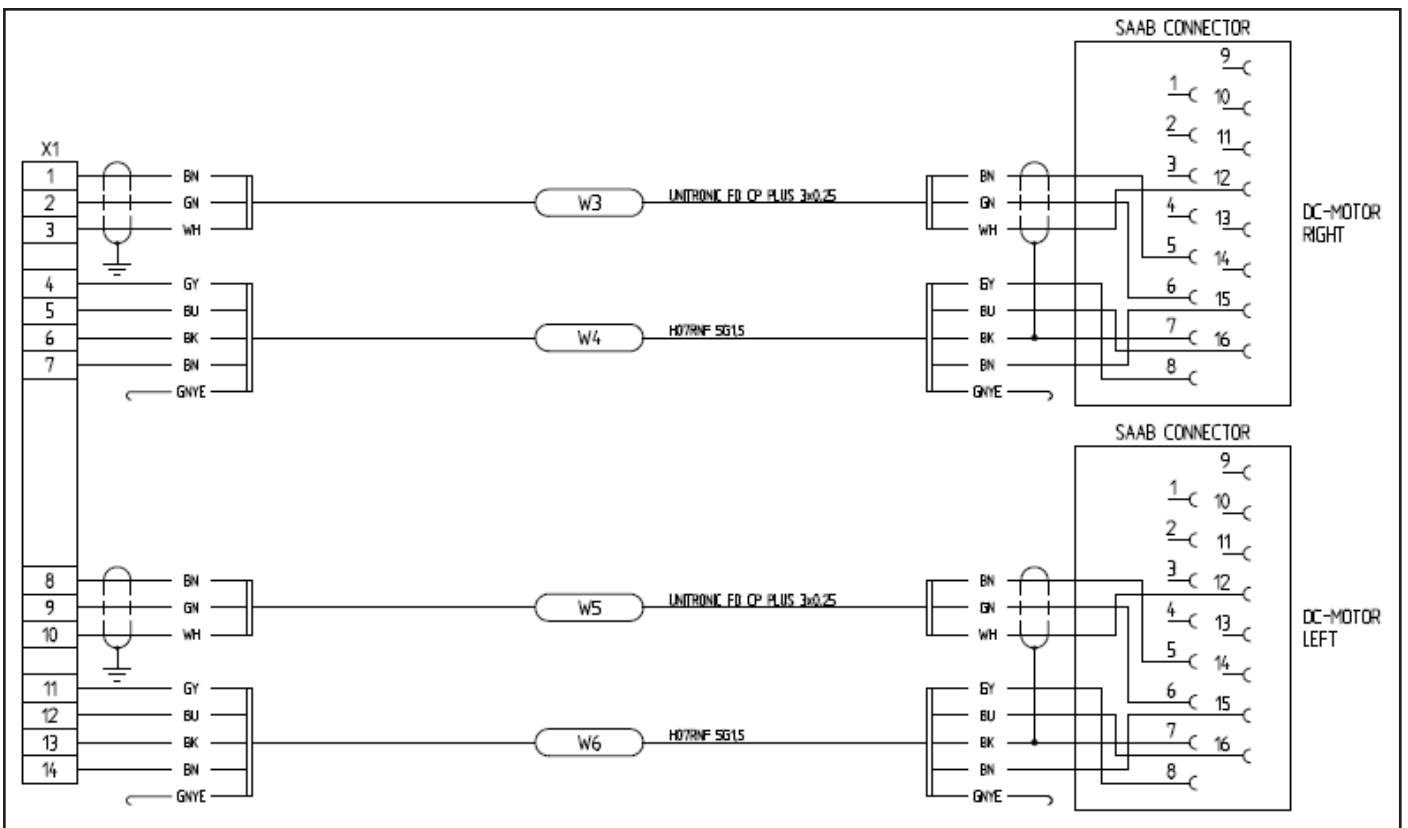
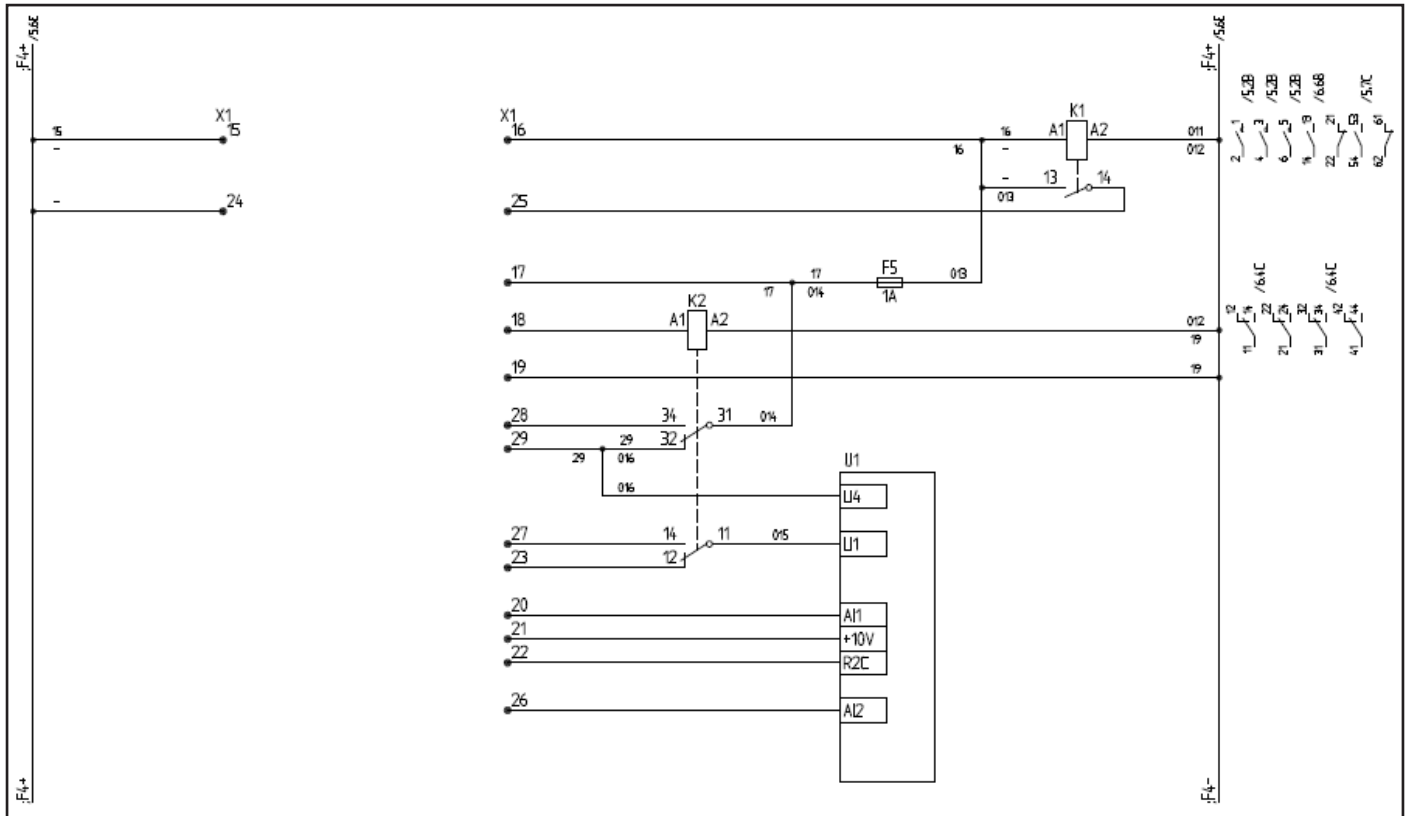
HTC 800RX Electrical

Item	Description	Part no	Qty
20	POTENTIOMETER KNOB	593420701	1
	POTENTIOMETER KNOB	593434101	1
21	KNOB 2-POS	593429901	1
	MOUNTING BASE	593614901	1
	CONTACT BLOCK	593399601	1
22	MOTOR CABLE	593441301	1
	MOTOR CABLE US	595741001	1
23	DRIVE MOTOR CABLE	593454601	2
24	CABLE PANEL TO POWER UNIT	593554201	1
25	MIST CABEL OUTLET	595735701	1
26	MOTOR CABLE OUTLET	593553201	1
	MOTOR CABLE OUTLET US	595740701	1
27	POWER INLET EU	593400101	1
	POWER INLET US	593401301	1
28	RADIO SYSTEM	Se next page	
29	JOYSTICK		
30	CABLE PANEL TO RECEIVER	593555701	1

MODIFIED PARAMETERS					
MENUE	PARAMETER	VALUE	MENUE	PARAMETER	VALUE
drC	tFr	90	drC	nCr	28.2
SEt	LSP	30		nSP	1460
	HSP	90		COS	0.87
	ItH	32	I-O	r1	RUN
	Ctd	32			







HTC 800RX Remote Control



Pos.		Description	Part no.	Qty
1		RADIO SYSTEM RX	593616701	1
		RADIO SYSTEM RX US	593616901	1
		SPARE TRANSMITTER SERIAL NO: 999	593462601	1
		SPARE TRANSMITTER SERIAL NO: 96001	593556201	1
2		JOYSTICK	593461701	1
3		PUSH BUTTON	593485201	2
		DUST SHIELD	593485301	2
4		POTENTIOMETER	593485101	2
5		TOGGLE SWITCH L-O-L	593456201	1
		DUST SHIELD	595796601	1
6		EMERGENCY PUSH BUTTON	593430701	1
		EMERGENCY PIEZO PUSH BUTTON	595796401	1
7		TOGGLE SWITCH L-O	593480301	1
		DUST SHIELD	595796601	1
		CABLE FOR TOGGLE SWITCHES AND PUSH BUTTONS	595796501	8
8		RECEIVER SERIAL NO: 999	Cancelled	
		RECEIVER SERIAL NO: 96001	593616801	1
9		BATTERY 1500mAh 7,2V	593430901	1
10		CHARGER 7.2V (12V/24V DC and adapter for GB, AUS, US & EU)	593484201	1
11		CHARGER AA BATTERY (12V/24V DC and adapter for GB, AUS, US & EU)	595795901	1