



**SPARE PARTS LIST**  
**HTC GL 550**





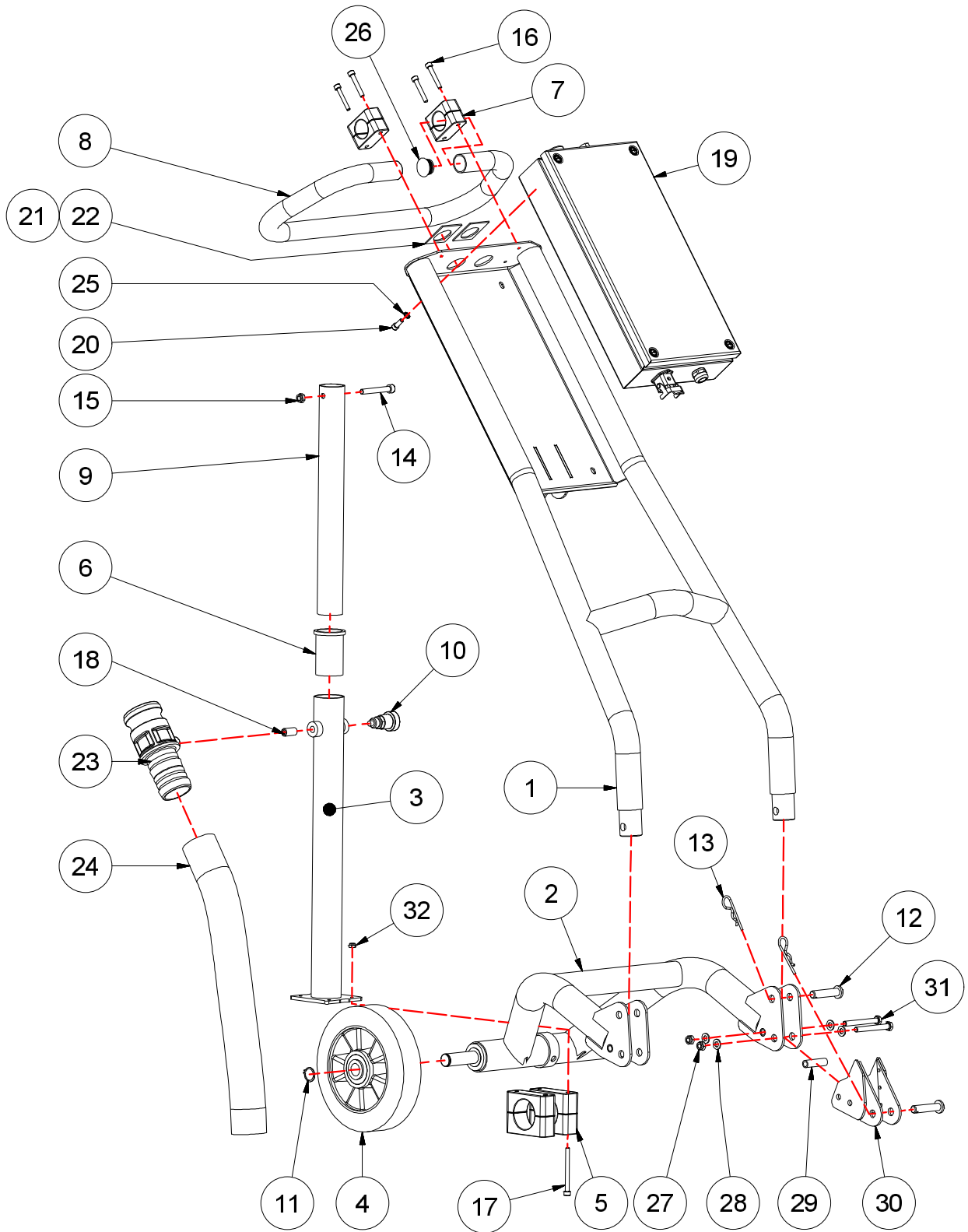
## Table of Contents

### Contents

Table of Contents .....	1
Greyline 550 Chassis .....	3
Greyline 550 Grinding Head .....	5
Greyline 550 Grinding Head .....	7
Greyline 550 Grind Holder .....	8
Greyline 550 Electrical 3x230v .....	11
Greyline 550 Electrical – 3x400v .....	13
Greyline 550 Electrical – 3x460v .....	15



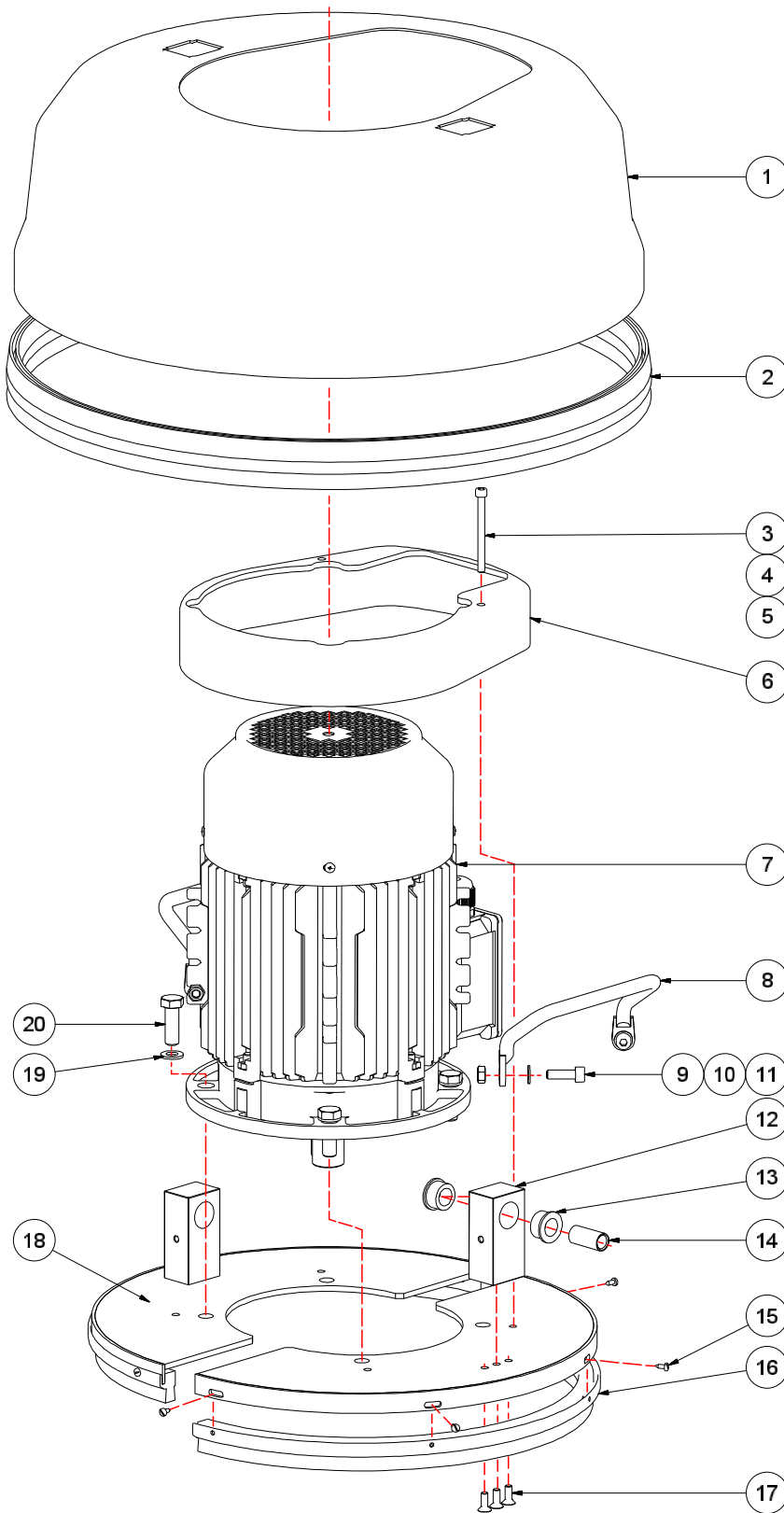
### Greyline 550 Chassis



**Greyline 550 Chassis**

Item	Description	Part no	Qty
1	UPPER CHASSI GREYLINE	593519501	1
2	CHASSIS BOTTOM PART GREYLINE	593519201	1
3	CHASSIS POSITIONER GL	593524101	1
4	WHEEL	593408701	2
5	PIPE CLAMP	595633801	2
6	CHASSIS POSITIONER GUIDE BUSHING	593524201	1
7	PIPE CLAMP ALU	593456701	2
8	CHASSIS HANDLE GREYLINE	593519401	1
9	CHASSIS POSITIONER INNER TUBE	593519301	1
10	LEVER INDEXING PLUNGER	593456801	1
11	CIRCLIP SGA 20	593496301	2
12	PIN 12X55	593510701	4
13	LOCKING CLIP	593510801	4
14	SCREW M8X60	593500301	1
15	LOCKNUT M8	593499801	1
16	SCREW M6X40	593630301	4
17	SCREW M6X70	593510201	4
18	SCREW M12X25	593511201	1
19	POWER UNIT 550 GL 3X230V	595724601	1
19	POWER UNIT 550 GL 3X400V	593546201	1
19	POWER UNIT 550 GL 3X460V	595724501	1
20	SCREW M6X16	593500701	4
21	OVERLAY GL "ON-OFF"	593458701	1
22	OVERLAY GL "EM-STOP"	593459601	1
23	CAMLOCK MALE TUBE CON. 2" ALU	593460401	1
24	HOSE 51MM POLYURETAN BLACK	593460201	0,5 m
25	WASHER M6	593511001	4
26	INSERT RIBBED	593628901	2
27	LOCKNUT M8	593499801	4
28	WASHER M8	593500401	12
29	ADAPTER SLEEVE	595695201	2
30	ADAPTER GRINDING HEAD RIGHT	595701801	1
30	ADAPTER GRINDING HEAD LEFT	595701701	1
31	SCREW M8X70	593500201	4
32	LOCKNUT M6	593500001	4

### Greyline 550 Grinding Head

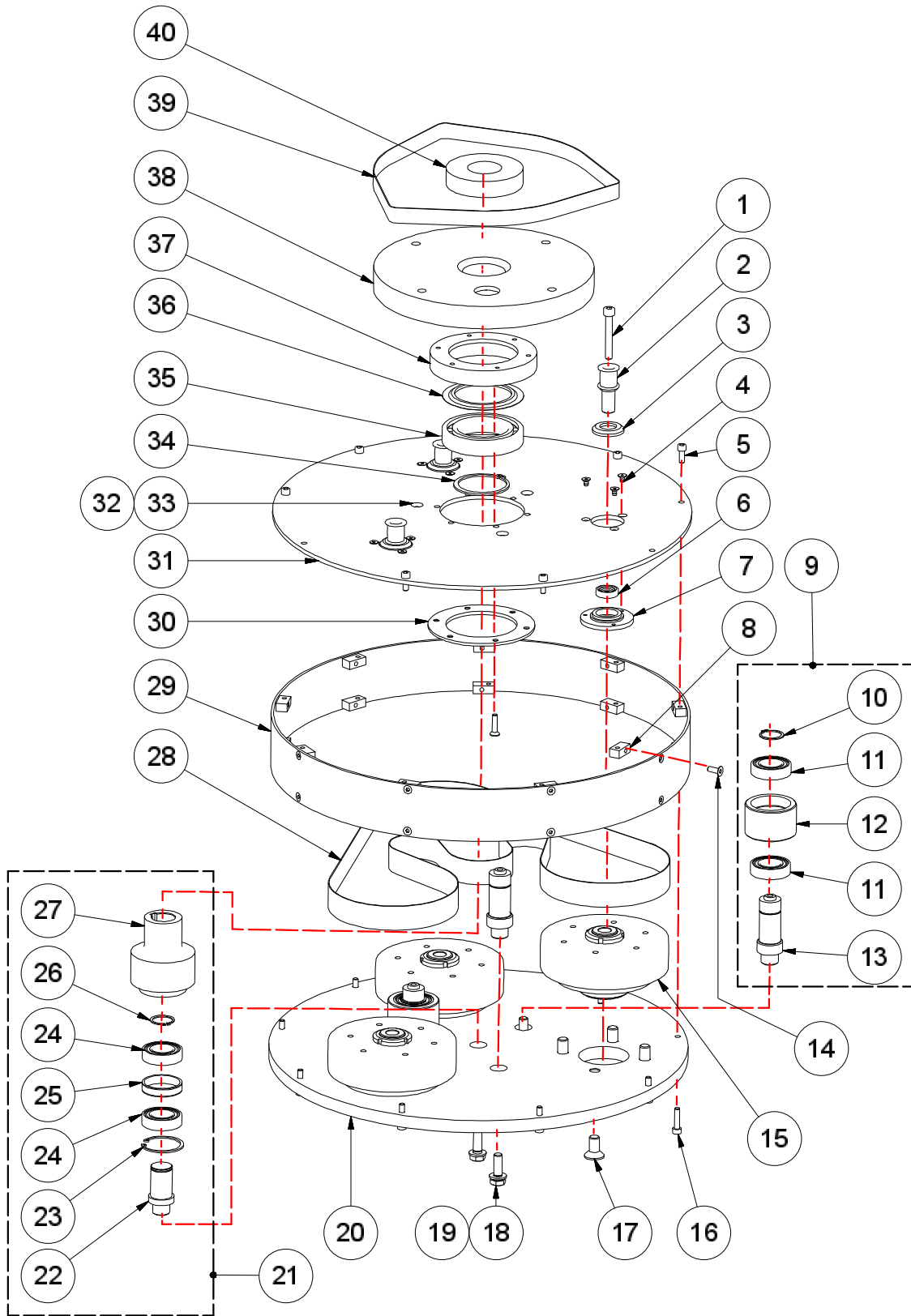


## Greyline 550 Grinding Head

Item	Description	Part no	Qty
1	DUST COVER	593519701	1
2	BRUSH STRIP	593446101	1.74M
3	SCREW M6X10	593495401	2
4	SPACER M6X50	593582601	2
5	SCREW M6X16	593507801	2
6	COVER GUIDE	593519901	1
7	MOTOR 4KW	593555501	1
8	LIFT HANDLE	593532701	2
9	SCREW M8X25	593499601	4
10	WASHER M8	593500401	4
11	NUT M8	593504701	4
12	HINGE BRACKET	593519601	2
13	RUBBER BUSHING	593520901	4
14	SLEEVE BUSHING	593519101	2
15	SCREW 3,5X13	593508301	8
16	BRUSH STRIP	593443301	2x0.66M
17	SCREW M6X16	593507801	6
18	SAFETY COVER COMPLETE	593532901	2
19	WASHER M12	593499401	4
20	SCREW M12X35	593510901	4

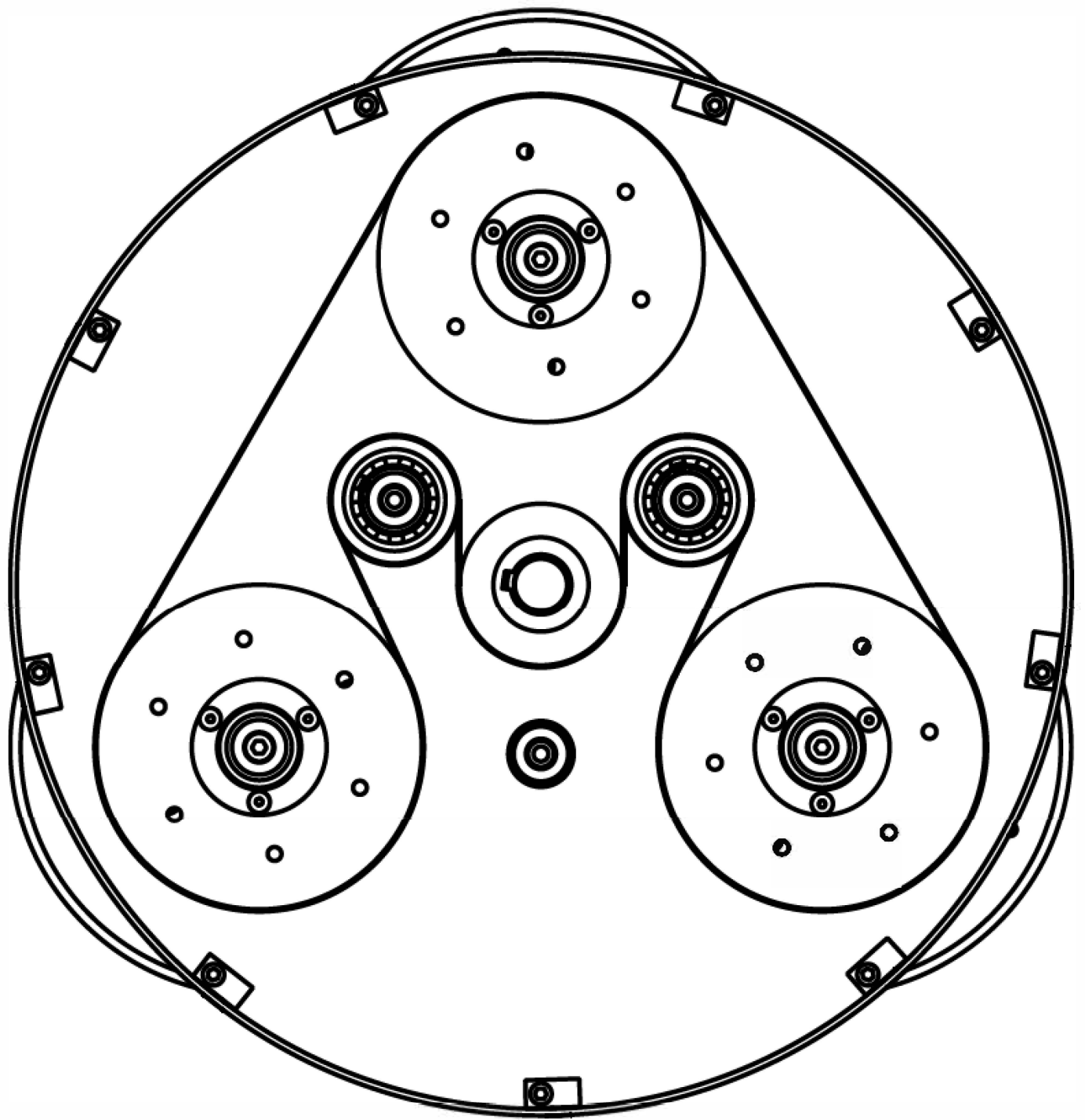


### Greyline 550 Grinding Head



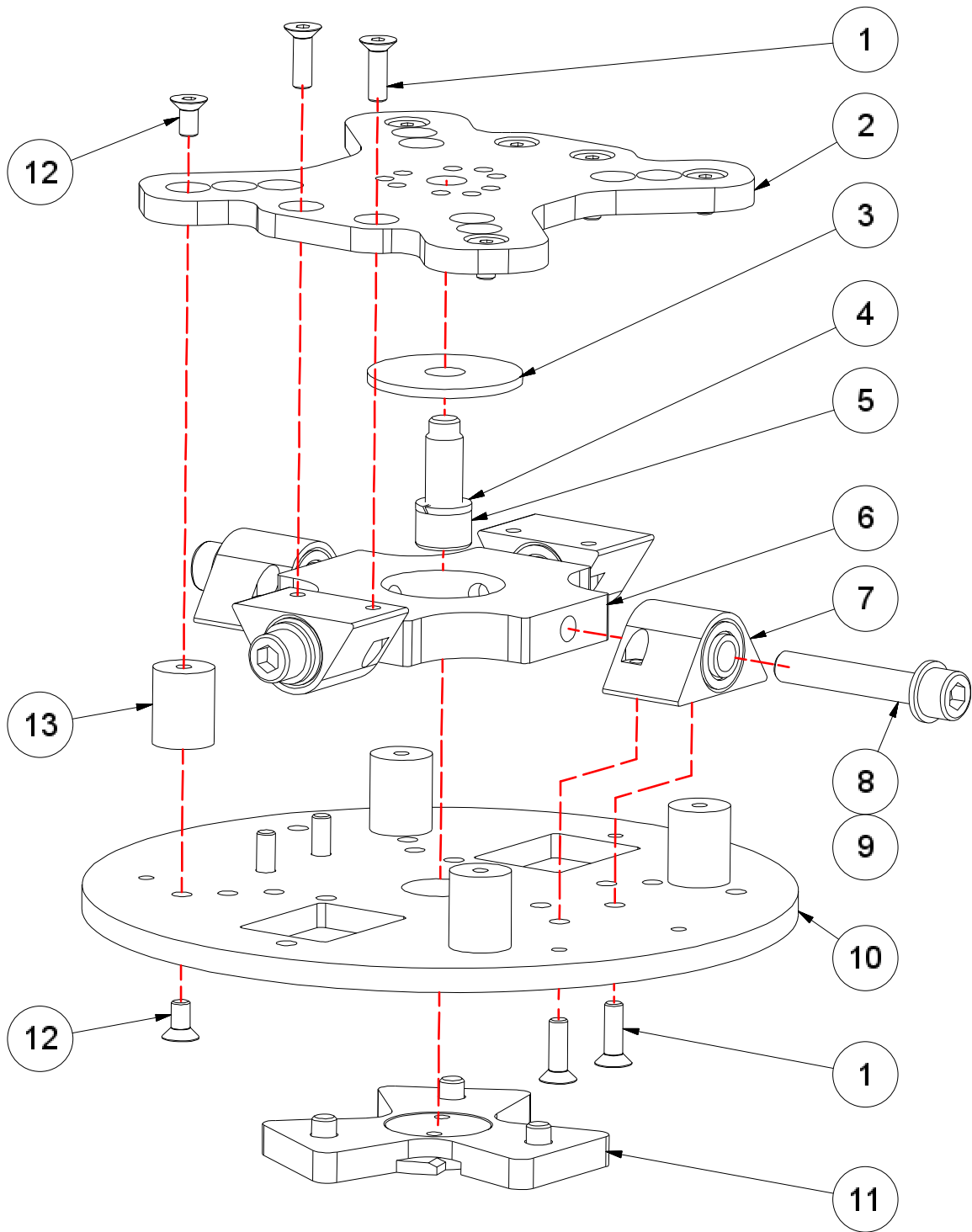
**Greyline 550 Grinding Head**

Item	Description	Part no	Qty
1	SCREW M8X55	593506001	3
2	SHAFT TAP	593407201	3
3	GAMMA RING	593419901	3
4	SCREW M5X10	593506601	9
5	SCREW M6X16	593500701	9
6	RADIAL SEAL	593379601	3
7	SEAL COVER	593419801	3
8	FIXING BOSS	593381901	18
9	TENSIONING WHEEL COMPLETE	593420401	2
10	CIRCLIP SGA 25	593496801	2
11	BALL BEARING 6005	593381501	4
12	TENSIONING WHEEL	593408201	2
13	SHAFT PRESSWHEEL	593407001	2
14	SCREW M6X16	593507801	18
15	HUB PACKAGE	593420201	3
16	SCREW M6X25	593497801	9
17	SCREW M12X20	593501801	12
18	SCREW M10X25	593501101	4
19	WASHER M10	593499101	4
20	LOWER LID	593407101	1
21	CENTER PULLEY COMPLETE	593420501	1
22	SHAFT CENTERPULLEY	593418301	1
23	CIRCLIP SGH 47	593502201	1
24	BALL BEARING 6005	593381501	2
25	DISTANCE CENTERPULLEY	593418401	1
26	CIRCLIP SGA 25	593496801	1
27	CENTER PULLEY	593408101	1
28	BELT INNER FLAT	593381701	1
29	BORDER	593407701	1
30	COVER CENTER	593401901	1
31	UPPER LID	593407801	1
32	SCREW M8X20	593503701	3
33	WASHER M8	593496201	3
34	CIRCLIP SGA 60	593496501	1
35	BALL BEARING 6012	593382101	1
36	NILOS RING 6012 JV	593377701	1
37	HOUSING CENTRE	593403401	1
38	MOTOR PLATE	593407901	1
39	BELT UPPER FLAT	593426101	1
40	FOAM RING	593408401	1



BELT ORIENTATION - HTC 550

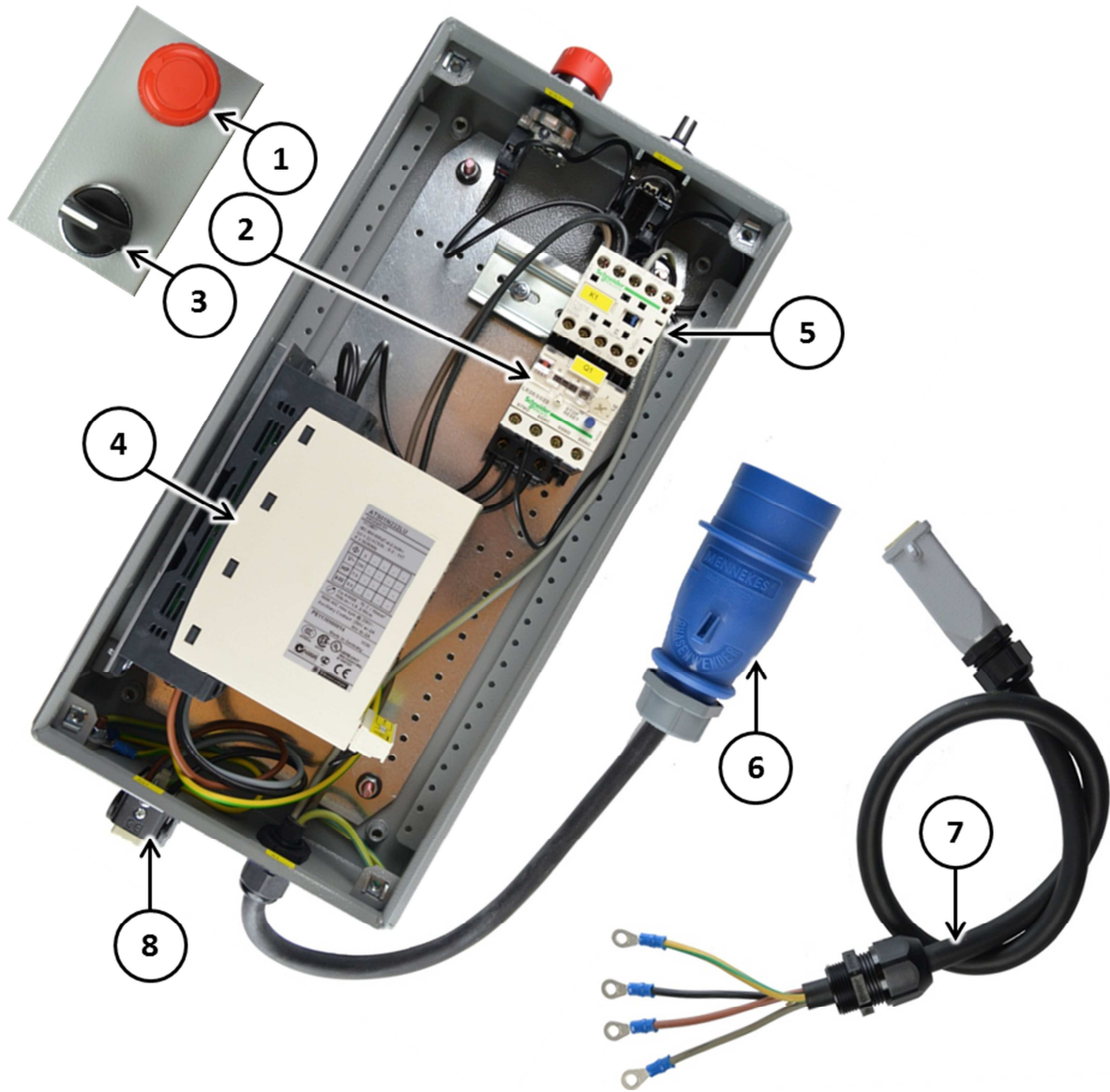
### Greyline 550 Grind Holder



**Greyline 550 Grind Holder****GRINDHOLDER Ø230 COMPLETE - 112252**

Item	Description	Part no	Qty
1	SCREW M6X20	593505101	8
2	UPPER GRIND HOLDER PLATE	593438201	1
3	WASHER	593438601	1
4	WASHER M10	593509901	1
5	SCREW MC6S M10X30 8.8 FZB	593504101	1
6	CARDAN CONNECTION	593438401	1
7	EAR WIDE COMPLETE	593718101	4
8	SCREW MC6S M10X60 12,9	593496601	4
9	WASHER M10	593499101	4
10	GRIND HOLDER PLATE	593438301	1
11	CROSS COMPLETE	593615901	1
12	SCREW M6X12	593508501	8
13	SHOCK ABSORBER 20x25 M6	595748401	4

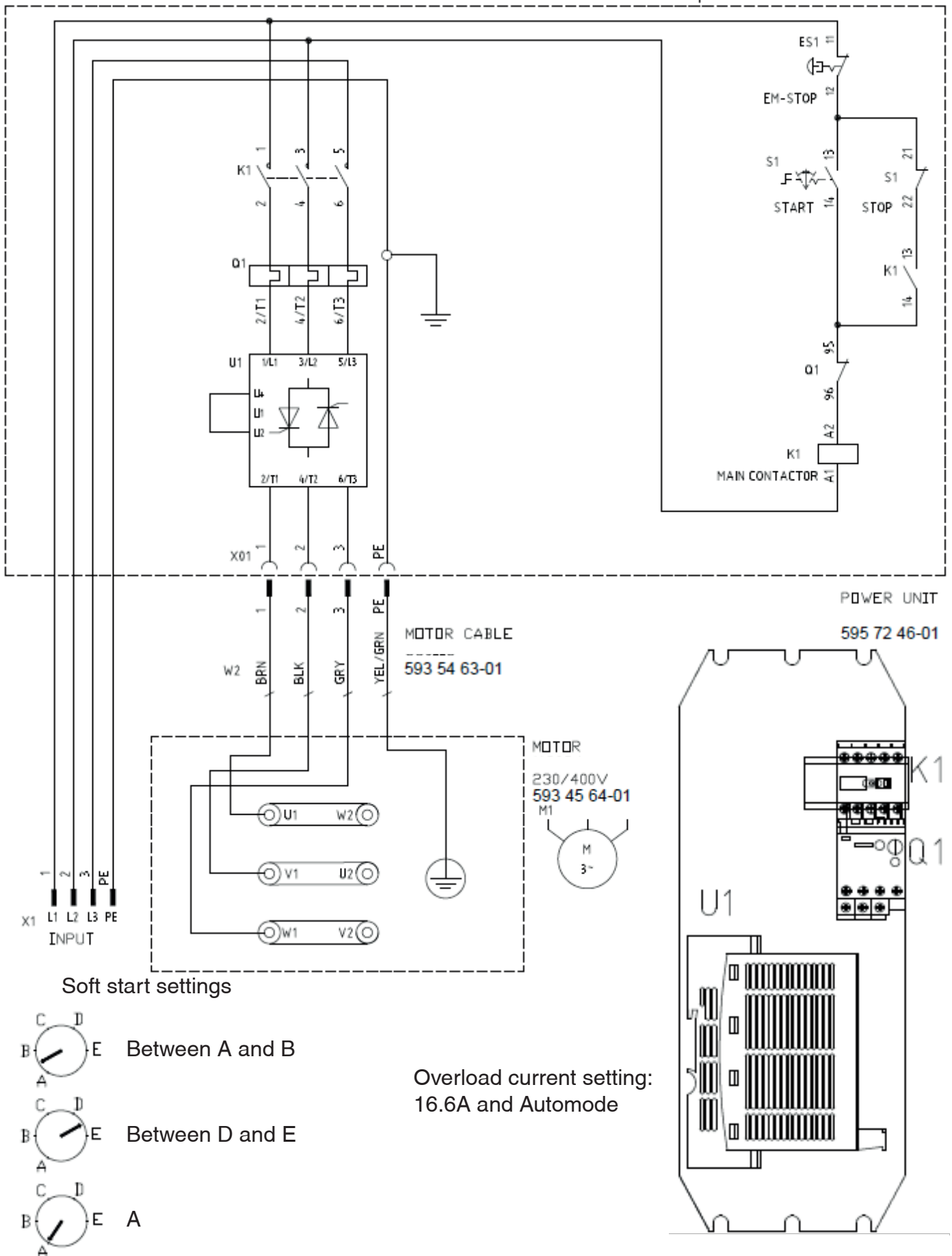
### Greyline 550 Electrical 3x230v



---

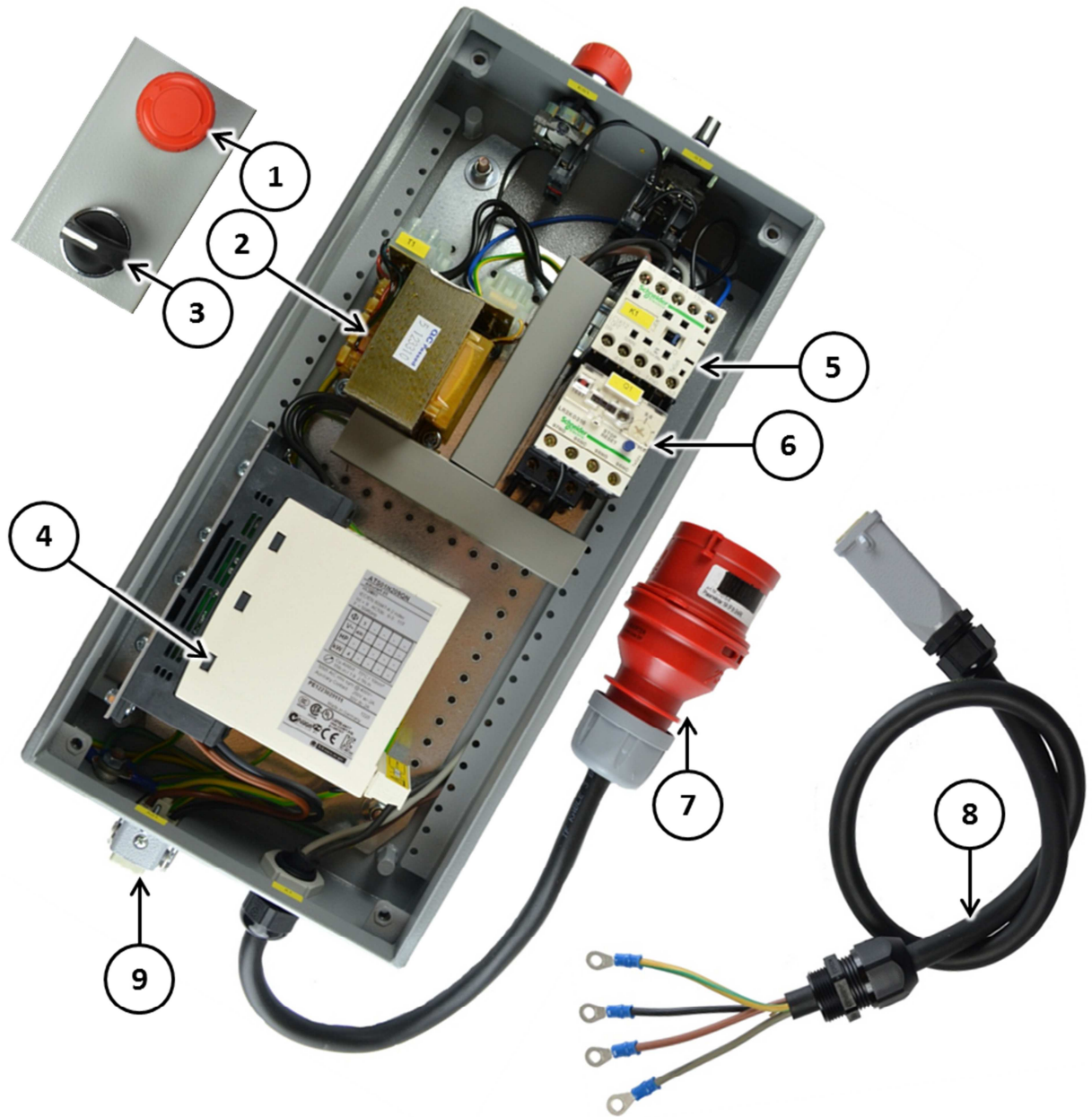
**Greyline 550 Electrical 3x230v**
**POWER UNIT GL 550 3x230v - 550122**

Item	Tag	Description	Part no	Qty
1	ES1	PRESS BUTTON EM STOP	593398901	1
		MOUNTING BASE	593614901	1
		CONTACT BLOCK NC	593399701	1
2	Q1	RELAY OVERCURRENT 12A-16A	593552201	1
3	S1	KNOB BLACK 3-POS	593398201	1
		MOUNTING BASE	593614901	1
		CONTACT BLOCK NO	593399601	1
		CONTACT BLOCK NC	593399701	1
4	U1	SOFT START SCHNEIDER 4KW 240V	593551301	1
5	K1	CONTACTOR	593550201	1
6	X1	PLUG 16A 5P BLUE PHASE CHANGER	595732301	1
7	W2	MOTOR CABLE GL 3-PHASE CMPL	593546301	1
8	X01	MOTOR CABLE INL GL 3-PH COMPL	593547501	1





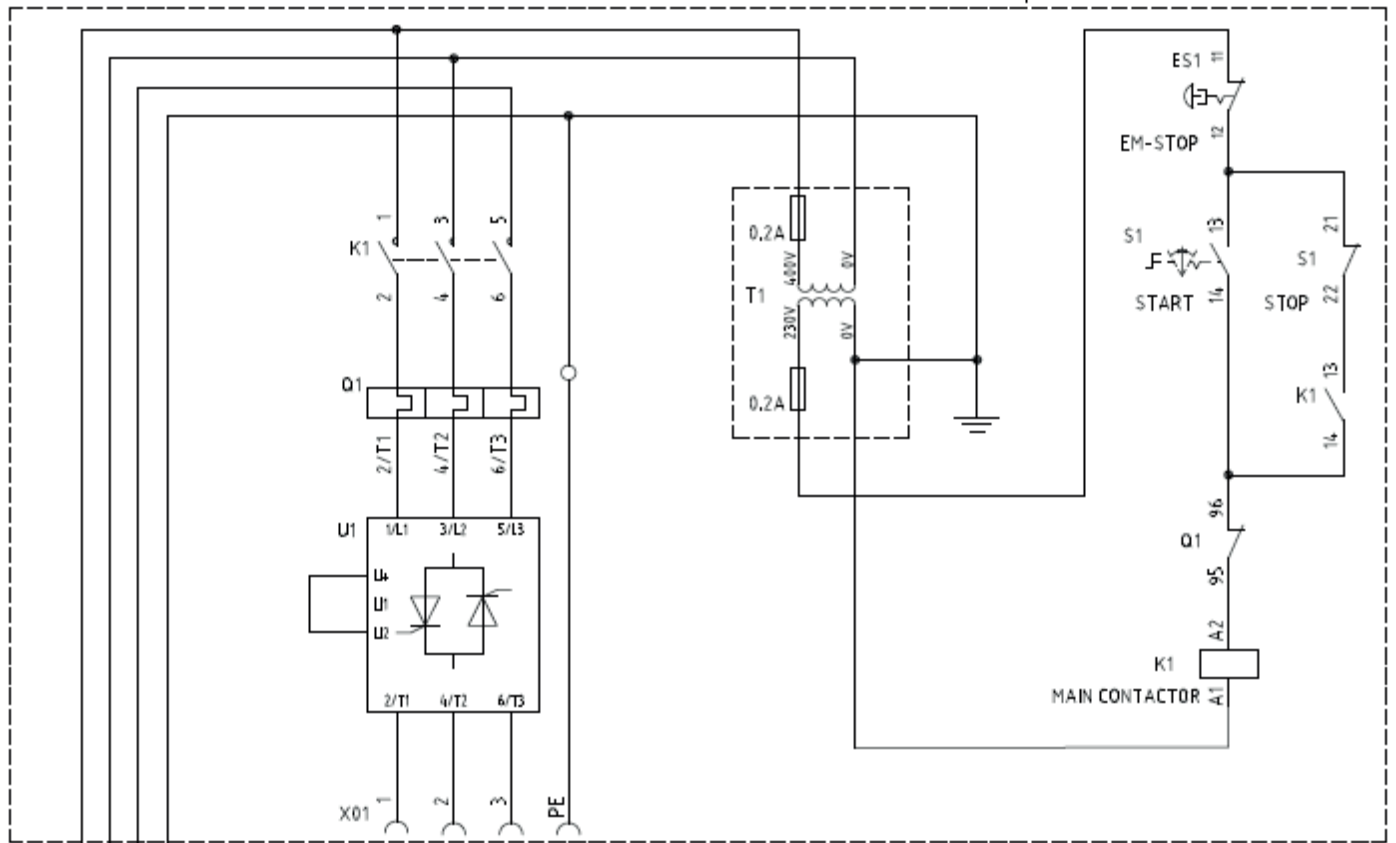
**Greyline 550 Electrical – 3x400v**



---

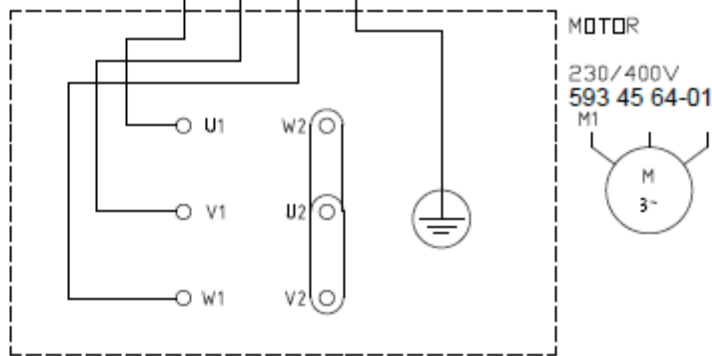
**Greyline 550 Electrical – 3x400v**
**POWER UNIT HTC GL 550 3x400v - 550110**

Item	Tag	Description	Part no	Qty
1	ES1	PRESS BUTTON EM STOP	593398901	1
		MOUNTING BASE	593614901	1
		CONTACT BLOCK NC	593399701	1
2	T1	TRANSFORMER	593552601	1
		FUSE GLASS TUBE 0.2A 5X20	593470701	2
3	S1	KNOB BLACK 3-POS	593398201	1
		MOUNTING BASE	593614901	1
		CONTACT BLOCK NO	593399601	1
		CONTACT BLOCK NC	593399701	1
4	U1	SOFT START SCHNEIDER 4KW 400V	593552301	1
5	K1	CONTACTOR	593550201	1
6	Q1	RELAY OVERCURRENT 8A-11.5A	593550301	1
7	X1	PLUG 16A 5P RED PHASE CHANGER	593550501	1
8	W2	MOTOR CABLE GL 3-PHASE COMPL	593546301	1
9	X01	MOTOR CABLE INL GL 3-PH COMPL	593547501	1



POWER UNIT  
593 54 62-01

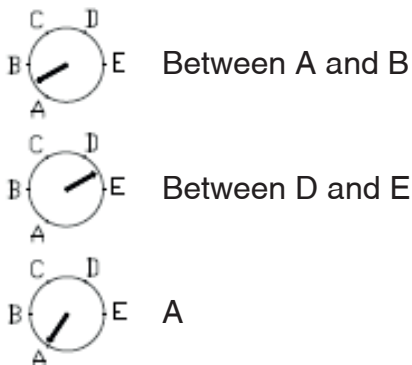
MOTOR CABLE  
593 54 63-01



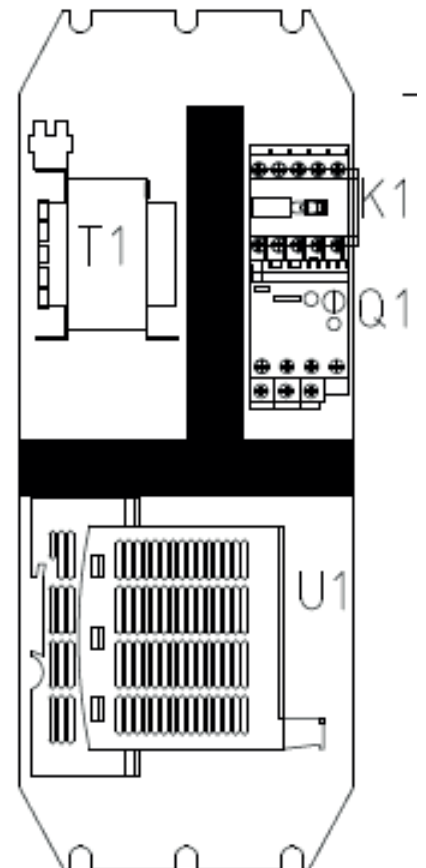
MOTOR  
230/400V  
593 45 64-01  
M1  
3~



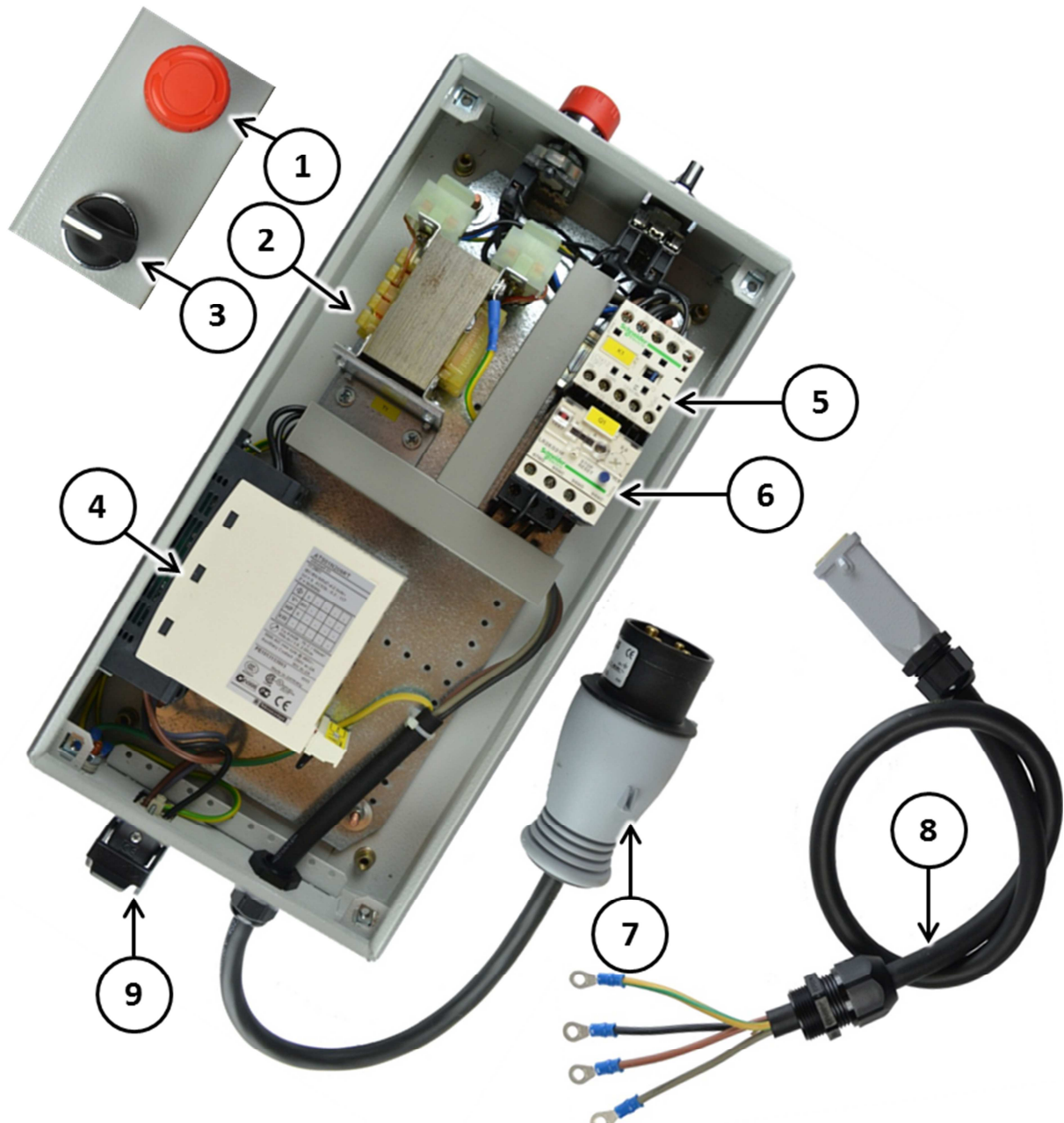
Soft start settings



Overload current setting:  
9.6A and Automode



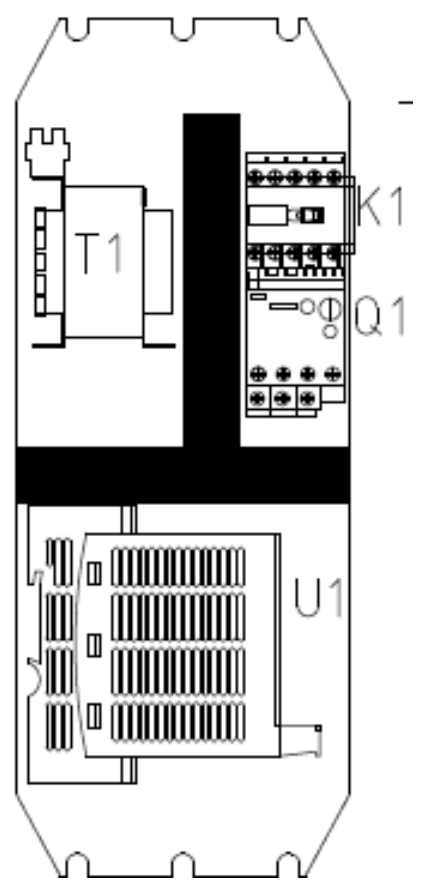
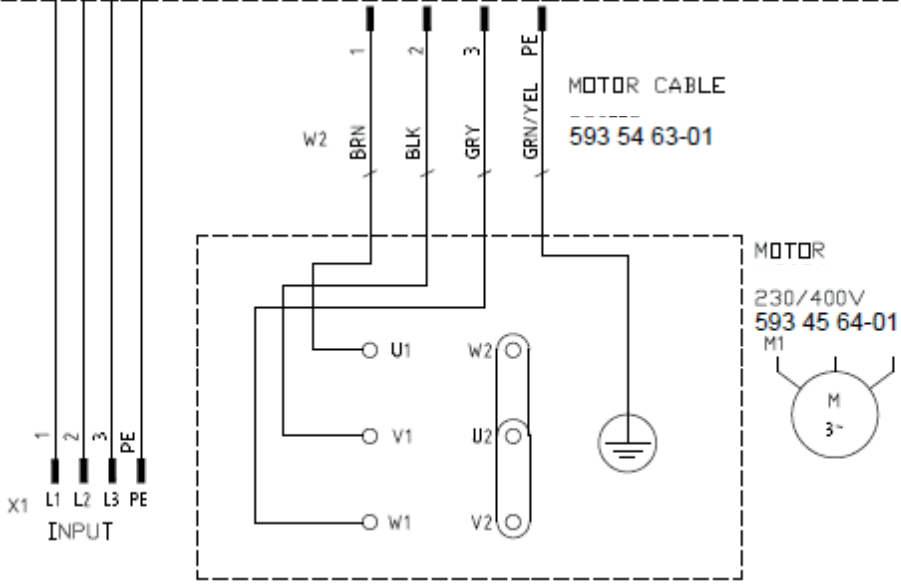
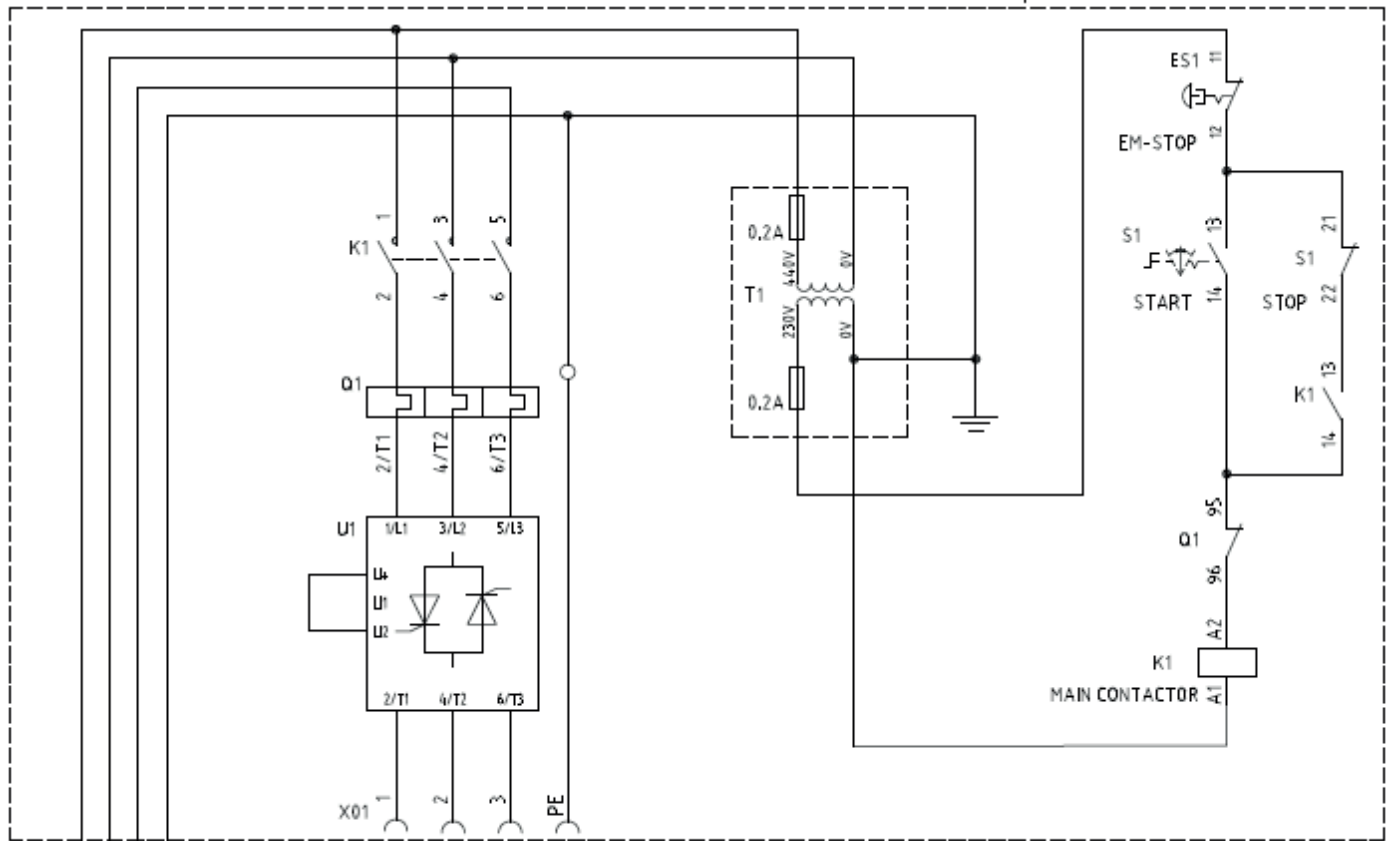
**Greyline 550 Electrical – 3x460v**



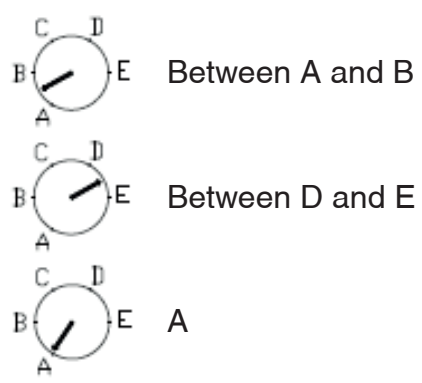
---

**Greyline 550 Electrical – 3x460v**
**POWER UNIT HTC GL 550 3x460v - 550121**

Item	Tag	Description	Part no	Qty
1	ES1	PRESS BUTTON EM STOP	593398901	1
		MOUNTING BASE	593614901	1
		CONTACT BLOCK NC	593399701	1
2	T1	TRANSFORMER	<b>560110</b>	1
		FUSE GLASS TUBE 0.2A 5X20	593470701	2
3	S1	KNOB BLACK 3-POS	593398201	1
		MOUNTING BASE, METAL	593614901	1
		CONTACT BLOCK NO	593399601	1
		CONTACT BLOCK NC	593399701	1
4	U1	SOFT START SCHNEIDER 4KW 460V	595732901	1
5	K1	CONTACTOR	593550201	1
6	Q1	RELAY OVERCURRENT 8A-11.5A	593550301	1
7	X1	PLUG 16A 4P BLACK	595732201	1
8	W2	MOTOR CABLE GL 3-PHASE CMPL	593546301	1
9	X01	MOTOR CABLE INL GL 3-PH COMPL	593547501	1



Soft start settings



Overload current setting:  
9.6A and Automode