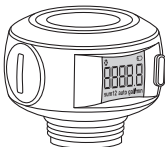


 **GARDENA®**

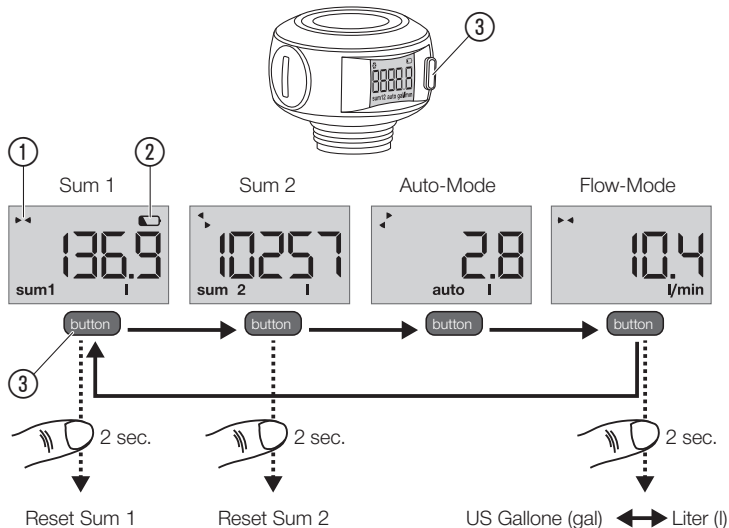
ERC 



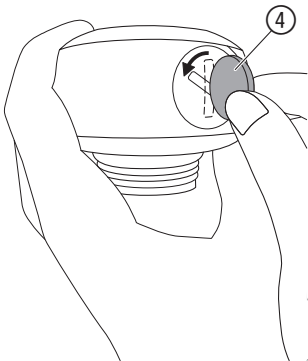
AquaCount Art. 18350
Art. 18352
Art. 18354

EN Operator's Manual

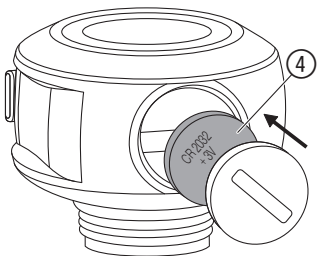
A



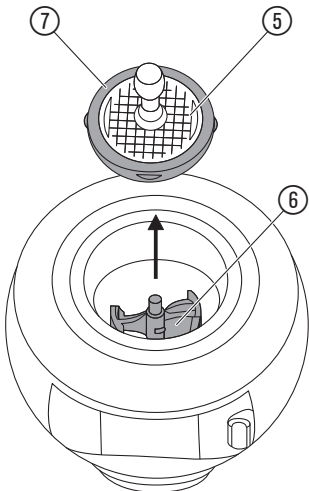
B1



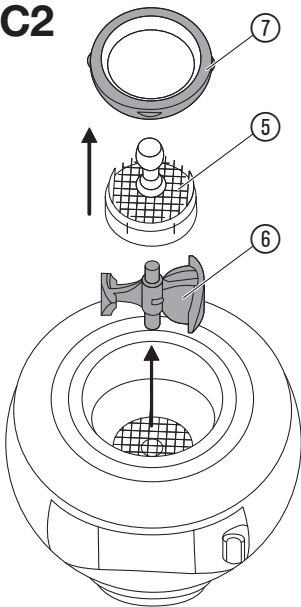
B2



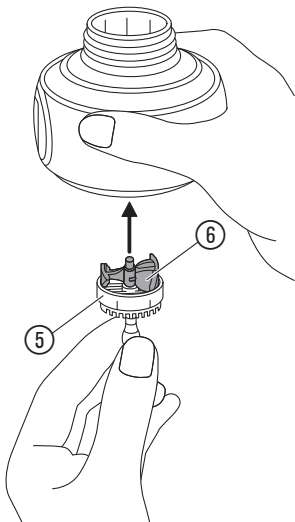
C1



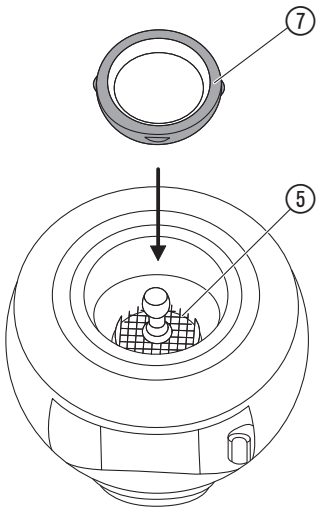
C2



D1



D2



EN GARDENA AquaCount

Art. 18350 / 18352 / 18354

Translation of the original instructions.

For water-quantity measurement of freshwater in outdoor areas.

CAUTION! Only open the product in dry condition.

Operation (Fig. A):

- Push button ③ briefly: the display switches to the next display mode.
- **Sum 1** = Water quantity is measured up to the reset (e. g. day consumption).
- **Sum 2** = Water quantity is measured up to the reset (e. g. season consumption).
- **Auto-Mode** = Water quantity is measured during watering up to an interruption longer than 2 sec. At the next watering, the display starts at **0** again.
- **Flow-Mode** = Shows the current flow in **l/min** or **gal/min**.
- **Standby** = No display (longer than 1 min. without flow or without pushing of a button).
- **Reset** = Hold button ③ pressed in **Sum 1** or **Sum 2 Mode** for 2 sec.:
*The measured water quantity of **Sum 1** or **Sum 2 Mode** will be reset to **0 (Reset)**.*
- **Switch (l / gal)** = Hold button ③ pressed in **Flow Mode** for 2 sec.: The display switches between litre and gallons (US).
*The measured water quantities will be reset to **0 (Reset)**.*

Display symbols:**– Flow-Symbol ①:**

display during active measurement.

– Battery-Symbol ②:

display at low battery.

→ Change battery (CR 2032 3V) ④ (Fig. B1/B2).

The display can be rotated and can therefore be read in any position.

Clean turbine holder ⑤ and turbine ⑥**(Fig. C1 / C2):**

→ Remove turbine holder ⑤ with washer ring ⑦ and turbine ⑥ and clean under flowing water. Flush AquaCount before mounting.

When mounting, observe the sequence (Fig. D1/D2).

Technical data:

Water temperature:	5 – 40 °C	Flow area:	2 – 50 l/min
--------------------	-----------	------------	--------------

Ambient temperature:	5 – 60 °C	Maximum pressure:	12 bar
----------------------	-----------	-------------------	--------

Measurement tolerance: ± 5 % (at least ± 0.5 l)	Measuring range: Flow max. 3000 l/h
--	--

Warranty:

GARDENA offers a five-year warranty on this product (as of date of purchase).

**EN Disposal:**

(in accordance with RL2012/19/EC/S.I. 2013 No. 3113)

The product must not be disposed of to normal household waste. It must be disposed of in line with local environmental regulations.

IMPORTANT! → Dispose of the product through or via your municipal recycling collection centre.

EN DANGER! This product makes an electromagnetic field while it operates. This field may under some conditions interfere with active or passive medical implants. To decrease the risk of conditions that can possibly injure or kill, we recommend persons with medical implants to speak with their physician and the medical implant manufacturer before you operate the product.

DANGER! Small parts can be easily swallowed. There is also a risk that the polybag can suffocate toddlers. Keep toddlers away when you assemble the product.

EN Product liability

In accordance with the German Product Liability Act, we hereby expressly declare that we accept no liability for damage incurred from our products where said products have not been properly repaired by a GARDENA-approved service partner or where original GARDENA parts or parts authorised by GARDENA were not used.

UKCA Declaration of Conformity (only for UK)

The manufacturer: GARDENA Germany AB, PO Box 7454, S-103 92 Stockholm, Sweden hereby certifies, when leaving our factory, the unit(s) indicated below is/are in accordance with the UK Regulations, designated standards of safety and product specific designated standards. This certificate becomes void if the units are modified without our approval.

Description of the product: **AquaCount**

Article number: **18350**
18352
18354

UK regulations: **S.I. 2016/1091**
S.I. 2012/3032

Designated standards: **EN ISO 12100**

Authorised Representative: **Husqvarna UK Limited**

Deposited Documentation: **Preston Road,**
Aycliffe,
County Durham
UK DL5 6 UP

Aycliffe, 02.11.2021

Authorized representative:



John Tompson

Director Authorised
Representative

EN EC Declaration of Conformity

The undersigned hereby certifies as the authorized representative of the manufacturer, GARDENA Germany AB, PO Box 7454, S-103 92, Stockholm, Sweden, that, when leaving our factory, the unit(s) indicated below is/are in accordance with the harmonised EU guidelines, EU standards of safety and product specific standards. This certificate becomes void if the unit(s) is/are modified without our approval.

Produktbezeichnung:
Description of the product:
Désignation du produit :
Beschrijving van het product:
Beskrivning av produkten:
Beskrivelse af produktet:
Tuotteen kuvaus:
Descrizione del prodotto:
Descripción del producto:
Descrição do produto:
Opis produktu:
A termék leírása:
Popis výrobku:
Popis produktu:
Περιγραφή του προϊόντος:
Opis izdelka:
Opis proizvoda:
Descrierea produsului:
Описание на продукта:
Toote kirjeldus:
Gaminio aprašas:
Izstrādājuma apraksts:

AquaCount

Artikelnummer:
Article number:
Référéncé :
Artikelnummer:
Artikelnummer:
Artikelnummer:
Tuotenumero:
Codice articolo:
Referencia:
Número de referênciá:
Numer katalogowy:
Cikkszámok:
Objednací číslo:
Objednávacie číslo:

Κωδικός είδους:
Številka izdelka:
Kataloški broj:
Cod articol:
Артикул номер:
Artiklinumber:
Dalties numeris:
Artikula numurs:

18350
18352
18354

EU-Richtlinien:
EC-Directives:
Directives CE :
EG-richtlijnen:
EU-direktiv:
EF-direktiver:
EY-direktiivit:
Direttive UE:
Directiva CE:
Diretivas CE:
Dyrektywy WE:
EK-irányelvek:
Předpisy ES:
Smernice EÚ:
Οδηγίες EK:
Direktive EU:
EC direktive:

Directive CE:
Директиви на ЕО:
EÜ direktiivid:
EB direktyvos:
EK direktivas:

2011/65/EU

2014/30/EU

Harmonisierte EN-Normen /
Harmonised EN:

EN ISO 12100

Hinterlegte Dokumentation:
GARDENA Technische Dokumentation,
M. Jäger, 89079 Ulm

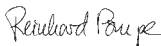
Deposited Documentation:
GARDENA Technical Documentation,
M. Jäger, 89079 Ulm

Documentation déposée :
Documentation technique GARDENA,
M. Jäger, 89079 Ulm

Anbringungsjaar der CE-Kennzeichnung:
Year of CE marking:
Année d'apposition du marquage CE :
Installatiejaar van de CE-aanduiding:
Märkningsår:
CE-Mærkningsår:
CE-merkin kiinnitysvuosi:
Anno di applicazione della certificazione CE:
Colocación del distintivo CE:
Ano de marcação pela CE:
Rok nadania oznakowania CE:
CE-jelzés elhelyezésének éve:
Rok umístění značky CE:
Rok udelenia značky CE:
Έτος σήματος CE:
Leto namestitve CE-oznake:
Godina dobivanja CE oznake:
Anul de marcare CE:
Година на поставяне на CE-маркировка:
CE-märgistuse paigaldamise aasta:
Metai, kada pažymėta CE-ženklui:
CE-marķējuma uzlikšanas gads:

2021

Ulm, den 02.11.2021	Der Bevollmächtigte
Ulm, 02.11.2021	Authorised representative
Fait à Ulm, le 02.11.2021	Le mandataire
Ulm, 02-11-2021	De gevolmachtigde
Ulm, 2021.11.02.	Auktoriserad representant
Ulm, 02.11.2021	Autoriseret repræsentant
Ulm, 02.11.2021	Valtuutettu edustaja
Ulm, 02.11.2021	Persona delegata
Ulm, 02.11.2021	La persona autorizada
Ulm, 02.11.2021	O representante
Ulm, dnia 02.11.2021	Pełnomocnik
Ulm, 02.11.2021	Meghatalmazott
Ulm, 02.11.2021	Zplnomocněnec
Ulm, dňa 02.11.2021	Splnomocnený
Ulm, 02.11.2021	O εξουσιοδοτημένος
Ulm, 02.11.2021	Poslašenec
Ulm, dana 02.11.2021	Ovlaštena osoba
Ulm, 02.11.2021	Conducerea tehnică
Улм, 02.11.2021	Упълномощен
Ulm, 02.11.2021	Volitatud esindaja
Ulm, 02.11.2021	Igaliotasis atstovas
Ulme, 02.11.2021	Pilnvarotā persona



Reinhard Pompe
Vice President



Wolfgang Engelhardt
Vice President
Supply Chain

Deutschland / Germany

GARDENA Manufacturing GmbH
Central Service
Hans-Lorenser-Straße 40
D-89079 Ulm
Produktfragen:
(+49) 731 490-123
Reparaturen:
(+49) 731 490-290
service@gardena.com
http://www.gardena.com

Albania

KRAFT SHPK
Autostrada Tirane-Durres
Km 7
1051 Tirane

Argentina

ROBERTO C. RUMBO S.R.L.
Predio Norlog
Lote 7
Benavidez. ZC: 1621
Buenos Aires
ventas@rumbosrl.com.ar

Australia

Husqvarna Australia Pty. Ltd.
Locked Bag 5
Central Coast BC
NSW 2252
Phone: (+ 61) (0) 2 4352 7400
customer.service@
husqvarna.com.au

Austria / Österreich

Husqvarna Austria GmbH
Industriezeile 36
4010 Linz
Tel. : (+43) 732 77 01 01-485
service.gardena@
husqvarnagroup.com

Azerbaijan

Firm Progress
a. Aliyev Str. 26A
1052 Baku

Belarus

Private Enterprise
"Master Garden"
Minsk
Sharangovich str., 7a
Phone: (+375) 17 257-00-33
Mob.: (+375) 29 676-16-09
mg@mastergarden.by

Belgium

Husqvarna Belgium nv
Gardena Division
Leuvensesteenweg 542
Planet II E
1930 Zaventem
België

Bosnia / Herzegovina

SILK TRADE d.o.o.
Industrijska zona Bukva bb
74260 Tešanj

Brazil

Husqvarna do Brasil Ltda
Av. Francisco Matarazzo,
1400 – 19^a andar
São Paulo – SP
CEP: 05001-903
Tel: 0800-112252
marketing.br.husqvarna@
husqvarna.com.br

Bulgaria

AGROLAND България АД
бул. 8 Декември, № 13
Офис 5
1700 Студентски град
София
Тел.: (+359) 24 66 6910
info@agroland.eu

Canada / USA

GARDENA Canada Ltd.
100 Summerlea Road
Brampton, Ontario L6T 4X3
Phone: (+1) 905 792 93 30
info@gardenacanada.com

Chile

REPRESENTACIONES

JCE S.A.
Av. Del Valle Norte 857,
Piso 4
Santiago RM
Phone: (+ 56) 2 24142560
contacto@jce.cl

China

Husqvarna (Shanghai)
Management Co., Ltd.
富世华（上海）管理有限公司
3F, Benq Square B,
No207, Song Hong Rd.,
Chang Ning District,
Shanghai, PRC. 200335
上海市长宁区淞虹路207号明
基广场B座3楼, 邮编: 200335

Colombia

Husqvarna Colombia S.A.
Calle 18 No. 68 D-31, zona
Industrial de Montevideo
Bogotá, Cundinamarca
Tel. 571 2922700 ext. 105
jairo.salazar@husqvarna.com.co

Costa Rica

Compania Exim
Euroiberoamericana S.A.
Los Colegios, Moravia,
200 metros al Sur del Colegio
Saint Francis – San José
Phone: (+506) 297 68 83
exim_euro@racsa.co.cr

Croatia

Husqvarna Austria GmbH
Industriezeile 36
4010 Linz
Tel. : (+43) 732 77 01 01-485
service.gardena@
husqvarnagroup.com

Cyprus

Med Marketing
17 Digeni Akrita Ave
P.O. Box 27017
1641 Nicosia

Czech Republic

Husqvarna Česko s.r.o.
Türkova 2319/5b
149 00 Praha 4 – Chodov
Bezplatná infolinka :
800 100 425
servis@cz.husqvarna.com

Denmark

GARDENA DANMARK
Lejrvej 19, st.
3500 Værløse
Tlf.: (+45) 70 26 47 70
husqvarna@husqvarna.dk
www.gardena.com / dk

Dominican Republic

BOSQUESA, S.R.L
Carretera Santiago Licey
Km. 5 ½
Esquina Copal II.
Santiago
Dominican Republic
Phone: (+809) 736-0333
joserbosquesa@claro.net.do

Ecuador

Husqvarna Ecuador S.A.
Arupos E1-181 y 10 de
Agosto Quito, Pichincha
Tel. (+593) 22800739
francisco.jacome@
husqvarna.com.ec

Estonia

Husqvarna Eesti OÜ
Valdeku 132
EE-11216 Tallinn
info@gardena.ee

Finland

Oy Husqvarna Ab
Gardena Division
Lautatarhankatu 8 B / PL 3
00581 HELSINKI
www.gardena.fi

France

Husqvarna France
9/11 Allée des pierres mayettes
92635 Gennevilliers Cedex
France
[http : //www.gardena.com/ fr](http://www.gardena.com/fr)
N° AZUR: 0 810 00 78 23
(Prix d'un appel local)

Georgia

Transporter LLC
113b Beliashvili street
0159 Tbilisi, Georgia

**Service Address and
Importer to Great Britain**

Husqvarna UK Ltd
Preston Road
Aycliffe Industrial Park
Newton Aycliffe
County Durham
DL5 6UP
info.gardena@husqvarna.co.uk

Greece

Π.ΠΑΠΑΔΟΠΟΥΛΟΣ ΑΕΒΕ
Λεωφ. Αθηνών 92
Αθήνα
Τ.Κ.104 42
Ελλάδα
Τηλ. (+30) 210 5193 100
info@papadopoulos.com.gr

Hungary

Husqvarna Magyarország Kft.
Ezred u. 1 - 3
1044 Budapest
Telefon: (+36) 1 251-4161
vevoszolgalat.husqvarna@
husqvarna.hu

Iceland

BYKO ehf.
Bildshöfoa 20
110 Reykjavik

Ireland

Husqvarna UK Ltd
Preston Road
Aycliffe Industrial Park
Newton Aycliffe
County Durham
DL5 6UP
info.gardena@husqvarna.co.uk

Italy

Husqvarna Italia Spa
Centro Direzionale Planum
Via del Lavoro 2, Scala B
22036 ERBA (CO)
Tel. (+39) 031.4147700
assistenza.italia@it.husqvarna.com

Japan

Husqvarna Zenoah Co. Ltd. Japan
1-9 Minamidai, Kawagoe
350-1165 Saitama
Japan
gardena-jp@husqvarnagroup.com

Kazakhstan

LAMED Ltd.
155/1, Tazhibayevoy Str.
050060 Almaty
IP Schmidt
Abayavenue 3B
110 005 Kostanay

Korea

Kyung Jin Trading CO.,LTD.
107-4, SunDuk Bld.,
YangJae-dong,
Seocho-gu,
Seoul, (zipcode: 137-891)
Phone: (+82) (0)2 574-6300

Latvia

Husqvarna Latvija SIA
Ulbrokas 19A
LV-1021 Rīga
info@gardena.lv

Lithuania

UAB Husqvarna Lietuva
Ateities pl. 77C
LT-52104 Kaunas
info@gardena.lt

Luxembourg

Magasins Jules Neuberg
39, rue Jacques Stas
Luxembourg-Gasperich 2549
Case Postale No. 12
Luxembourg 2010
Phone: (+352) 40 14 01
api@neuberg.lu

Mexico

AFOSA
Av. Lopez Mateos Sur # 5019
Col. La Calma 45070
Zapopan, Jalisco, Mexico
Phone: (+52) 33 3818-3434
icornejo@afosa.com.mx

Moldova

Convel S.R.L.
290A Muncesti Str.
2002 Chisinau

Netherlands

Husqvarna Nederland B.V.
GARDENA Division
Postbus 50131
1305 AC ALMERE
Phone: (+31) 36 521 00 10
info@gardena.nl

Neth. Antilles

Jonka Enterprises N.V.
Sta. Rosa Weg 196
P.O. Box 8200
Curaçao
Phone: (+599) 9 767 66 55
pgm@jonka.com

New Zealand

Husqvarna New Zealand Ltd.
PO Box 76-437
Manukau City 2241
Phone: (+64) (0) 9 9202410
support.nz@husqvarna.co.nz

Norway

Husqvarna Norge AS
Gardena Division
Trøskerveien 36
1708 Sarpsborg
info@gardena.no

Peru

Husqvarna Perú S.A.
Jr. Ramón Cárcamo 710
Lima 1
Tel: (+51) 1 3320400 ext. 416
juan.remuzgo@husqvarna.com

Poland

Husqvarna
Poland Spółka z o.o.
ul. Wysockiego 15 b
03-371 Warszawa
Phone: (+48) 22 330 96 00
gardena@husqvarna.com.pl

Portugal

Husqvarna Portugal, SA
Lagoa - Albarraque
2635 - 595 Rio de Mouro
Tel.: (+351) 21 922 85 30
Fax : (+351) 21 922 85 36
info@gardena.pt

Romania

Madex International Srl
Soseaua Odaii 117 - 123,
RO 013603 București, S1
Phone: (+40) 21 352.76.03
madex@ines.ro

Russia / Россия

ООО „Хускварна“
141400, Московская обл.,
г. Химки,
улица Ленинградская,
владение 39, стр.6
Бизнес Центр
„Химки Бизнес Парк“,
помещение OB02_04
<http://www.gardena.ru>

Serbia

Domel d.o.o.
Autoput za Novi Sad bb
11273 Belgrade
Phone: (+381) 1 18 48 88 12
miroslav.jejina@domel.rs

Singapore

Hy-Ray PRIVATE LIMITED
40 Jalan Pemimpin
#02-08 Tat Ann Building
Singapore 577185
Phone: (+65) 6253 2277
shiyiyng@hyray.com.sg

Slovak Republic

Husqvarna Česko s.r.o.
Türkova 2319/5b
149 00 Praha 4 – Chodov
Bezplatná infolinka:
800 154 044
servis@sk.husqvarna.com

Slovenia

Husqvarna Austria GmbH
Industriezeile 36
4010 Linz
Tel. : (+43) 732 77 01 01-485
service.gardena@
husqvarnagroup.com

South Africa

Husqvarna
South Africa (Pty) Ltd
Postnet Suite 250
Private Bag X6,
Cascades, 3202
South Africa
Phone: (+27) 33 846 9700
info@gardena.co.za

Spain

Husqvarna España S.A.
Calle de Rivas nº 10
28052 Madrid
Phone: (+34) 91 708 05 00
atencioncliente@gardena.es

Suriname

Deto Handelmaatschappij N.V.
Kernkampweg 72-74
P.O.Box: 12782
Paramaribo – Suriname
South America
Phone: (+597) 438050
www.deto.sr

Sweden

Husqvarna AB/GARDENA Sverige
Drottninggatan 2
561 82 Huskvarna
Sverige

Switzerland / Schweiz

Husqvarna Schweiz AG
Consumer Products
Industriestrasse 10
5506 Mägenwil
Phone: (+ 41) (0) 62 887 37 90
info@gardena.ch

Turkey

Dost Bahçe Dış Ticaret
Mümessillik A.Ş.
Yunus Mah. Adil Sok. No: 3
İc Kapi No: 1 Kartal
34873 İstanbul
Phone: (+90) 216 38 93 939
info@dostbahce.com.tr

Ukraine / Україна

ТОВ «Хускварна Україна»
вул. Васильківська, 34,
офіс 204-г
03022, м. Київ
Тел. (+38) 0 800 504 804
info@gardena.ua

Uruguay

FELI SA
Entre Ríos 1083 CP 11800
Montevideo – Uruguay
Tel : (+598) 22 03 18 44
info@felisa.com.uy

Venezuela

Corporación Casa y Jardín C.A.
Av. Caroní, Edif. Trezmen, PB.
Colinas de Bello Monte.
1050 Caracas.
Tlf : (+58) 212 992 33 22
info@casayjardin.net.ve

18350-20.960.01/0721
© GARDENA Manufacturing GmbH
D-89079 Ulm
<http://www.gardena.com>