



# Husqvarna®



## 350BT

### EAC

EN	Operator's manual	2-16
BG	Ръководство за експлоатация	17-32
CS	Návod k použití	33-47
DA	Brugsanvisning	48-62
DE	Bedienungsanweisung	63-77
EL	Οδηγίες χρήσης	78-93
ES	Manual de usuario	94-108
ET	Kasutusjuhend	109-122
FI	Käyttöohje	123-136
FR	Manuel d'utilisation	137-151
HR	Priručnik za korištenje	152-166
HU	Használati utasítás	167-181
IT	Manuale dell'operatore	182-196
LT	Operatoriaus vadovas	197-211
LV	Lietošanas pamācība	212-226
NL	Gebruiksaanwijzing	227-241
NO	Bruksanvisning	242-255
RO	Instrucțiuni de utilizare	256-270
RU	Руководство по эксплуатации	271-286
PL	Instrukcja obsługi	287-301
PT	Manual do utilizador	302-316
SK	Návod na obsluhu	317-331
SL	Navodila za uporabo	332-345
SV	Bruksanvisning	346-359

---

# Contents

---

Introduction.....	2	Troubleshooting.....	12
Safety.....	4	Transportation and storage.....	13
Assembly.....	6	Technical data.....	14
Operation.....	7	EC Declaration of Conformity.....	15
Maintenance.....	10		

---

## Introduction

---

### Product description

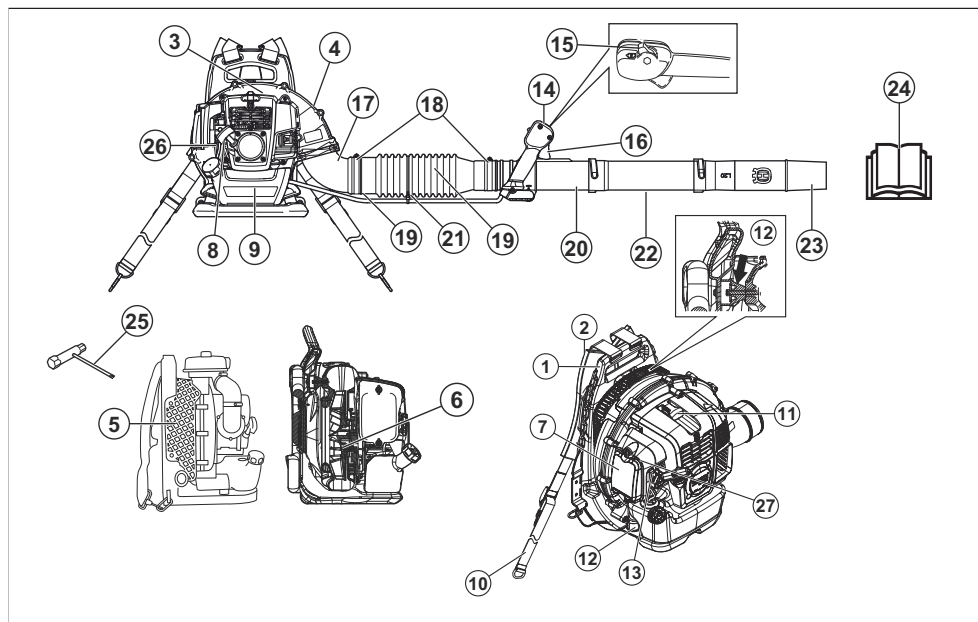
This product is a backpack blower with a fuel engine.

We have a policy of continuous product development and therefore reserve the right to modify the design and appearance of products without prior notice.

### Intended use

Use the product to blow leaves and other unwanted material from areas such as lawns, pathways and asphalt roads.

### Product overview



- |                        |   |
|------------------------|---|
| 1. Frame               | 11. Spark plug                              |
| 2. Harness             | 12. Vibration damping system                |
| 3. Engine cover        | 13. Choke control                           |
| 4. Fan cover           | 14. Control handle                          |
| 5. Air intake screen   | 15. Start/stop switch with throttle control |
| 6. Fan                 | 16. Throttle trigger                        |
| 7. Air filter          | 17. Pipe angle                              |
| 8. Starter rope handle | 18. Clamp                                   |
| 9. Fuel tank           | 19. Flexible hose                           |
| 10. Waist belt         | 20. Control pipe                            |

- 21. Cable clamp
- 22. Intermediate pipe
- 23. Blower nozzle
- 24. Operator's manual
- 25. Combination wrench
- 26. Air purge bulb
- 27. Idle speed screw

## Symbols on the product



**WARNING!** This product can be dangerous and cause serious injury or death to the operator or others. Be careful and use the product correctly.



Read the operator's manual carefully and make sure that you understand the instructions before use.



Use approved hearing protection and approved eye protection. If the environment contains dust, use a breathing mask.



Use approved protective gloves.



Mixture of gasoline and two-stroke oil.



Air purge bulb.



Keep all body parts away from hot surfaces.



Choke, open position.



Choke, closed position.



This product complies with applicable EC Directives.



This product conforms to the applicable UK regulations.



Noise emission to the environment label as per EU and UK directives and regulations, and New South Wales legislation "Protection of the Environment Operations (Noise Control) Regulation 2017". The guaranteed sound power level of the product is specified in *Technical data on page 14* and on the label.



Look out for thrown objects. Thrown objects can cause serious injury. Use personal protective equipment.



Keep a safety distance of a minimum of 15 m to persons or animals.

yyyywwxxxx

The rating plate shows the serial number. **yyyy** is the production year and **ww** is the production week.

**Note:** Other symbols/decals on the product refer to certification requirements for other commercial areas.

## Euro V Emissions



**WARNING:** Tampering with the engine voids the EU type-approval of this product.

## Product liability

As referred to in the product liability laws, we are not liable for damages that our product causes if:

- the product is incorrectly repaired.
- the product is repaired with parts that are not from the manufacturer or not approved by the manufacturer.
- the product has an accessory that is not from the manufacturer or not approved by the manufacturer.
- the product is not repaired at an approved service center or by an approved authority.

---

# Safety

---

## Safety definitions

The definitions below give the level of severity for each signal word.



**WARNING:** Injury to persons.



**CAUTION:** Damage to the product.

**Note:** This information makes the product easier to use.

## General safety instructions



**WARNING:** Read the warning instructions that follow before you use the product.

- Do not do changes to the product without approval from the manufacturer and always use original accessories. Modifications and/or accessories that are not approved can result in serious injury or the death of the operator or others.
- Do not use a damaged product. Do the safety checks and maintenance given in this operator's manual. All other maintenance must be done by approved servicing personnel.
- All servicing and repair operations must be done by approved servicing personnel. If a part of the product is defective, speak to your servicing dealer.

## Safety instructions for operation



**WARNING:** Read the warning instructions that follow before you use the product.

- This product can be dangerous and cause serious injury or death to the operator or others. Be careful and use the product correctly.
- Do an inspection of the product before use. Refer to *Maintenance on page 10*.
- Do not operate the product when you are tired, ill or under the influence of alcohol or other drugs that can decrease your vision, judgment or coordination.
- Install all covers and guards before use. To prevent electrical shock, make sure that the spark plug cap and ignition cable are not damaged.
- Do not touch the spark plug or ignition cable when the engine is on.
- Keep a safety distance at a minimum of 15 m to persons or animals. If persons, children or animals come nearer than 15 m, stop the product. Point the product away from persons, animals, open windows and other objects.
- Do not let children operate the product. Make sure that all operators read and understand the contents of this operator's manual.
- Keep hands or other objects away from the blower housing during operation. Rotating parts can cause serious injury.
- Do not use the product if the air intake screen is not installed. Always make sure that the air intake screen is installed and not damaged before use.
- If an emergency occurs, release the waist belt and chest belt of the harness and let the product fall.
- Obey national regulations and directives.
- Keep all body parts away from hot surfaces.
- This product produces an electromagnetic field during operation. This field may under some circumstances interfere with active or passive medical implants. To reduce the risk of serious or fatal injury we recommend persons with medical implants to consult their physician and the medical implant manufacturer before operating this product.
- Too much vibration can cause damage to the circulation or the nervous system. Speak to your physician if you have symptoms, for example numbness, loss of feeling, tingling, pricking, pain, loss of strength or changes in skin color in your fingers, hands or wrists.
- Look out for thrown objects. Thrown objects can cause serious injury.
- Do not use the product in bad weather, for example fog, rain, strong winds and too cold environments. To do work in bad weather can cause tiredness and dangerous conditions.
- Make sure that you can move and keep a stable position. Do a check of the work area for possible obstacles, for example rocks. Be careful if you operate the product on a slope.
- Do not put the product on the ground with the engine on.
- Do not operate the product from high positions, for example on a ladder.
- Make sure that you can always be heard if an accident occurs.
- Make sure that the exhaust fume outlet is not blocked. To prevent damage to the product, keep obstacles at a minimum distance of 50 cm from the exhaust fume outlet.
- Do not start the product indoors, in bad airflow or near flammable material. The engine exhaust fumes contain carbon monoxide, which can cause carbon monoxide poisoning. The engine exhaust fumes are hot and can contain sparks which can start a fire.

## Personal protective equipment



**WARNING:** Read the warning instructions that follow before you use the product.

- Use approved personal protective equipment when you use the product. Personal protective equipment cannot fully prevent injury but it can decrease the degree of injury. Speak to your dealer for more information.
- Use approved hearing protection. Long-term exposure to noise can result in permanent hearing damage.
- Use approved eye protection. If you use a visor, you must also use approved protective goggles. Approved protective goggles must agree with the ANSI Z87.1 standard in the USA or EN 166 in EU countries.
- Use protective gloves during operation and maintenance.
- Use protective boots or shoes with non-slip soles.
- Use clothing of strong fabric and of full length. Do not use jewelry or open shoes. To decrease the risk on injury, your clothing must be close-fitting but not limit your movements. Put your hair above your shoulders to prevent that your hair enters rotating parts or catches on branches.
- Use breathing protection when there is a risk of dust.
- Keep first aid equipment near.

## Safety devices on the product



**WARNING:** Read the warning instructions that follow before you use the product.

- Do not use a product with defective safety devices.
- Do a check of the safety devices regularly. Refer to *Maintenance on page 10*.
- If the safety devices are defective, speak to your Husqvarna servicing dealer.

## To do a check of the muffler



**WARNING:** Do not use a product with a defective muffler.



**WARNING:** The muffler becomes very hot during and after operation, also at idle speed. Use protective gloves to prevent burn injuries.



**WARNING:** The inner side of the muffler contains chemicals that may be

carcinogenic. Do not touch the muffler if it is damaged.

- Regularly do a visual check of the muffler. The muffler keeps noise levels to a minimum and sends exhaust fumes away from the operator. Refer to *To do maintenance on the muffler on page 11*.

## To do a check of the vibration damping system

1. Make sure that there are no cracks or deformation on the vibration damping units.
2. Make sure that the vibration damping units are correctly attached to the engine unit and handle unit.

Refer to *Product overview on page 2* for information about where the vibration damping system is on your product.

## To do a check of the start/stop switch

1. Use the start/stop switch to stop the engine.
2. Make sure that the engine stops fully.

To see where the start/stop switch is on your product, refer to *Product overview on page 2*.

## Harness safety

- Make sure that the waist belt is attached and correctly adjusted. Loose ends of the harness can enter rotating parts and cause damage to the fan. If the fan is damaged, loose parts of the product can eject and cause injury or damage.

## Fuel safety



**WARNING:** Read the warning instructions that follow before you use the product.

- Do not mix or add the fuel indoors or near a heat source.
- Do not start the product if there is fuel or oil on the product or on your body.
- Do not start the product if the engine has a fuel leak. Examine the engine for fuel leaks regularly.
- Always be careful with fuel. Fuel is flammable and the fuel fumes are explosive and can cause serious injury or death.
- Do not breathe in the fuel fumes, it can cause injury. Make sure that there is a sufficient airflow.
- Do not smoke near the fuel or the engine.
- Do not put the product or a fuel container near warm objects, an open flame, a spark or a pilot light.
- Always use approved containers for storage and transportation of fuel.

## Safety instructions for maintenance



**WARNING:** Read the warning instructions that follow before you use the product.

- Stop the engine, remove the spark plug and let the engine become cool before maintenance and assembly.
- A blocked spark arrestor screen causes the engine to become too hot which causes damage to the engine.

## Assembly

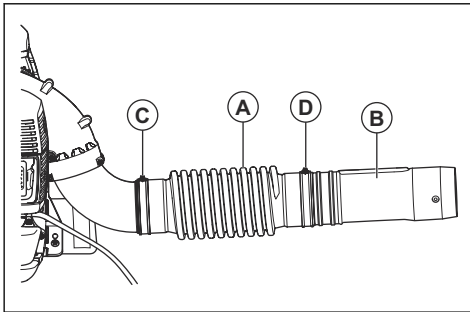
### Introduction



**WARNING:** Read and understand the safety chapter before you assemble the product.

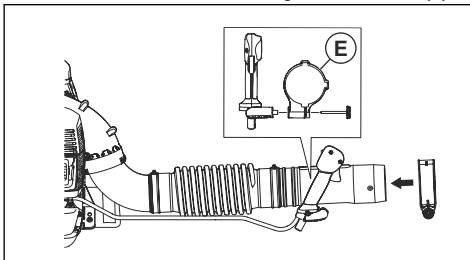
### To assemble the blower pipe and the control handle on the product

1. Attach the flexible hose (A) to the pipe angle and the control pipe (B) with the clamps (C) and (D).



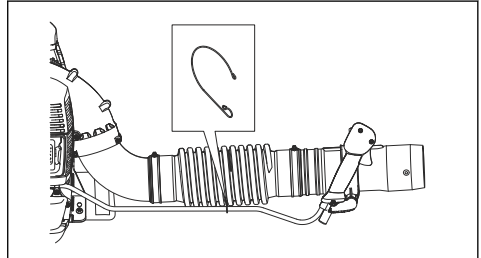
**Note:** Lubricate the control pipe and the flexible hose to make them more easy to assemble.

2. Attach the handle holder (E) to the control pipe. Align the handle holder with the flange on the control pipe.

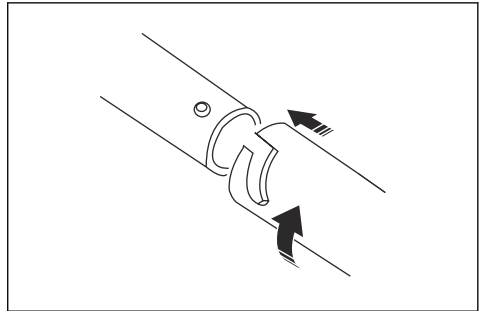


3. Adjust the position and angle of the control handle to a safe and correct work position. Tighten the knob.

4. Attach the cable to the flexible hose with the cable clamp.



5. Attach the intermediate pipe to the control pipe.



**Note:** If it is a requirement to use a longer circular blower pipe, an extended intermediate pipe is available.

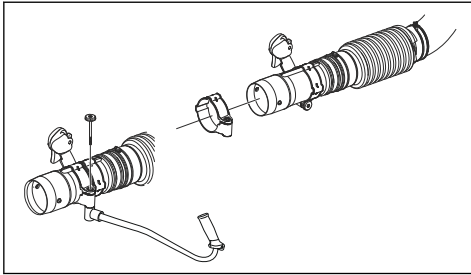
6. Attach the blower nozzle to the intermediate pipe.

**Note:** The blower nozzle can only be installed on the intermediate pipe.

### To assemble the handlebar (optional accessory)

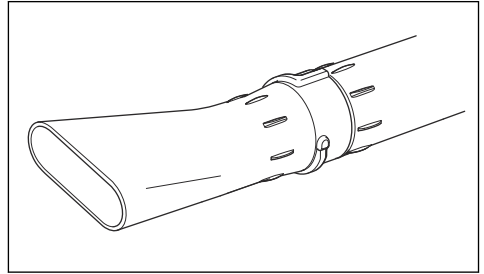
1. Disassemble the intermediate pipe.
2. Remove the knob from the holder and push the holder onto the control pipe.

3. Install the handlebar and the knob. Tighten the knob.



4. Assemble the intermediate pipe.

- Remove the blower nozzle from the intermediate pipe and install the flat nozzle.



## To assemble the flat nozzle (optional accessory)

The flat nozzle gives a higher air speed than the blower nozzle.

# Operation

## Introduction



**WARNING:** Read and understand the safety chapter before you use the product.

## Fuel

This product has a two-stroke engine.



**CAUTION:** Incorrect type of fuel can result in engine damage. Use a mixture of gasoline and two-stroke oil.

## Premixed fuel

- Use Husqvarna premixed alkylate fuel for best performance and extension of the engine life. This fuel contains less harmful chemicals compared to regular fuel, which decreases harmful exhaust fumes. The quantity of remains after combustion is lower with this fuel, which keeps the components of the engine more clean.

## To mix fuel

### Gasoline

- Use good quality unleaded gasoline with a maximum of 10% ethanol contents.



**CAUTION:** Do not use gasoline with an octane grade less than 90 RON/87 AKI. Use of a lower octane grade can cause engine knocking, which causes engine damages.

### Two-stroke oil

- For best results and performance use Husqvarna two-stroke oil.
- If Husqvarna two-stroke oil is not available, use a two-stroke oil of good quality for air-cooled engines. Speak to your servicing dealer to select the correct oil.



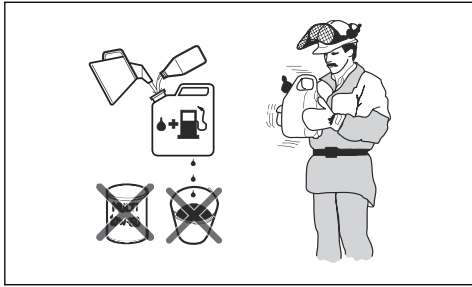
**CAUTION:** Do not use two-stroke oil for water-cooled outboard engines, also referred to as outboard oil. Do not use oil for four-stroke engines.

## To mix gasoline and two-stroke oil

Gasoline, liter	Two-stroke oil, liter
	<b>2% (50:1)</b>
5	0.10
10	0.20
15	0.30
20	0.40



**CAUTION:** Small errors can influence the ratio of the mixture drastically when you mix small quantities of fuel. Measure the quantity of oil carefully and make sure that you get the correct mixture.



1. Fill half the quantity of gasoline in a clean container for fuel.
2. Add the full quantity of oil.
3. Shake the fuel mixture.
4. Add the remaining quantity of gasoline to the container.
5. Carefully shake the fuel mixture.



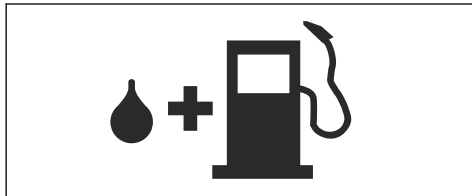
**CAUTION:** Do not mix fuel for more than 1 month at a time.

### To fill the fuel tank



**WARNING:** Obey the procedure that follows for your safety.

1. Stop the engine and let the engine become cool.
2. Clean the area around the fuel tank cap.



3. Shake the container and make sure that the fuel is fully mixed.
4. Remove the fuel tank cap slowly to release the pressure.
5. Fill the fuel tank.



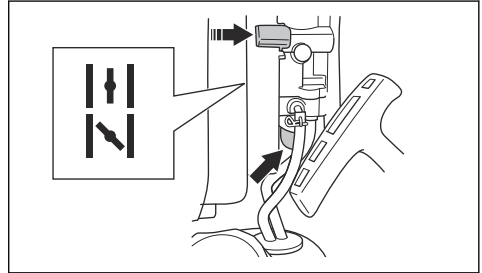
**CAUTION:** Make sure that there is not too much fuel in the fuel tank. The fuel expands when it becomes hot.

6. Tighten the fuel tank cap carefully.
7. Clean fuel spillage on and around the product.
8. Move the product 3 m/10 ft or more away from the refueling area and fuel source before you start the engine.

**Note:** To see where the fuel tank is on your product, refer to *Product overview on page 2*.

### To start the product

1. If the engine is cold, push the choke lever to the closed choke position. Refer to *Symbols on the product on page 3*.



2. Push the air purge bulb again and again until fuel starts to fill the air purge bulb. It is not necessary to fill the air purge bulb fully.
3. Push the start/stop switch with throttle control to the 1/3 speed position. Refer to *To operate the throttle control/stop switch on page 9*.
4. Put the product on a flat surface on the ground.
5. Hold the product with the left hand.



**CAUTION:** Do not use your feet to hold the product.

6. Pull the starter rope handle slowly until resistance occurs.
7. Pull the starter rope handle quickly with the right hand. Pull the starter rope handle again and again until the engine starts.

**Note:** Do not pull the starter rope handle to full extension and do not let go of the starter rope handle.

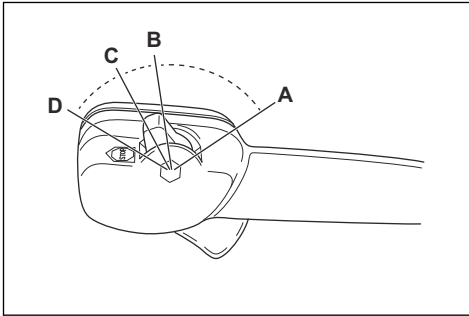


8. If the engine is cold, push the choke lever to the open choke position gradually until the choke lever stops.
9. If the engine is cold, let the engine operate for 2-3 minutes to become warm before operation.



**WARNING:** Air is released when the engine is started and when the product is set at idle speed. Do not let persons to come near the product or the blower tube.

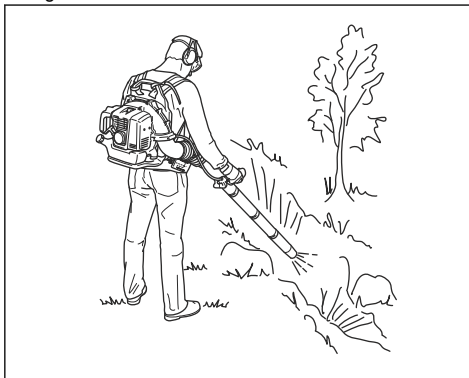
## To operate the throttle control/stop switch



- Apply full throttle (A).
- Apply 1/3 speed (B).
- Apply idle speed (C).
- Stop the product (D).

## To operate the product

- This blower is a backpack type, and is carried using a shoulder harness while operating. It is operated and controlled with the handle on the tube using the right hand.



- Operate the product at usual work hours. Obey local regulations.

- Decrease the pieces of equipment and select the correct speed for your task. Use the throttle at lowest position possible to prevent more noise and dust than necessary.
- Keep the blower nozzle near the ground.

**Note:** Husqvarna recommends that you use the full blower nozzle extension.

- Make a note of the wind direction and operate the product in the direction of the wind.
- Use applicable garden tools to release material from the ground.
- In areas with dust, use spray equipment to wet the area. This decreases the operation time.
- After operation, keep the product in storage vertically.

## To stop the product

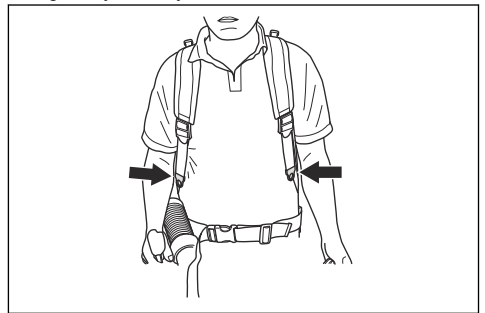


**CAUTION:** Do not stop the product at full speed.

1. Put the start/stop switch with throttle control in the stop position. Refer to *To operate the throttle control/stop switch on page 9.*

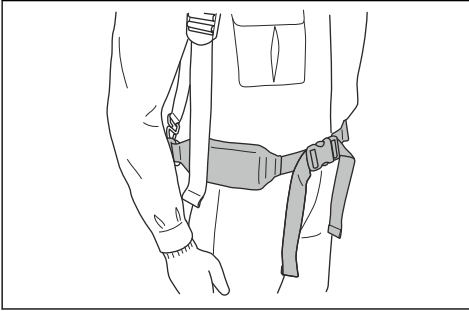
## To adjust the harness

1. Put on the harness of the product.
2. Tighten the shoulder straps until the product is tight against your body.



3. Put the waist belt around your waist.

4. Tighten the waist belt strap. Make sure that the weight of the blower stays on your hips.



## Maintenance

### Introduction



**WARNING:** Read and understand the safety chapter before you do maintenance on the product.

### Maintenance schedule

Maintenance	Daily	Weekly	Monthly
Clean the external surfaces.	X		
Make sure that the control handle operates correctly.	X		
Make sure that the start/stop switch operates correctly. Refer to <i>To do a check of the start/stop switch on page 5.</i>	X		
Examine the engine, the fuel tank and the fuel lines for leaks. Examine the fuel filter for contamination. Replace the fuel filter if it is necessary.	X		
Clean the air filter. Replace the air filter if it is necessary.	X		
Tighten nuts and screws.	X		
Examine the air intake and make sure that it is not blocked.	X		
Examine the starter and the starter rope for damages.		X	
Examine the vibration damping units for damages, cracks and deformation. Make sure that the vibration damping units are correctly installed.		X	
Examine the spark plug. Refer to <i>To do a check of the spark plug on page 11.</i>		X	
Clean the cooling system.		X	
Clean the external surface of the carburetor and the area around it.		X	
Clean the fuel tank.			X
Examine all cables and connections.			X
Examine and clean the spark arrestor screen on the muffler (for products without catalytic converter).		X	

Maintenance	Daily	Weekly	Monthly
Examine and clean the spark arrester screen on the muffler (for products with catalytic converter).			X
Examine the spark plug. Replace if it is necessary.			X

## To adjust the idle speed

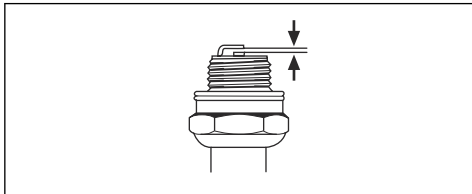
1. Make sure that the air filter is clean and that the air filter cover is attached.
2. Adjust the idle speed with the idle speed screw. To see where the idle speed screw is on your product, refer to *Product overview on page 2*.

## To do a check of the spark plug



**CAUTION:** Use the recommended spark plug. Refer to *Technical data on page 14*. An incorrect spark plug can cause damage to the product.

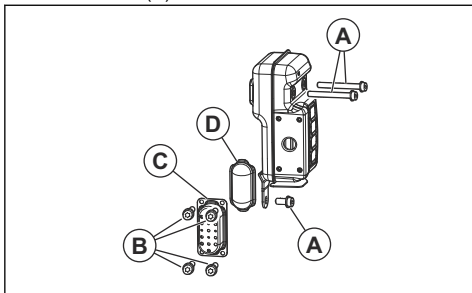
1. Stop the engine and let the product become cool.
2. Clean the spark plug if it is dirty.
3. Make sure that the electrode gap is correct. Refer to *Technical data on page 14*.



4. Replace the spark plug monthly or more frequently if it is necessary.

## To do maintenance on the muffler

1. Stop the engine and let the muffler become cool. Always use protective gloves.
2. Remove the screws (A), the screws (B) and the exhaust duct (C).



3. Remove the spark arrester screen (D) and clean it with a wire brush. Replace the spark arrester screen if it is damaged.

4. Remove dirt from muffler and from the exhaust port of the cylinder with the wire brush.
5. Attach the spark arrester screen (D) and the exhaust duct (C) with the screws (B). Tighten the screws to 2-3 Nm.
6. Tighten the screws (A) to 8-12 Nm. Make sure that the muffler is correctly attached to the product.

## To examine and clean the cooling system

The cooling system includes the cooling fins on the cylinder and the air intake screen.

1. Stop the engine.
2. Make sure that the cooling system is not dirty or blocked. If it is necessary, clean the air intake screen and cooling fins.



**CAUTION:** A dirty or blocked cooling system can increase the temperature of the engine and cause damage to the product. A clogged air intake screen decreases the blow force.

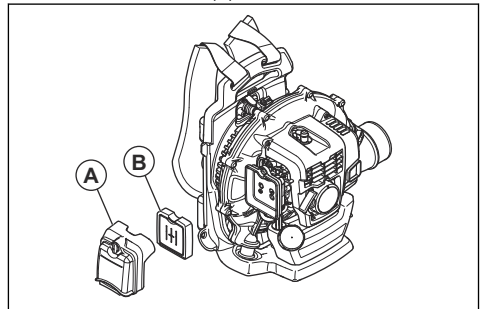
3. Examine the cooling system for damages. Make sure that the parts are attached correctly to the product.

## To clean the air filter



**CAUTION:** Do not use a product without an air filter or with a damaged air filter. Dust in the air can cause damage to the engine.

1. Push the choke control to the closed position.
2. Remove the air filter cover (A).
3. Remove the air filter (B) from the filter frame.



- Clean the air filter with warm water with soap.

**Note:** An air filter that has been used for a long time cannot be fully cleaned. Replace the air filter regularly and always replace a defective air filter.

- Clean the inner surface of the air filter cover (A) with a brush.
- Apply oil to the air filter. Refer to *To apply oil to the foam air filter on page 12*.
- Put the air filter in the filter frame.
- Attach the air filter cover to the product.

### To apply oil to the foam air filter

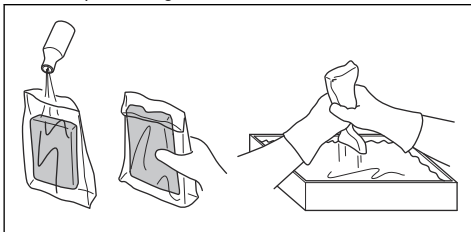


**CAUTION:** Always use Husqvarna special air filter oil. Do not use other types of oil.



**WARNING:** Put on protective gloves. The air filter oil can cause skin irritation.

- Put the foam air filter in a plastic bag.
- Put the oil in the plastic bag.
- Rub the plastic bag to supply the oil equally across the foam air filter.
- Push the unwanted oil out of the foam air filter while in the plastic bag.

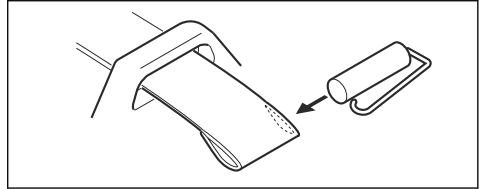


### To replace the harness



**WARNING:** A damaged harness can make the product fall and cause injuries. Make sure to install the clamp correctly.

- Stop the engine.
- Remove the clamp from the strap.
- Push the end of the strap through the eyelet.
- Pull the new strap through the eyelet.
- Put the pin into the strap to attach the clamp to the new strap.



## Troubleshooting

The engine is not possible to start		
Check	Possible cause	Solution
Stop button.	Stop position	Set the stop switch to the start position.
Starter pawl/s.	Blocked or worn starter pawl/s.	Adjust or replace the starter pawl/s.
		Clean around the starter pawl/s.
		Speak to an approved servicing dealer.

<b>The engine is not possible to start</b>		
<b>Check</b>	<b>Possible cause</b>	<b>Solution</b>
Fuel tank.	Incorrect fuel type.	Drain the fuel tank and use correct fuel.
Carburetor.	Adjustment of the idle speed.	Adjust the idle speed with the idle adjustment screw.
Spark (no spark).	Spark plug dirty or wet.	Make sure that the spark plug is dry and clean.
	Electrode gap on the spark plug is incorrect.	Clean the spark plug. Make sure that the electrode gap is correct. Make sure that the spark plug is installed with a suppressor. Refer to technical data for the correct electrode gap.
Spark plug.	Spark plug is loose.	Tighten the spark plug.
	There is unwanted material on the spark plug electrodes.	Make sure that the fuel mixture is correct. Make sure that the air filter is clean.

<b>Engine starts but stops again</b>		
<b>Check</b>	<b>Possible cause</b>	<b>Solution</b>
Fuel tank.	Incorrect fuel type.	Drain it and use the correct fuel.
Carburetor.	Engine will not operate correctly at idle speed.	Speak to your servicing dealer.
Air filter.	Clogged air filter.	Clean the air filter.

## Transportation and storage

### Transportation and storage



**WARNING:** To prevent the risk of fire, make sure that there are no leaks or fumes during transportation or storage. Make sure that there is no risk of sparks or fire.

- Empty the fuel tank before transportation or long-term storage. Push the air purge bulb to make sure that all fuel is removed. Discard the fuel at an applicable disposal location.
- Make sure that the product is clean and that a full servicing is done before long-term storage.
- Remove the spark plug and put approximately 15 ml of two-stroke oil into the cylinder. Turn the product 3 times and install the spark plug again.
- Attach the product safely to the vehicle during transportation.
- Keep the product in a dry, cool and clean space with good airflow. Keep the product away from children.

## Technical data

### Technical data

Husqvarna 350BT	
<b>Engine</b>	
Cylinder displacement, cm <sup>3</sup>	50.2
Idle speed, rpm	2200
Catalytic converter	No
<b>Ignition system</b>	
Spark plug	NGK CMR7H / TORCH AC7R
Electrode gap, mm	0.6-0.7
<b>Fuel and lubrication system</b>	
Fuel tank capacity, l / cm <sup>3</sup>	1.25 / 1250
<b>Weight</b>	
Weight without fuel, kg	10.2
<b>Noise emissions</b> <sup>1</sup>	
Sound power level, measured dB (A)	101
Sound power level, guaranteed L <sub>WA</sub> dB (A)	101
<b>Sound levels</b> <sup>2</sup>	
Equivalent sound pressure level at the operator's ear, measured according to EN15503 dB(A):	
Equipped with blower nozzle (original)	96
<b>Vibration levels</b> <sup>3</sup>	
Equivalent vibration levels (a <sub>hv,eq</sub> ) at handles, measured according to EN 15503, m/s <sup>2</sup>	2.7
<b>Fan performance</b>	
Max. air velocity with blower nozzle, m/s	80
Air flow with blower nozzle, m <sup>3</sup> /min	14

<sup>1</sup> Noise emissions in the environment measured as sound power (L<sub>WA</sub>) in conformity with EC directive 2000/14/EC. Reported sound power level for the machine has been measured with the original blower nozzle that gives the highest level. The difference between guaranteed and measured sound power is that the guaranteed sound power also includes dispersion in the measurement result and the variations between different machines of the same model according to Directive 2000/14/EC.

<sup>2</sup> Reported data for noise pressure level has a typical statistical dispersion (standard deviation) of 1.0 dB (A).

<sup>3</sup> Reported data for vibration level has a typical statistical dispersion (standard deviation) of 1.0 m/s<sup>2</sup>.

---

# EC Declaration of Conformity

---

## EC Declaration of Conformity

We, **Husqvarna AB**, SE-561 82 Huskvarna, Sweden, tel: +46-36-146500, declare on our sole responsibility that the product:

<b>Description</b>	Backpack blower
<b>Brand</b>	Husqvarna
<b>Type / Model</b>	350BT
<b>Identification</b>	Serial numbers dating from 2022 and onwards.

complies fully with the following EU directives and regulations:

<b>Regulation</b>	<b>Description</b>
2006/42/EC	"relating to machinery"
2014/30/EU	"relating to electromagnetic compatibility"
2000/14/EC	"relating to the noise emissions in the environment"
2011/65/EU	"on the restriction of the use of certain hazardous substances in electrical and electronic equipment"

and that the following standards and/or technical specifications are applied: EN ISO 12100:2010, CISPR 12:2009, EN 15503:2009+A2:2015, EN IEC 63000:2018

RISE SMP Svensk Maskinprovning AB, Box 7035, SE-750 07 Uppsala, Sweden has performed voluntary type examination on behalf of Husqvarna AB.

Certificate Number: SEC/09/2102

RISE SMP Svensk Maskinprovning AB, Box 7035, SE-750 07 Uppsala, Sweden has also verified agreement with appendix V of the council's directive 2000/14/EG.

For information relating to noise emissions, refer to *Technical data on page 14*.

Huskvarna, 2022-05-17

Stefan Holmberg, R&D Director, Technology Management, Husqvarna AB.

Responsible for technical documentation



Two handwritten signatures in black ink are visible. The first signature is on the left and the second is on the right, both appearing to be in cursive script.

## UK Declaration of Conformity

We, **Husqvarna AB**, SE-561 82 Huskvarna, Sweden, tel: +46-36-146500, declare on our sole responsibility that the product:

<b>Description</b>	Backpack blower
<b>Brand</b>	Husqvarna
<b>Type / Model</b>	350BT
<b>Identification</b>	Serial numbers dating from 2022 and onwards.

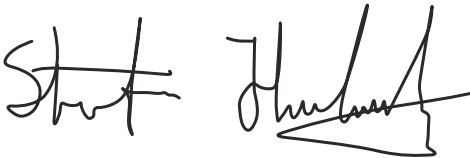
complies fully with the following UK regulations:

<b>Description</b>
The Supply of Machinery (Safety) Regulations 2008
Electromagnetic Compatibility Regulations 2016
The Noise Emission in the Environment by Equipment for use Outdoors Regulations 2001, Schedule 8
The Restriction of the Use of Certain Hazardous Substances in Electrical and Electronic Equipment Regulations 2012

and that the following standards and/or technical specifications are applied: EN ISO 12100:2010, CISPR 12:2009, EN 15503:2009+A2:2015, EN IEC 63000:2018

For information relating to noise emissions, refer to *Technical data on page 14*.

Huskvarna, 2022-05-17



Stefan Holmberg, R&D Director, Technology Management, Husqvarna AB.

Responsible for technical documentation

**UK  
CA**

UK Importer:  
Husqvarna UK Ltd  
Preston Road, Co. Durham  
DL5 6UP



# Съдържание

Въведение.....	17	Отстраняване на проблеми.....	29
Безопасност.....	19	Транспорт и съхранение.....	30
Монтаж.....	21	Технически характеристики.....	31
Операция.....	23	Декларация за съответствие на ЕО.....	32
Поддръжка.....	26		

## Въведение

### Описание на продукта

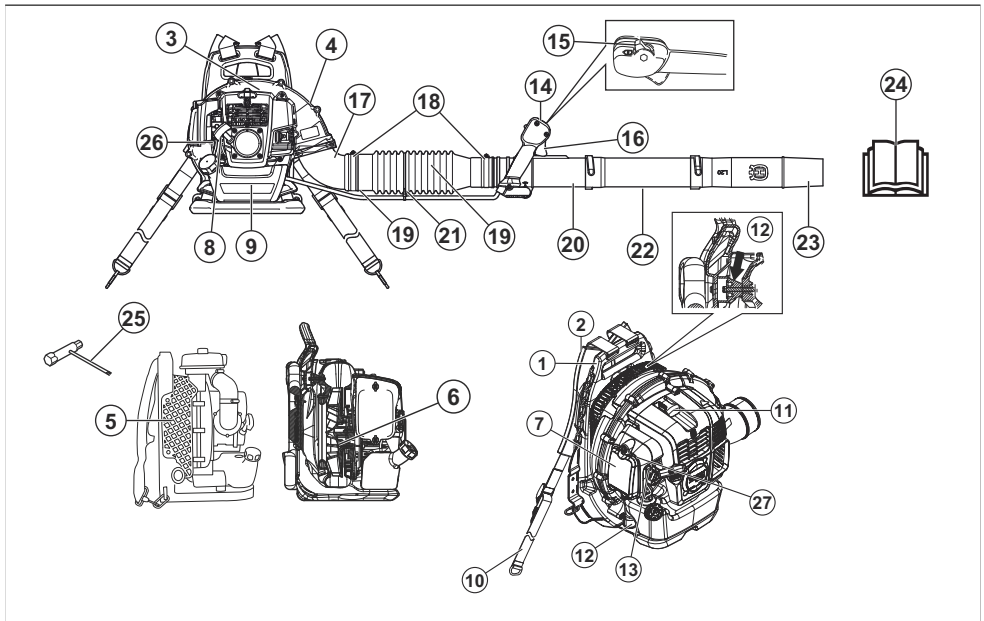
Този продукт е преносимо компресорно оборудване с двигател с вътрешно горене.

Ние имаме политика на непрекъснато усъвършенстване на продуктите и затова си запазваме правото да променяме тяхната конструкция и външен вид без предизвестие.

### Предназначение

Използвайте продукта за събиране на листа или други нежелани предмети от зони като морави, пътеки и асфалтирани пътища.

### Общ преглед на продукта



- |  |   |
|--|---|
| 1. Рамка                               | 9. Резервоар за гориво  |
| 2. Самар                               | 10. Колан   |
| 3. Капак на електродвигателя           | 11. Запалителна свещ  |
| 4. Капак на вентилатора                | 12. Антивибрационна система   |
| 5. Филтър на смукателния въздухопровод | 13. Смукач  |
| 6. Вентилатор                          | 14. Ръкохватка за управление  |
| 7. Въздушен филтър                     | 15. Превключвател за стартиране/спиране с регулатор на дроселната клапа |
| 8. Дръжка на въжето на стартера        |   |

16. Регулатор за газта
17. Тръбно коляно
18. Скоба
19. Мека връзка
20. Основна тръба
21. Скоба на кабел
22. Междинна тръба
23. Дюза за компресорно оборудване
24. Инструкция за експлоатация
25. Комбиниран гаечен ключ
26. Купол на горивната помпа
27. Винт за обороти на празен ход

## Символи върху продукта



**ПРЕДУПРЕЖДЕНИЕ!** този продукт може да бъде опасен и да причини сериозно нараняване или смърт на оператора или други хора. Внимавайте и използвайте продукта правилно.



Прочетете внимателно ръководството за оператора и се уверете, че разбирате инструкциите, преди да използвате машината.



Използвайте одобрена защита на слуха и одобрена защита на очите. Ако в околната среда има прах, използвайте предпазна маска.



Използвайте одобрени защитни ръкавици.



Смес от бензин и масло за двутактови двигатели.



Купол на горивната помпа.



Дръжте всички части на тялото си далеч от горещите повърхности.



Смукач, отворено положение.



Смукач, затворено положение.



Този продукт отговаря на изискванията на приложимите директиви на ЕО.



Този продукт съответства на приложимите регламенти на Обединеното кралство.



Етикет за шумовите емисии за околната среда съгласно директивите и регламентите на ЕС и Обединеното кралство и законодателството на Нов Южен Уелс "Регламент 2017 относно защитата от дейности, оказващи влияние на околната среда (контрол на шума)". Гарантираното ниво на звуковата мощност на продукта е посочено в *Технически характеристики на страница 31* и на етикета.



Внимавайте за хвърчащи предмети. Хвърчащите предмети могат да причинят сериозно нараняване. Използвайте лични предпазни средства.



Поддържайте минимално безопасно разстояние 15 m от хора или животни.

гггссxxxxx

На табелката с данни е изписан серийният номер. **ууу** е годината на производство, а **ww** – седмицата на производство.

**Забележка:** Останалите символи/стикери на продукта се отнасят до изисквания по отношение на сертификати за други търговски площи.

## Емисии Euro V



**ПРЕДУПРЕЖДЕНИЕ:** Намесата в двигателя прави невалидно ЕС одобрението на тип на този продукт.

## Отговорност за продукта

Както е посочено в законите за отговорност за вреди, причинени от стоки, ние не носим отговорност за щети, причинени от нашия продукт, ако:

- продуктът е неправилно ремонтиран.
- продуктът е ремонтиран с части, които не са от производителя или не са одобрени от производителя.

- продуктът има принадлежност, която не е от производителя или не е одобрена от производителя.

- продуктът не е ремонтиран в одобрен сервизен център или от одобрен орган.

## Безопасност

### Дефиниции за безопасност

Дефинициите по-долу предоставят нивото на сериозност за всяка една предупредителна дума.



#### ПРЕДУПРЕЖДЕНИЕ:

Нараняване на лица.



#### ВНИМАНИЕ:

Повреда на продукта.

**Забележка:** Тази информация прави продукта по-лесен за използване.

### Общи инструкции за безопасност



**ПРЕДУПРЕЖДЕНИЕ:** Прочетете следващите предупредителни указания, преди да използвате продукта.

- Не правете изменения по продукта без одобрението на производителя и винаги използвайте оригинални принадлежности. Изменения и/или принадлежности, които не са одобрени, могат да доведат до сериозно нараняване или до смърт на оператора или други хора.
- Не използвайте повреден продукт. Извършете посочените в тази инструкция за експлоатация проверки за безопасност и техническо обслужване. Цялото останало техническо обслужване трябва да се извърши от одобрен сервизен персонал.
- Всички операции по сервизно обслужване и ремонт трябва да се извършат от одобрен сервизен персонал. Ако дадена част от продукта е дефектна, обърнете се към Вашия сервизен дистрибутор.
- Този продукт може да бъде опасен и да причини сериозно нараняване или смърт на оператора или други хора. Внимавайте и използвайте продукта правилно.
- Извършвайте проверка на продукта преди употреба. Вижте *Поддръжка на страница 26*.
- Не работете с продукта, когато сте уморени, болни или под въздействието на алкохол или лекариства, които могат да повлияят отрицателно върху зрението, преценката или координацията на движенията.
- Монтирайте всички капаци и предпазители преди употреба. За да предотвратите електрически удар, се уверете, че лулата на запалителната свещ и запалителният кабел не са повредени.
- Не докосвайте запалителната свещ или запалителния кабел, когато двигателят работи.
- Поддържайте минимално безопасно разстояние 15 m от хора и животни. Ако хора, деца или животни се приближат на по-малко от 15 m, спрете продукта. Насочвайте продукта далеч от хора, животни, отворени прозорци и други обекти.
- Не позволявайте на деца да работят с продукта. Уверете се, че всички оператори са прочели и са разбрали съдържанието на настоящата инструкция за експлоатация.
- По време на работа дръжте ръцете си и други предмети далеч от корпуса на компресорното оборудване. Въртящите се части могат да доведат до сериозно нараняване.
- Не използвайте продукта, ако филтърът на смукателния въздухопровод не е монтиран. Винаги се уверявайте, че филтърът на смукателния въздухопровод е монтиран и не е повреден преди употреба.
- При аварийна ситуация освободете колана и ремъка за гръдния кош на самара и оставете продукта да падне.
- Спазвайте националните разпоредби и директиви.
- Дръжте всички части на тялото си далеч от горещите повърхности.
- Този продукт създава електромагнитно поле по време на работа. При някои условия това поле може да предизвика смущения в активни или пасивни медицински импланти. За да намалите риска от тежко или смъртоносно нараняване, ние препоръчваме лицата с медицински импланти да говорят с лекаря си и производителя на медицинския имплант, преди да започнат да работят с тази машина.
- Прекомерните вибрации могат да навредят на кръвоносната или нервната система. Обърнете се към Вашия лекар, ако имате симптоми,

като например изтръпване, загуба на сетивност, "иглички", бодежи, болка, загуба на сила или промени в цвета на кожата на пръстите, ръцете или китките.

- Внимавайте за хвърчащи предмети. Хвърчащите предмети могат да причинят сериозно нараняване.
- Не използвайте продукта в лошо време, например в условия на мъгла, дъжд, силен вятър и твърде ниски температури. Работата в лошо време може да доведе до умора и опасни състояния.
- Уверете се, че можете да се движите свободно и да поддържате стабилна позиция. Проверете работната зона за възможни препятствия, например скали. Бъдете внимателни, ако работите с продукта върху склон.
- Не оставяйте продукта върху земята с включен двигател.
- Не работете с продукта от високи позиции, например върху стълба.
- Уверете се, че винаги можете да бъдете чути при възникване на нещастен случай.
- Уверете се, че изходът за отработените газове не е запушен. За да предотвратите повреждането на продукта, не допускате препятствия на по-малко от 50 cm от изхода за отработените газове.
- Не стартирайте продукта на закрито, при лоша вентилация или близо до запалими материали. Отработените газове на двигателя съдържат въглероден окис, който може да предизвика отравяне с въглероден окис. Отработените газове са горещи и биха могли да съдържат искри, които да предизвикат пожар.

## Лични предпазни средства



**ПРЕДУПРЕЖДЕНИЕ:** Прочетете следващите предупредителни указания, преди да използвате машината.

- При работа с машината използвайте одобрени лични предпазни средства. Личните предпазни средства не могат напълно да предотвратят нараняване, но могат да намалят степента на нараняването. Свържете се с Вашия дилър за повече информация.
- Използвайте одобрени антифони. Продължителното излагане на въздействието на шум може да доведе до невъзвратимо нарушаване на слуха.
- Използвайте одобрени защитни средства за очите. Ако използвате маска, използвайте също и одобрени защитни очила. Одобрените защитни очила трябва да отговарят на стандарт ANSI Z87.1 за САЩ или EN 166 за страните от ЕС.
- Носете защитни ръкавици по време на работа и техническо обслужване.
- Използвайте защитни ботуши или обувки с противоплъзгащи подметки.

- Носете дрехи от здрав плат и с дълги ръкави/крачоли. Не носете бижута и отворени обувки. За да намалите риска от нараняване, Вашите дрехи трябва да бъдат плътно прилепнали, но да не ограничават движенията Ви. Повдигнете косата си над раменете, за да не може тя да влезе във въртящите се части или да бъде захваната от клоно.
- Използвайте средства за защита на дихателната система, когато има опасност от прах.
- Дръжте наблизко комплект за първа помощ.

## Приспособления за безопасност на машината



**ПРЕДУПРЕЖДЕНИЕ:** Прочетете следващите предупредителни указания, преди да използвате машината.

- Не използвайте машина с неизправни приспособления за безопасност.
- Проверявайте редовно приспособленията за безопасност. Вижте *Поддръжка на страница 26*.
- Ако приспособленията за безопасност са дефектни, говорете с Вашия сервиз на Husqvarna.

## За проверка на ауспуха



**ПРЕДУПРЕЖДЕНИЕ:** Не използвайте продукт с дефектен ауспух.



**ПРЕДУПРЕЖДЕНИЕ:** Ауспухът става много горещ по време на работа и след работа, както и при обороти на празен ход. Използвайте защитни ръкавици за предпазване срещу изгаряне.



## ПРЕДУПРЕЖДЕНИЕ:

Вътрешната страна на ауспуха съдържа химикали, които може да са канцерогенни. Не докосвайте ауспуха, ако той е повреден.

- Правете редовно визуална проверка на ауспуха. Ауспухът е предназначен за максимално намаляване на нивата на шума и за отвеждане на отработените газове настрана от потребителя. Направете справка с *За техническо обслужване на ауспуха на страница 27*.

## За проверка на антивибрационната система

1. Уверете се, че няма пукнатини или деформация на антивибрационните модули.

2. Уверете се, че антивибрационните модули са закрепени здраво към двигателя и дръжката.

Вижте *Общ преглед на продукта на страница 17* за информация за това, къде се намира антивибрационната система.

### За проверка на превключвателя за включване/изключване

1. Използвайте превключвателя за включване/изключване, за да спрете двигателя.
2. Уверете се, че двигателят е напълно спрял.

За да видите къде се намира превключвателят за стартиране/спиране върху Вашия продукт, направете справка с *Общ преглед на продукта на страница 17*.

## Безопасност на самара

- Уверете се, че коланът е прикрепен и правилно регулиран. Свободните краища на самара могат да влязат във въртящите се части и да повредят вентилатора. Ако бъде повреден вентилаторът, могат да изхвърчат свободни части на продукта и да доведат до нараняване или повреда.

## Безопасност при работа с гориво



**ПРЕДУПРЕЖДЕНИЕ:** Прочетете следващите предупредителни указания, преди да използвате машината.

- Не смесвайте и не наливайте гориво на закрито или близо до източник на топлина.

- Не стартирайте продукта, ако има масло или гориво върху продукта или върху Вашето тяло.
- Не стартирайте продукта, ако от двигателя изтича гориво. Проверявайте редовно двигателя за изтичане на гориво.
- Винаги внимавайте с горивото. Горивото е запалимо и неговите газове са взривоопасни и могат да доведат до тежко нараняване или смърт.
- Не вдишвайте горивните изпарения, това може да доведе до телесни увреждания. Уверете се, че има достатъчен въздушен поток.
- Не пушете близо до горивото или двигателя.
- Не поставяйте продукта или резервоара за гориво близо до горещи обекти, до открит огън, искри или постоянна малка горелка.
- Винаги използвайте одобрени контейнери за съхранение и транспортиране на гориво.

## Инструкции за безопасност при техническо обслужване



**ПРЕДУПРЕЖДЕНИЕ:** Прочетете следващите предупредителни указания, преди да използвате машината.

- Преди да пристъпите към техническо обслужване и монтаж, спрете двигателя, откачете запалителната свещ и оставете двигателя да изстине.
- Запушен филтър на искрогасителната мрежа ще предизвика прегряване на двигателя, което ще повреди двигателя.

## Монтаж

### Въведение

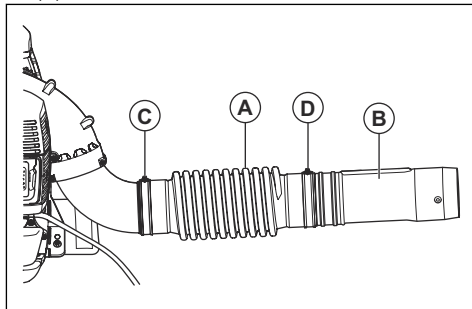


**ПРЕДУПРЕЖДЕНИЕ:** Прочетете и разберете главата за безопасност, преди да монтирате продукта.

### За да монтирате тръбата на компресорното оборудване и

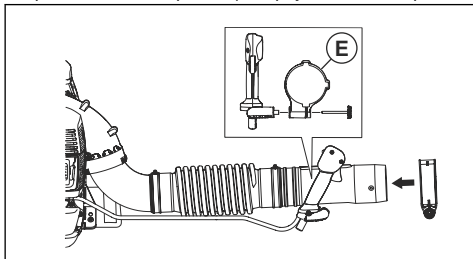
### ръкохватката за управление на продукта

1. Закрепете гъвкавия маркуч (A) към тръбното коляно и основната тръба (B) със скобите (C) и (D).

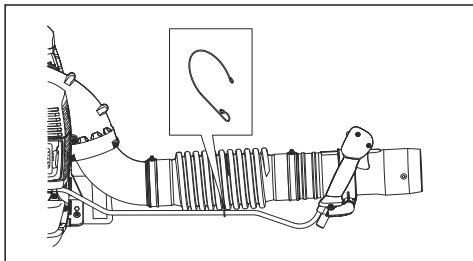


**Забележка:** Смажете основната тръба и гъвкавия маркуч, за да могат същите да се монтират по-лесно.

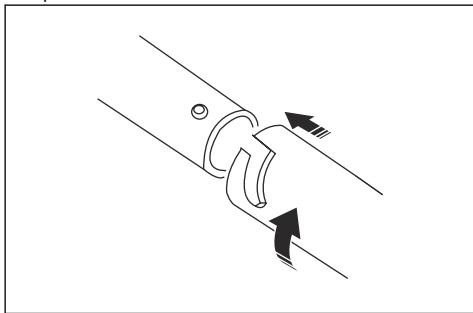
2. Закрепете държача на ръкохватката (Е) към основната тръба. Подравнете държача на ръкохватката с фланеца върху основната тръба.



3. Регулирайте позицията и ъгъла на ръкохватката за управление на безопасна и правилна работна позиция. Затегнете ръкохватката.
4. Закрепете кабела към гъвкавия маркуч със скобата на кабела.



5. Закрепете междинната тръба към основната тръба.



**Забележка:** Ако се налага да се използва по-дълга кръгла тръба на компресорното

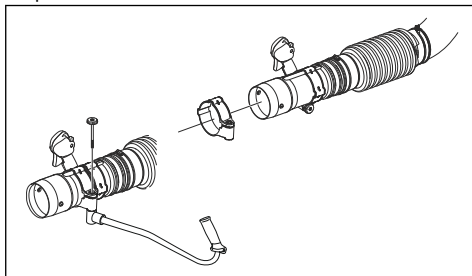
оборудване, на разположение има удължена междинна тръба.

6. Закрепете дюзата на компресорното оборудване към междинната тръба.

**Забележка:** Дюзата на компресорното оборудване може да се монтира само към междинната тръба.

### За да монтирате ръкохватката (допълнителна принадлежност)

1. Демонтирайте междинната тръба.
2. Отстранете ръчката от държача и натиснете държача върху основната тръба.
3. Монтирайте ръкохватката и ръчката. Затегнете ръкохватката.

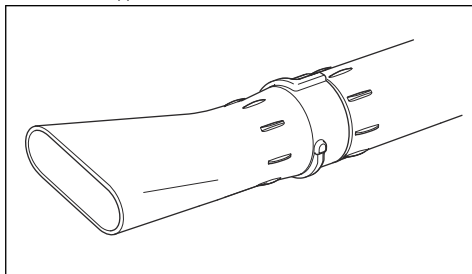


4. Монтирайте междинната тръба.

### За да монтирате плоската дюза (допълнителна принадлежност)

Плоската дюза осигурява по-висока скорост на въздуха от дюзата на компресорното оборудване.

- Отстранете дюзата на компресорното оборудване от междинната тръба и монтирайте плоската дюза.



# Операция

## Въведение



**ПРЕДУПРЕЖДЕНИЕ:** Прочетете и разберете раздела с инструкции за безопасност преди използване на продукта.



**ВНИМАНИЕ:** Не използвайте масло за извънбордови двутактови двигатели с водно охлаждане, понякога наричано извънбордово масло. Не използвайте масло за четиритактови двигатели.

## Гориво

Този продукт разполага с двутактов двигател.



**ВНИМАНИЕ:** Неподходящият тип гориво може да доведе до повреда на двигателя. Използвайте смес от бензин и масло за двутактови двигатели.

## Предварително смесено гориво

- За постигане на оптимални работни характеристики и за удължаване на срока на експлоатация на двигателя използвайте предварително смесено алкилатно гориво на Husqvarna. Това гориво съдържа по-малко вредни химикали в сравнение с обикновеното гориво и това намалява вредните отработени газове. С това гориво количеството остатъци след изгарянето е по-ниско, което запазва компонентите на двигателя по-чисти.

## За изготвяне на горивна смес

### Бензин

- Използвайте качествен безоловен бензин с максимално съдържание на етанол 10%.



**ВНИМАНИЕ:** Не използвайте бензин с октаново число по-малко от 90 RON/87 AKI. Използването на по-ниско октаново число може да доведе до детонационно горене в двигателя, което предизвиква повреда в него.

### Масло за двутактов двигател

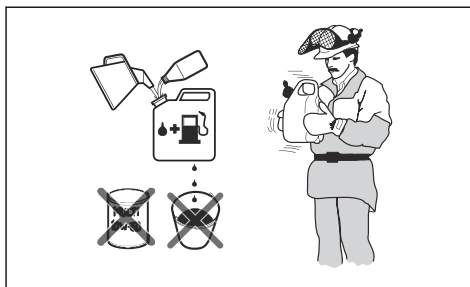
- За постигане на най-добри резултати и работни характеристики използвайте масло за двутактови двигатели на Husqvarna.
- Ако не разполагате с масло за двутактови двигатели на Husqvarna, използвайте друго висококачествено масло за двутактови двигатели, разработено за двигатели с въздушно охлаждане. Говорете с дистрибутора по сервизното обслужване за избор на точното масло.

### Смесване на бензин и масло за двутактов двигател

Бензин, литри	Масло за двутактов двигател, литри
	<b>2% (50:1)</b>
5	0,10
10	0,20
15	0,30
20	0,40



**ВНИМАНИЕ:** Малки грешки могат да повлияят драстично на съотношението в сместа, когато смесвате малки количества гориво. Измервайте внимателно количеството масло, за да сте сигурни, че ще получите правилната смес.



1. Налейте половината гориво в чист съд за гориво.
2. Добавете цялото количество масло.
3. Разклатете горивната смес.
4. Долейте останалото количество бензин в съда.
5. Разклатете внимателно горивната смес.



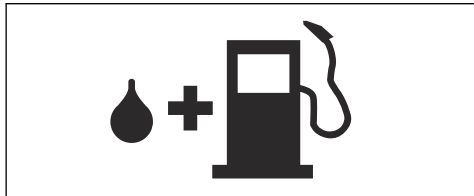
**ВНИМАНИЕ:** Не смесвайте количество гориво, което ще престоя повече от 1 месец.

## Пълнене на резервоара за гориво



**ПРЕДУПРЕЖДЕНИЕ:** Спазвайте следната процедура за Ваша безопасност.

1. Спрете двигателя и го оставете да се охлади.
2. Почистете областта около капачката на резервоара за гориво.



3. Разклатете контейнера и се уверете, че горивото е напълно смесено.
4. Отстранете бавно капачката на резервоара за гориво, за да освободите налягането.
5. Напълнете резервоара за гориво.



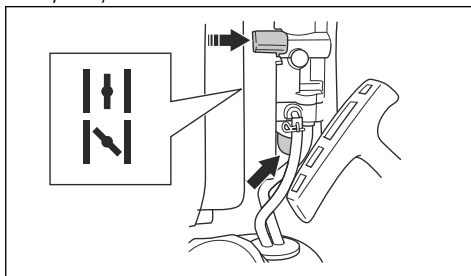
**ВНИМАНИЕ:** Уверете се, че в резервоара за гориво няма твърде много гориво. Когато се нагрее, горивото се разширява.

6. Затегнете капачката на резервоара за гориво внимателно.
7. Почистете разлятото гориво върху продукта и около него.
8. Преди стартиране на двигателя преместете продукта на 3 m/10 ft или повече от мястото, където се извършва зареждането с гориво и където се намира източникът на горивото.

**Забележка:** За местоположението на резервоара за гориво на Вашия продукт направете справка с *Общ преглед на продукта на страница 17.*

## За стартиране на продукта

1. Ако двигателят е студен, натиснете лоста на смукача в положение "затворен смукач". Направете справка с *Символи върху продукта на страница 18.*



2. Натиснете купола на горивната помпа, докато горивото не започне да изпълва купола на горивната помпа. Не е необходимо да се пълни докрай куполът на горивната помпа.
3. Натиснете превключвателя за стартиране/спиране с регулатор на дроселната клапа на позицията за 1/3 от мощността. Направете справка с *За работа с регулатора на дроселната клапа/превключвателя за спиране на страница 25.*
4. Поставете продукта върху равна повърхност на земята.
5. Дръжте продукта с лявата си ръка.



**ВНИМАНИЕ:** Не използвайте краката си за задържане на продукта.

6. Дърпайте бавно дръжката на въжето на стартера, докато усетите съпротивление.
7. Дръпнете бързо дръжката на въжето на стартера с дясната си ръка. Дърпайте дръжката на въжето на стартера, докато двигателят не запали.

**Забележка:** Не дърпайте докрай дръжката на въжето на стартера и не я пускайте.

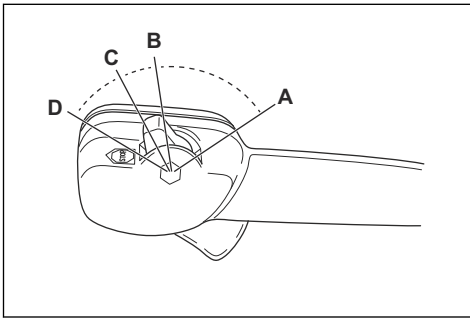


8. Ако двигателят е студен, натискайте постепенно лоста на смукача към положение "отворен смукач", докато лостът на смукача не спре.
9. Ако двигателят е студен, оставете двигателя да работи 2 – 3 минути, за да се загрее, преди да започнете работа.



**ПРЕДУПРЕЖДЕНИЕ:** При стартирането на двигателя и при работа на продукта на обороти на празен ход се изпуска въздух. Не допускате хора близо до продукта или до продухващата тръба.

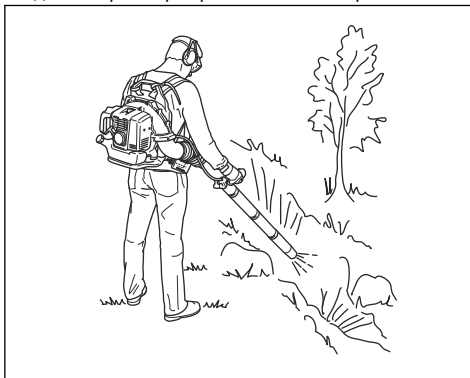
## За работа с регулатора на дроселната клапа/превключвателя за спиране



- Задайте пълна газ (A).
- Задайте 1/3 от мощността (B).
- Задайте обороти на празния ход (C).
- Спрете продукта (D).

## За да работите с продукта

- Тази моторна метла е от тип за носене на гръб и се носи на рамо при работа. Тя се управлява с дясната ръка чрез ръкохватката на тръбата.



- Работете с продукта в обичайното работно време. Съблюдавайте местните разпоредби.
- Намалете броя на частите от оборудването и изберете правилните обороти за Вашата задача. Използвайте възможно най-ниската позиция на газта, за да сведете до минимум шума и праха.
- Дръжте дюзата на компресорното оборудване близо до земята.

**Забележка:** Husqvarna препоръчва използване на целия удължител на дюзата на компресорното оборудване.

- Отчетете посоката на вятъра и насочете продукта по посока на вятъра.
- Използвайте приложими градински инструменти, за да освободите материал от земята.
- В зони с прах използвайте пръскащо оборудване, за да навлажните зоната. Това намалява времето за работа.
- След работа съхранявайте продукта във вертикално положение.

## Спиране на продукта

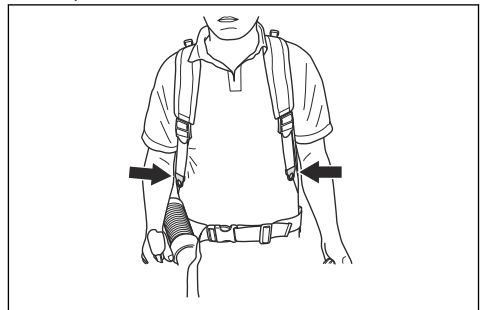


**ВНИМАНИЕ:** Не спирайте продукта при пълни обороти.

1. Поставете превключвателя за стартиране/спиране с регулатор на дроселната клапа в положение за спиране. Направете справка с *За работа с регулатора на дроселната клапа/превключвателя за спиране на страница 25.*

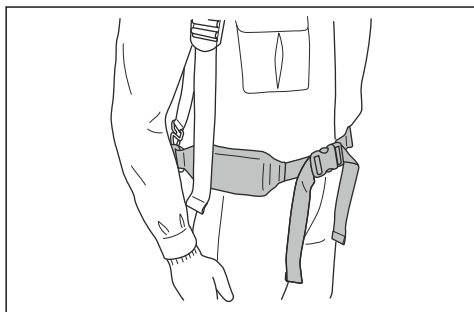
## Регулиране на самара

1. Поставете самара на продукта.
2. Затягвайте раменните каишки, докато продуктът не прилегне плътно по тялото Ви.



3. Поставете колана около кръста си.

4. Затегнете каишката на колана. Уверете се, че теглото на компресорното оборудване се поема от ханша Ви.



## Поддръжка

### Въведение

за безопасност, преди да започнете техническо обслужване на продукта.



**ПРЕДУПРЕЖДЕНИЕ:** Прочетете и разберете главата с инструкции

### График за техническо обслужване

Поддръжка	Еже-дневно	Всяка седмица	Всеки месец
Почистете външните повърхности.	X		
Уверете се, че ръкохватката за управление функционира нормално.	X		
Уверете се, че ключът стартиране/спиране функционира нормално. Направете справка с <i>За проверка на превключвателя за включване/изключване на страница 21.</i>	X		
Проверете двигателя, резервоара за гориво и горивните линии за течове. Проверете горивния филтър за замърсяване. Сменете горивния филтър, ако е необходимо.	X		
Почистете въздушния филтър. Сменете въздушния филтър, ако е необходимо.	X		
Затегнете гайките и винтовете.	X		
Проверете смукателния въздухопровод и се уверете, че не е запушен.	X		
Проверете стартера и въжето за стартиране за повреди.		X	
Проверете елементите за успокояване на вибрациите за повреди, пукнатини и деформация. Уверете се, че антивибрационните части са монтирани правилно.		X	
Проверете запалителната свещ. Направете справка с <i>За проверка на запалителната свещ на страница 27.</i>		X	
Почистете системата за охлаждане.		X	
Почистете външната повърхност на карбуратора и мястото около него.		X	

Поддръжка	Еже-дневно	Всяка седмица	Всеки месец
Почистете резервоара за гориво.			X
Проверете всички кабели и връзки.			X
Проверете и почистете филтъра на искрогасителната мрежа на ауспуха (за продукти без катализатор).		X	
Проверете и почистете искрогасителната мрежа на ауспуха (за продукти с катализатор).			X
Проверете запалителната свещ. Сменете ги при необходимост.			X

## Регулиране на оборотите на празния ход

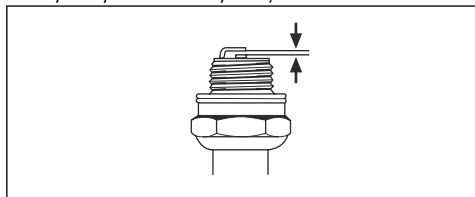
1. Уверете се, че въздушният филтър е чист и че капакът на въздушния филтър е поставен.
2. Регулирайте оборотите на празния ход с винта за празен ход. За да видите къде се намира винтът за обороти на празния ход, направете справка с *Общ преглед на продукта на страница 17.*

## За проверка на запалителната свещ



**ВНИМАНИЕ:** Използвайте препоръчаната запалителна свещ. Вижте *Технически характеристики на страница 31.* Използването на запалителна свещ от неправилен тип може да повреди продукта.

1. Спрете двигателя и оставете продукта да се охлади.
2. Почистете запалителната свещ, ако е замърсена.
3. Уверете се, че разстоянието между електродите е правилно. Направете справка с *Технически характеристики на страница 31.*

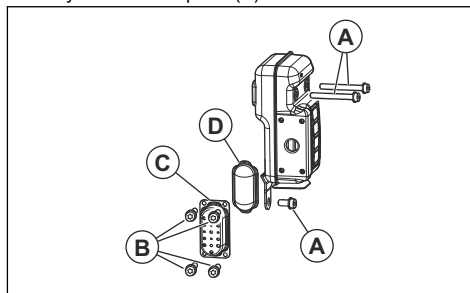


4. Сменяйте запалителната свещ ежемесечно или по-често, ако е необходимо.

## За техническо обслужване на ауспуха

1. Спрете двигателя и оставете ауспуха да се охлади. Винаги използвайте защитни ръкавици.

2. Отстранете винтовете (A), винтовете (B) и изпускателната тръба (C).



3. Отстранете филтъра на искрогасителната мрежа (D) и го почистете с телена четка. Сменете филтъра на искрогасителната мрежа, ако е повреден.
4. Отстранете замърсяванията от ауспуха и от изпускателния отвор на цилиндъра с телената четка.
5. Закрепете филтъра на искрогасителната мрежа (D) и изпускателната тръба (C) с винтовете (B). Затегнете винтовете до 2-3 Nm.
6. Затегнете винтовете (A) до 8-12 Nm. Уверете се, че ауспухът е правилно закрепен към продукта.

## За проверка и почистване на системата за охлаждане

Охладителната система включва охлаждащите ребра на цилиндъра и мрежовия филтър на смукателния въздухопровод.

1. Спрете двигателя.
2. Уверете се, че системата за охлаждане не е замърсена или запушена. Ако е необходимо, почистете филтъра на смукателния въздухопровод и охладителните ребра.



**ВНИМАНИЕ:** Замърсената или запушена охладителна система може да повиши температурата на двигателя и доведе до повреждане на продукта. Запушеният филтър на

смукателния въздухопровод намалява силата на въздушната струя.

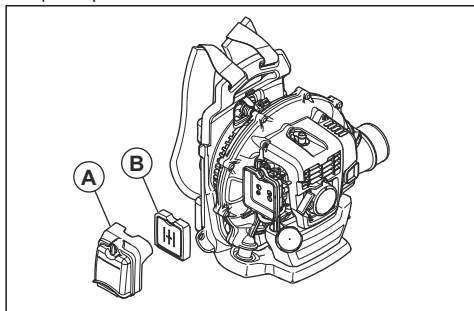
3. Проверете охладителната система за повреди. Уверете се, че частите са закрепени нормално към продукта.

## Почистване на въздушния филтър



**ВНИМАНИЕ:** Не използвайте продукт без въздушен филтър или с повреден въздушен филтър. Наличието на прах във въздуха може да повреди двигателя.

1. Преместете смукача в затворено положение.
2. Махнете капака на въздушния филтър (А).
3. Отстранете въздушния филтър (В) от рамката на филтъра.



4. Почистете въздушния филтър с топла вода със сапун.

**Забележка:** Въздушен филтър, който е използван продължително, не може да се почисти напълно. Сменяйте редовно въздушния филтър и винаги сменяйте дефектните въздушни филтри.

5. Почистете вътрешната повърхност на капака на въздушния филтър (А) с четка.
6. Нанесете масло върху въздушния филтър. Направете справка с *За да нанесете масло върху порестия въздушен филтър на страница 28.*
7. Поставете въздушния филтър в рамата на филтъра.
8. Закрепете капака на въздушния филтър към продукта.

## За да нанесете масло върху порестия въздушен филтър

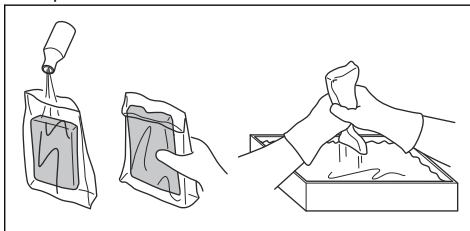


**ВНИМАНИЕ:** Винаги използвайте специално масло за въздушен филтър на Husqvarna. Не използвайте други типове масла.



**ПРЕДУПРЕЖДЕНИЕ:** Сложете защитни ръкавици. Маслото за въздушния филтър може да причини раздразнение на кожата.

1. Поставете порестия въздушен филтър в найлонова торбичка.
2. Поставете маслото в найлоновата торбичка.
3. Разтрийте найлоновата торбичка, за да разнесете маслото равномерно върху порестия въздушен филтър.
4. Отстранете излишното масло от порестия въздушен филтър, докато е в найлоновата торбичка.

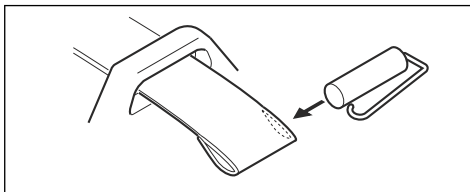


## За смяна на самара



**ПРЕДУПРЕЖДЕНИЕ:** Повреден самар може да доведе до падане на продукта и до наранявания. Уверете се, че сте монтирали правилно скобата.

1. Спрете двигателя.
2. Извадете скобата от ремъка.
3. Избутайте края на ремъка през ухото.
4. Издърпайте новата каишка през ухото.
5. Поставете щифта в каишката, за да закрепите скобата към новата каишка.



## Отстраняване на проблеми

<b>Двигателят не може да се стартира</b>		
<b>Проверете</b>	<b>Възможна причина</b>	<b>Решение</b>
Бутон за спиране.	Позиция на спиране	Поставете превключвателя за спиране в стартово положение.
Зъб(ци) на стартера.	Блокиран(и) или износен(и) зъб(ци) на стартера.	Регулирайте или сменете зъба(ците) на стартера.
		Почистете около зъба(ците) на стартера.
		Обърнете се към одобрен сервизен търговец.
Резервоар за гориво.	Неправилен тип гориво.	Източете резервоара за гориво и използвайте подходящо гориво.
Карбуратор.	Регулиране на оборотите на празния ход.	Регулирайте оборотите на празен ход с регулиращия винт за празния ход.
Искра (няма искра).	Запалителната свещ е замърсена или влажна.	Уверете се, че запалителната свещ е суха и чиста.
	Неправилно разстояние между електродите на запалителната свещ.	Почистете запалителната свещ. Уверете се, че разстоянието между електродите е правилно. Уверете се, че запалителната свещ е монтирана със супресор. Направете справка с техническите характеристики за правилното разстояние между електродите.
Запалителна свещ.	Запалителната свещ е разхлабена.	Затегнете запалителната свещ.
	Има нежелан материал върху електродите на запалителната свещ.	Уверете се, че горивната смес е правилна. Уверете се, че въздушният филтър е чист.

<b>Двигателят стартира, но спира отново</b>		
<b>Проверете</b>	<b>Възможна причина</b>	<b>Решение</b>
Резервоар за гориво.	Неподходящ тип гориво.	Източете го и използвайте подходящо гориво.

Двигателят стартира, но спира отново		
Проверете	Възможна причина	Решение
Карбуратор.	Двигателят не работи нормално при обороти на празния ход.	Говорете с дистрибутора по сервизното обслужване.
Въздушен филтър.	Запушен въздушен филтър.	Почистете въздушния филтър.

---

## Транспорт и съхранение

---

### Транспорт и съхранение



**ПРЕДУПРЕЖДЕНИЕ:** За да предотвратите риска от злополука, се уверете, че няма изтичане или газове от горивото по време на транспортиране или съхранение. Уверете се, че няма риск от искри или огън.

- Изпразнете резервоара за гориво преди транспортиране или продължително съхранение. Натиснете купола на горивната помпа, за да се уверите, че е отстранено всичкото гориво. Изхвърлете горивото на подходящо за целта място.
- Преди продължително съхранение се уверете, че продуктът е почистен и е получил цялостно сервизно обслужване.
- Отстранете запалителната свещ и поставете около 15 ml масло за двутактов двигател в цилиндъра. Завъртете продукта 3 пъти и монтирайте отново запалителната свещ.
- Закрепете безопасно продукта към автомобила по време на транспортиране.
- Съхранявайте продукта на сухо, хладно и чисто място с добра вентилация. Дръжте продукта далеч от деца.

# Технически характеристики

## Технически данни

	Husqvarna 350BT
<b>Двигател</b>	
Обем на цилиндъра, cm <sup>3</sup>	50,2
Обороти на празния ход, об/мин	2200
Катализатор	He
<b>Запалителна система</b>	
Запалителна свещ	NGK CMR7H/TORCH AC7R
Разстояние между електродите, mm	0,6 + -0,7
<b>Горивна и смазочна система</b>	
Вместимост на резервоара за гориво, l/cm <sup>3</sup>	1,25 / 1250
<b>Тегло</b>	
Тегло без гориво, kg	10,2
<b>Шумови емисии</b> <sup>4</sup>	
Ниво на звуковата мощност, измерена dB(A)	101
Ниво на звуковата мощност, гарантирана [L <sub>WA</sub> dB(A)]	101
<b>Нива на шума</b> <sup>5</sup>	
Еквивалентно ниво на звуковото налягане при ухото на оператора, измерено съгласно EN15503 dB(A):	
Оборудван с дюза на компресорното оборудване (оригинално)	96
<b>Нива на вибрациите</b> <sup>6</sup>	
Еквивалентни нива на вибрациите (a <sub>h<sub>v</sub>,eq</sub> ) при ръкохватките, измерени съгласно EN 15503, m/s <sup>2</sup>	2,7
<b>Работа на вентилатора</b>	
Макс. скорост на въздуха с дюза на компресорното оборудване, m/s	80
Въздушен поток с дюза на компресорното оборудване, m <sup>3</sup> /min	14

<sup>4</sup> Емисии на шума в околната среда, измерени като звукова мощност (L<sub>WA</sub>) в съответствие с директива на ЕО 2000/14/ЕО. Отчетеното ниво на звуковата мощност е измерено с оригиналната дюза на компресорното оборудване, която осигурява най-високото ниво. Разликата между гарантираната и измерената звукова мощност е в това, че гарантираната звукова мощност включва също и дисперсията в резултата от измерването, както и вариациите между различните машини от един и същи модел в съответствие с Директива 2000/14/ЕО.

<sup>5</sup> Отчетените данни за нивото на звуковото налягане имат типична статистическа дисперсия (стандартно отклонение) от 1,0 dB (A).

<sup>6</sup> Отчетените данни за нивото на вибрациите имат типична статистическа дисперсия (стандартно отклонение) от 1,0 m/s<sup>2</sup>.

# Декларация за съответствие на ЕО

## Декларация за съответствие на ЕО

Ние, **Husqvarna AB**, SE-561 82 Huskvarna, Швеция,  
тел.: +46-36-146500, декларираме на своя собствена  
отговорност, че продуктът:

<b>Описание</b>	Компресорно оборудване тип "раница"
<b>Марка</b>	Husqvarna
<b>Тип/модел</b>	350BT
<b>Идентификация</b>	Серийни номера от 2022 и нататък.

отговаря напълно на следните директиви и  
регламенти на ЕС:

Регламент	Описание
2006/42/ЕО	"относно машините"
2014/30/ЕС	"относно електромагнитната съвместимост"
2000/14/ЕО	"относно шумовите емисии в околната среда"
2011/65/ЕС	"по отношение на ограничението за използване на определени опасни вещества в електрическо и електронно оборудване"

и че следните стандарти и/или технически  
характеристики са приложени: EN ISO 12100:2010,  
CISPR 12:2009, EN 15503:2009+A2:2015, EN IEC  
63000:2018

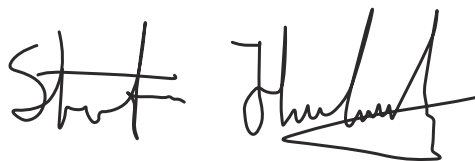
RISE SMP Svensk Maskinprovning AB, Box 7035,  
SE-750 07 Uppsala, Швеция, извърши доброволно  
изпитване на типа от името на Husqvarna AB.

Номер на сертификат: SEC/09/2102

RISE SMP Svensk Maskinprovning AB, Box 7035,  
SE-750 07 Uppsala, Швеция, има и верифицирано  
споразумение спрямо приложение V от директива на  
съвета 2000/14/ЕО.

За информация относно шумови емисии направете  
справка с *Технически характеристики на страница*  
*31.*

Huskvarna, 2022-05-17



Стефан Холмберг, директор по развойна дейност,  
управление на технологиите, Husqvarna AB.

Отговорен за техническата документация





## Obsah

Úvod.....	33	Odstraňování problémů.....	44
Bezpečnost.....	35	Přeprava a skladování.....	45
Montáž.....	37	Technické údaje.....	46
Provoz.....	38	ES Prohlášení o shodě.....	47
Údržba.....	41		

## Úvod

### Popis výrobku

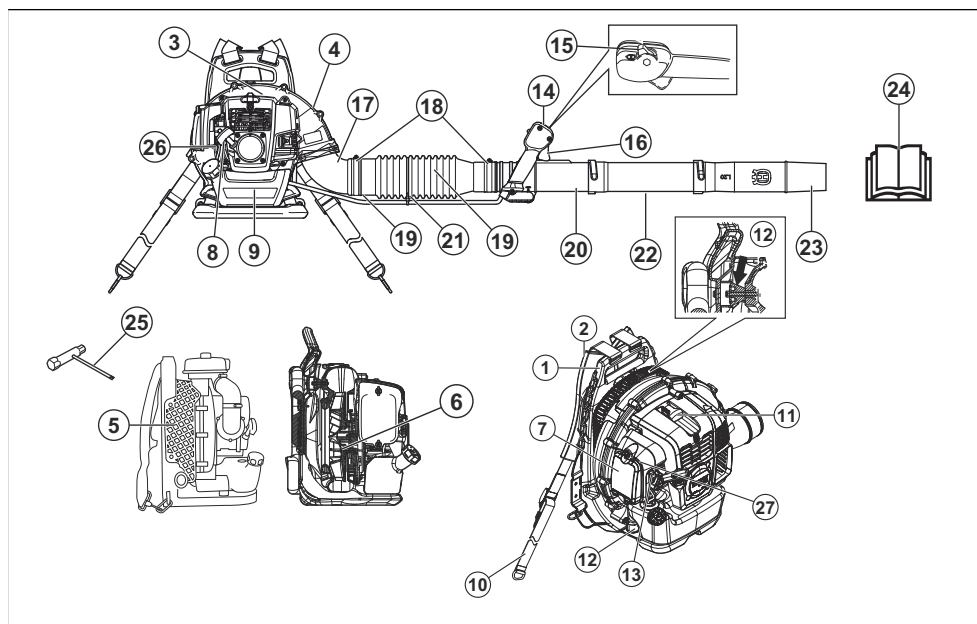
Tento výrobek je zádový foukač se spalovacím motorem.

Řídíme se strategií neustálého vývoje výrobku, a proto si vyhrazujeme právo měnit konstrukci a vzhled výrobků bez předchozího upozornění.

### Doporučené použití

Produkt se používá k vyfoukání listů a dalšího nežádoucího materiálu z oblastí jako jsou trávníky, chodníky a asfaltové silnice.

### Popis výrobku



1. Tělo karabiny
2. Popruh
3. Kryt motoru
4. Kryt ventilátoru
5. Sítko nasávaného vzduchu
6. Ventilátor
7. Vzduchový filtr
8. Rukojeť startéru
9. Palivová nádrž
10. Bederní popruh
11. Zapalovací svíčka
12. Systém tlumení vibrací
13. Ovládání sytiče
14. Ovládací rukojeť
15. Vypínač s ovládním plynu
16. Páčka plynu
17. Koleno trubky
18. Svorka

19. Pružná hadice
20. Hlavní trubka
21. Svorka lanka
22. Střední díl trubky
23. Tryska foukače
24. Návod k používání
25. Kombinovaný klíč
26. Pomocná palivová pumpička
27. Šroub volnoběžných otáček

## Symbols na výrobku



**VAROVÁNÍ!** Tento výrobek může být nebezpečný a způsobit obsluze či dalším osobám vážné zranění. Buďte opatrní a výrobek používejte správně.



Před použitím si pozorně prostudujte tento návod k používání a nepoužívejte výrobek, pokud návodu zcela nerozumíte.



Vždy používejte schválenou ochranu sluchu a schválenou ochranu očí. Pokud je v prostředí prach, používejte dýchací masku.



Používejte schválené ochranné rukavice.



Smíchejte benzín a olej pro dvoudobé motory.



Pomocná palivová pumpička.



Udržujte všechny části těla v bezpečné vzdálenosti od horkých povrchů.



Sytič, otevřená poloha.



Sytič, uzavřená poloha.



Tento výrobek vyhovuje příslušným směrnici ES.

**UK  
CA**

Tento výrobek vyhovuje platným předpisům Spojeného království.



Štítek s emisemi hluku do okolí podle směrnic a předpisů Evropské unie a Spojeného království a nařízení o regulaci hluku v australském Novém Jižním Walesu „Protection of the Environment Operations (Noise Control) Regulation 2017“. Garantovaná hladina akustického výkonu tohoto výrobku je uvedena v části *Technické údaje na strani 46* a na štítku.



Dejte pozor na odmrštěné předměty. Odmrštěné předměty mohou způsobit vážné zranění. Používejte osobní ochranné pomůcky.



Udržujte bezpečnou vzdálenost nejméně 15 m od osob nebo zvířat.

yyyywwxxxx

Typový štítek s výrobním číslem. **yyyy** znamená rok výroby a **ww** znamená týden výroby.

**Povšimněte si:** Další symboly/štítky na produktu se týkají certifikačních požadavků pro další komerční oblasti.

## Emise Euro V



**VÝSTRAHA:** Manipulace s motorem vede k zneplatnění typového schválení EU tohoto výrobku.

## Odpovědnost za výrobek

Jak uvádí zákon o odpovědnosti za výrobek, neneseme odpovědnost za žádnou škodu způsobenou našim výrobkem, pokud:

- byl výrobek nesprávně opraven.
- byl výrobek opraven pomocí součástí od jiného výrobce nebo součástí, které nejsou výrobcem schváleny.
- má výrobek příslušenství od jiného výrobce nebo příslušenství, které není výrobcem schváleno.
- výrobek nebyl opraven ve schváleném servisním středisku nebo schváleným odborníkem.

---

# Bezpečnost

---

## Definice týkající se bezpečnosti

Níže uvedené definice uvádí úroveň vážnosti jednotlivých signálních slov.



**VÝSTRAHA:** Zranění osob.



**VAROVÁNÍ:** Poškození výrobku.

**Povšimněte si:** Díky těmto informacím je používání výrobku snazší.

## Obecné bezpečnostní pokyny



**VÝSTRAHA:** Před použitím výrobku si přečtěte následující varování.

- Neprovádějte na výrobku změny bez souhlasu výrobce a vždy používejte originální příslušenství. Neschválené úpravy nebo příslušenství mohou vést k vážnému nebo smrtelnému zranění obsluhy a dalších osob.
- Nepoužívejte poškozený výrobek. Provádějte bezpečnostní kontroly a údržbu podle tohoto návodu k používání. Veškerou ostatní údržbu musí provést oprávnění servisní pracovníci.
- Veškerý servis a opravy musí provádět oprávnění servisní pracovníci. Pokud je některá část výrobku vadná, obraťte se na servisního prodejce.

## Bezpečnostní pokyny pro provoz



**VÝSTRAHA:** Před použitím výrobku si přečtěte následující varování.

- Tento výrobek může být nebezpečný a způsobit obsluze či dalším osobám vážné zranění. Buďte opatrní a výrobek používejte správně.
- Před použitím výrobek zkontrolujte. Další informace jsou uvedeny v části *Údržba na stráni 41*.
- Nikdy výrobek nepoužívejte, jste-li unavení, nemocní nebo pod vlivem léků, alkoholu nebo drog, které mohou negativně ovlivnit váš zrak, úsudek a koordinaci pohybů.
- Před použitím nainstalujte všechny kryty. Aby nedošlo k úrazu elektrickým proudem, zkontrolujte, zda není poškozena koncovka kabelu zapalovací svíčky a kabel zapalování.
- Při spuštěném motoru se nedotýkejte zapalovací svíčky ani zapalovacího kabelu.
- Udržujte bezpečnou vzdálenost nejméně 15 m od osob nebo zvířat. Pokud se osoby, děti nebo zvířata přiblíží na méně než 15 m, zastavte výrobek. Výrobek miřte mimo osoby, zvířata, otevřená okna a další předměty.
- Nenechte děti obsluhovat výrobek. Zajistěte, aby si všichni uživatelé přečetli návod k používání a pochopili jeho obsah.
- Během provozu udržujte ruce a jiné předměty v dostatečné vzdálenosti od skříně foukače. Rotující části mohou způsobit vážné zranění.
- Nepoužívejte výrobek, pokud není nainstalováno sítko nasávaného vzduchu. Před použitím se vždy ujistěte, že je nainstalováno sítko nasávaného vzduchu a není poškozené.
- V případě nouze uvolněte bederní a hrudní popruh stroje a nechte výrobek spadnout.
- Dodržujte státní předpisy a směrnice.
- Udržujte všechny části těla v bezpečné vzdálenosti od horkých povrchů.
- Tento výrobek vytváří během provozu elektromagnetické pole. Toto pole může za určitých okolností narušovat funkci aktivních či pasivních implantovaných lékařských přístrojů. Za účelem snížení rizika možného zranění nebo smrtelného úrazu doporučujeme osobám s implantovanými lékařskými přístroji poradit se před použitím výrobku s lékařem a s výrobcem implantovaného lékařského přístroje.
- Příliš velké vibrace mohou způsobit poškození krevního oběhu nebo nervové soustavy. Pokud máte příznaky, například necitlivost, ztrátu citu, mravenčení, píchání, bolest, ztrátu síly nebo změny barvy pokožky na prstech, rukou nebo zápěstí, poraďte se se svým lékařem.
- Dejte pozor na odmrštěné předměty. Odmrštěné předměty mohou způsobit vážné zranění.
- Nepoužívejte výrobek za špatného počasí, například v mlze, dešti, silném větru nebo silném mrazu. Práce za špatného počasí může mít za následek únavu a nebezpečné podmínky.
- Přesvědčte se, že se můžete pohybovat a udržovat stabilní polohu. Zkontrolujte, zda v pracovní oblasti nejsou nějaké překážky, například kameny. Buďte opatrní při používání výrobku na svahu.
- Nepokládejte výrobek na zem, když je spuštěný motor.
- Nepoužívejte výrobek z vysoko položených míst, například na žebříku.
- Zajistěte, abyste v případě nehody mohli vždy přivolat pomoc.
- Zkontrolujte, zda není výstup výfukových plynů zablokovaný. Aby nedošlo k poškození výrobku,

udržujte překážky ve vzdálenosti minimálně 50 cm od výstupu výfukových plynů.

- Nestartujte výrobek uvnitř budov, ve špatně větraných prostorech ani v blízkosti hořlavých materiálů. Výfukové plyny motoru obsahují kyslíčnické uhelnatý, který může způsobit otravu. Výfukové plyny motoru jsou horké a mohou obsahovat jiskry, které by mohly zažehnout požár.

## Osobní ochranné prostředky



**VÝSTRAHA:** Před použitím výrobku si přečtěte následující varování.

- Při použití výrobku je nutné používat schválené osobní ochranné prostředky. Osobní ochranné prostředky nemohou zcela eliminovat nebezpečí úrazu, ale pomáhají snížit míru poranění. Další informace získáte u svého prodejce.
- Vždy používejte schválenou ochranu sluchu. Dlouhodobé vystavení hluku může vést k trvalému poškození sluchu.
- Vždy používejte schválenou ochranu očí. Použijete-li štít, je nutno použít i schválené ochranné brýle. Schválené ochranné brýle musí být v souladu s normou ANSI Z87.1 v USA nebo EN 166 v zemích EU.
- Během provozu a údržby používejte ochranné rukavice.
- Používejte ochrannou obuv s protiskluzovými podrážkami.
- Používejte oděv z pevné tkaniny s dlouhými nohavicemi a rukávy. Nenoste šperky ani otevřené boty. Aby se snížilo nebezpečí zranění, oděv musí být přiléhavý, ale nesmí vás omezovat v pohybu. Stáhněte si vlasy nad ramena, aby se nemohly dostat do rotujících částí nebo se zachytit ve větvích.
- Pokud hrozí nebezpečí vdechování prachu, používejte ochranu dýchacích cest.
- Mějte při ruce lékárníčku.

## Bezpečnostní zařízení na produktu



**VÝSTRAHA:** Před použitím výrobku si přečtěte následující varování.

- Nepoužívejte výrobek, jehož bezpečnostní zařízení jsou vadná!
- Pravidelně kontrolujte bezpečnostní zařízení. Další informace naleznete v části *Údržba na strani 41*.
- Pokud je bezpečnostní zařízení vadné, obraťte se na servisního prodejce Husqvarna.

## Kontrola tlumiče výfuku



**VÝSTRAHA:** Nepoužívejte výrobek s vadným tlumičem výfuku.



**VÝSTRAHA:** Tlumič výfuku se za provozu velmi zahřívá, a to i při volnoběžných otáčkách. Používejte ochranné rukavice, abyste zabránili popáleninám.



**VÝSTRAHA:** Vnitřní strana tlumiče výfuku obsahuje chemikálie, které mohou být karcinogenní. Nedotýkejte se tlumiče výfuku, pokud je poškozený.

- Pravidelně vizuálně kontrolujte tlumič výfuku. Tlumič výfuku je určen k omezení úrovně hluku na minimum a k usměrnění výfukových plynů směrem od obsluhy. Další informace jsou uvedeny v části *Údržba tlumiče výfuku na strani 42*.

## Kontrola systému tlumení vibrací

1. Zkontrolujte, zda nejsou na antivibračních prvcích nějaké praskliny nebo deformace.
2. Zkontrolujte, zda jsou antivibrační prvky správně uchyceny k motoru a rukojeti.

Informace o místech, kde je instalován systém tlumení vibrací na vašem výrobku, naleznete v části *Popis výrobku na strani 33*.

## Kontrola vypínače

1. Motor vypnete pomocí vypínače.
2. Ujistěte se, že se motor zcela zastavil.

Umístění vypínače na výrobku naleznete v části *Popis výrobku na strani 33*.

## Bezpečnost nosného popruhu

- Zkontrolujte, zda je bederní popruh připevněný a správně nastavený. Volné konce popruhu se mohou dostat do rotujících částí a způsobit poškození ventilátoru. Pokud je ventilátor poškozený, mohou uvolněné části výrobku vylétnout a způsobit zranění nebo poškození.

## Bezpečnost při manipulaci s palivem



**VÝSTRAHA:** Před použitím výrobku si přečtěte následující varování.

- Nemíchejte ani nedoplňujte palivo ve vnitřních prostorech nebo v blízkosti zdroje tepla.
- Pokud je na výrobku nebo vašem těle olej nebo palivo, nespouštějte výrobek.
- Nespouštějte motor, pokud z něj uniká palivo. Pravidelně kontrolujte, zda z motoru neuniká palivo.
- Při manipulaci s palivem vždy dbejte zvýšené opatnosti. Palivo je hořlavé a palivové výpary jsou

- výbušné a mohou způsobit vážné nebo smrtelné zranění.
- Nevdechujte palivové výpary, můžou způsobit zranění. Zajistěte dostatečný průtok vzduchu.
- V blízkosti paliva ani motoru nekuřte.
- Výrobek ani nádobu na palivo neumísťte do blízkosti teplých předmětů, míst s otevřeným ohněm, jiskrami nebo zapalovacím plamínkem.
- Vždy používejte schválené nádoby na skladování a přepravu paliva.

- Před prováděním údržby nebo montáže vypněte motor, vyjměte zapalovací svíčku a nechte motor vychladnout.
- Ucpané sítko lapače jisker způsobuje přehřívání motoru, což způsobí poškození motoru.

## Bezpečnostní pokyny pro údržbu



**VÝSTRAHA:** Před použitím výrobku si přečtěte následující varování.

## Montáž

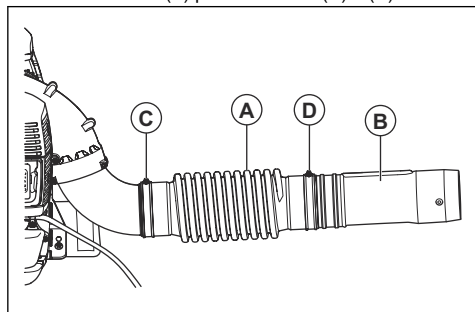
### Úvod



**VÝSTRAHA:** Než začnete montovat výrobek, přečtěte si pozorně kapitolu o bezpečnosti.

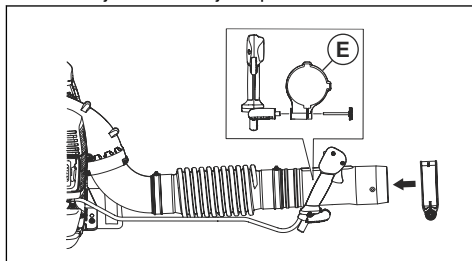
### Montáž trubky foukače a ovládací rukojeti na výrobek

1. Připevněte pružnou hadici (A) ke kolenu trubky a hlavní trubce (B) pomocí svorek (C) a (D).

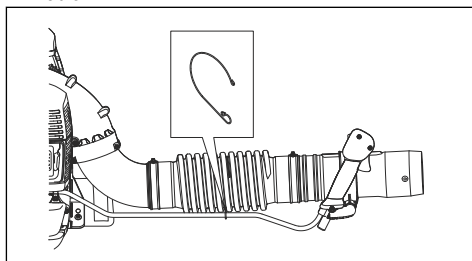


**Povšimněte si:** Namažte hlavní trubku a pružnou hadici, aby se usnadnila jejich montáž.

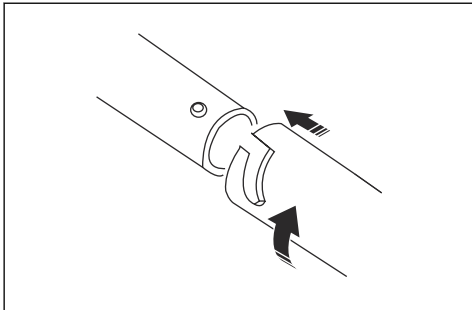
2. Připevněte držák rukojeti (E) k hlavní trubce. Zarovnejte držák rukojeti s přírubou na hlavní trubce.



3. Nastavte polohu a úhel ovládací rukojeti do bezpečné a správné pracovní polohy. Knoflík dotáhněte.
4. Pomocí kabelové svorky připevněte kabel k pružné hadici.



5. Připevněte střední díl trubky k hlavní trubce.



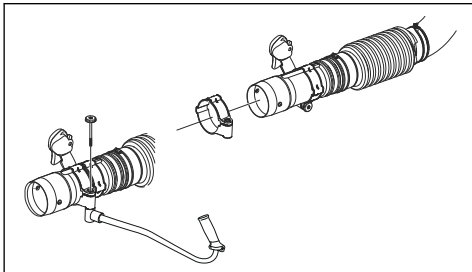
**Povšimněte si:** Pokud je nutné použít delší kulatou trubku foukače, je k dispozici prodloužený střední díl trubky.

6. Připevněte trysku foukače na střední díl trubky.

**Povšimněte si:** Trysku foukače lze připevnit pouze ke střednímu dílu trubky.

## Montáž řídítek (volitelné příslušenství)

1. Demontujte střední díl trubky.
2. Demontujte knoflík z držáku a zatlačte držák na hlavní trubku.
3. Namontujte řídítko a knoflík. Knoflík dotáhněte.

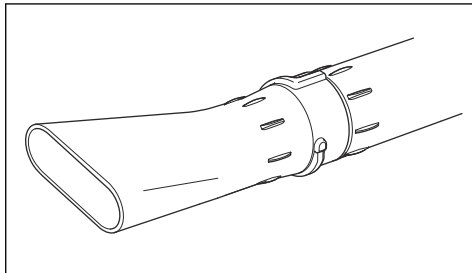


4. Nasaďte zpět střední díl trubky.

## Montáž ploché trysky (volitelné příslušenství)

Plochá tryska umožňuje vyšší rychlost vzduchu než tryska foukače.

- Demontujte trysku foukače ze středního dílu trubky a namontujte plochou trysku.



## Provoz

### Úvod



**VÝSTRAHA:** Než začnete s výrobkem pracovat, přečtěte si důkladně kapitolu o bezpečnosti.

### Palivo

Tento výrobek je vybaven dvoudobým motorem.



**VAROVÁNÍ:** Používání nesprávného typu paliva může vést k poškození motoru.

Používejte směs benzínu a oleje pro dvoudobé motory.

### Předmíchané palivo

- Používejte předmíchané alkylátové palivo Husqvarna. Zajistí nejlepší výkon výrobku a prodlouží životnost motoru. Toto palivo obsahuje méně škodlivých chemikálií v porovnání s běžným palivem a snižuje množství škodlivých výfukových plynů. Množství zbytků po spálení je s tímto palivem menší a díky tomu jsou součásti motoru čistější.

## Míchání paliva

### Benzín

- Používejte kvalitní bezolovnatý benzín s obsahem etanolu maximálně 10 %.



**VAROVÁNÍ:** Nepoužívejte benzín s oktanovým číslem nižším než 90 RON/87 AKI. Při použití benzínu s nízkým oktanovým číslem může docházet ke klepání motoru, které způsobuje jeho poškození.

### Olej pro dvoudobé motory

- Nejlepších výsledků dosáhnete s olejem pro dvoudobé motory Husqvarna.
- Není-li k dispozici olej pro dvoudobé motory Husqvarna, použijte kvalitní olej pro dvoudobé motory určený pro vzduchem chlazené motory. Správný olej vám doporučí servisní prodejce.



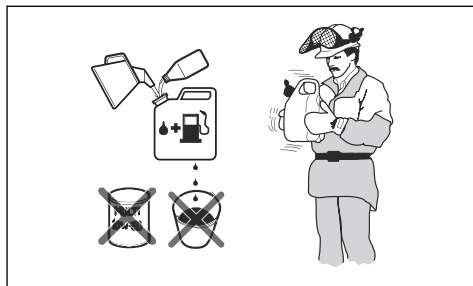
**VAROVÁNÍ:** Nepoužívejte olej pro dvoudobé motory chlazené vodou (olej pro lodní motory). Nepoužívejte olej pro čtyřdobé motory.

### Míchání paliva a oleje pro dvoudobé motory

Benzín, l	Olej pro dvou- taktní motory, l
	<b>2 % (50:1)</b>
5	0,10
10	0,20
15	0,30
20	0,40



**VAROVÁNÍ:** Při míchání pouze malého množství paliva hrozí riziko, že malá chyba v poměru významně ovlivní výslednou směs. Pečlivě odměřte množství oleje, který bude přimíchán do paliva, aby bylo zajištěno, že docílíte správného poměru.



1. Doplňte polovinu množství benzínu do čisté nádoby na palivo.
2. Přidejte celé množství oleje.
3. Směs paliva řádně protřepejte.
4. Přidejte do nádoby zbývající množství benzínu.
5. Směs paliva dobře protřepejte.



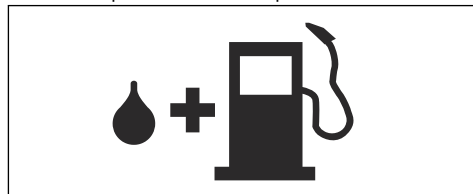
**VAROVÁNÍ:** Neskladujte směs paliva déle než 1 měsíc.

### Doplňování paliva do palivové nádrže



**VÝSTRAHA:** Z bezpečnostních důvodů dodržujte následující postup.

1. Vypněte motor a nechte jej vychladnout.
2. Očistěte plochu kolem víčka palivové nádrže.



3. Protřepejte nádobu, aby se palivo zcela promíchalo.
4. Víčko palivové nádrže otevírejte pomalu, aby se uvolnil tlak.
5. Naplňte palivovou nádrž.



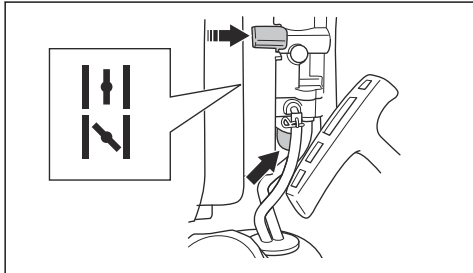
**VAROVÁNÍ:** Ujistěte se, že v palivové nádrži není příliš mnoho paliva. Palivo se rozpíná, jakmile se zahřeje.

6. Pevně dotáhněte víčko palivové nádrže.
7. Očistěte rozlité palivo na výrobku a v jeho okolí.
8. Před nastartováním přemístěte výrobek alespoň 3 m (10 stop) od místa, kde jste doplňovali palivo, a zdroj paliva.

**Povšimněte si:** Umístění palivové nádrže na výrobku naleznete v části *Popis výrobku na strani 33*.

## Spuštění výrobku

1. Pokud je motor studený, zatlačte páčku sytiče do uzavřené polohy sytiče. Další informace jsou uvedeny v části *Symboly na výrobku na strani 34*.



2. Opakovaně stiskněte pomocnou palivovou pumpičku, dokud se nezačne plnit palivem. Není nezbytné zcela naplnit pomocnou palivovou pumpičku.
3. Stiskněte vypínač s ovládním plynu do polohy 1/3 rychlosti. Další informace jsou uvedeny v části *Použití ovládání plynu/vypínače na strani 40*.
4. Položte výrobek na zem s rovným povrchem.
5. Uchopte výrobek levou rukou.



**VAROVÁNÍ:** K přidržování výrobku nepoužívejte nohy.

6. Lehce zatáhněte za rukojeť startovací šňůry, až pocítíte odpor.
7. Prudce zatáhněte za rukojeť startovací šňůry pravou rukou. Opakovaně tahejte za rukojeť startovací šňůry, dokud se motor nespustí.

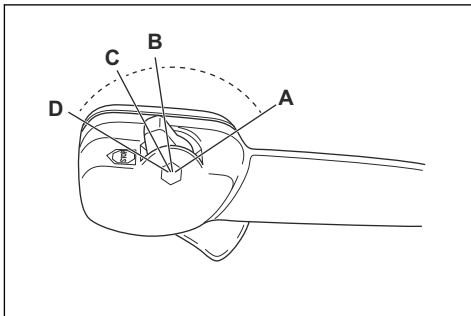
**Povšimněte si:** Nevytahujte celou délku startovací šňůry a nepouštějte rukojeť.

8. Pokud je motor studený, postupně zatlačte páčku sytiče do otevřené polohy sytiče, dokud se páčka sytiče nezastaví.
9. Je-li motor studený, nechte jej před uvedením do provozu běžet 2 až 3 minuty, aby se zahřál.



**VÝSTRAHA:** Při spuštění motoru a při nastavení výrobku na volnoběžné otáčky se z výrobku uvolňuje vzduch. Nedovoďte, aby se v blízkosti výrobku nebo trubky foukače nacházely nějaké osoby.

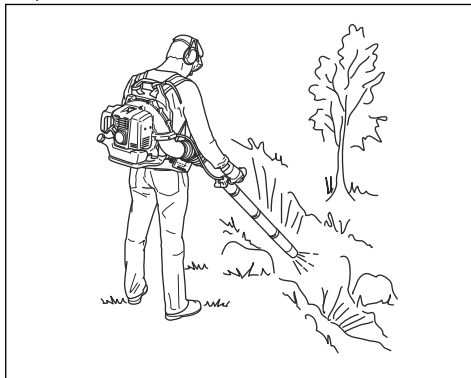
## Použití ovládání plynu/vypínače



- Přidejte plný plyn (A).
- Nastavte 1/3 rychlosti (B).
- Uvedte výrobek do volnoběžných otáček (C).
- Zastavte výrobek (D).

## Obsluha výrobku

- Tento foukač se umísťuje jako batoh na záda a během provozu je uchycen na ramenním popruhu. K provozu a ovládní slouží rukojeť na trubce pro pravou ruku.



- Pracujte s výrobkem v obvyklé pracovní době. Dodržujte místní předpisy.



- Snižte počet kusů vybavení a vyberte správnou rychlost pro daný úkol. Používejte plyn v nejnižší možné poloze, aby množství hluku a prachu nebylo větší, než je nutné.
- Udržujte trysku foukače blízko u země.

**Povšimněte si:** Společnost Husqvarna doporučuje používat celý nástavec trysky foukače.

- Uvědomte si, jakým směrem fouká vítr, a používejte výrobek po směru větru.
- K uvolnění materiálu ze země použijte vhodné zahradní nářadí.
- V prašných místech použijte k navlhčení pracovní oblasti postřikovací zařízení. Tím se zkrátí doba provozu.
- Po ukončení činnosti uložte výrobek ve svislé poloze.

## Zastavení výrobku

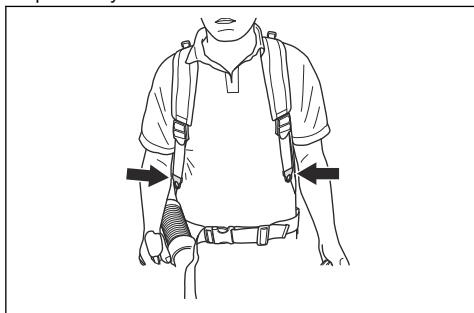


**VAROVÁNÍ:** Nezastavujte výrobek při plných otáčkách.

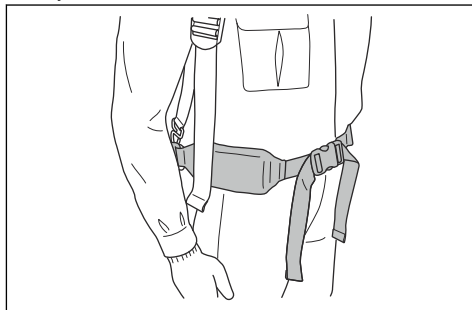
1. Nastavte vypínač s ovládáním plynu do polohy zastavení. Další informace naleznete v části *Použití ovládání plynu/vypínače na straně 40*.

## Seřízení popruhu

1. Nasadte si nosný popruh produktu.
2. Utáhněte ramenní popruhy tak, aby byl výrobek přitisknutý na vaše tělo.



3. Upněte si bederní popruh kolem pasu.
4. Utáhněte řemen bederního popruhu. Dbejte na to, abyste váhu foukače měli na bocích.



## Údržba

### Úvod



**VÝSTRAHA:** Než začnete na výrobku provádět údržbu, přečtěte si pozorně kapitolu o bezpečnosti.

## Plán údržby

Údržba	Denně	Týdně	Měsíčně
Vyčistěte vnější povrchy.	X		
Zkontrolujte, zda ovládací rukojeť funguje správně.	X		
Zkontrolujte, zda vypínač funguje správně. Další informace jsou uvedeny v části <i>Kontrola vypínače na strani 36</i> .	X		
Zkontrolujte těsnost motoru, palivové nádrže a palivových vedení. Zkontrolujte, zda není palivový filtr znečištěný. V případě potřeby vyměňte palivový filtr.	X		
Vyčistěte vzduchový filtr. Pokud je to nutné, vyměňte vzduchový filtr.	X		
Dotáhněte matice a šrouby.	X		
Zkontrolujte přívod vzduchu a ujistěte se, že není ucpaný.	X		
Zkontrolujte startér a startovací šňůru ohledně poškození.		X	
Zkontrolujte, zda antivibrační prvky nevykazují známky poškození, prasklin a deformací. Zkontrolujte, zda jsou antivibrační prvky správně připevněny.		X	
Zkontrolujte zapalovací svíčku. Další informace jsou uvedeny v části <i>Kontrola zapalovací svíčky na strani 42</i> .		X	
Vyčistěte chladič systém.		X	
Vyčistěte vnější povrch karburátoru a jeho okolí.		X	
Vyčistěte palivovou nádrž.			X
Zkontrolujte všechny elektrické kabely a konektory.			X
Zkontrolujte a vyčistěte sítko lapače jisker na tlumiči výfuku (u výrobků bez katalyzátoru).		X	
Zkontrolujte a vyčistěte sítko lapače jisker na tlumiči výfuku (u výrobků s katalyzátorem).			X
Zkontrolujte zapalovací svíčku. V případě potřeby proveďte výměnu.			X

## Úprava volnoběžných otáček

1. Zkontrolujte, zda je vzduchový filtr čistý a zda je jeho kryt řádně upevněn.
2. Seřídte volnoběžné otáčky pomocí stavěcího šroubu volnoběžných otáček. Umístění šroubu stavěcího volnoběžných otáček na výrobku naleznete v části *Popis výrobku na strani 33*.

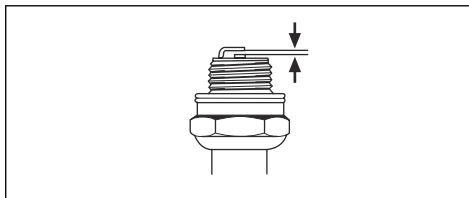
## Kontrola zapalovací svíčky



**VAROVÁNÍ:** Použijte doporučenou zapalovací svíčku. Další informace naleznete v části *Technické údaje na strani 46*. Nesprávná zapalovací svíčka může výrobek poškodit.

1. Vypněte motor a nechte výrobek vychladnout.
2. Pokud je zapalovací svíčka znečištěná, vyčistěte ji.

3. Zkontrolujte, zda je vzdálenost elektrod správná. Další informace naleznete v části *Technické údaje na strani 46*.

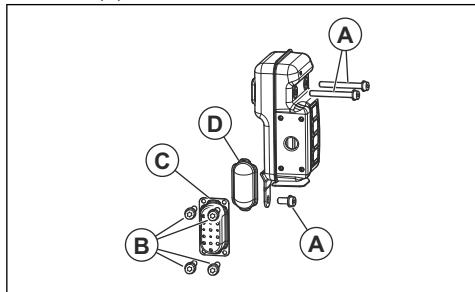


4. Zapalovací svíčku vyměňujte jedenkrát za měsíc nebo ještě častěji v případě potřeby.

## Údržba tlumiče výfuku

1. Vypněte motor a nechte tlumič výfuku vychladnout. Vždy používejte ochranné rukavice.

- Demontujte šrouby (A), šrouby (B) a výfukové vedení (C).



- Demontujte sítko lapače jisker (D) a vyčistěte jej drátěným kartáčem. Poškozené sítko lapače jisker je nutné vyměnit.
- Drátěným kartáčem odstraňte nečistoty z tlumiče výfuku a z výfukového kanálu válce.
- Připevňte sítko lapače jisker (D) a výfukové vedení (C) pomocí šroubů (B). Dotáhněte šrouby momentem 2–3 Nm.
- Dotáhněte šrouby (A) momentem 8–12 Nm. Pravidelně kontrolujte, zda je tlumič výfuku správně připevněn k výrobku.

## Kontrola a čištění chladicího systému

Chladicí systém se skládá z chladicích žeber na válci a sítko nasávaného vzduchu.

- Vypněte motor.
- Zkontrolujte, zda není chladicí systém znečištěný nebo ucpaný. V případě potřeby vyčistěte sítko nasávaného vzduchu a chladicí žebra.



**VAROVÁNÍ:** Znečištěný nebo ucpaný chladicí systém může způsobit zvýšení teploty motoru, což může vést k poškození výrobku. Zanesené sítko nasávaného vzduchu snižuje sílu foukaného vzduchu.

- Zkontrolujte, zda není chladicí systém poškozený. Zkontrolujte, že jsou díly správně připevněny k výrobku.

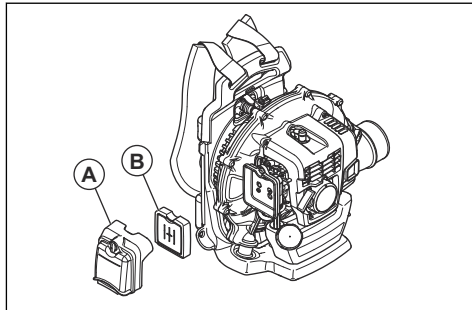
## Čištění vzduchového filtru



**VAROVÁNÍ:** Nepoužívejte výrobek bez vzduchového filtru ani s poškozeným vzduchovým filtrem. Prach ve vzduchu může způsobit poškození motoru.

- Zatlačte ovládání sytiče do uzavřené polohy.
- Demontujte kryt vzduchového filtru (A).

- Vyjměte vzduchový filtr (B) z rámu filtru.



- Vyčistěte filtr teplou mýdlovou vodou.

**Povšimněte si:** Vzduchový filtr, který byl používán po delší dobu, již nelze zcela vyčistit. Vzduchový filtr pravidelně vyměňujte a vždy vyměňte vadný vzduchový filtr.

- Vyčistěte vnitřní povrch krytu vzduchového filtru (A) pomocí kartáče.
- Naneste olej na vzduchový filtr. Další informace naleznete v části *Naneseň oleje na pěnový vzduchový filtr na straně 43*.
- Namontujte vzduchový filtr do rámu filtru.
- Připevňte kryt vzduchového filtru k výrobku.

## Naneseň oleje na pěnový vzduchový filtr

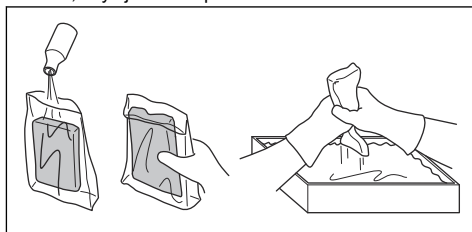


**VAROVÁNÍ:** Vždy používejte speciální olej Husqvarna na vzduchové filtry. Jiné druhy oleje nepoužívejte.



**VÝSTRAHA:** Použijte ochranné rukavice. Olej na vzduchový filtr může způsobit podráždění pokožky.

- Vložte pěnový vzduchový filtr do plastového sáčku.
- Nalijte olej do plastového sáčku.
- Plastový sáček promněte, aby se olej rozprostřel po celém pěnovém vzduchovém filtru.
- Vytlačte přebytečný olej z pěnového vzduchového filtru, když je stále v plastovém sáčku.



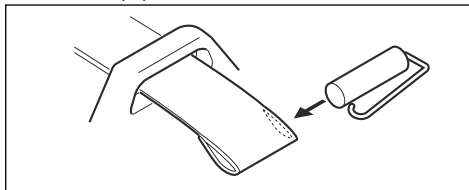
## Výměna nosného popruhu



**VÝSTRAHA:** Poškozený nosný popruh může způsobit pád výrobku a zranění. Zkontrolujte, zda je svorka správně upevněna.

1. Vypněte motor.
2. Sundejte z popruhu přezku.
3. Protáhněte konec popruhu okem.

4. Protáhněte nový popruh okem.
5. Vložte kolík do popruhu a připevněte svorku k novému popruhu.



## Odstraňování problémů

Motor nelze spustit.		
Kontrola	Možná příčina	Řešení
Tlačítko Stop.	Poloha zastavení	Nastavte vypínač do startovací polohy.
Západky startéru	Zablokovaná nebo opotřebovaná západka nebo západky.	Seřidte nebo vyměňte západky startéru.
		Očistěte prostor okolo západek startéru.
		Obrat'te se na schválený servis.
Palivová nádrž.	Nesprávný typ paliva.	Vypus'tte palivovou nádrž a použijte správné palivo.
Karburátor.	Nastavení volnoběžných otáček.	Volnoběžné otáčky seřid'te pomocí stavěcího šroubu volnoběžných otáček.
Zapalování (bez jiskry).	Znečištěná či vlhká zapalovací svíčka.	Ujistěte se, že je zapalovací svíčka suchá a čistá.
		Vyčistěte zapalovací svíčku. Zkontrolujte, zda je vzdálenost elektrod správná. Zkontrolujte, zda je zapalovací svíčka vybavena krytem.
		Správnou vzdálenost elektrod najdete v části s technickými údaji.
Zapalovací svíčka.	Povolená zapalovací svíčka.	Dotáhněte zapalovací svíčku.
	Na elektrodách zapalovací svíčky je nežádoucí materiál.	Zkontrolujte správnost palivové směsi.
		Zkontrolujte, zda je vzduchový filtr čistý.

Motor startuje, ale znovu se vypíná.		
Kontrola	Možná příčina	Řešení
Palivová nádrž.	Nesprávný typ paliva.	Vypusťte palivo a použijte správné palivo.
Karburátor.	Motor nefunguje správně ve volnoběžných otáčkách.	Obrat'te se na servisního prodejce.
Vzduchový filtr.	Ucpaný vzduchový filtr.	Vyčistěte vzduchový filtr.

---

## Přepava a skladování

---

### Přepava a skladování



**VÝSTRAHA:** Aby se zabránilo nebezpečí požáru, zajistěte, aby během přepravy nebo skladování nedocházelo k úniku kapalin a výparů. Ujistěte se, že nehrozí nebezpečí vzniku jisker nebo požáru.

- Před přepravou nebo dlouhodobým uskladněním vyprázdňte palivovou nádrž. Stiskněte pomocnou palivovou pumpičku a zkontrolujte, zda bylo odstraněno veškeré palivo. Odevzdejte palivo na příslušném sběrném místě.
- Před dlouhodobým uskladněním je nutné výrobek vyčistit a provést kompletní údržbu.
- Vyjměte zapalovací svíčku a do válce nalijte přibližně 15 ml oleje pro dvoudobé motory. Třikrát otočte výrobkem a znovu namontujte zapalovací svíčku.
- Během přepravy musí být výrobek bezpečně upevněný k vozidlu.
- Uchovávejte výrobek na suchém, chladném, dobře větraném a čistém místě. Uchovávejte výrobek mimo dosah dětí.

## Technické údaje

### Technické údaje

	Husqvarna 350BT
<b>Motor</b>	
Zdvihový objem válce, cm <sup>3</sup>	50,2
Volnoběžné otáčky, ot/min	2200
Katalyzátor	Ne
<b>Systém zapalování</b>	
Zapalovací svíčka	NGK CMR7H / TORCH AC7R
Vzdálenost elektrod, mm	0,6–0,7
<b>Systém mazání a palivový systém</b>	
Objem palivové nádrže, l / cm <sup>3</sup>	1,25 / 1250
<b>Hmotnost</b>	
Hmotnost, bez paliva, kg	10,2
<b>Emise hluku <sup>7</sup></b>	
Hladina akustického výkonu, změřená dB (A)	101
Hladina akustického výkonu, zaručená L <sub>WA</sub> dB (A)	101
<b>Hladiny hluku <sup>8</sup></b>	
Ekvivalentní hladina akustického tlaku v úrovni uší obsluhy, změřená podle normy EN 15503, dB(A):	
Vybaven tryskou foukače (originální vybavení)	96
<b>Úrovně vibrací <sup>9</sup></b>	
Ekvivalentní hladiny vibrací (a <sub>h<sub>v</sub>,eq</sub> ) v rukojetích, měřené podle normy EN 15503, m/s <sup>2</sup>	2,7
<b>Výkon ventilátoru</b>	
Maximální rychlost vzduchu s tryskou foukače, m/s	80
Průtok vzduchu s tryskou foukače (m <sup>3</sup> /min)	14

<sup>7</sup> Emise hluku v životním prostředí měřené jako akustický výkon (L<sub>WA</sub>) v souladu se směrnicí 2000/14/EU. Uváděná hladina akustického výkonu pro stroj byla měřena s originální tryskou foukače, která generuje nejvyšší hladinu. Rozdíl mezi garantovaným a měřeným akustickým výkonem je v tom, že garantovaný akustický výkon rovněž zahrnuje rozptýl výsledků měření a rozdíly mezi různými stroji téhož modelu podle Směrnice 2000/14/ES.

<sup>8</sup> Uváděná data pro hladinu tlaku zvuku mají typickou statistickou odchylku (standardní odchylku) 1,0 dB (A).

<sup>9</sup> Uváděná data o úrovni vibrací mají typickou statistickou odchylku (standardní odchylku) 1,0 m/s<sup>2</sup>.

# ES Prohlášení o shodě

## ES Prohlášení o shodě

Společnost, **Husqvarna AB**, SE-561 82 Huskvarna, Švédsko, tel.: +46-36-146500, na svou výhradní odpovědnost prohlašuje, že výrobek:

<b>Popis</b>	Zádový foukač
<b>Značka</b>	Husqvarna
<b>Typ/Model</b>	350BT
<b>Identifikace</b>	Výrobní čísla od roku 2022 a dále.

je zcela ve shodě s následujícími směrnicemi a předpisy EU:

<b>Nařízení</b>	<b>Popis</b>
2006/42/ES	„o strojních zařízeních“
2014/30/EU	„o elektromagnetické kompatibilitě“
2000/14/ES	„týkající se emisí hluku do okolního prostředí“
2011/65/EU	„o omezení používání některých nebezpečných látek v elektrických a elektronických zařízeních“

a že byly použity následující normy nebo technické specifikace: EN ISO 12100:2010, CISPR 12:2009, EN 15503:2009+A2:2015, EN IEC 63000:2018

Institut RISE SMP Svensk Maskinprovning AB, Box 7035, SE-750 07 Uppsala, Švédsko, provedl na žádost společnosti Husqvarna AB dobrovolnou typovou zkoušku.

Číslo certifikátu: SEC/09/2102

Institut RISE SMP Svensk Maskinprovning AB, Box 7035, SE-750 07 Uppsala, Švédsko, rovněž ověřil shodu s přílohou V směrnice Evropského parlamentu a Rady 2000/14/ES.

Informace o emisích hluku najdete v části *Technické údaje na strani 46*.

Huskvarna, 2022-05-17

Stefan Holmberg, ředitel výzkumu a vývoje, management technologií, Husqvarna AB.

Osoba odpovědná za technickou dokumentaci



# Indhold

Indledning.....	48	Fejlfinding.....	58
Sikkerhed.....	50	Transport og opbevaring.....	59
Montering.....	52	Tekniske data.....	61
Drift.....	53	EU-overensstemmelseserklæring.....	62
Vedligeholdelse.....	56		

# Indledning

## Produktbeskrivelse

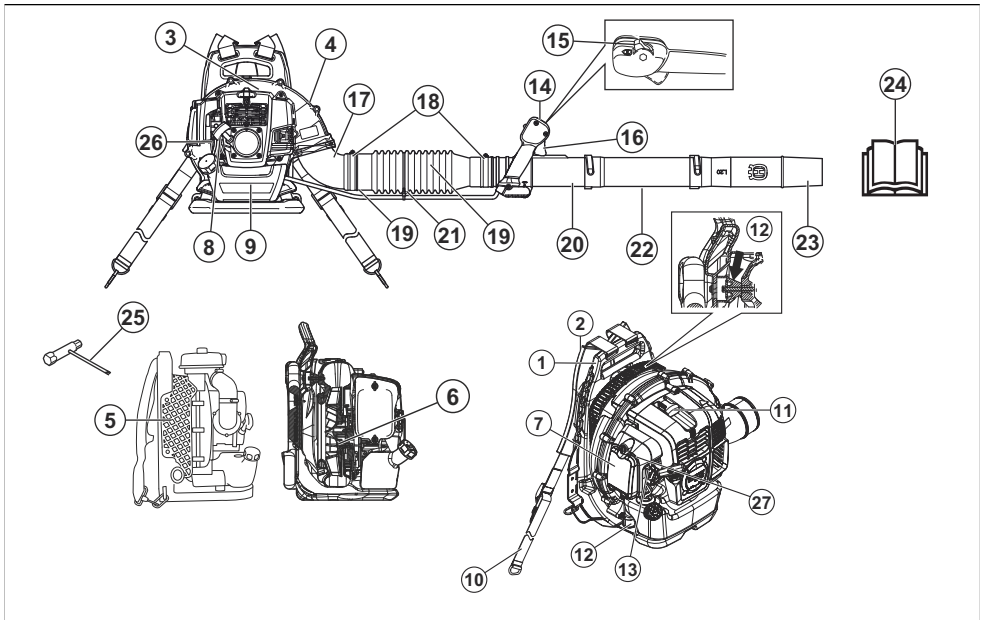
Produktet er en rygbåren løvblæser med en forbrændingsmotor.

Vi forsøger hele tiden at videreudvikle vores produkter og forbeholder os derfor ret til ændringer af bl.a. form og udseende af produkterne uden forudgående varsel.

## Anvendelsesformål

Brug af produktet til at blæse blade og andet uønsket materiale fra områder som f.eks. plæner, stier og asfalterede veje.

## Produktoversigt



- |                               |                                       |
|-------------------------------|---------------------------------------|
| 1. Ramme                      | 10. Taljebælte                        |
| 2. Rygsæksele                 | 11. Tændrør                           |
| 3. Motordæksel                | 12. Vibrationsdæmpningssystem         |
| 4. Blæserdæksel               | 13. Chokerhåndtag                     |
| 5. Afskærmning til luftindtag | 14. Styrehåndtag                      |
| 6. Ventilator                 | 15. Start/stop-kontakt med gashåndtag |
| 7. Luftfilter                 | 16. Gasregulering                     |
| 8. Startsnorens håndgreb      | 17. Vinkelrør                         |
| 9. Brændstoftank              | 18. Spændebånd                        |



19. Fleksibel slange
20. Styrerør
21. Kabelklemme
22. Mellemrør
23. Mundstykke til løvblæser
24. Brugsanvisning
25. Ring- og gaffelnøgle
26. Brændstofpumpebold
27. Skruer for omdrejningstal i tomgang

## Symboler på produktet



**ADVARSEL!** Dette produkt kan være farligt og forårsage alvorlig personskade eller død for brugeren eller andre. Vær forsigtig, og brug produktet korrekt.



Læs brugsanvisningen omhyggeligt igennem, og sørg for at have forstået instruktionerne, inden du bruger produktet.



Brug godkendt høreværn og godkendt øjenværn. Hvis miljøet indeholder støv, skal der anvendes åndedrætsværn.



Brug godkendte beskyttelseshandsker.



Blanding af benzin og totaktolie.



Brændstofpumpebold.



Hold alle kropsdele væk fra varme flader.



Choker, åben position.



Choker, lukket position.



Dette produkt overholder gældende EU-direktiver.



Dette produkt er i overensstemmelse med gældende UK-bestemmelser.



Mærkat vedrørende emission af støv til omgivelserne i henhold til direktiver og regulativer i EU og Storbritannien og New South Wales' lovgivning om "Beskyttelse af miljøet (støjbegrænsning) forordning 2017". Produktets garanterede lydeffektniveau er angivet i *Tekniske data* på side 61 og på mærkaten.



Hold øje med udkastede genstande. Udkastede genstande kan forårsage alvorlige skader. Bær personligt beskyttelsesudstyr.



Hold en sikkerhedsafstand på minimum 15 m til personer eller dyr.

yyyywwxxxx

Typeskiltet viser serienummeret. **yyyy** er produktionsåret, **ww** er produktionsugen.

**Bemærk:** Andre symboler/mærkater på produktet henviser til certificeringskrav i andre handelsområder.

## Euro V-emissioner



**ADVARSEL:** Ved manipulation af motoren bortfalder EU-typegodkendelsen af dette produkt.

## Produktansvar

Som nævnt i produktansvarsbestemmelserne hæfter vi ikke for skader forårsaget af vores produkt, hvis:

- produktet er forkert repareret.
- produktet er repareret med dele, der ikke er fra producenten eller ikke er godkendt af producenten
- produktet har tilbehør, der ikke er fra producenten eller ikke er godkendt af producenten.
- produktet ikke er repareret på et godkendt servicecenter eller af en godkendt myndighed.

---

# Sikkerhed

---

## Sikkerhedsdefinitioner

Definitionerne nedenfor angiver alvorligheden for hvert enkelt signalord.



**ADVARSEL:** Skade på personer.



**BEMÆRK:** Beskadigelse af produktet.

**Bemærk:** Disse oplysninger gør det lettere at bruge produktet.

## Generelle sikkerhedsinstruktioner



**ADVARSEL:** Læs følgende advarselsinstruktioner, inden du bruger produktet.

- Udfør ikke ændringer af produktet uden tilladelse fra producenten, og brug altid originalt tilbehør. Ændringer og/eller tilbehør, der ikke er godkendt, kan forårsage alvorlige skader eller dødsfald for brugeren eller andre.
- Brug ikke et beskadiget produkt. Gennemfør sikkerhedskontroller og vedligeholdelse, som beskrevet i denne brugsanvisning. Al anden vedligeholdelse skal udføres af godkendt servicepersonale.
- Al service og alle reparationer skal udføres af godkendt servicepersonale. Hvis en del af produktet er defekt, skal du kontakte din serviceforhandler.

## Sikkerhedsinstruktioner for betjening



**ADVARSEL:** Læs følgende advarselsinstruktioner, inden du bruger produktet.

- Dette produkt kan være farligt og forårsage alvorlig personskade eller død for brugeren eller andre. Vær forsigtig, og brug produktet korrekt.
- Kontrollér produktet inden brug. Se *Vedligeholdelse på side 56*.
- Betjen aldrig produktet, hvis du er træt, syg eller påvirket af alkohol, narkotika eller medicin, der kan reducere dit syn, dømmekraft eller koordinationssevne.
- Monter alle dæksler og afskærmninger før brug. For at undgå elektrisk stød skal du sørge for, at tændhætten og tændkablet ikke er beskadigede.
- Rør aldrig ved tændrøret eller tændkablet, mens motoren er i gang.
- Hold en sikkerhedsafstand på minimum 15 m til personer eller dyr. Hvis personer, børn eller dyr kommer nærmere end 15 m, skal du standse produktet. Vend produktet væk fra mennesker, dyr, åbne vinduer og andre genstande.
- Lad ikke børn betjene produktet. Sørg for, at alle brugere læser og forstår indholdet i denne brugsanvisning.
- Hold hænder og andre genstande væk fra blæserhuset under drift. Roterende dele kan forårsage alvorlige skader.
- Brug ikke produktet, hvis afskærmningen til luftindtag ikke er monteret. Sørg altid for, at afskærmningen til luftindtag er monteret og er ubeskadiget før brug.
- Hvis der opstår en nødsituation, skal du frigøre selens taljebælte og brystbælte og lade produktet falde ned.
- Overhold nationale forordninger og direktiver.
- Hold alle kroppsdele væk fra varme flader.
- Dette produkt danner et elektromagnetisk felt under betjening. Dette felt kan i nogle tilfælde påvirke aktive eller passive medicinske implantater. For at reducere risikoen for alvorlige eller dødbringende kvæstelser anbefaler vi, at personer med medicinske implantater kontakter deres læge og producenten af det medicinske implantat, før de tager produktet i brug.
- For mange vibrationer kan beskadige blodomløbet eller nervesystemet. Tal med din læge, hvis du har symptomer, f.eks. følelsesløshed, tab af følesans, kildren, smerte, manglende styrke eller forandringer i hudens farve på fingre, hænder eller håndled.
- Hold øje med udkastede genstande. Udkastede genstande kan forårsage alvorlige skader.
- Brug ikke produktet i dårligt vejr, f.eks. tåge, regn, hård vind og intens kulde. Arbejde i dårligt vejr kan forårsage træthed og farlige forhold.
- Sørg for, at du kan bevæge dig og arbejde i en stabil stilling. Udfør en kontrol af arbejdsområdet for eventuelle forhindringer, f.eks. sten. Vær forsigtig, hvis du bruger produktet på en skråning.
- Læg ikke produktet på jorden, mens motoren er tændt.
- Anvend ikke produktet fra høje positioner, f.eks. på en stige.
- Sørg for, at du altid kan høres i tilfælde af et uheld.
- Sørg for, at udstødningsgasudgangen ikke er tilstoppet. Undgå at beskadige produktet, og hold forhindringer i en afstand på mindst 50 cm fra udstødningsgasudgangen.
- Start ikke produktet indendørs, hvis der er dårlig luftgennemstrømning, eller i nærheden af brandfarligt materiale. Motorens udstødningsgasser

indeholder kulmonoxid, hvilket kan forårsage kulmonoxidforgiftning. Motorens udstødningsgasser er varme og kan indeholde gnister, der kan starte en brand.

tomgang. Brug beskyttelseshandsker for at undgå forbrændinger.

## Personligt beskyttelsesudstyr



**ADVARSEL:** Læs følgende advarselsinstruktioner, inden du bruger produktet.

- Brug godkendt personligt beskyttelsesudstyr, når du bruger produktet. Personligt beskyttelsesudstyr udelukker ikke fuldstændigt risikoen for personskader, men det mindsker omfanget af skaderne. Spørg forhandleren for at få yderligere oplysninger.
- Brug godkendt høreværn. Langvarig eksponering for støj kan medføre permanente høreskader.
- Brug godkendt øjenværn. Hvis du bruger et ansigtsværn, skal du også bruge godkendte beskyttelsesbriller. Godkendte beskyttelsesbriller skal overholde den amerikanske standard ANSI Z87.1 eller EU-standardEN 166.
- Brug beskyttelseshandsker under drift og vedligeholdelse.
- Brug beskyttelsesstøvler eller -sko med skridsikre såler.
- Brug tøj af stærkt materiale og i fuld længde. Bær ikke smykker eller åbne sko. For at mindske risikoen for personskade skal tøjet være tætsluttende, men ikke begrænse dine bevægelser. Sæt håret op over dine skuldre for at forhindre, at håret kommer ned i de roterende dele eller fanges af grene.
- Brug åndedrætsværn, når der er risiko for støv.
- Hav førstehjælpsudstyr i nærheden.

## Sikkerhedsanordninger på produktet



**ADVARSEL:** Læs følgende advarselsinstruktioner, inden du bruger produktet.

- Brug ikke et produkt med defekte sikkerhedsanordninger.
- Kontrollér sikkerhedsanordningerne regelmæssigt. Se *Vedligeholdelse på side 56*.
- Hvis sikkerhedsanordningerne er defekte, skal du henvende dig til din Husqvarna-serviceforhandler.

## Sådan kontrolleres lyddæmperen



**ADVARSEL:** Brug ikke produktet med en defekt lyddæmper.



**ADVARSEL:** Lyddæmperen bliver meget varm under og efter brug, også i



**ADVARSEL:** Lyddæmperens inderside indeholder kemikalier, der kan være kræftfremkaldende. Rør ikke lyddæmperen, hvis den er beskadiget.

- Foretag jævnligt en visuel undersøgelse af lyddæmperen. Lyddæmperen sikrer et minimalt støjniveau og sender udstødningsgasserne væk fra brugeren. Se *Sådan vedligeholder du lyddæmperen på side 57*.

## Sådan kontrolleres vibrationsdæmpningssystemet

1. Sørg for, at der ikke er revner på og deformation af vibrationsdæmpningssenhederne.
2. Kontrollér, at vibrationsdæmpningssenhederne er korrekt forankret til motorenheden og håndtagsenheden.

Se *Produktoversigt på side 48* for at få oplysninger om, hvor vibrationsdæmpningssystemet er på dit produkt.

## Sådan kontrolleres start/stop-kontakten

1. Brug start/stop-kontakten til at stoppe motoren.
2. Sørg for, at motoren standses helt.

Se *Produktoversigt på side 48* for at se, hvor start/stop-kontakten sidder på produktet.

## Selesikkerhed

- Sørg for, at taljebæltet er fastgjort og justeret korrekt. Løse ender på selen kan komme ned i roterende dele og forårsage beskadigelse af blæseren. Hvis blæseren er beskadiget, kan løse dele i produktet blive kastet ud og forårsage kvæstelser eller skader.

## Brændstofsikkerhed



**ADVARSEL:** Læs følgende advarselsinstruktioner, inden du bruger produktet.

- Bland og tilføj ikke brændstof indendørs eller i nærheden af en varmekilde.
- Start ikke produktet, hvis du får olie eller brændstof på produktet eller på din krop.
- Start ikke produktet, hvis motoren lækker. Undersøg regelmæssigt motoren for brændstofflækager.
- Vær altid forsigtig med brændstof. Brændstof er letantændeligt, og brændstoffdampe er eksplosive og kan forårsage alvorlige skader eller dødsfald.
- Undgå at indånde brændstoffdampene, da det kan forårsage personskader. Sørg for, at der er tilstrækkelig luftstrøm.
- Ryg ikke i nærheden af brændstof eller motor.

- Anbring ikke produktet eller en brændstofdunk nær varme genstande, på steder med åben ild, gnister eller tændflammer.
- Brug altid godkendte beholdere til opbevaring og transport af brændstof.

- Stands motoren, fjern tændrøret, og lad motoren køle af, før der udføres vedligeholdelse og montering.
- En tilstoppet gnistfangerskærm får motoren til at blive for varm, hvilket resulterer i beskadigelse af motoren.

## Sikkerhedsinstruktioner for vedligeholdelse



**ADVARSEL:** Læs følgende advarselsinstruktioner, inden du bruger produktet.

## Montering

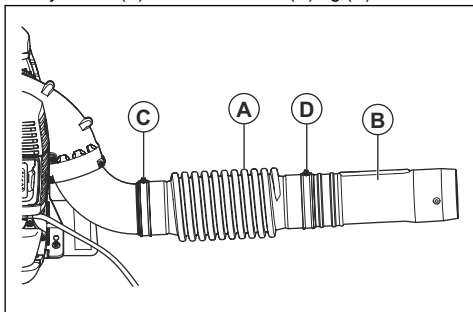
### Indledning



**ADVARSEL:** Læs og forstå kapitlet om sikkerhed, før du monterer produktet.

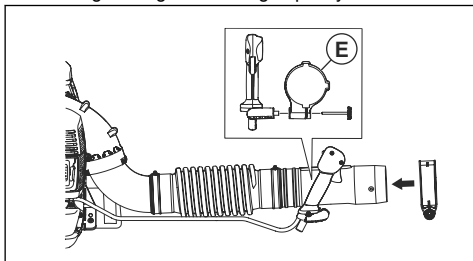
### Sådan monteres blæserøret og styrehåndtaget på produktet

1. Fastgør den fleksible slange (A) til vinkelrøret og styrerøret (B) med klemmerne (C) og (D).

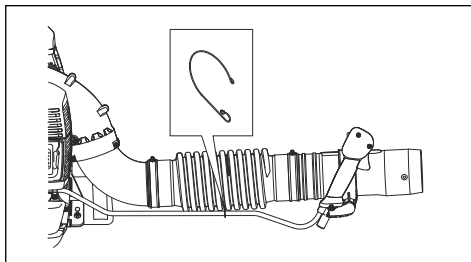


**Bemærk:** Smør styrerøret og slangen for at gøre dem nemmere at samle.

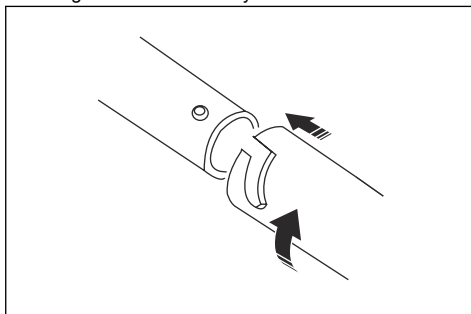
2. Fastgør håndtagsbeslaget (E) på styrerøret. Flugt håndtagsbeslaget med flangen på styrerøret.



3. Juster positionen og vinklen på styrehåndtaget til en sikker og korrekt arbejdsposition. Spænd grebet.
4. Fastgør kablet til den fleksible slange med kabelholderen.



5. Fastgør mellemrøret til styrerøret.



**Bemærk:** Hvis det er nødvendigt at bruge et længere rundt blæserør, er det muligt at få et forlænget mellemrør.

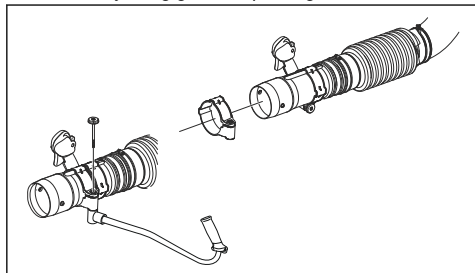
6. Fastgør blæserens mundstykke på mellemrøret.

**Bemærk:** Blæserens mundstykke kan kun monteres på mellemrøret.

### Sådan samles styret (ekstraudstyr)

1. Afmonter mellemrøret.

2. Skru grebet på holderen af, og skub holderen på styrerøret.
3. Monter styret og grebet. Spænd grebet.

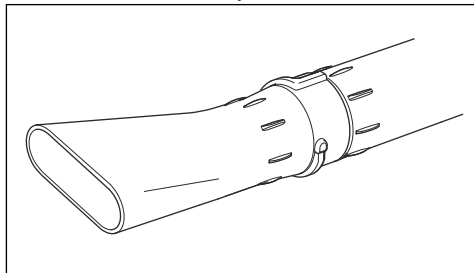


4. Monter mellemrøret.

## Sådan samles det flade mundstykke (ekstraudstyr)

Det flade mundstykke giver en højere lufthastighed end løvblæserens mundstykke.

- Afmonter blæserens mundstykke fra mellemrøret, og monter det flade mundstykke.



## Drift

### Indledning

kan forårsage motorbanken, hvilket beskadiger motoren.



**ADVARSEL:** Læs og forstå kapitlet om sikkerhed, før du bruger produktet.

### Brændstof

Dette produkt har en totaktsmotor.



**BEMÆRK:** Forkert brændstof kan medføre beskadigelse af motoren. Brug en blanding af benzin og totaktsolie.

### Forblandet brændstof

- Brug Husqvarna forblandet alkylatbenzin – det giver det bedste resultat og forlænger af motorens levetid. Dette brændstof indeholder færre skadelige kemikalier sammenlignet med almindeligt brændstof, hvilket reducerer skadelige udstødningsgasser. Mængden af rester efter forbrændingen er lavere med dette brændstof, som holder komponenterne i motoren mere rene.

### Sådan blandes brændstof

#### Benzin

- Brug blyfri benzin af god kvalitet med et ethanolinhold på maks. 10 %.



**BEMÆRK:** Brug ikke benzin med et oktantal mindre end 90 RON/87 AKI. Brug af et lavere oktantal

#### Totaktsolie

- De bedste resultater opnås ved anvendelse af Husqvarna-totaktsolie.
- Hvis du ikke kan få fat i Husqvarna-totaktsolie, kan du også bruge en anden totaktsolie af høj kvalitet, som er beregnet til luftkølede motorer. Tal med din serviceforhandler om valg af den korrekte olie.



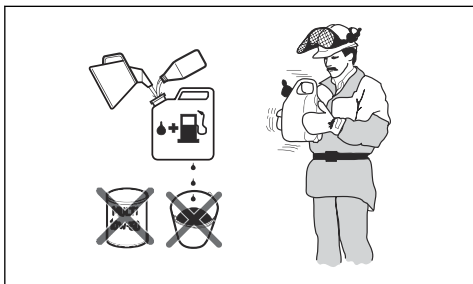
**BEMÆRK:** Brug aldrig totaktsolie til vandafkølede udenbordsmotorer, såkaldt outboardoil. Brug ikke olie beregnet til firetaktsmotorer.

### Sådan blandes benzin og totaktsolie

Benzin, liter	Totaktsolie, liter
	<b>2 % (50:1)</b>
5	0,10
10	0,20
15	0,30
20	0,40



**BEMÆRK:** Små fejl kan påvirke forholdet i blandingen drastisk, hvis du blander små mængder brændstof. Mål omhyggeligt mængden af olie, og sørg for, at du får den rigtige blanding.



1. Fyld halvdelen af mængden af benzin i en ren beholder til brændstof.
2. Tilføj al olien.
3. Ryst brændstofblanding.
4. Hæld den resterende mængde over i beholderen.
5. Ryst brændstofblanding omhyggeligt.



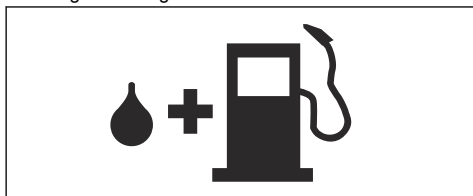
**BEMÆRK:** Bland ikke brændstof til mere end 1 måned ad gangen.

### Sådan fyldes brændstoftanken



**ADVARSEL:** Følg nedenstående fremgangsmåde for din egen sikkerheds skyld.

1. Stands motoren, og lad den blive kold.
2. Rengør omkring brændstoftankens dæksel.



3. Ryst beholderen, og sørg for, at brændstoffet er helt blandet.
4. Afmonter brændstoftankens dæksel langsomt for at aflaste trykket.
5. Fyld brændstoftanken.



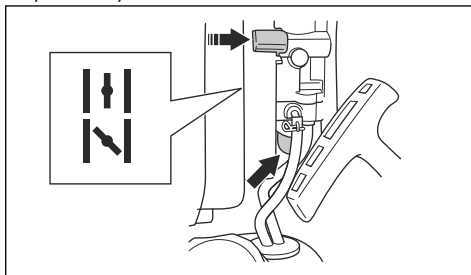
**BEMÆRK:** Sørg for, at der ikke er for meget brændstof i tanken. Brændstoffet udvider sig, når det bliver varmt.

6. Spænd brændstoftankens dæksel helt.
7. Afrens spildt brændstof på og omkring produktet.
8. Flyt produktet mindst 3 m/10 fod væk fra tankningsstedet og -kilden, inden det startes.

**Bemærk:** Se *Produktoversigt på side 48* for at se, hvor brændstoftanken sidder på produktet.

### Sådan startes produktet

1. Hvis motoren er kold, skal du sætte chokerhåndtaget i den lukkede chokerposition. Se *Symboler på produktet på side 49*.



2. Tryk på brændstofpumpebolden igen og igen, indtil brændstoffet begynder at fylde pumpen. Det er ikke nødvendigt at fylde brændstofpumpebolden helt.
3. Skub start/stop-kontakten med gashåndtaget til 1/3 af fartpositionen. Se *Sådan betjenes gashåndtaget/stop-kontakten på side 55*.
4. Anbring produktet på en plan overflade på jorden.
5. Hold produktet med venstre hånd.



**BEMÆRK:** Brug ikke dine fødder til at holde produktet.

6. Træk langsomt i startsnorens håndtag, indtil du mærker modstand.
7. Træk hurtigt i startsnorens håndtag med højre hånd. Træk i startsnorens håndtag igen og igen, indtil motoren starter.

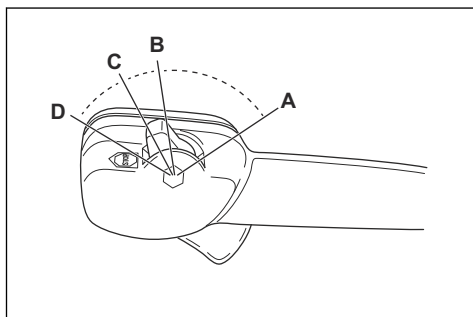
**Bemærk:** Træk ikke startsnorens håndtag helt ud, og slip ikke startsnorens håndtag.

8. Hvis motoren er kold, skal du gradvis skubbe chokerhåndtaget til den åbne chokerposition, indtil chokerhåndtaget stopper.
9. Hvis motoren er kold, skal du lade motoren køre i 2-3 minutter for at blive varm, før arbejdet påbegyndes.



**ADVARSEL:** Der slippes luft ud, når motoren startes, og når produktet er sat i tomgang. Lad aldrig personer komme i nærheden af produktet eller blæserøret.

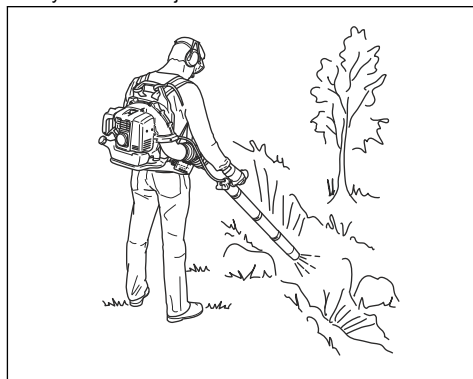
## Sådan betjenes gashåndtaget/stop-kontakten



- Giv fuld gas (A).
- Brug 1/3 hastighed (B).
- Brug tomgangshastighed (C).
- Stands produktet (D).

## Betjening af produktet

- Denne løvblæser er af rygsæktypen og skal bæres ved hjælp af en skuldersele, mens den betjenes. Den betjenes og styres ved hjælp af håndtaget på styrrøret med højre hånd.



- Betjen produktet i normal arbejdstid. Overhold lokale bestemmelser.
- Reducer antallet af udstyrsdele, og vælg den rigtige hastighed til din opgave. Brug gasreguleringen ved lavest mulige position for at forhindre mere støj og støv end nødvendigt.
- Hold løvblæserens mundstykke tæt ved jorden.

**Bemærk:** Husqvarna anbefaler, at du bruger løvblæserens mundstykkeforlænger.

- Bemærk vindretningen, og betjen produktet iht. vindretningen.
- Brug haveredskaber til at løsne materiale fra jorden.
- I områder med støv skal du bruge sprøjtestyr til at gøre området vådt. Det reducerer driftstiden.
- Efter arbejdet skal produktet opbevares lodret.

## Sådan standses produktet



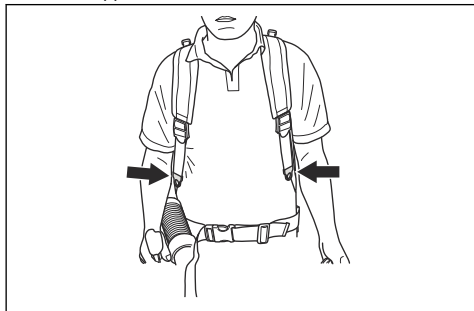
**BEMÆRK:** Stands ikke produktet ved maksimal hastighed.

1. Sæt start/stop-kontakten med gashåndtaget i stoppositionen. Se *Sådan betjenes gashåndtaget/stop-kontakten på side 55*.

## Sådan justeres selen

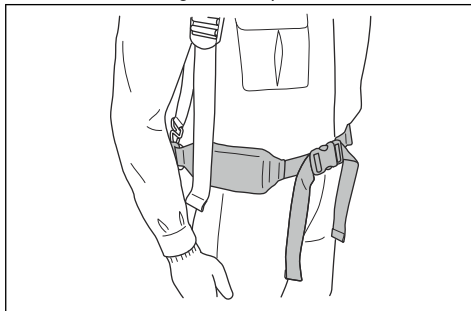
1. Tag produktets sele på.

2. Spænd skulderselerne, indtil produktet sidder tæt mod kroppen.



3. Anbring taljebæltet omkring livet.

4. Spænd remmen på taljebæltet. Sørg for, at løvblæserens vægt forbliver på hofterne.



## Vedligeholdelse

### Indledning



**ADVARSEL:** Læs og forstå sikkerhedskapitlet, før du udfører vedligeholdelse på produktet.

### Vedligeholdelsesskema

Vedligeholdelse	Hver dag	Ugentligt	Månedligt
Rengør de udvendige overflader.	X		
Sørg for, at styrehåndtaget fungerer korrekt.	X		
Sørg for, at start/stop-kontakten fungerer korrekt. Se <i>Sådan kontrolleres start/stop-kontakten på side 51.</i>	X		
Undersøg motoren, brændstoftanken og brændstofslangerne for udsivning. Undersøg brændstoffilteret for forurening. Udskift brændstoffilteret, hvis det er nødvendigt.	X		
Rens luftfilteret. Udskift luftfilteret, hvis det er nødvendigt.	X		
Spænd møtrikker og skruer.	X		
Undersøg luftindtaget, og kontrollér, at det ikke tilstoppet.	X		
Undersøg startmotoren og startsnoren for skader.		X	
Undersøg vibrationsdæmpningsenhederne for skader, revner og skævheder. Sørg for, at vibrationsdæmpningsenhederne er monteret korrekt.		X	
Efterse tændrøret. Se <i>Sådan kontrolleres tændrøret på side 57.</i>		X	
Rens kølesystemet.		X	
Rens karburatorens udvendige flader og området omkring den.		X	
Rengør brændstoftanken.			X
Undersøg alle kabler og tilslutninger.			X



Vedligeholdelse	Hver dag	Ugentligt	Månedligt
Undersøg og rengør gnistfangerskærmen på lyddæmperen (på produkter uden katalysator).		X	
Undersøg og rengør gnistfangerskærmen på lyddæmperen (på produkter med katalysator).			X
Efterse tændrøret. Udskift dem, hvis det er nødvendigt.			X

## Sådan justerer du tomgangshastigheden

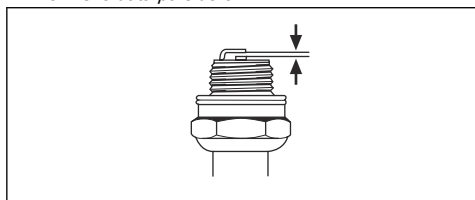
1. Sørg for, at luftfilteret er rent og at luftfilterdækslet er fastgjort.
2. Juster tomgangshastigheden med tomgangsjusteringssskruen. Se *Produktoversigt på side 48* for at se, hvor tomgangsjusteringssskruen sidder på produktet.

## Sådan kontrolleres tændrøret



**BEMÆRK:** Brug det anbefalede tændrør. Se *Tekniske data på side 61*. Et forkert tændrør kan medføre skader på produktet.

1. Stands motoren, og lad produktet blive koldt.
2. Rengør tændrøret, hvis det er snavset.
3. Sørg for, at elektrodeafstanden er korrekt. Se *Tekniske data på side 61*.

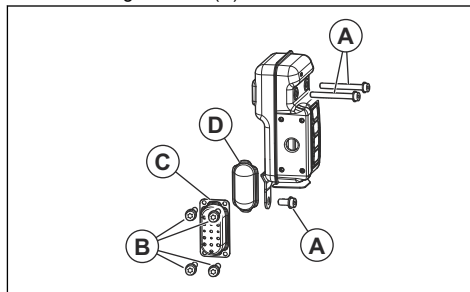


4. Udskift tændrøret hver måned eller oftere, hvis det er nødvendigt.

## Sådan vedligeholder du lyddæmperen

1. Stands motoren, og lad lyddæmperen blive kold. Brug altid beskyttelseshandsker.

2. Afmonter skruerne (A), skruerne (B) og udblæsningskanalen (C).



3. Fjern gnistfangerskærmen (D), og rengør den med en stålbørste. Udskift gnistfangerskærmen, hvis den er beskadiget.
4. Fjern snavs fra lyddæmperen og udstødningsporten på cylinderen med en stålbørste.
5. Fastgør gnistfangerskærmen (D) og udblæsningskanalen (C) med skruerne (B). Spænd skruerne til 2-3 Nm.
6. Spænd skruerne (A) til 8-12 Nm. Sørg for, at lyddæmperen er korrekt monteret på produktet.

## Sådan undersøges og renses kølesystemet.

Kølesystemet omfatter køleribberne på cylinderen og afskærmningen til luftindtag.

1. Stop motoren.
2. Sørg for, at kølesystemet ikke er snavset eller tilstoppet. Hvis det er nødvendigt, skal afskærmningen til luftindtag og køleribberne rengøres.



**BEMÆRK:** Et snavset eller tilstoppet kølesystem kan medføre en stigning i motorens temperatur, hvilket kan forårsage skader på produktet. En tilstoppet afskærmningen til luftindtag reducerer blæserstyrken.

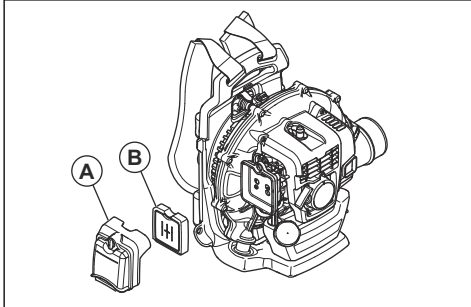
3. Undersøg kølesystemet for skader. Sørg for, at delene er korrekt monteret på produktet.

## Rengøring af luftfilteret



**BEMÆRK:** Anvend ikke produktet uden et luftfilter eller med et beskadiget luftfilter. Støv i luften kan forårsage skader på motoren.

1. Skub chokerhåndtaget til den lukkede position.
2. Fjern luftfilterdækslet (A).
3. Fjern luftfilteret (B) fra filterrammen.



4. Rens luftfilteret med varmt sæbevand.

**Bemærk:** Et luftfilter, der har været brugt i lang tid, kan ikke blive helt rent. Udskift luftfilteret regelmæssigt, og udskift altid et defekt luftfilter.

5. Rengør den indvendige overflade på luftfilterdækslet (A) med en børste.
6. Sådan påfører du olie på luftfilteret. Se *Sådan påfører du olie på skumluftfilteret på side 58*.
7. Sæt luftfilteret på filterrammen.
8. Monter luftfilterdækslet på produktet.

## Sådan påfører du olie på skumluftfilteret

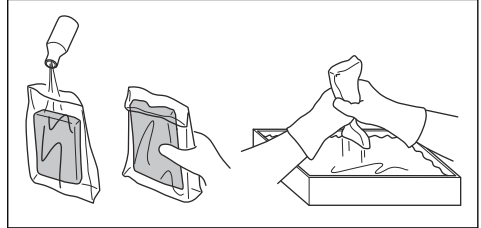


**BEMÆRK:** Brug altid Husqvarna specialluftfilterolie. Brug ikke andre typer olie.



**ADVARSEL:** Tag beskyttelseshandsker på. Luftfilterets olie kan forårsage hudirritation.

1. Anbring skumluftfilteret i en plastpose.
2. Anbring olien i plastposen.
3. Gnub plastposen for at sikre, at olien bliver påført jævnt på skumluftfilteret.
4. Tryk uønsket olie ud af skumluftfilteret, mens det er i plastposen.

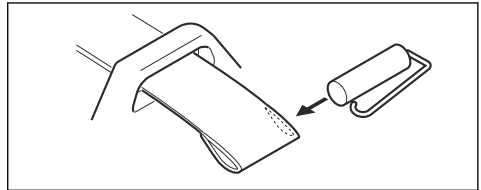


## Sådan udskiftes selen



**ADVARSEL:** En beskadiget sele kan få produktet til at falde ned og forårsage personskader. Sørg for at montere bøjlen korrekt.

1. Stop motoren.
2. Fjern bøjlen fra remmen.
3. Før enden af remmen igennem øskenen.
4. Træk den nye rem gennem øskenen.
5. Sæt stiften ind i remmen for at fastgøre bøjlen til den nye rem.



## Fejlfinding

Det er ikke muligt at starte motoren.		
Kontrollér	Mulig årsag	Løsning
Stopknop.	Stopposition	Sæt stopkontakten i startpositionen.

<b>Det er ikke muligt at starte motoren.</b>		
<b>Kontrollér</b>	<b>Mulig årsag</b>	<b>Løsning</b>
Starthage(r).	Blokert eller slidt starthage(r).	Juster eller udskift starthagen/starthagerne.
		Rengør omkring starthagen/starthagerne.
		Kontakt en godkendt serviceforhandler.
Brændstoftank.	Forkert brændstoftype.	Tøm brændstoftanken, og brug det rigtige brændstof.
Karburator.	Justering af tomgangsomdrejningstallet.	Indstilling af tomgangshastigheden med justerskruen.
Gnist (ingen gnist).	Tændrør er beskidt eller vådt.	Sørg for, at tændrøret er tørt og rent.
		Rens tændrøret. Sørg for, at elektrodeafstanden er korrekt. Sørg for, at tændrøret er monteret med radiostøjdæmpning.
	Elektrodeafstanden på tændrøret er forkert.	Se de tekniske data for at få oplysninger om den korrekte elektrodeafstand.
Tændrør.	Løst tændrør.	Spænd tændrøret.
	Der er uønsket materiale på tændrørets elektroder.	Sørg for, at brændstofblandingen er korrekt.
		Sørg for, at luftfilteret er rent.

<b>Motoren starter, men standser igen</b>		
<b>Kontrollér</b>	<b>Mulig årsag</b>	<b>Løsning</b>
Brændstoftank.	Forkert brændstoftype.	Tøm den, og brug korrekt brændstof.
Karburator.	Motoren fungerer ikke korrekt i tomgangshastighed.	Kontakt din serviceforhandler.
Luftfilter.	Tilstoppet luftfilter.	Rens luftfilteret.

## Transport og opbevaring

### Transport og opbevaring



**ADVARSEL:** For at reducere risikoen for brand skal du sørge for, at der ikke forekommer lækager eller dampe under transport eller opbevaring. Sørg for, at der ikke er risiko for gnistdannelse eller brand.

- Tøm brændstoftanken før transport og langtidsopbevaring. Tryk på brændstofpumpebolden for at sikre, at alt brændstof er fjernet. Bortskaf brændstoffet på en lokal miljøstation.
- Sørg for, at produktet er rent, og at der er udført fuld service før længere tids opbevaring.
- Fjern tændrøret, og hæld ca. 15 ml totaktolie i cylinderen. Vend produktet 3 gange, og sæt tændrøret i igen.

- Fastspænd produktet sikkert til køretøjet under transport.
- Anbring apparatet på et tørt, køligt og rent sted med god luftgennemstrømning. Opbevar produktet utilgængeligt for børn.

## Tekniske data

### Tekniske data

	Husqvarna 350BT
<b>Motor</b>	
Cylindervolumen, cm <sup>3</sup>	50,2
Omdrejningstal i tomgang, o/min.	2200
Katalysator	Nej
<b>Tændingssystem</b>	
Tændrør	NGK CMR7H/TORCH AC7R
Elektrodeafstand, mm	0,6-0,7
<b>Brændstof-/smøresystem</b>	
Benzintankens kapacitet, l/cm <sup>3</sup>	1,25/1250
<b>Vægt</b>	
Vægt, uden brændstof, kg	10,2
<b>Støjemissioner</b> <sup>10</sup>	
Lydeffektniveau, målt dB (A)	101
Lydeffektniveau, garanteret L <sub>WA</sub> dB (A)	101
<b>Lydniveauer</b> <sup>11</sup>	
Ækivalent lydtryksniveau ved brugerens øre, målt i henhold til EN15503 dB(A):	
Udstyret med blæsermundstykke (originalt)	96
<b>Vibrationsniveauer</b> <sup>12</sup>	
Ækvivalente vibrationsniveauer (a <sub>hv,eq</sub> ) i håndtagene målt i henhold til EN ISO 15503, m/s <sup>2</sup>	2,7
<b>Blæserydelse</b>	
Maks. lufthastighed ved blæsermundstykke, m/s	80
Luftgennemstrømning med blæsermundstykke, m <sup>3</sup> /min	14

<sup>10</sup> Emission af støj til omgivelserne målt som lydeffekt (L<sub>WA</sub>) i henhold til EF-direktiv 2000/14/EF. Rapporteret lydeffektniveau for maskinen er målt med det originale blæsermundstykke, der giver det højeste niveau. Forskellen mellem garanteret og målt lydeffekt er, at den garanterede lydeffekt også omfatter spredning i måleresultatet og variationerne mellem forskellige maskiner af samme model i henhold til direktivet 2000/14/EF.

<sup>11</sup> Rapporterede data for lydtrykniveau har en typisk statistisk spredning (standardafvigelse) på 1,0 dB (A).

<sup>12</sup> Rapporterede data for vibrationsniveau har en typisk statistisk spredning (standardafvigelse) på 1,0 m/s<sup>2</sup>.

# EU-overensstemmelseserklæring

## EU-overensstemmelseserklæring

Vi, **Husqvarna AB**, SE-561 82 Huskvarna, Sverige,  
tlf.: +46-36-146500 erklærer under eneansvar, at det  
pågældende produkt:

<b>Beskrivelse</b>	Rygsækbleser
<b>Varemærke</b>	Husqvarna
<b>Type / model</b>	350BT
<b>Identifikation</b>	Serienumrene fra 2022 og fremefter.

overholder følgende EU-direktiver og bestemmelser:

<b>Regulativ</b>	<b>Beskrivelse</b>
2006/42/EF	"vedrørende maskiner"
2014/30/EU	"vedrørende elektromagnetisk kompatibilitet"
2000/14/EF	"vedrørende støjemissioner til omgivelserne"
2011/65/EU	"om begrænsning af anvendelsen af visse farlige stoffer i elektrisk og elektronisk udstyr"

og at følgende standarder og/eller tekniske  
specifikationer anvendes: EN ISO 12100:2010, CISPR  
12:2009, EN 15503:2009+A2:2015, EN IEC 63000:2018

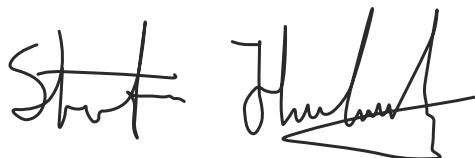
RISE SMP Svensk Maskinprovning AB, Box 7035,  
SE-750 07 Uppsala, Sverige, har foretaget frivillig  
typegodkendelse for Husqvarna AB.

Certifikatnummer: SEC/09/2102

RISE SMP Svensk Maskinprovning AB, Boks 7035,  
SE-750 07 Uppsala, Sverige, har også bekræftet  
overensstemmelse med bilag V i Rådets direktiv  
2000/14/EG.

Vedr. oplysninger om støjemission, se *Tekniske data på  
side 61*.

Huskvarna, 2022-05-17



Stefan Holmberg, R&D Director, Technology  
Management, Husqvarna AB.

Ansvarlig for teknisk dokumentation



# Inhalt

Einleitung.....	63	Fehlerbehebung.....	74
Sicherheit.....	65	Transport und Lagerung.....	75
Montage.....	67	Technische Daten.....	76
Betrieb.....	68	EU-Konformitätserklärung.....	77
Wartung.....	71		

## Einleitung

### Gerätebeschreibung

Bei diesem Gerät handelt es sich um ein rückentragbares Laubblasgerät mit einem Verbrennungsmotor.

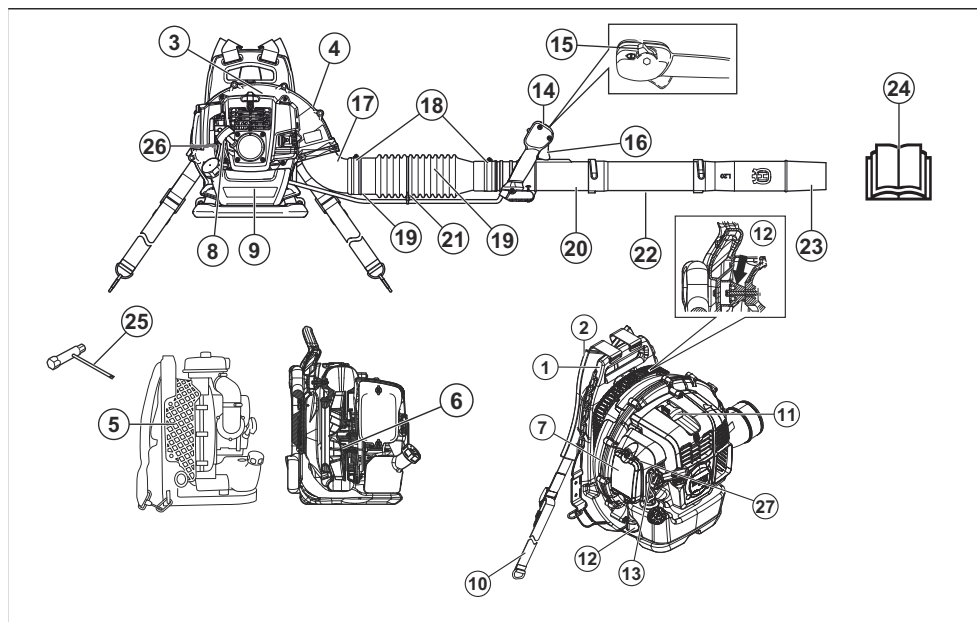
Wir arbeiten ständig an der Weiterentwicklung unserer Geräte und behalten uns daher das Recht auf

Änderungen ohne vorherige Ankündigung, z. B. von Form und Aussehen, vor.

### Verwendungszweck

Verwenden Sie das Gerät, um Blätter und anderes unerwünschtes Material von Bereichen wie Rasen, Wegen oder Asphaltstraßen zu blasen.

### Geräteübersicht



- |                       |  |
|-----------------------|--|
| 1. Rahmen             | 10. Hüftgurt                           |
| 2. Tragegurt          | 11. Zündkerze                          |
| 3. Motorabdeckung     | 12. Antivibrationssystem               |
| 4. Gebläseabdeckung   | 13. Choke-Hebel                        |
| 5. Lufteinlassgitter  | 14. Steuergriff                        |
| 6. Gebläse            | 15. Start-/Stopp-Schalter mit Gashebel |
| 7. Luftfilter         | 16. Gashebel                           |
| 8. Startseilhandgriff | 17. Rohrwinkel                         |
| 9. Kraftstofftank     | 18. Klemme                             |

19. Flexibler Schlauch
20. Steuerrohr
21. Kabelklemme
22. Zwischenrohr
23. Ausblasöffnung
24. Bedienungsanleitung
25. Kombischlüssel
26. Kraftstoffpumpenblase
27. LeerlaufEinstellschraube

## Symbole auf dem Gerät



**WARNUNG!** Dieses Gerät kann gefährlich sein und schwere oder tödliche Verletzungen des Bedieners oder anderer Personen verursachen. Gehen Sie vorsichtig vor, und verwenden Sie das Gerät ordnungsgemäß.



Lesen Sie die Bedienungsanleitung sorgfältig durch, und machen Sie sich vor der Benutzung mit dem Inhalt vertraut.



Tragen Sie einen geprüften Gehör- und Augenschutz. Tragen Sie eine Atemschutzmaske, falls es in der Umgebung zu Staubentwicklung kommt.



Tragen Sie zugelassene Schutzhandschuhe.



Mischung aus Benzin und Zweitaktöl.



Kraftstoffpumpenblase.



Kommen Sie nicht mit heißen Oberflächen in Berührung.



Choke, geöffnete Stellung.



Choke, geschlossene Stellung.



Dieses Gerät entspricht den geltenden EG-Richtlinien.



Dieses Gerät entspricht den geltenden UK-Richtlinien.



Etikett mit Geräuschemissionen gemäß EU- und UK-Richtlinien und Verordnungen sowie der australischen „Protection of the Environment Operations (Noise Control) Regulation 2017“ (Umweltschutz-/Lärmschutzbestimmung) von New South Wales. Der garantierte Schalleistungspegel des Geräts ist unter *Technische Daten auf Seite 76* und auf dem Etikett angegeben.



Achten Sie auf weggeschleuderte Gegenstände. Weggeschleuderte Gegenstände können schwere Verletzungen verursachen. Tragen Sie eine persönliche Schutzausrüstung.



Halten Sie einen Sicherheitsabstand von mindestens 15 m zu Personen oder Tieren ein.

yyyywwxxxx

Auf dem Typenschild ist die Seriennummer angegeben. **yyyy** ist das Produktionsjahr, und **ww** steht für die Produktionswoche.

---

**Hinweis:** Weitere Symbole/Aufkleber auf dem Gerät beziehen sich auf die Zertifizierungsanforderungen für andere kommerzielle Bereiche.

---

## Emissionen nach Euro V



**WARNUNG:** Bei jeglichen Manipulationen des Motors erlischt die EU-Typgenehmigung für dieses Produkt.

---

## Produkthaftung

Im Sinne der Produkthaftungsgesetze übernehmen wir keine Haftung für Schäden, die unser Gerät verursacht, wenn...

- das Gerät nicht ordnungsgemäß repariert wird.
- das Gerät mit Teilen repariert wird, die nicht vom Hersteller stammen oder nicht vom Hersteller zugelassen sind.
- ein Zubehörteil mit dem Gerät verwendet wird, das nicht vom Hersteller stammt oder nicht vom Hersteller zugelassen ist.
- das Gerät nicht bei einem zugelassenen Service Center oder von einem zugelassenen Fachmann repariert wird.



## Sicherheitsdefinitionen

Die nachstehenden Definitionen geben den Schweregrad für jedes Signalwort an.



**WARNUNG:** Personenschäden.



**ACHTUNG:** Schäden am Gerät.

**Hinweis:** Diese Informationen erleichtern die Verwendung des Geräts.

## Allgemeine Sicherheitshinweise



**WARNUNG:** Lesen Sie die folgenden Warnhinweise, bevor Sie das Gerät verwenden.

- Nehmen Sie ohne die Zustimmung des Herstellers keine Änderung an dem Gerät vor und verwenden Sie stets Originalzubehör. Änderungen und/oder Zubehörteile, die nicht genehmigt sind, können zu schweren oder sogar tödlichen Verletzungen des Bedieners oder anderer Personen führen.
- Verwenden Sie das Gerät nicht, wenn es beschädigt ist. Führen Sie alle Sicherheitskontrollen und Wartungsarbeiten gemäß dieser Bedienungsanleitung durch. Alle anderen Wartungsarbeiten müssen von autorisiertem Wartungspersonal durchgeführt werden.
- Alle Wartungs- und Reparaturarbeiten müssen von autorisiertem Wartungspersonal durchgeführt werden. Wenden Sie sich an Ihren Servicehändler, falls ein Teil des Geräts defekt ist.

## Sicherheitshinweise für den Betrieb



**WARNUNG:** Lesen Sie die folgenden Warnhinweise, bevor Sie das Gerät benutzen.

- Dieses Gerät kann gefährlich sein und schwere oder tödliche Verletzungen des Bedieners oder anderer Personen verursachen. Gehen Sie vorsichtig vor, und verwenden Sie das Gerät ordnungsgemäß.
- Überprüfen Sie das Gerät vor dem Gebrauch. Siehe *Wartung auf Seite 71*.
- Arbeiten Sie nicht mit dem Gerät, wenn Sie müde oder krank sind oder unter Einfluss von Alkohol, Drogen oder Medikamenten stehen, die Ihre

Sehkraft, Ihr Urteils- oder Koordinationsvermögen beeinträchtigen können.

- Montieren Sie vor der Benutzung alle Abdeckungen und Schutzvorrichtungen. Stellen Sie sicher, dass der Zündkerzenstecker und das Zündkabel nicht beschädigt sind, um Stromschläge zu vermeiden.
- Berühren Sie niemals die Zündkerze oder das Zündkabel bei laufendem Motor.
- Halten Sie einen Sicherheitsabstand von mindestens 15 m zu Personen oder Tieren ein. Falls Personen, Kinder oder Tiere näher als 15 m kommen, schalten Sie das Gerät aus. Richten Sie das Gerät nicht auf Personen, Tiere, offene Fenster und andere Gegenstände.
- Lassen Sie Kinder das Gerät nicht bedienen. Stellen Sie sicher, dass alle Bediener den Inhalt dieser Bedienungsanleitung lesen und verstehen.
- Halten Sie Hände oder andere Gegenstände während des Betriebs vom Gehäuse des Laubbläsergeräts fern. Rotierende Teile können schwere Verletzungen verursachen.
- Verwenden Sie das Gerät nicht, wenn das Lufteinlassgitter nicht montiert ist. Stellen Sie vor der Verwendung immer sicher, dass das Lufteinlassgitter montiert und nicht beschädigt ist.
- Lösen Sie im Notfall den Hüftgurt und den Brustgurt des Tragegurts und lassen Sie das Gerät auf den Boden fallen.
- Beachten Sie die nationalen Bestimmungen und Vorschriften.
- Kommen Sie nicht mit heißen Oberflächen in Berührung.
- Dieses Gerät erzeugt beim Betrieb ein elektromagnetisches Feld. Dieses Feld kann sich unter bestimmten Bedingungen auf die Funktionsweise aktiver oder passiver medizinischer Implantate auswirken. Um die Gefahr von Situationen, die zu schweren oder tödlichen Verletzungen führen können, zu reduzieren, sollten Personen mit einem medizinischen Implantat vor der Nutzung dieses Geräts ihren Arzt und den Hersteller des Implantats konsultieren.
- Zu viele Vibrationen können Schäden am Blutkreislauf oder am Nervensystem verursachen. Sprechen Sie mit Ihrem Arzt, wenn Sie Symptome erkennen, zum Beispiel Einschlafen von Körperteilen, Gefühlsverlust, Jucken, Stechen, Schmerzen, Verlust der normalen Körperkraft oder Veränderungen der Hautfarbe an Ihren Fingern, Händen oder Handgelenken.
- Achten Sie auf weggeschleuderte Gegenstände. Weggeschleuderte Gegenstände können schwere Verletzungen verursachen.
- Vermeiden Sie es, das Gerät bei schlechtem Wetter zu benutzen, beispielsweise bei Nebel, Regen, starkem Wind oder bei großer Kälte. Arbeiten bei

schlechtem Wetter kann zu Ermüdung und zu gefährlichen Situationen führen.

- Stellen Sie sicher, dass Sie sich beim Arbeiten bewegen und stabil stehen können. Kontrollieren Sie den Arbeitsbereich auf mögliche Hindernisse, zum Beispiel Steine. Seien Sie vorsichtig, wenn Sie das Gerät an einem Hang einsetzen.
- Setzen Sie das Gerät bei eingeschaltetem Motor nicht auf dem Boden ab.
- Arbeiten Sie mit dem Gerät nicht von erhöhten Positionen aus, zum Beispiel auf einer Leiter.
- Stellen Sie sicher, dass man Sie immer hört, falls es zu einem Unfall kommt.
- Stellen Sie sicher, dass der Auspuff nicht blockiert ist. Um Schäden am Gerät zu vermeiden, achten Sie darauf, dass Hindernisse mindestens 50 cm vom Auspuff entfernt sind.
- Starten Sie das Gerät nicht im Innenbereich, bei schlechter Belüftung oder in der Nähe von feuergefährlichen Stoffen. Die Motorabgase enthalten Kohlenmonoxid, das eine Kohlenmonoxidvergiftung verursachen kann. Die Abgase sind heiß und können Funken enthalten, die einen Brand verursachen können.

## Persönliche Schutzausrüstung



**WARNUNG:** Lesen Sie die folgenden Warnhinweise, bevor Sie das Gerät benutzen.

- Verwenden Sie die vorgeschriebene persönliche Schutzausrüstung bei der Benutzung des Geräts. Durch Tragen persönlicher Schutzausrüstung können Verletzungen nicht vollständig ausgeschlossen werden, aber im Ernstfall kann so die Verletzungsschwere reduziert werden. Ihr Händler steht Ihnen gern für weitere Informationen zur Verfügung.
- Tragen Sie einen zugelassenen Gehörschutz. Eine längerfristige Lärmeinwirkung kann zu bleibenden Gehörschäden führen.
- Tragen Sie einen zugelassenen Augenschutz. Bei der Benutzung eines Visiers ist außerdem eine zugelassene Schutzbrille zu tragen. Zugelassene Schutzbrillen müssen die Normen ANSI Z87.1 für die USA bzw. EN 166 für EU-Länder erfüllen.
- Verwenden Sie Schutzhandschuhe während des Betriebs und der Wartung.
- Tragen Sie Stiefel oder Schuhe mit rutschfester Sohle.
- Tragen Sie strapazierfähige Kleidung ohne kurze Hosen oder kurze Ärmel. Tragen Sie keinen Schmuck oder offene Schuhe. Um die Verletzungsgefahr zu senken, muss Ihre Kleidung eng sitzen, darf aber Ihre Bewegungen nicht einschränken. Binden Sie Ihre Haare zusammen, sodass sie nicht über Ihre Schultern fallen, um zu verhindern, dass sich Ihre Haare in rotierenden Teilen oder in Zweigen verfangen.

- Verwenden Sie bei Staubgefahr einen Atemschutz.
- Eine Erste-Hilfe-Ausrüstung sollte stets griffbereit sein.

## Sicherheitsvorrichtungen am Gerät



**WARNUNG:** Lesen Sie die folgenden Warnhinweise, bevor Sie das Gerät benutzen.

- Benutzen Sie kein Gerät mit defekten Sicherheitsvorrichtungen.
- Führen Sie regelmäßig eine Überprüfung der Sicherheitsvorrichtungen durch. Siehe *Wartung auf Seite 71*.
- Wenn die Sicherheitsvorrichtungen defekt sind, wenden Sie sich an Ihre Husqvarna-Servicewerkstatt.

## So prüfen Sie den Schalldämpfer



**WARNUNG:** Verwenden Sie kein Gerät mit defektem Schalldämpfer.



**WARNUNG:** Der Schalldämpfer wird während und nach dem Betrieb – auch im Leerlauf – sehr heiß. Tragen Sie Schutzhandschuhe, um Verbrennungen zu vermeiden.



**WARNUNG:** Die Innenseite des Schalldämpfers enthält Chemikalien, die karzinogen sein können. Berühren Sie den Schalldämpfer nicht, wenn er beschädigt ist.

- Führen Sie regelmäßig eine Sichtprüfung des Schalldämpfers durch. Der Schalldämpfer senkt den Geräuschpegel so weit wie möglich und hält die Abgase des Motors vom Bediener fern. Siehe *Wartung des Schalldämpfers auf Seite 73*.

## So prüfen Sie das Antivibrationssystem

1. Kontrollieren Sie, dass die Antivibrationseinheiten keine Risse oder Deformationen aufweisen.
2. Kontrollieren Sie, ob die Antivibrationselemente zwischen Motoreinheit und Handgriffeinheit korrekt verankert sind.

Unter *Geräteübersicht auf Seite 63* finden Sie Informationen darüber, wo das Antivibrationssystem sich an Ihrem Gerät befindet.

## So prüfen Sie den Start-/Stopp-Schalter

1. Drücken Sie den Start-/Stopp-Schalter, um den Motor abzustellen.

2. Vergewissern Sie sich, dass der Motor vollständig zum Stillstand gekommen ist.

Um herauszufinden, wo sich der Start-/Stopp-Schalter an Ihrem Gerät befindet, siehe *Geräteübersicht auf Seite 63*.

## Tragegurt-Sicherheit

- Stellen Sie sicher, dass der Hüftgurt geschlossen und korrekt eingestellt ist. Überstehende Enden des Tragegurts können sich in rotierenden Teilen verfangen und das Gebläse beschädigen. Falls das Gebläse beschädigt ist, können lose Teile des Geräts herausgeschleudert werden und Verletzungen oder Schäden verursachen.

## Sicherer Umgang mit Kraftstoff



**WARNUNG:** Lesen Sie die folgenden Warnhinweise, bevor Sie das Gerät benutzen.

- Mischen Sie keinen Kraftstoff/betanken Sie das Gerät weder im Innenbereich noch in der Nähe einer Wärmequelle.
- Starten Sie den Motor nicht, wenn Sie Öl oder Kraftstoff auf das Gerät oder auf Ihren Körper verschüttet haben.
- Starten Sie das Gerät nicht, wenn Kraftstoff aus dem Motor austritt. Überprüfen Sie den Motor regelmäßig auf Kraftstoffundichtigkeiten.

- Gehen Sie mit Kraftstoff immer vorsichtig um. Kraftstoff ist entflammbar, und die Dämpfe sind explosiv und können zu Verletzungen oder sogar zum Tod führen.
- Atmen Sie die Kraftstoffdämpfe nicht ein, denn sie sind gesundheitsschädigend. Achten Sie auf ausreichende Belüftung.
- Rauchen Sie nicht in der Nähe des Kraftstoffs oder des Motors.
- Bringen Sie weder das Gerät noch einen Kraftstoffbehälter in Bereiche mit heißen Gegenständen, offener Flamme, Funkenbildung oder Zündflammen.
- Verwenden Sie für die Lagerung und den Transport von Kraftstoff immer zugelassene Behälter.

## Sicherheitshinweise für die Wartung



**WARNUNG:** Lesen Sie die folgenden Warnhinweise, bevor Sie das Gerät verwenden.

- Schalten Sie den Motor aus, schrauben Sie die Zündkerze heraus und lassen Sie den Motor vor der Wartung und Montage abkühlen.
- Ein schmutziger Funkenschutz führt zur Überhitzung des Motors, was Schäden am Motor zur Folge hat.

## Montage

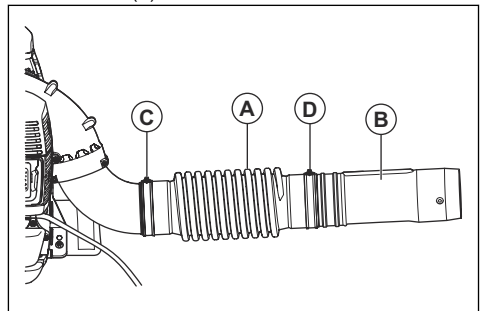
### Einleitung



**WARNUNG:** Lesen Sie vor der Montage des Geräts das Kapitel über Sicherheit, und machen Sie sich damit vertraut.

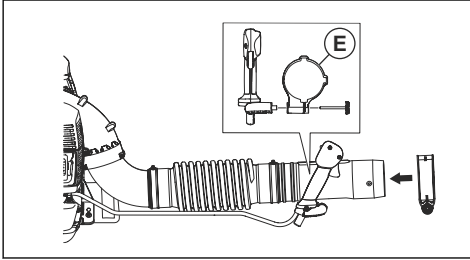
### So montieren Sie das Ausblasrohr und den Steuergriff am Gerät

1. Befestigen Sie den biegsamen Schlauch (A) mit den Schellen (C) und (D) auf dem Rohrwinkel und dem Steuerrohr (B).

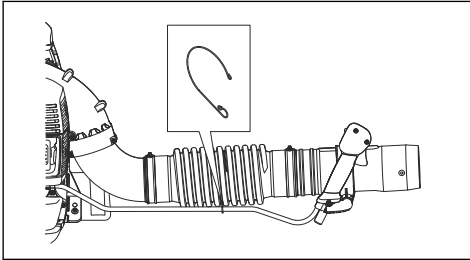


**Hinweis:** Tragen Sie Schmiermittel auf das Steuerrohr und den biegsamen Schlauch auf, damit sie sich leichter montieren lassen.

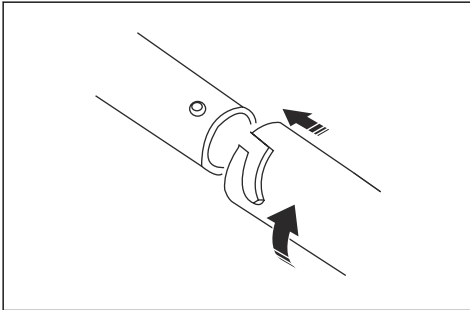
2. Befestigen Sie die Griffhalterung (E) am Steuerrohr. Richten Sie die Griffhalterung auf den Flansch am Steuerrohr aus.



3. Stellen Sie Position und Winkel des Steuergriffs auf eine sichere und korrekte Arbeitsstellung ein. Ziehen Sie den Drehknopf an.
4. Befestigen Sie das Kabel mit der Kabelklemme an dem biegsamen Schlauch.



5. Befestigen Sie das Zwischenrohr am Steuerrohr.



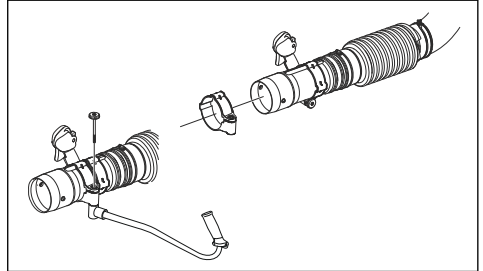
**Hinweis:** Falls es vorgeschrieben ist, ein längeres, rundes Ausblasrohr zu verwenden, steht ein längeres Zwischenrohr zur Verfügung.

6. Befestigen Sie die Ausblasöffnung am Zwischenrohr.

**Hinweis:** Die Ausblasöffnung kann nur am Zwischenrohr angebracht werden.

## So montieren Sie den Lenker (optionales Zubehör)

1. Entfernen Sie das Zwischenrohr.
2. Schrauben Sie den Drehknopf des Halters ab und drücken Sie den Halter auf das Steuerrohr.
3. Montieren Sie den Lenker und den Drehknopf. Ziehen Sie den Drehknopf an.

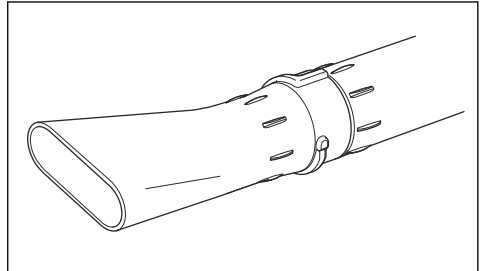


4. Montieren Sie das Zwischenrohr.

## So montieren Sie die Flachdüse (optionales Zubehör)

Mit der Flachdüse erzielt man eine höhere Luftgeschwindigkeit als mit der Ausblasöffnung.

- Nehmen Sie die Ausblasöffnung vom Zwischenrohr ab und montieren Sie die Flachdüse.



## Betrieb

### Einleitung



**WARNUNG:** Lesen Sie vor Gebrauch des Geräts das Kapitel über Sicherheit, und machen Sie sich damit vertraut.

### Kraftstoff

Dieses Produkt verfügt über einen Zweitaktmotor.



**ACHTUNG:** Die Verwendung eines falschen Kraftstoffs kann zu einer Beschädigung des Motors führen. Verwenden Sie eine Mischung aus Benzin und Zweitaktöl.

### Vorgemischter Kraftstoff

- Verwenden Sie Husqvarna vorgemischten Alkylatkraftstoff. Dies sorgt für die beste Leistung und eine Verlängerung der Lebensdauer des Motors. Im Vergleich zu herkömmlichem Kraftstoff enthält dieser Kraftstoff weniger gesundheitsschädliche Substanzen, wodurch der Ausstoß schädlicher Abgase verringert wird. Die Menge von Rückständen nach der Verbrennung ist bei diesem Kraftstoff niedriger. Dadurch bleiben die Bauteile des Motors sauberer.

### So mischen Sie Kraftstoff vor

#### Benzin

- Verwenden Sie hochwertiges bleifreies Benzin mit maximal 10 % Ethanol (E10).



**ACHTUNG:** Verwenden Sie kein Benzin mit einer geringeren Oktanzahl als 90 RON (87 AKI). Bei Einsatz von Kraftstoff mit niedrigerer Oktanzahl kann es zu einem Klopfen im Motor kommen, das Motorschäden verursacht.

#### Zweitaktöl

- Verwenden Sie für beste Ergebnisse und die beste Leistung Husqvarna Zweitaktöl.
- Wenn Husqvarna Zweitaktöl nicht verfügbar ist, verwenden Sie ein qualitativ hochwertiges Zweitaktöl für luftgekühlte Motoren. Wenden Sie sich an Ihren Kundendienst zur Auswahl der richtigen Ölsorte.



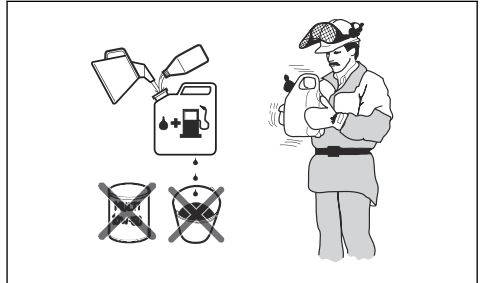
**ACHTUNG:** Verwenden Sie kein Zweitaktöl für wassergekühlte Außenbordmotoren (auch Outboardoil genannt). Verwenden Sie kein Öl für Viertaktmotoren.

### So mischen Sie Benzin und Zweitaktöl

Benzin, Liter	Zweitaktöl, Liter
	<b>2 % (50:1)</b>
5	0,10
10	0,20
15	0,30



**ACHTUNG:** Beim Mischen kleiner Kraftstoffmengen wirken sich auch kleine Abweichungen bei der Ölmenge stark auf das Mischungsverhältnis aus. Um das korrekte Mischungsverhältnis sicherzustellen, muss die beizumischende Ölmenge genau abgemessen werden.



1. Füllen die Hälfte des Benzins in einen sauberen Kraftstoffbehälter.
2. Fügen Sie die gesamte Menge Öl hinzu.
3. Schütteln Sie die Kraftstoffmischung.
4. Geben Sie dann den Rest des Benzins in den Behälter dazu.
5. Schütteln Sie die Kraftstoffmischung sorgfältig.



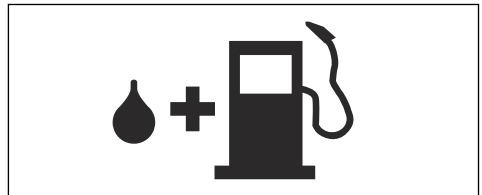
**ACHTUNG:** Mischen Sie Kraftstoff höchstens für einen Monat im Voraus.

### So füllen Sie den Kraftstofftank



**WARNUNG:** Befolgen Sie zu Ihrer eigenen Sicherheit das folgende Verfahren.

1. Stellen Sie den Motor ab, und lassen Sie den Motor abkühlen.
2. Säubern Sie den Bereich rund um den Tankdeckel.



3. Schütteln Sie den Behälter, und stellen Sie sicher, dass der Kraftstoff vollständig vermischt ist.
4. Entfernen Sie den Tankdeckel langsam, damit der Druck entweichen kann.

5. Füllen Sie den Kraftstofftank auf.



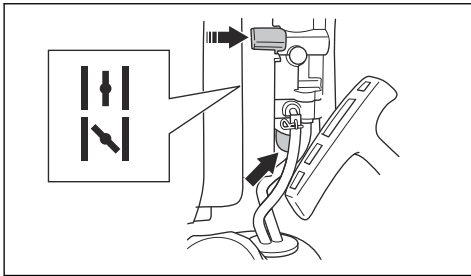
**ACHTUNG:** Stellen Sie sicher, dass der Kraftstofftank nicht zu viel Kraftstoff enthält. Der Kraftstoff dehnt sich beim Erwärmen aus.

6. Ziehen Sie den Kraftstofftankdeckel vorsichtig fest.
7. Reinigen Sie das Gerät und den umgebenden Bereich von verschüttetem Kraftstoff.
8. Bewegen Sie das Gerät vor dem Start mindestens 3 m (10 ft) aus dem Auftankbereich und von der Kraftstoff-Auftankquelle weg.

**Hinweis:** Um herauszufinden, wo sich der Kraftstofftank an Ihrem Gerät befindet, siehe *Geräteübersicht auf Seite 63*.

## So starten Sie das Gerät

1. Wenn der Motor kalt ist, bringen Sie den Choke-Hebel in die Stellung „Choke geschlossen“. Siehe *Symbole auf dem Gerät auf Seite 64*.



2. Drücken Sie mehrmals die Kraftstoffpumpenblase, bis sich die Kraftstoffpumpenblase mit Kraftstoff füllt. Es ist nicht erforderlich, die Kraftstoffpumpenblase vollständig zu füllen.
3. Drücken Sie den Start-/Stopp-Schalter mit dem Gashebel auf der Stellung 1/3 Gas. Siehe *So bedienen Sie den Gashebel/Stopp-Schalter auf Seite 70*.
4. Stellen Sie das Gerät auf einer ebenen Oberfläche auf dem Boden ab.

5. Halten Sie das Gerät mit der linken Hand fest.



**ACHTUNG:** Halten Sie das Gerät nicht mit den Füßen fest.

6. Ziehen Sie langsam am Startseilhandgriff, bis Sie Widerstand spüren.
7. Ziehen Sie mit Ihrer rechten Hand schnell am Startseilhandgriff. Ziehen Sie wiederholt am Startseilhandgriff, bis der Motor anspringt.

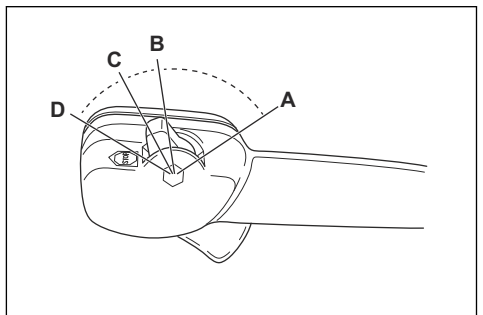
**Hinweis:** Ziehen Sie das Startseil nicht vollständig heraus, und lassen Sie den Startseilhandgriff nicht los.

8. Wenn der Motor kalt ist, schieben Sie den Choke-Hebel langsam auf die Stellung „Choke geöffnet“ bis zum Anschlag des Choke-Hebels.
9. Wenn der Motor kalt ist, lassen Sie den Motor 2-3 Minuten laufen, damit er warm wird bevor Sie mit den Arbeiten beginnen.



**WARNUNG:** Wenn der Motor gestartet ist und das Gerät im Leerlauf läuft, wird Luft ausgeblasen. Lassen Sie niemanden in die Nähe des Geräts oder des Blasrohrs kommen.

## So bedienen Sie den Gashebel/Stopp-Schalter



- Geben Sie Vollgas (A).

- Geben Sie 1/3 Gas (B).
- Lassen Sie das Gerät bei Leerlaufdrehzahl laufen (C).
- Halten Sie das Gerät an (D).

## So bedienen Sie das Gerät

- Das Laubblasgerät ist rücentragbar und wird während des Betriebs anhand eines Gurtes auf den Schultern getragen. Es wird mit der rechten Hand über den Griff am Rohr gesteuert.



- Nehmen Sie das Gerät zu normalen Arbeitszeiten in Betrieb. Beachten Sie die örtlichen Vorschriften.
- Senken Sie die Geräteteile und wählen Sie die korrekte Drehzahl für Ihre Aufgabe. Stellen Sie den Gashebel auf eine möglichst niedrige Stellung, um nicht mehr Lärm und Staub als nötig zu verursachen.
- Halten Sie die Ausblasöffnung nahe am Boden.

**Hinweis:** Husqvarna empfiehlt, dass Sie die komplette Verlängerung der Ausblasöffnung verwenden.

- Achten Sie auf die Windrichtung und arbeiten Sie mit dem Gerät in Windrichtung.
- Verwenden Sie die entsprechenden Gartengeräte, um Material vom Boden zu entfernen.
- Verwenden Sie in staubigen Bereichen Sprühvorrichtungen, um den Bereich zu befeuchten. Dadurch wird die Betriebszeit verkürzt.
- Bewahren Sie das Gerät nach der Verwendung vertikal auf.

## So schalten Sie das Gerät aus

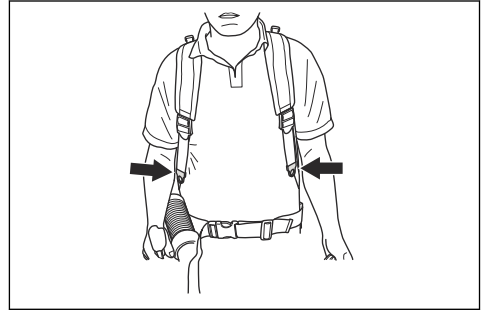


**ACHTUNG:** Schalten Sie das Gerät nicht aus, wenn es mit Vollgas läuft.

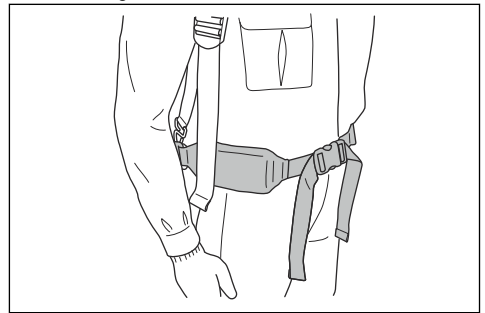
1. Schieben Sie den Start-/Stopp-Schalter mit dem Gashebel in die Stopposition. Siehe *So bedienen Sie den Gashebel/Stop-Schalter auf Seite 70*.

## So stellen Sie den Tragegurt ein

1. Legen Sie den Tragegurt des Geräts an.
2. Ziehen Sie die Schulterriemen fest, bis das Gerät fest an Ihrem Körper anliegt.



3. Legen Sie den Hüftgurt um Ihre Hüfte.
4. Ziehen Sie den Hüftgurt fest. Achten Sie darauf, dass das Gewicht des Laubblasgeräts auf Ihren Hüften liegt.



## Wartung

### Einleitung



**WARNUNG:** Lesen Sie vor dem Warten des Geräts das Kapitel über

Sicherheit, und machen Sie sich damit vertraut.

# Wartungsplan

Wartungsarbeit	Taglich	Wochent-lich	Monatlich
Auenflachen reinigen.	X		
Sicherstellen, dass der Steuergriff ordnungsgema funktioniert.	X		
Sicherstellen, dass der Start-/Stopp-Schalter ordnungsgema funktioniert. Siehe <i>So prufen Sie den Start-/Stopp-Schalter auf Seite 66.</i>	X		
Motor, Kraftstofftank und Kraftstoffleitungen auf Undichtigkeiten uberprufen. Kraftstofffilter auf Verunreinigungen untersuchen. Kraftstofffilter bei Bedarf austauschen.	X		
Luftfilter reinigen. Luftfilter bei Bedarf austauschen.	X		
Muttern und Schrauben anziehen.	X		
Den Lufteinlass untersuchen und sicherstellen, dass er nicht verstopft ist.	X		
Startvorrichtung und Startseil auf Beschadigungen uberprufen.		X	
Die Antivibrationseinheiten auf Beschadigungen, Risse und Verschle uberprufen. Sicherstellen, dass die Antivibrationseinheiten korrekt montiert sind.		X	
Zundkerze uberprufen. Siehe <i>So prufen Sie die Zundkerze auf Seite 72.</i>		X	
Kuhlsystem reinigen.		X	
Auenseite des Vergasers und den umliegenden Bereich reinigen.		X	
Kraftstofftank reinigen.			X
Alle Kabel und Anschlusse uberprufen.			X
Das Funkenschutzgitter am Schalldampfer untersuchen und reinigen (bei Geraten ohne Katalysator).		X	
Das Funkenschutzgitter am Schalldampfer untersuchen und reinigen (bei Geraten mit Katalysator).			X
Zundkerze uberprufen. Ggf. ersetzen.			X

## So stellen Sie die Leerlaufdrehzahl ein

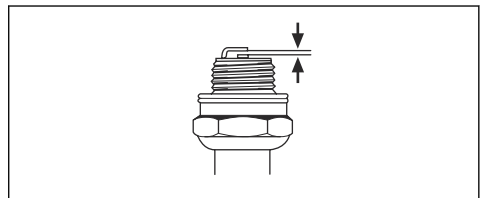
1. Stellen Sie sicher, dass der Luftfilter sauber und der Luftfilterdeckel angebracht ist.
2. Stellen Sie die Leerlaufdrehzahl mit der Leerlaufeinstellschraube ein. Um herauszufinden, wo sich die Leerlaufeinstellschraube an Ihrem Gerat befindet, siehe *Gerateubersicht auf Seite 63.*

## So prufen Sie die Zundkerze



**ACHTUNG:** Verwenden Sie die empfohlene Zundkerze. Siehe *Technische Daten auf Seite 76.* Eine falsche Zundkerze kann zu Schaden am Gerat fuhren.

1. Stellen Sie den Motor ab, und lassen Sie das Gerat abkuhlen.
2. Reinigen Sie die Zundkerze, wenn sie schmutzig ist.
3. Stellen Sie sicher, dass der Elektrodenabstand korrekt ist. Siehe *Technische Daten auf Seite 76.*

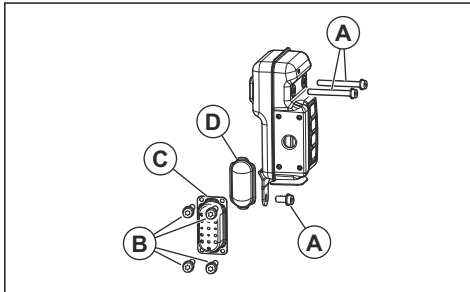


4. Ersetzen Sie die Zundkerze monatlich oder ggf. haufiger.



## Wartung des Schalldämpfers

1. Stellen Sie den Motor ab und lassen Sie den Schalldämpfer abkühlen. Verwenden Sie stets Schutzhandschuhe.
2. Entfernen Sie die Schrauben (A), die Schrauben (B) und die Abgasdurchführung (C).



3. Entfernen Sie den Funkenschutz (D) und reinigen Sie ihn mit einer Drahtbürste. Tauschen Sie den Funkenschutz aus, wenn er beschädigt ist.
4. Entfernen Sie den Schmutz vom Schalldämpfer und von der Auslassöffnung des Zylinders mit einer Drahtbürste.
5. Montieren Sie den Funkenschutz (D) und die Abgasdurchführung (C) mit den Schrauben (B). Ziehen Sie die Schrauben mit 2-3 Nm an.
6. Ziehen Sie die Schrauben (A) mit 8-12 Nm an. Stellen Sie sicher, dass der Schalldämpfer korrekt am Gerät montiert ist.

## So untersuchen und reinigen Sie das Kühlsystem

Das Kühlsystem umfasst die Kühlrippen auf dem Zylinder und das Lufterlassgitter.

1. Stoppen Sie den Motor.
2. Stellen Sie sicher, dass das Kühlsystem nicht verschmutzt oder verstopft ist. Falls notwendig, reinigen Sie das Lufterlassgitter und die Kühlrippen.



**ACHTUNG:** Eine Verschmutzung oder Verstopfung des Kühlsystems kann zu einer Überhitzung des Motors führen, wodurch das Gerät beschädigt werden kann. Ein verstopftes Lufterlassgitter senkt die Blaskraft.

3. Untersuchen Sie das Kühlsystem auf Beschädigungen. Stellen Sie sicher, dass alle Teile korrekt am Gerät befestigt sind.

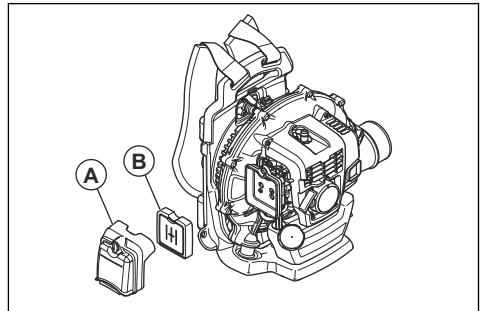
## So reinigen Sie den Luftfilter



**ACHTUNG:** Verwenden Sie das Gerät nicht ohne einen Luftfilter oder mit einem verschmutzten Luftfilter. Staub in der Luft

kann zu einer Beschädigung des Motors führen.

1. Bewegen Sie den Choke-Hebel in die Stellung „geschlossen“.
2. Nehmen Sie den Luftfilterdeckel (A) ab.
3. Entfernen Sie den Luftfilter (B) vom Filterrahmen.



4. Reinigen Sie den Luftfilter mit warmem Wasser und Seife.

**Hinweis:** Ein Luftfilter, der über lange Zeit verwendet wurde, kann nicht vollständig gereinigt werden. Wechseln Sie den Luftfilter regelmäßig aus, und ersetzen Sie stets defekte Luftfilter.

5. Reinigen Sie die Innenseite des Luftfilterdeckels (A) mit einer Bürste.
6. Tragen Sie Öl auf den Luftfilter auf. Siehe *So tragen Sie Öl auf den Schaumluftfilter auf* auf Seite 73.
7. Setzen Sie den Luftfilter in den Filterrahmen ein.
8. Bringen Sie die Luftfilterabdeckung wieder am Gerät an.

## So tragen Sie Öl auf den Schaumluftfilter auf



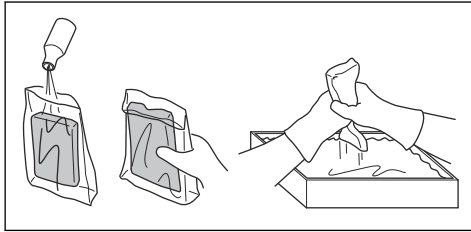
**ACHTUNG:** Verwenden Sie immer Husqvarna spezielles Luftfilteröl. Verwenden Sie keine anderen Arten von Öl.



**WARNUNG:** Ziehen Sie Schutzhandschuhe an. Das Luftfilteröl kann Hautreizungen verursachen.

1. Stecken Sie den Schaumluftfilter in einen Plastikbeutel.
2. Schütten Sie das Öl in den Plastikbeutel.
3. Reiben Sie den Plastikbeutel, um das Öl gleichmäßig über den Schaumluftfilter zu verteilen.

4. Drücken Sie das unerwünschte Öl aus dem Schaumluftfilter, solange sich dieser im Plastikbeutel befindet.



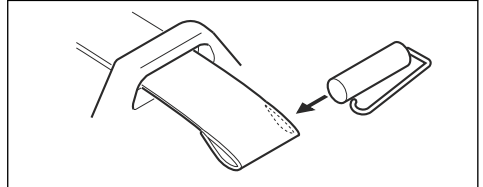
### So tauschen Sie den Tragegurt aus



**WARNUNG:** Durch einen beschädigten Tragegurt kann das Gerät herunterfallen und Verletzungen

verursachen. Stellen Sie sicher, dass der Bügel korrekt montiert wird.

1. Stoppen Sie den Motor.
2. Entfernen Sie den Bügel vom Gurt.
3. Drücken Sie das Gurtende durch die Schlaufe.
4. Ziehen Sie den neuen Gurt durch die Schlaufe.
5. Stecken Sie den Stift in den Gurt, um den Bügel am neuen Gurt zu befestigen.



## Fehlerbehebung

Der Motor lässt sich nicht starten		
Prüfung	Mögliche Ursache	Lösung
Stopp-Taste.	Stopp-Position	Den Start-/Stopp-Schalter in die Startposition stellen.
Starterklinke/n.	Gesperre oder verschlissene Starterklinke/n.	Die Starterklinke/n einstellen oder austauschen.
		Den Bereich um die Starterklinke/n reinigen.
		Einen zugelassenen Servicehändler kontaktieren.
Kraftstofftank.	Falsche Kraftstoffsorte.	Den Kraftstofftank entleeren und mit dem richtigen Kraftstoff befüllen.
Vergaser.	Einstellung der Leerlaufdrehzahl.	Die Leerlaufdrehzahl mit der Leerlaufstellschraube einstellen.
Zündung (ohne Funken).	Die Zündkerze ist verschmutzt oder feucht.	Sicherstellen, dass die Zündkerze sauber und trocken ist.
		Die Zündkerze reinigen. Sicherstellen, dass der Elektrodenabstand korrekt ist. Sicherstellen, dass die Zündkerze über eine sog. Funkentstörung verfügt.
		Der korrekte Elektrodenabstand ist in den technischen Daten angegeben.

Der Motor lässt sich nicht starten		
Prüfung	Mögliche Ursache	Lösung
Zündkerze.	Zündkerze sitzt lose.	Die Zündkerze festziehen.
	Auf den Elektroden der Zündkerze befinden sich unerwünschte Ablagerungen.	Sicherstellen, dass die Kraftstoffmischung korrekt ist.
		Sicherstellen, dass der Luftfilter sauber ist.

Der Motor startet, geht aber wieder aus		
Prüfung	Mögliche Ursache	Lösung
Kraftstofftank.	Falsche Kraftstoffsorte.	Den Behälter entleeren und den richtigen Kraftstoff verwenden.
Vergaser.	Der Motor funktioniert im Leerlauf nicht ordnungsgemäß.	Den Händler kontaktieren.
Luftfilter.	Verstopfter Luftfilter.	Luftfilter reinigen.

## Transport und Lagerung

### Transport und Lagerung



**WARNUNG:** Um Brandgefahr zu vermeiden, stellen Sie sicher, dass es während Transport oder Lagerung nicht zu Undichtigkeiten oder Abgasen kommt. Stellen Sie sicher, dass kein Funken- oder Brandrisiko besteht.

- Befestigen Sie das Gerät während des Transports sicher am Fahrzeug.
  - Lagern Sie das Gerät an einem trockenen, kühlen und sauberen Ort mit guter Belüftung. Achten Sie darauf, das Gerät von Kindern fernzuhalten.
- 
- Leeren Sie den Kraftstofftank, bevor Sie das Gerät transportieren oder für längere Zeit einlagern. Drücken Sie auf die Kraftstoffpumpenblase, um sicherzustellen, dass der gesamte Kraftstoff entfernt wurde. Entsorgen Sie den Kraftstoff in einer geeigneten Abfallentsorgungsstelle.
  - Bevor das Gerät über längere Zeit gelagert wird, stellen Sie sicher, dass es sauber ist und eine umfassende Wartung durchgeführt wurde.
  - Entfernen Sie die Zündkerze und geben Sie ca. 15 ml Zweitaktöl in den Zylinder. Drehen Sie den Motor des Geräts 3 Mal durch und bauen Sie die Zündkerze wieder ein.

# Technische Daten

## Technische Daten

	<b>Husqvarna 350BT</b>
<b>Motor</b>	
Hubraum, cm <sup>3</sup>	50,2
Leerlaufdrehzahl, U/min	2.200
Katalysator	Nein
<b>Zündanlage</b>	
Zündkerze	NGK CMR7H/TORCH AC7R
Elektrodenabstand, mm	0,6–0,7
<b>Kraftstoff- und Schmiersystem</b>	
Füllmenge Kraftstofftank, l/cm <sup>3</sup>	1,25/1250
<b>Gewicht</b>	
Gewicht ohne Kraftstoff, kg	10,2
<b>Geräuschemissionen</b> <sup>13</sup>	
Schalleistungspegel, gemessen dB (A)	101
Schalleistungspegel, garantiert L <sub>WA</sub> dB (A)	101
<b>Schallpegel</b> <sup>14</sup>	
Äquivalenter Schalldruckpegel am Ohr des Bedieners, gemessen gem. EN 15503, dB (A):	
Ausgestattet mit Ausblasöffnung (Original)	96
<b>Vibrationspegel</b> <sup>15</sup>	
Äquivalente Vibrationspegel (a <sub>hv,eq</sub> ) an den Griffen, gemessen nach EN 15503, m/s <sup>2</sup>	2,7
<b>Gebälseleistung</b>	
Maximale Luftgeschwindigkeit mit Ausblasöffnung, m/s	80
Luftstrom mit Ausblasöffnung, m <sup>3</sup> /min	14

<sup>13</sup> Umweltbelastende Geräuschemissionen, gemessen als Schalleistung (L<sub>WA</sub>) gemäß EG-Richtlinie 2000/14/EG. Der aufgezeichnete Schalleistungspegel für das Gerät wurde unter Verwendung der originalen Ausblasöffnung, die den höchsten Pegel ergibt, gemessen. Der Unterschied zwischen garantiertem und gemessenem Schalleistungspegel besteht darin, dass beim garantierten Schalleistungspegel auch eine Streuung im Messergebnis und Variationen zwischen verschiedenen Geräten desselben Modells gemäß der Richtlinie 2000/14/EG berücksichtigt werden.

<sup>14</sup> Berichten zufolge liegt der Schalldruckpegel normalerweise bei einer Ausbreitungsklasse (Standardabweichung) von 1,0 dB (A).

<sup>15</sup> Berichten zufolge liegt der Vibrationspegel normalerweise bei einer Ausbreitungsklasse (Standardabweichung) von 1,0 m/s<sup>2</sup>.

# EU-Konformitätserklärung

## EU-Konformitätserklärung

Wir, **Husqvarna AB**, SE-561 82 Huskvarna, Schweden,  
Tel.: +46-36-146500, erklärt in alleiniger Verantwortung,  
dass das Gerät:

<b>Beschreibung</b>	Rucksack-Laubblasgerät
<b>Marke</b>	Husqvarna
<b>Typ/Modell</b>	350BT
<b>Identifizierung</b>	Seriennummern ab 2022.

die folgenden EU-Richtlinien und -Verordnungen erfüllt:

<b>Verordnung</b>	<b>Beschreibung</b>
2006/42/EG	„bezüglich Maschinenrichtlinie“
2014/30/EG	„bezüglich EMV-Richtlinie“
2000/14/EG	„über umweltbelastende Geräuschemissionen von zur Verwendung im Freien vorgesehenen Geräten und Maschinen“
2011/65/EG	„zur Beschränkung der Verwendung bestimmter gefährlicher Stoffe in Elektro- und Elektronikgeräten“

und dass die folgenden Normen und/oder technischen Daten angewendet werden: EN ISO 12100:2010, CISPR 12:2009, EN 15503:2009+A2:2015, EN IEC 63000:2018

RISE SMP Svensk Maskinprovning AB, Box 7035,  
SE-750 07 Uppsala, Schweden, hat die freiwillige  
Typenprüfung für Husqvarna AB ausgeführt.

Zertifikatsnummer: SEC/09/2102

RISE SMP Svensk Maskinprovning AB, Box 7035,  
SE-750 07 Uppsala, Schweden, hat das Einverständnis  
mit Anhang V der Richtlinie des Rates 2000/14/EG  
ebenfalls bestätigt.

Informationen zu Geräuschemissionen finden Sie unter  
*Technische Daten auf Seite 76.*

Huskvarna, 2022-05-17

Stefan Holmberg, R&D Director, Technology  
Management, Husqvarna AB.

Verantwortlich für die technische Dokumentation



## Περιεχόμενα

Εισαγωγή.....	78	Αντιμετώπιση προβλημάτων.....	90
Ασφάλεια.....	80	Μεταφορά και αποθήκευση.....	91
Συναρμολόγηση.....	82	Τεχνικά στοιχεία.....	92
Λειτουργία.....	84	Δήλωση Συμμόρφωσης ΕΚ.....	93
Συντήρηση.....	87		

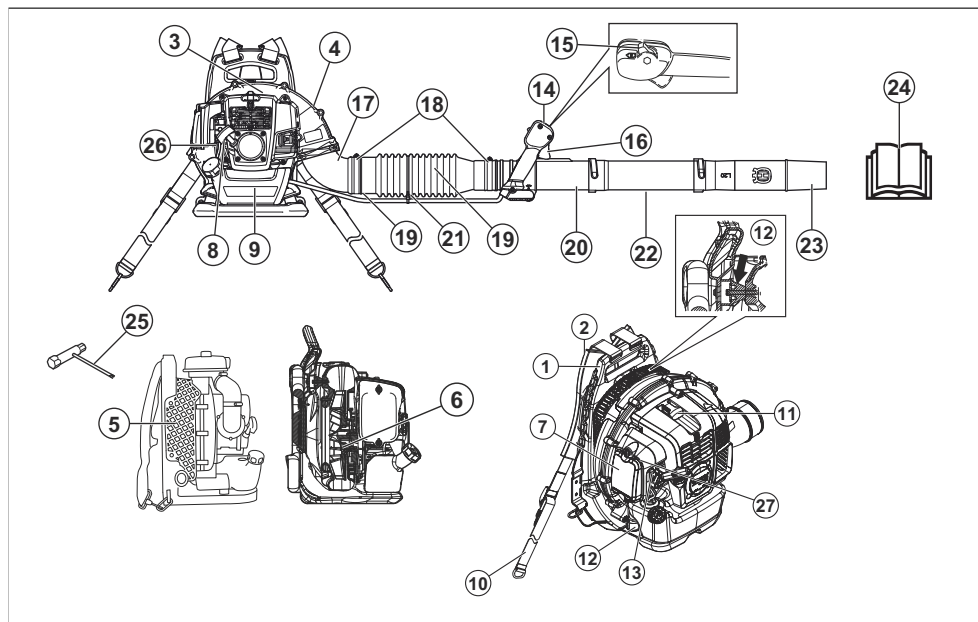
## Εισαγωγή

### Περιγραφή προϊόντος

Το προϊόν είναι ένας επινώτιος φυσητήρας με κινητήρα καυσίμου.

Εφαρμόζουμε μια πολιτική συνεχούς ανάπτυξης προϊόντων και, συνεπώς, διατηρούμε το δικαίωμα να προβούμε σε τροποποιήσεις στο σχεδιασμό και την εμφάνιση των προϊόντων χωρίς προειδοποίηση.

### Επισκόπηση προϊόντος



1. Πλαίσιο
2. Εξάρτηση
3. Κάλυμμα κινητήρα
4. Κάλυμμα ανεμιστήρα
5. Σήτα εισαγωγής αέρα
6. Ανεμιστήρας
7. Φίλτρο αέρα
8. Λαβή σχοινιού εκκίνησης

9. Ντεπόζιτο καυσίμου
10. Ζώνη μέσης
11. Μπουζί
12. Σύστημα απόσβεσης κραδασμών
13. Χειριστήριο τσοκ
14. Χειριστήριο ελέγχου
15. Διακόπτης εκκίνησης/τερματισμού λειτουργίας με χειριστήριο γκαζιού

16. Σκανδάλη γκαζιού
17. Γωνία σωλήνα
18. Σφικτήρας
19. Εύκαμπτος σωλήνας
20. Σωλήνας ελέγχου
21. Σφικτήρας καλωδίου
22. Ενδιάμεσος σωλήνας
23. Ακροφύσιο φυσητήρα
24. Εγχειρίδιο χρήσης
25. Γερμανοπολύγωνο κλειδί
26. Φούσκα πλήρωσης χειροκίνητης αντλίας καυσίμου (πουάρ)
27. Βίδα στροφών ανά λεπτό ρελαντί

## Σύμβολα στο προϊόν



**ΠΡΟΕΙΔΟΠΟΙΗΣΗ!** Αυτό το προϊόν μπορεί να είναι επικίνδυνο και να προκαλέσει σοβαρό τραυματισμό ή θάνατο του χειριστή ή άλλων ατόμων. Να είστε προσεκτικοί και να χρησιμοποιείτε το προϊόν σωστά.



Προτού χρησιμοποιήσετε το προϊόν, διαβάστε προσεκτικά το εγχειρίδιο χρήσης και βεβαιωθείτε ότι έχετε κατανοήσει τις οδηγίες.



Πρέπει να χρησιμοποιείτε προστατευτικά ακοής και εγκεκριμένα μέσα προστασίας των ματιών. Εάν το περιβάλλον περιέχει σκόνη, χρησιμοποιήστε μάσκα αναπνοής.



Χρησιμοποιείτε εγκεκριμένα προστατευτικά γάντια.



Μείγμα βενζίνης και λαδιού για δίχρονους κινητήρες.



Φούσκα πλήρωσης χειροκίνητης αντλίας καυσίμου (πουάρ).



Μην πλησιάζετε τα μέλη του σώματός σας σε καυτές επιφάνειες.



Τσοκ, ανοιχτή θέση.



Τσοκ, κλειστή θέση.



Αυτό το προϊόν συμμορφώνεται με τις ισχύουσες οδηγίες ΕΚ.



Αυτό το προϊόν συμμορφώνεται με τις ισχύουσες οδηγίες του Η.Β.



Ετικέτα εκπομπών θορύβου στο περιβάλλον σύμφωνα με οδηγίες και κανονισμούς της ΕΕ και του Η.Β. και τη νομοθεσία της Νότιας Νέας Ουαλίας "Κανονισμός για την προστασία των περιβαλλοντικών δράσεων (έλεγχος θορύβου) του 2017". Η εγγυημένη στάθμη θορύβου του προϊόντος καθορίζεται στην ενότητα *Τεχνικά στοιχεία στη σελίδα 92* και στην ετικέτα.



Προσέχετε τυχόν αντικείμενα που εκτοξεύονται. Τα αντικείμενα που εκτοξεύονται μπορούν να προκαλέσουν σοβαρό τραυματισμό. Πρέπει να χρησιμοποιείτε προσωπικό εξοπλισμό προστασίας.



Διατηρείτε απόσταση ασφαλείας τουλάχιστον 15 μέτρων από ανθρώπους ή ζώα.

yyyyywwxxxx

Η πινακίδα ονομαστικών τιμών δείχνει τον αριθμό σειράς. Το **yyyy** είναι το έτος παραγωγής και το **ww** είναι η εβδομάδα παραγωγής.

**Περιεχόμενα** Άλλα σύμβολα/σήματα που υπάρχουν στο προϊόν αναφέρονται σε απαιτήσεις πιστοποίησης για άλλες εμπορικές περιοχές.

## Εκπομπές Euro V



**ΠΡΟΕΙΔΟΠΟΙΗΣΗ:** Οποιαδήποτε μη εξουσιοδοτημένη παρέμβαση στον κινητήρα ακυρώνει την έγκριση τύπου ΕΕ αυτού του προϊόντος.

## Ευθύνη προϊόντος

Όπως αναφέρεται στη νομοθεσία περί ευθύνης για τα προϊόντα, δεν φέρουμε καμία ευθύνη για ζημιές που οφείλονται στο προϊόν μας εάν:

- Το προϊόν έχει επισκευαστεί λανθασμένα.

- Το προϊόν έχει επισκευαστεί με εξαρτήματα που δεν προέρχονται από τον κατασκευαστή ή που δεν έχουν εγκριθεί από τον κατασκευαστή.
- Το προϊόν διαθέτει ένα αξεσουάρ που δεν προέρχεται από τον κατασκευαστή ή που δεν έχει εγκριθεί από τον κατασκευαστή.

- Το προϊόν δεν έχει επισκευαστεί σε εγκεκριμένο κέντρο σέρβις ή από εγκεκριμένη αρχή.

## Ασφάλεια

### Ορισμοί για την ασφάλεια

Οι παρακάτω ορισμοί παρέχουν το βαθμό σοβαρότητας για κάθε προειδοποιητική λέξη.



**ΠΡΟΕΙΔΟΠΟΙΗΣΗ:** Τραυματισμός ατόμων.



**ΠΡΟΣΟΧΗ:** Ζημιά του προϊόντος.

**Περιεχόμενα** Αυτές οι πληροφορίες διευκολύνουν τη χρήση του προϊόντος.

### Γενικές οδηγίες ασφαλείας



**ΠΡΟΕΙΔΟΠΟΙΗΣΗ:** Προτού χρησιμοποιήσετε το προϊόν, διαβάστε τις παρακάτω προειδοποιητικές οδηγίες.

- Μην πραγματοποιείτε αλλαγές στο προϊόν χωρίς την έγκριση του κατασκευαστή και χρησιμοποιείτε πάντα γνήσια αξεσουάρ. Οι τροποποιήσεις ή/και τα μη εγκεκριμένα αξεσουάρ μπορεί να προκαλέσουν σοβαρό τραυματισμό ή θάνατο του χειριστή ή άλλων ατόμων.
- Δεν πρέπει να χρησιμοποιείτε το προϊόν αν έχει υποστεί ζημιά. Πραγματοποιείτε όλους τους ελέγχους ασφαλείας και τις εργασίες συντήρησης που αναφέρονται στο παρόν εγχειρίδιο χρήσης. Όλες οι άλλες εργασίες συντήρησης πρέπει να εκτελούνται από εγκεκριμένο προσωπικό σέρβις.
- Όλες οι εργασίες σέρβις και επισκευές πρέπει να γίνονται από εγκεκριμένο προσωπικό σέρβις. Εάν κάποιο εξάρτημα του προϊόντος είναι ελαττωματικό, απευθυνθείτε στον τοπικό αντιπρόσωπο σέρβις.

### Οδηγίες ασφαλείας για τη λειτουργία



**ΠΡΟΕΙΔΟΠΟΙΗΣΗ:** Προτού χρησιμοποιήσετε το προϊόν, διαβάστε τις παρακάτω προειδοποιητικές οδηγίες.

- Αυτό το προϊόν μπορεί να είναι επικίνδυνο και να προκαλέσει σοβαρό τραυματισμό ή θάνατο του χειριστή ή άλλων ατόμων. Να είστε προσεκτικοί και να χρησιμοποιείτε το προϊόν σωστά.

- Επιθεωρήστε το προϊόν προτού το χρησιμοποιήσετε. Ανατρέξτε στην ενότητα *Συντήρηση στη σελίδα 87*.
- Να μην χρησιμοποιείτε ποτέ το προϊόν εάν είστε κουρασμένοι, άρρωστοι ή υπό την επήρεια αλκοόλ ή άλλων φαρμάκων που μπορεί να μειώσουν την όραση, την κρίση ή το συντονισμό σας.
- Τοποθετήστε όλα τα καλύμματα και τα προστατευτικά πριν από τη χρήση. Για να αποφύγετε τον κίνδυνο ηλεκτροπληξίας, βεβαιωθείτε ότι το καπάκι του μπουζι και το καλώδιο ανάφλεξης ηλεκτρονικής δεν έχουν υποστεί ζημιά.
- Μην αγγίζετε το μπουζι ή το καλώδιο ανάφλεξης ηλεκτρονικής, όταν ο κινητήρας είναι σε λειτουργία.
- Διατηρείτε απόσταση ασφαλείας τουλάχιστον 15 μέτρων από ανθρώπους ή ζώα. Εάν άνθρωποι, παιδιά ή ζώα πλησιάσουν σε απόσταση μικρότερη από 15 μέτρα, σταματήστε το προϊόν. Στρέψτε το προϊόν μακριά από ανθρώπους, ζώα, ανοιχτά παράθυρα και άλλα αντικείμενα.
- Μην επιτρέπετε σε παιδιά να χρησιμοποιούν το προϊόν. Βεβαιωθείτε ότι όλοι οι χειριστές έχουν διαβάσει και κατανοήσει τα περιεχόμενα του παρόντος εγχειριδίου χρήσης.
- Κρατήστε τα χέρια σας ή άλλα αντικείμενα μακριά από το περιβλήμα του φυσητήρα στη διάρκεια της λειτουργίας. Τα κινούμενα μέρη μπορούν να προκαλέσουν σοβαρό τραυματισμό.
- Μην χρησιμοποιείτε το προϊόν εάν δεν έχει τοποθετηθεί ή σίτα εισαγωγής αέρα. Να βεβαιώνετε πάντα ότι η σίτα εισαγωγής αέρα έχει τοποθετηθεί και δεν έχει υποστεί ζημιά πριν από τη χρήση.
- Σε περίπτωση έκτακτης ανάγκης, απασφαλίστε τη ζώνη μέσης και τη ζώνη θώρακα της εξάρτησης και αφίστε το προϊόν να πέσει.
- Τηρείτε τους εθνικούς κανονισμούς και τις οδηγίες.
- Μην πλησιάζετε τα μέλη του σώματός σας σε καυτές επιφάνειες.
- Αυτό το προϊόν παράγει ηλεκτρομαγνητικό πεδίο κατά τη λειτουργία του. Το πεδίο αυτό, υπό ορισμένες συνθήκες, μπορεί να προκαλέσει παρεμβολές σε ενεργά ή παθητικά ιατρικά εμφυτεύματα. Για να μειωθεί ο κίνδυνος σοβαρών ή θανατηφόρων τραυματισμών, συνιστούμε στα άτομα με ιατρικά εμφυτεύματα να συμβουλευθούν το θεράποντα ιατρό τους και τον κατασκευαστή του ιατρικού εμφυτεύματος, προτού θέσουν το προϊόν σε λειτουργία.
- Η υπερβολική δόση μπορεί να προκαλέσει βλάβη στην κυκλοφορία ή στο νευρικό σύστημα. Μιλήστε στο γιατρό σας αν έχετε συμπτώματα,



όπως μούδιασμα, απώλεια αίσθησης, τσιμπήματα, σουβλιές, πόνο, απώλεια δύναμης ή αλλαγές στο χρώμα του δέρματος στα δάκτυλα, τα χέρια ή τους καρπούς σας.

- Προσέχετε τυχόν αντικείμενα που εκτοξεύονται. Τα αντικείμενα που εκτοξεύονται μπορούν να προκαλέσουν σοβαρό τραυματισμό.
- Μην χρησιμοποιείτε το προϊόν όταν επικρατούν άσχημες καιρικές συνθήκες, όπως, για παράδειγμα, ομίχλη, βροχή, ισχυροί άνεμοι και πολύ ψυχρό περιβάλλον. Η εκτέλεση εργασιών σε κακές καιρικές συνθήκες μπορεί να προκαλέσει κούραση και επικίνδυνες συνθήκες.
- Βεβαιωθείτε ότι μπορείτε να μετακινηθείτε και να διατηρήσετε σταθερή θέση. Ελέγξτε την περιοχή εργασίας για πιθανά εμπόδια, για παράδειγμα, πέτρες. Να είστε προσεκτικοί όταν χειρίζεστε το προϊόν σε πρηνές.
- Μην τοποθετείτε το προϊόν στο έδαφος ενώ ο κινητήρας είναι σε λειτουργία.
- Μην χρησιμοποιείτε το προϊόν από υψηλές θέσεις, για παράδειγμα, πάνω σε σκάλα.
- Βεβαιωθείτε ότι μπορείτε πάντα να ακουστείτε σε περίπτωση ατυχήματος.
- Βεβαιωθείτε ότι η έξοδος των αναθυμιάσεων της εξάτμισης δεν είναι φραγμένη. Για να αποτρέψετε την πρόκληση ζημιάς στο προϊόν, διατηρείτε τα εμπόδια σε απόσταση τουλάχιστον 50 cm από την έξοδο των αναθυμιάσεων της εξάτμισης.
- Μην θέτετε το προϊόν σε λειτουργία σε εσωτερικό χώρο, σε χώρο με ανεπαρκή αερισμό ή κοντά σε εύφλεκτα υλικά. Οι αναθυμιάσεις από την εξάτμιση του κινητήρα περιέχουν μονοξείδιο του άνθρακα, το οποίο μπορεί να προκαλέσει δηλητηρίαση. Οι αναθυμιάσεις από την εξάτμιση του κινητήρα είναι καυτές και μπορεί να περιέχουν σπινθήρες που μπορούν να προκαλέσουν πυρκαγιά.

## Προσωπικός εξοπλισμός προστασίας



**ΠΡΟΕΙΔΟΠΟΙΗΣΗ:** Προτού χρησιμοποιήσετε το προϊόν, διαβάστε τις παρακάτω προειδοποιητικές οδηγίες.

- Όταν χρησιμοποιείτε το προϊόν, πρέπει να φοράτε εγκεκριμένο προσωπικό εξοπλισμό προστασίας. Ο προσωπικός εξοπλισμός προστασίας δεν μπορεί να εξαλείψει πλήρως τον κίνδυνο τραυματισμών, ωστόσο μπορεί να μειώσει τη σοβαρότητά τους. Απευθυνθείτε στον αντιπρόσωπο για περισσότερες πληροφορίες.
- Χρησιμοποιείτε εγκεκριμένα προστατευτικά ακοής. Η μακροχρόνια έκθεση στο θόρυβο μπορεί να προκαλέσει μόνιμη βλάβη στην ακοή.
- Χρησιμοποιείτε εγκεκριμένη προστασία των ματιών. Εάν χρησιμοποιείτε προστατευτικό γείσο, πρέπει επίσης να χρησιμοποιείτε πάντα εγκεκριμένα προστατευτικά γυαλιά. Τα εγκεκριμένα προστατευτικά γυαλιά πρέπει να συμμορφώνονται με

το πρότυπο ANSI Z87.1 στις Η.Π.Α. ή το πρότυπο EN 166 στις χώρες της Ε.Ε.

- Χρησιμοποιείτε προστατευτικά γάντια κατά τη λειτουργία και τη συντήρηση.
- Χρησιμοποιείτε μπότες προστασίας ή παπούτσια με αντιολισθητικές σόλες.
- Χρησιμοποιείτε ρούχα από ανθεκτικό ύφασμα που καλύπτουν όλο το σώμα. Μην χρησιμοποιείτε κοσμήματα ή ανοιχτά παπούτσια. Για να μειώσετε τον κίνδυνο τραυματισμού, τα ρούχα σας πρέπει να είναι εφαρμοστά, αλλά όχι να περιορίζουν τις κινήσεις σας. Τοποθετήστε τα μαλλιά σας πάνω από τους ώμους για να μην εισχωρήσουν σε κινούμενα μέρη ή πιαστούν σε κλαδιά.
- Χρησιμοποιείτε μέσα προστασίας αναπνοής όταν υπάρχει κίνδυνος σκόνης.
- Διατηρήστε κοντά τον εξοπλισμό πρώτων βοηθειών.

## Συσκευές ασφαλείας στο προϊόν



**ΠΡΟΕΙΔΟΠΟΙΗΣΗ:** Προτού χρησιμοποιήσετε το προϊόν, διαβάστε τις παρακάτω προειδοποιητικές οδηγίες.

- Μην χρησιμοποιείτε ποτέ το προϊόν, αν υπάρχουν ελαττωματικές συσκευές ασφαλείας.
- Πρέπει να κάνετε τακτικά έλεγχο των συσκευών ασφαλείας. Ανατρέξτε στην ενότητα *Συντήρηση στη σελίδα 87*.
- Αν οι συσκευές ασφαλείας είναι ελαττωματικές, απευθυνθείτε στον αντιπρόσωπο σέρβις της Husqvarna.

## Για τον έλεγχο της εξάτμισης (σιγαστήρα)



**ΠΡΟΕΙΔΟΠΟΙΗΣΗ:** Να μην χρησιμοποιείτε προϊόντα με ελαττωματική εξάτμιση (σιγαστήρα).



**ΠΡΟΕΙΔΟΠΟΙΗΣΗ:** Η εξάτμιση (σιγαστήρας) θερμαίνεται πολύ κατά τη διάρκεια και μετά τη λειτουργία, αλλά και κατά τη λειτουργία στο ρελαντί. Χρησιμοποιείτε προστατευτικά γάντια για να αποφύγετε τυχόν εγκαύματα.



**ΠΡΟΕΙΔΟΠΟΙΗΣΗ:** Η εσωτερική πλευρά της εξάτμισης (σιγαστήρας) περιέχει χημικά που μπορεί να είναι καρκινογόνα. Μην αγγίζετε την εξάτμιση (σιγαστήρας), εάν έχει υποστεί ζημιά.

- Κάνετε τακτικά οπτικό έλεγχο της εξάτμισης (σιγαστήρας) Η εξάτμιση (σιγαστήρας) διατηρεί τα επίπεδα θορύβου στο ελάχιστο και κατευθύνει τις αναθυμιάσεις μακριά από τον χειριστή. Ανατρέξτε στην ενότητα *Συντήρηση της εξάτμισης (σιγαστήρας) στη σελίδα 88*.

## Για τον έλεγχο του συστήματος απόσβεσης κραδασμών

1. Βεβαιωθείτε ότι δεν υπάρχουν ρωγμές ή παραμορφώσεις στις μονάδες απόσβεσης κραδασμών.
2. Βεβαιωθείτε ότι οι μονάδες απόσβεσης κραδασμών είναι σωστά στερεωμένες στη μονάδα του κινητήρα και στη μονάδα των λαβών.

Για πληροφορίες σχετικά με το σημείο στο οποίο βρίσκεται το σύστημα απόσβεσης κραδασμών στο δικό σας προϊόν, ανατρέξτε στην ενότητα *Επισκόπηση προϊόντος στη σελίδα 78*.

## Έλεγχος του διακόπτη εκκίνησης/τερματισμού λειτουργίας

1. Χρησιμοποιήστε το διακόπτη εκκίνησης/τερματισμού λειτουργίας για να σβήσετε τον κινητήρα.
2. Βεβαιωθείτε ότι ο κινητήρας έχει σταματήσει εντελώς.

Για να δείτε πού βρίσκεται ο διακόπτης εκκίνησης/τερματισμού λειτουργίας στο προϊόν σας, ανατρέξτε στην ενότητα *Επισκόπηση προϊόντος στη σελίδα 78*.

## Ασφάλεια εξάρτησης

- Βεβαιωθείτε ότι η ζώνη μέσης είναι τοποθετημένη και σωστά ρυθμισμένη. Τα χαλαρά άκρα της εξάρτησης μπορούν να εισέλθουν στα κινούμενα μέρη και να προκαλέσουν ζημιά στον ανεμιστήρα. Εάν ο ανεμιστήρας υποστεί ζημιά, τα χαλαρά μέρη του προϊόντος μπορεί να εκπιναχθούν και να προκαλέσουν τραυματισμό ή ζημιά.

## Ασφάλεια καυσίμου



**ΠΡΟΕΙΔΟΠΟΙΗΣΗ:** Προτού χρησιμοποιήσετε το προϊόν, διαβάστε τις παρακάτω προειδοποιητικές οδηγίες.

- Μην αναμειγνύετε ή προσθέτετε καύσιμο σε εσωτερικούς χώρους ή κοντά σε πηγή θερμότητας.
- Μην βάλετε μπροστά το προϊόν εάν χυθεί καύσιμο ή λάδι στο προϊόν ή στο σώμα σας.
- Μην θέσετε το προϊόν σε λειτουργία, εάν ο κινητήρας έχει διαρροή καυσίμου. Εξετάζετε τακτικά τον κινητήρα για διαρροές καυσίμου.
- Να είστε πάντα προσεκτικοί με το καύσιμο. Το καύσιμο είναι εύφλεκτο και οι αναθυμιάσεις του καυσίμου είναι εκρηκτικές και μπορούν να προκαλέσουν σοβαρό τραυματισμό ή θάνατο.
- Μην εισπνεύσετε τις αναθυμιάσεις καυσίμου, καθώς μπορεί να προκληθεί τραυματισμός. Βεβαιωθείτε ότι υπάρχει επαρκής ροή αέρα.
- Μην καπνίζετε κοντά στο καύσιμο ή τον κινητήρα.
- Μην τοποθετείτε το προϊόν ή ένα δοχείο καυσίμου κοντά σε ζεστά αντικείμενα, ακάλυπτες φλόγες, σπινθήρες ή φλόγιστρα.
- Να χρησιμοποιείτε πάντα εγκεκριμένα δοχεία για την αποθήκευση και τη μεταφορά των καυσίμων.

## Οδηγίες ασφαλείας για τη συντήρηση



**ΠΡΟΕΙΔΟΠΟΙΗΣΗ:** Προτού χρησιμοποιήσετε το προϊόν, διαβάστε τις παρακάτω προειδοποιητικές οδηγίες.

- Σβήστε τον κινητήρα, αφαιρέστε το μπουζι και αφήστε τον κινητήρα να κρυώσει πριν από τη συντήρηση και τη συναρμολόγηση.
- Εάν η σίτα συγκράτησης των σπινθήρων είναι φραγμένη, ο κινητήρας μπορεί να υπερθερμανθεί και να προκληθεί ζημιά στον κινητήρα.

## Συναρμολόγηση

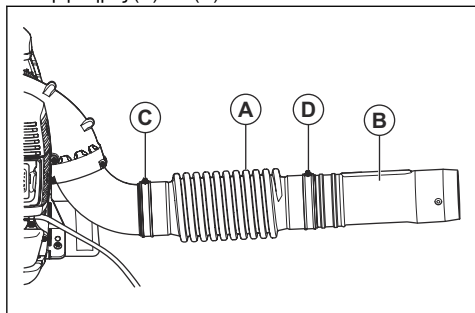
### Εισαγωγή



**ΠΡΟΕΙΔΟΠΟΙΗΣΗ:** Προτού συναρμολογήσετε το προϊόν, διαβάστε και κατανοήστε το κεφάλαιο για την ασφάλεια.

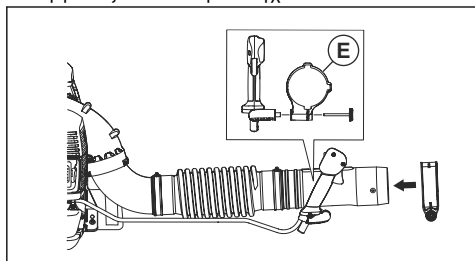
## Συναρμολόγηση του σωλήνα του φυσητήρα και του χειριστηρίου ελέγχου στο προϊόν

1. Συνδέστε τον εύκαμπο σωλήνα (A) στη γωνία του σωλήνα και το σωλήνα ελέγχου (B) με τους σφιγκτήρες (C) και (D).

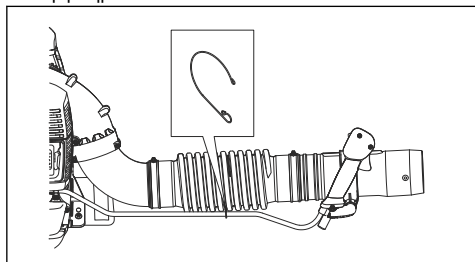


**Περιεχόμενα** Λιπάνετε το σωλήνα ελέγχου και τον εύκαμπο σωλήνα για να διευκολύνετε τη συναρμολόγησή τους.

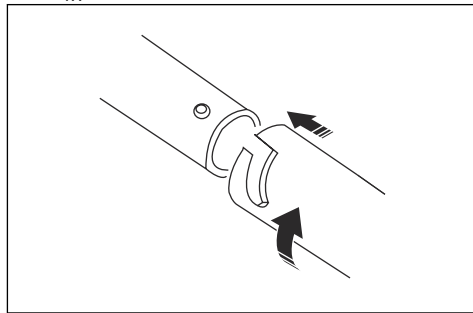
2. Στερεώστε τη βάση του χειριστηρίου (E) στο σωλήνα ελέγχου. Ευθυγραμμίστε τη βάση του χειριστηρίου με τη φλάντζα του σωλήνα ελέγχου.



3. Ρυθμίστε τη θέση και τη γωνία του χειριστηρίου ελέγχου σε μια ασφαλή και σωστή θέση εργασίας. Σφίξτε τον μοχλό.
4. Στερεώστε το καλώδιο στον εύκαμπο σωλήνα με το σφιγκτήρα καλωδίου.



5. Αγκιστρώστε τον ενδιάμεσο σωλήνα στο σωλήνα ελέγχου.



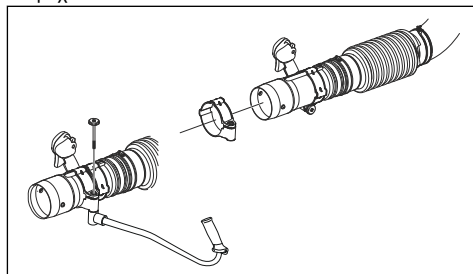
**Περιεχόμενα** Εάν απαιτείται η χρήση μακρύτερου κυκλικού σωλήνα φυσητήρα, διατίθεται ένας εκτεταμένος ενδιάμεσος σωλήνας.

6. Συνδέστε το ακροφύσιο του φυσητήρα στον ενδιάμεσο σωλήνα.

**Περιεχόμενα** Το ακροφύσιο του φυσητήρα μπορεί να τοποθετηθεί μόνο στον ενδιάμεσο σωλήνα.

## Συναρμολόγηση της χειρολαβής (προαιρετικό αξεσουάρ)

1. Αποσυναρμολογήστε τον ενδιάμεσο σωλήνα.
2. Αφαιρέστε το μοχλό από τη βάση και στρώστε τη βάση πάνω στο σωλήνα ελέγχου.
3. Τοποθετήστε τη χειρολαβή και το μοχλό. Σφίξτε τον μοχλό.

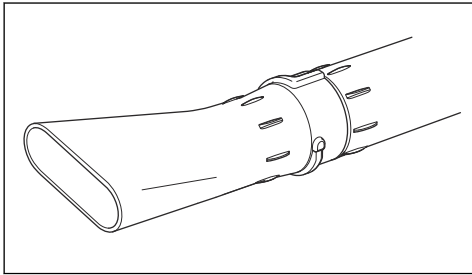


4. Συναρμολογήστε τον ενδιάμεσο σωλήνα.

## Συναρμολόγηση του επίπεδου ακροφυσίου (προαιρετικό εξάρτημα)

Το επίπεδο ακροφύσιο παρέχει υψηλότερη ταχύτητα αέρα από το ακροφύσιο του φυσητήρα.

- Αφαιρέστε το ακροφύσιο του φυσητήρα από τον ενδιάμεσο σωλήνα και τοποθετήστε το επίπεδο ακροφύσιο.



## Λειτουργία

### Εισαγωγή



**ΠΡΟΕΙΔΟΠΟΙΗΣΗ:** Προτού χρησιμοποιήσετε το προϊόν, διαβάστε και κατανοήστε το κεφάλαιο για την ασφάλεια.

### Καύσιμο

Αυτό το προϊόν διαθέτει δίχρονο κινητήρα.



**ΠΡΟΣΟΧΗ:** Τα καύσιμα εσφαλμένου τύπου μπορεί να προκαλέσουν ζημιά στον κινητήρα. Χρησιμοποιήστε μείγμα βενζίνης και λαδιού για δίχρονους κινητήρες.

### Προαναμεμιγμένο καύσιμο

- Για βέλτιστη απόδοση και παράταση της διάρκειας ζωής του κινητήρα, χρησιμοποιήστε προαναμεμιγμένο αλκυλιωμένο καύσιμο της Husqvarna. Αυτό το καύσιμο περιέχει λιγότερα επιβλαβή χημικά σε σύγκριση με τα κανονικά καύσιμα, με αποτέλεσμα να μειώνονται οι επιβλαβείς ανασυμιάσεις της εξάτμισης. Η ποσότητα των καταλοίπων της καύσης είναι χαμηλότερη με αυτό το καύσιμο, το οποίο προστατεύει τα εξαρτήματα του κινητήρα και τα διατηρεί πιο καθαρά.

### Ανάμιξη του καυσίμου

#### Βενζίνη

- Χρησιμοποιήστε αμόλυβδη βενζίνη καλής ποιότητας με μέγιστο ποσοστό αιθανόλης 10%.



**ΠΡΟΣΟΧΗ:** Μην χρησιμοποιείτε βενζίνη με αριθμό οκτανίων κάτω από 90 RON/87 AKI. Η χρήση βενζίνης χαμηλότερου αριθμού οκτανίων μπορεί να προκαλέσει κτύπο ("πειράκια") και ζημιά στον κινητήρα.

### Λάδι για δίχρονους κινητήρες

- Για καλύτερα αποτελέσματα και υψηλότερη απόδοση, χρησιμοποιήστε λάδι Husqvarna για δίχρονους κινητήρες.
- Εάν το λάδι για δίχρονους κινητήρες της Husqvarna δεν είναι διαθέσιμο, χρησιμοποιήστε διαφορετικό λάδι καλής ποιότητας για αερόψυκτους κινητήρες. Για την επιλογή του σωστού λαδιού, απευθυνθείτε στον αντιπρόσωπο σέρβις.



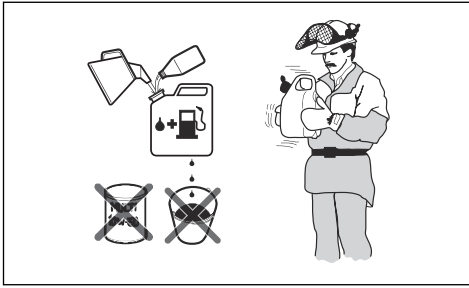
**ΠΡΟΣΟΧΗ:** Μην χρησιμοποιείτε λάδι για δίχρονους υδρόψυκτους εξωλέμβιους κινητήρες, το οποίο αναφέρεται επίσης ως λάδι για εξωλέμβιες. Μην χρησιμοποιείτε λάδι για τετράχρονους κινητήρες.

### Για να αναμίξετε βενζίνη και λάδι για δίχρονους κινητήρες

Βενζίνη, λίτρα	Λάδι για δίχρονους κινητήρες, λίτρα
	<b>2% (50:1)</b>
5	0,10
10	0,20
15	0,30
20	0,40



**ΠΡΟΣΟΧΗ:** Μικρά λάθη μπορεί να επηρεάσουν δραστικά την αναλογία του μείγματος κατά τη ανάμιξη μικρών ποσοτήτων καυσίμου. Μετρήστε προσεκτικά την ποσότητα του λαδιού και βεβαιωθείτε ότι το μείγμα που προκύπτει είναι σωστό.



1. Ρίξτε σε ένα καθαρό δοχείο για καύσιμα τη μισή ποσότητα της βενζίνης.
2. Προσθέστε ολόκληρη την ποσότητα λαδιού.
3. Ανακινήστε το μίγμα καυσίμου.
4. Προσθέστε στο δοχείο την υπόλοιπη ποσότητα της βενζίνης.
5. Ανακινήστε προσεκτικά το μείγμα καυσίμου.



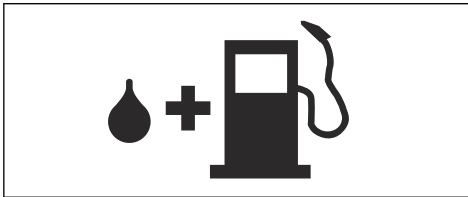
**ΠΡΟΣΟΧΗ:** Μην αναμιγνύετε καύσιμα για περισσότερο από 1 μήνα κάθε φορά.

### Γέμισμα ντεπόζιτου καυσίμου



**ΠΡΟΕΙΔΟΠΟΙΗΣΗ:** Ακολουθήστε την παρακάτω διαδικασία για την ασφάλειά σας.

1. Σταματήστε τον κινητήρα και αφήστε τον να κρυώσει.
2. Καθαρίστε την περιοχή γύρω από την τάπα του ντεπόζιτου καυσίμου.



3. Ανακινήστε το δοχείο και βεβαιωθείτε ότι το καύσιμο έχει αναμιχθεί πλήρως.
4. Αφαιρέστε αργά την τάπα του ντεπόζιτου καυσίμου για να εκπονώσετε την πίεση.
5. Γεμίστε το ντεπόζιτο καυσίμου.



**ΠΡΟΣΟΧΗ:** Βεβαιωθείτε ότι δεν υπάρχει υπερβολικό καύσιμο στο ντεπόζιτο καυσίμου. Το καύσιμο διογκώνεται όταν ζεσταίνεται.

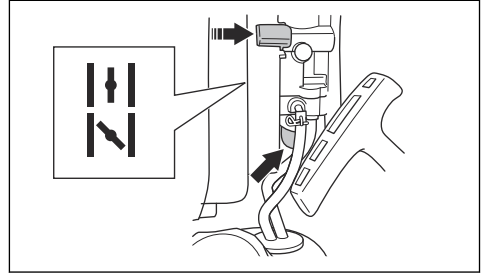
6. Σφίξτε προσεκτικά την τάπα του ντεπόζιτου καυσίμου.
7. Καθαρίζετε το καύσιμο που έχει χυθεί επάνω και γύρω από το προϊόν.

8. Πρωτού ξεκινήσετε, απομακρύνετε το προϊόν τουλάχιστον κατά 3 m/10 ft από το σημείο ανεφοδιασμού και την πηγή καυσίμου προτού θέσετε σε λειτουργία τον κινητήρα.

**Περιεχόμενα** Για να δείτε πού βρίσκεται το ντεπόζιτο καυσίμου στο προϊόν σας, ανατρέξτε στην ενότητα *Επισκόπηση προϊόντος στη σελίδα 78*.

### Εκκίνηση λειτουργίας του προϊόντος

1. Εάν ο κινητήρας είναι κρύος, ρυθμίστε το λεβιέ του τσοκ στην κλειστή θέση του τσοκ. Ανατρέξτε στην ενότητα *Σύμβολα στο προϊόν στη σελίδα 79*.



2. Πιέστε επανειλημμένα τη φούσκα της χειροκίνητης αντλίας καυσίμου (πουάρ), μέχρι να αρχίσει η φούσκα να γεμίζει με καύσιμο. Δεν χρειάζεται να γεμίσετε πλήρως τη φούσκα της χειροκίνητης αντλίας καυσίμου (πουάρ).
3. Πιέστε το διακόπτη εκκίνησης/τερματισμού λειτουργίας με το χειριστήριο γκαζιού στη θέση ταχύτητας 1/3. Ανατρέξτε στην ενότητα *Χρήση του χειριστηρίου γκαζιού/διακόπτη τερματισμού λειτουργίας στη σελίδα 86*.
4. Τοποθετήστε το προϊόν σε επίπεδη επιφάνεια στο έδαφος.
5. Πιάστε το προϊόν με το αριστερό χέρι.



**ΠΡΟΣΟΧΗ:** Μην χρησιμοποιείτε τα πόδια σας για να κρατήσετε το προϊόν.

6. Τραβήξτε αργά τη λαβή του σχαινού εκκίνησης μέχρι να αισθανθείτε αντίσταση.

7. Τραβήξτε γρήγορα τη λαβή του σχοινού εκκίνησης με το δεξί σας χέρι. Τραβήξτε επανειλημμένα τη λαβή του σχοινού εκκίνησης, μέχρι να εκκινήθει ο κινητήρας.

**Περιεχόμενα** Μην τραβήξετε τη λαβή του σχοινού εκκίνησης μέχρι τέρμα και μην αφήσετε τη λαβή του κορδονιού του συστήματος εκκίνησης.

8. Εάν ο κινητήρας είναι κρύος, πιέστε σταδιακά το λεβιέ του τσοκ στην ανοικτή θέση του τσοκ, μέχρι να σταματήσει ο λεβιές του τσοκ.
9. Εάν ο κινητήρας είναι κρύος, αφήστε τον να λειτουργήσει για 2-3 λεπτά για να ζεσταθεί πριν από τη λειτουργία.



**ΠΡΟΕΙΔΟΠΟΙΗΣΗ:** Κατά την εκκίνηση του κινητήρα και όταν το προϊόν έχει ρυθμιστεί στο ρελαντί απελευθερώνεται αέρας. Μην επιτρέπετε σε άλλα άτομα να πλησιάζουν το προϊόν ή το σωλήνα του φυσητήρα.

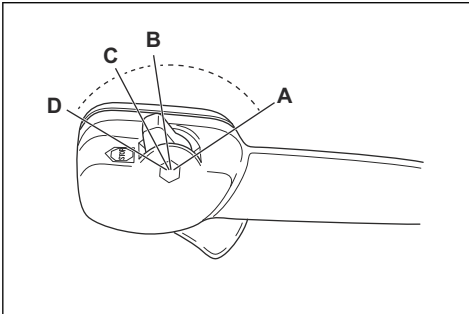
## Λειτουργία του προϊόντος

- Ο φυσητήρας μπορεί να φορεθεί στην πλάτη και μεταφέρεται με τη χρήση μίαντα ώμων κατά τη λειτουργία του. Η λειτουργία και ο χειρισμός του πραγματοποιείται μέσω της λαβής στο σωλήνα, με το δεξί χέρι.



- Χρησιμοποιείτε το προϊόν σε συνήθεις ώρες εργασίας. Να τηρείτε τους τοπικούς κανονισμούς.
- Μειώστε τα τεμάχια του εξοπλισμού και επιλέξτε τη σωστή ταχύτητα για την εργασία σας. Χρησιμοποιήστε το γκάτζι στη χαμηλότερη δυνατή θέση για να αποφύγετε την πρόκληση περισσότερου θορύβου και σκόνης από ό,τι χρειάζεται.
- Διατηρείτε το ακροφύσιο του φυσητήρα κοντά στο έδαφος.

## Χρήση του χειριστηρίου γκαζιού/ διακόπτη τερματισμού λειτουργίας



- Ανοίξτε τέρμα το γκάτζι (A).
- Εφαρμόστε την ταχύτητα 1/3 (B).
- Ρυθμίστε το προϊόν σε στροφές ρελαντί (C).
- Διακόπτε τη λειτουργία του προϊόντος (D).

**Περιεχόμενα** Η Husqvarna συνιστά να χρησιμοποιείτε την πλήρη προέκταση του ακροφυσίου του φυσητήρα.

- Σημειώστε την κατεύθυνση του ανέμου και χειριστείτε το προϊόν προς την κατεύθυνση του ανέμου.
- Χρησιμοποιείτε τα κατάλληλα εργαλεία κήπου για την απελευθέρωση υλικού από το έδαφος.
- Σε περιοχές με σκόνη, χρησιμοποιήστε εξοπλισμό ψεκασμού για να βρέξετε την περιοχή. Αυτό μειώνει το χρόνο λειτουργίας.
- Μετά τη λειτουργία, φυλάξτε το προϊόν σε κατακόρυφη θέση.

## Διακοπή λειτουργίας του προϊόντος

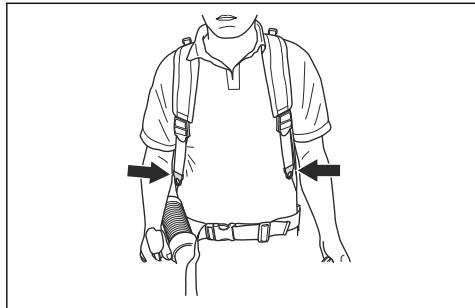


**ΠΡΟΣΟΧΗ:** Μην σταματάτε το προϊόν σε πλήρη ταχύτητα.

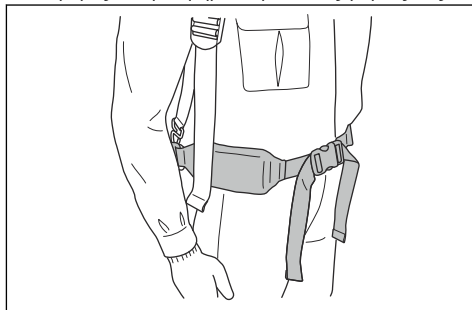
1. Θέστε το διακόπτη εκκίνησης/τερματισμού λειτουργίας με το χειριστήριο γκαζιού στη θέση τερματισμού λειτουργίας. Ανατρέξτε στην ενότητα *Χρήση του χειριστηρίου γκαζιού/διακόπτη τερματισμού λειτουργίας* στη σελίδα 86.

## Για να ρυθμίσετε την εξάρτηση

1. Φορέστε την εξάρτηση του προϊόντος.
2. Σφίξτε τους ιμάντες ώμων μέχρι το προϊόν να ακουμπήσει σφιχτά στο σώμα σας.



3. Τοποθετήστε τη ζώνη μέσης γύρω από τη μέση σας.
4. Σφίξτε τον ιμάντα της ζώνης μέσης. Βεβαιωθείτε ότι το βάρος του φυσητήρα πέφτει στους γοφούς σας.



## Συντήρηση

### Εισαγωγή

διαβάστε και κατανοήστε το κεφάλαιο για την ασφάλεια.



**ΠΡΟΕΙΔΟΠΟΙΗΣΗ:** Προτού εκτελέσετε εργασίες συντήρησης στο προϊόν,

### Πρόγραμμα συντήρησης

Συντήρηση	Καθημερινά	Κάθε εβδομάδα	Κάθε μήνα
Καθαρίστε τις εξωτερικές επιφάνειες.	X		
Βεβαιωθείτε ότι το χειριστήριο ελέγχου λειτουργεί σωστά.	X		
Βεβαιωθείτε ότι ο διακόπτης εκκίνησης/τερματισμού λειτουργίας λειτουργεί σωστά. Ανατρέξτε στην ενότητα <i>Έλεγχος του διακόπτη εκκίνησης/τερματισμού λειτουργίας στη σελίδα 82.</i>	X		
Εξετάστε τον κινητήρα, το ντεπόζιτο καυσίμου και τις γραμμές καυσίμου για διαρροές. Ελέγξτε το φίλτρο καυσίμου για ρύπους. Αντικαταστήστε το φίλτρο καυσίμου, αν χρειάζεται.	X		
Καθαρίστε το φίλτρο αέρα. Αντικαταστήστε το φίλτρο αέρα εάν χρειάζεται.	X		
Σφίξτε τα παξιμάδια και τις βίδες.	X		
Ελέγξτε την εισαγωγή αέρα και βεβαιωθείτε ότι δεν είναι φραγμένη.	X		
Εξετάστε τη μίζα και το κορδόνι της μίζας για ζημιές.		X	
Ελέγξτε τις μονάδες απόσβεσης κραδασμών για ζημιές, ρωγμές και παραμόρφωση. Βεβαιωθείτε ότι οι μονάδες απόσβεσης κραδασμών έχουν εγκατασταθεί σωστά.		X	
Ελέγξτε το μπουζι. Ανατρέξτε στην ενότητα <i>Για να εκτελέσετε έλεγχο του μπουζι στη σελίδα 88.</i>		X	
Καθαρίστε το σύστημα ψύξης.		X	

Συντήρηση	Καθημερινά	Κάθε εβδομάδα	Κάθε μήνα
Καθαρίστε την εξωτερική επιφάνεια του καρμπυρατέρ και το χώρο γύρω από αυτό.		X	
Καθαρίστε το νετπόζιτο καυσίμου.			X
Εξετάστε όλα τα καλώδια και τις συνδέσεις.			X
Ελέγξτε και καθαρίστε τη σίτα συγκράτησης των σπινθήρων στην εξάτμιση (σιγαστήρας) (για προϊόντα χωρίς καταλυτικό μετατροπέα).		X	
Ελέγξτε και καθαρίστε τη σίτα συγκράτησης των σπινθήρων στην εξάτμιση (σιγαστήρας) (για προϊόντα με καταλυτικό μετατροπέα).			X
Ελέγξτε το μπουζί. Αν χρειάζεται, αντικαταστήστε το.			X

## Για να ρυθμίσετε τις στροφές ανά λεπτό ρελαντί

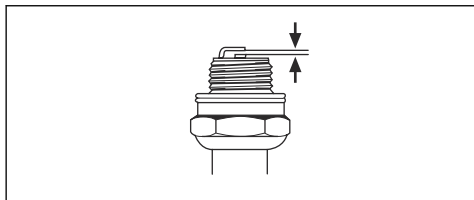
1. Βεβαιωθείτε ότι το φίλτρο αέρα είναι καθαρό και ότι το κάλυμμα του φίλτρου αέρα είναι συνδεδεμένο.
2. Ρυθμίστε τις στροφές ανά λεπτό του ρελαντί με τη βίδα ρύθμισης στροφών ρελαντί. Για να δείτε πού βρίσκεται η βίδα στροφών ανά λεπτό ρελαντί, ανατρέξτε στην ενότητα *Επισκόπηση προϊόντος στη σελίδα 78*.

## Για να εκτελέσετε έλεγχο του μπουζί



**ΠΡΟΣΟΧΗ:** Χρησιμοποιήστε το συνιστώμενο μπουζί. Ανατρέξτε στην ενότητα *Τεχνικά στοιχεία στη σελίδα 92*. Ένα ακατάλληλο μπουζί μπορεί να προκαλέσει ζημιά στο προϊόν.

1. Σταματήστε τον κινητήρα και αφήστε το προϊόν να κρυώσει.
2. Καθαρίστε το μπουζί, εάν είναι βρώμικο.
3. Βεβαιωθείτε ότι το διάκενο ηλεκτροδίου είναι σωστό. Ανατρέξτε στην ενότητα *Τεχνικά στοιχεία στη σελίδα 92*.

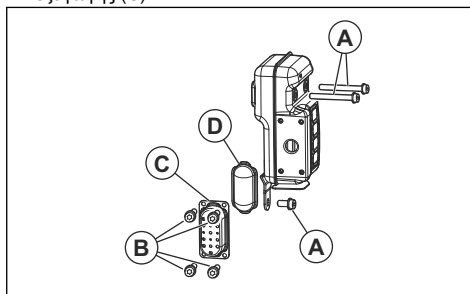


4. Αντικαθιστάτε το μπουζί κάθε μήνα ή συχνότερα, εάν χρειάζεται.

## Συντήρηση της εξάτμισης (σιγαστήρας)

1. Σταματήστε τον κινητήρα και αφήστε την εξάτμιση (σιγαστήρα) να κρυώσει. Πρέπει πάντα να χρησιμοποιείτε προστατευτικά γάντια.

2. Αφαιρέστε τις βίδες (A), τις βίδες (B) και τον αγωγό εξαγωγής (C).



3. Αφαιρέστε τη σίτα συγκράτησης των σπινθήρων (D) και καθαρίστε την με συρματόβουρτσα. Αντικαταστήστε τη σίτα ανάσχεσης σπινθήρων, αν έχει υποστεί ζημιά.
4. Αφαιρέστε τις ακαθαρσίες από το σιγαστήρα και από τη θυρίδα εξάτμισης του κυλίνδρου με τη συρματόβουρτσα.
5. Συνδέστε τη σίτα συγκράτησης των σπινθήρων (D) και τον σωλήνα εξαγωγής (C) με τις βίδες (B). Σφίξτε τις βίδες με ροπή 2-3 Nm.
6. Σφίξτε τις βίδες (A) με ροπή 8-12 Nm. Βεβαιωθείτε ότι η εξάτμιση (σιγαστήρας) έχει στερεωθεί σωστά στο προϊόν.

## Έλεγχος και καθαρισμός του συστήματος ψύξης

Το σύστημα ψύξης αποτελείται από τα πτερύγια φτερωτής (ανεμιστήρα) ψύξης στον κύλινδρο και τη σίτα εισαγωγής αέρα.

1. Σβήστε τον κινητήρα.
2. Βεβαιωθείτε ότι το σύστημα ψύξης δεν είναι βρώμικο ή φραγμένο. Εάν είναι απαραίτητο, καθαρίστε τη σίτα εισαγωγής αέρα και τα πτερύγια φτερωτής (ανεμιστήρα) ψύξης.





**ΠΡΟΣΟΧΗ:** Εάν το σύστημα ψύξης είναι βρόμικο ή φραγμένο, η θερμοκρασία του κινητήρα μπορεί να αυξηθεί και το προϊόν να υποστεί ζημιά. Εάν η σίτα εισαγωγής αέρα είναι φραγμένη, μειώνεται η δύναμη φουσίματος.

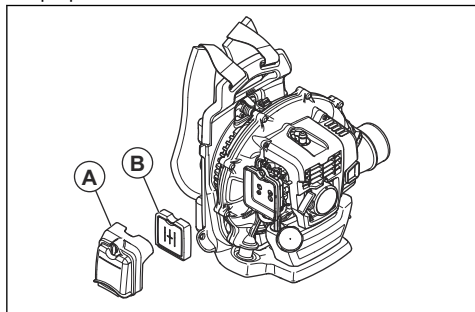
3. Ελέγξτε το σύστημα ψύξης για ζημιές. Βεβαιωθείτε ότι τα μέρη έχουν στερεωθεί σωστά στο προϊόν.

## Καθαρισμός του φίλτρου αέρα



**ΠΡΟΣΟΧΗ:** Μην χρησιμοποιήσετε το προϊόν εάν δεν έχει τοποθετηθεί φίλτρο αέρα ή εάν το φίλτρο αέρα έχει υποστεί ζημιά. Η σκόνη στον αέρα μπορεί να προκαλέσει ζημιά στον κινητήρα.

1. Μετακινήστε το χειριστήριο του τσοκ στην κλειστή θέση.
2. Αφαιρέστε το κάλυμμα του φίλτρου αέρα (A).
3. Αφαιρέστε το φίλτρο αέρα (B) από το πλαίσιο φίλτρου.



4. Καθαρίστε το φίλτρο αέρα με ζεστό σαπουνόνερο.

**Περιεχόμενα** Εάν ένα φίλτρο αέρα χρησιμοποιείται για μεγάλο χρονικό διάστημα, δεν μπορεί να καθαριστεί εντελώς. Αντικαθιστάτε το φίλτρο αέρα τακτικά. Πρέπει πάντα να αντικαθιστάτε ένα ελαττωματικό φίλτρο αέρα.

5. Καθαρίστε την εσωτερική επιφάνεια του καλύμματος φίλτρου αέρα (A) με βούρτσα.
6. Απλώστε λάδι στο φίλτρο αέρα. Ανατρέξτε στην ενότητα *Εφαρμογή λαδιού στο αφρώδες φίλτρο αέρα στη σελίδα 89*.
7. Αφαιρέστε το φίλτρο αέρα από το πλαίσιο φίλτρου.
8. Τοποθετήστε το κάλυμμα του φίλτρου αέρα στο προϊόν.

## Εφαρμογή λαδιού στο αφρώδες φίλτρο αέρα

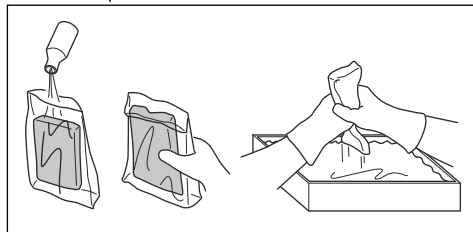


**ΠΡΟΣΟΧΗ:** Πρέπει πάντα να χρησιμοποιείτε ειδικό λάδι φίλτρου αέρα Husqvarna. Μην χρησιμοποιείτε άλλους τύπους λαδιού.



**ΠΡΟΕΙΔΟΠΟΙΗΣΗ:** Φορέστε προστατευτικά γάντια. Το λάδι φίλτρου αέρα μπορεί να προκαλέσει ερεθισμό στο δέρμα.

1. Τοποθετήστε το αφρώδες φίλτρο αέρα μέσα σε μια πλαστική σακούλα.
2. Ρίξτε το λάδι στην πλαστική σακούλα.
3. Τρίψτε την πλαστική σακούλα για να καταμεμηθεί το λάδι ομοιόμορφα στο αφρώδες φίλτρο αέρα.
4. Πιέστε το αφρώδες φίλτρο αέρα για να απομακρύνετε το ανεπιθύμητο λάδι, ενώ αυτό βρίσκεται μέσα στην πλαστική σακούλα.

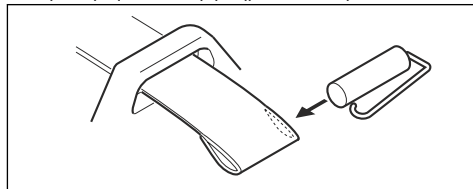


## Για να αντικαταστήσετε την εξάρτηση



**ΠΡΟΕΙΔΟΠΟΙΗΣΗ:** Εάν η εξάρτηση υποστεί ζημιά, μπορεί να πέσει το προϊόν και να προκαλέσει τραυματισμούς. Βεβαιωθείτε ότι έχετε τοποθετήσει σωστά το σφινκτήρα.

1. Σβήστε τον κινητήρα.
2. Απομακρύνετε το σφινκτήριο από τον ιμάντα.
3. Περάστε το άκρο του ιμαντά μέσα από τον κρίκο.
4. Τραβήξτε το νέο ιμάντα μέσα από τον κρίκο.
5. Τοποθετήστε τον πείρο στον ιμάντα για να προσαρτήσετε το σφινκτήριο στο νέο ιμάντα.



## Αντιμετώπιση προβλημάτων

<b>Δεν είναι δυνατή η εκκίνηση του κινητήρα</b>		
<b>Έλεγχος</b>	<b>Πιθανή αιτία</b>	<b>Λύση</b>
Κουμπί σταματήματος.	Θέση τερματισμού	Θέστε τον διακόπτη τερματισμού λειτουργίας στη θέση εκκίνησης.
Άγκιστρο/α εμπλοκής του συστήματος εκκίνησης με το βολάν.	Μπλοκαρισμένα ή φθαρμένα άγκιστρα εμπλοκής του συστήματος εκκίνησης με το βολάν.	Ρυθμίστε ή αντικαταστήστε το/τα άγκιστρο/α εμπλοκής του συστήματος εκκίνησης με το βολάν.
		Καθαρίστε την περιοχή γύρω το/τα άγκιστρο/α εμπλοκής του συστήματος εκκίνησης με το βολάν.
		Απευθυνθείτε σε έναν εγκεκριμένο αντιπρόσωπο σέρβις.
Ντεπόζιτο καυσίμου.	Λανθασμένος τύπος καυσίμου.	Αδειάστε το ντεπόζιτο καυσίμου και χρησιμοποιήστε το σωστό καύσιμο.
Καρμπυρατέρ.	Ρύθμιση στροφών ανά λεπτό ρελαντί.	Ρυθμίστε τις στροφές ανά λεπτό του ρελαντί με τη βίδα ρύθμισης των στροφών του ρελαντί.
Σπινθήρας (χωρίς σπινθήρα).	Ρύτιο ή υγρά στο μπουζί.	Βεβαιωθείτε ότι το μπουζί είναι στεγνό και καθαρό.
		Καθαρίστε το μπουζί. Βεβαιωθείτε ότι το διάκενο ηλεκτροδίου είναι σωστό. Βεβαιωθείτε ότι το μπουζί έχει τοποθετηθεί με αντιπαρασπικό.
		Ανατρέξτε στα τεχνικά στοιχεία για το σωστό διάκενο ηλεκτροδίου.
Μπουζί.	Το μπουζί έχει χαλαρώσει.  Υπάρχει ανεπιθύμητο υλικό στα ηλεκτρόδια του μπουζί.	Σφίξτε το μπουζί.
		Βεβαιωθείτε ότι το μίγμα καυσίμου είναι σωστό.
		Βεβαιωθείτε ότι το φίλτρο αέρα είναι καθαρό.

<b>Ο κινητήρας ξεκινάει αλλά σταματάει ξανά</b>		
<b>Έλεγχος</b>	<b>Πιθανή αιτία</b>	<b>Λύση</b>
Ντεπόζιτο καυσίμου.	Λανθασμένος τύπος καυσίμου.	Αποστραγγίστε το και χρησιμοποιήστε το σωστό καύσιμο.
Καρμπυρατέρ.	Ο κινητήρας δεν λειτουργεί σωστά στο ρελαντί.	Απευθυνθείτε στον τοπικό αντιπρόσωπο σέρβις.

Ο κινητήρας ξεκινάει αλλά σταματάει ξανά		
Έλεγχος	Πιθανή αιτία	Λύση
Φίλτρο αέρα.	Φραγμένο φίλτρο αέρα.	Καθαρίστε το φίλτρο αέρα.

---

## Μεταφορά και αποθήκευση

---

### Μεταφορά και αποθήκευση



**ΠΡΟΕΙΔΟΠΟΙΗΣΗ:** Για να αποτρέψετε τον κίνδυνο πυρκαγιάς, βεβαιωθείτε ότι δεν υπάρχουν διαρροές ή αναθυμιάσεις κατά τη μεταφορά ή την αποθήκευση. Βεβαιωθείτε ότι δεν υπάρχει κίνδυνος πρόκλησης σπινθήρων ή πυρκαγιάς.

- Αδειάζετε το ντεπόζιτο καυσίμου πριν από μεταφορά ή αποθήκευση για μεγάλο χρονικό διάστημα. Πιέστε τη φούσκα της χειροκίνητης αντλίας καυσίμου (πούαρ) για να βεβαιωθείτε ότι έχει αφαιρεθεί όλο το καύσιμο. Το καύσιμο πρέπει να απορρίπτεται σε κατάλληλη τοποθεσία απόρριψης.
- Βεβαιωθείτε ότι το προϊόν είναι καθαρό και ότι έχει συντηρηθεί πλήρως προτού το αποθηκεύσετε για μεγάλο χρονικό διάστημα.
- Αφαιρέστε το μπουζί και ρίξτε περίπου 15 ml λάδι για δίχρονους κινητήρες στον κύλινδρο. Γυρίστε το προϊόν 3 φορές και τοποθετήστε ξανά το μπουζί.
- Κατά τη μεταφορά, στερεώνετε καλά το προϊόν στο όχημα.
- Τοποθετήστε το προϊόν σε ξηρό, δροσερό και καθαρό χώρο με καλό αερισμό. Διατηρήστε το προϊόν μακριά από παιδιά.

# Τεχνικά στοιχεία

## Τεχνικά στοιχεία

	Husqvarna 350BT
<b>Ηλεκτροκινητήρας/κινητήρας</b>	
Κυβισμός κυλίνδρου, cm <sup>3</sup>	50,2
Στροφές ανά λεπτό στο ρελαντί, σ.α.λ.	2200
Καταλυτικός μετατροπέας	Αρ.
<b>Σύστημα ανάφλεξης</b>	
Μπουζι	NGK CMR7H / TORCH AC7R
Διάκενο ηλεκτροδίου, mm	0,6-0,7
<b>Σύστημα καυσίμου και λίπανσης</b>	
Χωρητικότητα ντεπόζιτου καυσίμου, l/cm <sup>3</sup>	1,25/1250
<b>Βάρος</b>	
Βάρος χωρίς καύσιμο, kg	10,2
<b>Εκπομπές θορύβου <sup>16</sup></b>	
Στάθμη ηχητικής ισχύος, μετρούμενη τιμή σε dB (A)	101
Στάθμη ηχητικής ισχύος, εγγυημένη L <sub>WA</sub> dB (A)	101
<b>Στάθμες θορύβου <sup>17</sup></b>	
Ισοδύναμη στάθμη ηχητικής πίεσης στα αφτιά του χειριστή, μετρημένη κατά EN15503 dB(A):	
Εξοπλισμένο με ακροφύσιο φυσητήρα (εργοστασιακό εξάρτημα)	96
<b>Στάθμες κραδασμών <sup>18</sup></b>	
Ισοδύναμες στάθμες κραδασμών (a <sub>hν,eq</sub> ) στις λαβές, μετρημένες κατά EN 15503, m/s <sup>2</sup>	2.7
<b>Απόδοση ανεμιστήρα</b>	
Μέγιστη ταχύτητα αέρα με ακροφύσιο φυσητήρα, m/s	80
Παροχή αέρα με ακροφύσιο φυσητήρα, m <sup>3</sup> /min	14

<sup>16</sup> Οι εκπομπές θορύβου στο περιβάλλον μετρούνται ως ηχητική ισχύς (L<sub>WA</sub>) σε συμμόρφωση με την Οδηγία 2000/14/ΕΚ. Η καταγεγραμμένη στάθμη ηχητικής ισχύος για το μηχανήμα έχει μετρηθεί με το γνήσιο ακροφύσιο φυσητήρα, που δίνει την υψηλότερη στάθμη. Η διαφορά μεταξύ της εγγυημένης και της μετρούμενης ηχητικής ισχύος είναι ότι η εγγυημένη ηχητική ισχύς περιλαμβάνει επίσης τη διασπορά στο αποτέλεσμα της μέτρησης και τις αποκλίσεις μεταξύ των διαφορετικών μηχανημάτων του ίδιου μοντέλου σύμφωνα με την Οδηγία 2000/14/ΕΚ.

<sup>17</sup> Τα καταγεγραμμένα στοιχεία για τη στάθμη πίεσης θορύβου έχουν τυπική στατιστική διασπορά (τυπική απόκλιση) 1,0 dB(A).

<sup>18</sup> Τα καταγεγραμμένα στοιχεία για τη στάθμη κραδασμών έχουν τυπική στατιστική διασπορά (τυπική απόκλιση) της τάξης του 1,0 m/s<sup>2</sup>.

# Δήλωση Συμμόρφωσης ΕΚ

## Δήλωση Συμμόρφωσης ΕΚ

Εμείς στη **Husqvarna AB**, SE-561 82 Huskvarna, Σουηδία, τηλ.: +46-36-146500, δηλώνουμε με αποκλειστική μας ευθύνη ότι το προϊόν:

<b>Περιγραφή</b>	Φυσητήρας πλάτης
<b>Μάρκα</b>	Husqvarna
<b>Τύπος / Μοντέλο</b>	350BT
<b>Αναγνώριση</b>	Αριθμοί σειράς με ημερομηνία από το 2022 και έπειτα

συμμορφώνεται πλήρως με τις ακόλουθες οδηγίες και τους κανονισμούς της ΕΕ:

Κανονισμός	Περιγραφή
2006/42/ΕΚ	"σχετικά με τα μηχανήματα"
2014/30/ΕΕ	"σχετικά με την ηλεκτρομαγνητική συμβατότητα"
2000/14/ΕΚ	"σχετικά με τις εκπομπές θορύβου στο περιβάλλον"
2011/65/ΕΕ	"σχετικά με τον περιορισμό της χρήσης ορισμένων επικίνδυνων ουσιών σε είδη ηλεκτρικού και ηλεκτρονικού εξοπλισμού"

και ότι εφαρμόζονται τα παρακάτω πρότυπα ή/και τεχνικές προδιαγραφές: EN ISO 12100:2010, CISPR 12:2009, EN 15503:2009+A2:2015, EN IEC 63000:2018

H RISE SMP Svensk Maskinprovning AB, Box 7035, SE-750 07 Uppsala, Σουηδία, διεξήγαγε εθελοντικά έλεγχο τύπου για λογαριασμό της Husqvarna AB.

Αριθμός πιστοποιητικού: SEC/09/2102

H RISE SMP Svensk Maskinprovning AB, Box 7035, SE-750 07 Uppsala, Σουηδία, έχει επίσης επαληθεύσει τη συμφωνία με το παράρτημα V της οδηγίας 2000/14/ΕΚ του Συμβουλίου.

Για πληροφορίες σχετικά με τις εκπομπές θορύβου, ανατρέξτε στην ενότητα *Τεχνικά στοιχεία στη σελίδα 92*.

Husqvarna, 2022-05-17

Stefan Holmberg, Διευθυντής Έρευνας και Ανάπτυξης, Διαχείριση τεχνολογίας, Husqvarna AB.

Υπεύθυνος για την τεχνική τεκμηρίωση



# Contenido

Introducción.....	94	Resolución de problemas.....	105
Seguridad.....	96	Transporte y almacenamiento.....	106
Montaje.....	98	Datos técnicos.....	107
Funcionamiento.....	99	Declaración de conformidad CE.....	108
Mantenimiento.....	102		

# Introducción

## Descripción del producto

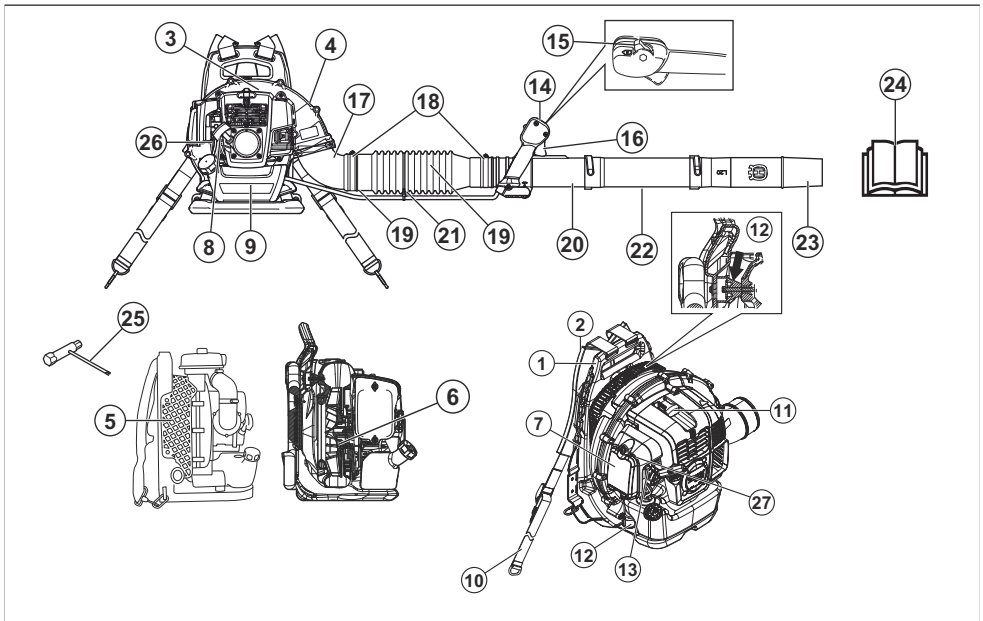
Este producto es un soplador de mochila con motor de combustión.

Trabajamos constantemente para perfeccionar nuestros productos y nos reservamos, por lo tanto, el derecho a introducir modificaciones en la construcción y el diseño sin previo aviso.

## Uso previsto

Utilice el producto para soplar hojas y otros materiales no deseados en zonas como césped, caminos y carreteras de asfalto.

## Descripción del producto



- |  |   |
|--|---|
| 1. Cuerpo                              | 9. Depósito de combustible                        |
| 2. Arnés                               | 10. Cinturón                                      |
| 3. Cubierta del motor                  | 11. Bujía   |
| 4. Cubierta del ventilador             | 12. Sistema amortiguador de vibraciones           |
| 5. Rejilla de la toma de aire          | 13. Control del estrangulador                     |
| 6. Ventilador                          | 14. Mango de control                              |
| 7. Filtro de aire                      | 15. Interruptor de arranque/parada con acelerador |
| 8. Empuñadura de la cuerda de arranque | 16. Gatillo del acelerador                        |

17. Codo
18. Abrazadera
19. Manguera flexible
20. Tubo de manejo
21. Anclaje del cable
22. Tubo intermedio
23. Boquilla de soplado
24. Manual de usuario
25. Llave combinada
26. Perilla de la bomba de combustible
27. Tornillo de régimen de ralentí

## Símbolos que aparecen en el producto



**ADVERTENCIA:** Este producto puede ser peligroso y ocasionar daños graves o mortales tanto al usuario como a cualquier otra persona. Tenga cuidado y utilice el producto correctamente.



Lea detenidamente el manual de usuario y asegúrese de que entiende las instrucciones antes de usar la máquina.



Utilice protectores auriculares homologados y protección ocular homologada. Si hay polvo en el ambiente, utilice una mascarilla protectora.



Utilice guantes protectores homologados.



Mezcla de gasolina y aceite para motores de dos tiempos.



Perilla de la bomba de combustible.



Mantenga todas las partes del cuerpo alejadas de las superficies calientes.



Estrangulador en posición abierta.



Estrangulador en posición cerrada.



Este producto cumple con las directivas CE vigentes.



Este producto cumple con las directivas del Reino Unido vigentes.



Etiqueta de emisiones sonoras al medio ambiente conforme con las directivas y normativas europeas y del Reino Unido, y con la regulación de 2017 sobre de protección del medio ambiente (control de ruidos) (Protection of the Environment Operations - Noise Control) de la legislación de Nueva Gales del Sur. El nivel de potencia acústica garantizado del producto se especifica en el apartado *Datos técnicos en la página 107* y en la etiqueta.



Tenga cuidado con los objetos que puedan salir despedidos. Los objetos que salen despedidos pueden provocar lesiones graves. Utilice el equipo de protección personal.



Mantenga una distancia de seguridad mínima de 15 m con respecto a personas o animales.

aaaassxxxx

En la placa de características técnicas se indica el número de serie. **aaaa** es el año de producción y **ss** es la semana de producción.

**Nota:** Los demás símbolos y etiquetas que aparecen en el producto corresponden a requisitos de homologación específicos en otras zonas comerciales.

## Emisiones Euro V



**ADVERTENCIA:** La manipulación del motor anula la homologación de la UE de este producto.

## Responsabilidad sobre el producto

Como se estipula en las leyes de responsabilidad del producto, no nos hacemos responsables de los daños y perjuicios causados por nuestro producto si:

- El producto se ha reparado incorrectamente.
- El producto se ha reparado con piezas que no eran del fabricante o no autorizadas por el fabricante.

- El producto tiene un accesorio que no es del fabricante o no está autorizado por este.

- El producto no se ha reparado en un centro de servicio autorizado o por un organismo homologado.

---

## Seguridad

---

### Definiciones de seguridad

Las definiciones siguientes indican el nivel de gravedad para cada palabra de señalización de riesgo.



**ADVERTENCIA:** Lesiones a personas.



**PRECAUCIÓN:** Daños en el producto.

**Nota:** Esta información hace que el producto sea más fácil de usar.

### Instrucciones generales de seguridad



**ADVERTENCIA:** Lea las siguientes instrucciones de advertencia antes de utilizar el producto.

- No realice cambios en el producto sin la aprobación del fabricante y utilice siempre accesorios originales. Las modificaciones y accesorios no aprobados pueden provocar lesiones graves o la muerte del operario u otras personas.
- No utilice un producto dañado. Lleve a cabo las comprobaciones de seguridad y siga las instrucciones de mantenimiento descritas en este manual de usuario. Todos los demás trabajos de mantenimiento deben encomendarse a personal de servicio autorizado.
- Todos los trabajos de servicio y reparación deben encomendarse a personal de servicio autorizado. Si una pieza del producto está defectuosa, póngase en contacto con su taller de servicio.

### Instrucciones de seguridad para el funcionamiento



**ADVERTENCIA:** Lea las siguientes instrucciones de advertencia antes de utilizar el producto.

- Este producto puede ser peligroso y ocasionar daños graves o mortales tanto al operador como a cualquier otra persona. Tenga cuidado y utilice el producto correctamente.
- Inspeccione el producto antes de utilizarlo. Consulte la sección *Mantenimiento en la página 102*.

- Nunca utilice el producto si está cansado, enfermo o se encuentra bajo los efectos del alcohol o medicamentos que puedan afectar la vista, la capacidad de decisión o la coordinación.
- Instale todas las cubiertas y protecciones antes de su uso. Para evitar descargas eléctricas, asegúrese de que el sombrerete de bujía y el cable de encendido no presenten daños.
- No toque la bujía ni el cable de encendido con el motor en marcha.
- Mantenga una distancia de seguridad mínima de 15 m con respecto a personas o animales. Si una persona, un niño o un animal se acercan a menos de 15 m, detenga el producto. No apunte con el producto hacia personas, animales, ventanas abiertas y otros objetos.
- No deje que los niños manejen el producto. Asegúrese de que todos los operarios lean y comprendan el contenido de este manual de usuario.
- Mantenga las manos u otros objetos alejados de la carcasa del soplador durante el funcionamiento. Las piezas giratorias pueden causar lesiones graves.
- No utilice el producto si la rejilla de la toma de aire no está instalada. Asegúrese siempre de que la rejilla de la toma de aire esté instalada y no presente daños antes de usar el producto.
- En caso de emergencia, desabroche el cinturón y la cinta del pecho del arnés, y deje caer el producto.
- Cumpla las normativas y directivas nacionales.
- Mantenga todas las partes del cuerpo alejadas de las superficies calientes.
- Este producto genera un campo electromagnético durante el funcionamiento. Este campo puede, en determinadas circunstancias, interferir en implantes médicos activos o pasivos. Para reducir el riesgo de que se den condiciones que provocarían lesiones graves o letales, las personas que utilizan implantes médicos deben consultar con su médico y con el fabricante del implante antes de poner en marcha este producto.
- Una vibración excesiva puede provocar daños en la circulación o en el sistema nervioso. Hable con su médico si presenta síntomas como, por ejemplo, entumecimiento, pérdida de sensibilidad, hormigueo, pinchazos, dolor, pérdida de fuerza o cambios en el color de la piel de los dedos, manos o muñecas.
- Tenga cuidado con los objetos que salen despedidos. Los objetos que salen despedidos pueden provocar lesiones graves.
- No use el producto en condiciones meteorológicas adversas como, por ejemplo, niebla, lluvia, vientos fuertes o frío intenso. Si trabaja con condiciones



meteorológicas adversas, puede cansarse más y verse expuesto a situaciones de peligro.

- Asegúrese de que puede moverse y mantener una postura estable. Inspeccione el lugar de trabajo en busca de cualquier obstáculo como, por ejemplo, piedras. Tenga cuidado cuando utilice el producto en una pendiente.
- No deje el producto en el suelo con el motor en marcha.
- No utilice el producto en altura, por ejemplo, subido a una escalera.
- Asegúrese de que alguien le pueda oír en caso de accidente.
- Asegúrese de que la salida de los gases de escape no esté obstruida. Para evitar daños en el producto, no permita que haya nada a menos de 50 cm de la salida de los gases de escape.
- Nunca arranque el producto en interiores, en lugares mal ventilados ni cerca de material inflamable. Los gases de escape del motor contienen monóxido de carbono, que puede provocar intoxicación. Los gases de escape del motor están calientes y pueden contener chispas, las cuales pueden llegar a provocar un incendio.

## Equipo de protección personal



**ADVERTENCIA:** Lea las siguientes instrucciones de advertencia antes de utilizar el producto.

- Para trabajar con el producto debe utilizar un equipo de protección personal homologado. El equipo de protección personal no elimina completamente el riesgo de lesiones, pero reduce la gravedad de las lesiones. Póngase en contacto con su distribuidor para obtener más información.
- Utilice protección auditiva homologada. La exposición prolongada al ruido puede causar daños crónicos en el oído.
- Utilice protección ocular homologada. Si se utiliza visor, deben utilizarse también gafas protectoras homologadas. Por gafas protectoras homologadas se entienden las que cumplen con la norma ANSI Z87.1 para EE. UU. o EN 166 para países de la UE.
- Utilice guantes protectores al usar el producto y al realizar trabajos de mantenimiento en él.
- Utilice botas o zapatos de protección con suela antideslizante.
- Utilice ropa de tejido resistente y larga. No utilice joyas ni calzado abierto. Para reducir el riesgo de lesiones, la ropa debe quedar ceñida pero sin llegar a limitar el movimiento. Evite que el pelo le caiga por debajo de los hombros para que no entre en contacto con las piezas giratorias ni se enganche en las ramas.
- Utilice una máscara de protección respiratoria en caso de existir riesgo de polvo.
- Mantenga cerca el equipo de primeros auxilios.

## Dispositivos de seguridad en el producto



**ADVERTENCIA:** Lea las siguientes instrucciones de advertencia antes de utilizar el producto.

- No utilice un producto que tenga dispositivos de seguridad defectuosos.
- Realice una comprobación de los dispositivos de seguridad con frecuencia. Consulte la sección *Mantenimiento en la página 102*.
- Si los dispositivos de seguridad están defectuosos, hable con su taller de servicio Husqvarna.

## Comprobación del silenciador



**ADVERTENCIA:** No utilice un producto con un silenciador defectuoso.



**ADVERTENCIA:** El silenciador se calienta mucho durante y después del funcionamiento, incluso con el motor a ralentí. Utilice guantes protectores para evitar quemaduras.



**ADVERTENCIA:** El interior del silenciador contiene sustancias químicas que pueden ser cancerígenas. No toque el silenciador si está dañado.

- Realice una inspección visual periódica del silenciador. El silenciador mantiene al mínimo los niveles de ruido y aleja los gases de escape del usuario. Consulte la sección *Mantenimiento del silenciador en la página 103*.

## Comprobación del sistema amortiguador de vibraciones

1. Asegúrese de que no los amortiguadores de vibraciones no presenten fisuras ni deformación.
2. Compruebe que los amortiguadores de vibraciones estén bien montados entre la parte del motor y la parte de los mangos.

Consulte *Descripción del producto en la página 94* para obtener más información sobre la ubicación del sistema amortiguador de vibraciones en el producto.

## Comprobación del interruptor de arranque/parada

1. Utilice el interruptor de arranque/parada para parar el motor.
2. Asegúrese de que el motor se detiene por completo.

Para conocer la ubicación del interruptor de arranque/parada en el producto, consulte *Descripción del producto en la página 94*.

## Arnés de seguridad

- Asegúrese de que el cinturón está abrochado y ajustado correctamente. Si hay algún extremo suelto en el arnés, podría entrar en contacto con las piezas giratorias y dañar el ventilador. Si se daña el ventilador, las piezas sueltas del producto pueden salir despedidas y provocar lesiones o daños.

## Seguridad en el uso del combustible



**ADVERTENCIA:** Lea las siguientes instrucciones de advertencia antes de utilizar el producto.

- No mezcle ni añada combustible en un recinto cerrado o cerca de una fuente de calor.
- No arranque el producto si hay manchas de aceite o combustible sobre el producto o sobre su cuerpo.
- No arranque el producto si el motor presenta fugas de combustible. Examine frecuentemente si hay fugas de combustible en el motor.
- Tenga siempre cuidado con el combustible. El combustible es inflamable, sus vapores son explosivos y puede provocar lesiones graves o la muerte.

- No inhale los vapores de combustible, ya que pueden causar lesiones. Asegúrese de que hay ventilación suficiente.
- No fume cerca del combustible o el motor.
- No coloque el producto ni un recipiente de combustible cerca de objetos calientes, una llama descubierta, una chispa o una llama piloto.
- Use siempre recipientes homologados para el transporte y almacenamiento de combustible.

## Instrucciones de seguridad para el mantenimiento



**ADVERTENCIA:** Lea las siguientes instrucciones de advertencia antes de utilizar el producto.

- Pare el motor, quite la bujía y deje que el motor se enfríe antes de realizar tareas de mantenimiento y montaje.
- Si el apagachispas se obstruye, el motor se calienta demasiado y puede resultar dañado.

## Montaje

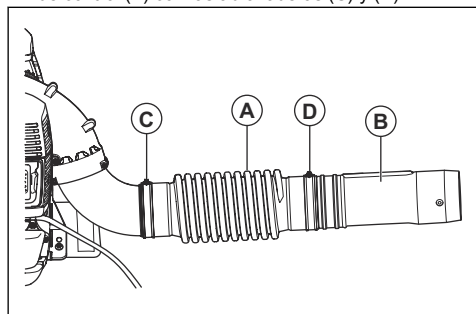
### Introducción



**ADVERTENCIA:** Asegúrese de leer y comprender el capítulo sobre seguridad antes de montar el producto.

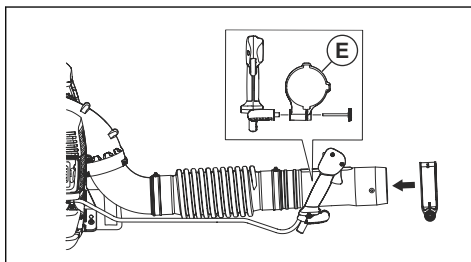
### Montaje del tubo de soplado y del mango de control en el producto

1. Conecte la manguera flexible (A) al codo y el tubo de control (B) con las abrazaderas (C) y (D).



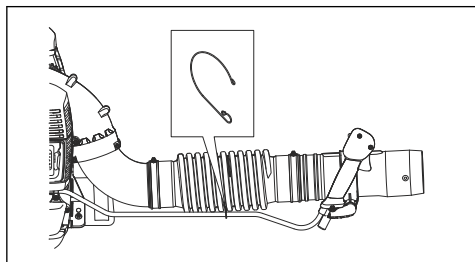
**Nota:** Lubrique el tubo de control y la manguera flexible para facilitar el montaje.

2. Monte el soporte del mango (E) en el tubo de control. Alinee el soporte del mango con la brida del tubo de control.

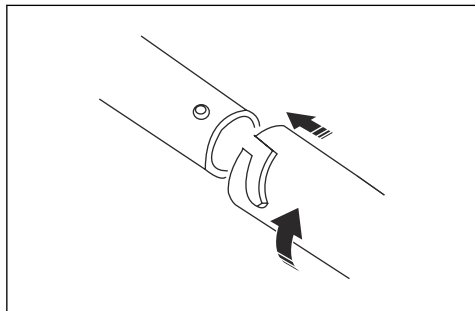


3. Ajuste la posición y el ángulo del mango de control para conseguir una posición de trabajo segura y correcta. Apriete la palomilla.

4. Fije el cable a la manguera flexible con la abrazadera.



5. Conecte el tubo intermedio al tubo de control.



**Nota:** Si es necesario utilizar un tubo de soplado redondo más largo, hay disponible un tubo intermedio de extensión.

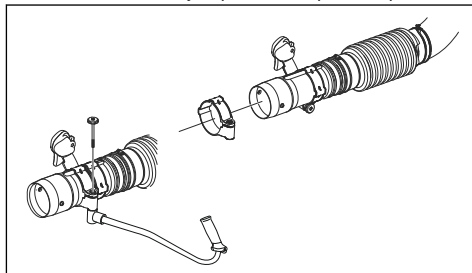
6. Conecte la boquilla de soplado al tubo intermedio.

**Nota:** La boquilla de soplado solo puede instalarse en el tubo intermedio.

## Montaje del manillar (accesorio opcional)

1. Desmonte el tubo intermedio.

2. Quite la palomilla del soporte e inserte el soporte en el tubo de control.
3. Instale el manillar y la palomilla. Apriete la palomilla.

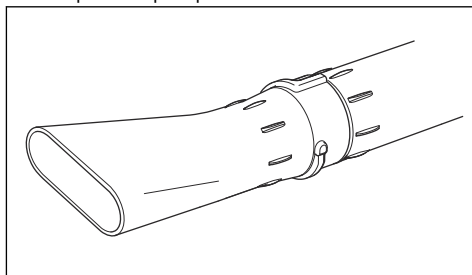


4. Monte el tubo intermedio.

## Montaje de la boquilla plana (accesorio opcional)

La boquilla plana proporciona una velocidad del aire mayor que la boquilla de soplado.

- Quite la boquilla de soplado del tubo intermedio y coloque la boquilla plana.



## Funcionamiento

### Introducción



**ADVERTENCIA:** Asegúrese de leer y comprender el capítulo sobre seguridad antes de usar el producto.

### Carburante

Este producto tiene un motor de dos tiempos.



**PRECAUCIÓN:** Un tipo de combustible incorrecto puede producir daños en el motor. Utilice una mezcla de

gasolina y aceite para motores de dos tiempos.

### Combustible premezclado

- Utilice gasolina de alquiler premezclada Husqvarna para mejorar el rendimiento y prolongar la vida útil del motor. Este combustible contiene menos productos químicos peligrosos que la gasolina tradicional, lo que reduce los gases de escape tóxicos. Con este combustible, se reduce la cantidad de residuos de la combustión, lo que ayuda a mejorar el nivel de limpieza de los componentes del motor.

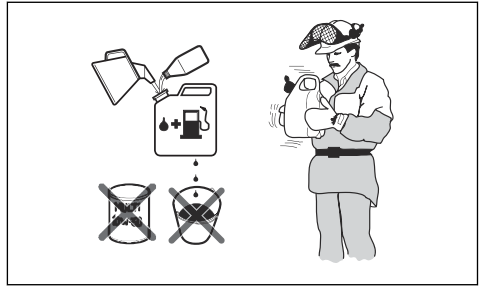
## Mezcla de combustible

### Gasolina

- Utilice gasolina sin plomo de buena calidad con un máximo de un 10 % de etanol.



**PRECAUCIÓN:** No utilice gasolina con un octanaje inferior a 90 octanos RON (87 AKI). El uso de gasolina de un octanaje inferior puede causar golpeteo del motor, lo cual puede provocar daños en el motor.



1. Agregue la mitad de la cantidad de gasolina a un recipiente limpio homologado para combustible.
2. Añada la cantidad total de aceite.
3. Agite la mezcla de combustible.
4. Añada el resto de gasolina al recipiente.
5. Agite bien la mezcla de combustible.



**PRECAUCIÓN:** No mezcle combustible para más de 1 mes como máximo.

### Aceite para motores de dos tiempos

- Para obtener los mejores resultados y un rendimiento óptimo, utilice aceite para motores de dos tiempos Husqvarna.
- Si no se dispone de aceite para motores de dos tiempos Husqvarna, puede utilizarse un aceite para motores de dos tiempos de buena calidad para motores refrigerados por aire. Póngase en contacto con su taller de servicio para seleccionar el aceite correcto.



**PRECAUCIÓN:** No utilice nunca aceite para motores de dos tiempos motores fueraborda refrigerados por agua. No utilice aceite para motores de cuatro tiempos.

### Llenado del depósito de combustible

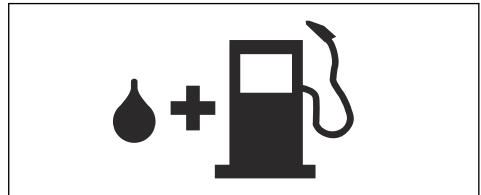


**ADVERTENCIA:** Por su seguridad, siga el procedimiento que se indica a continuación.

### Mezcla de gasolina y aceite para motores de dos tiempos

Gasolina, litros	Aceite para motores de dos tiempos, litros
	2 % (50:1)
5	0,10
10	0,20
15	0,30
20	0,40

1. Detenga el motor y deje que se enfríe.
2. Limpie minuciosamente alrededor de la tapa del depósito de combustible.



3. Agite el recipiente y asegúrese de que el combustible esté totalmente mezclado.
4. Abra el tapón del depósito de combustible lentamente para liberar la presión.
5. Llene el depósito de combustible.



**PRECAUCIÓN:** Los errores, por pequeños que sean, pueden influir en la proporción de la mezcla considerablemente si mezcla pequeñas cantidades de combustible. Mida cuidadosamente la cantidad de aceite para asegurarse de obtener la mezcla adecuada.



**PRECAUCIÓN:** Asegúrese de que no haya demasiado combustible en el depósito, ya que este se expande cuando se calienta.

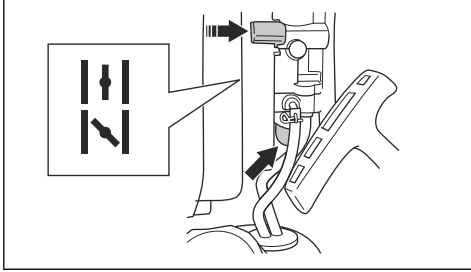
6. Apriete con cuidado el tapón del depósito de combustible.
7. Limpie el combustible derramado sobre el producto y alrededor de él.

8. Aparte el producto 3 m (10 pies) o más del lugar y la fuente de repostaje antes de arrancar el motor.

**Nota:** Para conocer la ubicación del depósito de combustible en el producto, consulte *Descripción del producto en la página 94*.

## Arranque del producto

1. Si el motor está frío, coloque el estrangulador en la posición cerrada. Consulte la sección *Símbolos que aparecen en el producto en la página 95*.



2. Presione la perilla de la bomba de combustible hasta que comience a llenarse de combustible. No es necesario llenar completamente la perilla de la bomba de combustible.
3. Pulse el interruptor de arranque/parada con el acelerador a 1/3 de la velocidad máxima. Consulte la sección *Uso del interruptor del acelerador/parada en la página 101*.
4. Ponga el producto sobre un suelo plano.
5. Agarre el producto con la mano izquierda.



**PRECAUCIÓN:** No sujete el producto con el pie.

6. Tire de la empuñadura de la cuerda de arranque lentamente hasta que note resistencia.
7. Tire de la empuñadura de la cuerda de arranque rápidamente con la mano derecha. Tire varias veces de la empuñadura de la cuerda de arranque hasta que el motor se ponga en marcha.

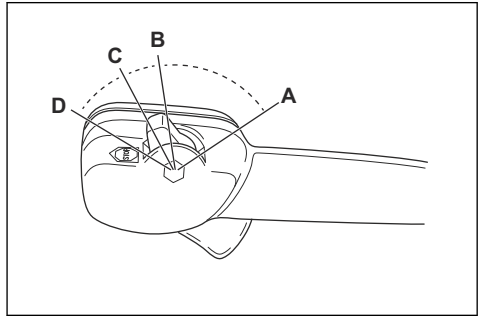
**Nota:** No tire de la empuñadura de la cuerda de arranque al máximo y no la suelte.

8. Si el motor está frío, coloque poco a poco el estrangulador en posición abierta hasta que llegue al tope.
9. Si el motor está frío, déjelo funcionar 2-3 minutos para que se caliente antes del uso.



**ADVERTENCIA:** Cuando el motor se pone en marcha y el producto se deja a ralentí, sale aire. Evite que se acerque nadie al producto ni al tubo del soplador.

## Uso del interruptor del acelerador/parada



- Acelerar al máximo (A).
- Acelerar a 1/3 de la velocidad máxima (B).
- Poner el producto a ralentí (C).
- Parar el producto (D).

## Manejo del producto

- Esta sopladora de tipo mochila se transporta con un arnés de hombro durante su funcionamiento. Se maneja y controla mediante la empuñadura del tubo con la mano derecha.

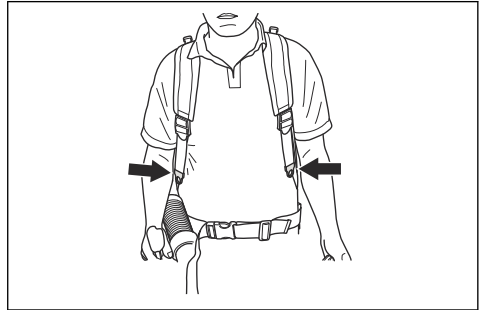


- Utilice el producto en el horario de trabajo habitual. Cumpla con las normas locales.
- Utilice una cantidad de equipo mínima y seleccione la velocidad adecuada para la tarea. Ajuste el acelerador al mínimo posible para evitar generar demasiado ruido y más polvo de lo necesario.
- Acerque la boquilla de soplado al suelo.

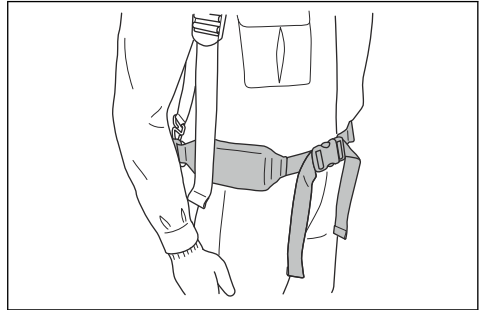
**Nota:** Husqvarna recomienda utilizar la extensión completa de la boquilla de soplado.

- Fíjese en la dirección del viento y use el producto a favor del viento.
- Utilice las herramientas de jardín necesarias para despegar el material del suelo.
- En zonas con polvo, utilice un pulverizador para humedecer la zona. De esta forma, se reducirá el tiempo de funcionamiento.
- Después de usar el producto, guárdelo en vertical.

2. Ajuste las correas de los hombros hasta que el producto esté bien ajustado contra su cuerpo.



3. Colóquese el cinturón alrededor de la cintura.
4. Ajuste el cinturón. Asegúrese de apoyar el peso del soplador sobre sus caderas.



## Parada del producto



**PRECAUCIÓN:** No pare el producto cuando esté funcionando a máxima velocidad.

1. Coloque el interruptor de arranque/parada con el acelerador en la posición de parada. Consulte la sección *Uso del interruptor del acelerador/parada en la página 101*.

## Para ajustar el arnés

1. Colóquese el arnés del producto.

# Mantenimiento

## Introducción



**ADVERTENCIA:** Asegúrese de leer y comprender el capítulo sobre seguridad

antes de realizar tareas de mantenimiento en el producto.

## Programa de mantenimiento

Mantenimiento	Diario	Semanal	Mensual
Limpié las superficies externas.	X		
Asegúrese de que el mango de control funciona correctamente.	X		
Compruebe que el interruptor de arranque/parada funciona correctamente. Consulte la sección <i>Comprobación del interruptor de arranque/parada en la página 97</i> .	X		
Examine el motor, el depósito de combustible y los conductos de combustible para detectar posibles fugas. Examine el filtro de combustible por si presenta contaminación. Sustituya el filtro de combustible si es necesario.	X		
Limpié el filtro de aire. Cambie el filtro de aire si es necesario.	X		

Mantenimiento	Diario	Semanal	Mensual
Apriete las tuercas y los tornillos.	X		
Inspeccione la toma de aire y verifique que no esté obstruida.	X		
Examine el mecanismo de arranque y la cuerda de arranque en busca de daños.		X	
Examine los amortiguadores de vibraciones para comprobar si presentan daños o grietas, o si están deformados. Compruebe que los amortiguadores de vibraciones están correctamente instalados.		X	
Examine la bujía. Consulte la sección <i>Mantenimiento de la bujía en la página 103</i> .		X	
Limpie el sistema de refrigeración.		X	
Limpie el exterior del carburador y la zona alrededor del mismo.		X	
Limpie el depósito de combustible.			X
Examine todos los cables y conexiones.			X
Examine y limpie el apagachispas del silenciador (para productos sin catalizador).		X	
Examine y limpie el apagachispas del silenciador (para productos con catalizador).			X
Examine la bujía. Proceda con la sustitución si es necesario.			X

## Para ajustar el régimen de ralentí

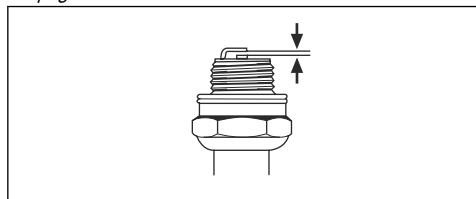
- Asegúrese de que el filtro de aire esté limpio y tenga colocada la cubierta.
- Regule el ralentí con el tornillo de ralentí. Para conocer la ubicación del tornillo de ralentí en el producto, consulte *Descripción del producto en la página 94*.

## Mantenimiento de la bujía



**PRECAUCIÓN:** Utilice la bujía recomendada. Consulte la sección *Datos técnicos en la página 107*. Una bujía incorrecta puede provocar daños en el producto.

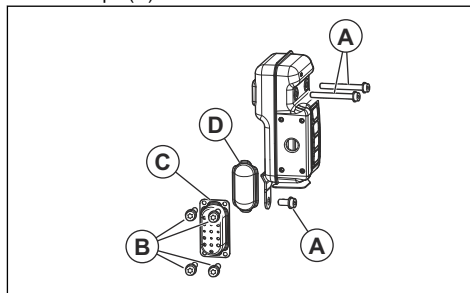
- Detenga el motor y deje que el producto se enfríe.
- Limpie la bujía si está sucia.
- Compruebe que la distancia entre los electrodos sea correcta. Consulte la sección *Datos técnicos en la página 107*.



- Cambie la bujía todos los meses o más a menudo si es necesario.

## Mantenimiento del silenciador

- Detenga el motor y deje que el silenciador se enfríe. Utilice siempre guantes protectores.
- Quite los tornillos (A), los tornillos (B) y el conducto de escape (C).



- Quite el apagachispas (D) y límpielo con un cepillo de alambre. Sustituya el apagachispas si está dañado.
- Elimine la suciedad del silenciador y de la lumbrera de escape del cilindro con un cepillo de alambre.
- Monte el apagachispas (D) y el conducto de escape (C) con los tornillos (B). Apriete los tornillos a 2-3 Nm.

6. Apriete los tornillos (A) a 8-12 Nm. Compruebe que el silenciador esté firmemente montado en el producto.

## Inspección y limpieza del sistema de refrigeración

El sistema de refrigeración incluye las aletas de refrigeración del cilindro y la rejilla de la toma de aire.

1. Pare el motor.
2. Asegúrese de que el sistema de refrigeración no esté dañado ni obstruido. Si es necesario, limpie la rejilla de la toma de aire y las aletas de refrigeración.



**PRECAUCIÓN:** Un sistema de refrigeración sucio u obstruido puede producir el sobrecalentamiento del motor, lo cual puede provocar daños en el producto. Una rejilla de la toma de aire obstruida afecta negativamente a la fuerza de soplado.

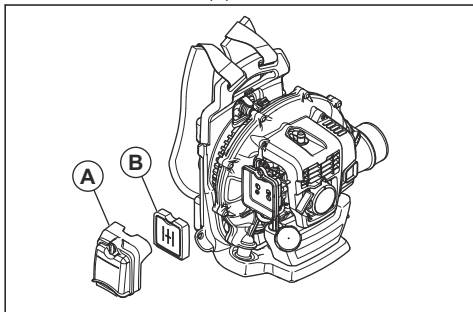
3. Examine el sistema de refrigeración para comprobar si presenta daños. Asegúrese de que los componentes estén bien montados en el producto.

## Para limpiar el filtro de aire



**PRECAUCIÓN:** No utilice el producto sin haber instalado un filtro de aire, ni tampoco si el filtro de aire está dañado. El polvo presente en el aire puede dañar el motor.

1. Coloque el estrangulador en la posición cerrada.
2. Retire la cubierta del filtro de aire (A).
3. Quite el filtro de aire (B) del bastidor del filtro.



4. Limpie el filtro de aire con agua tibia y jabón.

**Nota:** Un filtro de aire que se haya utilizado durante mucho tiempo no se puede limpiar por completo. Sustituya el filtro de aire periódicamente y cambie siempre el filtro de aire si está defectuoso.

5. Limpie la superficie interior de la cubierta del filtro de aire (A) con un cepillo.

6. Aplique aceite al filtro de aire. Consulte la sección *Aplicación de aceite al filtro de aire de espuma en la página 104*.
7. Coloque el filtro de aire en el bastidor del filtro.
8. Coloque la cubierta del filtro de aire en el producto.

## Aplicación de aceite al filtro de aire de espuma

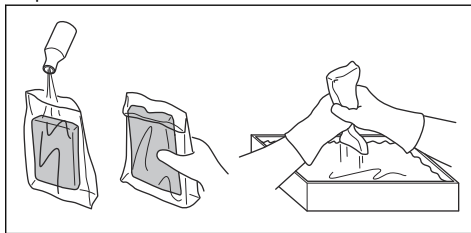


**PRECAUCIÓN:** Utilice siempre aceite especial para filtros de aire Husqvarna. No utilice otros tipos de aceite.



**ADVERTENCIA:** Use guantes protectores. El aceite del filtro de aire puede causar irritación en la piel.

1. Coloque el filtro de aire de espuma en una bolsa de plástico.
2. Coloque el aceite en la bolsa de plástico.
3. Frote la bolsa de plástico para suministrar el aceite de forma equilibrada en el filtro de aire de espuma.
4. Empuje el aceite sobrante para sacarlo del filtro de aire de espuma mientras está en la bolsa de plástico.



## Sustitución del arnés

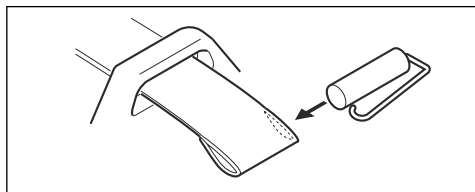


**ADVERTENCIA:** Un arnés dañado puede hacer que el producto se caiga, con el consiguiente riesgo de lesiones que esto supone. Instale la abrazadera correctamente.

1. Pare el motor.
2. Quite la abrazadera de la correa.
3. Pase el extremo de la correa por el ojal.
4. Pase la nueva correa por el ojal.



5. Coloque el pasador en la correa para fijar la abrazadera a la correa nueva.



## Resolución de problemas

El motor no arranca		
Comprobar	Causa posible	Solución
Botón de parada.	Posición de parada	Coloque el mando de detención en posición de arranque.
Ganchos de arranque.	Ganchos de arranque bloqueados o desgastados.	Ajuste o sustituya los ganchos de arranque.
		Limpie alrededor de los ganchos de arranque.
		Acuda a un centro de servicio autorizado.
Depósito de combustible.	Tipo de combustible incorrecto.	Vacíe el depósito de combustible y llénelo con el combustible adecuado.
Carburador.	Reglaje del régimen de ralentí	Regule el régimen de ralentí con el tornillo de ajuste.
Chispa (no hay chispa).	Bujía sucia o húmeda.	Asegúrese de que la bujía de encendido está seca y limpia.
	La distancia entre los electrodos de la bujía es incorrecta.	Limpie la bujía. Compruebe que la distancia entre los electrodos sea correcta. Asegúrese de que la bujía está equipada con supresor.
		Consulte los datos técnicos para conocer la distancia entre los electrodos correcta.
Bujía.	Bujía suelta.	Apriete la bujía.
	Hay material no deseado en los electrodos de la bujía.	Asegúrese de que la mezcla de combustible sea correcta.
		Asegúrese de que el filtro de aire esté limpio.

El motor arranca pero se para de nuevo		
Comprobar	Causa posible	Solución
Depósito de combustible.	Tipo de combustible incorrecto.	Vacielo y utilice el combustible adecuado.
Carburador.	El motor no funciona correctamente a ralentí.	Acuda a su distribuidor.
Filtro de aire.	Filtro de aire obstruido.	Limpie el filtro de aire.

---

## Transporte y almacenamiento

---

### Transporte y almacenamiento



**ADVERTENCIA:** Para evitar el riesgo de incendio, asegúrese de que no haya fugas ni vapores durante el transporte o el almacenamiento. Asegúrese de que no existe riesgo de chispas ni de incendio.

- Vacíe el depósito de combustible antes de transportar el producto o almacenarlo un tiempo prolongado. Presione la perilla de la bomba de combustible para verificar que se haya extraído todo el combustible. Deseche el combustible en una ubicación adecuada para su eliminación.
- Asegúrese de que el producto esté limpio y de haber realizado todas las tareas de mantenimiento pertinentes antes de guardarlo durante periodos prolongados.
- Quite la bujía y vierta aproximadamente 15 ml de aceite para motores de dos tiempos en el cilindro. Haga girar el producto 3 veces e instale de nuevo la bujía.
- Fije el producto firmemente al vehículo durante el transporte.
- Ponga el producto en un lugar seco, fresco y limpio, con una ventilación adecuada. Mantenga el producto alejado de los niños.

## Datos técnicos

### Datos técnicos

	<b>Husqvarna 350BT</b>
<b>Motor</b>	
Cilindrada, cm <sup>3</sup>	50,2
Ralentí, rpm	2200
Catalizador	No
<b>Sistema de encendido</b>	
Bujía	NGK CMR7H/TORCH AC7R
Distancia entre electrodos, mm	0,6-0,7
<b>Sistema de combustible y lubricación</b>	
Capacidad del depósito de combustible, l/cm <sup>3</sup>	1,25/1250
<b>Peso</b>	
Peso sin combustible, kg	10,2
<b>Emisiones de ruido</b> <sup>19</sup>	
Nivel de potencia acústica, dB(A) medidos	101
Nivel de potencia acústica garantizado L <sub>WA</sub> dB(A)	101
<b>Niveles acústicos</b> <sup>20</sup>	
Nivel de presión sonora equivalente en el oído del usuario, medido conforme a EN15503, dB(A):	
Equipado con la boquilla de soplado (original)	96
<b>Niveles de vibraciones</b> <sup>21</sup>	
Niveles de vibración equivalentes (a <sub>hv,eq</sub> ) en los mangos, medidos conforme a EN 15503, m/s <sup>2</sup>	2,7
<b>Rendimiento del ventilador</b>	
Velocidad máxima del aire con boquilla de soplado, m/s	80
Caudal de aire con boquilla de soplado, m <sup>3</sup> /min	14

<sup>19</sup> Emisiones sonoras en el entorno medidas como potencia acústica (L<sub>WA</sub>) según la directiva CE 2000/14/CE. El nivel referido de potencia sonora de la máquina se ha medido con el boquilla de soplado original que produce el nivel más elevado. La diferencia entre la potencia sonora garantizada y medida es que la potencia sonora garantizada también incluye la dispersión en el resultado de la medición y las variaciones entre diferentes máquinas del mismo modelo, según la directiva 2000/14/CE.

<sup>20</sup> Los datos referidos del nivel de presión sonora tienen una dispersión estadística habitual (desviación típica) de 1,0 dB (A).

<sup>21</sup> Los datos referidos del nivel de vibración poseen una dispersión estadística habitual (desviación típica) de 1,0 m/s<sup>2</sup>.

# Declaración de conformidad CE

## Declaración de conformidad CE

Nosotros, **Husqvarna AB**, SE-561 82 Huskvarna, Suecia, tel. +46-36-146500, declaramos bajo nuestra exclusiva responsabilidad que el producto:

<b>Descripción</b>	Soplador de mochila
<b>Marca</b>	Husqvarna
<b>Tipo/Modelo</b>	350BT
<b>Identificación</b>	Números de serie a partir del año 2022

Cumple las siguientes directivas y normas de la UE:

<b>Norma</b>	<b>Descripción</b>
2006/42/CE	"relativa a las máquinas"
2014/30/UE	"relativa a la compatibilidad electromagnética"
2000/14/CE	"relativa a las emisiones sonoras en el entorno"
2011/65/UE	"relativa a restricciones de utilización de determinadas sustancias peligrosas en aparatos eléctricos y electrónicos"

Y que se aplican las especificaciones técnicas o los estándares siguientes: EN ISO 12100:2010, CISPR 12:2009, EN 15503:2009+A2:2015, EN IEC 63000:2018

RISE SMP, Svensk Maskinprovning AB, Box 7035, SE-750 07 Uppsala (Suecia), ha efectuado el examen de tipo voluntario para Husqvarna AB.

Número de certificado: SEC/09/2102

RISE SMP, Svensk Maskinprovning AB, Box 7035, SE-750 07 Uppsala (Suecia), ha comprobado también la conformidad con el apéndice V de la Directiva del Consejo 2000/14/CE.

Para obtener información respecto a las emisiones sonoras, consulte *Datos técnicos en la página 107*.

Huskvarna, 2022-05-17

Stefan Holmberg, Director de I+D, Gestión de tecnología, Husqvarna AB.

Responsable de la documentación técnica



## Sisukord

Sissejuhatus.....	109	Veaotsing.....	119
Ohutus.....	111	Transportimine ja hoiustamine.....	120
Kokkupanek.....	113	Tehnilised andmed.....	121
Töö.....	114	EÜ vastavusdeklaratsioon.....	122
Hooldamine.....	117		

## Sissejuhatus

### Seadme kirjeldus

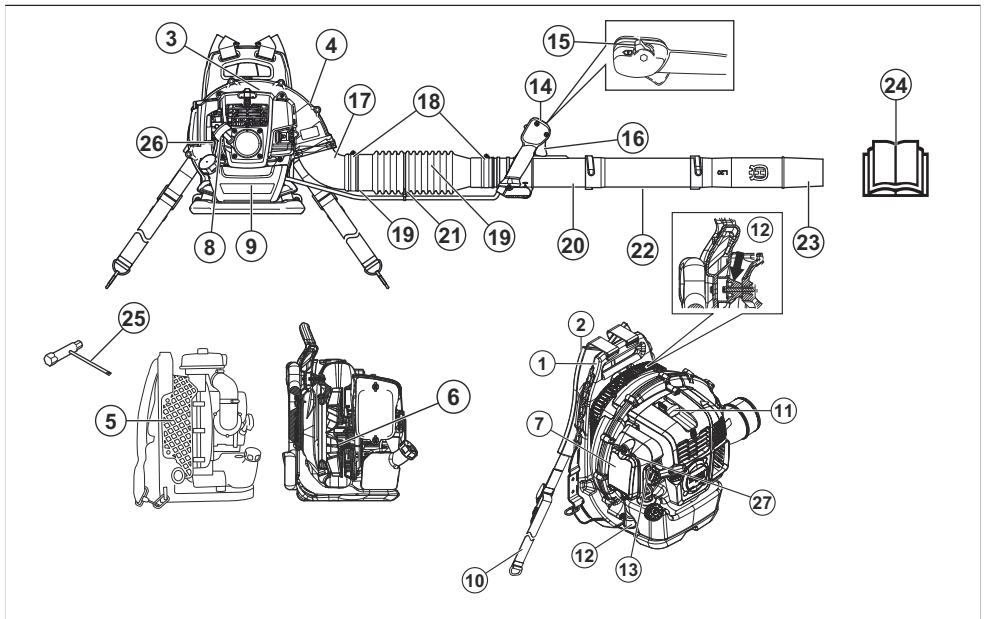
See toode on sisepõlemismootoriga puhur.

Tegeleme pidevalt oma toodete edasiarendamisega ning seetõttu jätame endale õiguse muuta toodete disaini ja välimust ilma sellest ette teatamata.

### Kasutusotstarve

Kasutage toodet lehtedevõi muu soovimatu materjali ärapuhumiseks näiteks murult, teeradadelt ja asfaltteedelt.

### Seadme tutvustus



- |                          |   |
|--------------------------|---|
| 1. Raam                  | 11. Süüteküünal                           |
| 2. Rakmed                | 12. Vibratsioonisummutussüsteem           |
| 3. Mootorikate           | 13. Õhuklapp                              |
| 4. Ventilaaatori kate    | 14. Juhtkäepide                           |
| 5. Õhu sissepääsuava     | 15. Gaasitrikliga käivitus-/seiskamislüli |
| 6. Ventilator            | 16. Gaasihooastiku nupp                   |
| 7. Õhufilter             | 17. Toru nurk                             |
| 8. Käivitusnööri käepide | 18. Klamber                               |
| 9. Kütusepaak            | 19. Painduv voolik                        |
| 10. Võõrihm              | 20. Juhtvoolik                            |

21. Kaabliklamber
22. Vahetoru
23. Puhurseadme otsak
24. Kasutusjuhend
25. Lehtsilmsuvõti
26. Kütusepump
27. Tühikäigu pöörete arvu reguleerimiskruvi

## Sümbolid tootel



**HOIATUS!** Toode võib olla ohtlik ja põhjustada kasutaja või kõrvaliste isikute ohtliku kehavigastuse või surma. Olge ettevaatlik ja kasutage toodet õigesti.



Enne toote kasutamist lugege kasutusjuhend hoolikalt läbi ja veenduge, et kõik juhised oleksid täiesti arusaadavad.



Kasutage heakskiidetud kõrvaklappe ja kaitseprille. Kui keskkond on tolmune, kandke hingamismaski.



Kandke heakskiidetud kaitsekindaid.



Kasutage bensiini ja kahetaktilise mootori õli segu.



Kütusepump.



Hoidke kõik kehaosad kuumadest pindadest eemale.



Õhuklapp, avatud asend.



Õhuklapp, suletud asend.



See toode vastab kehtivatele EÜ direktiividele.



See toode vastab kehtivatele UK direktiividele.



Müraemissioonile viitav keskkonnasilt vastavalt ELi ja UK direktiividele ja määrustele ja Uus Lõuna-Walesi õigusaktile „Protection of the Environment Operations (Noise Control) Regulation 2017“. Toote garanteeritud helivõimsuse taseme andmed leiate jaitisest *Tehnilised andmed lk 121* ja sildil.



Hoiduge lendu paisatud esemete eest. Lendu paisatud esemed võivad tekitada raskeid vigastusi. Kasutage isikukaitsevahendeid.



Hoidke inimeste või loomadega minimaalselt 15 m ohutut vahemaad.

aaaannxxxxx

Mudeli etikett näitab seeria- numbrit. **aaaa** on tootmisaasta ja **nn** on tootmishädal.

**Märkus:** Seadmel toodud ülejäänud sümbolid/ tähised vastavad muude kommertsvaldkondade sertifitseerimisnõuetele.

## Euro V heitmed



**HOIATUS:** Mootori igasugune modifitseerimine, muutmine või rikkumine tühistab toote EL-i tüübikinnituse.

## Tootevastutus

Tootevastutusseaduste alusel ei vastuta me tootest tingitud kahjustuste eest, kui:

- toodet on valesti parandatud;
- toote parandamisel on kasutatud osi, mis ei ole tootja poolt valmistatud või heaks kiidetud;
- tootel on kasutatud tarvikut, mis ei ole tootja poolt valmistatud või heaks kiidetud;
- toodet ei ole parandatud volitatud hoolduskeskuses või volitatud isiku poolt.

# Ohutus

## Ohutuse määratlused

Järgnevad määratlused näitavad märgusõnade raskusastet.



**HOIATUS:** Kehavigastused.



**ETTEVAATUST:** Toote kahjustus.

**Märkus:** See teave hõlbustab toote kasutamist.

## Üldised ohutuseeskirjad



**HOIATUS:** Enne toote kasutamist loe läbi järgnevad hoiatused.

- Ära tee toote juures ilma tootja heakskiiduta muudatusi ja kasuta alati originaaltarvikuid. Heakskiitmata muudatused ja/või tarvikud võivad põhjustada kasutaja või teiste isikute surma või raske vigastuse.
- Ära kasuta kahjustatud seadet. Teosta käesolevas juhendis kirjeldatud ohutuskontrolle ja hooldustööd. Kõik muud hooldustööd tuleb lasta teha volitatud hooldustöökojas.
- Igasugune teenindamis- ja remonditööd tuleb lasta teha volitatud hooldustöökojas. Kui toote mõni osa on defektiga, pöörduge hooldusesindusse.

## Ohutusjuhised kasutamisel



**HOIATUS:** Enne toote kasutamist loe läbi järgnevad hoiatused.

- Toode võib olla ohtlik ja põhjustada kasutaja või kõrvaliste isikute ohtliku kehavigastuse või surma. Ole ettevaatlik ja kasuta toodet õigesti.
- Kontrolli seadet enne kasutamist. Vt jaotist *Hooldamine lk 117*.
- Ära kasuta toodet, kui oled väsinud, haige või tarvitanud alkoholi või muid narkootilisi aineid, mis võib pärssida teie nägemisvõimet, hindamisvõimet või koordineerimist.
- Paigalda enne kasutamist kõik katted ja kaitsed. Elektrilöögi vältimiseks veendu, et süüteküünlala piip ja süüteküünlala juhe ei oleks kahjustatud.
- Ära puuduta mootori töötamise ajal süüteküünlalt ega süütejuhet.
- Hoia inimeste või loomadega minimaalselt 15 m ohutut vahemaad. Kui inimesed, lapsed või loomad tulevad lähemale kui 15 m, seiska seade. Suuna toode eemale inimestest, loomadest, avatud akendest ja teistest objektidest.
- Ära luba lastel seadet käsitseda. Veendu, et kõik kasutajad on käesoleva kasutusjuhendi läbi lugenud ja saavad sellest aru.
- Hoia käed ja teised esemed seadme kasutamise ajal puhuri korpusest eemal. Pöörlevad esemed võivad põhjustada raskeid vigastusi.
- Ära kasuta toodet, kui õhu sissepääsuava on paigaldamata. Veendu enne kasutamist alati, et õhu sissepääsuava on paigaldatud ja pole kahjustatud.
- Hädaolukorra tekkides vabasta rakemete vöö- ja rinnarihm ning lase tootel maha kukkuda.
- Pea kinni riiklikest õigusaktidest ja määrustest.
- Hoia kõik kehaosad kuumadest pindadest eemal.
- Toode tekitab töötades elektromagnetvälja. Teatud tingimustel võib väli häirida aktiivsete või passiivsete meditsiiniliste implantaatide tööd. Raskete või surmaga lõppevate kehavigastuste ohu vähendamiseks soovime meditsiinilisi implantaate kasutataval inimestel pidada enne selle seadme kasutamist nõu oma arsti ja implantaadi valmistajaga.
- Liiga tugev vibratsioon võib kahjustada vereringet või närvisüsteemi. Pea nõu arstiga, kui sul esinevad järgmised sümptomid: sõrmede, käte või randmete tuimus, tundedus, surisemine, kibelemine, valu, jõu kaotus või nahavärvuse muutumine.
- Hoidu eemalepaiskuvate esemete eest. Õhku paiskuvad esemed võivad põhjustada raskeid vigastusi.
- Hoidu seadme kasutamisest halva ilmaga, nt tihedas udus, tugeva vihma, tugeva tuule või suure külmutega. Halva ilmaga töötamine võib põhjustada väsimust ja ohtlike olukordade teket.
- Veendu et saaksid liikuda ja töötada stabiilses asendis. Kontrolli tööpiirkonda võimalike takistuste, näiteks kivide suhtes. Ole ettevaatlik toote kasutamisel kallakul.
- Ära aseta töötava mootoriga toodet maapinnale.
- Ära kasuta toodet viibides kõrgetel kohtadel, näiteks redelil.
- Veendu, et teid oleks alati kuulda, kui õnnetus peaks juhtuma.
- Veendu, et mootori heitgaasi väljalaskeava ei oleks tõkestatud. Toote kahjustamise vältimiseks hoia võimalikud takistused heitgaasi väljalaskeavast vähemalt 50 cm kaugusel.
- Ära käivita toodet siseruumis, ebasoodsa tuulesuuna korral ega tuleohtlike materjalide lähedal. Mootori heitgaasid sisaldavad vingugaasi, mis võib põhjustada vingumürgitust. Mootori heitgaasid on

tulised ja võivad sisaldada sädemeid, mis võivad põhjustada tulekahju.

## Isikukaitsevahendid



**HOIATUS:** Enne seadme kasutamist loe läbi järgnevad hoiatused.

- Seadmega töötamisel tuleb kasutada ettenähtud isiklikku kaitsevarustust. Isikukaitsevarustus ei välista täielikult kehavigastuste ohtu, kuid vähendab õnnetusjuhtumi korral kehavigastuse raskusastet. Lisateabe saamiseks võta ühendust edasimüüjaga.
- Kanna heakskiidetud kõrvaklappe. Pikaajaline müra võib tekitada püsiva kuulmiskahjustuse.
- Kanna heakskiidetud kaitseprille. Näokaitse kasutamisel tuleb lisaks kasutada heakskiidetud kaitseprille. Heakskiidetud kaitseprillide all mõeldakse selliseid prille, mis vastavad standardile ANSI Z87.1 USA-s või EN 166 Euroopa Liidu riikides.
- Kasuta töötamise ja hooldamise ajal kaitsekindaid.
- Kanna libisemiskindla tallaga kaitseasaapaid või -jalatseid.
- Kasuta täispikki ja tugevast kangast riideid. Ära kasuta ehteid ega lahtisi jalatseid. Vigastusteohu vähendamiseks peavad riietusesemed hoidma ümber keha, kuid mitte piirama sinu liigutusi. Kinnita juuksed õlgadest kõrgemale, et vältida juuste sattumist liikuvate osade vahele või oksade külge jäämist.
- Tolmu tekkimise ohu korral kasuta hingamiskaitset.
- Hoia esmaabikomplekti kättesaadavas kohas.

## Toote ohutusseadised



**HOIATUS:** Enne seadme kasutamist lugege läbi järgnevad hoiatused.

- Ärge kunagi kasutage seadet, kui selle ohutusseadised on defektsed.
- Kontrollige ohutusseadiseid regulaarselt. Vt jaotist *Hooldamine lk 117*.
- Kui ohutusseadised on defektsed, pöörduge Husqvarna hooldusesindusse.

## Summuti kontrollimine



**HOIATUS:** Ära kasuta defektse summutiga seadet.



**HOIATUS:** Summutid muutuvad kasutamise ajal ja pärast kasutamist, samuti tühikäigul, väga kuumaks. Põletusvigastuste vältimiseks kasuta kaitsekindaid.



**HOIATUS:** Summuti sisaldab kemikaale, mis võivad olla kantserogeense toimega. Ära puuduta kahjustatud summutit.

- Kontrolli summutit regulaarselt visuaalselt. Summuti ülesandeks on hoida müratase võimalikult madalal ja suunata mootori heitgaasid kasutajast eemale. Vt jaotist *Süüteküünla hooldamine lk 118*.

## Vibratsioonisummutussüsteemi kontrollimine

1. Veenduge, et vibratsioonisummutusseadised poleks pragunenud ega deformeerunud.
2. Veenduge, et vibratsioonisummutusseadised oleksid mootori ja käepidemete külge kindlalt kinnitatud.

Teavet vibratsioonisummutussüsteemi täpse paiknemise kohta enda tootel vt *Seadme tutvustus lk 109*.

## Käivitus-/seiskamisülili kontrollimine

1. Mootori seiskamiseks kasuta käivitus-/seiskamisülilit.
2. Veendu, et mootor on täielikult seiskunud.

Tootel käivitus-/seiskamisülili asukoha leidmiseks vt *Seadme tutvustus lk 109*.

## Rakmete ohutus

- Veendu, et vöörihm on kinnitatud ja õigesti reguleeritud. Rakmete lahtised otsad võivad sattuda seadme liikuvate osade vahele ja kahjustada ventilaatorit. Ventilaatori kahjustuse korral võivad toote lahtised osad eemale paiskuda ja kehavigastusi põhjustada.

## Ohutusnõuded kütuse käsitlemisel



**HOIATUS:** Enne toote kasutamist loe läbi järgnevad hoiatused.

- Ära sega ega lisa kütust siseruumides ega kuumusallika lähedal.
- Ära käivita toodet, kui tootel või sinu kehal kütust või õli.
- Ära käivita toodet, kui mootorist lekib kütust. Kontrolli regulaarselt mootori lekkekindlust.
- Ole kütuse käsitlemisel ettevaatlik. Kütus on tuleohtlik ja kütuse aurud on plahvatusohtlikud ning võivad põhjustada kehavigastusi või surma.
- Ära hing sisse kütuseaure – see võib põhjustada kehavigastuse. Taga piisav õhuvahetus.
- Ära suitseta kütuse ega mootori läheduses.
- Ära aseta toodet ega kütusenõud kuumade esemete lähedale või kohta, kus on lahtine leek, sädemed või süütleek.
- Kütuse transportimiseks ja hoiustamiseks kasuta heakskiidetud mahuteid.



## Ohutusjuhised hooldamisel



**HOIATUS:** Enne toote kasutamist loe läbi järgnevad hoiatused.

- Seisake enne hooldamist ja kokkupanemist mootor, eemaldage süüteküünl ja laske mootoril jahtuda.
- Ummistunud sädemepüüdu tõttu muutub mootor liiga kuumaks ning see võib mootorit kahjustada.

## Kokkupanek

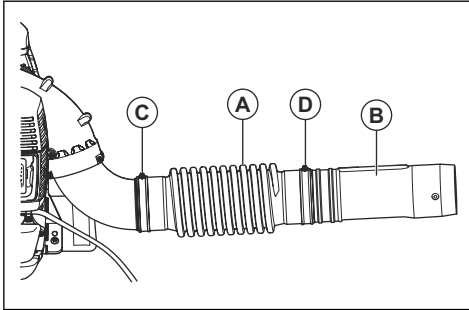
### Sissejuhatus



**HOIATUS:** Enne toote kokkupanekut lugege ohutuspeatükki ja tehke selles olev teave endale arusaadavaks.

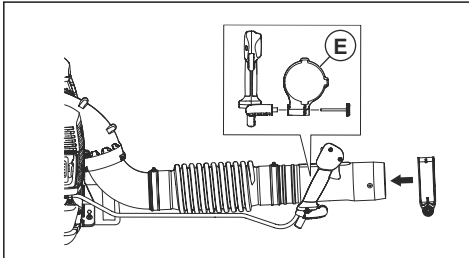
### Tootele puhuritoru ja juhtkäpideme kinnitamine

1. Kinnita painduv voolik (A) klambrite (C) ja (D) abil toru nurgale ja juhttorule (B).



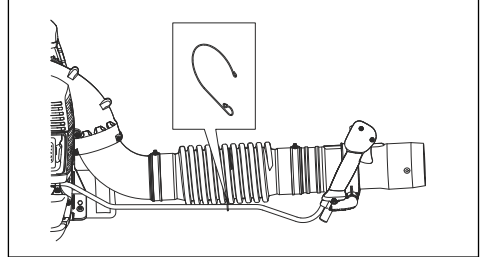
**Märkus:** Kokkupanemise hõlbustamiseks määri juhttoru ja painduvat voolikut.

2. Kinnita käepideme hoidik (E) juhttorule. Vii käepideme hoidik kohakuti juhttorul oleva äärikuga.

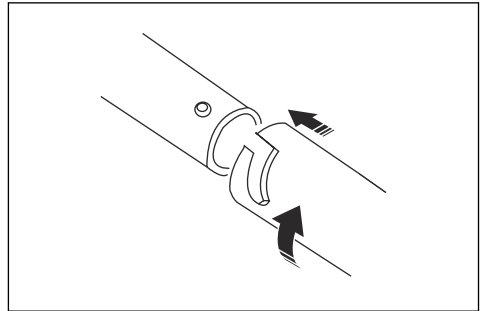


3. Sea juhtkäpideme asukoht ja nurk ohutu ja õige tööasendi jaoks sobivasse asendisse. Keera nupp kinni.

4. Kinnita tross kaablivitsaga trossiklambri külge.



5. Kinnita vahetoru juhttoru külge.



**Märkus:** Kui on vaja kasutada pikemat ümmargust puhuritoru, on selleks saadaval pikendatud vahetoru.

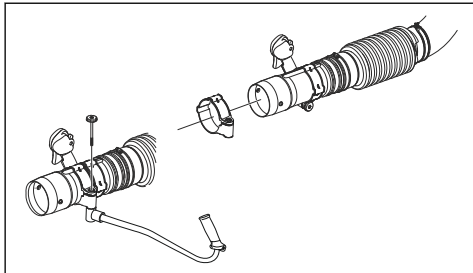
6. Kinnita puhuriotsak vahetoru külge.

**Märkus:** Puhuriotsakut saab kinnitada üksnes vahetoru külge.

### Käepideme (lisavarustus) kokkupanemine

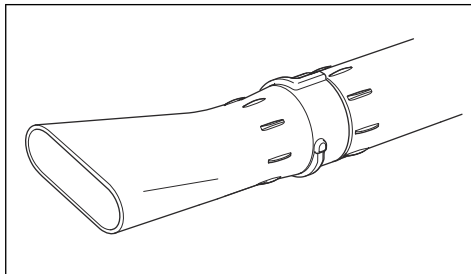
1. Võta vahetoru lahti.
2. Eemalda nupp kinnitusosa küljest ja suru kinnitusosa kinnitustoru külge.

3. Paigalda käepide ja nupp. Keera nupp kinni.



4. Paigalda vahetoru.

- Eemalda vahetoruult puhuriotsak ja paigalda lameotsak



## Lameotsaku (lisavarustus) kokupanemine

Lameotsak tagab puhuriotsakuga võrreldes suurema õhukiiruse.

## Töö

### Sissejuhatus



**HOIATUS:** Enne toote kasutamist lugege läbi ohutuspeatükk ja veenduge, et oleksite kõigest aru saanud.

### Kütus

Tootel on kahetaktiline mootor.



**ETTEVAATUST:** Vale kütuse kasutamine võib mootorit kahjustada. Kasutage bensiini ja kahetaktiõli segu.

### Kahetaktiõli

- Parimate tulemuste ja jõudluse saavutamiseks kasutage Husqvarna kahetaktiõli.
- Kui Husqvarna kahetaktiõli pole saadaval, kasutage õhkjahutusega mootoritele mõeldud kvaliteetset kahetaktiõli. Õige õli valimiseks pöörduge hooldusesindusse.



**ETTEVAATUST:** Ärge kasutage vesijahutusega põramootoritele mõeldud kahetaktiõli, mida tuntakse ka paadimootoriõlina. Ärge kasutage neljaktimootori õlisid.

### Eelsegatud kütus

- Parima jõudluse saavutamiseks ja mootori tööea pikendamiseks kasutage Husqvarna eelsegatud alkülaatkütust. See kütus sisaldab tavalise kütusega võrreldes vähem kahjulikke kemikaale, mis omakorda vähendab kahjulikke heitgaase. Selle kütuse korral on põlemisjääkide hulk väiksem ja see aitab hoida mootoriosad puhtamana.

### Kütuse segamine

#### Bensiin

- Kasutage kvaliteetset kuni 10% etanoolisisaldusega pliivaba bensiini.



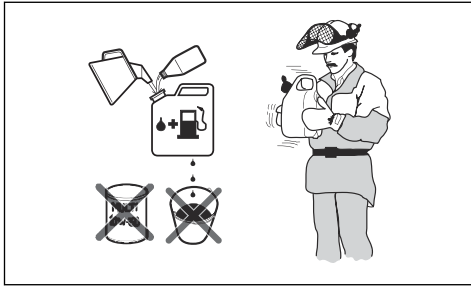
**ETTEVAATUST:** Ärge kasutage bensiini, mille oktaaniarv on alla 90 RON (87 AKI). Madalama oktaaniravuga bensiini kasutamine võib põhjustada mootori klõppimist, mis omakorda kahjustab mootorit.

### Bensiini ja kahetaktiõli segamine

Bensiin, l	Kahetaktiõli, l
	<b>2% (50:1)</b>
5	0,10
10	0,20
15	0,30
20	0,40



**ETTEVAATUST:** Väikeste kütusekoguste segamisel võib väike viga segusuhet oluliselt mõjutada. Mõõtke segatava õli kogus väga täpselt ja veenduge, et segu oleks õige.



1. Valage puhtasse kütusenõusse pool bensiinikogusest.
2. Valage nõusse kogu vajaminev õlikogus.
3. Segage kütusesegu.
4. Lisage nõusse ülejäänud bensiinikogus.
5. Segage kütusesegu hoolikalt.



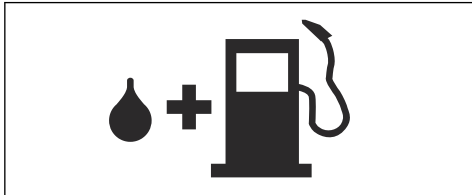
**ETTEVAATUST:** Ärge segage kütust korraga rohkem, kui on teie ühe kuu varu.

### Kütusepaagi täitmine



**HOIATUS:** Ohutuse tagamiseks järgige tegevusjuhiseid.

1. Seisake mootor ja laske mootoril maha jahtuda.
2. Puhastage kütusepaagi korgi ümbrus.



3. Loksutage kütusenõu veendumaks, et kütus on täielikult segunenud.
4. Surve vabastamiseks avage kütusepaagi kork aeglaselt.
5. Täitke kütusepaak.



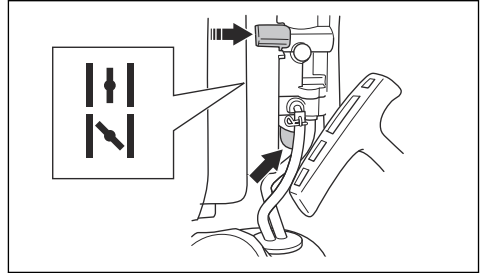
**ETTEVAATUST:** Veenduge, et paagis ei ole liiga palju kütust. Kuumenedes kütus paisub.

6. Pingutage kütusepaagi korki korralikult.
7. Eemaldage mahavalgunud kütus tootelt ja selle ümbrusest.
8. Enne mootori käivitamist viige seade tankimiskohast ja kütusenõust vähemalt kolme meetri kaugusele.

**Märkus:** Kütusepaagi asukoha leidmiseks oma seadmel vt *Seadme tutvustus lk 109*.

### Toote käivitamine

1. Kui mootor on külm, suruge õhuklapp suletud asendisse. Vt jaotist *Sümbolid tootel lk 110*.



2. Vajuta korduvalt kütusepumpa, kuni kütus hakkab kütusepumpa valguma. Kütusepump peab olema kütusega täidetud.
3. Vajuta gaasitrikliiga käivitus-/seiskamislülitit 1/3-kiiruse asendisse. Vt jaotist *Gaasitrikli/stopplüliti kasutamine lk 116*.
4. Aseta toode maapinnale.
5. Hoia toodet vasaku käega.



**ETTEVAATUST:** Ära kasuta toote hoidmiseks jalgu.

6. Tõmba aeglaselt käivitusnööri käepidet, kuni tunneted vastusurvet.
7. Tõmba parema käega kiirelt käivitusnööri käepidet. Tõmba kiiresti ja jõuga käivitusnööri käepidemest, kuni mootor käivitub.

**Märkus:** Ära tõmba käivitusnööri käepidet lõpuni välja ja ära lase käivitusnööri käest lahti.

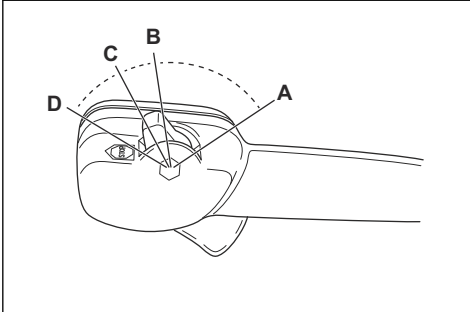
8. Kui mootor on külm, vajuta õhuklapi hoob järk-järgult avatud õhuklapi asendisse, kuni õhuklapi hoob peatub.

9. Kui mootor on külm, lase mootoril 2-3 minutit töötada, et see enne seadme kasutamist üles soojeneks.



**HOIATUS:** Mootori käivitamisel ja tühikäigul töötamisel vabaneb õhk. Ära luba inimestel tulla toote või puhuritoru lähedale.

## Gaasitrikli/stopplüliti kasutamine



- Rakenda täisgaasi (A)
- Rakenda 1/3 kiirus (B).
- Rakenda tühikäigu kiirus (C).
- Seiska toode (D).

## Toote kasutamine

- See puhurseade on seljas kantav ning kasutamisel hoitakse seda õlgadele toetuvus kinnituses. Seda kasutatakse ja suunatakse parema käega torul oleva käepideme abil.



- Kasuta toodet tavalisel tööajal. Järgi kohalikke kehtivaid eeskirju.
- Vähenda seadme osi ja vali oma töö jaoks sobiv kiirus. Liigse müra ja tolmu vältimiseks kasuta gaasitrikli selle madalaimas võimalikus asendis.

- Hoia puhuriotsak maapinna lähedal.

**Märkus:** Husqvarna soovib teil kasutada täis puhuriotsaku pikendust.

- Jälgi tuulesuunda ja kasuta toodet allatuult.
- Kasuta materjali maapinnalt vabastamiseks sobivat aiatööriista.
- Tolmustes piirkondades niisuta pritsi abil maapinda. See lühendab kasutamisaega.
- Hoiusta seade pärast kasutamist vertikaalasendis.

## Seadme seiskamine

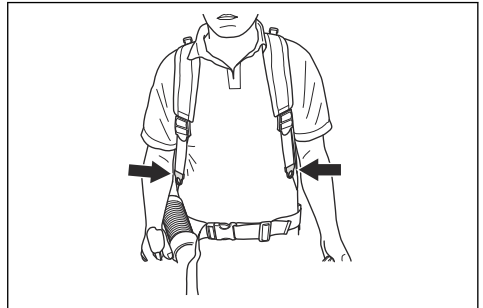


**ETTEVAATUST:** Ära seiska täiskiirusel töötavat seadet.

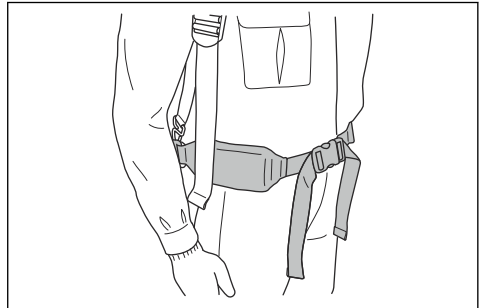
1. Vii gaasitrikliga käivitus-/seiskamisüliti seiskamisasendisse. Vt jaotist *Gaasitrikli/stopplüliti kasutamine lk 116*.

## Rakmete reguleerimine

1. Pane selga toote rakmed.
2. Pinguta õlarihmu, kuni rakmed on tugevalt ümber keha.



3. Pane vöörihm ümber vöökoha.
4. Pinguta vöörihma pannalt. Veendu, et seadme raskus toetuks sinu puusadele.



# Hooldamine

## Sissejuhatus



**HOIATUS:** Enne seadme hooldamist lugege läbi ohutuspeatükk ja veenduge, et see oleks teile täielikult arusaadav.

## Hooldusskeem

Hooldamine	Üks kord päevas	Üks kord nädalas	Üks kord kuus
Puhasta välispinnad.	X		
Veendu, et juhtkäepide töötaks korralikult.	X		
Veendu, et käivitus-/seiskamislüliti töötaks korralikult. Vt <i>Käivitus-/seiskamislüliti kontrollimine lk 112.</i>	X		
Kontrolli, et mootorist, kütusepaagist ega kütusetorudest ei lekiks kütust. Veendu, et kütusefiltril poleks saastet. Vajaduse korral vaheta välja õhufilter.	X		
Puhasta õhufilter. Vajaduse korral vaheta välja õhufilter.	X		
Keera kinni mutrid ja poldid.	X		
Kontrolli õhu sissevõttu ja veendu, et see poleks blokeeritud.	X		
Kontrolli, kas starter ja käivitusnõör on terved.		X	
Kontrolli, et vibratsioonisummutusosadel poleks kahjustusi, mõrsad ega deformatsioonimärke. Veendu, et vibratsioonisummutajad oleks õigesti paigaldatud.		X	
Kontrolli süüteküünalt. Vt jaotist <i>Süüteküünal kontrollimine lk 117.</i>		X	
Puhasta jahutussüsteem.		X	
Puhasta karburaatori välispind ja selle ümbrus.		X	
Puhasta kütusepaak.			X
Kontrolli kõiki juhtmeid ja ühendusi.			X
Kontrolli ja puhasta summutil asuv sädemepüüduri ekraan (ilma katalüsaatorita toodete puhul).		X	
Kontrolli ja puhasta summutil asuv sädemepüüduri ekraan (katalüsaatoriga toodete puhul).			X
Kontrolli süüteküünalt. Vajaduse korral vaheta välja.			X

## Tühikäigu pöörete arvu reguleerimine

1. Veendu, et õhufilter oleks puhas ja et õhufiltri kate oleks paigaldatud.
2. Reguleeri tühikäigu pöörete arvu tühikäigupöörete reguleerimiskruviga. Tootel tühikäigu pöörete arvu reguleerimiskruvi asukoha leidmiseks vt *Seadme tutvustus lk 109.*

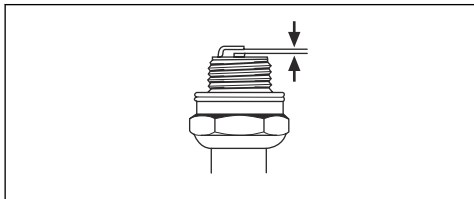
## Süüteküünal kontrollimine



**ETTEVAATUST:** Kasuta soovitatud tüüpi süüteküünalt. Vt jaotist *Tehnilised andmed lk 121.* Vale süüteküünal võib toodet kahjustada.

1. Seiska mootor ja lase tootel maha jahtuda.
2. Puhasta määratud süüteküünal.

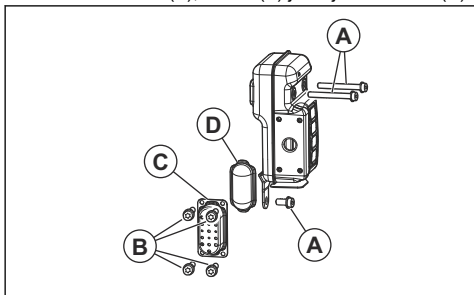
3. Veendu, et elektroodide vahe oleks õige. Vt jaotist *Tehnilised andmed lk 121*.



4. Vaheta süüteküünal kord kuus või vajaduse korral sagedamini.

## Süüteküünla hooldamine

1. Seiska mootor ja lase summutil maha jahtuda. Kasuta alati kaitsekindaid.
2. Eemalda kruvid (A), kruvid (B) ja väljalaskekanal (C).



3. Eemalda sädemepüüdnuri ekraan (D) ja puhasta seda traatharjaga. Kui sädemepüüdnurverk on kahjustatud, vaheta see välja.
4. Eemalda summutil ja silindri väljutusavalt traatharjaga praht.
5. Kinnita sädemepüüdnuri ekraan (D) ja väljalaskekanal (C) kruvidega (B). Kinnita lukustusmutter jõuga 2-3 Nm.
6. Pingutage kruvid (A) pingutusmomendiga 8-12 Nm. Veendu, et summuti oleks õigesti toote külge kinnitatud.

## Kontrolli ja puhasta jahutussüsteemi.

Jahutussüsteem koosneb silindril jahutusribidest õhu sissevõtuavast.

1. Seiska mootor.
2. Veendu, et jahutussüsteem poleks määrdunud ega ummistunud. Vajaduse korral puhasta õhu sissevõtuava ja jahutusribid.



**ETTEVAATUST:** Määrdunud või ummistunud jahutussüsteem suurendab mootori temperatuuri ja võib kahjustada toodet. Ummistunud õhu sissevõtuava vähendab puhumisjõudu.

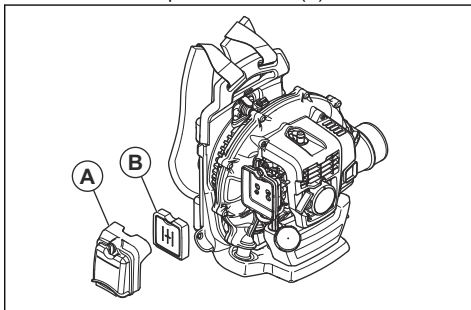
3. Kontrolli jahutussüsteemi kahjustuste suhtes. Veendu, et kõik osad on õigesti toote külge kinnitatud.

## Õhufiltri puhastamine



**ETTEVAATUST:** Ära kasuta toodet, kui õhufilter on puudu või on kahjustunud. Õhus leiduv tolm võib mootorit kahjustada.

1. Suru õhuklapp suletud asendisse.
2. Eemalda õhufiltri kate (A).
3. Eemalda filtrikorpusest õhufilter (B).



4. Puhasta õhufiltrit sooja seebiveega.

**Märkus:** Pikemat aega kasutatud õhufiltrit ei ole võimalik täiesti puhtaks saada. Vaheta õhufiltrit regulaarselt, vigane õhufilter vaheta alati välja.

5. Puhasta kaitsekatte sisepind harjaga.
6. Kanna õhufiltrile õli. Vt jaotist *Õli kandmine vahtplastist õhufiltrile lk 118*.
7. Aseta õhufilter filtrikorpusesse.
8. Kinnita õhufiltri kate tootele.

## Õli kandmine vahtplastist õhufiltrile



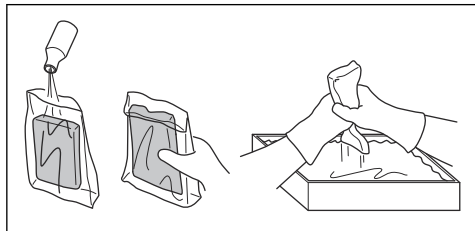
**ETTEVAATUST:** Kasutage alati Husqvarna spetsiaalset filtrioili. Ärge kasutage teist tüüpi õlisid.



**HOIATUS:** Pange kätte kaitsekindad. Õhufiltri õli võib põhjustada nahaärritust.

1. Asetage vahtplastist õhufilter kilekotti.
2. Asetage õli kilekotti.
3. Vajutage kilekotti, et õli kanduks ühtlaselt kogu vahtplastist õhufiltrile.

4. Suruge liigne õli vahtplastist õhufiltrist välja, kui see on veel kilekotis.

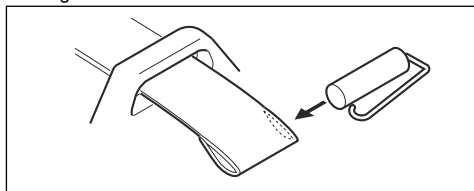


## Rakmete asendamine



**HOIATUS:** Kahjustatud rakmed võivad põhjustada toote kukkumise ja vigastuste tekke. Paigalda klamber korrektsest.

1. Seiska mootor.
2. Eemaldage rihma küljest klamber.
3. Lükka rihma ots läbi aasa.
4. Tõmba uus rihm läbi aasa.
5. Pane nõel läbi rihma, et kinnitada klamber uus rihma külge.



## Veotsing

Mootorit pole võimalik käivitada		
Kontrolli	Võimalik põhjus	Lahendus
Seiskamisnupp.	Seiskamisasend	Vii seiskamisüliti käivitusasendisse.
Käiviti pörklink-/lingid.	Käiviti pörklink-/lingid on blokeeritud või kulumud.	Reguleeri või asenda käiviti pörklink-/lingid.
		Puhasta käiviti pörklingi-/linkide ümbrus.
		Pöördu volitatud hooldustöökoja poole.
Kütusepaak.	Vale kütustüüp.	Tühjenda kütusepaak ja täida õige kütusega.
Karburatuur	Tühikäigu kiiruse reguleerimine	Reguleeri tühikäigukiirust tühikäigu reguleerimiskruviga.
Säde (sädet ei teki).	Süüteküünal on määrdunud või märg	Veendu, et süüteküünal on kuiv ja puhas.
		Puhasta süüteküünal. Veendu, et elektroodide vahe oleks õige. Veendu, et süüteküünal on paigaldatud koos raadiohäirete kaitsega.
	Süüteküünla elektroodivahe on vale.	Vaata õiget elektroodi vahet tehnilistest andmetest.

Mootorit pole võimalik käivitada		
Kontrolli	Võimalik põhjus	Lahendus
Süüteküünal.	Süüteküünal ei ole tugevalt kinni.	Keera süüteküünal kinni.
	Süüteküünla elektroodidel on soovimatut materjali.	Veendu, et kütusesegu oleks õige.
		Veendu, et õhufilter oleks puhas.

Mootor käivitub, kuid seejärel seiskub		
Kontrolli	Võimalik põhjus	Lahendus
Kütusepaak.	Vale kütusetüüp.	Tühjenda see ja kasuta õiget kütust.
Karburaator	Mootor ei tööta tühikäigul õigesti.	Pöördu hooldusesindusse.
Õhufilter	Ummistunud õhufilter.	Puhasta õhufilter.

---

## Transportimine ja hoiustamine

---

### Transportimine ja hoiustamine



**HOIATUS:** Süttimisohu vältimiseks veendu, et transportimise ega hoiustamise ajal poleks lekkeid ega aure. Veendu, et pole sädemete ega tule ohtu.

- Enne transportimist või pikaajalisele hoiule jätmist tühjenda kütusepaak. Vajuta kütusepumpa veendumaks, et kogu kütus on eemaldatud. Utiliseeri kütus spetsiaalses jäätmejaamas.
- Veendu enne pikaajalist hoiustamist, et toode on puhas, ja tee põhjalik hooldus.
- Eemalda süüteküünlad ja vala silindrisse umbes 15 ml kahetaktilise mootori õli. Pööra mootorit kolm pööret ja pange süüteküünal tagasi kohale.
- Kinnita toode transportimise ajaks turvaliselt sõiduki külge.
- Hoia toodet kuivas, jahedas ja puhtas kohas, kus on tagatud hea ventilatsioon. Hoia seadet lastele kättesaamatus kohas.



## Tehnilised andmed

### Tehnilised andmed

	Husqvarna 350BT
<b>Mootor</b>	
Silindrimaht, cm <sup>3</sup>	50,2
Tühikäigu pöörete arv, p/min	2200
Katalüsaator	Ei
<b>Süütesüsteem</b>	
Süüteküüna	NGK CMR7H / TORCH AC7R
Elektroodide vahe, mm	0,6-0,7
<b>Kütuse-/määrimissüsteem</b>	
Kütusepaagi maht, l / cm <sup>3</sup>	1,25/1250
<b>Mass</b>	
Kaal ilma kütuseta, kg	10,2
<b>Müratasemed</b> <sup>22</sup>	
Helivõimsuse tase, mõõdetud dB(A)	101
Müravõimsustase, garanteeritud L <sub>WA</sub> dB(A)	101
<b>Müratase</b> <sup>23</sup>	
Ekvivalentne müra rõhutase kasutaja kõrvas, mõõdetud vastavalt EN15503 nõuetele, dBA	
Koos puhuriotsakuga (originaal)	96
<b>Vibratsioonitase</b> <sup>24</sup>	
EN 15503 järgi mõõdetud käepidemete ekvivalentsed vibratsioonitasemed (a <sub>h<sub>v</sub>,eq</sub> ) m/s <sup>2</sup>	2,7
<b>Ventilaatori jõudlus</b>	
Max õhukiirus standardotsakuga, m/s	80
Õhuvool puhuriotsakuga, m <sup>3</sup> /min	14

<sup>22</sup> Müraemissioon ümbritsevasse keskkonda, mõõdetud helivõimsuse tasemena (L<sub>WA</sub>) vastavalt EÜ direktiivile 2000/14/EÜ. Seadme antud müratase mõõdeti enim müra tekitava originaal standardotsakuga kasutamisel. Erinevus garanteeritud ja mõõdetud helivõimsustaseme vahel seisneb selles, et direktiivi 2000/14/EÜ alusel hõlmab garanteeritud helivõimsustase ka mõõtmistulemuste dispersiooni ja kõrvalekaldeid sama mudeli erinevate seadmete vahel.

<sup>23</sup> Müra rõhutase kohta toodud andmete statistiline dispersioon (standardhälve) on 1,0 dB(A).

<sup>24</sup> Vibratsioonitaseme kohta toodud andmete tüüpiline statistiline dispersioon (standardhälve) on 1,0 m/s<sup>2</sup>.

# EÜ vastavusdeklaratsioon

## EÜ vastavusdeklaratsioon

Husqvarna AB, SE-561 82 Huskvarna, Rootsi, tel: +46  
3614 6500, kinnitab ainuvastutusel, et toode:

<b>Kirjeldus</b>	Seijas kantav puhur
<b>Kaubamärk</b>	Husqvarna
<b>Tüüp/mudel</b>	350BT
<b>Identifitseerimine</b>	Seerianumbrid alates 2022. aastast ning edasi.

vastab täielikult järgmistele EÜ direktiividele ja määrustele:

Määrus	Kirjeldus
2006/42/EÜ	„masinadirektiiv“
2014/30/EL	„elektromagnetilise ühilduvuse direktiiv“
2000/14/EÜ	„välistingimustes kasutatavate seadmete müra kohta käiv direktiiv“
2011/65/EL	„elektri- ja elektroonikaseadmetes teatavate ohtlike ainete kasutamise piiramise direktiiv“

ja et kohalduvad järgmised standardid ja/või tehnilised spetsifikatsioonid: EN ISO 12100:2010, CISPR 12:2009, EN 15503:2009+A2:2015, EN IEC 63000:2018

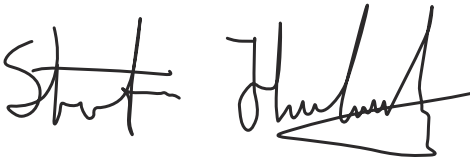
RISE SMP Svensk Maskinprovning AB, Box 7035, SE-750 07 Uppsala, Rootsi, teostas vabatahtlikult Husqvarna AB nimel tüübikontrolli.

Sertifikaadi number: SEC/09/2102

SMP Svensk Maskinprovning AB, Box 7035, SE-750 07 Uppsala, Rootsi, on samuti kinnitanud vastavust Nõukogu direktiivi 2000/14/EN lisale V.

Lisateavet mürataseme kohta vt *Tehnilised andmed lk 121*.

Huskvarna, 2022-05-17



Stefan Holmberg, uurimis- ja arendustegevuse juht, tehnoloogiahooldus, Husqvarna AB.

Tehnilise dokumentatsiooni eest vastutaja



## Sisällys

Johdanto.....	123	Vianmääritys.....	133
Turvallisuus.....	125	Kuljetus ja säilytys.....	134
Asentaminen.....	127	Tekniset tiedot.....	135
Käyttö.....	128	EY-vaatimustenmukaisuusvakuutus.....	136
Huolto.....	131		

## Johdanto

### Tuotekuvas

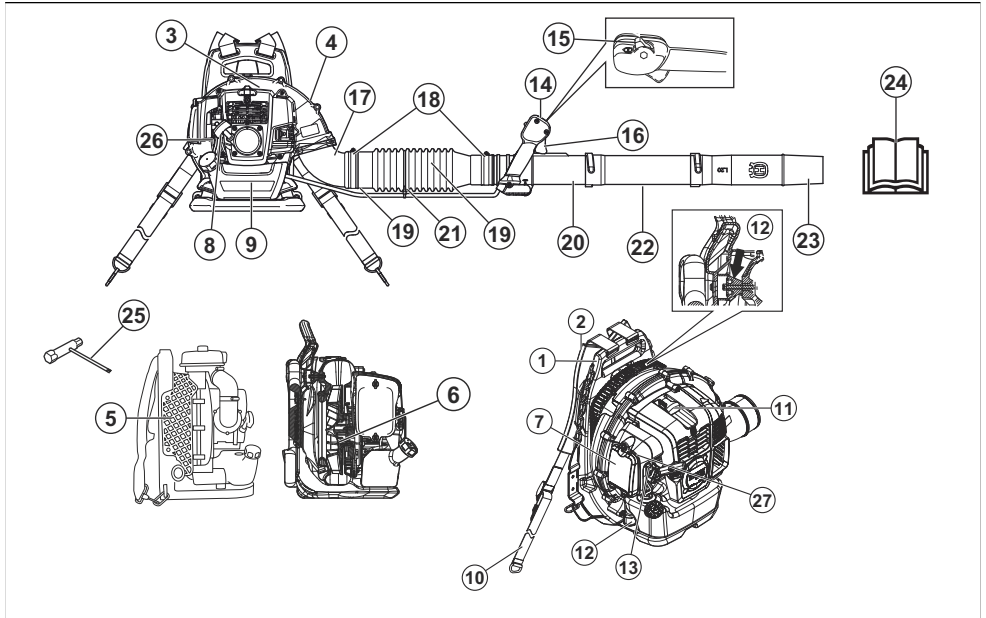
Tämä laite on reppupuhallin, jossa on polttoainekäyttöinen moottori.

Kehitämme jatkuvasti tuotteitamme ja pidätämme siksi itsellämme oikeuden muuttaa tuotteiden muotoa ja ulkonäköä ilman ennakoilmoitusta.

### Käyttötarkoitus

Tuotteella puhalletaan lehtiä ja muuta ylimääräistä materiaalia esimerkiksi nurmikoilta, käytäviltä ja asfaltteilta.

### Laitteen kuvaus



1. Runko
2. Valjaat
3. Moottorin suojus
4. Puhaltimen suojus
5. Ilmansuodatin
6. Puhallin
7. Ilmansuodatin
8. Käynnistysköyden kahva
9. Polttoainesäiliö
10. Lantiovyö
11. Sytytystulppa
12. Tärinävaimennusjärjestelmä
13. Rikastinvipu
14. Säätökahva
15. Käynnistys-/pysäytyskytkin, jossa kaasuliipaisin
16. Turvaliipaisin
17. Putken kulmaosa
18. Sinkkilä

19. Joustava letku
20. Ohjausputki
21. Kaapelin kiinnitin
22. Väliputki
23. Puhaltimen suutin
24. Käyttöohjekirja
25. Yhdistelmäavain
26. Polttoaineen ilmauspumppu
27. Joutokäyntinopeuden säätöruuvi

## Laitteen symbolit



**VAROITUS:** Tämä laite voi olla vaarallinen ja aiheuttaa käyttäjälle tai sivullisille vakavia vahinkoja tai kuoleman. Ole varovainen ja käytä laitetta oikein.



Lue käyttöohje huolellisesti ja varmista, että ymmärrät sen sisällön, ennen kuin alat käyttää laitetta.



Käytä hyväksytyjä kuulonsuojaimia ja suojalaseja. Jos käyttöympäristö on pölyinen, käytä hengityksensuojainta.



Käytä hyväksytyjä suojakäsineitä.



Bensiiniin ja kaksitahtiöljyn seos.



Polttoaineen ilmauspumppu.



Pida kaikki kehonosat etäällä kuumista pinnoista.



Rikastin, avoin asento.



Rikastin, suljettu asento.



Tämä tuote täyttää voimassa olevien EY-direktiivien vaatimukset.



Tämä tuote täyttää sovellettavissa olevien UK-säädösten vaatimukset.



Melupäästöt ympäristöön -tarra EU:n ja Yhdistyneen kuningaskunnan direktiivien ja säädösten mukaisesti sekä Uuden Etelä-Walesin "Protection of the Environment Operations (Noise Control) Regulation 2017" -asetuksen mukaisesti. Laitteen taattu äänentehotaso on määriteltävy kohdassa *Tekniset tiedot sivulla 135* ja arvokilvessä.



Varo sinkoutuvia esineitä. Sinkoutuvat esineet voivat aiheuttaa vakavia vammoja. Käytä henkilökohtaisia suoja-  
varusteita.



Pida vähintään 15 metrin turvaetäisyys muihin ihmisiin tai eläimiin.

yyyywwxxxx

Tyyppikilvessä näkyy sarjainumero, jossa **yyyy** on valmistusvuosi ja **ww** on valmistusviikko.

**Huomautus:** Muita laitteen symboleita/tarroja tarvitaan muilla markkina-alueilla ilmaisemaan sertifiointivaatimuksia.

## Euro V -päästöt



**VAROITUS:** Moottorin muokkaaminen mitätöi tuotteen EU-tyyppihyväksynnän.

## Tuotevastuu

Tuotevastuulain mukaisesti emme ole vastuussa tuotteen aiheuttamasta vaurioista, jos

- tuote on korjattu virheellisesti
- tuotteen korjaamiseen on käytetty muita kuin valmistajan omia tai sen hyväksymiä osia
- tuotteessa on muu kuin valmistajan oma tai sen hyväksymä lisävaruste
- tuotetta ei ole korjattu valtuutetussa huoltopisteessä tai hyväksytyllä asiantuntijalla.

---

# Turvallisuus

---

## Turvallisuusmääritelmät

Oheiset määritelmät kertovat huomiosanojen vakavuustason.



**VAROITUS:** Henkilövahinko.



**HUOMAUTUS:** Laitevaurio.

**Huomautus:** Nämä tiedot helpottavat laitteen käyttöä.

## Yleiset turvaohjeet



**VAROITUS:** Lue seuraavat varoitusohjeet ennen laitteen käyttämistä.

- Älä tee laitteeseen muutoksia ilman valmistajan lupaa. Käytä aina alkuperäisiä lisävarusteita. Luvattomat muutokset ja/tai hyväksymättömät lisävarusteet voivat aiheuttaa käyttäjälle tai muille henkilöille vakavia vammoja tai kuoleman.
- Älä käytä vaurioitunutta laitetta. Suorita tässä käyttöohjeessa mainitut turvallisuustarkastukset ja ylläpitotyöt. Kaikki muut ylläpitotyöt on annettava hyväksytyyn huoltohenkilöstön tehtäväksi.
- Kaikki huolto- ja korjaustyöt on annettava hyväksytyyn huoltohenkilöstön tehtäväksi. Jos laitteessa on viallinen osa, ota yhteys huoltoilikkeeseen.

## Turvallisuusohjeet käyttöä varten



**VAROITUS:** Lue seuraavat varoitusohjeet ennen laitteen käyttämistä.

- Tämä laite voi olla vaarallinen ja aiheuttaa käyttäjälle tai sivullisille vakavia vahinkoja tai kuoleman. Ole varovainen ja käytä tuotetta oikein.
- Tarkasta laite ennen käyttöä. Katso kohta *Huolto sivulla 131*.
- Älä käytä laitetta ollessasi väsynyt tai sairas tai jos olet alkoholin tai muiden huumausainien vaikutuksen alaisena, jolloin näkö-, arviointi- ja koordinaatiokykyisi voivat heiketä.
- Asenna kaikki suojukset ennen käyttöä. Estä sähköiskun vaara varmistamalla, että syytystulpan suojus ja syytyskaapeli eivät ole vaurioituneet.
- Älä koskaan koske syytystulppaan tai -kaapeliin moottorin käydessä.
- Pidä vähintään 15 metrin turvaetäisyys muihin ihmisiin tai eläimiin. Pysäytä laite, jos alle 15 metrin etäisyydelle tulee muita henkilöitä, lapsia tai eläimiä. Osoita laite pois päin muista henkilöistä, eläimistä, avoimista ikkunoista tai muista esineistä.
- Älä anna lasten käyttää konetta. Varmista, että kaikki laitteen käyttäjät lukevat ja ymmärtävät tämän käyttöohjeen sisällön.
- Pidä kädet ja muut esineet poissa puhaltimen kotelosta käytön aikana. Pyörivät osat voivat aiheuttaa vakavia vammoja.
- Älä käytä laitetta, jos ilmanotto-äleikköä ei ole asennettu. Varmista aina ennen käyttöä, että ilmanotto-äleikkö on asennettu ja ehjä.
- Vapauta hätätilanteessa valjaiden lantiovyö ja rintavyö ja anna laitteen pudota.
- Noudata kansallisia säädöksiä ja direktiivejä.
- Pidä kaikki kehonosat etäällä kuumista pinnoista.
- Laite muodostaa käytön aikana sähkömagneettisen kentän. Kenttä saattaa joissakin olosuhteissa häiritä aktiivisten tai passiivisten lääketieteellisten implanttien toimintaa. Vakavien tai hengenvaarallisten tapaturmien ehkäisemiseksi kehotamme lääketieteellisiä implantteja käyttäviä henkilöitä neuvottelemaan lääkärin ja lääketieteellisen implantin valmistajan kanssa ennen laitteen käyttämistä.
- Liian voimakas värinä voi vaikuttaa haitallisesti verenkiertoon tai hermojärjestelmään. Ota yhteys lääkäriin, jos sinulla on oireita, kuten tunnottomuutta, tuntoaistien heikkenemistä, kihelmöimistä, pistelyä, kipua, voimien ehtymistä tai ihonvärin muutoksia sormissa, käsissä tai ranteissa.
- Varo sinkoutuvia esineitä. Sinkoutuvat esineet voivat aiheuttaa vakavia vammoja.
- Älä käytä laitetta epäsuotuisissa sääoloissa, kuten sumussa, sateessa, kovassa tuulessa tai liian kylmissä olosuhteissa. Työskentely huonossa säässä voi aiheuttaa väsymistä ja vaarallisia tilanteita.
- Varmista, että pystyt liikkumaan vapaasti ja työskentelemään tukevassa asennossa. Tarkista työalue mahdollisten esteiden, kuten kivien, varalta. Ole varovainen, kun käytät laitetta kaltevalta tasolla.
- Älä aseta laitetta maahan moottorin käydessä.
- Älä käytä laitetta korkeilla tasoilla kuten tikkailla.
- Varmista, että olet aina kuuloyhteyden etäisyydellä sen varalta, että tapahtuu onnettomuus.
- Varmista, että pakokaasun poistoaukko ei ole tukossa. Pidä esteet vähintään 50 cm:n etäisyydellä pakokaasun poistoaukosta, jotta voit estää laitteen vaurioitumisen.
- Älä käynnistä laitetta sisätiloissa, lähellä herkästi syttyvää materiaalia tai tilassa, jossa ei ole riittävästi ilmvirtausta. Moottorin pakokaasut sisältävät hiilimonoksidia, joka voi aiheuttaa häämyrkytyksen.

Moottorin pakokaasut ovat kuumia ja voivat sisältää kipinöitä, jotka voivat aiheuttaa tulipalon.

## Henkilökohtainen suojavarustus



**VAROITUS:** Lue seuraavat varoitusohjeet ennen koneen käyttämistä.

- Käytä hyväksytyjä henkilökohtaisia suojavarusteita, kun käytät konetta. Henkilökohtaiset suojavarusteet eivät poista tapaturmien vaaraa täysin, mutta ne voivat lieventää vammoja. Lisätietoja saat jälleenneuvonnasta.
- Käytä hyväksytyjä kuulonsuojaimia. Pitkäaikainen altistuminen melulle saattaa aiheuttaa pysyviä kuulovammoja.
- Käytä hyväksytyjä silmäsuojaimia. Visiiriä käytettäessä on käytettävä myös hyväksytyjä suojalaseja. Hyväksytyillä suojalaseilla tarkoitetaan laseja, jotka täyttävät standardin ANSI Z87.1 (Yhdysvallat) tai EN 166 (EU-maat) vaatimukset.
- Käytä suojakäsineitä käytön ja ylläpitotöiden aikana.
- Käytä turvajalkineita, joissa on luistamaton pohja.
- Käytä tukevasta kankaasta valmistettuja vaatteita, jotka peittävät kehon. Älä käytä koruja tai avokenkiä. Voit vähentää loukkaantumiseriskiä käyttämällä vaatteita, jotka ovat vartalonmyötäisiä, mutta jotka eivät rajoita liikkumista. Sido hiukset olkapäiden yläpuolelle, jotta ne eivät joudu pyörivien osien väliin tai takerru oksiiin.
- Käytä hengityssuojainta, jos on olemassa pölyvaara.
- Pidä ensiaputarvikkeet lähettyvillä.

## Tuotteen turvalaitteet



**VAROITUS:** Lue seuraavat varoitusohjeet ennen koneen käyttämistä.

- Älä käytä konetta, jos jokin sen turvalaitteista on rikki.
- Tarkasta turvalaitteet säännöllisesti. Katso *Huolto sivulla 131*.
- Jos turvalaitteissa on vikoja, ota yhteyttä Husqvarna-huoltooliikkeeseen.

## Äänenvaimentimen tarkistaminen



**VAROITUS:** Älä käytä laitetta, jos äänenvaimennin on viallinen.



**VAROITUS:** Äänenvaimennin kuumentuu huomattavasti käytön aikana ja sen jälkeen, myös joutokäyntinopeudella. Käytä suojakäsineitä palovammojen välttämiseksi.



**VAROITUS:** Äänenvaimentimessa on kemikaaleja, jotka saattavat olla karsinogeenisia. Älä koske vaurioituneeseen äänenvaimentimeen.

- Tarkista äänenvaimennin silmämääräisesti säännöllisesti. Äänenvaimennin pitää äänitason mahdollisimman alhaisena ja ohjaa pakokaasut käyttäjästä pois päin. Katso kohta *Äänenvaimentimen kunnossapito sivulla 132*.

## Tärinänavaimennusjärjestelmän tarkistaminen

1. Varmista, ettei tärinänavaimennuselementeissä ole halkeamia tai vääntymiä.
2. Varmista, että tärinänavaimennuselementit on kiinnitetty oikein moottoriyksikköön ja kahvaosaan.

Katso laitteesi tärinänavaimennusjärjestelmän sijainti kohdasta *Laitteen kuvaus sivulla 123*.

## Käynnistys-/pysäytyskytkimen tarkistaminen

1. Moottori sammutetaan käynnistys-/pysäytyskytkimellä.
2. Varmista, että moottori sammuu kokonaan.

Tarkista laitteen käynnistys-/pysäytyskytkimen paikka kohdasta *Laitteen kuvaus sivulla 123*.

## Valjaita koskevat turvallisuusohjeet

- Varmista, että lantiovyö on kiinni ja säädetty oikein. Jos valjaissa on irrallisia osia, ne voivat osua pyöriviin osiin ja vahingoittaa puhallinta. Jos puhallin vaurioituu, irralliset osat voivat sinkoutua laitteesta ja aiheuttaa loukkaantumisen tai vaurioita.

## Polttoaineturvallisuus



**VAROITUS:** Lue seuraavat varoitusohjeet ennen koneen käyttämistä.

- Älä sekoita tai lisää polttoainetta sisätiloissa tai lämmönlähteen läheisyydessä.
- Älä käynnistä laitetta, jos öljyä tai polttoainetta on läikkynyt laitteen päälle tai ylläsi.
- Älä käynnistä laitetta, jos moottorista vuotaa polttoainetta. Tarkista moottori säännöllisesti polttoainevuotojen varalta.
- Käsittele polttoainetta aina varoen. Polttoaine on syttyvää ja kaasut ovat räjähdysherkkiä, mikä voi aiheuttaa tapaturman tai kuoleman.
- Älä hengitä polttoainehöyryjä, sillä ne voivat aiheuttaa vamman. Varmista, että ilmanvirtaus on riittävä.
- Älä tupakoi polttoaineen tai moottorin lähistöllä.
- Älä sijoita laitetta tai polttoainekannua lähelle lämpimiä esineitä, avotulta, kipinöitä tai syttyisliikkejä.

- Käytä polttoaineen säilytyksessä ja kuljettamisessa aina hyväksytyjä polttoainesäiliöitä.

## Turvaohjeet huoltoa varten



**VAROITUS:** Lue seuraavat varoitusohjeet ennen laitteen käyttämistä.

- Pysäytä moottori, irrota sytytystulppa ja anna moottorin jäähtyä ennen ylläpito- ja asennustoimenpiteitä.
- Tukkeutunut kipinänsammutusverkko saa moottorin ylikuumentumaan, mistä aiheutuu moottorivaurioita.

## Asentaminen

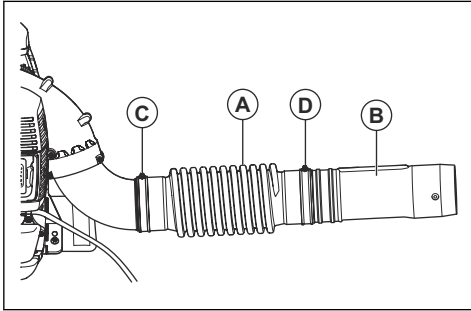
### Johdanto



**VAROITUS:** Lue ja sisäistä turvallisuutta käsittelevä luku ennen laitteen asentamista.

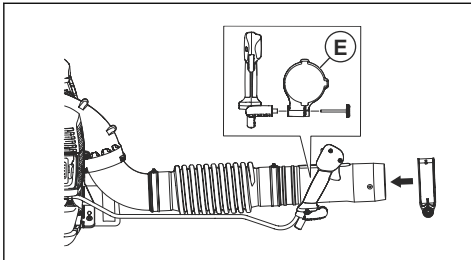
### Puhaltimen putken ja säätökahvan asentaminen laitteeseen

1. Kiinnitä joustava letku (A) putken kulmaosaan ja ohjausputkeen (B) kiristimillä (C) ja (D).



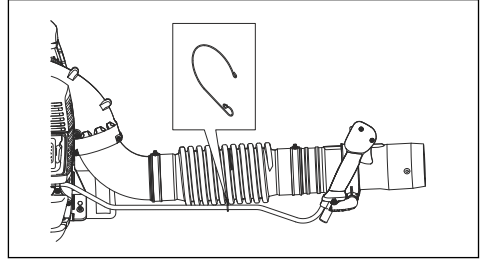
**Huomautus:** Voitele ohjausputki ja joustava letku, jotta ne on helpompi koota.

2. Kiinnitä kahvan pidike (E) ohjausputkeen. Kohdistä kahvan pidike ohjausputken laippaan.

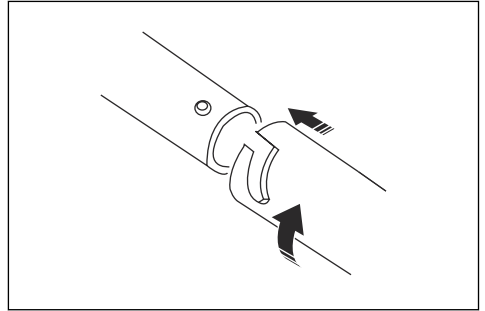


3. Säädä säätökahvan asento ja kulma sopivaksi turvallista ja asianmukaista työasentoa varten. Kiristä nappi.

4. Kiinnitä kaapeli joustavaan letkuun kaapelin kiinnittimellä.



5. Kiinnitä väliputki ohjausputkeen.



**Huomautus:** Jos vaatimuksena on käyttää pidempää, pyöreää puhaltimen putkea, saatavilla on pidennetty väliputki.

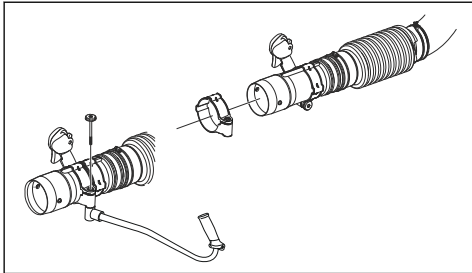
6. Kiinnitä puhaltimen suutin väliputkeen.

**Huomautus:** Puhaltimen suutin voidaan asentaa vain yhdysputkeen.

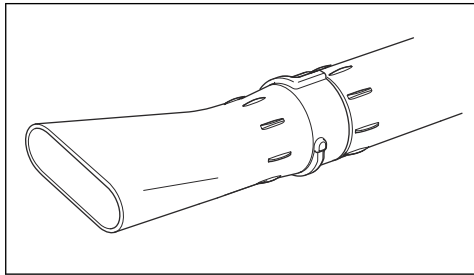
### Kahvaston asentaminen (lisävaruste)

1. Irrota väliputki.
2. Irrota pidikkeen nappi ja työnnä pidike ohjausputkeen.

### 3. Asenna kahvasto ja nuppi. Kiristä nuppi.



- Irrota puhaltimen suutin väliputkesta ja asenna litteä suutin.



### 4. Asenna väliputki

## Litteän suuttimen asentaminen (lisävaruste)

Litteä suutin tuottaa korkeamman ilmannopeuden kuin puhaltimen suutin.

## Käyttö

### Johdanto



**VAROITUS:** Lue ja sisäistä turvallisuutta käsittelevä luku ennen laitteen käyttöä.

### Polttoaine

Tässä laitteessa on kaksitahtimoottori.



**HUOMAUTUS:** Vääräntyyppinen polttoaine voi vaurioittaa moottoria. Käytä bensiiniä ja kaksitahtiöljyä seosta.

### Valmis polttoainesekoitus

- Käytä valmiiksi sekoitettua Husqvarna-alkylaattibensiiniä, sillä se takaa parhaan suorituskyvyn ja pidentää moottorin käyttöikää. Tällainen polttoaine sisältää tavallista polttoainetta vähemmän haitallisia kemikaaleja, mikä vähentää haitallisia pakokaasuja. Tällaisesta polttoaineesta jää vähemmän karstaa polton jälkeen, jolloin moottorin osat pysyvät puhtaampina.

### Polttoaineen sekoittaminen

#### Bensiini

- Käytä korkealaatuista lyijytöntä bensiiniä, jossa on enintään 10 % etanolia-



**HUOMAUTUS:** Älä käytä bensiiniä, jonka oktaaniluku on pienempi kuin 90 RON / 87 AKI. Jos oktaaniluku on pienempi, moottori voi alkaa nakuttaa, mikä vaurioittaa moottoria.

#### Kaksitahtiöljy

- Käytä Husqvarna-kaksitahtiöljyä, sillä se takaa parhaat tulokset ja suorituskyvyn.
- Jos Husqvarna-kaksitahtiöljyä ei ole saatavilla, voidaan käyttää jotakin muuta ilmajäähdytteisille moottoreille tarkoitettua korkealaatuista kaksitahtiöljyä. Kysy huoltoliikkeestä ohjeita oikean öljyn valintaan.



**HUOMAUTUS:** Älä käytä vesijäähdytteisille ulkolaitamoottoreille tarkoitettua kaksitahtiöljyä. Älä käytä nelitahtimoottoreille tarkoitettua öljyä.

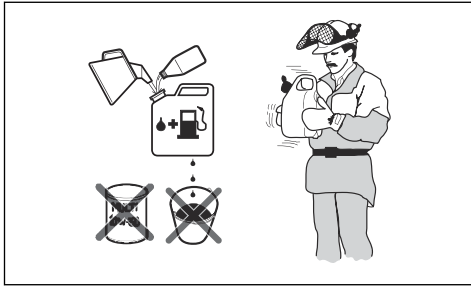
#### Bensiiniä ja kaksitahtiöljyn sekoitus

Bensiini, litraa	Kaksitahtiöljy, litraa
	<b>2 % (50:1)</b>
5	0,10
10	0,20
15	0,30
20	0,40



**HUOMAUTUS:** Kun polttoainetta sekoitetaan pieniä määriä, pienikin mittausvirhe voi vaikuttaa sekoitussuhteeseen suuresti. Mittaa öljymäärä huolellisesti ja varmista, että seoksen suhde on oikea.





1. Lisää puhtaaseen polttoainesäiliöön puolet bensiinin kokonaismäärästä.
2. Lisää koko öljymäärä.
3. Ravista polttoaineseosta.
4. Lisää loput bensiinistä säiliöön.
5. Ravista polttoaineseosta huolellisesti.



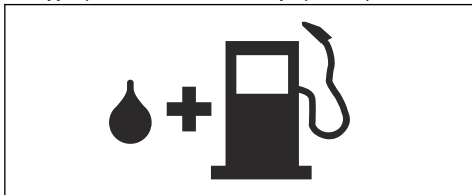
**HUOMAUTUS:** Sekoita korkeintaan yhden kuukauden polttoainetta kerrallaan.

### Polttoainesäiliön täyttö



**VAROITUS:** Noudata seuraavia turvallisuustoimenpiteitä.

1. Sammuta moottori ja anna sen jäähtyä.
2. Pyyhi polttoainesäiliön korkin ympäristö puhtaaksi.



3. Ravista kannua ja varmista, että polttoaine on sekoittunut kokonaan.
4. Vapauta polttoainesäiliöstä painetta avaamalla polttoainesäiliön korkki hitaasti.
5. Täytä polttoainesäiliö.



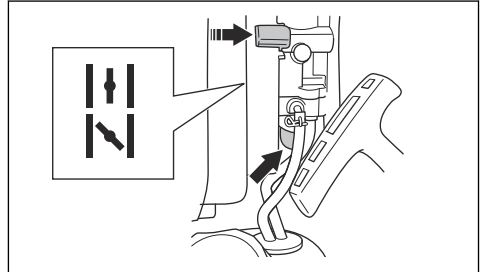
**HUOMAUTUS:** Varmista, että polttoainesäiliössä ei ole liikaa polttoainetta. Polttoaine laajenee lämmitessään.

6. Kiristä polttoainesäiliön korkki tiukasti.
7. Puhdista polttoaineroiskeet laitteen päältä ja ympäriltä.
8. Siirrä laite vähintään 3 metrin päähän polttoaineen lisäämis- ja säilytyspaikalta ennen käynnistämistä.

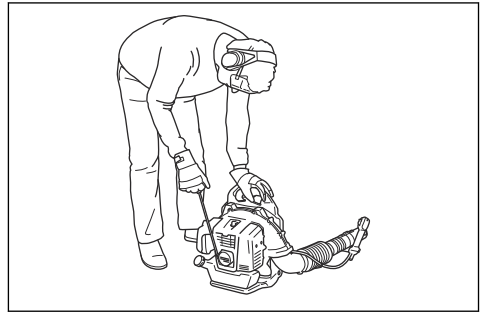
**Huomautus:** Laitteen polttoainesäiliön paikka kerrotaan kohdassa *Laitteen kuvaus sivulla 123*.

### Laitteen käynnistäminen

1. Jos moottori käynnistetään kylmänä, siirrä rikastinvipu suljettuun rikastusasentoon. Katso kohta *Laitteen symbolit sivulla 124*.



2. Paina polttoaineen ilmauspumppua, kunnes se alkaa täytyä polttoaineella. Polttoaineen ilmauspumppua ei tarvitse täyttää kokonaan.
3. Siirrä kaasuliipaisimella varustettu käynnistys-/pysäytyskytkin nopeusasentoon 1/3. Katso kohta *Kaasuliipaisimen/pysäytyskytkimen käyttö sivulla 130*.
4. Aseta laite tasaiselle alustalle maahan.
5. Pidä laitteesta kiinni vasemmalla kädellä.



**HUOMAUTUS:** Älä käytä jalkoja laitteen kannatteluun.

6. Vedä käynnistysnarun kahvaa hitaasti, kunnes tunnet vastuksen.
7. Vedä käynnistysnarun kahvaa nopeasti oikealla kädelläsi. Vedä käynnistysnarua niin monta kertaa, että moottori käynnistyy.

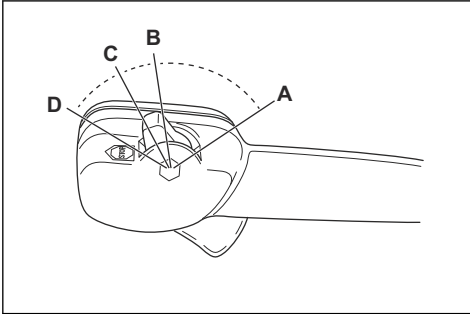
**Huomautus:** Älä vedä käynnistysnarun kahvaa loppuun asti, äläkä päästä irti käynnistysnarun kahvasta.

8. Jos moottori käynnistetään kylmänä, siirrä rikastinvipu aivoimeen rikastusasentoon vähitellen, kunnes rikastinvipu pysähtyy.
9. Jos moottori käynnistetään kylmänä, anna sen käydä 2–3 minuuttia, jotta se lämpenee ennen käyttöä.



**VAROITUS:** Laitte alkaa päästää ilmaa, kun moottori käynnistetään ja laite on asetettu joutokäyntinopeudelle. Älä päästä sivullisia laitteen puhallusputken lähelle.

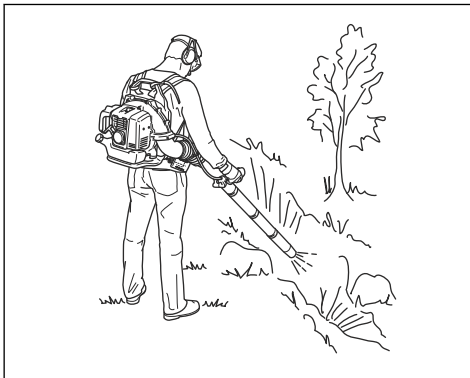
## Kaasuliipaisimen/pysäytyskytkimen käyttö



- Käytä täyttä kaasua (A).
- Käytä nopeutta 1/3 (B)
- Käytä joutokäyntinopeutta (C).
- Sammuta laite (D).

## Laitteen käyttö

- Tämä puhallusputki on selässä kannettavaa mallia ja sitä kannetaan käytön aikana olkahihnan turvin. Sitä käytetään ja hallitaan oikealla kädellä putkessa olevalla kahvalla.



- Käytä laitetta tavallisten työtuntien puitteissa. Noudata paikallisia säädöksiä.

- Vähennä laitteen osien määrää ja valitse työtehtävään sopiva nopeus. Käytä kaasua alimmassa mahdollisessa asennossa, jotta voit estää tarpeettoman melun ja pölyn muodostumisen.
- Pidä puhaltimen suutin lähellä maata.

**Huomautus:** Husqvarna suosittelee käyttämään puhaltimen suuttimen jatketta pisimmillään.

- Huomioi tuulen suunta ja käytä laitetta tuulen suuntaan.
- Poista ylimääräinen materiaali maasta sopivilla puutarhatyökaluilla.
- Jos alue on pölyinen, kastele se suihkuttamalla. Näin työaika lyhenee.
- Aseta laite käytön jälkeen säilytykseen pystyasentoon.

## Laitteen pysäyttäminen

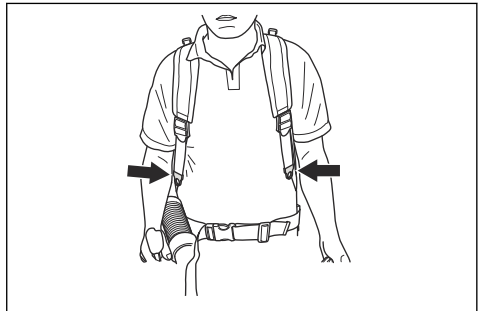


**HUOMAUTUS:** Älä pysäytä laitetta, kun se käy täydellä käyntinopeudella.

1. Siirrä kaasuliipaisimella varustettu käynnistys-/pysäytyskytkin pysäytysasentoon. Katso kohta *Kaasuliipaisimen/pysäytyskytkimen käyttö sivulla 130.*

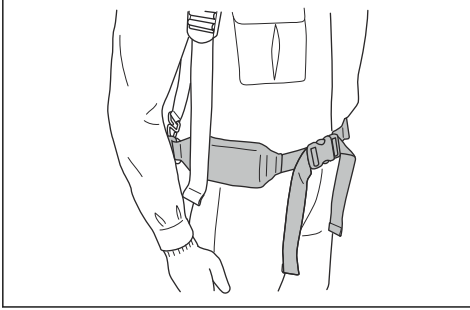
## Valjaiden säätäminen

1. Pue tuotteen valjaat.
2. Kiristä olkahihnoja niin, että laite on tiiviisti kehoasi vasten.



3. Kiinnitä lantiovyö vyötärölle.

4. Kiristä lantiovyön hihna. Varmista, että puhaltimen paino pysyy lantiolla.



## Huolto

### Johdanto



**VAROITUS:** Lue ja sisäistä turvallisuutta käsittelevä luku ennen laitteen huoltamista.

### Huoltokaavio

Huolto	Päivittäin	Viikoittain	Kuukausittain
Puhdista ulkopinnat.	X		
Varmista, että säätökahva toimii oikein.	X		
Varmista, että käynnistys-/pysäytyskytkin toimii oikein. Katso <i>Käynnistys-/pysäytyskytkimen tarkistaminen sivulla 126.</i>	X		
Tarkista moottori, polttoainesäiliö ja polttoaineletkut vuotojen varalta. Tarkista polttoaineensuodatin likaantumisen varalta. Vaihda polttoaineensuodatin tarvittaessa.	X		
Puhdista ilmansuodatin. Vaihda ilmansuodatin tarvittaessa.	X		
Kiristä mutterit ja ruuvit.	X		
Tarkista ilmanottoaukko ja varmista, että se ei ole tukossa.	X		
Tarkista käynnistin ja käynnistysnaru vaurioiden varalta.		X	
Tarkista tärinänvaimennuselementit vaurioiden, halkeamien ja vääntymien varalta. Tarkista, että tärinänvaimennuselementit on asennettu oikein.		X	
Tarkista sytytystulppa. Katso <i>Sytytystulpan tarkistus sivulla 132.</i>		X	
Puhdista jäähdytysjärjestelmä.		X	
Puhdista kaasuttimen ulkopinta ja sen ympäristö.		X	
Puhdista polttoainesäiliö.			X
Tarkista kaikki kaapelit ja liitännät.			X

Huolto	Päivittäin	Viikoittain	Kuukausittain
Tarkista ja puhdista äänenvaimentimen kipinäsammutusverkko (laitteet, joissa ei ole katalysaattoria).		X	
Tarkista ja puhdista äänenvaimentimen kipinäsammutusverkko (laitteet, joissa on katalysaattori).			X
Tarkista sytytystulppa. Vaihda tarvittaessa.			X

## Joutokäyntinopeuden säätö

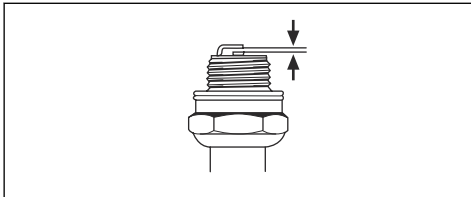
1. Varmista, että ilmansuodatin on puhdas ja ilmansuodattimen kansi on paikallaan.
2. Säädä joutokäyntinopeus joutokäynnin säätöruuvilla. Tarkista laitteen joutokäynnin säätöruuvien paikka kohdasta *Laitteen kuvaus sivulla 123*.

## Sytytystulpan tarkistus



**HUOMAUTUS:** Käytä suositeltua sytytystulppaa. Katso *Tekniset tiedot sivulla 135*. Väärä sytytystulppa voi aiheuttaa laitevaurion.

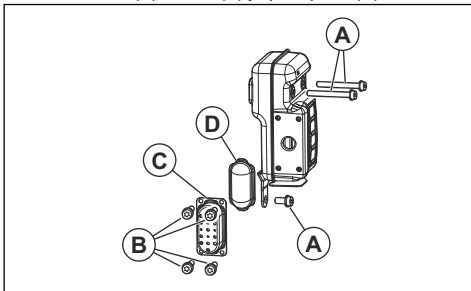
1. Sammuta moottori ja anna laitteen jäähtyä.
2. Puhdista sytytystulppa, jos se on likainen.
3. Tarkista, että kärkiväli on oikea. Katso kohta *Tekniset tiedot sivulla 135*.



4. Vaihda sytytystulppa kuukausittain tai tarpeen mukaan useammin.

## Äänenvaimentimen kunnossapito

1. Sammuta moottori ja anna äänenvaimentimen jäähtyä. Käytä aina suojakäsineitä.
2. Irrota ruuvit (A), ruuvit (B) ja pakoputki (C).



3. Irrota kipinäsammutusverkko (D) ja puhdista se teräsharjalla. Vaihda kipinäsammutusverkko, jos se on vaurioitunut.
4. Poista lika äänenvaimentimesta ja sylinterin pakoaukosta teräsharjalla.
5. Kiinnitä kipinäsammutusverkko (D) ja pakoputki (C) ruuveilla (B). Kiristä ruuvit tiukkuuteen 2–3 Nm.
6. Kiristä ruuvit (A) tiukkuuteen 8–12 Nm. Varmista, että äänenvaimennin on kiinnitetty oikein laitteeseen.

## Jäähdytysjärjestelmän tarkistus ja puhdistus

Jäähdytysjärjestelmään kuuluvat sylinterin jäähdytysrivat ja ilmanottosäleikkö.

1. Pysäytä moottori.
2. Varmista, ettei jäähdytysjärjestelmä ole likainen tai tukossa. Puhdista ilmanottosäleikkö ja jäähdytysrivat tarvittaessa.



**HUOMAUTUS:** Likainen tai tukkeutunut jäähdytysjärjestelmä voi nostaa moottorin lämpötilaa, mikä voi vaurioittaa laitetta. Tukkeutunut ilmanottosäleikkö pienentää puhallustehoa.

3. Tarkista jäähdytysjärjestelmä vaurioiden varalta. Varmista, että osat on kiinnitetty kunnolla laitteeseen.

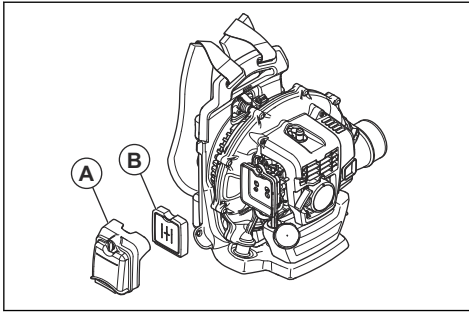
## Ilmansuodattimen puhdistaminen



**HUOMAUTUS:** Älä käytä konetta ilman ilmansuodatinta tai jos ilmansuodatin on vaurioitunut. Ilmassa leijuva pöly voi vaurioittaa moottoria.

1. Siirrä rikastinvipu suljettuun asentoon.
2. Irrota ilmansuodattimen kansi (A).

3. Irrota ilmansuodatin (B) suodattimen kehuksesta.



4. Pese ilmansuodatin lämpimällä saippuavedellä.

**Huomautus:** Pitkään käytössä ollutta ilmansuodatinta ei voi koskaan puhdistaa täysin puhtaaksi. Vaihda ilmansuodatin säännöllisin väliajoin, ja vaihda viallinen ilmansuodatin aina uuteen.

5. Puhdista ilmansuodattimen kannen (A) sisäpinta harjalla.
6. Levitä öljyä ilmansuodattimeen. Katso kohta *Öljyn levitys vaahtomuovisuodattimeen sivulla 133*.
7. Asenna ilmansuodatin suodattimen kehukseen.
8. Kiinnitä ilmansuodattimen kansi laitteeseen.

## Öljyn levitys vaahtomuovisuodattimeen

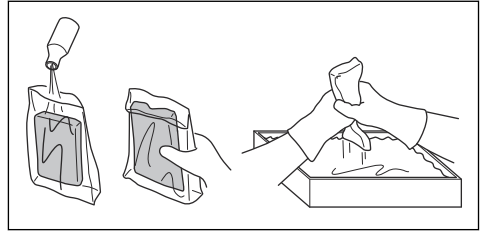


**HUOMAUTUS:** Käytä aina Husqvarna-erikoisilmansuodatinöljyä. Älä käytä muita öljytyyppejä.



**VAROITUS:** Käytä suojakäsineitä. Ilmansuodatinöljy voi aiheuttaa ihoärsytystä.

1. Siirrä vaahtomuovisuodatin muovipussiin.
2. Kaada öljy muovipussiin.
3. Hiero muovipussia, jotta öljy levittyy tasaisesti koko vaahtomuovisuodattimeen.
4. Paina ylimääräinen öljy muovipussissa olevasta vaahtomuovisuodattimesta.

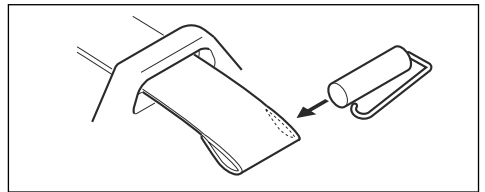


## Valjaiden vaihto



**VAROITUS:** Jos valjaat ovat vaurioituneet, laite voi pudota ja aiheuttaa loukkaantumisen. Varmista, että puristin on asennettu oikein.

1. Pysäytä moottori.
2. Irrota puristin hinnasta.
3. Pujota hihnan pää silmukan läpi.
4. Vedä uusi hihna silmukan läpi.
5. Aseta tappi hihnaan, jotta saat kiinnitettyä puristimen uuteen hihnaan.



## Vianmääritys

Moottori ei käynnisty		
Tarkistus	Mahdollinen syy	Ratkaisu
Stop-painike.	Pysäytysasento	Aseta pysäytin käynnistysasentoon.
Käynnistimen kynnet.	Tukkeutuneet tai kuluneet käynnistimen kynnet.	Säädä tai vaihda käynnistimen kynnet.
		Puhdista käynnistimen kynsien ympärillä oleva alue.
		Ota yhteyttä valtuutettuun huoltoliikkeeseen.

Moottori ei käynnisty		
Tarkistus	Mahdollinen syy	Ratkaisu
Polttoainesäiliö	Väärä polttoainetyyppi.	Tyhjennä polttoainesäiliö ja täytä oikealla polttoaineella.
Kaasutin.	Joutokäynnin säätö.	Säädä joutokäynti joutokäynnin säätöruuvilla.
Sytytys (ei kipinää).	Sytytystulppa liikainen tai märkä.	Varmista, että sytytystulppa on kuiva ja puhdas.
	Sytytystulpan kärkiväli on väärä.	Puhdista sytytystulppa. Tarkista, että kärkiväli on oikea. Varmista, että sytytystulppa on varustettu häiriösuodattimella. Tarkasta oikea kärkiväli teknisistä tiedoista.
Sytytystulppa	Sytytystulppa on löysä.	Kiristä sytytystulppa.
	Sytytystulppien kärjissä on ylimääräistä materiaalia.	Varmista, että polttoaineseos on oikea. Varmista, että ilmansuodatin on puhdas.

Moottorin käynnistyy mutta sammuu uudelleen		
Tarkistus	Mahdollinen syy	Ratkaisu
Polttoainesäiliö	Väärä polttoainetyyppi.	Tyhjennä se ja käytä oikeanlaista polttoainetta.
Kaasutin.	Moottori ei toimi oikein joutokäyntinopeudella.	Ota yhteyttä huoltoliikkeeseen.
Ilmansuodatin	Ilmansuodatin tukossa.	Puhdista ilmansuodatin.

## Kuljetus ja säilytys

### Kuljetus ja säilytys



**VAROITUS:** Väitä tulipalon vaara varmistamalla, että laitteen kuljetuksen tai varastoinnin aikana ei ilmene vuotoja tai höyryjä. Varmista, että kipinöintivaaraa tai tulipalon vaaraa ei ole.

- Tyhjennä polttoainesäiliö ennen kuljetusta tai pitkäaikaista säilytystä. Varmista, että polttoaine on poistunut kokonaan laitteesta, painamalla

polttoaineen ilmauspumpua. Hävitä polttoaine viemällä se asianmukaiseen keräyspisteeseen.

- Varmista, että laite on puhdistettu ja huollettu täysin ennen pitkäaikaista säilytystä.
- Irrota sytytystulppa ja kaada noin 15 ml kaksitahtiöljyä sylinteriin. Käännä laitetta 3 kertaa ja asenna sytytystulppa uudelleen.
- Kiinnitä laite tukevasti ajoneuvoon kuljetuksen ajaksi.
- Säilytä laitetta kuivassa, viileässä ja siistissä paikassa, jossa on hyvä ilmavirtaus. Pidä kone poissa lasten ulottuvilta.

## Tekniset tiedot

### Tekniset tiedot

	Husqvarna 350BT
<b>Moottori</b>	
Sylinteritilavuus, cm <sup>3</sup>	50,2
Joutokäyntinopeus, r/min	2 200
Katalysaattori	
<b>Sytytysjärjestelmä</b>	
Sytytystulppa	NGK CMR7H / TORCH AC7R
Kärkiväli, mm	0,6-0,7
<b>Polttoaine-/voitelujärjestelmä</b>	
Polttoainesäiliön tilavuus, l/cm <sup>3</sup>	1,25 / 1 250
<b>Paino</b>	
Paino ilman polttoainetta, kg	10,2
<b>Melupäästöt</b> <sup>25</sup>	
Äänen tehotaso, mitattu dB(A)	101
Äänen tehotaso, taattu L <sub>WA</sub> dB(A)	101
<b>Äänitasot</b> <sup>26</sup>	
Vastaava äänenpainetaso käyttäjän korvan tasalla mitattuna standardin EN15503 mukaan, dB(A)	
Varustettu puhaltimen suuttimella (alkuperäinen)	96
<b>Tärinätasot</b> <sup>27</sup>	
Kahvojen vastaavat tärinätasot (a <sub>h<sub>veq</sub></sub> ) mitattuna standardin EN 15503 mukaan, m/s <sup>2</sup>	2,7
<b>Puhallusteho</b>	
Ilman suurin nopeus, puhaltimen suutin, m/s:	80
Ilmavirtaus, puhaltimen suutin, m <sup>3</sup> /min	14

<sup>25</sup> Melupäästö ympäristöön äänentehona (L<sub>WA</sub>) EY-direktiivin 2000/14/EY mukaisesti mitattuna. Laitteen ilmoitettu äänentehotaso on mitattu käyttäen alkuperäistä puhaltimen suutin, joka antaa suurimman äänentehotason. Taatun ja mitatun äänitehon erona on se, että taattu ääniteho sisältää myös mitatun tuloksen hajonnan ja vaihtelun saman mallin eri laitteiden välillä direktiivin 2000/14/EY mukaisesti.

<sup>26</sup> Äänenpainetasoista ilmoitettujen tietojen tyypillinen tilastollinen hajonta (keskihajonta) on 1,0 dB(A).

<sup>27</sup> Tärinätasolle ilmoitetuissa tiedoissa tyypillinen tilastollinen hajonta (vakiopoikkeama) on 1,0 m/s<sup>2</sup>.

# EY-vaatimustenmukaisuusvakuutus

## EY-vaatimustenmukaisuusvakuutus

Husqvarna AB, SE-561 82 Huskvarna, Ruotsi, puh. +46  
36 146500, vakuuttaa täten, että tuote:

<b>Kuvaus</b>	Reppupuhallin
<b>Tuotemerkki</b>	Husqvarna
<b>Tyyppi/malli</b>	350BT
<b>Tunniste</b>	Sarjanumerot vuodesta 2022 alkaen

vastaavat täysin seuraavien EU:n direktivien ja  
asetusten vaatimuksia:

<b>Asetus</b>	<b>Kuvaus</b>
2006/42/EC	Konedirektiivi
2014/30/EU	EMC-direktiivi
2000/14/EC	Melupäästädirektiivi
2011/65/EU	Direktiivi tiettyjen vaarallisten aineiden käytön rajoittamisesta sähkö- ja elektroniikkalaitteissa

ja että asiassa sovelletaan seuraavia standardeja ja/tai  
teknisiä tietoja: EN ISO 12100:2010, CISPR 12:2009,  
EN 15503:2009+A2:2015, EN IEC 63000:2018

RISE SMP Svensk Maskinprovning AB, Box 7035,  
SE-750 07 Uppsala, Ruotsi on suorittanut Husqvarna  
AB:lle vapaaehtoisen tyyppitarkastuksen.

Sertifikaatin numero: SEC/09/2102

RISE SMP Svensk Maskinprovning AB, Box 7035,  
SE-750 07 Uppsala, Ruotsi on myös vahvistanut, että  
laite on neuvoston direktiivin 2000/14/EY liitteen V  
mukainen.

Katso lisätietoja melupäästöistä osiosta *Tekniset tiedot*  
*sivulla 135.*

Huskvarna, 2022-05-17

Stefan Holmberg, Tuotekehityspäällikkö, Technology  
Management, Husqvarna AB

Teknisestä dokumentaatiosta vastaava edustaja





# Sommaire

Introduction.....	137	Dépannage.....	148
Sécurité.....	139	Transport et stockage.....	149
Montage.....	141	Caractéristiques techniques.....	150
Utilisation.....	142	Déclaration de conformité CE.....	151
Entretien.....	145		

## Introduction

### Description du produit

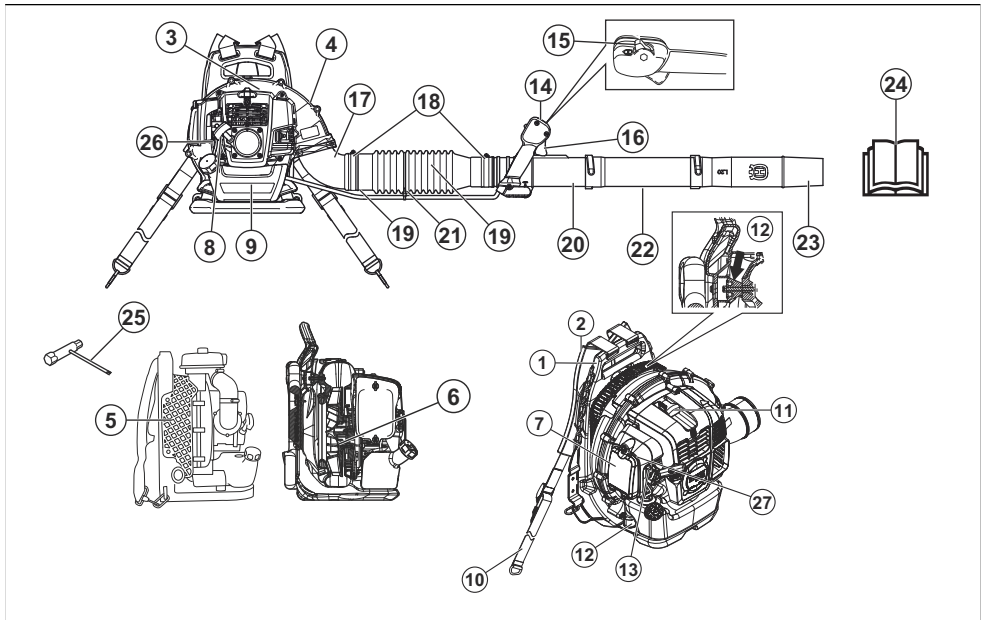
Ce produit est un souffleur dorsal équipé d'un moteur thermique.

Nous travaillons continuellement au développement de ses produits et nous réservons le droit d'en modifier, entre autres, la conception et l'aspect sans préavis.

### Utilisation prévue

Utilisez le produit pour souffler les feuilles et autres matériaux indésirables sur des surfaces telles que les pelouses, les allées et les routes goudronnées.

### Aperçu du produit



- |                                  |  |
|----------------------------------|--|
| 1. Cadre                         | 10. Ceinture   |
| 2. Harnais                       | 11. Bougie   |
| 3. Couvercle du moteur           | 12. Système anti-vibrations                                |
| 4. Couvercle du ventilateur      | 13. Starter  |
| 5. Grille d'entrée d'air         | 14. Poignée de commande                                    |
| 6. Ventilateur                   | 15. Interrupteur marche/arrêt avec commande d'accélération |
| 7. Filtre à air                  | 16. Gâchette d'accélération                                |
| 8. Poignée du câble du démarreur | 17. Angle du tuyau   |
| 9. Réservoir de carburant        |  |

18. Collier de serrage
19. Tuyau flexible
20. Tube de manoeuvre
21. Collier du câble
22. Tube intermédiaire
23. Buse de souffleur
24. Manuel de l'opérateur
25. Clé mixte
26. Poire de la pompe à carburant
27. Vis de régime de ralenti

## Symboles concernant le produit



**AVERTISSEMENT !** ce produit peut être dangereux et causer des blessures graves, voire mortelles, au conducteur ou à d'autres personnes. Soyez prudent et utilisez le produit correctement.



Lisez attentivement le manuel d'utilisation et assurez-vous de bien comprendre les instructions avant utilisation.



Utilisez des protège-oreilles et des protections pour les yeux homologués. Si l'environnement est poussiéreux, utilisez un masque respiratoire.



Utilisez des gants de protection homologués.



Mélange d'essence et d'huile deux temps.



Poire de la pompe à carburant.



Maintenez toutes les parties du corps à l'écart des surfaces chaudes.



Starter, position ouverte.



Starter, position fermée.



Ce produit est conforme aux directives CE en vigueur.

**UK  
CA**

Ce produit est conforme aux directives en vigueur au Royaume-Uni.



Étiquette relative aux émissions sonores dans l'environnement selon les directives et réglementations européennes et du Royaume-Uni et la législation de la Nouvelle-Galles du Sud « Protection of the Environment Operations (Noise Control) Regulation 2017 ». Le niveau de puissance sonore garanti du produit est spécifié à la section *Caractéristiques techniques* à la page 150 et sur l'étiquette.



Attention aux objets projetés. Les objets projetés peuvent engendrer de graves blessures. Utilisez un équipement de protection individuel.



Maintenez une distance de sécurité d'au moins 15 m par rapport aux personnes ou aux animaux.

yyyywwxxxx

La plaque signalétique indique le numéro de série. **aaaa** désigne l'année de production et **ww** correspond à la semaine de production.

**Remarque:** Les autres symboles/autocollants présents sur le produit concernent des exigences de certification spécifiques à d'autres zones commerciales.

## Émissions Euro V



**AVERTISSEMENT:** toute altération du moteur a pour effet d'annuler l'homologation de type UE de ce produit.

## Responsabilité

Conformément à la loi sur la responsabilité du fait des produits, nous déclinons toute responsabilité pour tout dommage causé par notre produit si :

- le produit n'est pas correctement réparé ;
- le produit est réparé avec des pièces qui ne proviennent pas du fabricant ou qui ne sont pas homologuées par le fabricant ;
- le produit est équipé d'un accessoire qui ne provient pas du fabricant ou qui n'est pas homologué par le fabricant ;
- le produit n'est pas réparé par un centre d'entretien agréé ou par une autorité homologuée.

---

# Sécurité

---

## Définitions de sécurité

Les définitions ci-dessous indiquent le niveau de gravité pour chaque mention d'avertissement.



**AVERTISSEMENT:** Blessures aux personnes.



**REMARQUE:** Dommages au produit.

**Remarque:** Cette information facilite l'utilisation du produit.

## Instructions générales de sécurité



**AVERTISSEMENT:** Lisez les instructions qui suivent avant d'utiliser le produit.

- Ne modifiez pas le produit sans l'approbation du fabricant et utilisez toujours des accessoires d'origine. Toute modification et/ou tout accessoire non approuvé peuvent entraîner des blessures graves, voire mortelles, pour l'opérateur ou d'autres personnes.
- N'utilisez pas de produit endommagé. Effectuez les contrôles de sécurité et l'entretien indiqués dans ce manuel d'utilisation. Toutes les autres tâches d'entretien doivent être effectuées par du personnel d'entretien agréé.
- Toutes les opérations d'entretien et de réparation doivent être effectuées par du personnel d'entretien agréé. Si une partie du produit est défectueuse, veuillez contacter votre atelier d'entretien.

## Instructions de sécurité pour le fonctionnement



**AVERTISSEMENT:** Lisez les instructions qui suivent avant d'utiliser le produit.

- ce produit peut être dangereux et causer des blessures graves, voire mortelles, à l'opérateur ou à d'autres personnes. Soyez prudent et utilisez le produit correctement.
- Inspectez le produit avant toute utilisation. Reportez-vous à la section *Entretien à la page 145*.
- N'utilisez pas l'appareil si vous êtes fatigué ou malade, ou si vous êtes sous l'emprise de l'alcool ou de drogues qui peuvent diminuer votre vision, votre jugement ou votre coordination.
- Installez tous les couvercles et toutes les protections avant utilisation. Pour éviter tout risque d'électrocution, assurez-vous que le capuchon de bougie et le câble d'allumage ne sont pas endommagés.
- Ne touchez jamais la bougie ou le câble d'allumage lorsque le moteur tourne.
- Maintenez une distance de sécurité d'au moins 15 m par rapport aux personnes ou aux animaux. Si des personnes, des enfants ou des animaux s'approchent à moins de 15 m, arrêtez le produit. Ne dirigez pas le produit vers des personnes, des animaux, des fenêtres ouvertes et d'autres objets.
- Ne laissez pas des enfants utiliser la machine. Assurez-vous que tous les opérateurs lisent et comprennent le contenu de ce manuel d'utilisation.
- Gardez les mains ou tout autre objet à l'écart du carter de souffleur pendant le fonctionnement. Les pièces en rotation peuvent causer de graves blessures.
- N'utilisez pas le produit si la prise d'air n'est pas installée. Avant utilisation, assurez-vous toujours que la prise d'air est installée et qu'elle n'est pas endommagée.
- En cas d'urgence, détachez les ceintures de taille et de poitrine du harnais et laissez tomber le produit.
- Respectez les réglementations et directives nationales.
- Maintenez toutes les parties du corps à l'écart des surfaces chaudes.
- Ce produit génère un champ électromagnétique durant son fonctionnement. Ce champ peut dans certaines circonstances perturber le fonctionnement d'implants médicaux actifs ou passifs. Pour réduire le risque de blessures graves ou mortelles, les personnes portant des implants médicaux doivent consulter leur médecin et le fabricant de leur implant avant d'utiliser ce produit.
- Des vibrations trop importantes peuvent endommager la circulation ou le système nerveux. Si vous avez des symptômes, par exemple un engourdissement, une perte de sensations, des picotements, des coups de pied, une douleur, une perte de force ou des changements de couleur de peau au niveau des doigts, des mains ou des poignets, parlez-en à votre médecin.
- Attention aux objets projetés. Les objets projetés peuvent engendrer de graves blessures.
- N'utilisez pas le produit par mauvais temps : brouillard, pluie, vent violent ou grand froid. Travailler par mauvais temps peut provoquer une fatigue et des conditions dangereuses.
- Assurez-vous que vous pouvez vous déplacer et garder une position stable. Effectuer un contrôle

de la zone de travail pour détecter d'éventuels obstacles, par exemple des pierres. Soyez très prudent lors de l'utilisation du produit sur une pente.

- Ne laissez pas la machine au sol lorsque le moteur tourne.
- N'utilisez pas le produit à partir de positions élevées, par exemple sur une échelle.
- Assurez-vous d'être toujours entendu en cas d'accident.
- Assurez-vous que la sortie des gaz d'échappement n'est pas obstruée. Pour éviter d'endommager le produit, maintenez les obstacles à une distance minimale de 50 cm de la sortie des gaz d'échappement.
- Ne démarrez pas le produit dans un local clos, où il y a une mauvaise circulation d'air ou à proximité de matériaux inflammables. Les gaz d'échappement du moteur contiennent du monoxyde de carbone pouvant provoquer une intoxication. Les gaz d'échappement du moteur sont très chauds et peuvent contenir des étincelles pouvant provoquer un incendie.

## Équipement de protection individuel



**AVERTISSEMENT:** Lisez les instructions qui suivent avant d'utiliser le produit.

- Utilisez un équipement de protection individuel homologué lorsque vous utilisez le produit. L'équipement de protection individuel ne protège pas complètement des blessures, mais il diminue la gravité des blessures. Pour davantage d'informations, contactez votre revendeur.
- Utilisez des protège-oreilles homologués. Une exposition prolongée au bruit risque de causer des lésions auditives permanentes.
- Utilisez des protections pour les yeux homologuées. L'usage d'une visière doit toujours s'accompagner du port de lunettes de protection homologuées. Les lunettes de protection homologuées doivent être conformes aux normes ANSI Z87.1 (États-Unis) ou EN 166 (pays de l'UE).
- Utilisez des gants de protection pendant l'utilisation et l'entretien.
- Utilisez des bottes de protection ou des chaussures équipées de semelles antidérapantes.
- Utilisez des vêtements en tissu résistant couvrant tout le corps. N'utilisez pas de bijoux ou de chaussures ouvertes. Pour réduire le risque de blessures, vos vêtements doivent être près du corps, mais ne doivent pas limiter vos mouvements. Placez vos cheveux au-dessus de vos épaules pour éviter qu'ils ne pénètrent dans les parties rotatives ou qu'ils ne s'accrochent aux branches.
- Utilisez une protection respiratoire lorsqu'il y a un risque de présence de poussières.
- Conservez l'équipement de premiers secours à proximité.

## Dispositifs de sécurité sur le produit



**AVERTISSEMENT:** Lisez les instructions qui suivent avant d'utiliser le produit.

- N'utilisez pas un produit avec des dispositifs de sécurité défectueux.
- Contrôlez les dispositifs de sécurité régulièrement. Reportez-vous à la section *Entretien à la page 145*.
- Si les dispositifs de sécurité sont défectueux, parlez-en à votre atelier d'entretien Husqvarna.

### Pour contrôler le silencieux



**AVERTISSEMENT:** N'utilisez pas un produit un silencieux en mauvais état.



**AVERTISSEMENT:** Le silencieux devient très chaud pendant et après utilisation, même au régime de ralenti. Utilisez des gants de protection pour éviter des brûlures.



**AVERTISSEMENT:** L'intérieur du silencieux contient des produits chimiques pouvant être cancérogènes. Ne touchez pas le silencieux s'il est endommagé.

- Effectuez régulièrement un contrôle visuel du silencieux. Le silencieux est conçu pour réduire au maximum le niveau sonore et rejeter les gaz d'échappement loin de l'utilisateur. Reportez-vous à la section *Pour procéder à l'entretien du silencieux à la page 147*.

### Pour contrôler le système anti-vibrations

1. Assurez-vous que les dispositifs anti-vibrations ne sont pas fissurés ni déformés.
2. Assurez-vous que les dispositifs anti-vibrations sont fixés correctement sur le moteur et les poignées.

Reportez-vous à la section *Aperçu du produit à la page 137* pour connaître l'emplacement du système anti-vibrations sur votre produit.

### Pour contrôler l'interrupteur marche/arrêt

1. Utilisez l'interrupteur marche/arrêt pour arrêter le moteur.
2. Assurez-vous que le moteur s'arrête complètement.

Pour connaître l'emplacement de l'interrupteur marche/arrêt sur votre produit, reportez-vous à *Aperçu du produit à la page 137*.

## Sécurité du harnais

- Assurez-vous que la ceinture est fermée et réglée correctement. Des extrémités desserrées du harnais peuvent pénétrer dans les pièces en rotation et endommager le ventilateur. Si le ventilateur est endommagé, des pièces détachées du produit peuvent s'éjecter et provoquer des blessures ou des dommages.

## Sécurité carburant



**AVERTISSEMENT:** Lisez les instructions qui suivent avant d'utiliser le produit.

- Ne mélangez ni n'ajoutez pas le carburant à l'intérieur ou à proximité d'une source de chaleur.
- Ne démarrez pas le produit si vous avez renversé de l'huile ou du carburant sur le produit ou sur vous.
- Ne démarrez pas le produit si le moteur présente une fuite de carburant. Vérifiez régulièrement s'il y a des fuites de carburant dans le moteur.
- Faites toujours attention avec le carburant. Le carburant est inflammable et ses vapeurs sont explosives. Il peut causer des blessures graves, voire mortelles.

- Ne respirez pas les vapeurs de carburant, elles peuvent causer des blessures. Assurez-vous que la ventilation est suffisante.
- Ne fumez pas à proximité du carburant ou du moteur.
- Ne placez pas le produit ni le bidon de carburant dans un espace où il y a des objets chauds, une flamme nue, des étincelles ou une veilleuse d'allumage.
- Utilisez uniquement des récipients homologués pour le transport et le stockage de carburant.

## Consignes de sécurité pour l'entretien



**AVERTISSEMENT:** Lisez les instructions qui suivent avant d'utiliser le produit.

- Arrêtez le moteur, déposez la bougie et laissez refroidir le moteur avant d'effectuer l'entretien et le montage.
- Le blocage du pare-étincelles entraîne la surchauffe et la détérioration du moteur.

## Montage

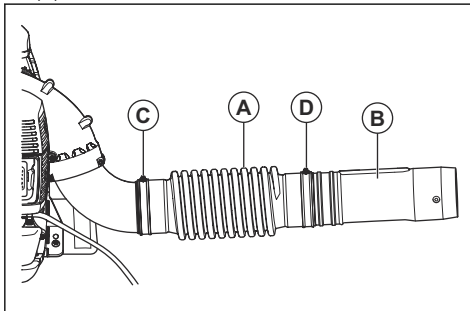
### Introduction



**AVERTISSEMENT:** Assurez-vous de lire et de comprendre le chapitre dédié à la sécurité avant de monter l'appareil.

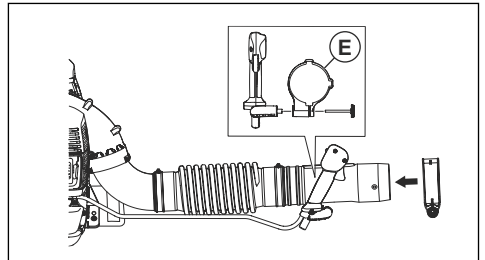
### Pour assembler le tube du souffleur et la poignée de commande sur le produit

1. Fixez le tuyau flexible (A) à l'angle du tuyau et au tuyau de commande (B) à l'aide des colliers (C) et (D).



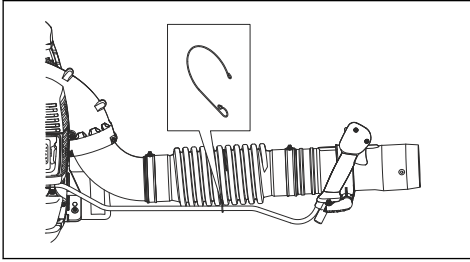
**Remarque:** Lubrifiez le tuyau de commande et le tuyau flexible pour faciliter leur montage.

2. Fixez le support de poignée (E) au tuyau de commande. Alignez le support de poignée sur la bride du tuyau de commande.

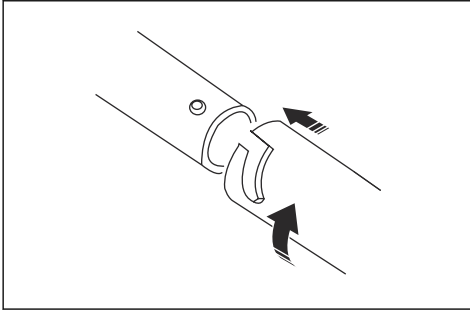


3. Réglez la position et l'angle de la poignée de commande sur une position de travail sûre et adéquate. Serrer la manette.

- Fixez le câble sur le tuyau flexible à l'aide des serre-câbles.



- Fixez le tuyau intermédiaire sur le tuyau de commande.



**Remarque:** S'il est nécessaire d'utiliser un tube de souffleur circulaire plus long, un tuyau intermédiaire plus long est disponible.

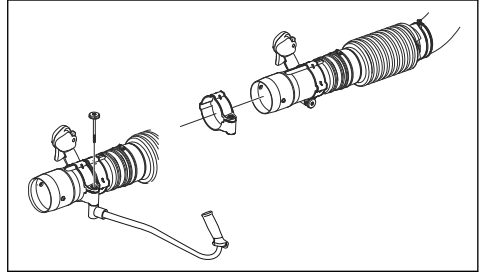
- Fixez la buse du souffleur sur le tuyau intermédiaire.

**Remarque:** La buse du souffleur peut uniquement être connectée sur le tuyau intermédiaire.

## Montage du guidon (accessoire en option)

- Démontez le tuyau intermédiaire.

- Retirez la manette du support et poussez le support sur le tuyau de commande.
- Installez le guidon et la manette. Serrez la manette.

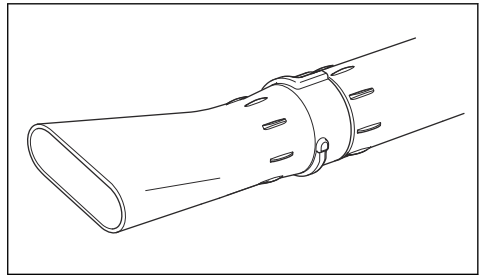


- Montez le tuyau intermédiaire.

## Pour monter la buse plate (accessoire en option)

La buse plate fournit une vitesse d'air plus élevée que la buse du souffleur.

- Retirez la buse du souffleur du tuyau intermédiaire et installez la buse plate.



## Utilisation

### Introduction



**AVERTISSEMENT:** Assurez-vous de lire et de comprendre le chapitre dédié à la sécurité avant d'utiliser l'appareil.



**REMARQUE:** L'utilisation d'un type de carburant inadéquat peut endommager le moteur. Utilisez un mélange d'essence et d'huile deux temps.

### Carburant

Ce produit est équipé d'un moteur à deux temps.

### Carburant prémélangé

- Utilisez Husqvarna un carburant alkylate prémélangé pour des performances optimales et une plus longue durée de vie du moteur. Ce carburant contient des produits chimiques moins dangereux par rapport au carburant normal, ce qui réduit la quantité de gaz

d'échappement dangereux. Ce carburant génère une faible quantité de résidus, ce qui permet de garder les composants du moteur propres plus longtemps.

## Pour mélanger le carburant

### Essence

- Utilisez une essence sans plomb de bonne qualité avec un maximum de 10 % d'éthanol.



**REMARQUE:** n'utilisez pas d'essence avec un indice d'octane inférieur à 90 RON/87 AKI. L'utilisation d'une essence d'un indice d'octane inférieur peut entraîner des cognements, et donc endommager le moteur.

### Huile deux temps

- Pour un résultat et un fonctionnement optimaux, utilisez de l'huile deux temps Husqvarna.
- Si l'huile deux temps Husqvarna n'est pas disponible, utilisez une huile deux temps de haute qualité pour moteurs refroidis à l'air. Contactez votre atelier d'entretien pour sélectionner l'huile appropriée.



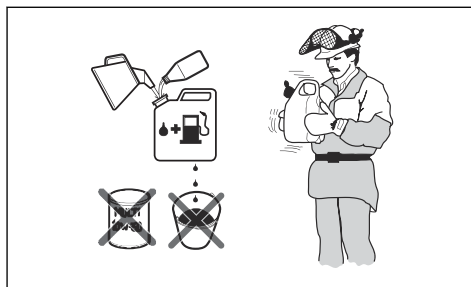
**REMARQUE:** N'utilisez pas d'huile deux temps pour les moteurs hors-bord refroidis par eau (huile outboard). N'utilisez pas d'huile pour moteurs à quatre temps.

### Pour mélanger l'essence et l'huile deux temps

Essence, en litres	Huile deux temps, en litres
	<b>2 % (50:1)</b>
5	0,10
10	0,20
15	0,30
20	0,40



**REMARQUE:** lorsque vous mélangez de faibles quantités de carburant, de petites erreurs peuvent influencer considérablement sur le rapport de mélange. Mesurez soigneusement la quantité d'huile et assurez-vous que vous obtenez le mélange correct.



- Remplissez la moitié de la quantité d'essence dans un récipient propre et adapté pour l'essence.
- Ajoutez la quantité totale d'huile.
- Mélangez en secouant le mélange de carburant.
- Ajoutez le reste de l'essence dans le récipient.
- Mélangez avec précaution en secouant le récipient.



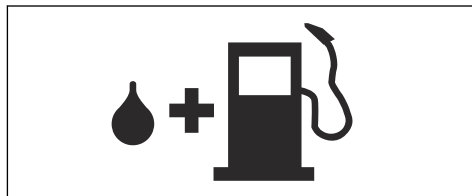
**REMARQUE:** Ne mélangez jamais plus d'un mois de carburant à chaque fois.

### Pour remplir le réservoir de carburant



**AVERTISSEMENT:** Respectez la procédure suivante pour votre sécurité.

- Arrêtez le moteur et laissez-le refroidir.
- Essuyez le pourtour du bouchon du réservoir de carburant.



- Secouez le conteneur et assurez-vous que le carburant est complètement mélangé.
- Déposez lentement le couvercle du réservoir de carburant pour relâcher la pression.
- Remplissez le réservoir de carburant.



**REMARQUE:** Assurez-vous qu'il n'y a pas de trop de carburant dans le réservoir de carburant. Le carburant se dilate lorsqu'il devient chaud.

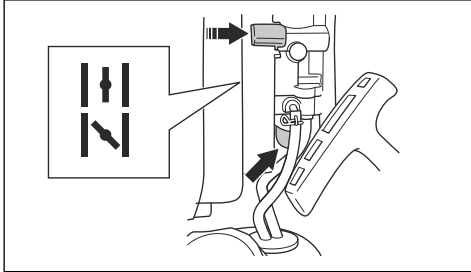
- Serrez soigneusement le bouchon du réservoir de carburant.
- Nettoyez tout déversement de carburant sur et autour du produit.

8. Positionnez le produit à au moins 3 m/10 pi de la zone et de la source du remplissage avant de démarrer le moteur.

**Remarque:** Pour connaître l'emplacement du réservoir de carburant sur votre produit, reportez-vous à la section *Aperçu du produit à la page 137*.

## Pour démarrer le produit

1. Si le moteur est froid, placez le levier du starter en position de starter fermé. Reportez-vous à la section *Symboles concernant le produit à la page 138*.



2. Pressez la poire de la pompe à carburant plusieurs fois jusqu'à ce que le carburant commence à remplir la poire. Il n'est pas nécessaire de remplir entièrement la poire de la pompe à carburant.
3. Poussez l'interrupteur marche/arrêt avec la commande d'accélération sur la position de vitesse 1/3. Reportez-vous à la section *Pour actionner la commande d'accélération/l'interrupteur d'arrêt à la page 144*.
4. Placez le produit sur une surface plane au sol.
5. Maintenez le produit avec la main gauche.



**REMARQUE:** N'utilisez pas vos pieds pour tenir le produit.

6. Tirez lentement la poignée du câble du démarreur jusqu'à ressentir une résistance.

7. Tirez la poignée du câble du démarreur rapidement avec votre main droite. Tirez sur la poignée du câble du démarreur plusieurs fois jusqu'à ce que le moteur démarre.

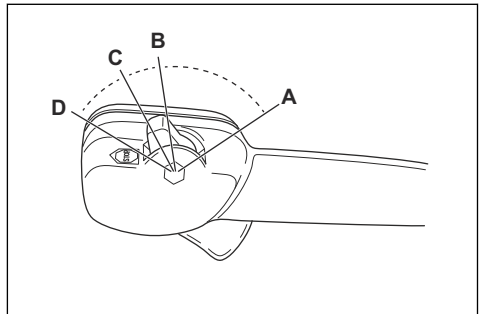
**Remarque:** Ne tirez pas complètement sur la poignée du câble du démarreur et ne lâchez pas la poignée du câble du démarreur.

8. Si le moteur est froid, poussez progressivement le levier du starter en position ouverte jusqu'à ce que le levier du starter s'arrête.
9. Si le moteur est froid, laissez-le chauffer pendant 2-3 minutes avant de l'utiliser.



**AVERTISSEMENT:** L'air est libéré au démarrage du moteur et lorsque le produit est réglé au régime de ralenti. Ne laissez personne s'approcher à proximité du produit ou du tube du souffleur.

## Pour actionner la commande d'accélération/l'interrupteur d'arrêt



- Donnez les pleins gaz (A).
- Appliquez la vitesse 1/3 (B).
- Faites-le tourner au régime de ralenti (C).
- Arrêtez le produit (D).



## Pour utiliser le produit

- Cet aspiro-souffleur est portatif et s'utilise placé sur le dos à l'aide d'un harnais. Il est actionné et commandé avec la main droite au moyen d'une poignée située sur le tube.



- Utilisez le produit aux heures de travail habituelles. Respectez les réglementations locales.
- Diminuez les pièces d'équipement et sélectionnez la vitesse adaptée à votre tâche. Utilisez l'accélérateur à la position la plus basse possible pour éviter plus de bruit et de poussière que nécessaire.
- Maintenez la buse du souffleur près du sol.

**Remarque:** Husqvarna recommande d'utiliser l'extension de buse de souffleur complète.

- Notez la direction du vent et faites fonctionner le produit dans la direction du vent.
- Utilisez les outils de jardin appropriés pour dégager les matériaux du sol.
- Dans les zones poussiéreuses, utilisez un équipement de pulvérisation pour mouiller la zone. Cela permet de réduire le temps de fonctionnement.
- Après utilisation, conservez le produit en position de stockage verticale.

## Pour arrêter le produit

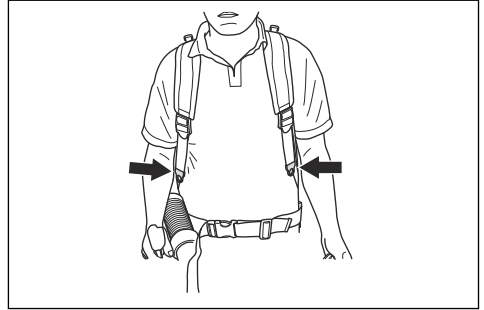


**REMARQUE:** N'arrêtez pas le produit à pleine vitesse.

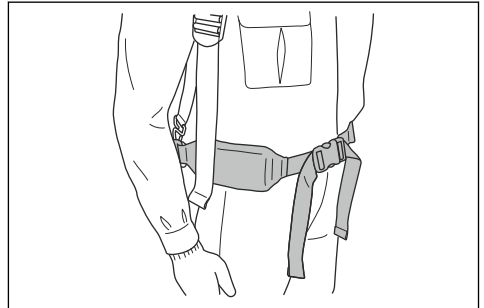
1. Placez l'interrupteur marche/arrêt avec la commande d'accélération en position arrêt. Reportez-vous à la section *Pour actionner la commande d'accélération/l'interrupteur d'arrêt* à la page 144.

## Pour régler le harnais

1. Enfilez le harnais du produit.
2. Serrez les sangles d'épaule jusqu'à ce que le produit soit bien serré contre votre corps.



3. Placez la ceinture autour de la taille.
4. Serrez la sangle de ceinture. Assurez-vous que le poids du souffleur reste sur vos hanches.



## Entretien

### Introduction



**AVERTISSEMENT:** assurez-vous de lire et de comprendre le chapitre sur la

sécurité avant de procéder à l'entretien du produit.

## Calendrier d'entretien

Entretien	Au quoti- dien	Toutes les se- maines	Une fois par mois
Nettoyez les surfaces externes.	X		
Contrôlez le bon fonctionnement de la poignée de commande.	X		
Contrôlez le bon fonctionnement de l'interrupteur marche/arrêt. Reportez-vous à la section <i>Pour contrôler l'interrupteur marche/arrêt à la page 140.</i>	X		
Vérifiez si le moteur, le réservoir de carburant et les conduites de carburant présentent des fuites. Vérifiez que le filtre à carburant n'est pas contaminé. Remplacez le filtre à carburant si nécessaire.	X		
Nettoyez le filtre à air. Remplacez le filtre à air si nécessaire.	X		
Serrez les écrous et les vis.	X		
Examinez la prise d'air pour vous assurer qu'elle n'est pas obstruée.	X		
Vérifiez si le démarreur et le câble de démarreur sont endommagés.		X	
Vérifiez que les dispositifs anti-vibrations ne présentent pas de dommages, de fissures ou de déformations. Vérifiez que les dispositifs anti-vibrations sont correctement installés.		X	
Vérifiez la bougie. Reportez-vous à la section <i>Pour contrôler la bougie d'allumage à la page 146.</i>		X	
Nettoyez le système de refroidissement.		X	
Nettoyez la surface extérieure du carburateur et la zone autour de celui-ci.		X	
Nettoyer le réservoir de carburant.			X
Vérifiez tous les câbles et toutes les connexions.			X
Examinez et nettoyez le pare-étincelles sur le silencieux (pour les produits sans convertisseur catalytique).		X	
Examinez et nettoyez le pare-étincelles sur le silencieux (pour les produits avec convertisseur catalytique).			X
Vérifiez la bougie. Remplacez-les si nécessaire.			X

### Pour régler le régime de ralenti

1. Assurez-vous que le filtre à air est propre et que le couvercle de filtre à air est attaché.
2. Réglez le régime de ralenti à l'aide de la vis de ralenti. Pour connaître l'emplacement de la vis de ralenti sur votre produit, reportez-vous à la section *Aperçu du produit à la page 137.*

Une bougie inappropriée peut endommager le produit.

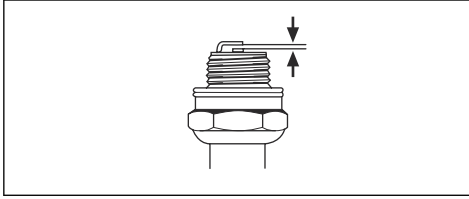
1. Arrêtez le moteur et laissez le produit refroidir.
2. Nettoyez la bougie si elle est sale.

### Pour contrôler la bougie d'allumage



**REMARQUE:** Utilisez la bougie recommandée. Reportez-vous à la section *Caractéristiques techniques à la page 150.*

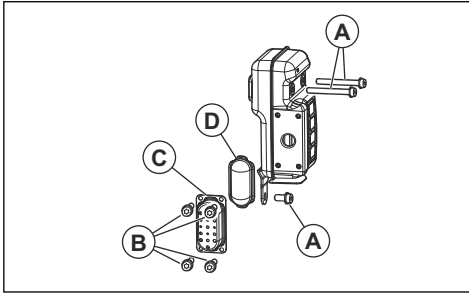
3. Vérifiez que l'écartement des électrodes est correct. Reportez-vous à la section *Caractéristiques techniques à la page 150*.



4. Remplacez la bougie une fois par mois ou plus fréquemment, si nécessaire.

## Pour procéder à l'entretien du silencieux

1. Arrêtez le moteur et laissez refroidir le silencieux. Portez toujours des gants de protection.
2. Déposez les vis (A), les vis (B) et le conduit d'évacuation (C).



3. Déposez le pare-étincelles (D) et nettoyez-le à l'aide d'une brosse métallique. Remplacez l'écran pare-étincelles s'il est endommagé.
4. Éliminez la saleté du silencieux et de l'orifice d'échappement du cylindre avec la brosse métallique.
5. Fixez le pare-étincelles (D) et le conduit d'échappement (C) à l'aide des vis (B). Serrez les vis à 2-3 Nm.
6. Serrez les vis (A) à 8-12 Nm. Assurez-vous que le silencieux est correctement fixé à l'appareil.

## Pour inspecter et nettoyer le système de refroidissement

Le système de refroidissement comprend les ailettes de refroidissement sur le cylindre et la prise d'air.

1. Arrêtez le moteur.
2. Assurez-vous que le système de refroidissement n'est pas encrassé ou colmaté. Si nécessaire, nettoyez la prise d'air et les ailettes de refroidissement.



**REMARQUE:** Un circuit de refroidissement sale ou colmaté peut provoquer la surchauffe du moteur, ce qui peut endommager le produit. Une prise d'air obstruée diminue la force de soufflage.

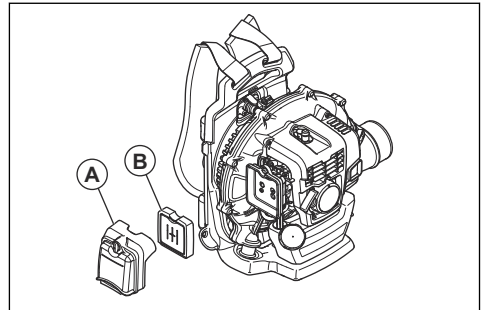
3. Vérifiez que le système de refroidissement n'est pas endommagé. Assurez-vous que les pièces sont correctement fixées au produit.

## Pour nettoyer le filtre à air



**REMARQUE:** N'utilisez pas de produit sans filtre à air ou avec un filtre à air endommagé. La poussière présente dans l'air peut endommager le moteur.

1. Poussez la commande de starter en position fermée.
2. Retirez le couvercle du filtre à air (A).
3. Retirez le filtre à air (B) du cadre du filtre.



4. Nettoyez le filtre à air avec de l'eau chaude savonneuse.

**Remarque:** Un filtre à air qui a servi longtemps ne peut pas être complètement propre. Remplacez le filtre à air régulièrement et remplacez toujours un filtre à air défectueux.

5. Nettoyez la surface intérieure du couvercle du filtre à air (A) avec une brosse.
6. Appliquez de l'huile sur le filtre à air. Reportez-vous à la section *Pour appliquer de l'huile sur le filtre à air en mousse à la page 147*.
7. Installez le filtre à air sur le cadre du filtre à air.
8. Fixez le couvercle du filtre à air au produit.

## Pour appliquer de l'huile sur le filtre à air en mousse

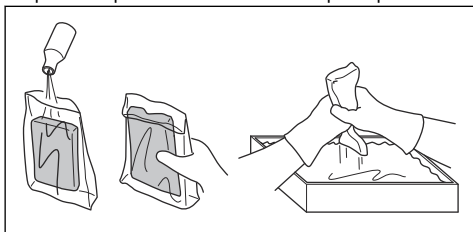


**REMARQUE:** Utilisez toujours une huile spéciale Husqvarna pour filtre à air. N'utilisez pas d'autres types d'huile.



**AVERTISSEMENT:** Mettez des gants de protection. L'huile pour filtre à air peut irriter la peau.

1. Mettez le filtre à air en mousse dans un sachet en plastique.
2. Versez l'huile dans le sachet en plastique.
3. Pressez le sachet en plastique pour assurer une répartition uniforme de l'huile dans le filtre à air en mousse.
4. Retirez l'excédent d'huile du filtre à air en mousse pendant qu'il est dans le sachet en plastique.

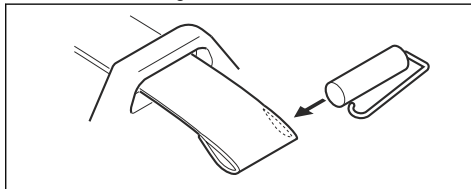


## Pour remplacer le harnais



**AVERTISSEMENT:** Un harnais endommagé peut entraîner la chute du produit et provoquer des blessures. Veillez à installer correctement le collier.

1. Arrêtez le moteur.
2. Retirez le collier de serrage de la courroie.
3. Faites passer l'extrémité de la sangle dans l'œillet.
4. Tirez la nouvelle sangle à travers l'œillet.
5. Placez la goupille dans la sangle pour fixer le collier à la nouvelle sangle.



## Dépannage

Le moteur ne démarre pas		
Contrôle	Cause possible	Solution
Bouton d'arrêt.	Position d'arrêt	Mettez l'interrupteur d'arrêt en position de démarrage.
Cliquet(s) du démarreur.	Cliquet(s) du démarreur bloqué(s) ou usé(s).	Réglez ou remplacez le(s) cliquet(s) du démarreur.
		Nettoyez le(s) cliquet(s) du démarreur.
		Contactez un atelier d'entretien agréé.
Réservoir d'essence.	Mauvais type de carburant.	Vidangez le réservoir de carburant et utilisez le carburant qui convient.
Carburateur.	Réglage du régime de ralenti.	Réglez le régime de ralenti à l'aide de la vis de réglage du ralenti.
Allumage (pas d'étincelle).	Bougie sale ou humide.	Assurez-vous que la bougie est sèche et propre.
		Nettoyez la bougie. Vérifiez que l'écartement des électrodes est correct. Assurez-vous que la bougie est dotée d'un antiparasite.
	L'écartement des électrodes sur la bougie est incorrect.	Reportez-vous aux caractéristiques techniques pour obtenir le bon écartement des électrodes.

Le moteur ne démarre pas		
Contrôle	Cause possible	Solution
Bougie.	Bougie desserrée.	Serrez la bougie d'allumage.
	Il y a des matériaux indésirables sur les électrodes des bougies.	Assurez-vous que le mélange de carburant est correct.
		Assurez-vous que le filtre à air est propre.

Le moteur démarre, puis s'arrête à nouveau		
Contrôle	Cause possible	Solution
Réservoir d'essence.	Mauvais type de carburant.	Vidangez et utilisez le bon carburant.
Carbureteur.	Le moteur ne fonctionne pas correctement lorsqu'il tourne au régime de ralenti.	Contactez votre atelier d'entretien.
Filtre à air.	Filtre à air bouché.	Nettoyez le filtre à air.

## Transport et stockage

### Transport et stockage



**AVERTISSEMENT:** Pour éviter tout risque d'incendie, assurez-vous qu'il n'y a pas de fuites ou d'émanations pendant le transport ou le stockage. Assurez-vous qu'il n'y a pas de risque d'étincelles ou d'incendie.

- Placez le produit dans un endroit sec, frais et propre avec une bonne circulation d'air. Tenez la machine à l'écart des enfants.
- Avant de transporter ou de remiser le produit pour une période prolongée, videz le réservoir de carburant. Pressez la poire de la pompe à carburant pour s'assurer que tout le carburant est éliminé. Mettez le carburant au rebut dans une déchetterie appropriée.
- Assurez-vous que le produit est propre et que son entretien complet a été effectué avant de le ranger pour une période prolongée.
- Retirez la bougie et versez environ 15 ml d'huile deux temps dans le cylindre. Tournez le produit 3 fois et remettez la bougie en place.
- Fixez le produit en toute sécurité au véhicule pour le transporter.

## Caractéristiques techniques

### Caractéristiques techniques

	<b>Husqvarna 350BT</b>
<b>Moteur</b>	
Cylindrée, cm <sup>3</sup>	50,2
Régime de ralenti, tr/min	2 200
Convertisseur catalytique	Non
<b>Système d'allumage</b>	
Bougie	NGK CMR7H / TORCH AC7R
Écartement des électrodes, mm	0,6 à 0,7
<b>Système de graissage/de carburant</b>	
Capacité du réservoir de carburant, l/cm <sup>3</sup>	1,25 / 1 250
<b>Poids</b>	
Poids, sans carburant, kg	10,2
<b>Émissions sonores</b> <sup>28</sup>	
Niveau de puissance sonore mesuré dB(A)	101
Niveau de puissance acoustique, garanti L <sub>WA</sub> dB(A)	101
<b>Niveaux sonores</b> <sup>29</sup>	
Niveau de pression sonore équivalent au niveau de l'oreille de l'utilisateur, mesuré selon la norme EN15503 dB(A) :	
Équipé d'une buse de souffleur (d'origine)	96
<b>Niveaux de vibrations</b> <sup>30</sup>	
Niveaux de vibrations équivalents (a <sub>hv,eq</sub> ) au niveau des poignées mesurés selon la norme EN 15503, en m/s <sup>2</sup>	2,7
<b>Performances du ventilateur</b>	
Vitesse d'air max., avec la buse du souffleur, m/s	80
Débit d'air avec la buse du souffleur, m <sup>3</sup> /min	14

<sup>28</sup> Émissions sonores dans l'environnement mesurées comme puissance sonore (L<sub>WA</sub>) selon la directive européenne CE 2000/14/CE. Le niveau de puissance sonore reporté pour la machine a été mesuré avec la buse du souffleur d'origine qui donne le niveau le plus élevé. Le niveau de puissance sonore garanti diffère du niveau mesuré en cela qu'il prend également en compte la dispersion et les variations d'une machine à l'autre du même modèle, conformément à la directive 2000/14/CE.

<sup>29</sup> Les données reportées pour le niveau de pression sonore montrent une dispersion statistique typique (déviat-ion standard) de 1,0 dB(A).

<sup>30</sup> Les données reportées pour le niveau de vibrations montrent une dispersion statistique typique (déviat-ion standard) de 1,0 m/s<sup>2</sup>.

# Déclaration de conformité CE

## Déclaration de conformité CE

Nous, **Husqvarna AB**, SE-561 82 Huskvarna, Suède,  
tél. : +46-36-146500, déclarons sous notre entière  
responsabilité que le produit :

<b>Description</b>	Souffleur dorsal
<b>Marque</b>	Husqvarna
<b>Type/Modèle</b>	350BT
<b>Identification</b>	Numéros de série à partir de 2022 et ultérieurs.

est entièrement conforme à la réglementation et aux  
directives de l'UE suivantes :

Réglementation	Description
2006/42/EC	« relative aux machines »
2014/30/UE	« relative à la compatibilité électromagnétique »
2000/14/EC	« relative aux émissions sonores dans l'environnement »
2011/65/UE	« relative à la limitation de l'utilisation de certaines substances dangereuses au sein d'équipements électriques et électroniques »

et que les normes et/ou les spécifications techniques  
suivantes sont appliquées : EN ISO 12100:2010, CISPR  
12:2009, EN 15503:2009+A2:2015, EN IEC 63000:2018

RISE SMP Svensk Maskinprovning AB, Box 7035,  
SE-750 07 Uppsala, Suède, a procédé à des examens  
volontaires pour le compte de Husqvarna AB.

Numéro de certificat : SEC/09/2102

RISE SMP Svensk Maskinprovning AB, Box 7035,  
SE-750 07 Uppsala, Suède, a également vérifié la  
conformité à l'annexe V de la directive du conseil  
2000/14/EG.

Pour toute information relative aux émissions sonores,  
voir *Caractéristiques techniques à la page 150*.

Huskvarna, 2022-05-17

Stefan Holmberg, Directeur R&D, gestion de la  
technologie, Husqvarna AB.

Responsable de la documentation technique



# Sadržaj

Uvod.....	152	Rješavanje problema.....	162
Sigurnost.....	154	Prijevoz i skladištenje.....	163
Sastavljanje.....	156	Tehnički podaci.....	165
Rad.....	157	Izjava o sukladnosti EC.....	166
Održavanje.....	160		

## Uvod

### Opis proizvoda

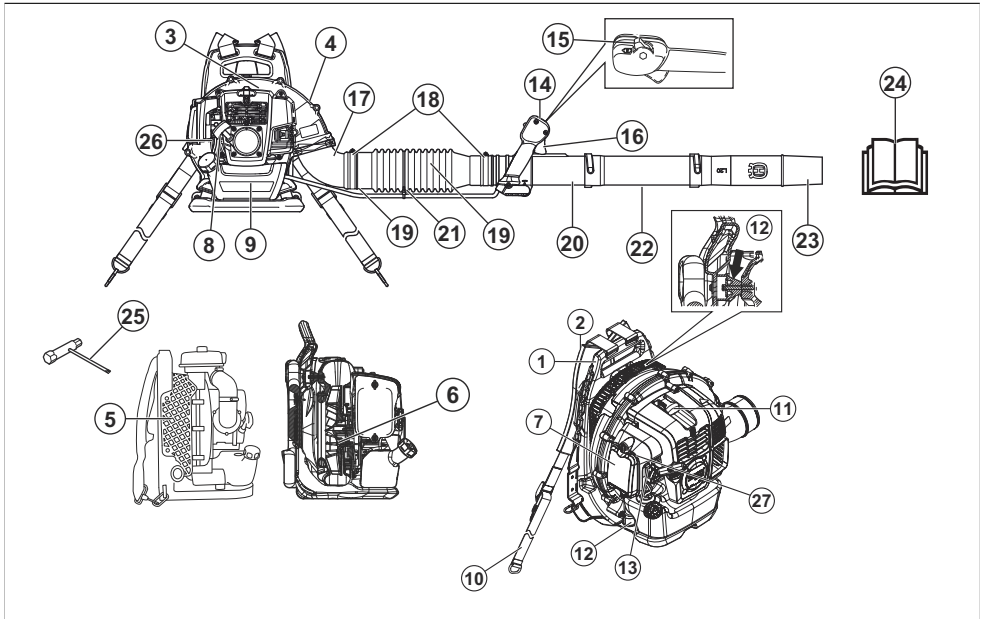
Ovaj proizvod je ledni puhač s benzinskim motorom.

Naša politika obuhvaća neprekidan razvoj proizvoda i stoga zadržavamo pravo na preinake dizajna i izgleda proizvoda bez prethodne obavijesti.

### Namjena

Upotrebjavajte ovaj proizvod za puhanje lišća i drugog neželjenog materijala s područja, kao što su travnjaci, prilazni i asfaltirani putovi.

### Pregled proizvoda



1. Okvir
2. Naramenice
3. Poklopac motora
4. Poklopac ventilatora
5. Rešetka dovoda zraka
6. Ventilator
7. Filtar za zrak
8. Ručica užeta pokretača
9. Spremnik za gorivo
10. Remen za struk
11. Svjećica
12. Sustav za smanjivanje vibracija
13. Regulator čoka
14. Kontrolna ručica
15. Sklopka za pokretanje/zaustavljanje s regulatorom gasa
16. Regulator gasa
17. Kut cijevi
18. Oujmica
19. Fleksibilno crijevo



20. Kontrolna cijev
21. Stezaljka kabela
22. Srednja cijev
23. Mlaznica puhača
24. Korisnički priručnik
25. Kombinirani ključ
26. Čašica pumpe za gorivo
27. Vijak praznog hoda

## Simboli na proizvodu



**UPOZORENJE!** Ovaj proizvod može biti opasan i izazvati teške ozljede ili smrt rukovatelja ili drugih osoba. Budite oprezni i pravilno upotrebljavajte ovaj proizvod.



Pažljivo pročitajte korisnički priručnik i prije upotrebe dobro usvojite sadržaj.



Upotrebljavajte odobrenu zaštitu sluha i odobrenu zaštitu za oči. Ako u okolini ima prašine, nosite masku za disanje.



Koristite odobrene zaštitne rukavice.



Mješavina goriva i ulja za dvotaktne motore.



Pumpica za gorivo.



Sve dijelove tijela držite podalje od vrućih površina.



Čok, otvoren položaj.



Čok, zatvoren položaj.



Ovaj je proizvod sukladan s primjenjivim direktivama EZ-a.

**UK  
CA**

Ovaj je proizvod u skladu s važećim direktivama UK-a.



Naljepnica emisije buke u okoliš u skladu s direktivama i propisima EU i UK te propisom Novog Južnog Walesa „Zaštita od radova u okolišu (kontrola buke) iz 2017“. Zajamčena razina jačine zvuka proizvoda naznačena je u *Tehnički podaci na stranici 165* i na naljepnici.



Pazite na izbačene predmete. Odbačeni predmeti mogu uzrokovati ozbiljne ozljede. Upotrebljavajte osobnu zaštitnu opremu.



Od osoba ili životinja održavajte sigurnosnu udaljenost od najmanje 15 m.

gggggtboxxx

Na natpisnoj pločici je serijski broj. **yyyy** je godina proizvodnje, a **ww** je tjedan proizvodnje.

**Napomena:** Drugi simboli/naljepnice na proizvodu odnose se na zahtjeve za certifikaciju na drugim tržišnim područjima.

## Standard za emisije Euro V.



**UPOZORENJE:** Petljanjem po motoru gubite pravo na odobrenje EU-a ovog proizvoda.

## Pouzdanost proizvoda

Sukladno zakonima o pouzdanosti proizvoda nismo odgovorni za oštećenja uzrokovana našim proizvodima ako je:

- proizvod nepravilno popravljen
- proizvod popravljen dijelovima koje nije proizveo proizvođač ili nemaju odobrenje proizvođača
- proizvod ima dodatnu opremu koje nije proizveo proizvođač ili nemaju odobrenje proizvođača
- proizvod nije popravljen u odobrenom servisnom centru ili kod ovlaštene osobe.

## Sigurnosne definicije

Definicije u nastavku prikazuju razinu ozbiljnosti svake signalne riječi.



**UPOZORENJE:** Ozljede osoba.



**OPREZ:** Oštećenje proizvoda.

**Napomena:** Informacije olakšavaju korištenje proizvoda.

## Opće sigurnosne upute



**UPOZORENJE:** Prije upotrebe proizvoda pročitajte upozoravajuće upute u nastavku.

- Nemojte izmjenjivati proizvod bez odobrenja proizvođača i uvijek upotrebljavajte originalnu dodatnu opremu. Neodobrene izmjene i/ili dodatna oprema mogu uzrokovati ozbiljne ozljede ili smrt rukovatelja ili drugih osoba.
- Nemojte upotrebljavati oštećen proizvod. Provedite sigurnosne provjere i održavanje iz priručnika za rukovatelja. Sva druga održavanja provodi ovlašteno servisno osoblje.
- Sva servisiranja i popravke provodi ovlašteno servisno osoblje. Ako je dio proizvoda neispravan, obratite se servisnom zastupniku.

## Sigurnosne upute za rad



**UPOZORENJE:** Prije upotrebe proizvoda pročitajte upozoravajuće upute u nastavku.

- Ovaj proizvod može biti opasan i izazvati teške ozljede ili smrt rukovatelja, odnosno drugih osoba. Budite oprezni i pravilno upotrebljavajte ovaj proizvod.
- Pregledajte proizvod prije upotrebe. Pogledajte *Održavanje na stranici 160*.
- Proizvod nemojte upotrebljavati kada se umorni, bolesni ili pod utjecajem alkohola ili drugih pijata koji mogu smanjiti vaš vid, sposobnost rasuđivanja ili koordinaciju.
- Prije upotrebe postavite sve poklopce i štitnike. Kako biste spriječili strujne udare, provjerite jesu li lučica svjeće i kabel paljenja neoštećeni.
- Kada je motor uključen, nemojte dodirivati svjeću ili kabel paljenja.
- Od osoba ili životinja održavajte sigurnosnu udaljenost od najmanje 15 m. Ako se osobe, djeca ili životinje približe na manje od 15 m, zaustavite proizvod. Proizvod usmjerite od osoba, životinja, otvorenih prozora i drugih predmeta.
- Djeci nemojte dopustiti rad s proizvodom. Svi rukovatelji obavezno moraju pročitati i usvojiti sadržaje ovog priručnika za rukovatelja.
- Tijekom rada šake i druge predmete držite podalje od kućišta puhača. Okretni dijelovi mogu uzrokovati ozbiljne ozljede.
- Ako na ulaz zraka nije postavljena mrežica, nemojte upotrebljavati proizvod. Prije upotrebe uvijek provjerite je li na ulaz zraka postavljena neoštećena mrežica.
- U slučaju opasnosti otpustite remen na struku i remen na prsima i dopustite pad proizvoda.
- Poštujte nacionalne propise i smjernice.
- Sve dijelove tijela držite podalje od vrućih površina.
- Proizvod tijekom rada proizvodi elektromagnetsko polje. To polje u određenim okolnostima može ometati aktivne ili pasivne medicinske implantate. Za smanjenje opasnosti od smrtonosne ozljede osobama s medicinskim implantatima prije korištenja uređaja preporučujemo obraćanje liječniku i proizvođaču medicinskog implantata.
- Prejake vibracije mogu oštetiti cirkulaciju ili živčani sustav. Ako imate simptome poput trnaca, gubitka osjećaja, bockanja, bolova, gubitka snage te promjene u boji ili stanju kože na prstima, šakama ili zapešćima, obratite se liječniku.
- Pazite na izbačene predmete. Odbačeni predmetu mogu uzrokovati ozbiljne ozljede.
- Proizvod nemojte upotrebljavati po lošem vremenu, primjerice magli, kiši, snažnom vjetru i u prehladnim okruženjima. Rad po lošem vremenu može uzrokovati zamor i opasne uvjete.
- Provjerite mogućnosti kretanja i održavajte stabilan položaj. Na radnoj površini potražite moguće prepreke, primjerice kamenje. Budite pažljivi kada proizvod upotrebljavate na kosini.
- Proizvod s uključenim motorom nemojte odlagati na tlo.
- Proizvod nemojte upotrebljavati na visokim položajima, primjerice na ljestvama.
- Osigurajte da vas se može čuti u slučaju nezgode.
- Provjerite prohodnost ispuha ispušnih para. Kako ne biste oštetili proizvod, prepreke od ispuha ispušnih para moraju biti udaljene najmanje 50 cm.
- Proizvod nemojte pokretati u zatvorenom prostoru, kada je protok zraka slab ili u blizini zapaljivog materijala. Ispušne pare motora sadrže ugljični monoksid, koji može uzrokovati trovanje ugljičnim

monoksidom. Ispušne pare motora vruće su i mogu sadržavati vruće iskre koje mogu uzrokovati požar.

## Oprema za osobnu zaštitu



**UPOZORENJE:** Prije korištenja proizvoda pročitajte upozoravajuće upute u nastavku.

- Prilikom korištenja proizvoda koristite prikladnu opremu za osobnu zaštitu. Osobnom zaštitnom opremom ozljede se ne mogu u potpunosti spriječiti, no može se smanjiti njihova ozbiljnost. Za više informacija obratite se ovlaštenom zastupniku.
- Upotrebljavajte odobrenu zaštitu sluha. Dugotrajno izlaganje buci može uzrokovati trajno oštećenje sluha.
- Upotrebljavajte odobrenu zaštitu za oči. Ako nosite vizir, morate nositi i odobrene zaštitne naočale. Odobrene zaštitne naočale moraju ispunjavati standard ANSI Z87.1 za SAD ili EN 166 za države EU-a.
- Tijekom rada i održavanja nosite zaštitne rukavice.
- Nosite zaštitne čizme ili cipele s neprokliznim potplatima.
- Nosite dugu odjeću od čvrstog materijala. Nemojte nositi nakit ili otvorenu obuću. Kako biste smanjili opasnost od ozljede, nosite usku odjeću koja ne ograničava kretanje. Kosa mora biti iznad ramena kako ne bi dospjela u okretno dijelove ili se zapetljala u grane.
- Ako prašina predstavlja opasnost, nosite zaštitu za disanje.
- Opremu za prvu pomoć držite u blizini.

## Sigurnosne upute za proizvod



**UPOZORENJE:** Prije uporabe proizvoda pročitajte upozoravajuće upute u nastavku.

- Nemojte koristiti proizvod s oštećenim zaštitnim uređajima.
- Redovito pregledavajte sigurnosne uređaje. Pogledajte *Održavanje na stranici 160*.
- Ako su sigurnosni uređaji neispravni, obratite se Husqvarna servisnom zastupniku.

## Provjera prigušivača



**UPOZORENJE:** Nemojte upotrebljavati proizvod s oštećenim prigušivačem.



**UPOZORENJE:** Prigušivač se jako zagrijavanja tijekom i nakon rada, također i u praznom hodu. Nosite zaštitne rukavice kako biste spriječili opekline.



**UPOZORENJE:** Unutarnja površina prigušivača obložena je kemikalijama koje mogu biti kancerogene. Nemojte dodirivati oštećen prigušivač.

- Redovito vizualno pregledajte prigušivač. Prigušivač razinu buke održava na minimumu i ispušne plinove usmjerava dalje od rukovatelja. Pogledajte *Održavanje prigušivača na stranici 161*.

## Provjera sustava za smanjenje vibracija

1. Pobrinite se da nema pukotina ili izobličenja na jedinicama za smanjivanje vibracija.
2. Provjerite jesu li jedinice za smanjivanje vibracija ispravno pričvršćene na motor i jedinicu s ručkama.

Za informacije o tomu gdje se nalazi sustav za smanjivanje vibracija na vašem proizvodu pročitajte *Pregled proizvoda na stranici 152*.

## Provjera sklopke za pokretanje/zaustavljanje

1. Upotrebljavajte sklopku za pokretanje/zaustavljanje kako biste zaustavili motor.
2. Motor se mora u potpunosti zaustaviti.

Kako biste pronašli sklopku za pokretanje/zaustavljanje na proizvodu, pogledajte *Pregled proizvoda na stranici 152*.

## Sigurnost naramenica

- Provjerite je li remen na struku zakopčan i pravilno podešen. Slobodni dijelovi naramenica mogu ući u okretno dijelove i oštetiti ventilator. Ako dođe do oštećenja ventilatora, može doći do izbacivanja nepričvršćenih dijelova proizvoda te ozljeda i oštećenja.

## Sigurnost pri rukovanju s gorivom



**UPOZORENJE:** Prije uporabe proizvoda pročitajte upozoravajuće upute u nastavku.

- Gorivo nemojte miješati ili dolijevati u zatvorenom prostoru ili u blizini izvora topline.
- Proizvod nemojte pokretati ako ste po proizvodu ili tijelu proliili gorivo ili ulje.
- Proizvod nemojte pokretati ako motor ispušta gorivo. Redovito pregledavajte ispušta li motor gorivo.
- Gorivom uvijek rukujte pažljivo. Gorivo je zapaljivo, a pare su eksplozivne i mogu uzrokovati ozbiljne ozljede ili smrt.
- Nemojte udisati pare goriva, one mogu uzrokovati ozljede. Osigurajte dovoljan protok zraka.
- U blizini goriva ili motora nemojte pušiti.
- Proizvod ili posudu za gorivo nemojte stavljati blizu toplih predmeta, otvorenog plamena, iskri ili lampica.

- Za prijevoz i skladištenje goriva obavezno upotrebljavajte odobrene spremnike.

## Sigurnosne upute za održavanje



**UPOZORENJE:** Prije upotrebe proizvoda pročitajte upozoravajuće upute u nastavku.

- Prije održavanja i sastavljanja zaustavite motor, uklonite svjećicu i pričekajte na hlađenje motora.
- Neprohodna mrežica za hvatanje iskre uzrokuje pregrijavanje motora, odnosno njegovog oštećenja.

## Sastavljanje

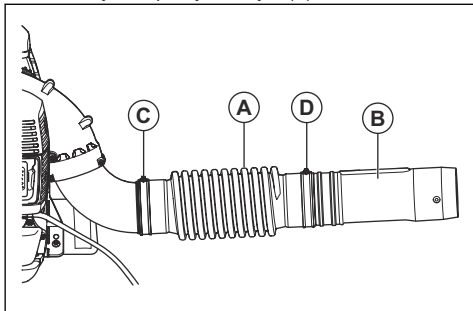
### Uvod



**UPOZORENJE:** Prije sklapanja proizvoda s razumijevanjem pročitajte poglavlje o sigurnosti.

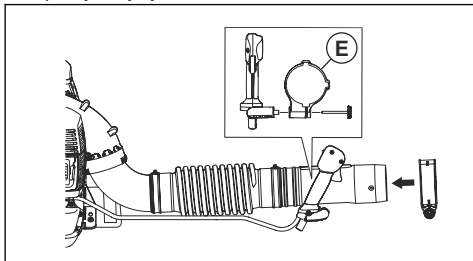
### Montaža cijevi puhača i upravljačke ručice na proizvod

1. Stezaljkama (C) i (D) savitljivo crijevo (A) pričvrstite za kut cijevi i upravljačku cijev (B).



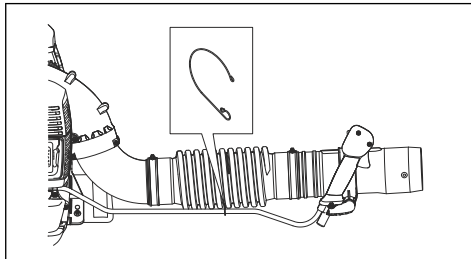
**Napomena:** Podmažite upravljačku cijev i savitljivo crijevo kako biste ih lakše sastavili.

2. Postavite držač ručice (E) na upravljačku cijev. Poravnajte držač ručice s prirubnicom na upravljačkoj cijevi.

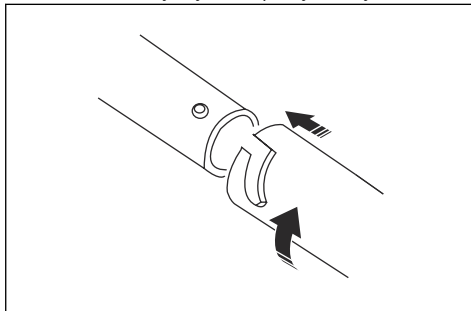


3. Podesite položaj i kut upravljačke ručice u ispravan i siguran radni položaj. Zategnite vijak.

4. Kabelskom spojnicom pričvrstite kabel za savitljivo crijevo.



5. Postavite srednju cijev na upravljačku cijev.



**Napomena:** Ako je potrebna dulja cirkularna cijev puhača, dostupna je produljena srednja cijev.

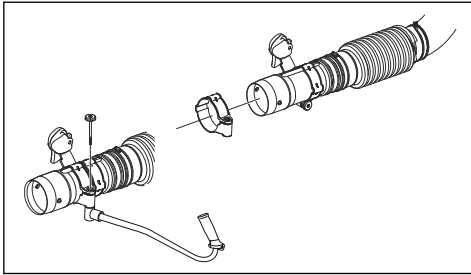
6. Postavite mlaznicu puhača na srednju cijev.

**Napomena:** Mlaznicu puhača moguće je postaviti samo na srednju cijev.

### Ugradnja upravljača (dodatna oprema u opciji)

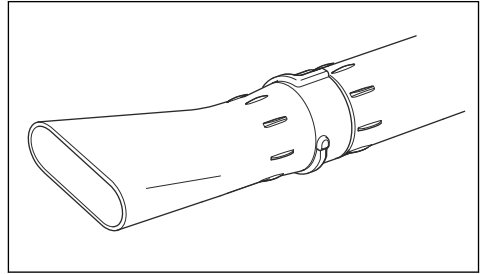
1. Rastavite srednju cijev.
2. Uklonite kotačić s držača i utisnite držač na upravljačku cijev.

3. Ugradite upravljač na kotačić. Zategnite vijak.



4. Sastavite srednju cijev.

- Sa srednje cijevi uklonite mlaznicu puhača i postavite ravnu mlaznicu.



## Ugradnja ravne mlaznice (dodatna oprema u opciji)

Ravna mlaznica daje veću brzinu zraka od mlaznice puhača.

# Rad

## Uvod



**UPOZORENJE:** Prije upotrebe proizvoda pročitajte i usvojite poglavlje o sigurnosti.

oktanskog broja može prouzročiti lupanje u motoru, što izaziva oštećenja motora.

## Gorivo

Proizvod ima dvotaktni motor.



**OPREZ:** Neispravna vrsta goriva može uzrokovati oštećenje motora. Upotrebljavajte mješavinu benzina i ulja za dvotaktne motore.

## Ulje za dvotaktne motore

- Za najbolje rezultate i performanse upotrebljavajte Husqvarna ulje za dvotaktne motore.
- Ako ulje za dvotaktne motore tvrtke Husqvarna nije dostupno, upotrijebite neko drugo ulje za dvotaktne motore dobre kvalitete za motore sa zračnim hlađenjem. O odabiru ispravne vrste ulja razgovarajte sa svojim servisnim zastupnikom.

## Prethodno izmiješano gorivo

- Upotrebljavajte Husqvarna prethodno izmiješano alkilatno gorivo za najbolje performanse motora i produženje njegova životnog vijeka. To gorivo sadrži manje štetnih kemikalija u usporedbi s uobičajenim gorivom koje sadržava štetne ispušne plinove. Količina ostataka nakon sagorijevanja manja je s ovim gorivom, što komponente motora održava čistijima.



**OPREZ:** Ne upotrebljavajte ulje za dvotaktne vanbrodske motore hladene vodom, poznato još i kao ulje za vanbrodske motore. Nemojte upotrebljavati ulje za četverotaktne motore.

## Miješanje goriva

### Benzin

- Upotrebljavajte kvalitetni bezolovni benzin s maksimalnim udjelom etanola od 10 %.

## Miješanje benzina i ulja za dvotaktne motore

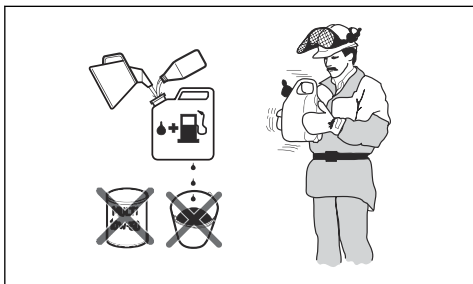
Benzin, litra	Ulje za dvotaktne motore, litra
	2 % (50:1)
5	0,10
10	0,20
15	0,30
20	0,40



**OPREZ:** Nemojte upotrebljavati benzin s oktanskim brojem manjim od 90 RON / 87 AKI. Upotreba nižeg



**OPREZ:** Čak i male pogreške mogu drastično utjecati na omjer mješavine kada miješate manje količine goriva. Pažljivo izmjerite količinu ulja kako biste bili sigurni da ćete dobiti ispravnu mješavinu.



1. Polovicu količine benzina ulijte u čisti spremnik za gorivo.
2. Ulijte cijelu količinu ulja.
3. Promiješajte mješavinu goriva.
4. Ulijte preostalu količinu benzina u spremnik.
5. Pažljivo promiješajte mješavinu goriva.



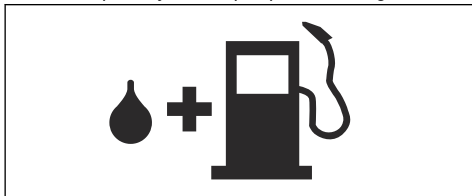
**OPREZ:** Gorivo ne miješajte za razdoblje dulje od 1 mjeseca.

### Punjenje spremnika za gorivo



**UPOZORENJE:** Pratite postupak koji osigurava vašu sigurnost.

1. Zaustavite motor i pričekajte na hlađenje motora.
2. Očistite područje oko čepa spremnika za gorivo.



3. Protresite spremnik i provjerite je li gorivo u potpunosti izmiješano.
4. Čep spremnika za gorivo uklonite polako kako biste otpustili tlak.
5. Napunite spremnik za gorivo.



**OPREZ:** U spremniku za gorivo ne smije biti previše goriva. Gorivo se širi kada je vruće.

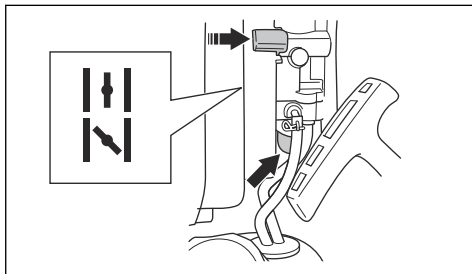
6. Pažljivo pritegnite čep spremnika za gorivo.

7. Očistite proliveno gorivo s i oko proizvoda.
8. Prije pokretanja motora odmaknite ovaj proizvod 3 m / 10 stopa od mjesta na kojemu nadolijevate gorivo.

**Napomena:** Da biste saznali gdje se na vašem proizvodu nalazi spremnik za gorivo, pročitajte odjeljak *Pregled proizvoda na stranici 152.*

### Pokretanje proizvoda

1. Ako je motor hladan, polugu čoka postavite u položaj za zatvaranje čoka. Pogledajte *Simboli na proizvodu na stranici 153.*



2. Uzastopno pritisćite čašicu pumpe za gorivo dok se čašica ne počne puniti gorivom. Nije neophodno do kraja napuniti čašicu pumpice za gorivo.
3. Prekidač za pokretanje/zaustavljanje s regulatorom gasa pritisnete u položaj za 1/3 brzine. Pogledajte *Upotreba sklopke regulatora gasa / za zaustavljanje na stranici 159.*
4. Proizvod postavite na ravnu površinu na tlu.
5. Držite proizvod lijevom rukom.



**OPREZ:** Proizvod nemojte držati nogama.

6. Polako vucite ručicu užeta pokretača dok ne osjetite otpor.
7. Ručicu užeta pokretača brzo povucite desnom rukom. Uzastopno povlačite ručicu užeta pokretača do pokretanja motora.

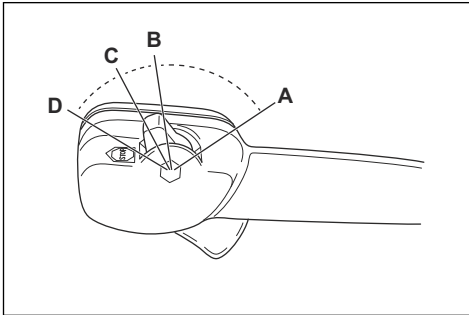
**Napomena:** Ručicu užeta pokretača nemojte potpuno izvlačiti i nemojte je ispuštati.

8. Ako je motor hladan, polugu čoka postepeno pomičite u položaj otvorenog čoka dok se ne zaustavi.
9. Ako je motor hladan, prije rada ga pogonite 2 – 3 minute kako bi se zagrijao.



**UPOZORENJE:** Zrak se ispušta po pokretanju motora i postavljanju proizvoda na brzinu praznog hoda. Osobama nemojte dopustiti približavanje proizvodu ili cijevi puhača.

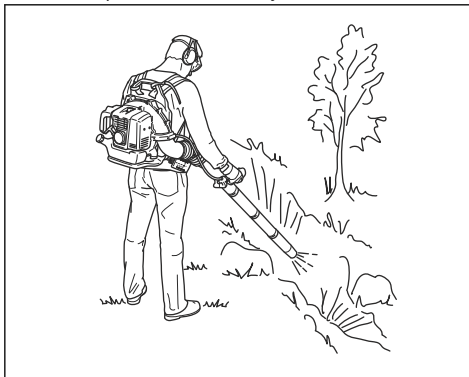
## Upotreba sklopke regulatora gasa / za zaustavljanje



- Primjena punog gasa (A).
- Primjena 1/3 brzine (B).
- Primjena brzine praznog hoda (C).
- Zaustavljanje proizvoda (D).

## Rad s proizvodom

- Ovo je leđni puhač koji se tijekom rada nosi na naramenicama. Proizvodom se upravlja desnom rukom s pomoću ručice na cijevi.



- Proizvod upotrebljavajte u uobičajenim radnim satima. Poštujte lokalne propise.
- Smanjite broj dijelova opreme i odaberite odgovarajuću brzinu za rad. Koristite najniži položaj gasa kako biste smanjili buku i podizanje prašine.
- Mlaznicu puhača držite uz tlo.

**Napomena:** Husqvarna preporučuje upotrebu punog produžetka mlaznice na puhaču.

- Utvrdite smjer puhanja vjetra i upotrebljavajte proizvod niz vjetar.
- Za otpuštanje materijala od tla primijenite odgovarajuće vrtno alate.
- U prašnjavim područjima opremom za raspršivanje ovlažite površinu. Tako smanjujete vrijeme rada.
- Proizvod nakon rada uskladištite u okomitom položaju.

## Zaustavljanje proizvoda

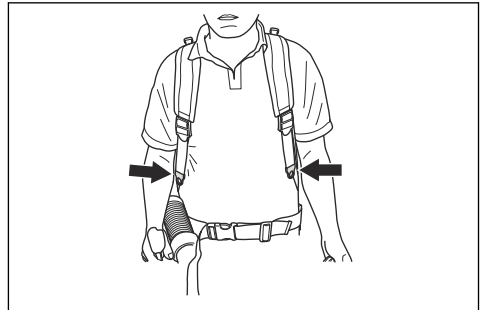


**OPREZ:** Proizvod nemojte zaustavljati pri punoj brzini.

1. Sklopku za pokretanje/zaustavljanje s regulatorom gasa postavite u položaj za zaustavljanje. Pogledajte *Upotreba sklopke regulatora gasa / za zaustavljanje na stranici 159.*

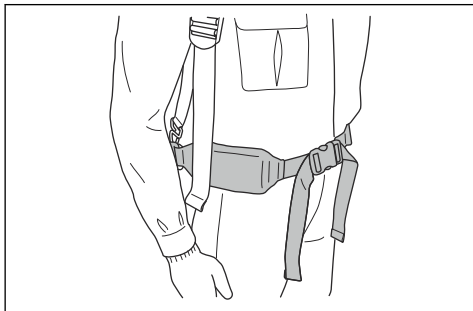
## Prilagodba naramenice

1. Postavite naramenice na proizvod.
2. Zatežite ramene remene dok proizvod ne pritisnete čvrsto uz tijelo.



3. Remen za struk postavite oko struka.

4. Zazegnite remen za struk. Težina puhača mora biti na bokovima.



## Održavanje

### Uvod



**UPOZORENJE:** Prije održavanja proizvoda pročitajte i usvojite sigurnosno poglavlje.

### Raspored održavanja

Održavanje	Dnevno	Tjedno	Mjesečno
Očistite vanjske površine.	X		
Provjerite ispravnost upravljačke ručice.	X		
Provjerite ispravnost sklopke za pokretanje/zaustavljanje. Pročitajte odjeljak <i>Provjera sklopke za pokretanje/zaustavljanje na stranici 155.</i>	X		
Pregledajte ima li curenja na motoru, spremniku i vodovima za gorivo. Pregledajte filter za gorivo da nije kontaminiran. Ako je potrebno, zamijenite filter za gorivo.	X		
Očistite filter za zrak. Ako je potrebno, zamijenite filter.	X		
Zategnite matice i vijke.	X		
Pregledajte usis zraka kako biste bili sigurni da je prohodan.	X		
Provjerite ima li oštećenja na pokretaču ili užetu pokretača.		X	
Pregledajte ima li na oštećenja ili pukotina ili izobličenja na jedinicama za ublažavanje vibracija. Provjerite jesu li ispravno ugrađene jedinice za ublažavanje vibracija.		X	
Pregledajte svječicu. Pročitajte odjeljak <i>Provjera svječice na stranici 161.</i>		X	
Očistite rashladni sustav.		X	
Očistite vanjsku površinu rasplinjača i prostor oko njega.		X	
Očistite spremnik za gorivo.			X
Pregledajte sve kabele i priključke.			X



Održavanje	Dnevno	Tjedno	Mjesečno
Pregledajte i očistite mrežicu za hvatanje iskri na prigušivaču (na proizvodima bez katalizatora).		X	
Pregledajte i očistite mrežicu za hvatanje iskri na prigušivaču (na proizvodima s katalizatorom).			X
Pregledajte svjećicu. Ako je to potrebno, zamijenite ih.			X

## Podešavanje broja okretaja u praznom hodu

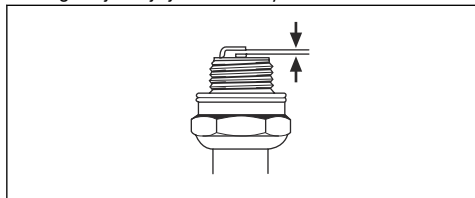
1. Provjerite je li filter za zrak čist te je li postavljen poklopac filtra za zrak.
2. Podesite brzinu praznog hoda s vijkom za brzinu praznog hoda. Kako biste pronašli vijak za brzinu praznog hoda na proizvodu, pogledajte *Pregled proizvoda na stranici 152*.

## Provjera svjećice



**OPREZ:** Upotrebljavajte preporučene svjećice. Pogledajte *Tehnički podaci na stranici 165*. Neprikladna svjećica može oštetiti proizvod.

1. Zaustavite motor i pričekajte na hlađenje proizvoda.
2. Očistite zaprljanu svjećicu.
3. Provjerite ispravnost razmaka između elektroda. Pogledajte odjeljak *Tehnički podaci na stranici 165*.

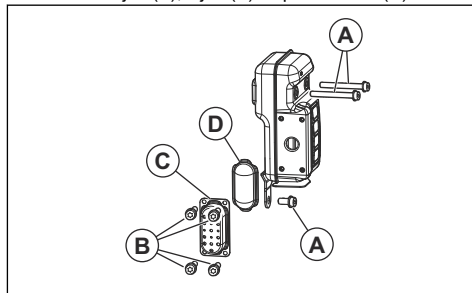


4. Ako je potrebno, svjećicu zamijenite svaki mjesec ili učestalije.

## Održavanje prigušivača

1. Zaustavite motor i pričekajte da se prigušivač ohladi. Obavezno nosite zaštitne rukavice.

2. Uklonite vijke (A), vijke (B) i ispusni kanal (C).



3. Uklonite mrežicu za hvatanje iskri (D) i očistite je žičanom četkom. Ako je mrežica za hvatanje iskri oštećena, zamijenite je.
4. Žičanom četkom uklonite onečišćenja s prigušivača i ispusnog otvora cilindra.
5. Vijcima (B) pričvrstite mrežicu za hvatanje iskri (D) i ispusni kanal (C). Zategnite vijke na 2 – 3 Nm.
6. Zategnite vijke (A) na 8 – 12 Nm. Provjerite pravilnu pričvršćenost prigušivača za proizvod.

## Pregled i čišćenje rashladnog sustava

Rashladni sustav obuhvaća rashladna rebra na cilindru mrežicu na usisu zraka.

1. Zaustavite motor.
2. Provjerite je li rashladni sustav čist i prohodan. Mrežicu na usisu zraka i rashladna rebra očistite po potrebi.



**OPREZ:** Onečišćen ili neprohodan rashladni sustav može povećati temperaturu motora i uzrokovati oštećenje proizvoda. Neprohodna mrežica na usisu zraka smanjuje silu puhanja.

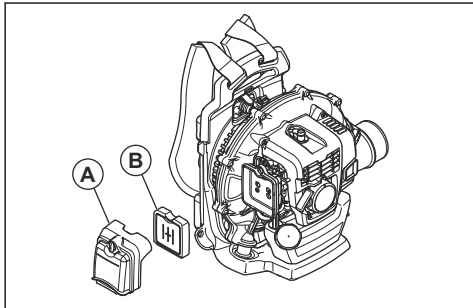
3. Provjerite je li rashladni sustav neoštećen. Provjerite jesu li dijelovi pravilno pričvršćeni za proizvod.

## Čišćenje filtra zraka



**OPREZ:** Proizvod nemojte upotrebljavati bez filtra za zrak ili s oštećenim filtrom za zrak. Prašina u zraku može uzrokovati oštećenje motora.

1. Kontrolu čoka pritisnite u položaj za zatvaranje.
2. Skinite poklopac filtra za zrak (A).
3. Izvadite filtra za zrak (B) iz okvira za filter.



4. Očistite filter za zrak vrućom sapunicom.

**Napomena:** Dugo upotrebljavani filter za zrak nije moguće potpuno očistiti. Redovito mijenjajte filter za zrak, a uvijek zamijenite neispravni filter za zrak.

5. Unutarnju površinu poklopa filtra za zrak (A) očistite četkom.
6. Nanesite ulje na filter za zrak. Pročitajte odjeljak *Nanošenje ulja na pjenasti filter za zrak na stranici 162.*
7. Postavite filter za zrak u okvir za filter.
8. Postavite poklopac filtra za zrak na proizvod.

## Nanošenje ulja na pjenasti filter za zrak

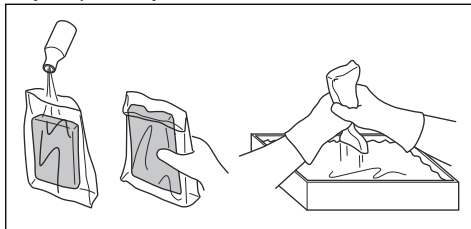


**OPREZ:** Uvijek upotrebljavajte specijalno ulje za filter za zrak Husqvarna. Nemojte koristiti druge vrste ulja.



**UPOZORENJE:** Navucite zaštitne rukavice. Ulje za filter za zrak može iritirati kožu.

1. Pjenasti filter za zrak stavite u plastičnu vrećicu.
2. Ulijte ulje u plastičnu vrećicu.
3. Protrljajte plastičnu vrećicu kako biste omogućili ravnomjeran raspored ulja u pjenastom filteru za zrak.
4. Izgurajte višak ulja iz pjenastog filtera za zrak dok je još u plastičnoj vrećici.

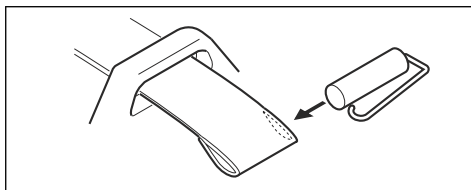


## Zamjena naramenice



**UPOZORENJE:** Oštećena naramenica može uzrokovati pad proizvoda i ozljede. Provjerite je li stezaljka pravilno postavljena.

1. Zaustavite motor.
2. S remena uklonite stezaljku.
3. Kraj remena provedite kroz očiču.
4. Povucite novi remen kroz očiču.
5. Umetnite klin u remen kako biste stezaljku pričvrstili za novi remen.



## Rješavanje problema

Motor nije moguće pokrenuti		
Provjera	Mogući uzrok	Rješenje
Gumb Stop.	Položaj za zaustavljanje	Sklopku za zaustavljanje postavite u položaj za pokretanje.

Motor nije moguće pokrenuti		
Provjera	Mogući uzrok	Rješenje
Startne kopče.	Blokirane ili istrošene startne kopče.	Podesite ili zamijenite startne kopče.
		Očistite prostor oko startnih kopči.
		Obratite se ovlaštenom servisnom zastupniku.
Spremnik za gorivo.	Nepravilna vrsta goriva.	Ispraznite spremnik za gorivo i upotrijebite ispravno gorivo.
Rasplinjač.	Podešavanje brzine okretaja u praznom hodu.	Prilagodite broj okretaja u praznom hodu uz pomoć vijka za podešavanje.
Iskrenje (nema iskre).	Svjećica je zaprljana ili mokra.	Provjerite je li svjećica suha i čista.
	Neispravan je razmak elektroda na svjećici.	Očistite svjećicu. Provjerite ispravnost razmaka između elektroda. Provjerite ima li svjećica prigušivač.
		U tehničkim podacima potražite ispravan razmak elektroda.
Svjećica.	Svjećica nije zategnuta.	Zategnite svjećicu.
	Na elektrodamma svjećice je nepoželjni materijal.	Provjerite ispravnost mješavine goriva.
		Provjerite je li filter zraka čist.

Motor se pokreće, no potom zaustavlja		
Provjera	Mogući uzrok	Rješenje
Spremnik za gorivo.	Nepravilna vrsta goriva.	Ispraznite ga i upotrijebite ispravno gorivo.
Rasplinjač.	Motor ne radi ispravno u praznom hodu.	Razgovarajte sa svojim servisnim zastupnikom.
Filter zraka.	Začepljen filter zraka.	Očistite filter zraka.

## Prijevoz i skladištenje

### Prijevoz i skladištenje



**UPOZORENJE:** Kako biste onemogućili razvoj požara, onemogućite ispuštanja tekućina ili pare tijekom transporta ili skladištenja. Uvjerite se da ne postoji opasnost od iskrenja ili požara.

- Prije transporta ili dugotrajnog skladištenja ispraznite spremnik za gorivo. Pritisnite čašicu pumpe za gorivo kako biste uklonili sve gorivo. Zbrinite gorivo na prikladnoj lokaciji za zbrinjavanje.
- Prije dugotrajnog skladištenja proizvod morate očistiti i provesti puni servis.

- Izvadite svjećicu i u cilindar ulijte približno 15 ml ulja za dvotaktni motor. Tri puta okrenite proizvod i ponovno ugradite svjećicu.
- Za transport proizvod sigurno pričvrstite za vozilo.
- Proizvod držite u suhom, hladnom i čistom prostoru s dobrim protokom zraka. Proizvod držite podalje od djece.

## Tehnički podaci

### Tehnički podaci

	Husqvarna 350BT
<b>Motor</b>	
Zapremnina cilindra, cm <sup>3</sup>	50,2
Broj okretaja u praznom hodu, o/min	2200
Katalizator	Ne
<b>Sustav paljenja</b>	
Svjećica	NGK CMR7H / TORCH AC7R
Razmak elektroda, mm	0,6 + -0,7
<b>Sustav za gorivo i podmazivanje</b>	
Zapremnina spremnika ulja, l / cm <sup>3</sup>	1,25 / 1250
<b>Masa</b>	
Masa bez goriva, kg	10,2
<b>Emisije buke</b> <sup>31</sup>	
Razina jačine zvuka, mjerena u dB (A)	101
Razina jačine zvuka, zajamčena L <sub>WA</sub> dB (A)	101
<b>Razine buke</b> <sup>32</sup>	
Jednakoznačna razina zvučnog tlaka na uhu korisnika, izmjerena sukladno EN15503 dB(A):	
Opremljen s mlaznicom puhača (originalno)	96
<b>Razine vibracije</b> <sup>33</sup>	
Ekvivalentne razine vibracija (a <sub>h<sub>v</sub>,eq</sub> ) na ručkama izmjerene u skladu s EN 15503, m/s <sup>2</sup>	2,7
<b>Rad ventilatora</b>	
Maks. brzina zraka s mlaznicom puhača, m/s	80
Protok zraka s mlaznicom puhača, m <sup>3</sup> /min	14

<sup>31</sup> Emisije buke u okoliš izmjerene kao jakost zvuka (L<sub>WA</sub>) u skladu s EZ direktivom 2000/14/EZ. Navedena razina jakosti zvuka izmjerena je originalnim mlaznicom puhača koji daje najveću razinu. Razlika između zajamčene i izmjerene razine buke jest da zajamčena razina uključuje i raspršenje rezultata mjerenja i varijacije između različitih uređaja istog modela u skladu s Direktivom 2000/14/EZ.

<sup>32</sup> Navedeni podaci za razinu pritiska zvuka uključuju tipično statističko raspršenje (standardno odstupanje) od 1,0 dB (A).

<sup>33</sup> Podaci o razini vibracije pokazuju tipičnu statističku disperziju (standardnu devijaciju) od 1,0 m/s<sup>2</sup>.

# Izjava o sukladnosti EC

## Izjava o sukladnosti za EC

Mi, **Husqvarna AB**, SE-561 82 Huskvarna, Švedska, tel: +46-36-146500, pod punom odgovornošću izjavljujemo da proizvod:

<b>Opis</b>	Puhač za nošenje na leđima
<b>Marka</b>	Husqvarna
<b>Vrsta/model</b>	350BT
<b>Identifikacija</b>	Serijski brojevi iz 2022 i noviji

u potpunosti su sukladni sljedećim EU direktivama i propisima:

<b>Propis</b>	<b>Opis</b>
2006/42/EC	„o strojevima“
2014/30/EU	„koja se odnosi na elektromagnetsku kompatibilnost“
2000/14/EC	„koji se odnosi na emisije buke u okoliš“
2011/65/EU	„o ograničenoj upotrebi određenih opasnih tvari u električnoj i elektroničkoj opremi“

i primjenjuju se sljedeće norme i/ili tehničke specifikacije: EN ISO 12100:2010, CISPR 12:2009, EN 15503:2009+A2:2015, EN IEC 63000:2018

RISE SMP Svensk Maskinprovning AB, Box 7035, SE-750 07 Uppsala, Švedska, proveo je dobrovoljno ispitivanje u ime tvrtke Husqvarna AB.

Broj certifikata: SEC/09/2102

RISE SMP Svensk Maskinprovning AB, Box 7035, SE-750 07 Uppsala, Švedska potvrdila je sporazum s dodatkom V direktive vijeća 2000/14/EG.

Informacije o emisiji buke potražite u odjeljku *Tehnički podaci na stranici 165*.

Huskvarna, 2022-05-17

Stefan Holmberg, Direktor odjela za istraživanje i razvoj, Upravljanje tehnologijom, Husqvarna AB

Osoba odgovorna za tehničku dokumentaciju



# TARTALOMJEGYZÉK

Bevezető.....	167	Hibaelhárítás.....	178
Biztonság.....	169	Szállítás és raktározás.....	179
Összeszerelés.....	171	Műszaki adatok.....	180
Üzemeltetés.....	172	EK megfelelőségi nyilatkozat.....	181
Karbantartás.....	175		

## Bevezető

### Termékleírás

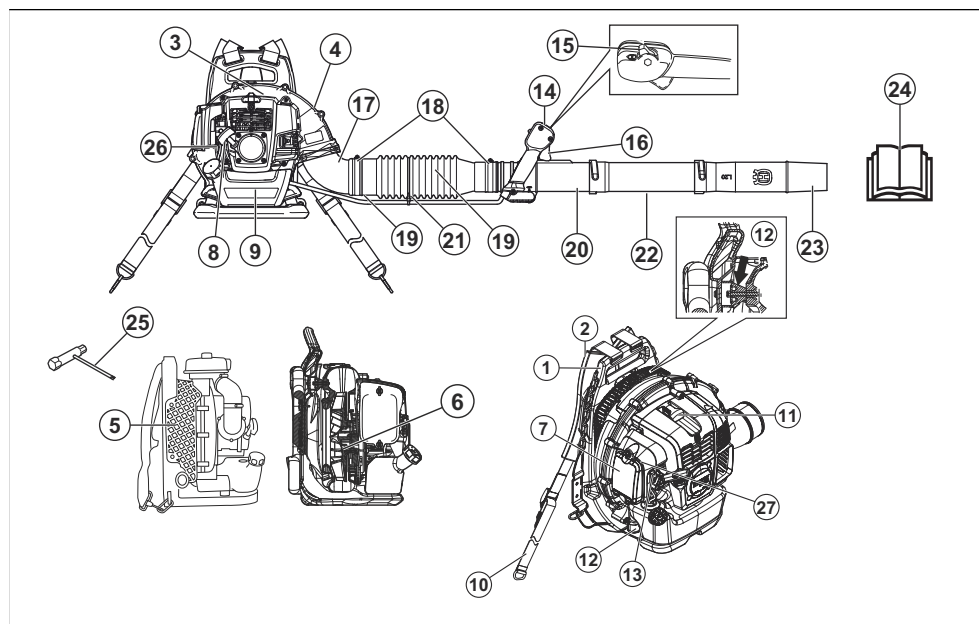
A termék egy belső égésű motorral működő, háton hordozható lombfűvó.

Folyamatosan fejlesztjük termékeinket, ezért fenntartjuk a jogot a termékek kialakításának és megjelenésének előzetes figyelmeztetés nélküli megváltoztatására.

### Rendeltetésszerű használat

A termék a levelek és egyéb nemkívánatos anyagok gyepről, gyalogösvényekről és aszfaltutakról való eltávolításához használható.

### A termék áttekintése



- |                           |  |
|---------------------------|--|
| 1. Keret                  | 10. Deréköv                                |
| 2. Heveder                | 11. Gyújtógyertya                          |
| 3. Motorburkolat          | 12. Rezgéscsillapító rendszer              |
| 4. Ventilátorburkolat     | 13. Szívatókar                             |
| 5. Levegőbeömlő rács      | 14. Vezérlőfogantyú                        |
| 6. Ventilátor             | 15. Indító-/leállítókapcsoló gázadagolóval |
| 7. Légszűrő               | 16. Gázadagoló                             |
| 8. Berántókötél markolata | 17. Csökönyök                              |
| 9. Üzemanyagtartály       | 18. Bilincs                                |

19. Rugalmas tömlő
20. Szabályozócső
21. Kábelrögzítő
22. Összekötő cső
23. Lombfúvó fúvókája
24. Kezelői kézikönyv
25. Kombinált kulcs
26. Üzemanyagpumpa
27. Üresjáratú csavar

## A terméken található jelzések



**FIGYELMEZTETÉS!** A termék veszélyes lehet a kezelőre és másokra, valamint a súlyos sérüléseket és halálukat okozhatja. Körültekintően járjon el, és megfelelően használja a terméket.



Olvassa el figyelmesen a használati utasítást, és győződjön meg arról, hogy megértette azt, mielőtt a terméket használatba veszi.



Használjon jóváhagyott fűlvédőt és védőszemüveget. Ha poros környezetben dolgozik, használjon porvédő maszkot.



Használjon jóváhagyott védőkesztyűt.



Benzin és kétütemű olaj keveréke.



Üzemanyagpumpa.



Tartsa távol a testrészeit a forró felületektől.



Szívató, nyitott állás.



Szívató, zárt állás.



Ez a termék megfelel a vonatkozó EK irányelveknek.

**UK  
CA**

A termék megfelel a vonatkozó egyesült királyságbeli irányelveknek.



Az EU és az Egyesült Királyság irányelveinek és jogszabályainak, és New South Wales „Környezetben történő munkavégzés szabályozása (zajszabályozás), 2017” irányelvének megfelelő környezeti zajkibocsátási címke. A termék garantált hangteljesítményszintjére vonatkozó adatok megtalálhatók az alábbi részen: *Műszaki adatok 180. oldal*on és a címkén.



Figyeljen a felcsapódó tárgyakra. A felcsapódó tárgyak súlyos sérülést okozhatnak. Használjon személyi védőfelszerelést.



Tartson legalább 15 m-es biztonsági távolságot a személyektől és állatoktól.

**ééééhhxxxx**

A típusablán megtalálható a sorozatszám. **éééé** a gyártási év és **hh** pedig a gyártási hét.

**Megjegyzés:** A terméken szereplő többi jelölés/címke a további piacok specifikus vizsgáztatási követelményeire vonatkozik.

## Euro V. kibocsátási norma



**FIGYELMEZTETÉS:** A motor módosítása érvényteleníti a termékre vonatkozó európai uniós típusjóvá hagyást.

## Termékszavatosság

A termékszavatosságra vonatkozó jogszabályok értelmében nem vagyunk felelősek a termékeink által okozott károkért az alábbi esetekben:

- a termék javítását helytelenül végezték;
- a termék javítása nem a gyártótól származó vagy általa jóváhagyott alkatrészekkel történt;
- a terméket nem a gyártótól származó vagy általa jóváhagyott kiegészítővel szerelték fel;
- a termék javítását nem hivatalos szakszerviz vagy jóváhagyott egyéb szerviz végezte.



## Biztonsági fogalom meghatározások

Az alábbi fogalom meghatározások az egyes figyelmeztetésekhez tartozó, lehetséges veszélyek súlyosságát határozzák meg.



**FIGYELMEZTETÉS:** Személyi sérülés veszélye.



**VIGYÁZAT:** A termék károsodásának veszélye.

**Megjegyzés:** Ezek az információk a termék használatát könnyítik meg.

## Általános biztonsági utasítások



**FIGYELMEZTETÉS:** A termék használata előtt olvassa el az alábbi figyelmeztetéseket.

- Ne hajtson végre módosításokat a terméken a gyártó jóváhagyása nélkül, és minden esetben eredeti tartozékokat használjon. A gyártó által nem engedélyezett módosítások és/vagy tartozékok a kezelő vagy mások súlyos vagy halálos sérülését okozhatják.
- Ne használjon sérült terméket. A jelen használati utasításban előírtak szerint végezze el a biztonsági ellenőrzéseket és a karbantartást. Minden egyéb karbantartási munkát csak hivatalos szervizszakember végezhet el.
- Minden szervizelési és javítási műveletet hivatalos szervizszakembernek kell elvégeznie. Ha a termék valamelyik része hibás, forduljon az illetékes szakszervizhez.

## Biztonsági utasítások az üzemeltetéshez



**FIGYELMEZTETÉS:** A termék használata előtt olvassa el az alábbi figyelmeztetéseket.

- A termék veszélyes lehet a kezelőre és másokra, valamint a súlyos sérülésüket és halálukat okozhatja. Körültekintően járjon el, és megfelelően használja a terméket.
- Használat előtt ellenőrizze a terméket. Lásd: *Karbantartás 175. oldalon.*
- Ne használja a terméket, ha fáradt, beteg, illetve ha alkohol, drog vagy gyógyszer hatása alatt áll,

mert ezek negatív hatással lehetnek a látására, ítélőképességére vagy koordinációjára.

- Használat előtt szerelje fel az összes burkolatot és védőelemet. Az áramütés elkerülése érdekében győződjön meg arról, hogy a gyertyapipa és a gyújtáskábel nem sérült-e.
- Ne érintse meg a gyújtógyertyát vagy a gyújtáskábelt, amikor a motor jár.
- Tartson legalább 15 m-es biztonsági távolságot a személyektől és állatoktól. Ha személyek, gyermekek vagy állatok 15 méternél közelebb jönnek, állítsa le a terméket. Ne fordítsa a terméket személyek, állatok, nyitott ablakok vagy más tárgyak felé.
- Ne engedje, hogy gyermekek működtessék a terméket. Győződjön meg róla, hogy minden kezelő elolvasta és megértette a jelen használati utasítás tartalmát.
- Működés közben tartsa távol kezét és az egyéb tárgyakat a lombfúvó burkolatától. A forgó alkatrészek súlyos sérülést okozhatnak.
- Ne használja a terméket a levegőbeömlő rács nélkül. Használat előtt mindig győződjön meg arról, hogy a levegőbeömlő rács fel van szerelve, és nem sérült.
- Vészhelyzet esetén oldja ki a heveder derék- és mellkasövét, és hagyja a földre esni a terméket.
- Tartsa be a nemzeti szabályozásokat és irányelveket.
- Tartsa távol a testrészeit a forró felületektől.
- A termék működés közben elektromágneses mezőt hoz létre. Ez bizonyos körülmények esetén hatással lehet az aktív vagy passzív orvosi implantátumokra. A súlyos vagy halálos sérülés kockázatának csökkentése érdekében azt javasoljuk, hogy az orvosi implantátumot használó személyek a termék alkalmazása előtt kérjék ki orvosuk vagy az orvosi implantátum gyártójának tanácsát.
- A túl sok rezgés károsíthatja a vérkeringést és az idegrendszeret. Amennyiben olyan tüneteket észlel, mint például a zsibbadás, érzéki kiesés, bizsergés, szúrás, fájdalom, gyengeség vagy a bőr színének megváltozása az ujjain, kezén vagy csuklóján, forduljon kezelőorvosához.
- Figyeljen a felcsapódó tárgyakra. A felcsapódó tárgyak súlyos sérülést okozhatnak.
- Ne használja a terméket rossz időjárási viszonyok között, például ködben, esőben, nagy szélben vagy nagy hidegben. A rossz időjárási körülmények melletti munkavégzés fáradtságot és veszélyes körülményeket okozhat.
- Ügyeljen arra, hogy szabadon mozoghasson, és dolgozzon stabil testhelyzetben. Ellenőrizze a munkaterületet, hogy található-e rajta akadályok, például kövek. Legyen óvatos, ha a terméket lejtőn használja.
- Ne tegye le a földre a terméket járó motorral.

- Ne használja a terméket magasban, például létrán.
- Ügyeljen arra, hogy egy esetleges baleset esetén mindig meghallják.
- Ellenőrizze, hogy nincs-e eltömődve a kipufogónyílás. A termék károsodásának megelőzése érdekében tartsa az akadályokat legalább 50 cm-es távolságra a kipufogónyílástól.
- Ne indítsa be a terméket zárt helyiségben, rossz légáramlás esetén vagy gyúlékony anyagok közelében. A motor kipufogógázai szén-monoxidot tartalmaznak, ami szénmonoxid-mérgezést okozhat. A motor kipufogógázai forróak, és szikrát tartalmazhatnak, ami tüzet okozhat.

- A biztonsági eszközök meghibásodása esetén vegye fel a kapcsolatot a Husqvarna szakszervizzel.

### A hangfogó ellenőrzése



**FIGYELMEZTETÉS:** Ne használja a terméket, ha a hangfogó meghibásodott.



**FIGYELMEZTETÉS:** A hangfogó a működés közben és után, valamint alapjáratú fordulatszámra is felforrósodik. A sérülések elkerülésének érdekében használjon védőkesztyűt.



**FIGYELMEZTETÉS:** A hangfogó belsejében rákkeltő vegyi anyagok is lehetnek. Ne nyúljon a sérült hangfogóhoz!

### Személyi védőfelszerelés



**FIGYELMEZTETÉS:** A termék használata előtt olvassa el az alábbi figyelmeztetéseket.

- Amikor a terméket használja, viseljen jóváhagyott személyi védőfelszerelést. A személyi biztonsági felszerelés nem előzi meg teljes mértékben a sérüléseket, de csökkentheti azok mértékét. További információért forduljon szakkereskedőjéhez.
- Használjon jóváhagyott fülvédőt. Hosszú távon a tartós zajártalom maradandó halláskárosodást okozhat.
- Használjon jóváhagyott védőszemüveget. Ha arcvédőt használ, jóváhagyott védőszemüveget is kell viselnie. Jóváhagyott védőszemüvegek azok, amelyek megfelelnek az ANSI Z87.1 (USA) illetve EN 166 (EU-országok) szabványoknak.
- A működtetés és karbantartás során viseljen védőkesztyűt.
- Viseljen csúszásgátló talppal ellátott védőcsizmat vagy lábbelit.
- Erős anyagból készült, teljes hosszúságú ruházatot használjon. Ne viseljen ékszert vagy nyitott lábbelit. A sérülés kockázatának csökkentése érdekében a ruházatnak szorosan kell illeszkednie, de nem szabad korlátoznia a mozgás szabadságát. Fogja fel úgy a haját, hogy az a vállai felett legyen, hogy ne kerülhessen a forgó alkatrészek közelébe, és ne akadjon fel az ágakban.
- Por veszélye esetén viseljen légzésvédőt.
- Tartsa kéznél az elsősegélykészletet.

- Rendszeres időközönként szemrevételezéssel ellenőrizze a hangfogót. A hangfogó minimálisan csökkenteni a zajszintet és elvezeti a kipufogógázokat a kezelő közeléből. Lásd: *A hangfogó karbantartása 176. oldalon.*

### A rezgéscsillapító rendszer ellenőrzése

1. Győződjön meg arról, hogy nincsenek repedések vagy eldeformálódás a rezgéscsillapító rendszer egységein.
2. Ellenőrizze, hogy a rezgéscsillapító egységek megfelelően kapcsolódnak-e a motortesthez és a fogantyúkhöz.

A rezgéscsillapító rendszer elhelyezkedésével kapcsolatos információkat illetően tekintse át a következőt: *A termék áttekintése 167. oldalon.*

### A be/ki kapcsoló ellenőrzése

1. A motor leállításához nyomja meg a be/ki kapcsolót.
2. Győződjön meg arról, hogy a motor teljesen leállt.

A termék indító-/leállítókapcsolójának elhelyezésével kapcsolatban lásd: *A termék áttekintése 167. oldalon.*

### A heveder biztonságos használata

- A derékön mindig legyen bekapcsolva és megfelelően beállítva. A heveder laza végei becsipódhatnak a forgó alkatrészekbe, és károsíthatják a ventilátort. Ha a ventilátor sérült, a termék meglazult alkatrészei kirepülhetnek, és sérülést vagy kárt okozhatnak.

### Üzemanyaggal kapcsolatos biztonság



**FIGYELMEZTETÉS:** A termék használata előtt olvassa el az alábbi figyelmeztetéseket.

### Biztonsági eszközök a terméken



**FIGYELMEZTETÉS:** A termék használata előtt olvassa el az alábbi figyelmeztetéseket.

- Ne használjon olyan terméket, amelynek hibásak a biztonsági eszközei.
- Rendszeresen ellenőrizze a biztonsági eszközöket. Lásd az *Karbantartás 175. oldalon* fejezetet.

- Ne keverjen vagy töltsön üzemanyagot beltéren vagy hőforrás közelében.
- Ne indítsa be a terméket, ha üzemanyag vagy olaj került a termékre vagy Önre.
- Ne indítsa be a motort, ha a motornál üzemanyag-szivárgás észlelhető. Vizsgálja meg rendszeresen a motort üzemanyag-szivárgás szempontjából.
- Mindig bánjon óvatosan az üzemanyaggal. Az üzemanyag gyúlékony, a gőzei robbanásveszélyesek, ezért súlyos, vagy akár végzetes sérülést is okozhat.
- Ne lélegezze be az üzemanyag gőzeit, egészségkárosodást okozhatnak. Gondoskodjon megfelelő légáramlásról.
- Az üzemanyag vagy a motor közelében ne dohányozzon.
- Ne vigye a terméket vagy az üzemanyagtartályt forró tárgyak közelébe, vagy olyan helyre, ahol nyílt láng, szikra vagy őrláng található.

- Mindig engedélyezett tartályokat használjon az üzemanyag tárolására és szállítására.

## Biztonsági utasítások a karbantartáshoz



**FIGYELMEZTETÉS:** A termék használata előtt olvassa el az alábbi figyelmeztetéseket.

- Karbantartás vagy összeszerelés előtt állítsa le a motort, távolítsa el a gyújtógyertyát, és hagyja lehűlni a motort.
- Az eltömődött szikrafogó háló a motor túlhevülését okozhatja, amely a motor károsodásához vezet.

## Összeszerelés

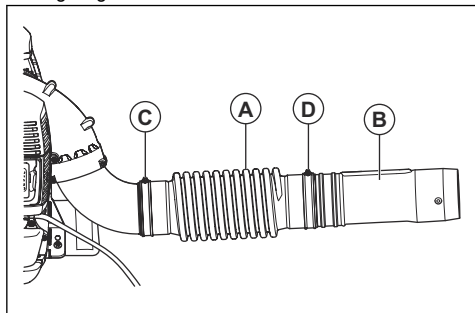
### Bevezető



**FIGYELMEZTETÉS:** Figyelmesen olvassa el a biztonságról szóló fejezetet, mielőtt összeállítaná a terméket.

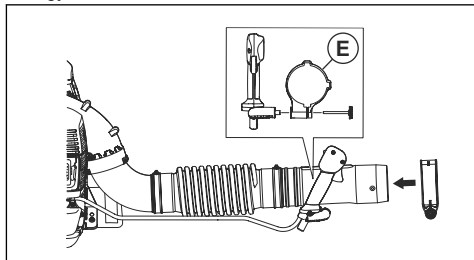
### A fúvócső és a vezérlőfogantyú felszerelése a termékre

1. Rögzítse a rugalmas tömlőt (A) a csökönyökre és a szabályozócsőre (B) a bilincsek (C és D) segítségével.

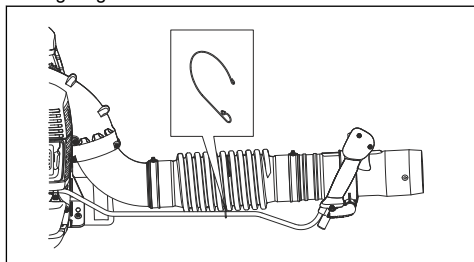


**Megjegyzés:** Vigyen fel kenőanyagot a szabályozócsőre és a rugalmas tömlőre, hogy könnyebben össze lehessen őket szerelni.

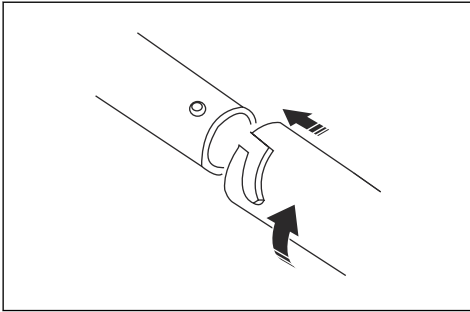
2. Rögzítse a fogantyútartót (E) a szabályozócsőhöz. Igazítsa a fogantyútartót a szabályozócső peremével egy vonalba.



3. Állítsa a vezérlő fogantyú helyzetét és szögét biztonságos és megfelelő munkahelyzetbe. Húzza meg a gombot.
4. Rögzítse a kábelt a rugalmas tömlőre a kábelrögzítő segítségével.



5. Rögzítse az összekötő csövet a szabályozócsőre.



**Megjegyzés:** Ha hosszabb kör alakú fúvócső használatára van szükség, meghosszabbított összekötő cső is rendelhető.

6. Csatlakoztassa a lombfúvó fúvókáját az összekötő csőhöz.

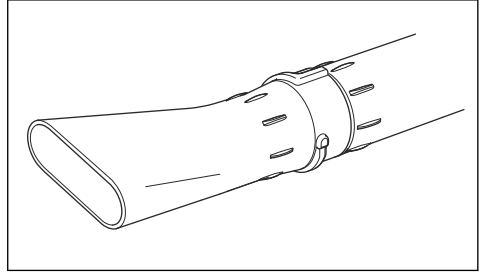
**Megjegyzés:** A lombfúvó fúvókáját csak az összekötő csőre lehet felszerelni.

4. Szerelje fel az összekötő csövet.

## A lapos fúvóka összeszerelése (opcionális tartozék)

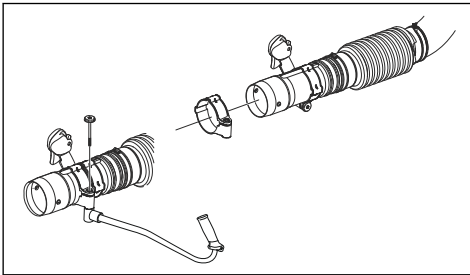
A lapos fúvóka nagyobb levegősebességet biztosít, mint a lombfúvó fúvókája.

- Távolítsa el a lombfúvó fúvókáját az összekötő csőről, majd szerelje fel a lapos fúvókát.



## A fogantyú összeszerelése (opcionális tartozék)

1. Szerelje le az összekötő csövet.
2. Szerelje le a tartó gombját, majd nyomja rá a tartót a szabályozócsőre.
3. Szerelje fel a fogantyút és a gombot. Húzza meg a gombot.



## Üzemeltetés

### Bevezető



**FIGYELMEZTETÉS:** A termék használata előtt figyelmesen olvassa el a biztonságról szóló fejezetet.



**VIGYÁZAT:** A nem megfelelő üzemanyag használata a motor károsodásához vezethet. Benzin és kétütemű motorolaj keverékét használja üzemanyagként.

### Üzemanyag

A termékben kétütemű motor működik.

### Előkevert üzemanyag

- A jó teljesítmény és a motor élettartamának megnövelése érdekében előkevert Husqvarna

alkülüzemanyagot használjon. Ez az üzemanyagtípus kevesebb a hagyományos üzemanyagokhoz képest kevesebb vegyszert tartalmaz, így a kipufogó károsanyag-kibocsátása is mérséklődik. Az égés után visszamaradó anyagok mennyisége ezen üzemanyag esetében kevesebb, ami tisztább állapotban tartja a motor alkotóelemeit.

## Az üzemanyag keverése

### Benzin

- Jó minőségű, legfeljebb 10% etanolt (E10) tartalmazó, ólmozatlan benzint használjon.



**VIGYÁZAT:** Ne használjon 90 RON/87 AKI értéknél alacsonyabb oktánszámú benzint. Alacsonyabb oktánszám esetén kopogás jelentkezhet a motorban, ami a motor károsodását okozhatja.

### Kétütemű motorhoz való olaj

- A legjobb eredmények és teljesítmény érdekében használjon Husqvarna kétütemű motorolajat.
- Ha nem áll rendelkezésre Husqvarna kétütemű motorolaj, használjon más jó minőségű, léghűtéses motorokhoz készült kétütemű olajat. A megfelelő olaj kiválasztását illetően forduljon az illetékes szakszervizhez.



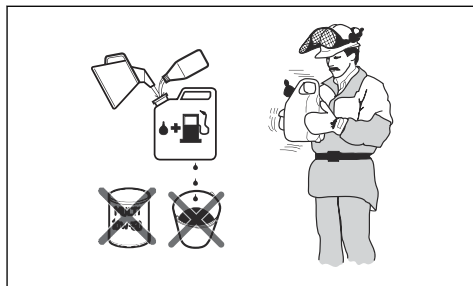
**VIGYÁZAT:** Ne használjon vízhűtéses külső motorokhoz való kétütemű motorolajat (más néven „outboard” olajat). Soha ne használjon négyütemű motorokhoz való olajat.

### Benzin és kétütemű olaj összekeverése

Benzin, liter	Kétütemű olaj, liter
	<b>2% (50:1)</b>
5	0,10
10	0,20
15	0,30
20	0,40



**VIGYÁZAT:** Kisebb mennyiségű üzemanyag kikeverésekor fennáll a veszélye, hogy az apróbb hibák jelentősen befolyásolják a keverési arányt. A helyes keverési arány érdekében gondosan mérje ki a keverékekhez adagolandó olaj mennyiségét.



- Töltse bele a benzin felét egy üzemanyaghoz való, tiszta tartályba.
- Töltse be a teljes olajmennyiséget.
- Rázza össze az üzemanyag-keveréket.
- Öntse bele a benzin megmaradó részét a tartályba.
- Óvatosan rázza össze az üzemanyag-keveréket.



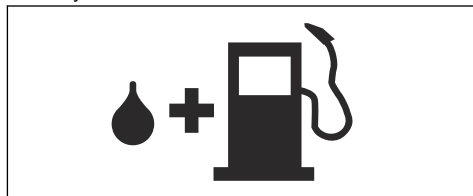
**VIGYÁZAT:** Ne keverjen be 1 havi adagnál több üzemanyagot egyszerre.

### Az üzemanyagtartály feltöltése



**FIGYELMEZTETÉS:** Biztonsága érdekében tartsa be az alábbi eljárást.

- Állítsa le a motort, és várja meg, amíg lehűl.
- Tartsa tisztán az üzemanyagtartály sapkájának környékét.



- Rázza össze a tartályt, és győződjön meg róla, hogy az üzemanyag megfelelően összekeveredett-e.
- Lassan távolítsa el az üzemanyagtartály sapkáját, hogy kiengedje a nyomást.
- Töltse fel az üzemanyagtartályt.



**VIGYÁZAT:** Ügyeljen arra, hogy ne töltsön túl sok üzemanyagot az üzemanyagtartályba. Hő hatására az üzemanyag kitágul.

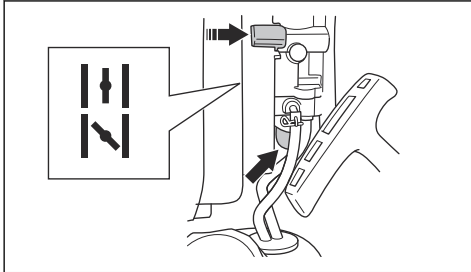
- Húzza meg óvatosan az üzemanyagtartály sapkáját.
- Távolítsa el a kiömlött üzemanyagot a termékről és környékéről.

8. A motor beindítása előtt, vigye el a terméket a tankolás helyétől és forrásától legalább 3 m távolságra.

**Megjegyzés:** Ha szeretné megtudni, hogy az üzemanyagtartály hol van a terméken, lásd: *A termék áttekintése 167. oldalon.*

## A termék elindítása

1. Ha a motor hideg, állítsa a szivatókart szivató állásba. Lásd: *A terméken található jelzések 168. oldalon.*



2. Nyomja meg többször az üzemanyagpumpát, amíg töltődni nem kezd üzemanyaggal. Az üzemanyagpumpát nem szükséges teljes mértékben megtölteni.
3. Állítsa a gázadagolóval felszerelt indító-/leállítókapcsolót 1/3 fokozatú állásba. Lásd: *A gázadagoló/leállítókapcsoló működtetése 174. oldalon.*
4. Fektesse a terméket vízszintes talajfelületre.
5. Fogja meg a terméket bal kézzel.



**VIGYÁZAT:** Ne használja a lábát a termék megtartásához.

6. Húzza ki lassan az indítózsínort, amíg ellenállást nem érez.
7. Rántsa meg az indítózsínort a jobb kezével. Húzza meg többször az indítózsínór fogantyúját, amíg a motor be nem indul.

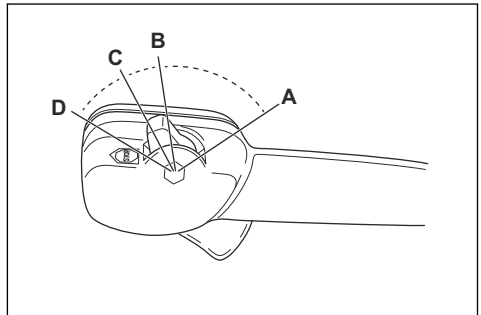
**Megjegyzés:** Ne húzza ki teljesen az indítózsínór fogantyúját, és ne is engedje el azt.

8. Ha a motor hideg, állítsa a szivatókart fokozatosan nyitott szivató állásba, amíg a szivatókar meg nem áll.
9. Ha a motor hideg, hagyja járni 2-3 percig, hogy bemelegedjen.



**FIGYELMEZTETÉS:** A motor beindításakor és a termék alapjáratú fordulatszámon történő használatakor levegő távozik a készülékből. Ne engedjen másokat a termék vagy a fűvécso közelébe.

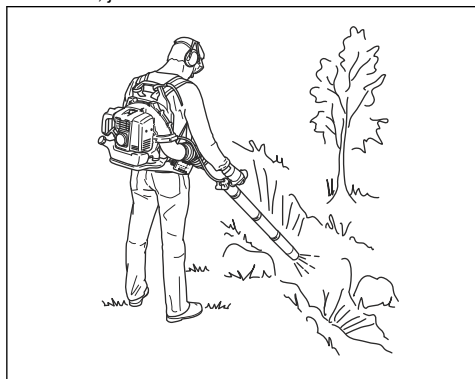
## A gázadagoló/leállítókapcsoló működtetése



- Adjon teljes gázt (A).
- Alkalmazzon 1/3 fokozatú sebességet (B).
- Járassa a motort alapjáratú fordulatszámon (C).
- Állítsa le a terméket (D).

## A termék működtetése

- Ezt a háton hordozható lombfúvót működés közben vállhevederek tartják. A berendezés működtetése és szabályozása a csövön lévő kar segítségével történik, jobb kézzel.



- A terméket az általános munkaidő alatt működtesse. Tartsa be a helyi előírásokat.
- Csökkentse a berendezések számát, és válassza ki a feladathoz megfelelő fordulatszámot. A szükségesnél nagyobb mennyiségű zaj és por megelőzése érdekében a motort a lehető legalacsonyabb fordulatszámon működtesse.
- Tartsa a lombfúvó fúvókáját a talaj közelében.

**Megjegyzés:** A Husqvarna javasolja a teljes fúvókahosszabbító használatát.

- Figyelje meg a szélirányt, és a terméket a széliránnyal megegyező irányba működtesse.
- A megfelelő kerti szerszámok segítségével lazítsa fel az anyagokat a talajról.
- A poros területeken permetezővel nedvesítse meg a felszínt. Ez csökkenti az üzemidőt.
- Használat után függőleges helyzetben tárolja a terméket.

## A termék leállítása



**VIGYÁZAT:** A terméket ne a teljes fordulatszám mellett állítsa le.

## Karbantartás

### Bevezető

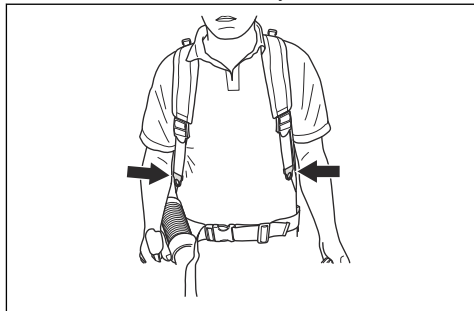


**FIGYELMEZTETÉS:** A termék karbantartása előtt olvassa el és értelmezze a biztonsággal foglalkozó fejezetet.

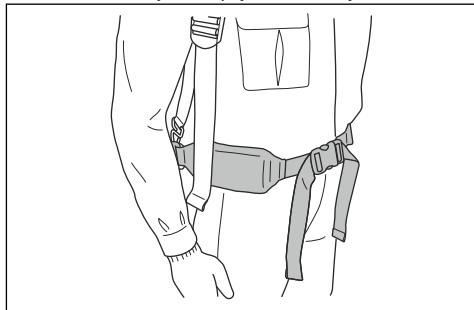
- Állítsa a gázadagolóval felszerelt indító-/leállítókapcsolót leállítási helyzetbe. Lásd: *A gázadagoló/leállítókapcsoló működtetése 174. oldalon.*

## A heveder beállítása

- Helyezze a hevedert a termékre.
- Húzza meg annyira a vállpántokat, hogy a termék szorosan a testéhez illeszkedjen.



- Helyezze a derékövet a derekára.
- Húzza meg a deréköv szíját. Ügyeljen arra, hogy a lombfúvó súlya a csípőjére nehezedjen.



## Karbantartási terv

Karbantartás	Naponta	Hetente	Havonta
Tisztítsa meg a külső felületeket.	X		
Győződjön meg arról, hogy a vezérlőfogantyú megfelelően működik-e.	X		
Győződjön meg arról, hogy az indító-/leállítókapcsoló megfelelően működik-e. Lásd: <i>A be/ki kapcsoló ellenőrzése 170. oldalon.</i>	X		
Keressen szivárgást a motoron, az üzemanyagtartályon és az üzemanyag-vezetékeken. Ellenőrizze, hogy az üzemanyagszűrő nem szennyezett-e. Szükség esetén cserélje ki az üzemanyagszűrőt.	X		
Tisztítsa meg a levegőszűrőt. Szükség esetén cserélje ki a légszűrőt.	X		
Húzza meg a csavarokat és az anyákat.	X		
Ellenőrizze a levegőbeömlő nyílást, hogy nincs-e eltömődve.	X		
Keressen sérülést az indítón és az indítózsinóron.		X	
Vizsgálja meg a rezgéscsillapító egységeket, hogy nem láthatók-e rajtuk sérülések, repedések vagy nincsenek-e eldeformálódva. Ügyeljen arra, hogy a rezgéscsillapító egységek megfelelően legyenek felszerelve.		X	
Ellenőrizze a gyújtógyertyát. Lásd: <i>A gyújtógyertya ellenőrzése 176. oldalon.</i>		X	
Tisztítsa ki a hűtőrendszert.		X	
Tisztítsa meg a porlasztó külsejét és környezetét.		X	
Tisztítsa meg az üzemanyagtartályt.			X
Ellenőrizze az összes kábelt és csatlakozót.			X
Vizsgálja és tisztítsa meg a hangfogó szikrafogó hálóját (katalizátor nélküli termékek esetén).		X	
Vizsgálja és tisztítsa meg a hangfogó szikrafogó hálóját (katalizátorral ellátott termékek esetén).			X
Ellenőrizze a gyújtógyertyát. Szükség esetén cserélje ki.			X

### Az alapjárat fordulatszám beállítása

- Győződjön meg arról, hogy a levegőszűrő tiszta-e, és hogy a fedele fel van-e szerelve.
- Állítsa be az alapjárat fordulatszámot az alapjárat-beállító csavarral. A termék alapjárat-beállító csavarjának helyével kapcsolatban lásd: *A termék áttekintése 167. oldalon.*

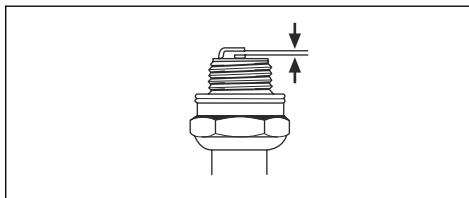
### A gyújtógyertya ellenőrzése



**VIGYÁZAT:** Használjon ajánlott típusú gyújtógyertyát. Lásd az *Műszaki adatok 180. oldalon* fejezetet. A nem megfelelő gyújtógyertya károsíthatja a terméket.

- Állítsa le a motort, és várja meg, amíg a termék lehül.

- Tisztítsa meg a gyújtógyertyát, ha elszennyeződött.
- Ellenőrizze, hogy megfelelő-e a szikraköz. Lásd: *Műszaki adatok 180. oldalon.*



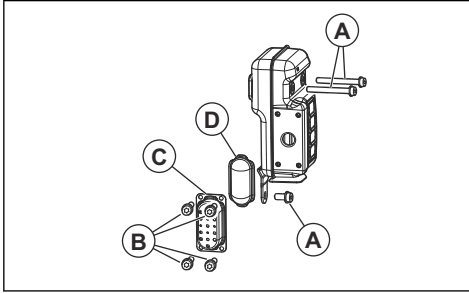
- Havonta vagy szükség esetén ennél gyakrabban cserélje ki a gyújtógyertyát.

### A hangfogó karbantartása

- Állítsa le a motort, és várja meg, amíg a hangfogó lehül. Mindig viseljen védőkesztyűt.



- Távolítsa el a csavarokat (A és B), valamint a kipufogócsövet (C).



- Távolítsa el a szikrafogó hálót (D), és tisztítsa meg drótkéfével. Ha a szikrafogó háló sérült, cserélje ki.
- A drótkéfe segítségével távolítsa el a szennyeződést a hangfogóról és a henger kipufogó kiömlőjéről.
- A csavarok segítségével (B) rögzítse a szikrafogó hálót (D) és a kipufogócsövet (C). Húzza meg a csavarokat 2–3 Nm nyomatékkal.
- Húzza meg a csavarokat (A) 8–12 Nm nyomatékkal. Ellenőrizze, hogy a hangfogó megfelelően csatlakozik-e a termékhez.

## A hűtőrendszer ellenőrzése és tisztítása

A hűtőrendszer magában foglalja a hengeren lévő hűtőbordákat, valamint a levegőbeömlő rácsot.

- Állítsa le a motort.
- Ellenőrizze, hogy nem szennyeződött-e a hűtőrendszer, illetve nincs-e eltömődve. Szükség esetén tisztítsa meg a levegőbeömlő rácsot és a hűtőbordákat.



**VIGYÁZAT:** A szennyezett vagy eltömődött hűtőrendszer a motor túlmelegedéséhez vezethet, ami a termék sérülését okozhatja. Az eltömődött levegőbeömlő rács csökkenti a fűvőerőt.

- Ellenőrizze, hogy nem található-e sérülés a hűtőrendszeren. Ellenőrizze, hogy az alkatrészek megfelelően vannak-e rögzítve a termékhez.

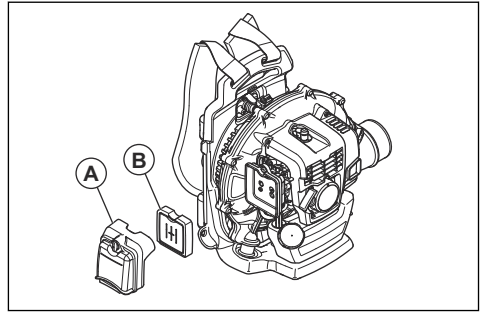
## A levegőszűrő megtisztítása



**VIGYÁZAT:** Ne használja a terméket levegőszűrő nélkül vagy sérült levegőszűrővel. A levegőben lévő por károsíthatja a motort.

- Állítsa a szivatókart zárt állásba.
- Vegye le a levegőszűrő fedelét (A).

- Vegye le a levegőszűrőt (B) a szűrőkeretről.



- Meleg szappanos víz segítségével tisztítsa meg a levegőszűrőt.

**Megjegyzés:** A hosszú ideje használatban lévő levegőszűrőt nem lehet teljesen kitisztítani. Rendszeresen cserélje ki a levegőszűrőt, és minden esetben cserélje ki a meghibásodott levegőszűrőt.

- Kefével tisztítsa meg a levegőszűrő fedelének (A) belső felületét.
- Vigyen fel olajat a levegőszűrőre. Lásd: *Olaj felvitele a habszivacs levegőszűrőre 177. oldalon.*
- Helyezze be a levegőszűrőt a szűrőkeretbe.
- Szerelje fel a levegőszűrő fedelét a termékre.

## Olaj felvitele a habszivacs levegőszűrőre



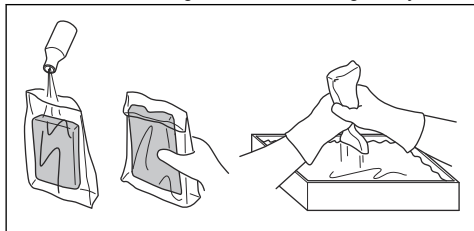
**VIGYÁZAT:** Mindig speciális Husqvarna légszűrőolajat használjon. Ne használjon másféle olajat.



**FIGYELMEZTETÉS:** Vegyen fel védőkesztyűt. A légszűrőolaj bőrirritációt okozhat.

- Tegye be a habszivacs levegőszűrőt egy műanyag tasakba.
- Tegyen olajat a műanyag tasakba.
- Dörzsölje át a műanyag tasakot, hogy az olaj egyenletesen átitassa a habszivacs levegőszűrőt.

4. Még a műanyag tasakban nyomkodja ki a habszivacs levegőszűrőből a felesleges olajat.



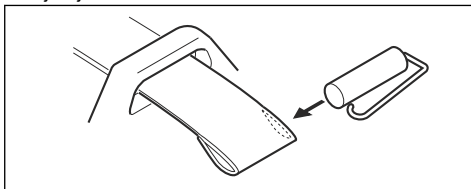
## A heveder cseréje



**FIGYELMEZTETÉS:** A sérült heveder miatt a termék leeshet, és

sérülést okozhat. Győződjön meg arról, hogy a bilincs megfelelően van felszerelve.

1. Állítsa le a motort.
2. Távolítsa el a szíjról a bilincset.
3. Nyomja át a szíj végét a fűzőlyukon.
4. Húzza át az új szíjat a fűzőlyukon.
5. Helyezze a csapot a szíjba, és rögzítse a bilincset az új szíjhoz.



## Hibaelhárítás

A motort nem lehet beindítani		
Ellenőrzés	Lehetséges ok	Megoldás
Leállítógomb.	Stop helyzet	A leállítókapcsolót állítsa a start pozícióba.
Indítófog(ak).	Eltömődött vagy kopott indítófog(ak).	Állítsa be vagy cserélje ki az indítófoga(ka)t.
		Tisztítsa meg az indítófog(ak) környékét.
		Beszélgjen egy hivatalos szakszervizzel.
Üzemanyagtartály.	Nem megfelelő üzemanyag.	Engedje le az üzemanyagtartályt és töltsön bele megfelelő üzemanyagot.
Porlasztó.	Az alapjárat fordulatszám beállítása.	Állítsa be az alapjárat fordulatszámot az alapjárat-beállító csavarral.
Szikrázás (nincs szikra).	A gyújtógyertya elszennyeződött vagy nedves.	Bizonyosodjon meg róla, hogy a gyújtógyertya száraz és tiszta.
		Tisztítsa meg a gyújtógyertyát. Ellenőrizze, hogy megfelelő-e a szikraköz. Ellenőrizze, hogy a gyújtógyertyának van-e zavorszűrője.
		A megfelelő szikraközért tekintse át a műszaki adatokat.

A motort nem lehet beindítani		
Ellenőrzés	Lehetséges ok	Megoldás
Gyújtógyertya.	A gyújtógyertya nincs megfelelően meghúzva.	Húzza meg a gyújtógyertyát.
	A gyújtógyertya elektródáin idegen anyagok találhatóak.	gondoskodjon a megfelelő üzemanyag-keverékről; gondoskodjon a levegőszűrő tisztaságáról.

A motor elindul, de leáll		
Ellenőrzés	Lehetséges ok	Megoldás
Üzemanyagtartály.	Nem megfelelő üzemanyag.	Engedje le, majd használjon megfelelő üzemanyagot.
Porlasztó.	A motor nem működik megfelelően alapjáratú fordulatszámmon.	Forduljon az illetékes szakszervizhez.
Levegőszűrő.	Eltömődött a légszűrő.	Tisztítsa meg a levegőszűrőt.

## Szállítás és raktározás

### Szállítás és raktározás



**FIGYELMEZTETÉS:** A tűzveszély elkerülése érdekében ügyeljen arra, hogy szállítás vagy tárolás közben ne legyen szivárgás vagy füst. Ügyeljen arra, hogy ne legyen szikra- vagy tűzveszély.

- Tartsa a terméket száraz, hűvös és tiszta helyen, ahol megfelelő a légáramlás. A termék gyermekektől elzárva tartandó.

- Szállítás vagy hosszú távú tárolás előtt ürítse ki az üzemanyagtartályt. Nyomja meg az üzemanyagpumpát, és győződjön meg arról, hogy minden üzemanyagot eltávolított. A felesleges üzemanyagot adja le egy erre kijelölt gyűjtőpontra.
- Hosszú távú tárolás előtt tisztítsa meg a terméket és végeztessen rajta teljes körű szervizelést.
- Távolítsa el a gyújtógyertyát, és öntsön nagyjából 15 ml kétütemű olajat a hengerbe. Forgassa meg háromszor a terméket, majd helyezze vissza a gyújtógyertyát.
- Szállítás közben rögzítse biztonságosan a terméket a járműhöz.

## Műszaki adatok

### Műszaki adatok

	Husqvama 350BT
<b>Motor</b>	
Hengerűrtartalom, cm <sup>3</sup>	50,2
Alapjárat fordulatszám, ford/perc	2200
Katalizátor	Nem
<b>Gyújtásrendszer</b>	
Gyújtógyertya	NGK CMR7H/TORCH AC7R
Elektródahézag, mm	0,6-0,7
<b>Üzemanyag- és olajozási rendszer</b>	
Üzemanyagtartály űrtartalma, l/cm <sup>3</sup>	1,25/1250
<b>Tömeg</b>	
Tömeg üzemanyag nélkül, kg	10,2
<b>Zajkibocsátás</b> <sup>34</sup>	
Hangteljesítményszint, mért dB (A) érték	101
Hangteljesítményszint, garantált, L <sub>WA</sub> dB (A)	101
<b>Zajszintek</b> <sup>35</sup>	
A kezelő hallószervére gyakorolt, az EN15503 szabvány szerint mért hangnyomásszint, dB(A):	
Lombfúvó-fúvókával felszerelve (eredeti elem)	96
<b>Rezgésszintek</b> <sup>36</sup>	
Az EN 15503 szabvány szerint mért ekvivalens rezgésszintek (a <sub>h<sub>v</sub>,eq</sub> ) a fogantyúkon, m/s <sup>2</sup>	2,7
<b>Ventilátor teljesítménye</b>	
Max. levegősebesség lombfúvó-fúvókával, m/s:	80
Légáram lombfúvó-fúvókával, m <sup>3</sup> /perc:	14

<sup>34</sup> A környezetben a 2000/14/EK sz. EK irányelvvel összhangban hangteljesítményként mért zajkibocsátás (L<sub>WA</sub>). A gép jelentésben szereplő hangteljesítményszintjét a legmagasabb szintet produkáló eredeti lombfúvó-fúvókával mérték. A garantált és a mért hangteljesítmény közötti különbségnek az az oka, hogy a garantált hangteljesítmény tartalmazza a mérési eredményben lévő ingadozást és az azonos modellű gépek közti eltéréseket is a 2000/14/EK jelű irányelv értelmében.

<sup>35</sup> A zajnyomásszintre vonatkozó jelentési adatok az 1,0 dB (A) tipikus statisztikus ingadozásával (szórásával) rendelkeznek.

<sup>36</sup> A rezgésszintre vonatkozó jelentési adatok az 1,0 m/s<sup>2</sup> tipikus statisztikus ingadozásával (szórásával) rendelkeznek.

# EK megfelelőségi nyilatkozat

## EC megfelelőségi nyilatkozat

A **Husqvarna AB**, SE-561 82 Huskvarna, Svédország,  
(tel: +46-36-146500), a saját felelősségére kijelenti,  
hogy a termék:

<b>Leírás</b>	Háttra vehető lombfúvó
<b>Márka</b>	Husqvarna
<b>Típus/modell</b>	350BT
<b>Megjelölés</b>	2022. évi és újabb sorozatszámok.

teljes mértékben megfelelnek a következő EU-  
irányelveknek és szabályozásoknak:

<b>Szabályozás</b>	<b>Leírás</b>
2006/42/EK	„gépekre vonatkozó”
2014/30/EU	„elektromágneses megfelelőségre vonatkozó”
2000/14/EK	„környezeti zajkibocsátásra vonatkozó”
2011/65/EU	„az egyes veszélyes anyagok elektromos és elektronikus berendezésekben való alkalmazásának korlátozására vonatkozó”

valamint hogy az alábbi szabványok és/vagy műszaki  
előírások kerültek alkalmazásra: EN ISO 12100:2010,  
CISPR 12:2009, EN 15503:2009+A2:2015, EN IEC  
63000:2018

A RISE SMP Svensk Maskinprovning AB, Box 7035,  
SE-750 07 Uppsala, Svédország végezte el az önkéntes  
típusbevizsgálást a Husqvarna AB megbízásából.

Tanúsítvány száma: SEC/09/2102

A RISE SMP Svensk Maskinprovning AB, Box 7035,  
SE-750 07 Uppsala, Svédország a tanács 2000/14/EK  
irányelve V. függelékének való megfelelést is igazolta.

A zajkibocsátásra vonatkozó tájékoztatást illetően  
tekintse át a következőt: *Műszaki adatok 180. oldalon.*

Huskvarna, 2022-05-17

Stefan Holmberg, K+F igazgató, Technológiai  
menedzsment, Husqvarna AB.

A műszaki dokumentációk felelőse



## Sommario

Introduzione.....	182	Ricerca guasti.....	193
Sicurezza.....	184	Trasporto e rimessaggio.....	194
Montaggio.....	186	Dati tecnici.....	195
Utilizzo.....	187	Dichiarazione di conformità CE.....	196
Manutenzione.....	190		

## Introduzione

### Descrizione del prodotto

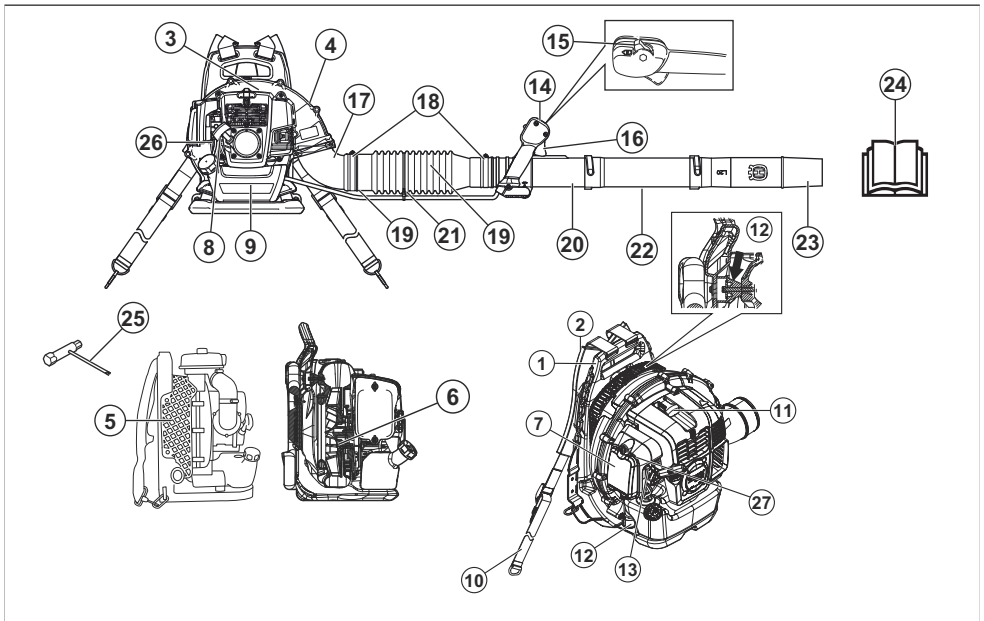
Il prodotto è un soffiatore a zaino con motore a combustione.

Procediamo costantemente allo sviluppo dei nostri prodotti e ci riserviamo quindi il diritto di apportare, senza alcun preavviso, modifiche riguardanti fra l'altro la forma e l'aspetto esteriore.

### Uso previsto

Utilizzare il prodotto per soffiare foglie e altro materiale indesiderato da aree come prati, vialetti e strade asfaltate.

### Panoramica del prodotto



1. Telaio
2. Cinghiaggio
3. Coperchio motore
4. Coperchio della ventola
5. Retina della presa dell'aria
6. Ventola
7. Filtro dell'aria
8. Impugnatura della fune di avviamento
9. Serbatoio del carburante
10. Cinghia in vita
11. Candela
12. Sistema di smorzamento delle vibrazioni
13. Comando della valvola dell'aria
14. Impugnatura di comando
15. Interruttore di avviamento/arresto con comando dell'acceleratore

16. Grilletto dell'acceleratore
17. Curva del tubo
18. Fascetta
19. Tubo flessibile
20. Tubo di manovra
21. Fascetta ferma cavo
22. Tubo intermedio
23. Ugello soffiatore
24. Manuale operatore
25. Chiave universale
26. Primer del carburante
27. Vite di regolazione del regime minimo

## Simboli riportati sul prodotto



**AVVERTENZA!** questo prodotto può essere pericoloso e causare lesioni gravi o mortali all'operatore o a terzi. Prestare attenzione e utilizzare il prodotto correttamente.



Prima dell'uso, leggere attentamente il manuale operatore e accertarsi di aver compreso le istruzioni.



Utilizzare cuffie protettive e protezione per gli occhi omologate. Se l'ambiente contiene polvere, utilizzare una maschera di ventilazione.



Utilizzare guanti protettivi omologati.



Miscela di benzina e olio per motori a due tempi.



Primer del carburante.



Tenere il corpo lontano dalle superfici calde.



Aria, posizione aperta.



Aria, posizione chiusa.



Il presente prodotto è conforme alle direttive CEE vigenti.



Il presente prodotto è conforme alle direttive del Regno Unito vigenti.



Emissioni di rumore nell'ambiente in conformità alle direttive e alle norme UE e UK e alla norma del Nuovo Galles del Sud in materia di protezione dell'ambiente "Protection of the Environment Operations (Noise Control) Regulation 2017". Il livello di potenza sonora garantito del prodotto è specificato in *Dati tecnici alla pagina 195* nonché sull'etichetta.



Fare attenzione agli oggetti volanti. Gli oggetti proiettati possono causare lesioni gravi. Usare sempre abbigliamento protettivo personale.



Mantenere una distanza di sicurezza di almeno 15 m da persone o animali.

aaaassxxxx

La targhetta dati di funzionamento mostra il numero di serie. **yyyy** è l'anno di produzione e **vvv** è la settimana di produzione.

**Nota:** I restanti simboli/decalcomanie sul prodotto riguardano particolari requisiti necessari per ottenere la certificazione in altre aree commerciali.

## Emissioni Euro V



**AVVERTENZA:** La manomissione del motore rende nulla l'omologazione UE del prodotto.

## Responsabilità del prodotto

Come indicato nelle leggi vigenti in materia di responsabilità obbligatoria sul prodotto, non siamo responsabili per eventuali danni causati dal nostro prodotto se:

- Il prodotto viene riparato in modo errato.
- Il prodotto viene riparato con parti che non provengono o non sono omologate dal produttore.
- Il prodotto contiene un accessorio che non proviene o non è omologato dal produttore.

- Il prodotto non viene riparato presso un centro di assistenza autorizzato o presso un'autorità competente.

---

## Sicurezza

---

### Definizioni di sicurezza

Le definizioni riportate di seguito forniscono il livello di gravità per ciascuna delle parole di avvertenza.



**AVVERTENZA:** Lesioni alle persone.



**ATTENZIONE:** Danni al prodotto.

**Nota:** Queste informazioni rendono più semplice l'uso del prodotto.

### Istruzioni di sicurezza generali



**AVVERTENZA:** leggere le seguenti avvertenze prima di utilizzare il prodotto.

- Non apportare modifiche al prodotto senza l'approvazione del produttore e utilizzare sempre accessori originali. Le modifiche e/o gli accessori non approvati possono causare lesioni gravi o la morte dell'operatore o di terzi.
  - Non utilizzare un prodotto danneggiato. Eseguire i controlli di sicurezza e gli interventi di manutenzione indicati nel manuale dell'operatore. Tutti gli altri interventi di manutenzione devono essere affidati a personale di assistenza autorizzato.
  - Tutti gli interventi di assistenza e riparazione devono essere eseguiti da personale di assistenza autorizzato. Se una parte del prodotto è difettosa, rivolgersi al rivenditore autorizzato all'assistenza.
- Montare tutti i coperchi e le protezioni prima dell'uso. Per evitare scosse elettriche, assicurarsi che il cappuccio della candela e il cavo di accensione non siano danneggiati.
  - Non toccare mai la candela o il cavo di accensione quando il motore è in moto.
  - Mantenere una distanza di sicurezza di almeno 15 m da persone o animali. Se persone, bambini o animali si trovano a una distanza inferiore a 15 m, arrestare il prodotto. Indirizzare il prodotto lontano da persone, animali, finestre aperte e altri oggetti.
  - Non lasciare che i bambini utilizzino il prodotto. Assicurarsi che tutti gli operatori leggano e comprendano il contenuto del presente manuale dell'operatore.
  - Tenere le mani o altri oggetti lontani dall'alloggiamento del soffiatore durante il funzionamento. Le parti rotanti possono provocare gravi lesioni.
  - Non utilizzare il prodotto se la retina della presa dell'aria non è installata. Assicurarsi sempre che la retina della presa dell'aria sia installata e non sia danneggiata prima dell'uso.
  - In caso di emergenza, rilasciare la cinghia in vita e la cintura toracica del cinghiaggio e lasciare cadere il prodotto.
  - Rispettare le normative e le direttive nazionali.
  - Tenere il corpo lontano dalle superfici calde.
  - Durante il funzionamento, questo prodotto genera un campo elettromagnetico. Tale campo può interferire, in alcuni casi, con persone portatrici di impianti medici attivi o passivi. Per ridurre il rischio di condizioni che possono implicare lesioni gravi o mortali, i portatori di tali impianti devono consultare il proprio medico e il produttore dell'impianto prima di utilizzare questo prodotto.
  - Vibrazioni eccessive possono causare danni alla circolazione o al sistema nervoso. Rivolgersi al medico in caso di sintomi, ad esempio intorpidimento, perdita di sensibilità, formicolio, pizzicore, dolore, perdita di forza o alterazioni del colore della pelle di dita, mani o polsi.
  - Fare attenzione agli oggetti volanti. Gli oggetti proiettati possono causare lesioni gravi.
  - Non utilizzare il prodotto in condizioni atmosferiche avverse, ad esempio in caso di nebbia, pioggia, vento forte e gelo. Lavorare in condizioni atmosferiche avverse può causare stanchezza e condizioni pericolose.
  - Assicurarsi di potersi muovere e mantenere una posizione stabile. Verificare l'eventuale presenza di ostacoli, ad esempio rocce, nell'area di lavoro.

### Istruzioni di sicurezza per l'utilizzo



**AVVERTENZA:** Leggere le seguenti avvertenze prima di utilizzare il prodotto.

- questo prodotto può essere pericoloso e causare lesioni gravi o mortali all'operatore o a terzi. Prestare attenzione e utilizzare il prodotto correttamente.
- Eseguire un controllo del prodotto prima dell'utilizzo. Fare riferimento a *Manutenzione alla pagina 190*.
- Non utilizzare il prodotto quando si è stanchi, malati o sotto gli effetti di alcool o farmaci in grado di alterare la vista, la capacità di valutazione o la coordinazione.



Prestare attenzione se si utilizza il prodotto su pendenze.

- Non poggiare il prodotto a terra con il motore acceso.
- Non utilizzare il prodotto da posizioni elevate, ad esempio su una scala.
- Assicurarsi di essere a una distanza tale da poter essere sempre ascoltati in caso di incidente.
- Assicurarsi che l'uscita dei fumi di scarico non sia ostruita. Per evitare di danneggiare il prodotto, mantenere gli ostacoli a una distanza minima di 50 cm dall'uscita dei fumi di scarico.
- Non avviare il prodotto in ambienti chiusi, in punti dove la circolazione dell'aria è insufficiente o vicino a materiale infiammabile. I gas di scarico del motore contengono monossido di carbonio, che può provocare intossicazione. I gas di scarico sono molto caldi e possono contenere scintille in grado di provocare incendi.

## Dispositivi di protezione individuale



**AVVERTENZA:** Leggere le seguenti avvertenze prima di utilizzare il prodotto.

- Usare sempre abbigliamento protettivo personale omologato quando si utilizza il prodotto. I dispositivi di protezione individuale non sono in grado di prevenire completamente le lesioni, ma possono ridurne la gravità. Rivolgersi al rivenditore per maggiori informazioni.
- Usare cuffie protettive omologate. Una lunga esposizione al rumore può comportare lesioni permanenti all'udito.
- Utilizzare protezioni per gli occhi omologate. Con l'uso della visiera è necessario anche l'uso di occhiali protettivi omologati. Con il termine occhiali protettivi omologati si intendono occhiali che siano conformi alle norme ANSI Z87.1 per gli USA o EN 166 per i paesi EU.
- Utilizzare guanti protettivi durante il funzionamento e la manutenzione.
- Utilizzare stivali o scarpe protettive con soles antiscivolo.
- Utilizzare indumenti in tessuto resistente e lunghi fino ai piedi. Non utilizzare gioielli o scarpe aperte. Per ridurre il rischio di lesioni, l'abbigliamento deve essere aderente ma non deve limitare i movimenti. Posizionare i capelli sopra le spalle per evitare che entrino a contatto con parti rotanti o si incastrino sui rami.
- Utilizzare mascherine quando esiste il rischio di inalare la polvere.
- Tenere a portata di mano la cassetta di primo soccorso.

## Dispositivi di sicurezza sul prodotto



**AVVERTENZA:** Leggere le seguenti avvertenze prima di utilizzare il prodotto.

- Non utilizzare un prodotto con dispositivi di sicurezza difettosi.
- Effettuare regolarmente un controllo dei dispositivi di sicurezza. Fare riferimento a *Manutenzione alla pagina 190*.
- Se i dispositivi di sicurezza sono difettosi, rivolgersi al rivenditore Husqvarna.

## Controllo della marmitta



**AVVERTENZA:** Non utilizzare un prodotto con marmitta difettosa.



**AVVERTENZA:** La marmitta si scalda notevolmente durante e dopo l'utilizzo, anche quando il motore è al regime minimo. Usare guanti protettivi per evitare ustioni.



**AVVERTENZA:** L'interno della marmitta contiene sostanze chimiche che potrebbero essere cancerogene. Non toccare la marmitta se è danneggiata.

- Ispezionare periodicamente la marmitta. La marmitta assicura il minimo livello acustico e allontana i fumi di scarico dall'operatore. Fare riferimento a *Manutenzione della marmitta alla pagina 192*.

## Controllo del sistema di smorzamento delle vibrazioni

1. Accertarsi che non vi siano crepe o deformazioni sulle unità di smorzamento delle vibrazioni.
2. Controllare che le unità di smorzamento delle vibrazioni siano correttamente fissate al gruppo motore e all'impugnatura.

Per le informazioni su dove si trova il sistema di smorzamento delle vibrazioni sul prodotto, fare riferimento a *Panoramica del prodotto alla pagina 182*.

## Controllo dell'interruttore di avviamento/arresto

1. L'interruttore di avviamento/arresto serve ad arrestare il motore.
2. Assicurarsi che il motore si arresti completamente.

Per individuare l'interruttore di avviamento/arresto del prodotto, fare riferimento a *Panoramica del prodotto alla pagina 182*.

## Sicurezza del cinghiaggio

- Assicurarsi che la cinghia in vita sia fissata e regolata correttamente. Le estremità allentate del cinghiaggio possono penetrare nelle parti rotanti e danneggiare la ventola. Se la ventola è danneggiata, le parti allentate del prodotto possono essere proiettate e causare lesioni o danni.

## Sicurezza nell'uso del carburante



**AVVERTENZA:** leggere le seguenti avvertenze prima di utilizzare il prodotto.

- Non miscelare o aggiungere il carburante in un ambiente chiuso o in prossimità di una fonte di calore.
- Non avviare il prodotto se è presente olio o carburante sul prodotto stesso o sul proprio corpo.
- Non avviare il prodotto se il motore presenta una perdita di carburante. Esaminare regolarmente il motore per verificare la presenza di eventuali perdite di carburante.
- Prestare sempre attenzione al carburante. Il carburante è infiammabile e i gas di scarico,

essendo esplosivi, possono causare lesioni anche mortali.

- Non respirare i fumi del carburante perché possono causare lesioni. Accertarsi che ci sia un flusso d'aria sufficiente.
- Non fumare in prossimità del carburante o del motore.
- Non posizionare il prodotto o una tanica di carburante vicino a fiamme libere, scintille o fiamme pilota.
- Utilizzare sempre contenitori approvati per la conservazione e il trasporto del carburante.

## Istruzioni di sicurezza per la manutenzione



**AVVERTENZA:** Leggere le seguenti avvertenze prima di utilizzare il prodotto.

- Arrestare il motore, rimuovere la candela e lasciare raffreddare il motore prima di eseguire interventi di manutenzione e montaggio.
- Una retina parascintille bloccata provoca il surriscaldamento e danni al motore.

## Montaggio

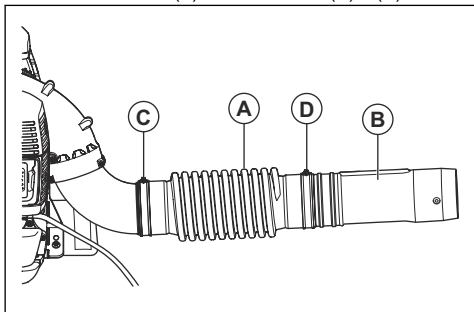
### Introduzione



**AVVERTENZA:** Leggere e comprendere il capitolo sulla sicurezza prima di montare il prodotto.

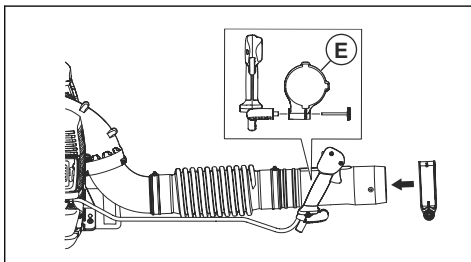
### Assemblaggio del tubo del soffiatore e dell'impugnatura di comando sul prodotto

1. Fissare il tubo flessibile (A) alla curva del tubo e il tubo di manovra (B) con le fascette (C) e (D).

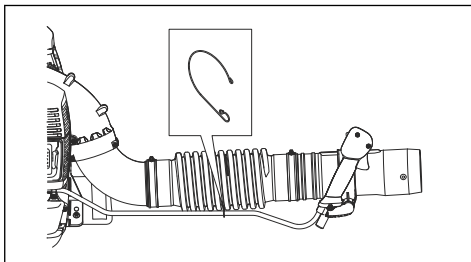


**Nota:** Lubrificare il tubo di manovra e il tubo flessibile per facilitarne il montaggio.

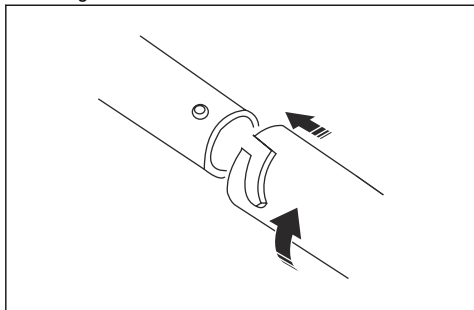
2. Fissare il supporto (E) dell'impugnatura al tubo di manovra. Allineare il supporto dell'impugnatura con la chiave del tubo di manovra.



3. Regolare la posizione e l'angolo dell'impugnatura di comando in una posizione di lavoro sicura e corretta. Serrare la manopola.
4. Collegare il cavo al tubo flessibile con la fascetta fermacavo.



5. Collegare il tubo intermedio al tubo di manovra.



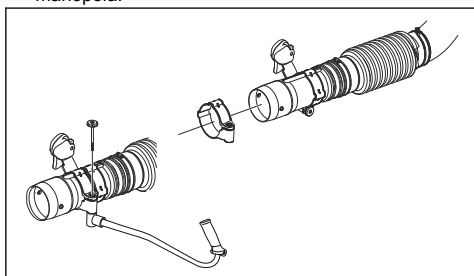
**Nota:** Se è necessario utilizzare un tubo circolare del soffiatore più lungo, è disponibile un tubo intermedio maggiorato.

6. Collegare l'ugello del soffiatore al tubo intermedio.

**Nota:** L'ugello del soffiatore può essere montato solo sul tubo intermedio.

### Assemblaggio dell'impugnatura (accessorio opzionale)

1. Rimuovere il tubo intermedio.
2. Svitare la manopola dal supporto e infilarlo sul tubo di manovra.
3. Montare l'impugnatura e la manopola. Serrare la manopola.

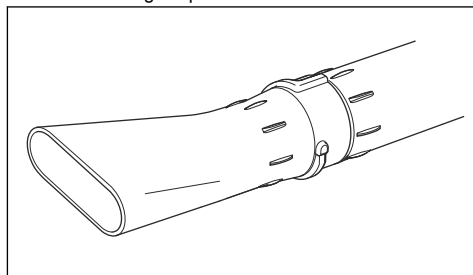


4. Montare il tubo intermedio.

### Assemblaggio dell'ugello piatto (accessorio opzionale)

L'ugello piatto fornisce una velocità dell'aria maggiore rispetto all'ugello del soffiatore.

- Rimuovere l'ugello del soffiatore dal tubo intermedio e montare l'ugello piatto.



## Utilizzo

### Introduzione



**AVVERTENZA:** Leggere e comprendere il capitolo sulla sicurezza prima di utilizzare la macchina.

### Carburante

Questo prodotto è dotato di un motore a due tempi.



**ATTENZIONE:** Un carburante di tipo errato può causare danni al motore. Utilizzare una miscela di benzina e olio per motori a due tempi.

### Carburante premiscelato

- Utilizzare carburante alchilato premiscelato Husqvarna per garantire le migliori prestazioni e prolungare la durata del motore. Questo carburante contiene sostanze chimiche meno pericolose rispetto

al normale carburante, che riduce le emissioni di scarico pericolose. Con questo carburante, che mantiene i componenti del motore più puliti, la quantità di residui dopo la combustione è inferiore.

## Per miscelare il carburante

### Benzina

- Utilizzare benzina senza piombo di buona qualità con massimo il 10% di etanolo.



**ATTENZIONE:** Non utilizzare benzina con un numero di ottani inferiore a 90 RON/87 AKI. Un numero inferiore di ottani può causare il battito in testa del motore, che provoca danni al motore.

### Olio per motori a due tempi

- Per risultati e prestazioni ottimali, utilizzare l'olio per motori a due tempi Husqvarna.
- Se l'olio per motori a due tempi Husqvarna non è disponibile, utilizzare un olio per motori a due tempi raffreddati ad aria di buona qualità. Rivolgetevi al vostro rivenditore addetto all'assistenza per selezionare il tipo di olio.



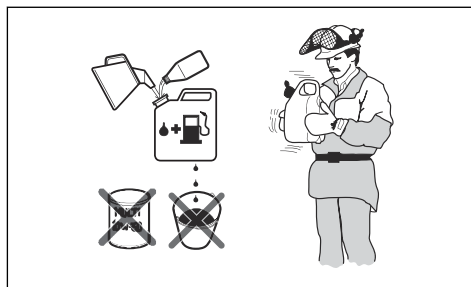
**ATTENZIONE:** Non usare mai olio per motori fuoribordo a due tempi raffreddati ad acqua. Non utilizzare olio per motori a quattro tempi.

### Per miscelare benzina e olio per motori a due tempi

Benzina, litri	Olio a due tempi, litri
	<b>2% (50:1)</b>
5	0,10
10	0,20
15	0,30
20	0,40



**ATTENZIONE:** Piccoli errori possono influenzare drasticamente il rapporto della miscela quando si miscolano piccole quantità di carburante. Misurare con precisione la quantità d'olio e accertarsi di ottenere la giusta miscela.



1. Riempire metà della quantità di benzina in un contenitore pulito per carburante.
2. Aggiungere la quantità totale di olio.
3. Mescolare la miscela.
4. Aggiungere la quantità residua di benzina nel contenitore.
5. Mescolare agitando con cura la miscela di carburante.



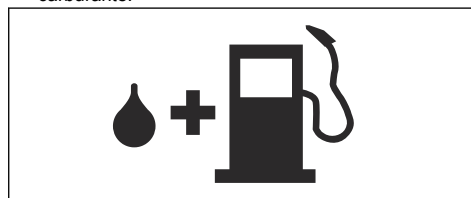
**ATTENZIONE:** Non mescolare il carburante più di 1 volta al mese.

### Rifornimento di carburante



**AVVERTENZA:** Attenersi alla procedura indicata di seguito per la propria sicurezza.

1. Arrestare il motore e farlo raffreddare.
2. Pulire l'area intorno al tappo del serbatoio del carburante.



3. Agitare il contenitore e assicurarsi che il carburante sia ben mescolato.
4. Rimuovere lentamente il tappo del serbatoio del carburante per rilasciare la pressione.
5. Riempire il serbatoio del carburante.



**ATTENZIONE:** Assicurarsi che nel serbatoio non vi sia una quantità eccessiva di carburante. Il carburante si espande quando si scalda.

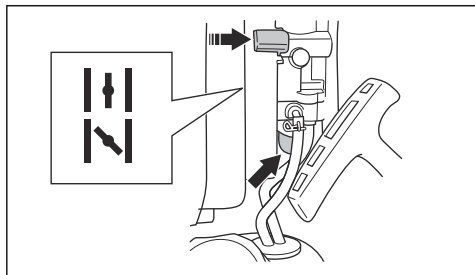
6. Stringere con cura il tappo del serbatoio del carburante.

- Pulire eventuale carburante fuoriuscito sul prodotto e intorno ad esso.
- Spostare il prodotto ad almeno 3 m/10 ft dal luogo e dalla fonte di rifornimento prima di avviare il motore.

**Nota:** Per individuare il serbatoio del carburante sul prodotto, fare riferimento a *Panoramica del prodotto alla pagina 182*.

## Avviamento del prodotto

- Se il motore è freddo, premere la leva del comando dell'aria nella posizione chiusa di starter. Fare riferimento a *Simboli riportati sul prodotto alla pagina 183*.



- Premere più volte il bulbo del primer fino a quando il bulbo non comincia a riempirsi di carburante. Non è necessario riempire il primer del carburante completamente.
- Premere l'interruttore di avviamento/arresto con il comando dell'acceleratore a 1/3 della velocità. Fare riferimento a *Azionamento dell'interruttore di comando/arresto dell'acceleratore alla pagina 189*.
- Poggiare il prodotto su un terreno piano.
- Afferrare il prodotto con la mano sinistra.



**ATTENZIONE:** Non utilizzare i piedi per bloccare il prodotto.

- Tirare lentamente l'impugnatura della fune di avviamento finché non si avverte una resistenza.

- Tirare rapidamente l'impugnatura della fune di avviamento con la mano destra. Tirare più volte l'impugnatura della fune di avviamento fino all'avviamento del motore.

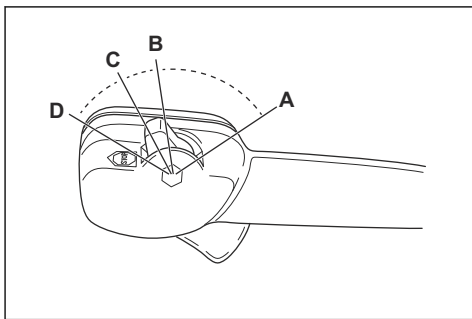
**Nota:** Non tirare fino in fondo l'impugnatura della fune di avviamento e non lasciarla.

- Se il motore è freddo, spingere gradualmente la leva dell'aria nella posizione aperta di starter finché non si arresta.
- Se il motore è freddo, lasciarlo girare per 2-3 minuti per riscaldarlo prima dell'utilizzo.



**AVVERTENZA:** L'aria viene rilasciata all'avviamento del motore e quando il prodotto è impostato al regime minimo. Non consentire a nessuno di avvicinarsi al prodotto o al tubo del soffiatore.

## Azionamento dell'interruttore di comando/arresto dell'acceleratore



- Accelerare al massimo (A).
- Applicare 1/3 della velocità (B).
- Applicare il regime minimo (C).
- Arrestare il prodotto (D).

## Utilizzo del prodotto

- Il presente soffiatore è del tipo a zaino e va indossato utilizzando l'apposita tracolla durante l'uso. Grazie all'impugnatura posta sul tubo, è possibile controllarlo e farlo funzionare con la mano destra.



- Utilizzare il prodotto nelle normali ore di lavoro. Rispettare le norme locali.
- Diminuire l'attrezzatura e selezionare la velocità corretta per l'attività. Utilizzare la posizione minima dell'acceleratore per evitare l'eccessiva formazione di rumori e polvere.
- Mantenere l'ugello del soffiatore vicino al suolo.

**Nota:** Husqvarna consiglia di allungare completamente l'ugello del soffiatore.

- Prendere nota della direzione del vento e azionare il prodotto nella direzione del vento.
- Utilizzare gli attrezzi da giardino adatti per rimuovere il materiale dal suolo.
- In aree polverose, utilizzare lo spray per bagnare l'area. In questo modo si riduce il tempo di utilizzo.
- Dopo l'uso, conservare il prodotto in posizione verticale.

## Arresto dell'unità



**ATTENZIONE:** Non arrestare il prodotto se è in funzione alla massima velocità.

## Manutenzione

### Introduzione

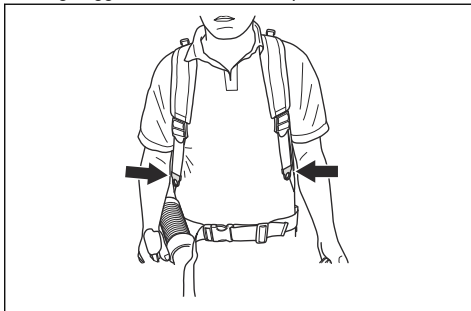


**AVVERTENZA:** Leggere attentamente il capitolo sulla sicurezza

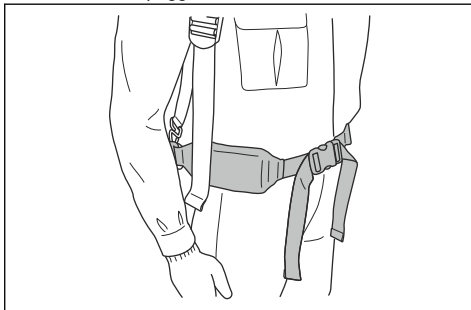
1. Portare l'interruttore di avviamento/arresto con il comando dell'acceleratore in posizione di arresto. Fare riferimento a *Azionamento dell'interruttore di comando/arresto dell'acceleratore alla pagina 189.*

## Regolazione del cinghiaggio

1. Indossare il cinghiaggio del prodotto.
2. Stringere le cinghie a tracolla fino a quando il cinghiaggio non aderisce al corpo.



3. Posizionare la cinghia intorno alla vita.
4. Stringere la cinghia in vita. Assicurarsi che il peso del soffiatore poggia sui fianchi.



prima di eseguire la manutenzione del prodotto.

## Programma di manutenzione

Manutenzione	Giornaliera	Una volta a settimana	Una volta al mese
Pulire le superfici esterne.	X		
Assicurarsi che l'impugnatura di comando funzioni correttamente.	X		
Assicurarsi che l'interruttore di avviamento/arresto funzioni correttamente. Fare riferimento a <i>Controllo dell'interruttore di avviamento/arresto alla pagina 185.</i>	X		
Esaminare il motore, il serbatoio del carburante e le tubazioni del carburante per accertare eventuali perdite. Esaminare il filtro del carburante per verificare l'eventuale contaminazione. Se necessario, sostituire il filtro del carburante.	X		
Pulire il filtro dell'aria. Se necessario, sostituire il filtro dell'aria.	X		
Serrare dadi e viti.	X		
Esaminare la presa d'aria e accertarsi che non sia danneggiata.	X		
Esaminare il motorino di avviamento e la corda di avviamento per rilevare eventuali danni.		X	
Controllare se le unità antivibranti presentano danni, incrinature o deformazioni. Assicurarsi che le unità antivibranti siano correttamente installate.		X	
Esaminare la candela. Fare riferimento a <i>Controllo della candela alla pagina 191.</i>		X	
Pulire il sistema di raffreddamento.		X	
Pulire la superficie esterna del carburatore e la zona circostante.		X	
Pulire il serbatoio carburante.			X
Esaminare tutti i cavi e i raccordi.			X
Esaminare e pulire la retina parascintille sulla marmitta (per i prodotti senza convertitore catalitico).		X	
Esaminare e pulire la retina parascintille sulla marmitta (per i prodotti con convertitore catalitico).			X
Esaminare la candela. Sostituirli se necessario.			X

### Regolazione del regime minimo

1. Verificare che il filtro dell'aria sia pulito e che il relativo coperchio sia installato.
2. Regolare il regime minimo con la vite corrispondente. Per identificare la posizione della vite di regolazione del minimo sul prodotto, fare riferimento a *Panoramica del prodotto alla pagina 182.*

*tecniche alla pagina 195. Una candela errata può danneggiare il prodotto.*

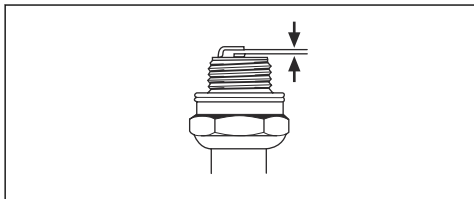
1. Arrestare il motore e far raffreddare il prodotto.
2. Pulire la candela se sporca.

### Controllo della candela



**ATTENZIONE:** Utilizzare la candela raccomandata. Fare riferimento a *Dati*

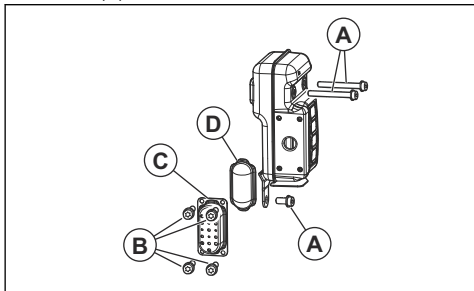
- Assicurarsi che la distanza tra gli elettrodi sia corretta. Fare riferimento a *Dati tecnici alla pagina 195*.



- Sostituire la candela almeno una volta al mese o più frequentemente, se necessario.

## Manutenzione della marmitta

- Arrestare il motore e far raffreddare la marmitta. Usare sempre guanti di protezione.
- Rimuovere le viti (A), le viti (B) e il condotto di scarico (C).



- Rimuovere la retina parascintille (D) e pulirla con una spazzola metallica. Se difettosa, sostituire la retina parascintille.
- Rimuovere la sporcizia dalla marmitta e dalla luce di scarico del cilindro con la spazzola metallica.
- Fissare la retina parascintille (D) e il condotto di scarico (C) con le viti (B). Serrare le viti a una coppia di 2-3 Nm.
- Serrare le viti (A) a una coppia di 8-12 Nm. Assicurarsi che la marmitta sia saldamente fissata al prodotto.

## Ispezione e pulizia del sistema di raffreddamento

Il sistema di raffreddamento comprende le alette sul cilindro e la retina della presa dell'aria.

- Spegnere il motore.
- Accertarsi che il sistema di raffreddamento non sia sporco o ostruito. Se necessario, pulire la retina della presa dell'aria e le alette di raffreddamento.



**ATTENZIONE:** Se il sistema di raffreddamento è sporco o ostruito, può surriscaldare il motore, con conseguenti

danni al prodotto. Una retina della presa dell'aria ostruita riduce la forza di soffiaggio.

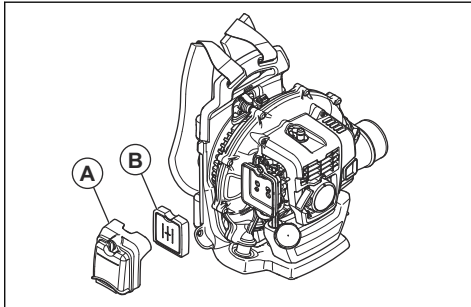
- Esaminare il sistema di raffreddamento per verificare la presenza di eventuali danni. Assicurarsi che i componenti siano fissati correttamente al prodotto.

## Pulizia del filtro dell'aria



**ATTENZIONE:** Non utilizzare il prodotto senza il filtro dell'aria collegato o con un filtro dell'aria danneggiato. La polvere presente nell'aria può danneggiare il motore.

- Portare il comando della valvola dell'aria nella posizione di chiusura.
- Rimuovere il coperchio del filtro dell'aria (A).
- Rimuovere il filtro dell'aria (B) dal relativo telaio.



- Pulire il filtro dell'aria con acqua calda e sapone.

**Nota:** Un filtro dell'aria utilizzato per un lungo periodo non può essere pulito completamente. Sostituire regolarmente il filtro dell'aria e sostituire sempre un filtro aria difettoso.

- Pulire la superficie interna del coperchio del filtro dell'aria (A) con una spazzola.
- Applicare dell'olio sul filtro dell'aria. Fare riferimento a *Applicazione dell'olio sul filtro dell'aria in espanso alla pagina 192*.
- Collocare il filtro dell'aria nel relativo telaio.
- Fissare il coperchio del filtro dell'aria al prodotto.

## Applicazione dell'olio sul filtro dell'aria in espanso



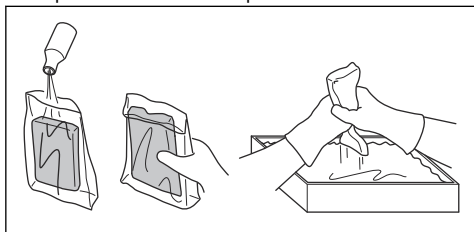
**ATTENZIONE:** Utilizzare sempre olio speciale per filtro Husqvarna. Non utilizzare altri tipi di olio.





**AVVERTENZA:** Indossare guanti protettivi. L'olio del filtro dell'aria può causare irritazioni cutanee.

1. Riporre il filtro dell'aria in espanso in un sacchetto di plastica.
2. Versare l'olio nel sacchetto di plastica.
3. Massaggiare il sacchetto di plastica per assicurarsi che l'olio venga distribuito in modo uniforme sul filtro dell'aria in espanso.
4. Rimuovere l'olio superfluo dal filtro dell'aria in espanso nel sacchetto di plastica.

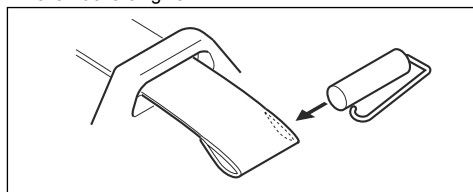


## Sostituzione del cinghiaggio



**AVVERTENZA:** Un cinghiaggio danneggiato può far cadere il prodotto e provocare lesioni. Assicurarsi di installare correttamente la fascetta.

1. Spegnerne il motore.
2. Rimuovere il morsetto dalla cinghia.
3. Spingere l'estremità della cinghia attraverso l'occhiello.
4. Tirare la nuova cinghia attraverso l'occhiello.
5. Inserire il perno nella cinghia per fissare la fascetta alla nuova cinghia.



## Ricerca guasti

### Non è possibile avviare il motore.

Controllo	Possibile causa	Soluzione
Pulsante di arresto	Posizione di arresto	Spostare l'interruttore di arresto in posizione di avviamento.
Ganci di avviamento.	Ganci di avviamento bloccati o usurati.	Regolare o sostituire i ganci di avviamento.
		Pulire la zona intorno ai ganci di avviamento.
		Rivolgersi a un centro assistenza autorizzato.
Serbatoio carburante.	Tipo di carburante non adatto.	Svuotare il serbatoio del carburante e usare il carburante corretto.
Carburatore.	Regolazione del regime minimo.	Registrazione il minimo con la vite di regolazione del regime minimo.
Accensione (nessuna scintilla).	Candela di accensione sporca o bagnata.	Accertarsi che la candela sia asciutta e pulita.
		Pulire la candela. Assicurarsi che la distanza tra gli elettrodi sia corretta. Accertarsi che la candela sia montata con un dispositivo di soppressione.
	La distanza tra gli elettrodi sulla candela non è corretta.	

Non è possibile avviare il motore.		
Controllo	Possibile causa	Soluzione
Candela.	Candela allentata.	Serrare la candela.
	Sugli elettrodi delle candele è presente materiale indesiderato.	Accertarsi che la miscela sia corretta.
		Accertarsi che il filtro dell'aria sia pulito.

Il motore si avvia ma si arresta nuovamente		
Controllo	Possibile causa	Soluzione
Serbatoio carburante.	Tipo di carburante non adatto.	Svuotarlo e utilizzare un carburante corretto.
Carburatore.	Il motore non funziona correttamente al regime minimo.	Contattare il centro di assistenza.
Filtro dell'aria.	Filtro dell'aria intasato.	Pulire il filtro dell'aria.

## Trasporto e rimessaggio

### Trasporto e rimessaggio



**AVVERTENZA:** Per evitare il rischio di incendio, assicurarsi che non vi siano perdite o fumi durante il trasporto o lo stoccaggio. Assicurarsi che non vi sia alcun rischio di scintille o incendio.

- Svuotare il serbatoio del carburante prima del trasporto o di lunghi periodi di stoccaggio. Premere il bulbo del primer per assicurarsi che tutto il carburante venga rimosso. Smaltire il carburante presso un apposito centro di smaltimento.
- Accertarsi che il prodotto sia pulito e che un intervento di assistenza completo venga eseguito prima dello stoccaggio a lungo termine.
- Rimuovere la candela e versare nel cilindro circa 15 ml di olio per motore a 2 tempi. Ruotare il prodotto 3 volte e installare nuovamente la candela.
- Bloccare il prodotto in modo sicuro sul veicolo durante il trasporto.
- Mantenere il prodotto in un luogo asciutto e pulito provvisto di una buona circolazione dell'aria. Tenere il prodotto fuori dalla portata dei bambini.

## Dati tecnici

### Dati tecnici

	Husqvarna 350BT
<b>Motore</b>	
Cilindrata, cm <sup>3</sup>	50,2
Regime minimo, giri/min	2200
Convertitore catalitico	No
<b>Impianto di accensione</b>	
Candela	NGK CMR7H / TORCH AC7R
Distanza tra gli elettrodi, mm	0,6-0,7
<b>Carburante e sistema di lubrificazione</b>	
Capacità del serbatoio del carburante, l / cm <sup>3</sup>	1,25 / 1250
<b>Peso</b>	
Peso, escluso carburante, kg	10,2
<b>Emissioni di rumore</b> <sup>37</sup>	
Livello acustico, misurato dB (A)	101
Livello acustico, garantito L <sub>WA</sub> dB(A)	101
<b>Livelli di rumorosità</b> <sup>38</sup>	
Livello di pressione acustica equivalente, all'udito dell'utente, misurato secondo EN15503 dB(A)	
Con ugello del soffiatore (originale) in dotazione	96
<b>Livelli di vibrazioni</b> <sup>39</sup>	
Livelli di vibrazione equivalenti (a <sub>h<sub>v</sub>,eq</sub> ) sulle impugnature, misurati in base alle norme EN 15503, m/s <sup>2</sup>	2,7
<b>Prestazioni della ventola</b>	
Velocità massima dell'aria con l'ugello del soffiatore, m/s	80
Flusso d'aria con l'ugello del soffiatore, m <sup>3</sup> /min	14

<sup>37</sup> Emissioni di rumore nell'ambiente misurate come potenza sonora (L<sub>WA</sub>) in base alla direttiva CE 2000/14/CE. Il livello di potenza acustica riportato per il macchinario è stato misurato con l'ugello del soffiatore originale che emette il livello massimo. La differenza tra potenza acustica misurata e garantita è che la potenza acustica garantita comprende anche la dispersione nel risultato di misurazione e le variazioni tra le diverse macchine dello stesso modello come da Direttiva 2000/14/CE.

<sup>38</sup> I dati riportati per il livello di pressione acustica hanno una dispersione statistica tipica (deviazione standard) di 1,0 dB(A).

<sup>39</sup> I dati riportati per il livello di vibrazioni presentano una dispersione statistica tipica (deviazione standard) di 1,0 m/s<sup>2</sup>.

# Dichiarazione di conformità CE

## Dichiarazione di conformità CE

Husqvarna AB, SE-561 82 Husqvarna, Svezia, tel: +46-36-146500, dichiara sotto la propria esclusiva responsabilità che il prodotto indicato:

<b>Descrizione</b>	Soffiatore a zaino
<b>Marchio</b>	Husqvarna
<b>Tipo / Modello</b>	350BT
<b>Identificazione</b>	Numeri di serie a partire da 2022 e successivi.

È pienamente conforme alle seguenti norme e direttive UE:

<b>Regolamento</b>	<b>Descrizione</b>
2006/42/CE	"relativa alle macchine"
2014/30/UE	"sulla compatibilità elettromagnetica"
2000/14/CE	"sull'emissione di rumore nell'ambiente"
2011/65/UE	"sulla restrizione dell'uso di determinate sostanze pericolose nelle apparecchiature elettriche ed elettroniche"

e che sono applicati gli standard e/o le specifiche tecniche seguenti: EN ISO 12100:2010, CISPR 12:2009, EN 15503:2009+A2:2015, EN IEC 63000:2018

RISE SMP Svensk Maskinprovning AB, Box 7035, SE-750 07 Uppsala, Svezia, ha eseguito il controllo-tipo facoltativo per conto di Husqvarna AB.

Numero del certificato: SEC/09/2102

RISE SMP Svensk Maskinprovning AB, Box 7035, SE-750 07 Uppsala, Svezia, ha altresì verificato l'accordo in base all'Appendice V della Direttiva del Consiglio 2000/14/EG.

Per informazioni sulle emissioni acustiche, fare riferimento a *Dati tecnici alla pagina 195*.

Husqvarna, 2022-05-17

Stefan Holmberg, Responsabile R&S, Technology Management, Husqvarna AB

Responsabile della documentazione tecnica



# TURINYS

Įvadas.....	197	Gedimai ir jų šalinimas.....	208
Sauga.....	199	Gabenimas ir laikymas.....	209
Surinkimas.....	201	Techniniai duomenys.....	210
Naudojimas.....	202	EB atitikties deklaracija.....	211
Techninė priežiūra.....	205		

## Įvadas

### Gaminio aprašas

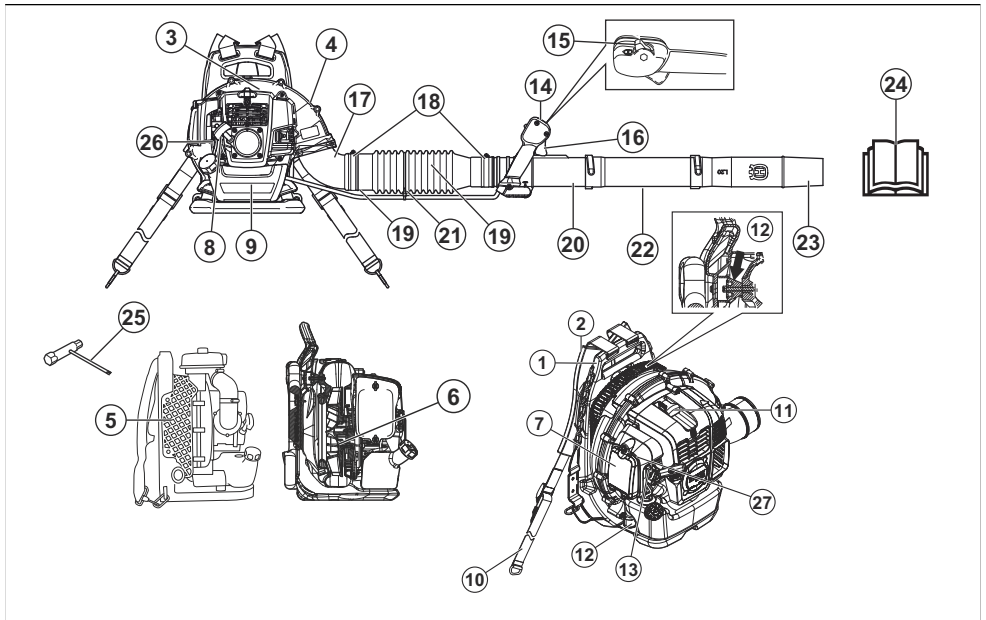
Gaminys yra ant nugaros nešiojamas pūstuvus su degalų varikliu.

Mes nuolat siekiame tobulinti savo gaminius, pasilikdami sau teisę keisti jų formą ir išvaizdą be išankstinio pranešimo.

### Naudojimas

Gaminį naudokite lapams ir kitoms nepageidaujamoms medžiagoms nuo tokių vietų kaip vejos, takai ir asfaltuoti keliai nupūsti.

### Gaminio apžvalga



1. Rėmas
2. Diržai
3. Variklio gaubtas
4. Ventilatoriaus gaubtas
5. Oro įsiurbimo grotelės
6. Ventilatorius
7. Oro filtras
8. Starterio lynelio rankena
9. Kuro bakelis
10. Juosmens diržas
11. Uždegimo žvakė
12. Vibracijos slopinimo sistema
13. Oro sklendės rankenėlė
14. Valdymo rankenėlė
15. Paleidimo / stabdymo jungiklis su akceleratoriaus rankenėle
16. Akceleratoriaus gaidukas
17. Vamzdžio alkūnė

18. Gnybtas
19. Lanksioji žarna
20. Valdymo vamzdis
21. Troso gnybtas
22. Tarpinis vamzdis
23. Pūstuvo antgalis
24. Naudojimo instrukcija
25. Kombinuotasis veržliaraktis
26. Oro šalinimo siurbliukas
27. Laisvosios eigos greičio reguliavimo varžtas

## Simboliai ant gaminio



**[SPĖJIMAS!]** Šis gaminys gali būti pavojingas ir rimtai sužeisti arba pražudyti naudotoją arba aplinkinius. Būkite atsargūs ir tinkamai naudokite gaminį.



Prieš naudodami, atidžiai perskaitykite naudojimo instrukciją ir įsitinkite, kad viską gerai supratote.



Naudokite patvirtintas apsaugines ausines ir apsauginius akinius. Jei aplinkoje yra dulkių, naudokite kvėpavimo kaukę.



Naudokite patvirtintas apsaugines pirštines.



Benzino ir dvitakčių variklių alyvos mišinys.



Oro šalinimo siurbliukas.



Saugokitės įkaitusių paviršių.



Sklendė, atidaryta padėtis.



Sklendė, uždaryta padėtis.



Šis gaminys atitinka taikomas ES direktyvas.



Šis gaminys atitinka taikytinų JK reglamentų nuostatas.



Triukšmo emisijos į aplinką ženklimas atitinka ES ir Jungtinės Karalystės direktyvas bei reglamentus ir Naujojo Pietų Velso įstatymą „2017 m. aplinkos apsaugos (triukšmo kontrolės) reglamentas“. Gaminio garantuotasis garso galios lygis nurodytas *Techniniai duomenys psl. 210* ir etiketėje.



Saugokitės išsviedžiamų daiktų. Išsviedžiami daiktai gali sunkiai sužaloti. Naudokite asmenines apsaugines priemones.



Išlaikykite saugų mažiausiai 15 m atstumą nuo žmonių arba gyvūnų.

yyyywwxxxx

Nominalių parametrų plokštelėje nurodytas serijos numeris. **yyyy** yra pagaminimo metai, o **ww** yra pagaminimo savaitė.

**Pasižymėkite:** Kiti ant gaminio pateikti simboliai (lipdukai) nurodo kitų komercinių teritorijų sertifikavimo reikalavimus.

## „Euro V“ standartas



**PERSPĖJIMAS:** Variklio modifikavimas panaikina šio produkto ES tipo patvirtinimą.

## Atsakomybė už gaminį

Kaip nurodyta atsakomybės už gaminį įstatymuose, mes nesame atsakingi už mūsų gaminio sukeltą žalą, jei:

- gaminys netinkamai suremontuotas;
- gaminys suremontuotas naudojant kito gamintojo arba gamintojo nepatvirtintas dalis;
- gaminys turi kito gamintojo arba gamintojo nepatvirtintą priedą;
- gaminys suremontuotas ne patvirtintame techninės priežiūros centre arba jį suremontavo ne patvirtintas atstovas.

## Saugos ženklų reikšmės

Toliau apibrėžiamas signalinių žodžių žymimas pavojus.



**PERSPĖJIMAS:** Gali susižeisti asmenys.



**PASTABA:** Galima sugadinti gaminį.

**Pasižymėkite:** Ši informacija padeda gaminį naudoti saugiau.

## Bendrieji saugos nurodymai



**PERSPĖJIMAS:** Prieš imdamiesi naudoti gaminį perskaitykite toliau nurodytus įspėjamuosius nurodymus.

- Nekeiskite gaminio negavę gamintojo patvirtinimo ir visada naudokite originalius priedus. Dėl nepatvirtintų modifikacijų ir (arba) priedų operatorius arba kiti asmenys gali rimtai susižaloti arba žūti.
- Sugadinto gaminio nenaudokite. Atlikite šioje naudojimo instrukcijoje aprašytas saugos patikras ir techninės priežiūros procedūras. Visus kitus priežiūros darbus turi atlikti įgalioti techninės priežiūros darbuotojai.
- Visus priežiūros ir remonto darbus turi atlikti įgalioti techninės priežiūros darbuotojai. Jei gaminio dalis turi defektų, kreipkitės į techninio aptarnavimo atstovą.

## Naudojimo saugos instrukcijos



**PERSPĖJIMAS:** Prieš naudodami gaminį, perskaitykite toliau esančius įspėjimus.

- Šis gaminys gali būti pavojingas ir rimtai sužeisti arba pražudyti naudotoją arba aplinkinius. Būkite atsargūs ir tinkamai naudokite gaminį.
- Prieš darbą atlikite produkto patikrą. Žr. *Techninė priežiūra psl. 205*.
- Nenaudokite gaminio, jeigu esate pavargę, sergate arba vartojate alkoholio ar kitų narkotinių medžiagų. Dėl to gali susilpnėti jūsų regėjimas, koordinacija arba sumažėti gebėjimas priimti sprendimus.
- Prieš naudodami sumontuokite visus gaubtus ir apsaugas. Norėdami išvengti elektros šoko, įsitikinkite, kad nepažeistas uždegimo žvakės dangtelis ir uždegimo kabelis.

- Nelieskite uždegimo žvakės ar uždegimo kabelio, kai variklis dirba.
- Išlaikykite saugų mažiausiai 15 m atstumą nuo žmonių arba gyvūnų. Jei žmonės, vaikai arba gyvūnai yra arčiau nei 15 m atstumu, sustabdykite gaminį. Nukreipkite gaminį nuo asmenų, gyvūnų, atvirų langų ir kitų objektų.
- Neleiskite vaikams valdyti gaminio. Užtikrinkite, kad visi operatoriai perskaitytų ir suprastų šios naudojimo instrukcijos turinį.
- Naudojimo metu rankas ir kitus objektus laikykite toliau nuo pūstuvo korpuso. Besisukančios dalys gali sunkiai sužaloti.
- Nenaudokite gaminio, jei nėra sumontuotos oro įsiurbimo grotelės. Prieš naudodami visada užtikrinkite, kad oro įsiurbimo grotelės sumontuotos ir nepažeistos.
- Įvykus incidentui, atlaisvinkite juosmens bei krūtinės diržus ir leiskite gaminiumi nukristi.
- Laikykitės nacionalinių reglamentų ir direktyvų.
- Saugokitės įkaitusių paviršių.
- Šis gaminys veikdamas sukuria elektromagnetinį lauką. Tam tikromis aplinkybėmis šis laukas gali trikdyti aktyviųjų arba pasyviųjų medicininių implantų veiklą. Kad sumažėtų sunkių ar mirtinų sužeidimų pavojus, medicininių implantų turintiems asmenims rekomenduojame prieš naudojant šį gaminį pasitarti su gydytoju ir implanto gamintoju.
- Per didelę vibraciją gali pažeisti kraujotakos arba nervų sistemą. Kreipkitės į gydytoją, jei jums pasireiškia tokie simptomai kaip tirpimas, jutimo praradimas, dilgčiojimas, dūrimo jausmas, skausmas, silpnumas arba pirštų, rankų ar riešo spalvos pasikeitimas.
- Saugokitės išsviedžiamų daiktų. Išsviedžiami daiktai gali sunkiai sužaloti.
- Įrenginio nenaudokite blogu oru, pvz., esant tirštam rūkui, lietaui, smarkiame vėjui ar dideliame šalčiui. Darbas blogu oru gali varginti ir sudaryti pavojingas sąlygas.
- Įsitikinkite, kad galite judėti ir išlaikyti stabilią padėtį. Patikrinkite, ar darbo srityje nėra galimų kliūčių, pavyzdžiui, akmenų. Būkite atsargūs, kai gaminį naudojate stovėdami ant šlaito.
- Nenaudokite gaminio ant žemės, kai užvestas variklis.
- Nenaudokite gaminio būdami aukštai, pavyzdžiui, ant kopėčių.
- Užtikrinkite, kad būsite išgirsti įvykus incidentui.
- Įsitikinkite, kad išmetamųjų dujų anga neužblokuota. Kad gaminys nebūtų pažeistas, kliūtys turi būti mažiausiai 50 cm atstumu nuo išmetamųjų dujų angos.
- Neužveskite gaminio patalpoje, esant prastam oro srautui arba greta degių medžiagų. Išmetamosiose variklio dujose yra anglies monoksido, galinčio

sukelti apsinuodijimą. Išmetamosios dujos yra karštos, jose gali būti kibirkščių, kuriuos gali sukelti gaisras.

## Asmeninės apsauginės priemonės



**PERSPĖJIMAS:** Prieš naudodami gaminį, perskaitykite toliau esančius įspėjimus.

- Naudodami gaminį visada dėvėkite patvirtintas asmenines apsaugines priemones. Asmeninės apsauginės priemonės negali visiškai apsaugoti nuo sužalojimo, tačiau jos gali sumažinti sužalojimo mastą. Dėl išsamesnės informacijos prašome kreiptis į savo prekybos atstovą.
- Naudokite patvirtintas apsaugines ausines. Ilgalaisks triukšmo poveikis gali visam laikui pakenkti klausai.
- Naudokite patvirtintas akių apsaugos priemones. Jei naudojamas apsauginis skydelis, turi būti nešiojami ir patvirtinti apsauginiai akiniai. Patvirtinti apsauginiai akiniai yra tie, kurie atitinka JAV ANSI Z87.1 standartą arba ES EN 166 standartą.
- Naudodami ir atlikdami techninę priežiūrą mūvėkite apsaugines pirštines.
- Apsiaukite apsauginiais auliniiais batais arba batais neslidžiais padais.
- Dėvėkite stipraus audinio ir ilgus drabužius. Nedėvėkite papuošalų arba nemūvėkite atvirų batų. Norint sumažinti susižalojimo pavojų, drabužiai turi būti prigludę, tačiau neribojantys jūsų judesių. Susiriškite plaukus, kad jie būtų aukščiau pečių ir nepatektų į besisukančias dalis arba neužsikabintų už šakų.
- Jei kyla dulkių pavojus, naudokite kvėpavimo apsaugą.
- Pasirūpinkite, kad netoliese būtų pirmosios pagalbos vaistinė.

## Gaminio apsauginės priemonės



**PERSPĖJIMAS:** Prieš naudodami gaminį, perskaitykite toliau esančius įspėjimus.

- Nesinaudokite gaminiu, jei jo apsauginės priemonės yra netvarkingos.
- Reguliariai tikrinkite apsaugines priemones. Žr. *Techninė priežiūra psl. 205*.
- Jei apsauginės priemonės yra pažeistos, pasitarkite su Husqvarna techninės priežiūros atstovu.

## Duslintuvo patikra



**PERSPĖJIMAS:** Jeigu duslintuvus sugadintas, įrenginio nenaudokite.



**PERSPĖJIMAS:** Dirbant ir baigus darbą, taip pat įrenginiui veikiant tuščiaja eiga, duslintuvus labai įkaista. Kad nenusidėgintumėte, būtinai mūvėkite apsaugines pirštines.



**PERSPĖJIMAS:** Duslintuvo viduje yra chemikalai, kurie gali turėti kancerogeninių medžiagų. Nelieskite duslintuvo, jei jis yra pažeistas.

- Reguliariai apžiūrėkite duslintuvą. Duslintuvus iki minimumo sumažina triukšmo lygį ir nukreipia nuo naudotojo variklio išmetamąsias dujas. Žr. *Duslintuvo priežiūra psl. 206*.

## Vibracijos slopinimo sistemos patikra

1. Įsitikinkite, kad vibracijų slopinimo įrenginiuose nėra įtrūkimų arba deformacijų.
2. Patikrinkite, ar antivibracinės sistemos detalės yra tinkamai pritvirtintos prie variklio ir rankenų.

Žr. *Gaminio apžvalga psl. 197*, jei reikia informacijos apie tai, kur jūsų produkte yra vibracijos slopinimo sistema.

## Paleidimo / išjungimo jungiklio patikra

1. Naudokite paleidimo / stabdymo jungiklį varikliui išjungti.
2. Įsitikinkite, kad variklis visiškai išjungtas.

Norėdami sužinoti, kur yra paleidimo / stabdymo jungiklis jūsų gaminyje, žr. *Gaminio apžvalga psl. 197*.

## Laikymo diržų sauga

- Patikrinkite, ar juosmens diržas užsegtas ir tinkamai sureguliuotas. Palaiddi laikymo diržų galai gali patekti į besisukančias dalis ir pažeisti ventiliatorių. Jei ventiliatorius pažeistas, laisvos gaminio dalys gali būti išmestos ir gali sukelti sužalojimus ar padaryti žalą.

## Degalų naudojimo sauga



**PERSPĖJIMAS:** Prieš imdamiesi naudoti gaminį perskaitykite toliau nurodytus įspėjamuosius nurodymus.

- Nemašykite arba nepilkite degalų patalpoje arba šalia šilumos šaltinio.
- Neužveskite gaminio, jei apļiejote gaminį arba kūną alyva arba kuru.
- Neužveskite gaminio, jei iš variklio sunkiasi kuras. Reguliariai tikrinkite, ar iš variklio nesisunkia kuras.
- Su degalais visada elkitės atsargiai. Kuras yra degus, o jo garai – sprogūs, todėl galima sunkiai susižaloti arba žūti.



- Neįkvėpkite kuro garų, nes jie gali sužaloti. Pasirūpinkite tinkamu vėdinimu.
- Nerūkykite greta kuro arba variklio.
- Nestatykite gaminio arba kuro bakelio greta šiltų objektų, atviros liepsnos, kibirkščių arba degiklio.
- Laikydami ir transportuodami kurą visada naudokite patvirtintus konteinerius.

- Išjunkite variklį, išimkite uždegimo žvakę ir leiskite varikliui atvėsti prieš atikdami techninę priežiūrą ir montuodami.
- Užsikimšus kibirkščių gesinimo tinkleliui variklis perkaista, todėl gali būti sugadintas.

## Priežiūros saugos instrukcijos



**PERSPĖJIMAS:** Prieš imdamiesi naudoti gaminį perskaitykite toliau nurodytus įspėjamuosius nurodymus.

## Surinkimas

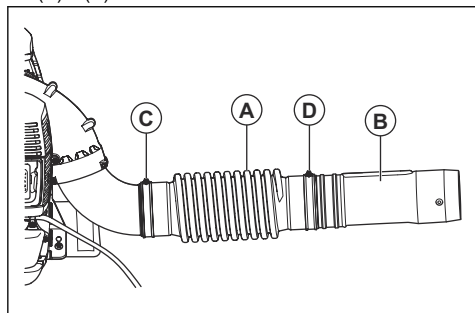
### Įvadas



**PERSPĖJIMAS:** Prieš surinkdami gaminį perskaitykite ir supraskite skyrių apie saugą.

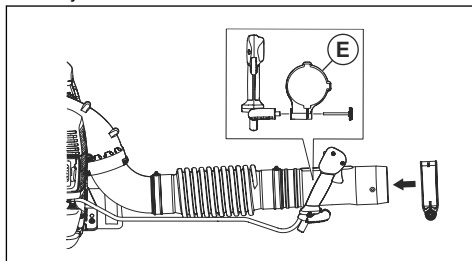
### Pūstuvo vamzdžio ir valdymo rankenėlės montavimas ant gaminio

1. Pritvirtinkite lanksčiąją žarną (A) prie vamzdžio alkūnės ir valdymo vamzdžio (B) naudodami gnybtus (C) ir (D).

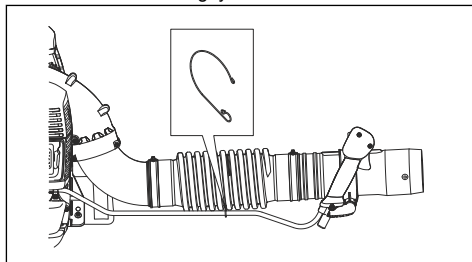


**Pasižymėkite:** Sutepkite valdymo vamzdį ir lanksčiąją žarną, kad juos būtų lengviau montuoti.

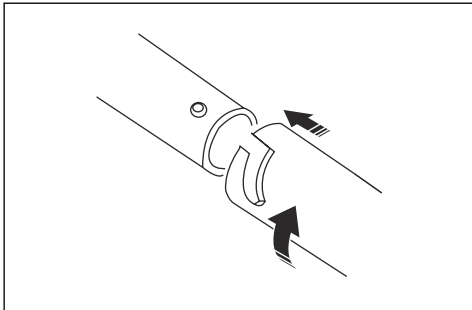
2. Pritvirtinkite rankenos laikiklį (E) prie valdymo vamzdžio. Sulygiuokite rankenos laikiklį su jungte ant valdymo vamzdžio.



3. Sureguliuokite valdymo rankenėlės padėtį ir kampa, kad užtikrintumėte saugią ir tinkamą darbo padėtį. Priveržkite tvirtinimo rankenėlę.
4. Pritvirtinkite kabelį prie lanksčiosios žarnos naudodami kabelio gnybtus.



5. Pritvirtinkite tarpinį vamzdį prie valdymo vamzdžio.



**Pasižymėkite:** Jeigu reikalaujama naudoti ilgesnį apvalų pūstuvo vamzdį, pasiekiamas pailgintas tarpinis vamzdis.

6. Pritvirtinkite pūstuvo antgalį prie tarpinio vamzdžio.

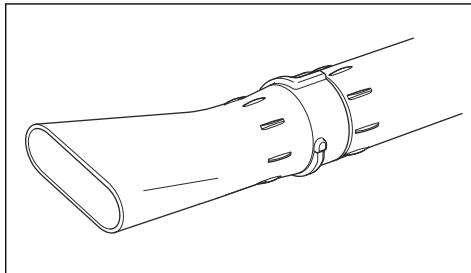
**Pasižymėkite:** Pūstuvo antgalį galima tvirtinti tik prie tarpinio vamzdžio.

4. Surinkite tarpinį vamzdį.

## Plokščio antgalio (pasirenkamas priedas) montavimas

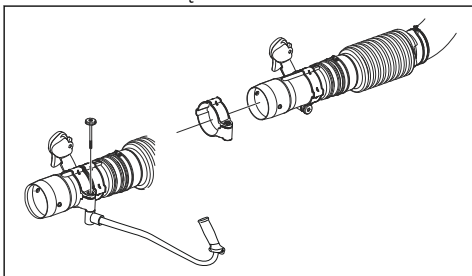
Plokščias antgalis užtikrina didesnį oro greitį nei pūstuvo antgalis.

- Pūstuvo antgalį nuimkite nuo tarpinio vamzdžio ir sumontuokite plokščią antgalį.



## Rankenos (pasirenkamas priedas) montavimas

1. Išardykite tarpinį vamzdį.
2. Nuo laikiklio nuimkite rankenėlę ir laikiklį užmaukite ant valdymo vamzdžio.
3. Sumontuokite rankeną ir rankenėlę. Priveržkite tvirtinimo rankenėlę.



## Naudojimas

### Įvadas



**PERSPĖJIMAS:** Prieš naudodami gaminį perskaitykite ir supraskite skyrių apie saugą.



**PASTABA:** Naudojant netinkamo tipo degalus gali būti sugadintas variklis. Naudokite benzino ir dvitaktių variklių alyvos mišinį.

### Degalai

Įrenginys turi dvitaktį variklį.

### Iš anksto sumaišyti degalai

- Naudokite Husqvarna iš anksto sumaišytus alkilintus degalus, siekdami geriausių rezultatų ir prailginti variklio tarnavimo laiką. Šiuose degaluose palyginti su įprastiniais degalais yra mažiau kenksmingų

chemikalų, todėl sumažėja kenksmingų išmetamųjų dujų kiekis. Likučių po degimo kiekis yra mažesnis, naudojant šiuos degalus, todėl variklio komponentai išlieka švaresni.

## Degalų maišymas

### Benzinas

- Naudokite kokybišką bešvinį benzina, kurio etanolio koncentracija yra iki 10 %.



**PASTABA:** Nenaudokite benzino, kurio oktaninis skaičius yra mažesnis nei 90 RON/87 AKI. Naudojant žemesnio oktaninio skaičiaus degalus gali nesklaidžiai veikti variklis, tai pažeis variklį.

### Alyva dvitaktiams varikliams

- Siekdami geriausių rezultatų ir našumo, naudokite Husqvarna dvitaktčių variklių alyvą.
- Jei negalite gauti Husqvarna dvitaktčio variklio alyvos, naudokite geros kokybės dvitaktčių variklių alyvą, skirtą oru aušinamiems varikliams Norėdami išsirinkti tinkamą alyvą, kreipkitės į techninio aptarnavimo atstovą.



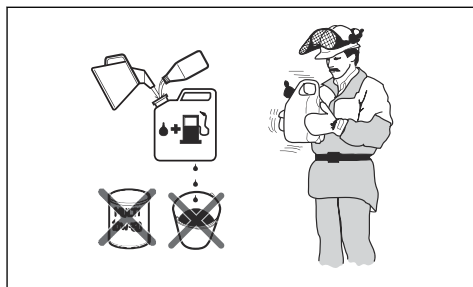
**PASTABA:** Niekada nenaudokite dvitaktės alyvos, skirtos vandeniui aušinamiems valčių varikliams, dar vadinamos valčių variklių alyva. Nenaudokite alyvos, skirtos keturtaktčiams varikliams.

### Degalų ir dvitaktčių variklių alyvos maišymas

Benzinas, litrais	Dvitaktčio variklio alyva, litrais
	<b>2 % (50:1)</b>
5	0,10
10	0,20
15	0,30
20	0,40



**PASTABA:** Maišant nedidelius degalų kiekius, nedidelė paklaida gali stipriai pakeisti mišinio santykį. Kruopščiai pamatuokite alyvos kiekį, kad gautumėte tinkamą mišinį.



- Pripildykite pusę kiekio degalų švarioje talpykloje degalams.
- Supilkite visą alyvos kiekį.
- Suplakite degalų mišinį.
- Tada supilkite likusią benzino dalį į talpyklą.
- Kruopščiai suplakite degalų mišinį.



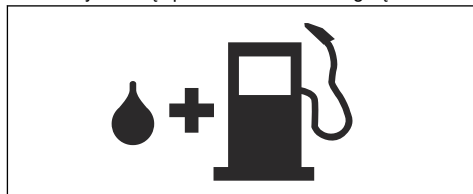
**PASTABA:** Nesumaišykite degalų ilgesniam nei 1 mėnesio laikotarpiui.

### Kuro bakelio užpildymas



**PERSPĖJIMAS:** Laikykitės procedūrų, kurios skirtos užtikrinti jūsų saugą.

- Išjunkite variklį ir palaukite, kol jis atvės.
- Nuvalykite sritį aplink kuro bakelio dangtelį.



- Papurtykite talpyklą, kad degalai gerai susimaišytų.
- Lėtai nuimkite kuro bakelio dangtelį, kad išleistumėte slėgį.
- Užpildykite degalų bakelį.



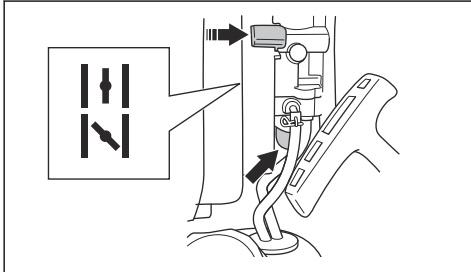
**PASTABA:** Degalų bakelio neperpildykite. Degalams įkautus šie plečiasi.

- Stipriai užsukite degalų bakelio dangtelį.
- Išvalykite išsiliejusius degalus art gaminio ir aplink jį.
- Prieš paleisdami gaminį visada patraukite jį 3 metrus / 10 pėdų nuo degalų pildymo vietos ir degalų talpyklos.

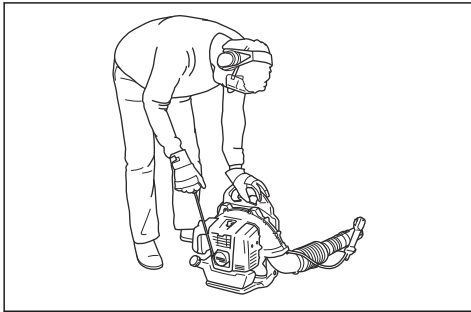
**Pasižymėkite:** Norėdami sužinoti, kur yra kuro bakelis jūsų gaminyje, žr. *Gaminio apžvalga psl. 197.*

## Gaminio paleidimas

1. Jeigu variklis šaltas, nustatykite oro sklendės svirtį į uždarytos oro sklendės padėtį. Žr. *Simboliai ant gaminio psl. 198.*



2. Kelis kartus paspauskite oro šalinimo siurbliuką, kol užsipildys degalais. Nebūtina visiškai pripildyti oro šalinimo siurbliuko.
3. Nustatykite paleidimo / stabdymo jungiklį su akceleratoriaus rankenėle į 1/3 greičio padėtį. Žr. *Akceleratoriaus rankenėlės / stabdymo jungiklio valdymas psl. 204.*
4. Padėkite gaminį ant lygaus žemės paviršiaus.
5. Kaire ranka laikykite gaminį.



**PASTABA:** Nelaiykite gaminio koja.

6. Starterio lyno rankeną traukite lėtai tol, kol pajusite pasipriešinimą.
7. Greitai patraukite starterio lyno rankeną dešiniąja ranka. Patraukite starterio lyno rankeną kelis kartus, kol variklis užsives.

**Pasižymėkite:** Netraukite starterio lyno rankenos iki galo ir nepaleiskite jos.

8. Jeigu variklis šaltas, pamažu stumkite oro sklendės svirtį į atidarytos oro sklendės padėtį, kol ji sustos.

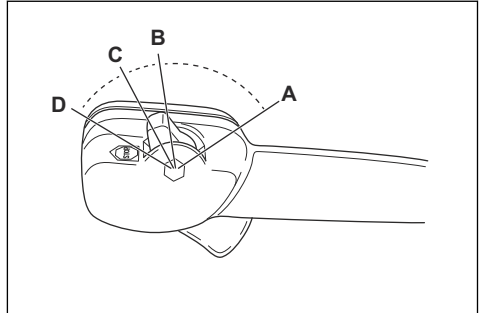
9. Jeigu variklis šaltas, leiskite varikliui veikti 2–3 minutes, kol pašils.



## PERSPĖJIMAS:

Oras išleidžiamas, kai variklis paleidžiamas ir gaminys veikia tuščiąja eiga. Neleiskite asmenims artintis prie gaminio arba pūstuvo vamzdžio.

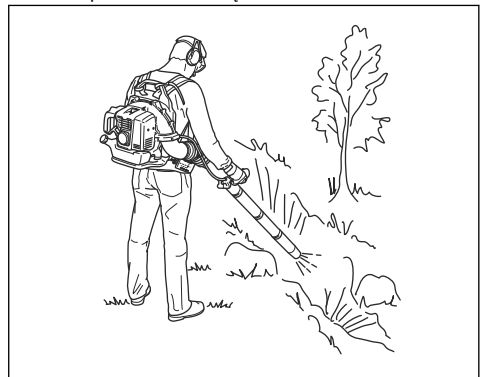
## Akceleratoriaus rankenėlės / stabdymo jungiklio valdymas



- Iki galo nuspauskite akceleratorių (A).
- Nustatykite 1/3 greitį (B).
- Taikykite tuščiąją eigą (C).
- Sustabdykite gaminį (D).

## Gaminio naudojimas

- Pūstuvus yra kuprinės tipo ir darbo metu jis laikymo diržais tvirtinamas ant nugaros. Jis valdomas dešine ranka prilaikant rankeną ant vamzdžio.



- Naudokite gaminį įprastomis darbo valandomis. Laikykitės vietinių įstatymų.
- Sumažinkite įrangos dalis ir pasirinkite savo užduočiai tinkamą greitį. Naudokite akceleratorių, nustatytą žemiausioje padėtyje, kad sumažintumėte triukšmą ir dulkių kiekį.
- Laikykite pūstuvo antgalį šalia žemės.

**Pasižymėkite:** Husqvarna rekomenduoja naudoti visą pūstuvo antgalio pailginimą.

- Įsidėmėkite vėjo kryptį ir naudokite gaminį atsižvelgdami į ją.
- Tinkamai sodo įrankiais atkrapštykite medžiagą nuo žemės.
- Dulketose vietose naudokite purškimo įrangą, kad sudrėkintumėte paviršių. Tokiu būdu sutrumpinsite darbo laiką.
- Baigę darbą, sandėliuokite gaminį vertikaliai.

## Gaminio sustabdymas

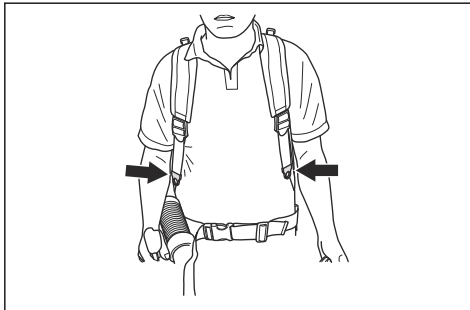


**PASTABA:** Nesustabdykite gaminio, kai jis veikia visu greičiu.

1. Nustatykite paleidimo / stabdymo jungiklį su akceleratoriaus rankenėle į stabdymo padėtį. Žr. *Akceleratoriaus rankenėlės / stabdymo jungiklio valdymas psl. 204.*

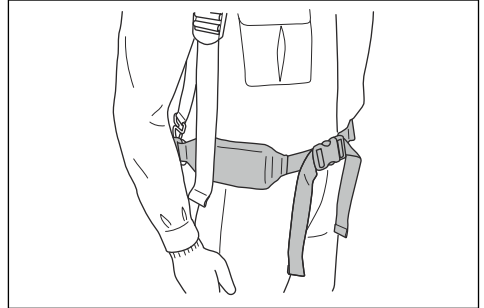
## Laikymo diržų reguliavimas

1. Užsidėkite gaminio laikymo diržus.
2. Veržkite pečių diržus tol, kol gaminys tvirtai laikysis prie kūno.



3. Juosmens diržą užsidėkite ant juosmens.

4. Priveržkite juosmens diržą. Įsitinkinkite, kad pūstuvo svoris tenka jūsų klubams.



## Techninė priežiūra

### Įvadas



**PERSPĖJIMAS:** Prieš prižiūradami produktą, perskaitykite ir supraskite saugos skyrių.

### Priežiūros grafikas

Techninės priežiūros darbas	Kasdien	Savaitinė	Kiekvieną mėnesį
Nuvalykite išorinius paviršius.	X		

Techninės priežiūros darbas	Kasdien	Savaitinė	Kiekvieną mėnesį
Patikrinkite, ar valdymo rankenėlė tinkamai veikia.	X		
Patikrinkite, ar paleidimo / stabdymo jungiklis tinkamai veikia. Žr. <i>Paleidimo / išjungimo jungiklio patikra psl. 200.</i>	X		
Patikrinkite variklį, degalų bakelį ir degalų žarneles, ar nėra nuotėkio. Patikrinkite, ar nepažeistas kuro filtras. Jeigu reikia, kuro filtrą pakeiskite.	X		
Išvalykite oro filtrą. Jeigu jis vis tiek nešvarus, oro filtrą pakeiskite.	X		
Priveržkite varžles ir varžtus.	X		
Patikrinkite oro įsiurbimo groteles, kad įsitikintumėte, ar jos neužblokuotos.	X		
Patikrinkite, ar nesugadintas starteris ir starterio virvė.		X	
Patikrinkite, ar virpesių slopintuvai nėra pažeisti, įtrūkę ir deformuoti. Patikrinkite, ar virpesių slopintuvai sumontuoti pagal reikalavimus.		X	
Patikrinkite uždegimo žvakę. Žr. <i>Žvakės patikra psl. 206.</i>		X	
Išvalykite aušinimo sistemą.		X	
Išvalykite karbiuratoriaus išorinį paviršių ir plotą aplink jį.		X	
Išvalykite kuro baką.			X
Patikrinkite visus laidus ir jungtis.			X
Patikrinkite ir nuvalykite duslintuvo kibirkščių gesinimo tinklelį (gaminiai be katalizatoriaus).		X	
Patikrinkite ir nuvalykite duslintuvo kibirkščių gesinimo tinklelį (gaminiai su katalizatoriumi).			X
Patikrinkite uždegimo žvakę. Jei reikia, pakeiskite.			X

## Greičio tuščiaja eiga reguliavimas

1. Pasižiūrėkite, ar oro filtras yra švarus ir ar uždėtas oro filtro dangtelis.
2. Laisvosios eigos apsisukimus reguliuokite varžtu. Norėdami sužinoti, kur yra laisvosios eigos greičio reguliavimo varžtas jūsų gaminyje, žr. *Gaminio apžvalga psl. 197.*

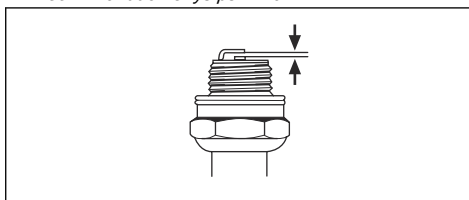
## Žvakės patikra



**PASTABA:** Naudokite rekomenduojamą uždegimo žvakę. Žr. *Techniniai duomenys psl. 210.* Netinkama uždegimo žvakė gali sugadinti gaminį.

1. Išjunkite variklį ir palaukite, kol gaminys atvės.
2. Jei uždegimo žvakė nešvari, nuvalykite ją.

3. Patikrinkite, ar tarpas tarp elektrodų yra tinkamas. Žr. *Techniniai duomenys psl. 210.*

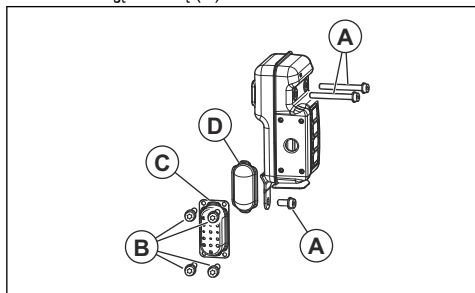


4. Keiskite uždegimo žvakę kas mėnesį ar dažniau, jei reikia.

## Duslintuvo priežiūra

1. Išjunkite variklį ir palaukite, kol atvės duslintuvas. Visada mūvėkite apsaugines pirštines.

- Išimkite varžtus (A), varžtus (B) ir nuimkite išmetamąjį vamzdį (C).



- Nuimkite kibirkščių gesinimo tinklėlį (D) ir nuvalykite jį vieliniu šepetiu. Jeigu kibirkščių gesinimo tinklėlis pažeistas, jį pakeiskite.
- Pašalinkite nešvarumus nuo duslintuvo ir išmetamosios cilindro dalies vieliniu šepetiu.
- Pritvirtinkite kibirkščių gesinimo tinklėlį (D) ir išmetamąjį vamzdį (C) varžtais (B). Priveržkite varžtus 2–3 Nm jėga.
- Priveržkite varžtus (A) 8–12 Nm jėga. Pasirūpinkite, kad duslintuvas būtų tinkamai pritvirtintas prie gaminio.

## Aušinimo sistemos patikrinimas ir išvalymas

Aušinimo sistemą sudaro aušinimo briaunos ant cilindro ir oro įsiurbimo grotelės.

- išjunkite variklį.
- Patikrinkite, ar aušinimo sistema neužteršta ir neužsikimšusi. Jei reikia, nuvalykite oro įsiurbimo grotelės ir aušinimo briaunas.



**PASTABA:** Jei aušinimo sistema nešvari ar užsikimšusi, gali perkaisti variklis ir dėl to sugesti gaminy. Dėl užsikimšusių oro įsiurbimo grotelių silpnėja pūtimo jėga.

- Patikrinkite, ar nepažeista aušinimo sistema. Pasirūpinkite, kad dalys būtų tinkamai pritvirtintos prie gaminio.

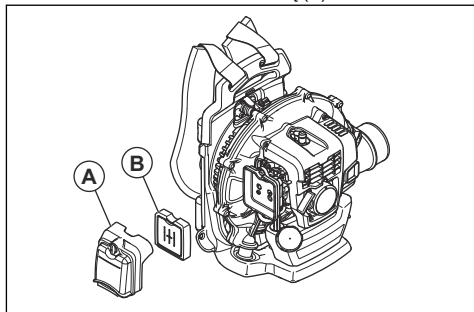
## Oro filtro valymas



**PASTABA:** Nenaudokite gaminio be oro filtro arba su pažeistu oro filtru. Ore esančios dulkės gali pažeisti variklį.

- Pastumkite oro sklendės rankenėlę į uždarymo padėtį.
- Nuimkite oro filtro gaubtą (A).

- Iš filtro rėmelio išimkite oro filtrą (B).



- Išplaukite oro filtrą šiltame muiluotame vandenyje.

**Pasižymėkite:** Ilgai naudoto oro filtro negalima iki galo išvalyti. Reguliariai keiskite oro filtrą ir visuomet pakeiskite sugadintą oro filtrą.

- Nuvalykite vidinį oro filtro dangtelio (A) paviršių šepetiu.
- Sutepkite oro filtrą alyva. Žr. *Porolono oro filtro tepimas alyva psl. 207*.
- Įdėkite oro filtrą į filtro rėmelį.
- Pritvirtinkite oro filtro dangtelį prie gaminio.

## Porolono oro filtro tepimas alyva

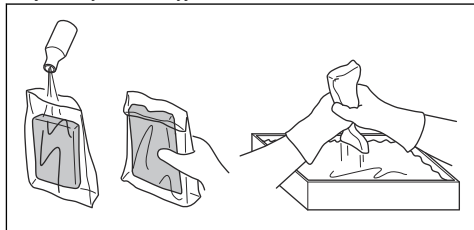


**PASTABA:** Visada naudokite Husqvarna specialią oro filtrų alyvą. Nenaudokite kitų rūšių alyvos.



**PERSPĖJIMAS:** Užsidėkite apsaugines pirštines. Oro filtro alyva gali sudirginti odą.

- Įdėkite porolono oro filtrą į plastikinį maišelį.
- Įpilkite alyvos į plastikinį maišelį.
- Trinkite plastikinį maišelį, kad alyva tolygiai pasiskirstytų ant porolono oro filtro.
- Išspauskite alyvos perteklių iš porolono oro filtro, kol jis dar yra maišelyje.



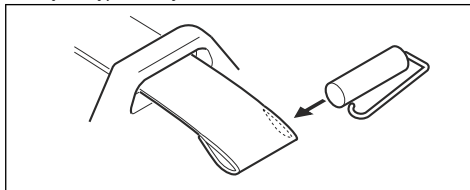
## Laikymo diržų keitimas



**PERSPĖJIMAS:** Dėl pažeistų laikymo diržų gaminys gali nukristi ir sužeisti. Tinkamai sumontuokite sąvaržą.

1. Išjunkite variklį.
2. Nuimkite nuo diržo sąvaržą.
3. Diržo galą prakiškite pro kilpą.
4. Naują diržą traukite pro kilpą.

5. Į diržą įsmeikite smeigtuką, kad pritvirtintumėte sąvaržą prie naujo diržo.



## Gedimai ir jų šalinimas

Neįmanoma užvesti variklio		
Tikrinkite toliau išvardytus dalykus	Galima priežastis	Sprendimas
Stabdymo mygtukas.	Sustabdymo padėtis	Stabdymo jungiklį nustatykite į paleidimo padėtį.
Starterio strektė (-ės).	Užblokuota (-os) arba nusi-dėvėjusi (-ios) starterio strektė (-ės).	Sureguliuokite arba pakeiskite starterio strektę (-es).
		Nuvalykite sritį aplink starterio strektę (-es). Kreipkitės į įgaliotą priežiūros specialistą.
Degalų bakelis.	Netinkama degalų rūšis.	Ištuštinkite degalų bakelį ir naudokite tinkamus degalus.
Karbiuratorius.	Tuščios eigos greičio reguliavimas.	Laisvosios eigos apsisukimus reguliuokite koregavimo varžtu.
Kibirkštis (nėra kibirkšties).	Uždegimo žvakė nešvari arba drėgna.	Pasirūpinkite, kad uždegimo žvakė būtų sausa ir švari.
	Netinkamas tarpas tarp elektrodų ant uždegimo žvakės.	Išvalykite žvakę. Patikrinkite, ar tarpas tarp elektrodų yra tinkamas. Įsitinkinkite, kad uždegimo žvakėje yra slopintuvai. Informacijos apie tinkamą tarpą tarp elektrodų rasite techniniuose duomenyse.
Uždegimo žvakė.	Uždegimo žvakė nepriveržta.	Priveržkite uždegimo žvakę.
	Ant uždegimo žvakės elektrodų yra nepageidaujamos medžiagos.	Įsitinkinkite, kad naudojate tinkamą kuro mišinį. Patikrinkite, ar oro filtras yra švarus.



Variklis užsiveda, tačiau vėl užgęsta		
Tikrinkite toliau išvardytus da-lykus	Galima prie-žastis	Sprendimas
Degalų bakelis.	Netinkama de-galų rūšis.	Išleiskite ir naudokite tinkamą kurą.
Karbiuratorius.	Variklis nevei-kia tinkamai tuščiaja eiga.	Kreipkitės į techninio aptarnavimo atstovą.
Oro filtras.	Užsikimšęs oro filtras	Išvalykite oro filtrą.

---

## Gabenimas ir laikymas

---

### Gabenimas ir laikymas



**PERSPĖJIMAS:** Kad išvengtumėte gaisro pavojaus, įsitinkinkite, kad gabenimo ar laikymo metu nėra nuotėkių arba dūmų. Įsitinkinkite, kad nėra kibirkščių arba gaisro pavojaus.

- Ištuštinkite degalų bakelį prieš gabenimą arba ilgą laikymą. Pastumkite oro šalinimo siurbliuką, kad užtikrintumėte, jog visi degalai išleisti. Degalus išleiskite tinkamoje šalinimo vietoje.
- Prieš palikdami saugoti ilgesniam laikui, įsitinkinkite, kad gaminys yra švarus ir atlikti visi priežiūros darbai.
- Išsukite uždegimo žvakę ir į cilindrą įpilkite maždaug 15 ml dvitaktių variklių alyvos. Pasukite gaminį 3 kartus ir vėl įsukite uždegimo žvakę.
- Gabenimo metu gaminį saugiai pritvirtinkite prie transporto priemonės.
- Laikykite gaminį sausoje, vėsioje ir švarioje vietoje, kurioje yra geras oro srautas. Saugokite gaminį nuo vaikų.

# Techniniai duomenys

## Techniniai duomenys

	Husqvarna 350BT
<b>Variklis</b>	
Cilindro darbinis tūris, cm <sup>3</sup>	50,2
Greitis tuščiaja eiga, aps./min.	2200
Katalizatorius	Ne
<b>Uždegimo sistema</b>	
Uždegimo žvakė	NGK CMR7H / TORCH AC7R
Tarpas tarp elektrodų, mm	0,6–0,7
<b>Degalų ir tepimo sistema</b>	
Kuro bakelio talpa, l / cm <sup>3</sup>	1,25/1250
<b>Svoris</b>	
Svoris be degalų, kg	10,2
<b>Skleidžiamas triukšmas</b> <sup>40</sup>	
Garso stiprumo lygis, išmatuotas dB (A)	101
Garso galios lygis, garantuojamas L <sub>WA</sub> dB (A)	101
<b>Garso lygiai</b> <sup>41</sup>	
Tolygus garso slėgio naudotojo ausiai lygis, išmatuotas pagal EN15503, dB(A):	
Su pūtimo antgaliu (originalus)	96
<b>Vibracijos lygis</b> <sup>42</sup>	
Ekvivalentiški rankenų vibracijos lygiai (a <sub>hv,eq</sub> ), išmatuoti pagal EN 15503, m/s <sup>2</sup>	2,7
<b>Ventiliatoriaus parametrai</b>	
Maksimalus oro greitis su pūstuvu antgaliu, m/s	80
Oro srautas naudojant pūstuvu antgalį, m <sup>3</sup> /min.	14

<sup>40</sup> Triukšmas, skleidžiamas į aplinką, išmatuotas kaip garso galia (L<sub>WA</sub>) pagal EB direktyvą 2000/14/EB. Pateiktas įrenginio garso stiprumo lygis buvo išmatuotas naudojant didžiausią garsą sukeltantį originalų pūstuvu antgaliu. Skirtumas tarp garantuojamos ir išmatuotos garso galios yra tas, kad pagal Direktyvą 2000/14/EB garantuojama garso galia apima ir matavimo rezultatų sklaidą bei nukrypimus tarp skirtingų to pačio modelio įrenginių.

<sup>41</sup> Pateikiamų triukšmo slėgio duomenų būdingoji statistinė sklaida (standartinis nuokrypis) lygi 1,0 dB (A).

<sup>42</sup> Pateiktuose vibracijos lygio duomenyse yra 1,0 m/s<sup>2</sup> tipiška statistinė sklaida (standartinis nuokrypis).

# EB atitikties deklaracija

## EB atitikties deklaracija

Mes, **Husqvarna AB**, SE-561 82 Huskvarna, Švedija, tel. +46-36-146500, atsakingai patvirtiname, kad gaminys:

<b>Aprašymas</b>	Ant nugaros nešiojamas pūstuvus
<b>Gamintojas</b>	Husqvarna
<b>Tipas / modelis</b>	350BT
<b>Identifikavimas</b>	Serijos numeriai nuo šios datos: 2022 ir vėlesni

visiškai atitinka šias ES direktyvas ir reglamentus:

<b>Reglamentas</b>	<b>Aprašymas</b>
2006/42/EB	„dėl mašinų“
2014/30/ES	„dėl elektromagnetinio suderinamumo“
2000/14/EB	„dėl į aplinką skleidžiamo triukšmo“
2011/65/ES	„dėl tam tikrų pavojingų medžiagų naudojimo elektros ir elektroninėje įrangoje apribojimo“

ir kad laikomasi šių standartų ir (arba) techninių specifikacijų: EN ISO 12100:2010, CISPR 12:2009, EN 15503:2009+A2:2015, EN IEC 63000:2018

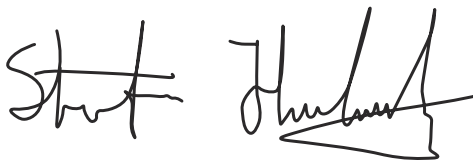
Bendrovė „RISE SMP Svensk Maskinprovning AB“, Box 7035, SE-750 07 Uppsala, Švedija, atliko savanorišką tipo kontrolę „Husqvarna AB“ prašymu.

Sertifikato numeris: SEC/09/2102

Bendrovė „RISE SMP Svensk Maskinprovning AB“ Pašt.Dėž.7035, SE-750 07 Uppsala, Švedija taip pat patvirtino atitiktį Europos Tarybos 2000/14/EB direktyvos V priedui.

Daugiau informacijos apie triukšmo emisiją žr. *Techniniai duomenys psl. 210.*

Huskvarna, 2022-05-17



Stefan Holmberg, mokslinių tyrimų ir plėtros direktorius, technologijų vadyba, „Husqvarna AB“

atsakingas už techninę dokumentaciją



# Saturs

Ievads.....	212	Problēmu novēršana.....	223
Drošība.....	214	Pārvadāšana un uzglabāšana.....	224
Montāža.....	216	Tehniskie dati.....	225
Lietošana.....	217	EK atbilstības deklarācija.....	226
Apkope.....	220		

# Ievads

## Izstrādājuma apraksts

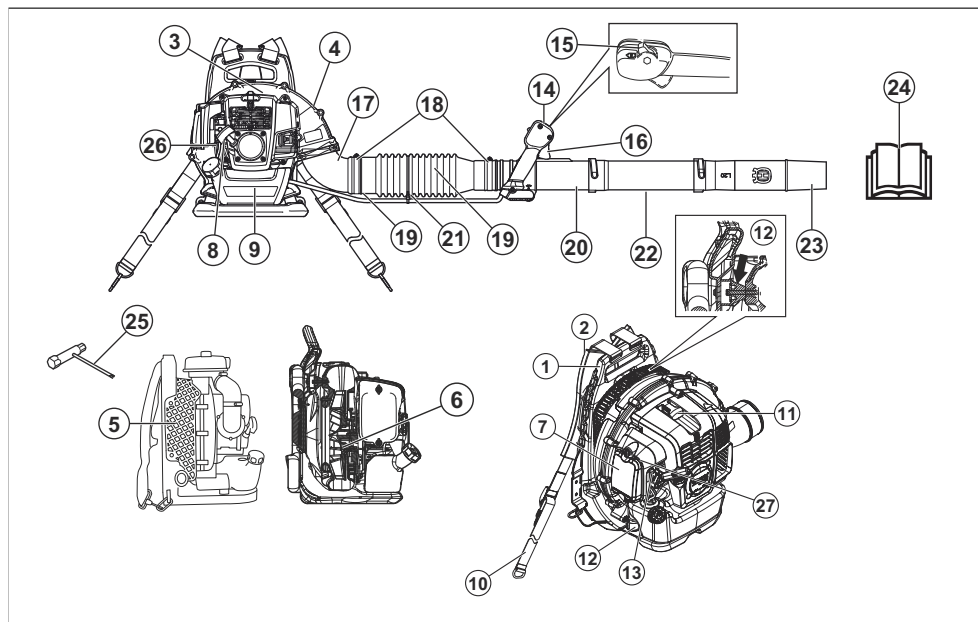
Šis izstrādājums ir mugursomas tipa pūtējs ar benzīna dzinēju.

Mēs pastāvīgi strādājam, lai pilnveidotu savus izstrādājumus, un tāpēc paturam tiesības izdarīt izmaiņas, piemēram, izstrādājumu formai un izskatam bez iepriekšēja paziņojuma.

## Paredzētā lietošana

Izmantojiet izstrādājumu lapu un cita nevēlama materiāla aizpūšanai no tādām vietām kā zālāji, gājēju ietves un asfaltēti ceļi.

## Izstrādājuma pārskats



- |                             |  |
|-----------------------------|--|
| 1. Korpus                   | 9. Degvielas tvertne                             |
| 2. Stiprinājuma siksnas     | 10. Vidusjosta                                   |
| 3. Dzinēja pārsegs          | 11. Aizdedzes svece                              |
| 4. Ventilatora pārsegs      | 12. Vibrāciju samazināšanas sistēma              |
| 5. Gaisa ieplūdes sietfilrs | 13. Gaisa vārsta vadība                          |
| 6. Ventilators              | 14. Vadības rokturis                             |
| 7. Gaisa filtrs             | 15. Start/Stop (ieslēgšanas/izslēgšanas) slēdzis |
| 8. Startera auklas rokturis | 16. Droseles mēlīte                              |

17. Caurules izliektā daļa
18. Skava
19. Lokanā caurule
20. Caurules vadības elements
21. Kabeļa skava
22. Starpcaurule
23. Pūtēja uzgalis
24. Lietošanas rokasgrāmata
25. Kombinētā uzgriežņu atslēga
26. Atgaisošanas sūkņa balons
27. Tukšgaitas ātrums skrūve

## Simboli uz izstrādājuma



**BRĪDINĀJUMS!** Šis izstrādājums var būt bīstams un radīt smagas vai nāvējošas traumas operatoram vai citām personām. Esiet uzmanīgi un lietojiet izstrādājumu pareizi.



Rūpīgi izlasiet lietotāja rokasgrāmatu un pirms izstrādājuma lietošanas pārliecinieties, vai izprotat instrukcijas.



Izmantojiet apstiprinātus dzirdes un acu aizsarglīdzekļus. Ja strādājat putekļainā vidē, lietojiet elpceļu aizsargmasku.



Izmantojiet apstiprinātus aizsargcimdus.



Benzīna un divtaktu dzinēja eļļas maisījums.



Atgaisošanas sūkņa balons.



Netuviniet ķermeņa daļas karstām virsmām.



Gaisa vārsts, atvērtā stāvoklī.



Gaisa vārsts, aizvērtā stāvoklī.



Šis izstrādājums atbilst spēkā esošajām EK direktīvām.



Šis izstrādājums atbilst spēkā esošajiem AK regulām.



Trokšņa emisijas vidē uzlīme atbilstoši ES un Apvienotās Karalistes direktīvām un noteikumiem, kā arī Jaundienvidvēlvas tiesību aktam "Darba vides aizsardzības (trokšņa kontroles) regula (2017)". Izstrādājuma garantētais skaņas jaudas līmenis ir norādīts *Tehniskie dati lpp. 225* un uz etiķetes.



Uzmanieties no izviesītiem priekšmetiem. Izsviesti priekšmeti var radīt smagu traumu. Lietojiet individuālos aizsardzības līdzekļus.



Ievērojiet drošības attālumu — citas personas vai dzīvnieki nedrīkst atrasties tuvāk par 15 m.

yyyywwxxxx

Datu plāksnītē ir norādīts sērijas numurs. **yyyy** ir ražošanas gads un **ww** ir ražošanas nedēļa.

**Piezīme:** Pārējie uz izstrādājuma norādītie simboli/uzlīmes attiecas uz citu tirdzniecības nozaru sertifikācijas prasībām.

## Euro V emisija



**BRĪDINĀJUMS:** Motora atvēršana anulē šī ķēdes zāģa ES tipa apstiprinājumu.

## Atbildība par izstrādājuma kvalitāti

Saskaņā ar likumiem par izstrādājuma kvalitāti mēs neuzņemamies atbildību par bojājumiem, ko radījis mūsu izstrādājums, ja:

- ir veikts nepareizs izstrādājuma remonts;
- izstrādājuma remonts ir veikts, izmantojot detaļas, ko nav nodrošinājis vai apstiprinājis ražotājs;
- izstrādājumam tiek pievienots piederums, ko nav nodrošinājis vai apstiprinājis ražotājs;
- izstrādājuma remonts nav veikts pilnvarotā remontdarbnīcā vai pie pilnvarota speciālista.

## Drošības definīcijas

Tālāk sniegtās definīcijas norāda katra signālvārda nozīmīguma līmeni.



**BRĪDINĀJUMS:** Traumas.



**IEVĒROJIET:** Izstrādājuma bojājumi.

**Piezīme:** Šī informācija atvieglo izstrādājuma lietošanu.

## Vispārīgi norādījumi par drošību



**BRĪDINĀJUMS:** Pirms izstrādājuma lietošanas izlasiet tālāk izklāstītos brīdinājumus.

- Bez ražotāja apstiprinājuma neveiciet nekādas izstrādājuma izmaiņas un vienmēr izmantojiet oriģinālos piederumus. Neapstiprinātas izmaiņas un/vai piederumi var radīt nopietnas traumas vai operatora vai citu personu nāvi.
- Nelietojiet bojātu izstrādājumu. Veiciet drošības pārbaudes un tehnisko apkopi, kas norādīta šajā lietošanas rokasgrāmatā. Visi pārējie apkopes darbi ir jāveic apstiprināta servisa darbiniekiem.
- Visi pārējie apkopes darbi un remonts ir jāveic apstiprināta servisa darbiniekiem. Ja kāda izstrādājuma daļa ir bojāta, sazinieties ar izplatītāju, kas nodrošina apkopi.

## Darba drošības norādījumi



**BRĪDINĀJUMS:** Pirms sākat lietot šo izstrādājumu, izlasiet tālāk izklāstītos brīdinājumus.

- Šis izstrādājums var būt bīstams un radīt smagas vai nāvējošas traumas operatoram vai citiem cilvēkiem. Esiet uzmanīgi un lietojiet izstrādājumu pareizi.
- Pirms lietošanas pārbaudiet izstrādājumu. Skatiet: *Apkope lpp. 220*.
- Neizmantojiet šo izstrādājumu, ja esat noguris, slims vai lietojis alkoholu vai citas vielas, kas var ietekmēt redzi, spriešanas spējas vai koordināciju.
- Pirms lietošanas uzlieciet visus pārsegus un aizsargus. Lai nepieļautu elektrotriecienu, pārbaudiet, vai nav bojāts aizdedzes sveces vāciņš un aizdedzes vads.

- Neaiztieciet aizdedzes sveci vai aizdedzes vadu, kamēr darbojas dzinējs.
- Ievērojiet drošības distanci — citas personas vai dzīvnieki nedrīkst atrasties tuvāk par 15 m. Ja kāda persona, bērns vai dzīvnieks pienāk tuvāk par 15 m, izslēdziet izstrādājumu. Gādājiet, lai izstrādājums nebūtu vērsts personu, dzīvnieku, atvērtu logu un citu priekšmetu virzienā.
- Nelaujiet bērniem darbināt izstrādājumu. Gādājiet, lai visi operatori būtu izlasījuši un izpratūši šis lietošanas rokasgrāmatas saturu.
- Izstrādājuma lietošanas laikā nepieskarieties pūtēja korpusam ar rokām un nenovietojiet uz tā citus priekšmetus. Rotējošas daļas var radīt nopietnas traumas.
- Nelietojiet izstrādājumu, ja nav uzstādīts gaisa iepļūdes sietfiltrs. Pirms lietošanas noteikti pārbaudiet, vai ir uzstādīts un nav bojāts gaisa iepļūdes sietfiltrs.
- Ārkārtas situācijā atvienojiet stiprinājuma vidusjostu un krūšu daļas siksnu, ļaujot izstrādājumam nokrist.
- Ievērojiet nacionālos noteikumus un norādījumus.
- Netuviniet ķermeņa daļas karstām virsmām.
- Šis izstrādājums darbības laikā rada elektromagnētisko lauku. Zināmos apstākļos šis lauks var traucēt aktīvā vai pasīvā medicīniskā implantāta darbību. Lai samazinātu nopietnas traumas gūšanas vai dzīvības zaudēšanas risku, mēs iesakām personām, kam ir medicīniskie implantāti, pirms šī izstrādājuma lietošanas konsultēties ar savu ārstu un medicīniskā implantāta ražotāju.
- Pārāk liela vibrācija var radīt asinsrites un nervu sistēmas bojājumus. Vērsieties pie ārsta, ja novērojat tādu simptomus kā nejutība, jutības traucējumi, tirpšana, durstīga sajūta, sāpes, nespēks, pirkstu, roku vai locītavu ādas krāsas izmaiņas.
- Uzmanieties no izsviestiem objektiem. Izsviesti objekti var radīt nopietnas traumas.
- Nemantojiet izstrādājumu sliktos laikapstākļos, piemēram, miglā, lietū, spēcīgā vējā un ļoti lielā aukstumā. Darba veikšana sliktos laikapstākļos var izraisīt nogurumu un bīstamas situācijas.
- Pārliecinieties, vai varat kustēties un strādāt stabilā stāvoklī. Pārbaudiet, vai darba veikšanas zonā nav iespējama šķēršļu, piemēram, akmeņu. Strādājot ar šo izstrādājumu nogāzēs, jāievēro piesardzība.
- Nelieciet izstrādājumu zemē, kad tā dzinējs darbojas.
- Neizmantojiet izstrādājumu, atrodoties augstumā, piemēram, uz trepēm.
- Gādājiet, lai jūs vienmēr kāds sadzirdētu, ja notiek nelaimes gadījums.
- Pārliecinieties, vai nav bloķēta izpļūdes gāzu caurule. Lai novērstu izstrādājuma bojājumus,

izplūdes gāzu caurules tuvumā (vismaz 50 cm attālumā) nedrīkst būt šķēršļi.

- Nelietojiet izstrādājumu telpās, slikti ventilētās vietās vai uzliesmojošu materiālu tuvumā. Dzinēja izplūdes gāzu sastāvā ir oglekļa monoksīds, kas var izraisīt saindēšanos. Izplūdes gāzes ir karstas, un tajās var būt dzirksteles, kas var izraisīt aizdegšanos.

## Individuālie aizsarglīdzekļi



**BRĪDINĀJUMS:** Pirms izstrādājuma lietošanas izlasiet tālāk izklāstītos brīdinājumus.

- Izmantojot izstrādājumu, lietojiet apstiprinātu personīgo aizsargaprīkojumu. Individuālie aizsarglīdzekļi nevar pilnībā novērst traumu gūšanas risku, taču var samazināt traumas smagumu. Lai iegūtu plašāku informāciju, sazinieties ar savu izplatītāju.
- Izmantojiet apstiprinātus dzirdes aizsarglīdzekļus. Ilgstoša uzturēšanās troksnainā vidē var radīt neatgriezeniskus dzirdes bojājumus.
- Izmantojiet apstiprinātus acu aizsarglīdzekļus. Apstiprinātas aizsargbrilles ir jālieto arī tad, ja tiek izmantots sejsēgs. Apstiprinātas aizsargbrilles ir tādas, kas atbilst standarta ANSI Z87.1 prasībām ASV vai standarta EN 166 prasībām ES valstīs.
- Izstrādājuma izmantošanas un tehniskās apkopes laikā izmantojiet aizsargcimdus.
- Izmantojiet aizsargapavus vai apavus ar neslīdošu zoli.
- Valkājiet no izturīga auduma darinātu apģērbu, kas pārklāj visu ķermeni. Neizmantojiet rotaslietas vai atvērtus apavus. Lai mazinātu traumu gūšanas risku, jūsu apģērbam ir jābūt pieguļošam, taču tas nedrīkst ierobežot kustības. Lai novērstu matu nokļūšanu rotējošās daļās vai aizķeršanos aiz zariem, sakārtojiet tos tā, lai tie būtu virs pleciem.
- Ja strādājat putekļainā vidē, izmantojiet elpceļu aizsarglīdzekļus.
- Turiet tuvumā neatliekamās palīdzības aprīkojumu.

## Izstrādājuma drošības ierīces



**BRĪDINĀJUMS:** Pirms sākat lietot izstrādājumu, izlasiet tālāk izklāstītos brīdinājuma instrukcijas.

- Nelietojiet izstrādājumu ar bojātām drošības ierīcēm.
- Regulāri pārbaudiet drošības ierīces. Sk. *Apkope lpp. 220*.
- Ja drošības ierīces ir bojātas, sazinieties ar vietējo Husqvarna apkopes sniedzēju.

## Slāpētāja pārbaude



**BRĪDINĀJUMS:** Neizmantojiet izstrādājumu, ja ir bojāts slāpētājs.



**BRĪDINĀJUMS:** Slāpētājs lietošanas laikā, pēc tās un darbojoties brīvgaitā kļūst ļoti karsts. Lietojiet aizsargcimdus, lai novērstu apdegumus.



**BRĪDINĀJUMS:** Slāpētāja iekšpusē ir ķīmiskas vielas, kas var būt kancerogēnas. Nepieskarieties slāpētājam, ja tas ir bojāts.

- Regulāri apskatiet slāpētāju, lai pārbaudītu, vai tas nav bojāts. Trokšņa slāpētājs nodrošina minimālu troksni un novirza dzinēja izplūdes gāzes prom no operatora. Sk. *Slāpētāja apkope lpp. 222*.

## Vibrāciju slāpēšanas sistēmas pārbaude

1. Pārbaudiet, vai vibrāciju slāpēšanas bloki nav ieplaisājuši vai deformēti.
2. Pārbaudiet, vai vibrāciju slāpēšanas bloki ir pareizi piestiprināti motora blokam un roktura blokam.

Informāciju par to, kur konkrētajā ķēdes zāģī atrodas vibrāciju slāpēšanas sistēma, skatiet šeit: *Izstrādājuma pārskats lpp. 212*.

## Start/Stop (ieslēgšanas/izslēgšanas) slēdža pārbaude

1. Lai izslēgtu motoru, izmantojiet Start/Stop slēdzi.
2. Pārlicinieties, vai dzinējs pilnībā apstājas.

Informāciju par to, kur atrodas Start/Stop slēdzis, sk. *Izstrādājuma pārskats lpp. 212*.

## Stiprinājuma siksnu drošība

- Pārbaudiet, vai ir piestiprināta un pareizi noregulēta vidusjosta. Stiprinājuma vaļējie gali var nokļūt rotējošās daļās un izraisīt ventilatora bojājumu. Ja ventilators ir bojāts, atvienojušās izstrādājuma daļas var tikt izsviestas un radīt traumas un bojājumus.

## Drošības norādījumi, rīkojoties ar degvielām



**BRĪDINĀJUMS:** Pirms izstrādājuma lietošanas izlasiet tālāk izklāstītos brīdinājumus.

- Nemaisiet un neuzpildiet degvielu iekšējās vai karstuma avotu tuvumā.
- Neiedarbiniet izstrādājumu, ja uz tā vai jūsu ķermeņa ir izlījuši degviela vai eļļa.

- Neiedarbiniet izstrādājumu, ja dzinējā ir degvielas sūce. Regulāri pārbaudiet, vai dzinējā nav radusies degvielas sūce.
- Vienmēr esiet piesardzīgs, rīkojoties ar degvielu. Degviela un tās tvaiki ir uzliesmojoši un sprādzienbīstami; tas var izraisīt traumas un nāves gadījumus.
- Neieelpojiet degvielas tvaikus, jo tie var izraisīt savainojumus. Pārļiecinieties, vai gaisa plūsma ir pietiekama.
- Nesmēķējiet degvielas vai dzinēja tuvumā.
- Nenovietojiet izstrādājumu vai degvielas tvertni siltu priekšmetu, atklātas liesmas, dzirksteles vai signāllampīņas tuvumā.

- Vienmēr izmantojiet apstiprinātas tvertnes degvielas glabāšanai un transportēšanai.

## Norādījumi par drošu apkopi



**BRĪDINĀJUMS:** Pirms izstrādājuma lietošanas izlasiet tālāk izklāstītos brīdinājumus.

- Pirms tehniskās apkopes un montāžas izslēdziet dzinēju, izņemiet aizdedzes sveici un ļaujiet dzinējam atdzist.
- Ja dzirksteļu uztvērējs ir nosprostots, dzinējs pārāk stipri uzkarst un tiek bojāts.

## Montāža

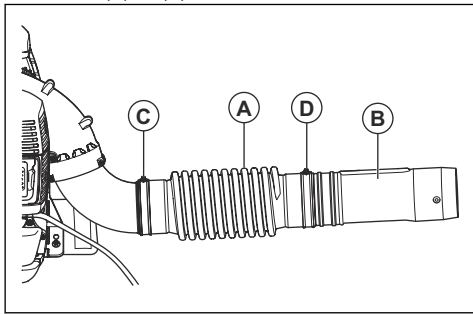
### Ievads



**BRĪDINĀJUMS:** Pirms izstrādājuma montāžas izlasiet un izprotiet drošības norādījumus.

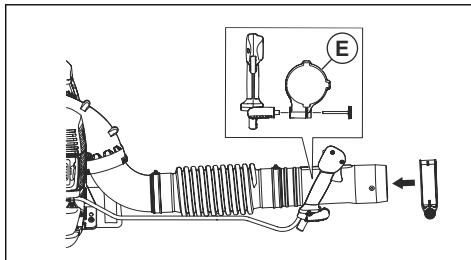
### Pūtēja caurules un vadības roktura montāža

1. Pievienojiet lokano cauruli (A) caurules izliktajai daļai un caurules vadības elementam (B) ar skavām (C) un (D).

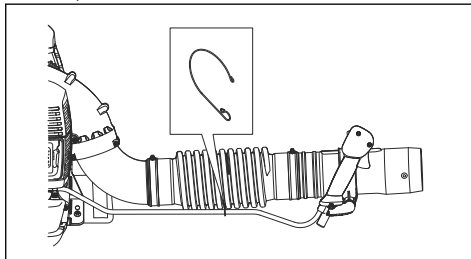


**Piezīme:** Lai vadības cauruli un lokano cauruli būtu vieglāk samontēt, ieeļļojiet tās.

2. Pievienojiet caurules vadības elementam roktura turētāju (E). Novietojiet roktura turētāju pretī atlokam uz caurules vadības elementa.

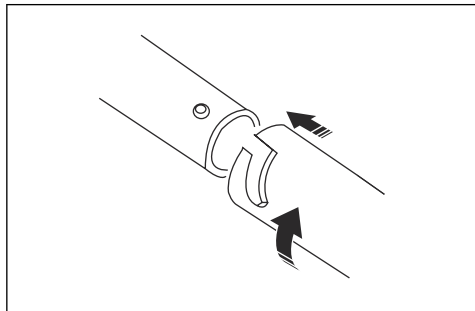


3. Lai vadības rokturis būtu droša un darbam atbilstošā pozīcijā, noregulējiet tā pozīciju un leņķi. Pievelciet fiksatoru.
4. Piestipriniet kabeli lokanajai caurulei, izmantojot kabeļa skavu.





5. Piestipriniet starpcauruli caurules vadības elementam.



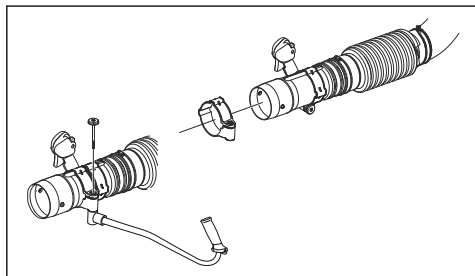
**Piezīme:** Ja ir nepieciešama garāka cirkulārā pūtēja caurule, ir pieejama garāka starpcaurule.

6. Piestipriniet pūtēja uzgali starpcaurulei.

**Piezīme:** Pūtēja uzgali var pievienot tikai pie starpcaurules.

## Roktura stieņa (neobligātā piederuma) montāža

1. Noņemiet starpcauruli.
2. Noņemiet fiksatoru no turētāja un uzspiediet turētāju uz caurules vadības elementa.
3. Uzlieciet roktura stieni un fiksatoru. Pievelciet fiksatoru.

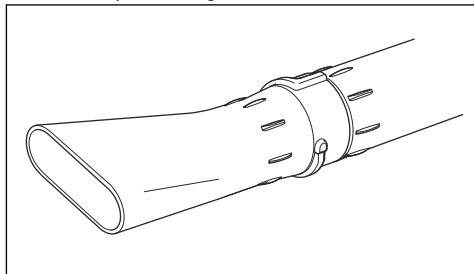


4. Uzstādiet starpcauruli.

## Plakanā uzgaļa (neobligātā piederuma) montāža

Plakanais uzgals nodrošina lielāku gaisa plūšanas ātrumu nekā pūtēja uzgals.

- Noņemiet pūtēja uzgali no starpcaurules un uzstādiet plakano uzgali.



## Lietošana

### Ievads



**BRĪDINĀJUMS:** Pirms produkta lietošanas izlasiet un izprotiet drošības norādījumus.

### Degviela

Šim izstrādājumam ir divtaktu dzinējs.



**IEVĒROJIET:** Nepareiza veida degviela var sabojāt dzinēju. Izmantojiet alkilātu degvielu, salīdzinot ar parasto degvielu, tādējādi tiek samazināts kaitīgo izplūdes gāzu apjoms.

### Iepriekš sajaukta degviela

- Lai uzlabotu veiktspēju un pagarinātu motora darbību, izmantojiet Husqvarna iepriekš sajauktu alkilātu degvielu. Šī degviela satur mazāk ķīmisku vielu, salīdzinot ar parasto degvielu, tādējādi tiek samazināts kaitīgo izplūdes gāzu apjoms. Izmantojot

šo degvielu, atliekvīelu līmenis pēc sadegšanas ir zemāks, kas saglabā tīrus motora komponentus.

## Degvielas sajaukšana

### Benzīns

- Izmantojiet labas kvalitātes bezsvina benzīnu ar maksimālo etanola saturu 10%.



**IEVĒROJIET:** Neizmantojiet benzīnu, kura oktānskaitlis ir mazāks nekā 90 RON/87 AKI. Degviela ar zemāku oktānskaitli var radīt motora klauzdzēšanu, kas savukārt rada motora bojājumus.

### Divtaktu eļļa

- Lai uzlabotu rezultātus un veiktspēju, izmantojiet Husqvarna divtaktu dzinēja eļļu.
- Ja Husqvarna divtaktu dzinēja eļļa nav pieejama, izmantojiet kvalitatīvu divtaktu dzinēju eļļu, kas paredzēta motoriem ar gaisa dzesēšanu. Lai izvēlēto pareizu eļļu, sazinieties ar vietējo apkopes sniedzēju.



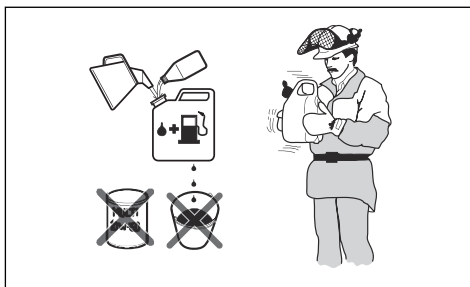
**IEVĒROJIET:** Nelietojiet divtaktu dzinēja eļļu, kas paredzēta ar ūdeni dzesējamiem piekarināmiem dzinējiem; šādu eļļu dēvē arī par piekarināmu dzinēju eļļu. Nelietojiet četrtaktu dzinējiem paredzētu eļļu.

### Benzīna un divtaktu dzinēja eļļas sagatavošana

Benzīns, litri	Divtaktu dzinēja eļļa, litri
	<b>2% (50:1)</b>
5	0,10
10	0,20
15	0,30
20	0,40



**IEVĒROJIET:** Samaisot mazu degvielas daudzumu, nelielas kļūdas var būtiski ietekmēt maisījuma attiecību. Rūpīgi nomēriet eļļas daudzumu un pārbaudiet, vai tiek iegūts pareizs maisījums.



- Iepildiet pusi benzīna daudzuma tīrā degvielas tvertnē.
- Pievienojiet visu daudzumu eļļas.
- Sakratiet degvielas maisījumu.
- Pievienojiet tvertnē pārējo benzīna daudzumu.
- Rūpīgi sakratiet degvielas maisījumu.



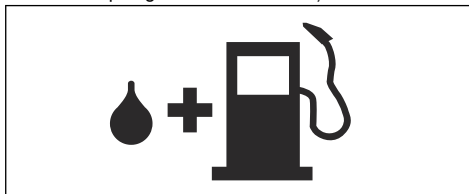
**IEVĒROJIET:** Vienā reizē sajauciet degvielu, lai tās pietiek tikai 1 mēnesim.

### Degvielas tvertnes uzpilde



**BRĪDINĀJUMS:** Drošības nolūkā ievērojiet tālāk norādīto procedūru.

- Apturiet dzinēja darbību un ļaujiet tam atdzist.
- Satīriet ap degvielas tvertnes vāciņu.



- Sakratiet tvertni un pārbaudiet, vai degviela ir pilnībā sajaukusies ar eļļu.
- Degvielas tvertnes vāciņu atveriet lēnām, lai samazinātu spiedienu.
- Uzpildiet degvielas tvertni.



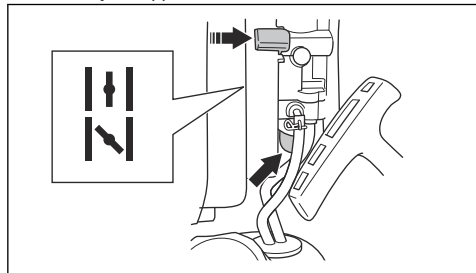
**IEVĒROJIET:** Pārlicinieties, ka degvielas tvertnē nav pārāk daudz degvielas. Uzkarstot degviela izplešas.

- Rūpīgi pievelciet degvielas tvertnes vāciņu.
- Notīriet degvielu, kas izlijusi uz izstrādājuma un ap to.
- Pirms izstrādājuma iedarbināšanas pārvietojiet to vismaz 3 m/10 pēdu attālumā no degvielas uzpildīšanas vietas un degvielas avota.

**Piezīme:** Informāciju par to, kur atrodas konkrētā izstrādājuma degvielas tvertne, sk. *Izstrādājuma pārskats lpp. 212.*

## Izstrādājuma iedarbināšana

1. Ja dzinējs ir auksts, iestatiet gaisa vārsta sviru tā, lai gaisa vārsts būtu aizvērtā pozīcijā. Sk. *Simboli uz izstrādājuma lpp. 213.*



2. Vairākas reizes saspiediet atgaisošanas sūkņa balonu, līdz degviela sāk to piepildīt. Atgaisošanas sūkņa balons nav obligāti jāuzpilda līdz galam.
3. Iestatiet Start/Stop slēdzi ar droseles vadību ātruma pozīcijā 1/3. Sk. *Drošeles vadības/apturēšanas slēdža izmantošana lpp. 219.*
4. Novietojiet izstrādājumu zemē (līdzienā vietā).
5. Turiet izstrādājumu ar kreiso roku.



**IEVĒROJIET:** Nekāpiet uz izstrādājuma ar kājām, lai noturētu to.

6. Lēni velciet startera auklas rokturi, līdz sajutāt pretestību.
7. Ar labo roku strauji pavelciet startera auklas rokturi. Vairākas reizes strauji un spēcīgi pavelciet startera auklas rokturi, līdz dzinējs iedarbojas.

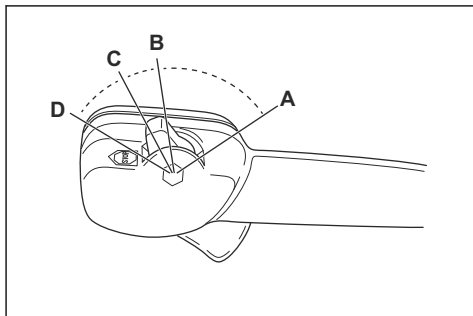
**Piezīme:** Neizvelciet startera auklas rokturi līdz galam un neatlaidiet to.

8. Ja dzinējs ir auksts, nospiediet gaisa vārsta sviru, pakāpeniski atverot gaisa vārstu, līdz gaisa vārsta svira apstājas.
9. Ja dzinējs ir auksts, pirms izstrādājuma izmantošanas ļaujiet dzinējam iesilt, darbinot to 2–3 minūtes.



**BRĪDINĀJUMS:** Gaiss sāk plūst tad, kad ir iedarbināts dzinējs un izstrādājums darbojas brīvgaitā. Gādājiet, lai izstrādājumam vai pūtēja caurulei netuvojas citi cilvēki.

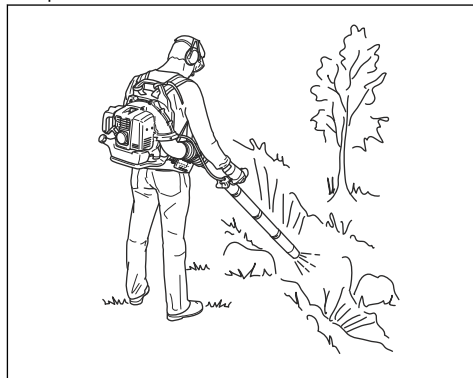
## Drošeles vadības/apturēšanas slēdža izmantošana



- Maksimāla drošeles izmantošana (A).
- Ātruma pozīcija 1/3 (B).
- Brīvgaita (C).
- Izstrādājums ir izslēgts (D).

## Izstrādājuma darbināšana

- Šis ir murgusomas tipa pūtējs un darbības laikā nēsājams uz pleca. To var vadīt un kontrolēt, aptverot rokturi ar labo roku.



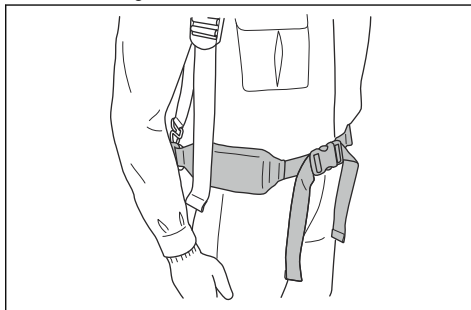
- Izmantojiet izstrādājumu parastajā darba laikā. Ievērojiet vietējos noteikumus.

- Izmantojiet minimālu aprīkojuma daudzumu un izvēlieties veicamajam darbam atbilstošu ātrumu. Lai novērstu nevajadzīgi lielu troksni un putekļus, izmantojiet zemāko iespējamo droseles pozīciju.
- Turiet pūtēja uzgali tuvu pie zemes.

**Piezīme:** Husqvarna iesaka izmantot maksimālo pūtēja uzgaļa garumu.

- Nosakiet vēja virzienu un izmantojiet izstrādājumu tā, lai pūšanas virziens atbilstu vēja virzienam.
- Lai atbrīvotu zemei piekērušos materiālus, izmantojiet atbilstošus dārza darbarīkus.
- Putekļainās vietās darba veikšanas vietas samitrināšanai izmantojiet izsmidzinātāju. Tādējādi tiks samazināts izstrādājuma izmantošanas laiks.
- Kad izstrādājums netiek izmantots, glabājiet to vertikālā stāvoklī.

3. Aplieciet ap vidukli vidusjostu.
4. Savelciet vidusjostas siksnu. Gādājiet, lai pūtējs balstītos uz gurniem.



## Izstrādājuma izslēgšana

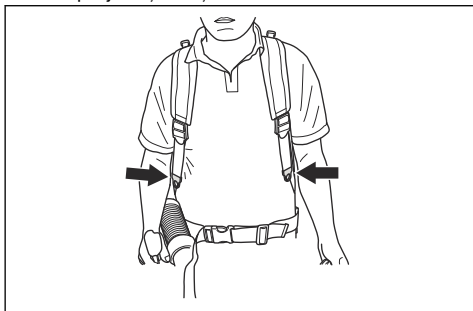


**IEVĒROJIET:** Neizslēdziet izstrādājumu, kad tas darbojas maksimālajā ātrumā.

1. Iestatiet Start/Stop slēdzi ar droseles vadību izslēgšanas pozīcijā. Sk. *Drošeles vadības/ apturēšanas slēdža izmantošana lpp. 219.*

## Stiprinājuma siksnu regulēšana

1. Uzlieciet izstrādājuma stiprinājumu siksnas.
2. Savelciet plecu siksnas, līdz izstrādājums atrodas cieši pie jūsu ķermeņa.



## Apkope

### Ievads



**BRĪDINĀJUMS:** Pirms ķēdes zāga apkopes veikšanas izlasiet un izprotiet sadaļu par drošības pasākumiem.

## Apkopes grafiks

Apkope	Katru dienu	Reizi nedēļā	Reizi mēnesī
Notīriet ārējās virsmas.	X		
Pārbaudiet, vai pareizi darbojas vadības rokturis.	X		
Pārbaudiet, vai pareizi darbojas ieslēgšanas/izslēgšanas slēdzis. Sk. <i>Start/Stop (ieslēgšanas/izslēgšanas) slēdža pārbaude lpp. 215.</i>	X		
Pārbaudiet, vai dzinējā, degvielas tvertnē un degvielas caurulēs nav noplūdes. Pārbaudiet, vai degvielas filtrs nav aizsērējis. Nomainiet degvielas filtru, ja nepieciešams.	X		
Iztīriet gaisa filtru. Nomainiet gaisa filtru, ja nepieciešams.	X		
Pievelciet uzgriežņus un skrūves.	X		
Pārbaudiet gaisa ieplūdes atveri, lai pārliecinātos, vai tā nav nosprostota.	X		
Pārbaudiet, vai nav bojāts starteris un startera aukla.		X	
Pārbaudiet, vai vibrāciju slāpēšanas elementi nav bojāti, saplaisājuši vai deformējušies. Pārbaudiet, vai vibrāciju slāpēšanas elementi ir pareizi pievienoti.		X	
Pārbaudiet aizdedzes sveci. Sk. <i>Aizdedzes sveces pārbaude lpp. 221.</i>		X	
Iztīriet dzesēšanas sistēmu.		X	
Notīriet karburatora ārējo virsmu un ap to esošo laukumu.		X	
Iztīriet degvielas tvertni.			X
Pārbaudiet visus kabelus un savienojumus.			X
Pārbaudiet un iztīriet slāpētāja dzirksteli uztvērējsietu (izstrādājumiem bez katalizatora).		X	
Pārbaudiet un iztīriet slāpētāja dzirksteli uztvērējsietu (izstrādājumiem ar katalizatoru).			X
Pārbaudiet aizdedzes sveci. Ja nepieciešams, nomainiet.			X

## Tukšgaitas apgrīezienu skaita regulēšana

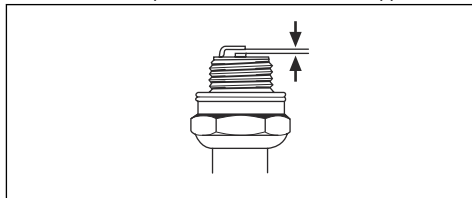
1. Pārbaudiet gaisa filtra tīrību un pārliecinieties, vai ir uzlikts gaisa filtra vāciņš.
2. Izmantojot tukšgaitas regulēšanas skrūvi, noregulējiet tukšgaitas apgrīezienu skaitu. Informāciju par to, kur atrodas konkrētā izstrādājuma tukšgaitas regulēšanas skrūve, sk. *Izstrādājuma pārskats lpp. 212.*

## Aizdedzes sveces pārbaude



**IEVĒROJIET:** Izmantojiet ieteikto aizdedzes sveces tipu. Sk. *Tehniskie dati lpp. 225.* Nepareiza aizdedzes svece var radīt izstrādājuma bojājumus.

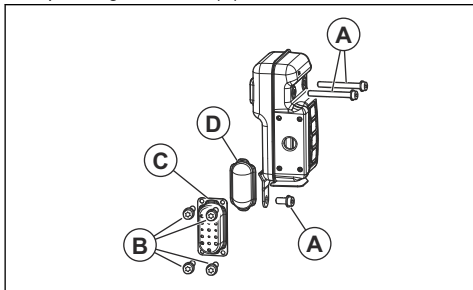
1. Izslēdziet dzinēju un ļaujiet izstrādājumam atdzist.
2. Ja aizdedzes svece ir netīra, notīriet to.
3. Pārbaudiet, vai attālums starp aizdedzes sveces elektrodiem ir pareizs. Sk. *Tehniskie dati lpp. 225.*



4. Nomainiet aizdedzes sveci reizi mēnesī vai biežāk, ja nepieciešams.

## Slāpētāja apkope

1. Apturiet dzinēja darbību un ļaujiet slāpētājam atdzist. Vienmēr lietojiet aizsargcimdus.
2. Atrskrūvējiet skrūves (A), skrūves (B) un noņemiet izplūdes gāzu cauruli (C).



3. Noņemiet dzirksteļu uztvērējsietu (D) un iztīriet to ar metāla suku. Ja dzirksteļu uztvērējsiets ir bojāts, nomainiet to.
4. Ar metāla suku notīriet netīrumus no slāpētāja un cilindra izplūdes porta.
5. Pievienojiet dzirksteļu uztvērējsietu (D) izplūdes gāzu caurulei (C), izmantojot skrūves (B). Griezes moments 2–3 Nm.
6. Skrūves (A) pievelciet ar griezes momentu 8–12 Nm. Pārbaudiet, vai slāpētājs ir pareizi piestiprināts izstrādājumam.

## Dzesēšanas sistēmas pārbaude un tīrīšana

Dzesēšana sistēmu veido cilindra dzeses ribas un gaisa ieplūdes sietfiltrs.

1. Apturiet dzinēju.
2. Pārliecinieties, vai dzesēšanas sistēma nav netīra vai aizsērējusi. Ja nepieciešams, iztīriet gaisa ieplūdes sietfiltru un dzeses ribas.



**IEVĒROJIET:** Netīra vai aizsērējusi dzesēšanas sistēma var paaugstināt dzinēja temperatūru un radīt izstrādājuma bojājumus. Aizsērējis gaisa ieplūdes sietfiltrs samazina plūsmas jaudu.

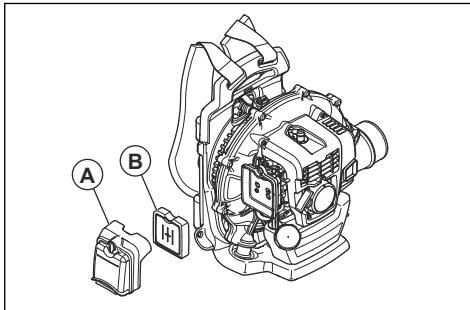
3. Pārbaudiet, vai dzesēšanas sistēma nav bojāta. Pārliecinieties, vai daļas ir pareizi pievienotas izstrādājumam.

## Gaisa filtra tīrīšana



**IEVĒROJIET:** Neizmantojiet izstrādājumu bez gaisa filtra vai ar bojātu gaisa filtru. Puteklains gaiss var izraisīt dzinēja bojājumus.

1. Iestatiet gaisa vārsta vadības slēdzi tā, lai gaisa vārsts būtu slēgtā pozīcijā.
2. Noņemiet gaisa filtra vāku (A).
3. Izņemiet gaisa filtru (B) no filtra ietvara.



4. Iztīriet gaisa filtru ar siltu ziepjuūdeni.

**Piezīme:** Gaisa filtru, kas ir izmantots ilgu laiku, nevar pilnībā iztīrīt. Mainiet gaisa filtru regulāri un vienmēr nomainiet bojātu gaisa filtru.

5. Ar suku notīriet gaisa filtra vāku (A) iekšējo virsmu.
6. Ieļļojiet gaisa filtru. Sk. *Putuplasta gaisa filtra eļļošana lpp. 222.*
7. Ievietojiet gaisa filtru (B) filtra ietvarā.
8. Pievienojiet izstrādājumam gaisa filtra vāku.

## Putuplasta gaisa filtra eļļošana

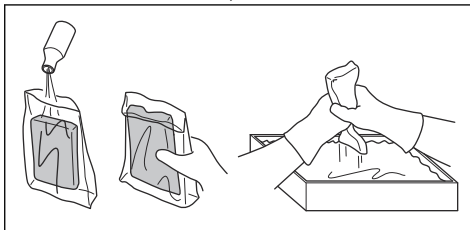


**IEVĒROJIET:** Vienmēr lietojiet tikai Husqvarna īpašo gaisa filtra eļļu. Neizmantojiet citu veidu eļļas.



**BRĪDINĀJUMS:** Uzvelciet aizsargcimdus. Gaisa filtra eļļa var izraisīt ādas kairinājumu.

1. Ievietojiet putuplasta gaisa filtru plastmasas maisiņā.
2. Ieļļojiet eļļu plastmasas maisiņā.
3. Paberzējiet plastmasas maisiņu plaukstās, lai eļļa tiek vienmērīgi uzklāta uz putuplasta gaisa filtra.
4. Izspiediet eļļas pārpalikumu no putuplasta gaisa filtra, kamēr tas ir maisiņā.



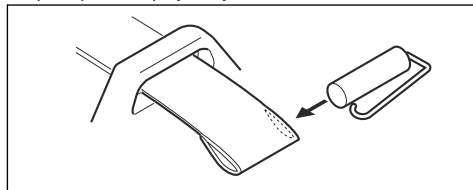
## Stiprinājuma siksnu maiņa



**BRĪDINĀJUMS:** Bojātas stiprinājuma siksnas var izraisīt izstrādājuma nokrišanu un traumas. Pārbaudiet, vai siksnas fiksators ir pareizi uzstādīts.

1. Apturiet dzinēju.
2. Noņemiet no siksnas tās fiksatoru.
3. Iebīdiet siksnas galu caur atveri.

4. Izvelciet jauno siksnu caur atveri.
5. Lai pievienotu siksnas fiksatoru jaunajai siksnai, piestipriniet tapu jaunajai siksnai.



## Problēmu novēršana

Nevar iedarbināt dzinēju		
Kas jāpārbauda	Iespējamais iemesls	Risinājums
Stop (izslēgšanas) slēdzis	Izslēgta pozīcija	Pārslēdziet apturēšanas slēdzi iedarbināšanas stāvoklī
Startera aizturis(i)	Nosprostots(i) vai nolietots(i) startera aizturis(i).	Noregulējiet vai nomainiet startera aizturi(us).
		Notīriet vietu ap aizturi(iem).
		Sazinieties ar apstiprinātu izplatītāju, kas nodrošina apkopi.
Degvielas tvertne.	Nepiemērota degviela.	Iztukšojiet degvielas tvertni un lietojiet piemērotu degvielu.
Karburators.	Tukšgaitas apgriezienu skaita regulēšana.	Regulējiet tukšgaitas apgriezienu skaitu ar tukšgaitas regulēšanas skrūvi.
Aizdedze (nav dzirksteles).	Aizdedzes svece ir netīra vai mitra.	Pārbaudiet, vai aizdedzes svece ir sausa un tīra.
		Notīriet aizdedzes sveci. Pārbaudiet, vai attālums starp aizdedzes sveces elektrodiem ir pareizs. Pārbaudiet, vai aizdedzes svece ir uzstādīta ar slāpētāju.
	Attālums starp aizdedzes sveces elektrodiem nav pareizs.	Informāciju par pareizu attālumu starp elektrodiem skatiet tehnisko datu sadaļā.
Aizdedzes svece.	Aizdedzes svece ir vaļīga.	Pievelciet aizdedzes sveci.
		Pārļiecinieties, vai degvielas maisījums ir atbilstošs.
	Uz aizdedzes sveces elektrodiem ir netīrumi.	Pārļiecinieties, vai gaisa filtrs ir tīrs.

Dzinējs sāk darboties, taču tad apstājas		
Kas jāpārbauda	Iespējamais iemesls	Risinājums
Degvielas tvertne.	Nepiemērota degviela.	Iztukšojiet un iepildiet piemērotu degvielu.
Karburators.	Tukšgaitā dzinējs nedarbojas pareizi.	Sazinieties ar vietējo apkopes sniedzēju.
Gaisa filtrs.	Aizsērējis gaisa filtrs.	Iztīriet gaisa filtru.

---

## Pārvadāšana un uzglabāšana

---

### Pārvadāšana un uzglabāšana



**BRĪDINĀJUMS:** Lai novērstu aizdegšanās risku, pārbaudiet, vai transportēšanas un glabāšanas laikā nav noplūžu vai tvaiku. Gādājiet, lai nerastos dzirkstojošas vai aizdegšanās risks.

- Pirms transportēšanas vai ilgstošas uzglabāšanas iztukšojiet degvielas tvertni. Saspiediet atgaisošanas sūkņa balonu, lai pārliecinātos, vai ir iztukšota visa degviela. Utilizējiet degvielu atbilstošā utilizēšanas vietā.
- Pirms novietojat izstrādājumu ilgstošai glabāšanai, pārliecinieties, vai izstrādājums ir tīrs un tam ir veikta pilna apkope.
- Izņemiet aizdedzes sveci un ielejiet cilindrā aptuveni 15 ml divtaktu dzinēja eļļas. Apgrieziet izstrādājumu otrādi 3 reizes un atkal ielieciet aizdedzes sveci.
- Transportēšanas laikā droši nostipriniet izstrādājumu transportlīdzeklī.
- Glabājiet izstrādājumu sausā, vēsā, tīrā vietā un labi ventilētā vietā. Nodrošiniet, lai bērni nevarētu piekļūt izstrādājumam.



# Tehniskie dati

## Tehniskie dati

	Husqvama 350BT
<b>Dzinējs</b>	
Cilindra darba tilpums, cm <sup>3</sup>	50,2
Brīvgaitas apgriezību skaits, apgr./min.	2200
Katalizators	Nē
<b>Aizdedzes sistēma</b>	
Aizdedzes svece	NGK CMR7H / TORCH AC7R
Attālums starp elektrodiem, mm	0,6–0,7
<b>Degvielas un elļošanas sistēma</b>	
Degvielas tvertnes tilpums, l/cm <sup>3</sup>	1,25/1250
<b>Svars</b>	
Svars, bez degvielas, kg	10,2
<b>Trokšņa emisija</b> <sup>43</sup>	
Skaņas jaudas līmenis, izmērītais dB (A)	101
Skaņas jaudas līmenis, garantētais L <sub>WA</sub> dB (A)	101
<b>Skaņas līmeņi</b> <sup>44</sup>	
Ekvivalents skaņas spiediena līmenis pie lietotāja auss mērīts saskaņā ar standartu EN15503 dB(A):	
Aprīkots ar pūtēja uzgali (oriģinālo)	96
<b>Vibrācijas līmeņi</b> <sup>45</sup>	
Ekvivalenti vibrācijas līmeņi (a <sub>hv, eq</sub> ) pie rokturiem mērīti saskaņā ar standartu EN 15503, m/s <sup>2</sup>	2,7
<b>Ventilatora darbība</b>	
Maks. gaisa ātrums ar pūtēja uzgali, m/s	80
Gaisa plūsma ar pūtēja uzgali, m <sup>3</sup> /min.	14

<sup>43</sup> Atbilstoši EK direktīvai 2000/14/EK trokšņa emisija apkārtņē ir mērīta kā trokšņa jauda (L<sub>WA</sub>). Novērotais ierīces skaņas jaudas līmenis ir izmērīts ar pievienotu oriģinālo pūtēja uzgali, kas rada augstāko līmeni. Atšķirība starp garantēto un izmērīto skaņas jaudas līmeni ir tāda, ka garantētā skaņas intensitātes līmeņa mērījumu rezultāts ietver arī izkliedi mērījuma rezultātā un atšķirības dažādām tā paša modeļa ierīcēm atbilstoši direktīvai 2000/14/EK.

<sup>44</sup> Sniegtajos datos par skaņas spiediena līmeni tipiskā statistiskā izkliede ir 1,0 dB(A) (standartnovirze).

<sup>45</sup> Sniegtajos datos par vibrācijas līmeni tipiska statistiskā izkliede ir 1,0 m/s<sup>2</sup> (standarta novirze).

# EK atbilstības deklarācija

## EK atbilstības deklarācija

Mēs, **Husqvarna AB**, SE-561 82 Huskvarna, Zviedrija, tālr. +46-36-146500, ar pilnu atbildību apliecinām, ka šis izstrādājums:

<b>Apraksts</b>	Uzkabes pūtējs
<b>Zīmols</b>	Husqvarna
<b>Tips/modelis</b>	350BT
<b>Identifikācija</b>	Ar sērijas numuriem no 2022 un turpmākiem sērijas numuriem

pilnībā atbilst šādām ES direktīvām un noteikumiem:

<b>Noteikums</b>	<b>Apraksts</b>
2006/42/EK	“par mašīnām”
2014/30/ES	par elektromagnētisko savietojamību
2000/14/EK	“par trokšņa emisiju vidē”
2011/65/ES	Par dažādu bīstamo vielu lietošanas ierobežojumiem elektriskajos un elektroniskajos aprīkojumos

un ir ievēroti zemāk norādītie saskaņotie standarti un/vai tehniskie dati: EN ISO 12100:2010, CISPR 12:2009, EN 15503:2009+A2:2015, EN IEC 63000:2018

Brīvprātīgu tipa pārbaudi Husqvarna AB uzdevumā ir veicis uzņēmums RISE SMP Svensk Maskinprovning AB, Box 7035, SE-750 07 Uppsala, Zviedrija.

Sertifikāta numurs: SEC/09/2102

RISE SMP Svensk Maskinprovning AB, Box 7035, SE-750 07 Uppsala, Zviedrija, ir arī apstiprinājis līgumu saskaņā ar Eiropas Padomes direktīvas 2000/14/EK V pielikumu.

Lai iegūtu informāciju par trokšņa emisiju, skatiet šeit: *Tehniskie dati lpp. 225.*

Huskvarna, 2022-05-17

Stefan Holmberg, R&D Director, Technology Management, Husqvarna AB.

Atbildīgais par tehnisko dokumentāciju



## Inhoud

Inleiding.....	227	Probleemoplossing.....	238
Veiligheid.....	229	Transport en opslag.....	239
Montage.....	231	Technische gegevens.....	240
Werking.....	232	EG verklaring van overeenstemming.....	241
Onderhoud.....	235		

## Inleiding

### Productbeschrijving

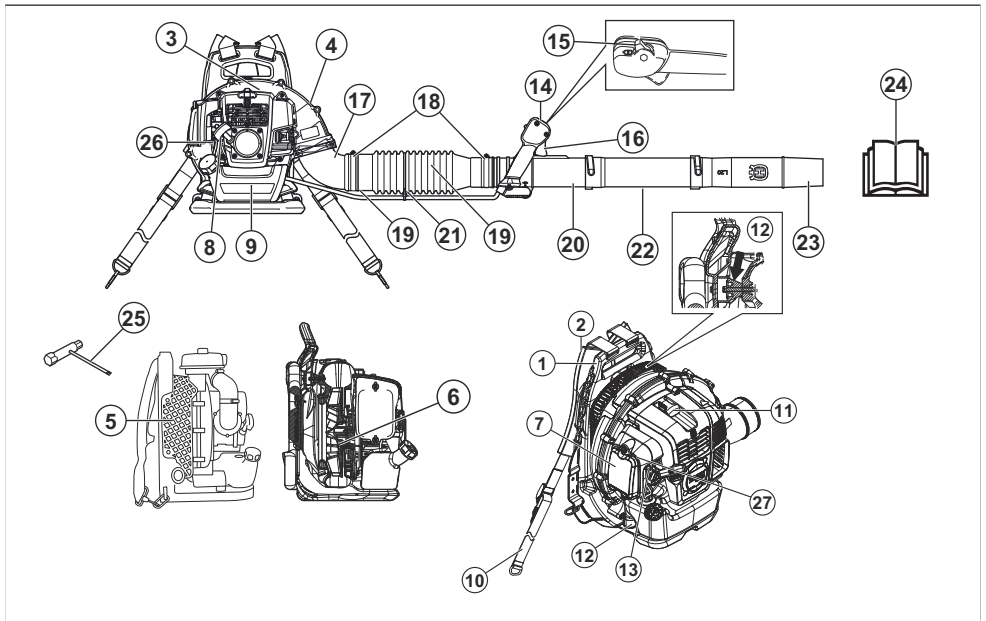
Deze machine is een ruggedragen bladblazer met een brandstofmotor.

Husqvarna AB werkt voortdurend aan het verder ontwikkelen van haar producten en behoudt zich dan ook het recht voor om zonder aankondiging vooraf wijzigingen in o.a. vorm en uiterlijk door te voeren.

### Gebruik

Gebruik het product voor het wegblazen van bladeren en ander ongewenst materiaal van bijvoorbeeld gazons, voetpaden en asfaltwegen.

### Productoverzicht



1. Frame
2. Draagstel
3. Motorkap
4. Ventilatorkep
5. Luchtinlaatrooster
6. Ventilator
7. Luchtfilter
8. Startkoordhendel
9. Brandstoftank
10. Heupgordel
11. Bougie
12. Trillingdempingssysteem
13. Chokehendel
14. Bedieningshendel
15. Start/stopschakelaar met gashendel
16. Gashendel

17. Pijphoek
18. Klem
19. Flexibele slang
20. Regelpijp
21. Kabelklem
22. Tussenpijp
23. Blaasmondstuk
24. Bedieningshandleiding
25. Ring-steeksleutel
26. Primerbalg van brandstofpomp
27. Schroef voor stationair draaien

## Symbolen op het product



**WAARSCHUWING!** Dit product kan gevaarlijk zijn en ernstig of fataal letsel toebrengen aan de gebruiker of anderen. Wees voorzichtig en gebruik het product op de juiste manier.



Lees de bedieningshandleiding zorgvuldig door en zorg dat u de instructies hebt begrepen voordat u het product gebruikt.



Gebruik goedgekeurde gehoorbescherming en oogbescherming. Als de omgeving stof bevat, gebruik dan een stofmasker.



Draag goedgekeurde veiligheidshandschoenen.



Mengsel van benzine en tweetaktolie.



Primerbalg van brandstofpomp.



Houd alle lichaamsdelen uit de buurt van hete oppervlakken.



Choke, geopende stand.



Choke, gesloten stand.



Dit product voldoet aan de geldende EC-richtlijnen.



Dit product voldoet aan de geldende VK-regelgeving.



Geluidsemisies naar het omgevingslabel volgens de richtlijnen en voorschriften van de EU en het VK en de wetgeving van Nieuw-Zuid-Wales "Protection of the Environment Operations (Noise Control) Regulation 2017". Het gegarandeerde geluidsvermogensniveau van het product staat vermeld in *Technische gegevens op pagina 240* en op het label.



Kijk uit voor wegslingerende objecten. Wegslingerende objecten kunnen ernstig letsel veroorzaken. Maak altijd gebruik van persoonlijke beschermingsmiddelen.



Houd een veiligheidsafstand aan van minimaal 15 m tot andere personen of dieren.

yyyywwxxxx

Het serienummer staat op het productplaatje. **yyyy** is het productiejaar en **ww** is de productieweek.

**Let op:** Andere symbolen/stickers op het product hebben betrekking op certificeringseisen voor overige commerciële markten.

## Euro V-emissies



**WAARSCHUWING:** De EU-typegoedkeuring van dit product vervalt als ongeoorloofde wijzigingen aan de motor aangebracht worden.

## Productaansprakelijkheid

Zoals uiteengezet in de wet voor productaansprakelijkheid zijn wij niet aansprakelijk voor schade die door ons product wordt veroorzaakt, indien:

- het product niet goed is gerepareerd.
- het product is gerepareerd met onderdelen die niet van de fabrikant afkomstig zijn, of onderdelen die niet zijn goedgekeurd door de fabrikant.
- het product een accessoire bevat dat niet afkomstig is van de fabrikant of niet is goedgekeurd door de fabrikant.

- het product niet is gerepareerd door een erkend servicepunt of door een erkende autoriteit.

---

## Veiligheid

---

### Veiligheidsdefinities

De onderstaande definities geven de mate van ernst weer voor elk trefwoord.



**WAARSCHUWING:** Letsel aan personen.



**OPGELET:** Schade aan het product.

**Let op:** Deze informatie maakt het product eenvoudiger in gebruik.

### Algemene veiligheidsinstructies



**WAARSCHUWING:** Lees de volgende waarschuwingen voordat u het product gaat gebruiken.

- Breng geen wijzigingen aan in het product zonder toestemming van de fabrikant en gebruik altijd originele accessoires. Niet goedgekeurde wijzigingen en/of niet-originele onderdelen kunnen tot ernstig letsel of de dood van zowel gebruiker als omstanders leiden.
- Gebruik nooit een beschadigd product. Voer de in deze bedieningshandleiding beschreven veiligheidscontroles en onderhoudstaken uit. Alle overige onderhoudswerkzaamheden moeten worden uitgevoerd door erkend onderhoudspersoneel.
- Alle onderhoudswerkzaamheden en reparaties moeten worden uitgevoerd door erkend onderhoudspersoneel. Als een onderdeel van het product defect is, neem dan contact op met uw servicedealer.

### Veiligheidsinstructies voor bediening



**WAARSCHUWING:** Lees de volgende waarschuwingen voordat u het product gaat gebruiken.

- Dit product kan gevaarlijk zijn en ernstig of fataal letsel toebrengen aan de gebruiker of anderen. Wees voorzichtig en gebruik het product op de juiste manier.
- Controleer het product vóór gebruik. Zie *Onderhoud op pagina 235*.
- Gebruik het product niet wanneer u vermoeid of ziek bent, of alcohol of drugs hebt gebruikt waardoor uw gezichts-, beoordelings- of coördinatievermogen wordt aangetast.
- Breng vóór gebruik alle afdekkingen en afschermingen aan. Verzeker u ervan dat de bougiekop en ontstekingskabel onbeschadigd zijn om het risico van een elektrische schok te voorkomen.
- Raak de bougie of de ontstekingskabel niet aan terwijl de motor loopt.
- Houd een veiligheidsafstand aan van minimaal 15 m tot andere personen of dieren. Stop het product als personen, kinderen of dieren dichterbij komen dan 15 meter. Richt het product niet op personen, dieren, open ramen of andere voorwerpen.
- Laat het product niet door kinderen bedienen. Zorg ervoor dat alle gebruikers deze bedieningshandleiding lezen en begrijpen.
- Houd tijdens het werk handen en andere voorwerpen uit de buurt van de behuizing van de bladblazer. Roterende onderdelen kunnen ernstig letsel veroorzaken.
- Gebruik het product niet als het luchtinlaatrooster niet is gemonteerd. Zorg er vóór gebruik altijd voor dat het luchtinlaatrooster is gemonteerd en niet is beschadigd.
- Als zich een noodsituatie voordoet, maakt u de heupgordel en de borstgordel van het harnas los en laat u het product vallen.
- Houd u aan de nationale voorschriften en richtlijnen.
- Houd alle lichaamsdelen uit de buurt van hete oppervlakken.
- Dit product produceert tijdens bedrijf een elektromagnetisch veld. Dit veld kan onder bepaalde omstandigheden de werking van actieve of passieve medische implantaten verstoren. Om het risico op ernstig of dodelijk letsel te beperken, raden we personen met een medisch implantaat aan om contact op te nemen met hun arts en de fabrikant van het medische implantaat alvorens dit product te gaan gebruiken.
- Door te veel trillingen kan de circulatie of het zenuwstelsel beschadigd raken. Neem contact op met uw arts als u symptomen hebt, zoals gevoelloosheid, verlies van gevoel, tintelingen, een prikkelend gevoel, pijn, krachtverlies of veranderingen in de huidskleur in uw vingers, handen of polsen.
- Kijk uit voor wegslingerende objecten. Wegslingerende objecten kunnen ernstig letsel veroorzaken.
- Gebruik het product niet bij slecht weer, zoals mist, regen, harde wind en hevige kou. Werken bij slecht

weer kan leiden tot vermoeidheid en gevaarlijke omstandigheden.

- Zorg dat u vrij kunt bewegen en in een stabiele houding kunt werken. Controleer het werkgebied op mogelijke obstakels, zoals stenen. Wees voorzichtig wanneer u het product op een helling bedient.
- Plaats het product niet met een draaiende motor op de grond.
- Gebruik dit product niet op hoogte, zoals op een ladder.
- Zorg ervoor dat u altijd kunt worden gehoord als er een ongeval plaatsvindt.
- Controleer of de uitlaat voor uitlaatgassen niet is geblokkeerd. Om schade aan het product te voorkomen, moet u obstakels op een afstand van ten minste 50 cm vanaf de uitlaat voor uitlaatgassen houden.
- Start het product niet binnenshuis, bij een slechte luchtstroom of in de buurt van licht ontvlambaar materiaal. De uitlaatgassen van de motor bevatten koolmonoxide, dat koolmonoxidevergiftiging kan veroorzaken. De uitlaatgassen van de motor zijn heet en kunnen vonken veroorzaken die tot brand kunnen leiden.

## Persoonlijke beschermingsuitrusting



**WAARSCHUWING:** Lees de volgende waarschuwingen voordat u het product gaat gebruiken.

- Draag tijdens het gebruik van het product altijd goedgekeurde persoonlijke beschermingsmiddelen. Persoonlijke beschermingsuitrusting kunnen niet alle risico's uitsluiten maar kunnen de ernst van eventueel letsel helpen beperken. Neem voor meer informatie contact op met uw dealer.
- Gebruik goedgekeurde gehoorbescherming. Langdurige blootstelling aan lawaai kan leiden tot permanente gehoorbeschadiging.
- Gebruik goedgekeurde oogbescherming. Als u een vizier gebruikt, moet u ook een goedgekeurde veiligheidsbril gebruiken. Een goedgekeurde veiligheidsbril moet voldoen aan de norm ANSI Z87.1 voor de VS of EN 166 voor de EU-landen.
- Draag veiligheidshandschoenen tijdens gebruik en onderhoud.
- Gebruik beschermende laarzen of schoenen met antislipzolen.
- Gebruik kleding van sterke stof en van volledige lengte. Gebruik geen sieraden of open schoenen. Om het risico op letsel te verminderen, moet uw nauwsluitende kleding dragen, maar mag deze uw bewegingen niet beperken. Bind uw haar samen tot boven schouderlengte om te voorkomen dat uw haar in draaiende onderdelen terechtkomt of op takken vast komt te zitten.
- Gebruik ademhalingsbescherming wanneer het risico van het vrijkomen van stof bestaat.

- Houd de EHBO-does in de buurt.

## Veiligheidsvoorzieningen op het product



**WAARSCHUWING:** Lees de volgende waarschuwingen voordat u het product gaat gebruiken.

- Gebruik het product nooit wanneer de veiligheidsvoorzieningen defect zijn.
- Controleer de veiligheidsvoorzieningen regelmatig op een juiste werking. Zie *Onderhoud op pagina 235*.
- Als de veiligheidsvoorzieningen defect zijn, neem dan contact op met uw Husqvarna servicedealer.

## Geluiddemper controleren



**WAARSCHUWING:** Gebruik geen product met een defecte geluiddemper.



**WAARSCHUWING:** De demper wordt zeer heet tijdens en na gebruik, ook bij stationair toerental. Gebruik beschermende handschoenen om brandwonden te voorkomen.



**WAARSCHUWING:** De binnenkant van de geluiddemper bevat chemicaliën die kankerverwekkend kunnen zijn. Raak de geluiddemper niet aan indien deze is beschadigd.

- Controleer de demper regelmatig visueel. De geluiddemper is bedoeld om geluidsniveaus zo laag mogelijk te houden en om de uitlaatgassen weg te voeren van de gebruiker. Zie *Onderhoud uitvoeren aan de geluiddemper op pagina 236*.

## Trillingsdempingssysteem controleren

1. Controleer de trillingdempers op scheuren of vervorming.
2. Controleer of de trillingdempers op de juiste wijze zijn bevestigd op de motor en de handgreep.

Raadpleeg *Productoverzicht op pagina 227* voor informatie over de locatie van het trillingdempingssysteem op uw product.

## De start/stop-schakelaar controleren

1. Schakel de motor uit met de start/stop-schakelaar.
2. Zorg ervoor dat de motor volledig wordt stopgezet.

Raadpleeg *Productoverzicht op pagina 227* om te zien waar zich op uw product de start/stop-schakelaar bevindt.

## Veiligheid van het draagstel

- Zorg ervoor dat de heupgordel is aangesloten en juist is afgesteld. Losse uiteinden van het harnas kunnen in draaiende onderdelen terechtkomen en schade aan de ventilator veroorzaken. Als de ventilator is beschadigd, worden losse onderdelen van de machine mogelijk naar buiten geworpen en kunnen deze letsel of schade veroorzaken.

## Brandstofveiligheid



**WAARSCHUWING:** Lees de volgende waarschuwingen voordat u het product gaat gebruiken.

- Meng en vul brandstof niet binnenshuis bij of in de buurt van een warmtebron.
- Start het product niet als er brandstof of olie op het product of uw lichaam is gemorst.
- Start het product niet als er sprake is van brandstoflekkage. Controleer de motor regelmatig op brandstoflekkage.
- Wees altijd voorzichtig met brandstof. Brandstof is licht ontvlambaar en de brandstofgassen zijn

explosief. Deze kunnen ernstig letsel veroorzaken of leiden tot de dood.

- Adem geen brandstofdampen in, dit kan letsel veroorzaken. Zorg voor voldoende ventilatie.
- Rook niet in de buurt van de brandstof of de motor.
- Plaats het product of een jerrycan met brandstof niet in de buurt van warme voorwerpen, open vuur, vonken of waakvlammen.
- Gebruik altijd goedgekeurde containers voor opslag en transport van brandstof.

## Veiligheidsinstructies voor onderhoud



**WAARSCHUWING:** Lees de volgende waarschuwingen voordat u het product gaat gebruiken.

- Zet de motor af, verwijder de bougie en laat de motor afkoelen voordat u onderhouds- en montagewerkzaamheden uitvoert.
- Een verstopt vonkenscherm leidt ertoe dat de motor te heet wordt, waardoor schade aan de motor ontstaat.

## Montage

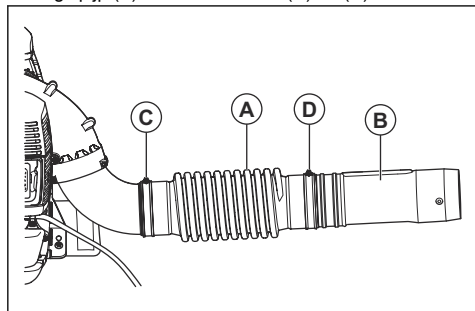
### Inleiding



**WAARSCHUWING:** Zorg dat u het hoofdstuk over veiligheid hebt gelezen en begrepen voordat u het apparaat monteert.

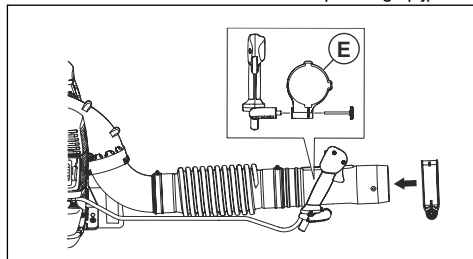
### De blaaspijp en regelpijp op het product monteren

1. Bevestig de flexibele slang (A) op de pijphoek en de regelpijp (B) met de klemmen (C) en (D).

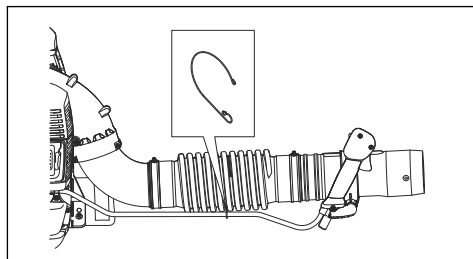


**Let op:** Smeer de regelpijp en de flexibele slang om deze gemakkelijker te monteren.

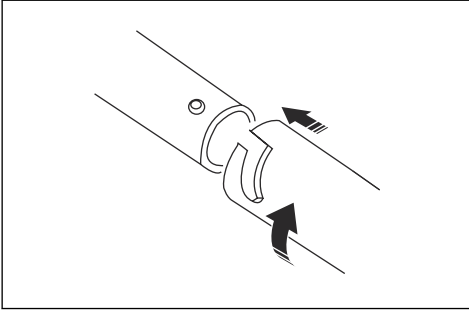
2. Bevestig de hendelhouder (E) aan de regelpijp. Lijn de hendelhouder uit met de flens op de regelpijp.



3. Stel de positie en hoek van de bedieningshendel in op een veilige en correcte werkpositie. Draai de knop vast.
4. Bevestig de kabel aan de flexibele slang met de kabelklem.



5. Bevestig de tussenpijp aan de regelpijp.



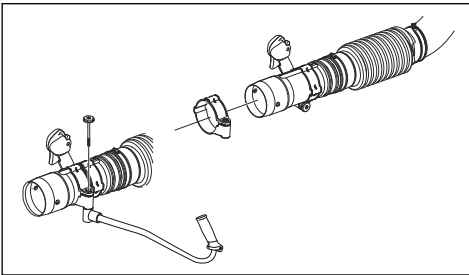
**Let op:** Als het nodig is een langere cirkelvormige blaaspijp te gebruiken, is er een verlengde tussenpijp verkrijgbaar.

6. Bevestig het blaasmondstuk aan de tussenpijp.

**Let op:** Het blaasmondstuk kan alleen op de tussenpijp worden aangesloten.

## Het stuur monteren (optioneel accessoire)

1. Verwijder de tussenpijp.
2. Verwijder de knop van de houder en duw de houder op de regelpijp.
3. Monteer het stuur en de knop. Draai de knop vast.

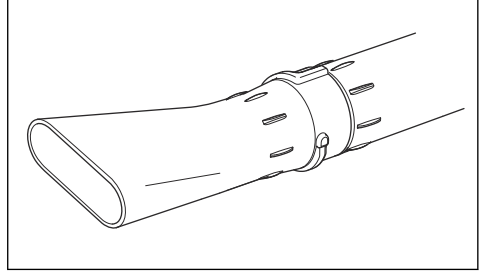


4. Monteer de tussenpijp.

## Het platte mondstuk monteren (optioneel accessoire)

Het platte mondstuk geeft een hogere lichtsnelheid dan de blaasmond.

- Verwijder de blaasmond van de tussenpijp en bevestig de platte zuigmond.



## Werking

### Inleiding



**WAARSCHUWING:** Zorg dat u het hoofdstuk over veiligheid hebt gelezen en begrepen voordat u het product gebruikt.



**OPGELET:** Een verkeerde soort brandstof kan leiden tot motorschade. Gebruik een mengsel van benzine en tweektolie.

### Brandstof

Dit product is uitgerust met een tweetaktmotor.

### Voorgemengde brandstof

- Gebruik voorgemengde Husqvarna-alkylaatbrandstof voor optimale prestaties en een lange levensduur van de motor. Deze brandstof bevat minder schadelijke stoffen dan reguliere brandstof waardoor de uitstoot van schadelijke uitlaatgassen wordt



beperkt. Bij gebruik van deze brandstof blijven er minder verbrandingsresten in de motor achter waardoor de onderdelen van de motor schoner blijven.

## Brandstof mengen

### Benzine

- Gebruik hoogwaardige loodvrije benzine met maximaal 10% ethanol (E10).



**OPGELET:** Gebruik geen benzine met een octaangetal lager dan 90 RON/87 AKI. Een lager octaangetal kan leiden tot pingelen van de motor wat tot motorschade kan leiden.

### Tweetaktolie

- Gebruik voor de beste resultaten en optimale prestaties Husqvarna tweetaktolie.
- Als geen Husqvarna tweetaktolie beschikbaar is, gebruik dan een andere hoogwaardige tweetaktolie voor luchtgekoelde motoren. Bespreek de keuze van de tweetaktolie met uw servicedealer.



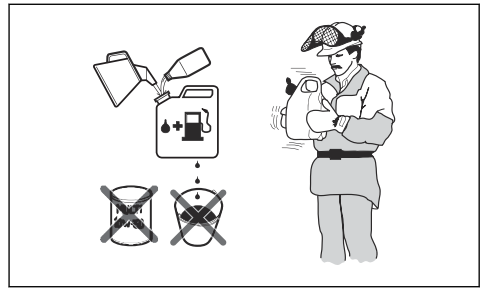
**OPGELET:** Gebruik geen tweetaktolie die bedoeld is voor watergekoelde buitenboordmotoren, zogenaamde outboardoil. Gebruik geen olie die is bedoeld voor viertaktmotoren.

### Benzine en tweetaktolie mengen

Benzine, liter	Tweetaktolie, liter
	<b>2% (50:1)</b>
5	0,10
10	0,20
15	0,30
20	0,40



**OPGELET:** Wanneer u kleine hoeveelheden brandstof mengt, kunnen kleine fouten grote gevolgen hebben voor de mengverhouding. Meet de hoeveelheid olie nauwkeurig af om het juiste mengsel te verkrijgen.



1. Giet de helft van de benzine in een schone brandstofbestendige houder.
2. Voeg de volledige hoeveelheid olie toe.
3. Schud het brandstofmengsel.
4. Giet de resterende hoeveelheid benzine in de houder.
5. Schud het brandstofmengsel grondig.



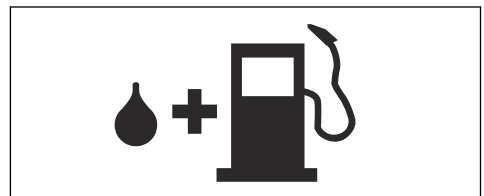
**OPGELET:** Meng maximaal de hoeveelheid brandstof die u nodig hebt voor 1 maand.

### Brandstoftank vullen



**WAARSCHUWING:** Houd u voor uw eigen veiligheid aan de volgende procedure.

1. Stop de motor en laat de motor afkoelen.
2. Maak het gebied rondom de brandstoftankdop goed schoon.



3. Schud de container en zorg ervoor dat de brandstof volledig is gemengd.
4. Draai de brandstoftankdop langzaam los om de druk te laten ontsnappen.
5. Vul de brandstoftank.



**OPGELET:** Zorg dat er niet te veel brandstof in de brandstoftank zit. De brandstof zet uit wanneer deze heet wordt.

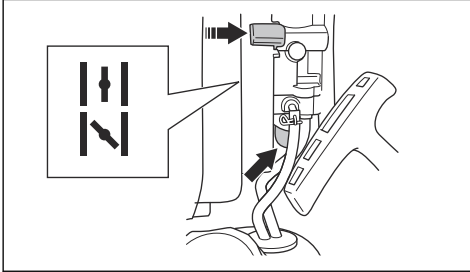
6. Draai de tankdop volledig vast.
7. Verwijder gemorste brandstof op en rond het product.

8. Verwijder het product altijd ten minste 3 m uit de buurt van de tankplaats en brandstofbron voordat u het product gaat starten.

**Let op:** Zie *Productoverzicht op pagina 227* om te zien waar de brandstoftank op uw product is.

## Product starten

1. Als de motor koud is, zet u de chokehendel in de gesloten chokestand. Zie *Symbolen op het product op pagina 228*.



2. Druk de primerbalg van de brandstofpomp steeds opnieuw in, totdat de primerbalg wordt gevuld met brandstof. Het is niet nodig het balgje volledig te vullen.
3. Duw de start/stop-schakelaar met gashendel naar de stand 1/3 toerental. Zie *De gashendel/stop-schakelaar bedienen op pagina 234*.
4. Plaats het product op een vlakke ondergrond.
5. Houd het product vast met uw linkerhand.



**OPGELET:** Gebruik niet uw voeten om het product vast te houden.

6. Trek langzaam aan de startkoordhendel totdat u weerstand voelt.
7. Trek snel aan de startkoordhendel met uw rechterhand. Trek steeds opnieuw aan de startkoordhendel tot de motor start.

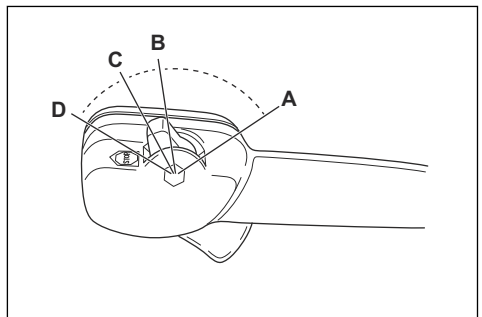
**Let op:** Trek de startkoordhendel niet helemaal uit tot de maximale positie en laat de startkoordhendel niet los.

8. Als de motor koud is, duw dan de chokehendel geleidelijk naar de open chokestand totdat de chokehendel stopt.
9. Als de motor koud is, laat de motor dan 2 tot 3 minuten warmdraaien voordat u de motor gebruikt.



**WAARSCHUWING:** Er komt lucht vrij wanneer de motor wordt gestart en het product op stationair toerental wordt ingesteld. Laat geen personen in de buurt van het product of de blaaspijp komen.

## De gashendel/stop-schakelaar bedienen



- Geef vol gas (A).
- Pas 1/3 toerental (B) toe.
- Laat stationair draaien (C).
- Stop het product (D).

## Het product gebruiken

- Deze blazer is van het rugzaktype en wordt tijdens gebruik gedragen met behulp van een schouderharnas. Het gereedschap is met de rechterhand te bedienen door middel van de hendel op de buis.



- Gebruik het product uitsluitend op gebruikelijke werktijden. Volg de plaatselijke regelgeving.
- Verminder het aantal apparaten en selecteer het juiste toerental voor uw taak. Gebruik de gasregeling in de laagst mogelijke stand om meer geluid en stof dan nodig is te voorkomen.
- Houd de blaasmond dicht bij de grond.

**Let op:** Husqvarna raadt u aan het volledige verlengstuk van de blaasmond te gebruiken.

- Noteer de windrichting en bedien het product in de windrichting.
- Gebruik geschikt tuingereedschap om materiaal van de grond los te maken.
- Maak in gebieden met stof gebruik van spuitapparatuur om het gebied te nat te maken. Dit verkort de bedrijfstijd.
- Bewaar het product na gebruik verticaal.

## Product stoppen



**OPGELET:** Stop het product niet op volle snelheid.

## Onderhoud

### Inleiding

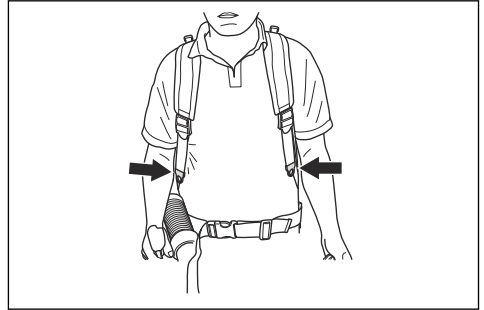


**WAARSCHUWING:** Zorg dat u het hoofdstuk over veiligheid hebt gelezen en

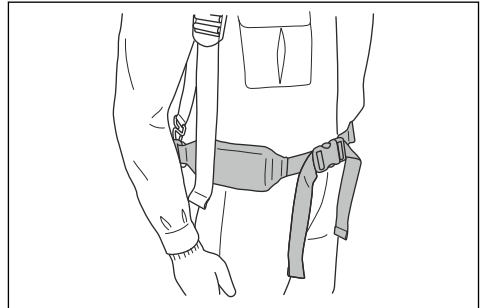
1. Zet de start/stopschakelaar met gashendel in de stopstand. Zie *De gashendel/stopschakelaar bedienen op pagina 234.*

## Dragstel afstellen

1. Doe het draagstel van het product om.
2. Stel de schouderriemen zo af dat het product strak tegen uw lichaam zit.



3. Plaats de heupgordel om uw middel.
4. Haal de riem van de heupgordel aan. Zorg ervoor dat het gewicht van de bladblazer op uw heupen blijft.



begrepen voordat u onderhoud aan het product gaat uitvoeren.

## Onderhoudsschema

Onderhoud	Elke dag	Wekelijks	Maandelijks
Reinig de externe oppervlakken.	X		
Controleer of de bedieningshendel goed werkt.	X		
Controleer of de start/stopschakelaar correct werkt. Zie <i>De start/stop-schakelaar controleren op pagina 230.</i>	X		
Controleer de motor, de brandstoftank en de brandstofleidingen op lekkages. Controleer het brandstoffilter op verontreiniging. Vervang het brandstoffilter indien nodig.	X		
Maak het luchtfilter schoon. Vervang het luchtfilter indien nodig.	X		
Draai moeren en bouten aan.	X		
Inspecteer de luchtinlaat en controleer of deze niet is geblokkeerd.	X		
Controleer de starter en het startkoord op beschadigingen.		X	
Controleer de trillingsdempers op beschadigingen, scheuren en vervorming. Controleer of de trillingsdempers correct zijn bevestigd.		X	
Controleer de bougie. Zie <i>De bougie controleren op pagina 236.</i>		X	
Reinig het koelsysteem.		X	
Reinig het externe oppervlak van de carburateur en het gebied er omheen.		X	
Reinig de brandstoftank.			X
Controleer alle kabels en aansluitingen.			X
Controleer het vonkenscherm van de geluiddemper en reinig deze (voor producten zonder katalysator).		X	
Controleer en reinig het vonkenscherm op de geluiddemper (voor machines met katalysator).			X
Controleer de bougie. Vervang indien nodig.			X

### Stationair toerental afstellen

1. Zorg dat het luchtfilter schoon is en het luchtfilterdeksel gemonteerd is.
2. Stel het stationair toerental af met de schroef voor stationair draaien. Zie *Productoverzicht op pagina 227* om te zien waar zich op de machine de schroef voor stationair draaien bevindt.

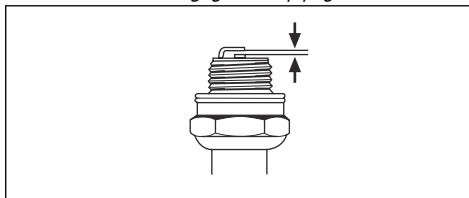
### De bougie controleren



**OPGELET:** Gebruik de aanbevolen bougie. Zie *Technische gegevens op pagina 240*. Een onjuiste bougie kan leiden tot schade aan het product.

1. Stop de motor en laat het product afkoelen.
2. Reinig de bougie als deze vuil is.

3. Controleer of de afstand tussen de elektroden juist is. Zie *Technische gegevens op pagina 240*.

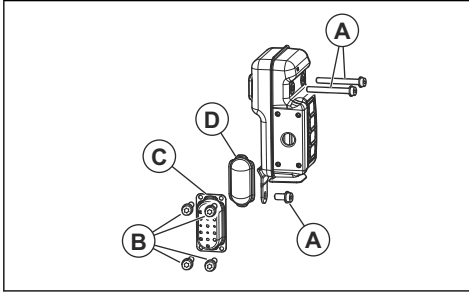


4. Vervang de bougie maandelijks of vaker indien nodig.

### Onderhoud uitvoeren aan de geluiddemper

1. Stop de motor en laat de geluiddemper afkoelen. Gebruik altijd veiligheidshandschoenen.

2. Verwijder de schroeven (A), de schroeven (B) en het uitlaatkanaal (C).



3. Verwijder het vonkenscherm (D) en reinig dit met een staalborstel. Vervang het vonkenscherm als het beschadigd is.
4. Verwijder vuil uit de demper en uit de uitlaatpoort van de cilinder met de staalborstel.
5. Bevestig het vonkenscherm (D) en het uitlaatkanaal (C) met de schroeven (B). Draai de schroeven vast met 2–3 Nm.
6. Draai de schroeven (A) vast met 8–12 Nm. Zorg ervoor dat de geluiddemper correct aan het product is bevestigd.

## Het koelsysteem inspecteren en reinigen

Het koelsysteem omvat de koelvinnen op de cilinder en het luchtinlaatrooster.

1. Stop de motor.
2. Zorg ervoor dat het koelsysteem niet vuil of verstopt is. Reinig indien nodig het luchtinlaatrooster en de koelvinnen.



**OPGELET:** Een vuil of verstopt koelsysteem kan tot gevolg hebben dat de temperatuur van de motor stijgt en het product beschadigd raakt. Een verstopt luchtinlaatrooster vermindert de blaaskracht.

3. Inspecteer het koelsysteem op schade. Zorg ervoor dat de onderdelen correct op het product zijn bevestigd.

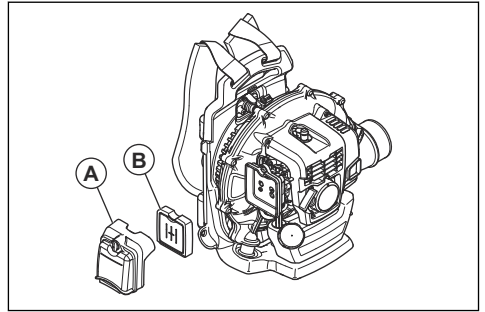
## Het luchtfilter reinigen



**OPGELET:** Gebruik het product niet zonder luchtfilter of met een beschadigd luchtfilter. Stof in de lucht kan schade aan de motor veroorzaken.

1. Duw de chokehendel naar de gesloten stand.
2. Verwijder het luchtfilterdeksel (A).

3. Verwijder het luchtfilter (B) uit het filterframe.



4. Reinig het luchtfilter met warm water en zeep.

**Let op:** Een luchtfilter dat lange tijd is gebruikt, kan niet volledig worden gereinigd. Vervang het luchtfilter regelmatig en vervang een defect luchtfilter altijd.

5. Reinig het binnenoppervlak van het luchtfilterdeksel (A) met een borstel.
6. Breng olie aan op het luchtfilter. Zie *Olie aanbrengen op het schuimluchtfilter* op pagina 237.
7. Plaats het luchtfilter in het filterframe.
8. Bevestig het luchtfilterdeksel op het product.

## Olie aanbrengen op het schuimluchtfilter

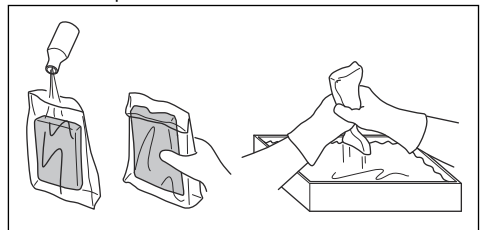


**OPGELET:** Gebruik altijd speciale luchtfilterolie van Husqvarna. Gebruik geen andere typen olie.



**WAARSCHUWING:** Draag veiligheidshandschoenen. De olie van het luchtfilter kan huidirritatie veroorzaken.

1. Doe het schuimluchtfilter in een plastic zak.
2. Doe de olie in de plastic zak.
3. Wrijf over de plastic zak, zodat de olie gelijkmatig over het schuimluchtfilter wordt verdeeld.
4. Duw de overtollige olie uit het schuimluchtfilter terwijl het in de plastic zak zit.



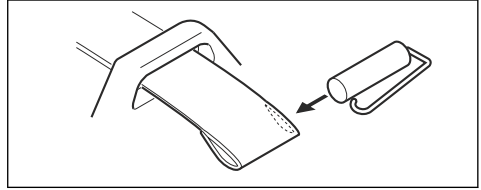
## Het harnas vervangen



**WAARSCHUWING:** Een beschadigd harnas kan tot gevolg hebben dat het product valt en letsel veroorzaakt. Zorg ervoor dat de klem correct wordt aangebracht.

1. Stop de motor.
2. Verwijder de klem uit de riem.
3. Haal het uiteinde van de riem door het oog.

4. Bevestig de nieuwe riem door het oog.
5. Plaats de pen in de riem om de klem aan de nieuwe riem te bevestigen.



## Probleemoplossing

De motor kan niet worden gestart		
Controle	Mogelijke oorzaak	Oplossing
Stopknop.	Stopstand	Zet de stopschakelaar in de startpositie.
Startpal(len).	Geblokkeerde of versleten startpal(len).	Verstel of vervang de startpal(len).
		Reinig het gebied rondom de startpal(len).
		Neem contact op met een erkende servicedealer.
Brandstoftank.	Verkeerd type brandstof.	Tap de brandstoftank af en vul deze met de juiste brandstof.
Carburateur.	Afstelling van het stationair toerental.	Stel het stationair toerental af met de stelschroef.
Ontsteking (geen vonk).	Bougie vies of nat.	Zorg ervoor dat de bougie droog en schoon is.
	De elektrodenafstand op de bougie is niet juist.	Bougie reinigen. Controleer of de afstand tussen de elektroden juist is. Zorg ervoor dat de bougie is uitgerust met een onderdrukker.
		Zie de technische gegevens voor de correcte elektrodenafstand.
Bougie.	Bougie is los.	Draai de bougie vast.
	Er is ongewenst materiaal aanwezig op de elektroden van de bougie.	Zorg dat het brandstofmengsel correct is.
		Zorg dat het luchtfilter schoon is.

De motor start, maar stopt weer		
Controle	Mogelijke oorzaak	Oplossing
Brandstoftank.	Verkeerd type brandstof.	Tap de tank af en gebruik de juiste brandstof.
Carburateur.	De motor werkt niet naar behoren bij stationair toerental.	Neem contact op met uw servicedealer.
Luchtfilter.	Verstopt luchtfilter.	Maak het luchtfilter schoon.

---

## Transport en opslag

---

### Transport en opslag



**WAARSCHUWING:** Om brandgevaar te voorkomen, moet u ervoor zorgen dat er geen lekken of dampen zijn tijdens transport of opslag. Zorg ervoor dat er geen risico op vonken of brand bestaat.

- Leeg de brandstoftank voordat het product wordt vervoerd of gedurende lange tijd wordt opgeslagen. Druk op de primerbalg van de brandstofpomp om ervoor te zorgen dat alle brandstof wordt verwijderd. De brandstof via een geschikte verwijderingslocatie afvoeren.
- Zorg ervoor dat het product schoon is en dat er volledig onderhoud wordt uitgevoerd voordat het product lange tijd wordt opgeborgen.
- Verwijder de bougie en giet ongeveer 15 ml tweetakolie in de cilinder. Draai het product 3 keer om en breng de bougie opnieuw aan.
- Bevestig het product stevig op het voertuig tijdens vervoer.
- Plaats het product in een droge, koele en schone ruimte met een goede luchtstroom. Houd de machine buiten het bereik van kinderen.

## Technische gegevens

### Technische gegevens

	Husqvarna 350BT
<b>Motor</b>	
Cilinderinhoud, cm <sup>3</sup>	50,2
Stationair toerental, tpm	2200
Katalysator	Nee
<b>Ontstekingsstelsel</b>	
Bougie	NGK CMR7H / TORCH AC7R
Elektrodenafstand, mm	0,6-0,7
<b>Brandstof-/smeersysteem</b>	
Inhoud brandstoftank, l / cm <sup>3</sup>	1,25 / 1250
<b>Gewicht</b>	
Gewicht zonder brandstof, in kg	10,2
<b>Geluidsemissies</b> <sup>46</sup>	
Geluidsvermogensniveau, gemeten dB(A)	101
Geluidsvermogensniveau, gegarandeerd L <sub>WA</sub> dB (A)	101
<b>Geluidsniveau</b> <sup>47</sup>	
Equivalent geluidsdrukniveau bij het oor van de gebruiker, gemeten volgens EN 15503 dB(A):	
Uitgerust met blaasmondstuk (origineel)	96
<b>Trillingsniveau</b> <sup>48</sup>	
Equivalent trillingsniveaus (a <sub>h<sub>v</sub>,eq</sub> ) bij de handgrepen, gemeten volgens EN 15503, m/s <sup>2</sup>	2,7
<b>Ventilatorprestaties</b>	
Max. luchtsnelheid met blaasmondstuk, m/s	80
Luchtstroom met blaasmondstuk, m <sup>3</sup> /min	14

<sup>46</sup> Geluidsemissie naar de omgeving gemeten als geluidsvermogen (L<sub>WA</sub>) volgens EG-richtlijn 2000/14/EG. Het gerapporteerde geluidsvermogensniveau voor de machine is gemeten met de originele blaasmondstuk die het hoogste niveau geeft. Het verschil tussen gegarandeerd en gemeten geluidsvermogen is dat het gegarandeerde geluidsvermogen ook spreiding in het meetresultaat omvat en de verschillen tussen de verschillende machines van hetzelfde model conform Richtlijn 2000/14/EG.

<sup>47</sup> De gerapporteerde gegevens voor het geluidsdrukniveau vertonen een typische statistische spreiding (standaardafwijking) van 1,0 dB (A).

<sup>48</sup> De gerapporteerde gegevens voor een trillingsniveau vertonen een typische statistische spreiding (standaardafwijking) van 1,0 m/s<sup>2</sup>.



---

# EG verklaring van overeenstemming

---

## EC-verklaring van overeenstemming

Wij, **Husqvarna AB**, SE-561 82 Huskvarna, Zweden, tel: +46-36-146500, verklaren onder onze alleenverantwoordelijkheid dat het product:

<b>Beschrijving</b>	Ruggedragen bladblazer
<b>Merk</b>	Husqvarna
<b>Type / model</b>	350BT
<b>Identificatie</b>	Serienummers vanaf 2022 en verder.

volledig voldoet aan de volgende EU-richtlijnen en -regelgeving:

<b>Verordening</b>	<b>Beschrijving</b>
2006/42/EG	"betreffende machines"
2014/30/EU	"betreffende elektromagnetische compatibiliteit"
2000/14/EG	"betreffende de geluidsemissies in het milieu"
2011/65/EU	"inzake beperking van het gebruik van bepaalde gevaarlijke stoffen in elektrische en elektronische apparatuur"

en dat de volgende normen en/of technische specificaties zijn toegepast: EN ISO 12100:2010, CISPR 12:2009, EN 15503:2009+A2:2015, EN IEC 63000:2018

RISE SMP Svensk Maskinprovning AB, Box 7035, SE-750 07 Uppsala, Zweden, heeft voor Husqvarna AB een niet-verplicht typeonderzoek uitgevoerd.

Certificaatnummer: SEC/09/2102

RISE SMP Svensk Maskinprovning AB, Box 7035, SE-750 07 Uppsala, Zweden, heeft ook overeenkomst bevestigd met bijlage V van de richtlijnen van de raad 2000/14/EG.

Voor informatie over geluidsemissies, zie *Technische gegevens op pagina 240*.

Huskvarna, 2022-05-17

Stefan Holmberg, Directeur R&D,  
Technologiemanagement, Husqvarna AB.

Verantwoordelijk voor technische documentatie



Two handwritten signatures in black ink are visible. The first signature is on the left and the second is on the right, both appearing to be in cursive script.

# INNHold

Innledning.....	242	Feilsøking.....	252
Sikkerhet.....	244	Transport og oppbevaring.....	253
Montering.....	246	Tekniske data.....	254
Drift.....	247	EF-samsvarserklæring.....	255
Vedlikehold.....	250		

## Innledning

### Produktbeskrivelse

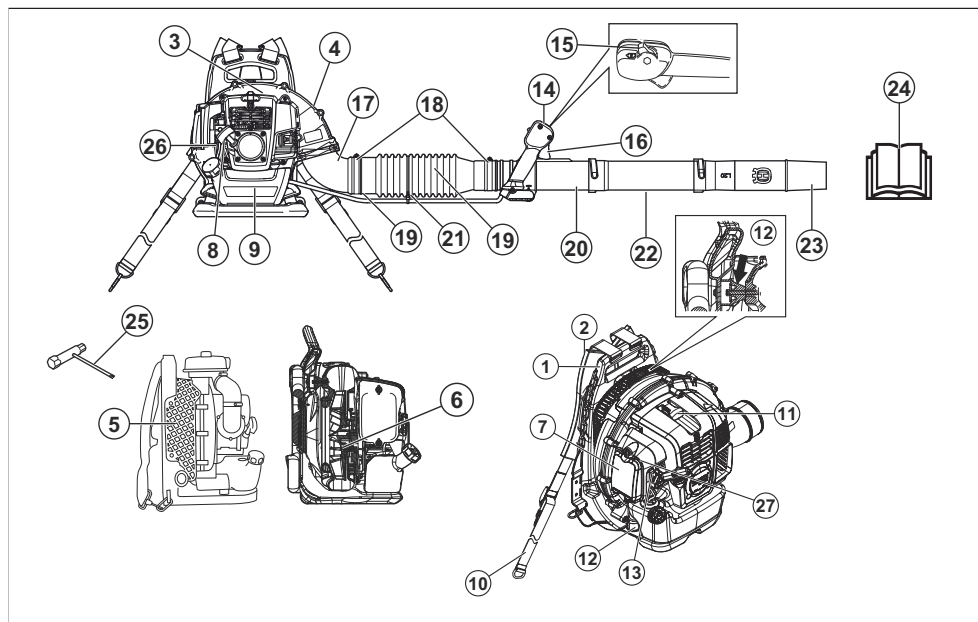
Produktet er en ryggsekkblåser med en drivstoffmotor.

Vi arbeider løpende med å videreutvikle produktene våre og forbeholder oss derfor retten til endringer vedrørende bl.a. form og utseende uten varsel.

### Bruksområder

Bruk produktet til blåsing av løv og annet uønsket materiale på for eksempel plener, gangveier og asfaltveier.

### Produktoversikt



1. Ramme
2. Sele
3. Motordeksel
4. Viftedeksel
5. Luftinntaksskjerm
6. Vifte
7. Luftfilter
8. Startsnorhåndtak
9. Drivstofftank
10. Hoftebelte
11. Tennplugg
12. Avvibreringsssystem
13. Chokehendel
14. Regulatorhåndtak
15. Start/stopp-bryter med gassregulator
16. Gassregulator
17. Rørvinkel
18. Klemme
19. Fleksibel slange
20. Manøvreringsrør

- 21. Kabelklemme
- 22. Mellomrør
- 23. Blåsermunnstykke
- 24. Bruksanvisning
- 25. Kombinasjonsnøkkel
- 26. Pumpe (blære)
- 27. Tomgangsskrue

## Symboler på produktet



**ADVARSEL!** Dette produktet kan være farlig og føre til alvorlig personskade eller død for brukeren eller andre. Vær forsiktig, og bruk produktet riktig.



Les nøye gjennom bruksanvisningen, og sørg for at du har forstått instruksjonene før bruk.



Bruk godkjent hørselsvern og godkjent øyevern. Bruk åndedrettsvern hvis omgivelsene er støvete.



Bruk godkjente vernehansker.



Blanding av bensin og totaktolje.



Pumpe (blære).



Hold alle kroppsdeler unna varme overflater.



Choke, åpen stilling.



Choke, lukket stilling.



Dette produktet samsvarer med gjeldende EF-direktiver.



Dette produktet samsvarer med gjeldende britiske direktiver.



Støyutslipp til omgivelsene som i EU-direktiver og forskrifter, britiske direktiver og forskrifter og New South Wales-forskriften «Protection of the Environment Operations (Noise Control) Regulation 2017». Garantert lydeffektnivå for produktet er angitt i *Tekniske data på side 254* og på etiketten.



Se opp for gjenstander som slynges ut. Gjenstander som slynges ut, kan føre til alvorlig skade. Bruk personlig verneutstyr.



Hold en sikkerhetsavstand på minst 15 m til personer eller dyr.

yyyyywwxxxx

Typeskiltet viser serienumeret. **yyyy** er produksjonsåret, og **ww** er produksjonsuken.

**Merk:** Øvrige symboler/klistermerker på produktet gjelder sertifiseringskrav for andre markeder.

## Euro V-utslipp



**ADVARSEL:** Tukling med motoren opphever EU-type-godkjenningen til dette produktet.

## Produktansvar

Som nevnt i lovverket om produktansvar er vi ikke ansvarlig for skader som produktet vårt forårsaker, i følgende tilfeller:

- Produktet er reparert på feil måte.
- Produktet er reparert med deler som ikke kommer fra produsenten eller som ikke er godkjent av produsenten.
- Produktet har et tilbehør som ikke kommer fra produsenten eller som ikke er godkjent av produsenten.
- Produktet er ikke reparert på et godkjent servicesenter eller av en godkjent aktør.

---

# Sikkerhet

---

## Sikkerhetsdefinisjoner

Definisjonene nedenfor angir alvorlighetsgraden for hvert signalord.



**ADVARSEL:** Skade på personer.



**OBS:** Skade på produktet.

**Merk:** Denne informasjonen gjør produktet lettere å bruke.

## Generelle sikkerhetsinstruksjoner



**ADVARSEL:** Les de følgende advarelinstruksjonene før du bruker produktet.

- Ikke utfør endringer på produktet uten godkjenning fra produsenten, og bruk alltid originalt tilbehør. Endringer og/eller tilbehør som ikke er godkjent, kan føre til alvorlig skade eller død for brukeren eller andre.
- Ikke bruk et skadet produkt. Utfør sikkerhetskontroller og vedlikehold som oppgitt i bruksanvisningen. Alt annet vedlikeholdsarbeid må utføres av godkjent servicepersonell.
- Alt av service- og reparasjonsarbeid må utføres av godkjent servicepersonell. Ta kontakt med serviceforhandleren din hvis en del av produktet er defekt.

## Sikkerhetsinstruksjoner for drift



**ADVARSEL:** Les de følgende advarelinstruksjonene før du bruker produktet.

- Dette produktet kan være farlig og føre til alvorlig personskade eller død for brukeren eller andre. Vær forsiktig, og bruk produktet riktig.
- Utfør en kontroll av produktet før bruk. Se *Vedlikehold på side 250*.
- Ikke bruk dette produktet dersom du er trett eller syk eller under påvirkning av alkohol eller andre rusmidler som kan redusere syn, dømmekraft og motorikk.
- Monter alle deksler og skjermer før bruk. Pass på at tennpluggetten og tenningskabelen ikke er skadet, for å forhindre elektrisk støt.

- Ikke berør tennpluggen eller tenningskabelen når motoren er i gang.
- Hold en sikkerhetsavstand på minst 15 m til personer eller dyr. Stopp produktet dersom personer, barn eller dyr kommer nærmere enn 15 m unna. Pek produktet vekk fra personer, dyr, åpne vinduer og andre objekter.
- Ikke la barn bruke produktet. Påse at alle brukere leser og forstår innholdet i bruksanvisningen.
- Hold hender eller andre gjenstander vekk fra blåserhuset under bruk. De roterende delene kan føre til alvorlig skade
- Ikke bruk produktet hvis luftinntaksskjermen ikke er montert. Påse alltid at luftinntaksskjermen er montert og ikke er skadet før bruk.
- Dersom det oppstår en nødsituasjon skal du åpne hoftebeltet og brystbeltet på selen og la produktet falle.
- Følg nasjonale forskrifter og direktiver.
- Hold alle kroppsdeler unna varme overflater.
- Dette produktet danner et elektromagnetisk felt når det er i bruk. Dette feltet kan under visse forhold forstyrre aktive eller passive medisinske implantater. For å redusere faren for hendelser som kan føre til alvorlig eller livstruende skade, anbefaler vi at personer med medisinske implantater rådfører seg med lege og produsenten av det medisinske implantatet før dette produktet tas i bruk.
- For mye vibrasjoner kan forårsake skader på blodsirkulasjons- eller nervesystemet. Oppsøk lege hvis du har symptomer, for eksempel dovnung, manglende følelse, «kiling», «stikk», smerte, manglende eller redusert styrke, forandringer i hudens farge eller overflate på fingre, hender eller håndledd.
- Se opp for gjenstander som slynges ut. Gjenstander som slynges ut kan føre til alvorlig skade.
- Ikke bruk produktet i dårlig vær, for eksempel tåke, regn, sterk vind eller for kalde omgivelser. Det å utføre arbeid i dårlig vær kan føre til at du blir sliten, og farlige forhold.
- Sørg for at du kan bevege deg og holder en stabil stilling. Kontroller arbeidsområdet for mulige hindringer, for eksempel steiner. Vær forsiktig hvis du bruker produktet i en helling.
- Ikke legg produktet på bakken med motoren på.
- Ikke bruk produktet fra høye stillinger, for eksempel på en stige.
- Pass på at du alltid kan høres dersom det inntreffer en ulykke.
- Påse at eksosgassutløpet ikke er blokkert. Hold hindringer minst 50 cm unna eksosgassutløpet for å forhindre skader på produktet.
- Ikke start produktet innendørs, i dårlig luftstrøm eller i nærheten av brennbare materialer. Motorens

avgasser inneholder karbonmonoksid som kan forårsake karbonmonoksidforgiftning. Motorens avgasser er varme og kan inneholde gnister som kan starte en brann.

## Personlig verneutstyr



**ADVARSEL:** Les de følgende advarslene før du bruker produktet.

- Benytt godkjent verneutstyr når du bruker produktet. Verneutstyr kan aldri fullstendig forhindre skade, men det reduserer skadeomfanget. Kontakt forhandleren for mer informasjon.
- Bruk godkjent hørselsvern. Langvarig eksponering for støy kan gi varige hørselsskader.
- Bruk godkjent øyevern. Ved bruk av visir skal det også brukes godkjente vernebriller. Godkjente vernebriller er slike som tilfredsstiller standard ANSI Z87.1 for USA eller EN 166 for EU-land.
- Bruk vernehansker under bruk og vedlikehold.
- Bruk vernestøvler eller -sko med sklissikre såler.
- Bruk klær i solid stoff og hel lengde. Ikke bruk smykker eller åpne sko. For å senke ulykkesrisikoen må klærne dine være tettsittende, men ikke begrense bevegelsene dine. Sett opp håret over skuldrene for å forhindre at det dras inn i roterende deler eller setter seg fast i greiner.
- Bruk åndedrettsvern når det er risiko for støv.
- Ha førstehjelpsutstyr i nærheten.

## Sikkerhetsutstyr på produktet



**ADVARSEL:** Les de følgende advarslene før du bruker produktet.

- Ikke bruk produktet dersom sikkerhetsutstyret er defekt.
- Utfør regelmessig kontroll av sikkerhetsutstyret. Se *Vedlikehold på side 250*.
- Ta kontakt med din Husqvarna-serviceforhandler dersom sikkerhetsutstyret er defekt.

## Slik kontrollerer du lydempere



**ADVARSEL:** Ikke bruk et produkt med en defekt lydemper.



**ADVARSEL:** Lydempere blir svært varm under og etter bruk, også på tomgang. Bruk vernehansker for å forhindre brannskader.



**ADVARSEL:** Innsiden av lydempere inneholder kjemikalier som kan være kreftfremkallende. Ikke berør lydempere hvis den er skadet.

- Utfør regelmessig en visuell inspeksjon av lydempere. Lydempere begrenser støynivået og sender avgassene bort fra brukeren. Se *Slik utfører du vedlikehold på lydempere på side 251*.

## Slik kontrollerer du avvibringssystemet

1. Forsikre deg om at det ikke er noen sprekker eller misdannelser på avvibringsenhetene.
2. Kontroller at avvibringsenhetene er festet riktig til motoreneheten og håndtaket.

Se *Produktoversikt på side 242* for informasjon om hvor avvibringssystemet er på produktet ditt.

## Slik kontrollerer du start/stopp-bryteren

1. Bruk start/stopp-bryteren til å stoppe motoren.
2. Kontroller at motoren stopper helt.

Hvis du vil se hvor start/stopp-bryteren er på produktet, kan du se *Produktoversikt på side 242*.

## Informasjon om selesikkerhet

- Pass på at hoftebeltet er festet og riktig justert. Løse ender på selen kan dras inn i roterende deler og forårsake skader på viften. Dersom viften blir skadet, kan løse deler fra produktet slynges ut og forårsake skader.

## Drivstoffsikkerhet



**ADVARSEL:** Les de følgende advarelinstruksjonene før du bruker produktet.

- Ikke bland eller fyll på drivstoff innendørs eller i nærheten av en varmekilde.
- Ikke start produktet hvis det er olje eller drivstoff på produktet eller på kroppen din.
- Ikke start produktet hvis motoren lekker drivstoff. Kontroller motoren for drivstofflekkasjer med jevne mellomrom.
- Vær alltid forsiktig med drivstoff. Drivstoff er brannfarlig, og avgassene er eksplosive og kan forårsake alvorlig personskade eller død.
- Ikke pust inn bensindamp, da dette kan føre til personskade. Pass på at det er tilstrekkelig luftstrøm.
- Du må ikke røyke i nærheten av drivstoff eller motoren.
- Ikke plasser produktet eller en drivstoffbeholder i nærheten av varme gjenstander, en åpen flamme, en gnist eller en pilotflamme.

- Bruk alltid godkjente beholdere for oppbevaring og transport av drivstoff.

## Sikkerhetsinstruksjoner for vedlikehold



**ADVARSEL:** Les de følgende advarselinstruksjonene før du bruker produktet.

- Stopp motoren, fjern tennpluggen og la motoren kjøle seg ned før vedlikehold og montering.
- En blokkert gnistfangerskjerm kan føre til at motoren blir overopphetet, noe som kan skade motoren.

## Montering

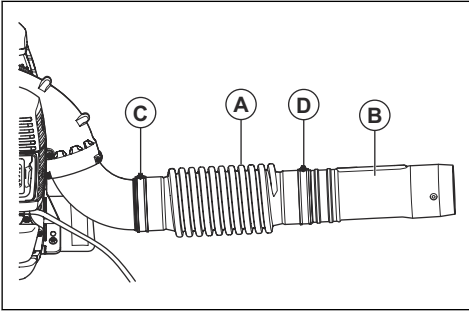
### Innledning



**ADVARSEL:** Les og forstå kapittelet om sikkerhet før du monterer produktet.

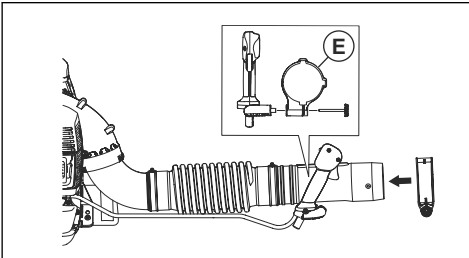
### Slik monterer du blåserøret og regulatorhåndtaket på produktet

1. Fest den fleksible slangen (A) til rørvinkelen og manøvreringsrøret (B) med klemmene (C) og (D).



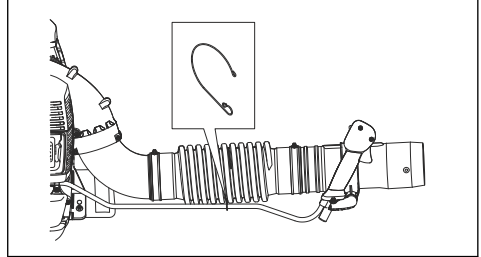
**Merk:** Smør manøvreringsrøret og den fleksible slangen for å gjøre dem enklere å montere.

2. Fest håndtaksholderen (E) til manøvreringsrøret. Juster håndtaksholderen med flensen på manøvreringsrøret.

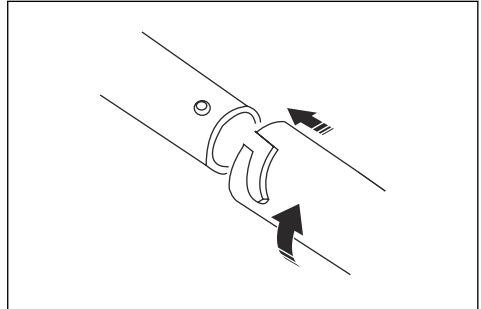


3. Juster posisjonen og vinkelen til regulatorhåndtaket til en sikker og korrekt arbeidsstilling. Trekk til knotten.

4. Fest kabelen til den fleksible slangen ved hjelp av kabelklemmen.



5. Fest mellomrøret til manøvreringsrøret.



**Merk:** Dersom det er nødvendig å bruke et lengre rundt blåserør, er et forlenget mellomrør tilgjengelig.

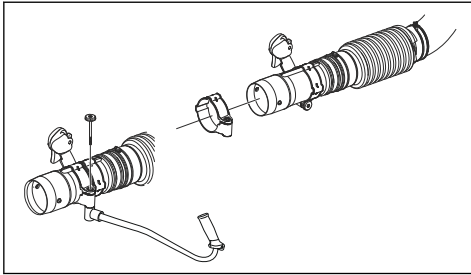
6. Fest blåsermunnstykket til mellomrøret.

**Merk:** Blåsermunnstykket kan bare monteres på mellomrøret.

### Slik monterer du styret (valgfritt)

1. Demonter mellomrøret.
2. Fjern knotten fra holderen, og tre holderen på manøvreringsrøret.

3. Monter styret og knotten. Trekk til knotten.

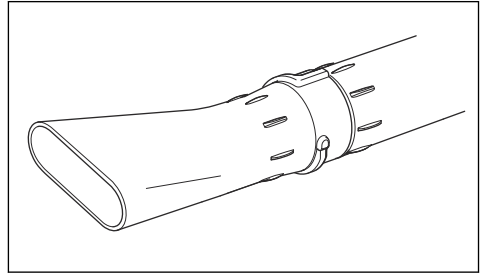


4. Monter mellomrøret.

## Slik monterer du det flate munnstykket (valgfritt tilbehør)

Det flate munnstykket gir en høyere lufthastighet enn blåsermunnstykket.

- Fjern blåsermunnstykket fra mellomrøret, og monter det flate munnstykket.



## Drift

### Innledning



**ADVARSEL:** Les og forstå kapittelet om sikkerhet før du bruker produktet.

### Drivstoff

Dette produktet har en totaktsmotor.



**OBS:** Feil type drivstoff kan føre til skader på motoren. Bruk en blanding av bensin og totaktsolje.

### Forhåndsblandet drivstoff

- Bruk Husqvarna forhåndsblandet alkylatdrivstoff for å få best mulig ytelse og forlengelse av motorens levetid. Drivstoffet inneholder færre skadelige stoffer sammenlignet med vanlig drivstoff, noe som reduserer skadelige avgasser. Mengden rester etter forbrenning er lavere med dette drivstoffet, noe som holder motoren ren.

### Slik blander du drivstoff

#### Bensin

- Bruk kvalitetsbensin av blyfri type med maksimalt 10 prosent etanolinnhold.



**OBS:** Ikke bruk bensin med et oktantal som er mindre enn 90 RON/87 AKI. Bruk av lavere oktantal kan føre til motorbanking, noe som forårsaker motorskader.

#### Totaktsolje

- For å få best mulig resultat og ytelse bør du bruke Husqvarna-totaktsolje.
- Hvis det ikke er mulig å få tak i Husqvarna-totaktsolje, kan du bruke en totaktsolje av høy kvalitet for luftkjølte motorer. Snakk med serviceforhandleren din for å velge riktig olje.



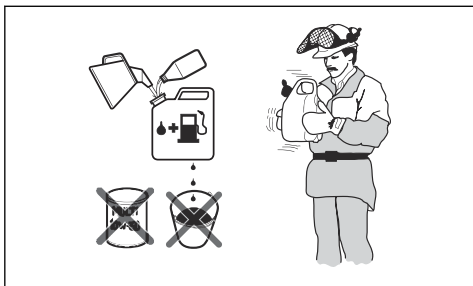
**OBS:** Bruk ikke totaktsolje beregnet på vannkjølte påhengsmotorer, såkalt outboardoil. Ikke bruk olje for firetaktsmotorer.

#### Blande bensin og totaktsolje

Bensin, liter	Totaktsolje, liter
	<b>2 % (50:1)</b>
5	0,10
10	0,20
15	0,30
20	0,40



**OBS:** Små feil kan påvirke blandingsforholdet drastisk når du blander små mengder drivstoff. Mål oljemengden som skal blandes, svært nøyaktig for å sikre at du får riktig blandingsforhold.



1. Fyll halve drivstoffmengden i en ren beholder for drivstoff.
2. Tilsett all oljen.
3. Rist drivstoffblandingen.
4. Fyll resten av bensinen på beholderen.
5. Rist drivstoffblandingen forsiktig.



**OBS:** Ikke bland drivstoff for mer enn én måned om gangen.

### Slik fyller du drivstofftanken



**ADVARSEL:** Utfør følgende prosedyren for din egen sikkerhet.

1. Stopp motoren, og la motoren bli avkjølt.
2. Tørk rent rundt drivstofflokket.



3. Rist beholderen, og forsikre deg om at drivstoffet er helt blandet.
4. Åpne drivstofflokket sakte for å slippe ut trykket.
5. Fyll drivstofftanken.



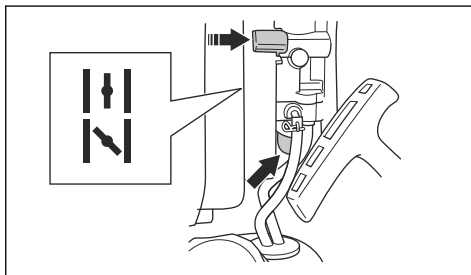
**OBS:** Kontroller at det ikke er for mye drivstoff i drivstofftanken. Drivstoffet utvides når det blir varmt.

6. Trekk forsiktig til drivstofflokket.
7. Rengjør drivstoffsøl på og rundt produktet.
8. Flytt produktet minst tre meter bort fra drivstoffkilden og stedet der du fylte drivstoff, før du starter motoren.

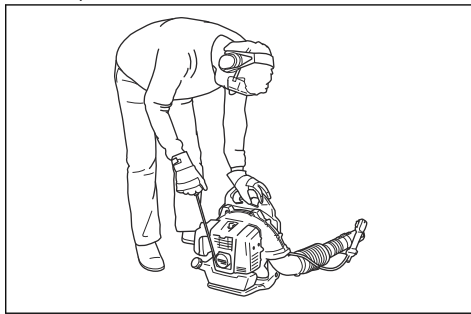
**Merk:** Hvis du vil finne ut hvor drivstofftanken er på produktet, kan du se *Produktoversikt* på side 242.

### Slik starter du produktet

1. Hvis motoren er kald, flytter du chokehendelen til stengt choke-stilling. Se *Symboler på produktet* på side 243.



2. Trykk på pumpen gjentatte ganger inntil drivstoff begynner å fylle blæren. Det er ikke nødvendig å fylle blæren helt.
3. Trykk på start/stopp-bryteren med gassregulatoren satt til stillingen for 1/3 hastighet. Se *Slik bruker du gassregulatoren / stoppbryteren* på side 249.
4. Plasser produktet på et flatt underlag eller på bakken.
5. Hold produktet med venstre hånd.



**OBS:** Ikke bruk føttene til å holde produktet.

6. Trekk sakte i startsnorhåndtaket til du kjenner motstand.
7. Trekk raskt i startsnorhåndtaket med høyrehånden. Trekk gjentatte ganger i startsnoren til motoren starter.

**Merk:** Ikke trekk startsnoren helt ut, og ikke slipp håndtaket på startsnoren.

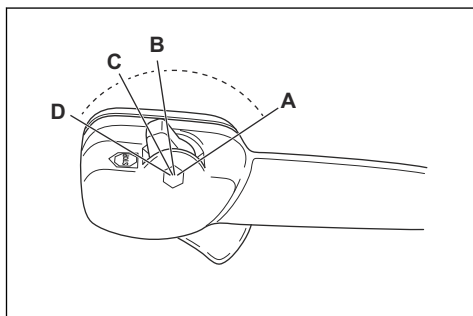


8. Hvis motoren er kald, flytter du choke-hendelen til åpen choke-stilling gradvis helt til choke-hendelen stopper.
9. Hvis motoren er kald, lar du den gå i to-tre minutter for å varme den opp før bruk.



**ADVARSEL:** Luft slippes ut når motoren startes, og når produktet går på tomgang. Ikke la personer komme nær produktet eller blåserøret.

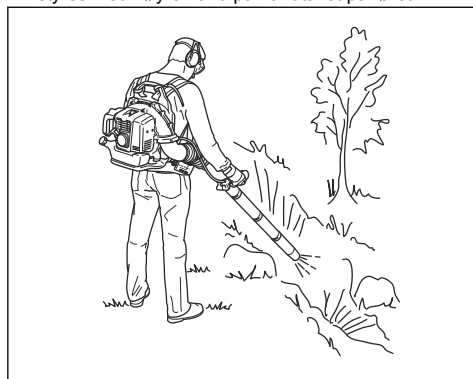
## Slik bruker du gassregulatoren / stoppbryteren



- Gi full gass (A).
- Bruk 1/3 hastighet (B).
- Bruk tomgangshastighet (C).
- Stopp produktet (D).

## Slik bruker du produktet

- Denne løvblåseren er av ryggsekktype, og bæres med en skuldersele under bruk. Den betjenes og styres med høyre hånd på håndtaket på røret.



- Bruk produktet ved vanlige arbeidstider. Følg lokale forskrifter.

- Reduser mengden utstyr som brukes, og velg riktig hastighet for arbeidet. Bruk gassregulatoren på lavest mulig stilling for å forhindre mer støy og støv enn nødvendig.
- Hold blåsermunnstykket nær bakken.

**Merk:** Husqvarna anbefaler at du bruker den fullstendige blåserørforlengeren.

- Merk deg vindretningen, og bruk produktet i vindretningen.
- Bruk nødvendige hageredskaper til å løsne materiale fra bakken.
- I støvete områder bruker du sprøyteutstyr til å væte området. Dette reduserer driftstiden.
- Etter bruk oppbevarer du produktet vertikalt.

## Slik stopper du produktet

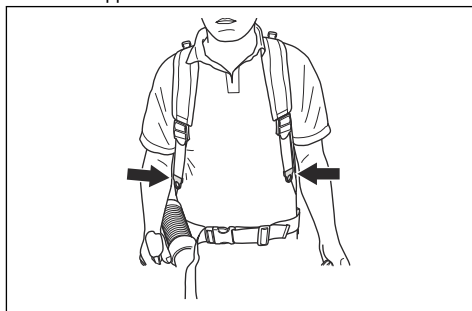


**OBS:** Ikke stopp produktet ved full hastighet.

1. Sett start/stopp-bryteren med gassregulator i stoppstillingen. Se *Slik bruker du gassregulatoren / stoppbryteren på side 249.*

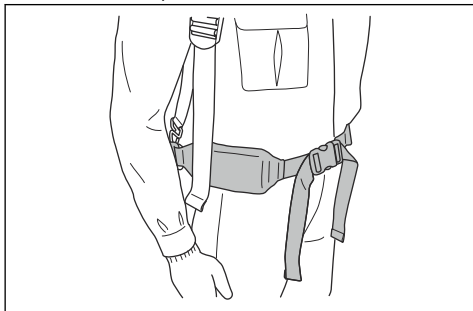
## Slik justerer du selen

1. Ta på deg selen til produktet.
2. Stram skulderstroppene helt til produktet sitter tett inntil kroppen.



3. Plasser hoftebeltet rundt livet.

4. Stram stroppen på hoftebeltet. Pass på at vekten av blåseren hviler på hoftene dine.



## Vedlikehold

### Innledning



**ADVARSEL:** Les og forstå kapittelet om sikkerhet før du utfører vedlikehold på produktet.

### Vedlikeholdsskjema

Vedlikehold	Daglig	Ukentlig	Månedlig
Rengjør de utvendige flatene.	X		
Kontroller at kontrollhåndtaket fungerer som det skal.	X		
Kontroller at start/stopp-bryteren fungerer som den skal. Se <i>Slik kontrollerer du start/stopp-bryteren på side 245.</i>	X		
Undersøk motoren, drivstofftanken og drivstofflinjene for lekkasjer. Undersøk drivstofffilteret for forurensning. Skift ut drivstofffilteret om nødvendig.	X		
Rengjør luftfilteret. Skift ut luftfilteret om nødvendig.	X		
Trekk til muttere og skruer.	X		
Undersøk luftinntaket og pass på at det ikke er blokkert.	X		
Undersøk starteren og startsnoren for skader.		X	
Undersøk de vibrasjonsdempende enhetene for skader, sprekker og deformering. Kontroller at de vibrasjonsdempende enhetene er riktig installert.		X	
Kontroller tennpluggen. Se <i>Kontrollere tennpluggen på side 251.</i>		X	
Rengjør kjølesystemet.		X	
Rengjør utsiden av forgasseren og området rundt den.		X	
Rengjør drivstofftanken.			X
Undersøk alle kabler og forbindelser.			X
Undersøk og rengjør lydemperens gnistfangernett (for produkter uten katalysator).		X	

Vedlikehold	Daglig	Ukentlig	Månedlig
Undersøk og rengjør lydtemperens gnistfangernett (for produkter med katalysator).			X
Kontroller tennpluggen. Skift ut om nødvendig.			X

## Slik justerer du tomgangsturtallet

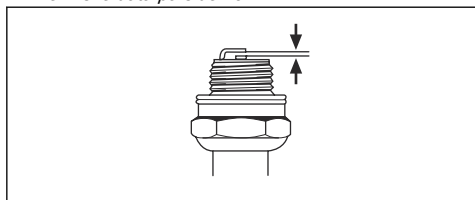
1. Sørg for at luftfilteret er rent og at luftfilterdekelet er festet.
2. Juster tomgangsturtallet med tomgangsskruen. Hvis du vil se hvor tomgangsskruen er på produktet, kan du se *Produktoversikt på side 242*.

## Kontrollere tennpluggen



**OBS:** Bruk anbefalt tennplugg. Se *Tekniske data på side 254*. Feil tennplugg kan føre til skade på produktet.

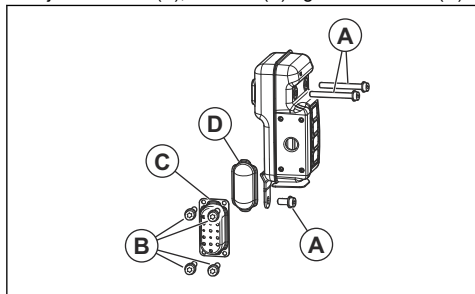
1. Stopp motoren, og la produktet bli avkjølt.
2. Rengjør tennpluggen hvis den er skitten.
3. Kontroller at elektrodeavstanden er riktig. Se *Tekniske data på side 254*.



4. Skift tennpluggen månedlig, eller oftere om nødvendig.

## Slik utfører du vedlikehold på lydtemperen

1. Stopp motoren, og la lydtemperen bli avkjølt. Bruk alltid vernehansker.
2. Fjern skruene (A), skruene (B) og eksoskanalen (C).



3. Fjern gnistfangernettet (D) og rengjør det med en stålborste. Bytt ut gnistfangernettet hvis det er ødelagt.

4. Fjern smuss fra lydtemperen og fra utløpsventilen på sylindren med stålborsten.
5. Monter gnistfangernettet (D) og eksoskanalen (C) med skruene (B). Trekk til skruene med 2–3 Nm.
6. Trekk til skruene (A) med 8–12 Nm. Kontroller at lydtemperen er festet til produktet på riktig måte.

## Slik inspiserer og rengjør du kjølesystemet.

Kjølesystemet inkluderer kjøleflensene på sylindren og luftinntaksskjermen.

1. Stopp motoren.
2. Kontroller at kjølesystemet ikke er skittent eller tilstoppet. Rengjør luftinntaksskjermen og kjøleflensene om nødvendig.



**OBS:** Et tilsnusset eller tett kjølesystem kan øke motortemperaturen og kan forårsake skader på produktet. En tilstoppet luftinntaksskjerm reduserer blåsestyrken.

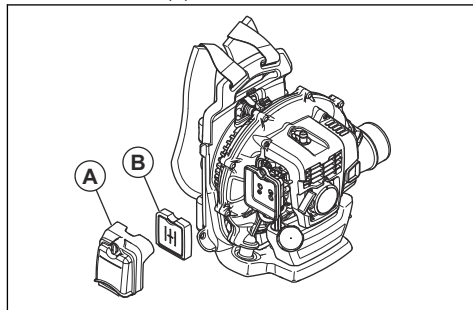
3. Undersøk kjølesystemet for skader. Pass på at delene er riktig festet til produktet.

## Slik rengjør du luftfilteret



**OBS:** Ikke bruk produktet uten luftfilter eller med et skadet luftfilter. Støv i luften kan forårsake skader på motoren.

1. Flytt chokehendelen til lukket choke-stillingen.
2. Ta av luftfilterdekelet (A).
3. Ta ut luftfilteret (B) fra filterrammen.



4. Rengjør luftfilteret med varmt vann med såpe.

**Merk:** Et luftfilter som har vært i bruk i lang tid, blir aldri fullstendig rent. Skift luftfilteret regelmessig, og skift alltid ut et defekt luftfilter.

5. Rengjør den indre overflaten til luftfilterdekselet (A) med en børste.
6. Påfør olje på luftfilteret. Se *Slik påfører du olje på skumluftfilteret på side 252*.
7. Sett luftfilteret i filterrammen.
8. Sett luftfilterdekselet på produktet igjen.

## Slik påfører du olje på skumluftfilteret

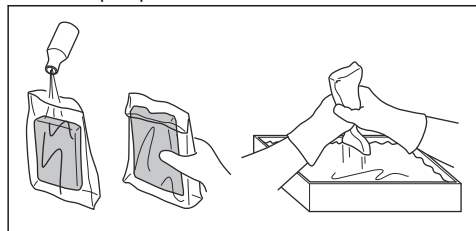


**OBS:** Bruk alltid Husqvarna spesiell luftfilterolje. Ikke bruk andre typer olje.



**ADVARSEL:** Ta på deg vernehansker. Luftfilterolje kan føre til hudirritasjon.

1. Plasser skumluftfilteret i en plastpose.
2. Hell oljen i plastposen.
3. Klem på plastposen for å fordele oljen likt på skumluftfilteret.
4. Skyv den uønskede oljen ut av skumluftfilteret mens det er i plastposen.

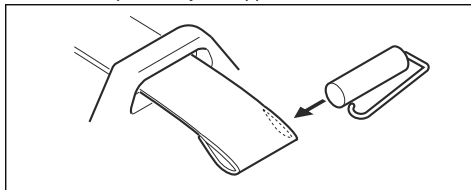


## Slik bytter du ut selen.



**ADVARSEL:** En skadet sele kan føre til at produktet faller og forårsake skader. Pass på at du monterer klemmen riktig.

1. Stopp motoren.
2. Fjern klemmen fra stroppen.
3. Dytt enden av stroppen gjennom festet.
4. Trekk den nye stroppen gjennom festet.
5. Sett låsepinnen gjennom stroppen for å feste klemmen på den nye stroppen.



## Feilsøking

Motoren kan ikke startes		
Kontroller	Mulig årsak	Løsning
Stoppknapp.	Stopp-stilling	Sett stoppbryteren i startstillingen.
Starthaker.	Blokkerte eller slitte starthaker.	Juster eller skift ut starthakene.
		Rengjør rundt starthakene.
		Ta kontakt med en godkjent serviceforhandler.
Drivstofftank	Feil drivstofftype	Tøm drivstofftanken, og bruk riktig drivstoff.

Motoren kan ikke startes		
Kontroller	Mulig årsak	Løsning
Forgasser.	Justering av tomgangsturtallet	Juster tomgangsturtallet med tomgangsjusteringsskruen.
Gnist (ingen gnist).	Tennpluggen er skitten eller våt.	Kontroller at tennpluggen er tørr og ren.
	Elektrodeavstanden på tennpluggen er feil.	Rengjør tennpluggen. Kontroller at elektrodeavstanden er riktig. Påse at tennpluggen har støydemping. Se Tekniske data for den riktige elektrodeavstanden.
Tennplugg	Tennpluggen sitter løst.	Stram til tennpluggen.
	Det er uønsket materiale på tennpluggens elektroder.	Pass på at drivstoffblandingen er riktig. Kontroller at luftfilteret er rent.

Motoren starter, men stopper igjen		
Kontroller	Mulig årsak	Løsning
Drivstofftank	Feil drivstofftype	Tøm den og bruk riktig drivstoff.
Forgasser.	Motoren fungerer ikke korrekt på tomgang.	Snakk med serviceforhandleren din.
Luftfilter.	Tilstoppet luftfilter.	Rengjør luftfilteret.

## Transport og oppbevaring

### Transport og oppbevaring



**ADVARSEL:** For å forhindre brannfare må du sikre at det ikke er noen lekkasjer eller avgasser under transport eller oppbevaring. Pass på at det ikke er noen fare for gnister eller brann.

- Fjern tennpluggen og hell omtrent 15 ml totaktsolje i sylindere. Snu produktet tre ganger, og monter tennpluggen igjen.
  - Fest produktet til kjøretøyet på en sikker måte under transport.
  - Oppbevar produktet på et tørt, kjølig og rent sted med god luftsirkulasjon. Hold produktet utilgjengelig for barn.
- 
- Tøm drivstofftanken før transport eller lengre tids oppbevaring. Trykk på luftpumpen for å sikre at alt drivstoffet er fjernet. Lever drivstoffet hos en returstasjon.
  - Før lang tids oppbevaring må du sørge for at produktet er rent og at fullstendig service er utført.

## Tekniske data

### Tekniske data

	Husqvarna 350BT
<b>Motor</b>	
Sylindervolum, cm <sup>3</sup>	50,2
Tomgangsturtall, o/min	2200
Katalysator	Nei
<b>Tenningsystem</b>	
Tennplugg	NGK CMR7H / TORCH AC7R
Elektrodeavstand, mm	0,6/-0,7
<b>Drivstoff-/smøresystem</b>	
Drivstofftankens kapasitet, l/cm <sup>3</sup>	1,25/1250
<b>Vekt</b>	
Vekt, uten drivstoff, kg	10,2
<b>Støyutslipp</b> <sup>49</sup>	
Lydeffektnivå, målt dB (A)	101
Lydeffektnivå, garantert L <sub>WA</sub> dB (A)	101
<b>Lydnivåer</b> <sup>50</sup>	
Ekvivalent lydtrykksnivå ved brukerens øre, målt etter EN15503 dB(A)	
Utstyrt med blåsermunnstykke (originalt)	96
<b>Vibrasjonsnivåer</b> <sup>51</sup>	
Ekvivalente vibrasjonsnivåer (a <sub>hv,eq</sub> ) i håndtak, målt i henhold til EN 15503, m/s <sup>2</sup>	2,7
<b>Vifteeffekt</b>	
Maks. lufthastighet med blåsermunnstykke, m/s	80
Luftmengde med blåsermunnstykke, m <sup>3</sup> /min	14

<sup>49</sup> Utslipp av støy til omgivelsene målt som lydeffekt (L<sub>WA</sub>) samsvarer med EF-direktiv 2000/14/EF. Rapporterte lydeffektnivåer for maskinen er målt med det originale blåsermunnstykke som gir høyest nivå. Forskjellen mellom garantert og målt lydeffekt er at garantert lydeffekt også omfatter spredning i måleresultatet og variasjoner mellom forskjellige maskiner av samme modell, i henhold til direktivet 2000/14/EF.

<sup>50</sup> Rapporterte data for ekvivalent lydtrykksnivå for maskinen har en typisk statistisk spredning (standardavvik) på 1,0 dB (A).

<sup>51</sup> Rapporterte data for vibrasjonsnivå har en typisk statistisk spredning (standardavvik) på 1,0 m/s<sup>2</sup>.

# EF-samsvarserklæring

## EF-samsvarserklæring

Vi, **Husqvarna AB**, SE-561 82 Huskvarna, Sverige, tlf.:  
+46 36 146500, erklærer på eget ansvar at produktet:

<b>Beskrivelse</b>	Ryggbåren blåser
<b>Merke</b>	Husqvarna
<b>Type/modell</b>	350BT
<b>ID</b>	Serienumre datert 2022 og senere

fullstendig overholder følgende EU-direktiver og  
-forskrifter:

<b>Regulering</b>	<b>Beskrivelse</b>
2006/42/EC	«angående maskiner»
2014/30/EU	«angående elektromagnetisk kompatibilitet»
2000/14/EC	«angående utslipp av støy til omgivelsene»
2011/65/EU	«om begrensning av bruk av visse farlige stoffer i elektrisk og elektronisk utstyr»

og at følgende standarder og/eller tekniske  
spesifikasjoner er anvendt: EN ISO 12100:2010, CISPR  
12:2009, EN 15503:2009+A2:2015, EN IEC 63000:2018

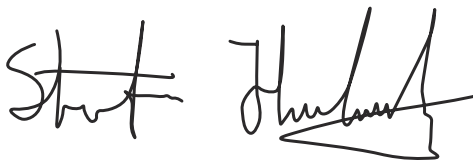
RISE SMP Svensk Maskinprovning AB, Box 7035,  
SE-750 07 Uppsala, Sverige, har utført frivillig  
typekontroll på vegne av Husqvarna AB.

Sertifikatnummer: SEC/09/2102

RISE SMP Svensk Maskinprovning AB, Box 7035,  
SE-750 07 Uppsala, Sverige, har også bekreftet  
samsvar med vedlegg V i rådsdirektiv 2000/14/EF.

For informasjon som gjelder støytutslipp, kan du se  
*Tekniske data på side 254.*

Huskvarna, 2022-05-17



Stefan Holmberg, FoU-direktør, teknologiledelse,  
Husqvarna AB

Ansvarlig for teknisk dokumentasjon



# CUPRINS

Introducere.....	256	Depanarea.....	267
Siguranță.....	258	Transportul și depozitarea.....	268
Asamblarea.....	260	Date tehnice.....	269
Funcționarea.....	261	Declarație de conformitate CE.....	270
Întreținerea.....	264		

## Introducere

### Descrierea produsului

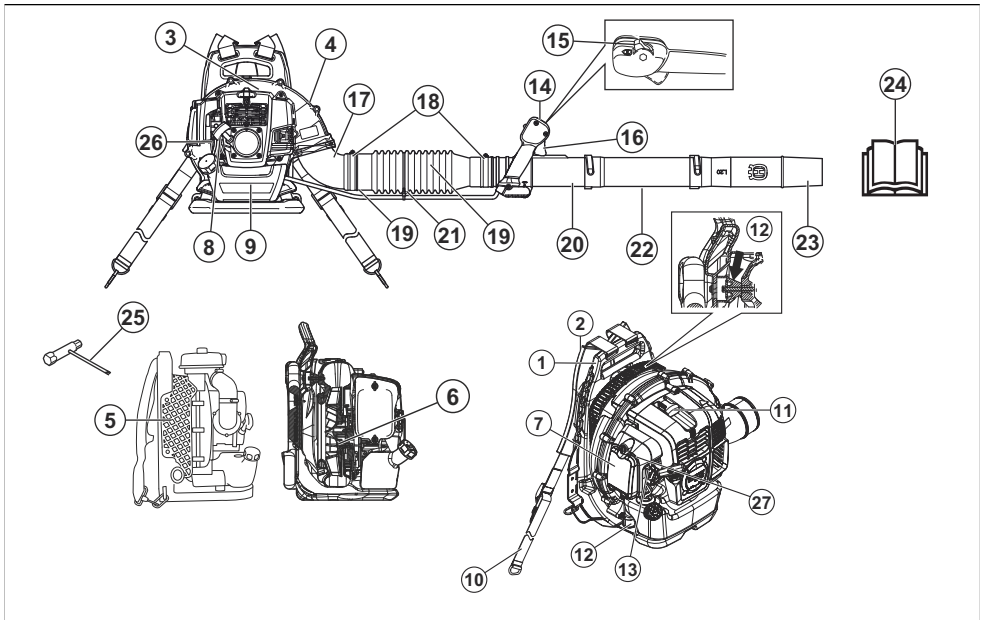
Acest produs este o suflantă portabilă de tip rucsac cu motor cu combustibil.

Avem o politică de îmbunătățire continuă a produselor și, prin urmare, ne rezervăm dreptul de a modifica proiectul și aspectul produselor fără preaviz.

### Domeniul de utilizare

Utilizați produsul pentru a sufla frunze și alte materiale nedorite din zone precum gazoane, alei și drumuri asfaltate.

### Prezentarea generală a produsului



- |                                   |   |
|-----------------------------------|---|
| 1. Cadru                          | 10. Centură pentru mijloc                                 |
| 2. Ham                            | 11. Bujie   |
| 3. Capac motor                    | 12. Sistem amortizare vibrații                            |
| 4. Capac ventilator               | 13. Acționare șoc   |
| 5. Filtru pentru priză de aer     | 14. Mânerul de control                                    |
| 6. Ventilator                     | 15. Comutator de pornire/oprire cu controlul accelerației |
| 7. Filtru de aer                  | 16. Pârghie accelerației                                  |
| 8. Mâner pentru șnurul de pornire | 17. Cot tub   |
| 9. Rezervor de carburant          | 18. Colier  |
|                                   | 19. Cot tub   |
|                                   | 20. Pârghie accelerației                                  |
|                                   | 21. Colier  |
|                                   | 22. Pârghie accelerației                                  |
|                                   | 23. Cot tub   |
|                                   | 24. Manual  |
|                                   | 25. Șurub   |



19. Furtun flexibil
20. Țeavă de control
21. Clemă cablu
22. Țeavă intermediară
23. Duză de suflantă
24. Manualul operatorului
25. Cheie combinată
26. Buton purjor aer
27. Șurubul de turație de mers în gol

## Simbolurile de pe produs



**AVERTISMENT!** Acest produs poate fi periculos și poate cauza vătămări corporale grave sau decesul operatorului sau al altor persoane. Acționați cu grijă și utilizați corect produsul.



Citiți cu atenție manualul operatorului și asigurați-vă că înțelegeți instrucțiunile înainte de utilizare.



Utilizați protecția de auz și ochelarii de protecție aprobați. Dacă mediul conține praf, folosiți o mască respiratorie.



Utilizați mănuși de protecție omologate.



Amestec de benzină și ulei pentru motoare în doi timpi.



Buton purjor.



Nu apropiați părțile corpului de suprafețele fierbinți.



Clapetă de șoc, poziție deschisă.



Clapetă de șoc, poziție închisă.



Acest produs respectă Directivele CE aplicabile.

**UK  
CA**

Acest produs este în conformitate cu reglementările aplicabile din Regatul Unit.



Etichetă privind emisiile de zgomot în mediu, conform directivelor și reglementărilor din UE și Regatul Unit și legislației din New South Wales „Regulamentul privind măsurile de protecție a mediului (controlul zgomotului) din 2017”. Nivelul de putere sonoră garantat al produsului este specificat în *Date tehnice la pagina 269* și pe etichetă.



Fiți atent la obiectele proiectate. Obiectele proiectate pot provoca vătămări corporale grave. Utilizați echipament individual de protecție.



Păstrați o distanță de siguranță de minimum 15 m de persoane și animale.

aaaassxxxx

Plăcuța de identificare indică seria. **aaaa** este anul fabricației și **ss** este săptămâna fabricației.

**Nota:** Alte simboluri/autocolante de pe produs se referă la cerințele de certificare pentru alte zone comerciale.

## Emisiile de Euro V



**AVERTISMENT:** În urma modificării neautorizate a motorului, este anulată aprobarea de tip UE pentru acest produs.

## Răspunderea pentru produs

Conform prevederilor legislației privind răspunderea pentru produs, nu ne asumăm răspunderea pentru daunele cauzate de produsul nostru dacă:

- produsul este reparat necorespunzător;
- produsul este reparat cu piese care nu provin de la producător sau care nu sunt aprobate de acesta;
- produsul are un accesoriu care nu provine de la producător sau care nu este aprobat de acesta;
- produsul nu este reparat la un centru de service omologat sau de o autoritate omologată;

---

# Siguranță

---

## Definiții privind siguranța

Definițiile de mai jos indică nivelul de gravitate pentru fiecare cuvânt de semnalizare.



**AVERTISMENT:** Vătămări corporale.



**ATENȚIE:** Deteriorarea produsului.

**Nota:** Aceste informații facilitează utilizarea produsului.

## Instrucțiuni generale de siguranță



**AVERTISMENT:** Înainte de a utiliza produsul, citiți instrucțiunile de avertizare de mai jos.

- Nu efectuați modificări la produs fără aprobarea producătorului și utilizați întotdeauna accesorii originale. Modificările și/sau accesoriile care nu sunt aprobate pot duce la vătămări corporale grave sau la decesul operatorului sau al altor persoane.
  - Nu utilizați un produs deteriorat. Efectuați inspecțiile de siguranță și operațiile de întreținere indicate în acest manual al operatorului. Toate celelalte lucrări de întreținere trebuie efectuate de către personal de service aprobat.
  - Toate lucrările de service și reparații trebuie efectuate de personal de service aprobat. Dacă o componentă a produsului este defectă, adresați-vă reprezentantului dvs. de service.
- ## Instrucțiuni de siguranță pentru utilizare
- AVERTISMENT:** Înainte de a utiliza produsul, citiți instrucțiunile de avertizare de mai jos.
- Acest produs poate fi periculos și poate cauza vătămări corporale grave sau decesul operatorului sau al altor persoane. Acționați cu grijă și utilizați corect produsul.
  - Efectuați o inspecție a produsului înainte de utilizare. Consultați *Întreținerea la pagina 264*.
  - Nu utilizați produsul atunci când sunteți obosit, bolnav sau dacă ați consumat alcool sau droguri care vă pot afecta capacitatea vizuală, capacitatea de a gândi rațional sau coordonarea.
  - Instalați toate capacele și apărătoarele înainte de utilizare. Pentru prevenirea șocurilor electrice, asigurați-vă că de integritatea capacului bujiei și a cablului de alimentare a aprinderii.
  - Nu atingeți bujia sau cablul de alimentare a aprinderii în timp ce motorul este în funcțiune.
  - Păstrați o distanță de siguranță de minimum 15 m de persoane și animale. Dacă persoanele sau animalele se apropie la mai puțin de 15 m de produs, opriți-l. Orientați produsul în direcție opusă persoanelor, animalelor, ferestrelor deschise și altor obiecte.
  - Nu permiteți copiilor să utilizeze produsul. Asigurați-vă că toți operatorii citesc și înțeleg conținutul acestui manual de utilizare.
  - Țineți mâinile și alte obiecte la distanță de suflantă în timpul funcționării. Piesele rotative pot provoca vătămări corporale grave.
  - Nu utilizați produsul dacă filtrul pentru priza de aer nu este instalat. Înainte de utilizare, asigurați-vă întotdeauna că filtrul pentru priza de aer este instalat și nu prezintă deteriorări.
  - În caz de urgență, eliberați cureaua pentru mijloc și cureaua pentru piept ale hamului și lăsați produsul să cadă.
  - Respectați reglementările și directivele naționale.
  - Nu apropiați părțile corpului de suprafețele fierbinți.
  - În timpul funcționării, acest produs produce un câmp electromagnetic. În anumite condiții, acest câmp poate interfera cu implanturile medicale active sau pasive. Pentru a reduce riscul de vătămări corporale grave sau mortale, recomandăm persoanelor cu implanturi medicale să consulte medicul și producătorul implantului medical înainte de a utiliza acest produs.
  - Vibrațiile excesive pot afecta sistemul circulator sau nervos. Discutați cu medicul dacă aveți simptome, de exemplu, amorțeală, pierderea sensibilității tactile, furnicături, înțepături, durere, pierderea forței sau modificări ale culorii pielii la degete, mâini sau încheieturi.
  - Fiți atent la obiectele proiectate. Obiectele proiectate pot provoca vătămări corporale grave.
  - Nu utilizați produsul în condiții de vreme nefavorabilă, precum ceață, ploaie, vânt puternic sau frig intens. Activitatea în condiții dificile poate conduce la oboseală și poate genera situații periculoase.
  - Asigurați-vă că vă puteți deplasa și că vă puteți menține într-o poziție stabilă. Efectuați o verificare a suprafeței de lucru pentru a detecta posibile obstacole, de ex., stânci. Procedați cu atenție atunci când utilizați produsul în pantă.
  - Nu așezați produsul pe sol când motorul este pornit.
  - Nu operați produsul din poziții înalte, de ex., de pe o scară.

- Asigurați-vă că puteți fi întotdeauna auzit în cazul producerii unui accident.
- Asigurați-vă că orificiul de evacuare a gazelor de eșapament nu este blocat. Pentru a preveni deteriorarea produsului, obstacolele trebuie să se afle la o distanță de minimum 50 cm de orificiul de evacuare a gazelor de eșapament.
- Nu porniți produsul în interior, în condiții de flux de aer insuficient sau în apropierea unor materiale inflamabile. Gazele de eșapament conțin monoxid de carbon, care poate duce la intoxicație cu monoxid de carbon. Gazele de eșapament sunt fierbinți și pot conține scânteii care pot declanșa incendii.
- Dacă dispozitivele de siguranță sunt defecte, adresați-vă reprezentantului de service Husqvarna.

### Verificarea amortizorului de zgomot



**AVERTISMENT:** Nu utilizați un produs cu amortizor de zgomot deteriorat.



**AVERTISMENT:** Amortizorul de zgomot devine foarte fierbinte în timpul utilizării și după utilizare, precum și la turație de mers la ralanti. Utilizați mănuși de protecție pentru a preveni vătămarile prin arsuri.



**AVERTISMENT:** Partea interioară a amortizorului de zgomot conține substanțe chimice care pot fi cancerigene. Nu atingeți amortizorul de zgomot dacă este deteriorat.

### Echipament de protecție personală



**AVERTISMENT:** Înainte de a utiliza produsul, citiți instrucțiunile de avertizare de mai jos.

- Utilizați echipamente omologate de protecție personală atunci când folosiți produsul. Echipamentele de protecție personală nu pot elimina complet riscul de vătămare, însă pot reduce gravitatea vătămarilor. Adresați-vă distribuitorului pentru informații suplimentare.
- Utilizați un sistem omologat de protecție a auzului. Expunerea pe termen lung la zgomot poate avea ca rezultat deteriorarea ireversibilă a auzului.
- Utilizați ochelari de protecție omologați. Dacă utilizați un vizor de protecție, trebuie să purtați și ochelari de protecție. Ochelarii de protecție trebuie să fie conformi cu standardul ANSI Z87.1 în S.U.A. sau EN 166 în țările din UE.
- Utilizați mănuși de protecție în timpul operării și întreținerii.
- Utilizați cizme sau pantofi de protecție cu tălpi anti-alunecare.
- Utilizați îmbrăcăminte lungă, dintr-un material rezistent. Nu utilizați bijuterii sau pantofi decupați. Pentru a reduce riscul de vătămare corporală, hainele trebuie să fie strânse pe corp, dar să nu vă limiteze mișcările. Strângeți părul deasupra umerilor, pentru a preveni pătrunderea acestuia în piesele în mișcare sau prinderea în ramuri.
- Utilizați protecție respiratorie când există pericolul de generare a prafului.
- Păstrați echipamentul de prim ajutor în apropiere.

### Dispozitivele de siguranță de pe produs



**AVERTISMENT:** Înainte de a utiliza produsul, citiți instrucțiunile de avertizare de mai jos.

- Nu utilizați un produs cu dispozitive de siguranță deteriorate.
- Verificați regulat dispozitivele de siguranță. Consultați *Întreținerea la pagina 264*.

- Inspectați vizual periodic amortizorul de zgomot. Amortizorul de zgomot este proiectat pentru a reduce la minimum nivelul de zgomot și a dirija gazele de eșapament departe de utilizator. Consultați *Întreținerea amortizorului de zgomot la pagina 265*.

### Pentru a verifica sistemul de amortizare a vibrațiilor

1. Asigurați-vă că nu există crăpături sau deformări pe unitățile de amortizare a vibrațiilor.
2. Asigurați-vă că unitățile de amortizare a vibrațiilor sunt atașate corect de motor și mâner.

Consultați *Prezentarea generală a produsului la pagina 256* pentru informații despre locul în care sistemul de amortizare a vibrațiilor se află pe produsul dvs.

### Verificarea comutatorului de pornire/oprire

1. Utilizați comutatorul de pornire/oprire pentru a opri motorul.
2. Asigurați-vă că motorul s-a oprit complet.

Pentru a vedea unde se află comutatorul de pornire/oprire pe produsul dvs., consultați *Prezentarea generală a produsului la pagina 256*.

### Siguranța cablajului

- Asigurați-vă de fixarea și reglarea corectă a curelei pentru mijloc. Capetele libere ale hamului pot pătrunde în piesele rotative și pot cauza deteriorarea ventilatorului. Dacă ventilatorul este deteriorat, piesele slăbite ale produsului pot fi proiectate în aer și pot cauza vătămări corporale sau daune.

## Reguli de siguranță referitoare la carburant



**AVERTISMENT:** Înainte de a utiliza produsul, citiți instrucțiunile de avertizare de mai jos.

- Nu amestecați și nu adăugați carburant în interior sau lângă o sursă de încălzire.
- Nu porniți produsul dacă vărsați combustibil sau ulei pe produs sau pe corp.
- Nu porniți produsul dacă motorul prezintă scurgeri de combustibil. Examinați cu regularitate motorul, pentru a identifica eventuale scurgeri de combustibil.
- Manipulați întotdeauna cu atenție combustibilul. Combustibilul este inflamabil, iar vaporii de combustibil sunt explozivi și pot cauza vătămări corporale grave sau deces.
- Nu respirați vaporii de carburant, se pot produce vătămări corporale. Asigurați-vă că fluxul de aer este suficient.

- Nu fumați în apropierea carburantului sau a motorului.
- Nu poziționați produsul sau rezervorul de carburant în apropierea unor obiecte calde, a unei flăcări deschise, a scânteilor sau a unei lumini pilot.
- Utilizați întotdeauna recipiente omologate pentru depozitarea și transportarea combustibilului.

## Instrucțiuni de siguranță pentru întreținere



**AVERTISMENT:** Înainte de a utiliza produsul, citiți instrucțiunile de avertizare de mai jos.

- Opriți motorul, demontați bujia și lăsați motorul să se răcească înainte de întreținere și asamblare.
- O sită parascânteii blocată determină încălzirea excesivă a motorului, ceea ce cauzează deteriorarea motorului.

## Asamblarea

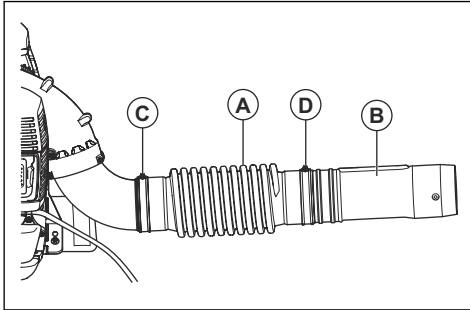
### Introducere



**AVERTISMENT:** Citiți și înțelegeți capitolul referitor la siguranță înainte de asamblarea produsului.

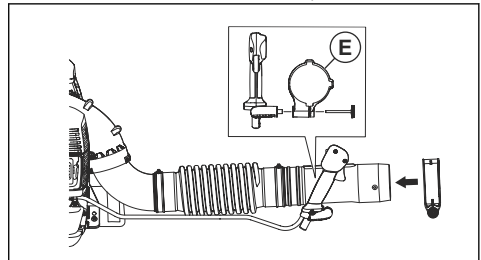
### Pentru a asambla țeava suflantei și mânerul de control al produsului

1. Montați furtunul flexibil (A) pe cotul tubului și țeava de control (B) cu clemele (C) și (D).

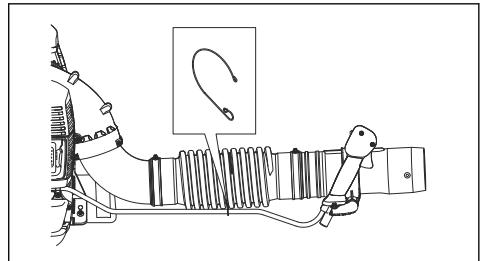


**Nota:** Lubrifiați țeava de control și furtunul flexibil pentru a le face mai ușor de asamblat.

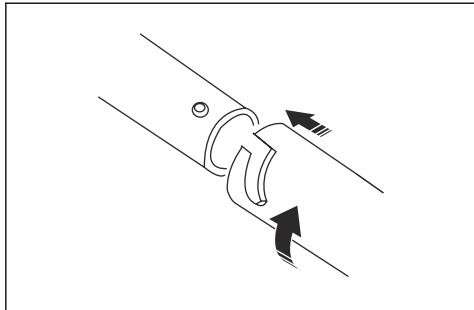
2. Montați suportul de mâner (E) pe țeava de control. Aliniați suportul de mâner cu flanșa țevii de control.



3. Reglați poziția și unghiul mânerului de control într-o poziție de lucru sigură și corectă. Strângeți butonul.
4. Montați cablul pe furtunul flexibil, cu ajutorul clemei de cablu.



5. Cuplați țeava intermediară la țeava de control.



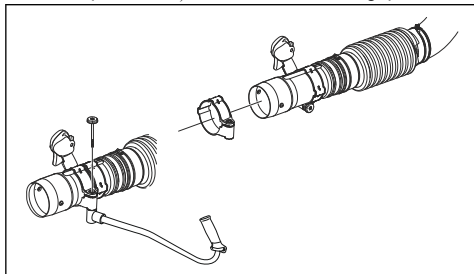
**Nota:** Dacă este necesară utilizarea unei țevi circulare de suflantă mai lungi, este disponibilă o țeavă intermediară prelungită.

6. Montați duza suflantei pe țeava intermediară.

**Nota:** Duza suflantei poate fi instalată numai pe țeava intermediară.

### Pentru asamblarea mânerului (accesoriu opțional)

1. Dezasamblați țeava intermediară.
2. Demontați butonul rotativ din suport și împingeți suportul pe țeava de control.
3. Instalați mânerul și butonul rotativ. Strângeți butonul.

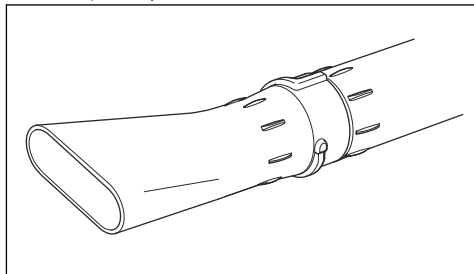


4. Montați țeava intermediară.

### Pentru asamblarea duzei plate (accesoriu opțional)

Duza plată asigură o viteză mai mare a aerului decât duza suflantei.

- Scoateți duza suflantei de pe țeava intermediară și instalați duza plată.



## Funcționarea

### Introducere



**AVERTISMENT:** Citiți și înțelegeți capitoul referitor la siguranță înainte de utilizarea produsului.

### Carburant

Acest produs dispune de motor în doi timpi.



**ATENȚIE:** Tipul incorect de carburant poate deteriora motorul. Utilizați un amestec de benzină și de ulei pentru motoare în doi timpi.

### Carburant preamestecat

- Utilizați carburantul alchilat preamestecat Husqvarna pentru cele mai bune performanțe și prelungirea duratei de viață a motorului. Acest carburant conține substanțe chimice mai puțin nocive în comparație cu carburantul obișnuit, ceea ce reduce nivelul gazelor

de echipament nocive. Cantitatea de resturi după ardere este mai mică în cazul acestui carburant, care păstrează componentele motorului mai curate.

## Pentru amestecarea carburantului

### Benzină

- Utilizați benzină fără plumb de calitate cu un conținut maxim de 10% etanol.



**ATENȚIE:** Nu utilizați benzină cu o cifră octanică mai mică de 90 RON/87 AKI. Utilizarea unui carburant cu o cifră octanică inferioară poate provoca bătăi la motor, ceea ce duce la defectarea motorului.

### Ulei pentru motoare în doi timpi

- Pentru cele mai bune rezultate și performanțe, utilizați uleiul pentru motoare în doi timpi Husqvarna.
- Dacă uleiul Husqvarna pentru motoare în doi timpi nu este disponibil, utilizați un ulei pentru motoare în doi timpi de bună calitate pentru motoare răcite cu aer. Adresați-vă reprezentantului dvs. de service pentru a alege uleiul corect.



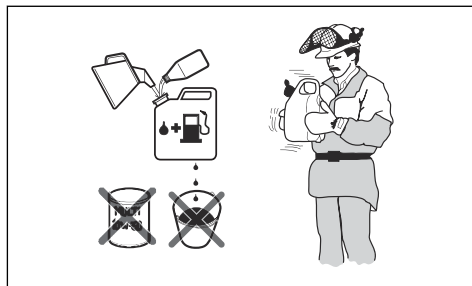
**ATENȚIE:** Nu utilizați ulei pentru motoare în doi timpi răcit pentru motoarele externe răcite cu apă, numit și ulei pentru motoare externe. Nu folosiți ulei pentru motoare în patru timpi.

### Amestecarea benzinei cu ulei pentru motoare în doi timpi

Benzină, litru	Ulei pentru motoare în doi timpi, litru
	<b>2% (50:1)</b>
5	0,10
10	0,20
15	0,30
20	0,40



**ATENȚIE:** Micile erori pot să influențeze drastic raportul amestecului atunci când amestecați cantități mici de carburant. Măsurăți cu grijă cantitatea de ulei și asigurați-vă că obțineți amestecul corect.



- Umpleți jumătate din cantitatea de benzină într-un recipient curat pentru combustibil.
- Adăugați cantitatea completă de ulei.
- Agitați amestecul.
- Adăugați în recipient cantitatea de benzină rămasă.
- Agitați cu grijă amestecul.



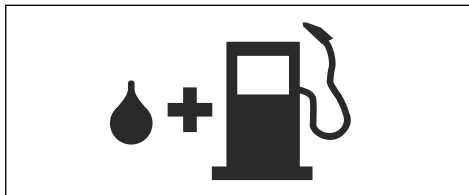
**ATENȚIE:** Nu amestecați carburantul pentru mai mult de 1 lună la un moment dat.

### Umplerea rezervorului de carburant



**AVERTISMENT:** Respectați procedura următoare pentru propria siguranță.

- Opriiți motorul și lăsați motorul să se răcească.
- Curățați suprafața din jurul capacului rezervorului de carburant.



- Agitați recipientul și asigurați-vă că amestecarea carburantului s-a efectuat corespunzător.
- Scoateți încet capacul rezervorului de carburant, pentru a elibera presiunea.
- Umpleți rezervorul de carburant.



**ATENȚIE:** Verificați să nu existe prea mult carburant în rezervorul de carburant. Carburantul se dilată atunci când se încălzește.

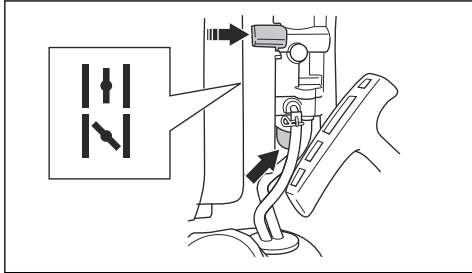
- Strângeți cu atenție capacul rezervorului de carburant.
- Curățați excesul de carburant de pe produs și din jurul acestuia.

8. Îndepărtați produsul la cel puțin 3 m/10 ft de zona de realimentare și de sursa de carburant înainte de a porni motorul.

**Nota:** Pentru a vedea unde se află rezervorul de carburant pe produsul dvs., consultați *Prezentarea generală a produsului la pagina 256*.

## Pornirea produsului

1. Dacă motorul este rece, împingeți maneta șocului în poziția închisă a clapetei de șoc. Consultați *Simbolurile de pe produs la pagina 257*.



2. Apăsăți în mod repetat balonul purjorului până când combustibilul începe să umple balonul purjorului. Nu este necesar să umpleți complet butonul purjorului.
3. Apăsăți comutatorul de pornire/oprire cu controlul accelerației la turația 1/3. Consultați *Pentru a acționa controlul accelerației/ comutatorul de oprire la pagina 263*.
4. Poziționați produsul pe o suprafață plană pe sol.
5. Susțineți produsul cu mâna stângă.



**ATENȚIE:** Nu utilizați picioarele pentru a susține produsul.

6. Trageți încet de mânerul șnurului de pornire până când simțiți rezistență.
7. Trageți repede de mânerul șnurului de pornire, cu mâna dreaptă. Trageți în mod repetat de mânerul șnurului de pornire până când motorul pornește.

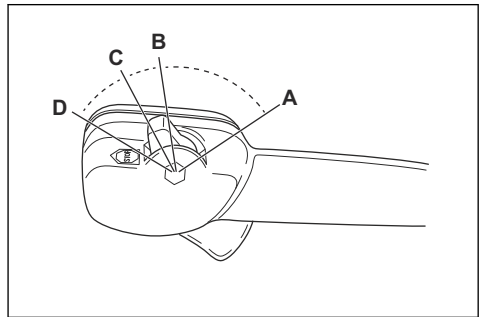
**Nota:** Nu trageți complet mânerul șnurului de pornire și nu-i dați drumul.

8. Dacă motorul este rece, apăsați treptat maneta șocului spre poziția deschisă a clapetei, până când maneta se oprește.
9. Dacă motorul este rece, lăsați-l să funcționeze timp de 2-3 minute, pentru a se încălzi înainte de utilizare.



**AVERTISMENT:** Se eliberează aer la pornirea motorului și când produsul este setat la turația de mers la ralanti. Nu permiteți nimănui să se apropie de produs sau de tub.

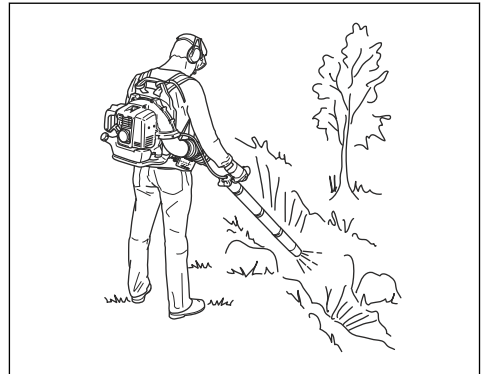
## Pentru a acționa controlul accelerației/ comutatorul de oprire



- Aplicați accelerație maximă (A).
- Aplicați 1/3 din turație (B).
- Aplicați turația de mers la ralanti (C).
- Opiți produsul (D).

## Utilizarea produsului

- Această suflantă are rucsac de transport, iar în timpul funcționării este transportată utilizând un ham pentru umeri. Este acționată și controlată cu ajutorul mânerului de pe tub, folosind mâna dreaptă.



- Operați produsul în limitele orelor normale de program. Respectați reglementările locale.
- Reduceți numărul de echipamente și selectați turația adecvată pentru sarcina dvs. Utilizați accelerația în poziția cea mai coborâtă posibil pentru a preveni excesul de zgomot și de praf.
- Mențineți duza suflantei în apropierea solului.

**Nota:** Husqvarna recomandă utilizarea extensiei complete a duzei de suflantă.

- Observați direcția vântului și operați produsul în direcția acestuia.
- Utilizați uneltele de grădinarit adecvate pentru deblocarea materialelor din sol.
- În zonele cu praf, utilizați echipament de pulverizare pentru a umezi zona. Aceasta reduce durata de funcționare.
- După utilizare, depozitați produsul în poziție verticală.

## Oprirea produsului



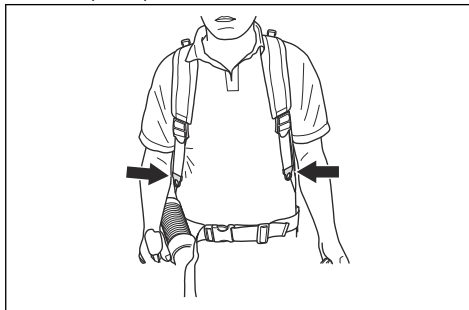
**ATENȚIE:** Nu opriți produsul la viteză maximă.

1. Treceți comutatorul de pornire/oprire cu controlul accelerației în poziția de oprire. Consultați *Pentru a acționa controlul accelerației/ comutatorul de oprire la pagina 263.*

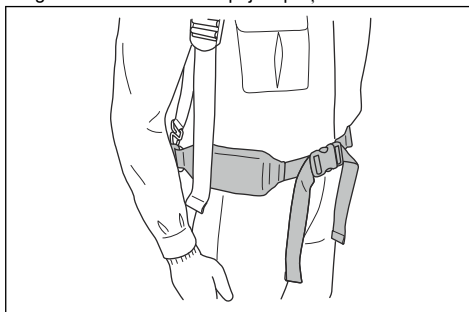
## Reglarea hamului

1. Puneți hamul pe produs.

2. Strângeți curelele de umăr până când produsul este strâns pe corp.



3. Treceți curea de mijloc în jurul taliei.
4. Strângeți banda curelei de mijloc. Asigurați-vă că greutatea suflantei se sprijină pe șolduri.



## Întreținerea

### Introducere



**AVERTISMENT:** Citiți și înțelegeți capitolul privind siguranța înainte de a

efectua operații de întreținere asupra produsului.

### Program de întreținere

Întreținerea	Zilnic	Săptămănal	Lunar
Curățați suprafețele exterioare.	X		
Asigurați-vă că mânerul de control funcționează corect.	X		
Asigurați-vă că comutatorul de pornire/oprire funcționează corect. Consultați <i>Verificarea comutatorului de pornire/oprire la pagina 259.</i>	X		
Verificați etanșeitatea motorului, a rezervorului de carburant și a conductelor de carburant. Verificați dacă există contaminare pe filtrul de carburant. Înlocuiți filtrul de carburant dacă este necesar.	X		



Întreținerea	Zilnic	Săptămănal	Lunar
Curățați filtrul de aer. Înlocuiți filtrul de aer dacă este necesar.	X		
Strângeți șuruburile și piulițele.	X		
Examinați priza de aer pentru a vă asigura că nu este blocată.	X		
Verificați demarorul și firul acestuia, pentru a vedea dacă nu prezintă deteriorări.		X	
Examinați unitățile de amortizare a vibrațiilor, pentru a identifica dacă există deteriorări, fisuri și deformări. Asigurați-vă că unitățile de amortizare a vibrațiilor sunt instalate corect.		X	
Verificați bujia. Consultați <i>Verificarea bujiei la pagina 265</i> .		X	
Curățați sistemul de răcire.		X	
Curățați suprafața exterioară a carburatorului și zona din jurul acesteia.		X	
Curățați rezervorul de carburant.			X
Verificați toate cablurile și conexiunile.			X
Examinați și curățați sita parascânteii de pe amortizorul de zgomot (pentru produse fără convertor catalitic).		X	
Examinați și curățați sita parascânteii de pe amortizorul de zgomot (pentru produse cu convertor catalitic).			X
Verificați bujia. Înlocuiți dacă este necesar.			X

## Reglarea turației de mers în gol

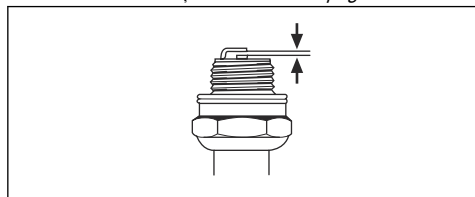
- Asigurați-vă că filtrul de aer este curat și capacul filtrului de aer este montat.
- Reglați turația de mers la ralanti cu ajutorul șurubului de reglare a turației la mers la ralanti. Pentru a vedea unde se află șurubul de reglare a turației la mers la ralanti pe produsul dvs., consultați *Prezentarea generală a produsului la pagina 256*.

## Verificarea bujiei



**ATENȚIE:** Utilizați o bujie recomandată. Consultați *Date tehnice la pagina 269*. O bujie incorectă poate cauza deteriorarea produsului.

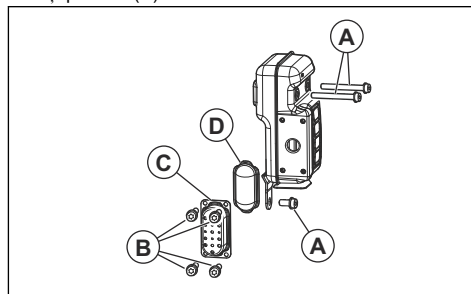
- Opriiți motorul și lăsați produsul să se răcească.
- Curățați bujia dacă este murdară.
- Asigurați-vă că apărătoarea electrodului este corectă. Consultați *Date tehnice la pagina 269*.



- Înlocuiți bujia lunar sau mai frecvent, dacă este necesar.

## Întreținerea amortizorului de zgomot

- Opriiți motorul și lăsați amortizorul de zgomot să se răcească. Utilizați întotdeauna mănuși de protecție.
- Demontați șuruburile (A), șuruburile (B) și țeava de eșapament (C).



- Demontați sita parascânteii (D) și curățați-o cu o perie de sârmă. Înlocuiți sita parascânteii dacă este deteriorată.
- Îndepărtați murdăria de pe amortizorul de zgomot și de pe portul de evacuare al cilindrilor cu peria de sârmă.
- Montați sita parascânteii (D) și țeava de eșapament (C) cu șuruburile (B). Strângeți șuruburile la 2-3 Nm.

6. Strângeți șuruburile (A) la 8-12 Nm. Asigurați-vă că amortizorul de zgomot este corect atașat la produs.

## Pentru a examina și curăța sistemul de răcire

Sistemul de răcire include lamelele de răcire de pe cilindru și de pe filtrul prizei de aer.

1. Opriți motorul.
2. Asigurați-vă că sistemul de răcire nu este murdar sau blocat. Dacă este necesar, curățați filtrul prizei de aer și lamelele de răcire.



**ATENȚIE:** Un sistem de răcire murdar sau blocat poate mări temperatura motorului și poate cauza deteriorarea produsului. Un filtru înfundat al prizei de aer reduce forța de suflare.

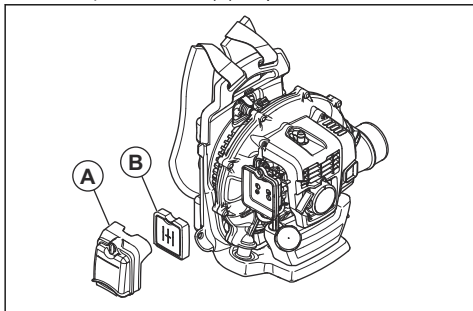
3. Examinați sistemul de răcire pentru a detecta eventualele deteriorări. Asigurați-vă că piesele sunt atașate corect pe produs.

## Curățarea filtrului de aer



**ATENȚIE:** Nu utilizați produsul fără filtru de aer sau cu un filtru de aer deteriorat. Praful din aer poate cauza deteriorarea motorului.

1. Împingeți maneta de acționare a șocului în poziția închisă.
2. Îndepărtați capacul filtrului de aer (A).
3. Scoateți filtrul de aer (B) de pe cadrul filtrului.



4. Curățați filtrul de aer cu apă caldă și săpun.

**Nota:** Un filtru de aer care a fost utilizat timp îndelungat nu poate fi curățat complet. Schimbați periodic filtrul de aer și înlocuiți întotdeauna un filtru de aer defect.

5. Curățați cu o perie suprafața interioară a capacului filtrului de aer (A).
6. Aplicați ulei pe filtrul de aer. Consultați *Aplicarea uleiului pe filtrul de aer din spumă la pagina 266*.

7. Amplasați filtrul de aer pe cadrul filtrului.
8. Montați capacul filtrului de aer pe produs.

## Aplicarea uleiului pe filtrul de aer din spumă

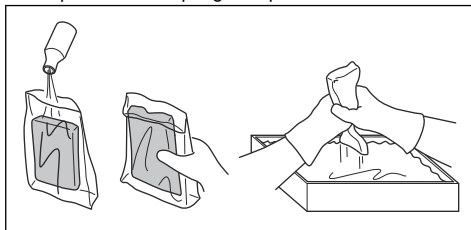


**ATENȚIE:** Folosiți întotdeauna ulei special pentru filtrul de aer Husqvarna. Nu utilizați alte tipuri de ulei.



**AVERTISMENT:** Purtați mănuși de protecție. Uleiul pentru filtrul de aer poate provoca iritații ale pielii.

1. Introduceți filtrul de aer din spumă într-o pungă din plastic.
2. Introduceți uleiul în punga din plastic.
3. Frecați punga din plastic pentru a distribui egal ulei pe filtrul de aer din spumă.
4. Împingeți uleiul nedorit din filtrul de aer din spumă în timp ce se află în punga din plastic.

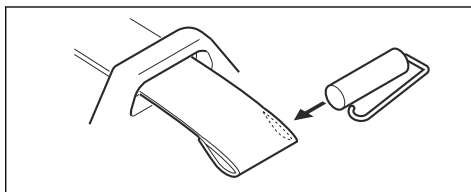


## Pentru înlocuirea hamului



**AVERTISMENT:** Un ham deteriorat poate determina căderea produsului, ceea ce poate produce vătămări corporale. Asigurați-vă că ați instalat corect clema.

1. Opriți motorul.
2. Îndepărtați clema de pe curea.
3. Împingeți capătul curelei prin inel.
4. Trageți curea nouă prin inel.
5. Introduceți știftul în curea pentru a fixa clema pe curea nouă.



## Depanarea

<b>Motorul nu pomește</b>		
<b>Verificați</b>	<b>Cauza posibilă</b>	<b>Soluție</b>
Butonul de oprire.	Poziția Stop	Setați comutatorul de oprire în poziția de pornire.
Clichetul(ele) de pornire.	Clichete de pornire blocate sau uzate.	Reglați sau înlocuiți clichetele de pornire.
		Curățați zona din jurul clichetelor de pornire.
		Adresați-vă unui distribuitor de service autorizat.
Rezervor de combustibil.	Tip de combustibil incorect.	Goliți rezervorul de carburant și utilizați combustibilul corect.
Carburatorul.	Ajustarea turației de mers în gol.	Ajustați turația de mers în gol utilizând șurubul de reglare.
Scânteie (fără scânteie).	Bujia este murdară sau umeză.	Asigurați-vă că bujia este uscată și curată.
	Distanța dintre electrozi de pe bujie este incorectă.	Curățați bujia. Asigurați-vă că apărătoarea electrozului este corectă. Asigurați-vă că bujia este instalată cu un amortizor.
		Consultați fișa cu date tehnice pentru distanța corectă dintre electrozi.
Bujie.	Bujia este slăbită.	Strângeți bujia.
	Material nedorit prezent pe electrozii bujiei.	Asigurați-vă că amestecul este corect.
		Asigurați-vă că filtrul de aer este curat.

<b>Motorul pomește, dar se oprește din nou</b>		
<b>Verificați</b>	<b>Cauza posibilă</b>	<b>Soluție</b>
Rezervor de combustibil.	Tip de combustibil incorect.	Goliți-l și utilizați combustibilul corect.
Carburatorul.	Motorul nu funcționează corect la turația de mers la ralanti.	Adresați-vă reprezentantului de service.
Filtru de aer.	Filtru de aer înfundat.	Curățați filtrul de aer.

### Transportul și depozitarea

---



**AVERTISMENT:** Pentru a preveni riscul de incendii, asigurați-vă că nu există scurgeri sau vapori în timpul transportului sau al depozitării. Asigurați-vă că nu există risc de scântei sau de incendiu.

---

- Goliți rezervorul de combustibil înainte de a-l transporta sau depozita pe termen lung. Apăsăți pe balonul purjorului pentru a vă asigura de eliminarea completă a combustibilului. Eliminați carburantul într-o locație de eliminare autorizată.
- Asigurați-vă că produsul este curat și că s-a efectuat o intervenție de service completă înainte de depozitarea pe termen lung.
- Scoateți bujia și introduceți aproximativ 15 ml de ulei pentru motoare în doi timpi în cilindru. Rotiți produsul de 3 ori și instalați din nou bujia.
- Fixați bine produsul de vehicul în timpul transportului.
- Păstrați produsul într-un spațiu uscat, curat și răcoros, cu un flux de aer adecvat. Nu lăsați produsul la îndemâna copiilor.

## Date tehnice

### Date tehnice

	Husqvarna 350BT
<b>Motor</b>	
Cilindree, cm <sup>3</sup>	50,2
Turație de mers în gol, rot/min	2200
Convertor catalitic	Nu
<b>Sistem de aprindere</b>	
Bujie	NGK CMR7H / TORCH AC7R
Apărătoare electrod, mm	0,6-0,7
<b>Carburant și sistem de ungere</b>	
Capacitatea rezervorului de combustibil, l/cm <sup>3</sup>	1,25/1250
<b>Greutate</b>	
Greutate fără carburant, kg	10,2
<b>Emisii de zgomot</b> <sup>52</sup>	
Nivel de putere acustică, măsurat în dB(A)	101
Nivel de putere acustică garantat L <sub>WA</sub> dB(A)	101
<b>Niveluri de zgomot</b> <sup>53</sup>	
Nivel echivalent de presiune a zgomotului la urechea operatorului, măsurat conform EN15503 dB(A):	
Prevăzut cu duză pentru suflantă (originală)	96
<b>Niveluri de vibrații</b> <sup>54</sup>	
Niveluri echivalente de vibrații (a <sub>hv,eq</sub> ) la mănere, măsurate în conformitate cu EN 15503, m/s <sup>2</sup>	2,7
<b>Performanța ventilatorului</b>	
Viteza max. a aerului cu duză de suflantă, m/s	80
Debit de aer cu duză de suflantă, m <sup>3</sup> /min	14

<sup>52</sup> Emisiile de zgomot în mediu măsurate ca putere acustică (L<sub>WA</sub>) în conformitate cu directiva CE 2000/14/CE. Nivelul de putere a sunetului raportat pentru aparat a fost măsurat cu accesoriul original de duză de suflantă care emite cel mai ridicat nivel. Diferența dintre puterea garantată a sunetului și cea măsurată este aceea că puterea garantată a sunetului include, de asemenea, dispersia în rezultatul de măsurare și variațiile dintre diferitele aparate ale aceluiași model conform Directivei 2000/14/CE.

<sup>53</sup> Datele raportate pentru presiunea nivelului de zgomot prezintă o distribuție statistică tipică (abatere standard) de 1,0 dB (A).

<sup>54</sup> Datele raportate pentru nivelul de vibrații prezintă o dispersie statistică tipică (abatere standard) de 1,0 m/s<sup>2</sup>.

# Declarație de conformitate CE

## Declarație de conformitate CE

Noi, **Husqvarna AB**, SE-561 82 Huskvarna, Suedia, tel.: +46-36-146500, declarăm pe propria răspundere, că produsul:

<b>Descriere</b>	Refulator portabil de tip rucsac
<b>Marcă</b>	Husqvarna
<b>Tip/Model</b>	350BT
<b>Identificare</b>	Numere de serie începând cu 2022 și ulterior.

respectă în totalitate următoarele directive și reglementări UE:

<b>Reglementare</b>	<b>Descriere</b>
2006/42/CE	„privind utilajele”
2014/30/UE	„privind compatibilitatea electromagnetică”
2000/14/CE	„privind emisiile de zgomot în mediul înconjurător”
2011/65/UE	„privind restricțiile de utilizare a anumitor substanțe periculoase la echipamente electrice și electronice”

și că au fost aplicate următoarele standarde și/sau specificații tehnice: EN ISO 12100:2010, CISPR 12:2009, EN 15503:2009+A2:2015, EN IEC 63000:2018

RISE SMP Svensk Maskinprovning AB, Box 7035, SE-750 07 Uppsala, Suedia, a efectuat examinări de tip voluntar în numele Husqvarna AB.

Număr certificat: SEC/09/2102

RISE SMP Svensk Maskinprovning AB, Box 7035, SE-750 07 Uppsala, Suedia a verificat și conformitatea cu anexa V la directiva consiliului 2000/14/EG.

Pentru informații privind emisiile de zgomot, consultați *Date tehnice la pagina 269.*

Huskvarna, 2022-05-17

Stefan Holmberg, Director de cercetare și dezvoltare, Departamentul de gestionare a tehnologiei, Husqvarna AB

Responsabil pentru documentația tehnică



## Содержание

Введение.....	271	Поиск и устранение неисправностей.....	283
Безопасность.....	273	Транспортировка и хранение.....	284
Сборка.....	276	Технические данные.....	285
Эксплуатация.....	277	Декларация соответствия ЕС.....	286
Техническое обслуживание.....	280		

## Введение

### Описание изделия

Данное изделие представляет собой рюкзачную воздуходувку с двигателем внутреннего сгорания.

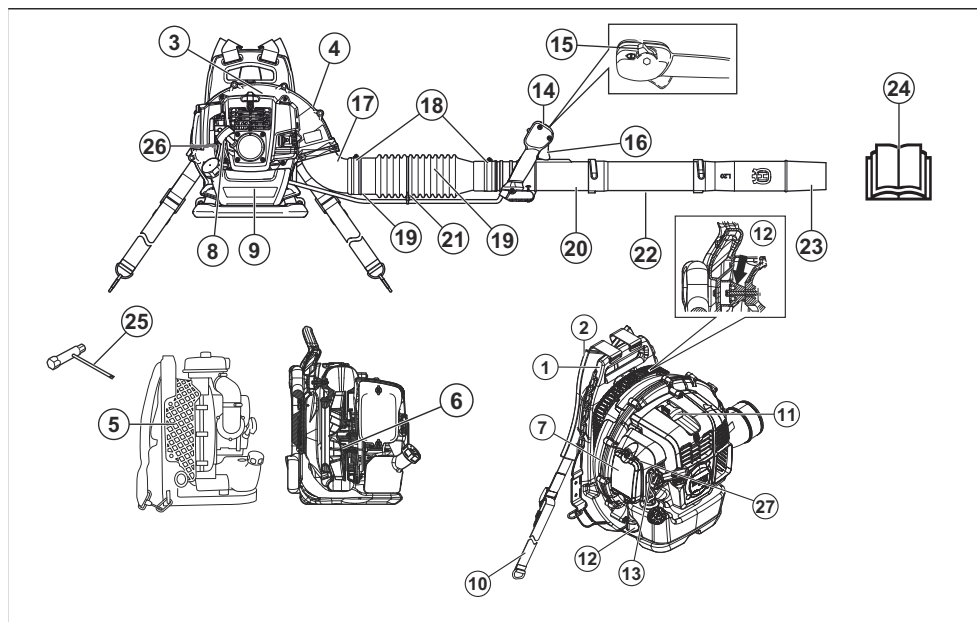
Мы постоянно работаем над усовершенствованием и развитием своей продукции и поэтому оставляем за собой право на внесение изменений в

конструкцию и внешний вид без предварительного предупреждения.

### Назначение

Изделие используется для выдувания листьев и прочего мусора с таких участков и зон, как газоны, дорожки и асфальтированные дороги.

### Обзор изделия



- |                         |   |
|-------------------------|---|
| 1. Скоба                | 10. Поясной ремень  |
| 2. Оснастка             | 11. Свеча зажигания   |
| 3. Крышка двигателя     | 12. Система гашения вибраций  |
| 4. Крышка вентилятора   | 13. Заслонка  |
| 5. Фильтр в воздуховоде | 14. Ручьятка управления   |
| 6. Вентилятор           | 15. Переключатель запуска/остановки с механизмом управления дросселем |
| 7. Воздушный фильтр     | 16. Дроссельный регулятор   |
| 8. Ручка шнура стартера | 17. Колено трубы  |
| 9. Топливный бак        |   |

18. Зажим
19. Гибкий шланг
20. Рабочая труба
21. Кабельный зажим
22. Промежуточная труба
23. Насадка воздуходувки
24. Руководство по эксплуатации
25. Комбинированный ключ
26. Груша нагнетателя
27. Винт регулировки частоты вращения холостого хода

## Символы на изделии



**ПРЕДУПРЕЖДЕНИЕ!** Изделие может представлять опасность и стать причиной тяжелой травмы или смерти оператора или окружающих. Соблюдайте осторожность и правила эксплуатации изделия.



Перед началом работы внимательно прочитайте руководство по эксплуатации и убедитесь, что понимаете приведенные в нем инструкции.



Используйте одобренные средства защиты глаз и органов слуха. При работе в пыльных условиях используйте респиратор.



Используйте одобренные защитные перчатки.



Смесь бензина и масла для двухтактных двигателей.



Праймер.



Держите части тела на безопасном расстоянии от горячих поверхностей.



Воздушная заслонка, открытое положение.



Воздушная заслонка, закрытое положение.



Данное изделие отвечает требованиям соответствующих директив ЕС.



Данное изделие соответствует действующим директивам Великобритании.



Табличка с уровнем эмиссии шума в окружающую среду в соответствии с директивами и нормативами Европейского союза, Великобритании и законодательством Нового Южного Уэльса "Регламент 2017 года по защите окружающей среды (контроль уровня шума)". Гарантированный уровень мощности звука изделия указан в разделе *Технические данные на стр. 285* и на табличке.



Берегитесь отбрасываемых предметов. Отбрасываемые предметы могут стать причиной серьезной травмы. Пользуйтесь средствами индивидуальной защиты.



Соблюдайте безопасную дистанцию не менее 15 м до людей или животных.

ууууwwxxxx

На паспортной табличке указан серийный номер. **уууу** означает год производства, **ww** — производственную неделю.

**Примечание:** Остальные символы/наклейки на изделии отвечают требованиям, предъявляемым к сертификации в других коммерческих зонах.

## Соответствие уровня токсичных выбросов стандарту Euro V



**ПРЕДУПРЕЖДЕНИЕ:** В случае вмешательства в работу двигателя данное изделие перестанет соответствовать нормативам ЕС.

## Ответственность изготовителя

В соответствии с законами об ответственности изготовителя мы не несем ответственности за ущерб, вызванный эксплуатацией нашего изделия в результате:

- ненадлежащего ремонта изделия;



- использования для ремонта изделия неоригинальных деталей или деталей, не одобренных производителем;
- использования неоригинальных дополнительных принадлежностей или принадлежностей, не одобренных производителем;
- ремонта изделия в неавторизованном сервисном центре или неквалифицированным специалистом;

---

## Безопасность

---

### Инструкции по технике безопасности

Ниже приведены определения уровня опасности для каждого сигнального слова.



#### **ПРЕДУПРЕЖДЕНИЕ:**

Травмирование человека.



**ВНИМАНИЕ:** Повреждение изделия.

**Примечание:** Эта информация поможет упростить эксплуатацию изделия.

### Общие инструкции по технике безопасности



**ПРЕДУПРЕЖДЕНИЕ:** В обязательном порядке прочитайте следующие инструкции по технике безопасности, прежде чем приступать к эксплуатации изделия.

- Запрещается вносить изменения в изделие без разрешения производителя. Используйте только оригинальные принадлежности. Несанкционированные модификации и/или неодобренные принадлежности могут привести к серьезным травмам или смерти оператора или других лиц.
- Не используйте поврежденное изделие. Проверяйте состояние защитных устройств и проводите техническое обслуживание в соответствии с инструкциями в данном руководстве по эксплуатации. Все прочие виды технического обслуживания должны проводиться сертифицированными специалистами по обслуживанию.
- Все работы по обслуживанию и ремонту должны выполняться сертифицированными специалистами по обслуживанию. Если какая-либо часть изделия неисправна, обратитесь в сервисный центр.

### Инструкции по технике безопасности во время эксплуатации



#### **ПРЕДУПРЕЖДЕНИЕ:**

В обязательном порядке прочитайте следующие инструкции по технике безопасности, прежде чем приступать к эксплуатации изделия.

- Изделие может представлять опасность и стать причиной тяжелой травмы или смерти оператора или окружающих. Соблюдайте осторожность и правила эксплуатации изделия.
- Перед началом эксплуатации проверьте изделие. См. раздел *Техническое обслуживание на стр. 280*.
- Ни в коем случае не используйте изделие, если вы устали, больны или находитесь под воздействием спиртного или других веществ, которые могут повлиять на зрение, оценку действительности или координацию.
- Перед использованием установите все крышки и кожухи. Во избежание поражения электрическим током убедитесь, что колпачок свечи зажигания и кабель зажигания не повреждены.
- Запрещается касаться колпачка свечи или кабеля зажигания при работающем двигателе.
- Соблюдайте безопасное расстояние не менее 15 м до людей или животных. Если люди, в частности дети, или животные приближаются к изделию ближе, чем на 15 м, остановите изделие. Направляйте изделие в сторону от людей, животных, открытых окон и других объектов.
- Не позволяйте детям управлять изделием. Убедитесь, что все операторы прочитали и поняли содержание данного руководства по эксплуатации.
- Во время работы не подносите руки или какие-либо предметы к корпусу воздухоудвки. Вращающиеся детали могут стать причиной серьезной травмы.
- Не используйте изделие без фильтра в воздухоудводе. Перед началом работы всегда проверяйте, что фильтр в воздухоудводе установлен и не поврежден.
- В аварийной ситуации ослабьте поясной и нагрудный ремни оснастки и дайте изделию упасть.

- Соблюдайте государственные нормативы и директивы.
- Держите части тела на безопасном расстоянии от горячих поверхностей.
- Во время работы данное изделие создает электромагнитное поле. В определенных обстоятельствах это поле может создавать помехи для пассивных и активных медицинских имплантатов. В целях снижения риска серьезной или смертельной травмы лицам с медицинскими имплантатами рекомендуется проконсультироваться с врачом и изготовителем имплантата, прежде чем приступать к эксплуатации данного изделия.
- Слишком сильная вибрация может привести к нарушениям кровообращения или нервной системы. Если у вас есть такие симптомы, как онемение, потеря чувствительности, покалывание, боль, в том числе пульсирующая, упадок сил или изменение цвета кожи на пальцах, руках или запястьях, обратитесь к врачу.
- Берегитесь отбрасываемых предметов. Отбрасываемые предметы могут стать причиной серьезной травмы.
- Не используйте изделие при неблагоприятных погодных условиях, например в туман, дождь, при сильном ветре и низких температурах. Работа в плохую погоду может привести к усталости и возникновению опасных ситуаций.
- Убедитесь, что вы можете свободно перемещаться и работать в устойчивом положении. Проверьте рабочую зону на наличие препятствий, например камней. Соблюдайте осторожность при работе с изделием на наклонной поверхности.
- Запрещается класть изделие на землю при работающем двигателе.
- Не работайте с изделием на высоте, например стоя на стремянке.
- Убедитесь, что вас обязательно услышат в случае аварии.
- Убедитесь, что вывод выхлопных газов не засорен. Во избежание повреждения изделия вывод выхлопных газов должен находиться на расстоянии не менее 50 см от препятствий.
- Запрещается запускать изделие в помещении, в условиях плохой вентиляции или рядом с легковоспламеняющимися материалами. Выхлопные газы двигателя содержат монооксид углерода, который может стать причиной отравления угарным газом. Выхлопные газы имеют высокую температуру и могут содержать искры, которые в свою очередь могут привести к воспламенению.

## Средства индивидуальной защиты



**ПРЕДУПРЕЖДЕНИЕ:** В обязательном порядке прочитайте следующие инструкции по технике безопасности, прежде чем приступать к эксплуатации изделия.

- Каждый раз при работе с изделием следует использовать рекомендованные средства индивидуальной защиты. Средства индивидуальной защиты не могут полностью исключить риск получения травмы, но они способны снизить тяжесть травмы. Для получения дополнительных сведений обратитесь к своему дилеру.
- Всегда пользуйтесь защитными наушниками. Продолжительное воздействие шума может повлечь неизлечимое ухудшение слуха.
- Пользуйтесь проверенными средствами защиты глаз. При использовании защитной маски следует пользоваться также одобренными защитными очками. Под одобренными защитными очками подразумеваются очки, отвечающие требованиям стандарта ANSI Z87.1 для США или EN 166 для стран ЕС.
- Во время эксплуатации и технического обслуживания используйте защитные перчатки.
- Надевайте защитные ботинки или обувь с нескользящей подошвой.
- Используйте длинную одежду из прочной ткани. Не надевайте ювелирные украшения или открытую обувь. Чтобы снизить риск получения травмы, одежда должна плотно прилегать к телу, но не сковывать движения. Соберите волосы выше уровня плеч, чтобы они не попали во вращающиеся части и не зацепились за ветки.
- При работе в условиях, которые могут привести к появлению пыли, используйте средства защиты органов дыхания.
- Средства оказания первой помощи всегда должны быть под рукой.

## Защитные устройства на изделии



**ПРЕДУПРЕЖДЕНИЕ:** В обязательном порядке прочитайте следующие инструкции по технике безопасности, прежде чем приступать к эксплуатации изделия.

- Запрещается использовать изделие с неисправными защитными устройствами.
- Регулярно выполняйте проверку защитных устройств. См. раздел *Техническое обслуживание* на стр. 280.
- Если защитные устройства неисправны, обратитесь к своему сервисному дилеру Husqvarna.

## Проверка глушителя



### ПРЕДУПРЕЖДЕНИЕ:

Запрещается использовать изделие с неисправным глушителем.



### ПРЕДУПРЕЖДЕНИЕ:

Глушитель сильно нагревается в ходе работы и остается нагретым после окончания работы, а также при холостых оборотах. Во избежание ожогов пользуйтесь защитными перчатками.



**ПРЕДУПРЕЖДЕНИЕ:** Внутри глушителя содержатся химикаты, которые могут быть канцерогенными. Не прикасайтесь к глушителю, если он поврежден.

- Регулярно выполняйте визуальную проверку глушителя. Глушитель предназначен для максимального снижения уровня шума и отвода выхлопных газов в сторону от оператора. См. раздел *Техобслуживание глушителя на стр. 281*.

## Проверка системы гашения вибраций

1. Убедитесь в отсутствии трещин или деформации на амортизаторах.
2. Убедитесь, что амортизаторы надежно закреплены между блоком двигателя и рукояткой.

Информацию о расположении системы гашения вибраций на изделии см. в разделе *Обзор изделия на стр. 271*.

## Проверка переключателя запуска/остановки

1. Используйте переключатель запуска/остановки для остановки двигателя.
2. Убедитесь, что двигатель полностью остановился.

Информацию о расположении переключателя запуска/остановки на изделии см. в разделе *Обзор изделия на стр. 271*.

## Безопасное использование оснастки

- Убедитесь, что поясной ремень зафиксирован и правильно отрегулирован. Ослабленные концы оснастки могут попасть во вращающиеся детали и привести к повреждению вентилятора. Если вентилятор поврежден, ослабленные детали изделия могут отсоединиться и привести к травме или повреждениям.

## Техника безопасности в отношении топлива



### ПРЕДУПРЕЖДЕНИЕ:

В обязательном порядке прочитайте следующие инструкции по технике безопасности, прежде чем приступить к эксплуатации изделия.

- Не смешивайте и не заливайте топливо в помещении или рядом с источником тепла.
- Запрещается запускать изделие, если вы пролили топливо или масло на изделие или тело.
- Запрещается запускать изделие при наличии утечки топлива из двигателя. Регулярно проверяйте двигатель на наличие утечек топлива.
- Соблюдайте осторожность при обращении с топливом. Топливо является легковоспламеняющейся жидкостью со взрывоопасными парами и может привести к серьезным или смертельным травмам.
- Запрещается вдыхать пары топлива, т. к. это может причинить вред здоровью. Убедитесь в наличии достаточного потока воздуха.
- Запрещается курить вблизи топлива или двигателя.
- Запрещает размещать изделие или емкость для топлива вблизи нагретых предметов, открытого огня, искр или горелок.
- Всегда используйте рекомендованные контейнеры для хранения и транспортировки топлива.

## Инструкции по технике безопасности во время технического обслуживания



### ПРЕДУПРЕЖДЕНИЕ:

В обязательном порядке прочитайте следующие инструкции по технике безопасности, прежде чем приступить к эксплуатации изделия.

- Перед проведением технического обслуживания и сборки остановите двигатель, снимите свечу зажигания и дайте двигателю остыть.
- Засоренная искрогасительная сетка может привести к перегреву двигателя и, как следствие, к его повреждению.

## Сборка

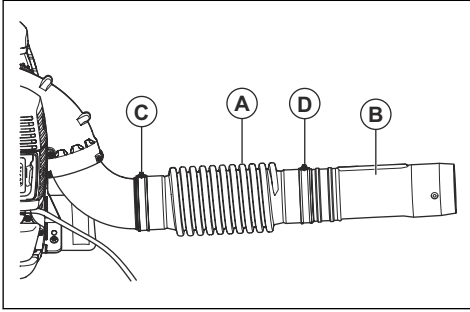
### Введение



**ПРЕДУПРЕЖДЕНИЕ:** Перед сборкой изделия внимательно изучите раздел техники безопасности.

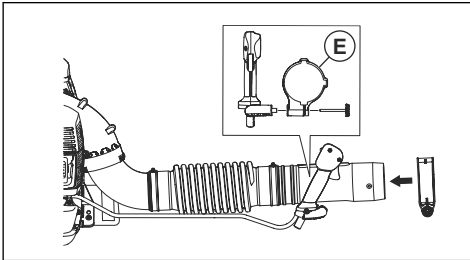
### Установка трубы воздуходувки и рукоятки управления на изделие

1. Подсоедините гибкий шланг (А) к колену трубы и рабочую трубу (В) с помощью хомутов (С) и (D).



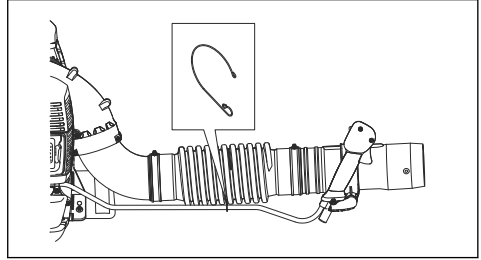
**Примечание:** Смажьте рабочую трубу и гибкий шланг, чтобы упростить их сборку.

2. Прикрепите держатель рукоятки (Е) к рабочей трубе. Выровняйте держатель рукоятки с фланцем на рабочей трубе.

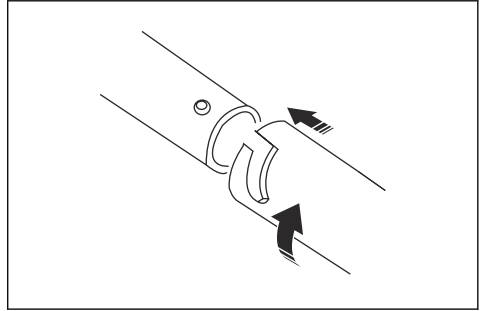


3. Отрегулируйте положение и угол рукоятки управления так, чтобы она была в безопасном и правильном рабочем положении. Затяните поворотный переключатель.

4. Прикрепите кабель к гибкому шлангу с помощью кабельного зажима.



5. Присоедините промежуточную трубу к рабочей трубе.



**Примечание:** Если необходимо использовать более длинную круглую трубу воздуходувки, доступна удлиненная промежуточная труба.

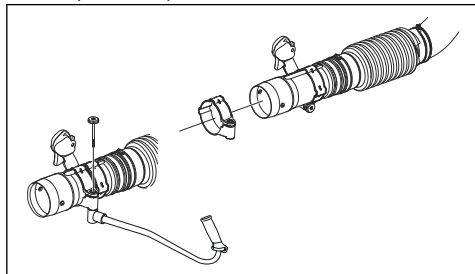
6. Присоедините насадку воздуходувки к промежуточной трубе.

**Примечание:** Насадку воздуходувки можно установить только на промежуточную трубу.

### Установка рукоятки (дополнительная принадлежность)

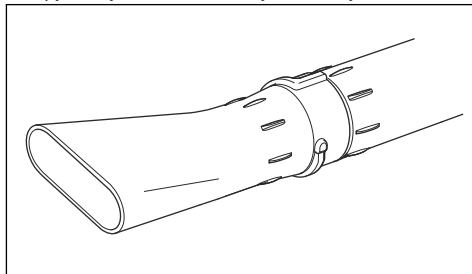
1. Снимите промежуточную трубу.
2. Снимите ручку с держателя и надвиньте держатель на рабочую трубу.

3. Установите рукоятку и ручку. Затяните поворотный переключатель.



4. Установите промежуточную трубу.

- Снимите насадку воздуходувки с промежуточной трубы и установите плоскую насадку.



## Установка плоской насадки (дополнительная принадлежность)

Плоская насадка обеспечивает более высокую скорость подачи воздуха, чем стандартная насадка воздуходувки.

---

# Эксплуатация

---

## Введение



**ПРЕДУПРЕЖДЕНИЕ:** Перед эксплуатацией изделия внимательно изучите раздел техники безопасности.

## Топливо

Данное изделие оборудовано двухтактным двигателем.



**ВНИМАНИЕ:** Заправка неподходящим типом топлива может привести к повреждению двигателя. Используйте смесь бензина и масла для двухтактных двигателей.

## Предварительно смешанное топливо

- Для обеспечения оптимальной производительности и продления срока службы двигателя используйте предварительно смешанное топливо-алкилат Husqvarna. Данный тип топлива содержит меньшее количество вредных веществ по сравнению с обычным топливом, что приводит к сокращению вредных выбросов. Такое топливо при сгорании образует меньшее количество остатков, благодаря чему компоненты двигателя остаются более чистыми.

## Смешивание топлива

### Бензин

- Используйте неэтилированный бензин надлежащего качества с максимальным содержанием этанола 10%.



**ВНИМАНИЕ:** Не используйте бензин с октановым числом меньше 90 RON/87 AKI. При более низком октановом числе двигатель может производить стук, что в свою очередь может привести к повреждению двигателя.

## Масло для двухтактных двигателей

- Для достижения оптимальных результатов и мощности пользуйтесь маслом Husqvarna для двухтактных двигателей.
- Если у вас нет масла Husqvarna для двухтактных двигателей, вы можете использовать высококачественное масло, предназначенное для двухтактных двигателей с воздушным охлаждением. Для выбора правильного масла обратитесь к своему дилеру по обслуживанию.



**ВНИМАНИЕ:** Запрещается использовать масло, предназначенное для двухтактных двигателей с внешним водяным охлаждением, т.н. "outboard oil". Использовать масло

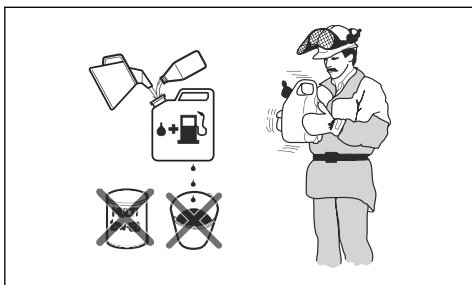
для четырехтактных двигателей запрещается.

### Смешивание бензина и масла для двухтактных двигателей

Бензин, л	Масло для двухтактных двигателей, л
	2% (50:1)
5	0,10
10	0,20
15	0,30
20	0,40



**ВНИМАНИЕ:** Небольшие неточности при смешивании небольшого количества топлива могут значительно повлиять на соотношение компонентов в смеси. Внимательно измеряйте количество масла, чтобы обеспечить правильное соотношение компонентов.



1. Добавьте половину количества бензина в чистую емкость для топлива.
2. Добавьте все количество масла.
3. Взболтайте топливную смесь.
4. Добавьте оставшуюся часть бензина в емкость.
5. Осторожно взболтайте топливную смесь.



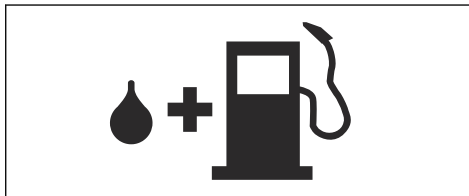
**ВНИМАНИЕ:** Срок хранения топливной смеси не должен превышать 1 месяца.

### Заправка топливного бака



**ПРЕДУПРЕЖДЕНИЕ:** Следуйте приведенным ниже инструкциям для вашей безопасности.

1. Остановите двигатель и дайте ему остыть.
2. Очистите поверхность вокруг крышки топливного бака.



3. Взболтайте емкость и убедитесь, что топливо полностью смешалось.
4. Медленно снимите крышку топливного бака, чтобы стравить давление.
5. Заполните топливный бак.



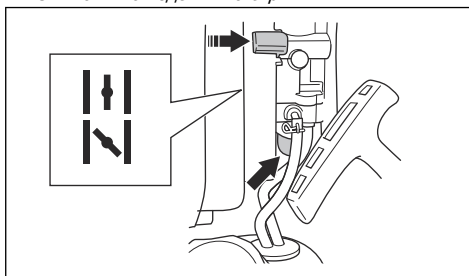
**ВНИМАНИЕ:** Убедитесь, что в топливном баке не слишком много топлива. При нагреве топливо расширится.

6. Аккуратно затяните крышку топливного бака.
7. Уберите пролитое топливо с изделия и вокруг него.
8. Перед запуском двигателя отнесите изделие в сторону не менее чем на 3 м / 10 футов от источника топлива и места заправки топливом.

**Примечание:** Информацию по расположению топливного бака на изделии см. в разделе *Обзор изделия на стр. 271*.

### Запуск изделия

1. При холодном двигателе установите рычаг заслонки в закрытое положение. См. раздел *Символы на изделии на стр. 272*.



2. Несколько раз нажмите на грушу нагнетателя, пока ее не начнет заполнять топливо. Полностью заполнять грушу топливом не требуется.
3. Установите переключатель запуска/остановки с механизмом управления дросселем в положение скорости 1/3. См. раздел *Использование механизма управления дросселем/выключателя на стр. 279*.

4. Разместите изделие на ровном участке земли.
5. Держите изделие левой рукой.



**ВНИМАНИЕ:** Не держите изделие ногами.

6. Медленно потяните ручку шнура стартера, пока не почувствуется сопротивление.
7. Резко потяните ручку шнура стартера правой рукой. Несколько раз потяните ручку шнура стартера, пока двигатель не запустится.

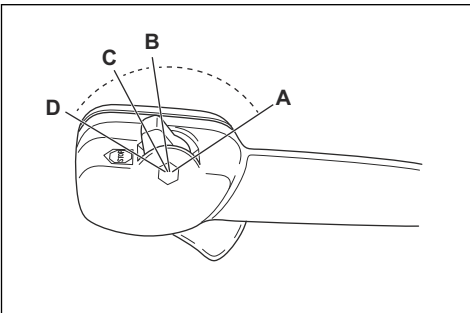
**Примечание:** Не вытягивайте ручку шнура стартера полностью и не отпускайте ее.

8. Если двигатель холодный, постепенно переведите рычаг заслонки до упора в открытое положение.
9. Если двигатель холодный, перед началом работы дайте ему прогреться в течение 2-3 минут.



**ПРЕДУПРЕЖДЕНИЕ:** Воздух выпускается при запуске двигателя и при работе изделия на холостом ходу. Не позволяйте людям приближаться к воздуходувке или ее трубе.

## Использование механизма управления дросселем/выключателя



- Полностью открытый дроссель (A).
- Скорость на 1/3 (B).
- Режим холостого хода (C).
- Останов изделия (D).

## Эксплуатация агрегата

- Данная воздуходувка ранцевого типа. Ее можно переносить во время работы, используя плечевые ремни. Управление и контроль осуществляется правой рукой с помощью рукоятки, расположенной на трубке.



- Эксплуатация изделия в обычное рабочее время. Соблюдайте местное законодательство.
- Уменьшите количество единиц оборудования и выберите скорость, соответствующую выполняемой задаче. Используйте дроссель в крайнем нижнем положении, чтобы предотвратить чрезмерное образование шума и пыли.
- Держите насадку воздуходувки рядом с землей.

**Примечание:** Husqvarna рекомендует работать с полностью выдвинутой насадкой воздуходувки.

- Следите за направлением ветра и перемещайте изделие по направлению ветра.
- Используйте соответствующие садовые инструменты, чтобы отделить материал от земли.
- На запыленных участках используйте распылители для увлажнения. За счет этого уменьшается время работы.
- После работы храните изделие в вертикальном положении.

## Остановка изделия



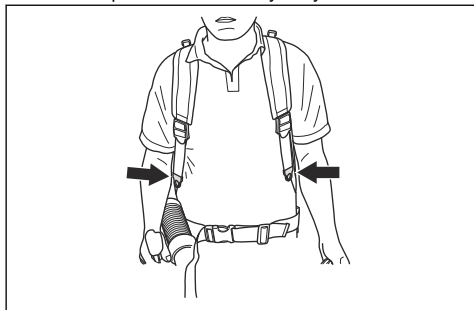
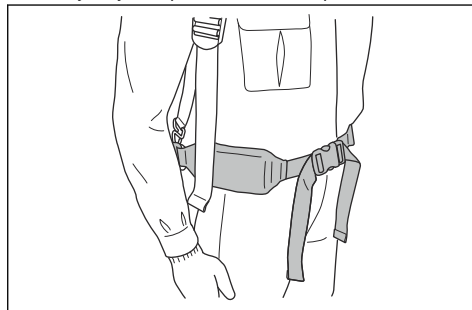
**ВНИМАНИЕ:** Не останавливайте изделие на полной скорости.

1. Установите переключатель запуска/остановки с механизмом управления дросселем в положение остановки. См. раздел *Использование механизма управления дросселем/выключателя на стр. 279.*

3. Оберните поясной ремень вокруг талии.
4. Затяните поясной ремень. Убедитесь, что вес воздуходувки приходится на бедра.

## Регулировка оснастки

1. Наденьте оснастку изделия.
2. Затяните плечевые ремни так, чтобы изделие плотно прилегло к вашему телу.



## Техническое обслуживание

### Введение

внимательно изучите раздел техники безопасности.



**ПРЕДУПРЕЖДЕНИЕ:** Перед техническим обслуживанием изделия

### График технического обслуживания

Техническое обслуживание	Еже-дневно	Еже-дельно	Еже-месячно
Очистите внешние поверхности.	X		
Убедитесь, что рукоятка управления работает исправно.	X		
Проверьте работу переключателя запуска/остановки. См. раздел <i>Проверка переключателя запуска/остановки на стр. 275.</i>	X		
Проверьте двигатель, топливный бак и топливопроводы на наличие утечек. Проверьте топливный фильтр на наличие загрязнений. При необходимости замените топливный фильтр.	X		
Очистите воздушный фильтр. При необходимости замените воздушный фильтр.	X		
Затяните гайки и винты.	X		
Осмотрите воздуховод и убедитесь, что он не засорен.	X		
Осмотрите стартер и шнур стартера на наличие повреждений.		X	
Осмотрите амортизаторы на наличие повреждений, трещин и деформации. Проверьте правильность установки амортизаторов.		X	



Техническое обслуживание	Еже-дневно	Ежене-дельно	Ежеме-сячно
Проверьте свечу зажигания. См. раздел <i>Проверка свечи зажигания на стр. 281.</i>		X	
Очистите систему охлаждения.		X	
Очистите наружные поверхности карбюратора и область вокруг него.		X	
Прочистите топливный бак.			X
Осмотрите все провода и соединения.			X
Осмотрите и очистите искрогасительную сетку на глушителе (для изделий без каталитического нейтрализатора).		X	
Осмотрите и очистите искрогасительную сетку на глушителе (для изделий с каталитическим нейтрализатором).			X
Проверьте свечу зажигания. При необходимости выполните замену.			X

## Регулировка оборотов холостого хода

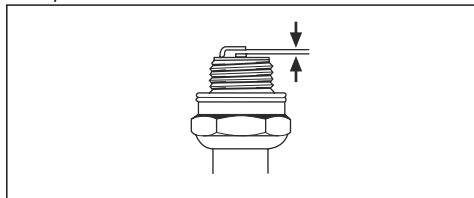
1. Убедитесь, что воздушный фильтр чист, а крышка воздушного фильтра установлена на место.
2. Отрегулируйте обороты холостого хода с помощью винта холостого хода. Информацию о расположении винта холостого хода на изделии см. в разделе *Обзор изделия на стр. 271.*

## Проверка свечи зажигания



**ВНИМАНИЕ:** Используйте только рекомендуемые свечи зажигания. См. раздел *Технические данные на стр. 285.* Применение неподходящих свечей зажигания может привести к повреждению изделия.

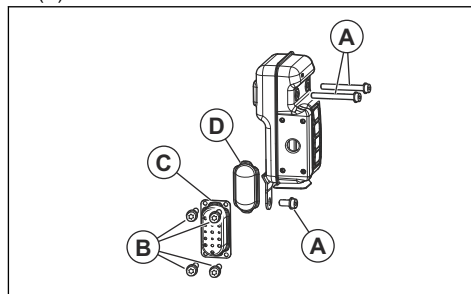
1. Остановите двигатель и дайте изделию остыть.
2. Очистите свечу зажигания, если она загрязнена.
3. Проверьте правильность зазора между электродами. См. раздел *Технические данные на стр. 285.*



4. Выполняйте замену свечи зажигания раз в месяц или чаще, если необходимо.

## Техобслуживание глушителя

1. Остановите двигатель и дайте глушителю остыть. Всегда используйте защитные перчатки.
2. Снимите винты (A), винты (B) и выхлопную трубу (C).



3. Снимите искрогасительную сетку (D) и очистите ее проволочной щеткой. В случае повреждения искрогасительной сетки замените ее.
4. Удалите грязь с глушителя и из выпускного отверстия цилиндра с помощью проволочной щетки.
5. Закрепите искрогасительную сетку (D) и выхлопную трубу (C) с помощью винтов (B). Затяните винты моментом 2-3 Н·м.
6. Затяните винты (A) моментом 8-12 Н·м. Проверьте правильность крепления глушителя к корпусу изделия.

## Проверка и очистка системы охлаждения

Система охлаждения включает охлаждающие ребра на цилиндре и фильтр в воздуховоде.

1. Остановите двигатель.

2. В системе охлаждения не должно быть загрязнений и засоров. При необходимости очистите фильтр в воздуховоде и охлаждающие ребра.



**ВНИМАНИЕ:** Загрязнение или засорение системы охлаждения может привести к перегреву двигателя, в результате чего возможно повреждение изделия. Засоренный фильтр в воздуховоде снижает силу обдува.

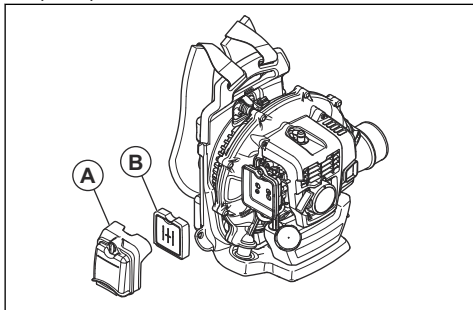
3. Осмотрите систему охлаждения на наличие повреждений. Убедитесь, что детали правильно установлены на изделие.

## Очистка воздушного фильтра



**ВНИМАНИЕ:** Запрещается использовать изделие без воздушного фильтра или с грязным воздушным фильтром. Пыль в воздухе может привести к повреждению двигателя.

1. Переведите заслонку в закрытое положение.
2. Снимите крышку воздушного фильтра (А).
3. Извлеките воздушный фильтр (В) из рамы фильтра.



4. Промойте воздушный фильтр теплой мыльной водой.

**Примечание:** Воздушный фильтр после эксплуатации в течение длительного периода невозможно полностью вычистить. Регулярно выполняйте замену воздушного фильтра и всегда заменяйте неисправный фильтр.

5. Очистите внутреннюю поверхность крышки воздушного фильтра (А) щеткой.
6. Нанесите масло на воздушный фильтр. См. раздел *Нанесение масла на воздушный фильтр из пеноматериала* на стр. 282.
7. Вставьте воздушный фильтр в раму фильтра.

8. Установите крышку воздушного фильтра на изделие.

## Нанесение масла на воздушный фильтр из пеноматериала

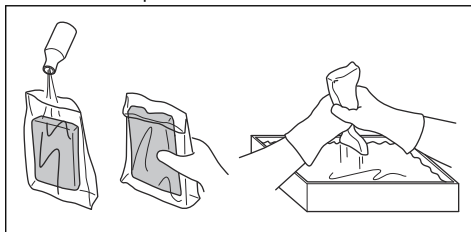


**ВНИМАНИЕ:** Необходимо использовать специальное масло для воздушных фильтров Husqvarna. Не используйте другие виды масла.



**ПРЕДУПРЕЖДЕНИЕ:** Наденьте защитные перчатки. Масло для воздушного фильтра может вызвать раздражение кожи.

1. Поместите воздушный фильтр из пеноматериала в полиэтиленовый пакет.
2. Налейте масло в полиэтиленовый пакет.
3. Сожмите пакет, чтобы равномерно распределить масло по воздушному фильтру из пеноматериала.
4. Отожмите излишки масла из воздушного фильтра из пеноматериала в пластиковый пакет.

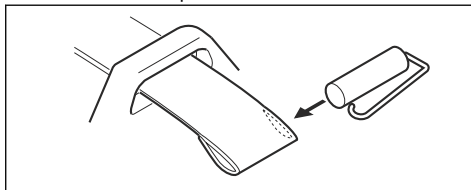


## Замена оснastки



**ПРЕДУПРЕЖДЕНИЕ:** Повреждение оснastки может привести к падению изделия и травмам. Убедитесь, что зажим установлен правильно.

1. Остановите двигатель.
2. Снимите зажим с лямки.
3. Протолкните конец ремня через проушину.
4. Протяните новый ремень через проушину.
5. Вставьте штифт в ремень, чтобы закрепить зажим на новом ремне.



## Поиск и устранение неисправностей

<b>Двигатель не запускается</b>		
<b>Проверка</b>	<b>Возможная причина</b>	<b>Решение</b>
Кнопка остановки.	Положение остановки	Переведите выключатель в положение запуска.
Собачка(-и) стартера.	Блокировка или износ собачки(-ек) стартера	Отрегулируйте или замените собачку(-и) стартера.
		Очистите поверхность вокруг собачки(-ек) стартера.
		Обратитесь к авторизованному сервисному дилеру.
Топливный бак.	Топливо не соответствующего типа.	Опорожните топливный бак и залейте подходящее топливо.
Карбюратор.	Регулировка оборотов холостого хода.	Отрегулируйте частоту вращения холостого хода с помощью винта регулировки холостого хода.
Зажигание (нет искры).	Свеча зажигания загрязнена или намокла.	Убедитесь, что свеча зажигания сухая и чистая.
	Неверный зазор между электродами свечи зажигания.	Очистите свечу зажигания. Проверьте правильность зазора между электродами. Убедитесь, что свеча зажигания оснащена изоляцией радиопомех. Правильный зазор между электродами см. в технических данных.
Свеча зажигания.	Плохой контакт свечи зажигания.	Затяните свечу зажигания.
	Посторонние материалы на электродах свечи зажигания.	Убедитесь, что используется надлежащая топливная смесь. Убедитесь, что воздушный фильтр чист.

<b>Двигатель запускается, но затем снова останавливается</b>		
<b>Проверка</b>	<b>Возможная причина</b>	<b>Решение</b>
Топливный бак.	Топливо не соответствующего типа.	Опорожните бак и залейте подходящее топливо.

Двигатель запускается, но затем снова останавливается		
Проверка	Возможная причина	Решение
Карбюратор.	Некорректная работа двигателя на холостых оборотах.	Обратитесь к своему дилеру по обслуживанию.
Воздушный фильтр.	Засорение воздушного фильтра.	Очистите воздушный фильтр.

---

## Транспортировка и хранение

---

### Транспортировка и хранение



**ПРЕДУПРЕЖДЕНИЕ:** Во избежание возгорания убедитесь в отсутствии утечек или паров во время транспортировки или хранения. Убедитесь в отсутствии риска возникновения искр или возгорания.

- Сливайте топливо из топливного бака перед транспортировкой или помещением изделия на длительное хранение. Нажмите на грушу нагнетателя, чтобы удалить все топливо. Утилизируйте топливо в специально предназначенном для этого месте.
- Перед помещением изделия на длительное хранение очистите его и проведите полное обслуживание.
- Снимите свечу зажигания и залейте в цилиндр примерно 15 мл масла для двухтактных двигателей. Переверните изделие 3 раза и установите на место свечу зажигания.
- Надежно закрепляйте изделие на транспортном средстве на время транспортировки.
- Храните изделие в сухом, прохладном и чистом месте с хорошей вентиляцией. Храните изделие в недоступном для детей месте.

## Технические данные

### Технические данные

	Husqvarna 350BT
<b>Двигатель</b>	
Объем цилиндра, см <sup>3</sup>	50,2
Обороты холостого хода, об/мин	2200
Каталитический нейтрализатор	Нет
<b>Система зажигания</b>	
Свеча зажигания	NGK CMR7H / TORCH AC7R
Зазор между электродами, мм	0,6-0,7
<b>Топливная система и система смазки</b>	
Емкость топливного бака, л / см <sup>3</sup>	1,25 / 1250
<b>Вес</b>	
Вес без топлива, кг	10,2
<b>Излучение шума</b> <sup>55</sup>	
Уровень мощности звука, измеренный, дБ(А)	101
Уровень мощности шума, гарантированный L <sub>WA</sub> дБ (А)	101
<b>Уровни шума</b> <sup>56</sup>	
Эквивалентный уровень давления звука на уровне уха пользователя, измеренный согласно EN15503, дБ (А):	
С насадкой воздуходувки (оригинальной)	96
<b>Уровни вибрации</b> <sup>57</sup>	
Эквивалентный уровень вибрации (a <sub>h<sub>v</sub>,eq</sub> ) на ручках, измеренный согласно EN 15503, м/с <sup>2</sup>	2,7
<b>Производительность вентилятора</b>	
Макс. скорость воздушного потока с насадкой воздуходувки, м/с	80
Воздушный поток с насадкой воздуходувки, м <sup>3</sup> /мин	14

<sup>55</sup> Излучение шума в окружающую среду измеряется как мощность звука (L<sub>WA</sub>) согласно директиве ЕС 2000/14/ЕС. Указанный уровень мощности звука для изделия измерен с оригинальным насадкой воздуходувки, дающим наивысший уровень. Разница между гарантированной и измеренной мощностью звука заключается в том, что гарантированная мощность звука включает результаты измерений как диапазон и их отклонение для устройств одной и той же модели согласно директиве 2000/14/ЕС.

<sup>56</sup> Указанные данные об уровне шумового давления имеют типичный статистический разброс (стандартное отклонение) в 1,0 дБ(А).

<sup>57</sup> Указанные данные об уровне вибрации имеют типичный статистический разброс (стандартное отклонение) 1,0 м/с<sup>2</sup>.

# Декларация соответствия ЕС

## Декларация соответствия ЕС

Мы, **Husqvarna AB**, SE-561 82 Huskvarna, Швеция,  
тел.: +46-36-146500, с полной ответственностью  
заявляем, что изделие:

<b>Описание</b>	Ранцевый воздуходув
<b>Марка</b>	Husqvarna
<b>Тип / Модель</b>	350BT
<b>Идентификация</b>	Серийные номера начиная с 2022 года и далее.

полностью соответствует следующим директивам и  
нормативам ЕС:

<b>Норматив</b>	<b>Описание</b>
2006/42/EC	"О механическом оборудовании"
2014/30/EU	"об электромагнитной совместимости"
2000/14/EC	"Об излучении шума в окружающую среду"
2011/65/EU	"Об ограничении использования определенных опасных веществ в электрическом и электронном оборудовании"

а также требованиям следующих стандартов и/или  
технических регламентов: EN ISO 12100:2010, CISPR  
12:2009, EN 15503:2009+A2:2015, EN IEC 63000:2018

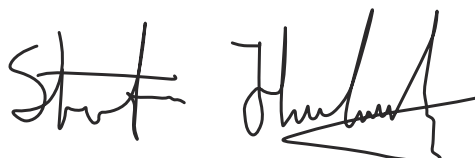
Компания RISE SMP Svensk Maskinprovning AB,  
Box 7035, SE-750 07 Uppsala, Швеция, осуществила  
добровольную типовую проверку от имени компании  
Husqvarna AB.

Номер сертификата: SEC/09/2102

RISE SMP Svensk Maskinprovning AB, Box 7035,  
SE-750 07 Uppsala, Швеция, также подтвердила  
соответствие приложению V директивы Совета  
2000/14/EG.

Информацию по излучению шума см. в разделе  
*Технические данные на стр. 285.*

Husqvarna, 2022-05-17



Стефан Холмберг (Stefan Holmberg), директор  
отдела разработок, управление технологиями,  
Husqvarna AB.

Ответственный за техническую документацию



141400, Московская обл., Г. Химки, ул. Ленинградская,  
владение 39, строение 6, здание II этаж 4,  
помещение OB02\_04,  
телефон горячей линии 8-800-200-1689

# SPIS TREŚCI

Wstęp.....	287	Rozwiązywanie problemów.....	298
Bezpieczeństwo.....	289	Transport i przechowywanie.....	299
Montaż.....	291	Dane techniczne.....	300
Przeznaczenie.....	292	Deklaracja zgodności WE.....	301
Przeгляд.....	295		

## Wstęp

### Opis produktu

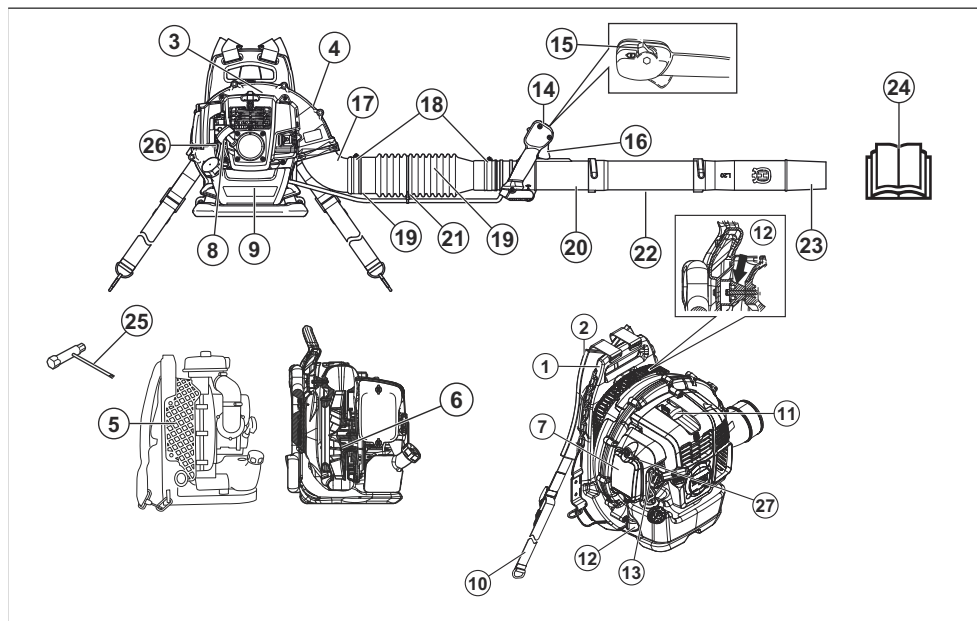
To urządzenie jest dmuchawą plecakową z silnikiem spalinowym.

Nieustannie modernizujemy swoje wyroby, w związku z czym zastrzegamy sobie prawo do wprowadzania zmian dotyczących m.in. wyglądu produktów bez uprzedzenia.

### Przeznaczenie

Produkt jest przeznaczony do zamywania liści oraz innych niepożądanych materiałów z powierzchni takich jak chodniki, ścieżki i drogi asfaltowe.

### Przeгляд produktu



- |                             |  |
|-----------------------------|--|
| 1. Rama                     | 9. Zbiornik paliwa                         |
| 2. Szelki                   | 10. Pas biodrowy                           |
| 3. Pokrywa silnika          | 11. Świeca zapłonowa                       |
| 4. Pokrywa wentylatora      | 12. Układ tłumienia drgań                  |
| 5. Osłona wlotu powietrza   | 13. Dźwignia ssania                        |
| 6. Wentylator               | 14. Uchwyt sterujący                       |
| 7. Filtr powietrza          | 15. Przełącznik start/stop z dźwignią gazu |
| 8. Rączka linki rozrusznika | 16. Dźwignia gazu                          |

17. Kolanko
18. Zacisk
19. Wąż giętki
20. Rura manewrowa
21. Zacisk kabla
22. Rura pośrednicząca
23. Dysza dmuchawy
24. Instrukcja obsługi
25. Klucz dwustronny
26. Gruszka pompki paliwa
27. Śruba obrotów jałowych

## Symbole znajdujące się na produkcie



**OSTRZEŻENIE!** Produkt może spowodować poważne obrażenia ciała lub śmierć operatora lub innych osób. Należy zachować ostrożność i prawidłowo korzystać z produktu.



Przed przystąpieniem do pracy należy dokładnie i ze zrozumieniem zapoznać się z treścią niniejszej instrukcji obsługi.



Należy używać zatwierdzonych ochronników słuchu oraz zatwierdzonych okularów ochronnych. Używać maski przeciwpyłowej w miejscach, w których występuje pył.



Nosić rękawice ochronne.



Mieszanka benzyny i oleju do silników dwusuwowych.



Gruszka pompki paliwa.



Należy uważać, aby nie dotknąć żadną częścią ciała gorących powierzchni.



Ssanie w położeniu otwartym.



Ssanie w położeniu zamkniętym.



Niniejszy produkt jest zgodny z obowiązującymi dyrektywami WE.



Ten produkt jest zgodny z przepisami obowiązującymi w Wielkiej Brytanii.



Etykieta emisji hałasu do środowiska zgodnie z dyrektywami oraz przepisami UE i Wielkiej Brytanii, a także przepisami Nowej Południowej Walii „Protection of the Environment Operations (Noise Control) Regulation 2017”. Gwarantowany poziom mocy akustycznej urządzenia jest określony w *Dane techniczne na stronie 300* oraz na etykiecie.



Uważać na odrzucane przedmioty. Odrzucane przedmioty mogą spowodować poważne obrażenia ciała. Stosować środki ochrony osobistej.



Zachować bezpieczną odległość co najmniej 15 m od osób postronnych oraz zwierząt.

yyyywwxxxx

Tabczka znamionowa zawiera numer seryjny. **yyyy** to rok produkcji, a **ww** oznacza tydzień produkcji.

**Uwaga:** Pozostałe symbole/naklejki samoprzylepne umieszczone na produkcie dotyczą wymogów związanych z certyfikatami w innych obszarach komercyjnych.

## Emisje Euro V



**OSTRZEŻENIE:** Ingerencja w silnik powoduje unieważnienie europejskiego zatwierdzenia typu produktu.

## Odpowiedzialność za produkt

Zgodnie z przepisami dotyczącymi odpowiedzialności za produkt nie ponosimy odpowiedzialności za szkody spowodowane przez nasz produkt, jeśli:

- produkt jest nieprawidłowo naprawiany.
- produkt jest naprawiany przy użyciu części niepochodzących od producenta lub niezatwierdzonych przez producenta.
- produkt jest wyposażony w akcesoria niepochodzące od producenta lub niezatwierdzone przez producenta.



- produkt nie jest naprawiany w autoryzowanym centrum serwisowym lub przez autoryzowaną placówkę.

## Bezpieczeństwo

### Definicje dotyczące bezpieczeństwa

Poniższe definicje nadają poziom znaczenia każdemu słowu sygnałowemu.



**OSTRZEŻENIE:** obrażenia osób.



**UWAGA:** Uszkodzenie produktu.

**Uwaga:** Ta informacja ułatwia używanie maszyny.

### Ogólne zasady bezpieczeństwa



**OSTRZEŻENIE:** Przed rozpoczęciem użytkowania produktu przeczytać następujące ostrzeżenia.

- Nie wprowadzać zmian do urządzenia bez zgody producenta i zawsze korzystać z oryginalnych akcesoriów. Modyfikacje i akcesoria, które nie zostały zatwierdzone przez producenta, mogą stać się przyczyną groźnych obrażeń lub śmierci operatora urządzenia bądź innych osób.
- Nie wolno używać uszkodzonego produktu. Należy przeprowadzać kontrole bezpieczeństwa i czynności konserwacyjne opisane w niniejszej instrukcji obsługi. Wszelkie pozostałe prace konserwacyjne muszą być wykonywane przez pracowników autoryzowanego serwisu.
- Wszystkie prace serwisowe oraz naprawy muszą być wykonywane przez pracowników autoryzowanego serwisu. Jeśli jakkolwiek część urządzenia jest wadliwa, należy zwrócić się do punktu serwisowego.

### Instrukcje bezpieczeństwa dotyczące obsługi



**OSTRZEŻENIE:** Przed rozpoczęciem użytkowania produktu przeczytać następujące ostrzeżenia.

- Produkt może spowodować poważne obrażenia ciała lub śmierć operatora lub innych osób. Należy zachować ostrożność i prawidłowo korzystać z produktu.

- Przed uruchomieniem urządzenia należy sprawdzić jego stan techniczny. Patrz *Przegląd na stronie 295*.
- Nie używać urządzenia będąc zmęczonym, chorym lub pod wpływem alkoholu, narkotyków czy leków, które mogą wpływać negatywnie na wzrok, zdolność oceny sytuacji lub koordynację ruchów.
- Zamontować wszystkie pokrywy i osłony przed użyciem urządzenia. Aby uniknąć porażenia prądem, należy upewnić się, że fajka świecy zapłonowej i przewód zapłonowy nie są uszkodzone.
- Nie dotykać świecy zapłonowej ani przewodu zapłonowego podczas pracy silnika.
- Zachować bezpieczną odległość co najmniej 15 m od osób postronnych oraz zwierząt. Wyłączyć urządzenie, gdy osoby postronne, dzieci lub zwierzęta znajdują się w odległości bliższej niż 15 m. Zwracać urządzenie w kierunku przeciwnym do osób postronnych, zwierząt, otwartych okien i innych obiektów.
- Nie wolno pozwalać dzieciom na obsługę produktu. Wszyscy operatorzy urządzenia powinni zapoznać się z treścią niniejszej instrukcji obsługi.
- Podczas pracy urządzenia należy trzymać ręce i wszelkie inne objekty z dala od obudowy dmuchawy. Części obrotowe mogą spowodować poważne obrażenia ciała.
- Nie używać urządzenia, jeśli osłona wlotu powietrza nie została zamontowana. Przed użyciem należy się zawsze upewnić, że osłona wlotu powietrza jest zamontowana i nie jest uszkodzona.
- W przypadku wystąpienia awarii należy zwolnić pas biodrowy i piersiowy, a następnie opuścić urządzenie.
- Należy przestrzegać wszystkich przepisów oraz dyrektyw prawa krajowego.
- Należy uważać, aby nie dotknąć żadną częścią ciała gorących powierzchni.
- Niniejszy produkt podczas pracy wytwarza pole elektromagnetyczne. W pewnych okolicznościach pole to może zakłócać pracę aktywnych lub pasywnych implantów medycznych. Przed użyciem tego produktu osoby z wszczepionym implantem medycznym powinny skonsultować się z lekarzem i producentem implantu w celu ograniczenia ryzyka poważnych lub śmiertelnych obrażeń.
- Zbyt wysoki poziom drgań może spowodować uszkodzenie układu krwionośnego lub nerwowego. W przypadku rozpoznania u siebie objawów takich jak odrętwienie, utrata czucia, mrowienie, kłucie, ból, utrata siły lub odbarwienia dłoni, palców lub nadgarstków należy zwrócić się do lekarza.

- Uważać na odrzucane przedmioty. Odrzucane przedmioty mogą spowodować poważne obrażenia ciała.
- Nie używać urządzenia w niesprzyjających warunkach atmosferycznych, np. we mgle, w deszczu, przy silnym wietrze lub na silnym mrozie. Praca w takich warunkach może powodować zmęczenie i stwarzać niebezpieczeństwo.
- Należy zapewnić sobie możliwość poruszania się i pracy w stabilnej pozycji. Sprawdzić obszar pracy pod kątem ewentualnych przeszkód, np. kamieni. Należy zachować ostrożność podczas pracy na pochyłości.
- Nie stawiać urządzenia na podłożu podczas pracy silnika.
- Nie należy uruchamiać urządzenia na podwyższeniu, np. na drabinie.
- Należy upewnić się, że w razie wypadku operator urządzenia będzie słyszany.
- Należy sprawdzić, czy wylot spalin nie jest zablokowany. Aby zapobiec uszkodzeniu urządzenia, zachować minimum 50 cm odstęp między wylotem spalin a przeszkodami.
- Nigdy nie włączać urządzenia w pomieszczeniach, miejscach ze złym przepływem powietrza ani w pobliżu materiałów łatwopalnych. Spaliny silnikowe zawierają tlenek węgla, którego wdychanie może spowodować zatrucie. Spaliny silnikowe mają wysoką temperaturę i mogą wraz z nimi wydostawać się iskry, dlatego stanowią zagrożenie pożarowe.

## Środki ochrony osobistej



**OSTRZEŻENIE:** Przed rozpoczęciem użytkowania produktu przeczytać następujące ostrzeżenia.

- Podczas używania urządzenia należy zawsze mieć na sobie środki ochrony osobistej dopuszczone do użytku przez odpowiednie władze. Środki ochrony osobistej nie eliminują ryzyka odniesienia obrażeń, natomiast mogą ograniczyć ich rozmiar. Dodatkowe informacje można uzyskać w punkcie sprzedaży.
- Stosować atestowane ochronniki słuchu. Długotrwałe narażenie na hałas może doprowadzić do trwałego uszkodzenia słuchu.
- Stosuj atestowane środki ochrony oczu. Używając maski ochronnej twarzy, nosić także zatwierdzone okulary ochronne. Za zatwierdzone okulary ochronne uważane są takie, które są zgodne z normami ANSI Z87.1 dla USA lub EN 166 dla krajów UE.
- Stosować rękawice ochronne podczas obsługi i konserwacji.
- Nosić buty ochronne lub buty z antypoślizgowymi podeszwami.
- Nosić długą odzież uszytą z materiału odpornego na rozdarcie. Nie nosić biżuterii ani otwartego obuwia. Aby zmniejszyć ryzyko odniesienia obrażeń, operator powinien mieć na sobie dopasowaną,

ale nieograniczającą swobody ruchów odzieży. Włosy należy spiąć powyżej ramion, aby zapobiec możliwości ich przedostania się do części obrotowych lub zaplątania o gałęzie.

- Jeśli istnieje ryzyko powstawania pyłu, załóż także środki ochrony dróg oddechowych.
- Zawsze mieć pod ręką apteczkę.

## Zespoły zabezpieczające na urządzeniu



**OSTRZEŻENIE:** Przed rozpoczęciem użytkowania produktu przeczytać następujące ostrzeżenia.

- Nie należy używać maszyny z uszkodzonymi urządzeniami zabezpieczającymi.
- Regularnie przeprowadzać kontrole urządzeń zabezpieczających. Patrz *Przegląd na stronie 295*.
- Jeśli urządzenia zabezpieczające są uszkodzone, skontaktować się z warsztatem obsługi technicznej Husqvarna.

## Sprawdzanie tłumika



**OSTRZEŻENIE:** Nie używać produktu z uszkodzonym tłumikiem.



**OSTRZEŻENIE:** Podczas pracy urządzenia, również na biegu jałowym, oraz po wyłączeniu urządzenia tłumik jest bardzo gorący. Stosować rękawice ochronne, aby zapobiec oparzeniom.



**OSTRZEŻENIE:** Wewnątrz tłumika znajdują się substancje chemiczne mogące wywoływać choroby nowotworowe. Nie dotykać uszkodzonego tłumika.

- Regularnie przeprowadzać kontrolę wzrokową tłumika. Tłumik ogranicza do minimum poziom hałasu i odprowadza spaliny poza strefę pracy operatora. Patrz *Konserwacja tłumika na stronie 297*.

## Sprawdzanie układu amortyzowania drgań

1. Sprawdzić, czy amortyzatory nie są pęknięte lub odkształcone.
2. Upewnić się, że amortyzatory są prawidłowo przymocowane do silnika i uchwyty.

Aby uzyskać informacje na temat lokalizacji systemu tłumienia drgań w danym produkcie, patrz *Przegląd produktu na stronie 287*.

## Sprawdzanie wyłącznika

1. Silnik należy wyłączać za pomocą przełącznika start/stop.
2. Upewnić się, że silnik został całkowicie wyłączony.

Aby sprawdzić, gdzie w urządzeniu znajduje się przełącznik start/stop, patrz *Przegląd produktu* na stronie 287.

## Bezpieczne obsługiwane szelek

- Upewnić się, że pas biodrowy jest przymocowany oraz prawidłowo wyregulowany. Końcowe odcinki szelek mogą przedostać się do części obrotowych i spowodować uszkodzenie wentylatora. Jeśli wentylator jest uszkodzony, luźne elementy urządzenia mogą zostać wyrzucone i spowodować obrażenia lub uszkodzenia.

## Zasady bezpieczeństwa dotyczące paliwa



**OSTRZEŻENIE:** Przed rozpoczęciem użytkowania produktu przeczytać następujące ostrzeżenia.

- Nie mieszać ani nie dolewać paliwa wewnątrz pomieszczeń ani w pobliżu źródła ciepła.
- Nie uruchamiać urządzenia, jeśli doszło do rozlania paliwa lub oleju na urządzenie lub ciało.

- Nie uruchamiać urządzenia w przypadku wycieku paliwa z silnika. Regularnie sprawdzać silnik pod kątem nieszczelności.
- Ostrożnie obchodzić się z paliwem. Paliwo jest łatwopalne, a jego opary mogą wybuchnąć, powodując poważne obrażenia lub śmierć.
- Nie wdychać oparów paliwa, ponieważ może to być groźne dla zdrowia lub życia. Zapewnić odpowiednią wentylację.
- Nie palić tytoniu w pobliżu paliwa lub silnika.
- Nie umieszczać urządzenia ani pojemnika na paliwo w pobliżu gorących obiektów, otwartego płomienia, iskry lub płomienia zapłonowego.
- Zawsze należy korzystać z zatwierdzonych pojemników do przechowywania i transportu paliwa.

## Instrukcje bezpieczeństwa dotyczące konserwacji



**OSTRZEŻENIE:** Przed rozpoczęciem użytkowania produktu przeczytać następujące ostrzeżenia.

- Zatrzymać silnik, wymontować świecę zapłonową i poczekać, aż silnik ostygnie przed przystąpieniem do konserwacji lub montażu.
- Zatkany chwytacz iskier może powodować przegrzewanie się silnika, a w konsekwencji jego uszkodzenie.

## Montaż

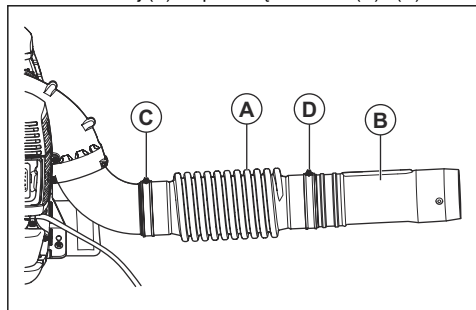
### Wstęp



**OSTRZEŻENIE:** Przed zmontowaniem produktu należy zapoznać się z rozdziałem dotyczącym bezpieczeństwa.

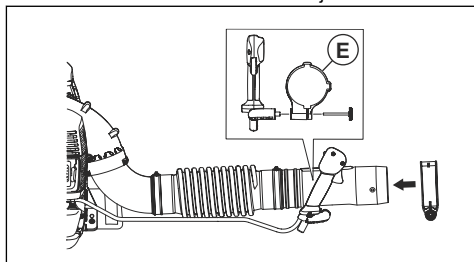
### Montaż rury dmuchawy i uchwytu sterującego na urządzeniu

1. Podłączyć wąż giętki (A) do kolanka i rury manewrowej (B) za pomocą zacisków (C) i (D).



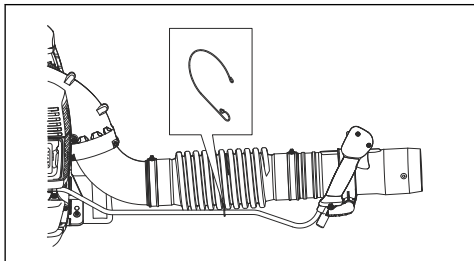
**Uwaga:** Nasmarować rurę manewrową i wąż giętki w celu ułatwienia montażu.

2. Przymocować obsadę uchwytu (E) do rury manewrowej. Wyrównać obsadę uchwytu z kołnierzem na rurze manewrowej.

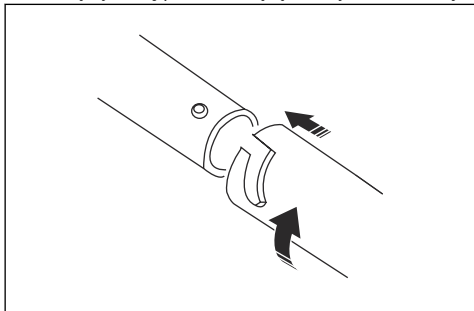


3. Dostosować pozycję i kąt uchwytu sterującego, aby uzyskać bezpieczną i prawidłową pozycję roboczą. Przykręcić pokrętko.

4. Podłączyć kabel do węża giętkiego za pomocą zacisku linki.



5. Podłączyć rurę pośredniczącą do rury manewrowej.



**Uwaga:** Jeśli zajdzie potrzeba użycia dłuższej, okrągłej rury dmuchawy, dostępna jest wydłużona rura pośrednicząca.

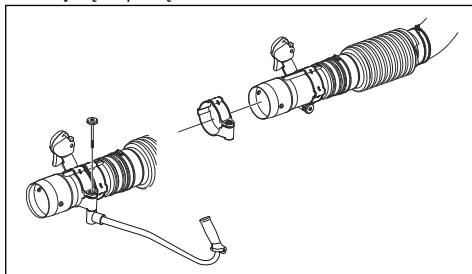
6. Podłączyć dyszę dmuchawy do rury pośredniczącej.

**Uwaga:** Dyszę dmuchawy można podłączyć wyłącznie do rury pośredniczącej.

## Montaż uchwyty sterowniczego (wyposażenie opcjonalne)

1. Zdjąć rurę pośredniczącą.

2. Odkręcić pokrętko uchwytu i założyć uchwyt na rurę manewrową.
3. Zamontować uchwyt sterowniczy oraz pokrętko. Przykręcić pokrętko.

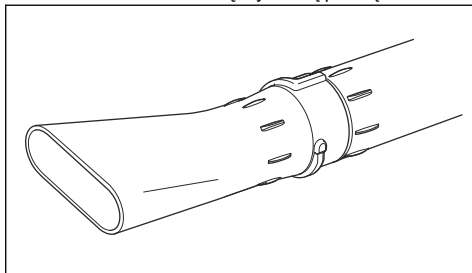


4. Założyć rurę pośredniczącą.

## Montaż końcówki wylotowej płaskiej (wyposażenie opcjonalne)

Końcówka wylotowa płaska pozwala uzyskać silniejszy nadmuch w porównaniu z dyszą dmuchawy.

- Zdjąć dyszę dmuchawy z rury pośredniczącej i zamontować końcówkę wylotową płaską.



## Przeznaczenie

### Wstęp



**OSTRZEŻENIE:** Przed użyciem produktu należy zapoznać się z rozdziałem dotyczącym bezpieczeństwa.

### Paliwo

Produkt jest wyposażony w silnik dwusuwowy.



**UWAGA:** Nieprawidłowy rodzaj paliwa może doprowadzić do uszkodzenia silnika.

Używać mieszanki benzyny i oleju do silników dwusuwowych.

### Wstępnie wymieszane paliwo

- W celu zapewnienia najlepszej wydajności i wydłużenia żywotności silnika należy używać wstępnie wymieszanego paliwa alkilowego Husqvarna. Takie paliwo zawiera mniej szkodliwych substancji chemicznych w porównaniu z tradycyjnym paliwem, dzięki czemu wytwarza mniej szkodliwych gazów wydechowych. Ilość pozostałości po spalaniu tego paliwa jest mniejsza, co zapewnia większą czystość elementów silnika.

## Mieszanie paliwa

### Benzyna

- Należy używać wysokiej jakości benzyny bezołowiowej o maks. 10% zawartości etanolu.



**UWAGA:** Nie używać benzyny o liczbie oktanowej niższej niż 90 RON/87 AKI. Używanie benzyny o niższej liczbie oktanowej może powodować odgłosy stukania i prowadzić do uszkodzenia silnika.

### Olej do silników dwusuwowych

- Aby uzyskać najlepsze wyniki i wydajność, należy używać oleju do silników dwusuwowych przeznaczonych Husqvarna.
- Jeśli olej Husqvarna do silników dwusuwowych nie jest dostępny, należy użyć dobrej jakości oleju do silników dwusuwowych chłodzonych powietrzem. Skontaktować się z dealerm ds. serwisu w celu wybrania właściwego oleju.



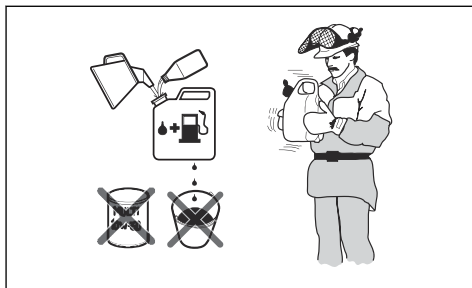
**UWAGA:** Nigdy nie używaj oleju do silników dwusuwowych przeznaczonego do chłodzonych wodą, zaburtowych silników do łodzi. Nie używać oleju przeznaczonego do silników czterusuwowych.

### Mieszanie benzyny i oleju do silników dwusuwowych

Benzyna, w litrach	Olej do silników dwusuwowych, w litrach
	<b>2% (50:1)</b>
5	0,10
10	0,20
15	0,30
20	0,40



**UWAGA:** Podczas mieszania małych ilości paliwa niewielkie błędy mogą mieć znaczny wpływ na proporcje mieszanki. W celu uzyskania prawidłowej mieszanki należy dokładnie odmierzyć ilość dodawanego oleju.



- Wlać połowę objętości benzyny do czystego pojemnika na paliwo.
- Wlać pełną ilość oleju.
- Wymieszać dokładnie paliwo z olejem, potrząsając pojemnikiem.
- Dodać pozostałą objętość benzyny do pojemnika.
- Wymieszać dokładnie paliwo z olejem, potrząsając pojemnikiem.



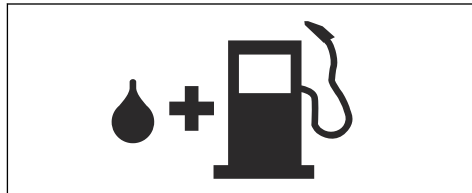
**UWAGA:** Nie mieszać jednorazowo większej ilości paliwa niż wymagana na 1 miesiąc pracy.

### Napełnianie zbiornika paliwa



**OSTRZEŻENIE:** Należy przestrzegać następującej procedury w celu zapewnienia bezpieczeństwa użytkownika.

- Wyłączyć silnik i poczekać, aż ostygnie.
- Oczyścić korek wlewy i powierzchnię wokół niego.



- Wstrząsnąć pojemnikiem i upewnić się, że paliwo jest dobrze wymieszone.
- Wyjąć korek zbiornika paliwa w celu wyrównania ciśnienia.
- Napełnianie zbiornika paliwa.



**UWAGA:** Upewnić się, że w zbiorniku paliwa nie ma zbyt dużo paliwa. Paliwo rozszerza się po nagrzaniu.

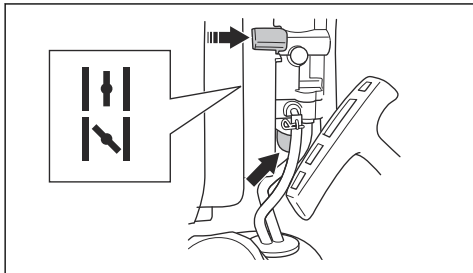
- Ostrożnie dokręcić korek zbiornika paliwa.
- Usunąć rozlane paliwo z produktu i jego otoczenia.

- Przed uruchomieniem silnika należy przenieść produkt na odległość 3 m/10 stóp lub więcej od miejsca tankowania i przechowywania paliwa.

**Uwaga:** Aby sprawdzić, gdzie w produkcie znajduje się zbiornik paliwa, patrz *Przegląd produktu na stronie 287*.

## Uruchamianie produktu

- Jeśli silnik jest zimny, przestawić dźwignię ssania do położenia zamkniętego. Patrz *Symbol znajdujące się na produkcie na stronie 288*.



- Nacisnąć kilkakrotnie gruszkę pompki paliwa, aby napełniła się paliwem. Nie jest konieczne całkowite napełnienie gruszki pompki paliwa.
- Ustawić przełącznik start/stop z dźwignią gazu w położeniu prędkości 1/3. Patrz *Obsługa dźwigni gazu/wyłącznika na stronie 294*.
- Umieścić urządzenie na płaskiej powierzchni na ziemi.
- Przytrzymać urządzenie lewą ręką.



**UWAGA:** Nie przytrzymywać urządzenia stopami.

- Powoli ciągnąć rączkę linki rozrusznika do poczucia oporu.
- Prawą ręką szybko pociągnąć za rączkę linki rozrusznika. Pociągnąć rączkę linki rozrusznika kilkakrotnie aż do uruchomienia silnika.

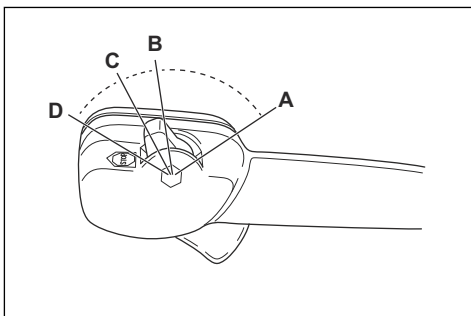
**Uwaga:** Nie ciągnąć rączki linki rozrusznika do pełnego wysunięcia i nie puszczać jej.

- Jeśli silnik jest zimny, należy stopniowo przestawić dźwignię ssania do położenia otwartego do momentu jej zatrzymania.
- Przed rozpoczęciem korzystania z urządzenia pozostawić silnik włączony przez 2–3 minuty, jeśli jest zimny.



**OSTRZEŻENIE:** Powietrze jest wyrzucane po uruchomieniu silnika, a także w czasie pracy na biegu jałowym. Nie dopuszczać osób postronnych w pobliżu urządzenia ani rury dmuchawy.

## Obsługa dźwigni gazu/wyłącznika



- Włączyć pełen gaz (A).
- Ustawić obroty w pozycji 1/3 (B).
- Uruchomić obroty biegu jałowego (C).
- Zatrzymać urządzenie (D).

## Obsługa produktu

- Dmuchawa niniejsza jest typu plecakowego, podczas pracy należy nosić ją na plecach przy pomocy szelek naramiennych. Urządzenie jest obsługiwane i kontrolowane przy pomocy uchwytu trzymanego w prawej dłoni i znajdującego się na rurze wylotowej.



- Używać urządzenia podczas typowych godzin pracy. Przestrzegać lokalnych przepisów.
- Zmniejszyć liczbę pracujących urządzeń i dostosować prędkość do potrzeb i charakteru pracy. Ustawić przepustnicę w najniższej możliwej pozycji, aby zapobiec większej niż to konieczne emisji hałasu i pyłu.
- Trzymać dyszę dmuchawy blisko podłoża.

**Uwaga:** Firma Husqvarna zaleca stosowanie pełnego przedłużenia dyszy dmuchawy.

- Należy zwrócić uwagę na kierunek wiatru i sterować urządzeniem zgodnie z kierunkiem, w którym wieje.
- Użyć odpowiednich narzędzi ogrodniczych, aby oddzielić materiał od podłoża.
- Na obszarach, gdzie występuje pył, użyć urządzeń spryskujących, aby zwilżyć teren. Pozwoli to ograniczyć czas pracy.
- Po zakończeniu pracy przechowywać urządzenie w pozycji pionowej.

## Wyłączanie produktu

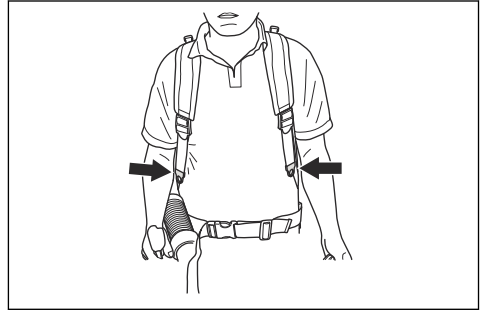


**UWAGA:** Nie wyłączać urządzenia przy pełnych obrotach.

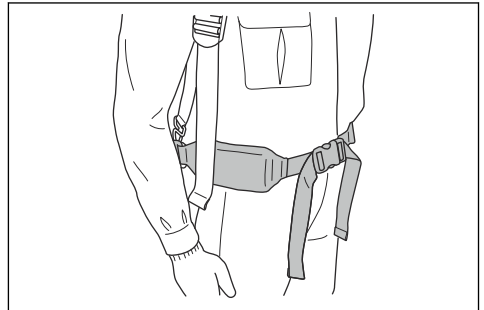
1. Ustawić przełącznik start/stop z dźwignią gazu w pozycji zatrzymania. Patrz *Obsługa dźwigni gazu/wyłącznika na stronie 294.*

## Regulacja szelek

1. Założyć szelki produktu.
2. Zaciśnąć pasy naramienne, aż urządzenie będzie ściśle przylegać do ciała.



3. Owinąć pas biodrowy wokół talii.
4. Zaciśnąć pas biodrowy. Upewnić się, że ciężar dmuchawy spoczywa na biodrach.



## Przegląd

### Wstęp



**OSTRZEŻENIE:** Przed przystąpieniem do konserwacji produktu

zapoznać się z rozdziałem dotyczącym bezpieczeństwa.

## Plan konserwacji

Przegląd	Codziennie	Co tydzień	Co miesiąc
Oczyszczyć powierzchnie zewnętrzne.	X		
Upewnić się, że uchwyt sterujący działa prawidłowo.	X		
Upewnić się, że przełącznik start/stop działa prawidłowo. Patrz <i>Sprawdzanie wyłącznika na stronie 291</i> .	X		
Sprawdzić silnik, zbiornik paliwa i przewody paliwowe pod kątem wycieków. Sprawdzić filtr paliwa pod kątem zanieczyszczeń. W razie konieczności wymienić filtr paliwa.	X		
Oczyszczyć filtr powietrza. W razie konieczności wymienić filtr powietrza.	X		
Dokręcić nakrętki i śruby.	X		
Sprawdzić wlot powietrza, aby upewnić się, że nie jest zablokowany.	X		
Sprawdzić rozrusznik i linkę rozrusznika pod kątem uszkodzeń.		X	
Sprawdzić elementy amortyzujące pod kątem uszkodzeń, pęknięć i odkształceń. Upewnić się, że elementy amortyzujące są prawidłowo zamontowane.		X	
Sprawdzić świecę zapłonową. Patrz <i>Sprawdzanie świecy zapłonowej na stronie 296</i> .		X	
Oczyszczyć układ chłodzenia.		X	
Wyczyścić zewnętrzną powierzchnię gaźnika oraz przestrzeń wokół niego.		X	
Oczyszczyć zbiornik paliwa.			X
Sprawdzić stan wszystkich przewodów i połączeń.			X
Sprawdzić i oczyścić chwytacz iskier znajdujący się na tłumiku (w urządzeniach bez katalizatora).		X	
Sprawdzić i oczyścić chwytacz iskier znajdujący się na tłumiku (w urządzeniach z katalizatorem).			X
Sprawdzić świecę zapłonową. W razie potrzeby wymienić.			X

### Regulacja obrotów biegu jałowego

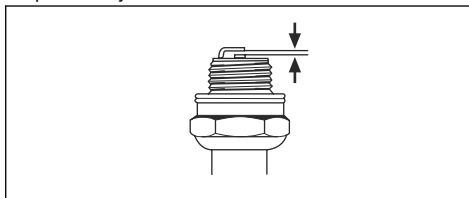
1. Sprawdzić, czy filtr powietrza jest czysty, a jego pokrywa została zamontowana.
2. Ustawić obroty biegu jałowego za pomocą śruby obrotów jałowych. Aby sprawdzić, gdzie w produkcie znajduje się śruba obrotów jałowych, patrz *Przegląd produktu na stronie 287*.

### Sprawdzanie świecy zapłonowej



**UWAGA:** Używać zalecanej świecy zapłonowej. Patrz *Dane techniczne na stronie 300*. Nieprawidłowa świeca zapłonowa może doprowadzić do uszkodzenia maszyny.

1. Wyłączyć silnik i poczekać, aż urządzenie ostygnie.
2. Wyczyścić świecę zapłonową, jeśli jest brudna.
3. Upewnić się, że odstęp między elektrodami jest prawidłowy. Patrz *Dane techniczne na stronie 300*.

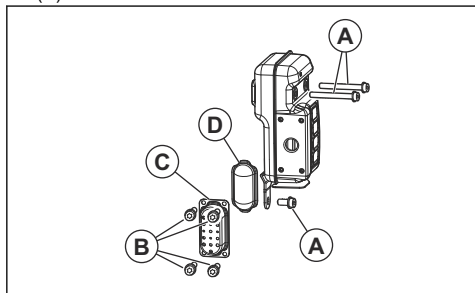


4. Wymieniać świecę zapłonową co miesiąc lub częściej, jeśli zachodzi taka potrzeba.



## Konserwacja tłumika

1. Wyłączyć silnik i poczekać, aż tłumik ostygnie. Zawsze należy używać zatwierdzonych rękawic ochronnych.
2. Odkręcić śruby (A), śruby (B) i przewód spalinowy (C).



3. Zdemontować chwytacz iskier (D) i oczyścić go za pomocą szczotki drucianej. Wymienić chwytacz iskier, jeśli jest uszkodzony.
4. Oczyścić tłumik i kanał wylotowy cylindra z brudu za pomocą szczotki drucianej.
5. Przymocować chwytacz iskier (D) i przewód spalinowy (C) za pomocą śrub (B). Dokręcić śruby momentem 2–3 Nm.
6. Dokręcić śruby (A) momentem 8–12 Nm. Sprawdzić, czy tłumik jest prawidłowo przymocowany do produktu.

## Kontrola i czyszczenie układu chłodzenia

Układ chłodzenia zawiera żebra chłodzące na cylindrze i osłonie wlotu powietrza.

1. Zatrzymać silnik.
2. Sprawdzić, czy system chłodzący nie jest zabrudzony lub zatkany. W razie konieczności oczyścić osłonę wlotu powietrza i żebra chłodzące.



**UWAGA:** Zanieczyszczony lub zatkany układ chłodzenia może podnieść temperaturę silnika i doprowadzić do uszkodzenia urządzenia. Zatkana osłona wlotu powietrza zmniejsza siłę wydmuchu.

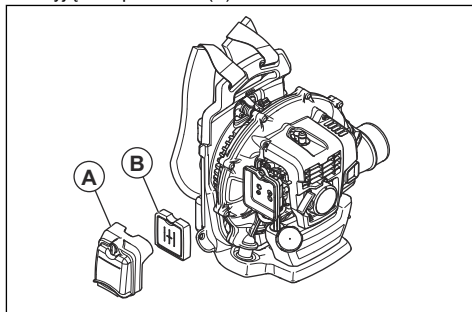
3. Sprawdzić układ chłodzenia pod kątem uszkodzeń. Upewnić się, że części urządzenia są prawidłowo zamocowane.

## Czyszczenie filtra powietrza



**UWAGA:** Nie uruchamiać silnika, jeśli filtr powietrza nie jest zamontowany lub jest uszkodzony. Pył w powietrzu może spowodować uszkodzenie silnika.

1. Przesunąć dźwignię ssania do położenia zamkniętego.
2. Zdjąć pokrywę filtra powietrza (A).
3. Wyjąć filtr powietrza (B) z ramki filtra.



4. Umyć filtr powietrza ciepłą wodą z mydłem.

**Uwaga:** Całkowite oczyszczenie filtra po długim okresie użytkowania nie jest możliwe. Wymieniać filtr powietrza regularnie i zawsze wymieniać uszkodzony filtr powietrza.

5. Wyczyścić szczotką powierzchnię wewnętrzną pokrywy filtra powietrza (A).
6. Nałożyć olej na filtr powietrza. Patrz *Nakładanie oleju na piankowy filtr powietrza na stronie 297*.
7. Umieścić filtr powietrza w ramce filtra.
8. Zamocować pokrywę filtra powietrza w urządzeniu.

## Nakładanie oleju na piankowy filtr powietrza



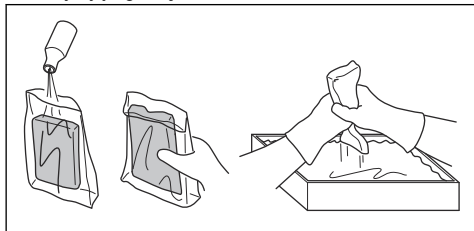
**UWAGA:** Należy zawsze stosować specjalny olej Husqvarna do filtrów powietrza. Nie używać innych rodzajów olejów.



**OSTRZEŻENIE:** Założyć rękawice ochronne. Olej do filtrów powietrza może spowodować podrażnienie skóry.

1. Umieścić piankowy filtr powietrza w woreczku foliowym.
2. Wlać olej do woreczka.
3. Potrząść woreczek tak, aby olej rozprzestrzenił się równo po całym filtrze.

4. Wycisnąć nadmiar oleju z filtra powietrza znajdującego się w woreczku.



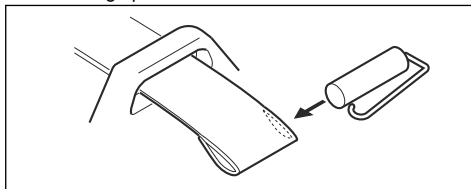
## Wymiana szelek



**OSTRZEŻENIE:** Uszkodzone szelki mogą sprawić, że urządzenie spadnie na ziemię i spowoduje obrażenia. Należy

upewnić się, że zacisk jest prawidłowo zamontowany.

1. Zatrzymać silnik.
2. Zdejmij zacisk z pasa.
3. Przeciagnąć koniec pasa przez oczko pasa.
4. Przeciagnąć nowy pas przez oczko pasa.
5. Umieścić zawleczkę w pasie, aby zamocować zacisk do nowego pasa.



## Rozwiązywanie problemów

Silnik się nie uruchamia		
Kontrola	Możliwa przyczyna	Rozwiązanie długoterminowe
Przycisk stop.	Pozycja zatrzymania	Przesuń wyłącznik do położenia włączenia.
Zabieraki rozrusznika.	Zablokowane lub zużyte zabieraki rozrusznika.	Wyregulować lub wymienić zabieraki rozrusznika.
		Wyczyścić powierzchnię wokół zabieraków rozrusznika.
		Skontaktować się z autoryzowanym punktem serwisowym.
Zbiornik paliwa.	Niewłaściwy rodzaj paliwa.	Opróżnić zbiornik paliwa i użyć odpowiedniego paliwa.
Gaźnik.	Regulacja obrotów biegu jałowego.	Ustawić obroty biegu jałowego dyszą regulacyjną obrotów biegu jałowego.
Iskra (brak iskry).	Świeca zapłonowa zanieczyszczona lub mokra.	Sprawdzić, czy świeca zapłonowa jest sucha i czysta.
		Odstęp między elektrodami na świecy zapłonowej jest nieprawidłowy.
	Wyczyść świecę zapłonową. Upewnić się, że odstęp między elektrodami jest prawidłowy. Upewnić się, czy świeca zapłonowa jest wyposażona w tzw. eliminator zakłóceń radiowych.	
		Informacje na temat odpowiedniego odstępu między elektrodami znajdują się w danych technicznych.

Silnik się nie uruchamia		
Kontrola	Możliwa przyczyna	Rozwiązanie długoterminowe
świeca zapłonowa,	Świeca zapłonowa jest poluzowana.	Dokręcić świecę zapłonową.
	Na elektrodach świecy zapłonowej znajduje się niepożądany materiał.	Dopilnować, aby używana była odpowiednia mieszanka paliwowa.
		Zadbać o czystość filtra powietrza.

Silnik odpala i gaśnie		
Kontrola	Możliwa przyczyna	Rozwiązanie długoterminowe
Zbiornik paliwa.	Niewłaściwy rodzaj paliwa.	Opróżnić zbiornik i wlać właściwe paliwo.
Gaźnik.	Silnik nie działa prawidłowo przy obrotach biegu jałowego.	Należy zwrócić się do punktu serwisowego.
Filtr powietrza	Zapchany filtr powietrza.	Wyczyścić filtr powietrza.

## Transport i przechowywanie

### Transport i przechowywanie



**OSTRZEŻENIE:** Aby zapobiec ryzyku pożaru podczas transportu i przechowywania, należy upewnić się, że nie ma żadnych przecieków ani nie wydostają się żadne opary. Upewnić się, że nie występuje żadne ryzyko zetknięcia się z iskrą lub wystąpienia pożaru.

- Bezpiecznie zamocować urządzenie do pojazdu na czas transportu.
- Urządzenie przechowywać w suchym, chłodnym i czystym miejscu o dobrej wentylacji. Przechowywać produkt z dala od dzieci.
- Opróżnić zbiornik paliwa przed transportem lub długim przechowywaniem. Nacisnąć kilkakrotnie gruszkę pompki paliwa, aby upewnić się, że całe paliwo zostało usunięte. Utylizacja paliwa musi odbywać się w odpowiednim miejscu.
- Przed długim okresem przechowywania należy upewnić się, że urządzenie jest czyste i zostało poddane pełnemu serwisowi.
- Wykręcić świecę zapłonową i wlać do cylindra ok. 15 ml oleju do silników dwusuwowych. Obrócić urządzenie 3 razy i ponownie zamontować świecę zapłonową.

## Dane techniczne

### Dane techniczne

	<b>Husqvarna 350BT</b>
<b>Silnik</b>	
Pojemność skokowa, cm <sup>3</sup>	50,2
Obroty na biegu jałowym, obr./min	2200
Katalizator	ref.
<b>Układ zapłonowy</b>	
Świeca zapłonowa	NGK CMR7H / TORCH AC7R
Odstęp między elektrodami świecy, w mm	0,6-0,7
<b>Układ zasilania/smarowania</b>	
Pojemność zbiornika paliwa, l/cm <sup>3</sup>	1,25/1250
<b>Waga</b>	
Masa, bez paliwa, kg	10,2
<b>Poziom hałasu</b> <sup>58</sup>	
Zmierzony poziom mocy akustycznej, dB(A)	101
Poziom głośności, gwarantowana moc akustyczna [L <sub>WA</sub> dB(A)]	101
<b>Poziomy głośności</b> <sup>59</sup>	
Równoważny poziom ciśnienia akustycznego przy uchu operatora, mierzony zgodnie z normą EN15503, dB(A):	
Urządzenie wyposażone w dyszę dmuchawy (oryginalną)	96
<b>Poziomy wibracji</b> <sup>60</sup>	
Równoważne poziomy drgań uchwytów (a <sub>hv,eq</sub> ), zmierzone zgodnie z normami: EN 15503, m/s <sup>2</sup>	2,7
<b>Wydajność pracy wentylatora</b>	
Maks. prędkość powietrza dla dyszy dmuchawy, m/s	80
Przepływ powietrza dla dyszy dmuchawy, m <sup>3</sup> /min	14

<sup>58</sup> Emisję hałasu do otoczenia zmierzono jako moc akustyczną (L<sub>WA</sub>), zgodnie z dyrektywą WE 2000/14/WE. Odnotowany poziom ciśnienia akustycznego dla urządzenia został zmierzony z oryginalnym dyszy dmuchawy, takim który generuje najwięcej hałasu. Różnica pomiędzy gwarantowanym a zmierzonym poziomem ciśnienia akustycznego wynika z tego, że poziom gwarantowany uwzględnia także rozrzut w wynikach pomiaru oraz różnice pomiędzy różnymi wersjami tego samego modelu zgodnie z dyrektywą 2000/14/EC.

<sup>59</sup> Odnotowane dane dla ciśnienia akustycznego mają typowe rozproszenie statystyczne (odchylenie standardowe) w wysokości 1,0 dB (A).

<sup>60</sup> Odnotowane dane dla poziomu wibracji mają typowe rozproszenie statystyczne (odchylenie standardowe) w wysokości 1,0 m/s<sup>2</sup>.

# Deklaracja zgodności WE

## Deklaracja zgodności WE

My, **Husqvarna AB**, SE-561 82 Huskvarna,  
Szwecja, tel.: +46-36-146500, deklarujemy z pełną  
odpowiedzialnością, że produkt:

<b>Opis</b>	Dmuchawa plecakowa
<b>Marka</b>	Husqvarna
<b>Typ/model</b>	350BT
<b>Identyfikacja</b>	Numery seryjne z roku 2022 i nowsze.

spełnia wszystkie wymogi określone w odpowiednich  
dyrektywach i przepisach UE:

<b>Przepis</b>	<b>Opis</b>
2006/42/WE	„maszynowa”
2014/30/UE	„dotycząca zgodności elektromagnetycznej”
2000/14/WE	„dotycząca emisji hałasu do środowiska”
2011/65/UE	„dotycząca ograniczenia użycia niektórych substancji niebezpiecznych w sprzęcie elektrycznym i elektronicznym”

oraz został zaprojektowany zgodnie z następującymi  
normami i parametrami technicznymi: EN ISO  
12100:2010, CISPR 12:2009, EN 15503:2009+A2:2015,  
EN IEC 63000:2018

RISE SMP Svensk Maskinprovning AB, Box  
7035, SE-750 07 Uppsala, Szwecja, przeprowadził  
dobrowolną kontrolę homologacyjną na rzecz firmy  
Husqvarna AB.

Numer certyfikatu: SEC/09/2102

RISE SMP Svensk Maskinprovning AB, Box  
7035, SE-750 07 Uppsala, Szwecja, zweryfikował  
także zgodność z załącznikiem V dyrektywy Rady  
2000/14/WE.

Informacje dotyczące emisji hałasu, patrz *Dane  
techniczne na stronie 300*.

Huskvarna, 2022-05-17

Stefan Holmberg, Dyrektor ds. badań i rozwoju,  
Zarządzanie technologią, Husqvarna AB.

Osoba odpowiedzialna za dokumentację techniczną



# ÍNDICE

Introdução.....	302	Resolução de problemas.....	313
Segurança.....	304	Transporte e armazenamento.....	314
Montagem.....	306	Especificações técnicas.....	315
Funcionamento.....	307	Declaração CE de conformidade.....	316
Manutenção.....	310		

## Introdução

### Descrição do produto

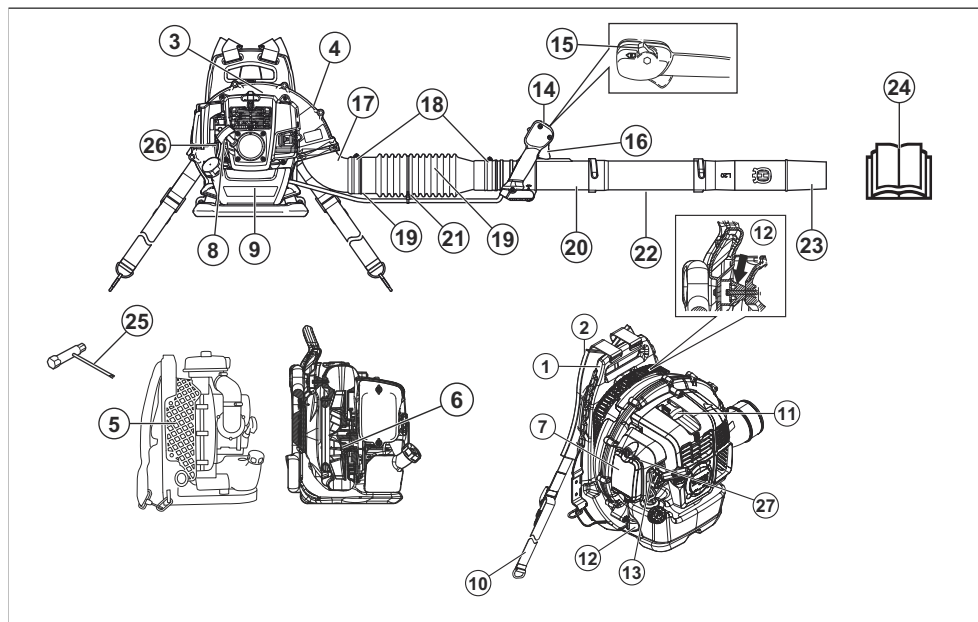
O produto é um soprador de mochila com um motor a combustível.

Seguimos uma política de desenvolvimento contínuo dos nossos produtos e, por conseguinte, reservamo-nos o direito de modificar o design e o aspecto dos mesmos, sem aviso prévio.

### Finalidade

Utilize o produto para soprar folhas e outros materiais indesejáveis de áreas como relvados, caminhos e estradas alcatroadas.

### Vista geral do produto



- |                              |   |
|------------------------------|---|
| 1. Estrutura                 | 9. Depósito de combustível                            |
| 2. Cablagem                  | 10. Cinto de cintura                                  |
| 3. Cobertura do motor        | 11. Vela de ignição                                   |
| 4. Cobertura da ventoinha    | 12. Sistema antivibração                              |
| 5. Grelha de entrada de ar   | 13. Controlo do estrangulador                         |
| 6. Ventoinha                 | 14. Punho de comando                                  |
| 7. Filtro de ar              | 15. Interruptor Start/Stop com controlo do acelerador |
| 8. Punho do cabo de arranque | 16. Acelerador  |

17. Ângulo do tubo
18. Braçadeira
19. Mangueira flexível
20. Tubo de manobra
21. Braçadeira de cabo
22. Tubo intermédio
23. Bocal do soprador
24. Manual do utilizador
25. Chave combinada
26. Ampola da purga de ar
27. Parafuso de ralenti

## Símbolos no produto



**AVISO!** Este produto pode ser perigoso e provocar ferimentos graves ou a morte do operador ou de terceiros. Seja cuidadoso e utilize o produto corretamente.



Leia o manual do utilizador com atenção e certifique-se de que compreende as instruções antes de utilizar o produto.



Utilize protetores acústicos e proteção ocular aprovados. Se o ambiente tiver pó, utilize uma máscara respiratória.



Utilize luvas de proteção aprovadas.



Mistura de gasolina e óleo para motores de dois tempos.



Ampola da purga de ar.



Mantenha todas as partes do corpo afastadas de superfícies quentes.



Estrangulador, posição aberta.



Estrangulador, posição fechada.



Este produto está em conformidade com as diretivas aplicáveis da CE.

**UK  
CA**

Este produto está em conformidade com os regulamentos aplicáveis do Reino Unido.



Emissão de ruído para a etiqueta ambiental de acordo com as diretivas e regulamentos da União Europeia e do Reino Unido e o regulamento "Protection of the Environment Operations (Noise Control) Regulation 2017" (regulamento de proteção de operações no meio ambiente [controlo do ruído] de 2017) da Nova Gales do Sul. O nível de potência sonora garantido do produto está especificado nas *Especificações técnicas na página 315* e na etiqueta.



Tenha cuidado com a projeção de objetos. Os objetos projetados podem causar ferimentos graves. Use equipamento de proteção pessoal.



Mantenha uma distância de segurança de, no mínimo, 15 m em relação a pessoas ou animais.

aaaassxxxxx

A etiqueta de tipo apresenta o número de série. **aaaa** é o ano de fabrico e **ss** é a semana de fabrico.

**Nota:** Os restantes símbolos/autocolantes existentes no produto dizem respeito a exigências para homologação em outras áreas comerciais.

## Emissões Euro V



**ATENÇÃO:** A adulteração do motor anula a aprovação deste produto pela UE.

## Responsabilidade pelo produto

Como referido nas leis de responsabilidade pelo produto, não somos responsáveis por danos causados pelo nosso produto se:

- o produto tiver sido incorretamente reparado.
- o produto tiver sido reparado com peças que não sejam do fabricante ou que não sejam aprovadas pelo fabricante.
- o produto tiver um acessório que não seja do fabricante ou que não seja aprovado pelo fabricante.
- o produto não tiver sido reparado por um centro de assistência autorizado ou por uma autoridade aprovada.

---

# Segurança

---

## Definições de segurança

As definições abaixo indicam o nível de gravidade para cada palavra do sinal.



**ATENÇÃO:** Ferimentos pessoais.



**CUIDADO:** Danos no produto.

**Nota:** Esta informação facilita a utilização do produto.

## Instruções de segurança gerais



**ATENÇÃO:** Leia as instruções de aviso que se seguem antes de utilizar o produto.

- Não efetue alterações ao produto sem a aprovação do fabricante e utilize sempre acessórios originais. Modificações e/ou acessórios não aprovados podem resultar em ferimentos graves ou morte do operador ou de terceiros.
  - Não utilize um produto danificado. Efetue as verificações de segurança e manutenção descritas neste manual do utilizador. Qualquer outra manutenção tem de ser realizada por pessoal de assistência aprovado.
  - Todos os trabalhos de manutenção e reparação têm de ser realizados por pessoal de assistência aprovado. Se uma peça do produto apresentar defeitos, contacte o seu revendedor com assistência técnica.
- Instale todas as coberturas e proteções antes da utilização. Para evitar choques elétricos, certifique-se de que a cobertura da vela de ignição e o cabo de ignição não estão danificados.
  - Não toque na vela ou no cabo de ignição quando o motor está ligado.
  - Mantenha uma distância de segurança de, no mínimo, 15 m em relação a pessoas ou animais. Se pessoas, crianças ou animais se aproximarem a menos de 15 m, pare o produto. Aponte o produto para longe de pessoas, animais, janelas abertas e outros objetos.
  - Não permita que as crianças operem o produto. Certifique-se de que todos os operadores leem e compreendem o conteúdo deste manual do utilizador.
  - Mantenha as mãos ou outros objetos afastados do alojamento do soprador durante o funcionamento. As peças rotativas podem provocar ferimentos graves.
  - Não utilize o produto se a grelha de admissão de ar não estiver instalada. Certifique-se sempre de que a grelha de admissão de ar está instalada e não está danificada antes da utilização.
  - Em caso de emergência, solte o cinto de cintura e o cinto do peito da correia e deixe o produto cair.
  - Cumpra os regulamentos e diretivas nacionais.
  - Mantenha todas as partes do corpo afastadas de superfícies quentes.
  - Este produto produz um campo eletromagnético durante o funcionamento. Em determinadas circunstâncias, este campo pode interferir com o funcionamento de implantes médicos ativos ou passivos. Para diminuir o risco de ferimentos graves ou mortais, recomendamos que os portadores de implantes médicos consultem o seu médico e o fabricante do implante antes de utilizar este produto.
  - Demasiada vibração pode causar problemas de circulação ou no sistema nervoso. Fale com o seu médico se apresentar sintomas como, por exemplo, entorpecimento, perda de sensibilidade, formigamento, pontadas, dor, perda de força ou alterações na cor da pele dos seus dedos, mãos ou pulsos.
  - Tenha cuidado com a projeção de objetos. Os objetos projetados podem causar ferimentos graves.
  - Não utilize o produto em condições meteorológicas desfavoráveis como, por exemplo nevoeiro, chuva, ventos fortes ou ambientes demasiado frios. Trabalhar em condições meteorológicas desfavoráveis pode provocar cansaço e condições perigosas.
  - Certifique-se de que se pode mover e manter numa posição estável. Verifique a área de trabalho quanto a possíveis obstáculos como, por exemplo, pedras. Tenha cuidado se utilizar o produto num declive.
  - Não coloque o produto no chão com o motor ligado.

## Instruções de segurança para funcionamento



**ATENÇÃO:** Leia as instruções de aviso que se seguem antes de utilizar o produto.

- Este produto pode ser perigoso e provocar ferimentos graves ou a morte do operador ou de terceiros. Seja cuidadoso e utilize o produto corretamente.
- Inspeção o produto antes de o utilizar. Consulte *Manutenção na página 310*.
- Não utilize o produto se estiver cansado, doente ou sob a influência de álcool ou outras drogas que possam afetar a sua visão, discernimento ou coordenação motora.



- Não utilize o produto em locais elevados como, por exemplo, numa escada.
- Certifique-se de que pode sempre ser ouvido em caso de acidente.
- Certifique-se de que a saída dos gases de escape não está obstruída. Para evitar danos no produto, mantenha os obstáculos a uma distância mínima de 50 cm da saída dos gases de escape.
- Não ligue o produto em locais fechados, pouco ventilados ou próximo de material inflamável. Os gases de escape do motor contêm monóxido de carbono, o que pode causar envenenamento por monóxido de carbono. Os gases de escape do motor são quentes e podem conter faíscas que podem causar incêndios.

## Equipamento de proteção pessoal



**ATENÇÃO:** Leia as instruções de aviso que se seguem antes de utilizar o produto.

- Utilize equipamento de proteção pessoal aprovado ao utilizar o produto. O equipamento de proteção pessoal não previne totalmente os ferimentos mas diminui a respetiva gravidade. Para mais informações, fale com o revendedor.
- Utilize protetores acústicos aprovados. A exposição prolongada a ruídos pode provocar danos auditivos permanentes.
- Utilize proteção ocular aprovada. Mesmo com viseira, é necessário utilizar óculos de proteção aprovados. É necessário que os óculos de proteção aprovados estejam em conformidade com a norma ANSI Z87.1 nos EUA ou a norma EN 166 nos países da UE.
- Utilize luvas de proteção durante a operação e manutenção.
- Utilize sapatos ou botas de proteção com solas antiderrapantes.
- Utilize vestuário de tecido resistente e comprido. Não utilize joias nem calçado aberto. Para diminuir o risco de ferimentos, o vestuário tem de ser justo, mas não pode limitar os seus movimentos. Coloque o cabelo acima dos ombros para evitar que este entre em peças rotativas ou que fique preso em ramos.
- Utilize proteção respiratória quando houver risco de poeira.
- Mantenha equipamentos de primeiros socorros sempre à mão.

## Dispositivos de segurança no produto



**ATENÇÃO:** Leia as instruções de aviso que se seguem antes de utilizar o produto.

- Não utilize o produto com dispositivos de segurança defeituosos.

- Verifique regularmente os dispositivos de segurança. Consulte *Manutenção na página 310*.
- Se os dispositivos de segurança estiverem defeituosos, fale com o seu revendedor com assistência técnica Husqvarna.

## Verificar o silenciador



**ATENÇÃO:** Não utilize um produto com um silenciador defeituoso.



**ATENÇÃO:** O silenciador aquece muito durante e após a utilização, e também à velocidade de ralenti. Use luvas de proteção para evitar queimaduras.



**ATENÇÃO:** O interior do silenciador contém produtos químicos potencialmente cancerígenos. Não toque no silenciador se este estiver danificado.

- Verifique visualmente o silenciador com regularidade. O silenciador mantém o mais baixo nível de ruído possível e afasta os gases de escape do utilizador. Consulte *Efetuar a manutenção do silenciador na página 312*.

## Verificar o sistema antivibração

1. Certifique-se de que não existem fissuras nem deformações nas unidades antivibração.
2. Confirme que as unidades antivibração estão bem fixadas na unidade do motor e na unidade do punho.

Consulte *Vista geral do produto na página 302* para obter informações sobre a localização do sistema antivibração no produto.

## Verificar o interruptor de arranque/paragem

1. Utilize o interruptor de arranque/paragem para parar o motor.
2. Certifique-se de que o motor para totalmente.

Para ver onde se encontra o interruptor start/stop no seu produto, consulte *Vista geral do produto na página 302*.

## Segurança das correias de suporte

- Certifique-se de que o cinto de cintura está fixo e corretamente ajustado. As extremidades soltas da correia podem entrar nas peças rotativas e provocar danos na ventoinha. Se a ventoinha estiver danificada, as peças soltas do produto podem ser projetadas e provocar ferimentos ou danos.

## Segurança no manuseamento do combustível



**ATENÇÃO:** Leia as instruções de aviso que se seguem antes de utilizar o produto.

- Não misture ou adicione o combustível em espaços interiores ou próximo de uma fonte de calor.
- Não ligue o produto se existir óleo ou combustível no produto ou no seu corpo.
- Não ligue o produto se o motor tiver uma fuga de combustível. Examine regularmente o motor quanto a fugas de combustível.
- Tenha sempre cuidado com o combustível. O combustível é inflamável e os gases do combustível são explosivos e podem causar ferimentos graves ou morte.
- Não respire os gases do combustível, podem causar ferimentos. Certifique-se de que existe um fluxo de ar suficiente.

- Não fume perto de combustível ou do motor.
- Não coloque o produto ou um recipiente de combustível próximo de objetos quentes, de uma chama aberta, de uma faísca ou de uma luz piloto.
- Utilize recipientes aprovados para o transporte e armazenamento de combustível.

## Instruções de segurança para manutenção



**ATENÇÃO:** Leia as instruções de aviso que se seguem antes de utilizar o produto.

- Desligue o motor, retire a vela de ignição e deixe o motor arrefecer antes da manutenção e montagem.
- Uma rede retentora de faíscas obstruída faz com que o motor fique demasiado quente, o que provoca danos no motor.

## Montagem

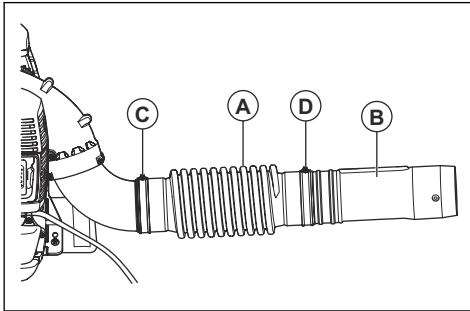
### Introdução



**ATENÇÃO:** Certifique-se de que lê e compreende o capítulo sobre segurança antes de montar o produto.

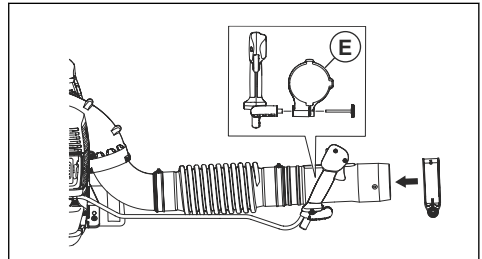
### Montar o tubo do soprador e o punho de controlo no produto

1. Fixe a mangueira flexível (A) ao ângulo do tubo e ao tubo de controlo (B) com as abraçadeiras (C) e (D).

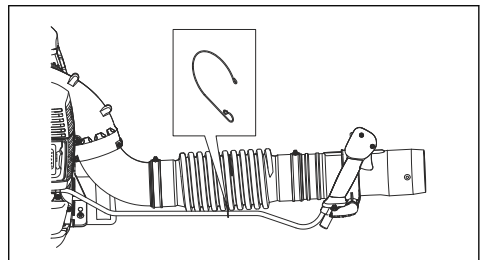


**Nota:** Lubrifique o tubo de controlo e a mangueira flexível para facilitar a montagem.

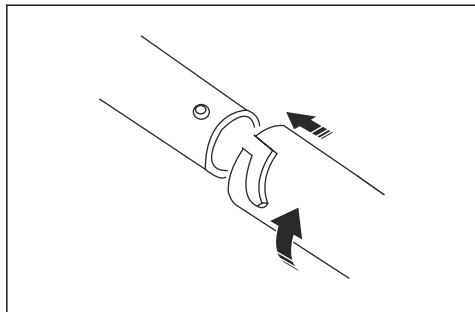
2. Fixe o suporte do punho (E) ao tubo de controlo. Alinhe o suporte do punho com o flange no tubo de controlo.



3. Ajuste a posição e o ângulo do punho de controlo para uma posição de trabalho segura e correta. Aperte o manípulo.
4. Fixe o cabo à mangueira flexível com o grampo do cabo.



5. Fixe o tubo intermédio no tubo de controlo.



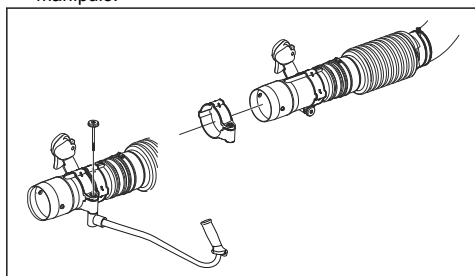
**Nota:** Se for necessário utilizar um tubo do soprador circular mais longo, está disponível um tubo intermédio aumentado.

6. Fixe o bocal do soprador ao tubo intermédio.

**Nota:** O bocal do soprador apenas pode ser instalado no tubo intermédio.

## Montar a barra de direção (acessório opcional)

1. Desmonte o tubo intermédio.
2. Retire o manípulo do suporte e insira o suporte no tubo de controlo.
3. Instale a barra de direção e o manípulo. Aperte o manípulo.

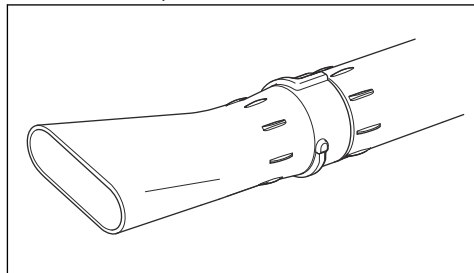


4. Monte o tubo intermédio.

## Montar o bocal plano (acessório opcional)

O bocal plano proporciona uma velocidade do ar superior à do bocal do soprador.

- Retire o bocal do soprador do tubo intermédio e instale o bocal plano.



## Funcionamento

### Introdução



**ATENÇÃO:** Certifique-se de que lê e compreende o capítulo sobre segurança antes de usar o produto.

### Combustível

Este produto tem um motor de dois tempos.



**CUIDADO:** O tipo errado de combustível pode resultar em danos no motor. Utilize uma mistura de gasolina e óleo para motor de dois tempos.

### Combustível previamente misturado

- Utilize combustível alquilado previamente misturado da Husqvarna para obter o melhor desempenho e prolongar a vida útil do motor. Este combustível contém substâncias químicas menos nocivas em

comparação com o combustível normal, o que reduz os gases de escape nocivos. A quantidade de resíduos após a combustão é inferior com este combustível, o que mantém os componentes do motor mais limpos.

## Para misturar o combustível

### Gasolina

- Utilize gasolina sem chumbo de boa qualidade com um conteúdo de etanol de, no máximo, 10%.



**CUIDADO:** Não utilize gasolina com um índice de octanas inferior a 90 RON/87 AKI. A utilização de um índice de octanas inferior pode causar batimento do motor, o que provoca danos no motor.

### Óleo para motores a dois tempos

- Para obter melhores resultados e desempenho, use o óleo para motor de dois tempos da Husqvarna.
- Se o óleo para motores de dois tempos da Husqvarna não estiver disponível, use um óleo para motores de dois tempos de boa qualidade destinado a motores arrefecidos a ar. Entre em contacto com o seu revendedor com assistência técnica para seleccionar o óleo correto.



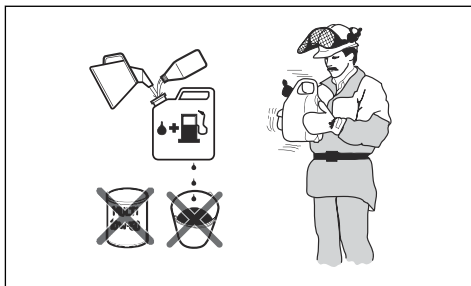
**CUIDADO:** Não use óleo para motores de dois tempos formulado para motores fora de borda arrefecidos a água, também conhecido como óleo para motores fora de borda. Não utilize óleo para motores a quatro tempos.

### Misturar gasolina e óleo para motores de dois tempos

Gasolina, litros	Óleo para motor de dois tempos, litros
	<b>2% (50:1)</b>
5	0,10
10	0,20
15	0,30
20	0,40



**CUIDADO:** Ao misturar pequenas quantidades de combustível, existe o risco de pequenos erros poderem influenciar drasticamente a proporção da mistura. Meça cuidadosamente a quantidade de óleo e certifique-se de que obtém a mistura correta.



- Encha metade da quantidade de gasolina num recipiente limpo para combustível.
- Adicione a quantidade total de óleo.
- Agite bem a mistura de combustível.
- Adicione a restante quantidade de gasolina ao recipiente.
- Agite cuidadosamente a mistura de combustível.



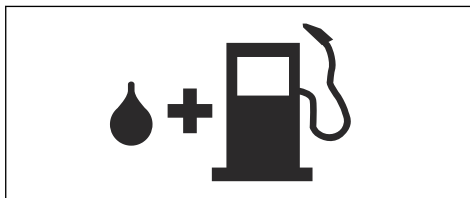
**CUIDADO:** Não misture combustível para mais de 1 mês de cada vez.

### Para encher o depósito de combustível



**ATENÇÃO:** Cumpra o procedimento que se segue para sua segurança.

- Desligue o motor e deixe-o arrefecer.
- Limpe bem à volta da tampa do depósito de combustível.



- Agite ligeiramente o recipiente e certifique-se de que o combustível fica totalmente misturado.
- Retire a tampa do depósito de combustível lentamente para libertar a pressão.
- Encha o depósito de combustível.



**CUIDADO:** Certifique-se de que não existe demasiado combustível no respetivo depósito. O combustível expande-se quando fica quente.

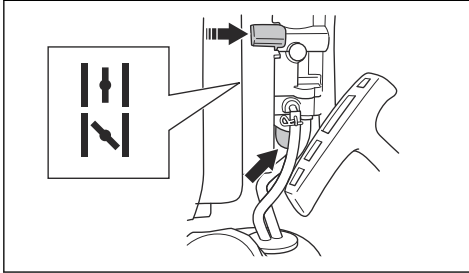
- Aperte com cuidado a tampa do depósito de combustível.
- Limpe o combustível derramado sobre e à volta do produto.

8. Antes de ligar o motor, afaste o produto, no mínimo, 3 m/10 pés da fonte de combustível e do local de abastecimento.

**Nota:** Para ver onde se encontra o depósito de combustível no seu produto, consulte *Vista geral do produto na página 302*.

## Arranque

1. Se o motor estiver frio, empurre a alavanca do estrangulador para a posição de estrangulação fechada. Consulte *Símbolos no produto na página 303*.



2. Prima a ampola da purga de ar repetidamente, até o combustível começar a encher a respetiva ampola. Não é necessário encher a ampola da purga de ar totalmente.
3. Pressione o interruptor start/stop com o controlo do acelerador para a posição de velocidade 1/3. Consulte *Utilizar o interruptor de paragem/controlo do acelerador na página 309*.
4. Coloque o produto no chão, numa superfície plana.
5. Segure o produto com a mão esquerda.



**CUIDADO:** Não utilize os pés para segurar o produto.

6. Puxe o punho do cabo de arranque lentamente até sentir resistência.
7. Puxe rapidamente o punho do cabo de arranque com a mão direita. Puxe o punho do cabo de arranque repetidamente até que o motor arranque.

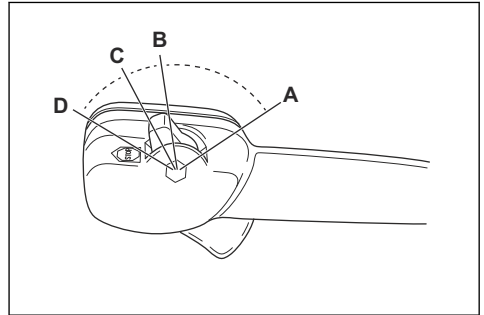
**Nota:** Não puxe totalmente o punho do cabo de arranque e não o largue.

8. Se o motor estiver frio, empurre a alavanca do estrangulador para a posição de estrangulação aberta gradualmente até a alavanca do estrangulador parar.
9. Se o motor estiver frio, deixe-o a funcionar durante 2-3 minutos para que este aqueça antes da operação.



**ATENÇÃO:** O ar é libertado quando o motor é ligado e quando o produto está definido na velocidade de ralenti. Não permita que pessoas se aproximem do produto ou do tubo do soprador.

## Utilizar o interruptor de paragem/controlo do acelerador



- Aplique a aceleração máxima (A).
- Aplique a velocidade 1/3 (B).
- Aplique o ralenti (C).
- Pare o produto (D).

## Utilizar o produto

- Este soprador é do tipo mochila, sendo carregado por meio de correias de ombros durante a operação. É operado e controlado com o punho sobre o tubo, utilizando a mão direita.



- Utilize o produto nas horas de trabalho habituais. Respeite os regulamentos locais.
- Diminua as peças de equipamento e selecione a velocidade correta para a sua tarefa. Utilize o acelerador na posição mais baixa possível para evitar ruídos e poeira desnecessários.
- Mantenha o bocal do soprador próximo do solo.

**Nota:** A Husqvarna recomenda a utilização do bocal do soprador na sua extensão máxima.

- Tome nota da direção do vento e utilize o produto nessa direção.
- Utilize ferramentas de jardim aplicáveis para libertar o material do solo.
- Em áreas com pó, utilize equipamento de pulverização para humedecer a área. Tal diminui o tempo de funcionamento.
- Após a utilização, armazene o produto na vertical.

## Desligar o produto



**CUIDADO:** Não pare o produto quando este estiver na velocidade máxima.

## Manutenção

### Introdução

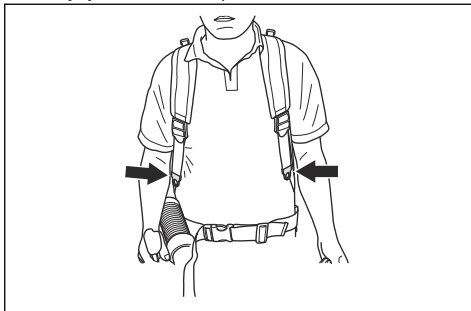


**ATENÇÃO:** Certifique-se de que leu e compreendeu o capítulo sobre segurança

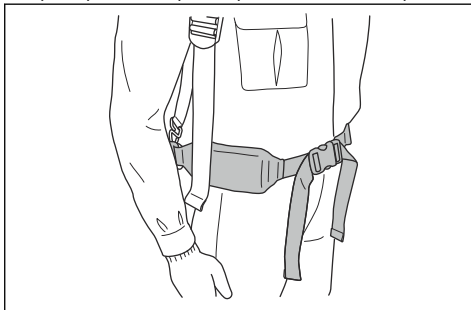
- Coloque o interruptor start/stop com o controlo do acelerador na posição de paragem. Consulte *Utilizar o interruptor de paragem/controlo do acelerador na página 309.*

## Ajustar a correia

- Coloque a correia do produto.
- Aperte as correias de ombro até que o produto esteja justo ao seu corpo.



- Coloque o cinto de cintura à volta da cintura.
- Aperte a correia do cinto de cintura. Certifique-se de que o peso do soprador permanece no seu quadril.



antes de realizar tarefas de manutenção no produto.

## Esquema de manutenção

Manutenção	Diariamente	Semanalmente	Mensalmente
Limpe as superfícies externas.	X		
Certifique-se de o punho de controlo funciona corretamente.	X		
Certifique-se de que o interruptor start/stop funciona corretamente. Consulte <i>Verificar o interruptor de arranque/paragem na página 305.</i>	X		
Examine o motor, o depósito de combustível e os tubos de combustível quanto a fugas. Verifique a existência de contaminação no filtro de combustível. Se necessário, substitua o filtro de combustível.	X		
Limpe o filtro de ar. Substitua o filtro de ar, se necessário.	X		
Aperte as porcas e os parafusos.	X		
Examine a admissão de ar e certifique-se de que não está bloqueada.	X		
Verifique o dispositivo de arranque e a corda de arranque quanto a danos.		X	
Examine as unidades antivibração quanto à existência de danos, fissuras e deformações. Certifique-se de que as unidades antivibração se encontram corretamente instaladas.		X	
Examine a vela de ignição. Consulte <i>Verificar a vela de ignição na página 311.</i>		X	
Limpe o sistema de arrefecimento.		X	
Limpe a superfície exterior do carburador e a área circundante.		X	
Limpe o depósito de combustível.			X
Examine todos os cabos e ligações.			X
Examine e limpe a rede retentora de faíscas do silenciador (para produtos sem catalisador).		X	
Examine e limpe a rede retentora de faíscas do silenciador (para produtos com catalisador).			X
Examine a vela de ignição. Substitua, se necessário.			X

### Ajustar o ralenti

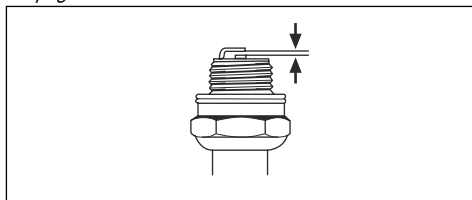
1. Certifique-se de que o filtro de ar está limpo e de que a cobertura do filtro de ar está instalada.
2. Ajuste o ralenti com o parafuso do ralenti. Para ver onde se encontra o parafuso do ralenti no seu produto, consulte *Vista geral do produto na página 302.*

### Verificar a vela de ignição



**CUIDADO:** Utilize a vela de ignição recomendada. Consulte *Especificações técnicas na página 315.* Uma vela de ignição incorreta pode causar danos ao produto.

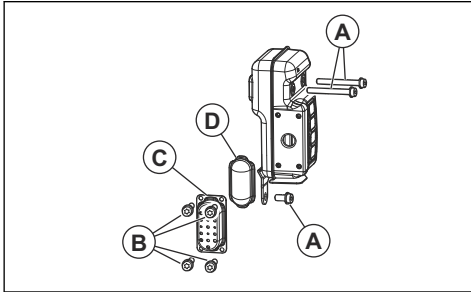
1. Desligue o motor e deixe o produto arrefecer.
2. Limpe a vela de ignição se estiver suja.
3. Certifique-se de que a distância entre os eletrodos está correta. Consulte *Especificações técnicas na página 315.*



4. Substitua a vela de ignição uma vez por mês ou mais frequentemente se necessário.

## Efetuar a manutenção do silenciador

1. Desligue o motor e deixe arrefecer o silenciador. Utilize sempre luvas de proteção.
2. Retire os parafusos (A), os parafusos (B) e a conduta de escape (C).



3. Retire a rede retentora de faíscas (D) e limpe-a com uma escova metálica. Substitua a rede retentora de faíscas caso esteja danificada.
4. Remova a sujidade do silenciador e da porta de escape do cilindro com a escova metálica.
5. Fixe a rede retentora de faíscas (D) e a conduta de escape (C) com os parafusos (B). Aperte os parafusos com um binário de 2-3 Nm.
6. Aperte os parafusos (A) com um binário de 8-12 Nm. Certifique-se de que o silenciador está devidamente instalado no produto.

## Examinar e limpar o sistema de arrefecimento

O sistema de arrefecimento inclui as aletas de arrefecimento no cilindro e na grelha de admissão de ar.

1. Desligue o motor.
2. Certifique-se de que o sistema de arrefecimento não está sujo ou obstruído. Se necessário, limpe a grelha de admissão de ar e as aletas de arrefecimento.



**CUIDADO:** Se o sistema de arrefecimento estiver sujo ou obstruído, a temperatura do motor pode aumentar, causando danos no produto. Se a grelha de admissão de ar estiver obstruída, a força de sopro diminui.

3. Verifique o sistema de arrefecimento quanto à existência de danos. Certifique-se de que as peças estão corretamente instaladas no produto.

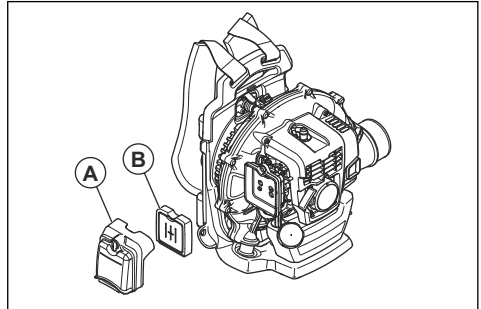
## Para limpar o filtro de ar



**CUIDADO:** Não utilize o produto sem um filtro de ar montado ou com um filtro de

ar danificado. A poeira no ar pode causar danos no motor.

1. Empurre o controlo do estrangulador para a posição fechada.
2. Retire a cobertura do filtro de ar (A).
3. Retire o filtro de ar (B) da estrutura do filtro.



4. Limpe o filtro de ar com água morna com sabão.

**Nota:** Um filtro de ar que tenha sido utilizado durante muito tempo não pode ser limpo totalmente. Substitua o filtro de ar regularmente e substitua sempre um filtro de ar com defeito.

5. Limpe a superfície interna da cobertura do filtro de ar (A) com uma escova.
6. Aplique óleo no filtro de ar. Consulte *Aplique óleo no filtro de ar de espuma na página 312*.
7. Coloque o filtro de ar na estrutura do filtro.
8. Fixe a cobertura do filtro de ar no produto.

## Aplique óleo no filtro de ar de espuma



**CUIDADO:** Utilize sempre o óleo do filtro de ar especial da Husqvarna. Não utilize outros tipos de óleo.

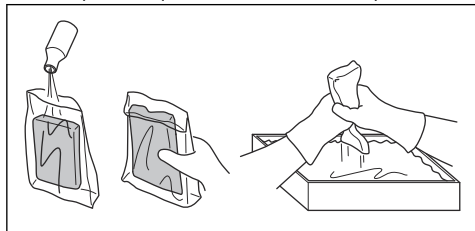


**ATENÇÃO:** Calce as luvas de proteção. O óleo do filtro de ar pode provocar irritações cutâneas.

1. Coloque o filtro de ar de espuma num saco de plástico.
2. Coloque o óleo no saco de plástico.
3. Esfregue o saco de plástico para distribuir o óleo uniformemente pelo filtro de ar de espuma.



4. Empurre o óleo indesejado para fora do filtro de ar de espuma enquanto estiver no saco de plástico.



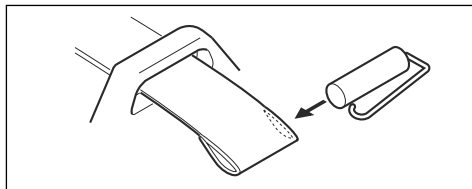
## Substituir a correia



**ATENÇÃO:** Uma correia danificada pode provocar a queda do produto e causar

ferimentos. Certifique-se de que instala o grampo corretamente.

1. Desligue o motor.
2. Retire a braçadeira da faixa.
3. Empurre a extremidade da correia através do ilhó.
4. Puxe a nova correia através do ilhó.
5. Coloque o pino na correia para fixar o grampo à nova correia.



## Resolução de problemas

Não é possível ligar o motor		
Verificar	Causa possível	Solução
Botão Stop.	Posição de paragem	Leve o contacto de paragem à posição de arranque.
Prendedor(es) do dispositivo de arranque.	Prendedor(es) do dispositivo de arranque bloqueado(s) ou gasto(s).	Ajuste ou substitua o(s) prendedor(es) do dispositivo de arranque.
		Limpe a área em redor do(s) prendedor(es) do dispositivo de arranque.
		Contacte um revendedor com assistência técnica aprovado.
Depósito de combustível.	Tipo de combustível errado.	Drene o depósito de combustível e utilize o combustível correto.
Carburador.	Ajuste do ralenti.	Ajuste o ralenti com o parafuso de ajuste do ralenti.
Faisca (ausência de faísca).	Vela de ignição suja ou molhada.	Certifique-se de que a vela de ignição está seca e limpa.
		Limpe a vela de ignição. Certifique-se de que a distância entre os elétrodos está correta. Certifique-se de que a vela de ignição está instalada com um supressor.
	A distância entre os elétrodos na vela de ignição está incorreta.	Consulte as especificações técnicas para obter a distância correta entre os elétrodos.

Não é possível ligar o motor		
Verificar	Causa possível	Solução
Vela de ignição.	A vela de ignição está solta.	Aperte a vela de ignição.
	Existem materiais indesejados nos eletrodos da vela de ignição.	Certifique-se de que a mistura de combustível está correta.
		Certifique-se de que o filtro de ar está limpo.

O motor arranca mas para novamente		
Verificação	Causa possível	Solução
Depósito de combustível.	Tipo de combustível errado.	Purgue-o e utilize o combustível correto.
Carburador.	O motor não funciona corretamente ao ralenti.	Contacte o seu revendedor com assistência técnica.
Filtro de ar.	Filtro de ar entupido.	Limpe o filtro de ar.

## Transporte e armazenamento

### Transporte e armazenamento



**ATENÇÃO:** Para evitar o risco de incêndio, certifique-se de que não existem fugas nem vapores de combustível durante o transporte ou armazenamento. Certifique-se de que não existe risco de faíscas ou incêndio.

- Esvazie o depósito de combustível antes do transporte ou de armazenamento a longo prazo. Empurre a ampola de purga de ar para se certificar de que todo o combustível é retirado. Elimine o combustível numa localização de eliminação aplicável.
- Certifique-se de que o produto está limpo e de que é realizada uma manutenção completa antes de o armazenar por um período de tempo prolongado.
- Retire a vela de ignição e coloque aproximadamente 15 ml de óleo para motores de dois tempos no cilindro. Rode o produto 3 vezes e volte a instalar a vela de ignição.
- Fixe o produto ao veículo em segurança durante o transporte.

- Coloque o produto num local seco, fresco e limpo que tenha um fluxo de ar adequado. Mantenha o produto afastado de crianças.

# Especificações técnicas

## Especificações técnicas

	Husqvarna 350BT
<b>Motor</b>	
Cilindrada, cm <sup>3</sup>	50,2
Velocidade ao ralenti, rpm	2200
Conversor catalítico	Não
<b>Sistema de ignição</b>	
Vela de ignição	NGK CMR7H/TORCH AC7R
Distância entre os eletrodos, mm	0,6-0,7
<b>Sistema de lubrificação e combustível</b>	
Capacidade do depósito de combustível, l/cm <sup>3</sup>	1,25/1250
<b>Peso</b>	
Peso sem combustível, kg	10,2
<b>Emissões de ruído</b> <sup>61</sup>	
Nível de potência sonora, dB(A) medidos	101
Nível de potência sonora, garantido L <sub>WA</sub> dB (A)	101
<b>Níveis acústicos</b> <sup>62</sup>	
Nível de pressão sonora equivalente, ao nível do ouvido do utilizador, medido de acordo com a norma EN15503, dB (A):	
Equipado com bocal do soprador (original)	96
<b>Níveis de vibração</b> <sup>63</sup>	
Níveis de vibração equivalentes ( $a_{hv,eq}$ ) nos punhos, medidos de acordo com a norma EN 15503, m/s <sup>2</sup>	2,7
<b>Rendimento do ventilador</b>	
Velocidade máx. do ar com bocal do soprador, m/s	80
Fluxo de ar com bocal do soprador, m <sup>3</sup> /min	14

<sup>61</sup> Emissões de ruído para as imediações, medidas sob forma de potência sonora (L<sub>WA</sub>) em conformidade com a diretiva da CE 2000/14/CE. O nível de potência sonora registado para a máquina foi medido com o bocal do soprador original que debita o nível mais alto. A diferença entre a potência sonora garantida e medida é que a potência sonora garantida inclui também a dispersão no resultado da medição e as variações entre diferentes máquinas do mesmo modelo, de acordo com a diretiva 2000/14/CE.

<sup>62</sup> Os dados comunicados relativamente ao nível de pressão de ruído têm uma dispersão estatística típica (desvio padrão) de 1,0 dB (A).

<sup>63</sup> Os dados comunicados relativamente ao nível de vibração têm uma dispersão estatística típica (desvio padrão) de 1,0 m/s<sup>2</sup>.

# Declaração CE de conformidade

## Declaração CE de conformidade

A **Husqvarna AB**, SE-561 82 Huskvarna, Sweden,  
tel: +46-36-146500, declara, sob sua inteira  
responsabilidade, que o produto:

<b>Descrição</b>	Soprador de mochila
<b>Marca</b>	Husqvarna
<b>Tipo/Modelo</b>	350BT
<b>Identificação</b>	Números de série referentes a 2022 e posteriores.

está em plena conformidade com as seguintes diretivas  
e regulamentos da UE:

<b>Regulamento</b>	<b>Descrição</b>
2006/42/CE	"relativa a máquinas"
2014/30/UE	"relativa à compatibilidade eletromagnética"
2000/14/CE	"relativa a emissões de ruído para o ambiente"
2011/65/UE	"relativa à restrição do uso de determinadas substâncias perigosas em equipamento elétrico e eletrônico"

e que as seguintes normas e/ou especificações técnicas  
são aplicadas: EN ISO 12100:2010, CISPR 12:2009, EN  
15503:2009+A2:2015, EN IEC 63000:2018

A RISE SMP Svensk Maskinprovning AB, Box 7035,  
SE-750 07 Uppsala, Suécia, realizou o exame de tipo  
voluntário em nome da Husqvarna AB.

Número do certificado: SEC/09/2102

A RISE SMP Svensk Maskinprovning AB, Box 7035,  
SE-750 07 Uppsala, Suécia, também verificou a  
conformidade com o anexo V da Diretiva 2000/14/CE  
do Conselho.

Para mais informações sobre as emissões de ruído,  
consulte *Especificações técnicas na página 315*.

Huskvarna, 2022-05-17

Stefan Holmberg, diretor de I&D, gestão de tecnologia,  
Husqvarna AB.

Responsável pela documentação técnica



## Obsah

Úvod.....	317	Riešenie problémov.....	328
Bezpečnosť.....	319	Preprava a uskladnenie.....	329
Montáž.....	321	Technické údaje.....	330
Prevádzka.....	322	ES vyhlásenie o zhode.....	331
Údržba.....	325		

## Úvod

### Popis produktu

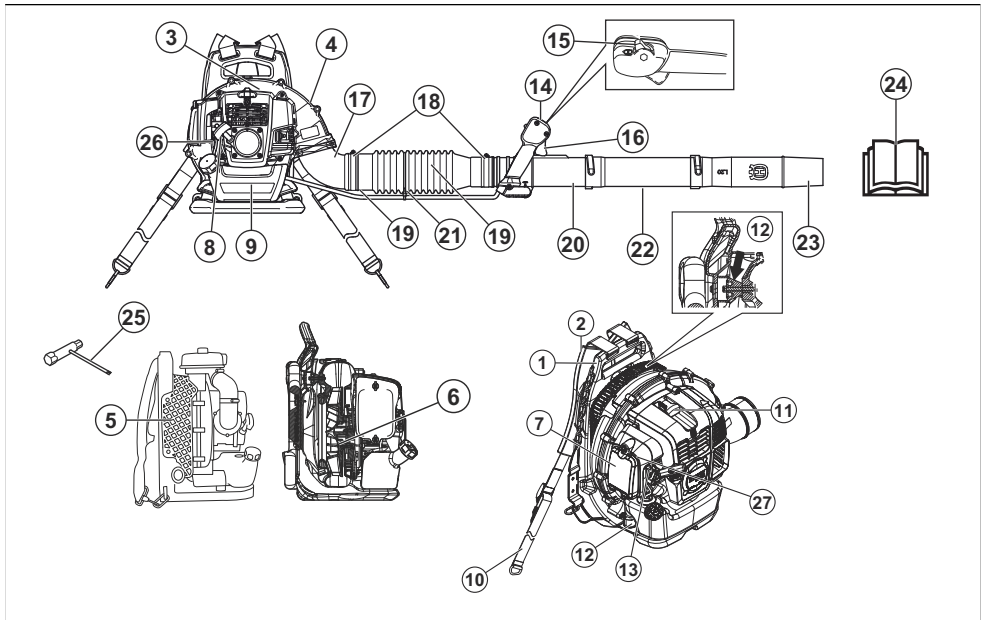
Tento výrobok je chrbtový fúkač so spaľovacím motorom.

Neustále ďalej vyvíjame svoje výrobky, a preto si vyhradujeme právo upravovať dizajn a vzhľad výrobkov bez toho, aby sme o tom vopred informovali.

### Plánované použitie

Výrobok používajte na odfukovanie lístia a iného nežiadúceho materiálu z plôch, ako sú trávniky, chodníky a asfaltové cesty.

### Prehľad výrobku



1. Rám
2. Popruh
3. Kryt motora
4. Kryt ventilátora
5. Mriežka nasávania vzduchu
6. Ventilátor
7. Vzduchový filter
8. Držadlo štartovacieho lanka
9. Palivová nádrž
10. Pásový popruh
11. Zapaľovacia sviečka
12. Systém na tlmenie vibrácií
13. Ovládanie sýtiča
14. Ovládacia páka
15. Vypínač štart/stop s ovládaním plynu
16. Páčka plynu
17. Uhol trubice
18. Svorka

19. Pružná hadica
20. Ovládacia trubica
21. Svorka lanka
22. Stredná trubica
23. Dýza fúkača
24. Návod na obsluhu
25. Kombinovaný kľúč
26. Balónik pumpy
27. Skrutka voľnobežných otáčok

## Symbols na výrobku



**UPOZORNENIE!** Tento výrobok môže byť nebezpečný a spôsobiť vážne poranenie alebo usmrtenie obsluhujúceho pracovníka alebo iných osôb. Postupujte opatrne a používajte výrobok správnym spôsobom.



Skôr než začnete produkt používať, pozorne si prečítajte návod na obsluhu a dôsledne sa oboznámte s pokynmi.



Používajte schválené prostriedky na ochranu sluchu a ochranu očí. Ak prostredie obsahuje prach, používajte dýchaciu masku.



Používajte schválené ochranné rukavice.



Zmes benzínu a dvojtaktného oleja.



Balónik pumpy.



Všetky časti tela udržiavajte mimo horúcich plôch.



Sýtič, otvorená poloha.



Sýtič, zatvorená poloha.



Tento výrobok je v súlade s príslušnými smernicami EÚ.

**UK  
CA**

Tento výrobok je v súlade s príslušnými právnymi predpismi Spojeného kráľovstva.



Označenie týkajúce sa emisie hluku do okolia podľa smerníc a nariadení EÚ a UK a legislatívy v štáte New South Wales „Protection of the Environment Operations (Noise Control) Regulation 2017“ (Nariadenie o ochrane životného prostredia pri prevádzke (kontrola hluku) z roku 2017). Garantovaná hladina akustického výkonu produktu je uvedená v *Technické údaje na strane 330* a na štítku.



Dávajte pozor na odletujúce predmety. Odletujúce predmety môžu spôsobiť vážne poranenie. Používajte osobné ochranné pomôcky.



Udržujte bezpečnostnú vzdialenosť minimálne 15 m od osôb alebo zvierat.

rrrtbxxxx

Výkonový štítek zobrazuje výrobné číslo. **yyyy** je rok výroby a **ww** je týždeň výroby.

**Poznámka:** Ostatné symboly/štítky na výrobku odkazujú na požiadavky certifikácie pre iné komerčné oblasti.

## Emisie Euro V



**VÝSTRAHA:** Nepovolená manipulácia s motorom ruší platnosť typového schválenia tohto výrobku pre EÚ.

## Zodpovednosť za výrobok

V súlade s právnymi predpismi upravujúcimi zodpovednosť za výrobok nenesieme zodpovednosť za škody spôsobené našim výrobkom v dôsledku:

- nesprávne vykonanej opravy výrobku,
- opravy výrobku, pri ktorej neboli použité diely od výrobcu alebo diely schválené výrobcom,
- používania príslušenstva od iného výrobcu alebo príslušenstva, ktoré nie je schválené výrobcom,
- opravy výrobku, ktoré neboli vykonané v schválenom servisnom stredisku alebo schválenými kompetentnými osobami.

# Bezpečnosť

## Bezpečnostné definície

Nižšie uvedené definície označujú úroveň závažnosti pre každé signálne slovo.



**VÝSTRAHA:** Poranenie osôb.



**VAROVANIE:** Poškodenie výrobku.

**Poznámka:** Táto informácia napomáha k jednoduchšiemu používaniu výrobku.

## Všeobecné bezpečnostné pokyny



**VÝSTRAHA:** Skôr než budete výrobok používať, prečítajte si nasledujúce výstrahy.

- Výrobok neupravujte bez súhlasu výrobcu a vždy používajte originálne príslušenstvo. Zmeny alebo príslušenstvo, ktoré neboli schválené, môžu viesť k vážnemu poraneniu alebo smrti obsluhy alebo ostatných osôb.
- Ak sa výrobok poškodí, nepoužívajte ho. Vykonávajte bezpečnostné kontroly a údržbu podľa pokynov uvedených v tomto návode na obsluhu. Všetky ostatné úkony údržby smú vykonávať len schválení pracovníci servisu.
- Všetky servisné a opravné úkony musia vykonať schválení pracovníci servisu. Ak je niektorá časť zariadenia chybná, obráťte sa na svojho servisného predajcu.

## Bezpečnostné pokyny pre prevádzku



**VÝSTRAHA:** Skôr než budete výrobok používať, prečítajte si nasledujúce výstrahy.

- Tento výrobok môže byť nebezpečný a spôsobiť vážne poranenie alebo usmrtenie obsluhujúceho pracovníka alebo iných osôb. Postupujte opatrne a používajte výrobok správnym spôsobom.
- Pred použitím vykonajte kontrolu výrobku. Pozrite si časť *Údržba na strane 325*.
- Výrobok nepoužívajte, ak ste unavení, chorí alebo pod vplyvom alkoholu, liekov alebo čohokoľvek iného, čo môže viesť k zníženiu zrakovej schopnosti, koordinácie alebo schopnosti úsudku.
- Pred použitím namontujte všetky kryty a ochranné prvky. V záujme zabránenia úrazu elektrickým

prúdom skontrolujte, či nie je poškodený kryt zapalovacej sviečky a kábel zapalovania.

- Nedotýkajte sa zapalovacej sviečky ani kábla zapalovania, keď je zapnutý motor.
- Udržujte bezpečnostnú vzdialenosť minimálne 15 m od osôb alebo zvierat. Ak sa k vám počas prevádzky produktu priblížia osoby, deti alebo zvieratá do vzdialenosti menšej ako 15 m, zastavte produkt. Produktom nemierte na osoby, zvieratá, otvorené okná a iné predmety.
- Nenechajte deti používať produkt. Uistite sa, že si všetci obsluhujúci pracovníci prečítali tento návod na obsluhu a porozumeli jeho obsahu.
- Počas prevádzky udržiavajte ruky alebo iné predmety mimo krytu fúkača. Rotujúce časti môžu spôsobiť vážne poranenie.
- Nepoužívajte produkt, ak nie je nainštalovaná mriežka nasávania. Pred použitím sa vždy uistite, že je nainštalovaná mriežka nasávania a nevykazuje žiadne známky poškodenia.
- V prípade núdze uvoľnite pásový a hrudný popruh od hlavného popruhu a nechajte produkt spadnúť.
- Dodržiavajte vnútroštátne predpisy a smernice.
- Všetky časti tela udržiavajte mimo horúcich plôch.
- Tento výrobok vytvára počas prevádzky elektromagnetické pole. Toto pole môže za určitých okolností spôsobovať rušenie aktívnych alebo pasívnych implantovaných lekárskeho prístrojov. Na zníženie rizika vážneho alebo smrteľného zranenia odporúčame, aby sa osoby s implantovanými lekárskeho prístrojmi poradili so svojím lekárom a výrobcom pomôcky ešte pred použitím tohto výrobku.
- Príliš vysoké vibrácie môžu spôsobiť poškodenie krvného obehu alebo nervovej sústavy. Ak sa u vás prejavia príznaky, ako napríklad znečítlivenie, strata citu, brnenie, pichanie, bolesť, strata sily, zmeny farby pokožky na prstoch, rukách alebo zápästiach, obráťte sa na svojho lekára.
- Dávajte pozor na odletujúce predmety. Odletujúce predmety môžu spôsobiť vážne poranenie.
- Výrobok nepoužívajte v nepriaznivých poveternostných podmienkach, napríklad v hmle, pri daždi a silnom vetre alebo vo veľmi chladnom prostredí. Práca v nepriaznivom počasi môže spôsobiť únavu alebo byť príčinou nebezpečných podmienok.
- Uistite sa, že sa môžete voľne pohybovať a zachovávať si stabilný postoj. Skontrolujte pracovnú oblasť, či sa v nej nenachádzajú možné prekážky, ako napríklad skaly. Keď používate produkt na svahu, postupujte opatrne.
- Nekladte produkt na zem, keď je zapnutý motor.
- Produkt nepoužívajte na vyvýšených miestach, ako napríklad na rebríku.

- Zabezpečte, aby ste si v prípade nehody mohli vždy privolať pomoc.
- Skontrolujte, či nie je zablokovaný vývod výfukových plynov. Aby ste zabránili poškodeniu produktu, udržiajte minimálne 50 cm odstup medzi vývodom výfukových plynov a prekážkami.
- Neštartujte výrobok vo vnútri, v miestach s nedostatočným prúdením vzduchu ani v blízkosti horľavého materiálu. Výfukové plyny motora obsahujú oxid uhoľnatý, ktorý môže spôsobiť otravu. Výfukové plyny motora sú horúce a môžu obsahovať iskry, ktoré môžu vyvolať požiar.

## Osobné ochranné prostriedky



**VÝSTRAHA:** Skôr než budete používať produkt, prečítajte si nasledujúce výstrahy.

- Pri používaní produktu používajte schválené osobné ochranné prostriedky. Osobné ochranné prostriedky nedokážu úplne vylúčiť riziko, ale môžu znížiť vážnosť zranenia. Ak potrebujete ďalšie informácie, obráťte sa na predajcu.
- Používajte schválené chrániče sluchu. Dlhodobé vystavenie sa hluku môže spôsobiť trvalé poškodenie sluchu.
- Používajte schválené chrániče očí. Ak používate štít, musíte tiež používať schválené ochranné okuliare. Schválené ochranné okuliare musia zodpovedať norme ANSI Z87.1 platnej v USA alebo norme EN 166 platnej v krajinách EÚ.
- Počas prevádzky alebo vykonávania údržby používajte ochranné rukavice.
- Používajte ochrannú obuv s protišmykovými podrážkami.
- Používajte odev z pevnej tkaniny a plnej dĺžky. Nepoužívajte šperky ani otvorenú obuv. V záujme zníženia rizika poranenia musí byť odev priliehavý, nesmie však obmedzovať pohyb. Vlasy si uchytíte nad úrovňou ramien, aby ste zabránili vniknutiu vlasov do rotujúcich častí alebo ich zachyteniu o konáre.
- V prašnom prostredí používajte dýchaciu masku.
- Majte poruke vybavenie prvej pomoci.

## Bezpečnostné zariadenia na výrobku



**VÝSTRAHA:** Skôr než budete používať produkt, prečítajte si nasledujúce výstrahy.

- Nepoužívajte produkt, ktorý má chybné bezpečnostné zariadenia.
- Pravidelne kontrolujte bezpečnostné zariadenia. Pozrite si časť *Údržba na strane 325*.
- Ak sú bezpečnostné zariadenia chybné, obráťte sa na servisného zástupcu spoločnosti Husqvarna.

## Kontrola tlmiča výfuku



**VÝSTRAHA:** Nepoužívajte výrobok, ak je tlmič výfuku poškodený.



**VÝSTRAHA:** Tlmiče výfuku sa počas prevádzky a po nej výrazne zahrievajú, a to aj pri voľnobežných otáčkach. V záujme predchádzania zraneniam spôsobených popálením používajte ochranné rukavice.



**VÝSTRAHA:** Tlmič výfuku obsahuje vo vnútri chemické látky, ktoré môžu mať karcinogénne účinky. Nedotýkajte sa tlmiča výfuku, ak je poškodený.

- Pravidelne pohľadom kontrolujte tlmič výfuku. Tlmič výfuku slúži na udržovanie minimálnej hladiny hluku a na smerovanie výfukových plynov smerom od obsluhy. Pozrite si časť *Údržba tlmiča výfuku na strane 326*.

## Kontrola systému na tmenie vibrácií

1. Uistite sa, že jednotky na tmenie vibrácií nie sú poškodené ani deformované.
2. Uistite sa, že sú jednotky na tmenie vibrácií správne pripravené k motoru a rukoväti.

Informácie o umiestnení systému na tmenie vibrácií na vašom výrobku nájdete v časti *Prehľad výrobku na strane 317*.

## Kontrola vypínača štart/stop

1. Pomocou vypínača štart/stop vypnete motor.
2. Uistite sa, že sa motor úplne zastavil.

Ak chcete zistiť, kde sa vypínač štart/stop nachádza na vašom výrobku, pozrite si časť *Prehľad výrobku na strane 317*.

## Bezpečnosť popruhov

- Uistite sa, že je pásový popruh pripojený a správne nastavený. Voľné konce popruhov môžu vniknúť do rotujúcich častí a spôsobiť poškodenie ventilátora. Ak je poškodený ventilátor, môže dôjsť k uvoľneniu častí produktu, ktoré môžu byť vymrštené a spôsobiť poranenie alebo škodu.

## Bezpečnosť paliva



**VÝSTRAHA:** Skôr než budete výrobok používať, prečítajte si nasledujúce výstrahy.

- Palivo nezmiešavajte ani nedoplňajte v interiéri ani v blízkosti zdroja tepla.



- Výrobok neštartujte, ak sa na výrobku alebo na vašom tele nachádza olej alebo palivo.
- Výrobok neštartujte, ak sa na motore vyskytuje netesnosť a dochádza k úniku paliva. Pravidelne kontrolujte výskyt netesností a úniku paliva na motore.
- Pri manipulácii s palivom buďte vždy opatrní. Palivo je horľavá látka a výpary z paliva sú výbušné a môžu spôsobiť vážne poranenie alebo smrť.
- Vyhňte sa vdychovaniu výparov paliva, pretože môžu spôsobiť poranenie. Zabezpečte dostatočné prúdenie vzduchu.
- V blízkosti paliva alebo motora nefajčite.
- Výrobok ani nádobu na palivo neukladajte do blízkosti teplých predmetov, iskier alebo trvalého plameňa.

- Na uskladnenie a prepravu paliva vždy používajte schválené kanistre.

## Bezpečnostné pokyny pre údržbu



**VÝSTRAHA:** Skôr než budete výrobok používať, prečítajte si nasledujúce výstrahy.

- Pred vykonávaním údržby a montáže zastavte motor, vyberte zapáľovaciu sviečku a nechajte motor vychladnúť.
- V dôsledku zaneseného sitka lapača iskier sa motor príliš prehrieva, čo môže viesť k poškodeniu valcov a piestov.

## Montáž

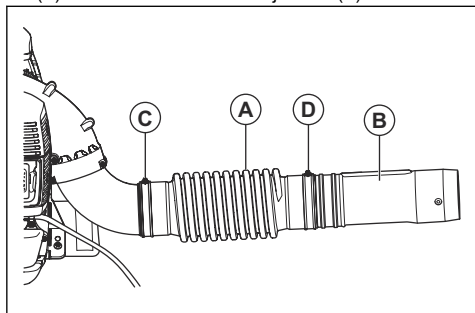
### Úvod



**VÝSTRAHA:** Pred montážou výrobku si prečítajte kapitolu o bezpečnosti a uistite sa, že rozumiete informáciám, ktoré sa v nej uvádzajú.

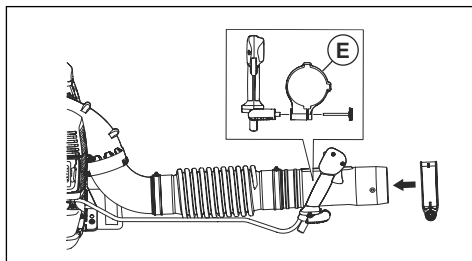
### Montáž trubice fúkača a ovládacej rukoväti k výrobku

1. Pomocou svoriek (C) a (D) pripojte pružnú hadicu (A) k uhlu trubice a ovládacej trubici (B).

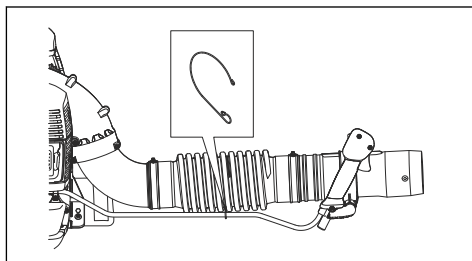


**Poznámka:** Pre uľahčenie montáže namažte ovládaciu trubicu a pružnú hadicu.

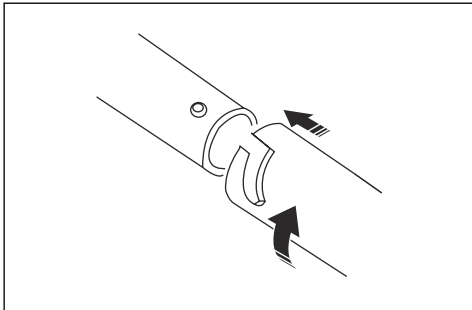
2. Pripojte držiak rukoväti (E) k ovládacej trubici. Zarovnajete držiak rukoväti podľa príruby na ovládacej trubici.



3. Nastavte polohu a uhol ovládacej rukoväti do bezpečnej a správnej pracovnej polohy. Zatiahnite gombík.
4. Pomocou svorky lanka pripevnite lanko k pružnej hadici.



5. Pripojte strednú trubicu k ovládacej trubici.



**Poznámka:** V prípade požiadavky na používanie dlhšej trubice fúkača s kruhovým prierezom je dostupná predĺžená stredná trubicu.

6. Pripojte dýzu fúkača k strednej trubici.

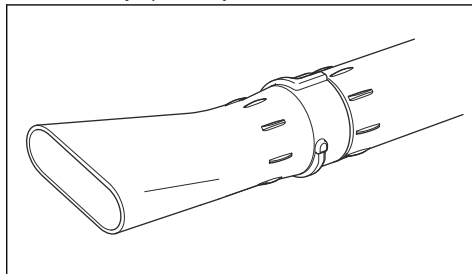
**Poznámka:** Dýzu fúkača možno namontovať iba na strednú trubicu.

4. Namontujte strednú trubicu.

## Montáž plochej dýzy (voliteľné príslušenstvo)

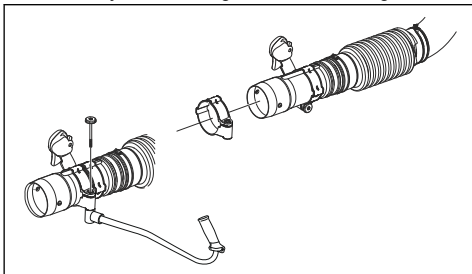
Plochá dýza poskytuje vyššiu rýchlosť vzduchu ako dýza fúkača.

- Odmontujte dýzu fúkača zo strednej trubice a nainštalujte plochú dýzu.



## Montáž rukoväti (voliteľné príslušenstvo)

1. Odmontujte strednú trubicu.
2. Z držiaka odmontujte gombík a zatlačte držiak smerom k ovládacej trubici.
3. Nainštalujte rukoväť a gombík. Zatiahnite gombík.



## Prevádzka

### Úvod



**VÝSTRAHA:** Pred používaním výrobku si prečítajte kapitolu o bezpečnosti a uistite sa, že rozumiete informáciám, ktoré sa v nej uvádzajú.

### Palivo

Tento výrobok má dvojtaktný motor.



**VAROVANIE:** Nesprávny typ paliva môže poškodiť motor. Používajte zmes benzínu a dvojtaktného oleja.

### Namiešané palivo

- Na dosiahnutie najlepšieho výkonu a maximalizáciu životnosti motora použite namiešané alkylátové palivo Husqvarna. Toto palivo obsahuje v porovnaní s bežným palivom menej škodlivých látok, čo znižuje objem škodlivých výfukových plynov. Množstvo

zvýškov po spaľovaní je pri tomto palive nižšie, čo udržuje komponenty motora čistejšie.

## Miešanie paliva

### Benzín

- Používajte kvalitný bezolovnatý benzín s max. 10 % etanolu.



**VAROVANIE:** Nepoužívajte benzín s oktánovým číslom menším než 90 RON/87 AKI. Použitie nižšieho oktánového čísla môže spôsobiť klepanie motora, ktoré môže viesť k poškodeniu motora.

### Dvojtaktný olej

- Na dosiahnutie najlepších výsledkov používajte dvojtaktný olej Husqvarna.
- Ak nemáte k dispozícii dvojtaktný olej Husqvarna, môžete použiť iný dvojtaktný olej vysokej kvality, ktorý je určený pre vzduchom chladené motory. S výberom správneho oleja vám poradí váš servisný predajca.



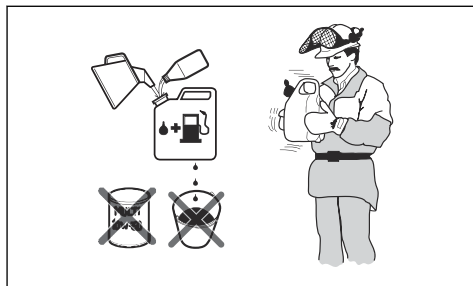
**VAROVANIE:** Nepoužívajte olej pre dvojtaktné motory určený pre vodou chladené motory, niekedy označovaný aj ako olej pre lodné motory. Nepoužívajte oleje určené pre štvortaktné motory.

### Vytvorenie zmesi benzínu a oleja pre dvojtaktné motory

Benzín, liter	Olej pre dvojtaktné motory, liter
	<b>2 % (50:1)</b>
5	0,10
10	0,20
15	0,30
20	0,40



**VAROVANIE:** Pri miešaní malého množstva paliva môžu malé chyby výrazne ovplyvniť pomer zmesi. Opatrne odmerajte množstvo oleja, aby ste získali správnu zmes.



1. Polovicu množstva benzínu nalejte do čistej nádoby na palivo.
2. Pridajte celú dávku oleja.
3. Zmes paliva premiešajte.
4. Do nádoby pridajte zvyšné množstvo benzínu.
5. Zmes paliva opatrne premiešajte.



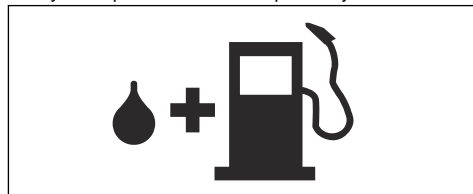
**VAROVANIE:** Zmes paliva nemiešajte na viac ako 1 mesiac.

### Doplňanie paliva do palivovej nádrže



**VÝSTRAHA:** Dodržiavajte nasledujúci postup kvôli vlastnej bezpečnosti.

1. Zastavte motor a nechajte ho vychladnúť.
2. Vyčistite priestor okolo veka palivovej nádrže.



3. Zatraste nádobou a skontrolujte, či je palivo úplne zmiešané.
4. Pomaly odstráňte veko palivovej nádrže a uvoľnite tlak.
5. Nalejte palivo do palivovej nádrže.



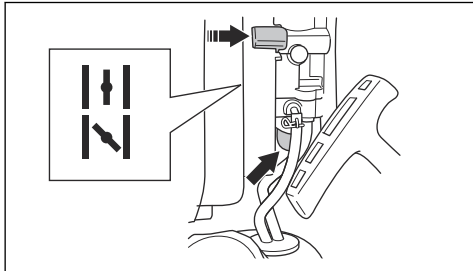
**VAROVANIE:** Skontrolujte, či v palivovej nádrži nie je príliš veľa paliva. Pri zahrievaní sa palivo rozširuje.

6. Uťahnite veko palivovej nádrže.
7. Utrite rozliaty benzín na produkte na okolo neho.
8. Pred štartovaním motora sa s výrobkom vzdialte od miesta dopĺňania a od zdroja paliva minimálne o 3 m/10 stôp.

**Poznámka:** Ak chcete zistiť, kde sa palivová nádrž nachádza na vašom výrobku, pozrite si časť *Prehľad výrobku na strane 317*.

## Zapnutie výrobku

1. Ak je motor studený, potlačte páčku sýtiča do zatvorenej polohy sýtiča. Pozrite si časť *Symboly na výrobku na strane 318*.



2. Opakovane stláčajte pumpu, kým sa balónik pumpy nezačne plniť palivom. Nie je potrebné úplne naplniť balónik pumpy.
3. Vypínač štart/stop s ovládaním plynu posuňte do polohy 1/3 otáčok. Pozrite si časť *Obsluha ovládania plynu/vypínača na strane 324*.
4. Položte výrobok na zem na rovnom povrchu.
5. Uchopte výrobok ľavou rukou.



**VAROVANIE:** Na pridržanie produktu nepoužívajte chodidlá.

6. Pomaly ťahajte za držiadlo štartovacieho lanka, kým nepocítite odpor.
7. Pravou rukou rýchlo potiahnite držiadlo štartovacieho lanka. Opakovane potiahnite držiadlo štartovacieho lanka, kým sa motor nenaštartuje.

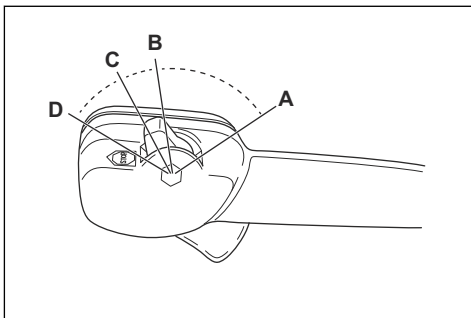
**Poznámka:** Nevyťahujte držiadlo štartovacieho lanka úplne von ani rukoväť štartovacieho lanka nepúšťajte.

8. Ak je motor studený, postupne zatlačte páčku sýtiča do otvorenej polohy sýtiča, kým sa páčka sýtiča nezastaví.
9. Ak je motor studený, pred používaním nechajte motor 2 – 3 minúty bežať na voľnobežných otáčkach, aby sa zahrial.



**VÝSTRAHA:** Vzduch začne prúdiť hneď po naštartovaní motora, dokonca aj keď je výrobok nastavený na voľnobežné otáčky. Nedovoľte iným osobám priblížiť sa k výrobku alebo fúkacej trubici.

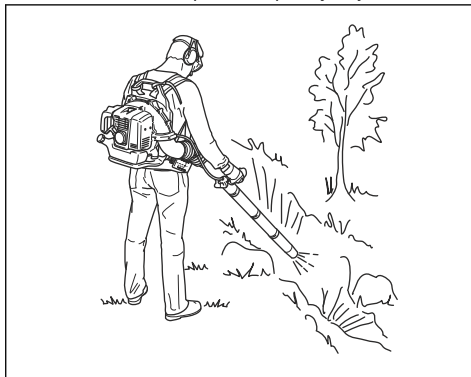
## Obsluha ovládania plynu/vypínača



- Použitie plného plynu (A).
- Použitie 1/3 otáčok (B).
- Použitie voľnobežných otáčok (C).
- Vypnutie výrobku (D).

## Obsluha výrobku

- Tento fúkač sa umiestňuje ako batoh na chrbát a počas prevádzky sa prenáša pomocou ramenného popruhu. Používa a ovláda sa prostredníctvom rukoväte na trubici pomocou pravej ruky.



- Výrobok používajte počas bežných pracovných hodín. Dodržiavajte miestne nariadenia.

- Pri plnení vašej pracovnej úlohy obmedzte počet zariadení a vyberte si správne otáčky. Používajte plyn na najnižšej možnej polohe, aby ste zabránili vyšším úrovniam hluku a prašnosti, ako je nevyhnutné.
- Udržiavajte dýzu fúkača blízko pri zemi.

**Poznámka:** Spoločnosť Husqvarna odporúča používať plné rozšírenie dýzy fúkača.

- Venujte pozornosť smeru vetra a výrobok používajte v smere vetra.
- Na uvoľnenie materiálu od zeme použite vhodné záhradné náradie.
- V prašných oblastiach použite striekacie zariadenie na zvlhčenie prašného miesta. Skrúti sa tým čas prevádzky.
- Po prevádzke nechajte výrobok uskladnený vo vertikálnej polohe.

## Zastavenie výrobku



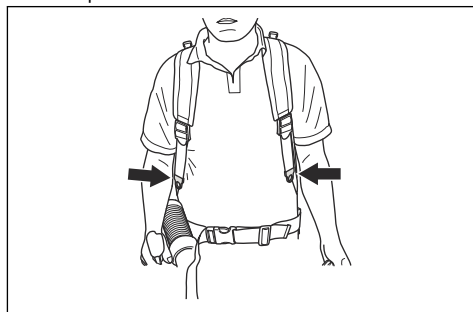
**VAROVANIE:** Nevypínajte výrobok pri maximálnych otáčkach.

1. Prepnete vypínač štart/stop s ovládaním plynu do polohy stop. Pozrite si časť *Obsluha ovládania plynu/vypínača na strane 324*.

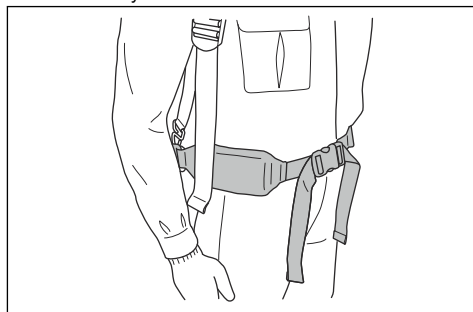
## Nastavenie popruhu

1. Nasadíte si popruhy výrobku.

2. Utiahnite ramenné pásy (B) tak, aby výrobok držal tesne pri vašom tele.



3. Umiestnite si pásový popruh okolo pása.
4. Utiahnite pásový popruh. Skontrolujte, či cítite hmotnosť výrobku na vašich bedrách.



# Údržba

## Úvod

že rozumiete informáciám, ktoré sú v nej uvedené.



**VÝSTRAHA:** Pred údržbou výrobku si prečítajte kapitolu o bezpečnosti a uistite sa,

## Plán údržby

Údržba	Denne	Týždenne	Mesačne
Vyčistíte vonkajšie povrchy.	X		
Skontrolujte, či ovládacia rukoväť funguje správne.	X		
Skontrolujte, či vypínač štart/stop funguje správne. Pozrite si časť <i>Kontrola vypínača štart/stop na strane 320</i> .	X		
Skontrolujte tesnosť motora, palivovej nádrže a rozvodov paliva. Skontrolujte, či nie je znečistený palivový filter. V prípade potreby vymeňte palivový filter.	X		
Vyčistíte vzduchový filter. Ak je vzduchový filter poškodený, vymeňte ho.	X		
Dotiahnite matice a skrutky.	X		

Údržba	Denne	Týždenne	Mesačne
Skontrolujte nasávanie vzduchu a uistite sa, že nie je zablokované.	X		
Skontrolujte, či štartér a štartovacie nie sú poškodené.		X	
Skontrolujte, či antivibračné prvky nevykazujú známky poškodenia, popraskania alebo deformácie. Skontrolujte, či sú antivibračné prvky správne nainštalované.		X	
Skontrolujte zapáľovaciu sviečku. Pozrite si časť <i>Kontrola zapáľovacej sviečky na strane 326</i> .		X	
Vyčistite chladiaci systém.		X	
Vyčistite vonkajší povrch karburátora a jeho okolie.		X	
Vyčistite palivovú nádrž.			X
Skontrolujte všetky káble a konektory.			X
Skontrolujte a vyčistite sitko lapača iskier v tlmíči výfuku (pre výrobky bez katalyzátora).		X	
Skontrolujte a vyčistite sitko lapača iskier v tlmíči výfuku (pre výrobky s katalyzátorom).			X
Skontrolujte zapáľovaciu sviečku. V prípade potreby ich vymeňte.			X

## Nastavenie voľnobežných otáčok

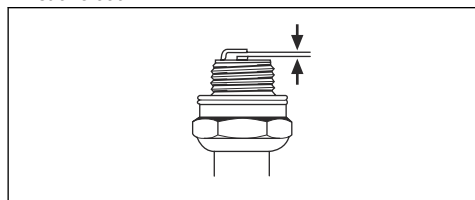
1. Uistite sa, že je vzduchový filter čistý a že je kryt vzduchového filtra pripevnený k výrobku.
2. Pomocou skrutky voľnobežných otáčok nastavte voľnobežné otáčky. Ak chcete zistiť, kde sa na vašom výrobku nachádza skrutka voľnobežných otáčok, pozrite si časť *Prehľad výrobku na strane 317*.

## Kontrola zapáľovacej sviečky



**VAROVANIE:** Používajte odporúčanú zapáľovaciu sviečku. Pozrite si časť *Technické údaje na strane 330*. Nesprávny typ zapáľovacej sviečky môže viesť k poškodeniu výrobku.

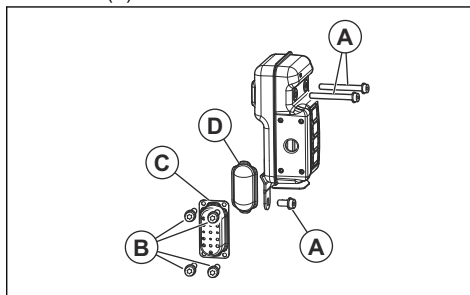
1. Zastavte motor a výrobok vychladnúť.
2. Ak je zapáľovacia sviečka znečistená, vyčistite ju.
3. Skontrolujte správnu šírku medzery medzi elektródami. Pozrite si časť *Technické údaje na strane 330*.



4. Vymeňte zapáľovaciu sviečku raz mesačne alebo v prípade potreby častejšie.

## Údržba tlmíča výfuku

1. Zastavte motor a nechajte tlmíč výfuku vychladnúť. Vždy používajte ochranné rukavice.
2. Odstráňte skrutky (A), skrutky (B) a odťahové vedenie (C).



3. Vyberte sitko lapača iskier (D) a vyčistite ho drôtenou kefou. Ak je sitko lapača iskier poškodené, vymeňte ho.
4. Pomocou drôtenej kefy odstráňte nečistoty z tlmíča výfuku a výfukového kanála valca.
5. Pripevnite sitko lapača iskier (D) a odťahové vedenie (C) pomocou skrutiek (B). Utiahnite skrutky utťahovacím momentom 2 – 3 Nm.
6. Utiahnite skrutky (A) utťahovacím momentom 8 – 12 Nm. Skontrolujte, či je tlmíč výfuku správne pripevnený k výrobku.

## Preskúšanie a očistenie chladiaceho systému

Chladiaci systém zahŕňa chladiace rebrá na valci a mriežku nasávania.

1. Zastavte motor.
2. Skontrolujte, či chladiaci systém nie je znečistený ani upchaný. V prípade potreby očistíte mriežku nasávania a chladiace rebrá.



**VAROVANIE:** Znečistený alebo zablokovaný chladiaci systém môže zvyšovať teplotu motora a spôsobiť poškodenie výrobku. Zanesená mriežka nasávania znižuje rýchlosť fúkania.

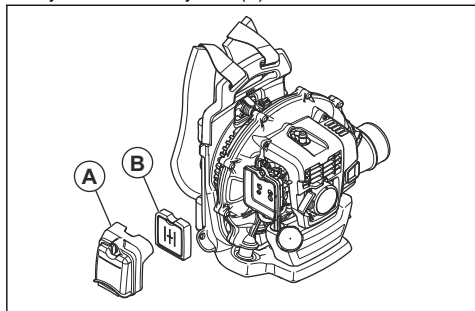
3. Skontrolujte, či chladiaci systém nie je poškodený. Skontrolujte, či sú diely správne pripevnené k výrobku.

## Čistenie vzduchového filtra



**VAROVANIE:** Výrobok nepoužívajte bez vzduchového filtra ani s poškodeným vzduchovým filtrom. Prach vo vzduchu môže poškodiť motor.

1. Zatláčajte ovládanie sýtiča do zatvorenej polohy.
2. Demontujte kryt vzduchového filtra (A).
3. Vyberte vzduchový filter (B) z rámu filtra.



4. Očistíte vzduchový filter teplou mydlovou vodou.

**Poznámka:** Vzduchový filter, ktorý bol používaný dlhší čas, nemožno úplne vyčistiť. Pravidelne vymieňajte vzduchový filter a vždy vymeňte poškodený vzduchový filter.

5. Pomocou kefy očistíte vnútornú časť krytu vzduchového filtra (A).
6. Naneste na vzduchový filter olej. Pozrite si časť *Aplikácia oleja na penový vzduchový filter* na strane 327.

7. Vložte vzduchový filter do rámu filtra.
8. Pripevnite kryt vzduchového filtra k výrobku.

## Aplikácia oleja na penový vzduchový filter

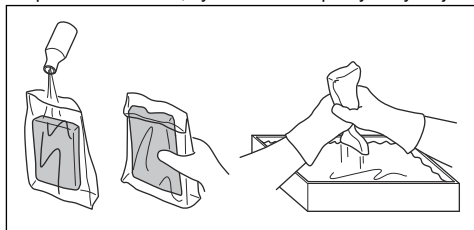


**VAROVANIE:** Vždy používajte Husqvarna špeciálny olej na vzduchový filter. Nepoužívajte iné typy olejov.



**VÝSTRAHA:** Používajte ochranné rukavice. Olej vzduchového filtra môže spôsobiť podráždenie pokožky.

1. Vložte penový vzduchový filter do plastového vrečka.
2. Nalejte do plastového vrečka olej.
3. Stláčaním plastového vrečka sa uistite, že sa olej rovnomerne naniesie na celý penový vzduchový filter.
4. Kým sa penový vzduchový filter nachádza v plastovom vrečku, vytlačte z neho prebytočný olej.

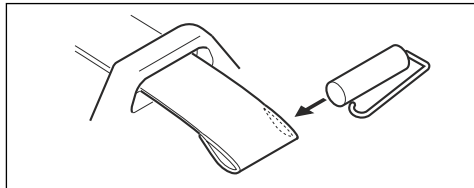


## Výmena popruhu



**VÝSTRAHA:** Poškodený popruh môže zapríčiniť pád výrobku a spôsobiť poranenia. Dbajte na správnu inštaláciu svorky.

1. Zastavte motor.
2. Z popruhu odstráňte svorku.
3. Pretlačte koniec popruhu cez očko.
4. Nový popruh vložte cez očko.
5. Vložte kolík do popruhu, aby ste pripojili svorku k novému popruhu.



## Riešenie problémov

<b>Motor nemožno naštartovať</b>		
<b>Kontrola</b>	<b>Možná príčina</b>	<b>Riešenie</b>
Tlačidlo Stop.	Poloha Stop	Prepnite vypínač do štartovacej polohy.
Západka/-y štartéra	Zablokovaná alebo opotrebovaná západka/-y štartéra.	Nastavte alebo vymeňte západku/-y štartéra.
		Vyčistite okolie západky/-iek štartéra.
		Obráťte sa na schváleného servisného predajcu.
Palivová nádrž.	Nesprávny typ paliva.	Vypustíte palivovú nádrž a použijete správne palivo.
Karburátor.	Nastavenie voľnobežných otáčok.	Nastavte voľnobežné otáčky pomocou nastavovacej skrutky voľnobežných otáčok.
Zapaľovanie (bez iskry).	Zapaľovacia sviečka je znečistená alebo vlhká.	Uistite sa, že je zapaľovacia sviečka suchá a čistá.
	Nesprávna medzera medzi elektródami na zapaľovacej sviečke.	Vyčistite zapaľovaciu sviečku. Skontrolujte správnu šírku medzery medzi elektródami. Skontrolujte, či je zapaľovacia sviečka nainštalovaná s tlmivcom.
		Informácie o správnosti medzery medzi elektródami nájdete v časti s technickými údajmi.
Zapaľovacia sviečka.	Zapaľovacia sviečka je uvoľnená.	Utiahnite zapaľovaciu sviečku.
	Na elektródach zapaľovacej sviečky sa nachádza nežiadúci materiál.	Uistite sa, že používate správnu zmes paliva.
		Uistite sa, že je čistý vzduchový filter.

<b>Motor naštartuje, no znova sa vypne</b>		
<b>Kontrola</b>	<b>Možná príčina</b>	<b>Riešenie</b>
Palivová nádrž.	Nesprávny typ paliva.	Vypustíte obsah a použijete správne palivo.
Karburátor.	Nesprávne fungovanie motora pri voľnobežných otáčkach.	Obráťte sa na servisného predajcu.



Motor naštartuje, no znova sa vypne		
Kontrola	Možná príčina	Riešenie
Vzduchový filter.	Zanesený vzduchový filter.	Vyčistite vzduchový filter.

---

## Preprava a uskladnenie

---

### Preprava a uskladnenie



**VÝSTRAHA:** V záujme zabránenia nebezpečenstvu požiaru sa presvedčte, že počas prepravy alebo skladovania nehrozí žiadne nebezpečenstvo úniku paliva alebo jeho výparov. Uistite sa, že nehrozí nebezpečenstvo iskrenia alebo požiaru.

- Pred prepravou alebo pred dlhodobým skladovaním vyprázdňte palivovú nádrž. Stláčaním balónika pumpy sa presvedčte, že sa odstránilo všetko palivo. Palivo zlikvidujte v príslušnom zariadení na likvidáciu.
- Pred dlhodobým skladovaním sa presvedčte, či je výrobok čistý a či bol vykonaný jeho kompletný servis.
- Odmontujte zapaľovaciu sviečku a do valca nalejte približne 15 ml dvojtaktného oleja. 3-krát otočte výrobok a znova namontujte zapaľovaciu sviečku.
- Pred prepravou výrobok bezpečne pripevnite k vozidlu.
- Výrobok skladujte na suchom, chladnom a čistom mieste s dobrým vetraním. Batériu uchovávajte mimo dosahu detí.

## Technické údaje

### Technické údaje

	Husqvarna 350BT
<b>Motor</b>	
Objem valca, cm <sup>3</sup>	50,2
Voľnobežné otáčky, ot./min	2200
Katalyzátor	Nie
<b>Systém zapalovania</b>	
Zapaľovacia sviečka	NGK CMR7H/TORCH AC7R
Vzdialenosť elektród, mm	0,6 – 0,7
<b>Systém paliva a mazania</b>	
Objem palivovej nádrže, l/cm <sup>3</sup>	1,25/1250
<b>Hmotnosť</b>	
Hmotnosť bez paliva, kg	10,2
<b>Emisie hluku</b> <sup>64</sup>	
Nameraná úroveň hlučnosti, dB(A)	101
Zaručená úroveň hlučnosti L <sub>WA</sub> dB(A)	101
<b>Úrovně hlučnosti</b> <sup>65</sup>	
Ekvivalentná hladina akustického tlaku pri uchu používateľa meraná podľa normy EN15503, dB(A)	
Vybavené dýzou fúkača (originál)	96
<b>Úrovně vibrácií</b> <sup>66</sup>	
Ekvivalentné hladiny vibrácií (a <sub>hv,eq</sub> ) na rukovätiach merané podľa normy EN 15503, m/s <sup>2</sup>	2,7
<b>Výkon ventilátora</b>	
Maximálna rýchlosť vzduchu s dýzou fúkača, m/s	80
Prietok vzduchu s dýzou fúkača, m <sup>3</sup> /min.	14

<sup>64</sup> Hladina hluku meraná ako akustický tlak (L<sub>WA</sub>) v súlade s európskou smernicou 2000/14/ES. Uvádzaná hladina akustického výkonu pre stroj bola meraná s originálnym dýzou fúkača, ktorý produkuje najvyššiu úroveň. Rozdiel medzi zaručeným a nameraným akustickým výkonom spočíva v tom, že zaručený akustický výkon zahŕňa aj rozptyl výsledkov merania a rozdiely medzi jednotlivými strojmi rovnakého modelu v súlade so smernicou 2000/14/ES.

<sup>65</sup> Uvádzané údaje pre hladinu akustického tlaku majú typický štatistický rozptyl (štandardnú odchýlku) 1,0 dB (A).

<sup>66</sup> Uvádzané údaje pre ekvivalentný stupeň vibrácií majú typický štatistický rozptyl (štandardnú odchýlku) 1,0 m/s<sup>2</sup>.

# ES vyhlásenie o zhode

## ES vyhlásenie o zhode

My, **Husqvarna AB**, SE-561 82 Huskvarna,  
Švédsko, tel.: +46-36-146500, vyhlasujeme s plnou  
zodpovednosťou, že výrobok:

<b>Popis</b>	Chrbtový fúkač
<b>Značka</b>	Husqvarna
<b>Typ/model</b>	350BT
<b>Identifikácia</b>	Výrobné čísla od roku 2022 a novšie.

plne spĺňa nasledujúce smernice a nariadenia EÚ:

Nariadenie	Popis
2006/42/ES	„o strojových zariadeniach“
2014/30/EÚ	„o elektromagnetickej kompatibilite“
2000/14/ES	„týkajúca sa emisie hluku v prostredí pochádzajúceho zo zariadení používaných na voľnom priestranstve“
2011/65/EÚ	„o obmedzení používania určitých nebezpečných látok v elektrických a elektronických zariadeniach“

a že sa pri ňom uplatňujú nasledujúce normy a  
technické špecifikácie: EN ISO 12100:2010, CISPR  
12:2009, EN 15503:2009+A2:2015, EN IEC 63000:2018

Spoločnosť RISE SMP Svensk Maskinprovning AB, Box  
7035, SE-750 07 Uppsala, Švédsko, vykonala skúšku  
dobrovoľného typu v mene spoločnosti Husqvarna AB.

Číslo certifikátu: SEC/09/2102

Spoločnosť RISE SMP Svensk Maskinprovning AB, Box  
7035, SE-750 07 Uppsala, Švédsko, tiež potvrdila súlad  
s dodatkom V smernice rady 2000/14/ES.

Informácie týkajúce sa emisii hluku nájdete v časti  
*Technické údaje na strane 330.*

Huskvarna, 2022-05-17

Stefan Holmberg, riaditeľ výskumu a vývoja, oddelenie  
riadenia technológií, Husqvarna AB.

Zodpovedný za technickú dokumentáciu



# VSEBINA

Uvod.....	332	Odpravljanje težav.....	342
Varnost.....	334	Prevoz in skladiščenje.....	343
Montaža.....	336	Tehnični podatki.....	344
Delovanje.....	337	Izjava ES o skladnosti.....	345
Vzdrževanje.....	340		

## Uvod

### Opis izdelka

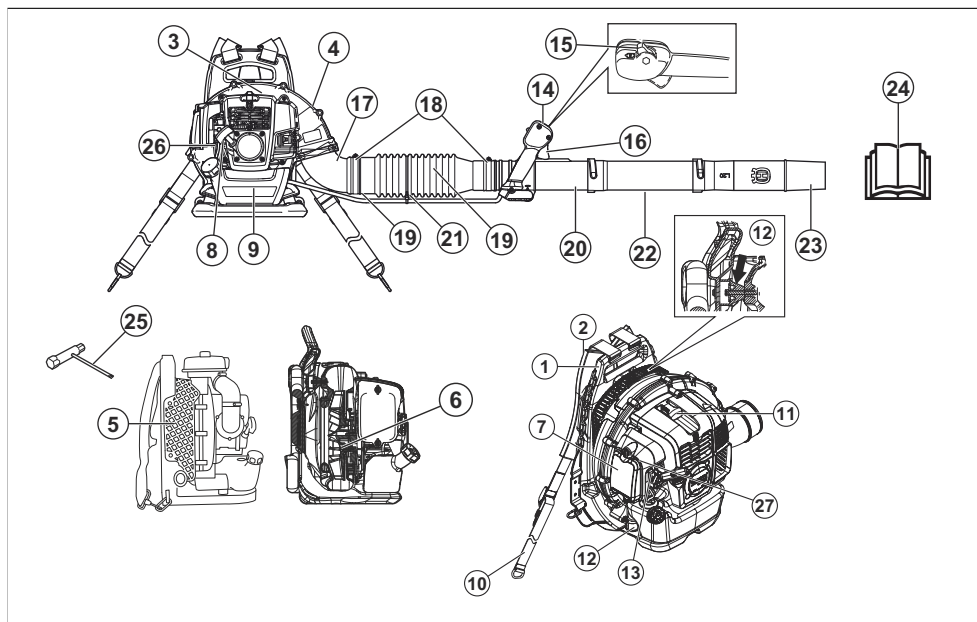
Ta izdelek je nahrbtni pihalnik z motorjem na gorivo.

Nenehno razvijamo in izpopolnjujemo svoje izdelke, zato si pridržujemo pravico do sprememb njihove oblike in videza brez predhodnega opozorila.

### Namen uporabe

Z izdelkom spihajte listje in drug neželeni material s površin, kot so trate, poti in asfaltne ceste.

### Pregled izdelka



1. Okvir
2. Oprtnik
3. Pokrov motorja
4. Pokrov ventilatorja
5. Rešetka dovoda zraka
6. Ventilator
7. Zračni filter
8. Ročica zaganjalne vrvice
9. Rezervoar za gorivo
10. Pas
11. Svečka
12. Sistem za dušenje tresljajev
13. Ročica čoka
14. Ročaj
15. Stikalo za vklop/izklop z uravnavanjem plina
16. Ročica plina
17. Kot cevi
18. Objemka
19. Gibka cev
20. Krmična cev

21. Spojka
22. Vmesna cev
23. Šoba pihalnika
24. Navodila za uporabo
25. Kombiniran ključ
26. Membrana črpalke goriva
27. Vijak za nastavljanje števila vrtljajev prostega teka

## Simboli na izdelku



**OPOZORILO!** Ta izdelek je lahko nevaren in lahko povzroči hude poškodbe oziroma smrt uporabnika ali drugih. Bodite previdni in uporabljajte izdelek pravilno.



Pred začetkom uporabe izdelka natančno preberite navodila za uporabo in se prepričajte, da ste jih razumeli.



Uporabljajte odobreno zaščito za sluh in odobreno zaščito oči. Če okolje vsebuje prah, uporabite dihalno masko.



Uporabljajte odobrene zaščitne rokavice.



Mešanica bencina in olja za dvotaktne motorje.



Membrana črpalke goriva.



Izognite se stiku z vročimi površinami.



Čok v odprtem položaju.



Čok v zaprtem položaju.



Izdelek je v skladu z veljavnimi direktivami ES.

**UK  
CA**

Izdelek je v skladu z veljavnimi direktivami ZK.



Emisija hrupa v okolje je skladna z direktivami in uredbami EU, ZK ter zakonodajo Novega južnega Walesa, in sicer z direktivo "Zaščita okolja pri delu (nadzor hrupa) iz 2017". Zajamčena raven zvočne moči izdelka je navedena na in v *Tehnični podatki na strani 344* in na oznaki.



Pazite na odbite predmete. Zaradi izmeta predmetov lahko pride do hudih telesnih poškodb. Uporabljajte osebno zaščitno opremo.



Med uporabo izdelka bodite na varnostni razdalji 15 m od drugih oseb ali živali.

yyyywwxxxx

Na tipski ploščici je navedena serijska številka. **yyyy** je proizvodno leto in **ww** je proizvodni teden.

**Opomba:** Ostali znaki in oznake na izdelku se nanašajo na zahteve za certifikacijo, ki veljajo za druga komercialna območja.

## Stopnja emisij Euro V



**OPOZORILO:** Zaradi predelave motorja se razveljavi EU-homologacija tega izdelka.

## Odgovornost proizvajalca

Kot je navedeno v zakonodaji, ki ureja odgovornost proizvajalca, ne prevzemamo nikakršne odgovornosti za poškodbe, ki bi jih naši izdelki povzročili v naslednjih primerih:

- Izdelek ni pravilno popravljen.
- Izdelek je popravljen z deli, ki jih ni izdelal ali odobril proizvajalec.
- Na izdelku je nameščena dodatna oprema, ki je ni izdelal ali odobril proizvajalec.
- Izdelek ni bil popravljen v pooblaščenem servisnem centru ali pri pooblaščenem organu.

## Varnostne definicije

Spodnje definicije označujejo stopnjo resnosti posameznih opozorilnih besed.



**OPOZORILO:** Poškodbe oseb.



**POZOR:** Poškodbe izdelka.

**Opomba:** Te informacije olajšajo uporabo izdelka.

## Splošna varnostna navodila



**OPOZORILO:** Pred uporabo izdelka preberite navodila v povezavi z opozorili v nadaljevanju.

- Ne spreminjajte izdelka brez vnaprejšnje odobritve proizvajalca in vedno uporabljajte originalno dodatno opremo. Spremembe in/ali dodatna oprema, ki niso odobrene, lahko povzročijo hude telesne poškodbe ali smrt uporabnika ali drugih oseb.
- Ne uporabljajte poškodovanega izdelka. Sledite navodilom za varnostne preglede in vzdrževanje, ki so navedena v teh navodilih za uporabo. Vsa druga vzdrževalna dela lahko opravi samo pooblaščen servisno osebje.
- Vse servise in popravila lahko opravi samo pooblaščen servisno osebje. Če je del izdelka pokvarjen, se obrnite na servisnega zastopnika.

## Varnostna navodila za uporabo



**OPOZORILO:** Pred uporabo izdelka preberite navodila v povezavi z opozorili v nadaljevanju.

- Ta izdelek je lahko nevaren in lahko povzroči hude poškodbe oziroma smrt uporabnika ali drugih. Bodite previdni in uporabljajte izdelek pravilno.
- Pred uporabo preglejte izdelek. Glejte *Vzdrževanje na strani 340*.
- Izdelka ne uporabljajte, ko ste utrujeni, bolni ali pod vplivom alkohola, mamil ali zdravil, ki lahko slabo vplivajo na vaš vid, presojo ali koordinacijo.
- Pred uporabo namestite vse pokrove in varovala. Da preprečite električni udar, poskrbite, da pokrov svečke in vžigalni kabel nista poškodovana.
- Ko motor deluje, se ne dotikajte svečke ali vžigalnega kabla.
- Med uporabo izdelka bodite na varnostni razdalji 15 m od drugih oseb ali živali. Če so osebe, otroci ali živali bližje kot 15 m, izklopite izdelek. Izdelek usmerite stran od oseb, živali, odprtih oken in drugih predmetov.
- Otroci izdelka ne smejo uporabljati. Vsi uporabniki morajo prebrati in razumeti vsebino teh navodil za uporabo.
- Med delovanjem z rokami ali drugimi predmeti ne segajte v ohišje pihalnika. Vrtljivi deli lahko povzročijo hude telesne poškodbe.
- Izdelka ne uporabljajte, če rešetka dovoda zraka ni nameščena. Pred uporabo se vedno prepričajte, da je nameščena rešetka dovoda zraka in da ni poškodovana.
- V nujnem primeru sprostite pas in prsni pas oprtnika ter pustite, da izdelek pade.
- Upošteвайте nacionalne uredbe in direktive.
- Izognite se stiku z vročimi površinami.
- Izdelek med delovanjem ustvarja elektromagnetno polje. To polje lahko v nekaterih pogojih moti delovanje aktivnih ali pasivnih medicinskih vsadkov. Uporabnikom medicinskih vsadkov svetujemo, da se pred uporabo tega izdelka posvetujejo z zdravnikom ali proizvajalcem medicinskega vsadka, s čimer zmanjšajo nevarnost resnih ali smrtnih poškodb.
- Preveč tresljajev lahko povzroči poškodbe v obtoku ali živčnem sistemu. Pogovorite se z zdravnikom, če imate simptome, kot so otrplost, izguba občutenja, ščemenje, zbadanje, bolečina, zmanjšano moč ali sprememba barve kože v prstih, rokah ali zapestjih.
- Pazite na odbite predmete. Zaradi izmeta predmetov lahko pride do hudih telesnih poškodb.
- Izdelka ne uporabljajte v slabem vremenu, npr. megli, dežju, močnem vetru in premrzlem okolju. Uporaba izdelka v slabem vremenu lahko povzroči utrujenost in nevarne razmere.
- Zagotovite, da se lahko premikate in ohranjate stabilen položaj. Preverite, ali so v delovnem območju morebitne ovire, npr. kamenje. Če izdelek upravljate na pobočju, bodite previdni.
- Ko je motor vklopljen, izdelka ne odlagajte na tla.
- Izdelka ne uporabljajte z visokih položajev, na primer na lestvi.
- Prepričajte se, da vas bo v primeru nesreče vedno nekdo slišal.
- Pazite, da bo izhod za izpušne pline prost. Ovire naj bodo na razdalji najmanj 50 cm od izhoda za izpušne pline, da preprečite poškodbo izdelka.
- Izdelka nikoli ne zaganjajte v zaprtih prostorih, prostorih s slabim pretokom ali v bližini vnetljivih materialov. Izpušni plini motorja vsebujejo ogljikov monoksid, ki lahko povzroči zastrupitev. Izpušni plini so vroči in lahko vsebujejo iskre, ki lahko zanetijo požar.

## Osebnna zaščitna oprema



**OPOZORILO:** Pred uporabo izdelka preberite navodila v povezavi z opozorili v nadaljevanju.

- Med uporabo izdelka obvezno uporabljajte ustrezno osebno zaščitno opremo. Osebnna zaščitna oprema ne more popolnoma preprečiti poškodb, vendar v primeru nesreče omili posledice. Če potrebujete več informacij, se obrnite na prodajalca.
- Uporabljajte odobreno zaščito za sluh. Dolgotrajna izpostavljenost hrupu lahko povzroči trajne poškodbe sluha.
- Uporabljajte odobreno zaščito oči. Tudi če uporabljate vizir, morate vedno uporabljati tudi homologirana zaščitna očala. Homologirana zaščitna očala morajo biti skladna s standardom ANSI Z87.1 za ZDA ali s standardom EN 166 za države EU.
- Med uporabo in vzdrževanjem uporabljajte zaščitne rokavice.
- Uporabljajte zaščitno obutev ali čevlje z nedrsečimi podplati.
- Uporabljajte dolga oblačila iz trpežnih materialov. Ne nosite nakita ali odprtih čevljev. Oblačila naj se vam tesno prilagodijo, vendar naj vas ne ovirajo pri gibanju, da zmanjšate tveganje poškodb. Lase si spnite nad rameni in tako preprečite, da bi se lasje zapletli v vrtljive dele ali se zataknili za veje.
- Če obstaja nevarnost prašenja, uporabljajte dihalno masko.
- Opremo za prvo pomoč hranite v bližini.

## Varnostne naprave na izdelku



**OPOZORILO:** Pred uporabo izdelka preberite navodila v povezavi z opozorili v nadaljevanju.

- Ne uporabljajte izdelka s poškodovanimi varnostnimi napravami.
- Redno preverjajte varnostne naprave. Glejte poglavje *Vzdrževanje na strani 340*.
- Če so varnostne naprave poškodovane, se obrnite na servisnega zastopnika Husqvarna.

## Preverjanje dušilnika



**OPOZORILO:** Če je dušilnik poškodovan, izdelka ne uporabljajte.



**OPOZORILO:** Dušilnik se med delovanjem, tudi pri hitrosti prostega teka, močno segreje in ostane vroč tudi po delovanju. Uporabljajte zaščitne rokavice, da preprečite opekline.



**OPOZORILO:** Notranja stran dušilnika vsebuje kemikalije, ki so lahko rakotvorne. Poškodovanega dušilnika se ne dotikajte.

- Redno vizualno preverjajte dušilnik. Dušilnik zmanjšuje nivo hrupa na najnižjo možno raven in odvaja izpušne pline stran od uporabnika. Glejte *Vzdrževanje dušilnika na strani 341*.

## Preverjanje sistema za dušenje treslajev

1. Prepričajte se, da na elementih za blaženje treslajev ni razpok ali deformacij.
2. Prepričajte se, da so elementi za blaženje treslajev ustrezno pritrjeni na motor in ročaj.

Za informacije o tem, kje na izdelku je nameščen sistem za dušenje treslajev, glejte poglavje *Pregled izdelka na strani 332*.

## Preverjanje stikala za vklop/izklop

1. Z vklopno/izklopnim stikalom izklopite motor.
2. Prepričajte se, da se je motor popolnoma zaustavil.

Za mesto stikala za vklop/izklop na vašem izdelku glejte *Pregled izdelka na strani 332*.

## Varnost oprtnika

- Preverite, ali je pas pritrjen in pravilno nastavljen. Prosti konci oprtnika lahko pridejo v vrtljive dele in povzročijo poškodbe ventilatorja. Če je ventilator poškodovan, lahko to povzroči izmet nepritrjenih delov in posledično telesne poškodbe ali škodo.

## Varnost pri delu z gorivom



**OPOZORILO:** Pred uporabo izdelka preberite navodila v povezavi z opozorili v nadaljevanju.

- Goriva ne mešajte ali dolivajte v zaprtih prostorih ali v bližini vira toplote.
- Če so na izdelku ali na vašem telesu ostanki goriva ali olja, izdelka na zaganjajte.
- Če iz motorja izteka gorivo, izdelka ne zaganjajte. Redno preverjajte, ali iz motorja izteka gorivo.
- Z gorivom vedno ravnajte previdno. Gorivo je vnetljivo, hlapi goriva pa so eksplozivni, kar lahko privede do hudih poškodb ali smrti.
- Ne vdihavajte hlapov goriva, saj lahko pride do poškodb. Zagotovite zadosten pretok zraka.
- V bližini goriva ali motorja ne kadite.
- Izdelka ali posode za gorivo ne postavljajte v bližino vročih predmetov, odprtega ognja, isker ali indikatorskih lučk.
- Za prevoz in skladiščenje goriva vedno uporabite odobrene posode.

## Varnostna navodila za vzdrževanje



**OPOZORILO:** Pred uporabo izdelka preberite navodila v povezavi z opozorili v nadaljevanju.

- Pred vzdrževanjem in sestavljanjem zaustavite motor, odstranite svečko in počakajte, da se motor ohladi.
- Zamašena mrežica lovilnika isker povzroči pregrevanje motorja in posledične poškodbe motorja.

## Montaža

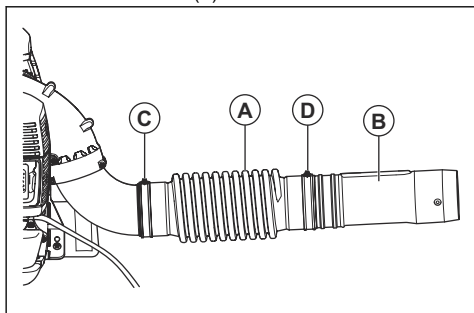
### Uvod



**OPOZORILO:** Preden začnete sestavljati izdelek, morate prebrati in razumeti poglavje o varnosti.

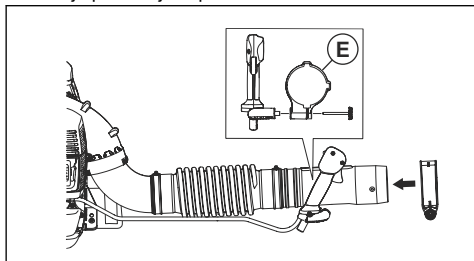
### Namestitev cevi pihalnika in krmilne ročice na izdelek

1. Gibko cev (A) z objemkama (C) in (D) pritrdite na kot cevi in krmilno cev (B).



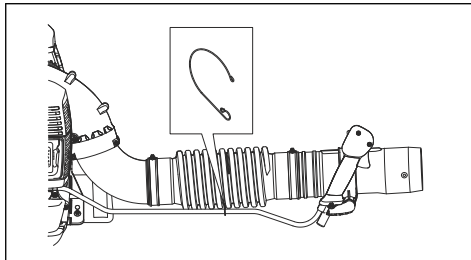
**Opomba:** Namažite krmilno cev in gibko cev, da ju boste lažje sestavili.

2. Držalo ročaja (E) pritrdite na krmilno cev. Držalo ročaja poravnajte s prirobno matico na krmilni cevi.

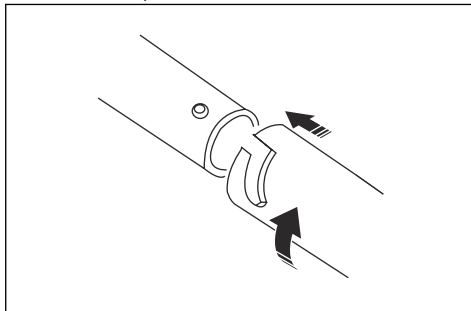


3. Položaj in kot krmilne ročice prilagodite varnemu in pravilnemu delovnemu položaju. Privijte gumbni vijak.

4. Kabel pritrdite na gibko cev s spojko kabla.



5. Vmesno cev pritrdite na krmilno cev.



**Opomba:** Če je treba uporabiti daljšo krožno cev pihalnika, je na voljo podaljšana vmesna cev.

6. Šobo pihalnika pritrdite na vmesno cev.

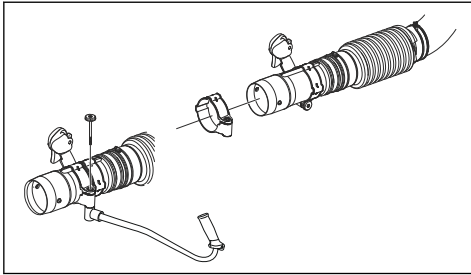
**Opomba:** Šobo pihalnika je mogoče namestiti samo na vmesno cev.

### Namestitev ročaja (dodatna oprema)

1. Demontirajte vmesno cev.
2. Odstranite gumb držala in potisnite držalo na krmilno cev.

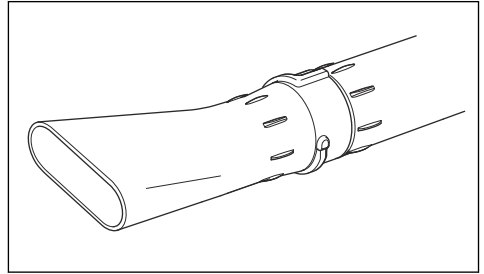


3. Namestite ročaj in gumb. Privijte gumbni vijak.



4. Montirajte vmesno cev.

- Z vmesne cevi odstranite šobo pihalnika in namestite ploščato šobo.



## Namestitev ploščate šobe (dodatna oprema)

Ploščata šoba omogoča višjo hitrost zraka od šobe pihalnika.

## Delovanje

### Uvod



**OPOZORILO:** Preden začnete uporabljati izdelek, morate prebrati in razumeti poglavje o varnosti.

### Gorivo

Ta izdelek ima dvotaktni motor.



**POZOR:** Če uporabite neustrezno vrsto goriva, lahko poškodujete motor. Uporabite mešanico bencina in olja za dvotaktne motorje.

### Predhodno zmešano gorivo

- Za najboljše delovanje in daljšo življenjsko dobo motorja uporabljajte vnaprej pripravljeno mešanico goriva z alkilatom Husqvarna. V gorivu je manj škodljivih kemikalij v primerjavi z običajnim gorivom, kar zmanjšuje količino škodljivih izpušnih plinov. Po zgorevanju tega goriva je količina ostankov manjša, zaradi česar so deli motorja čistejši.

### Mešanje goriva

#### Bencin

- Uporabljajte kakovosten neosvinčen bencin z največ 10-% vsebnostjo etanola.



**POZOR:** Ne uporabljajte bencina, ki ima oktansko število nižje od 90 RON/87 AKI. Uporaba nižjega oktanskega števila lahko povzroči klenkanje, kar povzroča poškodbe motorja.

#### Olje za dvotaktne motorje

- Za čim boljše rezultate in zmogljivost uporabite olje za dvotaktne motorje Husqvarna.
- Če olje za dvotaktne motorje Husqvarna ni na voljo, lahko uporabite kakovostno olje za dvotaktne motorje z zračnim hlajenjem. Za izbiro ustreznega olja se obrnite na servisnega zastopnika.



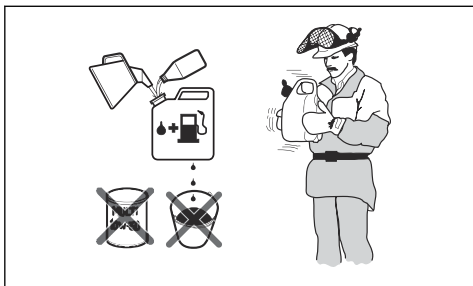
**POZOR:** Ne uporabljajte olja za vodno hlajene izvenkrmne dvotaktne motorje. Ne uporabljajte olja za širitaktne motorje.

#### Mešanica bencina in olja za dvotaktne motorje

Bencin, liter	Olje za dvo-taktne motorje, liter
	<b>2 % (50 : 1)</b>
5	0,10
10	0,20
15	0,30
20	0,40



**POZOR:** Pri mešanju manjših količin goriva lahko manjša odstopanja močneje vplivajo na razmerje mešanice. Natančno izmerite količino olja in tako ustvarite pravilno mešanico.



1. Dolijte polovico bencina v čisto posodo za gorivo.
2. Dodajte celotno količino olja.
3. Pretresite mešanico goriva.
4. V posodo dodajte še preostalo količino bencina.
5. Temeljito pretresite mešanico goriva.



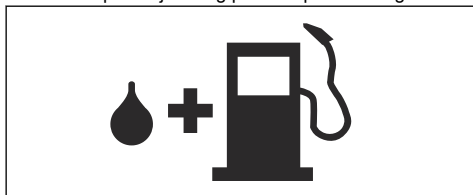
**POZOR:** Naenkrat ne pripravite mešanice goriva za več kot en mesec.

### Polnjenje posode za gorivo



**OPOZORILO:** Za lastno varnost upoštevajte postopek v nadaljevanju.

1. Zaustavite motor in pustite, da se ohladi.
2. Očistite področje okrog pokrova posode za gorivo.



3. Pretresite posodo in tako poskrbite za ustrezno mešanje goriva.
4. Odstranite pokrovček posode za gorivo, da sprostite pritisk.
5. Napolnite posodo za gorivo.



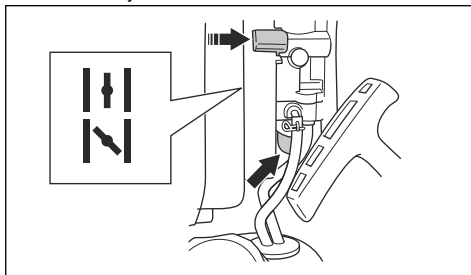
**POZOR:** Prepričajte se, da v posodi za gorivo ni preveč goriva. Gorivo ima pri višjih temperaturah večjo prostornino.

6. Zategnite pokrovček posode za gorivo.
7. Na izdelku in okoli njega očistite razlito gorivo.
8. Izdelek pred zagonom za vsaj 3 m (10 čevljev) odmaknite od mesta, kjer ste točili gorivo, in od vira goriva.

**Opomba:** Za mesto rezervoarja za gorivo na vašem izdelku glejte *Pregled izdelka na strani 332*.

### Zagon izdelka

1. Če je motor hladen, potisnite ročico čoka v položaj za čok. Glejte *Simboli na izdelku na strani 333*.



2. Membrano črpalke za gorivo pritiskajte toliko časa, da se napolni z gorivom. Membrane črpalke za gorivo ni treba povsem napolniti.
3. Stikalo za vklop/izklop z ročico za plin potisnite v položaj za 1/3 hitrosti. Glejte *Upravljanje ročice za plin/stikala za izklop na strani 339*.
4. Izdelek postavite na ravno površino na tleh.
5. Izdelek pridržite z levo roko.



**POZOR:** Izdelka ne držite z nogami.

6. Počasi povlecite ročico zaganjalne vrvice, dokler ne začutite upora.
7. Z desno roko hitro povlecite ročico zaganjalne vrvice. Ročico zaganjalne vrvice povlecite večkrat, dokler ne zaženete motorja.

**Opomba:** Ročice zaganjalne vrvice nikoli ne izvlecite do konca in ne izpustite ročice zaganjalne vrvice.

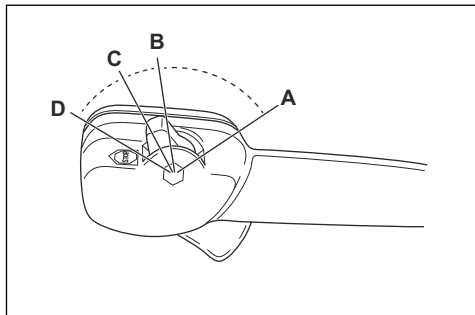
8. Če je motor hladen, ročico čoka postopoma potiskajte v odprt položaj za čok, dokler se ročica čoka ne zaustavi.

9. Če je motor hladen, ga pred uporabo pustite delovati 2–3 minute, da se segreje.



**OPOZORILO:** Zrak se sprosti ob zagonu motorja, in ko je izdelek nastavljen na prosti tek. Osebam ne dovolite, da se zadržujejo v bližini izdelka ali cevi pihalnika.

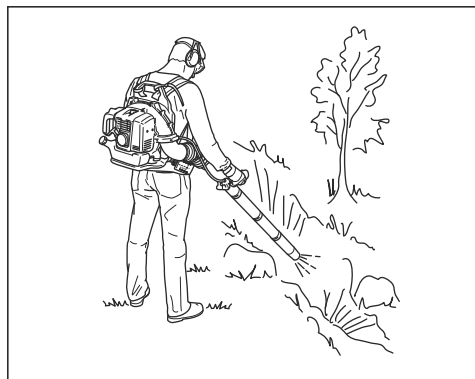
## Upravljanje ročice za plin/stikala za izklop



- Uporabite polni plin (A).
- Uporabite 1/3 hitrosti (B).
- Uporabite hitrost prostega teka (C).
- Izklopite izdelek (D).

## Upravljanje izdelka

- Pihalnik je nahrbtnne izvedbe in se ga med obratovanjem nosi na ramenih prek oprtnika. Upravlja in nadzira se z desno roko, z ročajem na cevi.



- Izdelek uporabljajte ob običajnih delovnih urah. Upošteвайте lokalne predpise.
- Zmanjšajte število kosov opreme in izberite ustrezno hitrost za opravilo. Ročico za plin uporabljajte v najnižjem možnem položaju in tako preprečite dodaten hrup in prah.

- Šoba pihalnika naj bo blizu tal.

**Opomba:** Husqvarna priporoča, da uporabljate celoten podaljšek šobe pihalnika.

- Zabeležite si smer vetra in izdelek uporabljajte v smeri vetra.
- Z ustreznim vrtnim orodjem odstranite material s tal.
- Na območjih s prahom območje zmocite z opremo za škropljenje. S tem se skrajša čas delovanja.
- Po delovanju postavite izdelek v navpični položaj za shranjevanje.

## Izklop izdelka

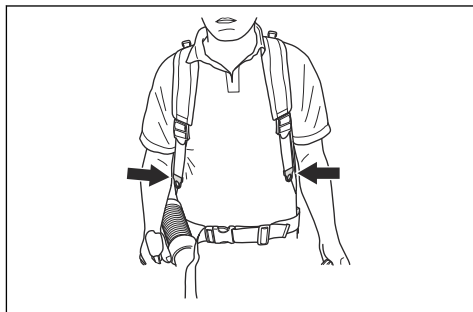


**POZOR:** Izdelka ne zaustavljajte pri polni hitrosti.

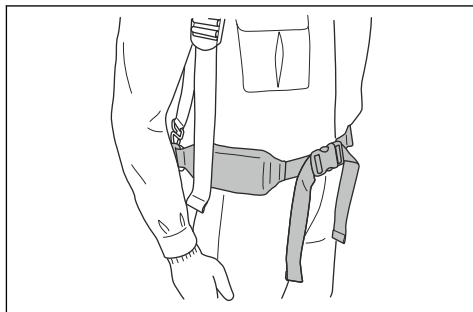
1. Stikalo za vklop/izklop z ročico za plin potisnite v položaj za izklop. Glejte *Upravljanje ročice za plin/stikala za izklop na strani 339*.

## Nastavitev oprtnika

1. Namestite oprtnik izdelka.
2. Napnite naramnice, da se izdelek tesno prilaga telesu.



3. Pas si pripnite okoli pasu.
4. Napnite trak pasu. Poskrbite, da teža pihalnika ostane na bokih.



# Vzdrževanje

## Uvod



**OPOZORILO:** Pred izvajanjem vzdrževalnih del na izdelku morate prebrati in razumeti poglavje o varnosti.

## Urnik vzdrževanja

Vzdrževanje	Dnevno	Tedensko	Mesečno
Očistite zunanje površine.	X		
Poskrbite, da krmilna ročica pravilno deluje.	X		
Poskrbite, da stikalo za vklop/izklop deluje pravilno. Glejte <i>Preverjanje stikala za vklop/izklop na strani 335</i> .	X		
Preglejte, ali iz motorja, posode ali cevi za gorivo izteka gorivo. Preverite, ali je filter goriva onesnažen. Po potrebi zamenjajte zračni filter.	X		
Očistite zračni filter. Po potrebi zračni filter zamenjajte.	X		
Privijte matice in vijake.	X		
Preverite dovod zraka in se prepričajte, da ni blokiran.	X		
Preverite, ali sta zaganjalnik in zaganjalna vrstica poškodovana.		X	
Preverite, ali so elementi za blaženje tresljajev poškodovani, razpokani ali deformirani. Prepričajte se, da so elementi za blaženje tresljajev pravilno nameščeni.		X	
Preglejte svečko. Glejte <i>Preverjanje svečke na strani 340</i> .		X	
Očistite hladilni sistem.		X	
Očistite zunanjo površino uplinjalnika in območje okrog njega.		X	
Očistite rezervoar za gorivo.			X
Preverite vse kable in povezave.			X
Preglejte in očistite mrežico lovilnika isker na dušilniku (za izdelke brez katalizatorja).		X	
Preglejte in očistite mrežico lovilnika isker na dušilniku (za izdelke s katalizatorjem).			X
Preglejte svečko. Po potrebi jih zamenjajte.			X

## Prilaganje hitrosti prostega teka

1. Prepričajte se, da je zračni filter čist in njegov pokrov pritrjen.
2. Hitrost prostega teka prilagodite z vijakom za hitrost prostega teka. Za mesto vijaka za hitrost prostega teka na vašem izdelku glejte *Pregled izdelka na strani 332*.

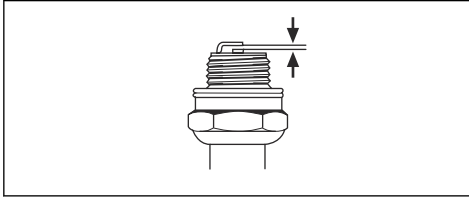
## Preverjanje svečke



**POZOR:** Uporabite priporočeno svečko. Glejte *Tehnični podatki na strani 344*. Če uporabite neustrezno svečko, se lahko izdelek poškoduje.

1. Zaustavite motor in pustite, da se izdelek ohladi.
2. Če je svečka umazana, jo očistite.

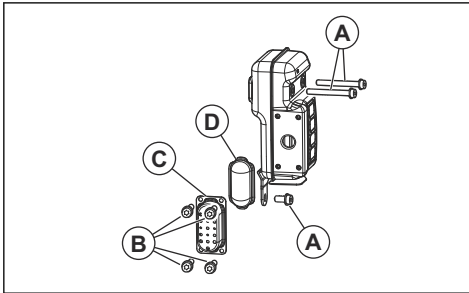
3. Prepričajte se, da je razmak pri elektrodi pravilen. Glejte razdelek *Tehnični podatki na strani 344*.



4. Svečko zamenjajte enkrat mesečno ali pogosteje, če je potrebno.

## Vzdrževanje dušilnika

1. Zaustavitev motor in pustite, da se dušilnik ohladi. Vedno uporabljajte rokavice.
2. Odstranite vijake (A), vijake (B) in izpušno cev (C).



3. Odstranite mrežico lovilnika isker (D) in jo očistite s žično krtačo. Če je mrežica lovilnika isker poškodovana, jo zamenjajte.
4. Umazanijo z dušilnika in izpušnih vrat valja odstranite z žično krtačo.
5. Z vijaki (B) pritrdite mrežico lovilnika isker (D) in izpušno cev (C). Privijte vijake z zateznim momentom 2–3 Nm.
6. Privijte vijake (A) z zateznim momentom 8–12 Nm. Poskrbite, da je dušilnik pravilno nameščen na izdelek.

## Pregled in čiščenje hladilnega sistema

Hladilni sistem vključuje hladilna rebra na valju in rešetko dovoda zraka.

1. Zaustavite motor.
2. Prepričajte se, da hladilni sistem ni umazan ali zamašen. Po potrebi očistite rešetko dovoda zraka in hladilna rebra.



**POZOR:** Umazan ali zamašen hladilni sistem lahko poviša temperaturo izdelka, zaradi česar lahko pride do poškodb izdelka. Zamašena rešetka dovoda zraka zmanjša silo pihanja.

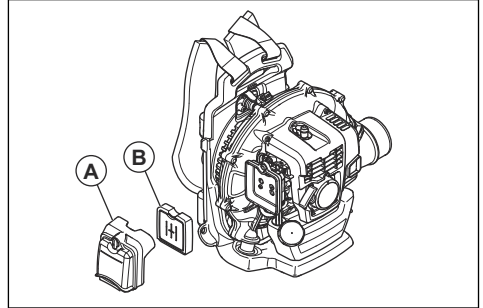
3. Preglejte, ali je hladilni sistem poškodovan. Zagotovite, da so deli pravilno pritrjeni na izdelek.

## Čiščenje zračnega filtra



**POZOR:** Ne uporabljajte izdelka brez zračnega filtra ali s poškodovanim zračnim filtrom. Prah v zraku lahko poškoduje motor.

1. Ročico čoka potisnite v zaprt položaj.
2. Odstranite pokrov zračnega filtra (A).
3. Z okvirja za filter odstranite zračni filter (B).



4. Zračni filter očistite s toplo milnico.

**Opomba:** Zračnega filtra, ki ste ga dolgo uporabljali, ne morete popolnoma sčistiti. Redno menjajte zračni filter in vedno zamenjajte poškodovan zračni filter.

5. S krtačo očistite notranjo površino pokrova zračnega filtra (A).
6. Na zračni filter nanesite olje. Glejte razdelek *Nanašanje olja na penasti zračni filter na strani 341*.
7. Zračni filter postavite v okvir filtra.
8. Pokrov zračnega filtra namestite na izdelek.

## Nanašanje olja na penasti zračni filter



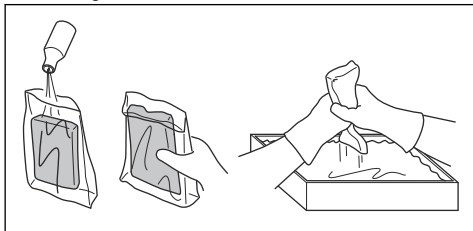
**POZOR:** Vedno uporabite posebno olje za zračne filtre Husqvarna. Ne uporabljajte drugih vrst olja.



**OPOZORILO:** Nadenite si zaščitne rokavice. Olje za zračne filtre lahko draži kožo.

1. Penasti zračni filter vstavite v plastično vrečko.
2. V plastično vrečko vlijte olje.
3. Z drgnjenjem plastične vrečke olje enakomerno razporedite po celotnem penastem zračnem filtru.

4. Odvečno olje v plastični vrečki potisnite iz penastega zračnega filtra.



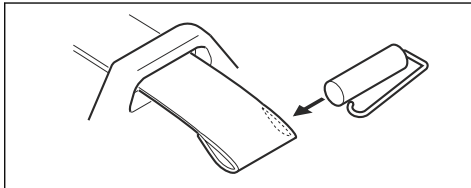
## Zamenjava oprtnika



**OPOZORILO:** Poškodovan oprtnik lahko povzroči padec izdelka in poškodbe.

Prepričajte se, da je spojka pravilno nameščena.

1. Zaustavite motor.
2. Odstranite sponko z naramnice.
3. Konec traku napeljite skozi zaponko.
4. Nov trak povlecite skozi zaponko.
5. Zatič vstavite v trak, da objemko pritrdite na nov trak.



## Odpravljanje težav

Motorja ni mogoče zagnati		
Kontrola	Možen vzrok	Rešitev
Gumb za zaustavitev.	Položaj za izklop	Izklopno stikalo premaknite v položaj za zagon.
Zaskočne kljukice zaganjalnika.	Blokirane ali obrabljene zaskočne kljukice zaganjalnika.	Prilagodite ali zamenjajte zaskočne kljukice zaganjalnika.
		Očistite okolico zaskočnih kljukic zaskočne kljukice zaganjalnika. Obrnite se na pooblaščenega servisnega zastopnika.
Posoda za gorivo.	Nepravilna vrsta goriva.	Izpraznite rezervoar za gorivo in jo napolnite s pravilnim gorivom.
Uplinjalnik.	Nastavitev hitrosti prostega teka.	Prosti tek nastavite z nastavitvenim vijakom za prosti tek.
Iskra (ni iskre).	Umazana ali mokra svečka.	Poskrbite, da je svečka suha in čista.
	Razmak med elektrodama na svečki ni pravilen.	Očistite svečko. Prepričajte se, da je razmak med elektrodama pravilen. Na svečki mora biti nameščena zaščita kapica. Ustrezen razmak med elektrodama si oglejte v tehničnih podatkih.
Svečka.	Vžigalna svečka ni čvrsto nameščena.	Zategnite svečko.
	Na elektrodah svečk je neželen material.	Mešanica goriva mora biti ustrezna. Zračni filter mora biti čist.

Motor se zažene, vendar se ponovno zaustavi		
Kontrola	Možen vzrok	Rešitev
Rezervoar za gorivo.	Nepravilna vrsta goriva.	Izpraznite ga in uporabite pravilno gorivo.
Uplinjalnik.	Motor pri hitrosti prostega teka ne deluje pravilno.	Obrnite se na servisnega zastopnika.
Zračni filter.	Zamašen zračni filter.	Očistite zračni filter.

---

## Prevoz in skladiščenje

---

### Prevoz in skladiščenje



**OPOZORILO:** Da preprečite nevarnost požara, se med prevozom ali skladiščenjem prepričajte, da ni puščanja ali hlapov. Prepričajte se, da ni nevarnosti iskrenja ali požara.

- Pred prevažanjem ali dolgotrajnim skladiščenjem izpraznite rezervoar za gorivo. Pritisnite membrano črpalke za gorivo, da se prepričate, da ste odstranili vse gorivo. Gorivo zavržite na temu primernem zbirnem mestu.
- Prepričajte se, da je izdelek čist in da je pred dolgotrajnim skladiščenjem opravljen popoln servis.
- Odstranite svečko in v valj nalijte približno 15 ml olja za dvotaktne motorje. Izdelek 3-krat obrnite in znova namestite svečko.
- Med prevozom izdelek varno pritrdite na vozilo.
- Izdelek hranite v suhem in čistem prostoru z dobrim pretokom zraka. Izdelek hranite zunaj dosega otrok.

## Tehnični podatki

### Tehnični podatki

	Husqvarna 350BT
<b>Motor</b>	
Gibna prostornina valja v cm <sup>3</sup>	50,2
Število vrtljajev prostega teka, vrt/min	2200
Katalizator	Ne
<b>Vžigalni sistem</b>	
Svečka	NGK CMR7H/SVEČKA AC7R
Razmik elektrod, mm	0,6-0,7
<b>Sistem za gorivo in mazanje</b>	
Kapaciteta rezervoarja goriva v l/cm <sup>3</sup>	1,25 (1250)
<b>Teža</b>	
Teža brez goriva, kg	10,2
<b>Emisije hrupa</b> <sup>67</sup>	
Raven zvočne moči, izmerjena v dB(A)	101
Raven zvočne moči, zajamčena L <sub>WA</sub> v dB(A)	101
<b>Nivoji hrupa</b> <sup>68</sup>	
Ekvivalenten nivo jakosti zvoka na uporabnikovem ušesu, merjeno po EN15503 dB(A):	
Opremljen s šobo pihalnika (originalno)	96
<b>Ravni vibracij</b> <sup>69</sup>	
Ekvivalentne ravni vibracij (a <sub>hv,eq</sub> ) v ročajih, izmerjene v skladu z EN 15503, m/s <sup>2</sup>	2,7
<b>Zmogljivost ventilatorja</b>	
Najvišja hitrost zraka pri šobi pihalnika v m/s	80
Zračni pretok pri šobi pihalnika, m <sup>3</sup> /min	14

<sup>67</sup> Emisije hrupa v okolje, merjene kot moč zvoka (L<sub>WA</sub>), v skladu z direktivo ES 2000/14/ES. Navedena raven zvočne moči naprave je bila izmerjena z originalnim šobi pihalnika, ki dosegata najvišjo raven. Razlika med zajamčeno in izmerjeno ravno zvočne moči je, da zajamčena raven zvočne moči v skladu z Direktivo 2000/14/ES vključuje tudi razpršitev rezultata meritve in razlike med različnimi napravami istega modela.

<sup>68</sup> Zabeleženi podatki za nivo zvočnega tlaka imajo tipično statistično razpršitev (standardni odklon) 1,0 dB(A).

<sup>69</sup> Zabeleženi podatki za raven vibracij imajo tipično statistično razpršitev (standardni odklon) 1,0 m/s<sup>2</sup>.



# Izjava ES o skladnosti

## Izjava ES o skladnosti

Mi, **Husqvarna AB**, SE-561 82 Huskvarna, Švedska, tel.: +46-36-146500, izjavljamo na lastno odgovornost, da je izdelek:

<b>Opis</b>	Nahrbtni pihalnik
<b>Znamka</b>	Husqvarna
<b>Vrsta/model</b>	350BT
<b>Identifikacija</b>	Serijske številke od letnika 2022 dalje.

v celoti skladen z naslednjimi direktivami in uredbami EU:

Uredba	Opis
2006/42/ES	"o strojih"
2014/30/EU	o elektromagnetni združljivosti
2000/14/EC	"o emisijah hrupa v okolico"
2011/65/EU	"o omejevanju uporabe nekaterih nevarnih snovi v električni in elektronski opremi"

in so pri tem v veljavi naslednji standardi in/ali tehnične specifikacije: EN ISO 12100:2010, CISPR 12:2009, EN 15503:2009+A2:2015, EN IEC 63000:2018

RISE SMP Svensk Maskinprovning AB, Box 7035, SE-750 07 Uppsala, Švedska, je izvedel neodvisen tipski preizkus v imenu družbe Husqvarna AB.

Številka potrdila: SEC/09/2102

0404, RISE SMP Svensk Maskinprovning AB, BBox 7035, SE-750 07 Uppsala, Švedska potrjuje skladnost z direktivo sveta in postopkom ugotavljanja skladnosti 2000/14/ES.

Za informacije v zvezi z emisijami hrupa glejte poglavje *Tehnični podatki na strani 344*.

Huskvarna, 2022-05-17

Stefan Holmberg, direktor oddelka za raziskave in razvoj, tehnološko upravljanje, Husqvarna AB

Odgovorni za tehnično dokumentacijo



## Innehåll

Introduktion.....	346	Felsökning.....	356
Säkerhet.....	348	Transport och förvaring.....	357
Montering.....	350	Tekniska data.....	358
Drift.....	351	EG-försäkring om överensstämmelse.....	359
Underhåll.....	354		

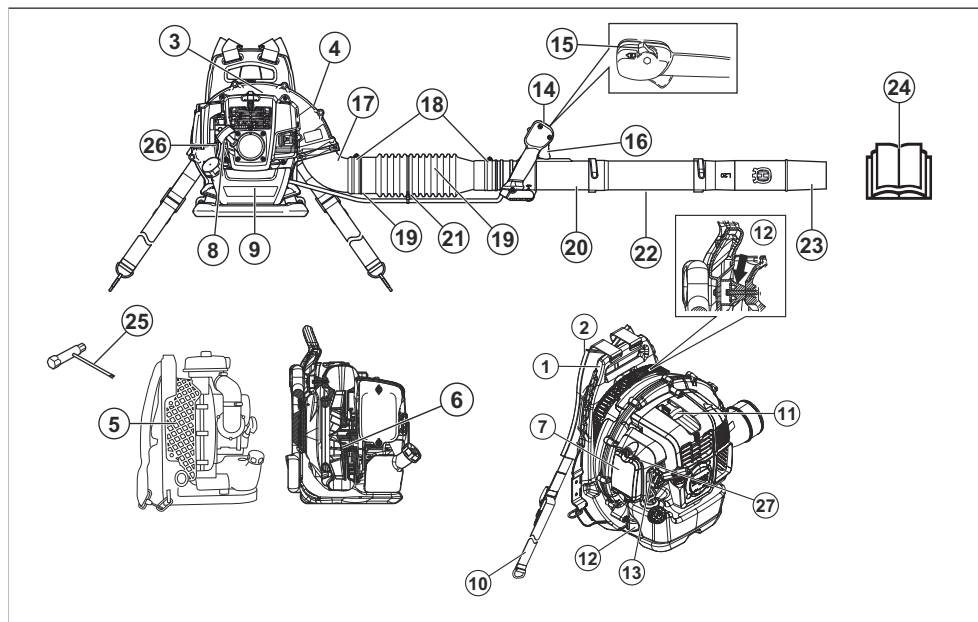
## Introduktion

### Produktbeskrivning

Den här produkten är en ryggburen blåsare med bränslemotor.

Vi arbetar ständigt med att vidareutveckla våra produkter och förbehåller oss därför rätten till ändringar beträffande bl.a. form och utseende utan föregående meddelande.

### Produktöversikt



- |                         |  |
|-------------------------|--|
| 1. Ram                  | 9. Bränsletank                         |
| 2. Inredning            | 10. Midjbälte                          |
| 3. Motorkåpan           | 11. Tändstift                          |
| 4. Flätkåpa             | 12. Avvibreringssystem                 |
| 5. Luftintagsnät        | 13. Chokregelgale                      |
| 6. Fläkt                | 14. Reglagehandtag                     |
| 7. Luftfilter           | 15. Start-/stoppbrytare med gasreglage |
| 8. Startsnörets handtag | 16. Gasreglage                         |

17. Rörvinkel
18. Klämma
19. Flexibel slang
20. Manöverrör
21. Kabelklämma
22. Mellanrör
23. Blåsarmunstycke
24. Bruksanvisning
25. Kombinyckel
26. Bränslepumpblåsa
27. Tomgångsskruv

## Symboler på produkten



**WARNING!** Den här produkten kan vara farlig och kan orsaka allvarlig eller livshotande skada för användaren och andra. Var försiktig och använd produkten på rätt sätt.



Läs igenom bruksanvisningen noggrant och se till att du förstår instruktionerna innan användning.



Använd godkända hörselskydd och godkända ögonskydd. Om det är dammig ska du använda en andningsmask.



Använd godkända skyddshandskar.



Blandning av bensin och tvätaktolja.



Bränslepumpblåsa.



Håll alla kroppsdelar borta från varma ytor.



Choke, öppet läge.



Choke, stängt läge.



Den här produkten överensstämmer med gällande EG-direktiv.



Denna produkt överensstämmer med gällande brittiska direktiv.



Miljömärkning för bulleremission enligt direktiv och bestämmelser för EU och Storbritannien samt New South Wales-lagen "Protection of the Environment Operations (Noise Control) Regulation 2017". Produktens garanterade ljudeffektnivå anges i *Tekniska data på sida 358* och på etiketten.



Håll koll på utslungade föremål. Utslungade föremål kan orsaka allvarlig skada. Använd personlig skyddsutrustning.



Håll ett säkerhetsavstånd på minst 15 m till personer och djur.

ååååvxxxx

Typskylten visar serienumret. **yyyy** är produktionsåret och **ww** är produktionsveckan.

**Notera:** Övriga symboler/dekaler på produkten avser specifika krav för certifieringar på andra kommersiella marknader.

## Euro V-utsläpp



**WARNING:** Manipulering av motorn upphäver EG-typgodkännandet för den här produkten.

## Produktansvar

Enligt lagstiftningen för produktansvar ansvarar vi inte för skador som vår produkt orsakar om:

- produkten repareras felaktigt
- produkten repareras med delar som inte kommer från tillverkaren eller inte har godkänts av tillverkaren
- produkten har ett tillbehör som inte kommer från tillverkaren eller inte har godkänts av tillverkaren
- produkten inte repareras vid ett godkänt servicecenter eller av en godkänd person.

---

# Säkerhet

---

## Säkerhetsdefinitioner

Definitionerna nedan beskriver allvarlighetsgraden för varje signalord.



**VARNING:** Personskador.



**OBSERVERA:** Skador på produkten.

**Notera:** Denna information gör produkten lättare att använda.

## Allmänna säkerhetsanvisningar



**VARNING:** Läs varningsinstruktionerna nedan innan du använder produkten.

- Gör inga ändringar på produkten utan tillverkarens godkännande och använd alltid originaltillbehör. Modifieringar och/eller tillbehör som inte är godkända kan leda till allvarliga personskador eller dödsfall för användaren eller andra.
  - Använd inte en skadad produkt. Utför säkerhetskontroller och underhåll enligt den här bruksanvisningen. Allt annat underhåll måste utföras av godkänd servicepersonal.
  - Allt service- och reparationsarbete måste utföras av godkänd servicepersonal. Om en del av produkten är defekt ska du kontakta en serviceverkstad.
- Vidrör inte tändstiftet eller tändkabeln när motorn är igång.
  - Håll ett säkerhetsavstånd på minst 15 m till personer och djur. Stoppa produkten om personer, barn eller djur kommer närmare än 15 m. Rikta produkten bort från personer, djur, öppna fönster och andra föremål.
  - Låt inte barn använda produkten. Se till att alla användare läser och förstår innehållet i denna bruksanvisning.
  - Håll händer och andra föremål borta från fläkthuset under drift. Roterande delar kan orsaka allvarlig skada.
  - Använd inte produkten om luftintagns nätet inte är installerat. Se till att luftintagns nätet är installerat och att det inte är skadat före användning.
  - Om en nödsituation uppstår ska du lossa selens midjebälte och bröstbälte och låta produkten falla ned.
  - Följ nationella bestämmelser och direktiv.
  - Håll alla kroppsdelar borta från varma ytor.
  - Denna produkt alstrar ett elektromagnetiskt fält under drift. Detta fält kan under vissa omständigheter ge påverkan på aktiva eller passiva medicinska implantat. För att reducera risken för omständigheter som kan leda till allvarliga eller livshotande skador rekommenderar vi därför personer med implantat att rådgöra med läkare samt tillverkaren av det medicinska implantatet innan denna produkt används.
  - För mycket vibrationer kan orsaka skador på blodcirkulationen eller nervsystemet. Prata med läkare om du upplever symptom, t.ex. domningar, avsaknad av känsla, kittlingar, stickningar, smärta, avsaknad av styrka eller förändringar i hudens färg på fingrar, händer eller handleder.
  - Håll koll på utslungade föremål. Utslungade föremål kan orsaka allvarlig skada.
  - Använd inte produkten i dåligt väder, t.ex. dimma, regn, hård vind och stark kyla. Arbete i dåligt väder kan orsaka trötthet och farliga förhållanden.
  - Se till att du kan röra dig och arbeta i en stabil position. Titta i arbetsområdet efter eventuella hinder, t.ex. stenar. Var försiktig om du använder produkten i en sluttning.
  - Ställ inte produkten på marken när motorn är igång.
  - Använd inte produkten från höga positioner, t.ex. på en stege.
  - Se till att du alltid kan göra dig hörd om en olycka inträffar.
  - Se till att avgasutloppet inte är blockerat. För att förhindra skador på produkten ska du hålla ett avstånd på minst 50 cm från avgasutloppet och eventuella hinder.
  - Starta inte produkten inomhus, vid dåligt luftflöde eller nära brandfarligt material. Tänk på att motorns

## Säkerhetsinstruktioner för drift



**VARNING:** Läs varningsinstruktionerna nedan innan du använder produkten.

- Den här produkten kan vara farlig och kan orsaka allvarlig eller livshotande skada för användaren och andra. Var försiktig och använd produkten på rätt sätt.
- Inspektera produkten före användning. Se *Underhåll på sida 354*.
- Använd aldrig produkten om du är trött, sjuk eller påverkad av alkohol, droger eller läkemedel som kan försämra din syn, ditt omdöme och din kropps kontroll.
- Montera alla kåpor och skydd före användning. Förhindra elektriska stötar genom att se till att tändhatten och tändkabeln inte är skadade.

avgaser innehåller kolmonoxid som kan orsaka kolmonoxidförgiftning. Motorns avgaser är heta och kan medföra gnistor som kan orsaka brand.

## Personlig skyddsutrustning



**VARNING:** Läs varningsinstruktionerna nedan innan du använder produkten.

- Använd godkänd personlig skyddsutrustning när du använder produkten. Personlig skyddsutrustning kan inte eliminera skaderisken helt, men den kan minska effekten av eventuella skador. Prata med din återförsäljare för mer information.
- Använd godkända hörselskydd. Långvarig exponering för buller kan ge bestående hörselskador.
- Använd godkänt ögonskydd. Används visir måste även godkända skyddsglasögon användas. Godkända skyddsglasögon måste uppfylla standarden ANSI Z87.1 i USA eller SS-EN 166 i EU-länder.
- Använd skyddshandskar vid drift och underhåll.
- Använd skyddsstövlar eller skor med halkfri sula.
- Använd hellånga kläder i slitstarkt material. Använd inte smycken eller öppna skor. För att minska risken för skador måste kläderna vara åtsittande, men de ska inte begränsa dina rörelser. Sätt upp håret ovanför axlarna för att förhindra att håret dras in i roterande delar eller fastnar i grenar.
- Använd andningskydd när det finns risk för damm.
- Ha första förband nära till hands.

## Säkerhetsanordningar på produkten



**VARNING:** Läs varningsinstruktionerna nedan innan du använder produkten.

- Använd inte en produkt med defekta säkerhetsanordningar.
- Kontrollera säkerhetsanordningarna regelbundet. Se *Underhåll på sida 354*.
- Om säkerhetsanordningarna är defekta ska du prata med en Husqvarna-serviceverkstad.

## Kontrollera ljuddämparen



**VARNING:** Använd inte en produkt med defekt ljuddämpare.



**VARNING:** Ljuddämparen blir mycket het under och efter drift, samt vid tomgångsvarvtal. Använd skyddshandskar för att förhindra brännskador.



**VARNING:** Ljuddämparens insida innehåller kemikalier som kan vara cancerframkallande. Rör inte ljuddämparen om den är skadad.

- Kontrollera regelbundet ljuddämparen visuellt. Ljuddämparen håller ljudnivån till ett minimum och leder bort motorns avgaser från användaren. Se *Underhåll av ljuddämparen på sida 355*.

## Kontrollera avvibreringssystemet

1. Se till att det inte finns några sprickor eller deformationer på avvibreringselementen.
2. Se till att avvibreringselementen sitter fast ordentligt på motorenheten och handtagsenheten.

Se *Produktöversikt på sida 346* för information om var avvibreringssystemet finns på din produkt.

## Kontrollera start-/stoppbrytaren

1. Använd start-/stoppbrytaren för att stoppa motorn.
2. Se till att motorn stannar helt.

Information om var start-/stoppbrytaren är på produkten finns i *Produktöversikt på sida 346*.

## Säkerhet vid användning av sele

- Se till att midjebältet är fastknäppt och rätt justerat. Lösa ändar på selen kan dras in i roterande delar och orsaka skador på fläkten. Om fläkten skadas kan lösa delar av produkten slungas ut och orsaka personskador eller skador på produkten.

## Bränslesäkerhet



**VARNING:** Läs varningsinstruktionerna nedan innan du använder produkten.

- Blanda inte och fyll inte på bränsle inomhus eller nära en värmekälla.
- Starta inte produkten om det finns bränsle eller olja på produkten eller på din kropp.
- Starta inte produkten om motorn har bränsleläckage. Undersök regelbundet om det läcker bränsle från motorn.
- Var alltid försiktig med bränsle. Bränsle är brandfarligt och bränsleångorna är explosiva och kan orsaka allvariga personskador eller dödsfall.
- Undvik att andas in bränsleångor då det kan orsaka personskador. Se till att det finns tillräckligt luftflöde.
- Rök inte i närheten av bränslet eller motorn.
- Placera inte produkten eller bränslebehållaren nära varma föremål, öppen låga, en gnista eller en tändlåga.
- Använd alltid godkända behållare för transport och förvaring av bränsle.

## Säkerhetsinstruktioner för underhåll



**VARNING:** Läs varningsinstruktionerna nedan innan du använder produkten.

- Stoppa motorn, ta bort tändstiftet och låt motorn svalna före underhåll och montering.
- Ett blockerat gnistskydd gör att motorn blir för varm, vilket kan leda till skador på motorn.

## Montering

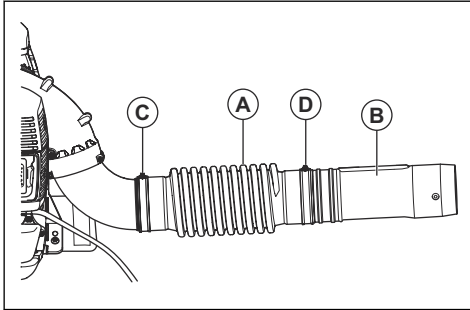
### Introduktion



**VARNING:** Läs och förstå säkerhetskapitlet innan du monterar produkten.

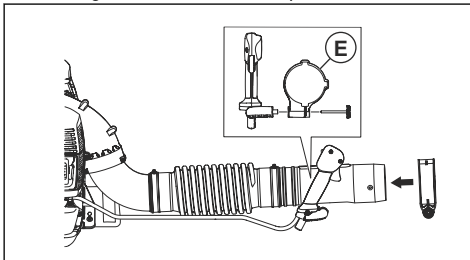
### Montera blåsröret och reglagehandtaget på produkten

1. Anslut den flexibla slangen (A) på rörvinkeln och manövrörret (B) med klämmorna (C) och (D).



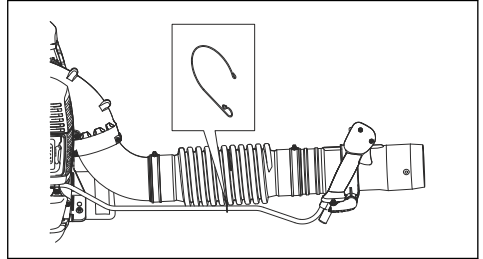
**Notera:** Smörj manövrörret och den flexibla slangen för att göra dem lättare att montera.

2. Fäst handtagshållaren (E) på manövrörret. Rikta in handtagshållaren med flänsen på manövrörret.

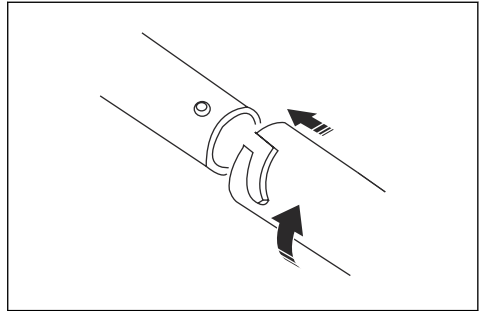


3. Justera reglagehandtagets läge och vinkel till en säker och korrekt arbetsställning. Dra åt vredet.

4. Anslut kabeln till den flexibla slangen med kabelklämman.



5. Anslut mellanröret till manövrörret.



**Notera:** Om det krävs ett längre cirkulärt blåsrör finns ett förlängt mellanrör tillgängligt.

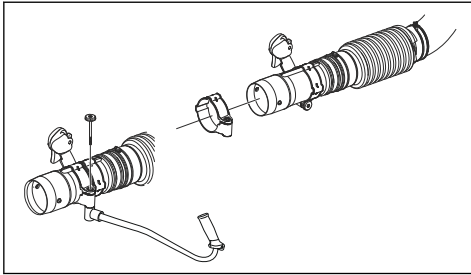
6. Anslut blåsarmunstycket till mellanröret.

**Notera:** Blåsarmunstycket kan endast installeras på mellanröret.

### Montera styret (tillval)

1. Demontera mellanröret.
2. Ta bort hållarens vred och trä på hållaren över manövrörret.

3. Installera styret och vredet. Dra åt vredet.

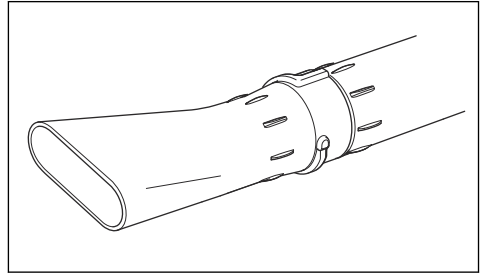


4. Montera mellanröret.

## Montera det platta munstycket (tillval)

Det platta munstycket ger högre lufthastighet än blåsarmunstycket.

- Ta bort blåsarmunstycket från mellanröret och installera det platta munstycket.



## Drift

### Introduktion



**VARNING:** Läs och förstå säkerhetskapitlet innan du använder produkten.

### Bränsle

Denna produkt har en tvåtaktsmotor.



**OBSERVERA:** Motorn kan skadas om du fyller på med fel typ av bränsle. Använd en blandning av bensen och tvåtaktsolja.

### Förblandat bränsle

- Använd förblandat alkylatbränsle från Husqvarna för bästa prestanda och förlängning av motorns livslängd. Det här bränslet innehåller mindre skadliga kemikalier jämfört med vanligt bränsle, vilket minskar de skadliga avgaserna. Mängden rester som finns kvar efter förbränning är lägre med detta bränsle, vilket håller komponenterna i motorn renare.

### Blanda bränsle

#### Bensen

- Använd blyfri bensen av bra kvalitet med högst 10 % etanolhalt.



**OBSERVERA:** Använd inte bensen med ett oktantal lägre än 90 RON/87 AKI. Ett lägre oktantal kan orsaka motorknackning, vilket leder till motorskador.

#### Tvåtaktsolja

- För bästa resultat och funktion ska du använda tvåtaktsolja från Husqvarna.
- Om tvåtaktsolja från Husqvarna inte finns tillgänglig kan du använda en annan tvåtaktsolja av hög kvalitet för luftkylda motorer. Tala med en serviceverkstad för att välja rätt olja.



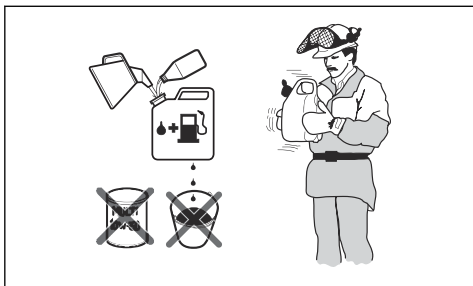
**OBSERVERA:** Använd inte tvåtaktsolja för vattenkylda utombordsmotorer, s.k. outboardoil. Använd inte olja avsedd för fyrtaktsmotorer.

### Blanda bensen och tvåtaktsolja

Bensen, liter	Tvåtaktsolja, liter
	<b>2 % (50:1)</b>
5	0,10
10	0,20
15	0,30
20	0,40



**OBSERVERA:** Små fel kan påverka blandningsförhållandet drastiskt när du blandar små mängder bränsle. Mät nogga mängden olja för att se till att du får rätt blandning.



1. Fyll halva mängden bensin i en ren behållare för bränsle.
2. Tillsätt all olja.
3. Skaka bränsleblandningen.
4. Fyll i återstående mängd bensin i behållaren.
5. Skaka omsorgsfullt bränsleblandningen.



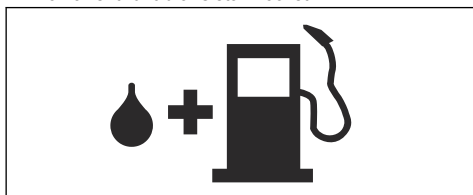
**OBSERVERA:** Blanda inte bränsle för mer än en månad i taget.

### Fylla på bränsletanken



**VARNING:** Följ nedanstående procedur för din säkerhet.

1. Stanna motorn och vänta tills den har svalnat.
2. Torka rent runt bränsletanklocket.



3. Skaka behållaren och kontrollera att bränslet är helt blandat.
4. Ta bort tanklocket långsamt för att släppa på trycket.
5. Fyll bränsletanken.



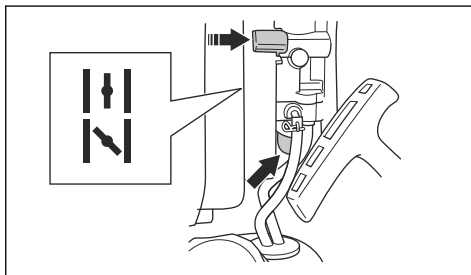
**OBSERVERA:** Kontrollera att det inte finns för mycket bränsle i bränsletanken. Bränslet expanderar när det blir varmt.

6. Dra åt bränsletanklocket ordentligt.
7. Torka upp bränslespill på och runt produkten.
8. Flytta produkten minst tre meter bort från tankningsplatsen och bränsledepån innan du startar motorn.

**Notera:** Information om var bränsletanken sitter på produkten finner du i *Produktöversikt på sida 346*.

### Starta produkten

1. Om motorn är kall ska du föra chokereglaget till det stängda chokeläget. Se *Symboler på produkten på sida 347*.



2. Tryck på bränslepumpblåsan upprepade gånger tills bränslet börjar fyllas på i den. Det är inte nödvändigt att fylla bränslepumpblåsan helt.
3. Tryck start-/stoppbrytaren med gasreglage till 1/3 av varvtalet. Se *Använda gasreglaget/stoppknappen på sida 353*.
4. Placera produkten på en plan yta på marken.
5. Håll produkten med vänster hand.



**OBSERVERA:** Använd inte fötterna för att hålla fast produkten.

6. Dra långsamt i startsnörets handtag tills du känner ett motstånd.
7. Dra snabbt i startsnörets handtag med höger hand. Dra upprepade gånger i startsnörets handtag tills motorn startar.

**Notera:** Dra inte ut startsnörets handtag helt och släpp inte heller startsnörets handtag.

8. Om motorn är kall ska du stegvis föra chokereglaget till öppet chokeläge tills chokereglaget stannar.

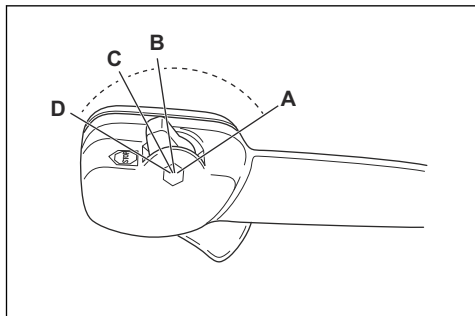


9. Om motorn är kall ska du låta motorn gå i två till tre minuter så att den blir varm innan den används.



**VARNING:** Luft släpps ut när motorn startas och produkten ställs in på tomgång. Låt inte någon komma i närheten av produkten eller blåsarröret.

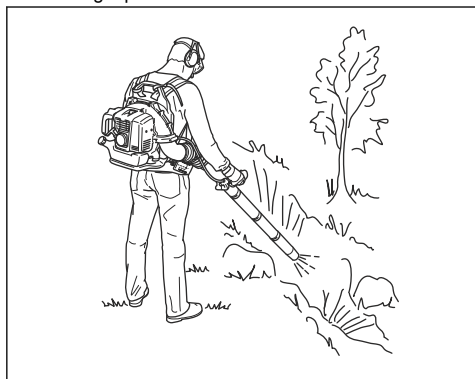
## Använda gasreglaget/stoppknappen



- Ge fullgas (A).
- Lägg i 1/3 av varvtalet (B).
- Använd tomgångsvarvtal (C).
- Stoppa produkten (D).

## Använda produkten

- Blåsaren är ryggburen och bärs på axlarna när den används. Den kontrolleras med höger hand på handtaget på röret.



- Använd produkten vid normal arbetstid. Följ lokala bestämmelser.
- Begränsa antalet utrustningsdelar och välj rätt varvtal för uppgiften. Använd gasreglaget i lägsta möjliga läge för att undvika mer buller och damm än nödvändigt.
- Håll blåsarmunstycket nära marken.

**Notera:** Husqvarna rekommenderar att du använder en komplett förlängning av blåsarmunstycket.

- Notera vindriktningen och manövrera produkten i vindriktningen.
- Använd lämpliga trädgårdsredskap för att få bort material från marken.
- I dammiga områden ska du använda sprututrustning för att fukta området. Detta minskar arbetstiden.
- Efter användning ska produkten förvaras vertikalt.

## Stoppa produkten

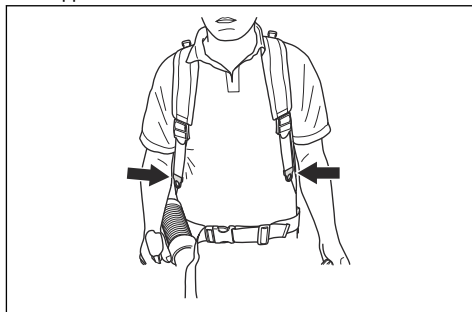


**OBSERVERA:** Stoppa inte produkten med fullt varvtal.

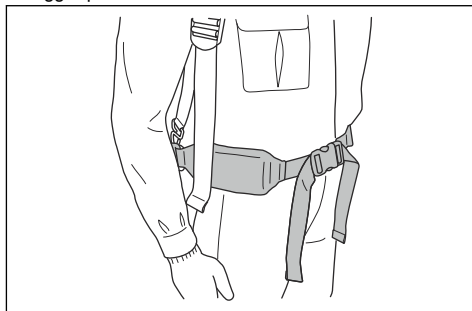
1. Ställ start-/stoppbrytaren med gasreglage i stoppläget. Se *Använda gasreglaget/stoppknappen på sida 353*.

## Justera selen

1. Sätt på dig produktens sele.
2. Dra åt axelremmarna tills produkten sitter tätt mot kroppen.



3. Sätt midjebältet runt midjan.
4. Dra åt midjebältsremmen. Se till att blåsarens tyngd ligger på höfterna.



# Underhåll

## Introduktion



**VARNING:** Läs och förstå säkerhetskapitlet innan du utför underhåll på produkten.

## Underhållsschema

Underhåll	Dagligen	Varje vecka	Varje månad
Rengör utvändiga ytor.	X		
Se till att reglagehandtaget fungerar som det ska.	X		
Se till att start-/stoppbrytaren fungerar som den ska. Se <i>Kontrollera start-/stoppbrytaren på sida 349.</i>	X		
Undersök om motorn, bränsletanken och bränsleledningarna läcker. Undersök bränslefiltret avseende smuts. Byt ut bränslefiltret om det behövs.	X		
Rengör luftfiltret. Byt ut luftfiltret vid behov.	X		
Dra åt muttrar och skruvar.	X		
Undersök luftintaget och se till att det inte är igensatt.	X		
Undersök om startmotorn och startsnöret är skadade.		X	
Undersök om avvibreringselementen har skador, sprickor eller deformationer. Kontrollera att avvibreringselementen är korrekt monterade.		X	
Undersök tändstiftet. Se <i>Kontrollera tändstiftet på sida 354.</i>		X	
Rengör kylsystemet.		X	
Rengör förgasarens utsida och området runt denna.		X	
Rengör bränsletanken.			X
Undersök alla kablar och anslutningar.			X
Undersök och rengör ljuddämparens gnistskydd (för produkter utan katalysator).		X	
Undersök och rengör ljuddämparens gnistskydd (för produkter med katalysator).			X
Undersök tändstiftet. Byt ut vid behov.			X

## Så justerar du tomgångsvarvtalet

1. Se till att luftfiltret är rent och att luftfilterkåpan är monterad.
2. Justera tomgångsvarvtalet med hjälp av tomgångsskruven. Information om var tomgångsskruven sitter på produkten finns i *Produktöversikt på sida 346.*

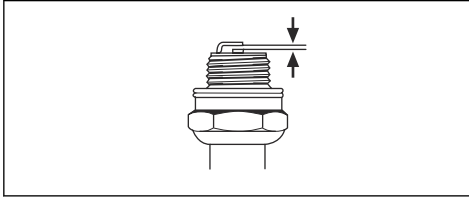
## Kontrollera tändstiftet



**OBSERVERA:** Använd det rekommenderade tändstiftet. Se *Tekniska data på sida 358.* Ett felaktigt tändstift kan skada produkten.

1. Stoppa motorn och låt produkten svalna.
2. Rengör tändstiftet om det är smutsigt.

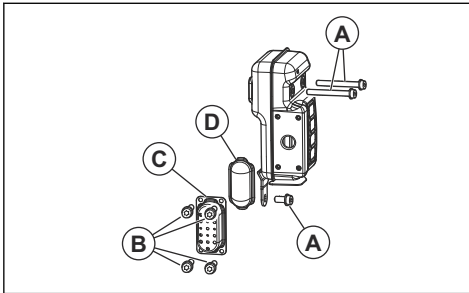
3. Kontrollera att elektrodavståndet är korrekt. Se *Tekniska data på sida 358*.



4. Byt ut tändstiftet varje månad eller oftare om det behövs.

## Underhåll av ljuddämparen

1. Stanna motorn och låt ljuddämparen svalna. Använd skyddshandskar.
2. Ta bort skruvarna (A), skruvarna (B) och utloppskanalen (C).



3. Ta bort gnistskyddet (D) och rengör det med en stålborste. Byt ut gnistskyddet om det går sönder.
4. Ta bort smuts från ljuddämparen och från cylinderns avgasport med stålborsten.
5. Fäst gnistskyddet (D) och utloppskanalen (C) med skruvarna (B). Dra åt skruvarna till 2–3 Nm.
6. Dra åt skruvarna (A) till 8–12 Nm. Se till att ljuddämparen sitter fast ordentligt på produkten.

## Inspektera och rengöra kylsystemet

Kylsystemet innefattar kylflänsarna på cylindern och luftintagnätet.

1. Stoppa motorn.
2. Se till att kylsystemet inte är smutsigt eller igensatt. Rengör luftintagnätet och kylflänsarna om det behövs.



**OBSERVERA:** Ett smutsigt eller igensatt kylsystem kan leda till ökad temperatur i motorn med skador på produkten som följd. Ett igensatt luftintagnät minskar blåskraften.

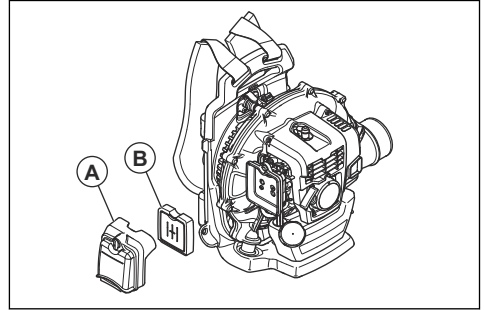
3. Undersök om kylsystemet är skadat. Se till att delarna fästs korrekt på produkten.

## Rengöra luftfiltret



**OBSERVERA:** Använd inte en produkt utan luftfilter eller med ett skadat luftfilter. Damm i luften kan skada motorn.

1. För chokereglaget till stängt läge.
2. Ta bort luftfilterkåpan (A).
3. Ta bort luftfiltret (B) från filterramen.



4. Rengör luftfiltret med varmt tvålatten.

**Notera:** Ett luftfilter som använts länge kan inte bli helt rent. Byt ut luftfiltret regelbundet och byt alltid ut ett defekt luftfilter.

5. Rengör den inre ytan av luftfilterkåpan (A) med en borste.
6. Applicera olja på luftfiltret. Se *Applicera olja på skumluftfiltret på sida 355*.
7. Sätt luftfiltret i filterramen.
8. Montera luftfilterkåpan på produkten.

## Applicera olja på skumluftfiltret



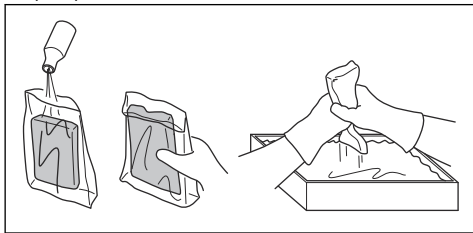
**OBSERVERA:** Använd alltid speciell luftfilterolja från Husqvarna. Använd inga andra typer av olja.



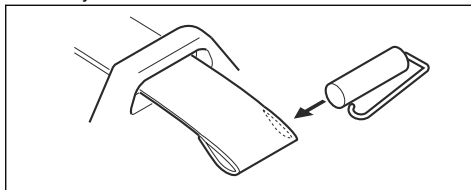
**VARNING:** Ta på skyddshandskar. Luftfilteroljan kan orsaka hudirritation.

1. Lägg skumluftfiltret i en plastpåse.
2. Tillsätt oljan i plastpåsen.
3. Gnid på plastpåsen för att fördela oljan jämnt på skumluftfiltret.

4. Tryck ut önskad olja ur skumlufffiltret medan det är i plastpåsen.



1. Stoppa motorn.
2. Ta bort klämman från remmen.
3. För remmens ände genom öglan.
4. Dra den nya remmen genom öglan.
5. Sätt i sprinten i remmen för att fästa klämman på den nya remmen.



## Byta ut selen



**VARNING:** En skadad sele kan leda till att produkten faller ned och orsakar skador. Se till att du installerar klämman på rätt sätt.

## Felsökning

Det går inte att starta motorn		
Kontrollera	Möjlig orsak	Lösning
Stoppknapp.	Stoppläge	Ställ stoppknappen i startläget.
Starthakar.	Blockerade eller slitna starthakar.	Justera eller byt ut starthakarna.
		Rengör runt starthakarna.
		Kontakta en godkänd serviceverkstad.
Bränsletank.	Fel bränsle påfyllt.	Töm bränsletanken och använd rätt bränsle.
Förgasare.	Fel tomgångsvarvtal.	Justera tomgångsvarvtalet med justerskruven för tomgång.
Tändstift (ingen gnista).	Tändstiftet är smutsigt eller vått.	Se till att tändstiftet är torrt och rent.
	Elektroдавståndet på tändstiftet är felaktigt.	Rengör tändstiftet. Kontrollera att elektroдавståndet är korrekt. Se till att tändstiftet har en dämpare. Se tekniska data för korrekt elektroдавstånd.
Tändstift.	Tändstiftet sitter löst.	Dra åt tändstiftet.
	Det finns önskat material på tändstiftselektrodena.	Se till att bränsleblandningen är korrekt. Se till att luftfiltret är rent.

Motorn startar men stannar igen		
Kontrollera	Möjlig orsak	Lösning
Bränsletank.	Fel bränsle påfyllt.	Töm den och använd rätt bränsle.
Förgasare.	Motorn fungerar inte som den ska på tomgång.	Vänd dig till en serviceverkstad.
Luftfilter.	Igensatt luftfilter.	Rengör luftfiltret.

---

## Transport och förvaring

---

### Transport och förvaring



**VARNING:** Undvik brandrisk genom att se till att det inte förekommer läckage eller ångor under transport eller förvaring. Se till att det inte finns någon risk för gnistor eller brand.

- Töm bränsletanken före transport eller långtidförvaring. Tryck på bränslepumpblåsan för att se till att allt bränsle är tömt. Kassera bränslet på lämplig anvisad plats.
- Se till att produkten är ren och att fullständig service är utförd före en längre tids förvaring.
- Ta bort tändstiftet och håll ungefär 15 ml tvåtaktsolja i cylindern. Vänd produkten tre gånger och sätt tillbaka tändstiftet.
- Se till att produkten är säkert fastsatt på fordonet under transport.
- Förvara produkten på en torr, sval och ren plats med bra luftflöde. Håll produkten utom räckhåll för barn.

## Tekniska data

### Tekniska data

	Husqvarna 350BT
<b>Motor</b>	
Cylindervolym, cm <sup>3</sup>	50,2
Tomgångsvarvtal, varv/min	2 200
Katalysator	Nej
<b>Tändsystem</b>	
Tändstift	NGK CMR7H / TORCH AC7R
Elektrodavstånd, mm	0,6–0,7
<b>Bränsle-/smörjsystem</b>	
Bränsletankvolym, l / cm <sup>3</sup>	1,25 / 1 250
<b>Vikt</b>	
Vikt, utan bränsle, kg	10,2
<b>Bulleremissioner</b> <sup>70</sup>	
Ljudeffektnivå, uppmätt dB(A)	101
Ljudeffektnivå, garanterad L <sub>WA</sub> dB(A)	101
<b>Ljudnivåer</b> <sup>71</sup>	
Ekvivalent ljudtrycksnivå vid användarens öra, mätt enligt EN 15503, dB(A):	
Utrustad med blåsarmunstycke (original)	96
<b>Vibrationsnivåer</b> <sup>72</sup>	
Vibrationsnivåer (a <sub>h<sub>v</sub>,eq</sub> ) i handtag, uppmätt enligt EN 15503, m/s <sup>2</sup>	2,7
<b>Fläktprestanda</b>	
Maximal lufthastighet med blåsarmunstycke, m/s	80
Luftflöde med blåsarmunstycke, m <sup>3</sup> /min	14

<sup>70</sup> Emission av buller till omgivningen uppmätt som ljudeffekt (L<sub>WA</sub>) enligt EG-direktiv 2000/14/EG. Rapporterad ljudeffektnivå för maskinen har uppmätts med originalblåsarmunstycke som ger den högsta nivån. Skillnaden mellan garanterad och uppmätt ljudeffekt är att den garanterade ljudeffekten också inkluderar spridning i mätresultatet och variationen mellan olika maskiner av samma modell enligt direktiv 2000/14/EG.

<sup>71</sup> Redovisade data för ljudtrycksnivå har ett typiskt spridningsmått (standardavvikelse) på 1,0 dB(A).

<sup>72</sup> Rapporterade data för vibrationsnivå har en typisk statistisk spridning (standardavvikelse) på 1,0 m/s<sup>2</sup>.

# EG-försäkran om överensstämmelse

## EG-försäkran om överensstämmelse

Vi, **Husqvarna AB**, 561 82 Huskvarna, Sverige, tel:  
+46-36-146500, försäkrar på eget ansvar att produkten:

<b>Beskrivning</b>	Ryggburen blåsare
<b>Varumärke</b>	Husqvarna
<b>Typ/Modell</b>	350BT
<b>Identifiering</b>	Serienummer daterade 2022 och framåt

uppfyller alla krav i följande EU-direktiv och förordningar:

Lagstiftning	Beskrivning
2006/42/EG	"angående maskiner"
2014/30/EU	"angående elektromagnetisk kompatibilitet"
2000/14/EG	"angående emission av buller till omgivningen"
2011/65/EU	"angående begränsning av användning av vissa farliga ämnen i elektrisk och elektronisk utrustning"

och att följande standarder och/eller tekniska specifikationer tillämpas: EN ISO 12100:2010, CISPR 12:2009, EN 15503:2009+A2:2015, EN IEC 63000:2018

RISE SMP Svensk Maskinprovning AB, Box 7035, 750 07 Uppsala, Sverige, har utfört frivillig typkontroll på uppdrag av Husqvarna AB.

Certifikatnummer: SEC/09/2102

RISE, SMP Svensk Maskinprovning AB, Box 7035, SE-750 07 Uppsala, Sweden, har även intygat överensstämmelse med bilaga V till Rådets direktiv 2000/14/EG.

För information om bulleremissioner, se *Tekniska data på sida 358*.

Huskvarna, 2022-05-17

Stefan Holmberg, R&D Director, Technology Management, Husqvarna AB

Ansvarig för teknisk dokumentation



# Husqvarna®

[www.husqvarna.com](http://www.husqvarna.com)

Original instructions  
Оригинални инструкции  
Původní pokyny  
Originale instruktioner  
Originalanweisungen  
Αρχικές οδηγίες  
Instrucciones originales  
Originaaljuhend

Alkuperäiset ohjeet  
Instructions d'origine  
Originalne upute  
Eredeti útmutatás

Istruzioni originali  
Originalios instrukcijos  
Lietošanas pamācība  
Originale instructies  
Originale instruksjoner  
Instrucțiuni inițiale  
Оригинальные инструкции  
Oryginalne instrukcje  
Instrucções originais  
Pôvodné pokyny  
Izvirna navodila  
Bruksanvisning i original



1142311-38



2022-05-20