



OPERATING MANUAL BDC-454

VERSION 2.2

**EC DECLARATION OF CONFORMITY**

in accordance with Appendix II sub A of Directive 2006/42/EC

BLASTRAC B.V.

Utrechthaven 12
NL - 3433 PN NIEUWEGEIN
Tel: 0031 (0)30 601 88 66
Fax: 0031 (0)30 601 83 33
Info@Blastrac.nl
The Netherlands

We declare under our sole responsibility that the machine as described below conforms with the Health and Safety requirements of the European Directive for machine Safety.

In case of changes to the machine without our written authorization this declaration loses its validity.

Model: Blastrac**BDC-454****Serial number: xxxxxxxx**

1. satisfies the conditions set out in the Machine Directive (Directive 2006/42/EC); Low voltage directive (2006/95/EC, as last amended; EMC directive 2004/108/EC, as last amended)
2. satisfies the following harmonized standards:
NEN-EN 292-1, NEN-EN 60335-1, NEN-EN 60335-2-69, NEN-EN 55014, NEN-EN 55014-2 and NEN-EN 61000-3-2

Nieuwegein


Michiel Kalisvaart

Table of contents

EC Declaration of Conformity	02
1. Introduction	04
2. Machine description	04
3. Safety	06
Safety precautions - general	
Safety precautions - with regard to transport	
Safety regulations – with regard to maintenance	
4. Before operation	08
Checkpoints of power supply	
5. Operation	08
Starting / stopping the machine	
Work with the machine	
Interrupting work	
6. Maintenance	09
Filter replacement	
Pulse system	
Compressor	
7. Technical data	11
Contact	12



1. Introduction

It is important that all persons who are working or maintaining this machine read the manual carefully and understand it fully.

Keep this manual near to the machine, so it can always be consulted.

Only authorized and trained personnel may operate this machine.

2. Machine description

The Blastrac dust collector BDC-454 can only be used for dry cleaning.

It should **only be** used for removing **not-inflammable dust or substances**.

The BDC-454 must **not** be used for **carcinogenic or asbestos substances**.

The machine is designed for usage in conditions according to classification **M** (see below).

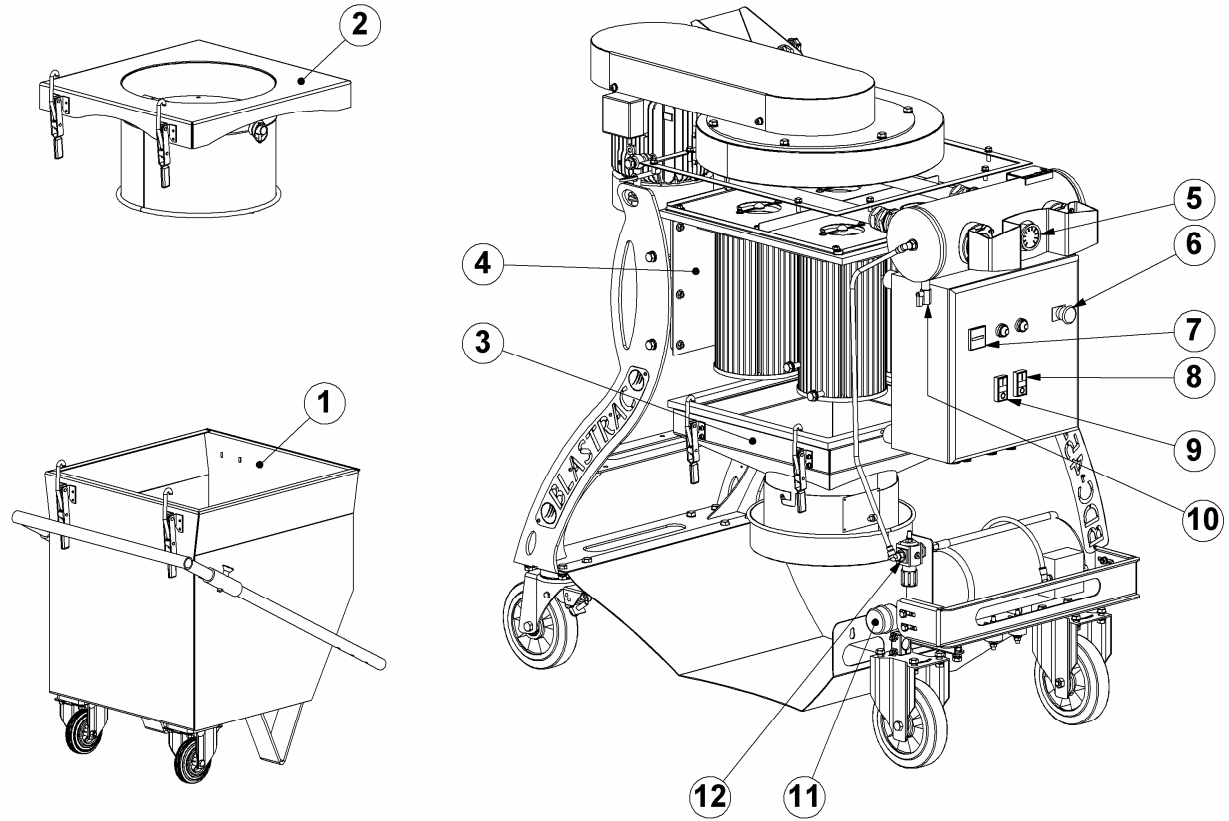
Classification acc. standard EN 60335-2-69 – Annexe AA	
Class	Designation
L	(Low risk) for separating dust with an exposure limit value of over 1 mg/m ³ , depending on the volume occupied.
M (BDC-454)	(Medium risk) for separating dust with an exposure limit value of over 0,1 mg/m ³ , depending on the volume occupied.
H	(High risk) for separating al dust with an exposure limit value lower than 0,1 mg/m ³ , depending on the volume occupied. including carcinogenic and pathogenic dusts.

Dust emissions into the environment	
Class	Value of performance
L	Retains at least 99,1 % of particles measuring $\geq 3 \mu\text{m}$
M	Retains at least 99,9 % of particles measuring $\geq 3 \mu\text{m}$
H	Class H13 HEPA filter in accordance with EN1822

Application

The BDC-454 is especially designed to be used in combination with Blastrac machines.

Contact Blastrac B.V. for the correct execution and combinations.



1	Dust bin kit	7	Hour counter
2	Big bag kit	8	Fan motor ON/OFF
3	Longo pack kit	9	Compressor ON/OFF
4	Rubber impact plate	10	Drain valve. Open regular to remove water from the air tank.
5	Manometer, shows the pressure of the air tank. The pulse to clean the filters must be given at 5 – 5.5 bar.	11	Air filter compressor
6	Emergency shut down	12	Pressure valve, must be set on 5 - 5.5 bar



3. Safety

Before operating the machine, the personnel must be familiar with the safety instructions given in this manual. Keep this manual near to the machine, so that it may always be consulted.

Safety precautions – general

- It should **only** be used for removing **not-inflammable dust or substances**.
- The unit should not be used near flammable gasses or substances.
- The BDC-454 must **not** be applied for **carcinogenic or asbestos substances**.
- Do not use the unit when it is damaged.
- Do not use damaged extension cables.
- Do not pull the power supply cable over sharp edges, fold the cable or clamp it.
- Never use this machine for sucking water or liquids.
- Acids, acetone or solvents can damage the machine.
- During a standstill of the machine, pull out the plug.
- Don't pull out the power supply cable out by the wire, but by the connector.
- Use only original Blastrac parts.
- The dust collector must be yearly overhauled by a skilled technician.

Safety precautions – with regard to transport

- When transporting the dust collector do so in such a manner that damage due to the effects of the use of force or incorrect loading and unloading is avoided.
- Before the dust collector is removed from the hazardous zone, take precautions to prevent dust from escaping. Always close the inlet of the dust collector with the appropriate plug.

Safety precautions – with regard to maintenance

- To allow the user to carry out maintenance operations, the dust collector must be disassembled, cleaned and inspected as far as reasonably possible, without causing hazards for the maintenance staff or other people.
- The suitable precautions include decontamination before disassembling the dust collector, adequate filtered ventilation of the exhaust air from the room in which it is disassembled, cleaning of the maintenance area and suitable personal protection.
- The external parts of the dust collector must be decontaminated by cleaning and vacuuming methods, de-dusted before being taken out from the hazardous zone. All parts of the dust collector must be considered as contaminated when they are removed from the hazardous zone and appropriate actions must be taken to prevent dust from dispersing.
- When maintenance or repair procedures are carried out, all the contaminated elements that cannot be properly cleaned, must be destroyed.
- These elements must be disposed of in sealed bags according to the applicable regulations and in accordance with the local laws governing the disposal of such material.
- This procedure must also be followed when the filters have to be disposed.
- Compartments that are not dust-tight must be opened with suitable tools and thoroughly cleaned.



Safety regulations

The following sticker is placed on the machine.



Meanings of these symbols are:

- Ear protection is obliged
- Safety glasses with lateral protection are obliged
- CE-mark on this machine
- Safety shoes obliged
- Consult the manual before operating the machine

Personnel must tie back long hair and not wear loose clothing or jewellery including rings.

Wear gloves and dust mask during operating the machine.

- Persons who are not operating the machine must not be permitted to stay in the surrounding area of the machine.
- Don't change anything on the machine. Use always cables which are approved and safety earthed (extend) cables. The machine is always equipped with an earthed connection, do not change this and use always earthed cables with an earthed plug.
- Connect the main power supply cable to an installation with an earth leakage circuit breaker.
- Inspect and test the electrical components regularly. The electrical components have to satisfy to the requirements which apply to these components.
- Always call a skilled electrician or your distributor when you have questions about the safety of the electrical components.
- Work on electrical equipment or operating materials may only be undertaken by a skilled electrician or by trained persons under the guidance and supervision of a skilled electrician as well as in accordance with the electrical engineering regulations.
- Pull out the main plug during inspections and repair operations on the machine.
- Never operate the machine when the surface is wet.
- Never use the machine in the rain.



4. Before operation

Before using the machine it is essential to inspect the machine.

It is not permitted to use the machine if the machine safety is not according to the checkpoints below.

Checkpoints of electrical safety

- Use only extension cables for extending the main cable that are sized and marked in accordance with the overall power consumption of the machine.
- Electrical cables must be rolled entirely off of the reels.
- Any damage to electric cables is not permitted.
- Use an electrical power supply connection with earth connection.
- The main switch of the machine should be put to 'Off' before connecting to the power supply.

5. Operation

Starting / stopping the machine

- Connect the dust hose to the machine.
- Connect the dust collector to the power supply.
- Switch on the main switch.
- Switch on first the compressor motor.
- Secondly switch on the fan motor.
- Carry out these actions in opposite sequence to stop the machine.

Work with the machine

- Regularly check the contents of the dust-bin.
- Regularly open the drain valve to remove water from the air tank.

Interrupting work

- When temporarily interrupting the work (1/2 hour – 1 hour), turn off the fan unit only. Pulse cleaning of the filter system will continue and will increase the life-time of the filter cartridges.
- During a longer stand still of the dust collector, first switch off the fan unit. Let the pulse cleaning cycle run for +/- 5 minutes. Switch off the compressor unit and Main-switch.
- Disconnect the power-supply cable.
- Prevent unauthorized persons from getting access to the dust collector or take measurements to prevent unauthorized working with the equipment.



6. Maintenance

Pay attention to Chapter 3 "**Safety**" during maintenance and repair works.

Failures due to inadequate or incorrect maintenance may generate very **high repair costs** and long standstill periods of the dust collector. **Regular** maintenance therefore is imperative.

Operational safety and service life of the dust collector depend, among other things, on proper maintenance.

The following table shows recommendations about time, inspection and maintenance for the normal use of the dust collector.

Operating hours/ time period	Inspection points, maintenance instructions
12 h after repairing	Check all accessible screw connections for tight seat.
Daily and prior to starting work	Check all safety devices working adequate. Check the function of the residual current operated device. Check the hose connections for tightness and fixed seat. Check the hose to the filter for damages. Make sure that the dust bin of the filter is emptied Check the electric connections for sediments of dirt or foreign bodies. Check the electric motors for dirt and other contaminants.
Annually	Full overhaul and cleaning of the complete dust collector.

The time indications are based on uninterrupted operation. When the indicated number of working hours is not achieved during the corresponding period, the period can be extended. However a full overhaul must be carried out at least once a year.

Due to different working conditions it can't be foreseen how frequently inspections for wear check's, inspection, maintenance and repair works ought to be carried out. Prepare a suitable inspection schedule considering your own working conditions and experience.

Our specialists will be happy to assist you with more advice.

Prior to any repair works on the dust collector and its drives, secure the dust collector against unintentional switching on. Put the dust collector to its safety off position. Also make sure there is no air pressure on the pulse system.

Follow additional operating and maintenance of OEM if included during your service and maintenance work.

Further is advised:

Store the cleaned and dry machine in a dry and humid free room. Protect the electrical motors from moisture, heat, dust and shocks.

All repair work must to be done by qualified Blastrac personnel, this to guarantee a safe and reliable machine.

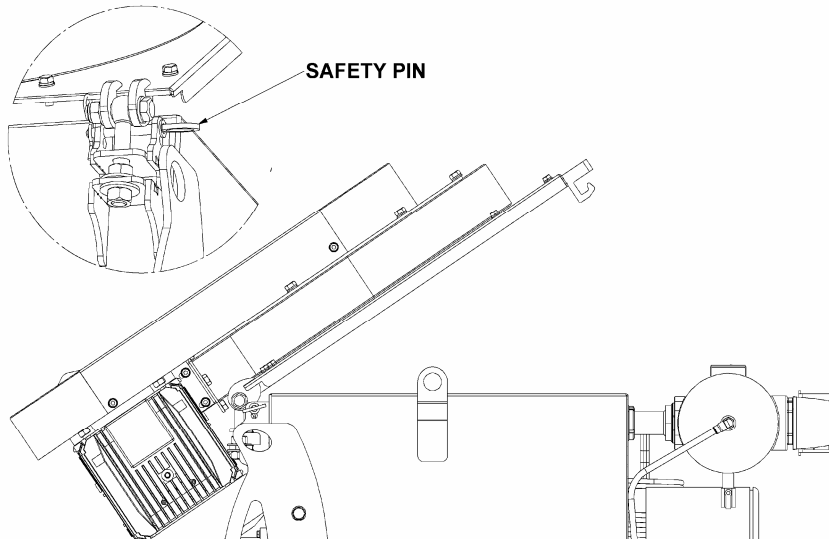
Any guarantee on the machine is expired when:

- Non original Blastrac parts have been used
- Repair work is not done by qualified Blastrac personnel
- Changes, add on's or conversions are undertaken without written permission of Blastrac BV



Filter replacement

By mounting new filter cartridges pay attention that their gasket at the upper side lies firm at the sheet steel of the filter chamber. A tilt of the filter cartridge result in leakage and they suction contaminants in the clean part and consequently blow they backwards in the outer air. Put the safety pin in the highest hole of the hinge bracket, see figure below. This prevents that the top cover collapse during filter replacement.



Pulse system

The Dust collector is provided with a air pulse cleaning system which increases the life of the filter cartridges.

The system works by use of pressurized air, built up by a compressor
The air is leaded through a water separator to the pulse system.

The cooled air passes a control valve, which regulates the systems pressure , and then builds up pressure in the pulse tank.

Normally the pressure in the system is 5 – 5.5 bar. The safety valve mounted on the compressor is activated at approximately 10 bar.

This provision is to ensure that when there is a defect in the Control valve, the pressure in the pulse tank remains within safe limits.

If the pressure of 5 bar is not reached, it is possible that there is a leakage in the pneumatic circuit or the air filter of the compressor is dirty.

When there is pressure but the pulse system does not function, there might be a problem in the electrical system which controls the pulsing system. Check the wiring and the PLC-settings.





Advised is to take contact with Blastrac Support in order to prevent operational problems.

Compressor

Replacement or cleaning of the air filter of the compressor (item 11 page 5) is depending on the environment in which the Dust collector is operating.

Advised is to take contact with Blastrac support in order to prevent operational problems.

7. Technical data

	BDC-454 3x230 volt	BDC-454 3x400 volt
Power consumption	6,3 kW IE3	5,5 kW IE3
Electrical consumption	3x 230 Volt IE3	3x 400 Volt
Frequency	60 Hz	50 Hz
Amperage connection	32 Ampere	5 pole / 32 Ampere
Supply cable	4 x 16mm ² (15m)	4 x 6mm ² (15m)
Available plug connections	5 pole / 32 Ampere	5 pole / 32 Ampere
Air stream (hose 5" at the end)	900 m ³ /hr	
Dust hose connection	Ø75 / 2xØ75 / Ø100 / Ø127 mm	
Dust bin capacity	100 L	
Longo pack capacity	15 L	
Small bag	67.5 L	
Length	1344 mm	
Width	665 mm	
Height	1428 mm	
Weight	267 kg	

Design and specifications are subject to change without notice by Blastrac B.V.



Headquarter
Blastrac The Netherlands
 Utrechthaven 12
 NL – 3433 PN Nieuwegein
 Tel – 0031 30 601 88 66
 Fax – 0031 30 601 83 33
 Info@blastrac.nl

Blastrac Poland
 Golina, Dworcowa 47a
 PL – 63-200 Jarocin
 Tel – 0048 627 40 41 50
 Fax – 0048 627 40 41 51
 Info@blastrac.pl

Blastrac Italy
 S.S. 10 Padana Inferiore, 41
 IT – 29012 Caorso (PC)
 Tel – 0039 0523 81 42 41
 Fax – 0039 0523 81 42 45
 Info@blastra.it

Blastrac United Kingdom
 Unit 2, Outgang Lane, Dinnington
 Sheffield, South Yorkshire
 GB – S25 3QY, England
 Tel – 0044 1909 56 91 18
 Fax – 0044 1909 56 75 70
 Info@blastrac.co.uk

Blastrac Germany
 Richard Byrd Straße 15
 D – 50829 Köln (Ossendorf)
 Tel – 0049 221 70 90 32 0
 Fax – 0049 221 70 90 32 22
 Info@blastrac.de

Blastrac Spain
 Calle Copernico, 16
 Nave 2
 E – 28820 Coslada
 Tel – 0034 91 660 10 65
 Fax – 0034 91 672 72 11
 Info@blastrac.com.es

Blastrac France (ZI)
 29, Avenue des Temps Modernes
 F – 86360 Chasseneuil du Poitou
 Tel – 0033 549 00 49 20
 Fax – 0033 549 00 49 21
 Info@blastrac.fr

Blastrac Ukraine
 Nezalezhnosti 14, of. 21
 UA – 07400 Brovary
 Tel – 0038 44 222 51 28
 Fax – 0038 44 277 98 29
 Info@blastrac.com.ua