



Husqvarna®



TS 112, TS 114

EN	Operator's manual	2-40
ES	Manual de usuario	41-82
PT	Manual do utilizador	83-124
IT	Manuale dell'operatore	125-166

Contents

Introduction.....	2	Troubleshooting schedule.....	31
Safety.....	7	Transportation, storage and disposal.....	34
Assembly.....	12	Technical data.....	36
Operation.....	15	Service.....	38
Maintenance.....	19	Declaration of Conformity.....	39

Introduction

Pre-delivery inspection and product numbers

Note: A pre-delivery inspection has been done of this product. Make sure that you receive a signed copy of the pre-delivery inspection document from your dealer.

Service agent contact information:	
This operator's manual belongs to product with product number / serial number:	
/	
Engine:	
Transmission:	

Product description

This is a lawn tractor with the cutting deck installed between the front and rear axles. It has a 4-stroke engine that uses gasoline.

Intended use

This product is only used to cut grass in private gardens and on private garden slopes with not more than 10° slope. It is not to be used in public parks, sports grounds, in farming or in forestry. Attach an optional accessory to use the product for other tasks. Only use the product with accessories that are approved by the

manufacturer. Speak to an approved service agent for more information.

To use the product differently is incorrect use. It will void your warranty and reject the responsibility for damage to the user of third parties on the part of the manufacturer.

Refer to local directives for the operation of lawn mowers.

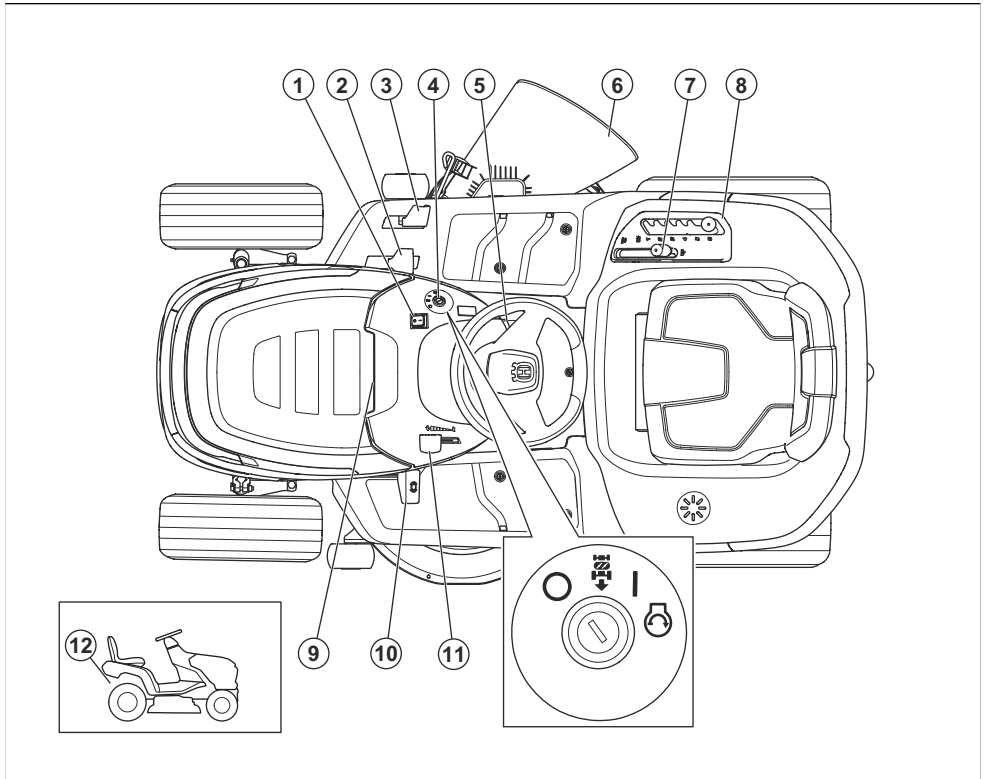
Insure your product

Make sure that you have insurance coverage for your new product. Speak to your insurance company if you are not sure. We recommend a fully comprehensive

insurance that includes third party, fire, damage, theft and liability.

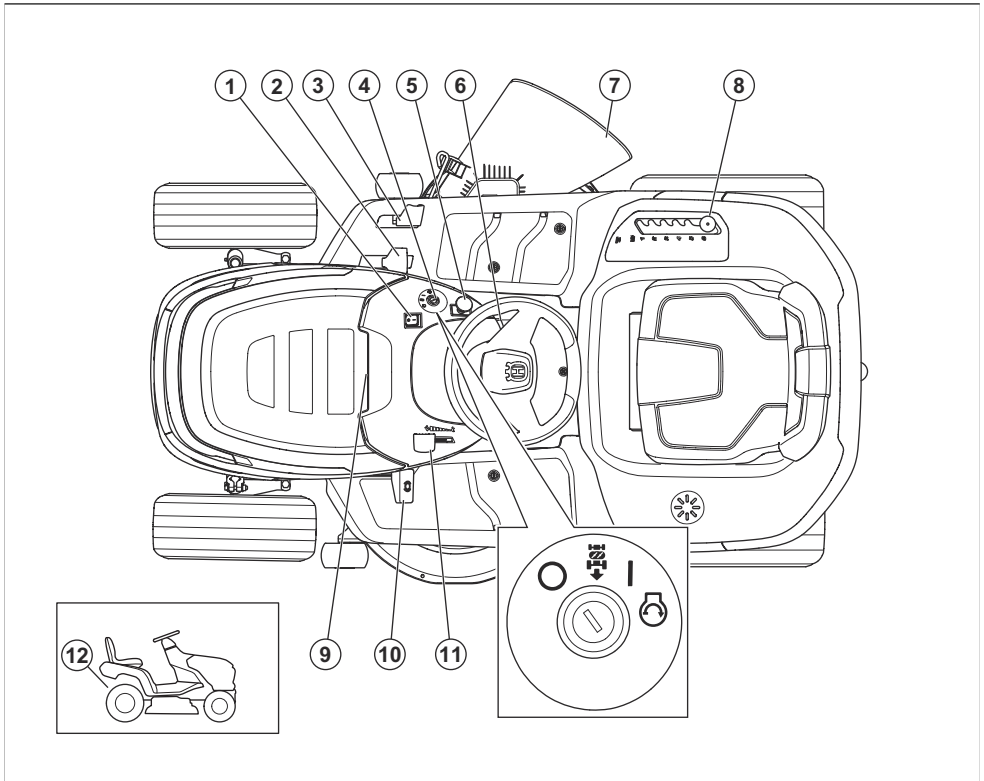
Product overview

Product overview (TS 112)



- | | |
|-----------------------|--|
| 1. Light switch | 7. Blade engagement control |
| 2. Forward pedal | 8. Cutting height lever |
| 3. Rearward pedal | 9. Hour meter (below the engine cover) |
| 4. Ignition lock | 10. Parking brake pedal |
| 5. Parking brake lock | 11. Throttle control |
| 6. Deflector | 12. Lever to engage or disengage the drive |

Product overview (TS 114)



1. Light switch
2. Forward pedal
3. Rearward pedal
4. Ignition lock
5. PTO button
6. Parking brake lock
7. Deflector
8. Cutting height lever
9. Hour meter
10. Parking brake pedal
11. Throttle control
12. Lever to engage or disengage the drive

Operator Presence Control (OPC)

The OPC engages when the operator lifts from the seat. The OPC disengages the drive of blades, and stops the engine.



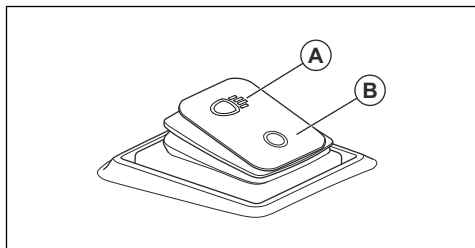
WARNING: For model (TS 114), the engine only stops if the parking brake is not applied.

Husqvarna Connect

The operators manual and more information about the product is available at Husqvarna Connect App. Husqvarna Connect is a free App for your mobile device. Refer to *To start to use Husqvarna Connect on page 15.*

Work light

The product has work light. Push the power switch to make the work light come on (A) or go off (B).



Symbols on the product



WARNING: This product can be dangerous and cause serious injury or death to the operator or others. Be careful and use the product correctly.



Read the operator's manual carefully and make sure that you understand the instructions before you use this product.



Fast



Slow



Engage the drive system.



Disengage the drive system.



Engine off



Engine on



Engine start



Parking brake pedal



Cutting height



Reverse operation system (ROS)



Reverse



Forward



Work lights on/off



Fuel



Max. ethanol 10%



Motor oil



Ear protection is recommended.



The blades are disengaged.



The blades are engaged.



Keep body parts away from rotating parts.



Keep body parts away from rotating blades.



Look out for ejecting objects and ricochets.



Do not cut grass across a slope. Do not cut grass on ground that slopes more than 10°.



Tip-over hazard



Look behind you before and while you move the product in reverse.



Never carry passengers on the product or equipment.



Keep bystanders away.



No step



Disconnect the spark plug cap before you do maintenance on the product.



MAX. XXXN / (XXkg)

Max. permitted vertical force on the towbar is specified in *Technical data on page 36* and on the label.



MAX. XXXN / (XXkg)

Max. permitted horizontal force on the towbar is specified in *Technical data on page 36* and on the label.



Noise emission to the environment label as per EU and UK directives and regulations, and New South Wales legislation "Protection of the Environment Operations (Noise Control) Regulation 2017". The guaranteed sound power level of the product is specified in *Technical data on page 36* and on the label.



Scannable code



The product agrees with the applicable EC directives.



This product conforms to the applicable UK regulations.



Apply and release the parking brake.

Note: Other symbols/decals on the product refer to market specific legal requirements.

Label on the product



DANGER – Keep hands and feet away.

Hour meter

The hour meter shows how many hours the engine has been in operation. Refer to *Product overview on page 3* for the position of the hour meter.

Product damage

We are not responsible for damages to our product if:

- the product is incorrectly repaired.
- the product is repaired with parts that are not from the manufacturer or not approved by the manufacturer.
- the product has an accessory that is not from the manufacturer or not approved by the manufacturer.

- the product is not repaired at an approved service center or by an approved authority.

Euro V Emissions



WARNING: Tampering with the engine voids the EU type-approval of this product.

Safety

Safety definitions

Warnings, cautions and notes are used to point out specially important parts of the manual.



WARNING: Used if there is a risk of injury or death for the operator or bystanders if the instructions in the manual are not obeyed.



CAUTION: Used if there is a risk of damage to the product, other materials or the adjacent area if the instructions in the manual are not obeyed.

Note: Used to give more information that is necessary in a given situation.

General safety instructions



WARNING: This product can cut off hands and feet and throw objects. Serious injury or death may occur if you do not obey the safety instructions.



WARNING: Do not continue to use a product with damaged cutting equipment. Damaged cutting equipment can throw objects and cause serious injury or death. Replace damaged blades immediately.

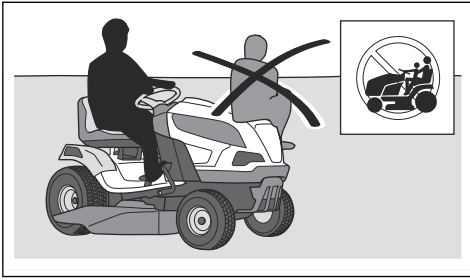


WARNING: This product produces an electromagnetic field during operation. This field may under some circumstances interfere with active or passive medical implants. To reduce the risk of serious or fatal injury we recommend persons with medical implants to consult their physician and the medical implant manufacturer before operating this product.



WARNING: Read the warning instructions that follow before you use the product.

- Always be careful and use your common sense. Avoid all situations which you consider to be beyond your capability. If you feel uncertainty about the operating procedures after you read the operator's manual, consult an expert before you continue.
- Read and understand the operator's manual and the instructions on the product carefully before you start the product.
- Learn how to use the product and its controls safely and learn how to stop the product quickly.
- Learn to recognize the safety decals.
- Keep the product clean to make sure that you can clearly read signs and stickers.
- Clean fuel or oil spillage on the product before you operate the product and before you put the product in storage.
- Keep in mind that the operator will be held responsible for accidents that involve other persons or their property.
- Do not put hands or feet near parts that rotate.
- Do not put hands or feet below the product.
- Keep away from the discharge opening at all times.
- Make sure that discharged material does not hit other persons or animals.
- Make sure that discharged material does not hit walls or other hard surfaces. Discharged materials can ricochet.
- Always stop the blades when you operate the product on gravel surfaces.
- Do not operate the cutting deck if the discharge chute or other safety devices are missing or defective.
- Always disengage the blades when you do not mow.
- Make sure that grass or other unwanted materials cannot touch hot exhaust or hot parts of the engine.
- Do not use the cutting deck to mow leaves or other unwanted materials that can cause buildup.
- Do not transport passengers. The product must only be used by one person.



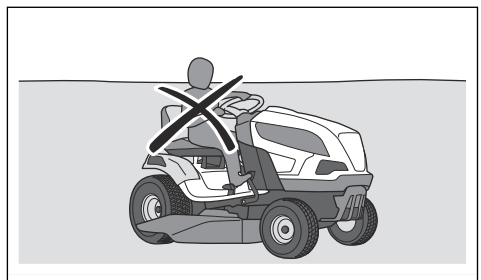
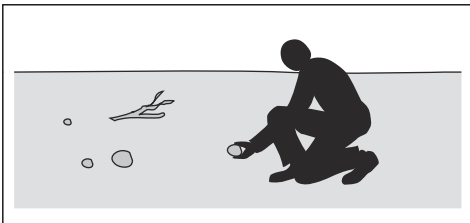
- Stop the engine and make sure that all parts have stopped before you remove the grass catcher or remove blockage in the discharge chute.
- Let the product become cool before you put it in storage.

Safety instructions regarding children



WARNING: Read the warning instructions that follow before you use the product.

- Do not let the product stay unsupervised with the engine on. Always stop the blades, apply the parking brake, stop the engine and remove the ignition key before you let the product stay unsupervised.
- Only use the product in daylight or in other well-lit conditions. Keep the product at a safe distance from holes or other irregularities in the ground. Look out for other possible risks.
- Do not use the product in bad weather, for example in fog, in rain, moist or in wet locations, strong winds, intense cold, risk of lightning, etc.
- Find and mark stones and other fixed objects to prevent collision.
- Clear the area of objects such as stones, toys, wires, etc. that may become caught in the blades and be thrown out.
- Serious accidents can occur if you are not on your guard for children in the vicinity of the product. Children can be attracted to the product and to mowing. It is very possible that children do not stay where you last saw them.
- Keep children away from the area to be mowed. Make sure that an adult is responsible for the children.
- Keep an eye out and stop the product if children enter the work area. Be very careful near corners, bushes, trees or other objects that prevents a clear view.
- Before and while you move the product in reverse, look behind you and look down to make sure there are no small children in the vicinity of the product.
- Do not let children ride along. They can fall off and get seriously injured or prevent safe maneuvering of the product.
- Do not let children operate the product.



Safety instructions for operation



WARNING: Do not touch the engine or exhaust system during or directly after operation. The engine and the exhaust system become very hot during operation. Risk of burn injuries, fire and damage to property or adjacent areas. When you operate the product, keep away from bushes and other objects.



WARNING: Read the warning instructions that follow before you use the product.

- Do not let children or other persons not approved for operation of the product to use or do servicing on it. Local laws may regulate the age of the user.
- Make sure that nobody else is in the vicinity of the product when you start the engine, engage the drive or start to move the product.
- Keep an eye on the traffic when you mow near a road or move across a road.
- Do not use the product if you are fatigued, while under the influence of alcohol or drugs, medicine or anything that can have a negative effect on your vision, alertness, coordination or judgement.
- Be careful when you put the product on a trailer or a truck and when you remove the product from a trailer or truck.
- Always park the product on a level surface with the engine stopped.
- Stop the engine and make sure that all parts have stopped before you clean or do maintenance on the product.

- Always look down and behind you before and while you move in reverse. Look out for large and small obstacles.
- Decrease the speed before you turn around a corner.
- Stop the blades when you move across areas that you do not cut.



CAUTION: Read the caution instructions that follow before you use the product.

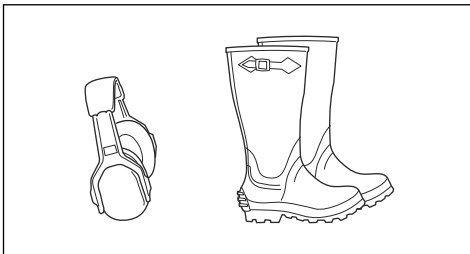
- Before you operate the product, clear the cold air intake of the engine from grass and dirt. If the cold air intake is blocked, there is a risk of engine damage.
- Move around stones and other larger objects carefully and make sure that the blades do not hit the objects.
- Do not operate the product across objects. Stop and examine the product and cutting deck if you operate the product across or into an object. If it is necessary, make repairs before you restart.

Personal protective equipment



WARNING: Read the warning instructions that follow before you use the product.

- Use approved personal protective equipment when you use the product. Personal protective equipment cannot fully prevent injury but it decreases the degree of injury if an accident does occur. Let your dealer help you select the right equipment.
- Use approved hearing protection. Long-term exposure to noise can result in permanent hearing impairment.
- Use heavy-duty slip-resistant boots or shoes. Steel toes are recommended. Do not use open shoes or go with bare feet.



- Use protective gloves when necessary, for example when you attach, examine or clean the cutting equipment.
- Do not wear loose-fitting clothing, jewelry or other items that can get caught in moving parts.
- Keep first aid equipment and fire extinguisher near.

Safety devices on the product

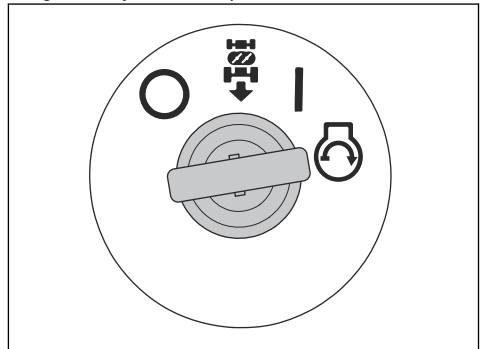


WARNING: Read the warning instructions that follow before you use the product.

- Do not use a product with safety devices that are damaged or do not operate correctly. Do a check of the safety devices regularly. If the safety devices are damaged, speak to your Husqvarna service agent.
- Do not make modifications on safety devices. Do not use the product if protective plates, protective covers, safety switches or other protective devices are not attached or are damaged.

To do a check of the ignition lock

- Start and stop the engine to do a check of the ignition lock. Refer to *To start the engine on page 16* and *To stop the engine on page 18*.
- Make sure that the engine starts when you turn the ignition key to the start position.



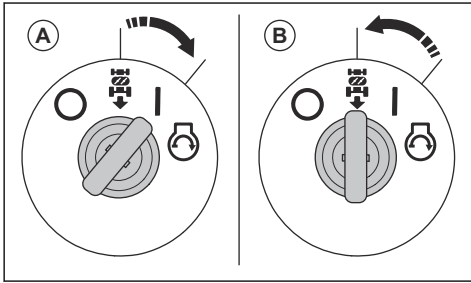
- Make sure that the engine stops immediately when you turn the ignition key to the stop position (O).

To do a check of the reverse operation system (ROS)

If the reverse operation system (ROS) does not operate correctly, speak to an approved service agent.

1. Start the product. Refer to *To start the engine on page 16*.
2. Engage the cutting deck. Refer to *To engage and disengage the cutting deck (TS 112) on page 17* or *To engage and disengage the cutting deck (TS 114) on page 17*.

- With the ignition key in the on position (A), push down on the rearward pedal. The engine must stop when you push down on the rearward pedal.



- Start the product and engage the cutting deck again.
- Turn the ignition switch to the ROS on position (B).
- With the ignition key in the ROS on position, push down on the rearward pedal. The engine must not stop when you push down on the rearward pedal.

Operation conditions

These conditions are necessary to start the engine:

- The parking brake is applied.
- The drive of the blades is disengaged.
- The forward pedal and the rearward pedal are in their neutral position.

The engine must stop in these situations:

- The operator lifts from the seat. (TS 112)
- The parking brake is not applied and the operator lifts from the seat. (TS 114)
- The cutting deck is engaged and the operator lifts from the seat.
- The cutting deck is engaged and the rearward pedal is pushed down but the ROS is disengaged.

The drive of the blades must stop in these situations:

- The operator lifts from the seat.
- The blade engagement control is moved to the disengaged position. (TS 112)
- The PTO button is pushed in. (TS 114)

Try to start the engine without one of the conditions. Change the conditions and try again. Do this check daily.

To do a check of the forward pedal and rearward pedal

- Start the product. Refer to *To start the engine on page 16*.
- Make sure that the forward pedal and rearward pedal are not blocked and can be operated freely.
- Slowly push the forward pedal to move forward.
- Release the forward pedal to brake. Make sure that the brake engages when the forward pedal is released.

Note: The product has an automatic brake that engages when you release the pedals.

- Do the same procedure for the rearward pedal.
- Make sure that the product does not move when the pedals are in their neutral position.

Parking brake



WARNING: If the parking brake does not work, the product can start to move and cause injury or damage. Make sure that the parking brake is regularly examined and adjusted.

Refer to *To do a check of the parking brake on page 22*.

Muffler

The muffler keeps the noise levels to a minimum and sends the exhaust fumes away from the operator.

Do not use the product if the muffler is missing or damaged. A damaged muffler increases the noise level and the risk of fire.



WARNING: The muffler becomes very hot during and after use and when the engine operates at idle speed. Be careful near flammable materials and/or fumes to prevent fire.

To do a check of the muffler

- Examine the muffler regularly to make sure that it is attached correctly and not damaged.

Protective covers

Missing or damaged protective covers increase the risk of injury on moving parts and hot surfaces. Do a check of the protective covers before you operate the product. Make sure that the protective covers are correctly attached and do not have cracks or other damages. Replace damaged covers.

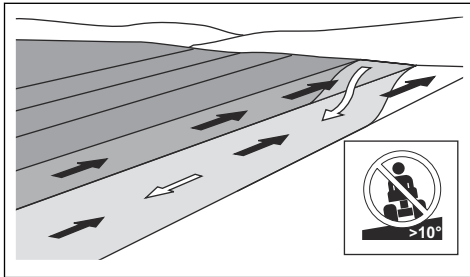
To cut grass on slopes



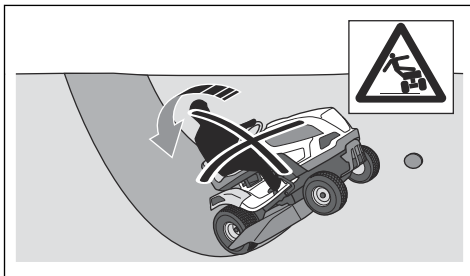
WARNING: Read the warning instructions that follow before you use the product.

- To cut grass on slopes increases the risk that you can not control the product and that it overturns. This can cause injury or death. It is necessary to cut the grass carefully on all slopes. If you cannot reverse up a slope or if you do not feel safe, do not cut it.
- Remove stones, branches and other obstacles.
- Cut up and down the slope, not from side to side.

- Do not operate the product on ground that slopes more than 10°.



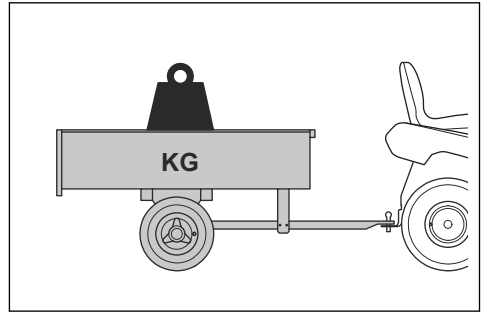
- Do not start or stop on a slope.
- Move smoothly and slowly on slopes.
- Do not make sudden changes in speed or direction.
- Do not turn more than necessary. Turn slowly and gradually when you move down a slope. Move at low speed. Turn the wheel carefully.
- Look out for and do not move across furrows, holes and bumps. There is a higher risk that the product overturns on ground that is not flat. Long grass can hide obstacles.
- Do not cut grass near edges, ditches or banks. The product can suddenly overturn if a wheel moves across the edge of a steep slope or a ditch, or if an edge gives way. If the product falls into water, there is a risk of drowning.



- Do not cut wet grass. It is slippery, and tires can lose their grip so that the product skids.
- Do not put your foot on the ground to try to make the product more stable.
- Move very carefully if an accessory or other object is attached that can make the product less stable.
- Follow the manufacturer's recommendations for wheel weights or counterweights.

Tow safety

- Only use tow equipment approved by Husqvarna.
- Use the tow bar to attach the equipment.
- Do not tow equipment that is heavier than the maximum permitted tow equipment weight. Refer to *Technical data on page 36*.



- Make sure that no other persons are near the product when you tow equipment.
- Be careful when you tow equipment on slopes or rough ground.
- Operate the product at low speed when you tow equipment.

Fuel safety



WARNING: Be careful with fuel. It is very flammable, and can cause injury and damage to property.



WARNING: Read the warning instructions that follow before you use the product.

- Do not fill the fuel tank indoors.
- Gasoline and gasoline fumes are poisonous and very flammable. Be careful with gasoline to prevent injury or fire.
- Do not remove the fuel tank cap or fill the fuel tank when the engine is on.
- Let the engine become cool before you refuel.
- Do not smoke when you fill fuel.
- Do not fill fuel near sparks or naked flames.
- If there are leaks in the fuel system, do not start the engine until the leaks are repaired.
- Do not fill above recommended fuel level. The heat from the engine and the sun makes the fuel expand and the fuel overflows if the tank is filled too much.
- Do not fill too much. If you spill fuel on the product, clean up the spill and wait until it is dry before you start the engine. If you spill on your clothing, change it.
- Store fuel in approved containers only.
- Store the product and fuel in such a way that there is no risk that fuel leaks or fumes can cause damage.
- Drain off the fuel in an approved container outdoors and away from naked flames.

Transport safety

- Use an approved transport vehicle for transportation of the product.

- The product is heavy and can cause crush injuries. Be careful when you load it onto or off a vehicle or trailer.
- A markets national or local regulations can set limit to the transportation of the product.
- The operator of the transport vehicle is responsible to attach the product safely during transport. Refer to *To safely attach the product for transportation on page 34.*

- The cutting deck is disengaged.
- The ignition cable is removed from the plug.

Battery safety



WARNING: A damaged battery can cause an explosion and cause injury. If the battery has a deformation or is damaged, speak to an approved Husqvarna service agent.



WARNING: Read the warning instructions that follow before you use the product.

- Use protective glasses when you are near batteries.
- Do not wear watches, jewelry or other metal objects near the battery.
- Keep the battery out of reach for children.
- Charge the battery in a space with good airflow.
- Keep flammable materials at a minimum clearance of 1 m when you charge the battery.
- Discard replaced batteries. See *Disposal on page 35.*
- Explosive gases can come from the battery. Do not smoke near the battery. Keep the battery away from open flames and sparks.



WARNING: Read the warning instructions that follow before you use the product.

- For best performance and safety, do maintenance on the product regularly as given in the maintenance schedule. Refer to *Maintenance schedule on page 19.*
- Electrical shocks can cause injuries. Do not touch the cables when the engine is on. Do not do a function test on the ignition system with your fingers.
- Do not start the engine if the protective covers are removed. There is a high risk of injury caused by moving or hot parts.
- Let the product become cool before you do maintenance near the engine.
- The blades are sharp and can cause cuts. Wind protection around the blades or use protective gloves when you do work on the blades.
- Do not park the product near the edge of a ditch or slope to get access to the cutting deck.

Safety instructions for maintenance



WARNING: The product is heavy and can cause injury or damage to property or the adjacent area. Do not do maintenance on the engine or the cutting deck without these conditions:

- The engine is off.
- The product is parked on a level surface.
- The parking brake is applied.
- The ignition key is removed.



CAUTION: Read the caution instructions that follow before you use the product.

- Do not turn over the engine if the spark plug or ignition cable is removed.
- Make sure that all nuts and bolts are tightened correctly and that the equipment is in good condition.
- Do not change the adjustment of governors. If the engine speed is too high, the product components can become damaged. Refer to *Technical data on page 36* for highest permitted engine speed.
- The product is approved only with the equipment supplied or recommended by the manufacturer.

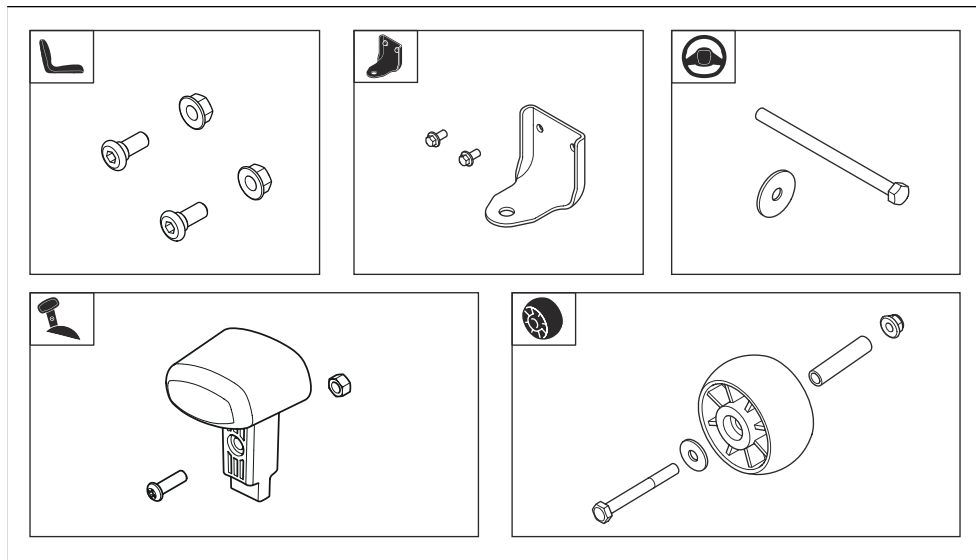
Assembly

Introduction



WARNING: Read and understand the safety chapter before you assemble the product.

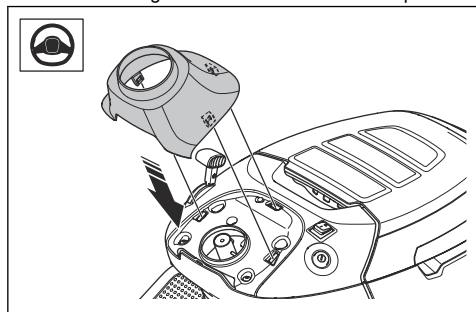
Assembly overview



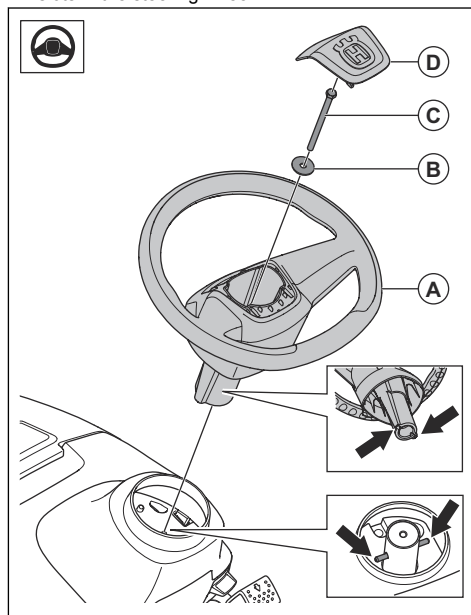
To install the steering wheel

Refer to *Assembly overview on page 13* for the correct fasteners for this task.

1. Install the steering column cover. The steering column cover is attached by snap locks. Press down on the steering column cover until it locks in position.



2. Put the steering wheel (A) on the steering column. The pins on the steering column must go into the slots in the steering wheel.



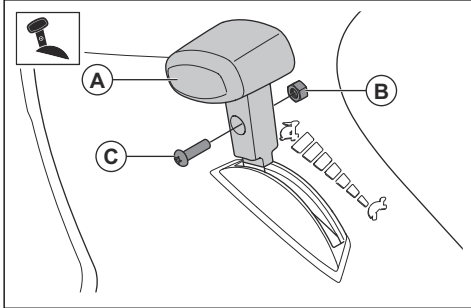
3. Install the washer (B) and the bolt (C). Tighten the bolt to 24 Nm.

4. Install the center cover (D) on the steering wheel.
The center cover is attached with snap locks.

To install the knob on the throttle control

Refer to *Assembly overview on page 13* for the correct fasteners for this task.

1. Put the knob (A) onto the throttle control lever.

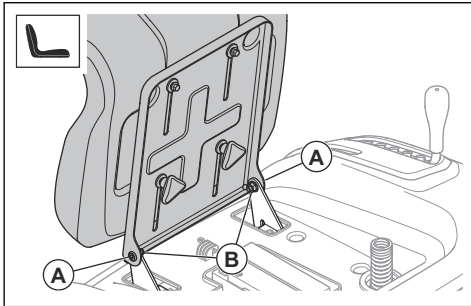


2. Install the nut (B) and the screw (C).

To install the seat

Refer to *Assembly overview on page 13* for the correct fasteners for this task.

1. Hold the seat in position and install the 2 screws (A) and the 2 nuts (B).



2. Do a check of the operator presence control. Refer to *Operation conditions on page 10*.

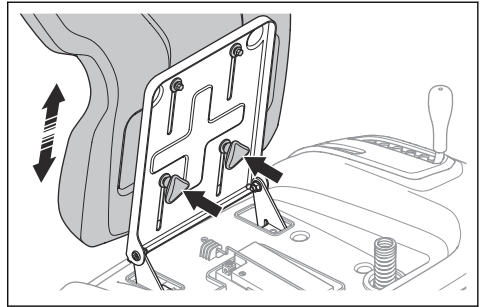


WARNING: Do not operate the product if the operator presence control is defective.

To adjust the seat

1. Fold the seat forward.

2. Loosen the 2 quick knobs.

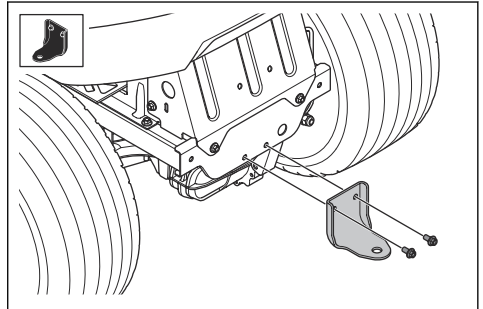


3. Move the seat until it is in a position where you can push the pedals down fully.
4. Tighten the 2 quick knobs fully.

To install the tow bar

Refer to *Assembly overview on page 13* for the correct fasteners for this task.

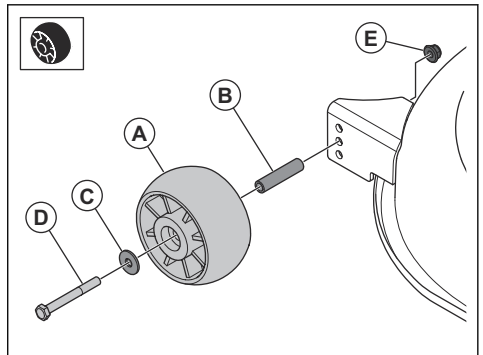
- Install the tow bar with the 2 screws.



To install the anti-scalp wheels

Refer to *Assembly overview on page 13* for the correct fasteners for this task.

- Install the anti-scalp wheel (A), the bushing (B), the washer (C), the bolt (D), and the nut (E) in 1 of the 3 holes.



To connect the battery

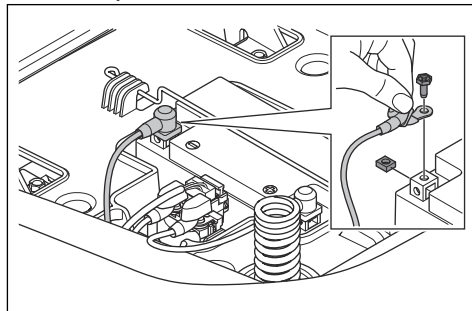


WARNING: Risk of electric shock. Make sure that the ignition switch is in the off position and that the ignition key is removed.

The location of the battery is below the seat.

1. Fold the seat forward.
2. Make sure that the red cable is installed to the positive (+) terminal on the battery.
3. Remove the screw and the nut on the negative (-) terminal on the battery.

4. Attach the black cable to the negative (-) terminal on the battery and install the nut and the screw.



5. Install the terminal cover on the negative (-) terminal on the battery.

Operation

Introduction



WARNING: Read and understand the safety chapter before you use the product.

To start to use Husqvarna Connect

1. Download the Husqvarna Connect app on your mobile device.
2. Register in the Husqvarna Connect app.
3. Do the instruction steps in the Husqvarna Connect app to connect and register the product.

To fill fuel



WARNING: Gasoline is very flammable. Be careful and refuel outdoors, refer to *Fuel safety on page 11*.



WARNING: Do not use the fuel tank as a support area.



CAUTION: Incorrect type of fuel can result in engine damage.

The engine runs on gasoline with a minimum octane rating of 91 RON (87 AKI), not mixed with oil. We recommend biodegradable alkylate gasoline. Do not use gasoline that contains more than 10% ethanol.

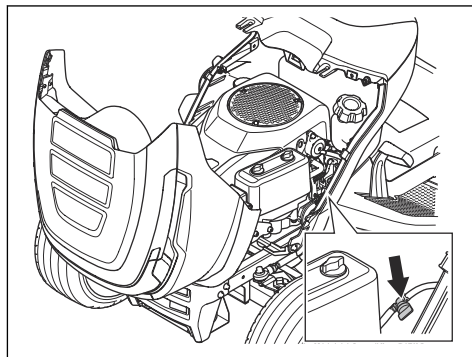
- Do a check of the fuel level before each use and refuel if it is necessary.
- Do not fully fill the fuel tank. Keep a space of a minimum 2.5 cm.

To do before you start the product



WARNING: Before you operate the product, carefully read and understand the safety instructions and the operation instructions.

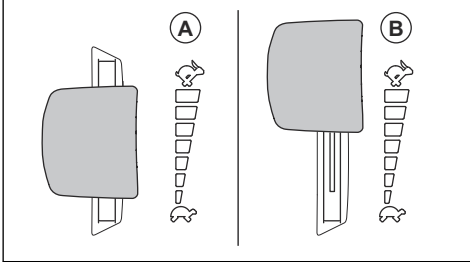
1. Do a check of the engine oil level. Refer to *To do a check of the engine oil level on page 29*.
2. Fill the fuel tank with fuel. Refer to *To fill fuel on page 15*.
3. Make sure that the fuel shut-off valve is open. The fuel shut-off valve is open when the tab is in the direction of the fuel hose.



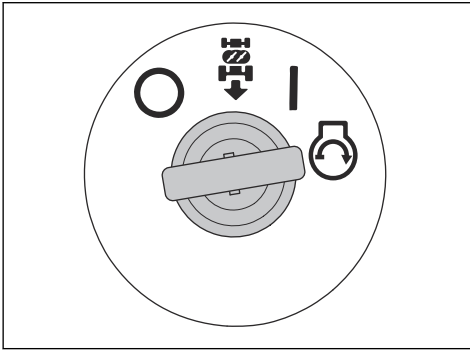
4. Make sure that the drive system is engaged. Refer to *To engage and disengage the drive system on page 16*.
5. Put the cutting deck in the highest position. Refer to *To set the cutting height (TS 112) on page 17* or *To set the cutting height (TS 114) on page 17*.

To start the engine

1. Make sure that the cutting deck is disengaged. Refer to *To engage and disengage the cutting deck (TS 112)* on page 17 or *To engage and disengage the cutting deck (TS 114)* on page 17.
2. Sit in the seat in work position.
3. Apply the parking brake. Refer to *To apply and release the parking brake* on page 16.
4. Push the throttle control to the half throttle position (A).



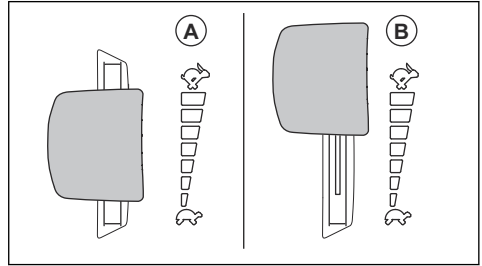
5. Turn the ignition key to the start position. When the engine starts, immediately release the ignition key. The ignition key goes back to the ON (I) position automatically when you release it.



CAUTION: Do not operate the starter for more than 5 seconds at a time. If the engine does not start, wait 15 seconds before you try again.

6. Let the engine operate at half throttle for 3–5 minutes before you apply heavy load.

7. Push the throttle control to the full throttle position (B).



CAUTION: To engage the cutting deck when the engine is at full speed causes strain on the drive belts. Engage the cutting deck before you put the throttle control in the full throttle position.

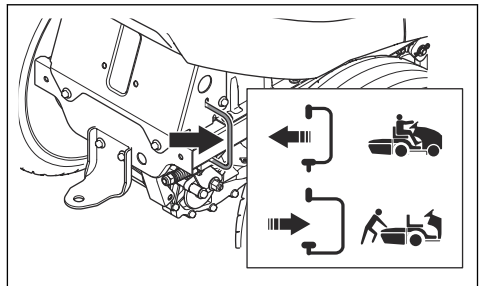
To engage and disengage the drive system

To move the product with the engine off, the drive system must be disengaged.



CAUTION: Make sure that you fully pull out or push in the lever. Do not use middle positions.

The lever to engage or disengage the drive system is found behind the right rear wheel.

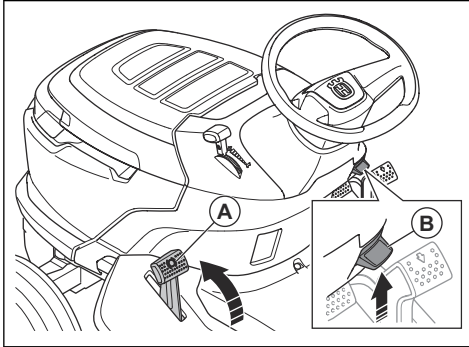


- Push the lever in fully to engage the drive system.
- Pull the lever out fully to disengage the drive system.

To apply and release the parking brake

- To apply the parking brake, do the steps that follow.

- a) Push down the parking brake pedal (A) fully and pull up the parking brake lock (B).



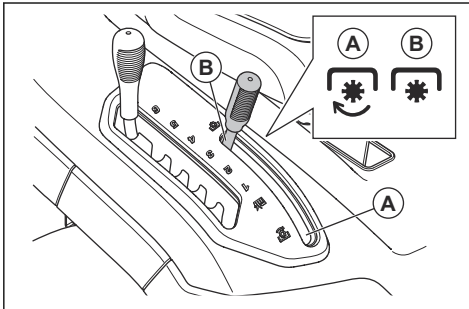
- b) Release the parking brake pedal.
- To release the parking brake, push down on the parking brake pedal and release it.

To engage and disengage the cutting deck (TS 112)



WARNING: Do not operate the cutting deck without a deflector installed to the grass discharge.

- Move the blade engagement control to the engaged position (A) to engage the cutting deck.



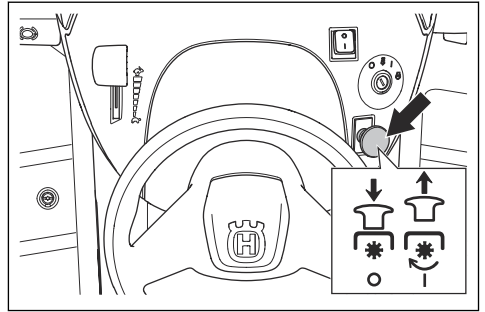
- Move the blade engagement control to the disengaged position (B) to disengage the cutting deck.

To engage and disengage the cutting deck (TS 114)



WARNING: Do not operate the cutting deck without a deflector installed to the grass discharge.

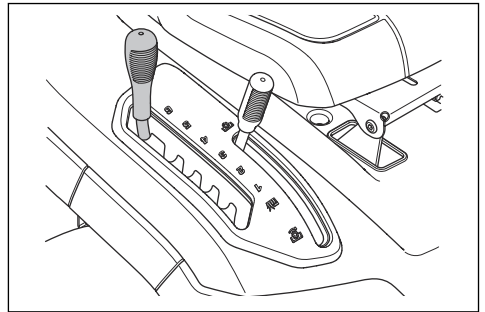
- Pull out the PTO button to engage the cutting deck.



- Push in the PTO button to disengage the cutting deck.

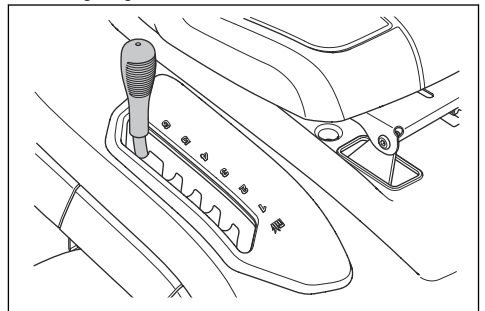
To set the cutting height (TS 112)

- Pull the cutting height lever in the direction of the seat and put it in 1 of the notches for the correct cutting height.



To set the cutting height (TS 114)

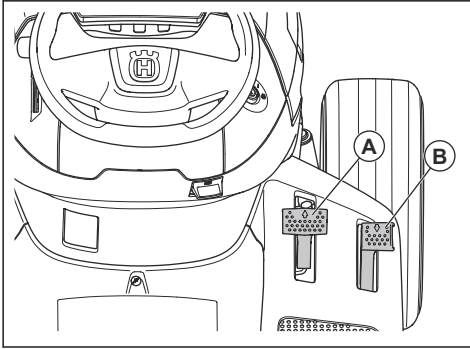
- Pull the cutting height lever in the direction of the seat and put it in 1 of the notches for the correct cutting height.



To operate the product

1. Start the engine. Refer to *To start the engine* on page 16.

2. Release the parking brake. Refer to *To apply and release the parking brake on page 16*.
3. Carefully push the forward pedal (A) or the rearward pedal (B). The speed increases the more the pedal is pushed down.



Note: The forward pedal and the rearward pedal go back to their neutral position when they are released.

4. Release the pedals to brake.
5. Select the correct cutting height. Refer to *To set the cutting height (TS 112) on page 17* or *To set the cutting height (TS 114) on page 17*.
6. Engage the cutting deck. Refer to *To engage and disengage the cutting deck (TS 112) on page 17* or *To engage and disengage the cutting deck (TS 114) on page 17*.

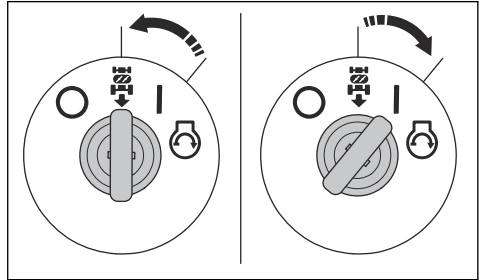
To use the reverse operation system (ROS)

Note: If you try to go rearward with the product when the cutting deck is engaged, the engine stops immediately. Engage the ROS to go rearward with the product when the cutting deck is engaged.



WARNING: Before and while you operate the product rearward, look down and behind the product for the safety of others.

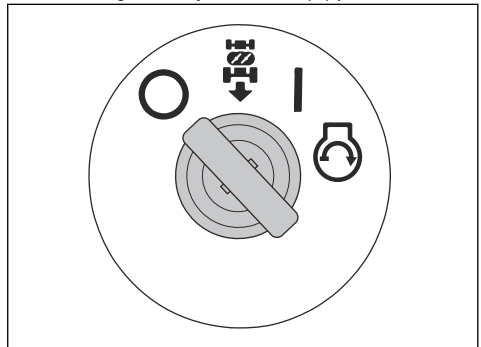
1. Turn the ignition key counterclockwise to the ROS position to engage the ROS.



2. Slowly push down the rearward pedal to start movement.
3. Turn the ignition key clockwise to the engine ON (I) position to disengage the ROS.

To stop the engine

1. Disengage the cutting deck. Refer to *To engage and disengage the cutting deck (TS 112) on page 17* or *To engage and disengage the cutting deck (TS 114) on page 17*.
2. Turn the ignition key to the OFF (O) position.

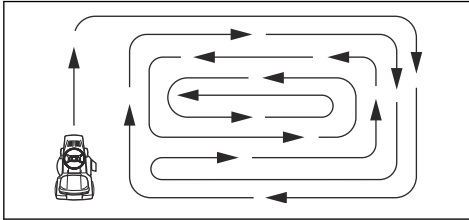


3. When the product stops, apply the parking brake. Refer to *To apply and release the parking brake on page 16*.

To get a good cutting result

- For best performance, do maintenance on the product regularly as given in the maintenance schedule. Refer to *Maintenance schedule on page 19*.
- Do not cut a wet lawn. Wet grass can give a bad cutting result.
- Do not use tire chains when you operate the product with a cutting deck..
- Make sure that the cutting deck is level. Refer to *To adjust the parallelism of the cutting deck on page 27*.
- If the grass is high, start with a high cutting height and decrease it gradually.

- Move the product forward at low speed if the grass is high and thick.
- Use full throttle when you cut the grass.
- Cut the grass in an irregular pattern.
- Use the left side of the cutting deck when you cut near trees, bushes or paths. The blade cuts approximately 15 mm in from the side of the cutting deck.
- When you cut large areas, move the product to the right during 1 or 2 turns around the work area. This procedure will keep the grass discharge away from shrubs, fences and driveways. After approximately 2 turns around the work area, cut in the opposite direction.
- To get the best cutting result, cut the grass frequently.



Maintenance

Introduction



WARNING: Before you do any maintenance work you must read and understand the safety chapter.

Maintenance schedule

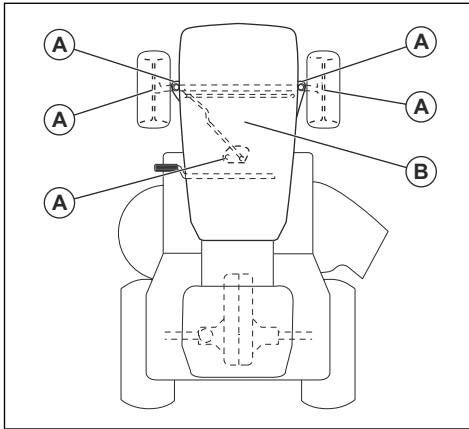
X = The instructions are given in this operator's manual.

O = The instructions are not given in this operator's manual. Let an approved service agent do the maintenance.

Maintenance schedule		Before each use/ weekly	Every 50 h or an- nually
General	Clean the battery and the terminals.		O
	Do a check of the battery level. Charge the battery if it is necessary.		X
	Examine all belts and pulleys for wear and damage. Replace worn or damaged parts.		O
	Clean the engine and the transmission.	X	X
	Examine all wires for damage.		O
	Lubricate the product. Refer to the lubrication overview.		X
	Make sure that all fasteners are tightened correctly.		O
	Make sure that the tire pressure is correct in all tires.	X	X

Maintenance schedule		Before each use/ weekly	Every 50 h or annually
Engine	Examine the fuel hose for wear and damage. Replace the fuel hose if it is necessary.		O
	Replace the fuel filter.		X
	Clean the air filter.	X	
	Replace the air filter.		X
	Examine the muffler and the heat deflector.	X	X
	Do a check of the engine oil level. Fill with engine oil if it is necessary.	X	
	Replace the engine oil.		X
	Replace the engine oil filter.		X
	Replace the spark plug.		X
	Do a check of the engine speed. Adjust the engine speed if it is necessary.		O
Transmission, controls and drive system	Examine the transmission cooling fan.	X	X
	Remove the wheels and lubricate the axles.		O
	Make sure that the product does not move when the pedals are in the neutral position.		X
	Do a check of the forward and rearward drive at different speeds.		O
	Do a check of the switch for the blade engagement control.		X
	Do a check of the switch for the cutting height lever.		X
	Do a check of the switches for the forward pedal and rearward pedal.		X
	Do a check of the parking brake.	X	
	Do a check of the operator presence control (OPC).	X	
Cutting equipment	Clean the cutting deck, below the belt covers and below the cutting deck.		X
	Do a check of the parallelism of the cutting deck. Adjust the cutting deck if it is necessary.		X
	Examine the cutting deck belt for wear and damage.		O
	Examine the blades for wear and damage. Sharpen or replace the blades if it is necessary.		X
	Do a check of the blade brakes (if equipped).		O
	Examine the grass catcher and the switches for the grass catcher (TC models only).		X

Lubrication schedule



A. General lubrication. Lubricate the spindle grease connection and the gear teeth of the sector gear and the steering column.

B. Engine lubrication. Refer to *To do a check of the engine oil level on page 29*.

To clean the product



CAUTION: Do not use a high-pressure washer or a steam cleaner. Water can go into bearings and electrical connections and cause corrosion which causes damage to the product.

Clean the product immediately after use.

- Do not clean hot surfaces such as the engine, muffler and exhaust system. Wait until the surfaces are cool, then remove the grass or dirt.
- Before you clean with water, clean with a brush. Remove grass cuttings and dirt on and around the transmission, the transmission air intake, and the engine.
- Clean the top of cutting deck, below the belt covers and below the cutting deck. To clean the cutting deck, refer to *To clean the cutting deck on page 21*.
- Use running water from a hose to clean the product. Do not use high pressure.
- Do not point the water at electrical components or bearings. Detergent usually increases the damage.
- When the product is clean, start the cutting deck for a short period to blow off remaining water.

To clean the engine and the muffler

Keep the engine and muffler free from grass cuttings and dirt. Grass cuttings soaked in fuel or oil on the engine can increase the fire risk and the risk that the engine becomes too hot. Let the engine cool before it is cleaned. Clean with water and a brush.

Grass cuttings around the muffler dry quickly and are a fire risk. Use a brush or remove the grass cuttings with water when the muffler is cold.

To clean the cutting deck



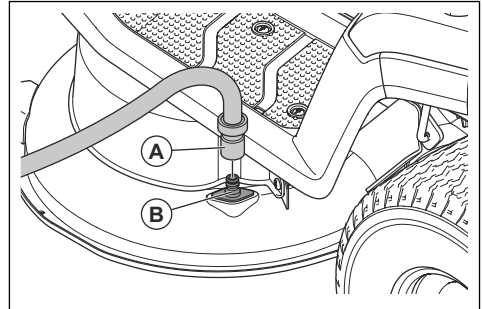
WARNING: Do not use the product with a broken or missing deck washout port. There is a risk of thrown objects. Replace a broken or missing deck washout port immediately.

1. Park the product in a clear area on your lawn that is near a water source with a garden hose.



CAUTION: Do not point the discharge chute of the product in the direction of buildings or vehicles.

2. Make sure that the cutting deck is disengaged. Refer to *To engage and disengage the cutting deck (TS 112) on page 17* or *To engage and disengage the cutting deck (TS 114) on page 17*.
3. Stop the engine. Refer to *To stop the engine on page 18*.
4. Apply the parking brake. Refer to *To apply and release the parking brake on page 16*.
5. Connect a garden hose (A) to the deck washout port (B) and start the water supply.



6. Sit in the seat and start the engine. Refer to *To start the engine on page 16*.



CAUTION: Examine the area again to make sure that the area is clear before you start the engine.

7. Engage the cutting deck and let it operate at full throttle until the cutting deck is clean. Refer to *To engage and disengage the cutting deck (TS 112) on page 17* or *To engage and disengage the cutting deck (TS 114) on page 17*.
8. Disengage the cutting deck and stop the engine. Refer to *To engage and disengage the cutting deck (TS 112) on page 17* or *To engage and disengage the cutting deck (TS 114) on page 17* and *To stop the engine on page 18*.

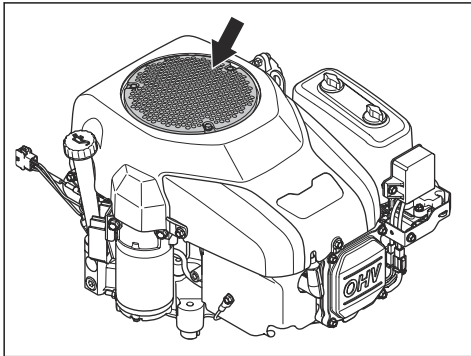
9. Stop the water supply and disconnect the garden hose from the deck washout port.
10. Move the product to a dry area.
11. Sit in the seat and start the engine. Refer to *To start the engine on page 16*.
12. Engage the cutting deck and let it operate until the cutting deck is dry.

To clean the air intake of the engine



WARNING: Stop the engine. The air intake has rotating parts which can cause injury to your fingers.

- Open the engine cover. Make sure that the air intake on the engine is not blocked. Remove grass and dirt with a brush.

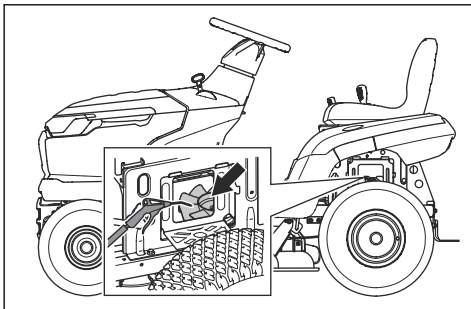


To clean the cooling fan on the transmission

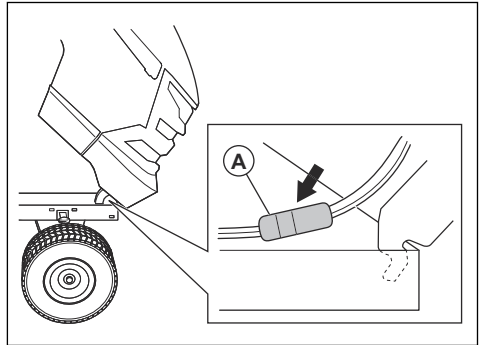


WARNING: Stop the engine. The cooling fan rotates and can cause injury to your fingers.

1. Clean the cooling fan with compressed air through the hole in the chassis above the left rear wheel.



To remove and install the engine cover



1. Open the engine cover.
2. Disconnect the headlight wire connector (A).
3. Tilt the engine cover forward and lift it to remove it from the product.
4. Install the engine cover in the opposite sequence.

To replace the headlight bulb

1. Open the engine cover.
2. Turn the bulb holder slightly counterclockwise and pull it out from the reflector.
3. Replace the bulb in the bulb holder.
4. Push the bulb holder into the reflector.
5. Turn the bulb holder slightly clockwise to install it.
6. Close the engine cover.

To do a check of the parking brake

1. Park the product on a hard surface that slopes.

Note: Do not park the product on a grass slope when you do a check of the parking brake.

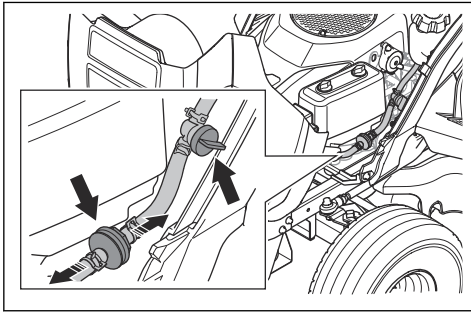
2. Apply the parking brake. Refer to *To apply and release the parking brake on page 16*.
3. If the product starts to move, let an approved service agent adjust the parking brake.
4. Push the parking brake pedal again to release the parking brake.

To replace the fuel filter

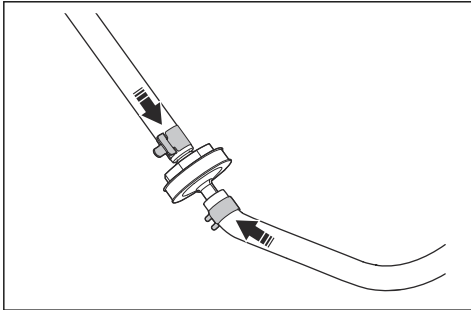
Note: The illustration shows one type of fuel filter. The fuel filter on your product can be different, but the procedure is the same.

1. Open the engine cover to get access to the fuel filter.
2. Close the fuel shut-off valve.
3. Compress the fuel tank hose to prevent leakage.

4. Move the hose clips away from the fuel filter with a pair of flat pliers.
5. Pull the fuel filter from the hose ends. A small quantity of fuel can leak.

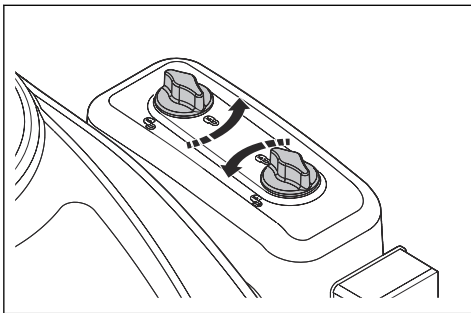


6. Push the new fuel filter into the hose ends. Apply liquid detergent to the ends of the fuel filter to make the connection easier.
7. Push the hose clips against the fuel filter.

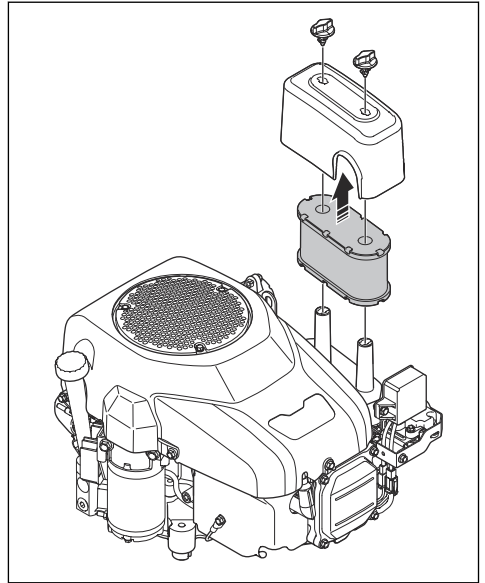


To clean and replace the air filter

1. Open the engine cover.
2. Loosen the knobs that hold the air filter cover and remove the cover.



3. Remove the air filter cartridge from the filter housing.



4. To clean the foam air filter, do the steps that follow.
 - a) Remove the foam air filter from the air filter cartridge.
 - b) Clean the foam air filter with a weak detergent.
 - c) Let the foam air filter become dry.
 - d) Install the foam air filter around the air filter cartridge.
5. To clean the paper air filter, do the steps that follow.
 - a) Hit the paper air filter against a hard surface.
 - b) Blow with compressed air from the inner side of the paper air filter.



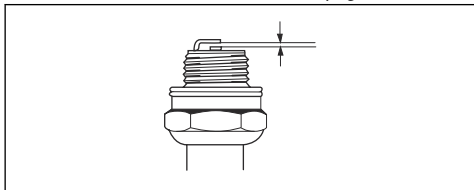
CAUTION: If the paper air filter does not become clean, the paper air filter must be replaced.

6. Install in the opposite sequence.

To examine and replace a spark plug

1. Open the engine cover.
2. Remove the spark plug cap and clean around the spark plug.
3. Remove the spark plug with a spark plug wrench.
4. Examine the spark plug. Replace it if the electrodes are burned or if the insulation has cracks or damages. If the spark plug is not damaged, clean it with a steel brush.

5. Measure the electrode gap and make sure that it is correct. Refer to *Technical data on page 36*.



6. Bend the side electrode to adjust the electrode gap.
7. Put the spark plug back in and turn it by hand until it touches the spark plug seat.
8. Tighten the spark plug with the spark plug wrench until the washer is compressed.
9. Tighten a used spark plug $\frac{1}{8}$ of a turn more, and a new spark plug $\frac{1}{4}$ turn more.



CAUTION: Spark plugs that are not tightened correctly can cause damage to the engine.

10. Attach the spark plug cap.

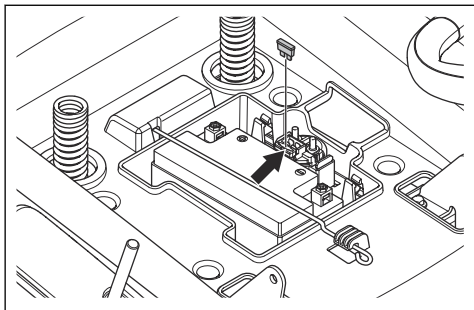


CAUTION: Do not try to start the engine if the spark plug or ignition cable is removed.

To replace the main fuse

The main fuse is found in the fuse holder on the start relay below the seat.

1. Fold the seat forward.
2. Remove the connector from the fuse holder.
3. Pull the main fuse from the fuse holder.



4. Replace the blown fuse with a new fuse of the same type. Refer to *Technical data on page 36*.

If the main fuse blows again a short period after you replace it, there is a short circuit. Repair the short circuit before you operate the product again.

To charge the battery

- Charge the battery if it is too weak to start the engine.
- Use a standard battery charger.



CAUTION: Do not use a boost charger or start booster. That will cause damage to the electrical system of the product.

- Always disconnect the charger before starting the engine.

To do an emergency start of the engine

If the battery is too weak to start the engine, you can use jumper cables to do an emergency start. This product has a 12 V system with negative ground. The product that is used for the emergency start must also have a 12 V system with negative ground.

To connect the jumper cables

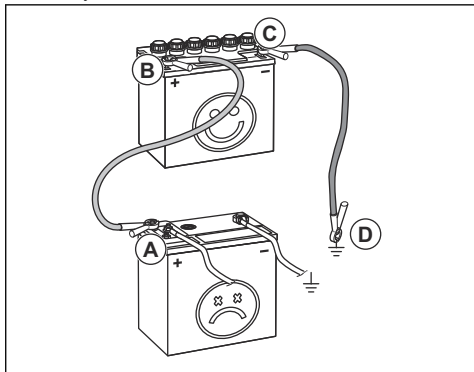


WARNING: Risk of explosion because of explosive gas that comes from the battery. Do not connect the negative terminal of the charged battery to or near the negative terminal of the weak battery.



CAUTION: Do not use the battery of your product to start other vehicles.

1. Connect one end of the red battery cable to the POSITIVE (+) battery terminal (A) on the weak battery.



2. Connect the other end of the red battery cable to the POSITIVE (+) battery terminal (B) on the charged battery.



WARNING: Do not let the ends of the red battery cable touch the chassis. This will cause a short circuit.

3. Connect one end of the black battery cable to the NEGATIVE (-) battery terminal (C) on the charged battery.
4. Connect the other end of the black battery cable to a CHASSIS GROUND (D), away from the fuel tank and the battery.

To remove the jumper cables

Note: Remove the jumper cables in the opposite sequence to how you connect them.

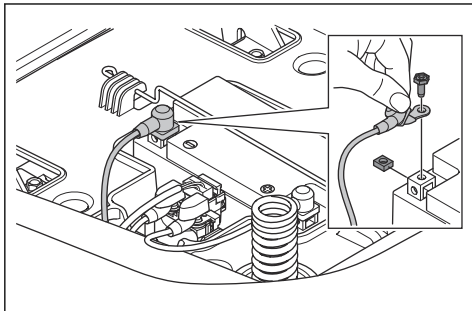
1. Remove the BLACK cable from the chassis.
2. Remove the BLACK cable from the fully charged battery.
3. Remove the RED cable from the 2 batteries.

To replace the battery



WARNING: Risk of electrical shock and burn injuries. Do not use metal wristbands or other metal accessories. Metal items that touch the battery terminals can cause burn injuries, electrical shock, and short circuit of the battery.

1. Stop the product.
2. Fold the seat forward.
3. Remove the terminal cover on the black battery cable.
4. Remove the screw, the nut, and the black battery cable from the negative (-) terminal on the battery.



WARNING: Risk of electrical shock and burn injuries. The black battery cable must be disconnected before you disconnect the red battery cable.

5. Remove the terminal cover on the red battery cable.
6. Remove the screw, the nut, and the red battery cable from the positive (+) terminal on the battery.
7. Carefully remove the battery from the product.
8. Put a new battery in position.

9. Attach the red battery cable to the positive (+) terminal on the battery and install the nut and the screw.



WARNING: Risk of electrical shock and burn injuries. The red battery cable must be connected to the positive (+) terminal before you connect the black battery cable to the negative (-) terminal.

10. Attach the black cable to the negative (-) terminal on the battery and install the nut and the screw.
11. Install the terminal covers.

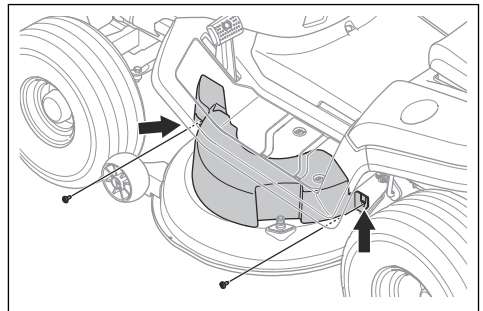
Tire pressure

Make sure that the tire pressure is correct in all 4 tires. Refer to *Technical data on page 36*.

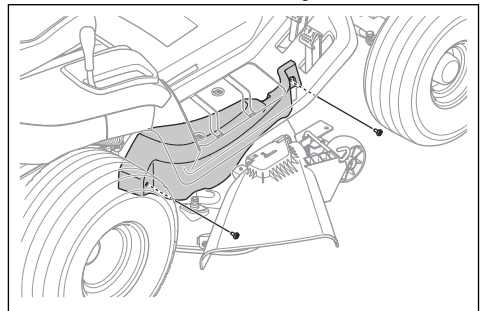
Cutting deck

To remove and install the cutting deck

1. Disengage the cutting deck and stop the engine.
2. Put the cutting deck in the lowest position.
3. Remove the 2 screws and the left belt cover.

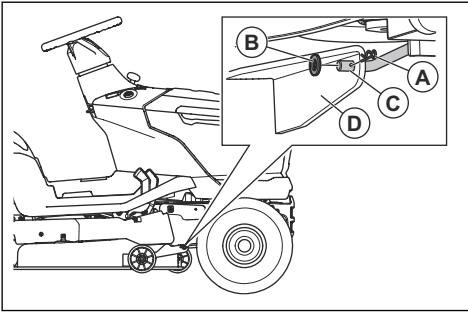


4. Remove the 2 screws and the right belt cover.



5. Move the drive belt off the left blade pulley to decrease the tension of the drive belt.
6. Remove the drive belt from the engine pulley.
7. Do the steps that follow to disconnect the front link.

- a) Remove the clip (A) and the washer (B).



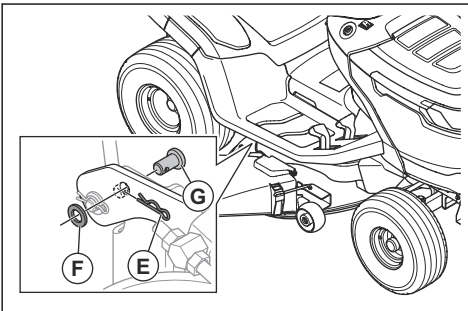
- b) Disconnect the front link (C) from the bracket (D) on the cutting deck.

8. Do the steps that follow to disconnect the 2 rear links. There is one rear link on the left side and one rear link on the right side of the product.



WARNING: The cutting deck is heavy. Use a crowbar or equivalent below the cutting deck to hold the weight of the cutting deck when you disconnect the 2 rear links.

- a) Remove the clip (E), the washer (F) and the pin (G) from the left rear link.



- b) Disconnect the cutting deck from the left rear link.
c) Pull and hold the cutting height lever in the lowest position with one hand. Remove the clip, the washer and the pin from the right rear link.



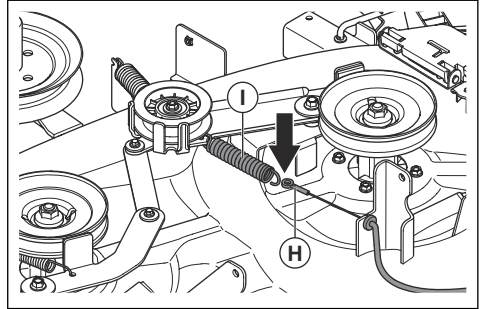
WARNING: Do not release the cutting height lever. The mechanism for the cutting height adjustment is spring-loaded. The force from the spring can cause crush injury if you do not pull and hold the cutting height lever.

- d) Disconnect the cutting deck from the right rear link.
e) Carefully release the cutting height lever.

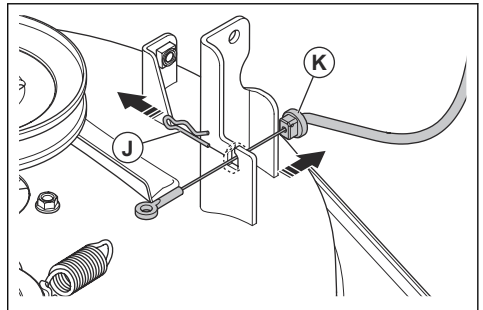


WARNING: The mechanism for the cutting height adjustment is spring-loaded. The force from the spring can cause crush injury. Keep body parts away.

9. Move the cutting height lever to the highest position.
10. For the TS 112 model, do the steps that follow to disconnect the clutch cable.
a) Disconnect the clutch cable (H) from the spring (I) on the belt tensioner.



- b) Remove the clip (J) and pull out the clutch cable holder (K) from the bracket on the cutting deck.

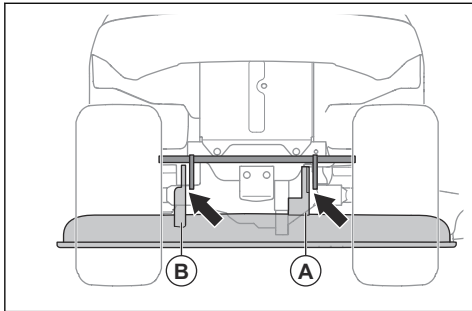


11. Remove the cutting deck from the product.
12. Install the cutting deck in the opposite sequence.



CAUTION: Make sure that the drive belt is installed correctly and does not get compressed when you install the cutting deck.

- a) Make sure that the brackets are in the correct position when you install the cutting deck. The bracket on the right side (A) must be on the inner side of the right rear link. The bracket on the left side (B) must be on the outer side of the left rear link.

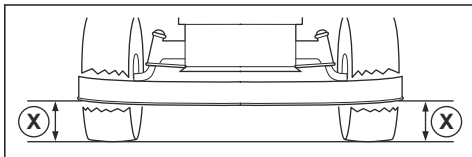


To adjust the parallelism of the cutting deck

To do a side-to-side adjustment of the cutting deck

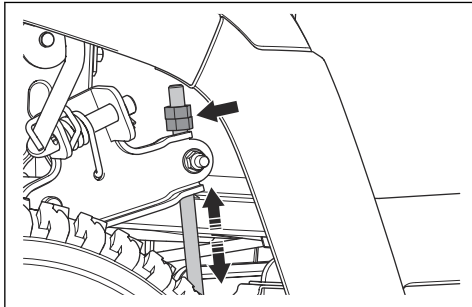
If the cutting height is different between the right and left side, the cutting height can be adjusted.

1. Make sure that the tire pressure is correct in all 4 tires. Refer to *Tire pressure on page 25*.
2. Park the product on a level surface.
3. Put the cutting deck in the highest position.
4. Measure the distance (X) from the bottom edge of the cutting deck to the ground on the left and right side. The distance must be the same on the 2 sides.



WARNING: The blades on the cutting deck are sharp and can cause injury. Use protective gloves.

5. Loosen the locknuts on the cutting height stays.



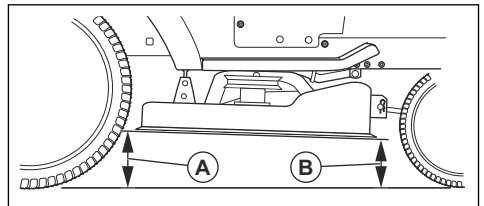
Note: The cutting height stays are behind the cutting deck, in front of the rear wheels.

6. Adjust the nuts on the cutting height stays until the cutting deck has the same cutting height on the left and right side.
 - a) Turn the nuts counterclockwise to lower the cutting deck.
 - b) Turn the nuts clockwise to lift the cutting deck.
7. Measure the distance again. Adjust until the 2 sides are equal.
8. Tighten the locknuts when the side-to-side adjustment is complete.
9. Cut some grass and examine the results. Adjust if it is necessary.

To do a front-to-rear adjustment of the cutting deck

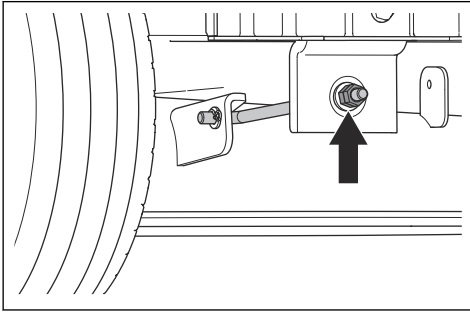
The cutting deck must be level side to side before you do front to rear adjustment. Refer to *To do a side-to-side adjustment of the cutting deck on page 27*.

1. Make sure that the tire pressure is correct in all 4 tires. Refer to *Tire pressure on page 25*.
2. Park the product on a level surface.
3. Put the cutting deck in the highest position.
4. Measure the distance from the bottom edge of the cutting deck to the ground at the rear (A) and at the front (B). The distance at the front must be 5–10 mm lower than at the rear.



WARNING: The blades on the cutting deck are sharp and can cause injury. Use protective gloves.

- If it is necessary to make a front adjustment, loosen the locknut and turn the nut on the front link.



Note: The front link is in the front of the product, behind the muffer.

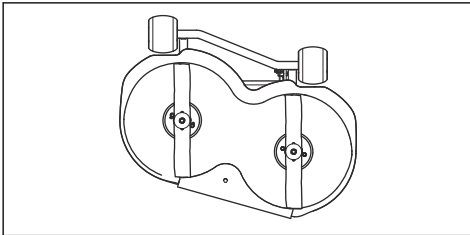
- Turn the nut counterclockwise to lower the front of the cutting deck.
- Turn the nut clockwise to lift the cutting deck.
- Tighten the locknut when the front adjustment is complete.

To examine the blades



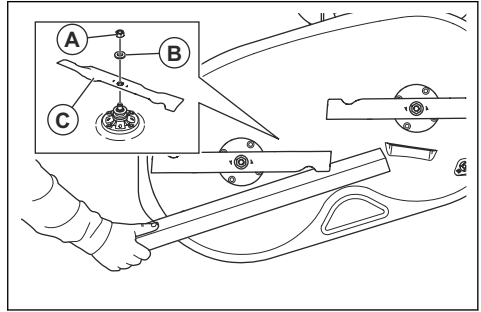
CAUTION: Damaged or incorrectly balanced blades can cause damage to the product. Replace damaged blades. Let an approved service agent help you sharpen and balance blunt blades.

- Remove the cutting deck. Refer to *To remove and install the cutting deck on page 25*.
- Look at the blades to see if they are damaged and if it is necessary to sharpen them.



To replace the blades (TS 112)

- Lock the blade with a wooden block.



- Remove the nut (A), the washer (B), and the blade (C).
- Install the new blades. Make sure that the bent ends on the blades point up.

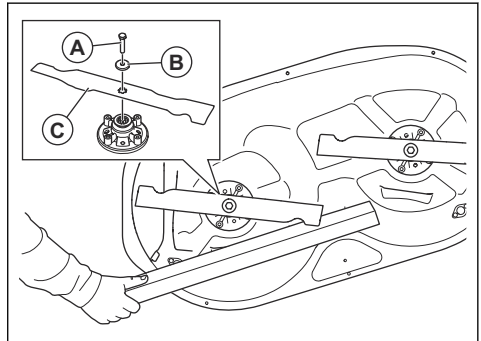


WARNING: Incorrect blade type can cause objects to eject from the cutting deck and cause serious injury. Use only the blades given in *Technical data on page 36*.

- Tighten the nut to 200 Nm.

To replace the blades (TS 114)

- Lock the blade with a wooden block.



- Remove the bolt (A), the washer (B), and the blade (C).
- Install the new blades with the bent ends in the direction of the cutting deck.

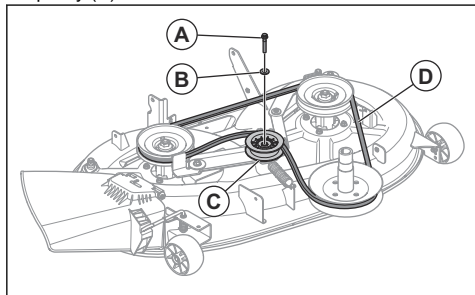


WARNING: Incorrect blade type can cause objects to eject from the cutting deck and cause serious injury. Use only the blades given in *Technical data on page 36*.

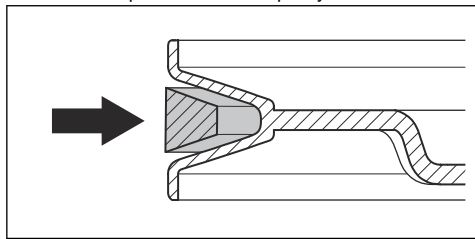
- Tighten the bolts to 80 Nm.

To replace the cutting deck belt

1. Remove the cutting deck. Refer to *To remove and install the cutting deck on page 25*.
2. Remove the dirt and grass around the bearing housings, blade pulleys and from the top surface of the cutting deck.
3. Remove the bolt (A), the washer (B) and the idler pulley (C).



4. Remove the cutting deck belt (D) from the blade pulleys on the cutting deck.
5. Install a new drive belt in the opposite sequence.
 - a) Make sure that the cutting deck belt is in the correct position in all belt pulleys.



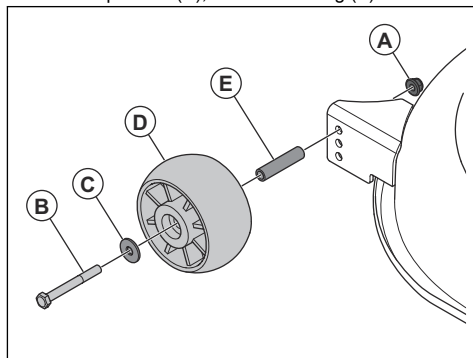
CAUTION: Make sure that the cutting deck belt is correctly installed and not twisted. Refer to the belt routing decal on the cutting deck.

To adjust the anti-scalp wheels

The anti-scalp wheels keep the cutting deck in the correct position on the ground and prevent lawn scalping in most terrain conditions. The anti-scalp wheels are adjusted correctly when they are slightly off the ground when the cutting deck is at the necessary cutting height.

1. Park the product on a level surface and stop the engine.
2. Put the cutting deck in the necessary cutting height. Refer to *To set the cutting height (TS 112) on page 17* or *To set the cutting height (TS 114) on page 17*.

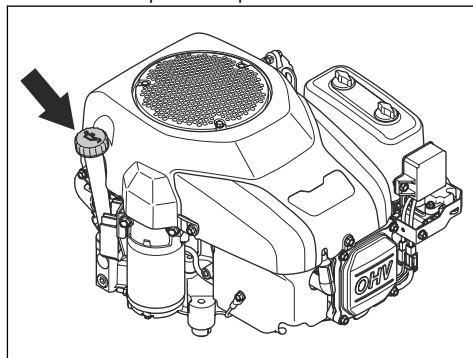
3. Remove the nut (A), the bolt (B), the washer (C), the anti-scalp wheel (D), and the bushing (E).



4. Install the anti-scalp wheel, the bushing, the bolt, the washer, and the nut in 1 of the 3 holes.
5. Adjust all anti-scalp wheels in the same procedure.

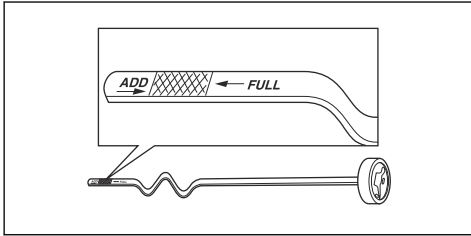
To do a check of the engine oil level

1. Park the product on level ground and stop the engine.
2. Open the engine cover.
3. Loosen the dipstick and pull it out.



4. Clean the oil from the dipstick.
5. Put the dipstick back in and tighten it.
6. Loosen and pull the dipstick out and read the oil level.

- The oil level must be between the marks on the dipstick. If the level is near the ADD mark, fill oil to the FULL mark.



- Fill the oil through the hole that the dipstick sits in. Fill the oil slowly.

Note: Refer to *Technical data on page 36* for the types of engine oil that we recommend. Do not mix different types of oil.

- Tighten the dipstick correctly before you start the engine. Start and idle the engine for approximately 30 seconds. Stop the engine. Wait 30 seconds and do a check of the oil level again.

To replace the engine oil

If the engine is cold, start the engine and let it operate for 1–2 minutes before you drain the engine oil. This makes the engine oil warm and faster to drain.

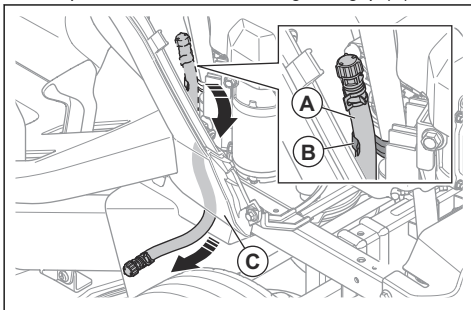


WARNING: Do not operate the engine for more than 1–2 minutes before you drain the engine oil. The engine oil becomes very hot and can cause burn injuries. Let the engine become cool before you drain the engine oil.



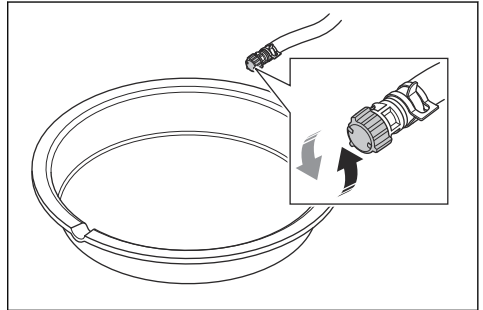
WARNING: If you spill engine oil on your body, clean with soap and water.

- Remove the oil drain hose (A) from the holder (B) and put the oil drain hose through the gap (C).

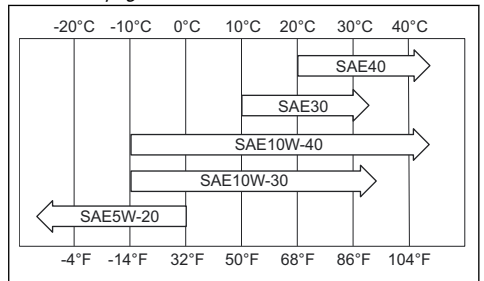


- Put a container below the oil drain plug.
- Remove the dipstick.

- Remove the end cap on the oil drain valve on the oil drain hose and let the engine oil drain into the container.



- When all oil is drained, install the end cap on the oil drain valve.
- If the engine has an oil filter, replace the oil filter. Refer to *To replace the oil filter (TS 114) on page 30*.
- Fill the oil slowly through the hole for the dipstick. Use an oil with viscosity that agrees with the temperature ranges in the figure. Refer to *Technical data on page 36*.



CAUTION: Do not mix different types of oil.

- Install the dipstick.
- Discard the used engine oil.

To replace the oil filter (TS 114)



WARNING: Use protective gloves. If you spill engine oil on your body, clean with soap and water.

- Drain the engine oil. Refer to *To replace the engine oil on page 30*.
- Turn the oil filter counterclockwise to remove it.
- Lightly lubricate the rubber seal on the new oil filter with new engine oil.
- Turn the oil filter clockwise by hand until the rubber seal is in position, then tighten a half turn more.

5. Fill the engine with new engine oil. Refer to *To replace the engine oil on page 30*.
6. Start the engine and let it operate at idle speed for 3 minutes.
7. Stop the engine and make sure that there is no oil leakage from the oil filter.
8. Fill with engine oil to make up for the oil held in the new oil filter.

Troubleshooting schedule

If you cannot find a solution to your problems in this operator's manual, speak to your Husqvarna servicing dealer.

Problem	Cause	Action
The starter motor does not crank the engine.	The parking brake is not applied.	Apply the parking brake. Refer to <i>To apply and release the parking brake on page 16</i> .
	The cutting deck is engaged.	Disengage the cutting deck. Refer to <i>To engage and disengage the cutting deck (TS 112) on page 17</i> .
	The main fuse is blown.	Replace the main fuse. Refer to <i>To replace the main fuse on page 24</i> .
	The ignition lock is broken.	Speak to your Husqvarna servicing dealer.
	The connection between the cable and the battery is bad.	Make sure that the battery is connected correctly. Refer to <i>To connect the battery on page 15</i> .
	The battery is too weak.	Charge the battery. Refer to <i>To charge the battery on page 24</i> .
	The starter motor is damaged.	Speak to your Husqvarna servicing dealer.
The engine does not start when the starter motor cranks the engine.	There is no fuel in the fuel tank.	Fill the fuel tank with fuel. Refer to <i>To fill fuel on page 15</i> .
	The spark plug is damaged.	Examine the spark plugs. Replace the spark plugs if it is necessary. Refer to <i>To examine and replace a spark plug on page 23</i> .
	The ignition cable is damaged.	Speak to your Husqvarna servicing dealer.
	There is dirt in the carburetor or fuel line.	Speak to your Husqvarna servicing dealer.
	The fuel filter is clogged.	Replace the fuel filter. Refer to <i>To replace the fuel filter on page 22</i> .

Problem	Cause	Action
The engine does not run smoothly.	The spark plug is damaged.	Examine the spark plugs. Replace the spark plugs if it is necessary. Refer to <i>To examine and replace a spark plug on page 23</i> .
	The carburetor is incorrectly set.	Speak to your Husqvarna servicing dealer.
	The air filter is clogged.	Clean or replace the air filter. Refer to <i>To clean and replace the air filter on page 23</i> .
	The fuel tank vent is blocked.	Speak to your Husqvarna servicing dealer.
	There is dirt in the carburetor or fuel line.	Speak to your Husqvarna servicing dealer.
	The fuel filter is clogged.	Replace the fuel filter. Refer to <i>To replace the fuel filter on page 22</i> .
The engine has no power.	The air filter is clogged.	Clean or replace the air filter. Refer to <i>To clean and replace the air filter on page 23</i> .
	The spark plug is damaged.	Examine the spark plugs. Replace the spark plugs if it is necessary. Refer to <i>To examine and replace a spark plug on page 23</i> .
	There is dirt in the carburetor or fuel line.	Speak to your Husqvarna servicing dealer.
	The throttle cable is incorrectly adjusted.	Speak to your Husqvarna servicing dealer.
The engine stops when you try to operate the product rearward.	The reverse operation system (ROS) is not engaged.	Engage the reverse operation system (ROS). Refer to <i>To use the reverse operation system (ROS) on page 18</i> .
The transmission does not have sufficient power.	The transmission air intake or the cooling fins are blocked.	Speak to your Husqvarna servicing dealer.
	The fan on the transmission is damaged.	Speak to your Husqvarna servicing dealer.
	There is no oil in the transmission or the oil level is too low.	Speak to your Husqvarna servicing dealer.
	The drive system is disengaged.	Engage the drive system. Refer to <i>To engage and disengage the drive system on page 16</i> .
The battery does not charge.	The battery is damaged.	Replace the battery. Refer to <i>To replace the battery on page 25</i> .
	The connection at the battery terminals is bad.	Make sure that the battery is connected correctly. Refer to <i>To connect the battery on page 15</i> .

Problem	Cause	Action
There is vibration in the product.	The blades are loose.	Tighten the blades. Refer to <i>To replace the blades (TS 112) on page 28.</i>
	The blades are incorrectly installed.	Make sure that the blades are installed correctly. Refer to <i>To replace the blades (TS 112) on page 28.</i>
	The blades are not balanced.	Examine the blades for wear and damage. Refer to <i>To examine the blades on page 28.</i>
	The engine is loose.	Speak to your Husqvarna servicing dealer.
	The belt pulleys are skew or loose.	Speak to your Husqvarna servicing dealer.
The cutting result is unsatisfactory.	The blades are blunt.	Examine the blades for wear and damage. Refer to <i>To examine the blades on page 28.</i>
	The grass is long or wet.	Refer to <i>To get a good cutting result on page 18.</i>
	The cutting deck is not parallel.	Adjust the parallelism of the cutting deck. Refer to <i>To adjust the parallelism of the cutting deck on page 27.</i>
	There is grass blockage in the cutting deck.	Clean the cutting deck. Refer to <i>To clean the cutting deck on page 21.</i>
	The air holes in the cutting deck are clogged.	Clean the cutting deck. Refer to <i>To clean the cutting deck on page 21.</i>
	There is dirt around the blade pulleys.	Clean the cutting deck. Refer to <i>To clean the cutting deck on page 21.</i>
	The tire pressure is different on the right and left sides.	Make sure that the tire pressure is correct in all 4 tires. Refer to <i>Tire pressure on page 25.</i>
	The product is operated at a too high speed.	Refer to <i>Technical data on page 36.</i>
	The engine speed is too low.	Refer to <i>Technical data on page 36.</i>
	The cutting deck belt slips.	Speak to your Husqvarna servicing dealer.
The cutting deck belt is worn or damaged.	Replace the cutting deck belt. Refer to <i>To replace the cutting deck belt on page 29.</i>	
The blades of the cutting deck does not start to rotate when the cutting deck is engaged.	There is no grass catcher, or other accessory, installed to the grass discharge (if applicable).	Install the grass catcher, or other accessory, to the grass discharge (if applicable).

Transportation, storage and disposal

Transportation

- The product is heavy and can cause crush injuries. Be careful when you load it onto or off a vehicle or trailer.
- Use an approved trailer for transportation of the product.
- Make sure that you have knowledge of local road traffic regulations before transportation of the product in a trailer or on roads.
- To make it easier to load the product onto a trailer, put the cutting deck in the highest position.

To safely attach the product for transportation



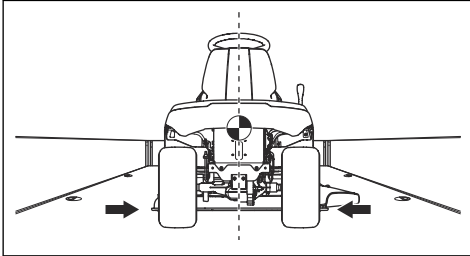
WARNING: Before you attach the product, you must read and understand the safety chapter. Refer to *Safety on page 7*.



WARNING: The parking brake is not sufficient to lock the product during transportation. Attach the product tightly to the load area.

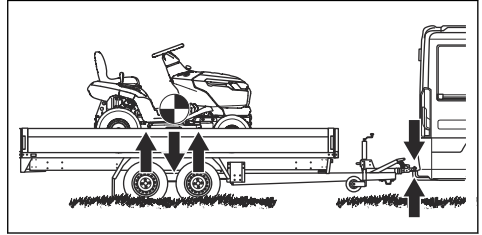
Equipment: 2 approved straps and 4 chocks.

1. Park the product in the center of the load area.

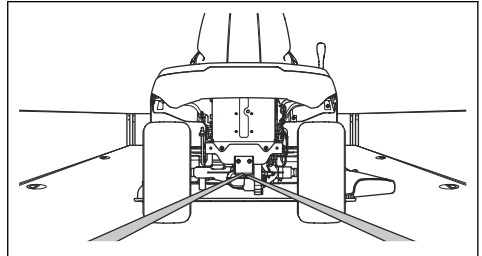


CAUTION: For transportation in transport vehicles with a cover, let the product become cool before you put it below the cover.

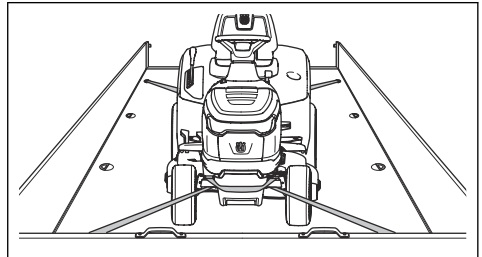
2. Make sure that the center of gravity of the product is above the wheel axle of the transport vehicle. If a trailer is used for transportation, make sure that the vertical force on the tow bar is correct.



3. Apply the parking brake.
4. Remove all loose objects.
5. Attach the first strap to the tow bar.

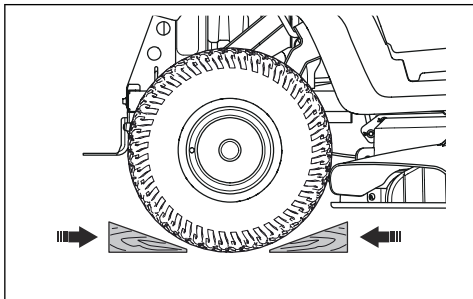


6. Tighten the strap rearward to attach the product to the load area.
7. Put the second strap around the front axle.



8. Attach the strap to the load area.
9. Tighten the strap in the direction of the front of the load area to attach the product to the load area.

10. Put the chocks in front of and behind the rear wheels.



Storage

Prepare the product for storage at the end of the season, and before more than 30 days of storage. If you keep fuel in the fuel tank for 30 days or more, tacky particles can cause blockage in the carburetor. This has a negative effect on the engine function.

To prevent tacky particles during storage, add a stabilizer. If alkylate gasoline is used, stabilizer is not necessary. If you use standard gasoline, do not change to alkylate gasoline. This can cause sensitive rubber parts to become hard. Add stabilizer to the fuel in the tank or in the container used for storage. Always use the mixing ratios given by the manufacturer. Run the engine for a minimum of 10 minutes after you add the stabilizer until it flows into the carburetor.



WARNING: Do not keep the product with fuel in the tank in an indoor location or in locations with bad airflow. Risk of fire if fuel fumes come near open flames, sparks, or pilot lights in for example boilers, hot water tanks and clothes dryers.



WARNING: Remove grass, leaves and other flammable materials from the product to decrease the risk of fire. Let the product become cool before you put it in storage.

- Clean the product, refer to *To clean the product on page 21*. Repair paint damages to prevent corrosion.
- Examine the product for worn or damaged parts and tighten loose screws and nuts.
- Remove the battery. Clean it, charge it, and keep it cool during storage.
- Change the engine oil, and discard the waste oil.
- Empty the fuel tank. Start the engine and let it operate until there is no remaining fuel in the carburetor.



CAUTION: Do not empty the fuel tank and carburetor if a stabilizer has been added.

- Close the fuel shut-off valve.
- Remove the spark plugs and put approximately a tablespoon of engine oil into each cylinder. Manually turn the engine shaft to apply the oil and put the plugs back on.
- Lubricate all grease nipples, joints and axles.
- Keep the product in a clean and dry area and put a cover on it for more protection.
- A cover for protection of your product during storage or transportation is available at your dealer.

Disposal

- Chemicals can be dangerous and must not be discarded on the ground. Always discard used chemicals at a service center or an applicable disposal location.
- When the product is worn out, send it to the dealer or to an applicable recycling location.
- Oil, oil filters, fuel and the battery can have negative effects on the environment. Obey the local recycling requirements and applicable regulations.
- Do not discard the battery as domestic waste.
- Send the battery to a Husqvarna service agent or discard it at a disposal location for used batteries.

Technical data

Technical data

	TS 112	TS 114
Dimensions		
Width, excl. cutting deck, mm	916	916
Width, incl. cutting deck, mm	1185	1185
Height, mm	1100	1100
Length, mm	1680	1680
Weight, incl. cutting deck, with empty tank, kg	182	184
Wheel base, mm	1152	1152
Track width, front, mm	730	730
Track width, rear, mm	700	700
Tire pressure, front, kPa/bar/PSI	150/1.5/21.76	150/1.5/21.76
Tire pressure, rear, kPa/bar/PSI	100/1/14.5	100/1/14.5
Front tires	15x6-6	15x6-6
Rear tires	18x8.5-8	18x8.5-8
Max. gradient, degrees °	10	10
Max. tow equipment weight, at 10° gradient, kg	100	100
Max. permitted vertical force on the towbar, N/kg	250/25	250/25
Max. permitted horizontal force on the towbar, N/kg	250/25	250/25
Engine		
Brand / model	Husqvarna / HS 413AE	Husqvarna / HS 452AE
Nominal engine output, kW ¹	8.0	9.0
Displacement, cm ³	413	452
Max. engine speed, rpm	2800	2800
Max. speed forward, km/h	9	9
Max. speed rearward, km/h	5	5
Fuel, lead-free, maximum ethanol/minimum octance grade	E10/92	E10/92
Fuel tank volume, liters	6	6

¹ The power rating of the engine indicated is the average net output (at specified rpm) of a typical production engine for the engine model measured to SAE standard J1349/ISO1585. Mass production engines may differ from this value. Actual power output for the engine installed on the final product will depend on the operating speed, environmental conditions and other values.

	TS 112	TS 114
Oil	Class SF, SH or SJ SAE40, SAE30, SAE10W-30, SAE10W-40 or SAE5W-20	Class SF, SH or SJ SAE40, SAE30, SAE10W-30, SAE10W-40 or SAE5W-20
Oil volume incl. oil filter, liters	N/A	1.2
Oil volume excl. oil filter, liters	1.15	1.15
Start motor	Electric start, 12 V	Electric start, 12 V
Transmission		
Brand / model	Hydro-Gear, T2	Hydro-Gear, T2
Oil volume, liters	2	2
Electrical system		
Type	12V, negative grounded	12V, negative grounded
Battery	12V, 20Ah	12V, 20Ah
Spark plug	HQT-9	HQT-9
Electrode gap, mm/inch	0.6–0.8/0.024–0.032	0.6–0.8/0.024–0.032
Lamp type	12V, 18W	12V, 18W
Cutting deck		
Cutting width, mm	950	950
Cutting height, 6 positions, mm	25–100	25–100
Noise emissions ²		
Sound power level, measured dB(A)	96	98
Sound power level, guaranteed dB(A)	100	100
Sound levels ³		
Sound pressure level at the operators ear, dB(A)	84	86
Vibration levels ⁴		
Vibration level on the steering wheel, m/s ²	4.9	5.6
Vibration level in the seat, m/s ²	1.6	2.0
Blades		
Blade length, mm	483	483
Article number	537 67 44-10	537 67 44-10

² Noise emissions in the environment measured as sound power (L_{WA}) in conformity with EC directive 2000/14/EC.

³ Noise pressure level according to EN ISO 5395. Reported data for noise pressure level has a typical statistical dispersion (standard deviation) of 3.0 dB(A).

⁴ Vibration level according to EN ISO 5395. Reported data for vibration level has a typical statistical dispersion (standard deviation) of 1.5 m/s² (steering wheel) and 1.5 m/s² (seat).



WARNING: Use only the cutting decks that are specified in this manual. Cutting decks that are not approved for this product can cause objects to eject at high speed and cause serious injury.

Control points	
Parallelism cutting deck with cutting height in position 1	5–10 mm / 0.197–0.394 in.
Control of cutting height in position 1	25 ± 2 mm / 0.98 ± 0.079 in.

Service

Service

Do a yearly check at an authorized service center to make sure that the product functions safely and at its best during high season. The best time to do a servicing or overhaul of the product is low season.

When you send an order for the spare parts, give information about the purchase year, model, type, and serial number.

Always use original spare parts.

Declaration of Conformity

EU Declaration of Conformity

We, Husqvarna AB, SE 561 82 Huskvarna, SWEDEN,
Tel. +46 36 146500 declare on our sole responsibility
that the product:

Description	Ride-on lawn mower
Brand	Husqvarna
Type / Model	TS 112, TS 114
Identification	Serial number dating 2023 and onwards

complies fully with the following EU directives and
regulations:

Directive/Regulation	Description
2006/42/EC	"relating to machinery"
2014/30/EU	"relating to electromagnetic compatibility"
2000/14/EC	"relating to the noise emissions in the environment"
2011/65/EU	"on the restriction of the use of certain hazardous substances in electrical and electronic equipment"

and that the following standards and/or technical
specifications are applied; EN ISO 5395-1:2013/
A1:2018, EN ISO 5395-3:2013/A1:2017/A2:2018, EN
ISO 14982:2009, EN IEC 63000:2018.

Notified body: 0197, TÜV Rheinland LGA Products
GmbH, Tillystrasse 2, 90431 Nürnberg, Germany
has certified conformity with the council's directive
2000/14/EC, conformity assessment procedure: Annex
VI.

For more information relating to noise emissions, refer to
Technical data on page 36.

Huskvarna, 2023-01-30



Claes Losdal, Development Manager/Garden Products,
Husqvarna AB

Responsible for technical documentation



UK Declaration of Conformity

We, Husqvarna AB, SE-561 82 Huskvarna, Sweden, tel: +46-36-146500, declare on our sole responsibility that the product:

Description	Ride-on lawn mower
Brand	Husqvarna
Type / Model	TS 112, TS 114
Identification	Serial numbers dating from 2023 and onwards

complies fully with the following UK regulations:

Description
The Supply of Machinery (Safety) Regulations 2008
Electromagnetic Compatibility Regulations 2016
The Noise Emission in the Environment by Equipment for use Outdoors Regulations 2001, schedule 9
The Restriction of the Use of Certain Hazardous Substances in Electrical and Electronic Equipment Regulations 2012

and that the following standards and/or technical specifications are applied: EN ISO 5395-1:2013/A1:2018, EN ISO 5395-3:2013/A1:2017/A2:2018, EN ISO 14982:2009, EN IEC 63000:2018.

Approved Body: AnP Certification Limited, 2 Parkfield Street, Rusholme, Manchester, M14 4PN, UK, has carried out certified conformity according to the Outdoor Noise Regulations of 2001, conformity assessment procedure: Schedule 9.

For more information relating to noise emissions, refer to *Technical data on page 36*.

Huskvarna, 2023-01-30



Claes Losdal, Development Manager/Garden Products, Husqvarna AB

Responsible for technical documentation

**UK
CA**

UK Importer:
Husqvarna UK Ltd
Preston Road, Co. Durham
DL5 6UP

Contenido

Introducción.....	41	Programa de resolución de problemas.....	73
Seguridad.....	46	Transporte, almacenamiento y eliminación.....	76
Montaje.....	52	Datos técnicos.....	79
Funcionamiento.....	55	Servicio técnico.....	81
Mantenimiento.....	59	Declaración de conformidad.....	82

Introducción

Inspección previa a la entrega y números de producto

copia firmada del documento de inspección previa a la entrega de su distribuidor.

Nota: Se ha realizado una inspección previa a la entrega de este producto. Asegúrese de que recibe una

Información de contacto del taller de servicio:	
Este manual de usuario pertenece a un producto con número de producto/número de serie:	
/	
Motor:	
Transmisión:	

Descripción del producto

Se trata de un tractor con el equipo de corte instalado entre los ejes delantero y trasero. Tiene un motor de 4 tiempos que utiliza gasolina.

Uso previsto

Este producto se ha concebido para cortar el césped en jardines privados y en jardines privados con pendientes cuya inclinación sea inferior a 10°. No se ha concebido para su uso en parques públicos, instalaciones deportivas, aplicaciones agrícolas o aplicaciones forestales. Conecte accesorios opcionales para utilizar el producto para otras tareas. Utilice el producto solo con accesorios homologados por

el fabricante. Póngase en contacto con un taller de servicio autorizado para obtener más información.

Un uso diferente del producto se considerará un uso incorrecto. La garantía se anulará y el fabricante no asumirá responsabilidad alguna en caso de daños a terceros o al usuario.

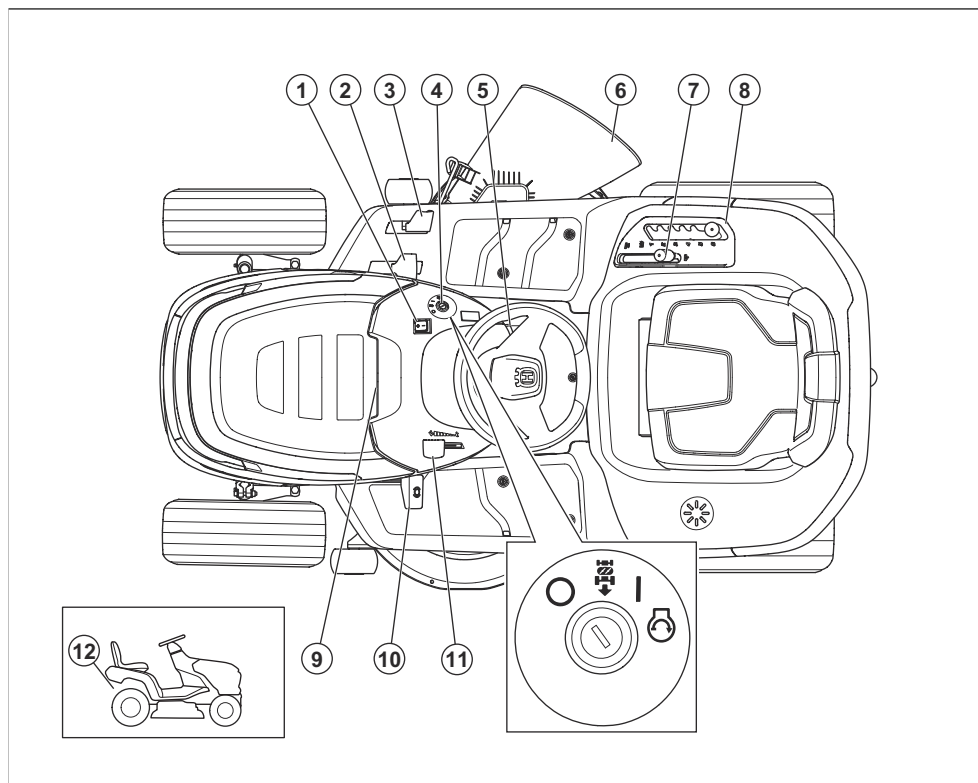
Consulte las directivas locales relativas al uso de cortacéspedes.

Asegure su producto

Asegúrese de que tiene su seguro cubre el nuevo producto. Si tiene cualquier duda, hable con su compañía de seguros. Se recomienda un seguro a todo riesgo que incluya terceros, incendio, daños, robo y responsabilidad.

Descripción del producto

Descripción del producto (TS 112)



1. Interruptor de las luces

2. Pedal de avance

3. Pedal de marcha atrás

4. Contacto

5. Bloqueo del freno de estacionamiento

6. Deflector

7. Control de acoplamiento de las cuchillas

8. Palanca de altura de corte

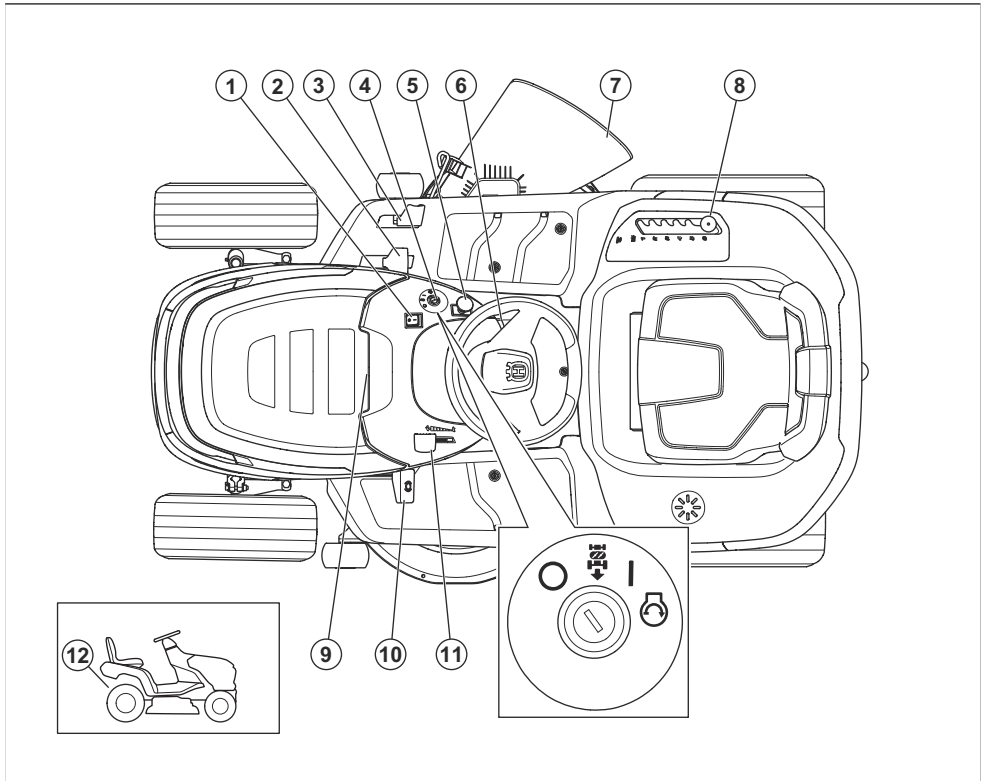
9. Contador de horas (debajo de la cubierta del motor)

10. Pedal del freno de estacionamiento

11. Acelerador

12. Palanca para engranar o desengranar la transmisión

Descripción del producto (TS 114)



1. Interruptor de las luces
2. Pedal de avance
3. Pedal de marcha atrás
4. Contacto
5. botón de la TDF
6. Bloqueo del freno de estacionamiento
7. Deflector
8. Palanca de altura de corte
9. Contador de horas
10. Pedal del freno de estacionamiento
11. Acelerador
12. Palanca para engranar o desengranar la transmisión

Husqvarna Connect

El manual de instrucciones y más información sobre el producto están disponibles en la aplicación Husqvarna Connect. Husqvarna Connect es una aplicación gratuita para su dispositivo móvil. Consulte la sección *Para empezar a utilizar Husqvarna Connect en la página 55.*

Control de presencia del usuario (OPC)

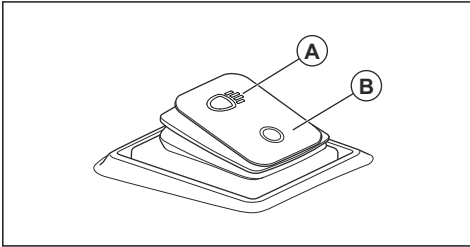
El OPC se activa cuando el usuario se levanta del asiento. El OPC desacopla el accionamiento de las cuchillas y detiene el motor.



ADVERTENCIA: En el modelo (TS 114), el motor solo se detiene si el freno de estacionamiento no está aplicado.

Luz de trabajo

El producto cuenta con luz de trabajo. Presione el interruptor para encender (A) o apagar (B) la luz de trabajo.



Símbolos que aparecen en el producto



ADVERTENCIA: Este producto puede ser peligroso y ocasionar daños graves o mortales tanto al usuario como a cualquier otra persona. Tenga cuidado y utilice el producto correctamente.



Lea atentamente el manual de usuario y asegúrese de que entiende las instrucciones antes de utilizar este producto.



Rápido



Lento



Acople el sistema de transmisión.



Desacople el sistema de transmisión.



Motor apagado



Motor encendido



Arranque del motor



Pedal del freno de estacionamiento



Altura de corte



Sistema de funcionamiento marcha atrás (ROS)



Marcha atrás



Adelante



Encendido/apagado de las luces de trabajo



Combustible



Máx. 10 % de etanol



Aceite de motor



Se recomienda utilizar protectores auriculares.



Las cuchillas no están engranadas.



Las cuchillas están engranadas.



Mantenga todas las partes del cuerpo alejadas de las piezas giratorias.



Mantenga todas las partes del cuerpo alejadas de las cuchillas giratorias.



Tenga cuidado con los objetos que salgan despedidos o rebotados.



No corte la hierba de forma trasversal en una pendiente. No corte la hierba en terrenos con pendientes de más de 10°.



Peligro de vuelco



Mire hacia atrás antes y durante el desplazamiento del producto marcha atrás.



No lleve nunca pasajeros en el producto o el equipo.



Mantenga alejados a los transeúntes.



No pisar



Desenchufe la pipa de la bujía antes de realizar tareas de mantenimiento en el producto.



La fuerza vertical máxima permitida sobre la barra de remolque se especifica en *Datos técnicos en la página 79* y en la etiqueta.



La fuerza horizontal máxima permitida sobre la barra de remolque se especifica en *Datos técnicos en la página 79* y en la etiqueta.



Etiqueta de emisiones sonoras al medio ambiente conforme con las directivas y normativas europeas y del Reino Unido, y con la regulación de 2017 sobre protección del medioambiente (control de ruidos) (Protection of the Environment Operations - Noise Control) de la legislación de Nueva Gales del Sur. El nivel de potencia acústica garantizado del producto se especifica en el apartado *Datos técnicos en la página 79* y en la etiqueta.



Código escaneable



El producto cumple con las directivas CE vigentes.



Este producto cumple con las directivas del Reino Unido vigentes.



Aplicar y soltar el freno de estacionamiento.

Nota: Otros símbolos/etiquetas del producto hacen referencia a los requisitos legales específicos del mercado.

Etiqueta del producto



PELIGRO: Mantenga las manos y los pies alejados.

Contador de horas

El contador de horas muestra cuántas horas ha estado en marcha el motor. Consulte *Descripción del producto*

en la página 42 para conocer la posición del contador de horas.

Daños en el producto

No nos hacemos responsables de los daños que pueda sufrir el producto si:

- El producto se ha reparado incorrectamente.
- El producto se ha reparado con piezas que no eran del fabricante o no autorizadas por el fabricante.
- El producto tiene un accesorio que no es del fabricante o no está autorizado por este.
- El producto no se ha reparado en un centro de servicio autorizado o por un organismo homologado.

Emisiones Euro V



ADVERTENCIA: La manipulación del motor anula la homologación de la UE de este producto.

Seguridad

Definiciones de seguridad

Las advertencias, precauciones y notas se utilizan para destacar información especialmente importante del manual.



ADVERTENCIA: Indica un riesgo de lesiones o incluso de muerte del usuario o de las personas cercanas si no se respetan las instrucciones del manual.



PRECAUCIÓN: Indica un riesgo de daños en el producto, otros materiales o el área adyacente si no se respetan las instrucciones del manual.

Nota: Se usa para proporcionar más información necesaria en una situación determinada.

Instrucciones generales de seguridad



ADVERTENCIA: Este producto puede cortar las manos y los pies, y arrojar objetos. Puede causar lesiones graves o incluso la muerte si no se siguen las instrucciones de seguridad.



ADVERTENCIA: No se debe continuar utilizando un producto con un equipo de corte dañado, ya que este puede arrojar objetos y causar lesiones graves o

incluso la muerte. Sustituya las cuchillas dañadas inmediatamente.



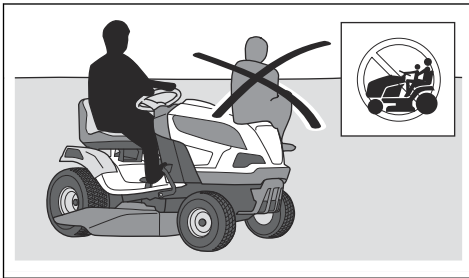
ADVERTENCIA: Este producto genera un campo electromagnético durante el funcionamiento. Este campo magnético puede, en determinadas circunstancias, interferir con implantes médicos activos o pasivos. Para reducir el riesgo de que se den condiciones que provocarían lesiones graves o letales, las personas que utilizan implantes médicos deben consultar con su médico y con el fabricante del implante antes de poner en marcha este producto.



ADVERTENCIA: Lea las siguientes instrucciones de advertencia antes de utilizar el producto.

- Proceda siempre con cuidado y utilice el sentido común. Evite todas aquellas situaciones que considere que sobrepasan sus capacidades. Si después de leer el manual de usuario no se siente seguro respecto a los procedimientos de funcionamiento, consulte con un experto antes de continuar.
- Lea detenidamente y comprenda el manual de usuario y las instrucciones del producto antes de arrancar el producto.
- Aprenda a utilizar el producto y sus controles de forma segura, y aprenda a detener el producto con rapidez.
- Aprenda a reconocer las etiquetas de seguridad.

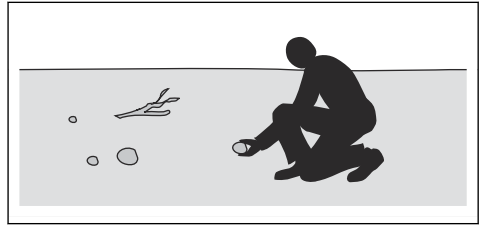
- Mantenga el producto limpio para asegurarse de que puede leer claramente los símbolos y las pegatinas.
- Limpie las manchas de combustible o aceite del producto antes de utilizarlo y antes de almacenarlo.
- Tenga en cuenta que el usuario será el responsable de los accidentes que involucren a otras personas o a su propiedad.
- No coloque las manos ni los pies cerca de las piezas giratorias.
- No coloque las manos ni los pies debajo del producto.
- Manténgase siempre alejado de la compuerta de descarga.
- Asegúrese de que el material descargado no golpee a otras personas o animales.
- Asegúrese de que el material descargado no golpee paredes u otras superficies duras. El material descargado puede rebotar.
- Detenga siempre las cuchillas cuando utilice el producto en superficies con gravilla.
- No utilice el equipo de corte si el conducto de descarga o cualquier otro dispositivo de seguridad están defectuosos o no están presentes.
- Cuando no esté cortando el césped, desacople siempre las cuchillas.
- Asegúrese de que la hierba u otros materiales no deseados no entren en contacto con el escape u otras piezas del motor que puedan alcanzar altas temperaturas.
- No utilice el equipo de corte para cortar hojas u otros materiales no deseados que puedan atascarse.
- No transporte pasajeros. El producto debe ser usado únicamente por una persona.



- No deje que el producto permanezca sin supervisión con el motor en marcha. Pare siempre las cuchillas, ponga el freno de estacionamiento, detenga el motor y quite la llave de contacto antes de dejar el producto sin supervisión.
- Utilice el producto únicamente con la luz del día o en áreas con buena iluminación. No se acerque con el producto a socavones o a cualquier otra irregularidad del terreno. Tenga cuidado con otros posibles riesgos.
- No utilice el producto en condiciones climáticas desfavorables, por ejemplo, con niebla, lluvia,

humedad, lugares húmedos, viento fuerte, frío intenso, posibilidad de relámpagos, etc.

- Localice y marque piedras y otros objetos fijos para no colisionar con ellos.
- Limpie la zona de objetos tales como piedras, juguetes, cables, etc., que se podrían quedar atrapados en las cuchillas y ser lanzados.



- No deje que los niños u otras personas no autorizadas utilicen el producto ni realicen su mantenimiento. La legislación local regula la edad del usuario.
- Asegúrese de que no hay nadie en las proximidades del producto cuando arranque el motor, accione la transmisión o comience a desplazar el producto.
- Preste atención al tráfico cuando utilice la máquina cerca de una carretera o se desplace por una carretera.
- No utilice el producto si está cansado, si ha ingerido alcohol o drogas, o si toma medicamentos o cualquier otra sustancia que puedan afectar la vista, su capacidad de discernimiento o el control del cuerpo.
- Tenga cuidado cuando suba o baje el producto de un remolque o camión.
- Estacione siempre el producto en una superficie nivelada con el motor apagado.
- Pare el motor y asegúrese de que todas las piezas se han detenido antes de realizar labores de limpieza o mantenimiento en el producto.
- Pare el motor y asegúrese de que todas las piezas se han detenido antes de retirar el recogedor de hierba o de eliminar una obstrucción en el conducto de descarga.
- Deje que el producto se enfríe antes de guardarlo.

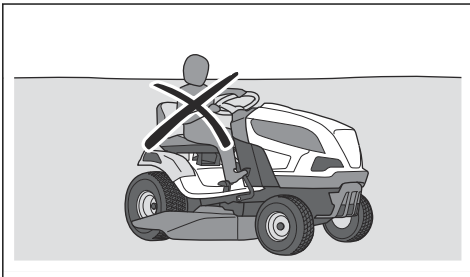
Instrucciones de seguridad relativas a los niños



ADVERTENCIA: Lea las siguientes instrucciones de advertencia antes de utilizar el producto.

- Pueden producirse accidentes graves si no vigila a los niños que estén cerca del producto. Los niños pueden sentirse atraídos por el producto y por cortar el césped. Es muy posible que los niños no se queden quietos donde los vio por última vez.

- Mantenga a los niños alejados de la zona de corte. Asegúrese de que hay presente un adulto responsable de los niños.
- Preste atención y detenga el producto si un niño entra en la zona de trabajo. Tenga mucho cuidado cuando se acerque a esquinas, arbustos, árboles u otros objetos que podrían bloquear su buena visibilidad.
- Antes de desplazar el producto marcha atrás, mire hacia atrás y hacia abajo para asegurarse de que no hay niños pequeños en las proximidades del producto.
- No deje que los niños monten con usted. Pueden caerse y sufrir graves lesiones o impedir el manejo seguro del producto.
- No deje que los niños manejen el producto.



Instrucciones de seguridad para el funcionamiento



ADVERTENCIA: No toque el motor ni el sistema de escape durante o directamente después del uso. El motor y el sistema de escape pueden calentarse mucho durante el funcionamiento. Riesgo de quemaduras, incendio y daños en la propiedad o las zonas adyacentes. Al utilizar el producto, aléjese de los arbustos y otros objetos.



ADVERTENCIA: Lea las siguientes instrucciones de advertencia antes de utilizar el producto.

- Antes de desplazarse marcha atrás, mire bien detrás y hacia abajo. Tenga cuidado con los obstáculos grandes y pequeños.
- Reduzca la velocidad antes de doblar una esquina.
- Detenga las cuchillas cuando se mueva por zonas que no requieran corte.



PRECAUCIÓN: Lea las siguientes instrucciones de precaución antes de utilizar el producto.

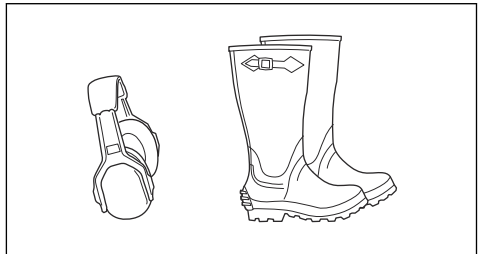
- Antes de usar el producto, limpie la hierba y la suciedad de la toma de aire frío del motor. Si la toma de aire frío se bloquea, se corre el riesgo de dañar el motor.
- Muévase con cuidado alrededor de piedras y otros objetos grandes, y asegúrese de que las cuchillas no golpean los objetos.
- No pase con el producto por encima de objetos. Si pasa con el producto por encima de algún objeto o choca con él, deténgase y examine el producto y el equipo de corte. Si es necesario, realice cualquier reparación necesaria antes de volver a ponerse en marcha.

Equipo de protección individual



ADVERTENCIA: Lea las siguientes instrucciones de advertencia antes de utilizar el producto.

- Para trabajar con el producto debe utilizar un equipo de protección individual homologado. El equipo de protección individual no elimina completamente el riesgo de lesiones, pero reduce la gravedad de estas en caso de accidente. Deje que el distribuidor le ayude a seleccionar el equipo adecuado.
- Utilice protectores auriculares homologados. La exposición prolongada al ruido puede causar daños crónicos en el oído.
- Utilice botas o zapatos de trabajo antideslizantes. Se recomienda llevar punteras de acero. No utilice calzado abierto ni vaya descalzo.



- Utilice guantes protectores cuando sea necesario, por ejemplo, para el montaje, inspección o limpieza del equipo de corte.
- No lleve ropa suelta, joyas u otros objetos que puedan quedar atrapados en las piezas móviles.
- Mantenga el equipo de primeros auxilios y el extintor de incendios cerca.

Dispositivos de seguridad en el producto



ADVERTENCIA: Lea las siguientes instrucciones de advertencia antes de utilizar el producto.

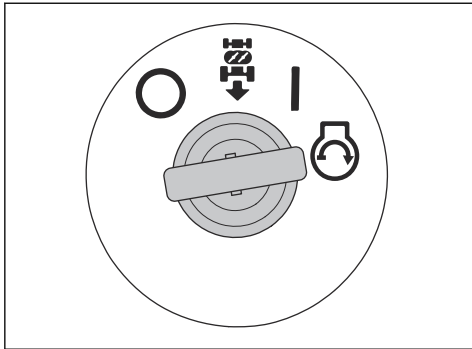
- No utilice ningún producto con dispositivos de seguridad dañados o que no funcionen

correctamente. Realice una comprobación de los dispositivos de seguridad con frecuencia. Si los dispositivos de seguridad están dañados, póngase en contacto con su taller de servicio de Husqvarna.

- No realice ninguna modificación de los dispositivos de seguridad. No utilice el producto si las placas protectoras, las cubiertas de protección, los interruptores de seguridad u otros dispositivos de protección no están instalados o están dañados.

Comprobación del contacto

- Arranque y detenga el motor para realizar una comprobación del contacto. Consulte *Arranque del motor en la página 56* y *Para parar el motor en la página 59*.
- Verifique que el motor arranca cuando gira la llave de contacto a la posición de arranque.



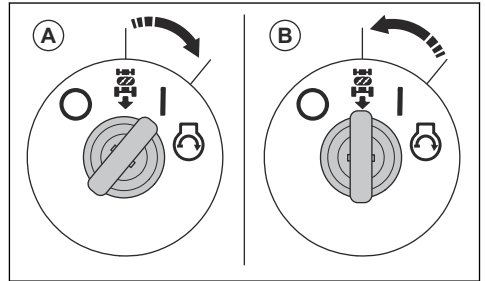
- Verifique que el motor se detiene inmediatamente cuando gira la llave de contacto a la posición de apagado (O).

Comprobación del sistema de funcionamiento marcha atrás (ROS)

Si el sistema de funcionamiento marcha atrás (ROS) no funciona correctamente, póngase en contacto con un taller de servicio autorizado.

1. Encienda el producto. Consulte *Arranque del motor en la página 56*.
2. Active el equipo de corte. Consulte *Activación y desactivación del equipo de corte (TS 112) en la página 57* o *Activación y desactivación del equipo de corte (TS 114) en la página 57*.

3. Con la llave de contacto en la posición de encendido (A), pise el pedal de marcha atrás. El motor debe detenerse al pisar el pedal de marcha atrás.



4. Arranque el producto y active de nuevo el equipo de corte.
5. Sitúe la llave de contacto en la posición de ROS activado (B).
6. Con la llave de contacto en la posición de ROS activado, pise el pedal de marcha atrás. El motor no debe detenerse al pisar el pedal de marcha atrás.

Condiciones de funcionamiento

Para arrancar el motor, se deben dar las siguientes condiciones:

- El freno de estacionamiento está accionado.
- La transmisión de las cuchillas está desacoplada.
- El pedal de avance y el pedal de marcha atrás están en posición neutra.

El motor se debe detener en las siguientes situaciones:

- El usuario se levanta del asiento. (TS 112)
- El freno de estacionamiento no está engranado y el usuario se levanta del asiento. (TS 114)
- El equipo de corte está activado y el usuario se levanta del asiento.
- El equipo de corte está activado y el pedal de marcha atrás está pisado, pero el ROS está desactivado.

La transmisión de las cuchillas se debe detener en las siguientes situaciones:

- El usuario se levanta del asiento.
- El control de acoplamiento de las cuchillas se coloca en la posición desacoplada. (TS 112)
- El botón de la TDF se encuentra pulsado. (TS 114)

Intente poner en marcha el motor incumpliendo una de las condiciones. Cambie las condiciones e inténtelo de nuevo. Realice esta prueba a diario.

Revisión del pedal de avance y el pedal de marcha atrás

1. Encienda el producto. Consulte *Arranque del motor en la página 56*.

2. Asegúrese de que los pedales de avance y marcha atrás no están bloqueados y se pueden accionar libremente.
3. Pise lentamente el pedal de avance para avanzar.
4. Suelte el pedal de avance para frenar. Asegúrese de que el freno de acopla cuando se suelta el pedal de avance.

Nota: El producto dispone de un freno automático que se activa al soltar los pedales.

5. Realice el mismo procedimiento con el pedal de marcha atrás.
6. Asegúrese de que el producto no se mueve cuando los pedales están en posición neutra.

Freno de estacionamiento



ADVERTENCIA: Si el freno de estacionamiento no funciona, el producto puede comenzar a moverse y provocar daños o lesiones. Asegúrese de que el freno de estacionamiento se examina y ajusta con frecuencia.

Consulte la sección *Comprobación del freno de estacionamiento en la página 64.*

Silenciador

El silenciador mantiene al mínimo los niveles de ruido y aparta los gases de escape del usuario.

No utilice el producto si el silenciador no está instalado o está dañado. Un silenciador dañado aumenta el nivel de ruido y el riesgo de incendio.



ADVERTENCIA: El silenciador se calienta mucho durante el uso y también cuando el motor se encuentra al ralentí. Tenga cuidado cuando se encuentre cerca de materiales o gases inflamables para evitar incendios.

Comprobación del silenciador

- Examine el silenciador con frecuencia para asegurarse de que está montado correctamente y que no está dañado.

Tapas protectoras

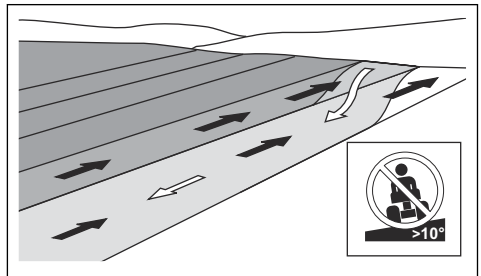
Si el producto no dispone de tapas protectoras o estas están dañadas, aumenta el riesgo de lesiones por piezas móviles y superficies calientes. Compruebe las tapas protectoras antes de poner en marcha el producto. Asegúrese de que las tapas protectoras están montadas correctamente y no tienen grietas u otros daños. Sustituya las tapas dañadas.

Corte del césped en pendientes

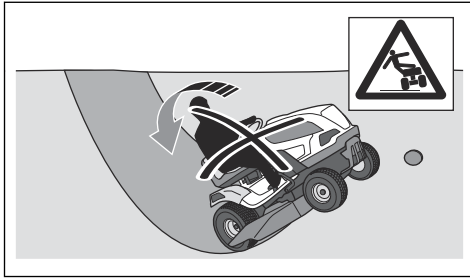


ADVERTENCIA: Lea las siguientes instrucciones de advertencia antes de utilizar el producto.

- Cortar el césped en pendientes aumenta el riesgo de perder el control del producto y que este vuelque, lo que puede provocar lesiones graves o la muerte. Es necesario cortar el césped con cuidado en todas las pendientes. Si no puede dar marcha atrás en una pendiente o si no se siente seguro en ella, no utilice la máquina.
- Quite piedras, ramas y otros obstáculos.
- En las pendientes, trabaje de arriba abajo y no de lado a lado.
- No utilice el producto en pendientes de más de 10°.



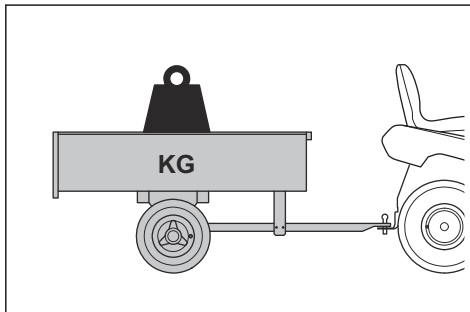
- No arranque ni detenga el producto en una pendiente.
- En pendientes, desplácese con suavidad y lentamente.
- No realice cambios súbitos de velocidad ni dirección.
- No gire más de lo necesario. Cuando baje por una pendiente, gire de forma lenta y gradual. Muévase a baja velocidad. Gire el volante con cuidado.
- Tenga cuidado y no atraviese surcos, agujeros y baches, ya que existe un alto riesgo de que el producto vuelque al circular sobre una superficie que no es plana. El césped crecido puede esconder obstáculos.
- No corte el césped cerca de bordes, zanjas o terraplenes. El producto puede volcar repentinamente si alguna de las ruedas pasa por el borde de una fuerte pendiente o una zanja, o si falta un trozo de bordillo. Si el producto cae al agua, existe riesgo de ahogamiento.



- No corte hierba mojada. Es resbaladiza y las ruedas pueden perder adherencia, y el producto puede patinar.
- No ponga el pie en el suelo para intentar que el producto sea más estable.
- Muévase con mucho cuidado si hay conectado un accesorio u otro objeto que pueda hacer que el producto sea menos estable.
- Siga las recomendaciones del fabricante en cuanto a los pesos de las ruedas o los contrapesos.

Seguridad durante el remolque

- Utilice únicamente el equipo de remolque aprobado por Husqvarna.
- Use la barra de remolque para acoplar el equipo.
- No remolque equipo cuyo peso sea superior al peso máximo autorizado de remolcado. Consulte *Datos técnicos en la página 79*.



- Asegúrese de que no haya otras personas cerca del producto al remolcar cualquier equipo.
- Tenga cuidado cuando remolque equipo en pendientes o terreno irregular.
- Al remolcar equipo, conduzca el producto a baja velocidad.

Seguridad en el uso del combustible



ADVERTENCIA: Tenga cuidado con el combustible. Es muy inflamable y puede causar lesiones y daños a la propiedad.



ADVERTENCIA: Lea las siguientes instrucciones de advertencia antes de utilizar el producto.

- No llene el depósito de combustible en interiores.
- La gasolina y los gases de la gasolina son tóxicos y muy inflamables. Tenga cuidado con la gasolina para evitar lesiones o incendios.
- No retire el tapón de combustible ni llene el depósito de combustible cuando el motor esté en marcha.
- Deje que el motor se enfríe antes de repostar combustible.
- No fume cuando reposte combustible.
- No reposte combustible cerca de chispas o llamas descubiertas.
- Si hay fugas en el sistema de combustible, no arranque el motor hasta que se reparen las fugas.
- No reposte por encima del nivel de combustible recomendado. No llene demasiado el depósito de combustible ya que
- el calor procedente del motor y el sol hace que el combustible se expanda y se desborde si el depósito se llena demasiado. Si derrama carburante en el producto, límpielo y espere a que se haya secado antes de arrancar el motor. Si derrama combustible sobre la ropa, cámbiese inmediatamente.
- Almacene el combustible solo en recipientes homologados.
- Guarde el producto y el combustible de manera que no haya riesgo de que las fugas de combustible o los gases puedan causar daños.
- Vacíe el combustible en un depósito homologado situado en el exterior y lejos de llamas descubiertas.

Seguridad en el transporte

- Utilice solo un vehículo de transporte homologado para el transporte del producto.
- El producto es pesado y puede causar lesiones por aplastamiento. Tenga cuidado al cargarlo o descargarlo de un vehículo o remolque.
- Las regulaciones locales o nacionales de los mercados podrían establecer límites en los transportes del producto.
- El operario del vehículo de transporte es el responsable de sujetar el producto de forma segura durante el transporte. Consulte *Amarre firme del producto para el transporte en la página 77*.

Seguridad de la batería



ADVERTENCIA: Una batería dañada puede explotar y causar lesiones. Si la batería está deformada o dañada, póngase en contacto con un taller de servicio Husqvarna homologado.



ADVERTENCIA: Lea las siguientes instrucciones de advertencia antes de utilizar el producto.

- Use gafas protectoras cuando esté cerca de las baterías.
- No lleve relojes, joyas ni otros objetos metálicos cerca de la batería.
- Mantenga la batería fuera del alcance de los niños.
- Cargue la batería en un espacio con buena ventilación.
- Cuando cargue la batería, mantenga los materiales inflamables a una holgura mínima de 1 m.
- Deseche las baterías sustituidas. Consulte *Eliminación en la página 78*.
- Pueden salir gases explosivos de la batería. No fume cerca de la batería. Mantenga la batería lejos de llamas abiertas y chispas.

Instrucciones de seguridad para el mantenimiento



ADVERTENCIA: El producto es pesado y puede ocasionar lesiones o daños materiales o en las inmediaciones. No realice tareas de mantenimiento en el motor ni el equipo de corte si no se cumplen estas condiciones:

- El motor está apagado.
- El producto está estacionado en una superficie nivelada.
- El freno de estacionamiento está accionado.
- La llave de contacto está quitada.
- El equipo de corte está desactivado.
- El cable de encendido se ha desconectado de la bujía.



ADVERTENCIA: Los gases de escape del motor contienen monóxido de carbono, que es un gas inodoro, tóxico y muy peligroso. No ponga en marcha el

producto en espacios cerrados ni espacios que no estén bien ventilados.



ADVERTENCIA: Lea las siguientes instrucciones de advertencia antes de utilizar el producto.

- Para lograr un mejor rendimiento y seguridad, realice el mantenimiento del producto periódicamente según lo establecido en el programa de mantenimiento. Consulte *Programa de mantenimiento en la página 59*.
- Las descargas eléctricas pueden causar lesiones. No toque los cables cuando el motor está encendido. No realice una prueba de funcionamiento del sistema de encendido con los dedos.
- No arranque el motor si se han retirado las cubiertas de protección. Existe un alto riesgo de lesiones causadas por las piezas móviles o calientes.
- Deje que el producto se enfríe antes de llevar a cabo alguna tarea de mantenimiento cerca del motor.
- Las cuchillas están afiladas y pueden provocar cortes. Cuando trabaje en las cuchillas, use una protección contra el viento alrededor de las mismas o lleve guantes protectores.
- No estacione el producto cerca del borde de una zanja ni de una pendiente si va a acceder al equipo de corte.



PRECAUCIÓN: Lea las siguientes instrucciones de precaución antes de utilizar el producto.

- No encienda el motor si se ha desconectado la bujía o el cable de encendido.
- Asegúrese de que todas las tuercas y pernos están apretados correctamente y que el equipo está en buen estado.
- No cambie el ajuste de los reguladores. Si el régimen del motor es demasiado alto, los componentes del producto pueden dañarse. Consulte *Datos técnicos en la página 79* para conocer el régimen del motor máximo permitido.
- El producto está homologado con el equipo original proporcionado o recomendado por el fabricante.

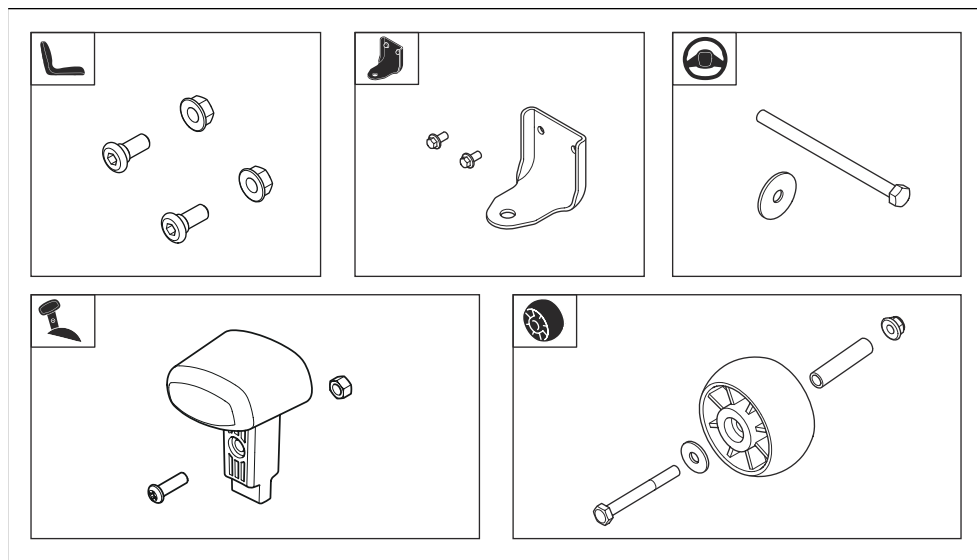
Montaje

Introducción



ADVERTENCIA: Asegúrese de leer y comprender el capítulo sobre seguridad antes de montar el producto.

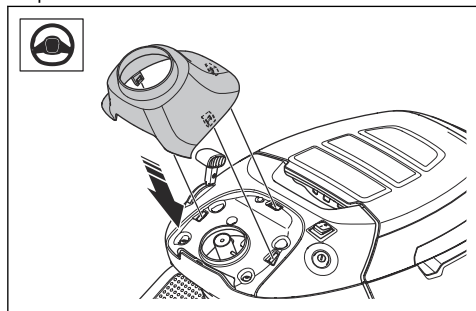
Resumen general del montaje



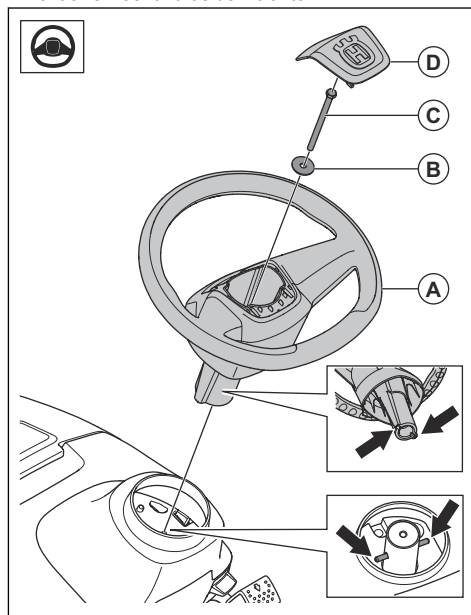
Instalación del volante

Consulte *Resumen general del montaje en la página 53* para conocer las fijaciones que se deben utilizar para esta tarea.

1. Instale la cubierta de la columna de dirección. La cubierta de la columna de dirección se sujeta con cierres a presión. Presione hacia abajo la cubierta de la columna de dirección hasta que encaje en su posición.



2. Coloque el volante (A) en la columna de dirección. Los pasadores de la columna de dirección deben entrar en las ranuras del volante.



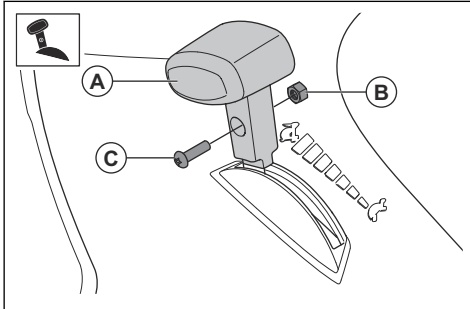
3. Instale la arandela (B) y el perno (C). Apriete el perno a 24 Nm.

4. Instale la cubierta central (D) en el volante. La cubierta central se sujeta con cierres a presión.

Instalación del pomo en la palanca de control del acelerador

Consulte *Resumen general del montaje en la página 53* para conocer las fijaciones que se deben utilizar para esta tarea.

1. Coloque el pomo (A) en la palanca de control del acelerador.

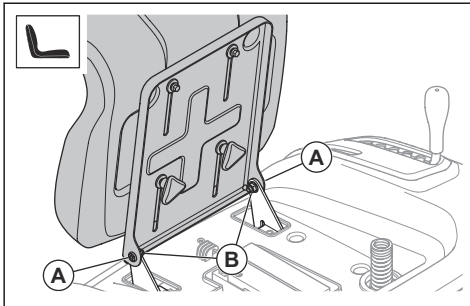


2. Coloque la tuerca (B) y el tornillo (C).

Instalación del asiento

Consulte *Resumen general del montaje en la página 53* para conocer las fijaciones que se deben utilizar para esta tarea.

1. Sujete el asiento en su posición e instale los 2 tornillos (A) y las 2 tuercas (B).



2. Revise el control de presencia del usuario. Consulte *Condiciones de funcionamiento en la página 49*.

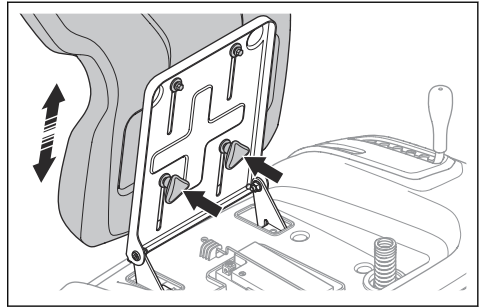


ADVERTENCIA: No utilice el producto si el control de presencia del usuario está defectuoso.

Ajuste del asiento

1. Incline el asiento hacia delante.

2. Afloje los 2 cierres rápidos.

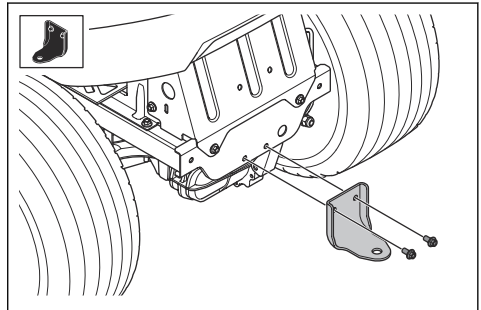


3. Mueva el asiento hasta que esté en una posición en la que pueda pisar los pedales a fondo.
4. Apriete al máximo los 2 cierres rápidos.

Instalación de la barra de remolque

Consulte *Resumen general del montaje en la página 53* para conocer las fijaciones que se deben utilizar para esta tarea.

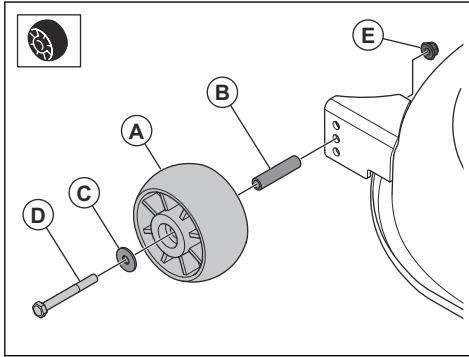
- Instale la barra de remolque con los 2 tornillos.



Instalación de las ruedas antidesbroce

Consulte *Resumen general del montaje en la página 53* para conocer las fijaciones que se deben utilizar para esta tarea.

- Instale la rueda antidesbroce (A), el casquillo (B), la arandela (C), el perno (D) y la tuerca (E) en 1 de los 3 orificios.



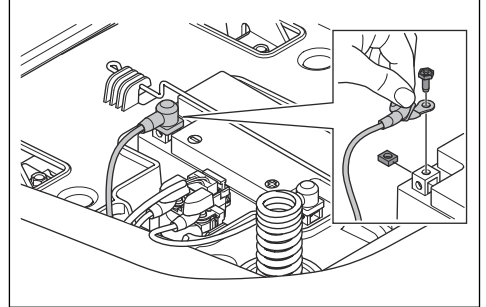
Conexión de la batería



ADVERTENCIA: Riesgo de sacudida eléctrica. Asegúrese de que el contacto esté en la posición de apagado y que la llave de contacto no esté puesta.

La batería se encuentra debajo del asiento.

1. Incline el asiento hacia delante.
2. Asegúrese de que el cable rojo esté instalado en el terminal positivo (+) de la batería.
3. Quite el tornillo y la tuerca del terminal negativo (-) de la batería.
4. Conecte el cable negro al terminal negativo (-) de la batería e instale la tuerca y el tornillo.



5. Instale la tapa en el terminal negativo (-) de la batería.

Funcionamiento

Introducción



ADVERTENCIA: Asegúrese de leer y comprender el capítulo sobre seguridad antes de usar el producto.



PRECAUCIÓN: Un tipo de combustible incorrecto puede producir daños en el motor.

Para empezar a utilizar Husqvarna Connect

1. Descargue la aplicación Husqvarna Connect en su dispositivo móvil.
2. Registre una cuenta en la aplicación Husqvarna Connect.
3. Siga las instrucciones de la aplicación Husqvarna Connect para conectarse y registrar el producto.

El motor funciona con gasolina con un octanaje mínimo de 91 RON (87 AKI), sin mezcla de aceite. Le recomendamos gasolina a base de alquilatos biodegradable. No utilice gasolina que contenga más de un 10 % de etanol.

- Revise el nivel de combustible antes de cada uso y reposte si es necesario.
- No llene el depósito de combustible completamente. Deje un espacio mínimo de 2,5 cm.

Repostaje de combustible



ADVERTENCIA: La gasolina es muy inflamable. Tenga cuidado y reposte combustible al aire libre; consulte *Seguridad en el uso del combustible en la página 51*.

Pasos antes de arrancar el producto



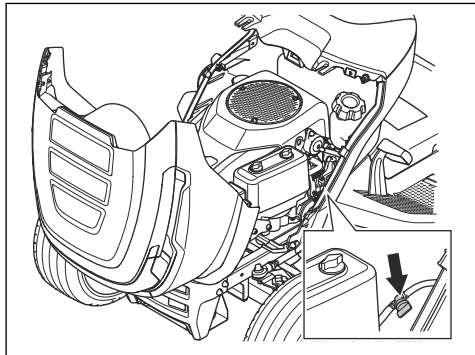
ADVERTENCIA: Antes de usar el producto, lea detenidamente las instrucciones de seguridad y las instrucciones de funcionamiento.



ADVERTENCIA: No utilice el depósito de combustible como punto de apoyo.

1. Compruebe el nivel de aceite del motor. Consulte *Comprobación del nivel de aceite del motor en la página 71*.
2. Llene el depósito de combustible. Consulte *Repostaje de combustible en la página 55*.

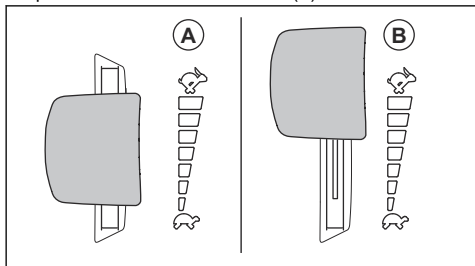
- Asegúrese de que la válvula de corte de combustible esté abierta. La válvula de corte de combustible está abierta cuando la lengüeta está en la dirección de la manguera de combustible.



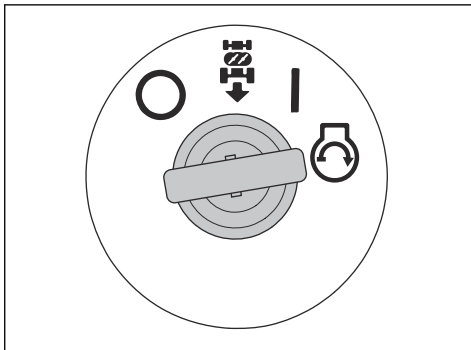
- Asegúrese de que el sistema de transmisión está engranado. Consulte *Engranaje y desengranaje del sistema de transmisión en la página 57*.
- Coloque el equipo de corte en la posición más alta. Consulte *Ajuste de la altura de corte (TS 112) en la página 58* o *Ajuste de la altura de corte (TS 114) en la página 58*.

Arranque del motor

- Asegúrese de que el equipo de corte esté desactivado. Consulte *Activación y desactivación del equipo de corte (TS 112) en la página 57* o *Activación y desactivación del equipo de corte (TS 114) en la página 57*.
- Siéntese en el asiento en la posición de trabajo normal.
- Aplique el freno de estacionamiento. Consulte *Aplicar y soltar el freno de estacionamiento en la página 57*.
- Empuje la palanca de control del acelerador a la posición de aceleración media (A).

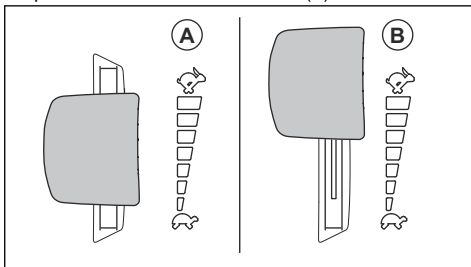


- Gire la llave de contacto hasta la posición de arranque. Una vez que el motor arranque, suelte inmediatamente la llave de contacto. La llave de contacto vuelve a la posición de encendido (I) automáticamente cuando se suelta.



PRECAUCIÓN: No haga funcionar el motor de arranque durante más de 5 segundos consecutivos. Si el motor no arranca, espere 15 segundos antes de intentarlo de nuevo.

- Deje que el motor funcione con el acelerador en la posición media durante 3-5 minutos antes de aplicar cargas pesadas.
- Empuje la palanca de control del acelerador a la posición de aceleración máxima (B).



PRECAUCIÓN: Si se activa el equipo de corte cuando el motor está a máxima velocidad, se genera tensión en las correas de transmisión. Active el equipo de corte antes de poner la palanca de control del acelerador en la posición de aceleración máxima.

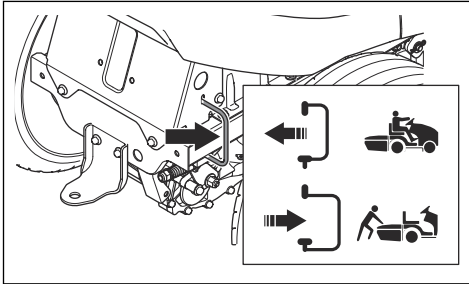
Engranaje y desengranaje del sistema de transmisión

Para mover el producto con el motor apagado, el sistema de transmisión debe estar desengranado.



PRECAUCIÓN: Debe tirar o empujar la palanca hasta el tope. No utilice las posiciones medias.

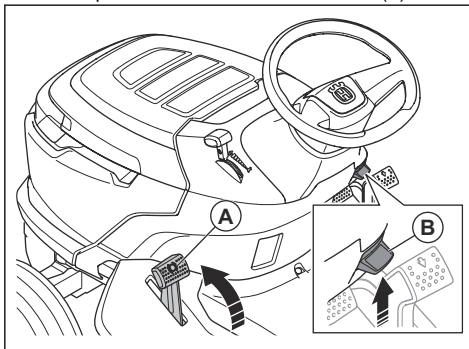
La palanca para engranar o desengranar la transmisión el sistema de transmisión se encuentra detrás de la rueda trasera derecha.



- Empuje la palanca hasta el tope para engranar el sistema de transmisión.
- Tire de la palanca hasta el tope para desengranar el sistema de transmisión.

Aplicar y soltar el freno de estacionamiento

- Para aplicar el freno de estacionamiento, siga los pasos que se indican a continuación.
 - a) Pise a fondo el pedal del freno de estacionamiento (A) y tire hacia arriba del bloqueo del freno de estacionamiento (B).



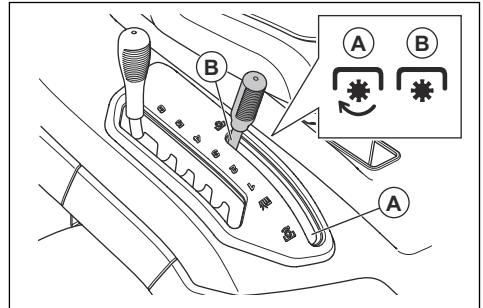
- b) Suelte el pedal del freno de estacionamiento.
- Para soltar el freno de estacionamiento, pise el pedal del freno de estacionamiento y suéltelo.

Activación y desactivación del equipo de corte (TS 112)



ADVERTENCIA: No ponga en marcha el equipo de corte si no se ha instalado un deflector en la salida de hierba.

- Mueva el control de acoplamiento de las cuchillas a la posición de acoplamiento (A) para activar el equipo de corte.



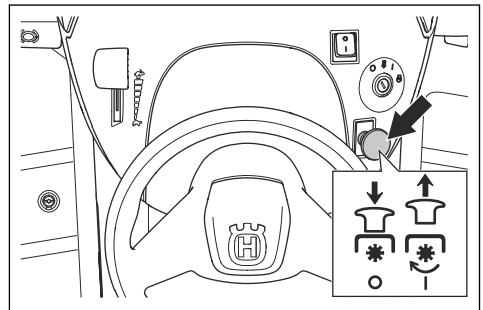
- Mueva el control de acoplamiento de las cuchillas a la posición de desacoplamiento (B) para desactivar el equipo de corte.

Activación y desactivación del equipo de corte (TS 114)



ADVERTENCIA: No ponga en marcha el equipo de corte si no se ha instalado un deflector en la salida de hierba.

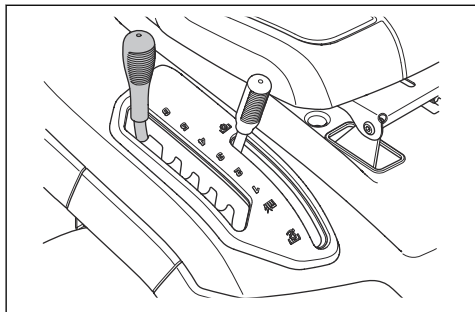
- Tire del botón de la TDF para activar el equipo de corte.



- Pulse el botón de la TDF para desactivar el equipo de corte.

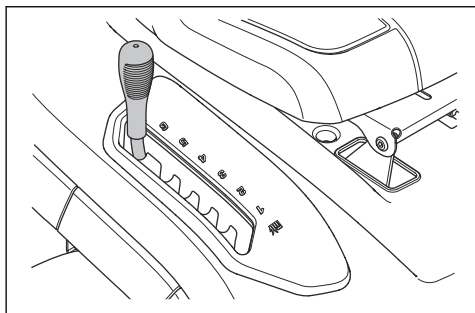
Ajuste de la altura de corte (TS 112)

- Tire de la palanca de altura de corte hacia el asiento y colóquela en 1 de las muescas para establecer la altura de corte correcta.



Ajuste de la altura de corte (TS 114)

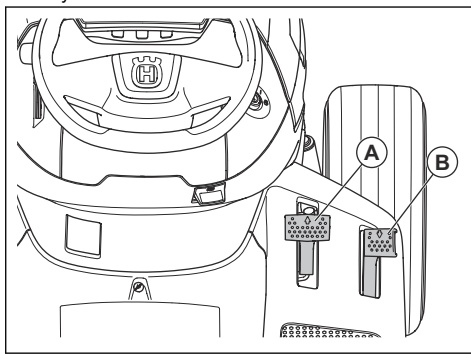
- Tire de la palanca de altura de corte hacia el asiento y colóquela en 1 de las muescas para establecer la altura de corte correcta.



Manejo del producto

1. Arranque el motor. Consulte *Arranque del motor en la página 56*.
2. Suelte el freno de estacionamiento. Consulte *Aplicar y soltar el freno de estacionamiento en la página 57*.

3. Pise con cuidado el pedal de avance (A) o el pedal de marcha atrás (B). Cuanto más pise el pedal, mayor será la velocidad.



Nota: El pedal de avance y el pedal de marcha atrás vuelven a su posición neutra cuando se sueltan.

4. Para frenar, suelte los pedales.
5. Seleccione la altura de corte correcta. Consulte *Ajuste de la altura de corte (TS 112) en la página 58* o *Ajuste de la altura de corte (TS 114) en la página 58*.
6. Active el equipo de corte. Consulte *Activación y desactivación del equipo de corte (TS 112) en la página 57* o *Activación y desactivación del equipo de corte (TS 114) en la página 57*.

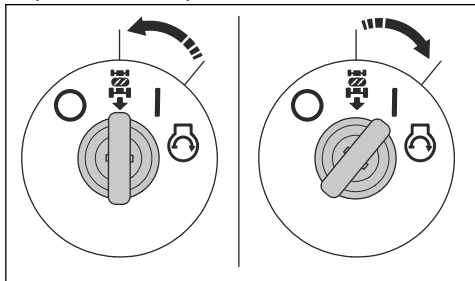
Uso del sistema de funcionamiento marcha atrás (ROS)

Nota: Si intenta retroceder con el producto con el equipo de corte activado, el motor se detiene inmediatamente. Active el ROS para retroceder con el producto con el equipo de corte activado.



ADVERTENCIA: Antes de circular marcha atrás con el producto y mientras circula marcha atrás, mire debajo y detrás del producto para garantizar la seguridad de los demás.

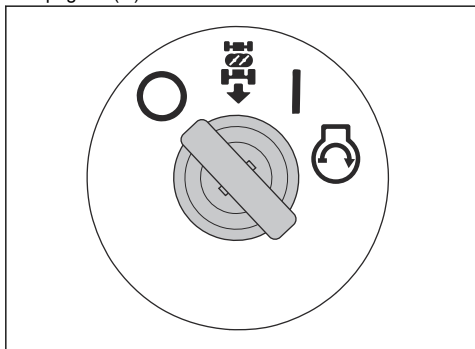
1. Gire la llave de contacto hacia la izquierda, a la posición de ROS, para activar este sistema.



2. Pise lentamente el pedal de marcha atrás para que el producto empiece a moverse.
3. Gire la llave de contacto hacia la derecha, a la posición de motor en marcha (I), para desactivar el ROS.

Para parar el motor

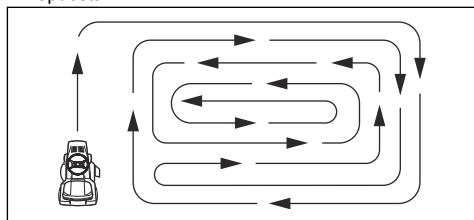
1. Desactive el equipo de corte. Consulte *Activación y desactivación del equipo de corte (TS 112)* en la página 57 o *Activación y desactivación del equipo de corte (TS 114)* en la página 57.
2. Gire la llave de contacto hasta la posición de apagado (O).



3. Cuando el producto se detenga, aplique el freno de estacionamiento. Consulte *Aplacar y soltar el freno de estacionamiento* en la página 57.

Para obtener un buen resultado de corte

- Para lograr un mejor rendimiento, realice el mantenimiento del producto periódicamente según lo establecido en el programa de mantenimiento. Consulte *Programa de mantenimiento* en la página 59.
- No corte el césped si está húmedo. La hierba mojada produce malos resultados.
- No use cadenas para neumáticos cuando utilice el producto con un equipo de corte.
- Asegúrese de que el equipo de corte esté nivelado. Consulte *Ajuste del paralelismo del equipo de corte* en la página 69.
- Si la hierba está alta, empiece con una altura de corte elevada y redúzcala gradualmente.
- Haga funcionar el producto hacia delante a baja velocidad si la hierba es alta y gruesa.
- El acelerador debe situarse al máximo para cortar la hierba.
- Corte el césped siguiendo un patrón irregular.
- Utilice el lado izquierdo del equipo de corte cuando corte cerca de árboles, arbustos o caminos. La cuchilla corta a aproximadamente 15 mm del lateral del equipo de corte.
- Cuando corte grandes extensiones de terreno, mueva el producto a la derecha 1 o 2 vueltas alrededor del área de trabajo. De esta forma, la hierba no se expulsará sobre los arbustos, vallas o caminos. Tras realizar aproximadamente 2 vueltas alrededor del área de trabajo, corte en la dirección opuesta.



- Para obtener los mejores resultados, corte el césped con frecuencia.

Mantenimiento

Introducción



ADVERTENCIA: Antes de realizar cualquier trabajo de mantenimiento, debe leer y entender el capítulo sobre seguridad.

Programa de mantenimiento

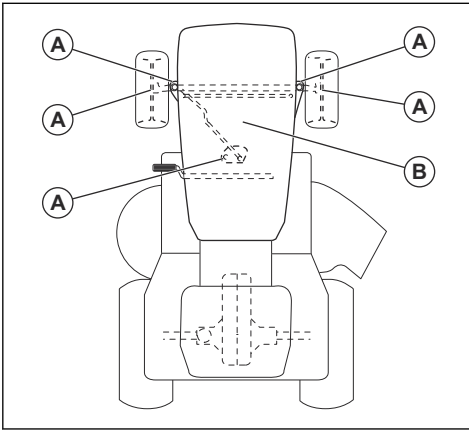
X = Estas instrucciones se indican en este manual de usuario.

O = Estas instrucciones no se indican en este manual de usuario. Deje que un taller de servicio homologado haga el mantenimiento.

Programa de mantenimiento		Antes de cada uso/ semanalmente	Cada 50 horas o anualmente
General	Limpié la batería y los terminales.		O
	Revise el nivel de la batería. Cargue la batería si es necesario.		X
	Examine todas las correas y poleas para comprobar si están desgastadas o deterioradas. Sustituya las piezas desgastadas o deterioradas.		O
	Limpié el motor y la transmisión.	X	X
	Examine los cables en busca de daños.		O
	Lubrique el producto. Consulte la información general sobre la lubricación.		X
	Asegúrese de que todas las fijaciones estén bien apretadas.		O
	Asegúrese de que la presión de los neumáticos sea la correcta.	X	X
Motor	Revise la manguera de combustible para comprobar si está desgastada o dañada. Sustituya la manguera de combustible si es necesario.		O
	Sustituya el filtro de combustible.		X
	Limpié el filtro de aire.	X	
	Sustituya el filtro de aire.		X
	Revise el silenciador y el deflector de calor.	X	X
	Compruebe el nivel de aceite del motor. Añada aceite de motor si es necesario.	X	
	Cambie el aceite del motor.		X
	Cambie el filtro de aceite del motor.		X
	Cambie la bujía.		X
	Compruebe el régimen del motor. Ajuste el régimen del motor si es necesario.		O

Programa de mantenimiento		Antes de cada uso/ semanalmente	Cada 50 horas o anualmente
Transmisión, controles y sistema de transmisión	Examine el ventilador de refrigeración de la transmisión.	X	X
	Desmante las ruedas y lubrique los ejes.		O
	Asegúrese de que el producto no se mueve cuando los pedales están en posición neutra.		X
	Compruebe la marcha adelante y la marcha atrás a diferentes velocidades.		O
	Revise el interruptor del control de acoplamiento de las cuchillas.		X
	Revise el interruptor de la palanca de altura de corte.		X
	Revise los interruptores del pedal de avance y del pedal de marcha atrás.		X
	Compruebe el freno de estacionamiento.	X	
	Revise el control de presencia del usuario (OPC).	X	
Equipo de corte	Limpie el equipo de corte, por debajo de las cubiertas de la correa y por debajo del equipo de corte.		X
	Revise el paralelismo del equipo de corte. Ajuste el equipo de corte en caso necesario.		X
	Inspeccione la correa del equipo de corte en busca de desgaste y daños.		O
	Revise las cuchillas para comprobar si están desgastadas o dañadas. Afile o cambie las cuchillas si es necesario.		X
	Revise los frenos de las cuchillas (si dispone de ello).		O
	Examine el recogedor de hierba y sus interruptores (solo modelos TC).		X

Programa de lubricación



A. Lubricación general. Lubrique la conexión de engrase del eje y los dientes del engranaje del sector y la columna de dirección.

B. Lubricación del motor. Consulte *Comprobación del nivel de aceite del motor en la página 71*.

Limpieza del producto



PRECAUCIÓN: No utilice un equipo de limpieza de alta presión o de vapor. El agua puede introducirse en los cojinetes y las conexiones eléctricas, y provocar corrosión y daños al producto.

Limpie el producto inmediatamente después de usarlo.

- No limpie las superficies calientes, como el motor, el silenciador y el sistema de escape. Espere hasta que las superficies estén frías y, a continuación, retire la hierba o la suciedad.
- Antes de limpiar con agua, limpie con un cepillo. Retire la hierba cortada y la suciedad de los elementos siguientes y sus zonas adyacentes: transmisión, toma de aire de la transmisión y motor.
- Limpie la parte superior del equipo de corte, por debajo de las cubiertas de la correa y por debajo del equipo de corte. Para limpiar el equipo de corte; consulte *Limpieza del equipo de corte en la página 62*.
- Use agua corriente de una manguera para limpiar el producto. No utilice un equipo de limpieza a alta presión.
- No dirija el agua hacia los componentes eléctricos o los cojinetes. El detergente generalmente aumenta el daño.
- Cuando el producto esté limpio, arranque el equipo de corte durante un corto período para drenar el agua restante.

Limpieza del motor y el silenciador

Mantenga el motor y el silenciador limpios, sin restos de hierba ni suciedad. Los restos de hierba impregnados de combustible o aceite en el motor pueden aumentar el riesgo de incendio y el riesgo de que el motor se caliente en exceso. Deje que el motor se enfríe antes de limpiarlo. Limpie con agua y un cepillo.

Los restos de hierba alrededor del silenciador se secan rápidamente y son un riesgo de incendio. Utilice un cepillo o retire los restos de hierba con agua cuando el silenciador esté frío.

Limpieza del equipo de corte



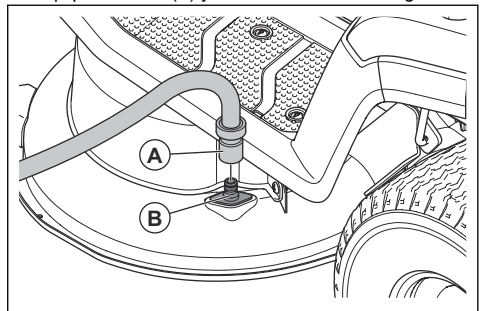
ADVERTENCIA: No utilice el producto si no tiene la boca de lavado del equipo de corte o está rota. Hay riesgo de que los objetos puedan salir despedidos. Si falta la boca de lavado del equipo de corte o está rota, sustitúyala de inmediato.

1. Estacione el producto en un sitio despejado del jardín, cerca de una manguera de agua.



PRECAUCIÓN: No dirija el conducto de descarga del producto hacia edificios o vehículos.

2. Asegúrese de que el equipo de corte esté desactivado. Consulte *Activación y desactivación del equipo de corte (TS 112) en la página 57* o *Activación y desactivación del equipo de corte (TS 114) en la página 57*.
3. Pare el motor. Consulte *Para parar el motor en la página 59*.
4. Aplique el freno de estacionamiento. Consulte *Aplique y soltar el freno de estacionamiento en la página 57*.
5. Conecte una manguera (A) a la boca de lavado del equipo de corte (B) y abra el suministro de agua.



6. Siéntese en el asiento y ponga en marcha el motor. Consulte *Arranque del motor en la página 56*.



PRECAUCIÓN: Examine de nuevo la zona para asegurarse de que está despejada antes de arrancar el motor.

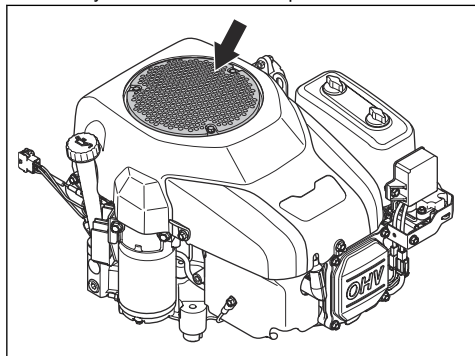
7. Active el equipo de corte y déjelo en marcha con la aceleración al máximo hasta que quede limpio. Consulte *Activación y desactivación del equipo de corte (TS 112)* en la página 57 o *Activación y desactivación del equipo de corte (TS 114)* en la página 57.
8. Desactive el equipo de corte y pare el motor. Consulte *Activación y desactivación del equipo de corte (TS 112)* en la página 57 o *Activación y desactivación del equipo de corte (TS 114)* en la página 57 y *Para parar el motor en la página 59*.
9. Corte el suministro de agua y desconecte la manguera de la boca de lavado del equipo de corte.
10. Lleve el producto a un lugar seco.
11. Siéntese en el asiento y ponga en marcha el motor. Consulte *Arranque del motor en la página 56*.
12. Active el equipo de corte y déjelo en marcha hasta que se seque.

Limpeza de la toma de aire del motor



ADVERTENCIA: Pare el motor. La toma de aire tiene piezas giratorias que pueden causar lesiones en los dedos.

- Abra la cubierta del motor. Asegúrese de que la toma de aire del motor no esté obstruida. Retire la hierba y la suciedad con un cepillo.

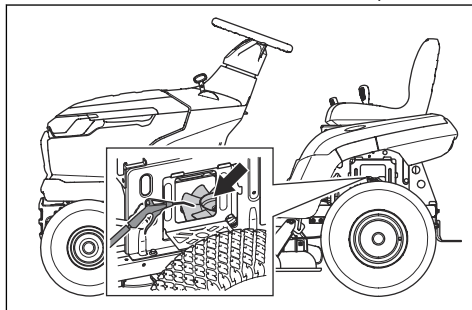


Limpeza del ventilador de refrigeración de la transmisión

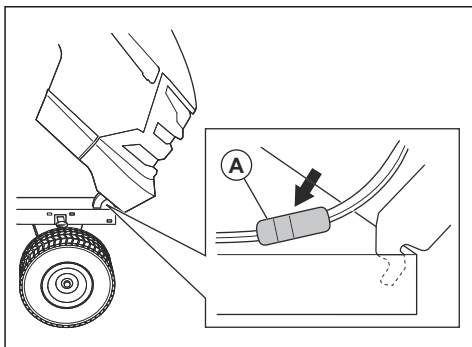


ADVERTENCIA: Pare el motor. El ventilador de refrigeración gira y puede provocar lesiones en los dedos.

1. Limpie el ventilador de refrigeración con aire comprimido a través del orificio del chasis que encontrará encima de la rueda trasera izquierda.



Extracción e instalación de la cubierta del motor



1. Abra la cubierta del motor.
2. Desconecte el conector de los cables de los faros (A).
3. Incline la cubierta del motor hacia delante y levántela para retirarla del producto.
4. Para instalar la cubierta del motor, efectúe el mismo procedimiento en el orden inverso.

Cambio de la bombilla

1. Abra la cubierta del motor.
2. Gire ligeramente el portalámparas hacia la izquierda y sáquelo del reflector.
3. Cambie la bombilla del portalámparas.
4. Empuje el portalámparas para introducirlo en el reflector.
5. Gire ligeramente el portalámparas hacia la derecha para instalarlo.
6. Cierre la cubierta del motor.

Comprobación del freno de estacionamiento

1. Estacione el producto sobre una superficie firme con pendiente.

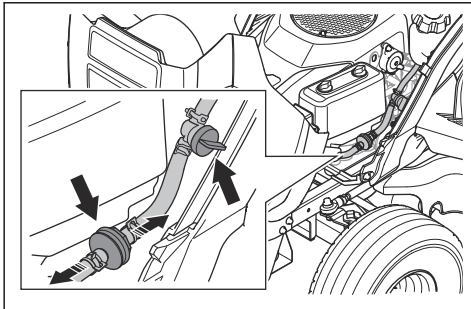
Nota: No estacione el producto sobre una pendiente con hierba cuando realice una comprobación del freno de estacionamiento.

2. Aplique el freno de estacionamiento. Consulte *Aplique y soltar el freno de estacionamiento en la página 57.*
3. Si el producto empieza a moverse, deje que un taller de servicio autorizado ajuste el freno de estacionamiento.
4. Pise el pedal del freno de estacionamiento nuevamente para soltar el freno de estacionamiento.

Sustitución del filtro de combustible

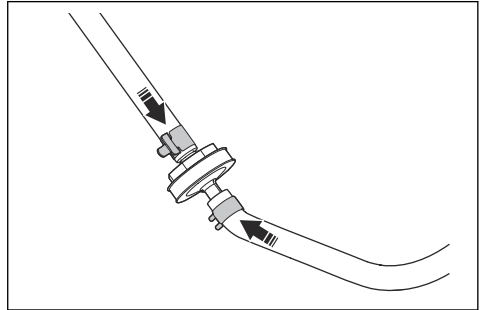
Nota: En la ilustración se muestra un tipo de filtro de combustible. El filtro de combustible de su producto puede ser diferente, pero el procedimiento es el mismo.

1. Abra la cubierta del motor para acceder al filtro de combustible.
2. Cierre la válvula de corte de combustible.
3. Comprima la manguera del depósito de combustible para evitar fugas.
4. Aleje las presillas de manguera del filtro de combustible con un par de alicates planos.
5. Retire el filtro de combustible de los extremos de las mangueras. Puede producirse una pequeña fuga de combustible.



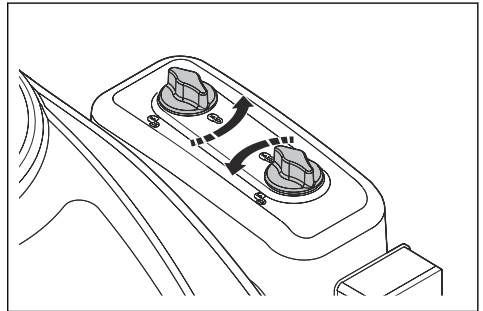
6. Instale el nuevo filtro de combustible en los extremos de las mangueras. Aplique líquido detergente a los extremos del filtro de combustible para facilitar la conexión.

7. Empuje las presillas de manguera contra el filtro de combustible.

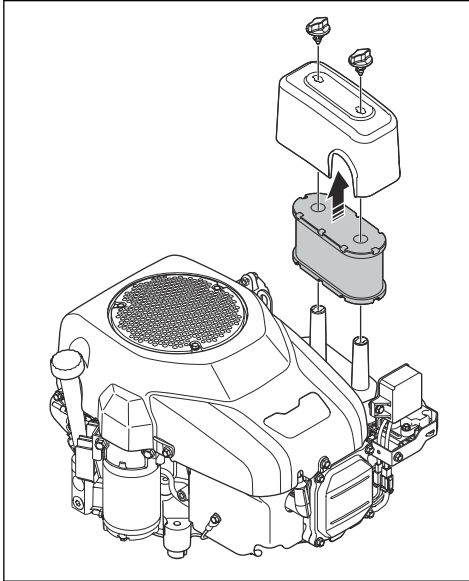


Limpeza y cambio del filtro de aire

1. Abra la cubierta del motor.
2. Afloje los cierres que sujetan la cubierta del filtro de aire y retire la cubierta.



3. Extraiga el cartucho del filtro de aire de la carcasa del filtro.



4. Para limpiar el filtro de aire de espuma, siga los pasos que se indican a continuación.
- Retire el filtro de aire de espuma del cartucho del filtro de aire.
 - Limpie el filtro de aire de espuma con un detergente suave.
 - Deje que se seque el filtro de aire de espuma.
 - Coloque el filtro de aire de espuma en el cartucho del filtro de aire.
5. Para limpiar el filtro de aire de papel, siga los pasos que se indican a continuación.
- Golpee el filtro de aire de papel contra una superficie dura.
 - Sople con aire comprimido desde la parte interior del filtro de aire de papel.



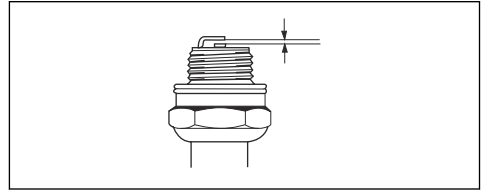
PRECAUCIÓN: Si el filtro de aire de papel no se limpia, hay que cambiarlo.

6. Para el montaje, efectúe el mismo procedimiento en el orden inverso.

Examen y sustitución de una bujía

- Abra la cubierta del motor.
- Retire el sombrerete de bujía y limpie los alrededores de la bujía.
- Retire la bujía con una llave para bujías.

- Examine la bujía. Sustitúyala si los electrodos están quemados o si el aislamiento presenta grietas o daños. Si la bujía no está dañada, límpiela con un cepillo de púas metálicas.
- Mida la distancia entre los electrodos y asegúrese de que es la correcta. Consulte *Datos técnicos en la página 79*.



- Doble el electrodo lateral para ajustar la distancia entre los electrodos.
- Vuelva a colocar la bujía y gírela a mano hasta que alcance su asiento.
- Apriete la bujía con la llave para bujías hasta que la arandela quede comprimida.
- Apriete una bujía usada $\frac{1}{8}$ de vuelta más, y una bujía nueva $\frac{1}{4}$ de vuelta más.



PRECAUCIÓN: Las bujías mal apretadas pueden causar daños en el motor.

10. Conecte el sombrerete de la bujía.

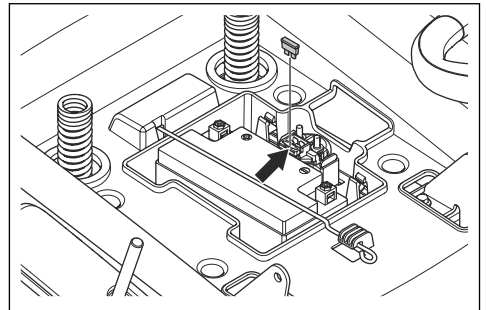


PRECAUCIÓN: No intente arrancar el motor si se ha desconectado la bujía o el cable de encendido.

Sustitución del fusible principal

El fusible principal se encuentra en el portafusibles del relé de arranque, debajo del asiento.

- Incline el asiento hacia delante.
- Retire el conector del portafusibles.
- Extraiga el fusible principal del portafusibles.



- Cambie el fusible fundido por uno nuevo del mismo tipo. Consulte *Datos técnicos en la página 79*.

Si el fusible principal se funde de nuevo poco después de haberlo sustituido, hay un cortocircuito. Repare el cortocircuito antes de utilizar el producto de nuevo.

Carga de la batería

- Cargue la batería si está demasiado baja como para arrancar el motor.
- Utilice un cargador de baterías estándar.



PRECAUCIÓN: No utilice un cargador de refuerzo o un amplificador de arranque. Causará daños en el sistema eléctrico del producto.

- Antes de poner en marcha el motor, desconecte siempre el cargador.

Arranque de emergencia del motor

Si la batería está demasiado baja como para arrancar el motor, puede utilizar cables de puente para realizar un arranque de emergencia. Este producto tiene un sistema de 12 V con conexión a tierra negativa. El producto que se utilice para el arranque de emergencia debe tener también un sistema de 12 V con conexión a tierra negativa.

Conexión de los cables de puente

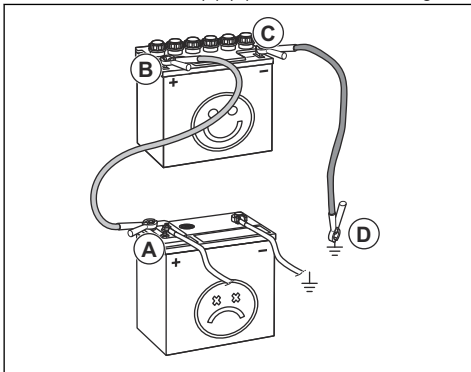


ADVERTENCIA: Existe riesgo de explosión debido a gases explosivos procedentes de la batería. No conecte el terminal negativo de una batería cargada al terminal negativo de una batería descargada ni cerca de él.



PRECAUCIÓN: No utilice la batería de su producto para arrancar otros vehículos.

1. Conecte un extremo del cable rojo de la batería al terminal POSITIVO (+) (A) de la batería descargada.



2. Conecte el otro extremo del cable rojo de la batería al terminal POSITIVO (+) (B) de la batería cargada.



ADVERTENCIA: No deje que los extremos del cable rojo de la batería toquen el chasis. Esto provocará un cortocircuito.

3. Conecte uno de los extremos del cable negro de la batería al terminal NEGATIVO (-) (C) de la batería cargada.
4. Conecte el otro extremo del cable negro de la batería a un punto de MASA DEL CHASIS (D), lejos del depósito de combustible y la batería.

Retirada de los cables de puente

Nota: Retire los cables de puente siguiendo una secuencia opuesta a la de conexión.

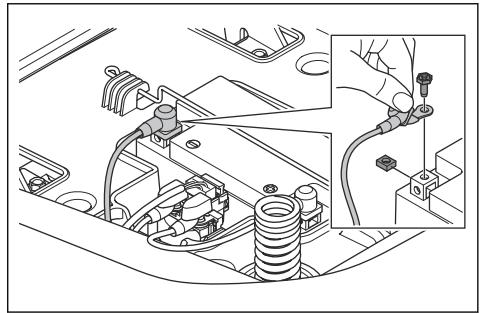
1. Quite el cable NEGRO del chasis.
2. Quite el cable NEGRO de la batería totalmente cargada.
3. Quite el cable ROJO de las 2 baterías.

Sustitución de la batería



ADVERTENCIA: Existe riesgo de descarga eléctrica y quemaduras. No utilice pulseras metálicas ni otros accesorios metálicos. Cualquier objeto metálico que entre en contacto con los terminales de la batería puede provocar quemaduras, descargas eléctricas y cortocircuitos en la batería.

1. Pare el producto.
2. Incline el asiento hacia delante.
3. Retire la cubierta del terminal del cable negro de la batería.
4. Retire el tornillo, la tuerca y el cable negro de la batería del terminal negativo (-) de la batería.



ADVERTENCIA: Existe riesgo de descarga eléctrica y quemaduras. El cable negro de la batería debe

desconectarse antes de desconectar el cable rojo de la batería.

5. Retire la cubierta del terminal del cable rojo de la batería.
6. Retire el tornillo, la tuerca y el cable rojo de la batería del terminal positivo (+) de la batería.
7. Retire con cuidado la batería del producto.
8. Coloque una batería nueva en su posición.
9. Conecte el cable rojo de la batería al terminal positivo (+) de la batería e instale la tuerca y el tornillo.



ADVERTENCIA: Existe riesgo de descarga eléctrica y quemaduras. El cable rojo de la batería debe conectarse al terminal positivo (+) antes de conectar el cable negro de la batería al terminal negativo (-).

10. Conecte el cable negro al terminal negativo (-) de la batería e instale la tuerca y el tornillo.
11. Coloque la tapa de los terminales.

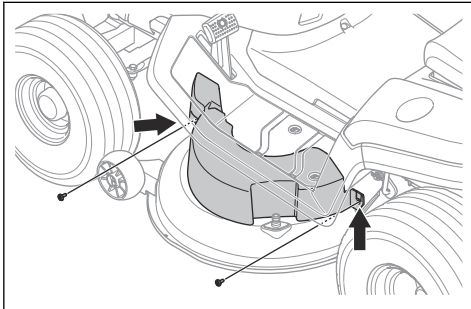
Presión de los neumáticos

Asegúrese de que la presión de los 4 neumáticos sea correcta. Consulte *Datos técnicos en la página 79*.

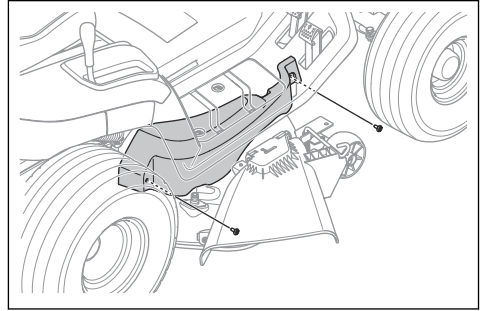
Equipo de corte

Extracción e instalación del equipo de corte

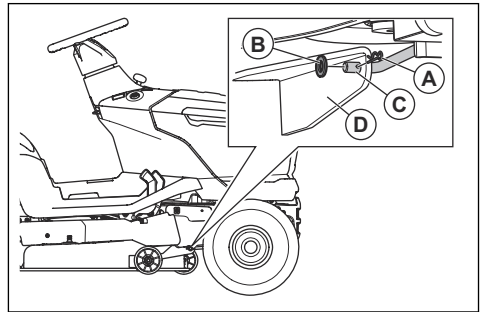
1. Desactive el equipo de corte y pare el motor.
2. Coloque el equipo de corte en la posición más baja.
3. Quite los 2 tornillos y la cubierta de la correa izquierda.



4. Quite los 2 tornillos y la cubierta de la correa derecha.



5. Retire la correa de transmisión de la polea de la cuchilla izquierda para reducir la tensión de la correa de transmisión.
6. Retire la correa de transmisión de la polea del motor.
7. Siga los pasos que se indican a continuación para desconectar la articulación delantera.
 - a) Quite el clip (A) y la arandela (B).

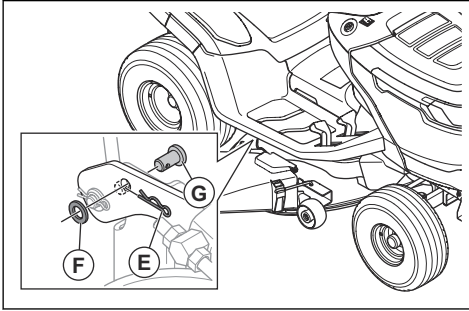


- b) Desconecte la articulación delantera (C) del soporte (D) del equipo de corte.
8. Siga los pasos que se indican a continuación para desconectar las 2 articulaciones traseras. Hay una articulación trasera en el lado izquierdo y una articulación trasera en el lado derecho del producto.



ADVERTENCIA: El equipo de corte pesa bastante. Coloque una palanca o una herramienta similar debajo del equipo de corte para sujetarlo cuando desconecte las 2 articulaciones traseras.

- a) Retire el clip (E), la arandela (F) y el pasador (G) de la articulación trasera izquierda.



- b) Desconecte el equipo de corte de la articulación trasera izquierda.
c) Sujete la palanca de altura de corte en la posición más baja con una mano. Retire el clip, la arandela y el pasador de la articulación trasera derecha.



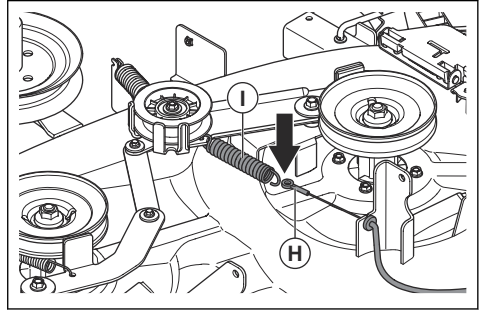
ADVERTENCIA: No suelte la palanca de ajuste de altura de corte. El mecanismo de ajuste de la altura de corte se acciona mediante un muelle. La fuerza del muelle puede causar lesiones por aplastamiento si no mantiene la palanca de altura de corte en esa posición.

- d) Desconecte el equipo de corte de la articulación trasera derecha.
e) Suelte con cuidado la palanca de altura de corte.

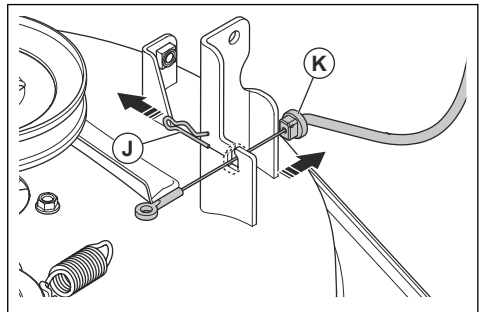


ADVERTENCIA: El mecanismo de ajuste de la altura de corte se acciona mediante un muelle. La fuerza del muelle puede provocar daños por aplastamiento. Mantenga los miembros del cuerpo alejados.

- a) Desconecte el cable del embrague (H) del muelle (I) del tensor de la correa.



- b) Retire el clip (J) y extraiga el soporte del cable del equipo de corte.



11. Retire el equipo de corte del producto.

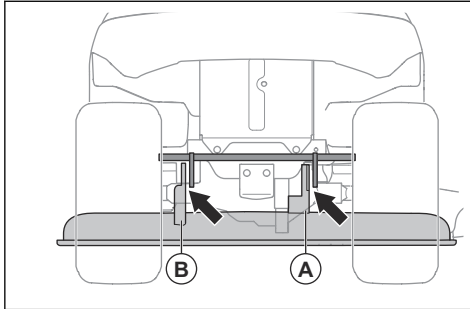
12. Para instalar el equipo de corte, efectúe el procedimiento en orden inverso.



PRECAUCIÓN: Asegúrese de que la correa de transmisión está instalada correctamente y no se comprime al instalar el equipo de corte.

9. Coloque la palanca de altura de corte en la posición más alta.
10. Si se trata del modelo TS 112, siga los pasos que se indican a continuación para desconectar el cable del embrague.

- a) Asegúrese de que los soportes estén en la posición correcta al instalar el equipo de corte. El soporte del lado derecho (A) debe estar en la parte interior de la articulación trasera derecha. El soporte del lado izquierdo (B) debe estar en la parte exterior de la articulación trasera izquierda.

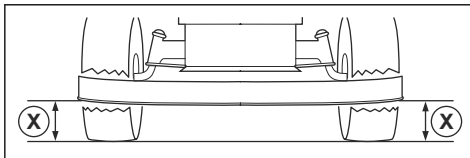


Ajuste del paralelismo del equipo de corte

Ajuste de lado a lado del equipo de corte

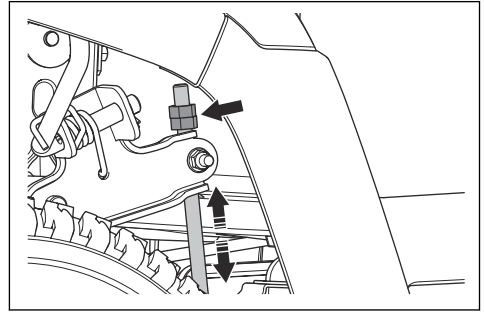
Si no coincide la altura de corte en los lados derecho e izquierdo, es posible ajustar la altura de corte.

1. Asegúrese de que la presión de los 4 neumáticos sea correcta. Consulte *Presión de los neumáticos en la página 67*.
2. Estacione el cortacésped en una superficie nivelada.
3. Coloque el equipo de corte en la posición más alta.
4. Mida la distancia (X) desde el borde inferior del equipo de corte hasta el suelo, tanto en el lado izquierdo como en el derecho. La distancia debe ser idéntica en los 2 lados.



ADVERTENCIA: Las cuchillas del equipo de corte están afiladas y pueden causar lesiones. Utilice guantes protectores.

5. Afloje las contratuercas de los tirantes de la altura de corte.



Nota: Los tirantes de la altura de corte se encuentran detrás del equipo de corte, delante de las ruedas traseras.

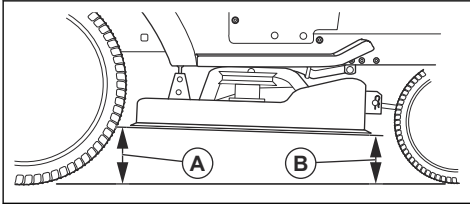
6. Ajuste las tuercas de los tirantes de la altura de corte hasta que el equipo de corte tenga la misma altura de corte tanto en el lado izquierdo como en el lado derecho.
 - a) Gire las tuercas hacia la izquierda para bajar el equipo de corte.
 - b) Gire las tuercas hacia la derecha para subir el equipo de corte.
7. Mida la distancia de nuevo. Siga realizando ajustes hasta que los 2 lados coincidan.
8. Apriete las contratuercas cuando haya terminado de realizar el ajuste de lado a lado.
9. Corte un poco de hierba y examine los resultados. Ajuste si es necesario.

Ajuste longitudinal del equipo de corte

El equipo de corte debe estar nivelado de lado a lado antes de proceder con el ajuste longitudinal. Consulte *Ajuste de lado a lado del equipo de corte en la página 69*.

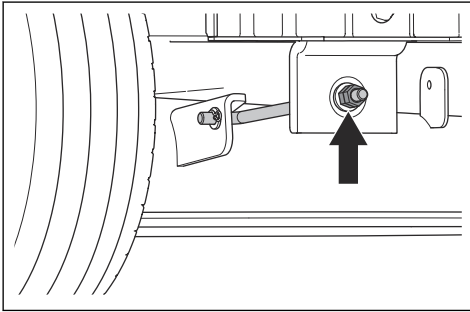
1. Asegúrese de que la presión de los 4 neumáticos sea correcta. Consulte *Presión de los neumáticos en la página 67*.
2. Estacione el cortacésped en una superficie nivelada.
3. Coloque el equipo de corte en la posición más alta.

- Mida la distancia desde el borde inferior del equipo de corte hasta el suelo tanto en la parte trasera (A) como en la parte delantera (B). La distancia en la parte delantera debe ser de 5 a 10 mm más baja que en la parte trasera.



ADVERTENCIA: Las cuchillas del equipo de corte están afiladas y pueden causar lesiones. Utilice guantes protectores.

- Si es necesario ajustar la parte delantera, afloje la contratuerca y gire la tuerca de la articulación delantera.



Nota: La articulación delantera se encuentra en la parte delantera del producto, detrás del silenciador.

- Gire la tuerca hacia la izquierda para bajar la parte delantera del equipo de corte.
- Gire la tuerca hacia la derecha para subir el equipo de corte.
- Apriete la contratuerca cuando haya terminado de realizar el ajuste en la parte delantera.

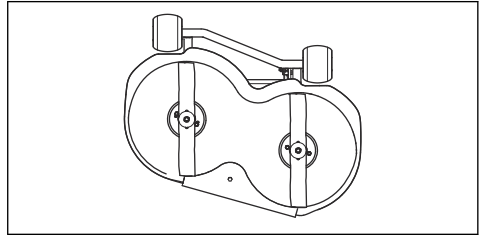
Inspección de las cuchillas



PRECAUCIÓN: Unas cuchillas dañadas o mal equilibradas pueden causar daños al producto. Sustituya las cuchillas si están dañadas. Acuda a un taller de servicio autorizado para que afilen las cuchillas y equilibren las cuchillas romas.

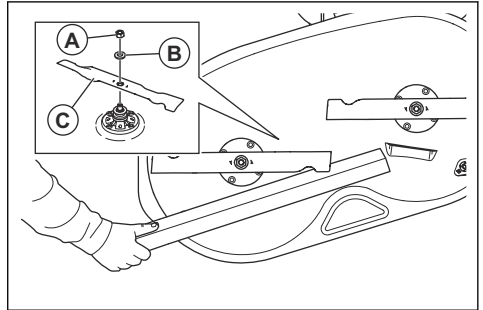
- Retire el equipo de corte. Consulte *Extracción e instalación del equipo de corte en la página 67*.

- Observe las cuchillas para ver si están dañadas y, si es necesario, afílarlas.



Sustitución de las cuchillas (TS 112)

- Bloquee las cuchillas con un bloque de madera.



- Retire la tuerca (A), la arandela (B) y la cuchilla (C).
- Instale las cuchillas nuevas. Asegúrese de que el extremo curvo de la cuchilla apunta hacia arriba.

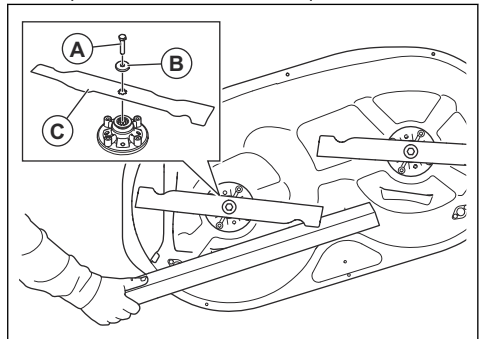


ADVERTENCIA: Usar un tipo de cuchillas incorrecto puede causar que el equipo de corte arroje objetos y causar así lesiones graves. Utilice únicamente las cuchillas que aparecen en *Datos técnicos en la página 79*.

- Apriete la tuerca a 200 Nm.

Sustitución de las cuchillas (TS 114)

- Bloquee las cuchillas con un bloque de madera.



- Retire el tornillo (A), la arandela (B) y la cuchilla (C).

3. Instale las nuevas cuchillas con los extremos doblados orientados hacia el equipo de corte.

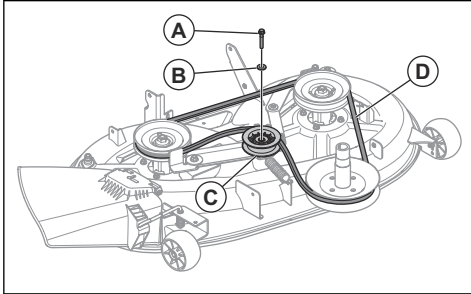


ADVERTENCIA: Usar un tipo de cuchillas incorrecto puede causar que el equipo de corte arroje objetos y causar así lesiones graves. Utilice únicamente las cuchillas que aparecen en *Datos técnicos en la página 79*.

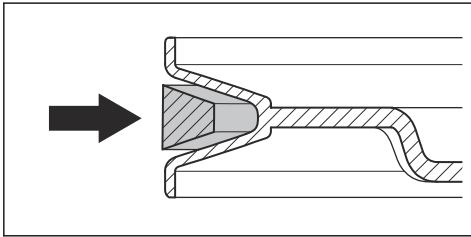
4. Apriete los tornillos a 80 Nm.

Sustitución de la correa del equipo de corte

1. Retire el equipo de corte. Consulte *Extracción e instalación del equipo de corte en la página 67*.
2. Retire la suciedad y la hierba de alrededor de las carcasas de los cojinetes, de las poleas de las cuchillas y de la parte superior del equipo de corte.
3. Retire el perno (A), la arandela (B) y la polea tensora (C).



4. Retire la correa del equipo de corte (D) de las poleas de las cuchillas del equipo de corte.
5. Efectúe este procedimiento en el orden inverso para instalar una correa de transmisión nueva.
 - a) Asegúrese de que la correa del equipo de corte está en la posición correcta en todas las poleas de la correa.

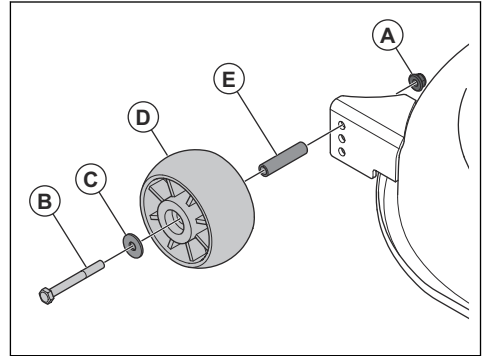


PRECAUCIÓN: Asegúrese de que la correa del equipo de corte está bien instalada y de que no está torcida. Consulte la etiqueta de recorrido de la correa en el equipo de corte.

Ajuste de las ruedas antidesbroce

Las ruedas antidesbroce mantienen el equipo de corte en la posición correcta sobre el suelo para evitar el corte al ras en la mayoría de condiciones del terreno. Las ruedas antidesbroce están bien ajustadas si están ligeramente separadas del suelo cuando el equipo de corte está a la altura de corte necesaria.

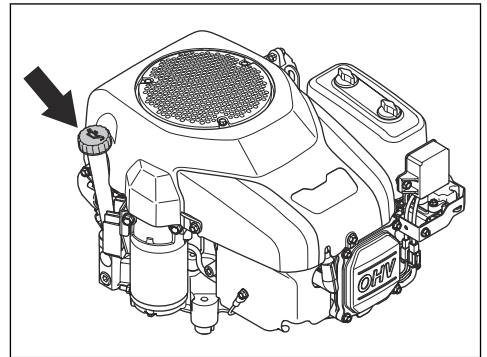
1. Estacione el producto sobre una superficie nivelada y detenga el motor.
2. Coloque el equipo de corte a la altura de corte necesaria. Consulte *Ajuste de la altura de corte (TS 112) en la página 58* o *Ajuste de la altura de corte (TS 114) en la página 58*.
3. Quite la tuerca (A), el perno (B), la arandela (C), la rueda antidesbroce (D) y el casquillo (E).



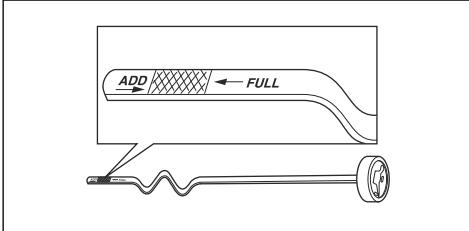
4. Instale la rueda antidesbroce, el casquillo, el perno, la arandela y la tuerca en 1 de los 3 orificios.
5. Ajuste todas las ruedas antidesbroce siguiendo el mismo procedimiento.

Comprobación del nivel de aceite del motor

1. Estacione el producto sobre un suelo nivelado y detenga el motor.
2. Abra la cubierta del motor.
3. Afloje la varilla de nivel y extráigala.



4. Limpie el aceite de la varilla de nivel de aceite.
5. Vuelva a colocar la varilla y apriétela.
6. Afloje y saque la varilla de nivel y lea el nivel de aceite.
7. El nivel de aceite debe estar entre las marcas que aparecen en la varilla de nivel. Si el nivel está cerca de la marca de añadir "ADD", rellene con aceite hasta la marca de totalmente lleno "FULL".



8. Reponga el aceite a través del orificio de la varilla de nivel. Añada el aceite lentamente.

Nota: Consulte *Datos técnicos en la página 79* para ver los tipos de aceite de motor recomendados. No mezcle diferentes tipos de aceite.

9. Apriete la varilla de nivel correctamente antes de arrancar el motor. Ponga en marcha la máquina y deje el motor al ralentí durante 30 segundos aproximadamente. Pare el motor. Espere 30 segundos y vuelva a comprobar el nivel de aceite.

Sustitución del aceite del motor

Si el motor está frío, arránquelo y déjelo en marcha durante 1 o 2 minutos antes de vaciar el aceite del motor. Esto calienta el aceite del motor y facilita el drenaje.

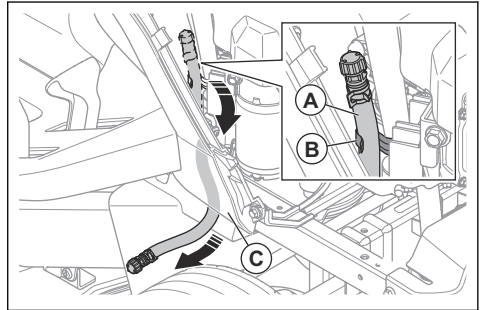


ADVERTENCIA: No deje el motor funcionando más de 1 o 2 minutos antes de drenar el aceite. El aceite del motor se calienta mucho y puede causar quemaduras graves. Deje que el motor se enfríe antes de vaciar el aceite del motor.

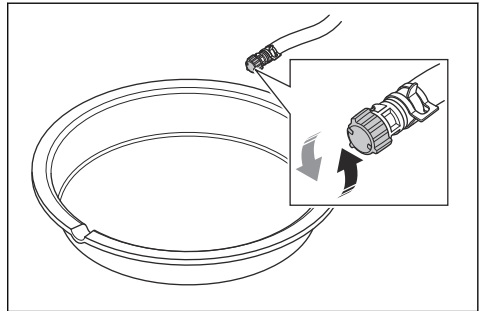


ADVERTENCIA: Si se derrama aceite del motor sobre el cuerpo, lávese con agua y jabón.

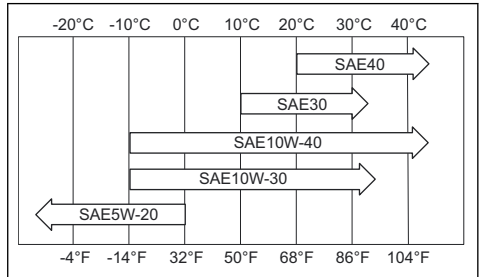
1. Retire la manguera de drenaje de aceite (A) del soporte (B) y pase la manguera de drenaje de aceite por el hueco (C).



2. Coloque un recipiente debajo del tapón de vaciado del aceite.
3. Extraiga la varilla de nivel.
4. Retire el tapón de la válvula de drenaje de aceite de la manguera de drenaje de aceite y deje que el aceite del motor caiga en el recipiente.



5. Una vez que haya vaciado todo el aceite, instale el tapón en la válvula de drenaje de aceite.
6. Si el motor tiene filtro de aceite, sustitúyalo. Consulte *Cambio del filtro de aceite (TS 114)* en la *página 73*.
7. Rellene despacio el aceite a través del orificio de la varilla de nivel. Utilice un aceite con una viscosidad conforme a los intervalos de temperatura de la figura. Consulte *Datos técnicos en la página 79*.





PRECAUCIÓN: No mezcle diferentes tipos de aceite.

8. Instale la varilla de nivel.
9. Deseche el aceite de motor usado.

Cambio del filtro de aceite (TS 114)



ADVERTENCIA: Utilice guantes protectores. Si se derrama aceite del motor sobre el cuerpo, lávese con agua y jabón.

1. Extraiga el aceite del motor. Consulte *Sustitución del aceite del motor en la página 72*.
2. Gire el filtro de aceite hacia la izquierda para extraerlo.

3. Lubrique ligeramente la junta de goma del nuevo filtro de aceite con aceite de motor nuevo.
4. Gire el filtro de aceite hacia la derecha con la mano hasta que la junta de goma esté en su posición y, a continuación, apriete media vuelta más.
5. Llene el motor con aceite de motor nuevo. Consulte *Sustitución del aceite del motor en la página 72*.
6. Arranque el motor y déjelo a ralentí durante 3 minutos.
7. Detenga el motor y asegúrese de que no haya fugas de aceite en el filtro de aceite.
8. Añada aceite de motor para compensar el aceite del filtro de aceite nuevo.

Programa de resolución de problemas

Si no puede encontrar una solución a sus problemas en este manual de usuario, hable con su taller de servicio de Husqvarna.

Problema	Causa	Acción
El motor de arranque no pone en marcha el motor.	El freno de estacionamiento no está accionado.	Aplice el freno de estacionamiento. Consulte <i>Aplicar y soltar el freno de estacionamiento en la página 57</i> .
	El equipo de corte está desacoplado.	Desactive el equipo de corte. Consulte <i>Activación y desactivación del equipo de corte (TS 112) en la página 57</i> .
	El fusible principal está fundido.	Cambie el fusible principal. Consulte <i>Sustitución del fusible principal en la página 65</i> .
	El contacto está dañado.	Acuda a un taller de servicio Husqvarna.
	La conexión entre el cable y la batería no es buena.	Asegúrese de que la batería esté conectada correctamente. Consulte <i>Conexión de la batería en la página 55</i> .
	La batería está demasiado débil.	Cargue la batería. Consulte <i>Carga de la batería en la página 66</i> .
	El motor de arranque está dañado.	Acuda a un taller de servicio Husqvarna.

Problema	Causa	Acción
El motor no arranca cuando el motor de arranque intenta arrancarlo.	No hay combustible en el depósito de combustible.	Llene el depósito de combustible. Consulte <i>Repostaje de combustible en la página 55</i> .
	La bujía está dañada.	Examine las bujías. Sustituya las bujías si fuese necesario. Consulte <i>Examen y sustitución de una bujía en la página 65</i> .
	El cable de encendido está dañado.	Acuda a un taller de servicio Husqvarna.
	Hay suciedad en el carburador o la tubería de combustible.	Acuda a un taller de servicio Husqvarna.
	El filtro de combustible está obstruido.	Sustituya el filtro de combustible. Consulte <i>Sustitución del filtro de combustible en la página 64</i> .
El motor no funciona correctamente.	La bujía está dañada.	Examine las bujías. Sustituya las bujías si fuese necesario. Consulte <i>Examen y sustitución de una bujía en la página 65</i> .
	El carburador no está bien ajustado.	Acuda a un taller de servicio Husqvarna.
	El filtro de aire está obstruido.	Limpie o sustituya el filtro de aire. Consulte <i>Limpieza y cambio del filtro de aire en la página 64</i> .
	La ventilación del depósito de combustible está bloqueada.	Acuda a un taller de servicio Husqvarna.
	Hay suciedad en el carburador o la tubería de combustible.	Acuda a un taller de servicio Husqvarna.
	El filtro de combustible está obstruido.	Sustituya el filtro de combustible. Consulte <i>Sustitución del filtro de combustible en la página 64</i> .
El motor no tiene potencia.	El filtro de aire está obstruido.	Limpie o sustituya el filtro de aire. Consulte <i>Limpieza y cambio del filtro de aire en la página 64</i> .
	La bujía está dañada.	Examine las bujías. Sustituya las bujías si fuese necesario. Consulte <i>Examen y sustitución de una bujía en la página 65</i> .
	Hay suciedad en el carburador o la tubería de combustible.	Acuda a un taller de servicio Husqvarna.
	El cable del acelerador está mal ajustado.	Acuda a un taller de servicio Husqvarna.
El motor se detiene cuando intenta utilizar el producto marcha atrás.	El sistema de funcionamiento marcha atrás (ROS) no está activado.	Active el sistema de funcionamiento marcha atrás (ROS). Consulte <i>Uso del sistema de funcionamiento marcha atrás (ROS) en la página 58</i> .

Problema	Causa	Acción
La transmisión no tiene suficiente potencia.	La toma de aire o las aletas de refrigeración de la transmisión están obstruidas.	Acuda a un taller de servicio Husqvarna.
	El ventilador de la transmisión está dañado.	Acuda a un taller de servicio Husqvarna.
	No hay aceite en la transmisión o el nivel de aceite es demasiado bajo.	Acuda a un taller de servicio Husqvarna.
	El sistema de transmisión está desacoplado.	Acople el sistema de transmisión. Consulte <i>Engranaje y desengranaje del sistema de transmisión en la página 57</i> .
La batería no se carga.	La batería está dañada.	Sustituya la batería. Consulte <i>Sustitución de la batería en la página 66</i> .
	La conexión de terminales de la batería es incorrecta.	Asegúrese de que la batería esté conectada correctamente. Consulte <i>Conexión de la batería en la página 55</i> .
Se producen vibraciones en el producto.	Las cuchillas están flojas.	Apriete las cuchillas. Consulte <i>Sustitución de las cuchillas (TS 112) en la página 70</i> .
	Las cuchillas no están bien instaladas.	Compruebe que las cuchillas estén bien instaladas. Consulte <i>Sustitución de las cuchillas (TS 112) en la página 70</i> .
	Las cuchillas no están equilibradas.	Revise las cuchillas para comprobar si están desgastadas o dañadas. Consulte <i>Inspección de las cuchillas en la página 70</i> .
	El motor está suelto.	Acuda a un taller de servicio Husqvarna.
	Las poleas de la correa están torcidas o sueltas.	Acuda a un taller de servicio Husqvarna.

Problema	Causa	Acción
El resultado del corte no es satisfactorio.	Las cuchillas están romas.	Revise las cuchillas para comprobar si están desgastadas o dañadas. Consulte <i>Inspección de las cuchillas en la página 70</i> .
	El césped está crecido o húmedo.	Consulte <i>Para obtener un buen resultado de corte en la página 59</i> .
	El paralelismo del equipo de corte no está bien ajustado.	Ajuste el paralelismo del equipo de corte. Consulte <i>Ajuste del paralelismo del equipo de corte en la página 69</i> .
	El equipo de corte presenta una obstrucción por hierba.	Limpie el equipo de corte. Consulte <i>Limpieza del equipo de corte en la página 62</i> .
	Los orificios de aire del equipo de corte están obstruidos.	Limpie el equipo de corte. Consulte <i>Limpieza del equipo de corte en la página 62</i> .
	Hay suciedad alrededor de las poleas de las cuchillas.	Limpie el equipo de corte. Consulte <i>Limpieza del equipo de corte en la página 62</i> .
	La presión de los neumáticos es distinta en el lado derecho e izquierdo.	Asegúrese de que la presión de los 4 neumáticos sea correcta. Consulte <i>Presión de los neumáticos en la página 67</i> .
	El producto funciona a una velocidad demasiado alta.	Consulte <i>Datos técnicos en la página 79</i> .
	El régimen del motor es demasiado bajo.	Consulte <i>Datos técnicos en la página 79</i> .
	La correa del equipo de corte patina.	Acuda a un taller de servicio Husqvarna.
La correa del equipo de corte está desgastada o dañada.	Sustituya la correa del equipo de corte. Consulte <i>Sustitución de la correa del equipo de corte en la página 71</i> .	
Las cuchillas del equipo de corte no empiezan a girar cuando se engrana el equipo de corte.	No hay recogedor de hierba, u otro accesorio, instalado en la tolva de descarga de hierba (si procede).	Instale el recogedor de hierba, u otro accesorio, en la tolva de descarga de hierba (si procede).

Transporte, almacenamiento y eliminación

Transporte

- El producto es pesado y puede causar lesiones por aplastamiento. Tenga cuidado al cargarlo o descargarlo de un vehículo o remolque.
- Utilice solo un remolque homologado para el transporte del producto.
- Asegúrese de que conoce las normas de tráfico locales antes de transportar el producto en un remolque o circular por carretera.
- Para cargar el producto en un remolque con más facilidad, coloque el equipo de corte en la posición más alta.

Amarre firme del producto para el transporte



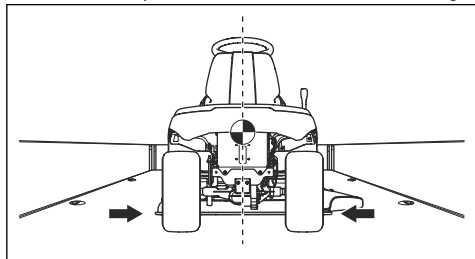
ADVERTENCIA: Antes de sujetar el producto, debe leer y entender el capítulo sobre seguridad. Consulte *Seguridad en la página 46*.



ADVERTENCIA: El freno de estacionamiento no es suficiente para bloquear el producto durante el transporte. Sujete firmemente el producto en el área de carga.

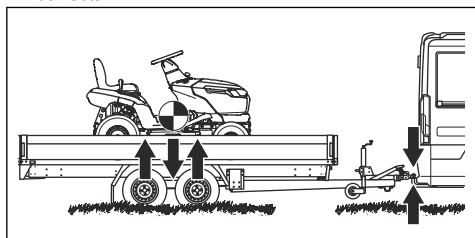
Equipo: 2 correas homologadas y 4 calzos para las ruedas.

1. Estacione el producto en el centro del área de carga.



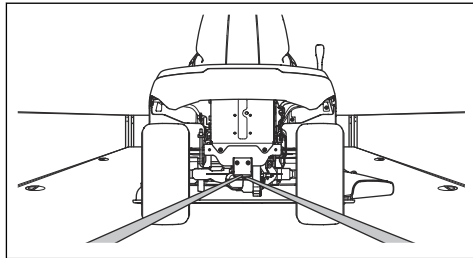
PRECAUCIÓN: Si el producto se va a transportar en un vehículo de transporte con cubierta, deje que se enfríe antes de colocarlo debajo de la cubierta.

2. Asegúrese de que el centro de gravedad del producto está por encima del eje de las ruedas del vehículo de transporte. Si se utiliza un remolque para el transporte, asegúrese de que la fuerza vertical que se aplica sobre la barra de remolque es correcta.

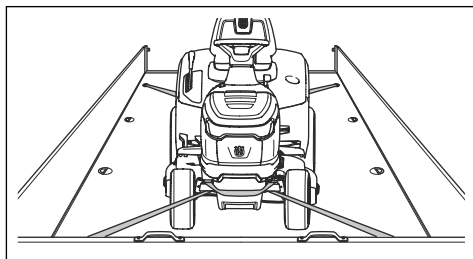


3. Aplique el freno de estacionamiento.
4. Retire todos los objetos sueltos.

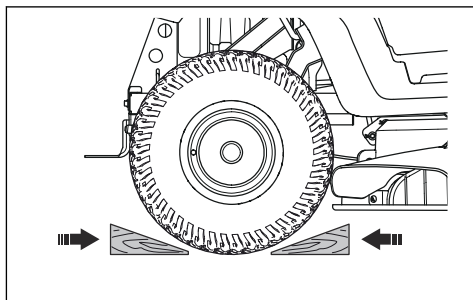
5. Fije la primera correa a la barra de remolque.



6. Tense la correa tirando hacia atrás para sujetar el producto en el área de carga.
7. Coloque la segunda correa alrededor del eje delantero.



8. Sujete la correa al área de carga.
9. Tense la correa tirando hacia la parte delantera del área de carga para sujetar el producto al área de carga.
10. Coloque los calzos para las ruedas delante y detrás de las ruedas traseras.



Almacenamiento

Prepare el producto para guardarlo al final de la temporada o si va almacenarlo durante más de 30 días. Si deja combustible en el depósito durante 30 días o más, las partículas pegajosas pueden atascar el carburador. Esto tendrá un efecto negativo en el funcionamiento del motor.

Para evitar la aparición de partículas pegajosas durante el almacenamiento, agregue un estabilizador. Si utiliza gasolina a base de alquilatos, no es necesario usar un estabilizador. Si utiliza gasolina estándar, no

cambie a gasolina a base de alquilatos. Esto puede provocar el endurecimiento de las piezas de goma más delicadas. Añada un estabilizador al depósito o recipiente donde se almacena el combustible. Utilice siempre las proporciones de mezcla especificadas por el fabricante. Haga funcionar el motor durante un mínimo de 10 minutos después de agregar el estabilizador para que este llegue al carburador.



ADVERTENCIA: No guarde el producto con combustible en el depósito en interiores o en lugares con una mala ventilación. Existe peligro de incendio si los vapores del combustible entran en contacto con llamas desnudas, chispas o luces piloto, por ejemplo, de calderas de calefacción, depósitos de agua caliente y secadoras de ropa.



ADVERTENCIA: Retire la hierba, las hojas y otros materiales inflamables del producto para disminuir el riesgo de incendio. Deje que el producto se enfríe antes de guardarlo.

- Limpie el producto; consulte *Limpieza del producto en la página 62*. Repare los daños en la pintura para evitar la corrosión.
- Examine el producto por si hubiera piezas dañadas o desgastadas, y apriete las tuercas y tornillos flojos.
- Retire la batería. Límpiela, cárguela y manténgala en un lugar fresco durante el almacenamiento.
- Cambie el aceite del motor y deseche el aceite usado.
- Vacíe el depósito de combustible. Arranque el motor y déjelo funcionar hasta que no haya restos de combustible en el carburador.



PRECAUCIÓN: No vacíe el depósito de combustible ni el carburador si se ha añadido un estabilizador.

- Cierre la válvula de corte de combustible.
- Quite las bujías e introduzca aproximadamente una cucharada soper de aceite de motor en cada cilindro. Gire manualmente el eje del motor para distribuir el aceite y vuelva a colocar la bujías.
- Lubrique todas las boquillas de engrase, las juntas y los ejes.
- Guarde el producto en una zona limpia y seca, y cúbralo para mayor protección.
- Su distribuidor puede proporcionarle una cubierta de protección para el almacenamiento o transporte de su producto.

Eliminación

- Las sustancias químicas pueden ser peligrosas y no deben verterse al suelo. Deseche siempre los

productos químicos en su centro de servicio o en una ubicación adecuada para su eliminación.

- Cuando el producto se desgaste, envíelo al distribuidor o a centro de reciclaje adecuado.
- El aceite, los filtros de aceite, el combustible y la batería pueden ser perjudiciales para el medio ambiente. Respete los requisitos de reciclaje locales y las normas aplicables.
- No deseche la batería como residuo doméstico.
- Envíe la batería a un taller de servicio Husqvarna o deséchela en una ubicación de residuos para las baterías agotadas.

Datos técnicos

Datos técnicos

	TS 112	TS 114
Dimensiones		
Anchura sin equipo de corte, mm	916	916
Anchura con equipo de corte, mm	1185	1185
Altura, mm	1100	1100
Longitud, mm	1680	1680
Peso con equipo de corte, con depósito vacío, kg	182	184
Distancia entre ejes, mm	1152	1152
Anchura de vía delantera, mm	730	730
Anchura de vía trasera, mm	700	700
Presión de los neumáticos, delanteros, kPa/bar/PSI	150/1,5/21,76	150/1,5/21,76
Presión de los neumáticos, traseros, kPa/bar/PSI	100/1/14,5	100/1/14,5
Neumáticos delanteros	15x6-6	15x6-6
Neumáticos traseros	18x8.5-8	18x8.5-8
Máx. pendiente, grados	10	10
Peso máx. de remolcado con una pendiente de 10°, kg	100	100
Fuerza vertical máxima permitida sobre la barra de remolque, N/kg	250/25	250/25
Fuerza horizontal máxima permitida sobre la barra de remolque, N/kg	250/25	250/25
Motor		
Marca/modelo	Husqvarna/HS 413AE	Husqvarna/HS 452AE
Potencia nominal del motor, kW ⁵	8,0	9,0
Cilindrada, cm ³	413	452
Régimen máximo del motor, rpm	2800	2800
Máx. velocidad hacia delante en km/h	9	9
Máx. velocidad marcha atrás en km/h	5	5
Combustible, sin plomo, grado máximo de etanol/octanaje mínimo	E10/92	E10/92
Volumen del depósito de combustible, litros	6	6

⁵ La potencia nominal del motor indicada es la potencia neta media (al régimen especificado) de un motor de producción típico para el modelo de motor conforme a la norma SAE J1349/ISO1585. Los motores fabricados en serie podrían presentar valores diferentes. La potencia de salida real del motor instalado en el producto final dependerá de la velocidad de funcionamiento, las condiciones medioambientales y otros valores.

	TS 112	TS 114
Aceite	Clase SF, SH o SJ SAE40, SAE30, SAE10W-30, SAE10W-40 o SAE5W-20	Clase SF, SH o SJ SAE40, SAE30, SAE10W-30, SAE10W-40 o SAE5W-20
Volumen de aceite con filtro, litros	N/P	1,2
Volumen de aceite sin filtro, litros	1,15	1,15
Motor de arranque	Arranque eléctrico, 12 V	Arranque eléctrico, 12 V
Transmisión		
Marca/modelo	Hydro-Gear, T2	Hydro-Gear, T2
Volumen de aceite, litros	2	2
Sistema eléctrico		
Tipo	12 V, negativo a masa	12 V, negativo a masa
Batería	12 V, 20 Ah	12 V, 20 Ah
Bujía	HQT-9	HQT-9
Distancia entre los electrodos, mm/pulg.	0,6-0,8/0,024-0,032	0,6-0,8/0,024-0,032
Tipo de lámpara	12 V, 18 W	12 V, 18 W
Equipo de corte		
Anchura de corte, mm	950	950
Altura de corte, 6 posiciones, mm	25-100	25-100
Emisiones de ruido ⁶		
Nivel de potencia acústica medida, dB(A)	96	98
Nivel de potencia acústica garantizada, dB(A)	100	100
Niveles acústicos ⁷		
Nivel de presión sonora en el oído del usuario, dB(A)	84	86
Niveles de vibración ⁸		
Nivel de vibración en el volante, m/s ²	4,9	5,6
Nivel de vibración en el asiento, m/s ²	1,6	2,0
Cuchillas		
Longitud de las cuchillas, mm	483	483
Referencia	537 67 44-10	537 67 44-10

⁶ Emisiones sonoras en el entorno medidas como potencia acústica (L_{WA}) según la directiva 2000/14/CE.

⁷ Nivel de presión sonora conforme a la norma EN ISO 5395. Los datos referidos del nivel de presión sonora tienen una dispersión estadística habitual (desviación típica) de 3,0 dB(A).

⁸ Nivel de vibración conforme a EN ISO 5395. Los datos referidos del nivel de vibración poseen una dispersión estadística habitual (desviación típica) de 1,5 m/s² (volante) y 1,5 m/s² (asiento).



ADVERTENCIA: Utilice únicamente los equipos de corte especificados en este manual. Los equipos de corte que no estén homologados para el producto pueden causar proyección de objetos a alta velocidad, lo que podría causar lesiones graves.

Puntos de control	
Paralelismo, equipo de corte con altura de corte en la posición 1	5-10 mm (0,197-0,394 pulg.)
Control de la altura de corte en la posición 1	25 ± 2 mm (0,98 ± 0,079 pulg.)

Servicio técnico

Servicio técnico

Haga una comprobación anual en un centro de servicio autorizado para asegurarse de que el producto funcione de manera segura y sin problemas durante la temporada alta. El mejor momento para realizar el mantenimiento o la revisión de este producto es la temporada baja.

Al enviar un pedido de piezas de repuesto, proporcione información sobre el año de compra, el modelo, el tipo y el n.º de serie.

Utilice siempre piezas de repuesto originales.

Declaración de conformidad

Declaración de conformidad CE

Nosotros, Husqvarna AB, SE 561 82 Huskvarna, SUECIA, Tel. +46 36 146500, declaramos bajo nuestra exclusiva responsabilidad que el producto:

Descripción	Tractor cortacésped
Marca	Husqvarna
Tipo/Modelo	TS 112, TS 114
Identificación	Número de serie a partir del 2023 en adelante

Cumple las siguientes directivas y normas de la UE:

Directiva/Norma	Descripción
2006/42/CE	"relativa a las máquinas"
2014/30/UE	"relativa a la compatibilidad electromagnética"
2000/14/CE	"relativa a las emisiones sonoras en el entorno"
2011/65/UE	"relativa a restricciones de utilización de determinadas sustancias peligrosas en aparatos eléctricos y electrónicos"

y que se aplican las especificaciones técnicas o las normas siguientes: EN ISO 5395-1:2013/A1:2018, EN ISO 5395-3:2013/A1:2017/A2:2018, EN ISO 14982:2009, EN IEC 63000:2018.

Organismo notificado: 0197, TÜV Rheinland LGA Products GmbH, Tillystrasse 2, 90431 Nürnberg, Germany, ha certificado la conformidad con la Directiva del Consejo 2000/14/CE, Procedimiento de evaluación de conformidad: Anexo VI.

Para obtener información respecto a las emisiones sonoras, consulte *Datos técnicos en la página 79*.

Husqvarna, 2023-01-30



Claes Losdal, Director de desarrollo/productos de jardín, Husqvarna AB

Responsable de la documentación técnica



ÍNDICE

Introdução.....	83	Esquema de resolução de problemas.....	114
Segurança.....	88	Transporte, armazenamento e eliminação.....	118
Montagem.....	94	Especificações técnicas.....	121
Funcionamento.....	97	Assistência.....	123
Manutenção.....	101	Declaração de conformidade.....	124

Introdução

Inspeção pré-entrega e números de produto

assinada do documento de inspeção pré-entrega do seu concessionário.

Nota: Foi realizada uma inspeção pré-entrega deste produto. Certifique-se de que recebe uma cópia

Informação de contacto da oficina autorizada:	
Este manual do utilizador pertence ao produto com o número de produto/número de série:	
/	
Motor:	
Transmissão:	

Descrição do produto

Este é um trator corta-relva com a plataforma de corte instalada entre os eixos dianteiro e traseiro. Tem um motor de 4 tempos que utiliza gasolina.

Finalidade

Este produto é utilizado apenas para cortar relva em jardins privados com inclinação não superior a 10°. Não deve ser utilizado em parques públicos, campos desportivos e aplicações agrícolas ou florestais. Fixe um acessório opcional para utilizar o produto para outras tarefas. Utilize apenas o produto com acessórios aprovados pelo fabricante. Para obter mais informações, contacte uma oficina autorizada.

A utilização do produto de forma diferente constitui uma utilização incorreta. Irá anular a garantia e isentar o fabricante de responsabilidade por danos ao utilizador ou terceiros.

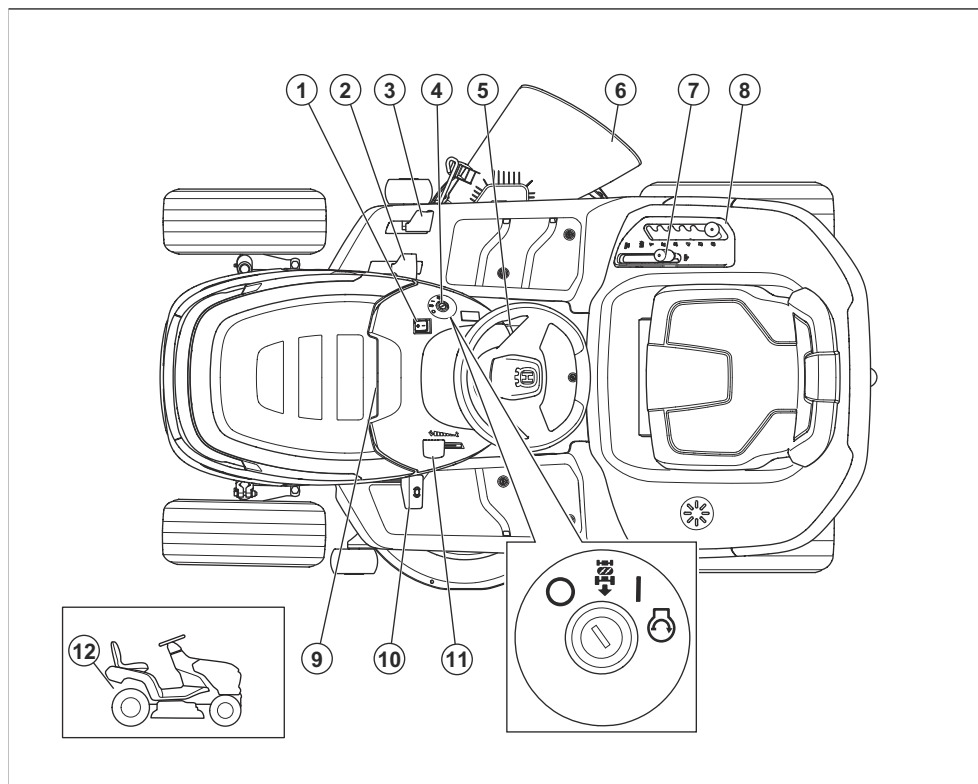
Consulte as diretivas locais quanto à utilização de corta-relvas.

Faça um seguro para o seu produto

Certifique-se de que o seu seguro cobre o seu novo produto. Fale com a sua companhia de seguros caso não tenha a certeza. Recomendamos um seguro totalmente abrangente que inclua proteção contra terceiros, incêndios, danos, roubo e responsabilidade civil.

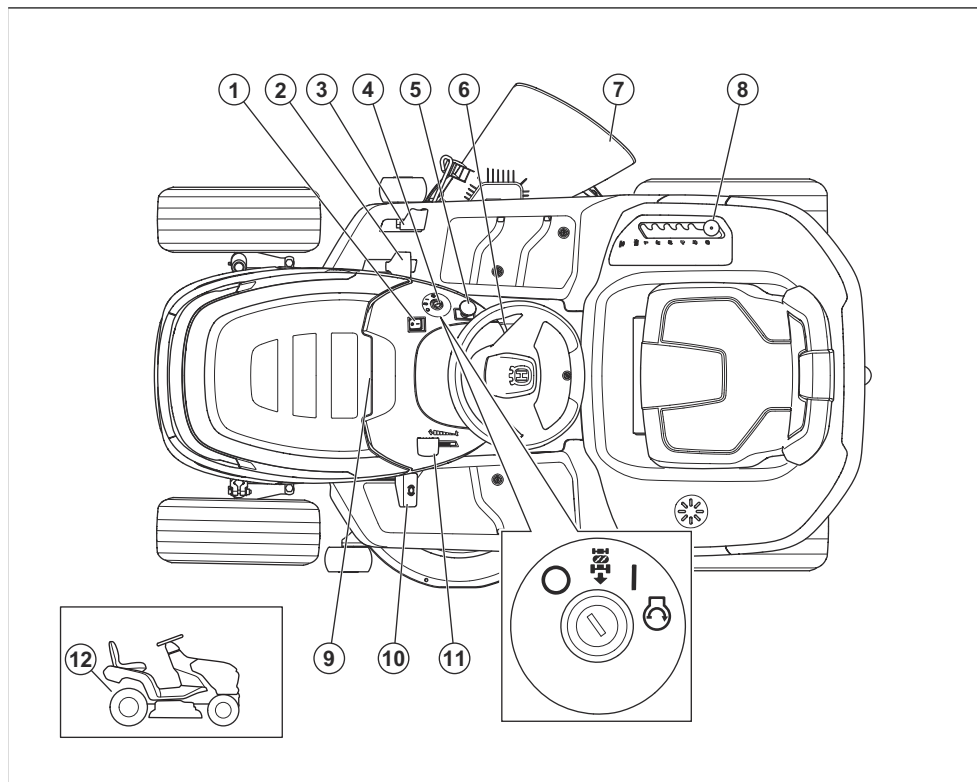
Vista geral do produto

Vista geral do produto (TS 112)



- | | |
|---|--|
| 1. Interruptor das luzes | 7. Controlo do engate da lâmina |
| 2. Pedal de avanço | 8. Alavanca da altura de corte |
| 3. Pedal de marcha-atrás | 9. Contador de horas (por baixo da cobertura do motor) |
| 4. Fechadura da ignição | 10. Pedal do travão de estacionamento |
| 5. Bloqueio do travão de estacionamento | 11. Acelerador |
| 6. Defletor | 12. Alavanca para engatar ou desengatar a transmissão |

Vista geral do produto (TS 114)



1. Interruptor das luzes
2. Pedal de avanço
3. Pedal de marcha-atrás
4. Fechadura da ignição
5. Botão da TDF
6. Bloqueio do travão de estacionamento
7. Defletor
8. Alavanca da altura de corte
9. Contador de horas
10. Pedal do travão de estacionamento
11. Acelerador
12. Alavanca para engatar ou desengatar a transmissão

Controlo de presença do utilizador (OPC)

O OPC é ativado quando o utilizador se levanta do banco. O OPC desativa a transmissão das lâminas e para o motor.



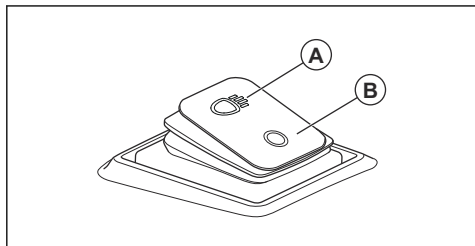
ATENÇÃO: No modelo (TS 114), o motor apenas para se o travão de estacionamento não estiver aplicado.

Husqvarna Connect

O manual do utilizador e mais informações sobre o produto encontram-se disponíveis na aplicação Husqvarna Connect. A Husqvarna Connect é uma aplicação gratuita para o seu dispositivo móvel. Consulte *Começar a utilizar Husqvarna Connect na página 97*.

Luz de trabalho

O produto dispõe de luz de trabalho. Prima o interruptor de alimentação para ligar (B) ou desligar (A) a luz de trabalho.



Símbolos no produto



AVISO: Este produto pode ser perigoso e provocar ferimentos graves ou a morte do operador ou de terceiros. Seja cuidadoso e utilize o produto corretamente.



Leia o manual do utilizador com atenção e certifique-se de que compreende as instruções antes de utilizar este produto.



Rápido



Lento



Engate o sistema de acionamento.



Desengate o sistema de acionamento.



Motor desligado



Motor ligado



Arranque do motor



Pedal do travão de estacionamento



Altura de corte



Sistema de funcionamento em marcha-atrás (ROS)



Marcha-atrás



Avançar



Luzes de trabalho ligadas/desligadas



Combustível



Teor máx. de etanol de 10%



Óleo de motor



Recomenda-se proteção auditiva.



As lâminas não estão ativadas.



As lâminas estão ativadas.



Mantenha o corpo afastado das peças rotativas.



Mantenha o corpo afastado das lâminas rotativas.



Tenha cuidado com objetos projetados e ricochetes.



Não corte relva ao longo de um declive.
Não corte relva em terrenos com um declive superior a 10°.



Perigo de capotamento



Olhe para trás antes e durante as deslocações em marcha-atrás.



Nunca transporte passageiros no produto ou equipamento.



Mantenha as outras pessoas afastadas.



Nenhum passo



Desligue a cobertura da vela de ignição antes de efetuar a manutenção do produto.



MAX. XXXN / (XXXkg)

A força vertical máxima permitida na barra de reboque está especificada em *Especificações técnicas na página 121* e na etiqueta.



MAX. XXXN / (XXXkg)

A força horizontal máxima permitida na barra de reboque está especificada em *Especificações técnicas na página 121* e na etiqueta.



Emissão de ruído para a etiqueta ambiental de acordo com as diretivas e regulamentos da União Europeia e do Reino Unido e o regulamento "Protection of the Environment Operations (Noise Control) Regulation 2017" (regulamento de proteção de operações no meio ambiente [controlo do ruído] de 2017) da Nova Gales do Sul. O nível de potência sonora garantido do produto está especificado nas *Especificações técnicas na página 121* e na etiqueta.



Código para leitura



O produto está em conformidade com as diretivas CE aplicáveis.



Este produto está em conformidade com os regulamentos aplicáveis do Reino Unido.



Aplique e solte o travão de estacionamento.

Nota: Os restantes símbolos/autocolantes no produto referem-se a requisitos legais específicos do mercado.

Etiqueta no produto



PERIGO – Mantenha as mãos e os pés afastados.

Contador de horas

O contador de horas apresenta o número de horas de funcionamento do motor. Consulte *Vista geral do produto na página 84* para saber a posição do contador de horas.

Danos no produto

Não somos responsáveis por danos no nosso produto se:

- o produto tiver sido incorretamente reparado.
- o produto tiver sido reparado com peças que não sejam do fabricante ou que não sejam aprovadas pelo fabricante.
- o produto tiver um acessório que não seja do fabricante ou que não seja aprovado pelo fabricante.
- o produto não tiver sido reparado por um centro de assistência autorizado ou por uma autoridade aprovada.

Emissões Euro V



ATENÇÃO: A adulteração do motor anula a aprovação deste produto pela UE.

Segurança

Definições de segurança

Os avisos, as precauções e as notas são utilizados para indicar partes especialmente importantes do manual.



ATENÇÃO: Utilizado no caso de existir risco de ferimento ou morte para o utilizador ou transeuntes, se não forem respeitadas as instruções do manual.



CUIDADO: Utilizado se existir risco de danos para o produto, para outros materiais ou para a área adjacente, se não forem respeitadas as instruções do manual.

Nota: Utilizado para disponibilizar informações adicionais necessárias numa determinada situação.



ATENÇÃO: Este produto produz um campo eletromagnético durante o funcionamento. Em determinadas circunstâncias, este campo pode interferir com o funcionamento de implantes médicos ativos ou passivos. Para diminuir o risco de ferimentos graves ou mortais, recomendamos que os portadores de implantes médicos consultem o seu médico e o fabricante do implante antes de utilizar este produto.



ATENÇÃO: Leia as instruções de aviso que se seguem antes de utilizar o produto.

Instruções de segurança gerais



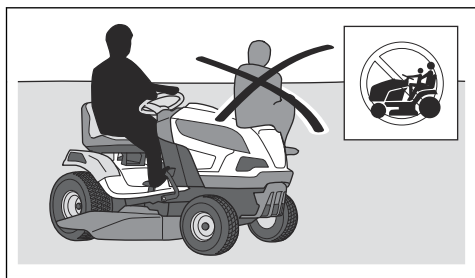
ATENÇÃO: Este produto pode amputar mãos e pés, e projetar objetos. Se não respeitar as instruções de segurança, tal pode resultar em ferimentos graves ou morte.



ATENÇÃO: Não continue a utilizar o produto com um equipamento de corte danificado. O equipamento de corte danificado pode projetar objetos e causar

- Seja sempre cuidadoso e use o seu senso comum. Evite todas as situações que considere estarem para além das suas capacidades. Se não se sentir seguro quanto aos procedimentos de funcionamento após a leitura do manual do utilizador, consulte um especialista antes de continuar.
- Leia e compreenda o manual do utilizador e as instruções presentes no produto com atenção antes de o ligar.
- Aprenda a utilizar o produto e os respetivos controlos em segurança, e saiba como parar o produto rapidamente.

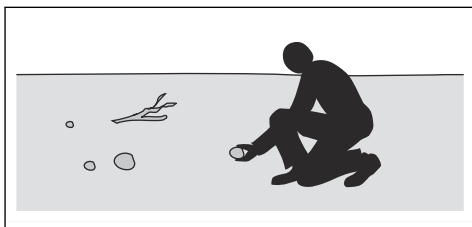
- Aprenda a reconhecer os autocolantes de segurança.
- Mantenha o produto limpo para se certificar de que consegue ler bem os sinais e os autocolantes.
- Limpe os derrames de combustível ou óleo no produto antes de o utilizar e o armazenar.
- Tenha em atenção que o utilizador é responsável pelos acidentes que incluam outras pessoas ou a respetiva propriedade.
- Não coloque as mãos ou os pés junto de peças rotativas.
- Não coloque as mãos ou os pés por baixo do produto.
- Mantenha-se sempre afastado da abertura de descarga.
- Certifique-se de que o material descarregado não atinge outras pessoas ou animais.
- Certifique-se de que o material descarregado não atinge paredes ou outras superfícies duras. Os materiais descarregados podem fazer ricochete.
- Pare sempre as lâminas quando utilizar o produto em superfícies de gravilha.
- Não utilize a plataforma de corte se a calha de descarga ou outros dispositivos de segurança estiverem em falta ou apresentarem defeitos.
- Desengate sempre as lâminas quando não estiver a cortar.
- Certifique-se de que a relva ou outros materiais indesejados não tocam nas peças quentes do escape nem nas peças quentes do motor.
- Não utilize a plataforma de corte para cortar folhas ou outros materiais indesejados que possam causar acumulação.
- Não transporte passageiros. O produto apenas pode ser utilizado por uma pessoa.



- Não deixe o produto sem supervisão com o motor ligado. Pare sempre as lâminas, aplique o travão de estacionamento, pare o motor e retire a chave de ignição antes de deixar a máquina sem supervisão.
- Apenas utilize o produto durante o dia ou em condições de boa iluminação. Mantenha o produto a uma distância de segurança de orifícios ou outras irregularidades no solo. Tenha atenção com outros possíveis riscos.
- Não utilize o produto em condições atmosféricas desfavoráveis, por exemplo, nevoeiro, chuva,

localizações molhadas ou com humidade, ventos fortes, frio intenso, risco de trovoadas, etc.

- Procure e marque as pedras e outros objetos fixos para prevenir colisões.
- Retire da área quaisquer objetos como pedras, brinquedos, fios, etc., que possam ficar presos ou ser projetados.



- Não permita a utilização ou a manutenção do produto por crianças ou outras pessoas sem aprovação para utilizar o produto. A legislação local pode regular a idade do utilizador permitida.
- Certifique-se de que ninguém permanece nas imediações do produto quando ligar o motor, ativar a transmissão ou começar a deslocar o produto.
- Esteja atento ao trânsito ao cortar junto a uma estrada ou atravessar uma estrada.
- Não utilize o produto quando estiver cansado, sob o efeito de álcool ou drogas, tiver tomado medicamentos ou outros produtos que possam afetar negativamente a sua visão, atenção, capacidade de discernimento ou o seu controlo físico.
- Tenha cuidado ao colocar o produto num reboque ou camião e ao retirar o produto de um reboque ou camião.
- Estacione sempre o produto numa superfície nivelada com o motor parado.
- Desligue o motor e certifique-se de que todas as peças estão paradas antes de limpar ou efetuar a manutenção do produto.
- Desligue o motor e certifique-se de que todas as peças estão paradas antes de remover o coletor de relva ou remover bloqueios na calha de descarga.
- Deixe o produto arrefecer antes de o armazenar.

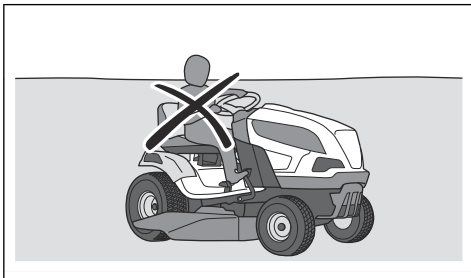
Instruções de segurança relativamente a crianças



ATENÇÃO: Leia as instruções de aviso que se seguem antes de utilizar o produto.

- Podem ocorrer acidentes graves se não prestar atenção às crianças que se encontram nas proximidades do produto. As crianças podem ser atraídas pelo produto e pelo corte da relva. É muito provável que as crianças não se mantenham onde as viu pela última vez.

- Mantenha as crianças afastadas da área a cortar. Certifique-se de que está presente um adulto responsável pelas crianças.
- Mantenha-se vigilante e pare o produto caso se encontrem crianças na zona de trabalho. Tenha muito cuidado perto de cantos, arbustos, árvores ou outros objetos que previnam uma visão clara.
- Antes e durante a deslocação do produto em marcha-atrás, olhe para trás e para baixo para se certificar de que não estão presentes crianças pequenas nas proximidades do produto.
- Não permita o transporte das crianças. Podem cair e sofrer ferimentos graves ou prevenir a realização de manobras seguras do produto.
- Não permita que as crianças utilizem o produto.



Instruções de segurança para funcionamento



ATENÇÃO: Não toque no motor ou no sistema de escape durante e diretamente após o funcionamento. O motor e o sistema de escape ficam muito quentes durante o funcionamento. Risco de queimaduras, incêndio e danos na propriedade ou nas áreas adjacentes. Ao utilizar o produto, mantenha-se afastado de arbustos e outros objetos.



ATENÇÃO: Leia as instruções de aviso que se seguem antes de utilizar o produto.

- Olhe sempre para baixo e para trás antes e durante as deslocações em marcha-atrás. Esteja atento aos obstáculos de todas as dimensões.
- Diminua a velocidade antes de fazer uma curva.
- Pare as lâminas quando se deslocar em zonas que não irá cortar.



CUIDADO: Leia as instruções de precaução que se seguem antes de utilizar o produto.

- Antes de utilizar o produto, limpe a relva e a sujidade da admissão de ar frio do motor. Se a

admissão de ar frio estiver obstruída, existe o risco de danos no motor.

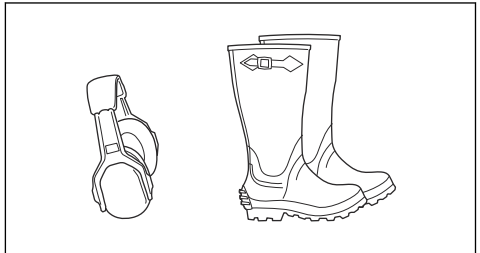
- Desloque-se com cuidado junto a pedras e outros objetos de maiores dimensões e certifique-se de que as lâminas não embatem nos objetos.
- Não utilize o produto ao longo de objetos. Se utilizar o produto ao longo ou em algum objeto, pare e examine o produto e a plataforma de corte. Se necessário, repare quaisquer danos antes de recomeçar.

Equipamento de proteção pessoal



ATENÇÃO: Leia as instruções de aviso que se seguem antes de utilizar o produto.

- Utilize equipamento de proteção pessoal aprovado ao utilizar o produto. O equipamento de proteção pessoal não previne totalmente os ferimentos mas diminui a respetiva gravidade em caso de acidente. Obtenha ajuda junto do seu distribuidor para selecionar o equipamento certo.
- Utilize protetores acústicos aprovados. A exposição prolongada a ruídos pode provocar danos auditivos permanentes.
- Use botas ou sapatos antiderrapantes resistentes. Recomenda-se calçado com biqueira de aço. Não use calçado aberto nem ande com os pés descalços.



- Use luvas de proteção sempre que necessário, por exemplo, ao fixar, examinar ou limpar o equipamento de corte.
- Não utilize vestuário largo, joias ou outros itens que possam ficar presos nas peças móveis.
- Mantenha equipamentos de primeiros socorros e um extintor de incêndio por perto.

Dispositivos de segurança no produto



ATENÇÃO: Leia as instruções de aviso que se seguem antes de utilizar o produto.

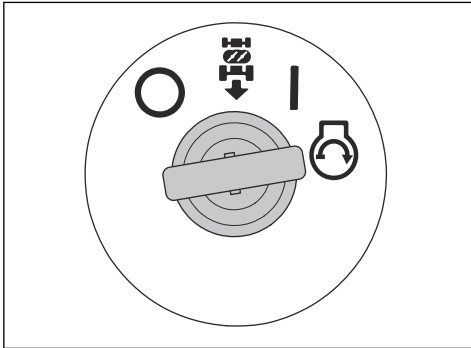
- Não utilize um produto com dispositivos de segurança danificados ou que não funcionem corretamente. Verifique regularmente os dispositivos de segurança. Se os dispositivos de segurança

estiverem danificados, contacte a sua oficina Husqvarna autorizada.

- Não realize modificações aos dispositivos de segurança. Não utilize o produto se as placas de proteção, as coberturas de proteção, os interruptores de segurança e outros dispositivos de proteção não estiverem fixos ou estiverem defeituosos.

Verifique a fechadura da ignição

- Ligue e desligue o motor para verificar a fechadura da ignição. Consulte *Arrancar o motor na página 98* e *Parar o motor na página 101*.
- Certifique-se de que o motor arranca quando roda a chave de ignição para a posição de arranque.



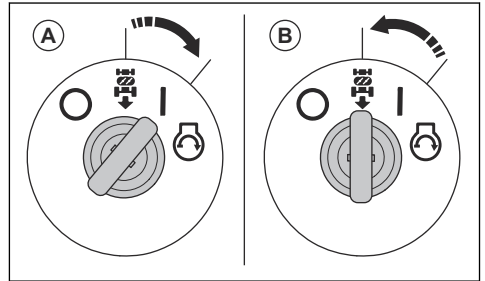
- Certifique-se de que o motor para imediatamente quando roda a chave de ignição para a posição de paragem (O).

Efetuar uma verificação do sistema de funcionamento em marcha-atrás (ROS)

Se o sistema de funcionamento em marcha-atrás (ROS) não funcionar corretamente, contacte uma oficina autorizada.

1. Ligue o produto. Consulte *Arrancar o motor na página 98*.
2. Engate a plataforma de corte. Consulte *Para engatar e desengatar a plataforma de corte (TS 112) na página 99* ou *Para engatar e desengatar a plataforma de corte (TS 114) na página 99*.

3. Com a chave de ignição na posição ligada (A), pressione o pedal de marcha-atrás. O motor tem de parar quando pressiona o pedal de marcha-atrás.



4. Ligue o produto e volte a engatar a plataforma de corte.
5. Rode a chave de ignição para a posição "ON" do ROS (B).
6. Com a chave de ignição na posição "ON" do ROS, pressione o pedal de marcha-atrás. O motor não deve parar quando pressiona o pedal de marcha-atrás.

Condições de funcionamento

São necessárias estas condições para ligar o motor:

- O travão de estacionamento encontra-se aplicado.
- A transmissão das lâminas está desativada.
- O pedal de marcha em frente e o pedal de marcha-atrás estão na posição neutra.

O motor tem de parar nas seguintes situações:

- O utilizador levanta-se do banco. (TS 112)
- O travão de estacionamento não está aplicado e o utilizador levanta-se do banco. (TS 114)
- A plataforma de corte está engatada e o utilizador levanta-se do banco.
- A plataforma de corte está engatada e o pedal de marcha-atrás é pressionado, mas o ROS está desengatado.

A transmissão das lâminas tem de parar nas seguintes situações:

- O utilizador levanta-se do banco.
- O controlo de engate da lâmina é deslocado para a posição de desengate. (TS 112)
- O botão PTO é premido. (TS 114)

Tente ligar o motor sem uma das condições mencionadas acima. Altere as condições e tente novamente. Efetue esta verificação diariamente.

Verificar o pedal de marcha em frente e o pedal de marcha-atrás

1. Ligue o produto. Consulte *Arrancar o motor na página 98*.

2. Certifique-se de que o pedal de marcha em frente e o pedal de marcha-atrás não estão bloqueados e podem ser utilizados livremente.
3. Pressione lentamente o pedal de marcha em frente para avançar.
4. Solte o pedal de marcha em frente para travar. Certifique-se de que o travão é engatado quando liberta o pedal de marcha em frente.

Nota: O produto tem um travão automático que é engatado quando solta os pedais.

5. Efetue o mesmo procedimento para o pedal de marcha-atrás.
6. Certifique-se de que o produto não se move quando os pedais estão na posição neutra.

Travão de estacionamento



ATENÇÃO: Se o travão de estacionamento não funcionar, o produto pode começar a deslocar-se e causar ferimentos ou danos. Certifique-se de que examina e ajusta regularmente o travão de estacionamento.

Consulte *Verificar o travão de estacionamento na página 105.*

Silenciador

O silenciador mantém o mais baixo nível de ruído possível e afasta os gases de escape do utilizador.

Não utilize o produto se o silenciador estiver danificado ou estiver em falta. Um silenciador danificado aumenta o nível de ruído e o risco de incêndio.



ATENÇÃO: O silenciador fica muito quente durante e após a utilização e quando o motor funciona ao ralenti. Tenha cuidado junto de materiais inflamáveis e/ou vapores para evitar incêndios.

Verificar o silenciador

- Examine o silenciador regularmente para se certificar de que está bem fixo e não está danificado.

Coberturas de proteção

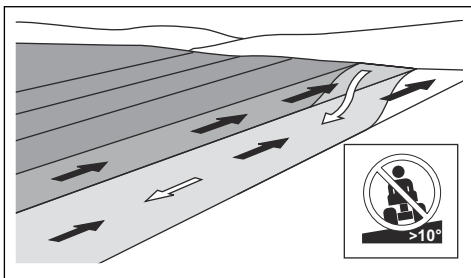
As coberturas de proteção danificadas ou em falta aumentam o risco de ferimentos em peças móveis ou superfícies quentes. Verifique as coberturas de proteção antes de utilizar o produto. Certifique-se de que as coberturas de proteção estão bem fixas e que não têm fissuras nem outros danos. Substituir as coberturas danificadas.

Cortar relva em declives

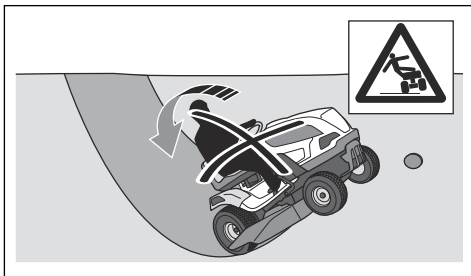


ATENÇÃO: Leia as instruções de aviso que se seguem antes de utilizar o produto.

- Cortar relva em declives aumenta o risco de perda de controlo e de capotamento do produto. Estas ocorrências podem resultar em ferimentos ou morte. É necessário ter cuidado ao cortar relva em todos os declives. Se não conseguir sair de um declive ou se não se sentir em segurança, não corte nesse local.
- Retire pedras, ramos e outros obstáculos.
- Corte a relva a subir e a descer o declive, e nunca de lado a lado.
- Não utilize o produto em terrenos com um declive superior a 10°.



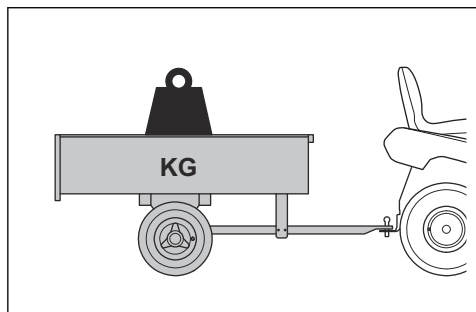
- Não arranque nem pare num declive.
- Desloque-se devagar e suavemente em declives.
- Não faça mudanças súbitas de velocidade ou de direção.
- Não vire mais do que o necessário. Vire lenta e gradualmente ao descer um declive. Desloque-se a baixa velocidade. Vire o volante com cuidado.
- Tenha atenção para não se deslocar sobre trincheiras, orifícios e lombas. Existe um risco mais elevado de capotamento do produto num piso desnivelado. A relva longa pode ocultar obstáculos.
- Não corte a relva próximo de bermas, valas ou inclinações. O produto pode capotar subitamente se uma das rodas se deslocar ao longo da bermagem de um declive íngreme ou de uma vala, ou se uma bermagem ceder. Se o produto cair em água, existe o risco de afogamento.



- Não corte relva molhada. É escorregadia e os pneus podem perder a aderência, provocando a derrapagem do produto.
- Não coloque o pé no chão para tentar estabilizar o produto.
- Desloque-se com muito cuidado se um acessório ou outro objeto que torne o produto menos estável estiver fixo.
- Siga as recomendações do fabricante quanto a pesos ou contrapesos de rodas.

Segurança de reboque

- Utilize apenas equipamento de reboque aprovado pela Husqvarna.
- Utilize a barra de reboque para prender o equipamento.
- Não reboque equipamento mais pesado do que o peso máximo do equipamento de reboque permitido. Consulte *Especificações técnicas na página 121*.



- Certifique-se de que não se encontra mais ninguém perto do produto quando rebocar equipamento.
- Tenha cuidado ao rebocar equipamento em declives ou terreno acidentado.
- Utilize o produto a uma velocidade baixa quando rebocar equipamento.

Segurança no manuseamento do combustível



ATENÇÃO: Tenha cuidado com o combustível. É muito inflamável e pode causar ferimentos e danos na propriedade.



ATENÇÃO: Leia as instruções de aviso que se seguem antes de utilizar o produto.

- Não encha o depósito de combustível no interior.
- A gasolina e os respetivos vapores são venenosos e muito inflamáveis. Tenha cuidado com a gasolina para evitar ferimentos ou incêndios.
- Não retire a tampa do depósito de combustível nem encha o depósito de combustível com o motor em funcionamento.

- Deixe o motor arrefecer antes de voltar a abastecer o combustível.
- Não fume quando estiver a encher o depósito de combustível.
- Não encha o depósito de combustível junto a faíscas ou chamas abertas.
- Se existirem fugas no sistema de combustível, não ligue o motor até que as fugas estejam reparadas.
- Não encha acima do nível de combustível recomendado. Se o depósito estiver demasiado cheio, o calor do motor e o sol faz com que o combustível se expanda e transborde.
- Não encha demasiado. Se derramar combustível no produto, limpe o derrame e aguarde que seque antes de ligar o motor. Se derramar na sua roupa, troque-a.
- Armazene o combustível apenas em recipientes aprovados.
- Armazene o produto e o combustível de forma a não existir o risco de danos causados por fugas ou vapores de combustível.
- Drene o combustível de um recipiente aprovado numa zona exterior e afastado de chamas abertas.

Segurança de transporte

- Utilize um veículo de transporte aprovado para o transporte do produto.
- O produto é pesado e pode causar ferimentos graves por esmagamento. Tenha cuidado ao carregá-lo e descarregá-lo de um veículo ou reboque.
- A legislação local ou nacional dos mercados pode limitar o transporte do produto.
- O operador do veículo de transporte é responsável por fixar o produto em segurança durante o transporte. Consulte *Fixar o produto em segurança para transporte na página 119*.

Segurança da bateria



ATENÇÃO: Uma bateria danificada pode causar uma explosão e provocar ferimentos. Se a bateria estiver deformada ou danificada, fale com uma oficina autorizada Husqvarna.



ATENÇÃO: Leia as instruções de aviso que se seguem antes de utilizar o produto.

- Utilize óculos de proteção quando estiver perto de baterias.
- Não utilize relógios, joias ou outros objetos metálicos perto da bateria.
- Mantenha a bateria fora do alcance de crianças.
- Carregue a bateria num espaço com um bom fluxo de ar.

- Ao carregar a bateria, mantenha os materiais inflamáveis a uma distância mínima de 1 m.
- Elimine as baterias substituídas. Consulte o capítulo *Eliminação na página 120*.
- A bateria pode emitir gases explosivos. Não fume perto da bateria. Mantenha a bateria afastada de chamas abertas e faíscas.

Instruções de segurança para manutenção



ATENÇÃO: O produto é pesado e pode causar ferimentos ou danos na propriedade ou na área adjacente. Não efetue a manutenção do motor ou da plataforma de corte sem reunir as seguintes condições:

- O motor está desligado.
- O produto está estacionado numa superfície nivelada.
- O travão de estacionamento encontra-se aplicado.
- A chave de ignição foi removida.
- A plataforma de corte está desengatada.
- O cabo da ignição foi removido da ficha.



ATENÇÃO: Os gases de escape do motor contêm monóxido de carbono, um gás inodoro, tóxico e altamente perigoso. Não utilize o produto em espaços fechados ou em espaços com um fluxo de ar insuficiente.



ATENÇÃO: Leia as instruções de aviso que se seguem antes de utilizar o produto.

- Para obter o melhor desempenho e segurança, efetue regularmente a manutenção do produto, de acordo com o esquema de manutenção. Consulte *Esquema de manutenção na página 101*.
- Os choques elétricos podem causar ferimentos. Não toque nos cabos com o motor em funcionamento. Não efetue um teste de funcionamento no sistema de ignição com os seus dedos.
- Não ligue o motor se as coberturas de proteção tiverem sido removidas. Existe um risco elevado de ferimentos causados por peças quentes ou em movimento.
- Deixe o produto arrefecer antes de efetuar a manutenção perto do motor.
- As lâminas são afiadas e podem causar cortes. Coloque proteções contra o vento em redor das lâminas ou utilize luvas de proteção quando trabalhar nas mesmas.
- Não estacione o produto perto da berma de uma vala ou de um declive para ter acesso à plataforma de corte.



CUIDADO: Leia as instruções de precaução que se seguem antes de utilizar o produto.

- Não inverta o motor se a vela de ignição ou o cabo de ignição tiverem sido removidos.
- Certifique-se de que aperta corretamente todos os parafusos e porcas, e que o equipamento está em bom estado.
- Não faça alterações ao ajuste dos reguladores. Se a velocidade do motor for demasiado elevada, os componentes do produto ficarão danificados. Consulte *Especificações técnicas na página 121* para saber qual é a velocidade máxima permitida do motor.
- O produto é apenas aprovado com o equipamento fornecido ou recomendado pelo fabricante.

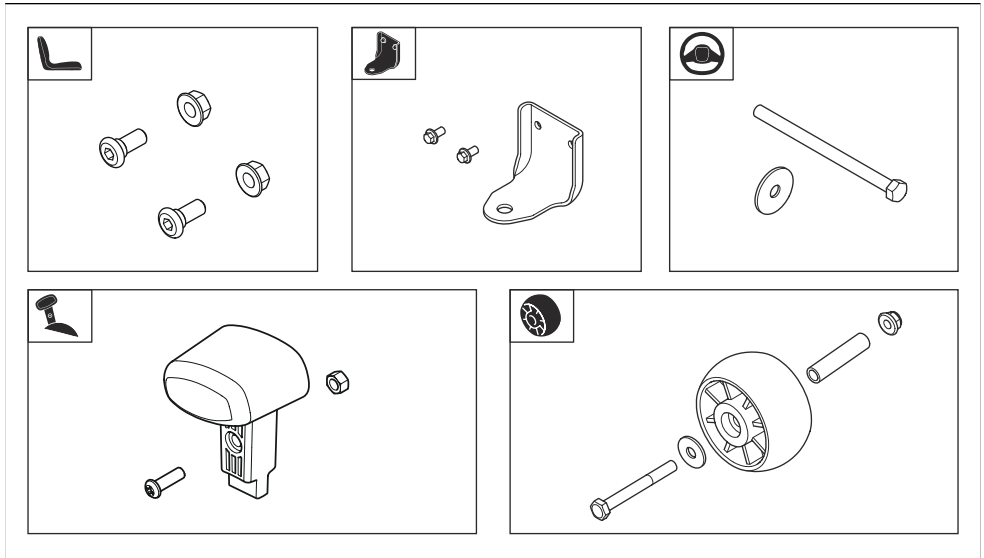
Montagem

Introdução



ATENÇÃO: Certifique-se de que lê e compreende o capítulo sobre segurança antes de montar o produto.

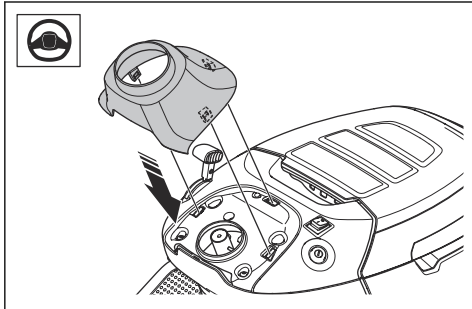
Descrição geral da montagem



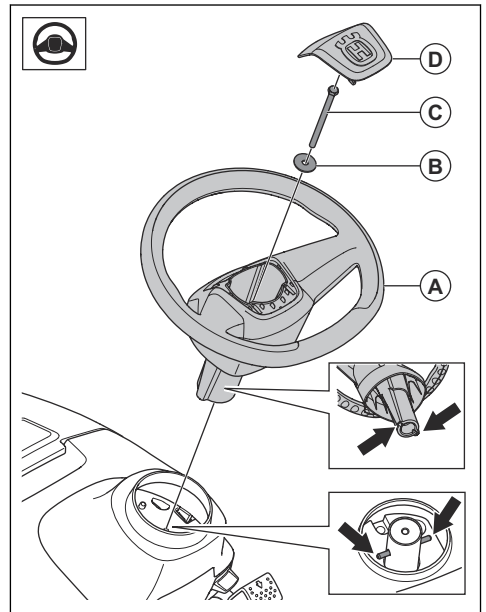
Instalar o volante

Consulte *Descrição geral da montagem na página 95* para saber quais são os fixadores corretos para esta tarefa.

1. Instale a cobertura da coluna de direção. A cobertura da coluna de direção é fixa com fechos de mola. Pressione a cobertura da coluna de direção até esta bloquear na posição correta.



2. Coloque o volante (A) na coluna de direção. Os pinos na coluna de direção devem entrar nas ranhuras do volante.



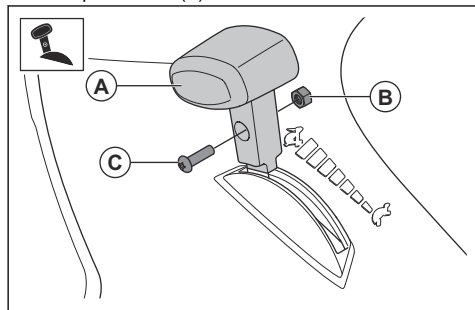
3. Instale a anilha (B) e o parafuso (C). Aperte o parafuso com um binário de 24 Nm.

4. Instale a cobertura central (D) no volante. A tampa central é fixa com fechos de mola.

Para instalar o botão no acelerador

Consulte *Descrição geral da montagem na página 95* para saber quais são os fixadores corretos para esta tarefa.

1. Coloque o botão (A) na alavanca do acelerador.

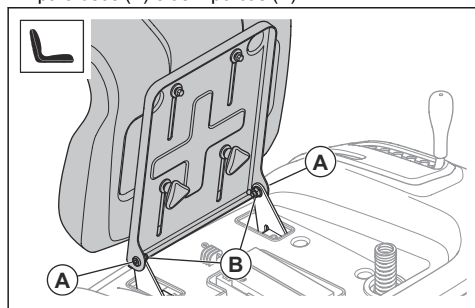


2. Instale a porca (B) e o parafuso (C).

Instalar o banco

Consulte *Descrição geral da montagem na página 95* para saber quais são os fixadores corretos para esta tarefa.

1. Mantenha o banco na devida posição e instale os 2 parafusos (A) e as 2 porcas (B).



2. Efetue uma verificação do controle de presença do utilizador. Consulte *Condições de funcionamento na página 91*.

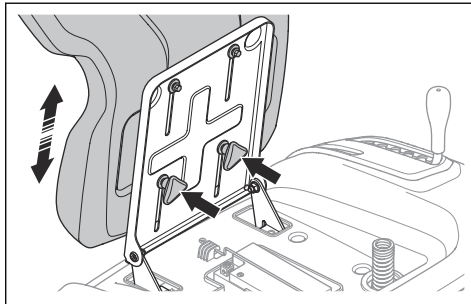


ATENÇÃO: Não utilize o produto se o controle de presença do utilizador estiver avariado.

Ajustar o banco

1. Dobre o banco para a frente.

2. Desaperte os 2 botões rápidos.

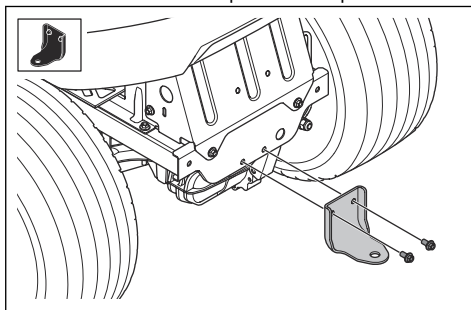


3. Desloque o banco até que este se encontre numa posição que lhe permita pressionar totalmente os pedais.
4. Aperte totalmente os 2 botões rápidos.

Instalar a barra de reboque

Consulte *Descrição geral da montagem na página 95* para saber quais são os fixadores corretos para esta tarefa.

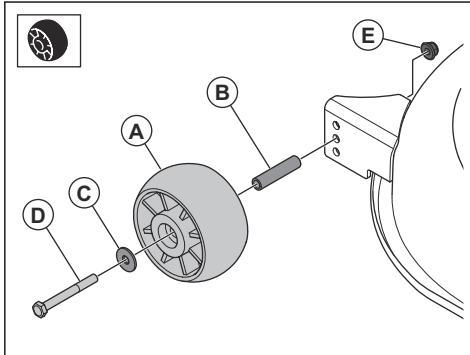
- Instale a barra de reboque com os 2 parafusos.



Instalar as rodas antidesselve

Consulte *Descrição geral da montagem na página 95* para saber quais são os fixadores corretos para esta tarefa.

- Instale a roda antidessolte (A), o casquilho (B), a anilha (C), o parafuso (D) e a porca (E) num dos 3 orifícios.



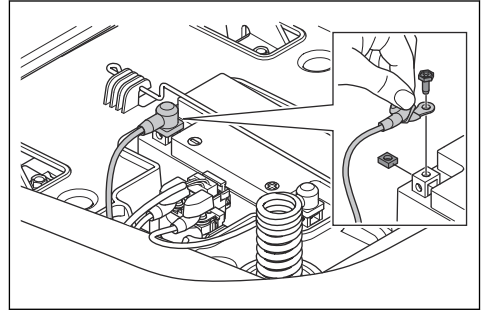
Ligar a bateria



ATENÇÃO: Risco de choque elétrico. Certifique-se de que o interruptor de ignição está na posição OFF e a chave da ignição foi removida.

A localização da bateria encontra-se por baixo do banco.

1. Dobre o banco para a frente.
2. Certifique-se de que o cabo vermelho está instalado no terminal positivo (+) da bateria.
3. Remova o parafuso e a porca no terminal negativo (-) da bateria.
4. Ligue o cabo preto ao terminal negativo (-) da bateria e instale a porca e o parafuso.



5. Instale a tampa do terminal negativo (-) na bateria.

Funcionamento

Introdução



ATENÇÃO: Certifique-se de que lê e compreende o capítulo sobre segurança antes de usar o produto.

Começar a utilizar Husqvarna Connect

1. Transfira a aplicação Husqvarna Connect para o seu dispositivo móvel.
2. Registe-se na aplicação Husqvarna Connect.
3. Siga os passos das instruções na aplicação Husqvarna Connect para ligar e registar o produto.

Encher o depósito de combustível



ATENÇÃO: A gasolina é muito inflamável. Tenha cuidado e reabasteça no exterior; consulte *Segurança no manuseamento do combustível na página 93*.



ATENÇÃO: Não utilize o depósito de combustível como área de suporte.



CUIDADO: O tipo errado de combustível pode resultar em danos no motor.

O motor funciona a gasolina com um índice de octanas mínimo de 91 RON (87 AKI), não misturada com óleo. Recomendamos uma gasolina biodegradável com base em alquilatos. Não utilize gasolina que contenha mais de 10% de etanol.

- Verifique o nível de combustível antes de cada utilização e volte a encher, se necessário.
- Não encha completamente o depósito de combustível. Mantenha um espaço mínimo de 2,5 cm.

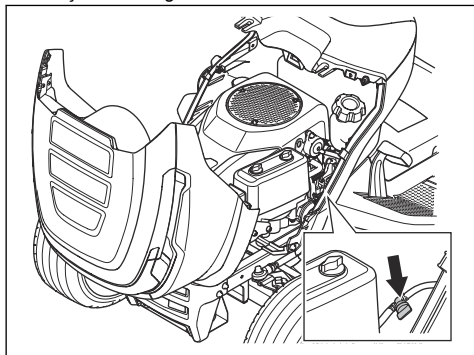
Antes de ligar o produto



ATENÇÃO: Antes de utilizar o produto, deverá ler atentamente e compreender as instruções de segurança e as instruções de utilização.

1. Verifique o nível do óleo de motor. Consulte *Verificar o nível do óleo de motor na página 113*.
2. Encha o depósito de combustível com combustível. Consulte *Encher o depósito de combustível na página 97*.

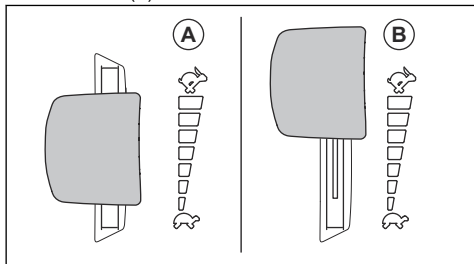
- Certifique-se de que a válvula de corte do combustível está aberta. A válvula de corte do combustível está aberta quando a patilha está na direção da mangueira de combustível.



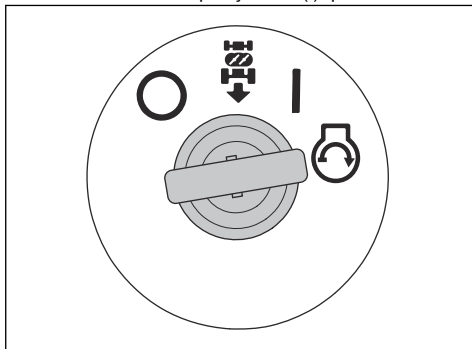
- Certifique-se de que o sistema de acionamento está ativo. Consulte *Ativar e desativar o sistema de acionamento na página 98*.
- Coloque a plataforma de corte na posição mais elevada. Consulte *Definir a altura de corte (TS 112) na página 100* ou *Definir a altura de corte (TS 114) na página 100*.

Arrancar o motor

- Certifique-se de que a plataforma de corte está desengatada. Consulte *Para engatar e desengatar a plataforma de corte (TS 112) na página 99* ou *Para engatar e desengatar a plataforma de corte (TS 114) na página 99*.
- Sente-se no banco em posição de trabalho.
- Aplique o travão de estacionamento. Consulte *Aplicar e soltar o travão de estacionamento na página 99*.
- Empurre o acelerador para a posição de meio-acelerador (A).

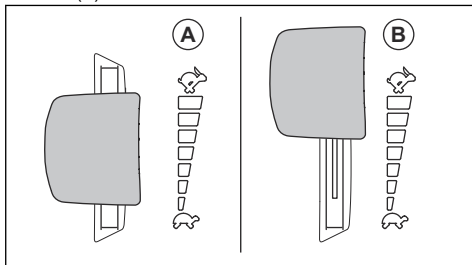


- Rode a chave de ignição para a posição START. Quando o motor arrancar, solte a chave de ignição imediatamente. A chave de ignição regressa automaticamente à posição ON (I) quando a solta.



CUIDADO: Não utilize o dispositivo de arranque durante mais de 5 segundos de cada vez. Se o motor não arrancar, aguarde 15 segundos antes de tentar novamente.

- Deixe o motor trabalhar na aceleração intermédia durante 3 a 5 minutos antes de aplicar uma carga pesada.
- Empurre o acelerador para a posição aceleração total (B).



CUIDADO: Ativar a plataforma de corte quando o motor está em velocidade máxima causa esforço nas correias da transmissão. Engate a plataforma de corte antes de colocar o acelerador na posição de aceleração total.

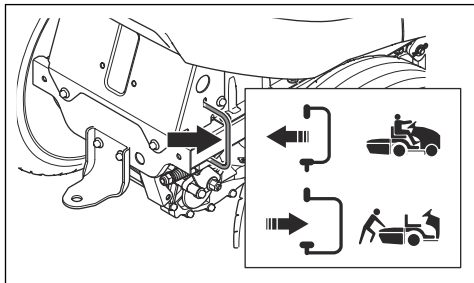
Ativar e desativar o sistema de acionamento

Para deslocar o produto com o motor desligado, o sistema de acionamento tem de estar desativado.



CUIDADO: Certifique-se de que puxa ou empurra totalmente a alavanca. Não utilize posições intermédias.

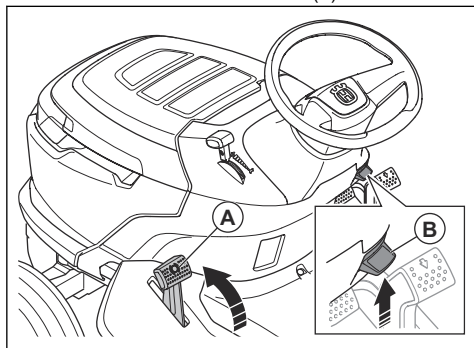
A alavanca para engatar ou desengatar o sistema de acionamento encontra-se atrás da roda traseira direita.



- Empurre totalmente a alavanca para ativar o sistema de acionamento.
- Puxe totalmente a alavanca para desativar o sistema de acionamento.

Aplicar e soltar o travão de estacionamento

- Para aplicar o travão de estacionamento, siga os seguintes passos.
 - a) Pressione totalmente o pedal do travão de estacionamento (A) e puxe para cima o bloqueio do travão de estacionamento (B).



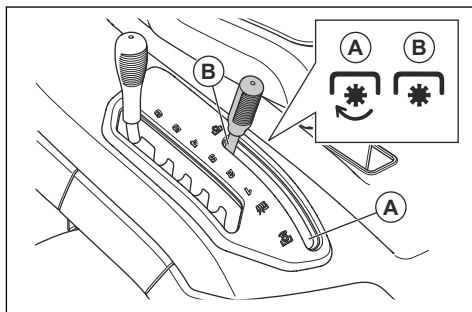
- b) Liberte o pedal do travão de estacionamento.
- Para soltar o travão de estacionamento, carregue no pedal do travão de estacionamento e solte-o.

Para engatar e desengatar a plataforma de corte (TS 112)



ATENÇÃO: Não utilize a plataforma de corte sem um defletor instalado na descarga de relva.

- Desloque o controlo de engate da lâmina para a posição engatada (A) para engatar a plataforma de corte.



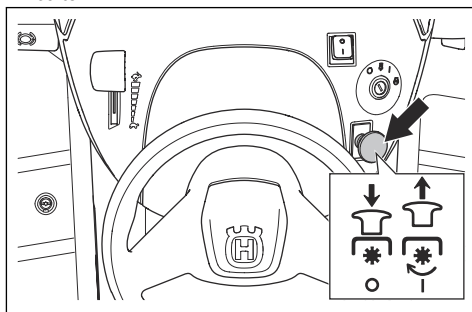
- Desloque o controlo de engate da lâmina para a posição desengatada (B) para desengatar a plataforma de corte.

Para engatar e desengatar a plataforma de corte (TS 114)



ATENÇÃO: Não utilize a plataforma de corte sem um defletor instalado na descarga de relva.

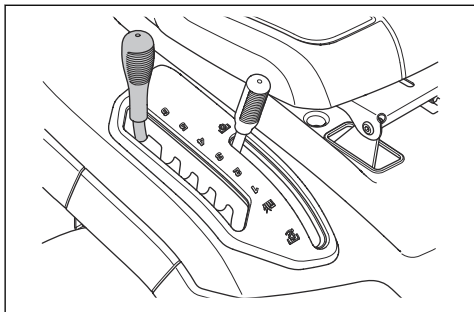
- Puxe o botão da TDF para engatar a plataforma de corte.



- Prima o botão da TDF para desengatar a plataforma de corte.

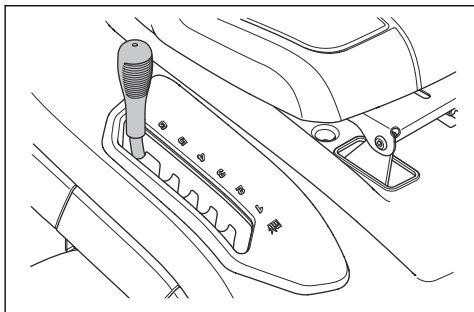
Definir a altura de corte (TS 112)

- Puxe a alavanca de altura de corte na direção do banco e coloque-a num dos entalhes para obter a altura de corte correta.



Definir a altura de corte (TS 114)

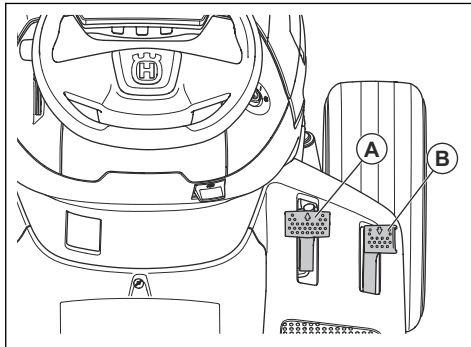
- Puxe a alavanca de altura de corte na direção do banco e coloque-a num dos entalhes para obter a altura de corte correta.



Utilizar o produto

1. Ligue o motor. Consulte *Arrancar o motor na página 98*.
2. Liberte o travão de estacionamento. Consulte *Aplicar e soltar o travão de estacionamento na página 99*.

3. Pressione cuidadosamente o pedal de marcha em frente (A) ou o pedal de marcha-atrás (B). A velocidade aumenta proporcionalmente à pressão aplicada no pedal.



Nota: O pedal de marcha em frente e o pedal de marcha-atrás regressam à posição neutra quando são libertados.

4. Solte os pedais para travar.
5. Selecione a altura de corte correta. Consulte *Definir a altura de corte (TS 112) na página 100* ou *Definir a altura de corte (TS 114) na página 100*.
6. Engate a plataforma de corte. Consulte *Para engatar e desengatar a plataforma de corte (TS 112) na página 99* ou *Para engatar e desengatar a plataforma de corte (TS 114) na página 99*.

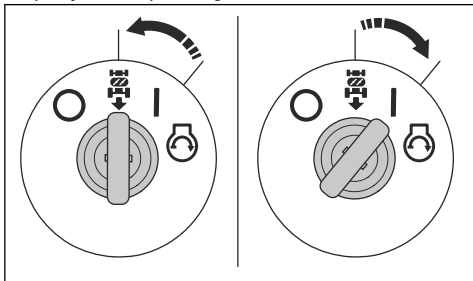
Utilizar o sistema de funcionamento em marcha-atrás (ROS)

Nota: Se tentar deslocar-se para trás com o produto quando a plataforma de corte está engatada, o motor para imediatamente. Engate o ROS para se deslocar para trás com o produto quando a plataforma de corte estiver engatada.



ATENÇÃO: Antes e durante a operação do produto para trás, olhe para baixo e para trás do produto para garantir a segurança de terceiros.

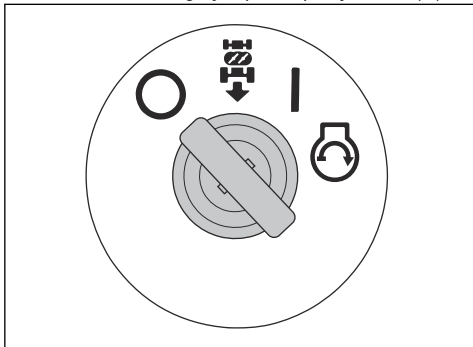
1. Rode a chave da ignição para a esquerda, para a posição ROS para engatar o ROS.



2. Pressione lentamente o pedal de marcha-atrás para iniciar o movimento.
3. Rode a chave da ignição para a direita, para a posição ON (I) do motor para desengatar o ROS.

Parar o motor

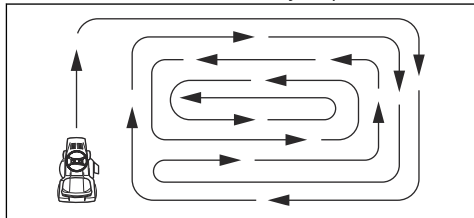
1. Desengate a plataforma de corte. Consulte *Para engatar e desengatar a plataforma de corte (TS 112) na página 99* ou *Para engatar e desengatar a plataforma de corte (TS 114) na página 99*.
2. Rode a chave de ignição para a posição OFF (O).



3. Quando o produto parar, aplique o travão de estacionamento. Consulte *Aplicar e soltar o travão de estacionamento na página 99*.

Obter bons resultados de corte

- Para obter o melhor desempenho, efetue regularmente a manutenção do produto, de acordo com o esquema de manutenção. Consulte *Esquema de manutenção na página 101*.
- Não corte um relvado molhado. A relva molhada pode levar a um corte de fraca qualidade.
- Não utilize correntes para pneus quando utilizar o produto com uma plataforma de corte.
- Certifique-se de que a plataforma de corte está nivelada. Consulte *Ajustar a posição paralela da bancada de corte na página 111*.
- Caso a relva esteja alta, comece com uma altura de corte elevada e diminua-a gradualmente.
- Desloque o produto para a frente a baixa velocidade se a relva estiver alta e espessa.
- Utilize a aceleração total ao cortar a relva.
- Corte a relva num padrão irregular.
- Utilize o lado esquerdo da plataforma de corte ao cortar perto de árvores, arbustos ou caminhos. A lâmina corta aproximadamente 15 mm para dentro a partir da parte lateral da plataforma de corte.
- Ao cortar grandes áreas, desloque o produto para a direita ao longo de 1 ou 2 voltas na área de trabalho. Este procedimento irá manter a descarga de relva afastada de arbustos, vedações e vias de acesso. Ao fim de, aproximadamente, 2 voltas em torno da área de trabalho, corte na direção oposta.



- Para obter o melhor resultado de corte, corte a relva com frequência.

Manutenção

Introdução



ATENÇÃO: Antes de efetuar qualquer tarefa de manutenção, tem de ler e compreender o capítulo sobre segurança.

Esquema de manutenção

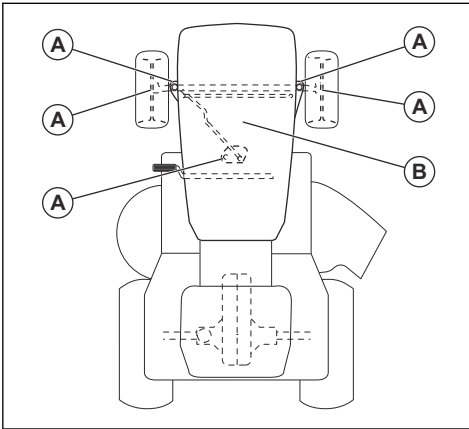
X = As instruções estão disponíveis neste manual do utilizador.

O = As instruções não estão disponíveis neste manual do utilizador. Solicite a realização da manutenção numa oficina autorizada.

Esquema de manutenção		Antes de cada utilização/se-manalmente	A cada 50 h ou anualmente
Geral	Limpe a bateria e os terminais.		O
	Verifique o nível da bateria. Carregue a bateria, se necessário.		X
	Examine todas as correias e polias quanto a sinais de desgaste e danos. Substitua as peças gastas ou danificadas.		O
	Limpe o motor e a transmissão.	X	X
	Examine todos os fios quanto a danos.		O
	Lubrifique o produto. Consulte a descrição geral de lubrificação.		X
	Certifique-se de que todos os fixadores estão corretamente apertados.		O
	Certifique-se de que a pressão dos pneus está correta em todos os pneus.	X	X
Motor	Examine a mangueira de combustível quanto a sinais de desgaste e danos. Caso seja necessário, substitua a mangueira de combustível.		O
	Substitua o filtro de combustível.		X
	Limpe o filtro de ar.	X	
	Substitua o filtro de ar.		X
	Examine o silenciador e o defletor de calor.	X	X
	Verifique o nível do óleo de motor. Encha com óleo de motor, se necessário.	X	
	Substitua o óleo de motor.		X
	Substitua o filtro de óleo do motor.		X
	Substitua a vela de ignição.		X
Verifique a velocidade do motor. Se necessário, ajuste a velocidade do motor.		O	

Esquema de manutenção		Antes de cada utilização/se-manalmente	A cada 50 h ou anualmente
Transmissão, controlos e sistema de acionamento	Examine a ventoinha de arrefecimento da transmissão.	X	X
	Remova as rodas e lubrifique os eixos.		O
	Certifique-se de que o produto não se move quando os pedais estão na posição neutra.		X
	Verifique a marcha em frente e a marcha-atrás a diferentes velocidades.		O
	Verifique o interruptor do controlo de engate da lâmina.		X
	Verifique o interruptor da alavanca da altura de corte.		X
	Verifique os interruptores do pedal de marcha em frente e do pedal de marcha-atrás.		X
	Verifique o travão de estacionamento.	X	
	Verifique o controlo de presença do utilizador (OPC).	X	
Equipamento de corte	Limpe a plataforma de corte, por baixo das coberturas da correia e por baixo da própria plataforma de corte.		X
	Verifique a posição paralela da plataforma de corte. Se necessário, ajuste a plataforma de corte.		X
	Examine a correia da plataforma de corte quanto a sinais de desgaste e danos.		O
	Examine as lâminas quanto a sinais de desgaste e danos. Se necessário, afie ou substitua as lâminas.		X
	Verifique os travões da lâmina (se equipados).		O
	Examine o coletor de relva e os interruptores do coletor de relva (apenas modelos TC).		X

Calendário de lubrificação



A. Lubrificação geral. Lubrifique a ligação de lubrificação do fuso e os dentes da engrenagem do setor e da coluna de direção.

B. Lubrificação do motor. Consulte *Verificar o nível do óleo de motor na página 113*.

Limpar o produto



CUIDADO: Não utilize uma máquina de lavar de alta pressão nem uma máquina de limpeza a vapor. A possível entrada de água nos rolamentos e nas ligações elétricas pode causar corrosão, o que danifica o produto.

Limpe o produto imediatamente após cada utilização.

- Não limpe as superfícies quentes como o motor, o silenciador e o sistema de escape. Aguarde até as superfícies arrefecerem e, em seguida, remova a relva ou terra.
- Antes de limpar com água, limpe com uma escova. Remova aparas de relva e sujidade da transmissão, da admissão de ar da transmissão e do motor, e à volta destes.
- Limpe a parte superior da plataforma de corte, por baixo das coberturas da correia e da plataforma de corte. Para limpar a plataforma de corte; consulte *Para limpar a plataforma de corte na página 104*.
- Utilize água corrente de uma mangueira para limpar o produto. Não utilize equipamentos de alta pressão.
- Não direcione a água diretamente para os componentes elétricos nem para os rolamentos. Geralmente, o detergente aumenta os danos.
- Quando o produto estiver limpo, ligue a plataforma de corte durante um curto período de tempo para eliminar a água restante.

Limpar o motor e o silenciador

Mantenha o motor e o silenciador isentos de cortes de relva e terra. Os cortes de relva embebidos em combustível ou óleo no motor podem aumentar o risco de incêndio e de sobreaquecimento do motor. Deixe o motor arrefecer antes de limpar. Limpe com água e uma escova.

Os cortes de relva em redor do silenciador secam rapidamente e representam um risco de incêndio. Quando o silenciador estiver frio, utilize uma escova ou remova os cortes de relva com água.

Para limpar a plataforma de corte



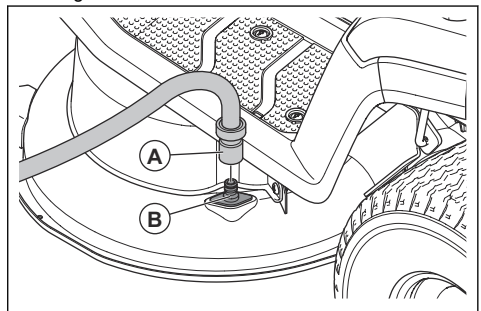
ATENÇÃO: Não utilize o produto com uma abertura de lavagem da plataforma partida ou em falta. Existe o risco de projeção de objetos. Substitua imediatamente uma abertura de lavagem da plataforma partida ou em falta.

1. Estacione o produto numa área desimpedida no seu relvado, perto de uma fonte de água com uma mangueira de jardim.



CUIDADO: Não aponte a calha de descarga do produto na direção de edifícios ou veículos.

2. Certifique-se de que a plataforma de corte está desengatada. Consulte *Para engatar e desengatar a plataforma de corte (TS 112) na página 99* ou *Para engatar e desengatar a plataforma de corte (TS 114) na página 99*.
3. Desligue o motor. Consulte *Parar o motor na página 101*.
4. Aplique o travão de estacionamento. Consulte *Aplicar e soltar o travão de estacionamento na página 99*.
5. Ligue uma mangueira de jardim (A) à porta de lavagem da plataforma (B) e inicie o fornecimento de água.



6. Sente-se no banco e ligue o motor. Consulte *Arrancar o motor na página 98*.



CUIDADO: Examine novamente a área para se certificar de que a área está desimpedida antes de ligar o motor.

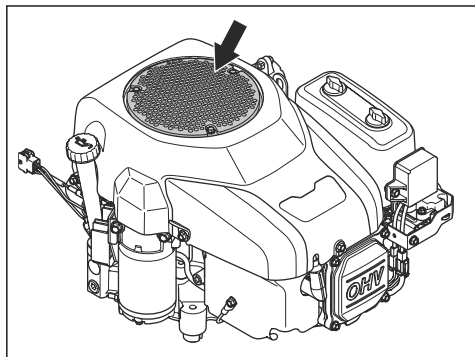
- Engate a plataforma de corte e deixe-a funcionar na aceleração total até que esteja limpa. Consulte *Para engatar e desengatar a plataforma de corte (TS 112)* na página 99 ou *Para engatar e desengatar a plataforma de corte (TS 114)* na página 99.
- Desengate a plataforma de corte e pare o motor. Consulte *Para engatar e desengatar a plataforma de corte (TS 112)* na página 99 ou *Para engatar e desengatar a plataforma de corte (TS 114)* na página 99 e *Parar o motor na página 101*.
- Pare o fornecimento de água e desligue a mangueira de jardim da abertura de lavagem da plataforma.
- Mova o produto para uma zona seca.
- Sente-se no banco e ligue o motor. Consulte *Arrancar o motor na página 98*.
- Engate a plataforma de corte e deixe-a funcionar até que esteja seca.

Limpar a admissão de ar do motor



ATENÇÃO: Desligue o motor. A admissão de ar tem peças rotativas que podem causar ferimentos nos dedos.

- Abra a cobertura do motor. Certifique-se de que a admissão de ar do motor não está obstruída. Remova a relva e a terra com uma escova.

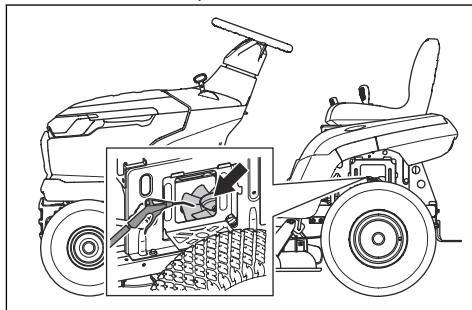


Limpar a ventoinha de arrefecimento na transmissão

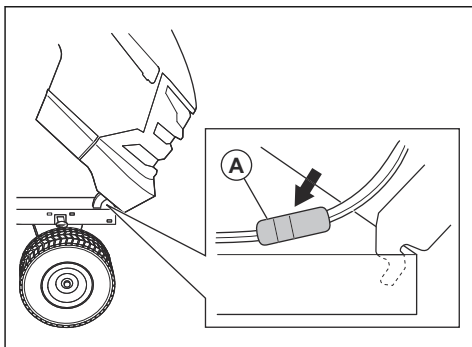


ATENÇÃO: Desligue o motor. A ventoinha de arrefecimento roda e pode causar ferimentos nos seus dedos.

- Limpe a ventoinha de arrefecimento com ar comprimido através do orifício no chassi, por cima da roda traseira esquerda.



Retirar e instalar a cobertura do motor



- Abra a cobertura do motor.
- Desligue o conector do fio do farol (A).
- Incline a cobertura do motor para a frente e levante-a para a remover do produto.
- Instale a cobertura do motor na sequência inversa.

Substituir a lâmpada do farol

- Abra a cobertura do motor.
- Rode ligeiramente o suporte da lâmpada para a esquerda e puxe-o para fora do refletor.
- Substitua a lâmpada no suporte da lâmpada.
- Empurre o suporte da lâmpada para dentro do refletor.
- Rode ligeiramente o suporte da lâmpada para a direita para o instalar.
- Feche a cobertura do motor.

Verificar o travão de estacionamento

- Estacione o produto numa superfície rígida inclinada.

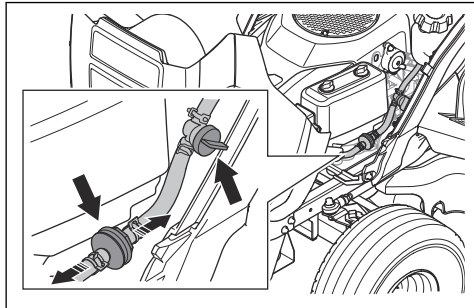
Nota: Não estacione o produto num declive com relva quando verificar o travão de estacionamento.

2. Aplique o travão de estacionamento. Consulte *Aplicar e soltar o travão de estacionamento na página 99*.
3. Se o produto começar a deslocar-se, solicite o ajuste do travão de estacionamento numa oficina autorizada.
4. Prima novamente o pedal do travão de estacionamento para soltar o travão de estacionamento.

Substituir o filtro de combustível

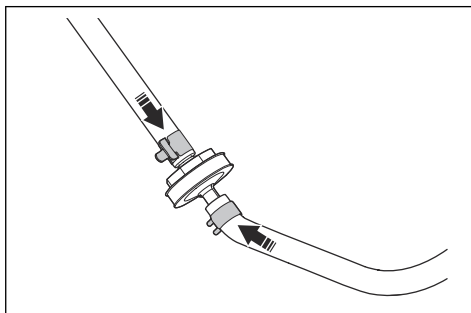
Nota: A ilustração apresenta um tipo de filtro de combustível. O filtro de combustível do seu produto pode ser diferente, mas o procedimento é o mesmo.

1. Abra a cobertura do motor para aceder ao filtro de combustível.
2. Feche a válvula de corte de combustível.
3. Comprima a mangueira do depósito de combustível para evitar fugas.
4. Afaste as braçadeiras de mangueira do filtro de combustível com um alicate plano.
5. Puxe o filtro de combustível das extremidades da mangueira. Pode ocorrer uma pequena fuga de combustível.



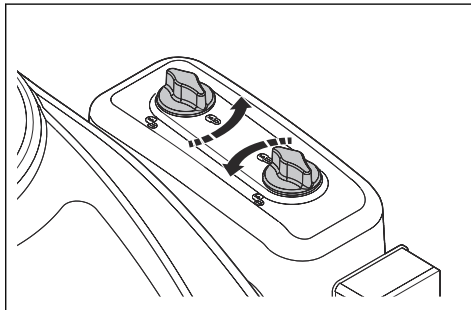
6. Empurre o novo filtro de combustível nas extremidades das mangueiras. Aplique detergente líquido nas extremidades do filtro de combustível para facilitar a ligação.

7. Empurre as braçadeiras de mangueira contra o filtro de combustível.

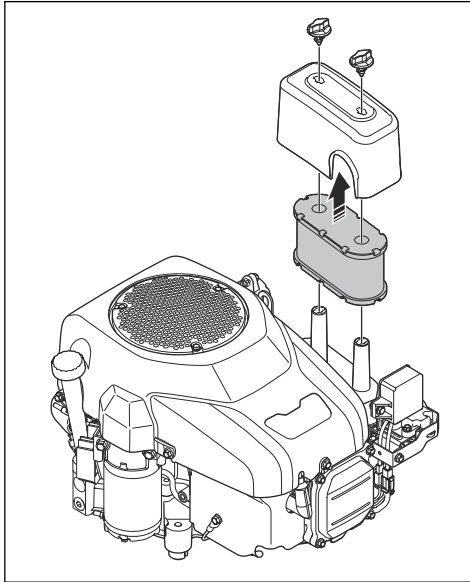


Limpar e substituir o filtro de ar

1. Abra a cobertura do motor.
2. Desaperte os manípulos que seguram a cobertura do filtro de ar e retire a cobertura.



3. Retire o cartucho do filtro de ar do alojamento do filtro.



4. Para limpar o filtro de ar de espuma, execute os seguintes passos.
- Remova o filtro de ar de espuma situado atrás do cartucho do filtro de ar.
 - Limpe o filtro de ar de espuma com um detergente suave.
 - Deixe o filtro de ar de espuma secar.
 - Instale o filtro de ar de espuma à volta do cartucho do filtro de ar.
5. Para limpar o filtro de ar de papel, execute os seguintes passos.
- Bata com o filtro de ar de papel contra uma superfície rígida.
 - Limpe com ar comprimido a partir do lado interior do filtro de ar de papel.



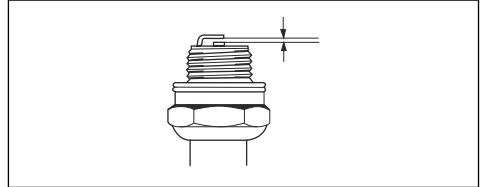
CUIDADO: Se o filtro de ar de papel não ficar limpo, é necessário substituir o filtro de ar de papel.

6. Instale na sequência inversa.

Examinar e substituir uma vela de ignição

- Abra a cobertura do motor.
- Remova o tampão da vela de ignição e limpe em torno da vela de ignição.
- Retire a vela de ignição com uma chave para velas de ignição.

- Examine a vela de ignição. Substitua-a se os elétrodos estiverem queimados ou se o isolamento apresentar fissuras ou danos. Se a vela de ignição não estiver danificada, limpe-a com uma escova de aço.
- Meça a distância entre os elétrodos e confirme que está correta. Consulte *Especificações técnicas* na página 121.



- Dobre o elétrodo lateral para ajustar a distância entre os elétrodos.
- Coloque novamente a vela de ignição e rode-a com a mão até que esteja em contacto com o assento da vela de ignição.
- Aperte a vela de ignição com a chave para velas de ignição até que a arruela esteja comprimida.
- Aperte uma vela de ignição usada mais $\frac{1}{8}$ de volta e uma vela de ignição nova mais $\frac{1}{4}$ de volta.



CUIDADO: As velas de ignição que não estejam corretamente apertadas podem causar danos no motor.

10. Fixe a cobertura da vela de ignição.

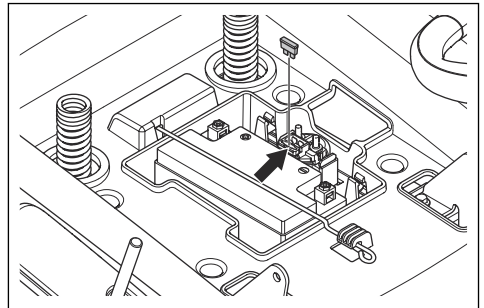


CUIDADO: Não tente ligar o motor se a vela de ignição ou o cabo de ignição tiverem sido retirados.

Substituir o fusível principal

O fusível principal encontra-se no suporte dos fusíveis no relé de arranque, por baixo do banco.

- Dobre o banco para a frente.
- Remova o conector do suporte dos fusíveis.
- Puxe o fusível principal do suporte dos fusíveis.



4. Substitua o fusível queimado por um fusível novo do mesmo tipo. Consulte *Especificações técnicas na página 121*.

Se o fusível principal se fundir novamente num curto período de tempo depois de o substituir, existe um curto-circuito. Repare o curto-circuito antes de utilizar novamente o produto.

Carregar a bateria

- Carregue a bateria, se esta estiver demasiado fraca para ligar o motor.
- Utilize um carregador de bateria padrão.



CUIDADO: Não utilize um carregador rápido ou propulsor de arranque. Estes poderão danificar o sistema elétrico do produto.

- Antes de ligar o motor, desligue sempre o carregador.

Efetuar um arranque de emergência do motor

Se a bateria estiver demasiado fraca para ligar o motor, pode utilizar cabos de ligação direta para efetuar um arranque de emergência. Este produto tem um sistema de 12 V com terra negativa. O produto utilizado para o arranque de emergência também tem de ter um sistema de 12 V com terra negativa.

Ligar os cabos de ligação direta

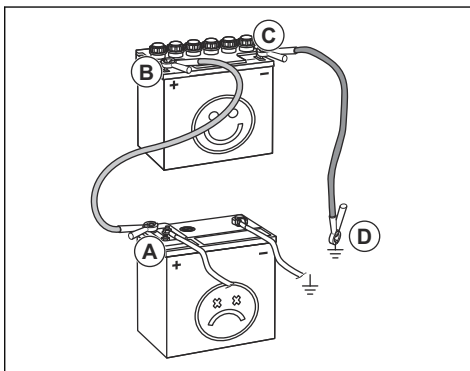


ATENÇÃO: Existe risco de explosão devido ao gás explosivo emitido pela bateria. Não ligue o terminal negativo da bateria carregada ao, ou junto do, terminal negativo da bateria fraca.



CUIDADO: Não utilize a bateria do seu produto para ligar outros veículos.

1. Ligue uma extremidade do cabo vermelho da bateria ao terminal POSITIVO (+) da bateria (A) na bateria fraca.



2. Ligue a outra extremidade do cabo vermelho da bateria ao terminal POSITIVO (+) da bateria (B) na bateria carregada.



ATENÇÃO: Não permita que as extremidades do cabo vermelho da bateria toquem no chassi. Isto provocará um curto-circuito.

3. Ligue uma extremidade do cabo preto da bateria ao terminal NEGATIVO (-) da bateria (C) na bateria carregada.
4. Ligue a outra extremidade do cabo preto da bateria a um conector de TERRA do CHASSIS (D), afastado do depósito de combustível e da bateria.

Retirar os cabos de ligação direta

Nota: Retire os cabos de ligação direta na sequência oposta à da ligação.

1. Retire o cabo PRETO do chassi.
2. Retire o cabo PRETO da bateria totalmente carregada.
3. Retire o cabo VERMELHO das 2 baterias.

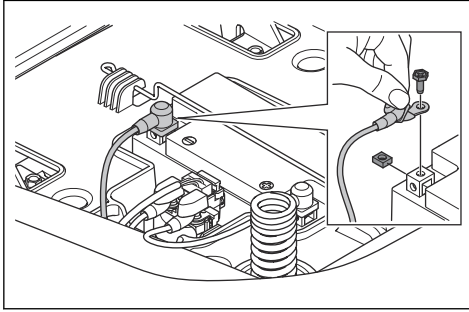
Substituir a bateria



ATENÇÃO: Risco de choque elétrico e de queimaduras. Não utilize pulseiras metálicas ou outros acessórios metálicos. Os objetos metálicos que tocam nos terminais da bateria podem provocar queimaduras, choques elétricos e curto-circuito da bateria.

1. Pare o produto.
2. Dobre o banco para a frente.

3. Remova a cobertura do terminal no cabo preto da bateria.
4. Remova o parafuso, a porca e o cabo preto da bateria do terminal negativo (-) da bateria.



ATENÇÃO: Risco de choque elétrico e de queimaduras. O cabo preto da bateria deve ser desligado antes de desligar o cabo vermelho da bateria.

5. Remova a cobertura do terminal no cabo vermelho da bateria.
6. Remova o parafuso, a porca e o cabo vermelho da bateria do terminal positivo (+) da bateria.
7. Remova a bateria do produto.
8. Coloque uma bateria nova na devida posição.
9. Ligue o cabo vermelho da bateria ao terminal positivo (+) da bateria e instale a porca e o parafuso.



ATENÇÃO: Risco de choque elétrico e de queimaduras. O cabo vermelho da bateria deve ser ligado ao terminal positivo (+) antes de ligar o cabo preto da bateria ao terminal negativo (-).

10. Ligue o cabo preto ao terminal negativo (-) da bateria e instale a porca e o parafuso.
11. Instale as coberturas do terminal.

Pressão dos pneus

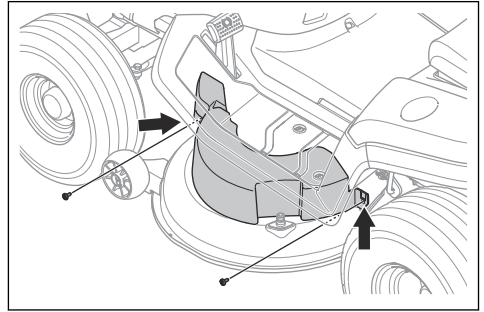
Certifique-se de que a pressão dos pneus está correta nos 4 pneus. Consulte *Especificações técnicas na página 121*.

Plataforma de corte

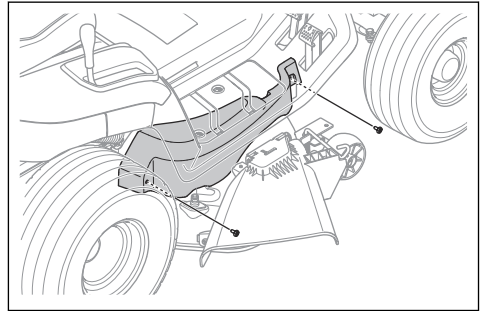
Remover e instalar a plataforma de corte

1. Desengate a plataforma de corte e pare o motor.
2. Coloque a plataforma de corte na posição mais baixa.

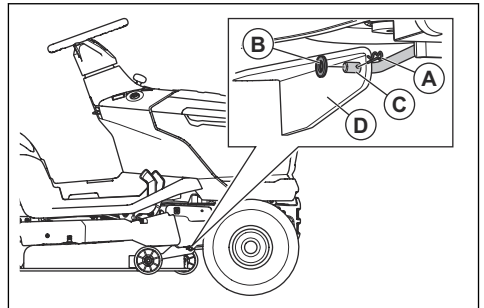
3. Remova os 2 parafusos e a cobertura da correia esquerda.



4. Remova os 2 parafusos e a cobertura da correia direita.



5. Mova a correia de transmissão da polia da lâmina esquerda para diminuir a tensão da correia da transmissão.
6. Remova a correia da transmissão da polia do motor.
7. Execute os seguintes passos para desligar a ligação dianteira.
 - a) Remova o grampo (A) e a anilha (B).

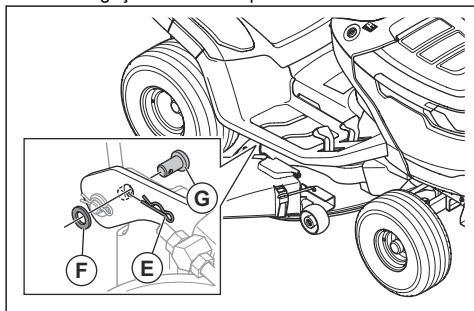


- b) Desligue a ligação dianteira (C) do suporte (D) na plataforma de corte.
8. Execute os seguintes passos para desligar as 2 ligações traseiras. Existe uma ligação traseira do lado esquerdo e uma ligação traseira do lado direito do produto.



ATENÇÃO: A plataforma de corte é pesada. Utilize um pé de cabra ou uma ferramenta equivalente por baixo da plataforma de corte para suportar o peso da plataforma de corte ao desligar as 2 ligações traseiras.

- a) Remova o grampo (E), a anilha (F) e o pino (G) da ligação traseira esquerda.



- b) Desligue a plataforma de corte da ligação traseira esquerda.
c) Com uma mão, puxe e fixe a alavanca da altura de corte na posição mais baixa. Remova o grampo, a anilha e o pino da ligação traseira direita.



ATENÇÃO: Não solte a alavanca da altura de corte. O mecanismo de ajuste da altura de corte é acionado por mola. A força exercida pela mola pode provocar ferimentos por esmagamento se não puxar e fixar a alavanca da altura de corte.

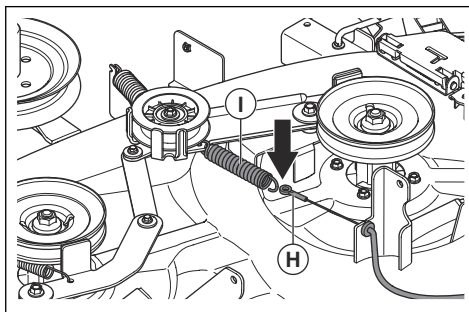
- d) Desligue a plataforma de corte da ligação traseira direita.
e) Solte cuidadosamente a alavanca da altura de corte.



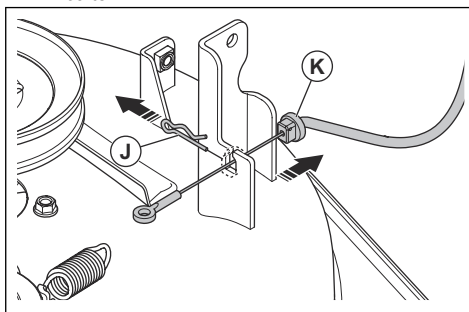
ATENÇÃO: O mecanismo de ajuste da altura de corte é acionado por mola. A força exercida pela mola pode provocar ferimentos por esmagamento. Mantenha as partes do seu corpo afastadas.

9. Coloque a alavanca da altura de corte na posição mais elevada.
10. Para o modelo TS 112, execute os seguintes passos para desligar o cabo da embraiagem.

- a) Desligue o cabo da embraiagem (H) da mola (I) no tensor da correia.



- b) Remova o grampo (J) e retire o suporte do cabo da embraiagem (K) do suporte na plataforma de corte.

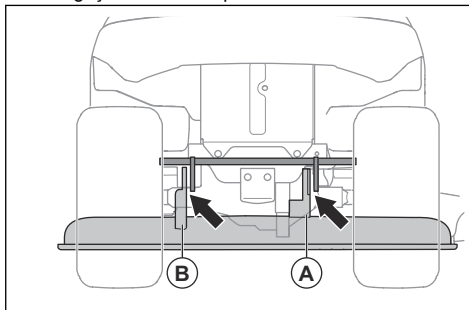


11. Retire a plataforma de corte do produto.
12. Instale a plataforma de corte pela sequência oposta.



CUIDADO: Certifique-se de que a correia da transmissão está instalada corretamente e não é comprimida ao instalar a plataforma de corte.

- a) Certifique-se de que os suportes estão na posição correta ao instalar a plataforma de corte. O suporte do lado direito (A) deve estar no lado interior da ligação traseira direita. O suporte do lado esquerdo (B) deve estar no lado exterior da ligação traseira esquerda.

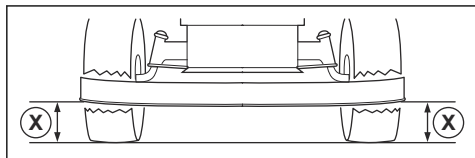


Ajustar a posição paralela da bancada de corte

Efetuar um ajuste de um lado para o outro da plataforma de corte

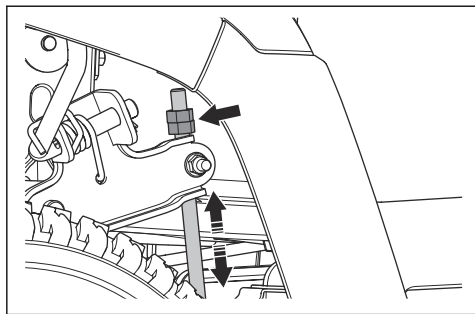
Se a altura de corte estiver diferente entre os lados direito e esquerdo, é possível ajustar a altura de corte.

1. Certifique-se de que a pressão dos pneus está correta nos 4 pneus. Consulte *Pressão dos pneus na página 109*.
2. Estacione o produto numa superfície nivelada.
3. Coloque a plataforma de corte na posição mais elevada.
4. Meça a distância (X) da extremidade inferior da plataforma de corte até ao solo nos lados esquerdo e direito. A distância deve ser a mesma nos 2 lados.



ATENÇÃO: As lâminas da plataforma de corte são afiadas e podem causar ferimentos. Utilize luvas de proteção.

5. Desaperte as porcas dos fixadores da altura de corte.



Nota: Os fixadores da altura de corte estão atrás da plataforma de corte, à frente das rodas traseiras.

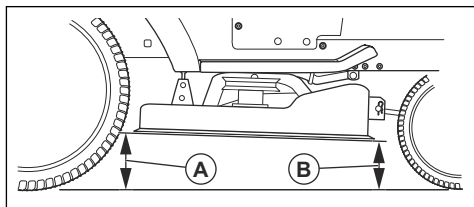
6. Ajuste as porcas nos fixadores da altura de corte até que a plataforma de corte tenha a mesma altura de corte nos lados esquerdo e direito.
 - a) Rode as porcas para a esquerda para baixar a plataforma de corte.
 - b) Rode as porcas para a direita para elevar a plataforma de corte.
7. Meça novamente a distância. Ajuste até que os 2 lados sejam iguais.

8. Aperte as contraporcas quando o ajuste de um lado para o outro estiver concluído.
9. Corte alguma relva e examine os resultados. Ajuste, se necessário.

Efetuar um ajuste da frente para trás da plataforma de corte

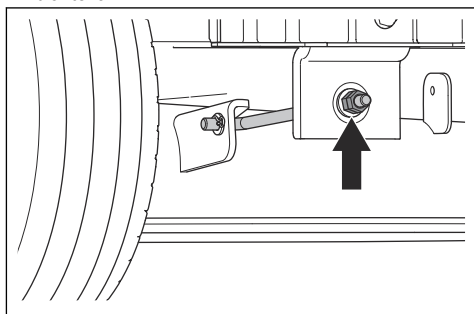
Os lados da plataforma de corte têm de estar nivelados antes de efetuar o ajuste da dianteira para a traseira. Consulte *Efetuar um ajuste de um lado para o outro da plataforma de corte na página 111*.

1. Certifique-se de que a pressão dos pneus está correta nos 4 pneus. Consulte *Pressão dos pneus na página 109*.
2. Estacione o produto numa superfície nivelada.
3. Coloque a plataforma de corte na posição mais elevada.
4. Meça a distância entre a extremidade inferior da plataforma de corte e o solo na parte traseira (A) e na parte dianteira (B). A distância à frente deve ser 5–10 mm inferior à distância atrás.



ATENÇÃO: As lâminas da plataforma de corte são afiadas e podem causar ferimentos. Utilize luvas de proteção.

5. Se for necessário efetuar um ajuste dianteiro, desaperte a contraporca e rode a porca na ligação dianteira.



Nota: A ligação dianteira encontra-se na parte dianteira do produto, atrás do silenciador.

- a) Rode a porca para a esquerda para baixar a dianteira da plataforma de corte.

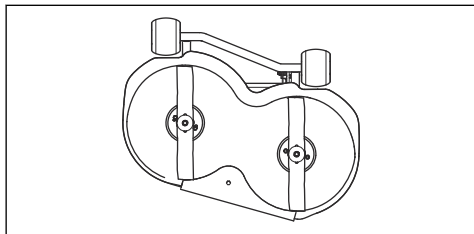
- b) Rode a porca para a direita para elevar a plataforma de corte.
- c) Aperte a contraporca quando o ajuste dianteiro estiver concluído.

Examinar as lâminas



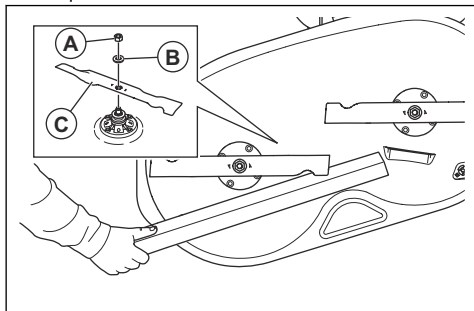
CUIDADO: As lâminas danificadas ou incorretamente equilibradas podem provocar danos no produto. Substitua as lâminas danificadas. Solicite ajuda numa oficina autorizada para afiar e equilibrar as lâminas rombas.

1. Retire a plataforma de corte. Consulte *Remover e instalar a plataforma de corte na página 109*.
2. Observe as lâminas para verificar se estão danificadas e se é necessário afiá-las.



Substituir as lâminas (TS 112)

1. Bloquee a lâmina com um bloco de madeira.



2. Remova a porca (A), a anilha (B) e a mola (C).
3. Instale as lâminas novas. Certifique-se de que as extremidades dobradas das lâminas apontam para cima.

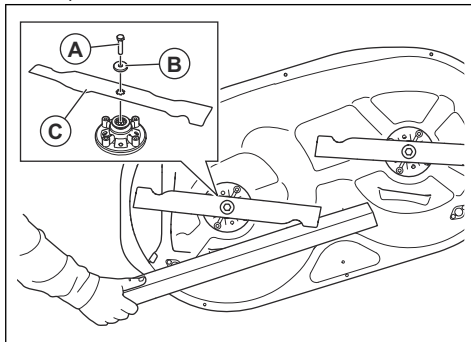


ATENÇÃO: O tipo de lâmina incorreto pode causar a projeção de objetos da bancada de corte e resultar em ferimentos graves. Utilize apenas as lâminas indicadas *Especificações técnicas na página 121*.

4. Aperte a porca a 200 Nm.

Substituir as lâminas (TS 114)

1. Bloquee a lâmina com um bloco de madeira.



2. Remova o parafuso (A), a anilha (B) e a lâmina (C).
3. Instale as novas lâminas com as extremidades dobradas na direção da plataforma de corte.

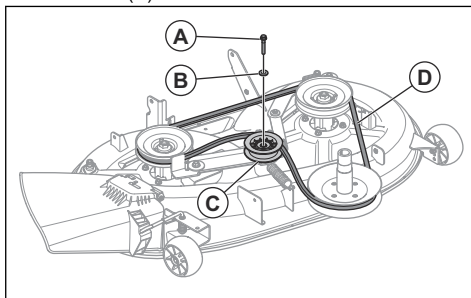


ATENÇÃO: O tipo de lâmina incorreto pode causar a projeção de objetos da bancada de corte e resultar em ferimentos graves. Utilize apenas as lâminas indicadas *Especificações técnicas na página 121*.

4. Aperte os parafusos com um binário de 80 Nm.

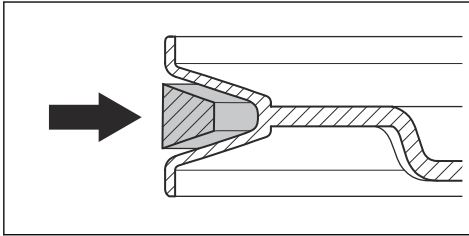
Substituir a correia da plataforma de corte

1. Retire a plataforma de corte. Consulte *Remover e instalar a plataforma de corte na página 109*.
2. Remova a sujeidade e a relva à volta das coberturas dos rolamentos, das polias das lâminas e da superfície superior da plataforma de corte.
3. Remova o parafuso (A), a anilha (B) e a polia intermédia (C).



4. Remova a correia da plataforma de corte (D) das polias da lâmina na plataforma de corte.
5. Instale uma nova correia da transmissão seguindo a sequência oposta.

- a) Certifique-se de que a correia da plataforma de corte está na posição correta em todas as polias de correia.

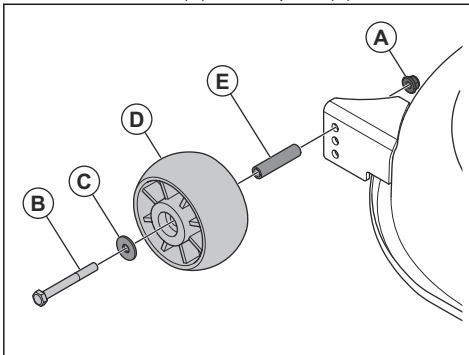


CUIDADO: Certifique-se de que a correia da plataforma de corte está corretamente instalada e não está torcida. Consulte o dístico de disposição da correia na plataforma de corte.

Ajustar as rodas antidive

As rodas antidive mantêm a plataforma de corte na posição correta no solo para impedir o deslize na maioria das condições de terreno. As rodas antidive estão ajustadas corretamente se estiverem ligeiramente acima do solo quando a plataforma de corte está à altura de corte necessária.

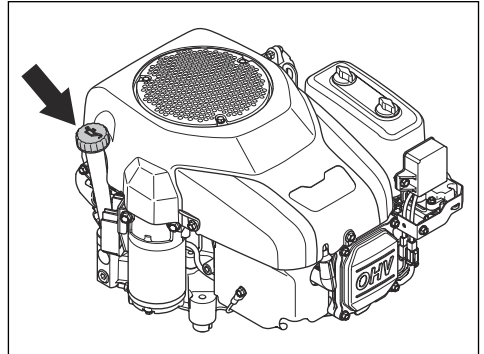
1. Estacione o produto numa superfície nivelada e pare o motor.
2. Coloque a plataforma de corte à altura de corte necessária. Consulte *Definir a altura de corte (TS 112) na página 100* ou *Definir a altura de corte (TS 114) na página 100*.
3. Remova a porca (A), o parafuso (B), a anilha (C), a roda antidive (D) e o casquilho (E).



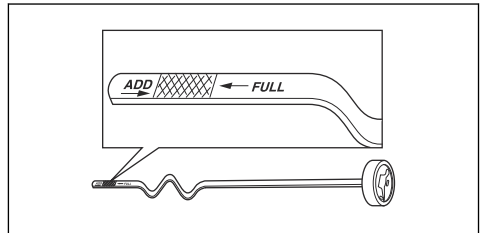
4. Instale a roda antidive, o parafuso, a anilha e a porca num dos 3 orifícios.
5. Ajuste todas as rodas antidive no mesmo procedimento.

Verificar o nível do óleo de motor

1. Estacione o produto num piso nivelado e pare o motor.
2. Abra a cobertura do motor.
3. Solte a vareta de nível e puxe-a para fora.



4. Limpe o óleo da vareta de nível.
5. Volte a colocar a vareta de nível e aperte-a.
6. Solte e puxe a vareta de nível para fora para verificar o nível do óleo.
7. O nível do óleo tem de estar entre as marcas da vareta de nível. Se o nível estiver junto à marca ADD (Adicionar), encha o depósito de óleo até à marca FULL (Cheio).



8. Verta o óleo lentamente pelo orifício em que a vareta de nível assenta.

Nota: Consulte *Especificações técnicas na página 121* para obter os tipos de óleo do motor que recomendamos. Não misture tipos diferentes de óleo.

9. Aperte corretamente a vareta de nível antes de ligar o motor. Ligue o motor e deixe-o ao ralentí durante, aproximadamente, 30 segundos. Desligue o motor. Aguarde 30 segundos e verifique novamente o nível do óleo.

Substituir o óleo de motor

Se o motor estiver frio, ligue o motor e deixe-o funcionar durante 1 a 2 minutos antes de drenar o óleo de motor. Isto aquece o óleo de motor e torna a respetiva drenagem mais rápida.

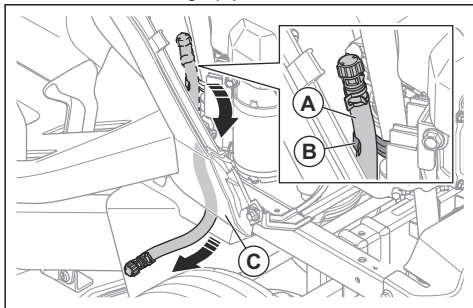


ATENÇÃO: Não coloque o motor em funcionamento durante mais de 1 a 2 minutos antes de drenar o óleo de motor. O óleo do motor fica muito quente e pode causar queimaduras. Deixe o motor arrefecer antes de drenar o óleo de motor.

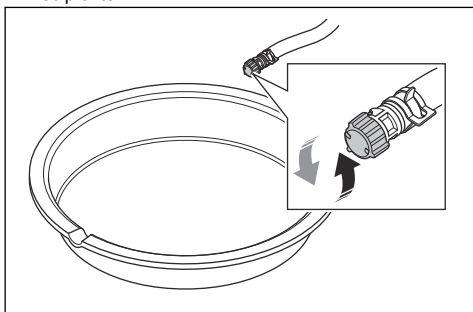


ATENÇÃO: Se derramar óleo de motor no seu corpo, limpe com água e sabão.

1. Remova a mangueira de drenagem do óleo (A) do suporte (B) e coloque a mangueira de drenagem do óleo através da folga (C).

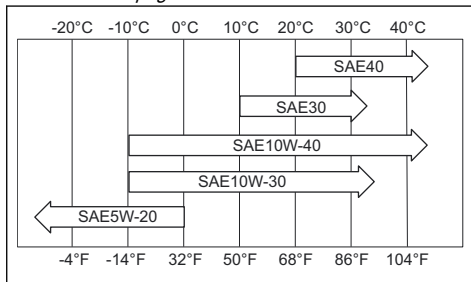


2. Coloque um recipiente sob o bujão de drenagem do óleo.
3. Remova a vareta de nível.
4. Remova a tampa da extremidade da válvula de drenagem do óleo na mangueira de drenagem do óleo e deixe o óleo de motor drenar para o recipiente.



5. Quando todo o óleo tiver sido drenado, instale a tampa da extremidade na válvula de drenagem do óleo.

6. Se o motor tiver um filtro de óleo, substitua o filtro de óleo. Consulte *Substituir o filtro de óleo (TS 114)* na página 114.
7. Verta o óleo lentamente através do orifício para a vareta. Utilize um óleo com uma viscosidade adequada para os intervalos de temperaturas apresentados na imagem. Consulte *Especificações técnicas* na página 121.



CUIDADO: Não misture tipos diferentes de óleo.

8. Instale a vareta.
9. Elimine o óleo de motor usado.

Substituir o filtro de óleo (TS 114)



ATENÇÃO: Utilize luvas de proteção. Se derramar óleo de motor no seu corpo, limpe com água e sabão.

1. Drene o óleo de motor. Consulte *Substituir o óleo de motor* na página 113.
2. Rode o filtro de óleo para a esquerda para o remover.
3. Lubrifique ligeiramente o vedante de borracha do novo filtro de óleo com óleo de motor novo.
4. Rode o filtro de óleo para a direita com a mão até o vedante de borracha estar na devida posição e, em seguida, aperte mais meia volta.
5. Encha o motor com óleo de motor novo. Consulte *Substituir o óleo de motor* na página 113.
6. Ligue o motor e deixe-o ao ralenti durante 3 minutos.
7. Pare o motor e certifique-se de que não existem fugas do filtro do óleo.
8. Encha com óleo de motor para compensar o óleo retido no novo filtro de óleo.

Esquema de resolução de problemas

Se não encontrar uma solução para determinados problemas neste manual do utilizador, contacte o seu distribuidor com assistência técnica Husqvarna.

Problema	Causa	Ação
O motor de arranque não arranca o motor.	O travão de estacionamento não está aplicado.	Aplique o travão de estacionamento. Consulte <i>Aplicar e soltar o travão de estacionamento na página 99</i> .
	A plataforma de corte está engatada.	Desengate a plataforma de corte. Consulte <i>Para engatar e desengatar a plataforma de corte (TS 112) na página 99</i> .
	O fusível principal está fundido.	Substitua o fusível principal. Consulte <i>Substituir o fusível principal na página 107</i> .
	A fechadura da ignição está partida.	Contacte o seu distribuidor com assistência técnica Husqvarna.
	Má ligação entre o cabo e a bateria.	Certifique-se de que a bateria está corretamente ligada. Consulte <i>Ligar a bateria na página 97</i> .
	A bateria está demasiado fraca.	Carregue a bateria. Consulte <i>Carregar a bateria na página 108</i> .
	O motor de arranque está danificado.	Contacte o seu distribuidor com assistência técnica Husqvarna.
O motor não arranca quando o motor de arranque impulsiona o motor.	Não há combustível no depósito de combustível.	Encha o depósito de combustível com combustível. Consulte <i>Encher o depósito de combustível na página 97</i> .
	A vela de ignição está danificada.	Examine as velas de ignição. Se for necessário, substitua as velas de ignição. Consulte <i>Examinar e substituir uma vela de ignição na página 107</i> .
	O cabo de ignição está danificado.	Contacte o seu distribuidor com assistência técnica Husqvarna.
	Existe sujidade no carburador ou no tubo de combustível.	Contacte o seu distribuidor com assistência técnica Husqvarna.
	O filtro de combustível está obstruído.	Substitua o filtro de combustível. Consulte <i>Substituir o filtro de combustível na página 106</i> .

Problema	Causa	Ação
O motor não funciona corretamente.	A vela de ignição está danificada.	Examine as velas de ignição. Se for necessário, substitua as velas de ignição. Consulte <i>Examinar e substituir uma vela de ignição na página 107.</i>
	O carburador não está bem colocado.	Contacte o seu distribuidor com assistência técnica Husqvarna.
	O filtro de ar está obstruído.	Limpe ou substitua o filtro de ar. Consulte <i>Limpar e substituir o filtro de ar na página 106.</i>
	A ventilação do depósito de combustível está obstruída.	Contacte o seu distribuidor com assistência técnica Husqvarna.
	Existe sujidade no carburador ou no tubo de combustível.	Contacte o seu distribuidor com assistência técnica Husqvarna.
	O filtro de combustível está obstruído.	Substitua o filtro de combustível. Consulte <i>Substituir o filtro de combustível na página 106.</i>
O motor não tem potência.	O filtro de ar está obstruído.	Limpe ou substitua o filtro de ar. Consulte <i>Limpar e substituir o filtro de ar na página 106.</i>
	A vela de ignição está danificada.	Examine as velas de ignição. Se for necessário, substitua as velas de ignição. Consulte <i>Examinar e substituir uma vela de ignição na página 107.</i>
	Existe sujidade no carburador ou no tubo de combustível.	Contacte o seu distribuidor com assistência técnica Husqvarna.
	O cabo do acelerador não está ajustado corretamente.	Contacte o seu distribuidor com assistência técnica Husqvarna.
O motor para quando tenta utilizar o produto para trás.	O sistema de funcionamento em marcha-atrás (ROS) não está engatado.	Engate o sistema de funcionamento em marcha-atrás (ROS). Consulte <i>Utilizar o sistema de funcionamento em marcha-atrás (ROS) na página 100.</i>
A transmissão não tem potência suficiente.	A admissão de ar da transmissão ou as aletas de arrefecimento estão obstruídas.	Contacte o seu distribuidor com assistência técnica Husqvarna.
	A ventoinha da transmissão está danificada.	Contacte o seu distribuidor com assistência técnica Husqvarna.
	Não existe óleo na transmissão ou o nível do óleo está demasiado baixo.	Contacte o seu distribuidor com assistência técnica Husqvarna.
	O sistema de acionamento está desengatado.	Engate o sistema de acionamento. Consulte <i>Ativar e desativar o sistema de acionamento na página 98.</i>

Problema	Causa	Ação
A bateria não carrega.	A bateria está danificada.	Substitua a bateria. Consulte <i>Substituir a bateria na página 108</i> .
	Ligação incorreta nos terminais da bateria.	Certifique-se de que a bateria está corretamente ligada. Consulte <i>Ligar a bateria na página 97</i> .
O produto vibra.	As lâminas estão soltas.	Aperte as lâminas. Consulte <i>Substituir as lâminas (TS 112) na página 112</i> .
	As lâminas estão instaladas incorretamente.	Certifique-se de que as lâminas estão corretamente instaladas. Consulte <i>Substituir as lâminas (TS 112) na página 112</i> .
	As lâminas não estão equilibradas.	Examine as lâminas quanto a sinais de desgaste e danos. Consulte <i>Examinar as lâminas na página 112</i> .
	O motor está solto.	Contacte o seu distribuidor com assistência técnica Husqvarna.
	As correias da polia estão inclinadas ou soltas.	Contacte o seu distribuidor com assistência técnica Husqvarna.

Problema	Causa	Ação
O resultado de corte não é satisfatório.	As lâminas estão rombas.	Examine as lâminas quanto a sinais de desgaste e danos. Consulte <i>Examinar as lâminas na página 112</i> .
	A relva é comprida ou está molhada.	Consulte <i>Obter bons resultados de corte na página 101</i> .
	A plataforma de corte não está paralela.	Ajuste a posição paralela da plataforma de corte. Consulte <i>Ajustar a posição paralela da bancada de corte na página 111</i> .
	Existe uma obstrução de relva na plataforma de corte.	Limpe a plataforma de corte. Consulte <i>Para limpar a plataforma de corte na página 104</i> .
	Os orifícios de ar na plataforma de corte estão obstruídos.	Limpe a plataforma de corte. Consulte <i>Para limpar a plataforma de corte na página 104</i> .
	Existe sujidade à volta das polias das lâminas.	Limpe a plataforma de corte. Consulte <i>Para limpar a plataforma de corte na página 104</i> .
	A pressão dos pneus é diferente nos lados esquerdo e direito.	Certifique-se de que a pressão dos pneus está correta nos 4 pneus. Consulte <i>Pressão dos pneus na página 109</i> .
	O produto é utilizado a uma velocidade demasiado elevada.	Consulte <i>Especificações técnicas na página 121</i> .
	A velocidade do motor é demasiado baixa.	Consulte <i>Especificações técnicas na página 121</i> .
	A correia da plataforma de corte desliza.	Contacte o seu distribuidor com assistência técnica Husqvarna.
	A correia da plataforma de corte está gasta ou danificada.	Substitua a correia da plataforma de corte. Consulte <i>Substituir a correia da plataforma de corte na página 112</i> .
As lâminas da plataforma de corte não começam a rodar quando a plataforma de corte está engatada.	Não existe um coletor de relva ou outro acessório instalado na descarga de relva (se aplicável).	Instale um coletor de relva ou outro acessório na descarga de relva (se aplicável).

Transporte, armazenamento e eliminação

Transporte

- O produto é pesado e pode causar ferimentos graves por esmagamento. Tenha cuidado ao carregá-lo e descarregá-lo de um veículo ou reboque.
- Utilize um reboque aprovado para o transporte do produto.
- Certifique-se de que conhece as regras de trânsito locais antes de transportar o produto num reboque ou em estradas.
- Para facilitar o carregamento do produto num reboque, coloque a plataforma de corte na posição mais elevada.

Fixar o produto em segurança para transporte



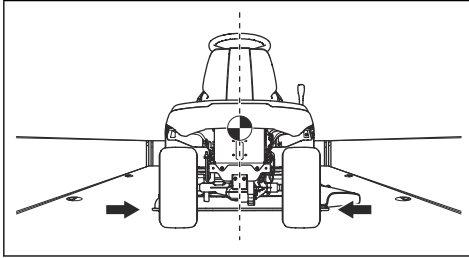
ATENÇÃO: Antes de fixar o produto, tem de ler e compreender o capítulo sobre segurança. Consulte *Segurança na página 88*.



ATENÇÃO: O travão de estacionamento não é suficiente para bloquear o produto durante o transporte. Fixe o produto com firmeza na área de carga.

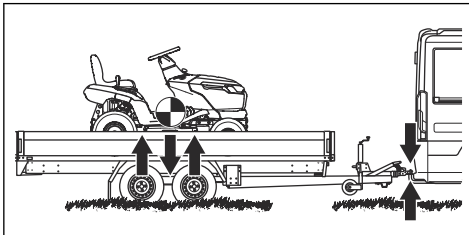
Equipamento: 2 correias aprovadas e 4 calços.

1. Estacione o produto no centro da área de carga.



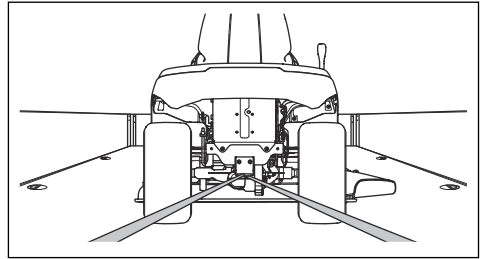
CUIDADO: Para transporte em veículos de transporte com cobertura, aguarde que o produto arrefeça antes de o colocar por baixo da cobertura.

2. Certifique-se de que o centro de gravidade do produto está acima do eixo das rodas do veículo de transporte. Se for utilizado um reboque para transporte, certifique-se de que a força vertical na sua barra de reboque é a correta.

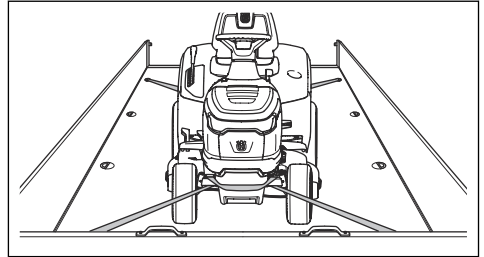


3. Aplique o travão de estacionamento.
4. Retire todos os objetos soltos.

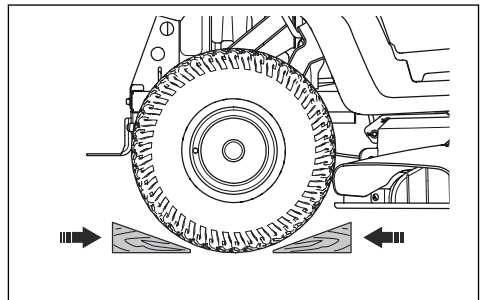
5. Fixe a primeira correia à barra de reboque.



6. Aperte a cinta para trás para fixar o produto na área de carga.
7. Coloque a segunda correia à volta do eixo dianteiro.



8. Fixe a cinta na área de carga.
9. Aperte a cinta na direção da dianteira da área de carga para fixar o produto na área de carga.
10. Coloque os calços à frente e atrás das rodas traseiras.



Armazenamento

Prepare o produto para armazenamento no final da estação e antes de mais de 30 dias de armazenamento. Se mantiver o combustível no depósito de combustível durante 30 dias ou mais, a aderência de partículas pode causar obstruções no carburador. Tal tem um efeito negativo no funcionamento do motor.

Para evitar a aderência de partículas durante o armazenamento, adicione um estabilizador. Se utilizar uma gasolina com base em alquilatos, não é necessário um estabilizador. Se utilizar gasolina normal, não mude para gasolina com alquilatos. Tal pode fazer com que as peças de borracha sensíveis se tornem rígidas.

Adicione estabilizador ao combustível no depósito ou no recipiente utilizado para o armazenamento. Utilize sempre as proporções de mistura indicadas pelo fabricante. Coloque o motor em funcionamento durante, pelo menos, 10 minutos após a adição do estabilizador, até que este flua para o carburador.



ATENÇÃO: Não mantenha o produto com combustível no depósito em espaços interiores ou em locais pouco ventilados. Risco de incêndio se os fumos do combustível se aproximarem de chamas abertas, faíscas ou luzes piloto, por exemplo, caldeiras, reservatórios de água quente e secadores de vestuário.

- Quando o produto estiver gasto, proceda ao respetivo envio para o concessionário ou para uma localização de reciclagem adequada.
- O óleo, os filtros de óleo, o combustível e a bateria podem ter efeitos negativos no meio ambiente. Respeite os requisitos de reciclagem locais e os regulamentos aplicáveis.
- Não elimine a bateria como um lixo doméstico.
- Envie a bateria para uma oficina autorizada Husqvarna ou elimine-a numa localização de eliminação de baterias usadas.



ATENÇÃO: Remova a relva, as folhas e outros materiais inflamáveis do produto para reduzir o risco de incêndio. Deixe o produto arrefecer antes de o armazenar.

- Limpe o produto; consulte *Limpar o produto na página 104*. Repare os danos na pintura para prevenir a corrosão.
- Examine o produto quanto a peças gastas ou danificadas e aperte as porcas e os parafusos soltos.
- Retire a bateria. Limpe-a, carregue-a e mantenha-a a uma temperatura baixa durante o armazenamento.
- Mude o óleo de motor e elimine o óleo usado.
- Esvazie o depósito de combustível. Ligue o motor e deixe-o trabalhar até que não reste combustível no carburador.



CUIDADO: Não esvazie o depósito de combustível e o carburador se tiver adicionado um estabilizador.

- Feche a válvula de corte de combustível.
- Remova as velas e coloque, aproximadamente, uma colher de sopa de óleo de motor em cada cilindro. Rode manualmente o eixo do motor para aplicar o óleo e volte a colocar as velas.
- Lubrifique todos os copos de lubrificação, juntas e eixos.
- Guarde o produto numa área limpa e seca e coloque sobre uma cobertura sobre o mesmo para proteção adicional.
- Pode adquirir uma cobertura de proteção para o produto durante o armazenamento ou o transporte no seu concessionário.

Eliminação

- Os produtos químicos podem ser perigosos e não podem ser eliminados no solo. Elimine sempre os químicos usados num centro de assistência ou numa localização de eliminação aplicável.

Especificações técnicas

Especificações técnicas

	TS 112	TS 114
Dimensão		
Largura, sem plataforma de corte, mm	916	916
Largura, com plataforma de corte, mm	1185	1185
Altura, mm	1100	1100
Comprimento, mm	1680	1680
Peso, com plataforma de corte, com depósito vazio, kg	182	184
Distância entre eixos, mm	1152	1152
Largura dos trilhos, dianteiros, mm	730	730
Largura dos trilhos, traseiros, mm	700	700
Pressão dos pneus, dianteiros, kPa/bar/PSI	150/1,5/21,76	150/1,5/21,76
Pressão dos pneus, traseiros, kPa/bar/PSI	100/1/14,5	100/1/14,5
Pneus dianteiros	15x6-6	15x6-6
Pneus traseiros	18x8.5-8	18x8.5-8
Declive máx., graus °	10	10
Peso máx. do equipamento de reboque, em declive de 10°, kg	100	100
Força vertical máxima permitida na barra de reboque, N/kg	250/25	250/25
Força horizontal máxima permitida na barra de reboque, N/kg	250/25	250/25
Motor		
Marca / Modelo	Husqvarna / HS 413AE	Husqvarna / HS 452AE
Potência nominal do motor, kW ⁹	8,0	9,0
Cilindrada, cm ³	413	452
Velocidade máxima do motor, rpm	2800	2800
Velocidade máx. em marcha em frente, km/h	9	9
Velocidade máx. em marcha-atrás, km/h	5	5
Combustível, sem chumbo, teor máximo de etanol/mínimo de octanas	E10/92	E10/92
Volume do depósito de combustível, litros	6	6

⁹ A potência nominal do motor indicado é a potência líquida média (a um valor de rpm especificado) de um motor de produção típico do modelo de motor avaliado de acordo com a norma J1349/ISO1585 da SAE. Motores produzidos em série poderão divergir deste valor. A potência real do motor instalado no produto final dependerá da velocidade de operação, das condições ambientais e de outros parâmetros.

	TS 112	TS 114
Óleo	Classe SF, SH ou SJ SAE40, SAE30, SAE10W-30, SAE10W-40 ou SAE5W-20	Classe SF, SH ou SJ SAE40, SAE30, SAE10W-30, SAE10W-40 ou SAE5W-20
Volume de óleo incluindo filtro de óleo, litros	N/A	1,2
Volume de óleo excluindo filtro de óleo, litros	1,15	1,15
Motor de arranque	Arranque elétrico, 12 V	Arranque elétrico, 12 V
Transmissão		
Marca / Modelo	Transmissão hidrostática, T2	Transmissão hidrostática, T2
Volume de óleo, litros	2	2
Sistema elétrico		
Tipo	12 V, ligação à terra negativa	12 V, ligação à terra negativa
Bateria	12 V, 20 Ah	12 V, 20 Ah
Vela de ignição	HQT-9	HQT-9
Distância entre os eletrodos, mm/pol.	0,6–0,8 / 0,024–0,032	0,6–0,8 / 0,024–0,032
Tipo de lâmpada	12 V, 18 W	12 V, 18 W
Plataforma de corte		
Largura de corte, mm	950	950
Altura de corte, 6 posições, mm	25–100	25–100
Emissões de ruído ¹⁰		
Nível de potência sonora, medido, dB(A)	96	98
Nível de potência sonora, garantido, dB(A)	100	100
Níveis sonoros ¹¹		
Nível de pressão sonora ao nível do ouvido do operador, dB(A)	84	86
Níveis de vibração ¹²		
Nível de vibração no volante, m/s ²	4,9	5,6
Nível de vibração no banco, m/s ²	1,6	2,0
Lâminas		
Comprimento da lâmina, mm	483	483

¹⁰ Emissões de ruído para as imediações, medidas sob forma de potência sonora (L_{WA}) em conformidade com a diretiva da CE 2000/14/CE.

¹¹ Nível de pressão sonora em conformidade com a norma EN ISO 5395. Os dados comunicados relativamente ao nível de pressão de ruído têm uma dispersão estatística típica (desvio padrão) de 3,0 dB(A).

¹² Nível de vibração em conformidade com a norma EN ISO 5395. Os dados comunicados relativos ao nível de vibração têm uma dispersão estatística típica (desvio padrão) de 1,5 m/s² (volante) e 1,5 m/s² (banco).

	TS 112	TS 114
Artigo n.º	537 67 44-10	537 67 44-10



ATENÇÃO: Utilize apenas as plataformas de corte especificadas neste manual. As plataformas de corte que não estejam aprovadas para este produto podem provocar a projeção de objetos a velocidades elevadas e causar ferimentos graves.

Pontos de controlo	
Paralelismo da plataforma de corte com a altura de corte na posição 1	5–10 mm / 0,197–0,394 pol.
Controlo da altura de corte na posição 1	25 ± 2 mm / 0,98 ± 0,079 pol.

Assistência

Assistência

Efetue uma verificação anual num centro de assistência autorizado para se certificar de que o produto funciona em segurança e nas melhores condições durante a estação de grande utilização. A melhor altura para a manutenção ou revisão geral do produto é a época baixa.

Quando fizer uma encomenda de peças sobresselentes, forneça informações sobre o ano de compra, o modelo, o tipo e o número de série.

Utilize sempre peças sobresselentes originais.

Declaração de conformidade

Declaração UE de conformidade

A Husqvarna AB, SE 561 82 Huskvarna, SWEDEN,
Tel. +46 36 146500 declara, sob sua inteira
responsabilidade, que o produto:

Descrição	Trator corta-relva
Marca	Husqvarna
Tipo / Modelo	TS 112, TS 114
Identificação	Número de série referente a 2023 e posteriores

está em plena conformidade com as seguintes diretivas
e regulamentos da UE:

Diretiva/Regulamento	Descrição
2006/42/CE	"relativa a máquinas"
2014/30/UE	"relativa à compatibilidade eletromagnética"
2000/14/CE	"relativa a emissões de ruído para o ambiente"
2011/65/UE	"relativa à restrição do uso de determinadas substâncias perigosas em equipamento elétrico e eletrônico"

e que as seguintes normas e/ou especificações técnicas
são aplicadas: EN ISO 5395-1:2013/A1:2018, EN ISO
5395-3:2013/A1:2017/A2:2018, EN ISO 14982:2009, EN
IEC 63000:2018.

Entidade competente: A 0197, TÜV Rheinland LGA
Products GmbH, Tillystrasse 2, 90431 Nürnberg,
Germany, atribuiu a certificação de conformidade com
a Diretiva 2000/14/CE do Conselho, procedimento de
avaliação de conformidade: Anexo VI.

Para mais informações sobre as emissões de ruído,
consulte *Especificações técnicas na página 121*.

Huskvarna, 2023-01-30



Claes Losdal, chefe de desenvolvimento/produtos de
jardinagem, Husqvarna AB

Responsável pela documentação técnica



Sommario

Introduzione.....	125	Programma di ricerca guasti.....	157
Sicurezza.....	130	Trasporto, stoccaggio e smaltimento.....	160
Montaggio.....	136	Dati tecnici.....	163
Utilizzo.....	139	Assistenza.....	165
Manutenzione.....	143	Dichiarazione di conformità.....	166

Introduzione

Ispezione di preconsegna e numeri di prodotto

firmata del documento di ispezione pre-consegna dal rivenditore.

Nota: Un'ispezione di preconsegna è stata effettuata per questo prodotto. Assicurarsi di ricevere una copia

Informazioni di contatto dell'officina:	
Il presente manuale operatore si riferisce al prodotto con codice/numero di serie:	
/	
Motore:	
Trasmissione:	

Descrizione del prodotto

Trattore da giardino con piatto di taglio installato tra l'asse anteriore e l'asse posteriore. Dotato di motore a 4 tempi a benzina.

Uso previsto

Questo prodotto è destinato esclusivamente al taglio dell'erba in giardini privati e su pendenze non superiori a 10° all'interno di giardini privati. Non deve essere utilizzato in parchi pubblici e campi sportivi, nel settore agricolo o nella silvicoltura. Montare un accessorio opzionale per usare il prodotto per altre attività. Utilizzare il prodotto solo con gli accessori approvati dal produttore. Per ulteriori informazioni, rivolgersi a un'officina autorizzata.

Un diverso utilizzo del prodotto rappresenta un uso improprio. Questo invaliderà la garanzia e il produttore non si assumerà alcuna responsabilità per eventuali danni causati a terzi dall'utilizzatore.

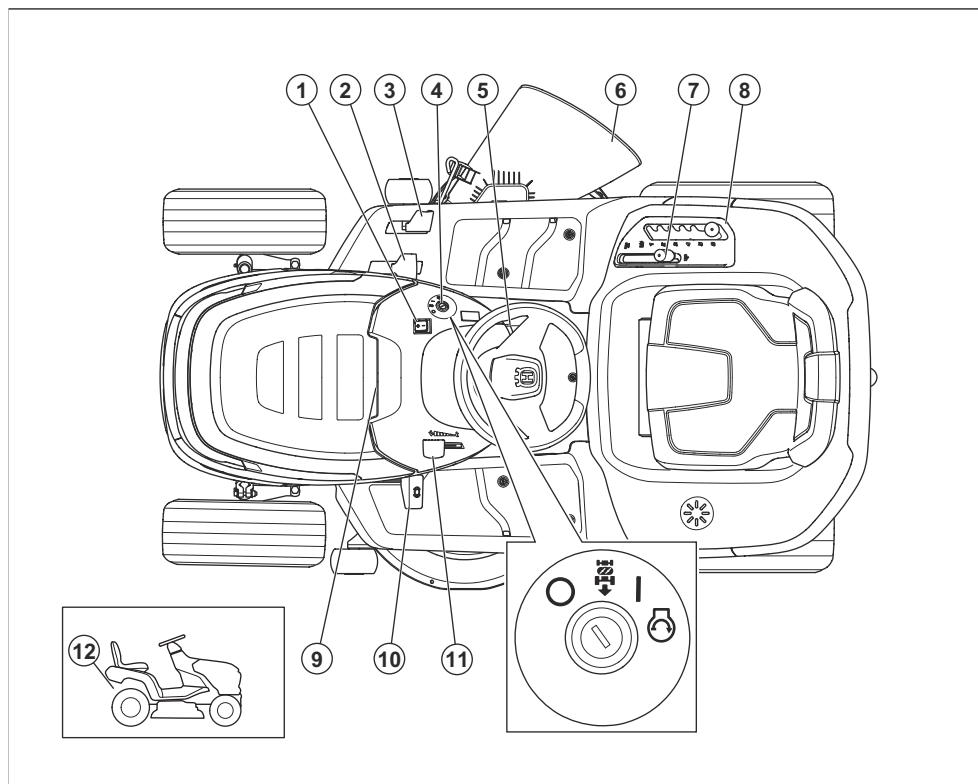
Fare riferimento alle direttive locali per l'utilizzo dei tagliaerba.

Assicurazione del prodotto

Accertarsi di disporre della copertura assicurativa per il nuovo prodotto. Contattare la propria compagnia assicurativa se non si è sicuri di disporre della copertura. Si raccomanda un'assicurazione completa che copra lesioni contro terzi, incendio, danni, furto e responsabilità civile.

Panoramica del prodotto

Panoramica del prodotto (TS 112)



1. Interruttore luci

2. Pedale di avanzamento

3. Pedale di retromarcia

4. Blocco accensione

5. Blocco del freno di stazionamento

6. Deflettore

7. Comando innesto lame

8. Leva altezza di taglio

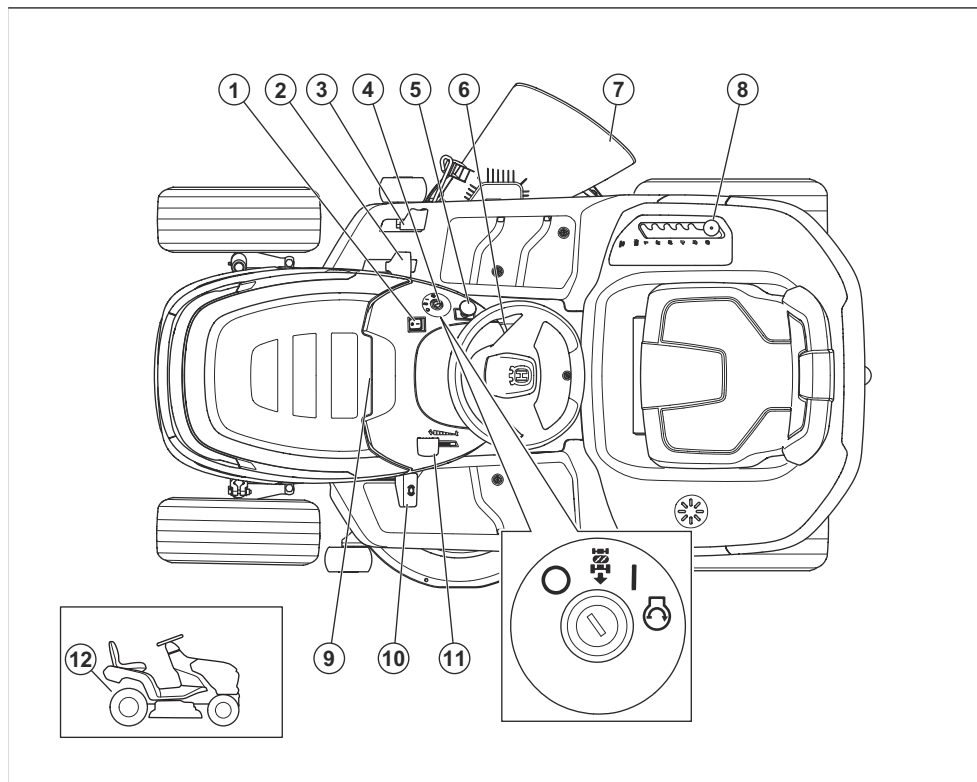
9. Contaore (sotto il cofano del motore)

10. Leva del freno di stazionamento

11. Comando dell'acceleratore

12. Leva per innestare o disinnestare la trazione

Panoramica del prodotto (TS 114)



1. Interruttore luci
2. Pedale di avanzamento
3. Pedale di retromarcia
4. Blocco accensione
5. Pulsante della presa di forza
6. Blocco del freno di stazionamento
7. Deflettore
8. Leva altezza di taglio
9. Contatore
10. Leva del freno di stazionamento
11. Comando dell'acceleratore
12. Leva per innestare o disinnestare la trazione

Husqvarna Connect

Il manuale dell'operatore e ad altre informazioni relative al prodotto sono disponibili nell'app Husqvarna Connect. Husqvarna Connect è un'app gratuita per i dispositivi mobili. Vedere *Primo utilizzo Husqvarna Connect alla pagina 139*.

Controllo presenza operatore (OPC)

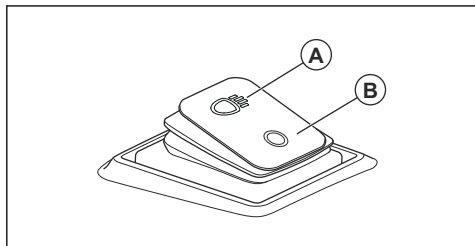
Il Controllo presenza operatore (OPC) si attiva quando l'operatore si alza dal sedile. Il Controllo presenza operatore (OPC) disinnesta la rotazione delle lame e arresta il motore.



AVVERTENZA: Per il modello (TS 114), il motore si arresta solo se il freno di stazionamento non è inserito.

Luce di lavoro

Il prodotto è dotato di luce di lavoro. Premere l'interruttore per accendere (A) o spegnere (B) la luce di lavoro.



Simboli riportati sul prodotto



AVVERTENZA: questo prodotto può essere pericoloso e causare lesioni gravi o mortali all'operatore o a terzi. Prestare attenzione e utilizzare il prodotto correttamente.



Leggere attentamente il Manuale dell'operatore e accertarsi di aver compreso le istruzioni prima di utilizzare questo prodotto.



Veloce



Lento



Innestare il sistema di trasmissione.



Disinnestare il sistema di trasmissione.



Arresto del motore



Accensione del motore



Avviamento del motore



Leva del freno di stazionamento



Altezza di taglio



Sistema per operazioni in retromarcia (ROS)



Retromarcia



Marcia avanti



Luci di lavoro ON/OFF



Carburante



Contenuto massimo di etanolo 10%



Olio motore



Si consiglia una protezione acustica.



Le lame sono disinserite.



Le lame sono inserite.



Tenere il corpo lontano dalle parti rotanti.



Tenere il corpo lontano dalle lame rotanti.



Attenzione all'espulsione o al rimbalzo di oggetti.



Non tagliare l'erba su terreni in pendenza. Non tagliare l'erba su superfici con pendenze superiori a 10°.



Pericolo di ribaltamento



Guardare all'indietro prima e durante lo spostamento del prodotto in retromarcia.



Non trasportare passeggeri sul prodotto o sull'apparecchiatura.



Tenere lontano persone e animali dalla zona di lavoro.



Non poggiare il piede



Scollegare il cappuccio della candela prima di eseguire la manutenzione del prodotto.



MAX. XXXN / (XXXkg)

La forza verticale max. consentita sulla barra di traino è specificata in *Dati tecnici alla pagina 163* nonché sull'etichetta.



MAX. XXXN / (XXXkg)

La forza orizzontale max. consentita sulla barra di traino è specificata in *Dati tecnici alla pagina 163* nonché sull'etichetta.



Emissioni di rumore nell'ambiente in conformità alle direttive e alle norme UE e UK e alla norma del Nuovo Galles del Sud in materia di protezione dell'ambiente "Protection of the Environment Operations (Noise Control) Regulation 2017". Il livello di potenza sonora garantito del prodotto è specificato in *Dati tecnici alla pagina 163* nonché sull'etichetta.



Codice scansionabile



Il prodotto è conforme alle direttive CE vigenti.



Il presente prodotto è conforme alle direttive del Regno Unito vigenti.



Inserire e disinserire il freno di stazionamento.

Nota: Altri simboli/decalcomanie sul prodotto si riferiscono ai requisiti legali specifici del mercato.

Etichetta sul prodotto



PERICOLO - Tenere a distanza mani e piedi.

Contatore

Il contatore mostra il numero di ore di funzionamento del motore. Fare riferimento a *Panoramica del prodotto alla pagina 126* per la posizione del contatore.

Danni al prodotto

Non siamo responsabili dei danni al prodotto se:

- Il prodotto viene riparato in modo errato.
- Il prodotto viene riparato con parti che non provengono o non sono omologate dal produttore.

- Il prodotto contiene un accessorio che non proviene o non è omologato dal produttore.
- Il prodotto non viene riparato presso un centro di assistenza autorizzato o presso un'autorità competente.

Emissioni Euro V



AVVERTENZA: La manomissione del motore rende nulla l'omologazione UE del prodotto.

Sicurezza

Definizioni di sicurezza

Le avvertenze, le precauzioni e le note sono utilizzate per evidenziare le parti importanti del manuale.



AVVERTENZA: Utilizzato se è presente un rischio di lesioni o morte dell'operatore o di passanti nel caso in cui le istruzioni del manuale non vengano rispettate.



ATTENZIONE: Utilizzato se è presente un rischio di danni al prodotto, ad altri materiali oppure alla zona adiacente nel caso in cui le istruzioni del manuale non vengano rispettate.

Nota: Utilizzato per fornire ulteriori informazioni necessarie in una determinata situazione.

Istruzioni di sicurezza generali



AVVERTENZA: Questo prodotto può tagliare mani e piedi e scagliare oggetti. Lesioni gravi o mortali possono verificarsi se non si rispettano le istruzioni di sicurezza.



AVVERTENZA: Non continuare a utilizzare un prodotto che presenti l'attrezzatura di taglio danneggiata. Un'attrezzatura di taglio danneggiata può scagliare oggetti e causare lesioni gravi o mortali. Sostituire immediatamente le lame danneggiate.



AVVERTENZA: Durante il funzionamento, questo prodotto genera un campo elettromagnetico. Tale campo può interferire, in alcuni casi, con persone portatrici di impianti medici attivi o passivi. Per ridurre il rischio di condizioni che

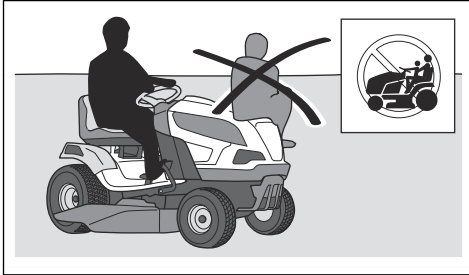
possono implicare lesioni gravi o mortali, i portatori di tali impianti devono consultare il proprio medico e il produttore dell'impianto prima di utilizzare questo prodotto.



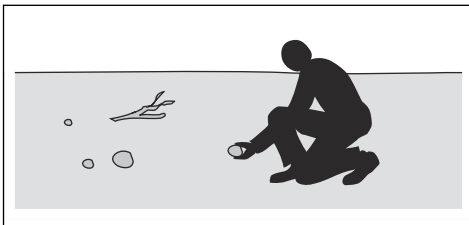
AVVERTENZA: Leggere le seguenti avvertenze prima di utilizzare il prodotto.

- Usare la massima cautela e il buon senso. Evitare tutte le situazioni che richiedono capacità superiori alle proprie. Se non si è sicuri delle procedure operative anche dopo aver letto il manuale dell'operatore, rivolgersi a un esperto prima di continuare.
- Leggere con attenzione e comprendere il manuale dell'operatore e le istruzioni sul prodotto prima di avviarlo.
- Apprendere l'uso del prodotto e i comandi e imparare come arrestare il prodotto rapidamente.
- Apprendere a riconoscere le decalcomanie di sicurezza.
- Conservare il prodotto pulito in modo che sia possibile leggere chiaramente i simboli e gli adesivi.
- Pulire le perdite di carburante o d'olio sul prodotto prima di metterlo in funzione o di riporlo.
- Tenere presente che l'operatore potrà essere ritenuto responsabile di eventuali incidenti che coinvolgano altre persone o i loro beni.
- Non porre le mani o i piedi vicino alle parti rotanti.
- Non porre le mani o i piedi al di sotto del prodotto.
- Tenersi sempre lontano dalle aperture di scarico.
- Assicurarsi che il materiale scaricato non colpisca altre persone o animali.
- Assicurarsi che il materiale scaricato non colpisca pareti o altre superfici dure. I materiali scaricati possono rimbalzare.
- Arrestare sempre le lame quando si utilizza il prodotto su superfici ghiaiate.
- Non azionare il piatto di taglio se lo scivolo di scarico o altri dispositivi di sicurezza sono mancanti o difettosi.

- Disinnestare sempre le lame quando non si sta falciando.
- Assicurarsi che l'erba o altri materiali indesiderati non tocchino lo scarico caldo o le parti calde del motore.
- Non usare il piatto di taglio per tagliare foglie o altri materiali indesiderati che possono provocare un accumulo.
- Non trasportare passeggeri. Il prodotto deve essere utilizzato da una sola persona.



- Non lasciare il prodotto incustodito con il motore acceso. Arrestare sempre le lame, applicare il freno di stazionamento, spegnere il motore e rimuovere la chiave di accensione prima di lasciare incustodito il prodotto.
- Utilizzare il prodotto solo alla luce solare o in altre condizioni di sufficiente illuminazione. Tenere il prodotto a distanza di sicurezza da buche o altre irregolarità nel suolo. Prestare attenzione ad altri possibili rischi.
- Non utilizzare mai il prodotto in condizioni meteorologiche sfavorevoli, ad esempio nebbia, pioggia, umidità o luoghi molto umidi, vento forte, freddo intenso, rischio di fulmini ecc.
- Trovare e marcare eventuali pietre e altri oggetti fissi per evitarli durante il taglio.
- Liberare l'area da oggetti come pietre, giocattoli, fili, ecc. che possono rimanere incastrati nelle lame ed essere scagliati in aria.



- Non consentire ai bambini, o ad altre persone non autorizzate all'utilizzo del prodotto, di utilizzarlo o eseguirne la manutenzione. Verificare l'esistenza di norme locali che fissano l'età minima dell'utilizzatore.
- Accertarsi che nessuno si trovi nelle vicinanze del prodotto quando si accende il motore, si innesta la trazione o si sposta il prodotto.

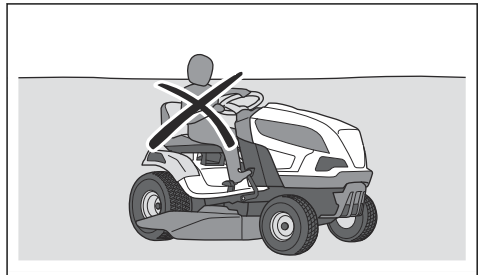
- Tenere d'occhio il traffico quando si taglia in prossimità di una strada o la si attraversa.
- Non utilizzare mai il prodotto in condizioni di stanchezza oppure sotto l'effetto di alcolici, stupefacenti o farmaci in grado di compromettere la vista, l'attenzione, la coordinazione o il giudizio.
- Prestare attenzione quando si posiziona il prodotto su un rimorchio o su un autocarro e quando lo si rimuove da questi.
- Parcheggiare sempre il prodotto su una superficie piana con il motore spento.
- Arrestare il motore e assicurarsi che tutte le parti siano ferme prima di pulire o eseguire interventi di manutenzione sul prodotto.
- Arrestare il motore e assicurarsi che tutte le parti siano ferme prima di rimuovere il dispositivo di raccolta erba o di rimuovere l'ostruzione nello scivolo di scarico.
- Lasciare raffreddare il prodotto prima del rimessaggio.

Istruzioni di sicurezza relative ai bambini



AVVERTENZA: Leggere le seguenti avvertenze prima di utilizzare il prodotto.

- In caso di mancata supervisione dei bambini nei pressi del prodotto, si potrebbero verificare gravi incidenti. I bambini possono essere attratti dal prodotto e dalla falciatura e si spostano in maniera imprevedibile.
- Per questo motivo è importante tenere i bambini lontani dall'area da falciare. Accertarsi che sia presente un adulto che supervisioni i bambini.
- Restare vigili e arrestare il prodotto se i bambini accedono all'area di lavoro. Prestare estrema attenzione nei pressi di angoli, cespugli, alberi o altri oggetti che ostacolano la visuale.
- Prima e durante lo spostamento del prodotto in retromarcia, guardare all'indietro e verso il basso per assicurarsi che non ci siano bambini piccoli nelle vicinanze del prodotto.
- Non lasciar salire i bambini sul prodotto. Potrebbero cadere e ferirsi gravemente o impedire di manovrare in sicurezza il prodotto.
- Non lasciare che i bambini utilizzino il prodotto.



Istruzioni di sicurezza per l'utilizzo



AVVERTENZA: Non toccare il motore o il sistema di scarico durante o subito dopo l'utilizzo. Il motore e il sistema di scarico diventano molto caldi durante l'uso. Rischio di ustioni, incendi e danni alla proprietà o alle zone adiacenti. Mentre si utilizza il prodotto, tenersi lontani da cespugli e altri oggetti.



AVVERTENZA: Leggere le seguenti avvertenze prima di utilizzare il prodotto.

- Guardare sempre in basso e indietro prima e durante lo spostamento in retromarcia. Evitare ostacoli grandi e piccoli.
- Ridurre la velocità prima di svoltare ad angolo.
- Arrestare le lame prima di spostarsi attraverso aree che non richiedono la falciatura.



ATTENZIONE: Leggere le seguenti istruzioni prima di utilizzare il prodotto.

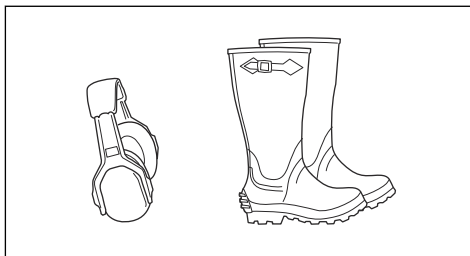
- Prima di utilizzare il prodotto, pulire la presa d'aria fredda del motore eliminando erba e sporco. Se la presa d'aria fredda viene bloccata, esiste il rischio di danni al motore.
- Spostare con attenzione pietre e altri oggetti più grandi e accertarsi che le lame non colpiscano gli oggetti.
- Non utilizzare il prodotto sugli oggetti. Fermarsi ed esaminare il prodotto e il piatto di taglio se si falcia o si urta un oggetto. Se necessario, effettuare riparazioni prima di riavviare il prodotto.

Dispositivi di protezione individuale



AVVERTENZA: Leggere le seguenti avvertenze prima di utilizzare il prodotto.

- Usare sempre abbigliamento protettivo personale omologato quando si utilizza il prodotto. L'uso di dispositivi di protezione individuale non elimina il rischio di lesioni, ma ne riduce la gravità in caso di incidente. Farsi consigliare dal rivenditore per la scelta dell'attrezzatura adatta.
- Usare cuffie protettive omologate. Una lunga esposizione al rumore può comportare lesioni permanenti all'udito.
- Utilizzare robusti stivali o scarpe antiscivolo. Si raccomanda l'uso di punte in acciaio. Non utilizzare il prodotto con calzature aperte o a piedi nudi.



- Indossare guanti protettivi ove necessario, ad esempio per montare, ispezionare o pulire l'attrezzatura di taglio.
- Non indossare abbigliamento non aderente, gioielli o altri oggetti che potrebbero impigliarsi nelle parti in movimento.
- Tenere a portata di mano il kit di primo soccorso e un estintore.

Dispositivi di sicurezza sul prodotto



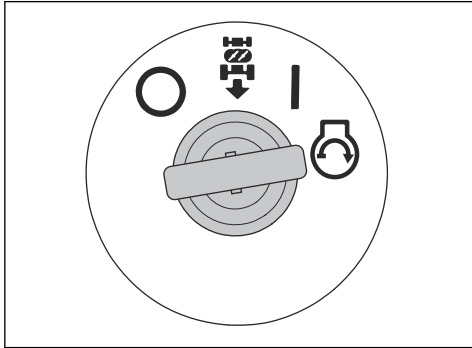
AVVERTENZA: Leggere le seguenti avvertenze prima di utilizzare il prodotto.

- Non utilizzare un prodotto usando dispositivi di sicurezza danneggiati o che non funzionano correttamente. Effettuare regolarmente un controllo dei dispositivi di sicurezza. Se i dispositivi di sicurezza sono danneggiati, rivolgersi al tecnico dell'assistenza Husqvarna.
- Non apportare modifiche ai dispositivi di sicurezza. Non utilizzare il prodotto se le piastre di protezione, le coperture, gli interruttori di sicurezza o altri dispositivi di protezione non sono collegati o sono danneggiati.

Per controllare il blocco accensione

- Avviare e arrestare il motore per controllare il blocco di accensione. Fare riferimento a *Avviamento del motore alla pagina 140* e *Arresto del motore alla pagina 143*.

- Accertarsi che il motore si avvii ruotando la chiave di accensione in posizione Start.

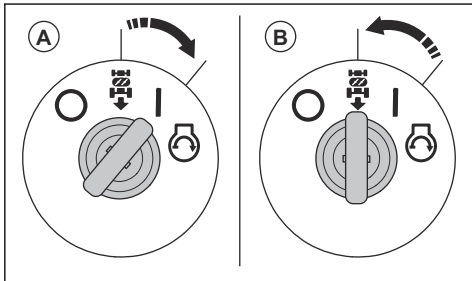


- Accertarsi che il motore si arresti immediatamente quando si ruota la chiave di accensione in posizione Stop (O).

Verifica del sistema per operazioni in retromarcia (ROS)

Se il sistema per operazioni in retromarcia (ROS) non funziona correttamente, rivolgersi a un'officina autorizzata.

1. Avviare il prodotto. Fare riferimento a *Avviamento del motore alla pagina 140*.
2. Innestare il piatto di taglio. Fare riferimento a *Innesto e disinnesto del piatto di taglio (TS 112) alla pagina 141* oppure *Innesto e disinnesto del piatto di taglio (TS 114) alla pagina 141*.
3. Con la chiave di accensione in posizione ON (A), premere il pedale di retromarcia. Il motore deve arrestarsi quando si preme il pedale di retromarcia.



4. Avviare il prodotto e innestare nuovamente il piatto di taglio.
5. Portare l'interruttore di accensione in posizione ON del ROS (B).
6. Con la chiave di accensione in posizione ON del ROS, premere il pedale di retromarcia. Il motore non deve arrestarsi quando si preme il pedale di retromarcia.

Condizioni operative

Queste condizioni sono necessarie per avviare il motore:

- Il freno di stazionamento è azionato.
- La rotazione delle lame è disinserita.
- Il pedale di marcia avanti e il pedale di retromarcia sono in posizione neutra.

Il motore deve arrestarsi nelle seguenti condizioni:

- L'operatore si alza dal sedile. (TS 112)
- Il freno di stazionamento non è premuto e l'operatore si alza dal sedile. (TS 114)
- Il piatto di taglio è innestato e l'operatore si alza dal sedile.
- Il piatto di taglio è innestato e il pedale di retromarcia viene premuto, ma il ROS è disinserito.

La rotazione delle lame deve arrestarsi nelle seguenti condizioni:

- L'operatore si alza dal sedile.
- Il comando di innesto lame viene spostato in posizione disinnestata. (TS 112)
- Il pulsante della presa di forza (PTO) è premuto. (TS 114)

Provare ad avviare il motore senza una delle condizioni. Cambiare condizione e riprovare. Effettuare questo controllo quotidianamente.

Controllare il pedale di marcia avanti e quello di retromarcia

1. Avviare il prodotto. Fare riferimento a *Avviamento del motore alla pagina 140*.
2. Accertarsi che i pedali di marcia avanti e retromarcia non siano bloccati e che possano essere azionati liberamente.
3. Premere lentamente il pedale di marcia avanti per spostarsi in avanti.
4. Rilasciare il pedale di avanzamento per frenare. Assicurarsi che il freno si innesti quando viene rilasciato il pedale di marcia avanti.

Nota: Il prodotto è provvisto di freno automatico che si innesta quando si rilasciano i pedali.

5. Eseguire la stessa procedura per il pedale di retromarcia.
6. Assicurarsi che il prodotto non si muova quando i pedali sono in posizione neutra.

Freno di stazionamento



AVVERTENZA: Se il freno di stazionamento non funziona, il prodotto può iniziare a muoversi e causare lesioni o danni. Assicurarsi che il freno di stazionamento venga controllato e regolato periodicamente.

Fare riferimento a *Per controllare il freno di stazionamento alla pagina 148*.

Marmitta

La marmitta assicura il minimo livello di rumorosità e allontana i fumi di scarico dall'operatore.

Non utilizzare il prodotto se la marmitta è mancante o danneggiata. Una marmitta danneggiata aumenta il livello acustico e il rischio di incendio.



AVVERTENZA: La marmitta si surriscalda durante e dopo l'uso e quando il motore funziona al regime minimo. Prestare attenzione in prossimità di materiali infiammabili e/o fumi per evitare incendi.

Controllo della marmitta

- Esaminare la marmitta periodicamente per assicurarsi che sia collegata correttamente e che non sia danneggiata.

Coperture protettive

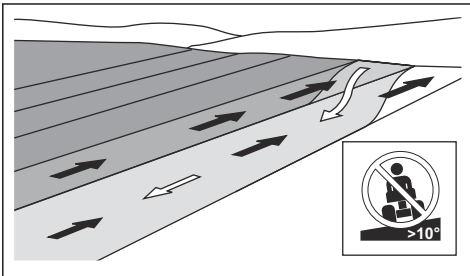
Coperture protettive mancanti o danneggiate aumentano il rischio di lesioni sulle parti in movimento e sulle superfici calde. Controllare le condizioni delle coperture protettive prima di utilizzare il prodotto. Assicurarsi che le coperture protettive siano collegate correttamente e non presentino crepe o altri danni. Sostituire le coperture danneggiate.

Taglio dell'erba in pendenza

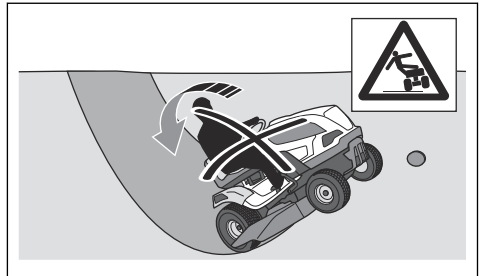


AVVERTENZA: Leggere le seguenti avvertenze prima di utilizzare il prodotto.

- La falciatura dell'erba su terreni in pendenza aumenta il rischio di perdita di controllo e di ribaltamento del prodotto. Ciò può causare lesioni anche mortali. È necessario falciare l'erba con cautela su qualsiasi terreno in pendenza. Se non è possibile effettuare la retromarcia su un terreno in pendenza o se ci si sente insicuri, non effettuare la falciatura.
- Rimuovere pietre, rami o altri ostacoli.
- Eseguire il taglio guidando parallelamente alla pendenza, non lateralmente.
- Non azionare il prodotto su terreni con pendenze superiori a 10°.



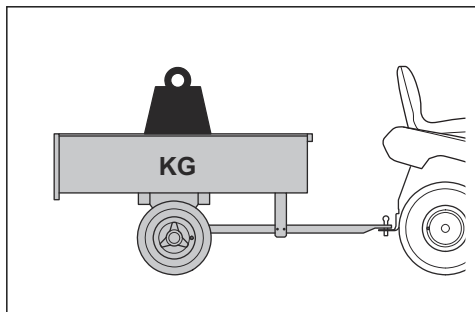
- Non avviare o arrestare il prodotto su terreni in pendenza.
- Spostarsi gradualmente e lentamente su terreni in pendenza.
- Non effettuare bruschi cambiamenti di velocità o di direzione di marcia.
- Non effettuare più svolte del necessario. Girare lentamente e gradualmente quando ci si sposta in pendenza. Viaggiare a bassa velocità. Girare la ruota con cautela.
- Evitare di attraversare solchi, buche e dossi. Vi è un rischio più elevato che il prodotto si ribalti su un terreno non piano. L'erba alta può nascondere eventuali ostacoli.
- Non tagliare in prossimità di bordi, fossi o argini. Il prodotto può ribaltarsi improvvisamente se una ruota si muove oltre il bordo di una pendenza ripida o un fosso, o se un bordo cede. Se il prodotto cade in acqua sussiste il rischio di annegare.



- Non tagliare l'erba bagnata. È scivolosa e gli pneumatici possono perdere aderenza facendo slittare il prodotto.
- Non appoggiare il piede a terra per tentare di rendere il prodotto più stabile.
- Spostarsi con molta attenzione nel caso in cui un accessorio o un qualsiasi altro oggetto si sia impigliato, rendendo il prodotto meno stabile.
- Rispettare le raccomandazioni del produttore relativamente al peso di ruote e contrappesi.

Sicurezza per il traino

- Utilizzare esclusivamente attrezzature di traino approvate da Husqvarna.
- Utilizzare la barra di traino per fissare l'attrezzatura.
- Non trainare attrezzature più pesanti del peso massimo consentito. Fare riferimento a *Dati tecnici alla pagina 163*.



- Accertarsi che non vi siano persone nelle vicinanze del prodotto quando si traina l'attrezzatura.
- Prestare attenzione quando si traina l'attrezzatura su terreni in pendenza o accidentati.
- Azionare il prodotto a bassa velocità quando si traina l'attrezzatura.

Sicurezza durante l'uso del carburante



AVVERTENZA: Prestare attenzione al carburante. Il carburante è estremamente infiammabile e può provocare lesioni e danni.



AVVERTENZA: Leggere le seguenti avvertenze prima di utilizzare il prodotto.

- Non riempire il serbatoio del carburante in ambienti chiusi.
- La benzina e i vapori della benzina sono tossici e molto infiammabili. Prestare la massima attenzione alla benzina per evitare lesioni o incendi.
- Non rimuovere il tappo del carburante, né rabboccare il serbatoio del carburante a motore acceso.
- Lasciare che il motore si raffreddi prima di effettuare il rifornimento.
- Non fumare durante il rifornimento del carburante.
- Non effettuare il rifornimento vicino a scintille o fiamme libere.
- In caso di perdite del sistema di alimentazione, non avviare il motore fino a quando le perdite non sono state riparate.
- Non effettuare il rifornimento oltre il livello raccomandato. Il calore del motore e del sole fa espandere il carburante, il quale fuoriesce se il serbatoio si è riempito troppo.
- Non riempire il serbatoio in eccesso. Se si versa del carburante sul prodotto, asciugare con un panno e attendere che sia evaporato prima di avviare il motore. Se lo si versa sugli indumenti, cambiarli.
- Conservare il carburante solo in contenitori omologati.

- Riporre il prodotto e il carburante in modo che non vi sia alcun rischio che eventuali perdite di carburante o fumi possano causare danni.
- Versare il carburante in un contenitore adatto, all'aperto e lontano da fiamme libere.

Sicurezza per il trasporto

- Utilizzare un veicolo omologato per il trasporto del prodotto.
- Il prodotto ha un peso elevato e può causare lesioni da schiacciamento. Prestare attenzione durante il caricamento su un veicolo o rimorchio o durante lo scaricamento.
- Le normative nazionali o locali di un mercato possono prevedere limitazioni per il trasporto del prodotto.
- L'operatore del veicolo di trasporto è responsabile del fissaggio sicuro del prodotto durante il trasporto. Fare riferimento a *Per fissare in modo sicuro il prodotto durante il trasporto alla pagina 161*.

Sicurezza batterie



AVVERTENZA: Una batteria danneggiata può esplodere e causare lesioni. Se la batteria presenta una deformazione o è danneggiata, rivolgersi a un'officina autorizzata Husqvarna.



AVVERTENZA: Leggere le seguenti avvertenze prima di utilizzare il prodotto.

- Utilizzare occhiali protettivi quando si è in prossimità delle batterie.
- Non indossare orologi, gioielli o altri oggetti metallici nelle vicinanze della batteria.
- Tenere la batteria fuori dalla portata dei bambini.
- Caricare la batteria in un luogo con buon ricambio d'aria.
- Tenere i materiali infiammabili a una distanza minima di 1 m quando si carica la batteria.
- Smaltire le batterie sostituite. Vedere *Smaltimento alla pagina 162*.
- Gas esplosivi possono fuoriuscire dalla batteria. Non fumare in prossimità della batteria. Tenere la batteria lontano da fiamme libere e scintille.

Istruzioni di sicurezza per la manutenzione



AVVERTENZA: Il prodotto ha un peso elevato e può causare lesioni o danni alle cose o alla zona adiacente. Non eseguire la manutenzione del motore o del piatto di taglio senza che queste condizioni vengano soddisfatte:

- Il motore è spento.

- Il prodotto è parcheggiato su una superficie piana.
- Il freno di stazionamento è azionato.
- La chiave di accensione è stata rimossa.
- Il piatto di taglio è disinserito.
- Il cavo di accensione è stato rimosso dalla candela.



AVVERTENZA: I fumi di scarico del motore contengono monossido di carbonio, un gas inodore, velenoso ed estremamente pericoloso. Non utilizzare il prodotto in spazi chiusi o senza un flusso d'aria sufficiente.



AVVERTENZA: Leggere le seguenti avvertenze prima di utilizzare il prodotto.

- Per garantire le migliori prestazioni e la sicurezza, effettuare la manutenzione del prodotto a intervalli regolari come indicato nel programma di manutenzione. Fare riferimento a *Programma di manutenzione alla pagina 143*.
- Le scosse elettriche possono causare lesioni. Non toccare i cavi quando il motore è acceso. Non effettuare una prova di funzionamento dell'impianto di accensione con le dita.

- Non avviare il motore se i coperchi protettivi sono stati rimossi. Vi è un alto rischio di lesioni provocate da parti calde o in movimento.
- Attendere che il prodotto si raffreddi prima di eseguire la manutenzione vicino al motore.
- Le lame sono affilate e possono causare tagli. Posizionare paraventi attorno alle lame o usare guanti protettivi quando si lavora su di esse.
- Non parcheggiare il prodotto vicino al bordo di un fosso o in pendenza per accedere al piatto di taglio.



ATTENZIONE: Leggere le seguenti istruzioni prima di utilizzare il prodotto.

- Non ribaltare il motore se la candela o il cavo di accensione è stato rimosso.
- Assicurarsi che tutti i dadi e i bulloni siano serrati correttamente e che l'attrezzatura sia in buone condizioni.
- Non modificare la regolazione dei limitatori. Se il regime del motore è troppo alto, i componenti del prodotto possono danneggiarsi. Fare riferimento a *Dati tecnici alla pagina 163* per informazioni sul regime motore massimo consentito.
- Il prodotto è testato e approvato solo con l'attrezzatura in dotazione o raccomandata dal produttore.

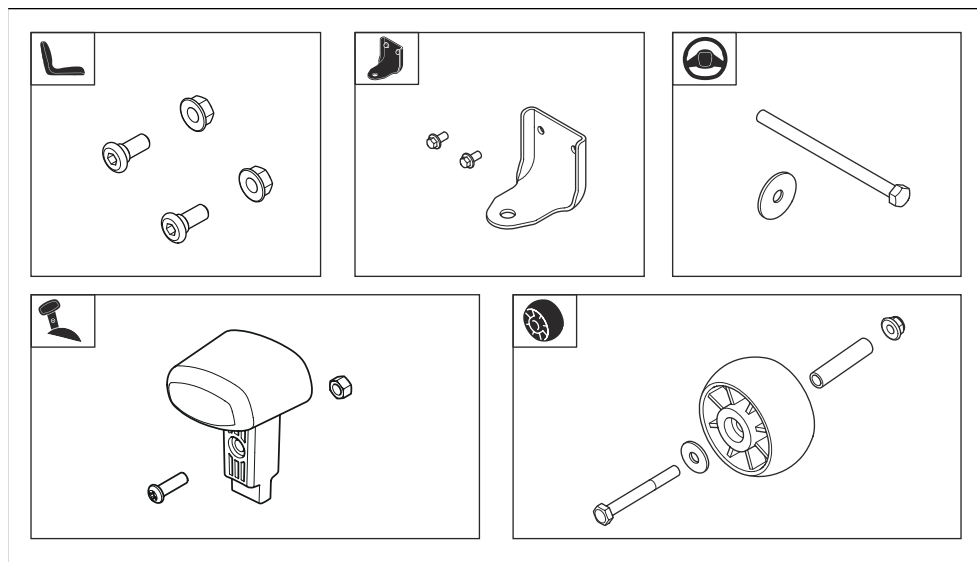
Montaggio

Introduzione



AVVERTENZA: Leggere e comprendere il capitolo sulla sicurezza prima di montare il prodotto.

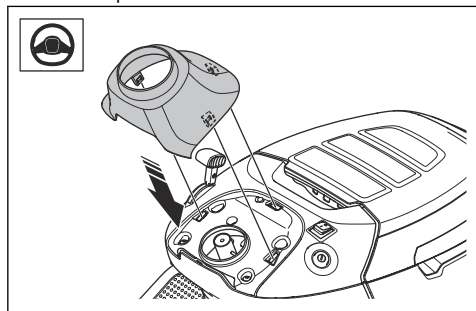
Panoramica di montaggio



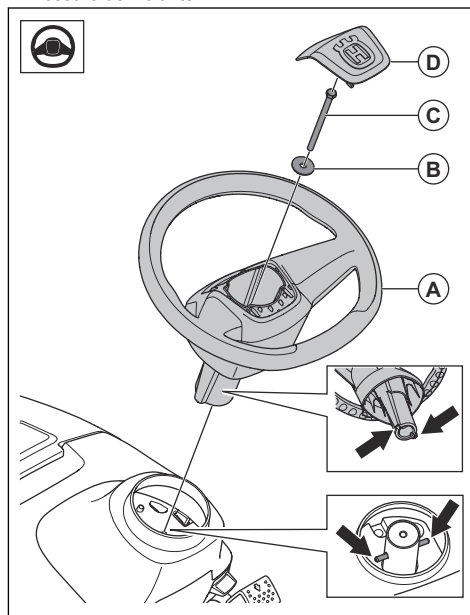
Assemblaggio del volante

Fare riferimento a *Panoramica di montaggio alla pagina 137* per informazioni sui dispositivi di fissaggio corretti per questa attività.

1. Montare il coperchio del piantone dello sterzo.
Il coperchio del piantone dello sterzo è fissato con chiusure a scatto. Premere verso il basso il coperchio del piantone dello sterzo finché non si blocca in posizione.



2. Posizionare il volante (A) sul piantone dello sterzo. I perni sul piantone dello sterzo devono inserirsi nelle fessure del volante.



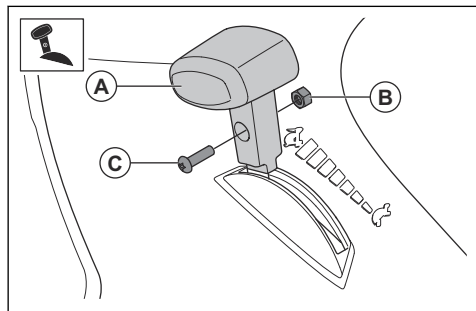
3. Installare la rondella (B) e il bullone (A). Stringere il bullone con una coppia di 24 Nm.

4. Installare la copertura centrale (D) sul volante. La copertura centrale è fissata con chiusure a scatto.

Per installare la manopola sul comando dell'acceleratore

Fare riferimento a *Panoramica di montaggio alla pagina 137* per informazioni sui dispositivi di fissaggio corretti per questa attività.

1. Posizionare la manopola (A) sulla leva di comando dell'acceleratore.

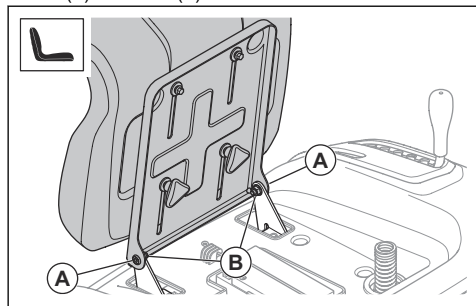


2. Installare il dado (B) e la vite (C).

Montaggio del sedile

Fare riferimento a *Panoramica di montaggio alla pagina 137* per informazioni sui dispositivi di fissaggio corretti per questa attività.

1. Tenere il sedile fermo in posizione e installare le 2 viti (A) e i 2 dadi (B).



2. Verificare il controllo presenza operatore. Fare riferimento a *Condizioni operative alla pagina 133*.

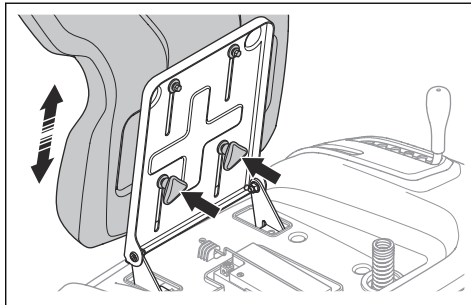


AVVERTENZA: Non azionare il prodotto se il controllo presenza operatore è difettoso.

Regolazione del sedile

1. Ripiegare il sedile in avanti.

2. Allentare le 2 manopole rapide.

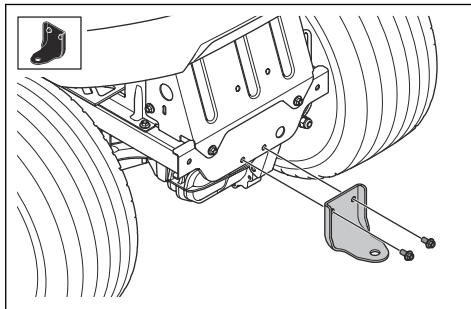


3. Spostare il sedile fino a una posizione in cui è possibile premere i pedali completamente verso il basso.
4. Serrare completamente le 2 manopole rapide.

Per installare la barra di traino

Fare riferimento a *Panoramica di montaggio alla pagina 137* per informazioni sui dispositivi di fissaggio corretti per questa attività.

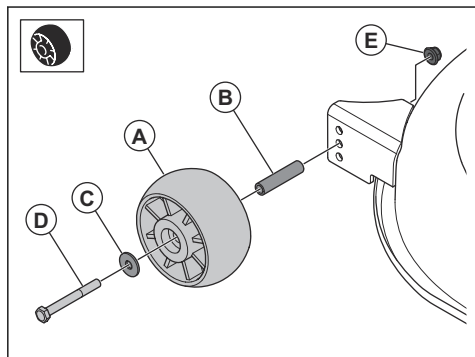
- Installare la barra di traino con le 2 viti.



Per installare le ruote antirasatura

Fare riferimento a *Panoramica di montaggio alla pagina 137* per informazioni sui dispositivi di fissaggio corretti per questa attività.

- Installare la ruota antirasatura (A), la boccola (B), la rondella (C), il bullone (D) e il dado (E) in uno dei tre fori.



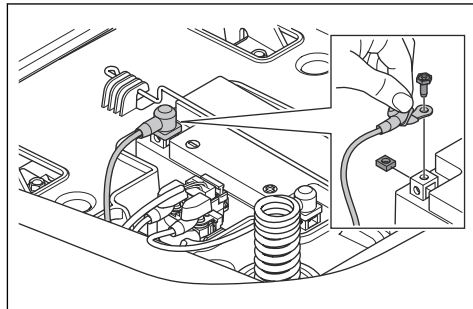
Collegamento della batteria



AVVERTENZA: Rischio di scosse elettriche. Assicurarsi che l'interruttore di accensione sia in posizione OFF e che la chiave di accensione sia rimossa.

La posizione della batteria è sotto al sedile.

1. Ripiegare il sedile in avanti.
2. Assicurarsi che il cavo rosso sia installato sul morsetto positivo (+) della batteria.
3. Rimuovere la vite e il dado sul morsetto negativo (-) della batteria.
4. Collegare il cavo nero al morsetto negativo (-) sulla batteria e installare il dado e la vite.



5. Installare la copertura del morsetto sul morsetto negativo (-) della batteria.

Utilizzo

Introduzione



AVVERTENZA: Leggere e comprendere il capitolo sulla sicurezza prima di utilizzare la macchina.

Primo utilizzo Husqvarna Connect

1. Scaricare l'app Husqvarna Connect sul proprio dispositivo mobile.
2. Registrarsi nell'app Husqvarna Connect.
3. Attenersi alle istruzioni dell'app Husqvarna Connect per collegare e registrare il prodotto.

Per il rifornimento del carburante



AVVERTENZA: La benzina è altamente infiammabile. Prestare attenzione e fare rifornimento all'aperto, fare riferimento a *Sicurezza durante l'uso del carburante alla pagina 135*.



AVVERTENZA: Non utilizzare il serbatoio del carburante come superficie di appoggio.



ATTENZIONE: Un carburante di tipo errato può causare danni al motore.

Il motore funziona con benzina con un numero di ottano minimo di 91 RON (87 AKI), non mescolata con olio. Si raccomanda benzina alchilata biodegradabile. Non usare benzina contenente più del 10% di etanolo.

- Effettuare un controllo del livello del carburante prima di ogni utilizzo e rabboccare se necessario.
- Non riempire completamente il serbatoio del carburante. Lasciare uno spazio di almeno 2,5 cm.

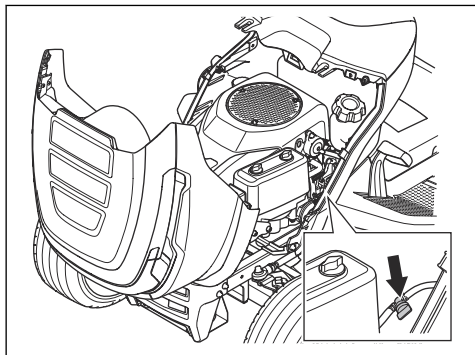
Cosa fare prima di accendere il prodotto



AVVERTENZA: Prima di utilizzare il prodotto, leggere attentamente e assicurarsi di aver compreso le istruzioni di sicurezza e di funzionamento.

1. Effettuare un controllo del livello dell'olio motore. Fare riferimento a *Controllo del livello dell'olio motore alla pagina 155*.
2. Rabboccare il serbatoio del carburante con carburante. Fare riferimento a *Per il rifornimento del carburante alla pagina 139*.

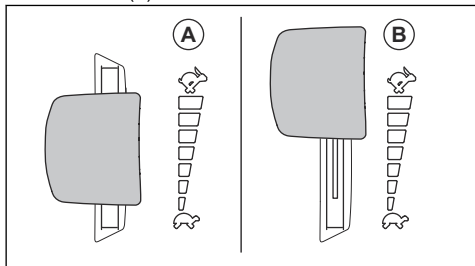
3. Accertarsi che la valvola di esclusione carburante sia aperta. La valvola di esclusione carburante è aperta quando la linguetta si trova nella direzione del tubo del carburante.



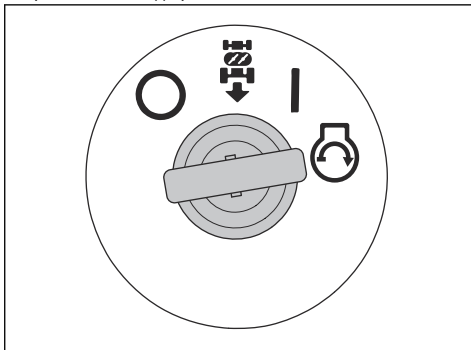
4. Assicurarsi che il sistema di trasmissione sia inserito. Fare riferimento a *Per inserire e disinserire il sistema di trasmissione alla pagina 140.*
5. Portare il piatto di taglio nella posizione più alta. Fare riferimento a *Impostazione dell'altezza di taglio (TS 112) alla pagina 142* oppure *Impostazione dell'altezza di taglio (TS 114) alla pagina 142.*

Avviamento del motore

1. Assicurarsi che il piatto di taglio sia disinnestato. Fare riferimento a *Innesto e disinnesto del piatto di taglio (TS 112) alla pagina 141* oppure *Innesto e disinnesto del piatto di taglio (TS 114) alla pagina 141.*
2. Sedersi sul sedile in posizione di lavoro.
3. Azionare il freno di stazionamento. Fare riferimento a *Per inserire o disinserire il freno di stazionamento alla pagina 141.*
4. Premere il comando dell'acceleratore su regime intermedio (A).

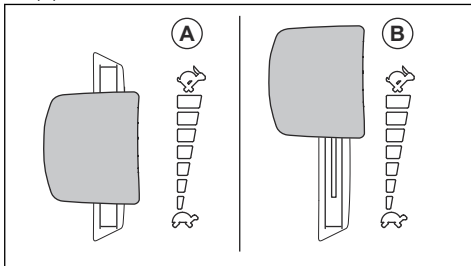


5. Girare la chiave d'accensione nella posizione di avviamento. All'avviamento del motore, rilasciare immediatamente la chiavetta d'accensione. La chiave di accensione torna automaticamente in posizione ON (I) quando viene rilasciata.



ATTENZIONE: Non azionare il motorino di avviamento per più di 5 secondi alla volta. Se il motore non si avvia, attendere 15 secondi prima di riprovare.

6. Far funzionare il motore a regime intermedio per 3-5 minuti prima di applicare carichi pesanti.
7. Premere il comando dell'acceleratore al massimo (B).



ATTENZIONE: L'innesto del piatto di taglio quando il motore è a velocità massima provoca uno sforzo sulle cinghie di trasmissione. Innestare il piatto di taglio prima di portare il comando dell'acceleratore in posizione di massima accelerazione.

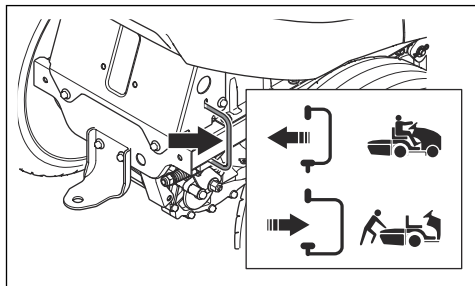
Per inserire e disinserire il sistema di trasmissione

Per spostare il prodotto con il motore spento, il sistema di trasmissione deve essere disinserito.



ATTENZIONE: Assicurarsi di estrarre o spingere completamente la leva. Non utilizzare le posizioni intermedie.

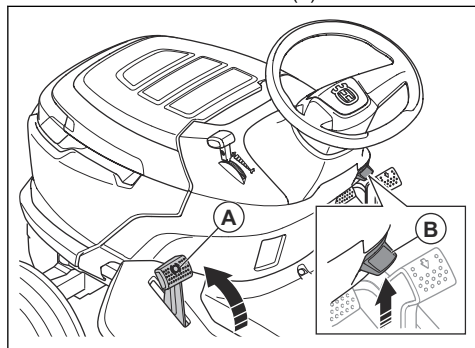
La leva di innesto o disinnesto del sistema di trasmissione si trova dietro la ruota posteriore destra.



- Premere completamente la leva per inserire il sistema di trasmissione.
- Estrarre completamente la leva per disinserire il sistema di trasmissione.

Per inserire o disinserire il freno di stazionamento

- Per inserire il freno di stazionamento, eseguire i passaggi seguenti.
 - a) Premere a fondo il pedale del freno di stazionamento (A) e tirare verso l'alto il blocco del freno di stazionamento (B).



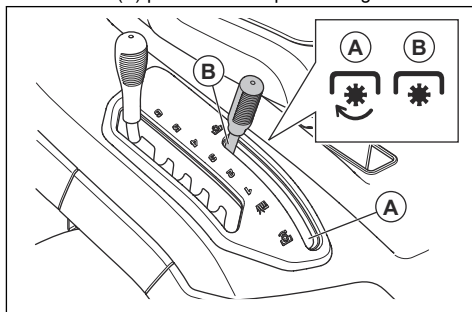
- b) Rilasciare il pedale del freno di stazionamento.
- Per rilasciare il freno di stazionamento, spingere verso il basso il pedale del freno di stazionamento e rilasciarlo.

Innesto e disinnesto del piatto di taglio (TS 112)



AVVERTENZA: Non azionare il piatto di taglio senza un deflettore installato sullo scarico dell'erba.

- Spostare il comando innesto lame in posizione innestata (A) per innestare il piatto di taglio.



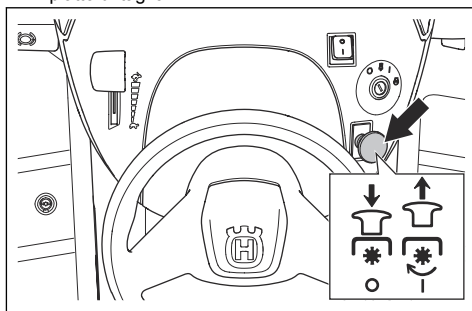
- Spostare il comando innesto lame in posizione disinnestata (B) per disinnestare il piatto di taglio.

Innesto e disinnesto del piatto di taglio (TS 114)



AVVERTENZA: Non azionare il piatto di taglio senza un deflettore installato sullo scarico dell'erba.

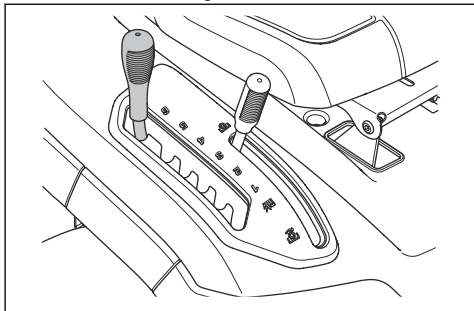
- Estrarre il pulsante della presa di forza per innestare il piatto di taglio.



- Premere il pulsante della presa di forza per disinnestare il piatto di taglio.

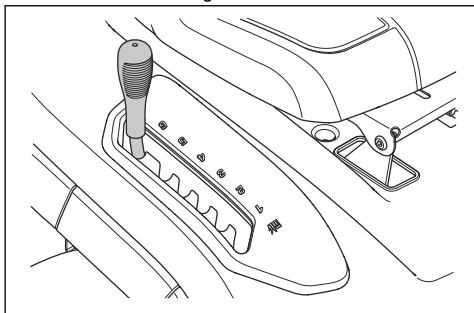
Impostazione dell'altezza di taglio (TS 112)

- Tirare la leva dell'altezza di taglio nella direzione del sedile e metterla in 1 delle scanalature per la corretta altezza di taglio.



Impostazione dell'altezza di taglio (TS 114)

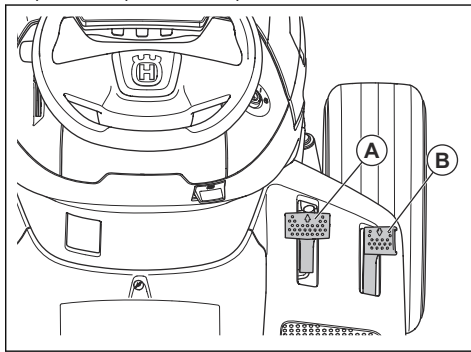
- Tirare la leva dell'altezza di taglio nella direzione del sedile e metterla in 1 delle scanalature per la corretta altezza di taglio.



Utilizzo del prodotto

1. Avviare il motore. Fare riferimento a *Avviamento del motore alla pagina 140*.
2. Come disinserire il freno di stazionamento. Fare riferimento a *Per inserire o disinserire il freno di stazionamento alla pagina 141*.

3. Premere con cautela il pedale di marcia avanti (A) o il pedale di retromarcia (B). La velocità aumenta premendo più a fondo il pedale.



Nota: Il pedale di marcia avanti e il pedale di retromarcia tornano in posizione neutra quando vengono rilasciati.

4. Rilasciare i pedali per frenare.
5. Selezionare l'altezza di taglio corretta. Fare riferimento a *Impostazione dell'altezza di taglio (TS 112) alla pagina 142* oppure *Impostazione dell'altezza di taglio (TS 114) alla pagina 142*.
6. Innestare il piatto di taglio. Fare riferimento a *Innesto e disinnesto del piatto di taglio (TS 112) alla pagina 141* oppure *Innesto e disinnesto del piatto di taglio (TS 114) alla pagina 141*.

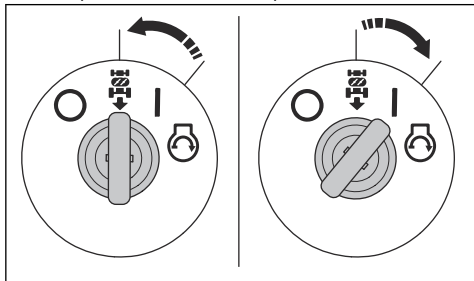
Utilizzo del sistema per operazioni in retromarcia (ROS)

Nota: Se si tenta di spostarsi all'indietro con il prodotto quando il piatto di taglio è innestato, il motore si arresta immediatamente. Inserire il ROS per muoversi all'indietro con il prodotto quando il piatto di taglio è innestato.



AVVERTENZA: Per la sicurezza delle altre persone, prima e durante l'utilizzo del prodotto in retromarcia, guardare in basso e dietro al prodotto.

1. Ruotare la chiave di accensione in senso antiorario nella posizione ON del ROS per inserire il ROS.

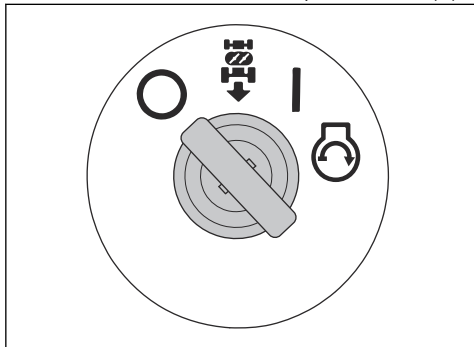


2. Premere lentamente il pedale di retromarcia per avviare il movimento.
3. Ruotare la chiave di accensione in senso orario nella posizione ON (I) del motore per disinnestare il ROS.

Arresto del motore

1. Disinnestare il piatto di taglio. Fare riferimento a *Innesto e disinnesto del piatto di taglio (TS 112) alla pagina 141* oppure *Innesto e disinnesto del piatto di taglio (TS 114) alla pagina 141*.

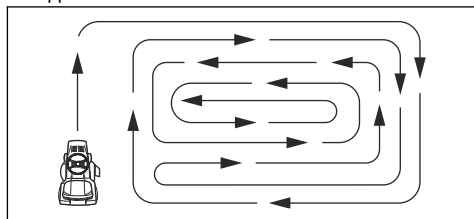
2. Girare la chiave d'accensione in posizione OFF (O).



3. Quando il prodotto si arresta, applicare il freno di stazionamento. Fare riferimento a *Per inserire o disinserire il freno di stazionamento alla pagina 141*.

Per ottenere un buon risultato di taglio

- Per garantire le migliori prestazioni, effettuare la manutenzione del prodotto a intervalli regolari come indicato nel programma di manutenzione. Fare riferimento a *Programma di manutenzione alla pagina 143*.
- Non tagliare il prato bagnato. L'erba bagnata può dare un cattivo risultato di taglio.
- Non utilizzare catene per pneumatici quando si utilizza il prodotto con un piatto di taglio.
- Assicurarsi che il piatto di taglio sia a livello. Fare riferimento a *Per regolare il parallelismo del piatto di taglio alla pagina 153*.
- Se l'erba è alta, iniziare con un'altezza di taglio elevata e ridurla gradualmente.
- Spostare il prodotto in avanti a bassa velocità se l'erba è alta e folta.
- Utilizzare l'acceleratore al massimo quando si taglia l'erba.
- Tagliare l'erba seguendo un pattern irregolare.
- Utilizzare il lato sinistro del piatto di taglio quando si taglia in prossimità di alberi, cespugli o sentieri. La lama taglia circa 15 mm dal lato del piatto di taglio.
- Quando si tagliano aree di grandi dimensioni, spostare il prodotto verso destra mentre si gira 1 o 2 volte intorno all'area di lavoro. Questa procedura consente di mantenere lo scarico dell'erba lontano da arbusti, recinzioni e vialetti. Dopo circa 2 giri intorno all'area di lavoro, tagliare nella direzione opposta.



- Per ottenere i migliori risultati di taglio, tagliare l'erba frequentemente.

Manutenzione

Introduzione



AVVERTENZA: Prima di eseguire qualsiasi lavoro di manutenzione, è necessario leggere e capire il capitolo relativo alla sicurezza.

Programma di manutenzione

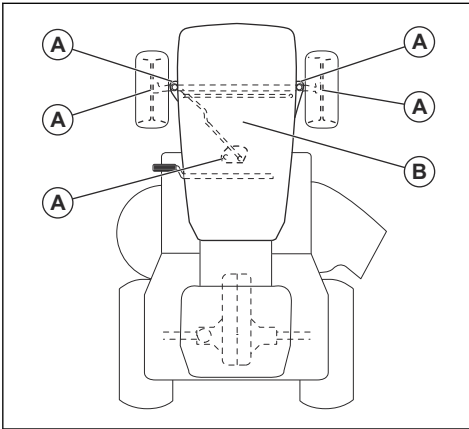
X = Le istruzioni sono riportate in questo manuale dell'operatore.

O = Le istruzioni non sono riportate in questo manuale dell'operatore. Affidare la manutenzione a un'officina autorizzata.

Programma di manutenzione		Prima di ogni utilizzo/settimanalmente	Ogni 50 ore o annualmente
Generale	Pulire la batteria e i morsetti.		O
	Verificare il livello di carica della batteria. Caricare la batteria se necessario.		X
	Esaminare tutte le cinghie e le pulegge per verificare che non siano usurate o danneggiate. Sostituire le parti usurate o danneggiate.		O
	Pulire il motore e la trasmissione.	X	X
	Esaminare tutti i fili per verificare che non siano danneggiati.		O
	Lubrificare il prodotto. Fare riferimento alla panoramica della lubrificazione.		X
	Accertarsi che tutti i dispositivi di fissaggio siano serrati correttamente.		O
	Accertarsi che la pressione degli pneumatici sia corretta in tutti gli pneumatici.	X	X
Motore	Esaminare il tubo del carburante per verificare che non sia usurato o danneggiato. Se necessario, sostituire il tubo pescante.		O
	Sostituire il filtro del carburante.		X
	Pulire il filtro dell'aria.	X	
	Sostituire il filtro dell'aria.		X
	Esaminare la marmitta e il deflettore termico.	X	X
	Effettuare un controllo del livello dell'olio motore. Rabboccare con olio motore, se necessario.	X	
	Cambiare l'olio motore.		X
	Sostituire il filtro dell'olio motore.		X
	Sostituire la candela.		X
Controllare il regime del motore. Regolare il regime motore se necessario.		O	

Programma di manutenzione		Prima di ogni utilizzo/settimanalmente	Ogni 50 ore o annualmente
Trasmissione, comandi e sistema di trasmissione	Esaminare la ventola di raffreddamento della trasmissione.	X	X
	Rimuovere le ruote e lubrificare gli assali.		O
	Assicurarsi che il prodotto non si muova quando i pedali sono in posizione neutra.		X
	Controllare la marcia avanti e la retromarcia a velocità diverse.		O
	Controllare l'interruttore per il comando innesto lame.		X
	Controllare l'interruttore per la leva dell'altezza di taglio.		X
	Controllare gli interruttori per il pedale di marcia avanti e quello di retromarcia.		X
	Effettuare un controllo del freno di stazionamento.	X	
	Verificare il controllo presenza operatore (OPC).	X	
Attrezzatura di taglio	Pulire il piatto di taglio, sotto i coperchi della cinghia e sotto il piatto di taglio.		X
	Controllare il parallelismo del piatto di taglio. Regolare il piatto di taglio se necessario.		X
	Esaminare la cinghia del piatto di taglio alla ricerca di usura o danni.		O
	Esaminare le lame per verificare la presenza di usura e danni. Se necessario, affilare o sostituire le lame.		X
	Controllare il sistema frenante delle lame (se in dotazione).		O
	Esaminare il raccoglierba e gli interruttori del raccoglierba (solo modelli TC).		X

Programma di lubrificazione



A. Lubrificazione generale. Lubrificare il collegamento di ingrassaggio dell'alberino e i denti dell'ingranaggio del settore e del piantone dello sterzo.

B. Lubrificazione del motore. Fare riferimento a *Controllo del livello dell'olio motore alla pagina 155*.

Pulizia del prodotto



ATTENZIONE: Non utilizzare una lancia ad alta pressione o a vapore. L'acqua può entrare nei cuscinetti e nei collegamenti elettrici e causare una corrosione che può danneggiare il prodotto.

Pulire il prodotto subito dopo l'uso.

- Non pulire le superfici calde come il motore, la marmitta e il sistema di scarico. Attendere fino a quando le superfici sono fredde, quindi rimuovere l'erba o lo sporco.
- Prima di pulire con acqua, pulire con una spazzola. Rimuovere l'erba tagliata e lo sporco dall'area sopra e intorno alla trasmissione, la presa d'aria della trasmissione e il motore.
- Pulire la parte superiore del piatto di taglio, sotto i coperchi della cinghia e sotto il piatto di taglio. Per pulire il piatto di taglio, fare riferimento a *Per pulire il piatto di taglio alla pagina 146*.
- Utilizzare acqua corrente e un tubo per pulire il prodotto. Non utilizzare alta pressione.
- Non puntare il getto d'acqua sui componenti elettrici o i cuscinetti. L'impiego di un detergente solitamente aumenta il danno.
- Quando il prodotto è pulito, avviare il piatto di taglio per un breve periodo di tempo per scaricare l'acqua residua.

Per pulire il motore e la marmitta

Mantenere il motore e la marmitta libera dall'erba tagliata e dallo sporco. L'erba tagliata immersa nell'olio o nel carburante sul motore può aumentare il rischio d'incendio e di surriscaldamento del motore. Lasciar raffreddare il motore prima di pulirlo. Pulire con acqua e una spazzola.

L'erba tagliata che si deposita intorno alla marmitta si secca velocemente e rappresenta un rischio d'incendio. Utilizzare una spazzola o rimuovere l'erba tagliata con l'acqua quando la marmitta è fredda.

Per pulire il piatto di taglio



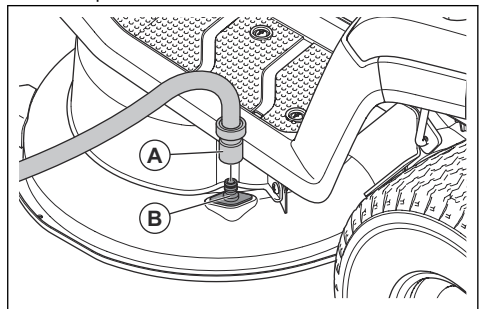
AVVERTENZA: Non utilizzare il prodotto se l'apertura di lavaggio del piatto è rotta o mancante. Sussiste il rischio del lancio di oggetti. Sostituire immediatamente un'apertura di lavaggio del piatto rotta o mancante.

1. Parcheggiare il prodotto in un'area libera sul prato, vicino a una fonte d'acqua con un tubo da giardino.



ATTENZIONE: Non dirigere lo scivolo di scarico del prodotto verso edifici o veicoli.

2. Assicurarsi che il piatto di taglio sia disinnestato. Fare riferimento a *Innesto e disinnesto del piatto di taglio (TS 112) alla pagina 141* oppure *Innesto e disinnesto del piatto di taglio (TS 114) alla pagina 141*.
3. Spegner il motore. Fare riferimento a *Arresto del motore alla pagina 143*.
4. Azionare il freno di stazionamento. Fare riferimento a *Per inserire o disinserire il freno di stazionamento alla pagina 141*.
5. Collegare un tubo da giardino (A) alla porta di lavaggio del piatto (B) e avviare l'erogazione dell'acqua.



6. Sedersi sul sedile e avviare il motore. Fare riferimento a *Avviamento del motore alla pagina 140*.



ATTENZIONE: Esaminare nuovamente l'area per assicurarsi che sia libera prima di avviare il motore.

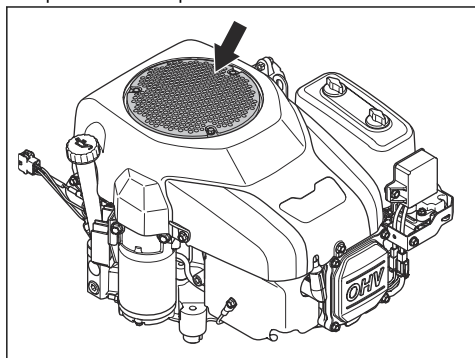
7. Inserire il piatto di taglio e lasciarlo in funzione a pieno regime fino alla completa pulizia. Fare riferimento a *Innesto e disinnesto del piatto di taglio (TS 112) alla pagina 141* oppure *Innesto e disinnesto del piatto di taglio (TS 114) alla pagina 141*.
8. Disinserire il piatto di taglio e arrestare il motore. Fare riferimento a *Innesto e disinnesto del piatto di taglio (TS 112) alla pagina 141* oppure *Innesto e disinnesto del piatto di taglio (TS 114) alla pagina 141* e *Arresto del motore alla pagina 143*.
9. Arrestare l'erogazione dell'acqua e scollegare il tubo da giardino dalla porta di lavaggio del piatto.
10. Spostare il prodotto in un luogo asciutto.
11. Sedersi sul sedile e avviare il motore. Fare riferimento a *Avviamento del motore alla pagina 140*.
12. Innestare il piatto di taglio e lasciarlo in funzione fino alla completa asciugatura.

Per pulire la presa d'aria del motore



AVVERTENZA: Spegnerne il motore. La presa d'aria è dotata di parti rotanti che possono causare lesioni alle dita.

- Aprire il cofano motore. Accertarsi che la presa d'aria sul motore non sia ostruita. Rimuovere l'erba e lo sporco con una spazzola.

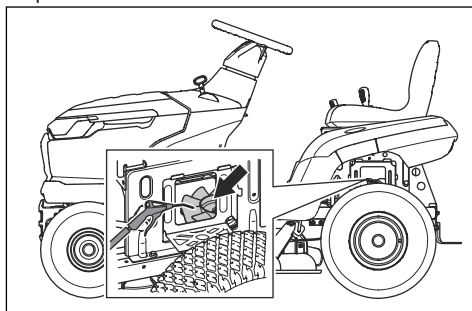


Per pulire la ventola di raffreddamento sulla trasmissione

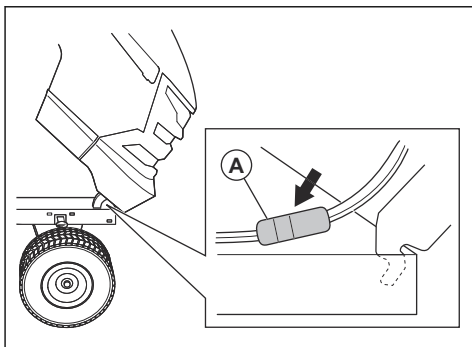


AVVERTENZA: Spegnerne il motore. La ventola di raffreddamento ruota e può provocare lesioni alle dita.

1. Pulire la ventola di raffreddamento con aria compressa attraverso il foro nel telaio sopra la ruota posteriore sinistra.



Per rimuovere e montare il cofano del motore



1. Aprire il cofano motore.
2. Scollegare il connettore del cavo del faretto anteriore (A).
3. Inclinare il cofano del motore in avanti e sollevarlo per rimuoverlo dal prodotto.
4. Installare il cofano del motore seguendo i passaggi nell'ordine inverso.

Sostituzione di una lampadina dei fari anteriori

1. Aprire il cofano motore.
2. Ruotare leggermente il portalampada in senso antiorario ed estrarlo dal riflettore.
3. Sostituire la lampadina nel portalampada.
4. Spingere il portalampada nel riflettore.
5. Ruotare il portalampada leggermente in senso orario per installarlo.
6. Chiudere il cofano del motore.

Per controllare il freno di stazionamento

1. Parcheggiare il prodotto su una superficie dura in pendenza.

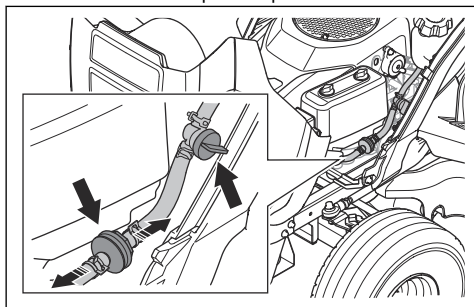
Nota: Non parcheggiare il prodotto su un prato in pendenza quando si esegue un controllo del freno di stazionamento.

2. Azionare il freno di stazionamento. Fare riferimento a *Per inserire o disinserire il freno di stazionamento alla pagina 141*.
3. Se il prodotto inizia a muoversi, affidare la regolazione del freno di stazionamento a un'officina autorizzata.
4. Premere di nuovo il pedale del freno di stazionamento per rilasciarlo.

Sostituzione del filtro del carburante

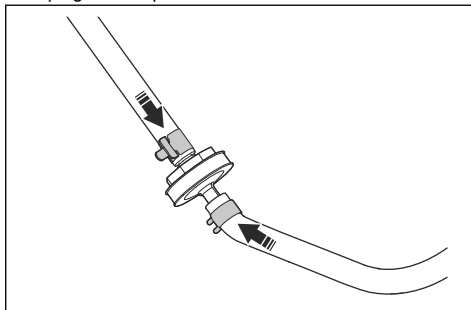
Nota: L'illustrazione mostra un tipo di filtro carburante. Il filtro carburante del prodotto può essere diverso, ma la procedura è la stessa.

1. Aprire il cofano del motore per accedere al filtro del carburante.
2. Chiudere la valvola di esclusione del carburante.
3. Comprimerne il tubo del serbatoio del carburante per evitare perdite.
4. Spostare le clip tubo dal filtro del carburante con un paio di pinze.
5. Estrarre il filtro carburante dalle estremità del tubo. Può fuoriuscire una piccola quantità di carburante.



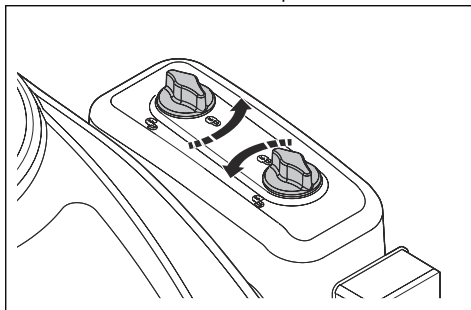
6. Spingere il nuovo filtro carburante nelle estremità del tubo. Applicare del detergente liquido sulle estremità del filtro del carburante per rendere più semplice il collegamento.

7. Spingere le clip tubo sul filtro del carburante.

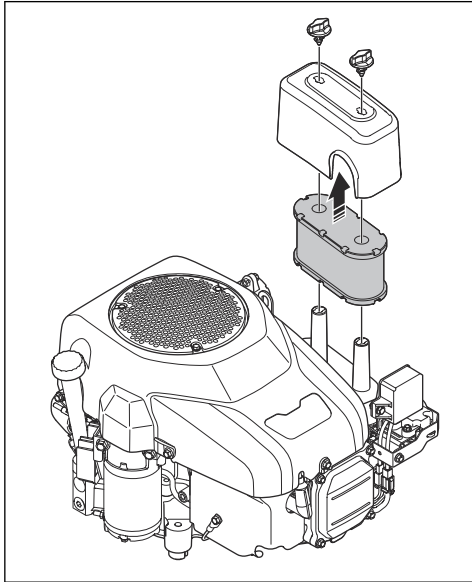


Pulizia e sostituzione del filtro dell'aria

1. Aprire il cofano motore.
2. Allentare le manopole che fissano il coperchio del filtro dell'aria e rimuovere il coperchio.



3. Rimuovere la cartuccia del filtro dell'aria dalla relativa sede.



4. Per pulire il filtro dell'aria in espanso, procedere come segue.
 - a) Rimuovere il filtro dell'aria in espanso dalla cartuccia del filtro dell'aria.
 - b) Pulire il filtro dell'aria in espanso con un detergente delicato.
 - c) Lasciar asciugare il filtro dell'aria in espanso.
 - d) Installare il filtro dell'aria in espanso intorno alla cartuccia del filtro dell'aria.
5. Per pulire il filtro dell'aria in carta, procedere come segue.
 - a) Battere il filtro dell'aria in carta contro una superficie dura.
 - b) Soffiare con aria compressa dal lato interno del filtro dell'aria in carta.



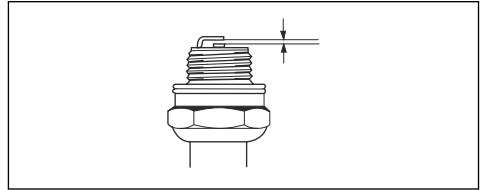
ATTENZIONE: Se il filtro dell'aria in carta non si pulisce, è necessario sostituirlo.

6. Montare, seguendo i passaggi nell'ordine inverso.

Ispezione e sostituzione della candela

1. Aprire il cofano motore.
2. Rimuovere il cappuccio della candela e pulire attorno alla candela.
3. Rimuovere la candela con una chiave per candele.

4. Esaminare la candela. Sostituirla se gli elettrodi sono bruciati o se l'isolamento presenta crepe o altri danni. Se la candela non è danneggiata, è necessario pulirla con una spazzola di acciaio.
5. Misurare la distanza tra gli elettrodi e assicurarsi che sia corretta. Fare riferimento a *Dati tecnici alla pagina 163*.



6. Pieghere l'elettrodo laterale per regolare la distanza tra gli elettrodi.
7. Inserire nuovamente la candela e ruotarla manualmente finché non tocca la sede della candela.
8. Stringere la candela con la chiave per candele fino a quando la rondella non è compressa.
9. Serrare una candela usata con $\frac{1}{4}$ di giro in più e una nuova candela con $\frac{1}{4}$ di giro in più.



ATTENZIONE: Le candele non serrate correttamente possono provocare danni al motore.

10. Fissare il cappuccio della candela.

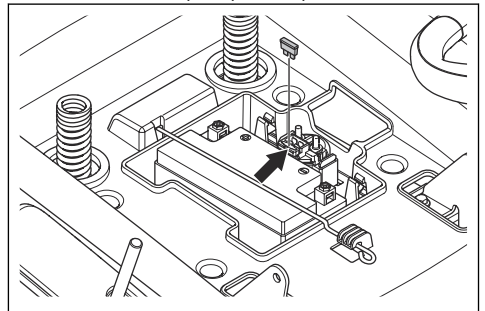


ATTENZIONE: Non tentare di avviare il motore se la candela o il cavo di accensione è stato rimosso.

Sostituzione del fusibile principale

Il fusibile principale si trova nel portafusibili sul relè di avvio sotto il sedile.

1. Ripiegare il sedile in avanti.
2. Rimuovere il connettore dal portafusibili.
3. Estrarre il fusibile principale dal portafusibili.



4. Sostituire il fusibile bruciato con un nuovo fusibile dello stesso tipo. Fare riferimento a *Dati tecnici alla pagina 163*.

Se il fusibile principale si brucia di nuovo dopo un breve periodo dalla sostituzione, è presente un corto circuito. Riparare il cortocircuito prima di utilizzare nuovamente il prodotto.

Per caricare la batteria

- Ricaricare la batteria se è troppo scarica per avviare il motore.
- Utilizzare un caricabatterie standard.



ATTENZIONE: Non usare un caricabatterie rapido o l'avviamento di emergenza. Ciò può causare danni all'impianto elettrico del prodotto.

- Scollegare sempre il caricabatteria prima di avviare il motore.

Per eseguire un avvio di emergenza del motore

Se la batteria è troppo scarica per avviare il motore, è possibile utilizzare dei cavi di avviamento per effettuare un avviamento di emergenza. Questo prodotto dispone di un sistema da 12 V con messa a terra negativa. Il prodotto che viene utilizzato per l'avviamento di emergenza dovrà altresì disporre di un sistema da 12 V con messa a terra negativa.

Per collegare i cavi di avviamento

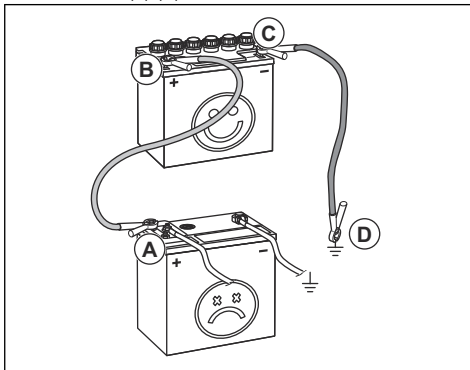


AVVERTENZA: Rischio di esplosione a causa di gas esplosivo che fuoriesce dalla batteria. Non collegare il morsetto negativo della batteria carica al morsetto negativo della batteria scarica o in prossimità di quest'ultimo.



ATTENZIONE: Non utilizzare la batteria del prodotto per avviare altri veicoli.

1. Collegare un'estremità del cavo rosso al morsetto POSITIVO (+) (A) della batteria alla batteria scarica.



2. Collegare l'altra estremità del cavo rosso al morsetto POSITIVO (+) (B) della batteria alla batteria carica.



AVVERTENZA: Evitare il contatto delle estremità del cavo rosso della batteria con il telaio. Ciò può causare un cortocircuito.

3. Collegare un'estremità del cavo nero al morsetto NEGATIVO (-) (C) della batteria alla batteria carica.
4. Collegare l'altra estremità del cavo nero a un PUNTO DI MASSA SUL TELAIO (D), lontano dal serbatoio del carburante e dalla batteria.

Per rimuovere i cavi di avviamento

Nota: Rimuovere i cavi di avviamento nella sequenza opposta rispetto alla modalità di collegamento.

1. Rimuovere il cavo NERO dal telaio.
2. Rimuovere il cavo NERO dalla batteria completamente carica.
3. Rimuovere il cavo ROSSO dalle 2 batterie.

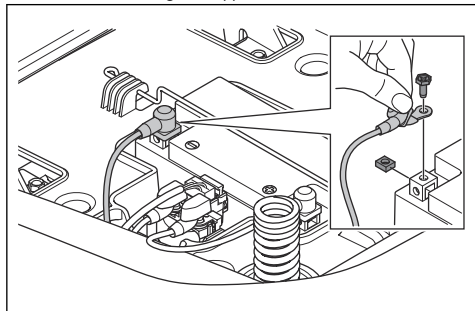
Sostituzione della batteria



AVVERTENZA: Rischio di scossa elettrica e ustioni. Non utilizzare bracciali o altri accessori in metallo. Gli oggetti metallici che toccano i terminali della batteria possono causare ustioni, scosse elettriche e il cortocircuito della batteria.

1. Arrestare il prodotto.
2. Ripiegare il sedile in avanti.
3. Rimuovere la copertura del morsetto sul cavo nero della batteria.

4. Rimuovere la vite, il dado e il cavo nero della batteria dal morsetto negativo (-) della batteria.



AVVERTENZA: Rischio di scossa elettrica e ustioni. Il cavo nero della batteria deve essere scollegato prima di scollegare il cavo rosso della batteria.

5. Rimuovere il coperchio del morsetto sul cavo rosso della batteria.
6. Rimuovere la vite, il dado e il cavo rosso della batteria dal morsetto positivo (+) sulla batteria.
7. Rimuovere con cautela la batteria dal prodotto.
8. Inserire una nuova batteria.
9. Fissare il cavo rosso della batteria al morsetto positivo (+) sulla batteria e installare il dado e la vite.



AVVERTENZA: Rischio di scossa elettrica e ustioni. Il cavo rosso della batteria deve essere collegato al morsetto positivo (+) prima di collegare il cavo nero della batteria al morsetto negativo (-).

10. Collegare il cavo nero al morsetto negativo (-) sulla batteria e installare il dado e la vite.
11. Installare le coperture dei terminali.

Pressioni degli pneumatici

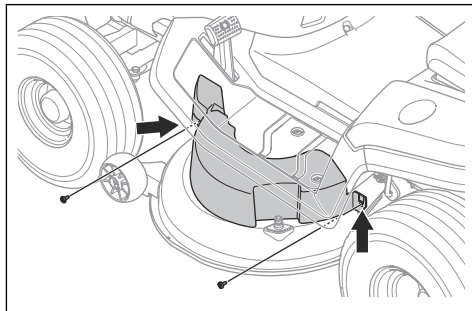
Accertarsi che la pressione degli pneumatici sia corretta in tutti e 4. Fare riferimento a *Dati tecnici alla pagina 163*.

Piatto di taglio

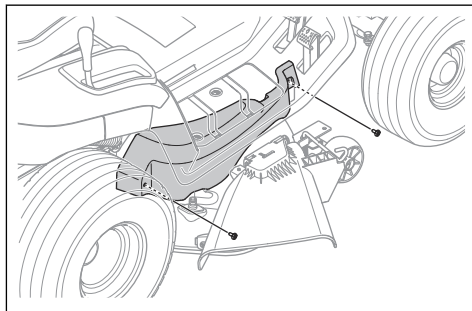
Rimozione e installazione del piatto di taglio

1. Disinnestare il piatto di taglio e arrestare il motore.
2. Portare il piatto di taglio nella posizione più bassa.

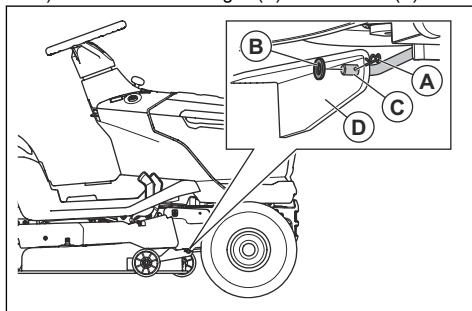
3. Rimuovere le 2 viti e la copertura della cinghia sinistra.



4. Rimuovere le 2 viti e la copertura della cinghia destra.



5. Spostare la cinghia di trasmissione dalla puleggia della lama sinistra per diminuire la tensione della cinghia di trasmissione.
6. Rimuovere la cinghia di trasmissione dalla puleggia del motore.
7. Per scollegare l'articolazione anteriore, procedere come indicato di seguito.
 - a) Rimuovere il fermaglio (A) e la rondella (B).

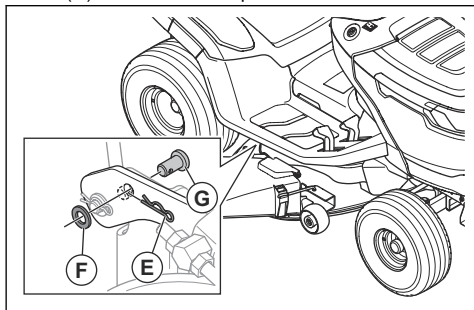


- b) Scollegare l'articolazione anteriore (C) dalla staffa (D) sul piatto di taglio.
8. Per scollegare le 2 articolazioni posteriori, procedere come indicato di seguito. È presente un'articolazione posteriore sul lato sinistro e un'articolazione posteriore sul lato destro del prodotto.



AVVERTENZA: Il piatto di taglio è pesante. Utilizzare un piede di porco o simili sotto il piatto di taglio per sostenerne il peso quando si scollegano le 2 articolazioni posteriori.

- a) Rimuovere il fermo (E), la rondella (F) e il perno (G) dall'articolazione posteriore sinistra.



- b) Scollegare il piatto di taglio dall'articolazione posteriore sinistra.
c) Con una mano tirare e mantenere la leva dell'altezza di taglio nella posizione più bassa. Rimuovere il fermo, la rondella e il perno dall'articolazione posteriore destra.



AVVERTENZA: Non rilasciare la leva di regolazione dell'altezza. Il meccanismo per la regolazione dell'altezza di taglio è caricato a molla. La forza esercitata dalla molla può causare lesioni da schiacciamento se non si tira e si mantiene la leva dell'altezza di taglio.

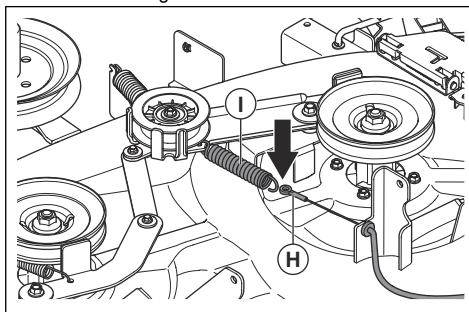
- d) Scollegare il piatto di taglio dall'articolazione posteriore destra.
e) Rilasciare con cautela la leva dell'altezza di taglio.



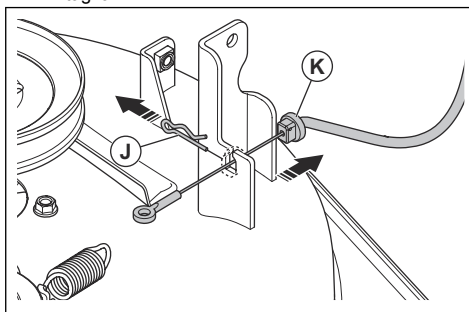
AVVERTENZA: Il meccanismo per la regolazione dell'altezza di taglio è caricato a molla. La forza esercitata dalla molla può causare lesioni. Non avvicinarsi.

9. Spostare la leva dell'altezza di taglio nella posizione più alta.
10. Per il modello TS 112, eseguire le operazioni seguenti per scollegare il cavo della frizione.

- a) Scollegare il cavo della frizione (H) dalla molla (I) sul tendicinghia.



- b) Rimuovere il fermaglio (J) ed estrarre il supporto del cavo della frizione (K) dalla staffa sul piatto di taglio.

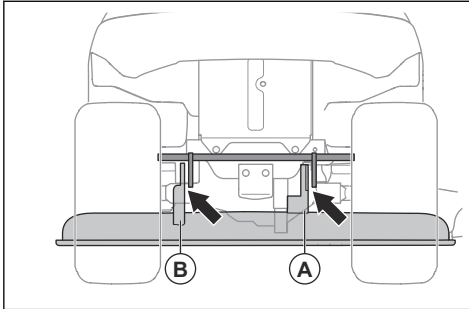


11. Rimuovere il piatto di taglio dal prodotto.
12. Installare il piatto di taglio seguendo la procedura inversa.



ATTENZIONE: Assicurarsi che la cinghia di trasmissione sia installata correttamente e non venga compressa quando si installa il piatto di taglio.

- a) Assicurarsi che le staffe siano nella posizione corretta quando si installa il piatto di taglio. La staffa sul lato destro (A) deve trovarsi sul lato interno dell'articolazione posteriore destra. La staffa sul lato sinistro (B) deve trovarsi sul lato esterno dell'articolazione posteriore sinistra.

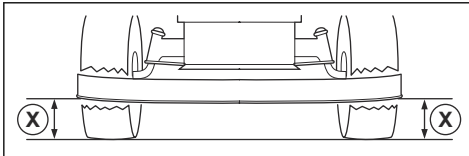


Per regolare il parallelismo del piatto di taglio

Eseguire una regolazione laterale di precisione del piatto di taglio

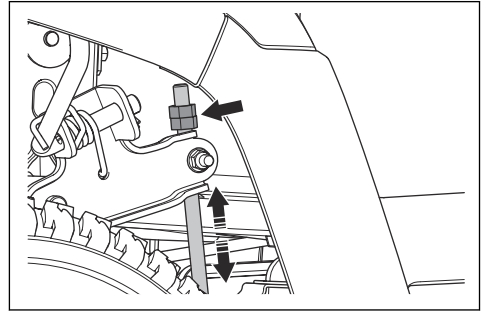
Se l'altezza di taglio non è la stessa sul lato destro e sinistro, è possibile regolare l'altezza di taglio.

1. Accertarsi che la pressione degli pneumatici sia corretta in tutti e 4. Fare riferimento a *Pressioni degli pneumatici alla pagina 151*.
2. Parcheggiare il prodotto su una superficie piana.
3. Portare il piatto di taglio nella posizione più alta.
4. Misurare la distanza (X) tra il bordo inferiore del piatto di taglio e il suolo sul lato destro e sinistro. La distanza deve essere uguale su entrambi i lati.



AVVERTENZA: Le lame sul piatto di taglio sono affilate e possono causare lesioni. Usare guanti protettivi.

5. Allentare i controdadi sul sostegno dell'altezza di taglio.



Nota: I sostegni dell'altezza di taglio sono dietro al piatto di taglio, davanti alle ruote posteriori.

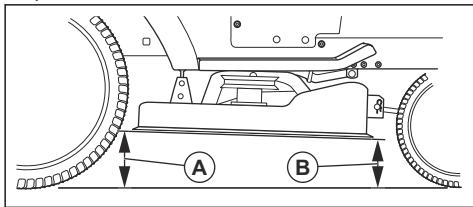
6. Regolare i dadi sui sostegni dell'altezza di taglio fino a quando il piatto di taglio non ha la stessa altezza di taglio sul lato sinistro e destro.
 - a) Ruotare i dadi in senso antiorario per abbassare il piatto di taglio.
 - b) Ruotare i dadi in senso orario per sollevare il piatto di taglio.
7. Misurare di nuovo la distanza. Regolare fino a quando i 2 lati non sono uguali.
8. Serrare i controdadi una volta completata la regolazione da lato a lato.
9. Tagliare dell'erba ed esaminare i risultati. Regolare se necessario.

Per eseguire una regolazione anteriore/posteriore del piatto di taglio

Il piatto di taglio deve essere a livello da lato a lato prima di eseguire una regolazione anteriore/posteriore. Fare riferimento a *Eseguire una regolazione laterale di precisione del piatto di taglio alla pagina 153*.

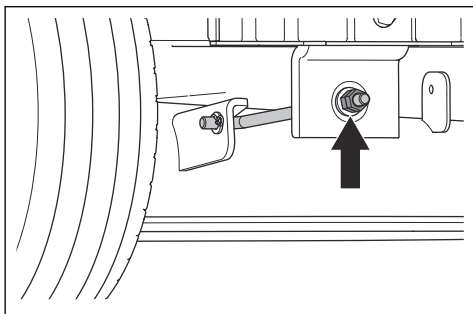
1. Accertarsi che la pressione degli pneumatici sia corretta in tutti e 4. Fare riferimento a *Pressioni degli pneumatici alla pagina 151*.
2. Parcheggiare il prodotto su una superficie piana.
3. Portare il piatto di taglio nella posizione più alta.

4. Misurare la distanza dal bordo inferiore del piatto di taglio al suolo nella parte posteriore (A) e nella parte anteriore (B). La distanza sulla parte anteriore deve essere di 5–10 mm inferiore rispetto alla parte posteriore.



AVVERTENZA: Le lame sul piatto di taglio sono affilate e possono causare lesioni. Usare guanti protettivi.

5. Se è necessario effettuare una regolazione anteriore, allentare il controdado e ruotare il dado sull'articolazione anteriore.



Nota: L'articolazione anteriore si trova nella parte anteriore del prodotto, dietro alla marmitta.

- Ruotare il dado in senso antiorario per abbassare la parte anteriore del piatto di taglio.
- Ruotare il dado in senso orario per sollevare il piatto di taglio.
- Serrare il controdado una volta completata la regolazione anteriore.

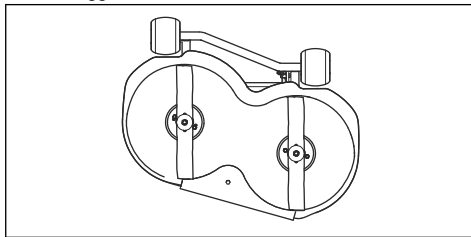
Ispezione delle lame



ATTENZIONE: Lame danneggiate o bilanciate in modo errato possono causare danni al prodotto. Sostituire le lame danneggiate. Affidare a un'officina autorizzata l'affilatura e il bilanciamento delle lame.

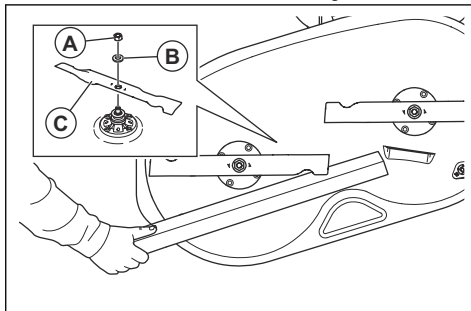
- Rimuovere il piatto di taglio. Fare riferimento a *Rimozione e installazione del piatto di taglio alla pagina 151.*

- Esaminare le lame per verificare se sono danneggiate e affilarle se necessario.



Sostituzione delle lame (TS 112)

- Bloccare la lama con un cuneo di legno.



- Rimuovere la vite (A), la rondella (B) e la lama (C).
- Installare le nuove lame. Assicurarsi che le estremità piegate delle lame siano rivolte verso l'alto.

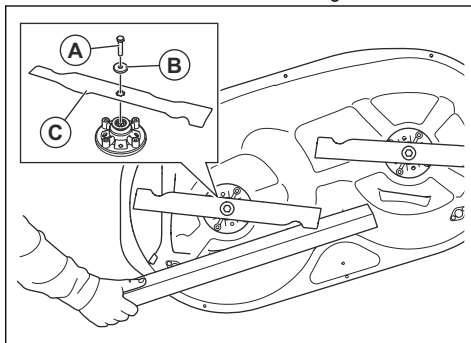


AVVERTENZA: Un tipo di lama errato può causare l'espulsione di oggetti dal piatto di taglio e lesioni gravi. Utilizzare solo le lame indicate in *Dati tecnici alla pagina 163.*

- Stringere il dado con una coppia di 200 Nm.

Sostituzione delle lame (TS 114)

- Bloccare la lama con un cuneo di legno.



- Rimuovere il bullone (A), la rondella (B) e la lama (C).

- Montare le nuove lame con le estremità piegate nella direzione del piatto di taglio.

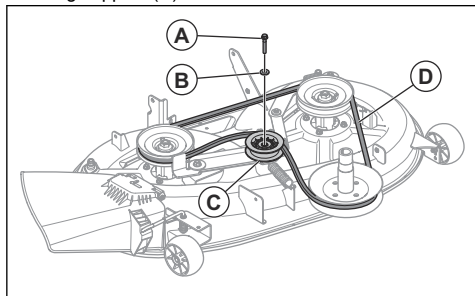


AVVERTENZA: Un tipo di lama errato può causare l'espulsione di oggetti dal piatto di taglio e lesioni gravi. Utilizzare solo le lame indicate in *Dati tecnici alla pagina 163*.

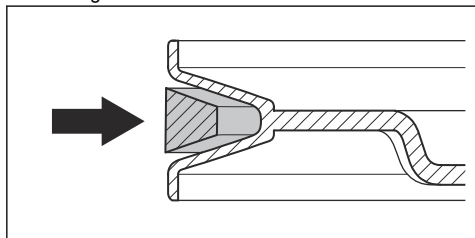
- Stringere i bulloni a 80 Nm.

Per sostituire la cinghia del piatto di taglio

- Rimuovere il piatto di taglio. Fare riferimento a *Rimozione e installazione del piatto di taglio alla pagina 151*.
- Rimuovere sporcizia ed erba intorno agli alloggiamenti dei cuscinetti, alle pulegge delle lame e dalla superficie superiore del piatto di taglio.
- Rimuovere il bullone (A), la rondella (B) e la puleggia del galoppino (C).



- Rimuovere la cinghia del piatto di taglio (D) dalle pulegge delle lame sul piatto di taglio.
- Installare una nuova cinghia di trasmissione seguendo la procedura contraria.
 - Assicurarsi che la cinghia del piatto di taglio sia nella posizione corretta in tutte le pulegge della cinghia.

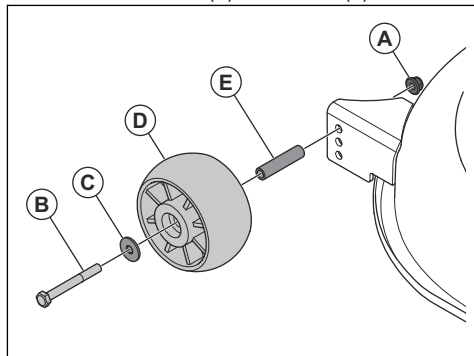


ATTENZIONE: Accertarsi che la cinghia del piatto di taglio sia installata correttamente e non attorcigliata. Fare riferimento alla decalcomania di instradamento cinghia sul piatto di taglio.

Per regolare le ruote antirasatura

Le ruote antirasatura mantengono il piatto di taglio nella posizione corretta sul terreno e impediscono la rasatura del prato sulla maggior parte dei terreni. Le ruote antirasatura sono regolate correttamente quando sono leggermente sollevate dal terreno con il piatto di taglio all'altezza di taglio necessaria.

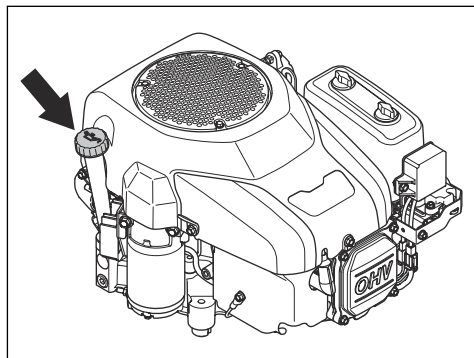
- Parcheggiare il prodotto su una superficie piana e arrestare il motore.
- Posizionare il piatto di taglio all'altezza di taglio necessaria. Fare riferimento a *Impostazione dell'altezza di taglio (TS 112) alla pagina 142* oppure *Impostazione dell'altezza di taglio (TS 114) alla pagina 142*.
- Rimuovere il dado (A), il bullone (B), la rondella (C), la ruota antirasatura (D) e la bussola (E).



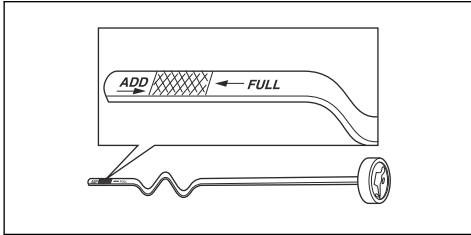
- Installare la ruota antirasatura, la bussola, il bullone, la rondella e il dado in 1 di 3 fori.
- Regolare tutte le ruote antirasatura seguendo la stessa procedura.

Controllo del livello dell'olio motore

- Parcheggiare il prodotto su un terreno piano e spegnere il motore.
- Aprire il cofano motore.
- Allentare l'asta di livello ed estrarla.



4. Pulire l'olio dall'astina di livello.
5. Riposizionare l'astina di livello e serrarla.
6. Allentare e sfilare l'asta di livello e leggere il livello dell'olio.
7. Il livello dell'olio deve essere compreso tra i segni sull'asta di livello. Se il livello si trova vicino al segno ADD, rabboccare l'olio fino al segno FULL.



8. Versare l'olio attraverso il foro dell'asta di livello. Rabboccare l'olio lentamente.

Nota: Fare riferimento a *Dati tecnici alla pagina 163* per i tipi di olio motore raccomandati. Non mescolare tipi diversi di olio.

9. Stringere correttamente l'asta di livello prima di avviare il motore. Avviare e far girare il motore al minimo per circa 30 secondi. Spegnerlo. Attendere 30 secondi, quindi eseguire un nuovo controllo del livello dell'olio.

Cambio dell'olio motore

Se il motore è freddo, avviare il motore e lasciarlo funzionare per 1-2 minuti prima di scaricare l'olio motore. Ciò comporta il riscaldamento dell'olio motore, velocizzando lo scarico.

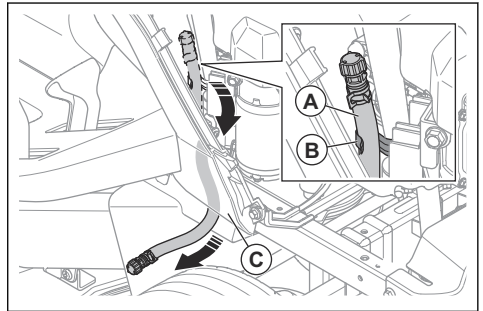


AVVERTENZA: Non avviare il motore per più di 1-2 minuti prima di scaricare l'olio motore. L'olio motore diventa molto caldo e può causare ustioni. Lasciare che il motore si raffreddi prima di scaricare l'olio motore.

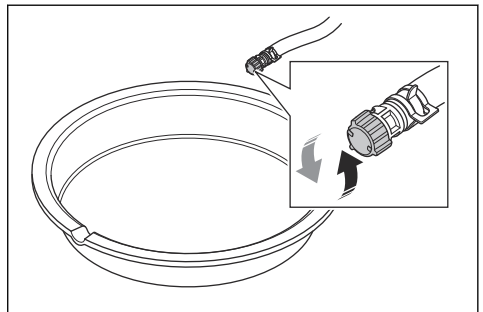


AVVERTENZA: Se si versa accidentalmente dell'olio motore sul proprio corpo, lavare con acqua e sapone.

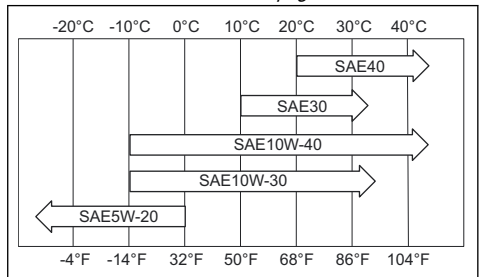
1. Rimuovere il tubo di scarico dell'olio (A) dal supporto (B) e infilare il tubo di scarico dell'olio nello spazio (C).



2. Collocare un contenitore sotto il tappo di drenaggio dell'olio.
3. Rimuovere l'asta di livello.
4. Rimuovere il cappuccio terminale sulla valvola di scarico dell'olio sul tubo di scarico dell'olio e lasciar scaricare l'olio motore nel contenitore.



5. Una volta scaricato tutto l'olio, installare il cappuccio terminale sulla valvola di scarico dell'olio.
6. Se il motore ha un filtro dell'olio, sostituirlo. Fare riferimento a *Per sostituire il filtro dell'olio (TS 114) alla pagina 157*.
7. Versare l'olio lentamente attraverso il foro dell'asta di livello. Utilizzare un olio con viscosità compatibile con gli intervalli di temperatura in figura. Fare riferimento a *Dati tecnici alla pagina 163*.





ATTENZIONE: Non mescolare tipi diversi di olio.

8. Montare l'asta di livello.
9. Smaltire l'olio motore usato.

Per sostituire il filtro dell'olio (TS 114)



AVVERTENZA: Usare guanti protettivi. Se si versa accidentalmente dell'olio motore sul proprio corpo, lavare con acqua e sapone.

1. Scaricare l'olio motore. Fare riferimento a *Cambio dell'olio motore alla pagina 156*.
2. Ruotare il filtro dell'olio in senso antiorario per rimuoverlo.

3. Lubrificare leggermente la guarnizione in gomma sul nuovo filtro dell'olio con olio motore nuovo.
4. Ruotare manualmente il filtro dell'olio in senso orario fino a quando la guarnizione in gomma non è in posizione, quindi serrare di un altro mezzo giro.
5. Rifornire il motore con olio motore nuovo. Fare riferimento a *Cambio dell'olio motore alla pagina 156*.
6. Avviare il motore e lasciarlo girare al minimo per 3 minuti.
7. Arrestare il motore e assicurarsi che non vi siano perdite dal filtro dell'olio.
8. Riempire di olio motore per rabboccare l'olio contenuto nel nuovo filtro dell'olio.

Programma di ricerca guasti

Se non si riesce a trovare la soluzione a un problema in questo manuale dell'operatore, rivolgersi al centro assistenza Husqvarna.

Problema	Causa	Azione
Il motorino di avviamento non fa girare il motore.	Il freno di stazionamento non è inserito.	Azionare il freno di stazionamento. Fare riferimento a <i>Per inserire o disinserire il freno di stazionamento alla pagina 141</i> .
	Il piatto di taglio è innestato.	Disinnestare il piatto di taglio. Fare riferimento a <i>Innesto e disinnesto del piatto di taglio (TS 112) alla pagina 141</i> .
	Il fusibile principale è bruciato.	Sostituire il fusibile principale. Fare riferimento a <i>Sostituzione del fusibile principale alla pagina 149</i> .
	Il blocco accensione è guasto.	Contattare il rivenditore con servizio di assistenza Husqvarna.
	Il collegamento tra il cavo e la batteria è difettoso.	Accertarsi che la batteria sia collegata correttamente. Fare riferimento a <i>Collegamento della batteria alla pagina 139</i> .
	La batteria è troppo debole.	Caricare la batteria. Fare riferimento a <i>Per caricare la batteria alla pagina 150</i> .
	Il motorino di avviamento è danneggiato.	Contattare il rivenditore con servizio di assistenza Husqvarna.

Problema	Causa	Azione
Il motore non si avvia quando il motorino di avviamento gira il motore.	Non è presente carburante nel serbatoio.	Rabboccare il serbatoio del carburante con carburante. Fare riferimento a <i>Per il rifornimento del carburante alla pagina 139.</i>
	La candela è danneggiata.	Esaminare le candele. Sostituire le candele se necessario. Fare riferimento a <i>Ispezione e sostituzione della candela alla pagina 149.</i>
	Il cavo di accensione è danneggiato.	Contattare il rivenditore con servizio di assistenza Husqvarna.
	È presente dello sporco nel carburatore o nel tubo del carburante.	Contattare il rivenditore con servizio di assistenza Husqvarna.
	Il filtro del carburante è intasato.	Sostituire il filtro del carburante. Fare riferimento a <i>Sostituzione del filtro del carburante alla pagina 148.</i>
Il motore gira in maniera irregolare.	La candela è danneggiata.	Esaminare le candele. Sostituire le candele se necessario. Fare riferimento a <i>Ispezione e sostituzione della candela alla pagina 149.</i>
	Il carburatore è regolato in modo errato.	Contattare il rivenditore con servizio di assistenza Husqvarna.
	Il filtro dell'aria è ostruito.	Pulire o sostituire il filtro dell'aria. Fare riferimento a <i>Pulizia e sostituzione del filtro dell'aria alla pagina 148.</i>
	Lo sfianto del serbatoio carburante è bloccato.	Contattare il rivenditore con servizio di assistenza Husqvarna.
	È presente dello sporco nel carburatore o nel tubo del carburante.	Contattare il rivenditore con servizio di assistenza Husqvarna.
	Il filtro del carburante è intasato.	Sostituire il filtro del carburante. Fare riferimento a <i>Sostituzione del filtro del carburante alla pagina 148.</i>
Il motore non è alimentato.	Il filtro dell'aria è ostruito.	Pulire o sostituire il filtro dell'aria. Fare riferimento a <i>Pulizia e sostituzione del filtro dell'aria alla pagina 148.</i>
	La candela è danneggiata.	Esaminare le candele. Sostituire le candele se necessario. Fare riferimento a <i>Ispezione e sostituzione della candela alla pagina 149.</i>
	È presente dello sporco nel carburatore o nel tubo del carburante.	Contattare il rivenditore con servizio di assistenza Husqvarna.
	Il cavo dell'acceleratore è regolato in modo errato.	Contattare il rivenditore con servizio di assistenza Husqvarna.
Il motore si arresta quando si tenta di azionare il prodotto all'indietro.	Il sistema per operazioni in retromarcia (ROS) non è inserito.	Innestare il sistema per operazioni in retromarcia (ROS). Fare riferimento a <i>Utilizzo del sistema per operazioni in retromarcia (ROS) alla pagina 142.</i>

Problema	Causa	Azione
La trasmissione non dispone di potenza sufficiente.	L'ingresso dell'aria della trasmissione o le alette di raffreddamento sono ostruiti.	Contattare il rivenditore con servizio di assistenza Husqvarna.
	La ventola sulla trasmissione è danneggiata.	Contattare il rivenditore con servizio di assistenza Husqvarna.
	Non c'è olio nella trasmissione o il livello dell'olio è troppo basso.	Contattare il rivenditore con servizio di assistenza Husqvarna.
	Il sistema di trasmissione è disinserito.	Innestare il sistema di trasmissione. Fare riferimento a <i>Per inserire e disinserire il sistema di trasmissione alla pagina 140.</i>
La batteria non si ricarica.	La batteria è danneggiata.	Sostituire la batteria. Fare riferimento a <i>Sostituzione della batteria alla pagina 150.</i>
	Il collegamento in corrispondenza dei morsetti della batteria è difettoso.	Accertarsi che la batteria sia collegata correttamente. Fare riferimento a <i>Collegamento della batteria alla pagina 139.</i>
Il prodotto presenta vibrazioni.	Le lame sono allentate.	Serrare le lame. Fare riferimento a <i>Sostituzione delle lame (TS 112) alla pagina 154.</i>
	Le lame non sono installate correttamente.	Assicurarsi che le lame siano montate correttamente. Fare riferimento a <i>Sostituzione delle lame (TS 112) alla pagina 154.</i>
	Le lame non sono bilanciate.	Esaminare le lame per verificare la presenza di usura e danni. Fare riferimento a <i>Ispezione delle lame alla pagina 154.</i>
	Il motore è allentato.	Contattare il rivenditore con servizio di assistenza Husqvarna.
	Le puleghe della cinghia sono inclinate o allentate.	Contattare il rivenditore con servizio di assistenza Husqvarna.

Problema	Causa	Azione
Il risultato del taglio è insoddisfacente.	Le lame non sono affilate.	Esaminare le lame per verificare la presenza di usura e danni. Fare riferimento a <i>Ispezione delle lame alla pagina 154</i> .
	L'erba è alta o bagnata.	Fare riferimento a <i>Per ottenere un buon risultato di taglio alla pagina 143</i> .
	Il piatto di taglio non è parallelo.	Regolare il parallelismo del piatto di taglio. Fare riferimento a <i>Per regolare il parallelismo del piatto di taglio alla pagina 153</i> .
	C'è dell'erba bloccata nel piatto di taglio.	Pulire il piatto di taglio. Fare riferimento a <i>Per pulire il piatto di taglio alla pagina 146</i> .
	I fori dell'aria del piatto di taglio sono ostruiti.	Pulire il piatto di taglio. Fare riferimento a <i>Per pulire il piatto di taglio alla pagina 146</i> .
	È presente sporcizia intorno alle pulegge della lama.	Pulire il piatto di taglio. Fare riferimento a <i>Per pulire il piatto di taglio alla pagina 146</i> .
	La pressione degli pneumatici è diversa sui lati destro e sinistro.	Accertarsi che la pressione degli pneumatici sia corretta in tutti e 4. Fare riferimento a <i>Pressioni degli pneumatici alla pagina 151</i> .
	Il prodotto funziona a un regime troppo elevato.	Fare riferimento a <i>Dati tecnici alla pagina 163</i> .
	Il regime motore è troppo basso.	Fare riferimento a <i>Dati tecnici alla pagina 163</i> .
	La cinghia del piatto di taglio slitta.	Contattare il rivenditore con servizio di assistenza Husqvarna.
La cinghia del piatto di taglio è usurata o danneggiata.	Sostituire la cinghia del piatto di taglio. Fare riferimento a <i>Per sostituire la cinghia del piatto di taglio alla pagina 155</i> .	
Le lame del piatto di taglio non iniziano a ruotare quando il piatto di taglio è innestato.	Non è presente alcun raccoglierba, o altro accessorio, installato sullo scarico dell'erba (se applicabile).	Montare il raccoglierba, o un altro accessorio, sullo scarico dell'erba (se applicabile).

Trasporto, stoccaggio e smaltimento

Trasporto

- Il prodotto ha un peso elevato e può causare lesioni da schiacciamento. Prestare attenzione durante il caricamento su un veicolo o rimorchio o durante lo scaricamento.
- Utilizzare un rimorchio omologato per il trasporto del prodotto.
- Accertarsi di conoscere le norme sulla circolazione stradale prima del trasporto del prodotto in un rimorchio o su strada.

- Per facilitare il caricamento del prodotto su un rimorchio, posizionare il piatto di taglio nella posizione più alta.

Per fissare in modo sicuro il prodotto durante il trasporto



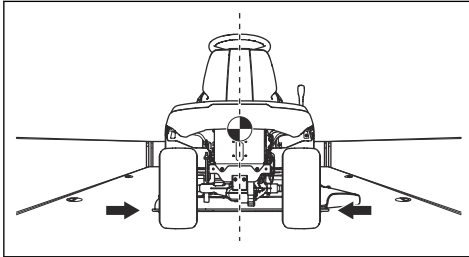
AVVERTENZA: Prima di fissare il prodotto, leggere e comprendere il capitolo sulla sicurezza. Fare riferimento a *Sicurezza alla pagina 130*.



AVVERTENZA: Il freno di stazionamento non è sufficiente per bloccare il prodotto durante il trasporto. Fissare saldamente il prodotto al vano di carico.

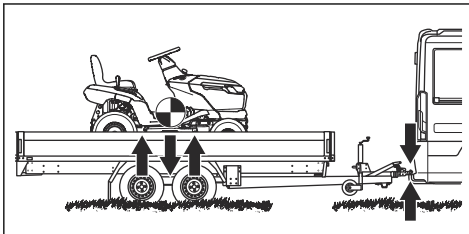
Attrezzatura: 2 cinghie omologate e 4 cunei.

1. Parcheggiare il prodotto al centro del vano di carico.



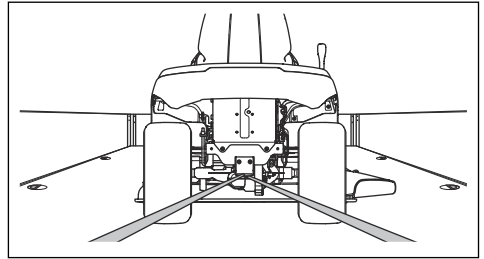
ATTENZIONE: Per il trasporto su veicoli con una copertura, lasciare che il prodotto si sia raffreddato prima di collocarlo sotto la copertura.

2. Assicurarsi che il centro di gravità del prodotto sia al di sopra dell'asse della ruota del veicolo di trasporto. Se si utilizza un rimorchio per il trasporto, assicurarsi che la forza verticale sulla barra di traino sia corretta.

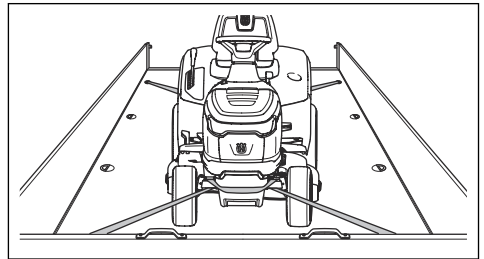


3. Azionare il freno di stazionamento.
4. Rimuovere eventuali oggetti non fissati.

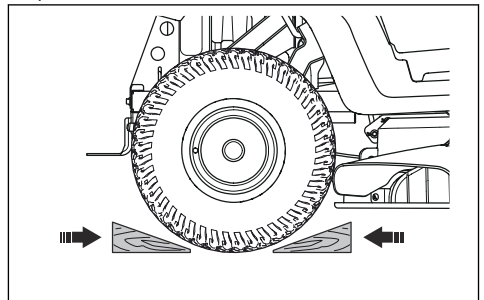
5. Fissare la prima cinghia alla barra di traino.



6. Stringere la cinghia all'indietro per fissare il prodotto al vano di carico.
7. Posizionare la seconda cinghia attorno all'assale anteriore.



8. Fissare la cinghia al vano di carico.
9. Stringere la cinghia in direzione della parte anteriore del vano di carico per collegare il prodotto al vano di carico.
10. Posizionare i cunei davanti e dietro alle ruote posteriori.



Stoccaggio

Preparare il prodotto per il rimessaggio al termine della stagione e in caso di inutilizzo per un periodo superiore a 30 giorni. Se si lascia il carburante all'interno del serbatoio del carburante per 30 giorni o più, le particelle appiccicose possono creare intasamenti nel carburatore. Ciò ha un effetto negativo sul funzionamento del motore.

Per evitare la formazione di particelle appiccicose durante il rimessaggio, aggiungere uno stabilizzatore. Se si utilizza benzina alchilata, lo stabilizzatore non è necessario. Se si utilizza benzina standard, non

passare alla benzina alchilata. Ciò può causare l'indurimento dei componenti sensibili di gomma. Aggiungere lo stabilizzatore alla benzina nel serbatoio o nel contenitore utilizzato per il rimessaggio. Utilizzare sempre i rapporti di miscelazione indicati dal produttore. Far girare il motore per almeno 10 minuti dopo aver aggiunto lo stabilizzatore fino a quando non scorre nel carburatore.



AVVERTENZA: Non conservare il prodotto con del carburante nel serbatoio in un luogo chiuso o in luoghi con scarsa circolazione d'aria. Se i vapori tossici entrano a contatto con fiamme, scintille o fiamme pilota, come ad esempio in caldaie, serbatoi d'acqua calda e asciugatrici, sussiste il rischio di incendio.



AVVERTENZA: Rimuovere l'erba, le foglie e altri materiali infiammabili dal prodotto per ridurre il rischio di incendio. Lasciare raffreddare il prodotto prima del rimessaggio.

- Pulire il prodotto, fare riferimento a *Pulizia del prodotto alla pagina 146*. Ritoccare la vernice danneggiata per evitare la corrosione.
- Esaminare il prodotto per verificare la presenza di componenti usurati o danneggiati e stringere le viti e i dadi allentati.
- Rimuovere la batteria. Pulirla, caricarla e conservarla in un luogo fresco durante il rimessaggio.
- Cambiare l'olio motore e smaltire l'olio di scarico.
- Svuotare il serbatoio del carburante. Avviare il motore e farlo girare fino a quando non si esaurisce tutto il carburante nel carburatore.



ATTENZIONE: Non svuotare il serbatoio del carburante e il carburatore se si è aggiunto lo stabilizzatore.

- Chiudere la valvola di esclusione del carburante.
- Rimuovere i tappi delle candele e versare circa un cucchiaino di olio motore in ogni cilindro. Ruotare manualmente l'albero motore per applicare uniformemente l'olio e riavvitare i tappi.
- Lubrificare tutti gli ingrassatori, i giunti e gli assali.
- Conservare il prodotto in un'area pulita e asciutta e coprirlo per una maggiore protezione.
- Per proteggere il prodotto durante il rimessaggio o il trasporto è possibile acquistare un coperchio presso il proprio rivenditore.

Smaltimento

- Le sostanze chimiche possono essere pericolose e non devono essere disperse nel suolo. Smaltire sempre le sostanze chimiche utilizzate presso un centro di assistenza o un centro di smaltimento autorizzato.

- Quando il prodotto è usurato, inviarlo al rivenditore o a un centro di riciclaggio autorizzato.
- Olio, filtri dell'olio, carburante e batteria possono contaminare l'ambiente. Rispettare le norme locali sul riciclaggio e le normative vigenti.
- Non smaltire la batteria come un rifiuto domestico.
- Inviare la batteria a un'officina Husqvarna o smaltirla in un centro specializzato nello smaltimento delle batterie usate.

Dati tecnici

Dati tecnici

	TS 112	TS 114
Dimensioni		
Larghezza, piatto di taglio escluso, mm	916	916
Larghezza, piatto di taglio incluso, mm	1185	1185
Altezza, mm	1100	1100
Lunghezza, mm	1680	1680
Peso, incluso piatto di taglio, con serbatoio vuoto, kg	182	184
Passo, mm	1152	1152
Carreggiata, anteriore, mm	730	730
Carreggiata, posteriore, mm	700	700
Pressioni degli pneumatici, anteriori, kPa/bar/PSI	150/1,5/21,76	150/1,5/21,76
Pressioni degli pneumatici, posteriori, kPa/bar/PSI	100/1/14,5	100/1/14,5
Pneumatici anteriori	15x6-6	15x6-6
Pneumatici posteriori	18x8.5-8	18x8.5-8
Pendenza massima, gradi °	10	10
Peso massimo attrezzatura trainata, con pendenza di 10°, kg	100	100
Forza verticale max. consentita sulla barra di traino, N/kg	250/25	250/25
Forza orizzontale max. consentita sulla barra di traino, N/kg	250/25	250/25
Motore		
Marca / modello	Husqvarna / HS 413AE	Husqvarna / HS 452AE
Potenza nominale motore, kW ¹³	8,0	9,0
Cilindrata, cm ³	413	452
Massimo regime del motore, giri/min	2800	2800
Massima velocità di avanzamento, km/h	9	9
Velocità max. in retromarcia, km/h	5	5
Combustibile, senza piombo, etanolo massimo/numero di ottano minimo	E10/92	E10/92
Volume del serbatoio del carburante, litri	6	6

¹³ La potenza nominale del motore indicata corrisponde alla potenza netta media (al rapporto giri/min specificato) di un tipico motore in fase di produzione per il modello di motore misurato dalla normativa SAE J1349/ISO1585. I motori per produzione di massa potrebbero presentare un valore diverso da questo. La potenza effettiva del motore installato nel prodotto finale dipende dalla velocità di funzionamento, dalle condizioni ambientali e da altri valori.

	TS 112	TS 114
Olio	Classe SF, SH o SJ SAE40, SAE30, SAE10W-30, SAE10W-40 o SAE5W-20	Classe SF, SH o SJ SAE40, SAE30, SAE10W-30, SAE10W-40 o SAE5W-20
Volume dell'olio incluso filtro dell'olio, litri	N/D	1,2
Volume dell'olio escluso filtro dell'olio, litri	1,15	1,15
Motorino di avviamento	Avviamento elettrico, 12 V	Avviamento elettrico, 12 V
Trasmissione		
Marca / modello	Hydro-Gear, T2	Hydro-Gear, T2
Volume olio, litri	2	2
Impianto elettrico		
Tipo	12 V, messa a terra negativa	12 V, messa a terra negativa
Batteria	12 V, 20 Ah	12 V, 20 Ah
Candela	HQT-9	HQT-9
Distanza tra gli elettrodi, mm/pollici	0,6-0,8/0,024-0,032	0,6-0,8/0,024-0,032
Tipo di lampada	12 V, 18 W	12 V, 18 W
Piatto di taglio		
Larghezza di taglio, mm	950	950
Altezza di taglio, 6 posizioni, mm	25-100	25-100
Emissioni di rumore ¹⁴		
Livello potenza acustica, misurato dB(A)	96	98
Livello potenza acustica, garantito dB(A)	100	100
Livelli di rumorosità ¹⁵		
Livello di pressione sonora all'orecchio dell'operatore, dB(A)	84	86
Livelli di vibrazioni ¹⁶		
Livello di vibrazioni sul volante, m/s ²	4,9	5,6
Livello di vibrazioni sul sedile, m/s ²	1,6	2,0
Lame		
Lunghezza della lama, mm	483	483
Codice articolo	537 67 44-10	537 67 44-10

¹⁴ Emissioni di rumore nell'ambiente misurate come potenza sonora (L_{WA}) in base alla direttiva CE 2000/14/CE.

¹⁵ Livello di pressione acustica in ottemperanza alla norma EN ISO 5395. I dati riportati per il livello di pressione acustica hanno una dispersione statistica tipica (deviazione standard) di 3,0 dB(A).

¹⁶ Livello di vibrazioni in ottemperanza alla norma EN ISO 5395. I dati riportati per il livello di vibrazioni hanno una dispersione statistica tipica (deviazione standard) di 1,5 m/s² (volante) e 1,5 m/s² (sedile).



AVVERTENZA: Utilizzare solo i piatti di taglio specificati nel presente manuale. Piatti di taglio non omologati per il prodotto possono causare l'espulsione ad alta velocità di oggetti e lesioni gravi.

Punti di controllo	
Parallelismo piatto di taglio con altezza di taglio in posizione 1	5–10 mm / 0,197–0,394 poll.
Controllo dell'altezza di taglio nella posizione 1	25 ± 2 mm / 0,98 ± 0,079 poll.

Assistenza

Assistenza

Eseguire un controllo annuale presso un centro di assistenza autorizzato per assicurarsi che il prodotto funzioni in modo sicuro e al meglio durante l'alta stagione. Il momento migliore per eseguire la manutenzione o la revisione del prodotto è la bassa stagione.

Quando si ordinano i ricambi, fornire le informazioni sull'anno di acquisto, il modello, il tipo e il numero di serie.

Utilizzare sempre ricambi originali.

Dichiarazione di conformità

Dichiarazione di conformità UE

Noi, Husqvarna AB, SE 561 82 Huskvarna, SVEZIA,
Tel. +46 36 146500 dichiariamo sotto la nostra esclusiva
responsabilità che il prodotto:

Descrizione	Trattorino tagliaerba
Marchio	Husqvarna
Tipo / Modello	TS 112, TS 114
Identificazione	A partire dal numero di serie 2023 e successivi

È pienamente conforme alle seguenti norme e direttive
UE:

Direttiva/norma	Descrizione
2006/42/CE	"relativa alle macchine"
2014/30/UE	"sulla compatibilità elettromagnetica"
2000/14/CE	"sull'emissione di rumore nell'ambiente"
2011/65/UE	"sulla restrizione dell'uso di determinate sostanze pericolose nelle apparecchiature elettriche ed elettroniche"

e che sono applicati gli standard e/o le specifiche
tecniche seguenti: EN ISO 5395-1:2013/A1:2018,
EN ISO 5395-3:2013/A1:2017/A2:2018, EN ISO
14982:2009, EN IEC 63000:2018.

Organo competente: 0197, TÜV Rheinland LGA
Products GmbH, Tillystrasse 2, 90431 Nürnberg,
Germany ha certificato la conformità alla Direttiva del
Consiglio 2000/14/CE, procedimento di valutazione della
conformità: Allegato VI

Per ulteriori informazioni sulle emissioni acustiche, fare
riferimento a *Dati tecnici alla pagina 163*.

Huskvarna, 2023-01-30



Claes Losdal, Responsabile sviluppo/Prodotti da
giardino, Husqvarna AB

Responsabile della documentazione tecnica





www.husqvarna.com

Original instructions
Instrucciones originales
Instruções originais
Istruzioni originali

1143067-30



2023-11-16