



Husqvarna[®]



CT 36A/A-V, CT 48A/A-V

Contents

Introduction.....	2	Troubleshooting.....	20
Safety.....	5	Transportation, storage and disposal.....	22
Assembly.....	9	Technical data.....	25
Operation.....	11	Accessories.....	29
Maintenance.....	15	Declaration of Conformity.....	30

Introduction

Product description

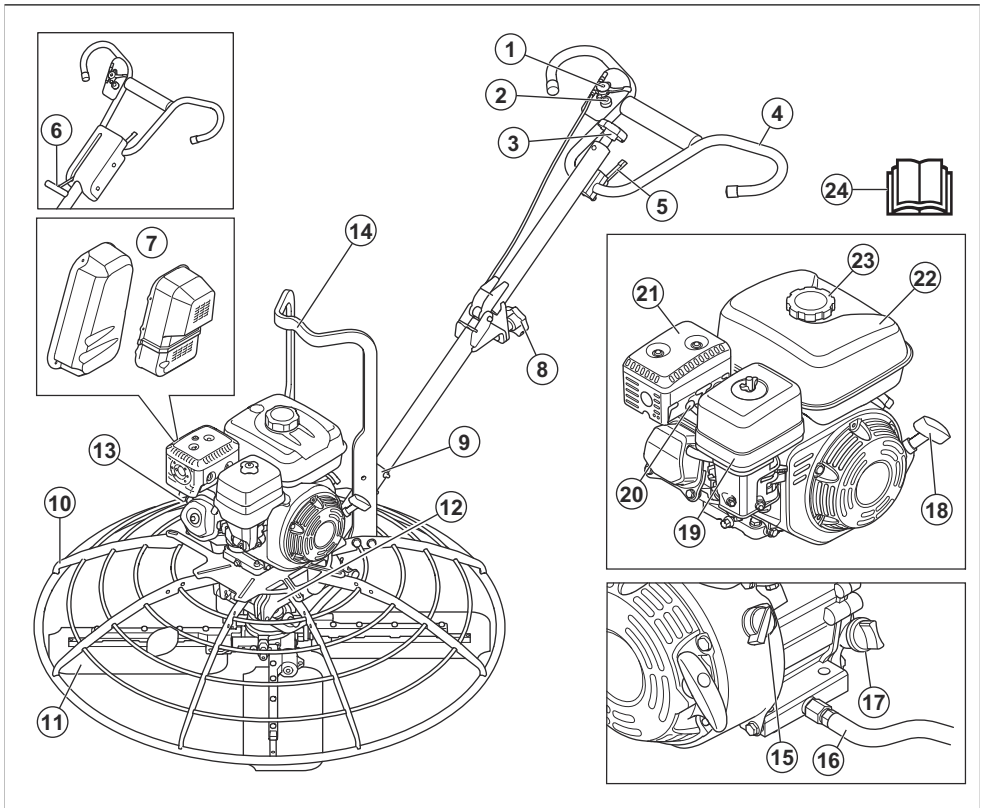
This product is a pedestrian-controlled trowel, which is a concrete smoothing machine. It uses gasoline as fuel and has a 4-stroke combustion engine.

The product can be used with the optional accessory floating disc.

Intended use

The product is for professional operation only. The product is used for floating and burnishing curing concrete before the surface is too dry to get the desired finishing. The product must only be used outdoors or in areas with sufficient airflow. Do not use the product for other tasks.

Product overview



Note: There are 4 different combinations of handle and blade pitch control: T, ADJ-T, ADJ-P and FOLD-ADJ-T. Refer to *Technical data on page 25* for information about handle and blade pitch control on your product.

1. Throttle control
2. Stop button for the engine
3. Blade pitch knob (T models)
4. Handle
5. Lever for handle height adjustment (ADJ models)
6. Pro-Shift® lever for blade pitch adjustment (P models)
7. Belt cover
8. Locking knob for the handle (FOLD models)
9. Handle holder
10. Protection ring
11. Blade
12. Type plate (CE)
13. Type plate (North America)
14. Lifting point
15. Engine ON/OFF switch
16. Oil drain hose
17. Oil tank cap and dipstick
18. Starter rope handle
19. Air filter cover
20. Spark plug
21. Muffler
22. Fuel tank
23. Fuel tank cap
24. Operator's manual

Symbols on the product



WARNING! This product can be dangerous and cause serious injury or death to the operator or others. Be careful and use the product correctly.



Read the manual carefully and make sure that you understand the instructions before you use the product.



Use safety helmet, glasses and ear protection.



Use safety foot wear.



Use protective gloves.



WARNING! Keep sparks and flames away from the product. Risk of fire.



Lifting point.



Stop the engine before you fill fuel.



Use clean, filtered fuel.



WARNING! Risk of injury. Be careful around the drive belt.



WARNING! Hot surface.



WARNING! Keep your hands away from the blades.



WARNING! Keep your feet away from the blades.



WARNING! Remove the floating disc before you lift the product.



WARNING! The exhaust fumes from the engine contain carbon monoxide, an odorless, poisonous and very dangerous gas. Do not run the product indoors or in closed spaces.

STOP Engine stop button.



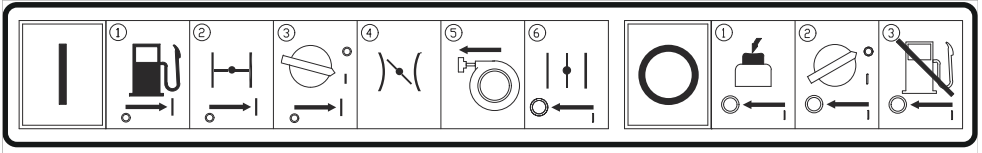
This product conforms to the applicable UK regulations.



This product is in compliance with applicable EC directives.

Note: Other symbols/decals on the product refer to special certification requirements for some markets.

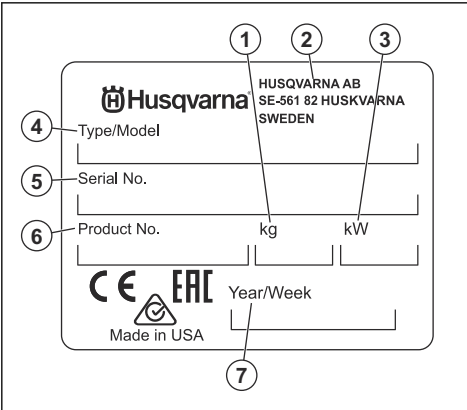
Start instruction decal



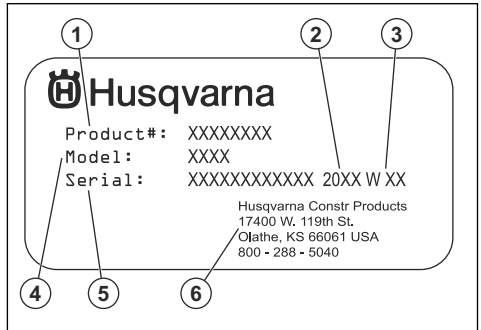
Refer to *To start the product on page 12* for instructions.

Type plate (North America)

Type plate (CE)



1. Product weight
2. Manufacturer
3. Rated power
4. Product type
5. Serial number
6. Product number
7. Production year and week



1. Product number
2. Production year
3. Production week
4. Model and product type
5. Serial number
6. Manufacturer

Product liability

As referred to in the product liability laws, we are not liable for damages that our product causes if:

- the product is incorrectly repaired.
- the product is repaired with parts that are not from the manufacturer or not approved by the manufacturer.
- the product has an accessory that is not from the manufacturer or not approved by the manufacturer.
- the product is not repaired at an approved service center or by an approved authority.

Safety

Safety instructions for operation



WARNING: Read the warning instructions that follow before you use the product.

- Make sure that you know how to stop the engine quickly in an emergency.
- The operator must have the physical strength that is necessary to operate the product safely.
- Do not operate the product without all protective covers installed.
- Use personal protective equipment. Refer to *Personal protective equipment on page 7*.
- Wet concrete can cause chemical burns. Use protective clothing and remove wet concrete immediately if you get it on your skin.
- Make sure that only approved persons are in the work area.
- Keep the work area clean and bright.
- Make sure that you are in a safe and stable position during operation.
- Make sure that there is no risk that you or the product can fall from a height.
- Make sure that there is no grease or oil on the handle.
- Do not use the product in areas where fire or explosions can occur.
- The product can cause objects to eject at high speed. Make sure that all persons in the work area use approved personal protective equipment. Remove loose objects from the work area.
- Before you go away from the product, stop the engine and make sure that there is no risk of accidental start.
- Make sure that clothes, long hair and jewelry do not get caught in moving parts.
- Keep your hands and feet away from the blades.
- Do not sit on the product.
- Do not hit the product.
- Always operate the product from behind with your hands on the handle.
- Do not operate the product near electrical cables. The product does not have electrical insulation and injury or death can occur.
- Before you operate the product, find out if there are hidden wires, cables and pipes in the work area. If the product hits a hidden object, stop the engine immediately and examine the product and the object. Do not start to operate the product again until you know that it is safe to continue.

Safety definitions

Warnings, cautions and notes are used to point out specially important parts of the manual.



WARNING: Used if there is a risk of injury or death for the operator or bystanders if the instructions in the manual are not obeyed.



CAUTION: Used if there is a risk of damage to the product, other materials or the adjacent area if the instructions in the manual are not obeyed.

Note: Used to give more information that is necessary in a given situation.

General safety instructions



WARNING: Read the warning instructions that follow before you use the product.

- This product is a dangerous tool if you are not careful or if you use the product incorrectly. This product can cause serious injury or death to the operator or others. Before you use the product, you must read and understand the contents of this operator's manual.
- Save all warnings and instructions.
- Comply with all applicable laws and regulations.
- The operator and the employer of the operator must know and prevent the risks during operation of the product.
- Do not let a person operate the product unless they read and understand the contents of the operator's manual.
- Do not operate the product unless you receive training before use. Make sure that all operators receive training.
- Do not let a child operate the product.
- Only let approved persons operate the product.
- The operator is responsible for accidents that occur to other persons or their property.
- Do not use the product if you are tired, ill, or under the influence of alcohol, drugs or medicine.
- Always be careful and use your common sense.
- This product produces an electromagnetic field during operation. This field can under some circumstances interfere with active or passive medical implants. To decrease the risk of serious injury or death, we recommend persons with medical

implants to speak to their physician and the medical implant manufacturer before operating this product.

- Keep the product clean. Make sure that you can clearly read signs and decals.
- Do not use the product if it is damaged.
- Do not make modifications to this product.
- Do not operate the product if it is possible that other persons have made modifications to the product.

Vibration safety



WARNING: Read the warning instructions that follow before you use the product.

- During operation of the product, vibrations go from the product to the operator. Regular and frequent operation of the product can cause or increase the degree of vibration-related injuries to the operator. Injuries can occur in fingers, hands, wrists, arms, shoulders, and/or nerves and blood supply or other body parts. The injuries can be debilitating and/or permanent, and can increase gradually during weeks, months or years. Possible injuries include damage to the blood circulation system, the nervous system, joints, and other body structures.
- Symptoms can occur during operation of the product or at other times. If you have symptoms and continue to operate the product, the symptoms can increase or become permanent. If these or other symptoms occur, get medical aid:
 - Numbness, loss of feeling, tingling, pricking, pain, burning, throbbing, stiffness, clumsiness, loss of strength, changes in skin color or condition.
- Symptoms can increase in cold temperatures. Use warm clothing and keep your hands warm and dry when you operate the product in cold environments.
- Do maintenance on and operate the product as given in the operator's manual to keep correct vibration levels.
- Gently guide the product to do the work. Do not push the product with force. Hold the product at the handles securely, but make sure that you control the product and operate it safely. Do not push the handles into the end stops more than necessary.
- Keep your hands on the handle or handles only.
- Stop the product immediately if strong vibrations suddenly occur. Do not continue the operation before the cause of the increased vibrations is removed.

Dust safety



WARNING: Read the warning instructions that follow before you use the product.

- Use of the product for operation on dry surfaces different from those intended can cause increased dust in the air. Inhalation of dust can cause serious injury and permanent health problems. Silica dust is regulated as harmful by several authorities. These are examples of such health problems:
 - The chronic or potentially fatal lung diseases chronic bronchitis, silicosis and pulmonary fibrosis
 - Cancer
 - Birth defects
 - Skin inflammation
- Use correct protective equipment to decrease the quantity of dust and fumes in the air and to decrease dust on work equipment, surfaces, clothing and body parts. Examples of controls are dust collection systems and water sprays to bind dust. Decrease dust at the source where possible. Make sure that the equipment is correctly installed and used and that regular maintenance is done.
- Make sure that the airflow is sufficient in the work area.
- If it is possible, point the exhaust of the product where it cannot cause dust to go into the air.

Exhaust fumes safety



WARNING: Read the warning instructions that follow before you use the product.

- The exhaust fumes from the engine contain carbon monoxide which is an odourless, poisonous and very dangerous gas. To breathe carbon monoxide can cause death. Because carbon monoxide is odourless and cannot be seen, it is not possible to sense it. An early symptom of carbon monoxide poisoning is dizziness, but sufficient quantity or concentration of carbon monoxide may cause loss of consciousness, especially in an enclosed space or area without adequate ventilation.
- Exhaust fumes also contain unburned hydrocarbons including benzene. Long-term inhalation can cause health problems.
- Exhaust fumes that you can see or smell also contain carbon monoxide.
- Do not use a combustion engine product indoors or in areas that do not have sufficient airflow.
- Do not breathe the exhaust fumes.
- Make sure that the airflow in the work area is sufficient. This is very important when you operate the product in trenches or other small work areas where exhaust fumes can easily collect.

Noise safety



WARNING: Read the warning instructions that follow before you use the product.

- High noise levels and long-term exposure to noise can cause noise-induced hearing loss.
- To keep the noise level to a minimum, do maintenance on and operate the product as described in the operator's manual.
- Examine the muffler for damage. Make sure that the muffler is correctly attached to the product.
- Use approved hearing protection while you operate the product.
- Listen for warning signals and voices when you use hearing protection. Remove the hearing protection when the product is stopped, unless hearing protection is necessary for the noise level in the work area.

Personal protective equipment



WARNING: Read the warning instructions that follow before you use the product.

- Always use approved personal protective equipment when you operate the product. Personal protective equipment cannot fully prevent injury but it may reduce the potential for or severity of injury if an accident does occur. Let your dealer help you select the correct personal protective equipment.
- Regularly do a check of the condition of the personal protective equipment.
- Use an approved protective helmet.
- Use approved hearing protection.
- Use approved eye protection with side protection.
- Use protective gloves.
- Use boots with steel toe-cap and non-slip sole.
- Use approved work clothing or equivalent close-fitting clothing that has long sleeves and long legs.

Fire extinguisher

- Keep a fire extinguisher near during operation.
- Use a powder fire extinguisher of "ABE" class or a carbon dioxide fire extinguisher of "BE" type.

Safety devices on the product



WARNING: Read the warning instructions that follow before you use the product.

- Do not use the product if the safety devices are not in proper working order.
- Do a check of the safety devices daily. If your safety devices are not in proper working order or are damaged, speak to your Husqvarna service agent.
- Do not make modifications on safety devices

General safety devices

- Examine the protection ring, belt cover, lifting point and handle regularly to make sure that they are attached correctly and not damaged.

Engine ON/OFF switch

The engine can only start when the engine ON/OFF switch is set to "ON". The engine stops when you set the engine ON/OFF switch to "OFF".

To do a check of the engine ON/OFF switch

1. Start the engine. Refer to *To start the product on page 12*.
2. Set the engine ON/OFF switch to "OFF". The engine stops.

Stop button

The product has a stop button for the engine on the right side of the handle, adjacent to the throttle control. Refer to *Product overview on page 2*.

To do a check of the stop button

1. Start the engine.
2. Push the stop button and make sure that the engine stops.

Muffler

The muffler reduces the noise levels and directs exhaust fumes away from the operator.

Do not use the product if the muffler is missing or damaged. A damaged or missing muffler may increase the noise level and the risk of fire.



WARNING: The muffler becomes very hot during and after use and when the engine operates at idle speed. To avoid burn injuries, do not touch the hot muffler. Be careful near flammable materials and/or fumes to prevent fire. Use protective gloves to prevent burn injuries.

To do a check of the muffler

- Examine the muffler regularly to make sure that it is attached correctly and not damaged.

Blade brake system

The blade brake engages in these situations:

- The input shaft of the gearbox does not rotate.
- There is no resistance against the blades.

The blade brake releases when the input shaft of the gearbox rotates while there is resistance against the blades.

To do a check of the blade brake system

1. Stop the engine. Refer to *To stop the product on page 15*.
2. Move the handle to the left. If the blade brake system operates correctly there is no resistance and the blades do not move.
3. Move the handle to the right. If the blade brake system operates correctly the blades engage the movement and there is resistance.

Gyroscopic safety switch

The gyroscopic safety switch prevents unwanted movement of the product and prevents injury from the handle if the product starts to turn. The gyroscopic safety switch stops the engine if the operator releases the handle. The blade brakes engage and the handle stops before it can turn more than 270°.

To do a check of the gyroscopic safety switch

1. Start the engine and let it operate at idle speed for 2–3 minutes. Refer to *To start the product on page 12*.
2. Push the handle to the right with force. The engine stops.
 - a) If the engine does not stop, push the handle to the right with force again and again until the engine stops. If the engine does not stop after you try 5 times, it is necessary to repair the gyroscopic safety switch.
 - b) Stop the engine and speak to an approved Husqvarna service center. Refer to *To stop the product on page 15*.



WARNING: Do not operate the product before the gyroscopic safety switch is repaired.

Fuel safety



WARNING: Read the warning instructions that follow before you use the product.

- Fuel is flammable and the fumes are explosive. Be careful with fuel to prevent injury, fire and explosion.
- Do not breathe in the fuel fumes. The fuel fumes are poisonous and can cause injury. Make sure that the airflow is sufficient.
- Do not remove the fuel tank cap or fill the fuel tank when the engine is on.
- Make sure that the engine is cool before you refuel.
- Do not fill fuel in an indoor area. Insufficient airflow can cause injury or death because of asphyxiation or carbon monoxide poisoning.
- Do not smoke near the fuel or the engine.
- Do not put hot objects near the fuel or the engine.

- Do not fill fuel near sparks or flames.
- Before you refuel, open the fuel tank cap slowly and release the pressure carefully.
- Fuel on your skin can cause injury. If you get fuel on your skin, use soap and water to remove the fuel.
- If you spill fuel on your clothing, change clothing immediately.
- Do not fill the fuel tank fully. Heat causes the fuel to expand. Keep a space at the top of the fuel tank.
- Tighten the fuel tank cap fully. If the fuel tank cap is not tightened, there is a risk of fire.
- Before you start the product, move the product to a minimum of 3 m/10 ft from where you refueled.
- Do not start the product if there is fuel or engine oil on the product. Remove the unwanted fuel and engine oil and let the product dry before you start the engine.
- Examine the engine for leaks regularly. If there are leaks in the fuel system, do not start the engine until the leaks are repaired.
- Do not use your fingers to examine the engine for leaks.
- Keep fuel in approved containers only.
- When the product and fuel is in storage, make sure that fuel and fuel fumes cannot cause damage.
- Drain the fuel in an approved container outdoors and away from sparks and flames.

Safety instructions for operation near edges



WARNING: Read the warning instructions that follow before you use the product.

- There is a risk that the product falls when you operate it near an edge. Always keep a minimum of $\frac{2}{3}$ of the product on a surface that is sufficiently stable to hold the product weight.
- If the product falls, stop the engine before you lift the product back to a surface that is sufficiently stable. Refer to *To lift the product with lifting equipment on page 23*.

Safety instructions for maintenance



WARNING: Read the warning instructions that follow before you use the product.

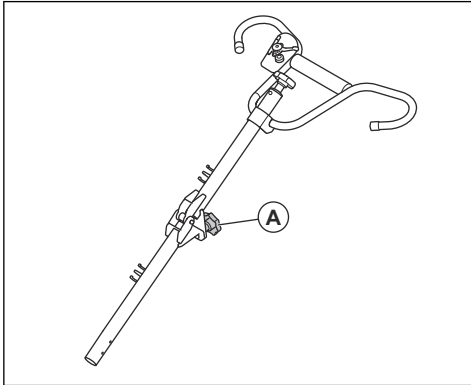
- If the maintenance is not done correctly and regularly, the risk of injury and damage to the product increases.
- Use personal protective equipment. Refer to *Personal protective equipment on page 7*.
- Stop the engine and make sure that all parts of the product are cool before you perform the maintenance.
- Clean the product to remove fuel, oil or debris before performing the maintenance.

- Disconnect the spark plug cap before you do the maintenance.
- Worn blades can have sharp edges. Use protective gloves and be careful around the blades.
- The exhaust fumes from the engine are hot and can contain sparks. Do not operate the product in indoor areas or near flammable material.
- Do not do modifications to the product. Modifications that are not approved by the manufacturer can cause serious injury or death.
- Always use original accessories and approved spare parts. Accessories and spare parts that are not approved by the manufacturer, can cause serious injury or death.
- Replace damaged, worn or broken parts.
- Only do the maintenance as described in this operator's manual. Let an approved service center do all other servicing.
- Remove all tools from the product before you start the engine after maintenance. Loose tools or tools attached to rotating parts can eject and cause injury.
- After maintenance, do a check of the vibration level in the product. If it is not correct, speak to an approved service center.
- Let an approved service center do servicing on the product regularly.

Assembly

To assemble the handlebar

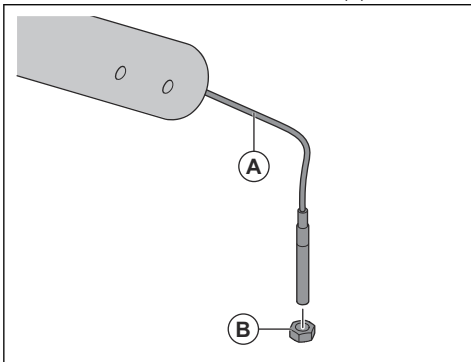
1. On CT 36-5A EU FOLD-ADJ-T: Lift the handle until it is straight and tighten the knob (A).



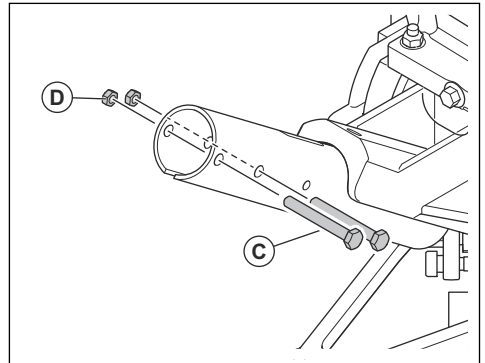
2. Attach the wires to the handlebar with cable ties.

To install the handle

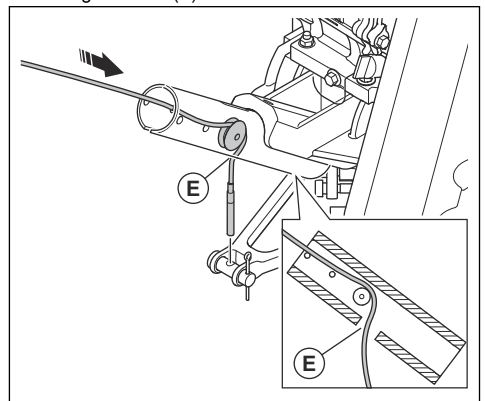
1. Pull the blade pitch cable (A) from the bottom end of the handle and remove the cable nut (B).



2. Remove the 2 bolts (C) and the 2 nuts (D) from the handle holder.



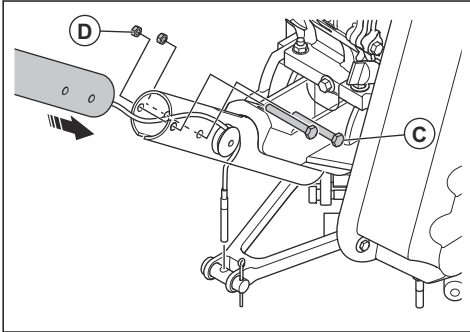
3. Lubricate the blade pitch cable. Refer to *Technical data* on page 25.
4. Put the blade pitch cable above the pulley and out through the slot (E).



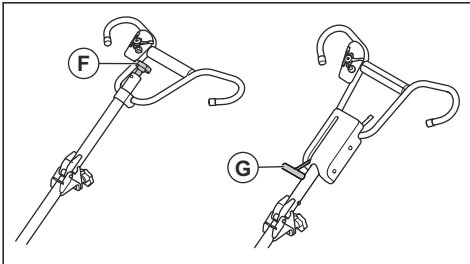


CAUTION: Make sure that the blade pitch cable is in the groove of the pulley and not on the outer side of the pulley.

5. Put the handle in the handle holder and install the 2 bolts (C) and the 2 nuts (D). Tighten the nuts to 24 Nm/18 lb-ft.

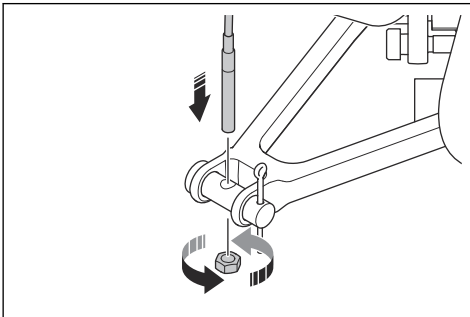


6. Loosen the blade pitch cable:



- a) For products with blade pitch knob (F), turn the blade pitch knob fully counterclockwise.
b) For products with Pro-Shift® lever (G), push the Pro-Shift® lever fully forward.

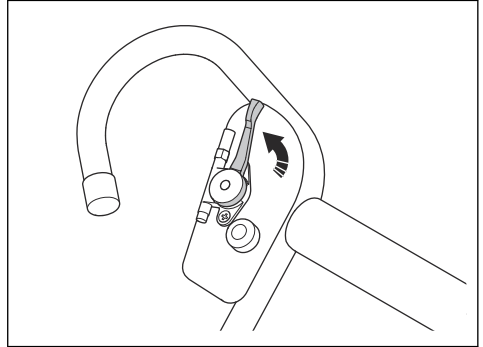
7. Put the blade pitch cable through the blade pitch fork.



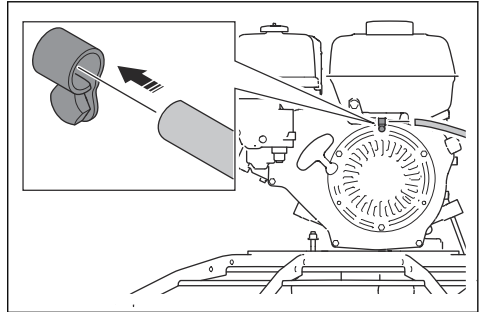
8. Attach the cable nut to the blade pitch cable.
9. Adjust the cable nut. The adjustment is correct when the blade pitch cable is straight when the blades have no pitch.

To install the throttle cable

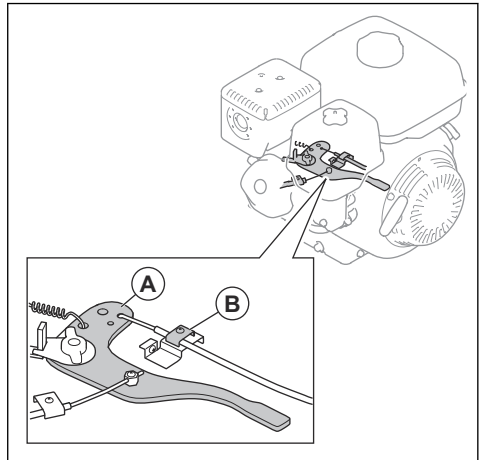
1. Move the throttle control to the idle speed position.



2. Put the throttle cable through the clamp on the recoil cover of the engine.



3. Put the bend of the throttle cable in the hole in the throttle plate (A).

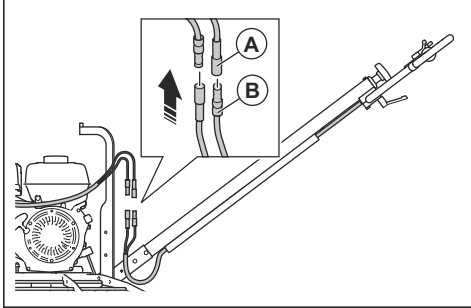


Note: The air filter assembly can be removed to get easier access.

4. Hold the throttle control in the idle speed position while you put the bracket (B) on top of the throttle cable.
5. Install the air filter assembly if it was removed.

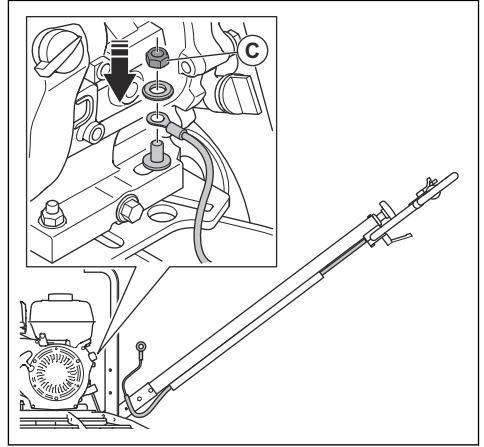
To connect the wires from the handle to the engine

1. Connect the wires (A) from the handle to the yellow wires (B) from the engine.



2. Connect the green ground wire from the handle to the green wire from the engine.
 - a) If the product has a green wire installed on the engine, discard the green wire supplied with the handle.

- b) If the product does not have a green wire installed on the engine, remove the nut (C), install the ground wire and tighten the nut to 24 Nm/18 lb-ft.



To do a function check after assembly

1. Start the engine. Refer to *To start the product on page 12*.
2. Do a check of the idle speed and the clutch. Refer to *Technical data on page 25* for the correct value.
 - a) Make sure that the blades do not rotate when the engine is at idle speed.
 - b) Increase the engine speed and make sure that the blades start to rotate.
3. Do a check of the gyroscopic safety switch. Refer to *To do a check of the gyroscopic safety switch on page 8*.

Operation

Introduction



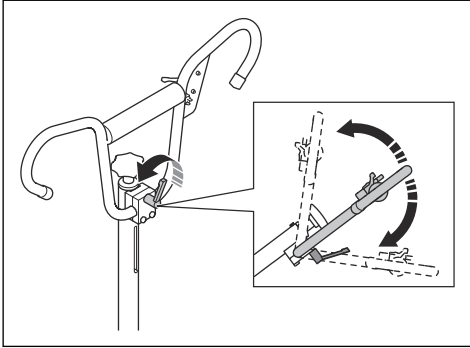
WARNING: Read and understand the safety chapter before you use the product.

To do before you operate the product

- Read the operator's manual carefully and make sure that you understand the instructions.
- Read the engine manual that is supplied by the engine manufacturer.
- Do a check of the safety devices on the product. Refer to *Safety devices on the product on page 7*.
- Do the daily maintenance. Refer to *Maintenance schedule on page 16*.

To adjust the handle height

- Loosen the handle adjustment lever. Move the handle up or down to an applicable height and tighten the handle adjustment lever.



To install the floating disc

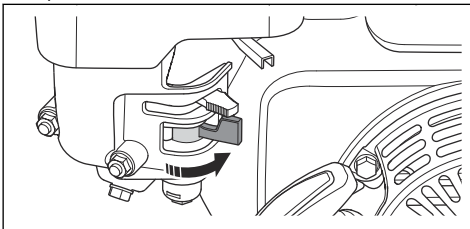
- Put the floating disc on a hard flat surface.
- Put the product on top of the floating disc.
- Align the center of the blade assembly with the center of the floating disc.
- Turn the floating disc until the blades engage in the brackets on the floating disc.



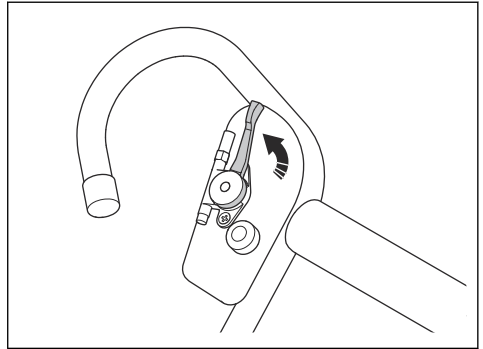
CAUTION: Make sure that the floating disc is correctly installed before you operate the product. An incorrectly installed floating disc does not give a smooth result.

To start the product

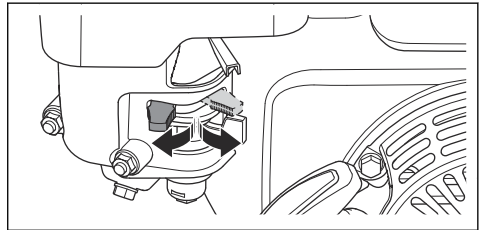
- Open the fuel valve.



- Set the throttle control to idle speed.

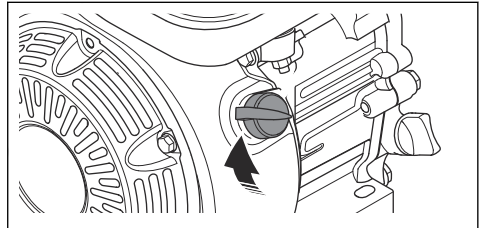


- Set the choke control in the correct position.

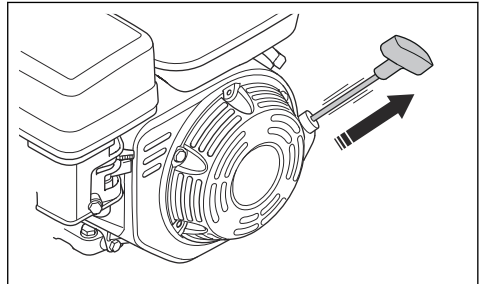


- If the engine is cold, close the choke.
- If the engine is warm or the ambient temperature is high, open the choke.

- Set the engine ON/OFF switch to ON.



- Pull the starter rope handle slowly until you feel some resistance. When you feel resistance, pull the starter rope handle quickly and with force.



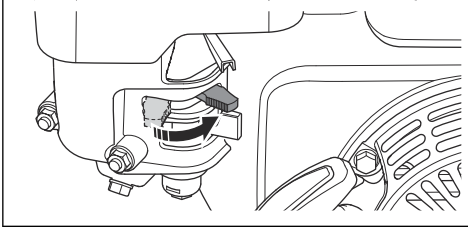
Note: Do not twist the starter rope around your hand.

- Continue pull the starter rope handle until the engine starts.

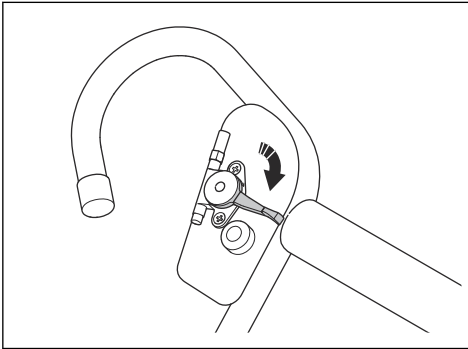


CAUTION: Do not pull the starter rope to full extension and do not let go of the starter rope handle. Release the starter rope slowly. If you do not obey these instructions it can cause damage to the engine.

- Open the choke control gradually until it is fully open.



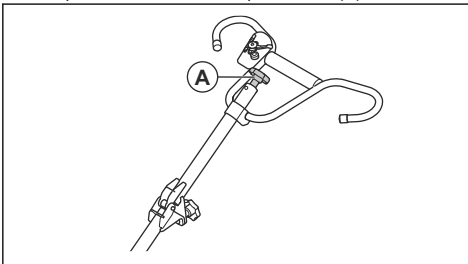
- Let the engine operate at idle speed for 2–3 minutes.
- Hold the product securely at the handle with two hands. Move the throttle control to increase the engine speed, but do not release the handle.



To adjust the blade pitch

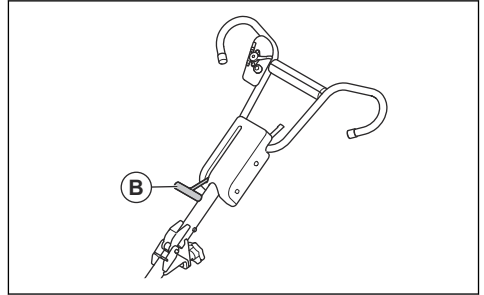
The blade pitch is adjusted gradually.

- For products with a blade pitch knob (A):



- To increase the blade pitch, turn the blade pitch knob clockwise.
- To decrease the blade pitch, turn the blade pitch knob counterclockwise.

- For products with a Pro-Shift® lever (B):



- To increase the blade pitch, pull the Pro-Shift® lever up in the direction of the handle.
- To decrease the blade pitch, push the Pro-Shift® lever down.

Working techniques

The floating operation removes dents on the concrete surface. The concrete surface must be sufficiently hard before the floating operation. The concrete surface is sufficiently hard when a shoe gives not more than 3 mm/ 0.12 in. deep recess on the concrete surface.

When the floating operation is completed, the concrete surface is prepared for the troweling operation. The troweling operation increases the density of the concrete surface and makes it smooth and hard.



CAUTION: Look for loose stones on the concrete surface during operation. Loose stones can make marks that are not easy to remove from the concrete surface.

To do the floating operation

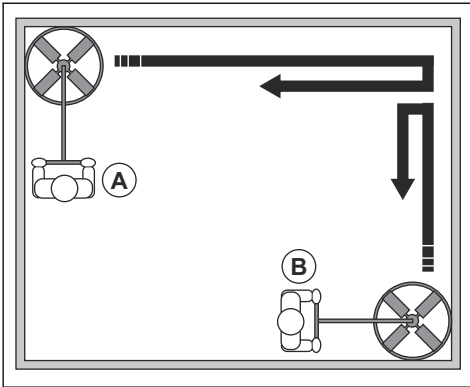
- Set the throttle control to an applicable speed.



CAUTION: Do not set the speed too high. Too high speed on wet concrete can cause damage to the surface. Adjust the speed during the operation as the concrete becomes harder.

- Adjust the blade pitch until there is tension in the blade pitch cable. Refer to *To adjust the blade pitch on page 13*.

3. Move the product across the concrete surface.



- Move from one side to the opposite side across all of the concrete surface (A). When you turn to go in the opposite direction, do an overlap of $\frac{1}{2}$ the diameter of the blade assembly.
 - Move from one side to the opposite side across all of the concrete surface in a perpendicular pattern (B). When you turn to go in the opposite direction, do an overlap of $\frac{1}{2}$ the diameter of the blade assembly.
4. Stop the product and remove it from the concrete surface.



CAUTION: Do not let the product stay stationary on the concrete surface. This can cause marks and damages to the concrete surface. When the product stops, immediately lift the product from the concrete surface.

To do the troweling operation

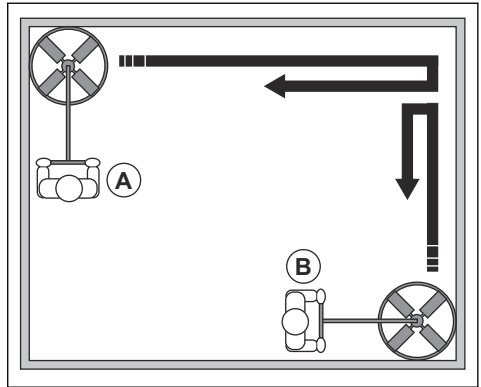
- Set the throttle control to an applicable speed.



CAUTION: Do not set the speed too high. Too high speed on wet concrete can cause damage to the surface. Adjust the speed during the operation as the concrete becomes harder.

- Adjust the blade pitch until there is tension in the blade pitch cable. Refer to *To adjust the blade pitch on page 13*.

3. Move the product across the concrete surface.

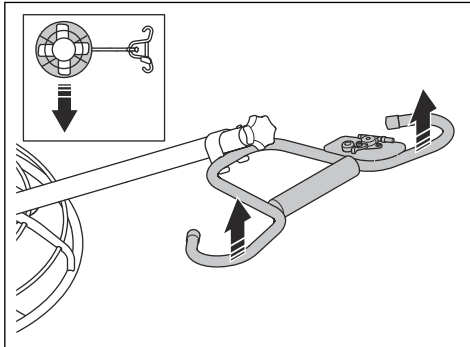


- Adjust the throttle control to an applicable speed for the condition of the surface. Too high speed can cause damage to the surface.
 - Adjust the blade pitch to increase the pressure on the concrete surface as necessary during operation.
 - Move from one side to the opposite side across all of the concrete surface (A). When you turn to go in the opposite direction, do an overlap of $\frac{1}{2}$ the diameter of the blade assembly.
 - Move from one side to the opposite side across all of the concrete surface in a perpendicular pattern (B). When you turn to go in the opposite direction, do an overlap of $\frac{1}{2}$ the diameter of the blade assembly.
- Stop the product and remove it from the concrete surface.
 - Wait until the concrete is sufficiently set.
 - Do the procedure again and again until the concrete surface has a satisfactory finish and is fully set.

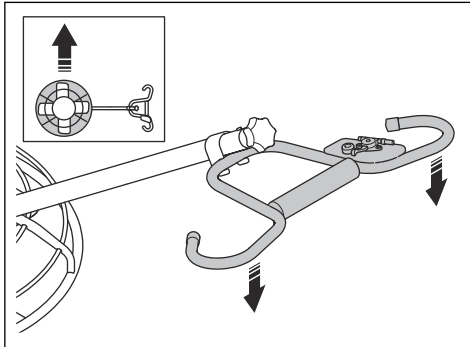
Note: The period of time between troweling operations is calculated from how quickly the concrete sets.

To move the product in different directions

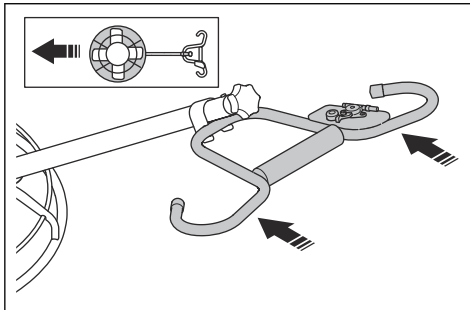
- To turn to the left, lift the handle.



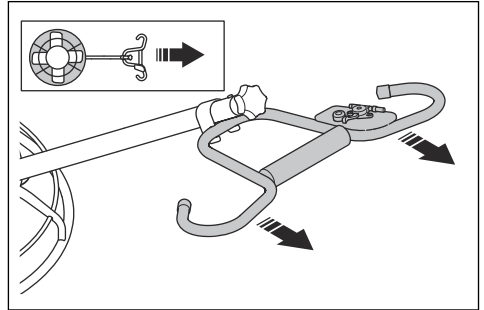
- To turn to the right, push the handle down.



- To move the product forward, push the handle forward.



- To move the product rearward, pull the handle rearward.



To stop the product

1. Move the throttle control to the idle speed position.
2. Push the stop button for the engine. Refer to *Product overview on page 2*.
3. Set the engine ON/OFF switch to the OFF position.
4. Move the fuel valve to the OFF position.

Maintenance

Introduction



WARNING: Read and understand the safety chapter before you perform the maintenance on the product.



WARNING: Before you perform the maintenance on the product, stop the product and make sure that all parts of the product are cool. Refer to *To stop the product on page 15*.

Put the product on a flat surface.

For all servicing and repair work on the product, special training is necessary. Professional repairs and servicing is available. If your dealer is not a service agent, speak to them for information about the nearest service agent.

For spare parts, speak to your Husqvarna dealer or service agent.

Maintenance schedule

* = General maintenance done by the operator. The instructions are not given in this operator's manual.

X = The instructions are given in this operator's manual.

O = Refer to the engine manual for instructions.

Maintenance	Before use, each 10 h	After the first 20 h	Monthly, each 200 h	Yearly, each 500 h
Make sure that there are no fuel or oil leaks.	*			
Clean the product.	X			
Make sure that nuts and screws are tightened.	*			
Do a check of the fuel level and the engine oil level.	X			
Clean the cooling fins of the engine.	O			O
Make sure that the throttle control and the blade pitch knob or Pro-Shift® lever can move smoothly.	*			
Clean the air filter.	X	X		
Lubricate the blade shafts.	X	X		
Lubricate the blade pitch cable and other parts of the product.			*	
Replace the engine oil.		X	X	X
Replace the air filter.				X
Do a check of the engine speed.		O	O	
Do a check of the oil level in the gearbox.			X	X
Examine the belt for damage and replace if necessary.			X	
Examine and clean the spark plug. Replace the spark plug if it is necessary.			O	
Clean the fuel valve on the carburetor.			O	
Clean the spark arrestor screen on the muffler.			O	
Clean the sediment cup.			O	
Drain the fuel and clean the fuel tank and the fuel filter.				O
Clean and adjust the carburetor.				O

To clean the product



CAUTION: Do not use a high-pressure washer to clean the product.

- Use water and a brush to clean the product.



CAUTION: Do not point the water directly at the fuel tank cap, electrical components or the engine.

- Remove concrete from the surfaces of the product after each operation before the concrete becomes hard.
- Remove grease and oil from the handle.

To do a check of the engine oil level

1. Remove the oil tank cap and dipstick.
2. Clean the oil from the dipstick.
3. Put the dipstick back fully into the oil tank.
4. Remove the dipstick.
5. Examine the oil level on the dipstick.
6. If the oil level is low, fill with engine oil and do a check of the oil level again. Refer to *Technical data* on page 25 or the engine manual for the correct type of oil.

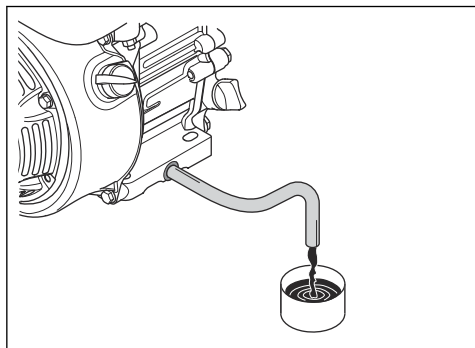
To replace the engine oil

If the engine is cold, start the engine for 1–2 minutes before you drain the engine oil. This makes the engine oil warm and easier to drain.



WARNING: Engine oil is very hot directly after the engine stops. Make sure the engine is cool before you drain the engine oil. If you spill engine oil on your skin, clean with soap and water.

1. Loosen the oil drain hose from the holder.
2. Put a container below the oil drain hose.



3. Remove the plug from the end of the oil drain hose.
4. Tilt the product and let the oil run out into the container.
5. Install the plug in the oil drain hose.
6. Install the oil drain hose in the holder.
7. Fill with new engine oil. Refer to *Technical data* on page 25 or the engine manual for the correct type of oil.
8. Do a check of the engine oil level.

Air filter



WARNING: Use approved respiratory protection when you clean or replace the air filter. Discard used air filters correctly.

Inhalation of the dust in the air filter may be dangerous to your health.



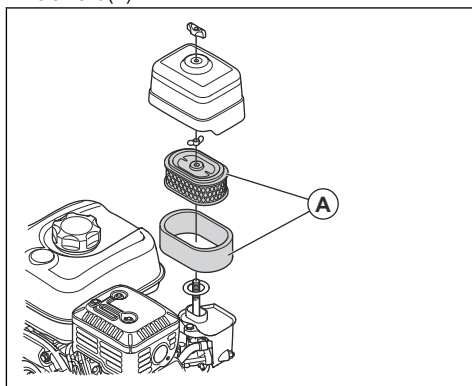
CAUTION: Always replace a damaged air filter, or the dust will go into the engine and cause engine damage.

To clean or replace the air filter



WARNING: Do not clean the air filter with compressed air. This causes damage to the air filter and the risk increases that you breathe the dangerous dust.

1. Turn the knob on the air filter cover and remove the air filter cover.
2. Remove the paper filter element and the foam filter element (A).



3. Clean the air filter housing with a brush.
4. Examine the air filter elements for damage.
5. Tap the paper filter element against a hard surface or use a vacuum cleaner to remove the particles.



CAUTION: Do not let the nozzle of the vacuum cleaner touch the surface of the paper filter element. Keep a small distance. The sensitive surface of the paper filter element becomes damaged if objects touch it.

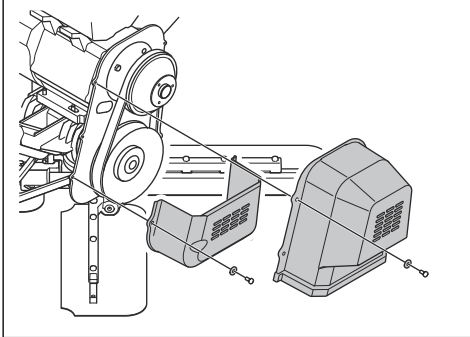
6. Clean the foam filter element with a solution of soap and water.
7. Flush the foam filter element in clean water.
8. Compress the foam filter element to remove the water and let the foam filter element dry fully.
9. Lubricate the foam filter element with engine oil.
10. Push a clean cloth against the foam filter element to remove unwanted oil.
11. Install the air filter in the opposite sequence.

To replace the belt

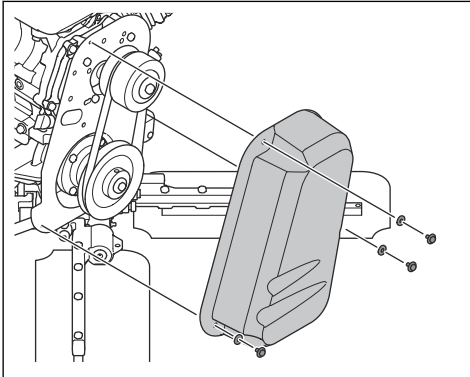


WARNING: Do not operate the product without the belt cover installed.

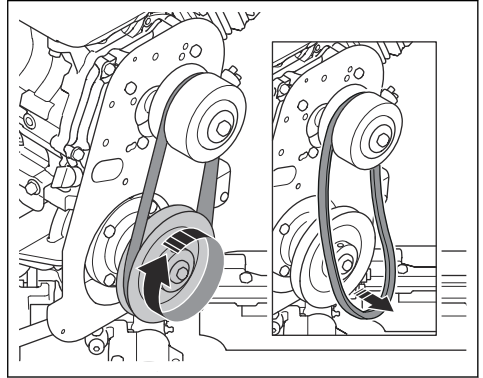
1. Stop the engine and disconnect the spark plug cable.
2. Remove the screws and washers that hold the belt cover. Remove the belt cover.
 - a) A-V models:



b) All other models:



3. Slowly turn the pulley while you remove the belt from the pulley.

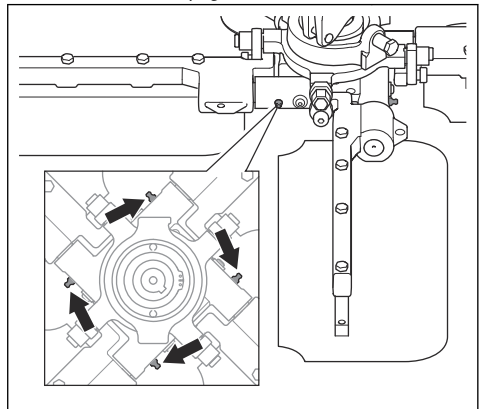


CAUTION: Do not remove the clutch or the pulley when you replace the belt. The clutch and the pulley are aligned at the factory.

4. Install a new belt.
5. Install the belt cover, the washers and the screws. Torque the screws to 5 Nm/3.7 lb-ft.

To lubricate the blade shafts

- Push grease through the grease nipples until grease comes out around the blade shafts. Refer to *Technical data on page 25*.



To replace the blades

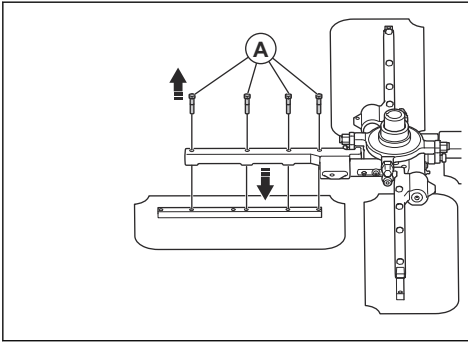


WARNING: Before you replace the blades, stop the product, make sure that the engine is cool and remove the spark plug cable.

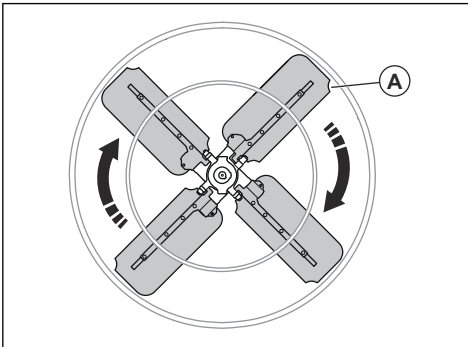


WARNING: Use protective gloves.

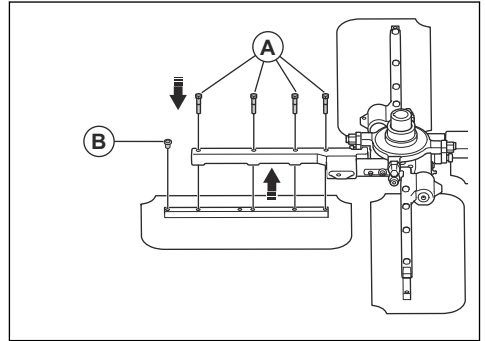
1. Remove the screws (A) and remove the blades.



2. Apply grease to the threads of the screws to make the removal of the screws easier the next time.
3. Install the new blades.
 - a) Make sure that the blades are installed in the correct position related to how they rotate, as shown in the illustration.



- b) Attach the blades with washers and the lubricated screws (A). Torque the screws to 26 Nm/19 lb-ft.



4. Put plastic plugs (B) in the remaining holes in the blades. This is to make sure that the holes are not filled with concrete during operation.

Gearbox

It is not necessary to do regular maintenance on the gearbox other than a check of the oil level. If there is a leakage or other problems with the gearbox, let an approved service center repair the product.

To do a check of the oil level in the gearbox

1. Put the product on level ground.
2. Look through the plug at the side of the gearbox. The oil level is correct if it is at the bottom of the plug threads.
3. If the oil level is too low, fill with oil to the correct level. Refer to *Technical data on page 25* for the recommended oil type.

Troubleshooting

Problem	Cause	Solution
The product does not start.	The fuel tank is empty.	Fill the fuel tank.
	Dirty fuel goes into the engine.	Clean the carburetor.
	The engine ON/OFF switch is in the OFF position.	Set the engine ON/OFF switch to the ON position.
	The fuel valve is closed.	Open the fuel valve.
	There is no oil in the engine.	Fill engine oil.
	The fuel filter or the fuel hose is clogged.	Clean the fuel filter and the fuel hose.
	The fuel hose is damaged.	Let an approved service center replace the fuel hose.
	The engine ON/OFF switch, the gyroscopic switch, the low oil switch or relay, wires or connectors are damaged.	Let an approved service center repair the product.
	The engine is cold.	Close the choke.
The engine is damaged.	Refer to the engine manual.	
The product starts but the engine speed cannot be increased.	The throttle cable is damaged.	Let an approved service center replace the throttle cable.
	The throttle control and connectors are loose or incorrectly adjusted.	Let an approved service center repair the throttle control.
	The clutch shoes are worn.	Let an approved service center replace the clutch shoes.
	The engine is damaged.	Refer to the engine manual.
The product starts at high speed and the speed cannot be decreased.	The throttle cable is damaged.	Let an approved service center replace the throttle cable.
	The throttle control and connectors are loose or incorrectly adjusted.	Let an approved service center repair the throttle control.
	The engine is damaged.	Refer to the engine manual.
The engine does not stop.	The engine ON/OFF switch, the gyroscopic switch, the low oil switch or relay, wires or connectors are damaged.	Let an approved service center repair the product.
	The engine is damaged.	Refer to the engine manual.

Problem	Cause	Solution
The blades do not rotate, or rotate too slowly.	The belt is damaged.	Replace the belt. Use only original Husqvarna spare parts.
	The belt type is incorrect.	Replace the belt. Use only original Husqvarna spare parts.
	The blade brake is engaged because the friction is too low.	Only use the product on sufficiently hard concrete.
	The clutch is damaged.	Let an approved service center repair the product.
	The pulley is damaged.	Let an approved service center repair the product.
	The bearing of the blade lift ring is damaged.	Let an approved service center repair the product.
	The gearbox is damaged.	Let an approved service center repair the product.
The blades rotate when the engine is at idle speed.	The idle speed is too high.	Refer to the engine manual.
	The belt type is incorrect.	Replace the belt. Use only original Husqvarna spare parts.
	The clutch is damaged.	Let an approved service center repair the product.
	The pulley is incorrectly aligned.	Let an approved service center repair the product.
The blades do not rotate smoothly.	The engine is cold.	Let the engine operate at idle speed for 2–3 minutes before you operate the product.
	The engine speed is too low.	Increase the engine speed to full throttle.
	A floating disc is used and the concrete is too wet.	Let the concrete dry some more before you operate the product.
	The engine is damaged.	Refer to the engine manual.
	The gearbox is damaged.	Let an approved service center repair the product.
The blades do not wear equally or the product shakes.	1 or more of the blades are bent or damaged.	Replace damaged blades.
	1 or more of the blade arms do not move correctly in the hub.	Remove the blade arms. Clean and lubricate all contact surfaces. If the problem continues, let an approved service center repair the product.
	The blade shafts are bent.	Replace the blade shafts. Use only original Husqvarna spare parts.
	The eccentric adjusters are incorrectly set.	Let an approved service center repair the product.
	The main shaft of the gearbox is bent.	Let an approved service center repair the product.

Problem	Cause	Solution
The blade pitch system does not operate correctly.	The blade pitch cable is broken or incorrectly adjusted.	Let an approved service center repair the product.
	1 or more of the blades do not move correctly in the hub.	Remove the blades. Clean and lubricate all contact surfaces.
	The slot screw is missing at the rear of the handle.	Let an approved service center repair the product.
	The blade lift ring and/or the yoke arm is broken or very worn.	Let an approved service center repair the product.
	The blade pitch control on the handlebar is damaged.	Let an approved service center repair the product.
The belt wears too quickly.	The pulley is incorrectly aligned.	Let an approved service center repair the product.
	The belt is damaged or of incorrect type.	Replace the belt. Use only original Husqvarna spare parts.
	The clutch is damaged.	Let an approved service center repair the product.
	The gearbox is damaged.	Let an approved service center repair the product.
There is an oil leak at the top of the gearbox.	The gearbox seal is worn.	Let an approved service center repair the product.
	There is a leak in the engine.	Let an approved service center repair the product.
	There is too much oil in the gearbox.	Let an approved service center repair the product.
There is an oil leak at the gearbox main shaft or the countershaft.	The shaft and/or the seal is worn.	Let an approved service center repair the product.
	The screws are loose.	Let an approved service center repair the product.

Transportation, storage and disposal

Transportation



WARNING: Be careful during transportation. The product is heavy and can cause injury or damage if it falls or moves during transportation.



WARNING: If an optional floating disc is installed, remove it before transportation. There is a risk that the floating disc falls off and causes injury or damage.

Lift the product to move it shorter distances. For longer distances, put the product on a transportation vehicle.

To fold the handle to transport position

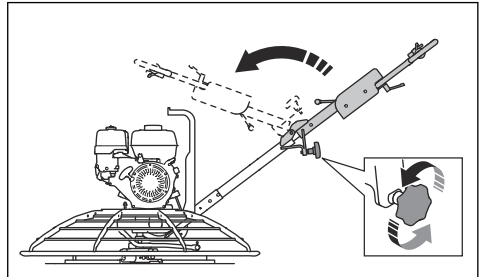


CAUTION: Decrease the blade pitch fully before you fold the handle. If the blade pitch is not decreased, the blade pitch cable

and the blade pitch control can become damaged.

Note: The handle cannot be folded on all models.

- Loosen the locking knob and fold the handle forward.



To lift the product with lifting equipment



WARNING: Make sure that the lifting equipment has the correct dimension. The type plate on the product shows the product weight.

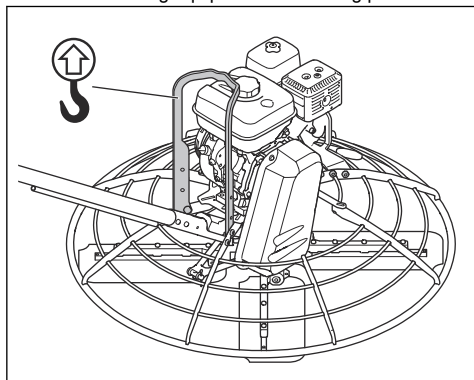


WARNING: Do not lift a damaged product. Make sure that the lifting bracket is correctly installed and not damaged.



WARNING: Do not walk or stay below or near a lifted product.

- Attach the lifting equipment to the lifting point.



WARNING: Do not use metal hooks, chains or other lifting equipment with rough edges that can cause damage to the lifting point.

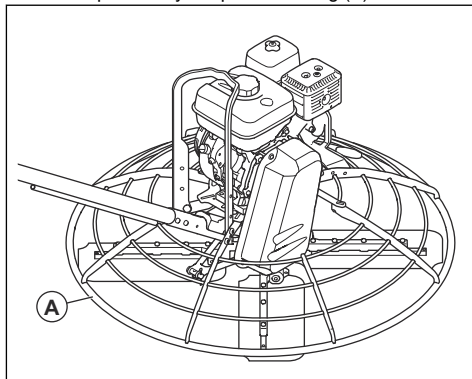
To lift the product manually



WARNING: Heavy lifts can cause injury. The recommended maximum weight for each person to lift is 25 kg. Refer to *Technical data on page 25* or read the type plate on the product for information about the product weight.

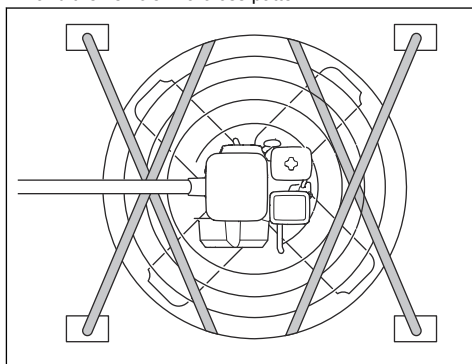
- Make sure that the number of persons that lift is sufficient to lift the product safely.
- Balance the weight between the persons that lift.

- Lift the product by the protection ring (A).



To attach the product to a transportation vehicle with tie-down straps

1. Turn the blade pitch knob counterclockwise until the blades are flat and the blade pitch cable is loose.
2. Lift the product onto the transportation vehicle. Make sure that the handle does not go out of the transportation vehicle.
3. Put pieces of wood or equivalent between the protection ring and the surface of the transportation vehicle. This prevents damage to the blades.
4. Attach tie-down straps between the protection ring and the vehicle in a cross pattern.



- a) Attach the tie-down straps at the lowest part of the protection ring to prevent damage to the gearbox output shaft.
- b) Do not tighten the tie-down straps too much.

Storage

- Clean the product before storage.
- Keep the product in a dry and frost-free area.
- Keep the product in a locked area to prevent access for children or persons that are not approved.

- Remove all fuel from the fuel tank before you put the product in storage for a long period of time. Discard the fuel at an applicable disposal location.
- After the fuel tank is drained, start the engine. Let the engine operate until there is no fuel remaining in the carburetor and the engine stops.

Disposal

- Obey the local recycling requirements and applicable regulations.
- Discard all chemicals, such as engine oil or fuel, at a service center or at an applicable disposal location.
- When the product is no longer in use, send it to a Husqvarna dealer or discard it at a recycling location.

Technical data

Technical data, CT 36A/A-V

	CT 36-5A T/ADJ-T/FOLD ADJ-T/ADJ-P	CT 36-8A ADJ-T/ADJ-P	CT 36-8A-V ADJ-T/ADJ-P
Weight with empty tanks, kg/lb	85/183	94/208	94/208
Engine brand, type	Honda, GX 160	Honda, GX 240	Honda, GX 240
Engine power, kW/hp @rpm ¹	3.6/4.8 @3600	5.9/7.9 @3600	5.9/7.9 @3600
Engine idle speed, rpm	1400 ±100	1400 ±100	1400 ±100
Blade speed, rpm	60–125	60–125	25–200
Blade pitch, °	0–30	0–30	0–30
Clutch engagement, rpm	1850	1850	2000
Clutch type	Centrifugal clutch	Centrifugal clutch	CVT
Type of handle	T: Not adjustable ADJ-T/ADJ-P: Adjustable handle height FOLD ADJ-T: Foldable, adjustable handle height	Adjustable handle height	Adjustable handle height
Type of blade pitch adjustment	T: Twist pitch P: Pro-Shift®	T: Twist pitch P: Pro-Shift®	T: Twist pitch P: Pro-Shift®
Type of blade arms	Bolt-on	Bolt-on	Bolt-on
Quantity of blades	4	4	4
Fuel tank capacity, l/qts	3.1/3.3	5.3/5.6	5.3/5.6
Oil tank capacity, l/qts	0.6/0.63	0.6/0.63	0.6/0.63
Fuel consumption, l/h or qts/h	1.4 or 1.5	2.2 or 2.3	2.2 or 2.3
Gearbox oil capacity, l/qts	0.62/0.66	0.62/0.66	0.62/0.66
Fuel	Unleaded gasoline, max. 10% ethanol	Unleaded gasoline, max. 10% ethanol	Unleaded gasoline, max. 10% ethanol
Engine oil	SAE 10W-30, API Class SG or SF	SAE 10W-30, API Class SG or SF	SAE 10W-30, API Class SG or SF

¹ As specified by the engine manufacturer. The power rating of the engine indicated is the average net output (at specified rpm) of a typical production engine for the engine model measured to SAE standard J1349/ISO1585. Mass production engines may differ from this value. Actual power output for the engine installed on the final product will depend on the operating speed, environmental conditions and other values.

	CT 36-5A T/ADJ-T/FOLD ADJ-T/ADJ-P	CT 36-8A ADJ-T/ADJ-P	CT 36-8A-V ADJ-T/ADJ-P
Grease for blade shafts and blade pitch cable	Shell Gadus S2 or equivalent	Shell Gadus S2 or equivalent	Shell Gadus S2 or equivalent
Gearbox oil	ISO 460 Gear oil	ISO 460 Gear oil	ISO 460 Gear oil

For further information and questions about the specific engines, refer to the engine manual or the web site of the engine manufacturer.

Noise emissions	CT 36-5A	CT 36-8A	CT 36-8A-V
Sound power level L_w measured, dB(A) rel 1pW ²	103	109	109
Sound pressure level L_p at the operators ear, dB(A) ³	89	95	95

Vibration levels ⁴	CT 36-5A	CT 36-8A	CT 36-8A-V
Vibration, three axes values, level a_n , m/s ²	5.0	4.3	4.0

Technical data, CT 48A/A-V

	CT 48-8A T/ADJ-T/ADJ-P	CT 48-13A ADJ-P	CT 48-13A-V ADJ-T/ADJ-P
Weight with empty tanks, kg/lb	105/231	113/249	121/266
Engine brand, type	Honda, GX 240	Honda, GX 390	Honda, GX 390
Engine power, kW/hp @rpm ⁵	5.9/7.9 @3600	8.7/11.7 @3600	8.7/11.7 @3600
Engine idle speed, rpm	1400 ±100	1400 ±100	1400 ±100
Blade speed, rpm	60–125	60–125	25–200
Blade pitch, °	0–30	0–30	0–30
Clutch engagement, rpm	1850	1850	2000
Clutch type	Centrifugal clutch	Centrifugal clutch	CVT
Type of handle	T: Not adjustable ADJ-T/ADJ-P: Adjustable handle height	Adjustable handle height	Adjustable handle height

² Measured sound power level L_w according to EN 12649, EN ISO 3744. Uncertainty K_{WA} 2.5 dB(A).

³ Sound pressure level L_p according to EN 12649, EN ISO 6081. Uncertainty K_{pA} 2.5 dB(A).

⁴ **Vibration value determined according to EN 12649. Reported data for vibration level has a typical statistical dispersion (standard deviation) of 1.5 m/s².**

⁵ As specified by the engine manufacturer. The power rating of the engine indicated is the average net output (at specified rpm) of a typical production engine for the engine model measured to SAE standard J1349/ISO1585. Mass production engines may differ from this value. Actual power output for the engine installed on the final product will depend on the operating speed, environmental conditions and other values.

	CT 48-8A T/ADJ-T/ADJ-P	CT 48-13A ADJ-P	CT 48-13A-V ADJ-T/ADJ-P
Type of blade pitch adjustment	T: Twist pitch P: Pro-Shift®	Pro-Shift®	T: Twist pitch P: Pro-Shift®
Type of blade arms	Bolt-on	Bolt-on	Bolt-on
Quantity of blades	4	4	4
Fuel tank capacity, l/qts	5.3/5.6	6.1/6.4	6.1/6.4
Oil tank capacity, l/qts	0.6/0.63	1.1/1.16	1.1/1.16
Fuel consumption, l/h or qts/h	2.2 or 2.3	3.5 or 3.7	3.5 or 3.7
Gearbox oil capacity, l/qts	0.62/0.66	0.62/0.66	0.62/0.66
Fuel	Unleaded gasoline, max. 10% ethanol	Unleaded gasoline, max. 10% ethanol	Unleaded gasoline, max. 10% ethanol
Engine oil	SAE 10W-30, API Class SG or SF	SAE 10W-30, API Class SG or SF	SAE 10W-30, API Class SG or SF
Grease for blade shafts and blade pitch cable	Shell Gadus S2 or equivalent	Shell Gadus S2 or equivalent	Shell Gadus S2 or equivalent
Gearbox oil	ISO 460 Gear oil	ISO 460 Gear oil	ISO 460 Gear oil

For further information and questions about the specific engines, refer to the engine manual or the web site of the engine manufacturer.

Noise emissions	CT 48-8A	CT 48-11A	CT 48-13A-V
Sound power level L_w measured, dB(A) rel 1pW ⁶	109	113	115
Sound pressure level L_p at the operators ear, dB(A) ⁷	95	96	98

Vibration levels ⁸	CT 48-8A	CT 48-11A	CT 48-13A-V
Vibration, three axes values, level a_{h1} , m/s ²	3.1	4.1	4.1

Noise and vibration declaration statement

These declared values were obtained by laboratory type testing in accordance with the stated directive or standards and are suitable for comparison with the declared values of other products tested in accordance with the same directive or standards. These declared values are not suitable for use in risk assessments and values measured in individual work places may be higher. The actual exposure values and risk of

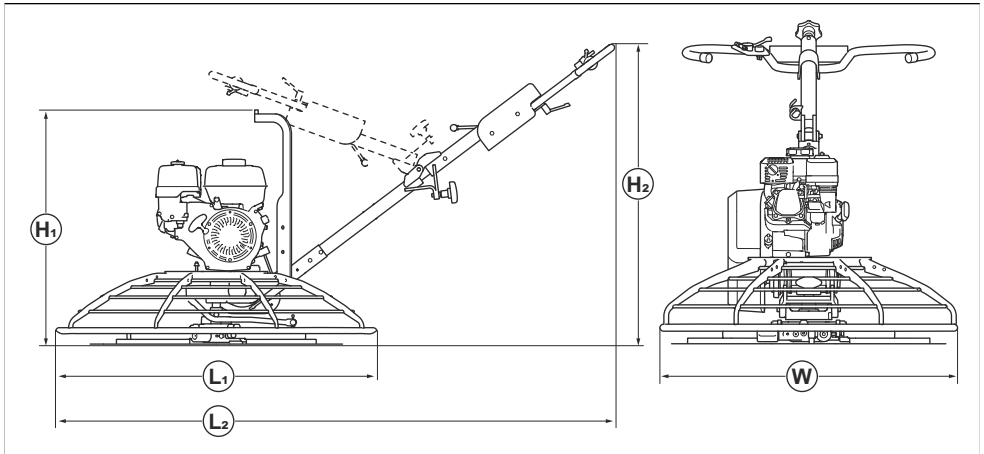
harm experienced by an individual user are unique and depend upon the way the user works, in what material the product is used, as well as upon the exposure time and the physical condition of the user, and the condition of the product.

⁶ Measured sound power level L_w according to EN 12649, EN ISO 3744. Uncertainty K_{wA} 2.5 dB(A).

⁷ Sound pressure level L_p according to EN 12649, EN ISO 6081. Uncertainty K_{pA} 2.5 dB(A).

⁸ **Vibration value determined according to EN 12649. Reported data for vibration level has a typical statistical dispersion (standard deviation) of 1.5 m/s².**

Product dimensions



	Handle not included	Handle included
Model	$L_1 \times W \times H_1$ mm/in.	$L_2 \times W \times H_2$ mm/in.
CT 36-5A Adjustable T-handle	943×943×748/37×37×29	2038×943×1004/80×37×40
CT 36-5A Adjustable P-handle	943×943×748/37×37×29	2038×943×973/80×37×38
CT 36-8A, CT 36-8A-V Adjustable T-handle	943×943×748/37×37×29	2038×943×1004/80×37×40
CT 36-8A, CT 36-8A-V Adjustable P-handle	943×943×748/37×37×29	2038×943×973/80×37×38
CT 48-8A Adjustable T-handle	1206×1206×799/47×47×31	2170×1206×1024/85×47×40
CT 48-8A Adjustable P-handle	1206×1206×799/47×47×31	2170×1206×990/85×47×39
CT 48-13A-V Adjustable T-handle	1206×1206×799/47×47×31	2160×1220×1040/85×48×41
CT 48-13A-V Adjustable P-handle	1206×1206×799/47×47×31	2170×1206×990/85×47×39

Accessories

Blade type	Intended use	Description
Floating disc	Floating operation	<ul style="list-style-type: none">• Flat.• Attached on finish blades or combination blades.
Floating blade	Floating operation	<ul style="list-style-type: none">• Flat, no blade pitch.• Attached on finish blades or combination blades.
Combination blade	Floating operation and troweling operation	<ul style="list-style-type: none">• Replaces the other blade types.• Cannot be used together with finish blades or floating blades.
Finish blade	Troweling operation	<ul style="list-style-type: none">• Small to maximum blade pitch.• Symmetrical, flat on all edges.

Declaration of Conformity

EU Declaration of Conformity

We, **Husqvarna AB**, SE-561 82 Huskvarna, Sweden, tel:
+46-36-146500, declare on our sole responsibility that
the product:

Description	Concrete Smoothing Machine, Trowel
Brand	Husqvarna
Type/Model	CT 36-5A, CT 36-8A, CT 36-8A-V, CT 48-8A, CT 48-13A, CT 48-13A-V
Identification	Serial numbers dating from 2022 and onwards

complies fully with the following EU directives and
regulations:

Directive/Regulation	Description
2006/42/EC	"relating to machinery"
2014/30/EU	"relating to electromagnetic compatibility"

and that the following harmonized standards and/or
technical specifications are applied;

EN ISO 12100:2010

EN 12649:2008+A1:2011

Partille, 2022-05-16



Martin Huber

R&D Director, Concrete Surfaces & Floors

Husqvarna AB, Construction Division

Responsible for technical documentation



UK Declaration of Conformity

We, **Husqvarna AB**, SE-561 82 Huskvarna, Sweden, tel: +46-36-146500, declare on our sole responsibility that the product:

Description	Concrete Smoothing Machine, Trowel
Brand	Husqvarna
Type/Model	CT 36-5A, CT 36-8A, CT 36-8A-V, CT 48-8A, CT 48-13A, CT 48-13A-V
Identification	Serial numbers dating from 2022 and onwards

complies fully with the following UK regulations:

Description
The Supply of Machinery (Safety) Regulations 2008
Electromagnetic Compatibility Regulations 2016

and that the following standards and/or technical specifications are applied;

EN ISO 12100:2010

EN 12649:2008+A1:2011

Partille, 2022-05-16



Martin Huber

R&D Director, Concrete Surfaces & Floors

Husqvarna AB, Construction Division

Responsible for technical documentation

**UK
CA**

UK Importer:

Husqvarna UK Ltd

Preston Road, Co. Durham

DL5 6UP



www.husqvarnaconstruction.com

Original instructions



1142155-26



2023-02-24