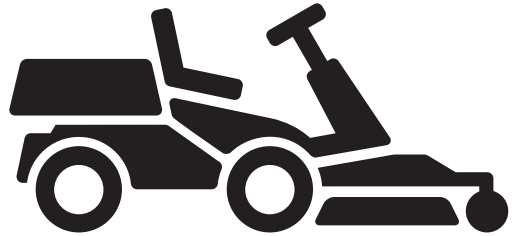




# Husqvarna®



## R 112iC

EN	Operator's manual	2-34
ES	Manual de usuario	35-69
PT	Manual do utilizador	70-104
IT	Manuale dell'operatore	105-140

---

## Contents

---

Introduction.....	2	Troubleshooting.....	25
Safety.....	6	Transportation, storage and disposal.....	28
Assembly.....	16	Technical data.....	30
Operation.....	17	Service.....	32
Maintenance.....	21	Declaration of Conformity.....	33

---

## Introduction

---

### Pre-delivery inspection and product numbers

---

**Note:** A pre-delivery inspection has been done of this product. Make sure that you receive a signed copy of the pre-delivery inspection document from your dealer.

---

Service agent contact information:	
This operator's manual belongs to product with product number / serial number:	
/	
Motor:	

### Product description

The product is a ride-on lawn mower. Forward and reverse pedals let the operator adjust the speed steplessly. The product is used with a 2-in-1 cutting deck with mulch plug.

### Intended use

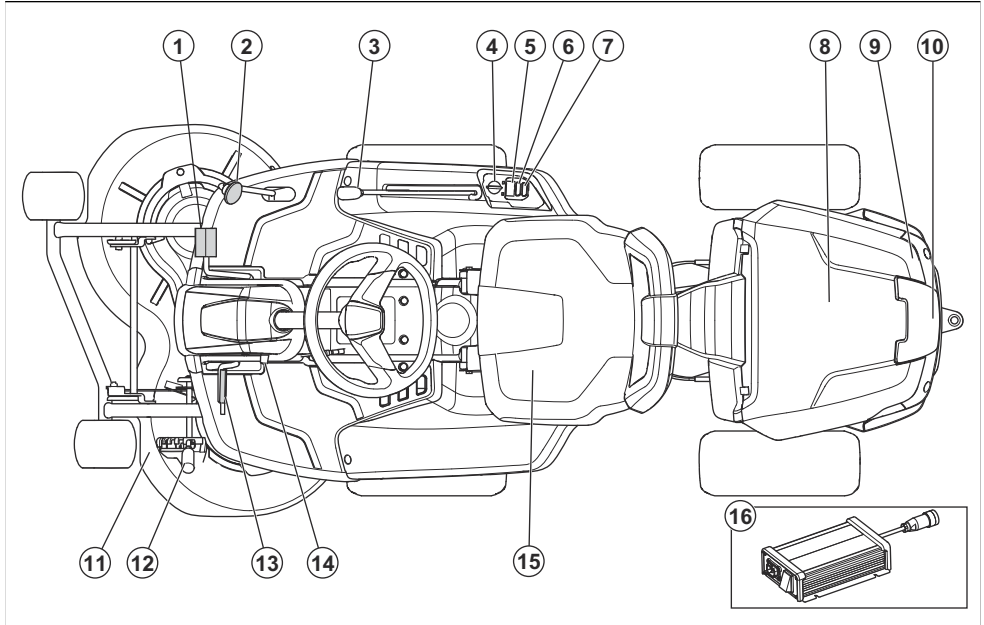
The product is made to cut grass on open and level ground in residential areas and gardens. Attach an

optional accessory to use the product for other tasks. Speak to your Husqvarna dealer for more information about which accessories that are available.

### Insure your product

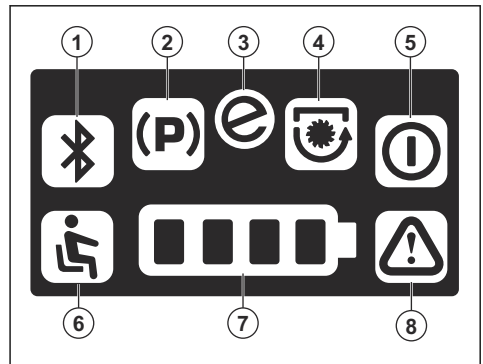
Make sure that you have insurance coverage for your new product. Speak to your insurance company if you are not sure. We recommend a fully comprehensive insurance that includes third party, fire, damage, theft and liability.

## Product overview



1. Forward pedal
2. Rearward pedal
3. Lift lever for the cutting deck
4. Power switch
5. Display
6. Start button
7. SavE function
8. Battery cover
9. Type plate
10. Socket for the battery charger
11. Cutting deck
12. Cutting height lever
13. Parking brake pedal
14. Lock button for parking brake
15. Seat
16. Battery charger

## Display overview



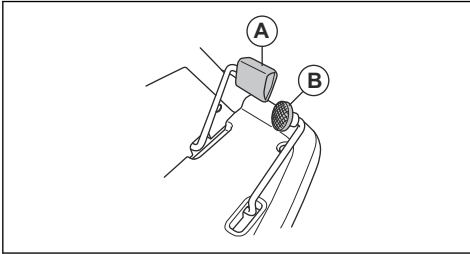
1. Not used in this product
2. Parking brake indicator
3. SavE indicator
4. Blades engaged indicator
5. Standby indicator
6. Operator presence control (OPC)
7. Battery level indicator
8. Warning indicator

## Operator presence control (OPC)

The OPC sets the product in safe mode when the operator lifts from the seat. The motor stop and the blade motors stop if the blades are engaged. Refer to *To do a check of the operation conditions on page 13*.

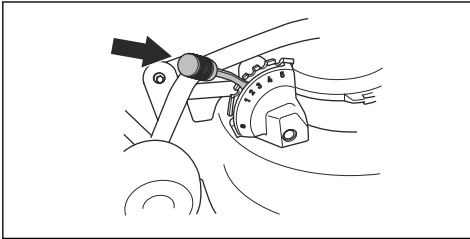
## Forward and rearward pedals

The speed is gradually adjusted with 2 pedals. The left pedal (A) is used to move forward, and the right pedal (B) is used to move rearward. The product stops when the pedals are released.

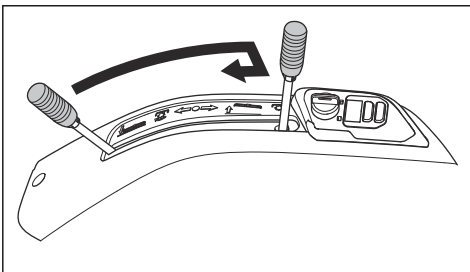


## Cutting height lever

The cutting height is adjusted in 5 (1–5) different positions.



**Note:** Lift the cutting deck before you adjust the cutting height.



## Symbols on the product



**WARNING:** This product can be dangerous and cause serious injury or death to the operator or others. Be careful and use the product correctly.



Read the operator's manual carefully and make sure that you understand the instructions before use.



Rotating blades. Keep body parts away from the cover when the motor is on.



Warning: Keep body parts away from rotating parts.



Look out for thrown objects and ricochets.



Do not use the product if persons, especially children, or animals, are near the product.



Look behind you before and while you move the product in reverse.



Do not cut grass across a slope. Do not cut grass on ground with a slope larger than 10°. Refer to *To cut grass on slopes on page 10*.



Do not let other persons than the operator sit on the product. Do not let persons sit on the equipment.



Operate the product very slowly if no cutting deck is attached.



Move forward.

**N**

Neutral gear.



Move rearward.



Battery status.



Seat switch.



Standby mode indication.

**START**

Start the motor.



SavE function.



Parking brake.



The product agrees with the applicable EC directives.



This product conforms to the applicable UK regulations.



Noise emission to the environment label as per EU and UK directives and regulations, and New South Wales legislation "Protection of the Environment Operations (Noise Control) Regulation 2017". The guaranteed sound power level of the product is specified in *Technical data on page 30* and on the label.



Always use approved hearing protection.



The blades are engaged.



The blades are disengaged.



Servicing position for the cutting deck.



Operation position for the cutting deck.



Cutting height.



**Environmental mark.** The product or package of the product is not domestic waste. Recycle it at a recycling station for electrical and electronic equipment.



Scannable code

yyyyywwxxxx

The rating plate shows serial number. **yyyyy** is the production year and **ww** is the production week.

---

**Note:** Other symbols/decals on the product refer to certification requirements for some commercial areas.

---

## Product liability

As referred to in the product liability laws, we are not liable for damages that our product causes if:

- the product is incorrectly repaired.
- the product is repaired with parts that are not from the manufacturer or not approved by the manufacturer.
- the product has an accessory that is not from the manufacturer or not approved by the manufacturer.
- the product is not repaired at an approved service center or by an approved authority.

---

## Safety

---

### Safety definitions

Warnings, cautions and notes are used to point out specially important parts of the manual.



**WARNING:** Used if there is a risk of injury or death for the operator or bystanders if the instructions in the manual are not obeyed.

---



**CAUTION:** Used if there is a risk of damage to the product, other materials or the adjacent area if the instructions in the manual are not obeyed.

---

**Note:** Used to give more information that is necessary in a given situation.

---

### General safety instructions



**WARNING:** This product can cut off hands and feet and throw objects. Serious injury or death may occur if you do not obey the safety instructions.

---



**WARNING:** Do not continue to use a product with damaged cutting equipment. Damaged cutting equipment can throw objects and cause serious injury or death. Replace damaged blades immediately.

---



**WARNING:** This product produces an electromagnetic field during operation. This field may under some circumstances interfere with active or passive medical implants. To reduce the risk of serious or fatal injury we recommend persons with medical implants to consult their physician and the medical implant manufacturer before operating this product.

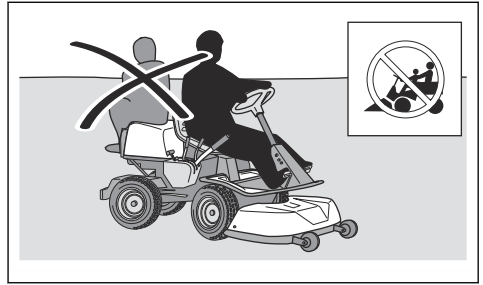
---



**WARNING:** Read the warning instructions that follow before you use the product.

---

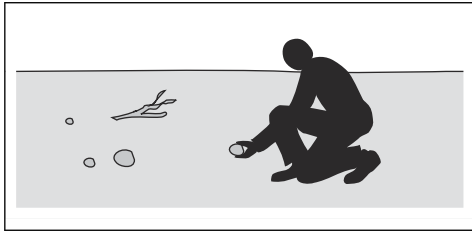
- Always be careful and use your common sense. Avoid all situations which you consider to be beyond your capability. If you feel uncertainty about the operating procedures after you read the operator's manual, consult an expert before you continue.
- Read and understand the operator's manual and the instructions on the product carefully before you start the product.
- Learn how to use the product and its controls safely and learn how to stop the product quickly.
- Learn to recognize the safety decals.
- Keep the product clean to make sure that you can clearly read signs and stickers.
- Keep in mind that the operator will be held responsible for accidents that involve other persons or their property.
- Do not transport passengers. The product must only be used by one person.



- Do not let the product stay unsupervised with the power on. Always stop the blades, apply the parking brake, stop the motor and remove the key to the power switch before you let the product stay unsupervised.
- Only use the product in daylight or in other well-lit conditions. Keep the product at a safe distance from holes or other irregularities in the ground. Look out for other possible risks.
- Do not use the product in bad weather, for example in fog, in rain, moist or in wet locations, strong winds, intense cold, risk of lightning, etc.
- Find and mark stones and other fixed objects to prevent collision.
- Clear the area of objects such as stones, toys, wires, etc.

that may become caught in the blades and be thrown out.

## Safety instructions regarding children



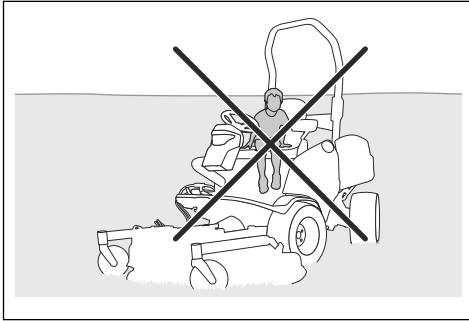
**WARNING:** Read the warning instructions that follow before you use the product.

- Do not let children or other persons not approved for operation of the product to use or do servicing on it. Local laws may regulate the age of the user.
  - Make sure that nobody else is in the vicinity of the product when you start the motor, engage the drive or start to move the product.
  - Keep an eye on the traffic when you mow near a road or move across a road.
  - Do not use the product if you are fatigued, while under the influence of alcohol or drugs, medicine or anything that can have a negative effect on your vision, alertness, coordination or judgement.
  - Always park the product on a level surface with the power off.
- Serious accidents can occur if you are not on your guard for children in the vicinity of the product. Children may come near the product when you do not see them. It is very possible that children do not stay where you last saw them.
  - Keep children away from the area to be mowed. Make sure that an adult is responsible for the children.
  - Keep an eye out and stop the product if children enter the work area. Be very careful near corners, bushes, trees or other objects that prevents a clear view.
  - Before and while you move the product in reverse, look behind you and look down to make sure there are no small children in the vicinity of the product.
  - Do not let children ride along. They can fall off and get seriously injured or prevent



safe maneuvering of the product.

- Do not let children operate the product.



## Battery safety



**WARNING:** Read the warning instructions that follow before you use the product.

### General:

- Read all safety warnings and all instructions. Failure to follow the warnings and instructions may result in electric shock and fire and/or serious injury.
- Regular check that the batteries are intact. Damaged or modified batteries may exhibit unpredictable behavior resulting in fire, explosion or risk of injury. Never repair or open damaged batteries.
- A damaged battery can cause an explosion and cause injury. If the battery has a deformation or is damaged, do not use the product and speak to an approved Husqvarna service agent.
- Do not dismantle, open or shred batteries.
- Do not subject batteries to mechanical shock.
- Do not expose cells or batteries to heat or fire. Avoid storage in direct sunlight.
- Do not short circuit batteries. Do not keep batteries in storage where they can short circuit each other or be short circuited by other metal objects.
- Do not allow battery content to come in contact with the skin or eyes. If contact has been made, wash the affected area with copious amounts of water and seek medical advice.
- Do not use any battery which is not designed for use with the equipment.
- Do not mix cells of different manufacture, capacity, size or type within a device.
- Keep cells or batteries out of the reach of children.
- Keep the battery clean and dry.

- Use only the battery in the application for which it was intended.

### 48 V batteries:

- The Husqvarna 48 V batteries, are exclusively used as power supply for the Husqvarna battery Riders. To avoid injury, the battery must not be used as a power source for other devices.
- Never use batteries or appliances that is faulty, modified or damaged.
- Never attempt to modify or repair the appliances or the batteries. Entrust all repairs to your authorized servicing dealer only.

### Safety instructions for operation



**WARNING:** Read the warning instructions that follow before you use the product.

- Always look down and behind you before and while you move in reverse. Look out for large and small obstacles.
- Decrease the speed before you turn around a corner.
- Stop the blades when you move across areas that you do not cut.



**CAUTION:** Read the caution instructions that follow before you use the product.

- Move around stones and other larger objects carefully and make sure that the blades do not hit the objects.
- Do not operate the product across objects. Stop and examine the product and cutting deck if you operate the product across or into an object. If it is necessary, make repairs before you restart.

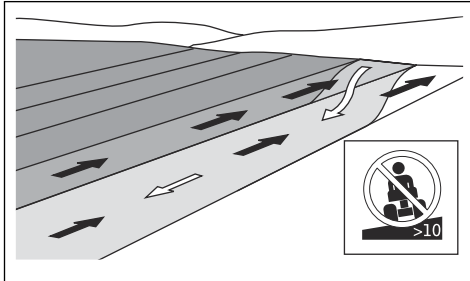
### To cut grass on slopes



**WARNING:** Read the warning instructions that follow before you use the product.

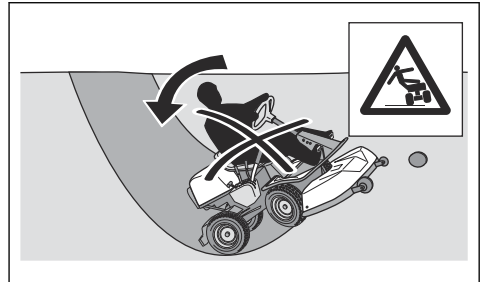
- To cut grass on slopes increases the risk that you can not control the product and that it overturns. This can cause injury or death. It is necessary to cut the grass carefully on all slopes. If you cannot reverse up a slope or if you do not feel safe, do not cut it.
- Remove stones, branches and other obstacles.

- Cut up and down the slope, not from side to side.
- Do not move down a slope with the cutting deck lifted.
- Do not operate the product on ground that slopes more than 10°.



- Do not start or stop on a slope.
- Do not use the forward pedal and the rearward pedal to stay in a slope. This will make the system too hot.
- Move smoothly and slowly on slopes.
- Do not make sudden changes in speed or direction.
- Do not turn more than necessary. Turn slowly and gradually when you move down a slope. Move at low speed. Turn the wheel carefully.
- Look out for and do not move across furrows, holes and bumps. There is a higher risk that the product overturns on ground that is not flat. Long grass can hide obstacles.

- Do not cut grass near edges, ditches or banks. The product can suddenly overturn if a wheel moves across the edge of a steep slope or a ditch, or if an edge gives way. If the product falls into water, there is a risk of drowning.

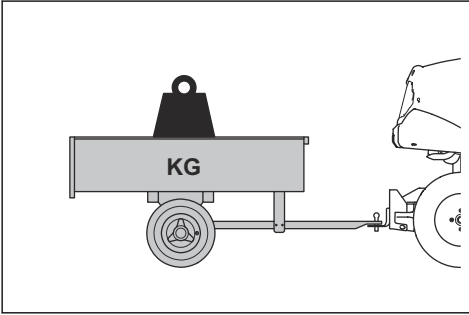


- Do not mow wet grass. It is slippery, and tires can lose their grip so that the product skids.
- Do not put your foot on the ground to try to make the product more stable.
- Move very carefully if an accessory or other object is attached that can make the product less stable.

### Tow safety

- Only use tow equipment approved by Husqvarna.
- Use the tow bar to attach the equipment.
- Do not tow equipment that is heavier than the maximum permitted tow equipment

weight. Refer to *Technical data on page 30*.



- Make sure that no other persons are near the product when you tow equipment.
- Be careful when you tow equipment on slopes or rough ground.
- Operate the product at low speed when you tow equipment.

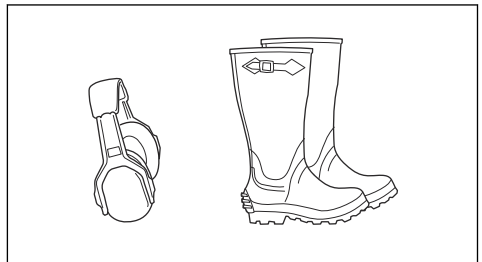
## Personal protective equipment



**WARNING:** Read the warning instructions that follow before you use the product.

- Use approved personal protective equipment when you use the product. Personal protective equipment cannot fully prevent injury but it decreases the degree of injury if an accident does occur. Let your dealer help you select the right equipment.

- Use approved hearing protection that provides adequate noise reduction. Long-term exposure to noise can result in permanent hearing impairment. Husqvarna recommends that operators use hearing protectors when using products for a longer coherent time of a day. Continual and regular users should have their hearing checked regularly. Note that hearing protectors limit the ability to hear sounds and warning signals.
- Always wear protective shoes or protective boots. Steel toes are recommended. Do not use the product barefoot.



- Wear gloves when necessary, for example when you attach, examine or clean the cutting equipment.
- Do not wear loose-fitting clothing, jewelry or other items that can get caught in moving parts.

- Keep first aid equipment and fire extinguisher close at hand.

## Safety devices on the product

---



**WARNING:** Read the warning instructions that follow before you use the product.

---

- Do not use a product with safety devices that are damaged or do not operate correctly.
- Do not remove or make modifications to safety devices.
- Do a check of the safety devices regularly. If the safety devices are damaged or do not operate correctly, speak to your Husqvarna service agent.

## To do a check of the power switch

- Disconnect the battery charge cable.
- Turn the power switch to "1". Make sure that all the used LED lights on the display comes on.
- Apply the parking brake.

- Turn the power switch to "0". Make sure that the product stops immediately and the LED lights on the display goes off.

## To do a check of the operation conditions

Do a check of the operation conditions daily.

1. Make sure that you cannot operate the product when the cutting deck is installed and the cutting deck lever is in the mow position.
2. Make sure that you cannot operate the product when the parking brake is disengaged.
3. Make sure that the product stops when the cutting deck motors are engaged and you lift from the seat.

## To do a check of the forward pedal and rearward pedal

1. Start the product. Refer to *To start the product on page 19*.
2. Make sure that the forward pedal and rearward pedal are not blocked and can be operated freely.

3. Push the forward pedal carefully to move forward.
4. Release the forward pedal to brake. Make sure that the brake engages when the forward pedal is released.

---

**Note:** The product has an automatic brake that engages when you release the pedals. For more brake power when you decrease the speed, push the other pedal.

---

5. Do the same procedure for the rearward pedal.

## Parking brake



**WARNING:** If the parking brake does not operate correctly, the product can start to move and cause injury or damage. Make sure that the parking brake is regularly examined and adjusted.

---

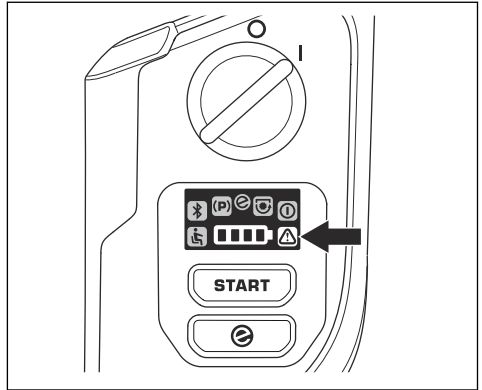
Refer to *To do a check of the parking brake on page 23.*

## Warning indicator on the display



**CAUTION:** If the warning indicator on the display comes on, stop the product and refer to *Troubleshooting on page 25.*

---



## Protective covers

Missing or damaged protective covers increase the risk of injury on moving parts and hot surfaces. Do a check of the protective covers before you operate the product. Make sure that the protective covers are correctly attached and do not have cracks or other damages. Replace damaged protective covers.

## Safety instructions for maintenance



**WARNING:** The product is heavy and can cause injury or damage to property or the adjacent area. Do not do maintenance on the product and cutting deck without these conditions:

- The power switch is off and the key to

the power switch is removed.

- The product is parked on a level surface.
- The parking brake is applied.
- The cutting deck is disengaged.
- The cable to the battery charger is disconnected.



**WARNING:** Read the warning instructions that follow before you use the product.

---

- For best performance and safety, do maintenance on the product regularly as given in the maintenance schedule. Refer to *Maintenance schedule on page 21*.
- Electrical shocks can cause injuries. Do not do maintenance on the battery. Do not touch the cables when the motor is on. Do not do a function test with your fingers.
- Do not start the product if the protective covers are removed. There is a high risk of injury caused by moving or hot parts.

- Let the product become cool before you do maintenance on it.
- The blades are sharp and can cause cuts. Wind protection around the blades or use protective gloves when you do work on the blades.
- Always put the cutting deck in the servicing position to clean it. Do not park the product near the edge of a ditch or slope to get access to the cutting deck.



**CAUTION:** Read the caution instructions that follow before you use the product.

---

- Make sure that all nuts and bolts are tightened correctly and that the equipment is in good condition.
- Do not change the adjustment of governors. If the motor speed is too high, the product components can become damaged. Refer to *Technical data on page 30* for highest permitted motor speed.
- The product is approved only with the equipment supplied or recommended by the manufacturer.

# Assembly

## Introduction

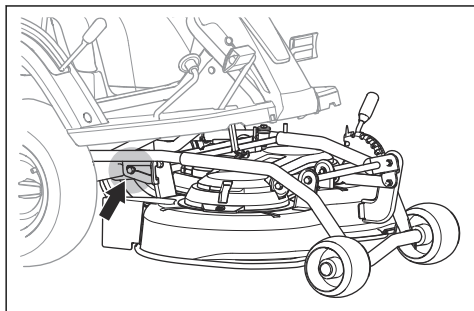


**WARNING:** The drive belt tension spring can break and cause injury. Wear protective glasses when you attach or remove the cutting deck.

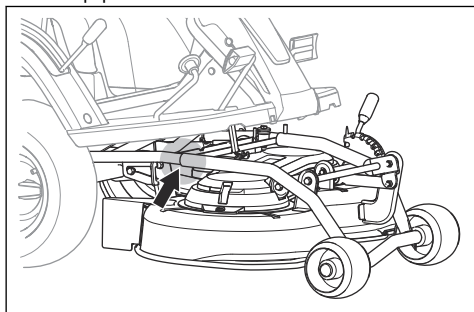
Read the assembly instructions in the owner's manual carefully. A label on the inner side of the front cover on the product, also shows how to attach and remove the cutting deck.

## To attach the cutting deck

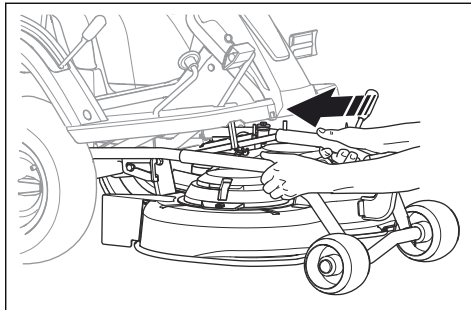
1. Park the product on level ground.
2. Apply the parking brake.
3. Push the cutting deck in and make sure that the bolts are put into the grooves on the equipment frame.



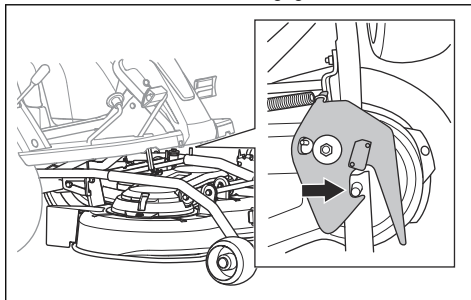
4. Align the pipes on the cutting deck with the pipes on the equipment frame.



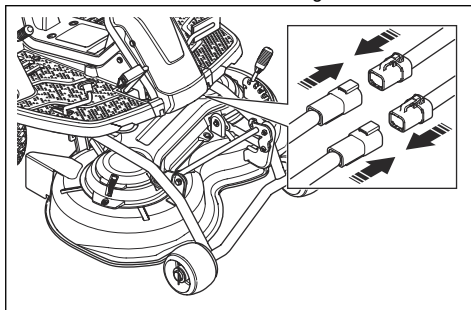
5. Hold the cutting deck with two hands and push it in.



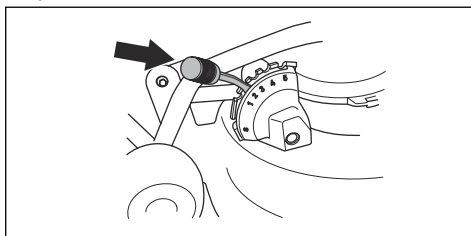
6. Push until the pipes and the bolts touch the bottom. Make sure that the lock is engaged.



7. Connect the 2 cables to the cutting deck.



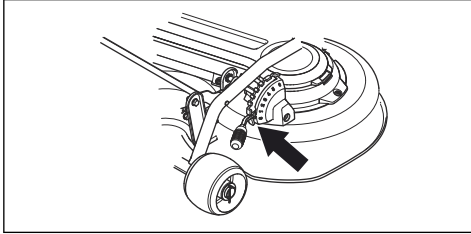
8. Set the cutting height lever in a position between 1-5.



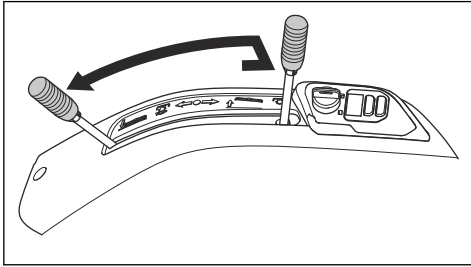


## To remove the cutting deck

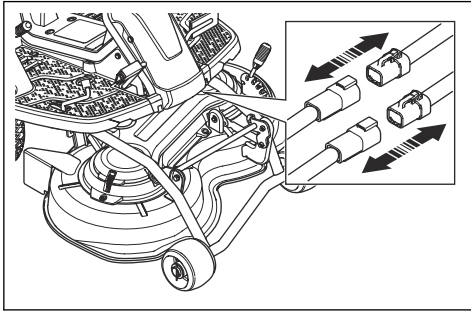
1. Park the product on level ground.
2. Apply the parking brake.
3. Set the cutting height lever in the servicing position (S).



4. Put the lift lever for the cutting deck in operation position.

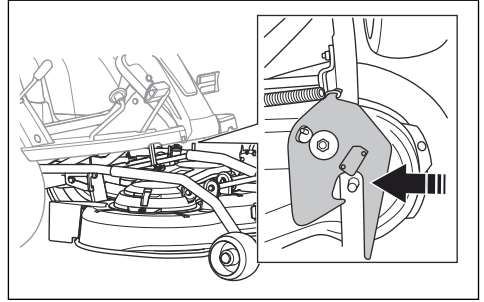


5. Disconnect the 2 cables to the cutting deck.



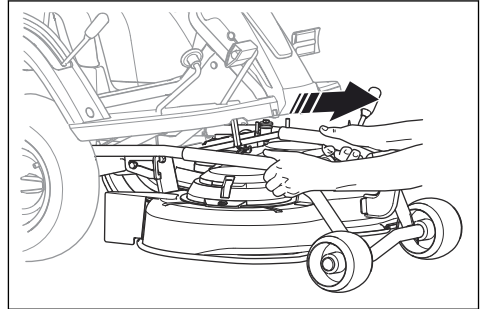
**CAUTION:** Hold the connectors. Do not pull the cables.

6. Disengage the lock to the cutting deck.

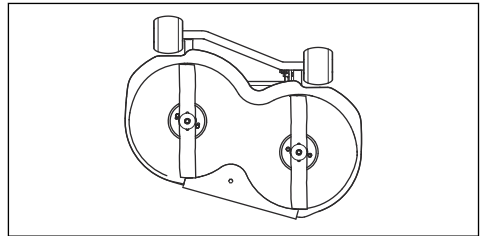


**WARNING:** The lock mechanism can cause injury to fingers if you do not operate it carefully.

7. Hold the cutting deck with two hands and pull it out.



8. Lift the cutting deck and put it against the product or a wall.



## Operation

### Introduction



**WARNING:** Before you operate the product, you must read and understand the safety chapter.

### To charge the battery



**WARNING:** An incorrectly used, broken or a damaged battery charger can cause an electrical shock, overheating or battery

leakage. Regularly examine the battery charger and the battery for damages.



**CAUTION:** The battery must be charged before you use it the first time. A new battery is only 30% charged.

**Note:** The 48 V battery in the product can go into sleep mode when the battery level is very low or when the product is in storage. To start the battery, push the start button for 2 seconds. If the battery does not start, charge the battery continuously until it is fully charged. The charging time is longer when the battery is in sleep mode.

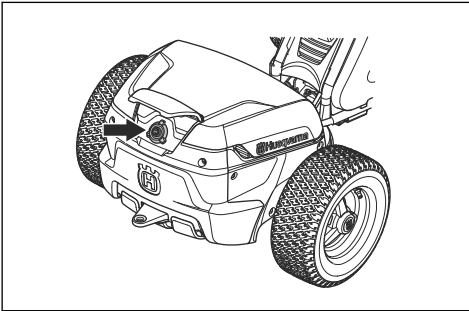


**CAUTION:** Charge the battery in conditions where temperatures are between 0°C and 40°C.



**CAUTION:** Use the battery in conditions where temperatures are between 0°C and 40°C.

- Connect the battery charger to a grounded mains socket and to the product.



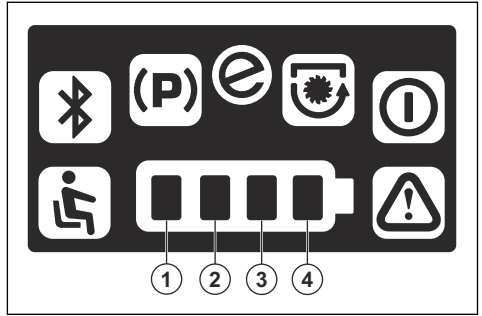
**Note:** The product must be started to show the state of charge.



**CAUTION:** Do not keep the battery charger connected when the battery is fully charged.

## Battery indication

The battery indicator on the display shows the state of charge when the product is activated. When the charger is connected and the product is activated the display shows a charge animation. When battery is fully charged and the charger is connected, all 4 battery LED lights are solid.



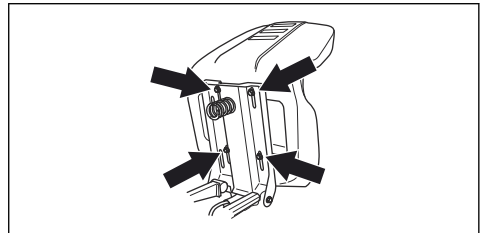
LED lights	State of charge
All 4 LED lights are solid.	The battery is 76%–100% charged.
LED light 1–3 are solid.	The battery is 51%–76% charged.
LED light 1–2 are solid.	The battery is 26%–51% charged.
LED light 1 is solid.	The battery is 0%–25% charged.

When the battery is low, the first LED light flashes and the blades stop to save power. If the product has 0% battery, the first LED light and the warning indicator flash together.

**Note:** If the product is used in cold conditions the operation time can be decreased.

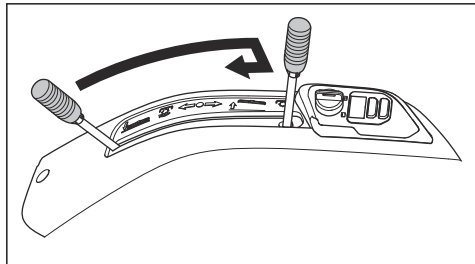
## To adjust the seat

- The seat can be tilted forward.
- To adjust the seat forward and rearward, loosen the bolts below the seat. Move the seat to the required position and tighten the bolts.

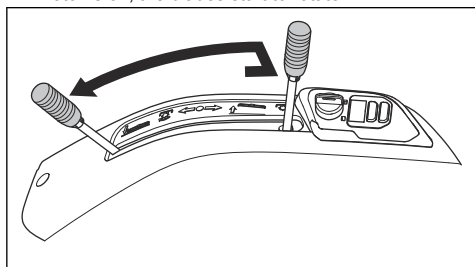


## To lift and lower the cutting deck

- To lift the cutting deck to transport position, pull the lift lever rearward. If the motor is on, the blades stop.



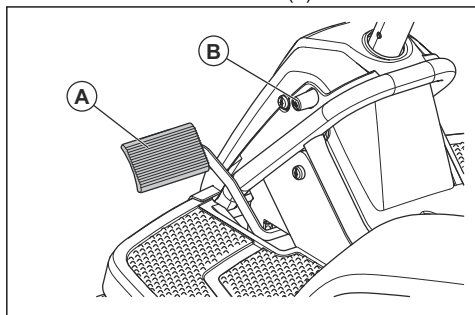
- To lower the cutting deck to mow position, push the lock button and move the lift lever forward. If the motor is on, the blades start to rotate.



## To apply and release the parking brake

The parking brake pedal and the lock button for the parking brake is on the left side of the steering column.

- Push the parking brake pedal down (A).
- Push and hold the lock button (B).



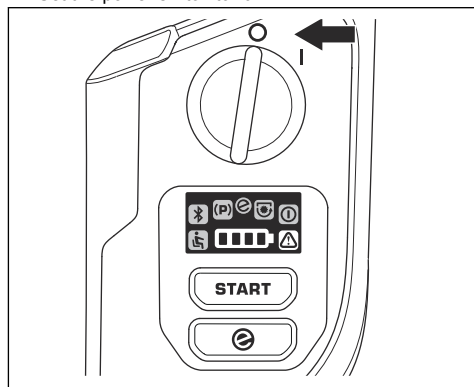
- Keep the lock button pushed and release the parking brake pedal.
- To release the parking brake, push the parking brake pedal again.

## To move the product manually

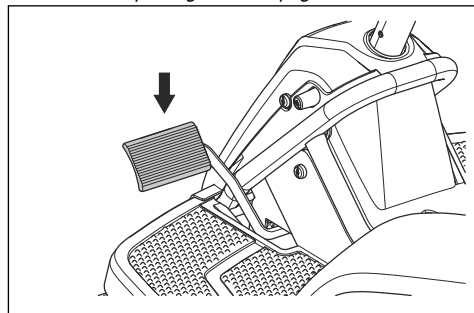


**CAUTION:** Do not push the product at a speed higher than 6 km/h. Do not push the product longer than necessary.

- Set the power switch to "0".



- Release the parking brake. Refer to *To apply and release the parking brake on page 19*.

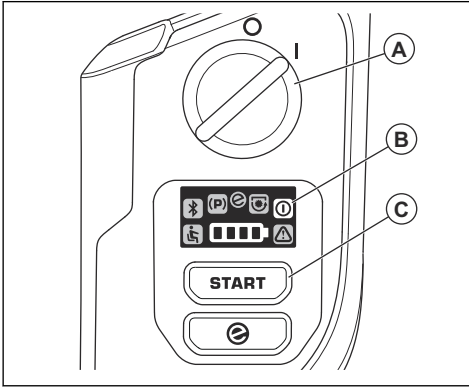


- Push the product.

## To start the product

- Disconnect the cable to the battery charger.
- Sit on the seat.
- Engage the parking brake. Refer to *To apply and release the parking brake on page 19*.
- Lift the cutting deck to transport position. Refer to *To lift and lower the cutting deck on page 19*.

- Set the power switch to "1" (A). The standby indicator (B) comes on.

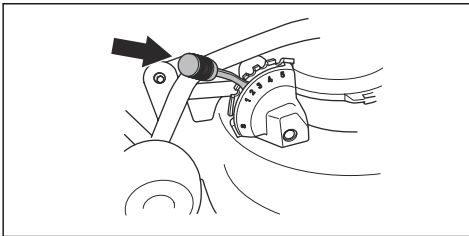


**Note:** The 48 V battery in the product can go into sleep mode when the battery level is very low or when the product is in storage. To start the battery, push the start button for 2 seconds. If the battery does not start, charge the battery continuously until it is fully charged. The charging time is longer when the battery is in sleep mode.

- Long press the start button (C). The standby indicator light goes out.

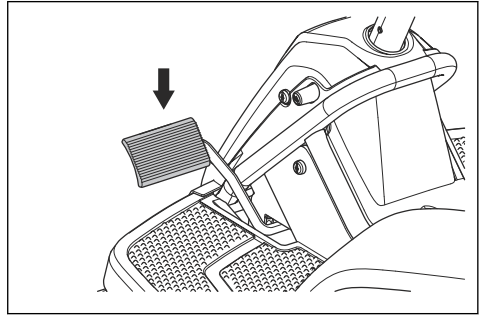
## To operate the product

- Select cutting height (1–5) with the cutting height lever.

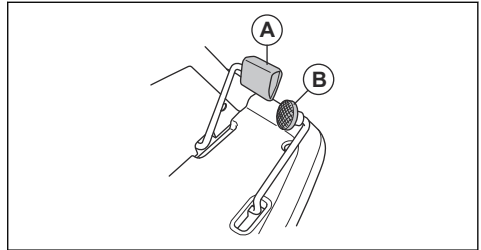


- Start the product.

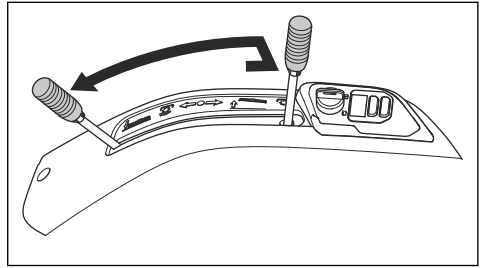
- Push the parking brake pedal down and then release it to disengage the parking brake.



- Carefully push down 1 pedal. Use pedal (A) to move forward, and pedal (B) to move in reverse. The speed increases the more the pedal is pushed down.



- Release the pedal to engage the brakes.
- Lower the cutting deck.



## To start and stop the SavE function

The product has a battery save function (SavE) that gives longer operation time. The SavE function decreases the speed of the product and the speed of the blades.

- Long press the SavE button.

**Note:** The SavE indicator comes on with a constant green light when the function is started.

- Long press the SavE button again to stop the SavE function.

## To stop the product

1. Park the product on level ground.
2. Apply the parking brake.
3. Pull the lift lever for the cutting deck rearward to lift the cutting deck to transport position.
4. Set the power switch to "0".

## To get a good result

- Do not cut a wet lawn. Wet grass can give a bad result.

- Start with a high cutting height and decrease it gradually.
- Cut with blades that rotate at high speed (for highest permitted motor speed, refer to *Technical data on page 30*). Move the product forward at low speed. If the grass is not too high and thick, you can get a good result also at a higher speed.
- To get the best result, cut the grass frequently and use the mulch function. Refer to *To remove the mulch plug on page 23*.

# Maintenance

## Introduction



**WARNING:** Read and understand the safety chapter before you do maintenance on the product.

X = The instructions are given in this operator's manual.

O = The instructions are not given in this operator's manual. Let an approved service agent do the maintenance.

**Note:** If more than one time interval is identified in the table, the shortest time interval is for the first maintenance only.

## Maintenance schedule

\* = General maintenance done by the operator. The instructions are not given in this operator's manual.

Maintenance	Daily maintenance before operation	Maintenance interval
		50 hours or one time each year
Make sure all fasteners are properly tensioned (screws, nuts etc).	*	
Clean as given in <i>To clean the product on page 22</i> .	X	
Clean the inner surface of the cutting deck, around the blades.	X	
Make sure that the safety devices on the product operate correctly and are not damaged.	X	
Examine and do a test of the brakes. Refer to <i>To do a check of the forward pedal and rearward pedal on page 13</i> and <i>To do a check of the parking brake on page 23</i> .	X	
Examine the steering cables. Refer to <i>To examine the steering cables on page 23</i> .	X	
Examine the blades in the cutting deck.	X	
Clean the cutting deck and below cutting deck cover.	X	X
Make sure that the tire pressure is correct.	X	X
Connect product to HSH and update the firmware if it is necessary.		O
Charge the battery to a minimum of 80 %. Do a check of the battery status in HSH.		O
Make sure that nuts and screws are tightened to the correct torque.		O
Do an inspection, lubricate and adjust all wires.		O

Maintenance	Daily maintenance before operation	Maintenance interval
		50 hours or one time each year
Do a check of the steering chain of the inner side of the frame tunnel.		○
Lubricate the pedals on the inner side of the frame tunnel.		○
Lubricate the operators seat.		○
Remove the drive wheels and lubricate the axles with grease.		○
Examine and adjust the parking brake.		○
Lubricate the cutting deck frame and the cutting deck presence control.		○
Lubricate the pivot wheels on the cutting deck.		○
Examine the blades. Sharpen and balance the blades if it is necessary.		○
Do a check of and adjust the parallelism of the cutting deck.		○
Do a check of the switches on the cutting deck, lift and parking brake.		○
Do a check of the blade engagement and OPC switch.		○
Do a check of the forward drive and rearward drive on different speeds.		○
Do a check of the pedal sensor system and adjust if it is necessary.		○

## To clean the product



**CAUTION:** Do not use a high-pressure washer or a steam cleaner. Water can go into bearings and electrical connections and cause corrosion which causes damage to the product.

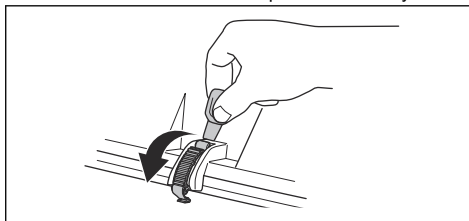
Clean the product immediately after use.

- Before you clean with a wet cloth, clean with a brush. Remove grass cuttings and dirt on and around the propulsion unit and the inlet to the cooling fan of the motor.
- Use a wet cloth to clean the product.
- Do not use water at electrical components or bearings. Detergent usually increases the damage.
- Make sure the battery and battery charger are clean, before the battery is put in the battery charger.
- To clean the cutting deck, remove it and hose it down with water.
- When the product is clean, start the cutting deck for a short period to blow off remaining water.

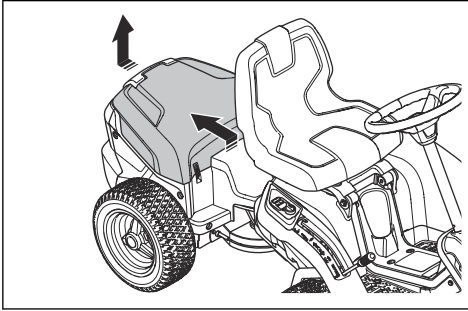
## To remove the covers

### To remove and install the battery cover

1. Release the 2 clips on the front of the battery cover with the tool attached to the power switch key.



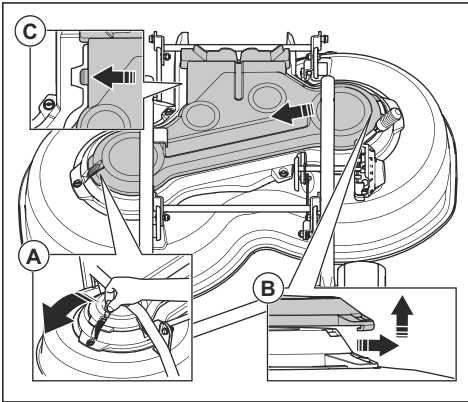
- Lift the front of the battery cover and push it rearward.



- Install in the opposite sequence.

### To remove and install the cutting deck cover

- Release the clip (A) on the cutting deck cover.

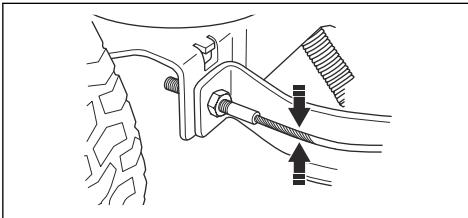


- Remove the cutting deck cover (B).
- Install in the opposite sequence.

**Note:** Make sure that the flange (C) is in the correct position.

### To examine the steering cables

- The steering cables are correctly tightened if you can manually move them 5 mm up or down in the groove on the steering collar.



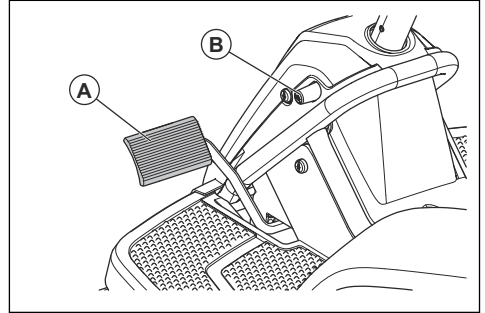
- If the wires are too loose, let an authorized service agent adjust them.

### To do a check of the parking brake

- Park the product on a hard surface that slopes.

**Note:** Do not park the product on a grass slope when you do a check of the parking brake.

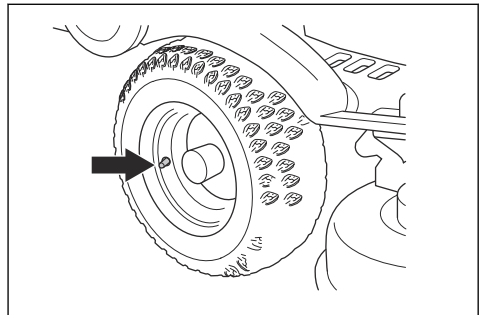
- Push the parking brake pedal down (A).



- Push and hold the lock button (B) and release the parking brake pedal while the button is pushed.
- If the product starts to move, let an approved service agent adjust the parking brake.
- Push the parking brake pedal again to release the parking brake.

### Tire pressure

The correct tire pressure is 60 kPa (0.6 bar / 8.5 PSI) on all 4 tires.

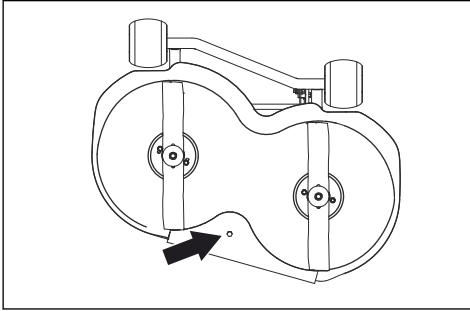


### To remove the mulch plug

You find the mulch plug on the bottom side of the cutting deck.

- Remove the cutting deck. Refer to *To remove the cutting deck* on page 17.

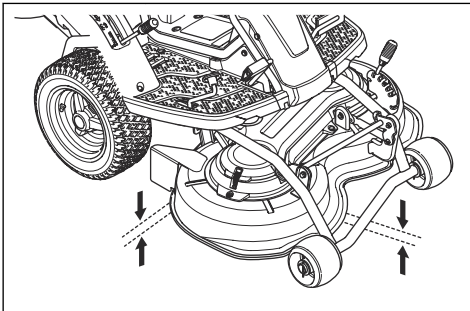
- Remove the screw that holds the mulch plug and remove the mulch plug.



- Put the cutting deck in mow position.
- Attach the mulch plug in the opposite sequence.

### To do a check of the parallelism of the cutting deck

- Make sure that the air pressure in the tires is correct. Refer to *Tire pressure on page 23*.
- Park the product on a level surface.
- Lower the cutting deck to mow position.
- Set the cutting height lever to the middle position.
- Measure the distance between the ground and the front and rear edges of the cutting deck. Make sure that the rear edge is 4–6 mm or 1/5 in. higher than the front edge.



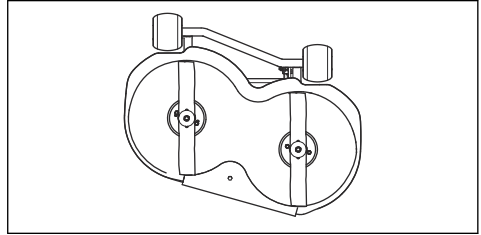
### To examine the blades



**CAUTION:** Damaged or incorrectly balanced blades can cause damage to the product. Replace damaged blades. Let an approved service agent help you sharpen and balance blunt blades.

- Remove the cutting deck. Refer to *To remove the cutting deck on page 17*.

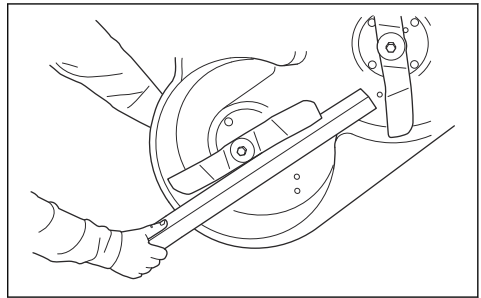
- Look at the blades to see if they are damaged and if it is necessary to sharpen them.



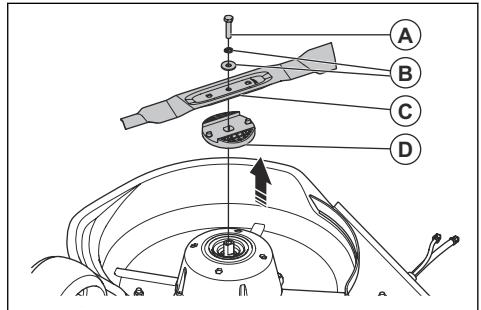
- Tighten the blade bolts with tightening torque 25 Nm.

### To replace the blades

- Remove the cutting deck. Refer to *To remove the cutting deck on page 17*.
- Lock the blade with a wooden block.



- Loosen and remove the blade bolt (A), the washers (B) the blade (C) and the blade support (D).



- Install in the opposite sequence. Install the new blade with the bent ends in the direction of the cutting deck.



**WARNING:** Incorrect blade type can cause objects to eject from the cutting deck and cause serious injury. Use only the blades given in *Technical data on page 30*.



# Troubleshooting

## Troubleshooting schedule

If you cannot find a solution to your problems in this operator's manual, speak to your Husqvarna service agent.

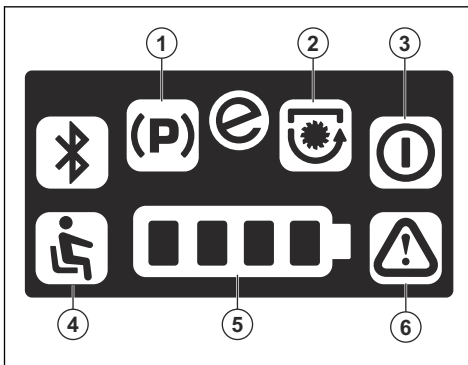
Problem	Cause	Action
The first and fourth battery LED light and the warning indicator on the display flashes.	The battery is damaged.	Speak to an approved service workshop.
	Temperature deviation, the battery is too cold or too hot.	Let the battery become cool down or move the product to a location with the approved temperature for the batteries. Refer to <i>Storage on page 28</i> .
The warning indicator on the display has a solid red light.	A fault is found in the product.	Stop the product for minimum 5 seconds and then start the product again.
		Speak to an approved service workshop if the warning indicator has a solid red light after restart.
The warning indicator on the display flashes red + blades engaged indicator.	The cutting deck has stopped because of high load.	Stop the product and wait for the motor to cool down before you restart.
	A fault is found in the control units on the cutting deck.	Speak to an approved service workshop if the warning indicator flashes after restart.
Warning indicator flashes fast and all other LED lights are OFF.	Traction motor control unit is overheated.	Turn OFF the product and wait for the motor control unit to become cool.
The warning indicator on the display flashes red + first battery LED light.	Empty battery.	Charge the battery.
The product cannot be started.	The switches for the parking brake and the seat are not engaged. The cutting deck is not in transport position or is engaged.	Refer to <i>To start the product on page 19</i> .
	The forward/rearward pedal is pushed.	Release the pedals.
	The battery charger is connected to the product.	Disconnect the battery charger before you start the product.
	The display is broken.	Speak to an approved service workshop.
	The power switch is damaged.	
	The vehicle control unit (VCU) or its connections are damaged.	

<b>Problem</b>	<b>Cause</b>	<b>Action</b>
The display does not come on when the power switch is set to "1".	The battery is not charged.	Charge the battery.
	Blown 5 A fuse.	Change the fuse.
	The vehicle control unit (VCU) or its connections are damaged.	Speak to an approved service workshop.
	The power switch is damaged.	
	The control panel is broken.	
All LED lights on the display are flashing slow in sync.	The vehicle control unit (VCU) or its connections are damaged.	Speak to an approved service workshop.
All LED lights on the display has a solid light for more than 3 seconds.	Damaged internal connection between the control units in the product.	Speak to an approved service workshop.
The cutting deck motors does not start.	The 2 cables to the cutting deck are not connected correctly.	Connect the cutting deck to the product, refer to <i>To attach the cutting deck on page 16</i> .
	The cutting deck is full of grass.	Clean the cutting deck, refer to <i>To remove the cutting deck on page 17</i> .
	The battery is not charged.	Charge the battery.
	The lock to the cutting deck is not engaged or the switch to the lock is damaged.	Attach the cutting deck correctly, refer to <i>To attach the cutting deck on page 16</i> .  Speak to an approved service workshop if the problem stays.
	The cutting deck is not in mow position.	Move the cutting deck to mow position, refer to <i>To lift and lower the cutting deck on page 19</i> .
	The cutting deck motors are damaged.	Speak to an approved service workshop.
	The controls for the cutting deck motors are damaged.	
The battery does not charge.	The battery charger is not connected correctly.	Refer to <i>To charge the battery on page 17</i> .
	The battery charger is damaged.	Change battery charger.
	The battery is damaged.	Speak to an approved service workshop.
	The battery temperature is above 45°C.	Let the battery cool down for a while.
	The battery temperature is to low.	Move the product to a location with the approved temperature for the batteries. Refer to <i>Storage on page 28</i> .
There is vibration in the product.	The blades are loose.	Refer to <i>To examine the blades on page 24</i> .
	One or more of the blades are not balanced.	Refer to <i>To examine the blades on page 24</i> .
	The motor is loose.	Speak to an approved service workshop.

Problem	Cause	Action
The cutting result is unsatisfactorily.	The blades are blunt.	Refer to <i>To examine the blades on page 24.</i>
	The grass is long or wet.	Refer to <i>To get a good result on page 21.</i>
	The cutting deck is not parallel to the ground.	Refer to <i>To do a check of the parallelism of the cutting deck on page 24.</i>
	There is grass blockage in the cutting deck.	Refer to <i>To clean the product on page 22.</i>
	The tire pressure is different on the right and left sides.	Refer to <i>Tire pressure on page 23.</i>
	The product is operated at a too high speed.	Speak to an approved service workshop.
	The motor speed is too low.	Speak to an approved service workshop.

## Display LED light signals

The LED lights on the display will give signals if there is a fault or if the operation conditions are not obeyed. Refer to *To do a check of the operation conditions on page 13.*



Mode	Signal	Situation
Drive mode	The operator presence control LED light (4) flashes 5 times.	The operator left the seat when the product is used.

Mode	Signal	Situation
Standby mode	The operator presence control LED light (4) flashes.	The start button is pushed when there is no operator in the seat.
	The battery LED lights (5) 1–4 flashes.	The start button is pushed when the charger is connected.
	The parking brake indicator LED light (1) flashes.	The start button is pushed but the parking brake is not applied.
	The blades engaged indicator LED light (2) flashes.	The start button is pushed when the cutting deck is lowered.
	The standby indicator (3) and the warning indicator (6) flashes until the start button is released.	The start button is pushed when the forward or rearward pedal is pushed down.
	The parking brake is engaged and the standby indicator (3) and the warning indicator (6) flashes until the start button is released.	Speak to an approved service workshop.

---

# Transportation, storage and disposal

---

## Transportation

- The product is heavy and can cause crush injuries. Be careful when you load it onto or off a vehicle or trailer.
- Do not lift the product. The transport eyelets are not approved lifting points and must only be used to attach the product safely to a trailer.
- Use an approved trailer for transportation of the product.
- Make sure that you have knowledge of local road traffic regulations before transportation of the product in a trailer or on roads.

## To tow the product

1. Put the lift lever to the cutting deck in transport position.
2. Disengage the parking brake.
3. Tow the product short distances only and at low speed.

## To safely attach the product on a trailer for transport



**WARNING:** The parking brake is not sufficient to lock the product during transport. Attach the product tightly to the trailer.

Equipment: 2 approved tension belts and 4 wedge shaped wheel blocks.

1. Apply the parking brake.
2. Attach the tension belts around the frame or rear wagon.
3. Tighten the tension belts in the direction of the rear and the front of the trailer to secure the product.
4. Put the wheel blocks in front of and behind the rear wheels.

## Transportation of batteries

- The supplied 48 V batteries obey the requirements of the Dangerous Goods Legislation.
- Obey the special requirement for packaging and labels for commercial transportation by third parties and forwarding agents.
- Speak to a person with special training in dangerous material before you send the product. Obey all applicable national regulations.
- Use tape on open contacts when you put the battery in a package. Put the battery in a tight package to prevent movement.

## Storage

Prepare the product for storage at the end of the season and before more than 30 days of storage.



**WARNING:** Remove grass, leaves and other flammable materials from the product to decrease the risk of fire. Let the product become cool before you put it in storage.

- Set the power switch to the "0" position.
- Clean the product, refer to *To clean the product on page 22*. Fill in paint damages to prevent corrosion.
- Examine the product for worn or damaged parts and tighten loose screws and nuts.
- Fully charge the battery before storage. Make sure that the charge of the batteries is 50 % or more during storage.

**Note:** The battery can go into sleep mode when the product is in storage or the state of charge is very low. To start the battery the start button must be pushed for 2 seconds. If the battery does not start, it must be charged continuously until it is fully charged. The charging time is longer when the battery is in sleep mode.

- Lubricate all grease nipples, joints and axles.
- Keep the product in a clean and dry area. Put a protective cover on the product.

**Note:** A protective cover for protection of your product during storage or transport is available at your dealer.

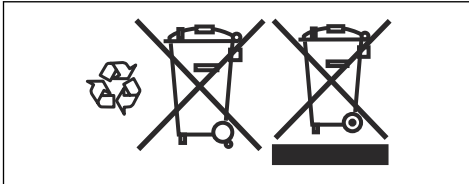
- Keep the product in a locked area to prevent access for children or persons that are not approved.
- Keep the product and the power supply in a dry and frost-free area.
- If you will use the product, keep the product in storage where the ambient temperature is between 0 °C/32 °F and 50°C/122 °F. If you will not use the product, you can keep the product in storage where the ambient temperature is between -20 °C/-4 °F and 50°C/122 °F.
- Keep the product out of sunlight.
- Do not keep the product in areas where static electricity can occur.

## Disposal of the battery and battery charger

Symbols on the product or its packaging indicate that this product cannot be handled as domestic waste. It must instead be submitted to an appropriate recycling

station for the recovery of electrical and electronic equipment.

By ensuring that this product is taken care of correctly, you can help to counteract the potential negative impact on the environment and people that can otherwise result through the incorrect waste management of this product. For more detailed information about recycling this product, contact your municipality, your domestic waste service or the shop from where you purchased the product.



## Disposal

- Chemicals can be dangerous and must not be discarded on the ground. Always discard used chemicals at a service center or an applicable disposal location.
- When the product is worn out, send it to the dealer or to an applicable recycling location.
- Oil and the battery can have negative effects on the environment. Obey the local recycling requirements and applicable regulations.
- Do not discard the battery as domestic waste.
- Send the battery to a Husqvarna service agent or discard it at a disposal location for used batteries.

## Technical data

### Technical data

R 112iC	
<b>Dimensions</b>	
Length without cutting deck, mm	1781
Width without cutting deck, mm	800
Length including cutting deck, mm	2119
Width including cutting deck, mm	883
Height, mm	1069
Weight without cutting deck, (incl. 1 battery), kg	135
Wheel base, mm	800
Tire dimensions	155/50-8
Tire pressure, rear – front, kPa/bar/PSI	60/0.6/8.5
Max. gradient, degrees °	10
Max. tow equipment weight at 10 ° gradient, kg	100
Max. permitted vertical force on the tow bar, N/kg	250/25
Max. permitted horizontal force on the tow bar, N/kg	250/25
<b>Drive motor</b>	
Motor type	Brushless DC engine
Voltage, V	48
Nominal motor output, kW	1.5
Max. motor speed, rpm	3500
<b>Transmission</b>	
Brand/Model	PEERLESS/PGM 2200
Oil, class SF-CC	SAE 90 API GL-4 performance
Oil volume, l	0.24
Number of forward drive gears	–
Number of reverse gears	–
Max. forward speed, km/h	9
Max. reverse speed, km/h	4
<b>Electrical system</b>	
Type	48 V. DC, negative earthed
Main fuse, A	80
Cutting deck fuse, A	40

	<b>R 112iC</b>
Control unit fuse, A	3
<b>Noise emissions</b> <sup>1</sup>	
Sound power level, measured dB(A)	93
Sound power level, guaranteed dB(A)	96
<b>Sound levels</b> <sup>2</sup>	
Sound pressure level at the operators ear, dB(A)	80
<b>Vibration levels</b> <sup>3</sup>	
Vibration level on the steering wheel, m/s <sup>2</sup>	0.27
Vibration level in the seat, m/s <sup>2</sup>	0.1
<b>Cutting deck</b>	
Type	Combi
Cutting width, mm	850
Weight, kg	28
Cutting deck motor output, kW	2x0.9
Cutting deck motor speed, rpm	3000
Cutting deck motor boost speed, rpm	3500
Cutting height, 5 positions, mm	25–70
Blade length, mm	425
<b>Blade</b>	
Article number	595 94 26-10



**WARNING:** To use a cutting deck that is not approved for the product can cause objects to eject at high speed and cause serious injury. Do not use other cutting

deck types than specified in this operator's manual.

## Approved batteries

Only use original batteries for this product.

<b>Battery</b>	<b>EM-5240Li</b>
Article number	598 84 43-01
Type	Lithium-ion
Battery capacity, Ah	38.4
Nominal voltage, V	50.4

<sup>1</sup> Noise emissions in the environment measured as sound power ( $L_{WA}$ ) in conformity with EC directive 2000/14/EC.

<sup>2</sup> Noise pressure level according to EN ISO 5395. Reported data for noise pressure level has a typical statistical dispersion (standard deviation) of 1.2 dB(A).

<sup>3</sup> Vibration level according to EN ISO 5395. Reported data for vibration level has a typical statistical dispersion (standard deviation) of 0.2 m/s<sup>2</sup> (steering wheel) and 0.8 m/s<sup>2</sup> (seat).

<b>Battery</b>	<b>EM-5240Li</b>
Weight, kg/lbs	17/38

## Approved battery charger

<b>Battery charger</b>	<b>PS-5705</b>
Input voltage, V	220–240
Input current, A	1.8
Frequency, Hz	50
Power, W	300
Output voltage, V	57
Output current, A	5.3

---

## Service

---

### Service

Do a yearly check at an authorized service center to make sure that the product functions safely and at its best during high season. The best time to do a servicing or overhaul of the product is low season.

When you send an order for the spare parts, give information about the purchase year, model, type, and serial number.

Always use original spare parts.



---

# Declaration of Conformity

---

## EU Declaration of Conformity

We, **Husqvarna AB**, SE-561 82 Huskvarna, Sweden, tel: +46-36-146500, declare on our sole responsibility that the product:

<b>Description</b>	Ride-on Lawn Mower
<b>Brand</b>	Husqvarna
<b>Type / Model</b>	R 112iC
<b>Identification</b>	Serial numbers dating from 2022 and onwards

complies fully with the following EU directives and regulations:

<b>Directive/Regulation</b>	<b>Description</b>
2006/42/EC	"relating to machinery"
2014/30/EU	"relating to electromagnetic compatibility"
2000/14/EC	"relating to the noise emissions in the environment"
2011/65/EU	"on the restriction of the use of certain hazardous substances in electrical and electronic equipment"

and that the following standards and/or technical specifications are applied: EN ISO 12100:2010, EN ISO 13849-1:2015, EN ISO 13849-2:2012, EN ISO 5395-1:2013+A1:2018, EN ISO 5395-3:2013+A1:2017+A2:2018, EN ISO 14982:2009, EN 61000-6-2:2005, EN 61000-6-3:2007+A1:2011+AC:2012, EN IEC63000:2018.

Notified Body: 0404, RISE SMP Svensk Maskinprovning AB, Box 4053, SE-904 03 Umeå, Sweden has certified conformity with the council's directive 2000/14/EC, conformity assessment procedure: Annex VI.

For information relating to noise emissions, refer to *Technical data on page 30*.

Huskvarna, 2022-11-01



Claes Losdal, Development Manager/Garden Products, Husqvarna AB

Responsible for technical documentation



# UK Declaration of Conformity

We, **Husqvarna AB**, SE-561 82 Huskvarna, Sweden, tel: +46-36-146500, declare on our sole responsibility that the product:

<b>Description</b>	Ride-on Lawn Mower
<b>Brand</b>	Husqvarna
<b>Type / Model</b>	R 112iC
<b>Identification</b>	Serial numbers dating from 2022 and onwards

complies fully with the following UK regulations:

<b>Description</b>
The Supply of Machinery (Safety) Regulations 2008
Electromagnetic Compatibility Regulations 2016
The Noise Emission in the Environment by Equipment for use Outdoors Regulations 2001, schedule 9
The Restriction of the Use of Certain Hazardous Substances in Electrical and Electronic Equipment Regulations 2012

and that the following standards and/or technical specifications are applied: EN ISO 12100:2010, EN ISO 13849-1:2015, EN ISO 13849-2:2012, EN ISO 5395-1:2013+A1:2018, EN ISO 5395-3:2013+A1:2017+A2:2018, EN ISO 14982:2009, EN 61000-6-2:2005, EN 61000-6-3:2007+A1:2011+AC:2012, EN IEC63000:2018.

UK Importer:  
Husqvarna UK Ltd  
Preston Road, Co. Durham  
DL5 6UP

Approved body: 0888, HORIBA MIRA Certification Ltd. Watling Street, Nuneaton, Warwickshire, CV10 0TU, UK, has carried out certified conformity according to the Outdoor Noise Regulations of 2001, conformity assessment procedure: Schedule 9.

For information relating to noise emissions, refer to *Technical data on page 30*.

Husqvarna, 2022-11-01



Claes Losdal, Development Manager/Garden Products, Husqvarna AB

Responsible for technical documentation

**UK  
CA**

---

## Contenido

---

Introducción.....	35	Resolución de problemas.....	59
Seguridad.....	39	Transporte, almacenamiento y eliminación.....	63
Montaje.....	50	Datos técnicos.....	66
Funcionamiento.....	52	Servicio técnico.....	68
Mantenimiento.....	55	Declaración de conformidad.....	69

---

## Introducción

---

### Inspección previa a la entrega y números de producto

---

copia firmada del documento de inspección previa a la entrega de su distribuidor.

---

**Nota:** Se ha realizado una inspección previa a la entrega de este producto. Asegúrese de que recibe una

Información de contacto del taller de servicio:	
Este manual de usuario pertenece a un producto con número de producto/número de serie:	
/	
Potencia del motor:	

### Descripción del producto

El producto es un tractor cortacésped. Los pedales de marcha adelante y marcha atrás permiten al operador ajustar la velocidad directamente. El producto se utiliza con un equipo de corte 2 en 1 con accesorio triturador.

### Uso previsto

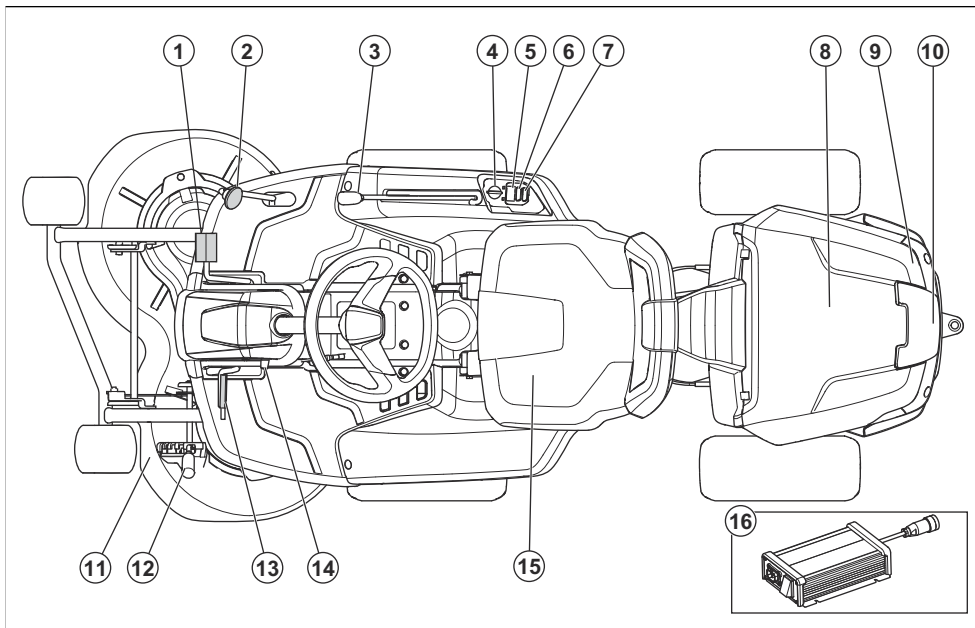
Los productos están diseñados para cortar hierba en espacios abiertos con suelo nivelado como zonas residenciales y jardines. Conecte accesorios opcionales

para utilizar el producto para otras tareas. Póngase en contacto con su distribuidor de Husqvarna para obtener más información sobre los accesorios disponibles.

### Asegure su producto

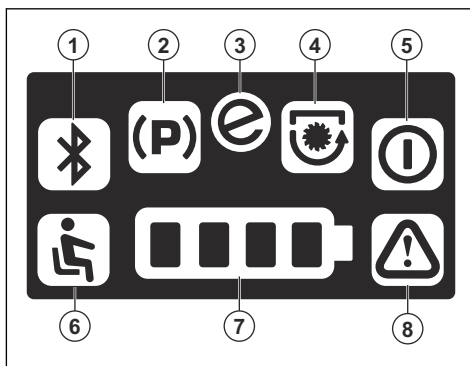
Asegúrese de que tiene su seguro cubre el nuevo producto. Si tiene cualquier duda, hable con su compañía de seguros. Se recomienda un seguro a todo riesgo que incluya terceros, incendio, daños, robo y responsabilidad.

## Descripción del producto



1. Pedal de avance
2. Pedal de marcha atrás
3. Palanca de elevación para el equipo de corte
4. Interruptor de encendido
5. Pantalla
6. Botón de arranque
7. Función de ahorro
8. Tapa de la batería
9. Placa de identificación
10. Toma para el cargador de batería
11. Equipo de corte
12. Palanca de la altura de corte
13. Pedal del freno de estacionamiento
14. Botón de bloqueo del freno de estacionamiento
15. Asiento
16. Cargador de baterías

## Descripción general de la pantalla



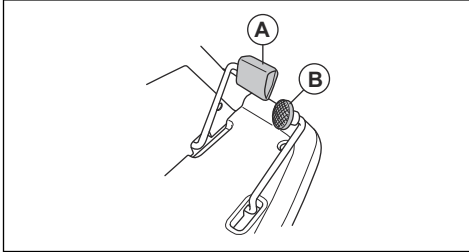
1. No se utiliza en este producto
2. Indicador de freno de estacionamiento
3. Indicador de Save
4. Indicador de acoplamiento de las cuchillas
5. Indicador de modo de espera
6. Control de presencia del usuario (OPC)
7. Indicador de carga de la batería
8. Indicador de advertencia

## Control de presencia del usuario (OPC)

El OPC configura el producto en modo seguro cuando el usuario se levanta del asiento. El motor se detiene y los motores de corte se detienen si las cuchillas están acopladas. Consulte la sección *Comprobación de las condiciones de funcionamiento en la página 47*.

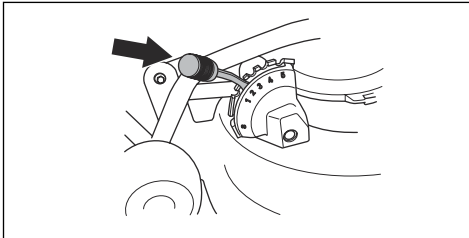
## Pedales de marcha adelante y marcha atrás

La velocidad se ajusta gradualmente con dos pedales. El pedal izquierdo (A) se utiliza para desplazarse hacia delante y el pedal derecho (B) para desplazarse marcha atrás. El producto se detiene al soltar los pedales.

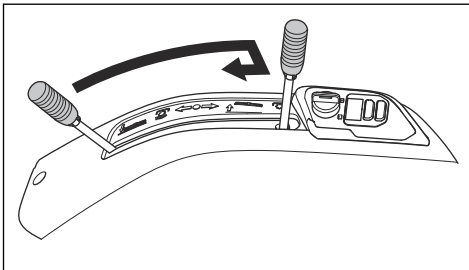


## Palanca de la altura de corte

La altura de corte se ajusta en 5 posiciones diferentes (1-5).



**Nota:** Levante el equipo de corte antes de ajustar la altura de corte.



## Símbolos que aparecen en el producto



**ADVERTENCIA:** Este producto puede ser peligroso y ocasionar daños graves o mortales tanto al usuario como a cualquier otra persona. Tenga cuidado y utilice el producto correctamente.



Lea detenidamente el manual de usuario y asegúrese de que entiende las instrucciones antes de usar la máquina.



Cuchillas giratorias. No se acerque a la cubierta cuando el motor esté en marcha.



Advertencia: Mantenga todas las partes del cuerpo alejadas de las piezas giratorias.



Tenga cuidado con los objetos que salgan despedidos o rebotados.



No utilice el producto si hay personas, especialmente niños o mascotas, cerca del mismo.



Mire hacia atrás antes y durante el desplazamiento del producto marcha atrás.



No corte la hierba de forma trasversal en una pendiente. No corte la hierba en terrenos con pendientes de más de 10°. Consulte *Corte del césped en pendientes en la página 44*.



No permita que otra persona que no sea el usuario se siente en el producto. No permita que otras personas se sienten sobre el equipo.



Si el equipo de corte no está montado, conduzca el producto muy lentamente.



Desplazamiento hacia delante.



Punto muerto.



Desplazamiento marcha atrás.



Estado de la batería.



Interruptor del asiento.



Indicación del modo de espera.

**START**

Arranque del motor.



Función SavE.



Freno de estacionamiento.



El producto cumple con las directivas CE vigentes.



Este producto cumple con las directivas del Reino Unido vigentes.



Etiqueta de emisiones sonoras al medioambiente conforme con las directivas y normativas europeas y del Reino Unido, y con la regulación de 2017 sobre de protección del medioambiente (control de ruidos) (Protection of the Environment Operations - Noise Control) de la legislación de Nueva Gales del Sur. El nivel de potencia acústica garantizado del producto se especifica en el apartado *Datos técnicos en la página 66* y en la etiqueta.



Utilice siempre una protección de oídos homologada.



Las cuchillas están engranadas.



Las cuchillas no están engranadas.



Posición de mantenimiento del equipo de corte.



Posición de funcionamiento del equipo de corte.



Altura de corte.



**Marca medioambiental.** Ni el producto ni su embalaje son residuos domésticos. Recícelos en un centro de reciclaje para equipos eléctricos y electrónicos.



Código escaneable

**aaaassxxxx**

La placa de características técnicas indica el número de serie. **aaaa** es el año de producción **yss** es la semana de producción.

**Nota:** Los demás símbolos y etiquetas que aparecen en el producto corresponden a requisitos de homologación específicos de otras zonas comerciales.

## Responsabilidad sobre el producto

Como se estipula en las leyes de responsabilidad del producto, no nos hacemos responsables de los daños y perjuicios causados por nuestro producto si:

- El producto se ha reparado incorrectamente.
- El producto se ha reparado con piezas que no eran del fabricante o no autorizadas por el fabricante.
- El producto tiene un accesorio que no es del fabricante o no está autorizado por este.
- El producto no se ha reparado en un centro de servicio autorizado o por un organismo homologado.

---

## Seguridad

---

### Definiciones de seguridad

Las advertencias, precauciones y notas se utilizan para destacar información especialmente importante del manual.



**ADVERTENCIA:** Indica un riesgo de lesiones o incluso de muerte del usuario o de las personas cercanas si no se respetan las instrucciones del manual.



**PRECAUCIÓN:** Indica un riesgo de daños en el producto, otros materiales o el área adyacente si no se respetan las instrucciones del manual.

---

**Nota:** Se usa para proporcionar más información necesaria en una situación determinada.

---

### Instrucciones generales de seguridad



**ADVERTENCIA:** Este producto puede cortar las manos y los pies, y arrojar objetos. Puede

causar lesiones graves o incluso la muerte si no siguen las instrucciones de seguridad.

---



**ADVERTENCIA:** No se debe continuar utilizando un producto con un equipo de corte dañado, ya que este puede arrojar objetos y causar lesiones graves o incluso la muerte. Sustituya las cuchillas dañadas inmediatamente.



**ADVERTENCIA:** Este producto genera un campo electromagnético durante el funcionamiento. Este campo puede, en determinadas circunstancias, interferir en implantes médicos activos o pasivos. Para reducir el riesgo de que se den condiciones que provocarían lesiones graves o letales, las personas que utilizan implantes médicos

deben consultar con su médico y con el fabricante del implante antes de poner en marcha este producto.

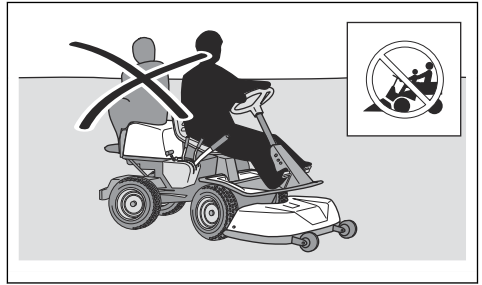


**ADVERTENCIA:** Lea las siguientes instrucciones de advertencia antes de utilizar el producto.

---

- Proceda siempre con cuidado y utilice siempre el sentido común. Evite todas aquellas situaciones que considere que sobrepasan sus capacidades. Si después de leer el manual de usuario no se siente seguro respecto a los procedimientos de funcionamiento, consulte con un experto antes de continuar.
- Lea detenidamente y comprenda el manual de usuario y las instrucciones del producto antes de arrancar el producto.
- Aprenda a utilizar el producto y sus controles de forma segura, y aprenda a detener el producto con rapidez.
- Aprenda a reconocer las etiquetas de seguridad.

- Mantenga el producto limpio para asegurarse de que puede leer claramente los símbolos y las pegatinas.
- Tenga en cuenta que el usuario será el responsable de los accidentes que involucren a otras personas o a su propiedad.
- No transporte pasajeros. El producto debe ser usado únicamente por una persona.

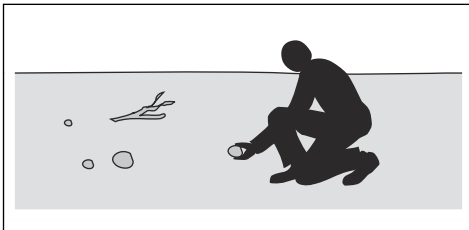


- No deje el producto sin supervisión cuando esté encendido. Pare siempre las cuchillas, ponga el freno de estacionamiento, detenga el motor y retire la llave de contacto antes de dejar el producto sin supervisión.
- Utilice el producto únicamente con la luz del día o en áreas con buena iluminación. Mantenga el producto a una distancia segura respecto a orificios u otras irregularidades del



suelo. Tenga cuidado con otros posibles riesgos.

- No utilice el producto en condiciones climáticas desfavorables, por ejemplo, con niebla, lluvia, humedad, lugares húmedos, viento fuerte, frío intenso, posibilidad de relámpagos, etc.
- Localice y marque piedras y otros objetos fijos para no colisionar con ellos.
- Limpie la zona de objetos tales como piedras, juguetes, cables, etc. que se podrían quedar atrapados en las cuchillas y ser lanzados.



- No deje que los niños u otras personas no autorizadas utilicen el producto ni realicen su mantenimiento. La legislación local podría establecer un límite de edad para el operario.
- Asegúrese de que no hay nadie en las proximidades del producto cuando arranque el motor, accione la transmisión

o el producto comience a desplazarse.

- Preste atención al tráfico cuando utilice la máquina cerca de una carretera o se desplace por una.
- No utilice el producto si está cansado, si ha ingerido alcohol o drogas, o si toma medicamentos o cualquier otra sustancia que puedan afectarle la vista, su capacidad de discernimiento o el control del cuerpo.
- Estacione el producto siempre sobre una superficie plana y apagado.

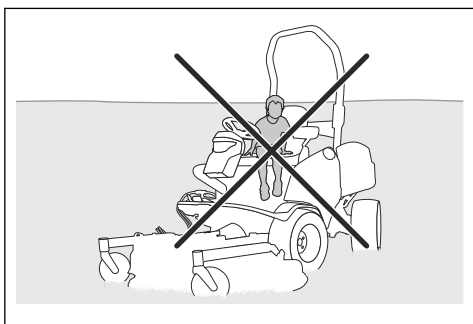
### Instrucciones de seguridad relativas a los niños



**ADVERTENCIA:** Lea las siguientes instrucciones de advertencia antes de utilizar el producto.

- Pueden producirse accidentes graves si no vigila a los niños que estén cerca del producto. Los niños pueden acercarse al producto sin que se dé cuenta. Es muy posible que los niños no se queden quietos donde los vio por última vez.

- Mantenga a los niños alejados de la zona de corte. Asegúrese de que hay presente un adulto responsable de los niños.
- Preste atención y detenga el producto si un niño entra en la zona de trabajo. Tenga mucho cuidado cuando se acerque a esquinas, arbustos, árboles u otros objetos que podrían bloquear su buena visibilidad.
- Antes de desplazar el producto marcha atrás, mire hacia atrás y hacia abajo para asegurarse de que no hay niños pequeños en las proximidades del producto.
- No deje que los niños monten con usted. Pueden caerse y sufrir graves lesiones o impedir el manejo seguro del producto.
- No deje que los niños manejen el producto.



## Seguridad de la batería



**ADVERTENCIA:** Lea las siguientes instrucciones de advertencia antes de utilizar el producto.

### General:

- Lea todas las advertencias e instrucciones de seguridad. El incumplimiento de las advertencias e instrucciones puede ocasionar descargas eléctricas, incendios o lesiones graves.
- Compruebe regularmente que las baterías estén intactas. Las baterías dañadas o modificadas pueden comportarse de forma impredecible y provocar incendios, explosiones o riesgo de lesiones. Nunca repare ni abra las baterías dañadas.
- Una batería dañada puede explotar y causar lesiones. Si la batería está deformada o dañada, no use el producto y póngase en contacto con un taller de servicio Husqvarna homologado.
- No desmonte, abra ni corte las baterías.
- No someta la batería a fuerzas mecánicas.

- No exponga las celdas ni las baterías al calor ni al fuego. Se debe evitar la exposición a la luz solar directa.
- No provoque cortocircuitos en las baterías. No guarde las baterías en un lugar donde se puedan cortocircuitar entre ellas o con otros objetos metálicos.
- Evite que el contenido de la batería entre en contacto con la piel o los ojos. Si entra en contacto, lave la zona afectada con abundante agua y acuda al médico.
- Utilice exclusivamente la batería proporcionada con el equipo.
- No mezcle celdas de diferente fabricación, capacidad, tamaño o tipo en un dispositivo.
- Mantenga las celdas o las baterías fuera del alcance de los niños.
- Mantenga la batería limpia y seca.
- Utilice la batería solo para la aplicación para la que se diseñó.

### Baterías de 48 V:

- Las baterías Husqvarna de 48 V se utilizan exclusivamente como fuente de alimentación para los

Rider Husqvarna a batería. Para evitar daños, la batería no debe utilizarse como fuente de alimentación de otros dispositivos.

- Nunca utilice baterías ni aparatos defectuosos, modificados o dañados.
- No intente modificar ni reparar los aparatos ni las baterías. Todas las reparaciones deberán realizarse únicamente en un taller de servicio autorizado.

### Instrucciones de seguridad para el funcionamiento



**ADVERTENCIA:** Lea las siguientes instrucciones de advertencia antes de utilizar el producto.

---

- Antes de desplazarse marcha atrás, mire bien detrás y hacia abajo. Tenga cuidado con los obstáculos grandes y pequeños.
- Reduzca la velocidad antes de doblar una esquina.
- Detenga las cuchillas cuando se mueva por zonas que no requieran corte.



**PRECAUCIÓN:** Lea las siguientes instrucciones

de precaución antes de utilizar el producto.

- Muévase con cuidado alrededor de piedras y otros objetos grandes, y asegúrese de que las cuchillas no golpean los objetos.
- No pase con el producto por encima de objetos. Si pasa con el producto por encima de algún objeto o choca con él, deténgase y examine el producto y el equipo de corte. Si es necesario, realice cualquier reparación necesaria antes de volver a ponerse en marcha.

### Corte del césped en pendientes

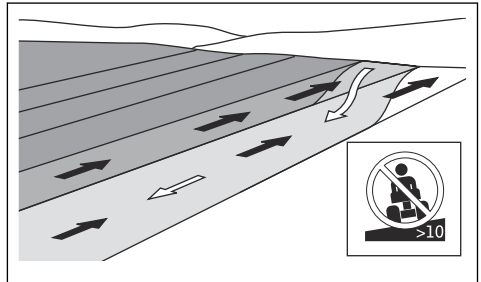


**ADVERTENCIA:** Lea las siguientes instrucciones de advertencia antes de utilizar el producto.

- Cortar el césped en pendientes aumenta el riesgo de perder el control del producto y que este vuelque, lo que puede provocar lesiones graves o la muerte. Es necesario cortar el césped con cuidado en todas las pendientes. Si no puede dar marcha atrás en una pendiente o si no se siente

seguro en ella, no utilice la máquina.

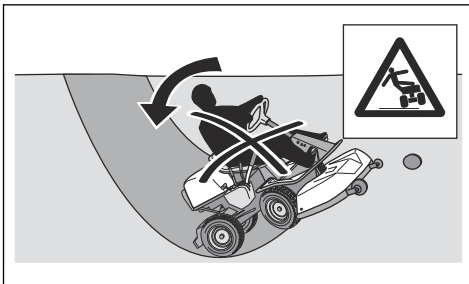
- Quite piedras, ramas y otros obstáculos.
- En las pendientes, trabaje de arriba a abajo y no de lado a lado.
- No baje por una pendiente con el equipo de corte elevado.
- No utilice el producto en pendientes de más de 10°.



- No arranque ni detenga la máquina en una pendiente.
- No utilice el pedal de avance y el pedal de marcha atrás para mantenerse en una pendiente. Esto hará que el sistema se sobrecaliente.
- En pendientes, desplácese con suavidad y lentamente.
- No realice cambios súbitos de velocidad ni dirección.
- No gire más de lo necesario. Cuando baje por una pendiente, gire de forma lenta y gradual. Muévase a baja

velocidad. Gire la rueda con cuidado.

- Tenga cuidado, no se mueva a través de surcos, agujeros y baches, ya que existe un alto riesgo de que el producto se vuelque sobre una superficie que no es plana. El césped crecido puede esconder obstáculos.
- No corte el césped cerca de bordes, zanjas o terraplenes. El producto puede volcar repentinamente si alguna de las ruedas pasa por el borde de una fuerte pendiente o una zanja, o si falta un trozo de bordillo. Si el producto cae al agua, existe riesgo de ahogamiento.

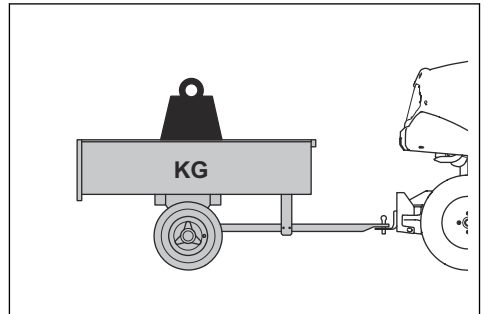


- No corte hierba mojada. Es resbaladiza y las ruedas pueden perder adherencia, y el producto puede patinar.
- No ponga el pie en el suelo para intentar que el producto sea más estable.
- Muévase con mucho cuidado si hay conectado un

accesorio u otro objeto que pueda hacer que el producto sea menos estable.

## Seguridad durante el remolque

- Utilice únicamente el equipo de remolque aprobado por Husqvarna.
- Use la barra de remolque para acoplar el equipo.
- No remolque equipo cuyo peso sea superior al peso máximo autorizado de remolcado. Consulte *Datos técnicos en la página 66*.



- Asegúrese de que no haya otras personas cerca del producto al remolcar cualquier equipo.
- Tenga cuidado cuando remolque equipo en pendientes o terreno irregular.
- Al remolcar equipo, conduzca el producto a baja velocidad.

## Equipo de protección individual

---



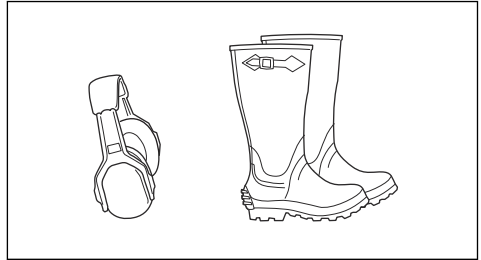
**ADVERTENCIA:** Lea las siguientes instrucciones de advertencia antes de utilizar el producto.

---

- Para trabajar con el producto debe utilizar un equipo de protección individual homologado. El equipo de protección individual no elimina completamente el riesgo de lesiones, pero reduce la gravedad de estas en caso de accidente. Deje que el distribuidor le ayude a seleccionar el equipo adecuado.
- Use protectores auriculares homologados con suficiente capacidad de reducción sonora. La exposición prolongada al ruido puede causar daños crónicos en el oído. Husqvarna recomienda que los operarios utilicen protectores auriculares al trabajar con el producto durante varias horas al día. Los usuarios que trabajen de forma continua y frecuente con el producto deben someterse a chequeos auditivos con carácter periódico. Tenga en cuenta que los protectores auriculares reducen la

capacidad de oír sonidos y señales de advertencia.

- Lleve siempre calzado de seguridad. Se recomienda llevar punteras de acero. No utilice el producto descalzo.



- Utilice guantes cuando sea necesario, por ejemplo, para el montaje, inspección o limpieza del equipo de corte.
- No lleve ropa suelta, joyas u otros objetos que puedan quedar atrapados en las piezas móviles.
- Mantenga un botiquín de primeros auxilios y un extintor de incendios cerca.

## Dispositivos de seguridad en el producto

---



**ADVERTENCIA:** Lea las siguientes instrucciones de advertencia antes de utilizar el producto.

---

- No utilice ningún producto con dispositivos de seguridad dañados o que no funcionen correctamente.

- No retire ni modifique los dispositivos de seguridad.
- Realice una comprobación de los dispositivos de seguridad con frecuencia. Si los dispositivos de seguridad están dañados o no funcionan correctamente, póngase en contacto con su taller de servicio Husqvarna.

### **Comprobación del interruptor de encendido**

- Desconecte el cable de carga de la batería.
- Gire el interruptor de encendido a la posición "1". Asegúrese de que se encienden todas las luces LED utilizadas de la pantalla.
- Aplique el freno de estacionamiento.
- Gire el interruptor de encendido a la posición "0". Asegúrese de que el producto se detiene inmediatamente y de que las luces LED de la pantalla se apagan.

### **Comprobación de las condiciones de funcionamiento**

Compruebe las condiciones de funcionamiento a diario.

1. Asegúrese de que no puede arrancar el producto cuando el equipo de corte está instalado y la palanca de este está en la posición de corte.
2. Asegúrese de que no puede arrancar el producto cuando el freno de estacionamiento está quitado.
3. Asegúrese de que el producto se detiene cuando los motores del equipo de corte están engranados y se levanta del asiento.

### **Revisión del pedal de avance y el pedal de marcha atrás**

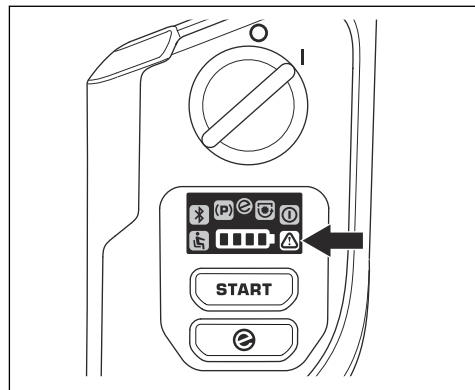
1. Arranque el producto. Consulte la sección *Puesta en marcha del producto en la página 54*.
2. Asegúrese de que los pedales de avance y marcha atrás no están bloqueados y se pueden accionar libremente.
3. Pise el pedal de avance con cuidado para avanzar.
4. Suelte el pedal de marcha adelante para frenar. Asegúrese de que el freno de acopla cuando se suelta el pedal de avance.

---

**Nota:** El producto dispone de un freno automático que se activa al soltar los pedales. Para obtener más potencia de frenado al reducir la velocidad, pise el otro pedal.

---

5. Realice el mismo procedimiento con el pedal de marcha atrás.



## Freno de estacionamiento



**ADVERTENCIA:** Si el freno de estacionamiento no funciona correctamente, el producto puede comenzar a moverse y provocar daños o lesiones. Asegúrese de que el freno de estacionamiento se examina y ajusta con frecuencia.

---

Consulte la sección *Comprobación del freno de estacionamiento en la página 58.*

### Indicador de advertencia de la pantalla



**PRECAUCIÓN:** Si se enciende el indicador de advertencia de la pantalla, detenga el producto y consulte *Resolución de problemas en la página 59.*

---

## Tapas protectoras

Si el producto no dispone de tapas protectoras o estas están dañadas, aumenta el riesgo de lesiones por piezas móviles y superficies calientes. Compruebe las tapas protectoras antes de poner en marcha el producto. Asegúrese de que las tapas protectoras están montadas correctamente y no tienen grietas u otros daños. Sustituya las tapas protectoras dañadas.

## Instrucciones de seguridad para el mantenimiento



**ADVERTENCIA:** El producto es pesado y puede ocasionar lesiones o daños a los equipos o el área adyacente. No realice tareas de mantenimiento en el producto ni en



el equipo de corte si no se cumplen estas condiciones:

- El interruptor de encendido está apagado y se ha retirado la llave de contacto.
- El producto está estacionado en una superficie nivelada.
- El freno de estacionamiento está accionado.
- El equipo de corte está desactivado.
- El cable del cargador de batería está desconectado.



**ADVERTENCIA:** Lea las siguientes instrucciones de advertencia antes de utilizar el producto.

---

- Para lograr un mejor rendimiento y seguridad, realice el mantenimiento del producto periódicamente según lo establecido en el programa de mantenimiento. Consulte la sección *Programa de mantenimiento en la página 55*.
- Las sacudidas eléctricas pueden causar lesiones.

No realice operaciones de mantenimiento en la batería. No toque los cables cuando el motor está encendido. No realice una prueba de funcionamiento con los dedos.

- No arranque el producto si se han retirado las cubiertas de protección. Existe un alto riesgo de lesiones causadas por las piezas móviles o calientes.
- Deje que el producto se enfríe antes de llevar a cabo cualquier tarea de mantenimiento.
- Las cuchillas están afiladas y pueden provocar cortes. Cuando trabaje en las cuchillas, use una protección contra el viento alrededor de las mismas o lleve guantes protectores.
- Coloque siempre el equipo de corte en la posición de servicio para limpiarlo. No estacione el producto cerca del borde de una zanja ni de una pendiente si va a acceder al equipo de corte.



**PRECAUCIÓN:** Lea las siguientes instrucciones de precaución antes de utilizar el producto.

---

- Asegúrese de que todas las tuercas y pernos están apretados correctamente y que el equipo está en buen estado.
- No cambie el ajuste de los reguladores. Si el régimen del motor es demasiado alto, los componentes del producto podrían resultar dañados.

Consulte *Datos técnicos en la página 66* para conocer el régimen máximo permitido del motor.

- El producto está homologado con el equipo original proporcionado o recomendado por el fabricante.

## Montaje

### Introducción

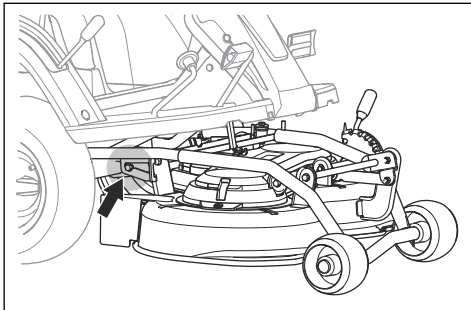


**ADVERTENCIA:** El muelle de tensión de la correa de transmisión puede romperse y causar lesiones. Lleve gafas protectoras cuando monte o retire el equipo de corte.

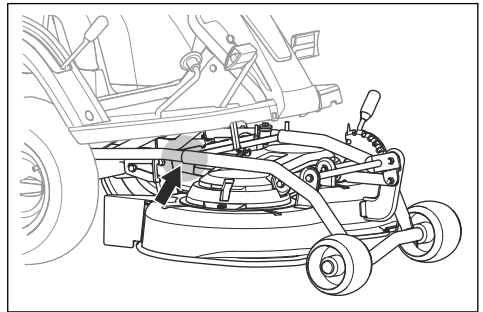
Lea detenidamente las instrucciones de montaje del manual del propietario. Una etiqueta en la parte interior de la cubierta frontal del producto también muestra cómo montar y retirar el equipo de corte.

### Montaje del equipo de corte

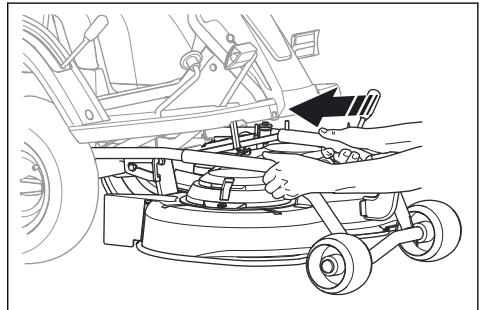
1. Estacione el producto en un suelo nivelado.
2. Aplique el freno de estacionamiento.
3. Coloque el equipo de corte empujándolo hacia dentro y asegúrese de que los pernos se introducen en las ranuras del bastidor del equipo.



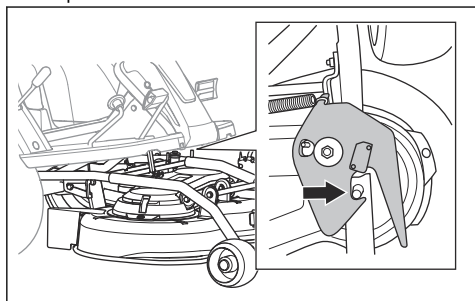
4. Alinee los conductos del equipo de corte con los del bastidor del equipo.



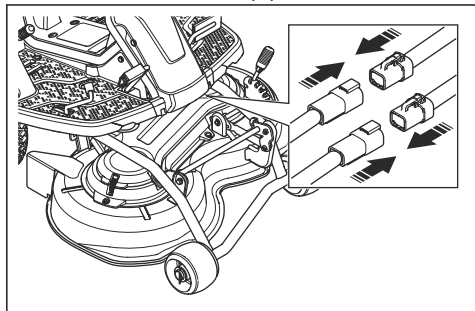
5. Sujete el equipo de corte con las dos manos y empújelo hacia dentro.



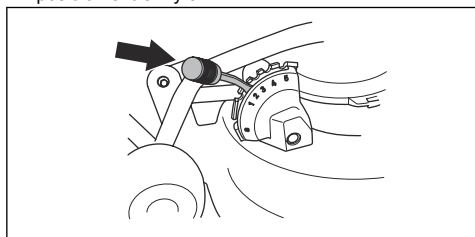
6. Empuje hasta que los conductos y los pernos toquen la parte inferior. Asegúrese de que el bloqueo está acoplado.



7. Conecte los 2 cables al equipo de corte.

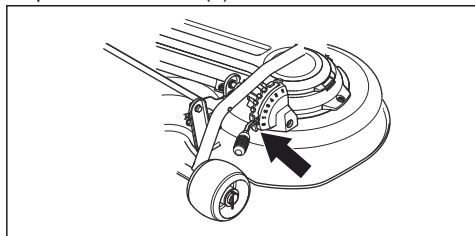


8. Ajuste la palanca de la altura de corte en una posición entre 1 y 5.

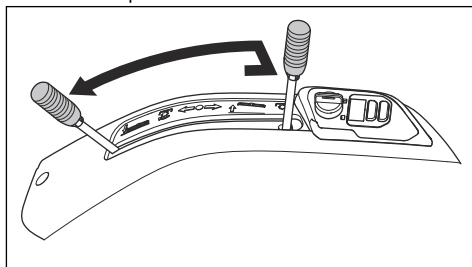


## Desmontaje del equipo de corte

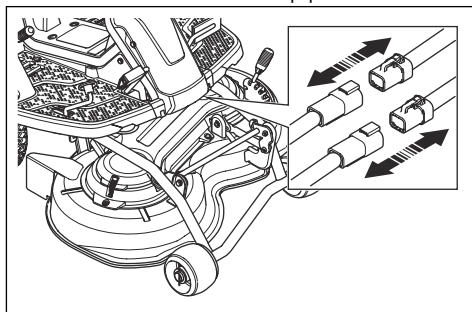
1. Estacione el producto en un suelo nivelado.
2. Aplique el freno de estacionamiento.
3. Coloque la palanca de la altura de corte en la posición de servicio (S).



4. Coloque la palanca de elevación para el equipo de corte en la posición de funcionamiento.

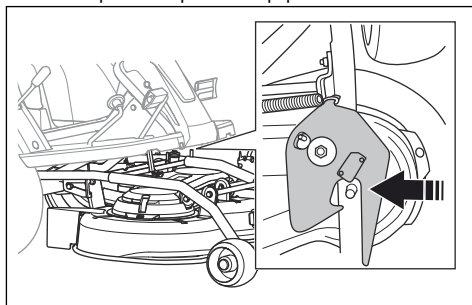


5. Desconecte los 2 cables del equipo de corte.



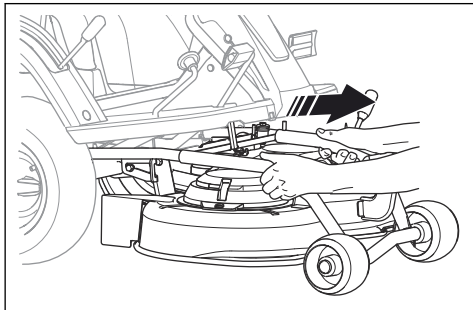
**PRECAUCIÓN:** Agarre por los conectores. No tire de los cables.

6. Desacople el bloqueo del equipo de corte.

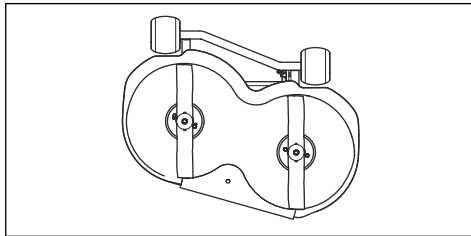


**ADVERTENCIA:** El mecanismo de bloqueo puede causar lesiones en los dedos si no lo utiliza con cuidado.

7. Sujete el equipo de corte con las dos manos y tire hacia afuera.



8. Levante el equipo de corte y colóquelo contra el producto o una pared.



## Funcionamiento

### Introducción



**ADVERTENCIA:** Antes de utilizar el producto, debe leer y entender el capítulo sobre seguridad.

### Carga de la batería



**ADVERTENCIA:** Un cargador de batería mal utilizado, averiado o dañado puede provocar una descarga eléctrica, un sobrecalentamiento o una fuga en la batería. Compruebe periódicamente que el cargador de batería y la batería no están dañados.



**PRECAUCIÓN:** La batería debe cargarse antes de utilizarse por primera vez. Una batería nueva solo tiene una carga del 30 %.

**Nota:** La batería de 48 V del producto puede entrar en modo de suspensión cuando su nivel de carga sea muy bajo o cuando el producto esté guardado por un tiempo. Para activar la batería, pulse el botón de inicio durante 2 segundos. Si la batería no se activa, cárguela de forma continua hasta que esté completamente cargada. El tiempo de carga será mayor cuando la batería se encuentre en modo de suspensión.

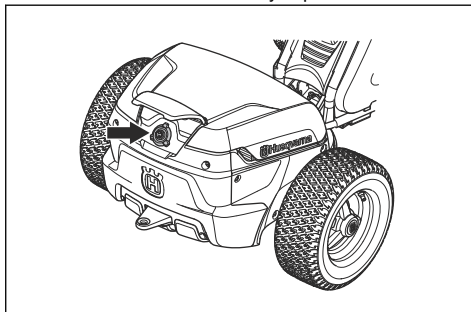


**PRECAUCIÓN:** Cargue la batería en unas condiciones de temperatura entre 0 °C y 40 °C.



**PRECAUCIÓN:** Utilice la batería en condiciones en las que la temperatura esté entre 0 °C y 40 °C.

- Conecte el cargador de batería a una toma de corriente con toma de tierra y al producto.



**Nota:** El producto debe estar en marcha para mostrar el estado de carga.

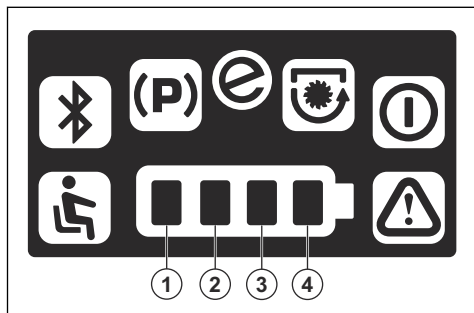


**PRECAUCIÓN:** No deje el cargador de batería conectado una vez que la batería esté completamente cargada.

### Indicaciones de la batería

El indicador de batería de la pantalla muestra el estado de carga cuando el producto está activado. Cuando el cargador está conectado y el producto está activado, la pantalla muestra una animación de carga. Cuando la batería está completamente cargada y el cargador está

conectado, las 4 luces LED de la batería se iluminan de forma permanente.



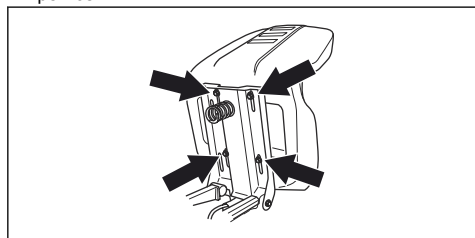
Indicadores LED	Estado de la carga
Las 4 luces LED están fijas.	La batería tiene una carga del 76 %–100 %.
Las luces LED 1-3 están fijas.	La batería tiene una carga del 51 %–76 %.
Las luces LED 1-2 están fijas.	La batería tiene una carga del 26 %–51 %.
La luz LED 1 está fija.	La batería tiene una carga del 0 %–25 %.

Cuando la batería está baja, el primer LED parpadea y las cuchillas se detienen para ahorrar energía. Si el producto tiene un 0 % de batería, el primer LED y el indicador de advertencia parpadean al mismo tiempo.

**Nota:** Si el producto se utiliza en condiciones de frío, el tiempo de funcionamiento puede reducirse.

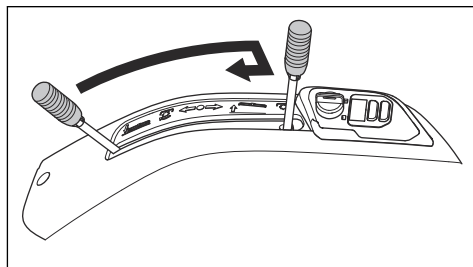
## Ajuste del asiento

- El asiento se puede inclinar hacia delante.
- Para ajustar el asiento hacia delante y hacia atrás, afloje los pernos que hay debajo del asiento. Mueva el asiento a la posición necesaria y apriete los pernos.

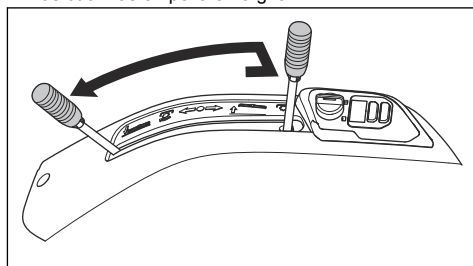


## Elevación y bajada del equipo de corte

- Para elevar el equipo de corte a la posición de transporte, tire de la palanca de elevación hacia atrás. Si el motor está encendido, las cuchillas se detendrán.



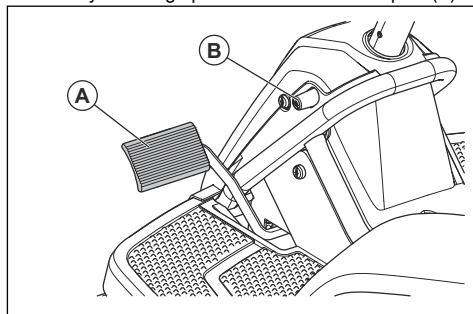
- Para bajar el equipo de corte a la posición de corte, presione el botón de bloqueo y mueva la palanca de elevación hacia delante. Si el motor está encendido, las cuchillas empezarán a girar.



## Aplicar y soltar el freno de estacionamiento

El pedal de freno de estacionamiento y el botón de bloqueo para el freno de estacionamiento están en el lado izquierdo de la columna de dirección.

1. Pise el pedal del freno de estacionamiento (A).
2. Pulse y mantenga pulsado el botón de bloqueo (B).



3. Mantenga pulsado el botón de bloqueo y suelte el pedal del freno de estacionamiento.

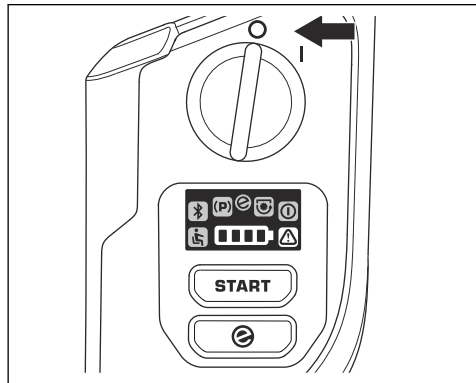
- Para soltar el freno de estacionamiento, vuelva a pisar el pedal.

## Movimiento manual del producto

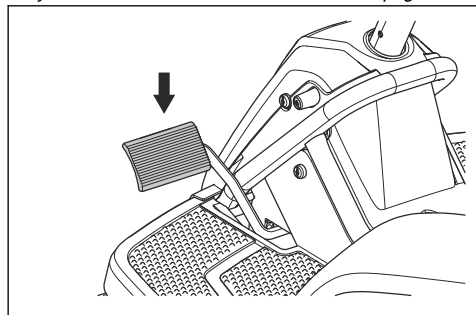


**PRECAUCIÓN:** No empuje el producto a una velocidad superior a 6 km/h. No empuje el producto más tiempo del necesario.

- Coloque el interruptor de encendido en la posición "0".



- Suelte el freno de estacionamiento. Consulte *Aplicar y soltar el freno de estacionamiento en la página 53.*

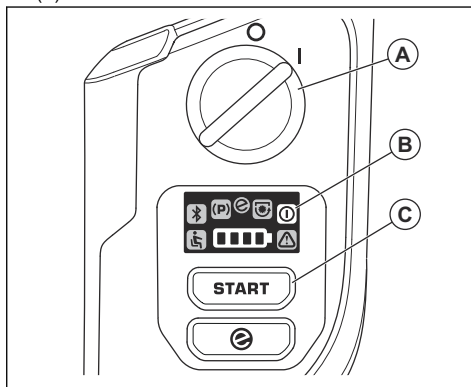


- Empuje el producto.

## Puesta en marcha del producto

- Desconecte el cable del cargador de batería.
- Siéntese en el asiento.
- Accione el freno de estacionamiento. Consulte *Aplicar y soltar el freno de estacionamiento en la página 53.*
- Levante el equipo de corte a la posición de transporte. Consulte *Elevación y bajada del equipo de corte en la página 53.*

- Coloque el interruptor de encendido en la posición "1" (A). Se enciende el indicador de modo en espera (B).

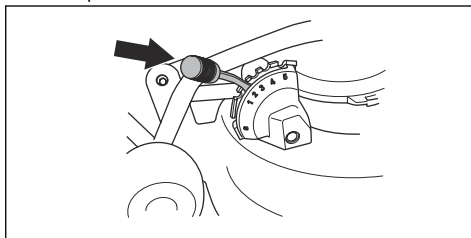


**Nota:** La batería de 48 V del producto puede entrar en modo de suspensión cuando su nivel de carga sea muy bajo o cuando el producto esté guardado por un tiempo. Para activar la batería, pulse el botón de inicio durante 2 segundos. Si la batería no se activa, cárguela de forma continua hasta que esté completamente cargada. El tiempo de carga será mayor cuando la batería se encuentre en modo de suspensión.

- Mantenga pulsado el botón de arranque (C). El indicador de modo en espera se apaga.

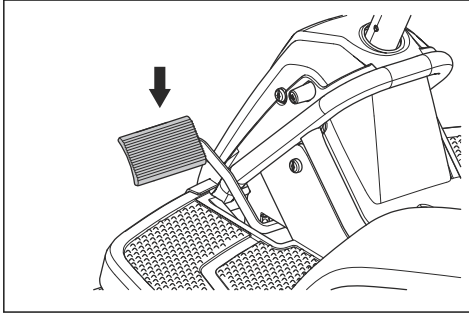
## Manejo del producto

- Seleccione la altura de corte (1-5) con la palanca correspondiente.

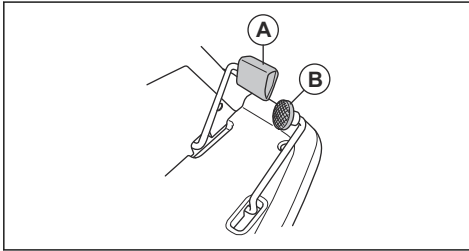


- Arranque el producto.

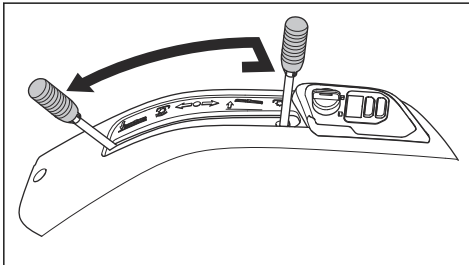
3. Pise el pedal del freno de estacionamiento y, a continuación, suéltelo para liberar el freno de estacionamiento.



4. Pise con cuidado uno de los pedales. Utilice el pedal (A) para desplazarse hacia adelante y el pedal (B) para desplazarse hacia atrás. Cuanto más pise el pedal, mayor será la velocidad.



5. Suelte el pedal para accionar los frenos.
6. Baje el equipo de corte.



## Activación y desactivación de la función SavE

El producto cuenta con una función de ahorro de batería (SavE) que le permite funcionar durante más tiempo. La función de ahorro reduce la velocidad del producto y la velocidad de las cuchillas.

1. Mantenga pulsado el botón SavE.

**Nota:** El indicador SavE se enciende con una luz verde fija cuando se inicia la función.

2. Mantenga pulsado el botón SavE de nuevo para detener la función.

## Parada del producto

1. Estacione el producto en un suelo nivelado.
2. Aplique el freno de estacionamiento.
3. Tire de la palanca de elevación del equipo de corte hacia atrás para levantar el equipo de corte a la posición de transporte.
4. Coloque el interruptor de encendido en la posición "0".

## Para obtener un buen resultado

- No corte el césped si está húmedo. La hierba mojada produce malos resultados.
- Empiece con una altura de corte elevada y redúzcala gradualmente.
- Corte con las cuchillas girándolas a alta velocidad (para el régimen máximo permitido para el motor, consulte *Datos técnicos en la página 66*). Mueva el producto hacia delante a baja velocidad. Si la hierba no está demasiado alta y espesa, también puede obtener un buen resultado de corte a una velocidad superior.
- Para obtener los mejores resultados, corte el césped con frecuencia y utilice la función de triturado. Consulte la sección *Para retirar el tapón del triturador en la página 58*.

## Mantenimiento

### Introducción



**ADVERTENCIA:** Asegúrese de leer y comprender el capítulo sobre seguridad antes de realizar tareas de mantenimiento en el producto.

### Programa de mantenimiento

\* = mantenimiento general realizado por el usuario. Estas instrucciones no se indican en este manual de usuario.

X = Estas instrucciones se indican en este manual de usuario.

O = Estas instrucciones no se indican en este manual de usuario. Deje que un taller de servicio homologado haga el mantenimiento.

**Nota:** Si hay más de un intervalo de tiempo indicado en la tabla, el intervalo de tiempo más corto es únicamente para el primer mantenimiento.

Mantenimiento	Mantenimiento diario antes de la puesta en marcha	Intervalo de mantenimiento
		50 horas o una vez al año
Asegúrese de que todos elementos de anclaje (tornillos, tuercas, etc.) estén correctamente fijados.	*	
Limpie según lo establecido en <i>Limpieza del producto en la página 57</i> .	X	
Limpie la superficie interior del equipo de corte, alrededor de las cuchillas.	X	
Compruebe que los dispositivos de seguridad del producto funcionan correctamente y no están dañados.	X	
Examine los frenos y pruébelos. Consulte <i>Revisión del pedal de avance y el pedal de marcha atrás en la página 47</i> y <i>Comprobación del freno de estacionamiento en la página 58</i> .	X	
Examine los cables de la dirección. Consulte <i>Inspección de los cables de la dirección en la página 58</i> .	X	
Examine las cuchillas del equipo de corte.	X	
Limpie el equipo de corte y debajo de la cubierta del mismo.	X	X
Asegúrese de que la presión de los neumáticos sea la correcta.	X	X
Conecte el producto a HSH y actualice el firmware si es necesario.		O
Cargue la batería al 80 % como mínimo. Compruebe el estado de la batería en HSH.		O
Asegúrese de que todos los tornillos y tuercas están apretados al par adecuado.		O
Inspeccione, lubrique y ajuste todos los cables.		O
Compruebe la cadena de dirección situada dentro del túnel del bastidor.		O
Lubrique los pedales por la parte interior del túnel del bastidor.		O
Lubrique el asiento del usuario.		O
Desmonte las ruedas motrices y lubrique los ejes con grasa.		O
Examine y ajuste el freno de estacionamiento.		O
Lubrique el bastidor del equipo de corte y el control de presencia del equipo de corte.		O
Lubrique las ruedas giratorias del equipo de corte.		O
Examine las cuchillas. Afile y equilibre las cuchillas si es necesario.		O
Compruebe y ajuste el paralelismo del equipo de corte.		O
Compruebe los interruptores del equipo de corte, del elevador y del freno de estacionamiento.		O
Compruebe el acoplamiento de las cuchillas y el interruptor OPC.		O
Compruebe la marcha adelante y la marcha atrás a diferentes velocidades.		O



Mantenimiento	Mantenimiento diario antes de la puesta en marcha	Intervalo de mantenimiento
	Efectúe una comprobación del sistema de sensores de los pedales y ajústelo si fuera necesario.	

## Limpieza del producto



**PRECAUCIÓN:** No utilice un equipo de limpieza de alta presión o de vapor. El agua puede introducirse en los cojinetes y las conexiones eléctricas, y provocar corrosión y daños al producto.

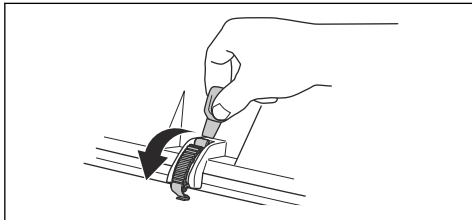
Limpié el producto inmediatamente después de usarlo.

- Antes de limpiar con un paño húmedo, limpie con un cepillo. Elimine los restos de hierba y la suciedad de la unidad de propulsión y sus alrededores, así como de la entrada al ventilador de refrigeración del motor.
- Utilice un paño húmedo para limpiar el producto.
- No utilice agua en los componentes eléctricos o los cojinetes. El detergente generalmente aumenta el daño.
- Asegúrese de que la batería y su cargador estén limpios antes de colocar la batería en el cargador.
- Para limpiar el equipo de corte, retírelo e introduzca agua mediante una manguera.
- Cuando el producto esté limpio, arranque el equipo de corte durante un corto período para drenar el agua restante.

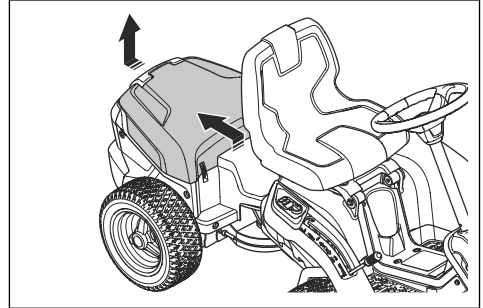
## Para retirar las cubiertas

### Extracción e instalación de la cubierta de la batería

1. Suelte los 2 clips de la parte delantera de la cubierta de la batería con la herramienta acoplada a la llave de contacto.



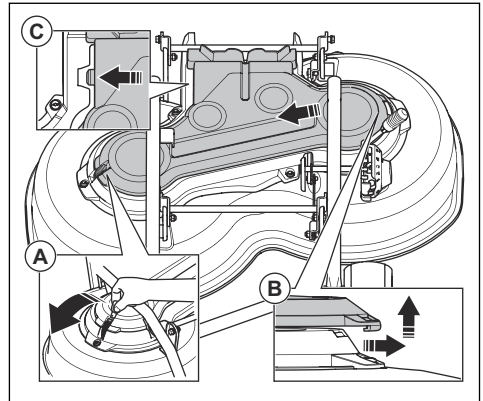
2. Levante la parte delantera de la cubierta de la batería y empújela hacia atrás.



3. Para el montaje, efectúe el mismo procedimiento en el orden inverso.

### Extracción e instalación de la cubierta del equipo de corte

1. Suelte la presilla (A) de la cubierta del equipo de corte.

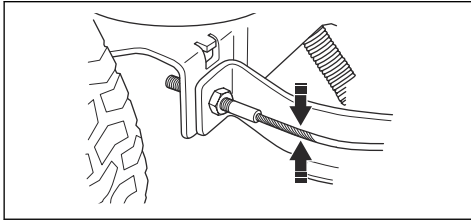


2. Retire la cubierta del equipo de corte (B).
3. Para el montaje, efectúe el mismo procedimiento en el orden inverso.

**Nota:** Asegúrese de que la brida (C) esté en la posición correcta.

## Inspección de los cables de la dirección

1. Los cables de la dirección están apretados correctamente si se pueden mover manualmente 5 mm hacia arriba o hacia abajo en la ranura de la columna de dirección.



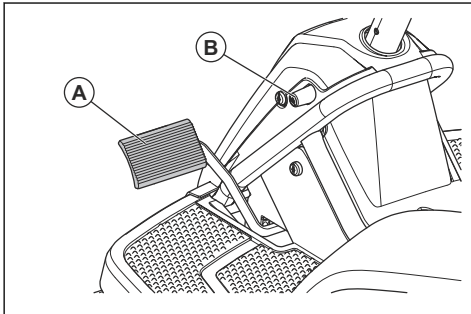
2. Si los cables están demasiado flojos, deje que un taller de servicio autorizado los ajuste.

## Comprobación del freno de estacionamiento

1. Estacione el producto sobre una superficie dura con pendiente.

**Nota:** No estacione el producto sobre una pendiente con hierba cuando realice una comprobación del freno de estacionamiento.

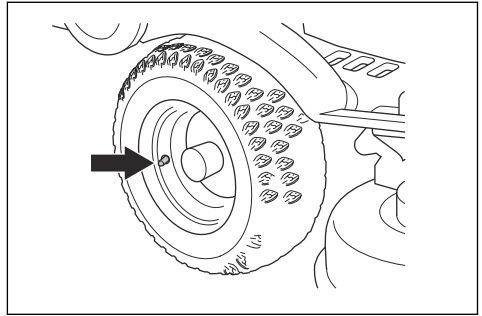
2. Pise el pedal del freno de estacionamiento (A).



3. Pulse y mantenga pulsado el botón de bloqueo (B) y suelte el pedal del freno de estacionamiento mientras el botón está pulsado.
4. Si el producto empieza a moverse, deje que un taller de servicio autorizado ajuste el freno de estacionamiento.
5. Pise el pedal del freno de estacionamiento nuevamente para soltar el freno de estacionamiento.

## Presión de los neumáticos

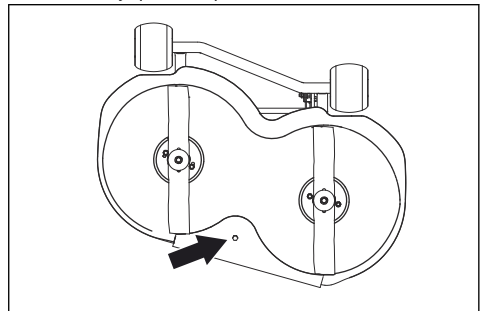
La presión de los neumáticos correcta es de 60 kPa (0,6 bares / 8,5 PSI) en las 4 ruedas.



## Para retirar el tapón del triturador

Encontrará el tapón del triturador en el lado inferior del equipo de corte.

1. Retire el equipo de corte. Consulte *Desmontaje del equipo de corte en la página 51*.
2. Extraiga los tornillos que sujetan el tapón del triturador y quite el tapón.

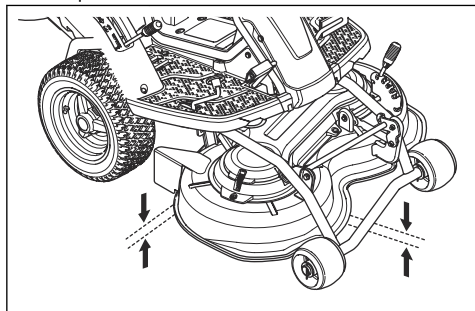


3. Coloque el equipo de corte en la posición de corte.
4. Coloque el tapón del triturador siguiendo la secuencia opuesta.

## Comprobación del paralelismo del equipo de corte

1. Asegúrese de que la presión de aire de los neumáticos es la correcta. Consulte la sección *Presión de los neumáticos en la página 58*.
2. Estacione el cortacésped en una superficie nivelada.
3. Baje el equipo de corte a la posición de corte.
4. Coloque la palanca de la altura de corte en la posición intermedia.

- Mida la distancia entre el suelo y los bordes delantero y trasero del equipo de corte. Asegúrese de que el borde trasero esté 4-6 mm o 1/5 pulg. más alto que el delantero.

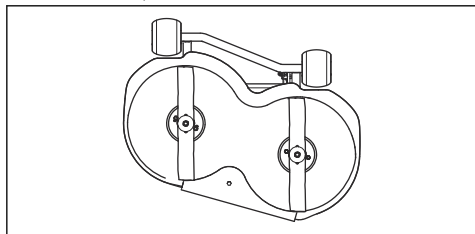


## Examinar las cuchillas



**PRECAUCIÓN:** Unas cuchillas dañadas o mal equilibradas pueden causar daños al producto. Sustituya las cuchillas dañadas. Deje que un taller de servicio homologado le ayude a afilar y equilibrar las cuchillas romas.

- Retire el equipo de corte. Consulte la sección *Desmontaje del equipo de corte en la página 51*.
- Observe las cuchillas para ver si están dañadas y, si es necesario, afíllaslas.

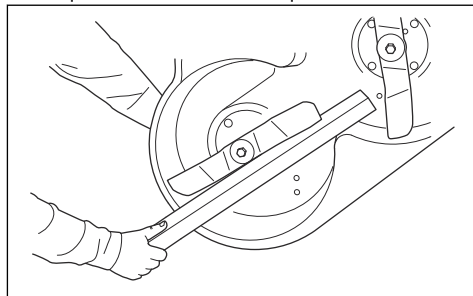


- Apriete los pernos de las cuchillas con un par de apriete de 25 Nm.

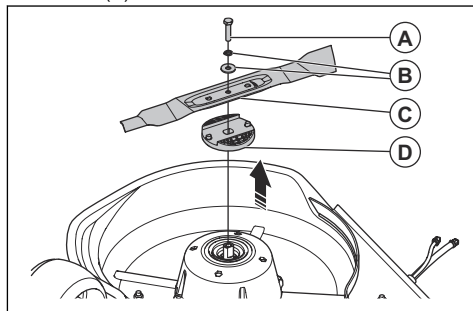
## Sustitución de las cuchillas

- Retire el equipo de corte. Consulte la sección *Desmontaje del equipo de corte en la página 51*.

- Bloquee la cuchilla con un bloque de madera.



- Afije y extraiga el perno de la cuchilla (A), las arandelas (B), la cuchilla (C) y el soporte de la cuchilla (D).



- Para el montaje, efectúe el mismo procedimiento en el orden inverso. Instale las nuevas cuchillas con los extremos curvos orientados hacia el equipo de corte.



**ADVERTENCIA:** Usar un tipo de cuchillas incorrecto puede causar que el equipo de corte arroje objetos y causar así lesiones graves. Utilice únicamente las cuchillas que aparecen en *Datos técnicos en la página 66*.

## Resolución de problemas

### Programa de resolución de problemas

Si no puede encontrar una solución a sus problemas en este manual de usuario, hable con su taller de servicio Husqvarna.

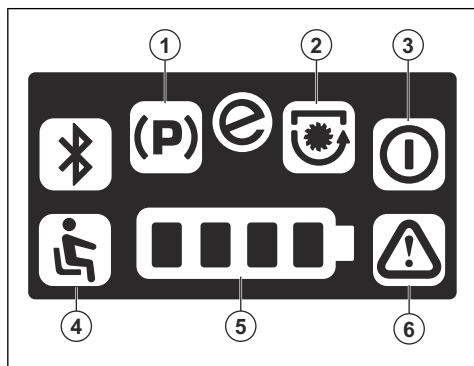
<b>Problema</b>	<b>Causa</b>	<b>Acción</b>
El primer y el cuarto LED de la batería y el indicador de advertencia de la pantalla parpadean.	La batería está dañada.	Acuda a un taller de servicio autorizado.
	Desviación de la temperatura; la batería está demasiado fría o demasiado caliente.	Deje que la batería se enfríe o traslade el producto a un lugar con una temperatura aprobada para las baterías. Consulte <i>Almacenamiento en la página 64</i> .
El indicador de advertencia de la pantalla tiene una luz roja fija.	Se ha detectado un fallo en el producto.	Detenga el producto durante al menos 5 segundos y, a continuación, vuelva a encenderlo.
		Póngase en contacto con un taller de servicio autorizado si el indicador de advertencia sigue teniendo una luz roja fija después de volver a arrancar.
El indicador de advertencia de la pantalla parpadea en rojo y el indicador de acoplamiento de las cuchillas está encendido.	El equipo de corte se ha detenido debido a una carga alta.	Detenga el producto y espere a que el motor se enfríe antes de volver a arrancarlo.
	Se ha detectado un fallo en las unidades de control del equipo de corte.	Póngase en contacto con un taller de servicio autorizado si el indicador de advertencia parpadea después de volver a arrancar.
El indicador de advertencia parpadea rápidamente y todas las demás luces LED están apagadas.	La unidad de control del motor de tracción se ha sobrecalentado.	Apague el producto y espere a que la unidad de control del motor se enfríe.
El indicador de advertencia de la pantalla parpadea en rojo y la primera luz LED de la batería está encendida.	La batería está descargada.	Cargue la batería.
El producto no se puede arrancar.	Los interruptores del freno de estacionamiento y del asiento no están activados. El equipo de corte no está en la posición de transporte o está engranado.	Consulte <i>Puesta en marcha del producto en la página 54</i> .
	Se está pisando el pedal de avance/marcha atrás.	Suelte los pedales.
	El cargador de batería está conectado al producto.	Desconecte el cargador de batería antes de arrancar el producto.
	La pantalla está rota.	Acuda a un taller de servicio autorizado.
	El interruptor de encendido está dañado.	
	La unidad de control del vehículo (VCU) o sus conexiones están dañadas.	

Problema	Causa	Acción
La pantalla no se enciende cuando el interruptor de encendido se coloca en la posición "1".	La batería no está cargada.	Cargue la batería.
	Fusible de 5 A fundido.	Cambie el fusible.
	La unidad de control del vehículo (VCU) o sus conexiones están dañadas.	Acuda a un taller de servicio autorizado.
	El interruptor de encendido está dañado.	
	El panel de control está roto.	
Todas las luces LED de la pantalla parpadean lentamente de forma sincronizada.	La unidad de control del vehículo (VCU) o sus conexiones están dañadas.	Acuda a un taller de servicio autorizado.
Todas las luces LED de la pantalla están encendidas fijas durante más de 3 segundos.	Conexión interna dañada entre las unidades de control del producto.	Acuda a un taller de servicio autorizado.
Los motores del equipo de corte no arrancan.	Los 2 cables del equipo de corte están mal conectados.	Conecte el equipo de corte al producto; consulte <i>Montaje del equipo de corte en la página 50</i> .
	El equipo de corte está lleno de hierba.	Limpie el equipo de corte; consulte <i>Desmontaje del equipo de corte en la página 51</i> .
	La batería no está cargada.	Cargue la batería.
	El bloqueo del equipo de corte no está activado o el interruptor de bloqueo está dañado.	Fije el equipo de corte correctamente; consulte <i>Montaje del equipo de corte en la página 50</i> .  Si el problema persiste, póngase en contacto con un taller de servicio autorizado.
	El equipo de corte no está en la posición de corte.	Coloque el equipo de corte en la posición de corte, consulte <i>Elevación y bajada del equipo de corte en la página 53</i> .
	Los motores del equipo de corte están averiados.	Acuda a un taller de servicio autorizado.
	Los controles de los motores del equipo de corte están averiados.	
La batería no se carga.	El cargador de batería no está conectado correctamente.	Consulte <i>Carga de la batería en la página 52</i> .
	El cargador de batería está dañado.	Cambie el cargador de batería.
	La batería está dañada.	Acuda a un taller de servicio autorizado.
	La temperatura de la batería es superior a los 45 °C.	Deje que la batería se enfríe durante un tiempo.
	La temperatura de la batería es demasiado baja.	Lleve el producto a una ubicación con una temperatura aprobada para las baterías. Consulte <i>Almacenamiento en la página 64</i> .

Problema	Causa	Acción
Se producen vibraciones en el producto.	Las cuchillas están flojas.	Consulte <i>Examinar las cuchillas en la página 59</i> .
	Una cuchilla o más no están equilibradas.	Consulte <i>Examinar las cuchillas en la página 59</i> .
	El motor está flojo.	Acuda a un taller de servicio autorizado.
El resultado del corte no es satisfactorio.	Las cuchillas están romas.	Consulte <i>Examinar las cuchillas en la página 59</i> .
	El césped está crecido o húmedo.	Consulte <i>Para obtener un buen resultado en la página 55</i> .
	El equipo de corte no queda paralelo al suelo.	Consulte <i>Comprobación del paralelismo del equipo de corte en la página 58</i> .
	El equipo de corte presenta una obstrucción por hierba.	Consulte <i>Limpieza del producto en la página 57</i> .
	La presión de los neumáticos es distinta en el lado derecho e izquierdo.	Consulte <i>Presión de los neumáticos en la página 58</i> .
	El producto funciona a una velocidad demasiado alta.	Acuda a un taller de servicio autorizado.
	El régimen del motor es demasiado bajo.	Acuda a un taller de servicio autorizado.

## Señales de luz LED de la pantalla

Las luces LED de la pantalla darán señales si hay un fallo o si no se cumplen las condiciones de funcionamiento. Consulte la sección *Comprobación de las condiciones de funcionamiento en la página 47*.



Modo	Señal	Situación
<b>Modo de accionamiento</b>	La luz LED de control de presencia del usuario (4) parpadea 5 veces.	El usuario ha abandonado el asiento mientras se utilizaba el producto.

Modo	Señal	Situación
<b>Modo de espera</b>	La luz LED de control de presencia del usuario (4) parpadea.	Se ha pulsado el botón de arranque sin que hubiera nadie sentado en el asiento.
	Las luces LED de la batería (5) 1-4 parpadean.	Se ha pulsado el botón de arranque mientras el cargador está conectado.
	El indicador LED del freno de estacionamiento (1) parpadea.	Se ha pulsado el botón de arranque, pero el freno de estacionamiento no está accionado.
	El indicador LED de acoplamiento de las cuchillas (2) parpadea.	Se ha pulsado el botón de arranque mientras el equipo de corte está en posición de corte.
	El indicador de modo de espera (3) y el indicador de advertencia (6) parpadean hasta que se suelta el botón de arranque.	Se ha pulsado el botón de arranque mientras se pisa el pedal de avance o de marcha atrás.
	El freno de estacionamiento está activado, y el indicador de modo de espera (3) y el indicador de advertencia (6) parpadean hasta que se suelta el botón de arranque.	Acuda a un taller de servicio autorizado.

---

## Transporte, almacenamiento y eliminación

---

### Transporte

- El producto es pesado y puede causar lesiones por aplastamiento. Tenga cuidado al cargarlo o descargarlo de un vehículo o remolque.
- No levante el producto. Las argollas de transporte no son puntos de elevación y solo deben utilizarse para enganchar el producto de forma segura a un remolque.
- Utilice solo un remolque homologado para el transporte del producto.

- Asegúrese de que conoce las normas de tráfico locales antes de transportar el producto en un remolque o circular por carretera.

### Remolque del producto

1. Coloque la palanca de elevación del equipo de corte en la posición de transporte.
2. Desactive el freno de estacionamiento.
3. Remolque el producto solo distancias cortas y a baja velocidad.

## Conexión segura del producto en un remolque para su transporte



**ADVERTENCIA:** El freno de estacionamiento no es suficiente para bloquear el producto durante el transporte. Conecte firmemente el producto en el remolque.

Equipo: 2 correas de tensión homologadas y 4 bloques con forma de cuña para las ruedas.

1. Active el freno de estacionamiento.
2. Fije las correas de tensión alrededor del bastidor o el vagón trasero.
3. Apriete las correas de tensión en el sentido de la parte trasera y delantera del remolque para fijar el producto.
4. Coloque los bloques de cuña delante y detrás de las ruedas traseras.

## Transporte de las baterías

- Las baterías de 48 V suministradas cumplen los requisitos de la legislación sobre mercancías peligrosas.
- Siga el requisito especial sobre el embalaje y las indicaciones de las etiquetas para el transporte comercial realizado por terceros y agentes de transporte.
- Hable con alguien con formación especial en materiales peligrosos antes de enviar el producto. Respete todas las normativas nacionales.
- Cubra con cinta los contactos abiertos cuando ponga la batería en un paquete. Coloque la batería en un embalaje estrecho para evitar que se mueva.

## Almacenamiento

Prepare el producto para guardarlo al final de la temporada o antes si va a almacenarlo durante más de 30 días.



**ADVERTENCIA:** Retire la hierba, las hojas y otros materiales inflamables del producto para disminuir el riesgo de incendio. Deje que el producto se enfríe antes de guardarlo.

- Ponga el interruptor de encendido en la posición "0".
- Limpie el producto; consulte *Limpieza del producto en la página 57*. Repare los daños en la pintura para evitar la corrosión.
- Examine el producto por si hubiera piezas dañadas o desgastadas, y apriete las tuercas y tornillos flojos.
- Cargue la batería completamente antes de su almacenamiento. Asegúrese de que la carga de las baterías es del 50 % o más durante el almacenamiento.

**Nota:** La batería puede entrar en el modo de suspensión cuando el producto está almacenado o el estado de carga es muy bajo. Para activar la batería, se debe pulsar el botón de arranque durante 2 segundos. Si la batería no se activa, es preciso cargarla de forma continua hasta que esté completamente cargada. El tiempo de carga será mayor cuando la batería se encuentre en modo de suspensión.

- Lubrique todas las boquillas de engrase, las juntas y los ejes.
- Guarde el producto en un lugar limpio y seco. Tape el producto con una cubierta protectora.

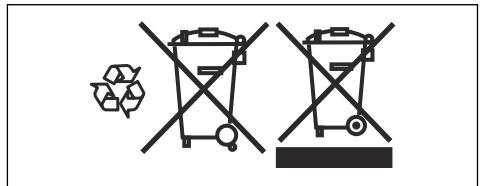
**Nota:** Su distribuidor puede proporcionarle una cubierta de protección para el almacenamiento o transporte de su producto.

- Mantenga el producto en un área cerrada para impedir el acceso a niños o personas no autorizadas.
- Guarde el producto y la fuente de alimentación en un lugar seco y al abrigo de las heladas.
- Si va a utilizar el producto, manténgalo almacenado en un lugar donde la temperatura ambiente esté comprendida entre 0 °C/32 °F y 50 °C/122 °F. Si no va a utilizar el producto, puede guardarlo en un lugar donde la temperatura ambiente esté comprendida entre -20 °C/-4 °F y 50 °C/122 °F.
- Proteja el producto de la luz del sol.
- No almacene el producto en lugares donde pueda generarse electricidad estática.

## Desecho de la batería y del cargador

Los símbolos del producto o del embalaje indican que este producto no puede desecharse como residuo doméstico. En lugar de ello, debe enviarse a una estación de reciclaje apropiada para la recuperación de aparatos eléctricos y electrónicos.

Si se asegura de que se trata este producto correctamente, puede ayudar a contrarrestar el posible impacto negativo para el medio ambiente y las personas que podría darse por una gestión incorrecta de los residuos del mismo. Si desea información más detallada sobre el reciclaje de este producto, póngase en contacto con su ayuntamiento, el servicio de recogida de basuras o la tienda donde lo adquirió.





## Eliminación

- Las sustancias químicas pueden ser peligrosas y no deben verterse al suelo. Deseche siempre los productos químicos en su centro de servicio o en una ubicación adecuada para su eliminación.
- Cuando el producto se desgaste, envíelo al distribuidor o llévelo a un lugar donde se recicle de forma adecuada.
- El aceite y las baterías pueden tener efectos perjudiciales para el medio ambiente. Respete los requisitos y las normas de reciclaje locales aplicables.
- No deseche la batería como residuo doméstico.
- Envíe la batería a un taller de servicio Husqvarna o deséchela en una ubicación de residuos para las baterías agotadas.

## Datos técnicos

### Datos técnicos

R 112iC	
<b>Dimensiones</b>	
Longitud sin equipo de corte, mm	1781
Anchura sin equipo de corte, mm	800
Longitud con equipo de corte, mm	2119
Anchura con equipo de corte, mm	883
Altura, mm	1069
Peso sin equipo de corte (incl. 1 batería), kg	135
Distancia entre ejes, mm	800
Dimensiones de los neumáticos	155/50-8
Presión de los neumáticos, traseros y delanteros, kPa/bar/PSI	60/0,6/8,5
Máx. pendiente, grados	10
Peso máx. de remolcado con una pendiente de 10°, kg	100
Fuerza vertical máx. sobre la barra de remolque, N/kg	250/25
Fuerza horizontal máx. sobre la barra de remolque, N/kg	250/25
<b>Motor de accionamiento</b>	
Tipo de motor	Motor de CC sin escobillas
Tensión, V	48
Potencia nominal del motor, kW	1,5
Régimen máximo del motor, rpm	3500
<b>Transmisión</b>	
Marca/modelo	PEERLESS/PGM 2200
Aceite, clase SF-CC	SAE 90 API GL-4 Performance
Volumen de aceite, litros	0,24
Número de marchas de avance	–
Número de marchas de retroceso	–
Máx. velocidad de avance, km/h	9
Máx. velocidad de marcha atrás, km/h	4
<b>Sistema eléctrico</b>	
Tipo	48 V CC, negativo a tierra
Fusible principal, A	80
Fusible del equipo de corte, A	40

	<b>R 112iC</b>
Fusible de las unidades de control, A	3
<b>Emisiones de ruido</b> <sup>4</sup>	
Nivel de potencia acústica medida, dB(A)	93
Nivel de potencia acústica garantizada, dB(A)	96
<b>Niveles acústicos</b> <sup>5</sup>	
Nivel de presión sonora en el oído del usuario, dB(A)	80
<b>Niveles de vibración</b> <sup>6</sup>	
Nivel de vibración en el volante, m/s <sup>2</sup>	0,27
Nivel de vibración en el asiento, m/s <sup>2</sup>	0,1
<b>Equipo de corte</b>	
Tipo	Combi
Anchura de corte, mm	850
Peso, kg	28
Potencia del motor del equipo de corte, kW	2x0,9
Régimen del motor del equipo de corte, rpm	3000
Régimen del motor del equipo de corte, modo boost, rpm	3500
Altura de corte, 5 posiciones, mm	25-70
Longitud de las cuchillas, mm	425
<b>Cuchillas</b>	
Referencia	595 94 26-10



**ADVERTENCIA:** Utilizar un equipo de corte que no esté homologado para el producto puede causar proyección de objetos a alta velocidad, lo que podría causar lesiones graves. No utilice otros

tipos de equipo de corte diferentes a los especificados en este manual de usuario.

## Baterías homologadas

Utilice solo baterías originales para este producto.

<b>Batería</b>	<b>EM-5240Li</b>
Referencia	598 84 43-01
Tipo	iones de litio
Capacidad de la batería, Ah	38,4
Tensión nominal, V	50,4

<sup>4</sup> Emisiones sonoras en el entorno medidas como potencia acústica ( $L_{WA}$ ) según la directiva 2000/14/CE.

<sup>5</sup> Nivel de presión sonora conforme a la norma EN ISO 5395. Los datos referidos del nivel de presión sonora tienen una dispersión estadística habitual (desviación típica) de 1,2 dB (A).

<sup>6</sup> Nivel de vibración conforme a EN ISO 5395. Los datos referidos del nivel de vibración poseen una dispersión estadística habitual (desviación típica) de 0,2 m/s<sup>2</sup> (volante) y 0,8 m/s<sup>2</sup> (asiento).

<b>Batería</b>	<b>EM-5240Li</b>
Peso, kg/lb	17/38

## Cargador de batería homologado

<b>Cargador de baterías</b>	<b>PS-5705</b>
Tensión de entrada, V	220-240
Intensidad de entrada, A	1,8
Frecuencia, Hz	50
Potencia, W	300
Tensión de salida, V	57
Corriente de salida, A	5,3

---

## Servicio técnico

---

### Servicio técnico

Haga una comprobación anual en un centro de servicio autorizado para asegurarse de que el producto funcione de manera segura y sin problemas durante la temporada alta. El mejor momento para realizar el mantenimiento o la revisión de este producto es la temporada baja.

Al enviar un pedido de piezas de repuesto, proporcione información sobre el año de compra, el modelo, el tipo y el n.º de serie.

Utilice siempre piezas de repuesto originales.

# Declaración de conformidad

## Declaración de conformidad CE

Nosotros, **Husqvarna AB**, SE-561 82 Huskvarna (Suecia), tel. +46-36-146500, declaramos bajo nuestra exclusiva responsabilidad que el producto:

<b>Descripción</b>	Cortacésped con asiento
<b>Marca</b>	Husqvarna
<b>Tipo/Modelo</b>	R 112iC
<b>Identificación</b>	Números de serie a partir del año 2022

Cumple las siguientes directivas y normas de la UE:

<b>Directiva/Norma</b>	<b>Descripción</b>
2006/42/CE	"relativa a las máquinas"
2014/30/UE	"relativa a la compatibilidad electromagnética"
2000/14/CE	"relativa a las emisiones sonoras en el entorno"
2011/65/UE	"relativa a restricciones de utilización de determinadas sustancias peligrosas en aparatos eléctricos y electrónicos"

Y que se aplican las especificaciones técnicas o los estándares siguientes: EN ISO 12100:2010, EN ISO 13849-1:2015, EN ISO 13849-2:2012, EN ISO 5395-1:2013+A1:2018, EN ISO 5395-3:2013+A1:2017+A2:2018, EN ISO 14982:2009, EN 61000-6-2:2005, EN 61000-6-3:2007+A1:2011+AC:2012, EN IEC63000:2018.

Organismo notificado: 0404, RISE SMP Svensk Maskinprovning AB, Box 4053, SE-904 03 Umeå, Sweden ha certificado la conformidad con la Directiva del Consejo 2000/14/CE, Procedimiento de evaluación de conformidad: Anexo VI.

Para obtener información respecto a las emisiones sonoras, consulte *Datos técnicos en la página 66*.

Huskvarna, 2022-11-01



Claes Losdal, Director de desarrollo/Productos para jardín, Husqvarna AB

Responsable de la documentación técnica



# ÍNDICE

Introdução.....	70	Resolução de problemas.....	94
Segurança.....	74	Transporte, armazenamento e eliminação.....	98
Montagem.....	85	Especificações técnicas.....	101
Funcionamento.....	87	Assistência.....	103
Manutenção.....	90	Declaração de conformidade.....	104

## Introdução

### Inspeção pré-entrega e números de produto

assinada do documento de inspeção pré-entrega do seu concessionário.

**Nota:** Foi realizada uma inspeção pré-entrega deste produto. Certifique-se de que recebe uma cópia

Informação de contacto da oficina autorizada:	
Este manual do utilizador pertence ao produto com o número de produto/número de série:	
/	
Motor:	

### Descrição do produto

O produto é um trator corta-relva. Os pedais de marcha em frente e de marcha-atrás permitem que o utilizador ajuste a velocidade gradualmente. O produto é utilizado com uma plataforma de corte 2 em 1 com tampão de trituração.

### Finalidade

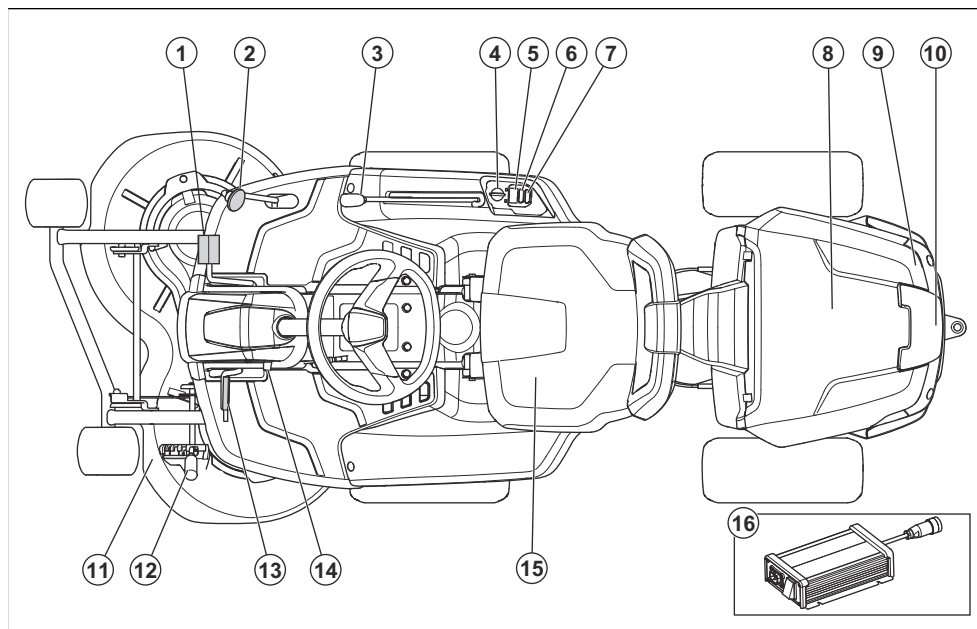
O produto foi concebido para cortar relva em áreas abertas e planas em jardins e zonas residenciais. Fixe um acessório opcional para utilizar o produto para

outras tarefas. Fale com o seu revendedor Husqvarna para obter mais informações sobre os acessórios disponíveis.

### Faça um seguro para o seu produto

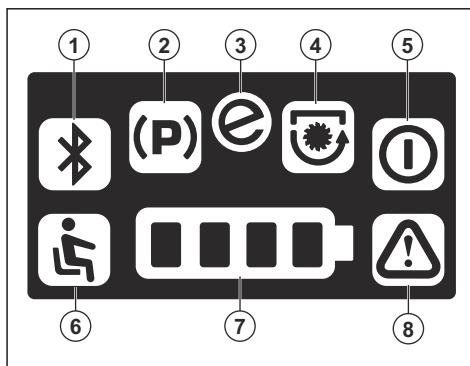
Certifique-se de que o seu seguro cobre o seu novo produto. Fale com a sua companhia de seguros caso não tenha a certeza. Recomendamos um seguro totalmente abrangente que inclua proteção contra terceiros, incêndios, danos, roubo e responsabilidade civil.

## Vista geral do produto



1. Pedal de avanço
2. Pedal de marcha-atrás
3. Alavanca de elevação da bancada de corte
4. Interruptor de alimentação
5. Visor
6. Botão start
7. Função SavE
8. Cobertura da bateria
9. Etiqueta de tipo
10. Tomada para o carregador de bateria
11. Bancada de corte
12. Alavanca da altura de corte
13. Pedal do travão de estacionamento
14. Botão de bloqueio do travão de estacionamento
15. Banco
16. Carregador da bateria

## Descrição geral do visor



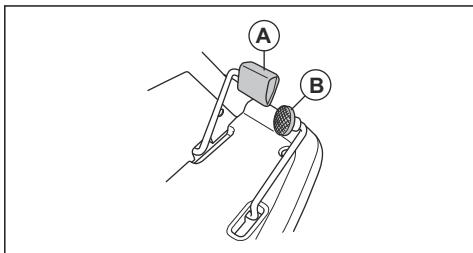
1. Não utilizado neste produto
2. Indicador do travão de estacionamento
3. Indicador SavE
4. Indicador de lâminas engatadas
5. Indicador do modo de espera
6. Controlo de presença do operador (OPC)
7. Indicador de nível da bateria
8. Indicador de aviso

## Controlo de presença do operador (OPC)

O OPC coloca o produto no modo de segurança quando o utilizador se levanta do banco. O motor e os motores de corte param se as lâminas forem engatadas. Consulte *Verificar as condições de funcionamento na página 82*.

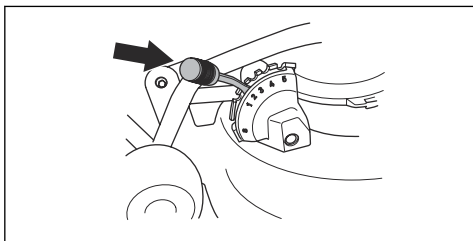
## Pedais de marcha em frente e marcha-atrás

A velocidade é gradualmente ajustada com os 2 pedais. O pedal esquerdo (A) é utilizado para a marcha em frente e o pedal direito (B) é utilizado para a marcha-atrás. O produto para quando os pedais são libertados.

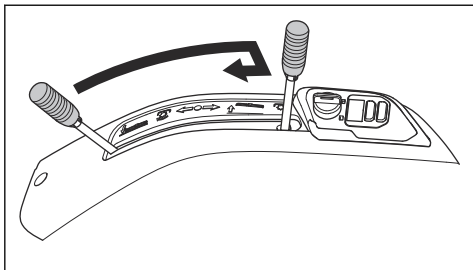


## Alavanca da altura de corte

A altura de corte é ajustada para 5 (1-5) posições diferentes.



**Nota:** Levante a plataforma de corte antes de ajustar a altura de corte.



## Símbolos no produto



**AVISO:** Este produto pode ser perigoso e provocar ferimentos graves ou a morte do operador ou de terceiros. Seja cuidadoso e utilize o produto corretamente.



Leia o manual do utilizador com atenção e certifique-se de que compreende as instruções antes de utilizar o produto.



Lâminas rotativas. Mantenha as partes do seu corpo afastadas da cobertura quando o motor estiver ligado.



Aviso: Mantenha o corpo afastado das peças rotativas.



Tenha cuidado com objetos projetados e ricochetes.



Não utilize o produto junto a pessoas, em especial crianças, ou animais.



Olhe para trás antes e durante as deslocações em marcha-atrás.



Não corte relva ao longo de um declive. Não corte relva em terrenos com um declive superior a 10°. Consulte *Cortar relva em declives na página 79*.



Não permita que outras pessoas, para além do utilizador, se sentem no produto. Não permita que pessoas se sentem no equipamento.



Opere o produto muito devagar se não tiver uma plataforma de corte aplicada.



Marcha em frente.



Neutro.



Marcha-atrás.





Estado da bateria.



Interrutor do banco.



Indicação do modo de espera.

**START**

Ligue o motor.



Função SavE.



Travão de estacionamento.



O produto está em conformidade com as diretivas CE aplicáveis.



Este produto está em conformidade com os regulamento aplicáveis do Reino Unido.



Emissão de ruído para a etiqueta ambiental de acordo com as diretivas e regulamentos da União Europeia e do Reino Unido e o regulamento "Protection of the Environment Operations (Noise Control) Regulation 2017" (regulamento de proteção de operações no meio ambiente [controlo do ruído] de 2017) da Nova Gales do Sul. O nível de potência sonora garantido do produto está especificado nas *Especificações técnicas na página 101* e na etiqueta.



Utilize sempre protetores acústicos aprovados.



As lâminas estão ativadas.



As lâminas não estão ativadas.



Posição de manutenção da bancada de corte.



Posição de funcionamento da plataforma de corte.



Altura de corte.



**Marca ambiental.** O produto ou a respetiva embalagem não são resíduos domésticos. Recicle o equipamento numa estação de reciclagem para equipamentos elétricos e eletrónicos.



Código para leitura

aaaassxxxx

A etiqueta de tipo apresenta o número de série. **aaaa** é o ano de fabrico e **ss** é a semana de fabrico.

**Nota:** Os restantes símbolos/autocolantes existentes no produto dizem respeito a requisitos para homologação em algumas áreas comerciais.

## Responsabilidade pelo produto

Como referido nas leis de responsabilidade pelo produto, não somos responsáveis por danos causados pelo nosso produto se:

- o produto tiver sido incorretamente reparado.
- o produto tiver sido reparado com peças que não sejam do fabricante ou que não sejam aprovadas pelo fabricante.
- o produto tiver um acessório que não seja do fabricante ou que não seja aprovado pelo fabricante.
- o produto não tiver sido reparado por um centro de assistência autorizado ou por uma autoridade aprovada.

---

## Segurança

---

### Definições de segurança

Os avisos, as precauções e as notas são utilizados para indicar partes especialmente importantes do manual.



**ATENÇÃO:** Utilizado no caso de existir risco de ferimento ou morte para o utilizador ou transeuntes, se não forem respeitadas as instruções do manual.



**CUIDADO:** Utilizado se existir risco de danos para o produto, para outros materiais ou para a área adjacente, se não forem respeitadas as instruções do manual.

---

**Nota:** Utilizado para disponibilizar informações adicionais necessárias numa determinada situação.

---

### Instruções de segurança gerais



**ATENÇÃO:** Este produto pode amputar mãos e pés, e projetar objetos. Se não respeitar as

instruções de segurança, tal pode resultar em ferimentos graves ou morte.

---



**ATENÇÃO:** Não continue a utilizar o produto com um equipamento de corte danificado. O equipamento de corte danificado pode projetar objetos e causar ferimentos graves ou a morte. Substitua as lâminas danificadas de imediato.



**ATENÇÃO:** Este produto produz um campo eletromagnético durante o funcionamento. Em determinadas circunstâncias, este campo pode interferir com o funcionamento de implantes médicos ativos ou passivos. Para diminuir o risco de ferimentos graves ou mortais, recomendamos que os portadores de implantes médicos

consultem o seu médico e o fabricante do implante antes de utilizar este produto.

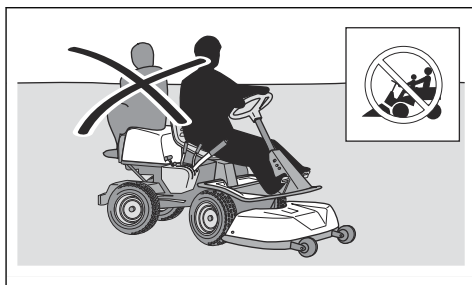


**ATENÇÃO:** Leia as instruções de aviso que se seguem antes de utilizar o produto.

- Seja sempre cuidadoso e use o seu senso comum. Evite todas as situações que considere estarem para além das suas capacidades. Se não se sentir seguro quanto aos procedimentos de funcionamento após a leitura do manual do utilizador, consulte um especialista antes de continuar.
- Leia e compreenda o manual do utilizador e as instruções presentes no produto com atenção antes de o ligar.
- Aprenda a utilizar o produto e os respetivos controlos em segurança, e saiba como parar o produto rapidamente.
- Aprenda a reconhecer os autocolantes de segurança.
- Mantenha o produto limpo para se certificar de que

consegue ler bem os sinais e os autocolantes.

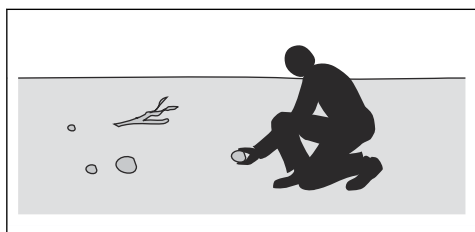
- Tenha em atenção que o utilizador é responsável pelos acidentes que incluam outras pessoas ou a respetiva propriedade.
- Não transporte passageiros. O produto apenas pode ser utilizado por uma pessoa.



- Não deixe o produto sem supervisão enquanto está ligado. Pare sempre as lâminas, aplique o travão de estacionamento, pare o motor e remova a chave do interruptor de alimentação antes de deixar a máquina sem supervisão.
- Apenas utilize o produto durante o dia ou em condições de boa iluminação. Mantenha o produto a uma distância de segurança de orifícios ou outras irregularidades no solo.

Tenha atenção com outros possíveis riscos.

- Não utilize o produto em condições atmosféricas desfavoráveis, por exemplo, nevoeiro, chuva, localizações molhadas ou com humidade, ventos fortes, frio intenso, risco de trovoadas, etc.
- Procure e marque as pedras e outros objetos fixos para prevenir colisões.
- Retire da área quaisquer objetos como pedras, brinquedos, fios, etc., que possam ficar presos ou ser projetados.



- Não permita a utilização ou a manutenção do produto por crianças ou outras pessoas sem aprovação para utilizar o produto. A legislação local pode regular a idade do utilizador permitida.
- Certifique-se de que ninguém permanece nas imediações do produto quando ligar o motor, ativar a transmissão

ou começar a deslocar o produto.

- Esteja atento ao trânsito ao cortar junto a uma estrada ou atravessar uma estrada.
- Não utilize o produto quando estiver cansado, sob o efeito de álcool ou drogas, tiver tomado medicamentos ou outros produtos que possam afetar negativamente a sua visão, atenção, capacidade de discernimento ou o seu controlo físico.
- Estacione sempre o produto numa superfície nivelada com a alimentação desligada.

### Instruções de segurança relativamente a crianças

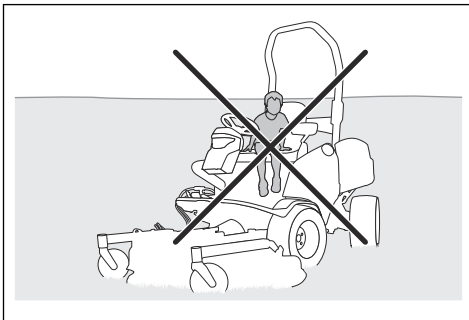


**ATENÇÃO:** Leia as instruções de aviso que se seguem antes de utilizar o produto.

- Podem ocorrer acidentes graves se não prestar atenção às crianças que se encontram nas proximidades do produto. As crianças podem aproximar-se do produto sem que se aperceba. É muito provável que as crianças não se

mantenham onde as viu pela última vez.

- Mantenha as crianças afastadas da área a cortar. Certifique-se de que está presente um adulto responsável pelas crianças.
- Mantenha-se vigilante e pare o produto caso se encontrem crianças na zona de trabalho. Tenha muito cuidado perto de cantos, arbustos, árvores ou outros objetos que previnam uma visão clara.
- Antes e durante a deslocação do produto em marcha-atrás, olhe para trás e para baixo para se certificar de que não estão presentes crianças pequenas nas proximidades do produto.
- Não permita o transporte das crianças. Podem cair e sofrer ferimentos graves ou prevenir a realização de manobras seguras do produto.
- Não permita que as crianças operem o produto.



## Segurança da bateria



**ATENÇÃO:** Leia as instruções de aviso que se seguem antes de utilizar o produto.

### Geral:

- Leia todos os avisos de segurança e todas as instruções. O incumprimento dos avisos e das instruções poderá resultar em choques elétricos, incêndios e/ou ferimentos graves.
- Verifique regularmente se as baterias estão intactas. As baterias danificadas ou modificadas podem apresentar um comportamento imprevisível que pode resultar em incêndios, explosões ou ferimentos graves. Nunca repare nem abra baterias danificadas.
- Uma bateria danificada pode causar uma explosão e provocar ferimentos. Se a bateria estiver deformada ou danificada, não a utilize e fale com uma oficina autorizada Husqvarna.
- Não desmonte, abra ou destrua baterias.
- Não sujeite as baterias a choques mecânicos.

- Não exponha as células ou baterias ao calor nem ao fogo. Evite o armazenamento à luz solar direta.
- Não provoque um curto-circuito das baterias. Não armazene baterias num local onde possam provocar curtos-circuitos nas outras ou onde outros objetos metálicos possam provocar curtos-circuitos.
- Não permita que o conteúdo da bateria entre em contacto com a pele ou os olhos. Se houver contacto, lave a área afectada com quantidades abundantes de água e consulte um médico.
- Não utilize baterias que não foram concebidas para utilização com o equipamento.
- Não misture células de fabrico, capacidade, tamanho ou tipo diferentes no mesmo equipamento.
- Mantenha as células ou baterias fora do alcance de crianças.
- Mantenha a bateria limpa e seca.
- Utilize a bateria apenas para a função a que se destina.
- As baterias de 48 V Husqvarna são utilizadas exclusivamente como fonte de alimentação para as baterias para riders Husqvarna. Para evitar ferimentos, a bateria não deve ser usada como fonte de alimentação em outras ferramentas.
- Nunca utilize baterias nem aparelhos defeituosos, modificados ou danificados.
- Nunca tente modificar nem reparar os aparelhos ou as baterias. Todas as reparações devem ser efetuadas exclusivamente pelo revendedor com assistência técnica autorizado.

### Instruções de segurança para funcionamento

---



**ATENÇÃO:** Leia as instruções de aviso que se seguem antes de utilizar o produto.

---

- Olhe sempre para baixo e para trás antes e durante as deslocações em marcha-atrás. Esteja atento aos obstáculos de todas as dimensões.
- Diminua a velocidade antes de fazer uma curva.

### Baterias de 48 V:

- Pare as lâminas quando se deslocar em zonas que não irá cortar.



**CUIDADO:** Leia as instruções de precaução que se seguem antes de utilizar o produto.

- Desloque-se com cuidado junto a pedras e outros objetos de maiores dimensões e certifique-se de que as lâminas não embatem nos objetos.
- Não utilize o produto ao longo de objetos. Se utilizar o produto ao longo ou em algum objeto, pare e examine o produto e a plataforma de corte. Se necessário, repare quaisquer danos antes de recomeçar.

## Cortar relva em declives

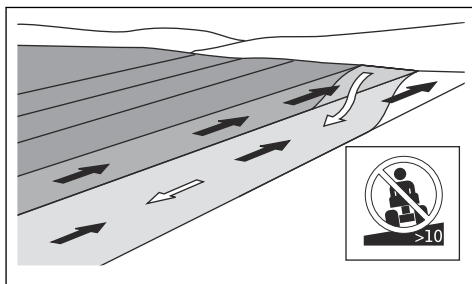


**ATENÇÃO:** Leia as instruções de aviso que se seguem antes de utilizar o produto.

- Cortar relva em declives aumenta o risco de perda de controlo e de capotamento do produto. Estas ocorrências podem resultar em ferimentos ou morte. É necessário ter cuidado ao cortar relva em

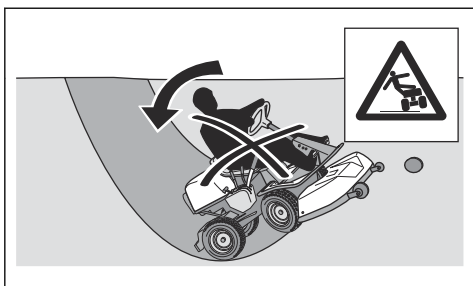
todos os declives. Se não conseguir sair de um declive ou se não se sentir em segurança, não corte nesse local.

- Retire pedras, ramos e outros obstáculos.
- Corte a relva a subir e a descer o declive, e nunca de lado a lado.
- Não corte um declive a descer com a bancada de corte levantada.
- Não utilize o produto em terrenos com um declive superior a 10°.



- Não arranque nem pare num declive.
- Não utilize o pedal de marcha em frente e o pedal de marcha-atrás para permanecer num declive. Isto fará com que o sistema aqueça demasiado.
- Desloque-se devagar e suavemente em declives.
- Não faça mudanças súbitas de velocidade ou de direção.

- Não vire mais do que o necessário. Vire lenta e gradualmente ao descer um declive. Desloque-se a baixa velocidade. Vire o volante com cuidado.
- Tenha atenção para não se deslocar sobre trincheiras, orifícios e lombas. Existe um risco mais elevado de capotamento do produto num piso desnivelado. A relva longa pode ocultar obstáculos.
- Não corte a relva próximo de bermas, valas ou inclinações. O produto pode capotar subitamente se uma das rodas se deslocar ao longo da bermagem de um declive íngreme ou de uma vala, ou se uma bermagem ceder. Se o produto cair em água, existe o risco de afogamento.

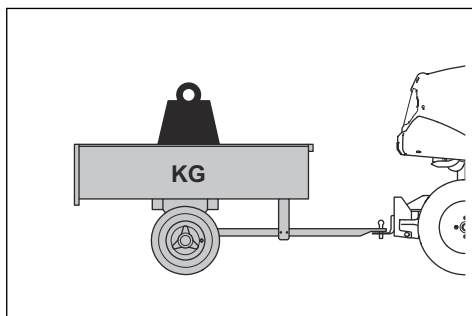


- Não corte relva molhada. É escorregadia e os pneus podem perder a aderência, provocando a derrapagem do produto.

- Não coloque o pé no chão para tentar estabilizar o produto.
- Desloque-se com muito cuidado se um acessório ou outro objeto que torne o produto menos estável estiver fixo.

## Segurança de reboque

- Utilize apenas equipamento de reboque aprovado pela Husqvarna.
- Utilize a barra de reboque para prender o equipamento.
- Não reboque equipamento mais pesado do que o peso máximo permitido do equipamento de reboque. Consulte *Especificações técnicas na página 101*.



- Certifique-se de que não se encontra mais ninguém perto do produto quando rebocar equipamento.
- Tenha cuidado ao rebocar equipamento em declives ou terreno acidentado.



- Utilize o produto a uma velocidade baixa quando rebocar equipamento.

## Equipamento de proteção pessoal

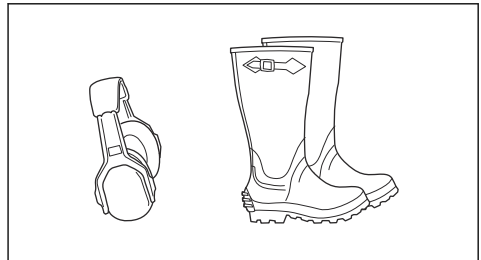


**ATENÇÃO:** Leia as instruções de aviso que se seguem antes de utilizar o produto.

- Utilize equipamento de proteção pessoal aprovado ao utilizar o produto. O equipamento de proteção pessoal não previne totalmente os ferimentos mas diminui a respetiva gravidade em caso de acidente. Obtenha ajuda junto do seu distribuidor para selecionar o equipamento certo.
- Utilize protetores acústicos aprovados com insonorização suficiente. A exposição prolongada a ruídos pode provocar danos auditivos permanentes. A Husqvarna recomenda que os utilizadores utilizem protetores acústicos aquando da utilização prolongada de produtos ao longo do dia. Os utilizadores que utilizam contínua e regularmente estes produtos devem efetuar exames regulares à audição.

Tenha em atenção que os protetores acústicos limitam a capacidade de ouvir sons e sinais de aviso.

- Utilize sempre sapatos ou botas de proteção. Recomenda-se calçado com biqueira de aço. Não utilize o produto se estiver descalço.



- Utilize luvas sempre que necessário, por exemplo, ao fixar, examinar ou limpar o equipamento de corte.
- Não utilize vestuário largo, joias ou outros itens que possam ficar presos nas peças móveis.
- Mantenha equipamentos de primeiros socorros e um extintor de incêndio sempre à mão.

## Dispositivos de segurança no produto



**ATENÇÃO:** Leia as instruções de aviso que se seguem antes de utilizar o produto.

- Não utilize um produto com dispositivos de segurança danificados ou que não funcionem corretamente.
- Não remova os dispositivos de segurança, nem os modifique.
- Verifique regularmente os dispositivos de segurança. Se os dispositivos de segurança estiverem danificados ou não funcionarem corretamente, contacte a sua oficina autorizada Husqvarna.

### **Verificar o interruptor de alimentação**

- Desligue o cabo do carregador de bateria.
- Rode o interruptor de alimentação para a posição "1". Certifique-se de que todas as luzes LED utilizadas no visor se acendem.
- Aplique o travão de estacionamento.
- Rode o interruptor de alimentação para a posição "0". Certifique-se de que o produto para imediatamente e de que as luzes LED no visor se apagam.

### **Verificar as condições de funcionamento**

Verifique diariamente as condições de funcionamento.

1. Certifique-se de que não é possível utilizar o produto quando a plataforma de corte está instalada e de que a alavanca da plataforma de corte está na posição de corte.
2. Certifique-se de que não é possível utilizar o produto quando o travão de estacionamento está desengatado.
3. Certifique-se de que o produto para quando os motores da plataforma de corte estão ativos e se levanta do banco.

### **Verificar o pedal de marcha em frente e o pedal de marcha-atrás**

1. Ligue o produto. Consulte *Arrancar o produto na página 89*.
2. Certifique-se de que o pedal de marcha em frente e o pedal de marcha-atrás não estão bloqueados e podem ser utilizados livremente.

3. Pressione cuidadosamente o pedal de marcha em frente para avançar.
4. Solte o pedal de marcha em frente para travar. Certifique-se de que o travão é engatado quando liberta o pedal de marcha em frente.

**Nota:** O produto tem um travão automático que é engatado quando solta os pedais. Para obter mais potência de travagem ao diminuir a velocidade, pressione o outro pedal.

5. Efetue o mesmo procedimento para o pedal de marcha-atrás.

### Travão de estacionamento



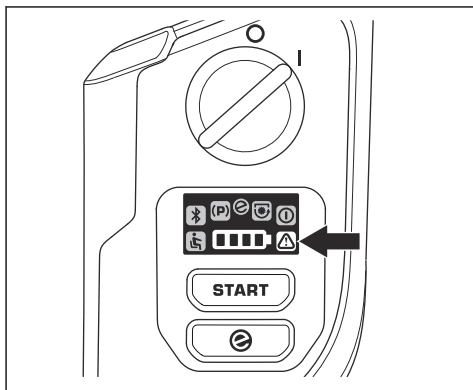
**ATENÇÃO:** Se o travão de estacionamento não funcionar corretamente, o produto pode começar a deslocar-se e causar ferimentos ou danos. Certifique-se de que examina e ajusta regularmente o travão de estacionamento.

Consulte *Verificar o travão de estacionamento na página 93.*

### Indicador de aviso no visor



**CUIDADO:** Se o indicador de aviso no visor se acender, pare o produto e consulte *Resolução de problemas na página 94.*



### Coberturas de proteção

As coberturas de proteção danificadas ou em falta aumentam o risco de ferimentos em peças móveis ou superfícies quentes. Verifique as coberturas de proteção antes de utilizar o produto. Certifique-se de que as coberturas de proteção estão bem fixas e que não têm fissuras nem outros danos. Substitua as coberturas de proteção danificadas.

### Instruções de segurança para manutenção



**ATENÇÃO:** O produto é pesado e pode causar ferimentos ou danos na propriedade ou na área

adjacente. Não efetue a manutenção do produto ou da plataforma de corte sem reunir as seguintes condições:

- O interruptor de alimentação está desligado e a chave do interruptor de alimentação foi removida.
- O produto está estacionado numa superfície nivelada.
- O travão de estacionamento encontra-se aplicado.
- A plataforma de corte está desengatada.
- O cabo do carregador de bateria está desligado.

- Os choques elétricos podem causar ferimentos. Não efetue a manutenção da bateria. Não toque nos cabos com o motor em funcionamento. Não efetue um teste de funcionamento com os dedos.
- Não ligue o produto se as coberturas de proteção tiverem sido removidas. Existe um risco elevado de ferimentos causados por peças quentes ou em movimento.
- Deixe o produto arrefecer antes de efetuar a respetiva manutenção.
- As lâminas são afiadas e podem causar cortes. Coloque proteções contra o vento em redor das lâminas ou utilize luvas de proteção quando trabalhar nas mesmas.
- Coloque sempre a plataforma de corte na posição de manutenção para efetuar a respetiva limpeza. Não estacione o produto perto da berma de uma vala ou de um declive para ter acesso à plataforma de corte.



**ATENÇÃO:** Leia as instruções de aviso que se seguem antes de utilizar o produto.

---

- Para obter o melhor desempenho e segurança, efetue regularmente a manutenção do produto, de acordo com o esquema de manutenção. Consulte *Esquema de manutenção na página 90.*



**CUIDADO:** Leia as instruções de precaução

que se seguem antes de utilizar o produto.

- Certifique-se de que aperta corretamente todos os parafusos e porcas, e que o equipamento está em bom estado.
- Não faça alterações ao ajuste dos reguladores. Se a velocidade do motor

for demasiado elevada, os componentes do produto podem ficar danificados. Consulte *Especificações técnicas na página 101* para saber qual é a velocidade máxima permitida do motor.

- O produto é apenas aprovado com o equipamento fornecido ou recomendado pelo fabricante.

## Montagem

### Introdução

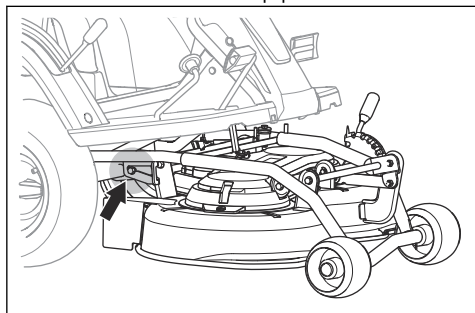


**ATENÇÃO:** A mola de tensão da correia da transmissão pode quebrar e causar ferimentos. Utilize óculos de proteção ao fixar ou remover a bancada de corte.

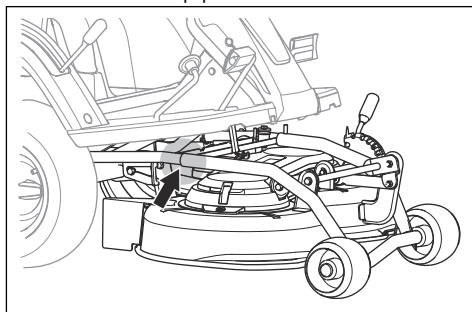
Leia as instruções de montagem no manual do proprietário com atenção. Uma etiqueta no interior da cobertura dianteira do produto também indica como fixar e remover a bancada de corte.

### Fixar a bancada de corte

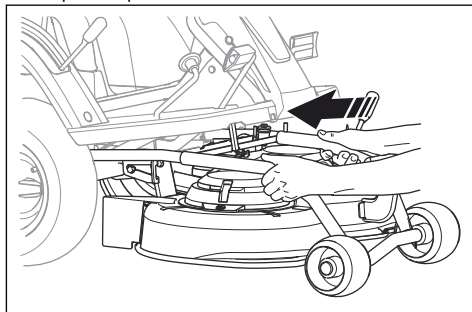
1. Estacione o produto num piso nivelado.
2. Aplique o travão de estacionamento.
3. Empurre a plataforma de corte para dentro e certifique-se de que os parafusos encaixam nas ranhuras da estrutura do equipamento.



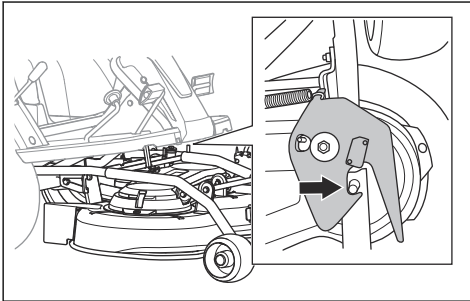
4. Alinhe os tubos na plataforma de corte com os tubos na estrutura do equipamento.



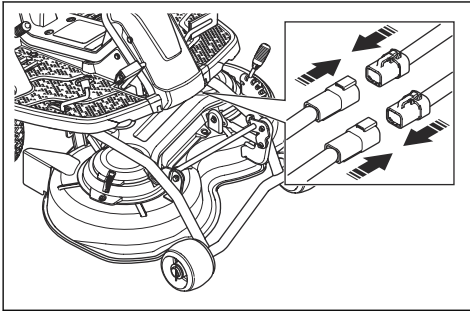
5. Segure a plataforma de corte com as duas mãos e empurre-a para dentro.



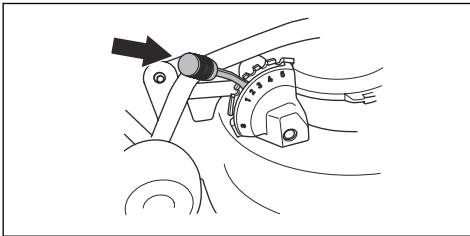
6. Empurre até que os tubos e os parafusos toquem na parte inferior. Certifique-se de que o bloqueio se encontra engatado.



7. Ligue os 2 cabos à plataforma de corte.

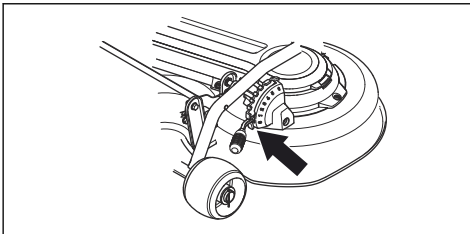


8. Defina a alavanca da altura de corte numa posição entre 1 a 5.

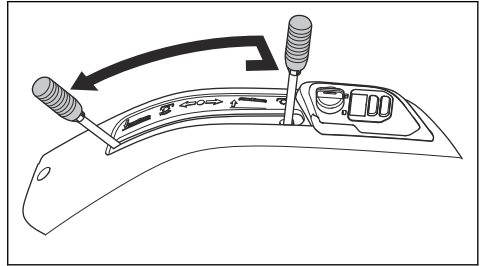


## Retirar a bancada de corte

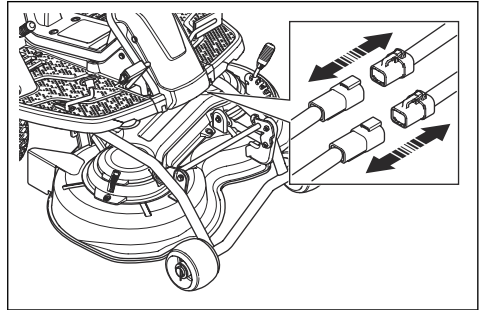
1. Estacione o produto num piso nivelado.
2. Aplique o travão de estacionamento.
3. Defina a alavanca da altura de corte na posição de manutenção (S).



4. Coloque a alavanca de elevação da plataforma de corte na posição de funcionamento.

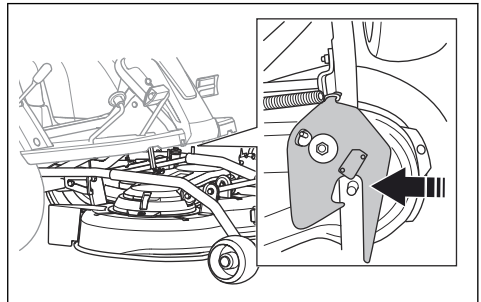


5. Desligue os 2 cabos da plataforma de corte.



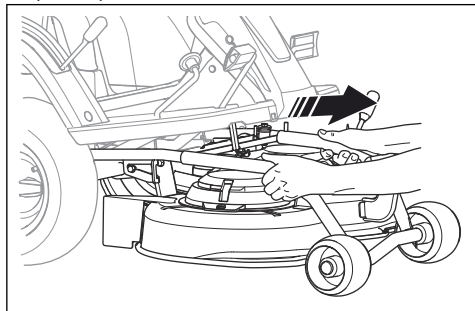
**CUIDADO:** Segure os conectores.  
Não puxe os cabos.

6. Desengate o bloqueio da plataforma de corte.

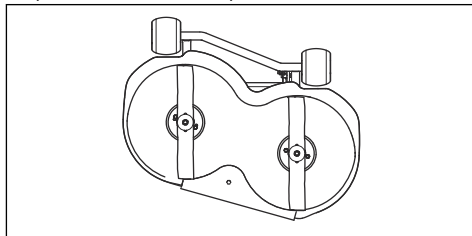


**ATENÇÃO:** O mecanismo de bloqueio pode causar ferimentos nos dedos se não o operar com cuidado.

7. Segure a plataforma de corte com as duas mãos e puxe-a para fora.



8. Levante a plataforma de corte e coloque-a contra o produto ou contra uma parede.



## Funcionamento

### Introdução



**ATENÇÃO:** Antes de utilizar o produto, tem ler e compreender o capítulo sobre segurança.

### Carregar a bateria



**ATENÇÃO:** Um carregador de bateria incorretamente utilizado, partido ou com defeito pode provocar um choque elétrico, superaquecimento ou fuga da bateria. Inspeccione regularmente o carregador de bateria e a bateria quanto a danos.



**CUIDADO:** A bateria tem de ser carregada antes da primeira utilização. Uma bateria nova tem apenas 30% de carga.

**Nota:** A bateria de 48 V do produto pode entrar no modo de baixo consumo quando o nível da bateria está muito baixo ou quando o produto está armazenado. Para ligar a bateria, prima o botão Start durante 2 segundos. Se a bateria não arrancar, carregue-a continuamente até esta estar totalmente carregada. O tempo de carregamento é mais longo quando a bateria está no modo de baixo consumo.

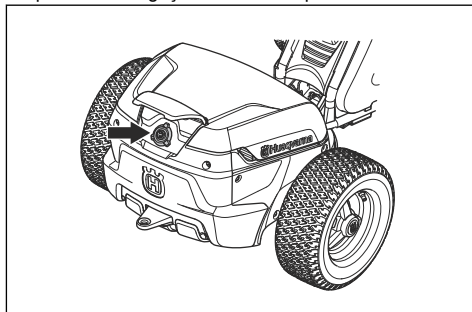


**CUIDADO:** Carregue a bateria em condições em que as temperaturas se encontrem entre 0 °C e 40 °C.



**CUIDADO:** Utilize a bateria em condições em que as temperaturas se encontrem entre 0 °C e 40 °C.

- Ligue o carregador de bateria a uma tomada de parede com ligação à terra e ao produto.



**Nota:** O produto tem de ser ligado para apresentar o estado de carga.

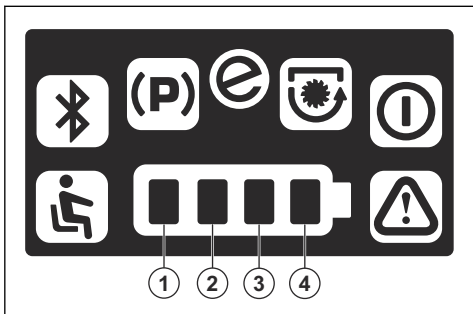


**CUIDADO:** Não mantenha o carregador de bateria ligado quando a bateria estiver totalmente carregada.

### Indicação da bateria

O indicador da bateria no visor apresenta o estado de carga quando o produto está ativo. Quando o carregador está ligado e o produto está ativo, o visor apresenta uma animação do carregamento. Quando a

bateria está totalmente carregada e o carregador está ligado, as 4 luzes LED da bateria permanecem fixas.



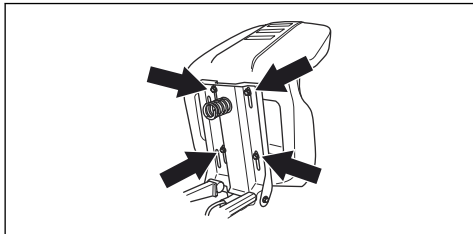
Luzes LED	Estado de carga
As 4 luzes LED permanecem fixas.	A bateria tem uma carga de 76% – 100%.
A luzes LED 1 – 3 permanecem fixas.	A bateria tem uma carga de 51% – 76%.
A luzes LED 1 – 2 permanecem fixas.	A bateria tem uma carga de 26% – 51%.
A luz LED 1 permanece fixa.	A bateria tem uma carga de 0% – 25%.

Quando a bateria está fraca, a primeira luz LED fica intermitente e as lâminas param para poupar energia. Se a bateria do produto tiver uma carga de 0%, a primeira luz LED e o indicador de aviso ficam intermitentes em conjunto.

**Nota:** Se o produto for utilizado em condições de frio, o tempo de funcionamento pode ser reduzido.

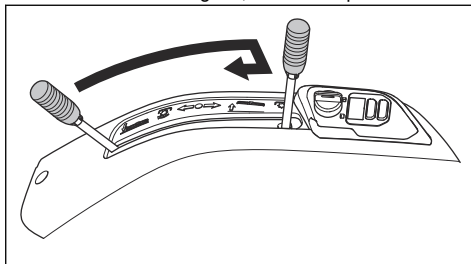
## Ajustar o banco

- O banco pode ser inclinado para a frente.
- Para ajustar o banco para a frente e para trás, desaperte os parafusos que se encontram sob o banco. Desloque o banco para a posição pretendida e aperte os parafusos.

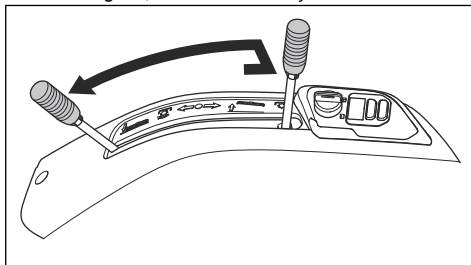


## Levantar e baixar a bancada de corte

- Para levantar a bancada de corte para a posição de transporte, puxe a alavanca de elevação para trás. Se o motor estiver ligado, as lâminas param.



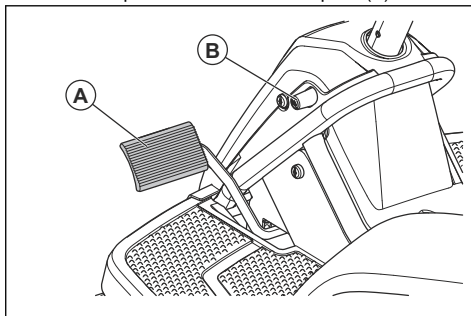
- Para baixar a plataforma de corte para a posição de corte, prima o botão de bloqueio e desloque a alavanca de elevação para a frente. Se o motor estiver ligado, as lâminas começam a rodar.



## Aplicar e soltar o travão de estacionamento

O pedal do travão de estacionamento e o botão de bloqueio do travão de estacionamento situam-se no lado esquerdo da coluna de direção.

1. Pressione o pedal do travão de estacionamento (A).
2. Mantenha premido o botão de bloqueio (B).



3. Mantenha premido o botão de bloqueio e solte o pedal do travão de estacionamento.
4. Para libertar o travão de estacionamento, pressione novamente o pedal do travão de estacionamento.

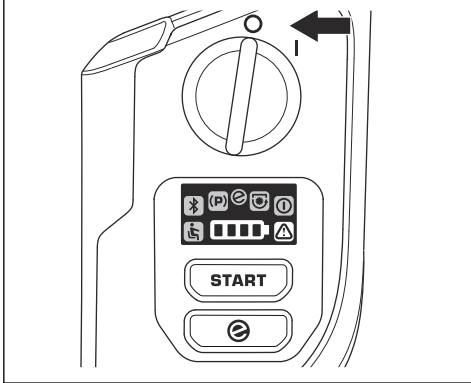


## Deslocar o produto manualmente

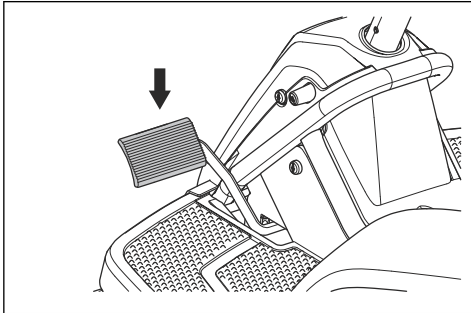


**CUIDADO:** Não empurre o produto a uma velocidade superior a 6 km/h. Não empurre o produto durante mais tempo do que o necessário.

1. Coloque o interruptor de alimentação na posição "0".



2. Liberte o travão de estacionamento. Consulte *Aplicar e soltar o travão de estacionamento na página 88.*

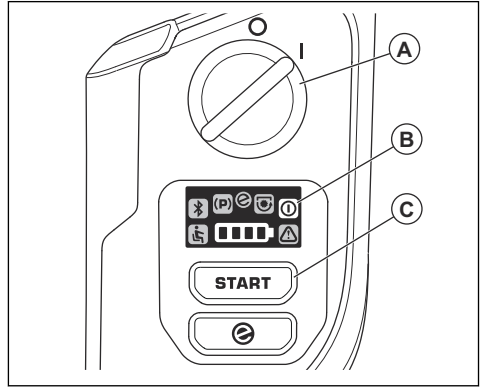


3. Empurrar o produto.

## Arrancar o produto

1. Desligue o cabo do carregador de bateria.
2. Sente-se no banco.
3. Engate o travão de estacionamento. Consulte *Aplicar e soltar o travão de estacionamento na página 88.*
4. Eleve a plataforma de corte até à posição de transporte. Consulte *Levantar e baixar a bancada de corte na página 88.*

5. Coloque o interruptor de alimentação na posição "1" (A). O indicador do modo de espera (B) acende-se.

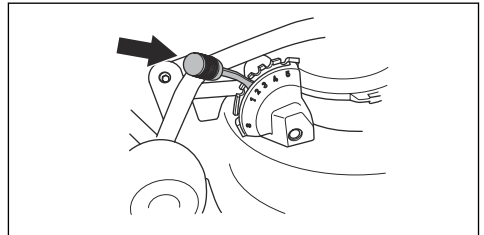


**Nota:** A bateria de 48 V do produto pode entrar no modo de baixo consumo quando o nível da bateria está muito baixo ou quando o produto está armazenado. Para ligar a bateria, prima o botão Start durante 2 segundos. Se a bateria não arrancar, carregue-a continuamente até esta estar totalmente carregada. O tempo de carregamento é mais longo quando a bateria está no modo de baixo consumo.

6. Prima continuamente o botão Start (C). A luz indicadora do modo de espera apaga-se.

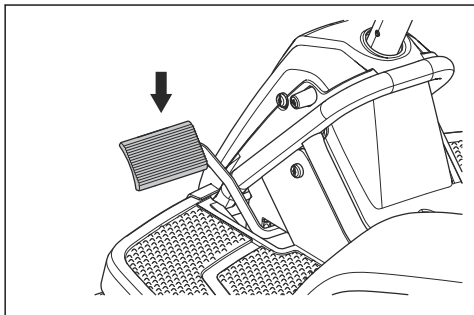
## Utilizar o produto

1. Selecione a altura de corte (1 a 5) com a alavanca da altura de corte.

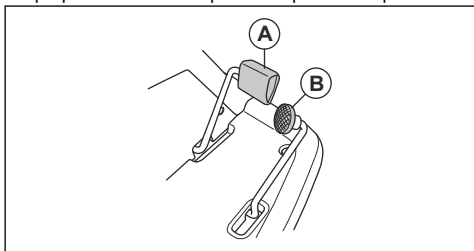


2. Ligue o produto.

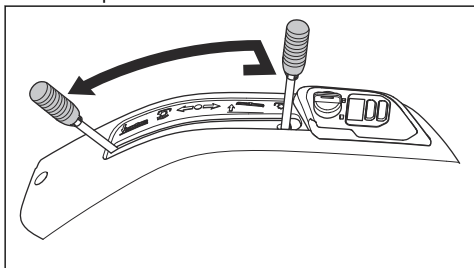
3. Pressione o pedal do travão de estacionamento e, em seguida, solte-o para desengatar o travão de estacionamento.



4. Pressione cuidadosamente o pedal 1. Utilize o pedal (A) para a marcha em frente e o pedal (B) para a marcha-atrás. A velocidade aumenta proporcionalmente à pressão aplicada no pedal.



5. Solte o pedal para engatar os travões.
6. Baixe a plataforma de corte.



## Ativar e desativar a função SavE

O produto inclui uma função de poupança da bateria (SavE), que permite um funcionamento mais prolongado. A função SavE diminui a velocidade do produto e a velocidade das lâminas.

1. Prima continuamente o botão SavE.

**Nota:** O indicador SavE acende-se com uma luz verde constante quando a função é ativada.

2. Volte a premir continuamente o botão SavE para desativar a função SavE.

## Desligar o produto

1. Estacione o produto num piso nivelado.
2. Aplique o travão de estacionamento.
3. Puxe a alavanca de elevação para a plataforma de corte para trás para elevar a plataforma de corte para a posição de transporte.
4. Coloque o interruptor de alimentação na posição "0".

## Para obter bons resultados

- Não corte um relvado molhado. A relva molhada pode originar resultados de fraca qualidade.
- Comece com uma altura de corte elevada e diminua-a gradualmente.
- Corte com lâminas a uma velocidade de rotação elevada (para a velocidade máxima permitida do motor, consulte *Especificações técnicas na página 101*). Desloque o produto para a frente a uma velocidade baixa. Se a relva não for muito alta nem muito espessa, pode obter bons resultados também a velocidades mais elevadas.
- Para obter o melhor resultado, corte a relva com frequência e utilize a função de trituração. Consulte *Para retirar o tampão de trituração na página 93*.

## Manutenção

### Introdução



**ATENÇÃO:** Certifique-se de que leu e compreendeu o capítulo sobre segurança antes de realizar tarefas de manutenção no produto.

### Esquema de manutenção

\* = Manutenção geral realizada pelo utilizador. As instruções não estão disponíveis neste manual do utilizador.

X = As instruções estão disponíveis neste manual do utilizador.

O = As instruções não estão disponíveis neste manual do utilizador. Solicite a realização da manutenção numa oficina autorizada.

**Nota:** Se mais do que um intervalo de tempo estiver identificado na tabela, o intervalo de tempo mais curto refere-se apenas à primeira manutenção.

Manutenção	Manutenção diária antes da utilização	Intervalo de manutenção
		50 horas ou uma vez por ano
Certifique-se de que todos os fixadores estão devidamente tensionados (parafusos, porcas, etc.).	*	
Limpar conforme a secção <i>Limpar o produto na página 92</i> .	X	
Limpe a superfície interior da plataforma de corte, em redor das lâminas.	X	
Certifique-se de que os dispositivos de segurança do produto funcionam corretamente e não estão danificados.	X	
Examine e teste os travões. Consulte <i>Verificar o pedal de marcha em frente e o pedal de marcha-atrás na página 82 e Verificar o travão de estacionamento na página 93</i> .	X	
Examine os cabos da direção. Consulte <i>Examinar os cabos da direção na página 93</i> .	X	
Examine as lâminas da plataforma de corte.	X	
Limpe a plataforma de corte e a zona por baixo da cobertura da plataforma de corte.	X	X
Certifique-se de que a pressão dos pneus está correta.	X	X
Ligue o produto ao HSH e atualize o firmware, se necessário.		O
Carregue a bateria até um mínimo de 80%. Verifique o estado da bateria no HSH.		O
Certifique-se de que todos os parafusos e porcas estão apertados com o binário correto.		O
Inspecione, lubrifique e ajuste todos os fios.		O
Verifique a corrente da direção no interior do túnel da estrutura.		O
Lubrifique os pedais no interior do túnel da estrutura.		O
Lubrifique o banco do condutor.		O
Remova as rodas motrizes e lubrifique os eixos com massa lubrificante.		O
Examine e ajuste o travão de estacionamento.		O
Lubrifique a estrutura da plataforma de corte e o controlo de presença da plataforma de corte.		O
Lubrifique as rodas pivô da plataforma de corte.		O
Examine as lâminas. Afie e equilibre as lâminas, se necessário.		O
Verifique e ajuste a posição paralela da plataforma de corte.		O
Verifique os interruptores da plataforma de corte, de elevação e do travão de estacionamento.		O

Manutenção	Manutenção diária antes da utilização	Intervalo de manutenção
		50 horas ou uma vez por ano
Verifique o engate da lâmina e o interruptor OPC.		○
Verifique a marcha em frente e a marcha-atrás a diferentes velocidades.		○
Verifique o sistema do sensor do pedal e ajuste, se necessário.		○

## Limpar o produto



**CUIDADO:** Não utilize uma máquina de lavar de alta pressão nem uma máquina de limpeza a vapor. A possível entrada de água nos rolamentos e nas ligações elétricas pode causar corrosão, o que danifica o produto.

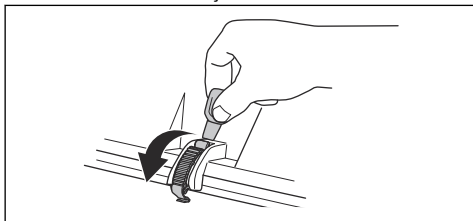
Limpe o produto imediatamente após cada utilização.

- Antes de limpar com um pano húmido, limpe com uma escova. Remova as aparas de relva e a sujidade da unidade de propulsão e da entrada da ventoinha de arrefecimento do motor, bem como em torno destas.
- Utilize um pano húmido para limpar o produto.
- Não utilize água em componentes elétricos ou rolamentos. Geralmente, o detergente aumenta os danos.
- Certifique-se de que a bateria e o carregador de bateria se encontram limpos antes de colocar a bateria no carregador de bateria.
- Para limpar a plataforma de corte, retire-a e utilize uma mangueira para a enxaguar com água.
- Quando o produto estiver limpo, ligue a plataforma de corte durante um curto período de tempo para eliminar a água restante.

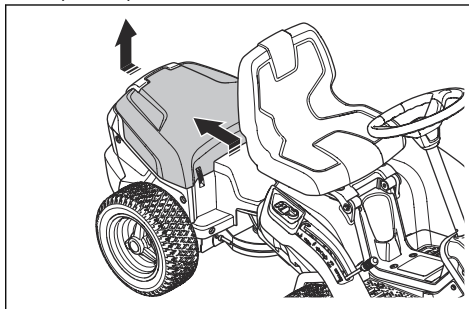
## Remover as coberturas

### Remover e instalar a cobertura da bateria

1. Solte os 2 grampos na dianteira da cobertura da bateria com a ferramenta que está presa à chave do interruptor de alimentação.



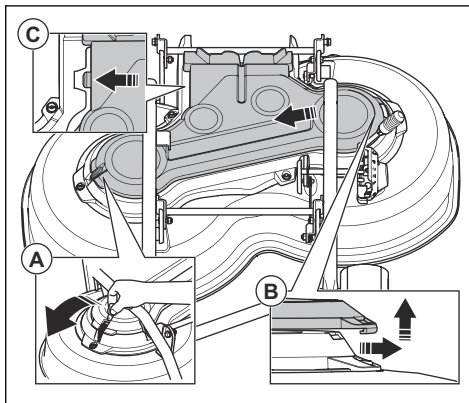
2. Levante a parte dianteira da cobertura da bateria e empurre-a para trás.



3. Instale na sequência inversa.

### Retirar e instalar a cobertura da plataforma de corte

1. Solte o grampo (A) da cobertura da plataforma de corte.

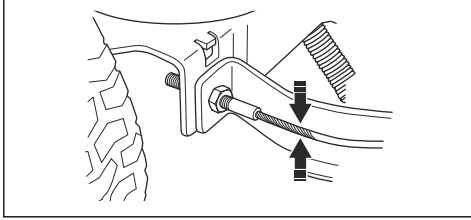


2. Retire a cobertura da plataforma de corte (B).
3. Instale na sequência inversa.

**Nota:** Certifique-se de que o flange (C) se encontra na posição correta.

## Examinar os cabos da direção

1. Os cabos da direção estão bem apertados se os conseguir mover 5 mm para cima ou para baixo na ranhura existente do anel de direção.



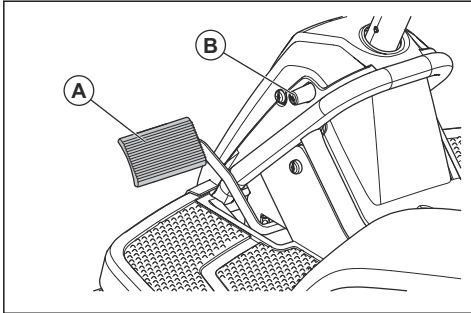
2. Se os fios estiverem demasiado soltos, solicite o respetivo ajuste numa oficina autorizada.

## Verificar o travão de estacionamento

1. Estacione o produto numa superfície rígida inclinada.

**Nota:** Não estacione o produto num declive com relva quando verificar o travão de estacionamento.

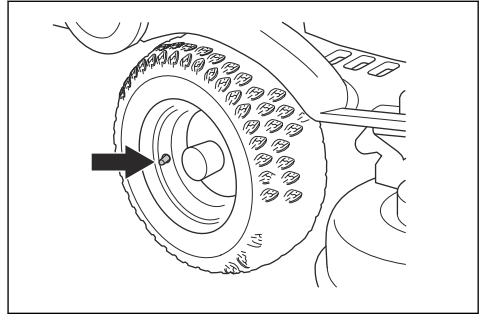
2. Pressione o pedal do travão de estacionamento (A).



3. Prima e mantenha premido o botão de bloqueio (B) e solte o pedal do travão de estacionamento em simultâneo.
4. Se o produto começar a deslocar-se, solicite o ajuste do travão de estacionamento numa oficina autorizada.
5. Prima novamente o pedal do travão de estacionamento para soltar o travão de estacionamento.

## Pressão dos pneus

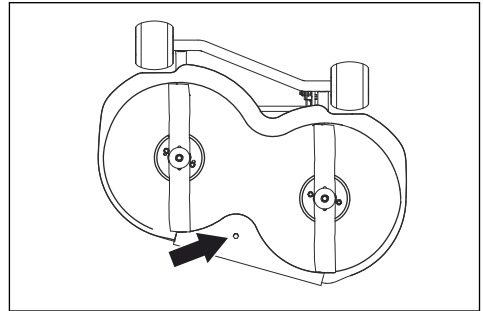
A pressão correta dos pneus é 60 kPa (0,6 bar/8,5 PSI) nos 4 pneus.



## Para retirar o tampão de trituração

É possível encontrar o tampão de trituração no lado inferior da plataforma de corte.

1. Retire a plataforma de corte. Consulte *Retirar a bancada de corte na página 86*.
2. Retire o parafuso que fixa o tampão de trituração e retire o tampão.

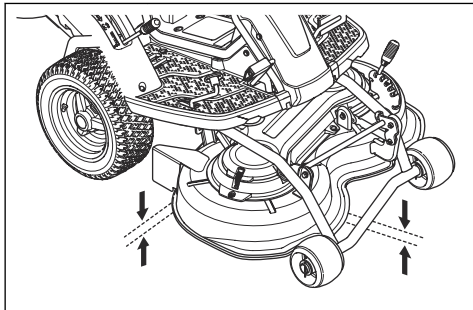


3. Coloque a plataforma de corte na posição de corte.
4. Fixe o tampão de trituração na sequência oposta.

## Verificar a posição paralela da bancada de corte

1. Certifique-se de que a pressão de ar nos pneus está correta. Consulte *Pressão dos pneus na página 93*.
2. Estacione o produto numa superfície nivelada.
3. Baixe a plataforma de corte até à posição de corte.
4. Coloque a alavanca da altura de corte na posição intermédia.

- Meça a distância entre o solo e as arestas dianteira e traseira da plataforma de corte. Certifique-se de que a extremidade traseira tem uma altura 4 a 6 mm ou 1/5 pol. superior à da extremidade dianteira.

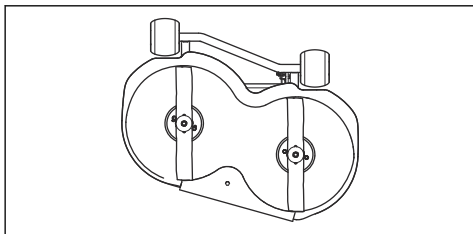


## Examinar as lâminas



**CUIDADO:** As lâminas danificadas ou incorretamente equilibradas podem provocar danos no produto. Substitua as lâminas danificadas. Solicite ajuda numa oficina autorizada para afiar e equilibrar as lâminas rombas.

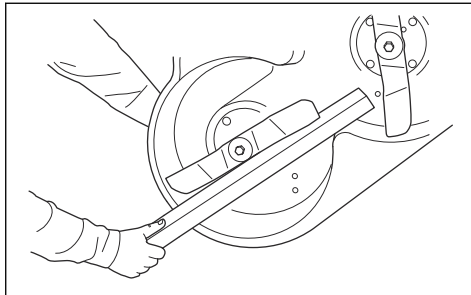
- Retire a plataforma de corte. Consulte *Retirar a bancada de corte na página 86*.
- Observe as lâminas para verificar se estão danificadas e se é necessário afiá-las.



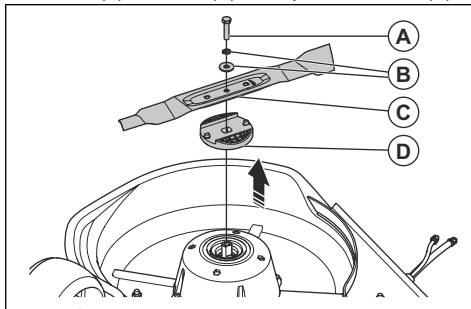
- Aperte os parafusos das lâminas com um binário de aperto de 25 Nm.

## Substituir as lâminas

- Retire a plataforma de corte. Consulte *Retirar a bancada de corte na página 86*.
- Bloquee a lâmina com um bloco de madeira.



- Desaperte e remova o parafuso da lâmina (A), as anilhas (B), a lâmina (C) e o suporte da lâmina (D).



- Instale na sequência inversa. Instale a nova lâmina com as extremidades dobradas na direção da plataforma de corte.



**ATENÇÃO:** O tipo de lâmina incorreto pode causar a projeção de objetos da bancada de corte e resultar em ferimentos graves. Utilize apenas as lâminas indicadas na secção *Especificações técnicas na página 101*.

## Resolução de problemas

### Esquema de resolução de problemas

Se não encontrar uma solução para os seus problemas neste manual do utilizador, contacte uma oficina autorizada Husqvarna.

<b>Problema</b>	<b>Causa</b>	<b>Ação</b>
A primeira e quarta luzes LED da bateria e o indicador de aviso no visor ficam intermitentes.	A bateria está danificada.	Contacte uma oficina aprovada.
	Desvio de temperatura; a bateria encontra-se demasiado fria ou demasiado quente.	Deixe a bateria arrefecer ou desloque o produto para um local com a temperatura aprovada para as baterias. Consulte <i>Armazenamento na página 99</i> .
O indicador de aviso no visor apresenta uma luz vermelha fixa.	Foi detetada uma falha no produto.	Pare o produto durante, no mínimo, 5 segundos e, em seguida, ligue-o novamente.
		Contacte uma oficina de assistência aprovada, se o indicador de aviso apresentar uma luz vermelha fixa após reiniciar.
O indicador de aviso no visor fica intermitente a vermelho e o indicador de lâminas engatadas acende-se.	A plataforma de corte parou devido à carga elevada.	Pare o produto e aguarde até que o motor arrefeça antes de reiniciar.
	Existe uma falha nas unidades de controlo da plataforma de corte.	Contacte uma oficina de assistência aprovada se o indicador de aviso estiver intermitente após reiniciar.
O indicador de aviso pisca rapidamente e as restantes luzes LED estão desligadas.	A unidade de controlo do motor de tração está sobreaquecida.	Desligue o produto e aguarde até que a unidade de controlo do motor arrefeça.
O indicador de aviso no visor fica intermitente a vermelho e a primeira luz LED da bateria acende-se.	Bateria descarregada.	Carregue a bateria.
Não é possível ligar o produto.	Os interruptores do travão de estacionamento e do banco não estão engatados. A plataforma de corte não se encontra na posição de transporte ou está engatada.	Consulte <i>Arrancar o produto na página 89</i> .
	O pedal de marcha em frente/marcha-atrás foi premido.	Solte os pedais.
	O carregador de bateria está ligado ao produto.	Desligue o carregador de bateria antes de ligar o produto.
	O visor está avariado.	Contacte uma oficina aprovada.
	O interruptor principal está avariado.	
	A unidade de controlo do veículo (VCU) ou as respetivas ligações apresentam defeito.	

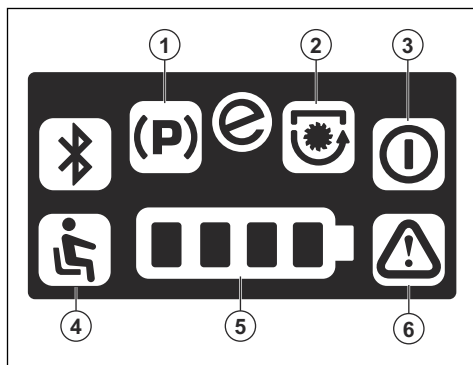
<b>Problema</b>	<b>Causa</b>	<b>Ação</b>
O visor não se acende quando o interruptor de alimentação se encontra na posição "1".	A bateria não está carregada.	Carregue a bateria.
	Fusível de 5 A fundido.	Substitua o fusível.
	A unidade de controlo do veículo (VCU) ou as respetivas ligações apresentam defeito.	Contacte uma oficina aprovada.
	O interruptor principal está avariado.	
	O painel de controlo está avariado.	
Todas as luzes LED no visor piscam lentamente em conjunto.	A unidade de controlo do veículo (VCU) ou as respetivas ligações apresentam defeito.	Contacte uma oficina aprovada.
Todas as luzes LED no visor apresentam uma luz fixa durante mais de 3 segundos.	Ligação interna com defeito entre as unidades de controlo do produto.	Contacte uma oficina aprovada.
O motor da plataforma de corte não arranca.	Os 2 cabos da plataforma de corte não estão ligados corretamente.	Ligue a plataforma de corte ao produto; consulte <i>Fixar a bancada de corte na página 85</i> .
	A plataforma de corte está cheia de relva.	Limpe a plataforma de corte; consulte <i>Retirar a bancada de corte na página 86</i> .
	A bateria não está carregada.	Carregue a bateria.
	O bloqueio da plataforma de corte não está engatado ou o interruptor de bloqueio apresenta defeito.	Fixe corretamente a plataforma de corte; consulte <i>Fixar a bancada de corte na página 85</i> .  Se o problema persistir, contacte uma oficina de assistência aprovada.
	A plataforma de corte não se encontra na posição de corte.	Coloque a plataforma de corte na posição de corte; consulte <i>Levantar e baixar a bancada de corte na página 88</i> .
	Os motores da plataforma de corte apresentam defeito.	Contacte uma oficina aprovada.
	Os controlos dos motores da plataforma de corte apresentam defeito.	
A bateria não carrega.	O carregador de bateria não está ligado corretamente.	Consulte <i>Carregar a bateria na página 87</i> .
	O carregador de bateria está danificado.	Substitua o carregador de bateria.
	A bateria está danificada.	Contacte uma oficina aprovada.
	A temperatura da bateria é superior a 45 °C.	Deixe a bateria arrefecer durante algum tempo.
	A temperatura da bateria é demasiado baixa.	Desloque o produto para um local com a temperatura aprovada para as baterias. Consulte <i>Armazenamento na página 99</i> .



Problema	Causa	Ação
O produto vibra.	As lâminas estão soltas.	Consulte <i>Examinar as lâminas na página 94.</i>
	Uma ou mais lâminas estão desequilibradas.	Consulte <i>Examinar as lâminas na página 94.</i>
	O motor está solto.	Contacte uma oficina aprovada.
O resultado de corte não é satisfatório.	As lâminas estão rombas.	Consulte <i>Examinar as lâminas na página 94.</i>
	A relva é comprida ou está molhada.	Consulte <i>Para obter bons resultados na página 90.</i>
	A plataforma de corte não se encontra paralela ao solo.	Consulte <i>Verificar a posição paralela da bancada de corte na página 93.</i>
	Existe uma obstrução de relva na plataforma de corte.	Consulte <i>Limpar o produto na página 92.</i>
	A pressão dos pneus é diferente nos lados esquerdo e direito.	Consulte <i>Pressão dos pneus na página 93.</i>
	O produto é utilizado a uma velocidade demasiado elevada.	Contacte uma oficina aprovada.
	A velocidade do motor é demasiado baixa.	Contacte uma oficina aprovada.

## Sinais de luz LED do visor

As luzes LED no visor emitem sinais se existir uma falha ou se as condições de funcionamento não forem respeitadas. Consulte *Verificar as condições de funcionamento na página 82.*



Modo	Força	Situação
<b>Modo de condução</b>	A luz LED de controlo de presença do utilizador (4) pisca 5 vezes.	O utilizador sai do banco enquanto o produto é utilizado.

Modo	Força	Situação
<b>Modo de espera</b>	A luz LED de controlo de presença do utilizador (4) fica intermitente.	O botão Start é premido quando o utilizador não se encontra no banco.
	As luzes LED 1 a 4 da bateria (5) ficam intermitentes.	O botão Start é premido quando o carregador está ligado.
	A luz indicadora LED do travão de estacionamento (1) fica intermitente.	O botão Start é premido, mas o travão de estacionamento não é aplicado.
	A luz indicadora LED de lâminas engatadas (2) fica intermitente.	O botão Start é premido quando a plataforma de corte é descida.
	O indicador do modo de espera (3) e o indicador de aviso (6) ficam intermitentes até que o botão Start seja libertado.	O botão Start é premido quando o pedal de marcha em frente ou de marcha-atrás é premido.
	O travão de estacionamento é engatado e os indicadores do modo de espera (3) e de aviso (6) ficam intermitentes até que o botão Start seja libertado.	Contacte uma oficina aprovada.

---

## Transporte, armazenamento e eliminação

---

### Transporte

- O produto é pesado e pode causar ferimentos graves por esmagamento. Tenha cuidado ao carregá-lo e descarregá-lo de um veículo ou reboque.
- Não levante o produto. Os ilhós de transporte não são pontos de elevação aprovados e só podem ser utilizados para fixar o produto em segurança a um reboque.
- Utilize um reboque aprovado para o transporte do produto.
- Certifique-se de que conhece as regras de trânsito locais antes de transportar o produto num reboque ou em estradas.

### Rebocar o produto

1. Coloque a alavanca de elevação da plataforma de corte na posição de transporte.
2. Desengate o travão de estacionamento.
3. Reboque o produto apenas em distâncias curtas e a baixa velocidade.

### Fixar o produto em segurança num reboque para transportar



**ATENÇÃO:** O travão de estacionamento não é suficiente para bloquear o produto durante o transporte. Fixe o produto com firmeza no reboque.

---

Equipamento: 2 cintas tensoras aprovadas e 4 calços de rodas em forma de cunha.

1. Aplique o travão de estacionamento.
2. Fixe as cintas tensoras em redor da estrutura ou do vagão traseiro.
3. Aperte as cintas tensoras na direção da traseira e da dianteira do reboque para fixar o produto em segurança.
4. Coloque os calços de rodas em frente e atrás das rodas traseiras.

## Transporte de baterias

- As baterias de 48 V fornecidas cumprem os requisitos da legislação relativa a mercadorias perigosas.
- Cumpra o requisito especial para embalagens e as etiquetas de transporte comercial, incluindo por terceiros e agentes transitários.
- Contacte uma pessoa com formação específica em material perigoso antes de enviar o produto. Cumpra todos os regulamentos nacionais aplicáveis.
- Utilize fita em contactos abertos quando colocar a bateria numa embalagem. Coloque a bateria numa embalagem ajustada para impedir movimentos.

## Armazenamento

Prepare o produto para armazenamento no final da estação e antes de mais de 30 dias de armazenamento.



**ATENÇÃO:** Remova a relva, as folhas e outros materiais inflamáveis do produto para reduzir o risco de incêndio. Deixe o produto arrefecer antes de o armazenar.

- Coloque o interruptor de alimentação na posição "0".
- Limpe o produto; consulte *Limpar o produto na página 92*. Repare os danos na pintura para prevenir a corrosão.
- Examine o produto quanto a peças gastas ou danificadas e aperte as porcas e os parafusos soltos.
- Carregue totalmente a bateria antes do armazenamento. Certifique-se de que a carga das baterias é igual ou superior a 50% durante o armazenamento.

**Nota:** A bateria pode entrar no modo de baixo consumo quando o produto está armazenado ou quando o estado de carga é muito baixo. Para ligar a bateria, é necessário premir o botão Start durante 2 segundos. Se a bateria não arrancar, é necessário carregá-la de modo contínuo até estar totalmente carregada. O tempo de carregamento é mais longo quando a bateria está no modo de baixo consumo.

- Lubrifique todos os copos de lubrificação, juntas e eixos.

- Mantenha o produto num local limpo e seco. Coloque uma cobertura de proteção no produto.

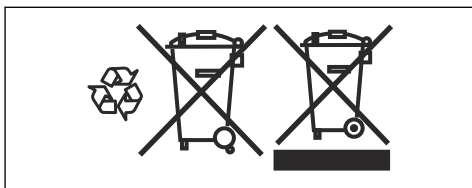
**Nota:** Pode adquirir uma cobertura de proteção para o produto durante o armazenamento ou o transporte no seu concessionário.

- Mantenha o produto numa área trancada para impedir o acesso a crianças ou pessoas que não disponham de aprovação.
- Mantenha o produto e a fonte de alimentação num local seco e sem gelo.
- Se vai utilizar o produto, mantenha-o armazenado num local onde a temperatura ambiente esteja entre 0 °C/32 °F e 50 °C/122 °F. Se não vai utilizar o produto, pode mantê-lo armazenado num local onde a temperatura ambiente esteja entre -20 °C/-4 °F e 50 °C/122 °F.
- Mantenha o produto afastado da exposição à luz solar.
- Não armazene o produto em áreas onde possa haver eletricidade estática.

## Eliminação da bateria e do carregador da bateria

Este símbolo no produto ou na respectiva embalagem indica que o produto não deve ser tratado como resíduo doméstico comum. Em vez disso, deve ser enviado para uma estação de reciclagem adequada para a recuperação de equipamentos elétricos e eletrónicos.

Ao garantir que este produto é tratado corretamente, pode ajudar a neutralizar o potencial impacto negativo sobre o meio ambiente e as pessoas, que de outra forma pode resultar da gestão incorreta dos resíduos deste produto. Para informações mais detalhadas sobre a reciclagem deste produto, contacte o seu município, o serviço de recolha de resíduos domésticos ou a loja onde adquiriu o produto.



## Eliminação

- Os produtos químicos podem ser perigosos e não podem ser eliminados no solo. Elimine sempre os químicos usados num centro de assistência ou numa localização de eliminação aplicável.
- Quando o produto estiver gasto, proceda ao respetivo envio para o concessionário ou para uma localização de reciclagem adequada.
- O óleo e a bateria podem ter efeitos negativos no meio ambiente. Respeite os requisitos de reciclagem locais e os regulamentos aplicáveis.

- Não elimine a bateria como lixo doméstico.
- Envie a bateria para uma oficina autorizada Husqvarna ou elimine-a numa localização de eliminação de baterias usadas.

## Especificações técnicas

### Especificações técnicas

	R 112iC
<b>Dimensão</b>	
Comprimento sem plataforma de corte, mm	1781
Largura sem plataforma de corte, mm	800
Comprimento com plataforma de corte, mm	2119
Largura com plataforma de corte, mm	883
Altura, mm	1069
Peso sem plataforma de corte (incl. 1 bateria), kg	135
Distância entre eixos, mm	800
Dimensões dos pneus	155/50-8
Pressão dos pneus, traseiros – dianteiros, kPa/bar/PSI	60/0,6/8,5
Declive máx., graus °	10
Peso máx. do equipamento de reboque com declive de 10°, kg	100
Força vertical máx. permitida na barra de reboque, N/kg	250/25
Força horizontal máx. permitida na barra de reboque, N/kg	250/25
<b>Motor direto</b>	
Tipo de motor	Motor CC sem escovas
Tensão, V	48
Potência nominal do motor, kW	1,5
Rotação máxima do motor, rpm	3500
<b>Transmissão</b>	
Marca/Modelo	PEERLESS/PGM 2200
Óleo, classe SF-CC	Desempenho SAE 90 API GL-4
Volume de óleo, l	0,24
Número de velocidades de marcha em frente	–
Número de velocidades de marcha-atrás	–
Velocidade máxima em marcha em frente, km/h	9
Velocidade máxima em marcha atrás, km/h	4
<b>Sistema elétrico</b>	
Tipo	48 V CC, negativo ligado à terra
Fusível principal, A	80
Fusível da plataforma de corte, A	40

	<b>R 112iC</b>
Fusível da unidade de controlo, A	3
<b>Emissões de ruído <sup>7</sup></b>	
Nível de potência sonora, medido, dB(A)	93
Nível de potência sonora, garantido, dB(A)	96
<b>Níveis sonoros <sup>8</sup></b>	
Nível de pressão sonora ao nível do ouvido do operador, dB(A)	80
<b>Níveis de vibração <sup>9</sup></b>	
Nível de vibração no volante, m/s <sup>2</sup>	0,27
Nível de vibração no banco, m/s <sup>2</sup>	0,1
<b>Plataforma de corte</b>	
Tipo	Combi
Largura de corte, mm	850
Peso, kg	28
Potência do motor da plataforma de corte, kW	2 x 0,9
Velocidade do motor da plataforma de corte, rpm	3000
Aumento de velocidade do motor da plataforma de corte, rpm	3500
Altura de corte, 5 posições, mm	25-70
Comprimento da lâmina, mm	425
<b>Lâmina</b>	
Artigo n.º	595 94 26-10



**ATENÇÃO:** Utilizar uma plataforma de corte que não esteja aprovada para o produto pode provocar a projeção de objetos a velocidades elevadas e causar ferimentos graves. Não utilize outros

tipos de plataforma de corte que não o especificado neste manual do utilizador.

## Baterias aprovadas

Utilize apenas baterias originais neste produto.

<b>Bateria</b>	<b>EM-5240LI</b>
Número do artigo	598 84 43-01
Tipo	lões de lítio
Capacidade da bateria, Ah	38,4
Tensão nominal, V	50,4

<sup>7</sup> Emissões de ruído para as imediações, medidas sob forma de potência sonora ( $L_{WA}$ ) em conformidade com a diretiva da CE 2000/14/CE.

<sup>8</sup> Nível de pressão sonora em conformidade com a norma EN ISO 5395. Os dados comunicados relativamente ao nível de pressão de ruído têm uma dispersão estatística típica (desvio padrão) de 1,2 dB(A).

<sup>9</sup> Nível de vibração em conformidade com a norma EN ISO 5395. Os dados comunicados relativos ao nível de vibração têm uma dispersão estatística típica (desvio padrão) de 0,2 m/s<sup>2</sup> (volante) e 0,8 m/s<sup>2</sup> (banco).

<b>Bateria</b>	<b>EM-5240Li</b>
Peso, kg/lbs	17/38

## Carregador de bateria aprovado

<b>Carregador da bateria</b>	<b>PS-5705</b>
Tensão de entrada, V	220-240
Corrente de entrada, A	1,8
Frequência, Hz	50
Potência, W	300
Tensão de saída, V	57
Corrente de saída, A	5,3

---

## Assistência

---

### Assistência

Efetue uma verificação anual num centro de assistência autorizado para se certificar de que o produto funciona em segurança e nas melhores condições durante a estação de grande utilização. A melhor altura para a manutenção ou revisão geral do produto é a época baixa.

Quando fizer uma encomenda de peças sobresselentes, forneça informações sobre o ano de compra, o modelo, o tipo e o número de série.

Utilize sempre peças sobresselentes originais.

# Declaração de conformidade

## Declaração UE de conformidade

A **Husqvarna AB**, SE-561 82 Huskvarna, Suécia,  
tel.: +46-36-146500, declara, sob sua inteira  
responsabilidade, que o produto:

<b>Descrição</b>	Trator corta-relva
<b>Marca</b>	Husqvarna
<b>Tipo/Modelo</b>	R 112iC
<b>Identificação</b>	Números de série referentes a 2022 e posteriores

está em plena conformidade com as seguintes diretivas  
e regulamentos da UE:

<b>Diretiva/Regulamen- to</b>	<b>Descrição</b>
2006/42/CE	"relativa a máquinas"
2014/30/UE	"relativa à compatibilidade eletromagnética"
2000/14/CE	"relativa a emissões de ruído para o ambiente"
2011/65/UE	"relativa à restrição do uso de determinadas substâncias perigosas em equipamento elétrico e eletrônico"

e que as seguintes normas e/ou  
especificações técnicas são aplicadas: EN ISO  
12100:2010, EN ISO 13849-1:2015, EN ISO  
13849-2:2012, EN ISO 5395-1:2013+A1:2018,  
EN ISO 5395-3:2013+A1:2017+A2:2018, EN  
ISO 14982:2009, EN 61000-6-2:2005,  
EN 61000-6-3:2007+A1:2011+AC:2012, EN  
IEC63000:2018.



Entidade competente: 0404, RISE SMP Svensk  
Maskinprovning AB, Box 4053, SE-904 03 Umeå,  
Sweden atribuiu a certificação de conformidade com  
a Diretiva 2000/14/CE do Conselho, procedimento de  
avaliação de conformidade: Anexo VI.

Para mais informações sobre as emissões de ruído,  
consulte *Especificações técnicas na página 101*.

Huskvarna, 2022-11-01

Claes Losdal, chefe de desenvolvimento/produtos de  
jardinagem, Husqvarna AB

Responsável pela documentação técnica



---

## Sommario

---

Introduzione.....	105	Ricerca guasti.....	130
Sicurezza.....	109	Trasporto, stoccaggio e smaltimento.....	134
Montaggio.....	120	Dati tecnici.....	137
Utilizzo.....	122	Assistenza.....	139
Manutenzione.....	125	Dichiarazione di conformità.....	140

---

## Introduzione

---

### Ispezione di preconsegna e numeri di prodotto

---

firmata del documento di ispezione pre-consegna dal rivenditore.

---

**Nota:** Un'ispezione di preconsegna è stata effettuata per questo prodotto. Assicurarsi di ricevere una copia

Informazioni di contatto dell'officina:	
Il presente manuale operatore si riferisce al prodotto con codice/numero di serie:	
/	
Motore:	

### Descrizione del prodotto

Il prodotto è un trattorino rasaerba. I pedali di marcia avanti e retromarcia consentono all'operatore di regolare la velocità senza interruzione. Il prodotto viene utilizzato con un piatto di taglio 2-in-1 dotato di tappo di pacciamatura.

### Uso previsto

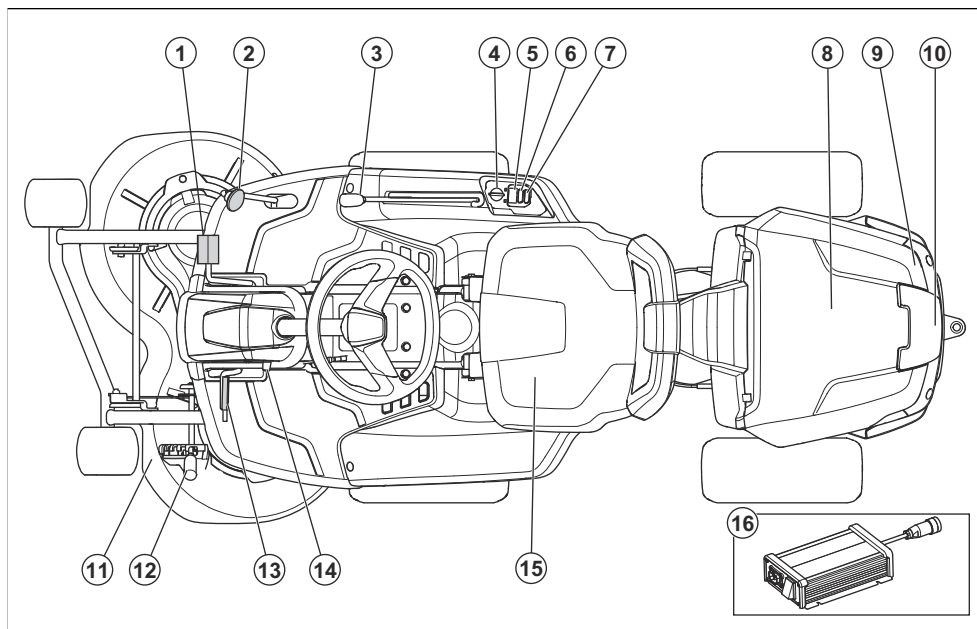
Il prodotto è concepito per falciare l'erba su terreni piani e aperti in aree residenziali e giardini. Montare un accessorio opzionale per usare il prodotto per

altre attività. Rivolgersi al proprio rivenditore Husqvarna per maggiori informazioni sulla disponibilità dei singoli accessori.

### Assicurazione del prodotto

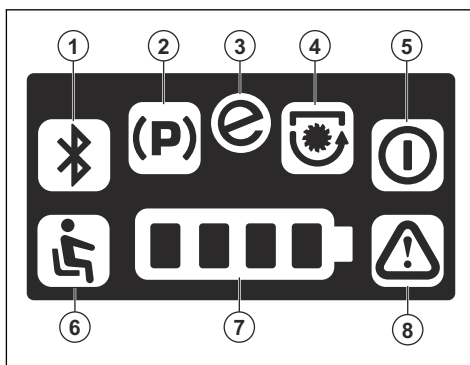
Accertarsi di disporre della copertura assicurativa per il nuovo prodotto. Contattare la propria compagnia assicurativa se non si è sicuri di disporre della copertura. Si raccomanda un'assicurazione completa che copra lesioni contro terzi, incendio, danni, furto e responsabilità civile.

## Panoramica del prodotto



1. Pedale di avanzamento
2. Pedale di retromarcia
3. Leva di sollevamento per il piatto di taglio
4. Interruttore di corrente
5. Display
6. Pulsante di avvio
7. Funzione SavE
8. Sportello del vano batteria
9. Piastrina modello
10. Presa per il caricabatterie
11. Piatto di taglio
12. Leva altezza di taglio
13. Leva del freno di stazionamento
14. Pulsante di bloccaggio per il freno di stazionamento
15. Sedile
16. Caricabatteria

## Panoramica del display



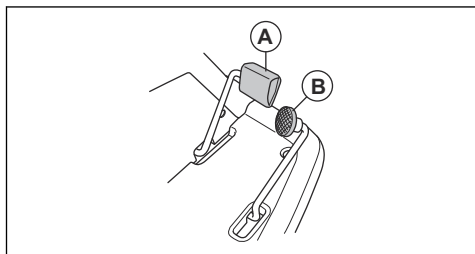
1. Non utilizzato su questo prodotto
2. Spia freno di stazionamento
3. Indicatore SavE
4. Spia lame innestate
5. Spia di standby
6. Controllo presenza operatore (OPC)
7. Spia livello batteria
8. Spia di avvertenza

## Controllo presenza operatore (OPC)

Il controllo presenza operatore (OPC) imposta il prodotto in modalità di sicurezza se l'operatore abbandona il sedile. Il motore e i motori di taglio si arrestano quando le lame sono innestate. Fare riferimento a *Controllo delle condizioni di funzionamento alla pagina 117*.

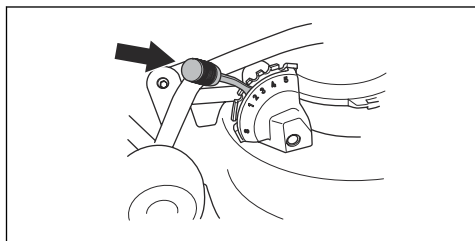
## Pedali di marcia avanti e retromarcia

La velocità viene regolata continuamente con 2 pedali. Il pedale sinistro (A) serve per la marcia avanti, il pedale destro (B) per la marcia indietro. Il prodotto si arresta quando i pedali vengono rilasciati.

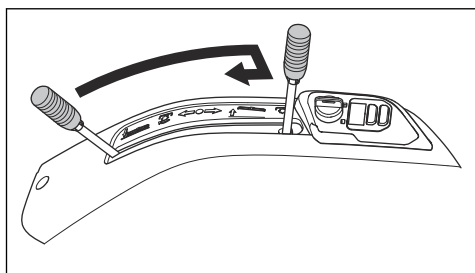


## Leva altezza di taglio

L'altezza di taglio è regolata su 5 (1-5) posizioni diverse.



**Nota:** Sollevare il piatto di taglio prima di regolare l'altezza di taglio.



## Simboli riportati sul prodotto



**AVVERTENZA:** questo prodotto può essere pericoloso e causare lesioni gravi o mortali all'operatore o a terzi. Prestare attenzione e utilizzare il prodotto correttamente.



Prima dell'uso, leggere attentamente il manuale operatore e accertarsi di aver compreso le istruzioni.



Lame rotanti. Tenere il corpo lontano dal coperchio quando il motore è in funzione.



Avvertenza: Tenere il corpo lontano dalle parti rotanti.



Prestare attenzione a oggetti lanciati o rimbalzati.



Non utilizzare il prodotto in prossimità di persone (specialmente bambini) o animali.



Guardare all'indietro prima e durante lo spostamento del prodotto in retromarcia.



Non tagliare l'erba su terreni in pendenza. Non tagliare l'erba su terreni con pendenze superiori a 10°. Fare riferimento a *Taglio dell'erba in pendenza alla pagina 114*.



Non permettere che nessuno, ad eccezione dell'operatore, si sieda sul prodotto. Non permettere che nessuno si sieda sull'attrezzatura.



Azionare il prodotto molto lentamente se non è agganciato alcun piatto di taglio.



Spostarsi in avanti.

**N**

Cambio in folle.



Spostarsi in retromarcia.



Stato della batteria.



Interruttore sedile.



Indicazione modalità standby.

**START**

Avviare il motore.



Funzione SavE.



Freno di stazionamento.



Il prodotto è conforme alle direttive CE vigenti.



Il presente prodotto è conforme alle direttive del Regno Unito vigenti.



Emissioni di rumore nell'ambiente in conformità alle direttive e alle norme UE e UK e alla norma del Nuovo Galles del Sud in materia di protezione dell'ambiente "Protection of the Environment Operations (Noise Control) Regulation 2017". Il livello di potenza sonora garantito del prodotto è specificato in *Dati tecnici alla pagina 137* nonché sull'etichetta.



Indossare sempre protezioni acustiche approvate.



Le lame sono inserite.



Le lame sono disinserite.



Posizione di servizio per il piatto di taglio.



Posizione di funzionamento del piatto di taglio.



Altezza di taglio.



**Marchio ecologico.** Il prodotto o l'imballaggio del prodotto non è un rifiuto domestico. Riciclarlo in una stazione di riciclaggio per apparecchiature elettriche ed elettroniche.



Codice scansionabile

**aaaassxxxx**

La targhetta dati di funzionamento mostra il numero di serie. **aaaa** è l'anno di produzione e **aa** è la settimana di produzione.

**Nota:** I restanti simboli/decalcomanie sul prodotto riguardano particolari requisiti necessari per ottenere la certificazione in determinate aree commerciali.

## Responsabilità del prodotto

Come indicato nelle leggi vigenti in materia di responsabilità obbligatoria sul prodotto, non siamo responsabili per eventuali danni causati dal nostro prodotto se:

- Il prodotto viene riparato in modo errato.
- Il prodotto viene riparato con parti che non provengono o non sono omologate dal produttore.
- Il prodotto contiene un accessorio che non proviene o non è omologato dal produttore.
- Il prodotto non viene riparato presso un centro di assistenza autorizzato o presso un'autorità competente.

### Definizioni di sicurezza

Le avvertenze, le precauzioni e le note sono utilizzate per evidenziare le parti importanti del manuale.



**AVVERTENZA:** Utilizzato se è presente un rischio di lesioni o morte dell'operatore o di passanti nel caso in cui le istruzioni del manuale non vengano rispettate.



**ATTENZIONE:** Utilizzato se è presente un rischio di danni al prodotto, ad altri materiali oppure alla zona adiacente nel caso in cui le istruzioni del manuale non vengano rispettate.

---

**Nota:** Utilizzato per fornire ulteriori informazioni necessarie in una determinata situazione.

---

### Istruzioni di sicurezza generali



**AVVERTENZA:** Questo prodotto può tagliare mani e piedi e scagliare oggetti. Lesioni gravi

o mortali possono verificarsi se non si rispettano le istruzioni di sicurezza.

---



**AVVERTENZA:** Non continuare a utilizzare un prodotto che presenti l'attrezzatura di taglio danneggiata. Un'attrezzatura di taglio danneggiata può scagliare oggetti e causare lesioni gravi o mortali. Sostituire immediatamente le lame danneggiate.

---



**AVVERTENZA:** Durante il funzionamento, questo prodotto genera un campo elettromagnetico. Tale campo può interferire, in alcuni casi, con persone portatrici di impianti medici attivi o passivi. Per ridurre il rischio di condizioni che possono implicare lesioni gravi o mortali, i portatori di tali impianti devono consultare il

proprio medico e il produttore dell'impianto prima di utilizzare questo prodotto.

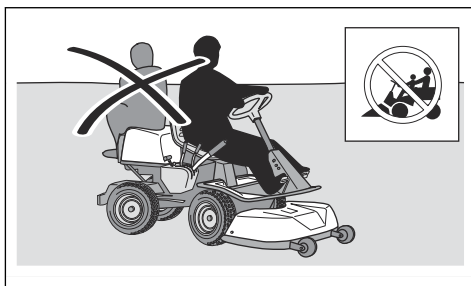


**AVVERTENZA:** Leggere le seguenti avvertenze prima di utilizzare il prodotto.

---

- Usare la massima cautela e il buon senso. Evitare tutte le situazioni che richiedono capacità superiori alle proprie. Se non si è sicuri delle procedure operative anche dopo aver letto il manuale dell'operatore, rivolgersi a un esperto prima di continuare.
- Leggere con attenzione e comprendere il manuale dell'operatore e le istruzioni sul prodotto prima di avviarlo.
- Apprendere l'uso del prodotto e i comandi e imparare come arrestare il prodotto rapidamente.
- Apprendere a riconoscere le decalcomanie di sicurezza.
- Conservare il prodotto pulito in modo che sia possibile leggere chiaramente i simboli e gli adesivi.

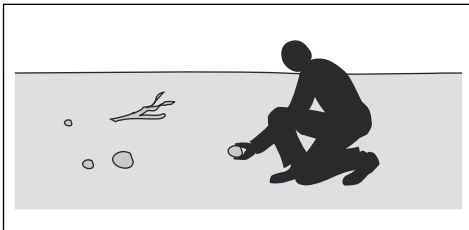
- Tenere presente che l'operatore potrà essere ritenuto responsabile di eventuali incidenti che coinvolgano altre persone o i loro beni.
- Non trasportare passeggeri. Il prodotto deve essere utilizzato da una sola persona.



- Non lasciare il prodotto incustodito con l'alimentazione inserita. Arrestare sempre le lame, applicare il freno di stazionamento, arrestare il motore e rimuovere la chiave dall'interruttore di corrente prima di lasciare incustodito il prodotto.
- Utilizzare il prodotto solo alla luce solare o in altre condizioni di sufficiente illuminazione. Tenere il prodotto a distanza di sicurezza da buche o altre irregolarità nel suolo. Prestare

attenzione ad altri possibili rischi.

- Non utilizzare mai il prodotto in condizioni meteorologiche sfavorevoli, ad esempio nebbia, pioggia, umidità o luoghi molto umidi, vento forte, freddo intenso, rischio di fulmini ecc.
- Trovare e marcare eventuali pietre e altri oggetti fissi per evitarli durante il taglio.
- Liberare l'area da oggetti come pietre, giocattoli, fili, ecc. che possono rimanere incastrati nelle lame ed essere scagliati in aria.



- Non consentire ai bambini, o ad altre persone non autorizzate all'utilizzo del prodotto, di utilizzarlo o eseguirne la manutenzione. Possono essere in vigore norme locali che limitano l'età dell'operatore.
- Assicurarsi che nessuno si trovi in prossimità del prodotto quando si avvia il motore, si

inserisce la marcia o quando il prodotto si inizia a muovere.

- Tenere d'occhio il traffico quando si taglia in prossimità di una strada o la si attraversa.
- Non utilizzare mai il prodotto in condizioni di stanchezza oppure sotto l'effetto di alcolici, stupefacenti o farmaci in grado di compromettere la vista, l'attenzione, la coordinazione o il giudizio.
- Parcheggiare sempre il prodotto su una superficie piana con l'alimentazione disinserita.

### Istruzioni di sicurezza relative ai bambini

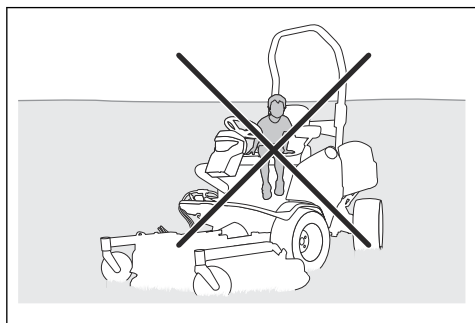


**AVVERTENZA:** Leggere le seguenti avvertenze prima di utilizzare il prodotto.

- In caso di mancata supervisione dei bambini nei pressi del prodotto, si potrebbero verificare gravi incidenti. I bambini potrebbero avvicinarsi al prodotto quando non vengono visti. È molto probabile che i bambini non rimangano fermi

nel luogo in cui sono stati visti l'ultima volta.

- Tenere i bambini lontani dall'area da falciare. Accertarsi che sia presente un adulto che supervisioni i bambini.
- Restare vigili e spegnere il prodotto se i bambini accedono all'area di lavoro. Prestare estrema attenzione nei pressi di angoli, cespugli, alberi o altri oggetti che ostacolano la visuale.
- Prima e durante lo spostamento del prodotto in retromarcia, guardare all'indietro e verso il basso per assicurarsi che non ci siano bambini piccoli nelle vicinanze del prodotto.
- Non lasciar salire i bambini sul prodotto. Potrebbero cadere e ferirsi gravemente o impedire di manovrare in sicurezza il prodotto.
- Non lasciare che i bambini utilizzino il prodotto.



## Sicurezza batterie



**AVVERTENZA:** Leggere le seguenti avvertenze prima di utilizzare il prodotto.

### Informazioni generali:

- Leggere attentamente tutte le avvertenze e le istruzioni di sicurezza. La mancata osservanza delle avvertenze e delle istruzioni può dare luogo a scosse elettriche e incendi e/o gravi lesioni.
- Controllare regolarmente che le batterie siano integre. Batterie danneggiate o modificate possono manifestare un comportamento imprevedibile, con rischio di incendi, esplosioni e lesioni. Non riparare o aprire le batterie danneggiate.
- Una batteria danneggiata può esplodere e causare lesioni. Se la batteria presenta una deformazione o è danneggiata, non utilizzare il prodotto e rivolgersi a un'officina autorizzata Husqvarna.
- Non smontare, aprire né distruggere le batterie.
- Non causare shock meccanico a una batteria.



- Non esporre le celle o le batterie a fonti di calore o fuoco. Evitare di conservare la batteria alla luce diretta del sole.
- Non provocare il corto circuito della batteria. Non conservare le batterie in un deposito dove potrebbero andare in corto circuito a causa di altre batterie o di materiale metallico.
- Evitare che il contenuto della batteria venga a contatto con la pelle o gli occhi. Qualora il contatto fosse avvenuto, sciacquare abbondantemente l'area interessata con acqua e consultare un medico.
- Non utilizzare alcuna batteria non progettata specificamente per l'uso con il presente dispositivo.
- Non combinare celle di diversa manifattura, capacità, dimensioni o tipologia in uno stesso dispositivo.
- Tenere le celle e batterie fuori dalla portata dei bambini.
- Tenere la batteria pulita e asciutta.
- Utilizzare la batteria esclusivamente per gli scopi previsti.
- Le batterie Husqvarnada 48 V vengono utilizzate esclusivamente per alimentare i Rider Husqvarna a batteria. Per evitare lesioni, la batteria non deve essere utilizzata come fonte di alimentazione per altri dispositivi.
- Non usare mai batterie o apparecchi difettosi, modificati o danneggiati.
- Non tentare di modificare o riparare gli apparecchi o le batterie. Affidare tutte le riparazioni esclusivamente al proprio rivenditore autorizzato.

### Istruzioni di sicurezza per l'utilizzo



**AVVERTENZA:** Leggere le seguenti avvertenze prima di utilizzare il prodotto.

---

- Guardare sempre in basso e indietro prima e durante lo spostamento in retromarcia. Evitare ostacoli grandi e piccoli.
- Ridurre la velocità prima di svoltare ad angolo.
- Arrestare le lame prima di spostarsi attraverso aree che non richiedono la falciatura.

### Batterie da 48 V:



**ATTENZIONE:** Leggere le seguenti istruzioni prima di utilizzare il prodotto.

- Spostare con attenzione pietre e altri oggetti più grandi e accertarsi che le lame non colpiscano gli oggetti.
- Non utilizzare il prodotto sugli oggetti. Fermarsi ed esaminare il prodotto e il piatto di taglio se si falcia o si urta un oggetto. Se necessario, effettuare riparazioni prima di riavviare il prodotto.

### Taglio dell'erba in pendenza

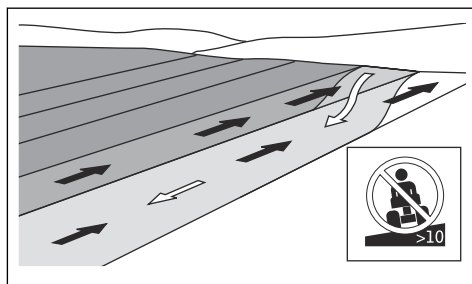


**AVVERTENZA:** Leggere le seguenti avvertenze prima di utilizzare il prodotto.

- La falciatura dell'erba su terreni in pendenza aumenta il rischio di perdita di controllo e di ribaltamento del prodotto. Ciò può causare lesioni anche mortali. È necessario falciare l'erba con cautela su qualsiasi terreno in pendenza. Se non è possibile effettuare la retromarcia su un terreno in pendenza o se ci si sente

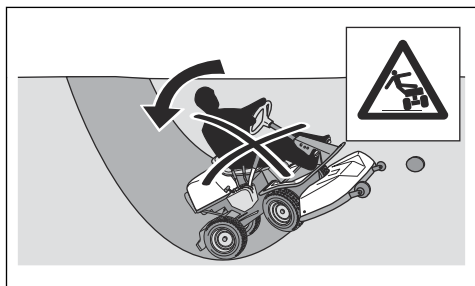
insicuri, non effettuare la falciatura.

- Rimuovere pietre, rami o altri ostacoli.
- Eseguire il taglio guidando parallelamente alla direzione di inclinazione del piano, non lateralmente.
- Non spostarsi su un pendio con il piatto di taglio sollevato.
- Non utilizzare il prodotto su terreni con pendenze superiori a 10°.



- Non avviare o arrestare il prodotto su terreni in pendenza.
- Non utilizzare il pedale di avanzamento e il pedale di retromarcia per avanzare o arretrare su terreni in pendenza. Il mancato rispetto di tale indicazione provocherà il surriscaldamento del sistema.
- Spostarsi gradualmente e lentamente su terreni in pendenza.

- Non effettuare bruschi cambiamenti di velocità o di direzione di marcia.
- Non effettuare più svolte del necessario. Girare lentamente e gradualmente quando ci si sposta su un pendio. Viaggiare a bassa velocità. Girare la ruota con cautela.
- Evitare di attraversare solchi, buche e dossi. Vi è un rischio più elevato che il prodotto si ribalti su un terreno non piano. L'erba alta può nascondere eventuali ostacoli.
- Non tagliare in prossimità di bordi, fossi o argini. Il prodotto può ribaltarsi improvvisamente se una ruota si muove oltre il bordo di una pendenza ripida o un fosso, o se un bordo cede. Se il prodotto cade in acqua sussiste il rischio di annegare.



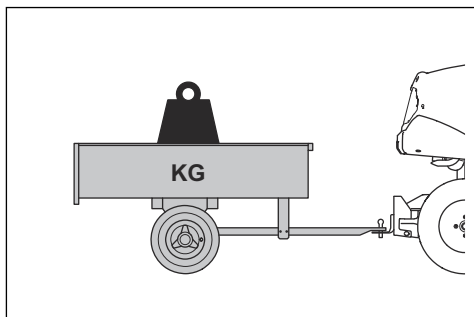
- Non tagliare l'erba bagnata. È scivolosa e gli pneumatici

possono perdere aderenza facendo slittare il prodotto.

- Non appoggiare il piede a terra per tentare di rendere il prodotto più stabile.
- Spostarsi con molta attenzione nel caso in cui un accessorio o un qualsiasi altro oggetto si sia impigliato, rendendo il prodotto meno stabile.

### Sicurezza per il traino

- Utilizzare esclusivamente attrezzature di traino approvate da Husqvarna.
- Utilizzare la barra di traino per fissare l'attrezzatura.
- Non trainare attrezzature più pesanti del peso massimo consentito. Fare riferimento a *Dati tecnici alla pagina 137*.



- Accertarsi che non vi siano persone nelle vicinanze del prodotto quando si traina l'attrezzatura.

- Prestare attenzione quando si traina l'attrezzatura su terreni in pendenza o accidentati.
- Azionare il prodotto a bassa velocità quando si traina l'attrezzatura.

## Dispositivi di protezione individuale

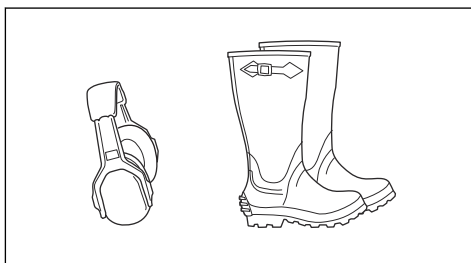


**AVVERTENZA:** Leggere le seguenti avvertenze prima di utilizzare il prodotto.

- Usare sempre abbigliamento protettivo personale omologato quando si utilizza il prodotto. L'uso di dispositivi di protezione individuale non elimina il rischio di lesioni, ma ne riduce la gravità in caso di incidente. Farsi consigliare dal rivenditore per la scelta dell'attrezzatura adatta.
- Usare cuffie protettive con effetto insonorizzante adeguato. Una lunga esposizione al rumore può comportare lesioni permanenti all'udito. Husqvarna raccomanda che gli operatori indossino cuffie protettive quando utilizzano prodotti in modo continuativo per un periodo superiore a un giorno. Gli operai che utilizzano il prodotto in

modo regolare e continuativo devono essere sottoposti regolarmente al controllo dell'udito. Tenere presente che le cuffie protettive limitano la capacità di udire suoni e segnali di avvertenza.

- Indossare sempre scarpe o stivali protettivi. Si raccomanda l'uso di punte in acciaio. Non utilizzare il prodotto a piedi nudi.



- Indossare i guanti quando è necessario, per esempio durante il collegamento, l'ispezione o la pulizia dell'attrezzatura di taglio.
- Non indossare abbigliamento non aderente, gioielli o altri oggetti che potrebbero impigliarsi nelle parti in movimento.
- Tenere a portata di mano il kit di primo soccorso o un estintore.

## Dispositivi di sicurezza sul prodotto



**AVVERTENZA:** Leggere le seguenti avvertenze prima di utilizzare il prodotto.

- Non utilizzare un prodotto usando dispositivi di sicurezza danneggiati o che non funzionano correttamente.
- Non rimuovere o apportare modifiche ai dispositivi di sicurezza.
- Effettuare regolarmente un controllo dei dispositivi di sicurezza. Se i dispositivi di sicurezza sono danneggiati o non funzionano correttamente, rivolgersi al centro di assistenza Husqvarna.

### Controllo dell'interruttore di corrente

- Scollegare il cavo del caricabatterie.
- Portare l'interruttore di corrente su "1". Assicurarsi che sul display si accendano tutte le luci LED utilizzate.
- Azionare il freno di stazionamento.

- Portare l'interruttore di corrente su "0". Assicurarsi che il prodotto si arresti immediatamente e che le luci LED sul display si spengano.

### Controllo delle condizioni di funzionamento

Effettuare quotidianamente il controllo delle condizioni di funzionamento.

1. Assicurarsi che non sia possibile utilizzare il prodotto quando il piatto di taglio è montato e la relativa leva è in posizione di falciatura.
2. Assicurarsi di non poter utilizzare il prodotto quando il freno di stazionamento è disinserito.
3. Assicurarsi che il prodotto si arresti quando i motori del piatto di taglio sono innestati e l'operatore abbandona il sedile.

### Controllare il pedale di marcia avanti e quello di retromarcia

1. Avviare il prodotto. Fare riferimento a *Avviamento del prodotto alla pagina 124*.

2. Accertarsi che i pedali di marcia avanti e retromarcia non siano bloccati e che possano essere azionati liberamente.
3. Premere con cautela il pedale di marcia avanti per spostarsi in avanti.
4. Rilasciare il pedale di avanzamento per frenare. Assicurarsi che il freno si innesti quando viene rilasciato il pedale di marcia avanti.

**Nota:** Il prodotto è provvisto di freno automatico che si innesta quando si rilasciano i pedali. Per una maggiore potenza frenante quando si diminuisce la velocità, premere l'altro pedale.

5. Eseguire la stessa procedura per il pedale di retromarcia.

## Freno di stazionamento



**AVVERTENZA:** Se il freno di stazionamento non funziona correttamente, il prodotto può iniziare a muoversi e provocare lesioni o danni.

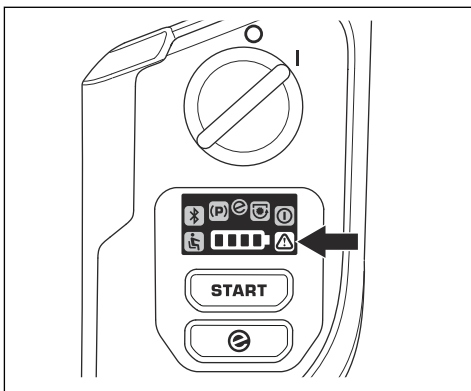
Assicurarsi che il freno di stazionamento venga controllato e regolato periodicamente.

Fare riferimento a *Per controllare il freno di stazionamento alla pagina 128.*

### Spia di avvertenza sul display



**ATTENZIONE:** Se sul display si accende la spia di avvertenza, arrestare il prodotto e fare riferimento a *Ricerca guasti alla pagina 130.*



## Coperture protettive

Coperture protettive mancanti o danneggiate aumentano il rischio di lesioni sulle parti in movimento e sulle superfici calde. Controllare le condizioni delle coperture protettive prima di utilizzare il prodotto. Assicurarsi che le coperture protettive siano collegate correttamente e non presentino crepe o altri danni.

Sostituire le coperture protettive danneggiate.

prima di utilizzare il prodotto.

---

## Istruzioni di sicurezza per la manutenzione

---



**AVVERTENZA:** Il prodotto ha un peso elevato e può causare lesioni o danni alle cose o alla zona adiacente. Effettuare la manutenzione del prodotto e del piatto di taglio solo se vengono soddisfatte le seguenti condizioni:

- L'interruttore di corrente è disinserito e la relativa chiave è stata rimossa.
- Il prodotto è parcheggiato su una superficie piana.
- Il freno di stazionamento è azionato.
- Il piatto di taglio è disinserito.
- Il cavo del caricabatterie è scollegato.



**AVVERTENZA:** Leggere le seguenti avvertenze

- Per garantire le migliori prestazioni e la sicurezza, effettuare la manutenzione del prodotto a intervalli regolari come indicato nel programma di manutenzione. Fare riferimento a *Programma di manutenzione alla pagina 125*.
- Le scosse elettriche possono provocare lesioni. Non effettuare la manutenzione sulla batteria. Non toccare i cavi quando il motore è in funzione. Non utilizzare le dita per effettuare una prova.
- Non avviare il prodotto se i coperchi protettivi sono stati rimossi. Vi è un alto rischio di lesioni provocate da parti calde o in movimento.
- Attendere che il prodotto si raffreddi prima di effettuare la manutenzione.
- Le lame sono affilate e possono causare tagli. Posizionare paraventi attorno alle lame o usare guanti protettivi quando si lavora su di esse.
- Mettere sempre il piatto di taglio in posizione di manutenzione per pulirlo. Non parcheggiare il prodotto vicino

al bordo di un fosso o in pendenza per accedere al piatto di taglio.



**ATTENZIONE:** Leggere le seguenti istruzioni prima di utilizzare il prodotto.

- Assicurarsi che tutti i dadi e i bulloni siano serrati correttamente e che l'attrezzatura sia in buone condizioni.

- Non modificare la regolazione dei limitatori. Se il regime motore è troppo elevato, i componenti del prodotto possono danneggiarsi. Per informazioni sul regime motore massimo consentito, fare riferimento a *Dati tecnici alla pagina 137*.
- Il prodotto è testato e approvato solo con l'attrezzatura in dotazione o raccomandata dal produttore.

## Montaggio

### Introduzione

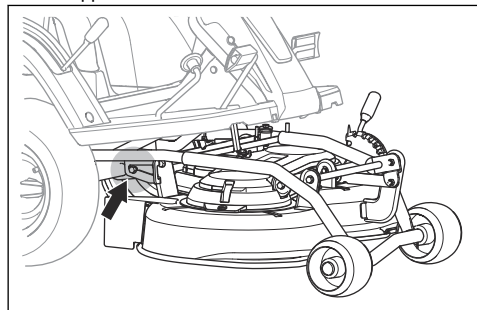


**AVVERTENZA:** La molla di tensionamento della cinghia della trasmissione può rompersi e causare lesioni. Indossare occhiali protettivi quando si collega o rimuove il piatto di taglio.

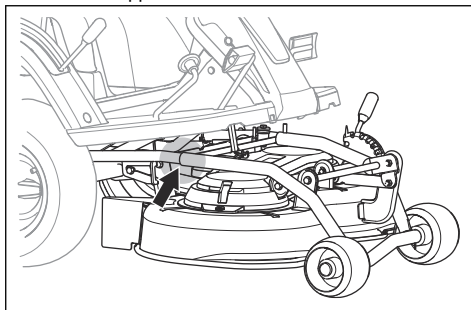
Leggere attentamente le istruzioni di montaggio del manuale d'uso. Un'etichetta sul lato interno della copertura anteriore del prodotto mostra inoltre come collegare e rimuovere il piatto di taglio.

### Fissaggio del piatto di taglio

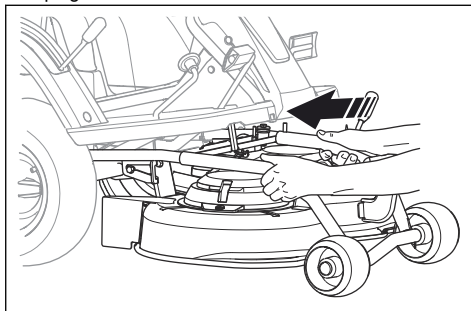
1. Parcheggiare il prodotto su un terreno piano.
2. Azionare il freno di stazionamento.
3. Spingere il piatto di taglio all'interno e assicurarsi che i bulloni si inseriscano nelle scanalature sul telaio dell'apparecchiatura.



4. Allineare i tubi sul piatto di taglio con le tubazioni sul telaio dell'apparecchiatura.

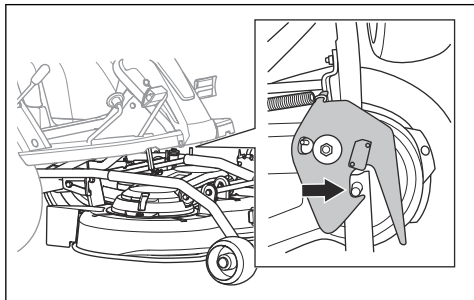


5. Mantenere il piatto di taglio con entrambe le mani e spingerlo all'interno.

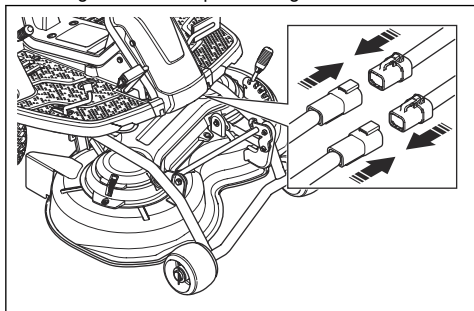




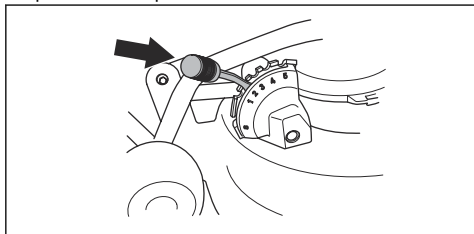
6. Premere fin quando i tubi e i bulloni toccano la parte inferiore. Assicurarsi che il blocco sia inserito.



7. Collegare i 2 cavi al piatto di taglio.

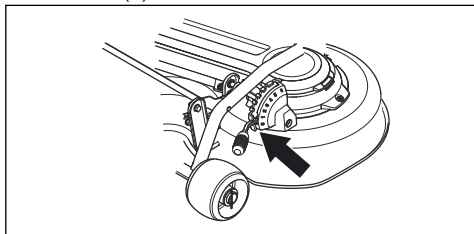


8. Regolare la leva dell'altezza di taglio in una posizione compresa fra 1 e 5.

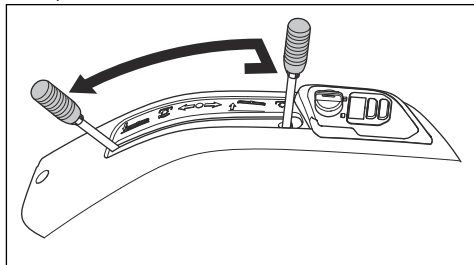


## Rimozione del piatto di taglio

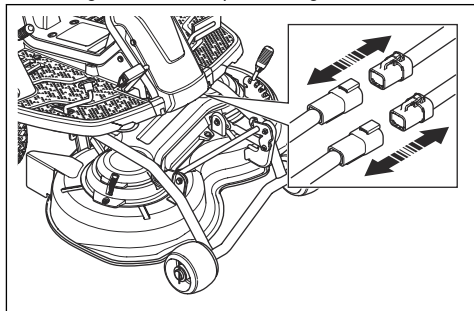
1. Parcheggiare il prodotto su un terreno piano.
2. Azionare il freno di stazionamento.
3. Regolare la leva dell'altezza di taglio nella posizione di servizio (S).



4. Portare la leva di sollevamento per il piatto di taglio in posizione di funzionamento.

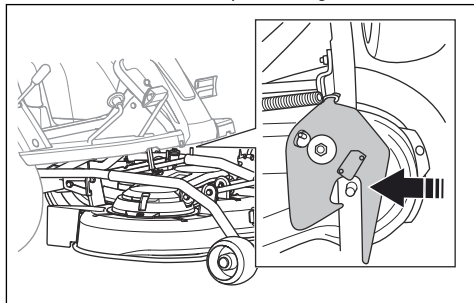


5. Scollegare i 2 cavi dal piatto di taglio.



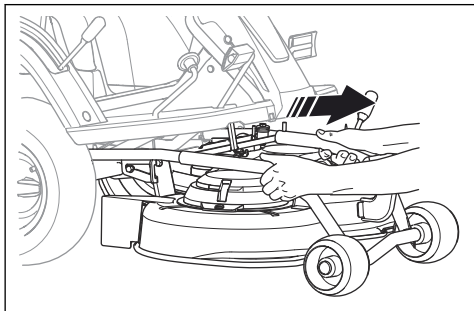
**ATTENZIONE:** Fissare i connettori. Non tirare i cavi.

6. Disinserire il blocco sul piatto di taglio.

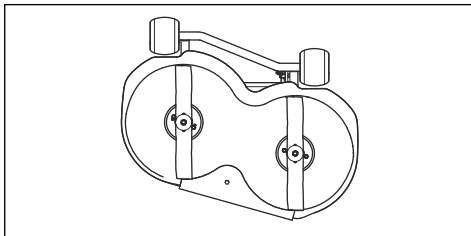


**AVVERTENZA:** Il meccanismo di blocco può provocare lesioni alle dita se non lo si utilizza con cautela.

7. Sostenere il piatto di taglio con entrambe le mani ed estrarlo.



8. Sollevare il piatto di taglio e poggiarlo sul prodotto o al muro.



## Utilizzo

### Introduzione



**AVVERTENZA:** Prima di utilizzare il prodotto, è necessario leggere e comprendere il capitolo relativo alla sicurezza.



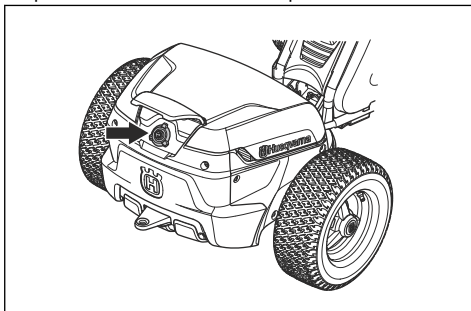
**ATTENZIONE:** Utilizzare la batteria in ambienti con una temperatura compresa tra 0 °C e 40 °C.

- Collegare il caricabatterie a una presa a muro provvista di messa a terra e al prodotto.

### Ricarica della batteria



**AVVERTENZA:** Un caricabatterie difettoso o rotto o utilizzato impropriamente può provocare scosse elettriche, surriscaldamento o perdite dalla batteria. Esaminare regolarmente il caricabatterie e la batteria per verificare l'eventuale presenza di danni.



**ATTENZIONE:** Prima di utilizzare la batteria per la prima volta, è necessario caricarla. Una batteria nuova è carica solo al 30 %.

**Nota:** Avviare il prodotto per visualizzare il livello di carica.

**Nota:** La batteria da 48 V nel prodotto può entrare in modalità di sospensione quando il livello della batteria è molto basso o quando il prodotto è in magazzino. Per avviare la batteria, premere il pulsante start per 2 secondi. Se la batteria non si avvia, tenerla in carica continuamente fino a quando non si è completamente ricaricata. Il tempo di ricarica è maggiore quando la batteria è in modalità di sospensione.



**ATTENZIONE:** Non lasciare collegato il caricabatterie quando la batteria è completamente carica.

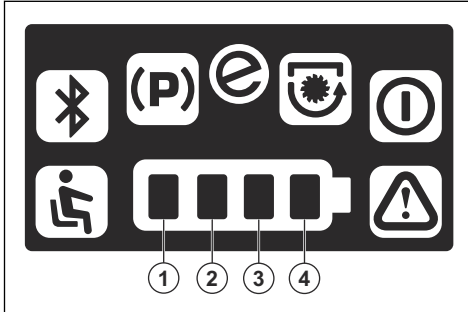
### Indicazione della batteria

L'indicatore della batteria sul display mostra il livello di carica quando il prodotto è attivo. Quando il caricatore è collegato e il prodotto è attivo, sul display viene visualizzata un'animazione di ricarica. Quando la batteria è completamente carica e il caricatore è



**ATTENZIONE:** Caricare la batteria in un ambiente con temperatura compresa tra 0 °C e 40 °C.

collegato, tutte e 4 le luci LED della batteria sono accese in modo fisso.



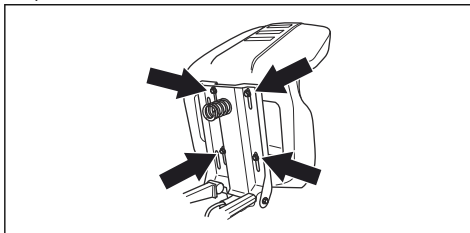
luci LED	Stato di carica
Tutte e 4 le luci LED sono accese in modo fisso.	La carica della batteria è compresa tra il 76% e il 100%.
Le luci LED 1-3 sono accese in modo fisso.	La carica della batteria è compresa tra il 51% e il 76%.
Le luci LED 1-2 sono accese in modo fisso.	La carica della batteria è compresa tra il 26% e il 51%.
La luce LED 1 è accesa in modo fisso.	La carica della batteria è compresa tra lo 0% e il 25%.

Quando la batteria è quasi scarica, la prima luce LED lampeggia e le lame si arrestano per risparmiare energia. Se la carica della batteria del prodotto è pari allo 0%, la prima luce LED e la spia di avvertenza lampeggiano insieme.

**Nota:** Se il prodotto viene utilizzato a basse temperature, il tempo di funzionamento si riduce.

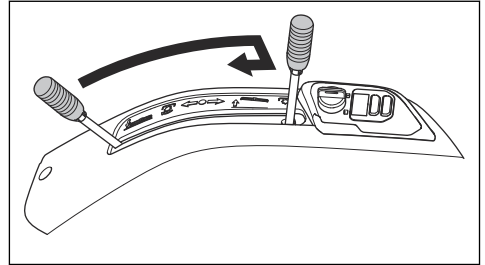
## Per regolare il sedile

- Il sedile può essere inclinato in avanti.
- Per regolare il sedile in avanti e indietro, allentare i bulloni situati sotto il sedile. Spostare il sedile nella posizione desiderata e serrare i bulloni.

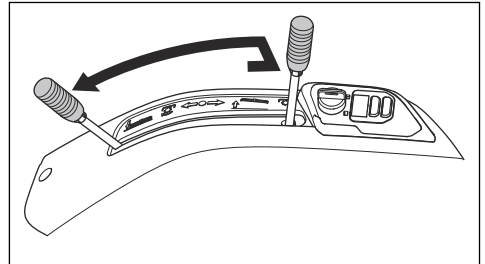


## Sollevamento e abbassamento del piatto di taglio

- Per sollevare il piatto di taglio in posizione di trasporto, tirare la leva di sollevamento all'indietro. Se il motore è in funzione, le lame si arrestano.



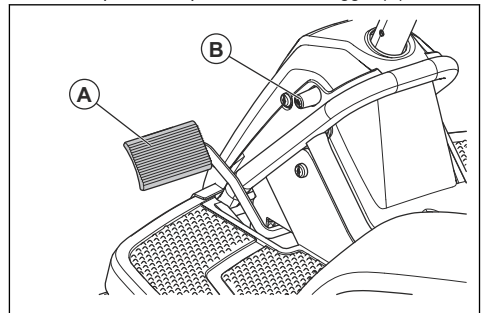
- Per abbassare il piatto di taglio in posizione di falciatura, premere il pulsante di blocco e spostare la leva di sollevamento in avanti. Se il motore è in funzione, le lame iniziano a ruotare.



## Per inserire o disinserire il freno di stazionamento

Il pedale del freno di stazionamento e il pulsante di bloccaggio del freno di stazionamento si trovano sul lato sinistro del piantone dello sterzo.

1. Premere il pedale del freno di stazionamento (A).
2. Tenere premuto il pulsante di bloccaggio (B).



3. Tenere premuto il pulsante di bloccaggio e rilasciare il pedale del freno di stazionamento.

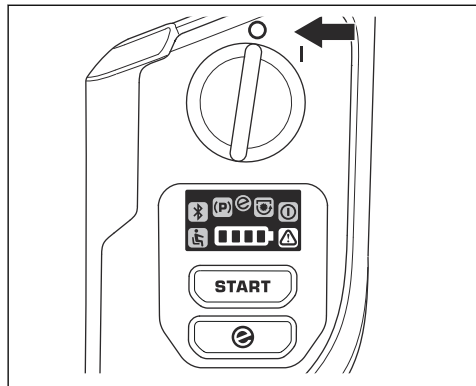
- Per rilasciare il freno di stazionamento, spingere nuovamente il pedale del freno di stazionamento.

## Spostamento manuale del prodotto

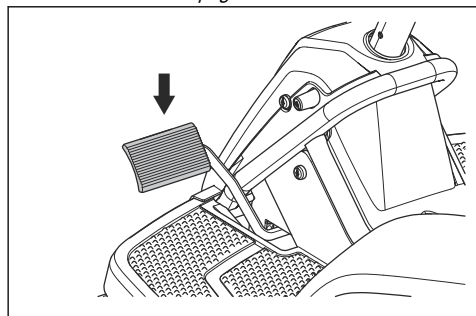


**ATTENZIONE:** Non utilizzare il prodotto a una velocità superiore a 6 km/h. Non utilizzare il prodotto per un periodo di tempo superiore a quello necessario.

- Portare l'interruttore di corrente su "0".



- Come disinserire il freno di stazionamento. Fare riferimento a *Per inserire o disinserire il freno di stazionamento alla pagina 123*.

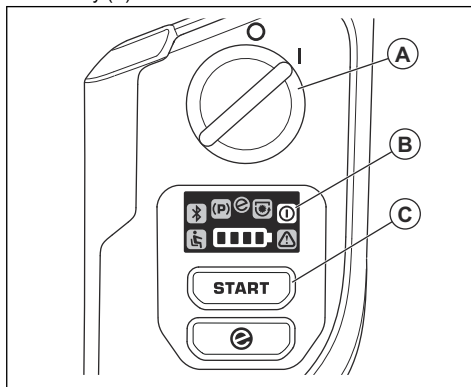


- Spingere il prodotto.

## Avviamento del prodotto

- Scollegare il cavo dal caricabatterie.
- Sedere sul sedile.
- Inserire il freno di stazionamento. Fare riferimento a *Per inserire o disinserire il freno di stazionamento alla pagina 123*.
- Sollevare il piatto di taglio fino alla posizione di trasporto. Fare riferimento a *Sollevamento e abbassamento del piatto di taglio alla pagina 123*.

- Portare l'interruttore di corrente su "1" (A). La spia di standby (B) si accende.

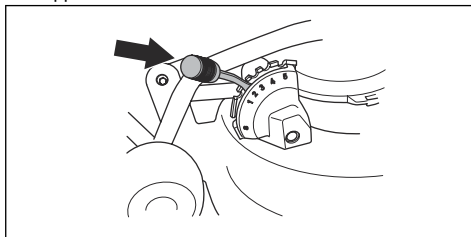


**Nota:** La batteria da 48 V nel prodotto può entrare in modalità di sospensione quando il livello di carica è molto basso o quando il prodotto è in magazzino. Per avviare la batteria, premere il pulsante start per 2 secondi. Se la batteria non si avvia, tenerla in carica continuamente fino a quando non si sia completamente ricaricata. Il tempo di ricarica è maggiore quando la batteria è in modalità di sospensione.

- Premere a lungo il pulsante START (C). La spia di standby si spegne.

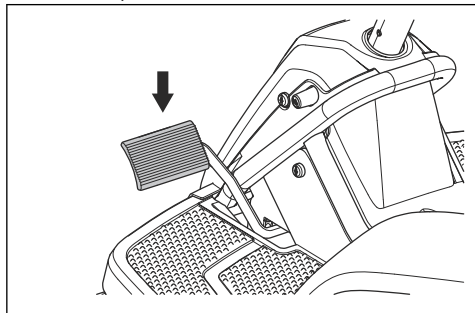
## Utilizzo del prodotto

- Selezionare l'altezza di taglio (1-5) utilizzando l'apposita leva.

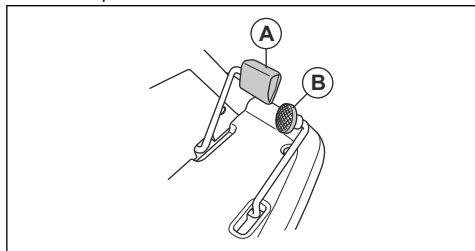


- Avviare il prodotto.

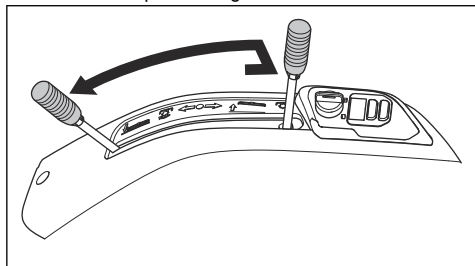
3. Premere il pedale del freno di stazionamento, quindi rilasciarlo per disinserire il freno di stazionamento.



4. Prestando attenzione, premere il pedale 1. Utilizzare il pedale (A) per la marcia avanti e il pedale (B) per la retromarcia. La velocità aumenta premendo più a fondo il pedale.



5. Rilasciare il pedale per inserire i freni.
6. Abbassare il piatto di taglio.



## Attivazione e disattivazione della funzione SavE

Il prodotto è dotato di una funzione di risparmio batteria (SavE) che consente tempi di funzionamento maggiori. La funzione SavE riduce la velocità del prodotto e delle lame.

1. Premere a lungo il pulsante SavE.

**Nota:** La spia SavE si accende con una luce verde fissa quando la funzione è attiva.

2. Premere nuovamente a lungo il pulsante SavE per disattivare la funzione SavE.

## Arresto del prodotto

1. Parcheggiare il prodotto su un terreno piano.
2. Azionare il freno di stazionamento.
3. Tirare all'indietro la leva di sollevamento del piatto di taglio per sollevare quest'ultimo fino alla posizione di trasporto.
4. Portare l'interruttore di corrente su "0".

## Per ottenere un buon risultato

- Non tagliare il prato bagnato. L'erba bagnata può causare scarsi risultati di taglio.
- Iniziare con un'altezza di taglio elevata e ridurla gradualmente.
- Tagliare con lame che ruotano ad alta velocità (al regime motore massimo consentito, fare riferimento a *Dati tecnici alla pagina 137*). Spostare in avanti il prodotto a bassa velocità. Se l'erba non è troppo alta e fitta, è possibile ottenere un taglio ottimale anche a una velocità maggiore.
- Per ottenere risultati migliori, tagliare l'erba regolarmente e utilizzare la funzione di pacciamatura. Fare riferimento a *Per rimuovere la spina per mulching alla pagina 129*.

# Manutenzione

## Introduzione



**AVVERTENZA:** Leggere attentamente il capitolo sulla sicurezza prima di eseguire la manutenzione del prodotto.

## Programma di manutenzione

\* = manutenzione generale effettuata dall'operatore. Le istruzioni non sono riportate in questo manuale dell'operatore.

X = Le istruzioni sono riportate in questo manuale dell'operatore.

O = Le istruzioni non sono riportate in questo manuale dell'operatore. Affidare la manutenzione a un'officina autorizzata.

---

**Nota:** Se nella tabella è indicato più di un intervallo, l'intervallo più breve è da intendere solo per la prima manutenzione.

---

Manutenzione	Manutenzione giornaliera prima del funzionamento	Intervallo di manutenzione
		Ogni 50 ore o 1 volta l'anno
Accertarsi che tutti i fissaggi abbiano la tensione corretta (viti, dadi, ecc.).	*	
Pulire secondo quanto indicato in <i>Pulizia del prodotto alla pagina 128</i> .	X	
Pulire la superficie interna del piatto di taglio intorno alle lame.	X	
Assicurarsi che i dispositivi di sicurezza del prodotto funzionino correttamente e non siano danneggiati.	X	
Esaminare e verificare il funzionamento dei freni. Fare riferimento a <i>Controllare il pedale di marcia avanti e quello di retromarcia alla pagina 117</i> e <i>Per controllare il freno di stazionamento alla pagina 128</i> .	X	
Esaminare i cavi dello sterzo. Fare riferimento a <i>Esame dei cavi dello sterzo alla pagina 128</i> .	X	
Esaminare le lame nel piatto di taglio	X	
Pulire il piatto di taglio e sotto al relativo coperchio.	X	X
Accertarsi che la pressione degli pneumatici sia corretta.	X	X
Collegare il prodotto a HSH e aggiornare il firmware, se necessario.		O
Caricare la batteria almeno all'80%. Verificare lo stato della batteria in HSH.		O
Assicurarsi che tutti i dadi e le viti siano serrati alla coppia corretta.		O
Eseguire un'ispezione, lubrificare e regolare tutti i cavi.		O
Eseguire un controllo della catena dello sterzo del lato interno del tunnel del telaio.		O
Lubrificare i pedali sul lato interno del tunnel del telaio.		O
Lubrificare il sedile dell'operatore.		O
Rimuovere le ruote di trazione e lubrificare gli assi con del grasso.		O
Esaminare e regolare il freno di stazionamento.		O
Lubrificare il telaio del piatto di taglio e il controllo presenza del piatto di taglio.		O
Lubrificare le ruote girevoli sul piatto di taglio.		O
Esaminare le lame. Se necessario, affilare e allineare le lame.		O
Controllare e regolare il parallelismo del piatto di taglio.		O
Controllare gli interruttori sul piatto di taglio, il sollevamento e il freno di stazionamento.		O
Controllare l'innesto lame e l'interruttore OPC.		O
Controllare la marcia avanti e la retromarcia a velocità diverse.		O
Controllare il sistema sensore del pedale e regolare se necessario.		O

## Pulizia del prodotto



**ATTENZIONE:** Non utilizzare una lancia ad alta pressione o a vapore. L'acqua può entrare nei cuscinetti e nei collegamenti elettrici e causare una corrosione che può danneggiare il prodotto.

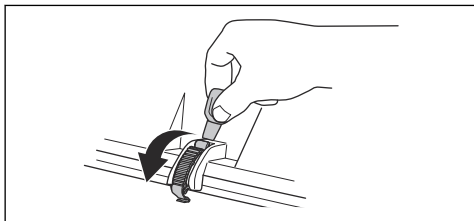
Pulire il prodotto subito dopo l'uso.

- Pulire con una spazzola prima di passare un panno umido. Rimuovere l'erba tagliata e la sporcizia sopra e intorno all'unità di propulsione e in corrispondenza dell'ingresso della ventola di raffreddamento del motore.
- Utilizzare un panno umido per pulire il prodotto.
- Non utilizzare acqua su componenti elettrici o cuscinetti. L'impiego di un detergente solitamente aumenta il danno.
- Prima di posizionare la batteria nel caricabatterie, assicurarsi che batteria e caricabatterie siano puliti.
- Per pulire il piatto di taglio, rimuoverlo e lavarlo con acqua.
- Quando il prodotto è pulito, avviare il piatto di taglio per un breve periodo di tempo per scaricare l'acqua residua.

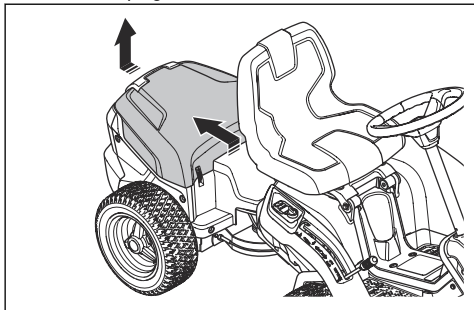
## Per rimuovere i coperchi

### Per rimuovere e montare lo sportello del vano batteria

1. Sganciare i 2 fermi sulla parte anteriore dello sportello del vano batteria con l'attrezzo fissato alla chiave di accensione.



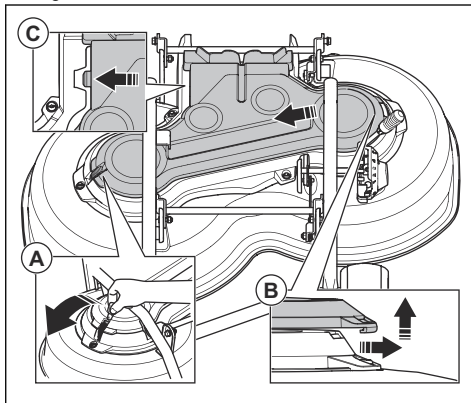
2. Sollevare la parte anteriore dello sportello del vano batteria e spingerla all'indietro.



3. Montare, seguendo i passaggi nell'ordine inverso.

### Rimozione e installazione del coperchio del piatto di taglio

1. Sganciare il fermo (A) sul coperchio del piatto di taglio.

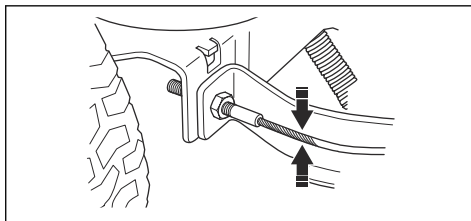


2. Rimozione del coperchio del piatto di taglio (B).
3. Montare, seguendo i passaggi nell'ordine inverso.

**Nota:** Accertarsi che la flangia (C) sia nella posizione corretta.

## Esame dei cavi dello sterzo

1. I cavi dello sterzo sono serrati correttamente se è possibile spostarli manualmente di 5 mm verso l'alto o verso il basso nella scanalatura sul collarino dello sterzo.



2. Se i cavi sono troppo lenti, affidarne la regolazione a un'officina autorizzata.

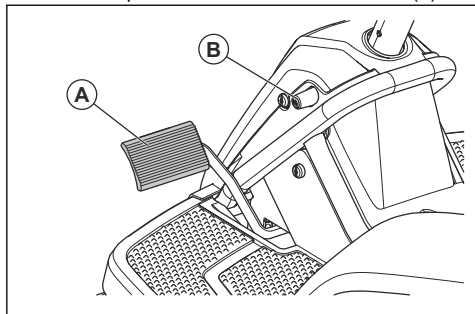
## Per controllare il freno di stazionamento

1. Parcheggiare il prodotto su una superficie dura in pendenza.

**Nota:** Non parcheggiare il prodotto su un prato in pendenza quando si esegue un controllo del freno di stazionamento.



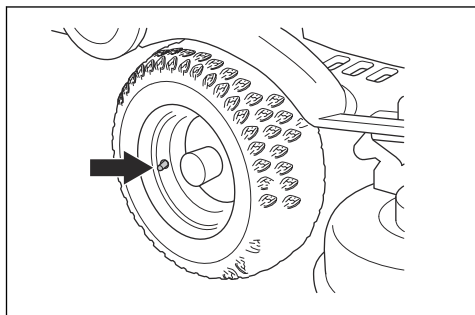
2. Premere il pedale del freno di stazionamento (A).



3. Tenere premuto il pulsante di bloccaggio (B) e rilasciare il pedale del freno di stazionamento mentre si tiene premuto il pulsante.
4. Se il prodotto inizia a muoversi, affidare la regolazione del freno di stazionamento a un'officina autorizzata.
5. Premere di nuovo il pedale del freno di stazionamento per rilasciarlo.

## Pressioni degli pneumatici

La pressione degli pneumatici corretta è di 60 kPa (0,6 bar / 8,5 PSI) su tutti e 4 gli pneumatici.

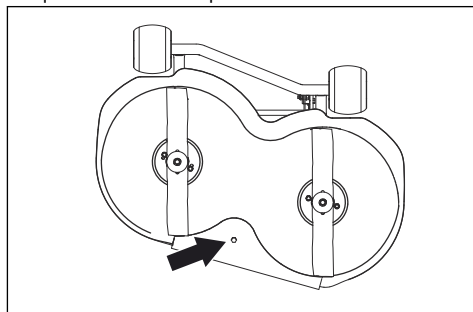


## Per rimuovere la spina per mulching

La spina per mulching si trova sul lato inferiore del piatto di taglio.

1. Rimuovere il piatto di taglio. Fare riferimento a *Rimozione del piatto di taglio alla pagina 121*.

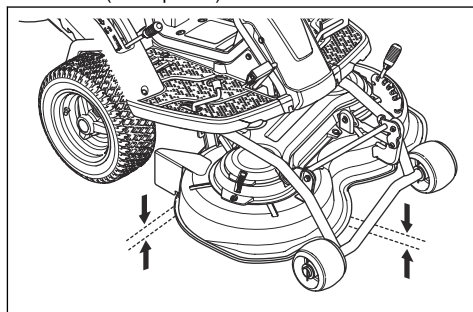
2. Rimuovere le viti che fissa la spina per mulching, quindi rimuovere la spina.



3. Mettere il piatto di taglio in posizione di falciatura.
4. Montare la spina per mulching nella sequenza opposta.

## Controllo del parallelismo del piatto di taglio

1. Accertarsi che la pressione degli pneumatici sia corretta. Fare riferimento a *Pressioni degli pneumatici alla pagina 129*.
2. Parcheggiare il prodotto su una superficie piana.
3. Abbassare il piatto di taglio fino alla posizione di falciatura.
4. Impostare la leva dell'altezza di taglio nella posizione centrale.
5. Misurare la distanza tra il suolo e i bordi anteriore e posteriore del piatto di taglio. Assicurarsi che il bordo posteriore sia più in alto rispetto al bordo anteriore di 4-6 mm (1/5 di pollice).

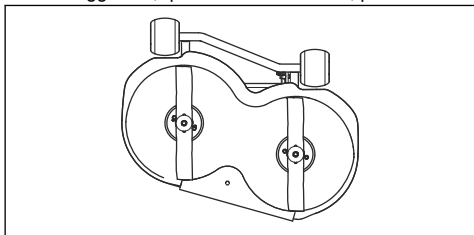


## Per esaminare le lame



**ATTENZIONE:** Lame danneggiate o bilanciate in modo errato possono causare danni al prodotto. Sostituire le lame danneggiate. Affidare a un'officina autorizzata l'affilatura e il bilanciamento delle lame.

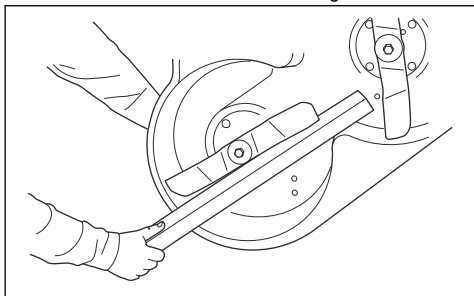
1. Rimuovere il piatto di taglio. Fare riferimento a *Rimozione del piatto di taglio alla pagina 121*.
2. Esaminare le lame per verificare se sono danneggiate e, qualora sia necessario, per affilarle.



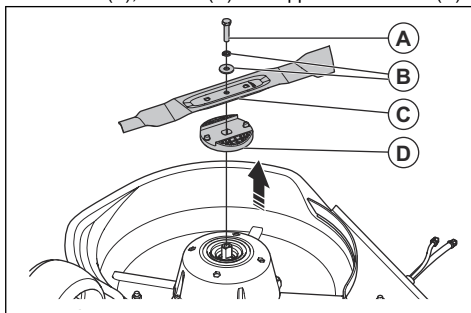
3. Serrare i bulloni delle lame a una coppia di 25 Nm.

## Sostituzione delle lame

1. Rimuovere il piatto di taglio. Fare riferimento a *Rimozione del piatto di taglio alla pagina 121*.
2. Bloccare la lama con un cuneo di legno.



3. Allentare e rimuovere il bullone della lama (A), le rondelle (B), la lama (C) e il supporto della lama (D).



4. Montare, seguendo i passaggi nell'ordine inverso. Montare la nuova lama con le estremità piegate nella direzione del piatto di taglio.



**AVVERTENZA:** Un tipo di lama errato può causare l'espulsione di oggetti dal piatto di taglio e lesioni gravi. Utilizzare solo le lame indicate in *Dati tecnici alla pagina 137*

## Ricerca guasti

### Programma di ricerca guasti

Se non si riesce a trovare la soluzione ai problemi in questo manuale dell'operatore, rivolgersi al tecnico dell'assistenza Husqvarna.

Problema	Causa	Azione
La prima e la quarta luce LED della batteria si accendono e sul display lampeggia la spia di avvertenza.	La batteria è danneggiata.	Rivolgersi a un centro assistenza autorizzato.
	Deviazione di temperatura, la batteria è troppo fredda o troppo calda.	Lasciare raffreddare la batteria o spostare il prodotto in un ambiente con la temperatura consigliata per le batterie. Fare riferimento a <i>Stoccaggio alla pagina 135</i> .
La spia di avvertenza sul display è una luce rossa fissa.	È stato rilevato un guasto nel prodotto.	Arrestare il prodotto per almeno 5 secondi, quindi riavviarlo.
		Se la spia di avvertenza è una luce rossa fissa dopo il riavvio, rivolgersi a un centro assistenza autorizzato.

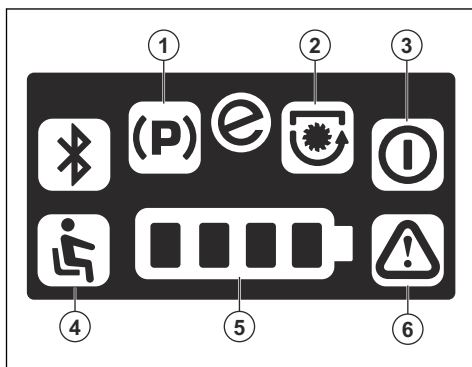
<b>Problema</b>	<b>Causa</b>	<b>Azione</b>
La spia di avvertenza sul display lampeggia in rosso + si accende la spia lame innestate.	Il piatto di taglio si è arrestato a causa di un carico elevato.	Arrestare il prodotto e attendere che il motore si raffreddi prima di riavviarlo.
	È stato rilevato un guasto nelle centraline sul piatto di taglio.	Se la spia di avvertenza lampeggia dopo il riavvio, rivolgersi a un centro assistenza autorizzato.
La spia di avvertenza lampeggia velocemente e tutte le altre luci LED sono spente.	La centralina del motore di trazione è surriscaldata.	Spegnere il prodotto e attendere che la centralina del motore si raffreddi.
La spia di avvertenza sul display lampeggia in rosso + si accende la prima luce LED della batteria.	Batteria scarica.	Caricare la batteria.
Impossibile avviare il prodotto.	Gli interruttori del freno di stazionamento e del sedile non sono inseriti. Il piatto di taglio non è in posizione di trasporto o è inserito.	Fare riferimento a <i>Avviamento del prodotto alla pagina 124</i> .
	Il pedale di avanzamento/arretramento è premuto.	Rilasciare i pedali.
	Il caricabatterie è collegato al prodotto.	Scollegare il caricabatterie prima di avviare il prodotto.
	Il display è rotto.	Rivolgersi a un centro assistenza autorizzato.
	L'interruttore di accensione è guasto.	
La centralina del veicolo (VCU) o i relativi raccordi sono difettosi.		
Il display non si accende quando l'interruttore di corrente è in posizione "1".	La batteria non è carica.	Caricare la batteria.
	Fusibile da 5 A bruciato.	Sostituire il fusibile.
	La centralina del veicolo (VCU) o i relativi raccordi sono difettosi.	Rivolgersi a un centro assistenza autorizzato.
	L'interruttore di accensione è guasto.	
Il pannello di controllo è rotto.		
Tutte le luci LED sul display lampeggiano lentamente in modo sincronizzato.	La centralina del veicolo (VCU) o i relativi raccordi sono difettosi.	Rivolgersi a un centro assistenza autorizzato.
Tutte le luci LED sul display rimangono accese in modo fisso per più di 3 secondi.	Raccordo interno difettoso tra le centraline del prodotto.	Rivolgersi a un centro assistenza autorizzato.

<b>Problema</b>	<b>Causa</b>	<b>Azione</b>
I motori del piatto di taglio non si avviano.	I 2 cavi diretti al piatto di taglio non sono collegati correttamente.	Collegare il piatto di taglio al prodotto. Fare riferimento a <i>Fissaggio del piatto di taglio alla pagina 120</i> .
	Il piatto di taglio è pieno di erba.	Pulire il piatto di taglio. Fare riferimento a <i>Rimozione del piatto di taglio alla pagina 121</i> .
	La batteria non è carica.	Caricare la batteria.
	Il blocco sul piatto di taglio non è inserito o l'interruttore sul blocco è difettoso.	Fissare correttamente il piatto di taglio, fare riferimento a <i>Fissaggio del piatto di taglio alla pagina 120</i> .  Se il problema persiste, rivolgersi a un centro assistenza autorizzato.
	Il piatto di taglio non è in posizione di falciatura.	Spostare il piatto di taglio in posizione di falciatura, fare riferimento a <i>Sollevamento e abbassamento del piatto di taglio alla pagina 123</i> .
	I motori del piatto di taglio sono difettosi.	Rivolgersi a un centro assistenza autorizzato.
	I comandi dei motori del piatto di taglio sono difettosi.	
La batteria non si ricarica.	Il caricabatterie non è collegato correttamente.	Fare riferimento a <i>Ricarica della batteria alla pagina 122</i> .
	Il caricabatterie è danneggiato.	Sostituire il caricabatterie.
	La batteria è danneggiata.	Rivolgersi a un centro assistenza autorizzato.
	La temperatura della batteria è superiore a 45 °C.	Lasciare raffreddare la batteria.
	La temperatura della batteria è troppo bassa.	Spostare il prodotto in un ambiente con una temperatura approvata per le batterie. Fare riferimento a <i>Stoccaggio alla pagina 135</i> .
Il prodotto presenta vibrazioni.	Le lame sono allentate.	Fare riferimento a <i>Per esaminare le lame alla pagina 129</i> .
	Una o più lame non sono bilanciate.	Fare riferimento a <i>Per esaminare le lame alla pagina 129</i> .
	Il motore è allentato.	Rivolgersi a un centro assistenza autorizzato.

Problema	Causa	Azione
Il risultato del taglio è insoddisfacente.	Le lame non sono affilate.	Fare riferimento a <i>Per esaminare le lame alla pagina 129.</i>
	L'erba è alta o bagnata.	Fare riferimento a <i>Per ottenere un buon risultato alla pagina 125.</i>
	Il piatto di taglio non è parallelo al terreno.	Fare riferimento a <i>Controllo del parallelismo del piatto di taglio alla pagina 129.</i>
	C'è dell'erba bloccata nel piatto di taglio.	Fare riferimento a <i>Pulizia del prodotto alla pagina 128.</i>
	La pressione degli pneumatici è diversa sui lati destro e sinistro.	Fare riferimento a <i>Pressioni degli pneumatici alla pagina 129.</i>
	Il prodotto funziona a un regime troppo elevato.	Rivolgersi a un centro assistenza autorizzato.
	Il regime motore è troppo basso.	Rivolgersi a un centro assistenza autorizzato.

## Indicazioni delle luci LED del display

Le luci LED sul display forniscono indicazioni in caso di guasto o di mancato rispetto delle condizioni di funzionamento. Fare riferimento a *Controllo delle condizioni di funzionamento alla pagina 117.*



Mode	Forza del	Situazione
<b>Modalità di guida</b>	La luce LED di controllo presenza operatore (4) lampeggia 5 volte.	L'operatore ha abbandonato il sedile mentre il prodotto viene utilizzato.

Mode	Forza del	Situazione
<b>Modalità standby</b>	La luce LED di controllo presenza operatore (4) lampeggia.	Il pulsante START è premuto quando non è presente l'operatore sul sedile.
	Le luci LED della batteria (5) 1-4 lampeggiano.	Il pulsante START è premuto quando il caricatore è collegato.
	La luce LED della spia del freno di stazionamento (1) lampeggia.	Il pulsante START è premuto ma il freno di stazionamento non è inserito.
	La luce LED della spia di lame innestate (2) lampeggia.	Il pulsante START è premuto quando il piatto di taglio è abbassato.
	La spia di standby (3) e la spia di avvertenza (6) lampeggiano fino a quando il pulsante START non viene rilasciato.	Il pulsante START è premuto quando viene premuto il pedale di avanzamento o arretramento.
	Il freno di stazionamento è inserito e la spia di standby (3) e la spia di avvertenza (6) lampeggiano fino a quando il pulsante START non viene rilasciato.	Rivolgersi a un centro assistenza autorizzato.

---

## Trasporto, stoccaggio e smaltimento

---

### Trasporto

- Il prodotto ha un peso elevato e può causare lesioni da schiacciamento. Prestare attenzione durante il caricamento su un veicolo o rimorchio o durante lo scaricamento.
- Non sollevare il prodotto. Gli occhielli di trasporto non sono punti di sollevamento approvati e devono essere utilizzati solo per fissare il prodotto in modo sicuro a un rimorchio.
- Utilizzare un rimorchio omologato per il trasporto del prodotto.
- Accertarsi di conoscere le norme sulla circolazione stradale prima del trasporto del prodotto in un rimorchio o su strada.

### Per il traino del prodotto

1. Portare la leva di sollevamento sul piatto di taglio in posizione di trasporto.
2. Disinserire il freno di stazionamento.
3. Trainare il prodotto solo per brevi distanze e a bassa velocità.

### Per fissare il prodotto in modo sicuro a un rimorchio per il trasporto



**AVVERTENZA:** Il freno di stazionamento non è sufficiente per

bloccare il prodotto durante il trasporto.  
Fissare saldamente il prodotto al rimorchio.

Attrezzatura: 2 cinghie di tensionamento approvate e 4 blocchi fermaruote a forma di cuneo.

1. Azionare il freno di stazionamento.
2. Fissare le cinghie di tensionamento intorno al telaio o al vagone posteriore.
3. Stringere le cinghie di tensionamento in direzione della parte posteriore e anteriore del rimorchio per fissare il prodotto.
4. Posizionare i fermaruote davanti e dietro alle ruote posteriori.

## Trasporto delle batterie

- Le batterie da 48 V in dotazione soddisfano i requisiti della legislazione sulle merci pericolose.
- Rispettare i requisiti speciali riportati sulla confezione e sulle etichette per il trasporto commerciale effettuato da terzi e da corrieri.
- Parlare con personale che ha seguito una formazione specifica in materiali pericolosi prima di inviare il prodotto. Rispettare tutte le norme nazionali vigenti.
- Quando si inserisce la batteria in un contenitore, applicare del nastro adesivo sui contatti aperti. Inserire la batteria in un contenitore compatto per evitare che si sposti.

## Stoccaggio

Preparare il prodotto per il rimessaggio al termine della stagione e in caso di inutilizzo per un periodo superiore a 30 giorni.



**AVVERTENZA:** Rimuovere l'erba, le foglie e altri materiali infiammabili dal prodotto per ridurre il rischio di incendio. Lasciare raffreddare il prodotto prima del rimessaggio.

- Portare l'interruttore di accensione in posizione "0".
- Pulire il prodotto, fare riferimento a *Pulizia del prodotto alla pagina 128*. Ritoccare la vernice danneggiata per evitare la corrosione.
- Esaminare il prodotto per verificare la presenza di componenti usurati o danneggiati e stringere le viti e i dadi allentati.
- Caricare completamente la batteria prima dello stoccaggio. Assicurarsi che la carica delle batterie sia pari o superiore al 50% durante l'immagazzinamento.

**Nota:** La batteria può entrare in modalità di sospensione quando il prodotto è rimessato o lo stato della carica è bassissimo. Per avviare la batteria, premere il pulsante di avvio per 2 secondi. Se la batteria non si avvia, tenerla in

carica continuamente fino a quando si carica completamente. Il tempo di ricarica è maggiore quando la batteria è in modalità di sospensione.

- Lubrificare tutti gli ingrassatori, i giunti e gli assali.
- Conservare il prodotto in un luogo asciutto e pulito. Posizionare una copertura protettiva sul prodotto.

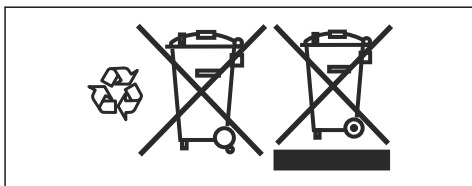
**Nota:** Per proteggere il prodotto durante l'immagazzinamento o il trasporto è possibile acquistare un coperchio apposito presso il proprio rivenditore.

- Conservare il prodotto in un'area chiusa a chiave per impedire l'accesso a bambini o persone non autorizzate.
- Conservare il prodotto e l'alimentatore in un luogo asciutto e al riparo dal gelo.
- Se si utilizza il prodotto, conservarlo in un luogo in cui la temperatura ambiente sia compresa tra 0 °C/32 °F e 50 °C/122 °F. Se non si utilizza il prodotto, è possibile conservarlo in luoghi in cui la temperatura ambiente è compresa tra -20 °C/-4 °F e 50 °C/122 °F.
- Tenere il prodotto lontano dalla luce solare.
- Non conservare il prodotto in aree elettricamente statiche.

## Smaltimento della batteria e del caricabatterie

I simboli sul prodotto o sul relativo imballaggio indicano che il presente prodotto non può essere trattato come rifiuto domestico. Deve invece essere portato presso un centro di raccolta specializzato nel recupero di apparecchiature elettriche ed elettroniche.

Trattando questo prodotto correttamente, si contribuisce a contrastare il potenziale impatto negativo sull'ambiente e sulle persone che può altrimenti sortire da una gestione impropria del prodotto come rifiuto. Per informazioni più dettagliate sul riciclaggio di questo prodotto, contattare l'autorità municipale, il servizio rifiuti domestici o il punto vendita in cui è stato acquistato.



## Smaltimento

- Le sostanze chimiche possono essere pericolose e non devono essere disperse nel suolo. Smaltire sempre le sostanze chimiche utilizzate presso un centro assistenza o un centro di smaltimento autorizzato.
- Quando il prodotto è usurato, inviarlo al rivenditore o a un centro di riciclaggio autorizzato.

- L'olio e la batteria possono contaminare l'ambiente. Rispettare le norme locali sul riciclaggio e le normative vigenti.
- Non smaltire la batteria come un rifiuto domestico.
- Inviare la batteria a un centro assistenza Husqvarna o smaltirla in un centro specializzato nello smaltimento delle batterie usate.



## Dati tecnici

### Dati tecnici

	R 112iC
<b>Dimensioni</b>	
Lunghezza senza piatto di taglio, mm	1781
Larghezza senza piatto di taglio, mm	800
Lunghezza compreso il piatto di taglio, mm	2119
Larghezza, piatto di taglio incluso, mm	883
Altezza, mm	1069
Peso senza piatto di taglio (inclusa 1 batteria), kg	135
Passo, mm	800
Dimensioni degli pneumatici	155/50-8
Pressioni degli pneumatici, posteriori - anteriori, kPa/bar/PSI	60/0,6/8,5
Pendenza massima, gradi °	10
Peso massimo attrezzatura trainata con pendenza di 10°, kg	100
Forza verticale max. consentita sulla barra di traino, N/kg	250/25
Forza orizzontale max. consentita sulla barra di traino, N/kg	250/25
<b>Motore di azionamento</b>	
Tipo di motore	Motore CC senza spazzole
Tensione, V	48
Potenza nominale motore, kW	1,5
Regime max motore, giri/min	3500
<b>Trasmissione</b>	
Marca/Modello	PEERLESS/PGM 2200
Olio, classe SF-CC	SAE 90 API GL-4 per alte prestazioni
Volume olio, litri	0,24
Numero di marce avanti	-
Numero di marce indietro	-
Velocità max. marcia avanti, km/h	9
Velocità max. marcia indietro, km/h	4
<b>Impianto elettrico</b>	
Tipo	48 V CC, messa a terra negativa
Fusibile principale, A	80
Fusibile piatto di taglio, A	40

	<b>R 112iC</b>
Fusibile della centralina, A	3
<b>Emissioni di rumore</b> <sup>10</sup>	
Livello potenza acustica, misurato dB(A)	93
Livello potenza acustica, garantito dB(A)	96
<b>Livelli di rumorosità</b> <sup>11</sup>	
Livello di pressione sonora all'orecchio dell'operatore, dB(A)	80
<b>Livelli di vibrazioni</b> <sup>12</sup>	
Livello di vibrazioni sul volante, m/s <sup>2</sup>	0,27
Livello di vibrazioni sul sedile, m/s <sup>2</sup>	0,1
<b>Piatto di taglio</b>	
Tipo	Combi
Larghezza di taglio, mm	850
Peso, kg	28
Potenza motore piatto di taglio, kW	2x0,9
Regime motore piatto di taglio, giri/min	3000
Regime di sovralimentazione motore piatto di taglio, giri/min	3500
Altezza di taglio, 5 posizioni, mm	25-70
Lunghezza della lama, mm	425
<b>Lama</b>	
Codice articolo	595 94 26-10



**AVVERTENZA:** Utilizzare un piatto di taglio non omologato per il prodotto può causare l'espulsione ad alta velocità di oggetti e lesioni gravi. Non utilizzare tipi di

piatti di taglio diversi da quelli indicati nel presente manuale dell'operatore.

## Batterie approvate

Per questo prodotto, utilizzare esclusivamente batterie originali.

<b>Batteria</b>	<b>EM-5240LI</b>
Codice articolo	598 84 43-01
Tipo	Ioni di litio
Capacità batteria, Ah	38,4
Tensione nominale, V	50,4

<sup>10</sup> Emissioni di rumore nell'ambiente misurate come potenza sonora ( $L_{WA}$ ) in base alla direttiva CE 2000/14/CE.

<sup>11</sup> Livello di pressione acustica in ottemperanza alla norma EN ISO 5395. I dati riportati per il livello di pressione acustica hanno una dispersione statistica tipica (deviazione standard) di 1,2 dB(A).

<sup>12</sup> Livello di vibrazioni in ottemperanza alla norma EN ISO 5395. I dati riportati per il livello di vibrazioni hanno una dispersione statistica tipica (deviazione standard) di 0,2 m/s<sup>2</sup> (volante) e 0,8 m/s<sup>2</sup> (sedile).

<b>Batteria</b>	<b>EM-5240Li</b>
Peso, kg/lb	17/38

## Caricabatterie approvato

<b>Caricabatteria</b>	<b>PS-5705</b>
Tensione di entrata, V	220–240
Corrente di entrata, A	1,8
Frequenza, Hz	50
Potenza, W	300
Tensione di uscita, V	57
Corrente di uscita, A	5,3

---

## Assistenza

---

### Assistenza

Eeguire un controllo annuale presso un centro di assistenza autorizzato per assicurarsi che il prodotto funzioni in modo sicuro e al meglio durante l'alta stagione. Il momento migliore per eseguire la manutenzione o la revisione del prodotto è la bassa stagione.

Quando si ordinano i ricambi, fornire le informazioni sull'anno di acquisto, il modello, il tipo e il numero di serie.

Utilizzare sempre ricambi originali.

# Dichiarazione di conformità

## Dichiarazione di conformità UE

Husqvarna AB, SE-561 82 Huskvarna, Svezia, tel:  
+46-36-146500, dichiara sotto la propria esclusiva  
responsabilità che il prodotto indicato:

<b>Descrizione</b>	Trattorini tagliaerba
<b>Marchio</b>	Husqvarna
<b>Tipo / Modello</b>	R 112iC
<b>Identificazione</b>	Numeri di serie a partire da 2022 e successivi

È pienamente conforme alle seguenti norme e direttive  
UE:

Direttiva/norma	Descrizione
2006/42/CE	"sulle macchine"
2014/30/UE	"sulla compatibilità elettromagnetica"
2000/14/CE	"sull'emissione di rumore nell'ambiente"
2011/65/UE	"sulle restrizioni dell'uso di determinate sostanze pericolose nelle apparecchiature elettriche ed elettroniche"

e che sono applicati gli standard e/o  
le specifiche tecniche seguenti: EN ISO  
12100:2010, EN ISO 13849-1:2015, EN ISO  
13849-2:2012, EN ISO 5395-1:2013+A1:2018,  
EN ISO 5395-3:2013+A1:2017+A2:2018, EN  
ISO 14982:2009, EN 61000-6-2:2005,  
EN 61000-6-3:2007+A1:2011+AC:2012, EN  
IEC63000:2018.

Organo competente: 0404, RISE SMP Svensk  
Maskinprovning AB, Box 4053, SE-904 03 Umeå,  
Sweden ha certificato la conformità alla Direttiva del  
Consiglio 2000/14/CE, procedura di valutazione della  
conformità: Allegato VI

Per informazioni sulle emissioni acustiche, fare  
riferimento a *Dati tecnici alla pagina 137*.

Huskvarna, 2022-11-01



A handwritten signature in black ink, appearing to be 'Claes Lossdal', written over a horizontal line.

Claes Lossdal, Responsabile sviluppo/Prodotti da  
giardino, Husqvarna AB

Responsabile della documentazione tecnica









[www.husqvarna.com](http://www.husqvarna.com)

Original instructions  
Instrucciones originales  
Instruções originais  
Istruzioni originali

1143044-30



2023-08-28