

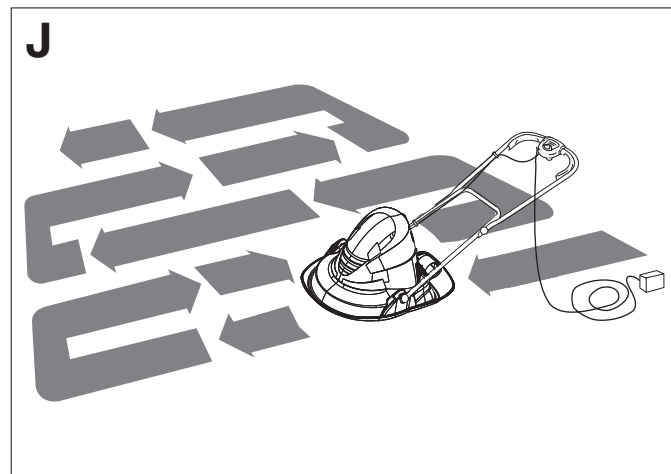
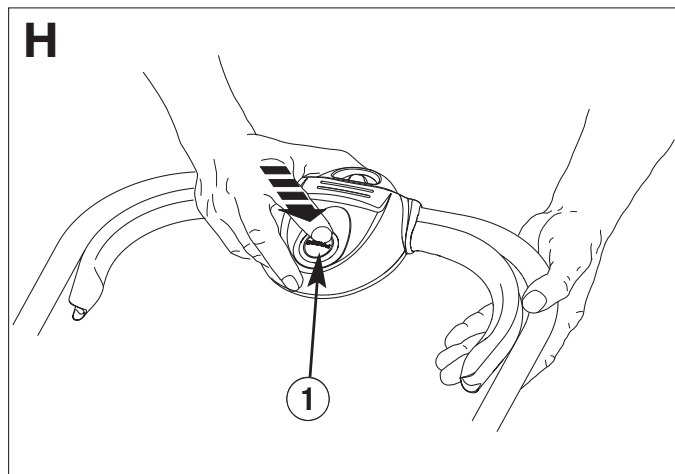
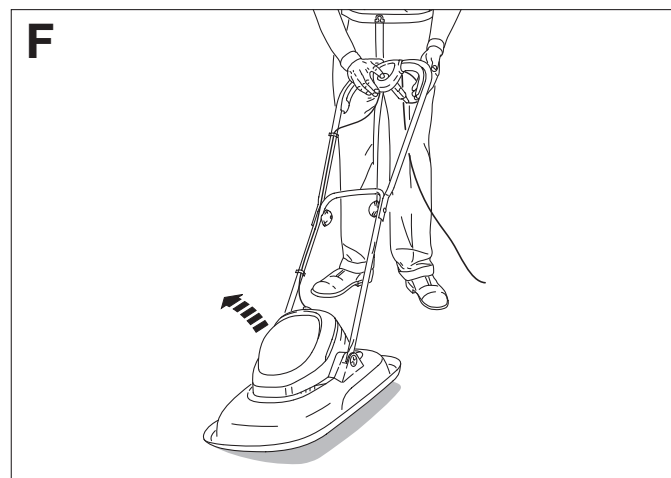
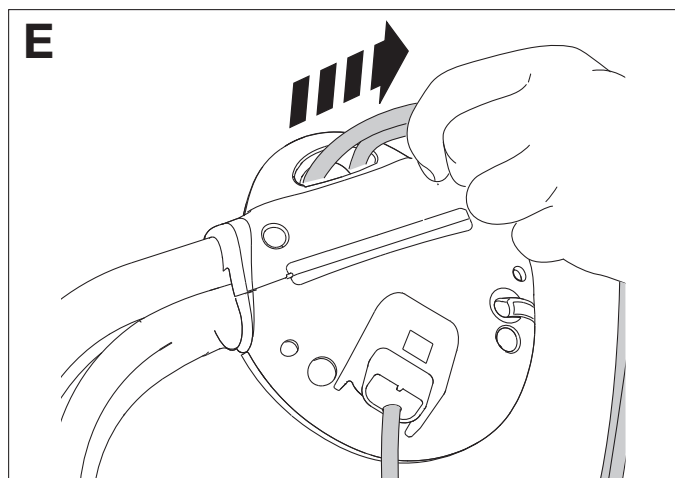
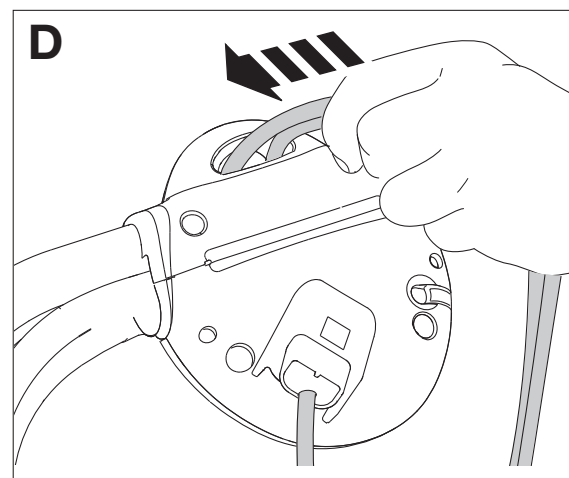
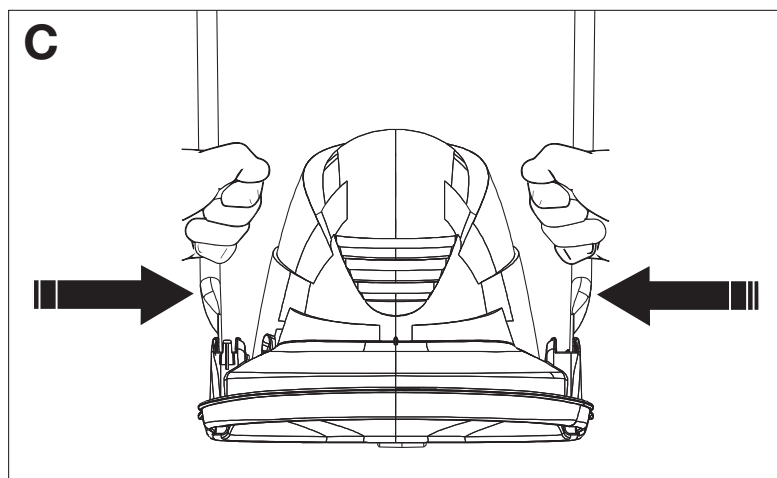
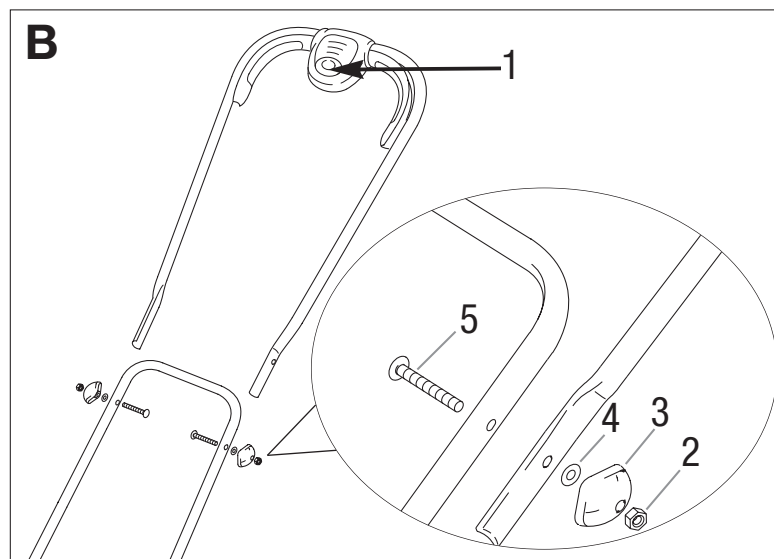
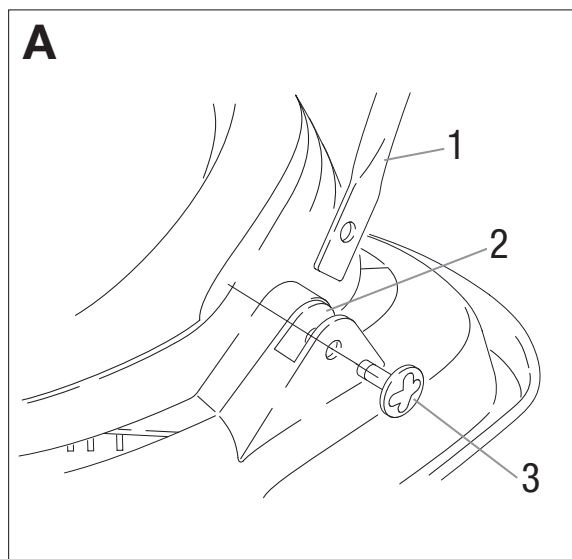
Turbo Lite 250

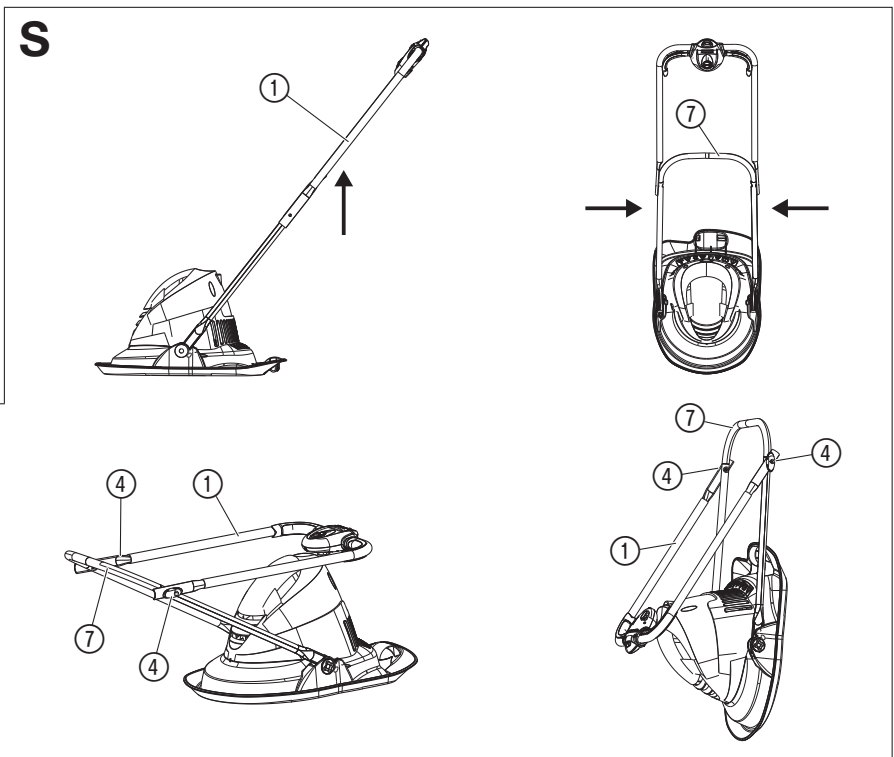
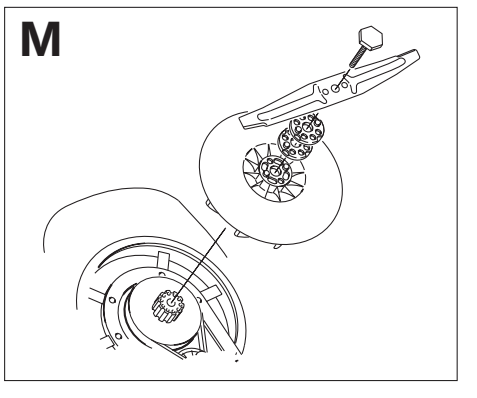
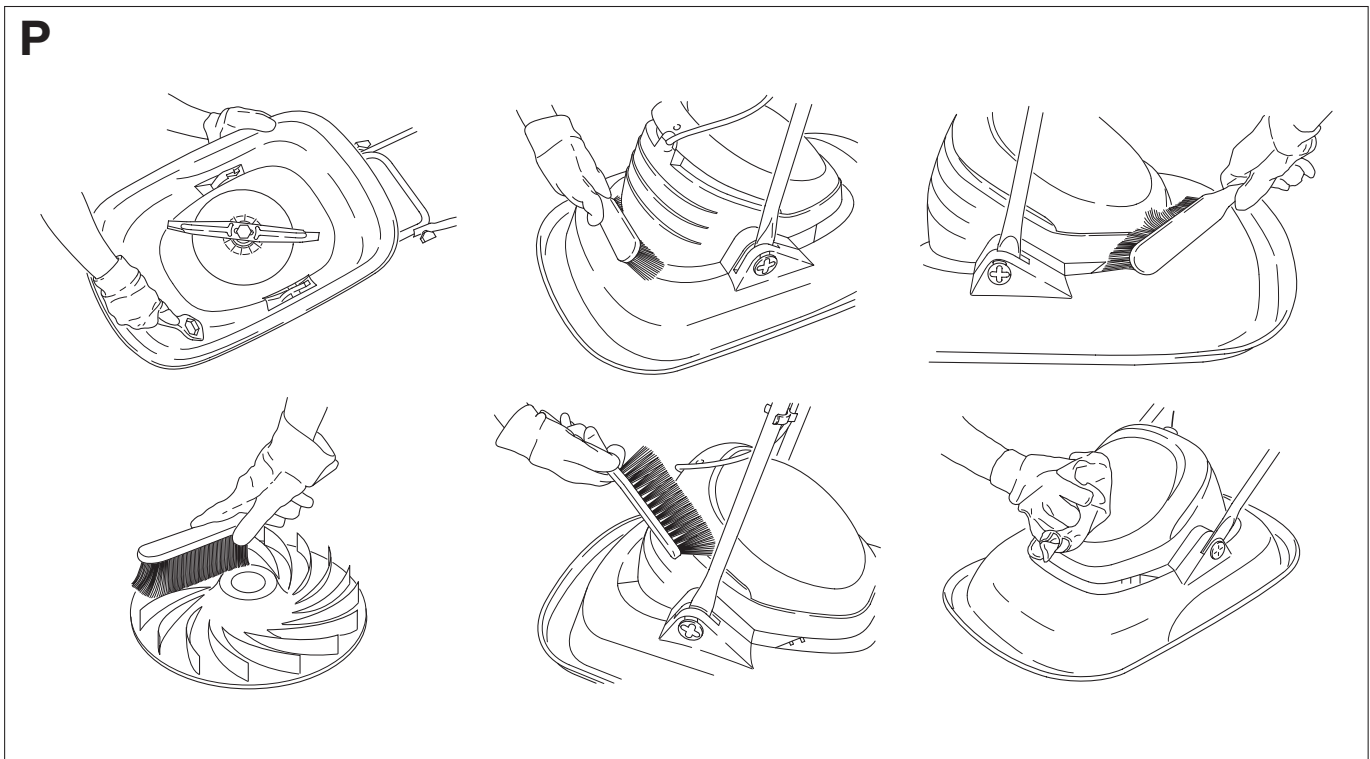
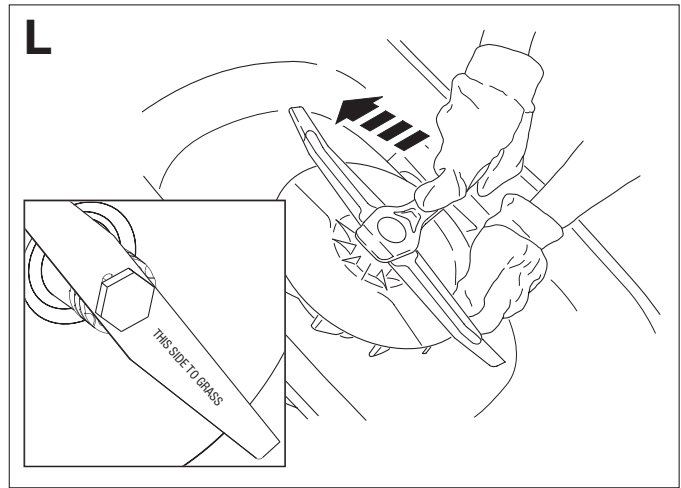
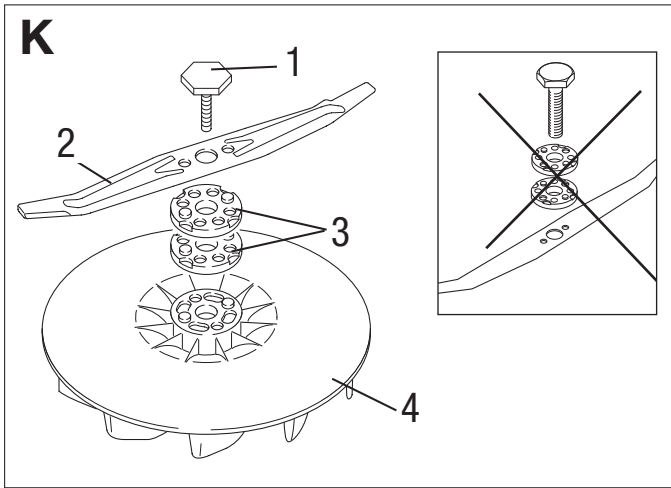
Art. 9679094-XX

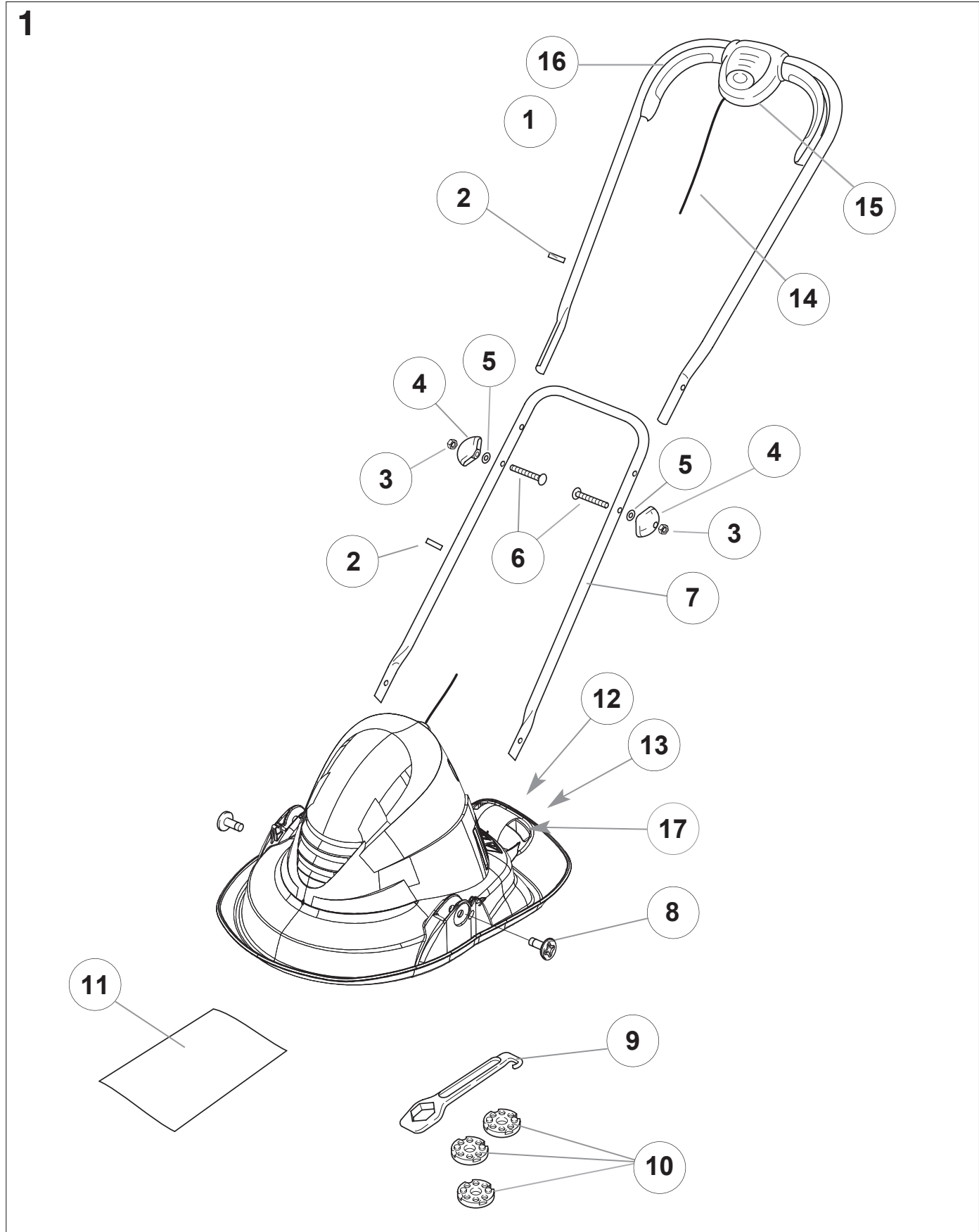
**Remark:** "xx" stands for customer and country variants. The basic product number is before the hyphen.

en **Operator's manual**  
Electric Rotary Lawnmower

---







## CARTON CONTENTS:

- |                        |                            |                          |
|------------------------|----------------------------|--------------------------|
| 1. Upper handle        | 7. Lower handle            | 13. Product rating label |
| 2. Cable clip          | 8. Fixing pin              | 14. Power cord (UK)      |
| 3. Nut (if applicable) | 9. Spanner/scrapper tool   | 15. Switchbox            |
| 4. Handle knob         | 10. Cutting height spacers | 16. Start/stop lever     |
| 5. Washer              | 11. Instruction manual     | 17. Transport wheel      |
| 6. Bolt                | 12. Warning label          |                          |

# en Electric Rotary Lawnmower

1. SAFETY .....	5
2. ASSEMBLY .....	6
3. OPERATION .....	7
4. MAINTENANCE .....	7
5. STORAGE .....	7
6. TROUBLESHOOTING .....	8
7. TECHNICAL DATA .....	8
8. SERVICE/WARRANTY .....	8
9. DISPOSAL .....	8

## Original instructions.



This product may be used under supervision, or if instruction regarding the safe use of the product has been provided and the resulting dangers have been understood, by children aged 8 and above, as well as by persons with physical, sensory or mental disabilities or a lack of experience and knowledge. Children must not be allowed to play with the product. Cleaning and user maintenance must not be performed by children without supervision. The use of this product by young people under the age of 16 is not recommended.

### Intended use:

The **FLYMO Lawnmower** is intended to mow lawn in private domestic gardens and allotments.

The product is not intended for long term use.



### **DANGER!** Risk of injury!

→ Do not use the product to cut bushes, hedges, shrubs, to cut of climbers or grass on roofs or balcony boxes, to chop up branches, twigs and to level irregularities in the soil. Do not use the product on a slope steeper than 20° maximum.

## 1. SAFETY

### IMPORTANT!

Read the operator's manual carefully before use and keep for future reference.

### Symbols on the product:



Read operator's manual.



Keep bystanders away.



Beware of sharp blades. Blades continue to rotate after the motor is switched off. Remove plug from mains before maintenance or if cord is damaged.



Keep the mains cable away from the cutting blades.

### General safety warnings

#### Electrical safety



### **DANGER!** Electric shock!

Risk of injury due to electric shock.

→ The product must be supplied through a residual current device (RCD) having a rated residual operating current not exceeding 30 mA.



### **WARNING!** Risk of physical injury!

Cut injury when the blade turns or the product starts accidentally.

→ Disconnect the product from the mains before you do maintenance or you replace parts. Thereby the disconnected socket must be in the visual range.

### Cables

If extension cables are used, these must comply with the minimum cross-sections in the table below:

Voltage	Cable length	Cross section
220 – 240 V / 50 Hz	Up to 40 m	1.0 mm <sup>2</sup>
220 – 240 V / 50 Hz	Up to 60 m	1.5 mm <sup>2</sup>
220 – 240 V / 50 Hz	Up to 100 m	2.5 mm <sup>2</sup>

Minimum rating: 1.0 mm<sup>2</sup> size cable, 10 amps 250 volts AC.

Your product is supplied with cable wired directly into the product.

- If the supply cord is damaged, it must be replaced by your local Husqvarna UK Ltd. Approved Service Centre or similarly qualified persons in order to avoid a hazard.
- Do not wire an extension cable directly to your product yourself. Please contact your local Husqvarna UK Ltd. Approved Service Centre for further information on the connectors and kits available.
- Only use extension cables specifically designed for outdoor use and which conform to one of the following specifications: Ordinary rubber (60245 IEC 53), Ordinary PVC (60227 IEC 53) or Ordinary PCP (60245 IEC 57).

### Training

- Read the instructions carefully. Be familiar with the controls and the correct use of the machine.
- Never allow children or people unfamiliar with these instructions to use the machine. Local regulations can restrict the age of the operator.
- Never operate the machine while people, especially children, or pets are nearby.
- Keep in mind that the operator or user is responsible for accidents or hazards occurring to other people or their property.

### Preparation

- While operating the machine always wear substantial footwear and long trousers. Do not operate the machine when barefoot or wearing open sandals. Avoid wearing clothing that is loose fitting or that hanging cords or ties.
- Thoroughly inspect the area where the machine is to be used and remove all objects which can be thrown by the machine.
- Before using, always visually inspect to see that the blade, blade bolt and the blade assembly are not worn or damaged. Replace worn or damaged components in set to preserve balance. Replace damaged or unreadable labels.
- Before use check the supply and extension cord for signs of damage or aging. If the cord becomes damaged during use, disconnect the cord from the supply immediately.  
DO NOT TOUCH THE CORD BEFORE DISCONNECTING THE SUPPLY.  
Do not use the machine if the cord is damaged or worn.

### Operation

- Operate the machine only in daylight or in good artificial light.
- Avoid operating the machine in wet grass.
- Always be sure of your footing on slopes.
- Walk, never run.
- Mow across the face of slopes, never up and down.
- Exercise extreme caution when changing direction on slopes.
- Do not mow excessively steep slopes.
- Use extreme caution when reversing or pulling the machine towards you.
- Stop the blade(s) if the machine has to be tilted for transportation when crossing surfaces other than grass, and when transporting the machine to and from area to be used.
- Never operate the machine with defective guards or shields, or without safety devices, for example deflectors and/or grass collector, in place.
- Switch on the motor carefully according to instructions and with feet well away from the blade(s).
- Do not tilt the machine when switching on the motor, except if the machine has to be tilted for starting. In this case, do not tilt it more than absolutely necessary and lift only the part, which is away from the operator.
- Do not start the machine when standing in front of the discharge opening.
- Do not put hands or feet near or under rotating parts. Keep clear of the discharge opening at all times.
- Do not transport the machine while the power source is running.
- Stop the machine, and remove plug from the socket. Make sure that all moving parts have come to a complete stop.
  - whenever you leave the machine,
  - before clearing blockages or unclogging chute,
  - before checking, cleaning or working on the machine,
  - after striking a foreign object. Inspect the machine for damage and make repairs before restarting and operating the machine;
 if the machine starts to vibrate abnormally (check immediately)
  - inspect for damage,
  - replace or repair any damaged parts,
  - check for and tighten any loose parts.

### Maintenance and storage

- Keep all nuts, bolts, and screws tight to be sure the machine is in safe working condition.
- Check the grass collector frequently for wear or deterioration.
- Replace worn or damaged parts for safety.
- On machines with multi blade, take care as rotating one blade can cause other blades rotate.
- Be careful during adjustment of the machine to prevent entrapment of the fingers between moving blades and fixed parts of the machine.
- Always allow the machine to cool down before storing.
- When servicing the blades be aware that, even though the power source is switched off, the blades can still be moved.
- Use only genuine replacement parts and accessories.

### Additional safety warnings

#### Electrical safety



### **DANGER!** Cardiac arrest!

**This product makes an electromagnetic field while it operates. This field may under some conditions interfere with active or passive medical implants. To decrease the risk of conditions that can possibly injure or kill, we recommend persons with medical implants to speak with their physician and the medical implant manufacturer before you operate the product.**

Before use, examine the cable for signs of damage or ageing. If the cable is found to be defective, take the product to an authorised Service Centre and have the cable replaced.

Do not use the product if the electric cables are damaged or worn.

Immediately disconnect from the mains if the cable is cut, or the insulation is damaged. Do not touch the electric cable until the cable has been disconnected. Do not repair a cut or damaged cable. Replace it with a new one.

The extension cable must be uncoiled. Coiled cables can overheat and reduce the efficiency of your mower.

Keep the extension cable away from product, always work away from the power point mowing up and down, never in circles.

Do not pull cable around sharp objects.

Always switch off at the mains before disconnecting any plug, cable connector or extension cable.

Stop the motor, disconnect the mains and examine the cable for damage or ageing before you wind the cable for storage. Do not repair a damaged cable, replace it with a new one. Use only genuine replacement cable.

Always wind the cable carefully, avoid kinking.

Do not carry the product by the cable.

Do not pull on the cable to disconnect any of the plugs.

Use only on AC mains supply voltage shown on the product rating label.

Our products are double insulated to EN60335. Do not connect an earth to any part of the product.

Check the working area for hidden cables.

Do not use for pond care or close to water.

#### Personal safety



### **DANGER!** Risk of suffocation!

**Small parts can be easily swallowed. There is also a risk that the poly-bag can suffocate toddlers. Keep toddlers away when you assemble the product.**

Let the hover mower to cool down for at least 30 minutes before storage or maintenance.

If blockage of cutting element stop product and check.

Do not tilt the machine into the direction of the user.

Do not move backwards.

Stay alert during operation.

Do not use in explosive atmosphere.

Do not operate the product when you are tired, ill or under the influence of alcohol, drugs or medicine or when you are exhausted.

Do not overload the mower.

Use gloves, wear slip resistant shoes and wear eye protection.

Do not use under wet conditions.

Do not use on wet grass.

Do not disassemble the product further than the delivery status.

Only start the mower with an upright standing handle.

Do not use the start levers alternately.

Use the handles carefully.

#### Safety Cut-Out

The motor is protected by a Safety Cut-Out which is activated when the blade becomes jammed or if the motor is overloaded. When this occurs, stop and disconnect the product from the mains. The Safety Cut-Out will only reset when you release the start/stop lever. Clear any obstruction and wait for a few minutes for the Safety Cut-Out to reset before you continue to use the product.

## 2. ASSEMBLY



### **DANGER!** Risk of injury!

**Cut injury when the product starts accidentally.**

→ **Wait for the blade to stop, disconnect the product from the mains and use gloves before you assemble the product.**

#### *Fitting the lower handles to your lawnmower [Fig. A]:*

##### **A1 lower handle**

##### **A2 slots**

##### **A3 fixing pin**

- Place the end of the lower handle into the slots.
- Secure lower handles to hood by firmly pushing fixing pin through holes in hood and handle.
- Repeat on the other side.

**NOTE:** Should a problem occur when securing handle to hood with the fixing pin, carefully lever fixing pin out of location and repeat steps 1 to 3 above.

#### *Fitting upper handles to lower handles [Fig. B]:*

##### **B1 lock off button**

##### **B2 nut (if applicable)**

##### **B3 handle knob**

##### **B4 washer**

##### **B5 bolt**

- Ensure the upper handle is located correctly with the lock-off button on the switchbox uppermost.
- Ensure the upper handle and the lower handle are aligned correctly.
- Insert the nut into the handle knob (if applicable).
- Fit the bolts, washers and handle knobs.
- Fit the cable to the handles with the clips provided. Make sure the cable is not trapped between the upper and lower handles.

#### *Adjusting the cutting height:*



### **WARNING!**

**Always handle the blade with care – sharp edges could cause injury. USE GLOVES. Never use more than 3 cutting height spacers. Spacers must only be fitted between the blade and the fan and NEVER between the blade and the bolt.**

- Remove the blade bolt and blade as described in *Removing the Blade and Fan*.
- For a Lower Cut – Add spacers.
- For a Higher Cut – Take spacers away.
- Refit the blade as described in *Fitting the Blade and Fan*.

Always ensure the text 'THIS SIDE TO GRASS' will be facing the grass when the product is in the mowing position. [Fig. L]

#### *Removing and fitting the fan blade:*

##### **Removing the blade and fan:**

##### **K1 Blade Bolt**

##### **K2 Blade**

##### **K3 Spacers**

##### **K4 Fan**

- To remove the blade bolt, hold the fan firmly and with the spanner provided loosen the blade bolt by turning it anti-clockwise. [Fig. L]
- Remove the blade bolt, blade, spacers and fan.
- Inspect for damage and clean as necessary.

**NOTE:** Renew your metal blade after 50 hours mowing or 2 years whichever is the sooner – regardless of condition.

#### *Fitting the blade and fan:*



### **WARNING!**

**If the blade is cracked or damaged replace it with a new one.**



## WARNING!

Never use a blade bolt if the insulated head is damaged, cracked, or missing.

1. Ensure the fan is located correctly.
2. Place the spacers onto the fan ensuring the pegs have located into the holes.
3. Place the blade onto the spacers ensuring the pegs have located into the holes on the blade and ensuring the blade is positioned as illustrated. [Fig. K]
4. Place the blade bolt through the centre hole of the blade. [Fig. K]
5. Tighten down clockwise by hand.
6. Hold the fan firmly and tighten the blade bolt with the spanner provided.

## 3. OPERATION



### DANGER! Risk of injury!

Cut injury when the product starts accidentally.

→ Wait for the blade to stop, disconnect the product from the mains and use gloves before you adjust or transport the product.

#### Handle adjustment:

**NOTE:** Removal of lower handle fixing pins is not required to adjust the handle.

#### Handle in forward position [Fig. C]:

1. Push the handle inwards from both sides.
2. Move the handle forward until it stops.

#### Handle in down position [Fig. C]:

1. Push the handle inwards from both sides.
2. Move the handle downward until it stops.

**NOTE:** The handle does not rest flat on the ground.

#### Handle in operating position:

Adjustment is not required to move the handle to the operating position. Simply pull down from the forward position or lift up from the down position until the handle is in the most comfortable operating position.

#### To start the mower:



### DANGER! Risk of injury!

Risk of injury if the product does not stop when you release the start levers.

→ Do not bypass the safety devices or switches. For example do not attach the start levers to the handle.

#### To start:

1. EU models: Connect female extension cable connector to the back of the switchbox.
2. Form loop in mains cable and push the loop through the slot in the switchbox. [Fig. D]
3. To secure, position loop over the hook and pull the cable back through the slot. [Fig. E]
4. Connect plug to mains and switch on.
5. To prevent a ring being cut in your lawn and to clear any residual grass, tilt your lawnmower slightly. [Fig. F]

**NOTE:** The switchbox is provided with a lock-off button to prevent accidental starting. [Fig. H1]

6. Press and hold the lock-off button on the switchbox, then squeeze one of the start/stop levers towards the upper handle. [Fig. H]
7. Continue to squeeze the start/stop lever towards the upper handle and release the lockoff button.
8. When the lawnmower has reached full speed gently lower it onto the lawn.

**NOTE:** There are two start/stop levers fitted. Either one can be used for starting the lawnmower.

**IMPORTANT:** Do not use the start/stop levers intermittently.

#### To stop:

1. To prevent a ring being cut in your lawn and to clear any residual grass, tilt your lawnmower slightly. [Fig. F]
2. Release the pressure on the start/stop lever.

#### How to use the mower:

1. Start mowing the edge of the lawn nearest to the power point so the cable is laid out on the lawn you have already cut. [Fig. J]
2. Cut your grass twice a week during the growing season. Your lawn will suffer if more than a third of its length is cut at one time.



### CAUTION!

Do not overload your mower.

Mowing long thick grass may cause the motor speed to drop. You will hear a change in the motor sound. If the motor speed drops, you may overload your lawnmower which may cause damage. When mowing in long thick grass, a first cut with the cutting height set higher will help reduce the load. See *Adjusting the Cutting Height*.

## 4. MAINTENANCE



### DANGER! Risk of injury!

Cut injury when the product starts accidentally.

→ Wait for the blade to stop, disconnect the product from the mains and use gloves before you maintain the product.

#### To clean the mower [Fig. P]:



### DANGER! Risk of injury!

Risk of injury and risk of damage to the product.

→ Do not clean the product with water or with a water jet (in particular high-pressure water jet).

→ Do not clean with chemicals including petrol or solvents. Some can destroy critical plastic parts.

#### The airflow slots must always be clean.

It is very important that you keep your lawnmower clean. Grass clippings left in any of the air intakes or under the hood could become a potential fire hazard.

1. Remove grass from under the hood with spanner/scrapper tool.
2. Using a soft brush, remove grass clippings from all air intakes.
3. Remove the blade to gain access to the fan and clean with a soft brush.
4. Wipe over the surface of your lawnmower with a dry cloth.

## 5. STORAGE

#### To put into storage:

The product must be stored away from children.

1. Disconnect the product from the mains.
2. Clean the mower (see 4. MAINTENANCE).
3. Store the mower in a dry, enclosed and frost-free place where it is protected from damage.

#### Storage positions [Fig. S]:

There are two kinds of storing the mower:

- Lying storage position
- Wall-mounting storage position

**NOTE:** When wall-mounting storage, always hang the mower from the lower handle ① cross section.

### To fold the handle [Fig. S]:

- Lift up and support the handles ①/⑦ by approximately 5 cm.
- To unlock, push the lower handle ⑦ inwards from both sides simultaneously.
- For the lying storage position:**  
Rotate the handles ①/⑦ forwards.  
Or:  
**For the wall-mounting storage position:**  
Rotate the handles ①/⑦ backwards.
- Loosen the handle knobs ④ and fold the upper handle ①.  
*Make sure that the cable is not locked between the lower and the upper handle.*

### At the end of the mowing season:

- Replace blade, bolts, nuts or screws, if necessary.
- Clean your lawnmower thoroughly.
- Ask your local Service Centre to clean the air filter thoroughly and carry out any service or repairs required.
- Make sure that the electric cable is coiled properly.

### Carrying your Lawnmower

Ensure the blade is facing away from you.

## 6. TROUBLESHOOTING



### **DANGER!** Risk of injury!

**Cut injury when the product starts accidentally.**

→ **Wait for the blade to stop, disconnect the product from the mains and use gloves before you troubleshoot the product.**

Problem	Possible Cause	Remedy
<b>Mower fails to operate</b>	Is the power turned on?	→ Check the fuse in the plug. Replace if blown.
	Fuse continues to blow?	→ Immediately disconnect from the mains electricity supply and consult your local approved Service Centre.
	Is the correct starting procedure being followed?	→ See <i>To start the mower</i> .
<b>Poor flotation</b>	Underside of the mower and/or the fan blades are dirty.	→ Clean the underside of the hood and the fan blades.
	Cutting height is too low.	→ Raise to a higher height of cut. See <i>Adjusting the Cutting Height</i> .
	If poor flotation persists, contact the local approved Service Centre.	
<b>Excessive Vibration</b>		→ Replace broken or missing plastic cutters.
		→ Check plastic cutters are fitted correctly.
	If vibration persists, immediately disconnect from the mains electricity supply and consult your local approved Service Centre.	



**NOTE: For any other malfunctions please contact the FLYMO service department. Repairs must only be done by FLYMO service departments or specialist dealers approved by FLYMO.**

## 7. TECHNICAL DATA

Electric Rotary Lawnmower	Unit	Value Turbo Lite 250
Cutting width	cm	25
Speed of rotation cutting blade	R/min	7000 ± 5 %
Cutting height	mm	10 – 30
Power	kW	1.4 ± 5 %

Electric Rotary Lawnmower	Unit	Value Turbo Lite 250
Weight	kg	4.47 (EU), 5.1 (UK)
Sound pressure level $L_{pA}$ <sup>1)</sup> Uncertainty $k_{pA}$	dB (A)	89 3.0
Sound power level $L_{WA}$ <sup>2)</sup> ; measured / guaranteed Uncertainty $k_{WA}$	dB (A)	94 / 95 1.0
Hand / arm vibration $a_{vhw}$ <sup>1)</sup> Uncertainty $k_{vhw}$	m/s <sup>2</sup>	2.2 1.5

Measuring process complying with: <sup>1)</sup> EN 60335-2-77 <sup>2)</sup> RL 2000/14/EC / S.I. 2001 No.1701



**NOTE: The stated vibration emission value has been measured according to a standardised test procedure and can be used for comparison of one electric power tool with another. It can also be used for preliminary evaluation of exposure. The vibration emission value can vary during actual use of the electric power tool.**

## 8. SERVICE/WARRANTY

### Service:

Please contact the address on the back page.

### Warranty statement:

In the event of a warranty claim, no charge is levied to you for the services provided.

FLYMO grants a warranty for all original FLYMO new products for two years from the date of original purchase from the retailer, provided that the devices have been for private use only. This manufacturer's warranty does not apply to products acquired second hand. This warranty includes all significant defects of the product that can be proved to be material or manufacturing faults. This warranty is fulfilled by supplying a fully functional replacement product or by repairing the faulty product sent to us free of charge; we reserve the right to choose between these options. This service is subject to the following provisions:

- The product has been used for its intended purpose as per the recommendations in the operating instructions.
- Neither the purchaser nor a third party has attempted to open or repair the product.
- Only Original FLYMO replacement parts and wear parts have been used for operation.
- Presentation of the receipt.

Normal wear and tear of parts and components (such as blades, blade fixing parts, turbines, light bulbs, V-belts/toothed belts, impellers, air filters, spark plugs), visual changes, wear parts and consumables are excluded from the warranty.

This manufacturer's warranty is limited to replacement and repair of products in accordance with the abovementioned conditions. The manufacturer's warranty does not constitute an entitlement to lodge other claims against us as a manufacturer, such as for damages. This manufacturer's warranty does **not**, of course, affect statutory and contractual warranty claims against the dealer/retailer.

The manufacturer's warranty is governed by the law of the Federal Republic of Germany.

In case of a warranty claim, please return the faulty product, together with a copy of the receipt and a description of the fault, with postage paid to the service address.

### Consumables:

The blade is a consumable and is not included in the warranty.

## 9. DISPOSAL

### Disposal of the mower:

(according to Directive 2012/19/EU/S.I. 2013 No. 3113)



The product must not be disposed of to normal household waste. It must be disposed of in line with local environmental regulations.

### IMPORTANT!

→ Dispose of the product through or via your municipal recycling collection centre.





## PRODUCT LIABILITY

In accordance with the German Product Liability Act, we hereby expressly declare that we accept no liability for damage incurred from our products where said products have not been properly repaired by a FLYMO-approved service partner or where original FLYMO parts or parts authorised by FLYMO were not used.

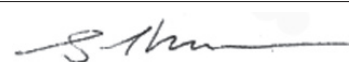
## EC DECLARATION OF CONFORMITY

The undersigned hereby certifies as the authorized representative of the manufacturer, Husqvarna AB, 561 82 Huskvarna, Sweden, that, when leaving our factory, the unit(s) indicated below is/are in accordance with the harmonised EU guidelines, EU standards of safety and product specific standards. This certificate becomes void if the unit(s) is/are modified without our approval.

Description of the product:	<b>Mower Turbo Lite</b>
Product type:	<b>250</b>
Article-number:	<b>9679094-xx</b>
CE-Directives:	<b>2006/42/EC 2014/30/EU 2011/65/EU 2000/14/EC</b>
Harmonised EN:	<b>EN ISO 12100 EN 60335-1 EN 60335-2-77</b>
Deposited documentation:	<b>GARDENA Technical Documentation, M. Jäger, 89079 Ulm</b>
Conformity assessment according to:	<b>2000/14/EG: Art. 14 Annex VI</b>
Noise level: measured / guaranteed	<b>94 dB(A) / 95 dB(A)</b>
Ulm, 08.09.2021 Authorised representative:	 <b>Reinhard Pompe</b> Vice President Products
	 <b>Wolfgang Engelhardt</b> Vice President Supply Chain

## UKCA DECLARATION OF CONFORMITY (ONLY FOR UK)

The manufacturer: Husqvarna AB SE 561 82 Huskvarna, Sweden hereby certifies, when leaving our factory, the unit(s) indicated below is/are in accordance with the UK Regulations, designated standards of safety and product specific designated standards. This certificate becomes void if the units are modified without our approval.

Description of the product:	<b>Mower Turbo Lite</b>
Product type:	<b>250</b>
Article number:	<b>9679094-xx</b>
UK regulations:	<b>S.I. 2008/1597 S.I. 2016/1091 S.I. 2012/3032 S.I. 2001/1701</b>
Designated standards:	<b>EN ISO 12100 EN 60335-1 EN 60335-2-77</b>
Authorised representative:	<b>Husqvarna UK Limited</b>
Deposited documentation:	<b>Preston Road, Aycliffe, County Durham UK DL5 6 UP</b>
Noise level: measured / guaranteed	<b>94 dB(A) / 95 dB(A)</b>
Conformity assessment according to:	<b>S.I. 2001/1701 Art. 11 Schedule 9</b>
Aycliffe, 08.09.2021 Authorised representative:	 <b>John Thompson</b> Director

**Service Address and  
Importer to Great Britain**

Husqvarna UK Ltd  
Preston Road  
Aycliffe Industrial Park  
Newton Aycliffe  
County Durham  
DL5 6UP  
info.FLYMO@husqvarna.co.uk



11250-85.960.02/1122  
Husqvarna AB  
Drottninggatan 2  
SE-561 82 Huskvarna  
Sweden

Our policy of continuous improvement means that the specification of products may be altered from time to time without prior notice.  
Copyright © 2022 Flymo S.A. All rights reserved.  
Flymo® and other product and feature names are registered or unregistered trademarks of Flymo S.A.